



Manufacturers of Quality Bar and Beverage Dispensing Equipment for the Foodservice and Brewing Industries Since 1917

Welcome To The Perlick Web Site

Sorry, your browser doesn't support Java(tm).

- Products
- About Perlick
- Find Your Perlick Rep
- Stocking Distributors
- Customer Order Status
- Find a Service Agency
- Company Personnel
- Employment Opportunities
- Contact Us
- Perlick Rep On-line Inquires
- Return Home



Since its inception in 1917, the Perlick Corporation has evolved into the premier supplier of Bar and Beverage Dispensing equipment in the industry. Perlick products can be found in restaurants, hotels, stadiums, arenas, theme parks and breweries worldwide. Headquartered in a 300,000 square foot manufacturing facility in Milwaukee, Wisconsin, we are proud of both our heritage and our ongoing dedication to provide innovative and quality products to our customers for nearly ninety years.

[Back To Top](#)

Perlick Corporation 8300 W. Good Hope Road Milwaukee, WI 53223
Phone - 414-353-7060 Fax - 414-353-7069 1-800-558-5592

Copyright© 2003 Perlick Corporation, All Rights Reserved. E-Mail your comments or questions to:

[Perlick Corporation](#) and we will be happy to get back to you!

This site was created by [OrionWeb Consulting Services](#)

Perlick

Manufacturers of Quality Bar and Beverage Dispensing Equipment for the Foodservice and Brewing Industries Since 1917

Sorry, your browser doesn't support Java(tm).

[Products](#)

[About Perlick](#)

[Find Your Perlick Rep](#)

[Stocking Distributors](#)

[Customer Order Status](#)

[Find a Service Agency](#)

[Company Personnel](#)

[Employment Opportunities](#)

[Contact Us](#)

[Perlick Rep On-line Inquires](#)

[Return Home](#)

About Perlick

Since its inception in 1917, the Perlick Corporation has evolved into the premier supplier of Bar and Beverage Dispensing equipment in the industry. Perlick equipment can be found in restaurant chains, hotels, stadiums, theme parks and breweries worldwide. Headquartered in a 300,000 square foot manufacturing facility in Milwaukee, Wisconsin, Perlick operates with three divisions.

Perlick's Bar and Beverage Equipment Division manufactures equipment used in the bar environment to include refrigerated and non-refrigerated cabinets, stainless steel underbar equipment, glasswashers and the revolutionary modular bar structure which completes the bar package.

Perlick's Tapping Equipment Division manufactures all the fittings and valves used to dispense both beer and wine.

Perlick's Brewery Fittings Division manufactures stainless steel and brass fittings which are used in the brewing process.

Our attention to detail and total commitment to quality ensures that every Perlick customer receives the finest products available in the industry today.

[Back To Top](#)

Perlick Corporation 8300 W. Good Hope Road Milwaukee, WI 53223
Phone - 414-353-7060 Fax - 414-353-7069 1-800-558-5592

Copyright© 2003 Perlick Corporation, All Rights Reserved. E-Mail your comments or questions to:

[Perlick Corporation](#) and we will be happy to get back to you!

This site was created by [OrionWeb Consulting Services](#)

Perlick

Manufacturers of Quality Bar and Beverage Dispensing Equipment for the Foodservice and Brewing Industries Since 1917

Sorry, your browser doesn't support Java(tm).

[Products](#)

[About Perlick](#)

[Find Your Perlick Rep](#)

[Stocking Distributors](#)

[Customer Order Status](#)

[Find a Service Agency](#)

[Company Personnel](#)

[Employment Opportunities](#)

[Contact Us](#)

[Perlick Rep On-line Inquires](#)

[Return Home](#)

Modular Bar Systems



- **Factory preassembled sections up to 8 1/2 feet.**
- **All metal construction**
- **Interior finish panel is adjustable for sealing to the floor.**
- **Easy access beverage line chase.**
- **Pre-engineered construction assures exact fit, eliminates on-site adjustments.**
- **Interior chase conceal beverage and utility lines dramatically improving underbar appearance.**
- **Bar front panels are easily removed for quick access to all utilities.**
- **Bar top and front panels can be prefabricated to reduce on-site millwork costs.**
- **Optional electrical outlets and fluorescent lighting.**

Modular Bar Systems

[Assembly and Installation Instructions](#) (1.4 Mb)

Back To Top

Perlick Corporation 8300 W. Good Hope Road Milwaukee, WI 53223

Phone - 414-353-7060 Fax - 414-353-7069 1-800-558-5592

Copyright© 2003 Perlick Corporation, All Rights Reserved. E-Mail your comments or questions
to:

[Perlick Corporation](#) and we will be happy to get back to you!

This site was created by [OrionWeb Consulting Services](#)



Manufacturers of Quality Bar and Beverage Dispensing Equipment for the Foodservice and Brewing Industries Since 1917

Sorry, your browser doesn't support Java(tm).

Underbar Stainless Steel Equipment



- [Products](#)
- [About Perlick](#)
- [Find Your Perlick Rep](#)
- [Stocking Distributors](#)
- [Customer Order Status](#)
- [Find a Service Agency](#)
- [Company Personnel](#)
- [Employment Opportunities](#)
- [Contact Us](#)
- [Perlick Rep On-line Inquires](#)
- [Return Home](#)

Accessories

- Underbar Accessories: Ice Chests
[BW](#) - [CC](#) - [7051-93A](#)

Blender Stations

- 12" Blender Station with Sink
[TS12BLW](#)
- 14" Blender Station with Sink
[TS14BLW](#)
- 18" Blender Station with Sink
[TS18BLW](#)
- Blender Station without Sink
[TS12BLD](#) - [TS18BLD](#)

Drainboards

- Drainboards
[TS12](#) – [TS48](#)
- Drop Down Drainboards
[TS12DD](#) – [TS18DD](#)

Filler Sections

- Filler Sections Six Inch
[TS6CO](#) - [TS6FA](#)
- Filler Sections Thru-The-Bar
[TSS6CO](#) - [TSS6C02](#)

Ice Chests

- Standard Ice Chests with Cold Plate
[TS24IC8](#) - [TS48IC8](#)
- Standard Ice Chests without Cold Plate
[TS24IC](#) - [TS48IC](#)
- Thru-The Bar Ice Chests
[7055A70](#) - [7055A73-8](#)
- Drop In Ice Chests
[7600A24](#) - [7600A36-8](#)

Ice Cream Cabinets

- Ice Cream Center
[TS24DC](#)
- Drop-In Ice Cream Unit
[8000](#)

	<ul style="list-style-type: none"> ● Extra Deep Ice Chests 7055A62 - 7055A64-8 	
<p>Storage Bins/Cabinets</p> <ul style="list-style-type: none"> ● Storage Bins for Glassware 7055A - 7055A-D ● Storage Bins for Liquor TS12LS - 7055A3 ● Storage Cabinets with Full Drainboard Top SC12 - S18 - SC48 ● Storage Cabinets with Rinse Tank and Waste Chute SC18W 	<p>Miscellaneous</p> <ul style="list-style-type: none"> ● Trash Module TS12TRA ● Bar Drainers 7055A8 - 7055A9 ● Equipment Stands ES18 - ES24 	<p>Sinks</p> <ul style="list-style-type: none"> ● Hand Sink with Towel Dispenser TS18HST - TS18HSN ● One Tank Sinks TS12HS ● Two Tank Sinks TS22C ● Three Tank Sinks TS33C - TS83C ● Four Tank Sinks TS44C - TS94C ● Wall Mounted Sink HS17WM ● Hand Sink with Towel Dispenser TS12HSN
<p>Corner Filler Sections</p> <ul style="list-style-type: none"> ● Corner Filler Sections Inside Corners with Flat Top 7055-12 - 7055-13 ● Corner Filler Sections Outside Corners with Flat Top 7055-20 - 7055-22 ● Corner Filler Sections Inside Corners with Drainboard Top 7055-152 - 7055-160 ● Corner Filler Sections Outside Corners with Drainboard Top 7055-153 ● Corner Filler Sections Inside Corner Drainboards 		<p>Insulated Storage Chests</p> <ul style="list-style-type: none"> ● TS6U - TS12U

[TS24LIC](#) -
[TS24RIC](#)

[Back To Top](#)

Perlick Corporation 8300 W. Good Hope Road Milwaukee, WI 53223
Phone - 414-353-7060 Fax - 414-353-7069 1-800-558-5592

Copyright© 2003 Perlick Corporation, All Rights Reserved. E-Mail your comments or questions
to:

[Perlick Corporation](#) and we will be happy to get back to you!

This site was created by [OrionWeb Consulting Services](#)

Perlick

Manufacturers of Quality Bar and Beverage Dispensing Equipment for the Foodservice and Brewing Industries Since 1917

Sorry, your browser doesn't support Java(tm).

Products

About Perlick

Find Your Perlick Rep

Stocking Distributors

Customer Order Status

Find a Service Agency

Company Personnel

Employment Opportunities

Contact Us

Perlick Rep On-line Inquires

Return Home

Back Bar Cabinets



Refrigerated Cabinets

- Custom Remote Cabinets
[BR2DP](#) - [BR4DS](#)
- Custom Self-Contained Cabinets
[BS2DP](#) - [BS4DS](#)
- Custom Non-Refrigerated Cabinets
[BN1DP](#) - [BN2DS](#)
- Custom Pass Thru Self Contained Cabinets
[PS2D](#), [PS3D](#)
- Custom Pass Thru Remote Cabinets
[PR2D](#), [PR3D](#)

Back Bar Coolers

- Self-Contained - Single Door Cabinets
[CS1DP](#)
- Self-Contained - Multi Door Cabinets
[CS2DP](#), [CS3DP](#), [CS4DP](#)



All Replacement Parts & Specifications are provided in Adobe Acrobat PDF file format. You must have Adobe Acrobat installed on your system to view these files. Perlick has provided this file, for your convenience, to be downloaded from here. Just click on the Adobe Acrobat "PDF" 4.0 Icon to begin download.

Back To Top

Perlick Corporation 8300 W. Good Hope Road Milwaukee, WI 53223

Phone - 414-353-7060 Fax - 414-353-7069 1-800-558-5592

Copyright© 2003 Perlick Corporation, All Rights Reserved. E-Mail your comments or questions to:

[Perlick Corporation](#) and we will be happy to get back to you!

This site was created by [OrionWeb Consulting Services](#)

Perlick

Manufacturers of Quality Bar and Beverage Dispensing Equipment for the Foodservice and Brewing Industries Since 1917

Sorry, your browser doesn't support Java(tm).

[Products](#)

[About Perlick](#)

[Find Your Perlick Rep](#)

[Stocking Distributors](#)

[Customer Order Status](#)

[Find a Service Agency](#)

[Company Personnel](#)

[Employment Opportunities](#)

[Contact Us](#)

[Perlick Rep On-line Inquires](#)

[Return Home](#)

Direct Draw Dispensers



Direct Draw Dispensers

- Single Keg Dispensers
[DP1KP](#), [DS1KP](#)
- Self-Contained Direct Draw Cabinets
[DS2KP](#), [DS3KP](#), [DS4KP](#)
- Remote Direct Draw Cabinets
[DR2KP](#), [DR3KP](#), [DR4KP](#)
- Concessionaire Direct Draw Cabinets
[DC2KP](#), [DC3KP](#), [DC4KP](#)



All Replacement Parts & Specifications are provided in Adobe Acrobat PDF file format. You must have Adobe Acrobat installed on your system to view these files. Perlick has provided this file, for your convenience, to be downloaded from here. Just click on the Adobe Acrobat "PDF" 4.0 Icon to begin download.

[Back To Top](#)

Perlick Corporation 8300 W. Good Hope Road Milwaukee, WI 53223
Phone - 414-353-7060 Fax - 414-353-7069 1-800-558-5592

Copyright© 2003 Perlick Corporation, All Rights Reserved. E-Mail your comments or questions to:

[Perlick Corporation](#) and we will be happy to get back to you!

This site was created by [OrionWeb Consulting Services](#)

Perlick

Manufacturers of Quality Bar and Beverage Dispensing Equipment for the Foodservice and Brewing Industries Since 1917

Sorry, your browser doesn't support Java(tm).

[Products](#)

[About Perlick](#)

[Find Your Perlick Rep](#)

[Stocking Distributors](#)

[Customer Order Status](#)

[Find a Service Agency](#)

[Company Personnel](#)

[Employment Opportunities](#)

[Contact Us](#)

[Perlick Rep On-line Inquires](#)

[Return Home](#)

Bottle Coolers



Bottle Coolers

- NEW Bottle Coolers
[BC24](#) - [BC36](#) - [BC48](#) - [BC60](#) - [BC72BC96](#)



All Replacement Parts & Specifications are provided in Adobe Acrobat PDF file format. You must have Adobe Acrobat installed on your system to view these files. Perlick has provided this file, for your convenience, to be downloaded from here. Just click on the Adobe Acrobat "PDF" 4.0 Icon to begin download.

[Back To Top](#)

Perlick Corporation 8300 W. Good Hope Road Milwaukee, WI 53223
Phone - 414-353-7060 Fax - 414-353-7069 1-800-558-5592

Copyright© 2003 Perlick Corporation, All Rights Reserved. E-Mail your comments or questions to:

[Perlick Corporation](#) and we will be happy to get back to you!

This site was created by [OrionWeb Consulting Services](#)

Perlick

Manufacturers of Quality Bar and Beverage Dispensing Equipment for the Foodservice and Brewing Industries Since 1917

Sorry, your browser doesn't support Java(tm).

Products

About Perlick

Find Your Perlick Rep

Stocking Distributors

Customer Order Status

Find a Service Agency

Company Personnel

Employment Opportunities

Contact Us

Perlick Rep On-line Inquires


Return Home

Glass Frosters



Glass Frosters

- NEW Glass Frosters (Mug Chillers)
[FR24](#) - [FR36](#) - [FR48](#) - [FR60](#)

All Replacement Parts & Specifications are provided in Adobe  Acrobat PDF file format. You must have Adobe Acrobat installed on your system to view these files. Perlick has provided this file, for your convenience, to be downloaded from here. Just click on the Adobe Acrobat "PDF" 4.0 Icon to begin download.

[Back To Top](#)

Perlick Corporation 8300 W. Good Hope Road Milwaukee, WI 53223
Phone - 414-353-7060 Fax - 414-353-7069 1-800-558-5592

Copyright© 2003 Perlick Corporation, All Rights Reserved. E-Mail your comments or questions to:

[Perlick Corporation](#) and we will be happy to get back to you!

This site was created by [OrionWeb Consulting Services](#)

Perlick

Manufacturers of Quality Bar and Beverage Dispensing Equipment for the Foodservice and Brewing Industries Since 1917

Sorry, your browser doesn't support Java(tm).

[Products](#)

[About Perlick](#)

[Find Your Perlick Rep](#)

[Stocking Distributors](#)

[Customer Order Status](#)

[Find a Service Agency](#)

[Company Personnel](#)

[Employment Opportunities](#)

[Contact Us](#)

[Perlick Rep On-line Inquires](#)

[Return Home](#)

Glass Washers



Glasswasher

- 24" Batch - Rotary Glasswasher
[PKBR](#)



All Replacement Parts & Specifications are provided in Adobe Acrobat PDF file format. You must have Adobe Acrobat installed on your system to view these files. Perlick has provided this file, for your convenience, to be downloaded from here. Just click on the Adobe Acrobat "PDF" 4.0 Icon to begin download.

[Back To Top](#)

Perlick Corporation 8300 W. Good Hope Road Milwaukee, WI 53223
Phone - 414-353-7060 Fax - 414-353-7069 1-800-558-5592

Copyright© 2003 Perlick Corporation, All Rights Reserved. E-Mail your comments or questions to:

[Perlick Corporation](#) and we will be happy to get back to you!

This site was created by [OrionWeb Consulting Services](#)

Perlick

Manufacturers of Quality Bar and Beverage Dispensing Equipment for the Foodservice and Brewing Industries Since 1917

Sorry, your browser doesn't support Java(tm).

[Products](#)

[About Perlick](#)

[Find Your Perlick Rep](#)

[Stocking Distributors](#)

[Customer Order Status](#)

[Find a Service Agency](#)

[Company Personnel](#)

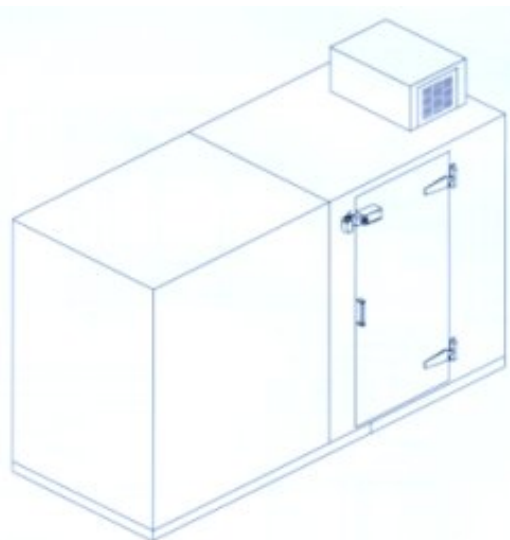
[Employment Opportunities](#)

[Contact Us](#)

[Perlick Rep On-line Inquires](#)

[Return Home](#)

Utility Coolers



Utility Coolers

- Self-Contained & Remote Utility Cabinets
[US/UR4KP](#), [US/UR10KP](#)



All Replacement Parts & Specifications are provided in Adobe Acrobat PDF file format. You must have Adobe Acrobat installed on your system to view these files. Perlick has provided this file, for your convenience, to be downloaded from here. Just click on the Adobe Acrobat "PDF" 4.0 Icon to begin download.

[Back To Top](#)

Perlick Corporation 8300 W. Good Hope Road Milwaukee, WI 53223

Phone - 414-353-7060 Fax - 414-353-7069 1-800-558-5592

Copyright© 2003 Perlick Corporation, All Rights Reserved. E-Mail your comments or questions to:

[Perlick Corporation](#) and we will be happy to get back to you!

This site was created by [OrionWeb Consulting Services](#)

Perlick

Manufacturers of Quality Bar and Beverage Dispensing Equipment for the Foodservice and Brewing Industries Since 1917

Sorry, your browser doesn't support Java(tm).

[Products](#)

[About Perlick](#)

[Find Your Perlick Rep](#)

[Stocking Distributors](#)

[Customer Order Status](#)

[Find a Service Agency](#)

[Company Personnel](#)

[Employment Opportunities](#)

[Contact Us](#)

[Perlick Rep On-line Inquires](#)

[Return Home](#)

Century Beer Systems



- [More Profit From The Keg](#)
- [Why Perlick](#)
- [Perlick Serves The Crowd](#)
- Beer Line Cleaning
 - [Brochure](#)
 - [Specification Sheets](#)
 - [Installation Instructions](#)
- Specification
 - Power Paks [Water Cooled](#)
 - Power Paks [Air Cooled](#)
 - [Trunk Housing](#)
 - [Dispensing Towers](#)
 - [Specifications](#)
 - [Drainers](#)
- Sports Venues
 - [Major League Baseball](#)
 - [National Basketball Association](#)
 - [National Football League](#)
 - [National Hockey League](#)

NOTE! The PDF files may take a moment or two to load!



All Replacement Parts & Specifications are provided in Adobe Acrobat PDF file format. You must have Adobe Acrobat installed on your system to view these files. Perlick has provided this file, for your convenience, to be downloaded from here. Just click on the Adobe Acrobat "PDF" 4.0 Icon to begin download.

Back To Top

Perlick Corporation 8300 W. Good Hope Road Milwaukee, WI 53223

Phone - 414-353-7060 Fax - 414-353-7069 1-800-558-5592

Copyright© 2003 Perlick Corporation, All Rights Reserved. E-Mail your comments or questions to:

[Perlick Corporation](#) and we will be happy to get back to you!

This site was created by [OrionWeb Consulting Services](#)



Manufacturers of Quality Bar and Beverage Dispensing Equipment for the Foodservice and Brewing Industries Since 1917

Sorry, your browser doesn't support Java(tm).

- [Products](#)
- [About Perlick](#)
- [Find Your Perlick Rep](#)
- [Stocking Distributors](#)
- [Customer Order Status](#)
- [Find a Service Agency](#)
- [Company Personnel](#)
- [Employment Opportunities](#)
- [Contact Us](#)
- [Perlick Rep On-line Inquires](#)
- [Return Home](#)

Replacement Parts



All Replacement Parts & Specifications are provided in Adobe Acrobat PDF file format. You must have Adobe Acrobat installed on your system to view these files. Perlick has provided this file, for your convenience, to be downloaded from here. Just click on the Adobe Acrobat "PDF" 4.0 Icon to begin download.

[Ice Cream Cabinet Replacement Parts \(11k\)](#)

[Back Bar Cabinets Replacement Parts](#)

[32" & 37" Self Contained \(224k\)](#)

[32" & 37" Remote \(153k\)](#)

[Pass-Thru \(52k\)](#)

[Bottle Coolers Replacement Parts](#)

[Flat Top \(2.4meg\)](#)

[Roll Top \(364k\)](#)

[Century Power Paks Replacement Parts](#)

[Air-Cooled \(51k\)](#)

[Water-Cooled \(72k\)](#)

[Cooler Series Cabinets Replacement Parts \(50k\)](#)

[Direct Draw Dispensers Replacement Parts](#)

[Concessionaire \(7k\)](#)

[Remote \(46k\)](#)

[Self Contained \(50k\)](#)

[Single Keg \(35k\)](#)

[Glass Frosters Replacement Parts \(91k\)](#)

[Glasswasher - PKBR24 Replacement Parts \(62k\)](#)

[Tapping Equipment for Direct Draw Dispensers](#)

[Replacement Parts \(900k\)](#)

[Utility Coolers - 4 and 10 Keg Replacement Parts \(12k\)](#)

Back To Top

Perlick Corporation 8300 W. Good Hope Road Milwaukee, WI 53223

Phone - 414-353-7060 Fax - 414-353-7069 1-800-558-5592

Copyright© 2003 Perlick Corporation, All Rights Reserved. E-Mail your comments or questions to:

[Perlick Corporation](#) and we will be happy to get back to you!

This site was created by [OrionWeb Consulting Services](#)




Manufacturers of Quality Bar and Beverage Dispensing Equipment for the Foodservice and Brewing Industries Since 1917

Sorry, your browser doesn't support Java(tm).

Installation and Operations Instructions

- Products
- About Perlick
- Find Your Perlick Rep
- Stocking Distributors
- Customer Order Status
- Find a Service Agency
- Company Personnel
- Employment Opportunities
- Contact Us
- Perlick Rep On-line Inquires
- Return Home

 All Replacement Parts & Specifications are provided in Adobe Acrobat PDF file format. You must have Adobe Acrobat installed on your system to view these files. Perlick has provided this file, for your convenience, to be downloaded from here. Just click on the Adobe Acrobat "PDF" 4.0 Icon to begin download.

- | Dispensers- [Single Keg Partymaster](#) / [Direct Draw Remote](#) / [Self-contained](#) / [Concessionaire Portable](#) | | [Perlick Batch Rotary Glasswashers](#) |
- | [Utility Coolers](#) | | [Glass Froster](#) | | [Ice Cream Cabinet](#) | | [Classic Back Bars Cabinets](#) |
- | Bottle Coolers - [RollTop](#) / [Flat Top](#) | | [Century Remote Draft Beer Systems](#) |

Classic Back Bar Cabinets

- [General Information](#)
- [Field Fabricating a Bar Top](#)
- [Installing Drop Face Refrigeration Hook Up For Remote Back Bars](#)
- [Replacement Parts](#)
- [Wiring Diagrams](#)



- | Dispensers- [Single Keg Partymaster](#) / [Direct Draw Remote](#) / [Self-contained](#) / [Concessionaire Portable](#) | | [Perlick Batch Rotary Glasswashers](#) |
- | [Utility Coolers](#) | | [Glass Froster](#) | | [Ice Cream Cabinet](#) | | [Classic Back Bars Cabinets](#) |
- | Bottle Coolers - [RollTop](#) / [Flat Top](#) | | [Century Remote Draft Beer Systems](#) |

Single Keg Partymaster Dispenser

Models DS1KP, DP1KP



Preparing the Cabinet for use

[Cabinet Top and End View \(27k\)](#)

[List of Included Parts](#)

[Tools Required](#)

[Plumbing](#)

[Electrical](#)

[Installing Casters](#)

[Installing Faucet & Standard](#)

Tapping

[Connecting the Keg Coupler \(320k\)](#)

[Tapping a Keg](#)

[Connecting the Regulator](#)

[Adjusting Gas Flow](#)

[CO2 Leak Test](#)

[Replacing A CO2 Gas Cylinder](#)

[Handling CO2 Gas](#)

Temperature

[Beer Temperature \(217k\)](#)

[Refrigeration and Temperature Control](#)

Cleaning

[Cleaning the Beer Lines \(217k\)](#)

[Cleaning the Cabinet](#)

General Information

[How to Pour a Perfect Glass of Beer \(26k\)](#)

[Troubleshooting](#)

[Beer Facts](#)

[Wiring Diagram](#)

[Dispensers- Single Keg Partymaster / Direct Draw Remote / Self-contained / Concessionaire Portable](#)		[Perlick Batch Rotary Glasswashers](#)				
[Utility Coolers](#)		[Glass Froster](#)		[Ice Cream Cabinet](#)		[Classic Back Bars Cabinets](#)
[Bottle Coolers - RollTop / Flat Top](#)		[Century Remote Draft Beer Systems](#)				

Direct Draw Dispenser -

Remote Models

Model DR Series

Preparing the Cabinet for Use

[Tools Required \(6k\)](#)

[Plumbing](#)

[Electrical](#)

[Installing Casters or Legs](#)

[Installing Faucet &](#)

Standards

Tapping

[Connecting the Keg](#)

Coupler (38k)

[Tapping a Keg](#)

[Connecting the Regulator](#)

[Adjusting Gas Flow](#)

[CO2 Leak Test](#)

[Replacing a CO2 Gas](#)

Temperature

[Beer Temperature \(12k\)](#)

[Refrigeration and Temperature Control](#)

Cleaning

[Cleaning the Beer Lines](#)

[Cleaning the Cabinet](#)

General Information

[How to Pour a Perfect Glass of Beer \(25k\)](#)

[Troubleshooting](#)

[Beer Facts](#)

[Wiring Diagram \(18k\)](#)



| Dispensers- [Single Keg Partymaster](#) / [Direct Draw Remote](#) / [Self-contained](#) /

| [Concessionaire Portable](#) || [Perlick Batch Rotary Glasswashers](#) |

| [Utility Coolers](#) || [Glass Froster](#) || [Ice Cream Cabinet](#) || [Classic Back Bars Cabinets](#) |

| Bottle Coolers - [RollTop](#) / [Flat Top](#) || [Century Remote Draft Beer Systems](#) |

Concessionaire

Portable Dispensers

Model DC Series

Preparing the Cabinet for Use

[List of Included Parts \(60k\)](#)

[Tools Required](#)

[Plumbing](#)

[Electrical](#)

[Installing Casters](#)

[Installing Faucet & Dispensing Head](#)



Tapping

[Connecting the Keg Coupler \(23k\)](#)

[Tapping a Keg](#)

[Connecting the Regulator](#)

[Adjusting Gas Flow](#)

[CO2 Leak Test](#)

[Replacing a CO2 Gas Cylinder](#)

[Handling CO2 Gas](#)

Temperature

[Beer Temperature \(21k\)](#)

Cleaning

[Cleaning the Beer Lines \(21k\)](#)

[Cleaning teh Cabinet](#)

General Information

[How to Pour a Perfect Glass of Beer \(18k\)](#)

[Troubleshooting](#)

[Beer Facts](#)

[Wiring Diagram \(14k\)](#)

[Dispensers- Single Keg Partymaster / Direct Draw Remote / Self-contained / Concessionaire Portable](#)		[Perlick Batch Rotary Glasswashers](#)				
[Utility Coolers](#)		[Glass Froster](#)		[Ice Cream Cabinet](#)		[Classic Back Bars Cabinets](#)
[Bottle Coolers - RollTop / Flat Top](#)		[Century Remote Draft Beer Systems](#)				

Direct Draw Dispenser - Self-contained Models

Model DS Series

Preparing the Cabinet for Use

[List of Included Parts \(11k\)](#)

[Tools Required](#)

[Plumbing](#)

[Electrical](#)

[Installing Casters or Legs](#)

[Installing Faucet & Standard](#)



Tapping

[Connecting the Keg Coupler \(55k\)](#)

[Tapping a Keg](#)

[Connecting the Regulator](#)

[Adjusting Gas Flow](#)

[CO2 Leak Test](#)

[Raplacing a CO2 Gas Cylinder](#)

[Handling CO2 Gas](#)

Temperature

[Beer Temperature \(27k\)](#)

[Refrigerations and Temperature Control](#)

Cleaning

[Cleaning the Beer Lines \(27k\)](#)

[Cleaning the Cabinet](#)

General Information

[How to Pour a Perfect Glass of Beer \(13k\)](#)

[Troubleshooting](#)

[Beer Facts](#)

[Wiring Diagram](#)

| **Dispensers-** [Single Keg Partymaster](#) / [Direct Draw Remote](#) / [Self-contained](#) /
| [Concessionaire Portable](#) || [Perlick Batch Rotary Glasswashers](#) |
| [Utility Coolers](#) || [Glass Froster](#) || [Ice Cream Cabinet](#) || [Classic Back Bars](#)
[Cabinets](#) |

| **Bottle Coolers -** [RollTop](#) / [Flat Top](#) || [Century Remote Draft Beer Systems](#) |

Perlick Batch Rotary

Glasswashers

Model PKBR24



Warranty Information (8k)

Chemical Specifications

[Water Conditioning \(8k\)](#)

[Chemical Concentrations](#)

Start-Up Procedures

[Before Starting the Glasswasher \(7k\)](#)

[Starting the Glasswasher](#)

[Priming the Chemical System](#)

[Operational Testing](#)

[Installing Chemical Squeeze Tubes \(69k\)](#)

[Priming the Chemical Pumps \(14k\)](#)

[Setting the Chemical Controls](#)

Owners Instructions

[Component Identifications \(27k\)](#)

[Instrument Panel \(15k\)](#)

[Operating the Glasswasher](#)

[Washing Glasses](#)

[Chemical Control Panel \(43k\)](#)

Maintenance and Troubleshooting

[End of Day Shutdown \(10k\)](#)

[Deliming](#)

[Troubleshooting](#)

[Machine Operation & Cycle Sequence](#)

[Electrical Connection Diagram \(37k\)](#)

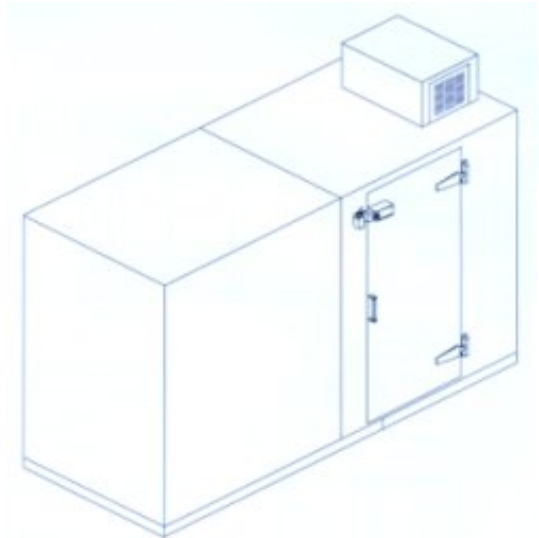
[Adjusting Chemical Concentrations](#)

[Calibrating Chemical System](#)

- | [Dispensers- Single Keg Partymaster / Direct Draw Remote / Self-contained / Concessionaire Portable](#) | | [Perlick Batch Rotary Glasswashers](#) |
| [Utility Coolers](#) | | [Glass Froster](#) | | [Ice Cream Cabinet](#) | | [Classic Back Bars Cabinets](#) |
| [Bottle Coolers - RollTop / Flat Top](#) | | [Century Remote Draft Beer Systems](#) |

Utility Coolers

**Models US4KP, UR4KP,
US10KP, UR10KP**



Preparing for Assembly

[Tools Required \(8k\)](#)

[Pre-Assembly](#)

[Placing the Utility Cooler](#)

[Cam Lock Fastening Method](#)

Assembling the Cooler

[Preparing the Floor \(11k\)](#)

[Assembly](#)

[Assembly Order-Four Keg Cooler](#)

[Assembly Order-Ten Keg Cooler](#)

General Information

[Electrical Requirements \(5k\)](#)

[Starting the Cooler](#)

[Temperature Control](#)

[Ventilation Control](#)

[Cleaning the Condensing Unit](#)

[Warranty Information](#)

Wiring Diagrams

[Four Keg Self-Contained \(34k\)](#)

[Ten Keg Self-Contained \(35k\)](#)

[Four & Ten Remotes \(14k\)](#)

[Dispensers- Single Keg Partymaster / Direct Draw Remote / Self-contained / Concessionaire Portable](#)		[Perlick Batch Rotary Glasswashers](#)				
[Utility Coolers](#)		[Glass Froster](#)		[Ice Cream Cabinet](#)		[Classic Back Bars Cabinets](#)
[Bottle Coolers - RollTop / Flat Top](#)		[Century Remote Draft Beer Systems](#)				

Glass Froster

**Models 8340,
8350, 8365A**



Installing

[Shelves \(30k\)](#)

[Backsplash](#)

[Placing and Leveling](#)

[Sealing to the Floor](#)

Defrost System

[Temperature Control](#)

[Cleaning](#)

[Wiring Diagram \(43k\)](#)

[Cleaing Stainless Steel](#)

[Dispensers- Single Keg Partymaster / Direct Draw Remote / Self-contained / Concessionaire Portable](#)		[Perlick Batch Rotary Glasswashers](#)				
[Utility Coolers](#)		[Glass Froster](#)		[Ice Cream Cabinet](#)		[Classic Back Bars Cabinets](#)
[Bottle Coolers - RollTop / Flat Top](#)		[Century Remote Draft Beer Systems](#)				

Ice Cream Cabinet

Model 8000



Installing the Cabinet

[Countertop Stainless Steel Module \(19k\)](#)

[Topshelf Underbar Stainless Steel Module \(16k\)](#)

[Cooling System \(17k\)](#)

[Temperature Control](#)

[Oiling](#)

[Cleaning](#)

[Wiring Diagram](#)

RollTop Bottle Coolers

Models 9276A, 9277A, 9278A



Installing

[Adjusting Partitions \(23k\)](#)

[Placing and Leveling](#)

[Sealing to the Floor](#)

[Temperature Control](#)

[Removing Doors](#)

[Cleaning Cabinet](#)

[Cleaning Stainless Steel \(10k\)](#)

[Wiring Diagram](#)

Flat Top Bottle Coolers

**Models 7258, 7260E, 7262D,
7264**



Installing

[Adjusting Partitions](#)

[\(218k\)](#)

[Backsplash](#)

[Placing and Leveling](#)

[Sealing to the Floor](#)

[Temperature Control \(9k\)](#)

[Removing Sliding Doors](#)

[Cleaning](#)

[Cleaning Stainless Steel](#)

[Wiring Diagram](#)

[Dispensers- Single Keg Partymaster / Direct Draw Remote / Self-contained / Concessionaire Portable](#)		[Perlick Batch Rotary Glasswashers](#)				
[Utility Coolers](#)		[Glass Froster](#)		[Ice Cream Cabinet](#)		[Classic Back Bars Cabinets](#)
[Bottle Coolers - RollTop / Flat Top](#)		[Century Remote Draft Beer Systems](#)				

Century Remote Draft Beer Systems

Power Pak Models

**4404, 4404W, 4410, 4410W, 4414, 4414-230,
4414W and 4420**



[Sizes & Specifications - Air Cooled Models](#)

[Sizes & Specifications - Water Cooled Models](#)

[General Information](#)

[Installation](#)

[Connection to Trunk Housing](#)

[Connection to Trunk Housing & Dispensing Head Drawings](#)

[Power Pak Start-up](#)

[LEDS Definitions](#)

[LEDS & Preventive Maintenance](#)

[Replacement Parts](#)

[Wiring Diagrams](#)

[Complete Brochure](#)

Back To Top

Perlick Corporation 8300 W. Good Hope Road Milwaukee, WI 53223
Phone - 414-353-7060 Fax - 414-353-7069 1-800-558-5592

Copyright© 2003 Perlick Corporation, All Rights Reserved. E-Mail your comments or questions
to:

[Perlick Corporation](#) and we will be happy to get back to you!

This site was created by [OrionWeb Consulting Services](#)