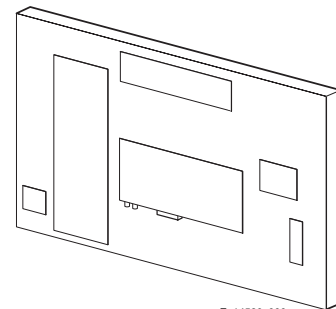


Service
Service
Service



E_14520_000.eps
170904

Service Manual

Contents	Page	Contents	Page
1. Technical Specifications, Connections, and Chassis Overview	2	8. Alignments	41
2. Safety Instructions, Warnings, and Notes	4	9. Circuit Descriptions	45
3. Directions for Use	6	Abbreviation List	49
4. Mechanical Instructions	7	IC Data Sheets	51
5. Service Modes, Error Codes, and Faultfinding	9	10 Spare Parts List	54
6. <i>Block Diagrams, Testpoint Overviews, and Waveforms</i>		11 Revision List	57
Wiring Diagram	15		
Block Diagram Audio & Video	16		
Block Diagram Scaler & Supply	17		
Testpoint Overview TV & Scaler Board	18-19		
Testpoint Overview Front IR / LED Panel	20		
I2C Overview	21		
Supply Voltage Overview	22		
7. <i>Circuit Diagrams and PWB Layouts</i>			
Tuner & VIF	(Diagram A1) 23		32-33
Hercules	(Diagram A2) 24		32-33
Hercules Supply	(Diagram A3) 25		32-33
Audio Amplifier (2x2W)	(Diagram A4) 26		32-33
TV-Supply	(Diagram A5) 27		32-33
Scaler	(Diagram A6) 28		32-33
Scaler LVDS	(Diagram A7) 29		32-33
Scaler IO	(Diagram A8) 30		32-33
Supply	(Diagram A9) 31		32-33
Rear IO Cinch	(Diagram A10) 31		32-33
Side AV Panel	(Diagram D) 34		35
Top Control Panel	(Diagram E) 36		36
Audio Amplifier (2x5W) (20 & 23")	(Diagram I) 37		38
Front IR / LED Panel	(Diagram J) 39		39

©Copyright 2004 Philips Consumer Electronics B.V. Eindhoven, The Netherlands.
All rights reserved. No part of this publication may be reproduced, stored in a retrieval system or transmitted, in any form or by any means, electronic, mechanical, photocopying, or otherwise without the prior permission of Philips.



1. Technical Specifications, Connections and Chassis Overview

1.1 Technical Specifications

1.1.1 Vision

Display type	: 14 inch: LCD-VA : 15 inch: DV-LCD-IPS : 17-23 inch: : DV-LCD-IPS
Screen size:	: 14 inch (37 cm) : 15 inch (38 cm) : 17 inch (45 cm) : 20 inch (51 cm) : 23 inch (59 cm)
Resolution (HxV)	: 14 inch: 640x480 (VGA) : 15 inch: 1024x768 (XGA) : 17 inch: 1280x768 (WXGA) : 20 inch: 640x480 (VGA) : 23 inch: 1280x768 (WXGA)
Viewing angle	: 14 inch: 170x170 deg. : 15 inch: 130x100 deg. : 17-23 inch: : 176x176 deg.
Light output	: 450 cd/m ²
Tuning system	: PLL
Colour systems	: NTSC
Video playback	: NTSC
Channel selections	: 100 channels
Aerial input	: PLL : 75 ohm : Coax

1.1.2 Sound

Sound systems	: AV stereo : BTSC
Maximum power	: 14-17 inch: 2x2 W : 20-23 inch: 2x5 W

1.1.3 Miscellaneous

Power supply:	
- Mains voltage	: 90-240 V ac
- Mains frequency	: 50 / 60 Hz
Ambient conditions:	
- Temperature range	: +5 to +40 °C
- Maximum humidity	: 90 % R.H.
Power consumption	
- Normal operation	: from 32 W : to 110 W
- Standby	: < 2 W

1.2 Connections

1.2.1 Rear Connections

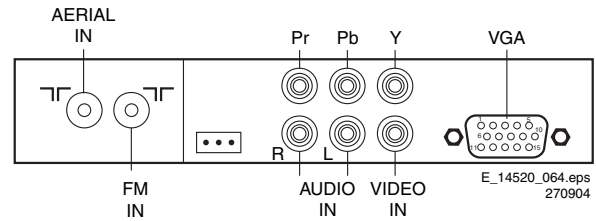


Figure 1-1 Rear connections

Aerial - In
- IEC-type Coax, 75 ohm

FM Ant
- IEC-type Coax, 75 ohm

AV1 Cinch: Video CVBS/YPbPr/RGB - In, Audio - In

Wh - Audio L	0.5 V _{RMS} / 10 kohm	⊕ ⊖
Rd - Audio R	0.5 V _{RMS} / 10 kohm	⊕ ⊖
Bu - Video Pb/B	0.7 V _{PP} / 75 ohm	⊕ ⊖
Rd - Video Pr/R	0.7 V _{PP} / 75 ohm	⊕ ⊖
Ye - Video CVBS	1 V _{PP} / 75 ohm	⊕ ⊖
Ge - Video Y/G	0.7 V _{PP} / 75 ohm	⊕ ⊖
Bk - Sync H	0 - 5 V	⊕ ⊖
Bk - Sync V	0 - 5 V	⊕ ⊖

VGA: RGB - In

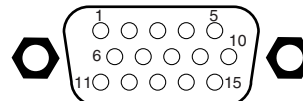
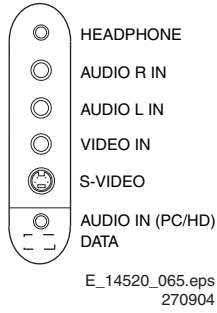


Figure 1-2 VGA Connector

1 - Red	0.7 V _{pp} / 75 ohm	⊕ ⊖
2 - Green	0.7 V _{pp} / 75 ohm	⊕ ⊖
3 - Blue	0.7 V _{pp} / 75 ohm	⊕ ⊖
4 -	Ground	⊖
5 -	Ground	⊖
6 - Red - gnd	Ground	⊖
7 - Green - gnd	Ground	⊖
8 - Blue - gnd	Ground	⊖
9 - 5V _{DC}	+5 V _{dc}	⊕ ⊖
10 -	Ground	⊖
11 -	Ground	⊖
12 - DDC_SDA	DDC data	⊕ ⊖
13 - H-sync	0 - 5 V	⊕ ⊖
14 - V-sync	0 - 5 V	⊕ ⊖
15 - DDC_SCL	DDC clock	⊕ ⊖

1.2.2 Side Connections



S-VHS - In Hosiden

- 1 -Y Ground
- 2 -C Ground
- 3 -Y 1 Vpp/75 ohm
- 4 -C 0.3 Vpp/75 ohm



Video - In (Cinch)

- 1 -CVBS 1 Vpp/75 ohm



Audio - In (Cinch)

- 1 -Audio - R 0.5 Vrms/10 k ohm
- 2 -Audio - L 0.5 Vrms/10 k ohm



Jack: Headphone- Out

- Bk -Headphone 32 - 600 ohm / 10 mW



Figure 1-3 Side connections

Mini Jack: Audio - in

- 4 -Audio - L 0.5 Vrms / 10 kohm
- 3 -Audio - R 0.5 Vrms / 10 kohm



1.3 Chassis Overview

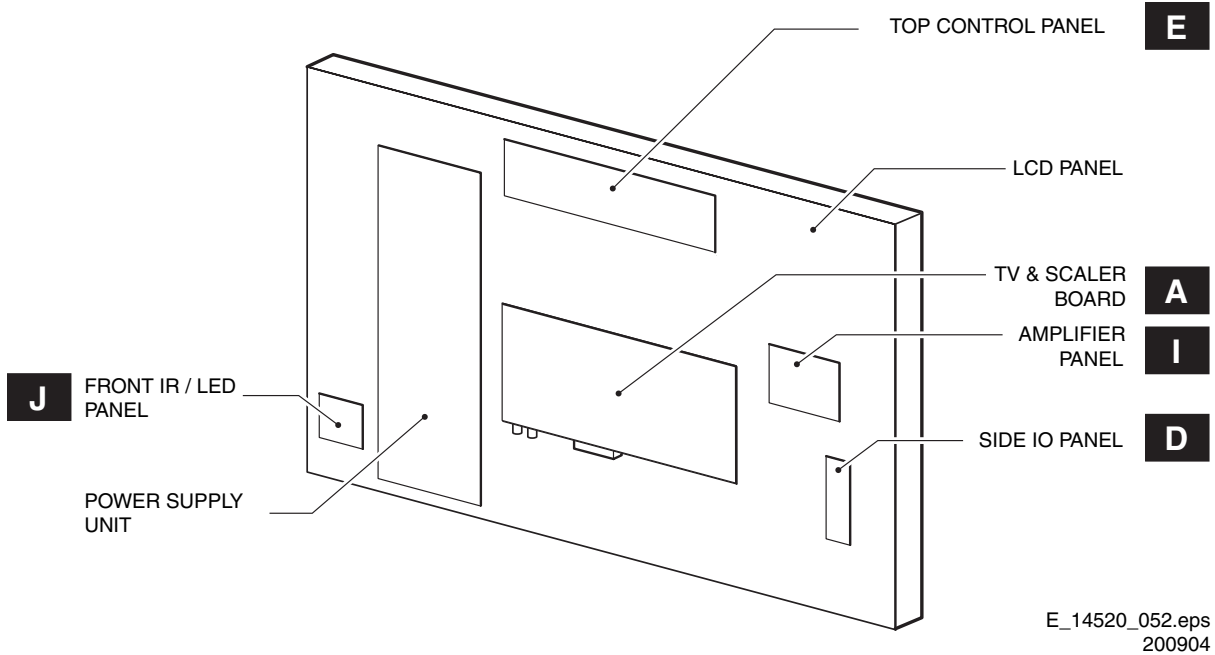


Figure 1-4 Chassis Overview

2. Safety Instructions, Warnings, and Notes

2.1 Safety Instructions

Safety regulations require that **during** a repair:

- Connect the set to the Mains (AC Power) via an isolation transformer (> 800 VA).
- Replace safety components, indicated by the symbol ▲, only by components identical to the original ones. Any other component substitution (other than original type) may increase risk of fire or electrical shock hazard.

Safety regulations require that **after** a repair, the set must be returned in its original condition. Pay in particular attention to the following points:

- Route the wire trees correctly and fix them with the mounted cable clamps.
- Check the insulation of the Mains (AC Power) lead for external damage.
- Check the strain relief of the Mains (AC Power) cord for proper function.
- Check the electrical DC resistance between the Mains (AC Power) plug and the secondary side (only for sets which have a Mains (AC Power) isolated power supply):
 1. Unplug the Mains (AC Power) cord and connect a wire between the two pins of the Mains (AC Power) plug.
 2. Set the Mains (AC Power) switch to the "on" position (keep the Mains (AC Power) cord unplugged!).
 3. Measure the resistance value between the pins of the Mains (AC Power) plug and the metal shielding of the tuner or the aerial connection on the set. The reading should be between 4.5 Mohm and 12 Mohm.
 4. Switch "off" the set, and remove the wire between the two pins of the Mains (AC Power) plug.
- Check the cabinet for defects, to avoid touching of any inner parts by the customer.

2.2 Warnings

- All ICs and many other semiconductors are susceptible to electrostatic discharges (ESD ▲). Careless handling during repair can reduce life drastically. Make sure that, during repair, you are connected with the same potential as the mass of the set by a wristband with resistance. Keep components and tools also at this same potential. Available ESD protection equipment:
 - Complete kit ESD3 (small tablemat, wristband, connection box, extension cable and earth cable) 4822 310 10671.
 - Wristband tester 4822 344 13999.
- Be careful during measurements in the high voltage section.
- Never replace modules or other components while the unit is switched "on".
- When you align the set, use plastic rather than metal tools. This will prevent any short circuits and the danger of a circuit becoming unstable.

2.3 Notes

2.3.1 General

- Measure the voltages and waveforms with regard to the chassis (= tuner) ground (\oplus), or hot ground (\ominus), depending on the tested area of circuitry. The voltages and waveforms shown in the diagrams are indicative. Measure them in the Service Default Mode (see chapter 5) with a colour bar signal and stereo sound (L: 3 kHz, R: 1 kHz unless stated otherwise) and picture carrier at 475.25 MHz for PAL, or 61.25 MHz for NTSC (channel 3).

- Where necessary, measure the waveforms and voltages with (\square) and without (\square) aerial signal. Measure the voltages in the power supply section both in normal operation (Ⓢ) and in standby (Ⓢ). These values are indicated by means of the appropriate symbols.
- The semiconductors indicated in the circuit diagram and in the parts lists, are interchangeable per position with the semiconductors in the unit, irrespective of the type indication on these semiconductors.
- Manufactured under license from Dolby Laboratories. "Dolby", "Pro Logic" and the "double-D symbol", are trademarks of Dolby Laboratories.

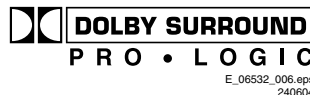


Figure 2-1 Dolby PL Symbol

2.3.2 Schematic Notes

- All resistor values are in ohms and the value multiplier is often used to indicate the decimal point location (e.g. 2K2 indicates 2.2 kohm).
- Resistor values with no multiplier may be indicated with either an "E" or an "R" (e.g. 220E or 220R indicates 220 ohm).
- All capacitor values are given in micro-farads ($\mu = \times 10^{-6}$), nano-farads ($n = \times 10^{-9}$), or pico-farads ($p = \times 10^{-12}$).
- Capacitor values may also use the value multiplier as the decimal point indication (e.g. 2p2 indicates 2.2 pF).
- An "asterisk" (*) indicates component usage varies. Refer to the diversity tables for the correct values.
- The correct component values are listed in the Electrical Replacement Parts List. Therefore, always check this list when there is any doubt.

2.3.3 Rework on BGA (Ball Grid Array) ICs

General

Although (LF)BGA assembly yields are very high, there may still be a requirement for component rework. By rework, we mean the process of removing the component from the PWB and replacing it with a new component. If an (LF)BGA is removed from a PWB, the solder balls of the component are deformed drastically so the removed (LF)BGA has to be discarded.

Device Removal

As is the case with any component that, it is essential when removing an (LF)BGA, the board, tracks, solder lands, or surrounding components are not damaged. To remove an (LF)BGA, the board must be uniformly heated to a temperature close to the reflow soldering temperature. A uniform temperature reduces the chance of warping the PWB. To do this, we recommend that the board is heated until it is certain that all the joints are molten. Then carefully pull the component off the board with a vacuum nozzle. For the appropriate temperature profiles, see the IC data sheet.

Area Preparation

When the component has been removed, the vacant IC area must be cleaned before replacing the (LF)BGA. Removing an IC often leaves varying amounts of solder on the mounting lands. This excessive solder can be removed with either a solder sucker or solder wick. The remaining flux can be removed with a brush and cleaning agent. After the board is properly cleaned and inspected, apply flux on the solder lands and on the connection balls of the (LF)BGA.

Note: Do not apply solder paste, as this has shown to result in problems during re-soldering.

Device Replacement

The last step in the repair process is to solder the new component on the board. Ideally, the (LF)BGA should be aligned under a microscope or magnifying glass. If this is not possible, try to align the (LF)BGA with any board markers. To reflow the solder, apply a temperature profile according to the *IC data sheet*. So as not to damage neighbouring components, it may be necessary to reduce some temperatures and times.

More Information

For more information on how to handle BGA devices, visit this URL: www.atyourservice.ce.philips.com (needs subscription, not available for all regions)). After login, select "Magazine", then go to "Workshop Information". Here you will find Information on how to deal with BGA-ICs.

2.3.4 Lead Free Solder

Some PWBs in this chassis are "lead-free **prepared**". This is indicated on the PWB by the PHILIPS lead-free logo (either by a service-printing or by a sticker). It does not mean that lead-free solder is actually used!

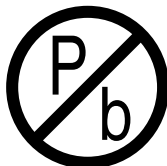


Figure 2-2 Lead-free logo

Due to this fact, some rules have to be respected by the workshop during a repair:

- Use only lead-free soldering tin Philips SAC305 with order code 0622 149 00106. If lead-free solder paste is required, please contact the manufacturer of your soldering equipment.
- Use only adequate solder tools applicable for lead-free soldering tin.
- Adjust your solder tool so that a temperature around 217 - 220 deg. C is reached at the solder joint.
- Do not mix lead-free soldering tin with leaded soldering tin; this will lead to unreliable solder joints!
- Use only original spare parts listed in this manual. These are lead-free parts!
- On the website www.atyourservice.ce.philips.com (needs subscription, not available for all regions) you can find more information on:
 - Aspects of lead-free technology.
 - BGA (de-)soldering, heating-profiles of BGAs used in Philips sets, and others.

2.3.5 Practical Service Precautions

- **It makes sense to avoid exposure to electrical shock.** While some sources are expected to have a possible dangerous impact, others of quite high potential are of limited current and are sometimes held in less regard.
- **Always respect voltages.** While some may not be dangerous in themselves, they can cause unexpected reactions - reactions that are best avoided. Before reaching into a powered TV set, it is best to test the high voltage insulation. It is easy to do, and is a good service precaution.

3. Directions for Use

You can download this information from the following website:

<http://www.philips.com/support>

4. Mechanical Instructions

Index of this chapter:

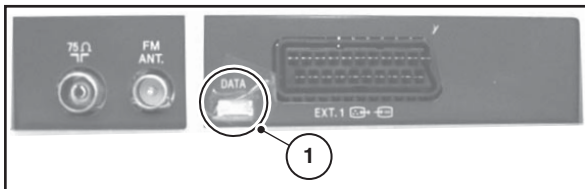
1. Service Position
2. Rear Cover Removal
3. Power Supply Unit Removal
4. TV & Scaler Board Removal
5. Side I/O Panel Removal
6. Top Control Panel Removal
7. Audio Amplifier Panel Removal
8. Exchanging the LCD Panel
9. Re-assembly

Note: Figures below can deviate from the actual situation, due to different set executions.

Note: To diagnose the set with ComPair it is **not** needed to open the set entirely.
To access the ComPair connector, proceed with the following:

1. Manually unlock and remove the cover cap.
2. Remove the tape shielding that covers the ComPair connector (1).

Note: Make sure that both the ComPair connector and the UART connector are shielded off with a piece of insulating tape after repair for ESD reasons. Place this tape over the holes in the rear cover of the set.

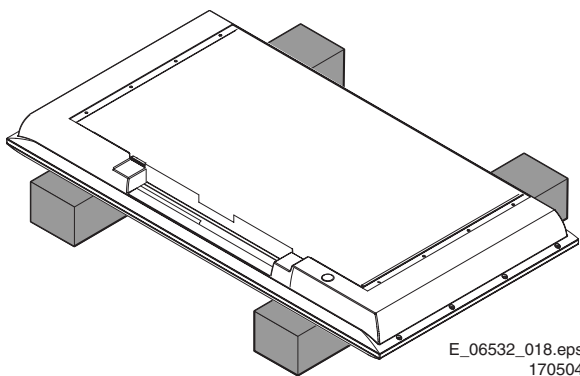


E_14520_034.eps
160904

Figure 4-1 ComPair connector

4.1 Service Position

4.1.1 Foam Bars

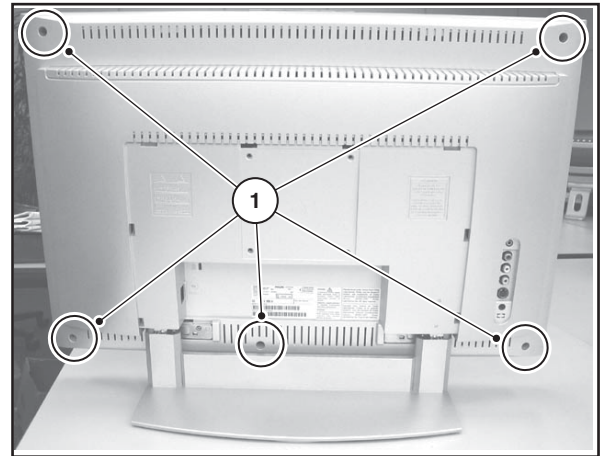


E_06532_018.eps
170504

Figure 4-2 Foam bars

The foam bars (order code 3122 785 90580) can be used for all types and sizes of Flat TVs. By laying the plasma or LCD TV flat on the (ESD protective) foam bars, a stable situation is created to perform measurements and alignments. By placing a mirror under the TV, you can easily monitor the screen.

4.2 Rear Cover Removal

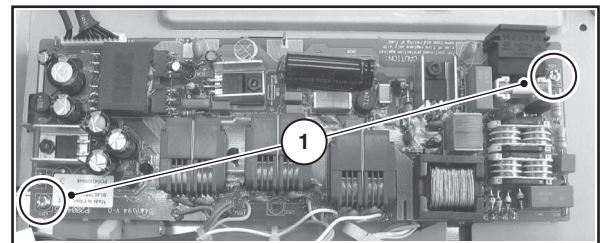


E_14520_035.eps
160904

Figure 4-3 Rear cover removal

1. Make sure all power-, audio-, video- and coax- cables are unplugged.
2. Remove all Torx screws (1) around the edges of the rear cover.
3. Remove the rear cover and store it in a safe place.

4.3 Power Supply Unit Removal

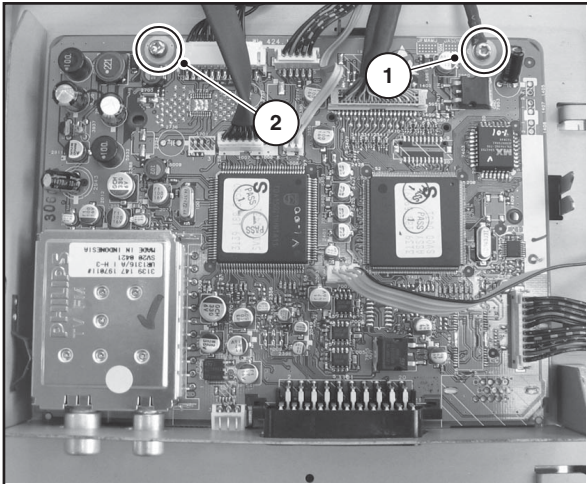


E_14520_036.eps
160904

Figure 4-4 Power supply unit

1. Disconnect all cables from the Power supply unit.
2. Remove all mounting screws (1) from the Power supply unit.
3. Take out the Power supply unit.

4.4 TV & Scaler Board Removal

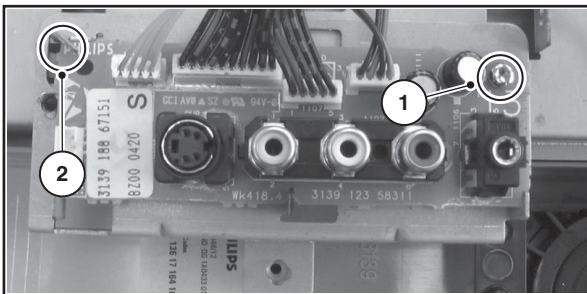


E_14520_037.eps
160904

Figure 4-5 TV & Scaler board removal

1. Disconnect all cables from the TV & Scaler board.
2. Remove the screw from the grounding cable (1).
3. Remove the mounting screw (2) and remove the board.

4.5 Side I/O Panel Removal



E_14520_038.eps
160904

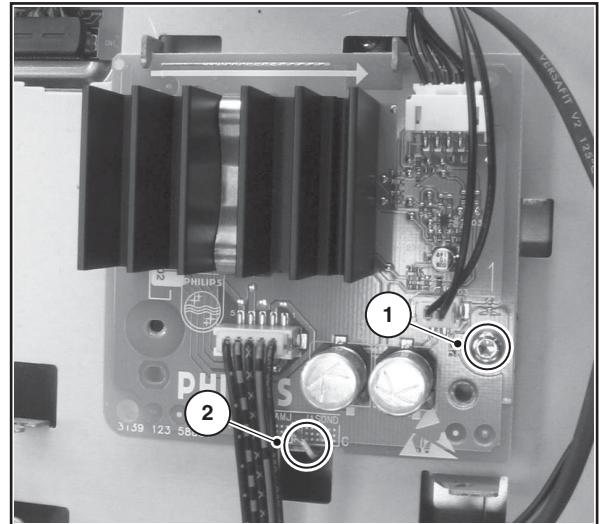
Figure 4-6 Side I/O panel removal

1. Disconnect all cables from the Side I/O panel.
2. Remove the mounting screw (1).
3. Unlock the panel by twisting back the clamp at the bottom (2).
4. Take out the Side I/O panel from the bracket.

4.6 Top Control Panel Removal

1. Disconnect the cable from the top control panel.
2. Remove the two mounting screws from the top control panel.
3. Take out the top control panel.

4.7 Audio Amplifier Panel Removal

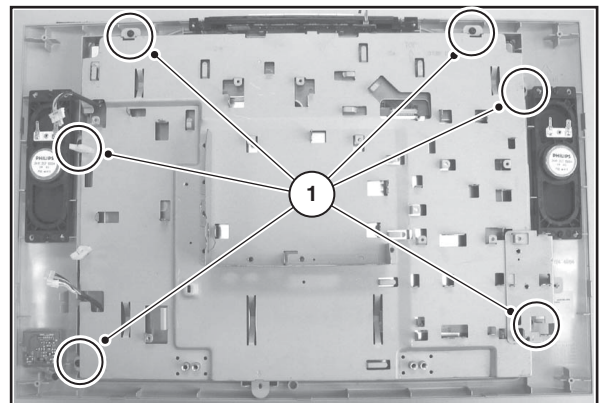


E_14520_039.eps
160904

Figure 4-7 Audio amplifier panel removal

1. Disconnect all cables from the audio amplifier panel.
2. Remove all mounting screws from the audio amplifier panel (1).
3. Unlock the panel by twisting back the clamp at the bottom (2).
4. Take out the audio amplifier panel.

4.8 Exchanging the LCD Panel



E_14520_040.eps
160904

Figure 4-8 Exchanging the LCD panel

1. Disconnect all cables from the LCD Panel.
2. Remove all mounting screws (1) from the metal cover.
3. Lift and take off the metal cover.
4. Now you can exchange the LCD panel.

4.9 Re-Assembly

To re-assemble the whole set, do all processes in reverse order.

Notes:

Do **not** forget to replace the ground cable of the TV & Scaler board, while mounting the screw at the board topside. See figure "TV & Scaler board removal".

5. Service Modes, Error Codes, and Fault Finding

Index of this chapter:

1. Test Points
2. Service Modes
3. Problems and Solving Tips (related to CSM)
4. ComPair
5. Error Codes
6. The Blinking LED Procedure
7. Fault Finding and Repair Tips

5.1 Test Points

This chassis is equipped with test points in the service printing. In the schematics test points are identified with a rectangle box around Fxxx or lxxx. These test points are specifically mentioned in the service manual as "half moons" with a dot in the centre.

Perform measurements under the following conditions:

- Television set in Service Default Alignment Mode.
- Video input: Colour bar signal.
- Audio input: 3 kHz left channel, 1 kHz right channel.

5.2 Service Modes

Service Default mode (SDM) and Service Alignment Mode (SAM) offers several features for the service technician, while the Customer Service Mode (CSM) is used for communication between the call centre and the customer.

This chassis also offers the option of using ComPair, a hardware interface between a computer and the TV chassis. It offers the abilities of structured troubleshooting, error code reading, and software version readout for all chassis.

Minimum requirements for ComPair: a Pentium processor, a Windows OS, and a CD-ROM drive (see also paragraph "ComPair").

5.2.1 Service Default Mode (SDM)

Purpose

- To create a predefined setting for measurements to be made.
- To override software protections.
- To start the blinking LED procedure.
- To inspect the error buffer.
- To check the life timer.

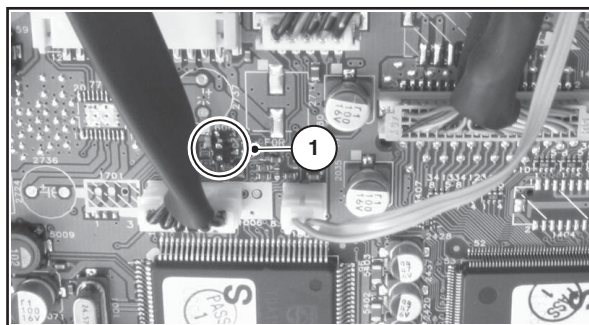
Specifications

- Tuning frequency: 61.25 MHz.
- Colour system: NTSC.
- All picture settings at 50% (brightness, colour contrast, hue).
- Bass, treble and balance at 50 %; volume at 25 %.
- All service-unfriendly modes (if present) are disabled. The service unfriendly modes are:
 - Timer / Sleep timer.
 - Child / parental lock.
 - Blue mute.
 - Hotel / hospital mode.
 - Auto shut off (when no "IDENT" video signal is received for 15 minutes).
 - Skipping of non-favourite presets / channels.
 - Auto-storage of personal presets.
 - Auto user menu time-out.
 - Auto Volume Levelling (AVL).

How to enter

To enter SDM, use one of the following methods:

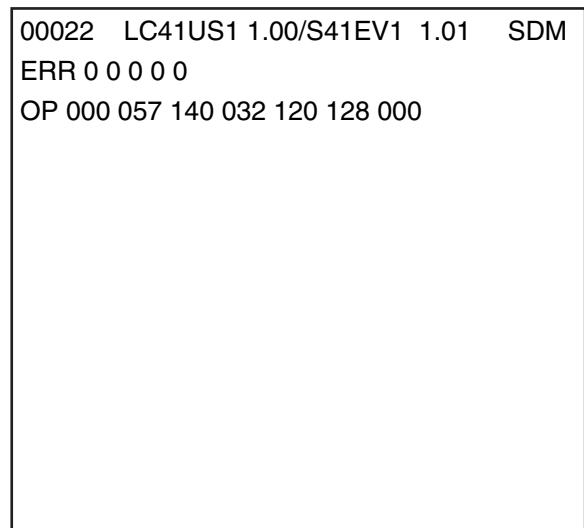
- Press the following key sequence on the remote control transmitter: "062596" directly followed by the MENU button (do not allow the display to time out between entries while keying the sequence).
- Short "Service" jumpers on the TV board during cold start and apply mains (see Figure "Service jumpers"). Then press the mains button (remove the short after start-up). **Caution:** Entering SDM by shorting "Service" jumpers will override the +5V-protection. Do this only for a short period. When doing this, the service-technician must know exactly what he is doing, as it could damage the television set.
- Or via ComPair.



E_14520_041.eps
160904

Figure 5-1 Service jumpers

After entering SDM, the following screen is visible, with SDM in the upper right corner of the screen to indicate that the television is in Service Default Alignment Mode.



E_14520_060.eps
230904

Figure 5-2 SDM menu

How to navigate

Use one of the following methods:

- When you press the MENU button on the remote control, the set will switch on the normal user menu in the SDM mode.
- On the TV, press and hold the VOLUME DOWN and press the CHANNEL DOWN for a few seconds, to switch from SDM to SAM and reverse.

How to exit

Switch the set to STANDBY by pressing the mains button on the remote control transmitter or the television set. If you turn the television set off by removing the mains (i.e., unplugging the television) without using the mains button, the television set will remain in SDM when mains is re-applied, and the error buffer is not cleared.

5.2.2 Service Alignment Mode (SAM)**Purpose**

- To change option settings.
- To display / clear the error code buffer.
- To perform alignments.

Specifications

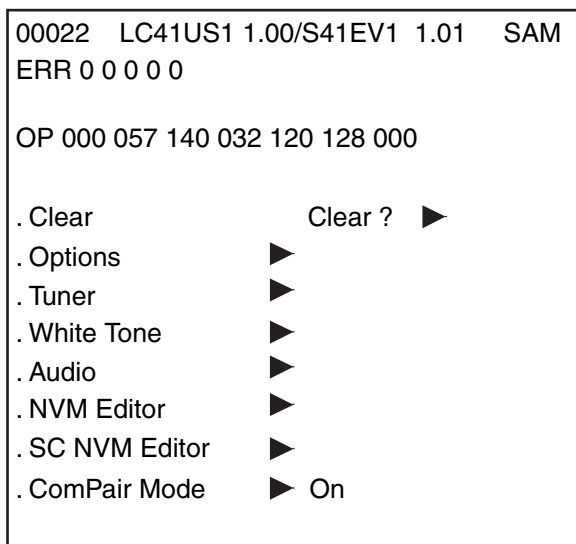
- Operation hours counter (maximum five digits displayed).
- Software version, Error codes, and Option settings display.
- Error buffer clearing.
- Option settings.
- AKB switching.
- Software alignments (Tuner, White Tone, Geometry & Audio).
- NVM Editor.
- ComPair Mode switching.

How to enter

To enter SAM, use one of the following methods:

- Press the following key sequence on the remote control transmitter: "062596" directly followed by the OSD/STATUS button (do not allow the display to time out between entries while keying the sequence).
- Or via ComPair.

After entering SAM, the following screen is visible, with SAM in the upper right corner of the screen to indicate that the television is in Service Alignment Mode.



E_14520_061.eps
230904

Figure 5-3 SAM menu

Menu explanation

1. **LLLLL**. This represents the run timer. The run timer counts normal operation hours, but does not count standby hours.
2. **AAABCD-X.Y**. This is the software identification of the main microprocessor:
 - **A**= the project name (LC41).
 - **B**= the region: E= Europe, A= Asia Pacific, U= NAFTA, L= LATAM.
 - **C**= the software diversity:

- **Europe**: T= 1 page TXT, F= Full TXT, V= Voice control.
 - **LATAM and NAFTA**: N= Stereo non-dBx, S= Stereo dBx.
 - **Asian Pacific**: T= TXT, N= non-TXT, C= NTSC.
 - **ALL regions**: M= mono, D= DVD, Q= Mk2.
- **D**= the language cluster number.
 - **X**= the main software version number (updated with a major change that is incompatible with previous versions).
 - **Y**= the sub software version number (updated with a minor change that is compatible with previous versions).
 - **EEEEEE**= the scaler sw cluster
 - **F**= the main sw version no.
 - **GG**= the sub-version no.
3. **SAM**. Indication of the Service Alignment Mode.
 4. **Error Buffer**. Shows all errors detected since the last time the buffer was erased. Five errors possible.
 5. **Option Bytes**. Used to set the option bytes. See "Options" in the Alignments section for a detailed description. Seven codes are possible.
 6. **Clear**. Erases the contents of the error buffer. Select the CLEAR menu item and press the MENU RIGHT key. The content of the error buffer is cleared.
 7. **Options**. Used to set the option bits. See "Options" in the Alignments section for a detailed description.
 8. **Tuner**. Used to align the tuner. See "Tuner" in the Alignments section for a detailed description.
 9. **White Tone**. Used to align the white tone. See "White Tone" in the Alignments section for a detailed description.
 10. **Audio**. No audio alignment is necessary for this television set.
 11. **NVM Editor**. Can be used to change the NVM data in the television set. See table "NVM data" further on.
 12. **SC NVM Editor**. Can be used to edit Scaler NVM.
 13. **ComPair**. Can be used to switch on the television to In System Programming (ISP) mode, for software uploading via ComPair.
- Caution:** When this mode is selected without ComPair connected, the TV will be blocked. Remove the AC power to reset the TV.

How to navigate

- In SAM, select menu items with the MENU UP/DOWN keys on the remote control transmitter. The selected item will be highlighted. When not all menu items fit on the screen, use the MENU UP/DOWN keys to display the next / previous menu items.
- With the MENU LEFT/RIGHT keys, it is possible to:
 - Activate the selected menu item.
 - Change the value of the selected menu item.
 - Activate the selected submenu.
- In SAM, when you press the MENU button twice, the set will switch to the normal user menus (with the SAM mode still active in the background). To return to the SAM menu press the MENU or STATUS/EXIT button.
- When you press the MENU key in while in a submenu, you will return to the previous menu.

How to store SAM settings

To store the settings changed in SAM mode, leave the top level SAM menu by using the POWER button on the remote control transmitter or the television set.

How to exit

Switch the set to STANDBY by pressing the mains button on the remote control transmitter or the television set. If you turn the television set "off" by removing the mains (i.e., unplugging the television) without using the mains button, the television set will remain in SAM when mains is re-applied, and the error buffer is not cleared.

5.2.3 Customer Service Mode (CSM)

Purpose

The Customer Service Mode shows error codes and information on the TV's operation settings. The call centre can instruct the customer (by telephone) to enter CSM in order to identify the status of the set. This helps the call centre to diagnose problems and failures in the TV set before making a service call.

The CSM is a read-only mode; therefore, modifications are not possible in this mode.

How to enter

To enter CSM, press the following key sequence on the remote control transmitter: "123654" (do not allow the display to time out between entries while keying the sequence).

Upon entering the Customer Service Mode, the following screen will appear:

```

1 00022 LC41US1 1.00/S41EV1 1.01 CSM
2 CODES 0 0 0 0 0
3 OP 000 057 140 032 120 128 000
4 20PF8846/12
5
6 NOT TUNED
7 PAL
8 STEREO
9 CO 50 CL 50 BR 50
0 AVL Off
  
```

E_14520_062.eps
230904

Figure 5-4 CSM menu

Menu explanation

1. Indication of the decimal value of the operation hours counter, Software identification of the main microprocessor (see "Service Default or Alignment Mode" for an explanation), and the service mode (CSM= Customer Service Mode).
2. Displays the last five errors detected in the error code buffer.
3. Displays the option bytes.
4. Displays the type number version of the set.
5. Reserved item for P3C call centres (AKBS stands for Advanced Knowledge Base System).
6. Indicates the television is receiving an "IDENT" signal on the selected source. If no "IDENT" signal is detected, the display will read "NOT TUNED"
7. Displays the detected Colour system (e.g. PAL/NTSC).
8. Displays the detected Audio (e.g. stereo/mono).
9. Displays the picture setting information.
10. Displays the sound setting information.

How to exit

To exit CSM, use one of the following methods:

- Press the MENU, STATUS/EXIT, or POWER button on the remote control transmitter.
- Press the POWER button on the television set.

5.3 Problems and Solving Tips Related to CSM

5.3.1 Picture Problems

Note: The problems described below are all related to the TV settings. The procedures used to change the value (or status) of the different settings are described.

Picture too dark or too bright

If:

- The picture improves when you press the AUTO PICTURE button on the remote control transmitter, or
- The picture improves when you enter the Customer Service Mode,

Then:

1. Press the AUTO PICTURE button on the remote control transmitter repeatedly (if necessary) to choose PERSONAL picture mode.
2. Press the MENU button on the remote control transmitter. This brings up the normal user menu.
3. In the normal user menu, use the MENU UP/DOWN keys to highlight the PICTURE sub menu.
4. Press the MENU LEFT/RIGHT keys to enter the PICTURE sub menu.
5. Use the MENU UP/DOWN keys (if necessary) to select BRIGHTNESS.
6. Press the MENU LEFT/RIGHT keys to increase or decrease the BRIGHTNESS value.
7. Use the MENU UP/DOWN keys to select PICTURE.
8. Press the MENU LEFT/RIGHT keys to increase or decrease the PICTURE value.
9. Press the MENU button on the remote control transmitter twice to exit the user menu.
10. The new PERSONAL preference values are automatically stored.

White line around picture elements and text

If:

The picture improves after you have pressed the AUTO PICTURE button on the remote control transmitter,

Then:

1. Press the AUTO PICTURE button on the remote control transmitter repeatedly (if necessary) to choose PERSONAL picture mode.
2. Press the MENU button on the remote control transmitter. This brings up the normal user menu.
3. In the normal user menu, use the MENU UP/DOWN keys to highlight the PICTURE sub menu.
4. Press the MENU LEFT/RIGHT keys to enter the PICTURE sub menu.
5. Use the MENU UP/DOWN keys to select SHARPNESS.
6. Press the MENU LEFT key to decrease the SHARPNESS value.
7. Press the MENU button on the remote control transmitter twice to exit the user menu.
8. The new PERSONAL preference value is automatically stored.

Snowy picture

Check CSM line 6. If this line reads "Not Tuned", check the following:

- Antenna not connected. Connect the antenna.
- No antenna signal or bad antenna signal. Connect a proper antenna signal.
- The tuner is faulty (in this case line 2, the Error Buffer line, will contain error number 10). Check the tuner and replace/repair the tuner if necessary.

Black and white picture

If:

- The picture improves after you have pressed the AUTO PICTURE button on the remote control transmitter,

Then:

1. Press the AUTO PICTURE button on the remote control transmitter repeatedly (if necessary) to choose PERSONAL picture mode.
2. Press the MENU button on the remote control transmitter. This brings up the normal user menu.
3. In the normal user menu, use the MENU UP/DOWN keys to highlight the PICTURE sub menu.
4. Press the MENU LEFT/RIGHT keys to enter the PICTURE sub menu.
5. Use the MENU UP/DOWN keys to select COLOUR.
6. Press the MENU RIGHT key to increase the COLOUR value.
7. Press the MENU button on the remote control transmitter twice to exit the user menu.
8. The new PERSONAL preference value is automatically stored.

Menu text not sharp enough

If:

- The picture improves after you have pressed the AUTO PICTURE button on the remote control transmitter,

Then:

1. Press the AUTO PICTURE button on the remote control transmitter repeatedly (if necessary) to choose PERSONAL picture mode.
2. Press the MENU button on the remote control transmitter. This brings up the normal user menu.
3. In the normal user menu, use the MENU UP/DOWN keys to highlight the PICTURE sub menu.
4. Press the MENU LEFT/RIGHT keys to enter the PICTURE sub menu.
5. Use the MENU UP/DOWN keys to select PICTURE.
6. Press the MENU LEFT key to decrease the PICTURE value.
7. Press the MENU button on the remote control transmitter twice to exit the user menu.
8. The new PERSONAL preference value is automatically stored.

5.4 ComPair**5.4.1 Introduction**

ComPair (Computer Aided Repair) is a service tool for Philips Consumer Electronics products. ComPair is a further development on the European DST (service remote control), which allows faster and more accurate diagnostics. ComPair has three big advantages:

- ComPair helps you to quickly get an understanding on how to repair the chassis in a short time by guiding you systematically through the repair procedures.
- ComPair allows very detailed diagnostics (on I²C level) and is therefore capable of accurately indicating problem areas. You do not have to know anything about I²C commands yourself because ComPair takes care of this.
- ComPair speeds up the repair time since it can automatically communicate with the chassis (when the microprocessor is working) and all repair information is directly available. When ComPair is installed together with the SearchMan electronic manual of the defective chassis, schematics and PWBs are only a mouse click away.

5.4.2 Specifications

ComPair consists of a Windows based faultfinding program and an interface box between PC and the (defective) product. The ComPair interface box is connected to the PC via a serial or RS232 cable.

For this chassis, the ComPair interface box and the TV communicate via a bi-directional service cable via the service connector.

The ComPair faultfinding program is able to determine the problem of the defective television. ComPair can gather diagnostic information in two ways:

- Automatic (by communication with the television): ComPair can automatically read out the contents of the entire error buffer. Diagnosis is done on I²C level. ComPair can access the I²C bus of the television. ComPair can send and receive I²C commands to the micro controller of the television. In this way, it is possible for ComPair to communicate (read and write) to devices on the I²C busses of the TV-set.
- Manually (by asking questions to you): Automatic diagnosis is only possible if the micro controller of the television is working correctly and only to a certain extent. When this is not the case, ComPair will guide you through the faultfinding tree by asking you questions (e.g. *Does the screen give a picture? Click on the correct answer: YES / NO*) and showing you examples (e.g. *Measure test-point I7 and click on the correct oscillogram you see on the oscilloscope*). You can answer by clicking on a link (e.g. text or a waveform picture) that will bring you to the next step in the faultfinding process.

By a combination of automatic diagnostics and an interactive question / answer procedure, ComPair will enable you to find most problems in a fast and effective way.

Beside fault finding, ComPair provides some **additional features** like:

- Up- or downloading of pre-sets.
 - Managing of pre-set lists.
 - Emulation of the Dealer Service Tool (DST).
 - If both ComPair and SearchMan (Electronic Service Manual) are installed, all the schematics and the PWBs of the set are available by clicking on the appropriate hyperlink.
- Example:** *Measure the DC-voltage on capacitor C2568 (Schematic/Panel) at the Mono-carrier.*
- Click on the "Panel" hyperlink to automatically show the PWB with a highlighted capacitor C2568.
 - Click on the "Schematic" hyperlink to automatically show the position of the highlighted capacitor.

5.4.3 How To Connect

1. First, install the ComPair Browser software (see the Quick Reference Card for installation instructions).
2. Connect the RS232 interface cable between a free serial (COM) port of your PC and the PC connector (marked with "PC") of the ComPair interface.
3. Connect the mains adapter to the supply connector (marked with "POWER 9V DC") of the ComPair interface.
4. Switch the ComPair interface "OFF".
5. Switch the television set "OFF" with the mains switch.
6. Connect the ComPair interface cable between the connector on the rear side of the ComPair interface (marked with "I²C") and the ComPair connector at the rear side of the TV.
7. Plug the mains adapter in a mains outlet, and switch the interface "ON". The green and red LEDs light up together. The red LED extinguishes after approx. 1 second while the green LED remains lit.
8. Start the ComPair program and read the "Introduction" chapter.

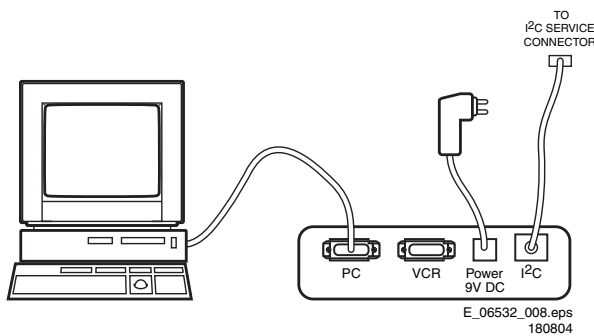


Figure 5-5 ComPair Interface connection

5.4.4 How To Order

- ComPair order codes:
- ComPair Software: ST4191.
 - ComPair Interface Box: 4822 727 21631.
 - AC Adapter: T405-ND.
 - ComPair Quick Start Guide: ST4190.

Note: If you encounter any problems, contact your local support desk.

5.5 Error Codes

The error code buffer contains all errors detected since the last time the buffer was erased. The buffer is written from left to right. When an error occurs that is not yet in the error code buffer, it is displayed at the left side and all other errors shift one position to the right.

5.5.1 How To Read The Error Buffer

You can read the error buffer in 3 ways:

- On screen via the SAM (if you have a picture).
 - Examples:**
 - ERROR: 0 0 0 0 0 : No errors detected
 - ERROR: 6 0 0 0 0 : Error code 6 is the last and only detected error
 - ERROR: 9 6 0 0 0 : Error code 6 was detected first and error code 9 is the last detected (newest) error
- Via the blinking LED procedure (when you have no picture). See "The Blinking LED Procedure".
- Via ComPair.

5.5.2 How To Clear The Error Buffer

The error code buffer is cleared in the following cases:

- By using the CLEAR command in the SAM menu:
 - To enter SAM, press the following key sequence on the remote control transmitter: "062596" directly followed by the OSD/STATUS button (do not allow the display to time out between entries while keying the sequence).
 - Make sure the menu item CLEAR is highlighted. Use the MENU UP/DOWN buttons, if necessary.
 - Press the MENU RIGHT button to clear the error buffer. The text on the right side of the "CLEAR" line will change from "CLEAR?" to "CLEARED"
- If the contents of the error buffer have not changed for 50 hours, the error buffer resets automatically.

Note: If you exit SAM by disconnecting the mains from the television set, the error buffer is not reset.

5.5.3 Error Codes

In case of non-intermittent faults, write down the errors present in the error buffer and clear the error buffer before you begin the repair. This ensures that old error codes are no longer present.

If possible, check the entire contents of the error buffer. In some situations, an error code is only the result of another error and not the actual cause of the problem (for example, a fault in the protection detection circuitry can also lead to a protection).

Table 5-1 Error code overview

Error	Device	Error description	Check item	Diagram
0	Not applicable	No Error		
1	Not applicable	-	-	-
2	Not applicable	-	-	-
3	Not applicable	-	-	-
4	GM5221	I2C error while communicating with the Genesis Scaler and/or Flash-ROM is faulty/empty	7401 7403	A6
5	Not applicable	+5v protection	7930	A6
6	I2C bus	General I2C error	7011, 3083, 3084	A2
7	Not applicable	-	-	-
8	M24C32	I2C error while communicating with the Scaler EEPROM	7402	A7
9	M24C16	I2C error while communicating with the EEPROM	7099	A2
10	Tuner	I2C error while communicating with the PLL tuner	1302, 3302, 3303, 3327	A1
11	Not applicable	-	-	-
12	Not applicable	-	-	-
13	Not applicable	-	-	-

5.6 The Blinking LED Procedure

Using this procedure, you can make the contents of the error buffer visible via the front LED. This is especially useful when there is no picture.

When the SDM is entered, the front LED will blink the contents of the error-buffer:

- The Led blinks with as many pulses as the error code number, followed by a time period of 1.5 seconds, in which the Led is off.
- Then this sequence starts is repeated.

Any RC5 command terminates this sequence.

Example of error buffer: 12 9 6 0 0

After entering SDM, the following occurs:

- 1 long blink of 5 seconds to start the sequence,

- 12 short blinks followed by a pause of 1.5 seconds,
- 9 short blinks followed by a pause of 1.5 seconds,
- 6 short blinks followed by a pause of 1.5 seconds,
- 1 long blink of 1.5 seconds to finish the sequence,
- The sequence starts again at 12 short blinks.

2. If they are present, check RGB output.
3. If there is no RGB output, the IC TDA120xx can be failed.

Comb Filter not working

1. Check the option bit 5 in SAM.

5.7 Fault Finding and Repair Tips

Notes:

- It is assumed that the components are mounted correctly with correct values and no bad solder joints.
- Before any fault finding actions, check if the correct options are set.

5.7.1 NVM Editor

In some cases, it can be handy if one directly can change the NVM contents. This can be done with the "NVM Editor" in SAM mode.

5.7.2 Tuner and IF

No Picture in RF mode

1. Check whether picture is present in AV. If not, go to Video processing troubleshooting section.
2. If present, check that the Option settings are correct.
3. Check that all supply voltages are present.
4. Check if I2C lines are working correctly (3.3V).
5. Manually store a known channel and check if there is IF output at Tuner pin 11.
6. Feed in 105 dBuV at Tuner pin 11 and check whether there is RGB output from Video Processing IC. If yes, Tuner may be defected. Change Tuner.

Sound in picture problem for L' system (rolling horizontal lines)

1. Check whether AGC L' in Sam mode is set to 0.
2. If yes, align the set to correct value.

Required system is not selected correctly

1. Check whether the Service jumper (#4022, 08 05 size) is present. If yes, remove it.
2. Check whether SEL_IF pin is according to what is specified.

5.7.3 Video Processing

No power

1. Check +12 V and 3V3 at position 1910.
2. If no supply, check the connector 1910.
3. If it is correct, check the power supply board.

Power supply is correct but no green light

1. Check the two connectors 1007 and 1008, if they are properly inserted.
2. If they are inserted correctly, check if the 3V3 is present.

No picture display

1. Check the RGB signal.
2. If it is present, check pin 3 of IC7006 (NE555).
3. If it has output, the problem is in SCALER part.
4. Otherwise, check H-out on pin 2 of NE555. If the input signal of pin2 is present, but no output, the IC is failed.

Note:

- If the H-out (pin 67) doesn't have signal or the level is low, check the output of NE555 (pin 3) during start up.
- If the H-out (pin 67) has a signal (or has a signal for a very short time), change IC7006 (NE555).

No TV but PC is present

1. Check if HSYNC and VSYNC are present at PIN 3 of 7007 and 7005.

5.7.4 Power Supply

Check fuses

This power supply contains three fuses. One is near the mains inlet (marked on the board as 1102) and two other are near the output connectors (marked 1610 and 1660).

1. Check with power supply in off state by means of ohmic measurement.
2. Fuse 1102 may open in case of severe lightning strikes and/or failures in the power supply. Despite the fact, that this fuse is mounted in a fuse holder and the marking text on the board, it is not meant to be field replaceable.
3. Fuses 1610 and 1660 may open in case a severe overload of the 12 V outputs. Replacement of the power supply is needed, but not before the cause of the overload conditions is resolved.

Standby mode

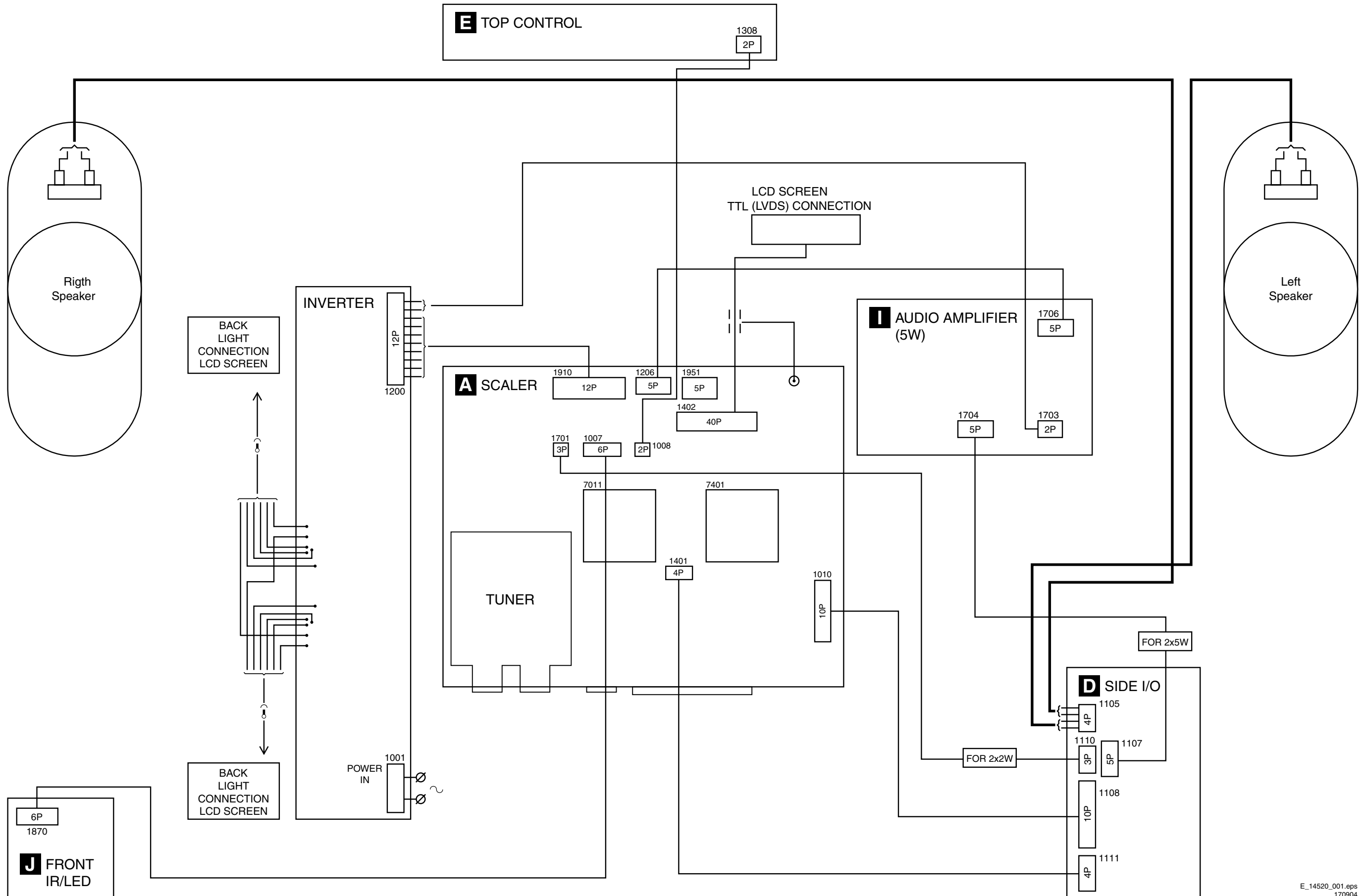
1. Apply a 12 ohm load resistor of sufficient power rating to all outputs (+3 V3, +12 VAL, +12 VL and +24 V). Connect the STBY pin to GND.
2. Over an input voltage range of 90 V_{ac} to 264 V_{ac} only the +3 V3 output shall be up and within regulation ($\pm 5\%$). The voltage on the POWER DOWN pin shall be < 0.3 V at an input voltage below 160 V_{ac}, and 3.3 V $\pm 10\%$ at an input voltage higher than 240 V_{ac}.

Normal mode:

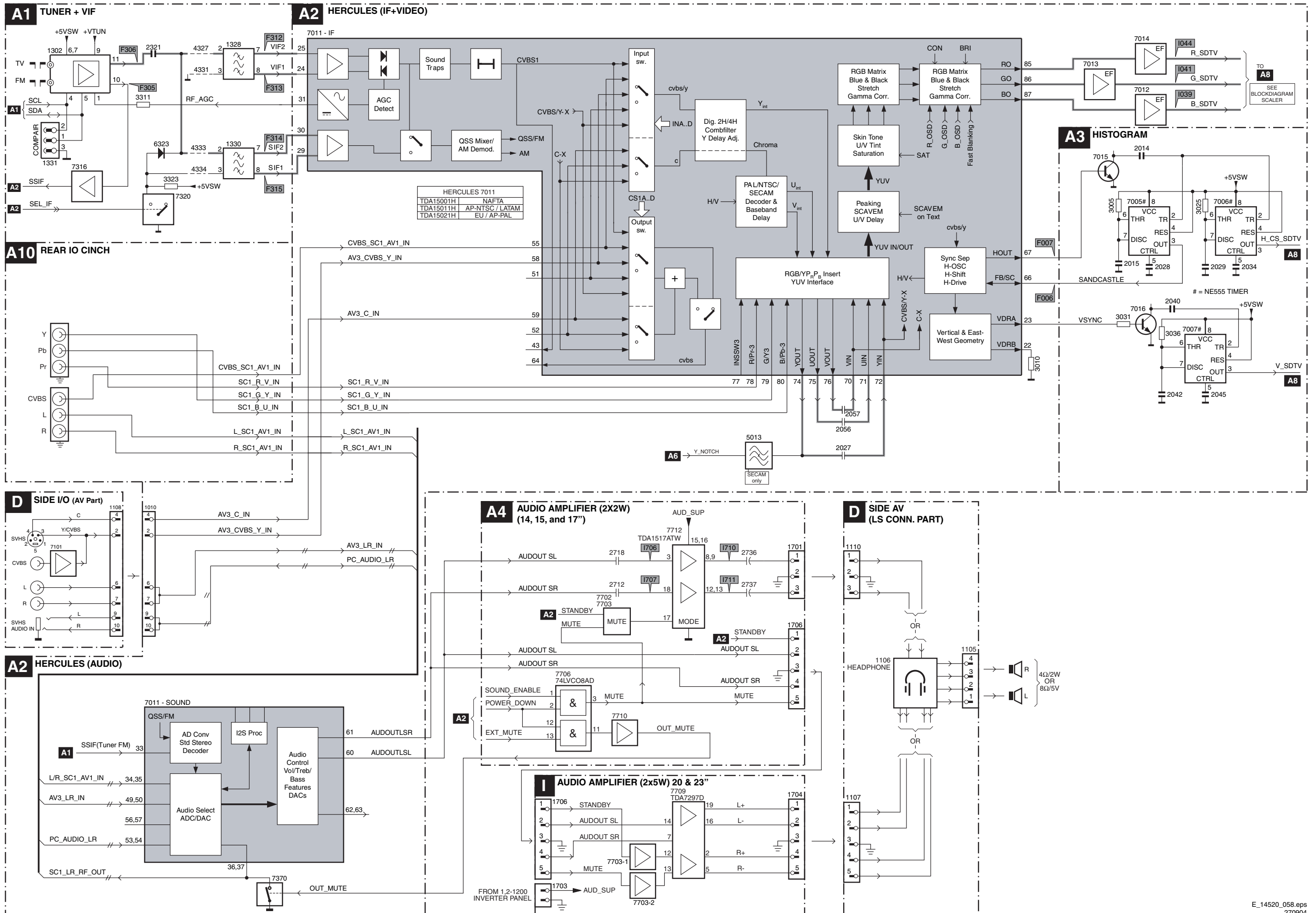
1. Apply a 12 ohm load resistor of sufficient power rating to all outputs (+3 V3, +12 VAL, +12 VL and +24 V). Connect the STBY pin to the +3 V3 output.
2. Over an input voltage range of 90 V_{ac} to 264 V_{ac} all outputs shall be up and within regulation ($\pm 5\%$). The voltage on the POWER DOWN pin shall be 3.3 V $\pm 10\%$ over the entire input voltage range. Additionally, the voltage on the big capacitor mounted flat on the PCB shall be 400 V $\pm 10\%$

6. Block Diagrams, Testpoint Overviews, and Waveforms

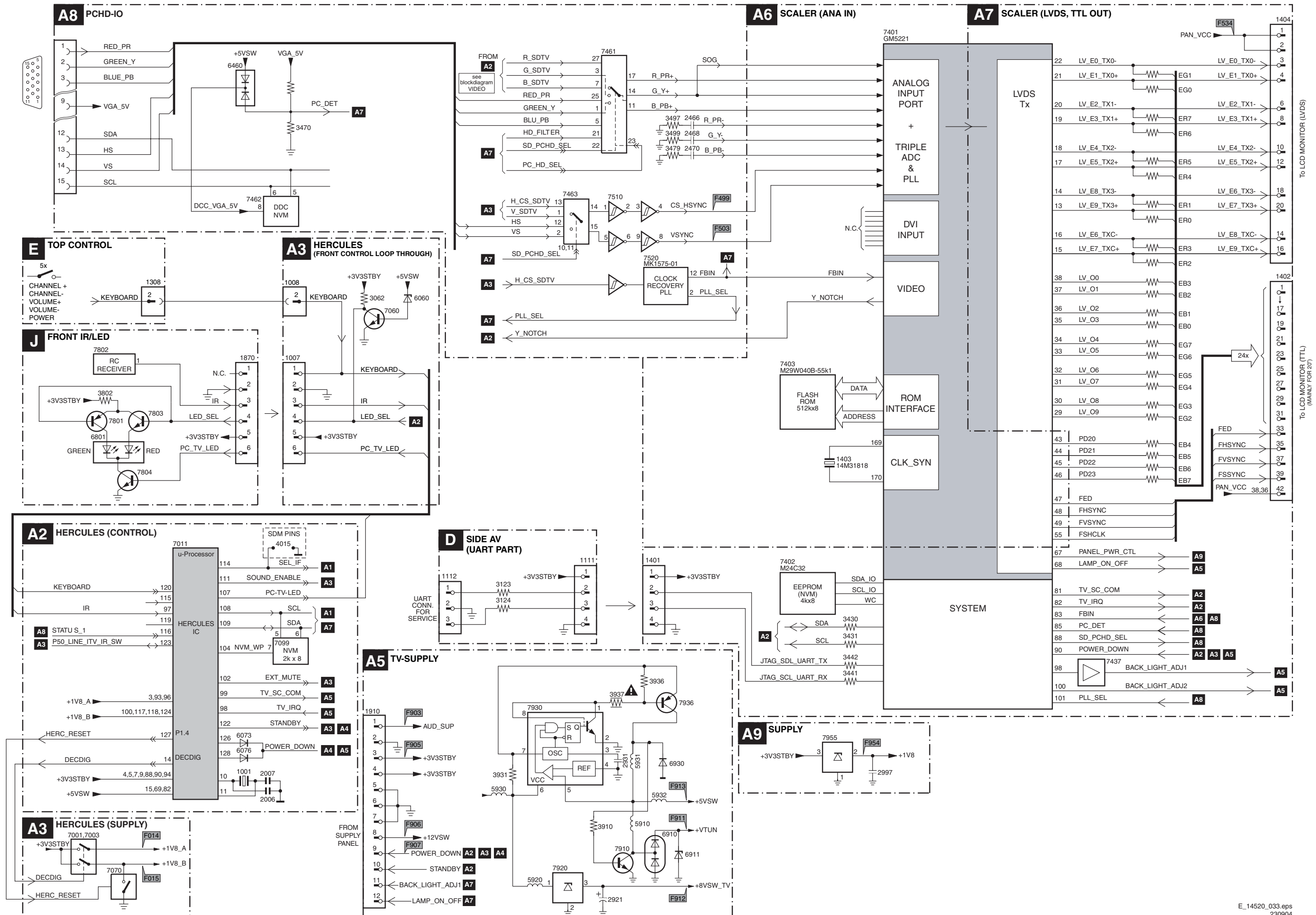
Wiring Diagram



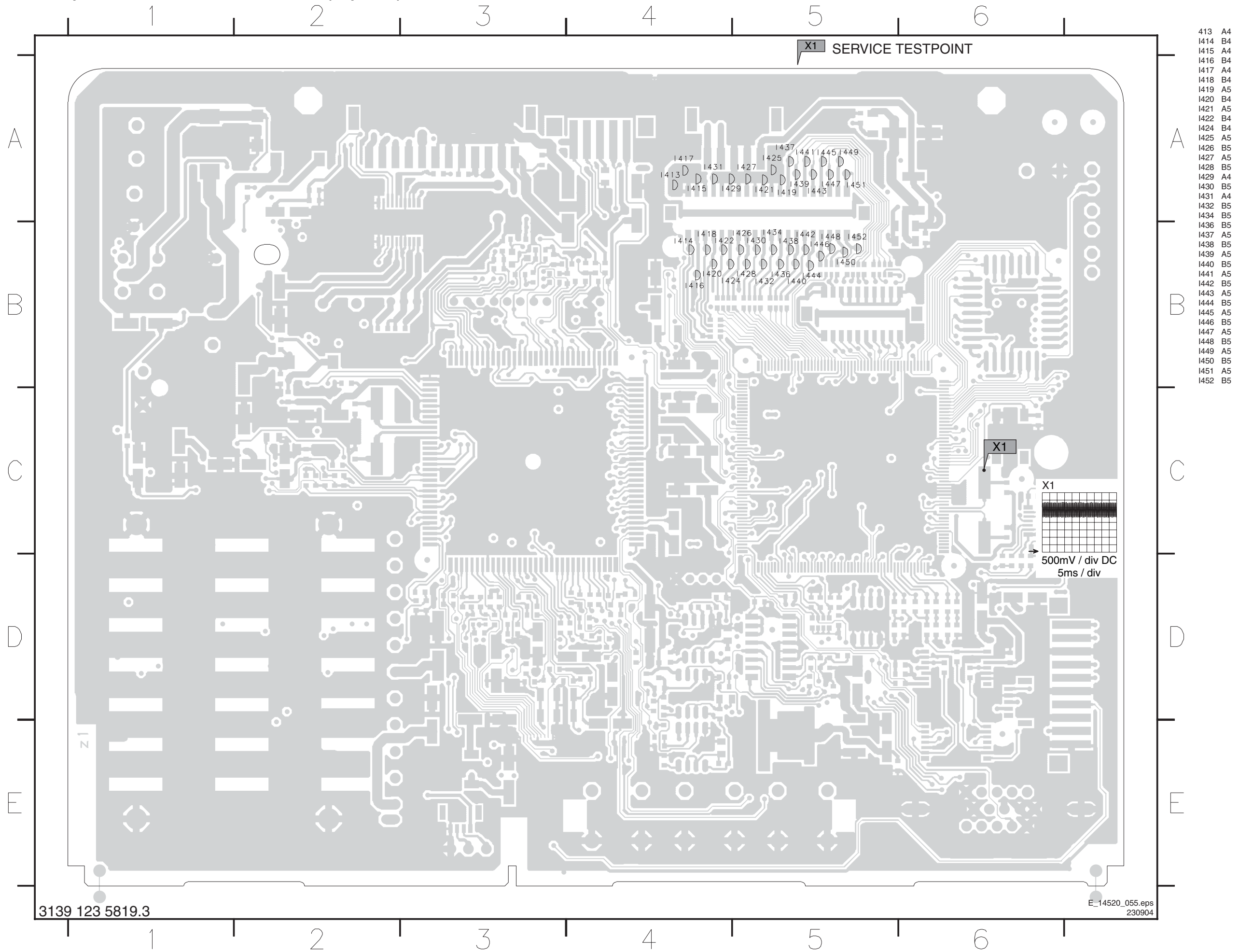
Block Diagram Audio & Video



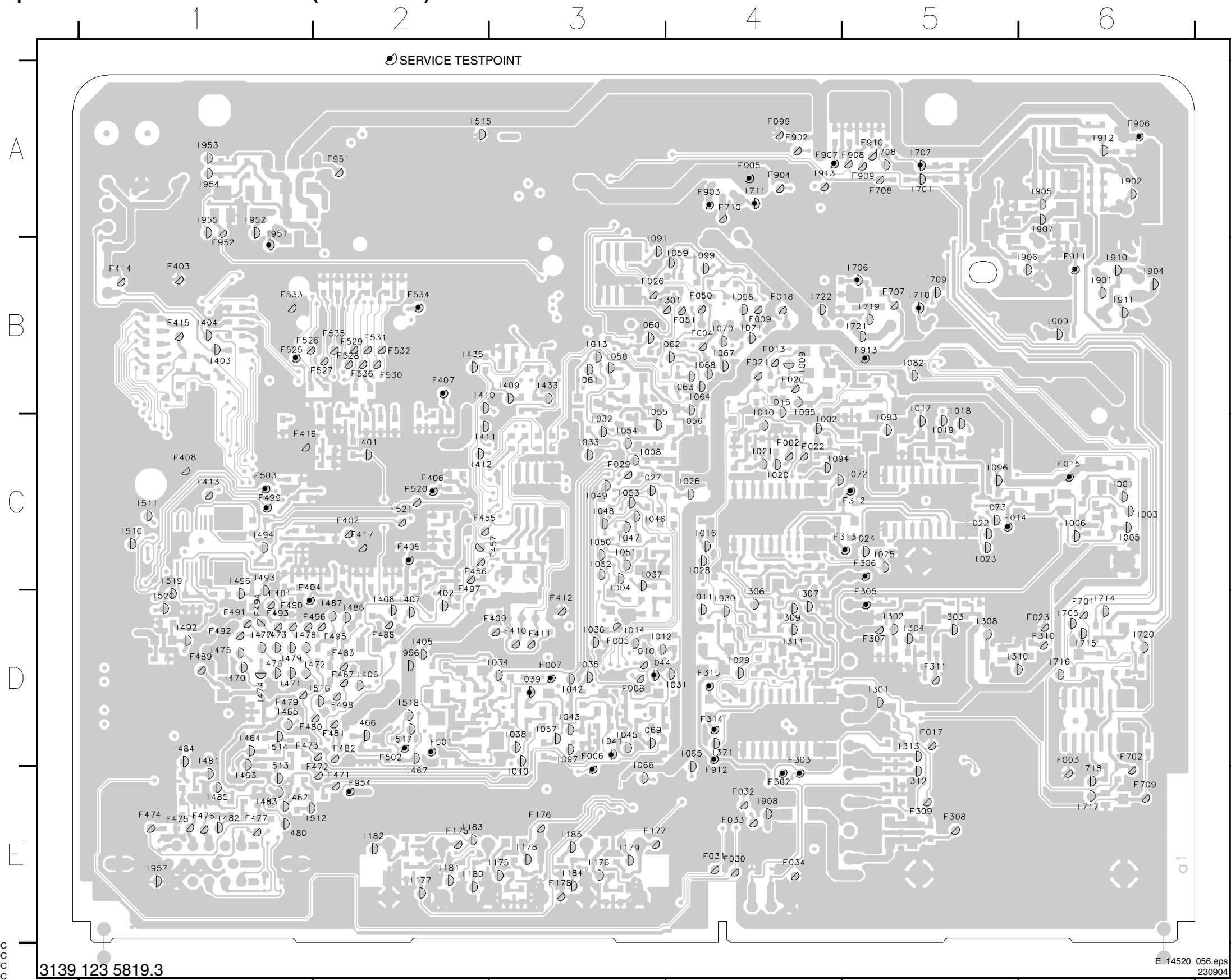
Block Diagram Scaler & Supply



Testpoint Overview TV & Scaler Board (Top Side)

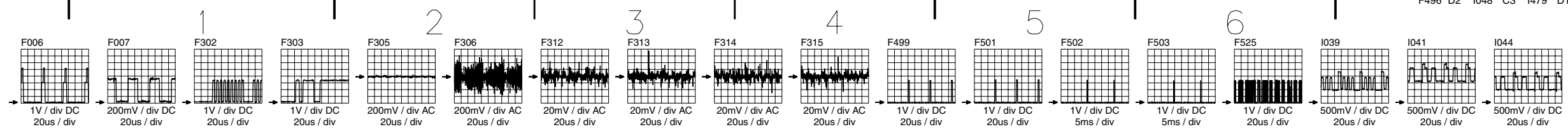


Testpoint Overview TV & Scaler Board (Bottom Side)



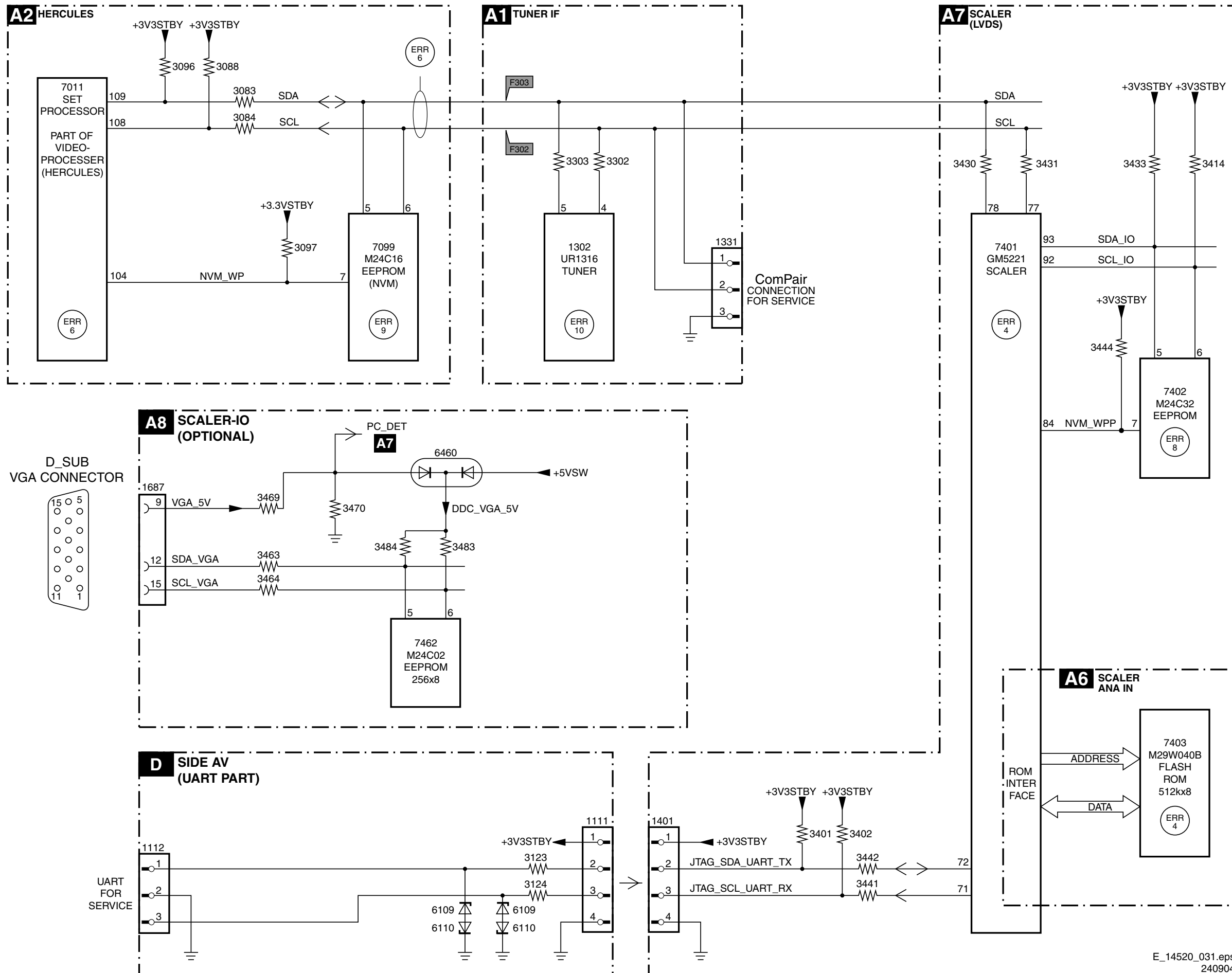
F002	C4	F497	C2	I049	C3	I480	E1
F003	D6	F498	D2	I050	C3	I481	D1
F004	B4	F499	C1	I051	C3	I482	E1
F005	D3	F501	D2	I052	C3	I483	E1
F006	D3	F502	D2	I053	C3	I484	D1
F007	D3	F503	C1	I054	C3	I485	E1
F008	D3	F520	C2	I055	B3	I486	D2
F009	B4	F521	C2	I056	C4	I487	D2
F010	D3	F525	B1	I057	D3	I492	D1
F013	B4	F526	B1	I058	B3	I493	C1
F014	C5	F527	B2	I059	B4	I494	C1
F015	C6	F528	B2	I060	B3	I496	C1
F017	D5	F529	B2	I061	B3	I510	C1
F018	B4	F530	B2	I062	B4	I511	C1
F020	B4	F531	B2	I063	B4	I512	E2
F021	B4	F532	B2	I064	B4	I513	D1
F022	C4	F533	B1	I065	D4	I514	D1
F023	D6	F534	B2	I066	D3	I515	A2
F026	B3	F535	B2	I067	B4	I516	D2
F029	C3	F536	B2	I068	B4	I517	D2
F030	E4	F701	D6	I069	D3	I518	D2
F031	E4	F702	D6	I070	B4	I519	C1
F032	E4	F707	B5	I071	B4	I520	D1
F033	E4	F708	A5	I072	C5	I701	A5
F034	E4	F709	E6	I073	C5	I705	D6
F050	B4	F710	A4	I082	B5	I706	B5
F051	B4	F902	A4	I091	B3	I707	A5
F099	A4	F903	A4	I093	C5	I708	A5
F175	E2	F904	A4	I094	C4	I709	B5
F176	E3	F905	A4	I095	B4	I710	B5
F177	E3	F906	A6	I096	C5	I711	A4
F178	E3	F907	A4	I097	D3	I714	D6
F301	B4	F908	A5	I098	B4	I715	D6
F302	E4	F909	A5	I099	B4	I716	D6
F303	D4	F910	A5	I175	E3	I717	E6
F305	D5	F911	B6	I176	E3	I718	E6
F306	C5	F912	E4	I177	E2	I719	B5
F307	D5	F913	B5	I178	E3	I720	D6
F308	E5	F951	A2	I179	E3	I721	B5
F309	E5	F952	B1	I180	E2	I722	B4
F310	D6	F954	E2	I181	E2	I901	B6
F311	D5	I001	C6	I182	E2	I902	A6
F312	C5	I002	C4	I183	E2	I904	B6
F313	C5	I003	C6	I184	E3	I905	A6
F314	D4	I004	C3	I185	E3	I906	B6
F315	D4	I005	C6	I301	D5	I907	A6
F401	D1	I006	C6	I302	D5	I908	E4
F402	C2	I008	C3	I303	D5	I909	B6
F403	B1	I009	B4	I304	D5	I910	B6
F404	C1	I010	B4	I306	D4	I911	B6
F405	C2	I011	D4	I307	D4	I912	A6
F406	C2	I012	D3	I308	D5	I913	A4
F407	B2	I013	B3	I309	D4	I951	A1
F408	C1	I014	D3	I310	D5	I952	A1
F409	D3	I015	B4	I311	D4	I953	A1
F410	D3	I016	C4	I312	E5	I954	A1
F411	D3	I017	B5	I313	D5	I955	A1
F412	D3	I018	B5	I371	D4	I956	D2
F413	C1	I019	C5	I401	C2	I957	E1
F414	B1	I020	C4	I402	D2		
F415	B1	I021	C4	I403	B1		
F416	C1	I022	C5	I404	B1		
F417	C2	I023	C5	I405	D2		
F455	C2	I024	C5	I406	D2		
F456	C2	I025	C5	I407	D2		
F457	C3	I026	C4	I408	D2		
F471	E2	I027	C3	I409	B3		
F472	E2	I028	C4	I410	B2		
F473	D1	I029	D4	I411	C2		
F474	E1	I030	D4	I412	C2		
F475	E1	I031	D4	I433	B3		
F476	E1	I032	C3	I435	B2		
F477	E1	I033	C3	I462	E1		
F479	D1	I034	D3	I463	E1		
F480	D1	I035	D3	I464	D1		
F481	D2	I036	D3	I465	D1		
F482	D2	I037	C3	I466	D2		
F483	D2	I038	D3	I467	E2		
F487	D2	I039	D3	I470	D1		
F488	D2	I040	E3	I471	D1		
F489	D1	I041	D3	I472	D2		
F490	D1	I042	D3	I473	D1		
F491	D1	I043	D3	I474	D1		
F492	D1	I044	D3	I475	D1		
F493	D1	I045	D3	I476	D1		
F494	D1	I046	C3	I477	D1		
F495	D2	I047	C3	I478	D1		
F496	D2	I048	C3	I479	D1		

- F014 = 1V9 DC
- F015 = 1V9 DC
- F404 = 3V3 DC
- F405 = 1V8 DC
- F406 = 1V8 DC
- F407 = 3V3 DC
- F903 = 0V DC
- F905 = 3V3 DC
- F906 = 14V3 DC
- F907 = 3V3 DC
- F911 = 33V DC
- F912 = 8V1 DC
- F913 = 5V4 DC
- F951 = 12V DC
- F954 = 1V8 DC

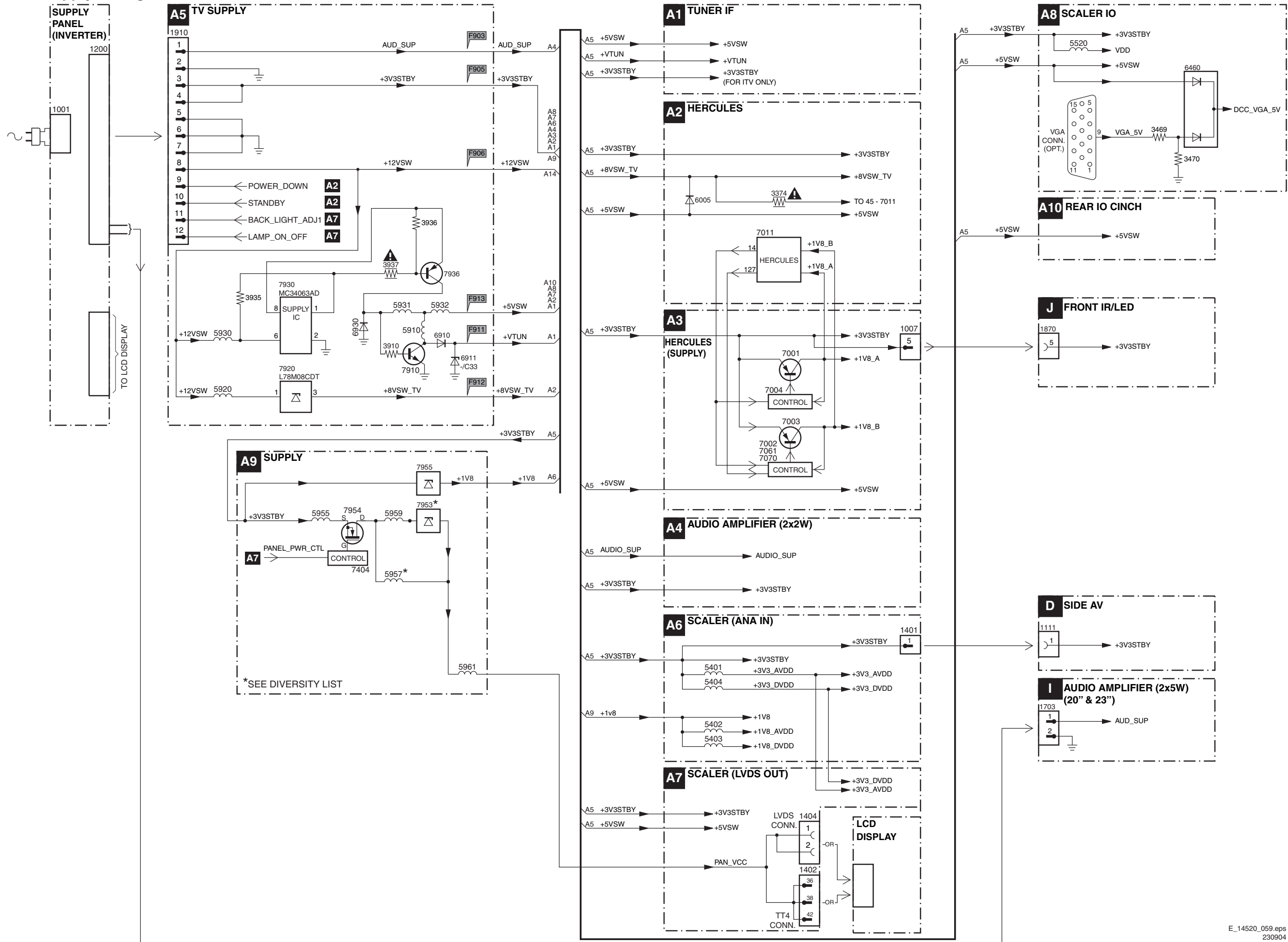


I2C IC Overview

I2C BUS INTERCONNECTION DIAGRAM



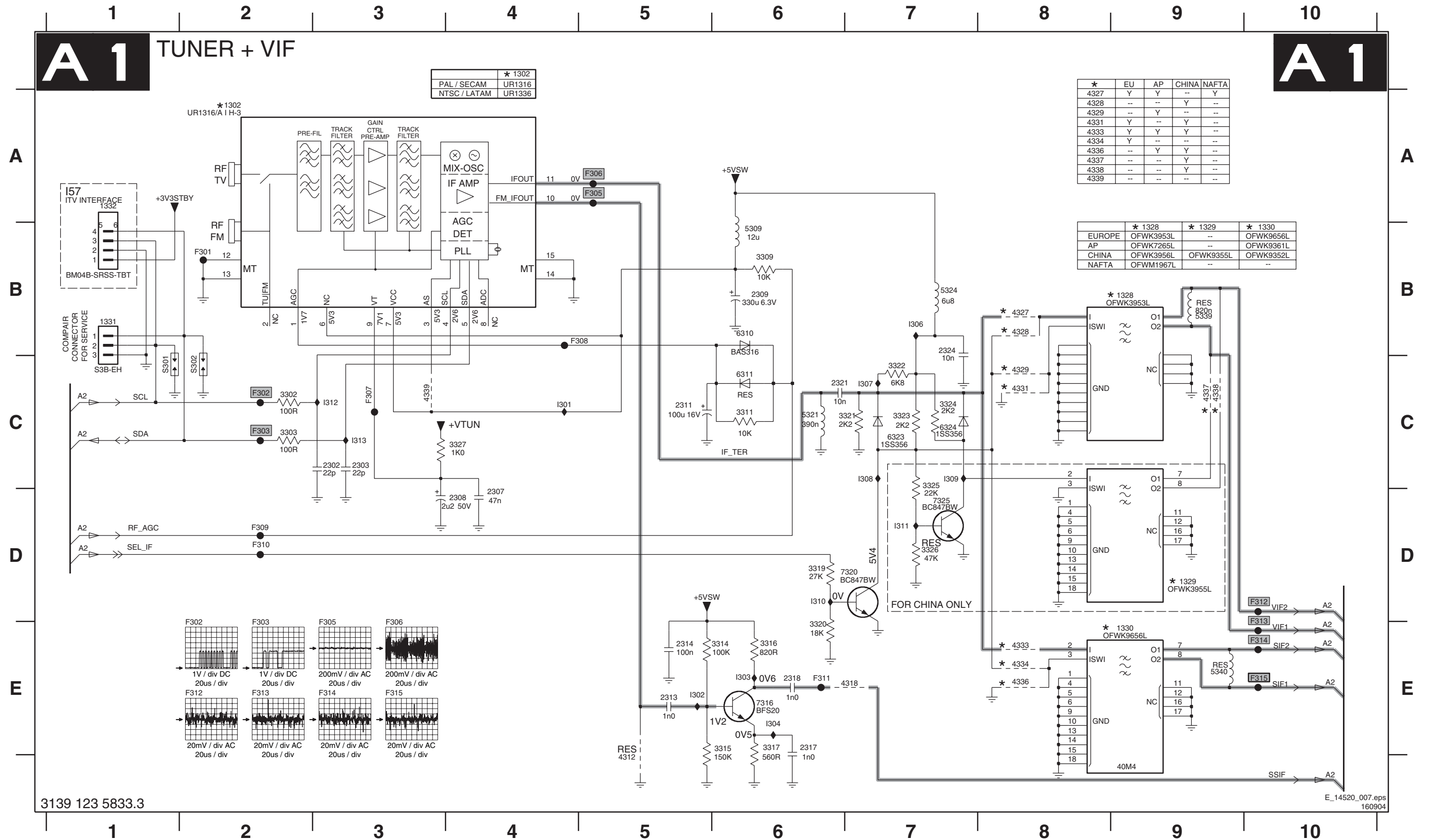
Supply Voltage Overview



7. Circuit Diagrams and PWB Layouts

TV & Scaler Board: Tuner & VIF

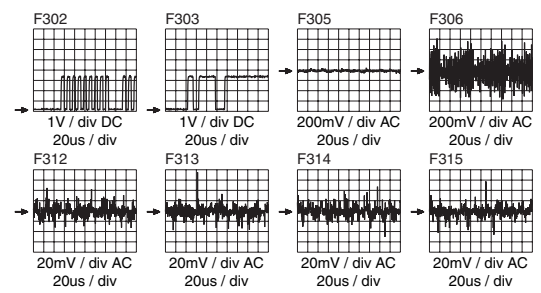
1302 A2	1331 B1	2307 D4	2313 E5	2321 C6	3309 B6	3316 E6	3321 C7	3325 C7	4318 E7	4331 C8	4337 C9	5321 C6	6310 B6	7316 E6	F302 C2	F307 C3	F311 E6	F315 E10	I304 E6	I309 C7	I313 C3
1328 B9	1332 A1	2308 D4	2314 E5	2324 B7	3311 C6	3317 E6	3322 C7	3326 D7	4327 B8	4333 E8	4338 C9	5324 B7	6311 C6	7320 D6	F303 C2	F308 B5	F312 D10	I301 C4	I306 B7	I310 D6	S301 C1
1329 D9	2302 C3	2309 B6	2317 E6	3302 C2	3314 E6	3319 D6	3323 C7	3327 C4	4328 B8	4334 E8	4339 C3	5339 B9	6323 C7	7325 D7	F305 A5	F309 D2	F313 E10	I302 E5	I307 C7	I311 D7	S302 C2
1330 E9	2303 C3	2311 C5	2318 E6	3303 C2	3315 E6	3320 D6	3324 C7	4312 E5	4329 C8	4336 E8	5309 B6	5340 E9	6324 C7	F301 B2	F306 A5	F310 D2	F314 E10	I303 E6	I308 C7	I312 C3	



	* 1302
PAL / SECAM	UR1316
NTSC / LATAM	UR1336

*	EU	AP	CHINA	NAFTA
4327	Y	Y	--	Y
4328	--	--	Y	--
4329	--	Y	--	--
4331	Y	--	Y	--
4333	Y	Y	Y	--
4334	Y	--	--	--
4336	--	Y	Y	--
4337	--	--	Y	--
4338	--	--	Y	--
4339	--	--	--	--

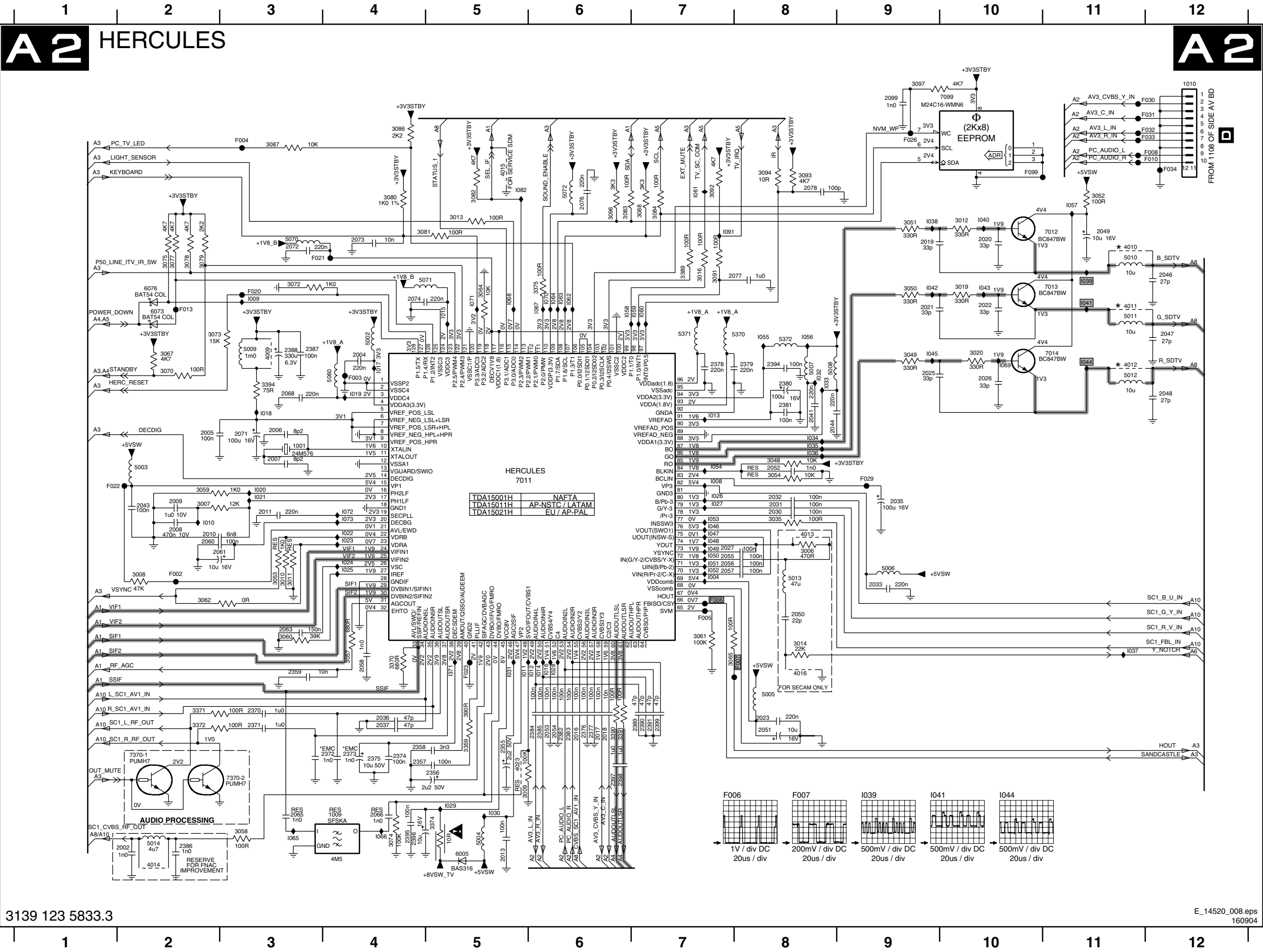
	* 1328	* 1329	* 1330
EUROPE	OFWK3953L	--	OFWK9656L
AP	OFWK7265L	--	OFWK9361L
CHINA	OFWK3956L	OFWK9355L	OFWK9352L
NAFTA	OFWM1967L	--	--



3139 123 5833.3

E_14520_007.eps
160904

TV & Scaler Board: Hercules



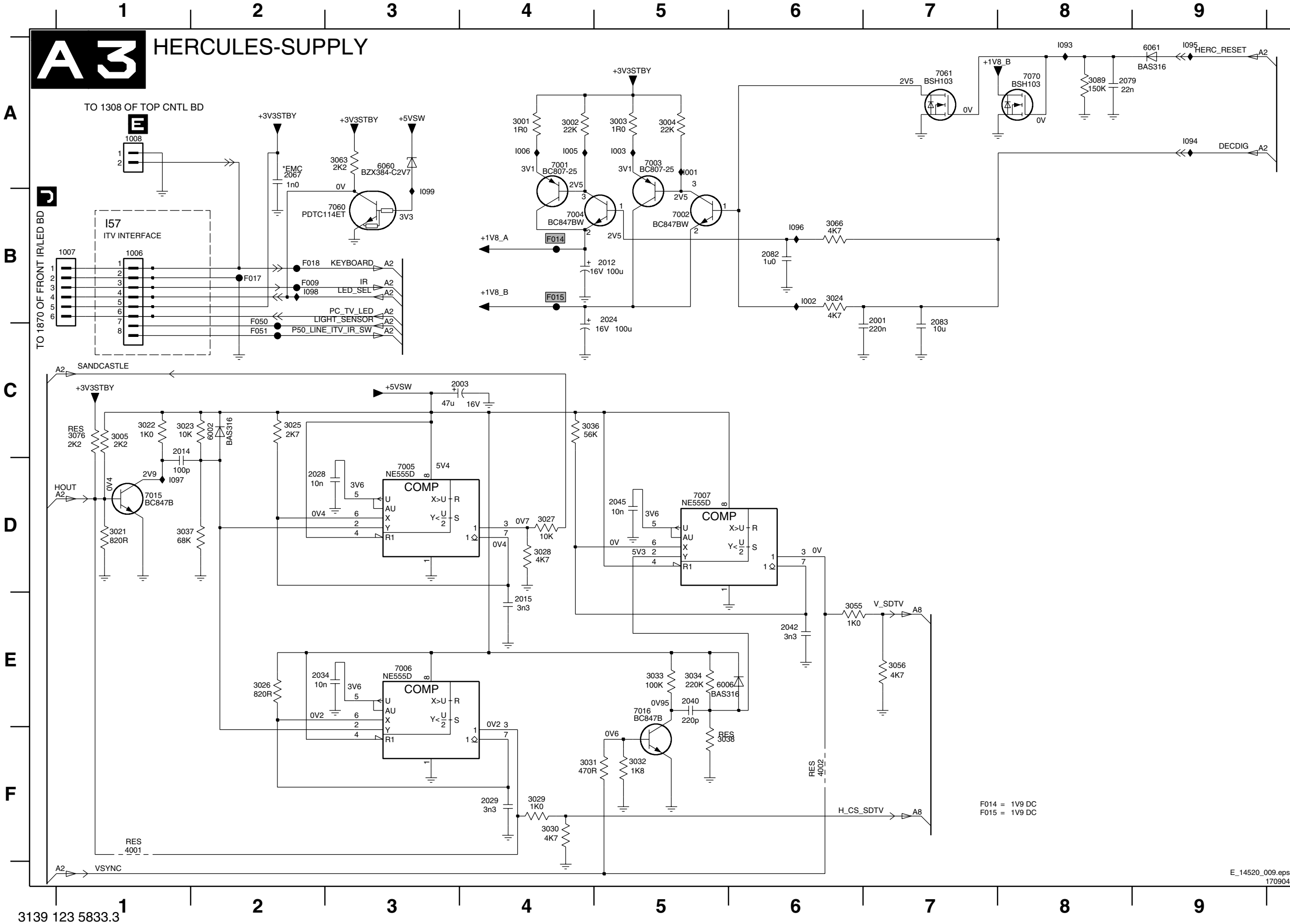
- 1001 D3
- 1009 H4
- 1010 A12
- 2002 H2
- 2004 C4
- 2005 D2
- 2006 D3
- 2007 D3
- 2008 E2
- 2009 E2
- 2010 E2
- 2011 E3
- 2013 H5
- 2016 G6
- 2017 G6
- 2018 G6
- 2019 B9
- 2020 B10
- 2021 C9
- 2022 C10
- 2023 G8
- 2025 C9
- 2026 D10
- 2027 E7
- 2030 E8
- 2031 E8
- 2032 E8
- 2033 F9
- 2035 E9
- 2036 G4
- 2037 G4
- 2039 D11
- 2042 E2
- 2044 D8
- 2046 C12
- 2047 C12
- 2048 D12
- 2049 B11
- 2050 F8
- 2051 G8
- 2052 D8
- 2053 G6
- 2054 G6
- 2055 E7
- 2056 E7
- 2057 E7
- 2058 F4
- 2060 E2
- 2061 E3
- 2063 F3
- 2064 H3
- 2066 H4
- 2068 D3
- 2071 D3
- 2072 B3
- 2073 B4
- 2074 C4
- 2076 B6
- 2077 C8
- 2078 B8
- 2099 A9
- 2355 G5
- 2356 G5
- 2357 C4
- 2358 F3
- 2370 G3
- 2371 G3
- 2372 G4
- 2373 G4
- 2374 G4
- 2375 G4
- 2376 G6
- 2377 G6
- 2378 C7
- 2379 C8
- 2380 D8
- 2381 D8
- 2382 G6
- 2383 G6
- 2384 G6
- 2385 G6
- 2386 H2
- 2387 C3
- 2388 C3
- 2389 G7
- 2390 G7
- 2391 G7
- 2394 C8
- 2395 H4
- 2396 H4
- 2397 G6
- 2398 G6
- 2399 G7
- 3006 E8
- 3007 E2
- 3008 E2
- 3009 H5
- 3010 F3
- 3011 F3
- 3012 B10
- 3013 B5
- 3014 F8
- 3016 C7
- 3019 C10
- 3020 C10
- 3035 E8
- 3048 D8
- 3049 C9
- 3050 C9
- 3051 B9
- 3052 B11
- 3053 F3
- 3054 E8
- 3057 F4
- 3058 H3
- 3059 E2
- 3060 F3
- 3061 F7
- 3062 F2
- 3064 C5
- 3065 F7
- 3067 C2
- 3070 D2
- 3072 C3
- 3073 C2
- 3074 H4
- 3075 B2
- 3077 B2
- 3078 B2
- 3079 B2
- 3080 B4
- 3081 B4
- 3082 B5
- 3083 B6
- 3084 B7
- 3085 A4
- 3087 A3
- 3088 B7
- 3091 C7
- 3092 B7
- 3093 B8
- 3094 B8
- 3096 B6
- 3097 A9
- 3359 G5
- 3370 F4
- 3371 C2
- 3372 G2
- 3374 H5
- 3375 C6
- 3389 C7
- 3390 G6
- 3391 G6
- 3394 D3
- 4009 C3
- 4010 B11
- 4011 C11
- 4012 C11
- 4013 E8
- 4014 H2
- 4015 B5
- 4016 F8
- 4023 G5
- 5002 C4
- 5003 D2
- 5004 H5
- 5005 G5
- 5006 E9
- 5007 C8
- 5008 C8
- 5009 C3
- 5010 B11
- 5011 H1
- 5012 D11
- 5013 E8
- 5014 H2
- 5015 B5
- 5016 F8
- 5017 B5
- 5018 B5
- 5019 B7
- 5020 F8
- 5021 E5
- 5022 E5
- 5023 G4
- 5024 E2
- 5025 E2
- 5026 E2
- 5027 E2
- 5028 E2
- 5029 E2
- 5030 E2
- 5031 E2
- 5032 E2
- 5033 E2
- 5034 E2
- 5035 E2
- 5036 E2
- 5037 E2
- 5038 E2
- 5039 E2
- 5040 E2
- 5041 E2
- 5042 E2
- 5043 E2
- 5044 E2
- 5045 E2
- 5046 E2
- 5047 E2
- 5048 E2
- 5049 E2
- 5050 E2
- 5051 E2
- 5052 E2
- 5053 E2
- 5054 E2
- 5055 E2
- 5056 E2
- 5057 E2
- 5058 E2
- 5059 E2
- 5060 E2
- 5061 E2
- 5062 E2
- 5063 E2
- 5064 E2
- 5065 E2
- 5066 E2
- 5067 E2
- 5068 E2
- 5069 E2
- 5070 E2
- 5071 E2
- 5072 E2
- 5073 E2
- 5074 E2
- 5075 E2
- 5076 E2
- 5077 E2
- 5078 E2
- 5079 E2
- 5080 E2
- 5081 E2
- 5082 E2
- 5083 E2
- 5084 E2
- 5085 E2
- 5086 E2
- 5087 E2
- 5088 E2
- 5089 E2
- 5090 E2
- 5091 E2
- 5092 E2
- 5093 E2
- 5094 E2
- 5095 E2
- 5096 E2
- 5097 E2
- 5098 E2
- 5099 E2
- 5100 E2

3139 123 5833.3

E_14520_008.eps 160904

TV & Scaler Board: Hercules Supply

A3 HERCULES-SUPPLY



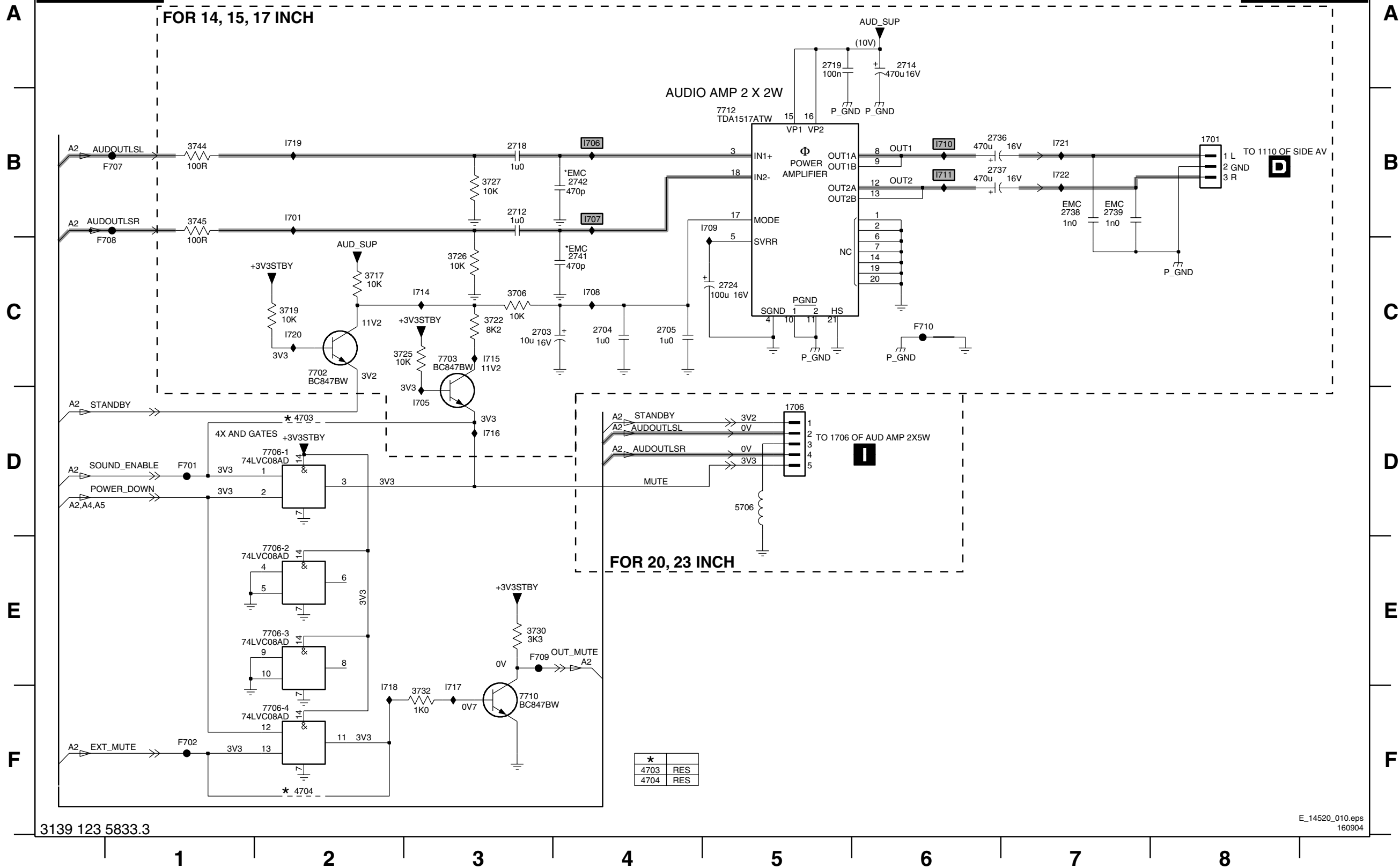
- 1006 B1
- 1007 B1
- 1008 A1
- 2001 B7
- 2003 C4
- 2012 B5
- 2014 C1
- 2015 E4
- 2024 B5
- 2028 D2
- 2029 F4
- 2034 E2
- 2040 E5
- 2042 E6
- 2045 D5
- 2067 A2
- 2079 A8
- 2082 B6
- 2083 B7
- 3001 A4
- 3002 A4
- 3003 A5
- 3004 A5
- 3005 C1
- 3021 D1
- 3022 C1
- 3023 C1
- 3024 B6
- 3025 C2
- 3026 E2
- 3027 D4
- 3028 D4
- 3029 F4
- 3030 F4
- 3031 F4
- 3032 F5
- 3033 E5
- 3034 E5
- 3036 C4
- 3037 D1
- 3038 F5
- 3055 E6
- 3056 E7
- 3063 A3
- 3066 B6
- 3076 C1
- 3089 A8
- 4001 F1
- 4002 F6
- 6002 C2
- 6006 E5
- 6060 A3
- 6061 A9
- 7001 A4
- 7002 B5
- 7003 A5
- 7004 B4
- 7005 D3
- 7006 E3
- 7007 D5
- 7015 D1
- 7016 E5
- 7060 B3
- 7061 A7
- 7070 A8
- F009 B2
- F014 B4
- F015 B4
- F017 B2
- F018 B2
- F050 C2
- F051 C2
- I001 A5
- I002 B6
- I003 A5
- I005 A4
- I006 A4
- I093 A8
- I094 A9
- I095 A9
- I096 B6
- I097 D1
- I098 B2
- I099 B3

F014 = 1V9 DC
F015 = 1V9 DC

TV & Scaler Board: Audio Amplifier (2x2W)

A4 AUDIO AMPLIFIER (2x2W)

A4



FOR 14, 15, 17 INCH

AUDIO AMP 2 X 2W

FOR 20, 23 INCH

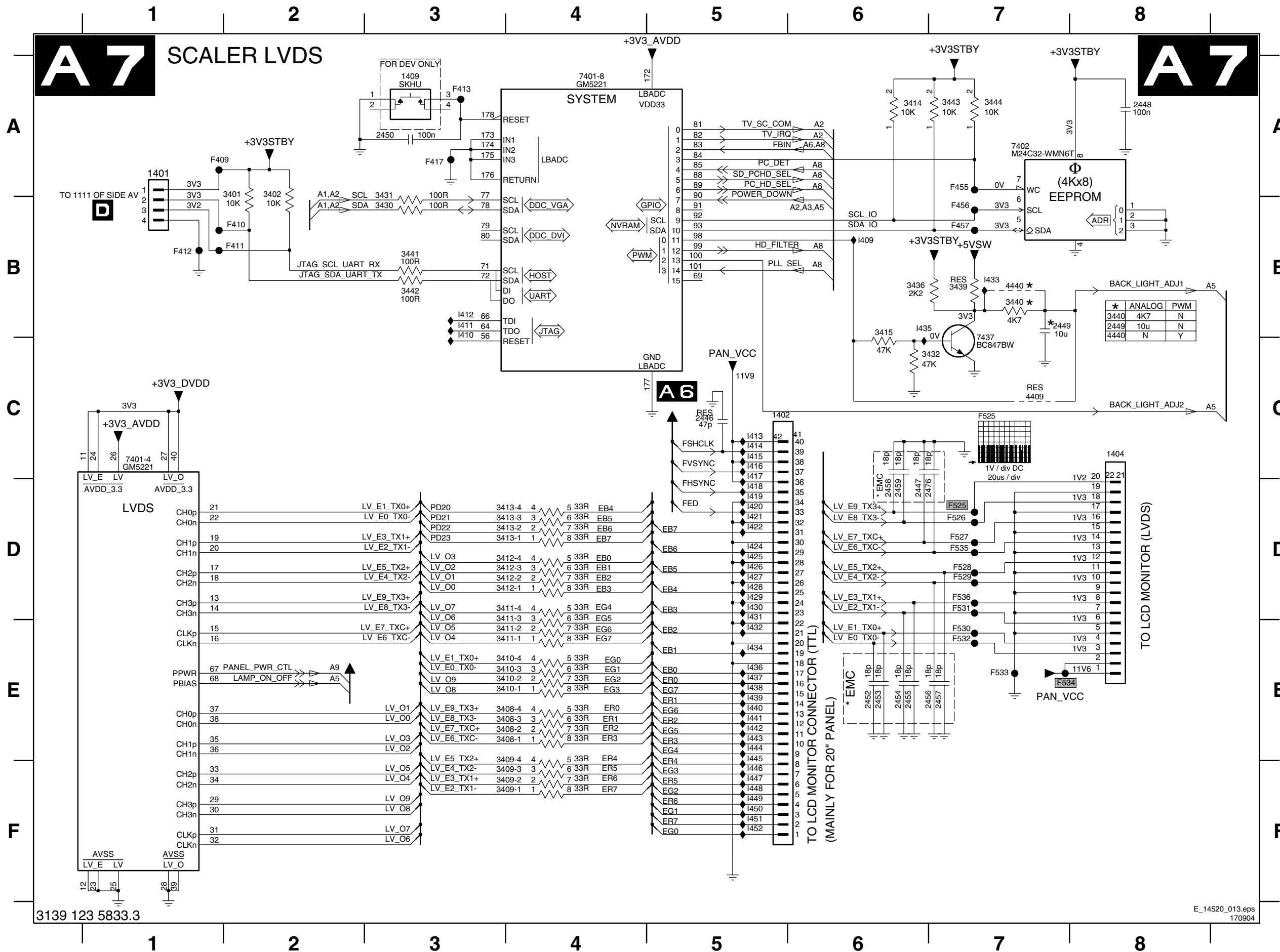
*	RES
4703	RES
4704	RES

3139 123 5833.3

E_14520_010.eps
160904

- 1701 B8
- 1706 D5
- 2703 C3
- 2704 C4
- 2705 C4
- 2712 B3
- 2714 A6
- 2718 B3
- 2719 A5
- 2724 C5
- 2736 B6
- 2737 B6
- 2738 B7
- 2739 B7
- 2741 C4
- 2742 B4
- 3706 C3
- 3717 C2
- 3719 C2
- 3722 C3
- 3725 C2
- 3726 C3
- 3727 B3
- 3730 E3
- 3732 F3
- 3744 B1
- 3745 B1
- 4703 D2
- 4704 F2
- 5706 D5
- 7702 C2
- 7703 C3
- 7706-1 D2
- 7706-2 E2
- 7706-3 E2
- 7706-4 F2
- 7710 F3
- 7712 B5
- F701 D1
- F702 F1
- F707 B1
- F708 C1
- F709 E3
- F710 C6
- I701 B2
- I705 D3
- I706 B4
- I707 B4
- I708 C4
- I709 B5
- I710 B6
- I711 B6
- I714 C3
- I715 C3
- I716 D3
- I717 F3
- I718 F2
- I719 B2
- I720 C2
- I721 B7
- I722 B7

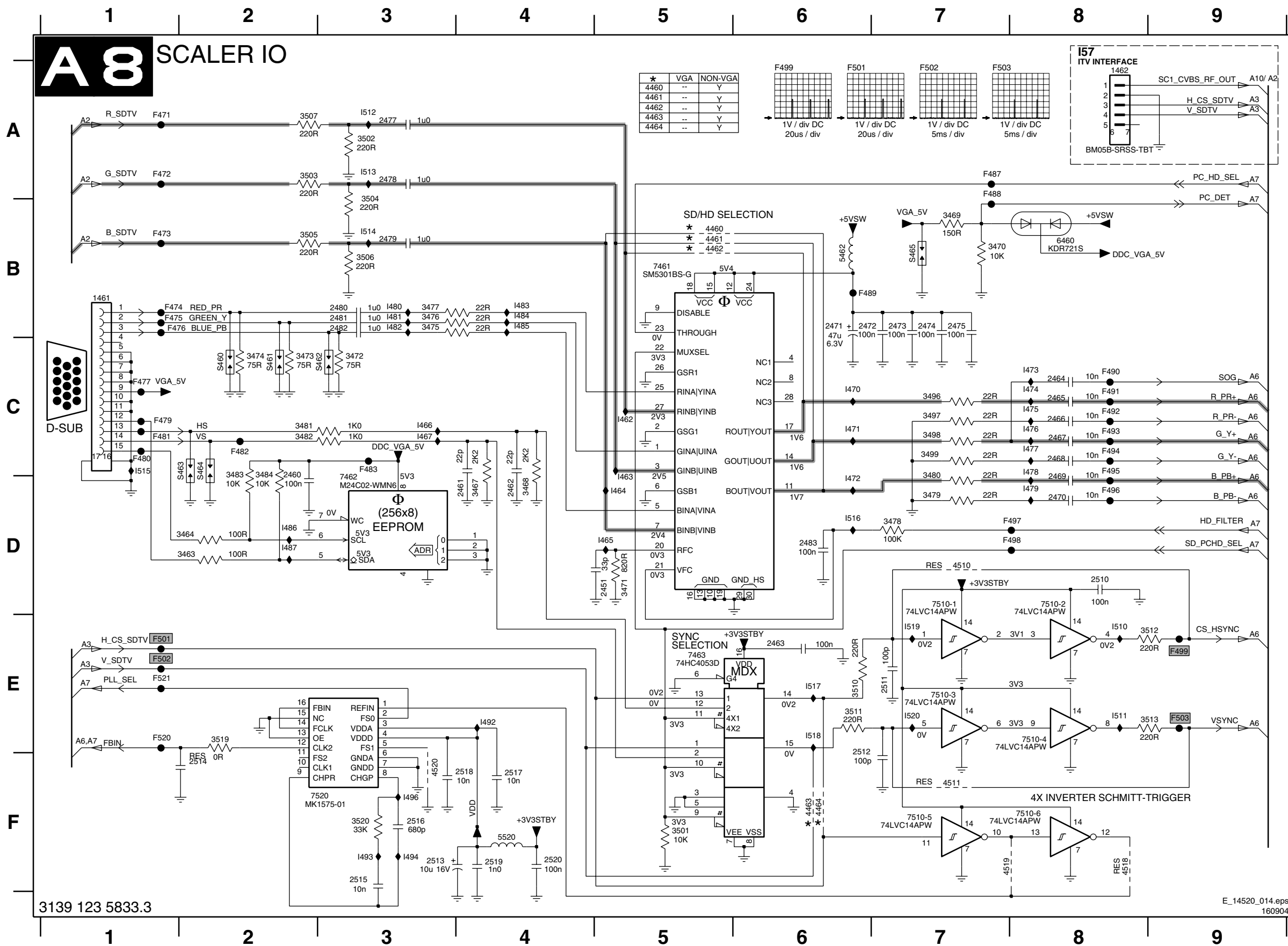
TV & Scaler Board: Scaler LVDS



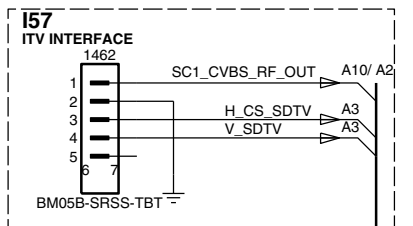
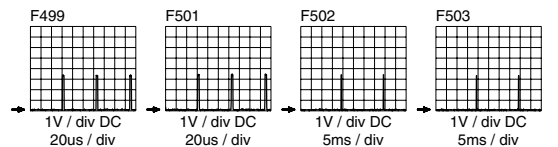
- 1401 A1
- 1402 C5
- 1404 C8
- 1409 A3
- 2446 C5
- 2447 D6
- 2448 A8
- 2449 B7
- 2450 A3
- 2452 E6
- 2453 E6
- 2454 E6
- 2455 E6
- 2456 E7
- 2457 E7
- 2458 D6
- 2459 D6
- 2476 D7
- 3401 A2
- 3402 A2
- 3408-1 E4
- 3408-2 E4
- 3408-3 E4
- 3408-4 E4
- 3409-1 F4
- 3409-2 F4
- 3409-3 F4
- 3409-4 F4
- 3410-1 E4
- 3410-2 E4
- 3410-3 E4
- 3410-4 E4
- 3411-1 E4
- 3411-2 E4
- 3411-3 E4
- 3411-4 D4
- 3412-1 D4
- 3412-2 D4
- 3412-3 D4
- 3412-4 D4
- 3413-1 D4
- 3413-2 D4
- 3413-3 D4
- 3413-4 D4
- 3414 A6
- 3415 B6
- 3430 B3
- 3431 B3
- 3432 C7
- 3436 B6
- 3439 B7
- 3440 B7
- 3441 B3
- 3442 B3
- 3443 A7
- 3444 A7
- 4409 C7
- 4440 B7
- 7401-4 C1
- 7401-8 A4
- 7402 A7
- 7437 C7
- F409 A1
- F410 B2
- F411 B2
- F412 B1
- F413 A3
- F417 A3
- F455 A7
- F456 B7
- F457 B7
- F525 D7
- F526 D7
- F527 D7
- F528 D7
- F529 D7
- F530 E7
- F531 D7
- F532 E7
- F533 E7
- F534 E7
- F535 D7
- F536 D7
- 1409 B6
- 1410 B3
- 1411 B3
- 1412 B3
- 1413 C5
- 1414 C5
- 1415 C5
- 1416 C5
- 1417 C5
- 1418 D5
- 1419 D5
- 1420 D5
- 1421 D5
- 1422 D5
- 1423 D5
- 1424 D5
- 1425 D5
- 1426 D5
- 1427 D5
- 1428 D5
- 1429 D5
- 1430 D5
- 1431 D5
- 1432 E5
- 1433 B7
- 1434 E5
- 1435 B6
- 1436 E5
- 1437 E5
- 1438 E5
- 1439 E5
- 1440 E5
- 1441 E5
- 1442 E5
- 1443 E5
- 1444 E5
- 1445 E5
- 1446 F5
- 1447 F5
- 1448 F5
- 1449 F5
- 1450 F5
- 1451 F5
- 1452 F5

TV & Scaler Board: Scaler IO

A8 SCALER IO



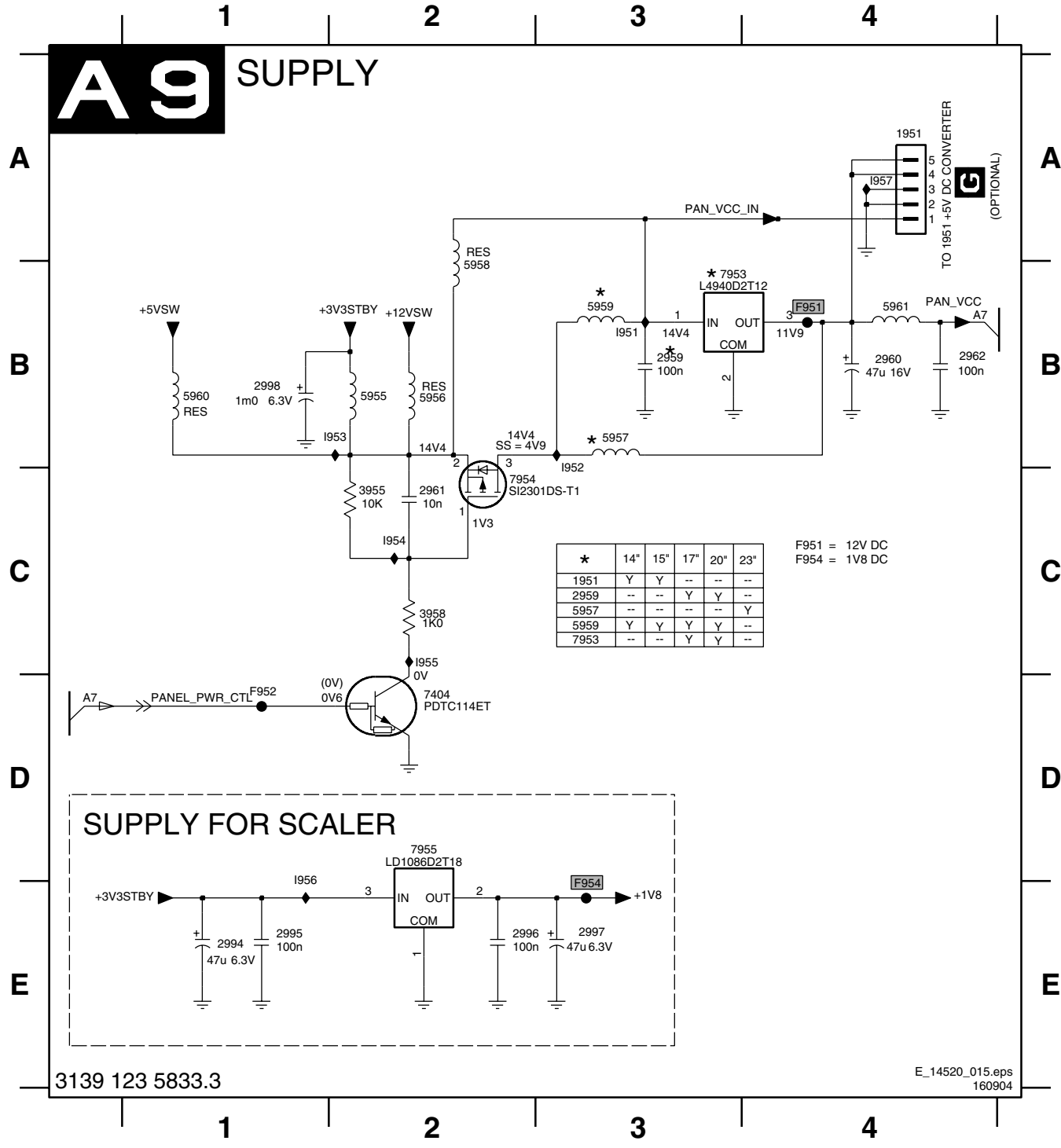
*	VGA	NON-VGA
4460	--	Y
4461	--	Y
4462	--	Y
4463	--	Y
4464	--	Y



- A 1461 B1
- A 1462 A8
- A 2451 D5
- A 2460 C2
- A 2461 D4
- A 2462 D4
- A 2463 E6
- A 2464 C8
- A 2465 C8
- A 2466 C8
- A 2467 C8
- A 2468 C8
- A 2469 D8
- A 2470 D8
- A 2471 B6
- A 2472 B6
- A 2473 B7
- A 2474 B7
- A 2475 B7
- A 2477 A3
- A 2478 A3
- A 2479 B3
- A 2480 B3
- A 2481 B3
- A 2482 B3
- A 2483 D6
- A 2510 D8
- A 2511 E7
- A 2512 E6
- A 2513 F3
- A 2514 F2
- A 2515 F3
- A 2516 F3
- A 2517 F4
- A 2518 F4
- A 2519 F4
- A 2520 F4
- A 3463 D2
- A 3464 D2
- A 3467 D4
- A 3468 D4
- A 3469 B7
- A 3470 B7
- A 3471 D5
- A 3472 C3
- A 3473 C2
- A 3474 C2
- A 3475 B3
- A 3476 B3
- A 3477 B3
- A 3478 D7
- A 3479 D7
- A 3480 D7
- A 3481 C2
- A 3482 C2
- A 3483 C2
- A 3484 C2
- A 3496 C7
- A 3497 C7
- A 3498 C7
- A 3499 C7
- A 3501 F5
- A 3502 A3
- A 3503 A2
- A 3504 A3
- A 3505 B2
- A 3506 B3
- A 3507 A2
- A 3510 E6
- A 3511 E6
- A 3512 E9
- A 3513 E9
- A 3519 E2
- A 3520 F3
- A 4460 B5
- A 4461 B5
- A 4462 B5
- A 4463 F6
- A 4464 F6
- A 4510 D7
- A 4511 F7
- A 4518 F8
- A 4519 F7
- A 4520 F3
- A 5462 B6
- A 5520 F4
- A 6460 B8
- A 7461 B5
- A 7462 D3
- A 7463 E5
- A 7510-1 D7
- A 7510-2 D8
- A 7510-3 E7
- A 7510-4 E8
- A 7510-5 F7
- A 7510-6 F8
- A 7520 F2
- A F471 A1
- A F472 A1
- A F473 B1
- A F474 B1
- A F475 B1
- A F476 B1
- A F477 C1
- A F479 C1
- A F480 C1
- A F481 C1
- A F482 C2
- A F483 C3
- A F487 A7
- A F489 B6
- A F490 C8
- A F491 C8
- A F492 C8
- A F493 C8
- A F494 C8
- A F495 C8
- A F496 C8
- A F497 D8
- A F498 D8
- A F499 E9
- A F501 E1
- A F502 E1
- A F503 E1
- A F520 E1
- A F521 E1
- A I462 C5
- A I463 D5
- A I464 D5
- A I465 D5
- A I466 C3
- A I467 C3
- A I470 C6
- A I471 C6
- A I472 D6
- A I473 C8
- A I474 C8
- A I475 C8
- A I476 C8
- A I477 C8
- A I478 C8
- A I479 D8
- A I480 B3
- A I481 B3
- A I482 B3
- A I483 B4
- A I484 B4
- A I485 B4
- A I486 D2
- A I487 D2
- A I492 E4

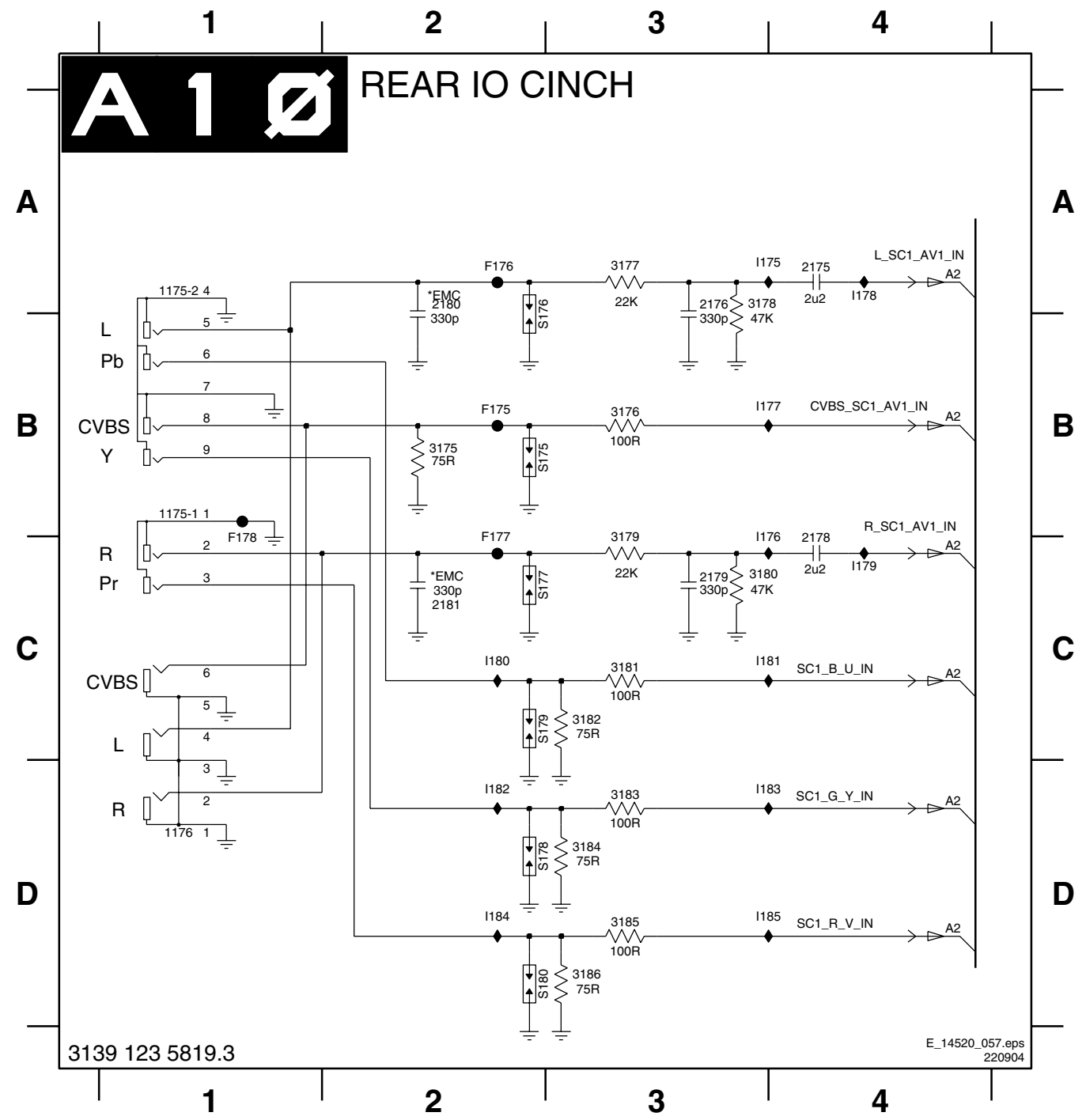
TV & Scaler Board: Supply

1951 A4 2961 C2 2995 E1 2998 B1 5955 B2 5958 A2 5961 B4 7954 C3 F952 D1 I952 B3 I955 C2
 2959 B3 2962 B4 2996 E2 3955 C2 5956 B2 5959 B3 7404 D2 7955 D2 F954 E3 I953 B2 I956 D1
 2960 B4 2994 E1 2997 E3 3958 C2 5957 B3 5960 B1 7953 B3 F951 B4 I951 B3 I954 C2 I957 A4

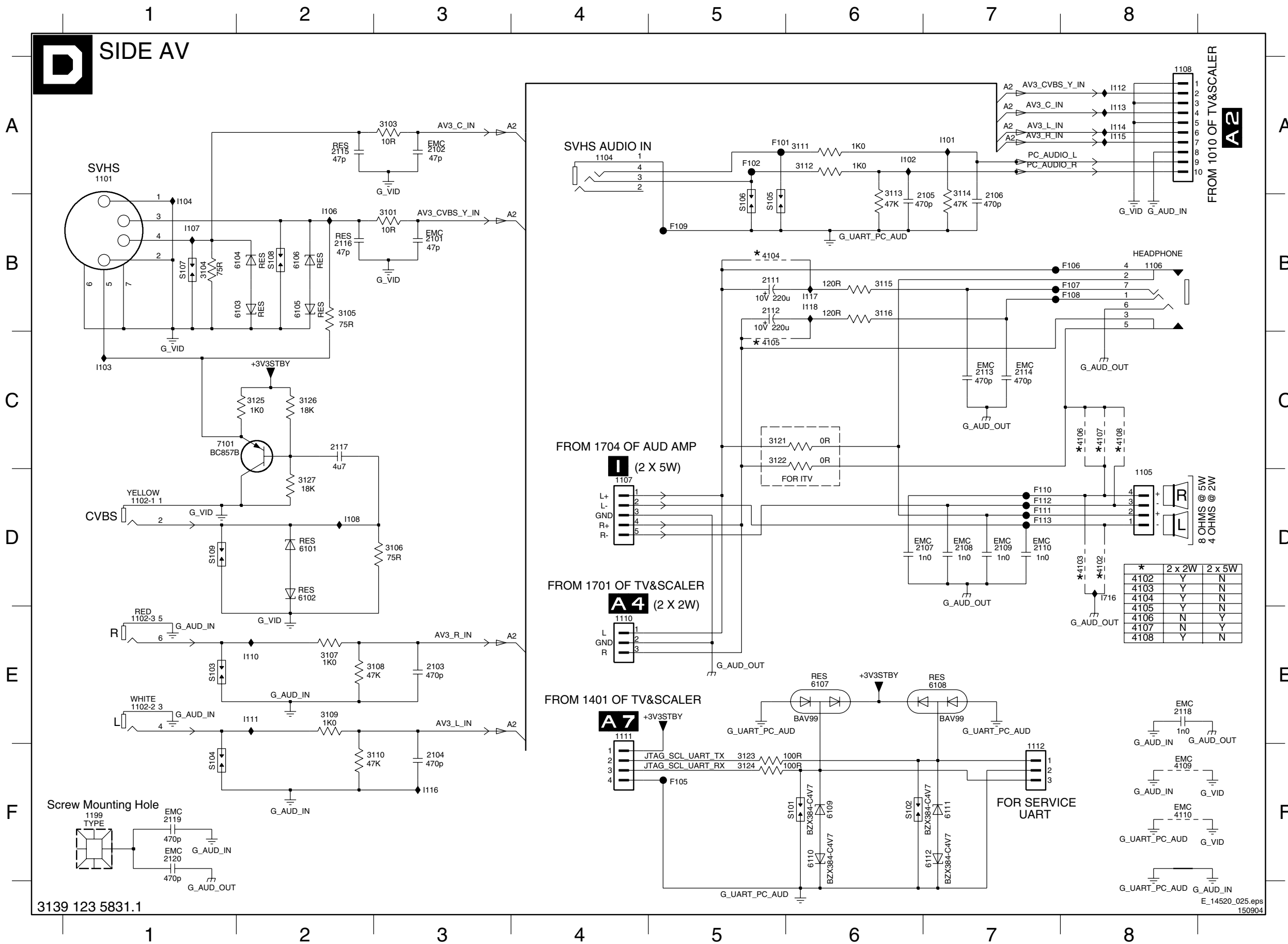


TV & Scaler Board: Rear IO Cinch

1175-1 B1 2178 C4 3176 B3 3181 C3 3186 D3 I175 A3 I180 C2 I185 D3 S179 C2
 1175-2 A1 2179 C3 3177 A3 3182 C3 F175 B2 I176 C3 I181 C3 S175 B2 S180 D2
 1176 D1 2180 A2 3178 A3 3183 D3 F176 A2 I177 B3 I182 D2 S176 B2
 2175 A4 2181 C2 3179 C3 3184 D3 F177 C2 I178 A4 I183 D3 S177 C2
 2176 A3 3175 B2 3180 C3 3185 D3 F178 C1 I179 C4 I184 D2 S178 D2



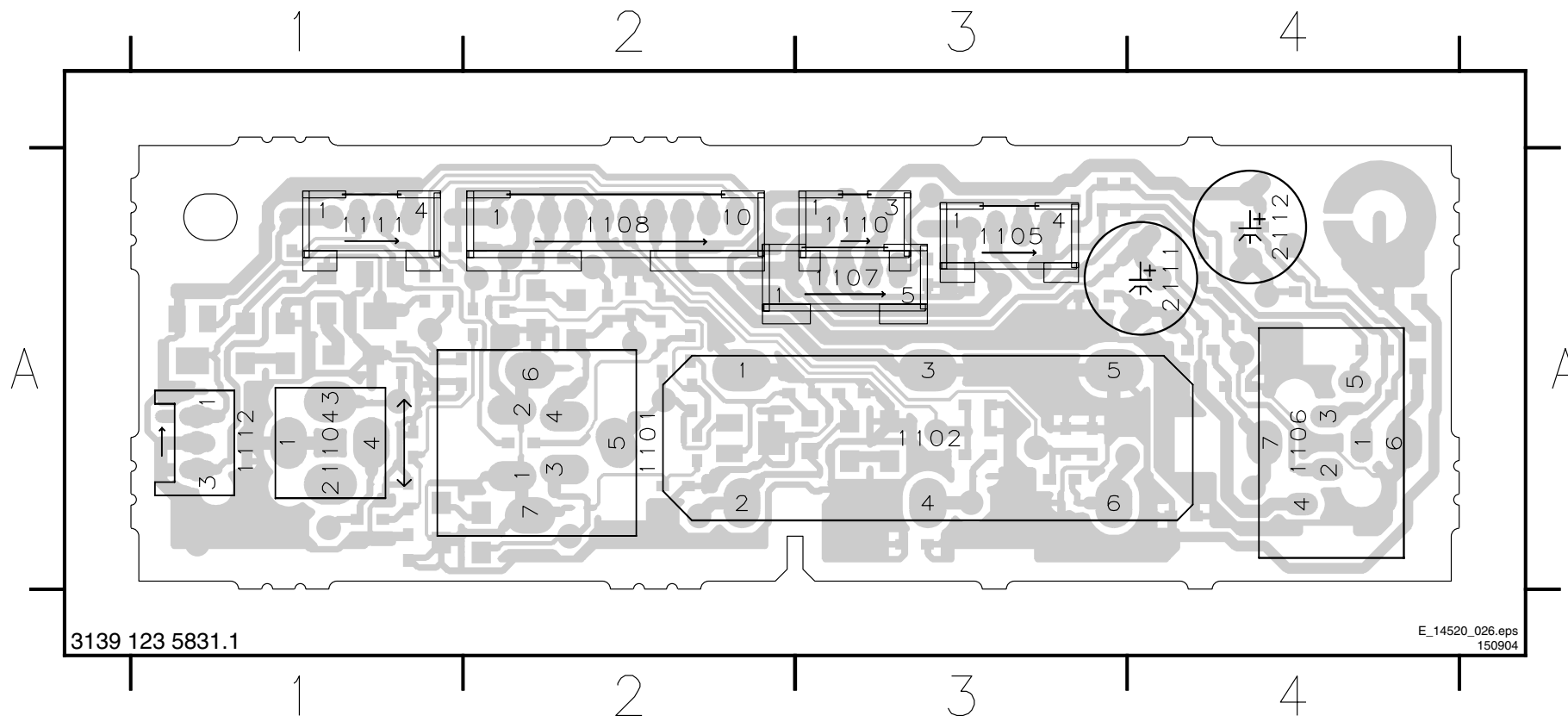
Side AV Panel



- 1101 A1
- 1102-1 D1
- 1102-2 E1
- 1102-3 E1
- 1104 A4
- 1105 D8
- 1106 B8
- 1107 D4
- 1108 A8
- 1110 E4
- 1111 E4
- 1112 F7
- 1199 F1
- 2101 B3
- 2102 A3
- 2103 E3
- 2104 F3
- 2105 A7
- 2106 A7
- 2107 D7
- 2108 D7
- 2109 D7
- 2110 D7
- 2111 B5
- 2112 B5
- 2113 C7
- 2114 C7
- 2115 A2
- 2116 B2
- 2117 C2
- 2118 E8
- 2119 F1
- 2120 F1
- 3101 B3
- 3103 A3
- 3104 B1
- 3105 B2
- 3106 D3
- 3107 E2
- 3108 E3
- 3109 E2
- 3110 F3
- 3112 A6
- 3113 A6
- 3114 A7
- 3115 B6
- 3116 B6
- 3121 C5
- 3122 C5
- 3123 F5
- 3124 F5
- 3125 C2
- 3126 C2
- 3127 D2
- 4102 D8
- 4103 D8
- 4104 B5
- 4105 C5
- 4106 C8
- 4107 C8
- 4108 C8
- 4109 F8
- 4110 F8
- 6101 D2
- 6102 D2
- 6103 B2
- 6104 B1
- 6105 B2
- 6106 B2
- 6107 E6
- 6108 E7
- 6109 F6
- 6110 F6
- 6111 F7
- 6112 F7
- 7101 C1
- F101 A5
- F102 A5
- F105 F5
- F106 B8
- F107 B8
- F109 B5
- F110 D7
- F111 D7
- F112 D7
- F113 D7
- I101 A7
- I102 A6
- I103 C1
- I104 B1
- I106 B2
- I107 B1
- I108 D2
- I111 E2
- I112 A8
- I113 A8
- I114 A8
- I115 A8
- I116 F3
- I117 B6
- I118 B6
- I716 D8
- S101 F6
- S102 F6
- S103 E1
- S104 F1
- S105 B5
- S106 B5
- S107 B1
- S108 B2
- S109 D1

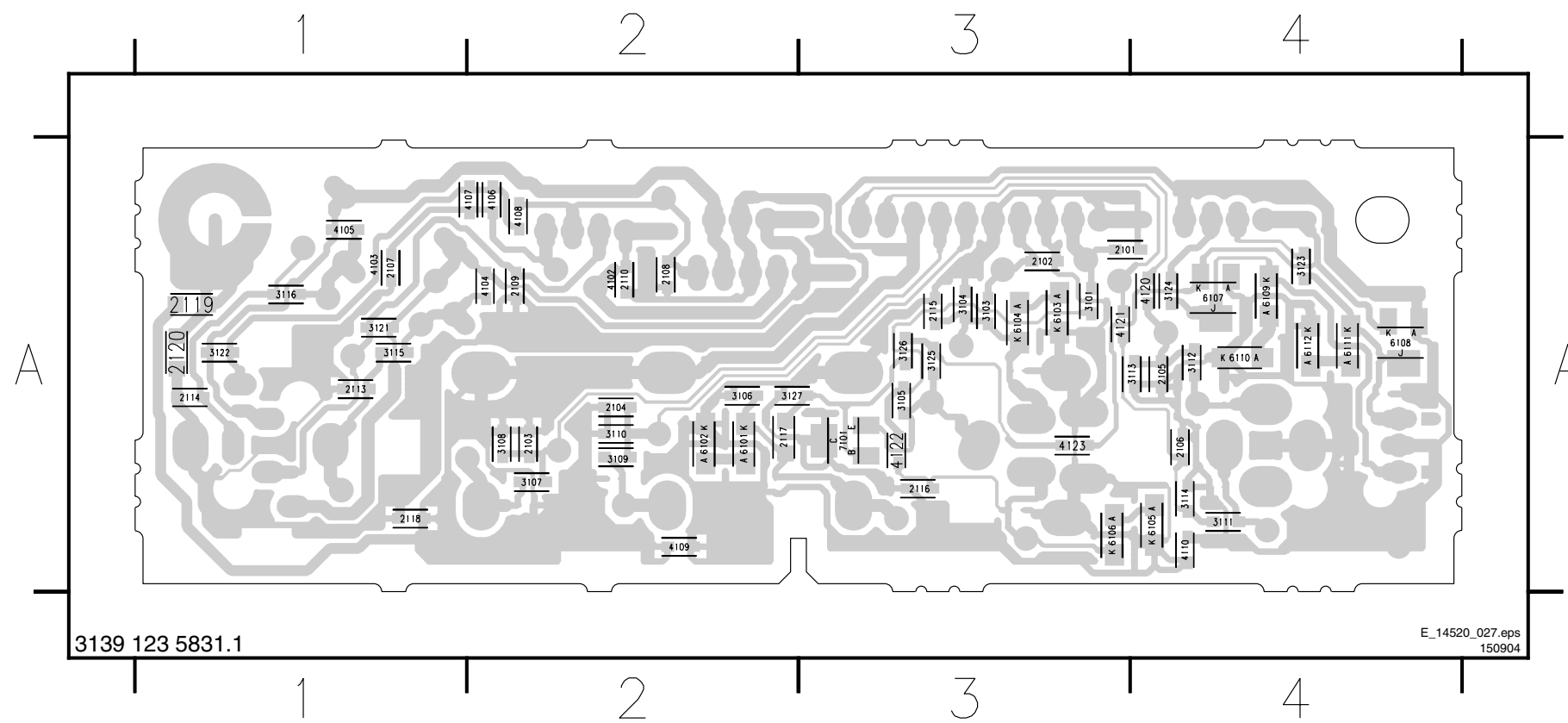
Layout Side AV Panel (Top Side)

1101 A2	1104 A1	1106 A4	1108 A2	1111 A1	2111 A4
1102 A3	1105 A3	1107 A3	1110 A3	1112 A1	2112 A4

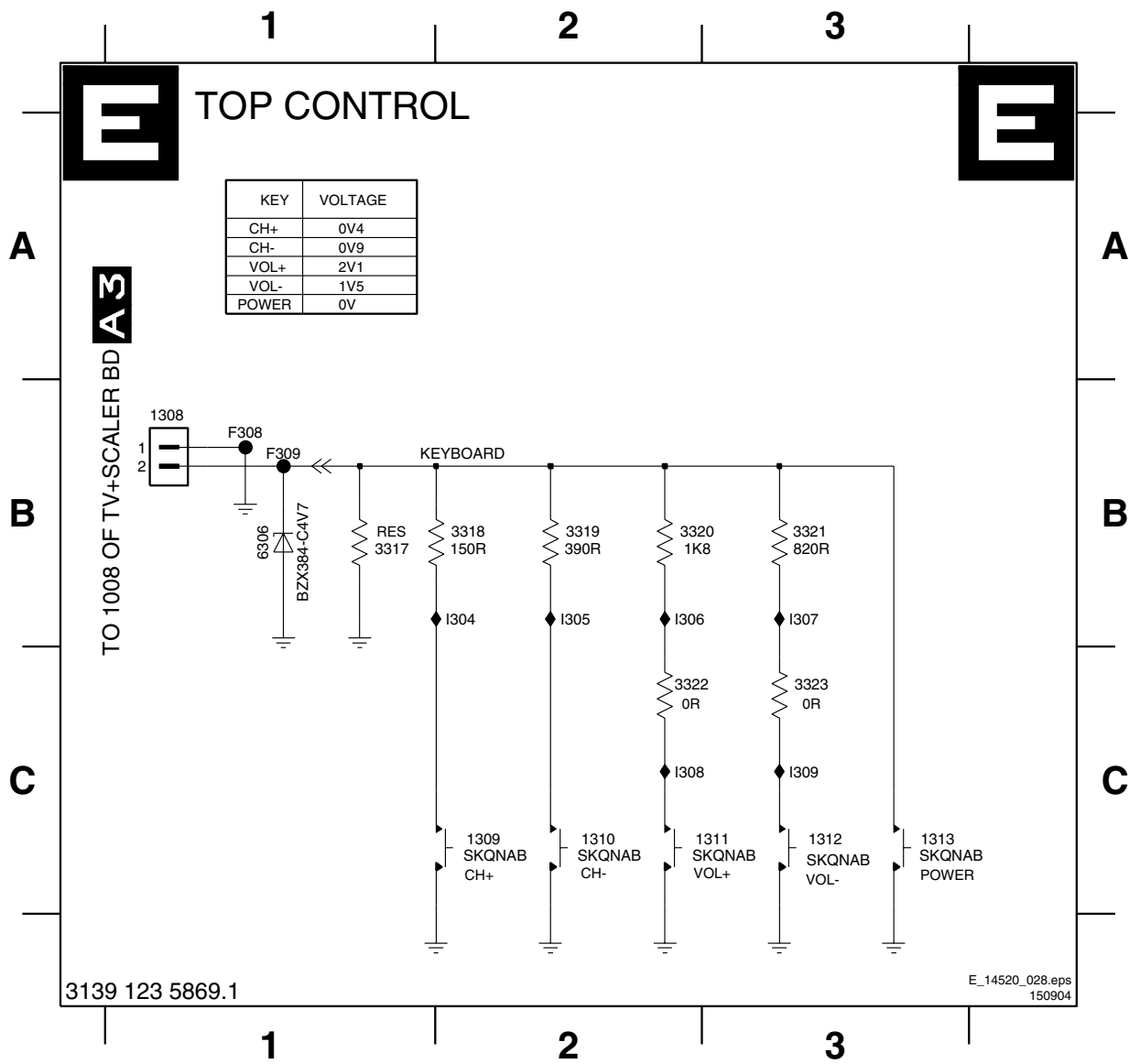


Layout Side AV Panel (Bottom Side)

2101 A3	2106 A4	2113 A1	2118 A1	3104 A3	3109 A2	3114 A4	3123 A4	4102 A2	4107 A2	4121 A3	6103 A3	6108 A4	7101 A3
2102 A3	2107 A1	2114 A1	2119 A1	3105 A3	3110 A2	3115 A1	3124 A4	4103 A1	4108 A2	4122 A3	6104 A3	6109 A4	
2103 A2	2108 A2	2115 A3	2120 A1	3106 A2	3111 A4	3116 A1	3125 A3	4104 A2	4109 A2	4123 A3	6105 A4	6110 A4	
2104 A2	2109 A2	2116 A3	3101 A3	3107 A2	3112 A4	3121 A1	3126 A3	4105 A1	4110 A4	6101 A2	6106 A3	6111 A4	
2105 A4	2110 A2	2117 A2	3103 A3	3108 A2	3113 A4	3122 A1	3127 A2	4106 A2	4120 A4	6102 A2	6107 A4	6112 A4	

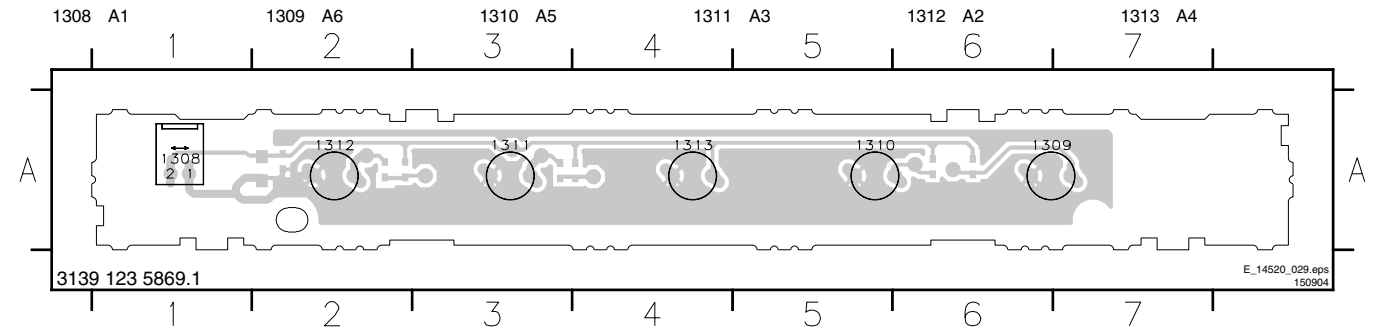


Top Control Panel

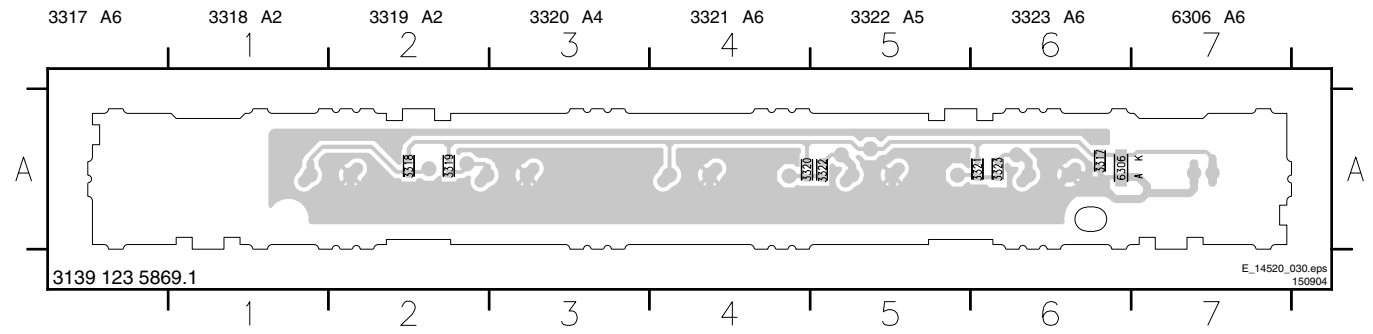


- 1308 B1
- 1309 C2
- 1310 C2
- 1311 C3
- 1312 C3
- 1313 C3
- 3317 B1
- 3318 B2
- 3319 B2
- 3320 B2
- 3321 B3
- 3322 C2
- 3323 C3
- 6306 B1
- F308 B1
- F309 B1
- I304 B2
- I305 B2
- I306 B2
- I307 B3
- I308 C2
- I309 C3

Layout Top Control Panel (Top Side)

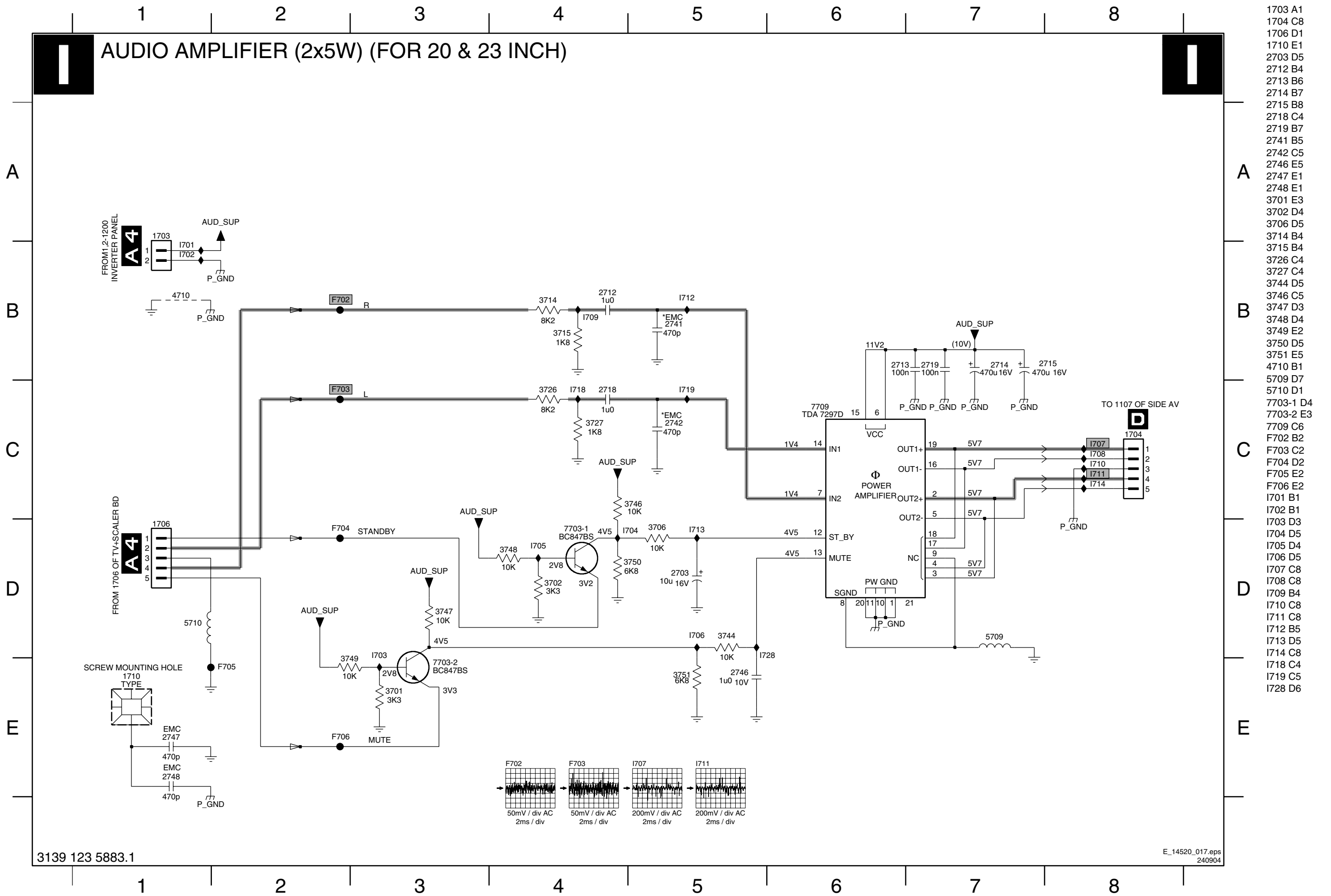


Layout Top Control Panel (Bottom Side)



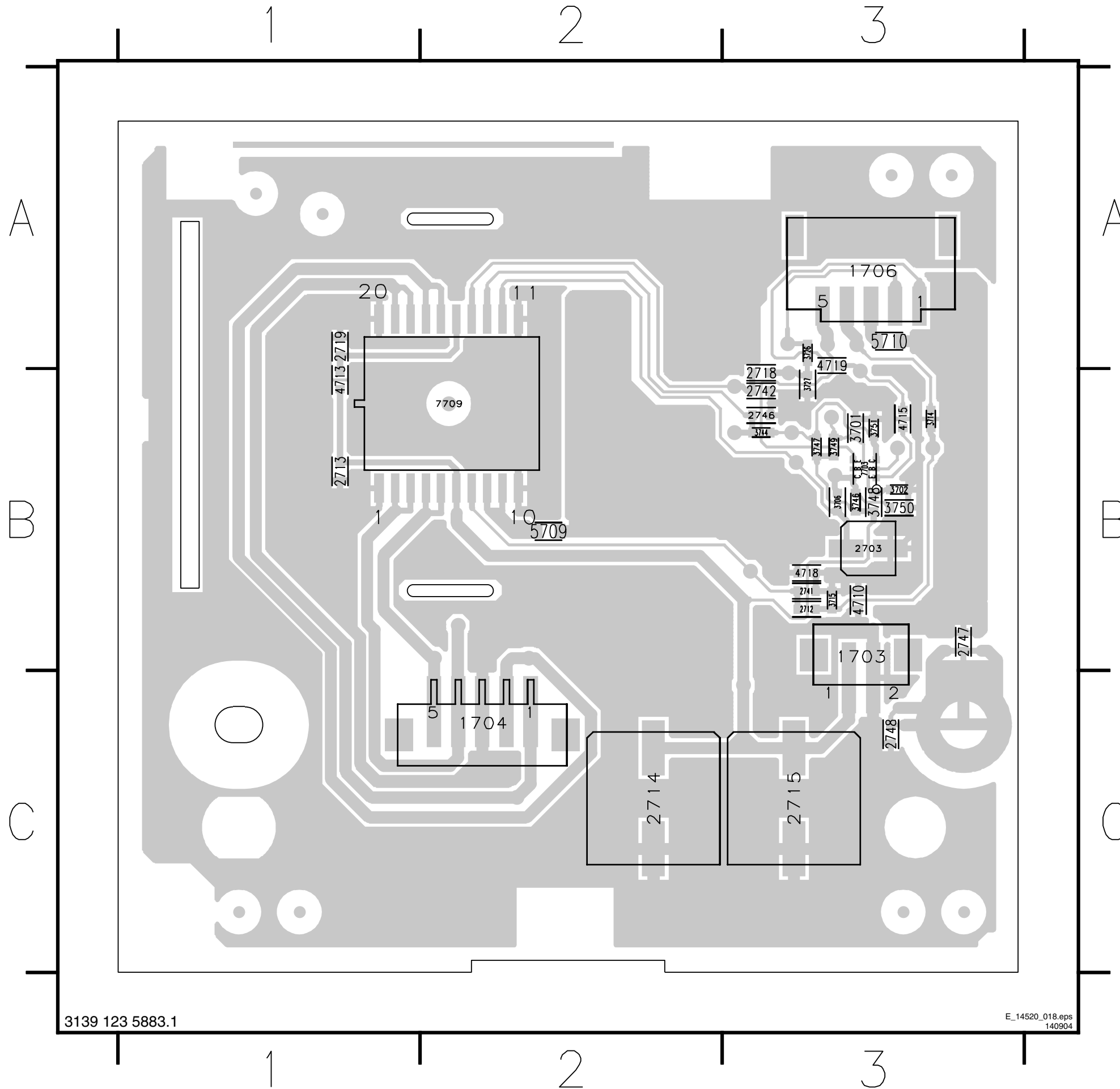
Audio Amplifier (2x5W) (20 & 23 inch)

AUDIO AMPLIFIER (2x5W) (FOR 20 & 23 INCH)



- 1703 A1
- 1704 C8
- 1706 D1
- 1710 E1
- 2703 D5
- 2712 B4
- 2713 B6
- 2714 B7
- 2715 B8
- 2718 C4
- 2719 B7
- 2741 B5
- 2742 C5
- 2746 E5
- 2747 E1
- 2748 E1
- 3701 E3
- 3702 D4
- 3706 D5
- 3714 B4
- 3715 B4
- 3726 C4
- 3727 C4
- 3744 D5
- 3746 C5
- 3747 D3
- 3748 D4
- 3749 E2
- 3750 D5
- 3751 E5
- 4710 B1
- 5709 D7
- 5710 D1
- 7703-1 D4
- 7703-2 E3
- 7709 C6
- F702 B2
- F703 C2
- F704 D2
- F705 E2
- F706 E2
- I701 B1
- I702 B1
- I703 D3
- I704 D5
- I705 D4
- I706 D5
- I707 C8
- I708 C8
- I709 B4
- I710 C8
- I711 C8
- I712 B5
- I713 D5
- I714 C8
- I718 C4
- I719 C5
- I728 D6

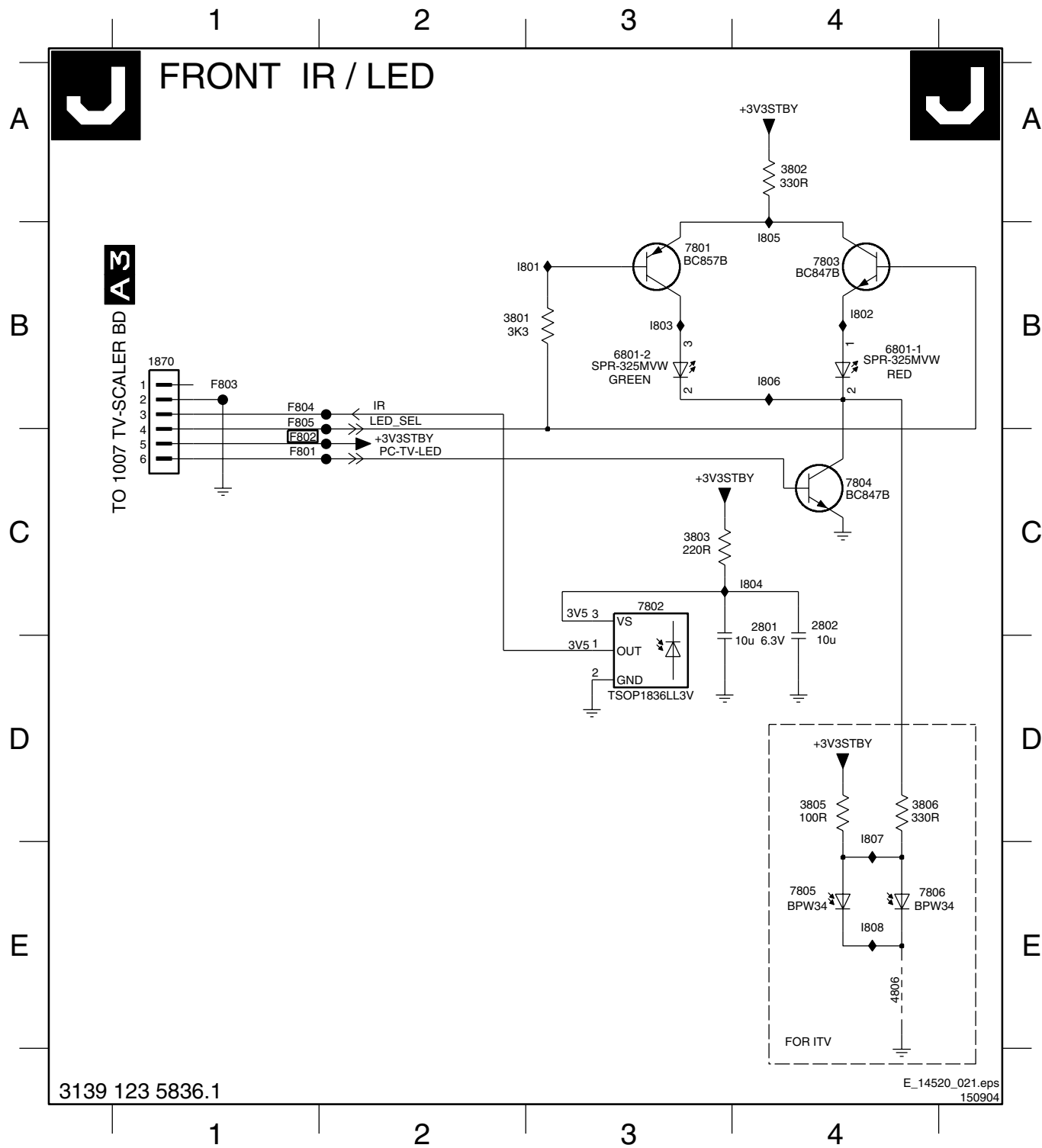
Audio Amplifier (2x5W) (20 & 23 inch)



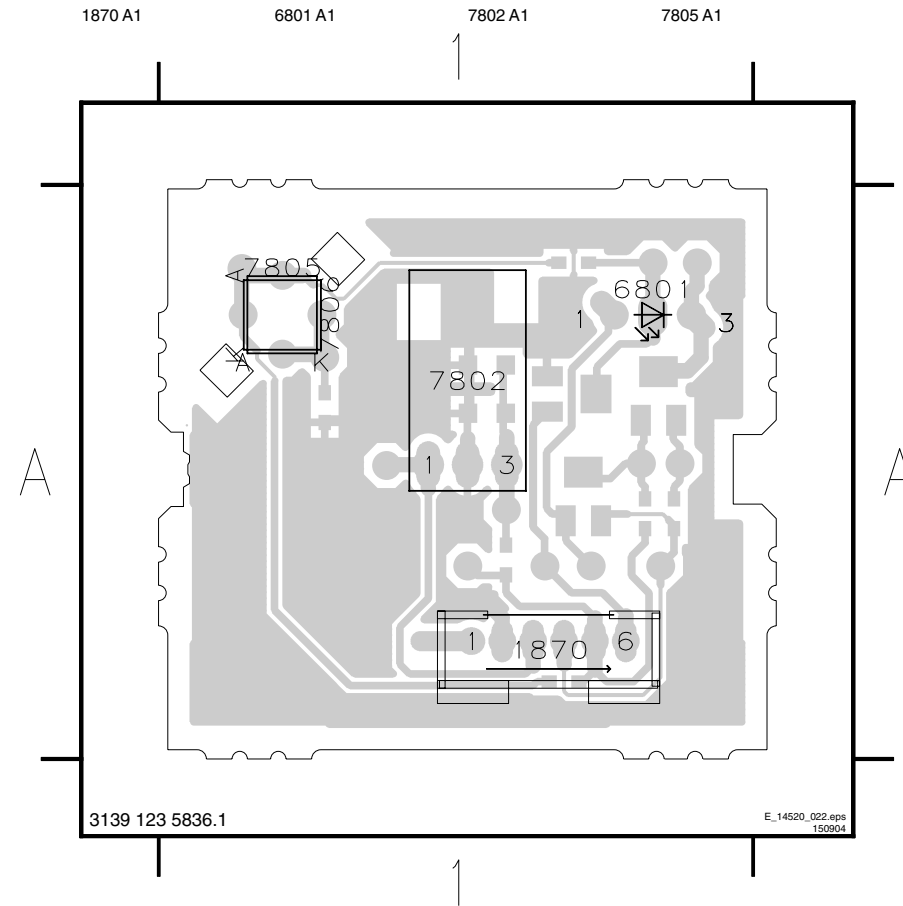
- 1703 B3
- 1704 C2
- 1706 A3
- 2703 B3
- 2712 B3
- 2713 B1
- 2714 C2
- 2715 C3
- 2718 B3
- 2719 A1
- 2741 B3
- 2742 B3
- 2746 B3
- 2747 B3
- 2748 C3
- 3701 B3
- 3702 B3
- 3706 B3
- 3714 B3
- 3715 B3
- 3726 A3
- 3727 B3
- 3744 B3
- 3746 B3
- 3747 B3
- 3748 B3
- 3749 B3
- 3750 B3
- 3751 B3
- 4710 B3
- 4713 B1
- 4715 B3
- 4718 B3
- 4719 A3
- 5709 B2
- 5710 A3
- 7703 B3
- 7709 B2

Front IR / LED Panel

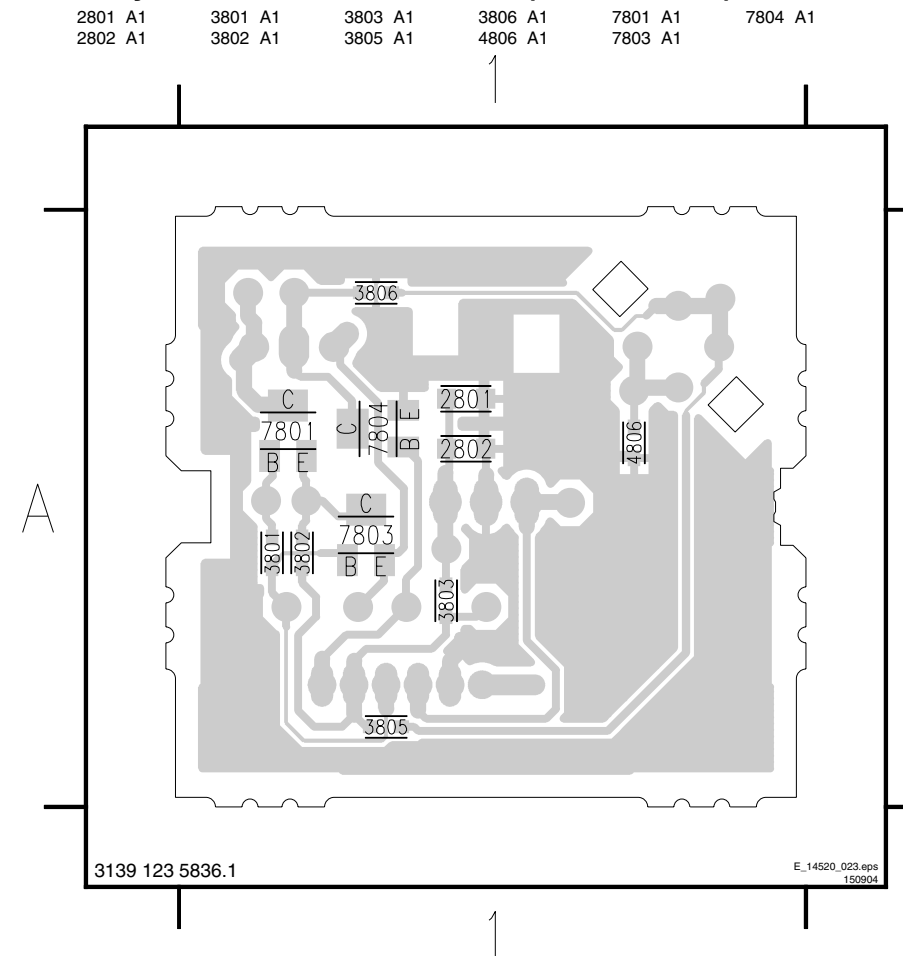
1870 B1	3801 B3	3805 D4	6801-1 B4	7802 C3	7805 E4	F802 C1	F805 B1	I803 B3	I806 B4
2801 C4	3802 A4	3806 D4	6801-2 B3	7803 B4	7806 E4	F803 B1	I801 B3	I804 C4	I807 D4
2802 C4	3803 C3	4806 E4	7801 B3	7804 C4	F801 C1	F804 B1	I802 B4	I805 B4	I808 E4



Layout Front IR / LED Panel (Top Side)



Layout Front IR / LED Panel (Bottom Side)



8. Alignments

General: The Service Default Mode (SDM) and Service Alignment Mode (SAM) are described in chapter 5. Menu navigation is done with the cursor Up, Down, Left or Right keys of the remote control transmitter.

8.1 General Alignment Conditions

Perform all electrical adjustments under the following conditions:

Mains voltage and frequency: 100-240 V / 50/60 Hz.

Allow the set to warm up for approximately 10 minutes.

Test probe: Ri > 10 M ohm; Ci < 2.5 pF.

8.3.1 SAM Menu

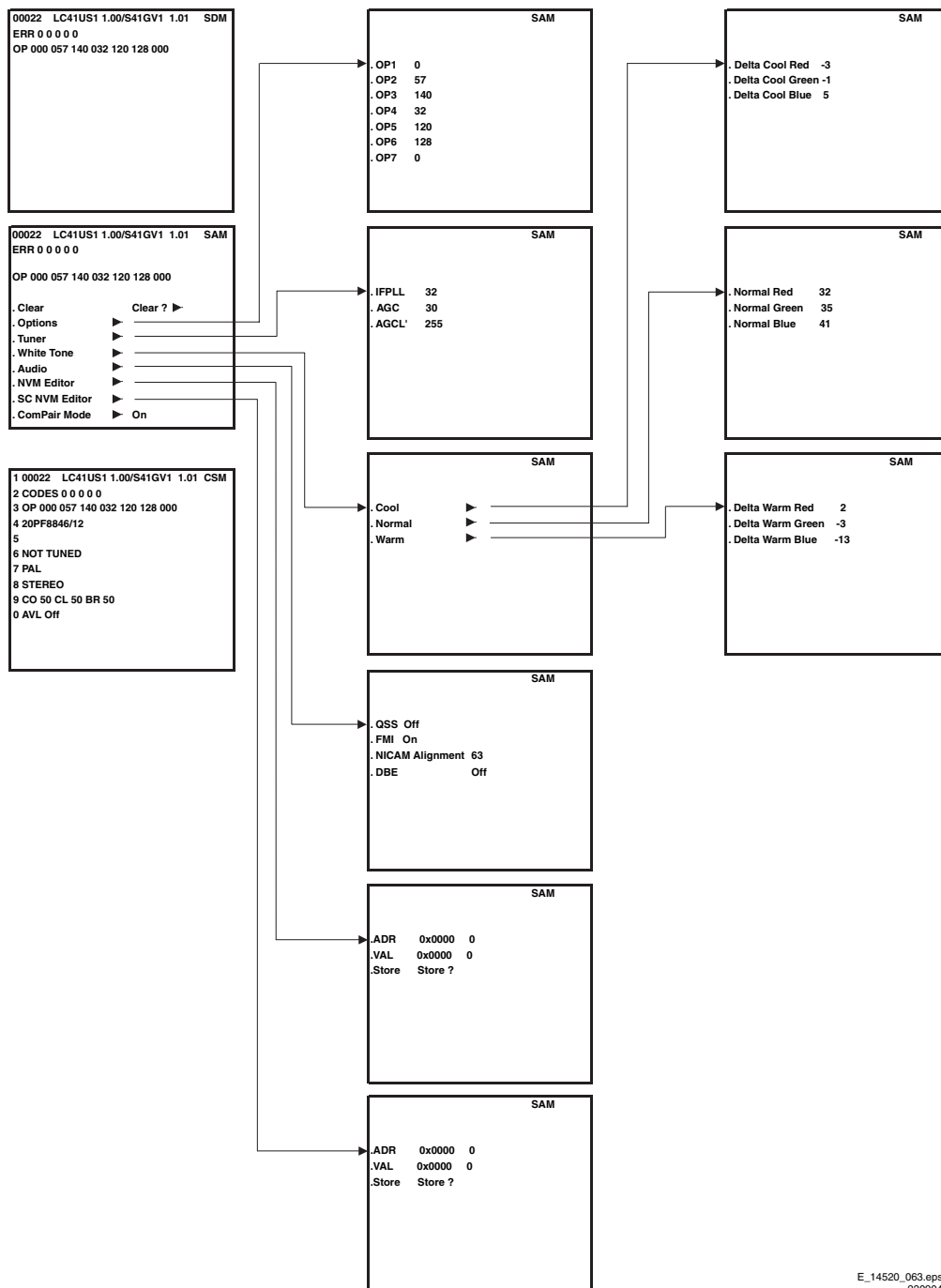


Figure 8-1 SAM Menu

8.2 Hardware Alignments

There are no hardware alignments foreseen for the LCD-TV.

8.3 Software Alignments

With the software alignments of the Service Alignment Mode (SAM) the geometry, white tone and tuner (IF) can be aligned. To store the data: Use the RC button Menu to switch to the main menu and next, switch to 'Stand-by' mode.

8.3.2 White Tone

In the White Tone sub menu the colour values for the colour temperature values can be changed.

The colour temperature mode (Normal, Delta Cool, Delta Warm) or the colour (R, G, B) can be selected with the Right/ Left cursor keys. The mode or value can be changed with the Up/Down cursor keys.

First the values for the Normal colour temperature should be selected. Range: 0-255, 128 represent the middle of the value (no offset difference). Then the offset values for the Delta Cool and Delta Warm mode can be selected. Note that the alignment values are non-linear. The range is: -50 to +50, 0 represents the middle value, (no offset difference).

Input signal strength: ≥ 10 mV rms (80 dB μ V) terminal voltage.
Input injection point: Aerial input.

Alignment Method

Initial Set-up

- 12 minutes soaking time before carrying out Colour Temp alignment.
- Incredible Picture/Contrast+ and Active Control & Light Sensor must be switched Off for proper tracking.
- Set all colour temperature settings to their initial values, i.e. Red=185; Green=180; Blue=193.
- The offset values for Cool & Warm should be preloaded into NVM.
- The alignment is done for Normal only.

Method of alignments

1. Place the colour sensor of the meter at the centre of the screen with standard orientation (at 0 degree orientation).
2. Set the meter in (T, delta UV, Y) mode.
3. Set Brightness and Colour to nominal (Factory mode, Brightness 60).
4. Set Colour temp to normal.
5. Set Contrast to make the light output Y on the meter 250 nit +/-10%.
6. Set Green=128.
7. Adjust Red and Blue to bring delta UV and T to the value as in the table.
8. Repeat the procedure if necessary to obtain the values as in the table.

Expected Results

- Measured parameters: Refer to table,
- Specifications: Refer to table,
- Units of measurement: Kelvin.

Table 8-1 Colour temperatures

Colour temp.	NORMAL		COOL		WARM	
	T (K)	Δ UV	T (K)	Δ UV	T (K)	Δ UV
EUROPE	8500	-003	11500	-005	7000	-005
Tolerance	+/-10%	+/-003	+/-10%	+/-003	+/-10%	+/-003

8.3.3 Tuner Adjustment

AGC (RF AGC Take Over Point)

Set pattern generator (e.g. PM5580) with colour bar pattern and connect to aerial input with RF signal amplitude - 10mV and set frequency for NTSC to 61.25 MHz.

- Activate the SAM-menu. Go to the sub-menu Tuner, select the sub-menu option AFC Window and adjust the value to 100kHz.
- Select the AGC sub-menu.
- Connect a DC multi-meter to F306 pin1 of the tuner.
- Adjust the AGC until the voltage at pin 1 of the tuner is 3.3 Volts +0.5 / -1.0.

- The value can be incremented or decremented by pressing the right/left Menu-button on the RC.
- Switch the set to standby to store the data.

8.3.4 Grey Scale Adjustment

SDTV Grey Scale Adjustment

Equipment and setting

- E.g. Fluke 54200 or Philips PM5580.
- 100% "8-step grey scale" pattern.

Alignment Method

- Switch with the RC to TV mode,
- Press the MUTE button on RC,
- Set SMART PICTURE to SOFT mode,
- Activate the auto colour function by pressing key-sequence:
"INFO - MUTE - MUTE - MUTE - INFO - MENU - INFO".

Expected Results

- Visual check if the 8 Grey levels are correct.

Analog PC Grey Scale Adjustment

Equipment and setting

- Quantum Data 802B.
- PC input signal, with 64 levels Grey scale pattern, 1024x768 @ 60Hz (Format= 81:DMT1060, Pattern= 123:Grey 64).
- PC input at D-sub VGA connector.

Alignment Method

- Switch with the RC to PC mode.
- Press the MUTE button on RC.
- Set BRIGHTNESS and CONTRAST to nominal "50".
- Activate the auto colour function by pressing key-sequence:
"INFO - MUTE - MUTE - MUTE - INFO - MENU - INFO".

Expected Results

- Visual check if the 64 Grey levels are correct.

HD Grey Scale Adjustment

Equipment and setting

- Quantum Data 802B.
- HD input signal, Top half 100% colour bar and bottom half Grey scale pattern, 1920x1080i@60Hz YPbPr (Format= 1080i30, Pattern= HDBar100).
- HD input at D-sub VGA connector.

Alignment Method

- Switch with the RC to HD mode.
- Press the MUTE button on RC.
- Activate the auto colour function by pressing key-sequence:
"INFO - MUTE - MUTE - MUTE - INFO - MENU - INFO".

Expected Results

- Visual check if Colour bar tint and Grey scale is correct.

8.3.5 Sound

No adjustments needed for sound.

The default values for the audio alignments are:

- QSS: On
- FMI: Off
- NICAM Alignment: 63
- Lip Sync: Off
- DBE: Off

8.3.6 Options

Options are used to control the presence/absence of certain features and hardware.

How to change an Option Byte

An Option Byte represents a number of different options. Changing these bytes directly makes it possible to set all options very fast. All options are controlled via seven option bytes. Select the option byte (OP1.. OP7) with the cursor UP/DOWN keys, and enter the new value.

Leaving the OPTION sub menu saves the changes in the Option Byte settings. Some changes will only take effect after the set has been switched "off" and "on" with the AC power switch (cold start).

The PLL tuner UR1316 (with FM radio) delivers the IF-signal, via audio & video SAW-filters, to the Video Signal Processor and FLASH embedded TEXT/Control/Graphics Micro Controller TDA120x1 (item 7011, also called Hercules). This IC has the following functions:

- Analogue Video Processing
- Sound Demodulation
- Audio Interfaces and switching
- Volume and tone control for loudspeakers
- Reflection and delay for loudspeaker channels
- Micro Controller
- Data Capture
- Display

The Hercules has one input for the internal CVBS signal and a video switch with 3 external CVBS inputs and a CVBS output. All CVBS inputs can be used as Y-input for Y/C signals.

However, only 2 Y/C sources can be selected because the circuit has 2 chroma inputs. It is possible to add an additional CVBS(Y)/C input (CVBS/YX and CX) when the YUV interface and the RGB/YPRPB input are not needed. One SCART-connector is used (SCART1). This connector is fully equipped. The video part delivers the RGB signals to the Scaler IC.

The Genesis GM5221 Scaler IC receives either the SDTV video input signals from the Hercules or the PC input signal from an external computer. Switching between the two signals is done via the SD/HD selection IC (7461).

After the video processing done by the Scaler, the digital data is sent via a Low Voltage Differential Signalling bus to the LCD panel. LVDS is used to improve data speed and to reduce EMI significantly.

There are two I2C lines and two interrupt and communication lines (TV_IRQ and TV_SC_COM) for the Scaler control. The Scaler communicates with the Hercules as a slave device. To avoid buffer overflow at the Scaler side, the TV_SC_COM line provides the necessary hardware flow control. To allow bi-directional communication, the Scaler can initiate a service interrupt-request to the Hercules via the TV_IRQ line.

The Hercules, and EEPROM are supplied with 3.3 V, which is also present during STANDBY.

The EEPROM, or NVM (Non Volatile Memory) is used to store the settings.

The sound part is built up around the Hercules. The Source Selection, Decoding and Processing are all done by the Hercules.

Power supply input are several DC voltages coming from a supply panel.

9.3 Power Supply

For Service, this supply panel is a black box. When defect (this can be traced via the fault-finding tips, or by strange phenomena), a new panel must be ordered (see table below for ordering codes), and after receipt, the defective panel must be send for repair.

Table 9-1 Ordering Codes Power Supply

Screen size (inches)	Ordering Code
14	3341 101 20010
15	3341 101 20020
17	3122 137 23040
20	3122 137 23100
23	3122 137 23070

9.4 Input/Output

The I/O is divided over two parts: Rear I/O and Side I/O. The rear I/O is integrated in the TV & Scaler board.

Table 9-2 I/O Connectivity

Screen size (inches)	Rear I/O		Side I/O			
	Scart	VGA	Y/C	CVBS + L/R	HP	PC Audio
14	X		X	X	X	
15	X	X	X	X	X	X
17	X	X	X	X	X	X
20	X		X	X		
23	X	X	X	X	X	X

9.5 Tuner and IF

A Philips UR13xx Tuner with second input (for FM Radio) is used in the TV board. The SIF and FM signals are decoded by the Hercules. Tuning is done via I2C.

9.5.1 Video IF amplifier

The IF-filter is integrated in a SAW (Surface Acoustic Wave) filter. One for filtering IF-video (1328) and one for IF-audio (1330). The type of these filters is depending of the standard(s) that has to be received.

The output of the tuner is controlled via an IF-amplifier with AGC-control. This is a voltage feedback from pin 31 of the Hercules to pin 1 of the tuner. The AGC-detector operates on top sync and top white level. AGC take-over point is adjusted via the service alignment mode 'Tuner' - 'AGC'. If there is too much noise in the picture, then it could be that the AGC setting is wrong. The AGC-setting could also be mis-aligned if the picture deforms with perfect signal; the IF-amplifier amplifies too much.

9.6 Video: TV Part (diagrams A1, A2, and A3)

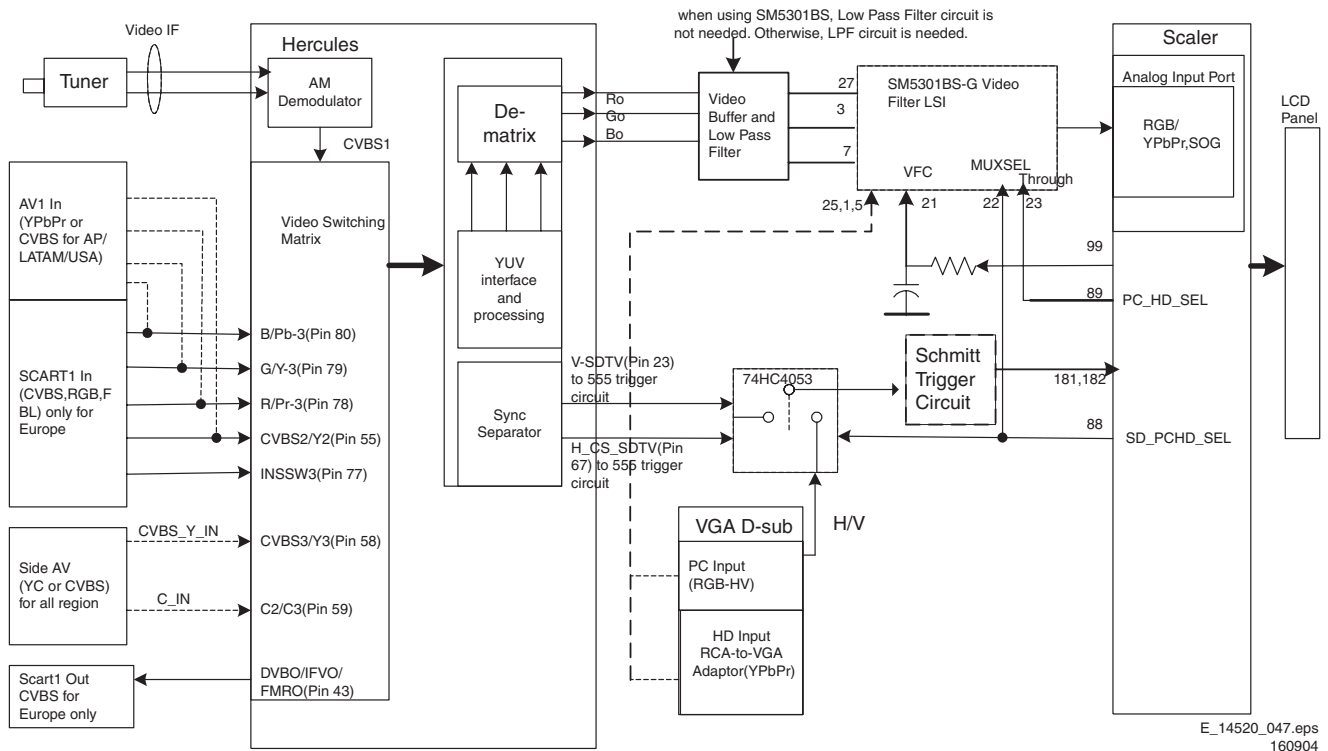


Figure 9-2 Block diagram video processing

The video processing is completely handled by the Hercules

- IF demodulator.
- Chrominance decoder
- Sync separator.
- Horizontal & vertical drive.
- RGB processing.
- CVBS and SVHS source select.

It has also build in features like:

- CTI.
- Black stretch.
- Blue stretch.
- White stretch.
- Slow start up.
- Dynamic skin tone correction etc.

Further, it also incorporates sound IF traps and filters, and requires only one crystal for all systems.

9.7 Video: Scaler Part (diagram A6, A7, and A8)

The Genesis gm5221 Scaler is an all-in-one graphics and video processing IC for LCD monitors and televisions with up to XGA output resolutions. The Scaler controls the display processing in an LCD TV, e.g. like the deflection circuit in a CRT-based TV. It controls all the view modes (e.g. like "zooming" and "shifting"). Features like PC (VGA) or HD inputs, are also handled by this part.

9.7.1 Features

The Scaler provides several key IC functions:

- Scaling.
- Auto-configuration/ Auto-Detection.
- Various Input Ports:
 - Analog RGB.
 - Video Graphics.
- Integrated LVDS Transmitter.
- On-chip Micro-controller

9.7.2 Inputs

Analog RGB

The RGB input is fed to pins 142, 143, 147, 148, 151 and 152. This input consists of either the Hercules RGB output or the RGB/YpbPr input of the VGA connector. The Scaler can switch between the two signals via the PC_HD_SEL signal and selection IC SM5301 (7461).

PC (VGA) input

The VGA input is processed by the VGA block of the Scaler. The Scaler supports up to 1080i and UXGA 60Hz formats.

DVI-D input

The DVI-D input is not supported by this chassis.

9.7.3 Output

The Display Output Port provides data and control signals that permit the Scaler to connect to a variety of display devices using a TTL or LVDS interface. The output interface has four channel 6/8-bit LVDS transmitters and is configurable for single or dual wide LVDS. All display data and timing signals are synchronous with the DCLK output clock. The integrated LVDS transmitter is programmable to allow the data and control signals to be mapped into any sequence depending on the specified receiver format.

9.8 Audio Processing

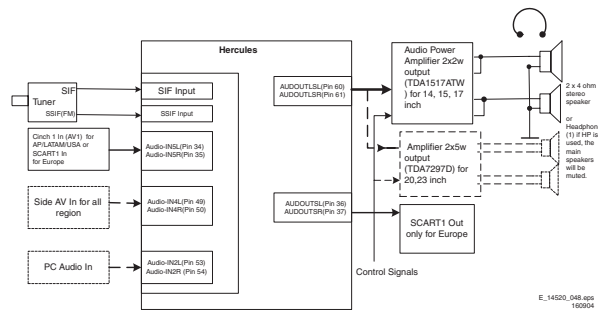


Figure 9-3 Block diagram audio processing

The audio decoding is done entirely via the Hercules. The IF output from the Tuner is fed directly to either the Video-IF or the Sound-IF input depending on the type of concept chosen. There are mainly two types of decoder in the Hercules, an analogue decoder that decodes only Mono, regardless of any standards, and a digital decoder (or DEMDEC) that can decode both Mono as well as Stereo, again regardless of any standards.

In this chassis, the analogue decoder is used in two cases:

- It is used for AM Sound demodulation in the Europe SECAM LL' transmission.
- It is used for all FM demodulation in AV-Stereo sets.

9.8.1 Diversity

The diversity for the Audio decoding can be broken up into two main concepts:

- The Quasi Split Sound concept used in Europe and some AP sets.
- The Inter Carrier concept, used in NAFTA and LATAM.

The UOC-III family makes no difference anymore between QSS- and Inter-carrier IF, nearly all types are software-switchable between the two SAW-filter constructions.

Simple data settings are required for the set to determine whether it is using the Inter Carrier or the QSS concept. These settings are done via the "QSS" and "FMI" bit found in SAM mode. Due to the diversity involved, the data for the 2 bits are being placed in the NVM location and it is required to write once during startup.

On top of that, it can be further broken down into various systems depending on the region. The systems or region chosen, will in turn affect the type of sound standard that is/are allowed to be decoded.

- For the case of Europe, the standard consists of BG/DK/I/LL' for a Multi-System set. There are also versions of Eastern Europe and Western Europe set and the standard for decoding will be BG/DK and I/DK respectively. FM Radio is a feature diversity for the Europe sets. The same version can have either FM Radio or not, independent of the system (e.g. sets with BG/DK/I/LL' can have or not have FM radio).
- For the case of NAFTA and LATAM, there is only one transmission standard, which is the M standard. The diversity then will be based on whether it has a dBx noise reduction or a Non-dBx (no dBx noise reduction).
- For the case of AP, the standard consists of BG/DK/I/M for a Multi-System set. The diversity here will then depend on the region. AP China can have a Multi-System and I/DK version. For India, it might only be BG standard.

9.8.2 Functionality

The features available in the Hercules are as follows:

- Treble and Bass Control.
- Surround Sound Effect that includes:
 - Incredible Stereo.
 - Incredible Mono.
 - 3D Sound (not for AV Stereo).
 - TruSurround (not for AV Stereo).
 - Virtual Dolby Surround, VDS422 (not for AV Stereo).
 - Virtual Dolby Surround, VDS423 (not for AV Stereo).
 - Dolby Pro-Logic (not for AV Stereo).
- Bass Feature that includes:
 - Dynamic Ultra-Bass.
 - Dynamic Bass Enhancement.
 - BBE (not for AV Stereo).
- Auto-Volume Leveler.
- 5 Band Equalizer.
- Loudness Control.

All the features stated are available for the Full Stereo versions and limited features for the AV Stereo

9.8.3 Audio Amplifier

The audio amplifier part is very straightforward. There are two different executions:

- **14, 15, 17 inch:** Amplification is done via the integrated power amplifier TDA1517, and delivers a maximum output of 2 x 6 W_{rms}. Normal operating supply is from 6 V to 18 V.
- **20, 23 inch:** Amplification is done via the integrated power amplifier TDA7297, and delivers a maximum output of 2 x 15 W_{rms}. Normal operating supply is from 6.5 V to 18 V. Muting is done via the SOUND_ENABLE line connected to pin 13 of the amplifier-IC and coming from the Hercules.

9.8.4 Audio: Lip Sync

The LC4.1E is not equipped with Lip Sync. This is not needed.

9.9 Control

9.9.1 Hercules

The System Board has two main micro-controllers on board. These are:

- On-chip x86 micro-controller (OCM) from Genesis LCD TV/Monitor Controller.
- On-chip 80C51 micro-controller from Philips Semiconductor UOCIII (Hercules) series.

Each micro-controller has its own I2C bus which hosts its own internal devices.

The Hercules is integrated with the Video and Audio Processor. For dynamic data storage, such as SMART PICTURE and SMART SOUND settings, an external NVM IC is being used. Another feature includes an optional Teletext/Closed Caption decoder with the possibility of different page storage depending on the Hercules type number.

The Micro Controller ranges in ROM from 128 kB with no TXT-decoder to 128 kB with a 10 page Teletext or with Closed Caption.

9.9.2 Block Diagram

The block diagram of the Micro Controller application is shown below.

9.11 Abbreviation list

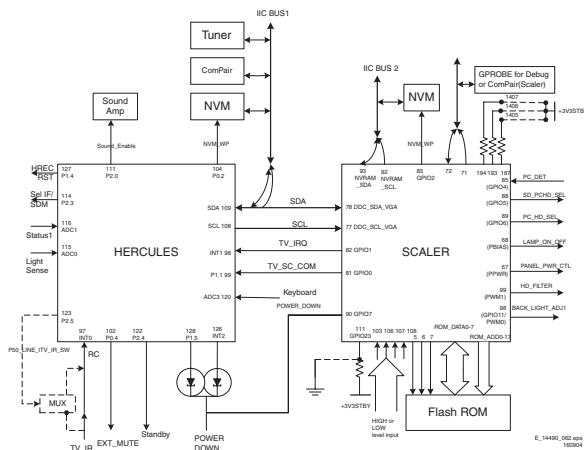


Figure 9-4 Micro Controller block diagram

9.9.3 Basic Specification

The Micro Controller operates at the following supply voltages:

- +3.3 V_{dc} at pins 4, 88, 94, and 109.
- +1.8 V_{dc} at pins 93, 96, and 117.
- I2C pull up supply: +3.3V_{dc}.

9.9.4 Pin Configuration and Functionality

The ports of the Micro Controller can be configured as follows:

- A normal input port.
- An input ADC port.
- An output Open Drain port.
- An output Push-Pull port.
- An output PWM port.
- Input/Output Port

9.10 LCD Display

9.10.1 Specifications

Panel model	: T140VN01 (14")
	: LC150X02 (15")
	: LC171W03 (17")
	: LC201V02 (20")
	: QD23WL04 (23")
Resolution (HxV)	: 640x480 pixels (14")
	: 1024x768 pixels (15")
	: 1280x768 pixels (17")
	: 640x480 pixels (20")
	: 1280x768 (23")
Luminance	: 450 nit (14")
	: 450 nit (15")
	: 450 nit (17")
	: 450 nit (20")
	: 450 nit (23")
Supplier	: AU Optronics Corp (14")
	: LG.Philips LCD (15", 17", 20")
	: Quanta Displays Inc (23")

0/6/12	SCART switch control signal on A/V board. 0 = loop through (AUX to TV), 6 = play 16:9 format, 12 = play 4:3 format
1080i	1080 visible lines, interlaced
1080p	1080 visible lines, progressive scan
2CS	2 Carrier Stereo
480i	480 visible lines, interlaced
480p	480 visible lines, progressive scan
ACI	Automatic Channel Installation: algorithm that installs TV channels directly from a cable network by means of a predefined TXT page
ADC	Analogue to Digital Converter
AFC	Automatic Frequency Control: control signal used to tune to the correct frequency
AGC	Automatic Gain Control: algorithm that controls the video input of the feature box
AM	Amplitude Modulation
AP	Asia Pacific
AR	Aspect Ratio: 4 by 3 or 16 by 9
ASD	Automatic Standard Detection
AV	Audio Video
B-SC1-IN	Blue SCART1 in
B-SC2-IN	Blue SCART2 in
B-TXT	Blue teletext
B/G	Monochrome TV system. Sound carrier distance is 5.5 MHz
BOCMA	Bimos one Chip Mid-end Architecture: video and chroma decoder
C-FRONT	Chrominance front input
CBA	Circuit Board Assembly (or PWB)
CL	Constant Level: audio output to connect with an external amplifier
CLUT	Colour Look Up Table
ComPair	Computer aided rePair
CSM	Customer Service Mode
CVBS	Composite Video Blanking and Synchronisation
CVBS-EXT	CVBS signal from external source (VCR, VCD, etc.)
CVBS-INT	CVBS signal from Tuner
CVBS-MON	CVBS monitor signal
CVBS-TER-OUT	CVBS terrestrial out
DAC	Digital to Analogue Converter
DBE	Dynamic Bass Enhancement: extra low frequency amplification
DFU	Directions For Use: owner's manual
DNR	Dynamic Noise Reduction
DRAM	Dynamic RAM
DSP	Digital Signal Processing
DST	Dealer Service Tool: special (European) remote control designed for service technicians
DTS	Digital Theatre Sound
DVD	Digital Video Disc
EEPROM	Electrically Erasable and Programmable Read Only Memory
EPG	Electronic Program Guide: system used by broadcasters to transmit TV guide information (= NexTVview)
EPLD	Electronic Programmable Logic Device
EU	EUrope
EXT	External (source), entering the set by SCART or by cinches (jacks)
FBL	Fast Blanking: DC signal accompanying RGB signals
FBL-SC1-IN	Fast blanking signal for SCART1 in
FBL-SC2-IN	Fast blanking signal for SCART2 in

FBL-TXT	Fast Blanking Teletext	PAL	Phase Alternating Line. Colour system used mainly in Western Europe (colour carrier = 4.433619 MHz) and South America (colour carrier PAL M = 3.575612 MHz and PAL N = 3.582056 MHz)
FLASH	FLASH memory	PC	Personal Computer
FM	Field Memory / Frequency Modulation	PCB	Printed Circuit Board (or PWB)
FMR	FM Radio	PIG	Picture In Graphic
FRC	Frame Rate Converter	PIP	Picture In Picture
FRONT-C	Front input chrominance (SVHS)	PLL	Phase Locked Loop. Used, for example, in FST tuning systems. The customer can directly provide the desired frequency
FRONT-DETECT	Front input detection	Progressive Scan	Scan mode where all scan lines are displayed in one frame at the same time, creating a double vertical resolution.
FRONT-Y_CVBS	Front input luminance or CVBS (SVHS)	PWB	Printed Wiring Board (or PCB)
G-SC1-IN	Green SCART1 in	RAM	Random Access Memory
G-SC2-IN	Green SCART2 in	RC	Remote Control transmitter
G-TXT	Green teletext	RC5	Remote Control system 5, the signal from the remote control receiver
H	H_sync to the module	RGB	Red, Green, and Blue. The primary colour signals for TV. By mixing levels of R, G, and B, all colours (Y/C) are reproduced.
HA	Horizontal Acquisition: horizontal sync pulse coming out of the BOCMA	RGBHV	Red, Green, Blue, Horizontal sync, and Vertical sync
HD	High Definition	ROM	Read Only Memory
HP	HeadPhone	SAM	Service Alignment Mode
I	Monochrome TV system. Sound carrier distance is 6.0 MHz	SIF	Sound Intermediate Frequency
I2C	Integrated IC bus	SC	SandCastle: two-level pulse derived from sync signals
I2S	Integrated IC Sound bus	SC1-OUT	SCART output of the MSP audio IC
IC	Integrated Circuit	SC2-B-IN	SCART2 Blue in
IF	Intermediate Frequency	SC2-C-IN	SCART2 chrominance in
Interlaced	Scan mode where two fields are used to form one frame. Each field contains half the number of the total amount of lines. The fields are written in "pairs", causing line flicker.	SC2-OUT	SCART output of the MSP audio IC
IR	Infra Red	S/C	Short Circuit
IRQ	Interrupt ReQuest	SCART	Syndicat des Constructeurs d'Appareils Radiorecepteurs et Televisieurs
Last Status	The settings last chosen by the customer and read and stored in RAM or in the NVM. They are called at start-up of the set to configure it according to the customers wishes	SCL	CLock Signal on I2C bus
LATAM	LATin America	SD	Standard Definition
LC04	Philips chassis name for LCD TV 2004 project	SDA	DAta Signal on I2C bus
LCD	Liquid Crystal Display	SDRAM	Synchronous DRAM
LED	Light Emitting Diode	SECAM	SEquence Couleur Avec Memoire. Colour system used mainly in France and Eastern Europe. Colour carriers = 4.406250 MHz and 4.250000 MHz
LINE-DRIVE	Line drive signal	SIF	Sound Intermediate Frequency
L/L'	Monochrome TV system. Sound carrier distance is 6.5 MHz. L' is Band I, L is all bands except for Band I	SMPS	Switch Mode Power Supply
LS	LoudSpeaker	SND	SouND
LVDS	Low Voltage Differential Signalling, data transmission system for high speed and low EMI communication.	SNDL-SC1-IN	Sound left SCART1 in
M/N	Monochrome TV system. Sound carrier distance is 4.5 MHz	SNDL-SC1-OUT	Sound left SCART1 out
MOSFET	Metal Oxide Semiconductor Field Effect Transistor	SNDL-SC2-IN	Sound left SCART2 in
MPEG	Motion Pictures Experts Group	SNDL-SC2-OUT	Sound left SCART2 out
MSP	Multi-standard Sound Processor: ITT sound decoder	SNDR-SC1-IN	Sound right SCART1 in
MUTE	MUTE Line	SNDR-SC1-OUT	Sound right SCART1 out
NC	Not Connected	SNDR-SC2-IN	Sound right SCART2 in
NICAM	Near Instantaneous Compounded Audio Multiplexing. This is a digital sound system, used mainly in Europe.	SNDR-SC2-OUT	Sound right SCART2 out
NTSC	National Television Standard Committee. Colour system used mainly in North America and Japan. Colour carrier NTSC M/N = 3.579545 MHz, NTSC 4.43 = 4.433619 MHz (this is a VCR norm, it is not transmitted off-air)	SNDS-VL-OUT	Surround sound left variable level out
NVM	Non Volatile Memory: IC containing TV related data (for example, options)	SNDS-VR-OUT	Surround sound right variable level out
O/C	Open Circuit	SOPS	Self Oscillating Power Supply
ON/OFF LED	On/Off control signal for the LED	S/PDIF	Sony Philips Digital InterFace
OSD	On Screen Display	SRAM	Static RAM
P50	Project 50 communication: protocol between TV and peripherals	STBY	STandBY
		SVHS	Super Video Home System
		SW	SubWoofer / SoftWare
		THD	Total Harmonic Distortion
		TXT	Teletext
		uP	Microprocessor
		VA	Vertical Acquisition
		VL	Variable Level out: processed audio output toward external amplifier

VCR	Video Cassette Recorder
VGA	Video Graphics Array
WD	Watch Dog
WYSIWYR	What You See Is What You Record: record selection that follows main picture and sound
XTAL	Quartz crystal
YPbPr	Component video (Y= Luminance, Pb/ Pr= Colour difference signals)
Y/C	Luminance (Y) and Chrominance (C) signal
Y-OUT	Luminance-signal
YUV	Component video

9.12 IC Data Sheets

This section shows the internal block diagrams and pin layouts of ICs that are drawn as "black boxes" in the electrical diagrams (with the exception of "memory" and "logic" ICs).

9.12.1 Diagram A7, Type GM5221 (IC7401)

gm5221 Functional Block Diagram

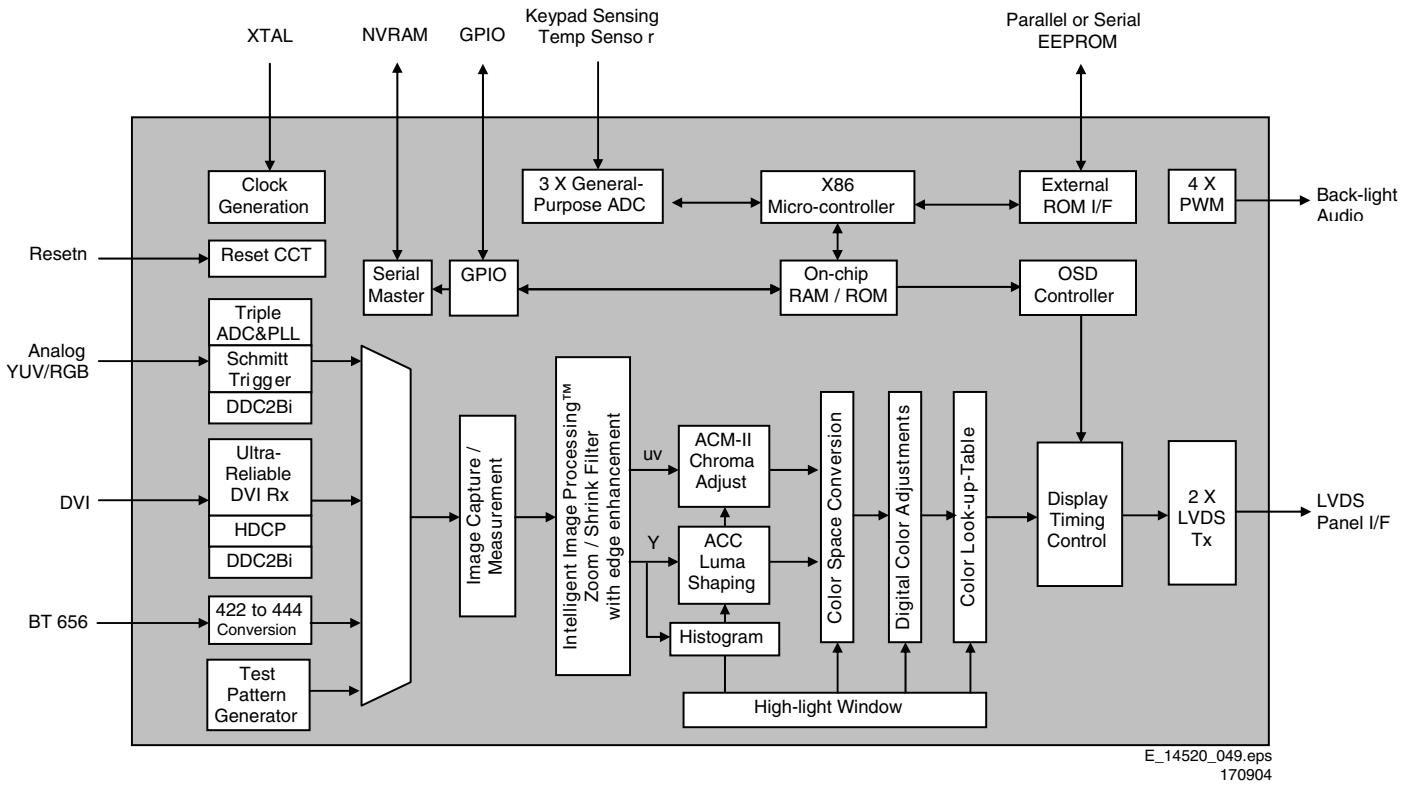
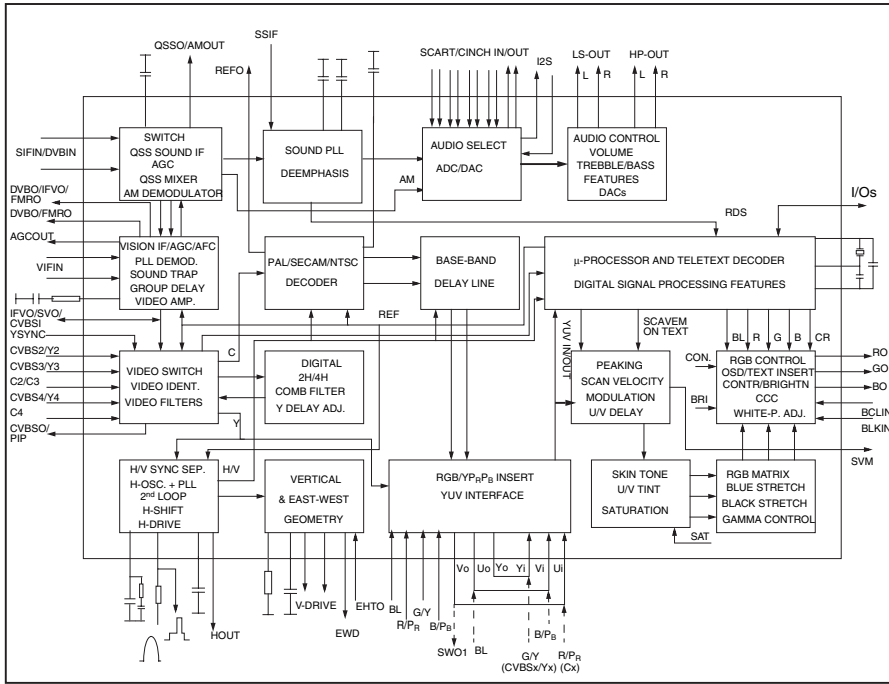


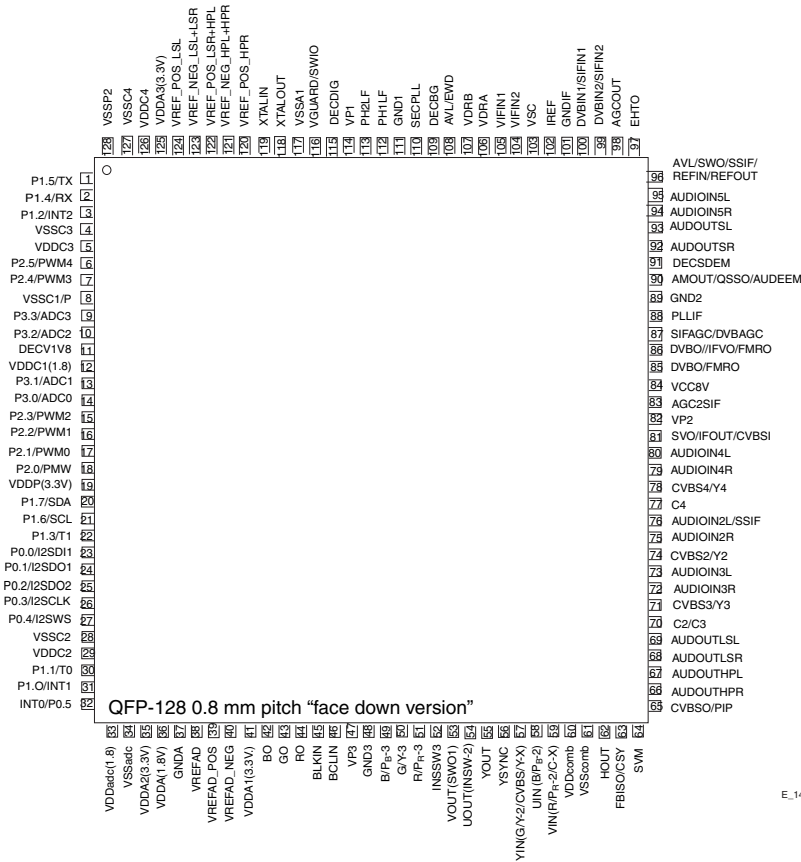
Figure 9-5 Internal Block Diagram

9.12.2 Diagram A2, Type TDA12029H (IC7011)

Block diagram of the "AV-stereo" TV processor with audio DSP



Pin configuration "stereo" and "AV-stereo" versions with Audio DSP



E_14490_063.eps 160804

Figure 9-6 Internal Block Diagram and Pin Configuration

10. Spare Parts List

Set level									
Various									
0096	2422 076 00546	Cable FM aerial	2061	4822 124 23002	10µF 16V	2429	2238 586 59812	100nF 20% 50V 0603	
8402	3139 131 03981	Cable 41p 150	2063	3198 017 31540	150nF 10V 0603	2430	2238 586 59812	100nF 20% 50V 0603	
8404	3139 131 03991	Cable 20p 150	2067	3198 016 31020	1nF 25V 0603	2431	2238 586 59812	100nF 20% 50V 0603	
TV & Scaler Board [A]									
Various									
1001	2422 543 01414	Xtal 24M576	2068	4822 126 13879	220nF +80-20% 16V	2432	2238 586 59812	100nF 20% 50V 0603	
1007	2422 025 08149	Connector 6p m	2071	4822 124 12095	100µF 20% 16V	2433	2238 586 59812	100nF 20% 50V 0603	
1008	2422 025 09405	Connector 2p m	2072	4822 126 13879	220nF +80-20% 16V	2434	2238 586 59812	100nF 20% 50V 0603	
1010	2422 025 16963	Connector 10p m	2073	5322 126 11583	10nF 10% 50V 0603	2435	4822 126 13883	220pF 5% 50V	
1175	2422 026 05385	Socket 6p f	2074	4822 126 13879	220nF +80-20% 16V	2436	4822 126 13883	220pF 5% 50V	
1328	2422 549 44377	45.75MHz	2076	4822 126 13879	220nF +80-20% 16V	2437	4822 124 11131	47µF 6.3V	
1331	4822 267 10748	Connector 3p	2077	3198 017 41050	1µF 10V 0603	2438	2238 586 59812	100nF 20% 50V 0603	
1401	2422 025 09406	Connector 4p m	2078	2020 552 94427	100pF 5% 50V	2439	2238 586 59812	100nF 20% 50V 0603	
1402	2422 025 18024	Connector 40p m	2079	2238 916 15641	22nF 10% 25V 0603	2440	2238 586 59812	100nF 20% 50V 0603	
1403	2422 543 01374	Xtal 14.318 Mhz	2082	3198 017 41050	1µF 10V 0603	2441	2238 586 59812	100nF 20% 50V 0603	
1404	2422 025 18314	Connector 20p m v	2083	2020 552 96637	10µF 10% 6.3V 0805	2442	2238 586 59812	100nF 20% 50V 0603	
1461	2422 025 18477	Socket sub-D 15p f	2099	3198 016 31020	1nF 25V 0603	2443	3198 016 35680	5.6pF 0.5pF 50V 0603	
1701	2422 025 10768	Connector 3p m	2175	4822 126 14491	2.2µF 10V 0805	2444	3198 016 35680	5.6pF 0.5pF 50V 0603	
1706	2422 025 16966	Connector 5p m	2176	4822 126 14241	330pF 0603 50V	2445	2238 586 59812	100nF 20% 50V 0603	
1910	2422 025 16705	Connector 12p m	2178	4822 126 14491	2.2µF 10V 0805	2448	2238 586 59812	100nF 20% 50V 0603	
1951	2422 025 16702	Connector 5p m	2179	4822 126 14241	330pF 0603 50V	2451	2222 867 15339	33pF 5% 50V 0603	
— —									
2001	4822 126 13879	220nF +80-20% 16V	2302	4822 122 33761	22pF 5% 50V	2460	2238 586 59812	100nF 20% 50V 0603	
2003	4822 124 80151	47µF 16V	2303	4822 122 33761	22pF 5% 50V	2461	4822 122 33761	22pF 5% 50V	
2004	4822 126 13879	220nF +80-20% 16V	2307	3198 017 34730	47nF 16V 0603	2462	4822 122 33761	22pF 5% 50V	
2005	2238 586 59812	100nF 20% 50V 0603	2308	3198 030 82280	2.2µF 20% 50V	2463	2238 586 59812	100nF 20% 50V 0603	
2006	4822 126 14487	8.2pF 0.5% 50V 0603	2309	2020 012 93761	330µF 6.3V	2464	5322 126 11583	10nF 10% 50V 0603	
2007	4822 126 14487	8.2pF 0.5% 50V 0603	2311	3198 030 72290	22µF 20% 35V	2465	5322 126 11583	10nF 10% 50V 0603	
2008	3198 017 44740	470nF 10V 0603	2313	3198 016 31020	1nF 25V 0603	2466	5322 126 11583	10nF 10% 50V 0603	
2009	3198 017 41050	1µF 10V 0603	2314	2238 586 59812	100nF 20% 50V 0603	2467	5322 126 11583	10nF 10% 50V 0603	
2010	5322 126 11582	6.8nF 10% 63V	2317	3198 016 31020	1nF 25V 0603	2468	5322 126 11583	10nF 10% 50V 0603	
2011	4822 126 13879	220nF +80-20% 16V	2318	3198 016 31020	1nF 25V 0603	2469	5322 126 11583	10nF 10% 50V 0603	
2012	4822 124 12095	100µF 20% 16V	2321	5322 126 11583	10nF 10% 50V 0603	2470	5322 126 11583	10nF 10% 50V 0603	
2013	2238 586 59812	100nF 20% 50V 0603	2325	3198 030 82280	2.2µF 20% 50V	2471	4822 124 11131	47µF 6.3V	
2014	2020 552 94427	100pF 5% 50V	2356	3198 030 82280	2.2µF 20% 50V	2472	2238 586 59812	100nF 20% 50V 0603	
2015	2020 552 00002	3.3nF 2% 50V 0805	2357	2238 586 59812	100nF 20% 50V 0603	2473	2238 586 59812	100nF 20% 50V 0603	
2016	2238 586 59812	100nF 20% 50V 0603	2358	5322 126 11579	3.3nF 10% 63V	2474	2238 586 59812	100nF 20% 50V 0603	
2017	2238 586 59812	100nF 20% 50V 0603	2359	5322 126 11583	10nF 10% 50V 0603	2475	2238 586 59812	100nF 20% 50V 0603	
2018	5322 126 11583	10nF 10% 50V 0603	2372	3198 016 31020	1nF 25V 0603	2477	3198 017 41050	1µF 10V 0603	
2019	2222 867 15339	33pF 5% 50V 0603	2373	3198 016 31020	1nF 25V 0603	2478	3198 017 41050	1µF 10V 0603	
2020	2222 867 15339	33pF 5% 50V 0603	2374	2238 586 59812	100nF 20% 50V 0603	2479	3198 017 41050	1µF 10V 0603	
2021	2222 867 15339	33pF 5% 50V 0603	2375	4822 124 12082	10µF 20% 50V	2480	3198 017 41050	1µF 10V 0603	
2022	2222 867 15339	33pF 5% 50V 0603	2376	2238 586 59812	100nF 20% 50V 0603	2481	3198 017 41050	1µF 10V 0603	
2023	4822 126 13879	220nF +80-20% 16V	2377	2238 586 59812	100nF 20% 50V 0603	2482	3198 017 41050	1µF 10V 0603	
2024	4822 124 12095	100µF 20% 16V	2378	4822 126 13879	220nF +80-20% 16V	2483	2238 586 59812	100nF 20% 50V 0603	
2025	2222 867 15339	33pF 5% 50V 0603	2379	4822 126 13879	220nF +80-20% 16V	2510	2238 586 59812	100nF 20% 50V 0603	
2026	2222 867 15339	33pF 5% 50V 0603	2380	4822 124 12095	100µF 20% 16V	2513	4822 124 23002	10µF 16V	
2027	2238 586 59812	100nF 20% 50V 0603	2381	2238 586 59812	100nF 20% 50V 0603	2514	4822 122 33752	15pF 5% 50V	
2028	5322 126 11583	10nF 10% 50V 0603	2382	2238 586 59812	100nF 20% 50V 0603	2515	5322 126 11583	10nF 10% 50V 0603	
2029	2020 552 00002	3.3nF 2% 50V 0805	2383	2238 586 59812	100nF 20% 50V 0603	2516	3198 016 36810	680pF 25V 0603	
2030	2238 586 59812	100nF 20% 50V 0603	2384	2238 586 59812	100nF 20% 50V 0603	2517	5322 126 11583	10nF 10% 50V 0603	
2031	2238 586 59812	100nF 20% 50V 0603	2385	2238 586 59812	100nF 20% 50V 0603	2518	5322 126 11583	10nF 10% 50V 0603	
2032	2238 586 59812	100nF 20% 50V 0603	2387	2238 586 59812	100nF 20% 50V 0603	2519	3198 016 31020	1nF 25V 0603	
2033	4822 126 13879	220nF +80-20% 16V	2388	2020 012 93761	330µF 6.3V	2520	2238 586 59812	100nF 20% 50V 0603	
2034	5322 126 11583	10nF 10% 50V 0603	2389	4822 126 11785	47pF 5% 50V 0603	2703	4822 124 23002	10µF 16V	
2035	4822 124 12095	100µF 20% 16V	2390	4822 126 11785	47pF 5% 50V 0603	2712	3198 017 41050	1µF 10V 0603	
2036	4822 126 11785	47pF 5% 50V 0603	2391	4822 126 11785	47pF 5% 50V 0603	2714	2020 012 93795	470µF 20% 16V	
2037	4822 126 11785	47pF 5% 50V 0603	2394	2238 586 59812	100nF 20% 50V 0603	2718	3198 017 41050	1µF 10V 0603	
2040	4822 126 13883	220pF 5% 50V	2395	2238 586 59812	100nF 20% 50V 0603	2719	2238 586 59812	100nF 20% 50V 0603	
2041	4822 126 13879	220nF +80-20% 16V	2396	4822 124 23002	10µF 16V	2724	4822 124 12095	100µF 20% 16V	
2042	2020 552 00002	3.3nF 2% 50V 0805	2397	3198 017 41050	1µF 10V 0603	2736	4822 124 80791	470µF 20% 16V	
2043	2238 586 59812	100nF 20% 50V 0603	2398	3198 017 41050	1µF 10V 0603	2737	4822 124 80791	470µF 20% 16V	
2044	4822 126 13879	220nF +80-20% 16V	2399	4822 126 11785	47pF 5% 50V 0603	2738	3198 016 31020	1nF 25V 0603	
2045	5322 126 11583	10nF 10% 50V 0603	2401	4822 124 11131	47µF 6.3V	2739	3198 016 31020	1nF 25V 0603	
2046	4822 126 11669	27pF 5% 50V 0603	2402	2238 586 59812	100nF 20% 50V 0603	2741	4822 126 13881	470pF 5% 50V	
2047	4822 126 11669	27pF 5% 50V 0603	2403	2238 586 59812	100nF 20% 50V 0603	2742	4822 126 13881	470pF 5% 50V	
2048	4822 126 11669	27pF 5% 50V 0603	2404	2238 586 59812	100nF 20% 50V 0603	2910	3198 030 72290	22µF 20% 35V	
2049	4822 124 23002	10µF 16V	2405	2238 586 59812	100nF 20% 50V 0603	2911	4822 124 80151	47µF 16V	
2051	4822 124 23002	10µF 16V	2406	2238 586 59812	100nF 20% 50V 0603	2920	4822 124 80151	47µF 16V	
2052	3198 016 31020	1nF 25V 0603	2407	2238 586 59812	100nF 20% 50V 0603	2930	4822 124 80791	470µF 20% 16V	
2053	2238 586 59812	100nF 20% 50V 0603	2408	2238 586 59812	100nF 20% 50V 0603	2931	4822 126 13881	470pF 5% 50V	
2054	2238 586 59812	100nF 20% 50V 0603	2409	2238 586 59812	100nF 20% 50V 0603	2933	4822 124 80791	470µF 20% 16V	
2055	2238 586 59812	100nF 20% 50V 0603	2410	2238 586 59812	100nF 20% 50V 0603	2934	4822 126 13193	4.7nF 10% 63V	
2056	2238 586 59812	100nF 20% 50V 0603	2411	2238 586 59812	100nF 20% 50V 0603	2935	4822 124 80195	470µF 20% 10V	
2057	2238 586 59812	100nF 20% 50V 0603	2412	2238 586 59812	100nF 20% 50V 0603	2936	5322 126 11578	1nF 10% 50V 0603	
2058	3198 016 31020	1nF 25V 0603	2413	2238 586 59812	100nF 20% 50V 0603	2937	5322 126 11578	1nF 10% 50V 0603	
2060	2238 586 59812	100nF 20% 50V 0603	2414	2238 586 59812	100nF 20% 50V 0603	2938	5322 126 11578	1nF 10% 50V 0603	
			2415	2238 586 59812	100nF 20% 50V 0603	2939	5322 126 11578	1nF 10% 50V 0603	
			2416	2238 586 59812	100nF 20% 50V 0603	2940	5322 126 1157		

3359	4822 051 30391	390Ω 5% 0.062W	3910	4822 051 30222	2.2kΩ 5% 0.062W
3370	4822 051 30681	680Ω 5% 0.062W	3911	4822 051 30102	1kΩ 5% 0.062W
3374	5322 117 11726	10Ω 5%	3930	4822 117 12917	1Ω 5% 0.062W
3375	4822 051 30101	100Ω 5% 0.062W	3932	2322 704 61002	1kΩ 1%
3389	4822 051 30101	100Ω 5% 0.062W	3933	2322 704 63302	3.3kΩ 1% 0603
3390	4822 051 30101	100Ω 5% 0.062W	3934	4822 117 12917	1Ω 5% 0.062W
3391	4822 051 30101	100Ω 5% 0.062W	3935	4822 117 12917	1Ω 5% 0.062W
3394	4822 051 30759	75Ω 5% 0.062W	3936	4822 051 30102	1kΩ 5% 0.062W
3401	4822 051 30103	10kΩ 5% 0.062W	3937	2306 207 03151	150Ω 5% 0.5W
3402	4822 051 30103	10kΩ 5% 0.062W	3955	4822 051 30103	10kΩ 5% 0.062W
3403	4822 051 30151	150Ω 5% 0.062W	3958	4822 051 30102	1kΩ 5% 0.062W
3404	4822 051 30103	10kΩ 5% 0.062W	4xxx	4822 051 30008	Jumper 0603
3405	4822 051 30103	10kΩ 5% 0.062W			
3406	4822 051 30103	10kΩ 5% 0.062W			
3407	3198 031 13390	33Ω 5% 1206			
3408	3198 031 13390	33Ω 5% 1206			
3409	3198 031 13390	33Ω 5% 1206			
3410	3198 031 13390	33Ω 5% 1206			
3411	3198 031 13390	33Ω 5% 1206			
3412	3198 031 13390	33Ω 5% 1206			
3413	3198 031 13390	33Ω 5% 1206			
3414	4822 051 30103	10kΩ 5% 0.062W			
3416	4822 051 30101	100Ω 5% 0.062W			
3417	4822 051 30103	10kΩ 5% 0.062W			
3418	4822 051 30103	10kΩ 5% 0.062W			
3419	4822 051 30103	10kΩ 5% 0.062W			
3420	4822 051 30103	10kΩ 5% 0.062W			
3421	4822 051 30103	10kΩ 5% 0.062W			
3422	4822 051 30103	10kΩ 5% 0.062W			
3423	4822 051 30103	10kΩ 5% 0.062W			
3424	3198 031 11030	10kΩ 5% 1206			
3425	4822 117 12917	1Ω 5% 0.062W			
3426	4822 117 12917	1Ω 5% 0.062W			
3427	4822 117 12917	1Ω 5% 0.062W			
3428	3198 021 31080	1Ω 5% 0603			
3428	4822 117 12917	1Ω 5% 0.062W			
3430	4822 051 30101	100Ω 5% 0.062W			
3431	4822 051 30101	100Ω 5% 0.062W			
3433	4822 051 30103	10kΩ 5% 0.062W			
3434	4822 051 30103	10kΩ 5% 0.062W			
3435	4822 051 30103	10kΩ 5% 0.062W			
3441	4822 051 30101	100Ω 5% 0.062W			
3442	4822 051 30101	100Ω 5% 0.062W			
3443	4822 051 30103	10kΩ 5% 0.062W			
3444	4822 051 30103	10kΩ 5% 0.062W			
3463	4822 051 30101	100Ω 5% 0.062W			
3464	4822 051 30101	100Ω 5% 0.062W			
3467	4822 051 30222	2.2kΩ 5% 0.062W			
3468	4822 051 30222	2.2kΩ 5% 0.062W			
3469	4822 051 30151	150Ω 5% 0.062W			
3470	4822 051 30103	10kΩ 5% 0.062W			
3471	4822 117 12968	820Ω 5% 0.62W			
3472	4822 051 30759	75Ω 5% 0.062W			
3473	4822 051 30759	75Ω 5% 0.062W			
3474	4822 051 30759	75Ω 5% 0.062W			
3475	4822 117 12139	22Ω 5% 0.062W			
3476	4822 117 12139	22Ω 5% 0.062W			
3477	4822 117 12139	22Ω 5% 0.062W			
3478	4822 117 13632	100kΩ 1% 0603 0.62W			
3479	4822 117 12139	22Ω 5% 0.062W			
3480	4822 117 12139	22Ω 5% 0.062W			
3481	4822 051 30102	1kΩ 5% 0.062W			
3482	4822 051 30102	1kΩ 5% 0.062W			
3483	4822 051 30103	10kΩ 5% 0.062W			
3484	4822 051 30103	10kΩ 5% 0.062W			
3496	4822 117 12139	22Ω 5% 0.062W			
3497	4822 117 12139	22Ω 5% 0.062W			
3498	4822 117 12139	22Ω 5% 0.062W			
3499	4822 117 12139	22Ω 5% 0.062W			
3501	4822 051 30103	10kΩ 5% 0.062W			
3502	4822 051 30221	220Ω 5% 0.062W			
3503	4822 051 30221	220Ω 5% 0.062W			
3504	4822 051 30221	220Ω 5% 0.062W			
3505	4822 051 30221	220Ω 5% 0.062W			
3506	4822 051 30221	220Ω 5% 0.062W			
3507	4822 051 30221	220Ω 5% 0.062W			
3510	4822 051 30221	220Ω 5% 0.062W			
3511	4822 051 30221	220Ω 5% 0.062W			
3512	4822 051 30221	220Ω 5% 0.062W			
3513	4822 051 30221	220Ω 5% 0.062W			
3519	2422 549 42896	Bead 120Ω 100MHz			
3519	4822 051 30008	Jumper 0603			
3520	4822 051 30333	33kΩ 5% 0.062W			
3706	4822 051 30103	10kΩ 5% 0.062W			
3717	4822 051 30103	10kΩ 5% 0.062W			
3719	4822 051 30103	10kΩ 5% 0.062W			
3722	5322 117 13056	8.2kΩ 1% 0.063W 0603			
3725	4822 051 30103	10kΩ 5% 0.062W			
3726	4822 051 30392	3.9Ω 5% 0.063W 0603			
3727	4822 051 30392	3.9Ω 5% 0.063W 0603			
3730	4822 051 30102	1kΩ 5% 0.062W			
3732	4822 051 30102	1kΩ 5% 0.062W			
3744	5322 117 13056	8.2kΩ 1% 0.063W 0603			
3745	5322 117 13056	8.2kΩ 1% 0.063W 0603			
5002	2422 549 44197	Bead 220Ω at 100MHz			
5003	4822 157 11716	Bead 30Ω at 100MHz			
5004	4822 157 11716	Bead 30Ω at 100MHz			
5005	4822 157 11716	Bead 30Ω at 100MHz			
5006	4822 157 11716	Bead 30Ω at 100MHz			
5007	2422 549 44197	Bead 220Ω at 100MHz			
5008	2422 549 44197	Bead 220Ω at 100MHz			
5009	2422 536 00667	1000μF 20% 7032			
5010	3198 018 51090	10μH 10% 0603			
5011	3198 018 51090	10μH 10% 0603			
5012	3198 018 51090	10μH 10% 0603			
5060	2422 549 44197	Bead 220Ω at 100MHz			
5070	4822 157 11716	Bead 30Ω at 100MHz			
5071	2422 549 42896	Bead 120Ω 100MHz			
5072	2422 549 42896	Bead 120Ω 100MHz			
5309	3198 018 31290	12μH 10%			
5321	3198 018 33970	0.39μF 10% 0805			
5370	4822 157 11716	Bead 30Ω at 100MHz			
5371	4822 157 11716	Bead 30Ω at 100MHz			
5372	2422 549 44197	Bead 220Ω at 100MHz			
5401	4822 157 11717	Bead 50Ω at 100MHz			
5402	4822 157 11717	Bead 50Ω at 100MHz			
5403	4822 157 11717	Bead 50Ω at 100MHz			
5404	4822 157 11717	Bead 50Ω at 100MHz			
5462	4822 157 11717	Bead 50Ω at 100MHz			
5520	4822 157 11716	Bead 30Ω at 100MHz			
5706	4822 157 11716	Bead 30Ω at 100MHz			
5910	2422 536 00667	1000μF 20% 7032			
5920	2422 549 45333	Bead 120Ω 100MHz			
5930	2422 535 94639	10μH 20%			
5931	2422 536 00689	220μF 20%			
5932	2422 535 94639	10μH 20%			
5956	2422 549 45333	Bead 120Ω 100MHz			
5957	2422 549 45333	Bead 120Ω 100MHz			
5958	2422 549 45333	Bead 120Ω 100MHz			
5959	2422 549 45333	Bead 120Ω 100MHz			
5961	2422 549 45333	Bead 120Ω 100MHz			
6002	4822 130 11397	BAS316			
6005	4822 130 11397	BAS316			
6006	4822 130 11397	BAS316			
6060	9322 102 64685	UDZ2.7B			
6061	4822 130 11397	BAS316			
6073	4822 130 80622	BAT54			
6076	4822 130 80622	BAT54			
6460	9322 193 16685	KDR721S			
6910	5322 130 34337	BAV99			
6911	9340 548 71115	PDZ33B			
6930	9322 128 70685	SMSS14			
7001	3198 010 43130	BC807-25			
7002	3198 010 42310	BC847BW			
7003	3198 010 43130	BC807-25			
7004	3198 010 42310	BC847BW			
7005	9322 208 05668	NE555D			
7006	9322 208 05668	NE555D			
7007	9322 208 05668	NE555D			
7011	9352 761 81557	TDA15001H/N1			
7012	3198 010 42310	BC847BW			
7013	3198 010 42310	BC847BW			
7014	3198 010 42310	BC847BW			
7015	5322 130 60159	BC846B			
7016	5322 130 60159	BC846B			
7060	4822 130 11155	PDTC114ET			
7061	9340 547 13215	BSH103			
7070	9340 547 13215	BSH103			
7099	4822 209 17226	M24C08-WMN6			
7316	5322 130 42718	BFS20			
7401	9322 210 72761	GM5221-LF-BC			
7402	9322 156 81668	M24C32-WMN6TNKSA			
7403	9322 205 12671	MX29LV040QC-70G			
7404	4822 130 11155	PDTC114ET			
7461	9322 199 80668	SM5301BS-G			

7462	9322 145 26668	M24C02-WMN6
7463	4822 209 60792	74HC4053D
7510	9352 607 39118	74LVC14APW
7520	9322 212 97668	MK1575-01G
7702	3198 010 42310	BC847BW
7703	3198 010 42310	BC847BW
7706	9352 500 20118	74LVC08AD
7710	3198 010 42310	BC847BW
7712	9352 683 73118	TDA1517ATW/N1
7910	4822 130 42804	BC817-25
7920	9322 163 24668	L78M08CDT
7930	5322 209 90529	MC34063AD
7936	4822 130 41087	BC638
7953	9322 199 25668	L4940D2T12
7954	9322 157 51685	SI12301DS
7955	9322 189 19668	LD1086D2T18

Side AV Panel [D]

Various

1101	4822 267 10484	YKF51-5359
1102	4822 265 10658	Soc 3P
1104	2422 026 05513	Soc phone 1p
1105	2422 025 09406	Connector 4p m
1106	2422 026 05059	Connector Phone
1107	4822 267 10637	Connector 5p
1108	2422 025 10771	Connector 10p m
1110	2422 025 10768	Connector 3p m
1111	2422 025 09406	Connector 4p m
1112	2422 025 18468	Connector 3p m

—||—

2101	3198 016 31510	150pF 10% 50V 0603
2101	4822 126 11785	47pF 5% 50V 0603
2102	3198 016 31510	150pF 10% 50V 0603
2102	4822 126 11785	47pF 5% 50V 0603
2103	4822 126 13881	470pF 5% 50V
2104	4822 126 13881	470pF 5% 50V
2105	2020 552 94427	100pF 5% 50V
2106	2020 552 94427	100pF 5% 50V
2107	3198 016 31020	1nF 25V 0603
2108	3198 016 31020	1nF 25V 0603
2109	3198 016 31020	1nF 25V 0603
2110	3198 016 31020	1nF 25V 0603
2111	4822 124 12245	220µF 20% 10V
2112	4822 124 12245	220µF 20% 10V
2113	4822 126 13881	470pF 5% 50V
2114	4822 126 13881	470pF 5% 50V
2117	2020 552 96305	4.7µF 20-80% 10V

—W—

3101	4822 051 30109	10Ω 5% 0.062W
3103	4822 051 30109	10Ω 5% 0.062W
3104	4822 051 30759	75Ω 5% 0.062W
3105	4822 051 30759	75Ω 5% 0.062W
3106	4822 051 30759	75Ω 5% 0.062W
3107	4822 051 30223	22kΩ 5% 0.062W
3108	4822 117 12925	47kΩ 1% 0.063W 0603
3109	4822 051 30223	22kΩ 5% 0.062W
3110	4822 117 12925	47kΩ 1% 0.063W 0603
3111	4822 051 30223	22kΩ 5% 0.062W
3112	4822 051 30223	22kΩ 5% 0.062W
3113	4822 117 12925	47kΩ 1% 0.063W 0603
3114	4822 117 12925	47kΩ 1% 0.063W 0603
3115	4822 051 30121	120Ω 5% 0.062W
3116	4822 051 30121	120Ω 5% 0.062W
3123	4822 051 30101	100Ω 5% 0.062W
3124	4822 051 30101	100Ω 5% 0.062W
3125	4822 051 30102	1kΩ 5% 0.062W
3126	4822 051 30183	18kΩ 5% 0.062W
3127	4822 051 30183	18kΩ 5% 0.062W
41xx	4822 051 30008	Jumper 0603

→|←

61xx	4822 130 11148	UDZ4.7B
------	----------------	---------



7101	4822 130 60373	BC856B
------	----------------	--------

Top Control Panel [E]

Various

1308	4822 265 20682	S2B-PH-K
1309	4822 276 13775	Switch 1p 0.1A 12V
1310	4822 276 13775	Switch 1p 0.1A 12V
1311	4822 276 13775	Switch 1p 0.1A 12V
1312	4822 276 13775	Switch 1p 0.1A 12V
1313	4822 276 13775	Switch 1p 0.1A 12V

—W—

3318	4822 051 30151	150Ω 5% 0.062W
3319	4822 051 30391	390Ω 5% 0.062W
3320	4822 117 12903	1.8kΩ 1% 0.063W 0603
3321	4822 117 12968	820Ω 5% 0.62W
3322	4822 051 30008	Jumper 0603
3323	4822 051 30008	Jumper 0603

→|←

6306	4822 130 11148	UDZ4.7B
------	----------------	---------

Audio Amplifier Panel [I]

Various

1703	2422 025 17117	Connector 2p m
1704	2422 025 16966	Connector 5p m
1706	2422 025 16702	Connector 5p m

—||—

2703	4822 124 23002	10µF 16V
2712	3198 017 41050	1µF 10V 0603
2713	2238 586 59812	100nF 20% 50V 0603
2714	2020 021 91871	470µF 20% 16V
2715	2020 021 91871	470µF 20% 16V
2718	3198 017 41050	1µF 10V 0603
2719	2238 586 59812	100nF 20% 50V 0603
2741	4822 126 13881	470pF 5% 50V
2742	4822 126 13881	470pF 5% 50V
2746	3198 017 41050	1µF 10V 0603

—W—

3701	4822 051 30332	3.3Ω 5% 0.062W
3702	4822 051 30332	3.3Ω 5% 0.062W
3706	4822 051 30103	10kΩ 5% 0.062W
3714	5322 117 13056	8.2kΩ 1% 0.063W 0603
3715	4822 117 12903	1.8kΩ 1% 0.063W 0603
3726	5322 117 13056	8.2kΩ 1% 0.063W 0603
3727	4822 117 12903	1.8kΩ 1% 0.063W 0603
3744	4822 051 30103	10kΩ 5% 0.062W
3746	4822 051 30103	10kΩ 5% 0.062W
3747	4822 051 30103	10kΩ 5% 0.062W
3748	4822 051 30103	10kΩ 5% 0.062W
3749	4822 051 30103	10kΩ 5% 0.062W
3750	4822 051 30682	6.8Ω 5% 0.062W
3751	4822 051 30682	6.8Ω 5% 0.062W

—||—

5709	4822 157 11716	Bead 30Ω at 100MHz
5710	4822 157 11716	Bead 30Ω at 100MHz



7703	9340 425 20115	BC847BS
7709	9322 206 09668	TDA7297D

Front IR / LED Panel [J]

Various

1870	4822 265 31067	Connector 7p m
------	----------------	----------------

—||—

2801	2020 552 96637	10µF 10% 6.3V 0805
2802	2020 552 96637	10µF 10% 6.3V 0805

—W—

3801	4822 051 30332	3.3Ω 5% 0.062W
3802	4822 051 30331	330Ω 5% 0.062W
3803	4822 051 30221	220Ω 5% 0.062W

→|←

6801	9322 192 35676	SPR-325MVW
------	----------------	------------



7801	4822 130 60373	BC856B
7802	9322 207 16667	TSOP34836LL1B
7803	5322 130 60159	BC846B
7804	5322 130 60159	BC846B

11. Revision List

Manual xxxx xxx xxxx.0

- First release.