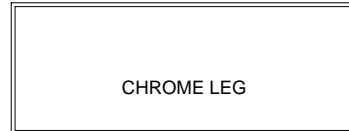
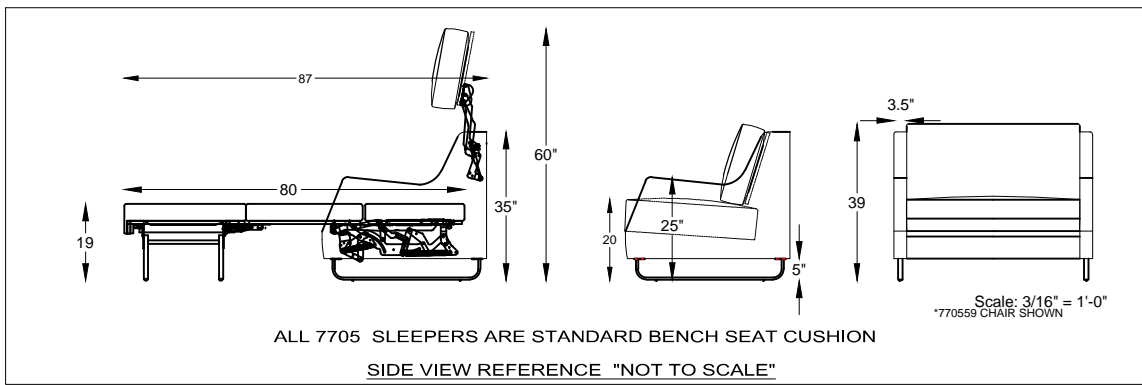


\*TOP VIEW SHOWN WITH OPEN SLEEPER



SIDE VIEW REFERENCE "NOT TO SCALE"



\*TOP VIEW SHOWN WITH OPEN SLEEPER

Scale: 3/16" = 1'-0"

This schematic is current as 03/017 . The company reserves the right to change dimensions and products offered. A more recent schematic may be available for this series. To see the most current schematic, go to <http://lazarind.com>

\*NOTE: L or R IS DETERMINED BY FACING AT THE PIECE