

Service Manual

 **PIONEER®**
The Art of Entertainment

ORDER NO.
ARP2988

PROJECTION MONITOR RECEIVER

PRO-200 PRO-100

- Refer to the service manual ARP2936 for PRO-119 and PRO-99.

THIS MANUAL IS APPLICABLE TO THE FOLLOWING MODEL(S) AND TYPE(S).

Type	Model		Power Requirement	Remarks
	PRO-200	PRO-100		
KUXC/CA	○	○	AC120V	

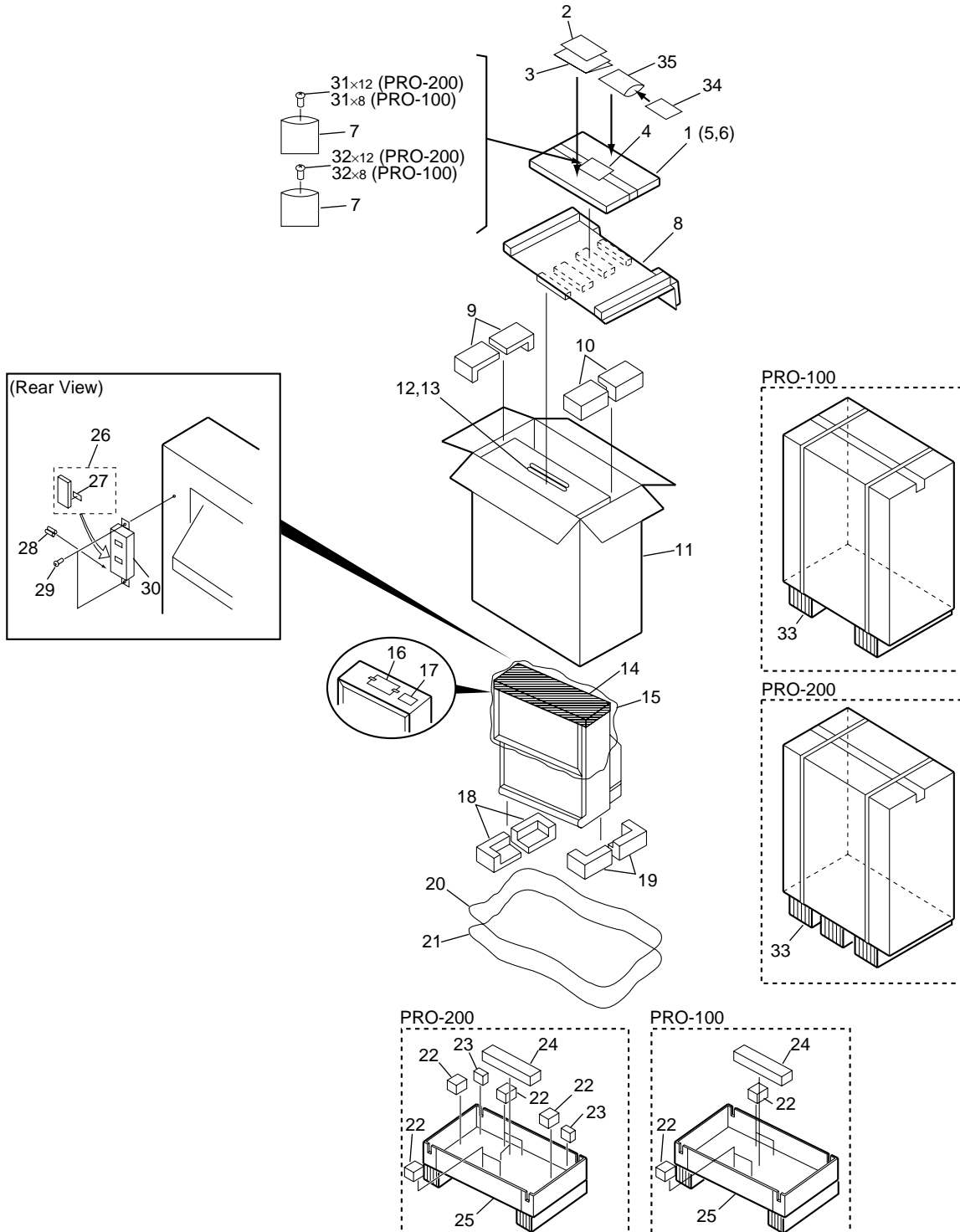
CONTENTS

1. EXPLODED VIEWS AND PARTS LIST	2
2. CONTRAST OF MISCELLANEOUS PARTS	14
3. SCHEMATIC DIAGRAM	20
4. PCB CONNECTION DIAGRAM	37
5. ADJUSTMENT	49
6. IC INFORMATION	62
7. BLOCK DIAGRAM	66

1. EXPLODED VIEWS AND PARTS LIST

- NOTES:
- Parts marked by "NSP" are generally unavailable because they are not in our Master Spare Parts List.
 - The \triangle mark found on some component parts indicates the importance of the safety factor of the part. Therefore, when replacing, be sure to use parts of identical designation.
 - Parts marked by \star are important parts which relate in X-rays radiation. If any of these parts need to be replaced, always replace with specified parts.
 - Screws adjacent to \blacktriangledown mark on the product are used for disassembly.
 - For POWER SUPPLY ASSY, AWV1558 is used, but for serving, AWV1565 is supplied. AWV1565 is the same as AWV1558 of which X-ray protection and high voltage sections have been adjusted and these adjusted parts are covered with the shield cases. Therefore, AWV1565 need not be adjusted.

1.1 PACKING



(1) PACKING PARTS LIST

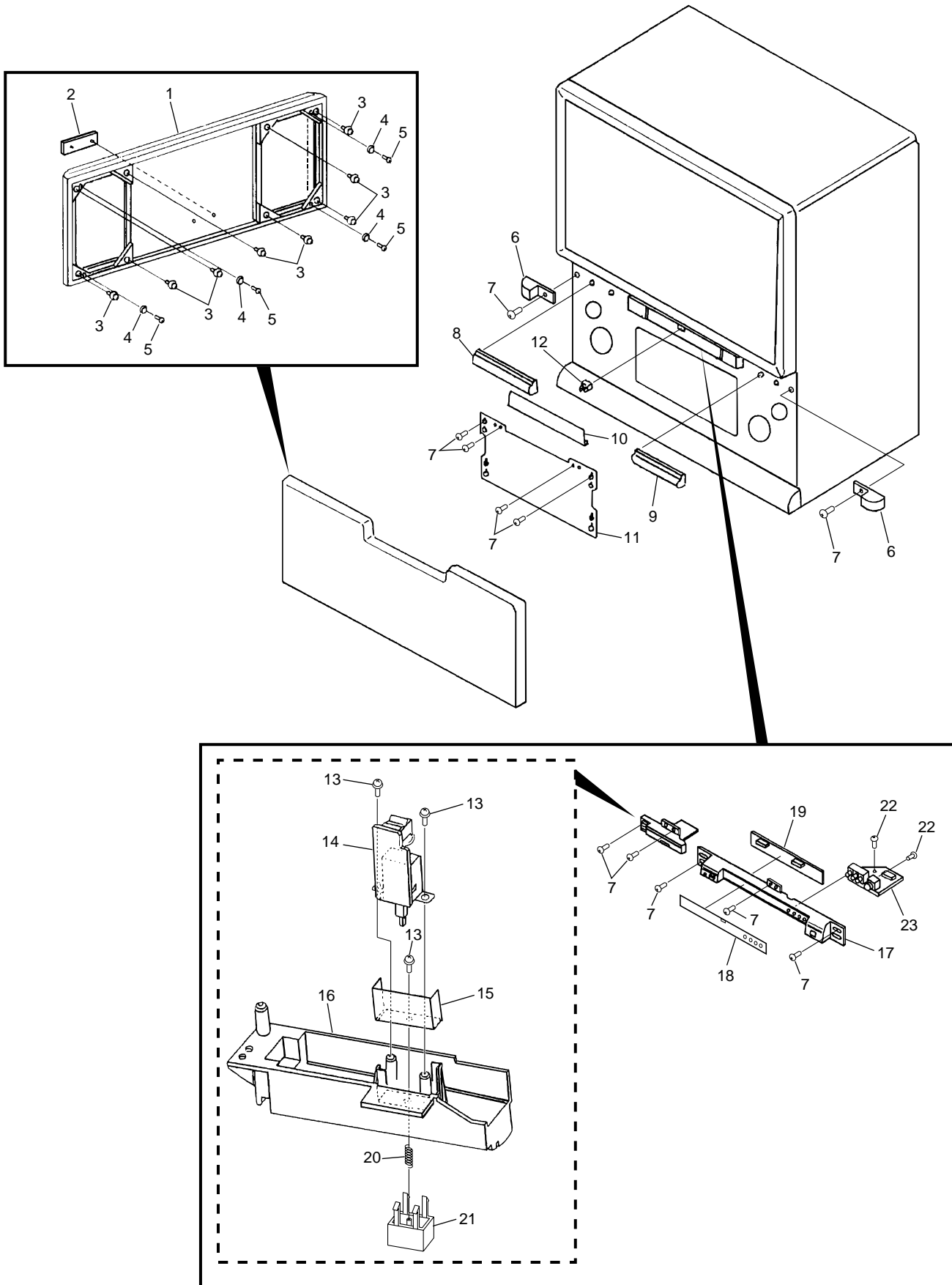
Mark	No.	Description	Part No.	Mark	No.	Description	Part No.
	1	Card Board Case (60)	See Contrast table (2)		21	Vinyl Sheet 60 Under	See Contrast table (2)
	2	Attention Card	ARM1108		22	Cushion F	See Contrast table (2)
	3	Operating Instructions (English)	ARB1515	NSP	23	Cusion D	See Contrast table (2)
NSP	4	Literature Bag	AHG1222	NSP	24	Cusion C	AHA2076
NSP	5	Acrylic Panel (60)	See Contrast table (2)		25	Under Carton (60P)	See Contrast table (2)
	6	Acrylic Caution Card	ARH1152		26	Remote Contorol Unit (CU-SD104)	AXD1430
NSP	7	Wrapper Bag	AHG1076		27	Battery Cover	AZN7327
	8	Card Board Spacer (60)	See Contrast table (2)	NSP	28	Alkaline Dry Cell Battery (LR6,AA)	AEX1018
	9	Upper Pad L	AHA2067		29	Special Screw	ABA1239
	10	Upper Pad R	AHA2068		30	CU Packing Case	AHC1019
	11	Upper Carton (60P)	See Contrast table (2)		31	Screw	ABA1226
	12	Frame Cover Assy (60)	See Contrast table (2)		32	Screw	BMZ40P100FZK
NSP	13	Frame Cover V Assy (60)	See Contrast table (2)		33	Carton Runner Pad (60P)	See Contrast table (2)
NSP	14	Vinyl Sheet 60 Upper	See Contrast table (2)		34	Warranty Card EL	ARY1026
NSP	15	Packing Sheet (60)	See Contrast table (2)	NSP	35	Poly Bag	AHG1285
	16	CONVER Attention Card	ARM1139				
	17	Caster Caution Card	See Contrast table (2)				
	18	Under Pad L	AHA2069				
	19	Under Pad R	AHA2070				
NSP	20	Packing Sheet 60L	See Contrast table (2)				

(2) CONTRAST TABLE

PRO-200/KUXC/CA and PRO-100/KUXC/CA are constructed the same except for the following :

Mark	No.	Symbol and Description		Part No.		Remarks
		PRO-200/KUXC/CA	PRO-100/KUXC/CA	PRO-200/KUXC/CA	PRO-100/KUXC/CA	
NSP	1	Card Board Case (60)	Card Board Case (51)	AHB1154	AHB1152	
	5	Acrylic Panel (60)	Acrylic Panel (51)	AAK2633	AAK2632	
	8	Card Board Spacer (60)	Card Board Spacer (51P)	AHB1162	AHB1172	
	11	Upper Carton (60P)	Upper Carton (51P)	AHD2962	AHD2961	
NSP	12	Frame Cover Assy (60)	Frame Cover Assy (51)	AAP1521	AAP1520	
	13	Frame Cover V Assy (60)	Frame Cover V Assy (51)	AAP1557	AAP1560	
	14	Vinyl Sheet 60 Upper	Vinyl Sheet XL	AHG1233	AHG1095	
NSP	15	Packing Sheet (60)	Packing Sheet (50,45)	AHG1230	AHG1120	
	17	Not used	Caster Caution Card	Not used	ARM1117	
NSP	20	Packing Sheet 60L	Packing Sheet	AHG1235	AHG1156	
	21	Vinyl Sheet 60 Under	Vinyl Sheet MS	AHG1234	AHG1258	
NSP	22	Cushion F	Cushion E	AHA2211	AHA2081	
NSP	23	Cushion D	Not used	AHA2077	Not used	
	25	Under Carton (60P)	Under Carton (51P)	AHD2967	AHD2966	
	33	Carton Runner Pad (60P)	Carton Runner Pad (51P)	AHA2202	AHA2201	

1.2 FRONT VIEW (1/2)



(1) FRONT VIEW (1/2) PARTS LIST

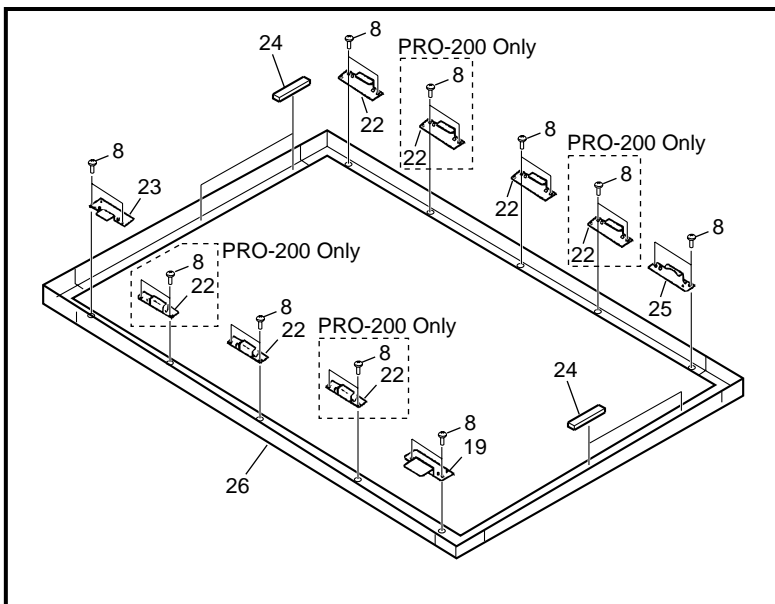
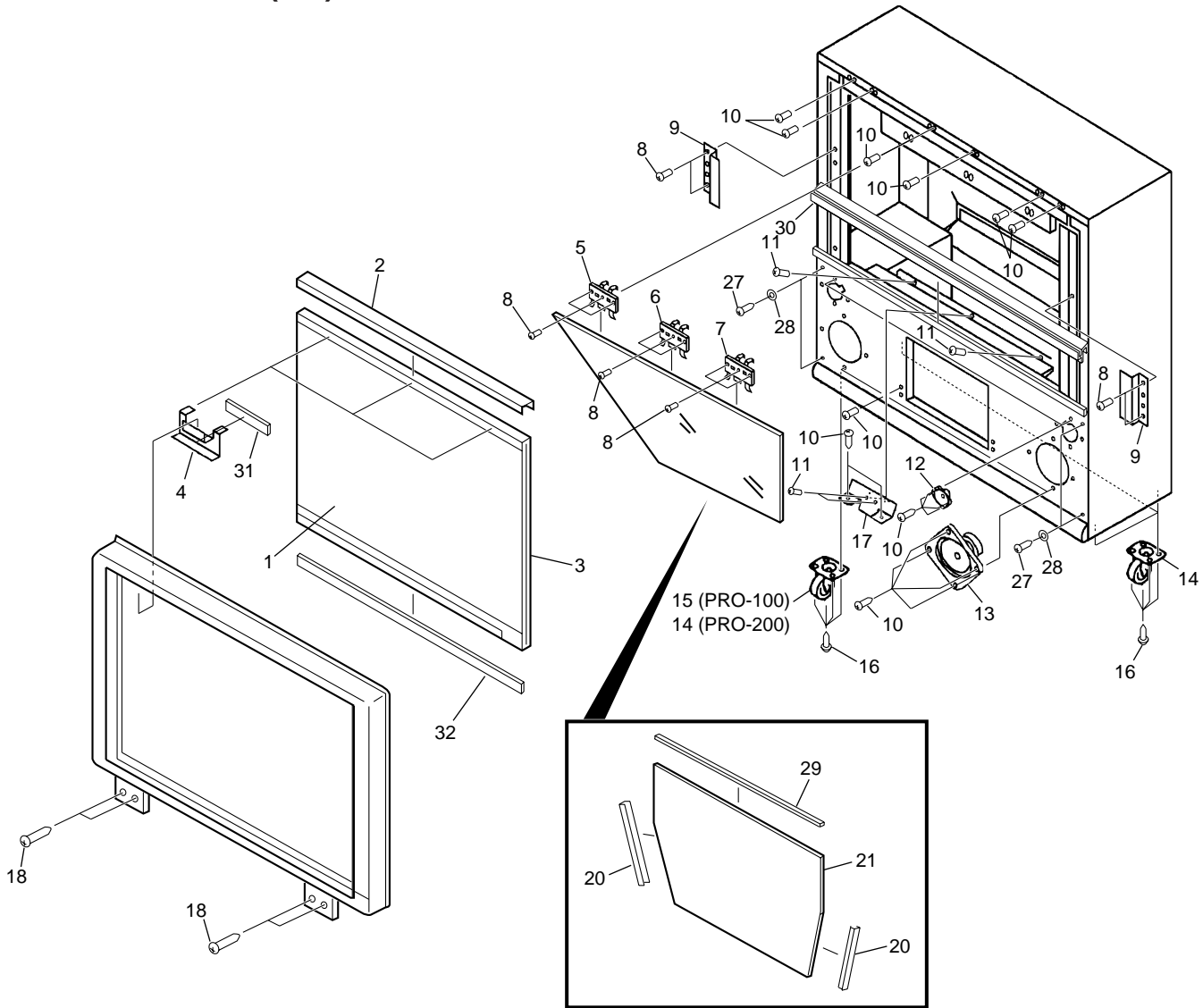
Mark	No.	Description	Part No.
NSP	1	Grille (60)	See Contrast table (2)
	2	ELITE Badge	AAM1076
	3	Catcher A	ANZ-241
	4	Magic Tape	AEC1394
	5	Screw	BYC35P160FZK
	6	Side Cover	See Contrast table (2)
	7	Special Screw	ABA1240
	8	Side Panel Assy (60L)	See Contrast table (2)
	9	Side Panel Assy (60R)	See Contrast table (2)
	10	Door Assy	AAN1413
NSP	11	Blind Plate	AMM2577
	12	Catcher F2M	AEC1609
	13	Screw	APZ30P080FZK
	14	MAIN SW Assy	AWZ6114
	15	Front Shield	ANK1502
	16	Sub Panel Assy	AMB2556
	17	Front Panel Assy	AMB2614
	18	Control Sheet	AAK2715
	19	FRONT CONTROL Assy	AWZ6299
	20	Coil Spring	ABH1099
	21	Power Knob	AAD4090
	22	Screw	ABZ30P080FZK
	23	FRONT INPUT Assy	AWZ6118

(2) CONTRAST TABLE

PRO-200/KUXC/CA and PRO-100/KUXC/CA are constructed the same except for the following :

Mark	No.	Symbol and Description		Part No.		Remarks
		PRO-200/KUXC/CA	PRO-100/KUXC/CA	PRO-200/KUXC/CA	PRO-100/KUXC/CA	
	1	Grille (60)	Grille (51)	AMM2584	AMM2585	
	6	Side Cover	Side Cover	AMR2743	AMR2573	
	8	Side Panel Assy (60L)	Side Panel Assy (51L)	AMB2583	AMB2584	
	9	Side Panel Assy (60R)	Side Panel Assy (51R)	AMB2616	AMB2615	

1.3 FRONT VIEW (2/2)



(1) FRONT VIEW (2/2) PARTS LIST

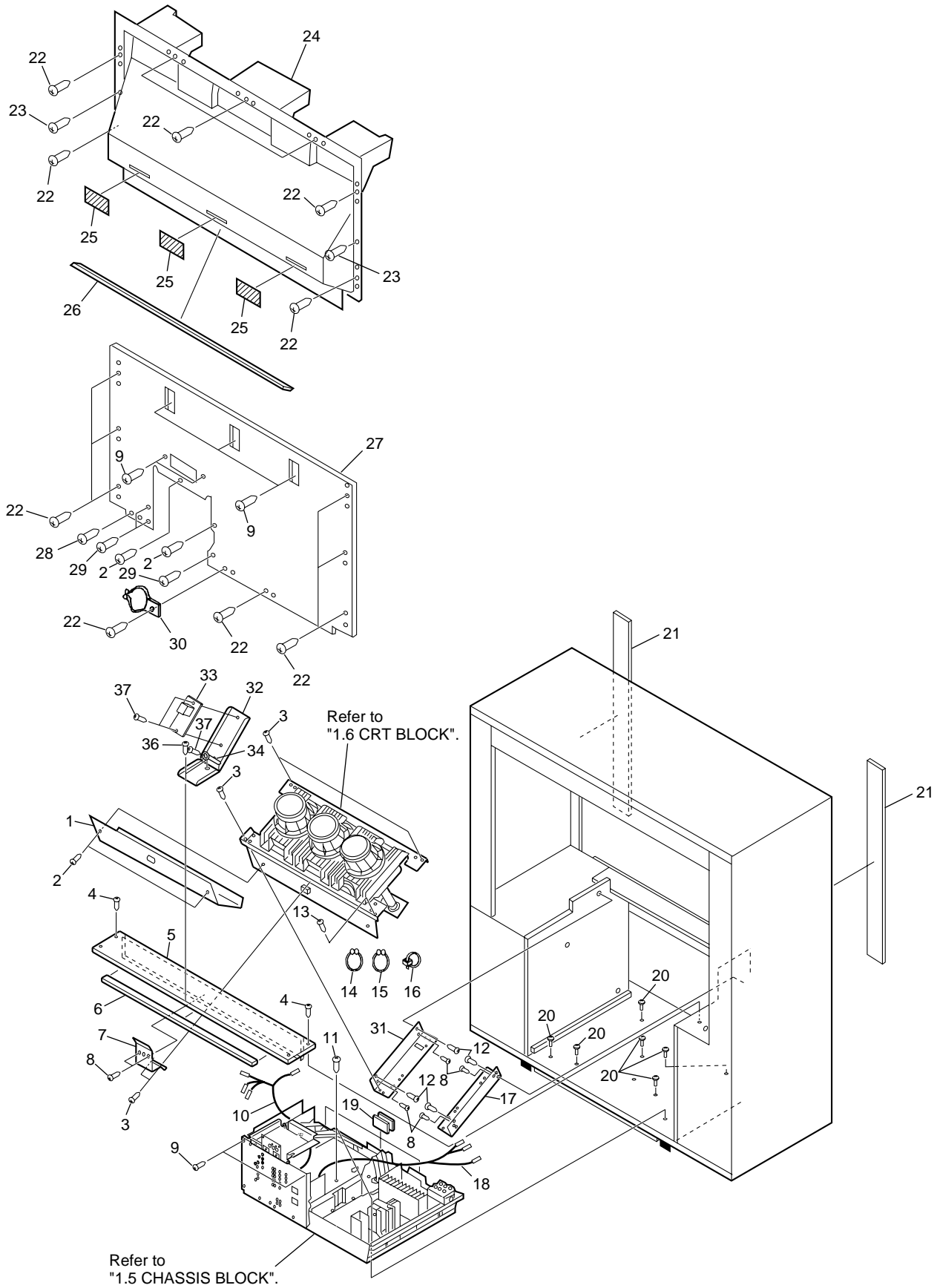
Mark	No.	Description	Part No.
	1	Lenticular Sheet 60	See Contrast table (2)
	2	Almi. Frame (60)	See Contrast table (2)
	3	Fresnel (60PRO)	See Contrast table (2)
NSP	4	Upper Cabinet Metal	ANG2000
NSP	5	Mirror Upper Stay L	ANG2004
NSP	6	Mirror Upper Stay C	ANG2006
NSP	7	Mirror Upper Stay R	ANG2005
	8	Screw	BYC40P160FMC
NSP	9	Screen Side Fitting	ANG1993
	10	Special Screw	ABA1240
	11	Special Screw	ABA1244
	12	Tweeter	APT1004
	13	Cone Speaker	APV1021
	14	Caster	AMR2547
	15	Caster	See Contrast table (2)
	16	Special Screw	ABA1126
NSP	17	CRT Front Holder	See Contrast table (2)
	18	M5 Screw	ABA1189
NSP	19	Under Screen Metal B	ANG2009
	20	Mirror Frame V	See Contrast table (2)
	21	Mirror (60A)	See Contrast table (2)
NSP	22	Upper Screen Metal B	ANG2002
NSP	23	Under Screen Metal A	ANG2003
	24	Frame Cushion P	AEC1634
NSP	25	Upper Screen Metal A	ANG2001
	26	Screen Frame Assy (60)	See Contrast table (2)
	27	Screw	BYC35P160FZK
	28	Washer	AEC1394
	29	Mirror Frame H	See Contrast table (2)
	30	Screen Holder Low (60P)	See Contrast table (2)
	31	Spacer	AEC1769
	32	Screen Spacer (60)	See Contrast table (2)

(2) CONTRAST TABLE

PRO-200/KUXC/CA and PRO-100/KUXC/CA are constructed the same except for the following :

Mark	No.	Symbol and Description		Part No.		Remarks
		PRO-200/KUXC/CA	PRO-100/KUXC/CA	PRO-200/KUXC/CA	PRO-100/KUXC/CA	
NSP	1	Lenticular Sheet 60	Lenticular Sheet 51	AMR3084	AMR3083	
	2	Almi. Frame (60)	Almi. Frame (51)	ANG2287	ANG2286	
	3	Fresnel (60PRO)	Fresnel (51PRO)	AMR3086	AMR3085	
	15	Caster	Caster	Not used	AMR2863	
	17	CRT Front Holder	CRT Front Holder	ANG2120	ANG2121	
	20	Mirror Frame V	Mirror Frame V	ANG2007	ANG2084	
	21	Mirror (60A)	Mirror	AMR2739	AMR2852	
	26	Screen Frame Assy (60)	Screen Frame Assy (51)	AAP1515	AAP1514	
	29	Mirror Frame H	Mirror Frame H	ANG2008	ANG2083	
	30	Screen Holder Low (60P)	Screen Holder Low (51P)	AAP1590	AAP1589	
	32	Screen Spacer (60)	Screen Spacer (51)	AEC1768	AEC1767	

1.4 REAR VIEW



(1) REAR VIEW PARTS LIST

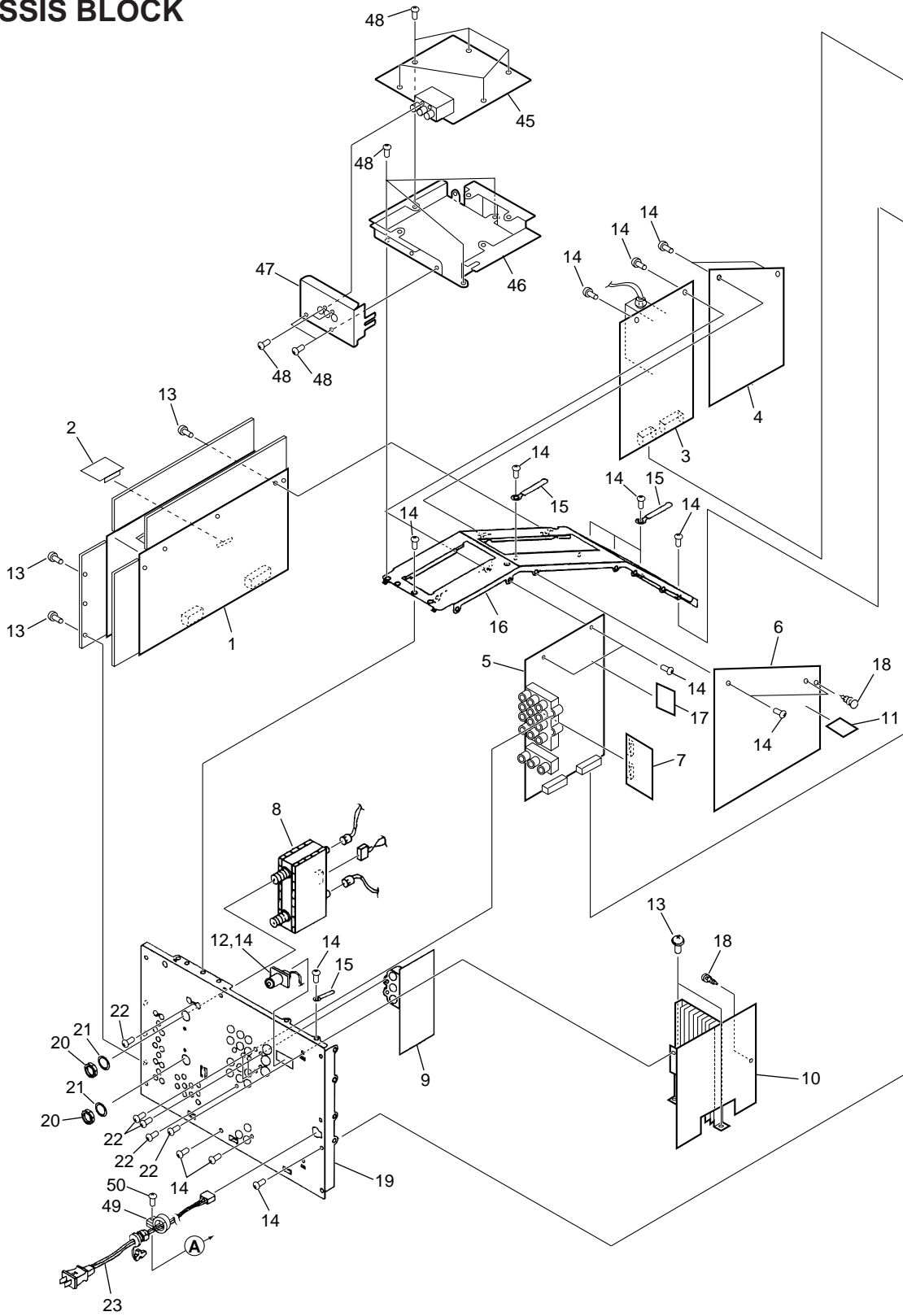
Mark	No.	Description	Part No.	Mark	No.	Description	Part No.
NSP	1	Tray (PLS)	AMR2563		21	Screen Cushion 60	See Contrast table (2)
	2	Screw	ABZ30P120FZK		22	Screw	BYC35P160FZK
	3	Special Screw	ABA1244		23	Screw	PYC40T140FZB
	4	Screw	ABA1124		24	Mirror Case (51)	AME2296
NSP	5	Back Cover Panel	See Contrast table (2)		25	Blind Sheet	AEC1622
NSP	6	Back Cover Cushion	See Contrast table (2)		26	Mirror Case Cushion	AEC1627
	7	CRT Rear Holder	ANG2119		27	Rear Cover	AMM2893
	8	Special Screw	ABA1240		28	Screw	BMZ40P100FZK
	9	Screw	ABA1149		29	Special Screw	ABA1235
	10	Wire Harness	ADX2458	NSP	30	Cabinet Wire Holder	AEC1263
	11	Screw	BYC40P350FZK	NSP	31	CRT Stand Holder (R)	ANA1517
NSP	12	Screw	PMB50P200FZK	NSP	32	IR Receiver Fixing Metal	ANG1958
	13	Screw	ACZ40P080FMC		33	IR RECEIVER Assy	AWZ6297
	14	Purse Lock S	AEC1261		34	Binder	AEP-215
	15	Purse Lock	AEC1540		35	•••••	
	16	Nylon Binder	AEC-093		36	Screw	ABA1239
NSP	17	CRT Stand Holder (L)	ANA1516		37	Screw	BBZ30P080FZK
	18	8P Housing Wire (J12)	ADX2257				
	19	Wire Holder	AMR2832				
	20	Special Screw	ABA1234				

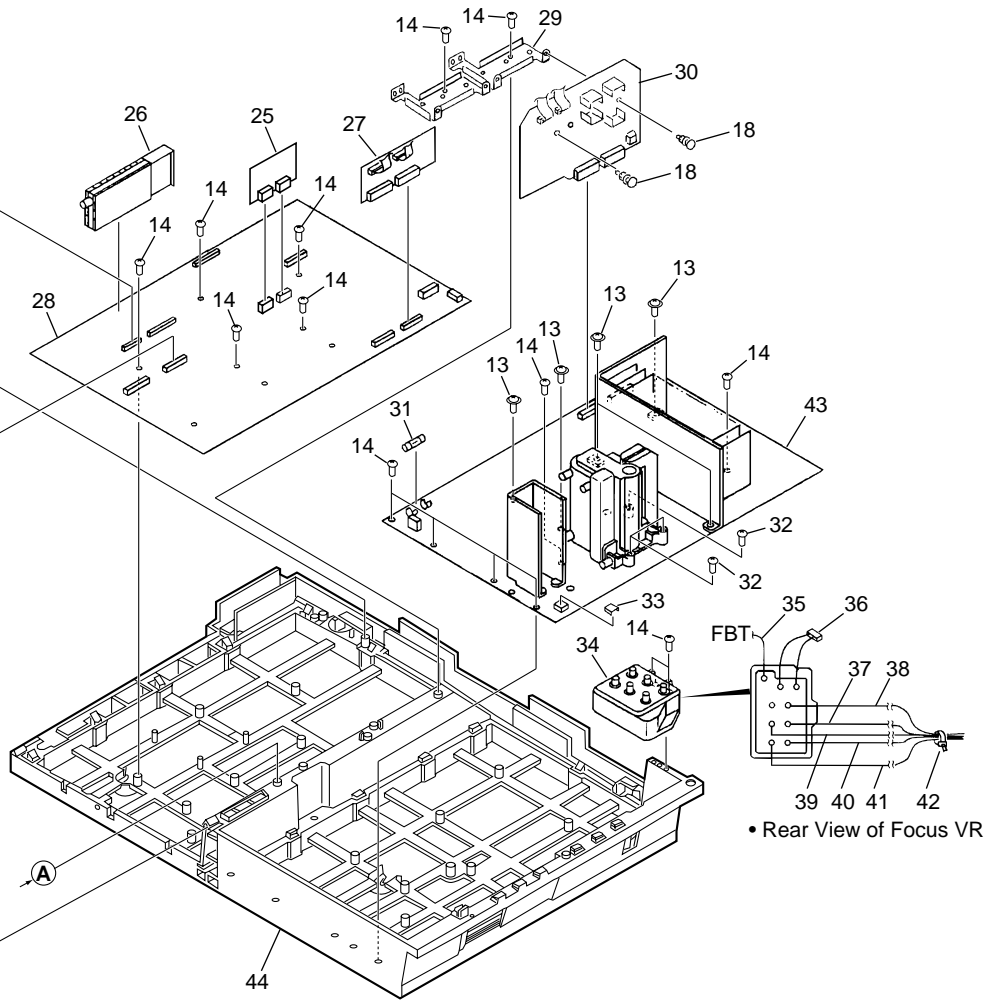
(2) CONTRAST TABLE

PRO-200/KUXC/CA and PRO-100/KUXC/CA are constructed the same except for the following :

Mark	No.	Symbol and Description		Part No.		Remarks
		PRO-200/KUXC/CA	PRO-100/KUXC/CA	PRO-200/KUXC/CA	PRO-100/KUXC/CA	
NSP	5	Back Cover Panel	Back Cover Panel	AMM2664	AMM2663	
	6	Back Cover Cushion	Back Cover Cushion 60	AEC1656	AEC1626	
	21	Screen Cushion 60	Screen Cushion 51	AEC1617	AEC1612	

1.5 CHASSIS BLOCK

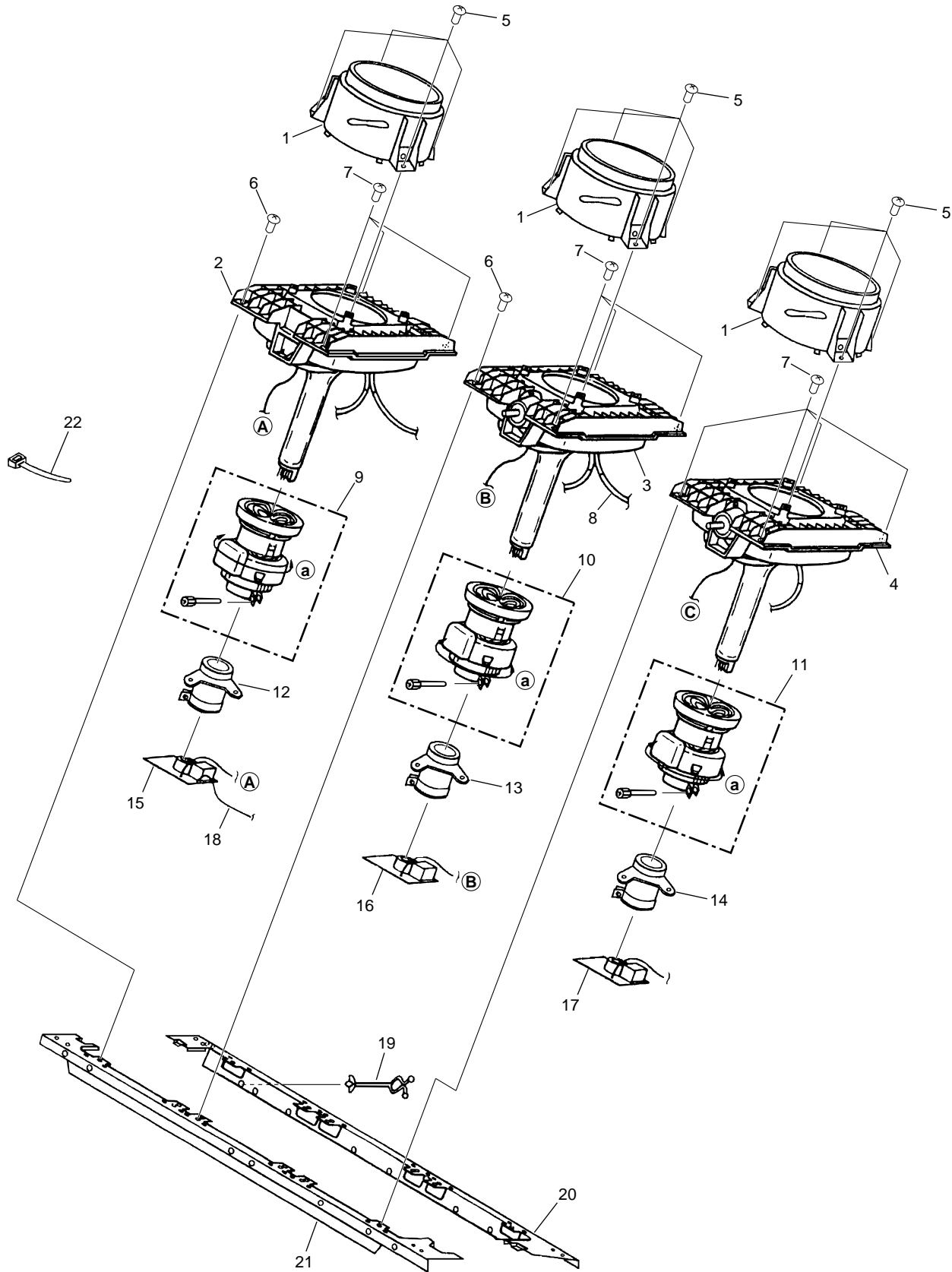




● CHASSIS BLOCK PARTS LIST

Mark	No.	Description	Part No.	Mark	No.	Description	Part No.
	1	CONVERGENCE Assy	AWZ6098		26	TV Front End System Unit	AXF1084
	2	FULL CINEMA CONVER Assy	AWZ6108		27	A CONNECTOR Assy	AWZ6106
	3	TUNER 2 Assy	AWZ6296		28	TUNER • VIDEO Assy	AWZ6330
	4	3D Y/C Assy	AWZ6117	NSP	29	PCB Holder H	ANG2056
	5	AV I/O Assy	AWZ6320		30	VM Assy	AWZ6105
	6	P IN P Assy	AWZ6101	△	31	Fuse (FU102 : 500mA/125V)	AEK1010
	7	P IN P SELECTOR Assy	AWZ6120		32	Screw	VBZ30P200FMC
	8	RF Switch	AXF1088		33	Shield Case	ANK1510
	9	Y/C SELECTOR Assy	AWZ6100	△	34	Focus VR (VR1)	ACX1096
	10	AUDIO Assy	AWZ6298		35	1P Lead Wire (J3)	ADX2231
	11	D CONNECTOR Assy	AWZ6119		36	4P Housing Wire (J2)	ADX2230
	12	BNC Cap	AMR2314		37	1P Lead Wire (J5)	ADX2233
	13	Screw	ABZ30P120FZK		38	1P Lead Wire (J6)	ADX2236
	14	Screw	BBZ30P140FZK		39	1P Lead Wire (J8)	ADX2238
	15	Binder	AEP-215		40	1P Lead Wire (J4)	ADX2232
NSP	16	PCB Frame	ANG2045		41	1P Lead Wire (J7)	ADX2237
	17	B CONNECTOR Assy	AWZ6103		42	Nylon Binder	AEC-093
	18	Rivet	AEC-441	☆	43	POWER SUPPLY Assy	AWV1565
	19	Rear Panel	ANC2311	NSP	44	Chassis	AMA1011
	20	Hexagonal Duct Nut	ABN-087		45	COMPONENT Assy	AWZ6300
	21	Bushing	AEC1661	NSP	46	Sub Chassis	ANA1577
	22	Screw	BBZ30P100FZK		47	Sub Panel	ANC2310
△	23	AC Power Cord	ADG1177		48	Screw	BBZ30P080FZK
	24	•••••			49	Ferrite Core	ATX1033
	25	IQ SELECTOR Assy	AWZ6329		50	Screw	ABZ30P160FZK

1.6 CRT BLOCK



(1) CRT BLOCK PARTS LIST

Mark	No.	Description	Part No.
☆	1	Lens Assy	AMR2833
☆	2	CRT Service Assy 60 (R)	See Contrast table (2)
☆	3	CRT Service Assy (G)	AWY1394
☆	4	CRT Service Assy 60 (B)	See Contrast table (2)
	5	Special Screw	ABA1244
	6	Screw	FBT40P120FZK
	7	Screw (Steel)	ABA1168
△	8	Anode Cable (J1)	ADY1012
△	9	Deflection Yoke (L1)	ATL1127
△	10	Deflection Yoke (L2)	ATL1127
△	11	Deflection Yoke (L3)	ATL1127
△	12	VM Coil (L4)	ATL1123
△	13	VM Coil (L5)	ATL1123
△	14	VM Coil (L6)	ATL1123
	15	R.CRT DRIVE Assy	AWZ6110
	16	G.CRT DRIVE Assy	AWZ6111
	17	B.CRT DRIVE Assy	AWZ6112
△	18	VM Wire Harness (J13)	ADX2229
NSP	19	Lead Clamper M	AEC1611
NSP	20	CRT Rear Frame (60)	See Contrast table (2)
NSP	21	CRT Front Frame (60)	See Contrast table (2)
	22	Nyron Binder	AEC-093

(2) CONTRAST TABLE

PRO-200/KUXC/CA and PRO-100/KUXC/CA are constructed the same except for the following :

Mark	No.	Symbol and Description		Part No.		Remarks
		PRO-200/KUXC/CA	PRO-100/KUXC/CA	PRO-200/KUXC/CA	PRO-100/KUXC/CA	
☆	2	CRT Service Assy 60 (R)	CRT Service Assy 51 (R)	AWY1406	AWY1403	
☆	4	CRT Service Assy 60 (B)	CRT Service Assy 51 (B)	AWY1407	AWY1405	
NSP	20	CRT Rear Frame (60)	CRT Rear Frame (51)	ANA1520	ANA1518	
NSP	21	CRT Front Frame (60)	CRT Front Frame (51)	ANA1515	ANA1513	

2. CONTRAST OF MISCELLANEOUS PARTS

NOTES: ● Parts marked by "NSP" are generally unavailable because they are not in our Master Spare Parts List.

● The Δ mark found on some component parts indicates the importance of the safety factor of the part. Therefore, when replacing, be sure to use parts of identical designation.

● When ordering resistors, first convert resistance values into code form as shown in the following examples.

Ex.1 When there are 2 effective digits (any digit apart from 0), such as 560 ohm and 47k ohm (tolerance is shown by J=5%, and K=10%).

560 Ω	→	56 × 10 ¹	→	561	RD1/4PU	5	6	1	J
47k Ω	→	47 × 10 ³	→	473	RD1/4PU	4	7	3	J
0.5 Ω	→	R50			RN2H	R	5	0	K
1 Ω	→	1R0			RS1P	1	R	0	K

Ex.2 When there are 3 effective digits (such as in high precision metal film resistors).

5.62k Ω	→	562 × 10 ¹	→	5621	RN1/4PC	5	6	2	1	F
----------------	---	-----------------------	---	------	-------	---------	---	---	---	---	---

● Parts marked by ☆ are important parts which relate in X-rays radiation.

If any of these parts need to be replaced, always replace with specified parts.

● Parts marked by × are important parts which relate in X-rays radiation. If a failure occurs in any of these parts, replace the printed circuit board assembly where the relevant part has already been adjusted as a working component. Do not replace the actual part itself. If any part marked by × is replaced, there is danger of being exposed to X-rays.

■ PCB ASSY

PRO-200/KUXC/CA, PRO-100/KUXC/CA, PRO-119/KUXC and PRO-99/KUXC are constructed the same except for the following :

Mark	Symbol and Description	Part No.		Remarks
		PRO-119/KUXC, PRO-99/KUXC	PRO-200/KUXC/CA, PRO-100/KUXC/CA	
NSP	TUNER • VIDEO ASSY	AWV1559	Not used	
NSP	└ VIDEO BLOCK	A1V1559	Not used	
NSP	└ UCOM BLOCK	A2V1559	Not used	
NSP	└ TUNER BLOCK	A3V1559	Not used	
NSP	└ PRE-AUDIO BLOCK	A4V1559	Not used	
NSP	TUNER • VIDEO ASSY	Not used	AWV1705	
NSP	└ TUNER • VIDEO ASSY	Not used	AWZ6330	
NSP	└ VIDEO BLOCK	Not used	A1Z6330	
NSP	└ UCOM BLOCK	Not used	A2Z6303	
NSP	└ TUNER BLOCK	Not used	A3Z6303	
NSP	└ PRE-AUDIO BLOCK	Not used	A4Z6303	
NSP	└ IR RECEIVER ASSY	Not used	AWZ6297	
NSP	AV I/O ASSY	AWV1560	(*1) AWV1677	[*2] or AWV1701 AWZ6320 A1Z6320
	└ AV I/O ASSY	AWZ6099	AWZ6295	
	└ AV I/O BLOCK	A1Z6099	A1Z6295	
NSP	P IN P ASSY	AWV1561	AWV1678	
	└ EXT SP ASSY	AWZ6102	Not used	
NSP	TUNER 2 • ISC ASSY	AWV1562	Not used	
NSP	└ ISC ASSY	AWZ6104	Not used	
NSP	└ TUNER 2 BLOCK	A1Z6104	Not used	
NSP	└ ISC BLOCK	A2Z6104	Not used	
	└ FULL CINEMA MUTE ASSY	AWZ6107	Not used	
NSP	TUNER 2 ASSY	Not used	AWV1679	
	└ TUNER 2 ASSY	Not used	AWZ6296	
NSP	└ TUNER 2 BLOCK	Not used	A1Z6104	
NSP	└ SR BLOCK	Not used	A2Z6296	
NSP	AUDIO ASSY	AWV1563	AWV1680	
	└ AUDIO ASSY	AWZ6109	AWZ6298	
	└ FRONT CONTROL ASSY	AWZ6113	AWZ6299	
	└ IR RECEIVER ASSY	AWZ6115	Not used	
	└ SUB RECEIVER ASSY	AWZ6116	Not used	
	└ RECEIVER ELEMENT ASSY	AWZ6073	Not used	
	└ RECEIVER CIRCUIT ASSY	AWZ6074	Not used	
NSP	COMPONENT ASSY	Not used	AWV1704	
	└ COMPONENT ASSY	Not used	AWZ6300	
	└ IQ SELECTOR ASSY	Not used	AWZ6329	
	└ FULL SINEMA MUTE BLOCK	Not used	A1Z6301	
	└ IQ SELECTOR BLOCK	Not used	A2Z6329	

■ TUNER•VIDEO ASSY

● TUNER BLOCK

A3Z6303 and A3V1559 are constructed the same except for the following :

Mark	Symbol and Description	Part No.		Remarks
		A3V1559	A3Z6303	
	Q1201,Q1301	XDC124ES	DTC124ES	

● PRE-AUDIO BLOCK

A4Z6303 and A4V1559 are constructed the same except for the following :

Mark	Symbol and Description	Part No.		Remarks
		A4V1559	A4Z6303	
	CN1351 (2P PIN JACK)	AKB1151	AKB1265	
	CN1353 (1P PIN JACK)	AKB1111	AKB1267	

Note :

A table isn't inserted because there is much difference from PRO-119 in VIDEO Block (A1Z6330) and UCOM Block (A2Z6303) of PRO-200 and PRO-100.

Refer to the "PCB PARTS LIST".

■ AV I/O ASSY

● AV I/O BLOCK (*1)

A1Z6295 and A1Z6099 are constructed the same except for the following :

Mark	Symbol and Description	Part No.		Remarks
		A1Z6099	A1Z6295	
	Q1526	Not used	2SC1740S	
	D1508	Not used	HSS104-02	
	R1532,R1549	Not used	RD1/4PU473J	
	CN1501 (3P PIN JACK)	AKB1137	AKB1264	
	CN1502 (12P PIN JACK)	AKB1114	AKB1263	

● AV I/O BLOCK (*2)

A1Z6320 and A1Z6099 are constructed the same except for the following :

Mark	Symbol and Description	Part No.		Remarks
		A1Z6099	A1Z6320	
	CN1501 (3P PIN JACK)	AKB1137	AKB1264	
	CN1502 (12P PIN JACK)	AKB1114	AKB1263	

Mark No. Description Part No.

■ PCB PARTS LIST

AF TUNER • VIDEO ASSY SEMICONDUCTORS

IC804 AT24C08-10PC
 IC1301 CXA1734S
 IC403 MC14011BCP
 IC1353 MC14066BCP
 IC802 MC34064P

IC1203 NJM7809FA
 IC402 PA0030
 IC801 PD5473B
 IC401 TA8845BN
 IC803 TC4094BP

IC1351 UPC1853CT-01
 Q1202,Q1206,Q1208,Q1213,Q1302 2SA933S
 Q1351,Q1352,Q1357-Q1359 2SA933S
 Q403,Q404,Q406,Q409-Q411 2SA933S
 Q416-Q418,Q423-Q426,Q444 2SA933S

Q447,Q801,Q805,Q812,Q821 2SA933S
 Q823-Q827,Q832 2SA933S
 Q1204,Q1205,Q1207,Q1209-Q1211 2SC1740S
 Q1303,Q1304,Q1354-Q1356 2SC1740S
 Q1360-Q1363,Q1366,Q401,Q402 2SC1740S

Q405,Q407,Q408,Q412-Q415 2SC1740S
 Q419-Q421,Q427-Q442 2SC1740S
 Q445,Q446,Q450-Q453 2SC1740S
 Q802,Q803,Q806-Q809 2SC1740S
 Q813,Q814,Q816,Q817 2SC1740S

Q819,Q820,Q822 2SC1740S
 Q422 2SC2235
 Q1212 2SC2878
 Q1203,Q804 2SD880
 Q818 2SJ460

Q443 2SK117
 Q1201,Q1301 DTC124ES
 D488,D489 1SS244
 D1207-D1211,D1352,D1353 HSS104-02
 D1355-D1366,D402-D404 HSS104-02

D411-D413,D426-D432 HSS104-02
 D435,D436,D439,D440 HSS104-02
 D443,D444,D448,D455,D456 HSS104-02
 D462,D464-D466,D468 HSS104-02
 D471-D474,D476-D479 HSS104-02

D482,D483,D487,D490,D491 HSS104-02
 D801,D802,D804,D805 HSS104-02
 D807-D809,D811,D812 HSS104-02
 D816-D818,D867-D871,D873 HSS104-02
 D889,D891 HSS104-02

D408 HZS9C3L
 D441 MA723
 D1301,D1302,D409,D410 MTZJ15
 D415,D416,D420-D424 MTZJ15
 D437,D438,D442,D445-D447 MTZJ15

D449-D454,D457-D461,D463 MTZJ15
 D467,D469,D470,D475,D831 MTZJ15
 D843,D845,D847 MTZJ15
 D803 MTZJ5.1B
 D1201,D1204,D414,D806,D810 MTZJ6.8

PRO-200, PRO-100

Mark	No.	Description	Part No.
	D813,D819-D830,D832-D842		MTZJ6.8
	D844,D846,D848-D866,D872		MTZJ6.8
	D878-D884		MTZJ6.8
	D401		RD2.2ESB1
	D1203		RD33ESB3
	D1354		RD4.3ESB3
	D1351		RD4.7ESB3
	D1202		RD5.6ESB3
	D405-D407,D417-D419,D425		S5688G
	D433,D434		S5688G

COILS

L416	LINE FILTER	ATF-163
L417	COIL	ATH1046
L407,L412		LAU100J
L409		LAU101J
L410		LAU150J
L1201-L1203,L1301,L802-L805		LAU2R2K
L408		LAU390K
L411		LAU3R9J
L401-L403		LAU4R7J
L404,L405		LAU560J
L801		LAU8R2K

CAPACITORS

C1311 (3.3 μ F/DC50V)	ACH1128
C1304 (10 μ F/DC50V)	ACH1129
TC801 CERAMIC TRIMMER	ACM-020
C403	CCCCH100D50
C831	CCCCH101J50
C426,C428,C429	CCCCH121J50
C425,C427,C441,C475,C478	CCCCH151J50
C477,C844	CCCCH820J50
C452	CCCCH100D50
C1208,C463,C832,C833	CCCCH101J50
C1252,C453,C468,C470	CCCCH121J50
C451	CCCCH180J50
C814,C829,C830	CCCCH221J50
C817	CCCCH270J50
C442,C443,C450	CCCCH330J50
C455	CCCCH390J50
C1210,C847-C850	CCCCH470J50
C480	CCCCH560J50
C469,C471	CCCCH680J50
C1390	CEANP100M50
C1213,C432,C456,C457,C460	CEAS100M50
C467,C811	CEAS100M50
C449,C827,C839	CEAS101M10
C408,C420,C458	CEAS101M25
C465,C482	CEAS102M16
C806	CEAS102M35
C1305,C1310,C1360,C410,C412	CEAS1R0M50
C418,C419,C431,C804,C810	CEAS1R0M50
C820-C823,C835,C840	CEAS1R0M50
C1215,C1385	CEAS220M50
C1356,C1359,C1370-C1373	CEAS2R2M50
C1387-C1389,C406,C407,C413	CEAS2R2M50
C472	CEAS2R2M50
C854	CEAS330M35
C1374	CEAS331M16

Mark	No.	Description	Part No.
	C1364,C1366		CEAS3R3M50
	C1221,C1369,C1376,C1379		CEAS470M25
	C415,C416,C423,C430,C435		CEAS470M25
	C454,C473,C819,C846,C851		CEAS470M25
	C855		CEAS470M25
	C424		CEAS471M10
	C1217		CEAS471M16
	C1307,C1316,C1319,C1320,C1322		CEAS4R7M50
	C417,C462		CEAS4R7M50
	C812,C837		CEASR10M50

C826	CEASR22M50
C1312,C434	CEASR47M50
C1204,C1212,C1303	CEHAQ100M50
C1205,C808	CEHAQ101M10
C1247,C1251,C1318	CEHAQ101M25

C807	CEHAQ1R0M50
C1245,C1249	CEHAQ331M16
C1203,C1220	CEHAQ470M25
C1206	CEHAQ471M16
C1301,C1306,C1315,C1317	CEHAQ4R7M50

C1308	CFTXA224J50
C1211,C440,C825,C838	CKCYB102K50
C479	CKCYB103K50
C1365,C1367	CKCYB152K50
C1302,C1309	CKCYB222K50

C1253	CKCYB391K50
C843	CKCYB471K50
C405	CKCYB472K50
C815	CKCYB561K50
C1201,C1202,C1207,C1216,C1224	CKCYF103Z50

C1246,C1248,C1321,C1357,C409	CKCYF103Z50
C421,C436-C439,C802,C803	CKCYF103Z50
C805,C809,C813,C818,C828	CKCYF103Z50
C834,C842,C845,C852	CKCYF103Z50
C1368,C1375,C1377,C433,C459	CKCYF473Z50

C466,C474,C483,C816	CKCYF473Z50
C1386,C841	CQMA102J50
C402	CQMA103J50
C1352,C1361,C1363,C401,C422	CQMA104J50
C461,C801	CQMA104J50

C411	CQMA123J50
C404	CQMA183J50
C1353	CQMA222J50
C1355,C1358	CQMA223J50
C1314	CQMA272J50

C414	CQMA392J50
C1313	CQMA473J50
C1354,C476	CQMA681J50
C1362,C1378	CQMA682J50
C444,C445	CQMA683J50

C1351	CQMA823J50
-------	------------

RESISTORS

R1389	RD1/2LMF330J
R464,R465,R470-R472	RD1/2PM100J
R466	RD1/2PM120J
R515	RD1/2PM221J
R1206,R468,R469,R474	RD1/2PM271J

R1207,R1209	RD1/2PM681J
R679	RD1/2PM6R8J
R809,R958,R959	RD1/4LMF3R9J
R1305	RN1/4PC4302F
R1307	RN1/4PC6202F

Mark	No.	Description	Part No.
	R458		RS1MMF220J
	R1353		RS1MMF470J
	R1259		RS2LMF1R0J
	R641		RS2LMF4R7J
	R1205,R1261		RS2MMF220J
	R830		RS3LMF100J
	VR1201 (4.7kΩ)		ACP1042
	VR801		VRTS6VS153
	Other Resistors		RD1/4PU□□□□

OTHERS

1203,1204	COAXIAL CABLE	ADE-082
J1203	3P HOUSING WIRE	ADX2240
CN1351	2P PIN JACK	AKB1265
CN1353	1P PIN JACK	AKB1267
1205	HEAT SINK	ANH-880
X801	CERAMIC RESONATOR	ASS1015
X402	CERAMIC RESONATOR	ASS1019
X401	CRYSTAL RESONATOR	ASS1091
CN405	10P PLUG	KM200IA10
CN406	15P PLUG	KM200IA15
CN404	19P PLUG	KM200IA19
CN805	7P PLUG	KM200IA7
CN801	8P PLUG	KM250MA8B
CN804	8P PLUG	KM250MA8R
CN401	9P PLUG	KM250MA9R
CN802	10P SOCKET	KP250NA10
CN809	12P SOCKET	KP250NA12
CN1202,CN803	15P SOCKET	KP250NA15
CN808	3P SOCKET	KP250NA3
CN811,CN814	4P SOCKET	KP250NA4
CN1355,CN813	5P SOCKET	KP250NA5
CN1354	7P SOCKET	KP250NA7
CN1203,CN403,CN807	8P SOCKET	KP250NA8
CN402	9P SOCKET	KP250NA9
1201	TV FRONT END SYSTEM UNIT	AXF1084
DL406	DELAY LINE	ATN1014

HF FRONT CONTROL ASSY
SEMICONDUCTORS

IC3881	PD5136
Q3881	2SA933S
Q3882	2SC1740S
D3882	AEL1152
D3881,D3883,D3885,D3886	HSS104-02
D3884	MTZJ3.0
PC3881	P1241-09

SWITCHES

S3881-S3892	ASG1034
-------------	---------

CAPACITORS

C3884,C3885	CCDSL221J50
C3881	CEJA100M35
C3886	CEJA2R2M50
C3882	CEJA330M25
C3883	CFTXA104J50
C3888	CKCYB472K50
C3887	CKCYF473Z50

Mark	No.	Description	Part No.
RESISTORS			
	R3886		RD1/2PM561J
	R3887		RD1/2PMF820J
	VR3901 (47kΩ)		ACP1045
	Other Resistors		RD1/4PU□□□□

OTHERS

3881	LED HOLDER	AMR1733
X3881	CERAMIC RESONATOR	ASS1043
CN3881	5P PLUG	KM250MA5

KF TUNER2 ASSY
SEMICONDUCTORS

Q2105,Q2107,Q2109,Q2214	2SA1162
Q2102	2SC1740S
Q2101	2SC2235
Q2103,Q2104,Q2106,Q2108,Q2207	2SC2712
Q2209,Q2210	2SC2712
D2104,D2105	1SS226
D2212,D2214,D2217,D2225	1SS352
D2102	RD33MB
D2101	RD5.6MB
D2226	RD6.8MB

COILS

L2101-L2103	LAU2R2K
-------------	---------

CAPACITORS

C2120	CCSQSL121J50
C2121	CCSQSL391J50
C2114	CCSQSL470J50
C2102,C2105,C2106	CEHAQ100M50
C2103	CEHAQ101M10
C2109,C2119	CEHAQ331M16
C2101,C2107,C2108,C2212	CEHAQ470M25
C2104,C2118	CEHAQ471M16
C2115	CKSQYF102Z50
C2110-C2113,C2116,C2117,C2213	CKSQYF103Z50
C2221	CKSQYF103Z50
C2220	CKSQYF222Z50

RESISTORS

R2102	RD1/2PM271J
R2103,R2104	RD1/2PM681J
R2126	RD1/4PU562J
R2101	RS2MMF220J
VR2101 (2.2kΩ)	ACP1041
Other Resistors	RS1/10S□□□□

OTHERS

CN2206	2P MINI JACK	AKN1061
CN2203	12P PLUG	KM250NA12L
CN2201	3P PLUG	KM250NA3L
CN2101	8P PLUG	KM250NA8L

PRO-200, PRO-100

Mark No. Description Part No.

QF AUDIO ASSY

SEMICONDUCTORS

IC2901	LA4280-P
Q2903	2SA933S
Q2902, Q2904	2SC1740S
Q2901	2SD1276A
D2922	BR3371XJ30A
D2902-D2904, D2906, D2908-D2921	HSS104-02
D2927	HSS104-02
D2905, D2907	MTZJ6.8
D2931	RD2.0ESB
D2901	RD5.6ESB3
D2928	RD9.1ESB3

COILS

L2903 LINE FILTER	ATF-163
L2901, L2902	ATH-133

CAPACITORS

C2923, C2924 (3.3μF/DC63V)	ACH1127
C2906, C2913	CCCSL151J50
C2908, C2911	CEHAQ100M50
C2909	CEHAQ101M25
C2940	CEHAQ220M50
C2922	CEHAQ221M10
C2920, C2921	CEHAQ222M35
C2907, C2910	CEHAQ330M50
C2925	CEHAQ470M25
C2901, C2905	CEHAQ471M50
C2912, C2917	CKCYB102K50
C2936, C2937	CKCYB471K50
C2902	CKCYB561K50
C2903, C2926	CKCYF103Z50
C2914-C2916	CKCYF473Z50
C2918, C2919	CQMA124J50

RESISTORS

R2921, R2923	RD1/2PM152J
R2916, R2917	RD1/4LMF100J
R2912, R2914	RD1/4LMF2R2J
R2904	RN1/4PC2702F
R2903	RN1/4PC6201F
R2951	RS3LMF151J
R2950	RT10PZ4R7K
Other Resistors	RD1/4PU□□□J

OTHERS

2911	PLATE SPRING	ANG1569
2902	HEAT SINK	ANH-880
CN2902	8P PLUG	KM250MA8
CN2903	5P PLUG	KM250NA5L
CN2904	7P PLUG	KM250NA7L

Mark No. Description Part No.

SF IQ SELECTOR ASSY

SEMICONDUCTORS

IC2003, IC2004	MC14066BF
IC2009	TC4013BF
IC2002	TC74HC04AF
IC2001	TC74HC4040AF
IC2005	TC74HC4538AF
Q2001	2SA1162
Q2002, Q2004-Q2011	2SC2712
D2038-D2041	1SS226
D2005-D2010, D2012-D2018	1SS352
D2020-D2022, D2024-D2034	1SS352
D2036, D2037	1SS352
D2001-D2004, D2023, D2035	RD6.8MB

CAPACITORS

C2005	CCSQCH151J50
C2002, C2004, C2007, C2011, C2015	CEAT470M25
C2001, C2003, C2006, C2010, C2016	CKCYF473Z50
C2008	CQMA471J50
C2009	CQPA362J2A

RESISTORS

R2037	RD1/2LMF3R9J
R2007	RN1/16SE1202D
R2033	RS1/16S100J
R2015, R2021, R2022, R2041, R2043	RS1/16S101J
R2045, R2047, R2052-R2062	RS1/16S101J
R2001, R2002, R2004, R2005	RS1/16S102J
R2009, R2010, R2012-R2014, R2018	RS1/16S102J
R2020, R2032, R2040, R2063, R2064	RS1/16S102J
R2023, R2028-R2030, R2034, R2051	RS1/16S103J
R2016	RS1/16S153J
R2019	RS1/16S183J
R2038, R2039	RS1/16S221J
R2024, R2027, R2035, R2036	RS1/16S222J
R2049, R2050	RS1/16S223J
R2006, R2008, R2011	RS1/16S272J
R2017	RS1/16S333J
R2025	RS1/16S471J
R2026, R2031, R2042, R2044, R2046	RS1/16S472J
R2048	RS1/16S472J
R2003	RS1/16S513J
VR2001 (100kΩ)	ACP1046
VR2002	VRTS6VS103

OTHERS

2003	CABLE HOLDER	AKT1011
CN2002	15P SOCKET	KP200IA15L
CN2001	7P SOCKET	KP200IA7L

Mark	No.	Description	Part No.
AB		F IR RECEIVER ASSY	
		CAPACITORS	
	C9002		CCCSL121J50
	C9001		CEAS101M10
		RESISTORS	
	All Resistors		RD1/4PU□□□□
		OTHERS	
	CN9001	3P PLUG REMOTE RECEIVER UNIT	KM250MA3 GP1U28X

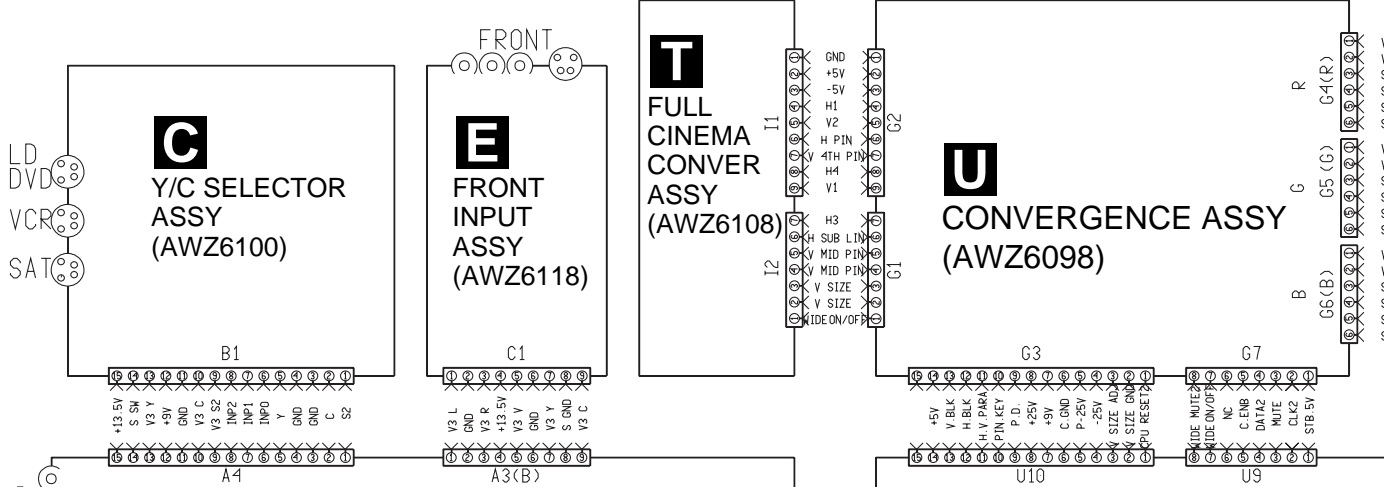
Mark	No.	Description	Part No.
AC		F COMPONENT ASSY	
		SEMICONDUCTORS	
	IC7001		AN5867K
	IC7004		BA7655AF
	IC7003		CXA1315M
	IC7002		NJM7809FA
	Q7003,Q7013,Q7014,Q7024,Q7025		2SA1162
	Q7027-Q7030,Q7032,Q7033		2SA1162
	Q7001,Q7002,Q7004-Q7012		2SC2712
	Q7015-Q7023,Q7026,Q7031,Q7034		2SC2712
	D7018,D7019		1SS226
	D7001-D7017		1SS352
	D7023		RD5.1MB
	D7022		RD7.5MB
		CAPACITORS	
	C7034		CCSQCH470J50
	C7010,C7011,C7016,C7027,C7028		CEAT100M50
	C7032,C7033,C7035,C7037		CEAT100M50
	C7021,C7023,C7026		CEAT101M10
	C7022		CEAT101M25
	C7001-C7006,C7015,C7019,C7020		CEAT470M25
	C7031		CEAT470M25
	C7024		CEAT4R7M50
	C7008,C7009,C7012-C7014		CEATR10M50
	C7007,C7017,C7018,C7025		CKSQYF473Z50
	C7029,C7030,C7036		CKSQYF473Z50
		RESISTORS	
	R7003		RN1/16SE1501D
	R7008,R7016,R7021,R7026		RN1/16SE2201D
	R7009		RN1/16SE3301D
	R7113,R7116,R7133		RS1/16S0R0J
	R7002,R7004,R7011,R7015,R7017		RS1/16S101J
	R7023,R7030,R7032-R7038,R7040		RS1/16S101J
	R7044,R7052,R7053,R7056,R7057		RS1/16S101J
	R7069,R7079,R7080,R7083		RS1/16S101J
	R7091-R7093,R7102-R7107		RS1/16S101J
	R7109-R7112,R7117,R7124,R7127		RS1/16S101J
	R7132,R7135		RS1/16S101J
	R7039,R7046,R7050,R7051,R7085		RS1/16S102J
	R7089,R7090		RS1/16S102J
	R7013,R7025,R7041,R7042,R7072		RS1/16S103J
	R7076,R7077,R7094-R7096,R7099		RS1/16S103J

Mark	No.	Description	Part No.
	R7123		RS1/16S103J
	R7047,R7071,R7101		RS1/16S104J
	R7007,R7031,R7045,R7060,R7061		RS1/16S152J
	R7067,R7068		RS1/16S152J
	R7075		RS1/16S183J
	R7098		RS1/16S203J
	R7070,R7081,R7087		RS1/16S222J
	R7005,R7006,R7018,R7019,R7029		RS1/16S223J
	R7043,R7066,R7118-R7120,R7125		RS1/16S223J
	R7128,R7131		RS1/16S242J
	R7097		RS1/16S243J
	R7010,R7020,R7022,R7074		RS1/16S272J
	R7130		RS1/16S331J
	R7012,R7024,R7058,R7059		RS1/16S332J
	R7062,R7063,R7088		RS1/16S332J
	R7028,R7065		RS1/16S333J
	R7082		RS1/16S471J
	R7049,R7078,R7084,R7121		RS1/16S472J
	R7048		RS1/16S562J
	R7064,R7073		RS1/16S681J
	R7054,R7055,R7086,R7126,R7134		RS1/16S682J
	R7100		RS1/16S683J
	R7001,R7014,R7027		RS1/16S750J
	R7122		RS1/2S221J
	R7108		RS1MMF8R2J
		OTHERS	
	DL7001,DL7002	DELAY LINE	ATN1039
	CN7002	3P PIN JACK	AKB1268
	7001	CABLE HOLDER	AKT1011

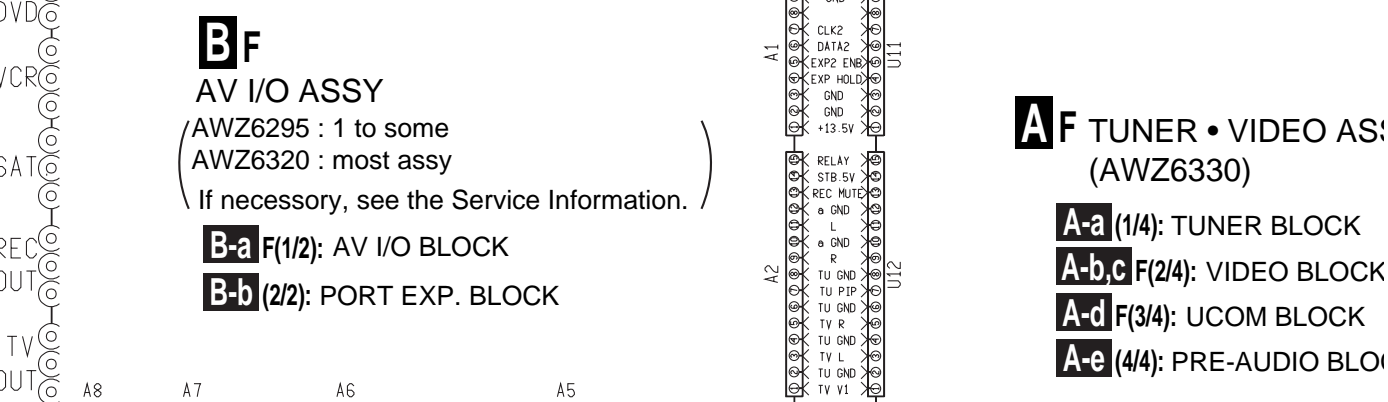
3. SCHEMATIC DIAGRAM

3.1 OVERALL WIRING DIAGRAM

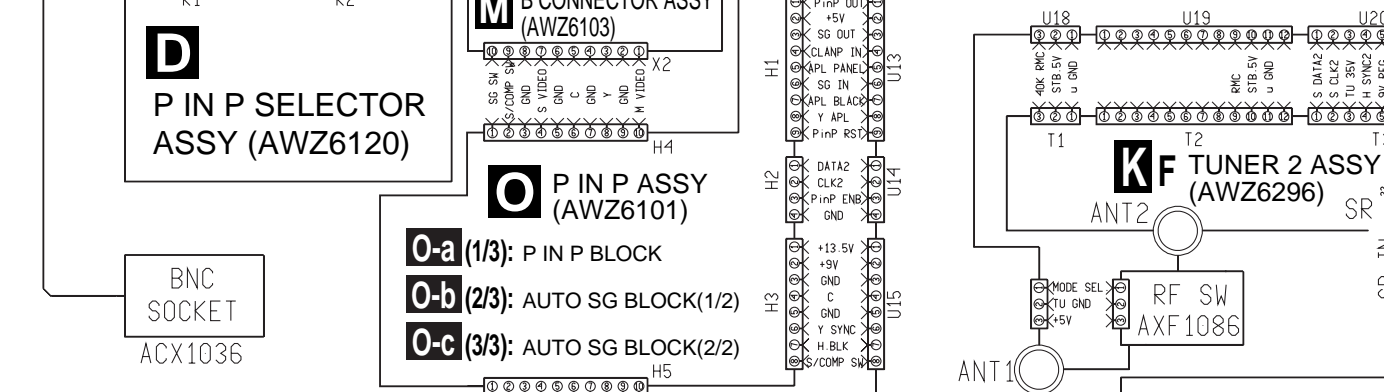
A



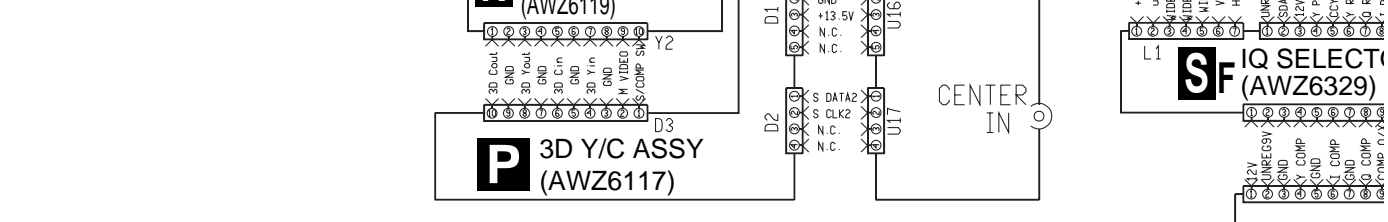
B



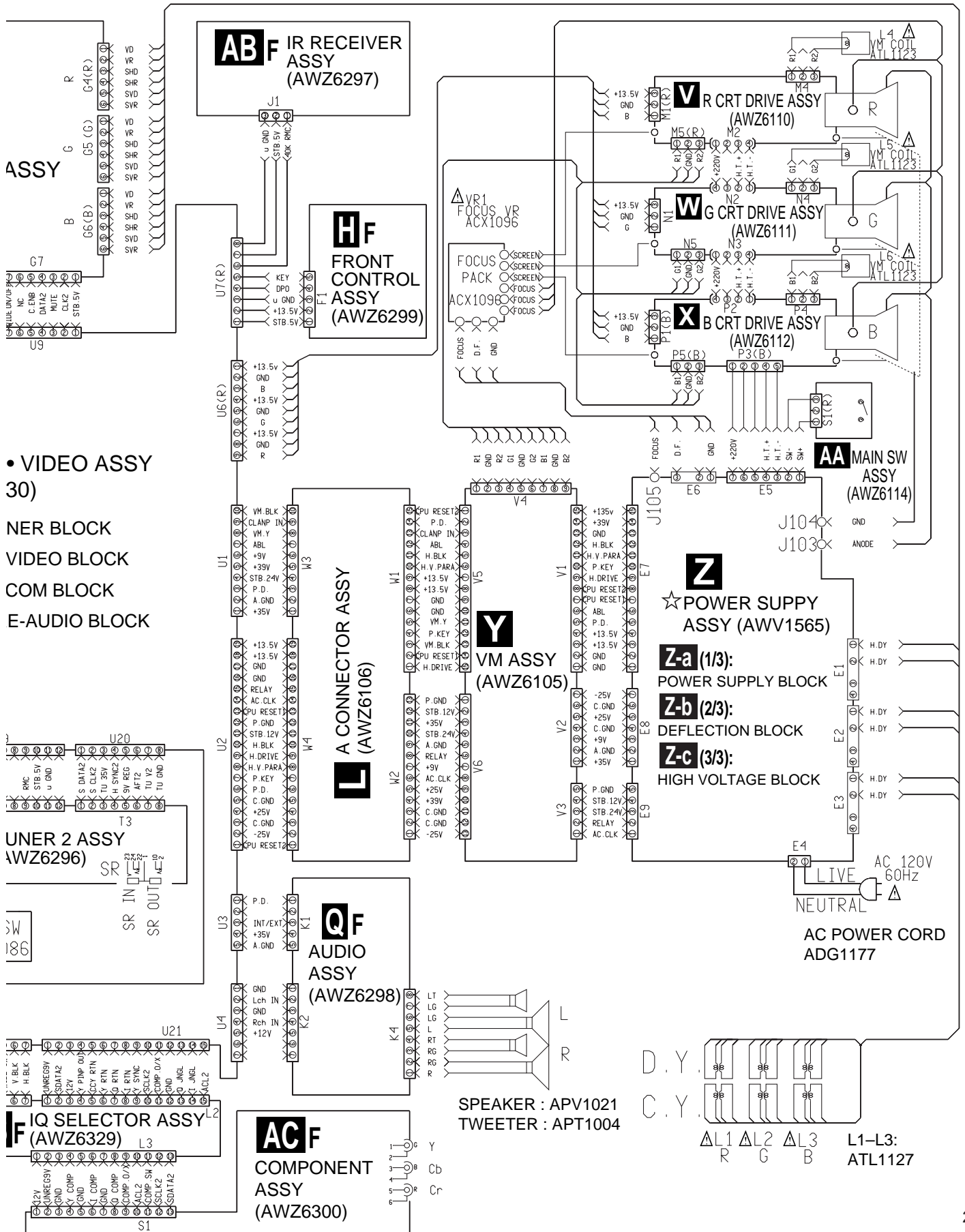
C



D



Note : When ordering service parts, be sure to refer to "EXPLODED VIEWS and PARTS LIST" or "PCB PARTS LIST".



• VIDEO ASSY
30)
NER BLOCK
VIDEO BLOCK
COM BLOCK
E-AUDIO BLOCK

TUNER 2 ASSY
(AWZ6296)

IQ SELECTOR ASSY
(AWZ6329)

ACF
COMPONENT
ASSY
(AWZ6300)

L
A CONNECTOR ASSY
(AWZ6106)

SPEAKER : APV1021
TWEETER : APT1004

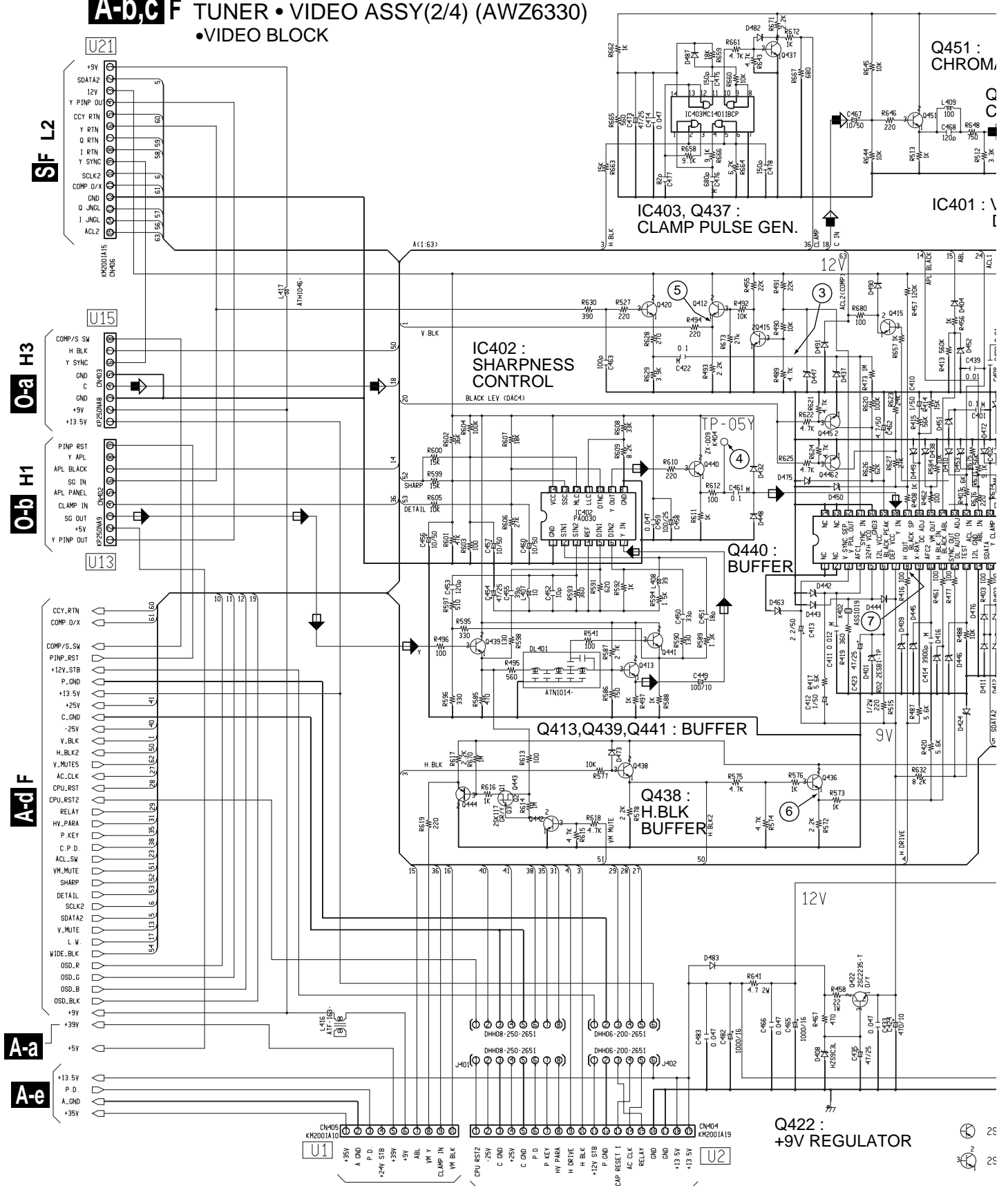
Z
★ POWER SUPPLY
ASSY (AWV1565)
Z-a (1/3):
POWER SUPPLY BLOCK
Z-b (2/3):
DEFLECTION BLOCK
Z-c (3/3):
HIGH VOLTAGE BLOCK

AC POWER CORD
ADG1177

D.Y.
C.Y.
ΔL1 ΔL2 ΔL3
R G B
L1-L3:
ATL1127

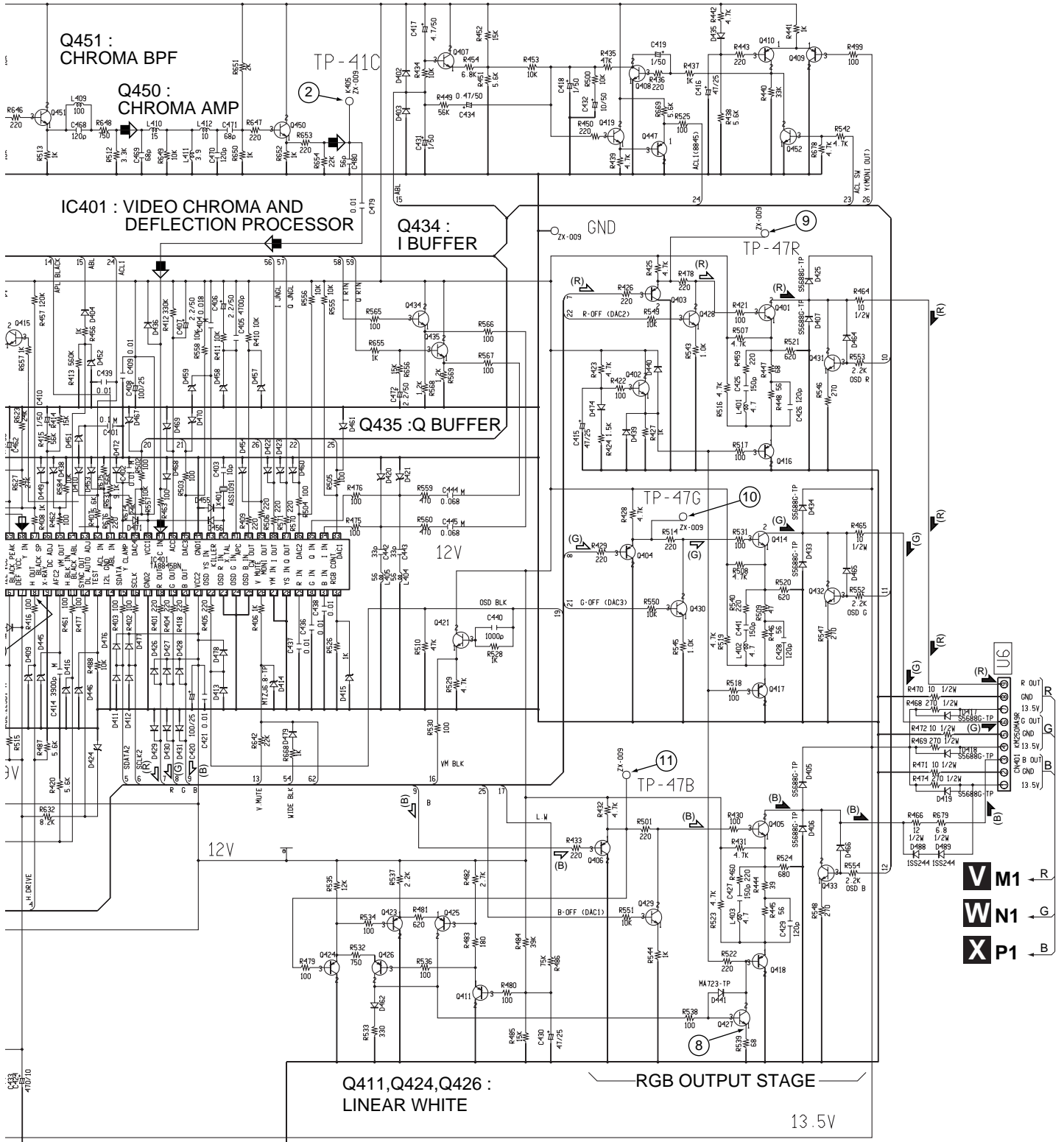
3.2 TUNER • VIDEO ASSY (2/4)

A-b,c F TUNER • VIDEO ASSY(2/4) (AWZ6330) •VIDEO BLOCK



Note : The waveforms are same as PRO-119 and PRO-99. Refer to the service manual (ARP2936).

Q407-Q410,Q419,Q447,Q452 : PEAK ACL 12V

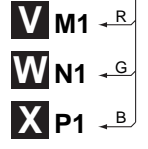


SIGNAL ROUTE:

TOR

- 2SA933S
- 2SC1740S
- HSS104-02
- M1ZJ15

- : Y SIGNAL ROUTE
- : C SIGNAL ROUTE
- : R-Y SIGNAL ROUTE
- : G-Y SIGNAL ROUTE
- : B-Y SIGNAL ROUTE
- : R SIGNAL ROUTE
- : G SIGNAL ROUTE
- : B SIGNAL ROUTE



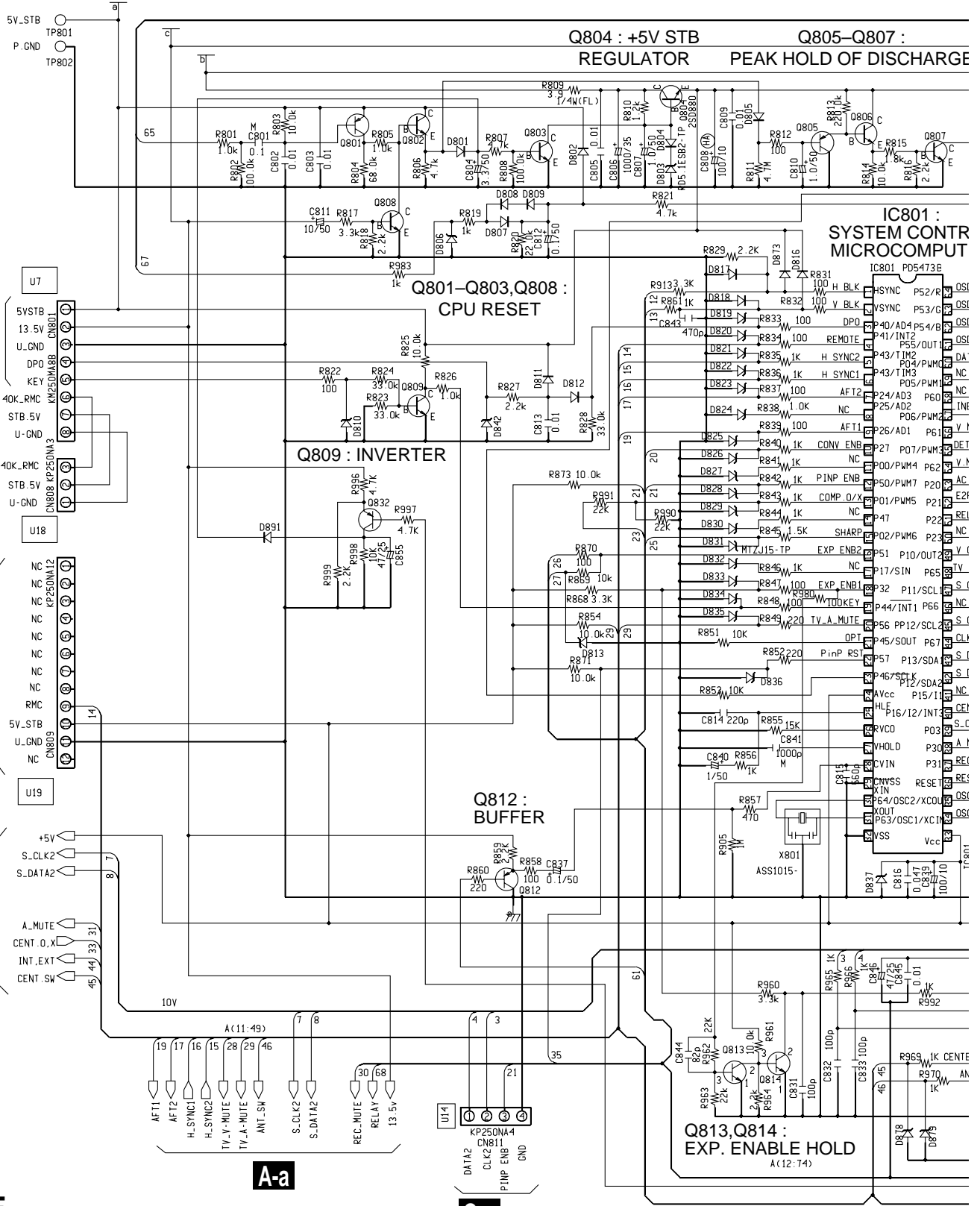
3.3 TUNER • VIDEO ASSY (3/4)

A

B

C

D



H F F1

AB F J1

K F T1

K F T2

A-e

A-a

A-d F

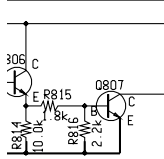
O-a H2

TUNER • VIDEO ASSY(3/4) (AWZ6330)
•UCOM BLOCK

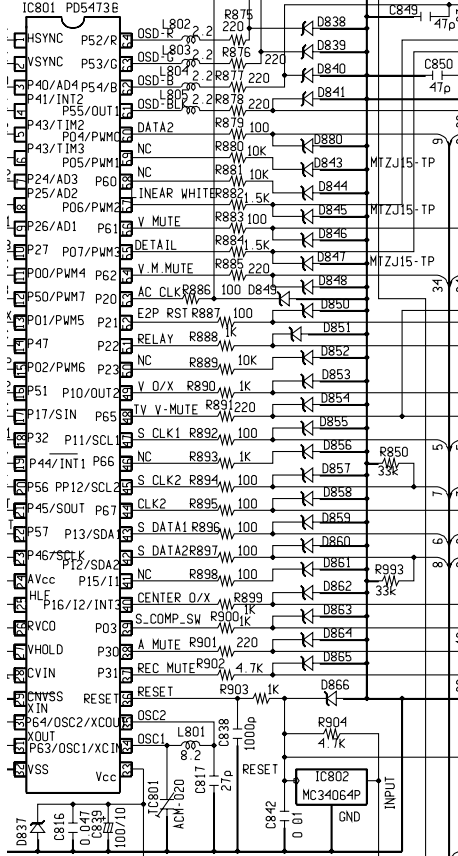
- Notes
- 1.RESISTORS
Indicated in Ω 1/2(W), 1/8(W), 5/
tolerance unless otherwise noted k k Ω
 - 2.CAPACITORS
Indicated in capacity(μ F)/Voltage unless
otherwise noted p pF
Indication without voltage is 50V

A-d F

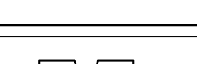
Q807 : DISCHARGE



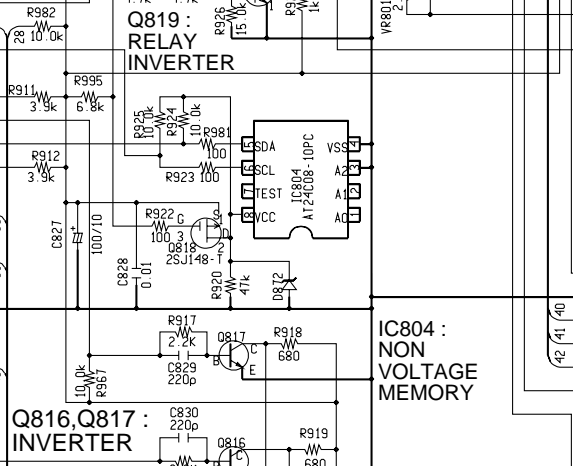
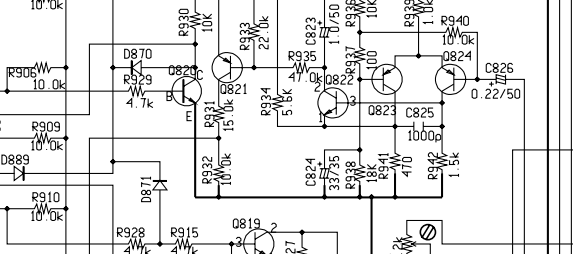
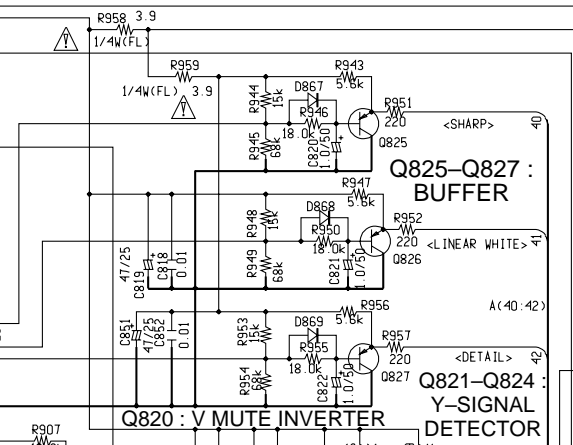
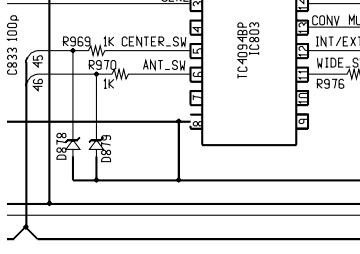
IC801 : SYSTEM CONTROL MICROCOMPUTER



IC802 : RESET IC



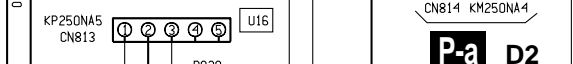
IC803 : PORT EXPANDER



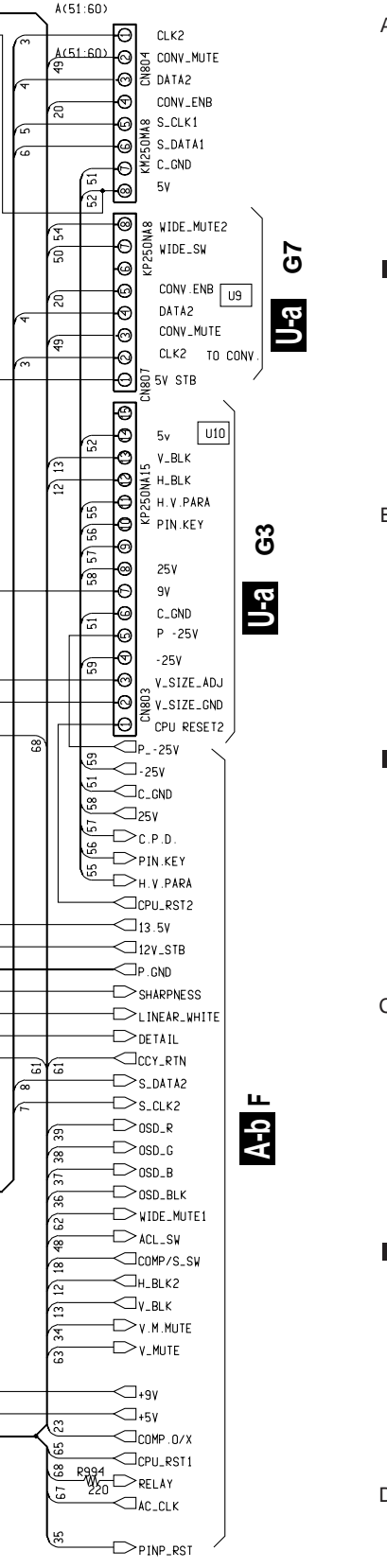
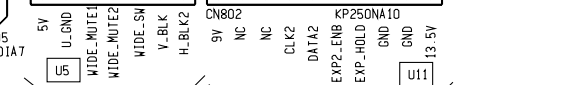
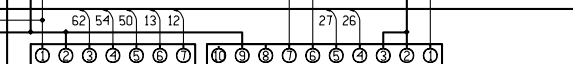
IC804 : NON VOLTAGE MEMORY



P-a D1



P-a D2



Ua G7

Ua G3

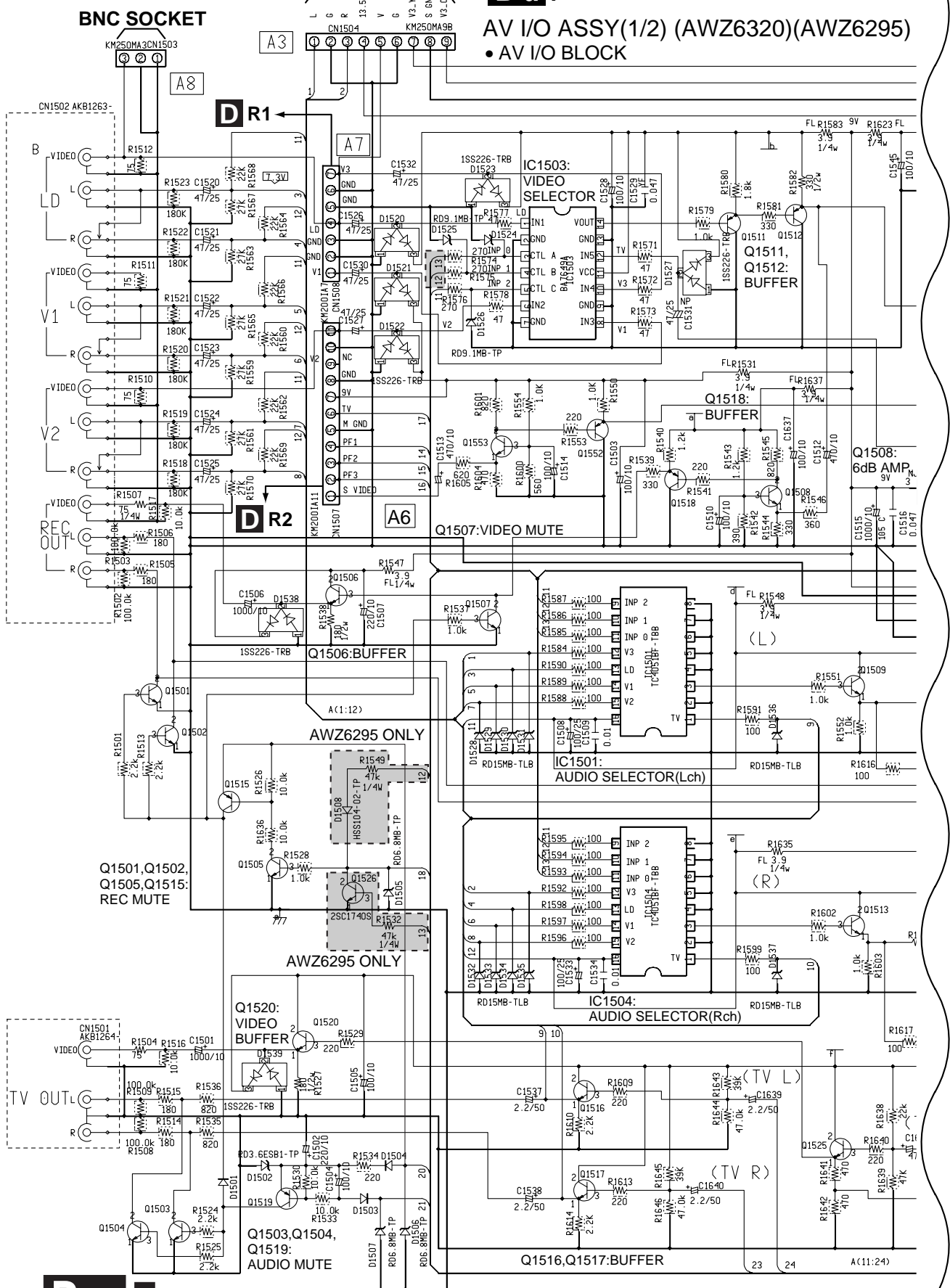
Ab F

SF L1

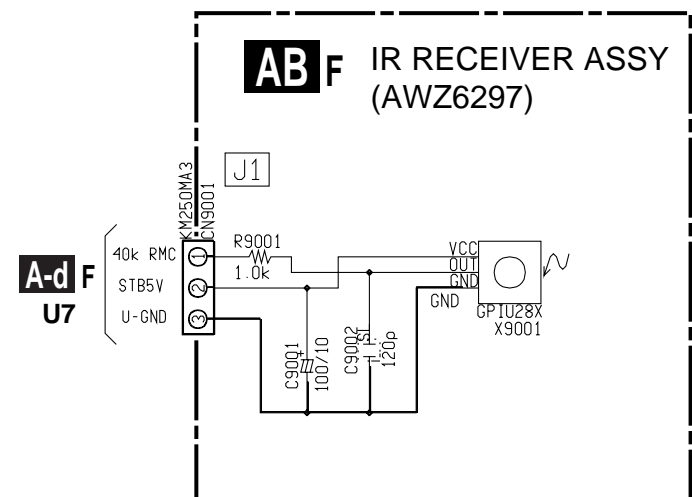
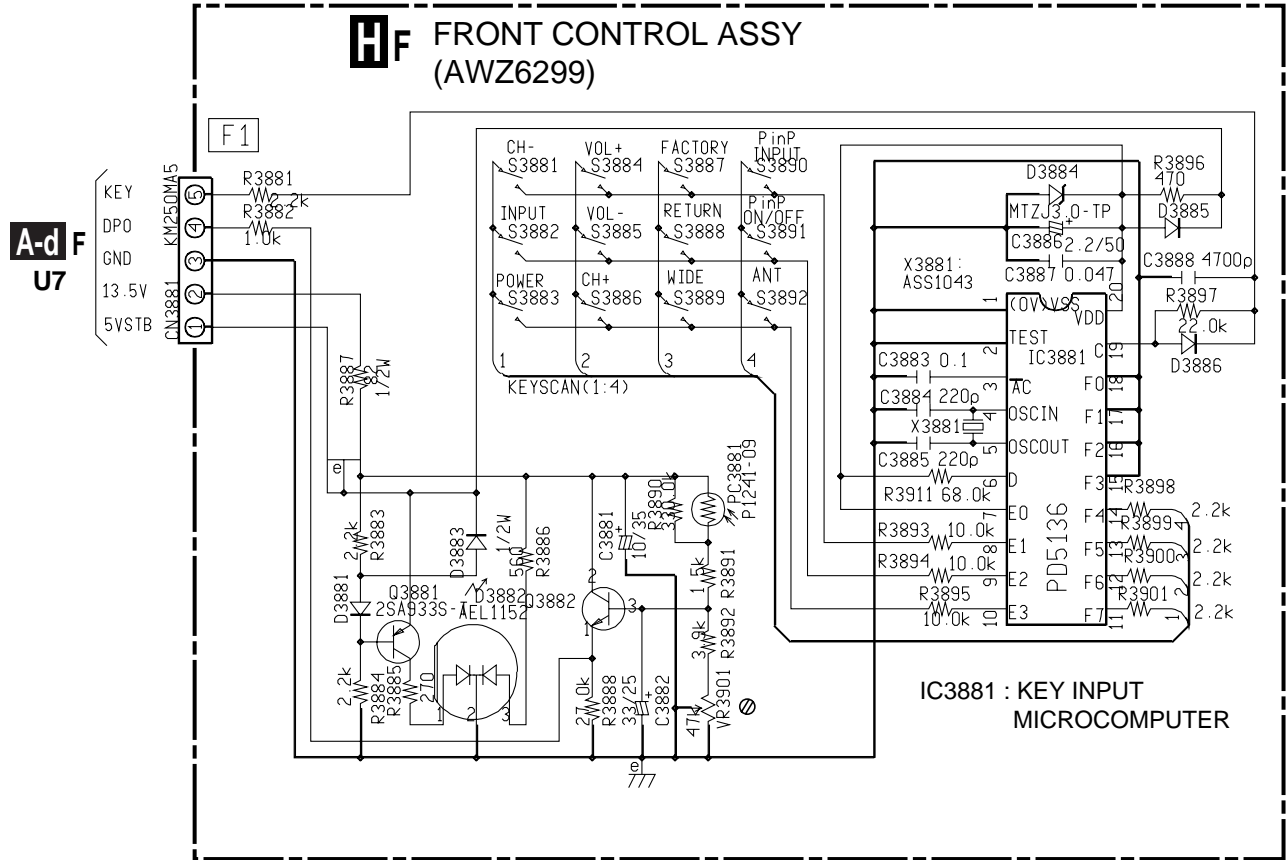
Ba F A1

3.4 AV I/O ASSY (1/2)

B-a F
AV I/O ASSY(1/2) (AWZ6320)(AWZ6295)
• AV I/O BLOCK



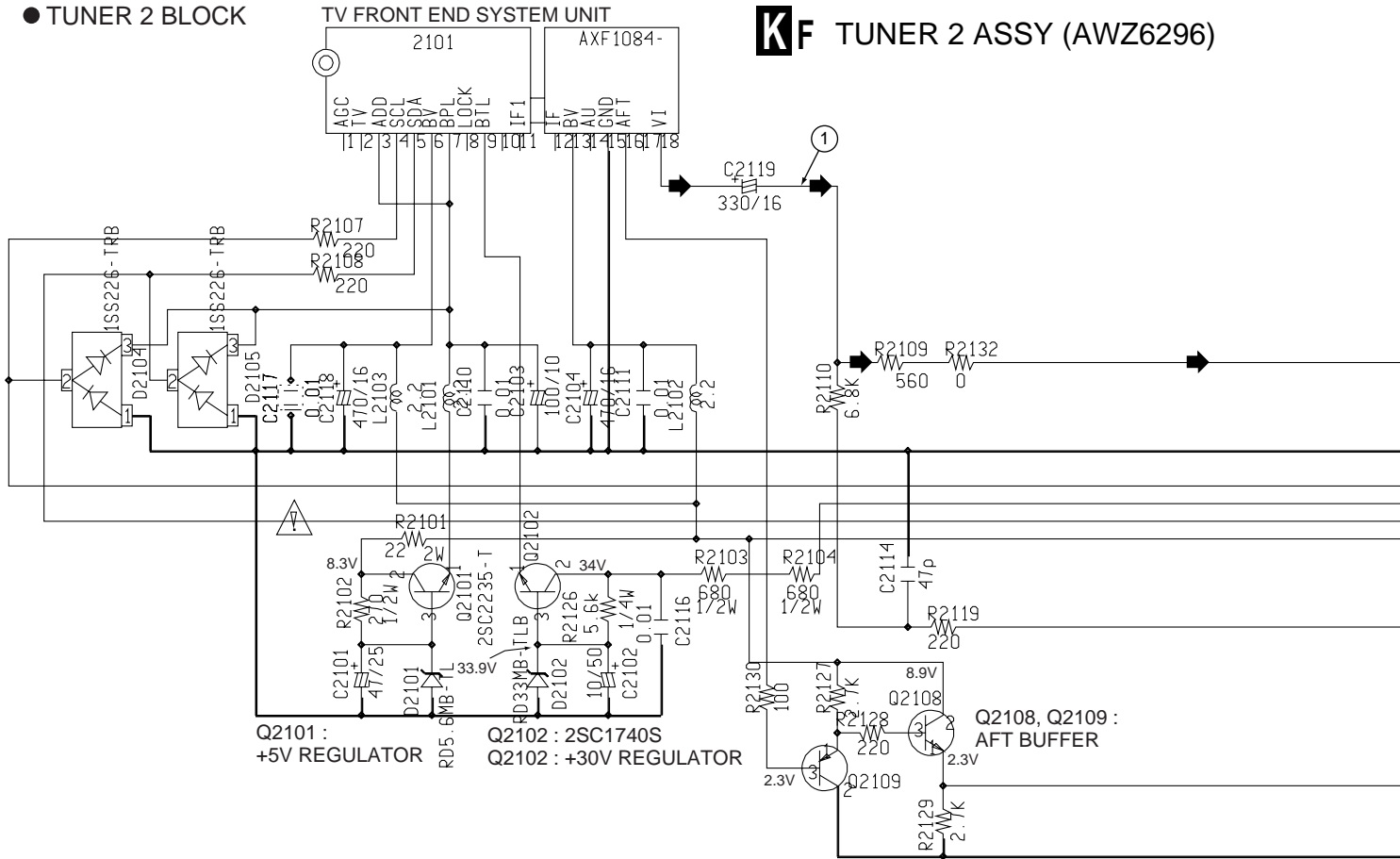
3.5 FRONT CONTROL and IR RECEIVER ASSEMBLIES



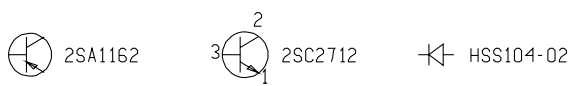
3.6 TUNER 2 ASSY

● TUNER 2 BLOCK

KF TUNER 2 ASSY (AWZ6296)



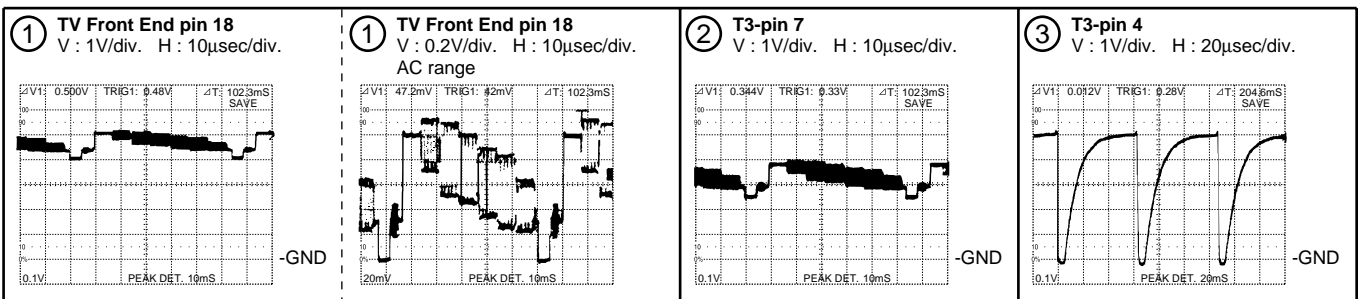
Note: Resistor indicated in Ω , 1/4W +5% tolerance unless otherwise noted. k:k Ω . M:M Ω . Capacitor indicated in Capacity(μ F)/Voltage(V) unless otherwise noted. p:pF. Indication without voltage is 50V except Electrolytic capacitor.

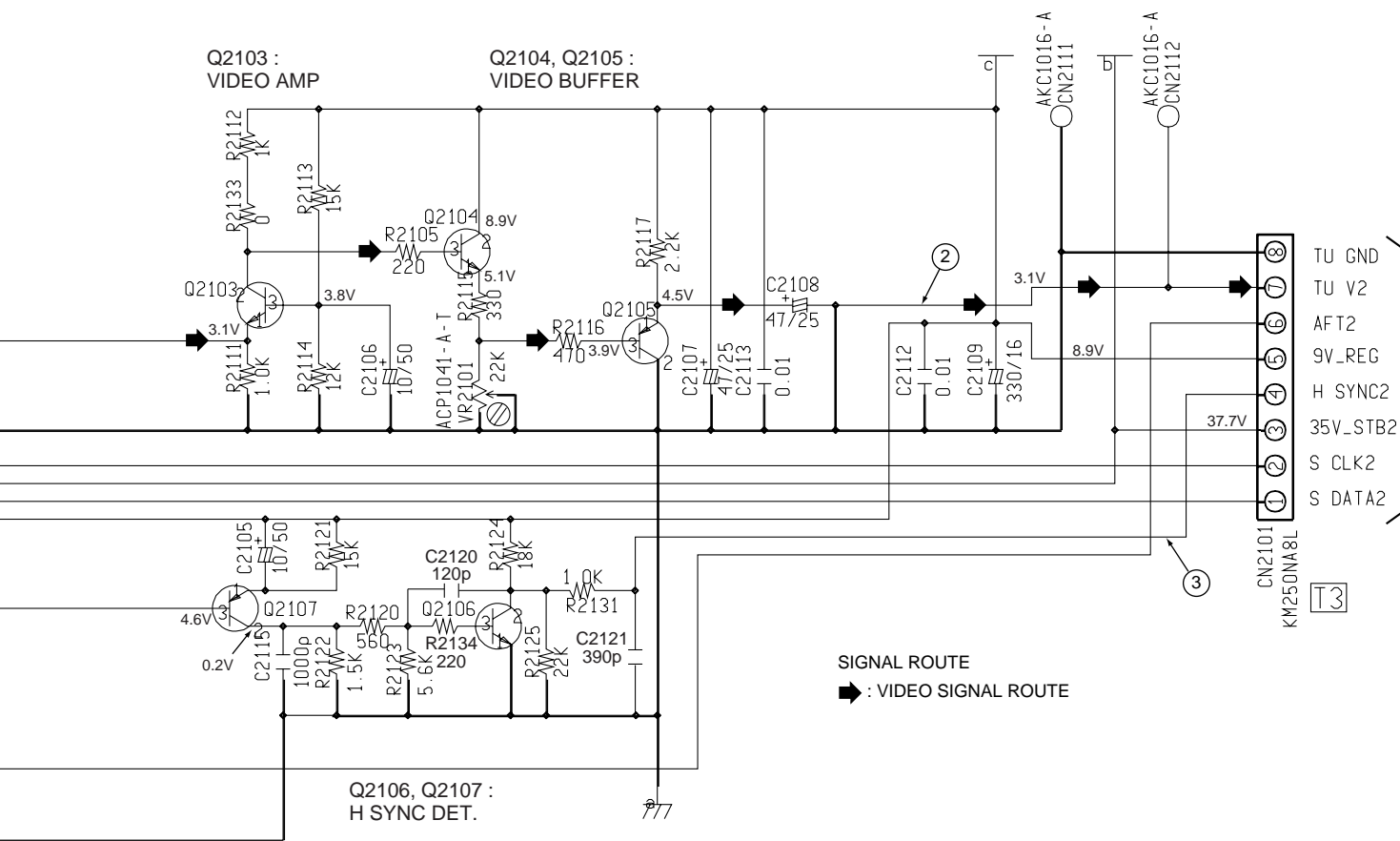


- ANTENNA SELECT : ANT A
- Video signal : NTSC color bar, 87.5% modulation
- Audio signal : 1kHz sinewave, \pm 25kHz deviation
- DC range (unless otherwise noted)

Voltage of TV FRONT END

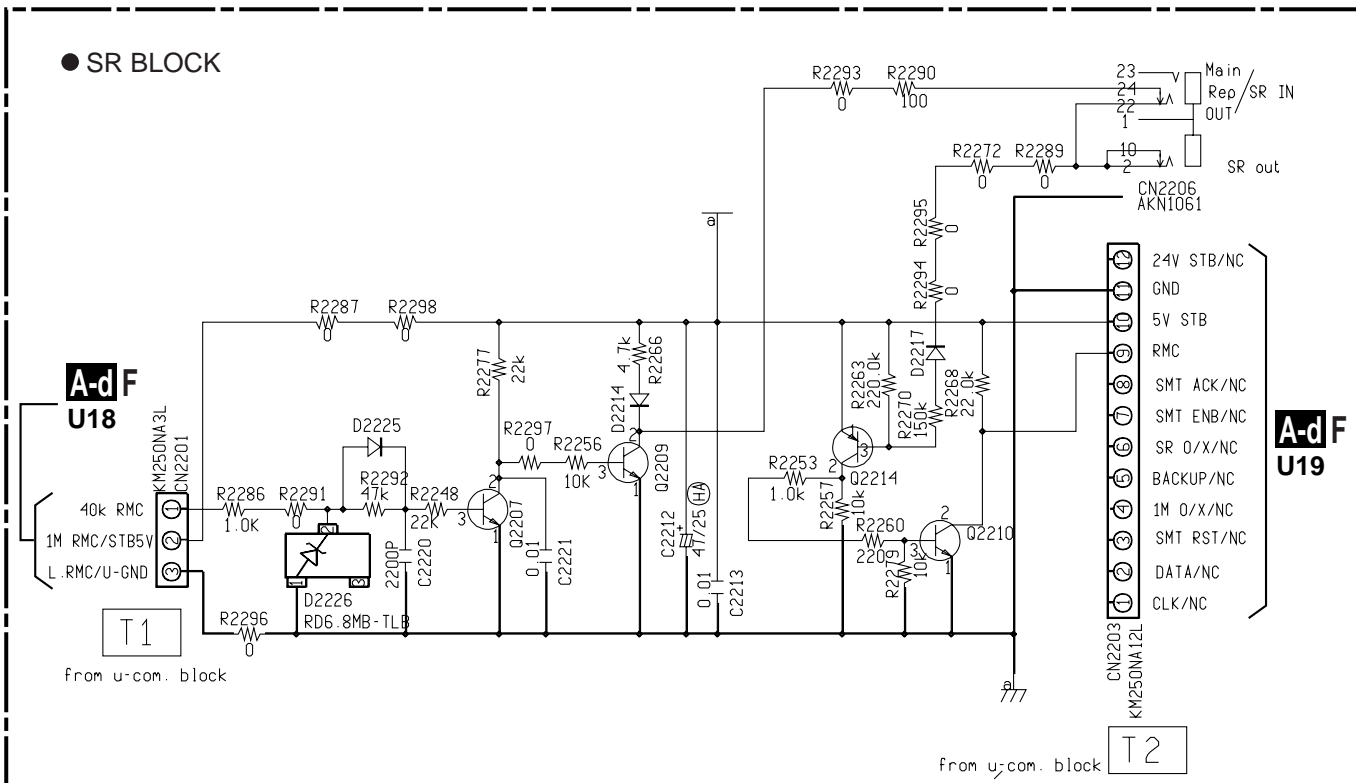
Pin	1	2	3	4	5	6	7	8	9
Voltage (V)	6.9	5.5	5	-	-	8.9	5	-	33.2
Pin	10	11	12	13	14	15	16	17	18
Voltage (V)	-	-	-	8.9	4.6	0	2.3	1.1	4.6





A-a
U20

T3



A-d F
U18

A-d F
U19

from u-com. block

from u-com. block

3.7 AUDIO ASSY

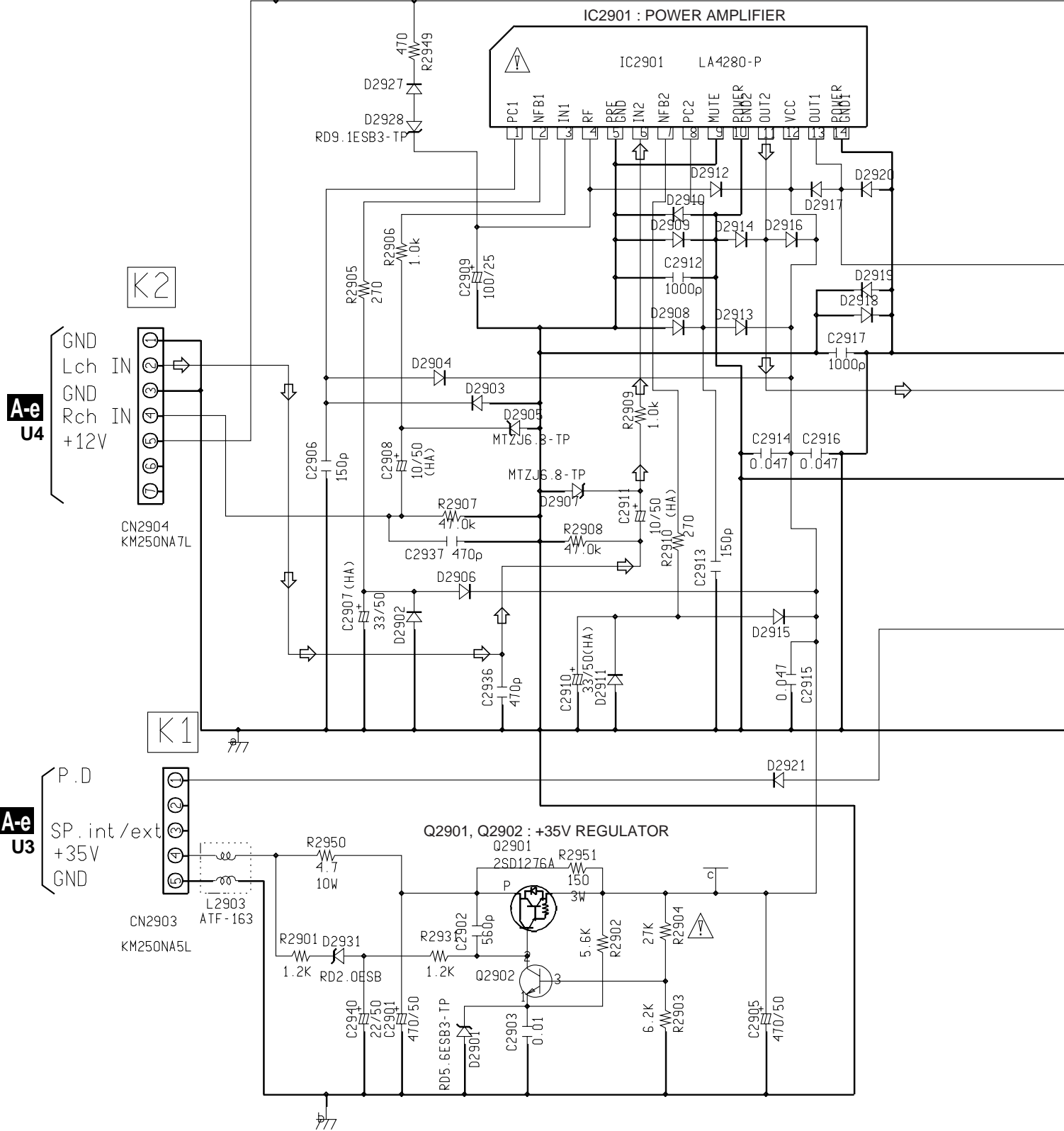
A

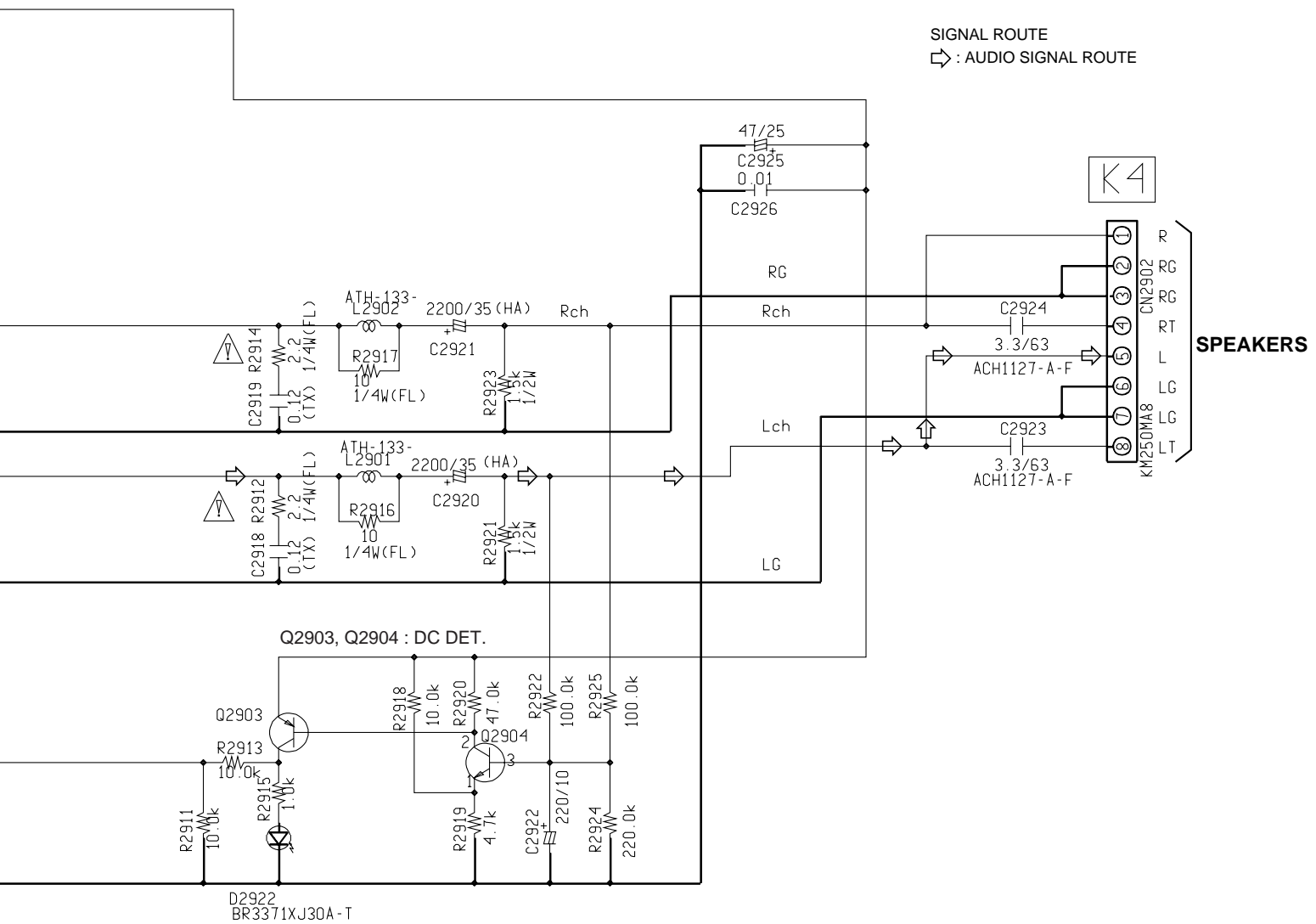
B




C

D

Q F AUDIO ASSY (AWZ6298)





-  2SC1740S
-  2SA933S
-  HSS104-02

Notes

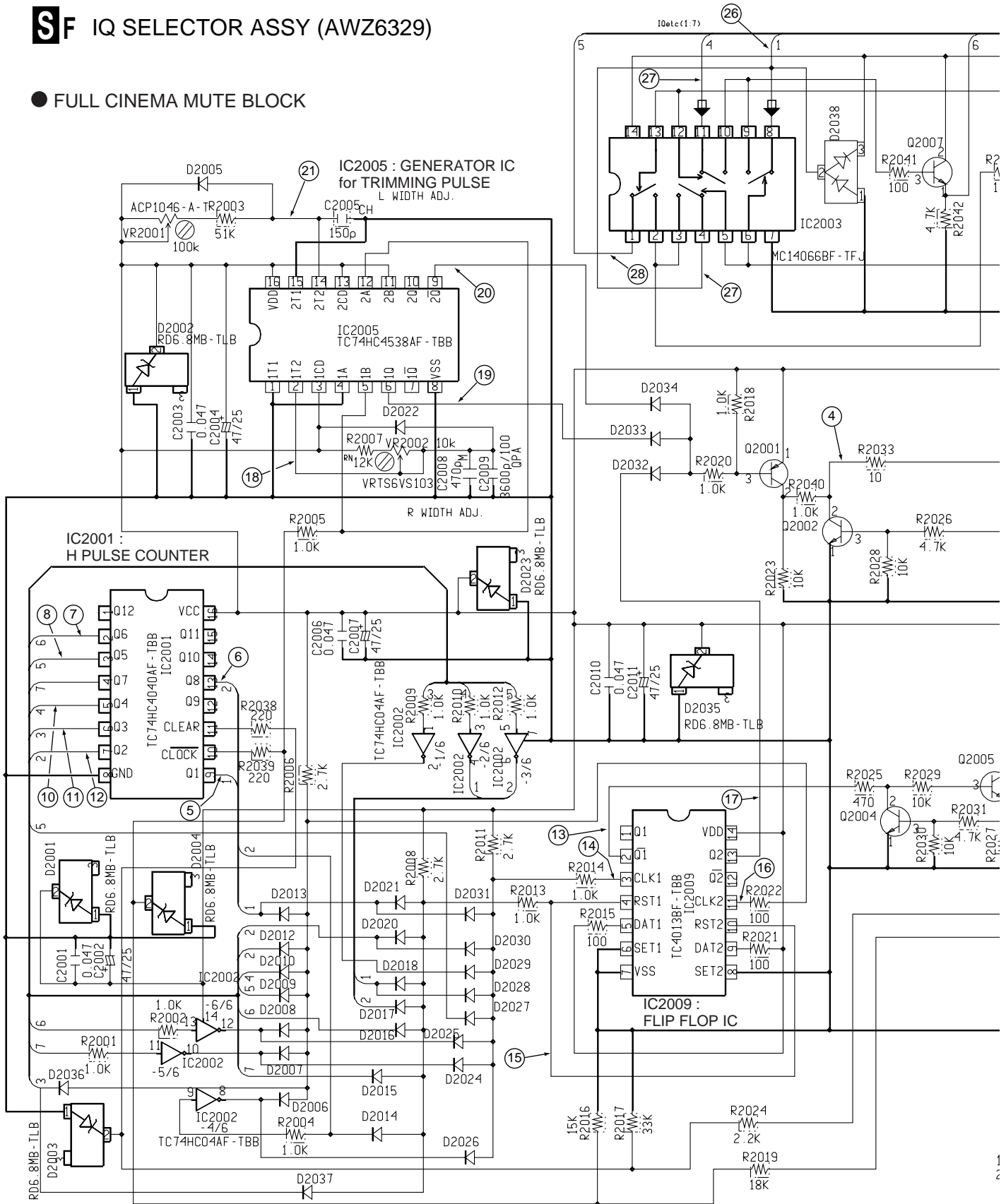
1. RESISTORS
 Indicated in 1/2(W), 1/4(W), 5% tolerance unless otherwise noted k k

2. CAPASITORS
 Indicated in capacity(F)/Voltage unless otherwise noted p pF
 Indication without voltage is 50V

3.8 IQ SELECTOR ASSY

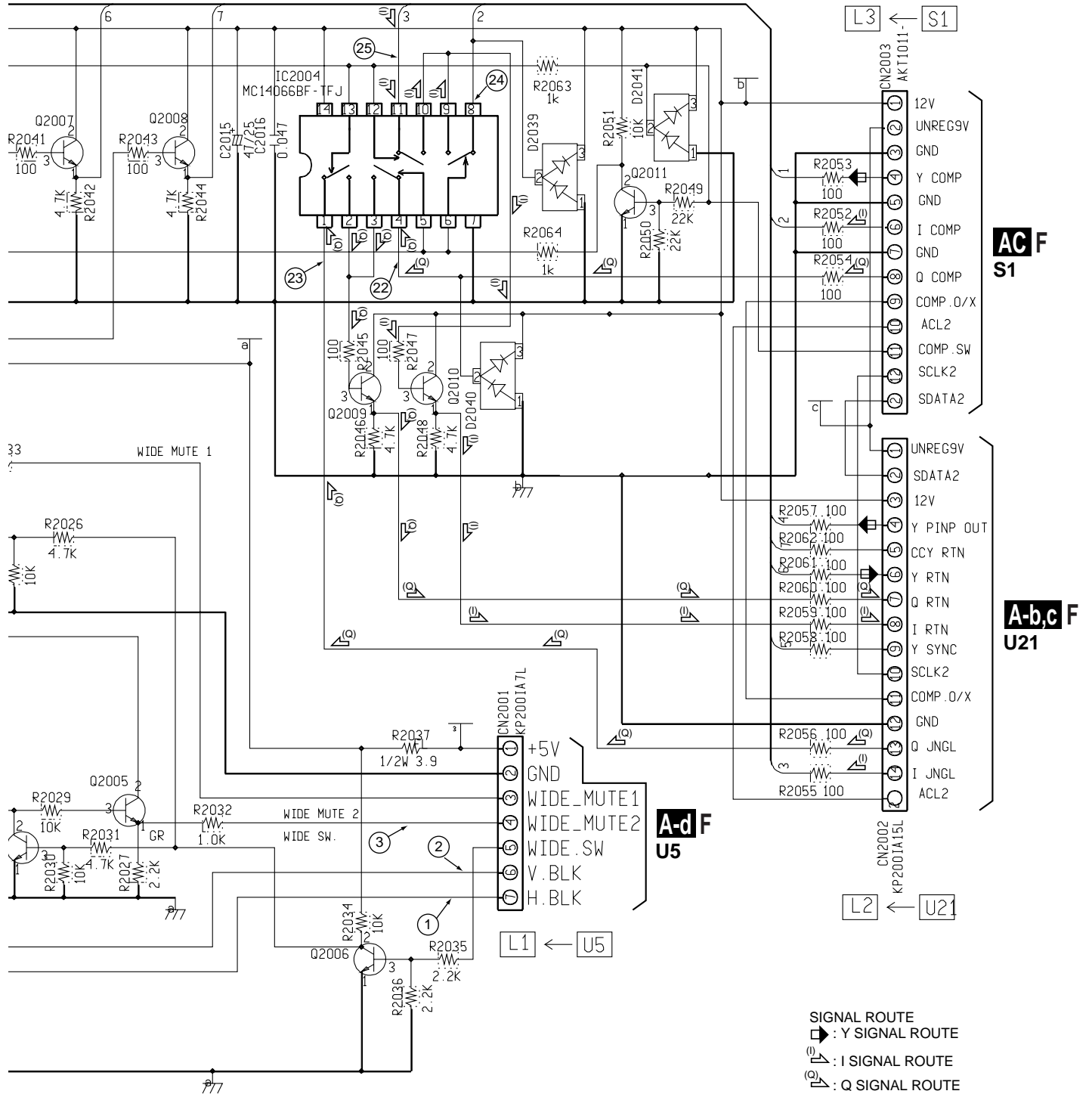
SF IQ SELECTOR ASSY (AWZ6329)

● FULL CINEMA MUTE BLOCK



● IQ SELECTOR BLOCK

Note :
The waveforms of (1) to (21) is the same as the thing of
FULL CINEMA assy of PRO-119 and PRO-99.
Refer to page 36 for waveforms of (22) to (28) .



NOTE. 2SC2712-TLB 2SA1162-TLB

1SS226-TRB 1SS352-TRB

1. RESISTORS Indicated in 1/16W, +5% tolerance unless otherwise noted k:k
2. CAPACITORS Indicated in capacity (uF)/(V) unless otherwise noted pF.
Indicated without voltage is 50V except electrolytic capacitor.

SIGNAL ROUTE
 : Y SIGNAL ROUTE
 : I SIGNAL ROUTE
 : Q SIGNAL ROUTE

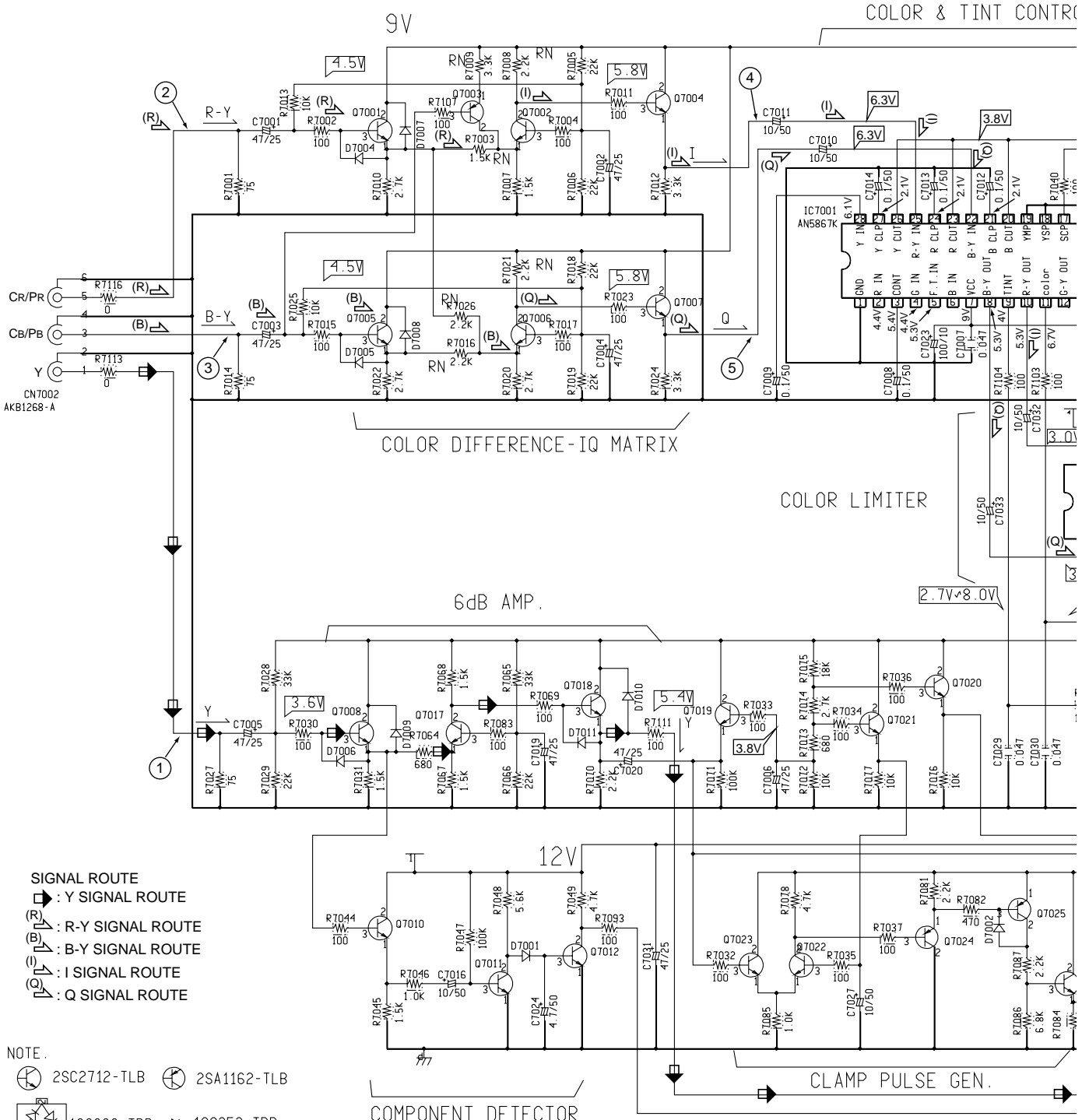
AC F
S1

A-b,c F
U21

A-d F
U5

3.9 COMPONENT ASSY

ACF COMPONENT ASSY (AWZ6300)

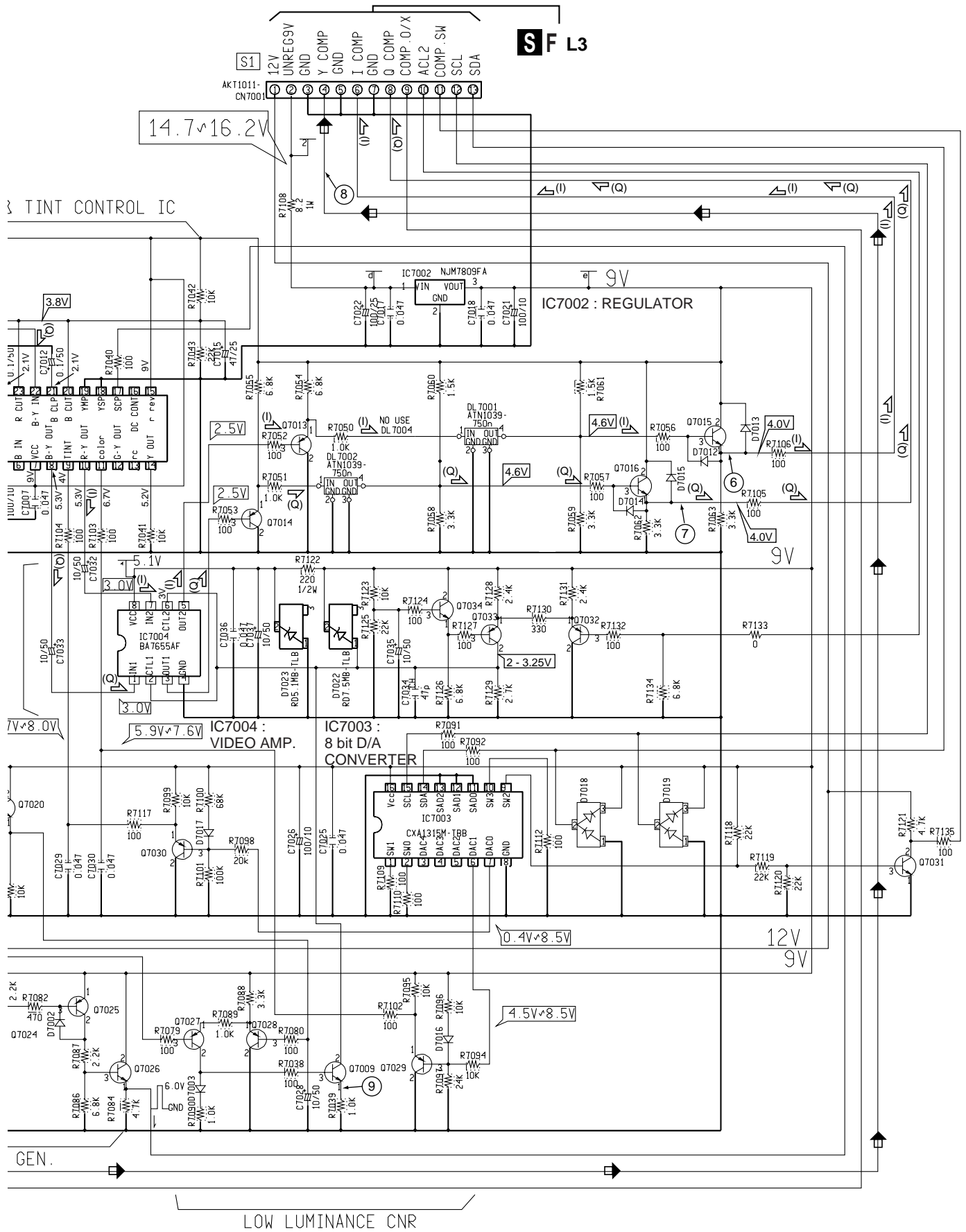


SIGNAL ROUTE
 □ : Y SIGNAL ROUTE
 (R) : R-Y SIGNAL ROUTE
 (B) : B-Y SIGNAL ROUTE
 (I) : I SIGNAL ROUTE
 (Q) : Q SIGNAL ROUTE

NOTE.
 ⊕ 2SC2712-TLB ⊕ 2SA1162-TLB
 ⊕ 1SS226-TRB ⊕ 1SS352-TRB

1. RESISTORS Indicated in 1/16W, +5% tolerance unless otherwise noted k:k , M:M
 2. CAPACITORS Indicated in capacity (uF)/(V) unless otherwise noted of.
 Indicated without voltage is 50V except electrolytic capacitor.

O (COMPONENT) : Low
 X (COMPOSITE) : High



A
B
C
D

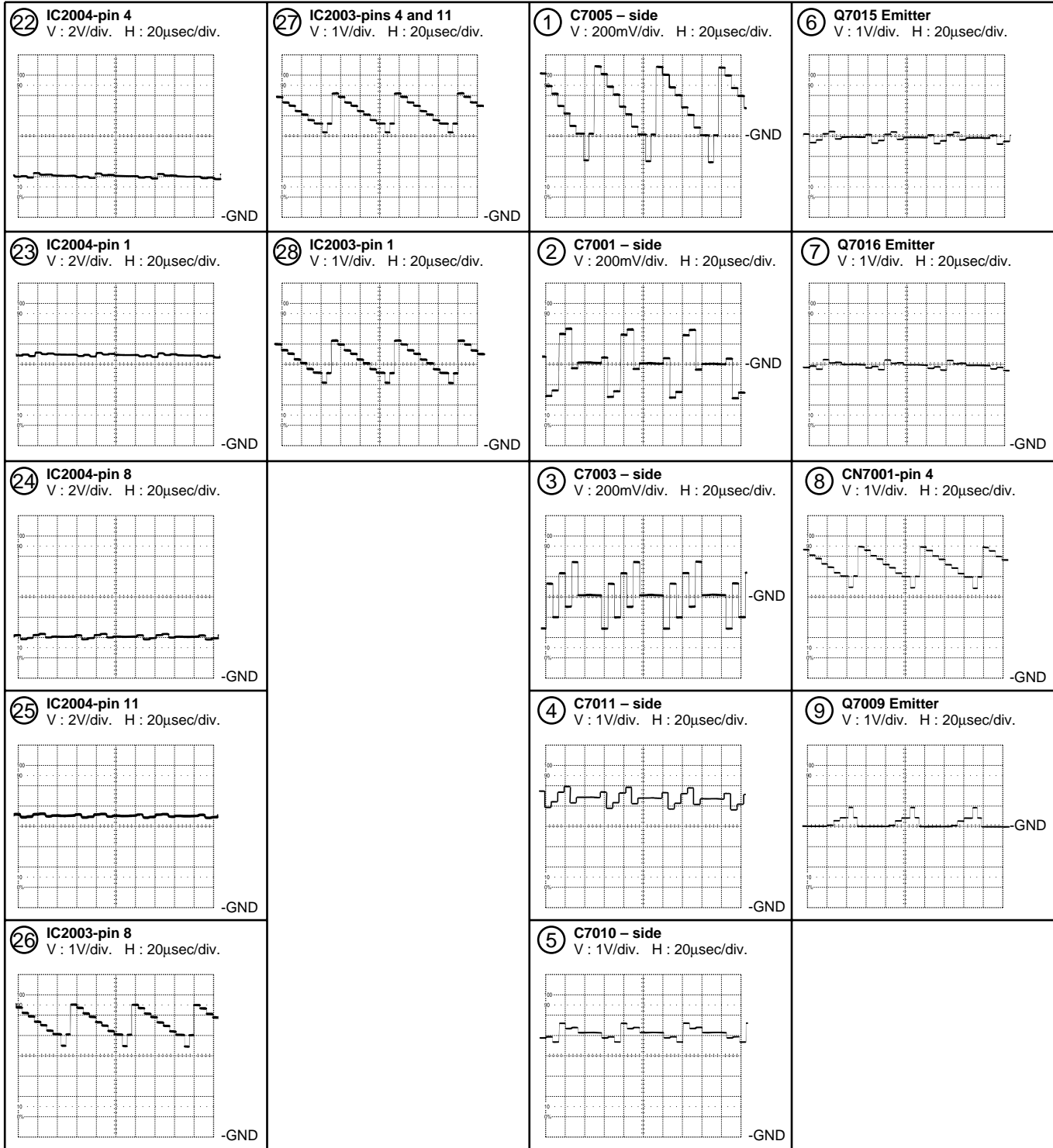
● WAVEFORMS of IQ SELECTOR and COMPONENT ASSEMBLIES

S F IQ SELECTOR ASSY

• Input signal : 100/0 100/0 color bar

AC F COMPONENT ASSY



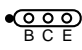

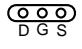
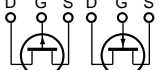

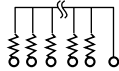
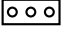

• Input signal : 100/0 100/0 color bar



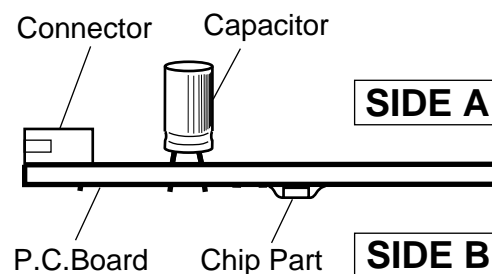
4. PCB CONNECTION DIAGRAM

NOTE FOR PCB DIAGRAMS :

1. Part numbers in PCB diagrams match those in the schematic diagrams.
2. A comparison between the main parts of PCB and schematic diagrams is shown below.

Symbol In PCB Diagrams	Symbol In Schematic Diagrams	Part Name
		Transistor
		Transistor with resistor
		Field effect transistor
		Resistor array
		3-terminal regulator

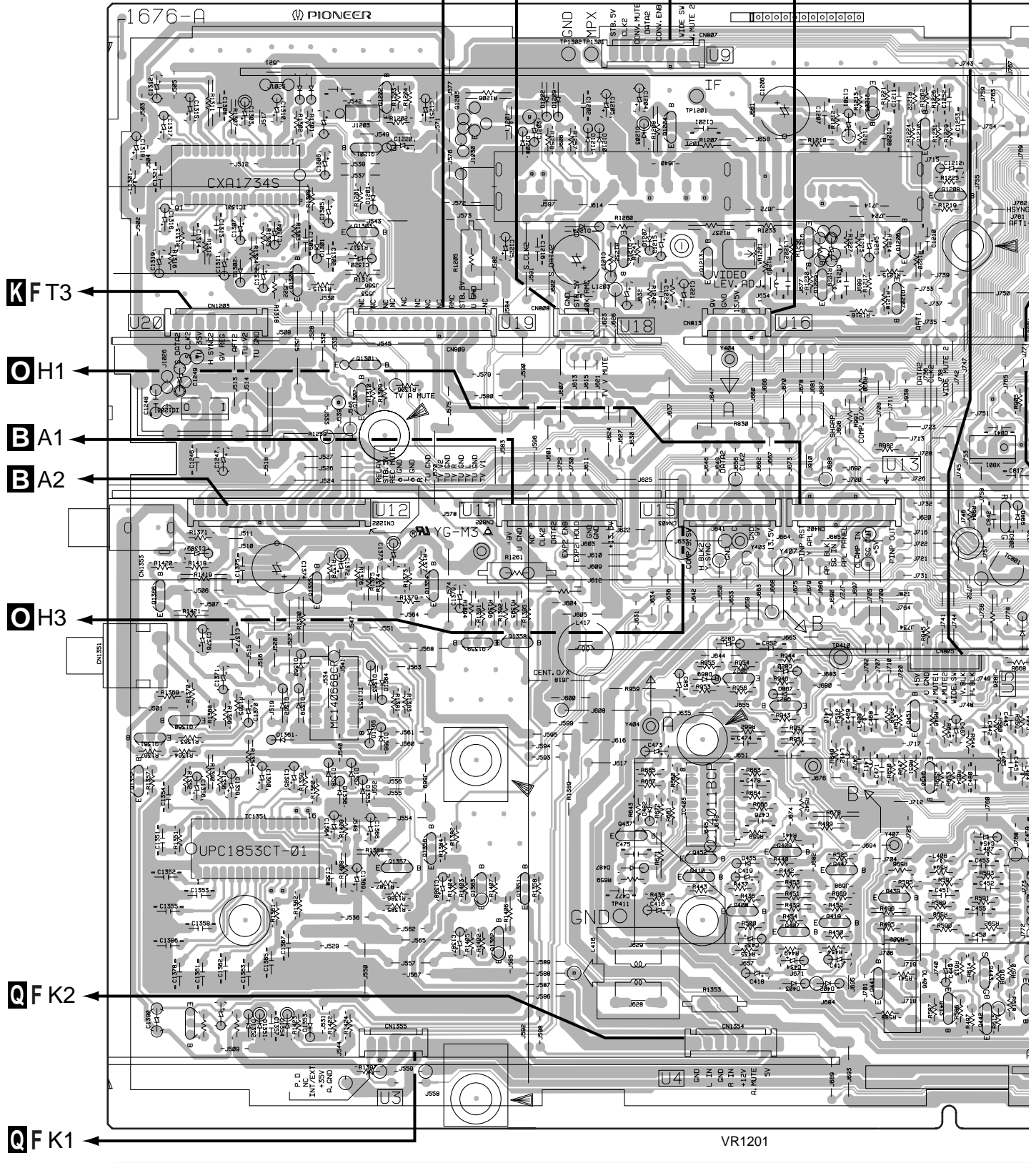
3. The parts mounted on this PCB include all necessary parts for several destinations.
For further information for respective destinations, be sure to check with the schematic diagram.
4. View point of PCB diagrams.



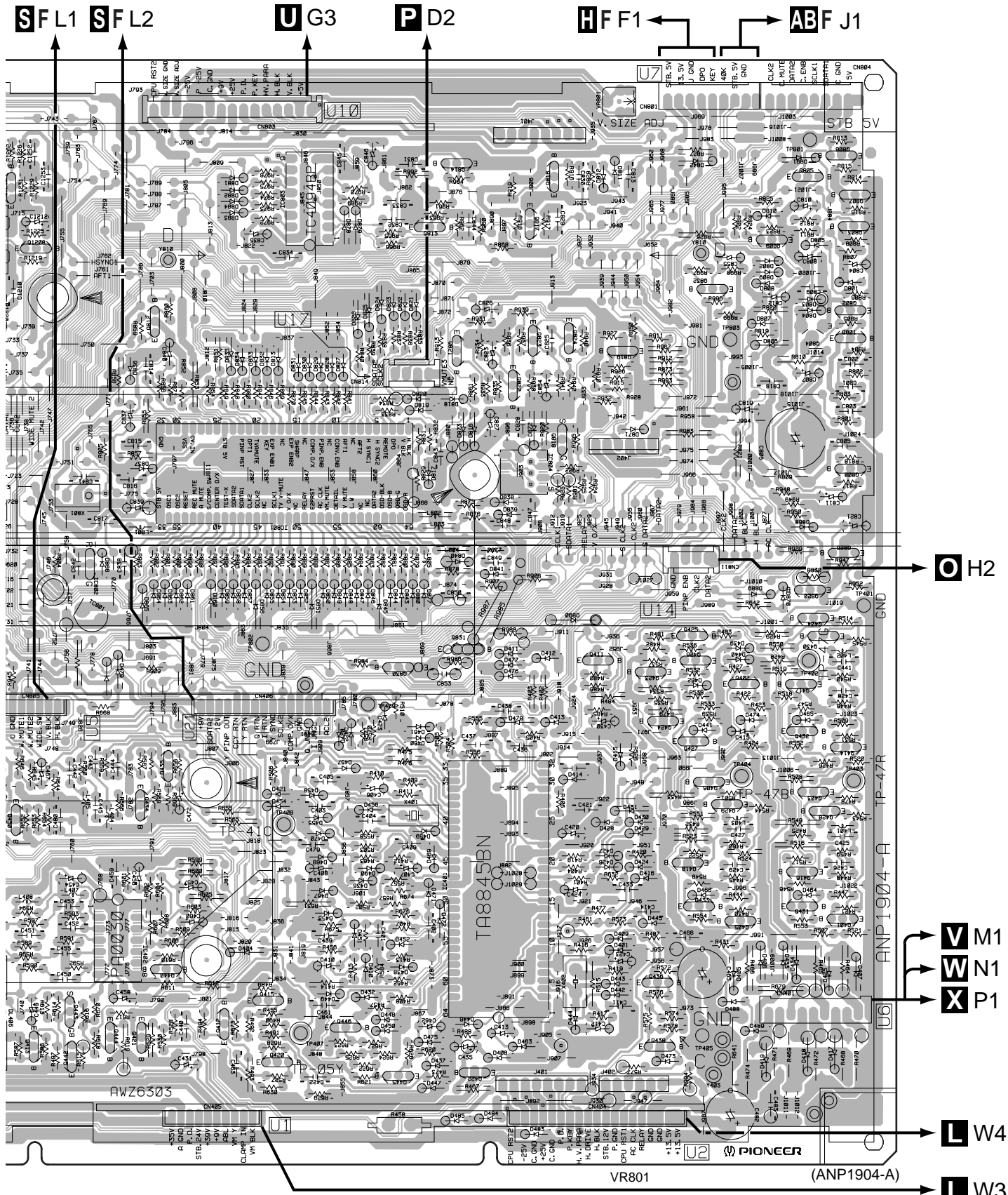
4.1 TUNER • VIDEO ASSY

A F TUNER • VIDEO ASSY

K FT2 **K** FT1 **U** G7 **P** D1 **S** FL1 **S**



IC1301	Q1201	Q1203	Q1204	Q1205	Q1210
IC1203	Q1304	Q1303	Q1301	Q1212	Q1213
Q1360	Q1361	Q1354-Q1356	IC1353	IC403	Q827
Q1352	IC1351	Q1357	Q1363	Q825	Q451
			Q1362	Q407-Q410	Q449
			Q1351	Q447	Q419
			Q437	Q452	Q439
				Q407-Q410	Q441
					Q413
					IC

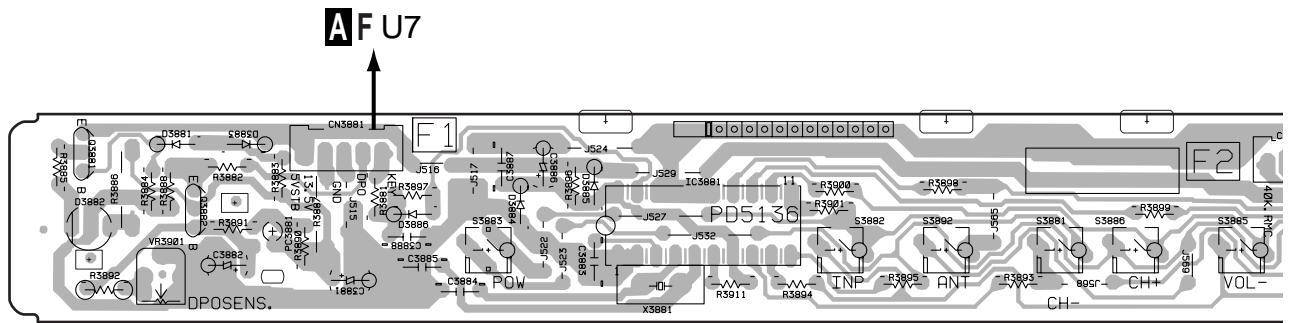


210			IC803	Q814	Q816			Q805-Q807											
-Q1209	IC802	Q812	IC801	Q813	Q821-Q824	Q817	Q819	Q832	Q809	Q801-Q803									
51	Q450	IC402	Q434	Q435	Q415	Q830	Q831	IC804	Q411	Q423-Q427	Q402	Q820	Q826	Q808					
39	Q441	Q413	Q442-Q444	Q421	Q440	Q412	Q420	Q446	Q445	Q422		Q436	Q438		Q404	Q430	Q417		
															Q433	Q432	Q414	Q403	Q428
															Q405		Q416	Q431	Q401

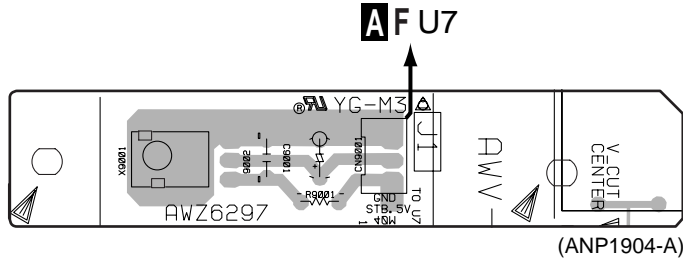


4.2 FRONT CONTROL and IR RECEIVER ASSEMBLIES

HF FRONT CONTROL ASSY



ABF IR RECEIVER ASSY



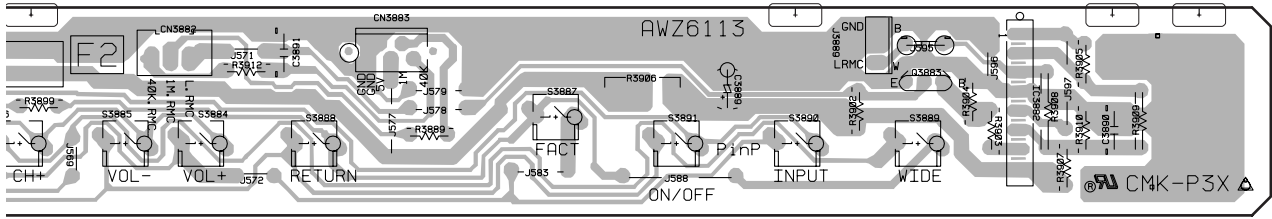
SIDE A

A

B

C

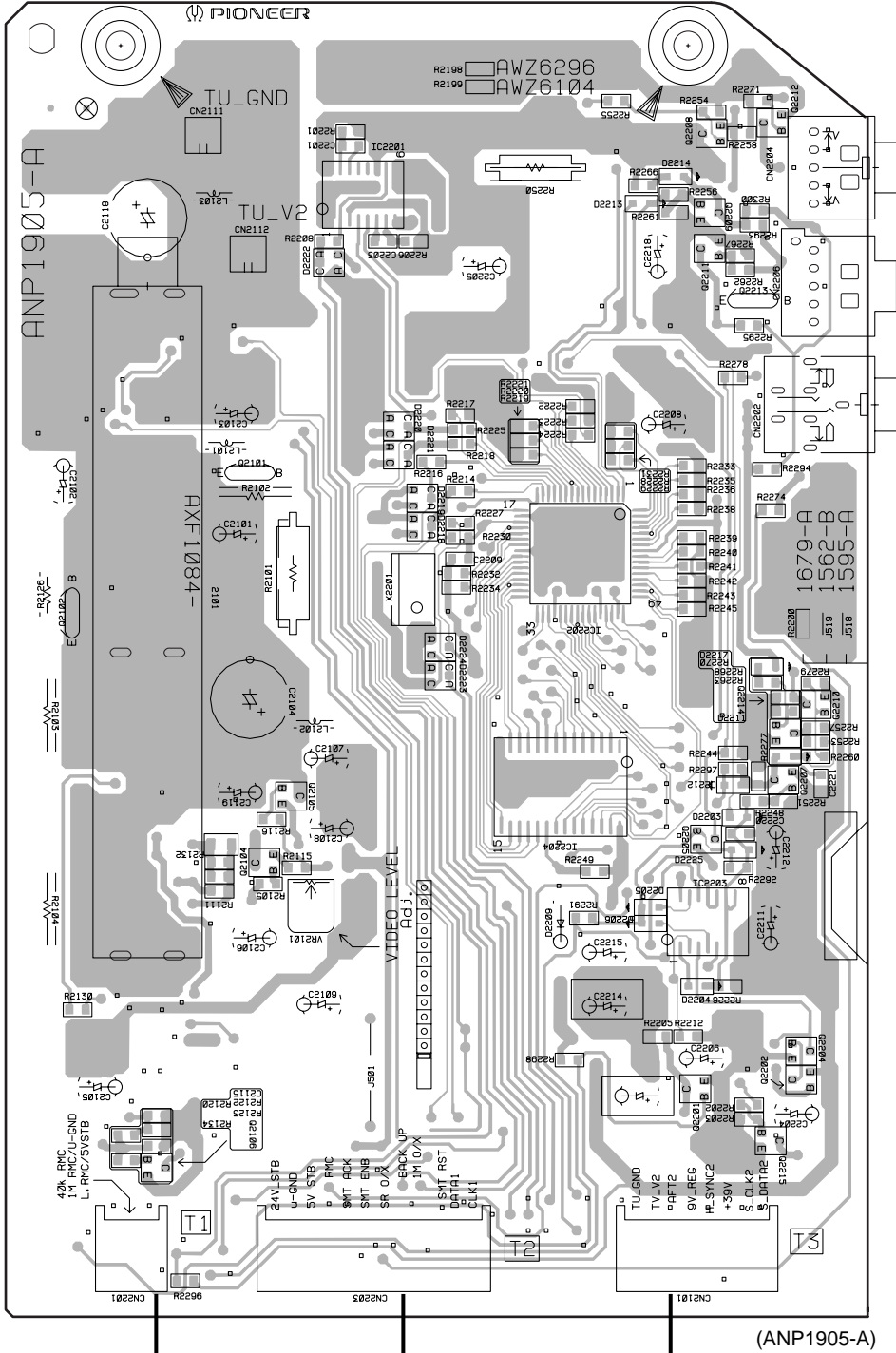
D



(ANP1850-C)

4.3 TUNER 2 ASSY

KF TUNER 2 ASSY



- Q2208 Q2212
- IC2201 Q2209
- Q2211
- Q2213
- Q2101
- IC2202
- Q2102
- Q2214 Q2210
- Q2207
- Q2105 IC2204 Q2205
- Q2104
- VR2101
- Q2204
- Q2202
- Q2201
- Q2106 Q2215

A FU18

A FU19

A FU20

(ANP1905-A)

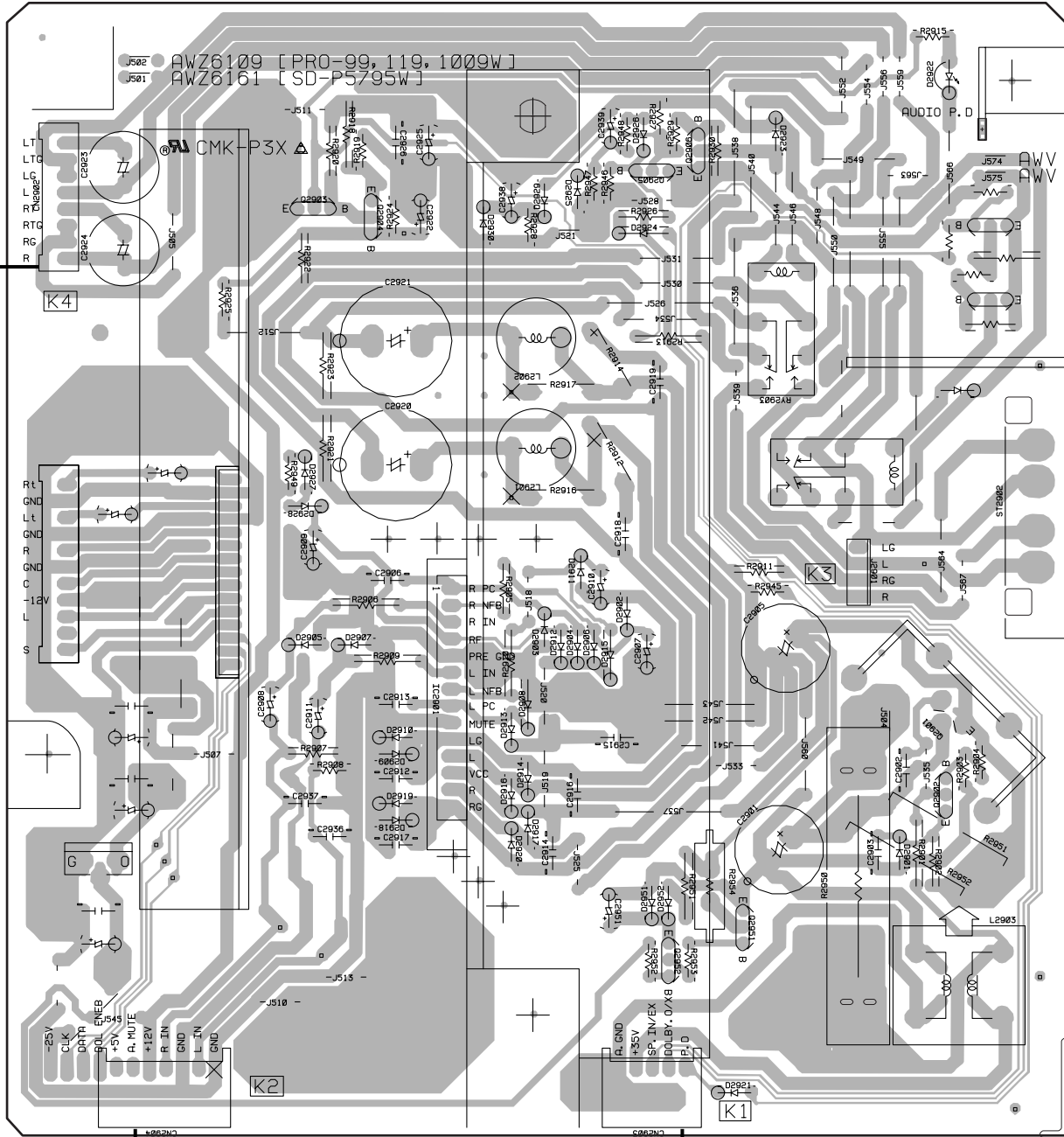


4.4 AUDIO ASSY

QF AUDIO ASSY

Q2904 IC2901 Q2905 Q2906 Q2901 Q2902 Q2952 Q2951

SPEAKER



(ANP1850-C)

AF U4

AF U3

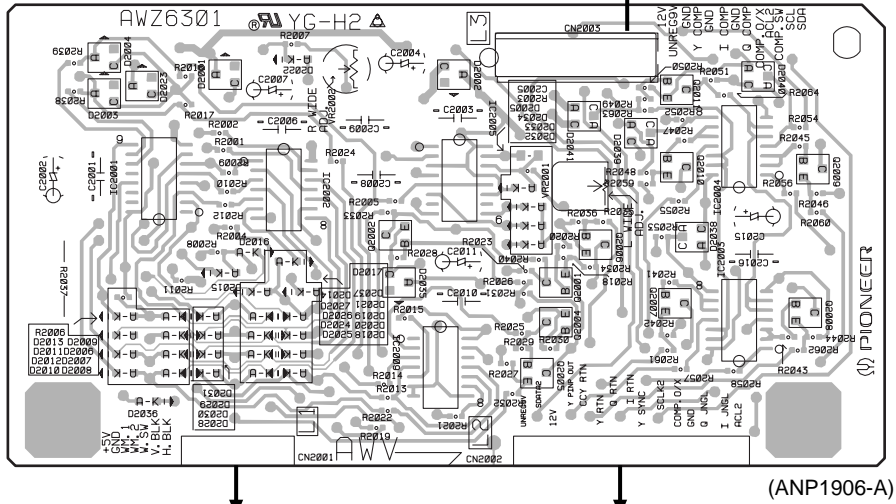
SIDE A

4.5 IQ SELECTOR ASSY

IC2001 IC2002 Q2002 IC2005 Q2011
 Q2001 Q2006 Q2010 IC2003 Q2009
 IC2009 Q2005 Q2004 Q2007 IC2004 Q2008
 VR2002 VR2001

SF IQ SELECTOR ASSY

ACF S1

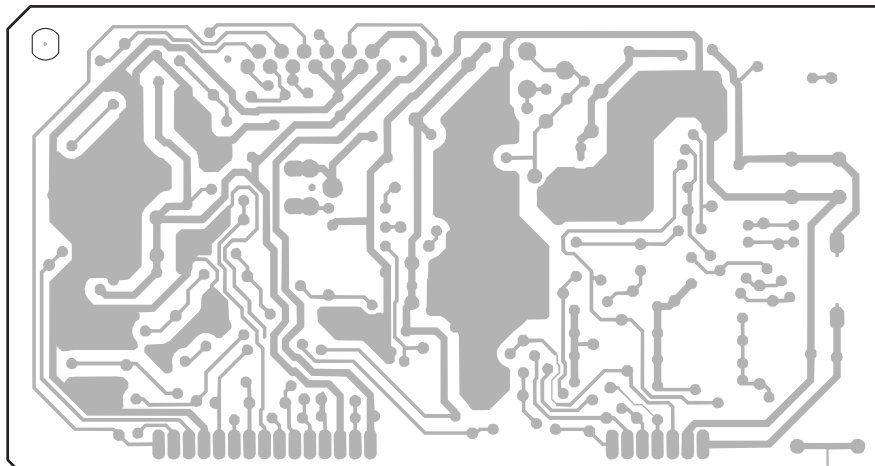


AF U5

AF U21

SIDE A

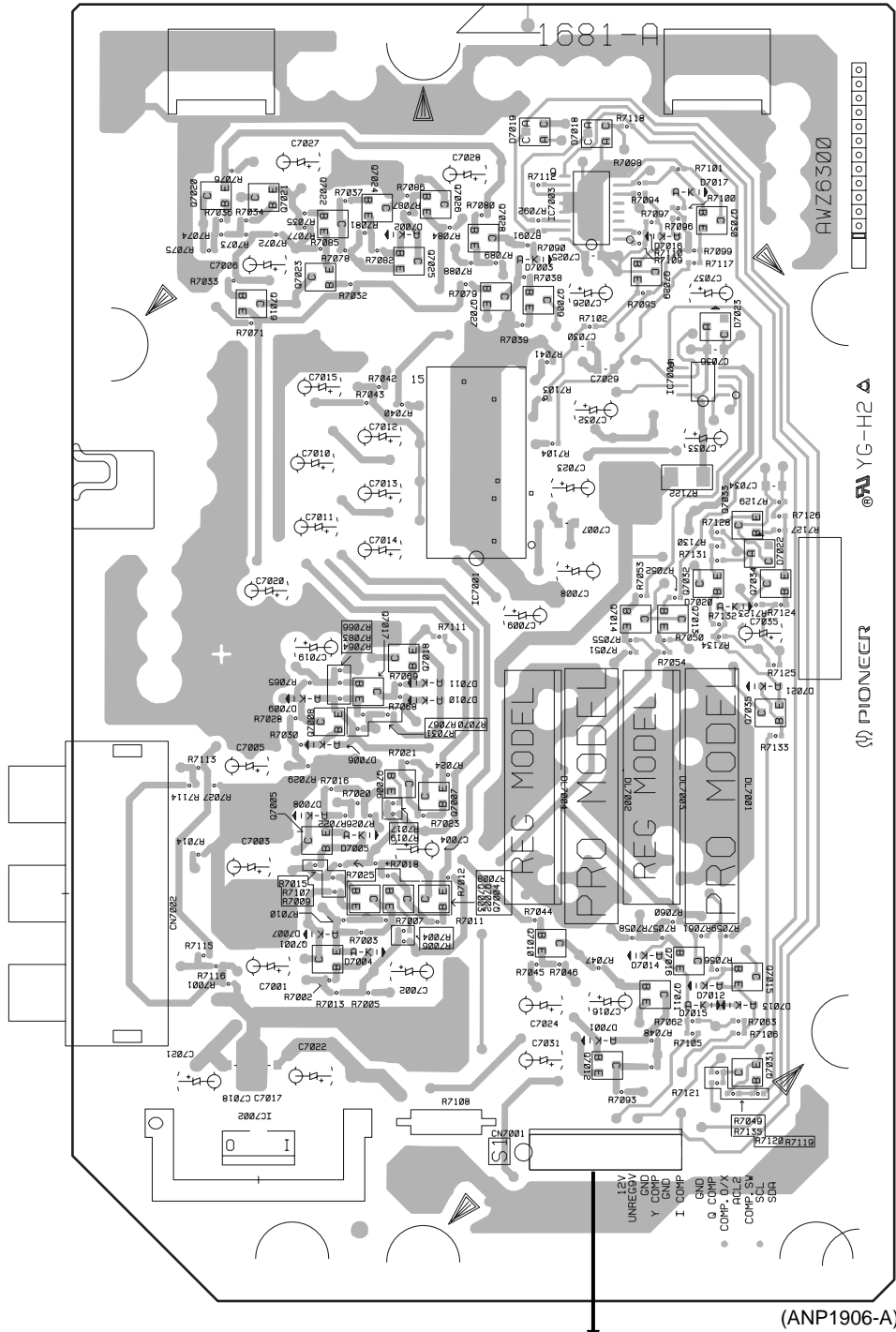
SF IQ SELECTOR ASSY



SIDE B

4.6 COMPONENT ASSY

ACF COMPONENT ASSY



- IC7003
- Q7019-Q7030
- Q7009

- IC7004

- IC7001

- Q7032-Q7034
- Q7014
- Q7013

- Q7017 Q7018
- Q7008
- Q7035

- Q7005-Q7007

- Q7001-Q7004
- Q7010
- Q7011
- Q7016 Q7015

- Q7012 Q7031

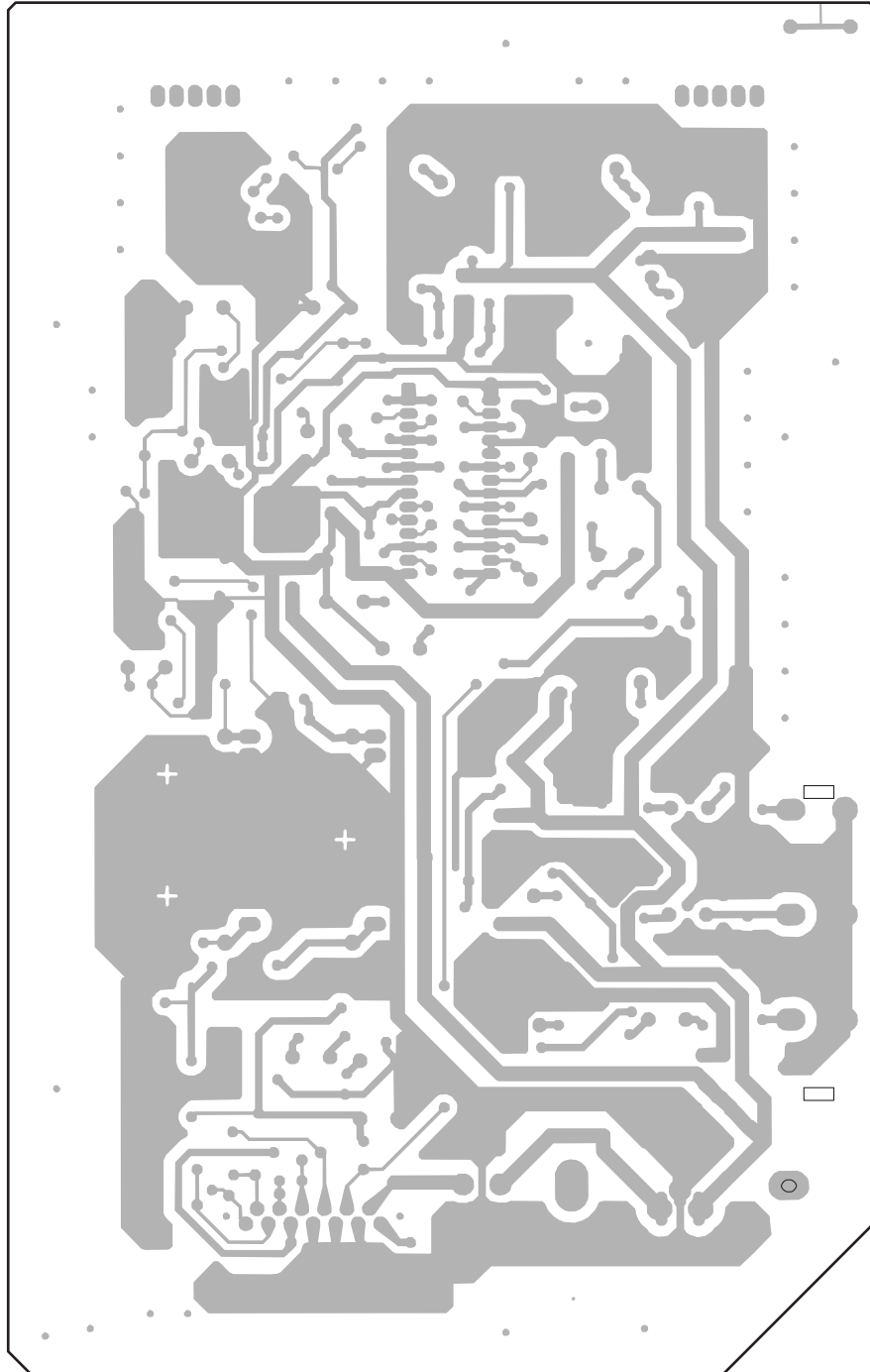
- IC7002

SFL3

SIDE A

A

ACF COMPONENT ASSY



(ANP1906-A)

B

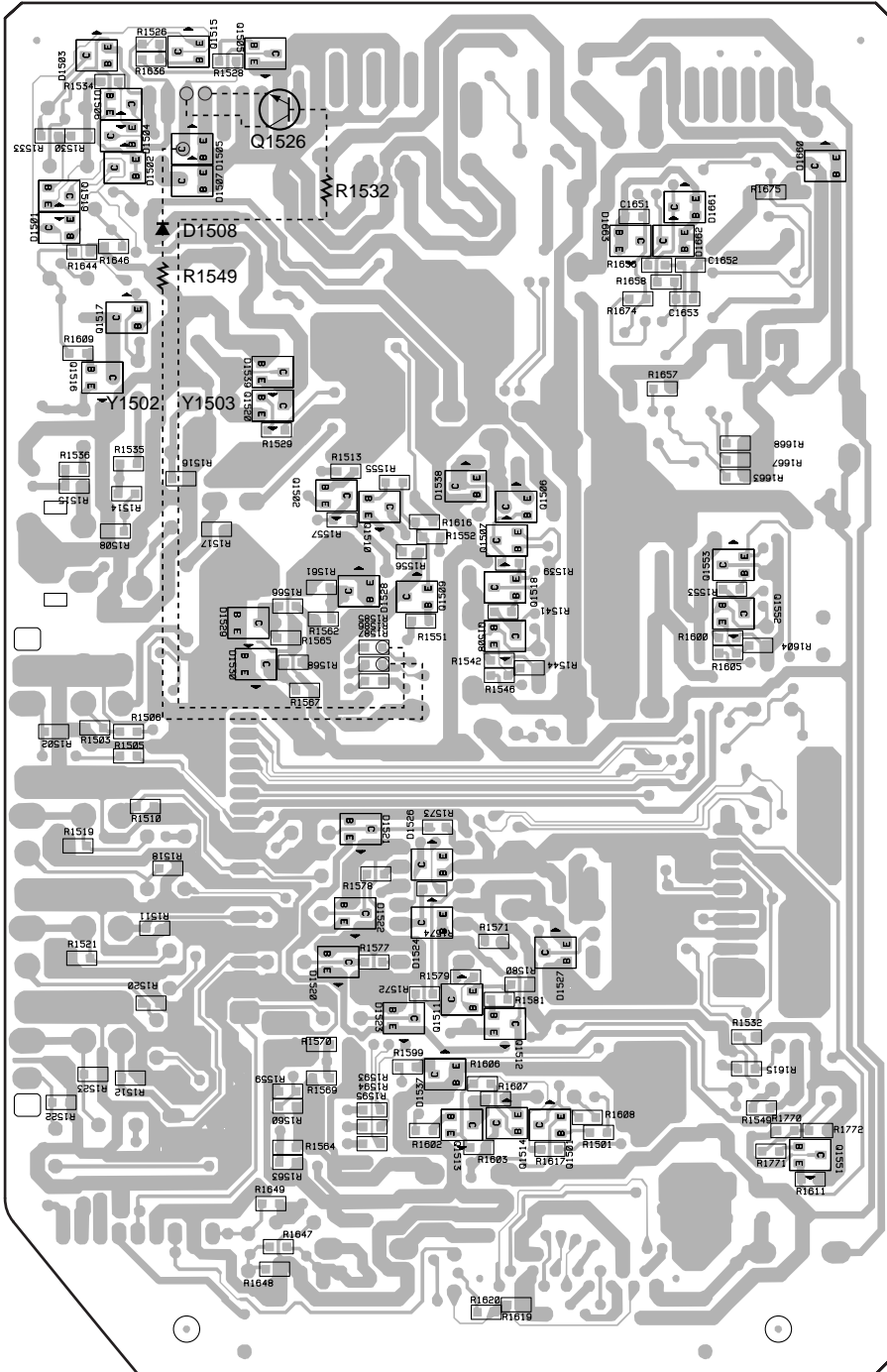
C

D

SIDE B

4.7 AV I/O ASSY

B F AV I/O ASSY



- Q1515 Q1505
- Q1519
- Q1517
- Q1516 Q1520
- Q1506 Q1507
- Q1509 Q1518 Q1522 Q1508
- Q1511 Q1512
- Q1513 Q1514 Q1551 Q1501

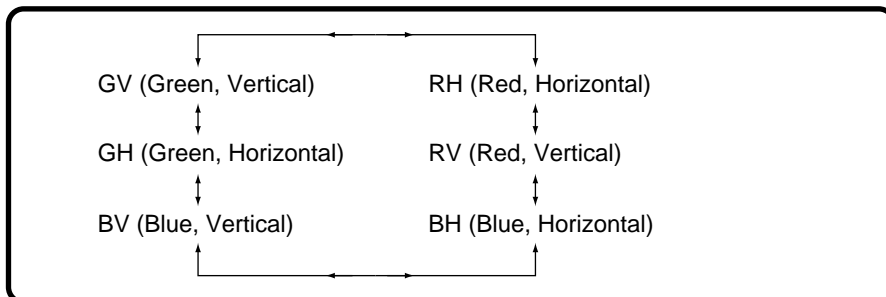
(ANP1847-C)

SIDE B

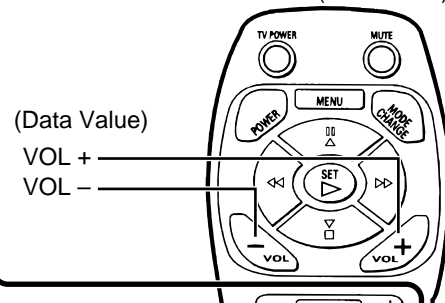
5. ADJUSTMENT

Attention: Only the part which is different from the PRO-119 and PRO-99 is mentioned.
 For information other than that found in this manual, refer to the service manual (ARP2936) of the PRO-119 and PRO-99.
 A point to give a ★ mark has just become a change toward the PRO-119 and PRO-99.

Key Indication of The Remote Control Unit



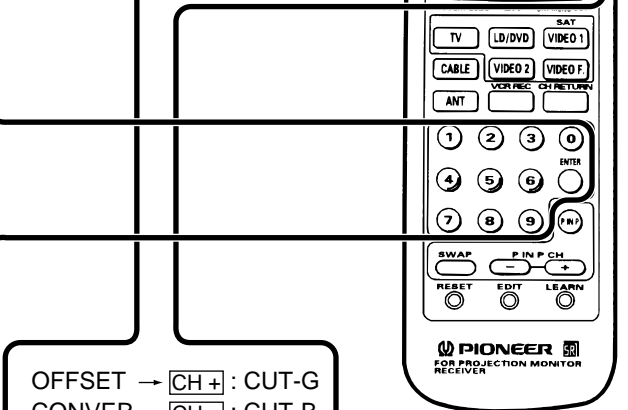
★ AXD1430 (CU-SD104)



• Adjustment Items

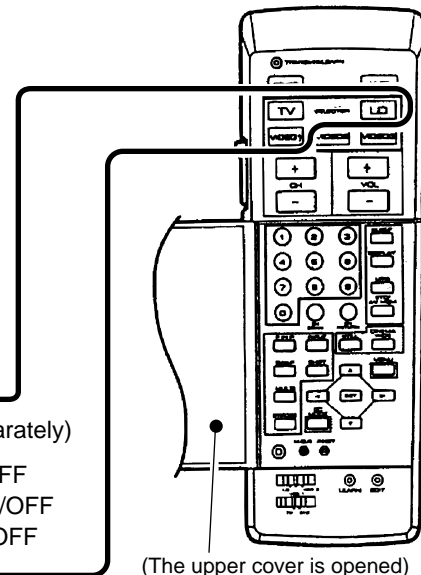
ADJUSTMENT		Adjustment Name	Numeric Keys	Adjustment Items	Type					
RANGE	OFFSET				GH	GV	RH	RV	BH	BV
	○	CUT-R	0	STATIC	○	○	○	○	○	○
○		VOL0								
○	/	Color	1	SKEW	○	○	○	○	○	○
○	/	TINT	2	BOW ↓ 4TH BOW	○	○	○	○	○	○
○	○	Contrast	3	SUB KEY	○	○	○	○	○	○
○	○	Bright	4	KEY ↓ MID KEY	○	○	○	○	○	○
○	○	Sharpness	5	SUB PIN	○	○	○	○	○	○
				MS PIN	○	○	○	○	○	○
				4S PIN	○	○	○	○	○	○
				SC PIN	○	○	○	○	○	○
/	○	Detail	6	PIN	○	○	○	○	○	○
				MID PIN	○	○	○	○	○	○
				4TH PIN	○	○	○	○	○	○
○	/	VOL20	7	LIN ↓ 4TH LIN	○	○	○	○	○	
○	/	VOL30	8	SIZE	○	○	○	○	○	
	○	DRV-G								
○	/	VOL40	9	SUB LIN	○	○	○	○	○	
	○	DRV-B								

VR : Adjust GH, GV with semifixed VR



(To output red, green and blue separately)


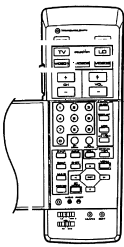


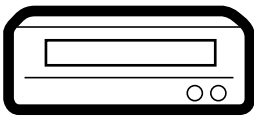
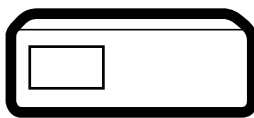
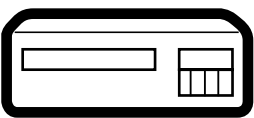

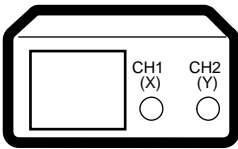

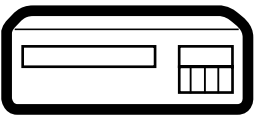

TV : To output red ON/OFF
 LD : To output green ON/OFF
 VIDEO 1 : To output blue ON/OFF



Note :
 This unit can not operate by the ISC remote control unit (CU-SD100, etc.).

■ Jigs and Measuring Instruments

Attention: A point to give a ★ mark has just become a change toward the PRO-119 and PRO-99.

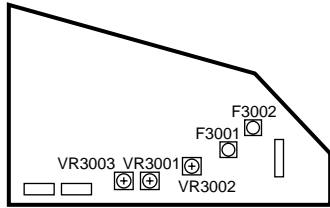
<p>★</p>  <p>Remote control unit (CU-SD104)</p>	 <p>Remote control unit for servicing AXD1352 (CU-SD076)</p>	 <p>⊖ Screwdriver</p>	 <p>⊖ Adjustment screwdriver</p>
 <p>Color bar generator (If possible, with component video output)</p>	 <p>D. DC Voltmeter</p>	 <p>LD Player</p>	 <p>Monoscope</p>
 <p>Dual-trace oscilloscope</p>	 <p>Frequency counter</p>	<p>★</p>  <p>DVD Player with component video output</p>	<p>★</p>  <p>DVD Disc (If possible, test disc with color bar signal)</p>

original page 131

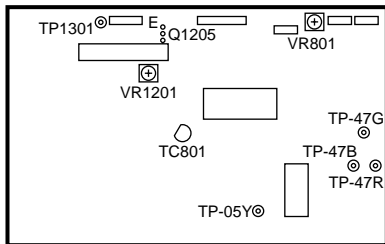
Attention: A point to give a ★ mark has just become a change toward the PRO-119 and PRO-99.

■ Assembly Adjustment Location and Items

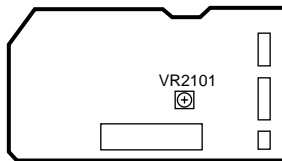
Ⓐ P IN P ASSY



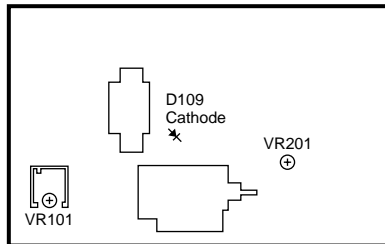
Ⓑ TUNER • VIDEO ASSY



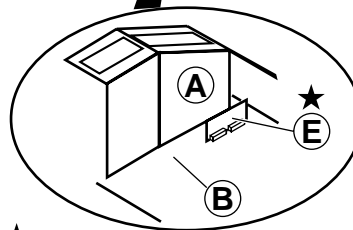
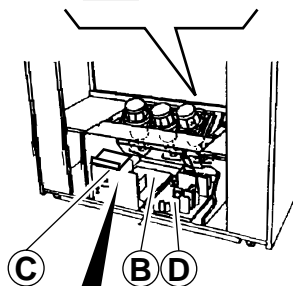
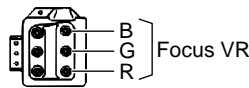
★ Ⓒ TUNER 2 ASSY



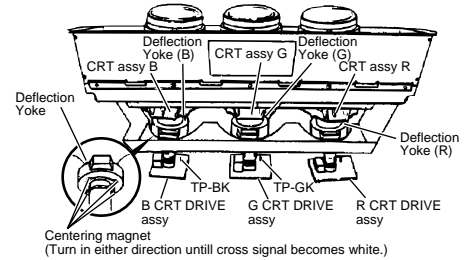
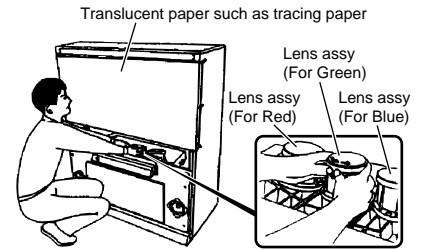
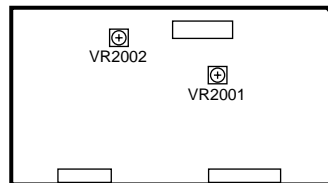
Ⓓ POWER SUPPLY ASSY



Focus VR (VR1)



★ Ⓔ IQ SELECTOR ASSY



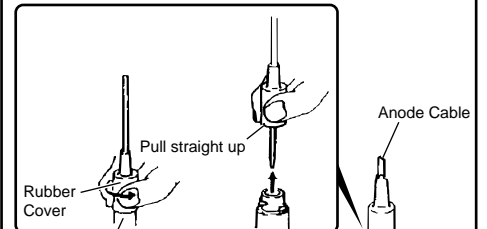
MEASURING METHOD

Disconnect the FBT anode cable as shown below. Measure at the point where the cable enters the FBT.

Caution : Take extra precaution when measuring the voltage. High voltage are also present in surrounding circuit boards. (CRT DRIVE assy, POWER SUPPLY assy)

SERVICEMAN WARNING

Before removing the anode cable, turn off the power, unplug the AC plug and let the unit discharge for more than 1 minut.



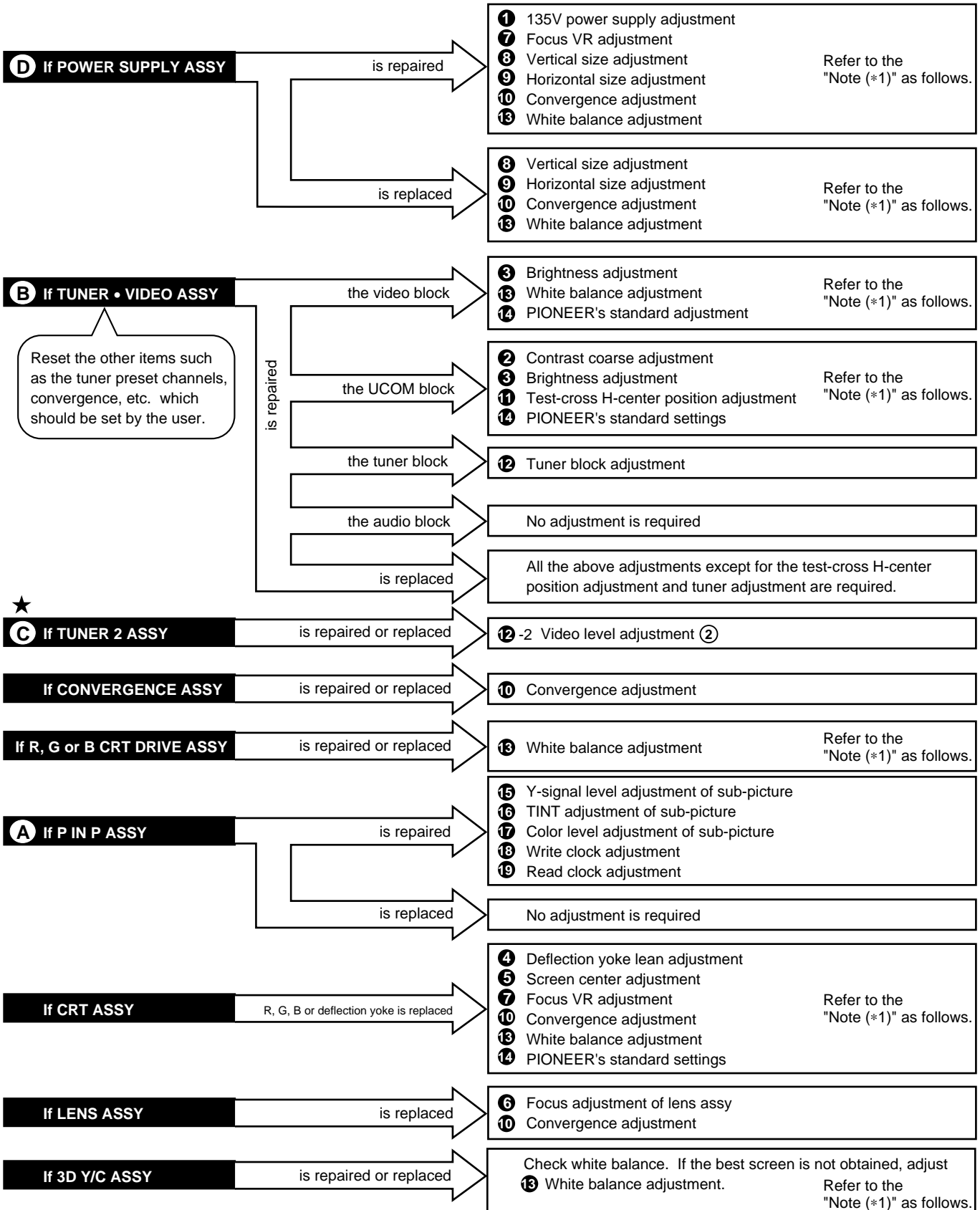
Holding the rubber cover firmly, turn counterclockwise and check that the lock has been disengaged. Note : When reconnecting the cable, proceed in the reverse order. After reconnecting, tug on the cable to check that it is secure.

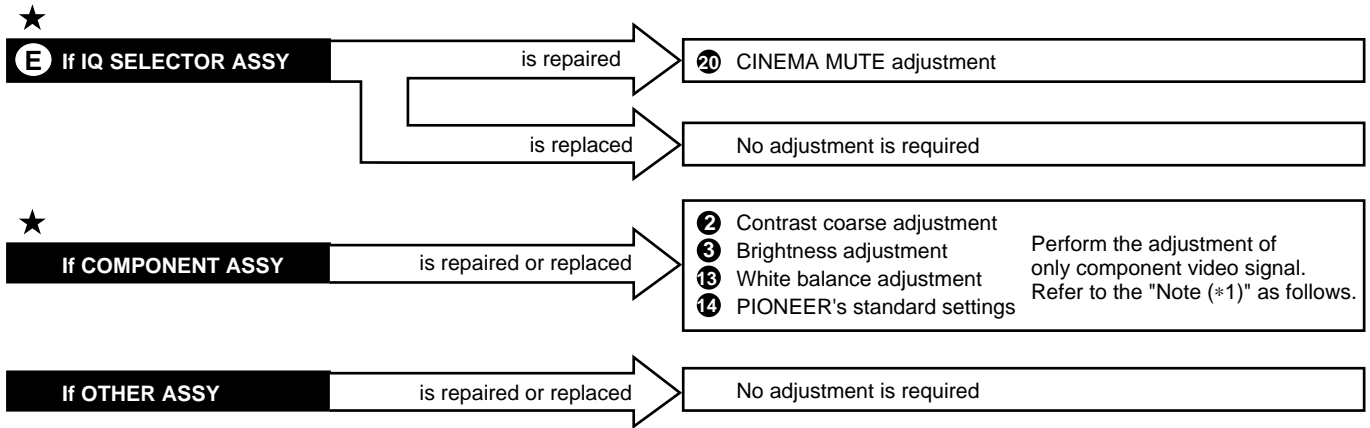
- ① 135V Power supply adjustment
- ② Contrast coarse adjustment
- ③ Brightness adjustment (PIONEER's standard setting)
- ④ Deflection yoke lean adjustment
- ⑤ Screen center adjustment
- ⑥ Focus adjustment of lens assy
- ⑦ Focus VR adjustment
- ⑧ Vertical size adjustment
- ⑨ Horizontal size adjustment
- ⑩ Convergence adjustment
- ⑪ Test cross H-Center position assy
- ⑫ Tuner block adjustment
- ⑬ White balance adjustment

- ⑭ PIONEER's standard settings
- ⑮ Y-signal level adjustment of sub-picture (adjustment for P IN P)
- ⑯ Tint adjustment of sub-picture (adjustment for P IN P)
- ⑰ Color level adjustment of sub-picture (adjustment for P IN P)
- ⑱ Write clock adjustment of sub-picture (adjustment for P IN P)
- ⑲ Read clock adjustment of sub-picture (adjustment for P IN P)
- ★ ⑳ CINEMA MUTE adjustment

■ Assembly Adjustment Location Guide

Attention: A point to give a ★ mark has just become a change toward the PRO-119 and PRO-99.





original page 133

Note (*1):
 For the adjustment of the steps 2,3,13 and 14, both adjustments of composite video signal and the component video signal is necessary.

- When the adjustment of the composite video signal is performed.
 1. Input the COMPOSITE VIDEO signal to the VIDEO INPUT terminal.
 2. Switch the video to the input of the composite video signal.
 3. Perform the adjustment in accordance with the directions of the steps 2,3,13 and 14.
- When the adjustment of the component video signal is performed.
 1. Input the COMPONENT VIDEO signal to the DVD COMPONENT VIDEO INPUT terminal.
 But, when the adjustment of the color is not performed (steps 2, 3, 13, 14-1 and 14-2), you may input the signal (without color burst and chroma) which took out Y signal from the composite signal to the Y input of component.
 2. Switch the video to the input (LD/DVD) of the component video signal.
 3. Perform the adjustment in accordance with the directions of the steps 2,3,13 and 14.
 But, for the part with the directions of pressing the (DOWN) button, press the SWAP button to the substitute.

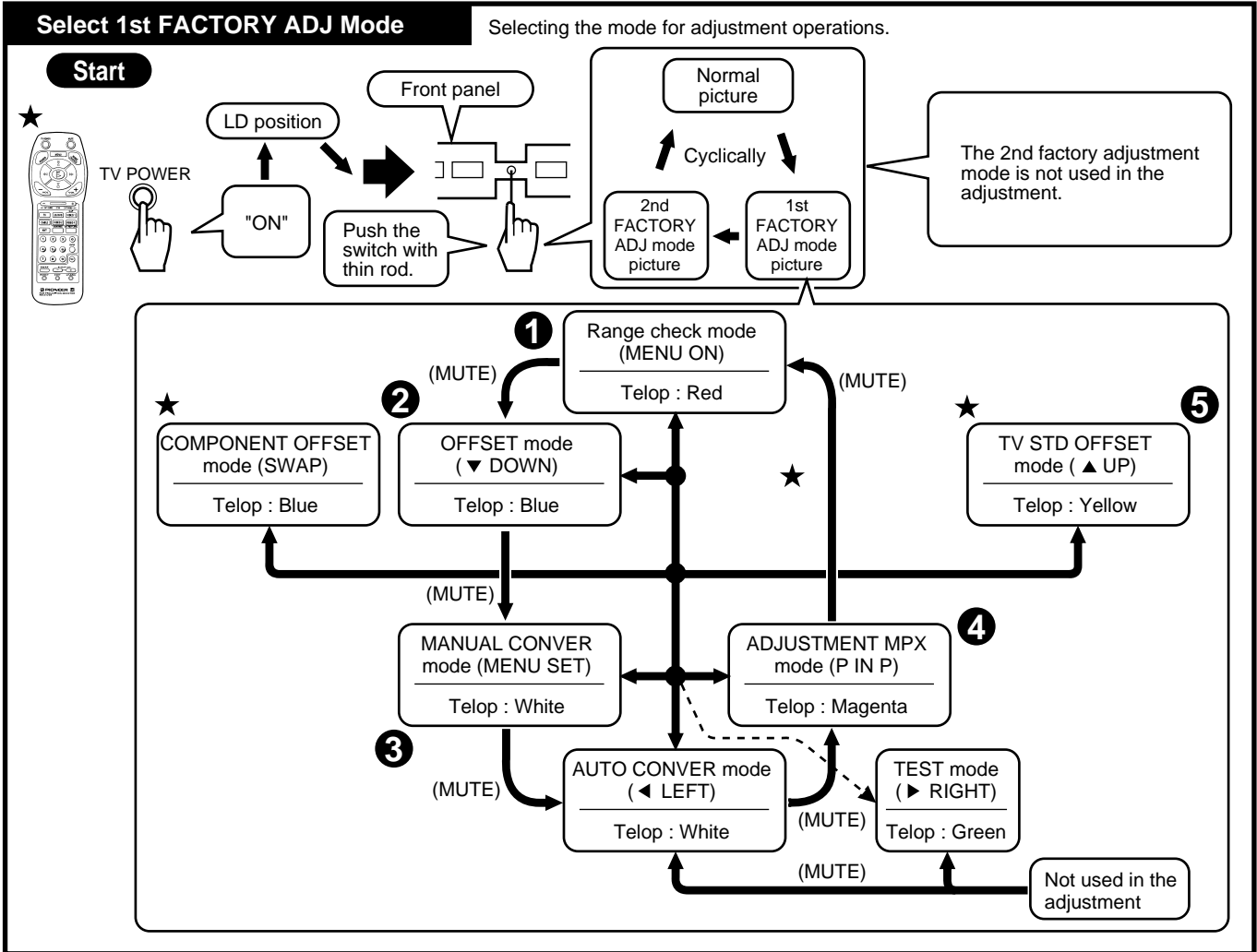
Note : Be sure to adjust the composite video signal first.

Factory ADJ Mode

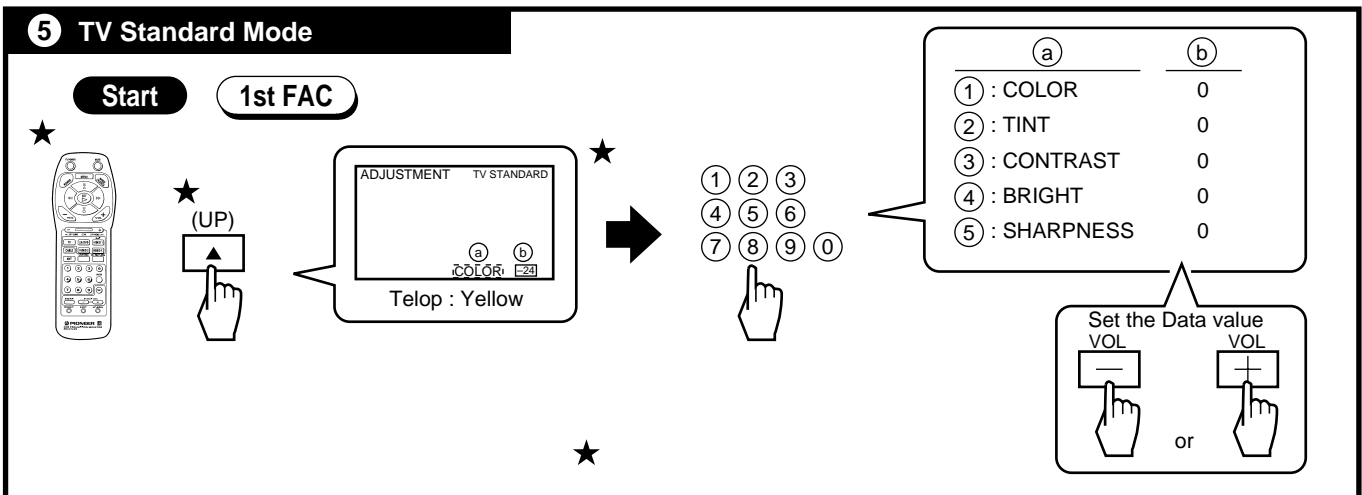
Attention: A point to give a ★ mark has just become a change toward the PRO-119 and PRO-99.

StartStart adjusting

1st FACSelect 1st factory adjustment mode, then adjust

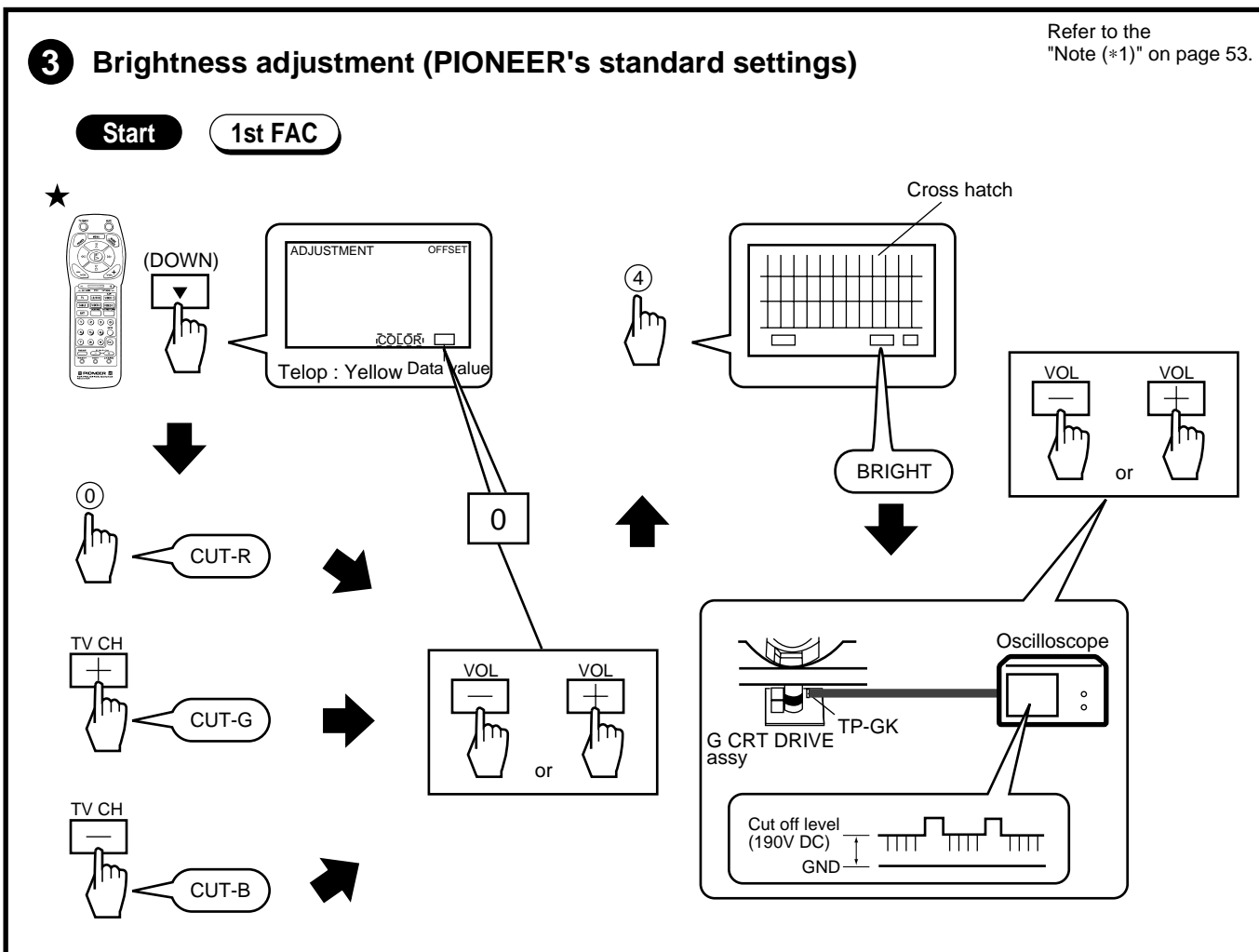
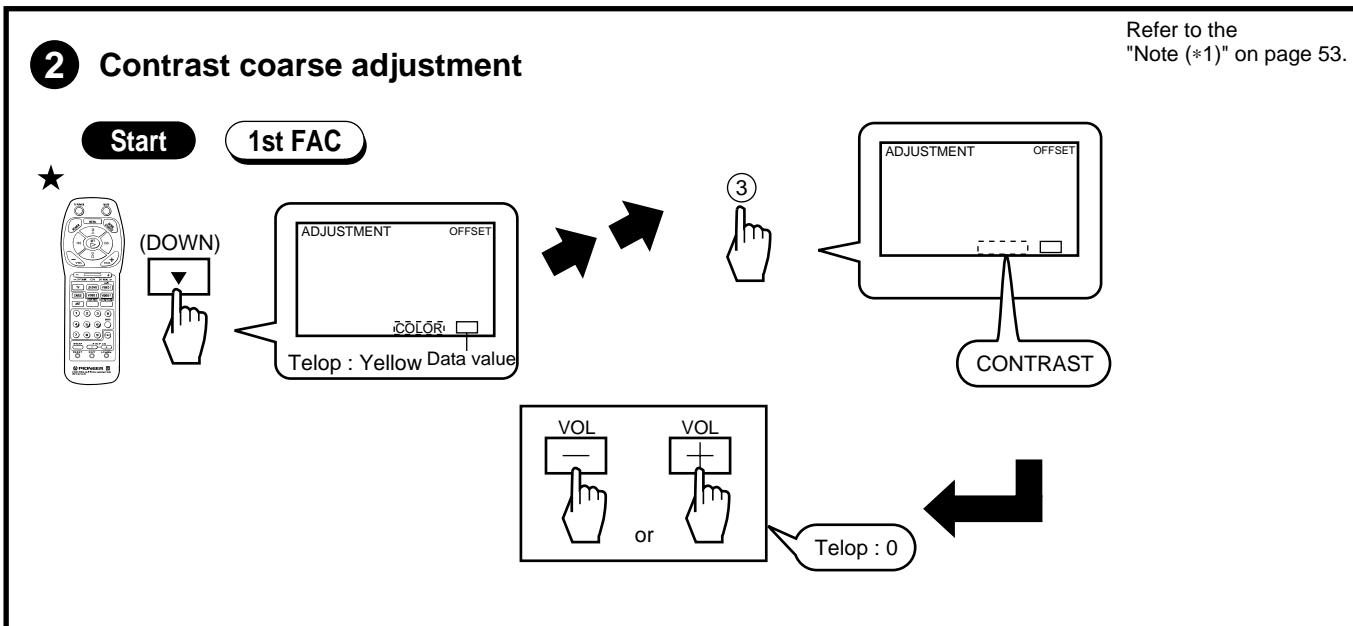


original page 134



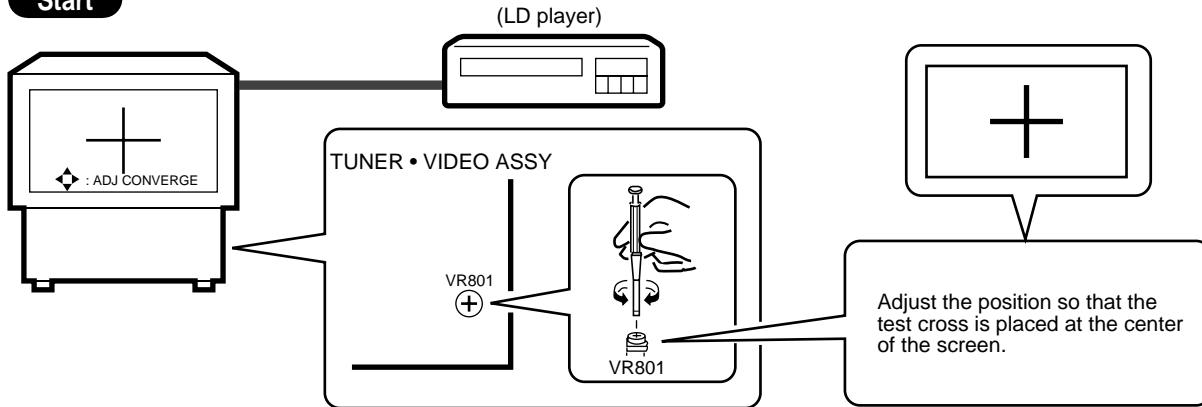
original page 136

Attention: A point to give a ★ mark has just become a change toward the PRO-119 and PRO-99.



11 Test cross H-center position adjustment

Start



★



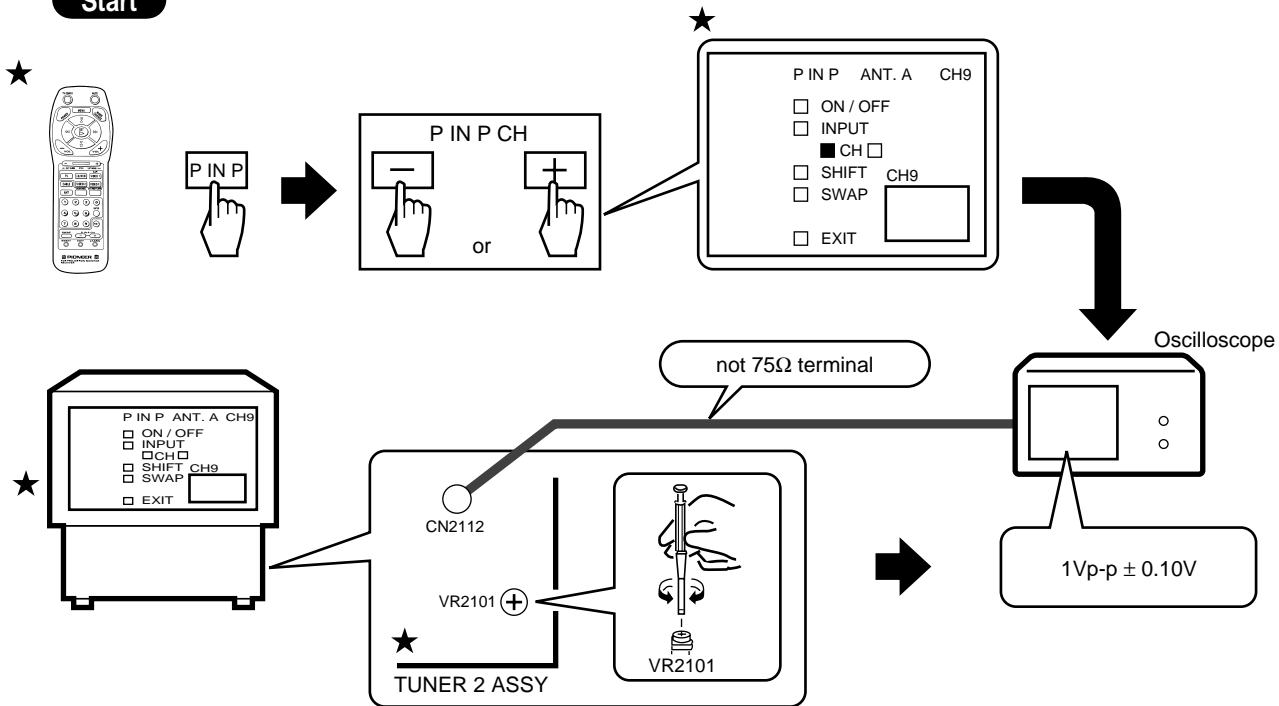
★

- MENU 2
- CC / XDS
 - AV MEMORY
 - CHANNEL SET UP
 - CONVERGENCE
 - SYSTEM IN / OUT
 - MENU 1

original page 152

12-2 Video level adjustment ②

Start



original page 153

13 White balance adjustment

Refer to the "Note (*1)" on page 53.

Start **1st FAC**

★

(DOWN) → [TV Screen] → Adjust the DRV-G and DRV-B so that the bright part of the screen becomes white.

Color bar signal without color signal → Adjust the CUT-R and CUT-B so that the dark part of the screen becomes gray. (Don't move the screen VR and CUT-G.)

★

8 : DRV-G
9 : DRV-B

0 : CUT-R
CH - : CUT-B

14 PIONEER's standard settings

Refer to the "Note (*1)" on page 53.

14-1 Sharpness adjustment

Start **1st FAC** Telop : Blue

★

(DOWN) → [TV Screen] → "Multiburst" → TP-05Y → TUNER • VIDEO ASSY → Oscilloscope

A : B = 4 : 6.2

500kHz 2MHz

14-2 Color adjustment

Start **1st FAC**

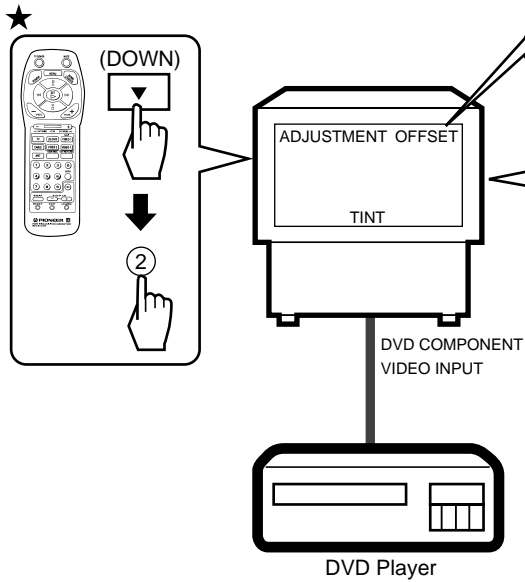
★

(DOWN) → [TV Screen] → "Color bar" → Adjust the screen to optimum condition.

14-3 Tint adjustment

Start

1st FAC



* For the adjustment of 14-2 and 14-3.

When it does not have the color bar generator with component video output. (However, make it finish the adjustment of composite video in advance.)

1. Prepare the DVD player with the component video output and the Video software.
2. Input the component signal to the DVD COMPONENT VIDEO INPUT of the TV, and input the composite signal to the VIDEO 1 INPUT.
3. Set the AV MEMORY of LD/DVD, VIDEO 1 to the STANDARD in the normal use mode (It does not enter the FACTORY ADJ mode.)
4. Playback the Video software.
5. Adjust the value of COLOR and TINT of PICTURE of MENU1 with seeing sometimes video of VIDEO 1 so that the video (color) of LD/DVD becomes the same as the video of VIDEO 1.
6. The adjustment is complete, read the value of COLOR and TINT in the MENU, and change it into the value in FACTORY in accordance with the following table.

	In MENU	-30	-15	+15	+30
		2Steps		2Steps	
In FACTORY	COLOR				
	TINT	2Steps			

Example:

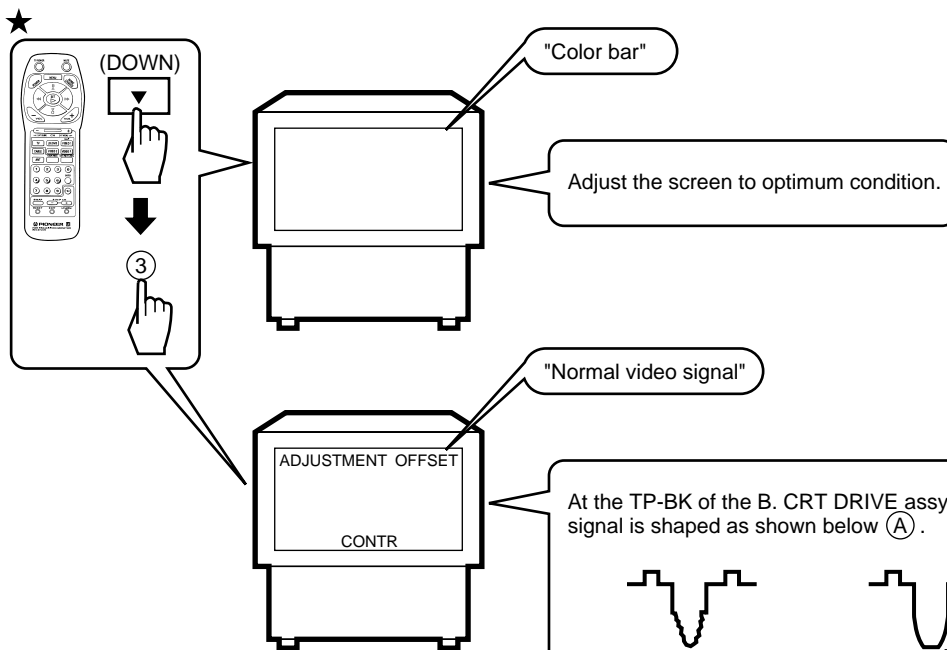
MENU	FACTORY
COLOR +17	+19
TINT -5	-10

7. Input the changed value to COLOR and TINT of the component offset in the FACTORY ADJ mode. (End)

14-4 Contrast adjustment

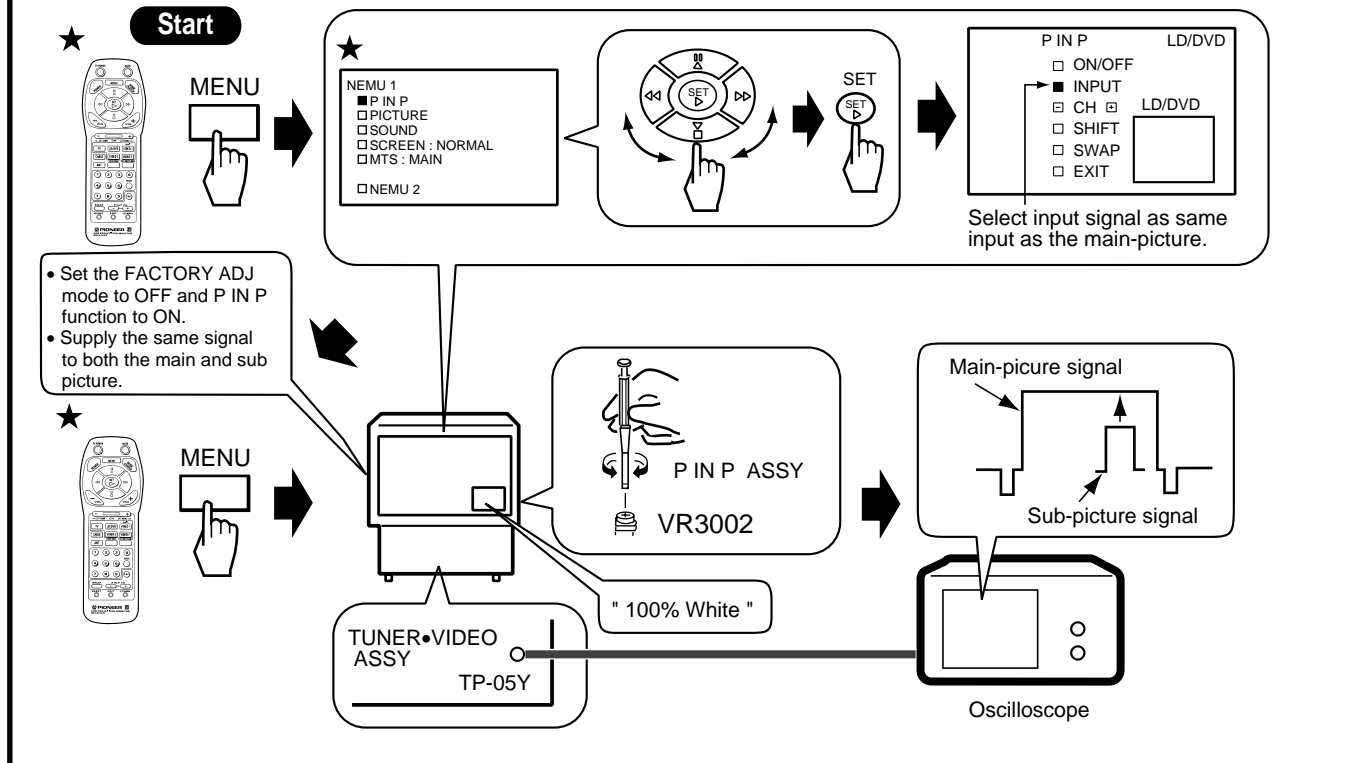
Start

1st FAC

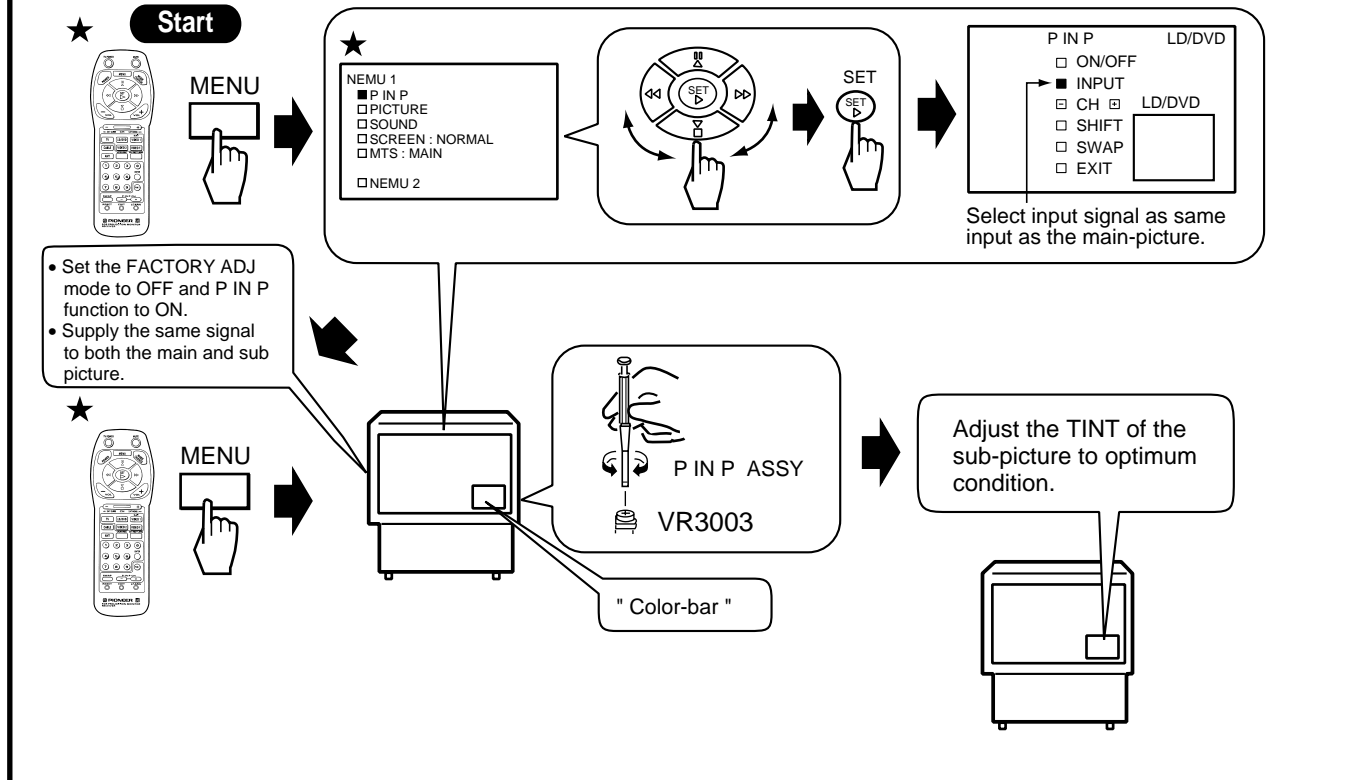


(A) Shapely waveform (B) Shapeless waveform

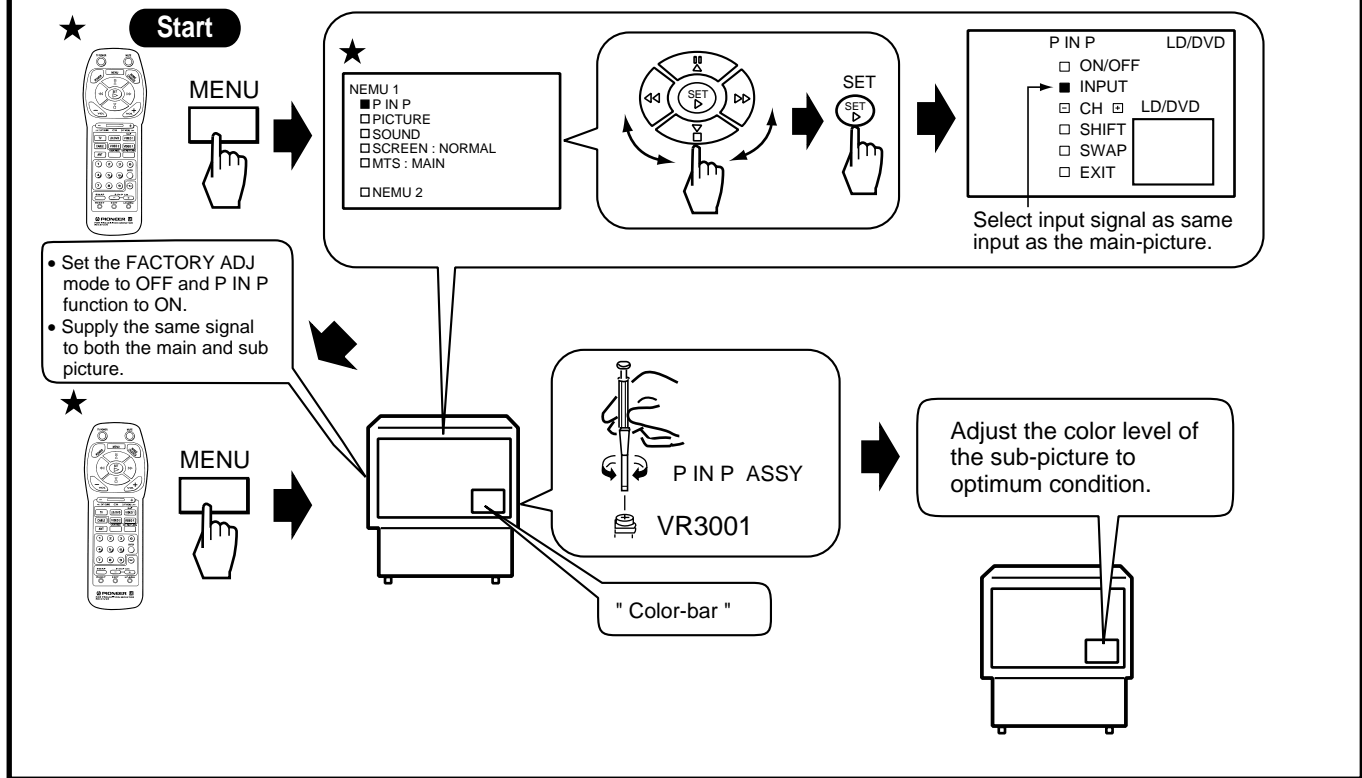
15 Y-signal level adjustment of sub-picture (adjustment for P IN P)



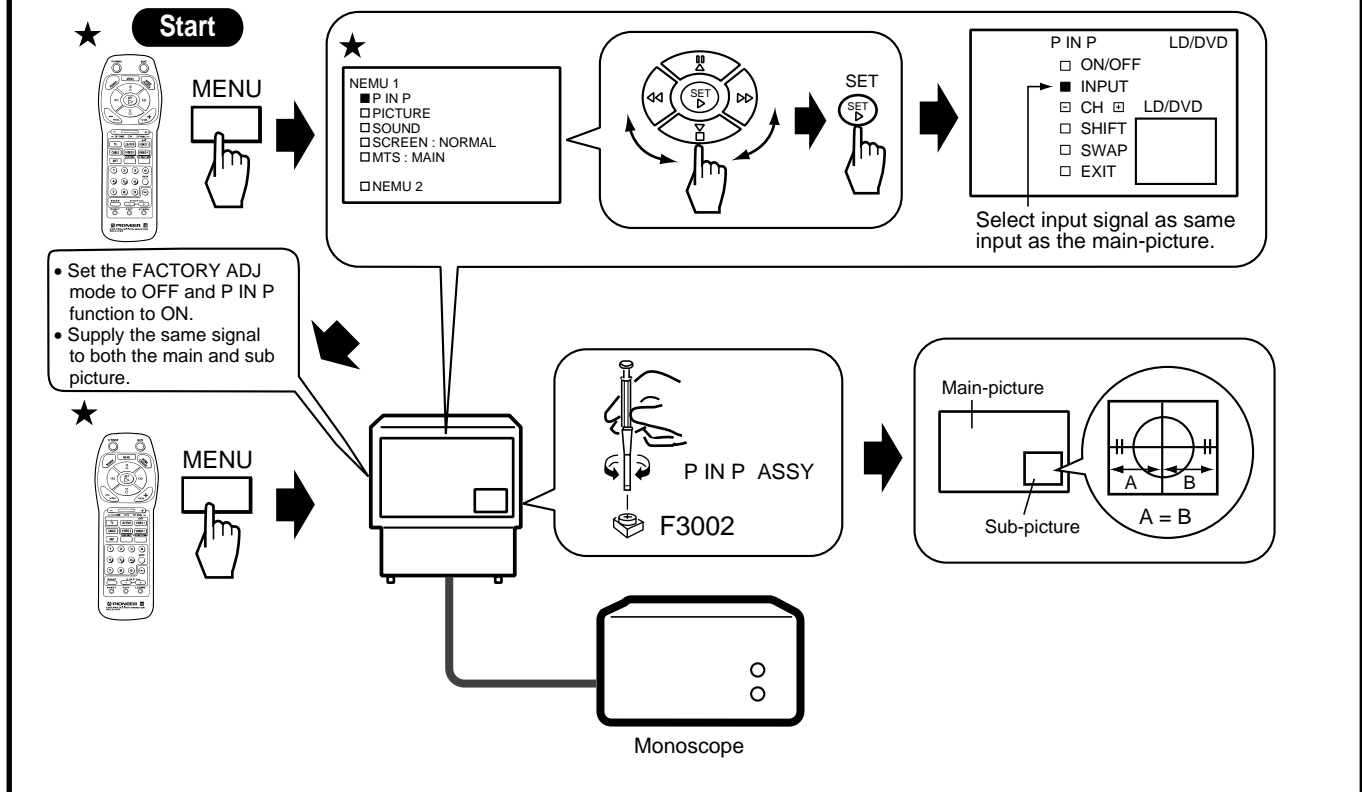
16 TINT adjustment of sub-picture (adjustment for P IN P)



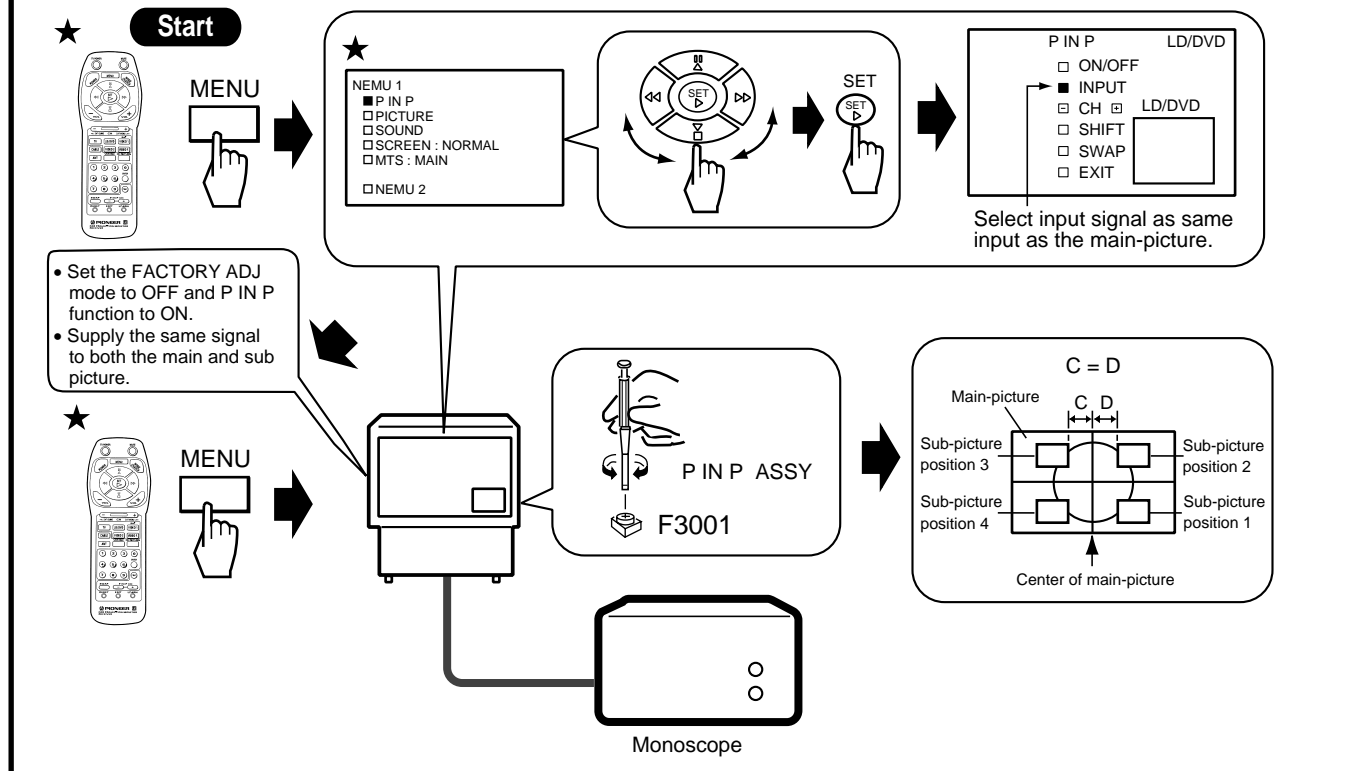
17 Color level adjustment of sub-picture (adjustment for P IN P)



18 Write clock adjustment of sub-picture (adjustment for P IN P)

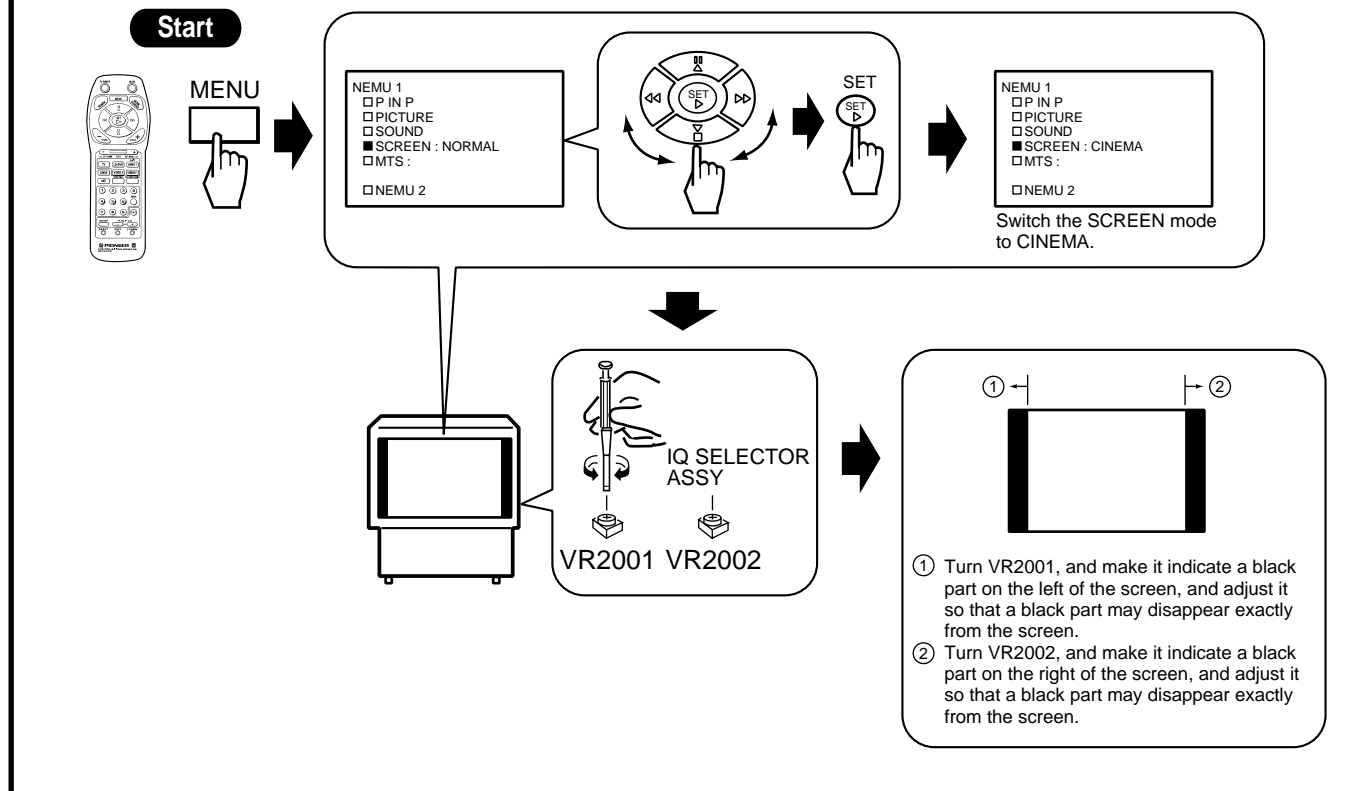


19 Read clock adjustment of sub-picture (adjustment for P IN P)



original page 161

20 CINEMA MUTE adjustment



6. IC INFORMATION

• The information shown in the list is basic information and may not correspond exactly to that shown in the schematic diagrams.

■ PD5473B (TUNER • VIDEO ASSY : IC801)

• TV Control μ com

●Pin Arrangement

H.BLK	1 (H SYNC)	(P52/R)	64	OSD.R
V.BLK	2 (V SYNC)	(P53/G)	63	OSD.G
DPO	3 (P40/AD4)	(P54/B)	62	OSD.B
REMOTE	4 (P41/INT2)	(P55/OUT1)	61	OSD.BLK
H.SYNC2	5 (P42/TIM2)	(P04/PWM0)	60	DATA2
H.SYNC1	6 (P43/TIM3)	(P05/PWM1)	59	NC
AFT2	7 (P24/AD3)	(P60)	58	NC
NC	8 (P25/AD2)	(P06/PWM2)	57	LIN.W
AFT1	9 (P26/AD1)	(P61)	56	V MUTE
CONV ENB	10 (P27)	(P07/PWM3)	55	DETAIL
NC	11 (P00/PWM4)	(P62)	54	V.M.MUTE
PINP ENB	12 (P50/PWM7)	(P20)	53	AC CLK
COMP.O/X	13 (P01/PWM5)	(P21)	52	ROM RST
NC	14 (P47)	(P22)	51	RELAY
SHARP	15 (P02/PWM6)	(P23)	50	NC
EXP ENB2	16 (P51)	(P10/OUT2)	49	V O/X
NC	17 (P17/SIN)	(P65)	48	TV V.MUTE
EXP ENB1	18 (P32)	(P11/SCL1)	47	SCLK1
KEY	19 (P44/INT1)	(P66)	46	NC
TV A MUTE	20 (P56)	(P12/SCL2)	45	SCLK2
OPT	21 (P45/SOUT)	(P67)	44	CLK2
PINP RST	22 (P57)	(P13/SDA1)	43	SDATA1
NC	23 (P46/SCLK)	(P14/SDA2)	42	SDATA2
AVcc	24 (AVCC)	(P15/L1)	41	NC
	25 (HLF)	(P16/L2/INT3)	40	CENTER O/X
	26 (RVCO)	(P03)	39	S COMP SW
	27 (VHOLD)	(P30)	38	A MUTE
CVIN	28 (CVIN)	(P31)	37	REC MUTE
CNVSS	29 (CNVSS)	(RESET)	36	RESET
Xin	30 (XIN)	(P64/OSC2/XCOUT)	35	OSC2
Xout	31 (XOUT)	(P63/OSC1/XCIN)	34	OSC1
VSS	32 (VSS)	(VCC)	33	VCC

Pin Function

I:Input Ci:CMOS input No:N ch open-drain output
O:Output Co:CMOS output Ni:N ch open-drain input

●Pin Function

No.	Pin Name	I/O	Function	No.	Pin Name	I/O	Function
1	H.BLK	I	Sync. signal input for OSD	9	AFT1	Ci	AFT analog voltage input for tuner 1
2	V.BLK			10	CONV ENB	No	Conver IC (PM0002B) enable signal output
3	DPO	I	PWM output for DPO level control	11	NC	-	Non connection
4	REMOTE	I	Remote control signal input Decipher the Pioneer SR signal	12	PINP ENB	No	Data enable signal output for P in P IC
5	H SYNC2	I	Horizontal sync. count input for tuner 1 reception When the status in which there are 12 to 18 H-SYNC pulses in 1 msec continues 8 times, it is regarded that there is a broadcast. When any other status continues 6 times, it is regarded that there is no broadcast.	13	COMP.O/X	Ni	COMPONENT input signal detection inpu H: No COMPONENT L: COMPONENT exist
6	H SYNC1	I	Horizontal sync. count input for tuner 2 reception When the status in which there are 12 to 18 H-SYNC pulses in 1 msec continues 8 times, it is regarded that there is a broadcast. When any other status continues 6 times, it is regarded that there is no broadcast.	14	NC	-	Non connection
7	AFT2	Ci	AFT analog voltage input for tuner 2	15	SHARP	No	PWM output for SHARPNESS level control
8	NC	-	Non connection	16	EXP ENB2	No	Data enable signal output of port expander IC2 (IC1651, I/O)

No.	Pin Name	I/O	Function	No.	Pin Name	I/O	Function	
17	NC	-	Non connection	41	NC	-	Non connection	
18	EXP ENB1	No	Data enable signal output of port expander IC1 (IC803, UCOM)	42	SDATA2	Ni/o	I ² C serial data input/output Tuner PLL, Audio multiplex IC, Audio IC, I/O, 3D-Y/C, Video IC and DAC IC (COMPONENT)	
19	KEY	I	Key scan signal input of the main uni Analog voltage input	43	SDATA1	Ni/o	I ² C serial data input/output for E ² ROM	
20	TV A MUTE	No	TV audio mute output H: ON, L: OFF	44	CLK2	Co	Serial clock output (P in P, Conver, Port expander 1, 2)	
21	OPT	Ni	Not used Fixed to L.	45	SCLK2	Ni/o	I ² C serial transfer clock Tuner PLL, Audio multiplex IC, Audio IC, I/O, 3D-Y/C, Video IC and DAC IC (COMPONENT)	
22	PINP RST	No	Reset signal output for P in P IC (HD49420) H: ON, L: OFF	46	NC	-	Non connection	
23	NC	-	Non connection	47	SCLK1	Ni/o	I ² C serial clock input/output for E ² ROM	
24	AVcc	-	Analog power supply Apply +5V.	48	TV V.MUTE	No	TV video mute output H: ON, L: OFF	
25	HLF	-	Connect a external part for the CCD timing signal generating circuit	49	V O/X	Ci	Video signal existence detecting input H: Signal exist, L: No signal	
26	RVCO			50	NC	-	Non connection	
27	VHOLD	-	Connect a external part for the CCD reference voltage generating circuit	51	RELAY	No	Control signal output of the power supply relay H: OFF, L: ON	
28	CVIN	I	Video signal input for CCD (2.0 Vp-p)	52	ROM RST	Co	Reset output for E ² PROM	
29	CNVSS	I	Connect to VSS	53	AC CLK	Ci	AC clock detecting input Used for detection of AC power OFF. (Reset is generated when no AC clock is supplied for 3 times.)	
30	Xin	I	Input/output pins for the main clock generating circuit	54	V.M.MUTE	No	Velocity modulation MUTE signal output H: OFF, L: ON	
31	Xout	Co		Connect a 8.0MHz ceramic resonator.	55	DETAIL	No	PWM output for DETAIL level control
32	VSS	-	Apply 0V to VSS.	56	V MUTE	Co	Video mute output (Input switch and power ON/OFF,etc.) H: OFF, L: ON	
33	VCC	-	Power supply voltage Apply +5V.	57	LIN.W	No	PWM output for linear white level control	
34	OSC1	I	Clock input/output for display	58	NC	-	Non connection	
35	OSC2	Co		59	NC			
36	RESET	I	System reset Reset is done by applying L for more than 0.95 μsec (when OSC=4.19MHz).	60	DATA2	Co	Serial data output (P in P, Conver, Port expander 1, 2)	
37	REC MUTE	Co	REC OUT mute output H: ON, L: OFF	61	OSD.BLK	Co	Signal output for OSD MUTE and velocity modulation MUTE	
38	A MUTE	Co	Audio mute output H: ON, L: OFF (When selecting MUTE mode, switching input, turning power ON/OFF and CH up/down, etc., Audio mute is output.)	62	OSD.B	Co	Video output for OSD	
39	S COMP SW	Ci		S input signal detecting input H: S exist, L: No S	63			OSD.G
40	CENTER O/X	Ci		CENTER IN (AUDIO) input signal detecting input H: Signal exist, L: No signal	64			OSD.R

■ TC4094BP (TUNER • VIDEO ASSY : IC803)

• Port Expander 1 IC

• Pin Arrangement

EXP NEB1	1	16	VCC
DATA2	2	15	OE
CLK2	3	14	ACL SW
NC	4	13	CONV MUTE
CENTER SW	5	12	INT/EXT
ANT SW	6	11	WIDE SW
NC	7	10	QS
GND	8	9	QS

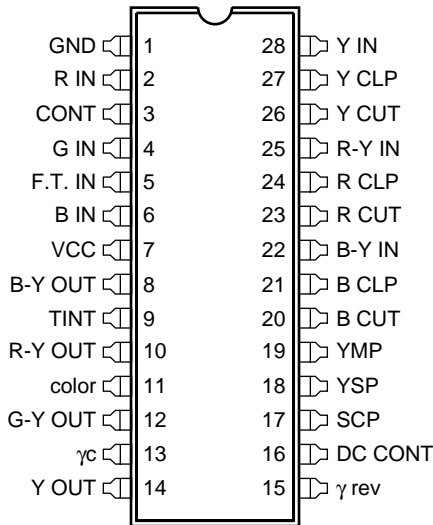
• Pin Function

No.	Pin Name	Function
1	EXP ENB1	Enable (strobe) input
2	DATA2	Serial data input
3	CLK2	Serial clock input
4	NC	Non connection
5	CENTER SW	Switch the SPEAKERS CENTER IN/NORMAL H: NORMAL, L: CENTER IN
6	ANT SW	Antenna input A and B switching signal H: ANT. B, L: ANT. A
7	NC	Non connection
8	GND	Ground
9	QS	Serial output
10	QS	
11	WIDE SW	Change the screen size H: CINEMA (FULL CINEMA), L: NORMAL (NORMAL CINEMA)
12	INT/EXT	Speaker output switching signal output Fixed to INT.
13	CONV MUTE	Mute output for Conver amp. (STK392-110) H: OFF, L: ON
14	ACL SW	ACL control H: OFF, L: ON (When the contrast user value is maximized : H (OFF), others : L (ON))
15	OE	Output enable
16	VCC	Power supply voltage

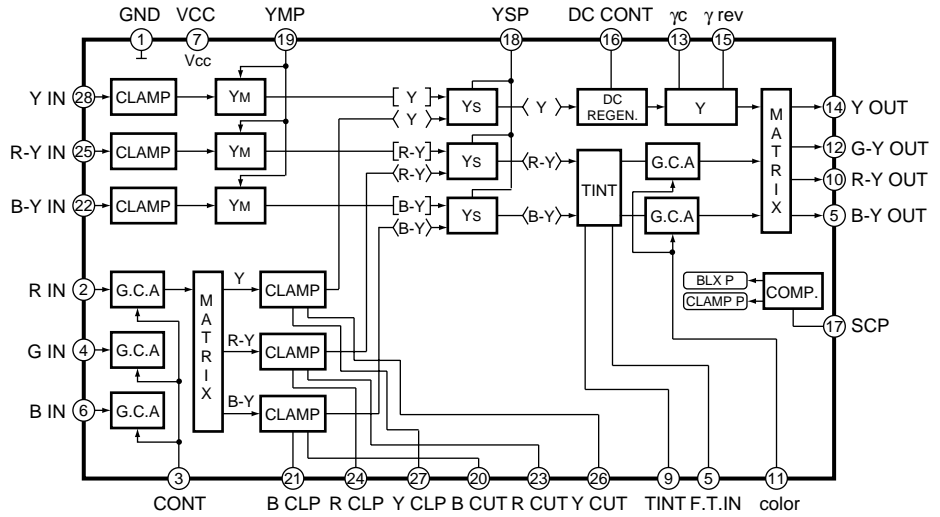
■ AN5867K (COMPONENT ASSY : IC7001)

• Color & Tint Control IC

● Pin Arrangement



● Block Diagram



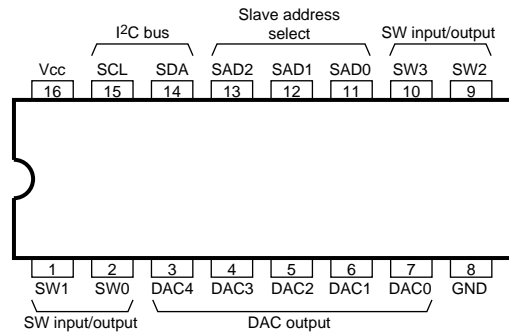
● Pin Function

No.	Pin Name	Function	No.	Pin Name	Function
1	GND	GND	15	γ rev	γ correction lead-in level adjustment
2	R IN	Primary color input R	16	DC CONT	DC regenerate quantity adjustment
3	CONT	Contrast control	17	SCP	Sand castle pulse input
4	G IN	Primary color input G	18	YSP	Ys pulse input
5	F.T.IN	Tint correction input	19	YMP	Ym pulse input
6	B IN	Primary color input B	20	B CUT	B-Y cut-off adjustment
7	VCC	Vcc	21	B CLP	B-Y clamp capacity
8	B-Y OUT	B/B-Y output	22	B-Y IN	Color-difference signal input B-Y
9	TINT	Tint control	23	R CUT	R-Y cut-off adjustment
10	R-Y OUT	R/R-Y output	24	R CLP	R-Y clamp capacity
11	color	Color control	25	R-Y IN	Color-difference signal input R-Y
12	G-Y OUT	G/G-Y output	26	Y CUT	Y cut-off adjustment
13	γ c	Smoothing capacitor for γ correction	27	Y CLP	Y clamp capacity
14	Y OUT	Y output	28	Y IN	Luminance signal input Y

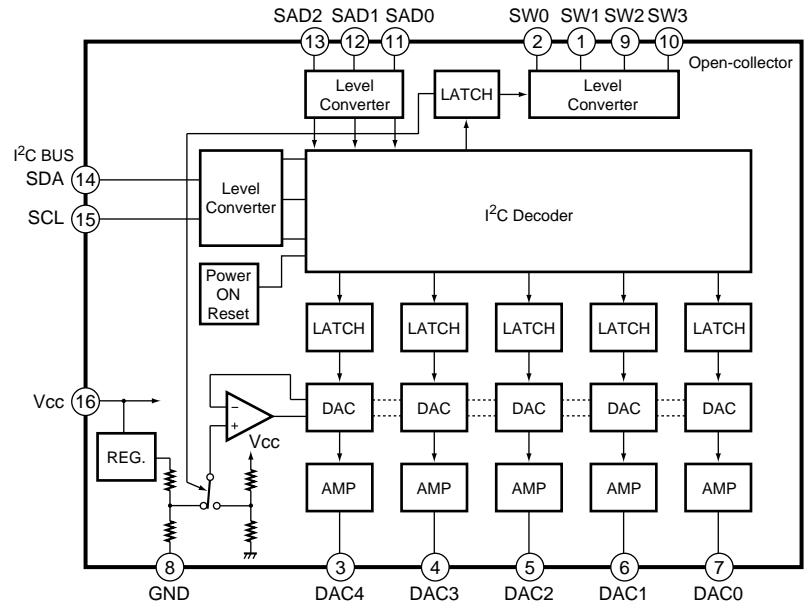
■ CXA1315M (COMPONENT ASSY : IC7003)

• 8 bit D/A Converter for I²C Bus

● Pin Arrangement and Function



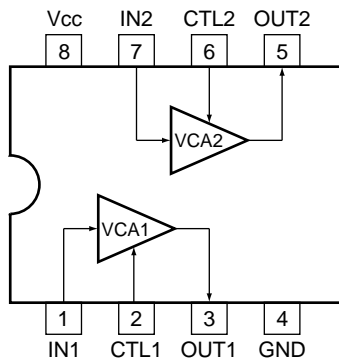
● Block Diagram



■ BA7655AF (COMPONENT ASSY : IC7004)

• VCA IC for VTR and Movie

● Block Diagram

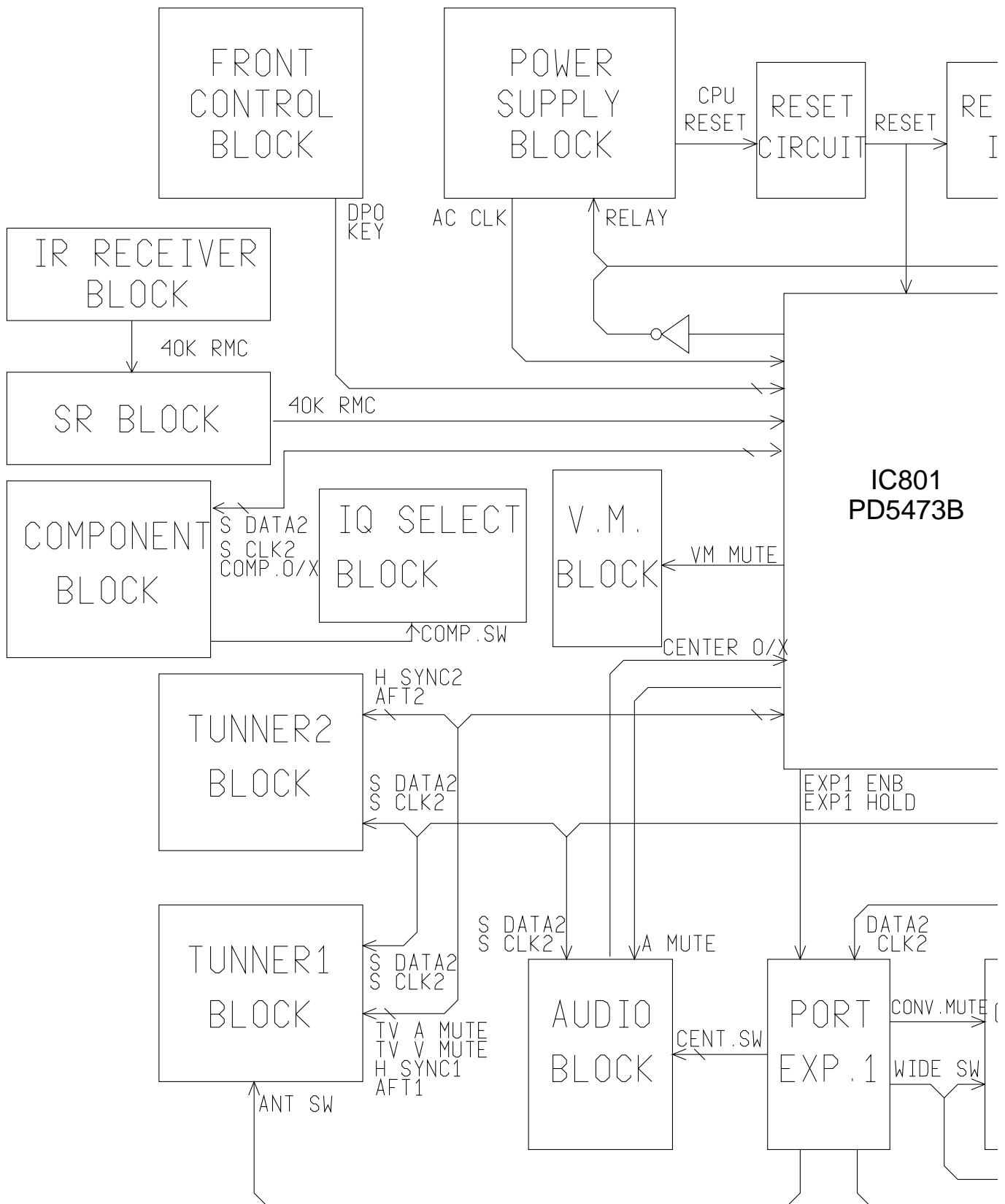


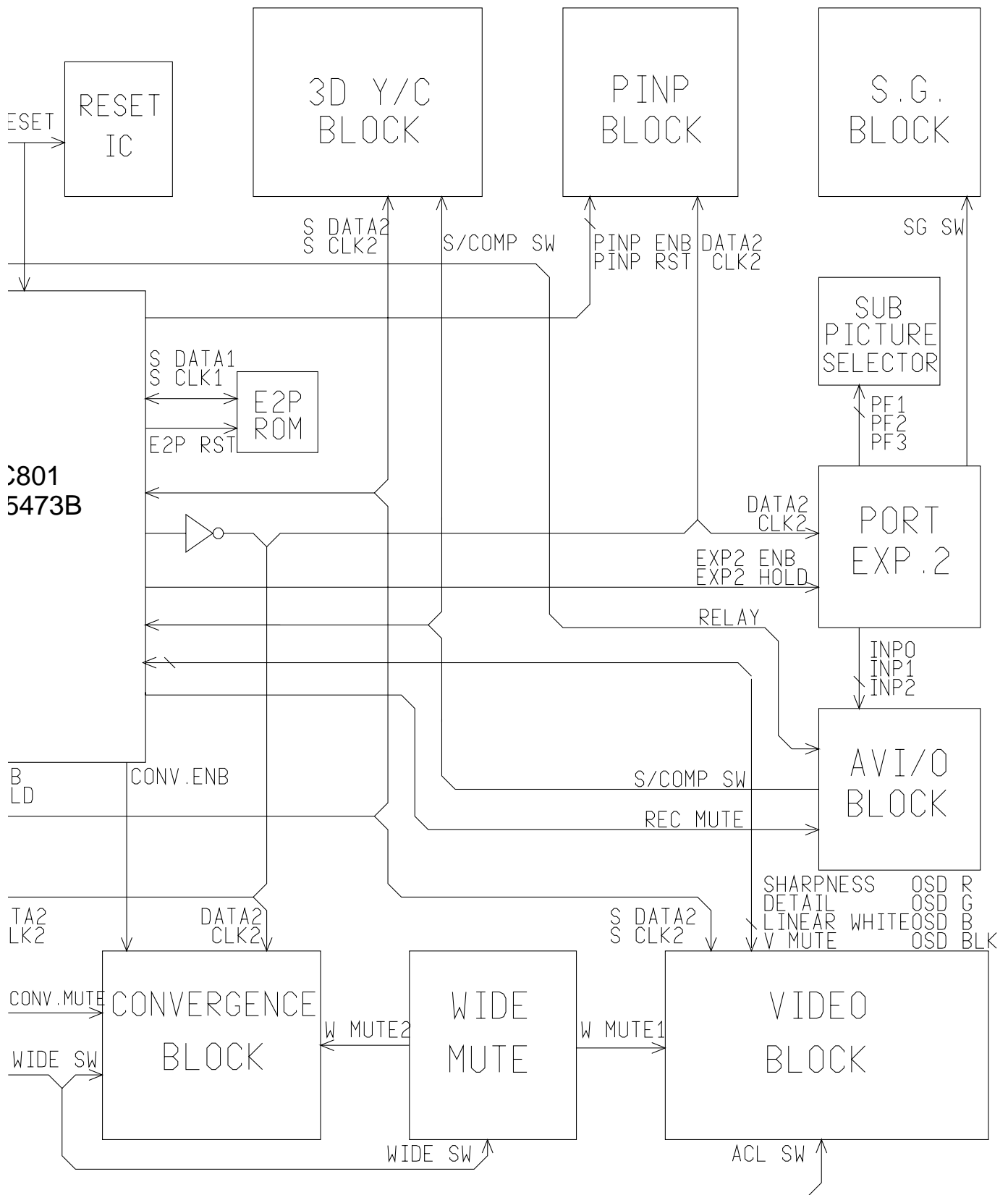
● Pin Function

No.	Pin Name	Function
1	IN1	Input 1
2	CTL1	Control 1
3	OUT1	Output 1
4	GND	Ground
5	OUT2	Output 2
6	CTL2	Control 2
7	IN2	Input 2
8	Vcc	Power supply voltage

7. BLOCK DIAGRAM

7.1 UCOM BLOCK





7.2 VIDEO BLOCK

