



# PROLYTE STRUCTURES

## Product NEWS H40R MPT Adapter



### H40R TO MPT SLEEVE BLOCK ADAPTER

The H40R truss is a rectangular standard H40 truss with a very clever program of specifications. The H40R measures 387 mm high by 287 mm wide. For the H40R Prolyte Group has developed a special adapter to be able to mount this flexible truss type on the MPT tower system, thereby offering more application possibilities.

The H40R is available in all standard lengths as well as a box-corner. Apart from the standard lengths and box corner for the H40R range, Prolyte Group offers a box corner attachment and the H40R MPT adapter; completing the H40R range to a convenient and flexible range.

### H40R MPT ADAPTER SPECIFICATIONS

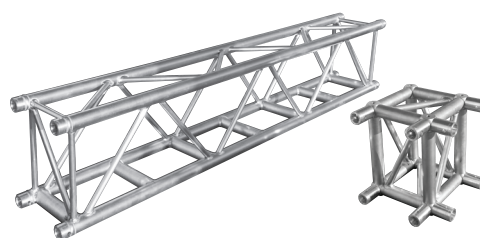
**Article Code:** H40R-MPT010-ADAP

**Price:** € 64,22 per piece, 2 pieces needed.

Depending on the coupling method, the following bolts are required to attach the adapter:

- **To attach the H40R-MPT010-ADAP to the sleeve block:**  
BM-M12X075 + BM-M12-N + BM-M12-SW
- **To attach the CCS6-651:** BM-M12X050-IB + BM-M12-SN + BM M12-SW
- **To attach the CCS6-602:** BM-M12X040 + BM-M12-SW

### H40R-L200

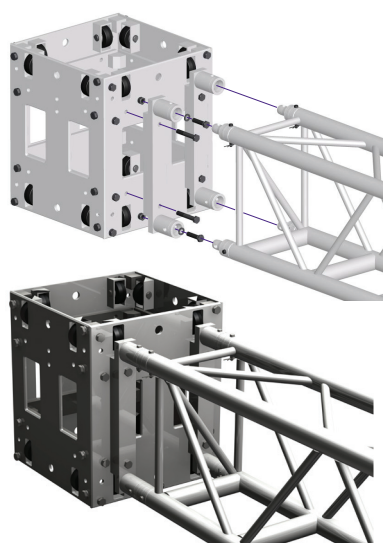


### BOX-40R-0

### H40R-MPT010-ADAP



### TO ATTACH H40R-MPT010-ADAP TO A SLEEVE BLOCK



Prolyte Group HQ  
Leek, Netherlands  
info@prolyte.com

Prolyte Products UK Ltd  
Wakefield, England  
info@prolyte.co.uk

Prolyte Products GmbH  
Emsdetten, Germany  
info@prolyte.eu

Prolyte Products RO SRL  
Slatina, Romania  
info@prolyte.ro

© 2011 Prolyte Group  
Prices are in Euro's, CPT (Incoterms), excluding VAT, packaging and transport costs. We reserve the right to alter prices, products, codes and technical information without prior notice.