

ProxPro™ Proximity Card Reader

The ProxPro Proximity Card Reader combines all of the electronics usually found in two separate packages into a single, architecturally attractive enclosure that mounts to a standard single-gang electrical box. With its inherently weatherproof design, the reader is easily mounted either indoors or out.

Using advanced surface-mount technology manufacturing techniques, the ProxPro reader offers high reliability, consistent read range characteristics, and low power consumption in a single, easy-to-install package. Standard capabilities include multicolor LED, internal or host control of the LED and/or beeper, and a beeper "off" switch for silent operation.

The ProxPro reader offers Wiegand protocol interface compatibility with all standard access control systems, plus optional RS232 and RS422 serial interfaces. To provide an additional level of security, the ProxPro reader is the first to offer an optional, fully integrated personal identification number keypad, weatherized for outdoor applications.

HID is committed to bringing advanced technology to the radio frequency identification market. The ProxPro reader is a continuing example of this commitment.

5355 Series



Specifications

Typical maximum* read range:

ProxCard II™ card	5-9" (14-23 cm)
ISOProx™ card	4-6" (10-15 cm)
ProxKey II™ keyfob	1-3" (2.5-7.5 cm)

Power supply:

10-28.5 VDC

Reverse voltage protection included.

Linear power supplies are recommended.

Max. current requirements:

Current (DC)	All versions:
Average	100 mA
Peak	160 mA

Dimensions:

5.0" x 5.0" x 1.0" (12.7 x 12.7 x 2.54 cm)

Enclosure material:

Polycarbonate UL 94

Weight:

12 oz. (336 gm)

Operating temperature:

-22° to 150° F (-30° to 65° C)

Operating humidity:

0-95% noncondensing

Transmit frequency:

125 kHz

Certifications:

UL 294 listed

FCC part 15, United States

DTI (MPT 1337), United Kingdom

CE Mark approved

BZT pending

Cable distance:

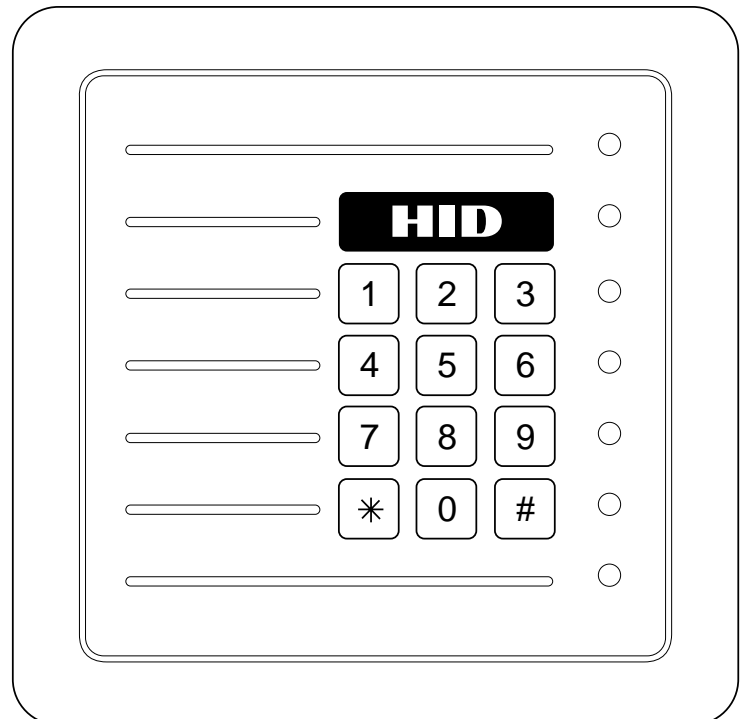
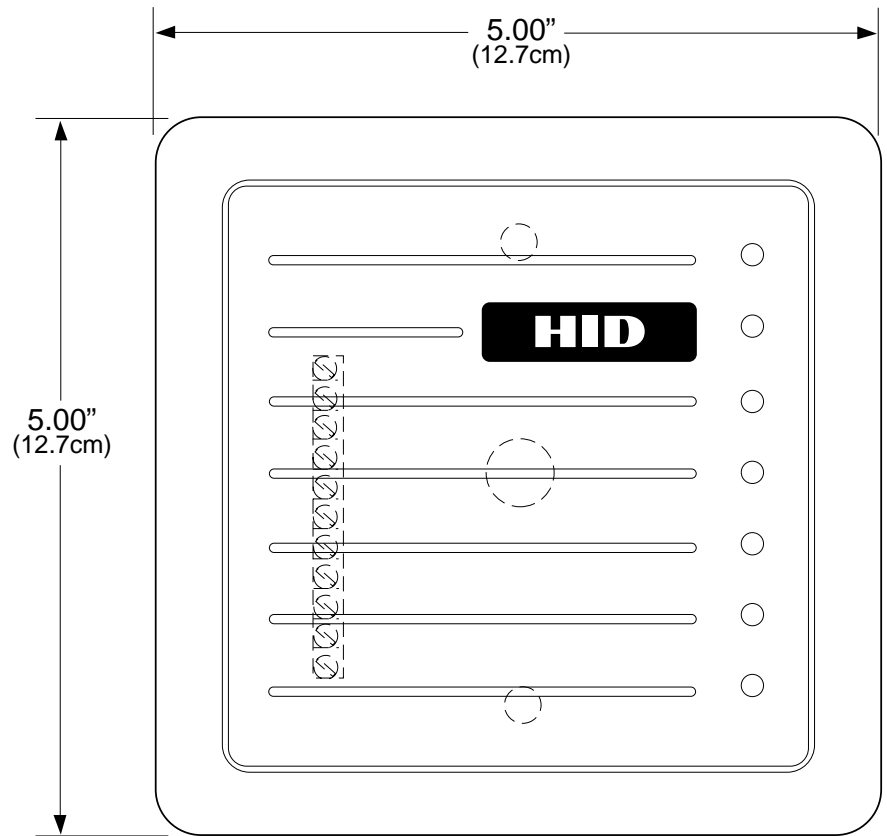
Wiegand interface: 500 feet (150 m)

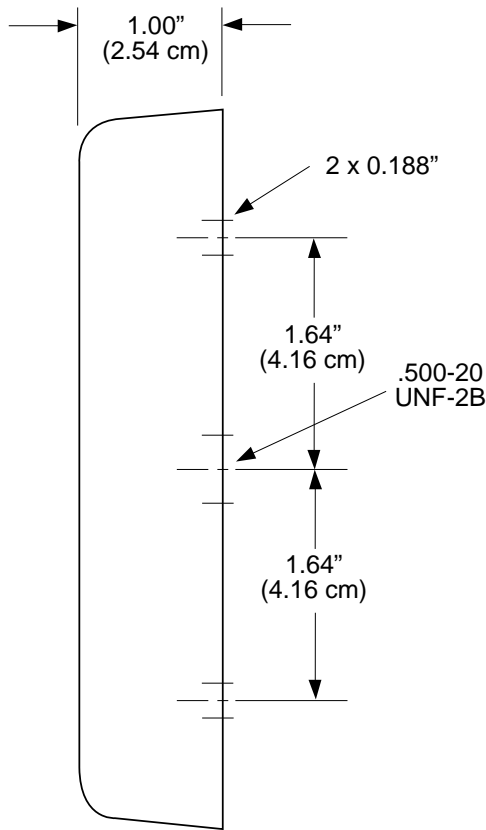
RS232 interface: 50 feet (15 m)

Recommended cable is ALPHA 1295 (22 AWG)

5 conductor stranded with overall shield or equivalent. Additional conductors may be required for LED or Beeper control.

*Depending on local installation conditions.





1. +DC
2. GROUND
3. DATA 0
4. DATA 1
5. DATA RTN
6. GREEN LED
7. RED LED
8. BEEPER
9. HOLD
10. TAMPER COMMON
11. TAMPER SELECT

Features

Mounting: Mounting holes fit standard U.S.A. single-gang switch boxes (vertically mounted) to simplify installation. When mounted directly to metal, a selectable jumper setting provides for improved performance.

Audiovisual indication: When a proximity card is presented to the reader, the red LED flashes green and the beeper sounds. The multicolor LED and beeper can also be controlled individually by the host system.

Diagnostics: On reader power-up, an internal self-test routine checks and verifies the setup configuration, determines the internal or external control of the LED and beeper, and initializes the reader operation.

Indoor/outdoor design: The ProxPro reader is sealed in a rugged, weatherized polycarbonate enclosure designed to withstand harsh environments as well as provide a high degree of vandal resistance. This allows the reader to be easily installed in any location, even with the optional keypad.

Easily interfaced: The ProxPro reader interfaces with all existing Wiegand protocol access control systems and can be configured to any facility code and card number format requirement. ProxPro readers communicate in all Wiegand formats, plus optional RS232 and RS422 serial interfaces.

Security: The ProxPro reader includes a tamper switch to provide protection against reader tampering.

Keypad option: The ProxPro reader is the first proximity design available with an optional, integrated, weatherized keypad. The ProxPro reader keypad interfaces with the host system either by sending the keypad data over the data output lines or via a direct connection to the host keypad interface. This offers an additional level of security by allowing the use of a personal identification number (PIN).

Warranty: ProxPro readers are warranted against defects in materials and workmanship for life from date of shipment. (See complete warranty policy for details).

Part numbers

ProxPro™ Proximity Card Reader – Wiegand Interface

Base Part No.: **5355**

Description: Wiegand Interface, Tri-State LED, Internal Beeper On

Options:

- Color (Gray, Beige)
- Keypad Operation
- LED and Beeper Operation
- Custom Label

ProxPro Proximity Card Reader – Serial Interface

Base Part No.: **5352**

Description: Serial Interface, Tri-State LED, Internal Beeper On

Options:

- Color (Gray, Beige)
- Keypad Operation

(Please see "How to Order" guide for a description of the options and associated part numbers.)

Specifications subject to change without notice.
LT5355DS 4/97, supersedes 1/96
Printed in the U.S.A.



9292 Jeronimo Road, Irvine, California 92618-1905 U.S.A.
Tel: (714) 598-1600 (800) 237-7769 Fax: (714) 598-1690
Internet Address: <http://www.prox.com>