

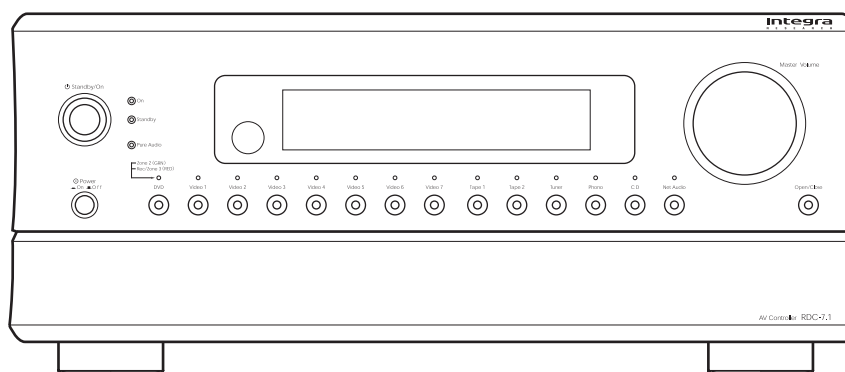
Integra SERVICE MANUAL

R E S E A R C H

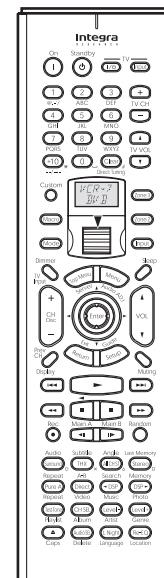
Ref. No. 3869

Dec, 2004

AV CONTROLLER MODEL RDC-7.1




Titanium model

RC-554M
RC-555M

UDD, UDT	120V AC, 60Hz
UPP-RC/RF, UPA	230-240V AC, 50Hz
UGK, UGT	220-230V AC, 50/60Hz

SAFETY-RELATED COMPONENT WARNING!!

COMPONENTS IDENTIFIED BY MARK  ON THE SCHEMATIC DIAGRAM AND IN THE PARTS LIST ARE CRITICAL FOR RISK OF FIRE AND ELECTRIC SHOCK. REPLACE THESE COMPONENTS WITH ONKYO PARTS WHOSE PART NUMBERS APPEAR AS SHOWN IN THIS MANUAL.

MAKE LEAKAGE-CURRENT OR RESISTANCE MEASUREMENTS TO DETERMINE THAT EXPOSED PARTS ARE ACCEPTABLY INSULATED FROM THE SUPPLY CIRCUIT BEFORE RETURNING THE APPLIANCE TO THE CUSTOMER.

SPECIFICATIONS

USA and Canadian models

General

Power Supply Rating:	AC 120V, 60 Hz
Consumption Power:	1.0A
Standby Power Consumption:	3.9W
Dimensions (W×H×D):	17-11/16" × 7-3/4" × 18-13/16" (450×197.3×477.1 mm)
Weight:	45.6 lbs (20.7 kg)
Inputs:	
Audio	
Multichannel (7.1ch) Inputs:	1 or 2 (option)
Phono (MM):	1
Line inputs:	9 (assignable)
Digital inputs Coaxial:	6
Digital inputs Optical:	6 (assignable)
Digital inputs AES/EBU	1 (option)
Video (Option)	
Composite Video inputs:	6 (assignable)
SVideo inputs:	6 (assignable)
Component Video RCA inputs:	3 or 4
Component Video BNC input:	1
Audio and Video	
HDMI inputs (19-pin):	2 (option)
Miscellaneous	
IR in (phoenix connector):	3 (for Main, Zone 2 and Zone 3)
Outputs:	
Audio	
Balanced Pre out A:	Front L/R, Center/Surround L/R, Surround Back L/R, Subwoofer
Unbalanced Pre out A:	Front L/R, Center, Surround L/R, Surround Back L/R, Subwoofer
Unbalanced Pre out B:	Subwoofer
Headphones:	1
Line outputs:	5 (assignable to Recout, Zone 2 out and Zone 3 out)
Digital outputs Coaxial:	2 (assignable to Recout, Zone 2 out and Zone 3 out)
Digital outputs Optical:	2 (assignable to Recout, Zone 2 out and Zone 3 out)
Video (Option)	
Composite Video outputs:	3 (assignable to Monitor out A/B, Recout, Zone 2 out and Zone 3 out) 1 (fixed, Monitor out A)
SVideo outputs:	3 (assignable to Monitor out A/B and Recout) 1 (fixed, Monitor out A)
Component Video RCA outputs:	1 or 2
Component Video BNC output:	1
Audio and Video	
HDMI output (19-pin):	1
Miscellaneous	
12V Trigger out (phoenix connector):	5 (for A, B, C, D, E)
Inputs/Outputs:	
Miscellaneous	
i. LINK(AUDIO) (4 pin):	2
Ethernet (Net-Tune):	1 (option)
RI (1/8-inch mini-jack):	1
RS232 (9 pin D-SUB Female connector):	1
Antennas:	
FM:	75 ohms unbalanced
AM:	Included loop antenna and external terminal
AC Inlet:	1 (IEC type)

Amplifier Section

Maximum Output Level:	8.5Vrms
THD (Total Harmonic Distortion):	0.05% (1Vrms output)
Input Sensitivity and Impedance:	
Audio	
200 mV, 50 kΩ (AUDIO IN 1-9)	
2.5 mV, 50 kΩ (PHONO MM)	
200 mV, 50 kΩ (MULTI IN FR/FL/C/SR/SL/SBR/SBL) (Option)	
36 mV, 50 kΩ (MULTI IN SUB) (Option)	
0.5 Vp-p, 75 Ω (DIGITAL IN COAXIAL 1-6)	
1.3 Vp-p, 110 Ω (DIGITAL IN (balanced) AES/EBU) (Option)	
1 Vp-p, 75 Ω (Composite Video)	
1 Vp-p, 75 Ω (SVideo, Y signal)	
0.28 Vp-p, 75 Ω (SVideo, C signal)	
1 Vp-p, 75 Ω (Y)	
0.7 Vp-p, 75 Ω (Pb/Cb, Pr/CR)	
Video (DVD, VIDEO 1-5) (Option)	
Component (Option)	
Output Level and Impedance:	
Audio	
AUDIO 1-5:	200 mV, 470 Ω (Tape 1/2/ Video 1/2/3 Rec Out) 100 mV, 470 Ω (Zone 2/3 Out (fixed)) 1 V, 470 Ω (Zone 2/3 Out (variable))
PRE OUT A:	1 V, 470 Ω (Front L/R, CENTER, SURR L/R, SURR BACK or Zone 2 L/R, SUBWOOFER) 1 V, 470 Ω (SUBWOOFER)
PRE OUT B:	
Video (Option)	
VIDEO 1-4 (Composite Video):	1 Vp-p 75 Ω (Monitor Out A/B, Video 1/2/3 Rec Out, Zone 2/3 Out)
VIDEO 1-4 (SVideo, Y signal):	1 Vp-p, 75 Ω (Monitor Out A/B, Video 1/2/3 Rec Out)
VIDEO 1-4 (SVideo, C signal):	0.28Vp-p, 75 ohms (Monitor Out A/B, Video 1/2/3 Rec Out)
COMPONENT VIDEO:	1 Vp-p, 75 ohms (Y) 0.7Vp-p, 75 ohms (Pb/Cb, Pr/CR)
Phono Overload:	120 mV RMS at 1,000 Hz, 0.5% THD
Frequency Response:	
Audio (CD in Direct mode)	5 Hz-100 kHz: +1/- 3 dB
Video Component	10 Hz-50 MHz: +1/- 3 dB
RIAA Deviation:	20-20 kHz: ±0.8 dB
Tone Control:	±12 dB at 50 Hz (Bass) ±12 dB at 1,000 Hz (Mid) ±12 dB at 20,000 Hz (Treble)
S/N (Direct mode):	80 dB (PHONO, IHFA, 5 mV input) 95 dB (LINE, IHFA, 0.5V input)
Muting:	Due to setup menu

SPECIFICATIONS

USA and Canadian models

Tuner Section

FM	
Tuning frequency Range:	87.50 to 107.90 MHz, 200 kHz steps
Usable Sensitivity:	
Stereo	17.2 dBf, 2.0 μ V (75 Ω IHF) 23 μ V (75 Ω DIN)
Mono	11.2 dBf, 1.0 μ V (75 Ω IHF) 0.9 μ V (75 Ω DIN)
50 dB Quieting Sensitivity:	
Mono	17.2 dBf, 2.0 μ V (75 ohms)
Stereo	37.2 dBf, 20.0 μ V (75 ohms)
Capture Ratio:	2.0 dB
Image Rejection Ratio:	40 dB
IF Rejection Ratio:	90 dB
S/N:	
Mono	76 dB, IHF
Stereo	70 dB, IHF
Alternate Channel Attenuation:	
Mono	55 dB IHF
Selectivity:	50 dB DIN
AM Suppression Ratio:	50 dB
Harmonic Distortion:	
Mono	0.2%
Stereo	0.3%
Frequency Response:	30 to 15,000 Hz, +/- 1.0 dB
Stereo Separation:	45 dB at 1,000 Hz 30 dB at 100 to 10,000 Hz
Stereo Threshold:	17.2 dBf, 2.0 μ V (75 Ω)
AM	
Tuning frequency Range:	530 to 1710 kHz, 10 kHz steps
Usable Sensitivity:	30 μ V
Image Rejection Ratio:	40 dB
IF Rejection Ratio:	40 dB
S/N:	40 dB
THD:	0.7%

Specifications and features are subject to change without notice.

SPECIFICATIONS

Other than USA and Canadian models

General

Power Supply Rating:	AC 120V, 60 Hz
Consumption Power:	1.0A
Standby Power Consumption:	3.9W
Dimensions (W×H×D):	17-11/16" × 7-3/4" × 18-13/16" (450×197.3×477.1 mm)
Weight:	45.6 lbs (20.7 kg)
Inputs:	
Audio	
Multichannel (7.1ch) Inputs:	1 or 2 (option)
Phono (MM):	1
Line inputs:	9 (assignable)
Digital inputs Coaxial:	6
Digital inputs Optical:	6 (assignable)
Digital inputs AES/EBU	1 (option)
Video (Option)	
Composite Video inputs:	6 (assignable)
SVideo inputs:	6 (assignable)
Component Video RCA inputs:	3 or 4
Component Video BNC input:	1
Audio and Video	
HDMI inputs (19-pin):	2 (option)
Miscellaneous	
IR in (phoenix connector):	3 (for Main, Zone 2 and Zone 3)
Outputs:	
Audio	
Balanced Pre out A:	Front L/R, Center/Surround L/R, Surround Back L/R, Subwoofer
Unbalanced Pre out A:	Front L/R, Center, Surround L/R, Surround Back L/R, Subwoofer
Unbalanced Pre out B:	Subwoofer
Headphones:	1
Line outputs:	5 (assignable to Recout, Zone 2 out and Zone 3 out)
Digital outputs Coaxial:	2 (assignable to Recout, Zone 2 out and Zone 3 out)
Digital outputs Optical:	2 (assignable to Recout, Zone 2 out and Zone 3 out)
Video (Option)	
Composite Video outputs:	3 (assignable to Monitor out A/B, Recout, Zone 2 out and Zone 3 out) 1 (fixed, Monitor out A)
SVideo outputs:	3 (assignable to Monitor out A/B and Recout) 1 (fixed, Monitor out A)
Component Video RCA outputs:	1 or 2
Component Video BNC output:	1
Audio and Video	
HDMI output (19-pin):	1
Miscellaneous	
12V Trigger out (phoenix connector):	5 (for A, B, C, D, E)
Inputs/Outputs:	
Miscellaneous	
i. LINK(AUDIO) (4 pin):	2
Ethernet (Net-Tune):	1 (option)
RI (1/8-inch mini-jack):	1
RS232 (9 pin D-SUB Female connector):	1
Antennas:	
FM:	75 ohms unbalanced
AM:	Included loop antenna and external terminal
AC Inlet:	1 (IEC type)

Amplifier Section

Maximum Output Level:	8.5Vrms
THD (Total Harmonic Distortion):	0.05% (1Vrms output)
Input Sensitivity and Impedance:	
Audio	
200 mV, 50 kΩ (AUDIO IN 1-9)	
2.5 mV, 50 kΩ (PHONO MM)	
200 mV, 50 kΩ (MULTI IN FR/FL/C/SR/SL/SBR/SBL) (Option)	
36 mV, 50 kΩ (MULTI IN SUB) (Option)	
0.5 Vp-p, 75 Ω (DIGITAL IN COAXIAL 1-6)	
1.3 Vp-p, 110 Ω (DIGITAL IN (balanced) AES/EBU) (Option)	
1 Vp-p, 75 Ω (Composite Video)	
1 Vp-p, 75 Ω (SVideo, Y signal)	
0.28 Vp-p, 75 Ω (SVideo, C signal)	
1 Vp-p, 75 Ω (Y)	
0.7 Vp-p, 75 Ω (Pb/Cb, Pr/CR)	
Video (DVD, VIDEO 1-5) (Option)	
Component (Option)	
Output Level and Impedance:	
Audio	
AUDIO 1-5:	200 mV, 470 Ω (Tape 1/2/ Video 1/2/3 Rec Out) 100 mV, 470 Ω (Zone 2/3 Out (fixed)) 1 V, 470 Ω (Zone 2/3 Out (variable))
PRE OUT A:	1 V, 470 Ω (Front L/R, CENTER, SURR L/R, SURR BACK or Zone 2 L/R, SUBWOOFER) 1 V, 470 Ω (SUBWOOFER)
PRE OUT B:	
Video (Option)	
VIDEO 1-4 (Composite Video):	1 Vp-p 75 Ω (Monitor Out A/B, Video 1/2/3 Rec Out, Zone 2/3 Out)
VIDEO 1-4 (SVideo, Y signal):	1 Vp-p, 75 Ω (Monitor Out A/B, Video 1/2/3 Rec Out)
VIDEO 1-4 (SVideo, C signal):	0.28Vp-p, 75 ohms (Monitor Out A/B, Video 1/2/3 Rec Out)
COMPONENT VIDEO:	1 Vp-p, 75 ohms (Y) 0.7Vp-p, 75 ohms (Pb/Cb, Pr/CR)
Phono Overload:	120 mV RMS at 1,000 Hz, 0.5% THD
Frequency Response:	
Audio (CD in Direct mode)	5 Hz-100 kHz: +1/- 3 dB
Video Component	10 Hz-50 MHz: +1/- 3 dB
RIAA Deviation:	20-20 kHz: ±0.8 dB
Tone Control:	±12 dB at 50 Hz (Bass) ±12 dB at 1,000 Hz (Mid) ±12 dB at 20,000 Hz (Treble)
S/N (Direct mode):	80 dB (PHONO, IHFA, 5 mV input) 95 dB (LINE, IHFA, 0.5V input)
Muting:	Due to setup menu

SPECIFICATIONS

Other than USA and Canadian models

Tuner Section

FM	
Tuning frequency Range:	87.50 to 108.00 MHz, 50 kHz steps
Usable Sensitivity:	
Stereo	17.2 dBf, 2.0 μ V (75 Ω IHF) 23 μ V (75 Ω DIN)
Mono	11.2 dBf, 1.0 μ V (75 Ω IHF) 0.9 μ V (75 Ω DIN)
50 dB Quieting Sensitivity:	
Mono	17.2 dBf, 2.0 μ V (75 ohms)
Stereo	37.2 dBf, 20.0 μ V (75 ohms)
Capture Ratio:	2.0 dB
Image Rejection Ratio:	85 dB
IF Rejection Ratio:	90 dB
S/N:	
Mono	76 dB, IHF
Stereo	70 dB, IHF
Alternate Channel Attenuation:	
Mono	55 dB IHF
Selectivity:	50 dB DIN
AM Suppression Ratio:	50 dB
Harmonic Distortion:	
Mono	0.2%
Stereo	0.3%
Frequency Response:	30 to 15,000 Hz, +/- 1.0 dB
Stereo Separation:	45 dB at 1,000 Hz 30 dB at 100 to 10,000 Hz
Stereo Threshold:	17.2 dBf, 2.0 μ V (75 Ω)
AM	
Tuning frequency Range:	
European and Australian models:	522 to 1611 kHz, 9 kHz steps
Asian models:	522 to 1611 kHz, 9 kHz steps or 530 to 1710 kHz, 10 kHz steps *selectable
Usable Sensitivity:	30 μ V
Image Rejection Ratio:	40 dB
IF Rejection Ratio:	40 dB
S/N:	40 dB
THD:	0.7%

Specifications and features are subject to change without notice.

SERVICE PROCEDURES

1. Replacing the fuses



This symbol located near the fuses indicates that the fuse used is fast operating type. For continued protection against fire hazard, replace with same type fuse. For fuse rating refer to the marking adjacent to the symbol.



Ce symbole indique que le fusible utilise est a rapide. Pour une protection permanente, n'utiliser que fusibles de meme type. Ce dernier est la qu le present symbol est appse.

CIRCUIT NO.	PART NO.	DESCRIPTION
F9001	252164 or	5A-UL/T-237 or
	252258	5A-T/UL-ST2,Fuse <D/DT>
	252241 or	2.5A-SE-TL250V or
	252075	2.5A-SE-EAK,Fuse <P/GT/A/K>
F9501,F9502	252198 or	8A-UL or
	252261	8A-T/UL-ST2,Fuse <D>
	252166 or	6.3A-UL/T-237 or
	252260	6.3A-T/UL-ST2,Fuse <DT>
	252245 or	6.3A-SE-TL250V or
	252079	6.3A-SE-EAK,Fuse <P/GT/A/K>
F9503,F9504	252160 or	2.5A-UL/T-237 or
	252254	2.5A-T/UL-ST2 <D/DT>
	252241 or	2.5A-SE-TL250V or
	252075	2.5A-SE-EAK,Fuse <P/GT/A/K>

Note: <D>: 120V model only
 <P>: European model only
 <GT>: Asian model only for 230V
 <DT>: Asian model only for 120V
 <A>: Australian model only
 <K>: Korean model only

2. To initialize the unit

This device employs a microprocessor to perform various functions and operations. If interference generated by an external power supply, radio wave, or other electrical source results in accident which causes the specified operations and functions to operate abnormally.

To perform a result, please follow the procedure below.

1. Press and hold down the VIDEO-1 button, then press the STANDBY button.

2. After "CLEAR" is displayed, the preset memory and each mode stored in the memory, such as surround, are initialized and will return to the factory setting.

3. Safety-check out

(U.S.A. model only)

After correcting the original service problem, perform the following safety check before releasing the set to the customer.

Leakage Current Check

Measure leakage current to a known earth ground(water pipe, conduit, etc.) by connecting a leakage current tester between the earth ground and exposed metal parts of the appliance (input/output terminals, screwheads, metal overlays, etc.).

Plug the power supply cord directly into a 120V AC 60 Hz outlet and turn Standby switch on. Any current measured must not exceed 0.5mA.

4. Error Messages

"Not available with Headphones use"

- Operation not allowed while a pair of headphones is connected.

"Not available in this Sp Config"

- Doesn't work with the current speaker configuration.

"Only available with Dolby D"

- Can be used with only Dolby Digital.

"Not available with this signal"

- Doesn't work with the current listening mode.

"Not available with Muting"

- Operation not allowed because the RDC-7.1 is currently muted.

"Not available in this Listening Mode"

- Doesn't work with the current listening mode.

"Not available with NET AUDIO use"

- Operation not possible with Net Audio selected for the input source.

"Not available with Dolby Headphone Off "

- Doesn't work with the Dolby Headphone function off.

"Not available with Dolby Headphone On"

- Doesn't work with the Dolby Headphone function on.

"Not available with zone2 out in Line out"

- Operation not possible with "1-8. f. Zone 2 Out" set to "Line Out."

"Not available with zone3 out in Line out"

- Operation not possible with "1-8. g. Zone 3 Out" set to "Line Out."

5. Memory backup

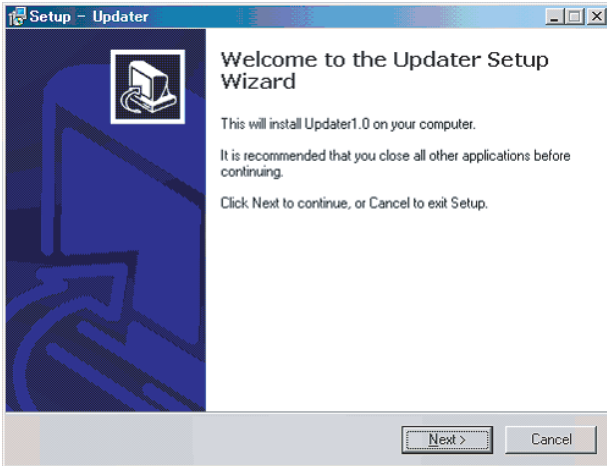
The RDC-7.1 uses a battery-less memory backup system in order to retain radio presets and other settings when it is unplugged or in the case of a power failure. Although no batteries are required, the RDC-7.1 must be plugged into an AC outlet in order to charge the backup system.

(On other than USA, Canadian, and Australian models, the RDC-7.1's Power switch must be set to On in order to charge the backup system). Once it has been charged, the RDC-7.1 will retain the settings for several weeks, although this depends on the environment and time will be shorter in humid climates.

How to Install Updater (Operating environment: Windows XP or 2000)

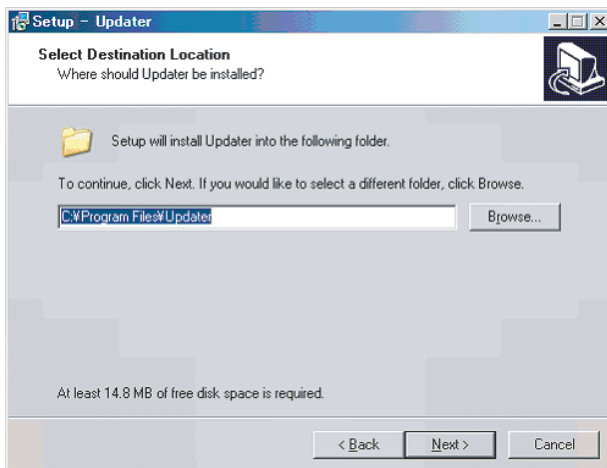
0. Download the firmware "setup_xxxxxx.zip" to the disk top.
Double-click the icon.

1. Start Install program by double-clicking "Setup.exe".



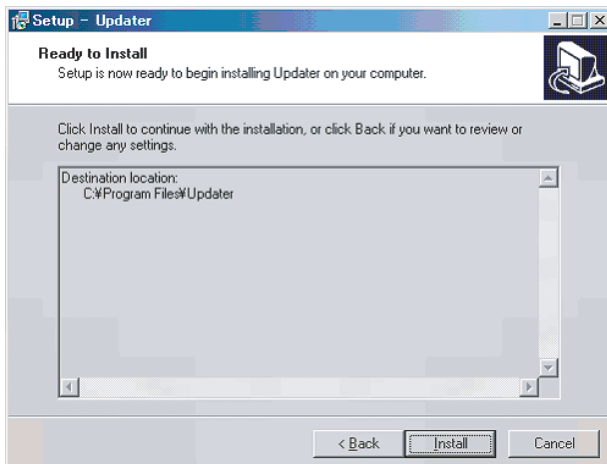
Click "Next".

2. Select a target folder Updater should be installed to.



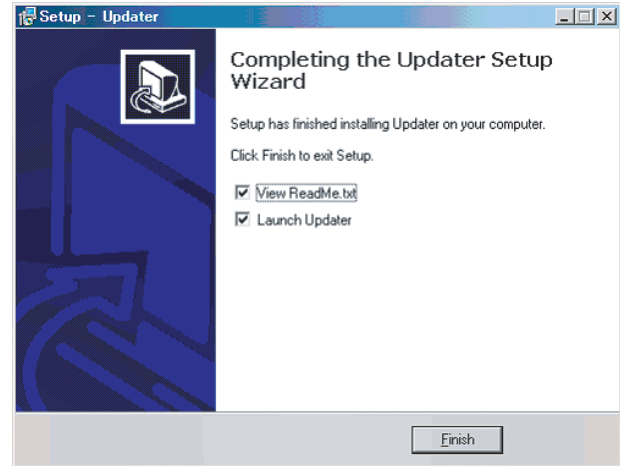
Click "Next".

3. Make sure the location is OK and click "Install".



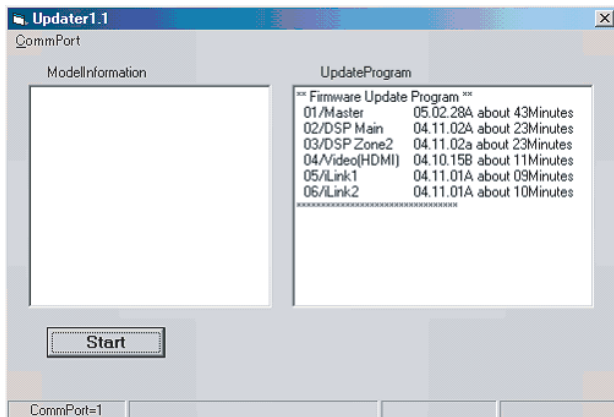
4. When Install is completed, this window appears.

Please read "ReadMe.txt" at least once.



How to Use Updater

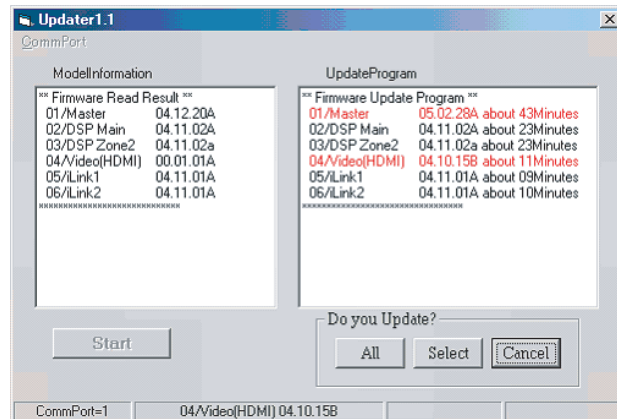
1. Connect your unit and PC with RS-232C cable, turn on the unit, and start "Updater".



The right box shows each latest version of firmware that can be loaded with this Updater.

From the left, Number/ IC's Purpose, Firmware Version, Estimated amount of time to update.

2. Click "Start" and see which versions of firmware your unit currently has in the left box.



Red-letter programs are newer than the existing ones.

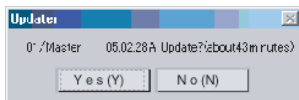
Click "All" to update all the updatable programs.

Click "Select" to select any programs to be updated.

Click "Cancel" to stop update.

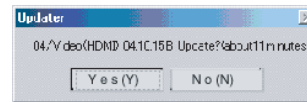
3. When "Select" is clicked,

For each of the updatable programs, you can decide whether update is performed or not.

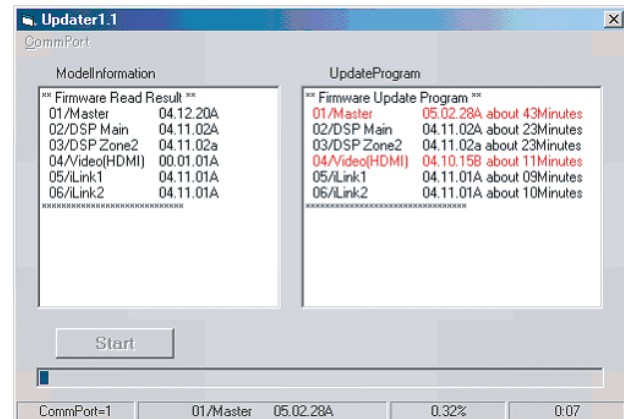


Click "Yes(Y)" to update it now, and the update will be started.

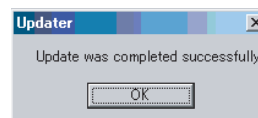
4. After completing update or skipping update by clicking "No(N)", decide whether another one should be updated now or not.



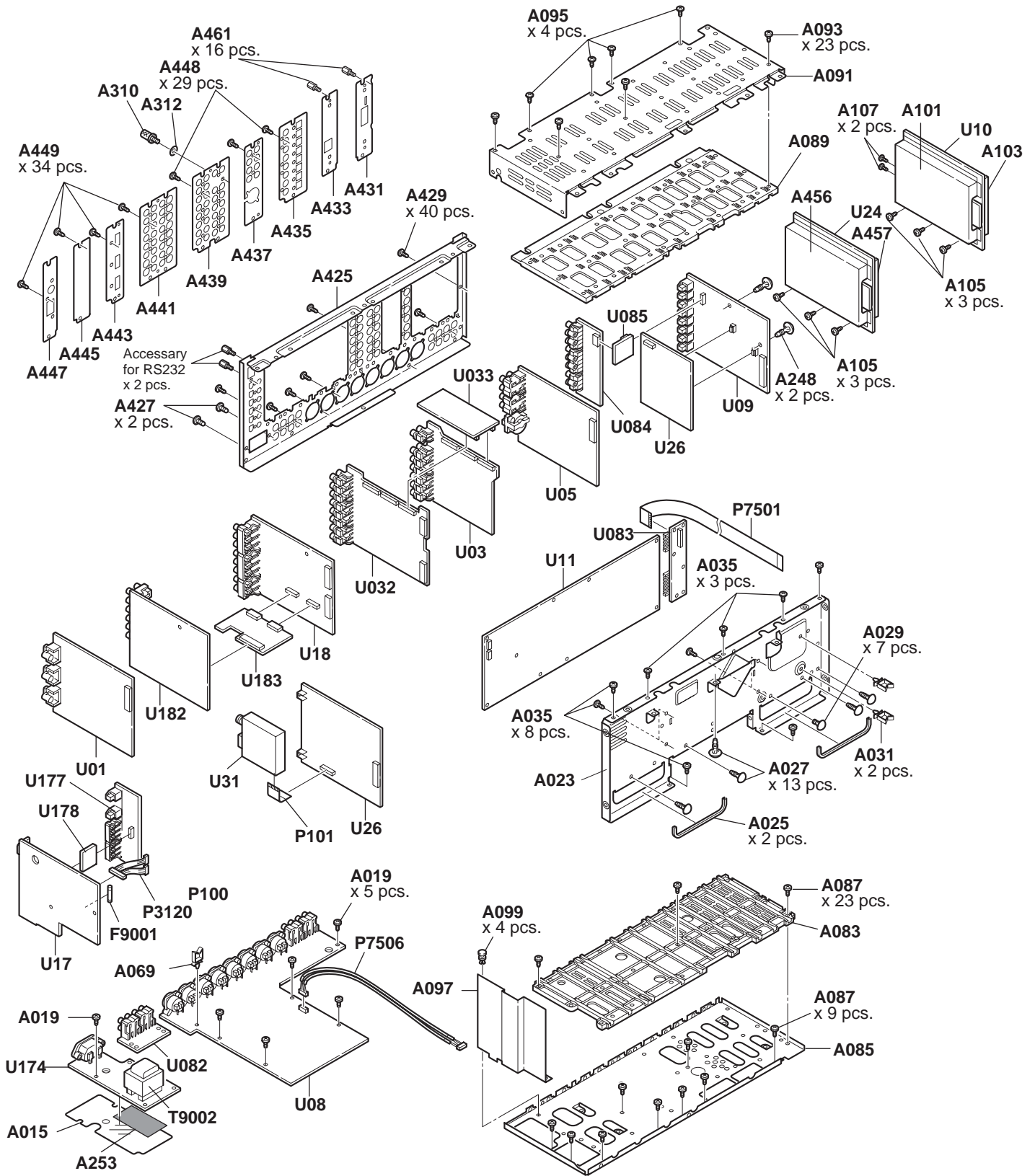
--Updating--

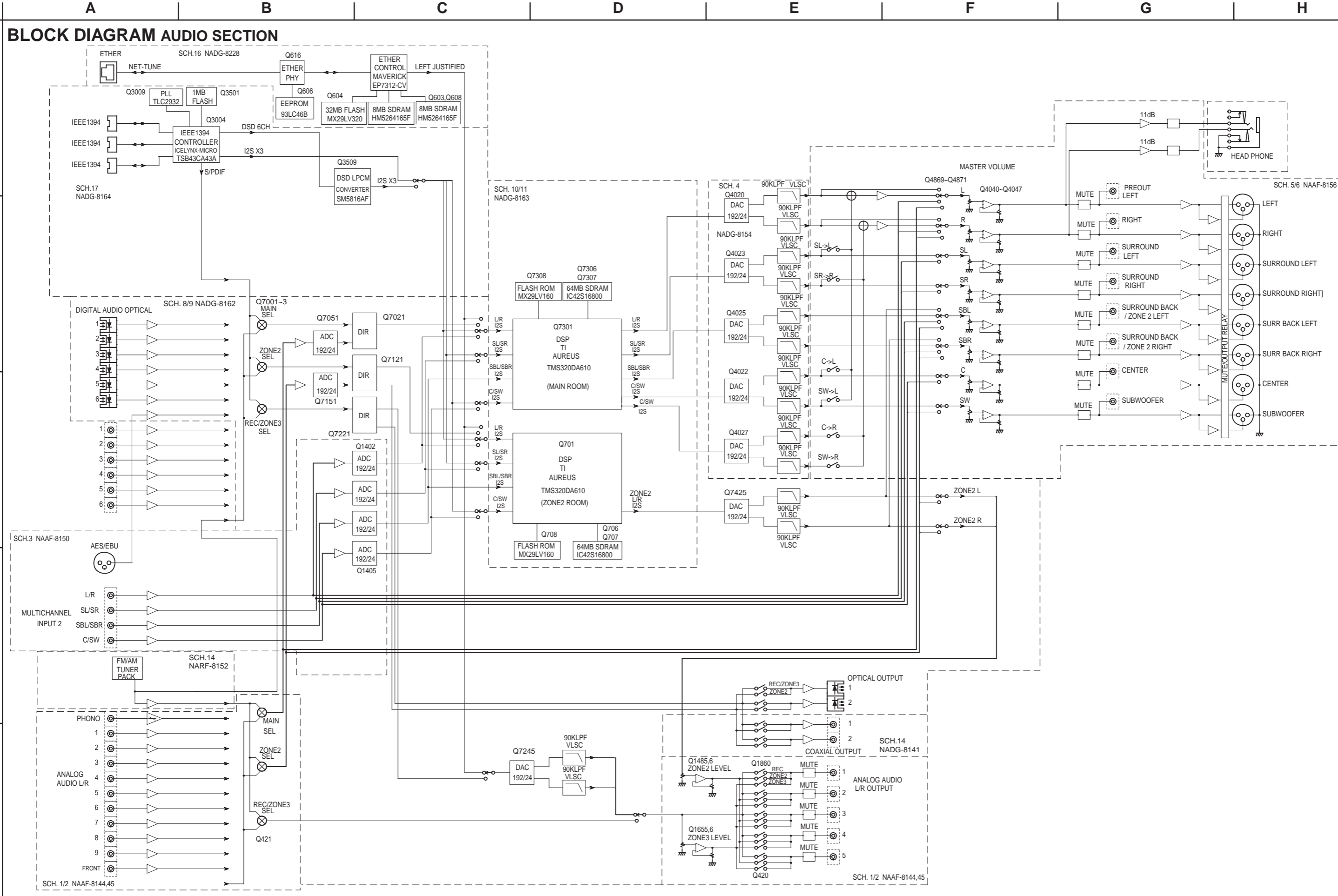


5. After all the necessary works have completed properly, Click "OK" to return your set to Standby.

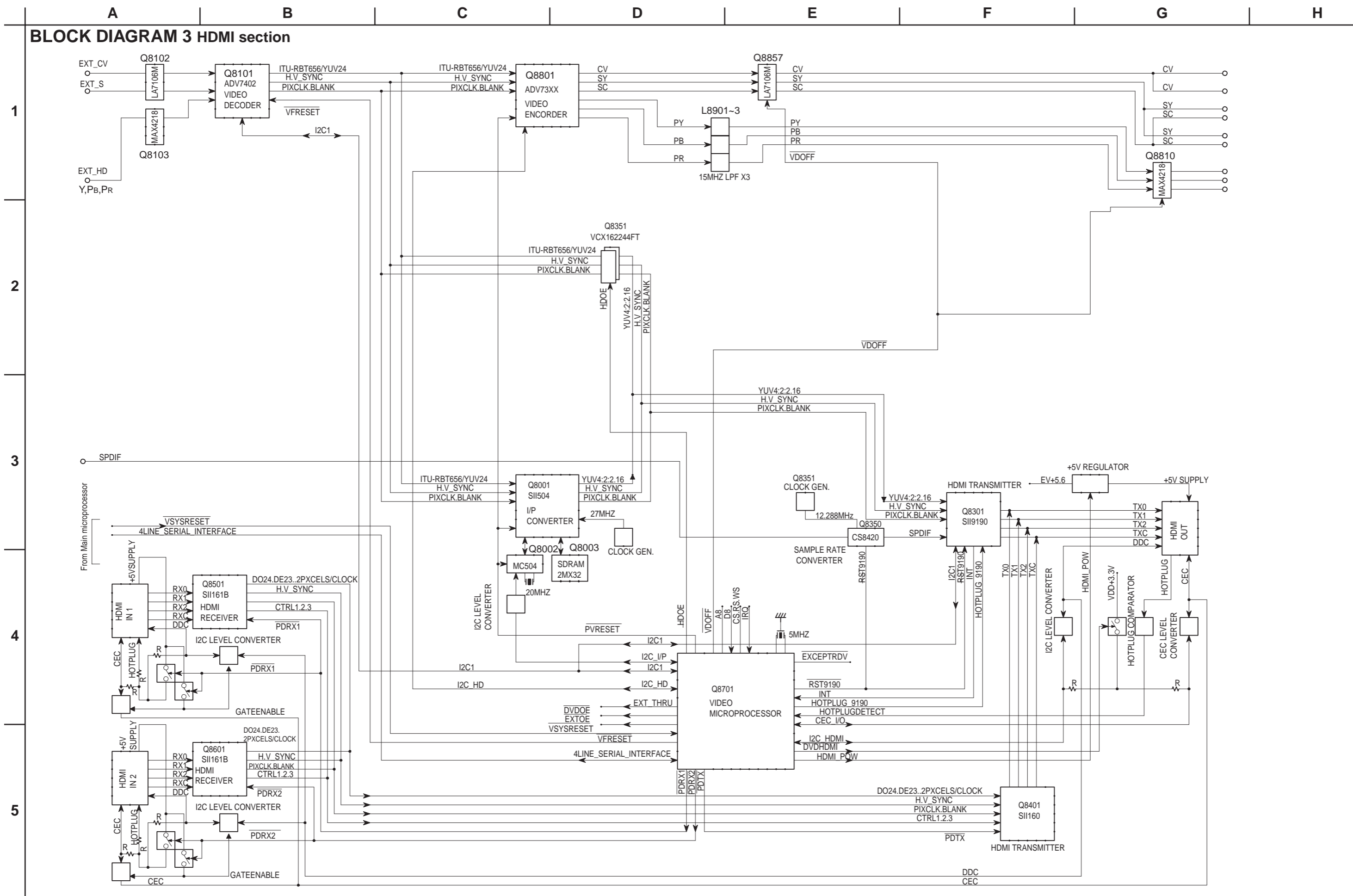


EXPLODED VIEW-2





BLOCK DIAGRAM 3 HDMI section

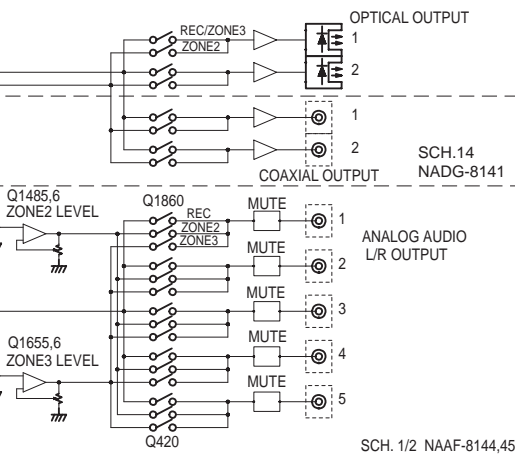
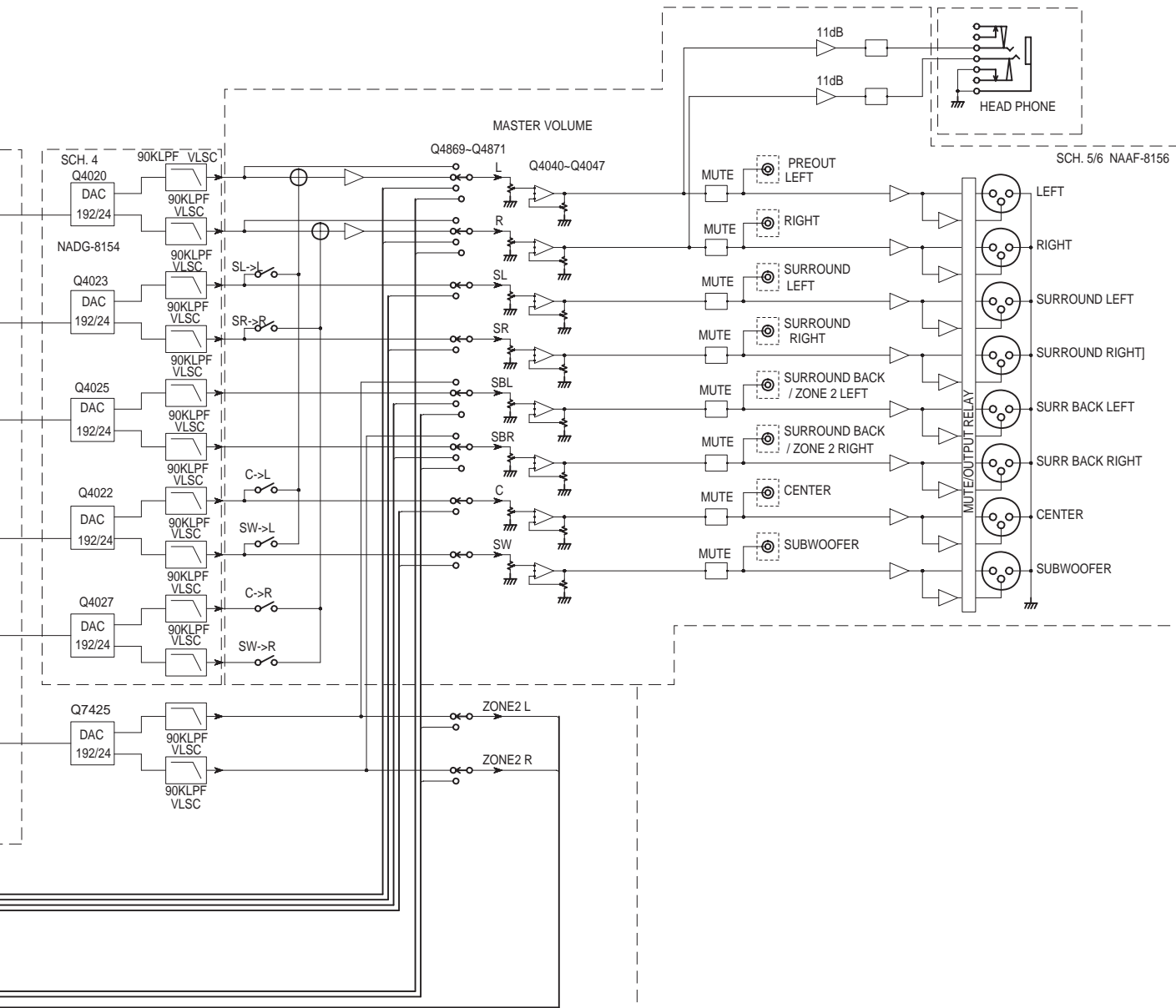


E

F

G

H



A

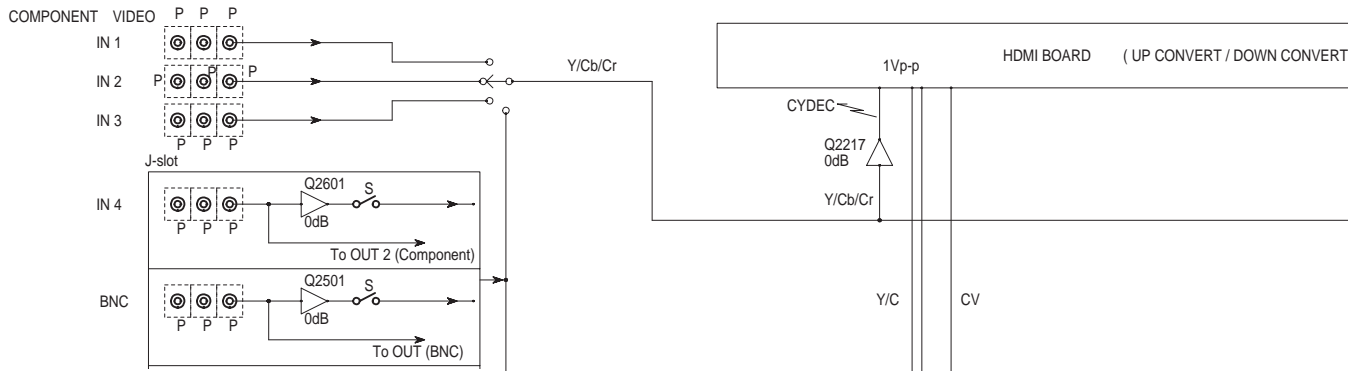
B

C

D

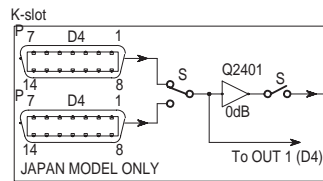
BLOCK DIAGRAM 2 Video section

1

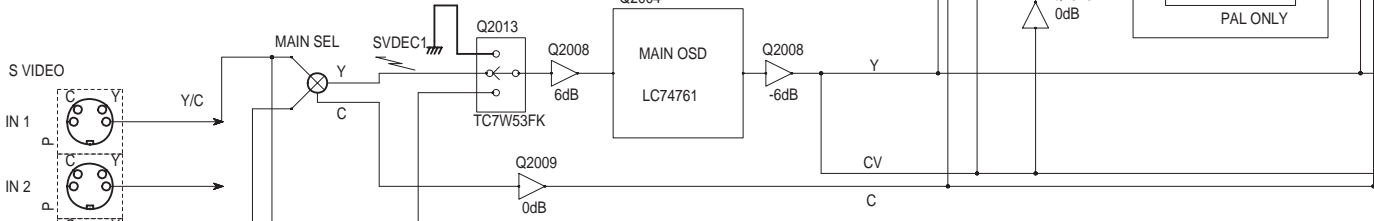


2

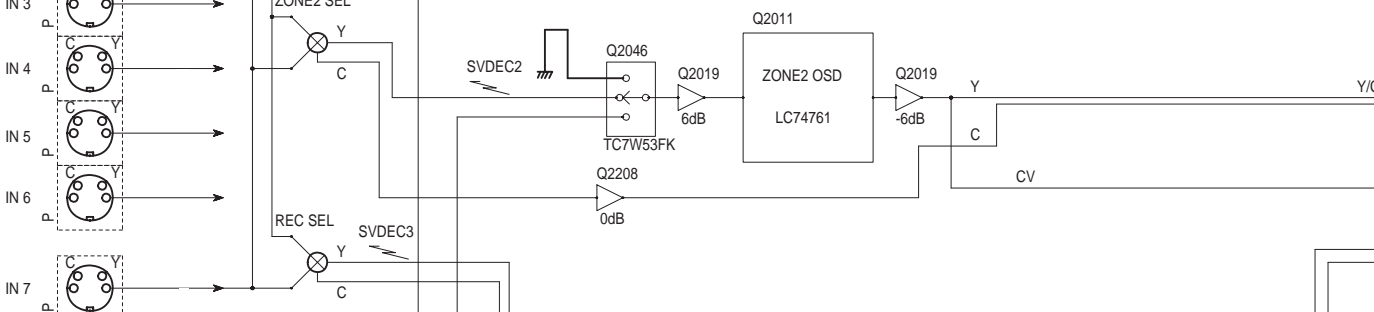
D4 VIDEO



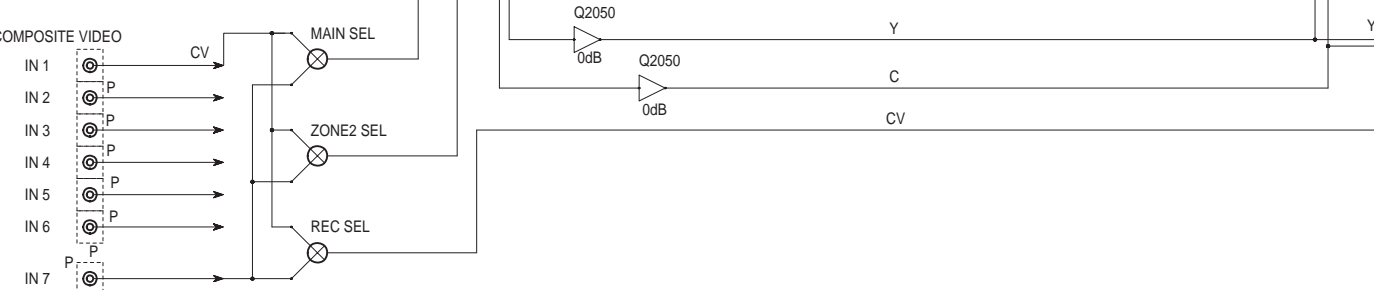
3



4



5

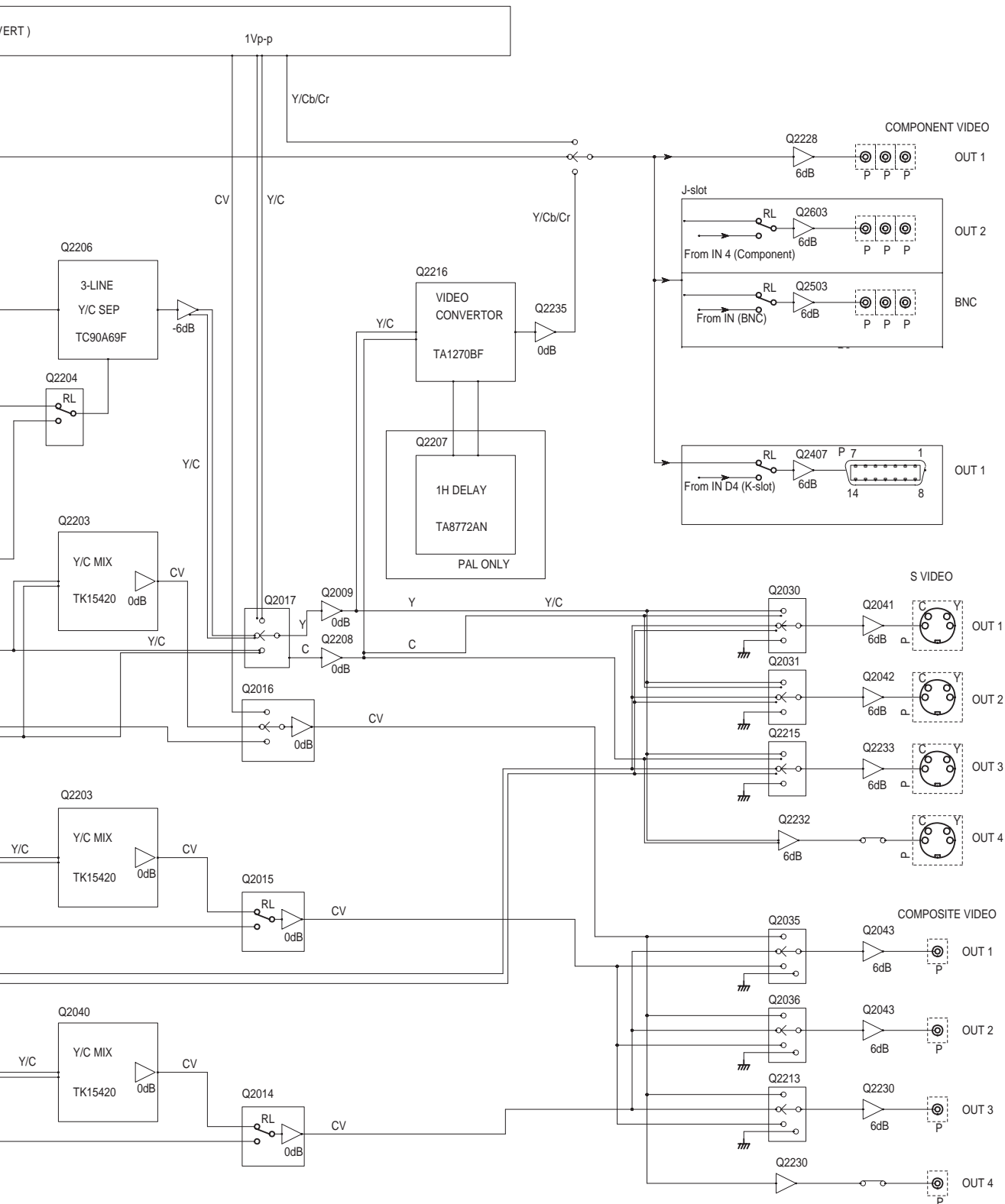


E

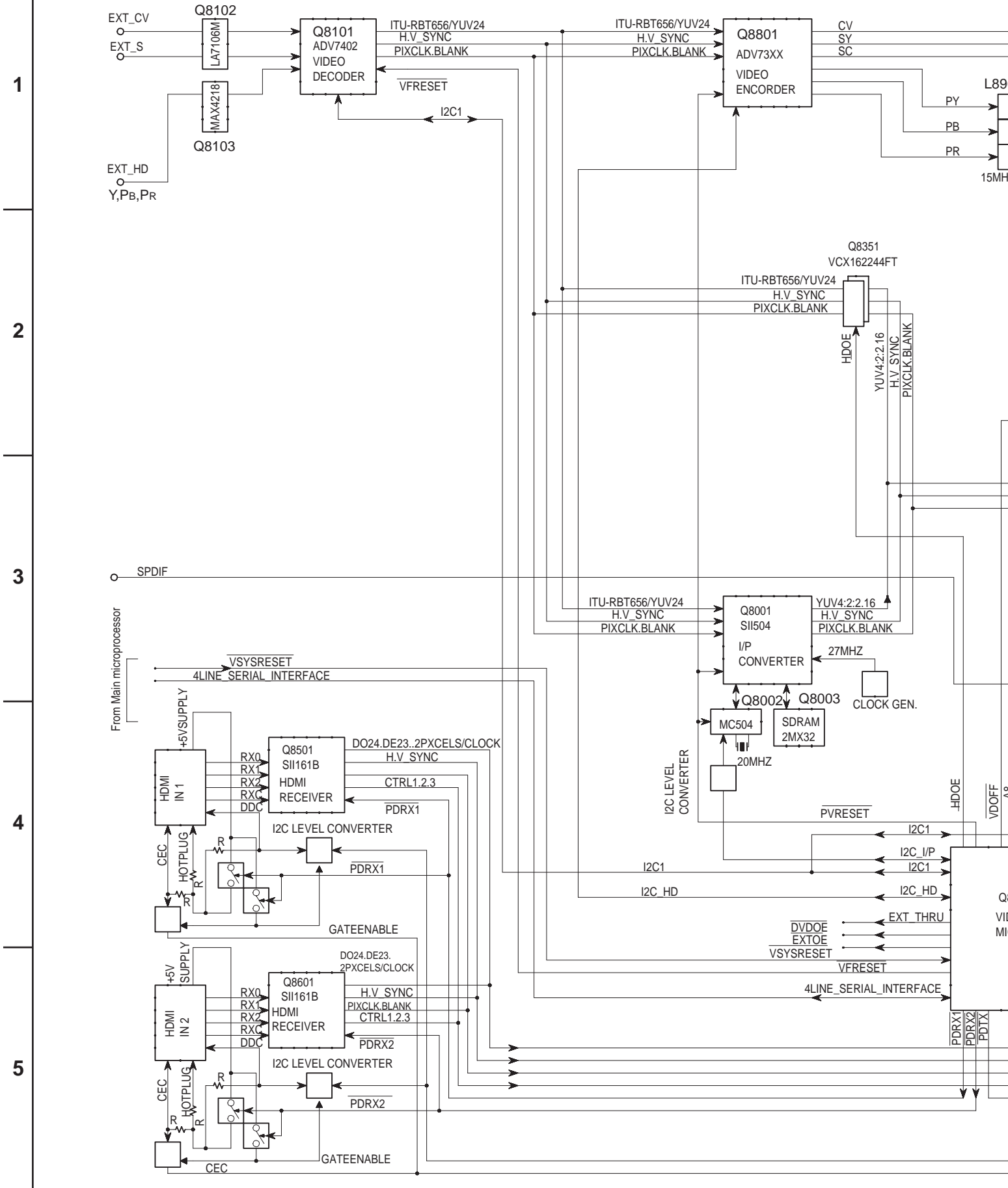
F

G

H



BLOCK DIAGRAM 3 HDMI section

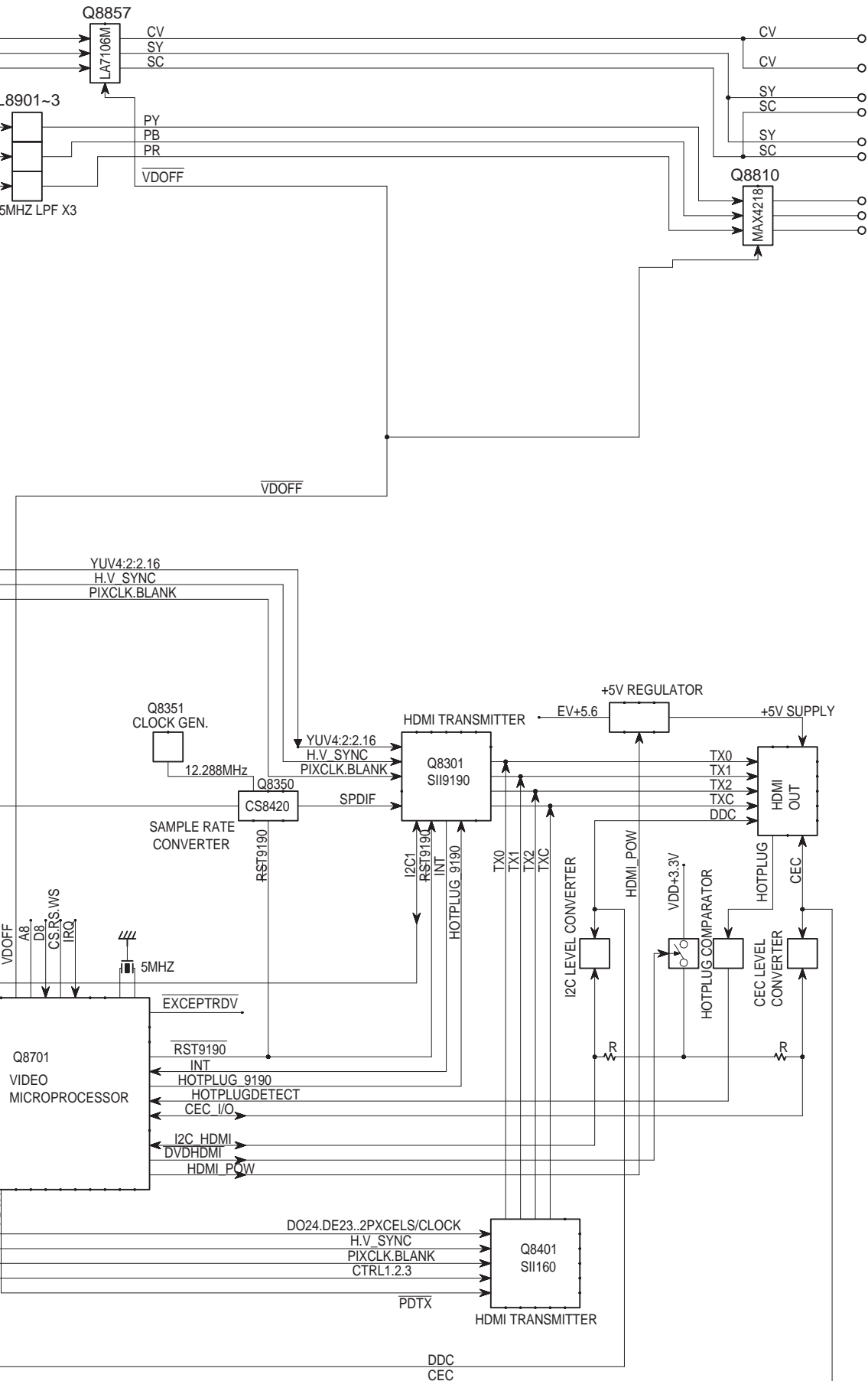


E

F

G

H



SCHEMATIC DIAGRAM 1

Phono/AF IN/OUT

1 to 3 sections

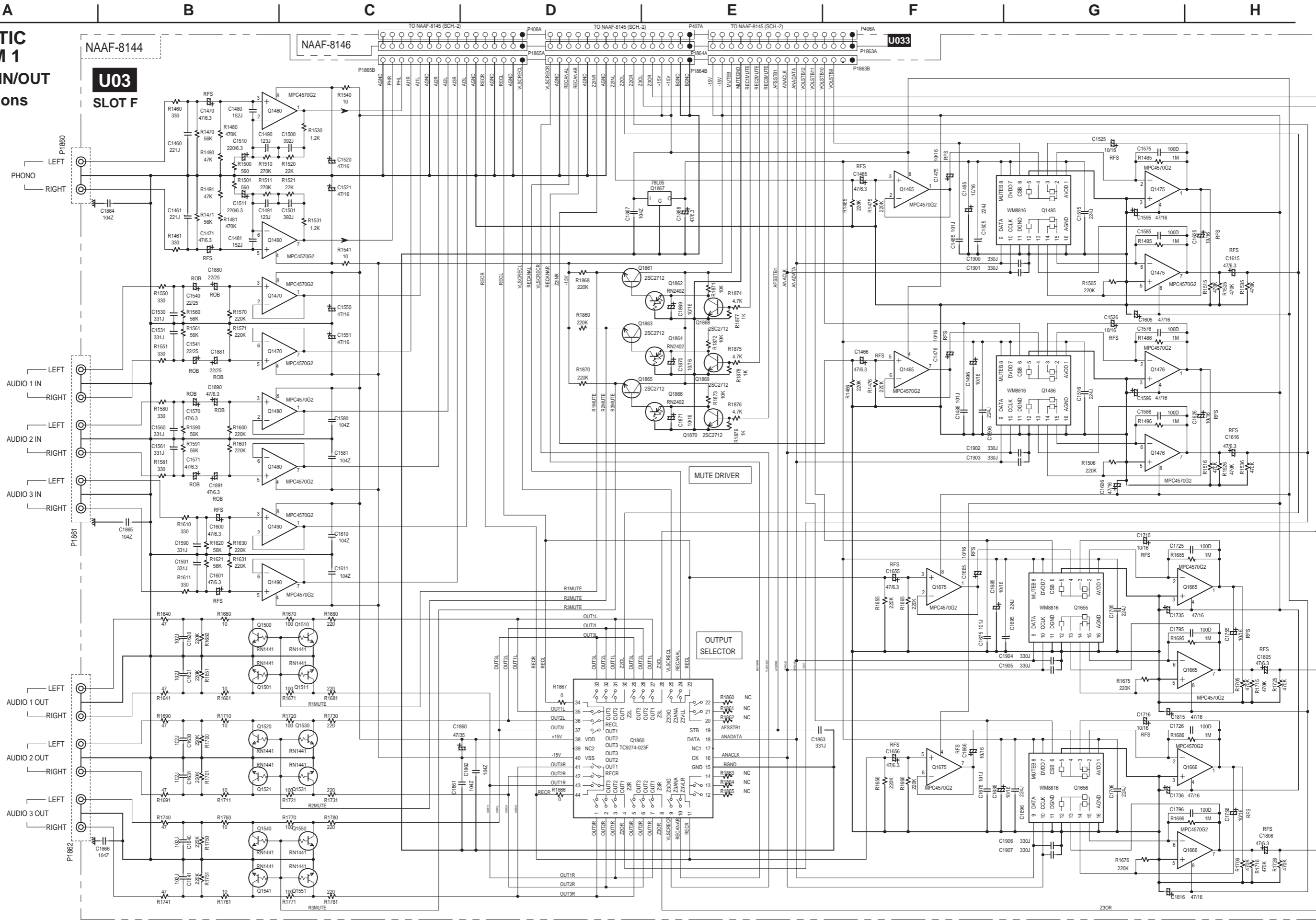
1

2

3

4

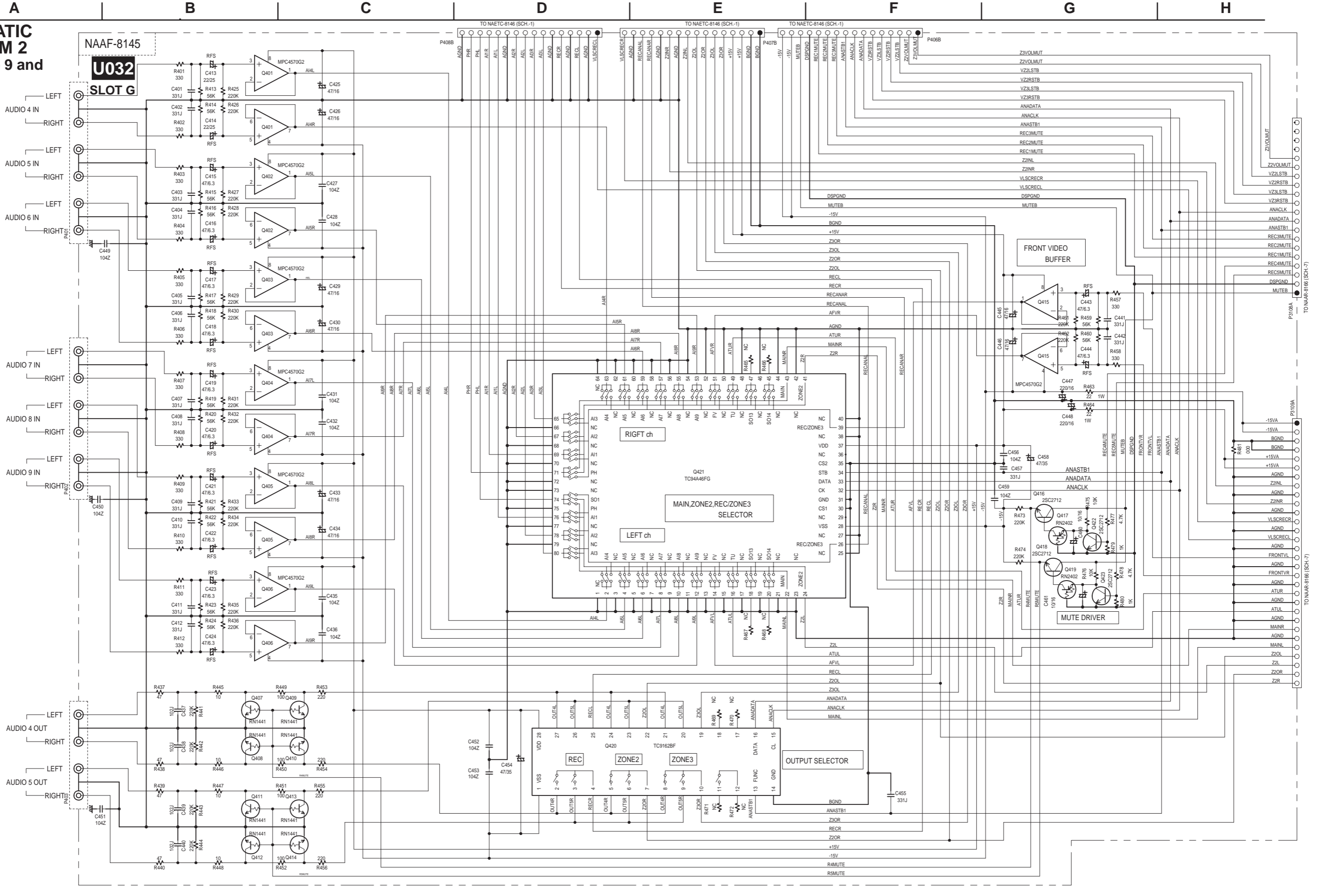
5



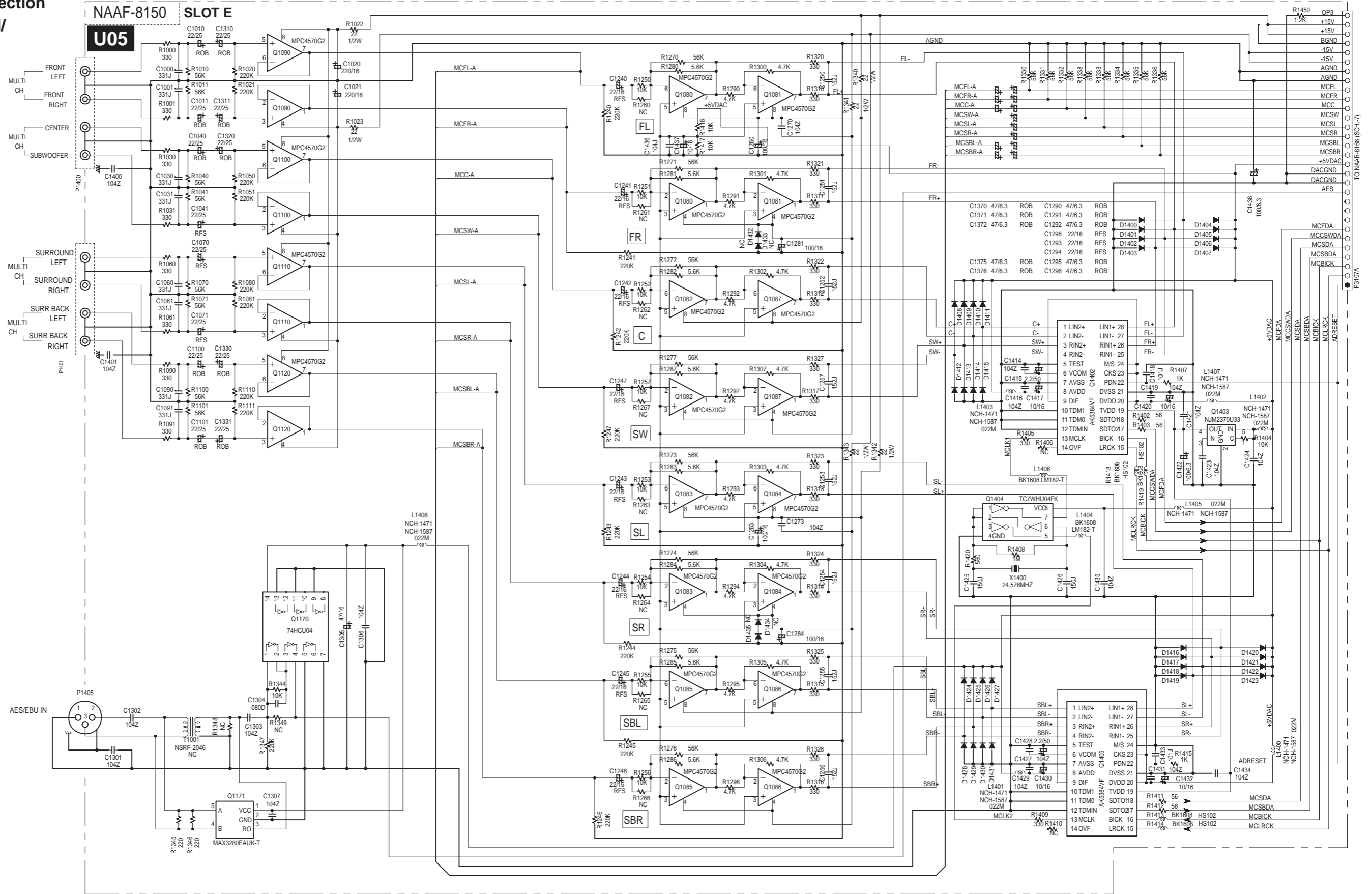
SCHEMATIC DIAGRAM 2

AF IN 4 to 9 and OUT 4/5 sections

1
2
3
4
5



SCHEMATIC DIAGRAM 3
Multi channel section
(Except US model/
Option board:
C-MULTI)



1

2

3

4

5

TO WAAR-6168 (SCH-7)
P3107A

A B C D E F G H
SCHEMATIC DIAGRAM 4 DAC and Second PLL sections

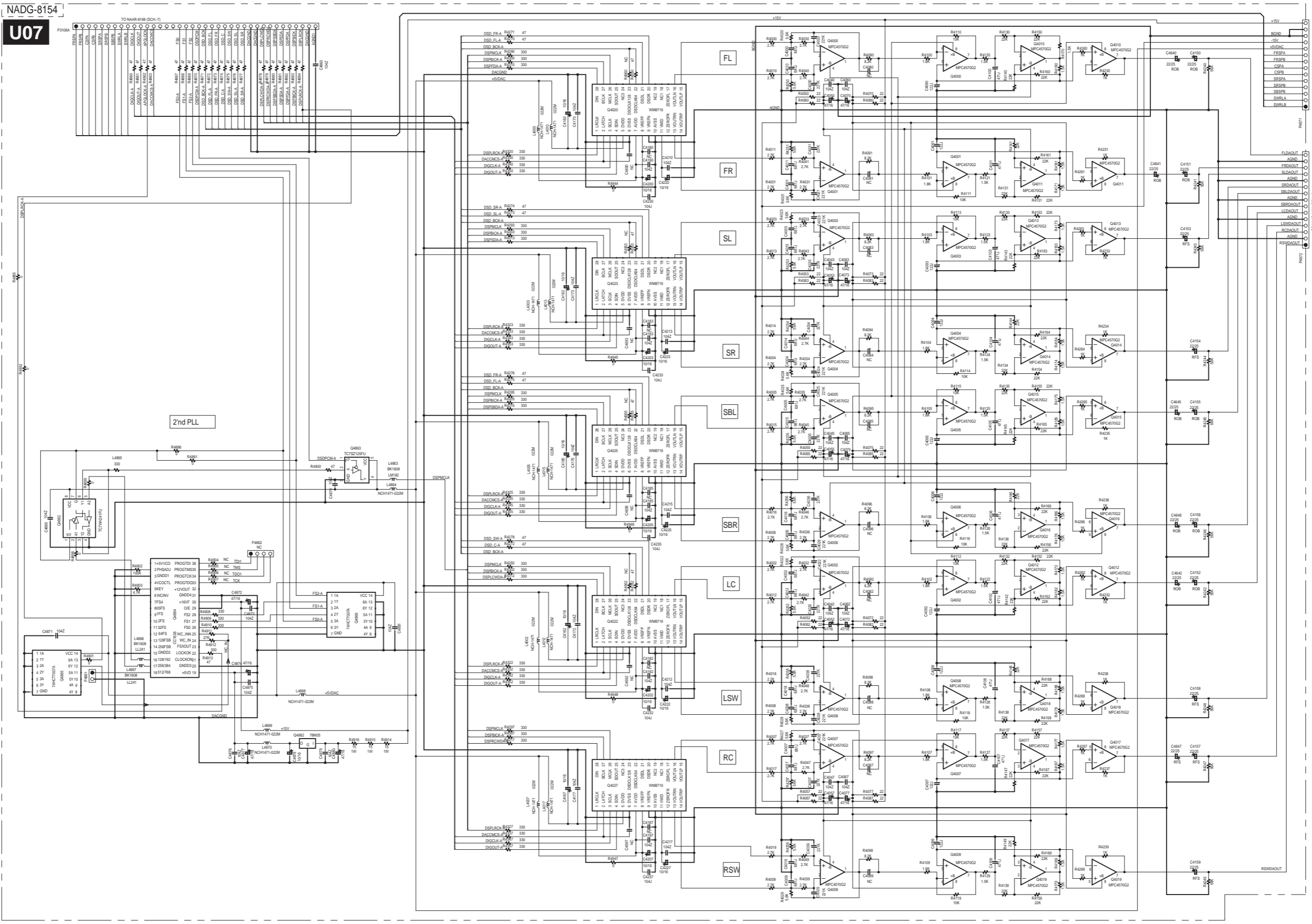
1

2

3

4

5



TO NAA-8156 (SCH-9)

TO NAA-8156 (SCH-9)

TO NAA-8156 (SCH-9)

TO NAA-8156 (SCH-9)

TO NAA-8156 (SCH-9)

TO NAA-8156 (SCH-9)

TO NAA-8156 (SCH-9)

A B C D E F G H
SCHEMATIC DIAGRAM 5 Preamplifier section

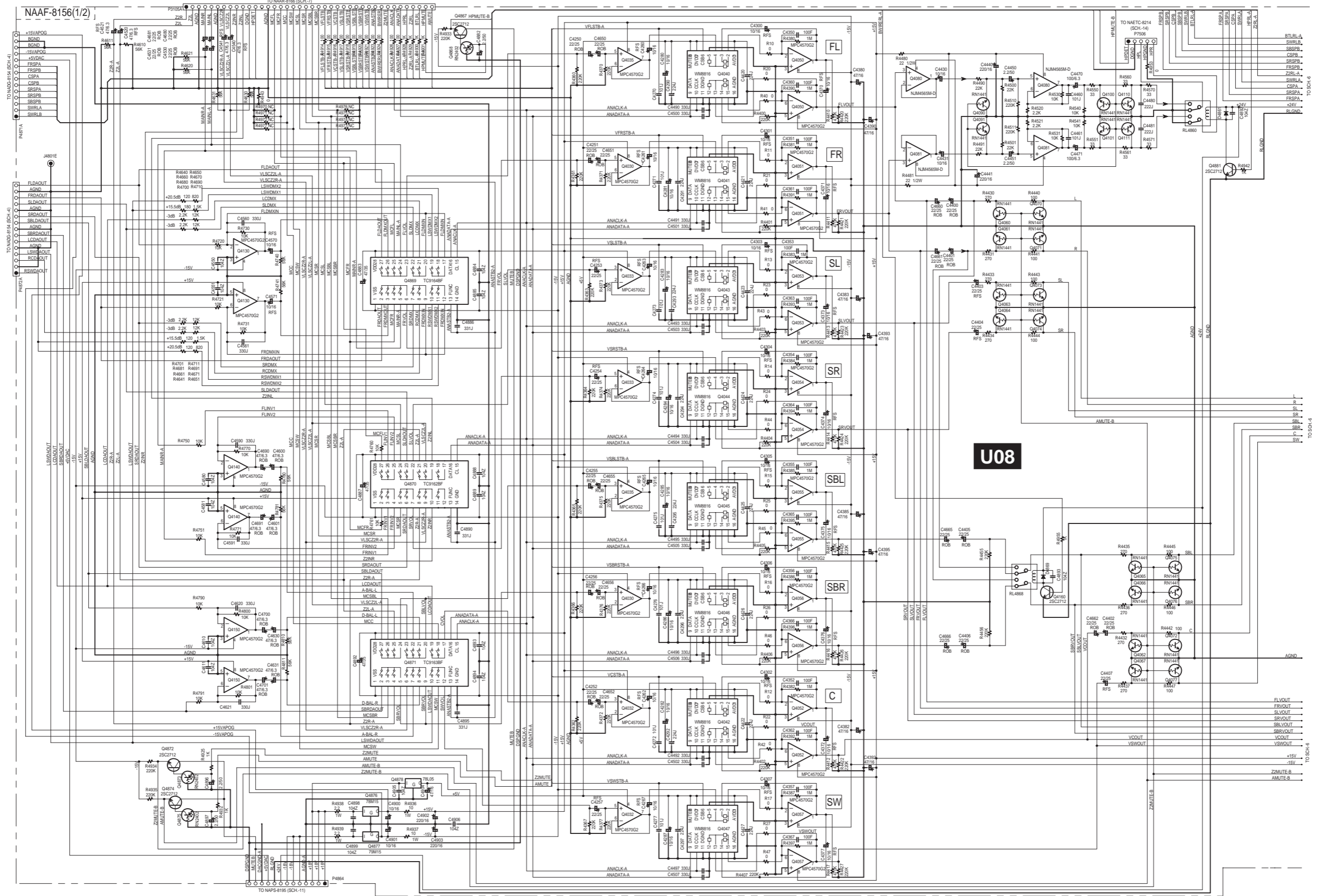
1

2

3

4

5



SCHEMATIC DIAGRAM 9

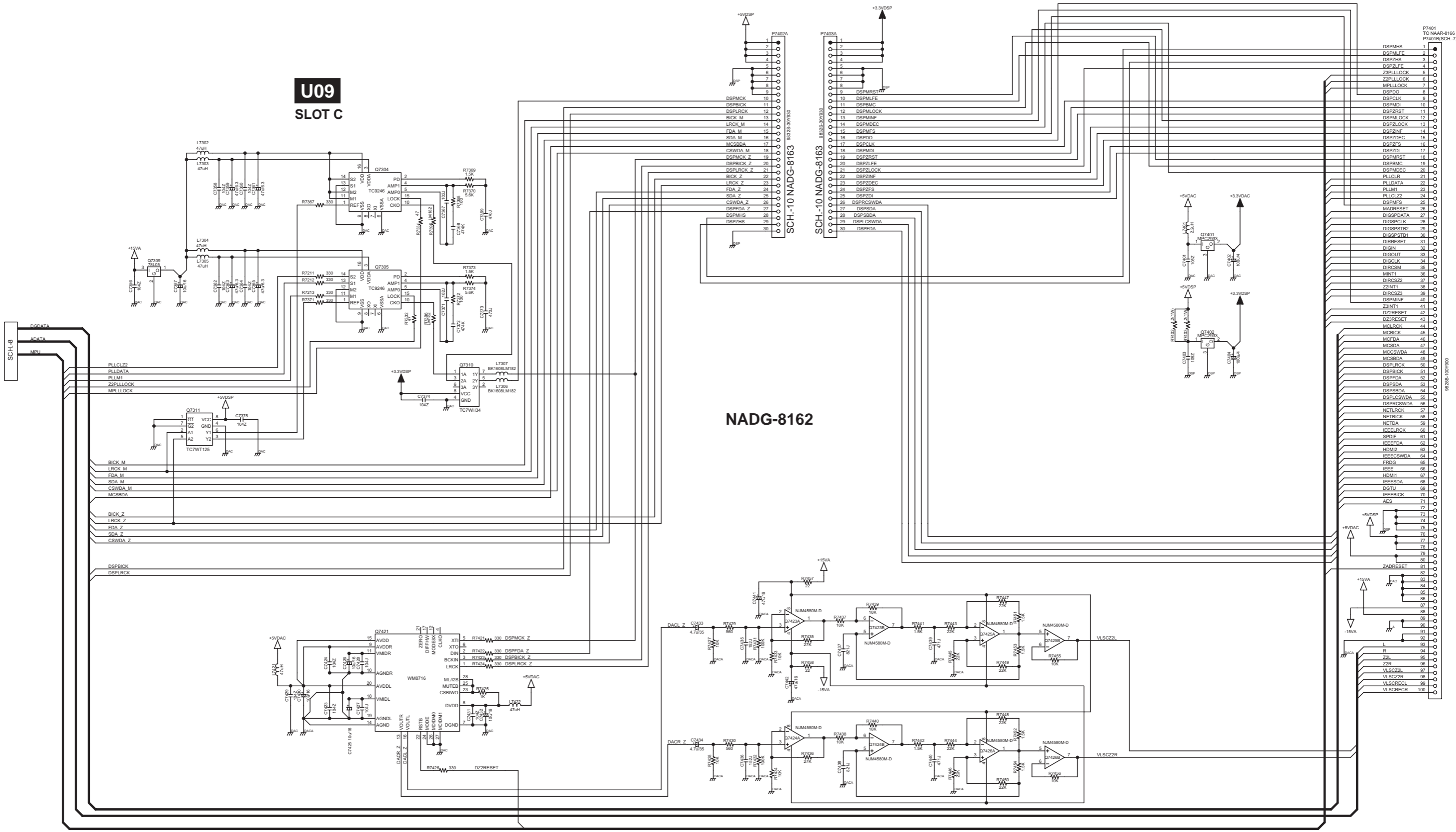
Second PLL section

1
2
3
4
5

A B C D E F G H

U09
SLOT C

NADG-8162



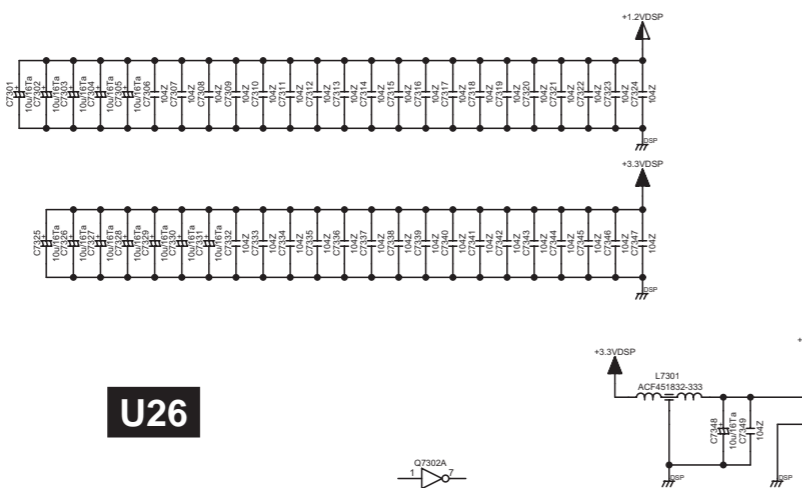
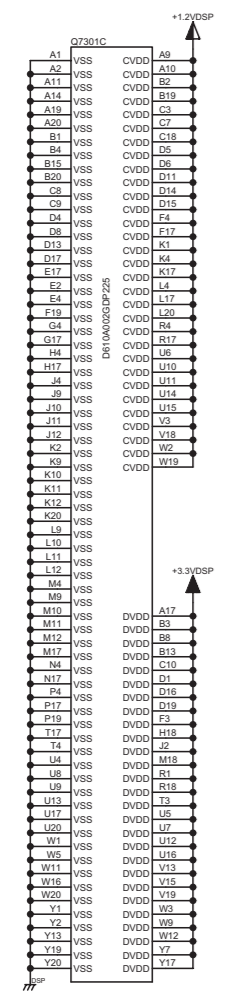
- DSPMHS 1
- DSPMLFE 2
- DSPPHS 3
- DSPZLFE 4
- ZSPLLLOCK 5
- ZSPLLLOCK 6
- MPLLOCK 7
- DSPDO 8
- DSPCLK 9
- DSPMDI 10
- DSPZRS1 11
- DSPMLCK 12
- DSPZLOCK 13
- DSPZINF 14
- DSPZDEC 15
- DSPZFS 16
- DSPZDI 17
- DSPZRS1 18
- DSPZRS2 19
- DSPZRS3 20
- PILCR 21
- PILDATA 22
- PILM1 23
- PILM2 24
- DSPZFS 25
- MADRESET 26
- DIGSPDATA 27
- DIGSPCLK 28
- DIGSPSTRB 29
- DIGSPSTRB1 30
- DIRRESET 31
- DIGIN 32
- DIGOUT 33
- DIGCLK 34
- DIRCSM 35
- MINT1 36
- DIRCSZ2 37
- ZBINT1 38
- DIRCSZ1 39
- DSPMINF 40
- ZBINT1 41
- DZ2RESET 42
- DZ2RESET 43
- MCLCK 44
- MCBICK 45
- MCFDA 46
- MCSDA 47
- MCSBDA 48
- MCSBDA 49
- DSPLRCK 50
- DSPBICK 51
- DSPFDA 52
- DSPSDA 53
- DSPSBA 54
- DSPSBA 55
- DSPRCSWDA 56
- NETLCK 57
- NETBICK 58
- NETDA 59
- IEEELRCK 60
- SICP 61
- IEEESDA 62
- HDM2 63
- IEECSWDA 64
- FRDS 65
- IEE 66
- HDM1 67
- IEEESDA 68
- DGTU 69
- IEEBICK 70
- AES 71
- 72
- 73
- 74
- 75
- 76
- 77
- 78
- 79
- 80
- 81
- 82
- 83
- 84
- 85
- 86
- 87
- 88
- 89
- 90
- 91
- 92
- 93
- 94
- 95
- 96
- 97
- 98
- 99
- 100

SCHEMATIC DIAGRAM 10

DSP section

1
2
3
4
5

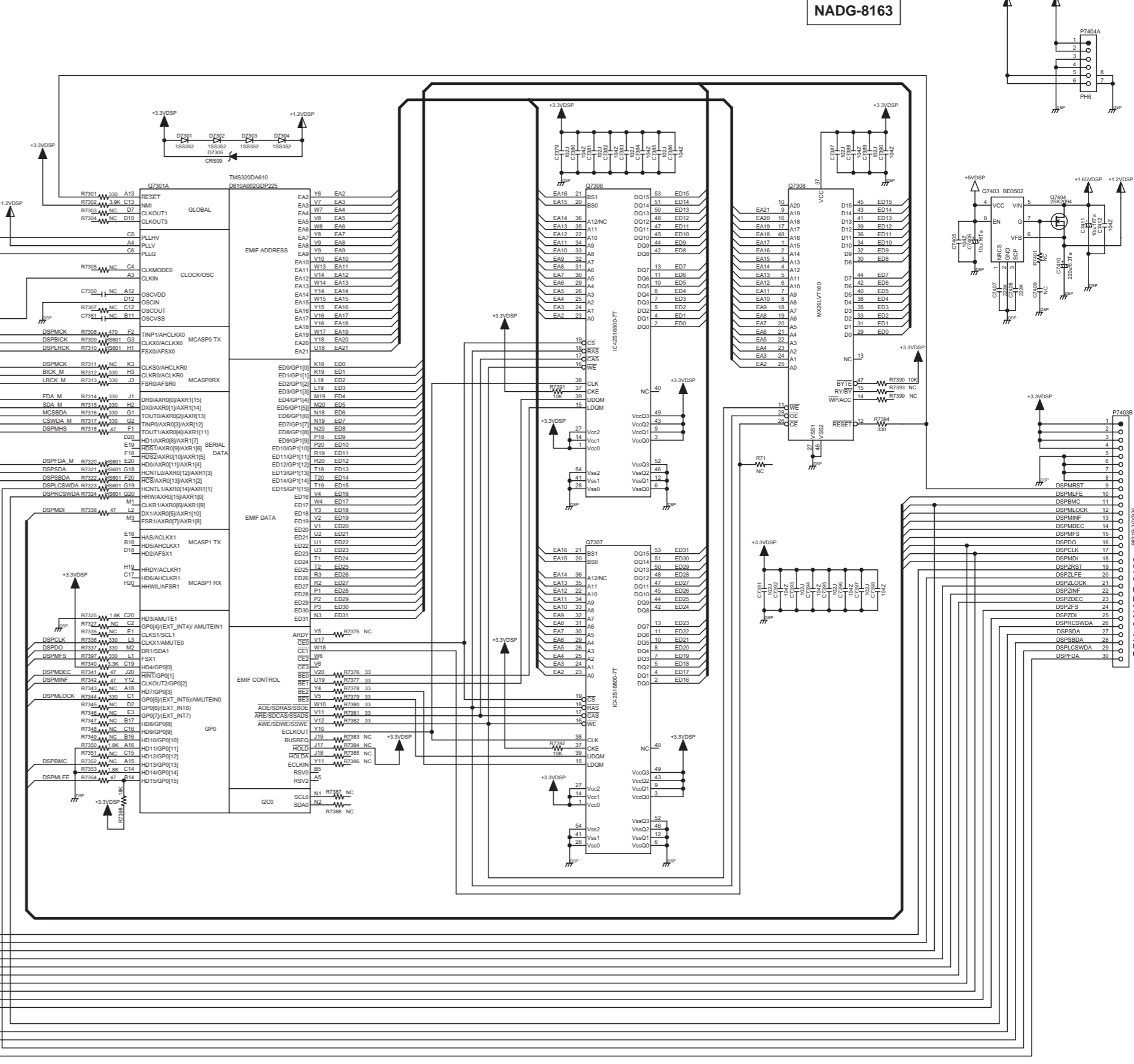
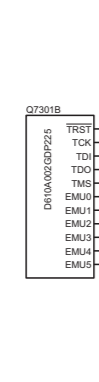
A B C D E F G H



U26

SCH.-9 NADG-8162

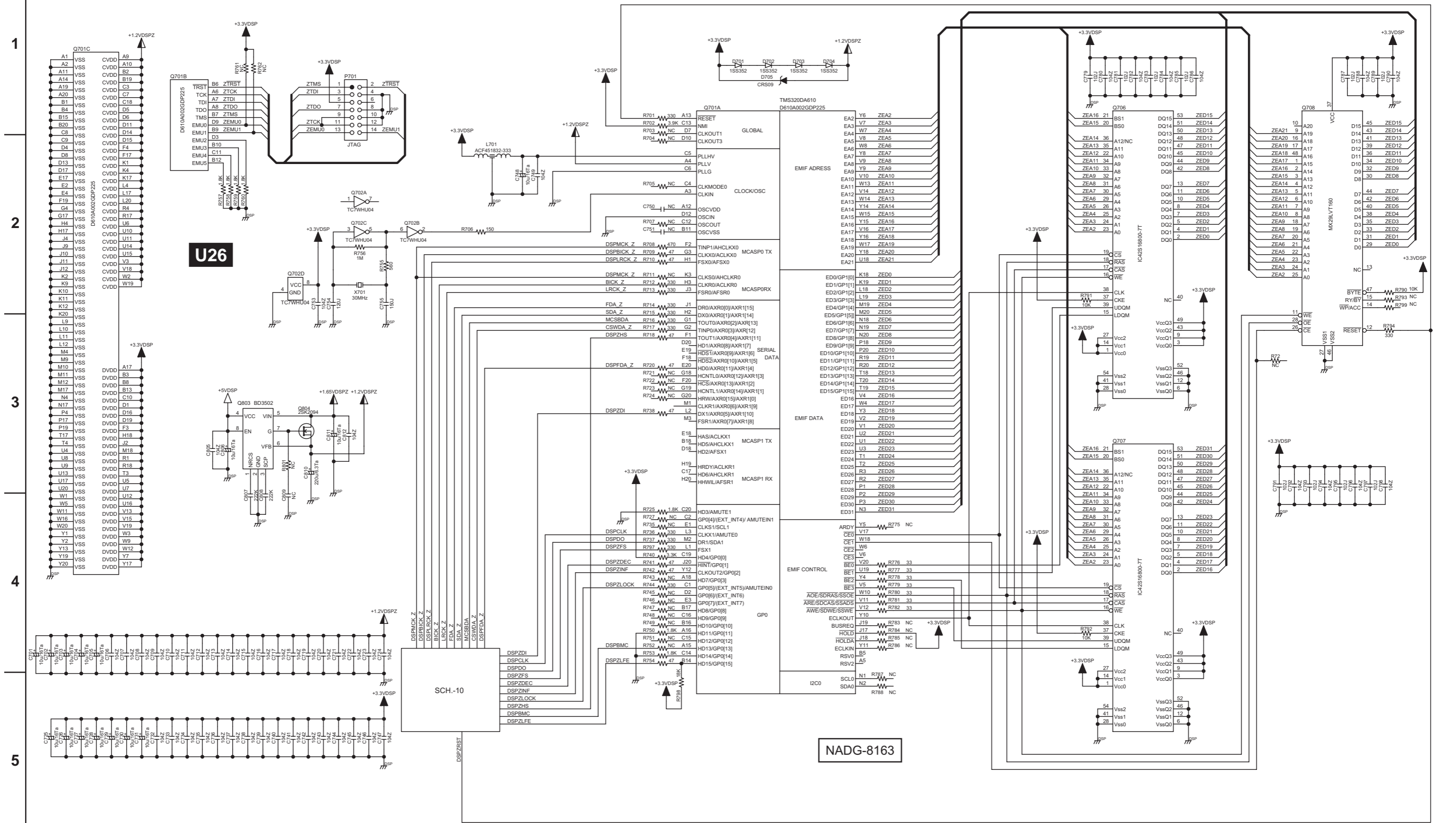
SCH.-11



SCH.-9 NADG-8162

SCHEMATIC DIAGRAM 11

DSP section



U26

NADG-8163

SCH.-10

SCHEMATIC DIAGRAM 13 Supply section

NOTE

- THE COMPONENTS IDENTIFIED BY MARK ARE CRITICAL FOR SAFETY. REPLACE ONLY WITH PART NUMBER SPECIFIED.
- VOLTAGE (MEASURED WITH VOLTMETER) IS DC VOLTAGE (NO INPUT SIGNAL).
- ELECTROLYTIC CAPACITORS () ARE IN μ F/V.
- ALL CAPACITORS ARE IN pF/50V UNLESS OTHERWISE NOTED.
- EX) 030-3pF 330-33pF 331-330pF 333-0.033 μ F
- ALL RESISTORS ARE IN OHMS 1/4WATTS UNLESS OTHERWISE NOTED.
- THE THICK LINES ON PC BOARD ARE THE PRINTING SIDE OF THE PARTS.
- EX) PRINTING SIDE
- CIRCUIT IS SUBJECT TO CHANGE FOR IMPROVEMENT.

CAUTION

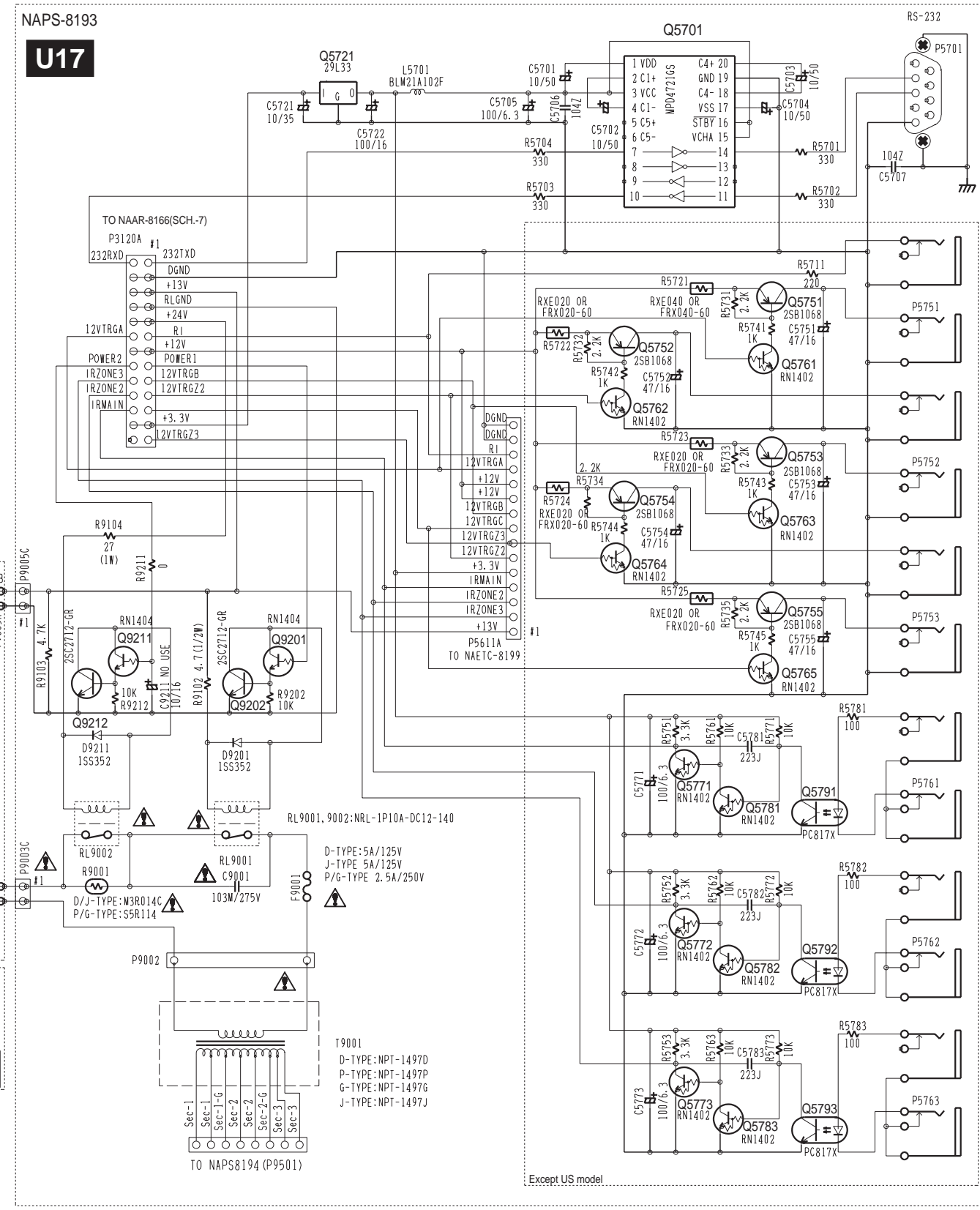
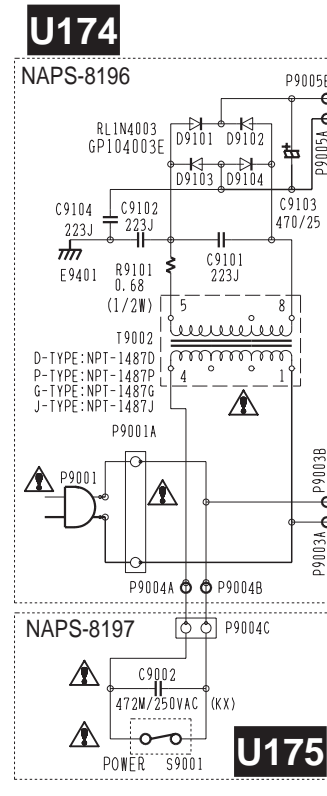
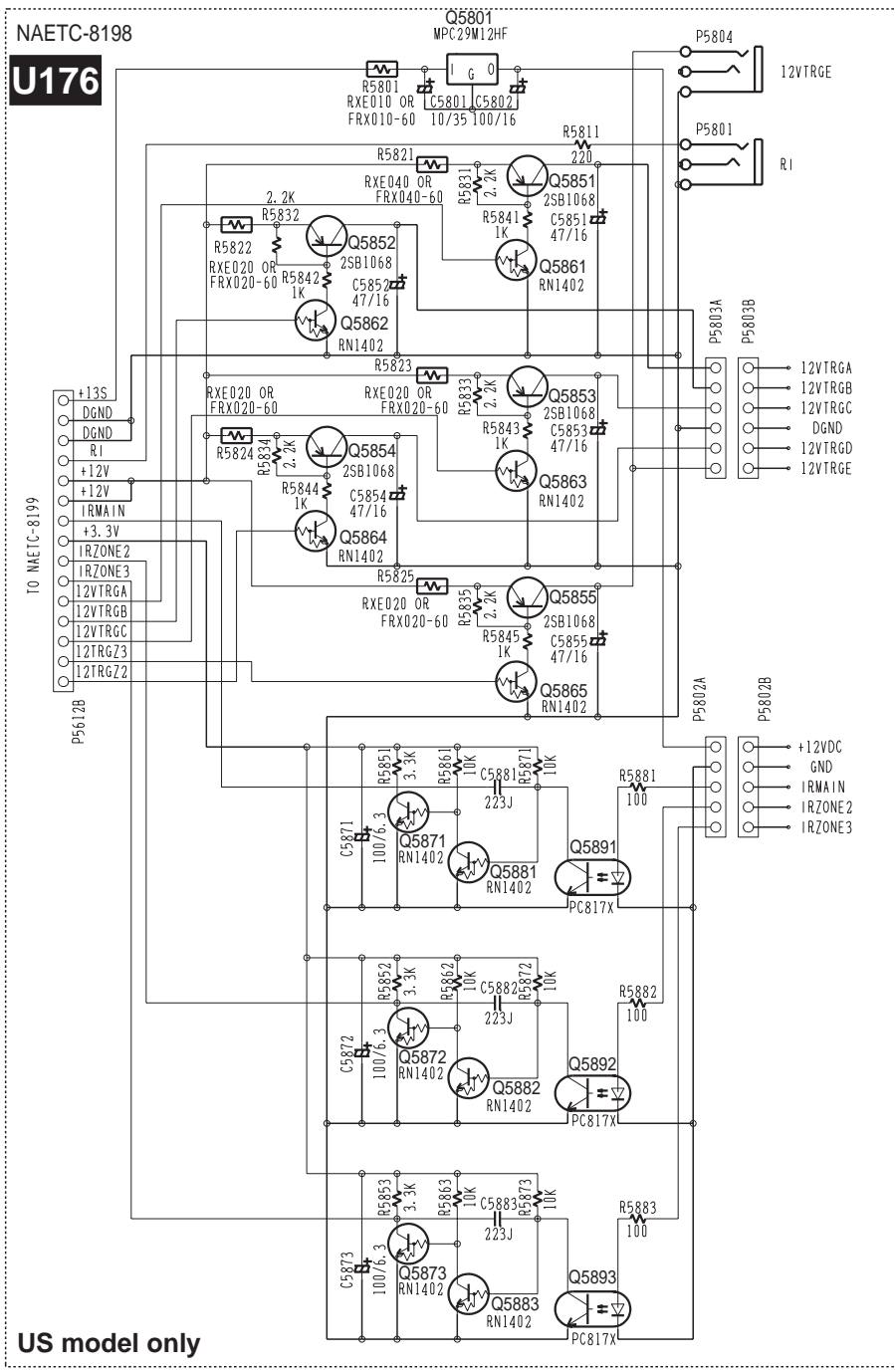
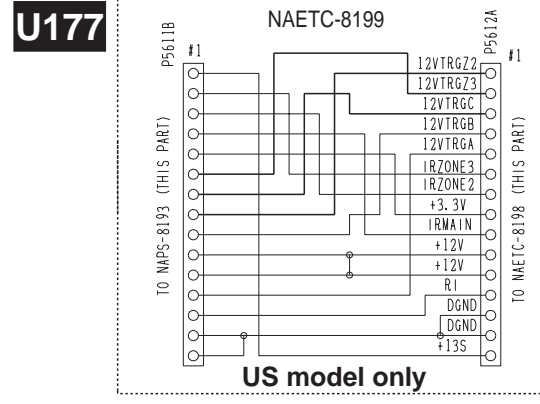
FOR CONTINUED PROTECTION AGAINST FIRE HAZARD, REPLACE ONLY WITH FUSE OF SAME TYPE AND RATING INDICATED.

THIS SYMBOL LOCATED NEAR THE FUSE INDICATES THAT THE FUSE USED IS SLOW OPERATING TYPE. FOR CONTINUED PROTECTION AGAINST FIRE HAZARD, REPLACE WITH SAME TYPE FUSE. FOR FUSE RATING REFER TO THE MARKING ADJACENT TO THE SYMBOL.

ATTENTION

AFIN D'ASSURER UNE PROTECTION PERMANENTE CONTRE LES RISQUES D'INCENDIE, REMPLACER UNIQUEMENT PAR UN FUSIBLE DE MEME TYPE ET CALIBRATION COMME INDIQUE.

CE SYMBOLE INDIQUE QUE LE FUSIBLE UTILISE EST LENT. POUR UNE PROTECTION PERMANENTE, N'UTILISER QUE DES FUSIBLES DE MEME TYPE. CE DERNIER EST INDIQUE LA QU LE PRESENT SYMBOLE EST APPOSE.



1
2
3
4
5

**SCHEMATIC
DIAGRAM 14**
Coaxial I/O and
Tuner sections

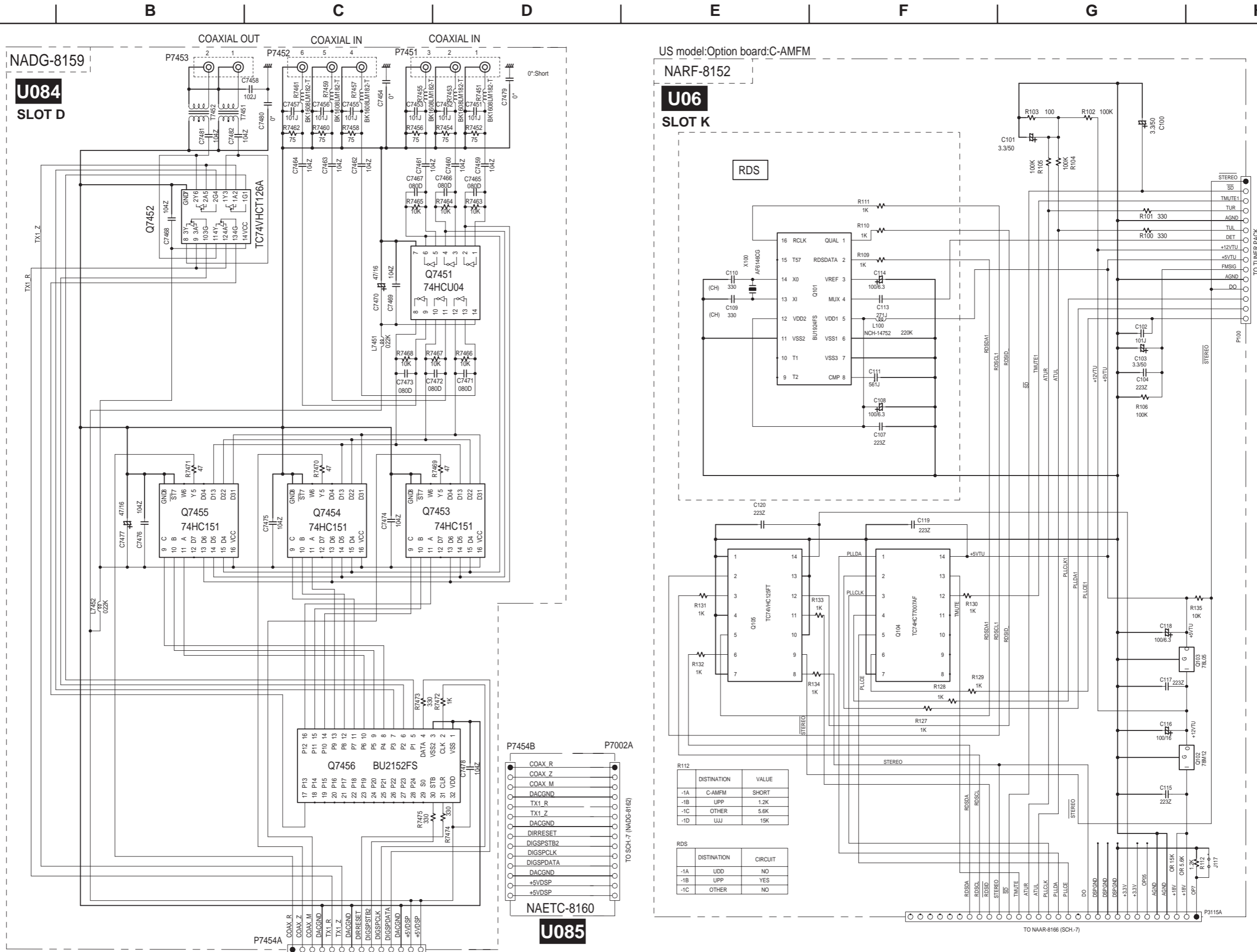
1

2

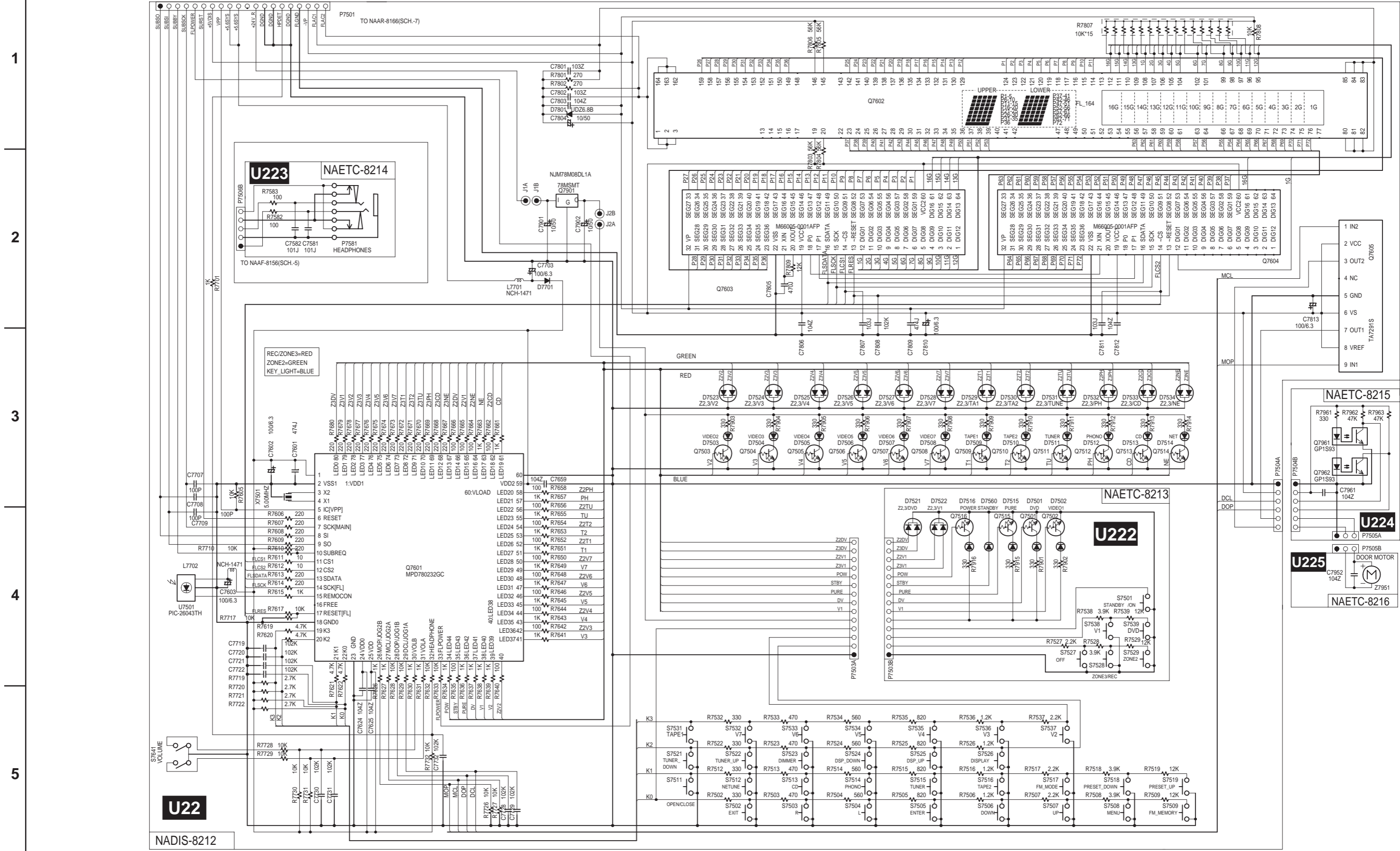
3

4

5



SCHEMATIC DIAGRAM 15 Display section



1

2

3

4

5

U22

U223 NAETC-8214

U222 NAETC-8213

U224 NAETC-8215

U225 NAETC-8216

NADIS-8212

TO NAAF-8156(SCH-5)

TO NAAR-8166(SCH-7)

TO NAAF-8156(SCH-5)

Q7605

Q7604

Q7603

Q7602

Q7601

Q7600

Q7599

Q7598

Q7597

Q7596

Q7595

Q7594

Q7593

Q7592

Q7591

Q7590

Q7589

Q7588

Q7587

Q7586

Q7585

Q7584

Q7583

Q7582

Q7581

Q7580

Q7579

Q7578

Q7577

Q7576

Q7575

Q7574

Q7573

Q7572

Q7571

Q7570

Q7569

Q7568

Q7567

Q7566

Q7565

Q7564

Q7563

Q7562

Q7561

Q7560

Q7559

Q7558

Q7557

Q7556

Q7555

Q7554

Q7553

Q7552

Q7551

Q7550

Q7549

Q7548

Q7547

Q7546

Q7545

Q7544

Q7543

Q7542

Q7541

Q7540

Q7539

Q7538

Q7537

Q7536

Q7535

Q7534

Q7533

Q7532

Q7531

Q7530

Q7529

Q7528

Q7527

Q7526

Q7525

Q7524

Q7523

Q7522

Q7521

Q7520

Q7519

Q7518

Q7517

Q7516

Q7515

Q7514

Q7513

Q7512

Q7511

Q7510

Q7509

Q7508

Q7507

Q7506

Q7505

Q7504

Q7503

Q7502

Q7501

Q7500

Q7499

Q7498

Q7497

Q7496

Q7495

Q7494

Q7493

Q7492

Q7491

Q7490

Q7489

Q7488

Q7487

Q7486

Q7485

Q7484

Q7483

Q7482

Q7481

Q7480

Q7479

Q7478

Q7477

Q7476

Q7475

Q7474

Q7473

Q7472

Q7471

Q7470

Q7469

Q7468

Q7467

Q7466

Q7465

Q7464

Q7463

Q7462

Q7461

Q7460

Q7459

Q7458

Q7457

Q7456

Q7455

Q7454

Q7453

Q7452

Q7451

Q7450

Q7449

Q7448

Q7447

Q7446

Q7445

Q7444

Q7443

Q7442

Q7441

Q7440

Q7439

Q7438

Q7437

Q7436

Q7435

Q7434

Q7433

Q7432

Q7431

Q7430

Q7429

Q7428

Q7427

Q7426

Q7425

Q7424

Q7423

Q7422

Q7421

Q7420

Q7419

Q7418

Q7417

Q7416

Q7415

Q7414

Q7413

Q7412

Q7411

Q7410

Q7409

Q7408

Q7407

Q7406

Q7405

Q7404

Q7403

Q7402

Q7401

Q7400

Q7399

Q7398

Q7397

Q7396

Q7395

Q7394

Q7393

Q7392

Q7391

Q7390

Q7389

Q7388

Q7387

Q7386

Q7385

Q7384

Q7383

Q7382

Q7381

Q7380

Q7379

Q7378

Q7377

Q7376

Q7375

Q7374

Q7373

Q7372

Q7371

Q7370

Q7369

Q7368

Q7367

Q7366

Q7365

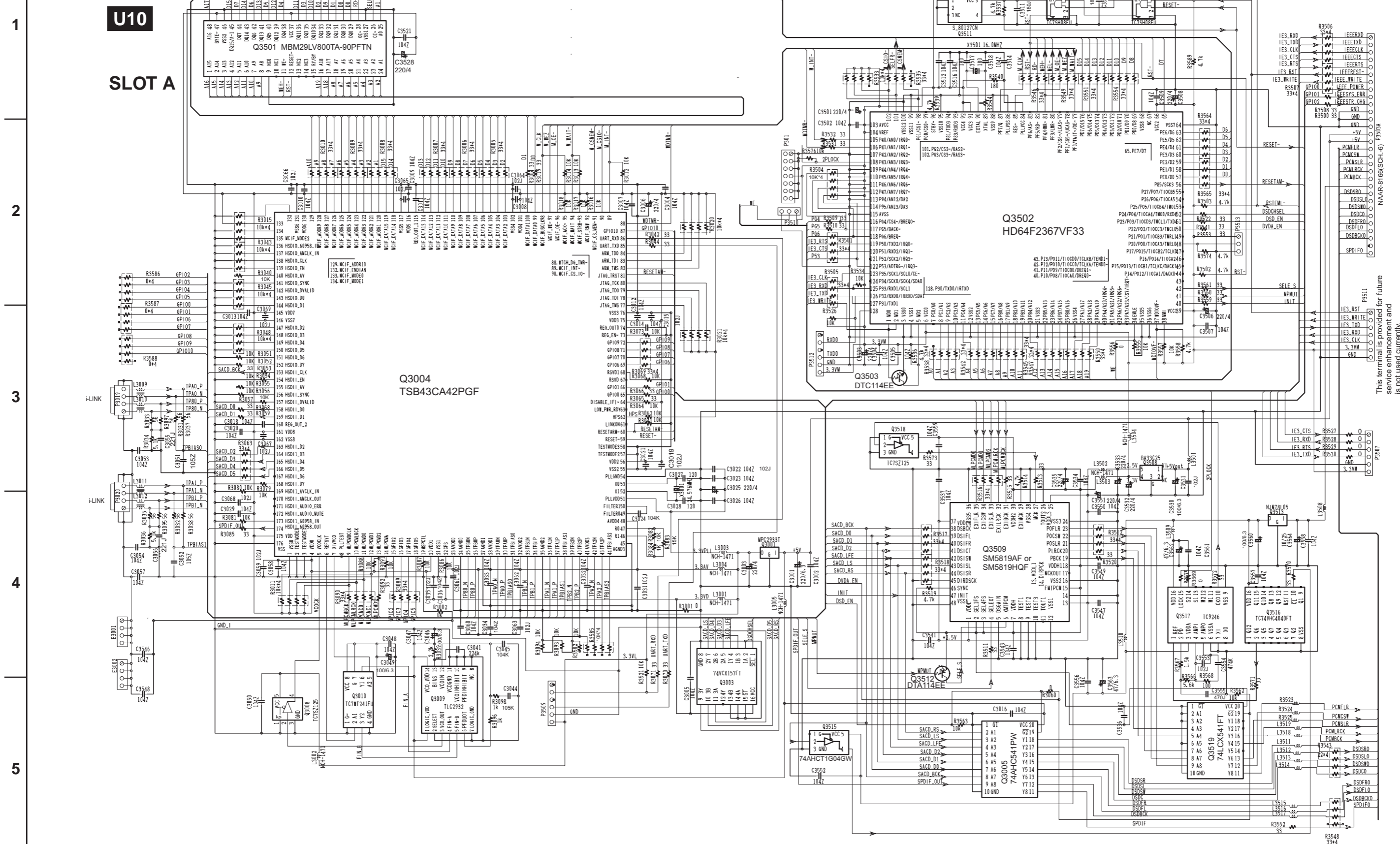
Q7364

Q7363

Q7362

Q7361

SCHEMATIC DIAGRAM 17 IEEE1394



This terminal is provided for future service enhancement and is not used currently.

SCHEMATIC DIAGRAM 18

HDMI section
(Except US model/
Option board:
C-HDMI)

U01
NAVD-
8137

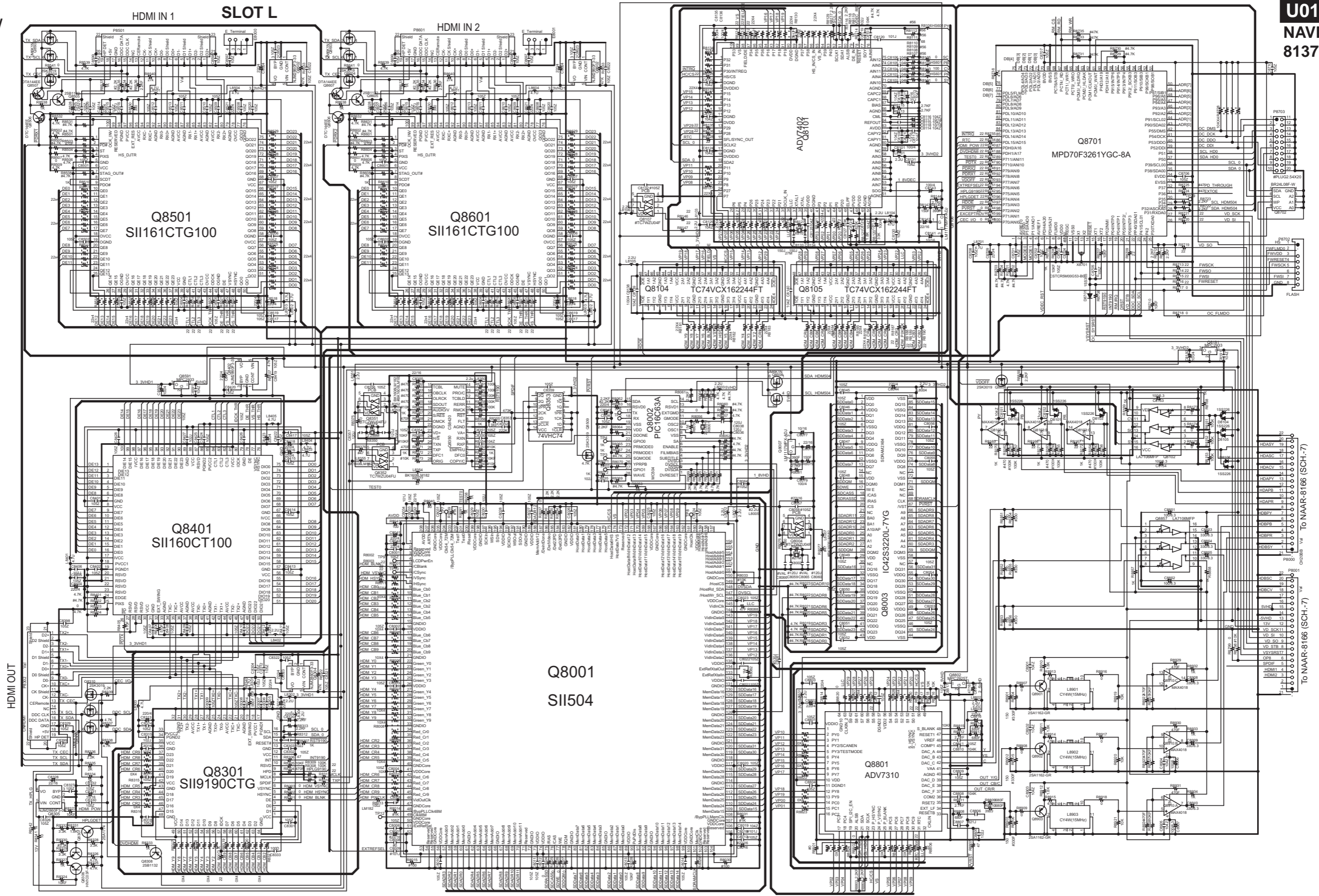
1

2

3

4

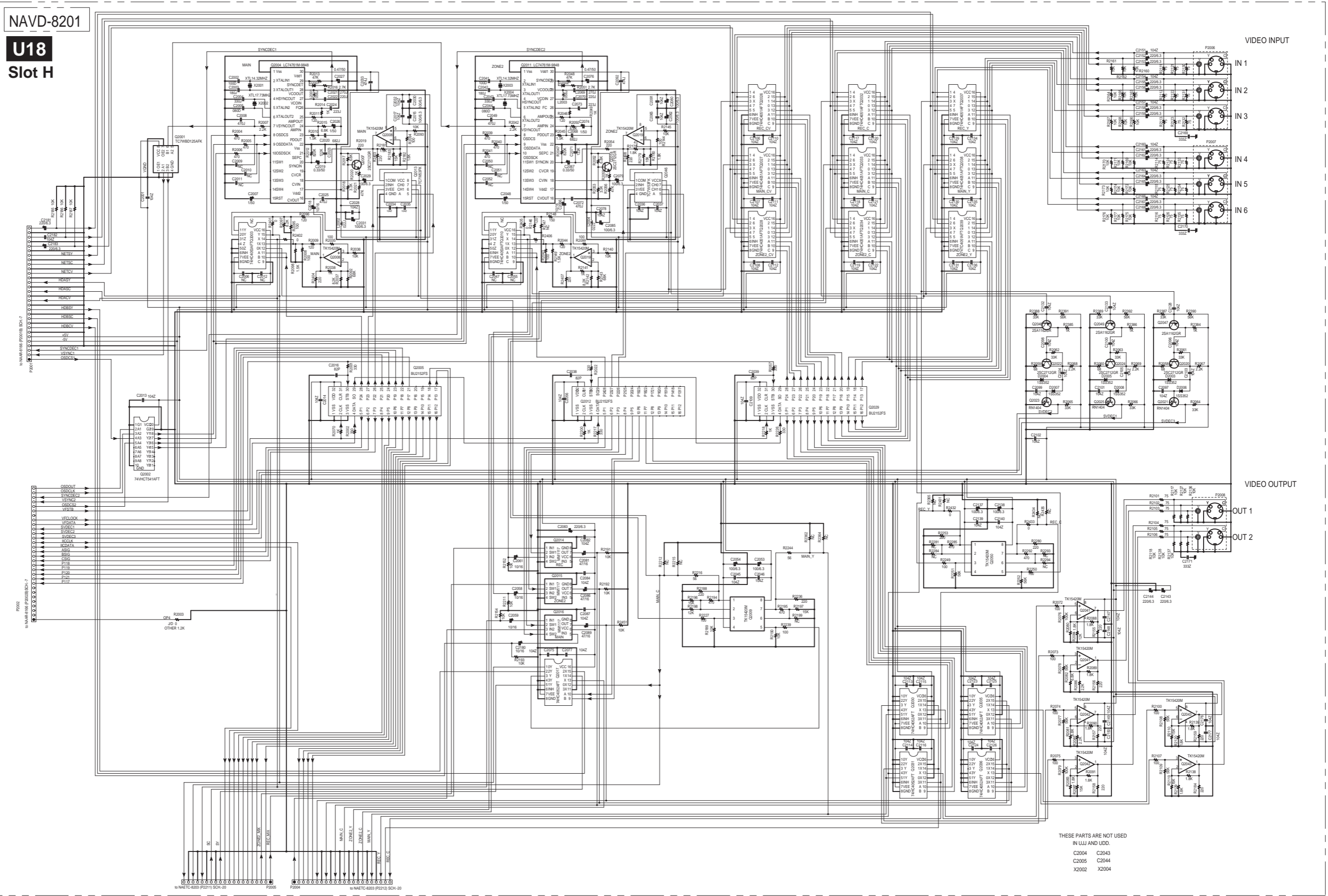
5



To NAAR-8166 (SCH.-7)

**SCHEMATIC
DIAGRAM 19**
Video section
(Except US model
/Option board:
C-VIDEO)

NAVD-8201
U18
Slot H



1

2

3

4

5

THESE PARTS ARE NOT USED
IN U1J AND UDD.
C2004 C2043
C2005 C2044
X2002 X2004

SCHEMATIC DIAGRAM 20
Video section
(Except US model/Option board:C-VIDEO)

1

2

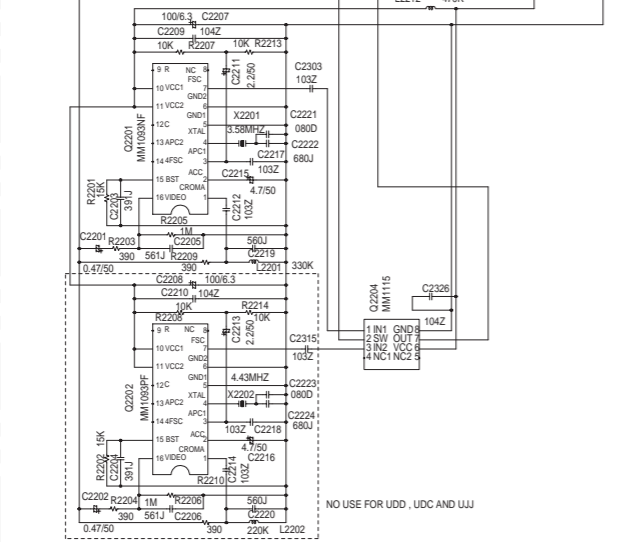
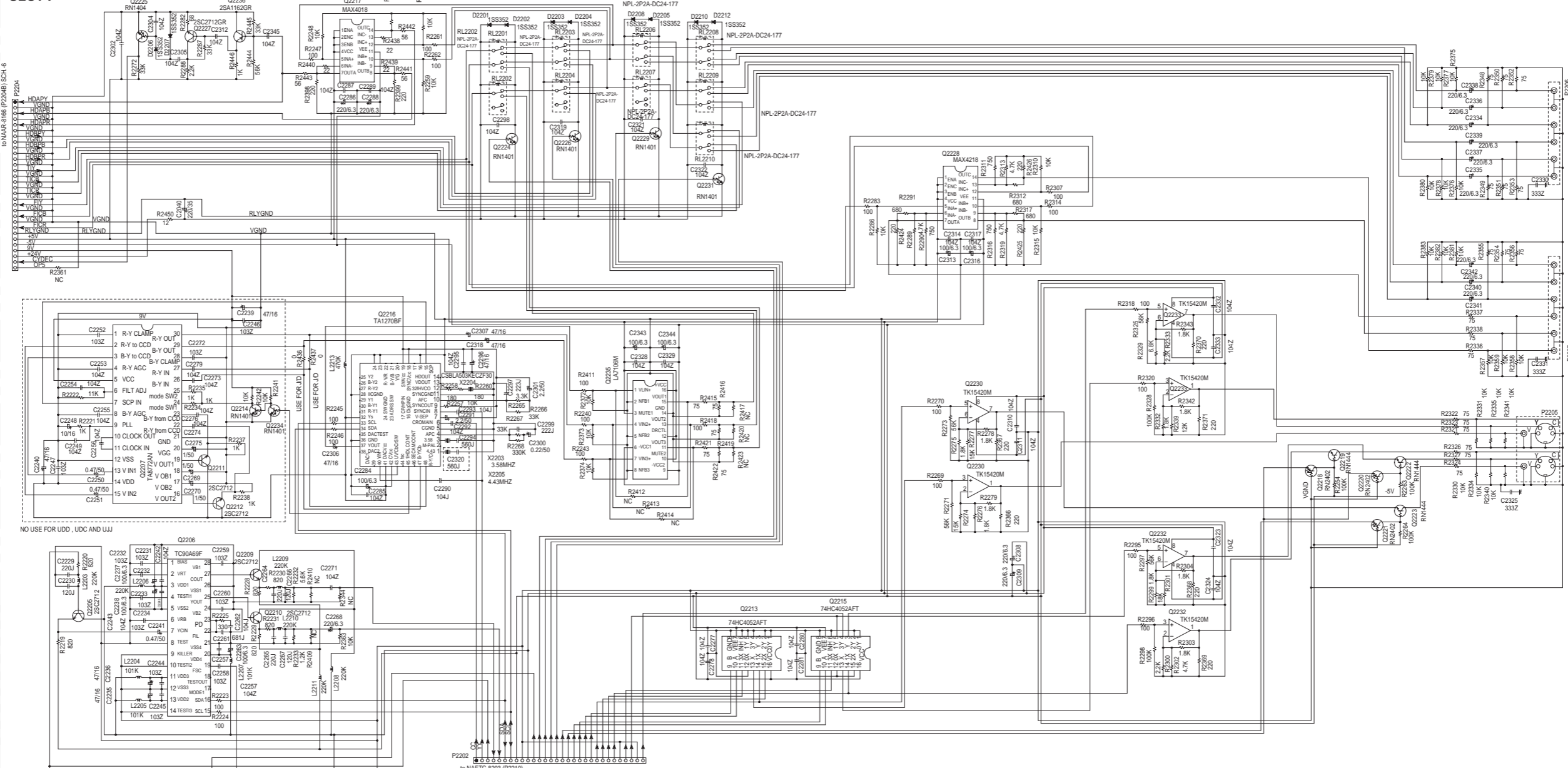
3

4

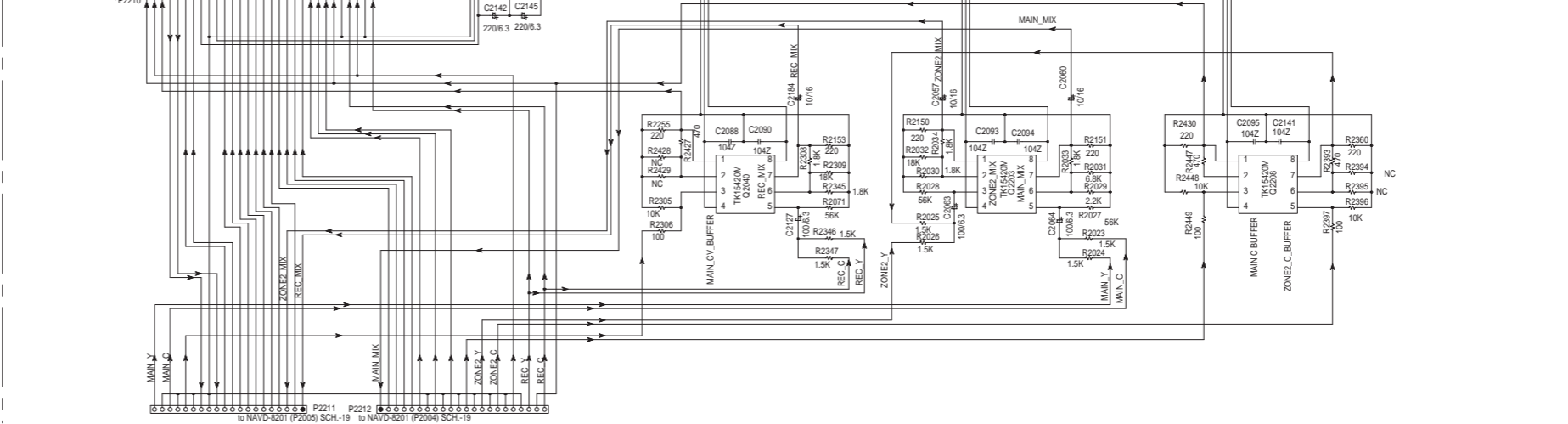
5

NAVD-8202

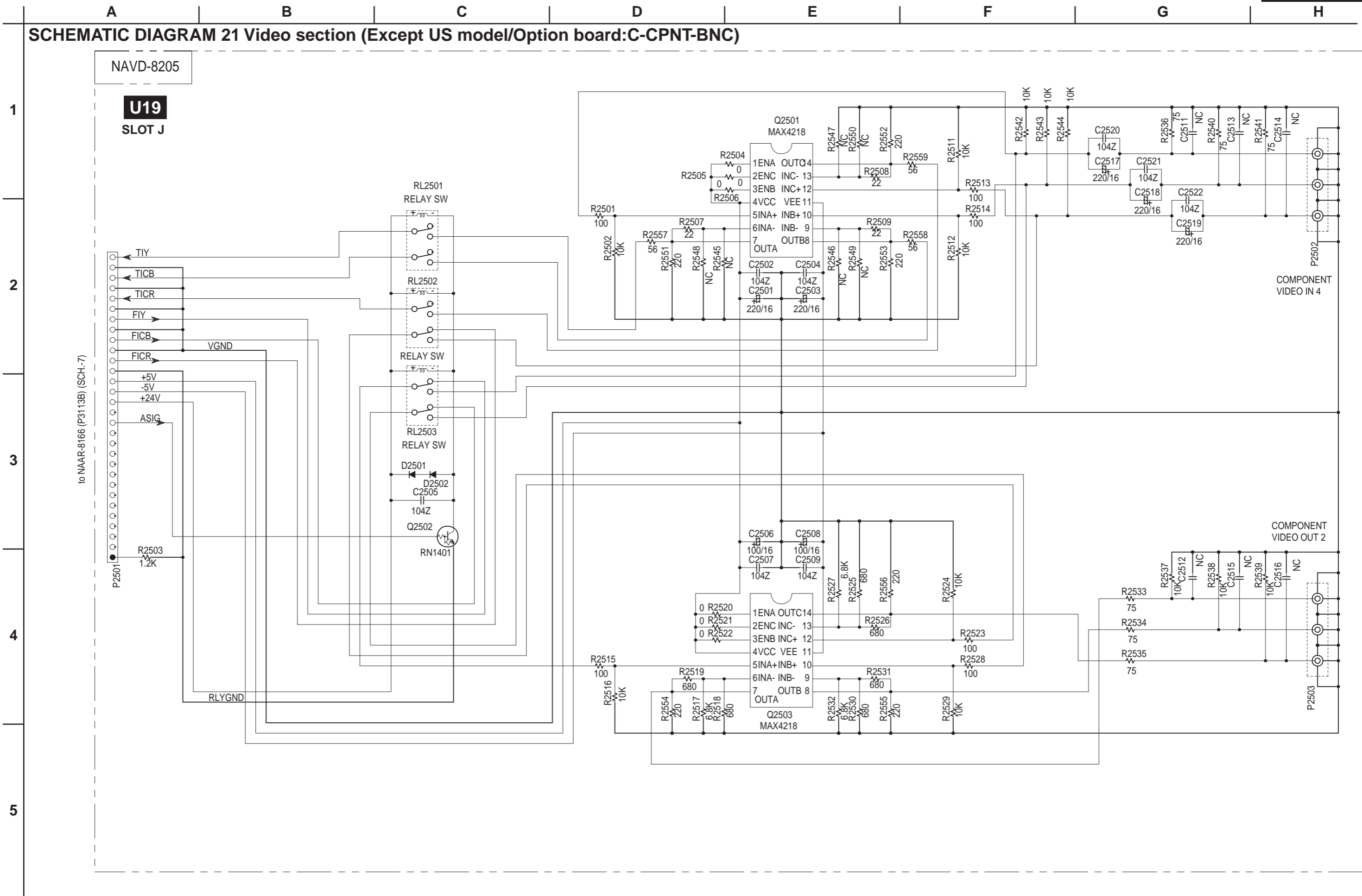
SLOT I



NAETC-8203



SCHEMATIC DIAGRAM 21 Video section (Except US model/Option board:C-CPNT-BNC)



WIRING VIEW 3 POWER SUPPLY SECTION

1

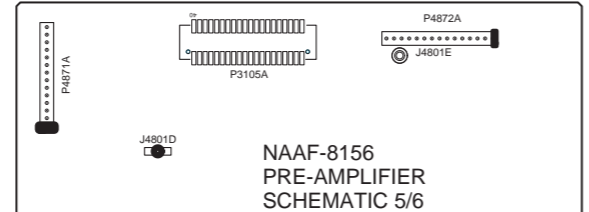
2

3

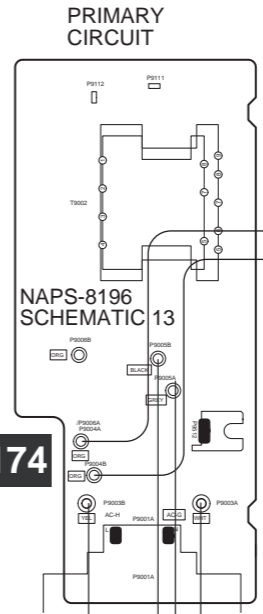
4

5

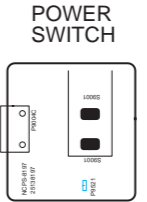
A B C D E F G H



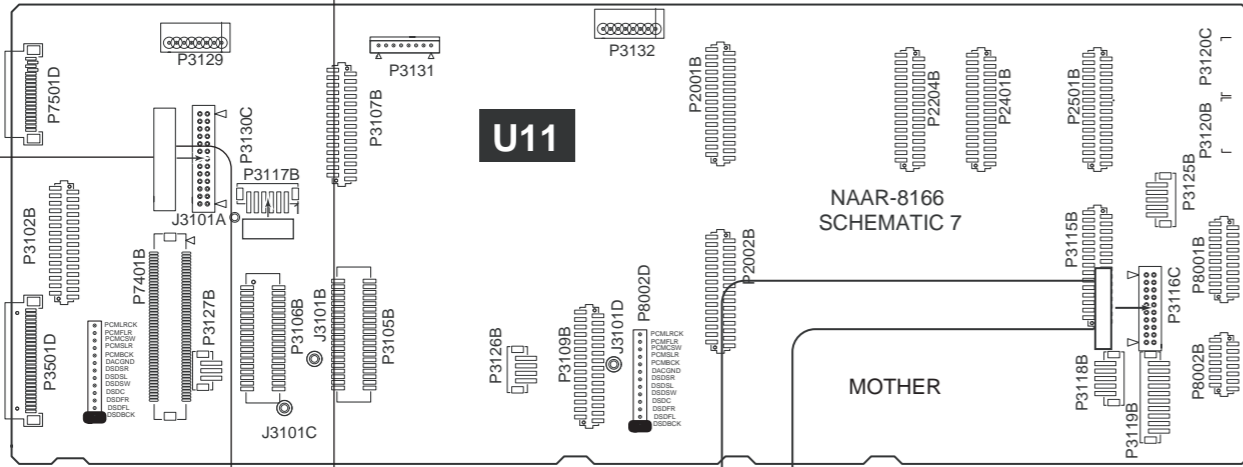
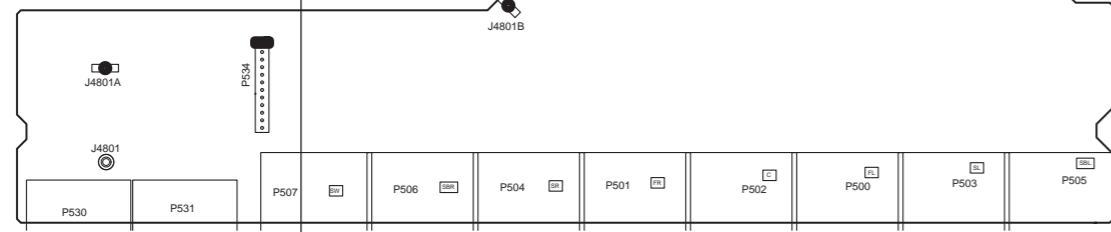
U08



U174

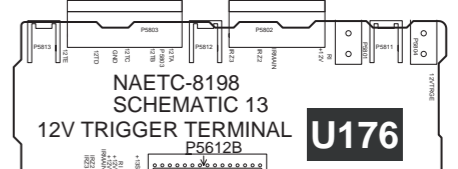
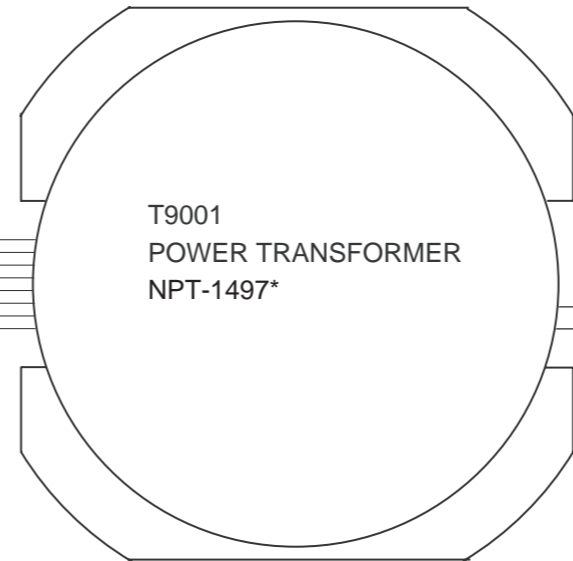


NAPS-8197
SCHEMATIC 13



U11

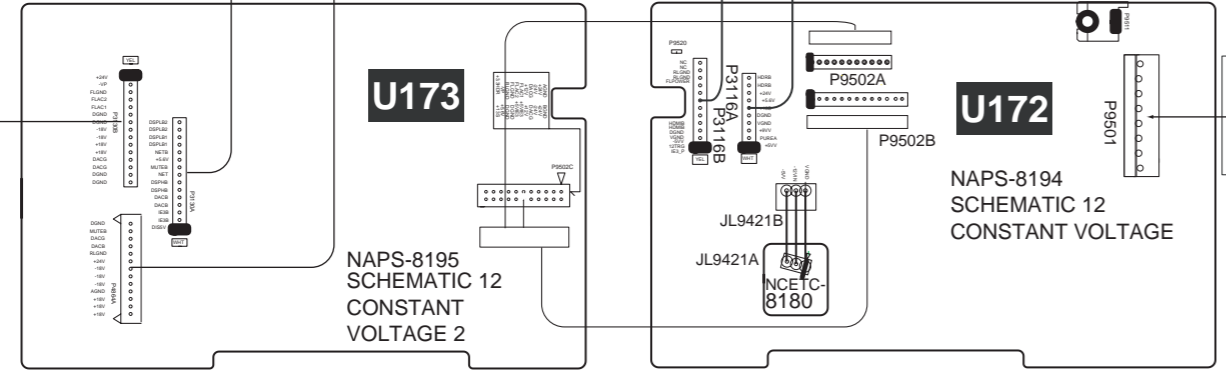
MOTHER



US MODEL ONLY

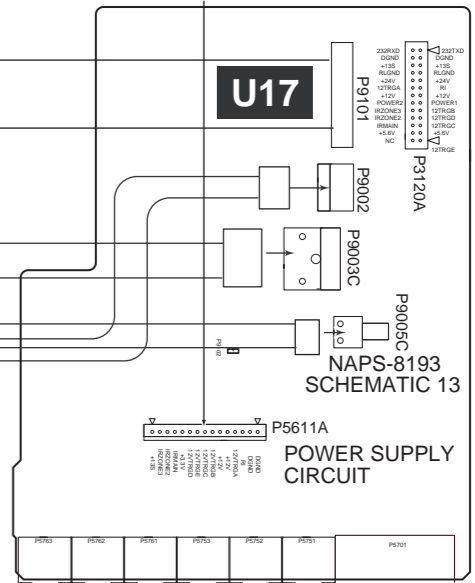


NAETC-8199
SCHEMATIC 13



U173

NAPS-8195
SCHEMATIC 12
CONSTANT
VOLTAGE 2



U17

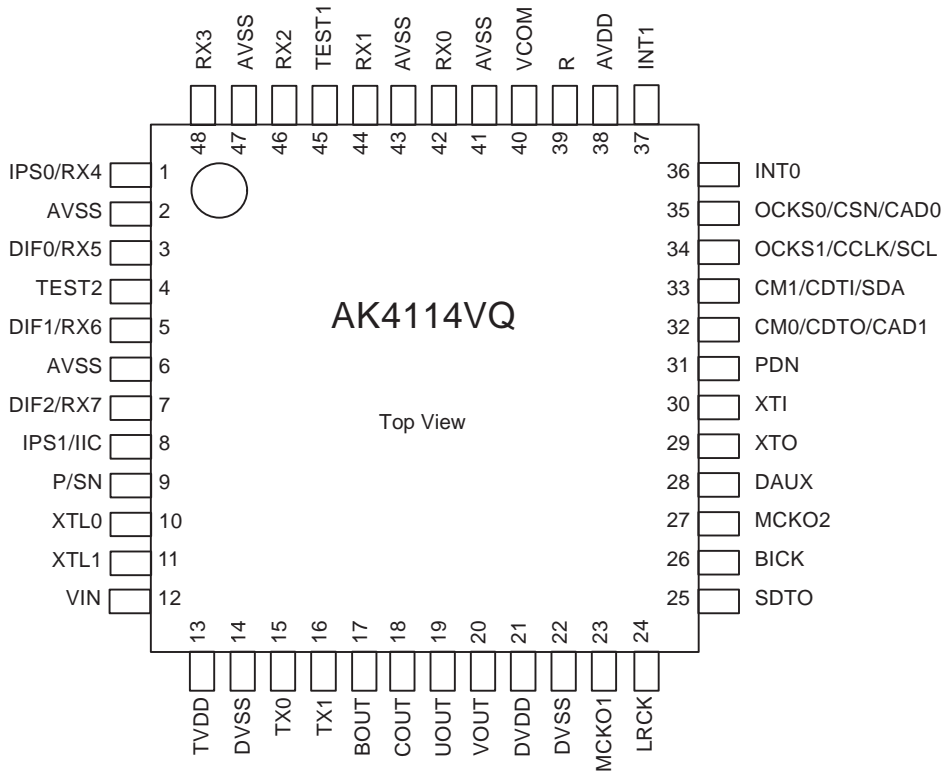
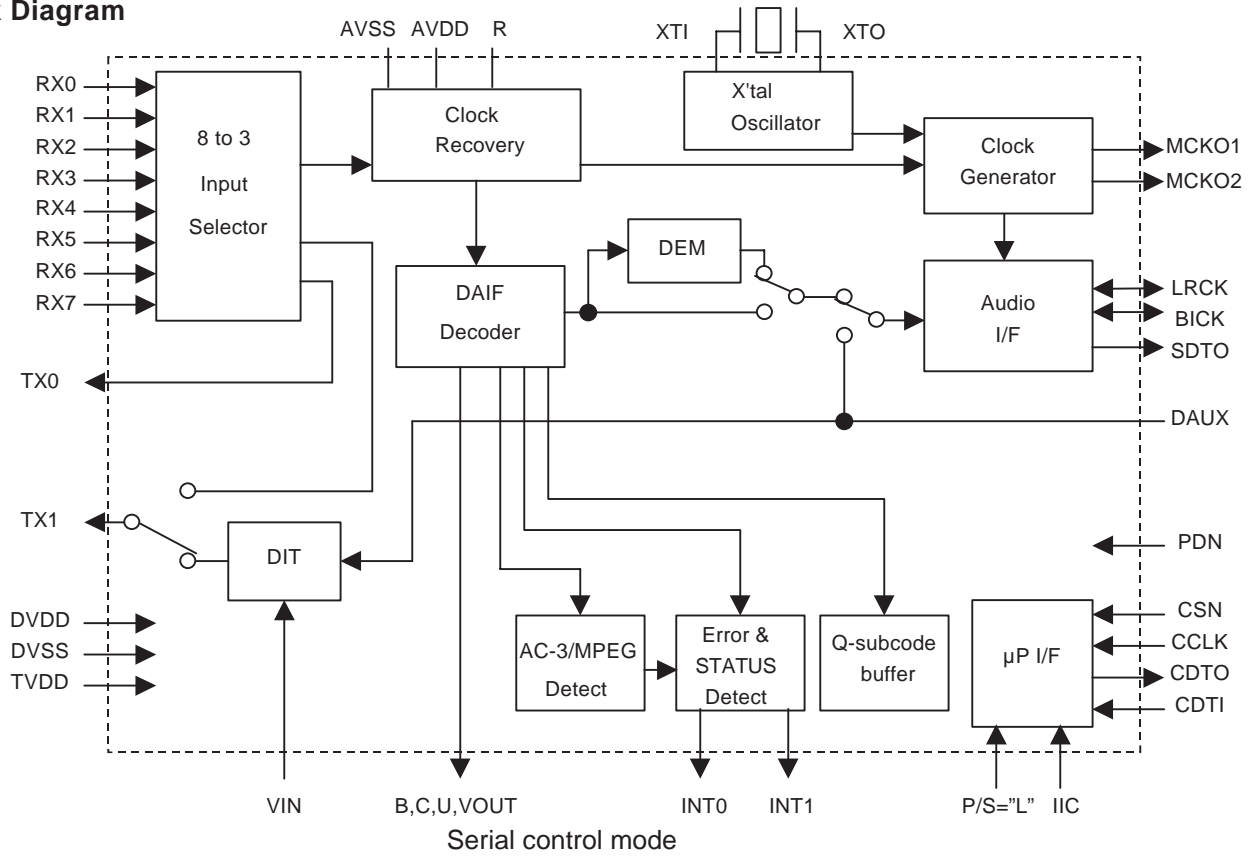
NAPS-8193
SCHEMATIC 13

POWER SUPPLY
CIRCUIT

IC BLOCK DIAGRAM AND DESCRIPTION

AK4114VQ(192kHz 24bit Digital Audio Interface Transceiver)

Block Diagram



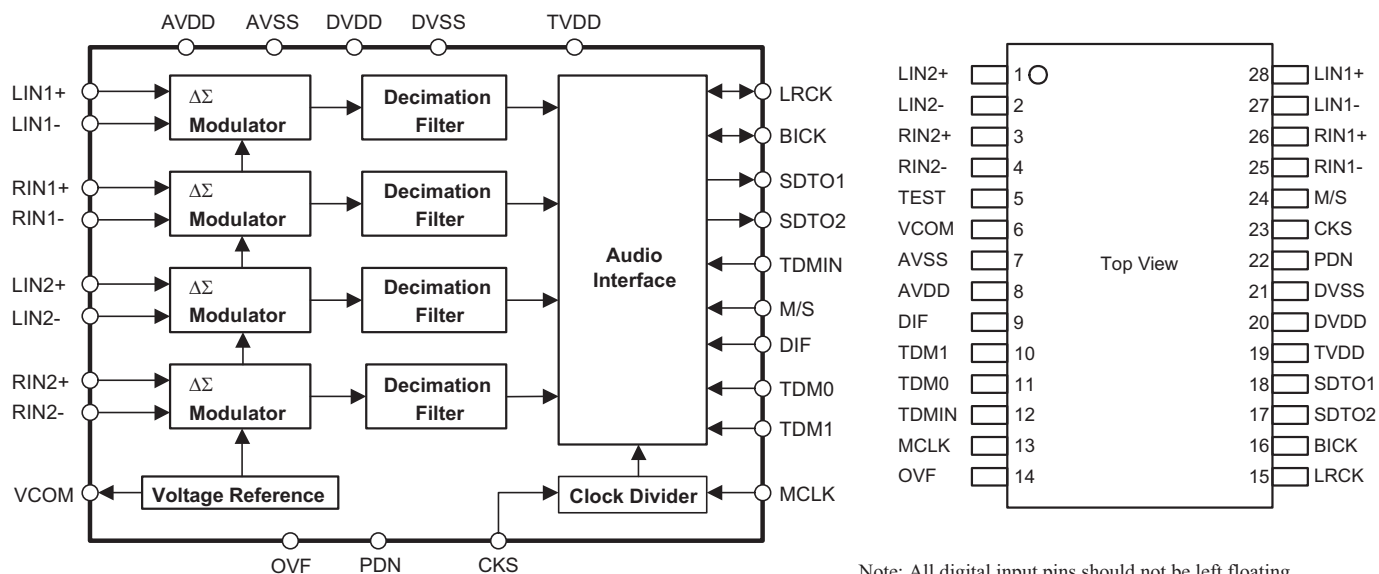
IC BLOCK DIAGRAM AND DESCRIPTION

AK4114VQ(192kHz 24bit Digital Audio Interface Transceiver)

No.	Symbol	I/O	Function
1	RX4	I	Receiver channel input 4 pin
2	NC(AVSS)	I	No connection pin
3	RX5	I	Receiver channel input 5 pin
4	TEST2	I	Test 2 pin
5	RX6	I	Receiver channel input 6 pin
6	NC(AVSS)	I	No connection pin
7	RX7	I	Receiver channel input 7 pin
8	IIC	I	IIC select pin. L:4 lines serial
9	P/SN	I	Parallel/serial select pin. L: Serial mode
10	XTL0	I	Crystal frequency select 0 pin
11	XTL1	I	Crystal frequency select 1 pin
12	VIN	I	V bit input pin for transmitter output.
13	TVDD	I	Power supply pin for input buffer
14	NC	I	No connection pin
15	TX0	O	Transmitter channel output 0 pin
16	TX1	O	Transmitter channel output 1 pin
17	BOUT	O	Block start output pin for receiver input
18	COUT	O	C bit output pin for receiver input
19	UOUT	O	U bit output pin for receiver input
20	VOUT	O	V bit output pin for receiver input
21	DVDD	I	Digital power supply pin
22	DVSS	I	Digital ground pin
23	MCKO1	O	Master clock output 1 pin
24	LRCK	I/O	Channel clock pin
25	SDTO	O	Audio serial data output pin
26	BICK	I/O	Audio serial data clock pin
27	MCKO2	O	Master clock output 2 pin
28	DAUX	I	Axially audio serial data input pin
29	XTO	O	Crystal output pin
30	XTI	I	Crystal input pin
31	PDN	I	Power down and reset pin
32	CDTO	O	Control data output pin
33	CDTI	I	Control data input pin
34	CCLK	I	Control data clock pin
35	CSN	I	Chip select pin
36	INT0	O	Interrupter 0 pin
37	INT1	O	Interrupter 1 pin
38	AVDD	I	Analog power supply
39	R	-	External connection resistor pin
40	VCOM	-	Common voltage output pin
41	AVSS	I	Analog ground pin
42	RX0	I	Receiver channel input 0 pin
43	NC(AVSS)	I	No connection pin
44	RX1	I	Receiver channel input 1 pin
45	TEST1	I	Test 1 pin
46	RX2	I	Receiver channel input 2 pin
47	NC(AVSS)	I	No connection pin
48	RX3	I	Receiver channel input 3 pin

IC BLOCK DIAGRAM AND DESCRIPTION

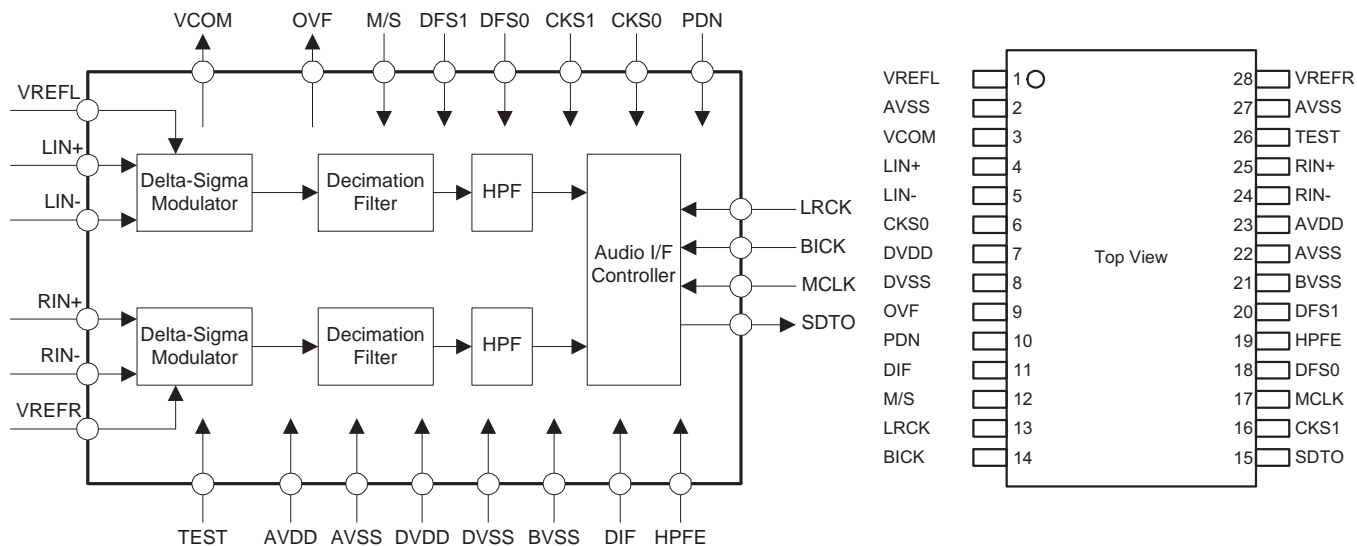
AK4584VF(107dB 24-Bit 96kHz 4-Channel SDC)



No.	Pin Name	I/O	Function
1	LIN2+	I	ADC2 Lch Positive Analog Input Pin
2	LIN2-	I	ADC2 Lch Negative Analog Input Pin
3	RIN2+	I	ADC2 Rch Positive Analog Input Pin
4	RIN2-	I	ADC2 Rch Negative Analog Input Pin
5	TEST	I	Test Pin (Connected to AVSS)
6	VCOM	O	Common Voltage Output Pin, AVDD/2 Normally connected to AVSS with a 0.1μF ceramic capacitor in parallel with an electrolytic capacitor less than 2.2μF.
7	AVSS	-	Analog Ground Pin
8	AVDD	-	Analog Power Supply Pin, 4.75 ~ 5.25V
9	DIF	I	Audio Interface Format Pin “L”: 24bit MSB justified, “H”: 24bit I ² S Compatible
10	TDM1	I	TDM I/F BICK Frequency Select Pin “L”: 256fs, “H”: 128fs
11	TDM0	I	TDM I/F Format Enable Pin “L”: Normal Mode, “H”: TDM Mode
12	TDMIN	I	TDM Data Input Pin
13	MCLK	I	Master Clock Input Pin
14	OVF	O	Analog Input Overflow Detect Pin This pin goes to “H” if one of four analog inputs overflows.
15	LRCK	I/O	Output Channel Clock Pin “L” Output in Master Mode at Power-down mode.
16	BICK	I/O	Audio Serial Data Clock Pin “L” Output in Master Mode at Power-down mode.
17	SDTO2	O	ADC2 Audio Serial Data Output Pin “L” Output at Power-down mode.
18	SDTO1	O	ADC1 Audio Serial Data Output Pin “L” Output at Power-down mode.
19	TVDD	-	Output Buffer Power Supply Pin, 3.0 ~ 5.25V
20	DVDD	-	Digital Power Supply Pin, 4.75 ~ 5.25V
21	DVSS	-	Digital Ground Pin
22	PDN	I	Power-Down Mode Pin When “L”, the circuit is in power-down mode. The AK5384 should always be reset upon power-up.
23	CKS	I	Master Clock Select Pin “L”: 256fs, “H”: 512fs This pin is enabled in Master Mode.
24	M/S	I	Master / Slave Mode Pin “L”: Slave Mode, “H”: Master Mode
25	RIN1-	I	ADC1 Rch Negative Analog Input Pin
26	RIN1+	I	ADC1 Rch Positive Analog Input Pin
27	LIN1-	I	ADC1 Lch Negative Analog Input Pin
28	LIN1+	I	ADC1 Lch Positive Analog Input Pin

IC BLOCK DIAGRAM AND DESCRIPTION

AK4585AVF(24-Bit 192kHz $\Delta\Sigma$ ADC)

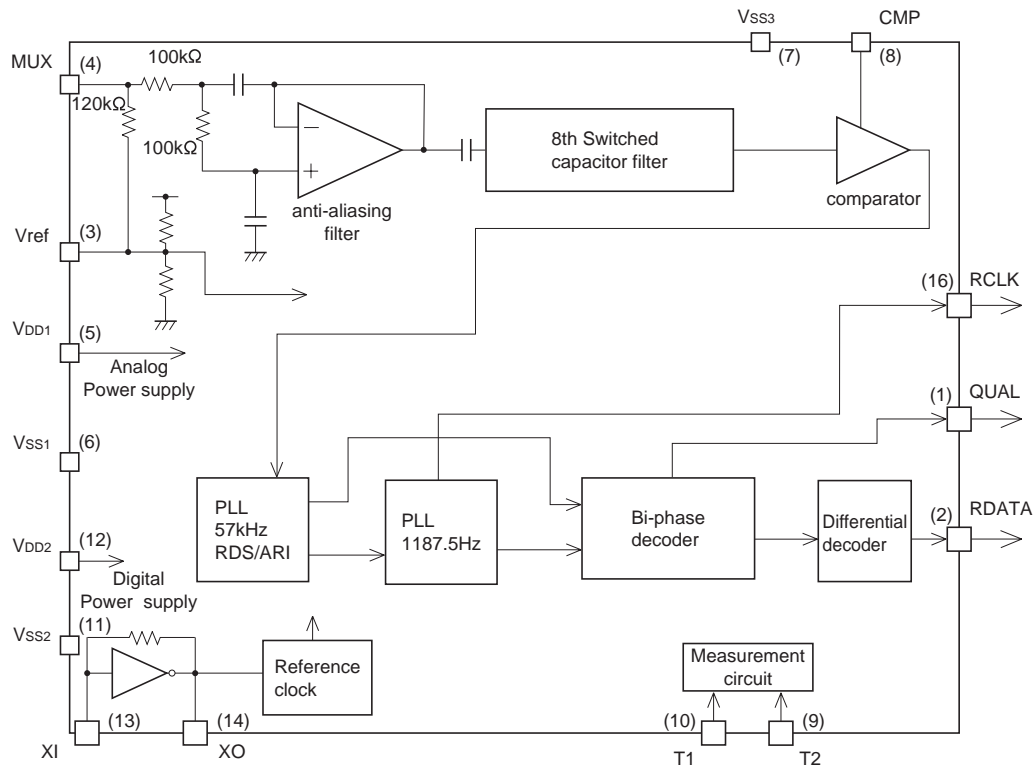


No.	Pin Name	I/O	Function
1	VREFL	I	Lch Voltage Reference Input Pin, AVDD Normally, connected to AVSS with a 10 μ F electrolytic capacitor and a 0.1 μ F ceramic capacitor.
2	AVSS	-	Analog Ground Pin
3	VCOM	O	Common Voltage Output Pin, AVDD/2 Bias voltage of ADC input.
4	LIN+	I	Lch Analog Positive Input Pin
5	LIN-	I	Lch Analog Negative Input Pin
6	CKS0	I	Master Clock Select 0 Pin (Internal Pull-down Pin, typ. 100k Ω)
7	DVDD	-	Digital Power Supply Pin, 3.0 ~ 5.25V
8	DVSS	-	Digital Ground Pin
9	OVF	O	Analog Input Overflow Detect Pin This pin goes to "H" if analog input overflows.
10	PDN	I	Power Down Mode Pin "H": Power up, "L": Power down
11	DIF	I	Audio Interface Format Pin "H": 24bit I ² S Compatible, "L": 24bit MSB justified
12	M/S	I	Master / Slave Mode Pin (Fixed to "L") "L": Slave Mode only
13	LRCK	I	Output Channel Clock Pin
14	BICK	I	Audio Serial Data Clock Pin
15	SDTO	O	Audio Serial Data Output Pin
16	CKS1	I	Master Clock Select 1 Pin (Internal Pull-down Pin, typ. 100k Ω)
17	MCLK	I	Master Clock Input Pin
18	DFS0	I	Sampling Speed Select 0 Pin
19	HPFE	I	High Pass Filter Enable Pin "H": Enable, "L": Disable
20	DFS1	I	Sampling Speed Select 1 Pin
21	BVSS	-	Substrate Ground Pin
22	AVSS	-	Analog Ground Pin
23	AVDD	-	Analog Power Supply Pin, 4.75 ~ 5.25V
24	RIN-	I	Rch Analog Negative Input Pin
25	RIN+	I	Rch Analog Positive Input Pin
26	TEST	I	Test Pin (Internal Pull-down Pin, typ. 100k Ω)
27	AVSS	-	Analog Ground Pin
28	VREFR	I	Rch Voltage Reference Input Pin, AVDD Normally, connected to AVSS with a 10 μ F electrolytic capacitor and a 0.1 μ F ceramic capacitor.

IC BLOCK DIAGRAMS AND TERMINAL DESCRIPTIONS

BU1924FS (RDS Decoder) <European model only>

BLOCK DIAGRAM

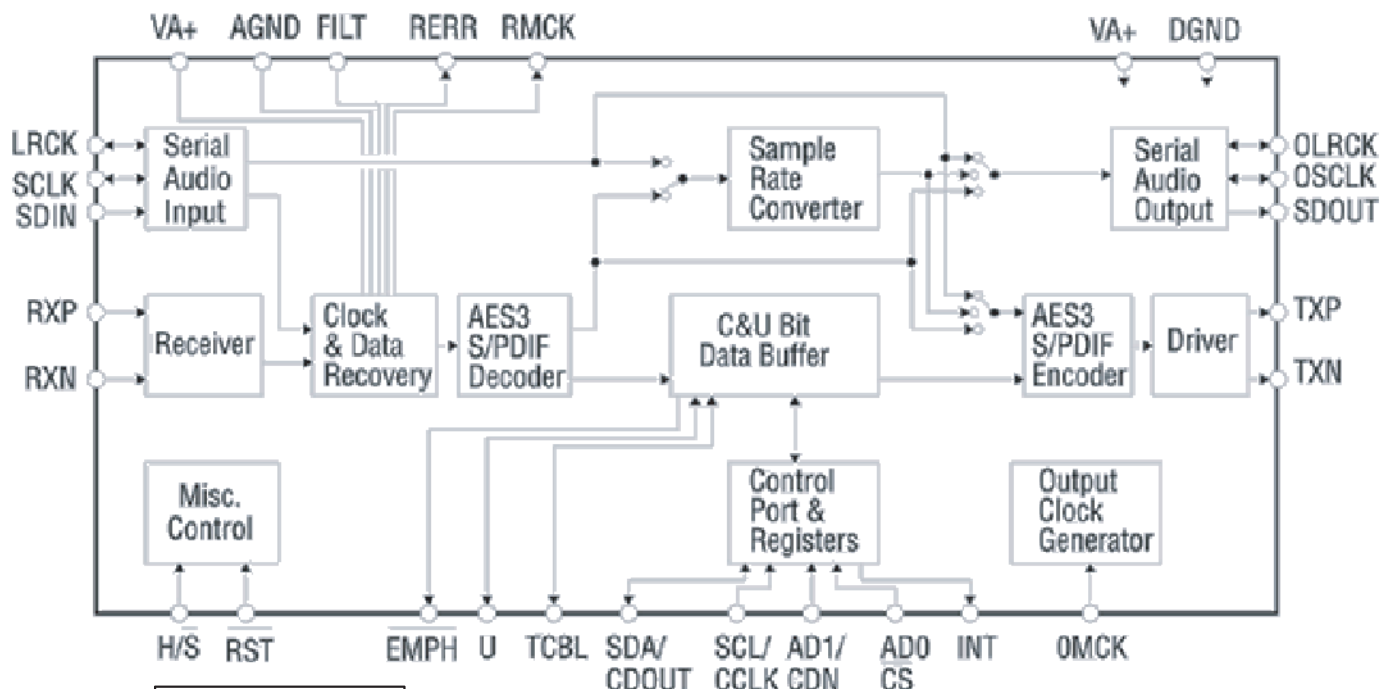


TERMINAL DESCRIPTION

Pin No.	Pin name	Description
1	QUAL	Output terminal of demodulator quality signal.
2	RDATA	Output terminal of demodulator data.
3	Vref	Input terminal of reference voltage.
4	MUX	Input terminal of composite signal.
5	VDD1	Analog power supply.
6	VSS1	Analog power supply.
7	VSS3	Ground.
8	CMP	Input terminal of comparator.
9	T2	Input terminal for test mode.
10	T1	Input terminal for test mode.
11	VSS2	Digital power supply.
12	VDD2	Digital power supply.
13	XI	Connect to oscillator.
14	XO	Connect to oscillator.
15	(N.C.)	---
16	RCLK	Output terminal of demodulator clock.

IC BLOCK DIAGRAM AND DESCRIPTION

CS8420(Digital audio sample rate converter)



COPY	1	ORIG	28
DFC0	2	DFC1	27
EMPH/U	3	TXP	26
RXP	4	TXN	25
RXN	5	H/S	24
VA+	6	VD+	23
AGND	7	DGND	22
FILT	8	OMCK	21
RST	9	PRO/C	20
RMCK	10	AUDIO/V	19
RERR	11	SDOUT	18
ILRCK	12	OLRCK	17
ISCLK	13	OSCLK	16
SDIN	14	TCBL	15

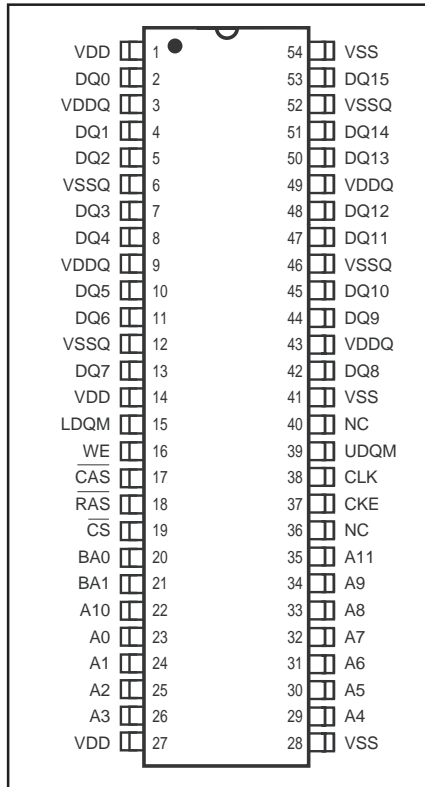
- DFC0,DFC1...Data flow control inputs
- OMCK...Output section master clock input
- SDIN...Serial audio input port data input
- SCLK...Serial audio input port bit clock input
- ILRCK...Serial audio input port left/right clock input
- SDOUT...Serial audio output port data output
- OSCLK...Serial audio output port bit clock input or output
- OLRCK...Serial audio output port left/right clock input or output
- TXN, TXP... Differential line driver outputs
- TCBL...Transmit channel status block start
- RXP, RXN...Differential line receiver inputs
- RMCK...Input section recovered master clock output
- RERR...Receiver error indicator output
- EMPH/U...Pre-emphasis indicator output or U-bit data input
- COPY...Copy channel status bit output
- ORIG...Original channel status output
- PRO/C...Professional channel status bit output or C-bit data input
- AUDIO/V...Audio channel status bit output or V-bit data input

IC BLOCK DIAGRAM AND DESCRIPTION

IC42S16800-7T(2Mx8 bitsx4 banks Synchronous Dynamic RAM)

PIN CONFIGURATIONS

54-Pin TSOP-2 (IC42S16800)

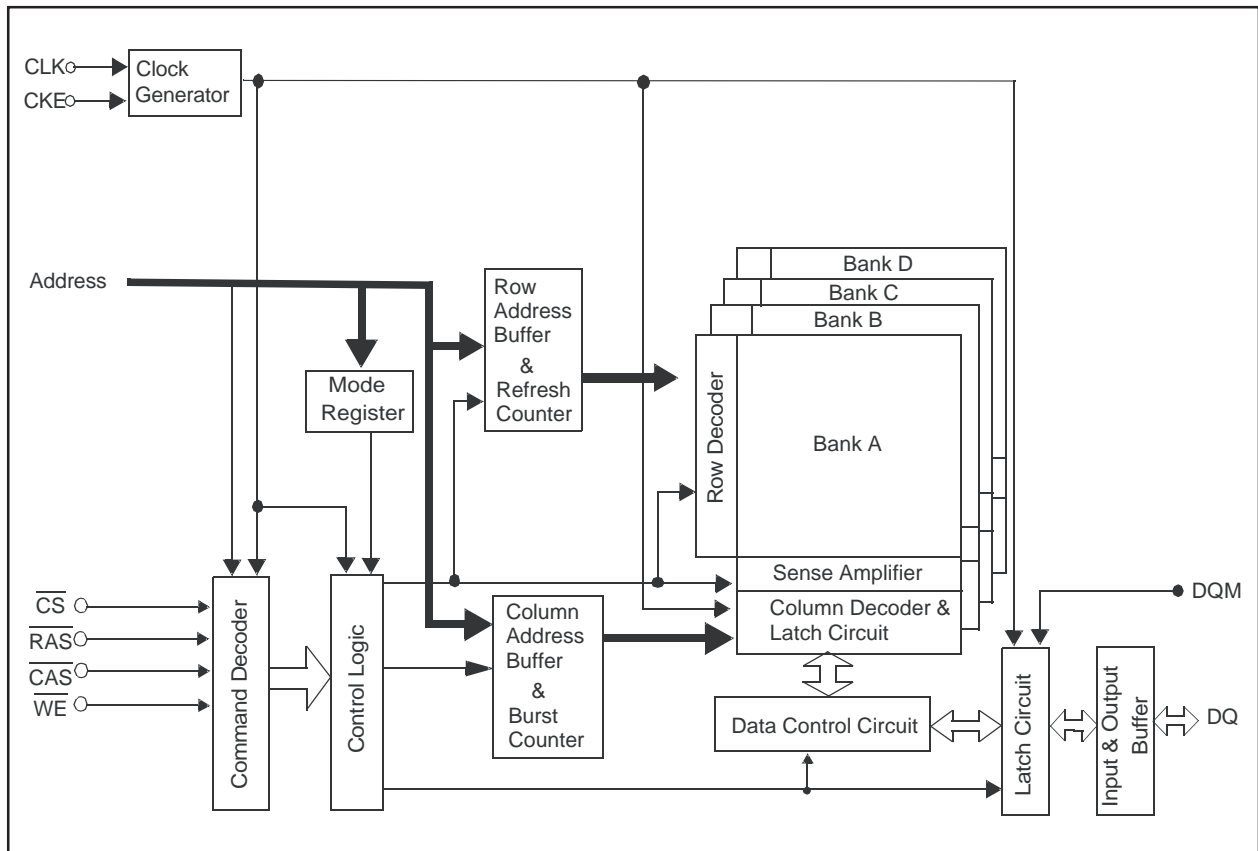


PIN DESCRIPTIONS

Pin Name	Function
CLK	Master Clock
CKE	Clock Enable
CS	Chip Select
RAS	Row Address Strobe
CAS	Column Address Strobe
WE	Write Enable
DQ0 ~ DQ15	Data I/O

Pin Name	Function
DQM	DQ Mask Enable
A0-11	Address Input
BA0,1	Bank Address
VDD	Power Supply
VDDQ	Power Supply for DQ
VSS	Ground
VSSQ	Ground for DQ

FUNCTIONAL BLOCK DIAGRAM



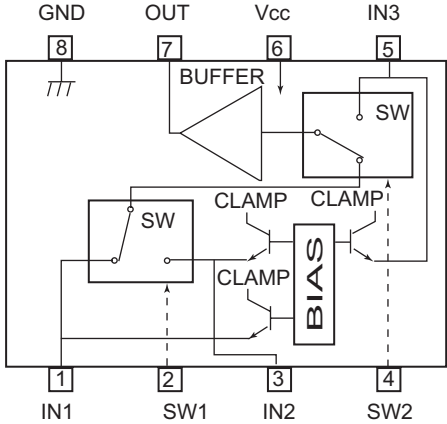
IC BLOCK DIAGRAM AND DESCRIPTION

IC42S16800-7T(2Mx8 bitsx4 banks Synchronous Dynamic RAM)

PIN FUNCTIONS

Symbol	Type	Function (In Detail)
CLK	Input Pin	Master Clock: Other inputs signals are referenced to the CLK rising edge
CKE	Input Pin	Clock Enable: CKE HIGH activates, and CKE LOW deactivates internal clock signals, device input buffers and output drivers. Deactivating the clock provides PRECHARGE POWER-DOWN and SELF REFRESH operation (all banks idle), or ACTIVE POWER-DOWN (row ACTIVE in any bank).
CS	Input Pin	Chip Select: CS enables (registered LOW) and disables (registered HIGH) the command decoder. All commands are masked when CS is registered HIGH. CS provides for external bank selection on systems with multiple banks. CS is considered part of the command code.
RAS, CAS, WE	Input Pin	Command Inputs: RAS, CAS and WE (along with CS) define the command being entered.
A0-A11	Input Pin	Address Inputs: Provide the row address for ACTIVE commands, and the column address and AUTO PRECHARGE bit for READ/WRITE commands, to select one location out of the memory array in the respective bank. The row address is specified by A0-A11. The column address is specified by A0-A8 (IC42S16800)
BA0,BA1	Input Pin	Bank Address Inputs: BA0 and BA1 define to which bank an ACTIVE, READ, WRITE or PRECHARGE command is being applied.
DQM, UDQM, LDQM	Input Pin	Din Mask / Output Disable: When DQM is high in burst write, Din for the current cycle is masked. When DQM is high in burst read, Dout is disable at the next but one cycle.
DQ0 to DQ15	I/O Pin	Data Input / Output: Data bus.
V _{DD} , V _{SS}	Power Supply Pin	Power Supply for the memory array and peripheral circuitry.
V _{DDQ} , V _{SSQ}	Power Supply Pin	Power Supply are supplied to the output buffers only.

IC BLOCK DIAGRAM AND DESCRIPTION
MM1117XFBE(3 inputs/1 output video switch)



Control Input Truth Table

SW1	SW2	OUT
L	L	IN1
H	L	IN2
-	H	IN3

IC BLOCK DIAGRAM AND DESCRIPTION

MX29LV160BBTC-70(16Mbit CMOS single voltage 3V only flash memory)

PIN CONFIGURATIONS

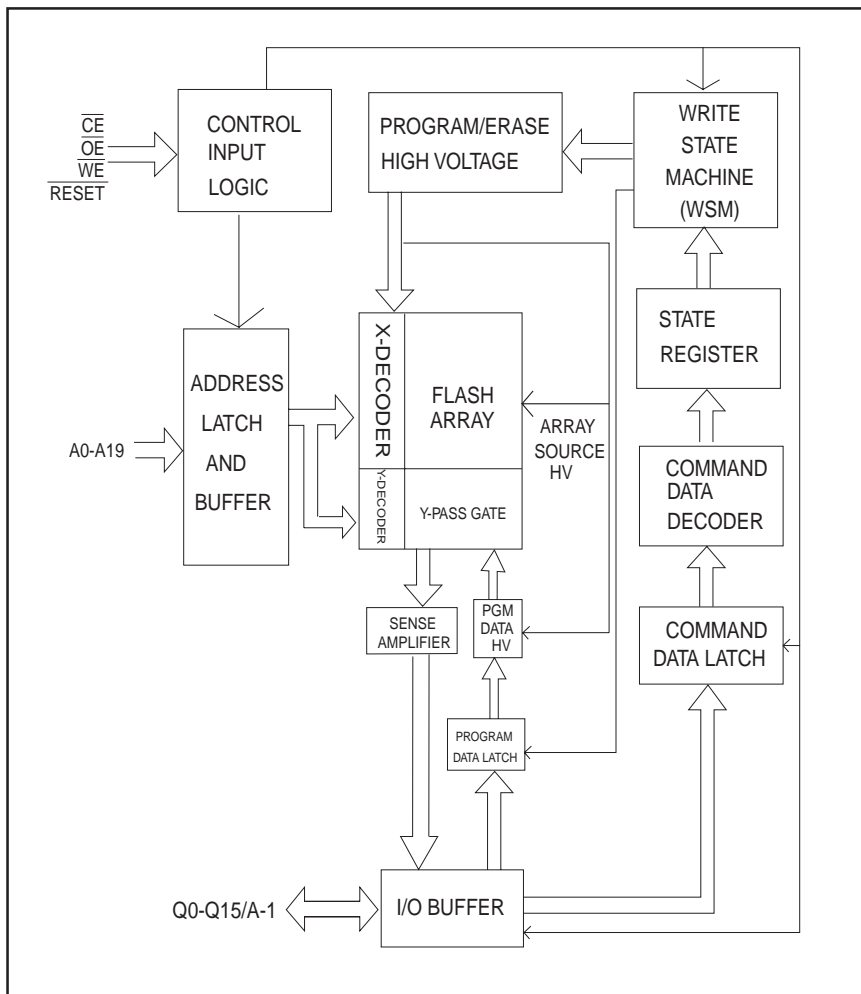
48 TSOP (Standard Type) (12mm x 20mm)



PIN DESCRIPTION

SYMBOL	PIN NAME
A0~A19	Address Input
Q0~Q14	Data Input/Output
Q15/A-1	Q15(Word mode)/LSB addr(Byte mode)
\overline{CE}	Chip Enable Input
\overline{WE}	Write Enable Input
BYTE	Word/Byte Selection input
RESET	Hardware Reset Pin/Sector Protect Unlock
\overline{OE}	Output Enable Input
RY/BY	Ready/Busy Output
VCC	Power Supply Pin (2.7V~3.6V)
GND	Ground Pin

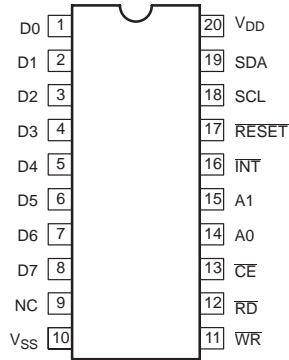
BLOCK DIAGRAM



IC BLOCK DIAGRAM AND DESCRIPTION

PCA9564PW(Parallel bus to I²C-bus controller)

PIN CONFIGURATION D SO, TSSOP



PIN CONFIGURATION

PIN NUMBER		SYMBOL	PIN TYPE	NAME AND FUNCTION
SO, TSSOP	HVQFN			
1, 2, 3, 4, 5, 6, 7, 8	1, 2, 3, 4, 5, 18, 19, 20	D0±D7	I/O	Data Bus: Bi-directional 3-State data bus used to transfer commands, data and status between the controller and the CPU. D0 is the least significant bit.
9	6	NC		No connect: must be left floating
10	7	V _{SS}	Pwr	Ground
11	8	WR	I	Write Strobe: When LOW and CE is also LOW, the contents of the data bus is loaded into the addressed register. The transfer occurs on the rising edge of the signal.
12	9	RD	I	Read Strobe: When LOW and CE is also LOW, causes the contents of the addressed register to be presented on the data bus. The read cycle begins on the falling edge of RD.
13	10	CE	I	Chip Enable: Active-LOW input signal. When LOW, data transfers between the CPU and the controller are enabled on D0±D7 as controlled by the WR, RD and A0±A1 inputs. When HIGH, places the D0±D7 lines in the 3-State condition.
14, 15	11, 12	A0, A1	I	Address Inputs: Selects the controller internal registers and ports for read/write operations.
16	13	INT	O	Interrupt Request: Active-LOW, open-drain, output. This pin requires a pull-up device.
17	14	RESET	I	Reset: A LOW level clears internal registers resets the I ² C state machine.
18	15	SCL	I/O	I ² C-bus serial clock input/output (open-drain).
19	16	SDA	I/O	I ² C-bus serial data input/output (open-drain).
20	17	V _{DD}	Pwr	Power Supply: +2.3 to +3.6 V

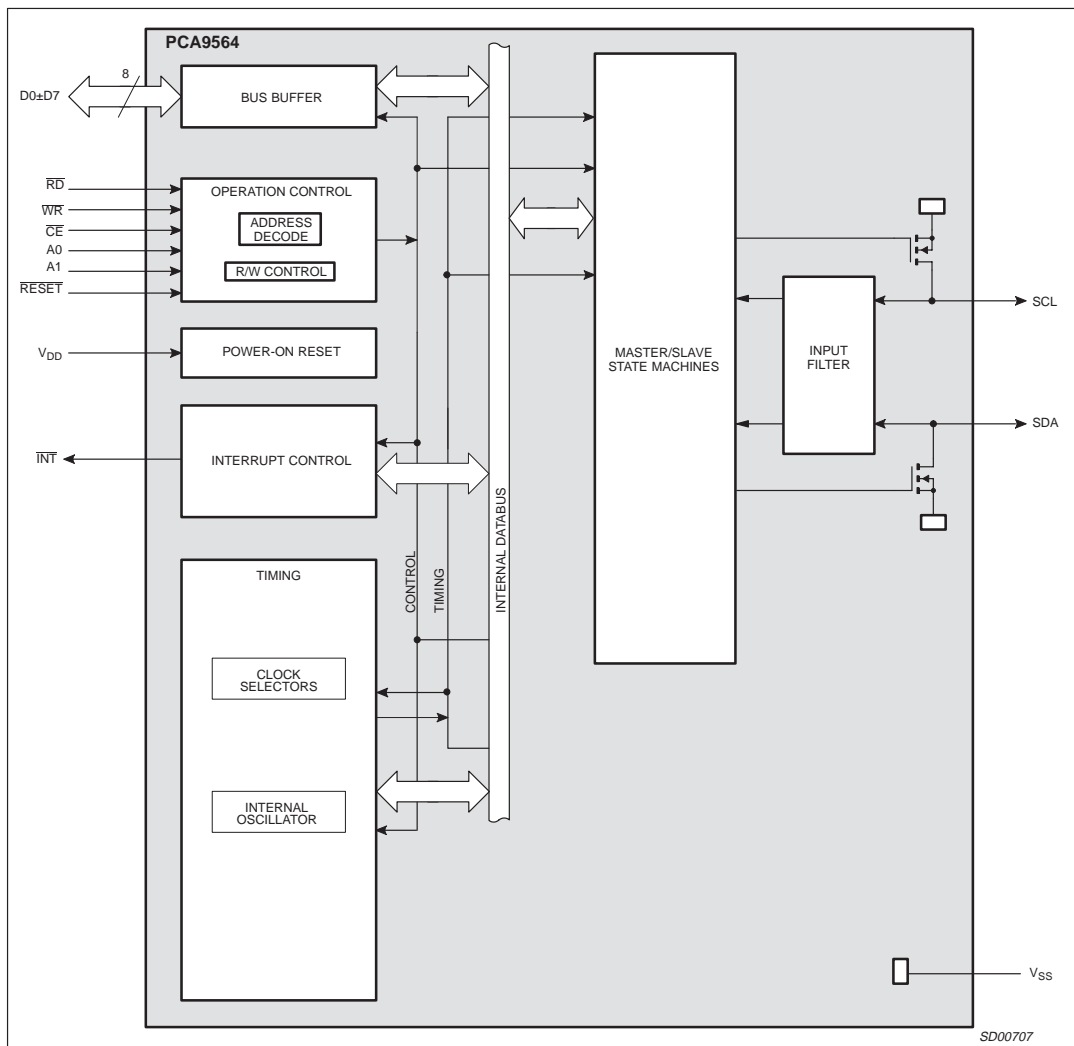
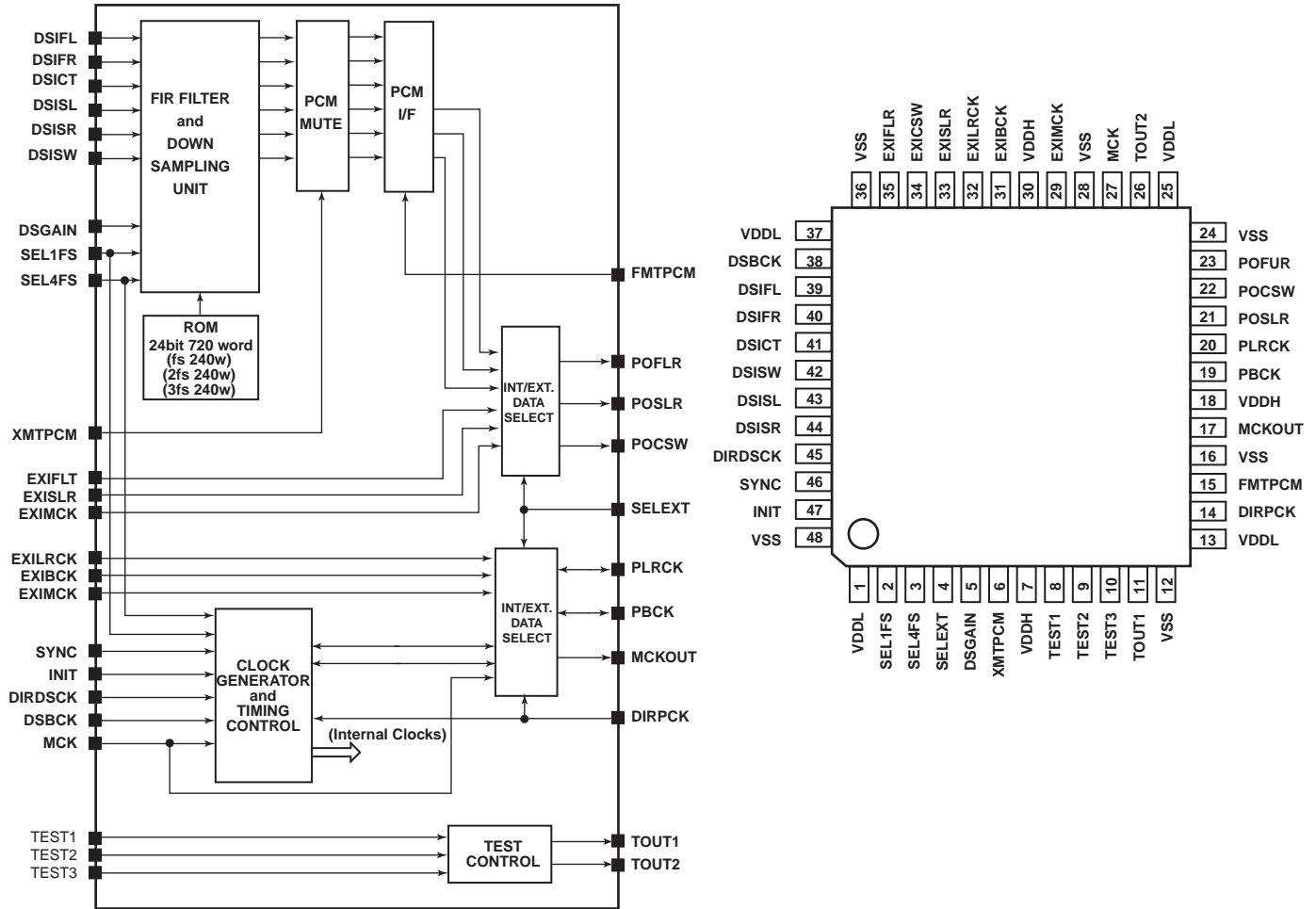


Figure 1. Block diagram

IC BLOCK DIAGRAM AND DESCRIPTION

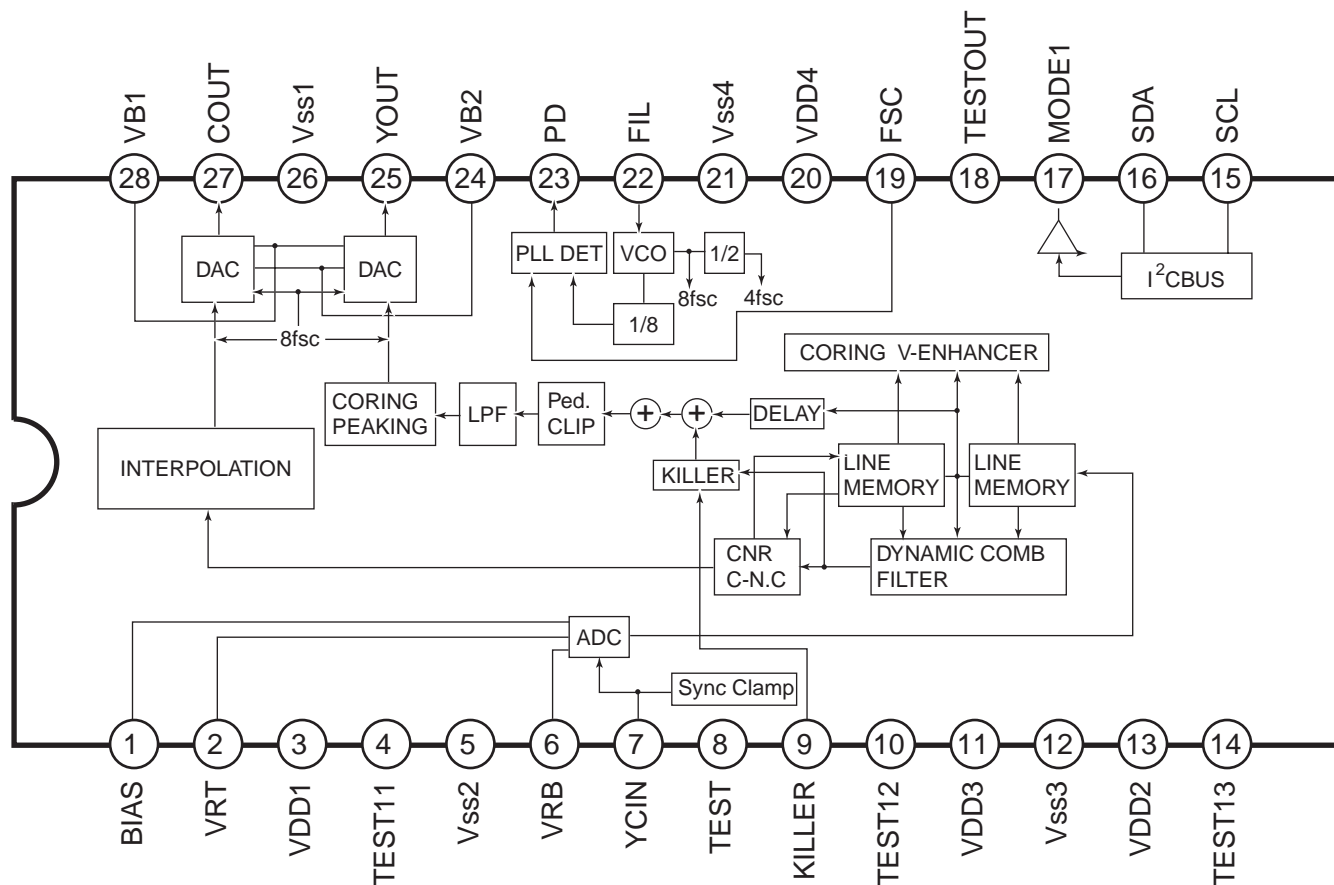
SM5819AF(6-channel DSD-PCM converter)



No.	Name	I/O	Description	No.	Name	I/O	Description
1	VDDL	-	Core power supply	25	VDDL	-	Core power supply
2	SEL1FS	I	PCM output rate select 1	26	TOUT2	-	Test output 2
3	SEL4FS	I	PCM output rate select 2	27	MCKOUT	O	Master clock input:512fs(22.5792MHz, fs=44.1kHz)
4	SELEXT	I	fs/2fs/4fs output and external data output select	28	VSS	I	Ground
5	DSGAIN	I	OSD signal gain setting	29	EXIMCK	-	External system clock input
6	XMTPCM	I	PCM output mute control input	30	VDDH	-	I/O power supply
7	VDDH	-	I/O power supply	31	EXIBCK	I	External PCM data BCK bit clock input
8	TEST1	I	Test input 1	32	EXILRCK	I	External PCM data LRCK word clock input
9	TEST2	I	Test input 2	33	EXISLR	I	External PCM data input:surround left/right channel
10	TEST3	I	Test input 3	34	EXICSW	I	External PCM data input:center/subwoofer channel
11	TOUT1	O	Test output 1	35	EXIFLR	I	External PCM data input:front left/right channel
12	VSS	-	Ground	36	VSS	-	Ground
13	VDDL	-	Core power supply	37	VDDL	-	Core power supply
14	DIRPCK	I	PCM output PBCK/PLRCK I/O select	38	DSBCK	I/O	DSD data input bit clock. Controlled by DIRDCK.
15	FMTPCM	I	PCM output format select	39	DSIFL	I	DSD data input:front left-channel
16	VSS	-	Ground	40	DSIFR	I	DSD data input:front right-channel
17	MCKOUT	O	System clock output	41	DSICT	I	DSD data input:center-channel
18	VDDH	-	I/O power supply	42	DSISW	I	DSD data input:front subwoofer-channel
19	PBCK	I/O	PCM output BCK bit clock	43	DSISL	I	DSD data input:surround left-channel
20	PLRCK	I/O	PCM output LRCK word clock input	44	DSISR	I	DSD data input:surround right-channel
21	POSLR	O	PCM data output:surround right/left channel	45	DIRDCK	I	DSBCK I/O select
22	POCSW	O	PCM data output:center/subwoofer channel	46	SYNC	I	Forced synchronization input.
23	POFLR	O	PCM data output:front right/left channel	47	INIT	I	Initialization input. Active-LOW. Resync on "L" → "H"
24	VSS	O	Ground	48	VSS	-	Ground

IC BLOCK DIAGRAM AND DESCRIPTION

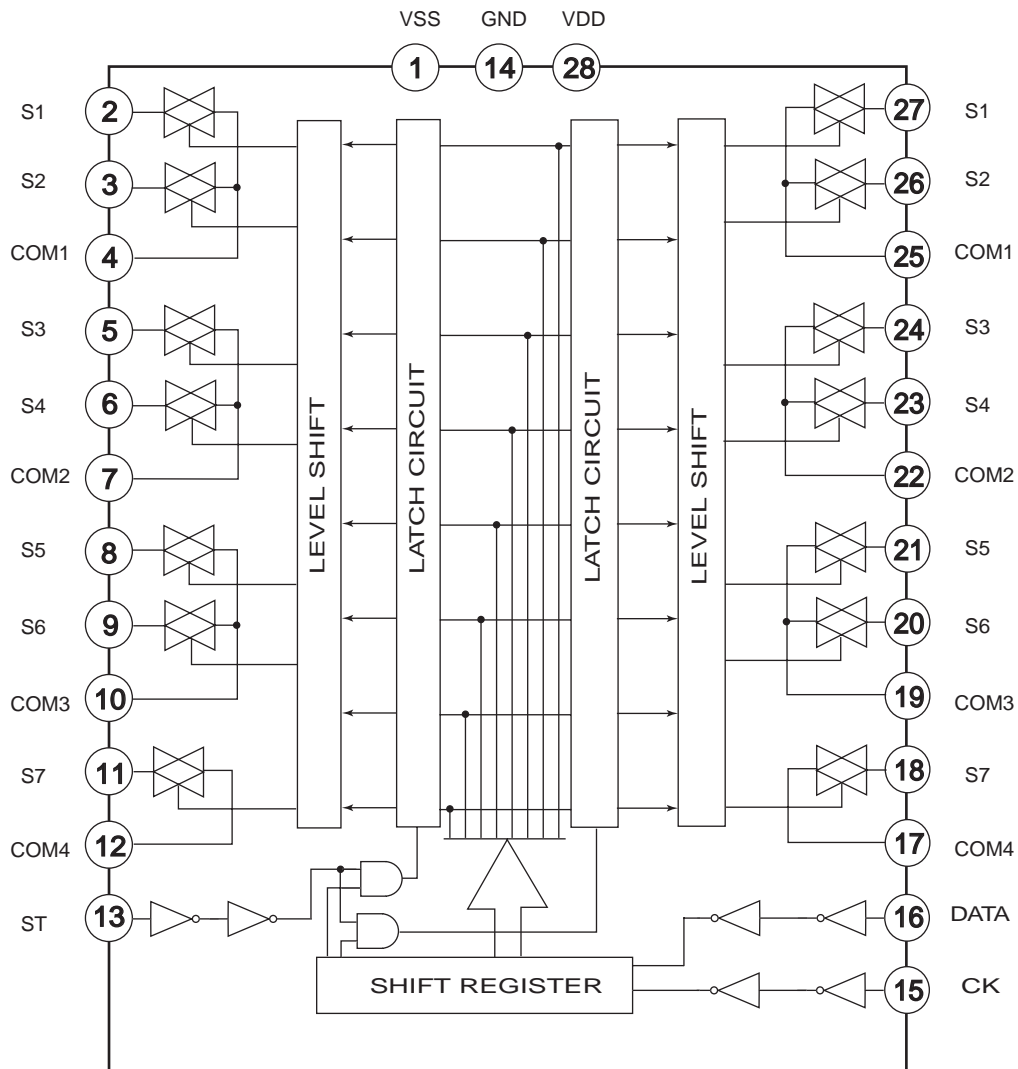
TC90A69F(3-lines digital COM filter)



Pin	Symbol	Function	Pin	Symbol	Function
1	BIAS	Bias for ADC	15	SCL	Clock input of I ² C Bus
2	VRT	Maximum bias of D range for ADC	16	SDA	Data input/output of I ² C Bus
3	VDD1	Analog supply for ADC/DAC	17	MODE1	Mode 1 output
4	TEST1	Test input	18	TESTOUT	Test output
5	VSS2	Analog ground supply for ADC	19	FSC	Clock input of I ² C Bus
6	VRB	Minimum bias of D range for ADC	20	VDD4	Analog supply for PLL
7	YCIN	Video signal input	21	VSS4	Analog ground supply for PLL
8	TEST1	Reset control and test control of initializing	22	FIL	VCO control
9	KILLER	Y/C separation and vertical enhancer off control	23	PD	PLL detection output
10	TEST2	Test input	24	VB2	Bias 2 for DAC
11	VDD3	Digital supply for logic	25	YOUT	Brightness signal output
12	VSS3	Digital ground supply for Logic/DRAM	26	VSS1	Analog ground for DAC
13	VDD2	Digital supply for DRAM	27	COUT	Color signal output
14	TEST3	Test input	28	VB1	Bias 1 for DAC

IC BLOCK DIAGRAM AND DESCRIPTION

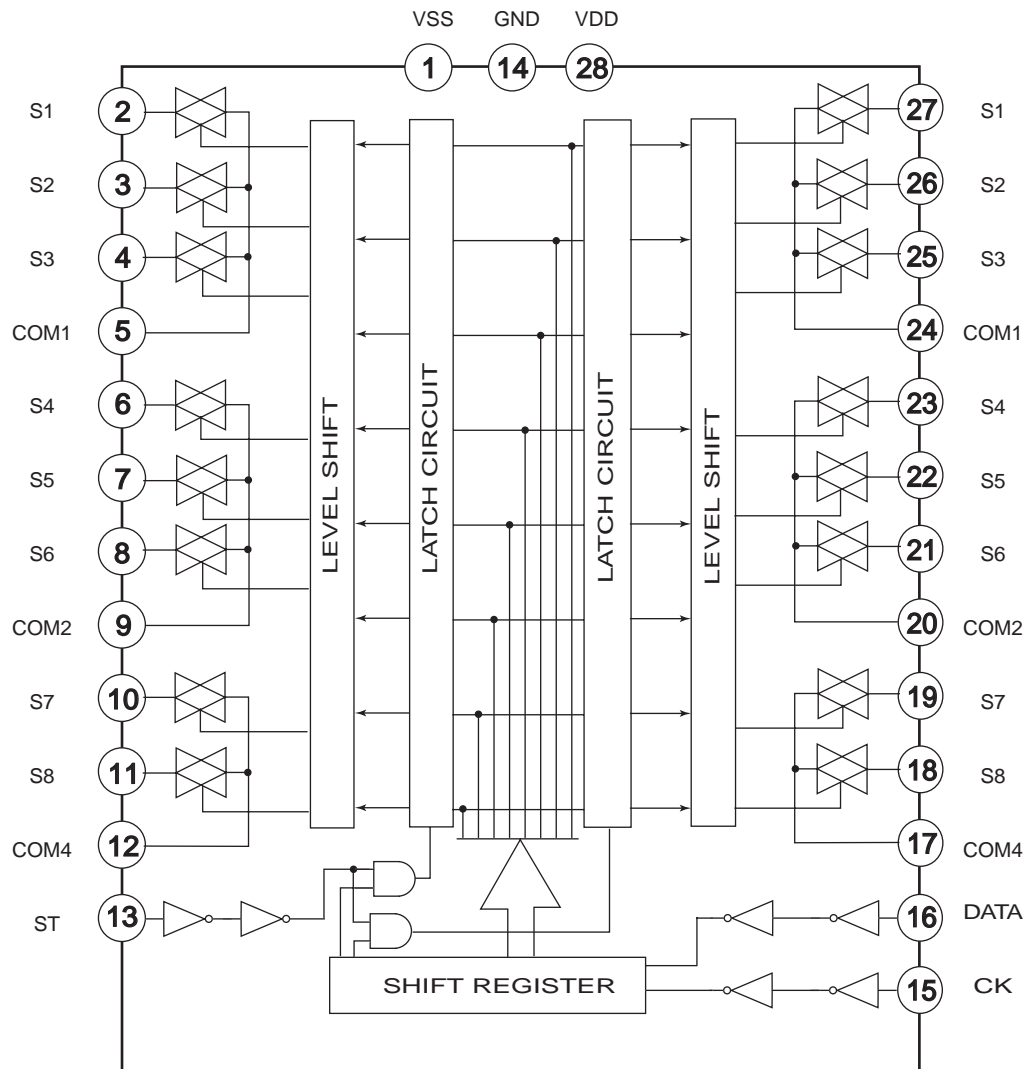
TC9162BFG(Function Switch)



Pin No.	Symbol	Function
1	Vss	Negative power supply
14	GND	Ground
28	VDD	Positive power supply
2,3,5,6,8,9,11	S1~S7	Input/output terminals
27,26,24,23,21,20,18	S1~S7	Input/output terminals
4,7,10,12	COM1 ~ COM4	Common terminals
25,22,19,17	COM1 ~ COM4	Common terminals
13	ST	Strobe input terminal for data reading
15	CK	Clock input terminal for data transfer
16	DATA	Data input terminal for switch

IC BLOCK DIAGRAM AND DESCRIPTION

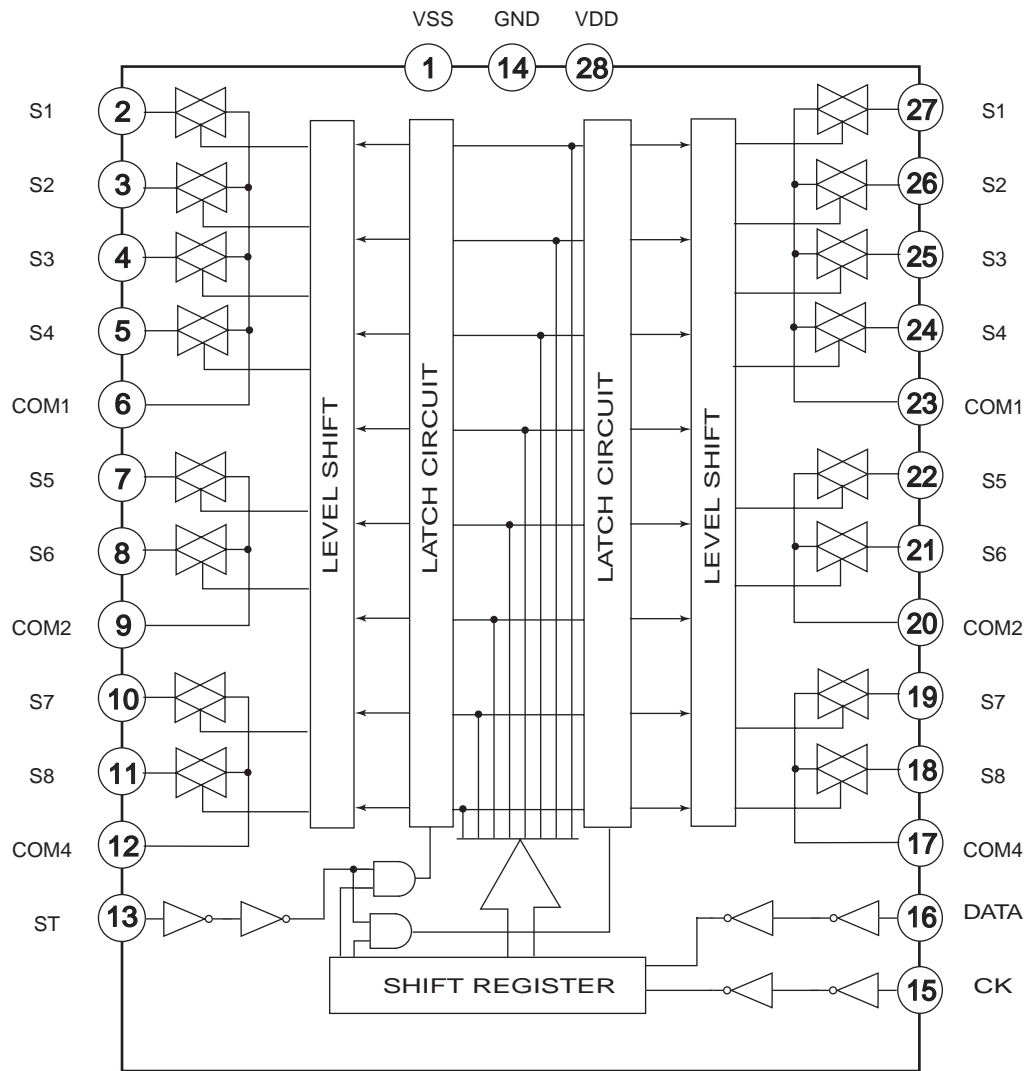
TC9163BFG(Function Switch)



Pin No.	Symbol	Function
1	Vss	Negative power supply
14	GND	Ground
28	VDD	Positive power supply
2,3,4,6,7,8,10,11	S1~S8	Input/output terminals
27,26,25,23,22,21,18,17	S1~S8	Input/output terminals
5,9,12	COM1 ~ COM3	Common terminals
24,20,17	COM1 ~ COM3	Common terminals
13	ST	Strobe input terminal for data reading
15	CK	Clock input terminal for data transfer
16	DATA	Data input terminal for switch

IC BLOCK DIAGRAM AND DESCRIPTION

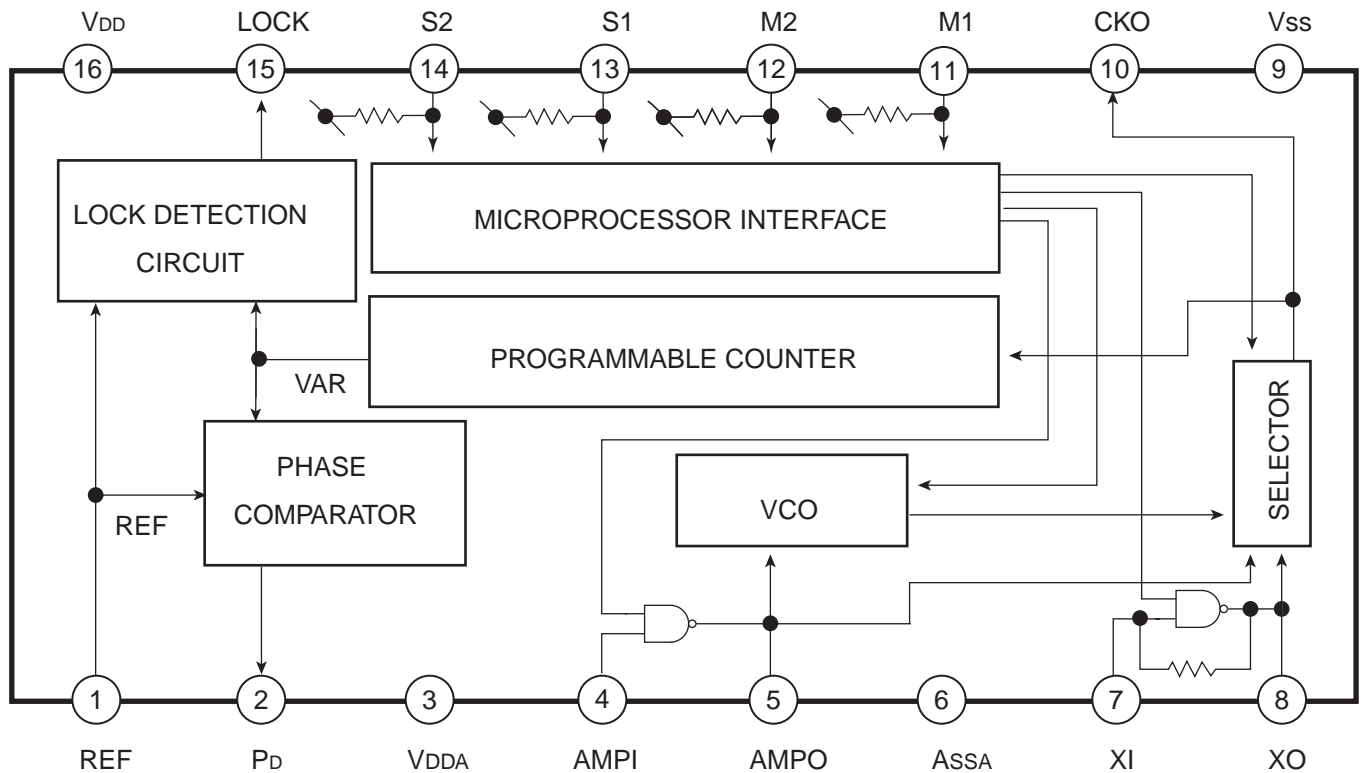
TC9164BFG(Function Switch)



Pin No.	Symbol	Function
1	Vss	Negative power supply
14	GND	Ground
28	VDD	Positive power supply
2,3,4,5,7,8,10,11	S1~S8	Input/output terminals
27,26,25,24,22,21,18,17	S1~S8	Input/output terminals
6,9,12	COM1 ~ COM3	Common terminals
23,20,17	COM1 ~ COM3	Common terminals
13	ST	Strobe input terminal for data reading
15	CK	Clock input terminal for data transfer
16	DATA	Data input terminal for switch

IC BLOCK DIAGRAMS AND DESCRIPTIONS

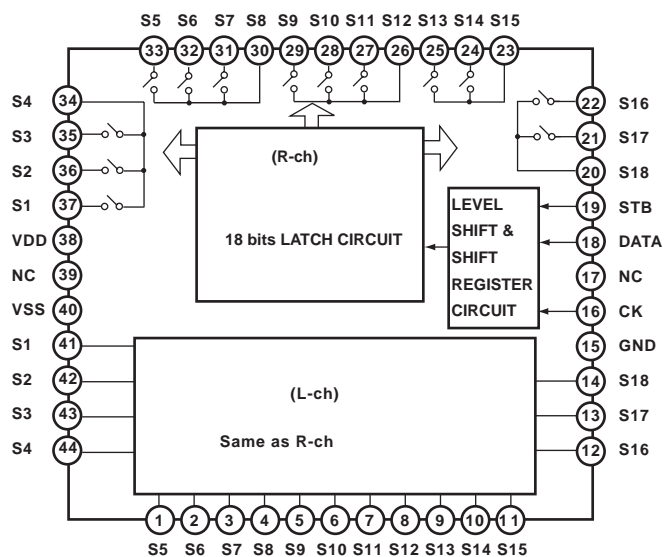
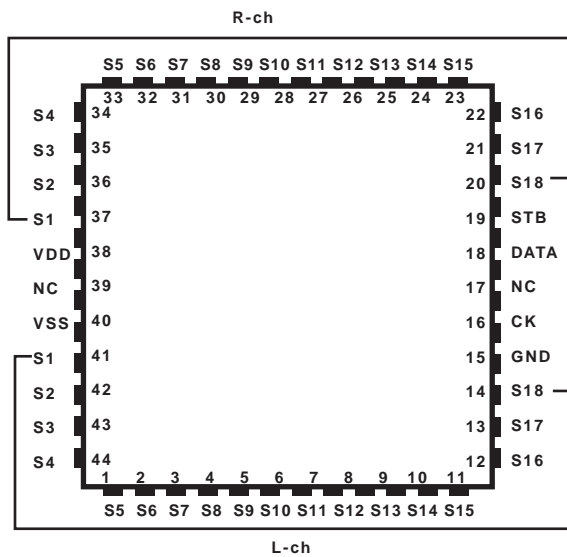
TC9246F(PLL IC for Digital Audio)



No.	Symbol	I/O	Function Description
1	REF	I	Reference signal input pin
2	PD	O	Phase error signal output pin
3	VDDA	-	Analog power supply
4	AMPI	I	Amplifier input pin for LPF or Oscillator 1
5	AMPO	O	Amplifier output pin for LPF or oscillator 1
6	VSSA	-	Analog ground pin
7	XI	I	Amplifier input pin for oscillator 3
8	XO	O	Output pin for oscillator 3
9	VSS	-	Digital ground pin
10	CKO	O	Oscillator clock output
11	M1	I	Mode select pin
12	M2	I	Mode select pin
13	S1	I	Parallel mode: Divided ratio select pin Serial mode: Data input pin from microprocessor
14	S2	I	Parallel mode: Divided ratio select pin Serial mode: Shift clock input pin
15	LOCK	O	Lock detect signal output pin
16	VDD	-	Digital power supply

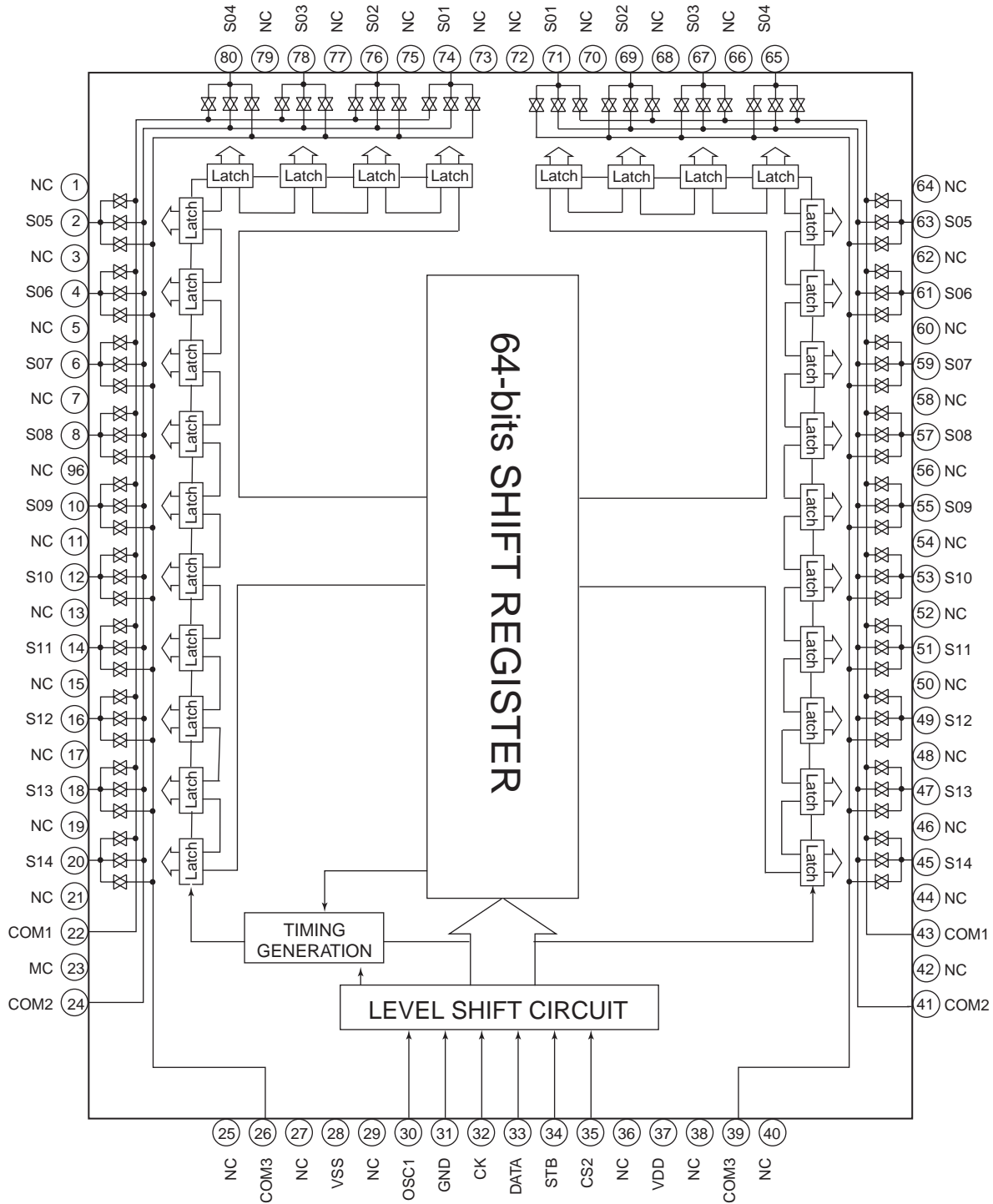
IC BLOCK DIAGRAM AND DESCRIPTION

TC9274FG-023 (Analog switch)



IC BLOCK DIAGRAM AND DESCRIPTION

TC94A46FG(Function Switch)



IC BLOCK DIAGRAM AND DESCRIPTION

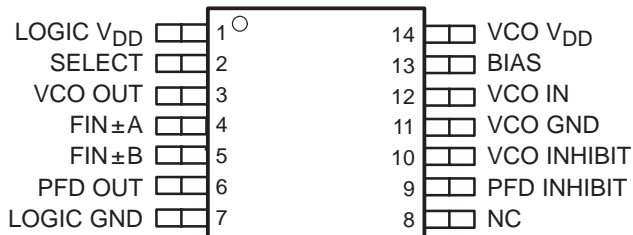
TC94A46FG(Function Switch)

PIN NO.	SYMBOL	TERMINAL	FUNCTION/OPERATION																																													
74	S01	Input/ Output Terminals	Analog Switch Circuit																																													
71																																																
75	S02																																															
69																																																
78	S03																																															
67																																																
80	S04																																															
65																																																
2	S05																																															
63																																																
4	S06																																															
61																																																
6	S07																																															
59																																																
8	S08																																															
57																																																
10	S09																																															
55																																																
12	S10																																															
53																																																
14	S11																																															
51																																																
16	S12																																															
49																																																
18	S13																																															
47																																																
20	S14																																															
45																																																
22	COM1	Output/ Input Terminals																																														
43																																																
24	COM2																																															
41																																																
26	COM3																																															
39																																																
28	V _{SS}	Negative power	Power supply terminal.																																													
31	V _{DD}	Positive power																																														
37	GND	Digital ground																																														
30	CS1	Chip select cord change-over terminal	Input to change a chip select code.																																													
35	CS2		<table border="1"> <thead> <tr> <th colspan="2">Terminal</th> <th colspan="4">Chip select code</th> </tr> <tr> <th>CS1</th> <th>CS2</th> <th>CS1</th> <th>CS2</th> <th>C1</th> <th>C2</th> <th>C3</th> <th>C4</th> </tr> </thead> <tbody> <tr> <td>L</td> <td>L</td> <td>0</td> <td>0</td> <td>1</td> <td>0</td> <td>1</td> <td>0</td> </tr> <tr> <td>H</td> <td>L</td> <td>1</td> <td>0</td> <td>1</td> <td>0</td> <td>1</td> <td>0</td> </tr> <tr> <td>L</td> <td>H</td> <td>0</td> <td>1</td> <td>1</td> <td>0</td> <td>1</td> <td>0</td> </tr> <tr> <td>H</td> <td>H</td> <td>1</td> <td>1</td> <td>1</td> <td>0</td> <td>1</td> <td>0</td> </tr> </tbody> </table>	Terminal		Chip select code				CS1	CS2	CS1	CS2	C1	C2	C3	C4	L	L	0	0	1	0	1	0	H	L	1	0	1	0	1	0	L	H	0	1	1	0	1	0	H	H	1	1	1	0	1
Terminal		Chip select code																																														
CS1	CS2	CS1	CS2	C1	C2	C3	C4																																									
L	L	0	0	1	0	1	0																																									
H	L	1	0	1	0	1	0																																									
L	H	0	1	1	0	1	0																																									
H	H	1	1	1	0	1	0																																									
32	CK	Clock input	Clock input to transfer a data.																																													
33	DATA	Data input	Analog switch control data input.																																													
34	STB	Strobe input	Strobe input to write a data.																																													
1,3, 5,7, 9,11, 13,15, 17,19, 21,23, 25,27, 29,36, 38,40, 42,44, 46,48, 50,52, 54,56, 58,60, 62,64 66,68, 70,72, 73	NC	No connection																																														

IC BLOCK DIAGRAM AND DESCRIPTION

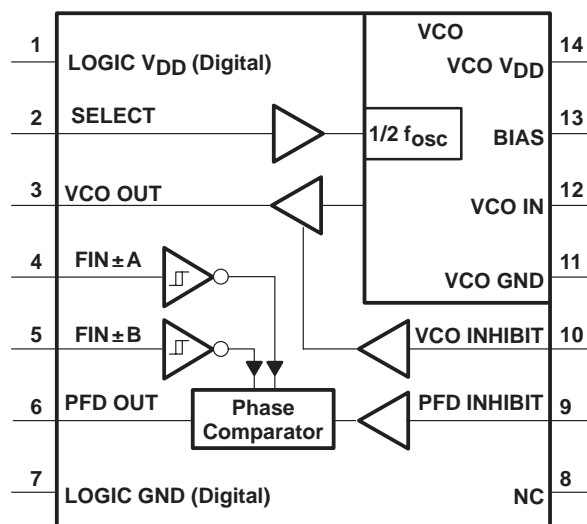
TLC2932IPWLE(High-Performance Phase-Locked Loop)

PW PACKAGE
(TOP VIEW)



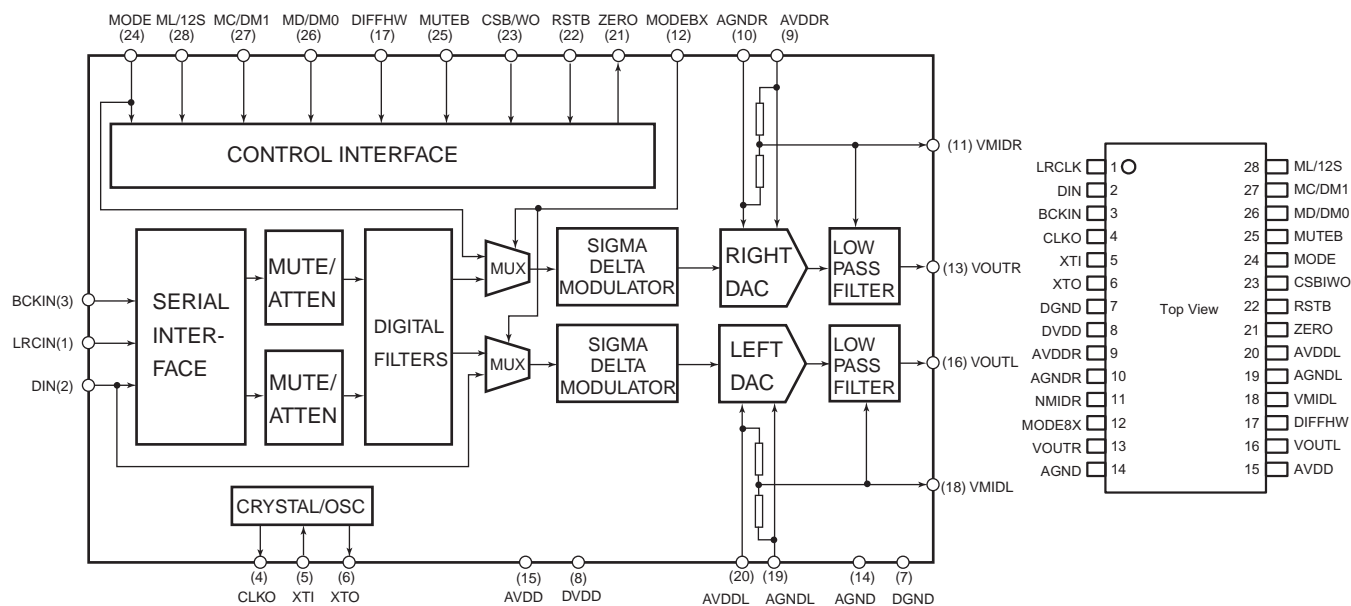
Terminal Functions

TERMINAL NAME	NO.	I/O	DESCRIPTION
FIN±A	4	I	Input reference frequency $f_{(REF IN)}$ is applied to FIN±A.
FIN±B	5	I	Input for VCO external counter output frequency $f_{(FIN±B)}$. FIN±B is nominally provided from the external counter.
LOGIC GND	7		GND for the internal logic.
LOGIC V _{DD}	1		Power supply for the internal logic. This power supply should be separate from VCO V _{DD} to reduce cross-coupling between supplies.
NC	8		No internal connection.
PFD INHIBIT	9	I	PFD inhibit control. When PFD INHIBIT is high, PFD output is in the high-impedance state, see Table 3.
PFD OUT	6	O	PFD output. When the PFD INHIBIT is high, PFD output is in the high-impedance state.
BIAS	13	I	Bias supply. An external resistor (R_{BIAS}) between VCO V _{DD} and BIAS supplies bias for adjusting the oscillation frequency range.
SELECT	2	I	VCO output frequency select. When SELECT is high, the VCO output frequency is $y/2$ and when low, the output frequency is y , see Table 1.
VCO IN	12	I	VCO control voltage input. Nominally the external loop filter output connects to VCO IN to control VCO oscillation frequency.
VCO INHIBIT	10	I	VCO inhibit control. When VCO INHIBIT is high, VCO OUT is low (see Table 2).
VCO GND	11		GND for VCO.
VCO OUT	3	O	VCO output. When the VCO INHIBIT is high, VCO output is low.
VCO V _{DD}	14		Power supply for VCO. This power supply should be separated from LOGIC V _{DD} to reduce cross-coupling between supplies.



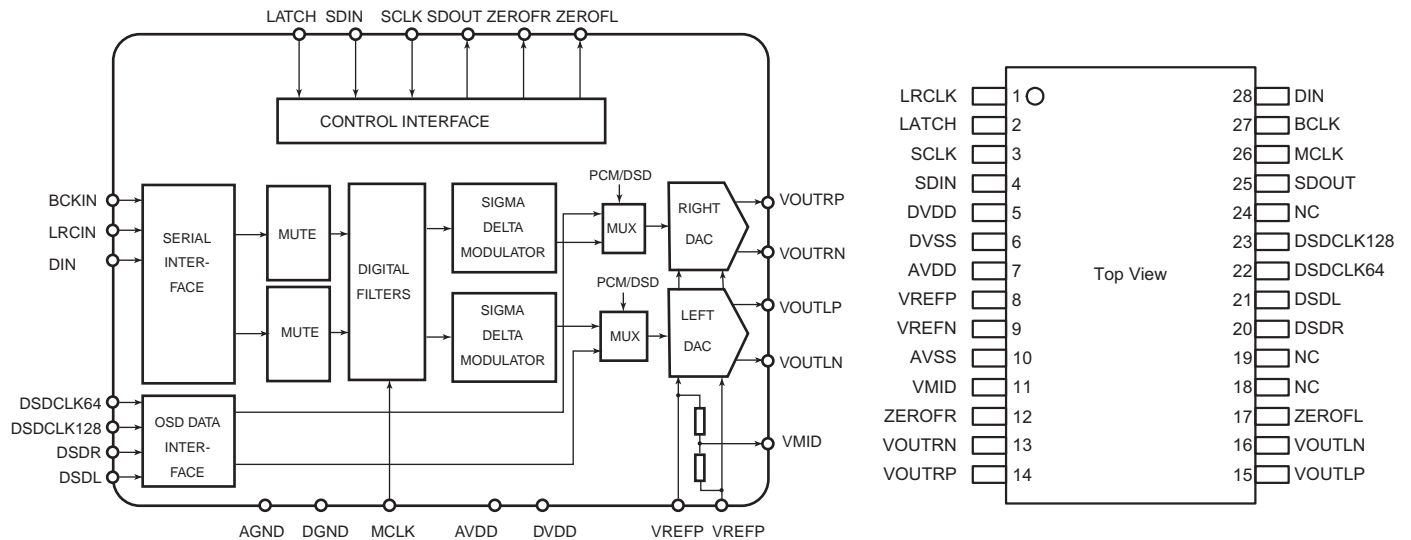
IC BLOCK DIAGRAM AND DESCRIPTION

WM8716(24 bit 192kHz Stereo DAC)



PIN	NAME	TYPE	DESCRIPTION
1	LRCIN	Digital input	Sampling rate clock input
2	DIN	Digital input	Audio data serial input
3	BCKIN	Digital input	Audio data bit clock input
4	CLKO	Digital output	Oscillator buffered output
5	XTI	Analog input	Oscillator input
6	XTO	Analog ioutput	Oscillator output
7	DGND	Supply	Digital ground supply
8	DVDD	Supply	Digital positive supply
9	AVDDR	Supply	Analog positive supply
10	AGNDR	Supply	Analog ground supply
11	VMIDR	Analog ioutput	Mid rail right channel
12	MODE8X	Digital input	Internal pull-down, active high, 8xfs mode
13	VOUTR	Analog ioutput	Right channel DAC output
14	AGNDR	Supply	Analog ground supply
15	AVDDR	Supply	Analog positive supply
16	VOUTL	Analog ioutput	Left channel DAC output
17	DIFFHW	Digital input	Internal pull-down, active high, differential mono mode
18	VMIDL	Analog ioutput	Mid rail left channel
19	AGNDL	Supply	Analog ground supply
20	AVDDL	Supply	Analog positive supply
21	ZERO	Digital output	Infinite zero detect-active low. Open drain type output with active pull-down.
22	RSTB	Digital input	Rest input-active low. Internal pull-up.
23	CSBIWO	Digital input	Low for serial interface operation.
24	MODE8X	Digital input	High for software mode
25	MUTEB	Digital input	Low to soft mute. High for normal operation. Z for automute.
26	MD/DM0	Digital input	Control serial interface data signal.
27	MC/DM1	Digital input	Control serial interface clock signal.
28	ML/12S	Digital input	Control signal interface load signal.

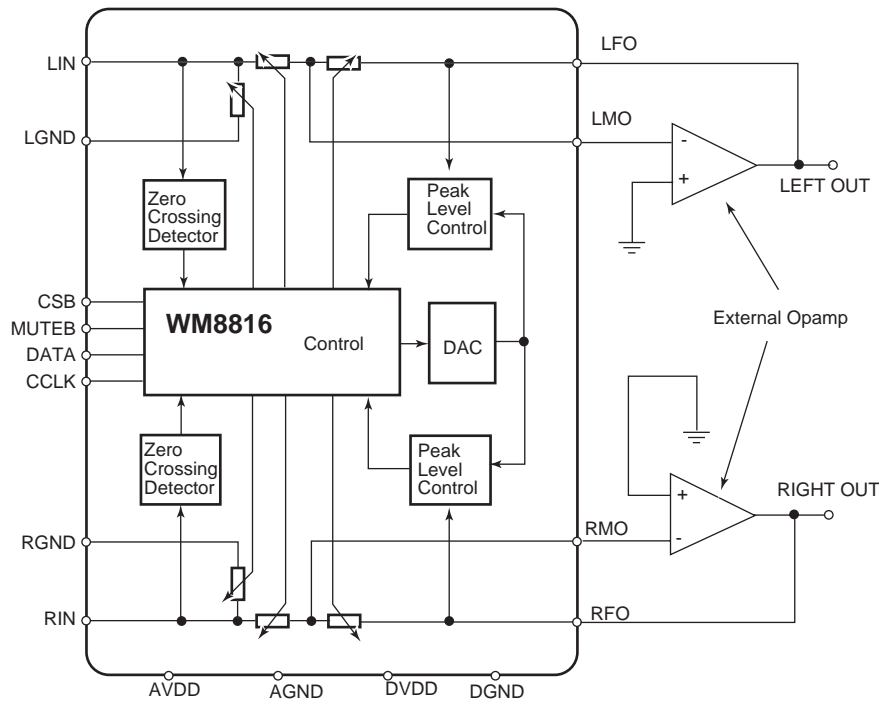
IC BLOCK DIAGRAM AND DESCRIPTION WM8719(24 bit differential stereo DAC with volume control)



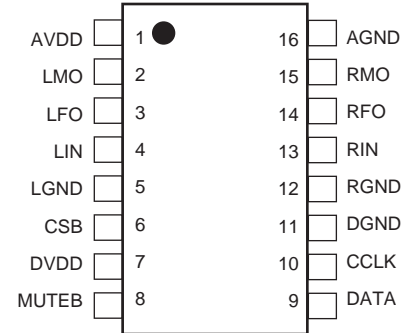
PIN	NAME	TYPE	DESCRIPTION
1	LRCIN	Digital input	PCM DAC sample clock input
2	LATCH	Digital input	Serial control load input
3	SCLK	Digital input	Serial control data input clock
4	SDIN	Digital	Serial control data input clock
5	DVDD	Supply	Digital positive supply
6	DGND	Supply	Digital ground supply
7	AVDD	Supply	Analog ground supply
8	VREFP	Supply	DAC positive reference
9	VREFN	Supply	DAC negative reference
10	AGND	Supply	Analog ground supply DAC positive reference
11	VMID	Analog output	Mid rail decoupling point
12	ZEROFR	Digital output	Infinite ZERO detect flag for right channel
13	VOUTRN	Analog output	Right channel DAC output positive
14	VOUTRP	Analog output	Right channel DAC output negative
15	VOUTLP	Analog output	Left channel DAC output positive
16	VOUTLN	Analog output	Left channel DAC output negative
17	ZEROFL	Digital output	Infinite ZERO detect flag for left channel
18	NC		
19	NC		
20	DSDR	Digital input	Right channel DSD bitstream input
21	DSDL	Digital input	Left channel DSD bitstream input
22	DSDCLK64	Digital bi-directional	DSD format clock at 64fs
23	DSDCLK128	Digital bi-directional	DSD format clock at 128fs.(Optional for OSD bi-phase mode)
24	NC		
25	SDOUT	Digital output	Serial control data output
26	MCLK	Digital input	Master clock input
27	BCLKIN	Digital input	PCM audio data bit clock input
28	DIN	Digital input	PCM serial audio data input

WM8816(Stereo Digital Volume Control)

BLOCK DIAGRAM



PIN CONFIGURATION



PIN DESCRIPTION

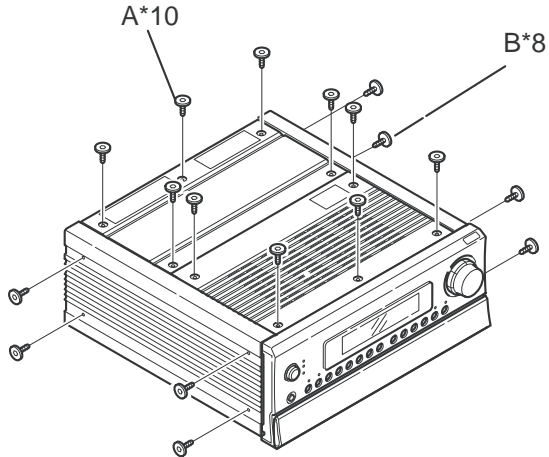
PIN	NAME	TYPE	DESCRIPTION
1	AVDD	Supply	Supply voltage for Analogue Circuitry
2	LMO	Analogue output	External Op-amp Inverting Input (Left channel)
3	LFO	Analogue input	External Op-amp Feedback Signal (Left channel)
4	LIN	Analogue input	Input Signal (Left Channel)
5	LGND	Analogue input	Input Signal Ground (Left Channel)
6	CSB	Digital input	Chip Select (active low)
7	DVDD	Supply	Supply Voltage for Digital Circuitry
8	MUTE B	Digital input	Mute (active low)
9	DATA	Digital In/Out	Serial Interface Data Input/Output (tri-state)
10	CCLK	Digital input	Serial Interface Clock
11	DGND	Supply	Digital Ground
12	RGND	Analogue input	Input Signal Ground (Left Channel)
13	RIN	Analogue input	Input Signal (Left Channel)
14	RFO	Analogue input	External Op-amp Feedback Signal (Left channel)
15	RMO	Analogue output	External Op-amp Inverting Input (Left channel)
16	AGND	Supply	Analogue Ground

DISASSEMBLING PROCEDURES 1

1. Top covers/Side panels

Remove 10 decorative screws A to release Top covers with Trox driver (T-20).

Remove 8 decorative screws B to release Side panels. Remove Top covers and Side panels.



2. Front panel block

Remove Top covers and Side panels.

Remove 7 screws (3 on the top face, 4 on the bottom face) to release Front panel.

Pull out Front panel block and disconnect FFC from Display PC board.

Disconnect Socket J7581 on Door sensor PC board.

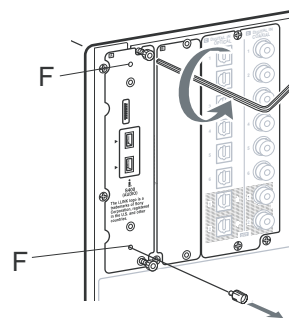
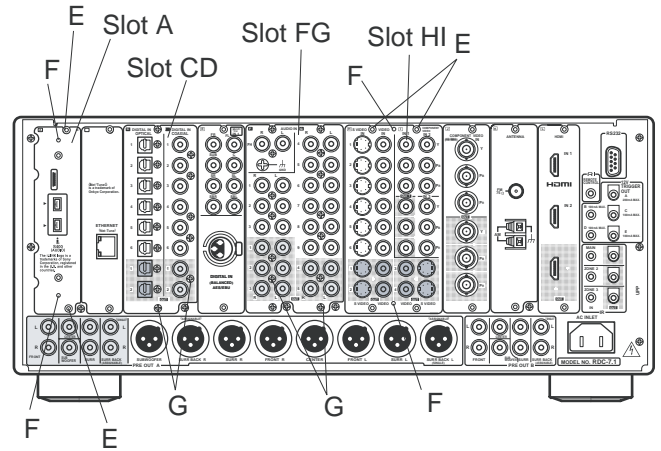
3. Removal of Slot PC boards

Remove 2 special screws E using Allen (Hexagon) wrench to release Slot A.

Attach 2 Special screws (Part No. 25060044) to the hole F and pull out Slot A PC board assembly. Remove Slots B, E, J, K, and L in the same way.

Remove 4 special screws E using Allen (Hexagon) wrench to release Slot HI.

Attach 2 Special screws to the hole F and pull out Slot HI PC board assembly.



25060044

Washer Stopper

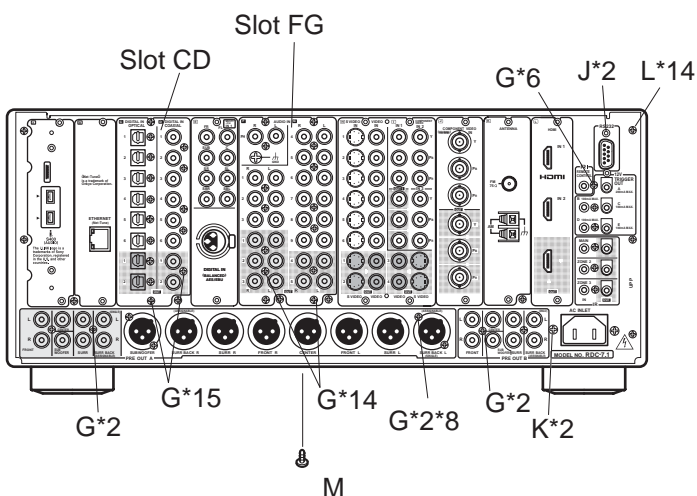
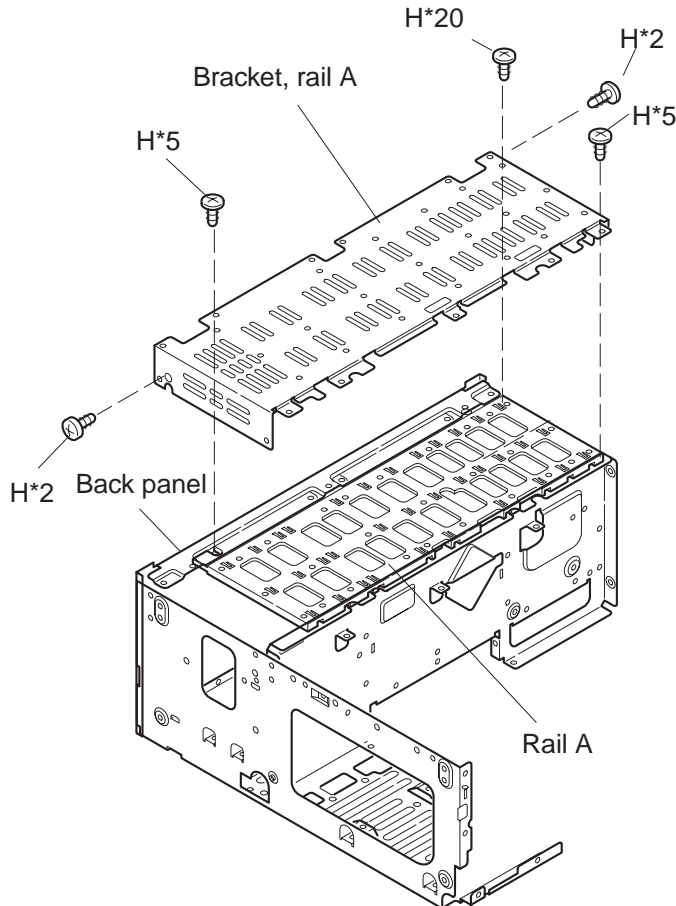
Remove a washer and stopper before using.

DISASSEMBLING PROCEDURES 2

4. Rail A

Remove Slot PC boards except Slot CD and FG PC board.
Remove 34 copper screws H (30 on the top face, 4 on the side face) to release Bracket, rail A and Rail A.

Lift up Bracket, rail A to the top side and pull out Rail A toward the front side.



5. Main microprocessor PC board

Remove Rail A.

Remove 2 Special screws J fixed RS232 terminal.

Remove 15 screws G on Slot CD and remove Plate CD.

Remove 14 screws G on Slot FG and remove Plate FG.

Remove 6 screws G fixed RS232 terminal PC board.

Remove 2 screws K fixed AC inlet terminal.

Remove 20 screws G fixed Pre output terminal PC board.

Remove 14 screws L fixed Back panel and Chassis.

Remove a screw M fixed Back panel and Bottom panel.

Remove Back panel.

Disconnect Socket P7404A on DSP PC board.

Remove PC boards on slots C, D, F and G.

Disconnect FFC and 6 sockets (4 on the top side, 2 on the bottom side) from Main microprocessor PC board.

Remove Main microprocessor PC board from 9 holders.

When PC board is not removed from holder, remove PC board during turn the holder by longnose pliers.

6. Preamplifier PC board

Remove Main microprocessor PC board.

Remove 27 copper screws H to release Bracket, rail B and Rail B.

Lift up Rail B and Bracket, rail B.

Remove copper screws fixed Preamplifier PC board and Chassis.

A

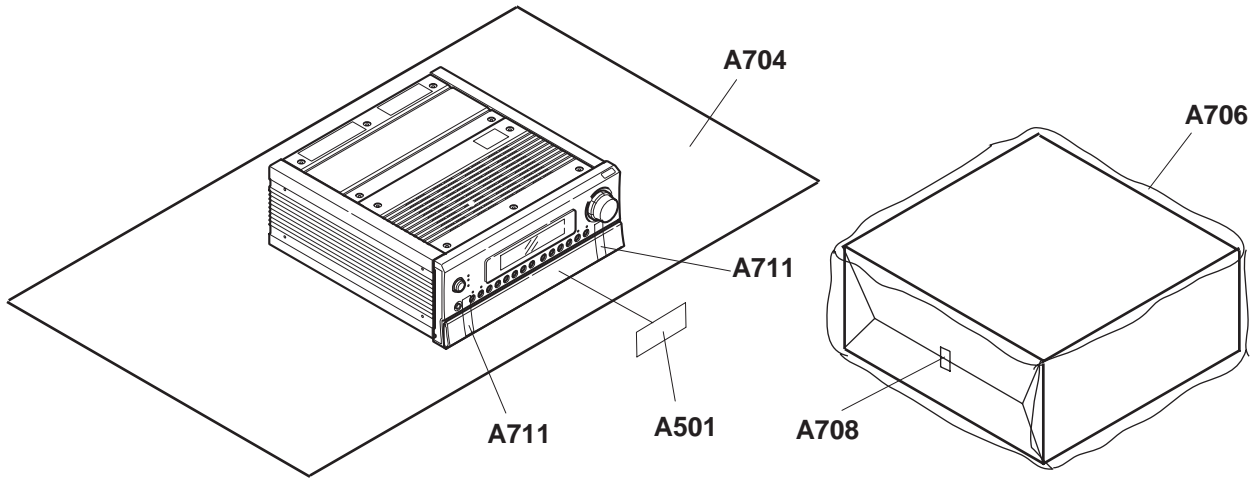
B

C

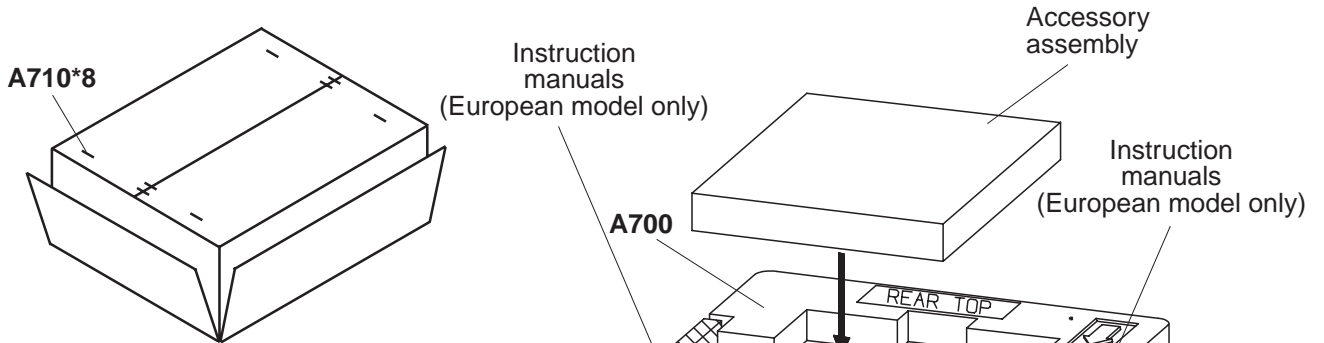
D

PACKING VIEW 1

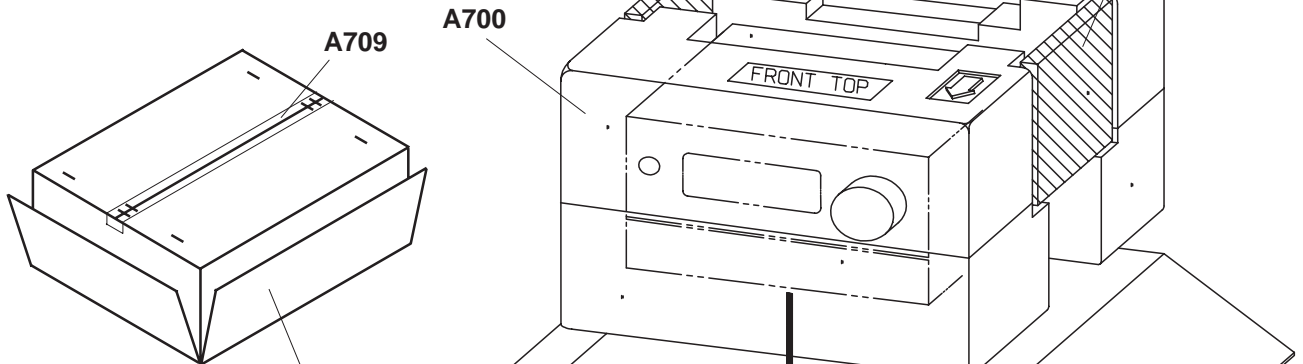
1



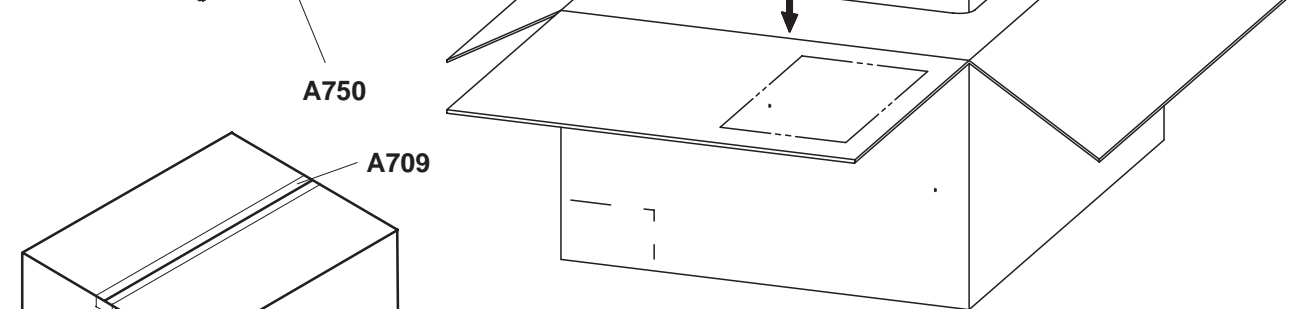
2



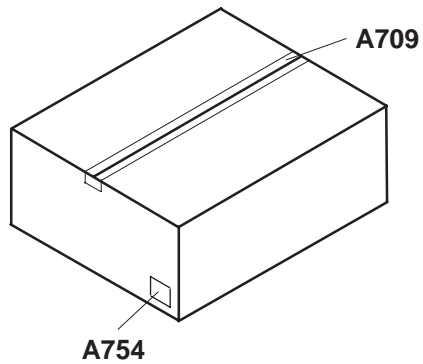
3



4



5



A

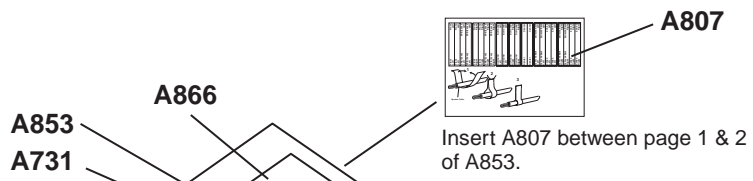
B

C

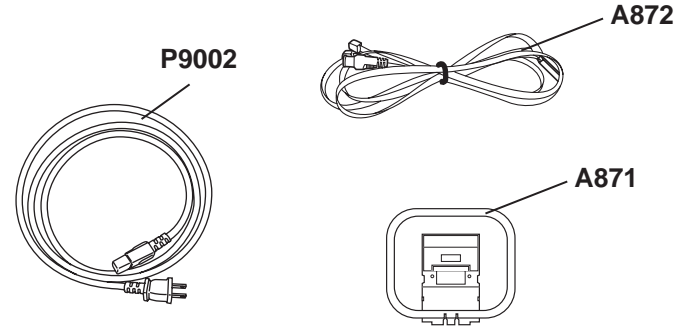
D

PACKING VIEW 2

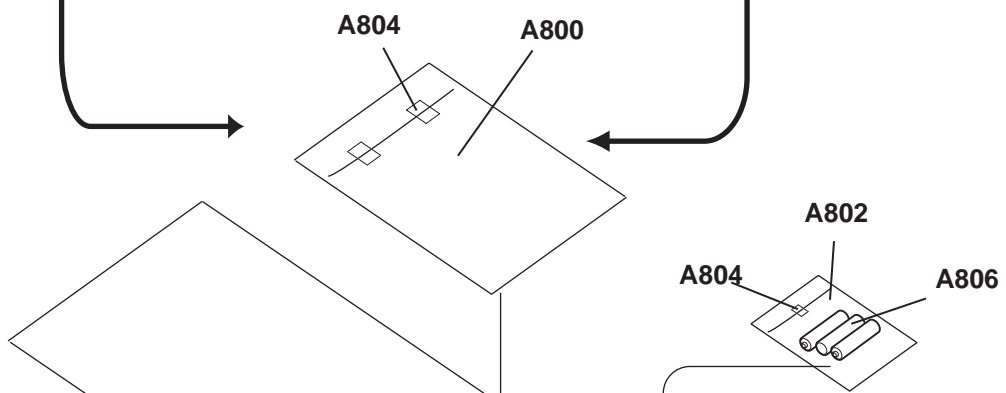
1



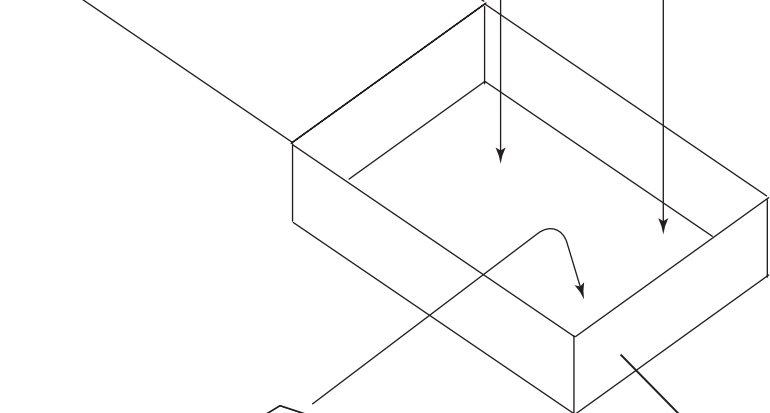
2



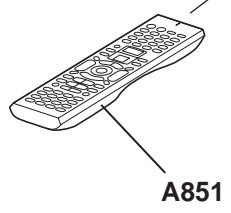
3



4



5



A

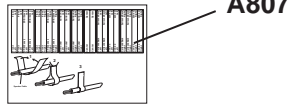
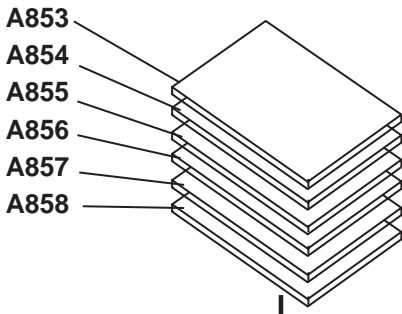
B

C

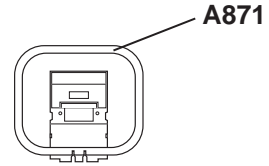
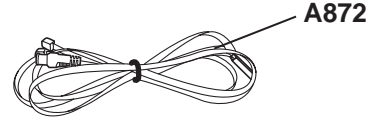
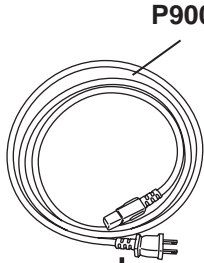
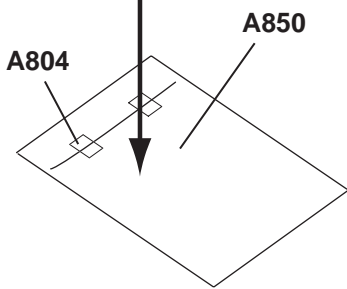
D

PACKING VIEW 2 (European model only)

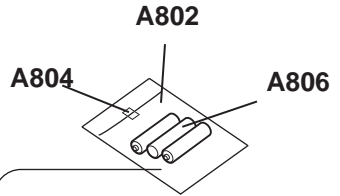
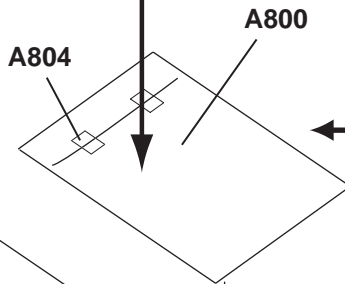
1



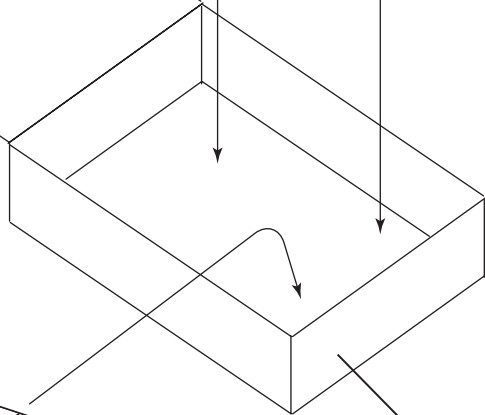
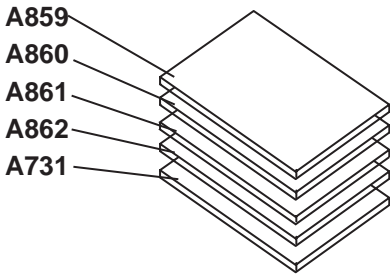
2



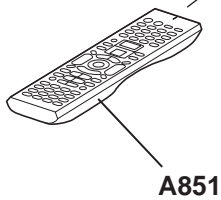
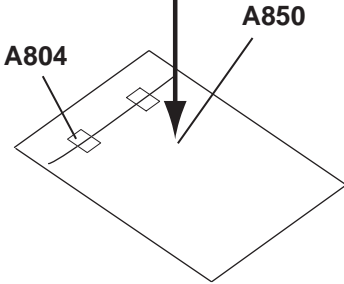
3



4



5



EXPLODED VIEW-PARTS LIST

NOTE: THE COMPONENTS IDENTIFIED BY MARK !
 ARE CRITICAL FOR RISK OF FIRE AND
 ELECTRIC SHOCK. REPLACE ONLY WITH
 PART NUMBER SPECIFIED.

NOTE: <D>: USA model only <P>: European model only <A>:Australian model only
 <DT>: 120V model only <GT>: 220V model only <K>:Korean model only

REF. NO.	PART NO.	DESCRIPTION
A001	27130949A	Bracket L
A003	27130950A	Bracket R
A005	27190657	KGLS-18RT,Holder
A006	27190926	KGPS-18RF,Holder
A007	27190693A	KGLS-6RT,Holder
A009	27191156	KGLS-5RT,Holder
A011	27190266	KGLS-12RT,Holder
A012	27190965	Holder
A013	27300833	WS-2NS,Clamp
A014	27300243	WS-2W,Clamp
A015	28175299	Isolated plate
A016	28175306	Isolated plate ST
A019	801612	3TTB+8B(CU),Self-tapping screw
A021	801606	3SMH10W.SW+15B(CU),Special screw
A023	27130943A	Bracket CR
A024	29110082	Tape Cloth
A025	28170083	Bushing
A027	27191156	KGLS-5RT,Holder
A029	27191224	KGPS-5RF,Holder
A031	27300833	WS-2NS,Clamp
A032	27301394	HL-18-0,Clamp
A035	801612	3TTB+8B(CU),Self-tapping screw
A037	27130944	Bracket PT
A039	830440109	4TTC+10C(BC),Self-tapping screw
A041	27130941	Bracket L
A043	27190503A	KGLS-8RT,Holder
A045	27300833	WS-2NS,Clamp
A047	801612	3TTB+8B(CU),Self-tapping screw
A049	27130942	Bracket R
A051	27190503A	KGLS-8RT,Holder
A053	801612	3TTB+8B(CU),Self-tapping screw
A057	27130946	Bracket FR
A059	27300833	WS-2NS,Clamp
A061	27141928	Retainer power
A063	82143006	3P+6FN(BC),Pan head screw
A065	801612	3TTB+8B(CU),Self-tapping screw
A067	838440089	4TTB+8C(BC),Self-tapping screw
A069	27300833	WS-2NS,Clamp

A073	27141905	Retainer HS
A075	801612	3TTB+8B(CU),Self-tapping screw
A077	27141904	Retainer AC
A079	801612	3TTB+8B(CU),Self-tapping screw
A083	27130933	Bracket rail A
A085	27130935	Bracket bottom
A087	801612	3TTB+8B(CU),Self-tapping screw
A089	27130934	Bracket rail B
A091	27130936	Bracket U
A093	801612	3TTB+8B(CU),Self-tapping screw
A095	801613	3*8,Special screw
A097	28175305	Isolated plate, slot 2
A099	880009	NRP-345,Plastic rivet
A101	27225156	Shield case A
A103	27225157	Shield case B
A105	801612	3TTB+8B(CU),Self-tapping screw
A107	82141606	M1.6*6(BC),Machine screw
A109	28198903	Facet
REF. NO.	PART NO.	DESCRIPTION
A111	28198908	Facet 1
A112	28198986	Facet 2
A113	28148435A	Door base
A115	28125375	End cap SL
A117	28125376	End cap SR
A119	28183002A	Stay L
A121	28183003A	Stay R
A123	834426068	2.6TTS+6B(BC),Self-tapping screw
A125	27191094A	Holder L
A127a	28141432	t1.5*12*4,Cushion
A129	28335065A	Lever L
A131	27180577	Spring
A133	82143006	3P+6FN(BC),Pan head screw
A135	27191095A	Holder R
A137a	27141758A	Retainer SP
A139	27180579	Spring, door
A141c	28141432	t1.5*12*4,Cushion
A143	28335066A	Lever R
A145	27180577	Spring
A147	27301943	Gear A
A149	27260364	Shaft A
A151	880011	NRP-355,Plastic rivet
A153	82143006	3P+6FN(BC),Pan head screw
A155	27260363	Shaft
A157	27260365A	Shaft L
A159	27260366A	Shaft R
A161	27270218	Spacer
A163	27301942	Gear S

A165	27141759	Retainer W
A167	834426068	2.6TTS+6B(BC),Self-tapping screw
A169	27141752	Retainer S
A171	24804045B	Motor with gear
A173	82143006	3P+6FN(BC),Pan head screw
A177	28141426	t1.5*25*5,Cushion
A179	28141430	Cushion
A181	28192018A	Clear plate
A183	28325871A	Knob ST
A193	28325746	Selector knob ass'y
A201	28326158	Selector knob 2 ass'y
A209	28325751	Power knob ass'y
A215	27268016B	Guide, volume
A223	27130945	Bracket, volume
A225	82143006	3P+6FN(BC),Pan head screw
A227	28325723A	Knob, door
A229	27141755	Bracket, knob
A231	82143010	3P+10FN(BC),Pan head screw
A232	27190926	KGPS-18RF,Holder
A233	82143006	3P+6FN(BC),Pan head screw
A235	28140860	CUSHION
A237	27255004	CS-1U,Clip
A239	28325754	Volume knob ass'y
A243	87760408	W4X8B,Flat washer
A245	29110083	Tape Cloth
A247	260208	BSK-1,Wire tie
A248	27190503A	KGLS-8RT,Holder
A249	27270443	Spacer
A251	28141618	Cushion
A253	28141616	Cushion PT1
A255	28141617	Cushion PT2
A265	28141592	Cushion MB
A267	28141621	Cushion
A269	28141566	T4*L20*D10,Cushion
A270	28141623	Cushion, cover
A271	27270438	t0.5xφ8xφ3.2,Spacer
REF. NO.	PART NO.	DESCRIPTION
A273	27270439	Spacer
A277	24847051	15*5*3,Cushion
A279	28141626	T4*30*12.5,Cushion
A281	801612	3TTB+8B(CU),Self-tapping screw
A300	27170336	Bottom panel
A302	801525	3TTB+8B(BC),Screw with stopper
A304	27175404	Leg
A306	28141559	Cushion
A307	28141590	Cushion for leg
A308	838140127	4TTB+12S,Binding screw

A310	25060151	Terminal GND
A312	87643010	W3*10F(BC),Flat washer
A314	28135293	Badge
A316	28185445B	Side panel L
A317	28141566	T4*L20*D10,Cushion
A318	28185446B	Side panel R
A319	28141566	T4*L20*D10,Cushion
A320	28145180	Cover L
A322	28145181A	Cover R
A324	801617A	4*10(NI),Special screw
A401	27212625A	Front panel ass'y <D/DT/GT/A/K>
A401	27212626A	Front panel ass'y <P>
A417	27262728A	Plate ID <D/DT/GT/A/K>
A417	27262729A	Plate ID <P>
A419	28148572	Door <D>
A419	28148573	Door <P/DT/GT/A/K>
A421	801612	3TTB+8B(CU),Self-tapping screw
A423	838430088	3TTB+8B(BC),Self-tapping screw
A425	27123230A	Rear panel <D>
A425	27123231A	Rear panel <P/DT/GT/A/K>
A427	838440089	4TTB+8C(BC),Self-tapping screw
A429	838430088	3TTB+8B(BC),Self-tapping screw
A431	27262713A	Plate, slot A
A433	27262731	Plate, slot B2 <D>
A433	27262714	Plate, slot B2 <P/DT/GT/A/K>
A435	27262715A	Plate, slot C/D
A437	27262732	Plate, slot E3 <D>
A437	27262717A	Plate, slot E2 <P/DT/GT/A/K>
A439	27262718	Plate, slot F/G
A441	27262733	Plate, slot H12 <D>
A441	27262719	Plate, slot H/I <P/DT/GT/A/K>
A443	27262734	Plate, slot J4 <D>
A443	27262720	Plate, slot J <P/DT/GT/A/K>
A445	27262735	Plate, slot K3 <D>
A445	27262723	Plate, slot K <P/DT/GT/A/K>
A447	27262736	Plate, slot L2 <D>
A447	27262725A	Plate, slot L <P/DT/GT/A/K>
A448	801624	3TTB+10B(BC),Screw with stopper
A449	838430088	3TTB+8B(BC),Self-tapping screw
A450	801620A	Special screw, plate <D>
A450	82143005	3P+5FN(BC),Pan head screw <P/DT/GT/A/K>
A451	29363762	Label, specifications <D>
	29363786	Label, specifications <DT>
	29363785	Label, specifications <GT/K>
	29363787	Label, specifications <A>
	29363784	Label, specifications <P>
A453	29363777	Label, cover <D>

	29363793	Label, cover <P/DT/GT/A/K>
A454	27160542	Heat sink S
A455	27225156	Shield case A <P/DT/GT/A/K>
A457	27225157	Shield case B <P/DT/GT/A/K>
A459	801612	3TTB+8B(CU),Self-tapping screw
A461	801620A	Special screw, plate <P/DT/GT/A/K>
A465	28175307	Isolated plate, slot 3 <P/DT/GT/A/K>
REF. NO.	PART NO.	DESCRIPTION
A467	880009	NRP-345,Plastic rivet <P/DT/GT/A/K>
A501	29364040	Label, door
A502	29363803	Label, flash
A503	29363799	Label, caution
A504	29363264	Label MAC <P/DT/GT/A/K>
D9501	22380337	D10XB60H,Diode
F9001	252164 or	!
	252258	!
	252241 or	!
	252075	!
F9501,F9502	252198 or	!
	252261	!
	252166 or	!
	252260	!
	252245 or	!
	252079	!
F9503,F9504	252160 or	!
	252254	!
	252241 or	!
	252075	!
P101	2047150312	NCFC7-150312,Flexible flat cable <P/DT/GT/A/K>
P3105	2009990867UL	NSAS-80P1310,Socket
P3106	2009990844UL	NSAS-76P1260,Socket
P3120	2009990871AUL	NSAS-50P1318,Socket
P5802A	25052980	5P(796641-5),Socket <D>
P5803A	25052981	6P(796641-6),Socket <D>
P7501	2045206022	NCFC5-206022,Flexible flat cable
P7506	20033281040UL	NSAS-10P1396,Socket
Q9301	222780184JRC	7818FA(NJM7818FA),IC
Q9311	222790184JRC	7918FA(NJM7918FA),IC
Q9322	2202314 or	2SA1726-Y or
	2202315 or	2SA1726-P or
	2202313	2SA1726-O,Transistor
Q9322A	223026	Isolated sheet
Q9322B	223034	MT-25,Transistor accessory
Q9332,Q9392	2202364 or	2SA1693-Y or
	2202363 or	2SA1693-O or
	2202365	2SA1693-P,Transistor
Q9332A,Q9392A	223024	AC238,Isolated sheet

Q9351	222780565JRC		78M56(NJM78M56FA),IC
Q9404	2202304 or 2202305		2SC4512-Y or 2SC4512-P,Transistor
Q9404A	223026		Isolated sheet
Q9404B	223034		MT-25,Transistor accessory
Q9411	222780054JRC		7805FA(NJM7805FA),IC
Q9432,Q9442	2202364 or 2202363 or 2202365		2SA1693-Y or 2SA1693-O or 2SA1693-P,Transistor
Q9432A,Q9442A	223024		AC238,Isolated sheet
T9001	2301751A	!	NPT-1497D,Power transformer <D/DT>
	2301753A	!	NPT-1497G,Power transformer <GT/K>
	2301752A	!	NPT-1497P,Power transformer <P/A>
T9002	2301723	!	NPT-1487D,Power transformer <D/DT>
	2301725	!	NPT-1487G,Power transformer <GT/K>
	2301724	!	NPT-1487P,Power transformer <P/A>
U01	1A989537-1A		NAVD-8137-1A,HDMI circuit PC board ass'y <P/DT/GT/A/K>
U03	1A989544-1A		NAAF-8144-1A, Audio IN/OUT terminal 1 PC board ass'y <D/DT/GT/A/K>
	1A989544-1B		NAAF-8144-1B, Audio IN/OUT terminal 1 PC board ass'y <P>
U032	1A989545-1A		NAAF-8145-1A,Audio IN/OUT terminal 2 PC board ass'y <D/DT/GT/A/K>
	1A989545-1B		NAAF-8145-1B,Audio IN/OUT terminal 2 PC board ass'y <P>
U033	1A989546-1A		NAETC-8146-1A,Connector PC board ass'y <D/DT/GT/A/K>
	1A989546-1B		NAETC-8146-1B,Connector PC board ass'y <P>
U05	1A989550-1A		NAAF-8150-1A,Multi channel PC board ass'y <P/DT/GT/A/K>

REF. NO.	PART NO.		DESCRIPTION
U06	1A989552-1C		NARF-8152-1C,Tuner PC board ass'y <DT/GT/A/K>
	1A989552-1B		NARF-8152-1B,Tuner PC board ass'y <P>
U07	1A989554-1A		NADG-8154-1A,Dac and second PLL circuit PC board ass'y <D/DT/GT/A/K>
	1A989554-1B		NADG-8154-1B,Dac and second PLL circuit PC board ass'y <P>
U08	1A989556-1A		NAAF-8156-1A,Pre-amplifier PC board ass'y <D/DT/GT/A/K>
	1A989556-1B		NAAF-8156-1B,Pre-amplifier PC board ass'y <P>
U082	1A989557-1A		NAAF-8157-1A,Pre-output terminal PC board ass'y <D/DT/GT/A/K>
	1A989557-1B		NAAF-8157-1B,Pre-output terminal PC board ass'y <P>
U083	1A989558-1A		NAETC-8158-1A,Connector mother PC board ass'y <D/DT/GT/A/K>
	1A989558-1B		NAETC-8158-1B,Connector mother PC board ass'y <P>
U084	1A989559-1A		NADG-8159-1A,Coaxial I/O terminal PC board ass'y <D/DT/GT/A/K>
	1A989559-1B		NADG-8159-1B,Coaxial I/O terminal PC board ass'y <P>
U085	1A989560-1A		NAETC-8160-1A,Video connector PC board ass'y <D/DT/GT/A/K>
	1A989560-1B		NAETC-8160-1B,Video connector PC board ass'y <P>
U09	1A989562-1		NADG-8162-1,Optical I/O terminal PC board ass'y
U10	1A989564-1A		NADG-8164-1A,IEEE1394 terminal PC board ass'y
U11	1A989566-1C		NAAR-8166-1C,Mother PC board ass'y <D/DT/GT/A/K>
	1A989566-1D		NAAR-8166-1D,Mother PC board ass'y <P>
U17	1A989593-1A		NAPS-8193-1A,Power supply circuit PC board ass'y <D>
	1A989593-1B		NAPS-8193-1B,Power supply circuit PC board ass'y <P>
	1A989593-1C		NAPS-8193-1C,Power supply circuit PC board ass'y <GT/K>

	1A989593-1D	NAPS-8193-1D,Power supply circuit PC board ass'y <DT>
	1A989593-1E	NAPS-8193-1E,Power supply circuit PC board ass'y <A>
U172	1A989594-1A	NAPS-8194-1A,Constant voltage PC board ass'y <D>
	1A989594-1B	NAPS-8194-1B,Constant voltage PC board ass'y <P>
	1A989594-1C	NAPS-8194-1C,Constant voltage PC board ass'y <GT/K>
	1A989594-1D	NAPS-8194-1D,Constant voltage PC board ass'y <DT>
	1A989594-1E	NAPS-8194-1E,Constant voltage PC board ass'y <A>
U173	1A989595-1A	NAPS-8195-1A,Constant voltage 2 PC board ass'y <D>
	1A989595-1B	NAPS-8195-1B,Constant voltage 2 PC board ass'y <P>
	1A989595-1C	NAPS-8195-1C,Constant voltage 2 PC board ass'y <GT/K>
	1A989595-1D	NAPS-8195-1D,Constant voltage 2 PC board ass'y <DT>
	1A989595-1E	NAPS-8195-1E,Constant voltage 2 PC board ass'y <A>
U174	1A989596-1A	NAPS-8196-1A,Primary circuit PC board ass'y <D>
	1A989596-1B	NAPS-8196-1B,Primary circuit PC board ass'y <P>
	1A989596-1C	NAPS-8196-1C,Primary circuit PC board ass'y <GT/K>
	1A989596-1D	NAPS-8196-1D,Primary circuit PC board ass'y <DT>
	1A989596-1E	NAPS-8196-1E,Primary circuit PC board ass'y <A>
U175	1A989597-1A	NAPS-8197-1A,Power switch PC board ass'y <D>
	1A989597-1B	NAPS-8197-1B,Power switch PC board ass'y <P>
	1A989597-1C	NAPS-8197-1C,Power switch PC board ass'y <GT/K>
	1A989597-1D	NAPS-8197-1D,Power switch PC board ass'y <DT>
	1A989597-1E	NAPS-8197-1E,Power switch PC board ass'y <A>
U176	1A989598-1A	NAETC-8198-1A,12V trigger terminal PC board ass'y <D>
U177	1A989599-1A	NAETC-8199-1A,Connector power PC board ass'y <D>
U178	1A989500-1A	NAETC-8200-1A,Regulator PC board ass'y <D>
	1A989500-1B	NAETC-8200-1B,Regulator PC board ass'y <P>
	1A989500-1C	NAETC-8200-1C,Regulator PC board ass'y <GT/K>
	1A989500-1D	NAETC-8200-1D,Regulator PC board ass'y <DT>
	1A989500-1E	NAETC-8200-1E,Regulator PC board ass'y <A>
U18	1A989501-1B	NAVD-8201-1B,S video terminal PC board ass'y <P/DT/GT/A/K>
U182	1A989502-1B	NAVD-8202-1B,Component video PC board ass'y <P/DT/GT/A/K>
U183	1A989503-1B	NAETC-8203-1B,Connector video 2 PC board ass'y <P/DT/GT/A/K>
U22	1A989512-1	NADIS-8212-1,Display circuit PC board ass'y
U222	1A989513-1	NAETC-8213-1,Standby switch PC board ass'y
U223	1A989514-1	NAETC-8214-1,Headphone terminal PC board ass'y
U224	1A989515-1	NAETC-8215-1,Door sensor PC board ass'y
U225	1A989516-1	NAETC-8216-1,Door motor PC board ass'y
U24	1A989528-1A	NADG-8228-1A,Net-tune circuit PC board ass'y <P/DT/GT/A/K>
U26	1A989563-1	NADG-8163-1,DSP circuit PC board ass'y
U27	1A989505-1A	NAVD-8205-1A,Component video 4 PC board ass'y <P/DT/GT/A/K>
U31	240135	TFCE1E512A,Tuner unit <P/DT/GT/A/K>

R1



R1



PACKING VIEW-PARTS LIST

REF. NO.	PART NO.	DESCRIPTION
A700	29092161	Pad ass'y
A704	29095964	0.515*1350*1500,Sheet
A706	29100035-1	720*1020,Poly-bag
A707	29054166	Carton, accessory
A708	29110149	Tape , cellophane
A709	29110148	PP tape
A710	282321	Staple
A711	29110151	Fixlon tape
A731	29343822	Instruction manual U9(Setup Memo)
A750	29054174	Carton box
A751	29363757	Label, carton <DT>
	29363755	Label, carton <K>
	29363756	Label, carton <GT>
	29363235-1	Label, carton <A>
	29363753	Label, carton <P> <RC>
	29363754	Label, carton <P> <RF>
A754	29363680	Label UPC <D>
	29363679	Label EAN <P/DT/GT/A/K>
A800	29100097-1A	350*250,Polybag
A802	29100217	t0.1*70*100,Polybag
A804	29110149	Tape, cellophane
A806	3010054	R6/AA(UM-3),Battery
A807	29363059A	Label, speaker cable
A850	29100097-1A	350*250,Polybag <P>
A851	24140555	RC-555M,Remote controller <D>
	24140554	RC-554M,Remote controller <DT/GT/A/K>
	24140554	RC-554M,Remote controller <P> <RC>
	24140555	RC-555M,Remote controller <P> <RF>
A853	29343686	Instruction manual En
A854	29343696	Instruction manual , digest <D>
	29343687	Instruction manual Fr <P>
	29343693	Instruction manual Ct <DT/GT>
A855	29343688	Instruction manual Es <P>
A856	29343689	Instruction manual De <P>
A857	29343690	Instruction manual Ni <P>
A858	29343691	Instruction manual Sv <P>
A859	29343692	Instruction manual It <P>
A860	29343697	Instruction manual En(Net-Tune QS) ,P/DT/GT/A/K>
A861	29343698	Instruction manual U2FrEs(Net-Tune QS) <P>
	29343700	Instruction manual U2CtCs(Net-Tune QS) <DT/GT>
A862	29343699	Instruction manual U4DeNISvlt(Net-Tune QS) <P>
A866	29365091A	Warranty card <D>
A871	232140	NMA-3057,AM loop antenna <P/DT/GT/A/K>
A872	292199	NHB1-00-008(PAL),FM antenna <P/DT/GT/A/K>
P9002	253301HIT	! AS-UC-2,Power supply cord <D/DT>

253298KAW	!	AS-CEE-3,Power supply cord <P/GT/K>
253391VOL	!	AS-SAA, Power supply cord <A>

PRINTED CIRCUIT BOARD-PARTS LIST

NOTE: THE COMPONENTS IDENTIFIED BY MARK !
ARE CRITICAL FOR RISK OF FIRE AND
ELECTRIC SHOCK. REPLACE ONLY WITH
PART NUMBER SPECIFIED.

Note: <D>:120V model only <GT>:Asian model for 220V
<P>:European model only <DT>: Asian model for 120V
<A>:Australian model only <K>:Korean model only
<O>:Except 120V model

HDMI circuit PC board (NAVD-8137-1A) <P/DT/GT/A/K>

Option board (C-HDMI)

CIRCUIT NO.	PART NO.	DESCRIPTION
	ICs	
Q8001	22242049R3	Sil504
Q8002	22242050R9	MC504(Write)
Q8003	22242056R2 or 22242031R3	IC42S32200L-7TG or IS42S32200B-7T
Q8007,Q8106	22241648R2	LM1117MPX-ADJ
Q8101	22242153R3	ADV7402KST-110
Q8102,Q8857	22241465R2	LA7106MFP
Q8103,Q8910	22241440R2	MAX4018ESD
Q8104,Q8105	2227C244DR2TO	TC74VCX162244FT
Q8191,Q8591	22278033DR2NE or 22278033DR2JR	MPC2933T or NJM2391DL1-33
Q8301	22242052R3	Sil9190CTG64
Q8304,Q8402	22242087R2	NJM2860F3-33
Q8305	22242105R2	NJM2860F3-05
Q8350	22242098R2	CS8420-CS
Q8351	22240935R2	TC7WU04FU
Q8352	22242078R2TO	TC7WZU04FU
Q8353	22274074ER2TO	TC74VHC74FT
Q8401	22242053R3	Sil160CTG100
Q8501,Q8601	22242162R3	SII1161CTU
Q8502,Q8602	22242087R2	NJM2860F3-33
Q8701	NSP	W MPD70F3261YGC-8EA (0089)
Q8702	22242070R2	BR24L08FV-W
Q8801	22242058R3	ADV7310
Q8802	22278025DR2JR or 22278025DR2NE	NJM2391DL1-25 or MPC2925T
	Transistors	
Q8306	2216131R2 or 2216141R2	HN1C03F-A or HN1C03F-B
Q8307	2216410R2	2SA1774

Q8308,Q8505,Q8605	2216400R2	2SB1132
Q8309,Q8503	226066R2	UM6K1N,Array
Q8506,Q8606	2216390R2	DTC144EE
Q8507,Q8607	2216380R2	DTA144EE
Q8508,Q8603	226066R2	UM6K1N,Array
Q8509,Q8858	2216520R2	2SK3019
Q8901,Q8902,Q8903	2214375R2	2SA1162-GR
	Diodes	
D8101,D8102,D8103	223266R2	1SS226
D8104,D8105,D8106	223266R2	1SS226
D8701	223269R2	1SS355
	Coils	
L8001,L8002,L8003	231237M022R2	NCH-1471
L8004,L8101,L8103	231237M022R2	NCH-1471
L8102	231237K470R2	NCH-1479
L8104,L8105	231237M022R2	NCH-1471
L8301,L8303,L8401	231237M047R2	NCH-1473
L8302,L8304	231237M022R2	NCH-1471
L8350,L8351,L8402	231237M022R2	NCH-1471
L8352,L8354,L8355	230958R1	BK1608LM182-T,EMI
R8102,R8104,R8106	230984R1	BK1608HS601-T,EMI
L8403,L8404,L8405	231237M047R2	NCH-1473
L8501,L8502,L8503	231237M047R2	NCH-1473
L8504,L8601,L8602	231237M047R2	NCH-1473
CIRCUIT NO.	PART NO.	DESCRIPTION
	Coils	
L8603,L8604,L8701	231237M047R2	NCH-1473
L8801,L8802,L8803	231237M022R2	NCH-1471
L8901,L8902,L8903	3030049R2	CY4W(15MHz),LC
	Oscillators	
X8001	3010389R2	FCX03-20.000MHz
X8101	3010353R2	FCX-03-27MHz
X8350	3010323R2	HC-49/U03C 12.288MHz
X8701	3010356R2	CSTCR5M00G53-B0,Ceramic
	Capacitors	
C8127	332101035R1	CK725B1H-103K1,Chip ceramic
C8352	332102225R1	CK725B1H-222K1,Chip ceramic
C8353	332104735R1	CK725B1H-473K1,Chip ceramic
C8001,C8002,C8003	332181050R1	CK725F1A-105Z1,Chip ceramic
C8004,C8006,C8010	332181050R1	CK725F1A-105Z1,Chip ceramic
C8005,C8333	342101002R1	CC725CH1H-100D1,Chip ceramic
C8011,C8012,C8013	332181050R1	CK725F1A-105Z1,Chip ceramic
C8014,C8020,C8021	332181050R1	CK725F1A-105Z1,Chip ceramic
C8019,C8108,C8109	332161040R1	CK725F1E-104Z1,Chip ceramic
C8022,C8023,C8024	332181050R1	CK725F1A-105Z1,Chip ceramic

C8025,C8026,C8027	332181050R1	CK725F1A-105Z1,Chip ceramic
C8028,C8029,C8031	332181050R1	CK725F1A-105Z1,Chip ceramic
C8030,C8035,C8119	342101024R1	CC725CH1H-102J1,Chip ceramic
C8032,C8078,C8142	356742209R2	CEWX16V-22M,Chip elect.
C8033,C8040,C8045	332181050R1	CK725F1A-105Z1,Chip ceramic
C8034,C8120	342101014R1	CC725CH1H-101J1,Chip ceramic
C8036,C8038	342101204R1	CC725CH1H-120J1,Chip ceramic
C8041,C8042,C8043	3567A2219R2	CEWX4V-220M,Chip elect.
C8044,C8305,C8311	3567A2219R2	CEWX4V-220M,Chip elect.
C8046,C8047,C8048	332181050R1	CK725F1A-105Z1,Chip ceramic
C8049,C8050,C8051	332181050R1	CK725F1A-105Z1,Chip ceramic
C8052,C8053,C8054	332181050R1	CK725F1A-105Z1,Chip ceramic
C8055,C8056,C8301	332181050R1	CK725F1A-105Z1,Chip ceramic
C8077,C8110,C8111	356741009R2	CEWX16V-10M,Chip elect.
C8079,C8101,C8135	3567A1019R2	CEWX4V-100M,,Chip elect.
C8102,C8103,C8104	332121045R1	CK725B1C-104K1,Chip ceramic
C8105,C8106,C8107	332121045R1	CK725B1C-104K1,Chip ceramic
C8112,C8113,C8114	332161040R1	CK725F1E-104Z1,Chip ceramic
C8115,C8116,C8121	332161040R1	CK725F1E-104Z1,Chip ceramic
C8117,C8118,C8141	356741009R2	CEWX16V-10M,Chip elect.
C8122,C8123,C8124	332161040R1	CK725F1E-104Z1,Chip ceramic
C8125,C8126,C8129	332161040R1	CK725F1E-104Z1,Chip ceramic
C8128,C8808,C8810	332121045R1	CK725B1C-104K1,Chip ceramic
C8130,C8131,C8139	332161040R1	CK725F1E-104Z1,Chip ceramic
C8133,C8134	342101504R1	CC725CH1H-150J1,Chip ceramic
C8136,C8137,C8138	3567A1019R2	CEWX4V-100M,,Chip elect.
C8140,C8151,C8152	332161040R1	CK725F1E-104Z1,Chip ceramic
C8143,C8192,C8592	3567A1019R2	CEWX4V-100M,,Chip elect.
C8153,C8154,C8851	356721019R2	CEWX6.3V-100M,Chip elect.
C8191,C8591,C8901	332161040R1	CK725F1E-104Z1,Chip ceramic
C8302,C8304,C8306	332181050R1	CK725F1A-105Z1,Chip ceramic
C8303,C8307,C8315	342101024R1	CC725CH1H-102J1,Chip ceramic
C8308,C8309,C8312	332181050R1	CK725F1A-105Z1,Chip ceramic
C8313,C8320,C8323	3567A2219R2	CEWX4V-220M,Chip elect.
C8314,C8316,C8317	332181050R1	CK725F1A-105Z1,Chip ceramic
C8318,C8321,C8322	332181050R1	CK725F1A-105Z1,Chip ceramic
C8326,C8327,C8329	332181050R1	CK725F1A-105Z1,Chip ceramic
C8328,C8355	356742209R2	CEWX16V-22M,Chip elect.
C8330,C8332,C8350	332181050R1	CK725F1A-105Z1,Chip ceramic
C8331	356741009R2	CEWX16V-10M,Chip elect.
C8351,C8354,C8356	332181050R1	CK725F1A-105Z1,Chip ceramic
C8357,C8358	342101204R1	CC725CH1H-120J1,Chip ceramic
C8359,C8398,C8399	332181050R1	CK725F1A-105Z1,Chip ceramic
C8401,C8402,C8405	332181050R1	CK725F1A-105Z1,Chip ceramic
C8404,C8412,C8416	3567A2219R2	CEWX4V-220M,Chip elect.

C8406,C8425,C8516	342101024R1	CC725CH1H-102J1,Chip ceramic
C8407,C8408,C8409	332181050R1	CK725F1A-105Z1,Chip ceramic
C8410,C8411,C8413	332181050R1	CK725F1A-105Z1,Chip ceramic
CIRCUIT NO.	PART NO.	DESCRIPTION
	Capacitors	
C8414,C8415,C8417	332181050R1	CK725F1A-105Z1,Chip ceramic
C8418,C8421,C8423	3567A2219R2	CEWX4V-220M,Chip elect.
C8419,C8420,C8422	332181050R1	CK725F1A-105Z1,Chip ceramic
C8424,C8426,C8427	332181050R1	CK725F1A-105Z1,Chip ceramic
C8428,C8501,C8502	332181050R1	CK725F1A-105Z1,Chip ceramic
C8503,C8504,C8505	332181050R1	CK725F1A-105Z1,Chip ceramic
C8506,C8507,C8508	332181050R1	CK725F1A-105Z1,Chip ceramic
C8509,C8510,C8511	332181050R1	CK725F1A-105Z1,Chip ceramic
C8512,C8513,C8515	332181050R1	CK725F1A-105Z1,Chip ceramic
C8514,C8518,C8521	3567A2219R2	CEWX4V-220M,Chip elect.
C8517,C8519,C8520	332181050R1	CK725F1A-105Z1,Chip ceramic
C8522,C8523,C8526	332181050R1	CK725F1A-105Z1,Chip ceramic
C8524,C8525,C8614	3567A2219R2	CEWX4V-220M,Chip elect.
C8527,C8597,C8598	332181050R1	CK725F1A-105Z1,Chip ceramic
C8528,C8628	356781009R2	CEWX50V-10M,Chip elect.
C8599,C8601,C8602	332181050R1	CK725F1A-105Z1,Chip ceramic
C8603,C8604,C8605	332181050R1	CK725F1A-105Z1,Chip ceramic
C8606,C8607,C8608	332181050R1	CK725F1A-105Z1,Chip ceramic
C8609,C8610,C8611	332181050R1	CK725F1A-105Z1,Chip ceramic
C8612,C8613,C8615	332181050R1	CK725F1A-105Z1,Chip ceramic
C8616,C8805	342101024R1	CC725CH1H-102J1,Chip ceramic
C8617,C8619,C8620	332181050R1	CK725F1A-105Z1,Chip ceramic
C8618,C8621,C8624	3567A2219R2	CEWX4V-220M,Chip elect.
C8622,C8623,C8626	332181050R1	CK725F1A-105Z1,Chip ceramic
C8625,C8709,C8802	3567A2219R2	CEWX4V-220M,Chip elect.
C8627,C8697,C8698	332181050R1	CK725F1A-105Z1,Chip ceramic
C8699,C8701,C8702	332181050R1	CK725F1A-105Z1,Chip ceramic
C8703,C8705,C8706	332181050R1	CK725F1A-105Z1,Chip ceramic
C8704	356780479R2	CEWX50V-4.7M,Chip elect.
C8707,C8708,C8710	332181050R1	CK725F1A-105Z1,Chip ceramic
C8801,C8803,C8804	332181050R1	CK725F1A-105Z1,Chip ceramic
C8806	373023924R2	ECHU50V-392J,Chip film
C8807	342108214R1	CC725CH1H-821J1,Chip ceramic
C8809,C8811	332181050R1	CK725F1A-105Z1,Chip ceramic
C8812,C8817	332181050R1	CK725F1A-105Z1,Chip ceramic
C8814,C8816	3567A2219R2	CEWX4V-220M,Chip elect.
C8818	356744709R2	CEWX16V-47M,Chip elect.
C8852,C8906,C8907	356721019R2	CEWX6.3V-100M,Chip elect.
C8853,C8854,C8855	356723319R2	CEWX6.3V-330M,Chip elect.
C8902,C8903,C8904	332161040R1	CK725F1E-104Z1,Chip ceramic

C8905	332161040R1	CK725F1E-104Z1,Chip ceramic
C8908,C8909,C8910	356723319R2	CEWX6.3V-330M,Chip elect.
R8354	332161040R1	CK725F1E-104Z1,Chip ceramic
	Resistors	
R8341	433421004R1	RN72K2E-100JD,Chip carbon
R8001,R8002,R8003	435032204R1	RN72K1J-220JE,Chip carbon
R8004,R8005,R8006	43484710004R2	RM7LJ100X04,CR array
R8007,R8008,R8009	43484710004R2	RM7LJ100X04,CR array
R8010,R8011	43484710004R2	RM7LJ100X04,CR array
R8013	435031004R1	RN72K1J-100JE,Chip carbon
R8018,R8019,R8045	435034724R1	RN72K1J-472JE,Chip carbon
R8024,R8025,R8026	435030004R1	RN72K1J-000JE,Chip carbon
R8027,R8029,R8037	435030004R1	RN72K1J-000JE,Chip carbon
R8028,R8305,R8323	435031032R1	RN72K1J-103FE,Chip carbon
R8034,R8035,R8036	435032224R1	RN72K1J-222JE,Chip carbon
R8038,R8053,R8065	435031024R1	RN72K1J-102JE,Chip carbon
R8041,R8103	435031014R1	RN72K1J-101JE,Chip carbon
R8047,R8050,R8051	435034724R1	RN72K1J-472JE,Chip carbon
R8055,R8082,R8374	435031054R1	RN72K1J-105JE,Chip carbon
R8056	435030004R1	RN72K1J-000JE,Chip carbon
R8057,R8058,R8066	435034724R1	RN72K1J-472JE,Chip carbon
R8061,R8062,R8064	435032222R1	RN72K1J-222FE,Chip carbon
R8067,R8072,R8114	435031024R1	RN72K1J-102JE,Chip carbon
R8071,R8119,R8325	435034724R1	RN72K1J-472JE,Chip carbon
R8079,R8143	435031512R1	RN72K1J-151FE,Chip carbon
R8080,R8145	435033912R1	RN72K1J-391FE,Chip carbon
R8081,R8113,R8115	435032722R1	RN72K1J-272FE,Chip carbon
CIRCUIT NO.	PART NO.	DESCRIPTION
	Resistors	
R8088	435034702R1	RN72K1J-470FE,Chip carbon
R8089,R8090,R8091	435032222R1	RN72K1J-222FE,Chip carbon
R8101,R8105,R8107	435036804R1	RN72K1J-680JE,Chip carbon
R8109,R8111	435036804R1	RN72K1J-680JE,Chip carbon
R8116,R8117,R8312	435032222R1	RN72K1J-222FE,Chip carbon
R8120	435033334R1	RN72K1J-333JE,Chip carbon
R8121,R8331	435031824R1	RN72K1J-182JE,Chip carbon
R8123,R8129,R8130	43484722004R2	RM7LJ220X04,CR array
R8124,R8125,R8126	435032204R1	RN72K1J-220JE,Chip carbon
R8128,R8132,R8133	435032204R1	RN72K1J-220JE,Chip carbon
R8131,R8134,R8137	43484722004R2	RM7LJ220X04,CR array
R8135,R8136,R8142	435032204R1	RN72K1J-220JE,Chip carbon
R8138,R8139,R8140	43484722004R2	RM7LJ220X04,CR array
R8141,R8181,R8182	43484722004R2	RM7LJ220X04,CR array
R8144,R8811,R8812	435032722R1	RN72K1J-272FE,Chip carbon
R8151,R8152,R8153	435031044R1	RN72K1J-104JE,Chip carbon

R8155,R8156,R8157	435031044R1	RN72K1J-104JE,Chip carbon
R8165,R8166,R8167	435032204R1	RN72K1J-220JE,Chip carbon
R8168,R8169,R8170	435031024R1	RN72K1J-102JE,Chip carbon
R8171,R8172,R8307	435031024R1	RN72K1J-102JE,Chip carbon
R8173,R8174,R8175	435030004R1	RN72K1J-000JE,Chip carbon
R8183,R8184,R8185	43484722004R2	RM7LJ220X04,CR array
R8186	43484722004R2	RM7LJ220X04,CR array
R8187,R8188,R8189	435032204R1	RN72K1J-220JE,Chip carbon
R8190	435032204R1	RN72K1J-220JE,Chip carbon
R8301,R8302,R8303	435030004R1	RN72K1J-000JE,Chip carbon
R8304,R8371,R8405	435034712R1	RN72K1J-471FE,Chip carbon
R8306,R8376,R8807	435034704R1	RN72K1J-470JE,Chip carbon
R8308,R8309	435031044R1	RN72K1J-104JE,Chip carbon
R8310,R8311,R8319	435032204R1	RN72K1J-220JE,Chip carbon
R8313,R8339,R8711	435032222R1	RN72K1J-222FE,Chip carbon
R8314	435035612R1	RN72K1J-561FE,Chip carbon
R8315,R8316,R8317	43484700004R2	RM7LJ000X04,CR array
R8318,R8320,R8321	43484700004R2	RM7LJ000X04,CR array
R8322,R8407	435034734R1	RN72K1J-473JE,Chip carbon
R8324,R8351,R8369	435031032R1	RN72K1J-103FE,Chip carbon
R8326,R8401,R8404	435034724R1	RN72K1J-472JE,Chip carbon
R8327,R8333,R8342	435031024R1	RN72K1J-102JE,Chip carbon
R8328,R8329,R8332	435033324R1	RN72K1J-332JE,Chip carbon
R8334,R8335	435032022R1	RN72K1J-202FE,Chip carbon
R8337,R8938	435034722R1	RN72K1J-472FE,Chip carbon
R8340	435031502R1	RN72K1J-150FE,Chip carbon
R8352,R8356,R8367	435031024R1	RN72K1J-102JE,Chip carbon
R8355	435033022R1	RN72K1J-302FE,Chip carbon
R8357,R8358,R8359	435031044R1	RN72K1J-104JE,Chip carbon
R8360,R8361	435031044R1	RN72K1J-104JE,Chip carbon
R8363,R8364,R8365	435034702R1	RN72K1J-470FE,Chip carbon
R8373,R8706,R8707	435031032R1	RN72K1J-103FE,Chip carbon
R8375,R8856	435035614R1	RN72K1J-561JE,Chip carbon
R8378,R8379,R8816	435031034R1	RN72K1J-103JE,Chip carbon
R8403,R8507,R8541	435030004R1	RN72K1J-000JE,Chip carbon
R8406	435035112R1	RN72K1J-511FE,Chip carbon
R8502,R8504,R8506	435034724R1	RN72K1J-472JE,Chip carbon
R8503,R8603	435034712R1	RN72K1J-471FE,Chip carbon
R8509,R8532,R8539	435034724R1	RN72K1J-472JE,Chip carbon
R8510,R8537,R8538	435031024R1	RN72K1J-102JE,Chip carbon
R8511,R8512,R8513	43484722004R2	RM7LJ220X04,CR array
R8514,R8515,R8516	43484722004R2	RM7LJ220X04,CR array
R8517,R8518,R8519	435032204R1	RN72K1J-220JE,Chip carbon
R8520,R8521,R8522	435032204R1	RN72K1J-220JE,Chip carbon
R8523,R8617,R8618	435032204R1	RN72K1J-220JE,Chip carbon

CIRCUIT NO.	PART NO.	DESCRIPTION
R8524,R8525,R8526	43484722004R2	RM7LJ220X04,CR array
R8527,R8528,R8529	43484722004R2	RM7LJ220X04,CR array
R8530,R8630	435033914R1	RN72K1J-391JE,Chip carbon
R8533,R8633,R8738	435034734R1	RN72K1J-473JE,Chip carbon
R8602,R8604,R8606	435034724R1	RN72K1J-472JE,Chip carbon
R8607,R8641,R8708	435030004R1	RN72K1J-000JE,Chip carbon
Resistors		
R8609,R8632,R8639	435034724R1	RN72K1J-472JE,Chip carbon
R8610,R8637,R8638	435031024R1	RN72K1J-102JE,Chip carbon
R8611,R8612,R8613	43484722004R2	RM7LJ220X04,CR array
R8614,R8615,R8616	43484722004R2	RM7LJ220X04,CR array
R8619,R8620,R8621	435032204R1	RN72K1J-220JE,Chip carbon
R8622,R8623,R8709	435032204R1	RN72K1J-220JE,Chip carbon
R8624,R8625,R8626	43484722004R2	RM7LJ220X04,CR array
R8627,R8628,R8629	43484722004R2	RM7LJ220X04,CR array
R8701	435034724R1	RN72K1J-472JE,Chip carbon
R8705,R8857,R8858	435031024R1	RN72K1J-102JE,Chip carbon
R8710,R8815	435031032R1	RN72K1J-103FE,Chip carbon
R8712,R8803,R8804	435032222R1	RN72K1J-222FE,Chip carbon
R8713,R8714,R8715	435032204R1	RN72K1J-220JE,Chip carbon
R8716,R8719,R8720	435032204R1	RN72K1J-220JE,Chip carbon
R8717,R8718,R8744	435030004R1	RN72K1J-000JE,Chip carbon
R8721,R8740,R8741	435032204R1	RN72K1J-220JE,Chip carbon
R8722,R8723,R8859	435032224R1	RN72K1J-222JE,Chip carbon
R8728	43484710304R2	RM7LJ103X04,CR array
R8742,R8743,R8745	435032204R1	RN72K1J-220JE,Chip carbon
R8746,R8799,R8802	435030004R1	RN72K1J-000JE,Chip carbon
R8747,R8748,R8749	435032204R1	RN72K1J-220JE,Chip carbon
R8750,R8751,R8752	435032204R1	RN72K1J-220JE,Chip carbon
R8753,R8754,R8755	435032204R1	RN72K1J-220JE,Chip carbon
R8805,R8806,R8817	435032204R1	RN72K1J-220JE,Chip carbon
R8808,R8809,R8810	435036812R1	RN72K1J-681FE,Chip carbon
R8813,R8814	435036812R1	RN72K1J-681FE,Chip carbon
R8818,R8919	435031034R1	RN72K1J-103JE,Chip carbon
R8819,R8829,R8830	435032204R1	RN72K1J-220JE,Chip carbon
R8820,R8907,R8908	435030004R1	RN72K1J-000JE,Chip carbon
R8821,R8822,R8823	43484700004R2	RM7LJ000X04,CR array
R8824,R8825,R8826	43484700004R2	RM7LJ000X04,CR array
R8827,R8828	43484700004R2	RM7LJ000X04,CR array
R8851,R8852,R8853	435031514R1	RN72K1J-151JE,Chip carbon
R8854,R8855	435031524R1	RN72K1J-152JE,Chip carbon
R8901,R8902,R8903	435031512R1	RN72K1J-151FE,Chip carbon
R8909,R8916,R8917	435030004R1	RN72K1J-000JE,Chip carbon
R8910,R8911,R8912	435031824R1	RN72K1J-182JE,Chip carbon

R8913,R8914,R8915	435034712R1	RN72K1J-471FE,Chip carbon
R8918	435030004R1	RN72K1J-000JE,Chip carbon
R8920,R8921	435031034R1	RN72K1J-103JE,Chip carbon
R8922,R8923,R8924	435034712R1	RN72K1J-471FE,Chip carbon
R8925,R8927,R8928	435035624R1	RN72K1J-562JE,Chip carbon
R8929,R8930,R8931	435034712R1	RN72K1J-471FE,Chip carbon
R8932,R8933,R8934	435031024R1	RN72K1J-102JE,Chip carbon
Terminals		
P8302,P8501,P8601	25052956R3	DC1R019JDA,HDMI
Plugs		
P8000,P8001	25056324R2	IMSA-9850B-20Y902
P8702	25055704	NPLG-8P660

Audio IN/OUT terminal 1 PC board(NAAF-8144-1A/1B)

Audio IN/OUT terminal 2 PC board(NAAF-8145-1A/1B)

Connector PC board(NAETC-8146-1A/1B)

CIRCUIT NO.	PART NO.	DESCRIPTION
ICs		
Q1460,Q1465,Q1470	22240489R1NE	MPC4570G2-T1(MST)
Q1475,Q1476,Q1480	22240489R1NE	MPC4570G2-T1(MST)
Q1485,Q1486	22242107R2	WM8816
Q1490	22240489R1NE	MPC4570G2-T1(MST)
Q1655,Q1656	22242107R2	WM8816
Q1665,Q1666,Q1675	22240489R1NE	MPC4570G2-T1(MST)
Q1860	22242102R3	TC9274FG-023
Q1867	222780053R2JR	78L05(NJM78L05UA)
Q401,Q402,Q403,Q404	22240489R1NE	MPC4570G2-T1(MST)
Q405,Q406,Q415	22240489R1NE	MPC4570G2-T1(MST)
Q420	22242099R2	TC9162BFG
Q421	22242103R3	TC94A46FG
CIRCUIT NO.	PART NO.	DESCRIPTION
Transistors		
Q1500,Q1501,Q1510	2215410R2	RN1441
Q1511,Q1520,Q1521	2215410R2	RN1441
Q1530,Q1531,Q1540	2215410R2	RN1441
Q1541,Q1550,Q1551	2215410R2	RN1441
Q1861,Q1863,Q1865	2213145R2 or	2SC2712-GR or
Q1868,Q1869,Q1870	2216175R2	KTC3875-GR
Q1862,Q1864,Q1866 or	2214530R2 or	RN2402 or
	2216220R2	KRA102S
Q407,Q408,Q409,Q410	2215410R2	RN1441
Q411,Q412,Q413,Q414	2215410R2	RN1441
Q416,Q418,Q422,Q423	2213145R2 or	2SC2712-GR or
	2216175R2	KTC3875-GR
Q417,Q419	2214530R2 or	RN2402 or

	2216220R2	KRA102S
	Capacitors	
C1460,C1461	373022214R2	ECHU50V-221J,Chip film
C1465,C1466,C1470	395924707	CE04W6.3V-47M(RFS),Elect.
C1471,C1600,C1601	395924707	CE04W6.3V-47M(RFS),Elect.
C1475,C1476,C1525	395941007	CE04W16V-10M(RFS),Elect.
C1480,C1481	373021524R2	ECHU50V-152J,Chip film
C1485,C1486	342101014R1	CC725CH1H-101J1,Chip ceramic
C1490,C1491	373021234R2	ECHU50V-123J,Chip film
C1495,C1496,C1685	393341007 or 394641007	CE04W16V-10M(VX) or CE04W16V-10M(VR),Elect.
C1500,C1501	373023924R2	ECHU50V-392J,Chip film
C1505,C1506,C1515	374722244	ECQ-V50V-224J,Plastic film
C1510,C1511	393322217	CE04W6.3V-220M(VX),Elect.
C1516,C1695,C1696	374722244	ECQ-V50V-224J,Plastic film
C1520,C1521,C1550	393344707 or 394644707	CE04W16V-47M(VX) or CE04W16V-47M(VR),Elect.
C1526,C1625,C1626	395941007	CE04W16V-10M(RFS),Elect.
C1530,C1531,C1560	373023314R2	ECHU50V-331J,Chip film
C1540,C1541	395852207	CE04W25V-22M(ROB),Elect.
C1545,C1456	25060406	TP00509-3C
C1551,C1595,C1596	393344707 or 394644707	CE04W16V-47M(VX) or CE04W16V-47M(VR),Elect.
C1561,C1590,C1591	373023314R2	ECHU50V-331J,Chip film
C1570,C1571	395824707	CE04W6.3V-47M(ROB),Elect.
C1575,C1576,C1585	342101002R1	CC725CH1H-100D1,Chip ceramic
C1580,C1581,C1610	332161040R1	CK725F1E-104Z1,Chip ceramic
C1586,C1725,C1726	342101002R1	CC725CH1H-100D1,Chip ceramic
C1605,C1606,C1735	393344707 or 394644707	CE04W16V-47M(VX) or CE04W16V-47M(VR),Elect.
C1611,C1861,C1862	332161040R1	CK725F1E-104Z1,Chip ceramic
C1615,C1616,C1655	395924707	CE04W6.3V-47M(RFS),Elect.
C1620,C1621,C1630	373021024R2	ECHU50V-102J,Chip film
C1631,C1640,C1641	373021024R2	ECHU50V-102J,Chip film
C1656,C1805,C1806	395924707	CE04W6.3V-47M(RFS),Elect.
C1665,C1666,C1715	395941007	CE04W16V-10M(RFS),Elect.
C1675,C1676	342101014R1	CC725CH1H-101J1,Chip ceramic
C1686	393341007 or	CE04W16V-10M(VX) or
C1869,C1870,C1871	394641007	CE04W16V-10M(VR),Elect.
C1705,C1706	374722244	ECQ-V50V-224J,Plastic film
C1716,C1755,C1756	395941007	CE04W16V-10M(RFS),Elect.
C1736,C1815,C1816	393344707 or 394644707	CE04W16V-47M(VX) or CE04W16V-47M(VR),Elect.
C1795,C1796	342101002R1	CC725CH1H-100D1,Chip ceramic
C1860,C454,C458	393364707 or	CE04W35V-47M(VX) or

C1863	394664707	CE04W35V-47M(VR),Elect.
C1864,C1865	342103314R1	CC725CH1H-331J1,Chip ceramic
C1866,C1867	332161040R1	CK725F1E-104Z1,Chip ceramic
C1868	332161040R1	CK725F1E-104Z1,Chip ceramic
	393324707 or	CE04W6.3V-47M(VX) or
	394624707	CE04W6.3V-47M(VR),Elect.
C1880,C1881	395852207	CE04W25V-22M(ROB),Elect.
C1890,C1891	395824707	CE04W6.3V-47M(ROB),Elect.
C1900,C1901,C1902	342103304R1	CC725CH1H-330J1,Chip ceramic
C1903,C1904,C1905	342103304R1	CC725CH1H-330J1,Chip ceramic
CIRCUIT NO.	PART NO.	DESCRIPTION
	Capacitors	
C1906,C1907	342103304R1	CC725CH1H-330J1,Chip ceramic
C401,C402,C403,C404	373023314R2	ECHU50V-331J,Chip film
C405,C406,C407,C408	373023314R2	ECHU50V-331J,Chip film
C409,C410,C411,C412	373023314R2	ECHU50V-331J,Chip film
C413,C414	395952207	CE04W25V-22M(RFS),Elect.
C415,C416,C417,C418	395924707	CE04W6.3V-47M(RFS),Elect.
C419,C420,C421,C422	395924707	CE04W6.3V-47M(RFS),Elect.
C423,C424,C443,C444	395924707	CE04W6.3V-47M(RFS),Elect.
C425,C426,C429,C430	393344707 or	CE04W16V-47M(VX) or
C433,C434,C445,C446	394644707	CE04W16V-47M(VR),Elect.
C427,C428,C431,C432	332161040R1	CK725F1E-104Z1,Chip ceramic
C435,C436,C449,C450	332161040R1	CK725F1E-104Z1,Chip ceramic
C437,C438,C439,C440	373021024R2	ECHU50V-102J,Chip film
C441,C442	373023314R2	ECHU50V-331J,Chip film
C447,C448	393342217 or	CE04W16V-220M(VX) or
	394642217	CE04W16V-220M(VR),Elect.
C451,C452,C453	332161040R1	CK725F1E-104Z1,Chip ceramic
C455,C457	342103314R1	CC725CH1H-331J1,Chip ceramic
C456,C459	332161040R1	CK725F1E-104Z1,Chip ceramic
C460,C461	393341007 or	CE04W16V-10M(VX) or
	394641007	CE04W16V-10M(VR),Elect.
	Resistors	
R1460,R1461,R1550	435023314R1	RN72W1J-331JE,Chip carbon
R1465,R1466,R1475	435022244R1	RN72W1J-224JE,Chip carbon
R1470,R1471,R1560	435025634R1	RN72W1J-563JE,Chip carbon
R1476,R1505,R1506	435022244R1	RN72W1J-224JE,Chip carbon
R1480,R1481,R1515	435024744R1	RN72W1J-474JE,Chip carbon
R1485,R1486,R1495	435021054R1	RN72W1J-105JE,Chip carbon
R1490,R1491	435024734R1	RN72W1J-473JE,Chip carbon
R1496,R1685,R1686	435021054R1	RN72W1J-105JE,Chip carbon
R1500,R1501	435025614R1	RN72W1J-561JE,Chip carbon
R1510,R1511	435022744R1	RN72W1J-274JE,Chip carbon
R1516,R1525,R1526	435024744R1	RN72W1J-474JE,Chip carbon

CIRCUIT NO.	PART NO.	DESCRIPTION
R1520,R1521	435022234R1	RN72W1J-223JE,Chip carbon
R1530,R1531	435021224R1	RN72W1J-122JE,Chip carbon
R1535,R1536,R1705	435024744R1	RN72W1J-474JE,Chip carbon
R1540,R1541,R1660	435021004R1	RN72W1J-100JE,Chip carbon
R1551,R1580,R1581	435023314R1	RN72W1J-331JE,Chip carbon
R1561,R1590,R1591	435025634R1	RN72W1J-563JE,Chip carbon
R1570,R1571,R1600	435022244R1	RN72W1J-224JE,Chip carbon
R1601,R1630,R1631	435022244R1	RN72W1J-224JE,Chip carbon
R1610,R1611	435023314R1	RN72W1J-331JE,Chip carbon
R1620,R1621	435025634R1	RN72W1J-563JE,Chip carbon
R1640,R1641,R1690	435024704R1	RN72W1J-470JE,Chip carbon
R1650,R1651,R1655	435022244R1	RN72W1J-224JE,Chip carbon
R1656,R1665,R1666	435022244R1	RN72W1J-224JE,Chip carbon
R1661,R1710,R1711	435021004R1	RN72W1J-100JE,Chip carbon
R1670,R1671,R1720	435021014R1	RN72W1J-101JE,Chip carbon
R1675,R1676,R1700	435022244R1	RN72W1J-224JE,Chip carbon
R1680,R1681,R1730	435022214R1	RN72W1J-221JE,Chip carbon
R1691,R1740,R1741	435024704R1	RN72W1J-470JE,Chip carbon
R1695,R1696	435021054R1	RN72W1J-105JE,Chip carbon
R1701,R1750,R1751	435022244R1	RN72W1J-224JE,Chip carbon
R1706,R1715,R1716	435024744R1	RN72W1J-474JE,Chip carbon
R1721,R1770,R1771	435021014R1	RN72W1J-101JE,Chip carbon
R1725,R1726	435024744R1	RN72W1J-474JE,Chip carbon
R1731,R1780,R1781	435022214R1	RN72W1J-221JE,Chip carbon
R1760,R1761	435021004R1	RN72W1J-100JE,Chip carbon
R1866,R1867	435030004R1	RN72K1J-000JE,Chip carbon
R1868,R1869,R1870	435022244R1	RN72W1J-224JE,Chip carbon
R1871,R1872,R1873	435021034R1	RN72W1J-103JE,Chip carbon
R1874,R1875,R1876	435024724R1	RN72W1J-472JE,Chip carbon
R1877,R1878,R1879	435021024R1	RN72W1J-102JE,Chip carbon
R401,R402,R403,R404	435023314R1	RN72W1J-331JE,Chip carbon
R405,R406,R407,R408	435023314R1	RN72W1J-331JE,Chip carbon
R409,R410,R411,R412	435023314R1	RN72W1J-331JE,Chip carbon
R413,R414,R415,R416	435025634R1	RN72W1J-563JE,Chip carbon
CIRCUIT NO.	PART NO.	DESCRIPTION
	Resistors	
R417,R418,R419,R420	435025634R1	RN72W1J-563JE,Chip carbon
R421,R422,R423,R424	435025634R1	RN72W1J-563JE,Chip carbon
R425,R426,R427,R428	435022244R1	RN72W1J-224JE,Chip carbon
R429,R430,R431,R432	435022244R1	RN72W1J-224JE,Chip carbon
R433,R434,R435,R436	435022244R1	RN72W1J-224JE,Chip carbon
R437,R438,R439,R440	435024704R1	RN72W1J-470JE,Chip carbon
R441,R442,R443,R444	435022244R1	RN72W1J-224JE,Chip carbon
R445,R446,R447,R448	435021004R1	RN72W1J-100JE,Chip carbon
R449,R450,R451,R452	435021014R1	RN72W1J-101JE,Chip carbon

R453,R454,R455,R456	435022214R1	RN72W1J-221JE,Chip carbon
R457,R458	435023314R1	RN72W1J-331JE,Chip carbon
R459,R460	435025634R1	RN72W1J-563JE,Chip carbon
R461,R462,R473,R474	435022244R1	RN72W1J-224JE,Chip carbon
R463,R464	443622204	RS1WBJ-22,Metal oxide
R475,R476	435021034R1	RN72W1J-103JE,Chip carbon
R477,R478	435024724R1	RN72W1J-472JE,Chip carbon
R479,R480	435021024R1	RN72W1J-102JE,Chip carbon
R481	435030004R1	RN72K1J-000JE,Chip carbon

Terminals

P1860	25045424	NPJ-2PDBL249
P1861,P1862	25045565	NPJ-6PDBL380
P401,P402	25045565	NPJ-6PDBL380
P403	25045491	NPJ-4PDBL308

Sockets

P1863B,P1864B	25051527	NSCT-16P1314
P1865B	25051527	NSCT-16P1314
P406B,P407B,P408B	25051527	NSCT-16P1314

Plugs

P1863A,P1864A	25055805	NPLG-16P761
P1865A	25055805	NPLG-16P761
P3108A	25056324R2	IMSA-9850B-20Y902
P3109A	25056329R2	IMSA-9850B-30Y902
P406A,P407A,P408A	25055805	NPLG-16P761

Multi channel PC board(NAAF-8150-1A) <P/DT/GT/A/K>

Option board (C-AES)

CIRCUIT NO.	PART NO.	DESCRIPTION
ICs		
Q1080,Q1081,Q1082	22240489R1NE	MPC4570G2-T1(MST)
Q1083,Q1084,Q1085	22240489R1NE	MPC4570G2-T1(MST)
Q1086,Q1087,Q1090	22240489R1NE	MPC4570G2-T1(MST)
Q1100,Q1110,Q1120	22240489R1NE	MPC4570G2-T1(MST)
Q1170	222740046R2	74HCU04F
Q1171	22242127R2	MAX3280EAUk-T
Q1402,Q1405	22242092R2	AK5384VF
Q1403	22241547R2	NJM2370U33
Q1404	22241649R2	TC7WHU04FK
Diodes		
D1400,D1401,D1402	223234R2 or	1SS352 or
D1403,D1404,D1405	223269R2	1SS355
D1406,D1407,D1408	223234R2 or	1SS352 or
D1409,D1410,D1411	223269R2	1SS355
D1412,D1413,D1414	223234R2 or	1SS352 or
D1415,D1416,D1417	223269R2	1SS355

D1418,D1419,D1420	223234R2 or	1SS352 or
D1421,D1422,D1423	223269R2	1SS355
D1424,D1425,D1426	223234R2 or	1SS352 or
D1427,D1428,D1429	223269R2	1SS355
D1430,D1431	223234R2 or	1SS352 or
	223269R2	1SS355
	Coils	
L1400,L1401,L1402	231237M022R2 or	NCH-1471 or
L1403,L1405	233533M022R2	NCH-1587-022M
L1404,L1406	230958R1	BK1608LM182-T,EMI
L1407,L1408	231237M022R2 or	NCH-1471 or
	233533M022R2	NCH-1587-022M
R1413,R1414	230955R2	BK1608HS102-T,EMI
R1418,R1419	230955R2	BK1608HS102-T,EMI
CIRCUIT NO.	PART NO.	DESCRIPTION
	Oscillator	
X1400	3010385R2	FCX-03-24.576MHz
	Capacitors	
C1000,C1001,C1030	373023314R2	ECHU50V-331J,Chip film
C1010,C1011,C1040	395852207	CE04W25V-22M(ROB),Elect.
C1020,C1021	393342217 or	CE04W16V-220M(VX) or
	394642217	CE04W16V-220M(VR),Elect.
C1031,C1060,C1061	373023314R2	ECHU50V-331J,Chip film
C1041,C1070,C1071	395952207	CE04W25V-22M(RFS),Elect.
C1090,C1091	373023314R2	ECHU50V-331J,Chip film
C1100,C1101,C1310	395852207	CE04W25V-22M(ROB),Elect.
C1240,C1241,C1242	395942207	CE04W16V-22M(RFS),Elect.
C1243,C1244,C1245	395942207	CE04W16V-22M(RFS),Elect.
C1246,C1247,C1293	395942207	CE04W16V-22M(RFS),Elect.
C1250,C1251,C1252	373021524R2	ECHU50V-152J,Chip film
C1253,C1254,C1255	373021524R2	ECHU50V-152J,Chip film
C1256,C1257	373021524R2	ECHU50V-152J,Chip film
C1260,C1263	393341017 or	CE04W16V-100M(VX) or
C1281,C1284	394641017	CE04W16V-100M(VR),Elect.
C1270,C1273,C1301	332161040R1	CK725F1E-104Z1,Chip ceramic
C1290,C1291,C1292	395824707	CE04W6.3V-47M(ROB),Elect.
C1294,C1298	395942207	CE04W16V-22M(RFS),Elect.
C1295,C1296,C1370	395824707	CE04W6.3V-47M(ROB),Elect.
C1302,C1303,C1306	332161040R1	CK725F1E-104Z1,Chip ceramic
C1304	342100802R1	CC725CH1H-080D1,Chip ceramic
C1305	393344707 or	CE04W16V-47M(VX) or
	394644707	CE04W16V-47M(VR),Elect.
C1307,C1400,C1401	332161040R1	CK725F1E-104Z1,Chip ceramic
C1311,C1320,C1330	395852207	CE04W25V-22M(ROB),Elect.
C1331	395852207	CE04W25V-22M(ROB),Elect.

C1371,C1372	395824707	CE04W6.3V-47M(ROB),Elect.
C1375,C1376	395824707	CE04W6.3V-47M(ROB),Elect.
C1414,C1416,C1419	332161040R1	CK725F1E-104Z1,Chip ceramic
C1415,C1428	393380227	CE04W50V-2.2M(VX),Elect.
C1417,C1420,C1430	393341007 or 394641007	CE04W16V-10M(VX) or CE04W16V-10M(VR),Elect.
C1418,C1433	342101014R1	CC725CH1H-101J1,Chip ceramic
C1421,C1423,C1424	332161040R1	CK725F1E-104Z1,Chip ceramic
C1422,C1438	393321017 or 394621017	CE04W6.3V-100M(VX) or CE04W6.3V-100M(VR),Elect.
C1425,C1426	342101504R1	CC725CH1H-150J1,Chip ceramic
C1427,C1429,C1431	332161040R1	CK725F1E-104Z1,Chip ceramic
C1432,C1437	393341007 or 394641007	CE04W16V-10M(VX) or CE04W16V-10M(VR),Elect.
C1434,C1435	332161040R1	CK725F1E-104Z1,Chip ceramic
C1436	374721044	ECQ-V50V-104J,Plastic film

Resistors

R1000,R1001,R1030	435023314R1	RN72W1J-331JE,Chip carbon
R1010,R1011,R1040	435025634R1	RN72W1J-563JE,Chip carbon
R1020,R1021,R1050	435022244R1	RN72W1J-224JE,Chip carbon
R1022,R1023,R1340	443522204	RS1/2WBJ-22,Metal oxide
R1031,R1060,R1061	435023314R1	RN72W1J-331JE,Chip carbon
R1041,R1070,R1071	435025634R1	RN72W1J-563JE,Chip carbon
R1051,R1080,R1081	435022244R1	RN72W1J-224JE,Chip carbon
R1090,R1091,R1310	435023314R1	RN72W1J-331JE,Chip carbon
R1100,R1101,R1270	435025634R1	RN72W1J-563JE,Chip carbon
R1110,R1111,R1240	435022244R1	RN72W1J-224JE,Chip carbon
R1241,R1242,R1243	435022244R1	RN72W1J-224JE,Chip carbon
R1244,R1245,R1246	435022244R1	RN72W1J-224JE,Chip carbon
R1247,R1347	435022244R1	RN72W1J-224JE,Chip carbon
R1250,R1251,R1252	435021034R1	RN72W1J-103JE,Chip carbon
R1253,R1254,R1255	435021034R1	RN72W1J-103JE,Chip carbon
R1256,R1257,R1344	435021034R1	RN72W1J-103JE,Chip carbon
R1271,R1272,R1273	435025634R1	RN72W1J-563JE,Chip carbon
R1274,R1275,R1276	435025634R1	RN72W1J-563JE,Chip carbon
R1277,R1330,R1331	435025634R1	RN72W1J-563JE,Chip carbon
R1280,R1281,R1282	435025624R1	RN72W1J-562JE,Chip carbon
R1283,R1284,R1285	435025624R1	RN72W1J-562JE,Chip carbon

CIRCUIT NO.

PART NO.

DESCRIPTION

R1286,R1287	435025624R1	RN72W1J-562JE,Chip carbon
R1290,R1291,R1292	435024724R1	RN72W1J-472JE,Chip carbon
R1293,R1294,R1295	435024724R1	RN72W1J-472JE,Chip carbon
R1296,R1297,R1300	435024724R1	RN72W1J-472JE,Chip carbon
R1301,R1302,R1303	435024724R1	RN72W1J-472JE,Chip carbon

R1304,R1305	435024724R1	RN72W1J-472JE,Chip carbon
R1306,R1307	435024724R1	RN72W1J-472JE,Chip carbon
R1311,R1312,R1313	435023314R1	RN72W1J-331JE,Chip carbon
R1314,R1315,R1316	435023314R1	RN72W1J-331JE,Chip carbon
R1317,R1320,R1321	435023314R1	RN72W1J-331JE,Chip carbon
R1322,R1323,R1324	435023314R1	RN72W1J-331JE,Chip carbon
R1325,R1326,R1327	435023314R1	RN72W1J-331JE,Chip carbon
R1332,R1333,R1334	435025634R1	RN72W1J-563JE,Chip carbon
R1335,R1336,R1338	435025634R1	RN72W1J-563JE,Chip carbon
R1341,R1342,R1343	443522204	RS1/2WBJ-22,Metal oxide
R1345,R1346	435022214R1	RN72W1J-221JE,Chip carbon
R1402,R1403	435025604R1	RN72W1J-560JE,Chip carbon
R1404,R1416,R1417	435021034R1	RN72W1J-103JE,Chip carbon
R1405,R1409	435023314R1	RN72W1J-331JE,Chip carbon
R1407,R1415	435021024R1	RN72W1J-102JE,Chip carbon
R1408	435021054R1	RN72W1J-105JE,Chip carbon
R1411,R1412	435025604R1	RN72W1J-560JE,Chip carbon
R1420	435025614R1	RN72W1J-561JE,Chip carbon
R1450	435021224R1	RN72W1J-122JE,Chip carbon
	Terminals	
P1400	25045795	NPT-4PDGPRW575
P1401	25045796	NPT-4PDELNT576
	Socket	
P1405	25052753	NSCT-3P2649
	Plug	
P3107A	25056329R2	IMSA-9850B-30Y902

Tuner PC board(NARF-8152-1B/1C) <P/DT/GT/A/K>

Option board (C-AMFM) (NARF-8152-1A)

CIRCUIT NO.	PART NO.	DESCRIPTION
	ICs	
Q101	22242120R3	BU1924FS <P>
Q102	222780125JRC or 222780125NEC	78M12HF(NJM78M12FA) or 78M12HF(MPC78M12HF)
Q103	222780053JRCT	78L05(NJM78L05A)
Q104	222740077R2TO	TC74HCT7007AF
Q105	22274125ER2TO	TC74VHC125FT
	Coil	
L100	233454K220	NCH-1452 220K
	Oscillator	
X100	3010321	HC-49/U034.332MHz <P>
	Capacitors	
C100	355780339	CE04W50V-3.3M,Elect.
C101,C103	393380337 or 394680337	CE04W50V-3.3M(VX) or CE04W50V-3.3M(VR),Elect.

C102	345021014	CC45SL50V-101J,Ceramic
C104	335622230	CK45F50V-223Z,Ceramic
C107	335622230	CK45F50V-223Z,Ceramic <P>
C108,C114	393321017 or 394621017	CE04W6.3V-100M(VX) or CE04W6.3V-100M(VR),Elect. <P>
C109,C110	345343304	CC45CH50V-330J,Ceramic <P>
C111	374725614	ECQ-B50V-561J,Plastic film <P>
C113	345022714	CC45SL50V-271J,Ceramic <P>
C115	335622230	CK45F50V-223Z,Ceramic
C116	393341017 or 394641017	CE04W16V-100M(VX) or CE04W16V-100M(VR),Elect.
C117,C119,C120	335622230	CK45F50V-223Z,Ceramic
C118	393321017 or 394621017	CE04W6.3V-100M(VX) or CE04W6.3V-100M(VR),Elect.
	Resistors	
R100,R101	417343314	R16J-330,Carbon
R102	417341044	R16J-100K,Carbon
CIRCUIT NO.	PART NO.	DESCRIPTION
	Resistors	
R103	417341014	R16J-100,Carbon
R104,R105,R106	417341044	R16J-100K,Carbon
R109,R110,R111	417341024	R16J-1K,Carbon <P>
R112	417341224	R16J-1.2K,Carbon <P>
R112	417345624	R16J-5.6K,Carbon <DT/GT/A/K>
R127,R128,R129,R130	417341024	R16J-1K,Carbon
R131,R132,R133	417341024	R16J-1K,Carbon <P>
R134	417341024	R16J-1K,Carbon
	Socket	
P100	25052211	NSCT-15P2108
	Plug	
P3115A	25056314	IMSA-9850B-30A-GF

Dac and second PLL circuit PC board(NADG-8154-1A/1B)

CIRCUIT NO.	PART NO.	DESCRIPTION
	ICs	
Q4000,Q4001,Q4002	22240489R1NE	MPC4570G2-T1(MST)
Q4003,Q4004,Q4005	22240489R1NE	MPC4570G2-T1(MST)
Q4006,Q4007,Q4008	22240489R1NE	MPC4570G2-T1(MST)
Q4009,Q4010,Q4011	22240489R1NE	MPC4570G2-T1(MST)
Q4012,Q4013,Q4014	22240489R1NE	MPC4570G2-T1(MST)
Q4015,Q4016,Q4017	22240489R1NE	MPC4570G2-T1(MST)
Q4018,Q4019	22240489R1NE	MPC4570G2-T1(MST)
Q4020,Q4022,Q4023	22242068R2	WM8719EDS
Q4025,Q4027	22242068R2	WM8719EDS
Q4862	22242076R2TO	TC7WH241FU

Q4863	22241895R2	TC7SZ125FU
Q4864	222118A	CC1536
Q4865,Q4866	222740077R2TO	TC74HCT7007AF
Q4882	222780055JRC or 222780055MAT or 222780055NEC	78M05(NJM78M05FA) or 78M05(AN78M05F) or 78M05HF(MPC78M05HF)
	Coils	
L4000,L4002,L4003	231237M022R2 or	NCH-1471 or
L4005,L4007,L4010	233533M022R2	NCH-1587-022M
L4012,L4013,L4015	231237M022R2 or	NCH-1471 or
L4017,L4864	233533M022R2	NCH-1587-022M
L4863	230958R1	BK1608LM182-T,EMI
L4866,L4867	230959R1	BK1608LL241-T,EMI
L4868,L4869,L4870	231237M022R2 or 233533M022R2	NCH-1471 or NCH-1587-022M
	Capacitors	
C4000,C4001,C4002	374726814	ECQ-B50V-681J,Plastic film
C4003,C4004,C4005	374726814	ECQ-B50V-681J,Plastic film
C4006,C4007,C4008	374726814	ECQ-B50V-681J,Plastic film
C4009,C4010,C4011	374726814	ECQ-B50V-681J,Plastic film
C4012,C4013,C4014	374726814	ECQ-B50V-681J,Plastic film
C4015,C4016,C4017	374726814	ECQ-B50V-681J,Plastic film
C4018,C4019	374726814	ECQ-B50V-681J,Plastic film
C4020,C4021,C4022	374722215	ECQ-B50V-221K,Plastic film
C4023,C4024,C4025	374722215	ECQ-B50V-221K,Plastic film
C4026,C4027,C4028	374722215	ECQ-B50V-221K,Plastic film
C4029,C4030,C4031	374722215	ECQ-B50V-221K,Plastic film
C4032,C4033,C4034	374722215	ECQ-B50V-221K,Plastic film
C4035,C4036,C4037	374722215	ECQ-B50V-221K,Plastic film
C4038,C4039	374722215	ECQ-B50V-221K,Plastic film
C4040,C4042,C4043	332161040R1	CK725F1E-104Z1,Chip ceramic
C4045,C4047	332161040R1	CK725F1E-104Z1,Chip ceramic
C4050,C4052,C4053	393344707 or	CE04W16V-47M(VX) or
C4055,C4057	394644707	CE04W16V-47M(VR),Elect.
C4060,C4062,C4063	332161040R1	CK725F1E-104Z1,Chip ceramic
C4065,C4067	332161040R1	CK725F1E-104Z1,Chip ceramic
C4070,C4072,C4073	393344707 or	CE04W16V-47M(VX) or
C4075,C4077	394644707	CE04W16V-47M(VR),Elect.
C4090,C4091,C4092	374721224	ECQ-B50V-122J,Plastic film
C4093,C4094,C4095	374721224	ECQ-B50V-122J,Plastic film
C4096,C4097,C4098	374721224	ECQ-B50V-122J,Plastic film
CIRCUIT NO.	PART NO.	DESCRIPTION
	Capacitors	
C4099	374721224	ECQ-B50V-122J,Plastic film
C4100,C4101,C4102	374724714	ECQ-B50V-471J,Plastic film

C4103,C4104,C4105	374724714	ECQ-B50V-471J,Plastic film
C4106,C4107	374724714	ECQ-B50V-471J,Plastic film
C4108,C4109	374724714	ECQ-B50V-471J,Plastic film
C4150,C4151,C4152	395852207	CE04W25V-22M(ROB),Elect.
C4153,C4154,C4155	395952207	CE04W25V-22M(RFS),Elect.
C4156,C4157	395852207	CE04W25V-22M(ROB),Elect.
C4158,C4159	395952207	CE04W25V-22M(RFS),Elect.
C4160,C4162,C4163	393341007 or	CE04W16V-10M(VX) or
C4165,C4167	394641007	CE04W16V-10M(VR),Elect.
C4170,C4172,C4173	332161040R1	CK725F1E-104Z1,Chip ceramic
C4175,C4177,C4190	332161040R1	CK725F1E-104Z1,Chip ceramic
C4192,C4193	332161040R1	CK725F1E-104Z1,Chip ceramic
C4195,C4197	332161040R1	CK725F1E-104Z1,Chip ceramic
C4200,C4202,C4203	393341007 or	CE04W16V-10M(VX) or
C4205,C4207	394641007	CE04W16V-10M(VR),Elect.
C4210,C4212,C4213	332161040R1	CK725F1E-104Z1,Chip ceramic
C4215,C4217	332161040R1	CK725F1E-104Z1,Chip ceramic
C4220,C4222,C4223	393341007 or	CE04W16V-10M(VX) or
C4225,C4227	394641007	CE04W16V-10M(VR),Elect.
C4230,C4232,C4233	374721044	ECQ-V50V-104J,Plastic film
C4235,C4237	374721044	ECQ-V50V-104J,Plastic film
C4640,C4641,C4642	395852207	CE04W25V-22M(ROB),Elect.
C4645,C4646,C4647	395852207	CE04W25V-22M(ROB),Elect.
C4860,C4869,C4870	332161040R1	CK725F1E-104Z1,Chip ceramic
C4871,C4873,C4875	332161040R1	CK725F1E-104Z1,Chip ceramic
C4872,C4874,C4877	393344707 or	CE04W16V-47M(VX) or
C4878,C4880	394644707	CE04W16V-47M(VR),Elect.
C4876,C4879,C4881	332161040R1	CK725F1E-104Z1,Chip ceramic
	Resistors	
L4865	435023314R1	RN72W1J-331JE,Chip carbon
R4000,R4001,R4002	435022724R1	RN72W1J-272JE,Chip carbon
R4003,R4004,R4005	435022724R1	RN72W1J-272JE,Chip carbon
R4006,R4007,R4008	435022724R1	RN72W1J-272JE,Chip carbon
R4009,R4010,R4011	435022724R1	RN72W1J-272JE,Chip carbon
R4012,R4013,R4014	435022724R1	RN72W1J-272JE,Chip carbon
R4015,R4016,R4017	435022724R1	RN72W1J-272JE,Chip carbon
R4018,R4019,R4030	435022724R1	RN72W1J-272JE,Chip carbon
R4020,R4021,R4022	435025624R1	RN72W1J-562JE,Chip carbon
R4023,R4024,R4025	435025624R1	RN72W1J-562JE,Chip carbon
R4026,R4027,R4028	435025624R1	RN72W1J-562JE,Chip carbon
R4029,R4250,R4251	435025624R1	RN72W1J-562JE,Chip carbon
R4031,R4032,R4033	435022724R1	RN72W1J-272JE,Chip carbon
R4034,R4035,R4036	435022724R1	RN72W1J-272JE,Chip carbon
R4037,R4038,R4039	435022724R1	RN72W1J-272JE,Chip carbon
R4040,R4041,R4042	435022724R1	RN72W1J-272JE,Chip carbon

CIRCUIT NO.	PART NO.	DESCRIPTION
R4043,R4044,R4045	435022724R1	RN72W1J-272JE,Chip carbon
R4046,R4047	435022724R1	RN72W1J-272JE,Chip carbon
R4048,R4049	435022724R1	RN72W1J-272JE,Chip carbon
R4050,R4052,R4053	435022204R1	RN72W1J-220JE,Chip carbon
R4055,R4057,R4060	435022204R1	RN72W1J-220JE,Chip carbon
R4062,R4063,R4065	435022204R1	RN72W1J-220JE,Chip carbon
R4067,R4070,R4072	435022204R1	RN72W1J-220JE,Chip carbon
R4073,R4075,R4077	435022204R1	RN72W1J-220JE,Chip carbon
R4080,R4082,R4083	435022204R1	RN72W1J-220JE,Chip carbon
R4085,R4087	435022204R1	RN72W1J-220JE,Chip carbon
R4090,R4091,R4092	435028224R1	RN72W1J-822JE,Chip carbon
R4093,R4094,R4095	435028224R1	RN72W1J-822JE,Chip carbon
R4096,R4097	435028224R1	RN72W1J-822JE,Chip carbon
R4098,R4099	435028224R1	RN72W1J-822JE,Chip carbon
R4100,R4101,R4102	435021824R1	RN72W1J-182JE,Chip carbon
R4103,R4104,R4105	435021824R1	RN72W1J-182JE,Chip carbon
R4106,R4107,R4108	435021824R1	RN72W1J-182JE,Chip carbon
R4109	435021824R1	RN72W1J-182JE,Chip carbon
R4110,R4111,R4112	435021034R1	RN72W1J-103JE,Chip carbon
R4113,R4114,R4115	435021034R1	RN72W1J-103JE,Chip carbon
CIRCUIT NO.	PART NO.	DESCRIPTION
	Resistors	
R4116,R4117	435021034R1	RN72W1J-103JE,Chip carbon
R4118,R4119	435021034R1	RN72W1J-103JE,Chip carbon
R4120,R4121,R4122	435021524R1	RN72W1J-152JE,Chip carbon
R4123,R4124,R4125	435021524R1	RN72W1J-152JE,Chip carbon
R4126,R4127,R4128	435021524R1	RN72W1J-152JE,Chip carbon
R4129,R4170,R4171	435021524R1	RN72W1J-152JE,Chip carbon
R4130,R4131,R4132	435022234R1	RN72W1J-223JE,Chip carbon
R4133,R4134,R4135	435022234R1	RN72W1J-223JE,Chip carbon
R4136,R4137,R4138	435022234R1	RN72W1J-223JE,Chip carbon
R4139,R4140,R4141	435022234R1	RN72W1J-223JE,Chip carbon
R4142,R4143,R4144	435022234R1	RN72W1J-223JE,Chip carbon
R4145,R4146,R4147	435022234R1	RN72W1J-223JE,Chip carbon
R4148,R4149,R4150	435022234R1	RN72W1J-223JE,Chip carbon
R4151,R4152,R4153	435022234R1	RN72W1J-223JE,Chip carbon
R4154,R4155,R4156	435022234R1	RN72W1J-223JE,Chip carbon
R4157,R4158,R4159	435022234R1	RN72W1J-223JE,Chip carbon
R4160,R4161,R4162	435022234R1	RN72W1J-223JE,Chip carbon
R4163,R4164,R4165	435022234R1	RN72W1J-223JE,Chip carbon
R4166,R4167	435022234R1	RN72W1J-223JE,Chip carbon
R4168,R4169	435022234R1	RN72W1J-223JE,Chip carbon
R4172,R4173,R4174	435021524R1	RN72W1J-152JE,Chip carbon
R4175,R4176,R4177	435021524R1	RN72W1J-152JE,Chip carbon
R4178,R4179,R4180	435021524R1	RN72W1J-152JE,Chip carbon

CIRCUIT NO.	PART NO.	DESCRIPTION
R4181,R4182,R4183	435021524R1	RN72W1J-152JE,Chip carbon
R4184,R4185,R4186	435021524R1	RN72W1J-152JE,Chip carbon
R4187,R4188,R4189	435021524R1	RN72W1J-152JE,Chip carbon
R4230,R4231,R4232	435021024R1	RN72W1J-102JE,Chip carbon
R4233,R4234,R4235	435021024R1	RN72W1J-102JE,Chip carbon
R4236,R4237,R4238	435021024R1	RN72W1J-102JE,Chip carbon
R4239,R4260,R4261	435021024R1	RN72W1J-102JE,Chip carbon
R4240,R4241,R4242	435025634R1	RN72W1J-563JE,Chip carbon
R4243,R4244,R4245	435025634R1	RN72W1J-563JE,Chip carbon
R4246,R4247	435025634R1	RN72W1J-563JE,Chip carbon
R4248,R4249	435025634R1	RN72W1J-563JE,Chip carbon
R4252,R4253,R4254	435025624R1	RN72W1J-562JE,Chip carbon
R4255,R4256,R4257	435025624R1	RN72W1J-562JE,Chip carbon
R4258,R4259	435025624R1	RN72W1J-562JE,Chip carbon
R4262,R4263,R4264	435021024R1	RN72W1J-102JE,Chip carbon
R4265,R4266,R4267	435021024R1	RN72W1J-102JE,Chip carbon
R4268,R4269	435021024R1	RN72W1J-102JE,Chip carbon
R4270,R4271,R4272	435024704R1	RN72W1J-470JE,Chip carbon
R4273,R4274,R4275	435024704R1	RN72W1J-470JE,Chip carbon
R4276,R4278,R4280	435024704R1	RN72W1J-470JE,Chip carbon
R4282,R4283,R4285	435024704R1	RN72W1J-470JE,Chip carbon
R4290,R4292,R4293	435023314R1	RN72W1J-331JE,Chip carbon
R4295,R4297,R4300	435023314R1	RN72W1J-331JE,Chip carbon
R4302,R4303,R4305	435023314R1	RN72W1J-331JE,Chip carbon
R4307,R4310,R4312	435023314R1	RN72W1J-331JE,Chip carbon
R4313,R4315,R4317	435023314R1	RN72W1J-331JE,Chip carbon
R4320,R4322,R4323	435023314R1	RN72W1J-331JE,Chip carbon
R4325,R4327,R4330	435023314R1	RN72W1J-331JE,Chip carbon
R4332,R4333,R4335	435023314R1	RN72W1J-331JE,Chip carbon
R4337,R4340,R4342	435023314R1	RN72W1J-331JE,Chip carbon
R4343,R4345,R4347	435023314R1	RN72W1J-331JE,Chip carbon
R4350,R4352,R4353	435023314R1	RN72W1J-331JE,Chip carbon
R4355,R4357,R4908	435023314R1	RN72W1J-331JE,Chip carbon
R4860,R4861,R4862	435024704R1	RN72W1J-470JE,Chip carbon
R4863,R4867,R4868	435024704R1	RN72W1J-470JE,Chip carbon
R4869,R4870,R4871	435024704R1	RN72W1J-470JE,Chip carbon
R4872,R4873,R4874	435024704R1	RN72W1J-470JE,Chip carbon
R4875,R4876,R4877	435024704R1	RN72W1J-470JE,Chip carbon
R4878,R4879,R4880	435024704R1	RN72W1J-470JE,Chip carbon
R4881,R4882,R4883	435024704R1	RN72W1J-470JE,Chip carbon
R4884,R4900,R4913	435024704R1	RN72W1J-470JE,Chip carbon
R4885,R4891,R4892	435030004R1	RN72K1J-000JE,Chip carbon
R4898,R4899,R4901	435030004R1	RN72K1J-000JE,Chip carbon
R4902	435021044R1	RN72W1J-104JE,Chip carbon

Resistors		
R4903	435024724R1	RN72W1J-472JE,Chip carbon
R4909,R4910,R4912	435023314R1	RN72W1J-331JE,Chip carbon
R4911	435022734R1	RN72W1J-273JE,Chip carbon
R4914,R4915,R4916	443621504	RS1WBJ-15,Metal oxide
R4944,R4945,R4946	435030004R1	RN72K1J-000JE,Chip carbon
R4947,R4948	435030004R1	RN72K1J-000JE,Chip carbon
Plugs		
P3106A	25056359R2	MINI-CT-38P(3-353315-8)
P4861	25055038	NPLG-2P29
P4871	25055378	NPLG-14P361
P4872	25055159	NPLG-15P143

Pre-amplifier PC board(NAAF-8156-1A/1B)

Pre-output terminal PC board(NAAF-8157-1A/1B)

Connector mother PC board(NAETC-8158-1A/1B)

Coaxial I/O terminal PC board (NADG-8159-1A/1B)

Video connector PC board (NAETC-8160-1A/1B)

CIRCUIT NO.	PART NO.	DESCRIPTION
ICs		
Q4030,Q4032,Q4033	22240489R1NE	MPC4570G2-T1(MST)
Q4035,Q4050,Q4051	22240489R1NE	MPC4570G2-T1(MST)
Q4040,Q4041,Q4042	22242107R2	WM8816
Q4043,Q4044,Q4045	22242107R2	WM8816
Q4046,Q4047	22242107R2	WM8816
Q4052,Q4053,Q4054	22240489R1NE	MPC4570G2-T1(MST)
Q4055,Q4056,Q4057	22240489R1NE	MPC4570G2-T1(MST)
Q4080,Q4081	22241383R2	NJM4565M-D
Q4130,Q4140,Q4150	22240489R1NE	MPC4570G2-T1(MST)
Q4869	22242101R2	TC9164BFG
Q4870	22242099R2	TC9162BFG
Q4871	22242100R2	TC9163BFG
Q4876	222780155JRC or 222780155NEC	78M15HF(NJM78M15FA) or 78M15HF(MPC78M15HF)
Q4877	222790155JRC or 222790155NEC	79M15HF(NJM79M15FA) or 79M15HF(MPC79M15HF)
Q4878	222780053R2JR	78L05(NJM78L05UA)
Q500,Q501,Q502,Q503	22240489R1NE	MPC4570G2-T1(MST)
Q504,Q505,Q506,Q507	22240489R1NE	MPC4570G2-T1(MST)
Q7451	222740046R2	74HCU04F
Q7452	22274126GR2	TC74VHCT126AFT
Q7453,Q7454,Q7455	222741515R2TO	TC74HC151F
Q7456	22242090R2	BU2152FS
Transistors		
Q4060,Q4061,Q4062	2215410R2	RN1441

Q4063,Q4064,Q4065	2215410R2	RN1441
Q4066,Q4067,Q4070	2215410R2	RN1441
Q4071,Q4072,Q4073	2215410R2	RN1441
Q4074,Q4075, Q4076	2215410R2	RN1441
Q4077,Q4090,Q4091	2215410R2	RN1441
Q4100,Q4101	2215410R2	RN1441
Q4110,Q4111	2215410R2	RN1441
Q4160,Q4867,Q4872	2213145R2 or	2SC2712-GR or
Q4874,Q4881	2216175R2	KTC3875-GR
Q4868,Q4873,Q4875	2214530R2 or	RN2402 or
	2216220R2	KRA102S
Q510,Q511,Q512,Q513	2215410R2	RN1441
Q514,Q515,Q516,Q517	2215410R2	RN1441
Q520,Q521,Q522,Q523	2215410R2	RN1441
Q524,Q525,Q526,Q527	2215410R2	RN1441
Q530,Q531,Q532,Q533	2215410R2	RN1441
Q534,Q535,Q536,Q537	2215410R2	RN1441
Q540,Q541,Q542,Q543	2215410R2	RN1441
Q544,Q545,Q546,Q547	2215410R2	RN1441
Q550,Q552,Q553,Q555	2213145R2 or	2SC2712-GR or
Q557,Q560,Q562,Q563	2216175R2	KTC3875-GR
Q565,Q567,Q570	2213145R2 or	2SC2712-GR or
	2216175R2	KTC3875-GR
CIRCUIT NO.	PART NO.	DESCRIPTION
	Diodes	
D4861,D4869,D500	223234R2 or	1SS352 or
D501,D502,D503,D505	223269R2	1SS355
D507,D510,D512,D513	223234R2 or	1SS352 or
D515,D517	223269R2	1SS355
	Coils	
L7451,L7452	231237M022R2 or	NCH-1471 or
	233533K022R2	NCH-1587-022K
T7451,T7452	232136	NSRF-2046
R7451,R7453,R7455	230958R1	BK1608LM182-T,EMI
R7457,R7459,R7461	230958R1	BK1608LM182-T,EMI
	Capacitors	
C300,C301,C302,C303	332161040R1	CK725F1E-104Z1,Chip ceramic
C304	393344707 or	CE04W16V-47M(VX) or
	394644707	CE04W16V-47M(VR),Elect.
C305,C306,C307	332161040R1	CK725F1E-104Z1,Chip ceramic
C310,C311,C312,C313	374721024	ECQ-B50V-102J,Plastic film
C314,C315,C316,C317	374721024	ECQ-B50V-102J,Plastic film
C320,C321,C322,C325	395852207	CE04W25V-22M(ROB),Elect.
C326,C330,C331,C332	395852207	CE04W25V-22M(ROB),Elect.
C335,C336	395852207	CE04W25V-22M(ROB),Elect.

C340,C341,C342	395852207	CE04W25V-22M(ROB),Elect.
C352,C353	342111024R1	CC725CH1E-102J1,Chip ceramic
C4250,C4251,C4252	395852207	CE04W25V-22M(ROB),Elect.
C4253,C4254,C4257	395952207	CE04W25V-22M(RFS),Elect.
C4255,C4256,C4400	395852207	CE04W25V-22M(ROB),Elect.
C4260,C4261,C4262	395941007	CE04W16V-10M(RFS),Elect.
C4263,C4264,C4265	395941007	CE04W16V-10M(RFS),Elect.
C4266,C4267	395941007	CE04W16V-10M(RFS),Elect.
C4270,C4271,C4272	342101014R1	CC725CH1H-101J1,Chip ceramic
C4273,C4274,C4275	342101014R1	CC725CH1H-101J1,Chip ceramic
C4276,C4277	342101014R1	CC725CH1H-101J1,Chip ceramic
C4280,C4281,C4282	393341007 or	CE04W16V-10M(VX) or
C4283,C4284,C4285	394641007	CE04W16V-10M(VR),Elect.
C4286,C4287	393341007 or	CE04W16V-10M(VX) or
	394641007	CE04W16V-10M(VR),Elect.
C4290,C4291,C4292	374722244	ECQ-V50V-224J,Plastic film
C4293,C4294,C4295	374722244	ECQ-V50V-224J,Plastic film
C4296,C4297,C4420	374722244	ECQ-V50V-224J,Plastic film
C4300,C4301,C4302	395941007	CE04W16V-10M(RFS),Elect.
C4303,C4304,C4305	395941007	CE04W16V-10M(RFS),Elect.
C4306,C4307	395941007	CE04W16V-10M(RFS),Elect.
C4350,C4351,C4352	3600028R2	UC122A0100F-T,Mica
C4353,C4354,C4355	3600028R2	UC122A0100F-T,Mica
C4356,C4357,C4360	3600028R2	UC122A0100F-T,Mica
C4361,C4362,C4363	3600028R2	UC122A0100F-T,Mica
C4364,C4365	3600028R2	UC122A0100F-T,Mica
C4366,C4367	3600028R2	UC122A0100F-T,Mica
C4370,C4371,C4372	395941007	CE04W16V-10M(RFS),Elect.
C4373,C4374,C4375	395941007	CE04W16V-10M(RFS),Elect.
C4376,C4377	395941007	CE04W16V-10M(RFS),Elect.
C4380,C4382,C4383	393344707 or	CE04W16V-47M(VX) or
C4385,C4390,C4392	394644707	CE04W16V-47M(VR),Elect.
C4393,C4395,C4904	393344707 or	CE04W16V-47M(VX) or
	394644707	CE04W16V-47M(VR),Elect.
C4401,C4402,C4405	395852207	CE04W25V-22M(ROB),Elect.
C4403,C4404,C4407	395952207	CE04W25V-22M(RFS),Elect.
C4406,C4530,C4531	395852207	CE04W25V-22M(ROB),Elect.
C4421,C4422,C4423	374722244	ECQ-V50V-224J,Plastic film
C4424,C4425	374722244	ECQ-V50V-224J,Plastic film
C4426,C4427	374722244	ECQ-V50V-224J,Plastic film
C4430,C4431	393341007	CE04W16V-10M(VX),Elect.
C4440,C4441	393342217 or	CE04W16V-220M(VX) or
	394642217	CE04W16V-220M(VR),Elect.
C4450,C4451	393380227	CE04W50V-2.2M(VX),Elect.
C4460,C4461	342101014R1	CC725CH1H-101J1,Chip ceramic

CIRCUIT NO.	PART NO.	DESCRIPTION
C4470,C4471	394621017	CE04W6.3V-100M(VR),Elect.
C4480,C4481	374722224	ECQ-B50V-222J,Plastic film
Capacitors		
C4490,C4491,C4492	342103304R1	CC725CH1H-330J1,Chip ceramic
C4493,C4494,C4495	342103304R1	CC725CH1H-330J1,Chip ceramic
C4496,C4497	342103304R1	CC725CH1H-330J1,Chip ceramic
C4500,C4501,C4502	342103304R1	CC725CH1H-330J1,Chip ceramic
C4503,C4504,C4505	342103304R1	CC725CH1H-330J1,Chip ceramic
C4506,C4507	342103304R1	CC725CH1H-330J1,Chip ceramic
C4520,C4521	395924707	CE04W6.3V-47M(RFS),Elect.
C4540,C4541	395924707	CE04W6.3V-47M(RFS),Elect.
C4550,C4551,C4580	332161040R1	CK725F1E-104Z1,Chip ceramic
C4560,C4561,C4590	3600029R2	UC122A0330J-T,Mica
C4570,C4571	395941007	CE04W16V-10M(RFS),Elect.
C4581,C4610,C4611	332161040R1	CK725F1E-104Z1,Chip ceramic
C4591,C4620,C4621	3600029R2	UC122A0330J-T,Mica
C4600,4601,C4630	395824707	CE04W6.3V-47M(ROB),Elect.
C4631,C4690,C4691	395824707	CE04W6.3V-47M(ROB),Elect.
C4650,C4651,C4652	395852207	CE04W25V-22M(ROB),Elect.
C4655,C4656,C4660	395852207	CE04W25V-22M(ROB),Elect.
C4661,C4662,C4665	395852207	CE04W25V-22M(ROB),Elect.
C4666,C4680,C4681	395852207	CE04W25V-22M(ROB),Elect.
C4700,C4701	395824707	CE04W6.3V-47M(ROB),Elect.
C4882,C4896,C4897	393380227 or 394680227	CE04W50V-2.2M(VX) or CE04W50V-2.2M(VR),Elect.
C4883,C4887,C4892	393364707 or 394664707	CE04W35V-47M(VX) or CE04W35V-47M(VR),Elect.
C4884,C4885,C4888	332161040R1	CK725F1E-104Z1,Chip ceramic
C4886,C4890,C4895	342103314R1	CC725CH1H-331J1,Chip ceramic
C4889,C4893,C4894	332161040R1	CK725F1E-104Z1,Chip ceramic
C4898,C4899,C4905	332161040R1	CK725F1E-104Z1,Chip ceramic
C4900,C4901	393341007 or 394641007	CE04W16V-10M(VX) or CE04W16V-10M(VR),Elect.
C4902,C4903	393342217 or 394642217	CE04W16V-220M(VX) or CE04W16V-220M(VR),Elect.
C4906,C4922,C4923	332161040R1	CK725F1E-104Z1,Chip ceramic
C4981,C4982,C4983	332161040R1	CK725F1E-104Z1,Chip ceramic
C4984,C4985,C4986	332161040R1	CK725F1E-104Z1,Chip ceramic
C4987,C4988,C4989	332161040R1	CK725F1E-104Z1,Chip ceramic
C4990,C4991	332161040R1	CK725F1E-104Z1,Chip ceramic
C500,C501,C502,C503	3600029R2	UC122A0330J-T,Mica
C504,C505,C506,C507	3600029R2	UC122A0330J-T,Mica
C510,C511,C512,C515	395852207	CE04W25V-22M(ROB),Elect.
C513,C514,C517,C533	395952207	CE04W25V-22M(RFS),Elect.

C516,C530,C531,C532	395852207
C520,C521,C522,C523	3600029R2
C524,C525,C526,C527	3600029R2
C534,C537,C543,C544	395952207
C535,C536	395852207
C540,C541,C542	395852207
C545,C546,C547	395952207
C550,C551,C552,C553	374724714
C554,C555,C556,C557	374724714
C560,C561,C562,C563	374721024
C564,C565,C566,C567	374721024
C570,C571,C572,C573	374721024
C574,C575,C576,C577	374721024
C580,C581,C582,C583	332161040R1
C584,C585,C586,C587	332161040R1
C590,C591,C592,C593	332161040R1
C594	393344707 or 394644707
C595,C596,C597	332161040R1
C7451,C7452,C7453	342101014R1
C7455,C7456	342101014R1
C7457,C7458	342101014R1
C7459,C7460,C7461	332161040R1
C7462,C7463,C7464	332161040R1
C7465,C7466,C7467	342100802R1
C7468,C7469,C7474	332161040R1
CIRCUIT NO.	PART NO.
	Capacitors
C7470,C7477	393344707
C7471,C7472,C7473	342100802R1
C7475,C7476,C7478	332161040R1
C7481,C7482	332161040R1
	Resistors
L3594	435030004R1
L3595,L3596	435033304R1
R10,R11,R12,R13	435030004R1
R14,R15,R16,R17	435030004R1
R20,R21,R22,R23	435030004R1
R24,R25,R26,R27	435030004R1
R300,R301,R302,R303	435021014R1
R304,R305,R306,R307	435021014R1
R310,R311,R312,R313	435021034R1
R314,R315,R316,R317	435021034R1
R320,R321,R322,R323	435024704R1
R324,R325,R326,R327	435024704R1

CE04W25V-22M(ROB),Elect.	
UC122A0330J-T,Mica	
UC122A0330J-T,Mica	
CE04W25V-22M(RFS),Elect.	
CE04W25V-22M(ROB),Elect.	
CE04W25V-22M(ROB),Elect.	
CE04W25V-22M(RFS),Elect.	
ECQ-B50V-471J,Plastic film	
ECQ-B50V-471J,Plastic film	
ECQ-B50V-102J,Plastic film	
ECQ-B50V-102J,Plastic film	
ECQ-B50V-102J,Plastic film	
ECQ-B50V-102J,Plastic film	
CK725F1E-104Z1,Chip ceramic	
CK725F1E-104Z1,Chip ceramic	
CK725F1E-104Z1,Chip ceramic	
CE04W16V-47M(VX) or CE04W16V-47M(VR),Elect.	
CK725F1E-104Z1,Chip ceramic	
CC725CH1H-101J1,Chip ceramic	
CC725CH1H-101J1,Chip ceramic	
CC725CH1H-101J1,Chip ceramic	
CK725F1E-104Z1,Chip ceramic	
CK725F1E-104Z1,Chip ceramic	
CC725CH1H-080D1,Chip ceramic	
CK725F1E-104Z1,Chip ceramic	
CE04W16V-47M(VX),Elect.	
CC725CH1H-080D1,Chip ceramic	
CK725F1E-104Z1,Chip ceramic	
CK725F1E-104Z1,Chip ceramic	
RN72K1J-000JE,Chip carbon	
RN72K1J-330JE,Chip carbon	
RN72K1J-000JE,Chip carbon	
RN72K1J-000JE,Chip carbon	
RN72K1J-000JE,Chip carbon	
RN72K1J-000JE,Chip carbon	
RN72W1J-101JE,Chip carbon	
RN72W1J-101JE,Chip carbon	
RN72W1J-103JE,Chip carbon	
RN72W1J-103JE,Chip carbon	
RN72W1J-470JE,Chip carbon	
RN72W1J-470JE,Chip carbon	

R330,R331,R332,R333	435024704R1	RN72W1J-470JE,Chip carbon
R334,R335,R336,R337	435024704R1	RN72W1J-470JE,Chip carbon
R340,R341,R342,R343	435022244R1	RN72W1J-224JE,Chip carbon
R344,R345,R346,R347	435022244R1	RN72W1J-224JE,Chip carbon
R360,R362,R363,R365	435021024R1	RN72W1J-102JE,Chip carbon
R367,R370,R372,R373	435021024R1	RN72W1J-102JE,Chip carbon
R375,R377,R380	435021024R1	RN72W1J-102JE,Chip carbon
R390,R391	435022244R1	RN72W1J-224JE,Chip carbon
R40,R41,R42,R43	435030004R1	RN72K1J-000JE,Chip carbon
R4360,R4361,R4362	435022244R1	RN72W1J-224JE,Chip carbon
R4363,R4364,R4365	435022244R1	RN72W1J-224JE,Chip carbon
R4366,R4367,R4370	435022244R1	RN72W1J-224JE,Chip carbon
R4371,R4372,R4373	435022244R1	RN72W1J-224JE,Chip carbon
R4374,R4375,R4376	435022244R1	RN72W1J-224JE,Chip carbon
R4377,R4400,R4401	435022244R1	RN72W1J-224JE,Chip carbon
R4380,R4381,R4382	435021054R1	RN72W1J-105JE,Chip carbon
R4383,R4384,R4385	435021054R1	RN72W1J-105JE,Chip carbon
R4386,R4387	435021054R1	RN72W1J-105JE,Chip carbon
R4390,R4391,R4392	435021054R1	RN72W1J-105JE,Chip carbon
R4393,R4394,R4395	435021054R1	RN72W1J-105JE,Chip carbon
R4396,R4397	435021054R1	RN72W1J-105JE,Chip carbon
R44,R45,R46,R47	435030004R1	RN72K1J-000JE,Chip carbon
R4402,R4403,R4404	435022244R1	RN72W1J-224JE,Chip carbon
R4405,R4406,R4407	435022244R1	RN72W1J-224JE,Chip carbon
R4410,R4411,R4412	435024744R1	RN72W1J-474JE,Chip carbon
R4413,R4414,R4415	435024744R1	RN72W1J-474JE,Chip carbon
R4416,R4417	435024744R1	RN72W1J-474JE,Chip carbon
R4420,R4421,R4422	435022244R1	RN72W1J-224JE,Chip carbon
R4423,R4424,R4425	435022244R1	RN72W1J-224JE,Chip carbon
R4426,R4427	435022244R1	RN72W1J-224JE,Chip carbon
R4430,R4431,R4432	435022714R1	RN72W1J-271JE,Chip carbon
R4433,R4434,R4435	435022714R1	RN72W1J-271JE,Chip carbon
R4436,R4437	435022714R1	RN72W1J-271JE,Chip carbon
R4440,R4441,R4442	435021014R1	RN72W1J-101JE,Chip carbon
R4443,R4444,R4445	435021014R1	RN72W1J-101JE,Chip carbon
R4446,R4447	435021014R1	RN72W1J-101JE,Chip carbon
R4455,R4456	435022244R1	RN72W1J-224JE,Chip carbon
R4480,R4481	443522204	RS1/2WBJ-22,Metal oxide
R4490,R4491	435022234R1	RN72W1J-223JE,Chip carbon
R4500,R4501	435022234R1	RN72W1J-223JE,Chip carbon
R4510,R4511	435022244R1	RN72W1J-224JE,Chip carbon
R4520,R4521,R4680	435022224R1	RN72W1J-222JE,Chip carbon
R4530,R4531,R4540	435021034R1	RN72W1J-103JE,Chip carbon
R4541,R4720,R4721	435021034R1	RN72W1J-103JE,Chip carbon
R4550,R4551,R4560	435023304R1	RN72W1J-330JE,Chip carbon

CIRCUIT NO.	PART NO.	DESCRIPTION
R4561,R4570,R4571	435023304R1	RN72W1J-330JE,Chip carbon
R4610,R4611,R4620	435025634R1	RN72W1J-563JE,Chip carbon
R4621,R4630,R4631	435025634R1	RN72W1J-563JE,Chip carbon
R4640,R4641,R4661	435021214R1	RN72W1J-121JE,Chip carbon
R4650,R4651	435028214R1	RN72W1J-821JE,Chip carbon
Resistors		
R4660	435021814R1	RN72W1J-181JE,Chip carbon
R4670,R4671	435021524R1	RN72W1J-152JE,Chip carbon
R4681,R4700,R4701	435022224R1	RN72W1J-222JE,Chip carbon
R4690,R4691	435021234R1	RN72W1J-123JE,Chip carbon
R4710,R4711	435021234R1	RN72W1J-123JE,Chip carbon
R4730,R4731,R4750	435021034R1	RN72W1J-103JE,Chip carbon
R4740,R4741,R4780	435025634R1	RN72W1J-563JE,Chip carbon
R4751,R4760,R4761	435021034R1	RN72W1J-103JE,Chip carbon
R4770,R4771,R4790	435021034R1	RN72W1J-103JE,Chip carbon
R4781,R4810,R4811	435025634R1	RN72W1J-563JE,Chip carbon
R4791,R4800,R4801	435021034R1	RN72W1J-103JE,Chip carbon
R4914,R4915,R4916	435021014R1	RN72W1J-101JE,Chip carbon
R4917,R4918,R4919	435021014R1	RN72W1J-101JE,Chip carbon
R4920,R4921,R4923	435021014R1	RN72W1J-101JE,Chip carbon
R4924,R4926,R4927	435021014R1	RN72W1J-101JE,Chip carbon
R4925,R4928,R4929	435021024R1	RN72W1J-102JE,Chip carbon
R4930,R4931,R4932	435021024R1	RN72W1J-102JE,Chip carbon
R4933,R4934,R4935	435022244R1	RN72W1J-224JE,Chip carbon
R4936,R4937	443621004	RS1WBJ-10,Metal oxide
R4938,R4939	453630224	RNU1WCJ-2.2,Metal
R4942,R4955	435021024R1	RN72W1J-102JE,Chip carbon
R4943,R4953	435030004R1	RN72K1J-000JE,Chip carbon
R500,R501,R502,R503	435022714R1	RN72W1J-271JE,Chip carbon
R504,R505,R506,R507	435022714R1	RN72W1J-271JE,Chip carbon
R510,R511,R512,R513	435021044R1	RN72W1J-104JE,Chip carbon
R514,R515,R516,R517	435021044R1	RN72W1J-104JE,Chip carbon
R520,R521,R522,R523	435021034R1	RN72W1J-103JE,Chip carbon
R524,R525,R526,R527	435021034R1	RN72W1J-103JE,Chip carbon
R530,R531,R532,R533	435022714R1	RN72W1J-271JE,Chip carbon
R534,R535,R536,R537	435022714R1	RN72W1J-271JE,Chip carbon
R540,R541,R542,R543	435022714R1	RN72W1J-271JE,Chip carbon
R544,R545,R546,R547	435022714R1	RN72W1J-271JE,Chip carbon
R550,R551,R552,R553	435021014R1	RN72W1J-101JE,Chip carbon
R554,R555,R556,R557	435021014R1	RN72W1J-101JE,Chip carbon
R560,R561,R562,R563	435021014R1	RN72W1J-101JE,Chip carbon
R564,R565,R566,R567	435021014R1	RN72W1J-101JE,Chip carbon
R570,R571,R572,R573	435021044R1	RN72W1J-104JE,Chip carbon
R574,R575,R576,R577	435021044R1	RN72W1J-104JE,Chip carbon

R580,R581,R582,R583	435021044R1	RN72W1J-104JE,Chip carbon
R584,R585,R586,R587	435021044R1	RN72W1J-104JE,Chip carbon
R590,R591,R592,R593	435021014R1	RN72W1J-101JE,Chip carbon
R594,R595,R596,R597	435021014R1	RN72W1J-101JE,Chip carbon
R7452,R7454,R7456	435037504R1	RN72K1J-750JE,Chip carbon
R7458,R7460,R7462	435037504R1	RN72K1J-750JE,Chip carbon
R7463,R7464,R7465	435021034R1	RN72W1J-103JE,Chip carbon
R7466,R7467,R7468	435021034R1	RN72W1J-103JE,Chip carbon
R7469,R7470,R7471	435024704R1	RN72W1J-470JE,Chip carbon
R7472	435021024R1	RN72W1J-102JE,Chip carbon
R7473,R7474,R7475	435023314R1	RN72W1J-331JE,Chip carbon

Relays

RL4860,RL4868	25065659	NRL-2P2A-DC24-174
RL500,RL502,RL503	25065659	NRL-2P2A-DC24-174
RL505,RL507,RL510	25065659	NRL-2P2A-DC24-174
RL512,RL513,RL515	25065659	NRL-2P2A-DC24-174
RL517,RL520,RL521	25065659	NRL-2P2A-DC24-174
RL522,RL523,RL524	25065659	NRL-2P2A-DC24-174
RL525,RL526	25065659	NRL-2P2A-DC24-174
RL527,RL530	25065659	NRL-2P2A-DC24-174

Terminals

P530,P532	25045795	NPT-4PDGPRW575
P531,P533	25045796	NPT-4PDELNT576
P7451,P7452	25045624	NPJ-3PDO431
P7453	25045758	NPJ-2PDO543

Sockets

P3501B	25052979R2	IMSA-9850S-30Y903
P7501B	25052586R2	NSCT-20P2483
P4864	200C4192628UL	NSAS-26P1332

CIRCUIT NO.	PART NO.	DESCRIPTION
--------------------	-----------------	--------------------

Sockets

P4871A	2004C362821UL	NSAS-28P1314
P4872A	2004C383032UL	NSAS-30P1315
P534	2004C382430UL	NSAS-24P1312
P7454B	25052810R2	IMSA-9850S-14Y900

Plugs

P3105A	25056360R2	MINI-CT-40P(4-353315-0)
P3501C	25056209R2	IMSA-9850B-28Y900
P500,P501,P502,P503	25056026	NPLG-3P976
P504,P505,P506,P507	25056026	NPLG-3P976
P534A	25055156	NPLG-12P140
P7002A,P7454A	25056202R2	IMSA-9850B-14Y900
P7501C	25056205R2	IMSA-9850B-20Y900
P7506	25055135	NPLG-5P119

HOLDERS

J4801A,J4801B	27190540-1	HOLDER(CLAMP)
J4801C,J4801D	27190540-1	HOLDER(CLAMP)

Optical I/O terminal PC board (NADG-8162-1)

CIRCUIT NO.	PART NO.	DESCRIPTION
ICs		
Q7001,Q7002,Q7003	222741515R2TO	TC74HC151F
Q7004,Q7241	22274126GR2	TC74VHCT126AFT
Q7011	22242090R2	BU2152FS
Q7021,Q7121,Q7221	22241633R3	AK4114VQ
Q7051,Q7151	22242091R2	AK5385AVF
Q7052,Q7053,Q7054	22241448R2	NJM4580M-D
Q7061,Q7062,Q7063	22274153ER2TO	TC74VHC153FT
Q7152,Q7153,Q7154	22241448R2	NJM4580M-D
Q7161,Q7162,Q7163	22274153ER2TO	TC74VHC153FT
Q7242	22241894R2	TC74VHCT125AFT
Q7243,Q7309	222780053R2JR	78L05(NJM78L05UA)
Q7244,Q7304,Q7305	22240928R2	TC9246F
Q7245,7421	22241821R2	WM8716EDS
Q7271,Q7272,Q7273	22241448R2	NJM4580M-D
Q7274,Q7423,Q7424	22241448R2	NJM4580M-D
Q7310	22242095R2	TC7WH34FK
Q7311	22241917R2TO	TC7WT125FU
Q7401,Q7402	22278033DR2NE	MPC2933T
Q7425,Q7426	22241448R2	NJM4580M-D
U7001,U7002,U7003	24120113	GP1FA51HRZ
U7004,U7005,U7006	24120113	GP1FA51HRZ
U7007,U7008	24120114	GP1FA51HTZ
D7051,D7052,D7053	223234R2 or	1SS352 or
D7054,D7055,D7056	223269R2	1SS355
D7057,D7058,D7151	223234R2 or	1SS352 or
D7152,D7153,D7154	223269R2	1SS355
D7155,D7156	223234R2 or	1SS352 or
D7157,D7158	223269R2	1SS355
X7021,X7121,X7221	3010385R2	FCX-03-24.576MHz
L7001,L7021,L7022	231237M022R2	NCH-1471
L7002,L7241,L7242	231237K470R2	NCH-1479
L7023,L7051,L7052	231237M022R2	NCH-1471
L7024,L7124	230958R1	BK1608LM182-T,EMI
L7121,L7122,L7123	231237M022R2	NCH-1471
L7151,L7152	231237M022R2	NCH-1471
L7221,L7222,L7224	231237M022R2	NCH-1471
L7244,L7245,L7302	231237K470R2	NCH-1479
L7303,L7304,L7305	231237K470R2	NCH-1479
L7306,L7307	230958R1	BK1608LM182-T,EMI

CIRCUIT NO.	PART NO.	DESCRIPTION
L7401	231237M022R2	NCH-1471
L7421,L7422	231237K470R2	NCH-1479
R7027	230984R1	BK1608HS601-T,EMI
R7029,R7092,R7129	230955R2	BK1608HS102-T,EMI
R7192,R7229	230955R2	BK1608HS102-T,EMI
R7263,R7395,R7396	230958R1	BK1608LM182-T,EMI
C7001,C7009,C7015	356724709R2	CEWX6.3V-47M,Chip elect.
C7002,C7003,C7004	332161040R1	CK725F1E-104Z1,Chip ceramic
CIRCUIT NO.	PART NO.	DESCRIPTION
	Capacitors	
C7005,C7006,C7007	332161040R1	CK725F1E-104Z1,Chip ceramic
C7010,C7011,C7012	332161040R1	CK725F1E-104Z1,Chip ceramic
C7013,C7014,C7016	332161040R1	CK725F1E-104Z1,Chip ceramic
C7017,C7021,C7023	332161040R1	CK725F1E-104Z1,Chip ceramic
C7022,C7024,C7122	3567A4709R2	CEWX4V-47M,Chip elect.
C7025,C7053,C7054	332161040R1	CK725F1E-104Z1,Chip ceramic
C7026,C7051,C7052	356741009R2	CEWX16V-10M,Chip elect.
C7027,C7127,C7227	356784799R2	CEWX50V-0.47M,Chip elect.
C7028,C7128,C7228	342101014R1	CC725CH1H-101J1,Chip ceramic
C7029,C7129,C7229	332101025R1	CK725B1H-102K1,Chip ceramic
C7030,C7031,C7130	342101804R1	CC725CH1H-180J1,Chip ceramic
C7055,C7057,C7072	356741009R2	CEWX16V-10M,Chip elect.
C7056,C7058,C7071	332161040R1	CK725F1E-104Z1,Chip ceramic
C7059,C7160	332132245R1	CK725B1A-224K1,Chip ceramic
C7061,C7062	332101035R1	CK725B1H-103K1,Chip ceramic
C7063,C7064,C7163	356724709R2	CEWX6.3V-47M,Chip elect.
C7069,C7070,C7169	356744709R2	CEWX16V-47M,Chip elect.
C7075,C7076,C7077	332161040R1	CK725F1E-104Z1,Chip ceramic
C7121,C7123,C7125	332161040R1	CK725F1E-104Z1,Chip ceramic
C7124,C7222,C7224	3567A4709R2	CEWX4V-47M,Chip elect.
C7126,C7151,C7152	356741009R2	CEWX16V-10M,Chip elect.
C7131,C7230,C7231	342101804R1	CC725CH1H-180J1,Chip ceramic
C7153,C7154,C7156	332161040R1	CK725F1E-104Z1,Chip ceramic
C7155,C7157,C7226	356741009R2	CEWX16V-10M,Chip elect.
C7158,C7175,C7176	332161040R1	CK725F1E-104Z1,Chip ceramic
C7161,C7162	332101035R1	CK725B1H-103K1,Chip ceramic
C7164,C7249,C7251	356724709R2	CEWX6.3V-47M,Chip elect.
C7170,C7279,C7280	356744709R2	CEWX16V-47M,Chip elect.
C7177,C7221,C7223	332161040R1	CK725F1E-104Z1,Chip ceramic
C7225,C7242,C7244	332161040R1	CK725F1E-104Z1,Chip ceramic
C7241,C7243,C7247	356741009R2	CEWX16V-10M,Chip elect.
C7245,C7248,C7250	332161040R1	CK725F1E-104Z1,Chip ceramic
C7252,C7369,C7373	342104704R1	CC725CH1H-470J1,Chip ceramic
C7253,C7368,C7372	332134745R1	CK725B1A-474K1,Chip ceramic
C7254,C7367,C7371	342101024R1	CC725CH1H-102J1,Chip ceramic

C7256,C7258,C7260	332161040R1	CK725F1E-104Z1,Chip ceramic
C7257,C7259,C7265	356741009R2	CEWX16V-10M,Chip elect.
C7263,C7264,C7356	332161040R1	CK725F1E-104Z1,Chip ceramic
C7266,C7357,C7425	356741009R2	CEWX16V-10M,Chip elect.
C7267,C7268	373041044R2	ECHU16V-104J,Chip film
C7271,C7272	356760479R2	CEWX35V-4.7M,Chip elect.
C7273,C7274	373021524R2	ECHU50V-152J,Chip film
C7275,C7276	373028214R2	ECHU50V-821J,Chip film
C7277,C7278	373024714R2	ECHU50V-471J,Chip film
C7281,C7282	3567A2209R2	CEWX4V-22M,Chip elect.
C7358,C7360,C7362	332161040R1	CK725F1E-104Z1,Chip ceramic
C7359,C7361	356724709R2	CEWX6.3V-47M,Chip elect.
C7363,C7365	356724709R2	CEWX6.3V-47M,Chip elect.
C7364,C7374,C7375	332161040R1	CK725F1E-104Z1,Chip ceramic
C7401,C7403	332181050R1	CK725F1A-105Z1,Chip ceramic
C7402,C7404	3567A1019R2	CEWX4V-100M,,Chip elect.
C7423,C7424	332161040R1	CK725F1E-104Z1,Chip ceramic
C7426,C7430,C7432	356741009R2	CEWX16V-10M,Chip elect.
C7427,C7428	373041044R2	ECHU16V-104J,Chip film
C7429,C7431	332161040R1	CK725F1E-104Z1,Chip ceramic
C7433,C7434	356760479R2	CEWX35V-4.7M,Chip elect.
C7435,C7436	373021524R2	ECHU50V-152J,Chip film
C7437,C7438	373028214R2	ECHU50V-821J,Chip film
C7439,C7440	373024714R2	ECHU50V-471J,Chip film
C7441,C7442	356744709R2	CEWX16V-47M,Chip elect.

Resistors

R7011,R7012,R7013	435033314R1	RN72K1J-331JE,Chip carbon
R7014,R7032,R7034	435031024R1	RN72K1J-102JE,Chip carbon
R7021,R7022,R7023	435033314R1	RN72K1J-331JE,Chip carbon
R7024,R7025,R7026	435033314R1	RN72K1J-331JE,Chip carbon
R7028,R7030,R7033	435034704R1	RN72K1J-470JE,Chip carbon
R7031,R7040,R7051	435033314R1	RN72K1J-331JE,Chip carbon

CIRCUIT NO.

PART NO.

DESCRIPTION

R7035,R7036,R7055	435031024R1	RN72K1J-102JE,Chip carbon
R7037,R7038,R7052	435034704R1	RN72K1J-470JE,Chip carbon
R7039,R7139,R7239	435031834R1	RN72K1J-183JE,Chip carbon
R7053,R7054,R7091	435034704R1	RN72K1J-470JE,Chip carbon
R7057,R7058,R7157	435031044R1	RN72K1J-104JE,Chip carbon
R7059,R7060	435033944R1	RN72K1J-394JE,Chip carbon
R7061,R7062,R7073	435031034R1	RN72K1J-103JE,Chip carbon
R7063,R7064,R7065	435034724R1	RN72K1J-472JE,Chip carbon
R7066,R7067,R7068	435034724R1	RN72K1J-472JE,Chip carbon
R7069,R7070,R7071	435032204R1	RN72K1J-220JE,Chip carbon
R7072,R7169,R7170	435032204R1	RN72K1J-220JE,Chip carbon

R7074,R7161,R7162	435031034R1	RN72K1J-103JE,Chip carbon
R7075,R7076,R7077	435033314R1	RN72K1J-331JE,Chip carbon
R7078,R7079,R7080	435033314R1	RN72K1J-331JE,Chip carbon
R7081,R7082,R7083	435033314R1	RN72K1J-331JE,Chip carbon
R7084,R7085,R7086	435033314R1	RN72K1J-331JE,Chip carbon
R7087,R7088,R7089	435033314R1	RN72K1J-331JE,Chip carbon
R7090,R7121,R7122	435033314R1	RN72K1J-331JE,Chip carbon
R7093,R7094,R7095	435034704R1	RN72K1J-470JE,Chip carbon
R7123,R7124,R7125	435033314R1	RN72K1J-331JE,Chip carbon
R7126,R7131,R7140	435033314R1	RN72K1J-331JE,Chip carbon
R7127,R7128,R7130	435034704R1	RN72K1J-470JE,Chip carbon
R7132,R7134,R7135	435031024R1	RN72K1J-102JE,Chip carbon
R7133,R7137,R7138	435034704R1	RN72K1J-470JE,Chip carbon
R7136,R7155,R7232	435031024R1	RN72K1J-102JE,Chip carbon
R7151,R7175,R7176	435033314R1	RN72K1J-331JE,Chip carbon
R7152,R7153,R7154	435034704R1	RN72K1J-470JE,Chip carbon
R7158,R7275,R7276	435031044R1	RN72K1J-104JE,Chip carbon
R7159,R7160	435033944R1	RN72K1J-394JE,Chip carbon
R7163,R7164,R7165	435034724R1	RN72K1J-472JE,Chip carbon
R7166,R7167,R7168	435034724R1	RN72K1J-472JE,Chip carbon
R7171,R7172,R7269	435032204R1	RN72K1J-220JE,Chip carbon
R7177,R7178,R7179	435033314R1	RN72K1J-331JE,Chip carbon
R7180,R7181,R7182	435033314R1	RN72K1J-331JE,Chip carbon
R7183,R7184,R7185	435033314R1	RN72K1J-331JE,Chip carbon
R7186,R7187,R7188	435033314R1	RN72K1J-331JE,Chip carbon
R7189,R7190,R7201	435033314R1	RN72K1J-331JE,Chip carbon
R7191,R7193,R7194	435034704R1	RN72K1J-470JE,Chip carbon
R7195,R7227,R7228	435034704R1	RN72K1J-470JE,Chip carbon
R7202,R7203,R7211	435033314R1	RN72K1J-331JE,Chip carbon
R7212,R7213	435033314R1	RN72K1J-331JE,Chip carbon
R7221,R7222,R7223	435033314R1	RN72K1J-331JE,Chip carbon
R7224,R7225,R7226	435033314R1	RN72K1J-331JE,Chip carbon
R7230,R7233,R7237	435034704R1	RN72K1J-470JE,Chip carbon
R7234,R7235,R7236	435031024R1	RN72K1J-102JE,Chip carbon
R7238,R7244,R7245	435034704R1	RN72K1J-470JE,Chip carbon
R7240,R7241,R7242	435033314R1	RN72K1J-331JE,Chip carbon
R7243,R7247,R7248	435033314R1	RN72K1J-331JE,Chip carbon
R7246,R7250,R7251	435034704R1	RN72K1J-470JE,Chip carbon
R7249,R7253,R7258	435033314R1	RN72K1J-331JE,Chip carbon
R7252,R7264	435034704R1	RN72K1J-470JE,Chip carbon
R7254,R7368,R7372	435031014R1	RN72K1J-101JE,Chip carbon
R7255,R7285,R7286	435031524R1	RN72K1J-152JE,Chip carbon
R7256,R7370,R7374	435035624R1	RN72K1J-562JE,Chip carbon
R7259,R7260,R7262	435033314R1	RN72K1J-331JE,Chip carbon
R7261,R7425	435031024R1	RN72K1J-102JE,Chip carbon

R7267,R7268	435032244R1	RN72K1J-224JE,Chip carbon
R7270,R7457,R7458	435032204R1	RN72K1J-220JE,Chip carbon
R7271,R7272,R7277	435031034R1	RN72K1J-103JE,Chip carbon
R7273,R7274	435035614R1	RN72K1J-561JE,Chip carbon
R7278,R7281,R7282	435031034R1	RN72K1J-103JE,Chip carbon
R7279,R7280	435032734R1	RN72K1J-273JE,Chip carbon
R7283,R7184,R7299	435031034R1	RN72K1J-103JE,Chip carbon
R7287,R7288,R7289	435032234R1	RN72K1J-223JE,Chip carbon
R7290,R7291,R7292	435032234R1	RN72K1J-223JE,Chip carbon
R7293,R7294,R7443	435032234R1	RN72K1J-223JE,Chip carbon
R7295,R7296,R7297	435031524R1	RN72K1J-152JE,Chip carbon
CIRCUIT NO.	PART NO.	DESCRIPTION
Resistors		
R7298,R7369,R7373	435031524R1	RN72K1J-152JE,Chip carbon
R7300,R7427,R7428	435031034R1	RN72K1J-103JE,Chip carbon
R7331,R7332	435034704R1	RN72K1J-470JE,Chip carbon
R7367,R7371,R7421	435033314R1	RN72K1J-331JE,Chip carbon
R7402,R7403	435320124R2	RN72K3A-012JE,Chip carbon
R7422,R7423	435033314R1	RN72K1J-331JE,Chip carbon
R7424,R7426	435033314R1	RN72K1J-331JE,Chip carbon
R7429,R7430	435035614R1	RN72K1J-561JE,Chip carbon
R7431,R7432	435031044R1	RN72K1J-104JE,Chip carbon
R7433,R7434,R7437	435031034R1	RN72K1J-103JE,Chip carbon
R7435,R7436	435032734R1	RN72K1J-273JE,Chip carbon
R7438,R7439,R7440	435031034R1	RN72K1J-103JE,Chip carbon
R7441,R7442,R7451	435031524R1	RN72K1J-152JE,Chip carbon
R7444,R7445,R7446	435032234R1	RN72K1J-223JE,Chip carbon
R7447,R7448	435032234R1	RN72K1J-223JE,Chip carbon
R7449,R7450	435032234R1	RN72K1J-223JE,Chip carbon
R7452,R7453,R7454	435031524R1	RN72K1J-152JE,Chip carbon
R7455,R7456	435031034R1	RN72K1J-103JE,Chip carbon
P7002	25052810R2	IMSA-9850S-14Y900
P7402A,P7403A	25053006R2	IMSA-9832S-30Y930
P7401	25056332R2	IMSA-9828B-100Y900

DSP circuit PC board (NADG-8163-1A/1B)

CIRCUIT NO.	PART NO.	DESCRIPTION
ICs		
Q701,Q7301	22242093R3	D610A002GDP225
Q702,Q7302	22241649R2	TC7WHU04FK
Q706,Q707	22242094R3	IC42S16800-7T
Q708	222W0018R300967	MX29LV160ABTC-70(0096)
Q7308	222W0018R300966	MX29LV160ABTC-70(0096)
Q7306,Q7307	22242094R3	IC42S16800-7T
Q7403,Q803	22242096R2	BD3502FVM

C7355	342101504R1	CC725CH1H-150J1,Chip ceramic
C7379,C7381,C7383	342101024R1	CC725CH1H-102J1,Chip ceramic
C7384,C7386,C7388	332161040R1	CK725F1E-104Z1,Chip ceramic
C7385,C7387,C7389	342101024R1	CC725CH1H-102J1,Chip ceramic
C739,C740,C741,C742	332161040R1	CK725F1E-104Z1,Chip ceramic
C7390,C7392,C7394	332161040R1	CK725F1E-104Z1,Chip ceramic
C7391,C7393,C7395	342101024R1	CC725CH1H-102J1,Chip ceramic
C7396,C7398,C7405	332161040R1	CK725F1E-104Z1,Chip ceramic
C7407,C4708	332102225R1	CK725B1H-222K1,Chip ceramic
C7410	395522217R2	F93-6.3V-220M,Chip tantal
C7412	332161040R1	CK725F1E-104Z1,Chip ceramic
C743,C744,C745,C746	332161040R1	CK725F1E-104Z1,Chip ceramic
C747,C749,C753,C780	332161040R1	CK725F1E-104Z1,Chip ceramic
C748,C806,C811	395541007R2	F93-16V-10M,Chip tantal
C754	342101204R1	CC725CH1H-120J1,Chip ceramic
C755	342101504R1	CC725CH1H-150J1,Chip ceramic
C779,C781,C783,C785	342101024R1	CC725CH1H-102J1,Chip ceramic
C782,C784,C786,C788	332161040R1	CK725F1E-104Z1,Chip ceramic
C787,C789,C791	342101024R1	CC725CH1H-102J1,Chip ceramic
C790,C792,C794,C796	332161040R1	CK725F1E-104Z1,Chip ceramic
C793,C795,C797	342101024R1	CC725CH1H-102J1,Chip ceramic
C798,C805,C812	332161040R1	CK725F1E-104Z1,Chip ceramic
C807,C808	332102225R1	CK725B1H-222K1,Chip ceramic
C810	395522217R2	F93-6.3V-220M,Chip tantal

Resistors

R701,R712,R713,R714	435033314R1	RN72K1J-331JE,Chip carbon
R702	435033924R1	RN72K1J-392JE,Chip carbon
R706	435031514R1	RN72K1J-151JE,Chip carbon
R708	435034714R1	RN72K1J-471JE,Chip carbon
R709,R710,R718,R720	435034704R1	RN72K1J-470JE,Chip carbon
R715,R716,R717	435033314R1	RN72K1J-331JE,Chip carbon
R725,R750,R753,R757	435031824R1	RN72K1J-182JE,Chip carbon
R7301,R7312,R7313	435033314R1	RN72K1J-331JE,Chip carbon
R7302	435033924R1	RN72K1J-392JE,Chip carbon
R7306	435031514R1	RN72K1J-151JE,Chip carbon
R7308	435034714R1	RN72K1J-471JE,Chip carbon
R7309,R7310,R7318	435034704R1	RN72K1J-470JE,Chip carbon
R7314,R7315,R7316	435033314R1	RN72K1J-331JE,Chip carbon
R7317,R7336,R7337	435033314R1	RN72K1J-331JE,Chip carbon
R7325,R7350,R7353	435031824R1	RN72K1J-182JE,Chip carbon
R7338,R7341,R7342	435034704R1	RN72K1J-470JE,Chip carbon
R7340	435033324R1	RN72K1J-332JE,Chip carbon
R7344,R7394,R7397	435033314R1	RN72K1J-331JE,Chip carbon
R7354	435034704R1	RN72K1J-470JE,Chip carbon
R7355	435035614R1	RN72K1J-561JE,Chip carbon

R7356	435031054R1	RN72K1J-105JE,Chip carbon
R7357,R7358	435031824R1	RN72K1J-182JE,Chip carbon
R7359,R7360	435031824R1	RN72K1J-182JE,Chip carbon
R736,R737,R744	435033314R1	RN72K1J-331JE,Chip carbon
R7376,R7377,R7378	435033304R1	RN72K1J-330JE,Chip carbon
R7379,R7380	435033304R1	RN72K1J-330JE,Chip carbon
R738,R741,R742,R754	435034704R1	RN72K1J-470JE,Chip carbon
R7381,R7382	435033304R1	RN72K1J-330JE,Chip carbon
R7390,R7391,R7392	435031034R1	RN72K1J-103JE,Chip carbon
R7398	435031834R1	RN72K1J-183JE,Chip carbon
R740	435033324R1	RN72K1J-332JE,Chip carbon
R755	435035614R1	RN72K1J-561JE,Chip carbon
R756	435031054R1	RN72K1J-105JE,Chip carbon
R758,R759,R760	435031824R1	RN72K1J-182JE,Chip carbon
R776,R777,R778,R779	435033304R1	RN72K1J-330JE,Chip carbon
CIRCUIT NO.	PART NO.	DESCRIPTION
	Resistors	
R780,R781,R782	435033304R1	RN72K1J-330JE,Chip carbon
R790,R791,R792	435031034R1	RN72K1J-103JE,Chip carbon
R794,R797	435033314R1	RN72K1J-331JE,Chip carbon
R798	435031834R1	RN72K1J-183JE,Chip carbon
	Plugs	
P701,P7301	25056542	IMSA-9204B-2-13Z122-GF
P7402B,P7403B	25056364R2	IMSA-9831B-30Y930
P7404A	25055966R2	NPLG-6P919

IEEE1394 terminal PC board(NADG-8164-1A)

CIRCUIT NO.	PART NO.	DESCRIPTION
	ICs	
Q3001	22278033DR2JR or 22278033DR2NE	NJM2391DL1-33 or MPC2933T
Q3003	22274157DR2TO	TC74VCX157FT
Q3004	22242061R3	TSB43CA42PGF
Q3005	22274541GR2PH	74AHCT541PW
Q3008,Q3518	22241895R2	TC7SZ125FU
Q3009	22242062R2	TLC2932IPWLE
Q3010	22241546R2	TC7WT241FU
Q3501	NSP 222W0008R3009	W S29AL008D90TFI010 (0126)
Q3502	54 DISCON	W HD64F2367VF33 (0095)
Q3505,Q3506	22241830R2TO	TC7SH08FU
Q3508	22241778R2	BA33C25FP
Q3509	22242252R3	SM5819HQF
Q3511	22241642R2	S-80127CNMC-JKM-T2

Q3513	222780053R2JR	78L05(NJM78L05UA)
Q3515	22242079R2PH	74AHCT1G04GW
Q3516	22274040ER2TO	TC74VHC4040FT
Q3517	22240928R2	TC9246F
Q3519	22274541BR2PH or 22274541BR2TO	74ALVC541PW or TC74LCX541FT
	Transistors	
Q3503	2216730R2	DTC114EE
Q3512	2216710R2	DTA114EE
	Coils	
L3001,L3002,L3003	231237M022R2	NCH-1471
L3004,L3005,L3501	231237M022R2	NCH-1471
L3009,L3010	230977R2	DLP11SN161SL2L
L3011,L3012	230977R2	DLP11SN161SL2L
L3502,L3503,L3504	231237M022R2	NCH-1471
L3508,L3509,L3510	231237K470R2	NCH-1479
L3511,L3512,L5313	230955R2	BK1608HS102-T,EMI
L3514,L3515,L3516	230955R2	BK1608HS102-T,EMI
L3517,L3518,L3519	230955R2	BK1608HS102-T,EMI
R3523,R3524,R3525	230955R2	BK1608HS102-T,EMI
	Oscillators	
X3001	3010385R2	FCX-03-24.576MHz
X3501	3010384R2	FCX-03-16.000MHz
	Capacitors	
C3001	356722219R2	CEWX6.3V-220M,Chip elect.
C3002,C3004,C3005	332161040R1	CK725F1E-104Z1,Chip ceramic
C3003,C3006,C3025	3567A2219R2	CEWX4V-220M,Chip elect.
C3007,C3008,C3009	332161040R1	CK725F1E-104Z1,Chip ceramic
C3010,C3011,C3012	332161040R1	CK725F1E-104Z1,Chip ceramic
C3013,C3014,C3016	332161040R1	CK725F1E-104Z1,Chip ceramic
C3015,C3019,C3022	342101024R1	CC725CH1H-102J1,Chip ceramic
C3018,C3020,C3021	332161040R1	CK725F1E-104Z1,Chip ceramic
C3023,C3026,C3032	332161040R1	CK725F1E-104Z1,Chip ceramic
C3024,C3045	332121045R1	CK725B1C-104K1,Chip ceramic
C3027,C3028	342101204R1	CC725CH1H-120J1,Chip ceramic
C3031,C3035,C3059	342101024R1	CC725CH1H-102J1,Chip ceramic
C3033,C3034,C3036	332161040R1	CK725F1E-104Z1,Chip ceramic
C3041	332132245R1	CK725B1A-224K1,Chip ceramic
C3044	332121055R1	CK725B1C-105K1,Chip ceramic
C3046,C3049	356721019R2	CEWX6.3V-100M,,Chip elect.
C3047,C3048,C3050	332161040R1	CK725F1E-104Z1,Chip ceramic
CIRCUIT NO.	PART NO.	DESCRIPTION
	Capacitors	
C3051,C3052	332181050R1	CK725F1A-105Z1,Chip ceramic
C3053,C3054,C3057	332161040R1	CK725F1E-104Z1,Chip ceramic

C3055,C3056	342102214R1	CC725CH1H-221J1,Chip ceramic
C3058,C3060,C3062	332161040R1	CK725F1E-104Z1,Chip ceramic
C3061,C3063,C3064	342101024R1	CC725CH1H-102J1,Chip ceramic
C3065,C3066,C3067	342101024R1	CC725CH1H-102J1,Chip ceramic
C3068,C3069	342101024R1	CC725CH1H-102J1,Chip ceramic
C3501,C3503,C3506	3567A2219R2	CEWX4V-220M,Chip elect.
C3502,C3504,C3505	332161040R1	CK725F1E-104Z1,Chip ceramic
C3507,C3509,C3512	332161040R1	CK725F1E-104Z1,Chip ceramic
C3508,C3528,C3532	3567A2219R2	CEWX4V-220M,Chip elect.
C3510,C3511	342101804R1	CC725CH1H-180J1,Chip ceramic
C3514,C3516,C3521	332161040R1	CK725F1E-104Z1,Chip ceramic
C3517,C3518	342101804R1	CC725CH1H-180J1,Chip ceramic
C3530,C3560	356721019R2	CEWX6.3V-100M,,Chip elect.
C3531,C3553	342101024R1	CC725CH1H-102J1,Chip ceramic
C3533,C3535,C3561	3567A2219R2	CEWX4V-220M,Chip elect.
C3534,C3536,C3537	332161040R1	CK725F1E-104Z1,Chip ceramic
C3541,C3543,C3546	332161040R1	CK725F1E-104Z1,Chip ceramic
C3547,C3548,C3549	332161040R1	CK725F1E-104Z1,Chip ceramic
C3550,C3552,C3556	332161040R1	CK725F1E-104Z1,Chip ceramic
C3554	337394745R1	CK732B1C-474K,Chip ceramic
C3555	342104704R1	CC725CH1H-470J1,Chip ceramic
C3557,C3558	332161040R1	CK725F1E-104Z1,Chip ceramic
C3559,C3561	332161040R1	CK725F1E-104Z1,Chip ceramic
C3562,C3563	356724709R2	CEWX6.3V-47M,Chip elect.
C3564	356751009R2	CEWX25V-10M,Chip elect.

Resistors

R3001,R3002	433220004R1	RN72K2B-000JE,Chip carbon
R3004,R3019,R3042	435033304R1	RN72K1J-330JE,Chip carbon
R3005,R3006,R3007	43474433004R1	RM4KJ330X04,Array
R3008,R3009,R3010	43474433004R1	RM4KJ330X04,Array
R3011,R3015,R3020	43474410304R1	RM4KJ103X04,Array
R3012,R3013,R3014	435031034R1	RN72K1J-103JE,Chip carbon
R3016,R3017,R3018	435031034R1	RN72K1J-103JE,Chip carbon
R3021,R3043,R3045	43474410304R1	RM4KJ103X04,Array
R3031,R3032,R3033	435035602R1	RN72K1J-560FE,Chip carbon
R3034,R3036	435035122R1	RN72K1J-512FE,Chip carbon
R3035,R3037,R3038	435035602R1	RN72K1J-560FE,Chip carbon
R3039	435032224R1	RN72K1J-222JE,Chip carbon
R3040,R3041,R3051	435031034R1	RN72K1J-103JE,Chip carbon
R3044,R3053,R3058	435033304R1	RN72K1J-330JE,Chip carbon
R3048,R3504,R3533	43474410304R1	RM4KJ103X04,Array
R3052,R3054,R3055	435031034R1	RN72K1J-103JE,Chip carbon
R3056,R3057,R3062	435031034R1	RN72K1J-103JE,Chip carbon
R3059,R3065,R3066	435033304R1	RN72K1J-330JE,Chip carbon
R3063,R3069,R3089	43474433004R1	RM4KJ330X04,Array

CIRCUIT NO.	PART NO.	DESCRIPTION
R3064,R3068,R3073	435031034R1	RN72K1J-103JE,Chip carbon
R3070,R3071,R3085	435033304R1	RN72K1J-330JE,Chip carbon
R3079,R3080,R3081	435031034R1	RN72K1J-103JE,Chip carbon
R3082,R3086,R3087	435031032R1	RN72K1J-103FE,Chip carbon
R3083	435031532R1	RN72K1J-153FE,Chip carbon
R3084	435031022R1	RN72K1J-102FE,Chip carbon
R3088,R3091,R3521	435031034R1	RN72K1J-103JE,Chip carbon
R3090,R3501,R3505	43474433004R1	RM4KJ330X04,Array
R3092,R3500,R3508	435033304R1	RN72K1J-330JE,Chip carbon
R3093,R3094	435031032R1	RN72K1J-103FE,Chip carbon
R3095	435035602R1	RN72K1J-560FE,Chip carbon
R3096,R3098	435031024R1	RN72K1J-102JE,Chip carbon
R3097	435035602R1	RN72K1J-560FE,Chip carbon
R3502,R3503,R3514	435034724R1	RN72K1J-472JE,Chip carbon
R3506,R3507,R3512	43474433004R1	RM4KJ330X04,Array
R3509,R3510,R3511	435033304R1	RN72K1J-330JE,Chip carbon
R3513,R3515,R3520	435033304R1	RN72K1J-330JE,Chip carbon
R3516,R3517,R3518	43474433004R1	RM4KJ330X04,Array
R3519,R3536,R3537	435034724R1	RN72K1J-472JE,Chip carbon
R3522,R3531,R3532	435033304R1	RN72K1J-330JE,Chip carbon
CIRCUIT NO.	PART NO.	DESCRIPTION
	Resistors	
R3526,R3534,R3555	435031034R1	RN72K1J-103JE,Chip carbon
R3527,R3528,R3529	435030004R1	RN72K1J-000JE,Chip carbon
R3530,R3544,R3556	435030004R1	RN72K1J-000JE,Chip carbon
R3535,R3538,R3542	43474433004R1	RM4KJ330X04,Array
R3539,R3558	435034724R1	RN72K1J-472JE,Chip carbon
R3540	435031814R1	RN72K1J-181JE,Chip carbon
R3541,R3552,R3553	435033304R1	RN72K1J-330JE,Chip carbon
R3543,R3545,R3546	43474433004R1	RM4KJ330X04,Array
R3547,R3548,R3549	43474433004R1	RM4KJ330X04,Array
R3550,R3551,R3554	43474433004R1	RM4KJ330X04,Array
R3557,R3562,R3563	435031034R1	RN72K1J-103JE,Chip carbon
R3559,R3560,R3561	435033304R1	RN72K1J-330JE,Chip carbon
R3564,R3565	43474433004R1	RM4KJ330X04,Array
R3566	435035624R1	RN72K1J-562JE,Chip carbon
R3567	435031524R1	RN72K1J-152JE,Chip carbon
R3568	435031014R1	RN72K1J-101JE,Chip carbon
R3569	435030004R1	RN72K1J-000JE,Chip carbon
R3570,R3571	435033304R1	RN72K1J-330JE,Chip carbon
R3572,R3573	435033304R1	RN72K1J-330JE,Chip carbon
R3574,R3589	435034724R1	RN72K1J-472JE,Chip carbon
R3576,R3582	435031034R1	RN72K1J-103JE,Chip carbon
R3585	43474410304R1	RM4KJ103X04,Array
R3586,R3587,R3588	43474433004R1	RM4KJ330X04,Array

P3019,P3020	Sockets 25053028R3	CSS5004-1062G
P3511	25052781R2	NSCT-7P2677
P3503A	Pulgs 25056329R2	IMSA-9850B-30Y902
P3507,P3509,P3512	25055979R2	NPLG-6P932

Mother PC board (NAAR-8166-1C/1D)

CIRCUIT NO.	PART NO.	DESCRIPTION
	ICs	
Q3101	NSP DISCON	W M32174F4VFP(0088)
Q3102	22241642R2	S-80127CNMC-JKM-T2
Q3104	22274125CR2PH	74LV125PW
Q3105	22241894R2PH	74AHCT125PW
Q3107	22278033DR2JR or 22278033DR2NE	NJM2391DL1-33 or MPC2933T
Q3109	222780155R2JR	78M15HF(NJM78M15DL1A)
Q3110	222790155R2JR	79M15(NJM79M15DL1A)
Q3112	22242113R2	PCA9564PW
Q3113	222W0017R3 or 222W0018R3	W MX29LV160BBTC-90 or W MX29LV160BBTC-70
Q3114	22274541GR2PH	74AHCT541PW
Q3115,Q3117,Q3119	22274574GR2PH	74AHCT574PW
Q3116,Q3118,Q3120	22242124R2PH or 22241292R2	74HC1G32GW or TC7S32FU
Q3121,Q3123,Q3125	22274574GR2PH	74AHCT574PW
Q3122,Q3124,Q3126	22242124R2PH or 22241292R2	74HC1G32GW or TC7S32FU
Q3127	22274138IR2PH	74AHC138PW
Q3128	22278033BR2JR	NJU7200U33
	Transistors	
Q3103	2214540R2 or 2216240R2	RN2403 or DTA124EKA
Q3106	2214470R2 or 2216250R2	RN1402 or DTC114EKA
	Diodes	
D3102,D3103,D3105	223234R2 or	1SS352 or
D3106,D3107	223269R2	1SS355
D3104	224490510R2 or 224550510R2	UDZ5.1B or UDZS5.1B
D3108	224490820R2 or 224550820R2	UDZ8.2B or UDZS8.2B
D3109,D3110	223234R2 or 223269R2	1SS352 or 1SS355

CIRCUIT NO.	PART NO.	DESCRIPTION
	Coils	
L3101,L3102	231237M022R2	NCH-1471
	231237M022R2	NCH-1471
L3103,L3104	231237K470R2	NCH-1479
	231237K470R2	NCH-1479
L3105,L3106	231237K470R2	NCH-1479
	231237K470R2	NCH-1479
R3215,R3216	230955R2	BK1608HS102-T,EMI
	230955R2	BK1608HS102-T,EMI
	Oscillator	
X3101	3010392R2	FCX-03-10.000MHz
	Capacitors	
C3101,C3104,C3105	332161040R1	CK725F1E-104Z1,Chip ceramic
C3103,C3228,C3361	356721019R2	CEWX6.3V-100M,,Chip elect.
C3106,C3108,C3111	332161040R1	CK725F1E-104Z1,Chip ceramic
C3107,C3109	356741009R2	CEWX16V-10M,Chip elect.
C3110,C3145	3567A1019R2	CEWX4V-100M,,Chip elect.
C3114,C3115,C3116	332161040R1	CK725F1E-104Z1,Chip ceramic
C3117,C3118,C3119	332161040R1	CK725F1E-104Z1,Chip ceramic
C3120,C3121,C3122	332161040R1	CK725F1E-104Z1,Chip ceramic
C3123,C3124,C3125	332161040R1	CK725F1E-104Z1,Chip ceramic
C3126,C3127,C3129	332161040R1	CK725F1E-104Z1,Chip ceramic
C3128,C3140	356741009R2	CEWX16V-10M,Chip elect.
C3130,C3137,C3138	332161040R1	CK725F1E-104Z1,Chip ceramic
C3131,C3133	356751009R2	CEWX25V-10M,Chip elect.
C3134,C3136	356751009R2	CEWX25V-10M,Chip elect.
C3142,C3143,C3144	332161040R1	CK725F1E-104Z1,Chip ceramic
C3146,C3147,C3157	332161040R1	CK725F1E-104Z1,Chip ceramic
C3148,C3154	342101024R1	CC725CH1H-102J1,Chip ceramic
C3170,C3172,C3181	332161040R1	CK725F1E-104Z1,Chip ceramic
C3175	3000116 or 3000089	EECS5R5V105 or DX-5R5V105,Super
C3196,C3206,C3226	332161040R1	CK725F1E-104Z1,Chip ceramic
C3229,C3319	342101204R1	CC725CH1H-120J1,Chip ceramic
C3317,C3337	332161040R1	CK725F1E-104Z1,Chip ceramic
C3320,C3362	342101204R1	CC725CH1H-120J1,Chip ceramic
C3322	332121045R1	CK725B1C-104K1,Chip ceramic
C3323	342102214R1	CC725CH1H-221J1,Chip ceramic
C3351,C3381	332161040R1	CK725F1E-104Z1,Chip ceramic
	Resistors	
R3101,R3120,R3121	435033304R1	RN72K1J-330JE,Chip carbon
R3102,R3104,R3110	43474433004R1	RM4KJ330X04,Array
R3107	417342724	R16J-2.7K,Carbon
R3109,R3111,R3112	435031034R1	RN72K1J-103JE,Chip carbon

R3116,R3382,R3386	43474418104R1	RM4KJ181X04,Array
R3117,R3118,R3119	435031034R1	RN72K1J-103JE,Chip carbon
R3122,R3123,R3125	435031034R1	RN72K1J-103JE,Chip carbon
R3124,R3140,R3143	43474433004R1	RM4KJ330X04,Array
R3131,R3139,R3152	435031034R1	RN72K1J-103JE,Chip carbon
R3133,R3134,R3135	435036834R1	RN72K1J-683JE,Chip carbon
R3136,R3153,R3159	435033304R1	RN72K1J-330JE,Chip carbon
R3144,R3148,R3160	43474433004R1	RM4KJ330X04,Array
R3147,3180,R3326	43474410304R1	RM4KJ103X04,Array
R3154,R3155,R3156	435031034R1	RN72K1J-103JE,Chip carbon
R3157,R3181	435034734R1	RN72K1J-473JE,Chip carbon
R3164,R3173,R3177	43474433004R1	RM4KJ330X04,Array
R3168,R3169,R3178	435033304R1	RN72K1J-330JE,Chip carbon
R3171,R3172,R3183	435031034R1	RN72K1J-103JE,Chip carbon
R3182,R3187,R3191	43474433004R1	RM4KJ330X04,Array
R3184	435031824R1	RN72K1J-182JE,Chip carbon
R3185,R3186,R3217	435033304R1	RN72K1J-330JE,Chip carbon
R3188,R3189,R3190	435031034R1	RN72K1J-103JE,Chip carbon
R3192,R3193,R3195	435031034R1	RN72K1J-103JE,Chip carbon
R3194,R3196	435032244R1	RN72K1J-224JE,Chip carbon
R3197,R3201,R3207	43474433004R1	RM4KJ330X04,Array
R3198,R3223,R3224	435031034R1	RN72K1J-103JE,Chip carbon
R3211,R3219,R3239	43474433004R1	RM4KJ330X04,Array
R3218,R3233	435030004R1	RN72K1J-000JE,Chip carbon
CIRCUIT NO.	PART NO.	DESCRIPTION
	Resistors	
R3229,R3230,R3231	435031034R1	RN72K1J-103JE,Chip carbon
R3232,R3236,R3271	435031034R1	RN72K1J-103JE,Chip carbon
R3234,R3235	435030004R1	RN72K1J-000JE,Chip carbon
R3301,R3306,R3307	435031034R1	RN72K1J-103JE,Chip carbon
R3302,R3303	435030004R1	RN72K1J-000JE,Chip carbon
R3304	435030004R1	RN72K1J-000JE,Chip carbon <D/DT/GT/A/K>
R3308,R3311,R3312	435031034R1	RN72K1J-103JE,Chip carbon
R3309,R3325,R3329	43474433004R1	RM4KJ330X04,Array
R3310,R3313	435032224R1	RN72K1J-222JE,Chip carbon
R3314,R3316,R3317	435033304R1	RN72K1J-330JE,Chip carbon
R3315	435034724R1	RN72K1J-472JE,Chip carbon
R3319	435031054R1	RN72K1J-105JE,Chip carbon
R3320,R3358,R3360	435030004R1	RN72K1J-000JE,Chip carbon
R3323	435031024R1	RN72K1J-102JE,Chip carbon
R3327,R3374,R3375	43474410304R1	RM4KJ103X04,Array
R3333,R3339,R3343	43474433004R1	RM4KJ330X04,Array
R3347,R3353,R3357	43474433004R1	RM4KJ330X04,Array
R3359,R3361,R3362	435031034R1	RN72K1J-103JE,Chip carbon
R3363	435031524R1	RN72K1J-152JE,Chip carbon

R3364	435038214R1	RN72K1J-821JE,Chip carbon
R3365,R3366	435031034R1	RN72K1J-103JE,Chip carbon
R3369,R3370	43474433004R1	RM4KJ330X04,Array
R3371,R3372	435033304R1	RN72K1J-330JE,Chip carbon
R3373,R3383	435031034R1	RN72K1J-103JE,Chip carbon
R3376,R3377,R3378	435035134R1	RN72K1J-513JE,Chip carbon
R3379,R3380,R3381	435036834R1	RN72K1J-683JE,Chip carbon
R3390,R3394	43474433004R1	RM4KJ330X04,Array
R3396	435031034R1	RN72K1J-103JE,Chip carbon <P>

Sockets

JL8002	200EE392615UL	NSAS-26P1451
P2001B,P2002B	25052979R2	IMSA-9850S-30Y903
P2204B,P2401B	25052979R2	IMSA-9850S-30Y903
P2501B,P3102B	25052979R2	IMSA-9850S-30Y903
P3107B,P3109B	25052979R2	IMSA-9850S-30Y903
P3108B	25052974R2	IMSA-9850S-20Y903
P3115B	25052979R2	IMSA-9850S-30Y903
P3501D	25053026R2	IMSA-9853S-28Y921
P7401B	25052982R2	IMSA-9828S-100Y900
P7501D	25053025R2	IMSA-9853S-20Y903
P8000B,P8001B	25052974R2	IMSA-9850S-20Y903
P8002B	25052971R2	IMSA-9850S-14Y903

Plugs

P3105B	25056360R2	MINI-CT-40P(4-353315-0)
P3106B	25056359R2	MINI-CT-38P(3-353315-8)
P3116C	25056294	PHDT-20P(B20B-PHDSS-B)
P3120B	25056389R2	SM12B-SRSS-TB
P3120C	25056390R2	SM13B-SRSS-TB
P3129	25056543	ISMA-9210B-1-08Z863-PT1
P3130C	25056297	PHDT-26P(B26B-PHDSS-B)
P3131	25055704	NPLG-8P660
P3132	25056543	ISMA-9210B-1-08Z863-PT1

Power supply circuit PC board(NAPS-8193-1A/1B/1C/1D/1E)

Constant voltage PC board(NAPS-8194-1A/1B/1C/1D/1E)

Constant voltage 2 PC board(NAPS-8195-1A/1B/1C/1D/1E)

Primary circuit PC board (NAPS-8196-1A/1B/1C/1D/1E)

Power switch PC board (NAPS-8197-1A/1B/1C/1D/1E)

12V trigger terminal PC board(NAETC-8198-1A) <D>

Connector power PC board(NAETC-8199-1A) <D>

CIRCUIT NO.	PART NO.	DESCRIPTION
	ICs	
Q5701	22241537R2	MPD4721GS
Q5721,Q9391	22278033FT	MPC29L33J
Q5801	22278012ENE	MPC29M12HF <D>
Q9321,Q9331	222780053JRCT	78L05(NJM78L05A)
Q9341,Q9345	22242097	NJM317F
Q9361	222780565JRC	78M56(NJM78M56FA)
Q9381	222780055	78M05HF
Q9401	222780094JRC	7809FA(NJM7809FA)
Q9421	222790054JRC	7905FA(NJM7905FA)
Q9431,Q9441	222780053JRCT	78L05(NJM78L05A)
	Transistors	
Q5751,Q5752,Q5753	2212855	2SB1068-U <O>
Q5754,Q5755	2212855	2SB1068-U <O>
Q5761,Q5762,Q5763	2214470R2 or	RN1402 or
Q5764,Q5765	2216220R2	KRA102S <O>
Q5771,Q5772,Q5773	2214470R2 or	RN1402 or
Q5781,Q5782,Q5783	2216220R2	KRA102S <O>
Q5851,Q5852,Q5853	2212855	2SB1068-U
Q5854,Q5855	2212855	2SB1068-U
Q5861,Q5862,Q5863	2214470R2 or	RN1402 or
Q5864,Q5865	2216220R2	KRA102S <D>
Q5871,Q5872,Q5873	2214470R2 or	RN1402 or
Q5881,Q5882,Q5883	2216220R2	KRA102S <D>
Q9201,Q9211	2214490R2 or	RN1404 or
	2216210R2	KRC104S
Q9202,Q9212,Q9363	2213145R2 or	2SC2712-GR or
Q9502	2216175R2	KTC3875-GR
Q9362,Q9402,Q9412	2212855	2SB1068-U
Q9365,Q9403,Q9413	2214470R2 or	RN1402 or
	2216220R2	KRA102S
Q9422	2215024T	2SD1468S-R
Q9423	2214530R2 or	RN2402 or
	2216220R2	KRA102S

Q9501	2211644	2SA965-Y
	Photo couplers	
Q5791,Q5792,Q5793	24120080	PC817X <O>
Q5891,Q5892,Q5893	24120080	PC817X
	Diodes	
D9101,D9102,D9103	22380260 or	RL1N4003 or
D9104,D9351,D9361	22380032 or	1SR139-100 or
D9362,D9401,D9402	22380035	GP104003E
D9201,D9211,D9371	223234R2 or	1SS352 or
D9372	223269R2	1SS355
D9403	224551200R2	UDZS12B
D9421,D9422,D9506	223234R2 or	1SS352 or
	223269R2	1SS355
D9502	22380022F or	RBV402 or
	22380271F or	D3SBA20 or
	22380285F	RS403M
D9503,D9504	22380260 or	RL1N4003 or
	22380032 or	1SR139-100 or
	22380035	GP104003E
D9505	224552700R2	UDZS27B
	Coil	
L5701	230948R2	BLM21A102F
	Capacitors	
C5701,C5702	394681007	CE04W50V-10M(VR),Elect.
C5703,C5704	394681007	CE04W50V-10M(VR),Elect.
C5705	394621017	CE04W6.3V-100M(VR),Elect.
C5706,C5707	332161040R1	CK725F1E-104Z1,Chip ceramic
CIRCUIT NO.	PART NO.	DESCRIPTION
	Capacitors	
C5721	394661007	CE04W35V-10M(VR),Elect.
C5722	394641017	CE04W16V-100M(VR),Elect.
C5751,C5752,C5753	335622230	CK45F50V-223Z,Ceramic <O>
C5754,C5755	335622230	CK45F50V-223Z,Ceramic <O>
C5771,C5772,C5773	394621017	CE04W6.3V-100M(VR),Elect. <O>
C5781,C5782,C5783	374722234	ECQ-B50V-223J,Plastic film <O>
C5801	394661007	CE04W35V-10M(VR),Elect. <D>
C5802	394641017	CE04W16V-100M(VR),Elect. <D>
C5851,C5852,C5853	335622230	CK45F50V-223Z,Ceramic <D>
C5854,C5855	335622230	CK45F50V-223Z,Ceramic <D>
C5871,C5872,C5873	394621017	CE04W6.3V-100M(VR),Elect. <D>
C5881,C5882,C5883	374722234	ECQ-B50V-223J,Plastic film <D>
C9001	3500196S or	! RE275V-103M or
	3500202S	! MKP R46 103M
C9002	3500222S	! DE1E3KX472MB5BA01,IS
C9101,C9102,C9104	374722234	ECQ-B50V-223J,Plastic film

C9103	393354717	CE04W25V-4700M(VR),Elect.
C9301,C9302,C9311	394561007	CE04W35V-10M(VZ),Elect.
C9312,C9321,C9322	394561007	CE04W35V-10M(VZ),Elect.
C9331,C9332,C9341	394561007	CE04W35V-10M(VZ),Elect.
C9342,C9345,C9352	394561007	CE04W35V-10M(VZ),Elect.
C9351,C9361	394651027S	CE04W25V-1000M(VR),Elect.
C9362,C9381,C9382	394561007	CE04W35V-10M(VZ),Elect.
C9391,C9401,C9402	394561007	CE04W35V-10M(VZ),Elect.
C9392	394531017	CE04W10V-100M(VZ),Elect.
C9403	394654727S	CE04W25V-4700M(VR),Elect.
C9404	394664717	CE04W35V-470M(VR) ,Elect.
C9405,C9511	332101035R1	CK725B1H-103K1,Chip ceramic
C9406	332112235R1	CK725B1E-223K1,Chip ceramic
C9411,C9412,C9421	394561007	CE04W35V-10M(VZ),Elect.
C9422,C9431,C9432	394561007	CE04W35V-10M(VZ),Elect.
C9441,C9442	394561007	CE04W35V-10M(VZ),Elect.
C9501,C9502	374723344	ECQ-V50V-334J,Plastic film
C9503,C9504	374723344	ECQ-V50V-334J,Plastic film
C9505	3500226S	CE04W16V-15000M(VK),Elect.
C9506	393344727S	CE04W16V-4700M(VX),Elect.
C9507	393364727S	CE04W35V-4700M(VX),Elect.
C9508	393362227S	CE04W35V-220M(VX),Elect.
C9509	394682217	CE04W50V-220M(VR),Elect.
C9510	394672217	CE04W63V-220M(VR),Elect.
C9512	332102235R1	CK725B1H-223K1,Chip ceramic
C9513,C9521,C9522	374722234	ECQ-B50V-223J,Plastic film
C9523	374722234	ECQ-B50V-223J,Plastic film
	Resistors	
R5701,R5702	435033314R1	RN72K1J-331JE,Chip carbon
R5703,R5704	435033314R1	RN72K1J-331JE,Chip carbon
R5711	435032214R1	RN72K1J-221JE,Chip carbon <O>
R5721	4000223 or	RXE040 or
	4000227	FRX020-60,Thermistor <O>
R5722,R5723,R5724	4000228 or	RXE020 or
R5725	4000226	FRX020-60,Thermistor <O>
R5731,R5732,R5733	435032224R1	RN72K1J-222JE,Chip carbon <O>
R5734,R5735	435032224R1	RN72K1J-222JE,Chip carbon <O>
R5741,R5742,R5743	435031024R1	RN72K1J-102JE,Chip carbon <O>
R5744,R5745	435031024R1	RN72K1J-102JE,Chip carbon <O>
R5751,R5752,R5753	435033324R1	RN72K1J-332JE,Chip carbon <O>
R5761,R5762,R5763	435031034R1	RN72K1J-103JE,Chip carbon <O>
R5771,R5772,R5773	435031034R1	RN72K1J-103JE,Chip carbon <O>
R5781,R5782,R5783	435031014R1	RN72K1J-101JE,Chip carbon <O>
R5801	4000225 or	FRX010-60 or
	4000213	RXE010,Thermistor <D>

R5811	435032214R1	RN72K1J-221JE,Chip carbon <D>
R5821	4000227 or 4000223	FRX020-60 or RXE040,Thermistor <D>
R5822,R5823	4000228 or	RXE020 <D>
R5824,R7825	4000226	FRX020-60,Thermistor <D>
R5831,R5832,R5833	435032224R1	RN72K1J-222JE,Chip carbon <D>
CIRCUIT NO.	PART NO.	DESCRIPTION
	Resistors	
R5834,R5835	435032224R1	RN72K1J-222JE,Chip carbon <D>
R5841,R5842,R5843	435031024R1	RN72K1J-102JE,Chip carbon <D>
R5844,R5845	435031024R1	RN72K1J-102JE,Chip carbon <D>
R5851,R5852,R5853	435033324R1	RN72K1J-332JE,Chip carbon <D>
R5861,R5862,R5863	435031034R1	RN72K1J-103JE,Chip carbon <D>
R5871,R5872,R5873	435031034R1	RN72K1J-103JE,Chip carbon <D>
R5881,R5882,R5883	435031014R1	RN72K1J-101JE,Chip carbon <D>
R7824,R7825	4000226	FRX020-60,Thermistor <D>
R9001	4000147	S5R114,Thermistor <P/GT/K/A>
R9001	4000148	M3R014C,Thermistor <D/DT>
R9101	453536894	RNU1/2WCJ-0.68,Metal
R9102	453530474	RNU1/2WCJ-4.7,Metal
R9103	435034724R1	RN72K1J-472JE,Chip carbon
R9104	443522714	RS1/2WBJ-270,Metal oxide
R9202,R9212	435031034R1	RN72K1J-103JE,Chip carbon
R9211	435030004R1	RN72K1J-000JE,Chip carbon
R9301	453636894	RNU1WCJ-0.68,Metal
R9311	453630184	RNU1WCJ-1.8,Metal
R9321,R9403	453534794	RNU1/2WCJ-0.47,Metal
R9323,R9333,R9393	415473304	R25J-33,NF carbon
R9343,R9345	435033904R1	RN72K1J-390JE,Chip carbon
R9344,R9346	435031214R1	RN72K1J-121JE,Chip carbon
R9351,R9501,R9506	453530224	RNU1/2WCJ-2.2,Metal
R9361	453530104	RNU1/2WCJ-1,Metal
R9362,R9364	435033324R1	RN72K1J-332JE,Chip carbon
R9363	435032234R1	RN72K1J-223JE,Chip carbon
R9371,R9408,R9413	435031024R1	RN72K1J-102JE,Chip carbon
R9372	435032714R1	RN72K1J-271JE,Chip carbon
R9381	443522704	RS1/2WBJ-27,Metal oxide
R9391,R9392	441623394F	RS1WBJ-0.33,Metal oxide
R9401	453530274	RNU1/2WCJ-2.7,Metal
R9404,R9411	453534794	RNU1/2WCJ-0.47,Metal
R9405	435031224R1	RN72K1J-122JE,Chip carbon
R9407,R9505	435033334R1	RN72K1J-333JE,Chip carbon
R9409,R9414,R9424	435034734R1	RN72K1J-473JE,Chip carbon
R9421	453538294	RNU1/2WCJ-0.82,Metal
R9423,R9508	435031024R1	RN72K1J-102JE,Chip carbon

R9432	452538294F	RNU1/2WCJ-0.82,Metal
R9433,R9443	415473304	R25J-33,NF carbon
R9441	452532294F	RNU1/2WCJ-0.22,Metal
R9502	443522204	RS1/2WBJ-22,Metal oxide
R9503	435031534R1	RN72K1J-153JE,Chip carbon
R9507	453530824	RNU1/2WCJ-8.2,Metal
	Relays	
RL9001,RL9002	25065584	! NRL-1P10A-DC12-140
RL9501	25065659	NRL-2P2A-DC24-174
	Switch	
S9001	25035636	! NPS-111-L590P
	AC inlet	
P9001A	25055960	! NPLG-2P913
	Fuse	
R9331	252181	! 3.5A-UL/T-251
	Fuse holders	
F9001A,F9001B	25052133	! NSCT-1P2031
F9501A,F9501B	25052133	! NSCT-1P2031
F9502A,F9502B	25052133	! NSCT-1P2031
F9503A,F9503B	25052133	! NSCT-1P2031
F9504A,F9504B	25052133	! NSCT-1P2031
	Terminals	
P5751,P5752,P5753	25045647	HSJ1002-01-1020 <O>
P5761,P5762,P5763	25045647	HSJ1002-01-1020 <O>
P5801,P5804	25045696	LGY2502-0200C <D>
	Sockets	
JL9421B	25050267	NSCT-3P95
P5611B,P5612B	25051240	NSCT-15P1030 <D>
P5701	25052379	NSCT-9P2277
P3116	2009990858UL	NSAS-40P1301
CIRCUIT NO.	PART NO.	DESCRIPTION
	Sockets	
P3130	2009990878UL	NSAS-60P1337
P9003	2009990864UL	NSAS-2P1307
P9004	2009990866UL	NSAS-2P1309
P9005	2009990865AUL	NSAS-2P1308
P9502	2009990859AUL	NSAS-44P1302
JL9421A	25051107	NSCT-3P894
	Plugs	
P3120A	25056297	PHDT-26P(B26B-PHDSS-B)
P4864A	25055157	NPLG-13P141
P5611A,P5612A	25055711	NPLG-15P667 <D>
P5802	25056330	PLUG5P(1546179-5) <D>
P5803	25056331	PLUG6P(1546179-6) <D>
P9002,P9004C	25055676	NPLG-2P632

P9003C	25056455	S02B-VT
P9005C	25055174	NPLG-2P158
P9501	25055171	NPLG-8P155
P9502C	25056295	PHDT-22P(B22B-PHDSS-B)
	Labels	
F9501C	29362027	6.3A/125V,Fuse rating <DT/J>
F9001C,F9503C	29361747	T2.5AL250V <P/GT/A/K>
F9501C	29361681	T6.3AL/250V <P/GT/A/K>
	Radiator	
Q9341A	27160548A	RAD-198
	Clamps	
P9101	260226	CP-2S
P9112	260224	CP-1S
	Screws	
Q9341B,Q9345A	801612	3TTB+8B(CU),Self-tapping
Q9361A,Q9381A	801612	3TTB+8B(CU),Self-tapping

S video terminal PC board (NAVD-8201-1B) <P/DT/GT/A/K>

Component video PC board(NAVD-8202-1B) <P/DT/GT/A/K>

Connector video 2 PC board(NAETC-8203-1B) <P/DT/GT/A/K>

CIRCUIT NO.	PART NO.	DESCRIPTION
	ICs	
Q2001	22242104R2	TC7WBD125AFK
	22274541GR2TO or	TC74VHCT541AFT or
	22274541GR2PH	74AHCT541PW
Q2004,Q2011	22241884R2	LC74761M-9848
Q2005,Q2012,Q2029	22242090R2	BU2152FS
Q2008,Q2009,Q2019	22241443R2	TK15420M
Q2013,Q2046	22242137R2	TC7W53FK
Q2014,Q2015,Q2016	22242109R2	MM1117XFBE
Q2017,Q2030,Q2031	2227B0525R2	TC74HC4052AFT
Q2026,Q2027,Q2028	2227B0515R2	TC74HC4051AFT
Q2032,Q2033,Q2034	2227B0515R2	TC74HC4051AFT
Q2035,Q2036	2227B0525R2	TC74HC4052AFT
Q2037,Q2038,Q2039	2227B0515R2	TC74HC4051AFT
Q2040,Q2041,Q2042	22241443R2	TK15420M
Q2043,Q2050,Q2203	22241443R2	TK15420M
Q2201	22241858R2	MM1093NF
Q2202	22241998R2	MM1093PF
Q2204	22242109R2	MM1117XFBE
Q2206	22241850R2	TC90A69F
Q2207	22241999	TA8772AN
Q2208,Q2230,Q2232	22241443R2	TK15420M
Q2213,Q2215	2227B0525R2	TC74HC4052AFT
Q2216	22241851R3	TA1270BF

Q2217	22241440R2	MAX4018ESD
Q2228	22241442R2	MAX4218ESD
Q2233	22241443R2	TK15420M
Q2235	22241465R2	LA7106MFP
	Transistors	
Q2007,Q2018,Q2020	2213145R2	2SC2712-GR
Q2021,Q2023,Q2025	2214490R2 or	RN1404 or
Q2225	2216210R2	KRC104S
Q2022,Q2024,Q2205	2213145R2	2SC2712-GR
CIRCUIT NO.	PART NO.	DESCRIPTION
	Transistors	
Q2047,Q2048	2214375R2	2SA1162-GR
Q2049,Q2236	2214375R2	2SA1162-GR
Q2209,Q2210,Q2211	2213145R2	2SC2712-GR
Q2212,Q2227	2213145R2	2SC2712-GR
Q2214	2214460R2 or	RN1401 or
	2216330R2	KRC101S
Q2218,Q2220,Q2221	2214530R2 or	RN2402 or
	2216220R2	KRA102S
Q2219,Q2222,Q2223	2216031R2	RN1444-A
Q2224,Q2226	2214460R2 or	RN1401 or
Q2229,Q2231,Q2234	2216210R2	KRC104S
	Diodes	
D2001,D2002,D2003	223234R2 or	1SS352 or
D2004,D2005,D2006	223269R2	1SS355
D2007,D2008,D2201	223234R2 or	1SS352 or
D2202,D2203,D2204	223269R2	1SS355
D2205,D2206,D2207	223234R2 or	1SS352 or
D2208,D2210,D2212	223269R2	1SS355
	Coils	
L2001,L2003	231292J056R2	NCH-1572
L2002,L2004	231237M022R2	NCH-1471
L2201	231237K330R2	NCH-1478
L2202,L2203,L2206	231237K220R2	NCH-1477
L2204,L2205,L2207	231237K101R2	NCH-1481
L2208,L2209	231237K220R2	NCH-1477
L2210,L2211	231237K220R2	NCH-1477
L2212,L2213	231237K470R2	NCH-1479
	Oscillators	
X2001,X2003	3010363	HC-49/U0314.318M
X2002,X2004	3010364	HC-49/U0317.734M
X2201,X2203	3010369	HC-49/U033.579545M
X2202,X2205	3010381	HC-49/U034.433619M
X2204	3010370	CSBLA503KECZF30,Ceramic
	Capacitors	

C2001,C2013,C2014	332161040R1	CK725F1E-104Z1,Chip ceramic
C2002,C2041	342101002R1	CC725CH1H-100D1,Chip ceramic
C2003,C2042	342101804R1	CC725CH1H-180J1,Chip ceramic
C2004,C2043	342103304R1	CC725CH1H-330J1,Chip ceramic
C2005,C2044	342100802R1	CC725CH1H-080D1,Chip ceramic
C2007,C2026,C2048	394680107 or 394780107	CE04W50V-1M(VR) or CE04W50V-1M(SC),Elect.
C2008,C2025	342104704R1	CC725CH1H-470J1,Chip ceramic
C2015,C2029,C2030	394621017 or 394721017	CE04W6.3V-100M(VR) or CE04W6.3V-100M(SC),Elect.
C2031,C2053,C2054	342108204R1	CC725CH1H-820J1,Chip ceramic
C2016,C2038,C2039	332161040R1	CK725F1E-104Z1,Chip ceramic
C2017,C2028,C2032	394641007 or 394741007	CE04W16V-10M(VR) or CE04W16V-10M(SC),Elect.
C2018,C2057,C2058	394683397	CE04W50V-0.33M(VR),Elect.
C2019,C2067	374726824	ECQ-B50V-682J,Plastic film
C2020,C2068	342102704R1	CC725CH1H-270J1,Chip ceramic
C2021,C2069	342102204R1	CC725CH1H-220J1,Chip ceramic
C2022,C2070,C2229	332101225R1	CK725B1H-122K1,Chip ceramic
C2023,C2071,C2212	374722234	ECQ-B50V-223J,Plastic film
C2024	394684797 or 394784797	CE04W50V-0.47M(VR) or CE04W50V0.47M(SC),Elect.
C2027,C2076	375524744	MMT50V-474J,Plastic
C2033,C2092	332161040R1	CK725F1E-104Z1,Chip ceramic
C2034,C2035,C2036	332161040R1	CK725F1E-104Z1,Chip ceramic
C2037,C2045,C2046	394661017	CE04W35V-100M(VR),Elect.
C2040	342104704R1	CC725CH1H-470J1,Chip ceramic
C2049,C2072	332161040R1	CK725F1E-104Z1,Chip ceramic
C2056,C2065,C2075	394641007 or 394741007	CE04W16V-10M(VR) or CE04W16V-10M(SC),Elect.
C2059,C2060,C2061	394621017 or 394721017	CE04W6.3V-100M(VR) or CE04W6.3V-100M(SC),Elect.
C2066,C2180,C2184	374722234	ECQ-B50V-223J,Plastic film
C2062,C2063,C2064		
C2073,C2297		
CIRCUIT NO.	PART NO.	DESCRIPTION
	Capacitors	
C2074,C2269,C2270	394680107 or 394780107	CE04W50V-1M(VR) or CE04W50V-1M(SC),Elect.
C2077,C2078,C2082	332161040R1	CK725F1E-104Z1,Chip ceramic
C2079,C2080,C2085	394621017 or 394721017	CE04W6.3V-100M(VR) or CE04W6.3V-100M(SC),Elect.
C2081,C2086,C2089	394644707 or 394744707	CE04W16V-47M(VR) or CE04W16V-47M(SC),Elect.
C2083,C2143,C2144	394622217 or 394722217	CE04W6.3V-220M(VR) or CE04W6.3V-220M(SC),Elect.
C2084,C2087,C2088	332161040R1	CK725F1E-104Z1,Chip ceramic

C2090,C2091,C2093	332161040R1	CK725F1E-104Z1,Chip ceramic
C2094,C2095,C2096	332161040R1	CK725F1E-104Z1,Chip ceramic
C2097,C2098,C2099	332161040R1	CK725F1E-104Z1,Chip ceramic
C2100,C2101,C2102	332161040R1	CK725F1E-104Z1,Chip ceramic
C2103,C2104,C2105	332161040R1	CK725F1E-104Z1,Chip ceramic
C2106,C2107,C2108	332161040R1	CK725F1E-104Z1,Chip ceramic
C2109,C2110,C2111	332161040R1	CK725F1E-104Z1,Chip ceramic
C2112,C2113,C2114	332161040R1	CK725F1E-104Z1,Chip ceramic
C2115,C2116,C2117	332161040R1	CK725F1E-104Z1,Chip ceramic
C2118,C2119,C2120	332161040R1	CK725F1E-104Z1,Chip ceramic
C2121,C2122,C2123	332161040R1	CK725F1E-104Z1,Chip ceramic
C2124,C2125,C2126	332161040R1	CK725F1E-104Z1,Chip ceramic
C2127,C2207,C2208	394621017 or 394721017	CE04W6.3V-100M(VR) or CE04W6.3V-100M(SC),Elect.
C2128,C2129,C2130	332161040R1	CK725F1E-104Z1,Chip ceramic
C2131,C2132,C2133	332161040R1	CK725F1E-104Z1,Chip ceramic
C2134,C2135,C2136	332161040R1	CK725F1E-104Z1,Chip ceramic
C2137,C2138	394621017	CE04W6.3V-100M(VR),Elect.
C2139,C2140,C2141	332161040R1	CK725F1E-104Z1,Chip ceramic
C2142,C2145	394622217	CE04W6.3V-220M(SC),Elect.
C2147,C2148,C2149	332161040R1	CK725F1E-104Z1,Chip ceramic
C2150,C2151,C2154	332161040R1	CK725F1E-104Z1,Chip ceramic
C2152,C2153,C2155	394622217 or 394722217	CE04W6.3V-220M(VR) or CE04W6.3V-220M(SC),Elect.
C2156,C2158,C2159	332161040R1	CK725F1E-104Z1,Chip ceramic
C2157,C2160,C2163	394622217 or 394722217	CE04W6.3V-220M(VR) or CE04W6.3V-220M(SC),Elect.
C2161,C2162,C2164	394622217 or 394722217	CE04W6.3V-220M(VR) or CE04W6.3V-220M(SC),Elect.
C2165,C2167,C2168	394622217 or 394722217	CE04W6.3V-220M(VR) or CE04W6.3V-220M(SC),Elect.
C2166,C2176,C2177	332161040R1	CK725F1E-104Z1,Chip ceramic
C2169,C2170,C2171	332153330R1	CK725F1H-333Z1,Chip ceramic
C2181,C2183,C2268	394622217 or 394722217	CE04W6.3V-220M(VR) or CE04W6.3V-220M(SC),Elect.
C2182,C2209,C2210	332161040R1	CK725F1E-104Z1,Chip ceramic
C2201,C2202,C2241	394684797 or 394784797	CE04W50V-0.47M(VR) or CE04W50V0.47M(SC),Elect.
C2250,C2251	342103914R1	CC725CH1H-391J1,Chip ceramic
C2203,C2204	342115614R1	CC725CH1E-561J1,Chip ceramic
C2205,C2206	394680227 or 394780227	CE04W50V-2.2M(VR) or CE04W50V-2.2M(SC),Elect.
C2211,C2213	332151030R1	CK725F1H-103Z1,Chip ceramic
C2211,C2213 or	394680477 or 394780477	CE04W50V-4.7M(VR) or CE04W50V-4.7M(SC),Elect.
C2214,C2217,C2218	342105604R1	CC725CH1H-560J1,Chip ceramic
C2215,C2216	342100802R1	CC725CH1H-080D1,Chip ceramic
C2219,C2220		
C2221,C2223		

C2222,C2224	342106804R1	CC725CH1H-680J1,Chip ceramic
C2230,C2266,C2267	342101204R1	CC725CH1H-120J1,Chip ceramic
C2231,C2232,C2233	332151030R1	CK725F1H-103Z1,Chip ceramic
C2234,C2244,C2245	332151030R1	CK725F1H-103Z1,Chip ceramic
C2235,C2236,C2239	394644707 or	CE04W16V-47M(VR) or
C2240,C2296,C2306	394744707	CE04W16V-47M(SC),Elect.
C2237,C2238,C2263	394621017 or	CE04W6.3V-100M(VR) or
	394721017	CE04W6.3V-100M(SC),Elect.
C2242,C2243,C2249	332161040R1	CK725F1E-104Z1,Chip ceramic
C2246,C2247,C2252	332151030R1	CK725F1H-103Z1,Chip ceramic
C2248	394641007 or	CE04W16V-10M(VR) or
	394741007	CE04W16V-10M(SC),Elect.
CIRCUIT NO.	PART NO.	DESCRIPTION
	Capacitors	
C2253,C2254,C2255	332161040R1	CK725F1E-104Z1,Chip ceramic
C2256,C2257,C2271	332161040R1	CK725F1E-104Z1,Chip ceramic
C2258,C2259,C2260	332151030R1	CK725F1H-103Z1,Chip ceramic
C2261	374726814	ECQ-B50V-681J,Plastic film
C2262,C2290,C2293	374721044	ECQ-V50V-104J,Plastic film
C2264,C2265	342102204R1	CC725CH1H-220J1,Chip ceramic
C2272,C2303,C2315	332151030R1	CK725F1H-103Z1,Chip ceramic
C2273,C2274,C2276	332161040R1	CK725F1E-104Z1,Chip ceramic
C2275	394680107 or	CE04W50V-1M(VR) or
	394780107	CE04W50V-1M(SC),Elect.
C2277,C2278,C2279	332161040R1	CK725F1E-104Z1,Chip ceramic
C2280,C2281,C2285	332161040R1	CK725F1E-104Z1,Chip ceramic
C2284,C2313,C2316	394621017 or	CE04W6.3V-100M(VR) or
	394721017	CE04W6.3V-100M(SC),Elect.
C2286,C2288,C2308	394622217 or	CE04W6.3V-220M(VR) or
	394722217	CE04W6.3V-220M(SC),Elect.
C2287,C2289,C2292	332161040R1	CK725F1E-104Z1,Chip ceramic
C2291,C2301	394680227 or	CE04W50V-2.2M(VR) or
	394780227	CE04W50V-2.2M(SC),Elect.
C2294,C2320	342105604R1	CC725CH1H-560J1,Chip ceramic
C2295,C2298,C2302	332161040R1	CK725F1E-104Z1,Chip ceramic
C2299	374722224	ECQ-B50V-222J,Plastic film
C2300	394682297	CE04W50V-0.22M(VR),Elect.
C2304,C2305,C2310	332161040R1	CK725F1E-104Z1,Chip ceramic
C2307,C2318	394644707 or	CE04W16V-47M(VR) or
C2307,C2318 or	394744707	CE04W16V-47M(SC),Elect.
C2309,C2334,C2335	394622217 or	CE04W6.3V-220M(VR) or
	394722217	CE04W6.3V-220M(SC),Elect.
C2311,C2312,C2314	332161040R1	CK725F1E-104Z1,Chip ceramic
C2317,C2319,C2321	332161040R1	CK725F1E-104Z1,Chip ceramic
C2322,C2323,C2324	332161040R1	CK725F1E-104Z1,Chip ceramic

C2325,C2330,C2331	332153330R1	CK725F1H-333Z1,Chip ceramic
C2326,C2328,C2329	332161040R1	CK725F1E-104Z1,Chip ceramic
C2332,C2333,C2345	332161040R1	CK725F1E-104Z1,Chip ceramic
C2336,C2337,C2338	394622217 or 394722217	CE04W6.3V-220M(VR) or CE04W6.3V-220M(SC),Elect.
C2339,C2340,C2341	394622217 or 394722217	CE04W6.3V-220M(VR) or CE04W6.3V-220M(SC),Elect.
C2342	394622217 or 394722217	CE04W6.3V-220M(VR) or CE04W6.3V-220M(SC),Elect.
C2343,C2344	394621017	CE04W6.3V-100M(VR),Elect.

Resistors

R2001,R2002,R2022	435033314R1	RN72K1J-331JE,Chip carbon
R2003,R2233	435031224R1	RN72K1J-122JE,Chip carbon
R2004,R2005,R2006	435034714R1	RN72K1J-471JE,Chip carbon
R2007,R2029,R2042	435032224R1	RN72K1J-222JE,Chip carbon
R2008,R2035,R2043	435031014R1	RN72K1J-101JE,Chip carbon
R2009,R2011,R2044	435031214R1	RN72K1J-121JE,Chip carbon
R2010,R2023,R2024	435031524R1	RN72K1J-152JE,Chip carbon
R2012,R2047	435038244R1	RN72K1J-824JE,Chip carbon
R2013,R2021	435034734R1	RN72K1J-473JE,Chip carbon
R2014,R2020,R2038	435031024R1	RN72K1J-102JE,Chip carbon
R2015,R2017,R2031	435036824R1	RN72K1J-682JE,Chip carbon
R2016,R2051	435032724R1	RN72K1J-272JE,Chip carbon
R2018,R2053,R2265	435033324R1	RN72K1J-332JE,Chip carbon
R2019,R2054,R2150	435032214R1	RN72K1J-221JE,Chip carbon
R2025,R2026,R2045	435031524R1	RN72K1J-152JE,Chip carbon
R2027,R2028,R2071	435035634R1	RN72K1J-563JE,Chip carbon
R2030,R2033,R2034	435031824R1	RN72K1J-182JE,Chip carbon
R2032,R2301,R2309	435031834R1	RN72K1J-183JE,Chip carbon
R2036,R2093,R2117	435031034R1	RN72K1J-103JE,Chip carbon
R2037,R2097,R2142	435038224R1	RN72K1J-822JE,Chip carbon
R2039,R2040,R2041	435034714R1	RN72K1J-471JE,Chip carbon
R2046,R2096,R2146	435031214R1	RN72K1J-121JE,Chip carbon
R2048,R2056	435034734R1	RN72K1J-473JE,Chip carbon
R2049,R2055,R2070	435031024R1	RN72K1J-102JE,Chip carbon
R2050,R2052,R2081	435036824R1	RN72K1J-682JE,Chip carbon

CIRCUIT NO.

PART NO.

DESCRIPTION

R2057,R2217	435033314R1	RN72K1J-331JE,Chip carbon
R2058,R2059,R2060	435036804R1	RN72K1J-680JE,Chip carbon
R2061,R2062,R2063	435033334R1	RN72K1J-333JE,Chip carbon
R2064,R2065,R2066	435033334R1	RN72K1J-333JE,Chip carbon
R2067,R2068,R2069	435032224R1	RN72K1J-222JE,Chip carbon
R2072,R2073,R2074	435031014R1	RN72K1J-101JE,Chip carbon
R2075,R2094,R2095	435031014R1	RN72K1J-101JE,Chip carbon

R2076,R2079,R2254	435031044R1	RN72K1J-104JE,Chip carbon
R2077,R2078,R2108	435035634R1	RN72K1J-563JE,Chip carbon
R2080,R2083,R2088	435031824R1	RN72K1J-182JE,Chip carbon
R2082,R2329	435036824R1	RN72K1J-682JE,Chip carbon
R2084,R2198,R2339	435031234R1	RN72K1J-123JE,Chip carbon
R2085,R2086,R2288	435032224R1	RN72K1J-222JE,Chip carbon
R2087,R2110,R2119	435031534R1	RN72K1J-153JE,Chip carbon
R2089,R2090,R2091	435031824R1	RN72K1J-182JE,Chip carbon
R2092,R2143	435036834R1	RN72K1J-683JE,Chip carbon
R2098,R2149	435031524R1	RN72K1J-152JE,Chip carbon
R2099,R2100,R2107	435031014R1	RN72K1J-101JE,Chip carbon
R2101,R2102,R2103	435037504R1	RN72K1J-750JE,Chip carbon
R2104,R2105,R2106	435037504R1	RN72K1J-750JE,Chip carbon
R2109,R2251,R2252	435035634R1	RN72K1J-563JE,Chip carbon
R2111,R2112,R2113	435037504R1	RN72K1J-750JE,Chip carbon
R2114,R2115,R2116	435037504R1	RN72K1J-750JE,Chip carbon
R2118,R2127,R2128	435031034R1	RN72K1J-103JE,Chip carbon
R2120,R2129,R2138	435031824R1	RN72K1J-182JE,Chip carbon
R2121,R2122,R2123	435037504R1	RN72K1J-750JE,Chip carbon
R2124,R2125,R2126	435037504R1	RN72K1J-750JE,Chip carbon
R2130,R2131,R2132	435037504R1	RN72K1J-750JE,Chip carbon
R2133,R2134,R2135	435037504R1	RN72K1J-750JE,Chip carbon
R2136,R2137,R2140	435031034R1	RN72K1J-103JE,Chip carbon
R2139,R2178,R2180	435031824R1	RN72K1J-182JE,Chip carbon
R2141,R2200,R2218	435031024R1	RN72K1J-102JE,Chip carbon
R2144,R2223,R2224	435031014R1	RN72K1J-101JE,Chip carbon
R2145,R2152,R2154	435031034R1	RN72K1J-103JE,Chip carbon
R2148	435031514R1	RN72K1J-151JE,Chip carbon
R2151,R2153,R2155	435032214R1	RN72K1J-221JE,Chip carbon
R2156,R2157,R2158	435032214R1	RN72K1J-221JE,Chip carbon
R2159,R2184,R2188	435032214R1	RN72K1J-221JE,Chip carbon
R2160,R2161,R2162	435031034R1	RN72K1J-103JE,Chip carbon
R2163,R2164,R2165	435031034R1	RN72K1J-103JE,Chip carbon
R2166,R2167,R2168	435031034R1	RN72K1J-103JE,Chip carbon
R2169,R2170,R2171	435031034R1	RN72K1J-103JE,Chip carbon
R2172,R2173,R2174	435031034R1	RN72K1J-103JE,Chip carbon
R2175,R2176,R2177	435031034R1	RN72K1J-103JE,Chip carbon
R2179,R2183,R2196	435031534R1	RN72K1J-153JE,Chip carbon
R2181,R2182,R2275	435031824R1	RN72K1J-182JE,Chip carbon
R2185,R2186,R2187	435031034R1	RN72K1J-103JE,Chip carbon
R2189,R2190,R2191	435031034R1	RN72K1J-103JE,Chip carbon
R2192,R2193,R2207	435031034R1	RN72K1J-103JE,Chip carbon
R2194,R2195,R2285	435034714R1	RN72K1J-471JE,Chip carbon
R2197,R2201,R2202	435031534R1	RN72K1J-153JE,Chip carbon
R2203,R2204	435033914R1	RN72K1J-391JE,Chip carbon

CIRCUIT NO.	PART NO.	DESCRIPTION
R2205,R2206	435031054R1	RN72K1J-105JE,Chip carbon
R2208,R2211,R2213	435031034R1	RN72K1J-103JE,Chip carbon
R2209,R2210	435033914R1	RN72K1J-391JE,Chip carbon
R2214,R2241,R2242	435031034R1	RN72K1J-103JE,Chip carbon
R2216,R2244	435035604R1	RN72K1J-560JE,Chip carbon
R2219,R2220,R2228	435038214R1	RN72K1J-821JE,Chip carbon
R2221,R2234,R2235	435031024R1	RN72K1J-102JE,Chip carbon
R2222	435031132R1	RN72K1J-113FE,Chip carbon
R2225,R2226	435033314R1	RN72K1J-331JE,Chip carbon
R2227,R2239,R2240	435031014R1	RN72K1J-101JE,Chip carbon
R2229,R2230,R2231	435038214R1	RN72K1J-821JE,Chip carbon
R2232	435035624R1	RN72K1J-562JE,Chip carbon
R2236,R2253,R2255	435032214R1	RN72K1J-221JE,Chip carbon
R2237,R2238,R2384	435031024R1	RN72K1J-102JE,Chip carbon
R2243,R2245,R2246	435031014R1	RN72K1J-101JE,Chip carbon
CIRCUIT NO.	PART NO.	DESCRIPTION
	Resistors	
R2247,R2249,R2250	435031014R1	RN72K1J-101JE,Chip carbon
R2248,R2256,R2257	435031034R1	RN72K1J-103JE,Chip carbon
R2258,R2260	435031814R1	RN72K1J-181JE,Chip carbon
R2259,R2286,R2305	435031034R1	RN72K1J-103JE,Chip carbon
R2261,R2262,R2269	435031014R1	RN72K1J-101JE,Chip carbon
R2263,R2294,R2298	435031044R1	RN72K1J-104JE,Chip carbon
R2266,R2267,R2272	435033334R1	RN72K1J-333JE,Chip carbon
R2268	435033344R1	RN72K1J-334JE,Chip carbon
R2270,R2283,R2295	435031014R1	RN72K1J-101JE,Chip carbon
R2271,R2273,R2297	435035634R1	RN72K1J-563JE,Chip carbon
R2274,R2277	435031534R1	RN72K1J-153JE,Chip carbon
R2276,R2278,R2279	435031824R1	RN72K1J-182JE,Chip carbon
R2280,R2360,R2366	435032214R1	RN72K1J-221JE,Chip carbon
R2282	435036804R1	RN72K1J-680JE,Chip carbon
R2287,R2387,R2388	435033334R1	RN72K1J-333JE,Chip carbon
R2289,R2302	435034724R1	RN72K1J-472JE,Chip carbon
R2290,R2311,R2316	435037514R1	RN72K1J-751JE,Chip carbon
R2291,R2312,R2317	435036814R1	RN72K1J-681FE,Chip carbon
R2292,R2293	435034714R1	RN72K1J-471JE,Chip carbon
R2296,R2306,R2307	435031014R1	RN72K1J-101JE,Chip carbon
R2299,R2303,R2304	435031824R1	RN72K1J-182JE,Chip carbon
R2300,R2333	435032224R1	RN72K1J-222JE,Chip carbon
R2308,R2332,R2342	435031824R1	RN72K1J-182JE,Chip carbon
R2310,R2315,R2330	435031034R1	RN72K1J-103JE,Chip carbon
R2313,R2319	435034724R1	RN72K1J-472JE,Chip carbon
R2314,R2318,R2320	435031014R1	RN72K1J-101JE,Chip carbon
R2321,R2322,R2323	435037504R1	RN72K1J-750JE,Chip carbon
R2324,R2326,R2327	435037504R1	RN72K1J-750JE,Chip carbon

R2325,R2390,R2391	435035634R1	RN72K1J-563JE,Chip carbon
R2328	435031044R1	RN72K1J-104JE,Chip carbon
R2331,R2334,R2335	435031034R1	RN72K1J-103JE,Chip carbon
R2336,R2337,R2338	435037504R1	RN72K1J-750JE,Chip carbon
R2340,R2341,R2357	435031034R1	RN72K1J-103JE,Chip carbon
R2343,R2345	435031824R1	RN72K1J-182JE,Chip carbon
R2346,R2347	435031524R1	RN72K1J-152JE,Chip carbon
R2348,R2349,R2350	435037504R1	RN72K1J-750JE,Chip carbon
R2351,R2352,R2353	435037504R1	RN72K1J-750JE,Chip carbon
R2354,R2355,R2356	435037504R1	RN72K1J-750JE,Chip carbon
R2358,R2359,R2363	435031034R1	RN72K1J-103JE,Chip carbon
R2367,R2368,R2369	435032214R1	RN72K1J-221JE,Chip carbon
R2370,R2371,R2398	435032214R1	RN72K1J-221JE,Chip carbon
R2372,R2373,R2374	435031034R1	RN72K1J-103JE,Chip carbon
R2375,R2376,R2377	435031034R1	RN72K1J-103JE,Chip carbon
R2378,R2379,R2380	435031034R1	RN72K1J-103JE,Chip carbon
R2381,R2382,R2383	435031034R1	RN72K1J-103JE,Chip carbon
R2385,R2386,R2446	435031024R1	RN72K1J-102JE,Chip carbon
R2389,R2445	435033334R1	RN72K1J-333JE,Chip carbon
R2392,R2444	435035634R1	RN72K1J-563JE,Chip carbon
R2396,R2448,R2451	435031034R1	RN72K1J-103JE,Chip carbon
R2397,R2411,R2418	435031014R1	RN72K1J-101JE,Chip carbon
R2399,R2400,R2403	435032214R1	RN72K1J-221JE,Chip carbon
R2401,R2402,R2405	435030004R1	RN72K1J-000JE,Chip carbon
R2404,R2407,R2408	435032214R1	RN72K1J-221JE,Chip carbon
R2406,R2432,R2433	435030004R1	RN72K1J-000JE,Chip carbon
R2415,R2416,R2419	435037504R1	RN72K1J-750JE,Chip carbon
R2421,R2422	435037504R1	RN72K1J-750JE,Chip carbon
R2424,R2425	435032214R1	RN72K1J-221JE,Chip carbon
R2426,R2430	435032214R1	RN72K1J-221JE,Chip carbon
R2427,R2447	435034714R1	RN72K1J-471JE,Chip carbon
R2438,R2439,R2440	435032204R1	RN72K1J-220JE,Chip carbon
R2441,R2242,R2243	435035604R1	RN72K1J-560JE,Chip carbon
R2449	435031014R1	RN72K1J-101JE,Chip carbon
R2450	435031204R1	RN72K1J-120JE,Chip carbon
	Relays	
RL2201,RL2202	25065662R2	NPL-2P2A-DC24-177
RL2203,RL2204	25065662R2	NPL-2P2A-DC24-177
RL2206,RL2207	25065662R2	NPL-2P2A-DC24-177
CIRCUIT NO.	PART NO.	DESCRIPTION
	Relays	
RL2208,RL2209	25065662R2	NPL-2P2A-DC24-177
RL2210	25065662R2	NPL-2P2A-DC24-177
	Terminals	
P2006,P2007	25045728	NPJ-15PDBY516

P2008,P2205	25045730	NPJ-10PDBY518
P2206,P2207	25045764	NPJ-6PDGLR548
	Sockets	
P2004	25052814R2	IMSA-9850S-22Y900
P2005	25052813R2	IMSA-9850S-20Y900
P2202	25052818R2	IMSA-9850S-30Y900
	Plugs	
P2001,P2002,P2204	25056329R2	IMSA-9850B-30Y902
P2210	25056210R2	IMSA-9850B-30Y900
P2211	25056205R2	IMSA-9850B-20Y900
P2212	25056206R2	IMSA-9850B-22Y900

Option board (C-VIDEO)

S video terminal PC board(NAVD-8201-1A)

Component video PC board(NAVD-8202-1A)

Connector video 2 PC board(NAETC-8203-1A)

CIRCUIT NO.	PART NO.	DESCRIPTION
	ICs	
Q2001	22242104R2	TC7WBD125AFK
Q2002	22274541GR2TO or 22274541GR2PH	TC74VHCT541AFT or 74AHCT541PW
Q2004,Q2011	22241884R2	LC74761M-9848
Q2005,Q2012,Q2029	22242090R2	BU2152FS
Q2008,Q2009,Q2019	22241443R2	TK15420M
Q2013,Q2046	22242137R2	TC7W53FK
Q2014,Q2015,Q2016	22242109R2	MM1117XFBE
Q2017,Q2030,Q2031	2227B0525R2	TC74HC4052AFT
Q2026,Q2027,Q2028	2227B0515R2	TC74HC4051AFT
Q2032,Q2033,Q2034	2227B0515R2	TC74HC4051AFT
Q2035,Q2036	2227B0525R2	TC74HC4052AFT
Q2037,Q2038,Q2039	2227B0515R2	TC74HC4051AFT
Q2040,Q2041,Q2042	22241443R2	TK15420M
Q2043,Q2050,Q2203	22241443R2	TK15420M
Q2201	22241858R2	MM1093NF
Q2204	22242109R2	MM1117XFBE
Q2206	22241850R2	TC90A69F
Q2208,Q2230,Q2232	22241443R2	TK15420M
Q2213,Q2215	2227B0525R2	TC74HC4052AFT
Q2216	22241851R3	TA1270BF
Q2217	22241440R2	MAX4018ESD
Q2228	22241442R2	MAX4218ESD
Q2233	22241443R2	TK15420M
Q2235	22241465R2	LA7106MFP
	Transistors	
Q2007,Q2018,Q2020	2213145R2	2SC2712-GR

Q2021,Q2023,Q2025 Q2225	2214490R2 or 2216210R2	RN1404 or KRC104S
Q2022,Q2024,Q2205 Q2047,Q2048	2213145R2 2214375R2	2SC2712-GR 2SA1162-GR
Q2049,Q2236 Q2209,Q2210,Q2227 Q2218,Q2220,Q2221	2214375R2 2213145R2 2214530R2 or 2216220R2	2SA1162-GR 2SC2712-GR RN2402 or KRA102S
Q2219,Q2222,Q2223 Q2224,Q2226 Q2229,Q2231	2216031R2 2214460R2 or 2216210R2	RN1444-A RN1401 or KRC104S
Diodes		
D2001,D2002,D2003 D2004,D2005,D2006 D2007,D2008,D2201 D2202,D2203,D2204 D2205,D2206,D2207 D2208,D2210,D2212	223234R2 or 223269R2 223234R2 or 223269R2 223234R2 or 223269R2	1SS352 or 1SS355 1SS352 or 1SS355 1SS352 or 1SS355
CIRCUIT NO.	PART NO.	DESCRIPTION
Coils		
L2001,L2003 L2002,L2004 L2201 L2203,L2206,L2208 L2205,L2207 L2209,L2210,L2211 L2212,L2213	231292J056R2 231237M022R2 231237K330R2 231237K220R2 231237K101R2 231237K220R2 231237K470R2	NCH-1572 NCH-1471 NCH-1478 NCH-1477 NCH-1481 NCH-1477 NCH-1479
Oscillators		
X2001,X2003 X2201,X2203 X2204	3010363 3010369 3010370	HC-49/U0314.318M HC-49/U033.579545M CSBLA503KECZF30,Ceramic
Capacitors		
C2001,C2013,C2014 C2002,C2041 C2003,C2042 C2007,C2026,C2048 C2074 C2008,C2025 C2015,C2029,C2030 C2031,C2053,C2054 C2016,C2038,C2039 C2017,C2028,C2032 C2018,C2057,C2058 C2019,C2067	332161040R1 342101002R1 342101804R1 394680107 or 394780107 342104704R1 394621017 or 394721017 342108204R1 332161040R1 394641007 or 394741007 394683397	CK725F1E-104Z1,Chip ceramic CC725CH1H-100D1,Chip ceramic CC725CH1H-180J1,Chip ceramic CE04W50V-1M(VR) or CE04W50V-1M(SC),Elect. CC725CH1H-470J1,Chip ceramic CE04W6.3V-100M(VR) or CE04W6.3V-100M(SC),Elect. CC725CH1H-820J1,Chip ceramic CK725F1E-104Z1,Chip ceramic CE04W16V-10M(VR) or CE04W16V-10M(SC),Elect. CE04W50V-0.33M(VR),Elect.

C2020,C2068	374726824	ECQ-B50V-682J,Plastic film
C2021,C2069	342102704R1	CC725CH1H-270J1,Chip ceramic
C2022,C2070,C2229	342102204R1	CC725CH1H-220J1,Chip ceramic
C2023,C2071,C2212	332101225R1	CK725B1H-122K1,Chip ceramic
C2024,C2073,C2297	374722234	ECQ-B50V-223J,Plastic film
C2027,C2076	394684797 or 394784797	CE04W50V-0.47M(VR) or CE04W50V0.47M(SC),Elect.
C2033,C2092	375524744	MMT50V-474J,Plastic
C2034,C2035,C2036	332161040R1	CK725F1E-104Z1,Chip ceramic
C2037,C2045,C2046	332161040R1	CK725F1E-104Z1,Chip ceramic
C2040	394661017	CE04W35V-100M(VR),Elect.
C2049,C2072	342104704R1	CC725CH1H-470J1,Chip ceramic
C2056,C2065,C2075	332161040R1	CK725F1E-104Z1,Chip ceramic
C2059,C2060,C2061	394641007 or	CE04W16V-10M(VR) or
C2066,C2180,C2184	394741007	CE04W16V-10M(SC),Elect.
C2062,C2063,C2064	394621017 or	CE04W6.3V-100M(VR) or
C2079,C2080,C2085	394721017	CE04W6.3V-100M(SC),Elect.
C2077,C2078,C2082	332161040R1	CK725F1E-104Z1,Chip ceramic
C2081,C2086,C2089	394644707 or 394744707	CE04W16V-47M(VR) or CE04W16V-47M(SC),Elect.
C2083,C2143,C2144	394622217 or 394722217	CE04W6.3V-220M(VR) or CE04W6.3V-220M(SC),Elect.
C2084,C2087,C2088	332161040R1	CK725F1E-104Z1,Chip ceramic
C2090,C2091,C2093	332161040R1	CK725F1E-104Z1,Chip ceramic
C2094,C2095,C2096	332161040R1	CK725F1E-104Z1,Chip ceramic
C2097,C2098,C2099	332161040R1	CK725F1E-104Z1,Chip ceramic
C2100,C2101,C2102	332161040R1	CK725F1E-104Z1,Chip ceramic
C2103,C2104,C2105	332161040R1	CK725F1E-104Z1,Chip ceramic
C2106,C2107,C2108	332161040R1	CK725F1E-104Z1,Chip ceramic
C2109,C2110,C2111	332161040R1	CK725F1E-104Z1,Chip ceramic
C2112,C2113,C2114	332161040R1	CK725F1E-104Z1,Chip ceramic
C2115,C2116,C2117	332161040R1	CK725F1E-104Z1,Chip ceramic
C2118,C2119,C2120	332161040R1	CK725F1E-104Z1,Chip ceramic
C2121,C2122,C2123	332161040R1	CK725F1E-104Z1,Chip ceramic
C2124,C2125,C2126	332161040R1	CK725F1E-104Z1,Chip ceramic
C2127,C2207	394621017 or 394721017	CE04W6.3V-100M(VR) or CE04W6.3V-100M(SC),Elect.
C2128,C2129,C2130	332161040R1	CK725F1E-104Z1,Chip ceramic
C2131,C2132,C2133	332161040R1	CK725F1E-104Z1,Chip ceramic
C2134,C2135,C2136	332161040R1	CK725F1E-104Z1,Chip ceramic
C2137,C2138	394621017	CE04W6.3V-100M(VR),Elect.
C2139,C2140,C2141	332161040R1	CK725F1E-104Z1,Chip ceramic
CIRCUIT NO.	PART NO.	DESCRIPTION
C2142,C2145	394622217	CE04W6.3V-220M(SC),Elect.

C2147,C2148,C2149	332161040R1	CK725F1E-104Z1,Chip ceramic
C2150,C2151,C2154	332161040R1	CK725F1E-104Z1,Chip ceramic
C2152,C2153,C2155	394622217 or	CE04W6.3V-220M(VR) or
C2156,C2158,C2159	394722217	CE04W6.3V-220M(SC),Elect.
C2157,C2160,C2163	332161040R1	CK725F1E-104Z1,Chip ceramic
C2161,C2162,C2164	394622217 or	CE04W6.3V-220M(VR) or
C2165,C2167,C2168	394722217	CE04W6.3V-220M(SC),Elect.
C2166,C2176,C2177	332161040R1	CK725F1E-104Z1,Chip ceramic
C2169,C2170,C2171	332153330R1	CK725F1H-333Z1,Chip ceramic
C2181,C2183,C2268	394622217 or	CE04W6.3V-220M(VR) or
	394722217	CE04W6.3V-220M(SC),Elect.
C2182,C2209,C2242	332161040R1	CK725F1E-104Z1,Chip ceramic
C2201,C2241	394684797 or	CE04W50V-0.47M(VR) or
	394784797	CE04W50V0.47M(SC),Elect.
C2203	342103914R1	CC725CH1H-391J1,Chip ceramic
C2205	342115614R1	CC725CH1E-561J1,Chip ceramic
C2211	394680227 or	CE04W50V-2.2M(VR) or
	394780227	CE04W50V-2.2M(SC),Elect.
C2217,C2218	332151030R1	CK725F1H-103Z1,Chip ceramic
C2215	394680477 or	CE04W50V-4.7M(VR) or
	394780477	CE04W50V-4.7M(SC),Elect.
C2219,C2220,C2294	342105604R1	CC725CH1H-560J1,Chip ceramic
C2221,C2223	342100802R1	CC725CH1H-080D1,Chip ceramic
C2222,C2224	342106804R1	CC725CH1H-680J1,Chip ceramic
C2230,C2266,C2267	342101204R1	CC725CH1H-120J1,Chip ceramic
C2231,C2232,C2233	332151030R1	CK725F1H-103Z1,Chip ceramic
C2234,C2244,C2245	332151030R1	CK725F1H-103Z1,Chip ceramic
C2235,C2236,C2239	394644707 or	CE04W16V-47M(VR) or
C2240,C2296,C2306	394744707	CE04W16V-47M(SC),Elect.
C2237,C2238,C2263	394621017 or	CE04W6.3V-100M(VR) or
C2284,C2313,C2316	394721017	CE04W6.3V-100M(SC),Elect.
C2246,C2258	332151030R1	CK725F1H-103Z1,Chip ceramic
C2243,C2257,C2271	332161040R1	CK725F1E-104Z1,Chip ceramic
C2259,C2260,C2305	332151030R1	CK725F1H-103Z1,Chip ceramic
C2261	374726814	ECQ-B50V-681J,Plastic film
C2262,C2290,C2293	374721044	ECQ-V50V-104J,Plastic film
C2264,C2265	342102204R1	CC725CH1H-220J1,Chip ceramic
C2277,C2278	332161040R1	CK725F1E-104Z1,Chip ceramic
C2280,C2281,C2285	332161040R1	CK725F1E-104Z1,Chip ceramic
C2286,C2288,C2308	394622217 or	CE04W6.3V-220M(VR) or
	394722217	CE04W6.3V-220M(SC),Elect.
C2287,C2289,C2292	332161040R1	CK725F1E-104Z1,Chip ceramic
C2291,C2301	394680227 or	CE04W50V-2.2M(VR) or
	394780227	CE04W50V-2.2M(SC),Elect.
C2295,C2298,C2302	332161040R1	CK725F1E-104Z1,Chip ceramic

C2299	374722224	ECQ-B50V-222J,Plastic film
C2300	394682297	CE04W50V-0.22M(VR),Elect.
C2304,C2305,C2310	332161040R1	CK725F1E-104Z1,Chip ceramic
C2307,C2318	394644707 or 394744707	CE04W16V-47M(VR) or CE04W16V-47M(SC),Elect.
C2309,C2334,C2335	394622217 or	CE04W6.3V-220M(VR) or
C2336,C2337,C2338	394722217	CE04W6.3V-220M(SC),Elect.
C2311,C2312,C2314	332161040R1	CK725F1E-104Z1,Chip ceramic
C2317,C2319,C2321	332161040R1	CK725F1E-104Z1,Chip ceramic
C2322,C2323,C2324	332161040R1	CK725F1E-104Z1,Chip ceramic
C2325,C2330,C2331	332153330R1	CK725F1H-333Z1,Chip ceramic
C2326,C2328,C2329	332161040R1	CK725F1E-104Z1,Chip ceramic
C2332,C2333,C2345	332161040R1	CK725F1E-104Z1,Chip ceramic
C2339,C2340,C2341	394622217 or	CE04W6.3V-220M(VR) or
C2342	394722217	CE04W6.3V-220M(SC),Elect.
C2343,C2344	394621017	CE04W6.3V-100M(VR),Elect.

Resistors

R2001,R2002,R2022	435033314R1	RN72K1J-331JE,Chip carbon
R2003,R2233	435031224R1	RN72K1J-122JE,Chip carbon
R2004,R2005,R2006	435034714R1	RN72K1J-471JE,Chip carbon
R2007,R2029,R2042	435032224R1	RN72K1J-222JE,Chip carbon

CIRCUIT NO.

PART NO.

DESCRIPTION

Resistors

R2008,R2035,R2043	435031014R1	RN72K1J-101JE,Chip carbon
R2009,R2011,R2044	435031214R1	RN72K1J-121JE,Chip carbon
R2010,R2023,R2024	435031524R1	RN72K1J-152JE,Chip carbon
R2012,R2047	435038244R1	RN72K1J-824JE,Chip carbon
R2013,R2021	435034734R1	RN72K1J-473JE,Chip carbon
R2014,R2020,R2038	435031024R1	RN72K1J-102JE,Chip carbon
R2015,R2017,R2031	435036824R1	RN72K1J-682JE,Chip carbon
R2016,R2051	435032724R1	RN72K1J-272JE,Chip carbon
R2018,R2053,R2265	435033324R1	RN72K1J-332JE,Chip carbon
R2019,R2054,R2150	435032214R1	RN72K1J-221JE,Chip carbon
R2025,R2026,R2045	435031524R1	RN72K1J-152JE,Chip carbon
R2027,R2028,R2071	435035634R1	RN72K1J-563JE,Chip carbon
R2030,R2033,R2034	435031824R1	RN72K1J-182JE,Chip carbon
R2032,R2301,R2309	435031834R1	RN72K1J-183JE,Chip carbon
R2036,R2093,R2117	435031034R1	RN72K1J-103JE,Chip carbon
R2037,R2097,R2142	435038224R1	RN72K1J-822JE,Chip carbon
R2039,R2040,R2041	435034714R1	RN72K1J-471JE,Chip carbon
R2046,R2096,R2146	435031214R1	RN72K1J-121JE,Chip carbon
R2048,R2056	435034734R1	RN72K1J-473JE,Chip carbon
R2049,R2055,R2070	435031024R1	RN72K1J-102JE,Chip carbon
R2050,R2052,R2081	435036824R1	RN72K1J-682JE,Chip carbon
R2057,R2217	435033314R1	RN72K1J-331JE,Chip carbon

R2058,R2059,R2060	435036804R1	RN72K1J-680JE,Chip carbon
R2061,R2062,R2063	435033334R1	RN72K1J-333JE,Chip carbon
R2064,R2065,R2066	435033334R1	RN72K1J-333JE,Chip carbon
R2067,R2068,R2069	435032224R1	RN72K1J-222JE,Chip carbon
R2072,R2073,R2074	435031014R1	RN72K1J-101JE,Chip carbon
R2075,R2094,R2095	435031014R1	RN72K1J-101JE,Chip carbon
R2076,R2079,R2254	435031044R1	RN72K1J-104JE,Chip carbon
R2077,R2078,R2108	435035634R1	RN72K1J-563JE,Chip carbon
R2080,R2083,R2088	435031824R1	RN72K1J-182JE,Chip carbon
R2082,R2329	435036824R1	RN72K1J-682JE,Chip carbon
R2084,R2198,R2339	435031234R1	RN72K1J-123JE,Chip carbon
R2085,R2086,R2288	435032224R1	RN72K1J-222JE,Chip carbon
R2087,R2110,R2119	435031534R1	RN72K1J-153JE,Chip carbon
R2089,R2090,R2091	435031824R1	RN72K1J-182JE,Chip carbon
R2092,R2143	435036834R1	RN72K1J-683JE,Chip carbon
R2098,R2149	435031524R1	RN72K1J-152JE,Chip carbon
R2099,R2100,R2107	435031014R1	RN72K1J-101JE,Chip carbon
R2101,R2102,R2103	435037504R1	RN72K1J-750JE,Chip carbon
R2104,R2105,R2106	435037504R1	RN72K1J-750JE,Chip carbon
R2109,R2251,R2252	435035634R1	RN72K1J-563JE,Chip carbon
R2111,R2112,R2113	435037504R1	RN72K1J-750JE,Chip carbon
R2114,R2115,R2116	435037504R1	RN72K1J-750JE,Chip carbon
R2118,R2127,R2128	435031034R1	RN72K1J-103JE,Chip carbon
R2120,R2129,R2138	435031824R1	RN72K1J-182JE,Chip carbon
R2121,R2122,R2123	435037504R1	RN72K1J-750JE,Chip carbon
R2124,R2125,R2126	435037504R1	RN72K1J-750JE,Chip carbon
R2130,R2131,R2132	435037504R1	RN72K1J-750JE,Chip carbon
R2133,R2134,R2135	435037504R1	RN72K1J-750JE,Chip carbon
R2136,R2137,R2140	435031034R1	RN72K1J-103JE,Chip carbon
R2139,R2178,R2180	435031824R1	RN72K1J-182JE,Chip carbon
R2141,R2200,R2218	435031024R1	RN72K1J-102JE,Chip carbon
R2144,R2223,R2224	435031014R1	RN72K1J-101JE,Chip carbon
R2145,R2152,R2154	435031034R1	RN72K1J-103JE,Chip carbon
R2148	435031514R1	RN72K1J-151JE,Chip carbon
R2151,R2153,R2155	435032214R1	RN72K1J-221JE,Chip carbon
R2156,R2157,R2158	435032214R1	RN72K1J-221JE,Chip carbon
R2159,R2184,R2188	435032214R1	RN72K1J-221JE,Chip carbon
R2160,R2161,R2162	435031034R1	RN72K1J-103JE,Chip carbon
R2163,R2164,R2165	435031034R1	RN72K1J-103JE,Chip carbon
R2166,R2167,R2168	435031034R1	RN72K1J-103JE,Chip carbon
R2169,R2170,R2171	435031034R1	RN72K1J-103JE,Chip carbon
R2172,R2173,R2174	435031034R1	RN72K1J-103JE,Chip carbon
R2175,R2176,R2177	435031034R1	RN72K1J-103JE,Chip carbon
R2179,R2183,R2196	435031534R1	RN72K1J-153JE,Chip carbon
R2181,R2182,R2275	435031824R1	RN72K1J-182JE,Chip carbon

CIRCUIT NO.	PART NO.	DESCRIPTION
	Resistors	
R2185,R2186,R2187	435031034R1	RN72K1J-103JE,Chip carbon
R2189,R2190,R2191	435031034R1	RN72K1J-103JE,Chip carbon
R2192,R2193,R2207	435031034R1	RN72K1J-103JE,Chip carbon
R2194,R2195,R2285	435034714R1	RN72K1J-471JE,Chip carbon
R2197,R2201	435031534R1	RN72K1J-153JE,Chip carbon
R2203,R2209	435033914R1	RN72K1J-391JE,Chip carbon
R2205	435031054R1	RN72K1J-105JE,Chip carbon
R2211,R2213	435031034R1	RN72K1J-103JE,Chip carbon
R2216,R2244	435035604R1	RN72K1J-560JE,Chip carbon
R2219,R2220,R2228	435038214R1	RN72K1J-821JE,Chip carbon
R2225,R2226	435033314R1	RN72K1J-331JE,Chip carbon
R2227,R2239,R2240	435031014R1	RN72K1J-101JE,Chip carbon
R2229,R2230,R2231	435038214R1	RN72K1J-821JE,Chip carbon
R2232	435035624R1	RN72K1J-562JE,Chip carbon
R2236,R2253,R2255	435032214R1	RN72K1J-221JE,Chip carbon
R2243,R2245,R2246	435031014R1	RN72K1J-101JE,Chip carbon
R2247,R2249,R2250	435031014R1	RN72K1J-101JE,Chip carbon
R2248,R2256,R2257	435031034R1	RN72K1J-103JE,Chip carbon
R2258,R2260	435031814R1	RN72K1J-181JE,Chip carbon
R2259,R2286,R2305	435031034R1	RN72K1J-103JE,Chip carbon
R2261,R2262,R2269	435031014R1	RN72K1J-101JE,Chip carbon
R2263,R2294,R2298	435031044R1	RN72K1J-104JE,Chip carbon
R2266,R2267,R2272	435033334R1	RN72K1J-333JE,Chip carbon
R2268	435033344R1	RN72K1J-334JE,Chip carbon
R2270,R2283,R2295	435031014R1	RN72K1J-101JE,Chip carbon
R2271,R2273,R2297	435035634R1	RN72K1J-563JE,Chip carbon
R2274,R2277	435031534R1	RN72K1J-153JE,Chip carbon
R2276,R2278,R2279	435031824R1	RN72K1J-182JE,Chip carbon
R2280,R2360,R2366	435032214R1	RN72K1J-221JE,Chip carbon
R2282	435036804R1	RN72K1J-680JE,Chip carbon
R2287,R2387,R2388	435033334R1	RN72K1J-333JE,Chip carbon
R2289,R2302	435034724R1	RN72K1J-472JE,Chip carbon
R2290,R2311,R2316	435037514R1	RN72K1J-751JE,Chip carbon
R2291,R2312,R2317	435036814R1	RN72K1J-681FE,Chip carbon
R2292,R2293	435034714R1	RN72K1J-471JE,Chip carbon
R2296,R2306,R2307	435031014R1	RN72K1J-101JE,Chip carbon
R2299,R2303,R2304	435031824R1	RN72K1J-182JE,Chip carbon
R2300,R2333	435032224R1	RN72K1J-222JE,Chip carbon
R2308,R2332,R2342	435031824R1	RN72K1J-182JE,Chip carbon
R2310,R2315,R2330	435031034R1	RN72K1J-103JE,Chip carbon
R2313,R2319	435034724R1	RN72K1J-472JE,Chip carbon
R2314,R2318,R2320	435031014R1	RN72K1J-101JE,Chip carbon
R2321,R2322,R2323	435037504R1	RN72K1J-750JE,Chip carbon

R2324,R2326,R2327	435037504R1	RN72K1J-750JE,Chip carbon
R2325,R2390,R2391	435035634R1	RN72K1J-563JE,Chip carbon
R2328	435031044R1	RN72K1J-104JE,Chip carbon
R2331,R2334,R2335	435031034R1	RN72K1J-103JE,Chip carbon
R2336,R2337,R2338	435037504R1	RN72K1J-750JE,Chip carbon
R2340,R2341,R2357	435031034R1	RN72K1J-103JE,Chip carbon
R2343,R2345	435031824R1	RN72K1J-182JE,Chip carbon
R2346,R2347	435031524R1	RN72K1J-152JE,Chip carbon
R2348,R2349,R2350	435037504R1	RN72K1J-750JE,Chip carbon
R2351,R2352,R2353	435037504R1	RN72K1J-750JE,Chip carbon
R2354,R2355,R2356	435037504R1	RN72K1J-750JE,Chip carbon
R2358,R2359,R2363	435031034R1	RN72K1J-103JE,Chip carbon
R2367,R2368,R2369	435032214R1	RN72K1J-221JE,Chip carbon
R2370,R2371,R2398	435032214R1	RN72K1J-221JE,Chip carbon
R2372,R2373,R2374	435031034R1	RN72K1J-103JE,Chip carbon
R2375,R2376,R2377	435031034R1	RN72K1J-103JE,Chip carbon
R2378,R2379,R2380	435031034R1	RN72K1J-103JE,Chip carbon
R2381,R2382,R2383	435031034R1	RN72K1J-103JE,Chip carbon
R2384	435031024R1	RN72K1J-102JE,Chip carbon
R2385,R2386,R2446	435031024R1	RN72K1J-102JE,Chip carbon
R2389,R2445	435033334R1	RN72K1J-333JE,Chip carbon
R2392,R2444	435035634R1	RN72K1J-563JE,Chip carbon
R2396,R2448,R2451	435031034R1	RN72K1J-103JE,Chip carbon
R2397,R2411,R2418	435031014R1	RN72K1J-101JE,Chip carbon

CIRCUIT NO.

PART NO.

DESCRIPTION

Resistors

R2399,R2400,R2403	435032214R1	RN72K1J-221JE,Chip carbon
R2401,R2402,R2405	435030004R1	RN72K1J-000JE,Chip carbon
R2404,R2407,R2408	435032214R1	RN72K1J-221JE,Chip carbon
R2406,R2432,R2433	435030004R1	RN72K1J-000JE,Chip carbon
R2415,R2416,R2419	435037504R1	RN72K1J-750JE,Chip carbon
R2421,R2422	435037504R1	RN72K1J-750JE,Chip carbon
R2424,R2425	435032214R1	RN72K1J-221JE,Chip carbon
R2426,R2430	435032214R1	RN72K1J-221JE,Chip carbon
R2427,R2447	435034714R1	RN72K1J-471JE,Chip carbon
R2436,R2437	435030004R1	RN72K1J-000JE,Chip carbon
R2438,R2439,R2440	435032204R1	RN72K1J-220JE,Chip carbon
R2441,R2242,R2243	435035604R1	RN72K1J-560JE,Chip carbon
R2449	435031014R1	RN72K1J-101JE,Chip carbon
R2450	435031204R1	RN72K1J-120JE,Chip carbon

Relays

RL2201,RL2202	25065662R2	NPL-2P2A-DC24-177
RL2203,RL2204	25065662R2	NPL-2P2A-DC24-177
RL2206,RL2207	25065662R2	NPL-2P2A-DC24-177
RL2208,RL2209	25065662R2	NPL-2P2A-DC24-177

RL2210	25065662R2	NPL-2P2A-DC24-177
	Terminals	
P2006,P2007	25045728	NPJ-15PDBY516
P2008,P2205	25045730	NPJ-10PDBY518
P2206,P2207	25045764	NPJ-6PDGLR548
	Sockets	
P2004	25052814R2	IMSA-9850S-22Y900
P2005	25052813R2	IMSA-9850S-20Y900
P2202	25052818R2	IMSA-9850S-30Y900
	Plugs	
P2001,P2002,P2204	25056329R2	IMSA-9850B-30Y902
P2210	25056210R2	IMSA-9850B-30Y900
P2211	25056205R2	IMSA-9850B-20Y900
P2212	25056206R2	IMSA-9850B-22Y900

Component video 4 PC board(NAVD-8205-1A) <P/DT/GT/A/K>

Option board (C-CPNT-BNC)

CIRCUIT NO.	PART NO.	DESCRIPTION
Q2501,Q2503	22241442R2	MAX4218ESD
	IC	
Q2502	2214460R2 or 2216330R2	RN1401 or KRC101S
	Diodes	
D2501,D2502	223234R2 or 223269R2	1SS352 or 1SS355
	Capacitors	
C2501,C2503	356742219R2	CEWX16V-220M,Chip elect.
C2502,C2504,C2505	332161040R1	CK725F1E-104Z1,Chip ceramic
C2506,C2508	356741019R2	CEWX16V-100M,Chip elect.
C2507,C2509	332161040R1	CK725F1E-104Z1,Chip ceramic
C2517,C2518,C2519	356742219R2	CEWX16V-220M,Chip elect.
C2520,C2521,C2522	332161040R1	CK725F1E-104Z1,Chip ceramic
	Resistors	
R2501,R2513,R2514	435031014R1	RN72K1J-101JE,Chip carbon
R2502,R2511,R2512	435031034R1	RN72K1J-103JE,Chip carbon
R2503	435031224R1	RN72K1J-122JE,Chip carbon
R2504,R2505,R2506	435030004R1	RN72K1J-000JE,Chip carbon
R2507,R2508,R2509	435032204R1	RN72K1J-220JE,Chip carbon
R2515,R2523,R2528	435031014R1	RN72K1J-101JE,Chip carbon
R2516,R2524,2529	435031034R1	RN72K1J-103JE,Chip carbon
R2517,R2527,R2532	435036824R1	RN72K1J-682JE,Chip carbon
R2518,R2519,R2525	435036814R1	RN72K1J-681FE,Chip carbon
R2520,R2521,R2522	435030004R1	RN72K1J-000JE,Chip carbon
R2526,R2530,R2531	435036814R1	RN72K1J-681FE,Chip carbon

R2533,R2534,R2535	435037504R1	RN72K1J-750JE,Chip carbon
R2536,R2540,R2541	435037504R1	RN72K1J-750JE,Chip carbon
R2537,R2538,R2539	435031034R1	RN72K1J-103JE,Chip carbon
CIRCUIT NO.	PART NO.	DESCRIPTION
	Relays	
RL2501,RL2502	25065662R2	NPL-2P2A-DC24-177
RL2503	25065662R2	NPL-2P2A-DC24-177
	Terminals	
P2502,P2503	25045760	P2298-C
	Plug	
P2501	25056329R2	IMSA-9850B-30Y902

Option board (C-CPNT-RCA) (NAVD-8207-1A)

CIRCUIT NO.	PART NO.	DESCRIPTION
	ICs	
Q2601,Q2603	22241442R2	MAX4218ESD
	Transistors	
Q2602	2214460R2 or 2216330R2	RN1401 or KRC101S
	Diodes	
D2601,D2602	223234R2 or 223269R2	1SS352 or 1SS355,Chip
	Capacitors	
C2601,C2603	356742219R2	CEWX16V-220M,Chip elect.
C2602,C2604,C2605	332161040R1	CK725F1E-104Z1,Chip ceramic
C2606,C2608	356741019R2	CEWX16V-100M,Chip elect.
C2607,C2609,C2620	332161040R1	CK725F1E-104Z1,Chip ceramic
C2611,C2612,C2613	342111024R1	CC725CH1E-102J1,Chip ceramic
C2614,C2615,C2616	342111024R1	CC725CH1E-102J1,Chip ceramic
C2617,C2618,C2619	356742219R2	CEWX16V-220M,Chip elect.
C2621,C2622	332161040R1	CK725F1E-104Z1,Chip ceramic
	Resistors	
R2601,R2613,R2614	435031014R1	RN72K1J-101JE,Chip carbon
R2602,R2611,R2612	435031034R1	RN72K1J-103JE,Chip carbon
R2603,R2604	435030004R1	RN72K1J-000JE,Chip carbon
R2605,R2606	435030004R1	RN72K1J-000JE,Chip carbon
R2607,R2608,R2609	435032204R1	RN72K1J-220JE,Chip carbon
R2615,R2623,R2628	435031014R1	RN72K1J-101JE,Chip carbon
R2617,R2627,R2632	435036824R1	RN72K1J-682JE,Chip carbon
R2618,R2619,R2625	435036814R1	RN72K1J-681JE,Chip carbon
R2620,R2621,R2622	435030004R1	RN72K1J-000JE,Chip carbon
R2624,R2629,R2637	435031034R1	RN72K1J-103JE,Chip carbon
R2626,R2630,R2631	435036814R1	RN72K1J-681JE,Chip carbon
R2633,R2634,R2635	435037504R1	RN72K1J-750JE,Chip carbon
R2636,R2640,R2641	435037504R1	RN72K1J-750JE,Chip carbon

R2638,R2639	435031034R1	RN72K1J-103JE,Chip carbon
	Relays	
RL2601,RL2602,RL2603	25065662R2	NPL-2P2A-DC24-177
	Terminals	
P2602,P2605	25045762	NPJ-1PDG546
P2603,P2606	25045763	NPJ-1PDL547
P2604,P2607	25045761	NPJ-1PDR545
	Plug	
P2601	25056329R2	IMSA-9850B-30Y902

Display circuit PC board (NADIS-8212-1)

Standby switch PC board (NAETC-8213-1)

Headphone terminal PC board (NAETC-8214-1,)

Door sensor PC board(NAETC-8215-1)

Door motor PC board(NAETC-8216-1)

CIRCUIT NO.	PART NO.	DESCRIPTION
	FL tube	
Q7602	212248	16-BT-117GN
	ICs	
Q7601	222W0004R300912	MPD78F0233GC-8BT (0091)
Q7603,Q7604	22241680AR2	M66005-0001AFP
Q7605	22240239	TA7291S
Q7901	222780085R2JR	78M08HF(NJM78M08DL1A)
Q2002	Transistors	
Q7501,Q7502,Q7503	2214470R2	RN1402
Q7504,Q7505,Q7506	2214470R2	RN1402
Q7507,Q7508,Q7509	2214470R2	RN1402
	CIRCUIT NO.	DESCRIPTION
	Transistors	
Q7510,Q7511,Q7512	2214470R2	RN1402
Q7513,Q7514,Q7515	2214470R2	RN1402
Q7516	2214470R2	RN1402
	Photo couplers	
Q7961,Q7962	24120081	GP1S93
	Remote sensor	
U7501	241336	PIC-37043TH2
	Diodes	
D7501,D7502,D7503	225374	SEL2E10C
D7504,D7505,D7506	225374	SEL2E10C
D7507,D7508,D7509	225374	SEL2E10C
D7510,D7511,D7512	225374	SEL2E10C
D7513,D7514	225374	SEL2E10C
D7515,D7516	225374	SEL2E10C
D7521,D7522,D7523	225375	SML1216C
D7524,D7525	225375	SML1216C

D7526,D7527	225375	SML1216C
D7528,D7529,D7530	225375	SML1216C
D7531,D7532	225375	SML1216C
D7533,D7534	225375	SML1216C
D7560	225290	SEL4110R
D7701	223234R2	1SS352
D7801	224550680R2	UDZS6.8B
	Coils	
L7701,L7702	231237M022R2	NCH-1471
	Oscillator	
X7501	3010242	CST5.00MGW,Ceramic
	Capacitors	
C7581,C7582	342101014R1	CC725CH1H-101J1,Chip ceramic
C7585,C7624,C7625	332161040R1	CK725F1E-104Z1,Chip ceramic
C7601,C7809	375524744	MMT50V-474J
C7602,C7603,C7703	355721019	CE04W6.3V-100M,Elect.
C7659,C7806,C7812	332161040R1	CK725F1E-104Z1,Chip ceramic
C7707,C7708,C7709	342101014R1	CC725CH1H-101J1,Chip ceramic
C7719,CC720,C7721	342111024R1	CC725CH1E-102J1,Chip ceramic
C7722,C7728,C7729	342111024R1	CC725CH1E-102J1,Chip ceramic
C7730,C7731,C7732	342111024R1	CC725CH1E-102J1,Chip ceramic
C7801,C7802	332151030R1	CK725F1H-103Z1,Chip ceramic
C7803	332151040R1	CK725F1H-104Z1,Chip ceramic
C7804,C7901,C7902	355781009	CE04W50V-10M,Elect.
C7805	342104704R1	CC725CH1H-470J1,Chip ceramic
C7807,C7811	332151030R1	CK725F1H-103Z1,Chip ceramic
C7808	342111024R1	CC725CH1E-102J1,Chip ceramic
C7810,C7813	355721019	CE04W6.3V-100M,Elect.
C7952,C7961	332161040R1	CK725F1E-104Z1,Chip ceramic
	Resistors	
R7502,R7512	435023314R1	RN72W1J-331JE,Chip carbon
R7503,R7513	435024714R1	RN72W1J-471JE,Chip carbon
R7504,R7514	435035614R1	RN72K1J-561JE,Chip carbon
R7505,R7515	435038214R1	RN72K1J-821JE,Chip carbon
R7506,R7516	435031224R1	RN72K1J-122JE,Chip carbon
R7507,R7517	435032224R1	RN72K1J-222JE,Chip carbon
R7508,R7518	435033924R1	RN72K1J-392JE,Chip carbon
R7509,R7519,R7529	435031234R1	RN72K1J-123JE,Chip carbon
R7522,R7532	435023314R1	RN72W1J-331JE,Chip carbon
R7523,R7533	435024714R1	RN72W1J-471JE,Chip carbon
R7524,R7534	435035614R1	RN72K1J-561JE,Chip carbon
R7525,R7535	435038214R1	RN72K1J-821JE,Chip carbon
R7526,R7536	435031224R1	RN72K1J-122JE,Chip carbon
R7527,R7537	435032224R1	RN72K1J-222JE,Chip carbon
R7528,R7538	435033924R1	RN72K1J-392JE,Chip carbon

CIRCUIT NO.	PART NO.	DESCRIPTION
R7539,R7809	435031234R1	RN72K1J-123JE,Chip carbon
R7582,R7583	233454M022	NCH-1452 022M
R7605,R7615,R7626	435031024R1	RN72K1J-102JE,Chip carbon
R7606,R7607,R7608	435032214R1	RN72K1J-221JE,Chip carbon
R7609,R7610,R7613	435032214R1	RN72K1J-221JE,Chip carbon
R7611,R7612	435031004R1	RN72K1J-100JE,Chip carbon
R7614,R7667,R7668	435032214R1	RN72K1J-221JE,Chip carbon
	Resistors	
R7617,R7628,R7629	435031034R1	RN72K1J-103JE,Chip carbon
R7619,R7620	435034724R1	RN72K1J-472JE,Chip carbon
R7621,R7622	435034724R1	RN72K1J-472JE,Chip carbon
R7627,R7630,R7631	435031024R1	RN72K1J-102JE,Chip carbon
R7632,R7710,R7717	435031034R1	RN72K1J-103JE,Chip carbon
R7633,R7634,R7636	435031024R1	RN72K1J-102JE,Chip carbon
R7635,R7640,R7642	435031014R1	RN72K1J-101JE,Chip carbon
R7637,R7638,R7639	435031024R1	RN72K1J-102JE,Chip carbon
R7641,R7643,R7645	435031024R1	RN72K1J-102JE,Chip carbon
R7644,R7646,R7648	435031014R1	RN72K1J-101JE,Chip carbon
R7647,R7649,R7651	435031024R1	RN72K1J-102JE,Chip carbon
R7650,R7652,R7654	435031014R1	RN72K1J-101JE,Chip carbon
R7653,R7655,R7657	435031024R1	RN72K1J-102JE,Chip carbon
R7656,R7658,R7662	435031014R1	RN72K1J-101JE,Chip carbon
R7661,R7663,R7701	435031024R1	RN72K1J-102JE,Chip carbon
R7664,R7665,R7666	435031014R1	RN72K1J-101JE,Chip carbon
R7669,R7670,R7671	435032214R1	RN72K1J-221JE,Chip carbon
R7672,R7673,R7674	435032214R1	RN72K1J-221JE,Chip carbon
R7675,R7676,R7677	435032214R1	RN72K1J-221JE,Chip carbon
R7678,R7679,R7680	435032214R1	RN72K1J-221JE,Chip carbon
R7719,R7720	435032724R1	RN72K1J-272JE,Chip carbon
R7721,R7722	435032724R1	RN72K1J-272JE,Chip carbon
R7726,R7727,R7728	435031034R1	RN72K1J-103JE,Chip carbon
R7729,R7730,R7731	435031034R1	RN72K1J-103JE,Chip carbon
R7732,R7808	435031034R1	RN72K1J-103JE,Chip carbon
R7790,R7791	435030004R1	RN72K1J-000JE,Chip carbon
R7801,R7802	435032714R1	RN72K1J-271JE,Chip carbon
R7803,R7804	435035634R1	RN72K1J-563JE,Chip carbon
R7805,R7806	435035634R1	RN72K1J-563JE,Chip carbon
R7807	49163103415	RM1/10IJ-10K*15,Array
R7901,R7902,R7903	435033314R1	RN72K1J-331JE,Chip carbon
R7904,R7905,R7906	435033314R1	RN72K1J-331JE,Chip carbon
R7907,R7908,R7909	435033314R1	RN72K1J-331JE,Chip carbon
R7910,R7911,R7912	435033314R1	RN72K1J-331JE,Chip carbon
R7913,R7914,R7915	435033314R1	RN72K1J-331JE,Chip carbon
R7916,R7961	435033314R1	RN72K1J-331JE,Chip carbon

R7962,R7963	435034734R1	RN72K1J-473JE,Chip carbon
R7964,R7965	435030004R1	RN72K1J-000JE,Chip carbon
	Switches	
S7501,S7502,S7503	25035718	NPS-111-S681
S7504,S7505,S7506	25035718	NPS-111-S681
S7507,S7508,S7509	25035718	NPS-111-S681
S7511,S7512,S7513	25035718	NPS-111-S681
S7514,S7515,S7516	25035718	NPS-111-S681
S7517,S7518,S7519	25035718	NPS-111-S681
S7521,S7522,S7523	25035718	NPS-111-S681
S7524,S7525,S7526	25035718	NPS-111-S681
S7527,S7528,S7529	25035718	NPS-111-S681
S7531,S7532,S7533	25035718	NPS-111-S681
S7534,S7535,S7536	25035718	NPS-111-S681
S7537,S7538,S7539	25035718	NPS-111-S681
S7641	25065596	EC16B36C25
	Terminal	
P7581	25045385	YKB26-5153,Headphone
	Sockets	
P7501	25052586R2	NSCT-20P2483
P7503A	200AA392820	NSAS-28P1257
P7504A	2002E391220	NSAS-12P1320
P7505A	200EE390615	NSAS-6P0795
	Plugs	
P7504B	25055370	NPLG-6P353
P7506B	25055236	NPLG-5P220
	Holders	
Q7602A	27190987A	(FL)
P7901,P7902,P7903	27190540-1	HOLDER(CLAMP)

Net-tune circuit PC board (NADG-8228-1A) <P/DT/GT/A/K>

Option board (C-NET-A)

CIRCUIT NO.	PART NO.	DESCRIPTION
	ICs	
Q601	22241778R2	BA33C25FP
Q603,Q608	22241861R3 or 22241910R3	HM5264165FTT-B6 or IC42S16400-7T
Q604	22241862R301114	MX29LV320ABTC-90(0111)
Q606	22241872R2	93LC46BT/SN
Q607	22241863R3	EP7312-CV
Q609	22241161R2	TC7W14FU
Q610	22241159R2	TC7S02FU
Q616	22241867R3	CS8900A-CQ3
Q617	22274004HR2TO	TC74VHCU04FT

Q618,Q619	22274074ER2TO	TC74VHC74FT
	Diode	
D603	225385R2	SEC1201C
	Coils	
L601,L605,L606	230949R2	BLM21PG221SN1
L603	3030048R2	NFE31PT471F1E9
	Oscillators	
X601	3010374R2	DSO-751SV
X602	3010371R2	DSX630G
X603	3010372R2	SM-26F
X604	3010373R2	SMD-49
	Capacitors	
C551,C560,C561,C562	332161040R1	CK725F1E-104Z1,Chip ceramic
C563,C564,C565,C566	332161040R1	CK725F1E-104Z1,Chip ceramic
C567,C568,C569,C570	332161040R1	CK725F1E-104Z1,Chip ceramic
C571,C603,C604,C605	332161040R1	CK725F1E-104Z1,Chip ceramic
C602	395530477R2	F93-10V-4.7M,Chip tantal
C606,C607,C608,C609	332161040R1	CK725F1E-104Z1,Chip ceramic
C610,C611,C612,C613	332161040R1	CK725F1E-104Z1,Chip ceramic
C614	395544707R2	F93-16V-47M,Chip tantal
C615	395521017R2	F93-6.3V-100M,Chip tantal
C616,C617,C618,C619	332161040R1	CK725F1E-104Z1,Chip ceramic
C620,C621,C622,C623	332161040R1	CK725F1E-104Z1,Chip ceramic
C624,C625,C626,C627	332161040R1	CK725F1E-104Z1,Chip ceramic
C628	342105614R1	CC725CH1H-561J1,Chip ceramic
C629,C630,C631,C642	332161040R1	CK725F1E-104Z1,Chip ceramic
C633,C634	332101035R1	CK725B1H-103K1,Chip ceramic
C643,C646,C652,C653	332161040R1	CK725F1E-104Z1,Chip ceramic
C654,C655,C658,C659	332161040R1	CK725F1E-104Z1,Chip ceramic
C656,C657,C683	342101002R1	CC725CH1H-100D1,Chip ceramic
C660,C661,C662,C663	332161040R1	CK725F1E-104Z1,Chip ceramic
C664,C665,C666,C667	332161040R1	CK725F1E-104Z1,Chip ceramic
C668,C669,C672,C673	332161040R1	CK725F1E-104Z1,Chip ceramic
C674,C677,C690	332101025R1	CK725B1H-102K1,Chip ceramic
C682	342105604R1	CC725CH1H-560J1,Chip ceramic
C685,C686	342101504R1	CC725CH1H-150J1,Chip ceramic
C687,C688,C689	332161040R1	CK725F1E-104Z1,Chip ceramic
C690,C692	332161040R1	CK725F1E-104Z1,Chip ceramic
	Resistors	
R550,R551,R552,R557	435031034R1	RN72K1J-103JE,Chip carbon
R553,R554	435031012R1	RN72K1J-101FE,Chip carbon
R555,R556	435032734R1	RN72K1J-273JE,Chip carbon
R601,R602,R682	435031012R1	RN72K1J-101FE,Chip carbon
R603,R604	435030004R1	RN72K1J-000JE,Chip carbon
R605,R607	435030822R1	RN72K1J-082FE,Chip carbon

R606	435033314R1	RN72K1J-331JE,Chip carbon
R609,R611,R612,R613	435031034R1	RN72K1J-103JE,Chip carbon
R614,R615,R617,R618	435031034R1	RN72K1J-103JE,Chip carbon
R619,R624	435031514R1	RN72K1J-151JE,Chip carbon
R623,R627,R630,R643	435031034R1	RN72K1J-103JE,Chip carbon
R628,R629,R700	435030004R1	RN72K1J-000JE,Chip carbon
R642,R698	435031032R1	RN72K1J-103FE,Chip carbon
R644,R645,R646,R647	435031034R1	RN72K1J-103JE,Chip carbon
R649,R651,R659,R660	435031034R1	RN72K1J-103JE,Chip carbon
R650	435034734R1	RN72K1J-473JE,Chip carbon
CIRCUIT NO.	PART NO.	DESCRIPTION
	Resistors	
R655,R656	435031024R1	RN72K1J-102JE,Chip carbon
R662,R663,R664,R665	435031034R1	RN72K1J-103JE,Chip carbon
R666,R667,R669,R687	435031034R1	RN72K1J-103JE,Chip carbon
R688,R689,R690	435031034R1	RN72K1J-103JE,Chip carbon
R691,R692	435031034R1	RN72K1J-103JE,Chip carbon
R699	435032754R1	RN72K1J-275JE,Chip carbon
	Socket	
P601	25052724	NSCT-8P2620
	Plugs	
P3102A	25056329R2	IMSA-9850B-30Y902
P607B	25055978R2	NPLG-5P931

Integra Research Division of

ONKYO CORPORATION

Sales & Product Planning Div. : 2-1, Nisshin-cho, Neyagawa-shi, OSAKA 572-8540, JAPAN

Tel: 072-831-8023 Fax: 072-831-8124 <http://www.onkyo.com/>

Integra Research Division of

ONKYO U.S.A. CORPORATION

18 Park Way, Upper Saddle River, N.J. 07458, U.S.A.

Tel: 201-785-2600 Fax: 201-785-2650 <http://www.integraresearch.com>

ONKYO EUROPE ELECTRONICS GmbH

Liegnitzerstrasse 6, 82194 Groebenzell, GERMANY

Tel: +49-8142-4401-0 Fax: +49-8142-4401-555 <http://www.onkyo.net>

ONKYO EUROPE UK Office

Suite 1, Gregories Court, Gregories Road, Beaconsfield, Buckinghamshire, HP9 1HQ

UNITED KINGDOM Tel: +44-(0)1494-681515 Fax: +44(0)-1494-680452

ONKYO CHINA LIMITED

Units 2102-2107, Metroplaza Tower I, 223 Hing Fong Road, Kwai Chung, N.T., HONG KONG

Tel: 852-2429-3118 Fax: 852-2428-9039 <http://www.onkyochina.com>