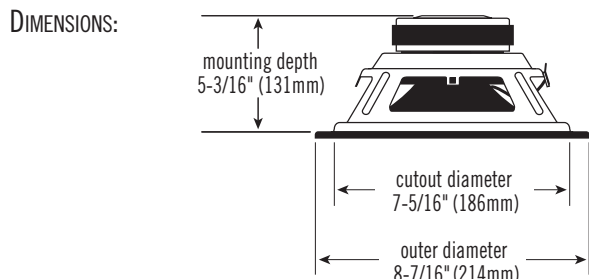


SPECIFICATIONS

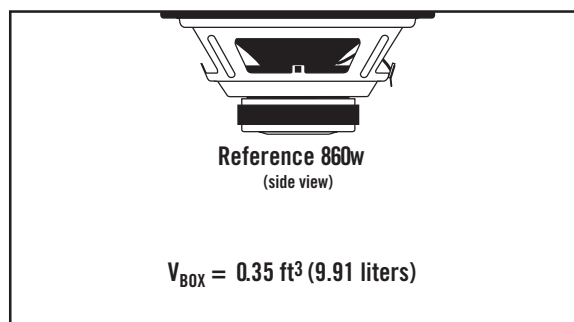
DIAMETER:	8" (200mm)
SENSITIVITY (2.83V @ 1m):	91dB
POWER HANDLING:	250W _{RMS} (1000W _{PEAK})
FREQUENCY RESPONSE:	30Hz ~ 400Hz
NOMINAL IMPEDANCE:	4 OHMS
VOICE COIL DIAMETER:	2.0" (51.0mm)



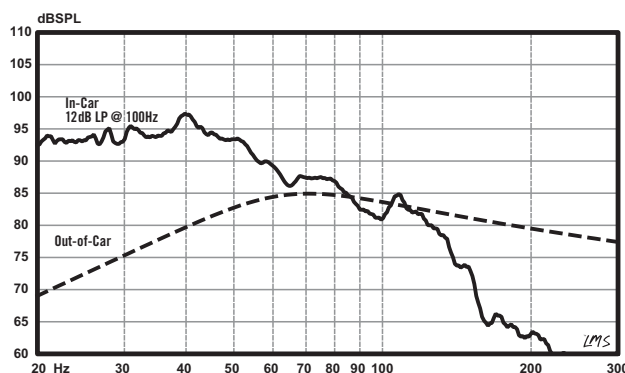
THIELE-SMALL PARAMETERS

VOICE COIL DC RESISTANCE:	R_{EVC} (OHMS)	3.30
VOICE COIL INDUCTANCE @ 1kHz:	L_{EVC} (MH)	2.31
DRIVER RADIATING AREA:	S_D (IN ²)	33.17
	S_D (M ²)	214.00
MOTOR FORCE FACTOR:	BL (TM)	12.56
COMPLIANCE VOLUME:	V_{AS} (FT ³)	0.54
	V_{AS} (LITERS)	15.23
SUSPENSION COMPLIANCE:	C_{MS} (μM/N)	232.70
MOVING MASS, AIR LOAD:	M_{MS} (GRAMS)	124.20
MOVING MASS, DIAPHRAGM:	M_{MD} (GRAMS)	122.40
FREE-AIR RESONANCE:	F_S (Hz)	29.60
MECHANICAL Q:	Q_{MS}	6.10
ELECTRICAL Q:	Q_{ES}	0.483
TOTAL Q:	Q_{TS}	0.45
MAGNETIC-GAP HEIGHT:	H_{AG} (IN)	0.315
	H_{AG} (MM)	8.00
VOICE COIL HEIGHT:	H_{VC} (IN)	1.34
	H_{VC} (MM)	34
MAXIMUM EXCURSION:	X_{MAX} (IN)	0.513
	X_{MAX} (MM)	13.00

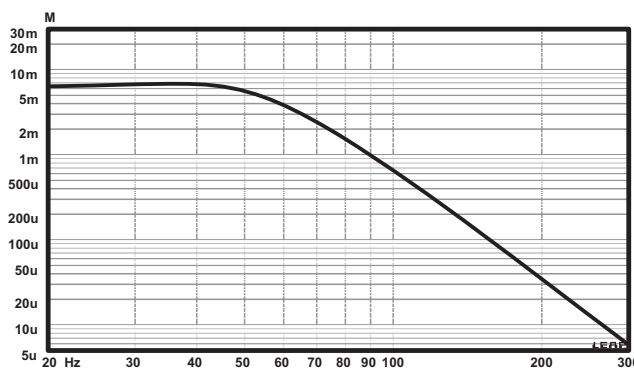
SEALED BOX VOLUME (INCLUDES DRIVER DISPLACEMENT)



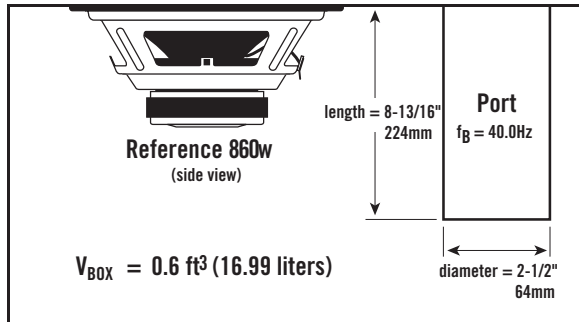
SEALED ENCLOSURE FREQUENCY RESPONSE @ 2.83V



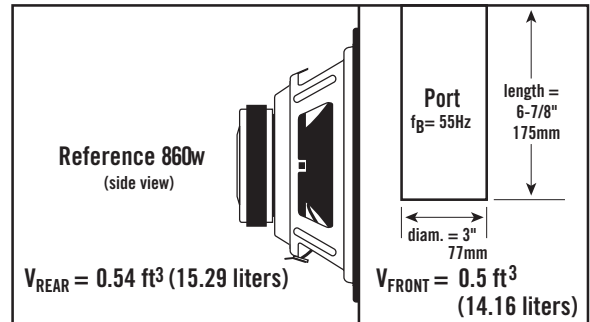
SEALED ENCLOSURE CONE EXCURSION @ 250W



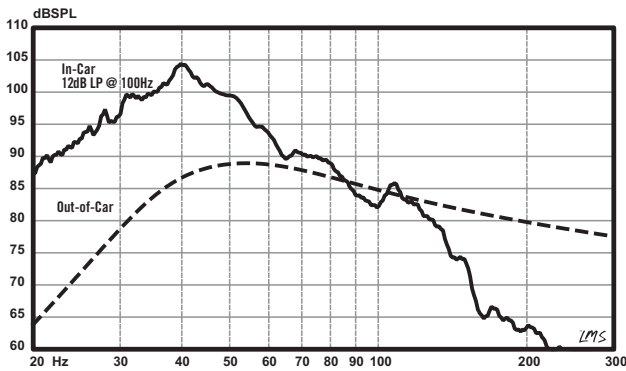
VENTED BOX VOLUME (INCLUDES DRIVER/PORT DISPLACEMENTS)



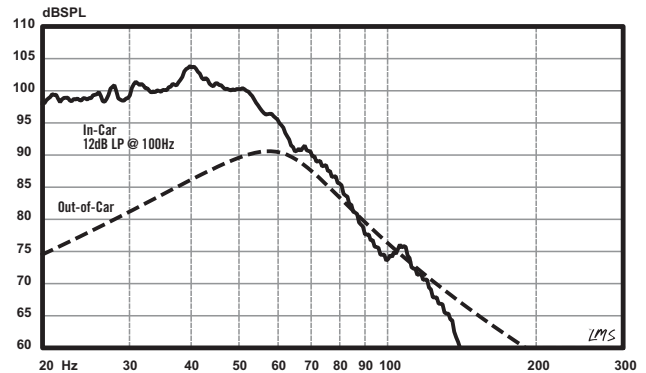
BAND-PASS BOX VOLUME (INCLUDES DRIVER/PORT DISPLACEMENTS)



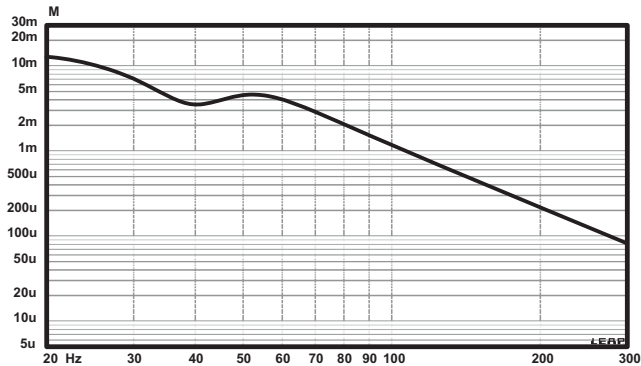
VENTED ENCLOSURE FREQUENCY RESPONSE @ 2.83V



BAND-PASS ENCLOSURE FREQUENCY RESPONSE @ 2.83V



VENTED ENCLOSURE CONE EXCURSION @ 250W



BAND-PASS ENCLOSURE CONE EXCURSION @ 250W

