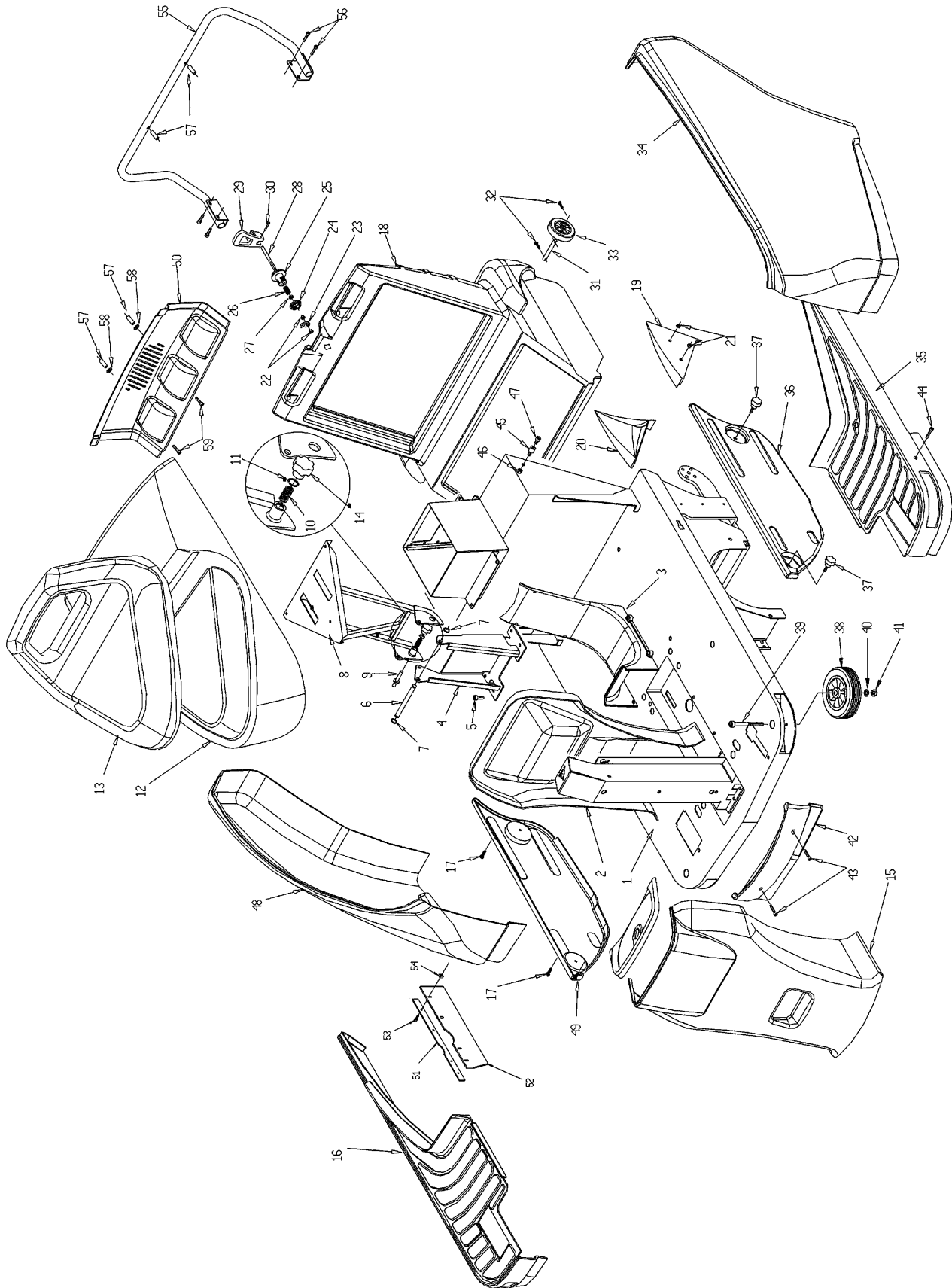


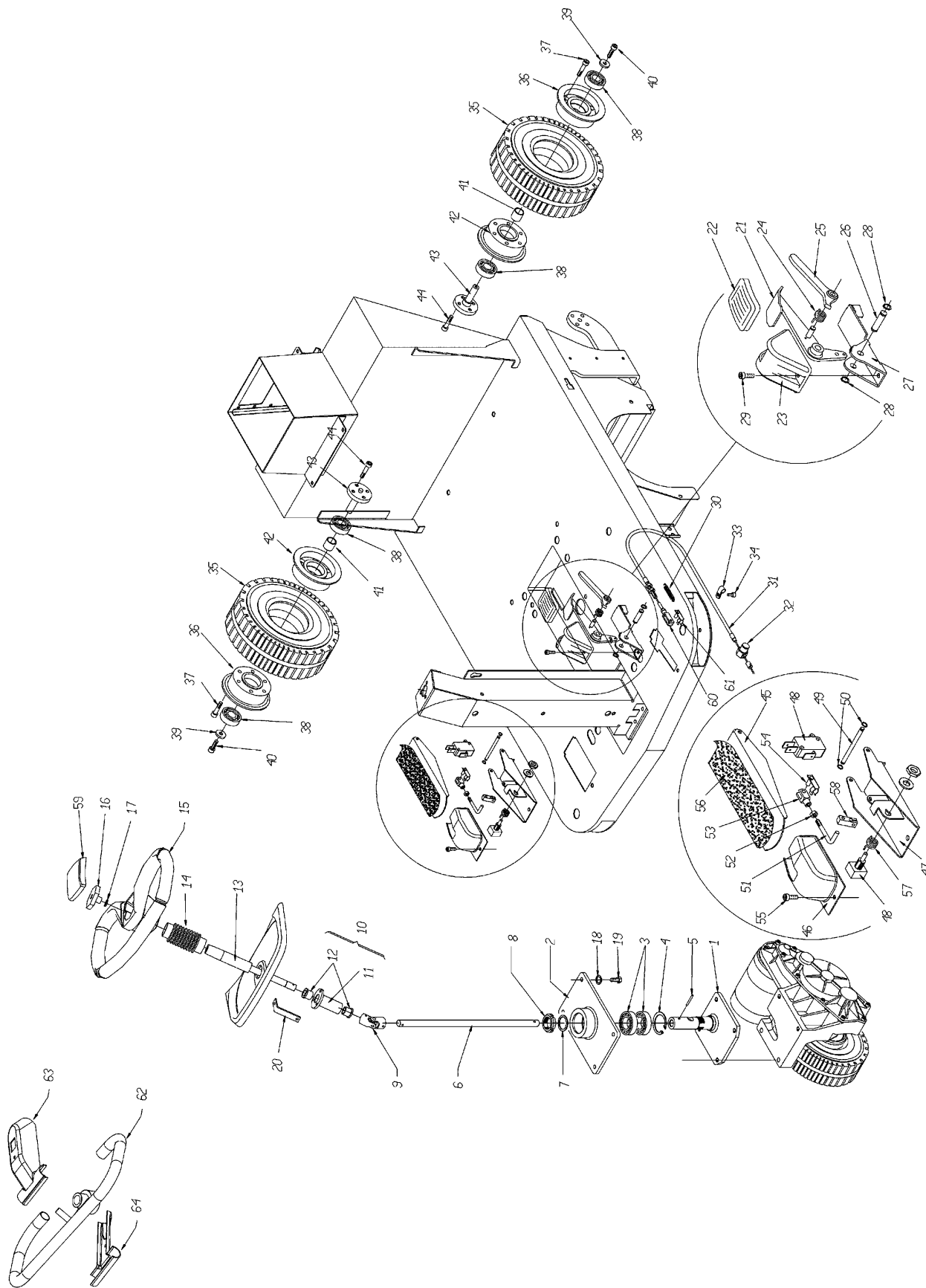
CRANKCASE ASSEMBLY



CRANKCASE ASSEMBLY

REF	PART NO.	QTY	DESCRIPTION	SERIAL NO. FROM	NOTES:
1	21001		FRAME		
2	21002		TOWER REAR		
3	21003		TUNNEL		
4	21004		COLUMN		
5	21005		SCR, M8X20		
6	21006		PIN		
7	21007		SNAP RING		
8	21008		ARM, HOOD		
9	21009		PIN		
10	21010		SPRING		
11	21011		SNAP RING		
12	21012		HOOD		
13	21013		SEAT		
14	21014		KNOB		
15	21015		COVER, BLUE FRONT		
16	21016		FLOOR BOARD RT		
17	1500132		SCR, M6X20		
18	21018		HOPPER, COMPLETE		
19	21019		HOPPER GUIDE RT.		
20	21020		HOPPER GUIDE LT.		
21	21021		NUT DIN 985 M6		
22	21022		NUT M8X1 UNI 5589		
23	21023		BRACKET		
24	21024		RING NUT		
25	21025		RING NUT HOUSING		
26	21026		SPRING		
27	1500047		SPACER		
28	21027		PIN		
29	21028		HANDLE		
30	21029		PIN		
31	21030		WHEEL PIN		
32	21031		SCR, M5X20		
33	21032		WHEEL		
34	21033		COVER, LEFT SIDE, BLUE		
35	21034		FLOOR BOARD LT.		
36	21035		COVER, LEFT		
37	21036		KNOB		
38	21037		WHEEL		
40	21038		WASHER UNI 6592 10X21 ZB		
41	21039		NUT DIN985 M10		
42	21040		BUMPER		
43	21041		SCREW ISO 7380 6X35 ZB		
44	1500132		SCREW		
45	21042		SPACER		
46	21021		NUT DIN985 M6		
47	1500116		SCREW		
48	21044		COVER, RIGHT SIDE, BLUE		
49	21045		COVER, RIGHT		
50	21046		COVER, REAR BLUE		

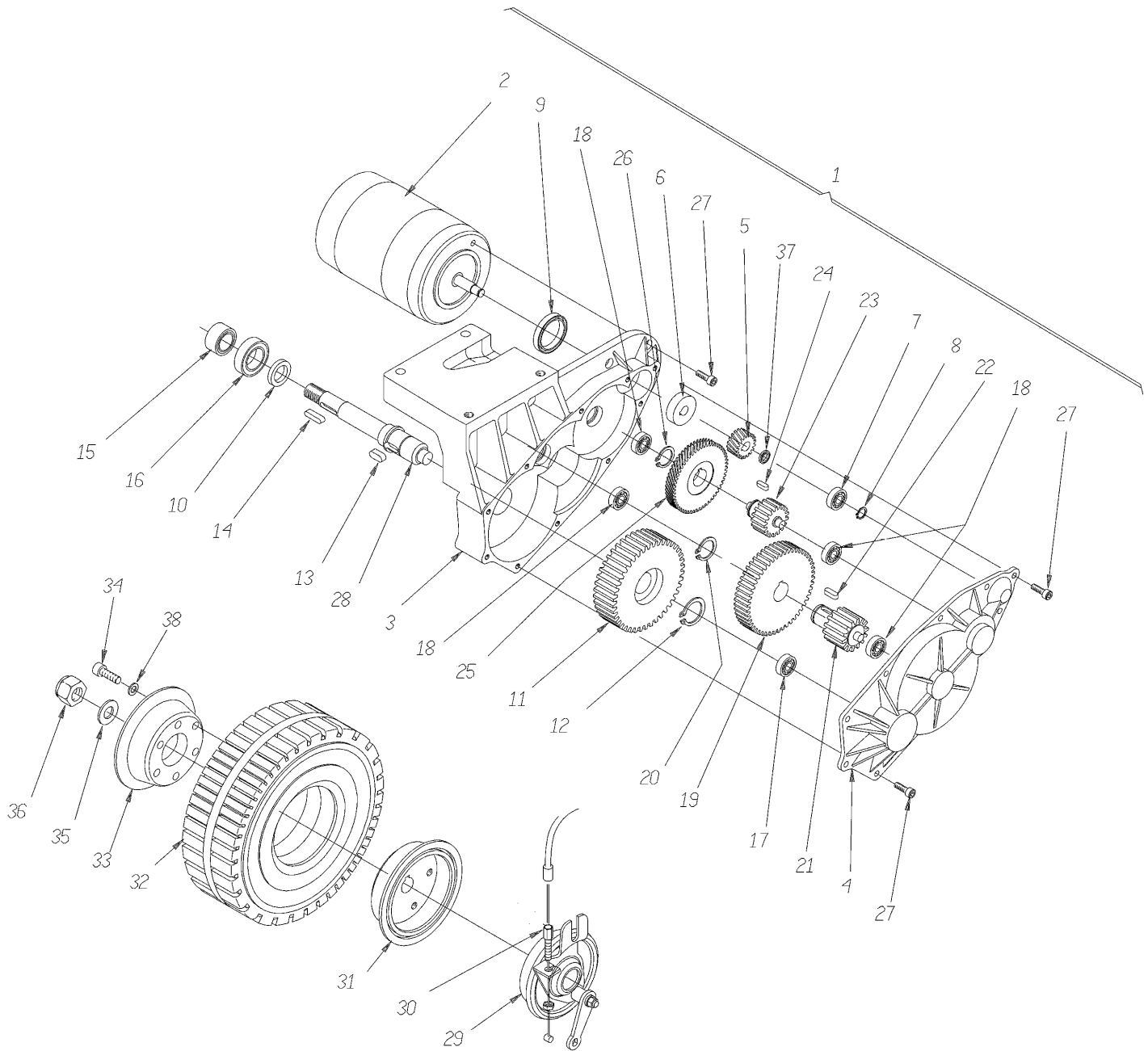
STEERING WHEEL ASSEMBLY



STEERING WHEEL ASSEMBLY

REF	PART NO.	QTY	DESCRIPTION	SERIAL NO. FROM	NOTES:
1	21047		SUPPORT		
2	21048		COVER		
3	21049		BEARING 6006 2RS		
4	21050		SNAP RING		
5	21051		SPRING PIN		
6	21052		SHAFT		
7	21053		SPACER		
8	21054		RING NUT M30X1, 5 GUK		
9	21055		UNIVERSAL JOINT		
10	21056		BUSHING ASSEMBLY		
11	21057		BUSHING		
12	21058		BUSHING		
13	21059		SHAFT		
14	21060		BOOT		
15	21061		STEERING WHEEL		
16	21062		SCREW		
17	21038		WASHER UNI 6592 10X21		
18	21064		WASHER UNI 1751		
19	21065		SCREW 5739 8X25 ZB		
20	21066		BRACKET		
21	21067		PEDAL		
22	21068		RUBBER V 1201 GR.		
23	21069		COVER, BRAKE		
24	21070		SPRING		
25	21071		LEVER, BRAKE LOCK		
26	21072		PIN		
27	21073		BRACKET, BRAKE		
28	21007		SNAP RING		
29	1500132		SCREW, 6X20		
30	21075		SPRING TR 112 H18		
31	21076		CABLE		
32	21077		CLAMP		
33	21078		CLAMP MM8 DD.1 W0		
34	1500098		SCREW, M6X20		
35	21079		WHEEL		
36	21080		HUB		
37	21081		SCREW UNI 5931 8X25 ZB		
38	1500064		BEARING, 62022RS		
39	1500006		WASHER, 6X24		
40	21082		SCREW TBEI M6X16 ISO 7380 ZB		
41	21083		SPACER		
42	21084		HUB SW1000E/S 22501005		
43	21085		AXLE		
44	21086		SCREW TSPEI 8X16 UNI 5933		
45	21087		THROTTLE PEDAL		
46	21088		COVER, THROTTLE		
47	21089		BRACKET, THROTTLE		
48	OPEN				
49	21090		PIN		
50	1500372		CIRCLE CLIP, D.6		
51	21091		LINKAGE		
52	1500022		NUT, M6		
53	21092		FORK M6 UNI 1676		
54	1500029		CLIP, UNI 1676		
55	21093		SCREW M6X16 ZB		
56	21094		TREAD, THROTTLE		
57	21095		SPRING		
58	21096		CONNECTING ROD PEDAL		

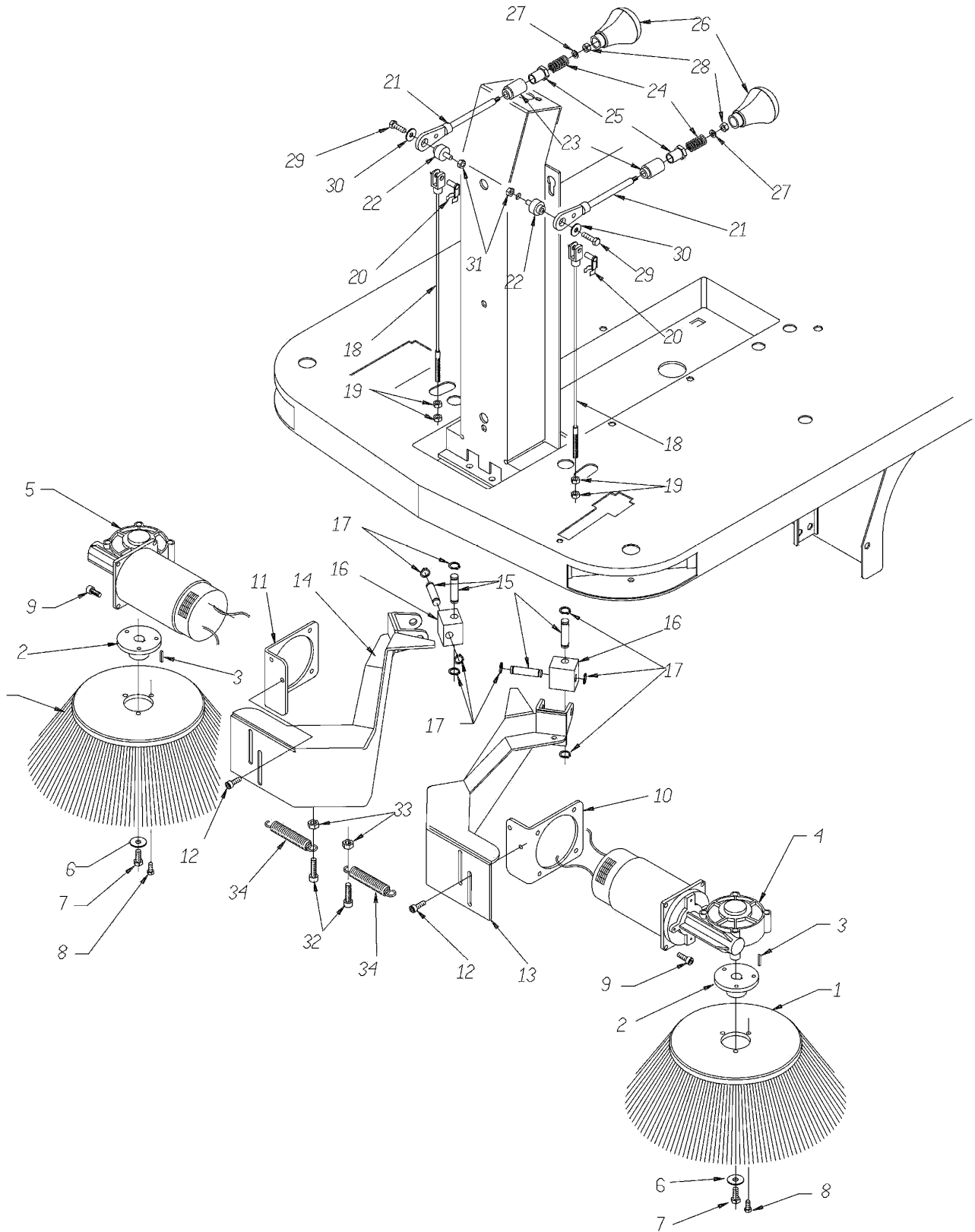
DRIVE ASSEMBLY



DRIVE ASSEMBLY

REF	PART NO.	QTY	DESCRIPTION	SERIAL NO. FROM	NOTES:
1	21098		COMPLETE MOTOR GROUP, DRIVE		
2	21099		MOTOR 24V 400W		
3	21100		GEAR BOX		
4	21101		GEAR BOX COVER		
5	21102		PINION		
6	1500219		BEARING, 2RS		
7	21104		BEARING 609 9X24X7		
8	21105		SNAP RING		
9	21106		SEAL 35X45X7		
10	21107		SEAL 20X30X5		
11	21108		GEAR		
12	1500088		CIRCLE CLIP, D.25		
13	21109		KEY UNI 6604 8X7X18		
14	21110		KEY 6X6X25		
15	21111		BEARING 20X32X16 NKI2016		
16	21112		BEARING 25X42X11 51105		
17	21113		BEARING 6002 15X32X9		
18	21104		BEARING 609 9X24X7		
19	21115		GEAR		
20	21116		SNAP RING		
21	21117		PINION		
22	21118		KEY UNI 6604 6X6X18		
23	21119		PINION		
24	21120		KEY UNI 6604 5X5X10		
25	21121		GEAR, Z=45, M=1.5		
26	21122		SNAP RING		
27	21123		SCREW UNI 5931 6X16 AC.8.8		
28	21124		SHAFT		
29	21125		BRAKE		
30	1500029		REGISTER		
31	21126		HUB		
32	21127		WHEEL		
33	21084		HUB SW 1000E/S 22501005		
34	21129		SCREW UNI 5931 8X16 ZB		
35	21130		WASHER D.16 UNI 6592		
36	OPEN				
37	21131		WASHER		
38	21064		WASHER UNI 1751		

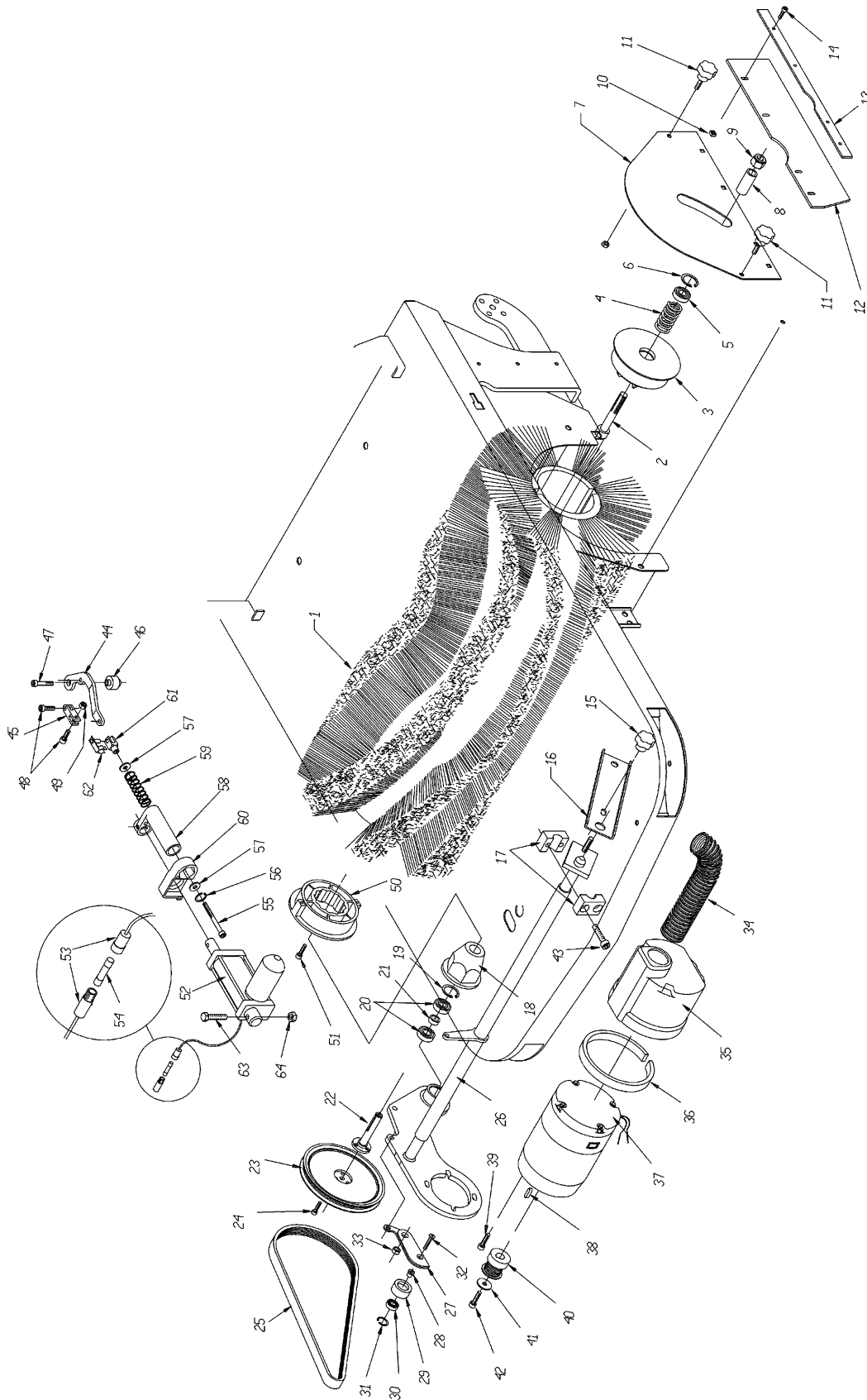
SIDE BRUSH ASSEMBLY



SIDE BRUSH ASSEMBLY

REF	PART NO.	QTY	DESCRIPTION	SERIAL NO. FROM	NOTES:
1	21133		SIDE BRUSH D.400 PPL BLK. D.0.7		
2	21134		FLANGE L. 1400LT		
3	1500275		KEY, 5X5X20		
4	21135		MOTOR GEARBOX 24V 60W SX		
5	21136		MOTOR GEARBOX 24V 60W DX		
6	1500006		WASHER, D.6X24		
7	1500098		SCREW M6X10		
8	21093		SCREW M6X16ZB		
9	21139		SCREW 6X16 UNI5931		
10	21140		PLATE LEFT		
11	21141		PLATE RIGHT		
12	1500098		SCREW, M6X10		
13	21142		SUPPORT LEFT		
14	21143		SUPPORT RIGHT		
15	21144		PIN		
16	21145		BLOCK		
17	21007		SNAP RING		
18	21147		CABLE		
19	1500022		NUT UNF5588, M6		
20	21161		CLIP		
21	21148		LEVER		
22	21149		BUSHING		
23	21150		BUSHING		
24	21151		SPRING		
25	21152		BUSHING		
26	21153		SMALL KNOB		
27	1500158		WASHER, 5X10		
28	21154		NUT DIN 985 M5		
29	1500264		SCREW, 6X25		
30	1500142		WASHER, 6X18X1.5		
31	OPEN				
32	21155		SCREW UNI 5739 8X30 ZB		
33	1500039		NUT, M8		
34	21156		SPRING		

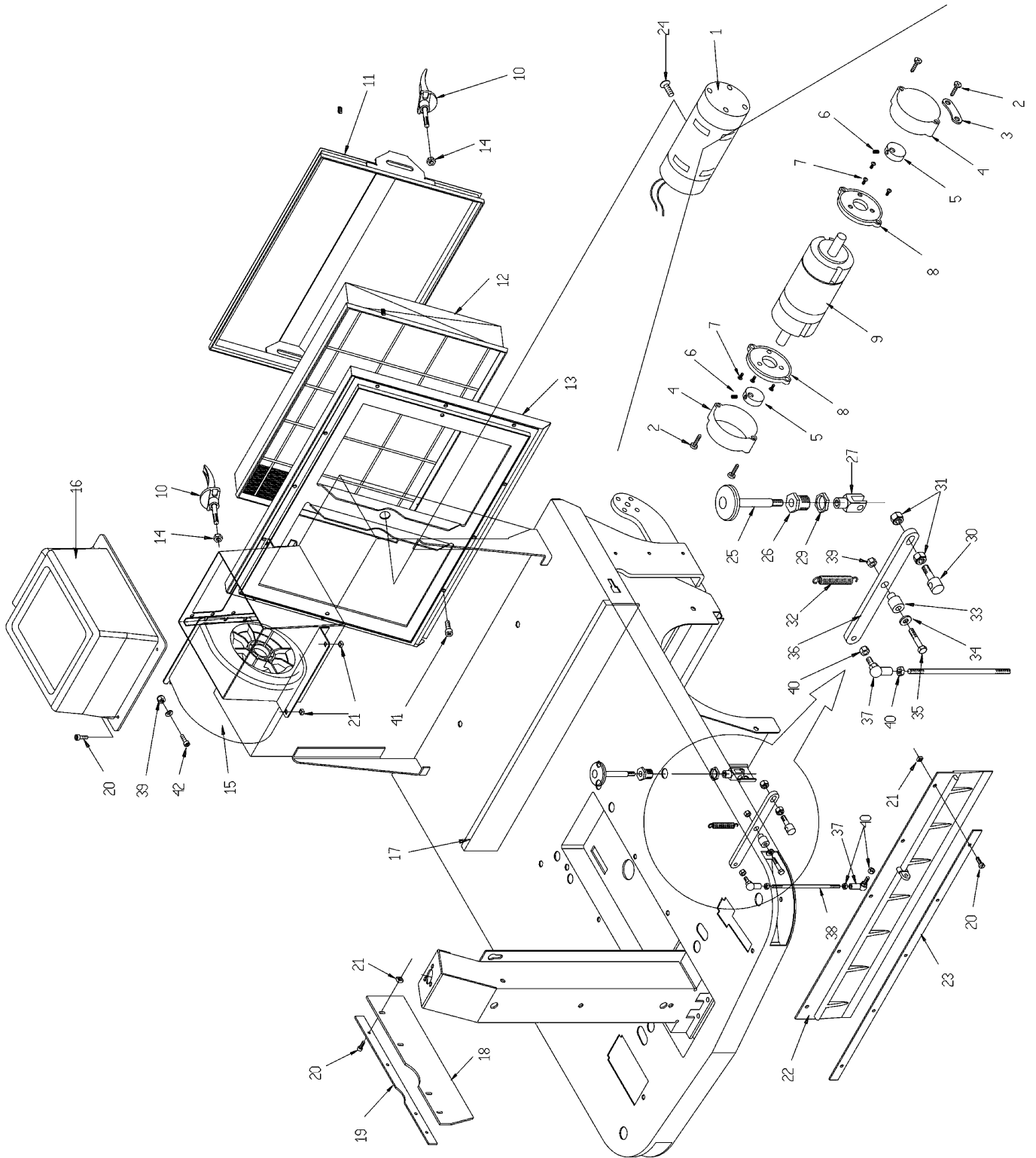
CENTRAL BRUSH ASSEMBLY



CENTRAL BRUSH ASSEMBLY

REF	PART NO.	QTY	DESCRIPTION	SERIAL NO. FROM	NOTES:
1	21157		MAIN BRUSH		
2	21158		SCREW UNI 5931 12X60 ZB		
3	21159		HUB, BRUSH		
4	21160		SPRING D.25X38 TK1400		
5	21162		BALL BEARING 6001 2RS1 SKF		
6	21163		SNAP RING		
7	21164		PLATE, BRUSH COVER		
8	21165		SPACER		
9	21166		NUT DIN 985 M12 ZB		
10	21167		INSERT PLS.D.3		
11	21168		KNOB D.30 M6X15		
12	21169		FLAP		
13	21170		CLAMP		
14	21171		SCREW TC 3,5X14,5		
15	21172		KNOB D.40 M8		
16	21173		ARM		
17	21174		PIVOT BLOCK		
18	21175		HUB L.1400		
19	21163		SNAP RING		
20	21162		BALL BEARING 6001 2RS1 SKF		
21	21178		SPACER L.14		
22	21179		AXLE		
23	21180		PULLEY		
24	21181		SCREW M6X10 ISO 7380ZB		
25	21182		BELT V 723 J		
26	21183		FRAME, BRUSH MOUNT		
27	21184		ARM		
28	21185		PIN		
29	21186		ROLLER		
30	21187		BEARING 608 2RS		
31	21188		SNAP RING		
32	21189		SCREW UNI 5933 5X20 ZB		
33	21190		BUSHING		
34	21191		TUBE		
35	21192		COVER, MOTOR		
36	21193		GASKET		
37	21194		MOTOR		
38	1500275		KEY 5X5X20		
39	21196		SCREW 6X20 UNI 5931		
40	21197		PULLEY 6X20 UNI 5931		
41	1500006		WASHER D.6X24 ZC		
42	21181		SCREW M6X10 ISO 7380ZB		
43	21200		SCREW 6X40 UNI 5931		
44	21201		LEVER		
45	21202		CLEVIS		
46	21203		PIN		
47	1500280		SCREW M6X35 UNI 5931 ZB		
48	21205		SCREW UNI 5739 6X18 ZB		
49	OPEN				
50	21206		DRIVE DISK		
51	1500315		SCREW, 9X32		
52	21207		ACTUATOR 24V		
53	21208		FUSE HOLDER PV610 10A		
54	21209		FUSE 3.15A 250V 5X20		
55	21210		BOLT		
56	21211		SNAP RING		
57	21212		BUSHING		
58	21213		CASE		
59	21214		SPRING D.20X2X81		
60	21215		GUIDE		
61	21092		FORK M6 UNI 1676		
62	1500029		CLIP, M6		
63	21217		SCREW UNI 5739 8X35 ZB		
64	1500039		NUT, M8		

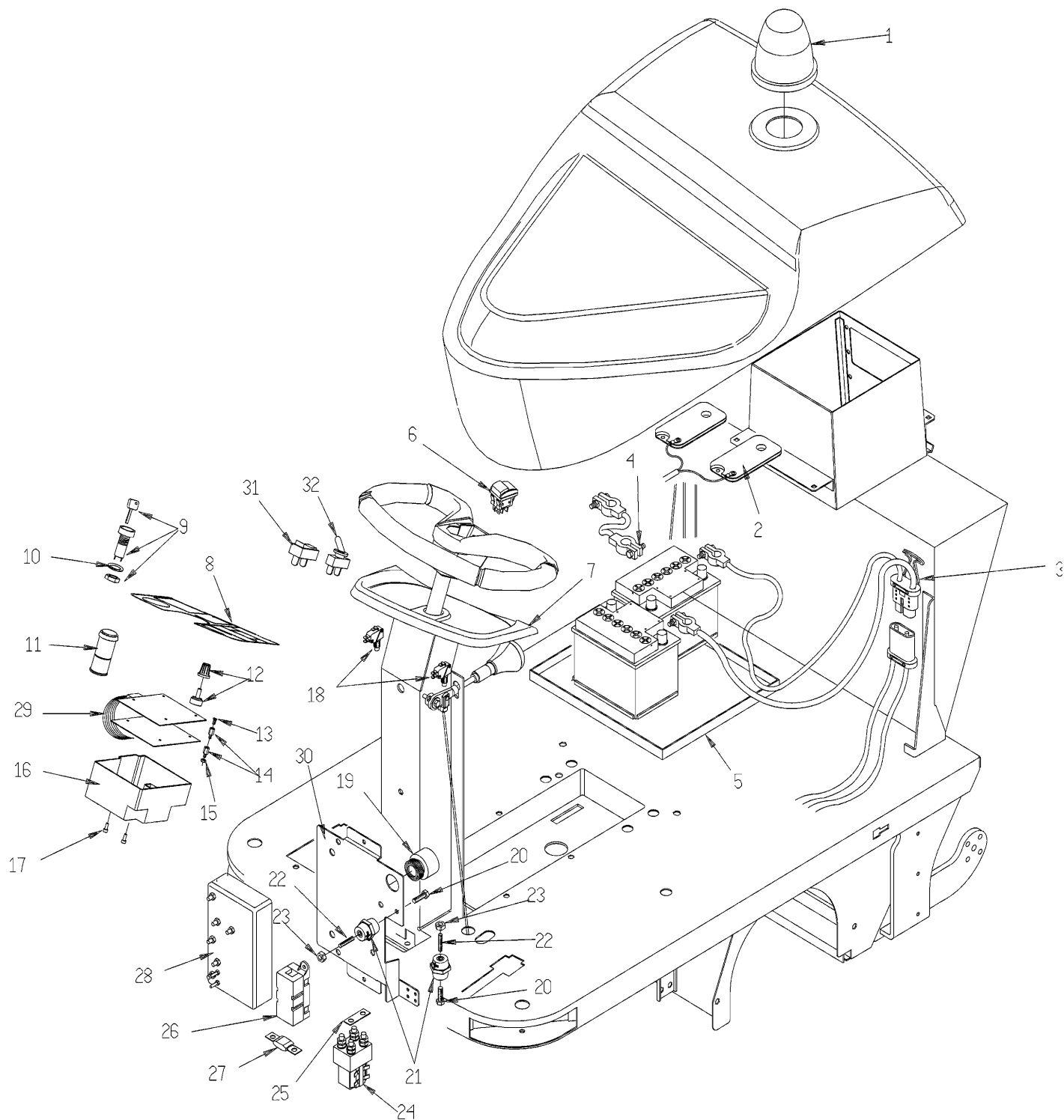
FILTER ASSEMBLY



FILTER ASSEMBLY

REF	PART NO.	QTY	DESCRIPTION	SERIAL NO. FROM	NOTES:
1	21218		MOTOR 24V		
2	1500315		SCREW, 3.9X32		
3	21219		RUBBER STRAIN RELIEF		
4	1500316		MOTOR COVER		
5	1500317		BUSHING		
6	1500062		SCREW, 6X5		
7	1500303		SCREW, 4X18		
8	1500318		MOTOR FLANGE		
9	21220		MOTOR D.63 24V G3800 W35		
10	1500167		HANDLE		
11	21221		FRAME		
12	21222		FILTER		
13	21223		FRAME		
14	21224		NUT M8X1 UNI 5589		
15	21225		MOTOR		
16	21226		FAN COVER		
17	21227		FLAP		
18	21169		FLAP		
19	21170		CLAMP		
20	21171		SCREW TC 3,5X14,5		
21	21231		INSERT D.3		
22	21232		FLAP		
23	21233		CLAMP		
24	21234		SCREW M10X16 ZC UNI 5933		
25	21235		PEDAL		
26	21236		BUSHING		
27	21237		FORK UNI 1676 M8X16		
28	OPEN				
29	21238		NUT UNI 5589 M18X1.5 ZB		
30	21239		SCREW UNI 5739 8X40 ZB		
31	1500039		NUT, M8		
32	21240		SPRING		
33	21242		PIN		
34	1500142		WASHER, 6X18X1		
35	1500280		SCREW, 6 X 35		
36	21243		ARM		
37	21244		BALL JOINT		
38	21245		PIN L.14 A.FLAP		
39	1500052		NUT, M6		
40	1500022		NUT, M6 ZB		
41	21139		SCREW 6X16 UNI 5931		
42	21247		SCREW 6X12 UNI 5931		

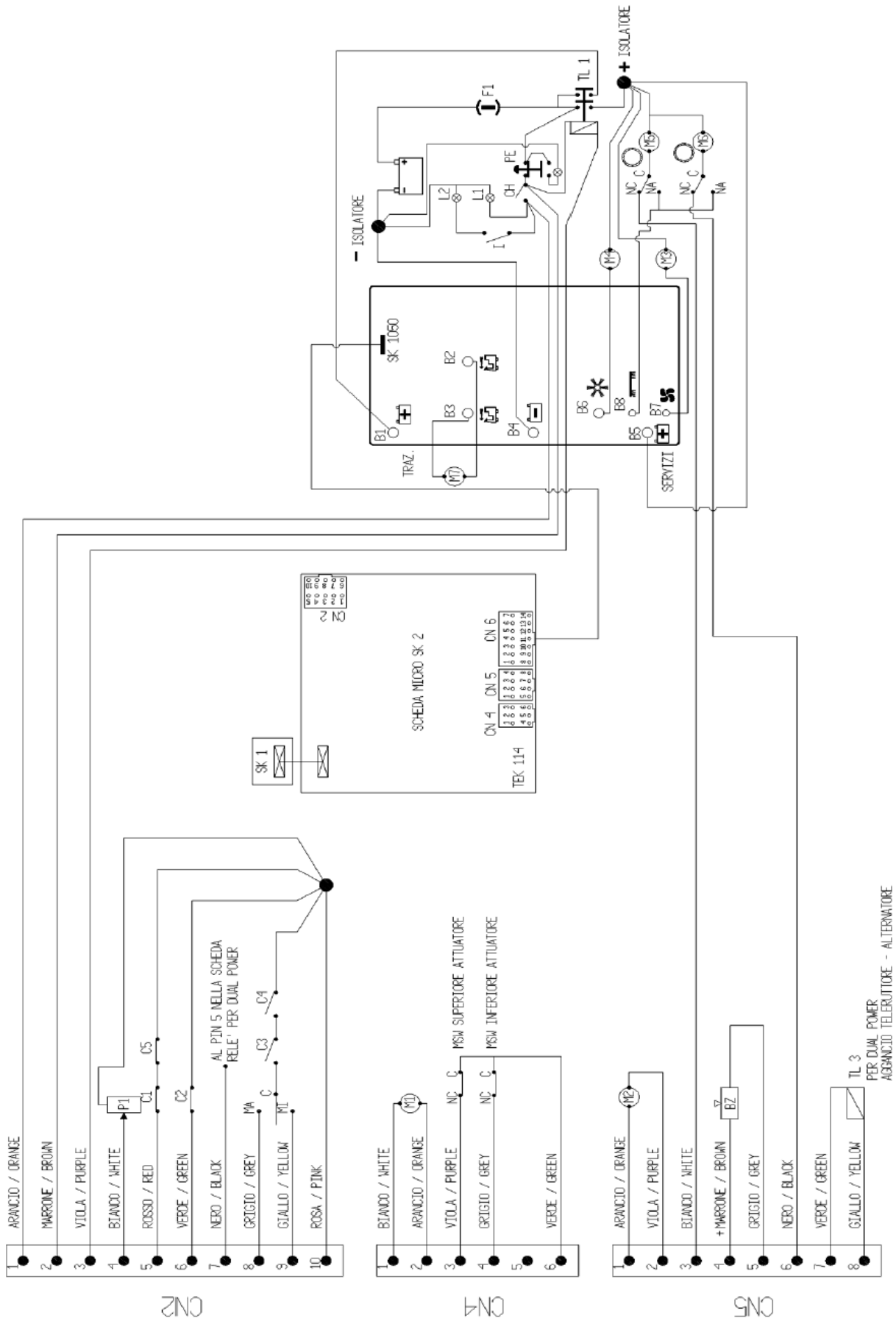
ELECTRICAL INSTALLATION



ELECTRICAL INSTALLATION

REF	PART NO.	QTY	DESCRIPTION	SERIAL NO. FROM	NOTES:
1	21248		COVER, BEACON		
2	21249		MICROSWITCH		
3	21250		WIRING L.1400 BATT		
4	21251		CABLE BATT, 1X16 L.1400		
5	21252		BATTERY SUPPORT		
6	21253		SWITCH		
7	21254		INSTRUMENT PANEL		
8	21255		DASHBOARD		
9	1500152		SWITCH		
10	21256		WASHER UNI 6798 D.18		
11	21257		BUTTON 24V		
12	OPEN				
13	21258		SCREW 3X8 ZB		
14	21259		CONNECTOR M-F M3		
15	21260		NUT UNI 5588 M3 ZB		
16	21261		FAN COVER		
17	OPEN				
18	21249		MICROSWITCH		
19	21263		BUZZER		
20	1500098		SCREW, M6X10		
21	21264		INSULATOR M6 35-CH32		
22	21265		SCREW EI-ST 6X30 UNI 5923 ZC		
23	1500022		NUT, M6		
24	21266		CONTACTOR TL22 P 24V		
25	OPEN				
26	21267		FUSE HOLDER		
27	21268		FUSE 100A		
28	21269		BOARD		
29	21270		PCB MICO + DISPLAY		
30	21271		SHEET METAL PA.		
31	OPEN				
32	21272		COMMUTAT. SWITCH 3 POS.		

WIRING DIAGRAM



WIRING DIAGRAM

REF	PART NO.	QTY	DESCRIPTION	SERIAL NO. FROM	NOTES:
BZ	21263		BUZZER		
C1	21273		DASHBOARD F11-95 NC		
C3	21274		MICROSWITCH		
C4	21275		ACCELERATOR SWITCH AND POTENTIOMETER		
CH	1500152		SWITCH		
F1	21276		FUSE 100A		
L1	21277		DASHBOARD		
M1	21278		ACTUATOR 24V		
M2	21279		MOTOR 24V		
M3	21280		MOTOR D.63 24V G3800 W35		
M4	21281		MOTOR		
M5	21282		MOTOR GEARBOX 24V 60W SX		
M6	21259		CONNECTOR M-F M3		
M7	21284		MOTOR 24V 400W		
MA	21285		SWITCH		
M	21285		SWITCH		
PE	21286		BUTTON 24V		
SK1	21287		DASHBOARD		
SK2	21288		PCB MICRO + DISPLAY		
SK3	21289		BOARD		
TL1	21290		CONTACTOR TL22 P 24V		