

REFRIGERATOR

Repair Parts List

MODEL NUMBER

ABD2533DEB

When requesting service or ordering parts, always provide the following information:

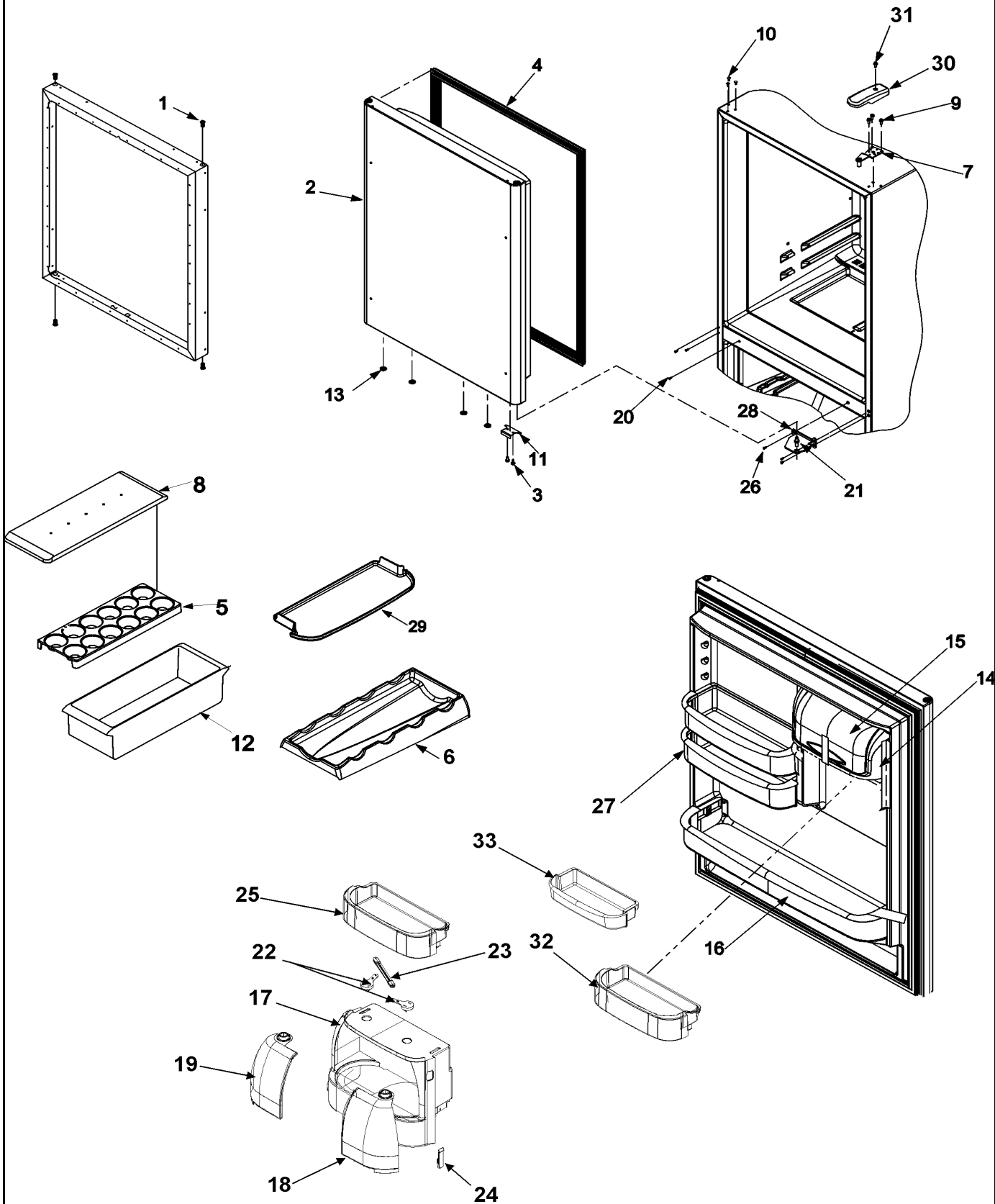
- Product Type
- Part Number
- Model Number
- Part Description

MAYTAG®

©2005 Maytag Services

Section: REFRIGERATOR DOOR

Model: ABD2533DEB



AA44-105

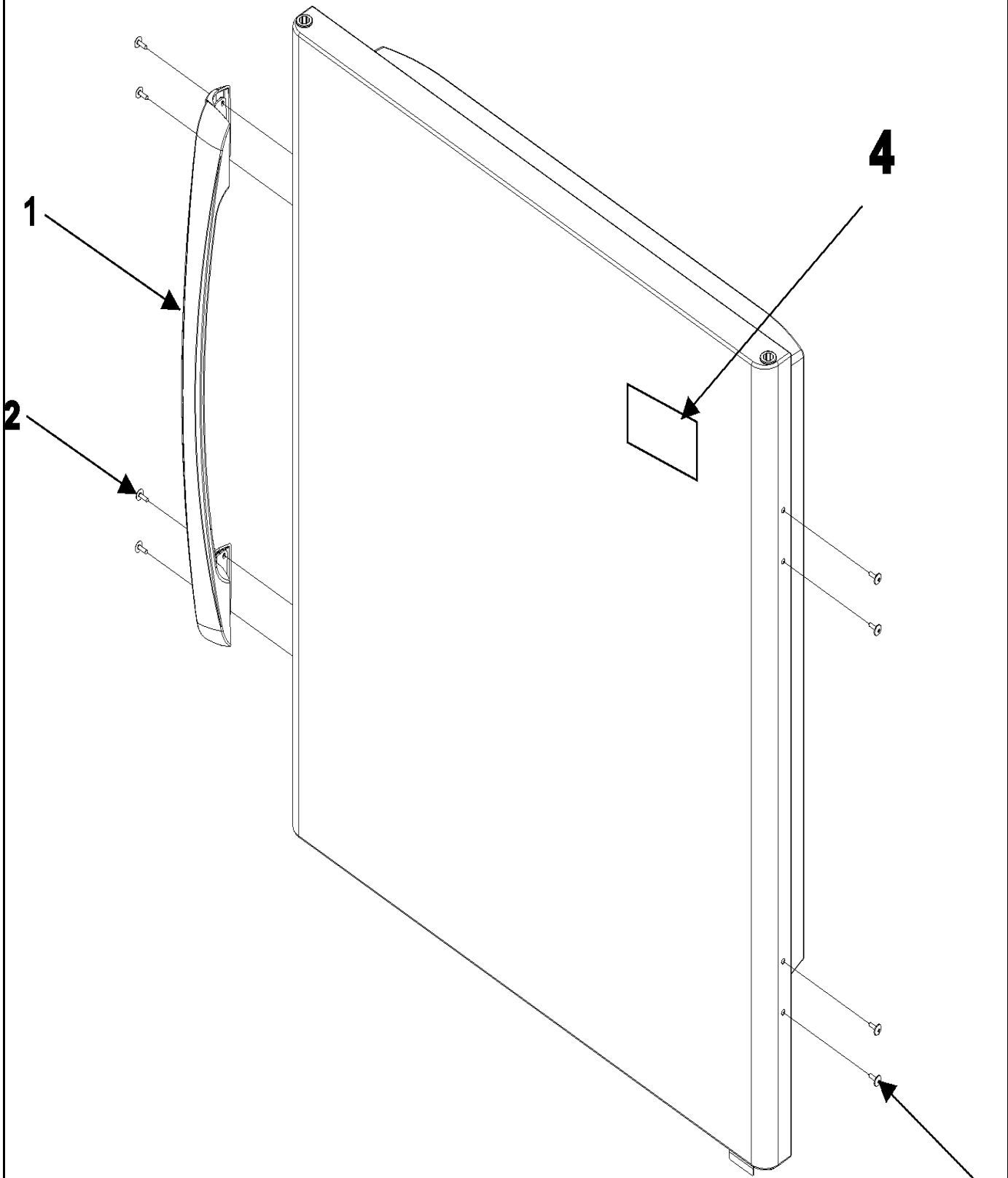
Section: REFRIGERATOR DOOR

No.	Part No.	Description	Series	Qty
1	67003369	BUSHING, DOOR (BLK)	10	4
2	67004504	DOOR ASSY., REF. FOAM (BLK)	10	1
3	M0211533	SCREW, MOUNTING	10	2
4	67003557	GASKET, REF DOOR (BLK)	10	1
5	10436506	TRAY, EGG	10	1
6	67001656	TRIVET, BOTTLE	10	1
7	67001011	HINGE, TOP (BLK)	10	1
8	10436404	LID, UTILITY	10	1
9	M0238731	SCREW, TF	10	3
10	M0310731	PLUG, TOP HINGE BUTTON (BLK)	10	3
11	67003780	STOP, DOOR (BLK)	10	1
12	10423131	BIN, UTILITY	10	1
13	67004838	PLUG, VENT (BLK)	10	2
14	67001279	TRAY, DAIRY	10	1
15	67003819	DAIRY ASSY	10	1
16	67004717	RETAINER, DOOR	10	1
17	67004720	FRAME, CHILLER	10	1
18	67004598	DOOR, CHILLER (RT)	10	1
19	67004599	DOOR, CHILLER (LT)	10	1
20	M0239730	SCREW, TF	10	3
21	67002734	PIN, CENTER HINGE	10	1
-	67003639	CLOSURE, DOOR (BLK)	10	1
22	67002293	LINKAGE, CHILLER	10	2
23	67004601	LINKAGE, CHILLER CTR	10	1
24	67004602	HOOK, CHILLER FRAME	10	1
25	67004721	BUCKET, CHILLER	10	1
26	M0226233	SCREW, T. F.	10	3
27	67003776	BUCKET, REF DR (LARGE)	10	1
28	67001167	HINGE, CENTER (BLK)	10	1
29	67003213	GRIPPER, BUCKET	10	2
30	67001012	COVER, TOP HINGE (BLK)	10	1
31	M0202327	SCREW-MACH	10	1
-	67003212	GRIPPER, BUCKET	10	1
32	67003770	BUCKET ASSY, REF. (MED W/GRIP)	10	1
33	67004871	BUCKET, SHORT ASSY	10	1

*Color Code (-)=Not Shown #=Series, Serial Prefix or Run No., N=Not Available

Section: REFRIGERATOR DOOR HANDLE & TRIM

Model: ABD2533DEB



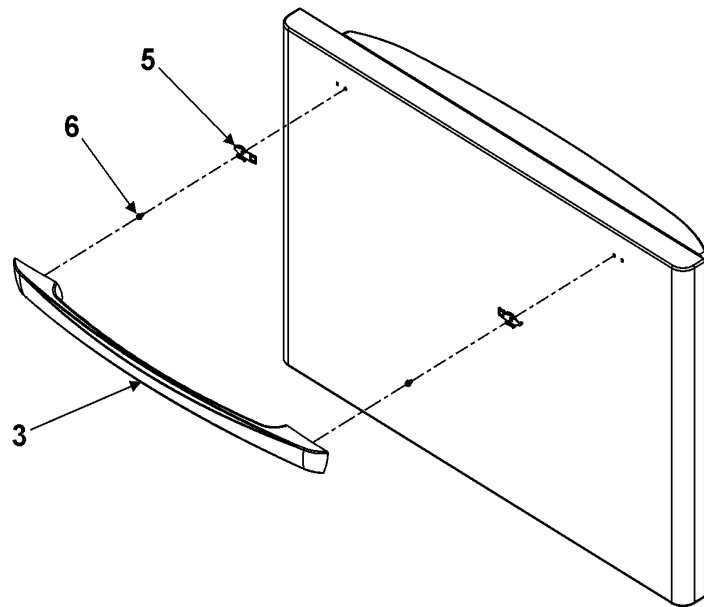
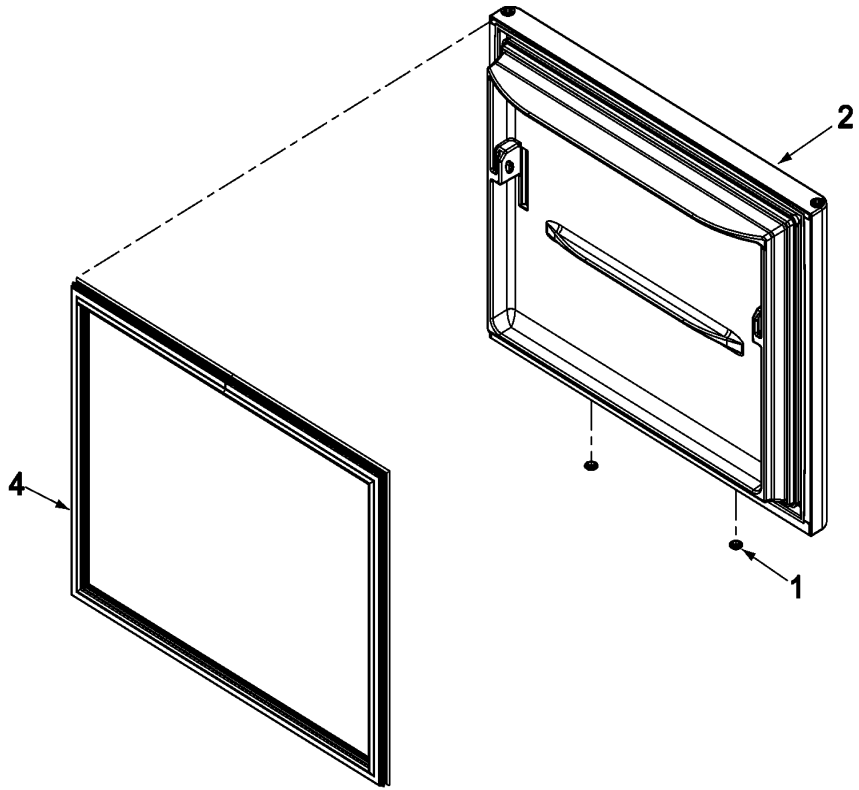
Section: REFRIGERATOR DOOR HANDLE & TRIM

No.	Part No.	Description	Series	Qty
1	67005387	HANDLE ASSY., REF DOOR (BLK)		1
2	67004709	SCREW, HI TORQUE (BLK)		4
3	12246606	PLUG, HANDLE HOLE (STNLS)	10	4
3	12246603	PLUG, HANDLE HOLE (BLK)	10	4
-	M0232929	SCREW, SE	10	6
3	12246604	PLUG, HANDLE HOLE (BSQ)	10	4
4	Y12528501	NAMEPLATE (AMANA PLUS)	10	1

*Color Code (-)=Not Shown #=Series, Serial Prefix or Run No., N=Not Available

Section: FREEZER DOOR

Model: ABD2533DEB



AA49-39

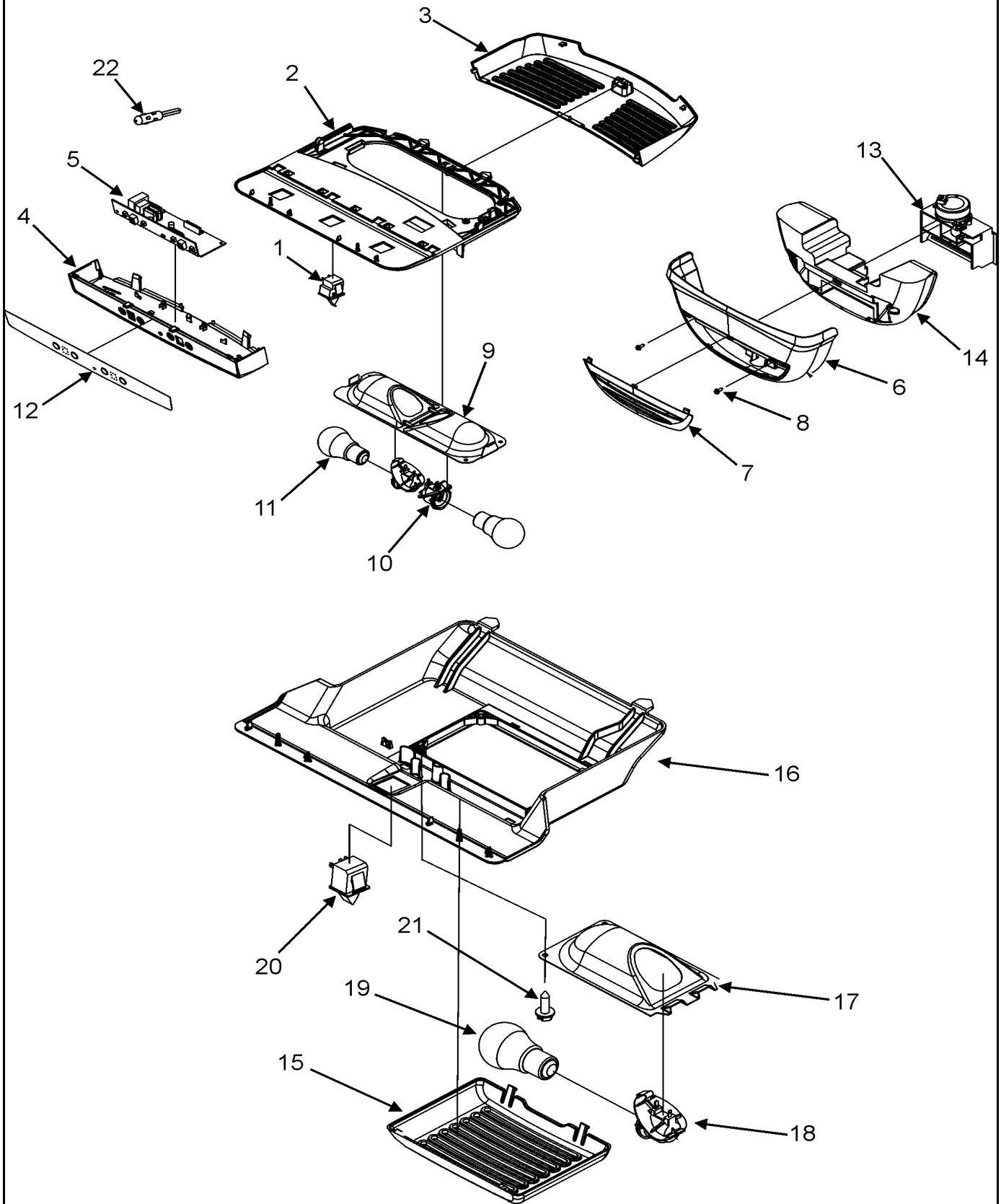
Section: FREEZER DOOR

No.	Part No.	Description	Series	Qty
1	67004838	PLUG, VENT (BLK)	10	2
2	67003230	DOOR ASSY., FRZ. FOAM (BLK)	10	1
-	67003639	CLOSURE, DOOR (BLK)	10	1
-	M0210816	SCREW, SM	10	8
3	67004278	HANDLE ASSY., DOOR (BLK)	10	1
4	67003559	GASKET, FZ DOOR (BLK)	10	1
5	67004428	CLIP-"C" CHANNEL HANDLE		2
6	67003800	SCREW, SM #10		3

*Color Code (-)=Not Shown #=Series, Serial Prefix or Run No., N=Not Available

Section: CONTROLS

Model: ABD2533DEB



AA40-10

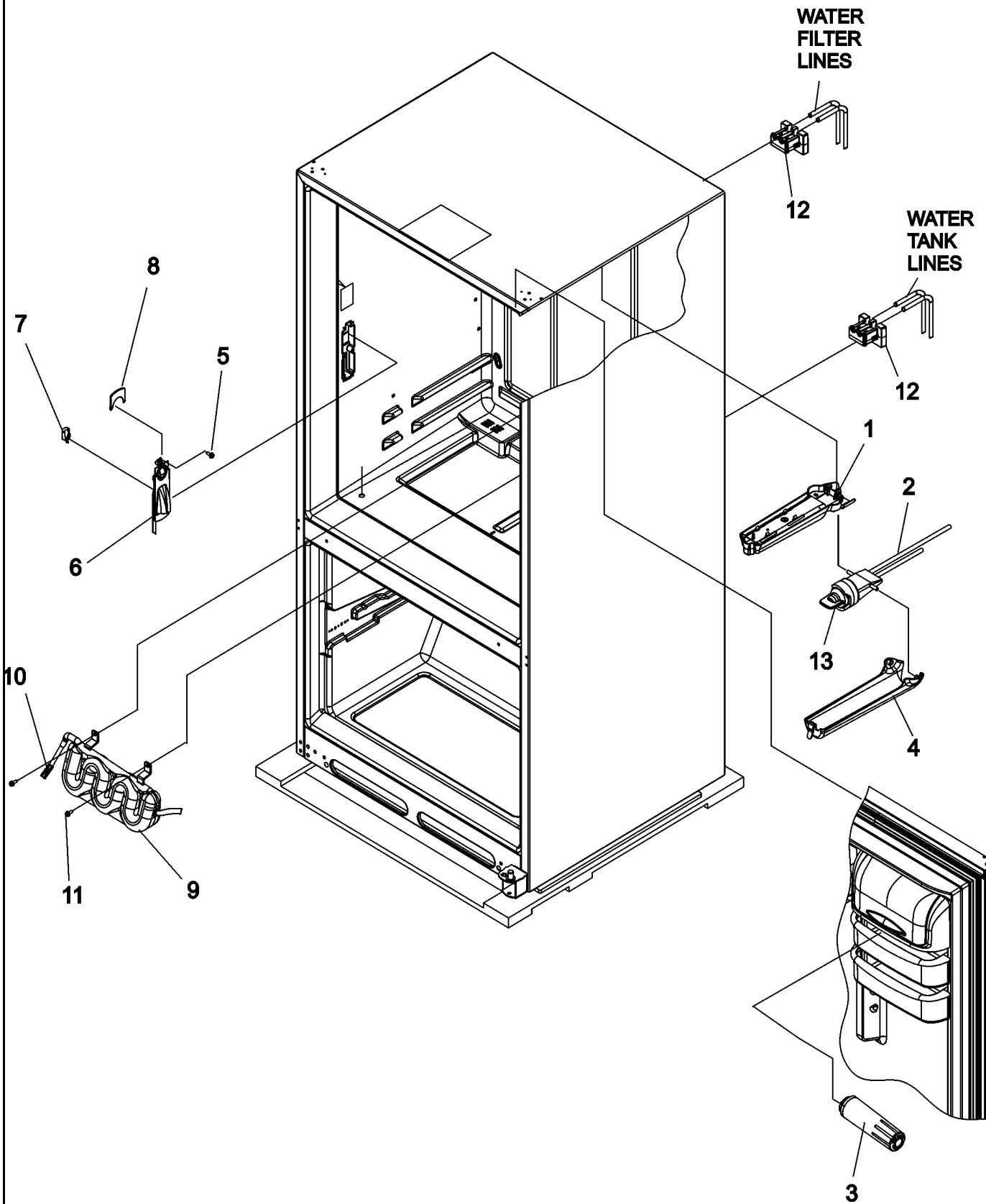
Section: CONTROLS

No.	Part No.	Description	Series	Qty
1	C3680310	SWITCH, LIGHT Note: SWITCH, LIGHT	10	1
2	Y67003896	MODULE, LIGHT	10	1
3	67003897	COVER, REF LIGHT	10	1
4	67003898	MODULE, REF CONTROL	10	1
5	12002449	BOARD KIT, CONTROL (JAZZ) Note: BOARD KIT, CONTROL	10	1
6	67003899	COVER, DAMPER	10	1
7	67003900	INSERT, DAMPER COVER	10	1
8	M0213132	SCREW Note: SCREW, DAMPER BASE	10	2
9	67003901	HOUSING, LIGHT	10	2
10	12570701	SOCKET, LIGHT	10	2
11	67003883	BULB, LIGHT *	10	2
12	67004279	OVERLAY, CONTROL	10	1
13	67003903	DAMPER, CONTROL	10	1
14	67003904	INSULATION, DAMPER CONTROL	10	1
15	67003905	COVER, FZ LIGHT	10	1
16	67003906	MODULE, FZ CONTROL	10	1
17	67001035	HOUSING, LIGHT	10	1
18	12570701	SOCKET, LIGHT	10	1
19	67003883	BULB, LIGHT *	10	1
20	12466101	SWITCH, LIGHT/INTRLK	10	1
21	M0226528	SCREW, TC Note: SCREW, HOUSING	10	1
22	12002355	THERMISTOR KIT	10	1
-	67004033	HARNESS, FF CONTROL	10	1
-	67003908	HARNESS, FZ MODULE	10	1

*Color Code (-)=Not Shown #=Series, Serial Prefix or Run No., N=Not Available

Section: WATER DISPENSER/FILTER

Model: ABD2533DEB



AA42-23

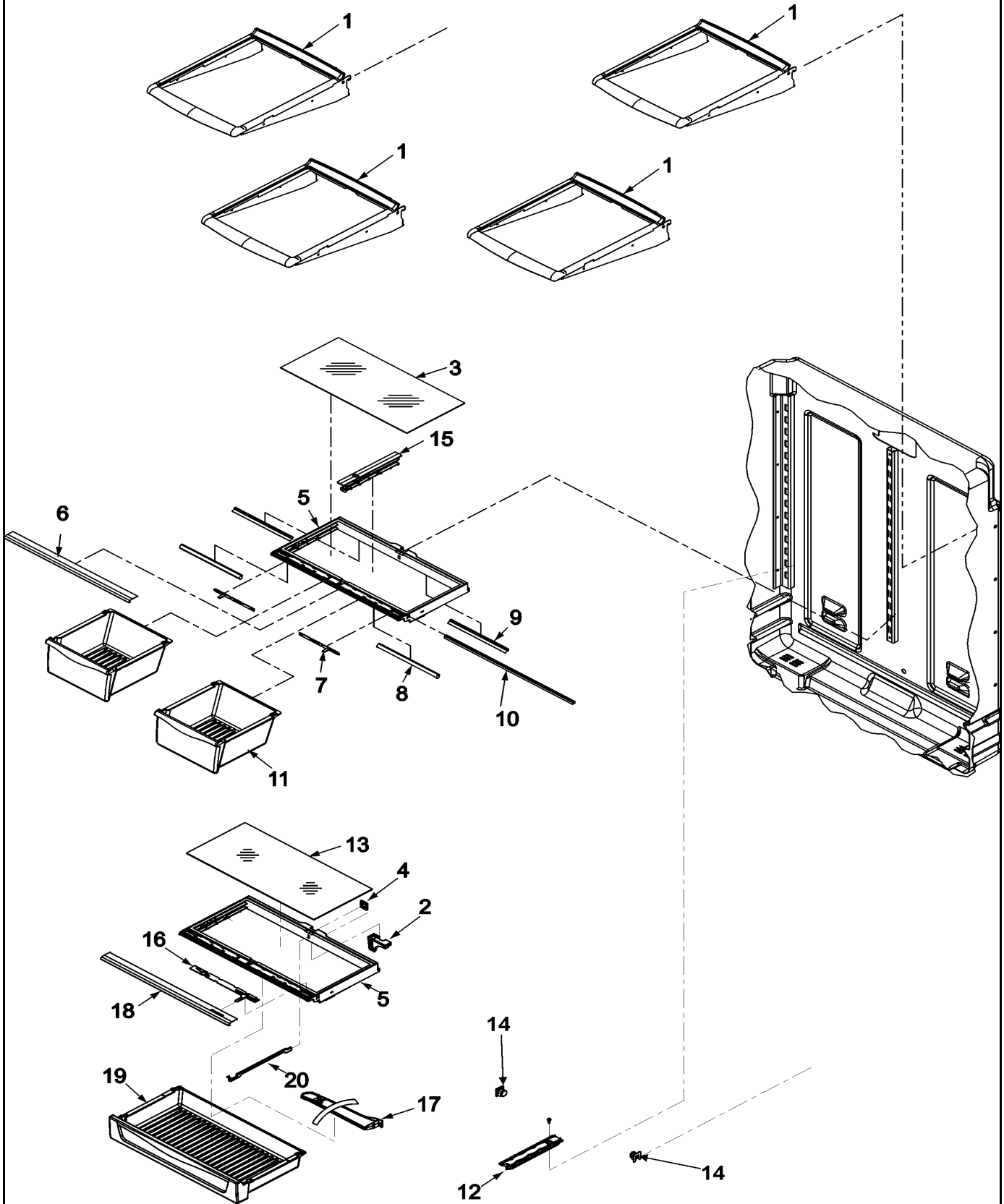
Section: WATER DISPENSER/FILTER

No.	Part No.	Description	Series	Qty
1	67001668	PLATE, FILTER BACKING	10	1
2	67004106	HEAD, WATER FILTER (W/TUBING)	10	1
3	67003591	FILTER, WATER SINGLE	10	1
4	12568001	COVER, FILTER	10	1
5	M0238642	SCREW, SM	10	2
6	67004694	FACADE, DISPENSER	10	1
7	12575501	SWITCH, LIMIT	10	1
8	67002977	FACADE, DISPENSER TOP	10	1
9	67004091	TANK, WATER	10	1
10	61006182	UNION, TUBE (5/16"-5/16")	10	1
11	67004822	SCREW, SM	10	2
12	67004092	BLOCK, FILTER	10	2
13	12664501	PLUG, BYPASS	10	1

*Color Code (-)=Not Shown #=Series, Serial Prefix or Run No., N=Not Available

Section: REFRIGERATOR SHELVING

Model: ABD2533DEB



AA46-87

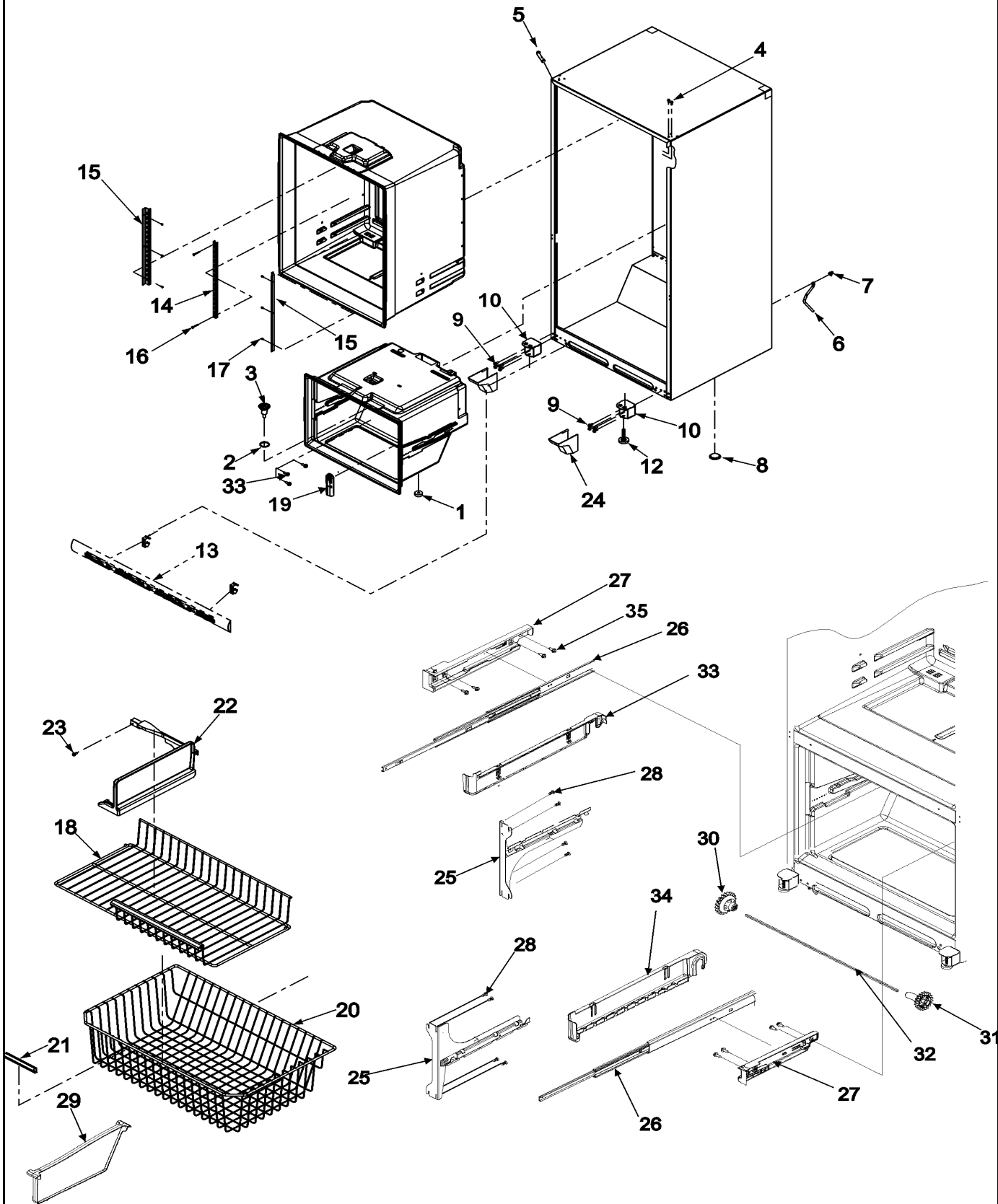
Section: REFRIGERATOR SHELVING

No.	Part No.	Description	Series	Qty
1	67004637	SHELF, GLIDE OUT	10	4
2	67002004	TUNNEL, PANTRY	10	1
3	67003852	GLASS, CRISPER	10	1
4	67002005	GASKET, PANTRY	10	1
5	67003854	FRAME, CRISPER	10	2
6	67004636	EXTR, CRISPER FRONT	10	1
7	Y67001287	SLIDE, HUMIDITY CONTROL	10	2
8	67003417	SEAL, FRONT CRISPER	10	2
9	67002513	SEAL, REAR CRISPER	10	2
10	67002748	BRACE, CRISPER E-CT	10	1
11	67004697	PAN, CRISPER	10	2
12	67001719	TRACK, DELI DRAWER	10	1
13	67003852	GLASS, CRISPER	10	1
14	12603701	SUPPORT, CRISPER FRAME	10	2
15	67004514	RAIL, CENTER CRISPER	10	1
16	67002002	SLIDE, PANTRY	10	1
17	67004556	DIVIDER, PANTRY	10	1
18	67004554	EXTR., PANTRY FRONT	10	1
19	67004681	PAN, PANTRY	10	1
20	67004555	BAR, PANTRY CONTROL	10	1

*Color Code (-)=Not Shown #=Series, Serial Prefix or Run No., N=Not Available

Section: INTERIOR CABINET & FREEZER SHELVING

Model: ABD2533DEB



AA43-66

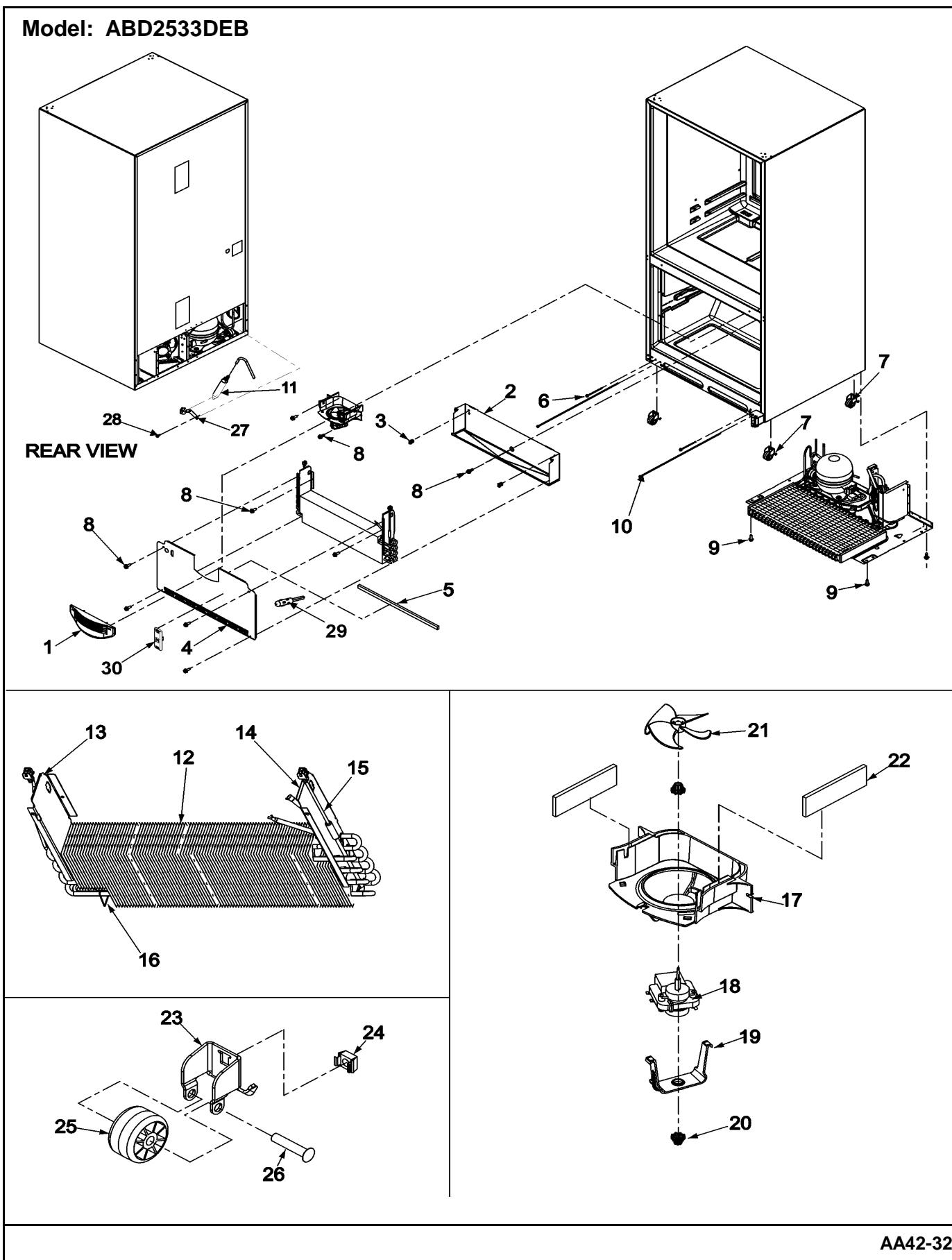
Section: INTERIOR CABINET & FREEZER SHELVING

No.	Part No.	Description	Series	Qty
1	B8381501	GASKET, DRAIN TUBE	10	1
2	M0500703	SEAL, O RING	10	1
3	D7753903	FUNNEL, DRAIN	10	1
4	N A4539607	POP RIVET	10	3
5	67003485	COVER, CORNER (BLK)		2
6	67001066	TUBE, DRAIN	10	1
7	67001067	CLIP, DRAIN TUBE	10	1
8	A3076901	PLUG, BUTTON	10	1
9	67003858	SCREW, BOTTOM HINGE	10	8
10	67001238	HINGE, BOTTOM E-CT (BLK)	10	2
11	M0211018	SCREW, SM	10	8
12	10354001	BRAKE, FOOT	10	2
13	67002224	GRILLE ASSY., TOE (BLK)		1
-	12627302	CLIP, TOE GRILLE	10	2
14	67001073	LADDER, CENTER	10	1
15	67001317	LADDER, SIDES	10	2
16	M0231425	SCREW	10	2
17	M0238642	SCREW, SM	10	6
18	67002765	BASKET, UPPER	10	1
19	67004610	COVER, CHILLER VENT	10	1
20	67004079	BASKET, FRZ. (LWR)	11	1
21	10508506	HANDLE, BASKET/SHELF	10	1
22	67004127	DIVIDER, BASKET (UPPER)	10	1
23	67001310	SCREW	10	1
24	12561901C	COVER, LWR HINGE (BSQ)	10	2
25	67004013	BRACKET, DRAWER SLIDE (RT)	10	1
25	67004012	BRACKET, DRAWER SLIDE (LT)	10	1
26	67004065	SLIDE, DRAWER	10	2
27	67004217	ADAPTER (LT)	10	1
27	67004218	ADAPTER (RT)	10	1
28	M0211021	SCREW 1"	10	8
29	67004064	DIVIDER, BASKET (LWR)	10	1
30	67004430	GEAR (RT)	10	1
31	67004429	GEAR (LT)	10	1
33	67004015	CRADLE, BASKET (RT)	10	1
34	67004014	CRADLE, BASKET (LT)	10	1
35	67004892	SCREW, SM		8

*Color Code (-)=Not Shown #=Series, Serial Prefix or Run No., N=Not Available

Section: EVAPORATOR AREA & ROLLERS

Model: ABD2533DEB



AA42-32

Section: EVAPORATOR AREA & ROLLERS

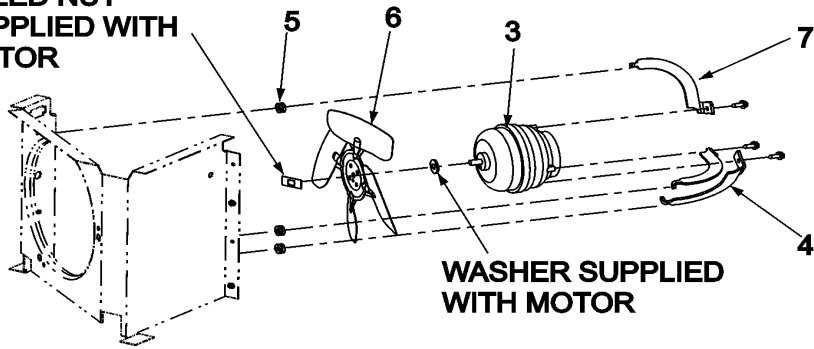
No.	Part No.	Description	Series	Qty
1	67001079	GRILLE, FZ AIR**	10	1
2	67002490	TRAY, DRIP E-CT	10	1
3	10623002	CLIP, EVAPORATOR	10	2
4	67004018	COVER, EVAPORATOR	10	1
5	67002492	GASKET	10	1
6	12606102	BOLT, ROLLER ADJ	10	2
7	67002227	ROLLER BRACKET ASSY	10	1
8	M0238616	SCREW, SM	10	5
9	M0260242	SCREW, TF	10	4
10	67002781	SCREW, ADJUSTING	10	2
11	B2150504	DRIER	10	1
12	12002041	KIT, EVAP REPLACEMENT	10	1
13	67001083	DAM, LEFT RETURN	10	1
14	67001084	DAM, RIGHT RETURN	10	1
15	67002493	HEATER, DEFROST	10	1
16	10428101	CLIP, EVAP HEATER	10	2
17	67002777	SHROUD, EVAP FAN	10	1
18	67003636	MOTOR, EVAP FAN	10	1
19	67003083	CLIP	10	1
20	67002780	GROMMET, FAN MOTOR (BLK)	10	2
21	12217201	FAN, EVAPORATOR	10	1
22	67001291	GASKET, FOAM	10	2
23	12456801	BRACKET, ROLLER	10	1
24	M0286708	NUT, SPEED	10	1
25	10450602	ROLLER	10	1
26	M1205302	RIVET	10	1
27	10547002	CLIP, DRIER	10	1
28	67002525	SCREW, SELF DRILL	10	1
29	67003924	COVER, FZ THERMISTOR	10	1
30	67003871	THERMISTOR (SERVICE)	10	1
31	67003931	HARNESS, EVAP HEATER	10	1
-	12001937	THERMOSTAT KIT--W	10	1

*Color Code (-)=Not Shown #=Series, Serial Prefix or Run No., N=Not Available

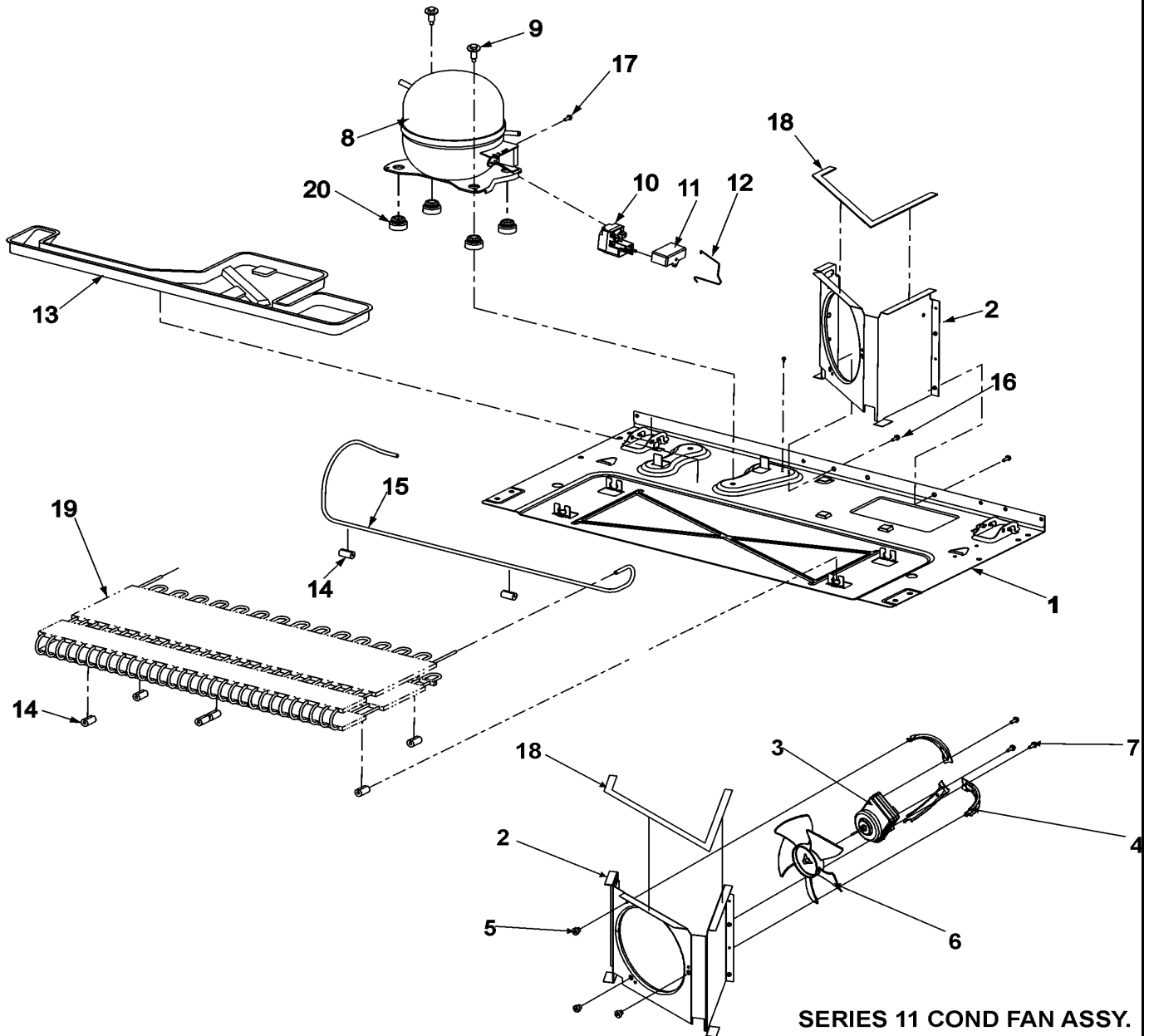
Section: COMPRESSOR

Model: ABD2533DEB

SPEED NUT
SUPPLIED WITH
MOTOR



SHADED POLE MOTOR MODELS



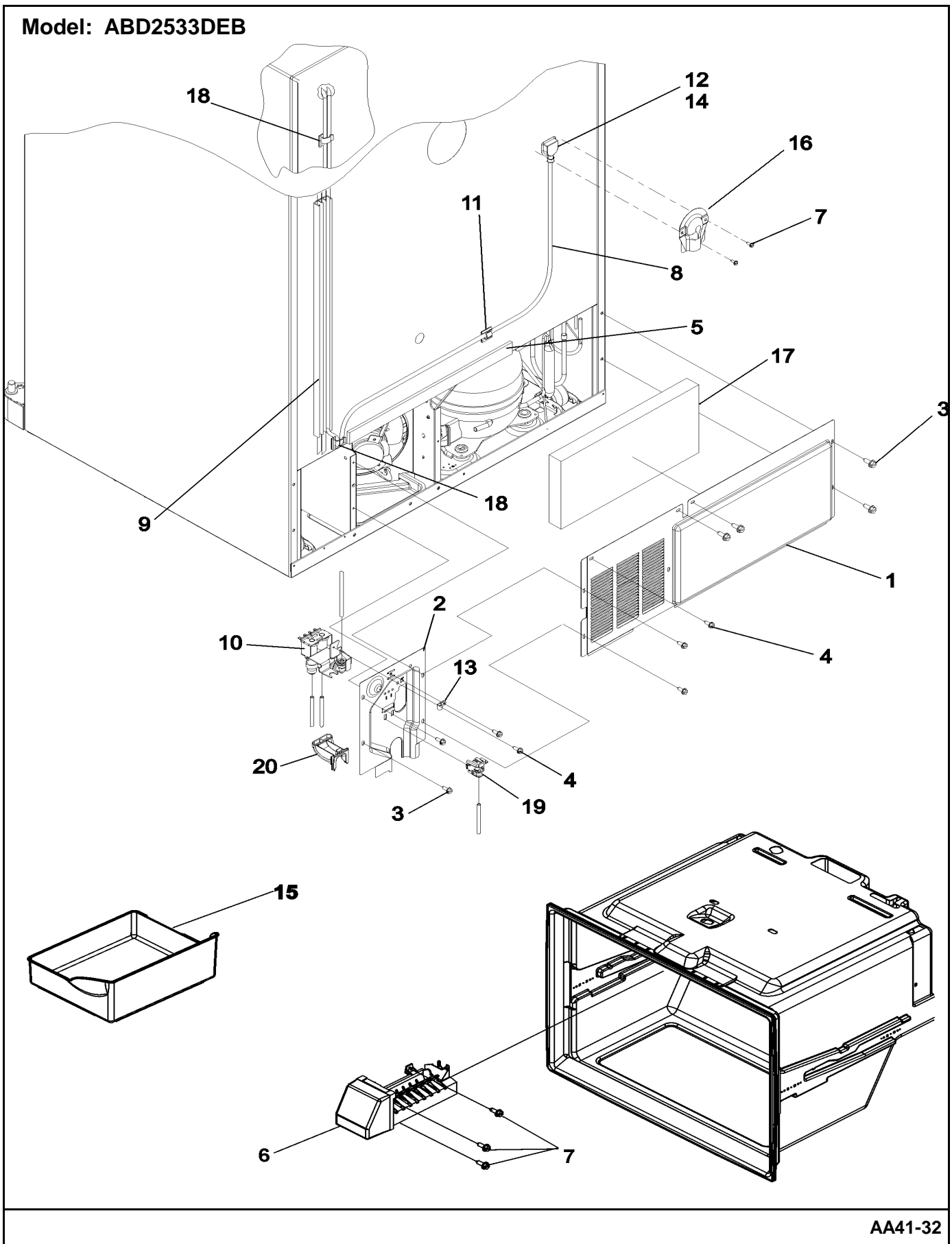
Section: COMPRESSOR

No.	Part No.	Description	Series	Qty
1	67001512	PAN, BASE	10	1
2	67001090	SHROUD, CONDENSER FAN	10	1
3	10884507	MOTOR, CONDENSER FAN	10	1
3	67004432	MOTOR, CONDENSER FAN	11	1
4	67003354	BRACKET, CONDENSER MOTOR	10	1
4	67004953	BRACKET, COND MOTOR	11	3
5	61004743	GROMMET, BRACKET		3
6	67004952	BLADE, COND FAN	11	1
6	12587601	BLADE, COND FAN	10	1
7	M0223816	SCREW, TR		3
8	67003762	COMPRESSOR, TPG1370YXA(BM)	10	1
9	N M0221523	SCREW, SHLDR	10	4
10	67003764	OVERLOAD/RELAY W/CAPACITOR	10	1
11	C8931612	CAPACITOR	10	1
12	12576801	STRAP, BALE	10	1
13	67004744	PAN, DRAIN	10	1
14	12578601	GROMMET, CONDENSER	10	8
15	67004700	TUBE, DISCHARGE	10	1
16	M0238616	SCREW, SM	10	2
17	M0231604	SCREW, TF	10	2
18	61003210	SEAL	10	1
19	67004682	CONDENSER *	10	1
-	67004743	CONDENSER	11	3
20	67003493	GROMMET, COMPRESSOR	10	4
-	67004324	HARNES-MC	10	1

*Color Code (-)=Not Shown #=Series, Serial Prefix or Run No., N=Not Available

Section: CABINET BACK

Model: ABD2533DEB



AA41-32

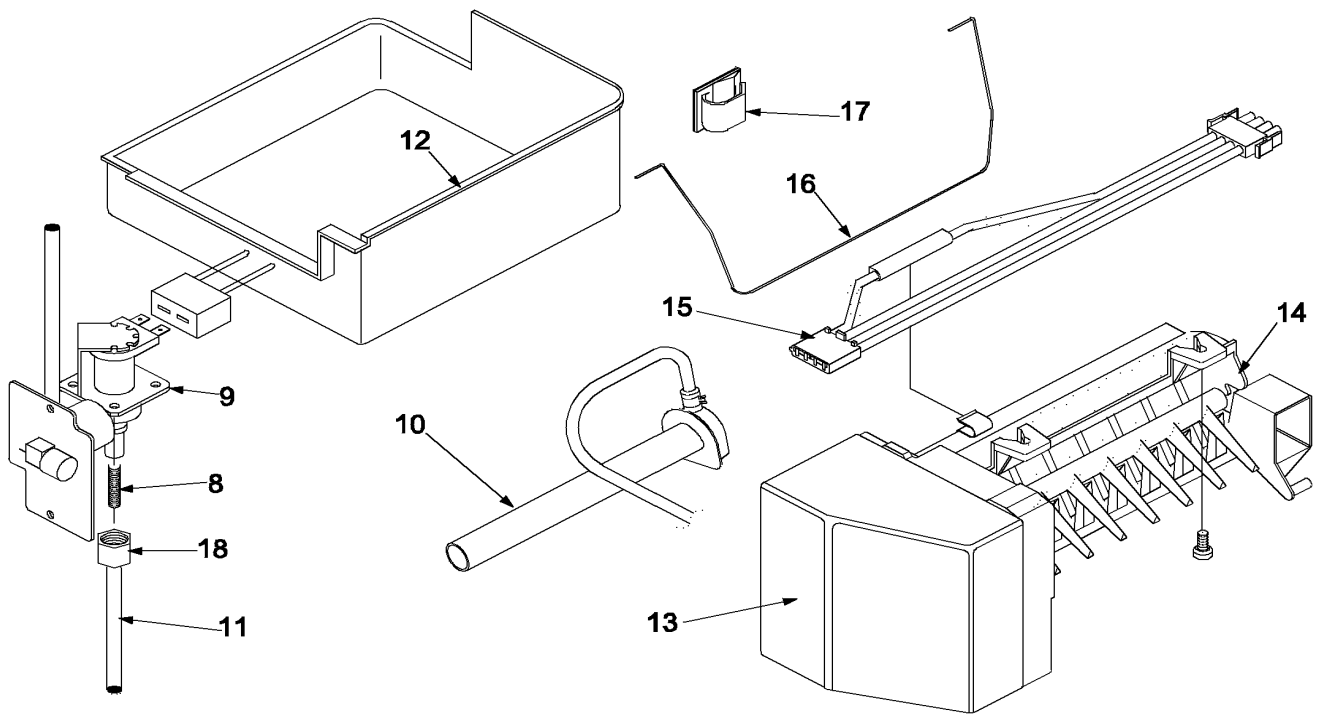
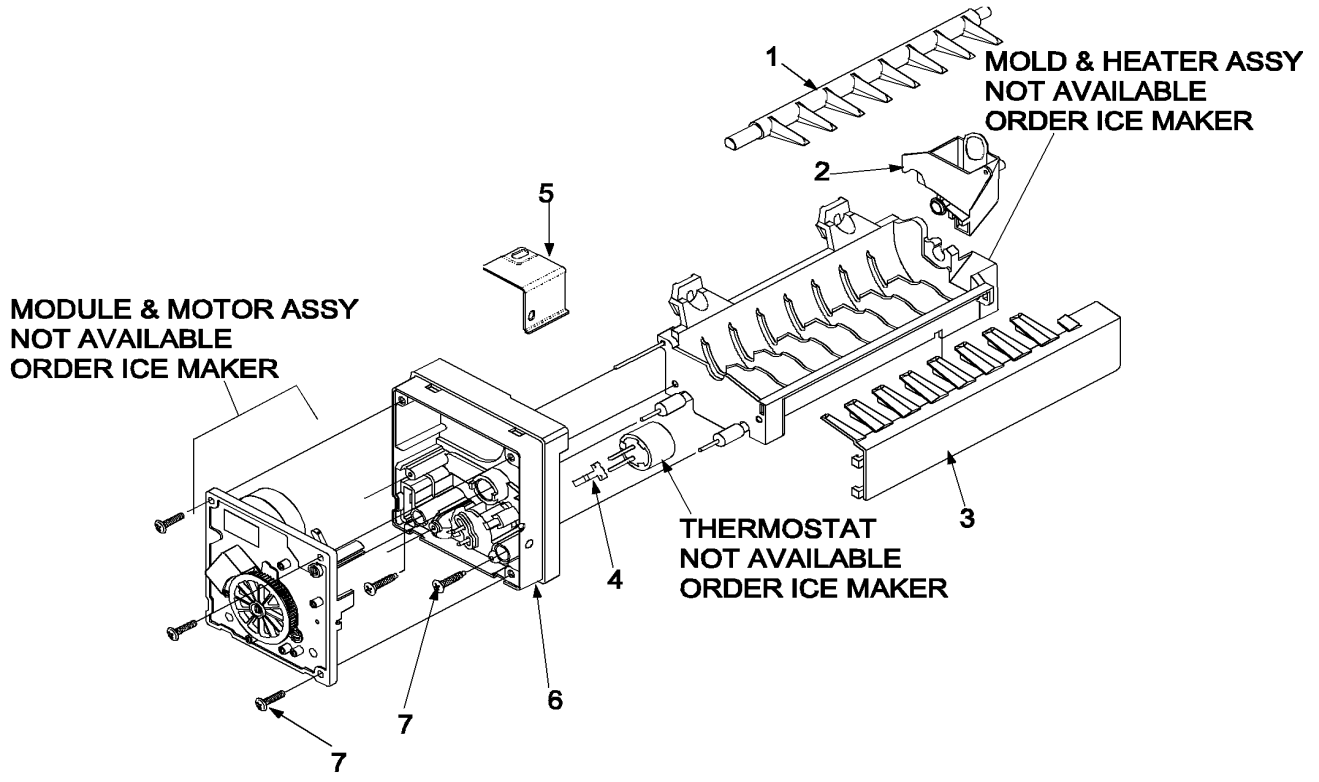
Section: CABINET BACK

No.	Part No.	Description	Series	Qty
1	12575101ED	BACK, MACH COMP	10	1
2	67004098	COVER, WATER VALVE	10	1
3	M0238616	SCREW, SM Note: SCREW	10	11
4	M0251015	SCREW	10	3
5	B5759649	GASKET, MC BACK	10	1
-	67004028	ARM, IM SHUTOFF	10	1
-	67004710	COVER, ICE MAKER	10	1
-	67001489	HARNESS, ICE MAKER*	10	1
6	61005508	ICE MAKER ASSY. Note: SEE ICE MAKER SECTION FOR PARTLISTINGS.	10	1
7	67004822	SCREW, SM Note: SCREW	10	5
8	67003729	TUBE, PLASTIC	10	1
-	A3223101	INSERT, PLASTIC TUBE	10	1
9	67004102	TRACK, WATERLINE	10	1
10	67003818	VALVE, DUAL WATER	10	1
11	M0104106	CLIP	10	3
12	M0114003	CLIP, SPEED	10	1
13	M0108105	CLAMP, TUBE	10	1
14	67004099	FILL TUBE ASSY	10	1
15	67001255	PAN, ICE	10	1
16	67003331	COVER, WATER LINE	10	1
17	67003796	FIBER, ACOUSTIC	10	1
18	M0104102	CLIP, CORD	10	2
19	67004100	CLIP, WATERLINE	10	1
20	67004101	SWEEP, DUAL TUBE	10	1
-	12583301	CORD, POWER	10	1

*Color Code (-)=Not Shown #=Series, Serial Prefix or Run No., N=Not Available

Section: OPTIONAL ICE MAKER KIT IC11B P1328003W

Model: ABD2533DEB



Section: OPTIONAL ICE MAKER KIT IC11B P1328003

No.	Part No.	Description	Series	Qty
1	95101-1	EJECTOR, ICE	10	1
2	95100-1	INLET, WATER	10	1
3	95102-1	STRIPPER, ICE	10	1
4	95104-1	RETAINER, THERMOSTAT	10	1
5	95107-1	BRACKET, MODULE & HEATER	10	1
6	95103-1	SUPPORT, MODULE HOUSING	10	1
7	95106-1	SCREW	10	1
8	A1055105	SPRING, ANTI KINK	10	1
9	12638801	VALVE-WATER	10	1
10	10463201	ELBOW, FILL TUBE	10	1
11	B5705323	TUBE, PLASTIC	10	1
12	67001255	PAN, ICE	10	1
13	10519807	COVER, ICE MAKER	10	1
14	61005508	ICE MAKER ASSY.	10	1
15	67001489	HARNESS, ICE MAKER*	10	1
16	67001257	ARM, ICE MAKER	10	1
17	M0104106	CLIP	10	2
18	M0753001	NUT, SLEEVE	10	1
- N	10549601	LABEL, CAUTION (ICE MAKER)	10	1
-	M0108105	CLAMP, TUBE	10	1
-	95108-1	SCREW, BRACKET	10	1
-	67001258	RETAINER, TUBE	10	1
-	M0251015	SCREW	10	3
-	A3223101	INSERT, PLASTIC TUBE	10	1
-	M0114003	CLIP, SPEED	10	1
-	10244904	COUPLING	10	1
-	R0131235	ICE MAKER HOOK UP KIT Note: INCLUDES 1/4" OD X 25' COPPER TUBING, SADDLE VALVE (NON PIERCING), AND 1/4" OD COMPRESSION NUT AND SLEEVE.	10	1
-	10526701	CLAMP, WIRE	10	1
-	M0211018	SCREW, SM	10	3
-	67001264	INSTRUCTIONS, INSTALLATION	10	1

*Color Code (-)=Not Shown #=Series, Serial Prefix or Run No., N=Not Available

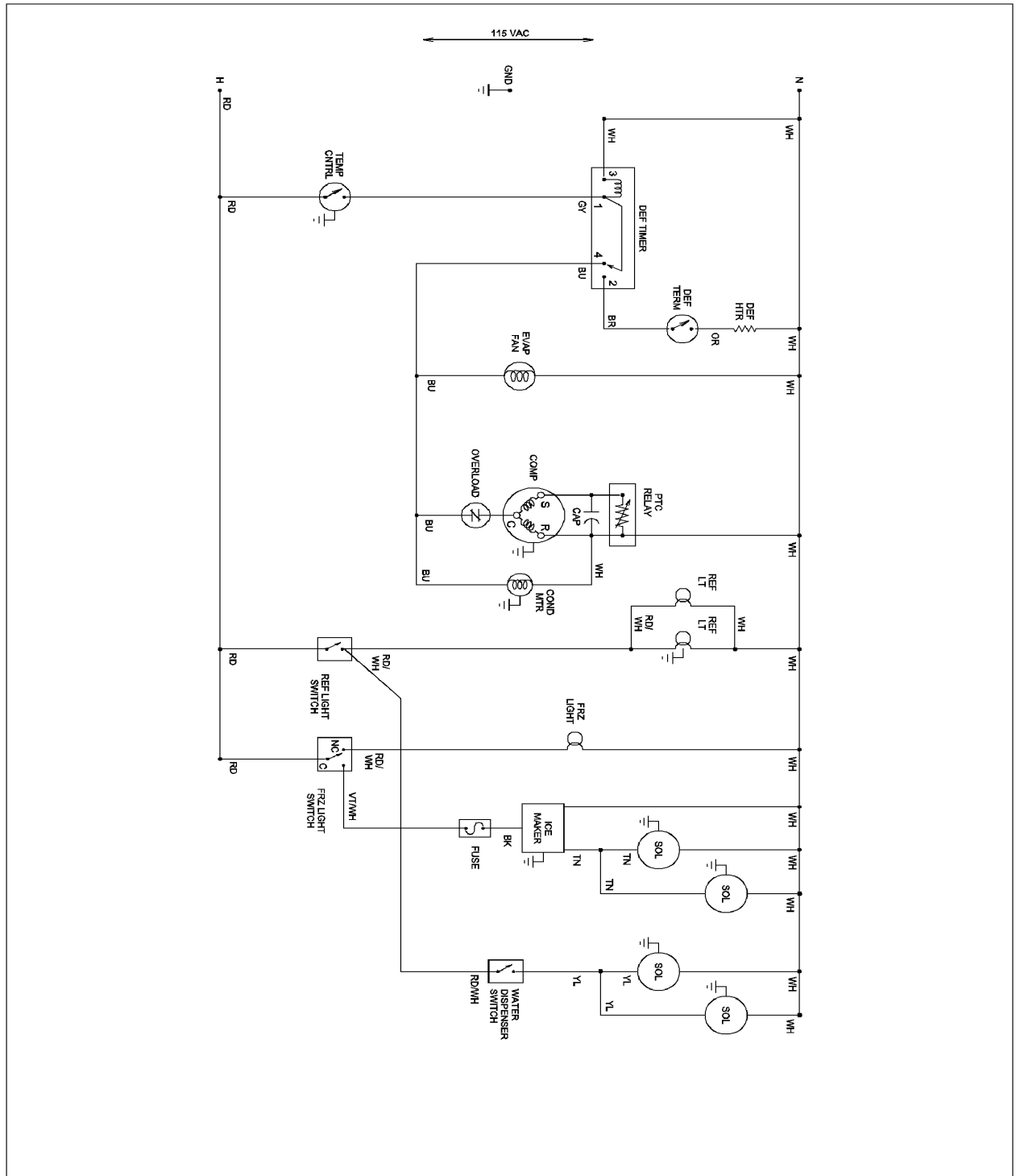
Section: SUPPLEMENTAL INFORMATION

No.	Part No.	Description	Series	Qty
-	67004612	SHEET, TECH DATA	10	1
-	16026201	TECH SHT, BTM MT	11	1
-	67003885	MANUAL, OWNERS	10	1
-	R0131235	ICE MAKER HOOK UP KIT	10	1
4	67004854	TAG, ENERGY	10	1
-	67005654	TAG, ENERGY	11	1

*Color Code (-)=Not Shown #=Series, Serial Prefix or Run No., N=Not Available

Section: WIRING INFORMATION

Model: ABD2533DEB



15003053

