

## RHEEM WATER HEATER PARTS GUIDE

<http://waterheatertimer.org/How-to-troubleshoot-gas-water-heater.html>

# 2011 Parts & Accessories for water heating systems

## Preferred Parts

The premium line approved for replacement in

- Rheem® and Ruud® residential water heaters
- Rheem®-Ruud® commercial water heaters
- Richmond® residential water heaters
- PerfectFit™ commercial water heaters
- GE and Hotpoint residential water heaters

## Universal Parts

- The value line for all your replacement parts
- Fits most brands of water heaters

## Tools & Accessories

- Supplies that help with any job



**National Parts service center**  
from Rheem



*relax*  
It's Rheem®

*Listings, Diagrams,  
Reference Guide, Displays  
and more!*

# ***Rheem Advantages***

*It is the goal of Rheem Parts to set the standard for the plumbing industry we serve, and to be the organization against which others are measured. We are market driven, and will continue to explore products and services that offer our customers a competitive advantage in the marketplace.*

## **Technology**

Rheem has significant research and development capability which allows us to offer the latest technology and product reliability to our customers.

## **Patented Products**

Rheem has a number of patented products that allow us to offer the highest quality replacement parts.

## **Customer Service**

Rheem has an industry leading customer service team that can provide fast and convenient answers to our customer's questions.

## **Brand Equity**

The Rheem and Ruud names are synonymous with quality and customer service and allows Rheem Parts and our partners to capitalize on this brand recognition with professional plumbers.

## **Business Partner**

Rheem is a proven business partner to our customers.

## **Sales Professionals**

Rheem Water Heating has an exceptional network of sales professionals to help our customers sell replacement parts.

## **Merchandising Opportunities**

Rheem Parts has taken the opportunity to complement our factory authorized Preferred Parts with Universal Parts and differentiate these by branding each with unique packaging and selling messages.

**National Parts** service center  
from Rheem



# The Water Heater PARTS *Guide 2011*

A comprehensive catalog of approved replacement parts for Rheem® and Ruud®, Richmond®, PerfectFit™, and all GE and Hotpoint water heaters.

## General Terms and Conditions

### FREIGHT ALLOWANCE

F.O.B. Plant, Randleman, North Carolina. Full freight allowed on ground shipping, within Continental United States on Preferred Parts orders of \$250.00 or more.

### TAXES

Prices are subject to the addition of any tax imposed by any present or future Federal, State, County or Municipal law on the sale of such material, unless we have a tax exemption certificate on file.

### ACCEPTANCE OF ORDERS

All orders are subject to final approval on the terms and conditions contained in our standard customer acknowledgment form.

### VOLUME DISCOUNT

A 5% discount will be applied to all orders totalling \$1000.00 or more.

**Note:** Excludes Thermal Expansion Tanks and Protection Plus Kits.

### MATERIAL RETURNS - WATER HEATER PARTS

Material purchased from Rheem Parts Department may be returned for credit within 90 days of the date of invoice, subject to a 25% re-stocking charge. Total dollar amount returned must exceed \$25.00.

### The following parts are not eligible for return:

- Items with net price less than \$10.00.
- Items with date codes prior to year 2008.
- Chemicals.
- LP Conversion Kits.
- "AE", "AM" or "AS" prefix part numbers.
- Opened cartons of items requiring Case Qty purchase.
- Special Order Items (Non-stock items.)

The only exception to this policy may be for extenuating circumstances. The Manager, Water Heater Parts, will make final determination for issuing a Return Goods Authorization (RGA).

All returns must have prior written approval from Rheem Parts Department.

Request for the issue of an RGA must be submitted to Rheem Customer Service. Fax request for RGA to 800-535-9538. Information required is the original purchase order or credit card order number that the parts were ordered on, Rheem sales order number, Rheem invoice number along with the part number and quantity to be returned. (We recommend faxing a copy of the invoice with the part(s) identified to expedite the process. All required information will be on the invoice.)

All materials must be "new & unused" and in the original packaging (material received unpackaged or used will be returned to sender Freight Collect, with no credit issued).

All approved returns must be shipped (FOB destination, prepaid and allowed).

All approved returns must be shipped within 30 days approval. Items returned without prior approval will be scrapped, no credit issued.

## Table of Contents

### Preferred Parts for Residential Water Heaters

Elements .....	2-3
Preferred Parts Plumber's Pack .....	4
Thermostats .....	4
Replacement Parts .....	5-22

### Preferred Parts for Commercial Water Heaters

Replacement Parts .....	23-32
-------------------------	-------

### Universal Parts for Residential Water Heaters

Elements .....	33
Universal Plumber's Pack .....	34
Replacement Parts .....	35-36

### Parts Diagrams with Parts Lists

Residential Water Heaters .....	37-68
Commercial Water Heaters .....	69-79

### Display and Planograms .....

80-83
-------

### Supplies & Hardware .....

84-109
--------

### Tools & Instruments .....

110-130
---------

## Rheem National Customer Service

**Division Office**.....334-260-1500

**Parts, Customer Service, Warranty** .....1-800-621-5622

**Fax** .....1-800-535-9538

**Email** .....parts@rheem.com

**Technical Service**.....1-800-HEATER3

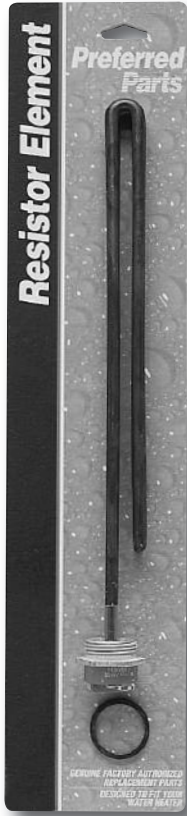
(1-800-432-8373)

**Email** .....techserv@rheem.com

**Website**.....www.rheem.com

**Note: Please contact the Rheem National Customer Service Center at 1-800-621-5622 for items not listed in this guide.**

**To place your order call 1-800-621-5622; fax 1-800-535-9538**



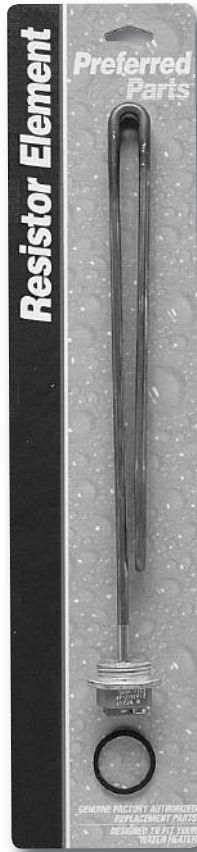
## Resistored Stainless Steel Heating Elements

*Preferred Parts resistored stainless steel elements feature a low watt density design with an outer sheath of Incology® 800 to resist failure from "dry firing". Built in resistor helps prolong anode life for greater tank protection and longer working life.*

### SCREW-IN ELEMENTS

- **480V/2000W**, 9-1/2", LWD  
SP10870GL (Single)
- **480V/3000W**, 12-5/8", LWD  
SP10870JL (Single)
- **480V/4000W**, 16-1/4", LWD  
SP10870LL (Single)
- **480V/4500W**, 17-1/2", LWD  
SP10870ML (Single)
- **480V/5000W**, 19-1/8", LWD  
SP10870NL (Single)
- **480V/6000W**, 19-1/8", LWD  
SP10870QL (Single)
- **277V/2000W**, 19-1/2", LWD  
SP10871GL (Single)
- **277V/3000W**, 12-3/8", LWD  
SP10871JL (Single)
- **277V/4000W**, 16-1/4", LWD  
SP10871LL (Single)
- **277V/4500W**, LWD  
SP10871ML (Single)
- **277V/5000W**, 19-1/8", LWD  
SP10871NL (Single)
- **277V/6000W**, 19-1/8", LWD  
SP10871QL (Single)
- **240V/2000W**, 9-1/2", LWD  
SP10869GL (Single)
- **240V/2500W**, 9-15/16", LWD  
SP10869HL (Single)
- **240V/3000W**, 12-3/8", LWD  
SP10869JL (Single)
- **240V/3500W**, 13-1/2", LWD  
SP10869KL (Single)
- **240V/4000W**, 16-1/4", LWD  
SP10869LL (Single)
- **240V/4500W**, 15-1/2", LWD  
SP10869ML (Single)
- **240V/4500W**, 13-1/2", MWD  
SP10869MM (Single)
- **240V/5000W**, 19-1/8", LWD  
SP10869NL (Single)
- **240V/5500W**, 13-1/2", HWD  
SP10869PH (Single)
- **240V/6000W**, 19-1/8", LWD  
SP10869QL (Single)
- **208V/2000W**, 9-1/2", LWD  
SP10867GL (Single)
- **208V/3000W**, 12-5/8", LWD  
SP10867JL (Single)
- **208V/4000W**, 16-1/4", LWD  
SP10867LL (Single)
- **208V/4500W**, 17-1/2", LWD  
SP10867ML (Single)
- **208V/5000W**, 19-1/8", LWD  
SP10867NL (Single)
- **208V/6000W**, 19-1/8", LWD  
SP10867QL (Single)
- **120V/1440W**, 7-11/16", HWD  
SP10868LH (Single)
- **120V/1700W**, 13-1/2", LWD  
SP10868KL (Single)
- **120V/2000W**, 9-1/2", LWD  
SP10868GL (Single)

HWD = High Watt Density  
MWD = Medium Watt Density  
LWD = Low Watt Density



## Restored Copper Heating Elements

*Preferred Parts energy efficient resistor copper heating elements help fight lime build up and the resistor feature helps prolong the tank life of the water heater.*

### SCREW-IN ELEMENTS

- **240V/1500W**, 10-5/8", LWD  
SP10552FL (Single)
- **240V/2000W**, 7-11/16", HWD  
SP10552GH (Single)
- **240V/2000W**, 13-5/8", LWD  
SP10552GL (Single)
- **240V/2500W**, 9-7/16", HWD  
SP10552HH (Single)
- **240V/3000W**, 10-5/8", HWD  
SP10552JH (Single)
- **240V/3000W**, 11-11/16", LWD  
SP10552JL (Single)
- **240V/3500W**, 13-3/8", LWD  
SP10552KL (Single)
- **240V/4000W**, 13-3/8", LWD  
SP10552LL (Single)
- **240V/4500W**, 13-5/8", HWD  
SP10552MH (Single)
- **240V/4500W**, 13-3/4", LWD  
SP10552ML (Single)
- **240V/5000W**, 13-3/4", LWD  
SP10552NL (Single)
- **240V/5500W**, 13-1/2", HWD  
SP10552PH (Single)
- **240V/5500W**  
SP10552PL (Single)
- **240V/6000W**, 11-3/4", HWD  
SP10552QH (Single)
- **240V/6000W**  
SP10552QL (Single)
- **208V/2000W**, 7-11/16", HWD  
SP10872GH (Single)
- **208V/2000W**, 13-5/8", LWD  
SP10872GL (Single)
- **208V/2500W**, 9-7/16", HWD  
SP10872HH (Single)

- **208V/3000W**  
SP10872JH (Single)
- **208V/3000W**, 11-11/16", LWD  
SP10872JL (Single)
- **208V/4000W**, 13-3/8", LWD  
SP10872LL (Single)
- **208V/4500W**  
SP10872MH (Single)
- **208V/4500W**, 13-3/4", LWD  
SP10872ML (Single)
- **208V/5000W**, 13-3/4", LWD  
SP10872NL (Single)
- **208V/5500W**, 13-7/16", LWD  
SP10872PL (Single)
- **208V/6000W**, 11-3/4", HWD  
SP10872QH (Single)
- **208V/6000W**, 15-1-16", LWD  
SP10872QL (Single)
- **120V/1500W**, 7-11/16", HWD  
SP10874FH (Single)
- **120V/1700W**, 11-1/2", LWD  
SP10874KL (Single)
- **120V/2000W**, 7-11/16", HWD  
SP10874GH (Single)
- **120V/2500W**, 9-7/16", HWD  
SP10874HH (Single)
- **120V/3000W**, 10-5/8", HWD  
SP10874JH (Single)

### OPEN COIL ELEMENTS

- **120V/1500W**  
AP13169
- **120V/2000W**  
AP13170
- **240V/1500W**  
AP13171
- **240V/2000W**  
AP13172

### ADAPTERS

- **Adapt-O-Flange Kit**  
SP6830 (Single)

HWD = High Watt Density  
MWD = Medium Watt Density  
LWD = Low Watt Density

To place your order call 1-800-621-5622; fax 1-800-535-9538

# RESIDENTIAL Preferred Parts®

The premium line of approved replacement parts.



**Plumber's Pack**



### Gas Thermostats:

- Designed to sense the water temperature inside the tank, and control on/off function of the main burner assembly



### Electric Thermostats:

- Temperature range of 100° F to 150° F
- Models are available for upper and lower heating elements on double element 240V and single element 120V water heaters

\* Electric thermostats may be ordered in bulk. Box consists of 50 thermostats of the same part number. Bulk pricing is less than the single price. Please call for pricing.

## Preferred Parts Plumber's Pack

The plumber's pack is an all-inclusive "tune-up" kit for electric water heaters featuring the most popular replacement parts on the market.

**Plumber's Pack Kit** - includes two resistered 4500 watt screw-in copper heating elements, two heating element gaskets, and upper & lower thermostats (all of which are factory preferred replacement quality)  
SP20060 (single)

## Gas Thermostats

- **Robertshaw LP Gas Thermostat** - (57-160 degrees) control valve with left hand main burner outlet threads with 1 1/4" shank - single use high limit (200 degrees) - 1/2" inlet & outlet  
SP12258B (single) 1.25" Shank  
SP12258N (single) 2.375" Shank
- **Robertshaw Convertible Natural and LP Gas Thermostat** - (150 degree max) for Manufactured Housing with 1 1/4" shank - single use high limit (195 degree)  
SP9051B (single) 1.25" Shank  
SP9051D (single) 2.25" Shank
- **Natural Gas Thermostat** - (57-160 degrees) control valve with 1 1/4" shank - single use high limit (200 degrees) - 1/2" inlet & outlet  
SP20164
- **WR Natural Gas Thermostat** - (57-160 degrees) control valve with 2 7/8" shank - single use high limit (200 degrees) - 1/2" inlet & outlet  
SP20264 (single)

## Electric Thermostats\*

- **Therm-O-Disc Upper Thermostat** (max 150 degree) & High Limit (170 degree) - Two element non-simultaneous 208, 240, 277, 480 volt  
SP11698 (single)
- **Therm-O-Disc Upper Thermostat** (max 150 degree) & High Limit (170 degree) - Two element simultaneous 208, 240, 277, 480 volt  
SP11699 (single)
- **Therm-O-Disc Upper Thermostat** (max 150 degree) & High Limit (170 degree) - Single element 120 volt  
SP11700 (single)
- **Therm-O-Disc Lower Thermostat** (max 150 degrees) simultaneous and non-simultaneous 208,240,277,480 volt  
SP11695 (single)

## Electric Thermostat Covers

- **Upper Thermostat Cover**  
AP8313-9 (single)
- **Lower Thermostat Cover**  
AP8314-9 (single)



**Preferred Parts™ Electric Thermostat Covers**

## Manufactured Housing Only

## LP Conversion Kits

- **AS38849-1** 30-40 Gal DV
- **AS38903-1** 50 Gal DV
- **AS40716-2** 30-40 Gal Tall

## WR Controls

- **AP15162-C** 30, 40, 50 Gal DV
- **AP15162A** 30-40 Gal Tall

## High Wind Cap

- **SP13068**

To place your order call 1-800-621-5622; fax 1-800-535-9538



## Thermocouple

This bi-metal device detects pilot flame heat and carries millivolt current to the magnet assembly in the gas control valve which sends gas to the burner assembly to ignite the burner.

## Thermocouples

- **15" Thermocouple**  
SP6379E (single)
- **17" Thermocouple**  
SP6379K (single)
- **21" Thermocouple**  
SP6379C (single)
- **24" Thermocouple**  
SP6379R (single)
- **30" Thermocouple**  
SP6379H (single)



## Pilot Burner

Designed to light the main burner when the thermostat senses the demand for more heat.

## Pilot Burner Assemblies

- **Natural Gas Pilot Burner Assembly** - .0115 orifice  
SP8980B (single)
- **LP Gas Pilot Burner Assembly** - .008 orifice - colored red for easy LP identification  
SP8980C (single)



## T & P Relief Valve:

Safety device that allows water to escape from the tank in the unlikely event that the temperature or pressure becomes excessive. Designed to operate at approx. 150 PSI and 210° F.

## Temperature & Pressure Relief Valves

- **Watts 100XL-4;** 3/4" inlet x 3/4" discharge - M150# (150 PSI pressure / 210 degree temperature) up to 100,000 BTU  
SP12574 (single)
- **Watts 100XL;** 3/4" inlet x 3/4" discharge (150 PSI pressure / 210 degree temperature) - long shank up to 100,000 BTU  
SP8346 (single)
- **T&P Extender;** 3/4" x 2-1/2" Poly Liner  
SP11620 (single)



## Drain Valve:

Used to drain hot water from the tank when performing periodic cleaning or replacing a part.

## Drain Valves

- **Brass Drain Valve;** 3/4" x 2 1/4" shank  
SP6070G (single)
- **Brass Drain Valve;** 3/4" x 3" shank - Commercial Light Duty  
SP12112S (single)
- **Standard Melet;** 3/4" NPT x 2 1/4" shank  
SP12039 (single)
- **Brass Drain Valve;** 3/4" x 2 1/4" shank – Residential  
SP12112G (single)

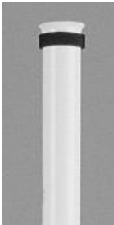
## Gas Connectors

- **12" Stainless Steel Gas Connector MIP X MIP**  
SP13140A
- **18" Stainless Steel Gas Connector MIP X MIP**  
SP13140B
- **24" Stainless Steel Gas Connector MIP X MIP**  
SP13140C
- **48" Pro Coat Gas Connector**  
AP13318D



### **Flexible Link Anode Rod:**

Metallic rod installed inside the tank to protect against corrosion. The "R-Tech"™ anode rod is made of magnesium and is designed to offer the longest lasting tank protection.



### **Dip Tube**

Non-metallic. Runs from the cold water inlet to deliver cold water to the bottom of the tank as hot water is drawn out.



**Basic Installation Kit**

## **Anode Rods**

- **R Tech Resistor Magnesium Anode Rod** 44" long x .700 dia  
SP11309C (single)
- **Galvo Magnesium** 44" long x .840 dia  
SP11345C (single)
- **Magnesium Anode Rod** 44" long x .840 dia  
SP11524C (single)
- **Magnesium Anode Rod** 58" long x .840 dia  
SP11524Z (single)
- **R Tech Resistor Magnesium Anode Rod** 44" long x .900 dia  
SP11526C (single)
- **R Tech Resistor Magnesium flexible link Anode Rod**  
52" long - 12" sections  
SP8371B (single)
- **Aluminum Anode Rod** 42" long x .625 dia  
AP12938 (single)

## **Dip Tubes\***

- **Dip Tube with anti-siphon hole** - 3/4" x 54" long - clear (North Carolina code) with gasket  
SP11251R (single)
- **Dip Tube with anti-siphon hole** - 1" x 26" long with gasket  
SP11269C (single)
- **Dip Tube with anti-siphon hole** - 3/4" x 54" long with gasket  
SP11248R (single)

\* Due to the unique application of the EverKleen Dip Tube, please call for part number and pricing. Have the model number and serial number of the water heater on hand.

## **Installation Kits**

- **Basic Installation Kit**  
SP20009
- **Gas Installation Kit**  
SP20010
- **Electric Installation Kit**  
SP20011





**PARTS DIAGRAM  
ON PAGE 37**

## Energy Star II Powered Damper

- **Thermostats**
  - SP20296 (NG - All except 43V50-50E2 & ULN)
  - SP202967 (NG - 43V50-50E2 Only)
  - SP20298 (NG - ULN Only)
  - SP20302 (LP - All Models)
- **Thermal Well**
  - AP14696B (All models except ULN)
  - AP15324 (ULN Only)
- **Flue Damper**
  - SP20294 (3 Inch - 43V50-50E2 Only)
  - SP20295 (4 Inch - 43V50-50E2 Only)
- **Damper Housing**
  - AS42968H (3 Inch)
  - AS42969H (4 Inch)
- **Pilot Assembly**
  - AP14698G (NG - All Models)
  - AP14700D (LP - All Models)
- **Draft Hood**
  - AS41646-H (3 and 4 Inch Models)
- **Pilot Igniter Assembly**
  - AP16006A (40 Gallon ULN Only)
  - AP16006B (50 Gallon ULN Only)
- **Heat Traps**
  - SP20003 (All Models)
- **Transformer Assembly**
  - SP20293 (All Models)
- **Wiring Harness**
  - AP15849 (All Models)
- **T&P Valves**
  - SP12575B (All Models)
- **Drain Valve**
  - SP12112G (All Models)
- **Inner Door Gasket**
  - SP20063 (All Models)
- **FV Sensor**
  - AP13447-3 (All Models)
- **Anode Rod**
  - SP11309C (All Models)



**PARTS DIAGRAM  
ON PAGE 41**

## POWERVENT ENERGY STAR II (43 PV)

- **Blower Assembly**  
AP15109 (40/50 Gallon Tall)  
AP15534 (40/50 Gallon Short)
- **Blower Gasket Kit**  
SP20289 (40/50 Gallon Tall)  
SP20122 (40/50 Gallon Short)
- **Pressure Switch Hose**  
SP20288 (40/50 Gallon Tall)  
SP20120 (40/50 Gallon Short)
- **Over Temperature Blower Switch**  
SP20287 (40/50 Gallon Tall)  
SP20119 (40/50 Gallon Short)
- **Rubber Blower Coupler**  
SP20290 (40/50 Gallon Tall)  
SP12638 (40/50 Gallon Short)
- **Anode Rod**  
SP11309C (All Models)
- **Heat Traps**  
SP20003 (All Models)
- **DIP Tube with Gasket**  
SP11625R (All Models)
- **Pressure Switch**  
SP20292 (40/50 Gallon Tall)  
SP20291 (40/50 Gallon Short)
- **T&P Valves**  
AP14835G (All Models)
- **Drain Valve**  
SP12112G (All Models)
- **Electronic Gas Control**  
AP14671 (NG - All Models)  
AP14672 (LP - All Models)
- **Gas Control Shank**  
AP14696A (All Models)
- **Spark Igniter Assembly**  
AP14698D (NG - All Models)  
AP14700D (LP - All Models)
- **Inner Door Gasket**  
SP20063 (All Models)
- **FV Sensor**  
AP13447-3 (All Models)
- **Electronic Display**  
AP14697A (43VP40 / 50-E)



**PARTS DIAGRAM  
ON PAGE 39**

## Heat Pump Water Heater

- **T&P Relief Valve**  
SP12577G
- **Hot Outlet J-Tube**  
SP8878N
- **ECO & Upper Tank Sensor**  
SP15100
- **Heating Element SS 2.5 KW Upper & Lower**  
SP10869HL
- **Lower Tank Sensor**  
SP15228
- **Brass Drain Valve**  
SP12112S
- **Water Pump**  
38-103141-01
- **Fan**  
70-103140-01
- **Fan Filter**  
54-103049-01
- **Circuit Board**  
47-103171-01
- **Transformer**  
46-101905-02
- **Capacitor**  
43-25136-10
- **Relay**  
42-101208-03
- **Membrane Switch**  
Rheem – 47-103216-01  
Ruud – 47-103216-02  
Richmond – 47-103216-03  
EcoSense – 47-103216-04
- **Ambient Thermistor**  
47-103122-01
- **Evaporator Thermistor**  
47-103122-02
- **Discharge Thermistor**  
47-103122-03
- **Suction Thermistor**  
47-103122-04
- **Water Out Thermistor**  
47-103122-05



**PARTS DIAGRAM  
ON PAGE 45**

## FVIR (Flammable Vapor Ignition Resistant) Parts

### Robertshaw Parts

- Gas Valve – Natural Gas  
SP20166B
- Gas Valve – Natural Gas  
SP20166A
- Gas Valve – Natural Gas  
SP20264
- Gas Valve – Natural Gas  
SP8555W
- Gas Valve – Natural Gas  
SP20166C
- Gas Valve – LP  
SP13160E
- Gas Valve – LP  
SP13160A
- Gas Valve – LP  
SP13160D
- Pilot Assembly – Natural Gas  
SP20065
- Pilot Assembly – Natural Gas  
SP20069
- Pilot Assembly – LP  
SP20070
- Pilot Assembly – Natural Gas  
SP20071
- Pilot Assembly – LP  
SP20072
- Pilot Assembly – Natural Gas  
SP20075
- Pilot Assembly – LP  
SP20076
- Thermocouple Kit  
SP20064
- Piezo Ignitor  
AP11941
- Piezo & Pilot Assembly Kit  
SP20055

### White-Rodgers Parts

- Gas Valve – Natural Gas  
SP14270G

- Gas Valve – Natural Gas  
SP14270H
- Gas Valve – Natural Gas  
SP14270K
- Gas Valve – Natural Gas  
SP14270M
- Gas Valve – Natural Gas  
SP14339B
- Gas Valve – LP  
SP14269A
- Gas Valve – LP  
SP14269D
  
- Gas Valve – LP  
SP14269E
- Gas Valve – LP  
SP14340C
- Pilot Assembly Kit – Natural Gas  
SP20127
- Pilot Assembly Kit – LP  
SP20128
- Thermocouple Kit  
SP20129
- Piezo Ignitor  
AP14316-1 Piezo Only
- Piezo Bracket  
AP14315
- Piezo Ignitor - With Bracket  
SP14410

### Common Service Parts

- Heat Traps  
SP20003
- Brass Drain Valve  
SP12112S
- Relief Valve  
SP12575B
- Gasket Kit  
SP20063
- Site Glass  
AP12617-2

# RESIDENTIAL Preferred Parts®

The premium line of approved replacement parts.

## FVIR Standing Pilot Parts: 30, 40 and 50 Gallon Standing Pilot Models (Excluding Direct Vent and PowerVent models)

### Cross Reference – Models with Robertshaw Controls & WR Conversions

Service Parts – Robertshaw Controls							
Rheem Model	Ruud Model	Gas Valve (NG)	Gas Valve (LP)	Pilot Assy Kit (NG)	Pilot Assy Kit (LP)	Thermo-couple Kit	Gasket Kit
<b>PROFESSIONAL SERIES WITH THE GUARDIAN SYSTEM - 30, 40 and 50 Gallon Capacities</b>							
22V40 PROF	P2-40 PROF	SP20166B*	N/A	SP20075	N/A	SP20064	SP20063
42V40 PROF	PH2-40 PROF	SP20166A	SP13160E		SP20076		
RHG PRO40-40F	RUG PRO40-40F	SP20166C*	SP13160D		SP20076		
22V50 PROF	P2-50 PROF	SP20166B*	N/A		N/A		
42V50-40 PROF	PH2-50-40 PROF	SP20166A	SP13160E		SP20076		
RHG PRO50-40F	RUG PRO50-40F	SP20166C*	SP13160D		SP20076		
RHG PRO50-50F	RUG PRO50-50F	SP8555W	N/A		N/A		
42V40SPROF	PH2-40SPROF	SP20166B*	SP13160E		SP20076		
42V50SPROF	PH2-50SPROF	SP20166B*	AP13160A		SP20076		
<b>FURY SERIES WITH THE GUARDIAN SYSTEM - 30, 40 and 50 Gallon Capacities</b>							
42VR40-40F	PH2R40-40F	SP20166C*	SP13160D	SP20075	SP20076	SP20064	SP20063
42VR50-40F	PH2R50-40F	SP20166C*	SP13160D		SP20076	SP20064	
22V30F	P2-30F	SP20166B*	SP13160A		SP20076	SP20069	
22V40-36F1	P40-36F1	SP20166B*	N/A		N/A	SP20064	
22V40F1	P2-40F1	SP20166B*	N/A		N/A		
42V40F	PH2-40F	SP20166A	SP13160E		SP20076		
22V50F1	P2-50F1	SP20166B*	N/A		N/A		
42V50-40F	PH2-50-40F	SP20166A	SP13160E		SP20076		
42V50-50F	PH2-50-50F	SP8555W	N/A		N/A		
22V30S-30F	P2-30S-30F	SP20166A	N/A		N/A		
22V40SF	P2-40SF	SP20166B*	SP13160A		SP20076		
42V40SF	PH2-40SF	SP20166B*	SP13160A		SP20076		
42V50SF	PH50SF	SP20166B*	SP13160A		SP20076		

\*WR Conversions

## FVIR Standing Pilot Parts: 30, 40, 50, 60 and 75 Gallon Standing Pilot Models (Excluding Direct Vent and PowerVent models)

### Cross Reference – Models with White-Rodgers Controls

Service Parts – White-Rodgers Controls (Sept. 2007)										
Rheem Model	Ruud Model	Gas Valve (NG)	Gas Valve (LP)	Pilot Assy Kit (NG)	Pilot Assy Kit (LP)	Thermo-couple Kit	Gasket Kit			
<b>PROFESSIONAL SERIES WITH THE GUARDIAN SYSTEM - 30, 40, 50 and 60 Gallon Capacities</b>										
22V40 PROF	P2-40 PROF	SP14270G	N/A	SP20127	N/A	SP20129	SP20063			
42V40 PROF	PH2-40 PROF	SP14270F	SP14269E		SP20128					
RHG PRO40-40F	RUG PRO40-40F	SP14270H	SP14269D		SP20128					
22V50 PROF	P2-50 PROF	SP14270G	N/A		N/A					
42V50-40 PROF	PH2-50-40 PROF	SP14270F	SP14269E		SP20128					
RHG PRO50-40F	RUG PRO50-40F	SP14270H	SP14269D		SP20128					
RHG PRO50-50F	RUG PRO50-50F	SP14270K	N/A		N/A					
42V40SPROF	PH2-40SPROF	SP14270G	SP14269A		SP20128					
42V50SPROF	PH2-50SPROF	SP14270G	SP14269A		SP20128					
RHGPRO60F	RUGPRO60F	SP14270M	SP14269A		SP20128					
<b>FURY SERIES WITH THE GUARDIAN SYSTEM - 30, 40, 50 and 60 Gallon Capacities</b>										
42VR40-40F	PH2R40-40F	SP14270H	SP14269D	SP20127	SP20128	SP20129	SP20063			
42VR50-40F	PH2R50-40F	SP14270H	SP14269D		SP20128					
22V30F	P2-30F	SP14270G	SP14269A		SP20128					
22V40-36F1	P40-36F1	SP14270G	N/A		N/A					
22V40F1	P2-40F1	SP14270G	N/A		N/A					
42V40F	PH2-40F	SP14270F	SP14269E		SP20128					
22V50F1	P2-50F1	SP14270G	N/A		N/A					
42V50-40F	PH2-50-40F	SP14270F	SP14269E		SP20128					
42V50-50F	PH2-50-50F	SP14270K	N/A		N/A					
22V30S-30F	P2-30S-30F	SP14270F	N/A		N/A					
22V40SF	P2-40SF	SP14270G	SP14269A		SP20128					
42V40SF	PH2-40SF	SP14270G	SP14269A		SP20128					
42V50SF	PH50SF	SP14270G	SP14269A		SP20128					
42V60F	PH2-60F	SP14270M	SP14269A		SP20128					
<b>PROFESSIONAL AND FURY SERIES WITH THE GUARDIAN SYSTEM - 75 Gallon Capacity</b>										
RHGPRO75F	RUGPRO75F	SP14339B	SP14340C		SP20127			SP20128	SP20129	SP20063
42V75F	PH2-75F	SP14339B	SP14340C	SP20127	SP20128	SP20129	SP20063			



**PARTS DIAGRAM  
ON PAGE 51**

## Power Vent with Electronic Controls

- **Blower Assembly with Pressure Switch**

- SP13416 (40 & 50 Gal. Tall)
- SP13605 (40 & 50 Gal. Short)

- **Pressure Switch**

- SP13910

- **Coupling**

- SP12638

- **Anode Rod**

- SP11309C (40 & 50 Gal. Tall)
- SP11309Y (40 & 50 Gal. Short)

- **Heat Trap Nipple**

- SP20003

- **Dip Tube**

- SP11625G (40 Gal. Tall)
- SP11625R (50 Gal. Tall)
- SP11625S (40 & 50 Gal. Short)

- **T&P Valve**

- SP8346

- **Drain Valve**

- SP12112G

- **Electronic Gas Control**

- AP14671 (Nat)
- AP14672 (LP)

- **Thermostat Shank (1.926)**

- AP14696A

- **Thermostat Shank (2.870)**

- AP14696B

- **Spark Igniter Assembly**

- SP14698D (Nat)
- SP14700D (LP)

- **Inner Door Gasket Kit**

- SP20063

- **Flammable Vapor Sensor**

- AP13447-3

- **PCB Enclosure (Display Power Supply)**

- AP14875



**Natural Gas Control Valve**



**Ignition Control**



**Pilot Burner and Ignitor Sensor:**



**Blower Motor Assembly**

## PowerVent Replacement Parts

- **Honeywell 24V Natural Gas Control Valve**, PowerVent Series, 1/2" inlet x 3/8" outlet - 40/50/75 gallon Residential and Commercial models  
SP11652B (single)
- **Honeywell 24V LP Gas Control Valve**, PowerVent Series, 1/2" inlet x 3/8" outlet - 40/50/75 gallon Residential and Commercial models  
SP11652C (single)
- **Ignition Control** (Models Thru 12/1995)  
SP10758
- **Honeywell Ignition Control** - S8600M - Continuous Retry - 24V - used with electronic ignition system  
SP10763C (single)
- **Honeywell Ignition Cable** - 25 inch - 1/4" disconnect with rubber boot on pilot end  
SP8828G (single)
- **Therm-O-Disc Residential Thermostat** (max 140 degrees) and high limit (180 degrees) 40, 50 & 75 gallon residential  
SP12390 (single)
- **Therm-O-Disc Residential Thermostat** (max 160 degrees) and high limit (190 degrees) 75 gallon commercial only  
SP12391 (single)
- **Honeywell Pilot Burner and Ignitor Sensor** - Electronic Ignition - Natural Gas - 40-50 gallon  
SP12049B (single)
- **Honeywell Pilot Burner and Ignitor Sensor** - Electronic Ignition - LP Gas - 40-50 gallon  
SP12049C (single)
- **Honeywell Pilot Burner and Ignitor Sensor** - Electronic Ignition - Natural Gas - 75 gallon  
SP12049D (single)
- **Honeywell Pilot Burner and Ignitor Sensor** - Electronic Ignition - LP Gas - 75 gallon  
SP12049E (single)
- **Hot Surface Ignitor** - 115V, 1800 degree F, with 19" female quick connect leads - Natural or LP  
SP10972 (single)
- **Pressure Switch**  
SP11875 (single)
- **Pressure Switch (Prior to June, 1991)**  
SP10887K (single)
- **Transformer**, 120VAC to 24VAC  
SP11787 (single)
- **Blower Motor Assembly** 40, 50 gallon standard  
AP10983-4 (single)
- **Blower Motor Assembly** 40, 50 gallon - High Altitude only  
AP10984-3 (single)
- **Blower Motor Assembly** 75 gallon residential or commercial  
SP11608 (single)

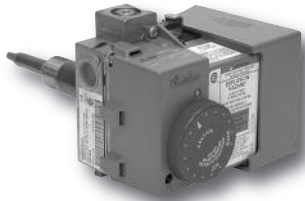


**PARTS DIAGRAM ON PAGES 49**





**Blower Assembly**



**Wiper Control and Gas Valve Assembly**



**PARTS DIAGRAM  
ON PAGE 52**

## PowerVent 2 Replacement Parts

- **Blower Assembly** - Integrated vent hood, includes installed vacuum switch (SP12766), power cord, and vent coupling (SP12638). This fits the PowerVent 2 product only.  
SP12562 (single)(40/50 gallon only)
- **Anode Rod**  
SP11309C (single)
- **Flue Baffle with hanger** (has extra restrictors)  
AM39341 (single)
- **Temperature & Pressure Relief Valve**  
SP8346 (single)
- **Dip Tube**  
AP11251Q-2 (single)
- **Dip Tube Gasket**  
AP6948-3 (single)
- **Drain Valve**  
SP12112S (single)
- **Drain Valve Shroud**  
AP9167 (single)
- **Inner Door**  
AM29501 (single)
- **Outer Door**  
AM29254-4C (single)
- **Protective Cover** (cover for wiper control)  
AP12558 (single)
- **Burner Assembly** (40 Gal Natural Gas - Low NOx)  
AM39503RY (single)
- **Burner Assembly** (40 Gal LP Gas)  
AM39504RM (single)
- **Burner Assembly** (50 Gal Natural Gas - Low NOx)  
AM39503SY (single)
- **Burner Assembly** (50 Gal LP Gas)  
AM39504SM (single)
- **Heat Trap Kit**  
SP20003 (single)
- **Terminal Vent Assembly - 2" Termination**  
AM39508 (single)
- **2-inch 45 Degree PVC**  
AP12646 (single)
- **3-inch Screen**  
AS37079
- **Vacuum Tube**  
AP12768 (single)
- **Vent Coupling**, 2" rubber coupling with clamps. Connects blower to 2" PVC pipe. This fits the PowerVent 2 product only.  
SP12638 (single)
- **Spark Ignitor and Pilot Assembly** - Natural Gas. This fits the PowerVent 2 product only.  
SP12560B (single)
- **Spark Ignitor and Pilot Assembly** - LP Gas. This fits the PowerVent 2 product only.  
SP12560C (single) (40/50)  
SP12049E (75)
- **Wiper Control and Gas Valve Assembly** - Natural Gas, includes wire cover. This fits the PowerVent 2 product only.  
SP20161A (single)
- **Wiper Control and Gas Valve Assembly** - LP Gas, includes wire cover. This fits the PowerVent 2 product only.  
SP20162A (single)
- **Pressure Switch**. This fits the PowerVent 2 product only.  
SP12766 (single) (40/50)
- **On/Off Switch**  
AP12767 (single)
- **Blower Motor** (VR units only)  
AP13194 (single) (For 41VRP50-55 only)
- **Blower Motor** (22VRP75)  
AP13211-1 (single)
- **Pressure Switch** (22VRP75)  
SP20130



**Intelli-Vent Gas Valve**



**FV Sensor**



**PARTS DIAGRAM  
ON PAGE 56**

## PowerVent with the Guardian System™ Replacement Parts

### Parts Specific to Models Manufactured with Robertshaw gas control valves between July 2006 and October 2007

- **Pilot Assembly – Natural Gas Models**  
SP13418  
SP13420  
SP13422  
SP13424
- **Pilot Assembly – LP Gas Models**  
SP13419  
SP13421  
SP13423  
SP13425
- **FV Wiper Control and Gas Valve Assembly – Natural Gas Models+**  
SP20170A (40F)  
SP20170B (50F)  
SP20170C (40SF)  
SP20170D (50SF)
- **FV Wiper Control and Gas Valve Assembly – LP Gas Models**  
SP20171A (PVP40F)  
SP20171B (PVP50F)  
SP20171C (PVP40SF)  
SP20171D (PVP50SF)
- **Control – FV Wiper Electronics**  
SP20123B
- **FV Sensor Kit**  
SP13447B
- **FV Sensor Kit w/ Cap Plug**  
SP20172

### Parts Specific to Models Manufactured with White-Rodgers gas control valves October 2007 to Present

- **Intelli-Vent Gas Valve – Natural Gas**  
SP13845A  
SP13845B
- **Intelli-Vent Gas Valve – LP Gas**  
SP13846A  
SP13846B
- **Hot Surface Ignitor – All White-Rodgers Models**  
SP14218A (40/50)  
SP14218B (75)

+ Converts Robertshaw to White Rogers.  
Kit contains the Gas Control, Burner Assembly, Wiring Harness, Adapters, etc.

### Common Service Parts

- **Blower Assembly – High Performance**  
SP13416 (40/50)
- **Blower Assembly**  
SP13605 (40/50 Short)
- **Blower Assembly**  
SP14140 (60)
- **Blower Assembly**  
AP14378 (75)
- **Anode Rod**  
SP11309C (40/50 only)
- **Temperature & Pressure Relief Valve**  
SP8346 (40/50 only)
- **Temperature & Pressure Relief Valve**  
SP12574 (40/50 Short)
- **Drain Valve**  
SP12112G (40/50 only)
- **Heat Trap Kit**  
SP20003 (40/50 only)
- **Inner Door Gasket Kit**  
SP20063
- **Vacuum Switch** – For use with 40 and 50 Gallon Tall Models  
SP20116
- **Vacuum Switch** – For use with 40 and 50 Gallon Short Models and 75 Gallon Models  
SP20117
- **Vacuum Switch** – For use with 60 Gallon Models  
SP20116A



**Hot Surface Ignitor**



## Power Direct Vent

- **Blower Motor Coupler**  
SP20252
  - **Blower Assembly Gasket**  
SP20256
  - **Blower Motor Seal**  
AP15000
  - **Heat Trap Nipple**  
AP12992D
  - **Anode Rod**  
AP11309C
  - **Dip Tube**  
AP11625H (PDV40)  
AP11625T (PDV40P)  
AP11625U (PDV50)  
AP11625V (PDV50P, PDV50-65, PDV50P-65)
  - **Dip Tube Gasket**  
AP6948
- **T&P Valve**  
SP12575B
  - **Drain Valve**  
SP12112S
  - **White Rodgers's Intelli-vent Combination Gas Control (NG)**  
SP14904A
  - **White Rodgers's Intelli-vent Combination Gas Control (LP)**  
SP14905A
  - **Hot Surface Igniter**  
SP14218A (PDV40, PDV40P)  
SP14218B (PDV50, PDV50P, PDV50-65, PDV50P-65)
  - **Burner Access Door Gasket**  
SP20063
  - **Flammable Vapor Sensor**  
SP20172

**PARTS DIAGRAM  
ON PAGE 58**

## Power Direct Vent (PDV and GPDV) Blower Assemblies and High Attitude Kits

Part Number (H)	Part Name	Exhaust Switch Setting (V)	Inlet Switch Setting
AP14640A-2	Blower Assembly 40 Gal	No. -0.86± .05	NC -1.10± .07
AP14640A-2	Blower Assembly 50 Gal	No. -0.86± .05	NC -1.10± .07
AP14640B-2	Blower Assembly 50 Gal LP Only	No. -1.00± .05	NC -1.10± .07
AP14771A-4	Blower Assembly 50-65	No. -1.13± .07	NC -1.10± .07
AP14640C	Blower Assembly 65	No. -0.86± .05	NC -1.05± .07
AP14771B	Blower Assembly 75	No. -1.00± .05	NC -1.00± .06
SP20268	High Altitude Kit PDV 65	No. -0.86± .05	No change required
SP20277	High Altitude Kit PDV 75	No. -1.00± .05	No change required

## PowerVent with the Guardian System™ Parts Cross Reference Chart

Rheem Model	Ruud Model	Gas Valve – Natural Gas	Gas Valve – LP Gas	Pilot Assy. Replacement Kit (NG)	Pilot Assy. Replacement Kit (LP)	Blower Assembly	Gasket Kit	Relief Valve
<b>RHEEM AND RUUD MODELS WITH ROBERTSHAW GAS CONTROL VALVES</b>								
42VP40F	PVP40F	SP20170A	SP20171A	SP13418	SP13419	SP13416	SP20063	SP8346
42VP50F	PVP50F	SP20170B	SP20171B	SP13422	SP13423	SP13416	SP20063	SP8346
42VP40SF	PVP40SF	SP20170C	SP20171C	SP13420	SP13421	SP13605	SP20063	SP12574
42VP50SF	PVP50SF	SP20170D	SP20171D	SP13424	SP13425	SP13605	SP20063	SP12574

Rheem Model	Ruud Model	Gas Valve – Natural Gas	Gas Valve – LP Gas	Hot Surface Ignitor Kit	Blower Assembly	Gasket Kit	Relief Valve
<b>RHEEM AND RUUD MODELS WITH WHITE-RODGERS GAS CONTROL VALVES</b>							
42VP40FW	PVP40FW	SP13845A	SP13846A	SP14218A	SP13416	SP20063	SP8346
42VP50FW	PVP50FW	SP13845A	SP13846A	SP14218A	SP13416	SP20063	SP8346
42VP40SFW	PVP40SFW	SP13845B	SP13846B	SP14218A	SP13605	SP20063	SP12574
42VP50SFW	PVP50SFW	SP13845B	SP13846B	SP14218A	SP13605	SP20063	SP12574
42VP60FW	PVP60FW	SP13845B	SP13846B	SP14218A	SP14140	SP20063	SP12574
42VP75FW	PVP75FW	SP13845A	SP13846A	SP14218B	AP14378	SP20063	SP12575



## Direct Vent with the Guardian System™ Replacement Parts

- White-Rodgers Gas Valve – NG  
SP14270K
- White-Rodgers Gas Valve – LP  
SP14269E
- White-Rodgers Pilot Assembly Kit – NG  
SP20159
- White-Rodgers Pilot Assembly Kit – LP  
SP20160
- White-Rodgers Thermocouple Kit  
SP20129
- Gasket Kit  
SP20063
- Brass Drain Valve  
SP12112G
- Relief Valve  
SP8346
- 4' Horizontal Vent Extension Kit  
SP20131
- 4' Vertical Vent Extension Kit  
SP20132
- Standard Vent Kit  
AS41461
- Piezo Ignitor  
AP14316

**PARTS DIAGRAM  
ON PAGE 57**

## Direct Vent with the Guardian System™ Parts Cross Reference Chart

Rheem Model	Ruud Model	Gas Valve – NG	Gas Valve – LP	Pilot Assy. Replacement Kit – NG	Pilot Assy. Replacement Kit – LP	Thermocouple Replacement Kit	Gasket Kit	Relief Valve
<b>RHEEM FURY SERIES / RUUD PACEMAKER SERIES</b>								
22DV40F	PH2DV40F	SP14270K	SP14269E	SP20159	SP20160	SP20129	SP20063	SP8346
22DV50F	PH2DV50F	SP14270K	SP14269E	SP20159	SP20160	SP20129	SP20063	SP8346

## Ultra Low NOx with the Guardian System™ Replacement Parts

- Combustion Chamber Maintenance Gasket Kit SP20135
- Combustion Chamber Maintenance Gasket Kit SP20136
- Combustion Chamber Maintenance Gasket Kit SP20137
- Pilot Assembly Replacement Kit SP20138
- Pilot Assembly Replacement Kit SP20139
- Pilot Assembly Replacement Kit SP20140
- Pilot Assembly Replacement Kit SP20141
- Pilot Assembly Replacement Kit SP20142
- Burner Assembly Replacement Kit SP20148
- Burner Assembly Replacement Kit SP20149
- Burner Assembly Replacement Kit SP20150
- Burner Assembly Replacement Kit SP20151
- Burner Assembly Replacement Kit SP20152
- Inner Door Assembly Replacement Kit SP20153
- Inner Door Assembly Replacement Kit SP20154
- Inner Door Assembly Replacement Kit SP20155
- Inner Door Assembly Replacement Kit SP20156
- Inner Door Assembly Replacement Kit SP20157
- Inner Door Assembly Replacement Kit SP20158
- Gas Valve – NG SP14270M
- Gas Valve – NG SP14270L
- Relief Valve SP12574
- Relief Valve SP12575B
- Relief Valve SP12575C
- Heat Trap – Flapper Type AP12992C
- Drain Valve SP12112E
- Drain Valve SP12112S
- Piezo Ignitor AP14316

## Ultra Low NOx with the Guardian System™ Parts Cross Reference Chart

Rheem Model	Ruud Model	Gas Valve	Combustion Chamber Gasket Kit	Pilot Assy. Replacement Kit	Burner Assy. Replacement Kit	Inner Door Assy. Kit	Relief Valve	Drain Valve
<b>RHEEM FURY SERIES / RUUD PACEMAKER SERIES</b>								
22V30FN	P2-30FN	SP14270M	SP20135	SP20138	SP20148	SP20153	SP12574C	SP12112E
22V40FN	P2-40FN	SP14270M	SP20136	SP20139	SP20149	SP20154	SP12574C	SP12112E
22V40SFN	P2-40SFN	SP14270M	SP20137	SP20141	SP20151	SP20156	SP12574C	SP12112E
22VR40FN	P2R40-FN	SP14270L	SP20136	SP20140	SP20150	SP20157	SP12575C	SP12112S
22V50FN	P2-50FN	SP14270M	SP20137	SP20141	SP20151	SP20155	SP12574C	SP12112E
22VR50FN	P2R-50FN	SP14270L	SP20137	SP20142	SP20152	SP20158	SP12575C	SP12112S
<b>RHEEM AND RUUD PROFESSIONAL SERIES</b>								
22V30 PROFN	P2-30 PROFN	SP14270M	SP20135	SP20138	SP20148	SP20153	SP12574C	SP12112E
22V40 PROFN	P2-40 PROFN	SP14270M	SP20136	SP20139	SP20149	SP20154	SP12574C	SP12112E
22V40S PROFN	P2-40S PROFN	SP14270M	SP20137	SP20141	SP20151	SP20156	SP12574C	SP12112E
RHG PRO40FN	RUG PRO40FN	SP14270L	SP20136	SP20140	SP20150	SP20157	SP12575C	SP12112S
22V50 PROFN	P2-50 PROFN	SP14270M	SP20137	SP20141	SP20151	SP20155	SP12574C	SP12112E
RHG PRO50FN	RUG PRO50FN	SP14270L	SP20137	SP20142	SP20152	SP20158	SP12575C	SP12112S
<b>RHEEM IMPERIAL SERIES / RUUD MASTER SERIES</b>								
22X30FN	M2-30FN	SP14270M	SP20135	SP20138	SP20148	SP20153	SP12574C	SP12112E
22X40FN	M2-40FN	SP14270M	SP20136	SP20139	SP20149	SP20154	SP12574C	SP12112E
22X40SFN	M2-40SFN	SP14270M	SP20137	SP20141	SP20151	SP20156	SP12574C	SP12112E
22XR40FN	M2R-40FN	SP14270L	SP20136	SP20140	SP20150	SP20157	SP12575C	SP12112S
22X50FN	M2-50FN	SP14270M	SP20137	SP21041	SP20151	SP20155	SP12574C	SP12112E
22XR50FN	M2R-50FN	SP14270L	SP20137	SP21042	SP20152	SP20158	SP12575C	SP12112S

To place your order call 1-800-621-5622; fax 1-800-535-9538

## Marathon Replacement Parts



### HEATING ELEMENTS

- **Lower Element** (3800W), MR30, MR40 gallon models  
SP210197
- **Lower Element** (3000W), MR30, MR40, MR50, MSR50, MR75, MR85, and MR105 gallon models  
SP210201
- **Lower Element** (3800W), MSR50, MR75, MR85, MR105 gallon models  
SP210198
- **Lower Element** (4500W), MSR50, MR75, MR85, MR105 gallon models  
SP213670
- **Heating Element** (3000W/240V)  
SP213480 (single)
- **Heating Element** (2000W/120V)  
SP213540 (single)
- **Upper Element** (3800W)  
SP610130 (single)
- **Upper Element** (3800W) MR30 - MR105  
SP213820 (single)
- **Upper Element** (5500W)  
SP610140 (single)
- **Upper Element** (3000W)  
SP610150 (single)

- **Upper Element** (4500W)  
SP610160 (single)
- **Upper Element** (4500W) MR30 - MR105  
SP213790 (single)
- **Lower element** (4500W), MR30, MR40 gallon  
SP213660
- **Heating Element** (5500W)  
SP10698PH (single)
- **Heating Element** (4500W/240V)  
SP10698MH (single)
- **Heating Element** (5500W/240V)  
SP10698RL (single)

### REPLACEMENT PARTS

- **Knock Out Bracket**  
SP213070 (single)
- **Lower Access Panel Cover**  
SP213090 (single)
- **Use and Care Manual**  
SP213270 (single)
- **Access Panel Cover Insulation**  
SP213340 (single)
- **Thermostat Insulation**  
SP213350 (single)
- **Use and Care Manual Supplement**  
SP213360 (single)
- **120V Temperature Control Thermostat**  
SP213590 (single)
- **240V Temperature Control Thermostat**  
SP213600 (single)
- **Use and Care Manual**  
SP213620 (single)
- **Use and Care Manual Supplement**  
SP213630 (single)
- **Vacuum Relief Valve**  
SP623335 (single)
- **Dip Tube** (MR85, MR105 gallon models)  
SP230018 (single)
- **Dip Tube** (MSR50 gallon short model)  
SP230019 (single)
- **Dip Tube** (MR15, MR20 gallon models)  
SP230021 (single)
- **Dip Tube** (MR30 gallon model)  
SP230023 (single)
- **Dip Tube** (MR75 gallon model)  
SP230024 (single)
- **Dip Tube** (MR40, MR50 gallon models)  
SP230025 (single)
- **Seal Ring** (MR30, MR40, MR50, MSR50, MR75, MR80 gallon models)  
SP230090 (single)
- **Seal Ring Hot Side** (MR105 gallon model only)  
SP230110 (single)
- **Pipe Wrap Energy Kit**  
SP231520 (single)
- **Lock Washer**  
SP231710 (single)

- **Cap Screw**  
SP240420 (single)
- **Grommet Hot Side** (MR105 gallon model only)  
SP240480 (single)
- **Grommet Hot Side** (MR30, MR40, MR50, MSR50, MR75, MR85 gallon models)  
SP240490 (single)
- **Lower Protector**  
SP310010 (single)
- **Lower Thermostat**  
SP310020 (single)
- **Lower Thermostat** (30 Gallon and Larger)  
SP210239 (single)
- **Upper Thermostat** (30 Gallon and Larger)  
SP210245 (single)
- **Upper Thermostat** (High Temp)  
SP210246 (single)
- **Upper Protector**  
SP310040 (single)
- **Element Gasket**  
SP310060 (single)
- **Upper Temperature Control Thermostat**  
SP310230 (single)
- **Screw #10-32 x 3/8**  
SP310240 (single)
- **Drain Valve**  
SP310270 (single)
- **Screw #10-16 x 5/8**  
SP330020 (single)
- **Reducer Bushing 1" x 3/4"** (MR105)  
SP330030 (single)
- **T & P Valve**  
SP330040 (single)
- **Drain Valve**  
SP330090 (single)
- **Screw #8**  
SP330180 (single)
- **Reducer 1" x 3/4" Cold Side**  
SP330200 (single)
- **Tee 3/4" x 3/4" x 3/4"**  
SP330210 (single)
- **Nipple 3/4" x 3"**  
SP330230 (single)
- **Junction Box Cover**  
SP410910 (single)
- **Upper Access Panel**  
SP411800 (single)
- **Lower Access Panel**  
SP411810 (single)
- **Access Panel**  
SP412050 (single)
- **Element Wrench**  
SP610070 (single)



## Accessories

- **Mobile Home Straps**  
SP20048
- **Earthquake Straps**  
SP13345 (single)
- **Heat Traps**  
SP20003 (single)
- **Water Heater Stand, 21" X 21" X 16"**  
SP13044
- **ProtectionPlus 4-Yr. Limited Warranty Extension Kits\* -**  
Pkg. of 6 (no single kit orders)  
SP20079
- **Wall Mount Kit**  
AS 36111

\* For use on: Professional, Fury, Pacemaker, Heavy Duty, PowerVent and Direct Vent models.  
Not for use on: Warrior, Warrior DV, Marathon, Point-of-Use or Table Top models.

## Thermal Expansion Tanks Save Energy and Money

*Expanded (heated) water is absorbed by a  
Thermal Expansion Tank which means...*

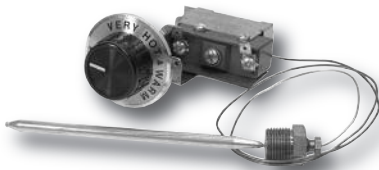
- **Water heater and fixtures are protected**
- **Eliminates BTU and water waste, saving money and energy**
- **No dangerous pressure build up in the system**
- **Relief valves will not be triggered**
- **Potential safety hazard reduced**



*Expansion Tanks*

- **RRT Therm-X-Guard Expansion Tank 2.5 Gal**  
RRT-5 (Single)
- **RRT Therm-X-Guard Expansion Tank 5 Gal**  
RRT-12 (Single)
- **RRT Therm-X-Guard Expansion Tank 10 Gal**  
RRT-25 (Single)





**Immersion Thermostat**



**3-Pole Fuse Block**



**Fuses**

## Commercial Electric Water Heaters

### ELECTRIC THERMOSTATS

- **Therm-O-Disc Upper Thermostat** (max 150 degree) & High Limit (170 degree) - 50 Gallon Surface Mount  
SP11234 (single)
- **Therm-O-Disc Upper Thermostat** (max 170 degree) & High Limit (190 degree) - 85 & 120 Gallon Surface Mount  
SP11231 (single)
- **Immersion Thermostat** - White-Rogers (110 - 190 degrees) 60" capillary tube  
SP11805 (single)
- **Immersion High Limit** - White-Rogers (200 degrees) manual reset - 60" capillary tube  
SP11806 (single)
- **Immersion Thermostat** (80 - 190 degrees) - 24" capillary tube  
SP8260 (single)
- **Immersion High Limit** - (205 degrees) manual reset - 15" capillary tube  
SP5411 (single)
- **Therm-O-Disc Upper Thermostat** (110-170 degree) & High Limit (190 degree), non-simultaneous ELD models only  
SP8293 (single)
- **Therm-O-Disc Lower Thermostat** (110-170 degree), non-simultaneous ELD models only  
SP8295 (single)
- **Hand Hole Gasket Kit**  
SP22079 (single)
- **Hand Hole Gasket ONLY**  
SP5886

### CONTACTORS AND TRANSFORMERS

- **Contactors** - 3 pole; 120V; 35 amp; I-F-G Class G  
SP12841 (single)
- **Transformer with Jumper**  
SP10006 (single)
- **Copper Conductor**  
AM25285 (single)

### FUSES AND FUSE BLOCKS

- **Fuse Block** - 3 pole; holds 1 5/8 L x 13/32 dia fuses Class G - 30 amp  
SP8311E (single)
- **Fuse Block** - Class G - 35 amp Fuse  
SP11112 (single)
- **Fuse** - 30 amp 1 5/8 L x 13/32 dia Class G  
SP8264M (single)
- **Fuse** - 35 amp Class G  
SP8264K (single)
- **Junction Box**  
AM35196

### TEMPERATURE AND PRESSURE RELIEF VALVES

- **Watts 100XL-4**; 3/4" inlet x 3/4" discharge - M150# (150 PSI pressure/ 210 degree temperature) 6-27 KW (100,000BTU)  
SP12574 (single)
- **Watts 40XL-5**; 3/4" inlet x 3/4" discharge - M150# (150 PSI pressure/ 210 degree temperature) 30-54 KW (200,000 BTU)  
SP9013D (single)
- **Watts L100XL-3**; 3/4" inlet x 3/4" discharge - M150# (150 PSI pressure/ 210 degree temperature) 81 KW  
AP13849 (single)

### RESTORED STAINLESS STEEL HEATING ELEMENTS – POWERPACK

- **480V/4000W (PowerPack)**  
AP12879LL
- **480V/4500W (PowerPack)**  
AP12879ML
- **480V/5000W (PowerPack)**  
AP12879NH
- **480V/6000W (PowerPack)**  
AP12879QH
- **277V/4000W (PowerPack)**  
AP12880LL
- **277V/4500W (PowerPack)**  
AP12880ML
- **277V/5000W (PowerPack)**  
AP12880NH
- **277V/6000W (PowerPack)**  
AP12880QH
- **240V/4000W (PowerPack)**  
AP12878LL
- **240V/5000W (PowerPack)**  
AP12878NH
- **240V/6000W (PowerPack)**  
AP12878QH
- **208V/4000W (PowerPack)**  
AP12877LL
- **208V/4500W (PowerPack)**  
AP12877ML
- **208V/5000W (PowerPack)**  
AP12877NH
- **208V/6000W (PowerPack)**  
AP12877QH
- **Gasket – Element**  
SP6708



**Honeywell Ignition Control**



**Pilot Burner and Ignitor Sensor**



**Immersion Thermostat & High Limit**



**Watts Temperature & Pressure Relief Valve**

## Commercial Heavy Duty Gas Water Heaters

### GAS VALVES

- **Honeywell 1/2 Inlet x 3/4 Outlet Gas Valve** - Natural Gas - 24V  
SP10963B (single)
- **Honeywell 1/2 Inlet x 3/4 Outlet Gas Valve** - LP Gas - 24V  
SP10963C (single)
- **Honeywell 3/4 Inlet x 3/4 Outlet Gas Valve** - Natural Gas - 24V  
SP10963D (single)
- **Honeywell 3/4 Inlet x 3/4 Outlet Gas Valve** - LP Gas - 24V  
SP10963E (single)
- **Robertshaw High Capacity Natural Gas Valve** 1" Inlet x 1" Outlet Slow Opening Valve  
SP8099N (single)
- **Robertshaw High Capacity LP Gas Valve** 1" Inlet x 1" Outlet - Slow Opening Valve  
SP8099P (single)

### IGNITION CONTROL MODULE & CABLE

- **Honeywell Ignition Control** S8600M - Continuous Retry - 24V - used with electronic ignition system  
SP10763C (single)
- **Honeywell Ignition Cable** - 25 inch - 1/4" disconnect with rubber boot on pilot end  
SP8828G (single)

### PILOT SENSOR

- **Honeywell Pilot Burner and Ignitor Sensor** - Natural Gas - Electronic Ignition  
SP10764B (single)
- **Honeywell Pilot Burner and Ignitor Sensor** - LP Gas - Electronic Ignition  
SP10764C (single)

### TRANSFORMER

- **Bassler** - 120 VAC to 24 VAC  
SP10550B (single)

### LEG EXTENSIONS REQUIRED FOR N.S.F. APPROVAL

- **Leg Extension Kit for N.S.F. Approval for Models:** G50-98, G75-125, G82-156, G76-180, G37-200, G76-200, G91-200, G100-200(A), G72-250(A), G100-250(A), GD100-250(A), G100-270(A), GD100-270(A), G72-300(A), G65-360(A), G85-300(A), G100-310(A), GD100-310(A), GD100-360(A), G65-400(A), G85-400(A), G100-400(A)  
AM35450 (single)

### THERMOSTATS AND HIGH LIMITS

- **Honeywell Immersion Thermostat** - (100-180 degrees) & High Limit - single immersion well - 1 13/16" shank x 3/4" NPT  
SP11799 (single)
- **Honeywell Immersion Thermostat** - (100-180 degrees) & High Limit (200 degrees) - dual immersion well with 39 1/4" capillary - 1 13/16" shank x 3/4" NPT  
SP11798B (single)
- **White-Rogers Manual Re-Set Immersion Thermostat** (100-180 degrees) & High Limit dual immersion well with 46" capillary - 3/4" NPT  
SP12015 (single)

### DAMPER ASSEMBLY

- **Due to the unique application of damper assemblies, please call for part numbers and pricing. Have the model number and serial number of the water heater on hand.**

### TEMPERATURE AND PRESSURE RELIEF VALVES

- **Watts 100XL-4;** 3/4" inlet x 3/4" discharge - M150# (150 PSI pressure/ 210 degree temperature) up to 100,000 BTU  
SP9013E (single)
- **Watts 40XL-5;** 3/4" inlet x 3/4" discharge - M150# (150 PSI pressure/ 210 degree temperature) up to 200,000 BTU  
SP9013D (single)
- **Watts L40XL-6;** 1" inlet x 1" discharge (150 PSI pressure/ 210 degree temperature) up to 500,000 BTU  
SP9012B (single)

### DIAGNOSTIC SYSTEM

- **System Sentinel**  
AM38875 (single)

### OTHER PARTS

- **Ignitor Bracket**  
AE34933-1
- **Wiring Harness**  
AP11327-5



**PARTS DIAGRAM  
ON PAGE 69**

## Spiderfire™ Ultra High Efficiency Commercial Gas

- **Direct Spark Igniter**  
SP20258
- **Flame Sensor Rod Kit**  
SP20259
- **Temperature Sensor – Water & ECO**  
AP14074-3
- **Flue Sensor – Exhaust Temp**  
AP14280-1
- **Control Board – Argus**  
AP14023-1
- **Display Board Kit – Argus**  
SP20260
- **Condensate Trap**  
AP14685-2
- **Drain Valve**  
AP12231B-1
- **T&P Valve**  
SP9013D (130 to 199k)  
SP9012B (250 to 400k)
- **On/Off Switch**  
AP12767
- **Hand Hole Gasket**  
SP5886
- **UL Sanitation Kit**  
AS42690C (130/160/199k)  
AS42690B (250/300/350k)
- **Concentric Vent Kit**  
Call for Application
- **Display Jumper Harness**  
AP14758
- **Diffuser Nipple**  
AP14859
- **45° Elbow (ULC636 Canada Only)**  
AP14889
- **Pressure Switch Assembly**  
Call For Application
- **GHE Burner Assembly Kit (NG)**  
Call For Application
- **GHE Burner Assembly Kit (LP)**  
Call For Application
- **GHE Main Control Harness**  
AP14092-2
- **GHE Blower Control Harness**  
AP14157-3
- **GHE Main Power Harness**  
AP14158-6
- **GHE Gas Valve Harness**  
AP14159-4
- **GHE Igniter Cable Harness**  
AP15294-4
- **Ground Wire Harness**  
AP15261



## Commercial Induced Draft Gas Water Heaters Unique Replacement Parts

- **Inducer Assembly**  
SP13800 – Fits models GD100-250(A) and GD270(A), NG and LP
- **Inducer Assembly**  
SP13801 – Fits model GD100-310(A), NG only
- **Inducer Assembly**  
SP13802 – Fits models GD100-310(A), LP only and GD100-360(A), NG and LP
- **Pressure Switch**  
SP13989

**PARTS DIAGRAM  
ON PAGE 71**

## Nine basic commercial gas parts fix all 23 Universal and Induced Draft Water Heaters

Model Number	Gas Valve (NG)	Gas Valve (LP)	Ignition Control Module	Pilot Sensor (NG)	Pilot Sensor (LP)	Thermostat	T&P Valve								
G50-98	SP10963B	SP10963C	SP10763C	SP10764B	SP10764C	SP11799	SP9013D								
G75-125															
G82-156															
G37-200															
G76-180															
G76-200															
G91-200															
G100-200	SP10963D	SP10963E				SP10763C	SP10764B	SP10764C	SP11798B	SP9013D					
G72-250															
G100-250															
G100-270															
G72-300															
G85-300															
G100-310															
G65-360															
G65-400															
G85-400															
G100-400	SP8099N	SP8099P	SP10763C	SP10764B	SP10764C				SP11798B	SP9012B					
GD100-250	SP10963D	SP10963E									SP10763C	SP10764B	SP10764C	SP12015	SP9012B
GD100-270															
GD100-310															
GD100-360															

To place your order call 1-800-621-5622; fax 1-800-535-9538



**PARTS DIAGRAM  
ON PAGE 74**

## Commercial Low NOx Water Heaters

- GN75-125 AM39731 (single)
- GN76-200 AM39741 (single)
- GN82-156 AM39760 (single)
- GN91-200 AM39189 (single)
- GN100-200 AM39732 (single)
- GN100-250 AM39737 (single)
- GN100-270 AM39738 (single)
- GN100-400 AM40016 (single)

### BURNER/MANIFOLD ASSEMBLIES

(Without gas valve and blower assembly)

- GN37-200 AM39188 (single)
- GN65-360 AM39767 (single)
- GN72-250 AM40020 (single)
- GN75-125 AM39245-3 (single)
- GN76-200 AM39188 (single)
- GN82-156 AM39759 (single)
- GN91-200 AM39342 (single)
- GN100-200 AM39718-3 (single)
- GN100-250 AM39764 (single)
- GN100-270 AM39246 (single)
- GN100-400 AM39526 (single)

### BLOWER ASSEMBLIES

- GN37-200 AM39729 (single)
- GN65-360 AM39766 (single)
- GN72-250 AM39734 (single)
- GN75-125 AM39728 (single)
- GN76-200 AM39740 (single)
- GN82-156 AM39761 (single)
- GN91-200 AM39739 (single)
- GN100-200 AM39729 (single)
- GN100-250 AM39729 (single)
- GN100-270 AM39753 (single)
- GN100-400 AM39733 (single)

### IGNITORS WITH BURNER BRACKET

- GN37-200, GN75-125, GN76-200,  
GN82-156, GN91-200, GN100-200,  
GN65-360, GN72-250, GN100-250,  
GN100-270, GN100-400  
AM39758 (single)

### BLOWER ASSEMBLY

- GN75-125  
SP20165A  
SP20165B

- GN37-200, GN100-200  
SP20165C
- GN72-250, GN76-200, GN100-250  
SP20165D
- GN91-200, GN100-270  
SP20165E
- GN65-360  
SP20165F
- GN100-400  
SP20165G
- GN76-200H, GN91-200H, GN100-200H  
SP20165H

### DAMPER ASSEMBLY

• Due to the unique application of damper assemblies, please call for part numbers and pricing. Have the model number and serial number of the water heater on hand.

- White-Rogers Relay  
SP12732 (single)
- Baffle Assembly  
AM39581 (single)
- Pilot Assembly  
SP20058 (single)
- SMC South Blower Cage  
AP12712 (single)
- QNI Wiring Harness  
AP12594B-3 (single)
- Honeywell Ignition Cable  
AP12761 (single)
- Gasket Blower Inlet  
AP12468
- Blower Centrifugal  
AP12526-3
- Gasket Bower Outlet  
AP12592-1
- Cap-Rubber Hose-Barb  
AP14636
- Instruction Sheet  
AP14637
- Screw 8x3/8 SM Self Drill  
AP5925ES-3

### PRESSURE SWIRT

- GN75-125 AP14551A
- GN37-200 AP14551C
- GN72-250 AP14551D
- GN91-200 AP14551E
- GN65-360 AP14551F
- GN100-400 AP14551G
- GN76-200 AP14551H

### HONEYWELL GAS VALVES

- GN37-200, GN65-360, GN72-250,  
GN75-125, GN76-200, GN82-156,  
GN91-200, GN100-200, GN100-250,  
GN100-270  
SP12541B (single)
- GN100-400 SP12543 (single)

### BURNER ASSEMBLIES

(Includes gas valve and blower assembly)

- GN37-200 AM39755 (single)
- GN65-360 AM39768 (single)
- GN72-250 AM40021 (single)



## Commercial Gas – Light Duty, Standing Pilot

- **Robertshaw Natural Gas Thermostat** (180 degrees) control valve with 2 3/8" shank - single use high limit (200 degrees) - 75,000 BTU - 1/2" inlet & outlet  
SP12234B (single)
- **Robertshaw Natural Gas Thermostat** (180 degrees) control valve with 1 5/8" shank - single use high limit (200 degrees) - 75,000 BTU - 1/2" inlet & outlet  
SP12234C (single)
- **Robertshaw Natural Gas Thermostat** (180 degrees) control valve with 2 7/8" shank - single use high limit (200 degrees) - 75,000 BTU - 1/2" inlet & outlet  
SP12234E (single)
- **Natural Gas Pilot Burner Assembly** - .0115 orifice  
SP8384B (single)
- **LP Pilot Burner Assembly** .008 orifice (colored red for easy identification)  
SP8384D (single)
- **24" Thermocouple**  
SP6379R (single)

## Commercial Eclipse Water Heaters

- **Terminal Block 175 AMP**  
SP13407 (single)
  - **Transformer 50 VA**  
SP13408 (single)
  - **Vacuum Relief Valve**  
SP221790 (single)
  - **Switch**  
SP13411 (single)
  - **T&P Relief Valve**  
SP330040
  - **Thermostat**  
SP13410
- ELEMENTS**
- **3100W / 208V**  
SP13409AL (single)
  - **4500W / 6000W 208V / 240V**  
SP13409BL (single)
  - **6000W / 208V**  
SP13409CL (single)
  - **3100W / 240V**  
SP13409DL (single)
  - **4500W / 6000W 240V / 277V**  
SP13409EL (single)
  - **3100W / 277V**  
SP13409FL (single)
  - **4500W / 277V**  
SP13409GL (single)
  - **3100W / 480V**  
SP13409HL (single)
  - **4500W / 480V**  
SP13409JL (single)
  - **6000W / 480V**  
SP13409KL (single)



## AdvantagePlus Commercial Water Heaters

Before 6/1/2009



110 Volt Ignitor Kit



- **Interconnecting Ribbon Cable to PC Board**  
SP12139 (single)
- **Pressure Switch**  
SP12140 (single)
- **Transformer with Ignition Cable**  
SP12141 (single)
- **ECO/Temperature Probe**  
SP12142 (single)
- **Ignitor**  
SP12143 (single)
- **110V Ignitor Kit**  
SP12143K (single)
- **Flame Rectification Probe**  
SP12144 (single)
- **Gas Valve**  
SP12145 (single)
- **Low Voltage Cable**  
SP12146 (single)
- **Line Cable**  
SP12147 (single)
- **Over Temperature Switch (Exhaust Outlet)**  
SP12149 (single)
- **Glass Sight Window**  
SP12150 (single)
- **Neutralizer Condensate**  
SP12151 (single)
- **Gasket Burner Mounting Flange**  
SP12152 (single)
- **Gasket Blower Outlet Flange**  
SP12153 (single)
- **Gasket Air Inlet**  
SP12154 (single)
- **Gasket Sight Window**  
SP12156 (single)
- **Main Control PC Board, 160 deg., 130,000 BTU**  
SP12136 (single)
- **Main Control PC Board, 160 deg., 160,000 BTU**  
SP12137 (single)
- **Display PC Board**  
SP12138 (single)
- **Main Control PC Board, 160 deg., 199,000 BTU**  
SP12186 (single)
- **Booster Kit**  
ASBK-1200
- **Exhaust Elbow**  
7000P-604

- **Main Control PC Board, 160 deg., 100,000 BTU**  
SP12416 (single)
- **Main Control PC Board, 180 deg., 160,000 BTU**  
SP12418 (single)
- **Main Control PC Board, 180 deg., 199,000 BTU**  
SP12419 (single)
- **Gasket Ignitor Collar**  
AP12654
- **Burner – 100-130K BTU**  
SP14114
- **Burner – 160-199K BTU**  
SP14115
- **Low Water Cutoff**  
SP20124
- **Combustion Blower**  
SP12189 (Single)

### ORIFICE KITS

- **130,000 BTU, LP**  
SP12389B
- **160,000 BTU, LP**  
SP12389C
- **199,000 BTU, LP**  
SP12389D
- **130,000 BTU, NG**  
SP12190B
- **160,000 BTU, NG**  
SP12190C
- **199,000 BTU, NG**  
SP12190D

### ADVANTAGEPLUS ACCESSORIES

- **Concentric Vent Termination Kit 3"**  
Call for Application
- **Aluminum Outsize Termination Vent Kit**  
SP12162 (single)
- **Mesh Screen 3-1/2" Size Stainless for 3" Pipe**  
SP12163 (single)
- **Model 450 CO Meter**  
AP12516 (single)
- **Condensate Hose**  
7000486

## AdvantagePlus Commercial Gas

After 6/1/2009



**PARTS DIAGRAM  
ON PAGE 70**

- **Gasket – Burner Mounting Flange**  
SP15138
- **Igniter w/ Gasket & Mounting Screws (NG)**  
SP15128
- **Igniter w/ Gasket & Mounting Screws (LP)**  
SP15134
- **Flame Sensor w/ Gasket & Mounting Screw**  
SP15129
- **Gasket – Burner Blower**  
SP15239
- **Burner w/ Gasket**  
SP15126 (130k btu or less)  
SP15127 (>130k btu)
- **Gasket – Burner Mounting Plate**  
SP15139
- **Gasket – Sight Glass**  
SP15152
- **Sight Glass w/ Gasket**  
SP15136
- **Combustion Blower w/ Gasket**  
SP15130
- **Air Intake Adapter – Blower Side**  
SP15158
- **Air Intake Adapter – Valve Side**  
SP15157
- **Swirl Plate**  
SP15155 (130k btu or less)  
SP15156 (>130k btu)
- **Condensate Neutralizer**  
SP12151
- **Mesh Screen for 3-Inch Pipe**  
SP12163
- **Gas Valve Assembly**  
SP15131 (130k btu or less)  
SP15132 (>130k btu)
- **Pressure Switch**  
SP12140
- **Over Temperature Switch – Outlet**  
SP12149
- **Tube – Air Inlet**  
SP15137
- **Main Control Board – 160°F**  
SP15133A (130k)  
SP15133B (160k)  
SP15133C (199k)  
SP15133D (100k)
- **Main Control Board – 180°F**  
SP15133A (160E)  
SP15133B (199F)
- **Control Board Display**  
SP15153
- **ECO/Temperature Probe**  
SP12142
- **Low Water Cutoff**  
SP15140
- **Low Voltage 24V Cable**  
SP15183
- **Line Cable – 120V**  
SP15184
- **Aluminum Vent Kit**  
SP12162 (Outsize Aluminum)
- **PVC Vent Kit**  
Call for Application
- **Model 450 CO Meter**  
AP12516





**PARTS DIAGRAM  
ON PAGE 75**

## XTREME Commercial Water Heaters

- **Thermostat and High Limit**  
AP12015-1 (single)
- **Pressure Switch** (GX90-500, GX90-550, GX90-600, GX90-680)  
SP14197B (single)  
SP14197C (GX90-640, GX90-715)
- **Gas Valve**  
SP12866P (single, LP)  
SP12866N (single, NG)
- **Pilot / Ignitor Assembly**  
SP12305 (single, LP)  
SP12237 (single, NG)
- **Relief Valve** (GX90-715, GX90-680)  
AP12323-1 (single)
- **Relief Valve** (GX90-640, GX90-600, GX90-550)  
AP12035 (single)
- **Relief Valve** (GX90-500)  
SP9012B (single)
- **Full Flow Drain Valve**  
SP12231B (single)
- **Damper Assembly**  
AP13156
- **Blower Motor**  
SP12525 (single)
- **Gasket Plenum**  
AP12382-1 (single)
- **Gasket Set/Fan**  
AP12383 (single)

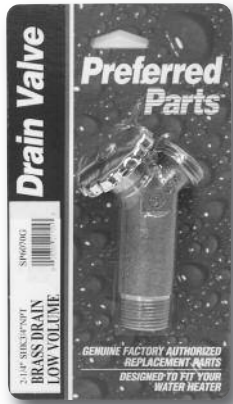


**PARTS DIAGRAM  
ON PAGE 72**

## VentMaster Commercial Water Heaters

- **Anode Rod** - 42" long x .840 dia  
SP11345S
- **Thermostat and High Limit**  
SP11789B
- **Blower** (GP100-150, GP100-200)  
AP13192
- **Blower** (GP100-250)  
AP13186-1 (4" Outlet)
- **Relief Valve** (GP100-200, GP100-150)  
SP9013D
- **Pilot Ignitor Assembly**  
SP13185
- **Gas Valve**  
SP13714
- **System Sentinel Panel**  
AM38875
- **Control Module**  
AS40782-1
- **Relay**  
SP12732
- **On/Off Switch**  
SP8825
- **Transformer**  
SP10550B
- **Full Flow Drain Valve**  
SP12231B
- **Ignition Control**  
SP10763C

## Common Replacement Parts



*Light Duty Brass Drain Valve:*



*R-Tech Resistor  
Magnesium Flexible  
Link Anode Rod:*

### DRAIN VALVES

- **Brass Drain Valve** - 3/4" x 2 1/4" shank  
SP6070G (single)
- **Brass Drain Valve** - 3/4" x 3" shank -  
Commercial Light Duty  
SP12112S (single)
- **Standard Melet** - 3/4" NPT x 2 1/4" shank  
SP12039 (single)
- **Brass Drain Valve** - 3/4" x 2 1/4" shank  
SP12112G (single)
- **Brass Full Flow Drain Valve 3.1"** (gas)  
SP12231B (single)
- **Brass Full Flow Drain Valve 3.1"** (electric)  
AP12231C-1 (single)

### ANODE RODS

- **R Tech Resistor Magnesium Anode Rod** -  
44" long x .700 dia  
SP11309C (single)
- **Galvo Magnesium** - 44" long x .840 dia  
SP11345C (single)
- **Magnesium Anode Rod** - 44" long x .840 dia  
SP11524C (single)
- **Magnesium Anode Rod** - 58" long x .840 dia  
SP11524Z (single)
- **R Tech Resistor Magnesium Anode Rod** -  
44" long x .900 dia  
SP11526C (single)
- **R Tech Resistor Magnesium Flexible Link  
Anode Rod** - 52" long - 12" sections  
SP8371B (single)

### DIP TUBES

- **Dip Tube with anti-siphon hole** - 3/4" x 54" long  
- clear (North Carolina code) with gasket  
SP11251R (single)
- **Dip Tube with anti-siphon hole** - 1" x 26" long  
with gasket  
SP11269C (single)
- **Dip Tube with anti-siphon hole** - 3/4" x 54" long  
with gasket  
SP11248R (single)

### GASKETS

- **Hand Hole Gasket**  
SP5886 (single)



**Note: Elements listed not recommended with Rheem, Ruud, and GE products. Use of this component may lead to premature failure of the product and voiding of manufacturers warranties.**

HWD = High Watt Density  
MWD = Medium Watt Density  
LWD = Low Watt Density

## Non-Resistored Heating Elements

### COPPER SCREW-IN ELEMENTS

- 120V/1500W, 7-5/8", HWD  
UV12890 (Single)
- 120V/2000W, 7-5/8", HWD  
UV12892 (Single)
- 240V/1500W, 7-5/8", HWD  
UV12891 (Single)
- 240V/2000W, 7-5/8", HWD  
UV12893 (Single)
- 240V/2500W, 9-3/8", HWD  
UV12894 (Single)
- 240V/3000W, 10-9/16", HWD  
UV12895 (Single)
- 240V/3500W, 12-9/16", HWD  
UV12896 (Single)
- 240V/3800W, 13-7/16", HWD  
UV12897 (Single)
- 240V/4000W, 13-9/16", HWD  
UV12898 (Single)
- 240V/4500W, 13-9/16", HWD  
UV12899 (Single)
- 240V/4500W, 10", MWD  
UV13049 (Single)
- 240V/5500W, 10-1/8", LWD  
UV12900 (Single)
- 240V/4500W, 11-3/4", LWD  
UV12901 (Single)

### COPPER 1-3/8" SCREW-IN ELEMENTS

- 240V/4500W, 11-9/16", LWD  
UV12902 (Single)

### COPPER FLANGE ELEMENTS

- 120V/1500W, 7-5/8", HWD  
UV12944 (Single)
- 240V/1500W, 7-5/8", HWD  
UV12908 (Single)
- 240V/2500W, 10", HWD  
UV13047D (Single)
- 240V/3500W, 12-9/16", HWD  
UV12909 (Single)

- 240V/4500W, 13-9/16", HWD  
UV12910 (Single)
- 240V/3000W, 10", HWD  
UV13047A (Single)
- 240V/5500W, 12", HWD  
UV13047B (Single)
- 240V/4500W, 9", MWD  
UV13047C (Single)

### COPPER FLAT FLANGE ELEMENTS

- 240V/4500W, 13-9/16", HWD  
UV12907 (Single)
- 240V/4500W, 14", LWD  
UV13051 (Single)

### SLIP-IN ELEMENTS

- 240V/3000W, HWD  
UV13066A (Single)
- 240V/3500W, HWD  
UV13066B (Single)
- 240V/4500W, HWD  
UV13066C (Single)

### STAINLESS STEEL SCREW-IN ELEMENTS

- 240V/3500W, 13-7/8", LWD  
UV12903 (Single)
- 240V/4500W, 13-1/2", LWD  
UV12904 (Single)
- 240V/5500W, 13-1/2", LWD  
UV12905 (Single)
- 120V/1500W, 12", HWD  
UV13050B (Single)

- 240V/2500W, 11", HWD  
UV13050A (Single)

### STAINLESS STEEL FLANGE ELEMENT

- 240V/2500W, 11", LWD  
UV12911 (Single)
- 240V/4500W, 14", HWD  
UV13048 (Single)

# RESIDENTIAL *Universal™ Parts*

The value line for all your replacement parts needs.



**Universal Gasket Kit**

## Element Accessories

- **Gasket Kit** - (1) screw-in gasket, (1) flange, (1) 4-hole gasket, (4) 1/4" - 20 x 3/4" hex slot UV12914 (Single)
- **Universal Adapter Kit** - (1) flat gasket, (1) round gasket, (1) element adapter UV6830 (Single)
- **4" Heavy Duty Element Wrench** UV38628 (Single)



**Heavy duty element wrench**

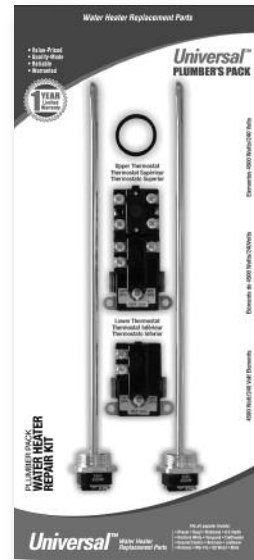
## Universal Parts Plumber's Pack

*The plumber's pack is an all-inclusive "tune-up" kit for electric water heaters featuring the most popular replacement parts on the market.*

- Two non-resistored heating elements and gaskets
- Upper and lower thermostats
- Economy package that includes all the major components for a complete "tune-up" for the water heater

**Plumber's Pack Kit** - includes two non-resistored 4500 watt screw-in heating elements, two heating element gaskets, and upper & lower thermostats

UV20018 (single)



To place your order call 1-800-621-5622; fax 1-800-535-9538



**Thermocouple Kit**



**Thermostat Bracket**

## Electric Thermostats\*

- **APCOM Upper Thermostat**  
(max 150 degrees) & High Limit (170 degree)  
- Two element non-simultaneous 208, 240, 277, 480 volt  
UV13359 (single)
- **Therm-O-Disc Upper Thermostat**  
(max 150 degrees) & High Limit (170 degree)  
- Two element simultaneous 208, 240, 277, 480 volt  
UV11699 (single)
- **Therm-O-Disc Upper Thermostat**  
(max 150 degrees) & High Limit (170 degree)  
- Single element 120 volt  
UV11700 (single)
- **APCOM Lower Thermostat**  
(max 150 degrees) simultaneous and non-simultaneous 208, 240, 277, 480 volt  
UV13360 (single)
- **Therm-O-Disc Lower Thermostat**  
(max 150 degrees) & High Limit (170 degree)  
- Two element non-simultaneous 208, 240, 277, 480 volt  
UV11695 (single)
- **Therm-O-Disc Upper Thermostat**  
(max 150 degrees) simultaneous and non-simultaneous 208, 240, 277, 480 volt  
UV11698 (single)

## Gas Replacement Parts

- **18" Thermocouple Kit**  
UV6379L (Single)
- **24" Thermocouple Kit**  
UV6379R (Single)
- **30" Thermocouple Kit**  
UV6379H (Single)
- **36" Thermocouple Kit**  
UV6379S (Single)

## Common Replacement Parts

- **Flared Dip Tube**  
SP11248R
- **Threaded Dip Tube**  
AP12933
- **Screw-In Thermostat Bracket**  
AS23557-6
- **Heat Traps** (flapper type)  
UV12992 (Single: 2/pkg.)
- **Watts 100XL-4**; 3/4" inlet x 3/4" discharge - M150# (150 PSI pressure / 210 degree temperature) up to 100,000 BTU  
SP12574 (single)
- **Watts 100XL**; 3/4" inlet x 3/4" discharge (150 PSI pressure / 210 degree temperature) - long shank up to 100,000 BTU  
SP8346 (single)
- **Drain Valve; Standard Melet**  
3/4" NPT x 2 1/4" shank  
UV12039 (single)

\* Electric thermostats may be ordered in bulk. Box consists of 50 thermostats of the same part number. Bulk pricing is less than the single price. Please call for pricing.



**Drain Pan with Fittings:**

- Available in plastic or aluminum in a variety of sizes.

## Accessories

### WATER CONNECTORS

- **12" Flexible Copper Water Connector 3/4"**  
UV10351 (Single: 2/Pkg.)
- **15" Flexible Copper Water Connector 3/4"**  
UV10505 (Single: 2/Pkg.)
- **18" Flexible Copper Water Connector 3/4"**  
UV10506 (Single: 2/Pkg.)
- **24" Flexible Copper Water Connector 3/4"**  
AP13006
- **18" Flexible Copper Water Connector 3/4" FIP x 3/4" Sweat**  
AP13012
- **24" Flexible Copper Water Connector 3/4" FIP x 3/4" Sweat**  
AP13015
- **Stainless Steel 3/4" Water Connector 12"**  
UV12927 (Single: 2/Pkg.)
- **Stainless Steel 3/4" Water Connector 15"**  
UV12928 (Single: 2/Pkg.)
- **Stainless Steel 3/4" Water Connector 18"**  
UV12929 (Single: 2/Pkg.)

### GAS CONNECTORS

- **12" Stainless Steel Gas Connector 1/2" FIP x 1/2" MIP**  
SP10349
- **18" Stainless Steel Gas Connector 1/2" FIP x 1/2" MIP**  
SP10350
- **24" Stainless Steel Gas Connector 1/2" FIP x 1/2" MIP**  
AP13014
- **48" Stainless Steel Gas Connector 1/2" FIP x 1/2" MIP**  
AP13013

### INSTALLATION KITS

- **15" Water Connector Kit 3/4"\***  
UV20010 (Single: 2/Pkg.)
- **15" Gas Connector Kit 3/4"\***  
UV20016 (Single: 2/Pkg.)
- **15" Electric Connector Kit 3/4"\***  
UV20013 (Single: 2/Pkg.)
- **18" Water Connector Kit 3/4"\***  
UV20011 (Single: 2/Pkg.)
- **18" Gas Connector Kit 3/4"\***  
UV20017 (Single: 2/Pkg.)

- **18" Electric Connector Kit 3/4"\***  
UV20014 (Single: 2/Pkg.)
- **12" Water Connector Kit 3/4"\***  
UV20009 (Single: 2/Pkg.)
- **12" Gas Connector Kit 3/4"\***  
UV20015 (Single: 2/Pkg.)
- **12" Electric Connector Kit 3/4"\***  
UV20012 (Single: 2/Pkg.)

### FITTINGS

- **3/4" Compression Fitting x 3/4" MPT**  
UV10374 (Single: 2/Pkg.)
- **1/2" Compression Fitting x 3/4" MPT**  
UV10354 (Single: 2/Pkg.)
- **Nipples 3/4" x 2-1/4" PP Lined**  
UV8397G (Single: 2/Pkg.)
- **Nipples 3/4" x 3" PP Lined**  
AP8397N-8
- **Dielectric Union**  
AP13045 (Single)

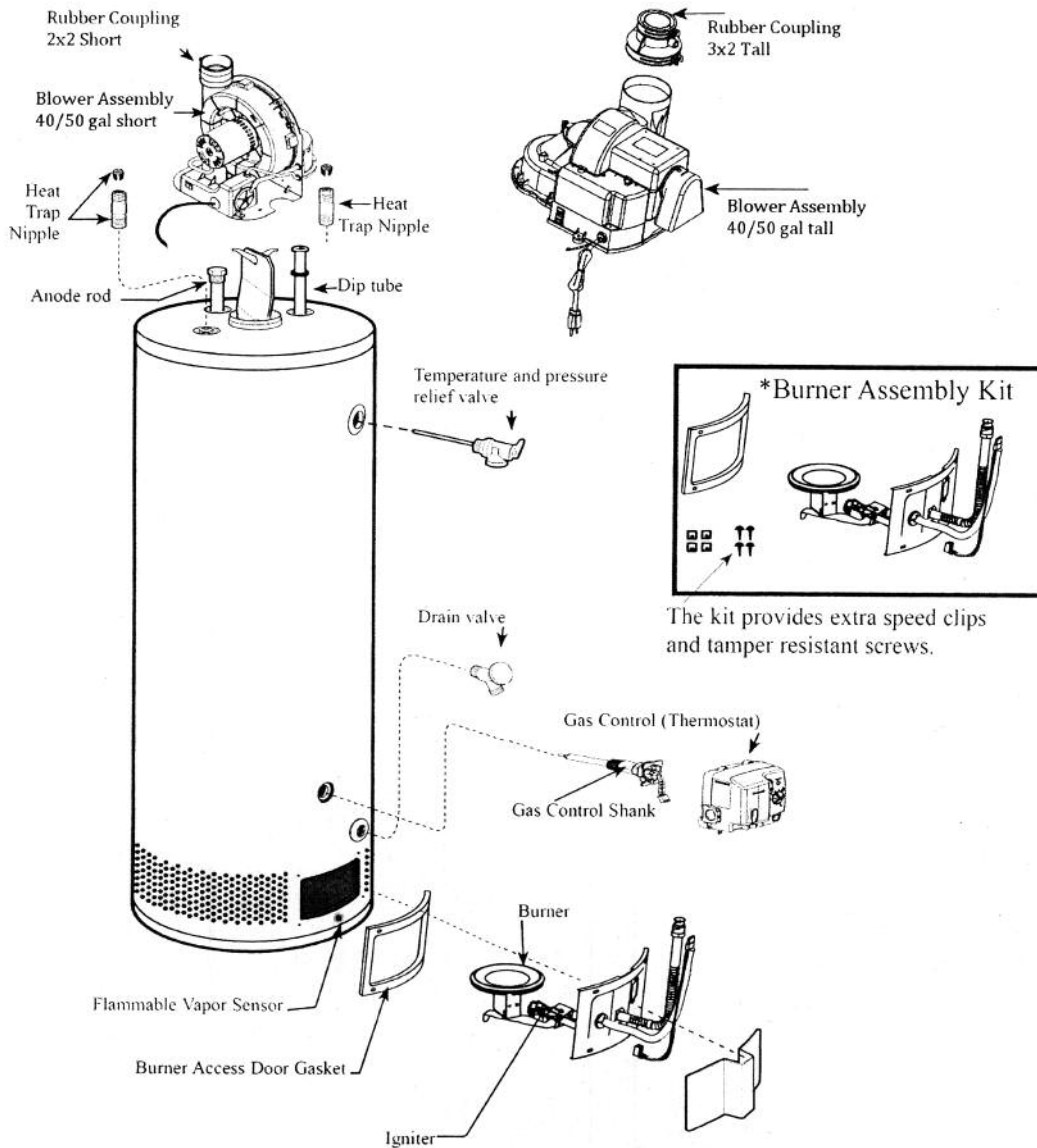
### OTHER ACCESSORIES

- **Center Top Run-Off Tube**  
SP11956B (Bulk: 12)
- **20" Plastic Drain Pan with Fittings (Electric)**  
SP12934 (Bulk: 20)
- **22" Plastic Drain Pan with Fittings (Electric)**  
SP12937 (Bulk: 20)
- **24" Plastic Drain Pan with Fittings (Electric)**  
SP12935 (Bulk: 20)
- **26" Plastic Drain Pan with Fittings (Electric)**  
SP12936 (Bulk: 10)
- **30" Plastic Drain Pan with Fittings**  
SP13319 (Bulk: 5)
- **20" Aluminum Drain Pan with Fittings**  
SP12939 (Bulk: 10)
- **22" Aluminum Drain Pan with Fittings**  
SP12941 (Bulk: 10)
- **24" Aluminum Drain Pan with Fittings**  
SP12942 (Bulk: 10)
- **26" Aluminum Drain Pan with Fittings**  
SP12940 (Bulk: 10)
- **30" Aluminum Drain Pan with Fittings**  
SP13325 (Bulk: 5)
- **Gas Control Extender**  
SP11620

\* Gas connector kits contain (2) 3/4" nipples, (2) 3/4" x 12", 15", 18" flex water connectors, (1) teflon tape, (2) 3/4" comp. fittings, (1) 18" flex. gas connector.  
Electric connector kits contain (2) 3/4" x 2" nipples, (2) 3/4" x 12", 15", 18" flex water connectors, (1) teflon tape, (2) 3/4" MPT comp. fittings.  
Water connector kits contain (2) 3/4" x 2" nipples, (2) 3/4" x 12", 15", 18" flex water connectors, (1) teflon tape.

# Residential Gas (Energy Star II) Replacement Parts

*For ESII Fury Dampered products and Ultra Low NOx  
Manufactured after 1 Febuary 2011*



Ref. No.	Part Description	Part Number	Qty.
1.	Honeywell Thermostat (Gas Valve) Natural (all except 43V05-50E2 & ULN)	SP20296	1
	Honeywell Thermostat (Gas Valve) Natural (43V50-50E2-50 only)	SP20297	1
	Honyewell Thermostat (Gas Valve) Natural (ULN only)	SP20298	1
	Honeywell Thermostat (Gas Valve) LP (all models)	SP20302	1

**To place your order call 1-800-621-5622; fax 1-800-535-9538**

# Residential Gas (Energy Star II) Replacement Parts

*For ESII Fury Dampered products and Ultra Low NOx  
Manufactured after 1 February 2011*

Ref. No.	Part Description	Part Number	Qty.
2.	Gas Valve Thermal Well (all models except ULN)	AP14696B	1
	Gas Valve Thermal Well (ULN only)	AP15324	1
3.*	Flue Damper (Assembly 3 inch (w/ gasket & screws) (all except 43V50-50E2 only)	SP20294	1
	Flue Damper Assembly 4 inch (w/ gasket & screws) 43V50-50E2 only)	SP20295	1
4.	Damper Housing Only (3 inch)	AM42968H	1
5.	Damper Housing Only (4 inch)	AM42969H	1
	Pilot / Igniter Assembly Kit - natural (all models)	AP14698G	1
	Pilot / Igniter Assembly Kit - LP (all models)	AP14700D	1
	Pilot / Igniter Assembly Kit - (40 gallon ULN Only)	AP16006A	1
	Pilot / Igniter Assembly Kit - (50 gallon ULN Only)	AP16006B	1
6.	Transformer Assembly w/strain relief	SP20293	1
7.	Wiring Harness-24V (not shown)	AP15849	1
8.	Inner Burner Door Gasket Kit	SP20063	1
9.	T&P Relief Valve	SP12575B	1
10.	Drain Valve	SP12112G	1
11.	Anode Rod	SP11309C	1
12.	Draft Hood 3" to 4"	AM41646	1
13.	Heat Trap Nipples - flapper type	SP20003	2
14.	Flammable Vapor Sensor w/harness	AP13447-3	1
15.	Dip Tube	Call for Application	1
16.	Flue Baffle	Call for Application	1
17.	Burner Assembly	Call for Application	1

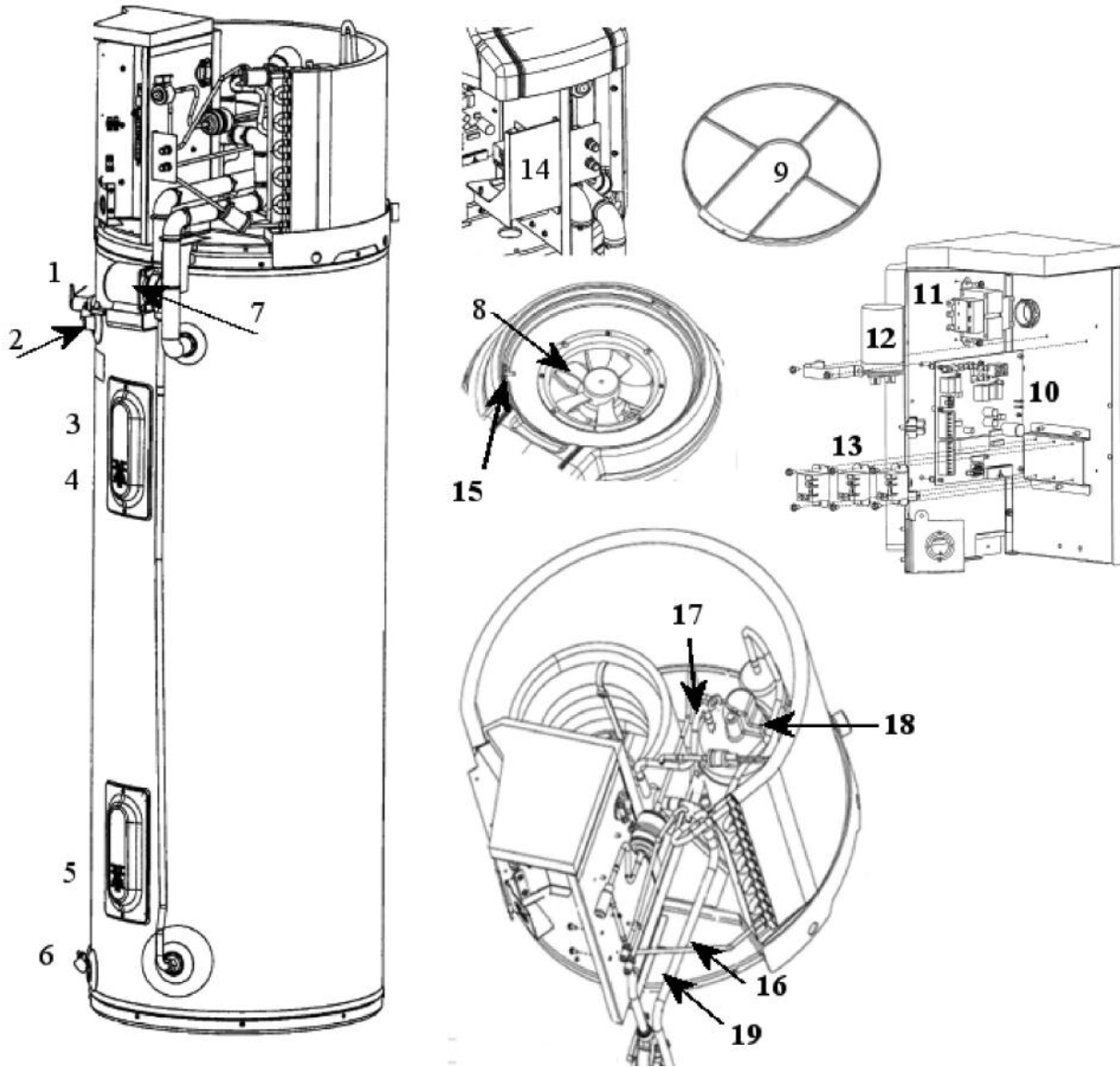
\*= Flue Damper Assembly does not come with the draft diverter or the metal housing. It does come with screws and gaskets.

**To place your order call 1-800-621-5622; fax 1-800-535-9538**



# Residential Replacement Parts List

## HEAT PUMP WATER HEATER



Ref. No.	Part Description	Part Number	Qty. Req.
1.	T&P Relief Valve	SP12577G	1
2.	Hot Outlet J-Tube	SP8878N	1
3.	ECO & Upper Tank Sensor	SP15100	1
4.	Heating Element SS 2.5 KW (upper & lower)	SP10869HL	2
5.	Lower Tank Sensor	SP15228	1
6.	Brass Drain Valve	SP12112S	1

Ref. No.	Part Description	Part Number	Qty. Req.
14.	Membrane Switch (user control)	--	--
	Membrane Switch (user control) - Rheem	47-103216-01	1
	Membrane Switch (user control) - Ruud	47-103216-02	1
	Membrane Switch (user control) - Richmond	47-103216-03	1
	Membrane Switch (user control) - EcoSense	47-103216-04	1
15.	Ambient Thermistor (not shown)	47-103122-01	1
16.	Evaporator Thermistor (not shown)	47-103122-02	1
17.	Discharge Thermistor (not shown)	47-103122-03	1
18.	Suction Thermistor (not shown)	47-103122-04	1
19.	Water Out Thermistor (not shown)	47-103122-05	1

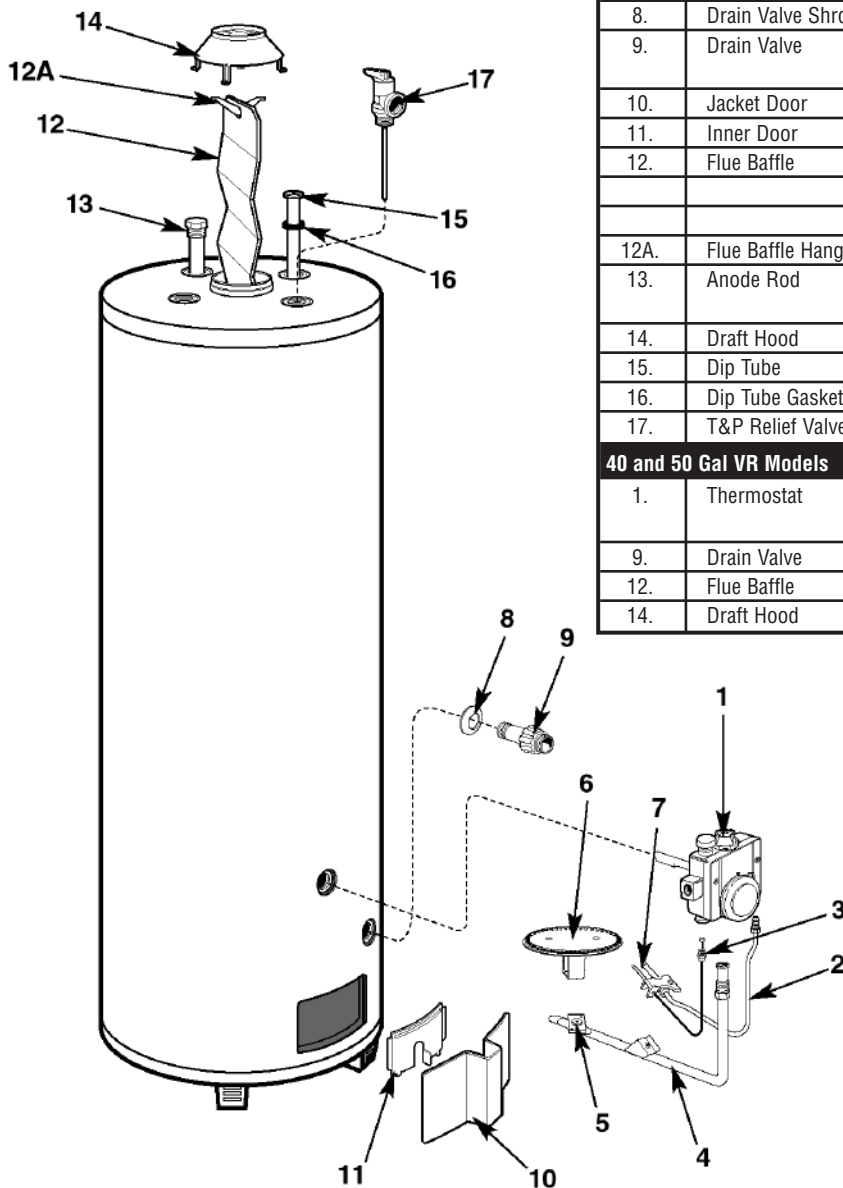
To place your order call 1-800-621-5622; fax 1-800-535-9538

# Residential Replacement Parts List

*All standing pilot models except direct vent and PowerVent*  
**NATURAL OR LP GAS (NON-FVIR)**

**Units manufactured prior to July, 2003**

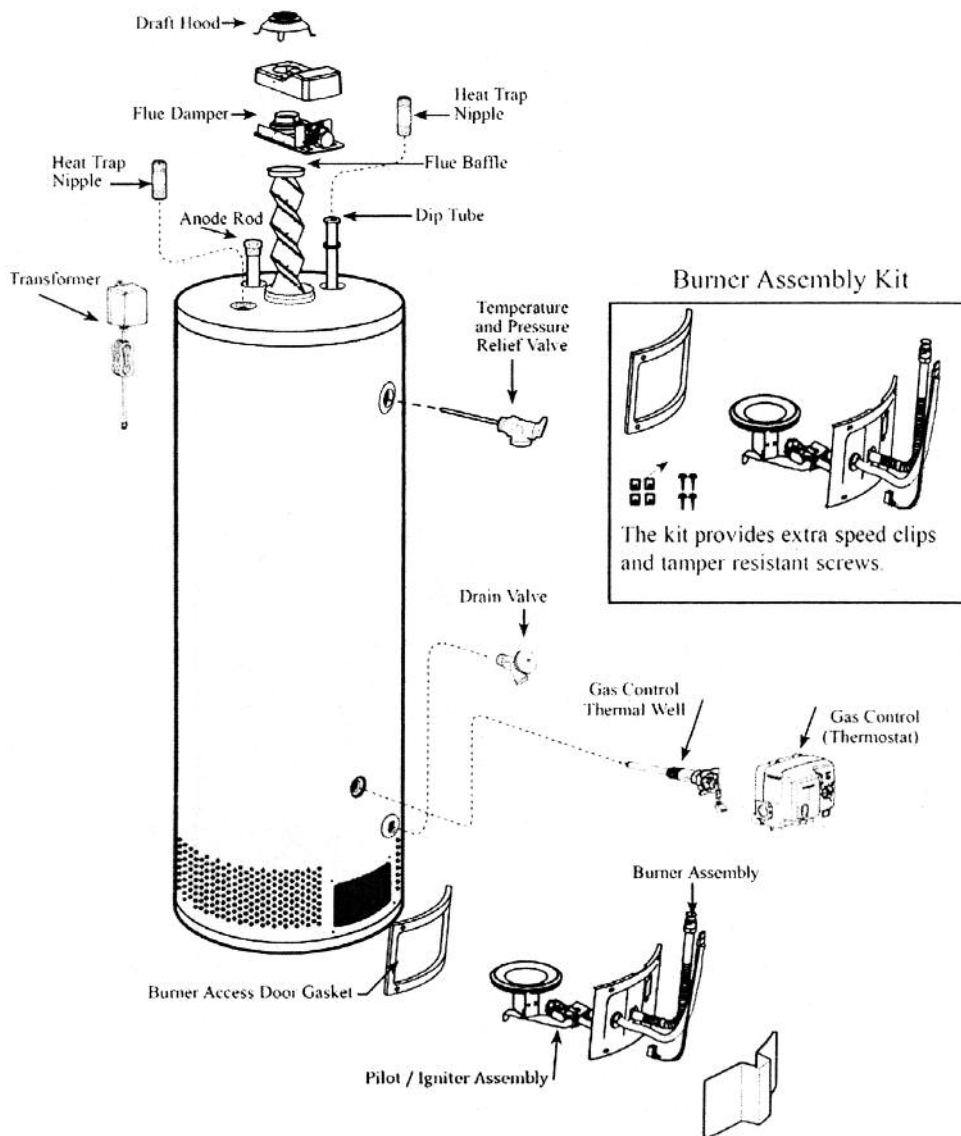
Ref. No.	Part Description	Qty. Req.	Part Number	
1.	Thermostat	1	(NAT) SP20164 (LP) SP12258B	
2.	Pilot Supply Tube	1	N/A	
3.	Thermocouple	1	SP6379K	
4.	Burner Supply Tube	1 Burner Assembly	(30 Gal NAT) AM35050CNN (30 Gal LP) AM36336IJ (40 Gal NAT) AM35050DT (40 Gal LP) AM36336DZZ (50 Gal NAT) AM35050EFF (50 Gal LP) AM36336EZZ	
5.	Burner Orifice			
6.	Burner			
7.	Pilot Burner		1	SP8980B (NG) SP8980C (LP)
7A.	Pilot Burner			
8.	Drain Valve Shroud	1	AP9167	
9.	Drain Valve	1	SP12039 SP12112E (brass)	
10.	Jacket Door	1	AM29254-4C	
11.	Inner Door	1	AM29501	
12.	Flue Baffle	1	(30 Gal) AM25812-1 (40 Gal) AM25812-1 (50 Gal) AM25816	
12A.	Flue Baffle Hanger	1	AM20622C	
13.	Anode Rod	1	(5 Year) SP11309C (10 Year) SP11526C	
14.	Draft Hood	1	AM36352H	
15.	Dip Tube	1	SP11248Q	
16.	Dip Tube Gasket	1	AP6948-1	
17.	T&P Relief Valve	1	SP12574	
<b>40 and 50 Gal VR Models</b>				
1.	Thermostat	1	(NAT) SP20264 (LP) SP12258P	
9.	Drain Valve	1	SP12112S	
12.	Flue Baffle	1	AM38876	
14.	Draft Hood	1	AM36333H	



To place your order call 1-800-621-5622; fax 1-800-535-9538

# PowerVent (FVIR compliant) for Energy Star II

*Effective September 2010  
40/50 gallon models (43PV); Natural or LP*



Ref. No.	Part Description	Qty.	40 Gal Tall	40 Gal Short	50 Gal Tall	50 Gal Short
1.	Blower Assembly w/pressure switch; w/ gasket; w/ screws	1	AP15109	AP15534	AP15109	AP15534

*To place your order call 1-800-621-5622; fax 1-800-535-9538*

# PowerVent (FVIR compliant) for Energy Star II

**Effective September 2010**  
**40/50 gallon models (43VP); Natural or LP**

Ref. No.	Part Description	Qty.	40 Gal Tall	40 Gal Short	50 Gal Tall	50 Gal Short
1a.	Blower Gasket Kit (not Shown)	1	SP20289	SP20122	SP20289	SP20122
1b.	Hose - Pressure Switch (not Shown)	1	SP20288	SP20120	SP20288	SP20120
1c.	Blower Over-temperature Switch - 180 (not shown)	1	SP20287	SP20119	SP20287	SP20119
1d.	Blower Rubber Coupling; tall = 3x2; short = 2x2	1	SP20290	SP12638	SP20290	SP12638
1e.	Pressure Switch	1	SP20292	SP20291	SP20292	SP20291
2.	Anode Rod - cut to length	1	SP11309C	SP11309C	SP11309C	SP11309C
3.	Heat Trap Nipples - flapper	2	SP20003	SP20003	SP20003	SP20003
4.	Dip Tube with Gasket	1	AP11625R	AP11625R	AP11625R	AP11625R
5.	T&P Relief Valve	1	AP14835G	AP14835G	AP14835G	AP14835G
6.	Drain Valve	1	SP12112G	SP12112G	SP12112G	SP12112G
7.	Electronic Gas Control	-----	-----	-----	-----	-----
	Honeywell Natural	1	AP14671	AP14671	AP14671	AP14671
	Honeywell LP (propane)	1	AP14672	AP14672	AP14672	AP14672
8.	Gas Control Shank	1	AP14696B	AP14696B	AP14696B	AP14696B
9.	Spark Ignitor Assembly Kit (ignitor, gasket, etc.) NAT	1	AP14698D	AP14698D	AP14698D	AP14698D
10.	Spark ignitor Assembly Kit (ignitor, gasket, etc) LP	1	AP14700D	AP14700D	AP14700D	AP14700D
11.	Inner Door Gasket Kit (gasket, screws)	1	SP20063	SP20063	SP20063	SP20063
12.	Flammable Vapor Sensor w/ harness	1	AP13447-3	AP13447-3	AP13447-3	AP13447-3
13.	Burner Assemble	1	Call for Application			
14.	Flue Baffle with hanger	1	Call for Application			

## ***For the PowerVent with Electronic Display only (43VP40/50-E)***

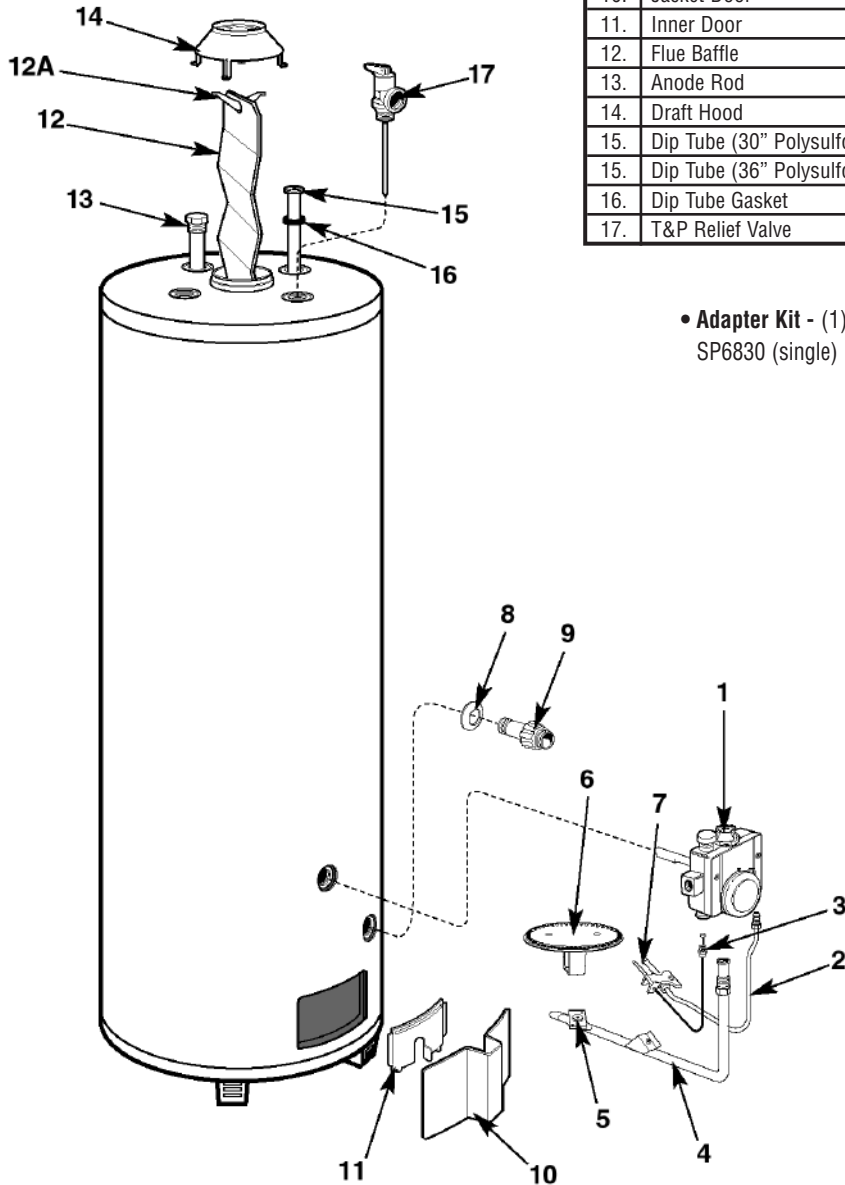
15.	Electronic Display	1	Call for Application			
-----	--------------------	---	----------------------	--	--	--

**To place your order call 1-800-621-5622; fax 1-800-535-9538**

## Residential Replacement Parts List

# 60-50 GALLON NATURAL OR LP GAS (NON-FVIR)

Ref. No.	Part Description	Qty. Req.	Part Number	
1.	Thermostat	1	(NAT) SP20085K	
2.	Pilot Supply Tube	1	N/A	
3.	Thermocouple	1	SP6379K	
4.	Burner Supply Tube	1 Burner Assembly	N/A	
5.	Burner Orifice		N/A	
6.	Burner Assembly NAT (#30 orifice)		SP20084A	
6A.	Assembly Low NOx (#30 orifice)		SP20084D	
6B.	Burner Assembly LP (#46 orifice)		SP20084E	
6C.	Assy LP High Altitude (#47 orifice)		SP20084F	
7.	Pilot Burner		N/A	
8.	Drain Valve Shroud	1	AP9167	
9.	Drain Valve	1	SP12112G	
10.	Jacket Door	1	SP20084K	
11.	Inner Door	1	SP20084H	
12.	Flue Baffle	1	SP20084G	
13.	Anode Rod	1	AP11526S	
14.	Draft Hood	1	SP20084J	
15.	Dip Tube (30" Polysulfone)	1	AP11251G	
15.	Dip Tube (36" Polysulfone)	1	AP11625Q	
16.	Dip Tube Gasket	1	AP6948-3	
17.	T&P Relief Valve	1	SP12574	

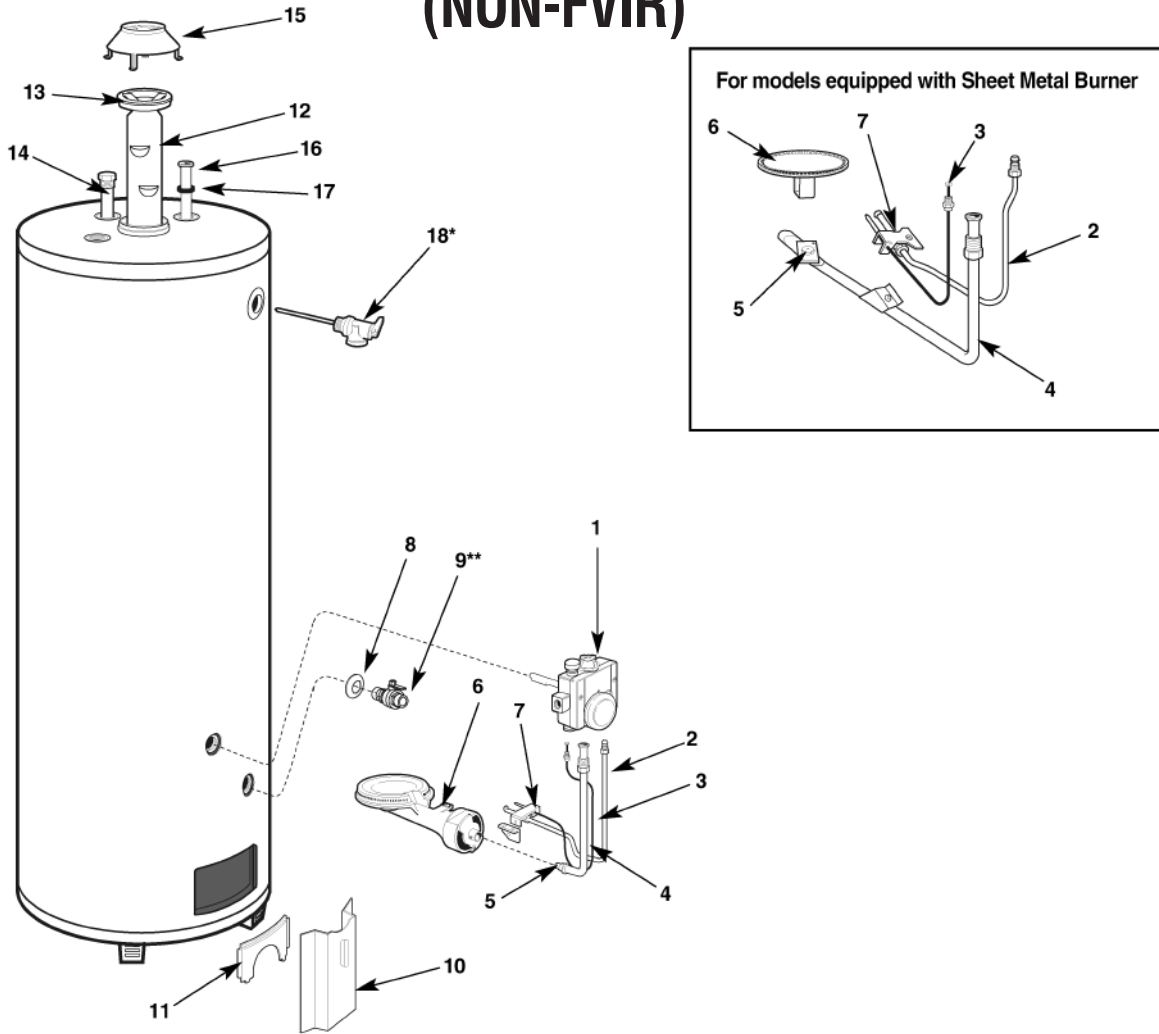


- **Adapter Kit** - (1) flat gasket, (1) round gasket, (1) element adapter SP6830 (single)

*To place your order call 1-800-621-5622; fax 1-800-535-9538*

# Residential Replacement Parts List

## 50-6, 75 & 100 GALLON MODELS: NATURAL OR LP GAS (NON-FVIR)

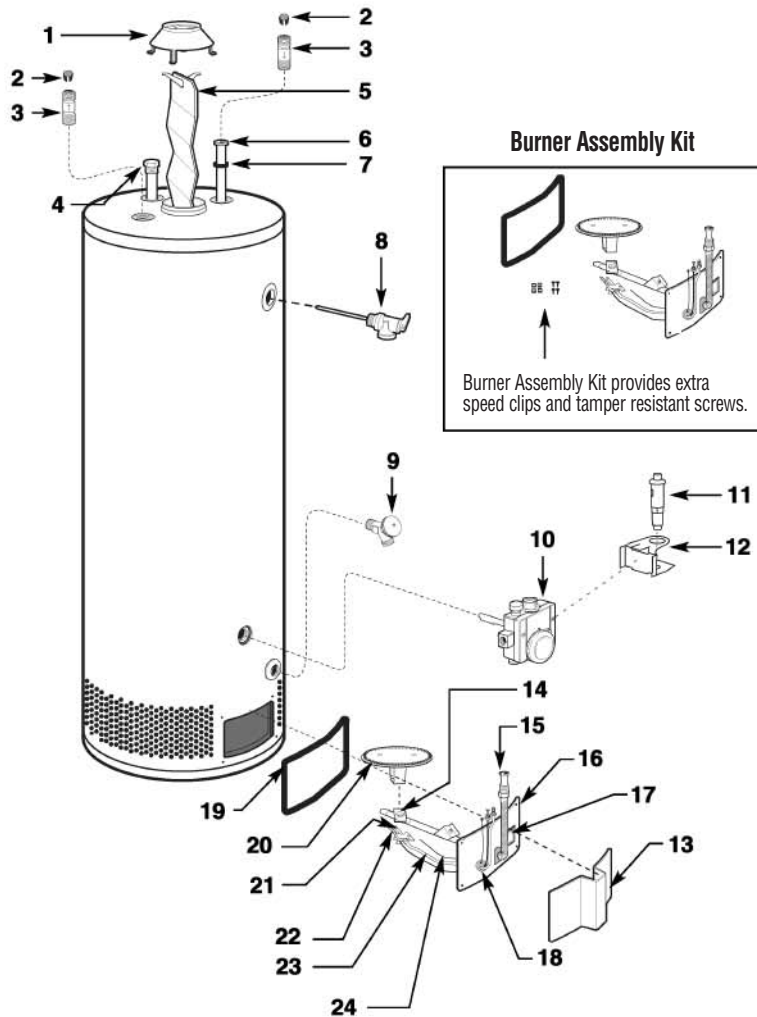


Ref. No.	Part Description	Qty. Req.	Part Number		
			50-6	75VR	100 Gal
1.	Thermostat	1	(NAT) SP10022P	(NAT) SP12491D	(NAT) SP10022F
			(LP) SP12258P	(LP) SP12258N	(LP) SP12258F
2.	Pilot Supply Tube	1	N/A	N/A	N/A
3.	Thermocouple	1	SP6379K	SP6379C	SP6379K
4.	Burner Supply Tube	1 Burner Assembly	(NAT) AM29602STT	AM39178BC	(NAT) AM29602FRR
5.	Burner Orifice		(LP) AM36419SN	(LP) AM36419RKK	(LP) AM36419FKK
6.	Burner	1	(NAT) SP8384B	(NAT) SP8980B	(NAT) SP8384B
7.	Pilot Burner		(LP) SP8384D	(LP) SP8384D	(LP) SP8384D
8.	Drain Valve Shroud	1	AP9167	AP9167	AP9167
9.	Drain Valve	1	SP12112S	SP12112S	SP12112E
10.	Jacket Door	1	AM21658C	AM21658C	AM21658C
11.	Inner Door	1	AM27902-2	AM27902-2	AM27902-2
12.	Flue Baffle	1	AM26055	AM26053	AM26054
12A.	Flue Baffle Hanger	1	N/A	N/A	N/A
13.	Flue Baffle Collar	1	AM25187	AM25187	AM25187
14.	Anode Rod	1	SP11309C	AP11525C	AP11525BD
15.	Draft Hood	1	AM25206	AM25206	AM25206
16.	Dip Tube	1	SP11269C	AP11273G	SP11269C
17.	Dip Tube Gasket	1	AP9060-1	AP9060-1	AP9060-1
18.	T&P Relief Valve	1	AP12575B-1	SP12575B	AP12576B-1

**To place your order call 1-800-621-5622; fax 1-800-535-9538**

# Residential Replacement Parts List

## 30, 40 AND 50 GALLON FVIR MODELS (Flammable Vapor Ignition Resistant System) NATURAL OR LP GAS



To place orders call  
**1-800-621-5622**

All parts orders should include:

1. The model and serial number of the water heater from the rating plate.
2. Specify type of gas (natural or LP) as marked on the rating plate.
3. Part description (as noted below) and number of parts desired.

Ref. No.	Part Description	Qty. Req.
1.	Draft Hood	1
2.	Heat Traps	1
3.	Lined Nipples	1
4.	Anode Rod	1
5.	Flue Baffle & Hanger	1
6.	Dip Tube	1
7.	Dip Tube Gasket	1
8.	T&P Relief Valve	1
9.	Drain Valve	1
10.	Gas Control (thermostat)	1
11.	Piezo Ignition Ignitor	1
12.	Mounting Bracket	1
13.	Jacket Door	1
14.	Burner Orifice	1
15.	Burner Supply Tube	
16.	Burner Access Door	
17.	Sight Glass	
18.	Burner Access Door Grommet	
19.	Burner Access Door Gasket	
20.	Burner	
21.	Pilot Burner and Piezo Electrode	
22.	Thermocouple	
23.	Pilot Supply Tube	
24.	Piezo Ignitor Wire	

Units manufactured between July, 2003 – December, 2003

Ref. No.	Part Description	Qty. Req.	Part Number			
			30 gallon models	40 gallon models	50 gallon models	
1.	Draft Hood	1	AM36352-H	AM36352-H	AM36352-H	
2.	Heat Traps	1	SP20003	N/A	N/A	
3.	Lined Nipples	1	N/A	SP11623B (VR models only)	SP11623B (VR models only)	
4.	Anode Rod	1	SP11309C	SP11309C	SP11309C	
5.	Flue Baffle & Hanger	1	Call for Application	Call for Application	Call for Application	
6.	Dip Tube	1	AP11625G-1	AP11625F-1	AP11625P	
7.	Dip Tube Gasket	1	AP6948-3	AP6948-3	AP6948-3	
8.	T&P Relief Valve	1	SP12574	SP12574	SP12574	
9.	Drain Valve	1	SP12112E	SP12112E	SP12159B	
10.	Gas Control (thermostat)	1	SP20164	SP12258B (LP)	SP12258B (LP)	
11.	Piezo Ignition Ignitor	1	AP11941	AP11941	AP11941	
12.	Mounting Bracket	1	AP12384	AP12384	AP12384	
13.	Jacket Door	1	AS39789-2C	AS39789-2C	AS39789-2C	
	Burner Kit	1	Call for Application	Call for Application	Call for Application	
	Gasket Kit	1	SP20063	SP20063	SP20063	
	Thermocouple Kit	1	SP20064	SP20064	SP20064	

To place your order call 1-800-621-5622; fax 1-800-535-9538

## Residential Replacement Parts List

# 30, 40 AND 50 GALLON FVIR MODELS (Flammable Vapor Ignition Resistant System) NATURAL OR LP GAS

**For NAECA V-PLUS units manufactured between January, 2004 and September 2007**

Ref. No.	Part Description	Qty. Req.	Part Number					
			30 gallon models		40 gallon models		50 gallon models	
1.	Draft Hood	1	AM36352-H		AM36352-H		AM36352-H	
4.	Anode Rod	1	SP11309C (6-YR) SP11526C (12-YR)		SP11309C(6-YR) SP11526C (12-YR)		SP11309C(6-YR) SP11526C (12-YR)	
5.	Flue Baffle & Hanger	1	Call for Application		Call for Application		Call for Application	
6.	Dip Tube	1	Call for Application		Call for Application		Call for Application	
7.	Dip Tube Gasket	1	AP6948-3		AP6948-3		AP6948-3	
8.	T&P Relief Valve	1	AP12575B-1		AP12575B-1		AP12575B-1	
9.	Drain Valve	1	SP12112S		SP12112S		SP12112S	
10.	Gas Control (thermostat)	1	SP20166C SP13160D (LP)		SP20166C SP13160D (LP)		SP20166C SP13160D (LP)	
13.	Jacket Door	1	AS39789-2C		AS39789-2C		AS39789-2C	
	Drain Valve Shroud	1	AP9167		AP9167		AP9167	
	Burner Kit	1	Call for Application		Call for Application		Call for Application	
	Pilot Assembly Kit	1	SP20075 (NAT) SP20076 (LP)		SP20075 (NAT) SP20076 (LP)		SP20075 (NAT) SP20076 (LP)	
	Thermocouple Kit	1	SP20064		SP20064		SP20064	

**For NAECA Non-VR units manufactured between January, 2004 and September 2007**

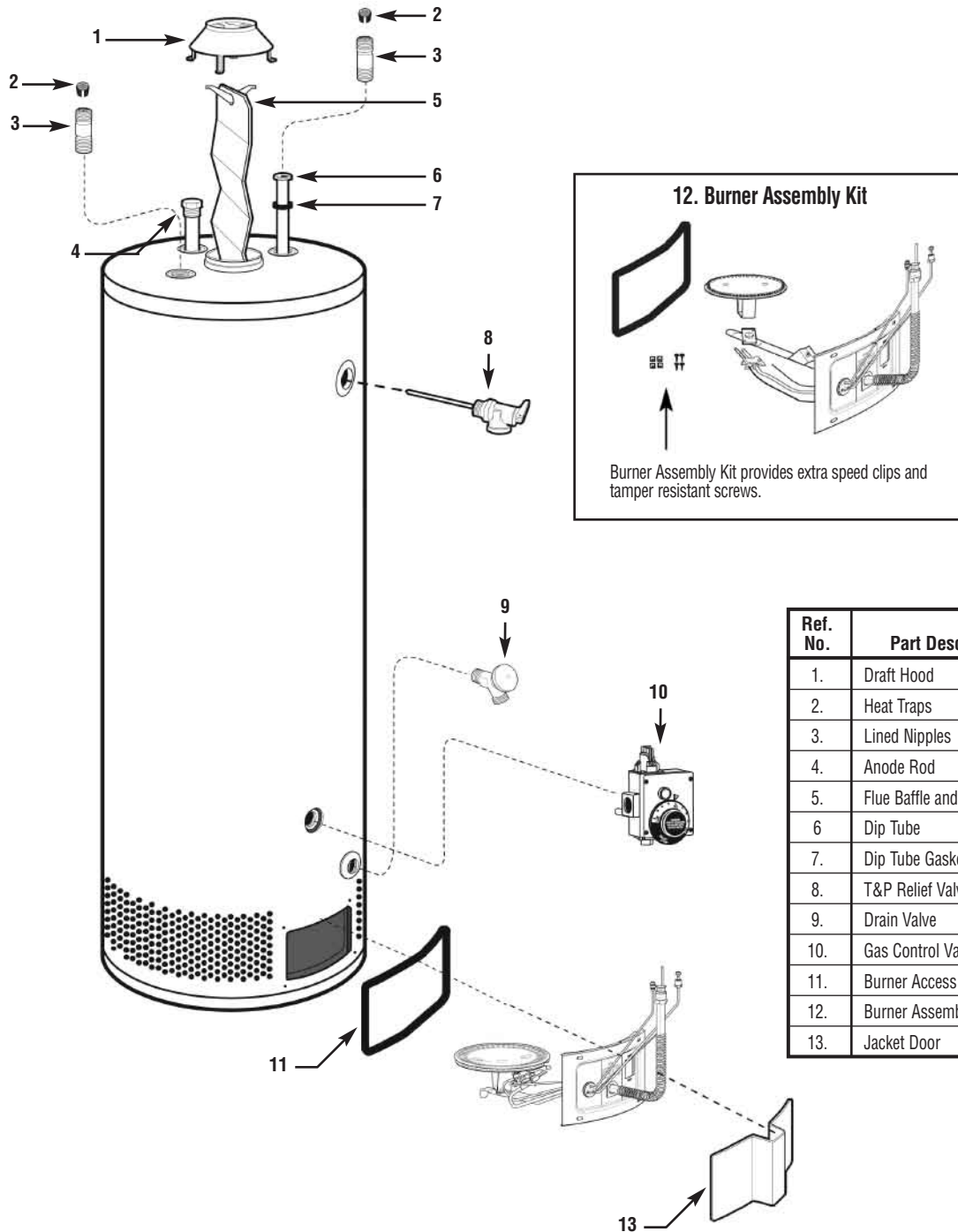
Ref. No.	Part Description	Qty. Req.	Part Number					
			30 gallon models		40 gallon models		50 gallon models	
1.	Draft Hood	1	AM36333-H		AM36352-H		AM36352-H	
4.	Anode Rod	1	SP11309C		SP11309C		SP11309C	
5.	Flue Baffle & Hanger	1	Call for Application		Call for Application		Call for Application	
6.	Dip Tube	1	Call for Application		Call for Application		Call for Application	
7.	Dip Tube Gasket	1	AP6948-3		AP6948-3		AP6948-3	
8.	T&P Relief Valve	1	SP8346		SP8346		SP8346	
9.	Drain Valve	1	SP12112G		SP12112G		SP12112G	
10.	Gas Control (thermostat)	1	SP8555R (NAT) SP13160E (LP)		SP8555R (NAT) SP13160E (LP)		SP8555R (NAT) SP13160E (LP)	
13.	Jacket Door	1	AS39789-2C		AS39789-2C		AS39789-2C	
	Drain Valve Shroud	1	AP9167		AP9167		AP9167	
	Burner Kit	1	Call for Application		Call for Application		Call for Application	
	Pilot Assembly Kit	1	SP20075 (NAT) SP20076 (LP)		SP20075 (NAT) SP20076 (LP)		SP20075 (NAT) SP20076 (LP)	
	Thermocouple Kit	1	SP20064		SP20064		SP20064	

**To place your order call 1-800-621-5622; fax 1-800-535-9538**



## Residential Replacement Parts List

# 30, 40, 50, 60 AND 75 GALLON ATMOSPHERIC FVIR MODELS NATURAL AND LP GAS FOR USE IN MODELS MANUFACTURED WITH WHITE-RODGERS CONTROLS AFTER SEPTEMBER 2007



Ref. No.	Part Description	Qty. Req.
1.	Draft Hood	1
2.	Heat Traps	2
3.	Lined Nipples	2
4.	Anode Rod	1
5.	Flue Baffle and Hanger	1
6.	Dip Tube	1
7.	Dip Tube Gasket	1
8.	T&P Relief Valve	1
9.	Drain Valve	1
10.	Gas Control Valve (thermostat)	1
11.	Burner Access Door Gasket	1
12.	Burner Assembly Kit	1
13.	Jacket Door	1

*To place your order call 1-800-621-5622; fax 1-800-535-9538*

# Residential Replacement Parts List

## 30, 40, 50, 60 AND 75 GALLON ATMOSPHERIC FVIR MODELS

### Cross Reference – Models with White-Rodgers Controls

Service Parts – White-Rodgers Controls (Sept. 2007)												
Rheem Model	Ruud Model	Gas Valve – NG	Gas Valve – LP	Pilot Assy Kit – NG	Pilot Assy Kit – LP	Thermo-couple Kit	Gasket Kit	Piezo				
<b>PROFESSIONAL SERIES WITH THE GUARDIAN SYSTEM - 30, 40, 50 and 60 Gallon Capacities</b>												
22V40 PROF	P2-40 PROF	SP14270G	N/A	SP20127	N/A	SP20129	SP20063	AP14316				
42V40 PROF	PH2-40 PROF	SP14270G	SP14269A		SP20128							
RHG PRO40-40F	RUG PRO40-40F	SP14270H	SP14269D		SP20128							
22V50 PROF	P2-50 PROF	SP14270G	N/A		N/A							
42V50-40 PROF	PH2-50-40 PROF	SP14270F	SP14269E		SP20128							
RHG PRO50-40F	RUG PRO50-40F	SP14270H	SP14269D		SP20128							
RHG PRO50-50F	RUG PRO50-50F	SP14270K	N/A		N/A							
42V40SPROF	PH2-40SPROF	SP14270G	SP14269E		SP20128							
42V50SPROF	PH2-50SPROF	SP14270F	SP14269A		SP20128							
42V50-65F	PH2-50-60F	SP1433913	SP14340C		SP20127				SP20128	SP20129	SP20063	AP14316
RHGPRO60F	RUGPRO60F	SP14270M	SP14269A		SP20128							
<b>FURY SERIES WITH THE GUARDIAN SYSTEM - 30, 40, 50 and 60 Gallon Capacities</b>												
42VR40-40F	PH2R40-40F	SP14270H	SP14269D	SP20127	SP20128	SP20129	SP20063	AP14316				
42VR50-40F	PH2R50-40F	SP14270H	SP14269D		SP20128							
22V30F	P2-30F	SP14270G	SP14269A		SP20128							
22V40-36F1	P40-36F1	SP14270G	N/A		N/A							
22V40F1	P2-40F1	SP14270G	N/A		N/A							
42V40F	PH2-40F	SP14270F	SP14269E		SP20128							
22V50F1	P2-50F1	SP14270G	N/A		N/A							
42V50-40F	PH2-50-40F	SP14270F	SP14269E		SP20128							
42V50-50F	PH2-50-50F	SP14270K	N/A		N/A							
22V30S-30F	P2-30S-30F	SP14270F	N/A		N/A							
22V40SF	P2-40SF	SP14270G	SP14269A		SP20128							
42V40SF	PH2-40SF	SP14270G	SP14269A		SP20128							
42V50SF	PH50SF	SP14270G	SP14269A		SP20128							
42V60F	PH2-60F	SP14270M	SP14269A		SP20128							
<b>PROFESSIONAL AND FURY SERIES WITH THE GUARDIAN SYSTEM - 75 Gallon Capacity</b>												
RHGPRO75F	RUGPRO75F	SP14339	SP14340		SP20127				SP20128	SP20129	SP20063	AP14316
42V75F	PH2-75F	SP14339	SP14340	SP20127	SP20128	SP20129	SP20063	AP14316				

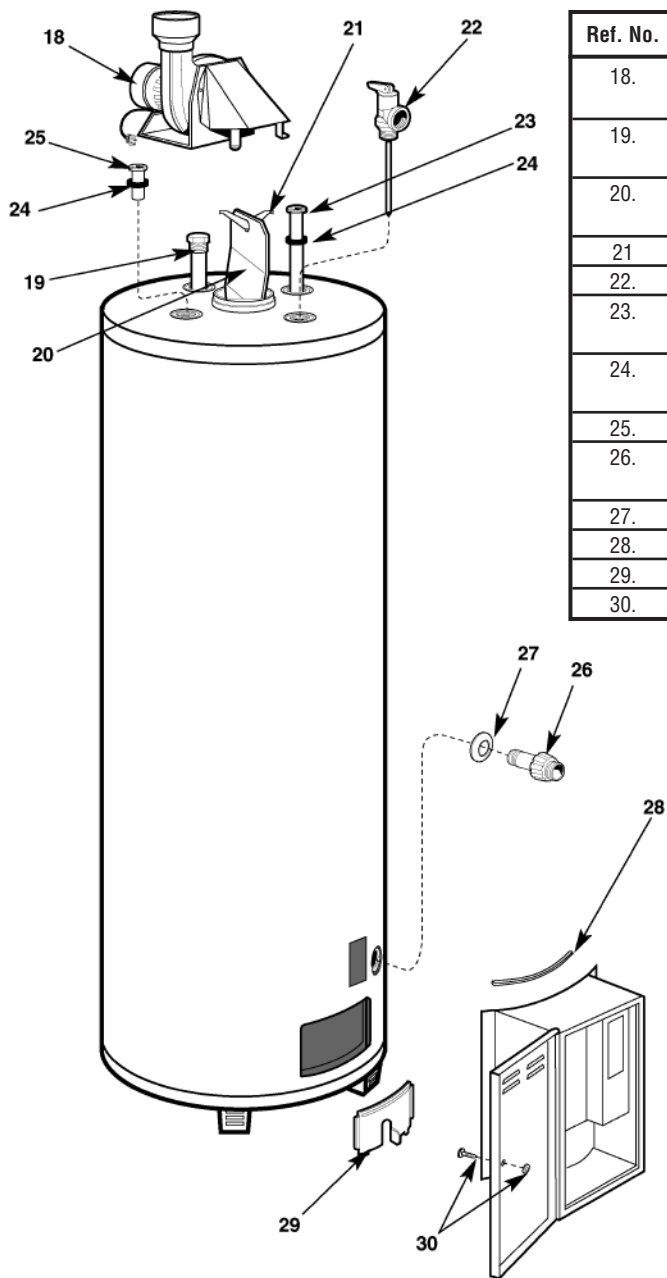
Note: This cross reference covers parts specific to models using White-Rodgers Controls only. Common service parts such as draft hoods, anode rods, flue baffles, dip tubes, T & P relief valves, jacket doors, drain valves and burner kits remain unchanged, and can be referenced on Page 48.

**To place your order call 1-800-621-5622; fax 1-800-535-9538**

# Residential Replacement Parts List

## Spark Ignition

### POWER VENTED MODELS: NATURAL OR LP GAS



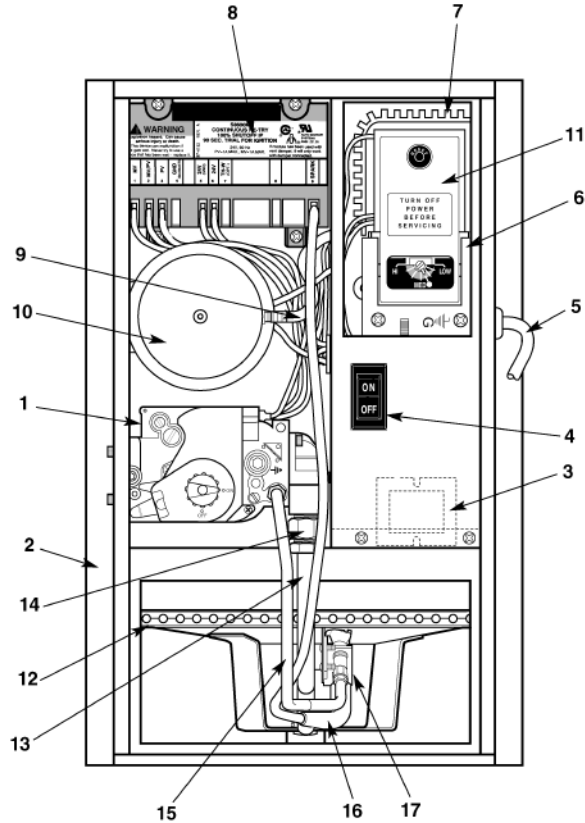
Ref. No.	Part Description	Qty. Req.	Part Number
18.	Vent Fan Assembly	1	(40/50 Gal) AP10983-4
			(75 Gal) AP11608-1
19.	Anode	1	(40/50 Gal) SP11309C
			(75 Gal) 11526C
20.	Flue Baffle Assembly	1	(40/50 Gal) AM20622C
			(75 Gal) AM38168
21	Flue Baffle Hanger	1	(All models) AM20622C
22.	T & P Relief Valve	1	(All models) SP6571B
23.	Heat Trap Dip Tube	1	(40/50 Gal) AP10768C-4
			(75 Gal) SP11269C
24.	Dip Tube Gasket	1	(40/50 Gal) AP6948-3
			(75 Gal) AP9060-1
25.	Hot Outlet Heat Trap	1	(40/50 Gal) AP8910-1
26.	Drain Valve	1	(40/50 Gal) SP12039
			(75 Gal) SP12112G
27.	Drain Valve Shroud	1	(All models) AP2480-3
28.	Enclosure Box Gasket	1	N/A
29.	Inner door	1	(All models) AM29501
30.	Captive Screw w/ Retainer	1	(All models) AP8162B-1

To place your order call 1-800-621-5622; fax 1-800-535-9538

# Residential Replacement Parts List

## Spark Ignition

### POWER VENTED MODELS: NATURAL OR LP GAS

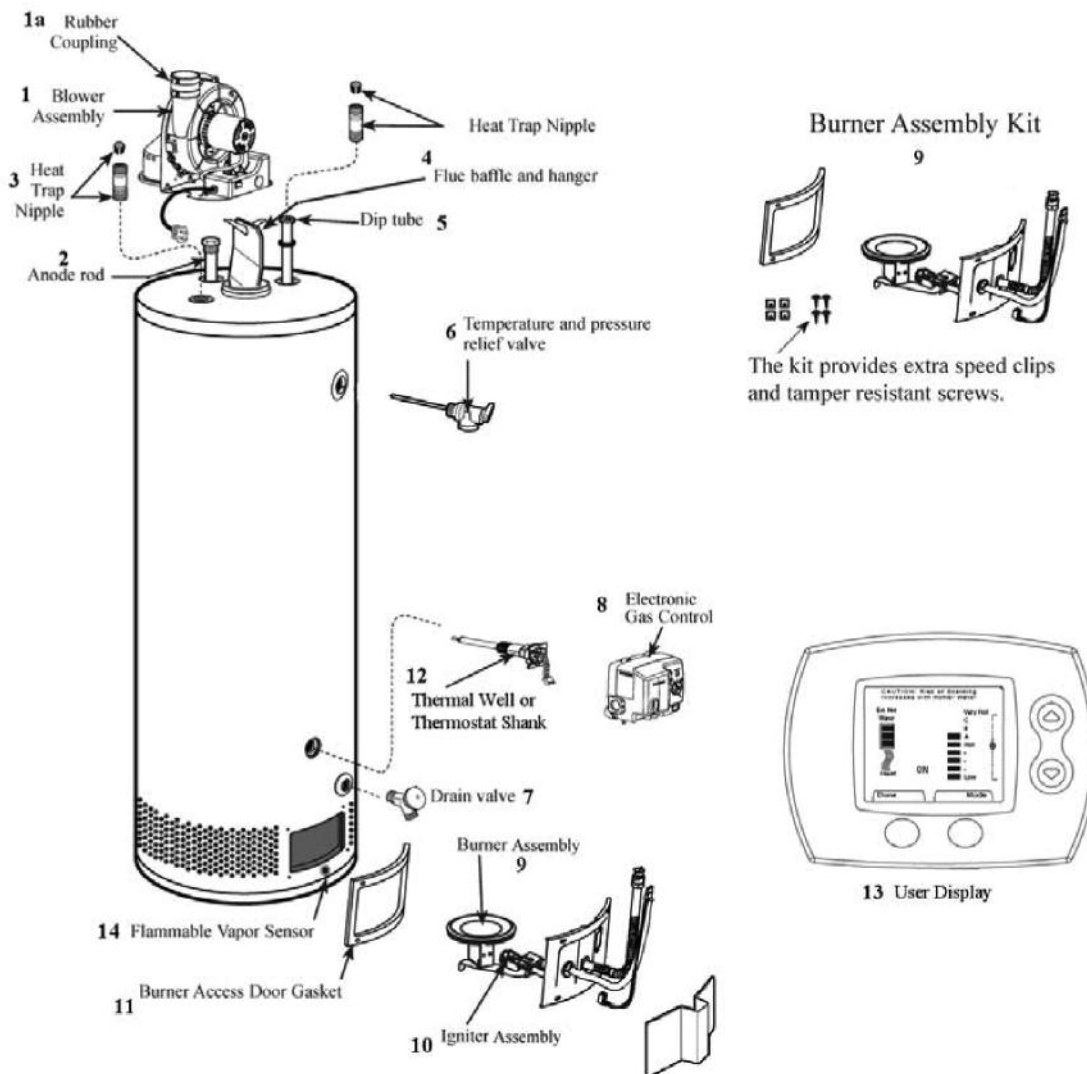


Ref. No.	Part Description	Qty. Req.	Part Number
1.	Gas Control Valve	1	(NAT) SP11652B (LP) SP11652C
2.	Assembly, Control Enclosure	1	N/A
3.	Transformer	1	SP11787
4.	On/Off Switch	1	SP10778
5.	Assembly, Power Cord	1	AM36917
6.	Thermostat Bracket	1	AM37830
7.	Composite Edge Grommet	1	AP10780-1
8.	Ignition Control	1	SP10763C
9.	Vinyl Vacuum Tubing	1	AP10723-2
10.	Vacuum Switch	1	SP11875
11.	Thermostat	1	SP12390
12.	Burner	1	(40 Gal NAT) AM38380C (40 Gal LP) AM38379C (50 Gal NAT) AM38380B (50 Gal LP) AM38379B (75 Gal NAT) AM38140 (75 Gal LP) AM38142
13.	Burner Supply Tube	1	N/A
14.	Inverted Flare Nut	1	AP10691-2
15.	Pilot Supply Tube	1	N/A
16.	Ignitor Cable	1	SP8828D
17.	Pilot / Electrode Assembly	1	(before September 1998: NAT) SP10764B (before September 1998: LP) SP10764C (after September 1998: 40/50 Gal NAT) SP12049B (after September 1998: 40/50 Gal LP) SP12049C (after September 1998: 75 Gal NAT) SP12049D (after September 1998: 75 Gal LP) SP12049E

To place your order call 1-800-621-5622; fax 1-800-535-9538

# Residential Replacement Parts List

## POWER VENT WITH ELECTRONIC CONTROL (FVIR COMPLIANT)



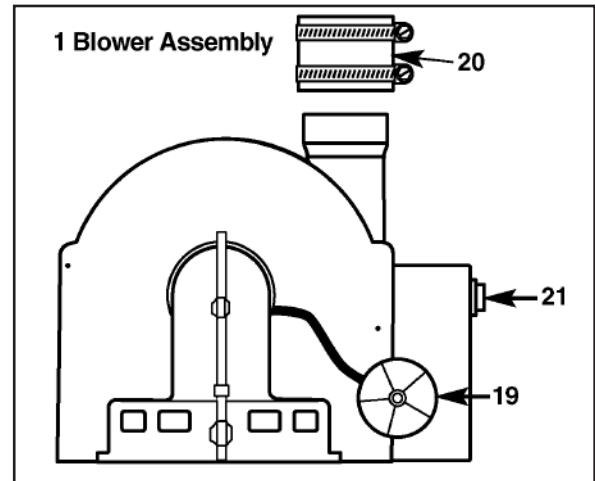
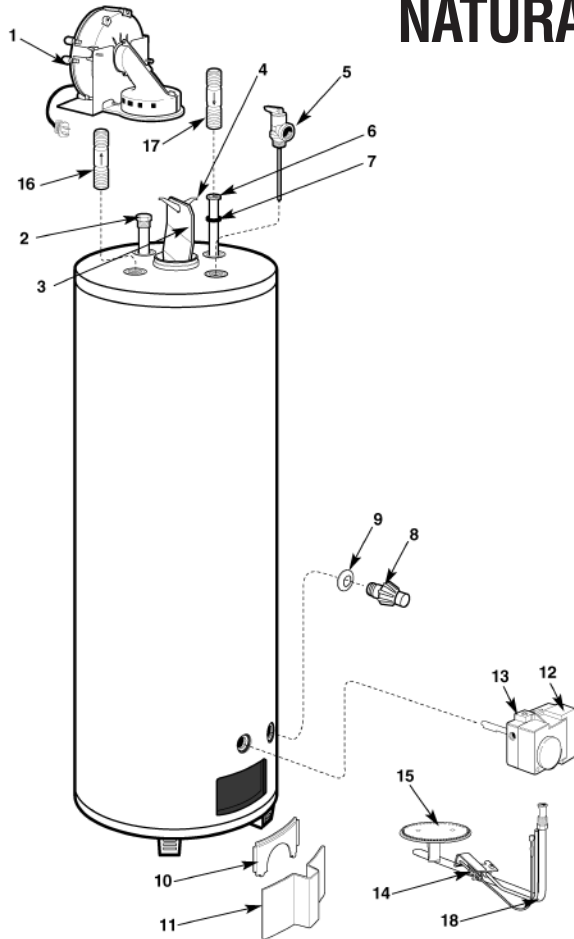
Ref. No.	Part Description	Part Number	Qty. Req.
1.	Blower Assembly w/ Press Switch 40 & 50 Gal. Tall	AP13416	1
	Blower Assembly w/ Press Switch 40 & 50 Gal. Short	AP13605	1
	Pressure Switch	AP13910	1
1a.	Coupling	SP12638	1
2	Anode Rod	--	--
	40 & 50 Gallon Tall	SP11309C	1
	40 & 50 Gallon Short	SP11309Y	1
3.	Heat Trap Nipples	SP20003	2
4.	Flue Baffle with Hanger	Call for App	1
5.	Dip Tube with Gasket	--	--
	40 Gallon Tall	AP11625G	1
	50 Gallon Tall	AP11625R	1
	40 & 50 Gallon Short	AP11625S	1
6.	T&P Relief Valve	SP8346	1
7.	Drain Valve	SP12112G	1

Ref. No.	Part Description	Part Number	Qty. Req.
8.	Electronic Gas Control	--	--
	Honeywell Natural	AP14671	1
	Honeywell LP	AP14672	1
9.	Burner Assembly	--	--
	40 & 50 Gallon Natural	Call for App	1
	40 & 50 Gallon LP	Call for App	1
10.	Spark Igniter Assy Kit	--	--
	Spark Igniter Assy Kit 17" Natural	SP14698D	1
	Spark Igniter Assy Kit 17" LP	SP14700D	1
11	Inner Door Gasket Kit	SP20063	1
12.	Thermostat Shank 1.926	AP14696A	
	Thermostat Shank 2.870	AP14696B	
13.	Display, Electronic Control	AP14697	1
14.	Flammable Vapor Sensor	AP13447-3	1
--	PCB Enclosure (power supply for display)	AP14875	1

To place your order call 1-800-621-5622; fax 1-800-535-9538

## Residential Replacement Parts List

# POWER VENTED - 2 IN. VENT: 40 AND 50 GALLON MODELS NATURAL OR LP GAS

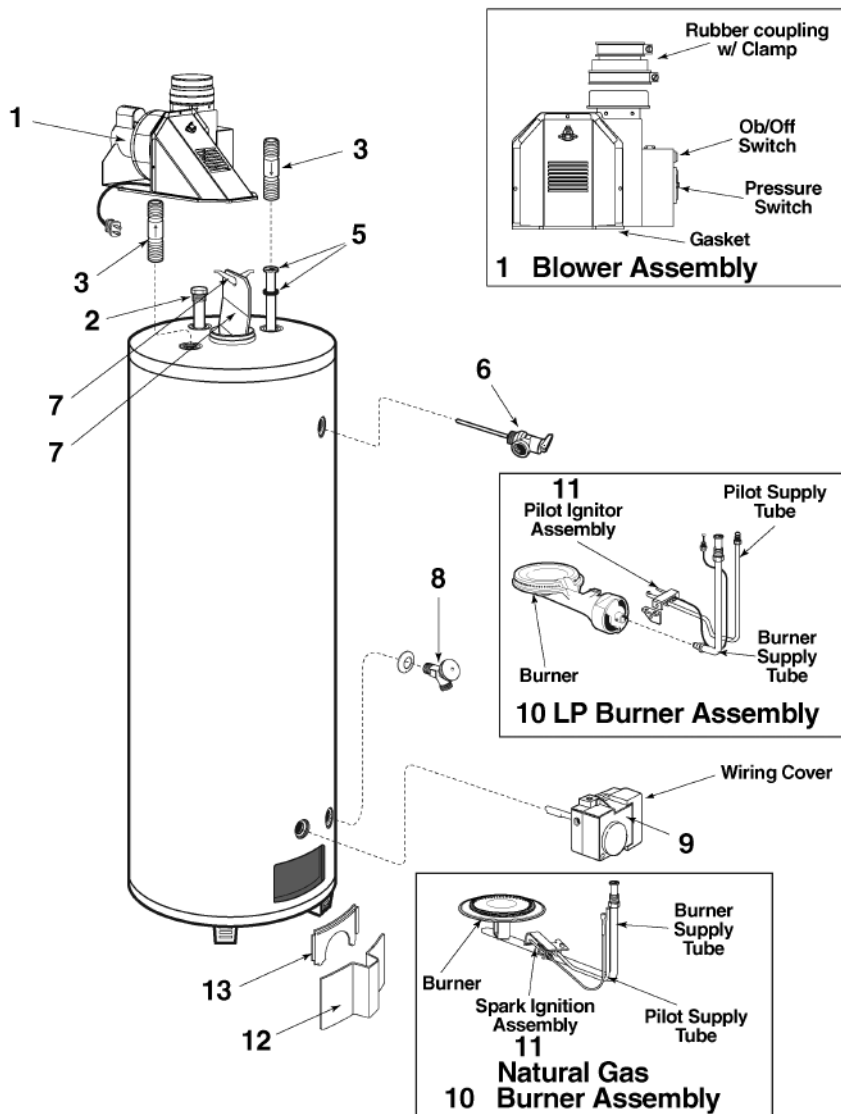


Ref. No.	Part Description	Qty. Req.	Part Number
1.	Blower Assembly	1	SP12562
2.	Anode Rod	1	SP11309C
3.	Flue Baffle Assembly	1	AM39341
4.	Flue Baffle Hanger	1	N/A
5.	T & P Relief Valve	1	SP8346
6.	Dip Tube	1	SP11251R
7.	Dip Tube Gasket	1	AP6948-1
8.	Drain Valve	1	SP12112S
9.	Drain Valve Shroud	1	AP9167
10.	Inner Door	1	AM29501
11.	Outer Door	1	AM29254-4C
12.	Protective Cover	1	AP12558
13.	Thermostat	1	(NAT) SP20161A (LP) SP20162A
14.	Spark Ignitor Assembly	1	(NAT) SP12560B (LP) SP12560C
15.	Main Burner Assembly	1	(40 Gal NAT Low NOx) AM39503RY (40 Gal LP) AM39504RM (50 Gal NAT Low NOx) AM39503SY (50 Gal LP) AM39504SM
16.	Heat Trap Hot	1	SP20003 Kit
17.	Heat Trap Cold	1	SP20003 Kit
18.	Burner Supply Tube	1	N/A
19.	Pressure Switch	1	SP12766
20.	Rubber Coupling	1	SP12658
21.	On/Off Switch	1	AP12767

**To place your order call 1-800-621-5622; fax 1-800-535-9538**

# Residential Replacement Parts List

## 75 GALLON POWERVENT NATURAL OR LP GAS

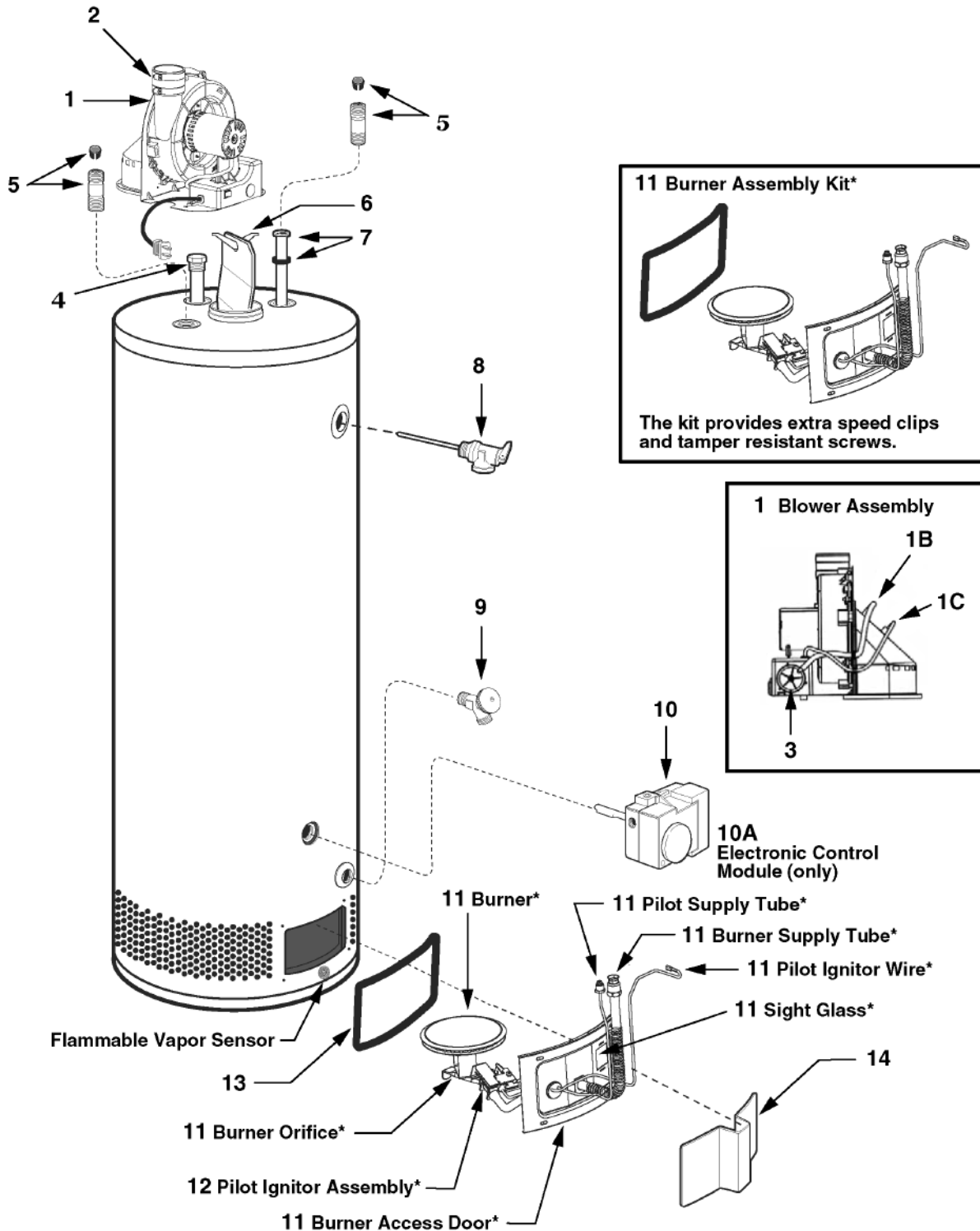


Ref. No.	Part Description	Qty. Req.	Part Number
1.	Blower Assembly	1	AP13211
2.	Anode Rod	1	AP11525C
3.	Heat Trap Nipple (Hot)	1	AP13163-1
3.	Heat Trap Nipple (Cold)	1	AP13164-1
5.	Dip Tube with Gasket	1	AP13226A
6.	T & P Relief Valve	1	SP12575B
7.	Flue Baffle with Hanger	1	(NAT) AM40182 (LP) AM40427
8.	Drain Valve	1	SP12112S
9.	Gas Control (Thermostat)	1	(NAT) SP20161A (LP) SP20162A
10.	Burner Assembly	1	(NAT) AM40195BA (LP) AM40448
11.	Pilot Ignitor Assembly	1	(NAT) SP12560B (LP) SP12049E
12.	Jacket Door	1	AM21658-2C
13.	Inner Door	1	AM27902-2

To place your order call 1-800-621-5622; fax 1-800-535-9538

# Residential Replacement Parts List

## POWERVENT (FVIR COMPLIANT) MANUFACTURED BETWEEN JULY 2006 AND OCTOBER 2007 40 AND 50 GALLON MODELS: NATURAL OR LP GAS WITH INVENSYS (ROBERTSHAW) CONTROLS



To place your order call 1-800-621-5622; fax 1-800-535-9538



## Residential Replacement Parts List

# POWERVENT (FVIR COMPLIANT) MANUFACTURED BETWEEN JULY 2006 AND OCTOBER 2007 40 AND 50 GALLON MODELS: NATURAL OR LP GAS WITH INVENSYS (ROBERTSHAW) CONTROLS

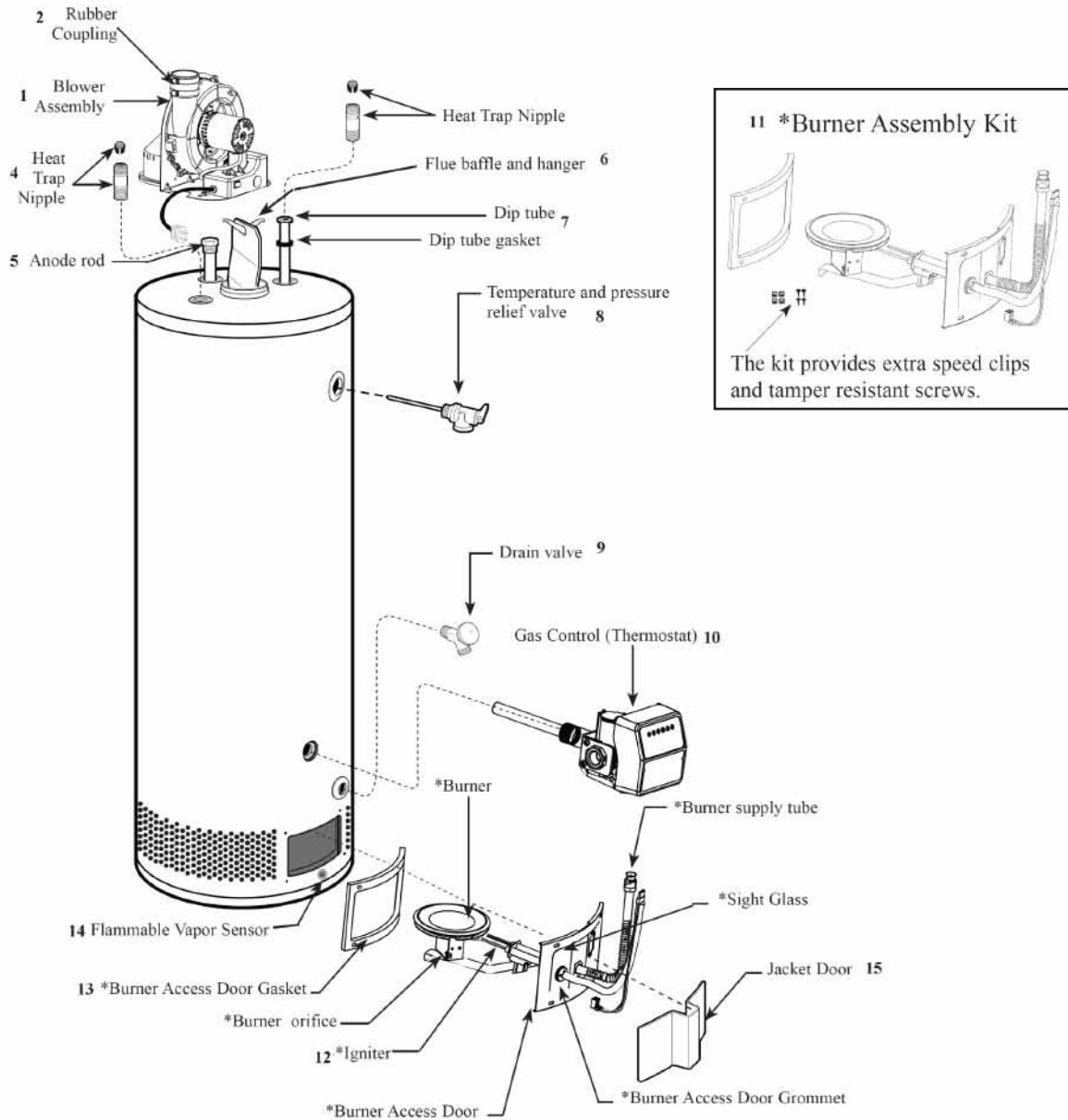
Ref. No.	Part Number	Description.	Model(s)
1	SP13416	Blower - High Performance	42VP40F, 42VP50F, 42VP40PF, 42VP50PF
1	SP13605	Blower - Low Noise	42VP40SF, 42VP50SF, 42VP40SPF, 42VP50SPF
3	SP20116	Vacuum Switch - HP Blower Assy	42VP40F, 42VP40PF, 42VP50F, 42VP50PF
3	SP20117	Vacuum Switch - Low Noise Blower Assy	42VP40SF, 42VP40SPF, 42VP50SF, 42VP50SPF
4	SP11903C	Anode Rod	All
5	SP20003	Heat Trap Nipples	All
7	SP11625R	Dip Tube - 34.5" Helix	42VP50F, 42VP50PF
7	SP11625G	Dip Tube - 32" Helix	42VP40F, 42VP40PF
7	SP11625S	Dip Tube - 30" Helix	42VP40SF, 42VP40SPF, 42VP50SF, 42VP50SPF
9	SP12112G	Drain Valve	All
10	SP20170A	FV Wiper Control - NG (2.375" Shank, 160°F)	42VP40F
10	SP20170B	FV Wiper Control - NG (2.375" Shank, 160°F)	42VP50F
10	SP13458D*	FV Wiper Control - NG (1.5" Shank, 160°F)	42VP40SF, 42VP50SF
10	SP20171A	FV Wiper Control (2.375" Shank, 160°F)	42VP40PF
10	SP20171B	FV Wiper Control (2.375" Shank, 160°F)	42VP50PF
10	SP20171C	FV Wiper Control (1.5" Shank, 160°F)	42VP40SPF
10	SP20171D	FV Wiper Control (1.5" Shank, 160°F)	42VP50SPF
12	SP13418	Pilot Assy - NG	42VP40F
12	SP13419	Pilot Assy - LP	42VP40PF
12	SP13420	Pilot Assy - NG	42VP40SF
12	SP13421	Pilot Assy - LP	42VP40SPF
12	SP13422	Pilot Assy - NG	42VP50F
12	SP13423	Pilot Assy - LP	42VP50PF
12	SP13424	Pilot Assy - NG	42VP50SF
12	SP13425	Pilot Assy - LP	42VP50SPF
13	SP20063	Inner Door Gasket Kit	All
10A	SP20123B	Control - FV Wiper Electronics	All
1b	SP20120	Hose - Pressure Switch	All
Not Shown	SP20122	Blower - Gasket	All
Not Shown	SP13447B	FV Sensor/FV Wiper Replacement Kit	All

SP13458D will switch to SP20170C and SP20170D when supplies of SP13458D run out.

**To place your order call 1-800-621-5622; fax 1-800-535-9538**

# Residential Replacement Parts List

## POWERVENT (FVIR COMPLIANT) MANUFACTURED AFTER OCTOBER 2007 40, 50, 60 AND 75 GALLON MODELS: NATURAL OR LP GAS WITH WHITE-RODGERS INTELLI-VENT CONTROLS

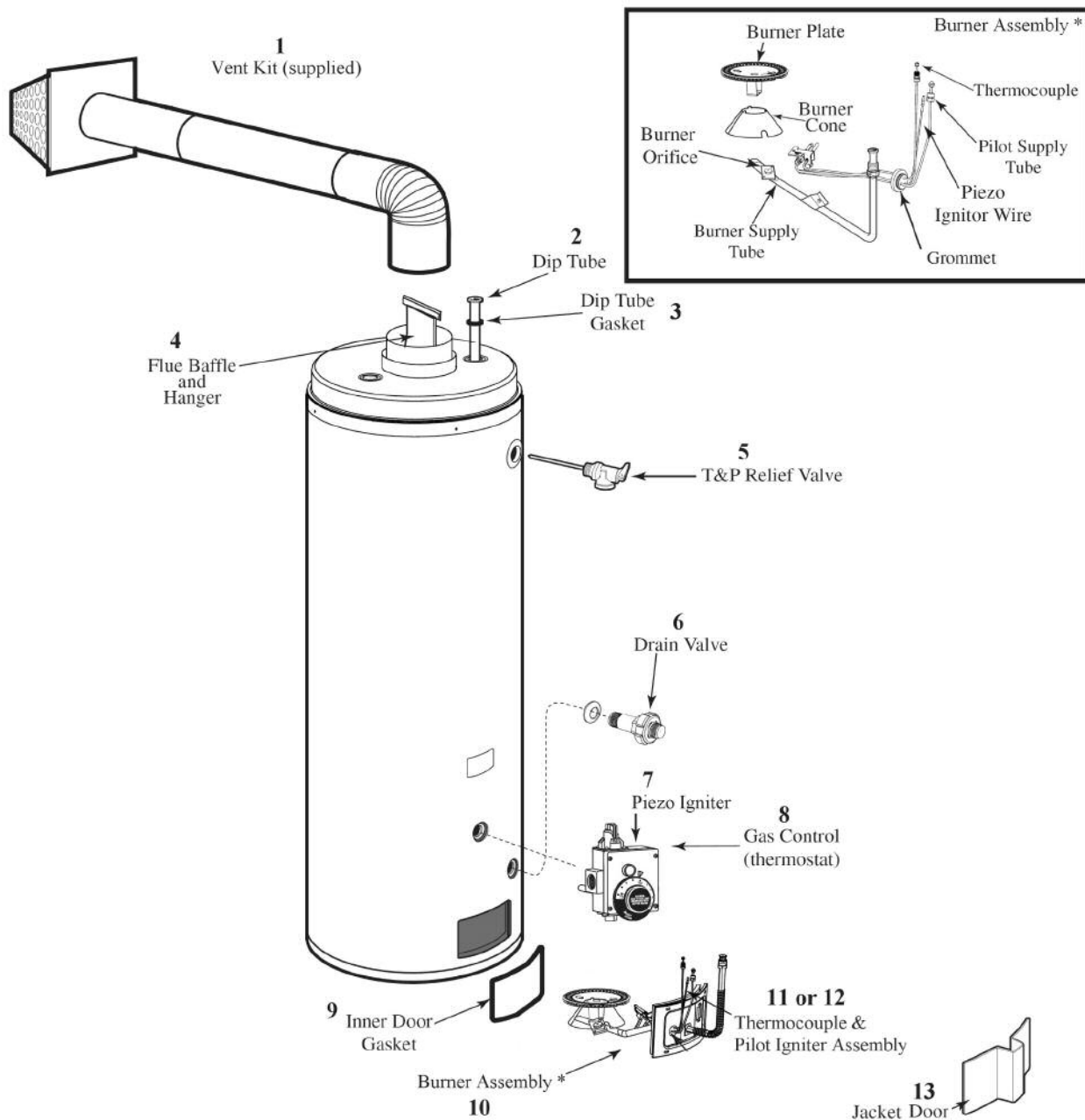


Rheem Model	Ruud Model	Gas Valve – Natural Gas	Gas Valve – LP Gas	Hot Surface Ignitor Kit	Blower Assembly	Gasket Kit	Relief Valve
<b>RHEEM AND RUUD MODELS WITH WHITE-RODGERS GAS CONTROL VALVES</b>							
42VP40FW	PVP40FW	SP13845A	SP13846A	SP14218B	SP13416	SP20063	SP8346
42VP50FW	PVP50FW	SP13845A	SP13846A	SP14218B	SP13416	SP20063	SP8346
42VP40SFW	PVP40SFW	SP13845B	SP13846B	SP14218B	SP13605	SP20063	SP12574
42VP50SFW	PVP50SFW	SP13845B	SP13846B	SP14218B	SP13605	SP20063	SP12574
42VP60FW	PVP60FW	SP13845B	SP13846B	SP14218B	SP14140	SP20063	SP12574
42VP75FW	PVP75FW	SP13845A	SP13846A	SP14218B	AP14378	SP20063	SP12575

To place your order call 1-800-621-5622; fax 1-800-535-9538

## Residential Replacement Parts List

# DIRECT VENT (FVIR) MODELS: NATURAL AND LP GAS MANUFACTURED AFTER OCTOBER 2007



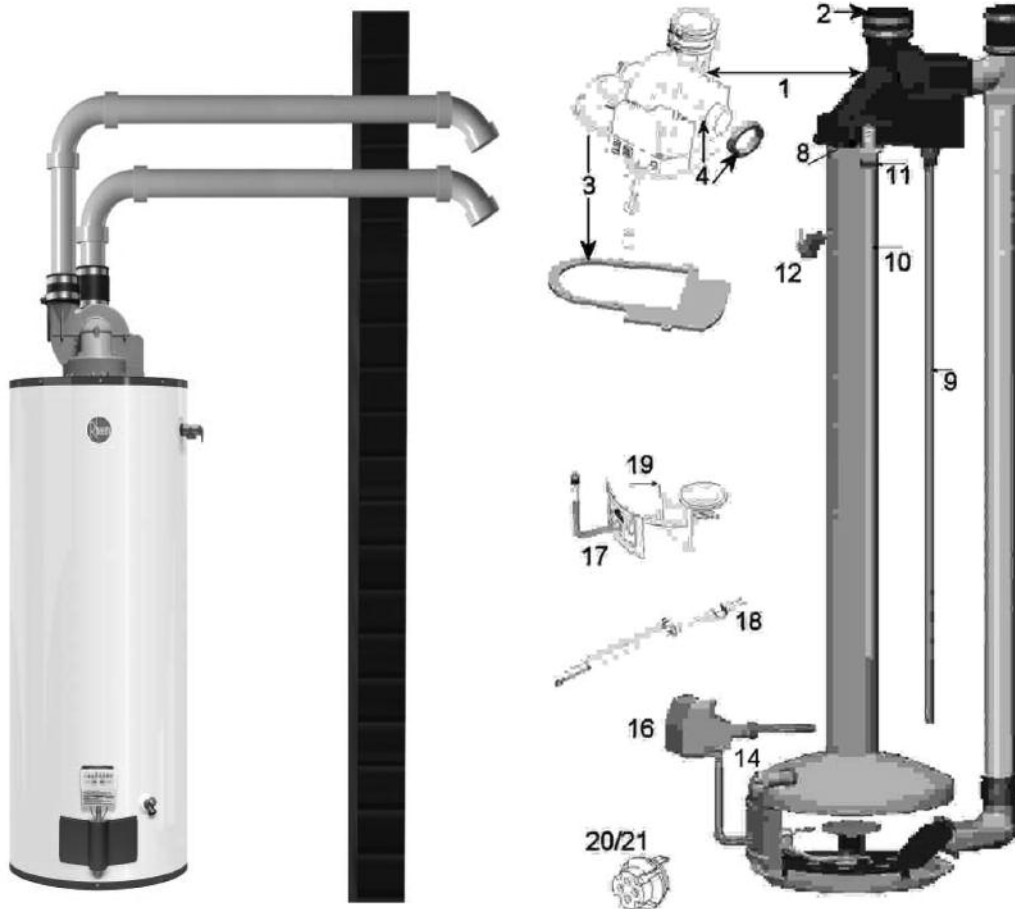
## Direct Vent with the Guardian System™ Parts Cross Reference Chart

Rheem Model	Ruud Model	Gas Valve – NG	Gas Valve – LP	Pilot Assy. Replacement Kit – NG	Pilot Assy. Replacement Kit – LP	Thermocouple Replacement Kit	Gasket Kit	Relief Valve
<b>RHEEM FURY SERIES / RUUD PACEMAKER SERIES</b>								
22DV40F	PH2DV40F	SP14270K	SP14269E	SP20159	SP20160	SP20129	SP20063	SP12576C
22DV50F	PH2DV50F	SP14270K	SP14269E	SP20159	SP20160	SP20129	SP20063	SP12576C

*To place your order call 1-800-621-5622; fax 1-800-535-9538*

## Residential Replacement Parts List

# POWER DIRECT VENT WITH WHITE RODGERS CONTROL 40 & 50 GALLON MODELS – NATURAL OR LP



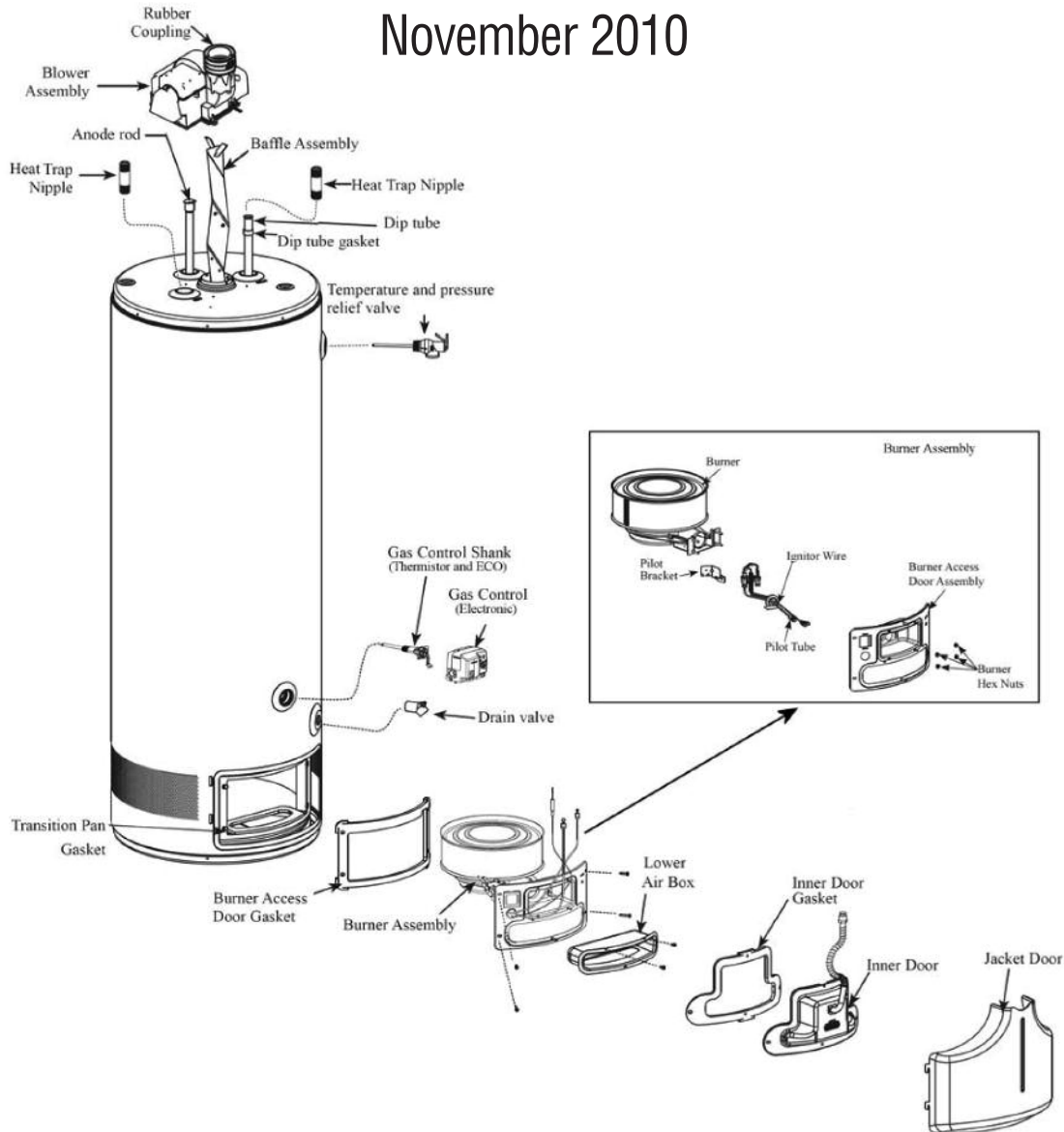
Ref. No.	Part Description	Qty. Req.	Part Number	Rheem Model(s)
1.	Blower Assembly Kit	1	SP20250A	PDV40, PDV40P
	Blower Assembly Kit	1	SP20250B	PDV50, PDF50P
	Blower Assembly Kit	1	SP20251A	PDV50-65, PDV50P-65
2.	Rubber Coupling Blower Motor to Exhaust Vent	1	SP20252	PDV40, PDV40P, PDV50, PDV50P, PDV50-65, PDV50P-65
3.	Blower Assembly Gasket (to top pan of heater)	1	SP20256	PDV40, PDV40P, PDV50, PDV50P, PDV50-65, PDV50P-65
4.	Blower Motor Seal to Inlet Vent	1	AP15000	PDV40, PDV40P, PDV50, PDV50P, PDV50-65, PDV50P-65
8.	Heat Trap Nipple	2	AP12992D	PDV40, PDV40P, PDV50, PDV50P, PDV50-65, PDV50P-65
9.	Anode Rod	1	AP11309C	PDV40, PDV40P, PDV50, PDV50P, PDV50-65, PDV50P-65
10.	Dip Tube – 38.5" Helix	1	AP11625H	PDV40
	Dip Tube – 41" Helix	1	AP11625T	PDV40P
	Dip Tube – 40" Helix	1	AP11625U	PDV50
	Dip Tube – 37" Helix	1	AP11625V	PDV50P, PDV50-65, PDV50P-65
11.	Dip Tube Gasket	1	AP6948	PDV40, PDV40P, PDV50, PDV50P, PDV50-65, PDV50P-65
12.	Temperature & Pressure Relief Valve	1	SP12575B	PDV40, PDV40P, PDV50, PDV50P, PDV50-65, PDV50P-65
14.	Drain Valve	1	SP12112S	PDV40, PDV40P, PDV50, PDV50P, PDV50-65, PDV50P-65
16.	White-Rodger's, Intelli-vent Combination Gas Control LP	1	SP14904A	PDV40, PDV50, PDV50P-65
16.	White-Rodger's, Intelli-vent Combination Gas Control LP	1	SP14905A	PDV40P, PDV50P, PDV50P-65
17.	Burner Assembly (Nat or LP)	1	Call for App	PDV40, PDV40P, PDV50, PDV50P, PDV50-65, PDV50P-65
18.	Hot Surface Igniter	1	SP14218A	PDV40, PDV40P
18.	Hot Surface Igniter	1	SP14218B	PDV50, PDV50P, PDV50-65, PDV50P-65
19.	Burner Access Door Gasket Kit	1	SP20063	PDV40, PDV40P, PDV50, PDV50P, PDV50-65, PDV50P-65
20/21	Flammable Vapor Sensor	1	SP20172	PDV40, PDV40P, PDV50, PDV50P, PDV50-65, PDV50P-65

**To place your order call 1-800-621-5622; fax 1-800-535-9538**

# Residential Replacement Parts List

## ULTRA LOW NOx ES II PowerVent

November 2010



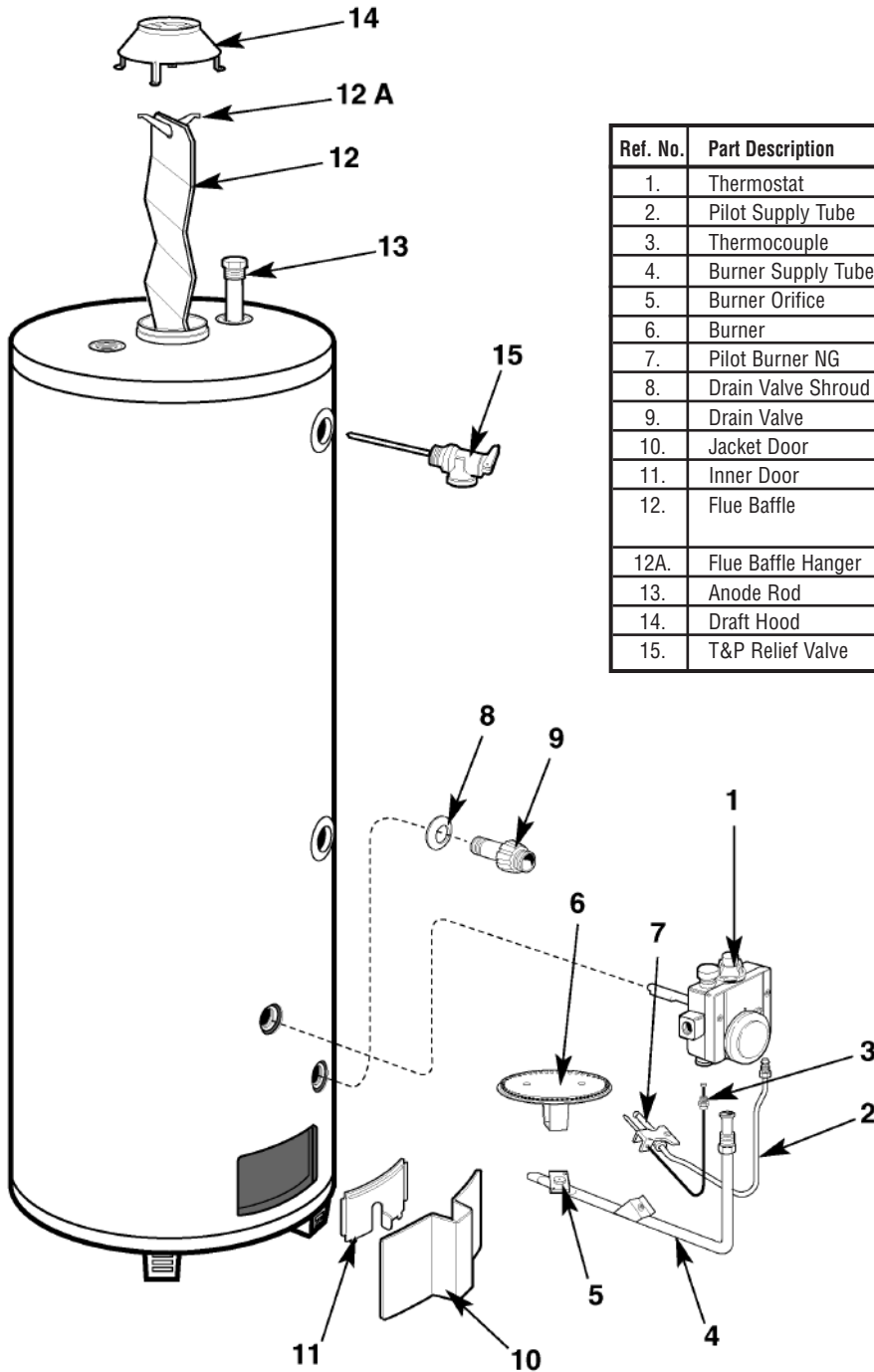
Ref. No.	Part Description	Part No.	Qty.
1.	Blower Assembly - 40 Gal	AP15342	1
	Blower Assembly - 50 Gal	AP15210	1
2.	Pressure Switch - 40 Gal	AP15981	1
	Pressure Switch - 50 Gal	AP15980	1
3.	Rubber Coupling 3 inch	SP20252	1
4.	Baffle Assembly	AS42697	1
5.	Heat Trap Nipples	AP12992C	2
6.	Anode Road	SP11309C	1
7.	Dip Tube	AP11625H	1
8.	Dip Tube Gasket	AP14457	1
9.	T&P Relief Valve	SP12575C	1
10.	Gas Control (Honeywell Electronic) Natural	AP15211	1
11.	Gas Control Shank (Thermistor and ECO)	AP15324	1
12.	Drain Valve	SP12112S	1
13.	Flammable Vapor Sensor Kit w/wiring harness	SP13447-3	1
14.	Jacket Door	AP15321	1

Ref. No.	Part Description	Part No.	Qty.
15.	Burner Assembly w/gasket Kit		-
	40 Gal	SP20283	
	50 Gal	SP20284	
16.	Pilot Igniter w/gaskets Kit		-
	40 Gal	SP20281	1
	50 Gal	SP20282	1
17.	Burner Gasket Kit (all gaskets) 40 gallon	SP20136	1
	Burner Gasket Kit (all gaskets) 50 gallon	SP20137	1
	Transition Pan Gasket (1)		
	Burner Access Door Gasket (1)		
	Inner Door Gasket (1)		
	Inner Door Torx 20 Screws (4)		
	Lower Air Box Mounting Screws (Phillips) (2)		
	Burner Hex Nuts 5/16" (4)		
Not Shown	Restrictor, minimum vent 2 inch	AP15532C	1
Not Shown	Restrictor, minimum vent 3 inch	P15532D	1

To place your order call 1-800-621-5622; fax 1-800-535-9538

## Residential Replacement Parts List

# 30 & 40 GALLON MODELS FOR MANUFACTURED HOUSING, WITH CONVERTIBLE GAS CONTROL FOR NATURAL OR LP GAS

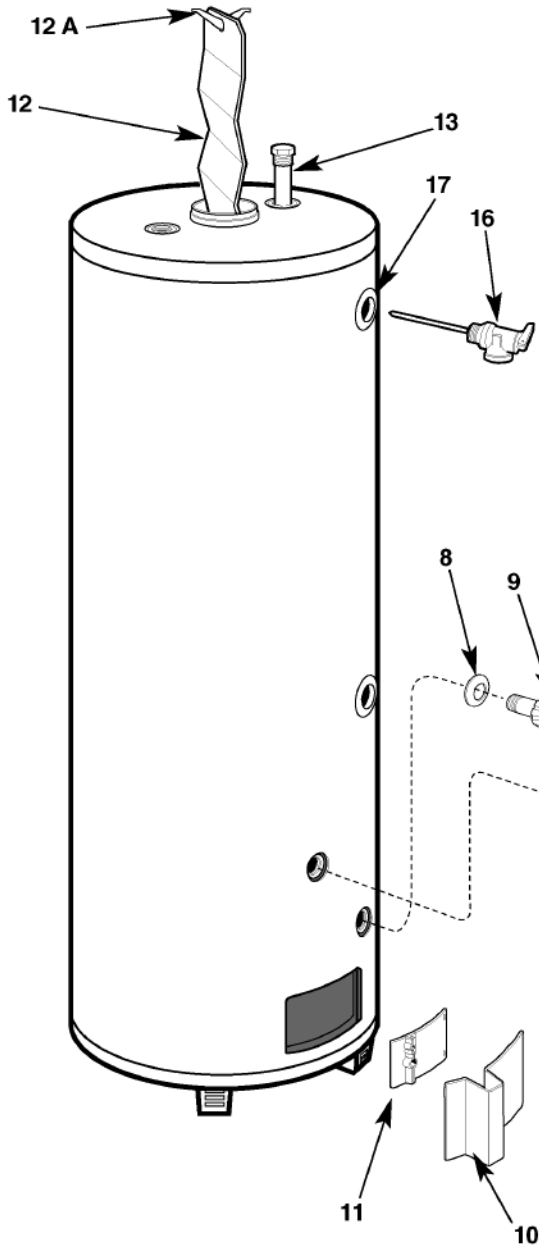


Ref. No.	Part Description	Qty. Req.	Part No.	
1.	Thermostat	1	SP9051B	
2.	Pilot Supply Tube	1	N/A	
3.	Thermocouple	1	SP6379E	
4.	Burner Supply Tube	1 NG Burner Assembly	(30 Gal) AM35050CT	
5.	Burner Orifice		(40 Gal) AM35050DT	
6.	Burner			
7.	Pilot Burner NG	1	SP8980B	
8.	Drain Valve Shroud	1	AP9167	
9.	Drain Valve	1	AP12039	
10.	Jacket Door	1	AM29254-4C	
11.	Inner Door	1	AM29501	
12.	Flue Baffle	1	(30 Gal) AM25812	
			(40 Gal) AM29068	
12A.	Flue Baffle Hanger	1	AM20622C	
13.	Anode Rod	1	SP11309C	
14.	Draft Hood	1	AM36352H	
15.	T&P Relief Valve	1	SP12574	

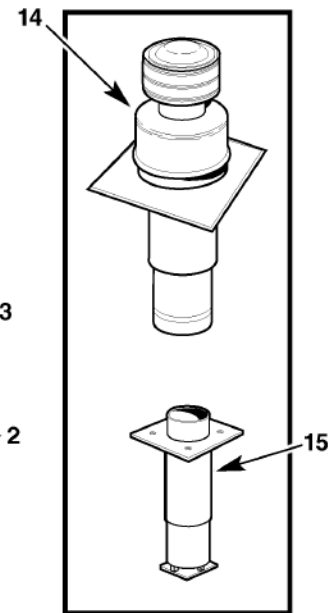
*To place your order call 1-800-621-5622; fax 1-800-535-9538*

## Residential Replacement Parts List

# 30, 40 & 50 GALLON DIRECT VENT MODELS FOR MANUFACTURED HOUSING, WITH CONVERTIBLE GAS CONTROL FOR NATURAL OR LP GAS



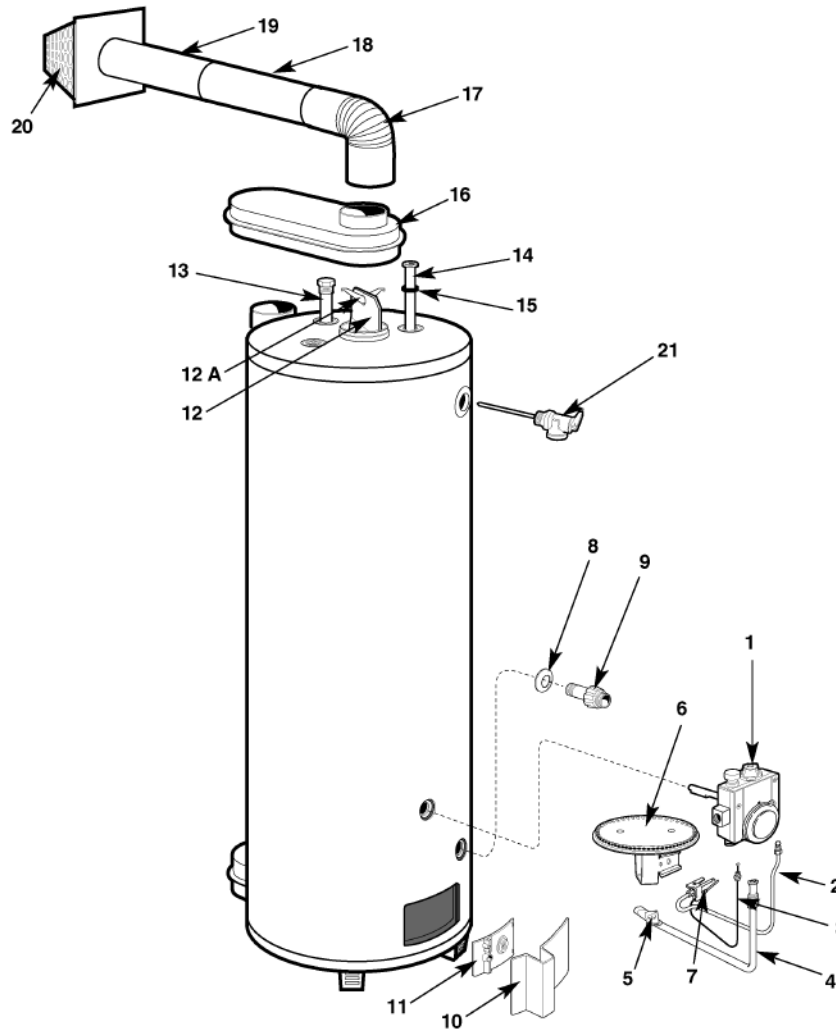
Ref. No.	Part Description	Qty. Req.	Part Number	
1.	Thermostat	1	SP9051B	
2.	Pilot Supply Tube	1	N/A	
3.	Thermocouple	1	SP6379R	
4.	Burner Supply Tube	1 NG Burner Assembly	(30 Gal) AM28804BHH	
5.	Burner Orifice		(40 Gal) AM38804CHH	
6.	Burner		(50 Gal) AM38804DNN	
7.	Pilot Burner NG	1	SP8384E	
8.	Drain Valve Shroud	1	AP9167	
9.	Drain Valve	1	SP12039	
10.	Jacket Door	1	AM35622	
11.	Inner Door	1	AM38692	
12.	Flue Baffle	1	AM29201	
12A.	Flue Baffle Hanger	1	AM20622C	
13.	Anode Rod	1	SP11309C	
14.	Roof Jack Assembly	1	As Required	
15.	Air Inlet Assembly	1	AP12019B	
16.	T&P Relief Valve	1	SP12574	
17.	Shroud, Relief Valve	1	AP9167	



*To place your order call 1-800-621-5622; fax 1-800-535-9538*

# Residential Replacement Parts List

## DIRECT VENT (NON-FVIR) MODELS: NATURAL GAS ONLY



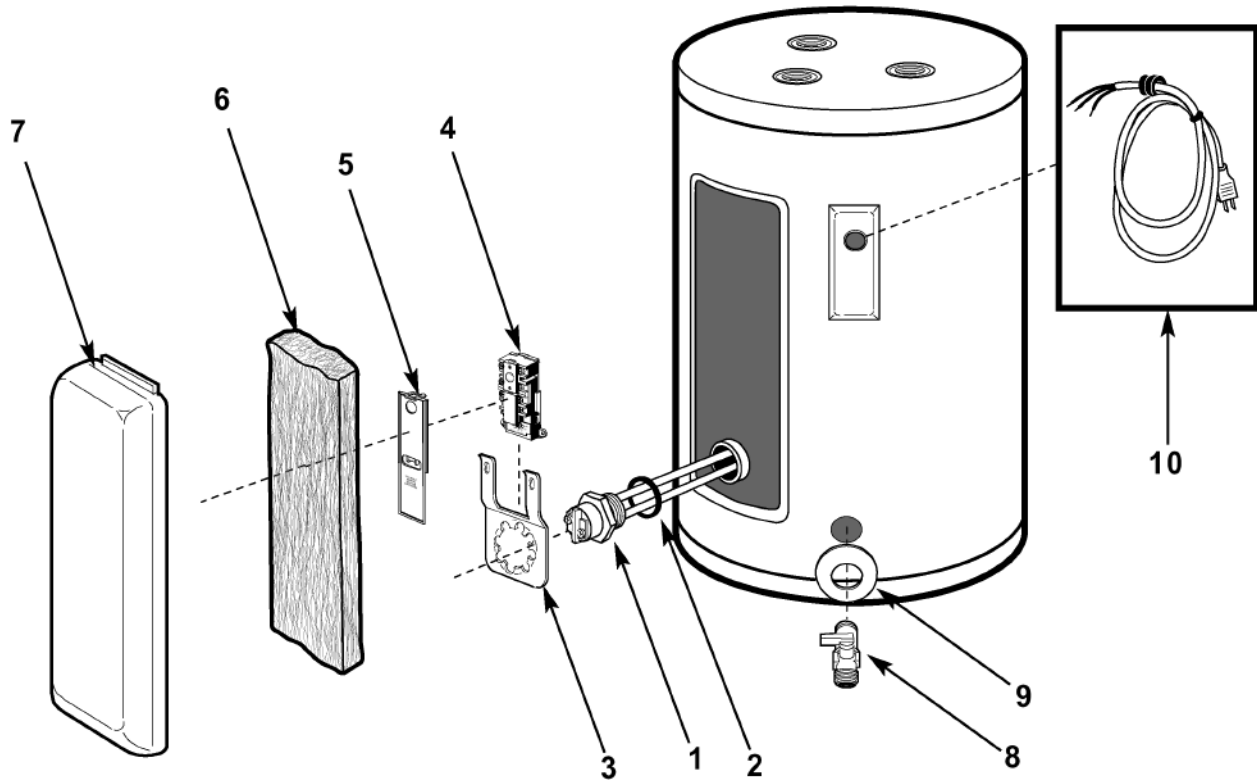
Ref. No.	Part Description	Qty. Req.	21DV Model Part Number	22DV Model Part Number	
1.	Thermostat	1	SP20164	SP20264	
2.	Pilot Supply Tube	1	N/A	N/A	
3.	Thermocouple	1	SP6379R	SP6379R	
4.	Burner Supply Tube	1 Burner Assembly	AM35651DY	AM40497EY	
5.	Burner Orifice				
6.	Burner				
7.	Pilot Burner	1	SP8980B	SP12380B	
8.	Drain Valve Shroud	1	AP9167	AP9167	
9.	Drain Valve	1	SP12039	AP12159C-1	
10.	Jacket Door	1	AM35622	AM35622	
11.	Inner Door	1	AM38692	AM40615	
12.	Flue Baffle	1 Assembly	AE35629D-2	AE35629D-2	
12A.	Flue Baffle Hanger				
13.	Anode Rod	1	SP11309C	SP11309C	
14.	Dip Tube	1	SP11248R	AP11251H-2	
15.	Dip Tube Gasket	1	AP6948-1	AP6948-1	
16.	Upper Air Inlet Box	1	AM35613-H	AM40290-H	
17.	Air Tube Elbow	1	AP10197-1	AP10197-1	
18.	Sliding Air Tube	1	AP11126B-1	AP11126B-1	
19.	Main Air Tube	1	AP11126C-1	AP11126C-1	
20.	Vent Terminal Cap	1	AP11498	AP11498	
21.	T&P Relief Valve	1	SP12574	SP8346	

**To place your order call 1-800-621-5622; fax 1-800-535-9538**



# Residential Replacement Parts List

## 2 1/2 GALLON MODELS 120 OR 240 VOLT OPERATION

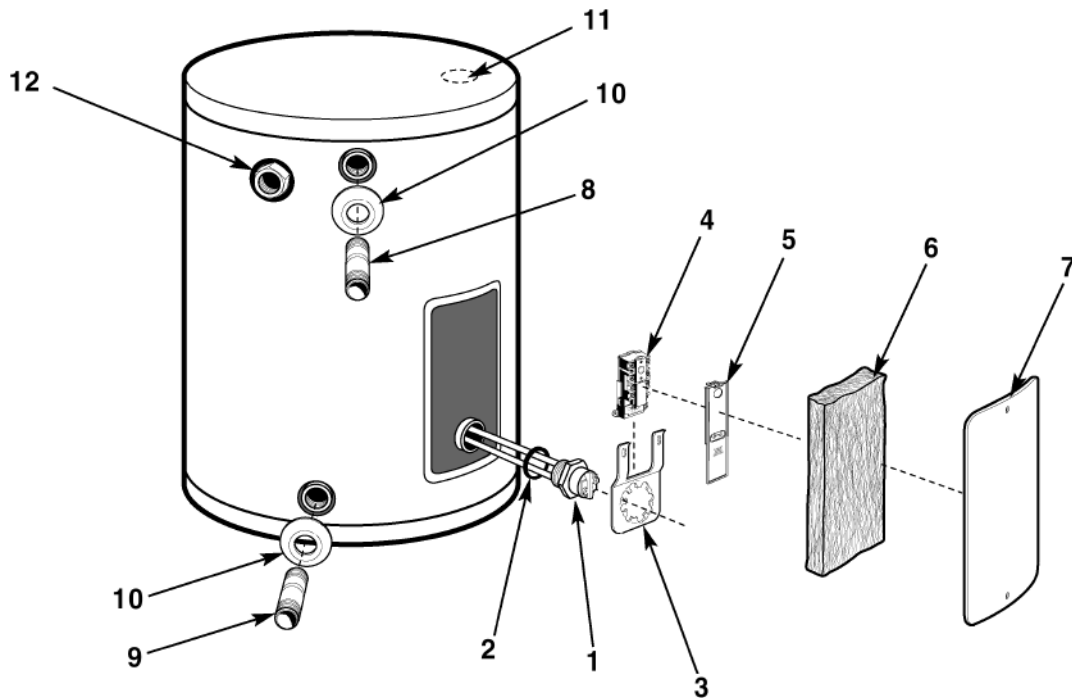


Ref. No.	Part Description	Qty. Req.	Part Number
1.	Heating Element	1	(120V) SP10868LH 1440W (240V) SP10869FH 1500W
2.	Heating Element Gasket	1	AP6708-9
3.	Thermostat Bracket	1	AM23557
4.	Thermostat	1	(120V) SP11700 (240V) SP11699
5.	Thermostat Protective Cover	1	AP8413-9
6.	Cavity Insulation	1	AP9184-7
7.	Jacket Access Panel	1	AM38409-1C
8.	Drain Valve	1	(PVC) SP12039 (Brass) SP12112G
9.	Drain Valve Shroud	1	AP2480-3
10.	Electrical Cord Set (120 VAC models ONLY)	1	AP10883-2

To place your order call 1-800-621-5622; fax 1-800-535-9538

# Residential Replacement Parts List

## 6 – 20 GALLON MODELS 120 OR 240 VOLT OPERATION

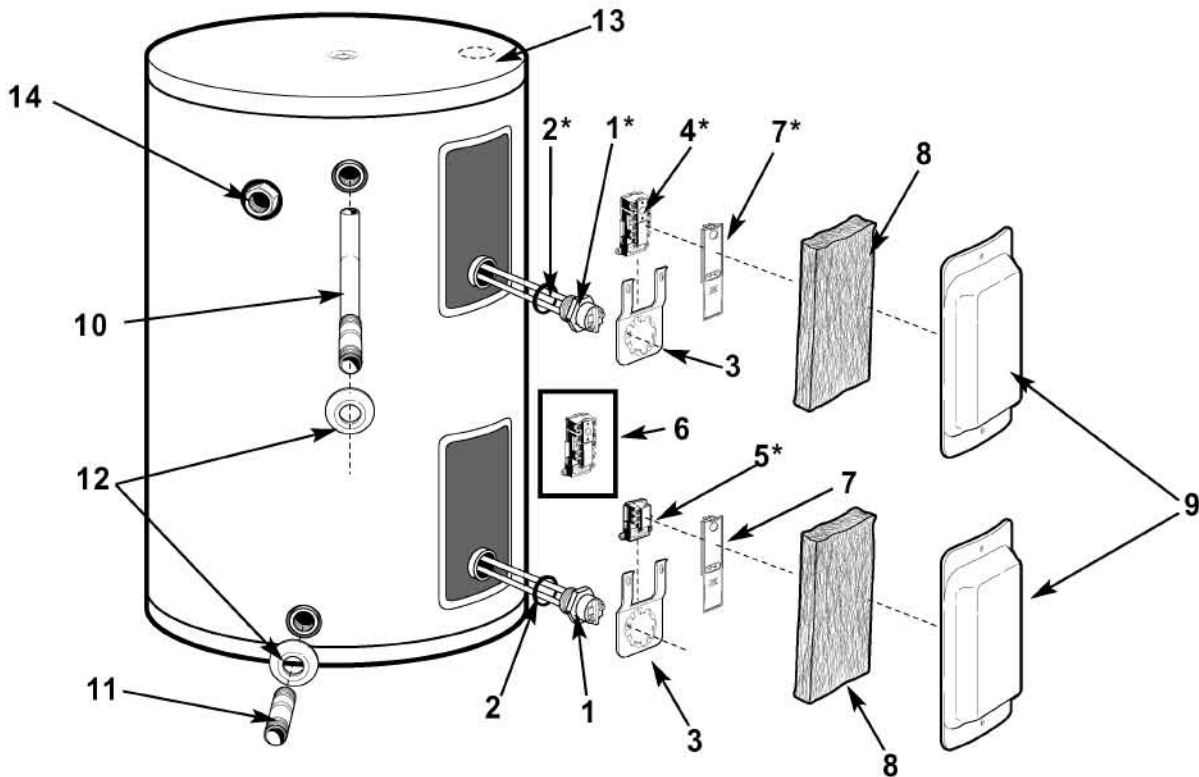


Ref. No.	Part Description	Qty. Req.	Part Number
1.	Heating Element	1	(120V) SP10874GH 2000W
			(240V) SP10552GH 2000W
2.	Heating Element Gasket	1	AP6708-9
3.	Thermostat Bracket	1	AM23557
4.	Thermostat	1	(120V) SP11700
			(240V) SP11699
5.	Thermostat Protective Cover	1	AP8313-9
6.	Cavity Insulation	1	AP9184-7
7.	Jacket Access Panel	1	AM38409-1C
8.	Nipple, Hot Outlet	1	AP11623F
9.	Nipple, Cold Inlet	1	AP11623F
10.	Shroud	As Required	AP2480-3
11.	Anode Rod	1	SP11309P 6 GAL
			SP11309L 10-20 GAL
12.	Snap Bushing	1	AP7733-2

To place your order call 1-800-621-5622; fax 1-800-535-9538

# Residential Replacement Parts List

## 30 GALLON MODELS 120 OR 240 VOLT OPERATION

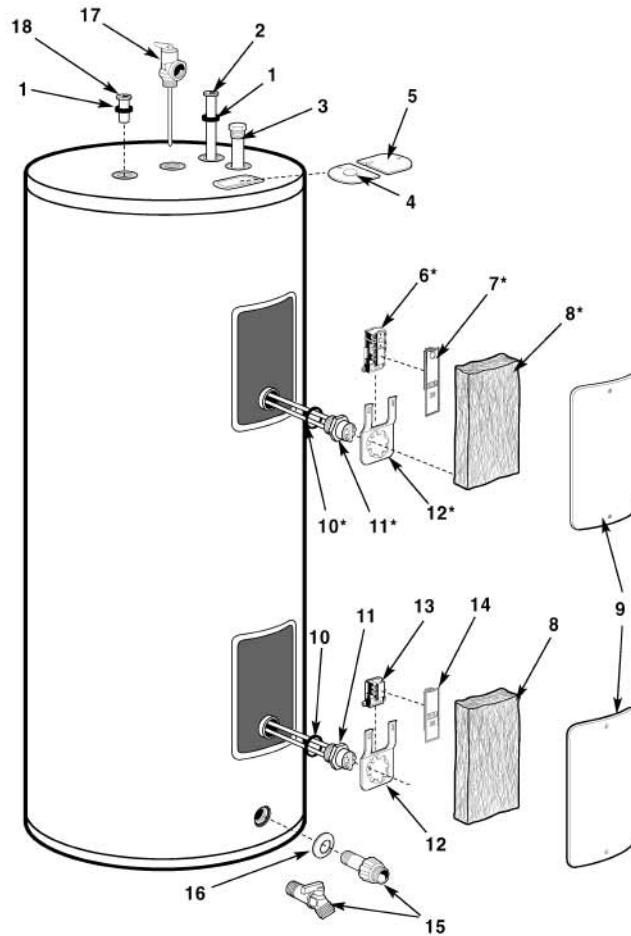


Ref. No.	Part Description	Qty. Req.	Part Number
1.	Heating Element	As Required	(120V) SP10874GH (240V) SP10552GH
2.	Heating Element Gasket	As Required	AP6708-9
3.	Thermostat Bracket	As Required	AM23557
4.	Thermostat, Upper (on double element models only)	1	SP11698
5.	Thermostat, Lower	1	(120V) SP11700 (240V) SP11695
6.	Thermostat (single element models only)	1	(120V) SP11700 (240V) SP11699
7.	Thermostat Protective Cover	As Required	AP8313-9 (Double element upper and Single element lower) AP8314-9 (Double element lower)
8.	Cavity Insulation	As Required	AP9184-7
9.	Jacket Access Panel	As Required	AM38409-1C
10.	J-Tube, Hot Outlet	1	AP8877E-12
11.	Nipple, Cold Inlet	1	AP11623F
12.	Shroud	As Required	AP2480-3
13.	Anode Rod	1	(5 Year) SP11309C (10 Year) SP11526C
14.	Snap Bushing	1	AP7733-2

*To place your order call 1-800-621-5622; fax 1-800-535-9538*

# Residential Replacement Parts List

## 20 – 120 GALLON MODELS: SINGLE AND DOUBLE ELEMENT

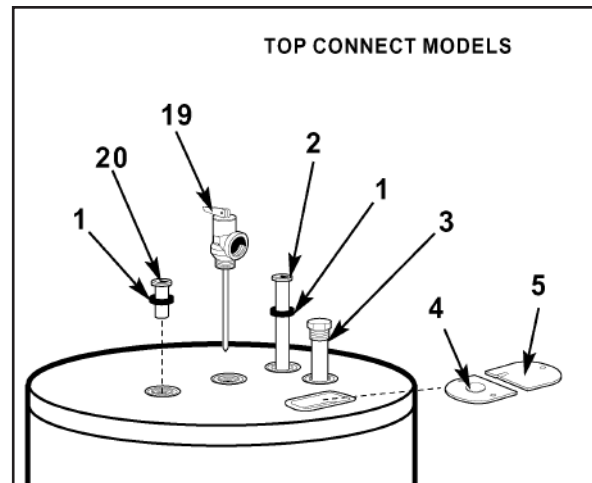
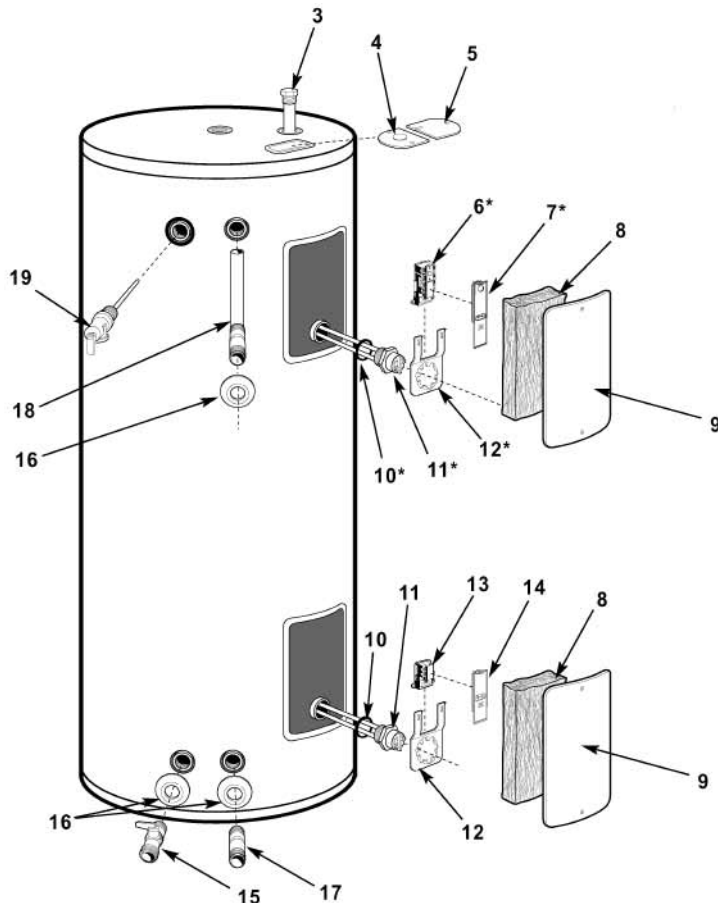


Ref. No.	Part Description	Qty. Req.	Part Number	
1.	Dip Tube Gasket – 3/4"	1	AP6948-3	
2.	Dip Tube – 3/4"	1	SP11248R	
3.	Anode Rod	1	(5 Year, 44") SP11309C (10 Year, 44") SP11526C (10 Year, 58") SP11526Z NLAP	
4.	Plate Cover	1	AM29892	AS29892-2
5.	Junction Box Cover	1	AM29893	AS29893-2
6.	Upper Thermostat (on double element models only)	1	SP11698	
7.	Thermostat Protective Cover (on double element models only)	1	AP8313-9	
8.	Cavity Insulation	2	AP9184-7	
9.	Jacket Access Panel (Rheem Blue)	As Required	AM38409-1C	
10.	Heating Element Gasket	As Required	AP6708-9	
11.	Heating Element	As Required	(240V) SP10552MH (120V) SP10874GH	
12.	Thermostat Bracket	As Required	AS23557-6	
13.	Lower Thermostat	1	(DE) SP11695 (SE-240V) SP11699 (SE120V) SP11700	
14.	Lower Thermostat Protective Cover	1	AP8314-9	
15.	Drain Valve	1	(PVC) SP12039 AP12112G	
16.	Drain Valve Shroud	1	AP2480-3	
17.	Relief Valve	1	(Top) SP12574 (Side) SP8346	
18.	Hot Outlet Heat Trap or Dip Cup Insert (HT Kit)	1	SP20003 or AP12992	

**To place your order call 1-800-621-5622; fax 1-800-535-9538**

# Residential Replacement Parts List

## 20 – 52 GALLON MODELS: SINGLE AND DOUBLE ELEMENT



\* These parts are supplied only on double element models.

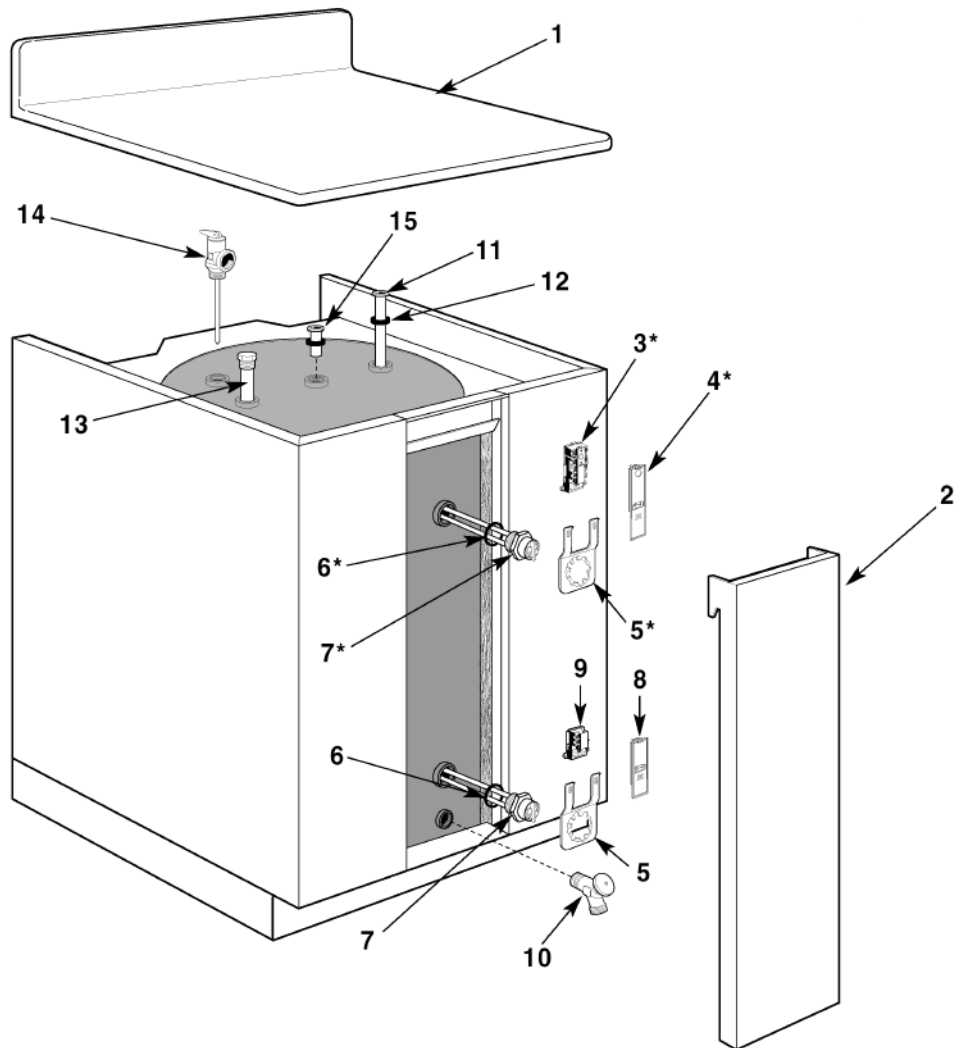
Ref. No.	Part Description	Qty. Req.	Part Number
1.	Dip Tube Gasket (on top connect models only)	1	AP6948-3
2.	Dip Tube (on top connect models only)	1	SP11248R
3.	Anode Rod	1	SP11309C
4.	Plate Cover (hole)	1	AM29892 AS29892-2
5.	Junction Box Cover (no hole)	1	AM29893 AS29893-2
6.	Upper Thermostat (on double element models only)	1	SP11698
7.	Upper Thermostat Protective Cover (on double element models only)	1	AP8313-9
8.	Cavity Insulation	2	AP9184-7
9.	Jacket Access Panel	As Required	AM38409-1C
10.	Heating Element Gasket	As Required	AP6708-9
11.	Heating Element	As Required	(240V) SP10552MH (120V) SP10874GH
12.	Thermostat Bracket	As Required	AS23557-6
13.	Lower Thermostat	1	(DE) SP11695 (SE-240V) SP11699 (SE120V) SP11700
14.	Lower Thermostat Protective Cover	1	AP8314-9
15.	Drain Valve	1	SP12039
16.	Drain Valve Shroud	As Required	AP2480-3
17.	Cold Inlet Nipple (on side connect models only)	1	AP8397N-8
18.	Hot Outlet Tube (on side connect models only)	1	(71V20S) AP8877K-12 (71V30D) AP8877K-12 (71V40D) AP8877J-12 (71V50D) AP8877J-12
19.	Relief Valve	1	(Top) SP12574 (Side) SP8346
20.	Hot Outlet Heat Trap or Dip Cup Insert	1	AP12992 or SP20003

**To place your order call 1-800-621-5622; fax 1-800-535-9538**

# Residential Replacement Parts List

---

## 40 GALLON TABLE TOP MODELS SINGLE AND DOUBLE ELEMENT

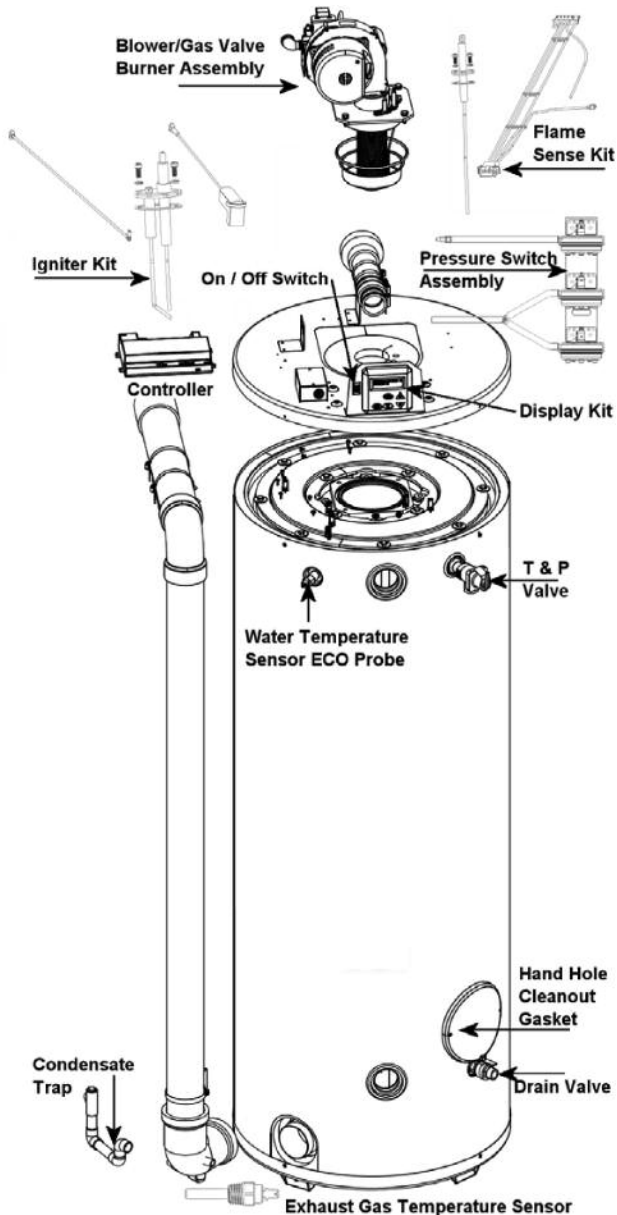


Ref. No.	Part Description	Qty. Req.	Part Number	
1.	Splash Top	1	AP14549	
2.	Front Center Panel	1	AM28677-A	
3.	Upper Thermostat (on double element models only)	1	SP11698	
4.	Upper Thermostat Protective Cover (on double element models only)	1	AP8313-9	
5.	Thermostat Bracket	As Required	AM23557	
6.	Heating Element Gasket	As Required	AP6708-9	
7.	Heating Element	As Required	SP10552MH	
8.	Lower Thermostat Protective Cover	1	AP8314-9	
9.	Lower Thermostat	1	(DE) SP11695 (SE) SP11699	
10.	Drain Valve	1	SP12112L	
11.	Dip Tube	1	SP11248P	
12.	Dip Tube Gasket	2	AP6948-3	
13.	Anode	1	AP11525V	
14.	Relief Valve	1	SP12574	
15.	Hot Outlet Heat Trap or Dip Cup Insert (Kit)	1	SP20003	

**To place your order call 1-800-621-5622; fax 1-800-535-9538**

# Commercial Replacement Parts List

## ULTRA HIGH EFFICIENCY COMMERCIAL GAS

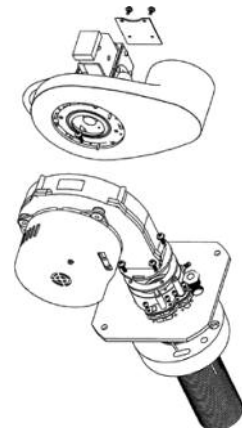


Ref. No.	Part Description	Part Number
1.	Ignited – Direct Spark Kit	SP20258
2.	Flame Sensor Rod Kit	SP20259
3.	Temperature Sensor – Water & ECO	AP14074
4.	Flue Sensor – Exhaust Temperature	AP14280
5.	Control Board – Argus	AP14023
6.	Display Board Kit – Argus	AP20260
7.	Condensate Trap	AP14685
8.	Drain Valve 3/4 Inch NPT	AP12231B-1
9.	Temperature and Pressure Relief Valve – 130 to 199K	AP9013D
	Temperature and Pressure Relief Valve – 250 to 400K	AP9012B
10.	ON/OFF Switch	AP12767
11.	Hand Hole Cleanout Gasket	SP5886
12.	Pressure Switch Assy w/Tubing and Mounting Bracket	--
	Pressure Switch Assembly GHE 130 – Green	Call For Application
	Pressure Switch Assembly GHE 160 – Yellow	
	Pressure Switch Assembly GHE 200 – Blue	
	Pressure Switch Assembly GHE 250 – Orange	
	Pressure Switch Assembly GHE 300 – Red	
	Pressure Switch Assembly GHE 350 – Brown	
13.	GHE Burner Assy Kit *See below for kit contents	--
	*GHE Burner Assy Kit 130-160K LP	Call For Application
	*GHE Burner Assy Kit 130-160K Natural	
	*GHE Burner Assy Kit 200K LP	
	*GHE Burner Assy Kit 200K Natural	
	*GHE Burner Assy Kit 250K LP	
	*GHE Burner Assy Kit 250K Natural	
	*GHE Burner Assy Kit 300-350K LP	
	*GHE Burner Assy Kit 300-350K Natural	
14.	Harness – Display Jumper	AP14758
15.	Harness – GHE Main Control	AP14092
16.	Harness – GHE Blower Control	AP14157
17.	Harness – GHE Main Power	AP14158
18.	Harness – GHE Gas Valve	AP14159
19.	Harness – GHE Igniter Cable w/1k Ohm Resistor	AP15294
20.	Harness – Ground Wire	AP15261
--	UL Sanitation Kit for NSF Compliance	AS42690
--	Concentric Vent Kit	***

\*\*\* Call for Application

\*Complete burner assemblies consist of the following components:

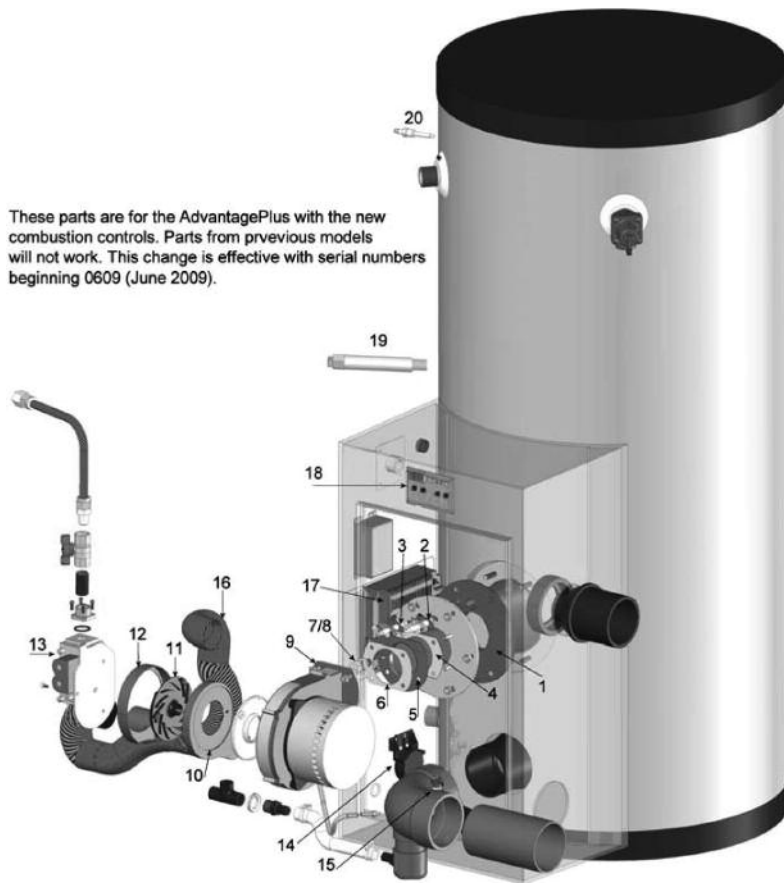
- Blower
- Ignitor
- Flame Probe
- Burner with Mesh
- Sight Glass
- Gas Valve
- Gaskets & O-Rings
- Wiring Harness'
- Screws



To place your order call 1-800-621-5622; fax 1-800-535-9538

# Commercial Replacement Parts List

## ADVANTAGE PLUS



These parts are for the AdvantagePlus with the new combustion controls. Parts from previous models will not work. This change is effective with serial numbers beginning 0609 (June 2009).

Ref. No.	Part Description	Part Number
1.	Gasket – Burner Mounting Flange	SP15138
2.	Igniter w/ Gasket and Mounting Screw – Natural	SP15128
	Igniter w/ Gasket and Mounting Screw – Propane	SP15134
3.	Flame Sensor w/ Gasket and Mounting Screw	SP15129
4.	Gasket – Burner / Blower	SP15239
5.	Burner w/ Gasket – 130k btu or less	SP15126
	Burner w/ Gasket – Greater than 130k btu	SP15127
6.	Gasket – Burner / Mounting Plate	SP15139
7.	Gasket, Sight Glass	SP15152
8.	Sight Glass with Gaskets	SP15136
9.	Combustion Blower w/ Gasket	SP15130
10.	Air Intke Adapter – Blower Side	SP15158
11.	Swirl Plate – 130k btu or less	SP15155
	Swirl Plate – Greater than 130k btu	SP15156
12.	Air Intake Adapter – Valve Side	SP15157
13.	Gas Valve Assembly – 130k btu or less	SP15131
	Gas Valve Assembly – Greater than 130k btu	SP15132
14.	Pressure Switch	SP12140
15.	Over Temp. Switch – Outlet	SP12149
16.	Tube – Air Inlet	SP15137

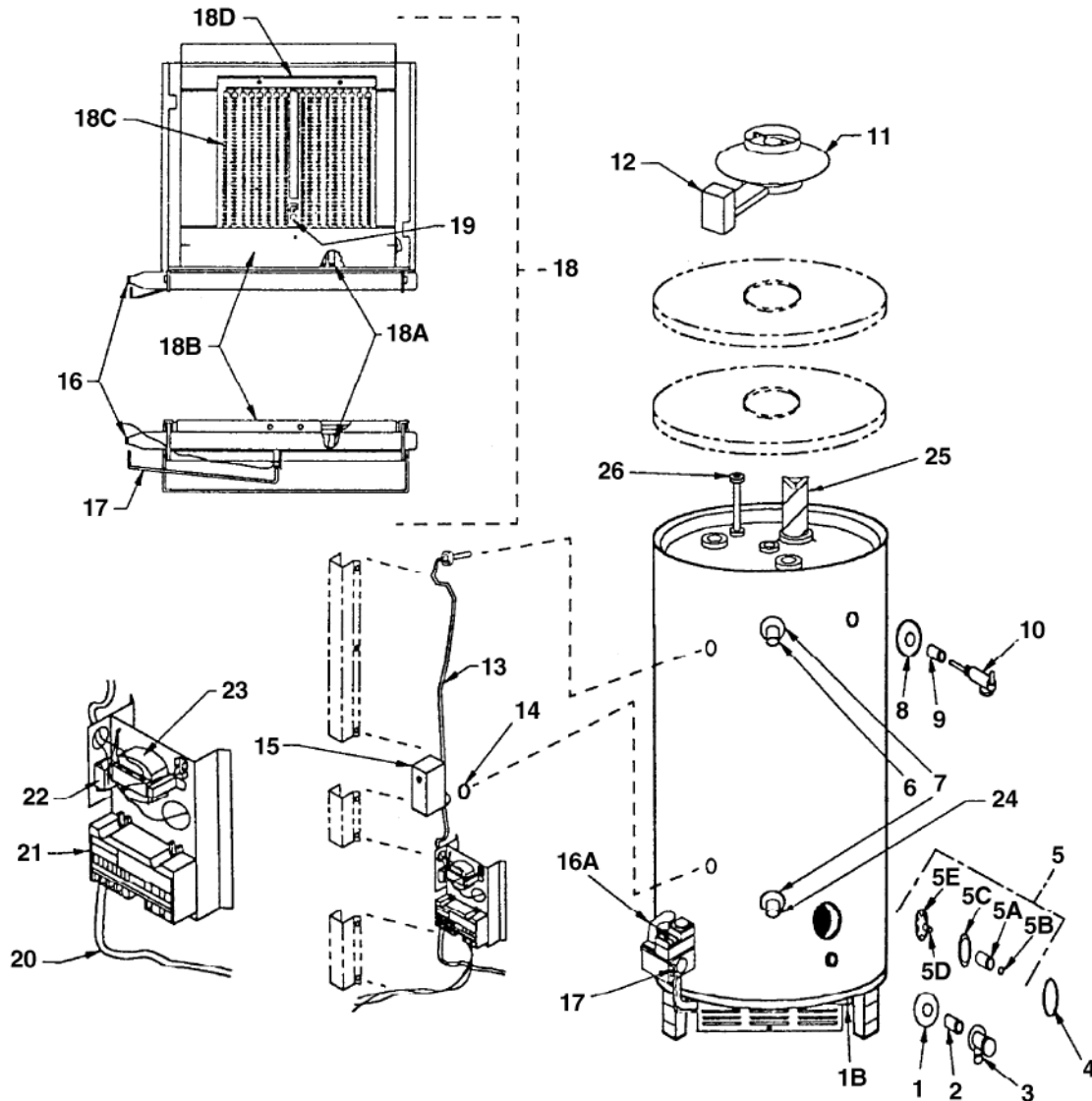
Ref. No.	Part Description	Part Number
17.	926 Main Control Board – 160°F. 130k	SP15133A
	926 Main Control Board – 160°F. 160k	SP15133B
	926 Main Control Board – 160°F. 199k	SP15133C
	926 Main Control Board – 160°F. 100k	SP15133D
	926 Main Control Board – 180°F. 160k	SP15133E
	926 Main Control Board – 180°F. 199k	SP15133F
18.	Control Board Display	SP15153
19.	ECO / Temperature Probe	SP12142
20.	Low Water Cut-off	SP15140
	<b>Parts not Shown</b>	
NS	Low Voltage 24V Cable	SP15183
NS	Line Cable 120V	SP15184
NS	Gas Conversion Kit – Propane to Nat. Kit	SP15159
NS	Gas Conversion Kit – Nat. to Propane	SP15160
NS	Use and Care Manual	AP15135
NS	Concentric Vent Kit – 3 Inch	SP20245
NS	Aluminum Outside Vent Kit	SP12162
NS	Neutralizer, Condensate	SP12151
NS	Mesh Screen for 3" Pipe	SP12163
NS	Model 450 CO Meter (used for installation setup)	AP12516

To place your order call 1-800-621-5622; fax 1-800-535-9538



# Commercial Replacement Parts List

## UNIVERSAL SPARK IGNITION: NATURAL OR LP GAS



Ref. No.	Part Description	Qty. Req.	Part Number
1.	Drain Valve Bushing	1	AP7733-2
2.	Drain Valve Nipple	1	
3.	Drain Valve	1	AP12231B-1
4.	Jacket Handhole Cover	1	AM3459-H
5.	Tank Handhole Assembly	1	SP22079
5A.	Yoke	1	AS24346-1
5B.	Nut	1	AP2247-1
5C.	Gasket	1	AP5886-1
5D.	Stud	1	AP5983-2
5E.	Seal Plate	1	AS22078-2
6.	Outlet Nipple Assembly	1	call for size
7.	Inlet/Outlet Bushing	2	AP12421
8.	Relief Valve Bushing	1	AP9078
9.	Relief Valve Nipple	1	
10.	Relief Valve	1	SP9013D
11.	Auto-Vent Damper Assembly	1	***
12.	Damper Motor	1	AP11617-1
13.	Damper Drive Wiring	1	AP11314C-3
14.	T'stat/T'well Bushing	1	AP9078-1

\*\*\*Call for application

Ref. No.	Part Description	Qty. Req.	Part Number
15.	Thermostat Hi-Limit	1	SP11798B
16.	Gas Manifold Assembly	1	
16A.	Gas Valve (NAT)	1	SP10963D
16A.	Gas Valve (LP)	1	SP10963E
17.	Pilot Tube (straight)	1	AP7033L-14
18.	Gas Manifold Assembly	1	
18A.	Burner Orifice	1	Sold as burner tray assembly Call for application
18B.	Burner Bracket (front)	1	
18C.	Burner	1	
18D.	Burner Bracket (rear)	1	
19.	Pilot (NAT)	1	SP10764B
19.	Pilot (LP)	1	SP10764C
20.	Ignition Cable	1	SP8828D
21.	Ignition Control	1	SP10763C
22.	On/Off Switch	1	AP8825
23.	Transformer	1	SP10550B
24.	Inlet Nipple	1	call for size
25.	Flue Baffle & Hanger	1	***
26.	Anode	As Required	AP11524C

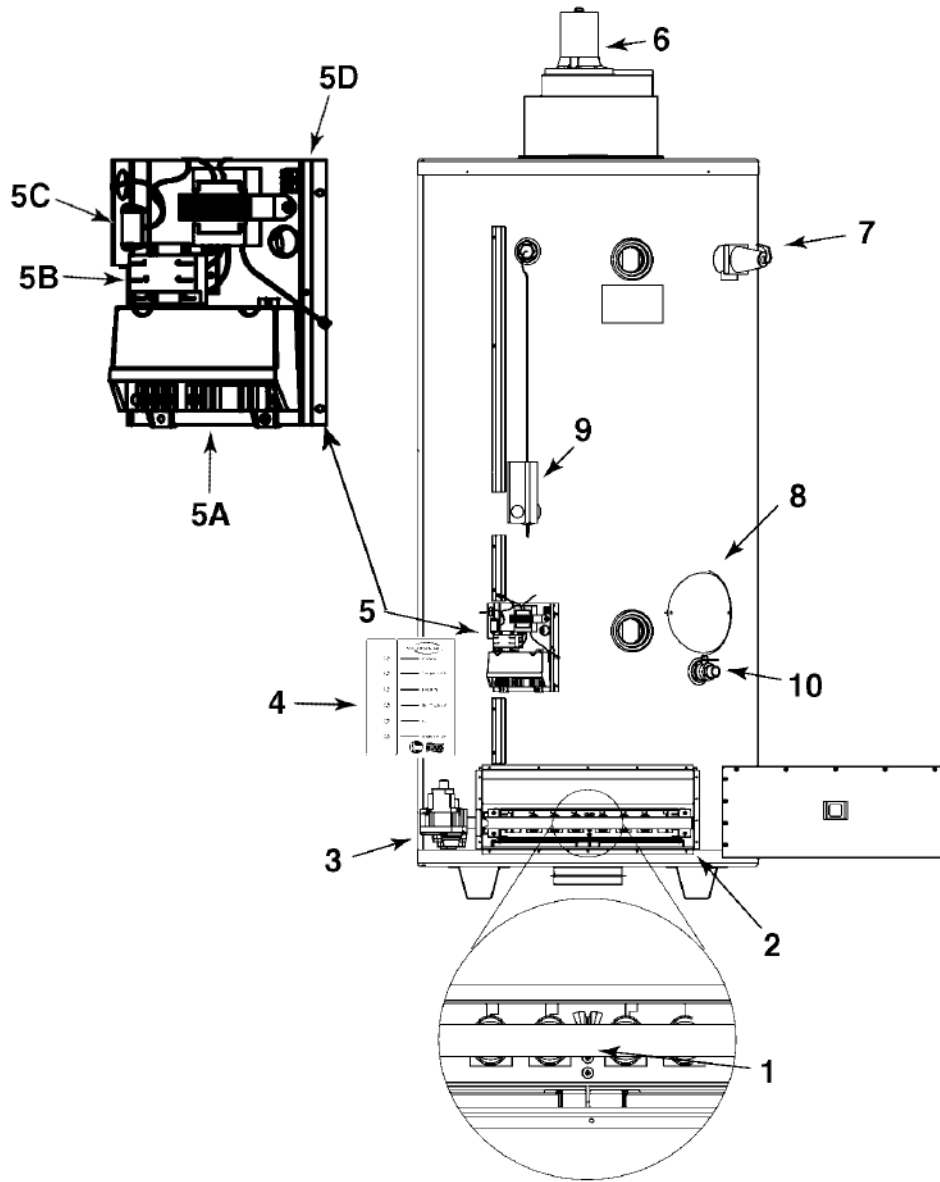
\*\*\*Call for application

**-To place your order call 1-800-621-5622; fax 1-800-535-9538**

# Commercial Replacement Parts List

---

## VENTMASTER COMMERCIAL GAS MODEL

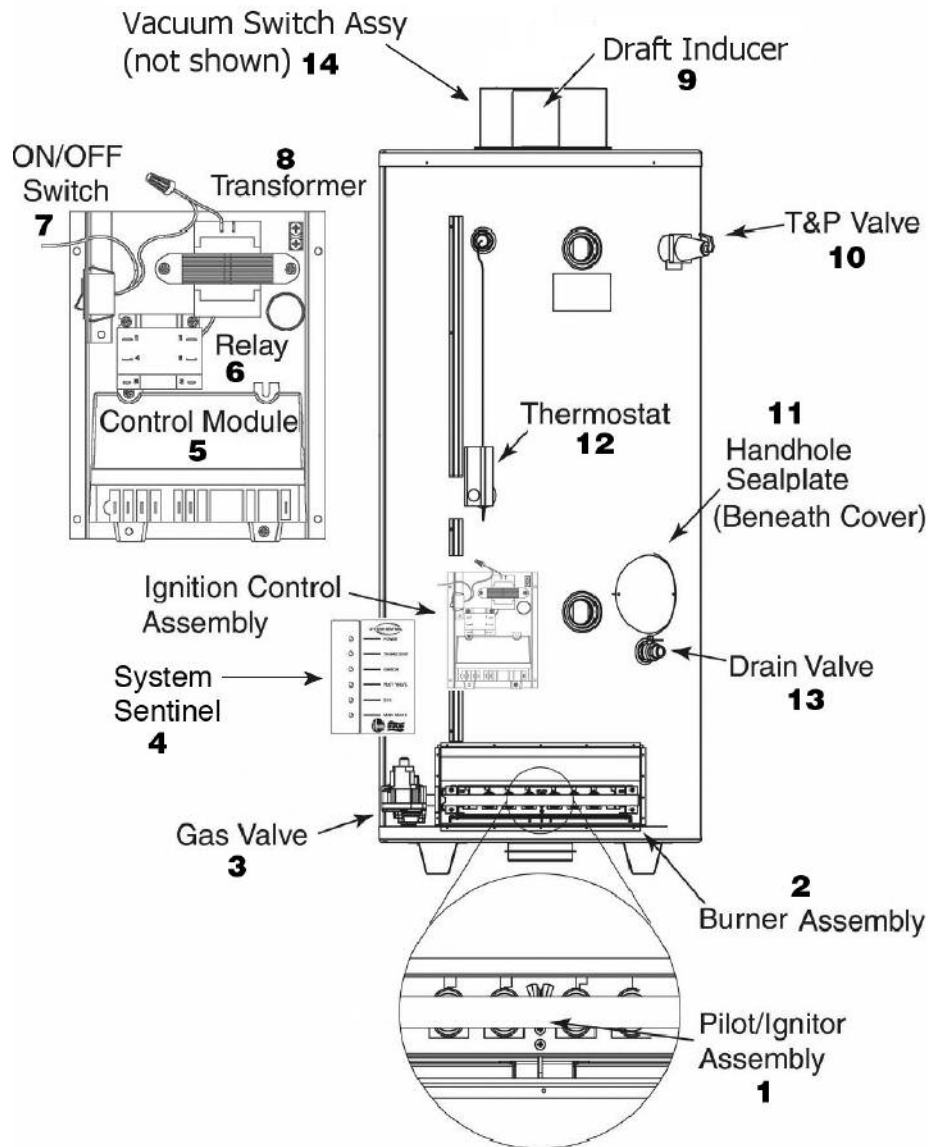


Ref. No.	Part Description	Qty. Req.	Part Number	
1.	Pilot Ignitor Assembly	1	SP13185	
2.	Burner Assembly	1	Call for Quote	
3.	Gas Valve	1	SP13714	
4.	System Sentinel Panel	1	AM38875	
5.	Ignition Control Assembly	1	AM40782	
5A.	Control Module	1	SP10763C	
5B.	Relay	1	SP12732	
5C.	On/Off Switch	1	AP8825	
5D.	Transformer	1	SP10550B	
6.	Blower Assembly	1	AP13192	
7.	Temperature & Pressure Relief Valve	1	SP9013D	
8.	Hand Hole Cover Gasket	1	AP5886-1	
9.	Thermostat	1	SP11798	
10.	Drain Valve	1	AP12231B-1	

*To place your order call 1-800-621-5622; fax 1-800-535-9538*

# Commercial Replacement Parts List

## INDUCED DRAFT



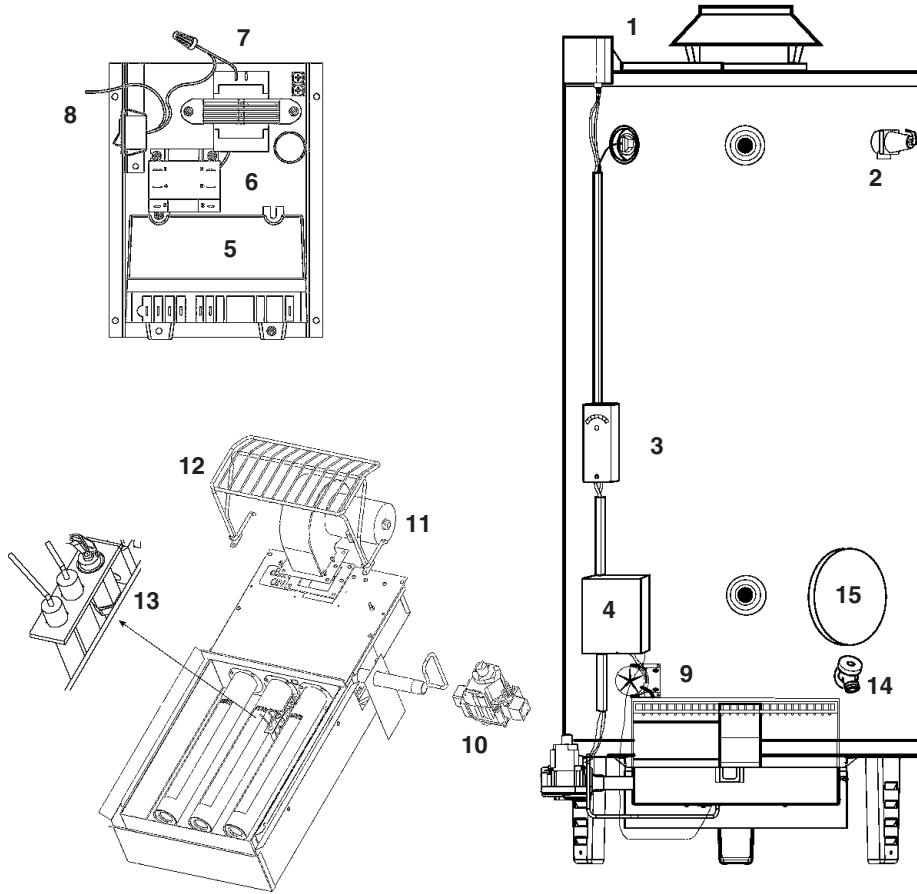
Ref. No.	Part Description	Qty. Req.	Part Number	
1	Pilot Ignitor Assembly	1	AP13185	
2	Burner Assy; 250, 270, 310, 360 kBTU	1	Call for Quote	
3	Gas Valve	1	SP10963D (NG)	
4	System Sentinel Panel	1	AM38875	
5	Control Module	1	SP10763C	
6	Relay	1	SP12732	
7	ON/OFF Switch	1	AP8825	
8	Transformer	1	SP10550B	
9	Draft Inducer 250 kBTU - Natural or LP; and 270 kBTU - Natural or LP	1	AP1300-2	
	Draft Inducer 310 kBTU; Natural		AP13801-2	
	Draft Inducer 310 kBTU – LP; and 360 kBTU; Natural or LP		AP13802-2	
10	Temperature & Pressure Relief Valve	1	AP12323-1	
11	Hand Hole Cover Gasket	1	AP5886-1	
12	Thermostat	1	SP11798B (NG)	
13	Drain Valve	1	AP12231B-1	
14	Vacuum Switch Assy	1	SP13989	

To place your order call 1-800-621-5622; fax 1-800-535-9538

# Commercial Replacement Parts List

---

## LOW NOX COMMERCIAL GAS MODEL



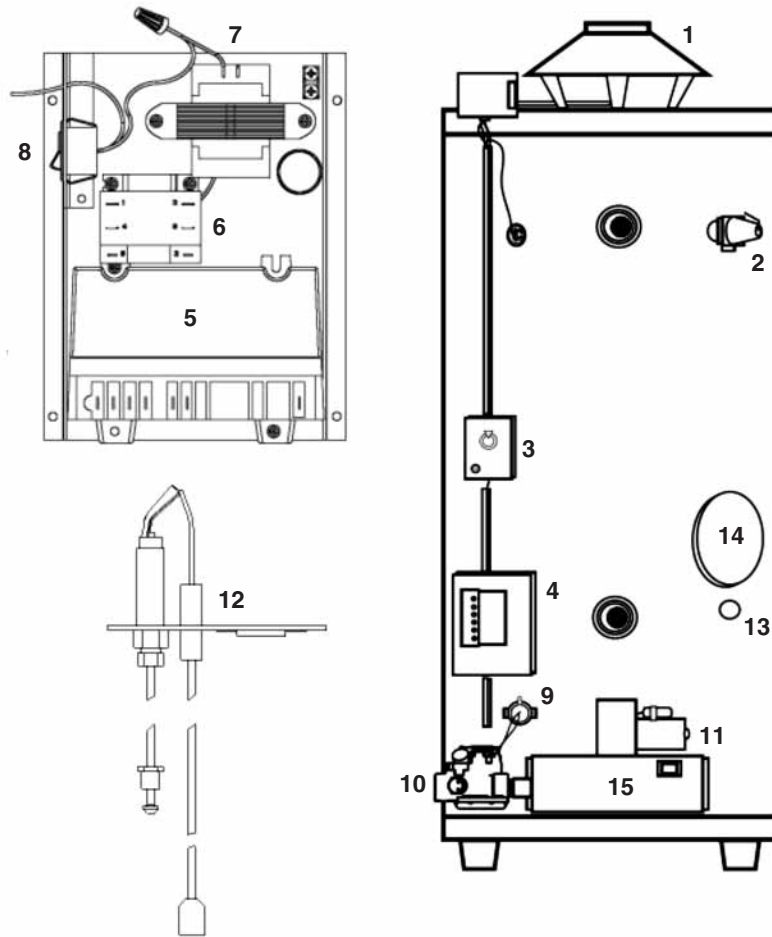
Ref. No.	Part Description	Qty. Req.	Part Number	
1.	Vent Damper Assembly	1	Call for quote	
	Damper Drive Motor	-	SP11617 (NG)	
2.	Temperature & Pressure Relief Valve	1	BTU Dependent	
3.	Thermostat Hi-Limit	1	SP11798B	
4.	System Sentinel Panel	1	AM38875	
5.	Ignition Control	1	SP10763C	
6.	Relay	1	SP12732	
7.	Transformer	1	SP10550B	
8.	On/Off Switch	1	AP8825	
9.	Pressure Switch	1	BTU Dependent	
10.	Gas Valve (NAT)	1	SP12541B	
	Gas Valve (NAT 400,000 BTU Only)	-	SP12543	
11.	Blower Motor	1	BTU Dependent	
12.	Blower Motor Protection Cage	1	AP12712	
13.	Pilot Ignitor (NAT 200K and below)	1	AS39758	
	Pilot Ignitor (NAT above 200K)	-	AM40023	
14.	Drain Valve	1	AP12231B-1	
15.	Hand Hole Gasket	1	AP5886-1	

*To place your order call 1-800-621-5622; fax 1-800-535-9538*

# Commercial Replacement Parts List

---

## XTREME COMMERCIAL GAS MODEL

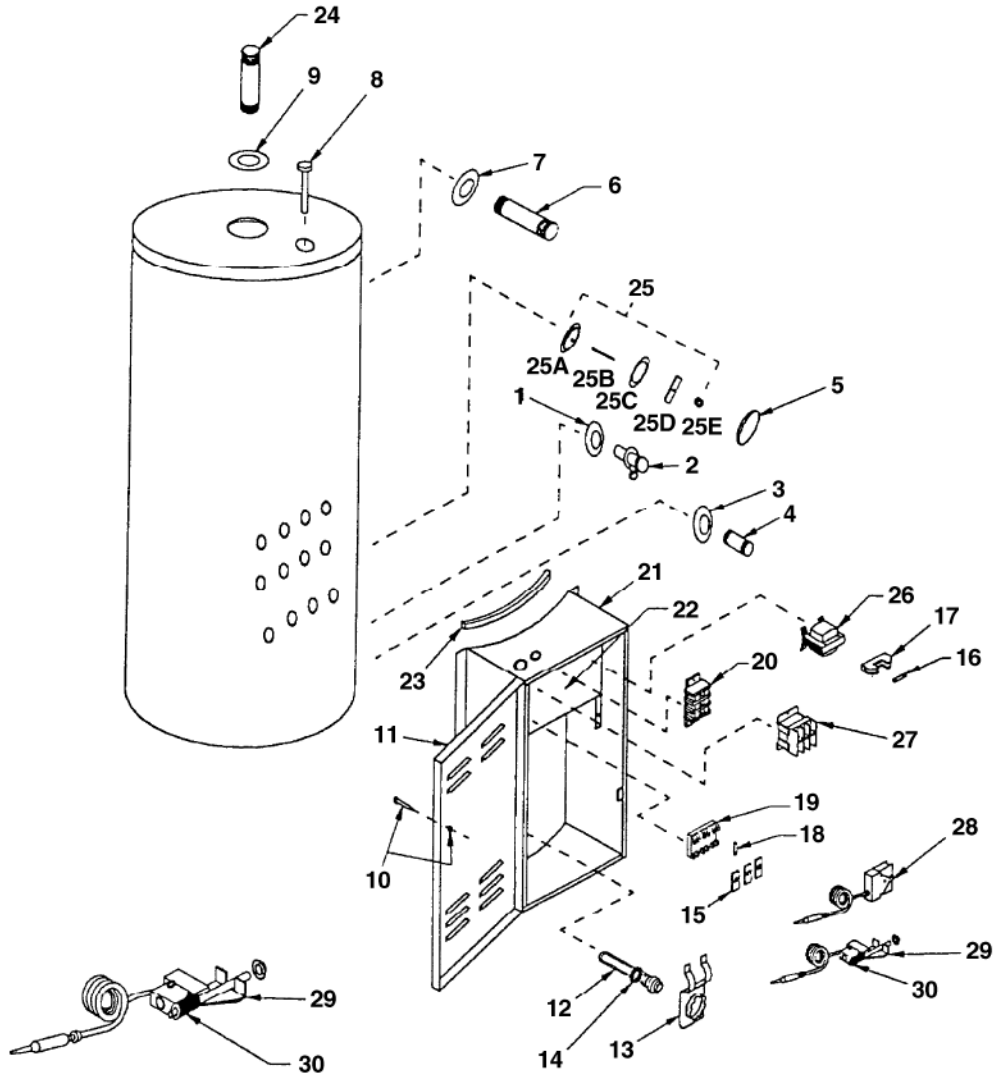


Ref. No.	Part Description	Qty. Req.	Part Number	
1.	Vent Damper Assembly	1	AP13156	
2.	Temperature & Pressure Relief Valve	1	BTU Dependent	
3.	Thermostat Hi-Limit	1	AP12015-1	
4.	System Sentinel Panel	1	AM38875	
5.	Ignition Control	1	SP10763C	
6.	Relay	1	SP12732	
7.	Transformer	1	SP10550B	
8.	On/Off Switch	1	AP8825	
9.	Pressure Switch	1	SP12576C	
10.	Gas Valve (NAT)	1	SP12866N	
	Gas Valve (LP)	1	SP12866P	
11.	Blower Motor	1	SP12525	
-	Blower Motor Protection Cage	1	AP13017	
12.	Pilot Ignitor (NAT)	1	SP12237	
	Pilot Ignitor (LP)	1	SP12305	
13.	Drain Valve	1	AP12231B-1	
14.	Hand Hole Gasket	1	AP5886-1	
15.	Burner Assembly	1	Call for quote	

*To place your order call 1-800-621-5622; fax 1-800-535-9538*

## Commercial Replacement Parts List

# 208, 240, 277 OR 480 VOLT OPERATION – 50, 85, 120 GALLON MODELS: IMMERSION THERMOSTAT



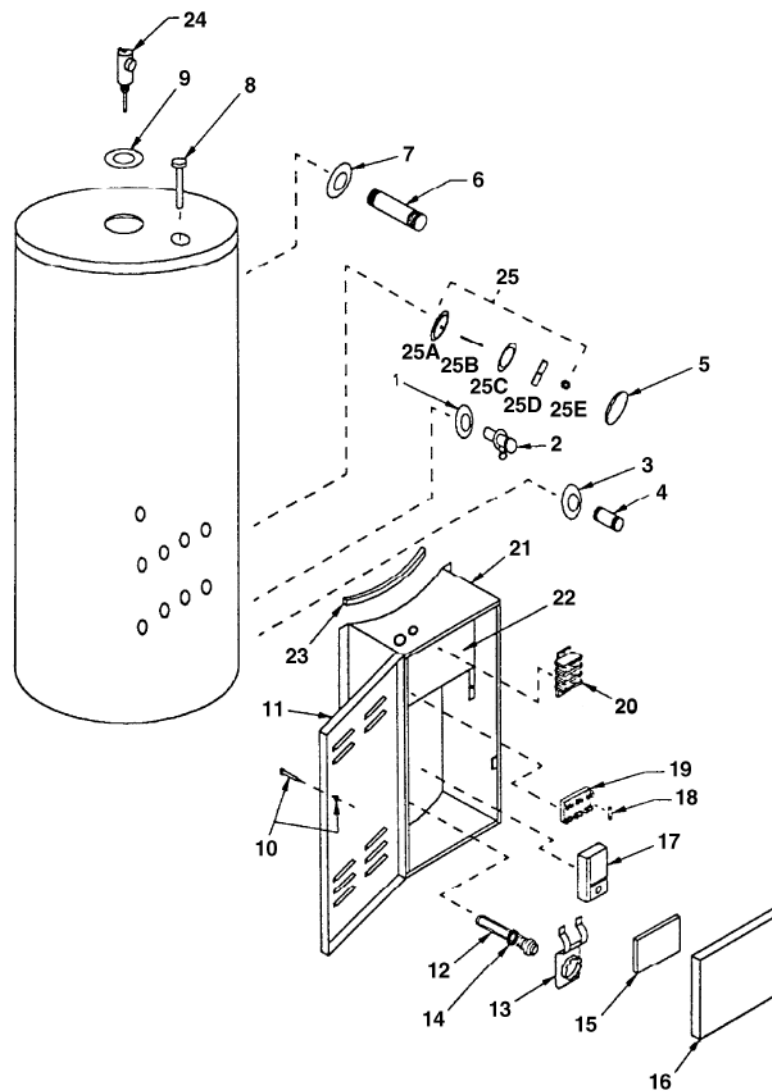
Ref. No.	Part Description	Qty. Req.	Part Number
1.	Drain Valve Shroud	1	AP7733-2
2.	Drain Valve	1	AP12231C-1
3.	Inlet Nipple Shroud	1	AP12421
4.	Inlet Nipple	1	AP11179B
5.	Jacket Handhole Cover	1	AM3459-H
6.	Outlet Nipple	1	AP11179C
7.	Outlet Nipple Shroud	1	AP12421
8.	Anode	1	SP11524C
9.	T&P Valve Shroud	1	AP7733-2
10.	Captive Screw with Retainer	1	AP8162B-1 AP8162-1
11.	Door	1	
12.	Element	As Required	
13.	Thermostat Retainer	1	
14.	Element Gasket	As Required	AP6708-9
15.	Copper Connectors	3	AM25285
16.	Transformer Fuse	1	SP8264R
17.	Transformer Fuse Block	1	SP8889
18.	Fuse (goes with SP8311E)	3	SP8264M
	Fuse (goes with SP11112)	3	SP8264K

Ref. No.	Part Description	Qty. Req.	Part Number
19.	Fuse Block	1	SP8311E
	Fuse Block (36, 45 & 54 KW)	1	SP11112
20.	Terminal Block	1	SP10260
21.	Control Encl Frame	1	
22.	Controls Mount Panel	1	
23.	Seal Strip	1	
24.	Outlet Nipple	1	AP11179C
25.	Handhole Assembly	1	SP22079
25A.	Seal Plate	1	AS22078-2
25B.	Stud	1	AP5983-2
25C.	Handhole Gasket	1	AP5886-1
25D.	Yoke	1	AS24346-1
25E.	Nut	1	AP2247-1
26.	Transformer	1	SP10006
27.	Contactor	1	SP12841
28.	Limit	1	
29.	Thermostat Bracket	1	
30.	Thermostat	1	SP11805
31.	Relief Valve N/S	1	SP9013E

**To place your order call 1-800-621-5622; fax 1-800-535-9538**

## Commercial Replacement Parts List

# 208, 240, 277 OR 480 VOLT OPERATION – 50, 85, AND 120 GALLON MODELS: SURFACE MOUNTED THERMOSTAT



Ref. No.	Part Description	Qty. Req.	Part Number
1.	Drain Valve Shroud	1	AP7733-2
2.	Drain Valve	1	AP12231C-1
3.	Inlet Nipple Shroud	1	AP12421
4.	Inlet Nipple	1	AP11179B
5.	Jacket Handhole Cover	1	AM3459-H
6.	Outlet Nipple	1	AP11179C
7.	Outlet Nipple Shroud	1	AP12421
8.	Anode Assembly	1	SP11524C
9.	T&P Valve Shroud	1	AP7733-2
10.	Captive Screw with Retainer	1	AP8162B-1 AP8162-1
11.	Door	1	
12.	Element	As Required	
13.	Thermostat Retainer	1	AM23557
14.	Element Gasket	As Required	AP6708-9
15.	Insulation - Controls	1	
16.	Insulation - Controls	1	

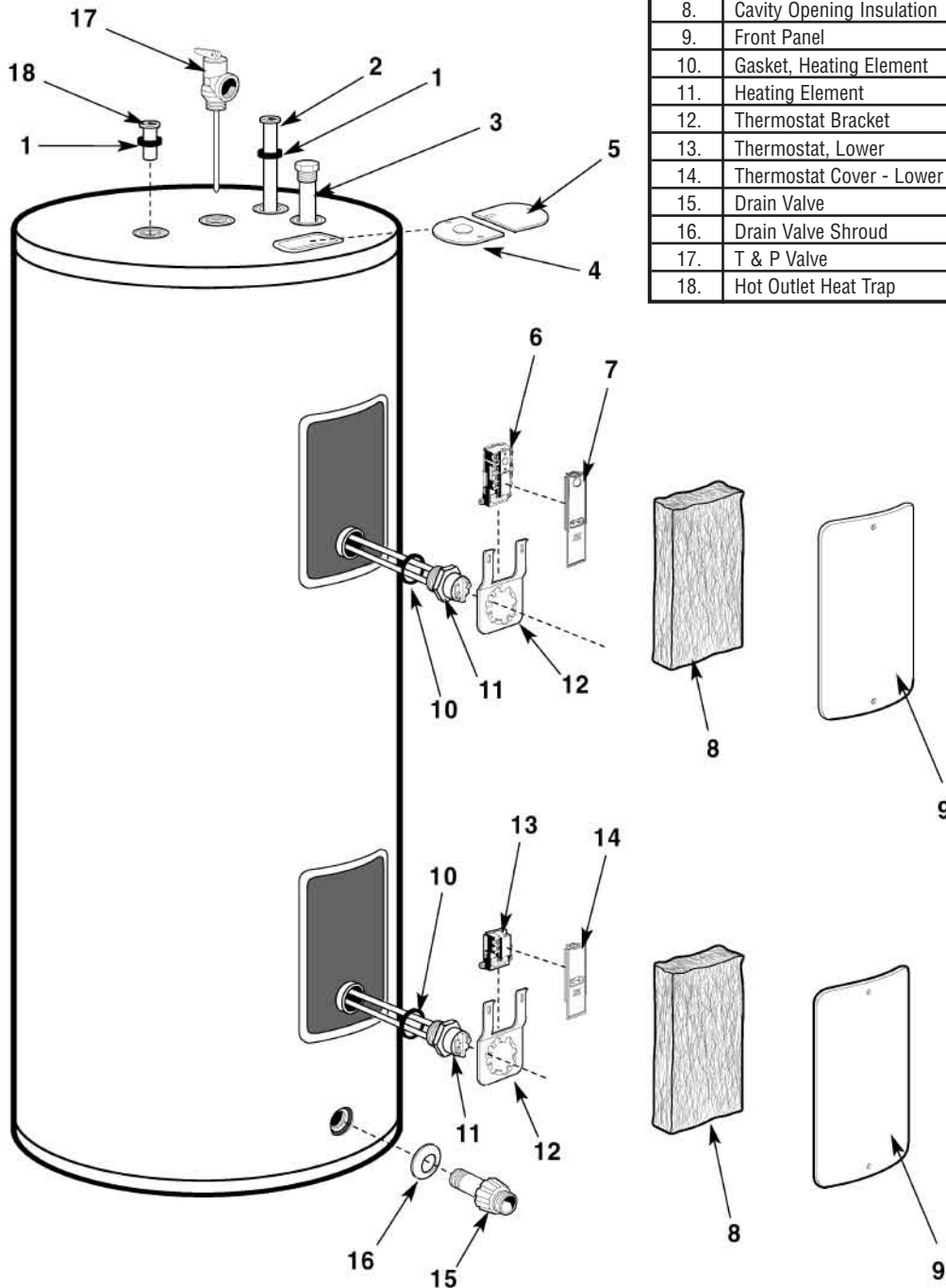
Ref. No.	Part Description	Qty. Req.	Part Number
17.	Thermostat	1	AP11231-2
18.	Fuse (goes with SP8311E)	3	SP8264M
	Fuse (goes with SP11112)	3	SP8264K
19.	Fuse Block	1	SP8311E
	Fuse Block (36, 45 & 54 KW)	1	SP11112
20.	Terminal Block	1	SP10260
21.	Control Encl Frame	1	
22.	Controls Mount Panel	1	
23.	Seal Strip	1	
24.	Relief Valve	1	SP9013E
25.	Handhole Assembly	1	SP22079
25A.	Seal Plate	1	AS22078-2
25B.	Stud	1	AP5983-2
25C.	Handhole Gasket	1	AP5886-1
25D.	Yoke	1	AS24346-1
25E.	Nut	1	AP2247-1

**To place your order call 1-800-621-5622; fax 1-800-535-9538**

# Commercial Replacement Parts List

## ELECTRIC LIGHT DUTY (ELD) SERIES

Ref. No.	Part Description	Qty. Req.	Part Number
1.	Gasket	1	AP6948-3
2.	Diptube	1	SP11251R
3.	Anode	1	SP11526C
4.	Field Connect Plate	1	AS29892-2
5.	Junction Box Cover	1	AS29893-2
6.	Thermostat, Upper	1	SP8293
7.	Thermostat Cover - Upper	1	AP8313-9
8.	Cavity Opening Insulation	1	AP9184-7
9.	Front Panel	2	AM38409-1C
10.	Gasket, Heating Element	1	AP6708-9
11.	Heating Element	2	SP10552ML
12.	Thermostat Bracket	1	AS23557-6
13.	Thermostat, Lower	1	SP8295
14.	Thermostat Cover - Lower	1	AP8314-9
15.	Drain Valve	1	SP12112S
16.	Drain Valve Shroud	1	AP9167
17.	T & P Valve	1	
18.	Hot Outlet Heat Trap	1	SP20003 (kit)

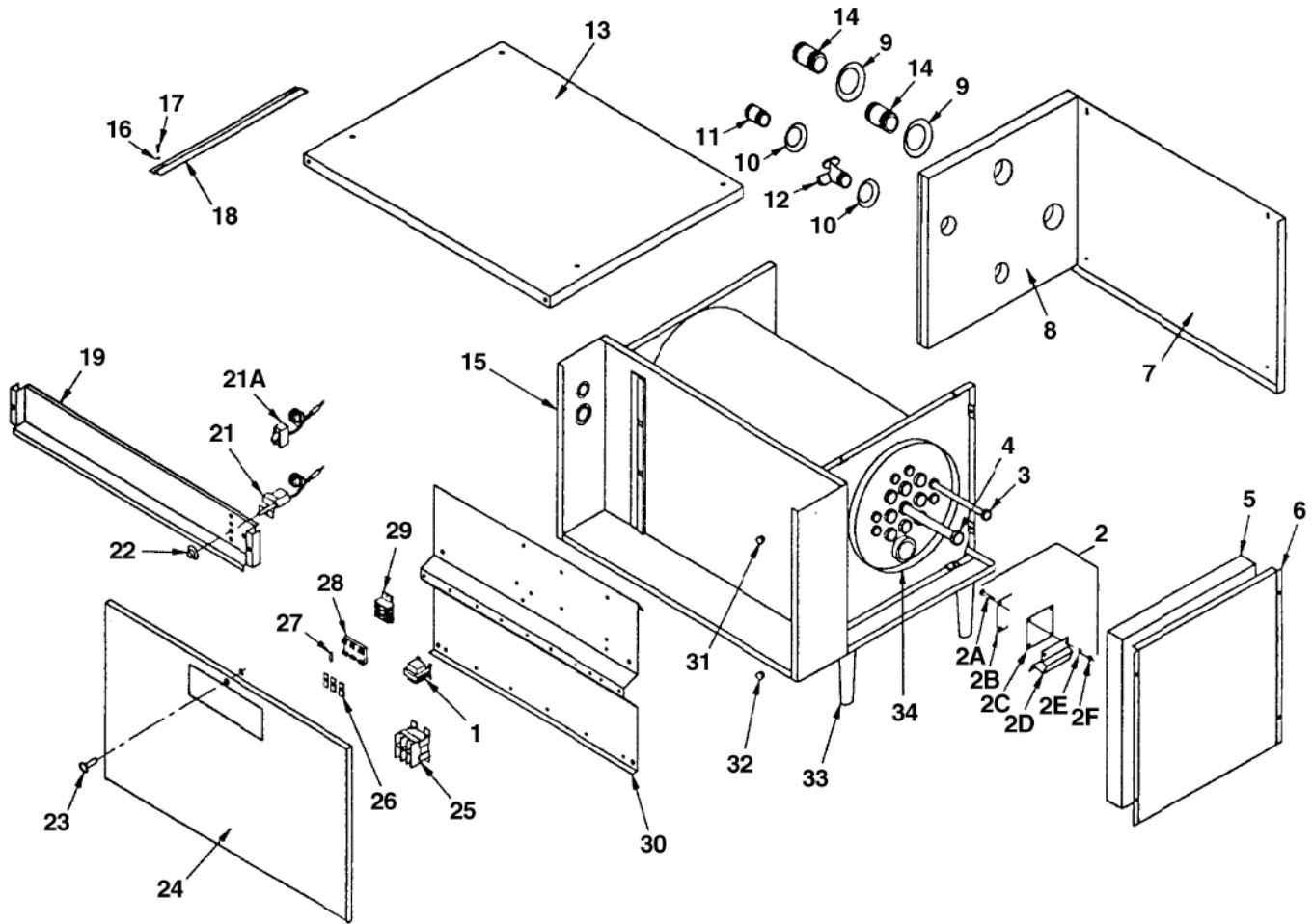


*To place your order call 1-800-621-5622; fax 1-800-535-9538*



# Commercial Replacement Parts List

## 208, 240, 277 OR 480 VOLT OPERATION: 10 GALLON BOOSTER MODELS

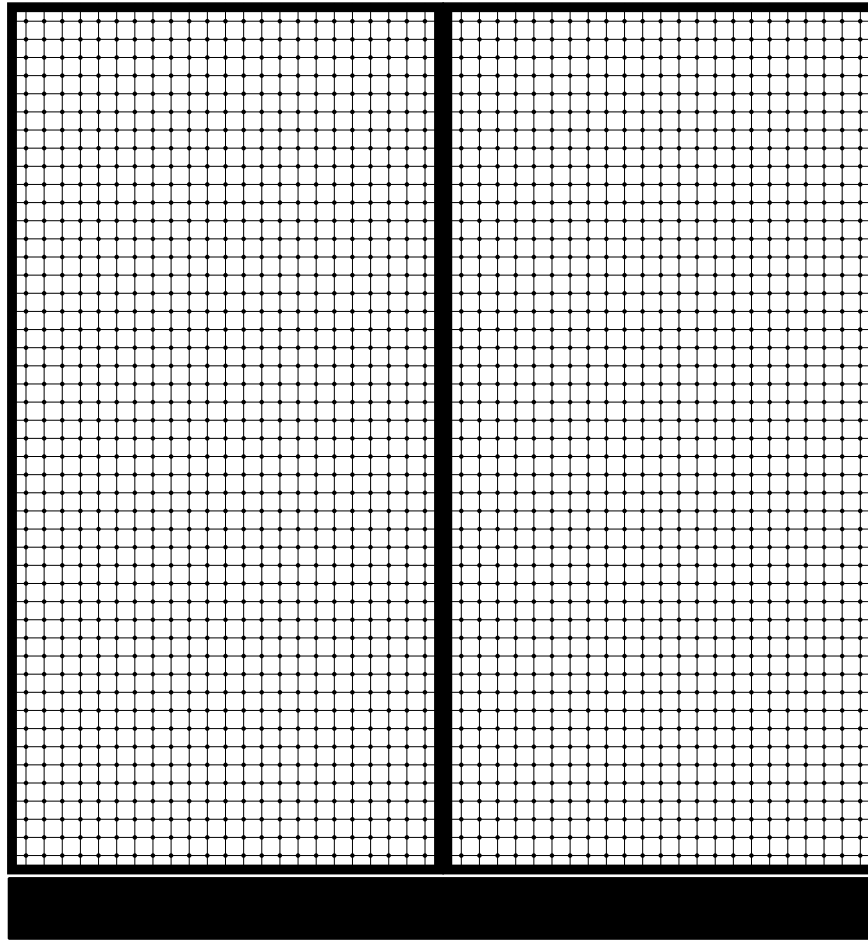


Ref. No.	Part Description	Qty. Req.	Part Number
1.	Transformer	1	SP10006
2.	Cleanout Assembly	1	
2A.	Bolt	1	
2B.	Gasket	1	
2C.	Cover	1	
2D.	Tank Holddown Bracket	1	
2E.	Lock Washer	1	
2F.	Nut	1	
3.	Anode Assembly	1	SP11524C
4.	Element	1	
5.	Element Insulation	1	
6.	Side Panel	1	
7.	Side & Back Panel	1	
8.	Inlet-Outlet Insulation	1	
9.	Shroud	2	AP9167
10.	Shroud	2	AP6334-1
11.	Nipple 3/4 inch NPT	1	AP508C-8
12.	Drain Valve	1	SP6070G
13.	Top Pan		
14.	Nipple 1-1/4 inch NPT	2	AP12012B
15.	Assembly - bottom tank supports & enclosure	1	
16.	Washer	1	

Ref. No.	Part Description	Qty. Req.	Part Number
17.	Cap Screw	1	
18.	Support Bracket	1	
19.	Upper Control Panel	1	
20.	Thermostat	1	SP8260
21.	Limit	1	SP5411
22.	Thermostat Dial	1	AP8339
23.	Captive Screw	1	AP8162B-1 AP8162-1
24.	Front Door	1	
25.	Contactors	1	SP12841
26.	Copper Connector	1	AM25285
27.	Element Fuse	1	SP8264M SP8264K
28.	Element Fuse Block	1	SP8311E SP11112
29.	Terminal Block	1	SP10127
30.	Control Mounting Panel	1	
31.	Snap Bushing	1	AP5316B-4
32.	Snap Bushing	1	AP5316C-4
33.	Leg	4	AP7803
34.	Rubber Channel	1	AP7475D-5
35.	Relief Valve (not shown)	1	AP9013E-3

To place your order call 1-800-621-5622; fax 1-800-535-9538

# 4' x 4' PARTS DISPLAY FOR GAS AND ELECTRIC MARKET



AP13266 Display unit (Empty)

**Preferred Gas and Electric Parts**

SP13266 (with parts shown below)

SP6571B	Relief Valve .....	3 each
SP12039	Melet Drain Valve .....	3 each
SP20009	Basic Install Kit 12" .....	3 each
SP20011	Installation Kit Electric .....	3 each
SP11695	Lower Electric T'stat .....	3 each
SP11698	Upper Electric T'stat .....	3 each
SP10552ML	4500W 240V LWD Resistor .....	3 each
SP11699	Single Element Thermostat .....	3 each
SP10552KH	3500W 240V High Watt .....	3 each
SP35871AB	Element wrench .....	3 each
SP10374	Compression Fitting 3/4" .....	3 each
SP10354	Compression Fitting 1/2" .....	3 each
SP20003	Heat Trap Nipple Kit .....	3 each
SP10552PL	5500W 240V Low Watt .....	3 each
SP10972	Hot surface Ignitor .....	3 each
SP6379R	Thermocouple 24" .....	3 each
SP6379K	Thermocouple 17" .....	3 each
SP8397G	Plastic Lined Nipple 2 1/4" .....	3 each
SP8346	Relief Valve Long Shank .....	3 each
SP8980B	Gas Pilot (Natural) .....	3 each
SP8980C	Gas Pilot (LP) .....	3 each
SP8555B	Gas Thermostat-Natural .....	3 each
SP12258B	Gas Thermostat-LP .....	3 each
SP10552MH	4500W 240V HWD Resistor .....	3 each
SP10869MM	4500W 240V SS Resistor .....	3 each
SP20010	Installation Kit-Gas .....	3 each
SP20060	Plumbers Pack .....	3 each
SP6830	Adapt-o-Flange .....	3 each

**Universal Gas and Electric Parts**

UV13266 (with parts shown below)

UV12899	4500W 240V HWD Non-resistor .....	3 each
UV12901	4500W 240V LWD Non-resistor .....	3 each
UV12904	4500W 240V SS Non-Resistor .....	3 each
UV20016	Installation Kit-Gas .....	3 each
UV20010	Basic Installation Kit 15" .....	3 each
UV13359	Upper Electric T'stat .....	3 each
UV13360	Lower Electric T'stat .....	3 each
UV20015	Installation Kit 12" Gas .....	3 each
UV12039	Melet Drain Valve .....	3 each
UV12927	Stainless Steel Water Conn 12" .....	3 each
UV6830	Adapt-o-Flange .....	3 each
UV6379L	Thermocouple Kit 18" .....	3 each
UV6379H	Thermocouple Kit 30" .....	3 each
UV6379R	Thermocouple Kit 24" .....	3 each
UV6379S	Thermocouple Kit 36" .....	3 each
UV10351	Copper Flex Water Conn 12" .....	3 each
UV20014	Installation Kit 18" Electric .....	3 each
UV6571B	Relief Valve .....	3 each
UV12992	Heat Trap Nipple Kit .....	3 each
UV20018	Plumbers Pack .....	3 each
UV38628	Element Wrench .....	3 each
UV12914	Gasket Kit .....	3 each
UV10374	3/4" Compression Fitting .....	3 each
UV10354	1/2" Compression Fitting .....	3 each

# 4' x 4' PLANOGRAM FOR GAS PREDOMINANT MARKET

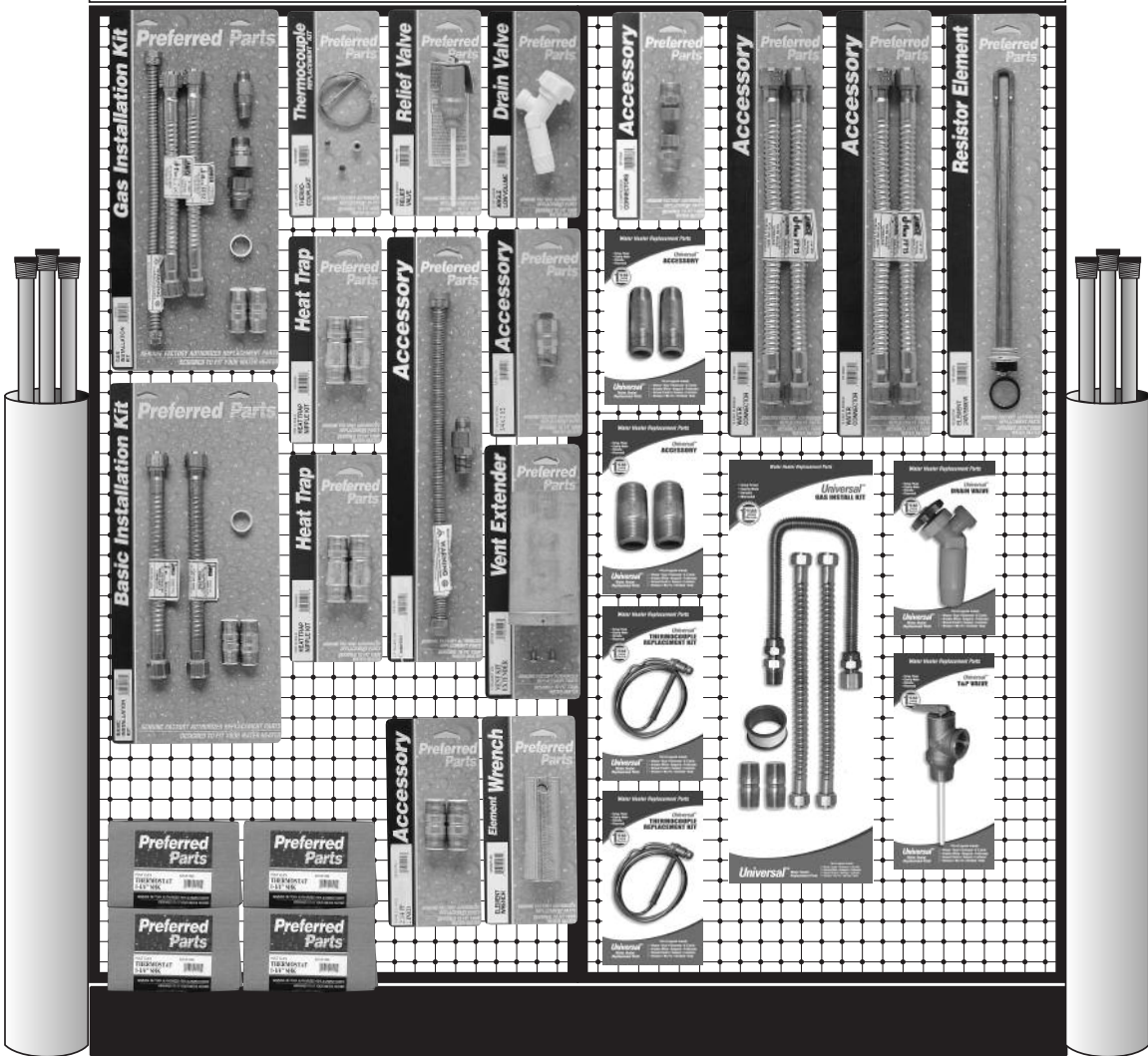


water heater

# parts central

**Preferred Parts™**  
The premium line of approved  
replacement parts.

**Universal Parts™**  
The value line for all your  
replacement parts needs.



To place your order call 1-800-621-5622; fax 1-800-535-9538

# 4' x 4' PLANOGRAM FOR ELECTRIC PREDOMINANT MARKET

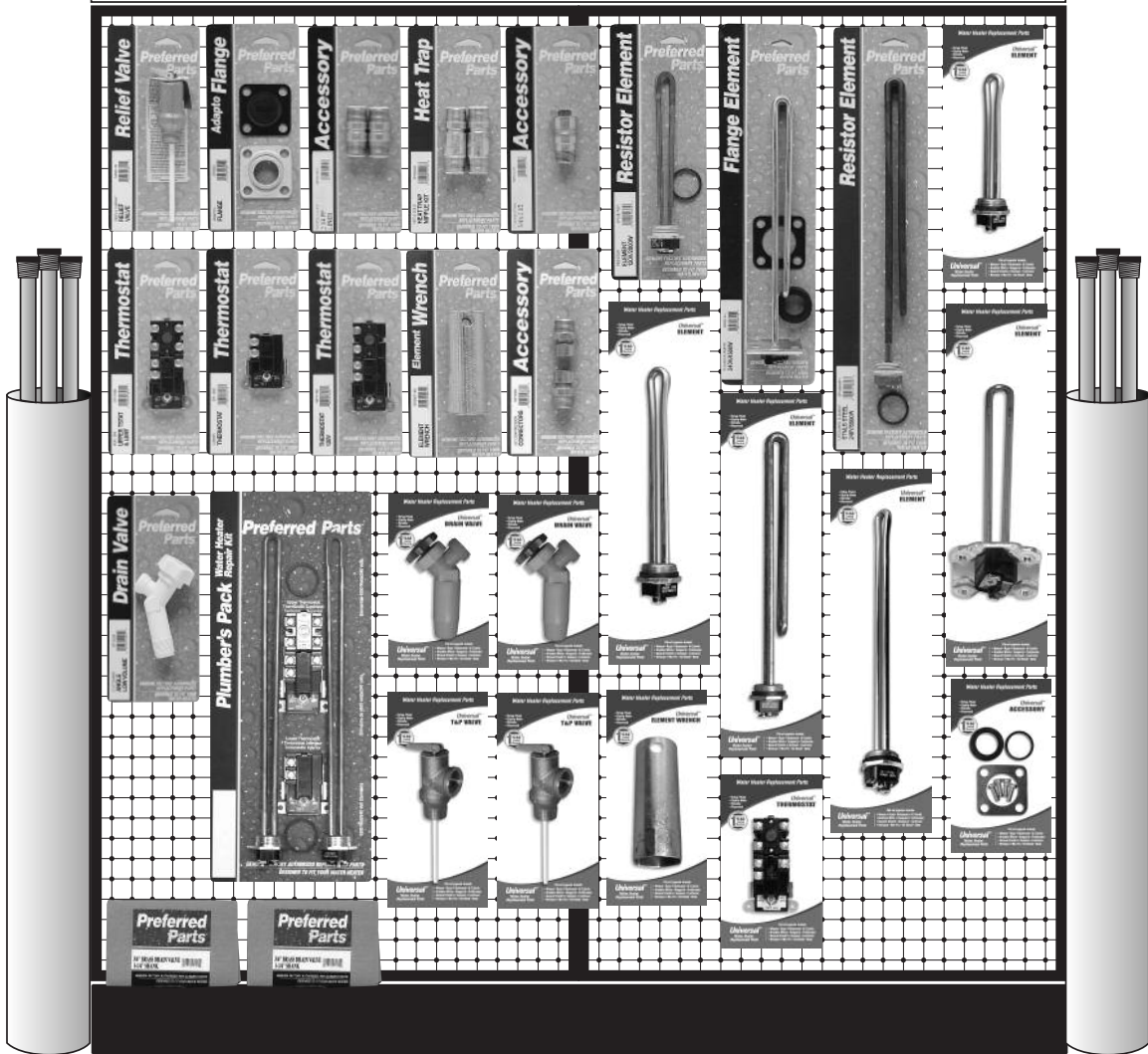


water heater

# parts central

**Preferred Parts™**  
The premium line of approved  
replacement parts.

**Universal Parts™**  
The value line for all your  
replacement parts needs.



To place your order call 1-800-621-5622; fax 1-800-535-9538

# 4' x 4' PLANOGRAM FOR GAS & ELECTRIC MARKET

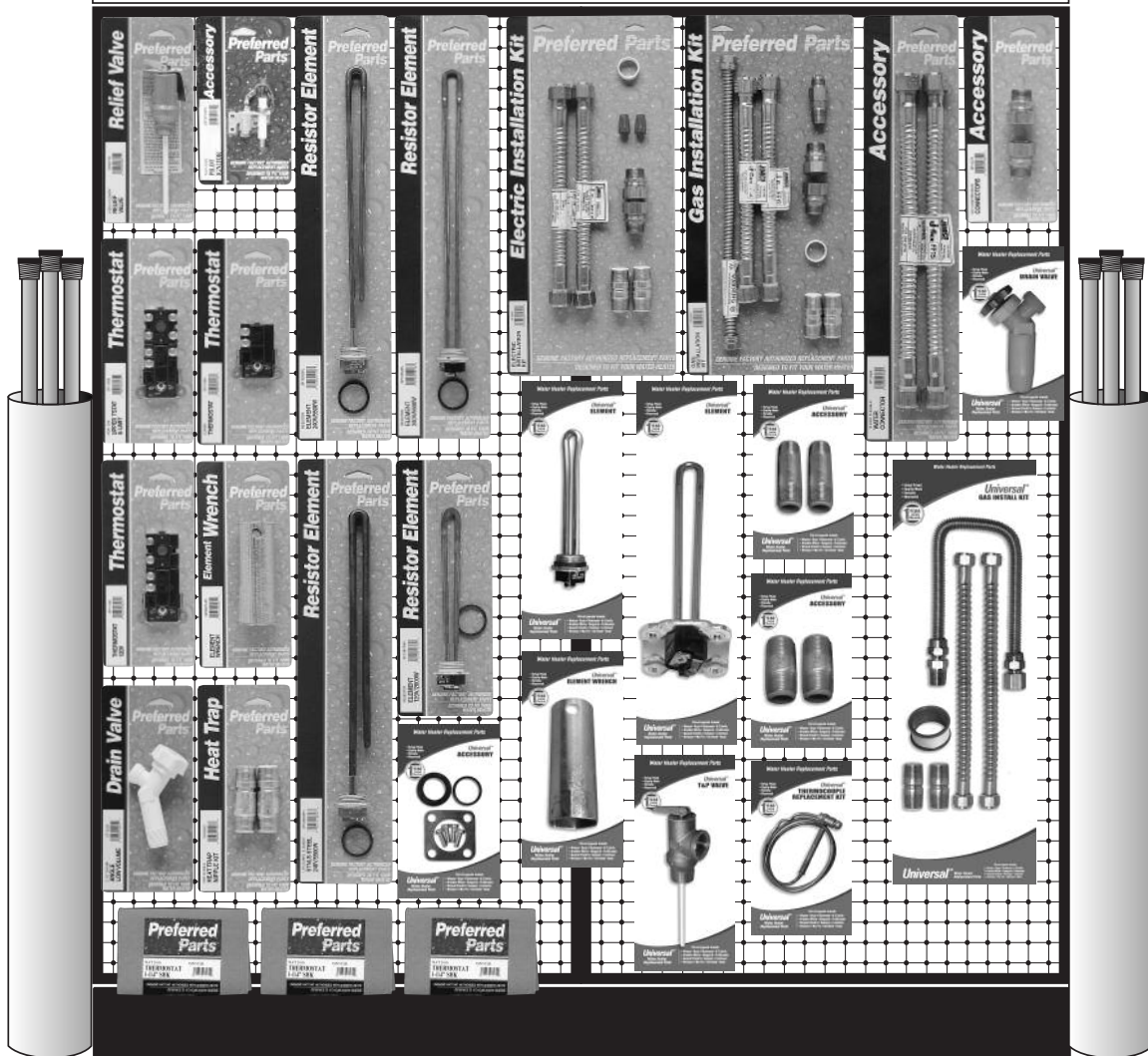


water heater

# parts central

**Preferred Parts**  
The premium line of approved  
replacement parts.

**Universal Parts**  
The value line for all your  
replacement parts needs.



To place your order call 1-800-621-5622; fax 1-800-535-9538

# SUPPLIES & HARDWARE

## AEROCEL® Insulated Tubing



### PRODUCT FEATURES

- Moisture & vapor resistance requiring no additional vapor barriers.
- Stable thermal conductivity (k.value) during its long service life, due to its dense surface skins and closed cell characteristics.
- Flexibility which makes installation work easy and neat.
- Outstanding ultraviolet and weather resistance.
- Aerocel products are processed without CFC chemical that is harmful to the earth ozone layer.

Part Number	Size ID X Wall X Length	ID Copper Range	IPS Iron W x D x H (Inches)	Feet Qty/ Carton	6' Piece Qty. / Carton ❖
<b>SELF-SEAL WITH PROTAPE</b>					
<b>Nominal 3/8" Wall</b>					
AC1238SSPT	1/2" x 3/8" x 6'	1/2"	1/4"	510	85
AC5838SSPT	5/8" x 3/8" x 6'	5/8"	3/8"	426	71
AC3438SSPT	3/4" x 3/8" x 6'	3/4"	-	378	63
AC7838SSPT	7/8" x 3/8" x 6'	7/8"	1/2"	336	56
AC11838SSPT	1-1/8" x 3/8" x 6'	1-1/8"	-	216	36
AC13838SSPT	1-3/8" x 3/8" x 6'	1-3/8"	1"	180	30
AC15838SSPT	1-5/8" x 3/8" x 6'	1-5/8"	1-1/4"	150	25
AC21838SSPT	2-1/8" x 3/8" x 6'	-	-	96	16
AC25838SSPT	2-5/8" x 3/8" x 6'	-	-	84	14
AC31838SSPT	3-1/8" x 3/8" x 6'	-	-	60	10
<b>Nominal 1/2" Wall</b>					
AC3812SSPT	3/8" x 1/2" x 6'	3/8"	-	456	76
AC1212SSPT	1/2" x 1/2" x 6'	1/2"	1/4"	372	62
AC5812SSPT	5/8" x 1/2" x 6'	5/8"	3/8"	288	48
AC3412SSPT	3/4" x 1/2" x 6'	3/4"	-	276	46
AC7812SSPT	7/8" x 1/2" x 6'	7/8"	1/2"	234	39
AC11812SSPT	1-1/8" x 1/2" x 6'	1-1/8"	-	156	26
AC13812SSPT	1-3/8" x 1/2" x 6'	1-3/8"	1"	144	24
AC15812SSPT	1-5/8" x 1/2" x 6'	1-5/8"	1-1/4"	114	19
<b>Nominal 3/4" Wall</b>					
AC3834SSPT	3/8" x 3/4" x 6'	3/8"	-	294	49
AC1234SSPT	1/2" x 3/4" x 6'	1/2"	1/4"	216	36
AC5834SSPT	5/8" x 3/4" x 6'	5/8"	3/8"	180	30
AC3434SSPT	3/4" x 3/4" x 6'	3/4"	-	144	24
AC7834SSPT	7/8" x 3/4" x 6'	7/8"	1/2"	144	24
AC11834SSPT	1-1/8" x 3/4" x 6'	1-1/8"	-	108	18
AC13834SSPT	1-3/8" x 3/4" x 6'	1-3/8"	1"	84	14
AC15834SSPT	1-5/8" x 3/4" x 6'	1-5/8"	1-1/4"	72	12
<b>Nominal 1" Wall</b>					
AC5810SSPT	5/8" x 1" x 6'	5/8"	3/8"	108	18
AC3410SSPT	3/4" x 1" x 6'	3/4"	-	108	18
AC7810SSPT	7/8" x 1" x 6'	7/8"	1/2"	96	16
AC11810SSPT	1-1/8" x 1" x 6'	1-1/8"	-	72	12
AC13810SSPT	1-3/8" x 1" x 6'	1-3/8"	1"	72	12
AC15810SSPT	1-5/8" x 1" x 6'	1-5/8"	1-1/4"	54	9
AC23810SSPT	2-3/8" x 1" x 6'	2-3/8"	2"	36	6
AC31210SSPT	3-1/2" X 1" X 6'	3-1/2"	3"	30	5

❖ All prices based on quantity of one. Must order in multiples of 6' piece quantity shown. Partial case quantities cannot be returned.

To place your order call 1-800-621-5622; fax 1-800-535-9538

# SUPPLIES & HARDWARE

## Pro-Glo Extension Cords

Part Number	Description	Case Qty
86-D12912025	Work Light - 25' (ProGlo Yellow 12/3 SJTW)	6
86-D15511003	GFCI-3' (ProGlo Green 12/3 SJTW, Triple Tap)	24
86-D17223050	Ext. Cord - 50' (ProGlo Lighted Yellow Triple Tap, 12/3 SJTW)	6
86-D17223100	Ext. Cord - 100' (ProGlo Lighted Yellow Triple Tap, 12/3 SJTW)	4
86-D17442025	Ext. Cord - 25' (ProGlo Lighted Orange, 12/3 SJTW)	12
86-D17442050	Ext. Cord - 50' (ProGlo Lighted Orange, 12/3 SJTW)	6
86-D17442100	Ext. Cord - 100' (ProGlo Lighted Orange, 12/3 SJTW)	4
86-D17443025	Ext. Cord - 25' (ProGlo Lighted Yellow, 12/3 SJTW)	12
86-D17443050	Ext. Cord - 50' (ProGlo Lighted Yellow, 12/3 SJTW)	6
86-D17443100	Ext. Cord - 100' (ProGlo Lighted Yellow, 12/3 SJTW)	4
86-D17444025	Ext. Cord - 25' (ProGlo Lighted Green, 12/3 SJTW)	12
86-D17444050	Ext. Cord - 50' (ProGlo Lighted Green, 12/3 SJTW)	6
86-D17444100	Ext. Cord - 100' (ProGlo Lighted Green, 12/3 SJTW)	4
86-D17445025	Ext. Cord - 25' (ProGlo Lighted Pink, 12/3 SJTW)	12
86-D17445050	Ext. Cord - 50' (ProGlo Lighted Pink, 12/3 SJTW)	6
86-D17445100	Ext. Cord - 100' (ProGlo Lighted Pink, 12/3 SJTW)	4
86-D17446025	Ext. Cord - 25' (ProGlo Lighted Blue, 12/3 SJTW)	12
86-D17446050	Ext. Cord - 50' (ProGlo Lighted Blue, 12/3 SJTW)	6
86-D17446100	Ext. Cord - 100' (ProGlo Lighted Blue, 12/3 SJTW)	4
86-D17447025	Ext. Cord - 25' (ProGlo Lighted Red, 12/3 SJTW)	12
86-D17447050	Ext. Cord - 50' (ProGlo Lighted Red, 12/3 SJTW)	6
86-D17447100	Ext. Cord - 100' (ProGlo Lighted Red, 12/3 SJTW)	4
86-D17448025	Ext. Cord - 25' (ProGlo Lighted Black, 12/3 SJTW)	12
86-D17448050	Ext. Cord - 50' (ProGlo Lighted Black, 12/3 SJTW)	6
86-D17448100	Ext. Cord - 100' (ProGlo Lighted Black, 12/3 SJTW)	4
86-D17449025	Ext. Cord - 25' (ProGlo Lighted Purple, 12/3 SJTW)	12
86-D17449050	Ext. Cord - 50' (ProGlo Lighted Purple, 12/3 SJTW)	6
86-D17449100	Ext. Cord - 100' (ProGlo Lighted Purple, 12/3 SJTW)	4

### No Corner is Cut!

Cords and cables are made with industrial grade brass blades, contacts and ground pins, assuring a quality product.

### UV Sunlight Resistant

Special UV inhibitors give great flexibility. The cords can be used in a wide range of climatic conditions without cracking or aging in direct sunlight.

### Water Resistant Rating

Moisture resistant insulation guarantees water will not penetrate the copper conductors that can lead to corrosion and shorts.

### UL / cUL Listed

Use in the USA and Canada. OSHA Compliant.



### Special Features

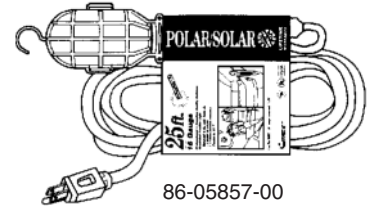
- \* Designed for construction / industrial use.
- \* Highly visible Cenflex PVC jacket provides -
  - extreme durability;
  - chemical, moisture and ozone resistance; and
  - flexibility at below freezing temperatures.
- \* Molded on non-slip plugs and connectors resist breaking or pulling off cord.
- \* Tri-Tap / Quad-Tap Extension Cords are equipped with additional outlets for job site power.
- \* Lighted End Extension Cords feature a neon power light to confirm the power is on.

To place your order call 1-800-621-5622; fax 1-800-535-9538

# SUPPLIES & HARDWARE

## Baron Trouble Lights & Extension Cords

Part Number	Vendor Number	Description	Case Qty
<b>Polar/Solar Trouble Lights 16/3 UL/CSA, SJEOW Side Outlet &amp; Switch Metal Cage, PVC Coated (Yellow).</b>			
86-05857-00	05857-00-02	Trouble Light - 25 Ft.	6
86-05858-00	05858-00-02	Trouble Light - 50 Ft.	6
<b>12 AWG Polar/Solar+ Lighted Extension Cord w/3-Way Power Block UL, SEOW, SJEOW, OSHA (Yellow).</b>			
86-03487-00	03487-00-02	Lighted Extension Cord - 25 Ft.	12
86-03488-00	03488-00-02	Lighted Extension Cord - 50 Ft.	6
86-03489-00	03489-00-02	Lighted Extension Cord - 100 Ft.	4



⊕ All prices based on quantity of one. Must order in multiples of case quantity shown. Orders received for quantities other than those shown will be rounded up. Partial case quantities cannot be returned.

To place your order call 1-800-621-5622; fax 1-800-535-9538



# SUPPLIES & HARDWARE

## PROTECH™ and BossW Caulking, Sealants, Adhesives & Lubricants



### 86-136 Fire/Smoke and Draft Sealant:

- \* Completely non-toxic and contains no asbestos or PCBs.
- \* Applied with a conventional caulking gun.
- \* Easily applied sealant with water clean-up capability.
- \* An accredited fire block/smoke seal caulk.
- \* Single component system, no mixing necessary and no additions required.
- \* Meets residential construction code approvals.
- \* Red color.

### 86-139 Fire Mortar:

- \* Can withstand extremely high heat.
- \* Applied with standard caulking gun.
- \* Dries rock hard when cured and fired.
- \* Safe to use and handle.
- \* No harmful odors.
- \* Water clean-up (prior to curing).
- \* VOC compliant.
- \* Contains NO asbestos fillers of any kind.
- \* Black color.

### 86-340G Fast Cure Polyurethane Adhesive/Sealant:

- \* High Modulus, non-slump, fast cure, tack free in 60-90 min.
- \* Cures to a tough, polyurethane elastomer.
- \* Excellent adhesion to woods, masonry, metals, fiberglass and most other construction materials.
- \* Paintable.
- \* Ideal for environments where silicone is not allowed.
- \* Suitable for marine applications.
- \* Grey color.

### 86-341 Polyurethane Adhesive/Sealant:

- \* Primerless adhesion to most building materials.
- \* Non-sag formulation.
- \* Excellent weatherability.
- \* Paintable.
- \* Cures to a tough, flexible rubber.
- \* Tools easily.

### 86-360W Acrylic Latex Painter's Caulk:

- \* 25 Year durability.
- \* Interior and exterior uses.
- \* Paintable, flexible bond.
- \* Resistant to water.
- \* White color.

### 86-362W Acrylic Tub 'n' Tile Caulk:

- \* Paintable.
- \* Seals around ceramic tiles, showers, tubs, sinks and plumbing fixtures.
- \* Resists mildew/rust inhibitor.
- \* Bonds, seals and waterproofs.
- \* White color.

### 86-367 Elastomeric Adhesive/Sealant.

Compatibility with a variety of materials makes it the ideal sealant for use with:

- \* Woods, including oil woods.
- \* All metals
- \* Glass.
- \* Brick, cement and masonry.
- \* Asphalt, and asphalt like materials.
- \* Vinyl building products.
- \* Roofing products.

### 86-370 HVAC/R Silicone Sealant:

- \* One-part RTV acetoxysilane sealant formulated for general heating, ventilation, air conditioning & refrigeration sealing.
- \* Adheres to clean ductwork, metals & many types of wood.
- \* Meets FDA and USDA requirements for use in federally inspected meat and poultry plants.
- \* Seals wall penetrations.
- \* Meets NSF Standard 51.
- \* 86-370A is aluminum color; 86-370C is clear color; 86-370W is white color.

To place your order call 1-800-621-5622; fax 1-800-535-9538

# SUPPLIES & HARDWARE

## PROTECH™ and Boss Caulking, Sealants, Adhesives & Lubricants

### 86-376R High Temp Red Silicone Sealant:

- \* Sealing and encapsulating heating elements in appliances, stove & furnace vent pipes.
- \* Moving oven belts.
- \* Industrial ovens.
- \* Bag filters on smoke stacks.
- \* Other critical bonding, sealing, potting, encapsulating & protective coating where parts must perform at high temps

### 86-333 Expanding Foam Sealant:

- \* Easy-to-use, multi-purpose urethane foam.
- \* Expands to three times its original volume.
- \* Adheres to all building materials except Teflon, silicone & polyethylene.
- \* Seals by expanding into gaps, cracks and crevices.
- \* Uses include insulating, sealing and filling gaps around pipes, plumbing fixtures, ductwork and foundations.
- \* UL Classified.

### 86-814 Intumescent Latex Firestop Sealant:

- \* Interior/Exterior use on virtually any surface.
- \* Remains flexible.
- \* VOC compliant.
- \* Excellent freeze/thaw properties.
- \* Safe to use and handle.
- \* Water clean-up.
- \* 24 month shelf life.
- \* Applied with a conventional caulking gun.
- \* Red color.

### 86-815 Firestop Insert for Electrical Outlet Boxes:

- \* Cost effective - fast and easy to install.
- \* Peel and stick to inside of metal electrical outlet box.
- \* Safe to use, completely non-toxic.
- \* Two standard sizes available - no trimming required.
- \* Intumescent - expands when exposed to heat and fire.
- \* Meets all acoustical requirements.

### 86-816R Intumescent Firestop Sealant:

- \* Mildew resistant.                      \* Water based and paintable.
- \* Remains flexible.                      \* 2 year shelf life.
- \* VOC compliant.
- \* Excellent freeze/thaw properties.
- \* Safe to use and handle.
- \* Bonds quickly with excellent adhesion.

Part Number	Description	Logo	Color	Case Qty
86-136	Fire/Smoke & Draft Sealant	Boss	Red	12
86-139	Fire Mortar	Boss	Black	12
86-340G	Fast Cure Polyurethane Adhesive/Sealant	Boss	Grey	12
86-341	Polyurethane Adhesive/Sealant	Boss	White, Gray, Black, Limestone, Bronze	12
86-360W	Acrylic Latex Painters Caulk	Boss	White	12
86-362W	Acrylic Tub 'n' Tile Caulk	Boss	White	12
86-367	Elastomeric Adhesive Sealant	Boss	White, Clear	12
86-370A	HVAC/R Silicone Sealant	Protech	Aluminum	12
86-370C	HVAC/R Silicone Sealant	Protech	Clear	12
86-370W	HVAC/R Silicone Sealant	Protech	White	12
86-376R	High Temp Silicone Sealant	Protech	Red	12
86-333	Expanding Foam Sealant (12 Oz. Can)	Boss	—	12
86-814	Intumescent Latex Firestop Sealant	Boss	Red	12
86-815	Firestop Insert for Electrical Outlet Boxes (Sizes: 4 x 4 x 1/8, 4 x 4 x 1/4, 4 x 2 x 1/8, 4 x 2 x 1/4)	Boss	Black	50
86-816R	Intumescent Firestop Sealant	Boss	Red	12

**See our Caulking Guns in Tools and Instruments Section.**

\* All prices based on quantity of one. Must order in multiples of case quantity shown. Orders received for quantities other than those shown will be rounded up. Partial case quantities cannot be returned.

**To place your order call 1-800-621-5622; fax 1-800-535-9538**

# SUPPLIES & HARDWARE

## Touch'n Seal®

### Touch'n Seal® No Warp Foam      4004521212 (12 oz.)      4004521224 (24 oz.)

Touch 'n Seal offers a low-pressure, polyurethane foam as a disposable, straw-dispensed aerosol. No-warp fills and seals space between finished jambs, sills, headers and rough openings while exerting up to 90% less curing pressure than conventional foam, providing airtight insulation without warping. (Available in 12 or 24 oz)

- \* Low-pressure formula exerts up to 90% less curing pressure
- \* Stops air infiltration permanently - outperforms fiberglass
- \* Creates moisture vapor barrier
- \* Bright white foam
- \* Cures fast
- \* No gun applicator needed
- \* ASTM E-84: Flame Spread 5, Smoke Developed 25
- \* Contains fire retardant



### Touch'n Seal® Gun Foam II      4004528712 (24 oz.)

Gun Foam is a one-component, polyurethane foam sealant used to seal cracks and holes, providing airtight insulation that blocks drafts, moisture and insects. It's applied with a gun applicator and can be used under the plate line, at the juncture of the plate line and the slab or foundation, and any penetration through the top or the bottom plate line into a conditioned area. It fills cracks in the exterior sheeting (due to poor application or penetrations made for utility services), at the corner and tee-joints in framing, and any other place where air might penetrate the exterior envelope.

- \* Seal gaps and cracks, providing over 75% closed cell content
- \* Stops air infiltration permanently
- \* Outperforms fiberglass
- \* High yield (3000 plus linear feet of 1/4" diameter bead)
- \* Fast cure
- \* UL Classified: Flame Spread 15, Smoke Developed 25
- \* Contains fire retardant
- \* Meets Building Codes: CABO (Council of American Building Officials)  
BOCA (Building Officials and Code Administrators, International)  
CCMC (Canadian Construction Material Centre (formerly CHMC))  
ICBO (International Conference of Building Officials)  
SBCCI (Southern Building Code Congress International)



#### Technical Information

Density: (ASTM D-1622) 1.3-1/8 lbs./cu. ft.  
Comprehensive Strength: (ASTM D-1621) 11 psi  
Percent Elongation at Break: 12%  
Thermal Resistance: (ASTM C-518)  
R-Value: 4.5 /inch thick  
Solvent Free

Max. Service Temp. (Cured): 2407F (1167C)  
Tensile Strength: (ASTM D-1623) 26 psi  
Shear Strength: (ASTM C-273) 18 psi  
Shear Strain: (ASTM C-273) 38 psi  
Size (Volume): 24 oz. can (1.25 cu. ft.)  
Shelf Life: 18 months

*To place your order call 1-800-621-5622; fax 1-800-535-9538*

# SUPPLIES & HARDWARE

## Touch'n Seal®

### Touch'n Seal® Poly-Clean

4004712022 (12 oz.)

Poly-Clean is made to remove wet polyurethane foam from hands, tools and gun applicators. It can be attached directly to the gun basket to flush foam from the barrel. Any excess foam should be cleaned immediately (while wet), as dried foam is extremely difficult to remove and may have to wear off.



### Touch'n Seal® Sharpshooter Gun Foam Applicators

Sharpshooter gun applicators have been manufactured and tested to work with Touch'n Seal gun foam sealants. Whether it's a pro gun or a disposable model, gun applicators allow for more precise control of bead size as well as an easier dispensing method for extended use.

#### Sharpshooter-D Gun 4004510604

- \* Economical, disposable gun applicator
- \* Lightweight plastic with metal internal parts

#### Sharpshooter-D Gun 4004510608

- \* Professional model for extended use
- \* Long-lasting metal barrel



4004510604

Part Number	Description	Case Qty. ✚
4004521212	No-Warp Foam, 12 oz.	12
4004521224	No-Warp Foam, 24 oz.	12
4004528712	Gun Foam II, 24 oz.	12
4004712022	Poly Clean, 12 oz.	12
4004510604	Sharpshooter-D Foam Applicator	6
4004510608	Sharpshooter-X Foam Applicator	1

✚ All prices based on quantity of one. Must order in multiples of case quantity shown. Orders received for quantities other than those shown will be rounded up. Partial case quantities cannot be returned.

To place your order call 1-800-621-5622; fax 1-800-535-9538

# SUPPLIES & HARDWARE

## Oatey Adhesives



### Multi-Purpose Regular Clear Cement

FOR ABS, PVC & CPVC Pipe and Fittings

Regular-bodied clear cement for use on ABS, PVC and CPVC up to 4" in diameter. Recommended for pipes and fittings Sch. 40 and Sch. 80, potable water, pressure pipe, gas, conduit and DWV. Apply at temperatures 40° to 100°F. Meets ASTM D-2564, D-2235, F-493.

Part Number	Oatey Part No.	Description	Case Qty. ❖
670003	30818	4 oz. Clear	24
670002	30821	8 oz. Clear	24
670001	30834	16 oz. Clear	24
670000	30847	32 oz. Clear	12

### PVC Regular Clear Cement – Fast Set

FOR PVC Pipe and Fittings

Regular-bodied clear cement for use on PVC pipe and fittings up to 4" for DWV Sch. 40 and up to 2" for Sch. 80. Recommended for ALL grades and types of PVC pipes and fittings, potable water, pressure pipe, gas, conduit and DWV. . Sets up quickly. Apply at temperatures 40° to 100°F. Meets ASTM D-2564.

Part Number	Oatey Part No.	Description	Case Qty. ❖
670008	31012	4 oz. Clear	24
670007	31013	8 oz. Clear	24
670006	31014	16 oz. Clear	24
670005	31015	32 oz. Clear	12
670004	31016	Gallon Clear	6

❖ All prices based on quantity of one. Must order in multiples of case quantity shown. Orders received for quantities other than those shown will be rounded up. Partial case quantities cannot be returned.

To place your order call 1-800-621-5622; fax 1-800-535-9538

# SUPPLIES & HARDWARE

## Oatey Adhesives (cont'd)



### PVC Medium “Hot” Blue Cement

FOR PVC Pipe and Fittings

Medium-bodied blue colored cement for PVC pipe and fittings up to 6” for Sch. 40 and Sch. 80. Blue color fades to clear in direct sunlight. No primer needed on non-pressure DWV, **where local codes permit**. Recommended for ALL grades and types of PVC pipe and fittings, potable water, pressure pipe, gas, conduit and DWV. Very fast-setting, formulated for wet conditions and/or quick pressurization and fast installation. Apply at temperatures 40° to 100°F. Meets ASTM D-2564.

Part Number	Oatey Part No.	Description	Case Qty. ✦
670016	30891	8 oz. “Hot” Blue	24
670015	30893	16 oz. “Hot” Blue	24
670014	30894	32 oz. “Hot” Blue	12

### PVC All Weather Cement

FOR PVC Pipe and Fittings

Medium-bodied clear cement for PVC pipe and fittings up to 6” for DWV Sch. 40 and Sch. 80. No primer needed on non-pressure DWV, **where local codes permit**. Recommended for ALL grades and types of PVC pipe and fittings, potable water, pressure pipe, gas, conduit and DWV. Formulated for fast initial set-up at temperatures down to -5° to 100°F. Meets ASTM D-2564.

Part Number	Oatey Part No.	Description	Case Qty. ✦
670010	31132	16 oz. Clear	24
670009	31129	32 oz. Clear	12

✦ All prices based on quantity of one. Must order in multiples of case quantity shown. Orders received for quantities other than those shown will be rounded up. Partial case quantities cannot be returned.

To place your order call 1-800-621-5622; fax 1-800-535-9538

# SUPPLIES & HARDWARE

---

## Oatey Adhesives (cont'd)

### CPVC Medium Orange Cement

FOR CPVC Pipe and Fittings

Medium-bodied orange colored cement for CPVC pipe and fittings up to 6". For C.T.S. (copper tube size) and Sch. 80, potable water, and pressure pipe. Apply at temperatures 40° to 100°F. Meets ASTM F-493.

Part Number	Oatey Part No.	Description	Case Qty. ❖
670012	31128	4 oz. Orange	24
670011	31129	8 oz. Orange	24

### PVC Heavy Duty Clear Cement

FOR PVC Pipe and Fittings

Heavy-bodied clear cement for ALL grades and types of PVC pipe and fittings up to 12". For Sch. 40 and 80, potable water, pressure pipe, gas conduit and DWV. Recommended application temperature 40° to 100°F. Thick formula fills gaps in large diameter pipe and loose fitting joints. Meets ASTM D-2564.

Part Number	Oatey Part No.	Description	Case Qty. ❖
670024	30850	4 oz. Clear	24
670025	30863	8 oz. Clear	24
670026	30876	16 oz. Clear	24
670027	31008	32 oz. Clear	12
670028	31011	Gallon	6

❖ All prices based on quantity of one. Must order in multiples of case quantity shown. Orders received for quantities other than those shown will be rounded up. Partial case quantities cannot be returned.

---

*To place your order call 1-800-621-5622; fax 1-800-535-9538*

# SUPPLIES & HARDWARE

## Oatey Adhesives (cont'd)



### Purple Primer

#### FOR PVC & CPVC Pipe and Fittings

Purple-tinted aggressive primer for use on PVC and CPVC pipe and fittings where plumbing code calls for verification that a primer has been used. Exceeds environmental requirements and meets various California district rules. Removes surface dirt, grease and grime as well as softens the pipe surface to allow a fast, secure solvent weld. Meets ASTM F-656.

Part Number	Oatey Part No.	Description	Case Qty. ✦
523008	30755	4 oz. Purple	24
523007	30756	8 oz. Purpler	24
523006	30757	16 oz. Purple	24
523005	30758	32 oz. Purple	12
523004	30759	Gallon Purple	6

### Clear All Purpose Cleaner

#### FOR ABS, PVC & CPVC Pipe and Fittings

Clear cleaner for use on ABS, PVC and CPVC pipe and fittings, all schedules and all diameters. Flows freely and evaporates quickly. Removes surface dirt, grease and grime. Exceeds environmental requirements and meets California PVC requirements.

Part Number	Oatey Part No.	Description	Case Qty. ✦
523003	30782	8 oz. Clear	24
523002	30795	16 oz. Clear	24
523001	30805	32 oz. Clear	12
523000	30766	Gallon Clear	6

✦ All prices based on quantity of one. Must order in multiples of case quantity shown. Orders received for quantities other than those shown will be rounded up. Partial case quantities cannot be returned.

To place your order call 1-800-621-5622; fax 1-800-535-9538



# SUPPLIES & HARDWARE

## Oatey Pipe Joint Compounds

### GREAT WHITE® Pipe Joint Compound with Teflon

- Lubricates and seals all threaded joints.
- White, non-hardening, non-separating, non-toxic paste.
- Withstands up to 3,000 PSI on gases from -50°F to +400°F, and 10,000 PSI on liquids from -50°F to +500°F.
- For use with water, steam, caustics or dilute acid lines of PVC, CPVC, ABS, cyclocac, polypropylene, iron, steel or copper.

Part Number	Oatey Part No.	Description	Case Qty. ✚
31229	31229	Pipe Dope with Teflon, 1 fl. oz.	12
31230	31230	Pipe Dope with Teflon w/ brush, 4 fl. oz.	12
31231	31231	Pipe Dope with Teflon w/ brush, 8 fl. oz.	12
31232	31232	Pipe Dope with Teflon w/ brush, 16 fl. oz.	24
31233	31233	Pipe Dope with Teflon w/ brush, 32 fl. oz.	12

TEFLON® IS A REGISTERED TRADEMARK OF DUPONT FLUOROCARBON RESINS.

### GREAT BLUE® Pipe Joint Compound with Teflon

- All the benefits of a Teflon based thread sealant without the mess.
- Flexible blue, non-hardening, non-separating, non-toxic paste, no odor, easy clean-up.
- Withstands up to 3,000 PSI on gases from -50°F to +400°F, and 10,000 PSI on liquids from -50°F to +500°F.
- Lubricates and seals thread on water, natural gas, steam, airlines, caustics and dilute acids.
- Use on PVC, CPVC, ABS, polyethylene, polypropylene, iron, steel, copper or brass threads up to and including 2".

Part Number	Oatey Part No.	Description	Case Qty. ✚
31265	31265	Great Blue Pipe Joint Compound, 1 fl. oz.	12
31261	31261	Great Blue Pipe Joint Compound, 4 fl. oz.	12
31262	31262	Great Blue Pipe Joint Compound, 8 fl. oz.	12
31263	31263	Great Blue Pipe Joint Compound, 16 fl. oz.	24
31264	31264	Great Blue Pipe Joint Compound, 32 fl. oz.	12

✚ All prices based on quantity of one. Must order in multiples of case quantity shown. Orders received for quantities other than those shown will be rounded up. Partial case quantities cannot be returned.

*To place your order call 1-800-621-5622; fax 1-800-535-9538*

# SUPPLIES & HARDWARE

## POLYKEN® & NASHUA® Tapes & Supplies

### POLYKEN®

Part Number	Description	Color	Total Thickness mils (mm)	Tensile Strength lbs/in(kg/cm)	Adhesion To Steel ozs/in (g/cm)	Case Qty. ✱
☆ 86-P223 ✱	2" x 60 yd High Tensile Strength Duct Tape	Silver	10.0 (0.25)	22 (3.92)	50 (560)	24
86-P223-P ✱	2" x 60 yd High Tensile Strength Duct Tape	Silver	10.0 (0.25)	22 (3.92)	50 (560)	24
86-P227 ✱	2" x 60 yd Contractor Grade Duct Tape	Silver	11.0 (0.28)	24 (4.27)	70 (784)	24
86-P236-P ✱	2" x 60 yd Heavy Duty Printed Duct Tape	Silver	12.0 (0.30)	28 (4.98)	36 (403)	24
☆ 86-P243 ✱	2" x 60 yd High Performance Duct Tape	Silver	10.0 (0.25)	22 (3.92)	50 (560)	24
☆ 86-P243-B ✱	2" x 60 yd High Performance Duct Tape	Black	10.0 (0.25)	22 (3.92)	50 (560)	24
86-P251 ✱	2" X 60 yd Professional Grade Metallized Duct Tape	Metallic	11.0 (0.28)	25 (4.45)	30 (336)	24
☆ 86-P337 ✱	2" x 50 yd Dead Soft Aluminum Foil Backed Tape	Alum	3.6 (0.09)	20 (3.56)	60 (672)	24
☆ 86-P337-3 ✱	3" x 50 yd Dead Soft Aluminum Foil Backed Tape	Alum	3.6 (0.09)	20 (3.56)	60 (672)	16
☆ 86-P338 ✱	3" x 50 yd Foil/Scrim/Kraft, Tear-resistant Tape	Alum	N/A	35 (6.23)	50 (616)	16
☆ 86-P339-P +	2.5" x 60 yd Foil Tape	Alum	—	—	—	16
☆ 86-P348 ✱	3" x 50 yd Fiberglass Backed Jacket Sealing Tape	White	N/A	45 (8.01)	50 (560)	16
86-P360-35	3" x 100 yd Sealing Tape	Silver	35 (0.87)	20 (0.36)	—	16
☆ 86-P360-17 ✱	2" x 100 yd Foil Tape	Silver	—	—	—	24
86-P44	Spray Adhesive, 17 oz. Can	—	N/A	N/A	N/A	12
86-P557-P ✱	2" x 60 yd Premium Printed Flex Duct Tape	Silver	14.0 (0.36)	45 (8.01)	50 (560)	24
86-P747	2" x 55 yd Package Tape	—	N/A	N/A	N/A	36
86-P821 ■	3/4" x 60 ft. Electrical Tape	Black	7.8 (0.20)	1800 (320.40)	30 (336)	96
86-826-Y	2" x 100 ft. Gas Pipe Tape	Yellow	-	-	-	24



86-P339-P



86-P44

### NASHUA®

Part Number	Description	Color	Total Thickness mils (mm)	Tensile Strength lbs/in(kg/cm)	Adhesion To Steel ozs/in (g/cm)	Case Qty. ✱
☆ 86-N322 ✱	2" x 50 yd Dead Soft Aluminum Foil Backed Tape	Foil	7.4 (0.19)	23 (4.09)	126 (1411)	24
☆ 86-N322-3 ✱	3" x 50 yd Dead Soft Aluminum Foil Backed Tape	Foil	7.4 (0.19)	23 (4.09)	126 (1411)	16
86-N324-P +	2.5" x 60 yd Printed Aluminum Foil Tape w/Kraft Liner	Foil	8.1 (0.21)	25 (4.45)	60 (672)	16
86-N345 ✱	2" x 60 yd Professional Grade, Water Proof Duct Tape	Silver	12.0 (0.30)	29 (5.16)	54 (605)	24
86-N345-P ✱	2" x 60 yd Prof. Grade, Water Proof Printed Duct Tape	Silver	12.0 (0.30)	29 (5.16)	54 (605)	24
☆ 86-N357 ✱	2" x 60 yd Premium, Tensile Strength Duct Tape	Silver	13.0 (0.33)	45 (8.01)	55 (616)	24
☆ 86-N357-B ✱	2" x 60 yd Premium, Tensile Strength Duct Tape	Black	14.0 (0/36)	45 (8.01)	55 (616)	24
86-N357-SA	Spray Adhesive, 24 oz. Can	—	N/A	N/A	N/A	12
86-N396 ✱	2" x 60 yd General Purpose Duct Tape	Silver	10.0 (0.25)	21 (3.74)	49 (549)	24
☆ 86-N398 ✱	2" x 60 yd Industrial Grade Duct Tape	Silver	11.0 (0.28)	26 (4.63)	49 (549)	24
☆ 86-N398-B ✱	2" x 60 yd Industrial Grade Duct Tape	Black	11.0 (0.28)	26 (4.63)	49 (549)	24
86-N398-P ✱	2" x 60 yd Industrial Grade Printed Duct Tape	Silver	11.0 (0.28)	26 (4.63)	49 (549)	24
☆ 86-N556 ■	2" x 120 yd Clear Tape	Clear	N/A	N/A	N/A	36
86-N557 ✱	2" x 60 yd Premium Flex Duct Tape	Silver	14.0 (0.36)	45 (8.01)	50 (560)	24
777ID ■	3/4" x 66 ft. Electrical Tape	Black	—	—	—	10
☆ 86-NFSK ✱	3" x 50 yd Foil Scrim Kraft Tape	Foil	10.5 (0.27)	50 (8.90)	100 (1120)	16
86-826Y	2" x 100' Gas Pipe Tape	Yellow	—	—	—	12
✱	Meets UL 723					
Ⓢ	Meets UL 181B-FX					
■	Meets UL 181A-P					
+	UL Approved					



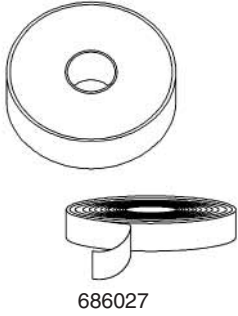
86-N357

✱ All prices based on quantity of one. Must order in multiples of case quantity shown. Orders received for quantities other than those shown will be rounded up. Partial case quantities cannot be returned.

To place your order call 1-800-621-5622; fax 1-800-535-9538

# SUPPLIES & HARDWARE

---



## Teflon Thread Seal Tape

Use with chemicals, solvents & oxygen. Withstands up to 2000 psi of pressure.

Part Number	Description	Case Qty. ✚
686027	1/2" x 260" Roll	12
686028	1/2" x 520" Roll	12

# SUPPLIES & HARDWARE

## Hanging Wire

18 Gauge galvanized or soft black annealed on reel.

Part Number	Description	Case Qty. ✚
86-25172-01	2# Roll (330') 18 Gauge Galvanized	16
86-25172-02	2# Roll (330') 18 Gauge Black	16
640017	5# Roll (830') 18 Gauge Galvanized	16



86-25172-02

## Hanger Iron

Galvanized vent strapping, hanger iron, plumber's tape, pipe hanger tape & many other uses. 1/4" centers for bolts or nails.

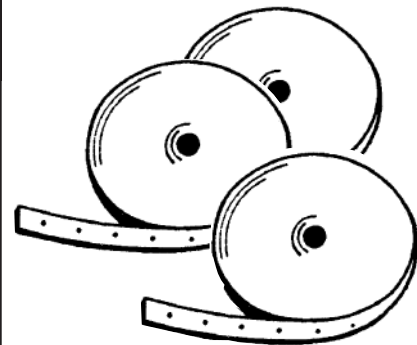
Part Number	Description	Case Qty. ✚
86-25172-04	Galvanized-28 Ga. - 10' Rolls	50
640016	Galvanized-28 Ga. - 100' Rolls	6



640016

## Duct Hanger Strap

Part Number	Description	Case Qty. ✚
86-25172-03	3/4" x 100' Roll (Boxed)	20
86-P50	Black Plastic	24
640010	Black Plastic 1-3/4" x 100 Ft.	24
640020	Silver Plastic 1-3/4" x 100 Yds.	24
640021	Silver Plastic 3" x 100 Yds.	8
640022	Black Plastic 3" x 100 Yds.	8



86-25172-03

✚ All prices based on quantity of one. Must order in multiples of case quantity shown. Orders received for quantities other than those shown will be rounded up. Partial case quantities cannot be returned.

To place your order call 1-800-621-5622; fax 1-800-535-9538

# SUPPLIES & HARDWARE

## Duct Strap



640011

Galvanized duct strap in convenient cardboard dispenser. Solid strapping, easy to drill or nail.

Part Number	Description	Casw Qty. +
640011	26 Ga. Metal – 1" x 100 Ft.	1
640012	30 Ga. Metal – 1" x 100 Ft.	1
640013	30 Ga. Metal – 1-1/2" x 100 Ft.	1
640014	26 Ga. Metal – 1-1/2" x 100 Ft.	1
640015	22 Ga. Metal – 1" x 100 Ft.	1

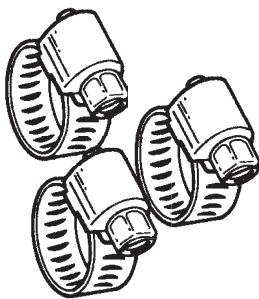
## Heavy Duty Cable Ties/Duct Strap



640007

6.6 nylon, accommodates 7" to 15" ducts – 175 lb Tensile.

Part Number	Description	Package Qty. +
640007	24" – Fits up to 6" Duct	50
640008	36" – Fits up to 10" Duct	50
86-14195-50PK	36" – Fits up to 10" Duct	1
640009	48" – Fits up to 14" Duct	50
86-14197-50PK	45-1/2" – Fits up to 14" Duct	1



86-25172-05

## Micro-Gear All Purpose Hose Clamps

Band and housing 300 stainless steel. Slotted 1/4" hex-head screw Zinc plated carbon steel. Up to 1000 psi with only 10 lbs, screw torque.

Part Number	Description	Case Qty. +
86-25172-05	Size 12, Fits Hose 5/8" - 3/4"	10
86-25172-06	Size 16, Fits Hose 3/4" - 1"	10
86-25172-07	Size 20, Fits Hose 1 1/16" - 1 1/2"	10

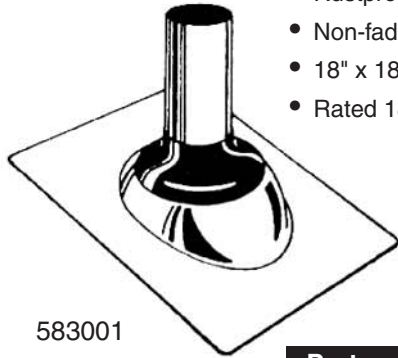
+ All prices based on quantity of one. Must order in multiples of case/package quantity shown. Orders received for quantities other than those shown will be rounded up. Partial case/package quantities cannot be returned.

To place your order call 1-800-621-5622; fax 1-800-535-9538

# SUPPLIES & HARDWARE

## ROOF FLASHINGS

### ALUMINUM BASE NO CALK® ROOF FLASHINGS



583001

- Slides over pipe - for pitch to 40 degrees.
- Rustproof .032 stamped aluminum standard base.
- Non-fading sealing collar.
- 18" x 18" bases for code required areas.
- Rated 180°F continuous heat.
- Approved for Type B installations.
- Not for hot-mopped or built-up roofs.
- Soft aluminum base (18" x 18") allows for easy molding to tile roofing.
- Do not use petroleum based products on collars.

Part Number	Size/Description	Cross Reference	Case Qty. ✚
583001	1-1/4" - 1-1/2"	12101 (ARFCO), 12920 (OATEY)	12
583002	2"	12102 (ARFCO), 12933 (OATEY)	12
583003	3"	12103 (ARFCO), 12946 (OATEY)	12
583004	4"	12104 (ARFCO), 12959 (OATEY)	12

### NO CALK® ALL-FLASH® COLOR-FLASH® ROOF FLASHINGS



583006

- Handles 1-1/2" to 3" and 3" to 4" pipe sizes.
- Available in aluminum or galvanized.
- Matches the color of your roof.
- Available in black, gray, brown or terracotta.
- Do not use petroleum based products on collars.

Part Number	Size/Description	Cross Reference	Case Qty. ✚
583005	1-1/2" - 3" / Brown	12944 (ARFCO)	12
583006	1-1/2" - 3" / Black	12943 (ARFCO)	12
583010	3" - 4" / Black	12954 (ARFCO)	12
583011	3" - 4" / Gray	12953 (ARFCO)	12
583012	3" - 4" / Terracotta	12952 (ARFCO)	12

✚ All prices based on quantity of one. Must order in multiples of case quantity shown. Orders received for quantities other than those shown will be rounded up. Partial case quantities cannot be returned.

To place your order call 1-800-621-5622; fax 1-800-535-9538

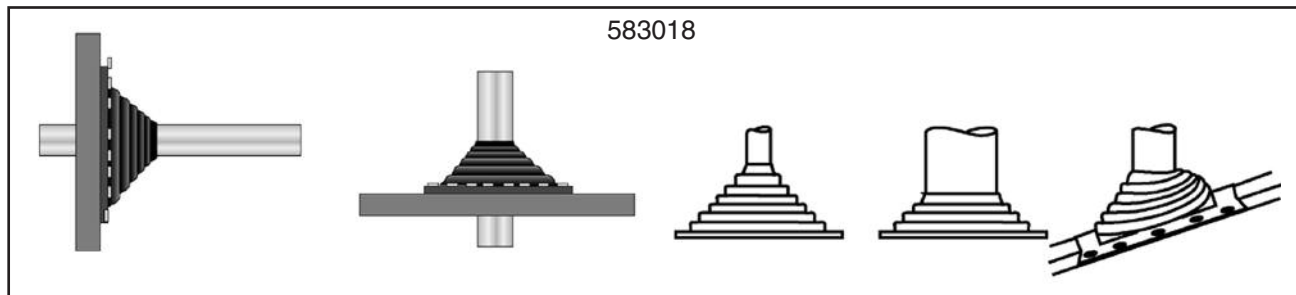
# SUPPLIES & HARDWARE

## ROOF FLASHINGS

### MASTER FLASH® ROOF FLASHINGS

- Slides over pipe - for pitch to 450 degrees.
- Use silicone sealant between base and surface, and secure with sheet metal screws.
- Multi-size pipe sealing range.
- Molds to metal, plastic, etc.
- Non-fading EPDM collar.
- Rated 212°F continuous heat.
- Approved for Type B installations.

Part Number	Size	Cross Reference	Case Qty. ✚
583013	1/8" - 3/4"	16250 (ARFCO), 14049 (OATEY)	12
583014	1/4" - 2"	16251 (ARFCO), 14050 (OATEY)	6
583015	1-1/4" - 3"	16252 (ARFCO), 14051 (OATEY)	6
583016	1/4" - 4"	16253 (ARFCO), 14052 (OATEY)	6
583017	3" - 6"	16254 (ARFCO), 14053 (OATEY)	6
583018	4" - 7"	16255 (ARFCO), 14054 (OATEY)	6
583019	5" - 9"	16256 (ARFCO), 14055 (OATEY)	6
583020	6" - 11"	16257 (ARFCO), 14056 (OATEY)	6
583021	7" - 13"	16258 (ARFCO), 14057 (OATEY)	6
583025	10" - 18"	16259 (ARFCO), 14058 (OATEY)	6



Multi-Size High-Rise Self-Seal Thermoplastic Flashing

Part Number	Size	Cross Reference	Case Qty. ✚
583024	3" - 4"	14188 (ARFCO)	6

✚ All prices based on quantity of one. Must order in multiples of case quantity shown. Orders received for quantities other than those shown will be rounded up. Partial case quantities cannot be returned.

To place your order call 1-800-621-5622; fax 1-800-535-9538

# SUPPLIES & HARDWARE

QC Flag/Ring



QC Flags



Butt Connector



Terminal Ring-Insul



QC-Piggyback - Insul



Wire Nut - Plastic



Wire Nut - Clear Pigtail



Spade/Ring Adapter



## Professional HVAC Installer/Repair Kits

86-6966F-1PK



86-6967F-1PK



Alligator Clip



Test Leads - 36"



Terminal Spade



Terminal Ring-Uninsul



Spade/QC Adapter



QC Straight



QC Connector  
Double Male/Single Female



Ties - 6" to 45 1/2"



**Individual part numbers & order quantities on next 2 pages!**

**To place your order call 1-800-621-5622; fax 1-800-535-9538**



# SUPPLIES & HARDWARE

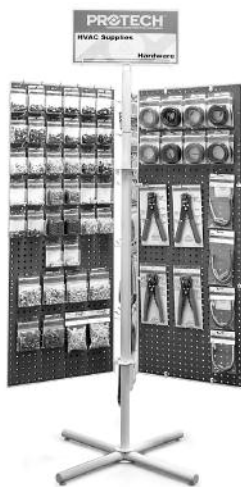
Part Number	Included in Spinner Display	Description	Package Qty. ✚
455010	2 pkgs.	Non-Insulated Ring, 8 AWG, . 1/4"	25
455011	2 pkgs.	QC - Flag/Ring, 16-14 AWG, #10 Stud - SS	50
455012	2 pkgs.	Butt Connectors, Uninsulated, 16-14 AWG - SS	100
455013	2 pkgs.	Butt Connectors, Uninsulated, 16-14 AWG - SS	25
455014	2 pkgs.	QC Flags, 12-14 AWG - SS	50
455015	2 pkgs.	QC - Compressor Terminal, Slip-on Lug, Female Notched Grip, 16-14 AWG, 1/4" - SS	50
455016	2 pkgs.	QC Adapters, Double Male/Single Female, .296 Chair - Gold	50
455017	2 pkgs.	QC Adapters, Double Male/Single Female, .296 - Gold	50
455018	2 pkgs.	Spade/Ring Adapter, Male Straight, #10, .250 Tab - SS	50
455019	2 pkgs.	Spade (2) QC Adapters, Double Male, Single Female, .296 Flat - Gold	50
455020	2 pkgs.	Wire Nuts, Pigtail Wire Connector, Clear, 22-14 AWG - Clear	50
455021	2 pkgs.	12-10 AWG Closed-End Connector, Nylon - Clear	25
455022	2 pkgs.	Terminal Rings - Insulated, 22-18 AWG, #10 Stud - Red	100
455023	2 pkgs.	Terminal Rings - Insulated, 22-18 AWG, #10 Stud - Red	50
455024	2 pkgs.	Terminal Rings - Insulated, 16-14 AWG, #6 Stud - Blue	100
455025	2 pkgs.	Terminal Rings - Insulated, 16-14 AWG, #6 Stud - Blue	50
455026	2 pkgs.	Terminal Rings - Insulated, 16-14 AWG, #10 Stud - Blue	100
455027	2 pkgs.	Terminal Rings - Insulated, 16-14 AWG, #10 Stud - Blue	50
455028	2 pkgs.	Strip-Tie, Hook & Loop Fastener w/Buckle, 12" - Black	6
455029	2 pkgs.	Strip-Tie, Hook & Loop Fastener w/Buckle, 12" - Safety Yellow	6
455030	2 pkgs.	Terminal Rings - Insulated, 12-10 AWG, #10 Stud - Safety Yellow	100
455031	2 pkgs.	Terminal Rings - Insulated, 12-10 AWG, #10 Stud - Safety Yellow	50
455032	2 pkgs.	12-10 5/16" Vinyl Insulated Ring - Safety Yellow	50
455033	2 pkgs.	Terminal Rings - Insulated, 8-10 AWG, 1/4" Stud - Red	50
455034	2 pkgs.	Flared Insulated Spade, 16-14 AWG, #8 Stud - Blue	15
455035	2 pkgs.	Vinyl Insulated Spade, 16-14 AWG, #10 Stud - Blue	100
455036	2 pkgs.	Vinyl Insulated Spade, 12-10 AWG, #8 Stud - Blue	25
455037	2 pkgs.	Vinyl Insulated Spade, 12-10 AWG, #10 Stud - Blue	25
455038	2 pkgs.	Butt Connectors, Insulated, 22-18 AWG - Red	100
455039	2 pkgs.	Butt Connectors, Insulated, 16-14 AWG - Blue	100
455040	2 pkgs.	Butt Connectors, Insulated, 16-14 AWG - Blue	50
455041	2 pkgs.	Butt Connectors, Insulated, 12-10 AWG - Safety Yellow	100
455042	2 pkgs.	Butt Connectors, Insulated, 12-10 AWG - Safety Yellow	50
455043	2 pkgs.	Disconnects, Insulated Female, 22-18 AWG, 1/4" Tab - Red	50
455044	2 pkgs.	Disconnects, Insulated Female, 16-14 AWG, .187" Tab - Blue	50
455045	2 pkgs.	Disconnects, Insulated Female, 1/4" Tab, #16-14 - Blue	100
455046	2 pkgs.	Disconnects, Insulated Female, 1/4" Tab, #16-14 - Blue	50
455047	2 pkgs.	Disconnects, Insulated Male, 1/4" Tab, #16-14 - Blue	100
455048	2 pkgs.	Disconnects, Insulated Male, 1/4" Tab, #16-14 - Blue	50
455049	2 pkgs.	Disconnects, Insulated Female, 1/4" Tab, #12-10 - Safety Yellow	100
455050	2 pkgs.	Disconnects, Insulated Female, 1/4" Tab, #12-10 - Safety Yellow	50
455051	2 pkgs.	Disconnects, Vinyl Insulated Male, 12-10 AWG - Safety Yellow	100
455052	2 pkgs.	Piggy Back, Insulated, 12-14 AWG - Blue	50
455053	2 pkgs.	Spade, Male, Vinyl Insulated, 16-14 AWG - Light Blue	100
455054	2 pkgs.	Spade, Female, Vinyl Insulated, 16-14 AWG - Natural	25
455055	2 pkgs.	Alligator Clips, Black 1"	6
455056	2 pkgs.	Alligator Clips, Red 1"	6
455057	2 pkgs.	Deluxe Test Leads, 18 AWG, Heavy-Duty - Red/Black	1
455058	2 pkgs.	Compressor Lead Set - 12 Gauge Red, Black & White Leads w/.250 Flag Female	1
455059	2 pkgs.	Compressor Lead Set - 12 Gauge Red, Black & White Leads w/ #10 Ring Terminal	1
455060	2 pkgs.	Stainless Steel Wire Tie, 7.5", 250 lb. Tensile Strength	50
455061	2 pkgs.	Stainless Steel Wire Tie, 14.5", 250 lb. Tensile Strength	50
455062	2 pkgs.	H.S. Tubing Asst. 1/16", 3/32" 1/8"	12
455063	2 pkgs.	Nylon Wire Tie, 4" Natural, 100 PK.	100
455064	2 pkgs.	Nylon Wire Tie, 4" UV Black, 100 PK.	100
455065	2 pkgs.	Nylon Wire Tie, 5.5" Natural, 100 PK.	100
455066	2 pkgs.	Nylon Wire Tie, 5.5" UV Black, 100 PK.	100
455067	2 pkgs.	Nylon Wire Tie, 7.5" Natural, 100 PK.	100
455068	2 pkgs.	Nylon Wire Tie, 7.5" UV Black, 100 PK	100

✚ These parts are sold in package quantities: Example 1 - Order (1) 455012, receive 1 package of 100 Butt Connectors. Example 2 - Order (1) 455013, receive 1 package of 25 Butt Connectors.

To place your order call 1-800-621-5622; fax 1-800-535-9538

# SUPPLIES & HARDWARE

Part Number	Included in Spinner Display	Description	Package Qty. ❖
455069	2 pkgs.	Nylon Wire Tie, 11.5" Natural, 100 PK.	100
455070	2 pkgs.	Nylon Wire Tie, 11.5" UV Black, 100 PK	100
455071	2 pkgs.	Nylon Wire Tie, 14.5" Natural, 100 PK.	100
455072	2 pkgs.	Nylon Wire Tie, 14.5" UV Black, 100 PK	100
455073	2 pkgs.	Nylon Wire Tie, Screw Mount-Head, 7.5" - UV Black, 100 PK.	100
455074	2 pkgs.	Flared Insulated Spade, 16-14 AWG, #8 Stud - Blue	50
455075	2 pkgs.	Wire Nut, Plastic, 22-14 AWG - Blue	50
455076	2 pkgs.	Butt Connectors, Insulated, 22-18 AWG - Red	15
455077	2 pkgs.	Wire Nut, Plastic, 22-14 AWG - Orange	50
455078	2 pkgs.	Butt Connectors, Insulated, 16-14 AWG - Blue	15
455079	2 pkgs.	Wire Nut, Plastic, 18-12 AWG - Safety Yellow	50
455080	2 pkgs.	Terminal Ring, Uninsulated High Heat, 12-14 AWG, #10 Stud - SS	50
455081	2 pkgs.	Motor Hook-Up Wire, Black, 10 AWG, 8 FT	8
455082	2 pkgs.	Motor Hook-Up Wire, Red, 10 AWG, 8 FT	8
455083	2 pkgs.	Motor Hook-Up Wire, Black, 12 AWG, 12 FT	12
455084	2 pkgs.	Motor Hook-Up Wire, Red, 12 AWG, 12 FT	12
455085	2 pkgs.	Motor Hook-Up Wire, Black, 14 AWG, 15 FT	15
455086	2 pkgs.	Motor Hook-Up Wire, Red, 14 AWG, 15 FT	15
455087	2 pkgs.	Motor Hook-Up Wire, Black, 16 AWG, 16 FT	16
455088	2 pkgs.	Motor Hook-Up Wire, Red, 16 AWG, 16 FT	16
455089	2 pkgs.	Compressor Terminal, 12, 12-10 AWG, .250 x .032 Female - SS	25
455090	2 pkgs.	Butt Connectors, Insulated, 12-10 AWG - Safety Yellow	15
455091	2 pkgs.	Disconnects, Insulated Female, 16-14 AWG, .187" Tab - Blue	15
455092	2 pkgs.	Disconnects, Insulated Female, 1/4" Tab, #16-14 - Blue	15
455093	2 pkgs.	Disconnects, Insulated Female, 1/4" Tab, #12-10 - Safety Yellow	15
455094	2 pkgs.	Wire Nut, Plastic, 22-14 AWG - Blue	9
455095	2 pkgs.	Wire Nut, Plastic, 22-14 AWG - Orange	9
455096	2 pkgs.	Wire Nut, Plastic, 18-12 AWG - Safety Yellow	15
455097	-	Wire Nut, Plastic, 18-10 AWG - Red	100
640001	—	Wire Ties - Nylon Natural/7" (100/Package)	100
640002	—	Wire Ties - Nylon Natural/11" (100/Package)	100
640003	—	Wire Ties - Nylon Natural/15" (100/Package)	100
640004	—	Wire Ties - Nylon Black/7" (100/Package)	100
640005	—	Wire Ties - Nylon Black/11" (100/Package)	100
640006	—	Wire Ties - Nylon Black/15" (100/Package)	100
86-6966F-1PK	—	Professional HVAC Installer Repair Kit	1
86-6967F-1PK	—	Professional HVAC Installer Repair Kit	1
86-6980-1PK	—	6 Panel Product Spinner Display (fully stocked)	1
87-5008F	2 pkgs.	Stripper-EZ Multi Purpose, Self-Adjusting	1
87-5020F	2 pkgs.	Stripper-EZ Multi Purpose, Self-Adjusting	1



86-6980-1PK – 6 Panel Product Spinner (fully stocked)



❖ These parts are sold in package quantities: Example 1 - Order (1) 455012, receive 1 package of 100 Butt Connectors. Example 2 - Order (1) 455013, receive 1 package of 50 Butt Connectors.

To place your order call 1-800-621-5622; fax 1-800-535-9538

# SUPPLIES & HARDWARE

---

## WD-40

With literally thousands of uses, WD-40 is the #1 multi-purpose problem solver. It cleans, protects, penetrates, lubricates & displaces moisture like no other product on earth.

- \* Displaces moisture.
- \* Penetrates, loosens & frees stuck, frozen or rusted parts.
- \* Lubricates & protects metal.
- \* Removes grease, grime, tar, gum, crayon, water deposits and much more.
- \* Lubricates squeaks in hard-to-reach mechanisms.



Part Number	Description	Case Qty +
85-10108	8 oz Can	12
85-110078	11 oz Can	12
85-10308	11 oz Can (PrePack Cardboard Display)	48
85-10116	16 oz Can	12

# SUPPLIES & HARDWARE

## Disposable Hand Towels / Sunscreen / Insect Repellant

### SCRUBS® Hand Cleaner Towels

Premoistened, heavy duty hand cleaner towels that go where you go! SCRUBS easily remove soil from your hands and leaves them clean and conditioned anywhere you are working. Powerful, yet safe, patented citrus-based hand cleaner towels for proven performance.

- Portable and convenient, one step cleaning process.
- Conditions and softens hands.
- Will not transfer soils back onto hands.
- Works fast to loosen, dissolve and absorb dirt and grease.
- Packaged in durable bucket that is light and portable.



4366-87

#### Quickly Removes

- \* Dirt
- \* Oils
- \* Adhesives
- \* Lubricants
- \* Paints
- \* Grease
- \* Tar
- \* Urethanes
- \* Epoxies
- \* Inks & Dyes
- \* Sealants
- \* Caulks

#### Other Uses

- \* Tools, Equipment
- \* Composites
- \* Metals, Vinyls, Plastics
- \* Work Surfaces
- \* Painted Surfaces



42210

### SOLAR GUARD® Sunscreen Towels

A unique liquid SPF 30, water / sweat resistant sunscreen formula combined with a large, lint free towel that delivers full UVA/UVB sun protection. Greaseless, stain-free application for professionals that work outdoors. Use on face, neck, ears and arms.



91201

### INSECT SHIELD® Insect Repellant Towel

A waterproof / greaseless EPA approved insect repellant formula, combined with a large, lint-free towel. The 30% \*DEET based application safely offers the most effective, long lasting protection against disease causing insects.

\* The Centers for Disease control recommends using a Deet-based repellant.



91401

See Items on Next Page

To place your order call 1-800-621-5622; fax 1-800-535-9538

# SUPPLIES & HARDWARE

---

## Disposable Hand Towels / Sunscreen / Insect Repellant (cont'd.)

Part Number	Description	Unit	Case Qty. ✚
4366-87	SCRUBS-In-A-Bucket (72 Count)	Bucket	6
42230	SCRUBS-In-A-Bucket (30 Count)	Bucket	6
91201	Solar Guard Single Packs (100 Count - Gravity Dispenser)	Dispenser	1
91401	Insect Shield Single Packs (100 Count - Gravity Dispenser)	Dispenser	1
42212	SCRUBS Single Packs Clip Strips (4 Strips, 12 Packs/Ea.)	Box	1
42210	SCRUBS-In-A-Pack (10 Count Packs, 24 Packs/Case)	Box	6
42296	Tray Display (holds 6 Buckets) (SCRUBS not included)	Each	1
42293	Attachable Bucket Bracket for Shop or Vehicle	Each	1

✚ All prices based on quantity of one. Must order in multiples of pallet quantity shown. Orders received for quantities other than those shown will be rounded up. Partial pallet quantities cannot be returned.

# SUPPLIES & HARDWARE

---



ShuBee offers simple, distinct products that provide protection to both you and your customers during service calls. Your service department will appreciate the convenience of using ShuBee tough shoe covers, disposable coveralls, dust masks, gloves, floor mats and carpet films, while your clients appreciate the clean service areas and the protection you give them from mud, rain, snow and ice. Give your customers the best impression by using the ShuBee solution!

## ShuBee Shoe Covers Made for the Service Industry



- \* Bigger – Fits up to size 16 - guaranteed.
- \* Better – More durable, made for the service industry.
- \* Colors – Available safety yellow, bright blue, red and dark blue.
- \* Safer – Non-Skid, slip resistant bottoms.
- \* Cleaner – Fresh citrus scent.

## Mud Proof • Snow and Ice Proof • Water Proof Shoe Covers

These shoe covers are made from a slip-resistant, textured plastic material that is ideal for adverse weather conditions. The unique plastic is so durable you can get many uses out of them before discarding.

## ShuBee Disposable Coveralls

- \* Save money – eliminate torn or dirty uniforms.
- \* Made from a "Stay Cool", breathable material.
- \* Durable material made to last.
- \* 5 convenient pockets -  
2 back and 2 front pockets, 1 pocket on shirt top.
- \* Comfortable elastic waist / wrist bands with boot cut legs.
- \* Styled with or without a hood.
- \* Versatile Fit - large (under 6 feet) or extra large (over 6 feet).
- \* Available in dark blue or white for a professional appearance.

**See Items on Next Page**



---

*To place your order call 1-800-621-5622; fax 1-800-535-9538*

# SUPPLIES & HARDWARE

## ShuBee Products

Part Number	Vendor Cross Reference	Description	Case Qty. ✚
849101	SB-SP-DB	Shoe Covers - Dk. Blue - 10 Pair	15
849102	SB-SP-RD	Shoe Covers - Red - 10 Pair	15
849103	SB-SP-OR	Shoe Covers - Orange - 10 Pair	15
849104	SB-SP-YL	Shoe Covers - Yellow - 10 Pair	15
849105	SB-SP-LB	Shoe Covers - Lt. Blue - 10 Pair	15
849106	SB-SP-WH	Shoe Covers - White- 10 Pair	15
849107	SB-SP-GR	Shoe Covers - Dk. Green - 10 Pair	15
849108	SB-SP-WP-LB	Shoe Covers - Lt. Blue/Waterproof - 10 Pair	15
849110	SB-SP-WP-DB	Shoe Covers - Dk. Blue/Waterproof - 10 Pair	15
849111	SB-SC-DB	Shoe Covers - Dk. Blue - 50 Pair	3
849113	SB-SC-OR	Shoe Covers - Orange - 50 Pair	3
849114	SB-SC-YL	Shoe Covers - Yellow - 50 Pair	3
849115	SB-SC-LB	Shoe Covers - Lt. Blue - 50 Pair	3
849118	SB-SC-WP-LB	Shoe Covers - Lt. Blue/Waterproof - 50 Pair	15
849120	SB-SC-WP-DB	Shoe Covers - Dk. Blue/Waterproof - 50 Pair	15
849121	SB-CA-DB-L	Coveralls - Dk. Blue - L	25
849122	SB-CA-DB-XL	Coveralls - Dk. Blue - XL	25
849125	SB-TCH-XL	Coverall - White - XL - Tyvek Hooded	25
849129	SB-LG-PF-L	Gloves - Powderfree Latex - L	10
849130	SB-LG-PF-XL	Gloves - Powderfree Latex - XL	10
849133	SB-LG-LP-XL	Gloves - Powdered Latex - XL	10
849134	SB-NG-PF-M	Gloves - Powderfree Nitrile - M	10
849135	SB-NG-PF-L	Gloves - Powderfree Nitrile - L	1
849136	SB-NG-PF-XL	Gloves - Powderfree Nitrile - XL	1
849142	SB-HS	Citrus Scent Blast Hand Soap - 16 oz.	18
849143	SB-RCT-24	Red Carpet - 24 inches x 200 feet	1
849145	SB-CPF-24	Clear Carpet Film - 24 inches	1
849152	BS-DF	Dust Mask - Dust Filter, Box of 50	1

✚ All prices based on quantity of one. Must order in multiples of case quantity shown. Orders received for quantities other than those shown will be rounded up. Partial case quantities cannot be returned.

**To place your order call 1-800-621-5622; fax 1-800-535-9538**

# Tools & Instruments

## Soldering Tools



87-SP23L



87-8200

Part Number	Description	Volts	Watts	Hz	Case Qty
87-SP23L	Weller Solder Iron, 25W	120	25	60/60	6
87-SP40L	Weller Solder Iron, 40W	120	40	50/60	6
87-8200	Weller Universal Soldering Gun	120	140/100	50/60	3
87-D550	Weller Professional Soldering Gun	120	260/220	50/60	3

## J. W. Harris Soldering and Brazing Products



86-25254-01

### STAY-BRITE® 8

Low temperature solder with 6% silver for all metals except aluminum. Used in AC/R joints with a plastic range useful in bridging wider gaps.

1/8" dia., 1 pound spool.

86-25254-01

Solidus 430°F.

Liquidus 535°F.

### STAY-BRITE

Low temperature solder with 4% silver for all metals except aluminum.

Used in AC/R joints, NSF accepted.

1/8" dia., 1 pound spool.

86-25254-02

Solidus 430°F.

Liquidus 535°F.



86-25254-03

### BRIDGIT®

Lead-free solder for plumbing applications, with exceptional strength and capping ability.

1/8" dia., 1 pound spool.

86-25254-03

Solidus 460°F.

Liquidus 630°F.

To place your order call 1-800-621-5622; fax 1-800-535-9538



# Tools & Instruments

## J. W. Harris Soldering and Brazing Products (cont'd.)

### STAY-CLEAN® PASTE FLUX

Excellent soldering flux, in paste form, for joining copper to copper & copper to brass.

4 oz. jar, 24/case. ❖ (40027)

86-25254-04



86-25254-04

### DYNAFLOW®

Reliable, economical substitute for 15%; excellent strength and ductility. Good for poorly fitted or tight connections.

.050 x 1/8" dia., 28 stick tube, approximately 1 pound.

86-25254-05

Solidus 1190°F.  
Liquidus 1465°F.



86-25254-05

### STAY-SILV®-0

Low-cost alloy for many copper-to-copper applications where good fit-up can be maintained and brazing temperature is not critical.

86-25254-12



86-25254-12

### STAY-SILV® 5 AND STAY-SILV 6

Medium-range alloys; Stay Silv 5 is useful primarily where fit-up cannot be tightly controlled. Stay Silv 6 is slightly more fluid and can be used where closer tolerances are available.

Stay Silv 5           86-25254-13  
Stay-Silv 6         86-25254-14



86-25254-13

86-25254-14

### STAY-SILV® 15%

For many years, the industry standard for air conditioning and refrigeration applications. .050 x 1/8" dia., 28 stick tube, approximately 1 pound. (61035)

86-25254-06

Solidus 1190°F.  
Liquidus 1480°F.



86-25254-06

### SAFETY-SILV® 45

Excellent, cadmium-free general purpose brazing alloy with good ductility and flow.

1/16" dia., 1 troy oz. package includes 1.75 oz flux. (76012)

86-25254-08

Solidus 1195°F.  
Liquidus 1265°F.



86-25254-08

❖ All prices based on quantity of one. Must order in multiples of case/package quantity shown. Orders received for quantities other than those shown will be rounded up. Partial case quantities cannot be returned.

To place your order call 1-800-621-5622; fax 1-800-535-9538

# Tools & Instruments

---

## J. W. Harris Soldering and Brazing Products (cont'd.)

### STAY-SILV® WHITE FLUX

For use with silver brazing alloys on all metals other than aluminum, magnesium, titanium  
7 oz. brush cap, 24/case. ✚ (40022) **86-25254-09**



86-25254-09

### ALSOLDER® 500 KIT

Joins all solderable aluminum alloys to each other and to dissimilar metals. Forms tough excellent corrosion-resistant joints on the tough-to-solder aluminum alloys. Contains 1 oz. of 1/16" dia. Alsolder 500 aluminum solder wire and 1 oz. Stay-Clean aluminum flux, plus instructions. **86-25254-10**



86-25254-10

### BLOCKADE™ SILICON BRAZING ALLOY

First in a new family of silicon brazing alloys – phosphorus/copper brazing alloys alloyed with silicon. Engineered to join copper, brass and bronze. Faster brazing – 228° F lower temperature than phos/copper. Ability to easily form a large cap or shoulder at the braze connection. Silver-gray cap = a highly visible fillet which provides instant, visual confirmation of a leak-free seal. Improved ductility over BCuP-2 (phos/copper 0) brazing alloys. Eliminates need for silver to join copper to brass and brass to brass. **572001**



572001

# Tools & Instruments



87-600-4



87-603-4

## Klein Cushion-Grip Screwdrivers

- \* Designed for extra-long, dependable service & comfort.
- \* Comfortable Cushion-Grip is locked around a solid plastic handle. Grip extends up to handle end.
- \* Shank has integral flanges to provide a solid, torque-proof anchor deep in the plastic handle.
- \* Heavy-duty screwdrivers have special bolster construction to reinforce against hard use.
- \* Fully chrome-plated blade with black tip.

Part Number	Description	Shank Tip Width X Shank Length	Overall Length	Case Qty
87-600-4	Heavy Duty Square-Shank, Keystone-Tip	1/4 x 4	8 11/32	6
87-600-6	Heavy Duty Square-Shank, Keystone-Tip	5/16 x 6	10 15/16	6
87-601-3	Round-Shank, Cabinet-Tip	3/16 x 3	6 3/4	6
87-601-4	Round-Shank, Cabinet-Tip	3/16 x 4	7 3/4	6
87-601-6	Round-Shank, Cabinet-Tip	3.16 x 6	9 3/4	6
87-601-8	Round-Shank, Cabinet-Tip	3/16 x 8	11 3/4	6
87-602-4	Heavy Duty, Round-Shank, Keystone-Tip	1/4 x 4	8 11/32	6
87-602-6	Heavy Duty, Round-Shank, Keystone-Tip	5/16 x 6	10 15/16	6
87-602-8	Heavy Duty, Round-Shank, Keystone-Tip	3/8 x 8	13 7/16	6
87-603-1	Round-Shank, Special Profilated Phillips-Tip	1-1/2	3 7/16	6
87-603-3	Round-Shank, Special Profilated Phillips-Tip	3	6 3/4	6
87-603-4	Round-Shank, Special Profilated Phillips-Tip	4	8 5/16	6
87-603-6	Round-Shank, Special Profilated Phillips-Tip	6	11	6
87-603-7	Round-Shank, Special Profilated Phillips-Tip	7	11 15/16	6
87-605-4	Round-Shank, Cabinet-Tip	1/4 x 4	8 11/32	6
87-605-6	Round-Shank, Cabinet-Tip	1/4 x 6	10 11/32	6
87-605-8	Round-Shank, Cabinet-Tip	1/4 x 8	12 11/32	6



87-85076

## Klein 7-Piece Cushion-Grip Screwdriver Set

- \* 3 Cabinet-Tip Screwdrivers.
- \* 2 Phillips-Tip Screwdrivers.
- \* 2 Keystone-Tip Screwdrivers.
- \* Heat-Treated, Tempered-Steel Blades with Vinyl Pouch.

Part Number	Description	Overall Length	Case Qty
87-85076	Screwdriver Set, Cushion-Grip, 7 Piece	8" to 11"	1

## Klein 7-Piece Screwdriver Set

- \* 5 Cushion Grip Screwdrivers.
- \* 1 Cushion Grip Rotary Screwdriver.
- \* 1 Plastic Handle Slotted Screw-Holding Screwdriver.

Part Number	Description	Overall Length	Case Qty
87-85077	Screwdriver Set, Cushion & Regular Grip, 7 Piece	8" to 11"	1



87-85077

To place your order call 1-800-621-5622; fax 1-800-535-9538

# Tools & Instruments

## CPS 6-in-1 Auto-Loading Screwdriver

- \* 6 replaceable industrial grade 1/4" hex bits, standard 1/4" hex drive.
- \* Includes standard valve core tool bit.
- \* Magnetic head holds fasteners in place.
- \* Ergonomic high impact housing design.



87-TLSD1

Part Number	Description	Case Qty
87-TLSD1	6-in-1 Auto Loading Screwdriver	1

## Klein Cushion-Grip Nut Drivers

### Features:

- \* Designed for extra-long, dependable service & comfort.
- \* Color-coded cap identifies hex size.
- \* Comfortable Cushion-Grip is locked around a solid plastic handle. Grip extends up to handle end.
- \* Shank has integral flanges to provide a solid, torque-proof anchor deep in the plastic handle.
- \* Full length hollow shaft fits over long screws.

### Klein 7-Piece Nut Driver Set

- \* 3" Shaft, Plastic-Handle Nut Drivers
- \* Hollow Shank with Vinyl Storage Pouch
- \* 3/16" - 1/2", Chrome Plated

Part Number	Description	Hex Size	Case Qty
87-K7	Nut Driver Set	3/16" - 1/2"	1



87-631S



87-646

Part Number	Description	Hex Size	Shank Length	Case Qty
87-646-1/4	Cushion-Grip Nut Driver	1/4"	6"	6
87-646-5/16	Cushion-Grip Nut Driver	5/16"	6"	6
87-646-3/8	Cushion-Grip Nut Driver	3/8"	6"	6
87-646-1/2	Cushion-Grip Nut Driver	1/2"	6"	6
87-647L	Cushion-Grip Nut Drivers - 7 Piece Set	3/16, 1/4, 5/16, 11/32, 3/8, 7/16, 1/2	6"	1
87-631S	Cushion-Grip Nut Drivers - 7 Piece Set	3/16, 1/4, 5/16, 11/32, 3/8, 7/16, 1/2	3"	1

To place your order call 1-800-621-5622; fax 1-800-535-9538

# Tools & Instruments

## Klein Magnetic Nut Drivers



87-S10M

Part Number	Description	Hex Size	Shank Length	Case Qty
87-S8M-1/4	Klein Nut Driver, Magnetic, Hollow Shaft	1/4"	3"	6
87-S10M-5/16	Klein Nut Driver, Magnetic, Hollow Shaft	5/16"	3"	6
87-S86M-1/4	Klein Nut Driver, Magnetic, Hollow Shaft	1/4"	6"	6
87-S106M-5/16	Klein Nut Driver, Magnetic, Hollow Shaft	5/16"	6"	6

## Klein Stubby 1 1/4" Shaft Nut Drivers



87-SS10

Part Number	Description	Hex Size	Shank Length	Case Qty
87-SS8-1/4	Hollow Shaft Nut Driver	1/4"	3-3/4"	6
87-SS10-5/16	Hollow Shaft Nut Driver	5/16"	3-3/4"	6
87-SS12-3/8	Hollow Shaft Nut Driver	3/8"	3-3/4"	6

## Klein 3" & 6" Shaft Nut Drivers

※ Chrome-Plated, Hollow Shank, Amber-Colored Plastic Handle Nut Drivers



87-S10



87-S116

Part Number	Description	Hex Size	Shank Length	Case Qty
87-S8-1/4	Hollow Shaft Nut Driver	1/4"	3"	6
87-S10-5/16	Hollow Shaft Nut Driver	5/16"	3"	6
87-S11-11/32	Hollow Shaft Nut Driver	11/32"	3"	6
87-S12-3/8	Hollow Shaft Nut Driver	3/8"	3"	6
87-S14-7/16	Hollow Shaft Nut Driver	7/16"	3"	6
87-S86-1/4	Hollow Shaft Nut Driver	1/4"	6"	6
87-S106-5/16	Hollow Shaft Nut Driver	5/16"	6"	6
87-S116-11/32	Hollow Shaft Nut Driver	11/32"	6"	6
87-S126-3/8	Hollow Shaft Nut Driver	3/8"	6"	6

To place your order call 1-800-621-5622; fax 1-800-535-9538

# Tools & Instruments

## Wrenches



Part Number	Description	Length	Case Qty
87-AC16CV	Crescent Adj Wrench, Chrome Finish w/Cushion Grip Handle	6"	6
87-AC18CV	Crescent Adj Wrench, Chrome Finish w/Cushion Grip Handle	8"	6
87-12-301	Midwest Adj Box End Wrench, Plastic Dip Handle	12"	6
87-10-301	Midwest Adj Box End Wrench, Plastic Dip Handle	10"	6
87-8-301	Midwest Adj Box End Wrench, Plastic Dip Handle	8"	6
87-D507-6	Midwest Adj Box End Wrench, Extra Capacity, Plastic Dip Handle	6"	6
87-D507-8	Midwest Adj Box End Wrench, Extra Capacity, Plastic Dip Handle	8"	6
87-D507-10	Midwest Adj Box End Wrench, Extra Capacity, Plastic Dip Handle	10"	6
87-D507-12	Midwest Adj Box End Wrench, Extra Capacity, Plastic Dip Handle	12"	6
87-68310	Klein 5 1/2" Refrigeration Ratchet Wrench, Fully Reversible	3/16", 5/16"	6
10550	Jiffy 3/16" HVACR Hex Bit for Service Valves	4"	1
10551	Jiffy 5/16" HVACR Hex Bit for Service Valves	4"	1
87-70570	Klein Hex Key Set, Folding, 5" Grip-It	8 keys	6
87-70574	Klein Hex Key Set, Folding, 9" Grip-It	8 keys	6
87-70575	Klein Hex Key Set, Folding, 9" Grip-It	8 keys	6
87-70579	Klein Hex Key Set, Folding, 5-1/4"	3/16", 7/32", 1/4", 5/16, 3/8"	6
87-70581	Klein Hex Key Set, Folding	8 keys	6
87-70591	Klein Hex Key Set, Folding	9 keys	6
87-89954	Klein T-Handle Hex Key Set, 6" Keys	8 keys	6
87-LLK12	Klein Hex Key Set - 7 Piece, "L" Style, Long Arm (5/64" - 1/4")	7 keys	1
87-SL12	Klein Hex Short Arm Key (Sold only in Case Quantity)	3/16"	25
87-SL20	Klein Hex Short Arm Key (Sold only in Case Quantity)	5/16"	25
87-TLSWL	CPS Service Wrench	3/16", 1/4", 9/16", 1/2"	1
87-TLSWO	CPS Offset Wrench	3/16", 1/4", 3/8", 5/16"	1
87-TLSWS	CPS Service Wrench	3/16", 1/4", 3/8", 5/16"	1

**NOTE: CPS Merchandise (for warranty credit) should be returned directly to CPS using the CPS Warranty Return Form that can be downloaded from [rheemote.net](http://rheemote.net) in the PROSTOCK Literature Tab.**

**To place your order call 1-800-621-5622; fax 1-800-535-9538**

# Tools & Instruments

## Pliers



Part Number	Description	Length	Case Qty
87-TLPO	CPS Pinch-Off Pliers		1
87-TLPP	CPS Piercing Pliers		1
87-6546CV	Crescent Long Nose Chain Plier w/Side Cutter	6 5/8"	6
87-D502-6	Klein Tongue & Groove Pump Pliers	6-1/2"	6
87-D502-10	Klein Tongue & Groove Pump Pliers	10"	6
87-D502-12	Klein Tongue & Groove Pump Pliers	12"	6
87-D203-6	Klein Long Nose Side-Cutting Pliers	6-5/8"	6
87-D203-7	Klein Long-Nose Side-Cutting Pliers	7-1/8"	6
87-D203-8N	Klein Heavy Duty Long Nose w/Side Cutters & Skinning Hole	8-5/16"	6
87-D213-8NE	Klein Side-Cutting, High Leverage Pliers	8-1/2"	6
87-D213-9NE	Klein Side-Cutting, High Leverage Pliers	9-1/4"	6
87-D228-7	Klein Diagonal-Cutting, High Leverage Pliers	7"	6
87-D248-8	Klein Diagonal-Cutting, High Leverage Pliers	8"	6
87-D2000-9NE	Klein Side-Cutting 2000 Series, High Leverage Pliers	9-1/4"	6
87-D2000-48	Klein Diagonal-Cutting 2000 Series, High Leverage Pliers with Angled Head	8"	6

**NOTE: CPS Merchandise (for warranty credit) should be returned directly to CPS using the CPS Warranty Return Form that can be downloaded from [rheemote.net](http://rheemote.net) in the PROSTOCK Literature Tab.**

**To place your order call 1-800-621-5622; fax 1-800-535-9538**

# Tools & Instruments

## Strippers and Cutters



Part Number	Description	Length	Case Qty
87-1001	Klein All-Purpose Electricians Tool 8-18 AWG Solid, 10-22 AWG Stranded	6"	6
87-1005	Klein Crimping Tool, 10-22 AWG	6"	6
87-1006	Klein Crimping Tool, 10-22 AWG	9-3/4"	6
87-1010	Klein Multi-Purpose Wire Cutter/Crimper	8 1/4"	6
87-1011	Klein Multi-Purpose Wire Stripper/Cutter	6"	6
87-11045	Klein 10-18 Wire Stripper/Cutter	6"	12
87-11049	Klein 8-10 Wire Stripper/Cutter (Narrow Nose, Comfort Handle)	6"	6
87-5008F	J T & T EZ Stripper; Multi-Function, Self-Adjusting	9"	1
87-5020F	J T & T EZ Stripper; Multi-Function, Self-Adjusting		1
87-5427CV	Crescent Side Cutter (Designed for heavy-duty wire cutting)	7"	6
87-P6300	Midwest Hard Wire Rope Cutter	-	3

To place your order call 1-800-621-5622; fax 1-800-535-9538



# Tools & Instruments

## Snips



87-M1200



87-P6510S



87-P6716S



87-P657N



87-P147C



87-P77D



87-SSP6716R



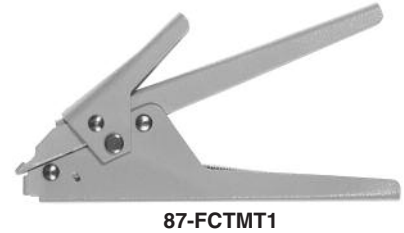
87-P77S

Part Number	Description	Cutting Capacity	Nominal Length	Case Qty
87-M1200	Midwest Replaceable Blade Snips	22ga. CR/26ga. SS	13"	6
87-M1200R	Midwest Blade Kit 12"	22ga. CR/26ga. SS	-	6
87-P6510L	Midwest Aviation Snips, Offset Left	18ga. CR/22ga. SS	9 3/4"	6
87-P6510R	Midwest Aviation Snips, Offset Right	18ga. CR/22ga. SS	9 3/4"	6
87-P6510S	Midwest Aviation Snips, Offset Straight	18ga. CR/22ga. SS	9 3/4"	6
87-P6716L	Midwest Aviation Snips, Left Cut Pattern	-	-	6
87-P6716R	Midwest Aviation Snips, Right Cut Pattern	-	-	6
87-P6716S	Midwest Aviation Snips, Straight Cut Pattern	-	-	6
87-P6716A	Midwest Aviation Snips, Long Cut - Straight	20ga. CR/24ga. SS	11 1/2"	6
87-P6716B	Midwest Aviation Snips, Bulldog	16 ga. CR/18ga. SS	9"	6
87-SSP6716L	Midwest Aviation Snips, Hvy Duty Left	22ga. SS	9 3/4"	6
87-SSP6716R	Midwest Aviaiton Snips, Hvy Duty Right	22ga. SS	9 3/4"	6
87-P77S	Midwest Tinner Snips, Straight 7"	24ga. CR/28ga. SS	7"	6
87-P107S	Midwest Tinner Snips, Straight 10"	22ga. CR/26ga. SS	10"	6
87-P127S	Midwest Tinner Snips, Straight 12"	20ga. CR/22ga. SS	12"	6
87-P77D	Midwest Tinner Snips, Duckbill/Circular 7"	26ga. CR/28ga. SS	7"	6
87-P107D	Midwest Tinner Snips, Duckbill/Circular 10"	24ga. CR/26ga. SS	10"	6
87-P127D	Midwest Tinner Snips, Duckbill/Circular 12"	22ga. CR/24ga. SS	12"	6
87-P147C	Midwest Tinner Snips, Combination 14"	18ga. CR/22ga. SS	14"	1
87-P167B	Midwest Tinner Snips, Bulldog 16"	-	-	1
87-P657N	Midwest Light Metal Shear (Needle Nose Snip)	24ga. CR/28ga. SS	6 1/2"	5
87-P6900-L	Midwest Aviation Snips, Left Cut Pattern, Right Angle Blades	24ga. CR/28ga. SS	-	-
87-P6900-R	Midwest Aviation Snips, Right Cut Pattern, Right Angle Blades	24ga. CR/28ga. SS	-	6

To place your order call 1-800-621-5622; fax 1-800-535-9538

# Tools & Instruments

## Sheet Metal Tools



Part Number	Description	Cutting Capacity	Nominal Length	Case Qty
87-FCTMS1	Midwest Sheet Metal, Straight Hand Seamer 3"	22 CR/24 SS	8 1/4"	2
87-FCTMS2	Midwest Sheet Metal, Offset Hand Seamer	22 CR/24 SS	7 3/4"	2
87-FCTMS6	Midwest Sheet Metal, Straight Hand Seamer 6"	22 CR/24 SS	8 1/4"	1
87-FCTMN1	Midwest Sheet Metal, Hand Notcher	24 CR/ 28 SS	8"	3
87-FCTMC5	Midwest Sheet Metal, Crimper 5 Blade (Long)	-	10"	3
87-FCTMC5S	Midwest Sheet Metal, Crimper 5 Blade (Short)	-	9 1/4"	3
87-FCTMF1	Midwest Flat Folding Tool 12"	24 CR/28 SS	12"	6
87-FCTMF2	Midwest Flat Folding Tool 18"	24 CR/28 SS	18"	4
87-FCTMD1	Midwest Offset <b>Duct Stretcher</b>	-	15 3/4"	6
87-FCTMX1	Midwest Duct Slicer	-	13"	4
87-FCTML1	Midwest Snap Lock Punch	24 CR	8"	3
87-FCTMP1	Midwest Pipe Duct Cutter (Double Cut)	-	10 1/2"	6
87-FCTMT1	Midwest Plastic Tie Tensioning Tool	-	8"	3

To place your order call 1-800-621-5622; fax 1-800-535-9538

# Tools & Instruments

## Pro-Set® Tube Cutters

- ❖ For Hard or Soft Tubing.  
“Copper, Aluminum Brass, Stainless Steel”
- ❖ Smooth operation provides consistent clean cuts.
- ❖ High impact metal & precision machining combine to offer a quality tool built to last a lifetime.



87-TC127



87-TC174



87-TC274

## Mastercool® Tube Cutters

- ❖ Lightweight yet durable.
- ❖ For Hard or Soft Tubing.  
“Copper, Aluminum Brass, Stainless Steel”
- ❖ All cutters feature rollers with flare cut-off grooves to salvage as much old tubing material as possible.

Part Number	Description	Capacity
87-TC127	Pro-Set Mini Tube Cutter - Features an oversized turning wheel for a sure comfortable grip.	1/8" to 5/8" OD
87-TC174	Pro-Set Tube Cutter.	3/8" to 1-1/8" OD
87-TC274	Pro-Set Premium Tube Cutter - Features a retractable reamer to remove inside burrs cleanly and a spare cutting wheel.	1/8" to 1-1/8" OD
87-TC312	Pro-Set Premium Large Tube Cutter - Features a retractable reamer to remove inside burrs cleanly and a spare cutting wheel.	1/4" to 1-5/8" OD
70027	Mastercool Mini Tube Cutter	1/8" to 5/8"
70029	Mastercool Midi Tube Cutter	3/8" to 1-1/8"
70033	Mastercool Heavy Duty Tubing Cutter	1/8" to 1-1/8"
70035	Mastercool Heavy Duty Tubing Cutter	1/4" to 1-5/8"
70037	Mastercool Slide Tubing Cutter	1/4" to 2-5/8"
70038	Mastercool Slide Tubing Cutter	1/4" to 3-1/8"
70090	Mastercool Tubing Cutter Kit	3 Piece Set
70090-A	Mastercool Tubing Cutter Kit	4 Piece Set
70028	Mastercool Replacement Cutting Wheels for 70027 (10 Pieces)	
70034	Mastercool Replacement Cutting Wheels for 70029, 70033, 70035 and 70037 (10 Pieces)	
70138	Mastercool Replacement Cutting Wheel for 70038 (1 Piece)	



70027



70029



70035



70037



87-TC312

**NOTE: CPS Merchandise (for warranty credit) should be returned directly to CPS using the CPS Warranty Return Form that can be downloaded from [rhemote.net](http://rhemote.net) in the PROSTOCK Literature Tab.**

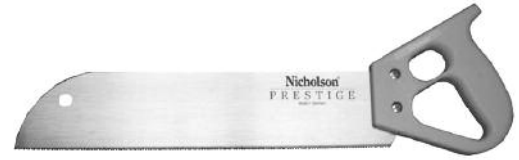
**To place your order call 1-800-621-5622; fax 1-800-535-9538**

# Tools & Instruments

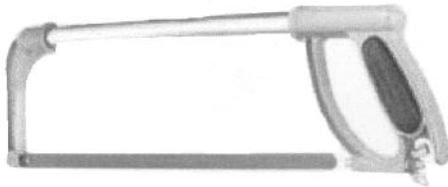
## Saws and Blades



87-62825



87-80710



87-70012



87-80952



87-81120, 87-81122, 87-81124, 87-81132



87-81128

Part Number	Description	Nominal Length	Width	Gauge	Case Qty
87-62819	Nicholson Bi-Met Hacksaw Blade 14 T	12"	1/2"	0.25"	10
87-62826	Nicholson Bi-Met Hacksaw Blade 18T	12"	1/2"	0.25"	2/Card
87-62832	Nicholson Bi-Met Hacksaw Blade 24T	12"	1/2"	0.25"	2/Card
87-62839	Nicholson Bi-Met Hacksaw Blade 32TPI	12"	1/2"	0.25"	2/Card
87-701S	Klein Industrial Hacksaw	12"	-	-	6/Case
87-72319	Nicholson Portabands 10 Raker (Sold only in Case Qty)				3
87-80965	Nicholson 12P Premium Hacksaw Frame				1
87-81124	Nicholson Recip Blade 24TPI (Multi-purpose)	6"	3/4"	0.035"	1/Card
87-81128	Nicholson Recip Blade 14TPI (For Metal under 1/8" thick)	9"	3/4"	0.050"	1/Card

To place your order call 1-800-621-5622; fax 1-800-535-9538

# Tools & Instruments

## Hole Saw Blades



87-81260



87-81432

Part Number	Description	Diameter	Case Qty
87-81167	Nicholson Hole Saw	7/8"	1
87-81173	Nicholson Hole Saw	1"	1
87-81179	Nicholson Hole Saw	1 1/8"	1
87-81188	Nicholson Hole Saw	1 1/4"	1
87-81197	Nicholson Hole Saw	1 3/8"	1
87-81206	Nicholson Hole Saw	1 1/2"	1
87-81227	Nicholson Hole Saw	2"	1
87-81233	Nicholson Hole Saw	2 1/8"	1
87-81260	Nicholson Hole Saw	3"	1
87-81272	Nicholson Hole Saw	3 1/2"	1
87-81275	Nicholson Hole Saw	3 5/8"	1

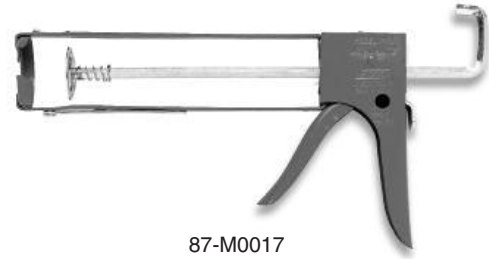
To place your order call 1-800-621-5622; fax 1-800-535-9538

# Tools & Instruments

## Caulking Guns

### 87-M0017 Caulking Gun 1/10 Gal., Hex Rod Parallel Frame

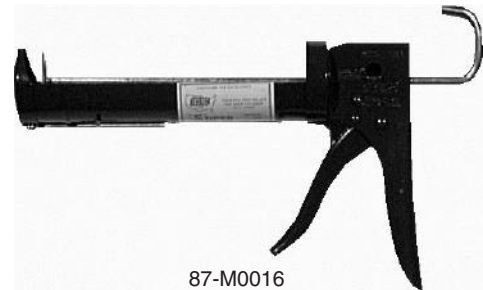
- \* E-Z Thrust
- \* EZ Load Front Cap
- \* Cartridge Retainer Spring
- \* Ladder Hook
- \* Produces short radius bends up to 180°



87-M0017

### 87-M0016 Caulking Gun 1/10 Gal., Super Ratchet Rod

- \* Seal Puncture Tool
- \* Built-In Spout Cutter
- \* Ladder Hook
- \* No Pinch Finger Guard



87-M0016

### 87-250 Caulking Gun 1/10 Gal., Super Smooth Rod

- \* Revolving Barrel
- \* Zinc Alloy Handle
- \* Ladder Hook
- \* Thumb Release
- \* Thrust Ratio 18:1



87-250

Part Number	Description	Case Qty
87-M0017	Caulking Gun; 1/10 Gal., Hex Rod Parallel Frame	12
87-M0016	Caulking Gun; 1/10 Gal., Super Ratched Rod	12
87-250	Caulking Gun; 1/10 Gal., Super Smooth Rod	6

To place your order call 1-800-621-5622; fax 1-800-535-9538

# Tools & Instruments

## Gallo Gun & Swoosh CO2 Cartridges



GG-1 & GGC-12

The Gallo Gun clears condensate drains with Swoosh. It is a lightweight (3 oz.) portable tool designed to blow out drain lines instantly. Simply insert a SWOOSH CO2 cartridge into the Gallo Gun and with a press of the trigger, 800 PSI of oil free food grade air clears the line. Each unit comes equipped with a tapered fitting to work on 3/8" thru 3/4" drain openings. Flexible hose assembly enables you to maneuver through cabinets, coils and hard to reach drains. Cartridges are safe for the environment and recyclable. No need to carry air or nitrogen tanks. Saves time on service calls and reduces labor costs.

Part Number	Description	Case Qty
GG-1	Gallo Gun Drain Cleaner	1
GGC-12	SWOOSH CO2 Cartridges (Standard pack of 12)	1

# Tools & Instruments

## Tape Measures

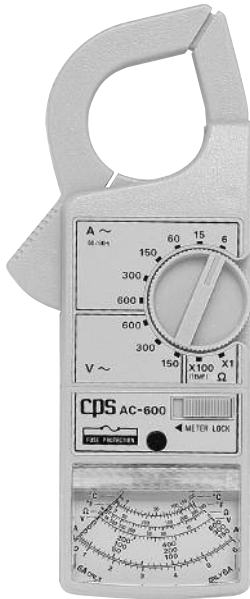


Part Number	Description	Color	Case Qty
87-2212	Lufkin 1/2" x 12' Tape Measure - Chrome	Chrome	6
87-2212DX	Lufkin 1/2" x 12' Tape Measure - Chrome (Eng)	Chrome	6
87-2316	Lufkin 3/4" x 16' Tape Measure - Chrome	Chrome	6
87-HV1012	Lufkin 1/2" x 12' Tape Measure (HiVisibility)	Orange	6
87-HV1312	Lufkin 3/4" x 12' Tape Measure (HiVisibility)	Orange	6
87-HV1316	Lufkin 3/4" x 16' Tape Measure (HiVisibility)	Orange	6
87-QR1312	Lufkin 3/4" x 12' Tape Measure (QuickRead)	Blue	6
87-QR1316	Lufkin 3/4" x 16' Tape Measure (QuickRead)	Blue	6
87-928-16HV	Klein Power Return Tape Measure 3/4" x 16' (HiVisibility)	Orange	6
87-928-25HV	Klein Power Return Tape Measure 1" x 25' (HiVisibility)	Orange	6

To place your order call 1-800-621-5622; fax 1-800-535-9538



# Tools & Instruments



87-AC600

## CPS® 87-AC600 Meter

The 87-AC600 incorporates a rugged analog display to measure AC current, AC voltage and ohms. A continuity alarm and an optional temperature probe add to the 87-AC600's impressive design making it an ideal unit for the electrical & HVAC/R technician.

The 87-AC600 allows the user to measure current flow, in appliances & power lines by simply clamping the transformer jaws around the conductor. A meter lock function is provided to lock the analog display's pointer when taking measurements in areas of low visibility or limited access. The optional temperature probe can take measurements of gas liquid and solid materials. The 87-AC600 includes a spare fuse 0.5A/250V, test leads, carry case, "AA" battery, and slip proof wrist strap.

### APPLICATIONS

- \* Measure motor start-up current.
- \* Measure current to determine circuit overload, control circuit current and circuit operating current.
- \* Measure line temperatures on refrigeration and air conditioning units.
- \* Measure continuity to determine good or bad fuses, open or shorted conductors, operation of switches and circuit paths.
- \* Measure AC lines and voltages.

### RANGES:

Function	Range	Best Accuracy
VAC	0 - 600V	+/- 3% of full scale
ACA	0 - 600A	+/- 3% of full scale
Temp	-26° to 392°F/-50° to 200° C	+/- 3% of full scale

**NOTE: CPS Merchandise (for warranty credit) should be returned directly to CPS using the CPS Warranty Return Form that can be downloaded from [rheemote.net](http://rheemote.net) in the PROSTOCK Literature Tab.**

*To place your order call 1-800-621-5622; fax 1-800-535-9538*

# Tools & Instruments

## CPS® 87-DM350 Meter

The 87-DM350 incorporates a feature rich design that enables the unit to expand beyond traditional electrical & HVAC/R service technician's need, effectively covering all analytical service measurements.

### Autoranging

A convenient autoranging feature automatically selects correct range when the RANGE key is depressed and the rotary switch is placed on the desired measurement function (Voltage, Ohms, current, frequency & capacitance).

### Rugged Design

The 87-DM350's has a rugged waterproof outer case, and advanced 600V high energy fuse, which protects the unit against current surge. A voltage overload system protects to 1100VDC/800VAC. The unit bears a CE approval and complies with EN-61010-1 1000V CAT111 POLLUTION standards.

### Display

The 3.75in/85mm LCD incorporates a 42-segment bar graph display for indication of peaks and nulls. A back light display allows easy viewing in dark areas. The display incorporates a 4000 count LCD & a battery saving function that automatically turns off the back light after a period of time.

### Min/Max Memory

Automatically detects & stores the max/min readings during line voltage monitoring.

### Relative Reference Mode

Stores a value for comparison against future values.

### Data Hold

Stores present reading on the display when the data hold key is depressed.

### APPLICATIONS

- \* Measure voltage to determine voltage source, voltage drop and voltage imbalance
- \* Measure resistance to determine resistance of a load or a conductor, value of a resistor and test operation of a variable resistor.
- \* Measurement of frequency for trouble shooting power sources, communication equipment and computers.
- \* Verify line frequency.
- \* Measure capacitance for checking motor run and start capacitors.



### ACCESSORIES FOR 87-DM350

Part Number	Description
87-DMXL	87-DM350 Test Leads
87-DMXF05	87-DM350 0.5 Amp Fuse
87-DMXF2	87-DM350 20 Amp Fuse

## CPS® 87-AC400 Meter

The 87-AC400 is a pocket sized clamp-on meter with full size features. A convenient autoranging feature automatically selects the correct operating range when the user selects either the ACA or ACV measurement function. The 3-1/2 digit, 1999 count LCD display incorporates low battery and function select indicators. Data Hold Feature stores the present measurement value on the display. An ACV continuity function is also included in the 87-AC400's compact design enabling the technician to check wiring, fuses, conductors, switches, etc. The 87-AC400 is protected to a maximum range of 800 Vrms/500 Arms.

87-AC400 includes test leads, batteries, carry case, and a drop proof wrist strap.



### ACCESSORIES FOR: 87-AC400, 87-AC600 & 87-AC610

Part Number	Description
87-ACXB4	Batteries (1.55V) for 87-AC400 (2 pk)
87-ACXC4	Carrying Case for 87-AC400
87-ACXC6	Carrying Case for 87-AC600/87-AC610
87-ACXF60	Fuse for 87-AC600
87-ACXOP	Ohms Probe 87-AC600
87-ACXP	Probe Set for 87-AC610/87-AC400
87-ACXTP	Temperature Probe 87-AC600

### RANGES:

Function	Range	Best Accuracy
VAC	200v - 500V	+/- (1.2% rdg + 5 dgts) 40Hz to 500 Hz
ACA	200 - 400A	+/- (1.5% rdg + 5 dgts) 50/600 Hz
Continuity	Below 600 W	

**NOTE: CPS Merchandise (for warranty credit) should be returned directly to CPS using the CPS Warranty Return Form that can be downloaded from rheemote.net in the PROSTOCK Literature Tab.**

**To place your order call 1-800-621-5622; fax 1-800-535-9538**

# Tools & Instruments

## CPS® Infrared Thermometers

The TMINI infrared thermometer provides instant temperature measurement over a wide range of applications. The unit offers simple one-handed operation, laser point sighting, a backlit display, °C/°F select ability and an automatic power off feature. Use the TMINI to quickly measure temperatures of registers, ductwork, furnaces, evaporator, condensers, compressors, relays, manifolds radiators, exhaust systems, thermostats, bearings and more. Leatherette carrying case and 9V alkaline batter are included.



<i>Temp. Range:</i>	-4 to 932°F / -20 to 500°C	<i>Display:</i>	4 digit backlit
<i>Emissivity:</i>	Pre-set at 0.98	<i>Resolution:</i>	0.5°C/F°
<i>Accuracy:</i>	±2°C (±3°F) or ±2% of reading	<i>D:S: *</i>	8:1
<i>Batteries:</i>	9V Alkaline, Included	<i>Battery Life:</i>	Approx.15 hours

\*Distance to Spot Size

Part Number	Description
87-TMINI12	Infrared Thermometer

Pocket Thermometers		
Part Number	Range	Description
87-TMAP	0 to 220°F	CPS Analog Pocket Thermometer
87-TMDP	-58 to 302°F	CPS Digital Pocket Thermometer
52223-A	-58 to 302°F	Mastercool Digital Pocket Thermometer



**NOTE: CPS Merchandise (for warranty credit) should be returned directly to CPS using the CPS Warranty Return Form that can be downloaded from [rheemote.net](http://rheemote.net) in the PROSTOCK Literature Tab.**

## Tools & Instruments

---



875025

### 875025 Combustible Gas Leak Detector

Testo # 0632-0316 – 316

The practical and rugged Testo 316-1 gas leak detector quickly detects even the smallest gas leaks.

#### Features & Benefits

- Flexible measurement probe for hard to reach locations
- Visual and audible alarms signal in proportion to increasing gas concentration
- TopSafe protective case protects from dirt and impact (optional)
- Rugged, yet lightweight for professional use
- Flexible 10" probe for hard to reach areas
- Battery included
- 2 year product warranty

#### Specifications

Probe type: Semiconductor probe  
Meas. Range: 0 to +10,000 ppm CH<sub>4</sub>  
Dimensions: 7.5" x 2.2" x 1.7"  
Weight: 11 oz.  
Battery Type: 9 V  
Life: 10 hr.  
1st alarm limit: from 200 ppm CH<sub>4</sub>  
2nd alarm limit: 10,000 ppm CH<sub>4</sub>



## Rheem National Customer Service

---

Division Office.....334-260-1500

Parts, Customer Service, Warranty .....1-800-621-5622

Fax.....1-800-535-9538

Email.....parts@rheem.com

Technical Service.....1-800-HEATER3  
(1-800-432-8373)

Email.....techserv@rheem.com

Website.....www.rheem.com

---



*In keeping with its policy of continuous progress and product improvement, Rheem reserves the right to make changes without notice.*

**National Parts** service center  
from Rheem



*relax*  
It's Rheem®

Rheem Sales Company  
4744 Island Ford Road  
Randleman, NC 27317  
www.rheem.com

02/09 PP-101 Rev. 8