

ROCK-OLA *Manufacturing Corporation*

Models

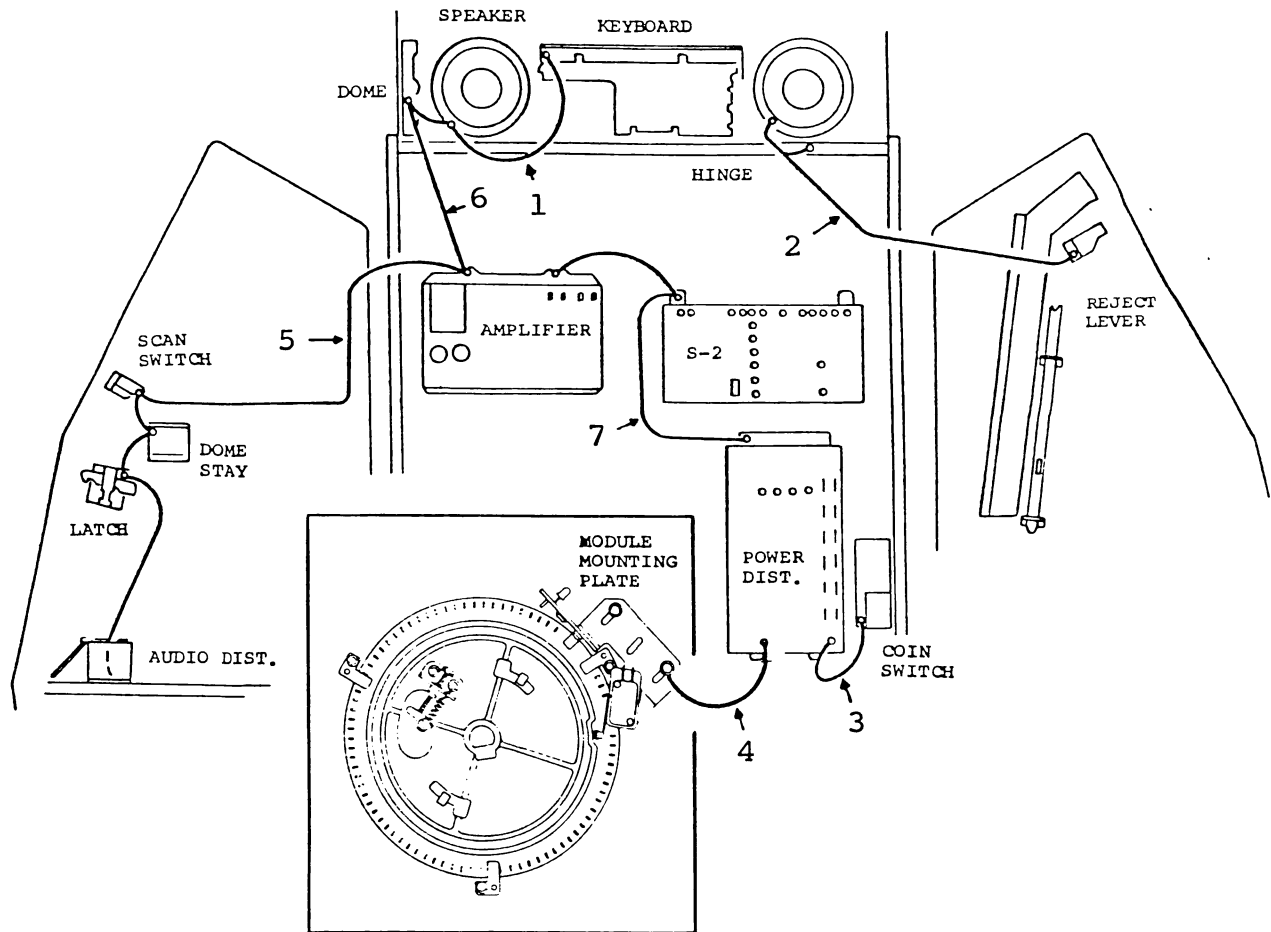
490-1, 2

494-1, 2

1000

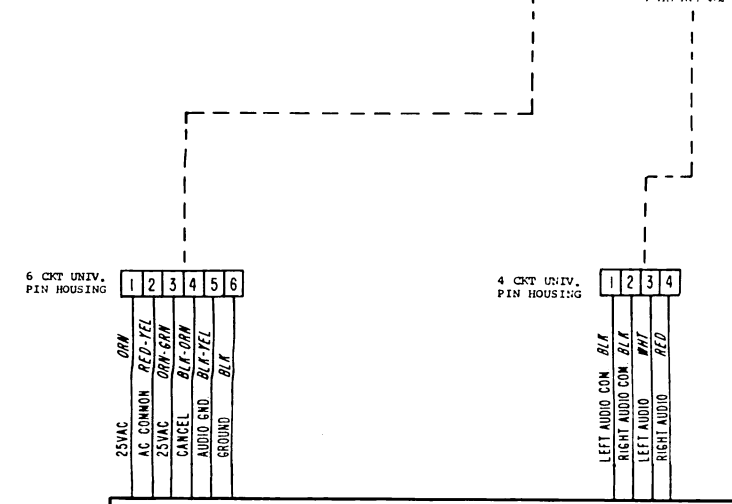
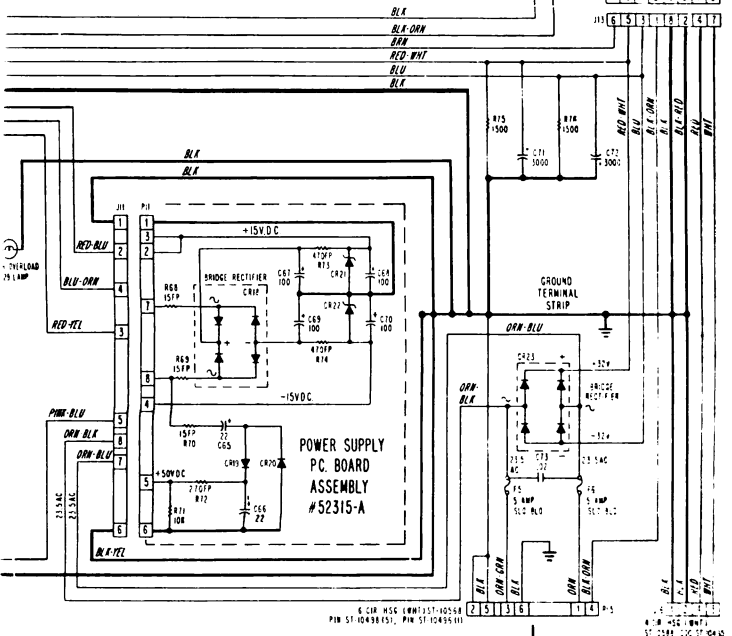
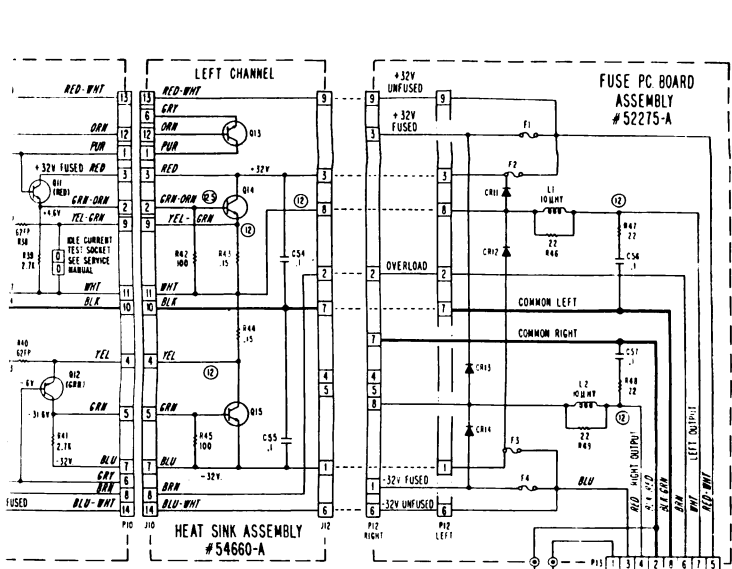
Stereo Phonograph – 200 Selections
DIGITAL MICROCOMPUTER SYSTEM

Domestic and Export
WIRING DIAGRAM



GROUND STRAP ASSEMBLIES

ITEM	PART NO.	CONNECTIONS
1	54735-A	Keyboard to Speaker to Dome.
2	54735-A	Dome Hinge to Speaker to Reject Lever
3	54743-A	Coin Switch to Power Distribution
4	54743-A	Module Mounting Plate to Power Distribution
5	54903-A	Amplifier to Scan Switch to Dome Stay to Latch to Audio Distribution
6	54901-A	Dome to Amplifier
7	54902-A	Amplifier to S-2 to Power Distribution

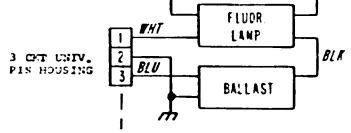


AMPLIFIER CABLE 54904-A

COMMON	PINK-BLK	1
25VAC	WHT-YEL	2
CANCEL	BLK-ORN	3
AUDIO CONTROL	BRN-WHT	4
GROUND	BLK	5
PHONO ON-OFF	GRY-GRN	6
25VAC	ORN	7
AC COMMON	RED-YEL	8
25VAC	ORN-GRN	9
		10
		11
		12

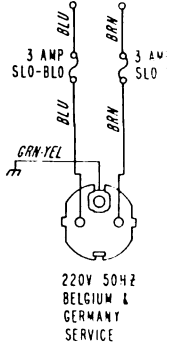
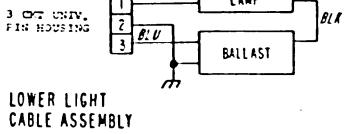
UPPER LIGHT CABLE ASSEMBLY
54303-A
NORTH AMERICA & CANADA

54277-A
ENGLAND, AUSTRALIA, BELGIUM & GERMANY



LOWER LIGHT CABLE ASSEMBLY
54277-A
NORTH AMERICA & CANADA

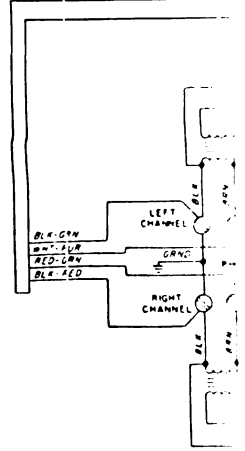
54775-A
ENGLAND, AUSTRALIA, BELGIUM & GERMANY



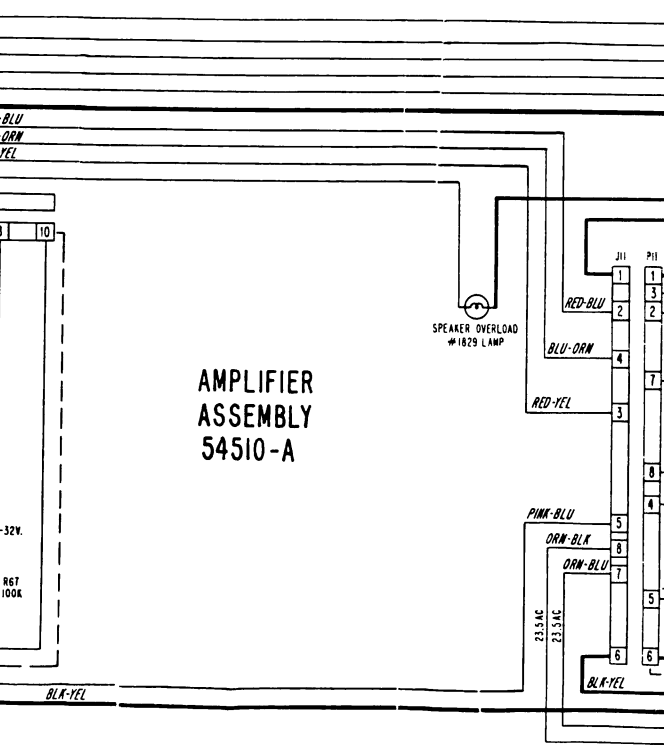
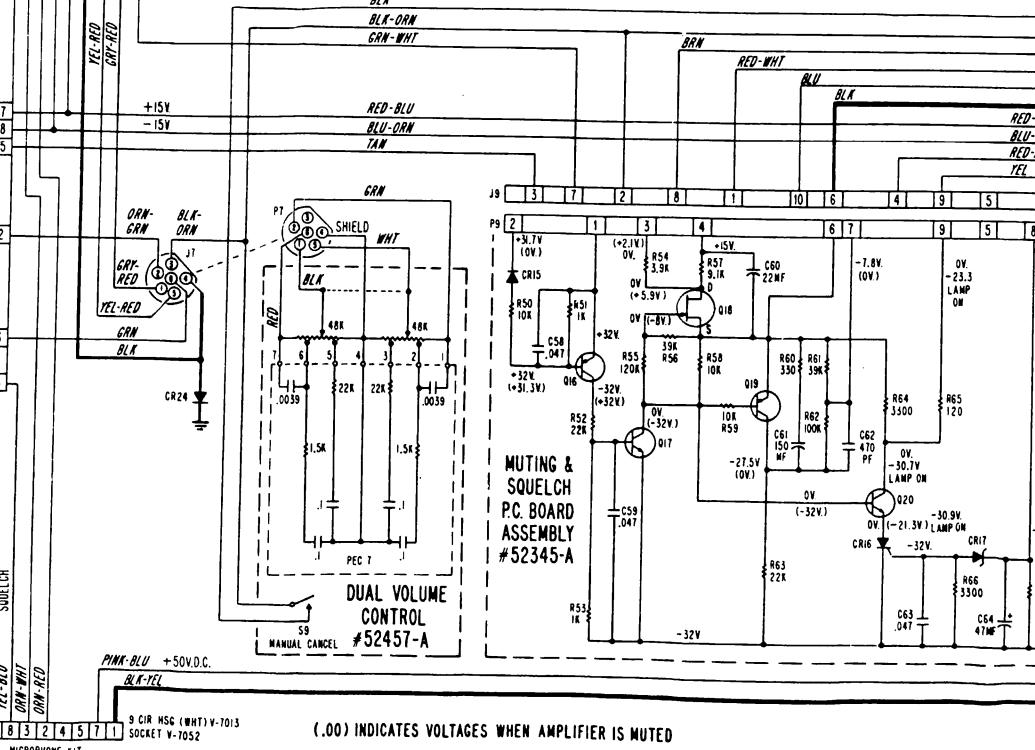
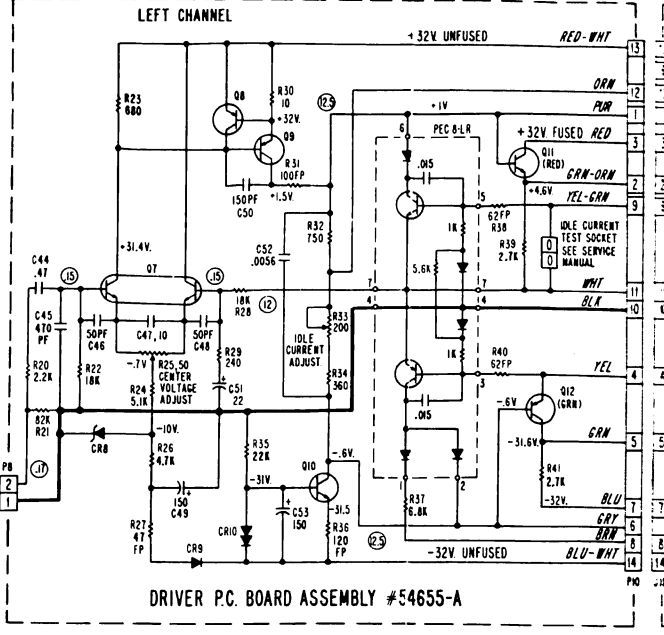
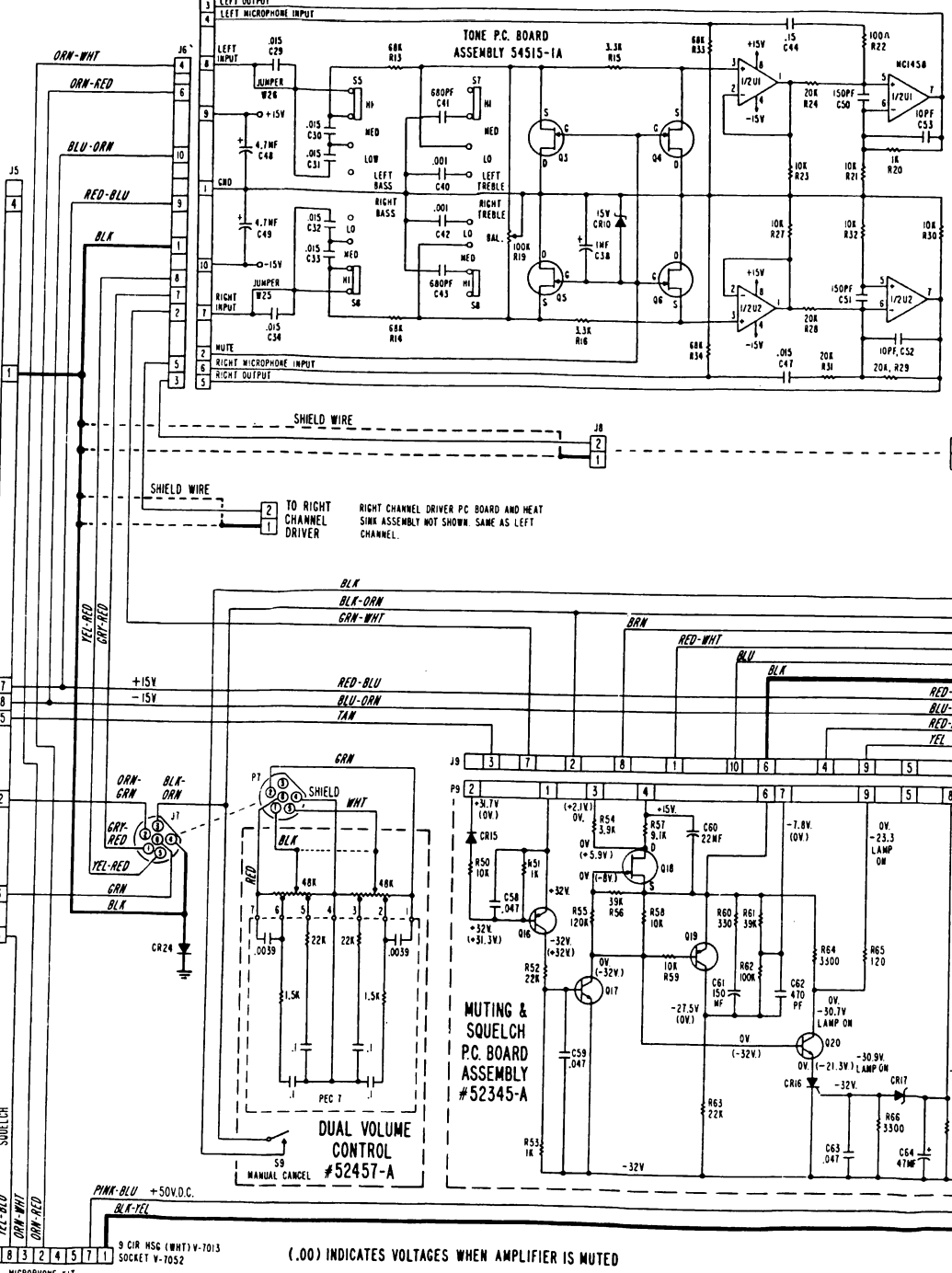
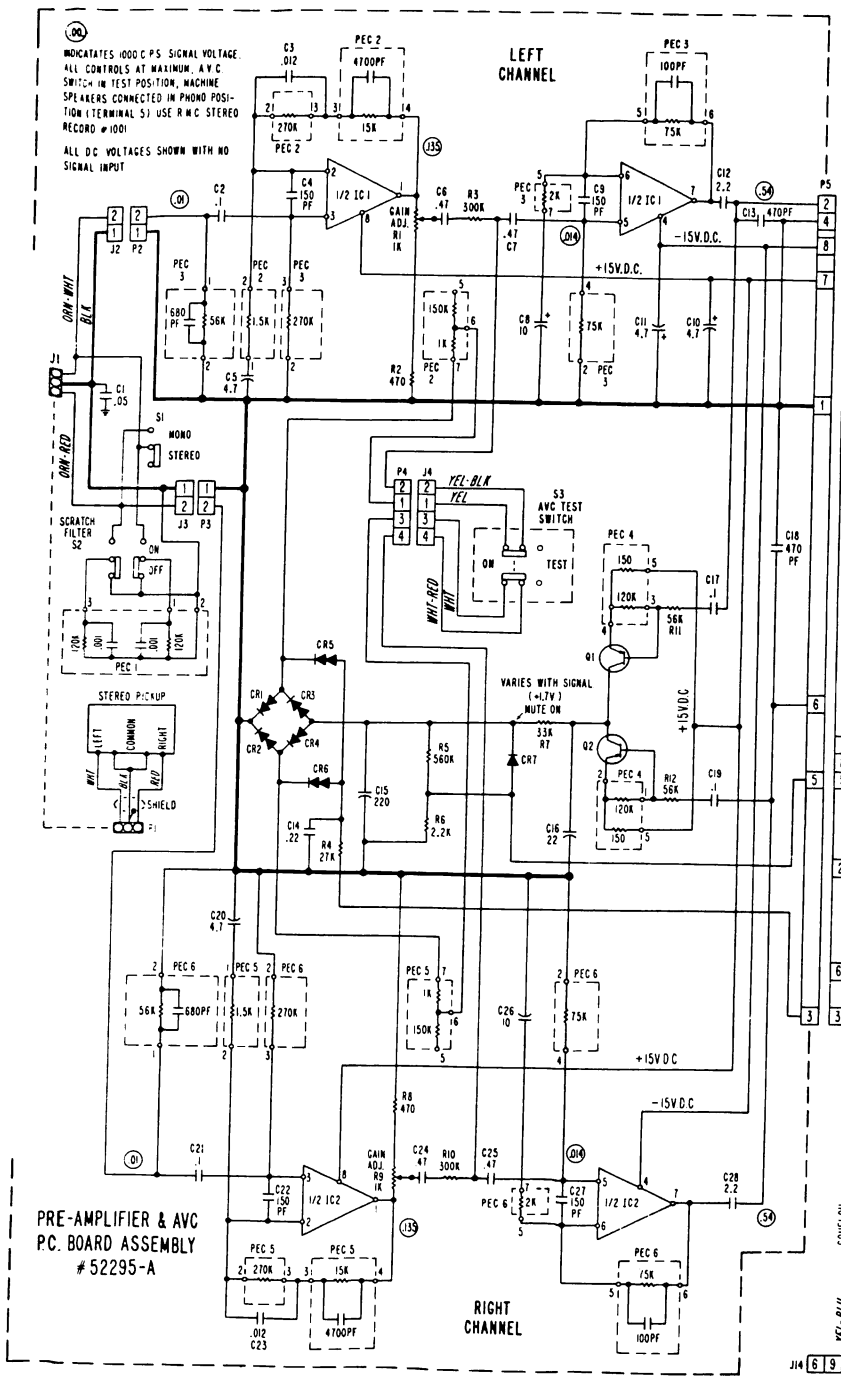
COMMON	PINK-BLK	1
VOLUME +	PINK-GRN	2
25VAC	WHT-YEL	3
VOLUME +	PINK-YEL	4
		5
		6

MOTORIZED REMOTE VOLUME CONTROL POWER RECEPTACLE

6 CKT MINI RECEPTACLE HOUSING



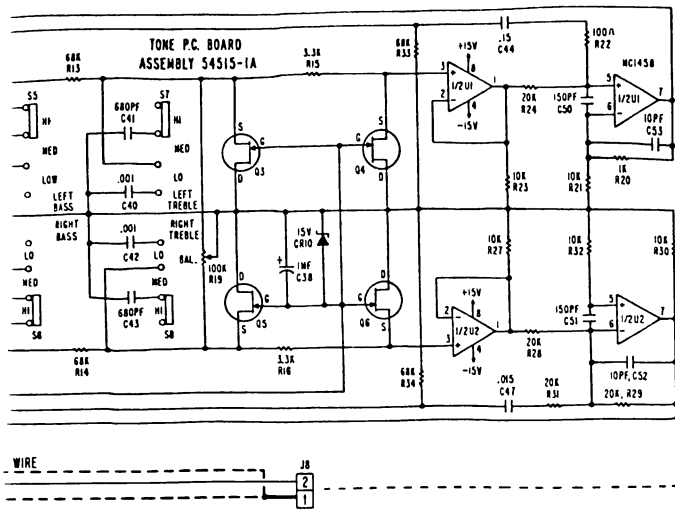
12 CKT UNIV. PIN HOUSING		
1	BLK-GRN	LEFT AUDIO COMMON
2	BRN-WHT	AUDIO CONTROL
3	WHT	LEFT AUDIO
4	GRY-GRN	PHONO ON-OFF
5	BLK-GRN	CANCEL
6	BLK	GROUND
7	PINK-BLK	COMMON
8	PINK-GRN	VOLUME +
9	PINK-YEL	VOLUME +
10	BLK-RED	RIGHT AUDIO COMMON
11	BLK-YEL	AUDIO GROUND
12	RED	RIGHT AUDIO



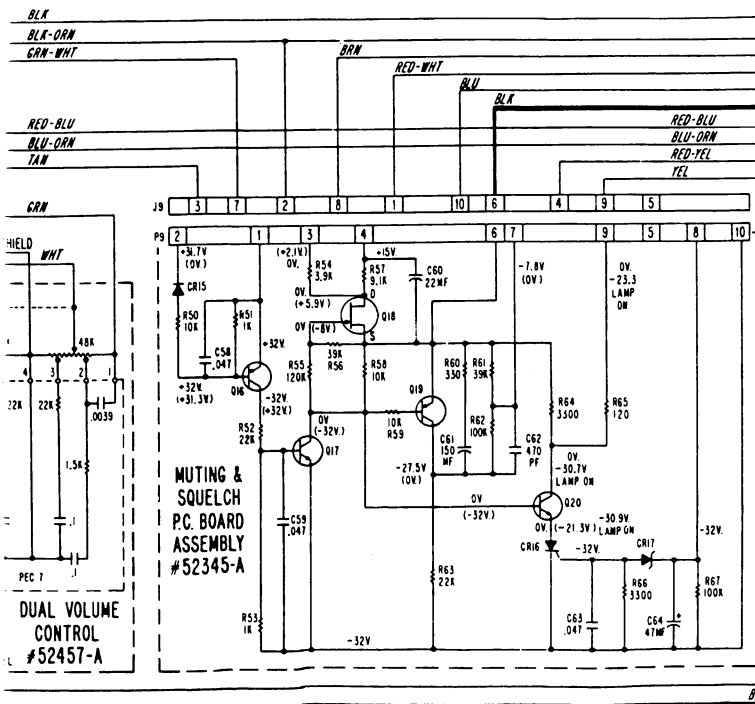
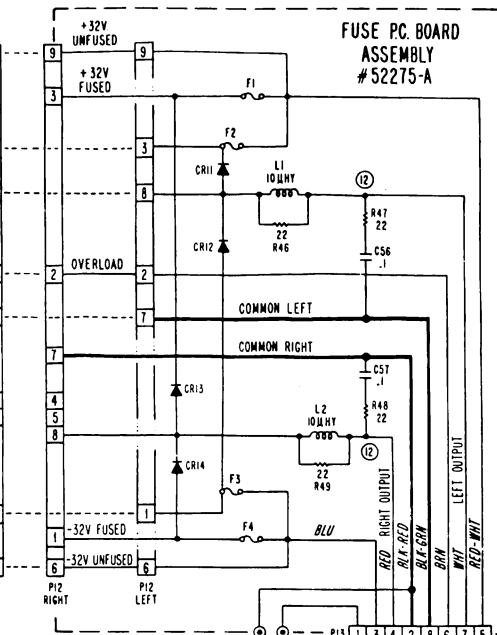
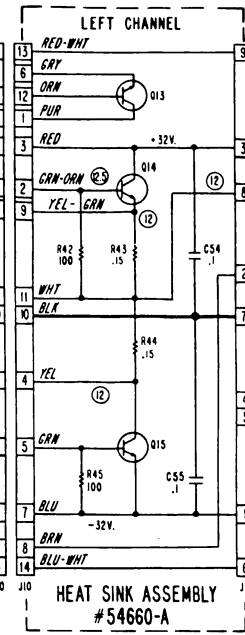
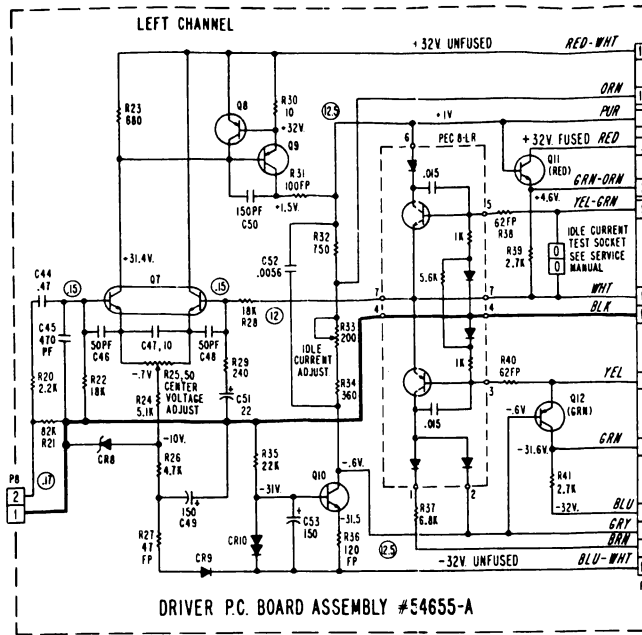
J14 6 9 8 3 2 4 5 7 1
MICROPHONE KIT

(.00) INDICATES VOLTAGES WHEN AMPLIFIER IS MUTED

J11 P11
1 1
2 2
3 3
4 4
5 5
6 6
7 7
8 8
9 9
10 10
11 11
12 12
13 13
14 14
15 15
16 16
P10

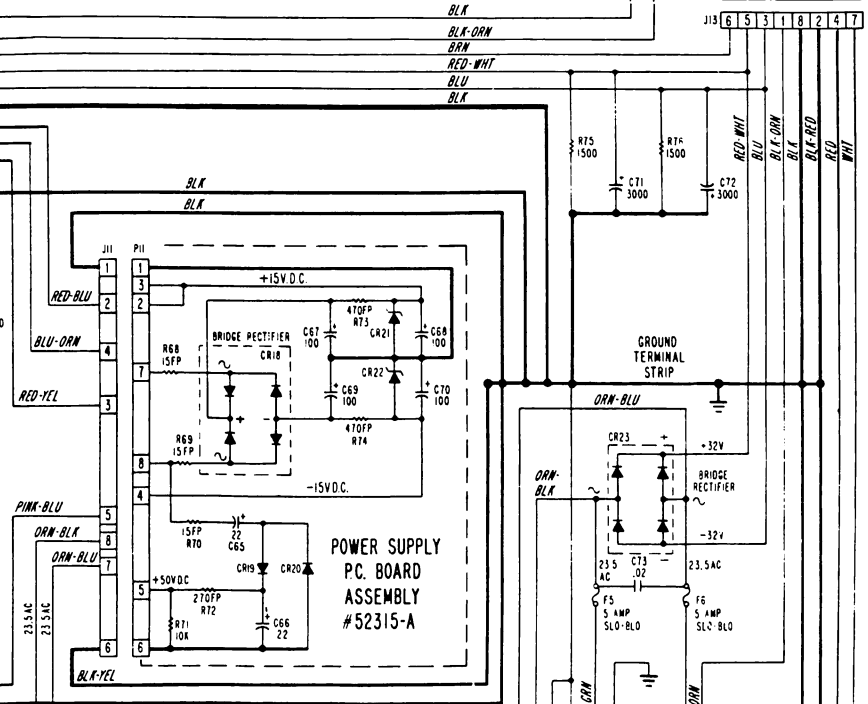


T RIGHT CHANNEL DRIVER P.C. BOARD AND HEAT SINK ASSEMBLY NOT SHOWN. SAME AS LEFT CHANNEL.



30) INDICATES VOLTAGES WHEN AMPLIFIER IS MUTED

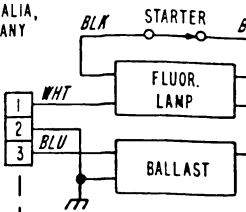
AMPLIFIER ASSEMBLY 54510-A



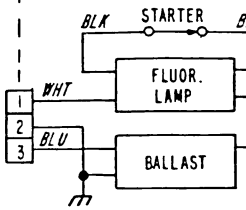
UPPER LIGHT CABLE ASSEMBLY
54909-A
NORTH AMERICA & CANADA

54677-A
ENGLAND, AUSTRALIA, BELGIUM & GERMANY

3 CKT UNIV. PIN HOUSING



3 CKT UNIV. PIN HOUSING



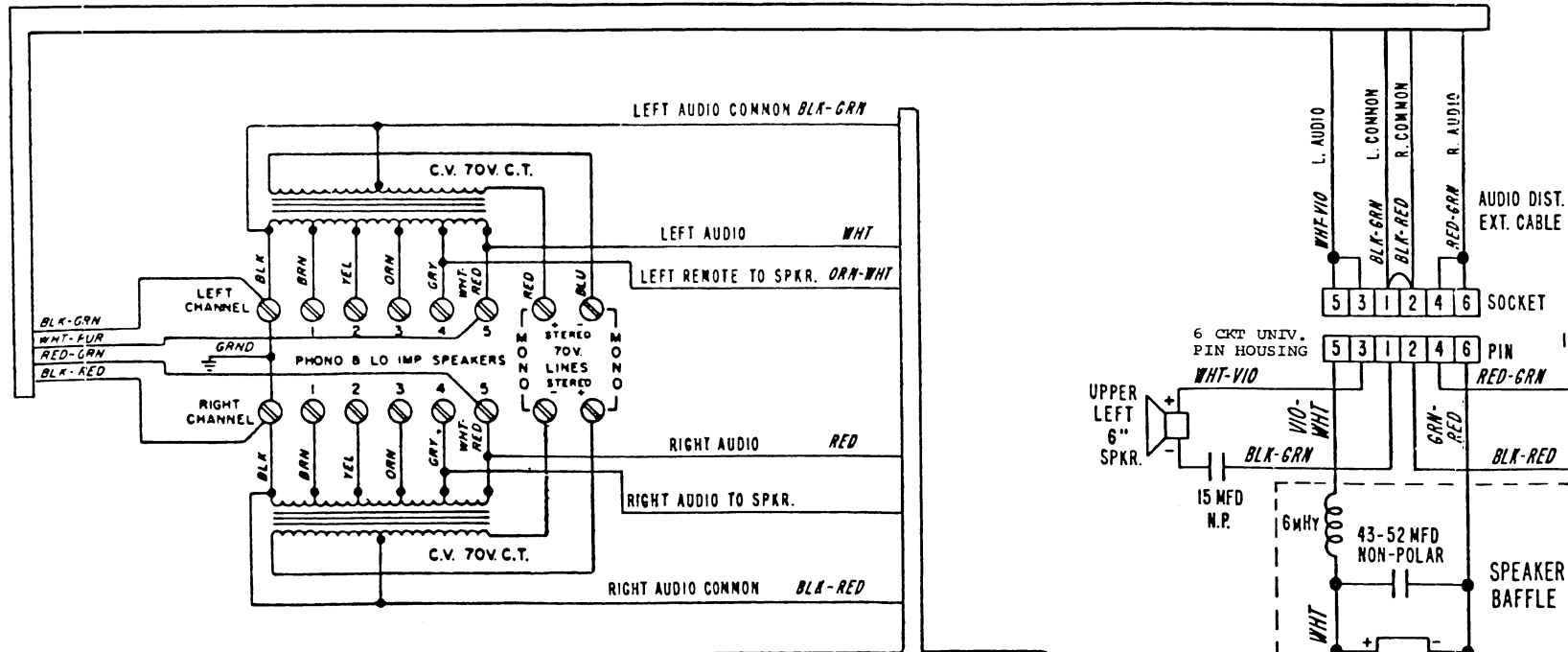
LOWER LIGHT CABLE ASSEMBLY
54917-A
NORTH AMERICA & CANADA

54776-A
ENGLAND, AUSTRALIA, BELGIUM & GERMANY

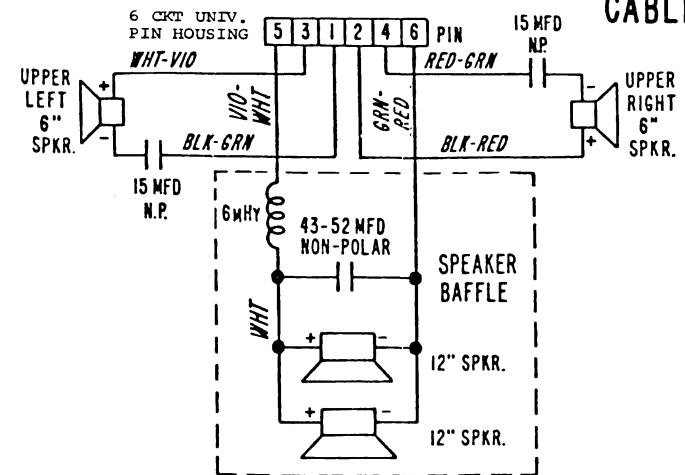
6 CIR. HSG (WHT) ST-10562
PIN ST-10498 (S), PIN ST-10496 (L)

4 CIR. HSG (WHT) ST-10588, SOC ST-10435

AUDIO DIST. EXT. CABLE 54634-A



AUDIO SPEAKER CABLE 54701-A



12 CKT UNIV.
PIN HOUSING

BLK-GRN	1
BRN-WHT	2
WHT	3
GRY-GRN	4
BLK-ORN	5
BLK	6
PINK-BLK	7
PINK-GRN	8
PINK-YEL	9
BLK-RED	10
BLK-YEL	11
RED	12

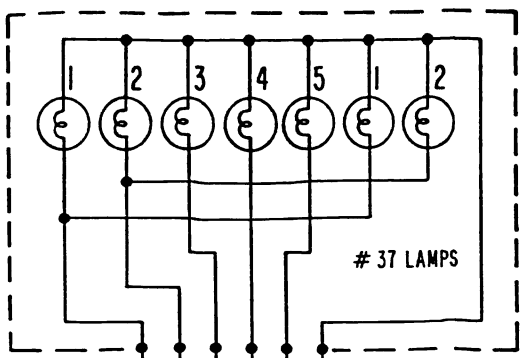
1	LEFT AUDIO COMMON	BLK-GRN
2	AUDIO CONTROL	BRN-WHT
3	LEFT AUDIO	WHT
4	PHONO ON-OFF	GRY-GRN
5	CANCEL	BLK-ORN
6	GROUND	BLK
7	COMMON	PINK-BLK
8	VOLUME ↑	PINK-GRN
9	VOLUME ↓	PINK-YEL
10	RIGHT AUDIO COMMON	BLK-RED
11	AUDIO GROUND	BLK-YEL
12	RIGHT AUDIO	RED

WALL BOX COUNTER			25V A.C.	SIG. LINE	LOCKOUT	COMMON	AUDIO CONTROL	4Ω SPKR. LINE		
A	B	C						L-SPK	AUDIO GROUND	R-SPK
⊗	⊗	⊗	⊗	⊗	⊗	⊗	⊗	⊗	⊗	⊗
⊗	⊗	⊗	⊗	⊗	⊗	⊗	⊗	⊗	⊗	⊗
⊗	⊗	⊗	⊗	⊗	⊗	⊗	⊗	⊗	⊗	⊗

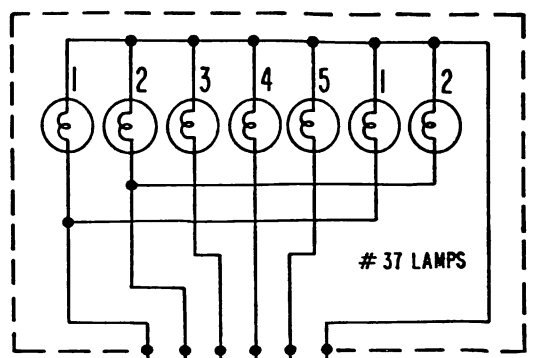
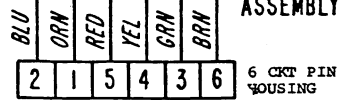
VOLUME INCREASE	⊗	PINK-GRN
VOLUME DECREASE	⊗	PINK-YEL
CANCEL	⊗	BLK-ORN
PHONO ON-OFF	⊗	GRY-GRN
COMMON	⊗	PINK-BLK

AUDIO DIST. CABLE 52704-1A

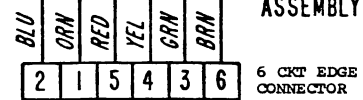
BLK
BRN-WHT
ORN-WHT
BLK-YEL
ORN-RED



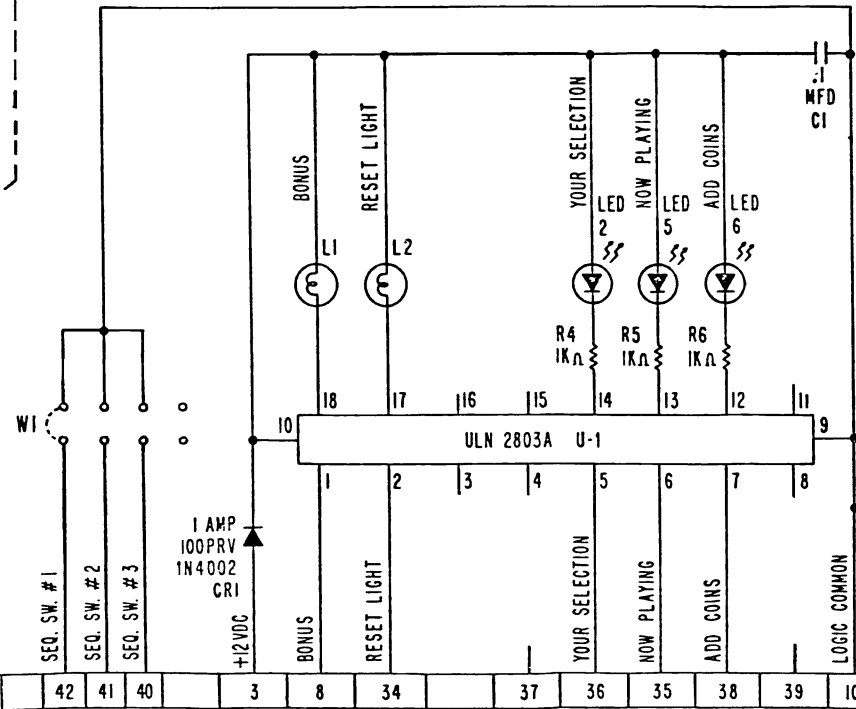
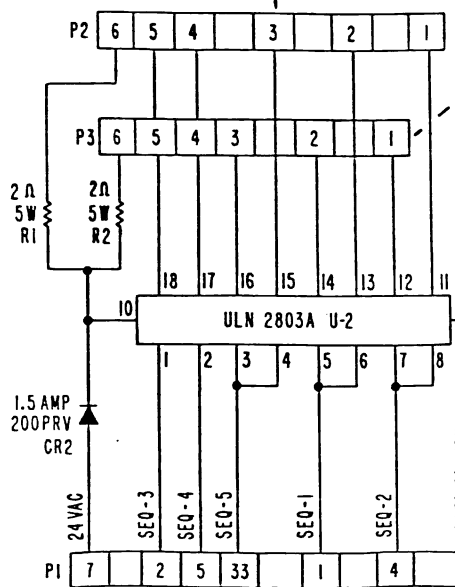
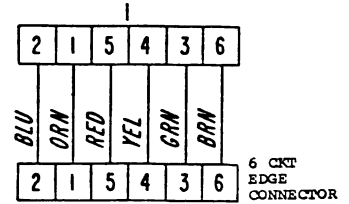
DOOR LIGHT P.C. BOARD ASSEMBLY 54898-A



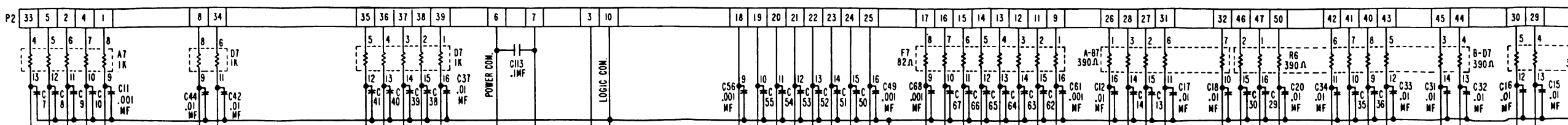
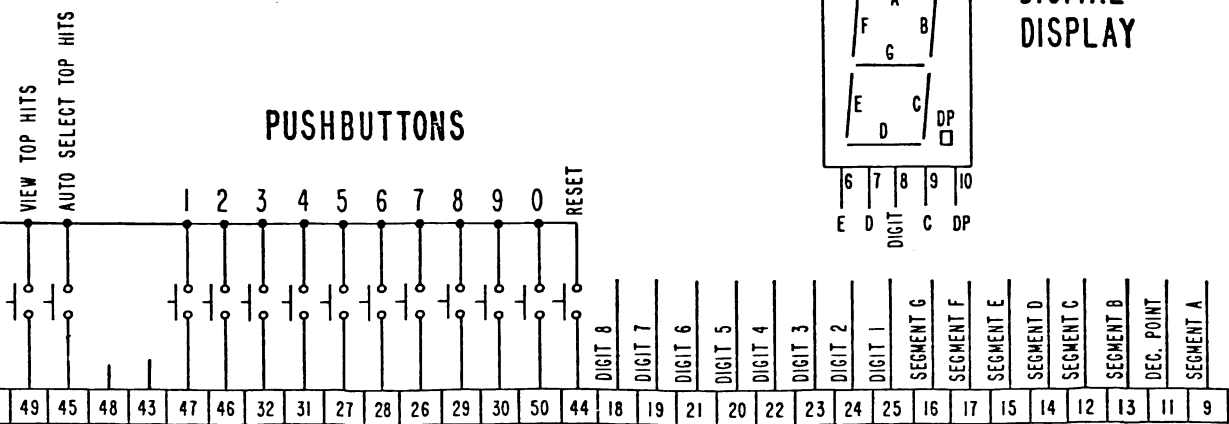
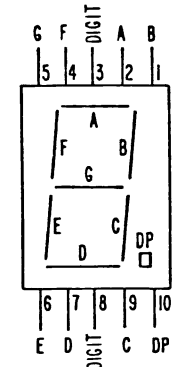
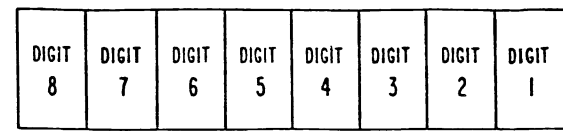
DOME LIGHT P.C. BOARD ASSEMBLY 54897-A

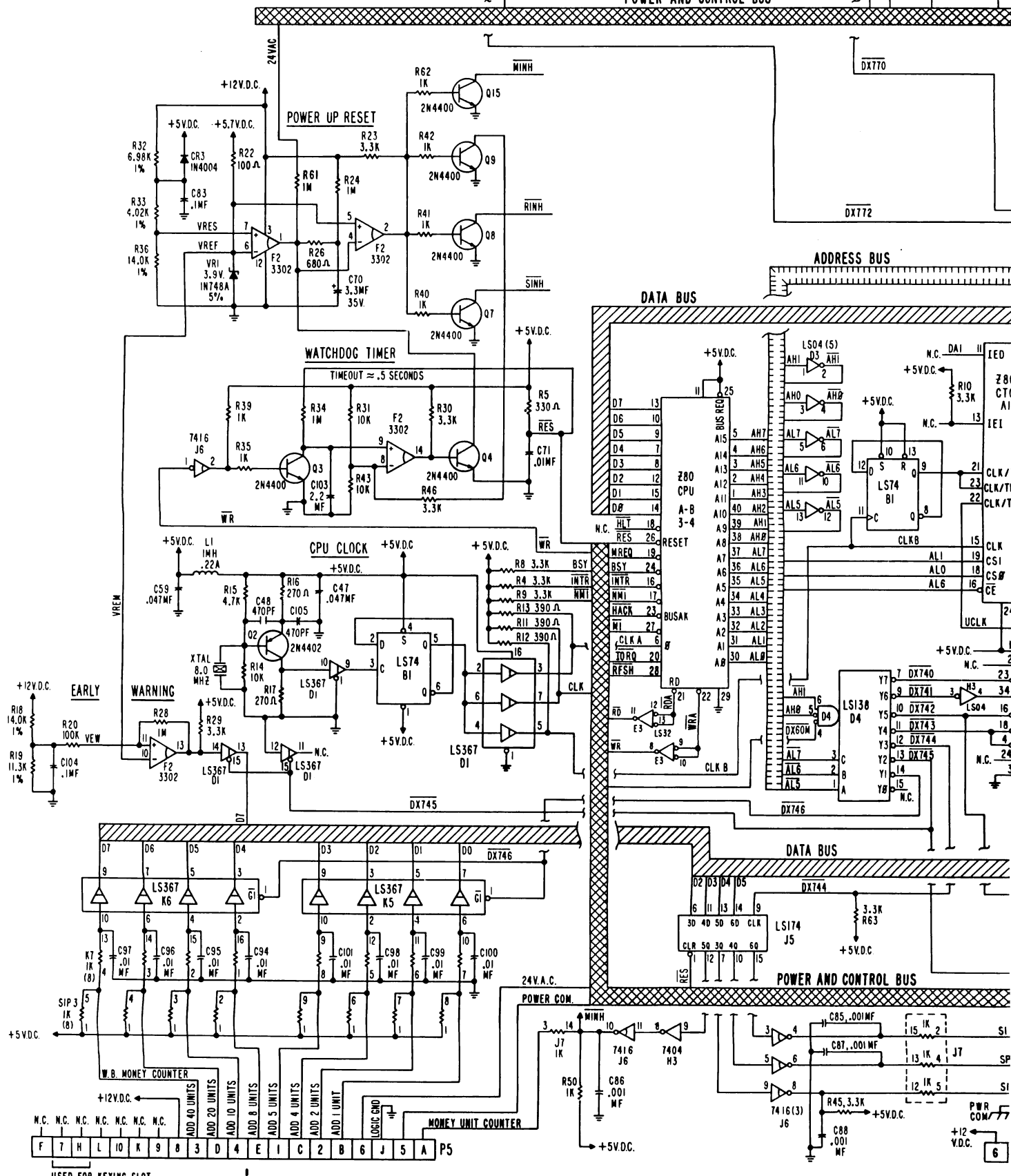
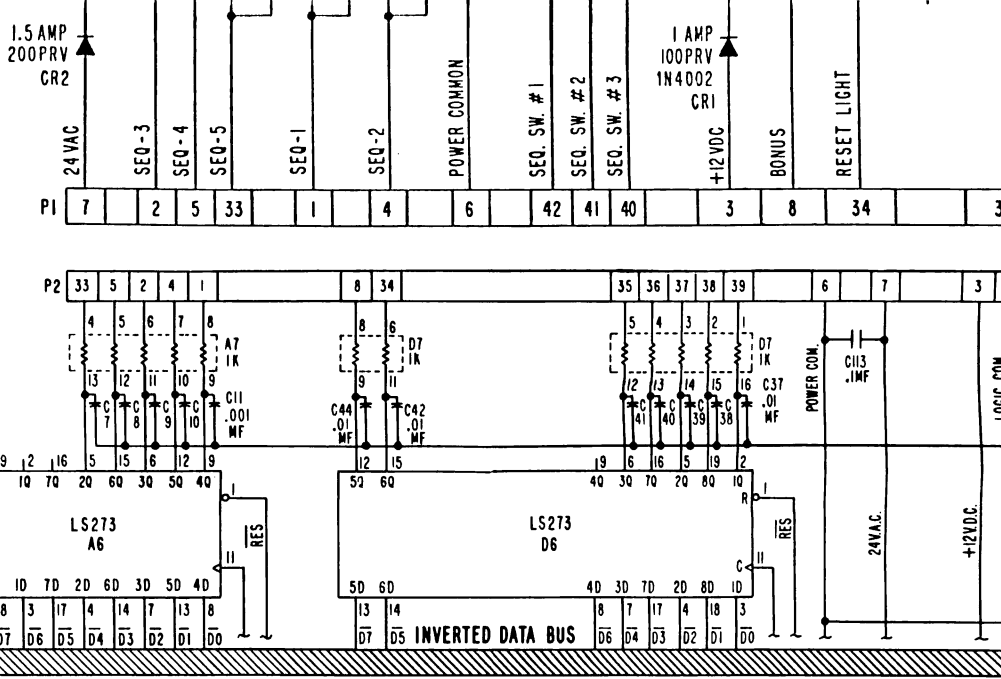


DOOR LITE EXT. CABLE 54913-A



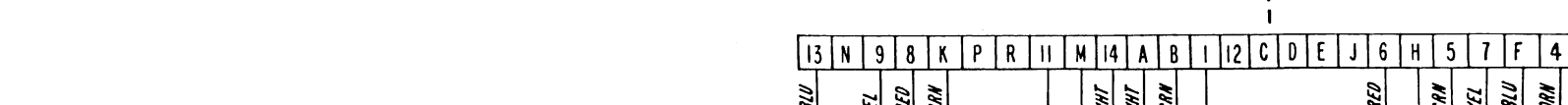
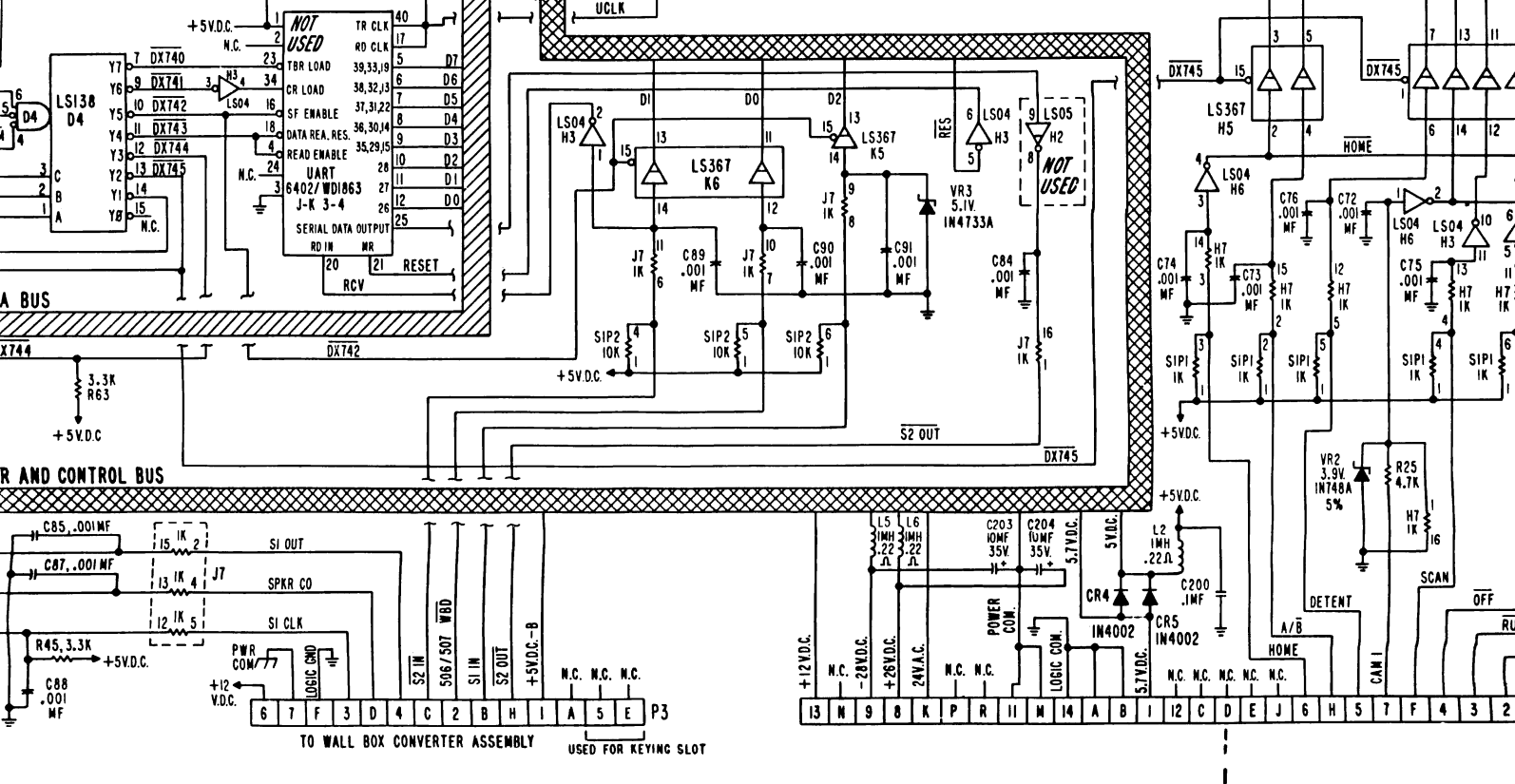
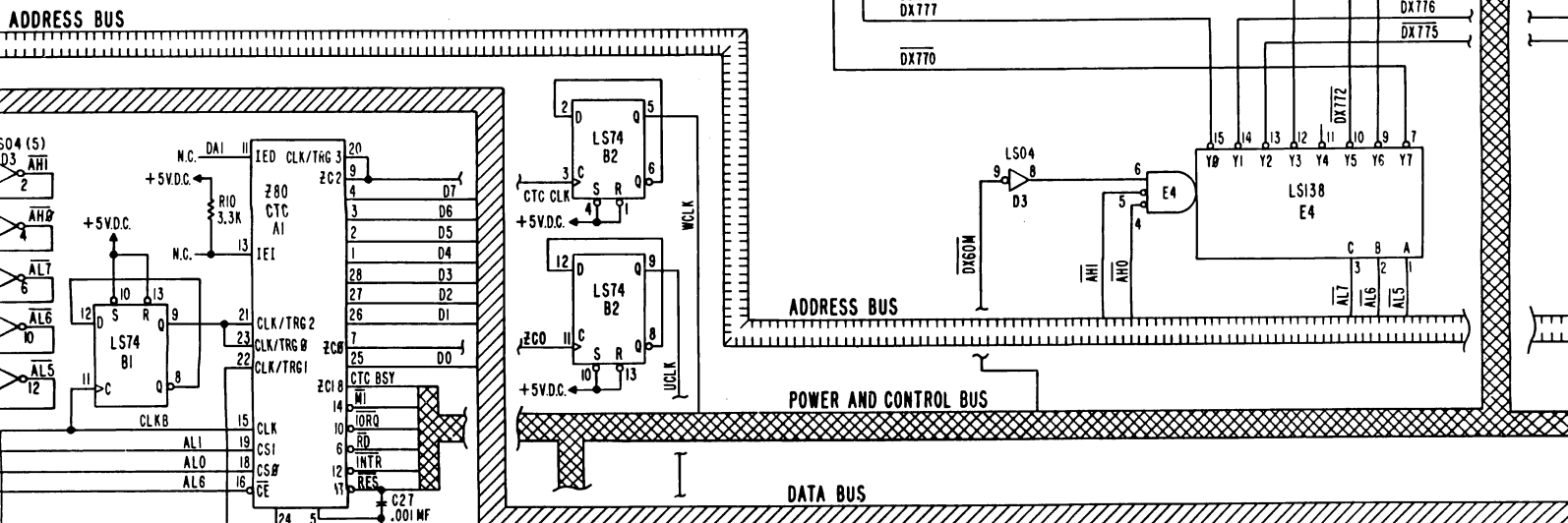
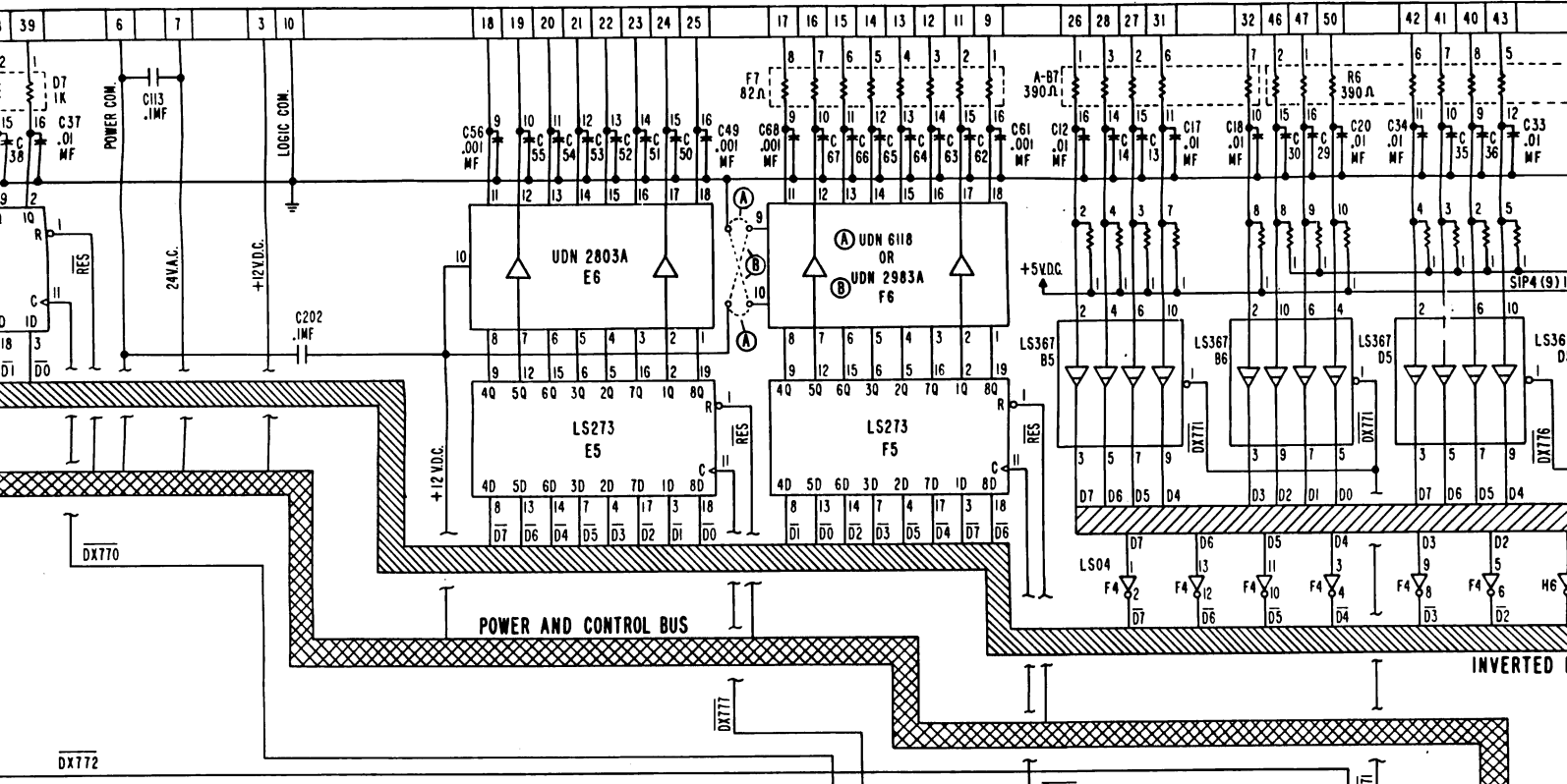
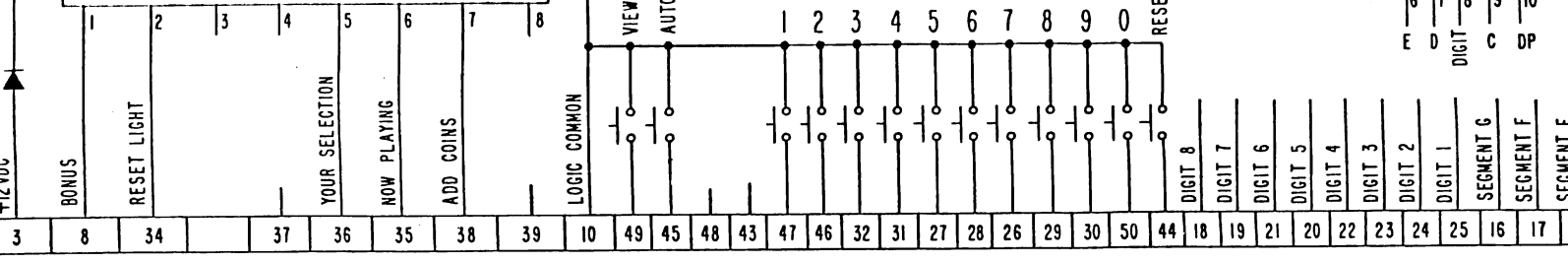
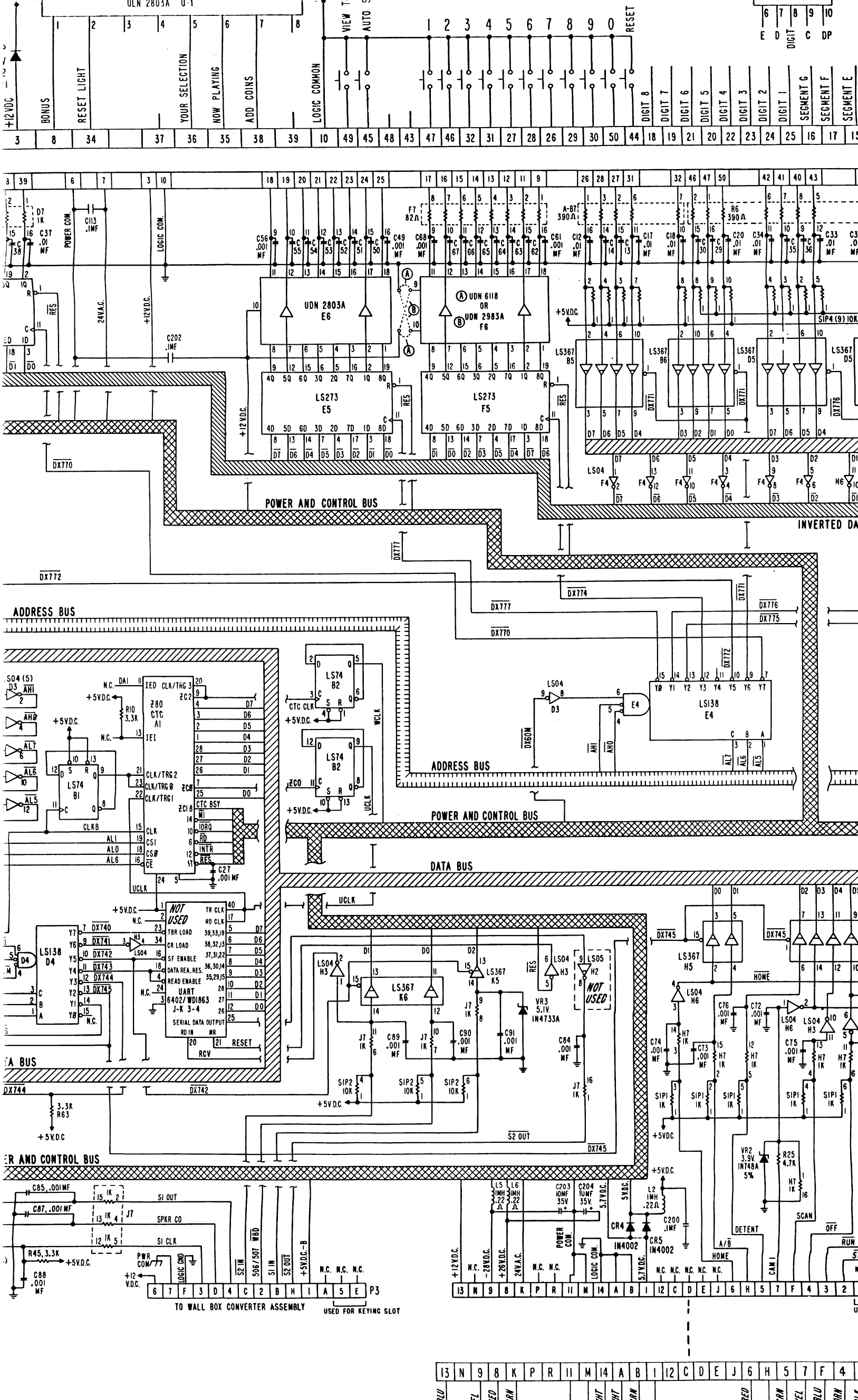
KEYBOARD & DISPLAY 54865-A





7 H L I O K D J 9 C E 5 6 8 A 3 B 2 1 4 F 10 DUAL TWIN LEAF HOUSING

COIN SWITCH CABLE 54882-A
 L-RED
 M. BLK-WHT
 BLK
 WHT-GRN
 PINK-BLU
 BLU
 T-BLK
 T-RED
 T-GRN
 T-BLU

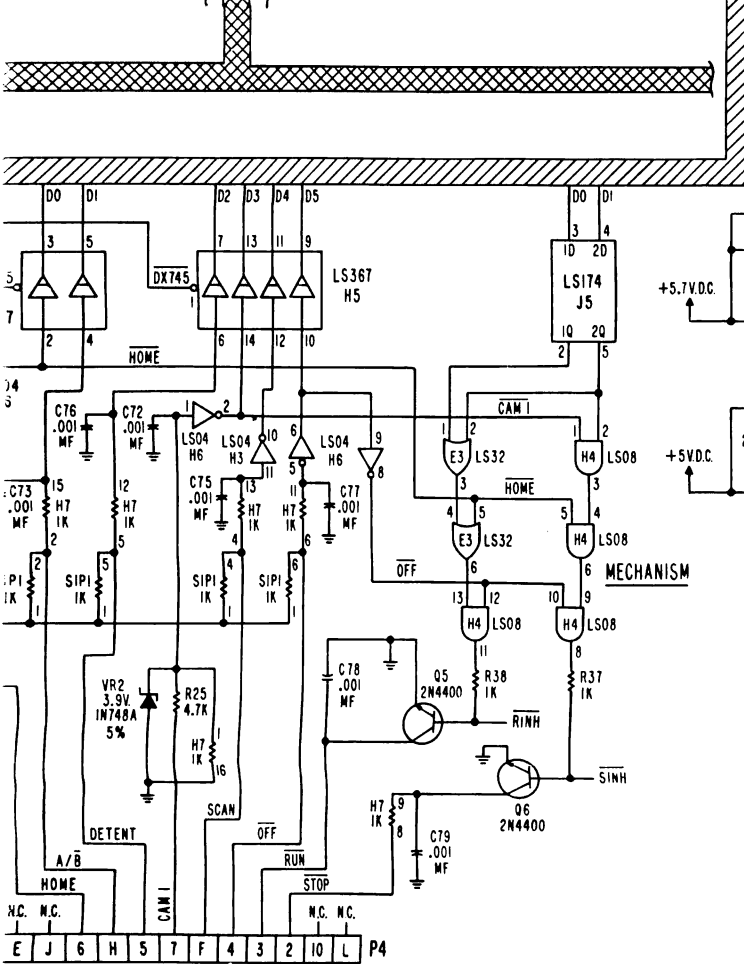
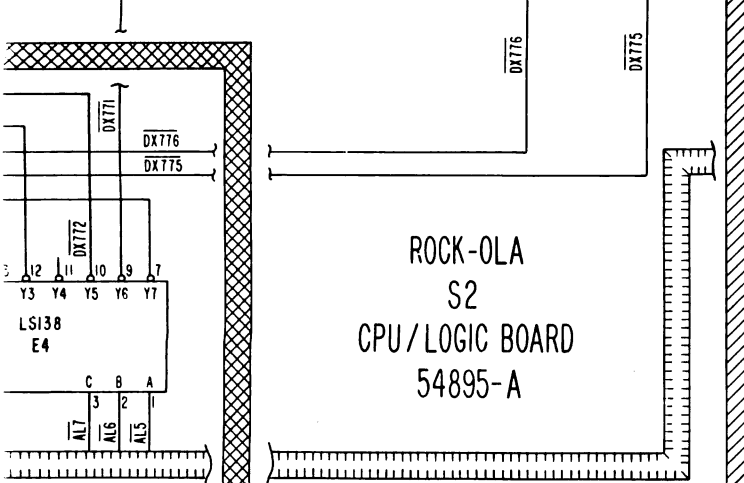
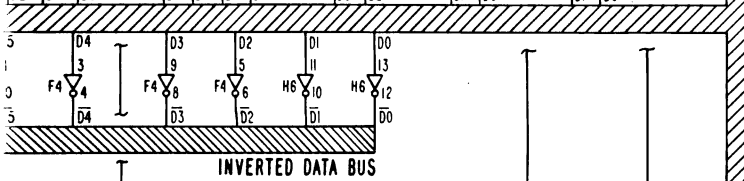
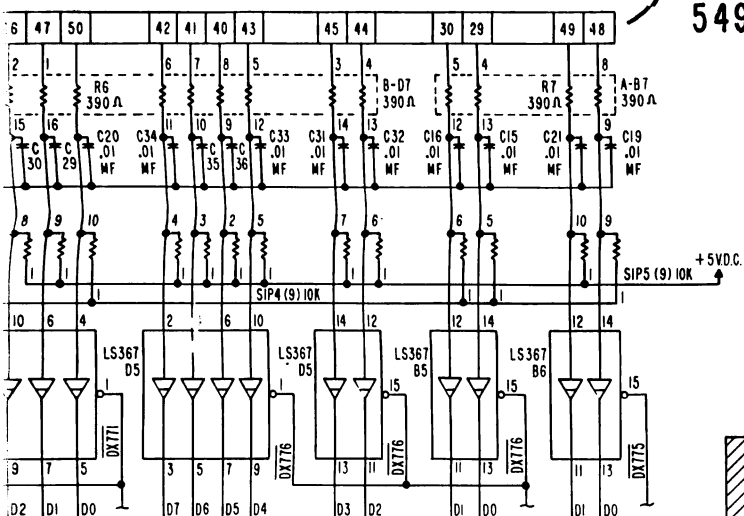


6 7 8 9 10
E D C B A
DIGIT C DP

DIGIT 5	DIGIT 4	DIGIT 3	DIGIT 2	DIGIT 1	SEGMENT G	SEGMENT F	SEGMENT E	SEGMENT D	SEGMENT C	SEGMENT B	DEC. POINT	SEGMENT A	
1	20	22	23	24	25	16	17	15	14	12	13	11	9

50 CONDUCTOR
RIBBON CABLE
54908-A

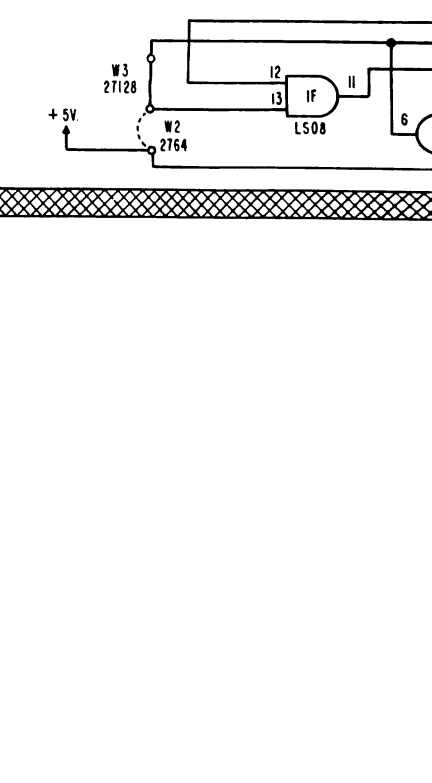
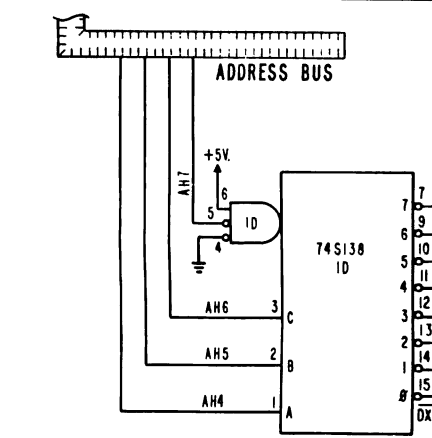
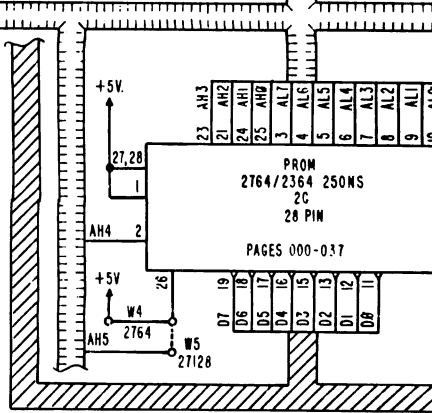
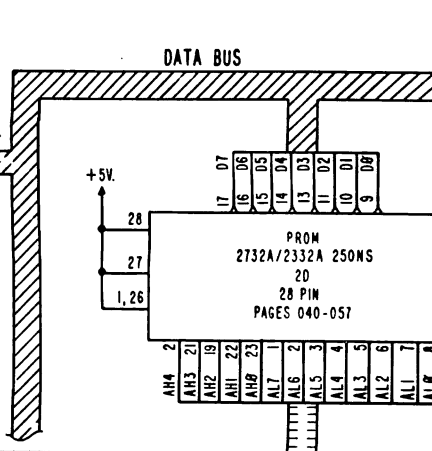
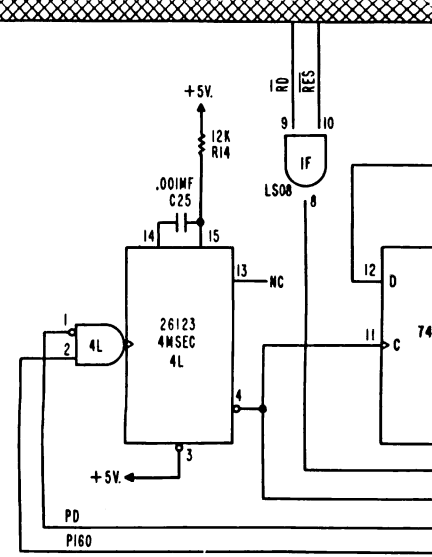
50 CONDUCTOR
RIBBON CABLE
54813-A



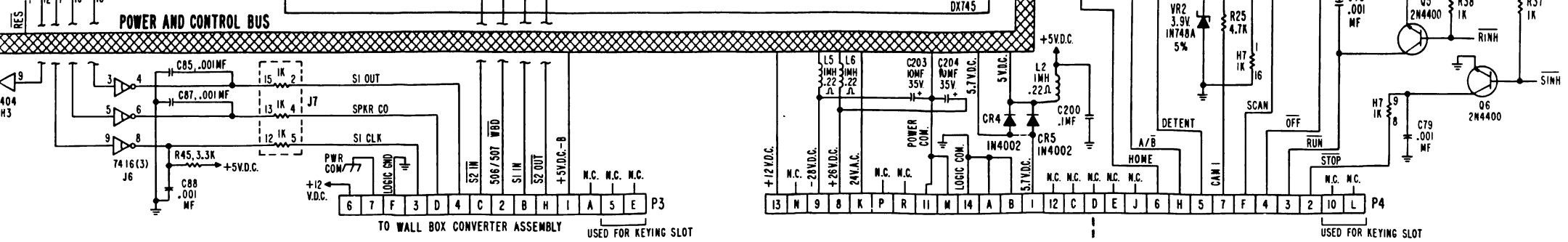
USED FOR KEYING SLOT

D	E	J	6	H	5	7	F	4	3	2	10	L
---	---	---	---	---	---	---	---	---	---	---	----	---

14 DUAL TWIN
LEAF HOUSING



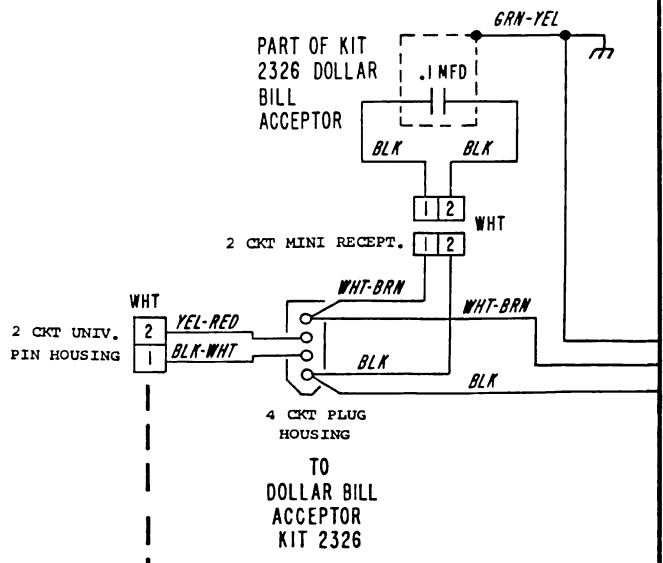
D7	1	D7	1
D6	2	D6	2
D5	3	D5	3
D4	4	D4	4
D3	5	D3	5
D2	6	D2	6
D1	7	D1	7
D0	8	D0	8
AH7	9	AH7	9
AH5	10	AH5	10
AH4	11	AH4	11
AH3	12	AH3	12
AH2	13	AH2	13
AH1	14	AH1	14
AH0	15	AH0	15
AL7	16	AL7	16
AL6	17	AL6	17
AL5	18	AL5	18
AL4	19	AL4	19
AL3	20	AL3	20
AL2	21	AL2	21
AL1	22	AL1	22
AL0	23	AL0	23
RES	24	RES	24
MREQ	25	MREQ	25
RFSH	26	RFSH	26
N.C.	27	N.C.	27
NMI	28	NMI	28
RD	29	RD	29
CLK	30	CLK	30
BSY	31	BSY	31
TORQ	32	TORQ	32
INTR	33	INTR	33
WR	34	WR	34
WT	35	WT	35
+12V.D.C.	36	+12V.D.C.	36
HACK	37	HACK	37
GND	38	GND	38
+5.7VDC	39	+5.7VDC	39
N.C.	40	N.C.	40
WCLK	41	WCLK	41
DX60M	42	DX60M	42
+26V.D.C.	43	+26V.D.C.	43
-28V.D.C.	44	-28V.D.C.	44
CTC BSY	45	CTC BSY	45
N.C.	46	N.C.	46
N.C.	47	N.C.	47
N.C.	48	N.C.	48
N.C.	49	N.C.	49
N.C.	50	N.C.	50



13	N	9	8	K	P	R	11	M	14	A	B	I	12	C	D	E	J	6	H	5	7	F	4	3	2	10	L
PINK-BLU	PUR-YEL	WHT-RED	WHT-BRN					BLK	BLK	BLK-WHT	BLK-WHT	BLK-GRN	PINK						ORN-RED	BRN	TAN-GRN	BLU-YEL	WHT-BLU	WHT-ORN	GRY-BLK	GRN-WHT	

14 DUAL TWIN LEAF HOUSING

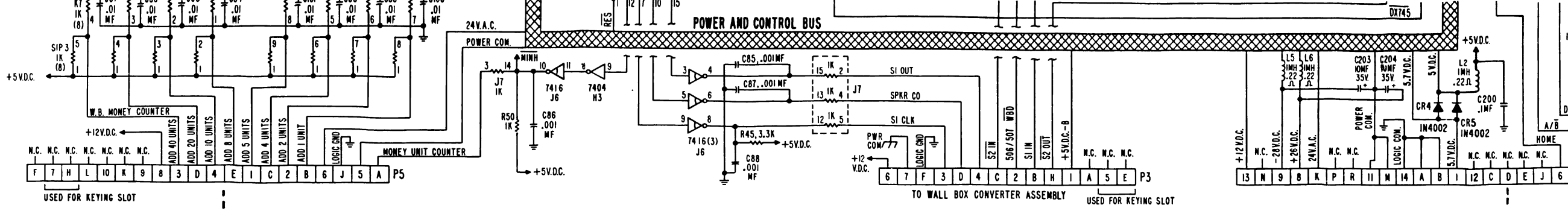
MECH-CPU-POWER CABLE 54906-A



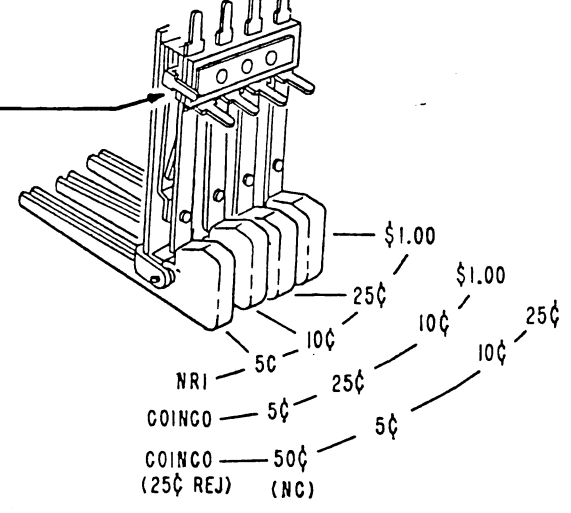
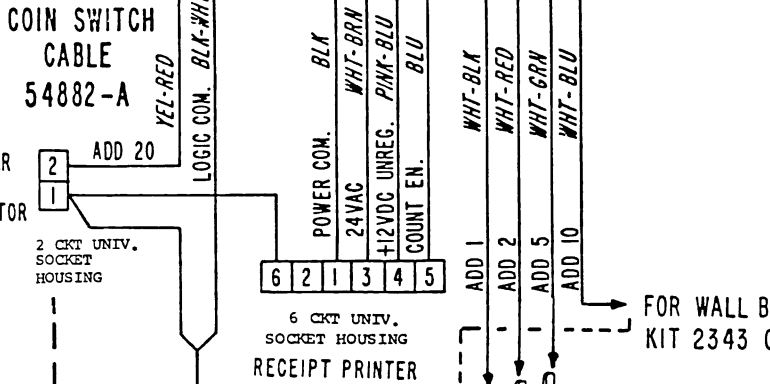
TO POWER DISTRIBUTION
(SEE OTHER SIDE)

	PINK	
11	BLK-WHT	
15	TAN-GRN	
9	GRN-WHT	
13		
12		
8		
10	BLU-YEL	12
1	ORN-RED	8
+	BRN	10
2	BLK	1
	RED-BLU	2
5		
14		
3		
5	WHT-BLU	5
14		
6	BLK-ORN	6
3		
4		
7		
4		
7		
6	WHT-ORN	7

11	
15	
9	
13	
12	
8	
10	
1	
+	
2	
5	
14	
3	
5	
14	
6	
3	
4	
7	
4	
7	
6	



7 H L 10 K D J 9 C E 5 6 8 A 3 B 2 I 4 F
10 DUAL TWIN LEAF HOUSING



DOLLAR ACCEPTOR CONNECTION

13 N 9 8 K P R 11 M 14 A B I 12 C D E J

PINK-BLU

VIO-YEL

WHT-RED

WHT-BRN

BLK

BLK

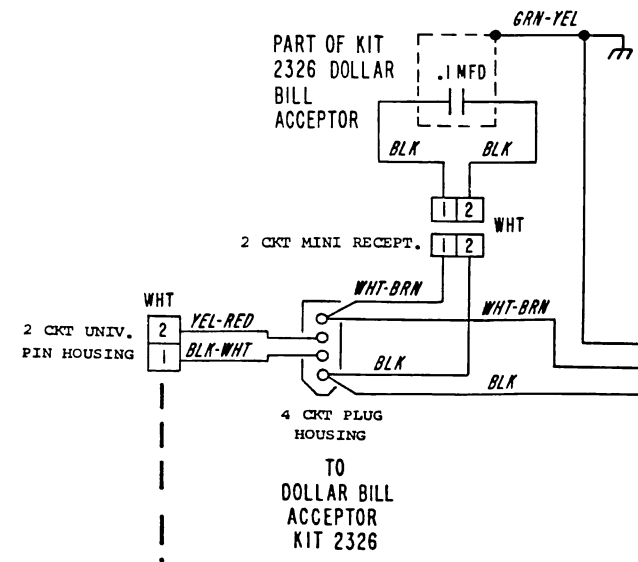
BLK-WHT

BLK-WHT

BLK-GRN

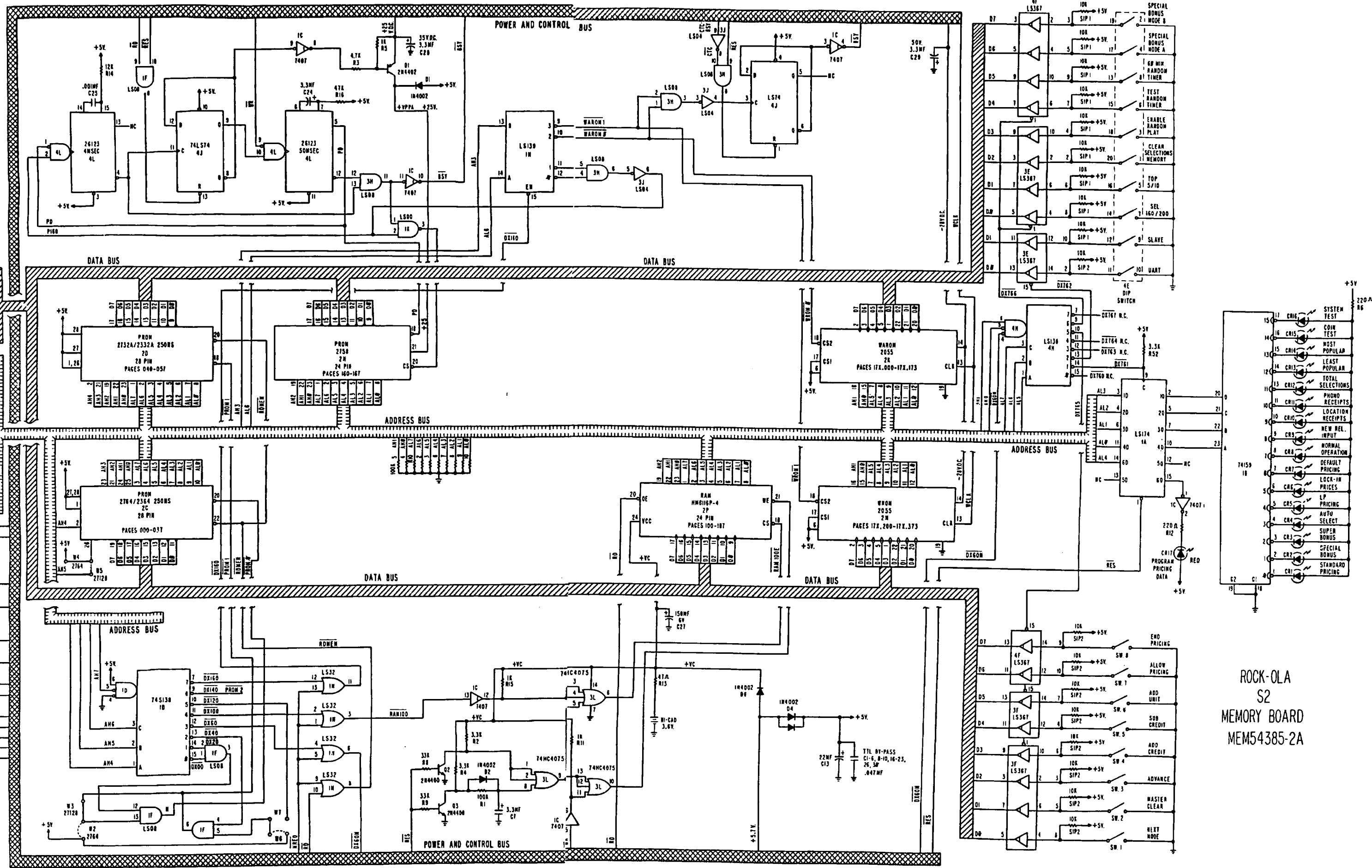
PINK

MECH-CPU-POWER CABLE

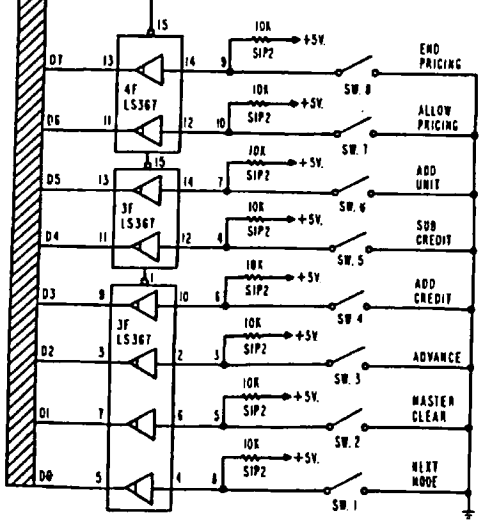
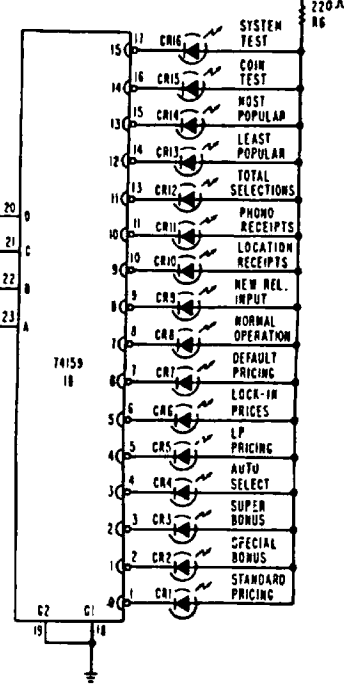


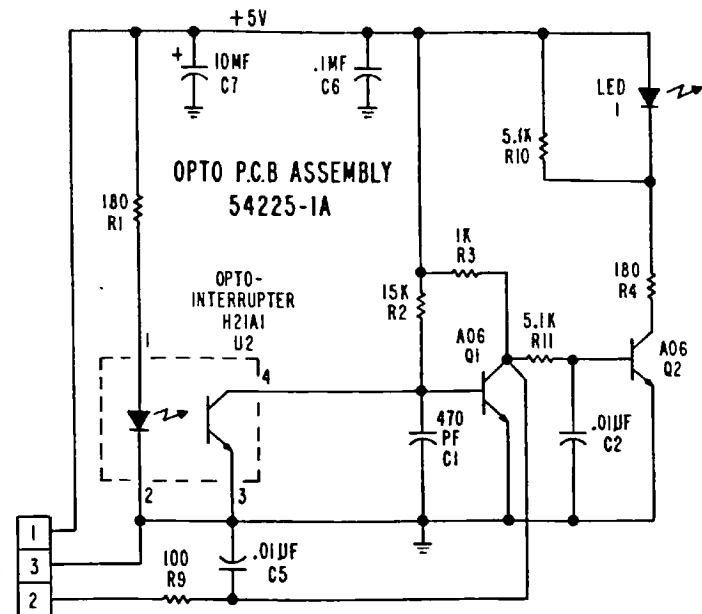
TO POWER DISTRIBUTION (SEE OTHER SIDE)

DUCTOR CABLE A

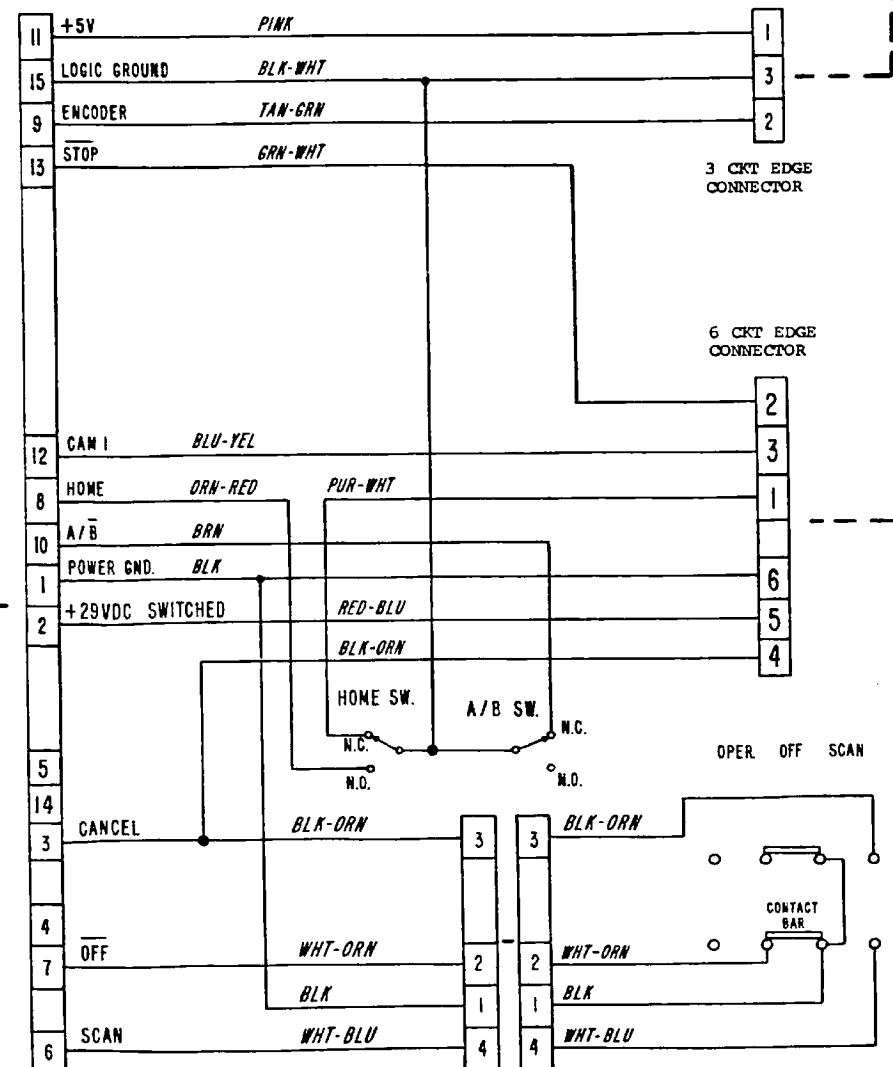


ROCK-OLA
S2
MEMORY BOARD
MEM54385-2A

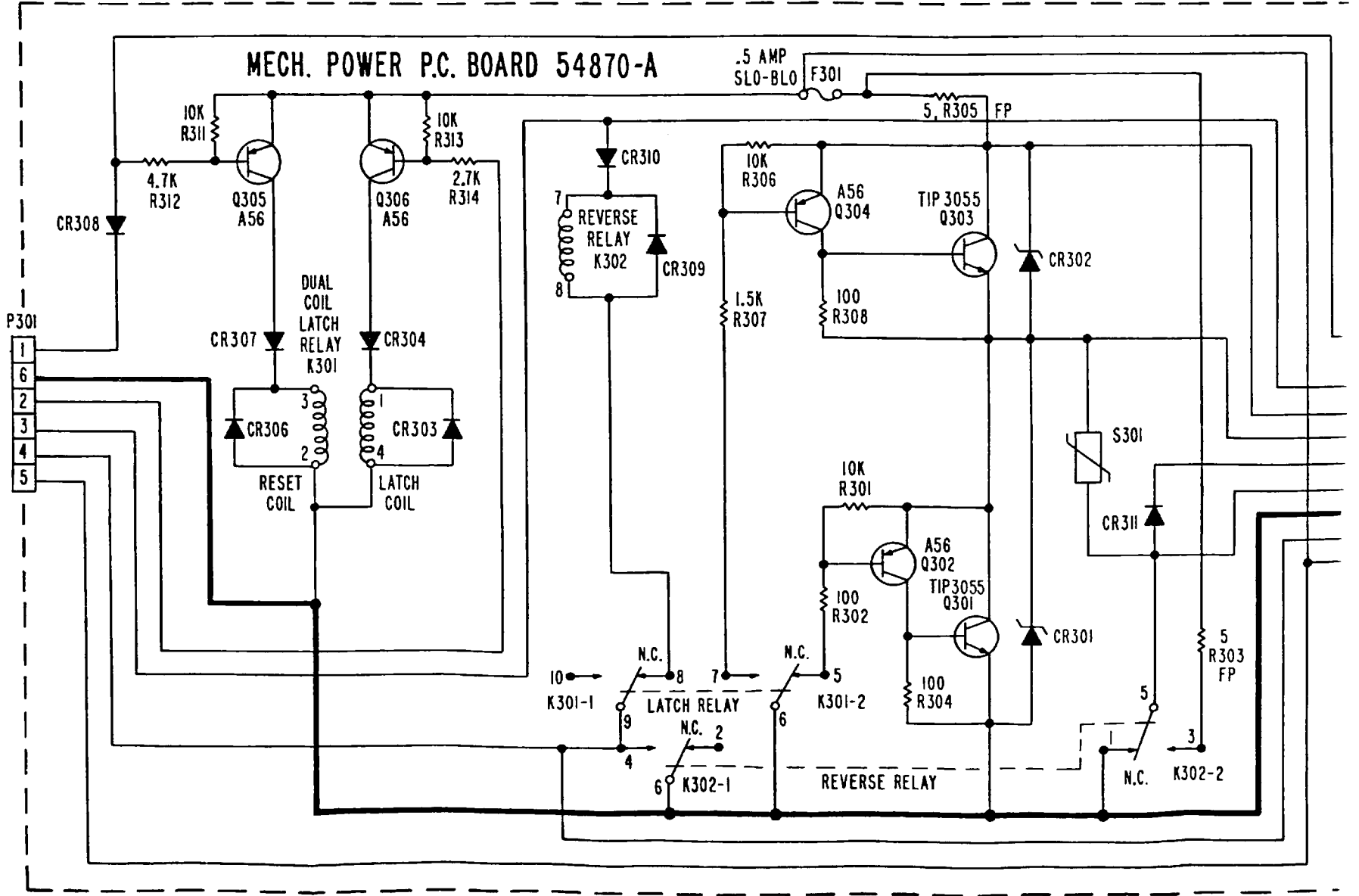




ENCODER CABLE 54889-A

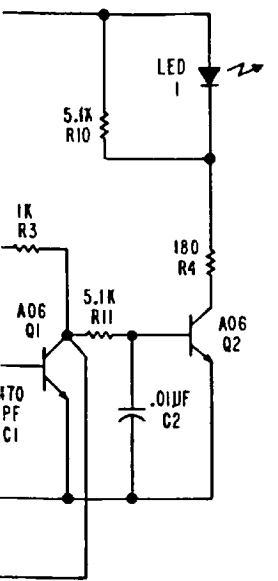


SCAN SWITCH ASSEMBLY 54885-A

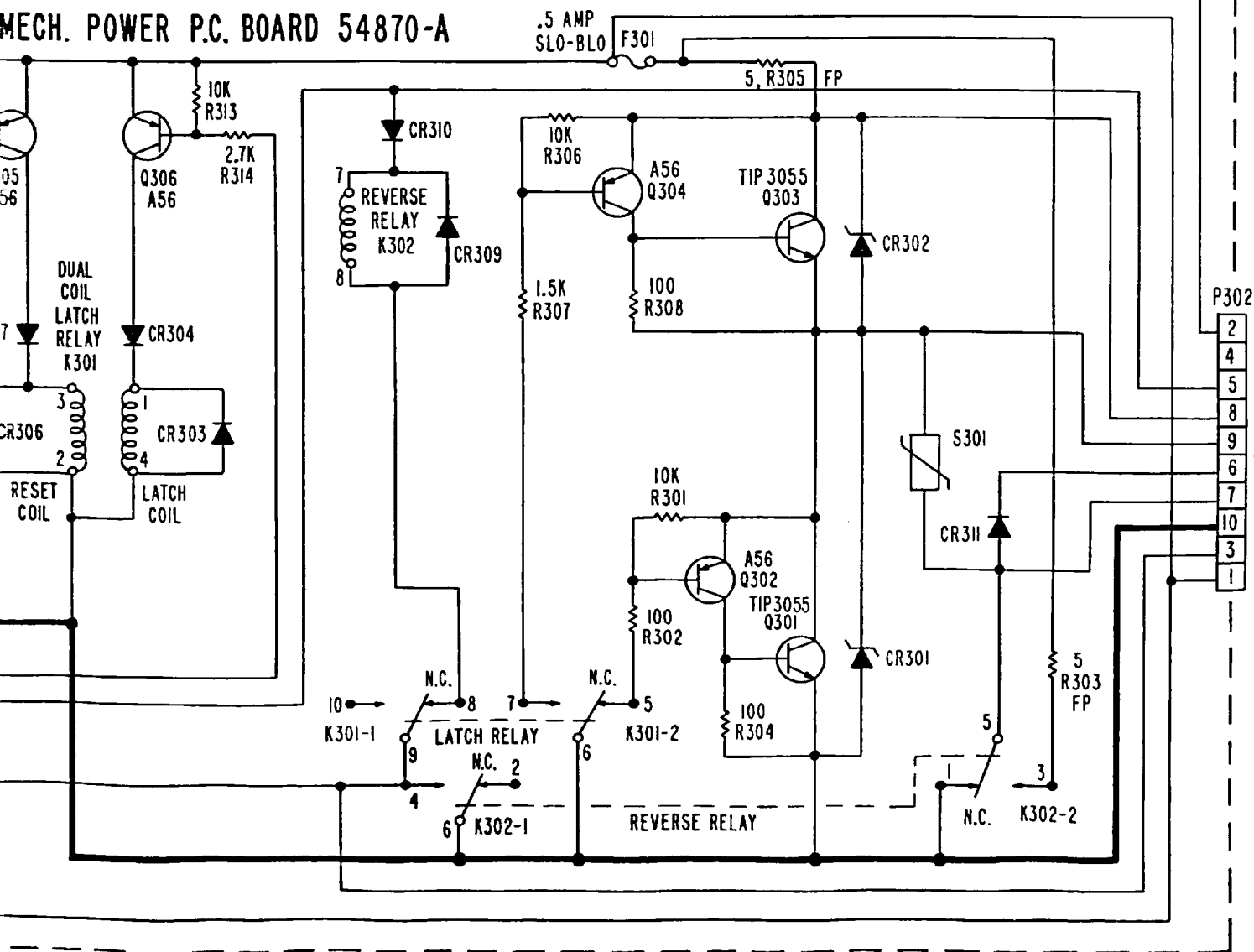


15 CKT UNIV. SOCKET HOUSING

4 CKT UNIV. SOCKET HOUSING



MECH. POWER P.C. BOARD 54870-A



MICRO SWITCH CABLE 54887-A

