

ROCK-OLA

Manufacturing Corporation

Models

494-1, 2

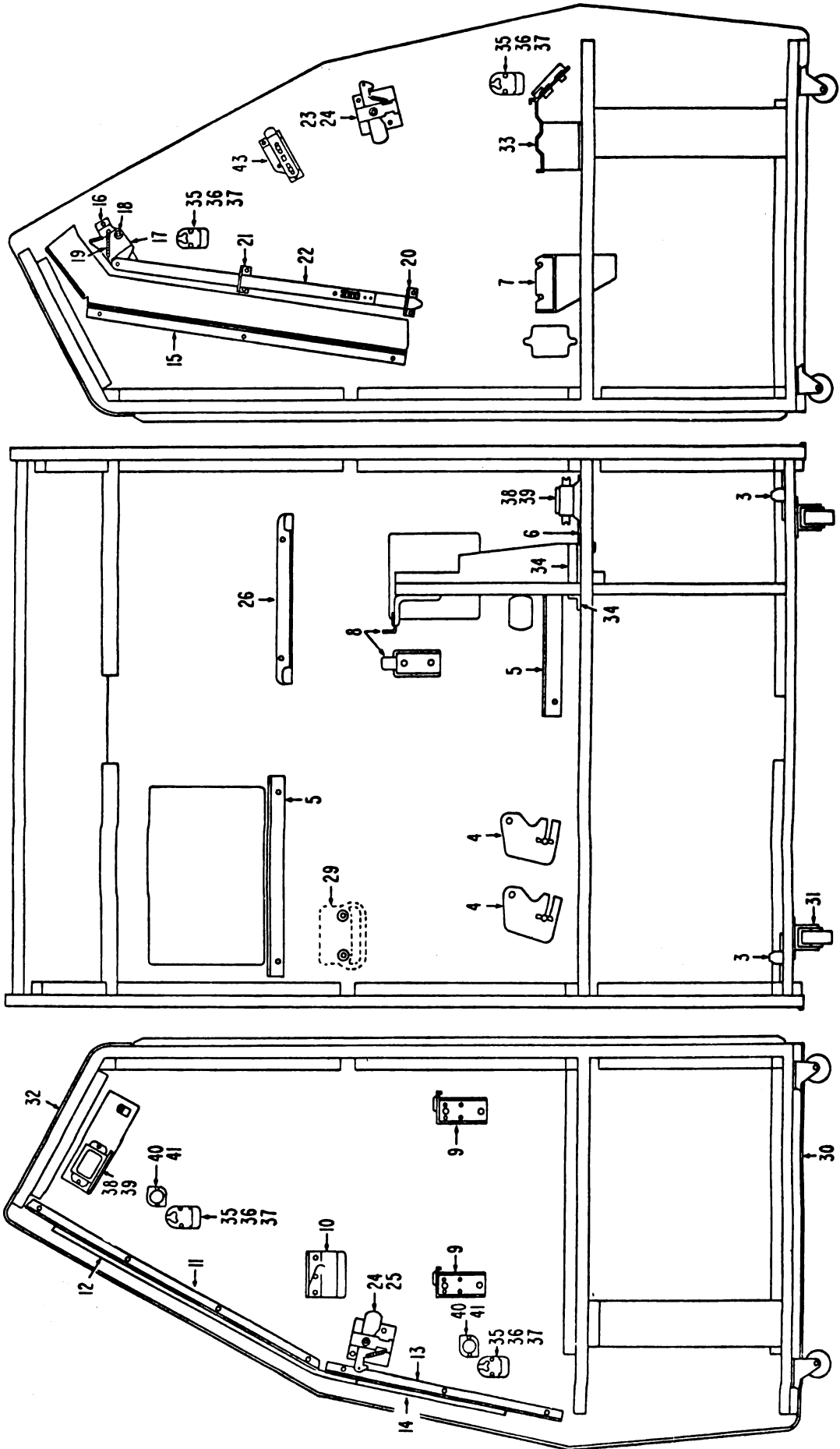
**Stereo
Phonograph**

200 Selections

**DIGITAL MICROCOMPUTER
SYSTEM**

PARTS CATALOG

ROCK-OLA MFG. CORP. 313 SO. ROHLWING RD. (HWY. 53)
ADDISON, ILLINOIS 60101

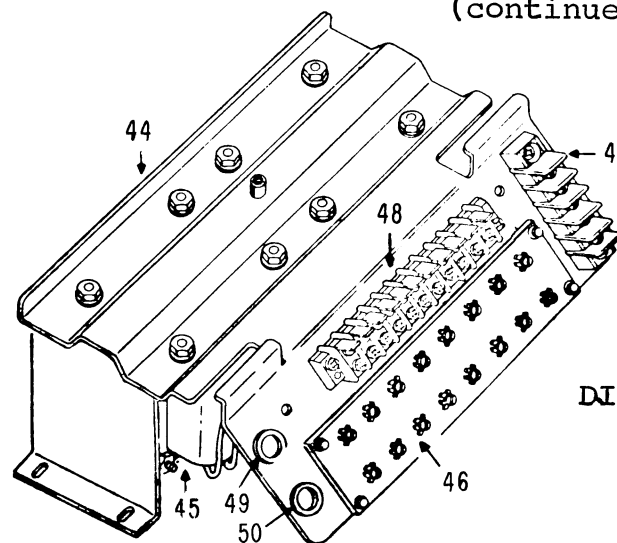


CABINET ASSEMBLY

CABINET ASSEMBLY

ITEM	PART NO.	DESCRIPTION	ITEM	PART NO.	DESCRIPTION
1			35	49552	Light Socket Insulator
2			36	46634	Fluorescent Light Holder
3	54567	Door Pivot Plate	37	54556	Light Mtg. Bracket
4	46956	Cable Cover	38	42817	Ballast 25W. 60HZ
5	54568	Amplifier Rest Bracket	39	49554-2	Ballast Insulator
6	54664-A	Cash Box Cover Assembly	40	50752	Starter Socket
7	54507	Lower Chute	41	V-438	Starter
8	45677-1	Mechanism Support Bracket	42	V-457	Fluorescent Lamp (not shown)
9	51713-1	Mechanism Mtg. Bracket	43	54885-A	Scan Switch & Brkt. Assem.
10	52913-A	Dome Stay Rest Angle Assembly			
11	54551	Dome Rest Angle - Upper			
12	ST-10715-22	Rubber Cushion			
13	54553	Door Rest Angle - Lower			
14	50267-7 1/8	Rubber Cushion			
15	54666-1A	Upper Chute Assembly			
16	54668-A	Lever Mtg. Brkt. Assembly			
17	54564	Plunger Lever			
18	ST-9245	"E" Ring - Truarc			
19	34702	Spring			
20	54562	Lever Guide - Lower			
21	51998-1	Actuator Lever Guide			
22	54672-1A	Connecting Link Assembly			
23	51476-A	Door Latch Assembly - R.H.			
24	34702	Spring			
25	51477-A	Door Latch Assembly - L.H.			
26	54569	Mounting Bracket - S-2			
27					
28					
29	49997-A	Handle & Bracket Assembly			
30	53823-1	Rub Strip			
31	ST-6030-2	Caster			
32	54494	T-Molding (70")			
33	54570-A	Audio Distribution Assembly			
34	52609	Corner Brace			

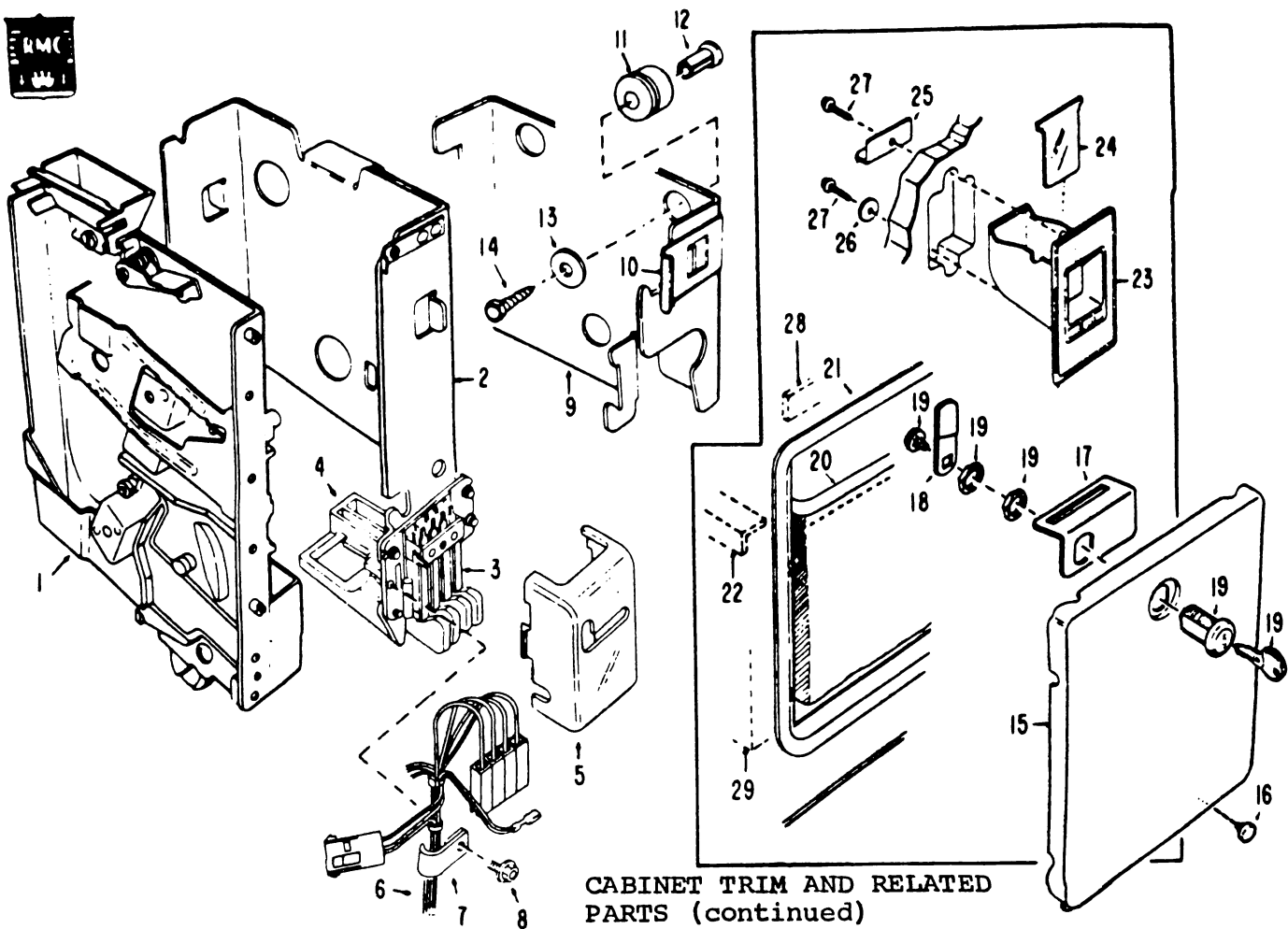
(continued next page)



**AUDIO
DISTRIBUTION
ASSEMBLY
54570-A**

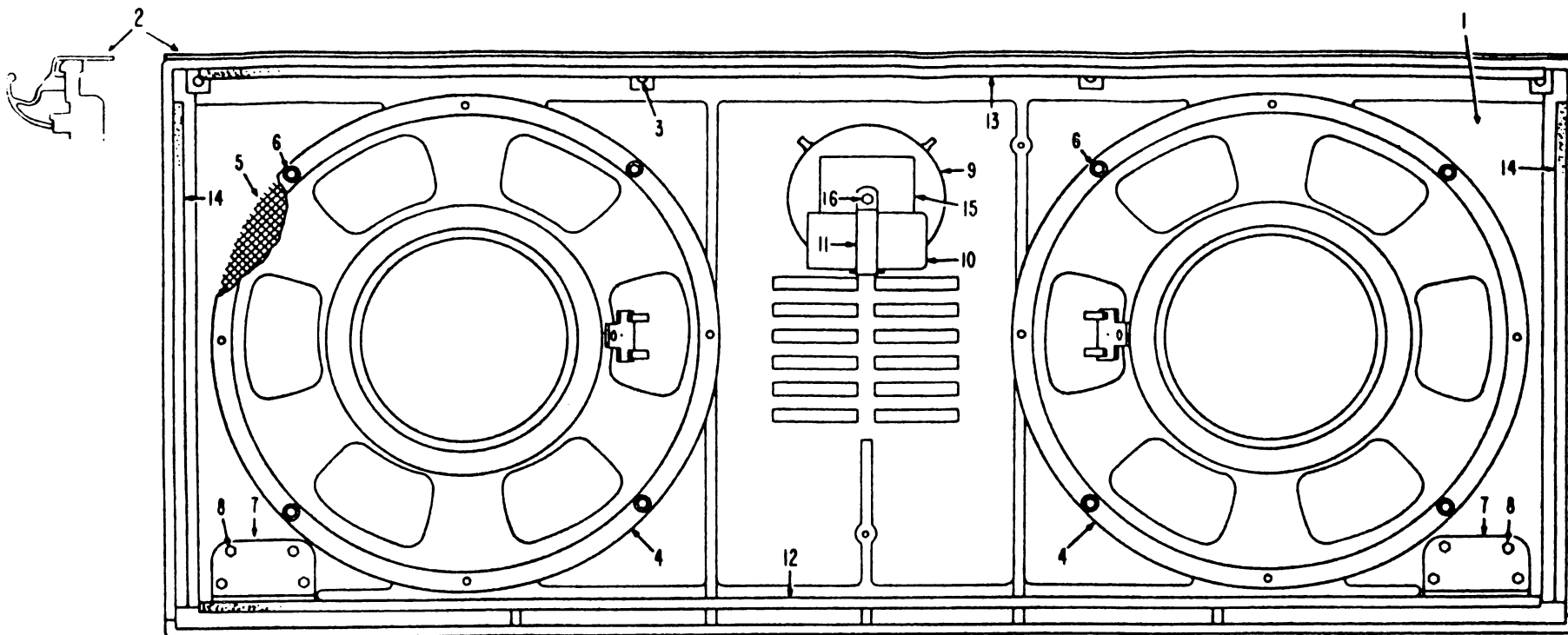
44	54647-A	Chassis Weld Assembly
45	52473	Speaker Output Trans.
46	49095	Speaker Terminal Strip
47	49296	5 Lug Terminal Block
48	43780-1	Terminal Block (11)
49	ST-4384	Bushing
50	ST-10406	Bushing





CABINET TRIM AND RELATED PARTS (continued)

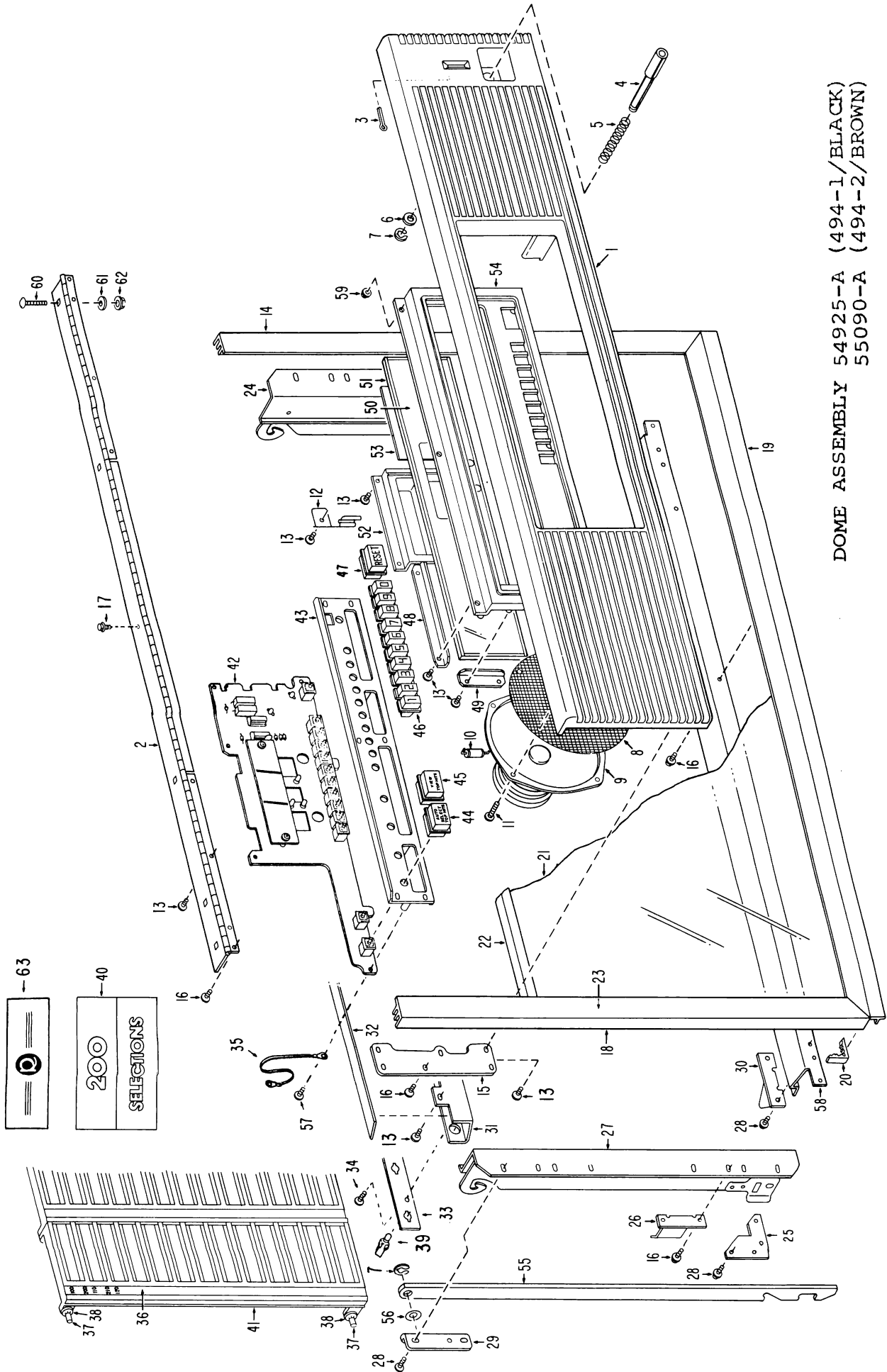
ITEM	PART NO.	DESCRIPTION
1	51599	Slug Rejector (Domestic)
2	45411-2A	Slug Rejector Housing Riveting Assembly
3	52525-A	Coin Switch Assembly - 50¢ (Complete) Includes #4 Coin Guide & #5 Coin Switch Cover
4	45460-1	Coin Guide - 50¢
5	45463-1	Coin Switch Cover
6	54654-A	Coin Switch Cable Assembly
7	ST-3601	Nylon Clamp
8	ST-8258	6-32 X 3/8 Hex Flg.
9	45042-A	Slug Rejector Housing Riveting Assembly (Cabinet)
10	44867	Latch Spring (only)
11	44517	Mounting Grommet
12	44518	Grommet Spacer
13	ST-3139	Flat Washer
14	ST-9717	#10 X 1 Hex Flg.
15	51019-6A	Cash Box Door Assembly (Black)
	51019-5A	Cash Box Door Assembly (Brown)
	49061	Cash Box Door (only) (Black)
	49061-2	Cash Box Door (only) (Brown)
16	43293	Button Bumper
17	53153	Cam Bolt Guard
18	50796-1	Cam Bolt
19	ST-10441	Lock (with Key)
20	49062	Cash Bag
21	49060	Cash Door Frame (Black)
	49060-2	Cash Door Frame (Brown)
22	54558	Cash Box Runner
23	48982	Coin Return Cup (Black)
	48982-1	Coin Return Cup (Brown)
24	49041	Coin Return Flap
25	49040	Coin Cup Mtg. Bracket
26	ST-4843	Flat Washer
27	ST-9722	8 X 3/4 Hex Flg.
28	49043	Lock Strap
29	54559	Door Frame Retainer



SPEAKER BAFFLE ASSEMBLY 54550-A (494-1/BLACK)
55075-A (494-2/BROWN)

ITEM	PART NO.	DESCRIPTION
1	54480	Speaker Baffle (Black)
	54480-1	Speaker Baffle (Brown)
2	54403	Speaker Baffle Extrusion
3	ST-2569-D	8-32 X 1/2 Hex Flg. Whiz Lock
4	54519	12" Speaker
5	51974	Speaker Scrim - 12"
6	ST-9708	10 X 7/8 Hex Flg. (Type A)
7	42134	Door Pivot Bracket
8	ST-9711	10 X 11/16 Hex Flg. (Type A)
9	54646	6 MHY Air Core Inductor
10	54691	43-52 MFD 110-125 V.A.C. Capacitor
11	ST-11021	Clamp, Plastic
	40654	Foam Cushion
12	45191-31 5/8	Rubber Cushion
13	40678-32 5/8	Rubber Cushion
14	40678-12 1/2	Rubber Cushion
15	54717	Inductor Mounting Plate
16	ST-9880-D	10 X 3/4 Hex Flg. (Type B)



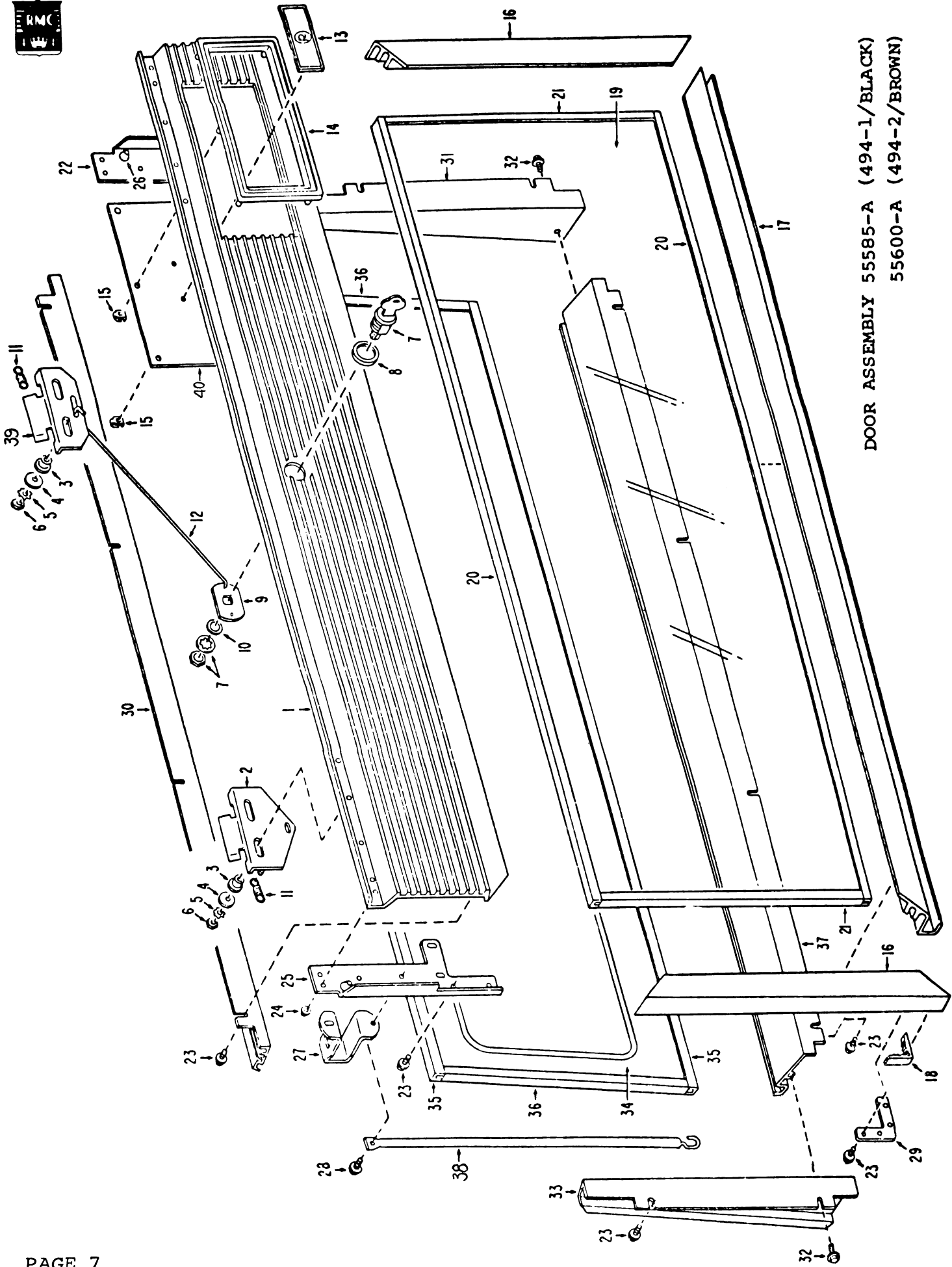


DOMES ASSEMBLY 54925-A (494-1/BLACK)
55090-A (494-2/BROWN)



DOME ASSEMBLY 54925-A (494-1/BLACK)
55090-A (494-2/BROWN)

ITEM	PART NO.	DESCRIPTION
1	54475, -1	Speaker Casting-Dome (Black), (Brown)
2	54552-A, -1A	Dome Hinge Staking Assy (Black), (Brown)
3	ST-1001	1/16 x 3/4 Cotter Pin
4	53275-2	Reject Button (Red)
5	43800-1	Reject Button Spring
6	46273	Rubber Washer
7	ST-9827	Keeper
8	51973	Speaker Scrim-6"
9	54508	6" Speaker
10	40288	Capacitor 15 MFD 35V
11	ST-4061	10 x 3/4 Hex Phillips Pan Head (Type A)
12	54531	Spring Retainer
13	ST-8298-D	8 x 1/2 Hex Flg. (Type B)
14	54491, -1	Dome Extr. Side -R.H. (Black), (Brown)
15	54501	Dome Casting Retainer
16	ST-2568	8-32 x 3/8 Hex Flg. Whiz Lock
17	ST-9711-D	10 x 11/16 Hex Flg.
18	54492, -1	Dome Extr. Side - L.H.(Black), (Brown)
19	54472, -1	Dome Extr. - Bottom (Black), (Brown)
20	53269	Corner Brace - Dome
21	54503	Dome Glass
22	44949-31 7/8	Vinyl Channel (Top-Bottom)
23	44949-15	Vinyl Channel (Sides)
24	54714-1A, -2A	Program Holder & Shroud R.H. Rivet Assy (Black), (Brown)
25	53228-1	Corner Bracket - Dome
26	54538	Dome Alignment Bracket
27	54715-1A, -2A	Program Holder & Shroud L.H. Rivet Assy (Black), (Brown)
28	ST-2569-D	8-32 x 1/2 Hex Flg. Whiz Lock
29	53064-1A	Dome Stay Pivot Bracket Assembly
30	54539	Dome Latch
31	54517, -1	Top Shroud - Program Holder (Black), (Brown)
32	54936, 55081	Top Shroud Insert (Black), (Brown)
33	54897-A	Dome Light P.C. Board Assembly
34	ST-8267	8-32 X 1/4 Hex Flg. Swageform
35	54729-1A	Control Panel Stop Cable
36	54486	Program Holder No. Strip (200)
37	53286	Program Tie Rod - Long
38	ST-9873	Push Nut
39	53734	Lamp 14V. .1 Amp
	ST-10967	Lamp Socket
40	54487	Program Card (200)
41	54485, -1	Program Holder (Blue), (Brown)
42	54865-A	Keyboard P.C. Board Assy
43	54488-A	Mounting Channel Rivet Assy
44	54081	Auto-Select Button (Domestic)
45	54082	Top Hits Button (Domestic)
46	52242	Switch Button Set (1 Thru 0)
47	52243	Reset Button (Domestic)
48	54526	Glass Retainer - Long
49	54527	Glass Retainer - Short
50	55007, 55078	Display Window (Blue), (Brown)
51	50836-14	Vinyl Channel (Top - Bottom)
	50836-3 1/8	Vinyl Channel (Sides)
52	54495-1	Display Casting
53	54833-1	Price Card (Domestic)
54	54490, -1	Control Panel (Black), (Brown)
55	54537	Dome Stay
56	ST-4856	Washer - Spring
57	ST-8258	6-32 x 3/8 Hex Flg. Swageform
58	54536, -1	Bottom Shroud -Program Holder (Black), (Brown)
59	ST-8716	8-32 Hex Nut
60	ST-3340-D	10-24 x 1 1/4 Carriage Bolt
61	ST-3139	Flat Washer
62	ST-8724-D	10-24 Hex Flg. Nut
63	54728	Program Filler Card

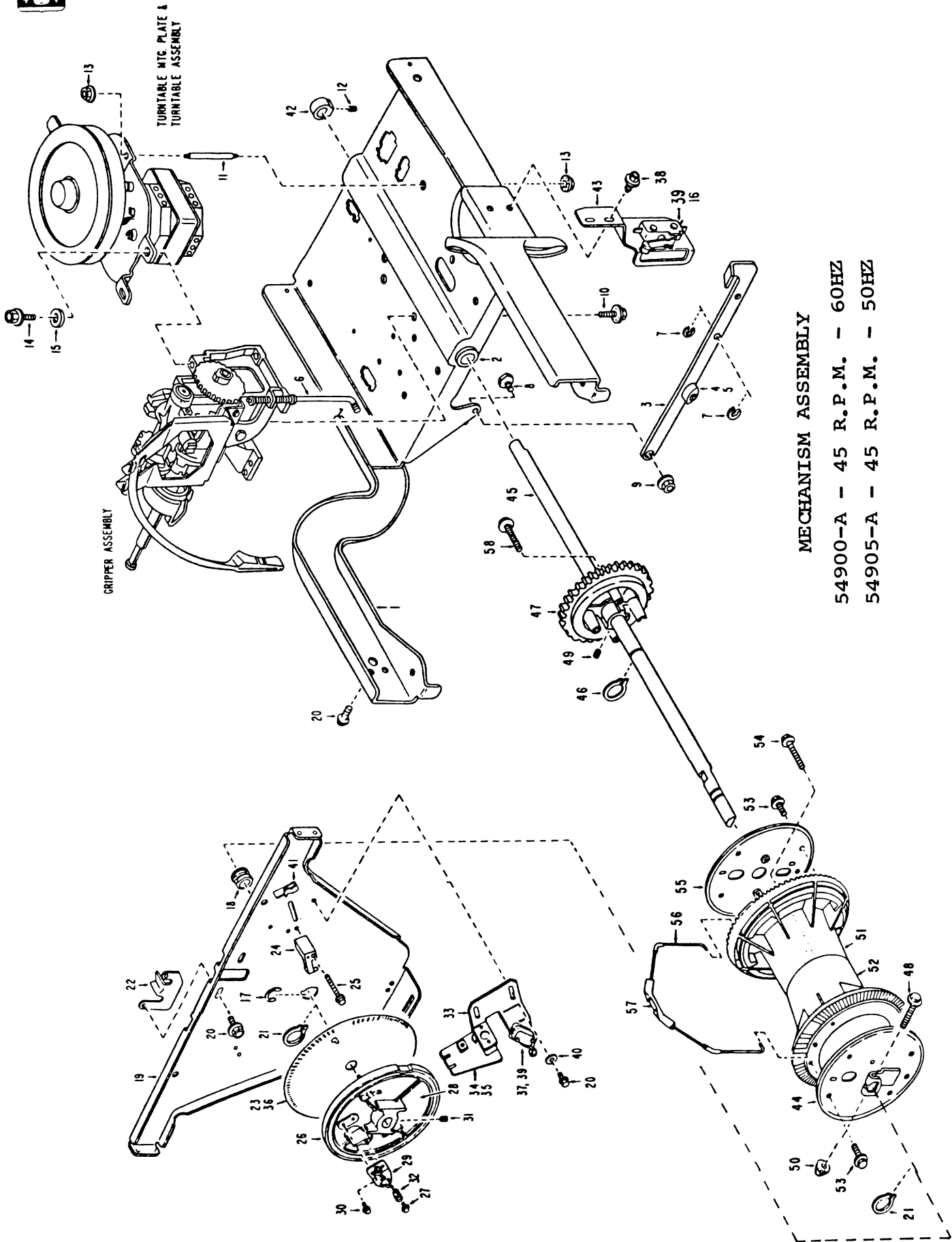


DOOR ASSEMBLY 55585-A (494-1/BLACK)
55600-A (494-2/BROWN)



DOOR ASSEMBLY 55585-A (494-1/BLACK)
55600-A (494-2/BROWN)

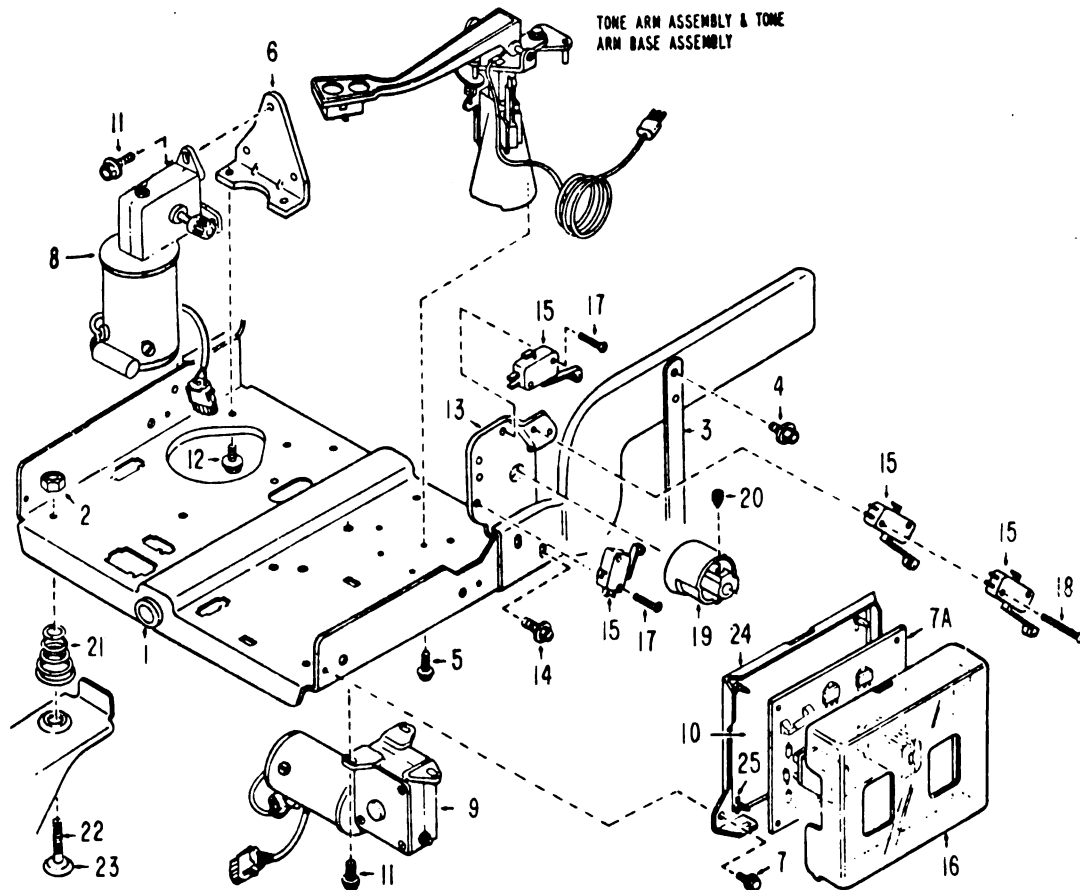
ITEM	PART NO.	DESCRIPTION
1	54687-A	Lock Extrusion w/Studs Assembly (Black)
	54687-1A	Lock Extrusion w/Studs Assembly (Brown)
2	54689-A	Dome Catch Staking Assembly L.H.
3	52837	Dome Catch Bushing
4	ST-4835	11/64 I.D. X 1/2 O.D. X .032 Flat Washer
5	ST-320	#8 Lockwasher - External Tooth
6	ST-8716	8-32 Hex Nut
7	ST-10423	Lock
8	54643	Lock Spacer Washer
9	51258	Cam Bolt
10	ST-10473	15/32 I.D. X 11/16 O.D. X 1/16 Washer
11	50728	Spring
12	54546	Lock Arm
13	54614	Cover - Bill Entry
14	54784	Bezel (Validator) (Black)
	54784-01	Bezel (Validator) (Brown)
15	ST-10078	Palnut Fastener
16	54493	Door Extrusion - Side (Black)
	54493-01	Door Extrusion - Side (Brown)
17	54474	Door Extrusion - Pivot (Black)
	54474-01	Door Extrusion - Pivot (Brown)
18	53269	Corner Brace
19	54504	Door Glass
20	50889-31 7/8	Vinyl Channel
21	50889-10 1/8	Vinyl Channel
22	54541	Tie Bracket - Lock Extrusion R.H.
23	ST-2568	8-32 X 3/8 Hex Flg. Whiz Lock
24	ST-8716	8-32 Hex Nut Whiz Lock
25	54542	Tie Bracket - Lock Extrusion L.H.
26	ST-2317	Plug Bumper
27	53954-1	Door Latch Bracket
28	ST-9746	10-32 X 5/16 Hex Flg. Swageform
29	46688	Dome Corner Bracket
30	54586	Top Shroud - Display (Black)
	54586-01	Top Shroud - Display (Brown)
31	54547	Door Side - R.H. (Black)
	54547-01	Door Side - R.H. (Brown)
32	ST-8267	8-32 X 1/4 Hex Flg. Swageform
33	54548	Door Side - L.H. (Black)
	54548-01	Door Side - L.H. (Brown)
34	55586	Display Glass (Blue)
	55587	Display Glass (Brown)
35	50836-30 7/8	Vinyl Channel
36	50836- 9 1/4	Vinyl Channel
37	55588	Bottom Shroud - Display (Black)
	55588-01	Bottom Shroud - Display (Brown)
38	ST-10457-9 3/4	Door Chain
	19127	Hook Chain
	ST-11034-9	Tubing
39	54783-A	Dome Catch Staking Assembly R.H.
40	54786	Bezel Mounting Plate (Black)
	54786-01	Bezel Mounting Plate (Brown)



MECHANISM ASSEMBLY

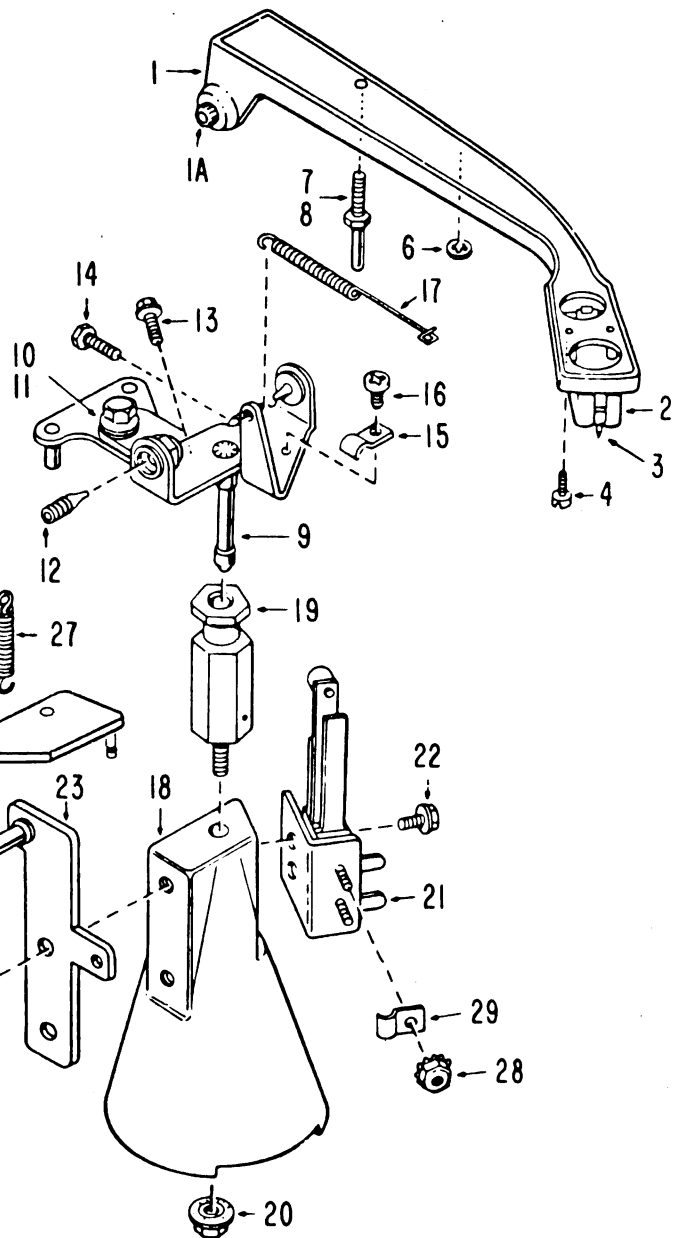
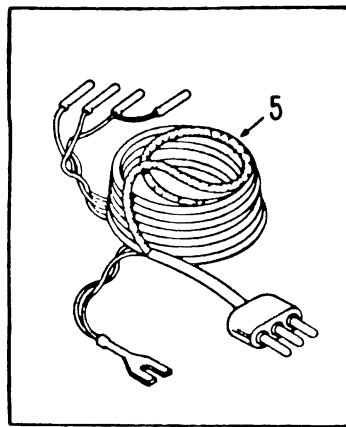
54900-A - 45 R.P.M. - 60HZ

54905-A - 45 R.P.M. - 50HZ



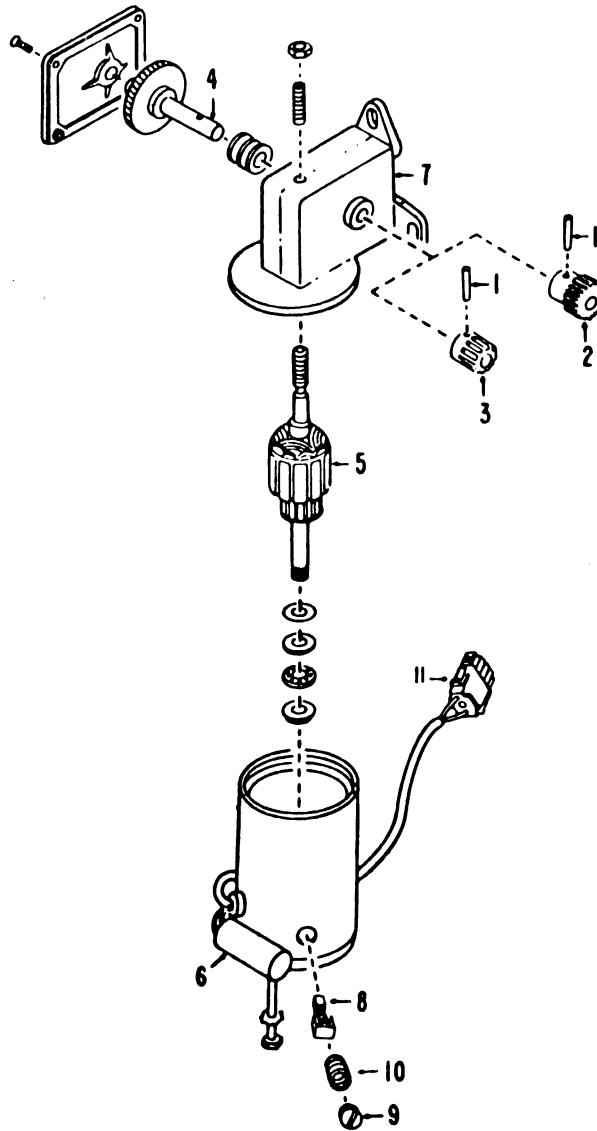
MECHANISM ASSEMBLY - Continued

ITEM	PART NO.	DESCRIPTION
1	50308	Main Bearing
2	ST-11035	5/16-18 Hex Jam Nut w/Lock Top
3	39120-3	Record Guard Steel Band
4	ST-2566	8-32 X 1/4 Hex Flg. Whiz Lock
5	ST-2569	8-32 X 1/2 Hex Flg. Whiz Lock
6	52206	Mounting Bracket - Gripper Motor
7	ST-8269	8-32 X 3/8 Hex Flg. Swageform
7A	54872-A	Power Board Assembly
8	52499-A	(RAE) Gripper Motor Assembly
9	54359-A	(RAE) Magazine Motor Assembly
10	52198	Power Board Insulator
11	ST-2589	1/4-20 X 1/2 Hex Flg. Whiz Lock
12	ST-2588	1/4-20 X 3/8 Hex Flg. Whiz Lock
13	43492	Micro Switch Mounting Plate
14	ST-2578	10-32 X 3/8 Hex Flg. Whiz Lock
15	43414	SPDT Enclosed Snap Switch
16	52175-1	Power Board Cover
17	ST-6551	4-36 X 9/16 Phil Pan Hd M.S.
18	ST-6552	4-36 X 1 Phil Pan Hd M.S.
19	43493-1	Micro Safety Cam
20	ST-2253	10-32 X 1/4 Allen Hd. Set Screw
21	54652	Chassis Spring (200)
22	ST-11025	Spring Mounting Bolt
23	34404	Mounting Bolt Washer
24	52199	Board Mounting Plate
25	ST-10567	Circuit Board Support



TONE ARM ASSEMBLY - MAGNETIC
53190-A

Item	Part No.	Description	Item	Part No.	Description
1	41611-A	Tone Arm & Pivot Shaft Assem.	TONE ARM BASE ASSEMBLY NO. 51890-A		
1A	41435	Tone Arm Pivot Shaft			
2	43467	M44MR Shure Pickup Cartridge (Special)			
3	43469	Stylus			
4	ST-6564	4-40 X3/8 Phil. F.H.M.S.			
5	53215-1A	Dual Input Cable			
6	ST-314	Shakeproof Lockwasher #3			
7	41446	Tone Arm Rest Pin			
8	ST-423	5-40 Hex Nut			
9	41608-A	Pivot Bracket Riveting Assem.			
10	ST-399	Flat Washer			
11	ST-2576	10-32 X 1/4 Hex Flg. Whiz Lock			
12	41433	Tone Arm Pivot Screw			
13	ST-2547	5-40 X 3/8 Hex Flg. Whiz Lock			
14	ST-2520	6-32 X 1/2 Hex Hd. M.S.			
15	17011	Wire Clip			
16	ST-4574	5-40 X 3/16 Phil. P.H.M.S.			
17	41758	Tone Arm Spring			
18	41366	Tone Arm Base			
19	41612-A	Pivot Bushing & Ball Assembly			
20	ST-8717	10-32 Hex Whiz Lock Nut			
21	41649-2A	Tone Arm Switch & Bracket Assem.	21	41649-2A	Tone Arm Switch & Bracket Assem.
22	ST-2555	6-32 X 1/4 Hex Flg. Whiz Lock	22	ST-2555	6-32 X 1/4 Hex Flg. Whiz Lock
23	52159-A	Support Bracket & Stud Assembly	23	52159-A	Support Bracket & Stud Assembly
24	ST-2566	8-32 X 1/4 Hex Flg. Whiz Lock	24	ST-2566	8-32 X 1/4 Hex Flg. Whiz Lock
25	54291-A	Lifter Lever & P.C. Board Assem.	25	54291-A	Lifter Lever & P.C. Board Assem.
26	ST-9825	Keeper	26	ST-9825	Keeper
27	34444	Lifter Lever Spring	27	34444	Lifter Lever Spring
28	ST-3457	5-40 Keps Nut	28	ST-3457	5-40 Keps Nut
29	17011	Wire Clip	29	17011	Wire Clip



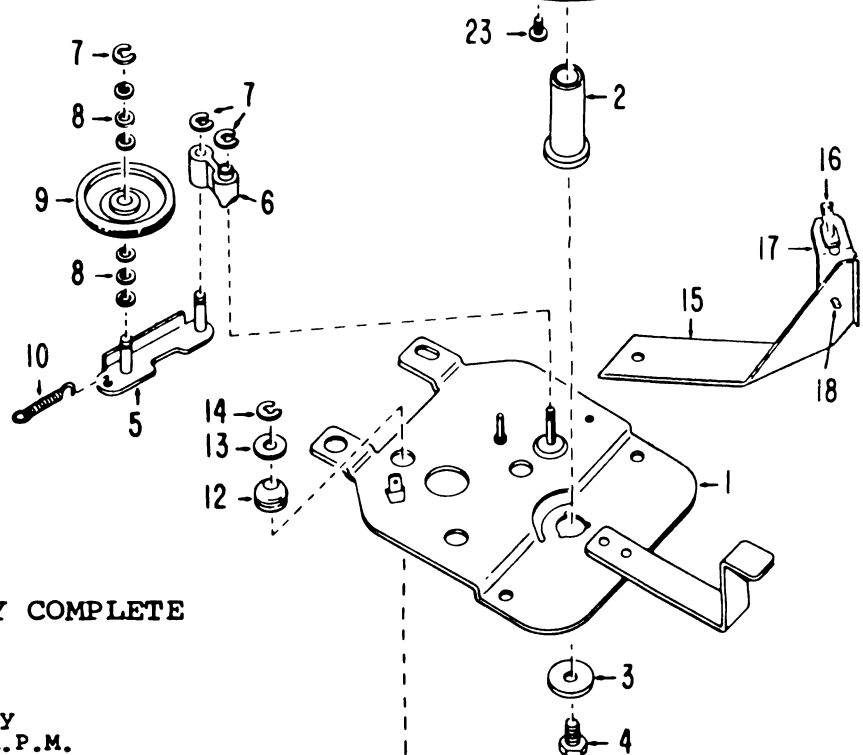
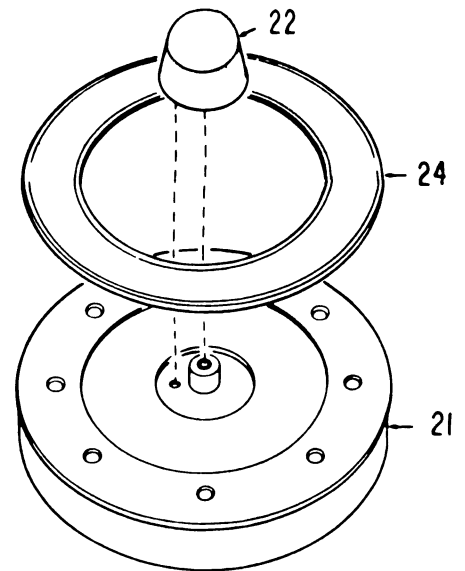
(RAE) GRIPPER MOTOR 52499-A
 (RAE) MAGAZINE MOTOR 54359-A

Item	Part No.	Description
1	ST-530	Spirol Pin - 1/8 Dia. X 3/4
2	54361	Magazine Pinion Gear
3	34309-1	Gripper Motor Gear
4	52931	Gear & Shaft Assembly
5	52939	Armature Assembly
6	47563	Noise Suppression Capacitor
7	52934	Gearhead Housing Assembly
8	52944	Motor Brush
9	52942	Brush Cap
10	52945	Spring
11	ST-10586	3 Circ. Universal Pin Hsg.
	ST-10498	Universal Pin

45 R.P.M.-60HZ TURNTABLE MOUNTING PLATE ASSEMBLY NO. 54890-A
 45 R.P.M.-50HZ TURNTABLE MOUNTING PLATE ASSEMBLY NO. 54891-A

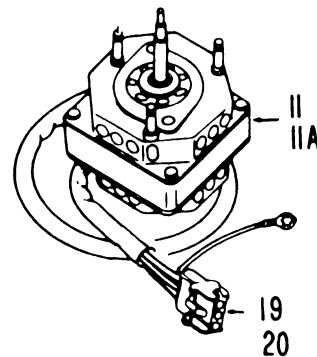


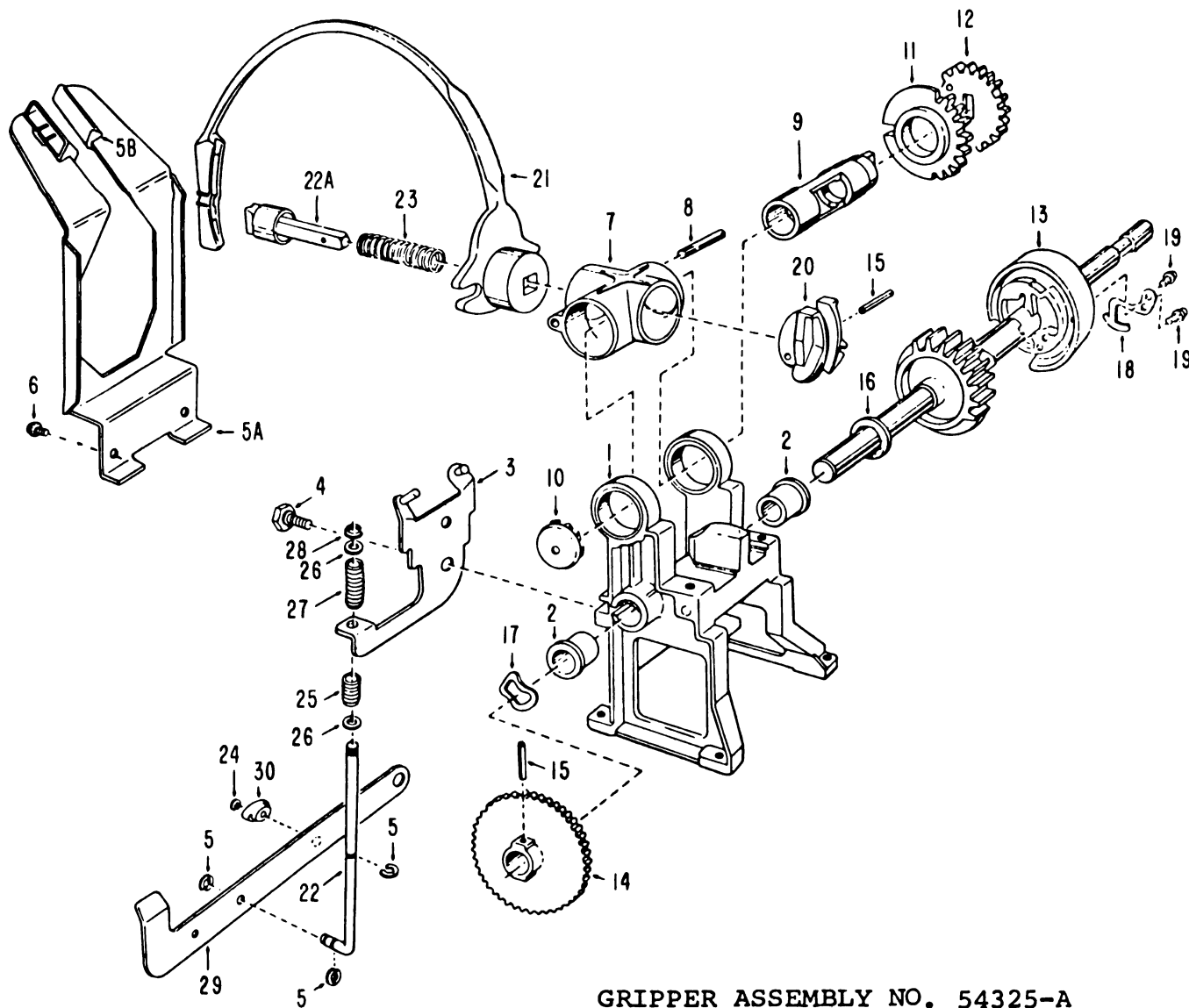
Item	Part No.	Description
1	54632-A	Turntable Mounting Plate Rivet Assembly
2	46294	Turntable Bearing
3	ST-4808	.203 I.D. X 3/4 O.D. X .062 Flat Washer
4	46296	Turntable Shaft Bearing
5	52144-A	Idler Link Riveting Assembly
6	35830	Link Toggle
7	ST-9266	Truarc "E" Ring
8	36291	Fiber Washer
9	35831	Idler
10	35832	Idler Spring
11	54892-A	Turntable Motor Assembly 60HZ
11A	54893-A	Turntable Motor Assembly 50HZ
12	18849	Turntable Grommet
13	ST-4813	.203 I.D. X 1/2 O.D. X .032 Flat Washer
14	ST-9263	Truarc "E" Ring
15	54364	Brush Holder Bracket
16	17008	Brush
17	48489	Brush Holder
18	ST-8256	6-32 X 1/4 Hex. Flg.
19	ST-10496	Universal Pin
20	ST-10589	3 Circ. Universal Socket Housing



45 R.P.M. TURNTABLE ASSEMBLY COMPLETE
 NO. 52100-A

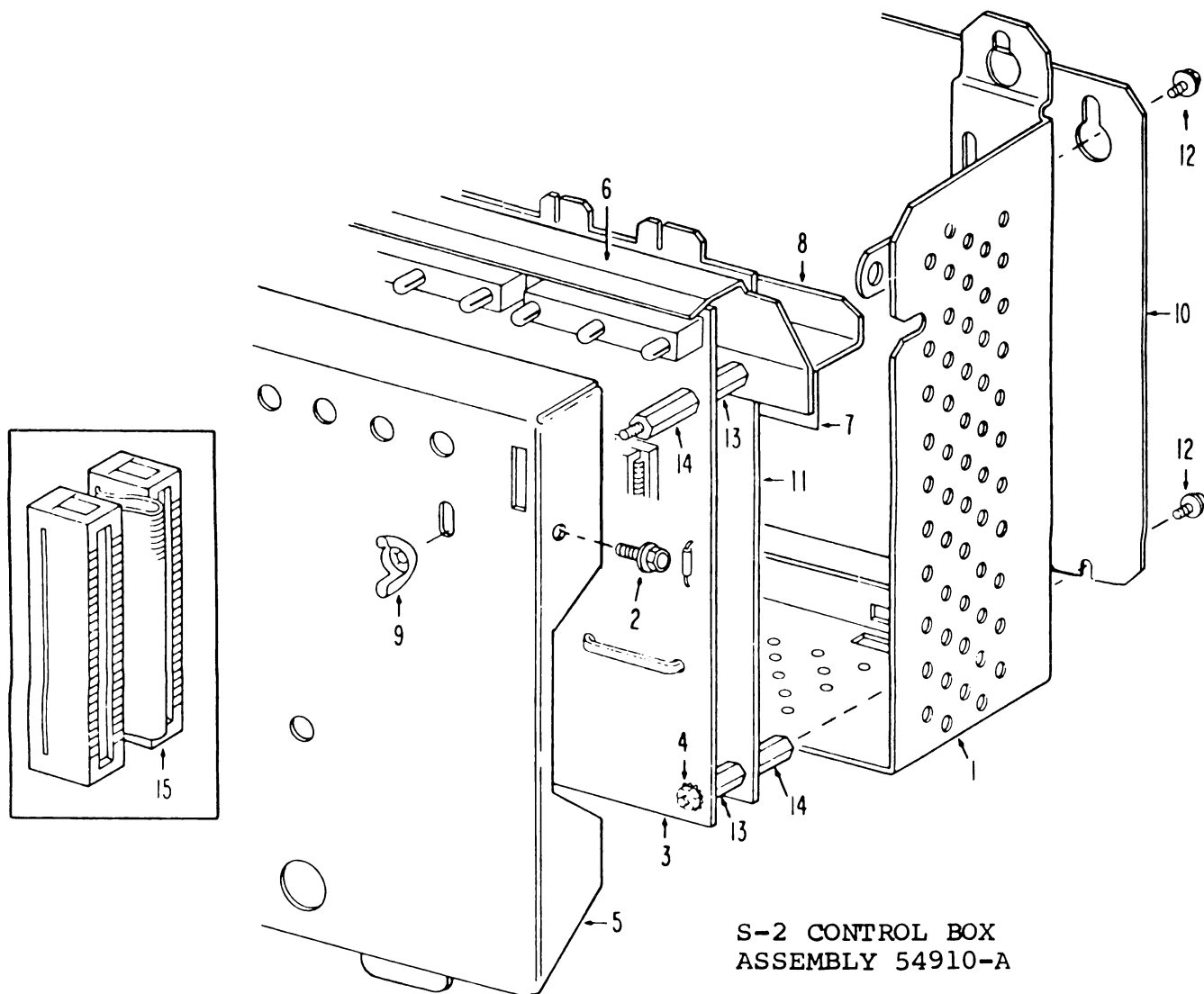
21	52235-A	Turntable Assembly
22	55548	Record Hub - 45 R.P.M.
23	ST-8211	6 X 1/2 Phil. Pan Hd. (Type B)
24	52237	Turntable Mat





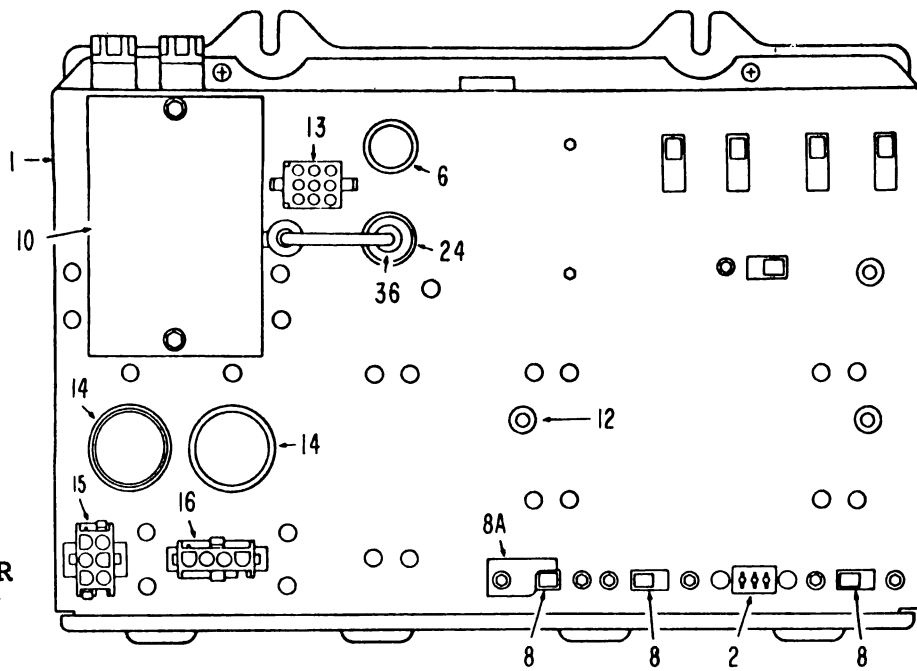
GRIPPER ASSEMBLY NO. 54325-A

Item	Part No.	Description	Item	Part No.	Description
1	45421-1	Gripper Housing	18	17524	Tone Arm Cam Keeper Spring
2	45422	Gripper Housing Bearing	19	ST-2555	6-32 X 1/4 Hex Flg. Whiz Lock
3	52268-A	Brkt. Gripper Rev. Rivet Assem.	20	34323-7A	Cam-Gripper Reversing Assem.
4	34422-1	Hex Stud	21	54540-A	Gripper Arm Assembly
5	ST-9825	Keeper	22	52202	Connecting Rod - Gripper Linkage
5A	54764	Guide Mounting Bracket	22A	34314-1A	Inner Gripper Assembly
5B	54763	Record Guide Guard	23	54768	Spring - Gripper
6	ST-2568	8-32 X 3/8 Hex Flg. Whiz Lock	24	ST-9249	"E" Ring
7	34315-6	Gripper Spider	25	34864	Spring - Connecting Rod - Lower
8	34421	Gripper Stop Pin	26	ST-4853	Flat Washer
9	34399	Trunnion Shaft	27	34447	Spring - Connecting Rod - Upper
10	34877	Trunnion Shaft Button	28	ST-9825	Keeper
11	34312-1	Gripper Turnover Gear	29	52478-A	Linkage - Gripper & Stud Rivet Assem.
12	34311-2	Gripper Release Gear	30	34317	Odd-Even Alternating Dog
13	43359-2A	Gripper Shaft Assem.			
14	34310	Gripper Shaft Gear			
15	ST-534	Spirol Pin - Medium Duty			
16	34929	Gripper Shaft Thrust Washer			
17	ST-4828	Spring Washer			

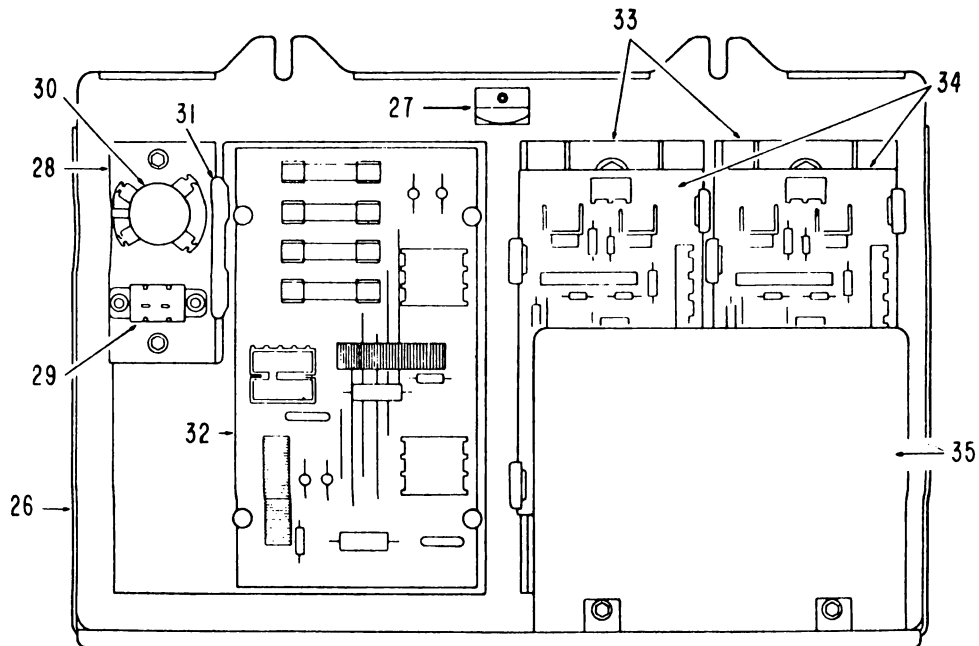
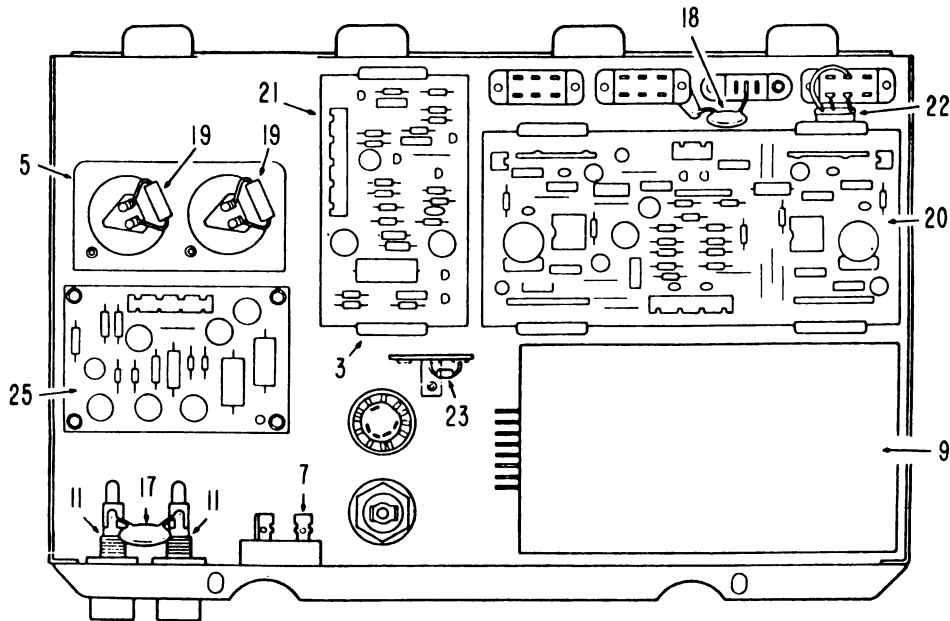


S-2 CONTROL BOX
ASSEMBLY 54910-A

ITEM NO.	Part No.	DESCRIPTION
1	54641-A	Mounting Frame (S-2) Weld Assembly
2	ST-8268	8 X 5/16 Hex. Flg. Swageform
3	54385-2A	Memory P.C. Board Assembly
4	ST-3453	6-32 Keps Nut
5	54860	Cover (S-2) Silkscreened
6	54601	Grounding Spring CPU Board
7	54603	Insulator CPU Board
8	54602	Shield and Mounting Bracket
9	ST-10173	6-32 Wing Nut
10	54408-1	Bottom Cover
11	54895-A	S-2 CPU P.C. Board Assembly
12	ST-8258	6 X 3/8 Hex Flg. Swageform
13	ST-10950-1	Stand-Off (3/4 Long)
14	ST-10944-1	Stand-Off (5/8 Long)
15	54813-A	Ribbon Cable Assembly



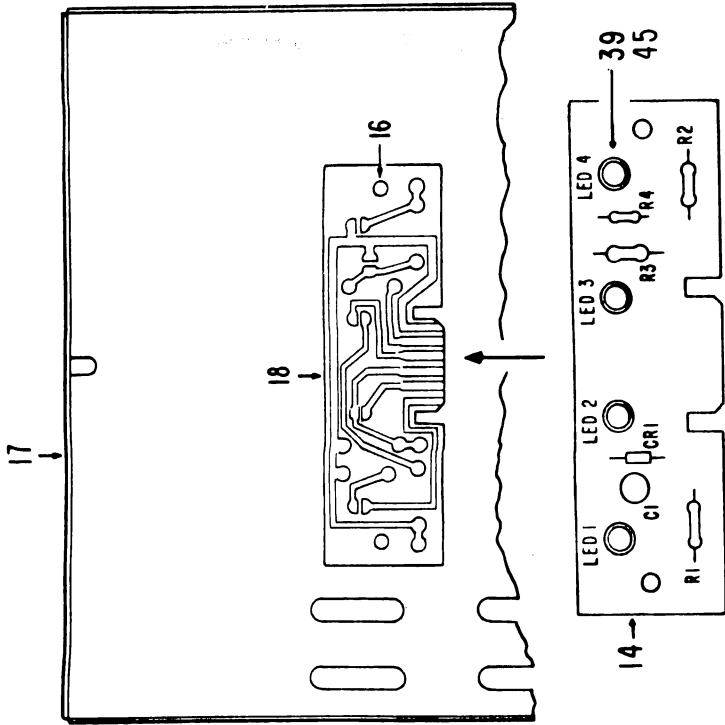
AMPLIFIER
ASSEMBLY
54510-A





AMPLIFIER ASSEMBLY 54510-A

ITEM NO.	PART NO.	DESCRIPTION	REF. DES.	MFG. PART NO.
1	54662-A	Amplifier Chassis Riveting Assembly		
2	44927	3 Pin Socket	J1	
3	49077	P.C. Board Mounting Clip - Short		
4	52276	P.C. Mounting Bracket		
5	52462-A	Capacitor Mtg. Brkt. Rivet Assembly		
6	49318	Lamp Holder		
	ST-10600	Type #1829 Lamp		
7	52394	Bridge Rectifier - 25 Amp	CR23	
8	49302	Slide Switch D.P.D.T.	S1, S2, S3	
8A	49113	Slide Switch Lock Plate		
9	54515-A	Tone Control P.C. Board Assembly		
10	45536	Cover - Microphone Kit		
11	47837	Fuse Holder	F5, F6	
	ST-10674	Fuse 125V. 5 Amp Slo-Blo Glass		
12	ST-9830	Snap Bushing		
13	V-7013	9 Circuit M-N-L Socket Housing	J14	
14	52352	Capacitor 50V. +100 -10%	C71, C72	3000 MFD
15	ST-10568	6 Circuit Universal M-N-L Socket Housing	P15	
16	ST-10588	4 Circuit Universal M-N-L Socket Housing	P16	
17	45319	Capacitor 1000V. 20%	C73	.02 MFD
18	52393	Capacitor 100V. 20%	C1	.05 MFD
19	47423	Resistor 1 Watt 10%	R75, R76	1.5K OHM
20	52295-A	Pre-Ampl. & A.V.C. P.C. Board Assembly		
21	52345-A	Mute & Squelch P.C. Board Assembly		
22	50651	P.E.C. Scratch Filter	PEC 1	
23	46497	Rectifier 100 P.R.V. 1 Amp	CR24	1N4002
24	18634	6 Prong Min.	J7	
25	52315-A	Power Supply P.C. Board Assembly		
26	52454-A	Heat Sink Casting Riveting Assembly		
27	49084	Retainer Clip - Top		
28	49088	Volume Control Mounting Plate		
29	44772	Momentary Push Switch	S9	
30	46283	Volume Control 20%		48K
31	44715	P.E.C. Volume Control	PEC 7	
32	52275-A	Fuse P.C. Board Assembly		
33	54660-A	Heat Sink (Extruded) Assembly		
34	54655-A	Driver P.C. Board Assembly		
	52277	P.C. Board Insulator		
35	49591	Shield		
	52772	Label		
36	52384	6 Pin Plug & Cable (19")	P7	



POWER DISTRIBUTION ASSEMBLY 54920-A
120 VOLT 60HZ USA

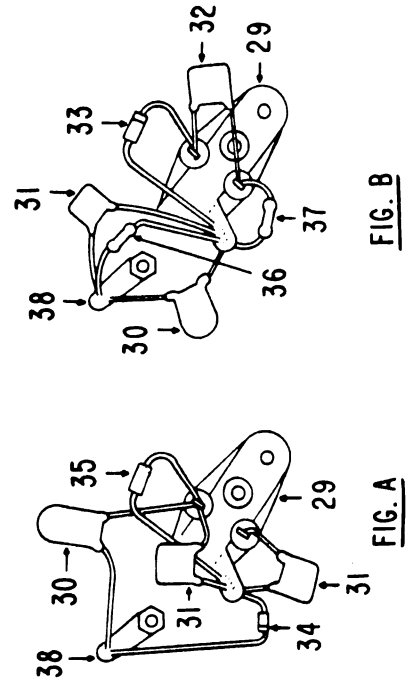
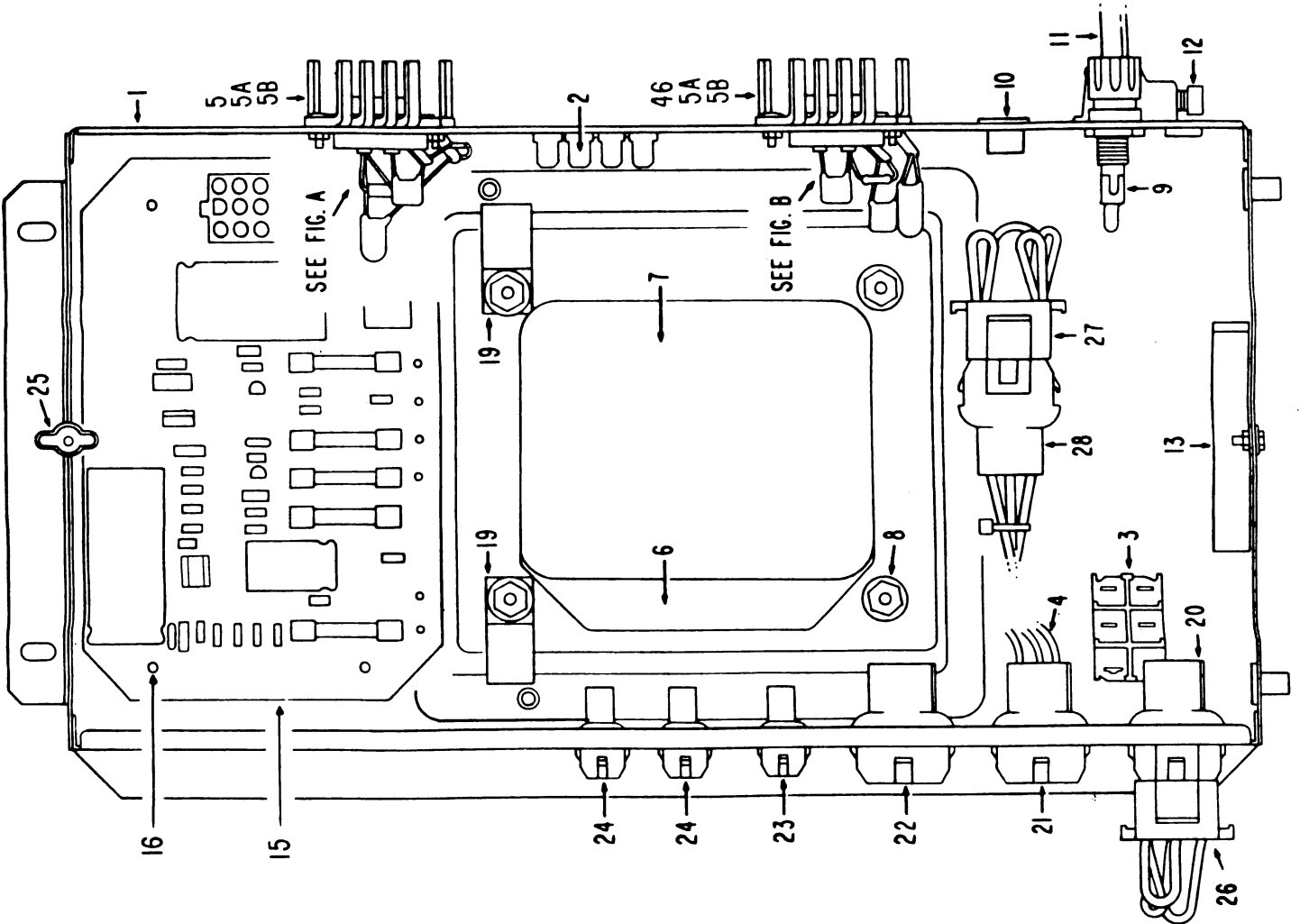


FIG. B

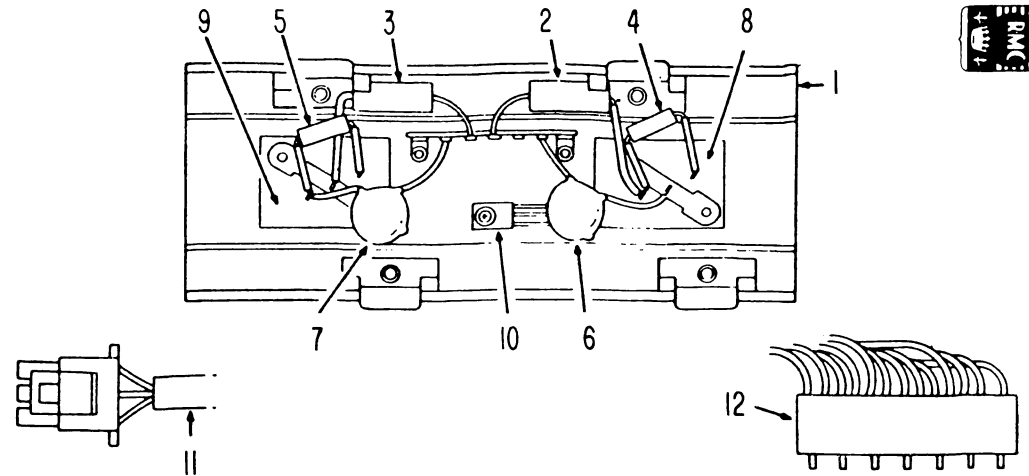
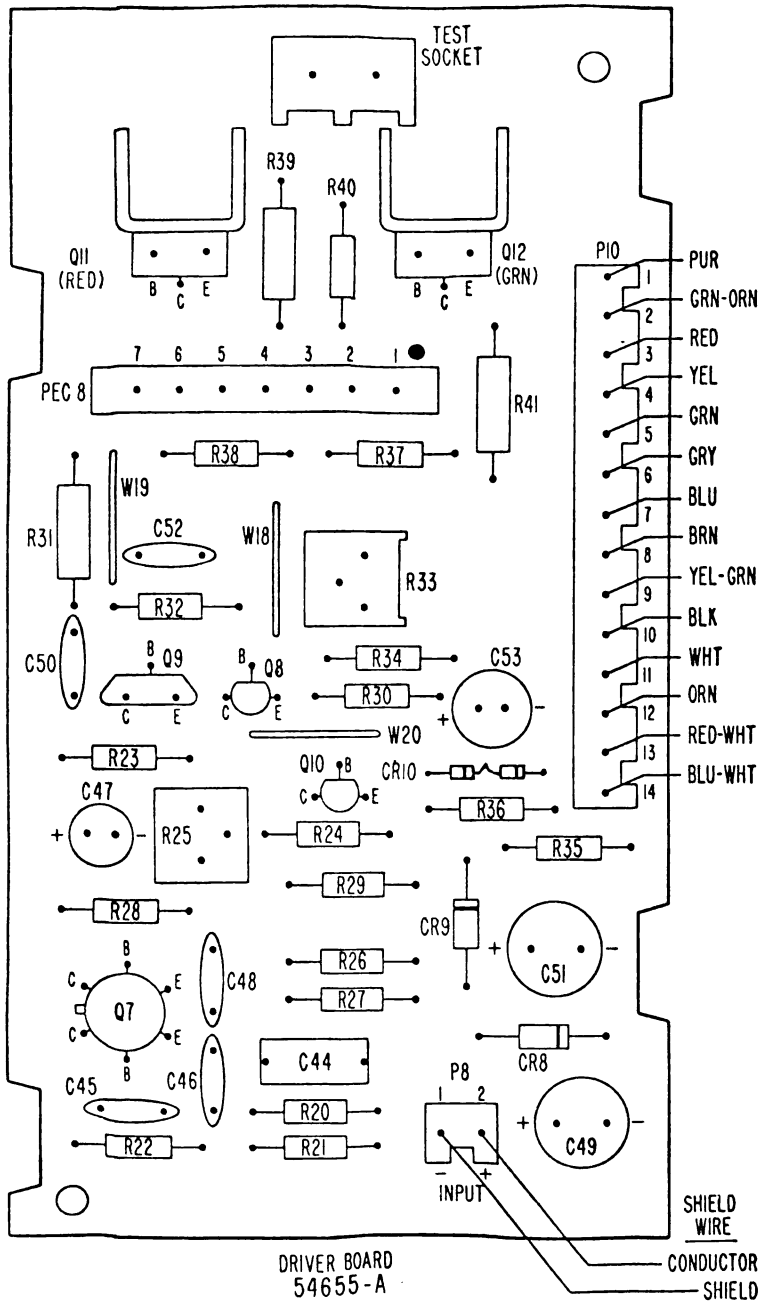
FIG. A





POWER DISTRIBUTION ASSEMBLY 54920-A

ITEM NO.	PART NO.	DESCRIPTION	REF. DES.	MFG. PART NO.
1	54947-A	P.D. Chassis Riveting Assembly		
2	ST-10627	Ground Terminal Strip		
3	49240	D.P.S.T. Rocker Switch		
4	54953-A	P.D. Cable & Socket Assembly		
5	53702	Regulator +5V		LM7805KC
5A	48098	Insulator Power Transistor		
5B	54087	Heat Sink		
6	52434-1	Transformer Gasket		
7	54944-C	Power Transformer		
8	ST-8722	10-32 Hex Flg. Whiz Lock Nut		
9	49447	Fuse Holder		
	ST-9631	5 Amp 250V Slo-Blo Fuse		
10	ST-9843	Tapered Caplug #5		
11	54954-A	Line Cord Assembly		
12	ST-10762	Strain Relief		
13	54957-A or 54986-A	4 Amp R.F.I. Filter Assembly		
14	54899	Voltage Indicator P.C.B.		
15	54875-A	Rectifier P.C. Board Assembly		
	54611	Rectifier Board Insulator		
16	ST-11045	Circuit Board Support		
17	54951-A	P.D. Front Panel Weld Assembly		
18	54945-A	Voltage Indicator P.C. Board Assembly		
19	ST-10423	3/4" Locking Clamp		
20	ST-10500	15 CKT Universal Socket Housing		
21	ST-10500-02	15 CKT Universal Socket Housing (Red)		
22	ST-10502	12 CKT Universal Socket Housing		
23	ST-10588	4 CKT Universal Socket Housing		
24	ST-10589	3 CKT Universal Socket Housing		
25	ST-10173	6-32 Wing Nut		
26	52666-A	15 CKT Universal Pin Hsg. Assembly 120V		
27	54919-A	9 CKT Universal Pin Hsg. Assembly 120V		
28	ST-10570	9 CKT Universal Socket Housing		
29	G-5084	TO-3 Transistor Socket		
30	54923	Capacitor Tantalum 35V		22 MFD
31	52675	Capacitor Monolytic 50V		.1 MFD
32	54924	Capacitor Monolytic 100V		.1 MFD
33	46497	Rectifier Mini Silicon 100 PRV 1 Amp		1N4002
34	54931	Resistor 1/2W ±1%		105 OHM
35	53889	Resistor 1/4W ±5%		1K OHM
36	51564	Resistor 1/4W ±5%		1K OHM
37	51292	Resistor 1/4W ±5%		4.7K OHM
38	ST-2666	#6 Shakeproof Terminal Lug		
39	54916	Bushing-Nylon (3/16 Long)		
40	16224	Resistor 1/2W 5%	R1	1K OHM
41	32831	Resistor 1/2W 5%	R2, R3	2.2K OHM
42	52377	Resistor 1/4W 5%	R4	390 OHM
43	54914	Capacitor Tantalum 50 WVDC ±20%	C1	2.2 MFD
44	46497	Rectifier 100 PRV 1 Amp	CR1	1N4002
45	51994	1/4 Dia. Led (Red)		
46	52529	Regulator Pos.Adj.		LM317KC



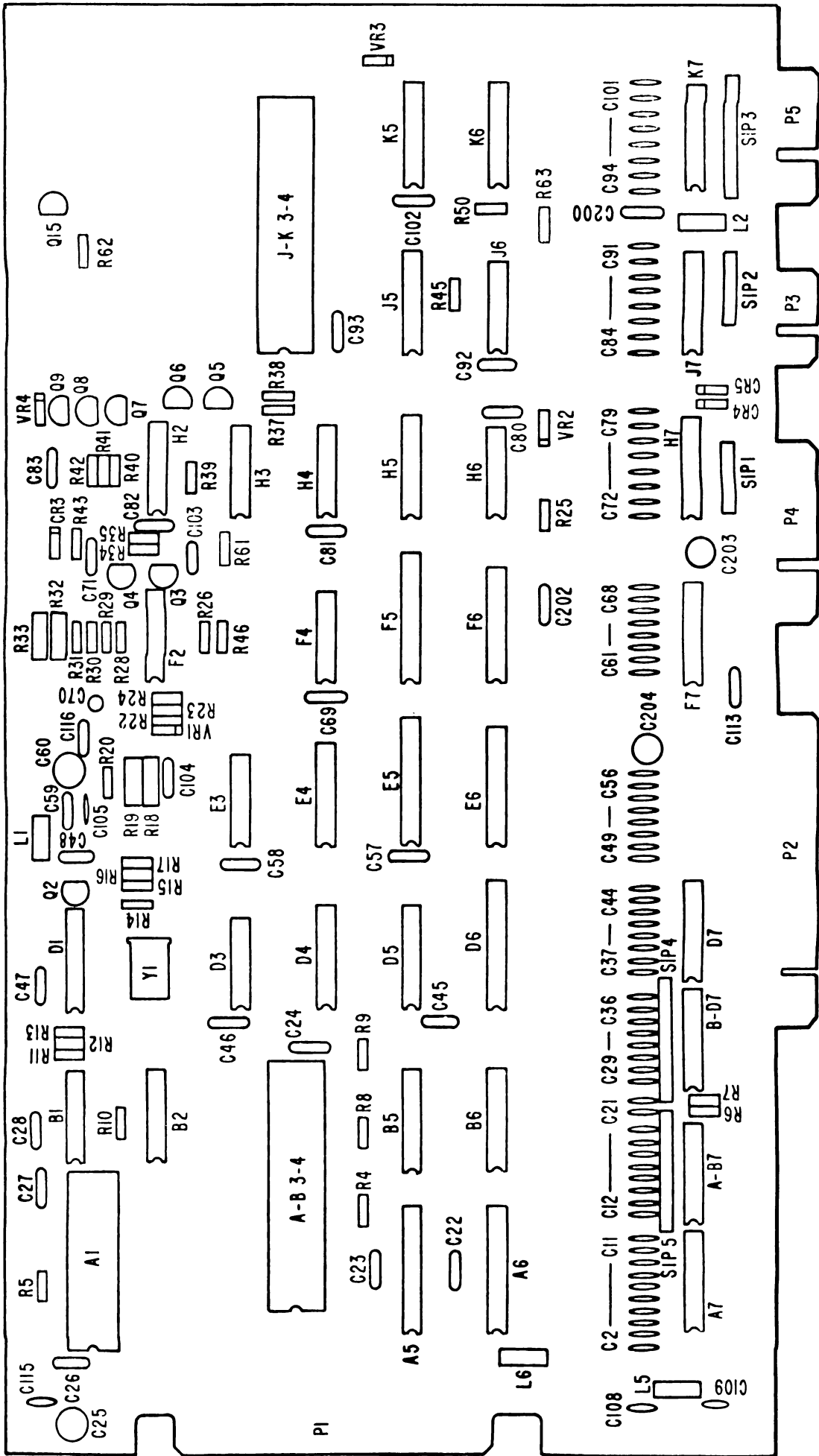
HEAT SINK ASSEMBLY
54660-A

ITEM	PART NO.	DESCRIPTION
1	52451-A	Heat Sink Riveting Assembly
2	54719	0.15 OHM 5V 5% Resistor (R43)
3	54719	0.15 OHM 5V 5% Resistor (R44)
4	31719	100 OHM 1V 10% Resistor (R42)
5	31719	100 OHM 1V 10% Resistor (R45)
6	52382	.1 MF 100V 20% (C54)
7	52382	.1 MF 100V 20% (C55)
8	48931-2	Silicon Power Transistor NPN (Q14)
9	48931-2	Silicon Power Transistor NPN (Q15)
10	52453	25W Transistor NPN (Q13) (Modified Leads - Make from #52397)
11	52452-A	Cable Socket
12	ST-10495 ST-10569 49292 49288	9 Cir. Pin Housing 14 Cir. Post Housing Contact



DRIVER P.C. BOARD ASSEMBLY 54655-A

ITEM NO.	PART NO.	DESCRIPTION	REF. DES.	MFG. PART NO.
1	52209	Driver P.C. Board		
2	52373	Resistor, 1/4 Watt 5%	R30	10 OHM
3	53007	Resistor, 1 Watt 10% FP	R27	47 OHM
4	53039	Resistor, 1 Watt 5% FP	R36	120 OHM
5	52513	Resistor, 1/4 Watt 5%	R29	240 OHM
6	52344	Resistor, 1/4 Watt 5%	R34	330 OHM
7	52378	Resistor, 1/4 Watt 5%	R23	680 OHM
8	52379	Resistor, 1/4 Watt 5%	R32	750 OHM
9	51292	Resistor, 1/4 Watt 5%	R26	4.7K OHM
10	51568	Resistor, 1/4 Watt 5%	R24	5.1K OHM
11	51571	Resistor, 1/4 Watt 5%	R37	6.8K OHM
12	52380	Resistor, 1/4 Watt 5%	R22, R28	18K OHM
13	51291	Resistor, 1/4 Watt 5%	R35	22K OHM
14	52514	Resistor, 1/4 Watt 5%	R21	82K OHM
15	52358	Resistor, 1/4 Watt 5%	R20	2.2K OHM
16	53008	Resistor, 1 Watt 5% FP	R31	100 OHM
17	54720	Resistor, 1 Watt 5% FP	R38, R40	62 OHM
18	32205	Resistor, 1/2 Watt 5%	R39, R41	2.7K OHM
19	52367	Trim Control	R25	50 OHM
20	52368	Trim Control	R33	200 OHM
21	45789	Capacitor, Ceramic Disc 500V 10%	C50	150 MFD
22	44774	Capacitor, Ceramic Disc 500V 10%	C46, C48	50 MFD
23	33762	Capacitor, Ceramic Disc 1000V 10%	C45, C62	470 MFD
24	52369	Capacitor, Ceramic Disc 100V 10%	C52	.0056 MFD
25	48951	Capacitor, 100 WVDC 20%	C44	.47 MFD
26	50646	Capacitor, 25 WVDC 20%	C47	10 MFD
27	49278	Capacitor, 75 WVDC -0 +100%	C51	22 MFD
28	52364	Capacitor, 6.3 WVDC 20%	C53	150 MFD
29	52363	Capacitor, 40 WVDC 20%	C49	150 MFD
30	52357	PEC Protection Circuit	PEC 8	
31	52371	Differential Amplifier	Q7	
32	47831	Transistor (PNP)	Q8	MPSA56
33	52372	Transistor 1 Watt (PNP)	Q9	MPSU56
34	49415	Transistor (NPN)	Q10	MPSA06
35	51982	Diode, Zener 10V 5%	CR8	1N4740A
36	46497	Rectifier, Silicon 100 PRV 1 Amp	CR9	1N4002
37	54837-A	Diode Assembly (Two 51498 Switching Diodes)	CR10	1N4148
38	52516-1A	Heat Sink & Transistor Assembly (Red)	Q11	
39	52517-1A	Heat Sink & Transistor Assembly (Green)	Q12	
40	49274	2 Circuit Post Connector	P8	
41	ST-10577	14 Circuit Post Connector	P10	
42	ST-10581	2 Circuit Universal P.C. Board Header		



S-2 CPU P.C. BOARD ASSEMBLY 54895-A

S-2 CPU P.C. BOARD ASSEMBLY 54895-A

ITEM NO.	PART NO.	DESCRIPTION	REF. DES.	MFG. PART NO.
1	54371-1	S-2 CPU P.C. Board		
2	G-0679	Hex Inverter	D3, F4, H3, H6	74LS04
3	54881	V.F. Display Driver	F6	UDN 2983A
4	G-0680	Quad 2-Input And Gate	H4	74LS08
5	G-0683	Quad 2-Input Or Gate	E3	74LS32
6	53706	Dual D Latch	B1, B2	74LS74
7	G-6005	1 of 8 Decoder/De-Plexer	D4, E4	74LS138
8	G-6009	Hex D-Type Flip Flop	J5	74LS174
9	G-6012	Octal D-Type Flip Flop	A6, D6, E5, F5	74LS273
10	G-6014	Hex Buffer 4 Bit & 2 Bit	B5, B6, D1, D5, H5, K5, K6	74LS367
11	54177	Hex Inverter Buffer/Drive	J6	7416
12	54183	Quad Comparator	F2	3302
13	54879	Inverter	E6	ULN 2803A
14	54481	CPU 4MHZ	A-B, 3-4	Z-80
15	54482	CTC 4MHZ	A1	Z-80
16	54189	Transistor (NPN)	Q3, Q4, Q5, Q6, Q7, Q8, Q9, Q15	2N4400
17	54190	Transistor (PNP)	Q2	2N4402
18				
19				
20				
21	46497	Diode, Rectifier 100 PRV 1 Amp	CR4, CR5	1N4002
22	G-5106	Diode, Zener 3.9V	VR1, VR2	1N748A
23	54373	Diode, Zener 5.1V	VR3	1N4733A
24	G-6529	Inductor	L1, L2, L5, L6	
25	54483	Crystal 8MHz	Y1	
26	51289	Resistor, 1/4W 5%	R22	100 OHM
27	52378	Resistor, 1/4W 5%	R26	680 OHM
28	52376	Resistor, 1/4W 5%	R16, R17	270 OHM
29	52344	Resistor, 1/4W 5%	R5	330 OHM
30	52377	Resistor, 1/4W 5%	R6, R7, R11, R12, R13	390 OHM
31	51564	Resistor, 1/4W 5%	R35, R37, R38, R39, R40, R41, R42, R50, R62	1K OHM
32	51567	Resistor, 1/4W 5%	R4, R8, R9, R10, R23, R29, R30, R45 R46, R63	3.3K OHM
33	51292	Resistor, 1/4W 5%	R15, R25	4.7K OHM
34	51293	Resistor, 1/4W 5%	R14, R31, R43	10K OHM
35	50966	Resistor, 1/4W 5%	R20	100K OHM
36	52734	Resistor, 1/4W 5%	R24, R28, R34, R61	1000K OHM
37	54195	Resistor, 1/4W 1%	R33	4.02K OHM
38	54196	Resistor, 1/4W 1%	R32	6.98K OHM
39	54198	Resistor, 1/4W 1%	R19	11.3K OHM

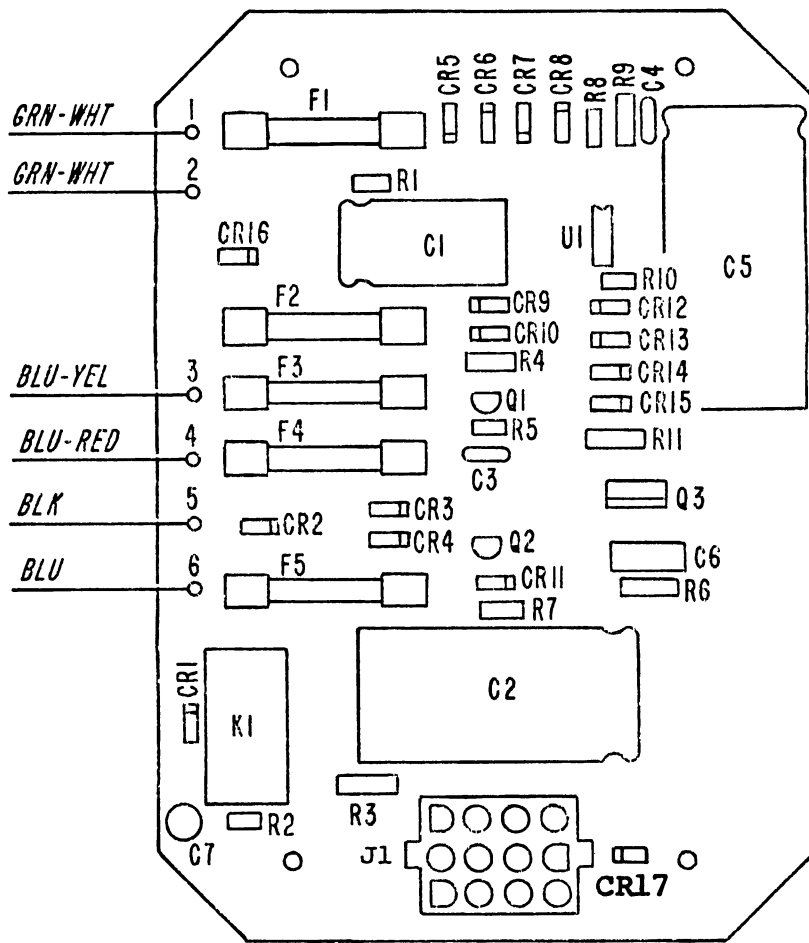
continued next page





S-2 CPU P.C. BOARD ASSEMBLY 54895-A -Continued

ITEM NO.	PART NO.	DESCRIPTION	REF. DES.	MFG. PART NO.
40	54199	Resistor, 1/4W 1%	R18, R36	14K OHM
41	54346	Resistor Pack DIP RP	A-B7, B-D7	390 OHM X 8
41A	55163	Resistor Pack DIP RP	F7	150 OHM X 8 SINGLE
42	53324	Resistor Pack DIP RP	A7, D7, H7, J7, K7	1K OHM X 8 SINGLE
43	54348	Resistor Pack SIP	SIP1	1K OHM X 5
44	54349	Resistor Pack SIP	SIP2	10K OHM X 5
45	54118	Resistor Pack SIP	SIP3	1K OHM X 9
46	54201	Resistor Pack SIP	SIP4, SIP5	10K OHM X 9
47	33762	Capacitor, Ceramic Disc 1000V 10%	C48, C105	470 MMFD
48	54682	Capacitor, Ceramic	C12-C21, C29-C42, C44, C71, C94-C101	.01 MFD
49	53337	Capacitor, Mono. Ceramic 50 WVDC 20%	C22, C23, C24, C26, C28, C45, C46, C47, C57, C58, C59, C69, C80, C81, C82, C92, C93, C102	.047 MFD
50	53299	Capacitor, Mono. Ceramic 50 WVDC 10%	C83, C104, C113, C115, C116, C200, C202	.1 MFD
51	G-0807	Capacitor, Tantalum 35 WVDC 10%	C103	2.2 MFD
52	G-0808	Capacitor, Tantalum 35 WVDC	C70	3.3 MFD
53	54374	Capacitor, Tantalum 35 WVDC	C25, C60	22 MFD
54	52708	Capacitor, Tantalum 35V 20%	C203, C204	10 MFD
55	G-0940	Capacitor, Ceramic Disc 50V +80-20%	C7-C11, C27, C49-C56, C61-C68, C72-C79, C84-C91	.001 MFD
56	52720	14 Contact Solder Dip Socket	B1, B2, D3, E3, F2, F4, H2, H3, H4, H6, J6	
57	52724	16 Contact Solder Dip Socket	B5, B6, D1, D4, D5, E4, H5, J5, K5, K6	
58	52723	18 Contact Solder Dip Socket	E6, F6	
59	54204	20 Contact Solder Dip Socket	D6, E5, F5	
60	52721	28 Contact Solder Dip Socket	A1	
61	53711	40 Contact Solder Dip Socket	A-B 3-4, J-K 3-4	



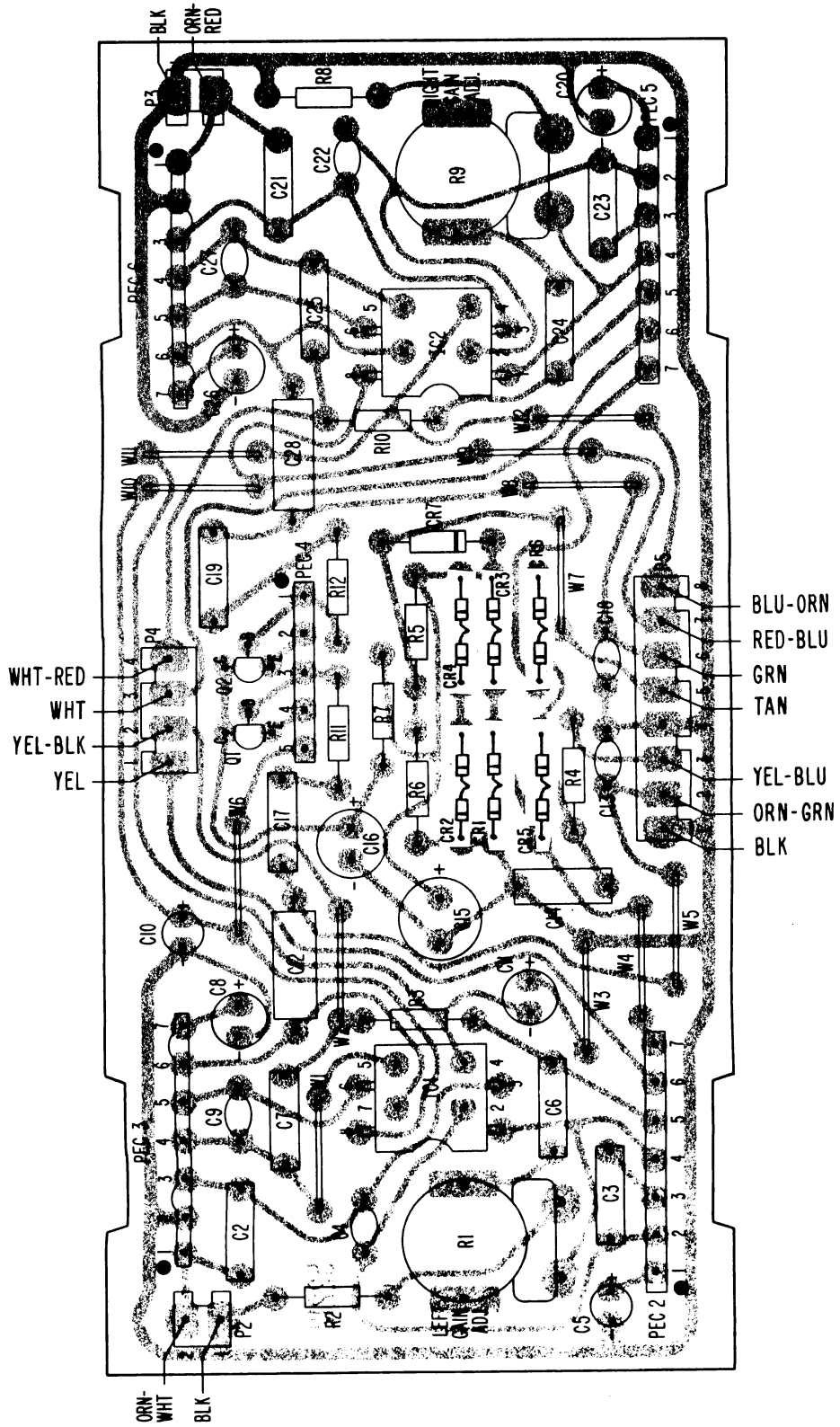
RECTIFIER P.C. BOARD
ASSEMBLY 54875-A

ITEM NO.	PART NO.	DESCRIPTION	REF. DES.	MFG. PART NO.
1	54960-A	Rectifier Board, Eyelet & Pin Assem.		
2	51564	Resistor, 1/4 Watt 5%	R2, R8	1K OHM
3	51293	Resistor, 1/4 Watt 5%	R1, R5, R7	10K OHM
4	49267	Resistor, 1/4 Watt 5%	R10	56K OHM
5	14097	Resistor, 1/2 Watt 5%	R6	47 OHM
6	53875	Resistor, 1/2 Watt 5%	R11	100 OHM
7	16224	Resistor, 1/2 Watt 5%	R9	1K OHM
8	32832	Resistor, 1/2 Watt 5%	R3	4.7K OHM
9	40266	Resistor, 1/2 Watt 5%	R4	6.8K OHM
10	50384	P.C. Relay, SPDT 24VDC	K1	
11	53299	Capacitor, Mono. 50V 20%	C3, C4	.1 MFD
12	47421	Capacitor, Metalized Poly. 250V	C6	.1 MFD
13	54222	Capacitor, Elect. 100 WVDC	C1	220 MFD
14	54354	Capacitor, Elect. 63 WVDC +50-10%	C2	2,200 MFD
15	54221	Capacitor, Elect. 35 WVDC	C5	4,700 MFD
16	52708	Capacitor, Tantalum 35V 20%	C7	10 MFD
17	47972	Rectifier, Glass 200 PRV 1.5 Amp	CR12 Thru CR16	
18	48214	Rectifier, Glass 200 PRV 3 Amp	CR3 Thru CR8	
19	46497	Rectifier, 100 PRV 1 Amp	CR1, CR9, CR17	1N4002
20	46256	Diode, Zener 1/2 Watt 27V	CR10, CR11	1N5254
21	54988	Diode, Zener 1 Watt 24V	CR2	1N4749
22	47831	Transistor (PNP)	Q1	MPSA56
23	49415	Transistor (NPN)	Q2	MPSA06
24	54877	Opto Coupler	U1	H11C3
25	54878	Triac	Q3	SC141-B
26	ST-11043	12 CKT Univ. P.C. Bd. Pin Header	J1	
27	51984	P.C. Fuse Clip		
28	ST-3090	Fuse 3 Amp Slo-Blo	F1, F5	
29	ST-4332	Fuse 1 Amp Slo-Blo	F3, F4	
30	ST-4330	Fuse 1/4 Amp Slo-Blo	F2	



S-2 MEMORY P.C. BOARD ASSEMBLY 54385 -2A

ITEM NO.	PART NO.	DESCRIPTION	REF. DES.	MFG. PART NO.
1	54386-2	S-2 Memory P.C. Board		
2	54479-03	I.C. Programmed (Phono)	2C	
3	54478-03	I.C. Programmed (Phono)	2D	
4	G-0683	I.C. 2-Input Or Gate	1N	74LS32
5	54477	I.C. Triple Input Or Gate	3L	74HC4075N
6	54171	64 X 8 WAROM	2K, 2M	2055
7	54476	2K X 8 CMOS RAM	2P	6116LP-3
8	G-6005	I.C. 1 of 8 Decoder/Demultiplexer	1D, 4H	74LS139
9	G-0679	I.C. Hex Inverter	3J	74LS04
10	G-0677	I.C. Quad 2-Input Nand Gate	1K	74LS00
11	G-0680	I.C. Quad 2-Input And Gate	1F, 3H	74LS08
12	53706	I.C. Dual D Latch	4J	74LS74
13	G-6014	I.C. Hex Buffer 4 Bit & 2 Bit (3 State)	3E, 3F, 4F	74LS367
14	54180	I.C. Dual Monostable Multivibrator	4L	26123
15	54176	I.C. Hex Buffer/Driver (O.C.)	1C	7407
16	G-6006	I.C. Dual 1 of 4 Decoder/Demultiplexer	1H	74LS139
17	G-6009	I.C. Hex D-Type Flip-Flop with Reset	1A	74LS174 (or 74HC174, 74HCT74, 40H174) 74159
18	54178	I.C. 4 to 16 Lines Decoder	1B	
19	52721	28 Contact Solder Dip Socket	2C, 2D	
20	52722	24 Contact Solder Dip Socket	1B, 2H, 2P	
21	54203	22 Contact Solder Dip Socket	2K, 2M	
22	52724	16 Contact Solder Dip Socket	1A, 1D, 1H, 3E, 3F, 4F, 4H, 4L	
23	52720	14 Contact Solder Dip Socket	1C, 1F, 1K, 1N, 3H, 3J, 3L, 4J	
24	54205-02	Push Button Switch - Red	S1 Thru S8	
25	52606	Dip Switch 10 Position	4E	
26	50696	Relay Pad		
27	54591	Battery	3Q	
28	54201	Resistor, Pack	SIP1, SIP2	10K OHM X 9
29	54202	Resistor, Pack	SIP3	100K OHM X 9
30	51564	Resistor, 1/4W 5%	R5, R11, R15	1K OHM
31	51567	Resistor, 1/4W 5%	R2, R4, R52	3.3K OHM
32	50966	Resistor, 1/4W 5%	R1, R10	100K OHM
33	53982	Resistor, 1/4W 5%	R6, R12	220 OHM
34	53847	Resistor, 1/4W 5%	R14	12K OHM
35	49268	Resistor, 1/4W 5%	R8, R9	33K OHM
36	51292	Resistor, 1/4W 5%	R3	4.7K OHM
37	51294	Resistor, 1/4W 5%	R16	47K OHM
38	52374	Resistor, 1/4W 5%	R13	47 OHM
39	54206	Capacitor, (Tantalum) 20V	C27	47 MFD
40	G-0942	Capacitor, 35 WVDC +75-10%	C7, C24, C28, C29	3.3 MFD
41	54651	Capacitor, 35 WVDC 20%	C13	22 MFD
42	54197	Capacitor, Mono. 50 WVDC 20%	C1, C2, C3, C4, C5, C6, C8, C9, C10, C16, C17, C18, C19, C20, C21, C22, C23, C26, C30, C51, C52 C25	.047 MFD
43	45790	Capacitor, Disc Cer. 50 WVDC 10%		.001 MFD
44	46497	Rectifier, 100 PRV	D1, D2, D4, D4, D6	IN4002
45	54189	Transistor, (NPN)	Q2, Q3	2N4400
46	54190	Transistor, (PNP)	Q1	2N4402
47	ST-10956	Spacer, Plastic 5/16		
48	54108	Led Holder		
49	51994	Led Red	CR1, CR2, CR6, CR7, CR8, CR10, CR12, CR13, CR14, CR15, CR16, CR17	

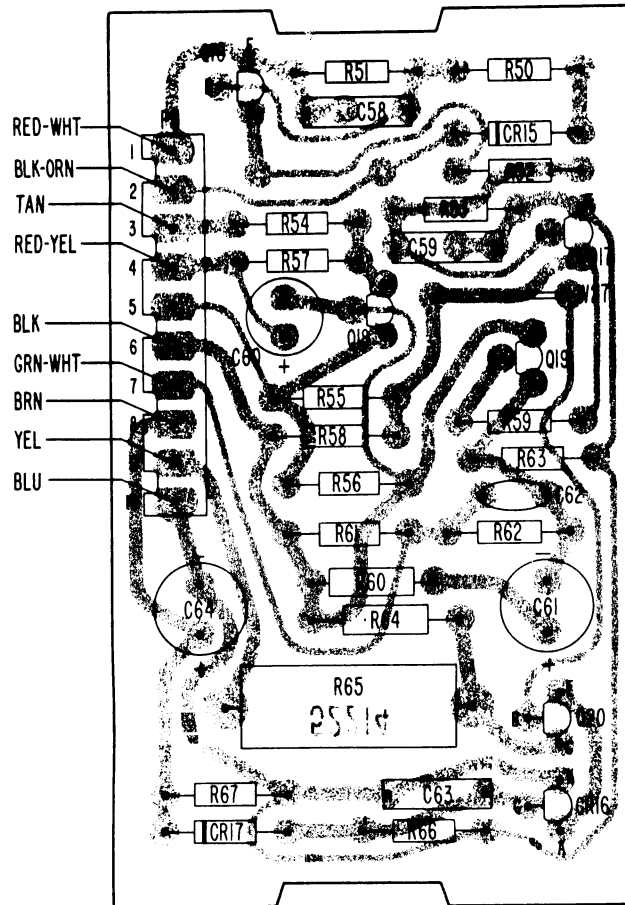


PRE-AMP & A.V.C. BOARD 52295-A

PRE-AMP & A.V.C. BOARD ASSEMBLY 52295-A

ITEM NO.	PART NO.	DESCRIPTION	REF. DES.	MFG. PART NO.
1	52212	Pre-Amp & A.V.C. P.C. Board		
2	49272	Min P.C. Control, Green	R1, R9	1K OHM
3	49264	Resistor, 1/4 Watt 5%	R2, R8	470 OHM
4	52358	Resistor, 1/4 Watt 5%	R6	2.2K OHM
5	49269	Resistor, 1/4 Watt 5%	R4	27K OHM
6	49268	Resistor, 1/4 Watt 5%	R7	33K OHM
7	49267	Resistor, 1/4 Watt 5%	R11, R12	56K OHM
8	50643	Resistor, 1/4 Watt 5%	R3, R10	300K OHM
9	49266	Resistor, 1/4 Watt 5%	R5	560K OHM
10	47831	Transistor (PNP)	Q1, Q2	MPSA56
11	54837-A	Diode Assembly (12 51498 Switching Diodes)	CR1 thru CR6	1N4148
12	46497	Rectifier 100 PRV	CR7	IN4002
13	50648	P.E.C. Pre-Amp Circuit A	PEC 2, PEC 5	
14	50649	P.E.C. Pre-Amp Circuit B	PEC 3, PEC 6	
15	48936	P.E.C. A.V.C. Circuit	PEC 4	
16	48934	Dual Integrated Circuit	IC1, IC2	
17	45789	Ceramic Disc Capacitor 500V 10%	C4, C9, C22, C27	150 MMFD
18	33762	Ceramic Disc Capacitor 1000V 10%	C13, C18	470 MMFD
19	52354	Capacitor, 250 WVDC 5%	C3, C23	.012 MFD
20	47421	Capacitor, 250 WVDC 20%	C2, C17, C19, C21	.1 MFD
21	48941	Capacitor, 100 WVDC 20%	C14	.22 MFD
22	52799	Capacitor, 100 WVDC 5%	C6, C7, C24, C25	.47 MFD
23	53801	Capacitor, 50 WVDC 20%	C12, C28	2.2 MFD
24	50647	Capacitor, 35 WVDC ±20%	C5, C10, C11, C20	4.7 MFD
25	50646	Capacitor, 25 WVDC ±20%	C8, C26	10 MFD
26	50684	Capacitor, 35 WVDC ±20%	C16	22 MFD
27	49271	Capacitor, 10 WVDC -0 +100%	C15	220 MFD
28	49274	2 Circuit Post Connector	P2, P3	
29	ST-10574	4 Circuit Post Connector	P4	
30	49275	8 Circuit Post Connector	P5	

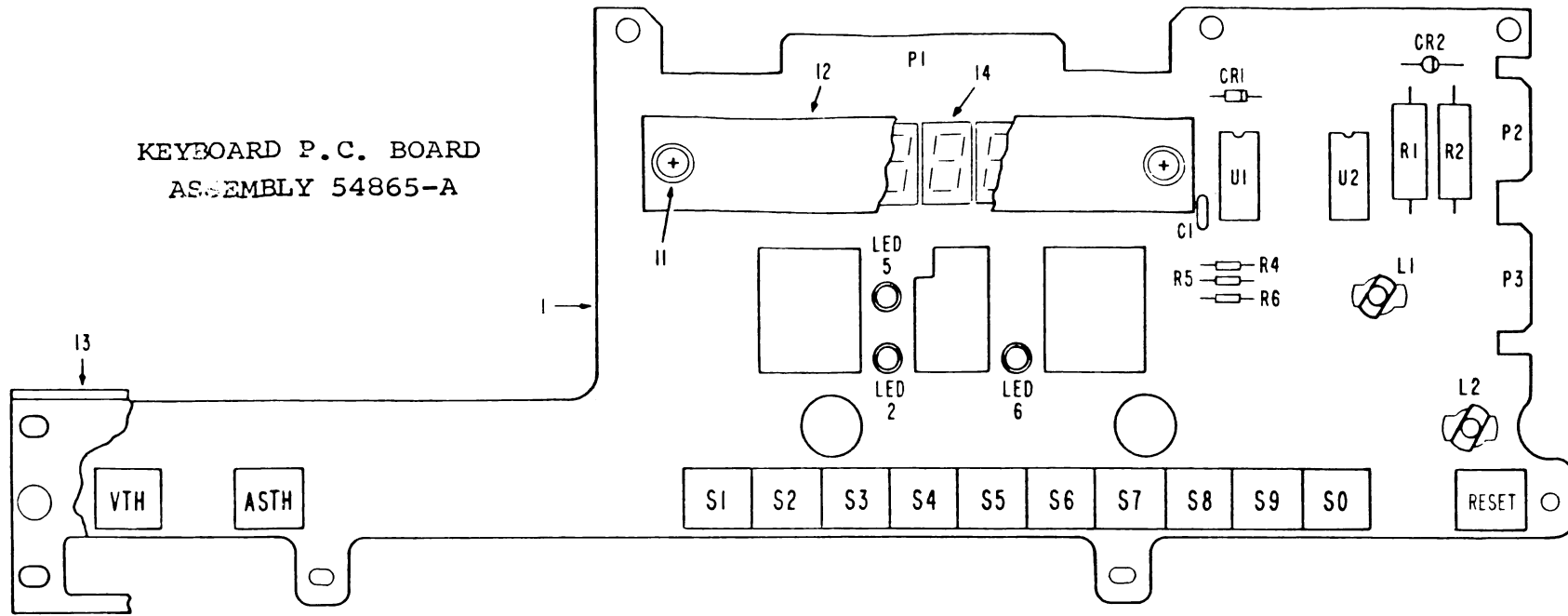




MUTE & SQUELCH P.C. BOARD ASSEMBLY 52345-A

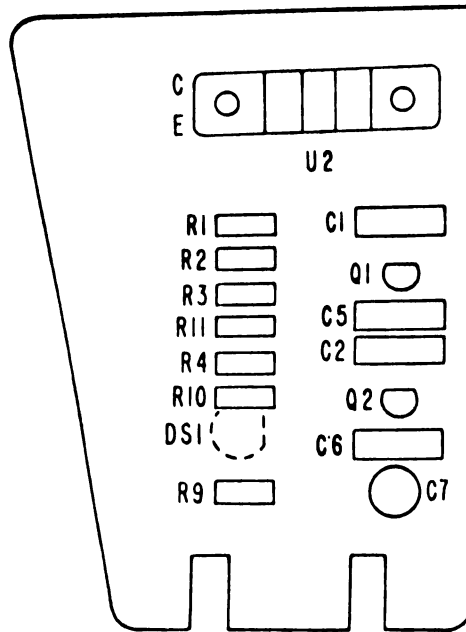
ITEM NO.	PART NO.	DESCRIPTION	REF. DES.	MFG. PART NO.
1	52214	Mute & Squelch P.C. Board		
2	52344	Resistor, 1/4 Watt 5%	R60	330 OHM
3	51564	Resistor, 1/4 Watt 5%	R51, R53	1K OHM
4	51567	Resistor, 1/4 Watt 5%	R17, R18, R66	3.3K OHM
5	52347	Resistor, 1/4 Watt 5%	R57	9.1K OHM
6	51293	Resistor, 1/4 Watt 5%	R50, R58, R59	10K OHM
7	53709	Resistor, 1/4 Watt 5%	R54	3.9K OHM
8	51291	Resistor, 1/4 Watt 5%	R35, R52, R63	22K OHM
9	52349	Resistor, 1/4 Watt 5%	R56, R61	39K OHM
10	50966	Resistor, 1/4 Watt 5%	R62, R67	100K OHM
11	52351	Resistor, 1/4 Watt 5%	R55	120K OHM
12	18660	Resistor, 1/2 Watt 5%	R64	3.3K OHM
13	52343	Resistor, 2 Watt 10%	R65	120 OHM
14	47422	Capacitor, 250 WVDC 20%	C58, C59, C63	.047 MFD
15	33762	Capacitor, Cer. Disc. 1000 WVDC ±10%	C62	470 MFD
16	50684	Capacitor, 35 WVDC ±20%	C60	22 MFD
17	52361	Capacitor, 50 WVDC -10% +50%	C64	47 MFD
18	52363	Capacitor, 40 WVDC ±20%	C61	150 MFD
19	51498	Diode, Silicon Switching	CR15	1N4148
20	48101	Diode, Zener 5.6V 5%	CR17	1N4734A
21	47831	Transistor (PNP)	Q16, Q19	MPSA56
22	49415	Transistor (NPN)	Q17, Q20	MPSA06
23	51297	Rectifier, Thyristor Sil. Cont.	CR16	2N5062
24	52342	N-Channel Junction FET	Q18	
25	49276	10 Circuit Post Connector	P9	

KEYBOARD P.C. BOARD
ASSEMBLY 54865-A



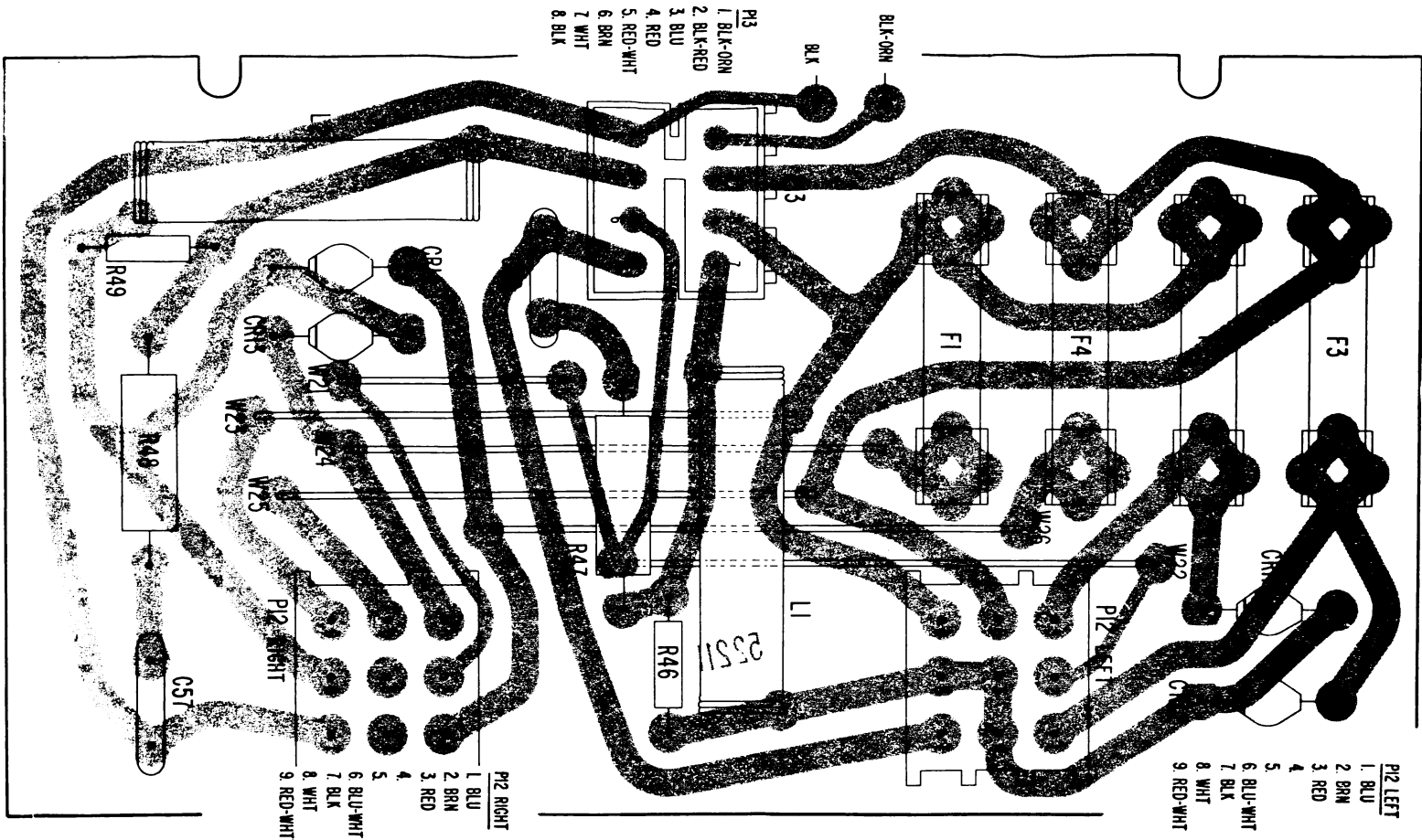
ITEM NO.	PART NO.	DESCRIPTION	REF. DES.	MFG. PART NO.
1	54857	Keyboard P.C. Board		
2	46497	Rectifier, 100 PRV 1 Amp	CR1	1N4002
3	47972	Rectifier, Glass 200 PRV 1.5 Amp	CR2	
4	51564	Resistor, 1/4 Watt 5%	R4, R5, R6	1K OHM
5	54874	Resistor, 5 Watt 5%	R1, R2	2.0 OHM
6	53299	Capacitor, 50V 10%	C1	0.1 MFD
7	51994	1/4 Dia. Led - Red	LED 2, LED 5, LED 6	
	54583	Bushing - Nylon		
8	ST-10967	Lamp Socket - Wedge Base	L1, L2	
	53734	Lamp Type #37		
9	54394	Switch - P.B.	VTH, ASTH, RESET,	
			S1 Thru S0	
10	52723	18 Contact Solder Dip Socket	U1, U2	ULN2803-A
	54879	I.C. Inverter		
11	ST-11041	5/16 Spacer		
	ST-4559	6-32 X 3/16 Phil. Pan Hd. Mach. Screw		
	ST-4875	Flat Washer		
12	54858	Display Filter - Red		
13	54488-1A	Mounting Channel Rivet Assembly		
14	54859	.560 Red Digital Display		





OPTO P. C. BOARD ASSEMBLY 54225-1A

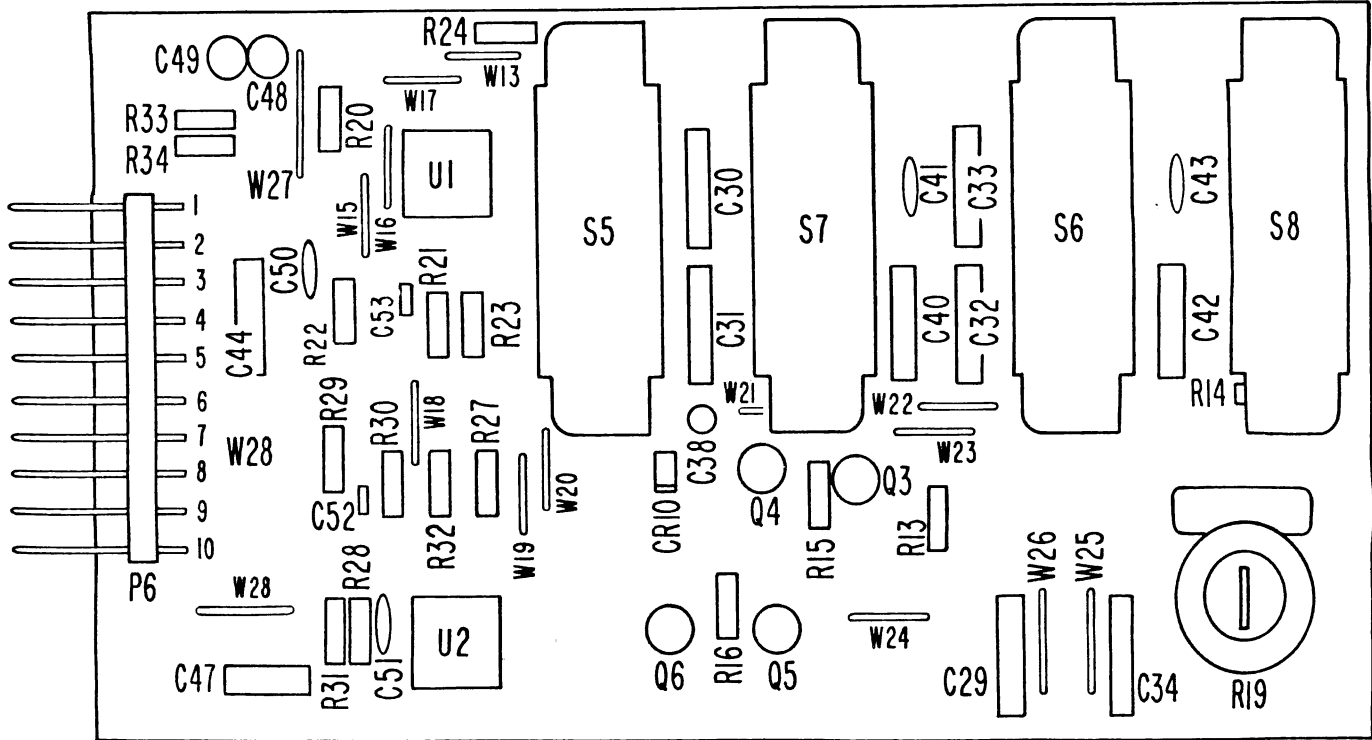
ITEM NO.	PART NO.	DESCRIPTION	REF. DES.	MFG. PART NO.
1	54104-1	Opto P.C. Board		
2	51289	Resistor, 1/4 Watt 5%	R9	100 OHM
3	53888	Resistor, 1/4 Watt 5%	R1, R4	180 OHM
4	51564	Resistor, 1/4 Watt 5%	R3	1K OHM
5	51568	Resistor, 1/4 Watt 5%	R10, R11	5.1K OHM
6	52348	Resistor, 1/4 Watt 5%	R2	15K OHM
7	33762	Capacitor, Cer. Disc 1000V 10%	C1	470 MFD
8	53302	Capacitor, Mono. Ceramic 50V. 10%	C2, C5	.01 MFD
9	53299	Capacitor, Mono. Ceramic 50V. 10%	C6	.1 MFD
10	52561	Capacitor, Tantalum 15V. 10%	C7	10 MFD
11	49415	Transistor (NPN)	Q1, Q2	MPSA06
12	52562-1	Opto-Interrupter	U2	GEH21A1
13	51994	1/4 Dia. Led (Red)	DS1	
	46282	Pushing Fibre		



FUSE P.C. BOARD ASSEMBLY 52275-A

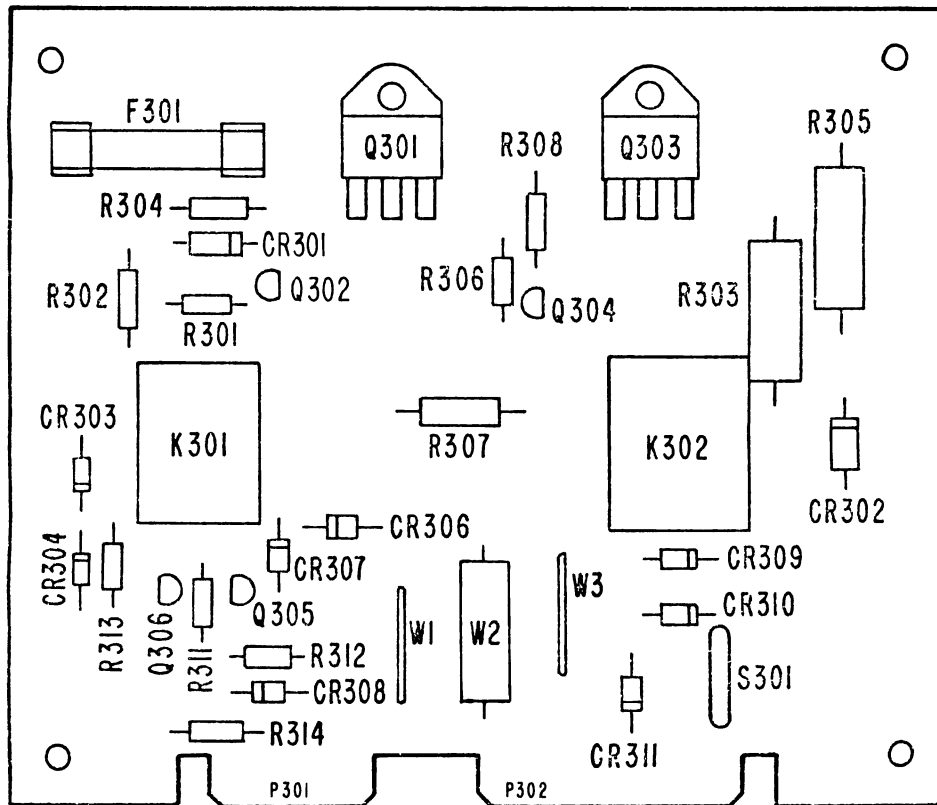
ITEM NO.	PART NO.	DESCRIPTION	REF. DES.	MFG. PART NO.
1	52211	Fuse P.C. Board		
2	14234	Resistor, 1/2 Watt 5%	R46, R49	22 OHM
3	49298	Resistor, 2 Watt 10%	R47, R48	22 OHM
4	52889	Capacitor, Cer. Disc 100 WDC 20%	C56, C57	.1 MFD
5	47972	Rectifier Glass 200 PRV 1.5A	CR11, CR12, CR13, CR14	
6	52386	Choke Coil 10 μ HY	L1, L2	
7	ST-4333	Fuse 3 Amp 250V Fast Acting	F1, F2, F3, F4	
8	51984	P.C. Fuse Clip		
8	ST-10584	9 Cir. Universal Pin Header	P12 L & R	
9	ST-10576	8 Cir. M-N-L P.C. Board Header	P13	





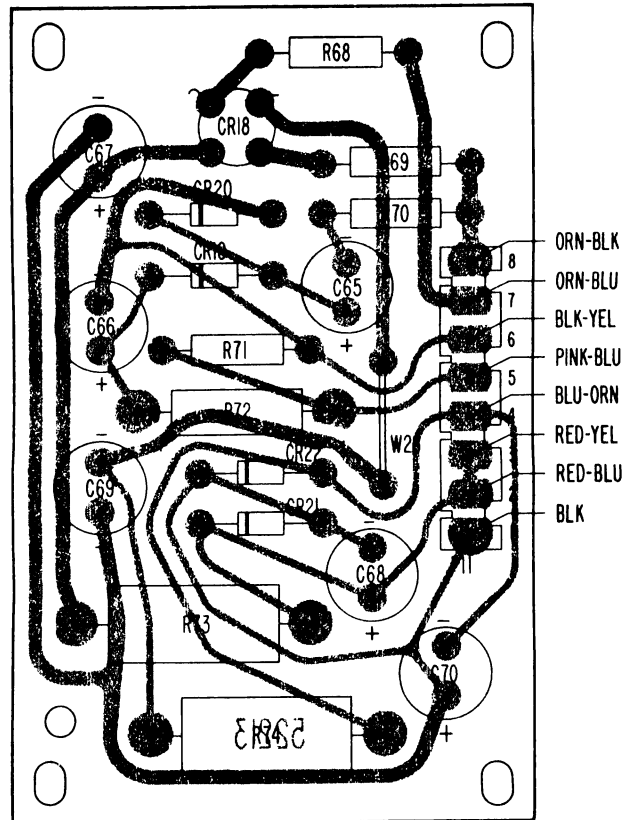
TONE CONTROL P.C. BOARD ASSEMBLY 54515-1A

ITEM NO.	PART NO.	DESCRIPTION	REF. DES.	MFG. PART NO.
1	54599-1	Tone Control P.C. Board		
2	51289	Resistor, 1/4 Watt 5%	R22	100 OHM
3	51564	Resistor, 1/4 Watt 5%	R20	1K OHM
4	51567	Resistor, 1/4 Watt 5%	R15, R16	3.3K OHM
5	51293	Resistor, 1/4 Watt 5%	R21, R23, R27, R30, R32	10K OHM
6	52717	Resistor, 1/4 Watt 5%	R24, R28, R29, R31	20K OHM
7	52621	Resistor, 1/4 Watt 5%	R13, R14, R33, R34	68K OHM
8	45789	Capacitor, Cer. Disc. 500V 10%	C50, C51	150 PFD
9	47723	Capacitor, Cer. Disc. 500V 10%	C41, C43	680 PFD
10	54656	Capacitor, 100 WVDC 10%	C40, C42	.001 MFD
11	48947	Capacitor, 250 WVDC 10%	C29, C30, C31, C32, C33, C34	.015 MFD
12	53894	Capacitor, 100 WVDC 10%	C44, C47	.15 MFD
13	52359	Capacitor, Tantalum 35 WVDC	C38	1 MFD
14	54636	Capacitor, Tantalum 20 WVDC	C48, C49	4.7 MFD
15	53992	Capacitor, Cer. Disc. 50V 5%	C52, C53	10 MMFDD
16	52342	N-Channel Junction FET	Q3, Q4, Q5, Q6	4392
17	46617	Diode, Zener 15V 1 Watt 5%	CR10	1N4744A
18	48934	Dual Integrated Circuit	U1, U2	
19	53356	8 Contact Solder Dip Socket		
20	52366	Min. P.C. Control (Blue)	R19	100K OHM
21	49280	Slide Switch DP3T	S5, S6, S7, S8	
22	ST-10593	10 Circuit Right Angle Post Con.	P6	
23	49090	P.C. Board Mtg. Bracket		



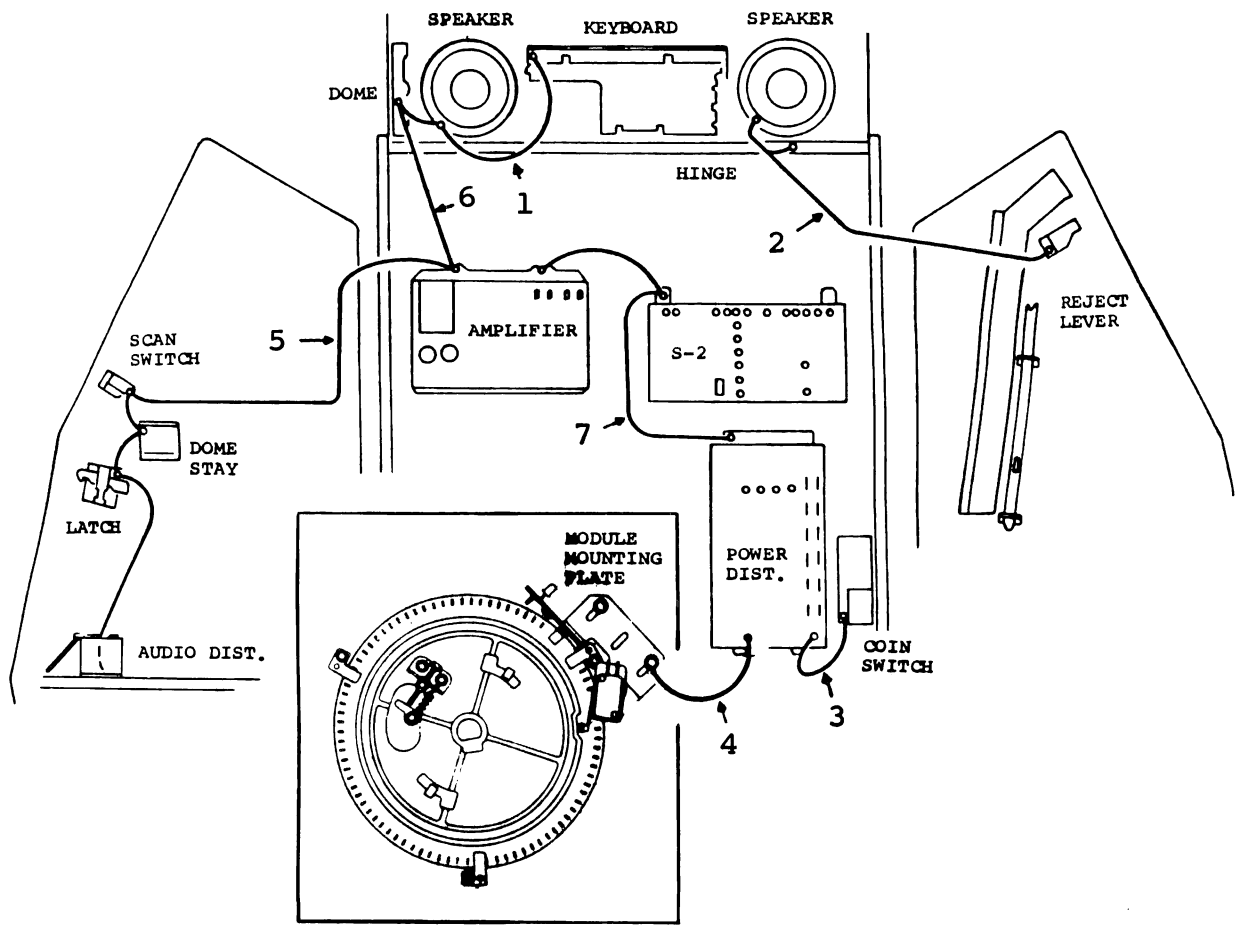
MECHANISM POWER P.C. BOARD ASSEMBLY 54870-A

ITEM NO.	PART NO.	DESCRIPTION	REF. DES.	MFG. PART NO.
1	54871	Power P.C. Board - Mechanism		
2				
3	51384	Resistor, 1/4 Watt 5%	R314	2.7K OHM
4	51292	Resistor, 1/4 Watt 5%	R312	4.7K OHM
5	51293	Resistor, 1/4 Watt 5%	R301, R306, R311, R313	10K OHM
6	53008	Resistor, 1 Watt 5% F.P.	R302, R304, R308	100 OHM
7	35328	Resistor, 1 Watt 5%	R307	1.5K OHM
8	43207	Resistor, 5 Watt 10%	R303, R305, W2	5 OHM
9				
10	47831	Transistor (PNP)	Q302, Q304, Q305, Q306	MPS-A56
11	52549	Transistor (NPN)	Q301, Q303	TIP3055
12	46497	Rectifier 100 PRV 1A	CR303, CR306, CR308, CR309, CR311	1N4002
13	52551	Varistor, Metal Oxide 56V	S301	8J
14	50714	Diode, Fast Recovery 100 PRV 1A	CR304, CR307, CR310	1N4934
15	52552	Suppressor, Transient Voltage 51V	CR301, CR302	P6KE51A
16	52547	Latch Relay 24V	K301	
	52548	Relay Socket - 10 Pin		
	47472	Relay Hold Down Spring		
17	52321	2 PDT Relay 24V	K302	
	52320	Relay Socket 8 Pin		
	52322	Relay Retainer Spring		
18	ST-10703	Fuse, Slo-Blo 1/2A 250V	F301	
	51984	P.C. Fuse Clip		



POWER SUPPLY P.C. BOARD ASSEMBLY 52315-A

ITEM NO.	PART NO.	DESCRIPTION	REF. DES.	MFG. PART NO.
1	52213	Power Supply P.C. Board		
2	53011	Resistor, Flameproof 1 Watt 10%	R68, R69, R70	15 OHM
3	35331	Resistor, 1/2 Watt 5%	R71	10K OHM
4	52988	Resistor, 2 Watt 10%	R72	270 OHM
5	52989	Resistor, 2 Watt 10%	R73, R74	470 OHM
6	52444	Rectifier, Bridge 1 Amp	CR18	
7	52362	Capacitor, 40 WVDC -10 + 50%	C67 thru C70	100 MFD
8	49278	Capacitor, 75 WVDC - 0 +100%	C65, C66	22 MFD
9	46617	Diode, Zener 1W 15V. 5%	CR21, CR22	1N4744A
10	46497	Rectifier, Silicon 100 PRV 1 Amp	CR19, CR20	1N4002
11	49275	8 Cir. Post Connector (Wht)	P11	



GROUND STRAP ASSEMBLIES

ITEM	PART NO.	CONNECTIONS
1	54735-A	Keyboard to Speaker to Dome.
2	54735-A	Dome Hinge to Speaker to Reject Lever.
3	54743-A	Coin Switch to Power Distribution.
4	54743-A	Module Mounting Plate to Power Distribution.
5	54903-A	Amplifier to Scan Switch to Dome Stay to Latch to Audio Distribution.
6	54901-A	Dome to Amplifier.
7	54902-A	Amplifier to S-2 to Power Distribution.