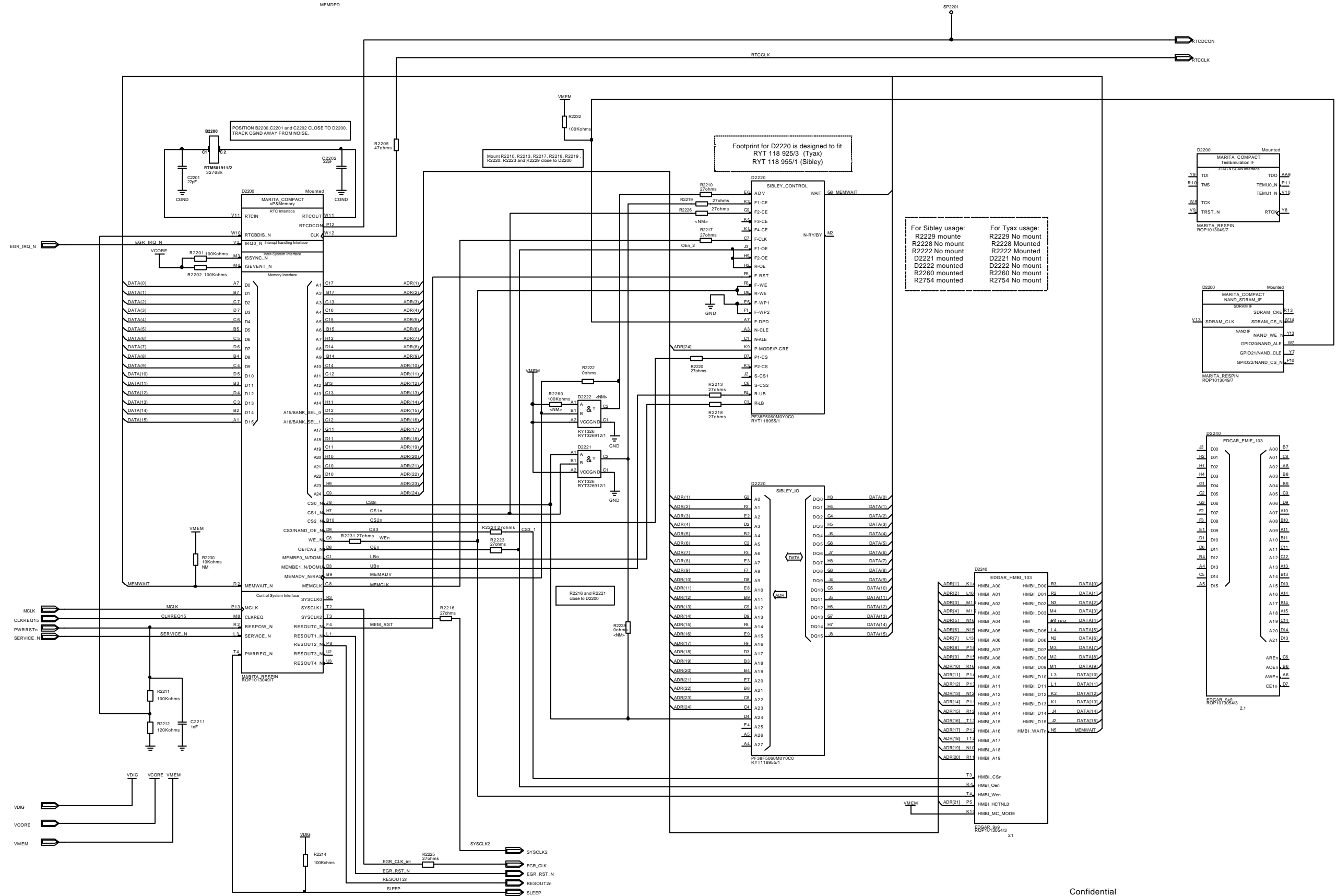


LZF 130 2007 01

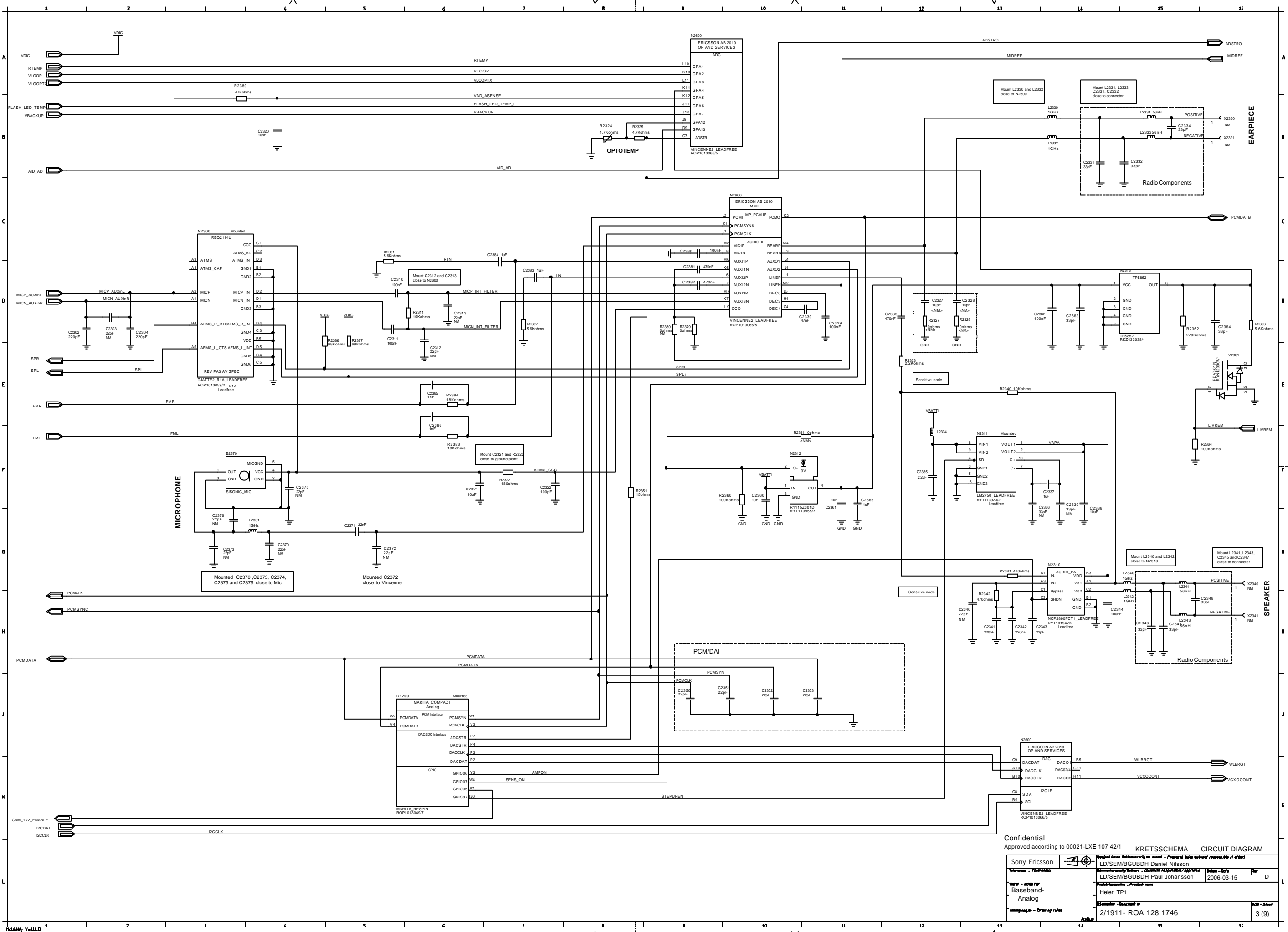


For Sibley usage:
 R2229 No mount
 R2228 No mount
 D2221 mounted
 D2222 mounted
 R2260 mounted
 R2754 No mount

For Tyax usage:
 R2229 No mount
 R2228 Mounted
 D2221 No mount
 D2222 No mount
 R2260 No mount
 R2754 No mount

Confidential
 Approved according to 00021-LXE 107 42/1 KRETSSHEMA CIRCUIT DIAGRAM

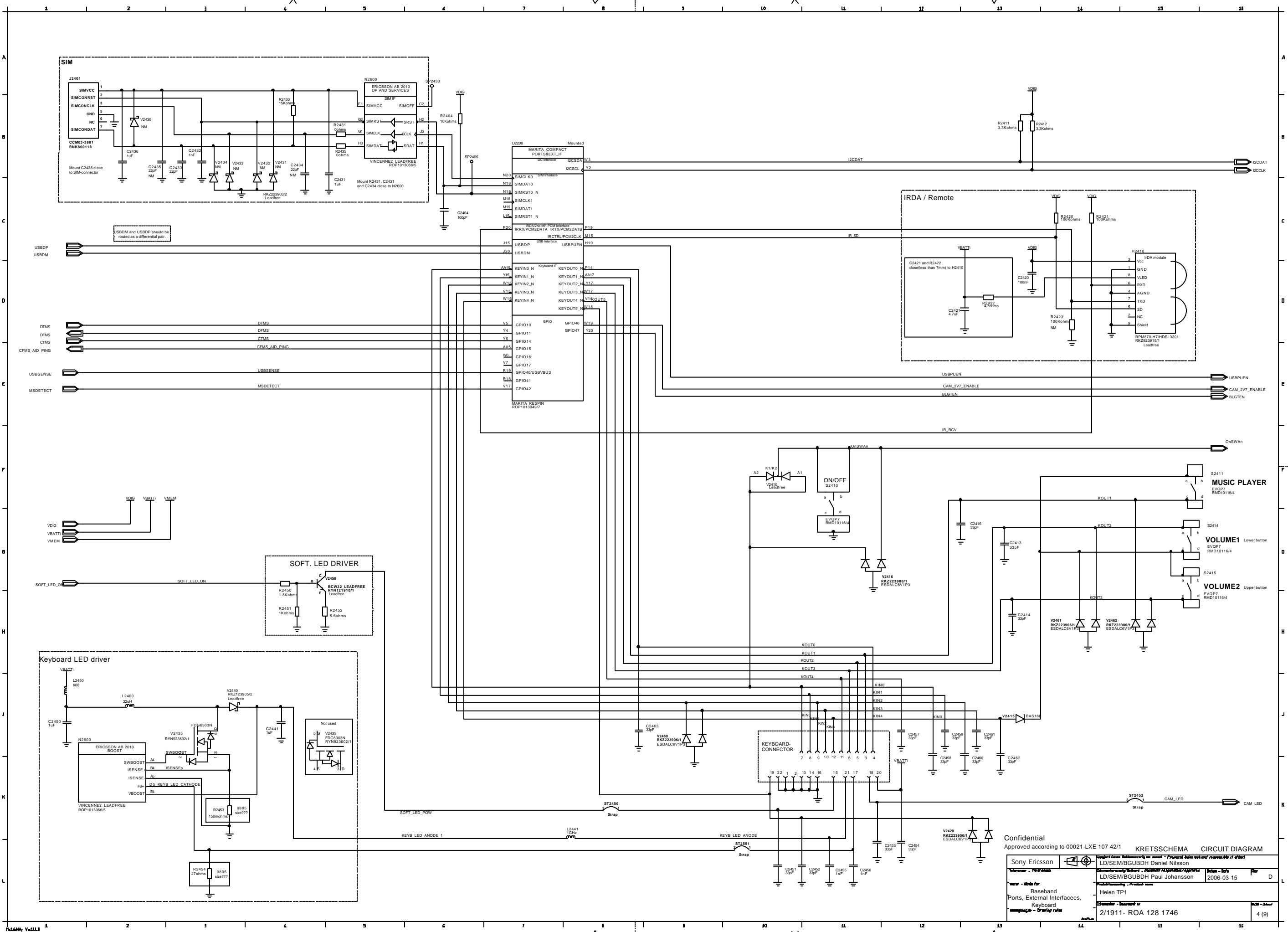
Sony Ericsson	SEM/BGUBDH Daniel Nilsson
SEM/BGUBDH Paul Johansson	2006-03-15
Helen TP1	2/1911- ROA 128 1746
	2(9)



Confidential
 Approved according to 00021-LXE 107 42/1 KRETSSCHEMA CIRCUIT DIAGRAM

Sony Ericsson	LD/SEM/BGUBDH Daniel Nilsson
LD/SEM/BGUBDH Paul Johansson	2006-03-15
Helen TP1	
2/1911- ROA 128 1746	3 (9)

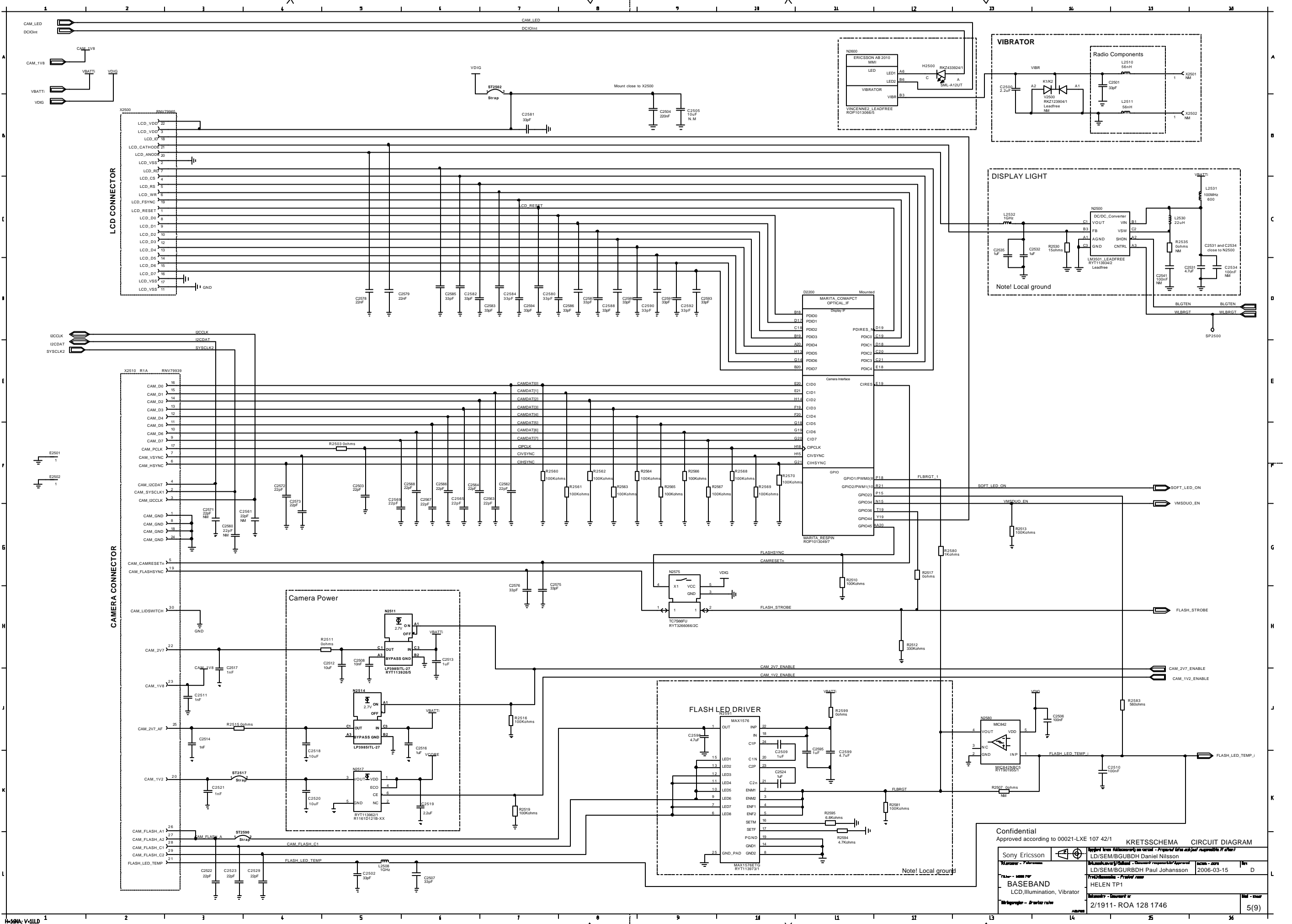
L2F 03 30/F III



Confidential
 Approved according to 00021-LXE 107 42/1 KRETSSCHEMA CIRCUIT DIAGRAM

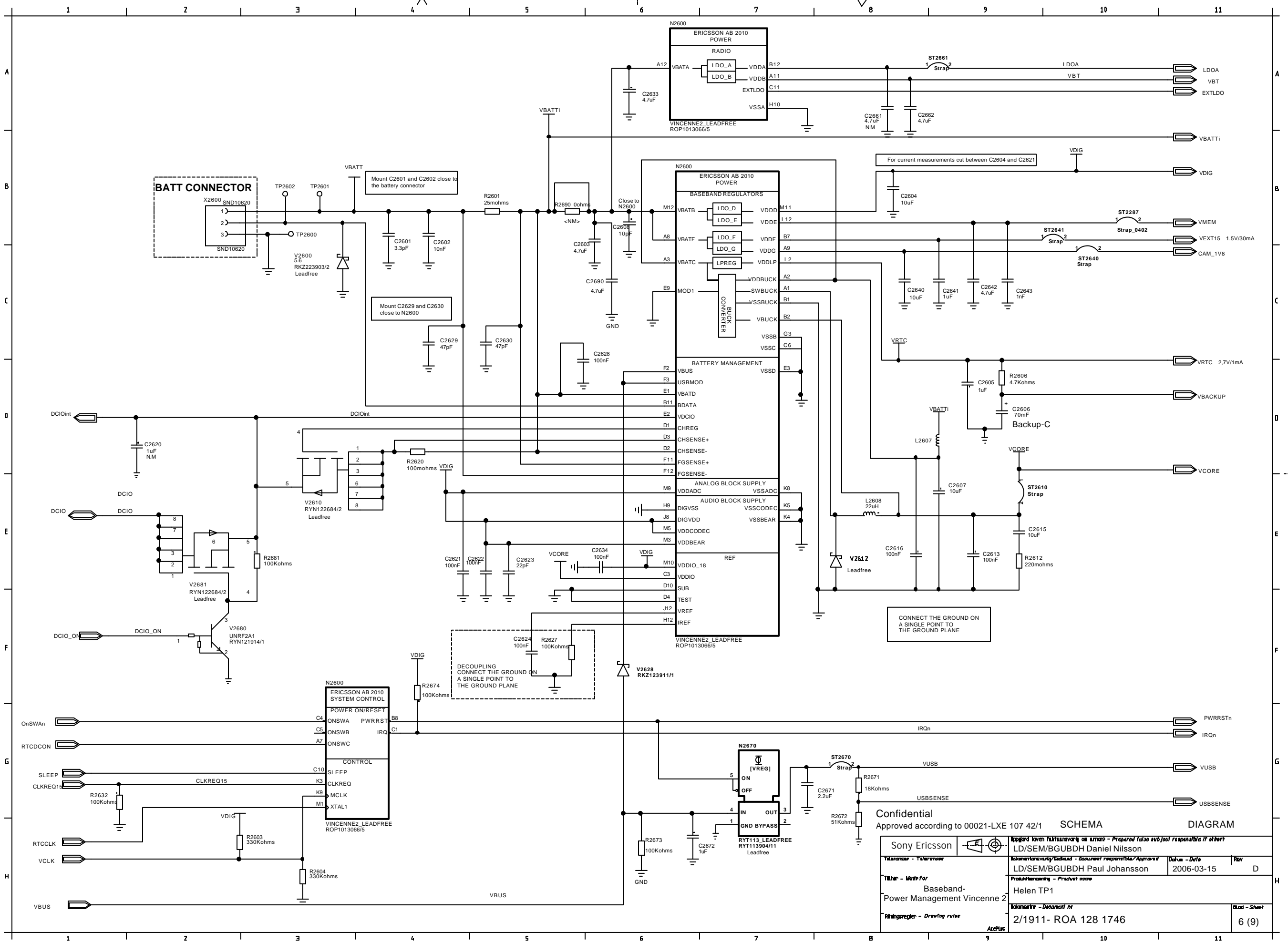
Sony Ericsson	LD/SEM/BGUBDH Daniel Nilsson	2006-03-15	D
Baseband Ports, External Interfaces, Keyboard	Helen TP1	2/1911- ROA 128 1746	4 (9)

LXF 139 300/F BK



Confidential Approved according to 00021-LXE 107 42/1		KRETSSCHEMA		CIRCUIT DIAGRAM	
Sony Ericsson		LD/SEM/BGURBDH Daniel Nilsson		2006-03-15	
LD/SEM/BGURBDH Paul Johansson		HELEN TP1		2/1911- ROA 128 1746	
5(9)					

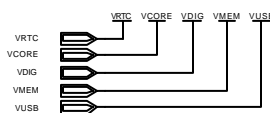
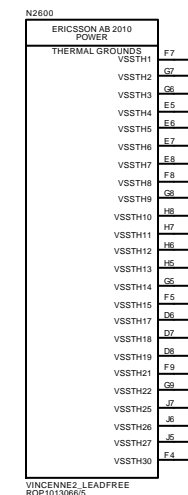
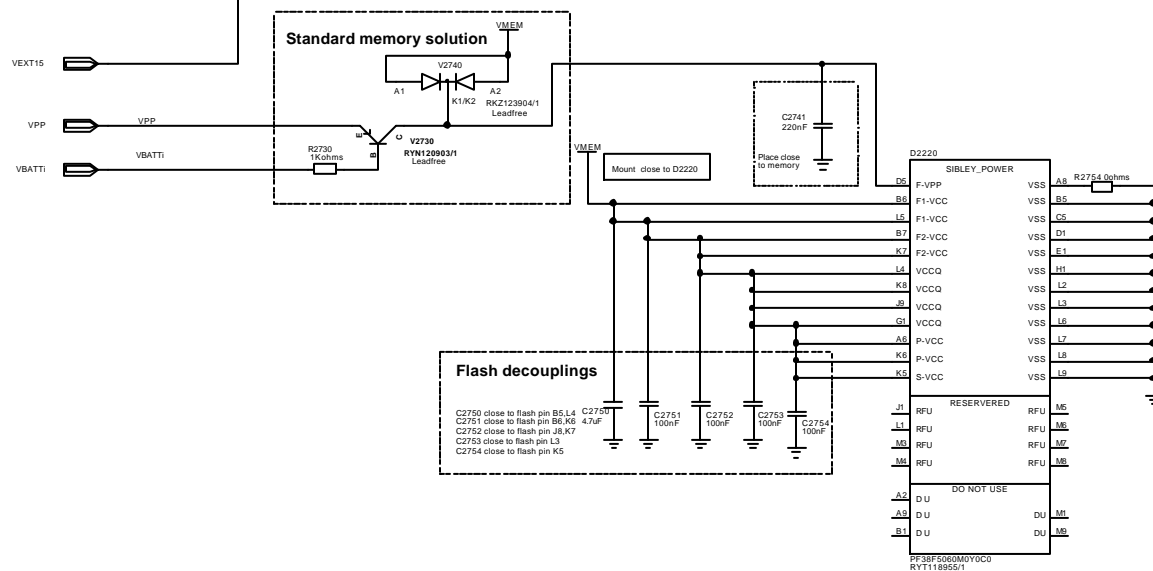
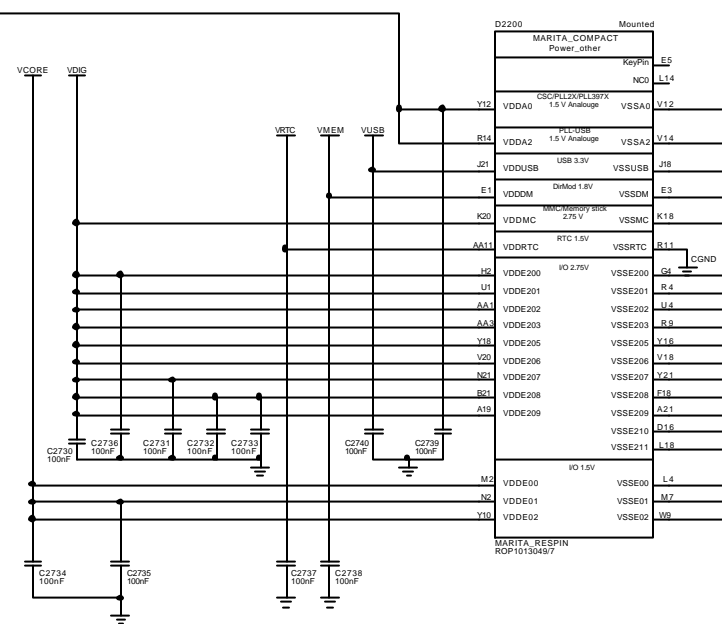
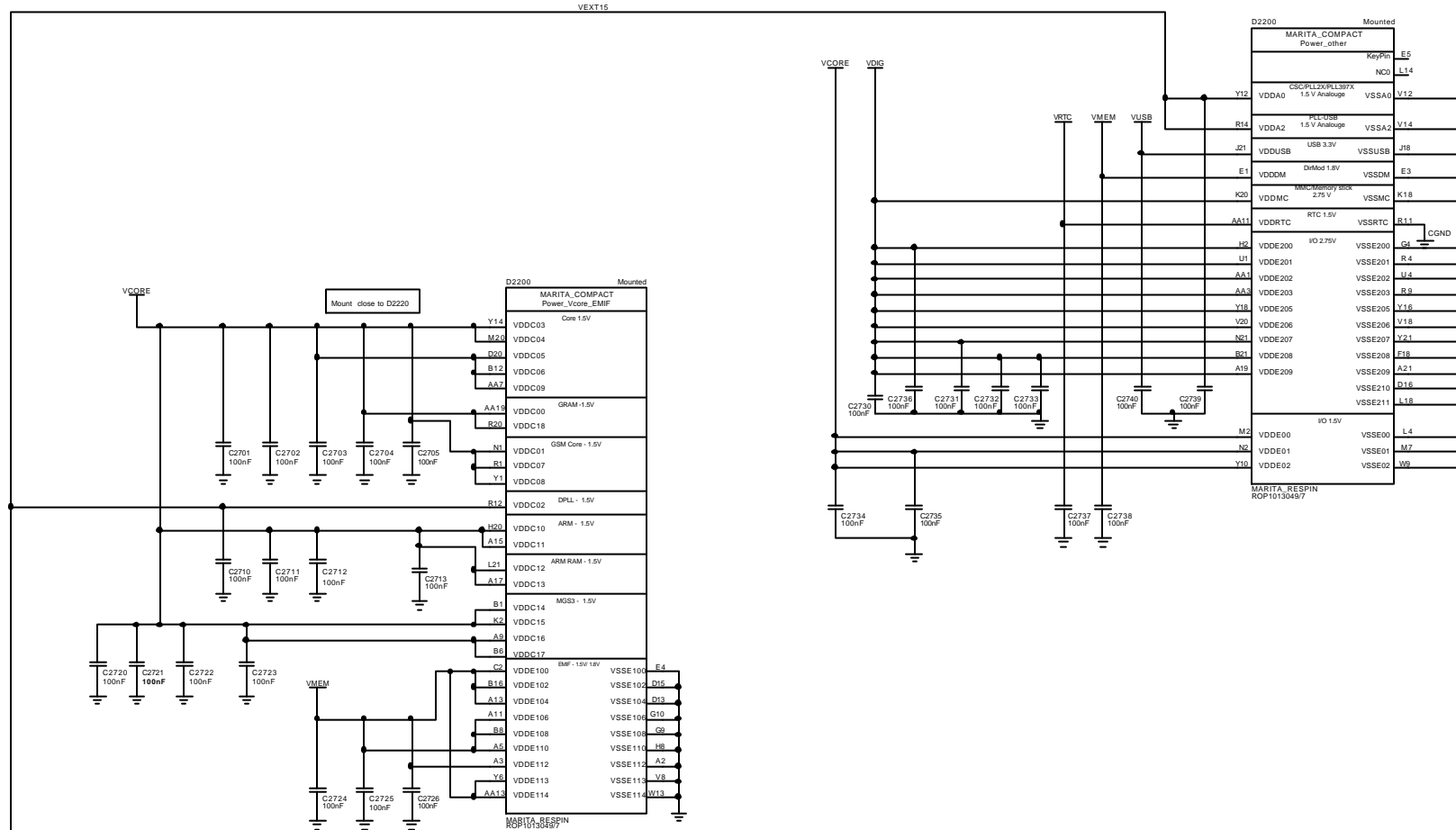
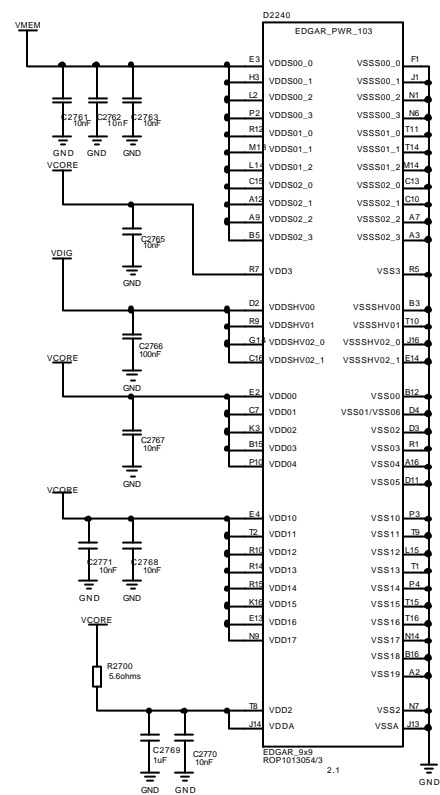
LZF 03 30/F III



Confidential
Approved according to 00021-LXE 107 42/1

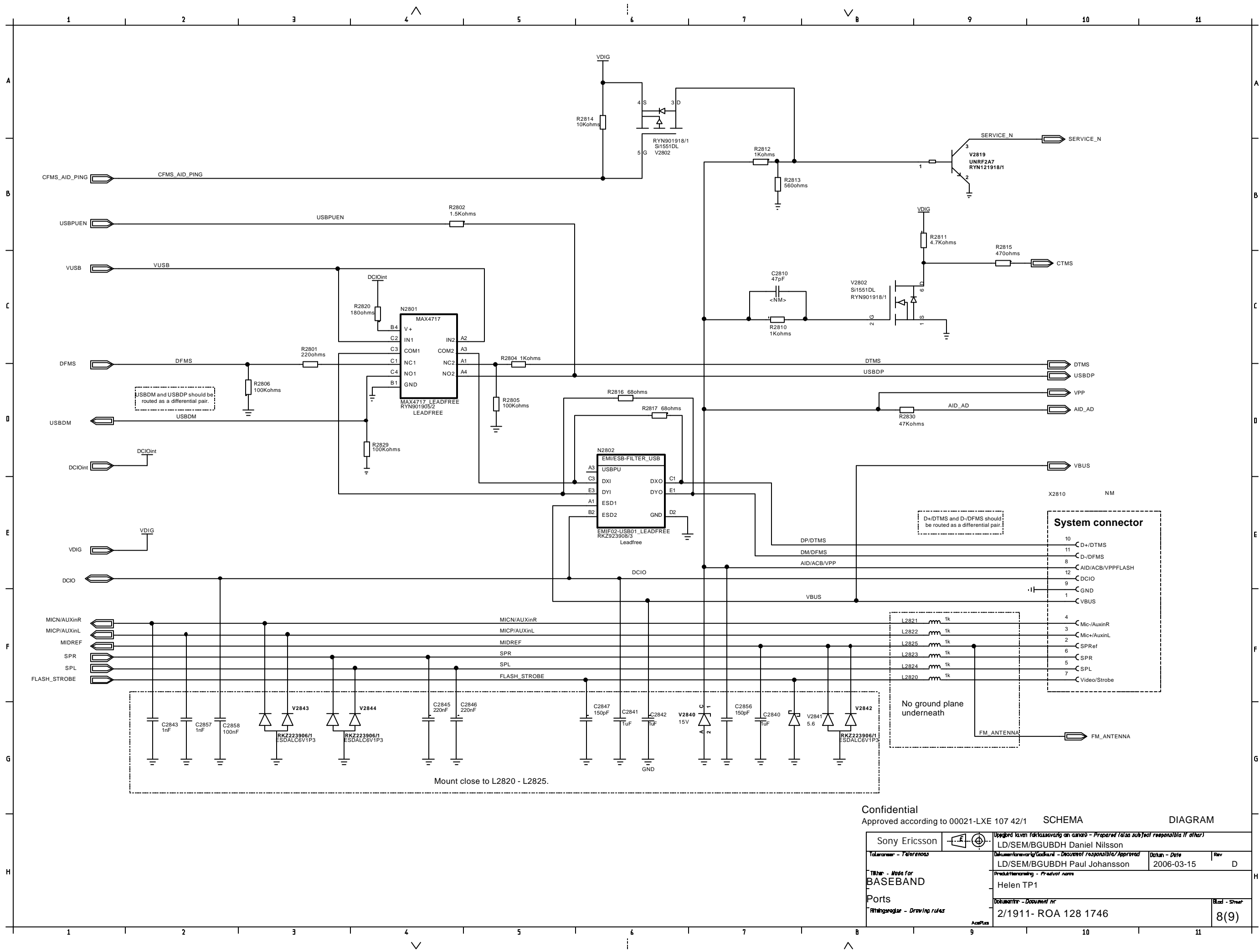
Sony Ericsson		Läggad laven tillämnar sig om utvärdering - Preparad för utvärdering av andra	
LD/SEM/BGUBDH Daniel Nilsson		LD/SEM/BGUBDH Paul Johansson	
2006-03-15		2006-03-15	
Helen TP1		Helen TP1	
2/1911- ROA 128 1746		2/1911- ROA 128 1746	
6 (9)		6 (9)	

LZF 030 102/F RB



Confidential
 Approved according to 00021-LXE 107 42/1 KRETSSCHEMA CIRCUIT DIAGRAM

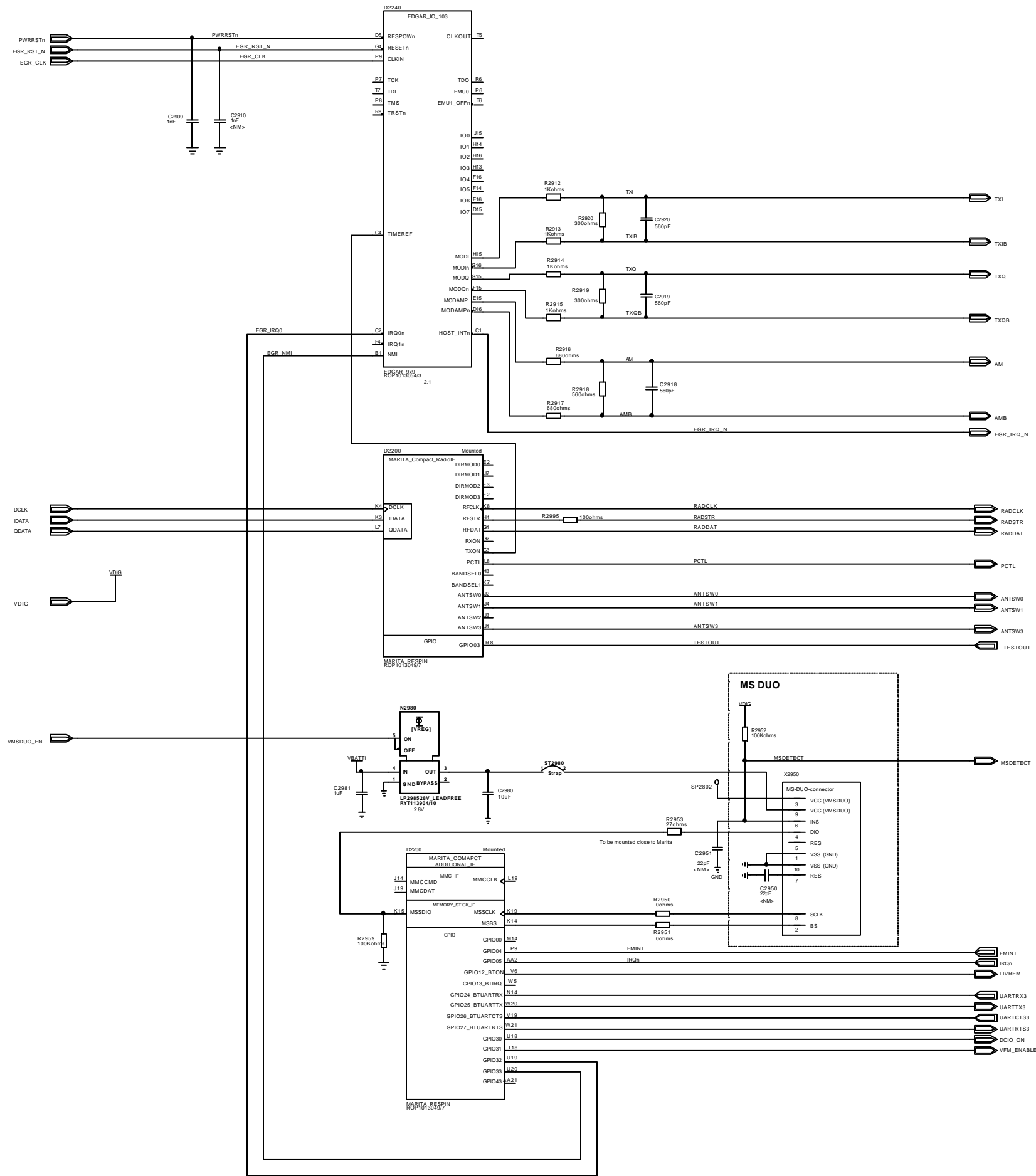
Sony Ericsson	SEM/BGUBDH Daniel Nilsson
BASEBAND	SEM/BGUBDH Paul Johansson
Power Management Marita C	Helen TP1
2/1911- ROA 128 1746	7(9)



Confidential
 Approved according to 00021-LXE 107 42/1 SCHEMA DIAGRAM

Sony Ericsson Toleranser - Tolerances Tillver - Made for BASEBAND Ports Ritningsregler - Drawing rules		Uppgörelsen förklarar att ansvar - Prepared (also subject responsibility if other) LD/SEM/BGUBDH Daniel Nilsson Dokumentansvarig/Checked - Document responsibility/Approved LD/SEM/BGUBDH Paul Johansson Dokument - Document nr 2/1911- ROA 128 1746	Datum - Date 2006-03-15 Rev D Produktansvarig - Product name Helen TP1 Bild - Sheet 8(9)
--	--	---	---

LZF 030 107/F R8



L2F 03/ 30/F III