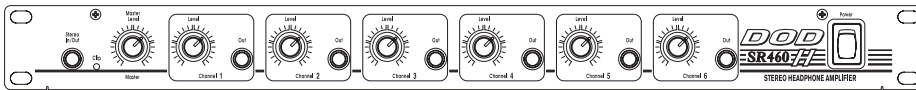


DOD *ELECTRONICS*

SR460 **H**
STEREO HEADPHONE AMPLIFIER



Visit DOD on the World Wide Web at: <http://www.dod.com>

H A Harman International Company

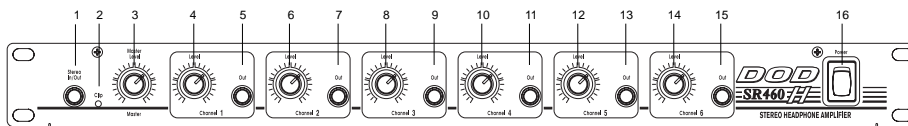
INTRODUCTION

Congratulations, and thank you for your purchase of the DOD SR 460 Stereo Headphone Amplifier. The SR 460 provides you with Left, Right and Stereo inputs, and 6 outputs. In addition, each output has independent level control as well as a master level for all 6 channels. Another unique feature to the SR 460 is its slow audio ramp-up feature. The audio has an approximate 750 millisecond ramp-up time on power-up to prevent damage to hearing caused by loud audio pops. It also gives you time to turn down the volume if previous settings are too loud. All inputs and outputs are 1/4 inch TRS

The SR 460 is another innovative product brought to you by DOD Electronics.

FRONT PANEL FUNCTIONS

The front panel and controls of the SR 460 headphone amplifier are as follows:

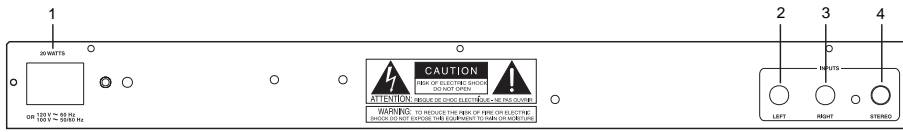


1. **STEREO FRONT INPUT/OUTPUT** - A high impedance, high sensitivity plug-in connection that acts as an output or a Loop-through input.
2. **CLIP LED** - This LED indicates internal signal clip from input device.
3. **MASTER OUTPUT** - This control controls the overall amount of signal fed to each channel.
4. **OUTPUT LEVEL CH. 1** - This knob controls the output of signal in channel 1.
5. **OUTPUT CHANNEL 1** - This jack is used for the headphone output in channel 1.
6. **OUTPUT LEVEL CH. 2** - This knob controls the output of signal in channel 2.
7. **OUTPUT CHANNEL 2** - This jack is used for the for the headphone output in channel 2.
8. **OUTPUT LEVEL CH. 3** - This knob controls the output level in channel 3.
9. **OUTPUT CHANNEL 3** - This jack is used for the headphone output in channel 3
10. **OUTPUT LEVEL CH. 4** - This knob controls the output level of channel 4.
11. **OUTPUT CHANNEL 4** - This jack is used for the headphone output of channel 4.
12. **OUTPUT LEVEL CH. 5** - This knob controls the output in channel 5.
13. **OUTPUT CHANNEL 5** - This jack is used for the headphone output of channel 5.
14. **OUTPUT LEVEL CH. 6** - This knob is used for the output level control in channel 6.
15. **OUTPUT CHANNEL 6** - This jack is used for the headphone output of channel 6.
16. **POWER SWITCH** - This switch turns the AC power either On or OFF.

Note : To optimize the performance of the SR 460, it is recommended to use the AKG™ K270 Headphone.

REAR PANEL FUNCTIONS

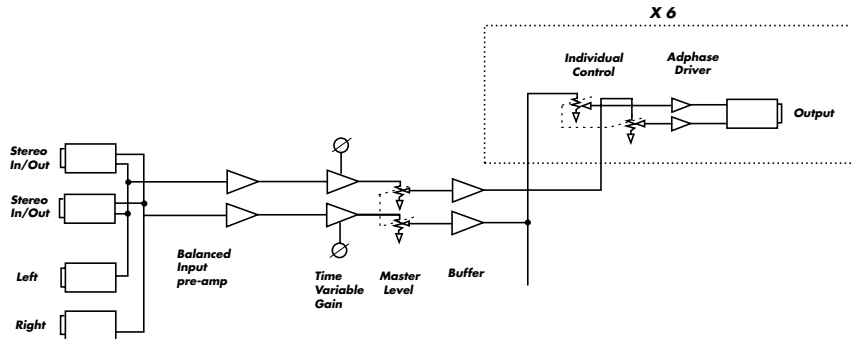
The rear panel connections and function of the SR 460 are as follows:



1. **AC POWER INPUT** - AC power cord is inserted.
2. **LEFT INPUT** - This is the Left side input on the rear of the unit.
3. **RIGHT INPUT** - This is the Right side input on the rear of the unit.
4. **STEREO INPUT** - This is the Stereo input of the SR 460.

BLOCK AUDIO DIAGRAM

The following is a Block audio diagram of the SR 460:



MAINTENANCE AND SERVICE

Other than keeping the unit clean and occasionally checking the connectors and cables to the unit for integrity, there is no maintenance necessary for the DOD Amplifier.

There are NO user serviceable parts inside the unit. Opening the chassis will void the warranty. All service and repair must be performed by the factory for the warranty to remain in service.

Should a problem arise with the Amplifier, please contact your authorized DOD Electronics dealer for return/repair procedures.

SPECIFICATIONS

Inputs:	1/4" TRS stereo unbalanced (front and rear) 1/4" TRS mono balanced - Left channel (rear only) 1/4" TRS mono balanced - Right channel (rear only)
Input impedance:	40K balanced - 20K unbalanced
Outputs:	6 TRS 1/4" stereo
Minimum headphone impedance:	32ohm - All Outputs - Single output is capable of 8 ohm load.
Maximum Power output:	1 watt stereo per channel
THD :	0.75% @ 0.250 w
Power Requirements:	120V AC 50-60Hz 20 watt max.
Frequency response:	20-20kHz

WARRANTY

1. The warranty registration card must be mailed within ten days after purchase date to validate the warranty of this DOD product.
2. DOD warrants this product, when used solely within the U.S., to be free from defects in material and workmanship under normal use and service.
3. DOD Electronics liability under this warranty is limited to repairing or replacing defective materials that show evidence of defect, provided the product is returned through the original dealer, where all parts and labor will be covered up to a period of three years. The company shall not be responsible for any consequential damage as a result of the products use in any circuit or assembly.
4. Proof of date of purchase is considered to be the burden of the consumer.
5. DOD reserves the right to make changes in design or make improvements upon this product without incurring any obligation to install the same on PRODUCTS PREVIOUSLY MANUFACTURED.
6. The foregoing is in lieu of all other warranties, either expressed or implied, and DOD neither assumes nor authorizes any person to assume any obligation or liability in connection with the sale of this product. In no event shall DOD or its dealers be liable for special or consequential damages or from any delay in the performance of this warranty due to causes beyond their control.

**DOD ELECTRONICS CORPORATION
8760 SOUTH SANDY PARKWAY
SANDY, UTAH 84070**

**INTERNATIONAL DISTRIBUTION
3 OVERLOOK DRIVE UNIT 4
AMHERST, NEW HAMPSHIRE 03031
U.S.A.
FAX (603) 672-4246**

DOD IS A REGISTERED TRADEMARK OF DOD ELECTRONICS

**© 1997 DOD ELECTRONICS CORPORATION
PRINTED IN U.S.A. 4/97
MANUFACTURED IN THE U.S.A.
DOD 18-2201-B**