

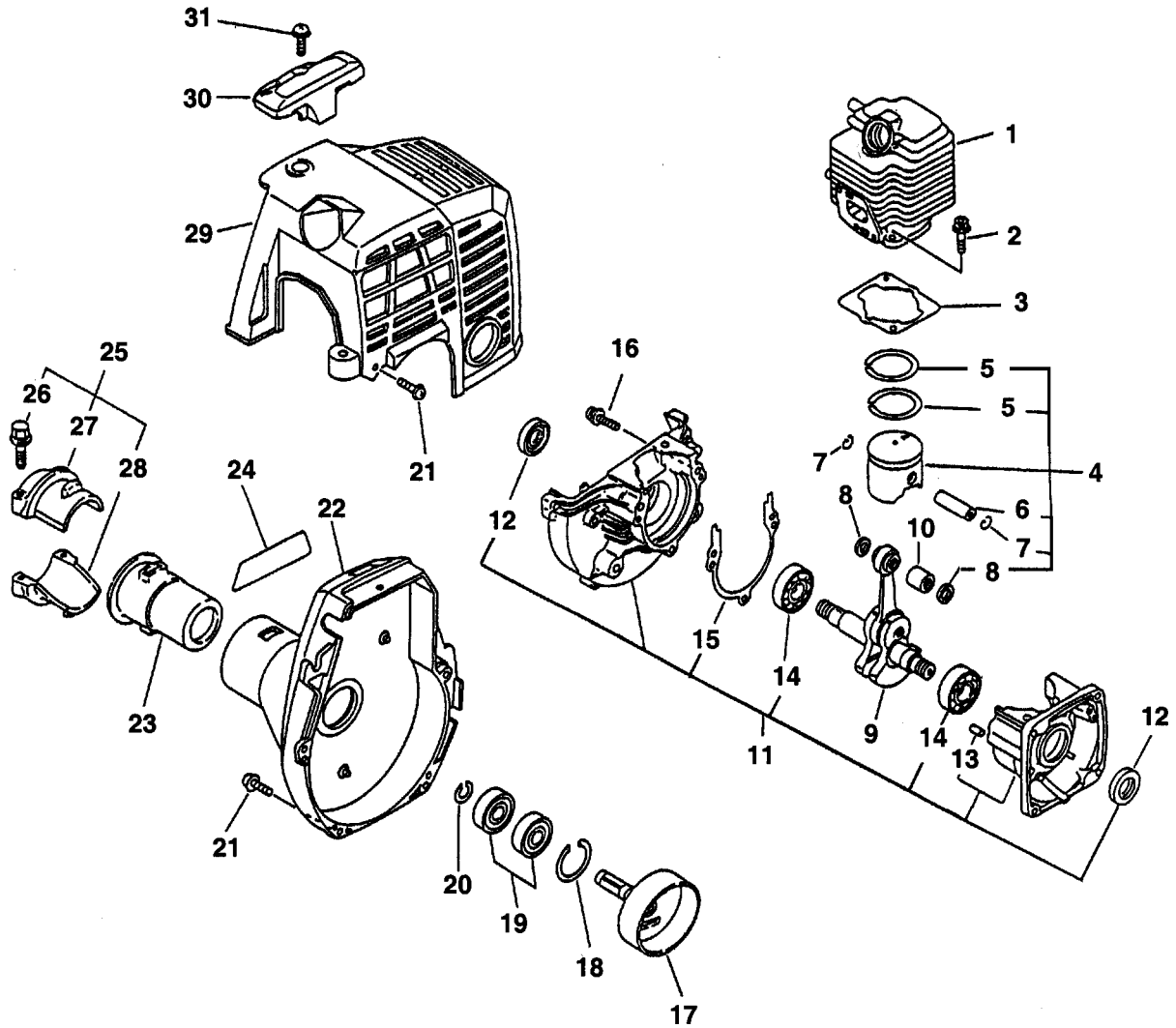


**TRIMMER/BRUSH CUTTER
PARTS CATALOG
MODEL SRM-2100SB
TYPE 1/1E
SERIAL NUMBER 001001 & UP**

**ECHO, INCORPORATED
400 OAKWOOD ROAD
LAKE ZURICH, IL 60047**

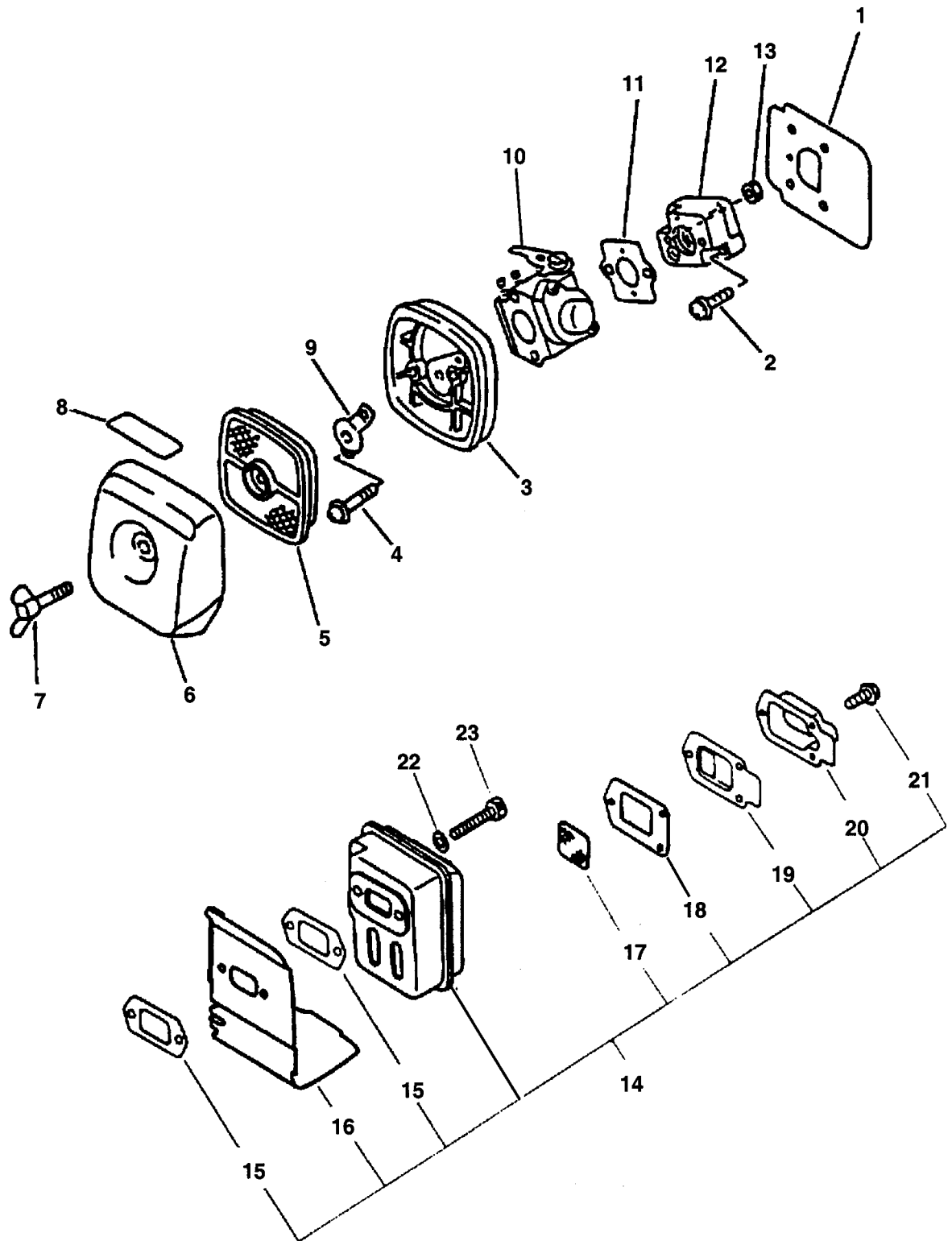
**99922202870
004/00**

SRM-2100SB TYPE 1/1E ENGINE, EXTERNAL/INTERNAL, CRANKCASE, FAN HOUSING, COVER

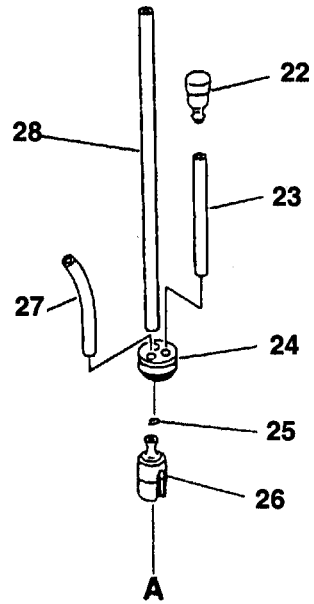
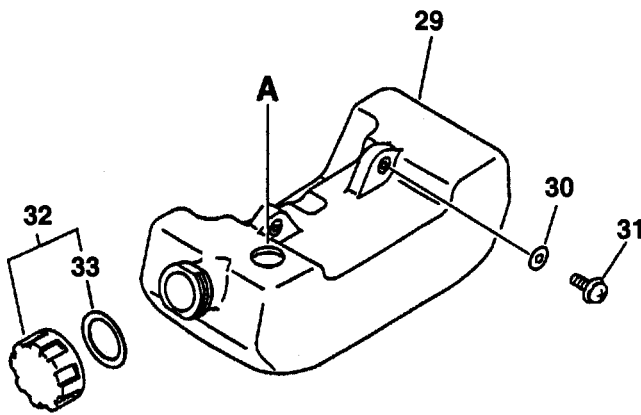
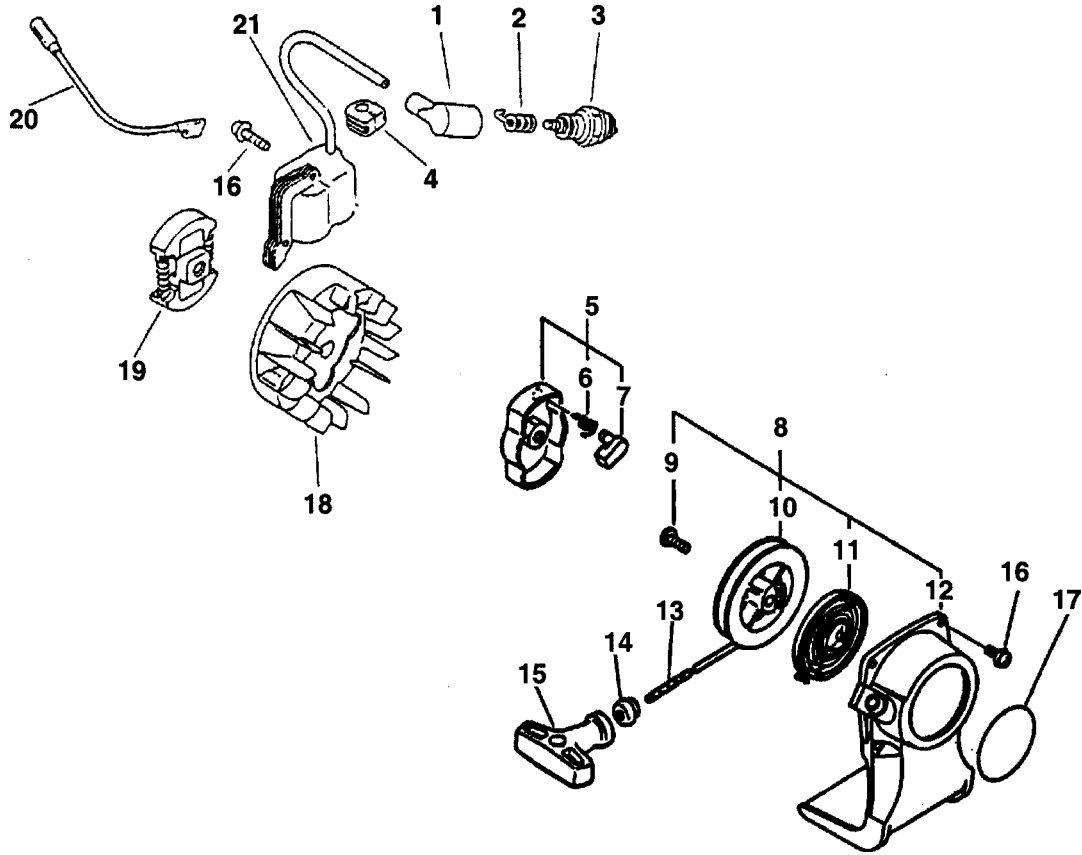


ENGINE, EXTERNAL/INTERNAL, CRANKCASE, FAN HOUSING, COVER SRM-2100SB TYPE 1/1E

KEY	PART NUMBER	QTY	DESCRIPTION	REMARKS
1	10101106560	1	CYLINDER	
2	90016205022	2	BOLT, H.S. 5X22	
3	10101044332	1	GASKET, CYLINDER BASE	INCLUDED IN KIT 88900042031
4	10000048730	1	PISTON KIT	INCLUDES ITEMS 5 - 8
5	10001105330	2	RING, PISTON	
6	10001311520	1	PIN, PISTON	
7	10001504630	2	CIRCLIP, PISTON PIN	
8	10001411520	2	SPACER, PISTON PIN	
9	-----	1	CRANKSHAFT (USE SB1026)	INCLUDES ITEM 10
10	10001251230	1	BEARING, NEEDLE	
11	-----	1	CRANKCASE KIT (USE SB1026)	INCLUDES ITEMS 12 - 16
12	10021242030	2	OIL SEAL	
13	10021503930	2	PIN, DOWEL	
14	90081036201	2	BEARING, BALL 6201	
15	-----	1	GASKET, CRANKCASE	INCLUDED IN KIT 88900042031
16	90016205028	3	BOLT 5X28	
17	17500548930	1	DRUM, CLUTCH	
18	90070200028	1	CIRCLIP 28	
19	90080796001	2	BEARING, BALL 6001	
20	90070100012	1	CIRCLIP 12	
21	90016204016	6	BOLT 4X16	
22	10150352131	1	COVER ASY, FAN	
23	61091055230	1	CUSHION	
24	89011256730	1	LABEL, MODEL	
25	61090355230	1	HOLDER KIT	INCLUDES ITEMS 26 - 28
26	90014205025	2	BOLT 5X25	
27	61092227432	1	HOLDER	
28	61092355230	1	HOLDER	
29	10151448930	1	COVER, CYLINDER	
30	15991254130	1	GUARD, TOP	
31	90023805016	1	SCREW 5X16	
<u>ENGINE REPOWER</u>				
	SB1026	1	SHORT BLOCK	INCLUDES FACTORY ASSEMBLED CYLINDER, CRANKCASE, PISTON, CRANKSHAFT, BEARINGS & SEALS
<u>OPTIONAL</u>				
	88900042031	1	GASKET KIT	INCLUDES THE FOLLOWING
	10101044332	1	GASKET, CYLINDER BASE	
	-----	1	GASKET, CRANKCASE	
	13001042032	1	GASKET, INTAKE	
	13001642031	1	GASKET, INTAKE	
	14551042031	2	GASKET, MUFFLER	
	14586642031	1	GASKET, MUFFLER LID	

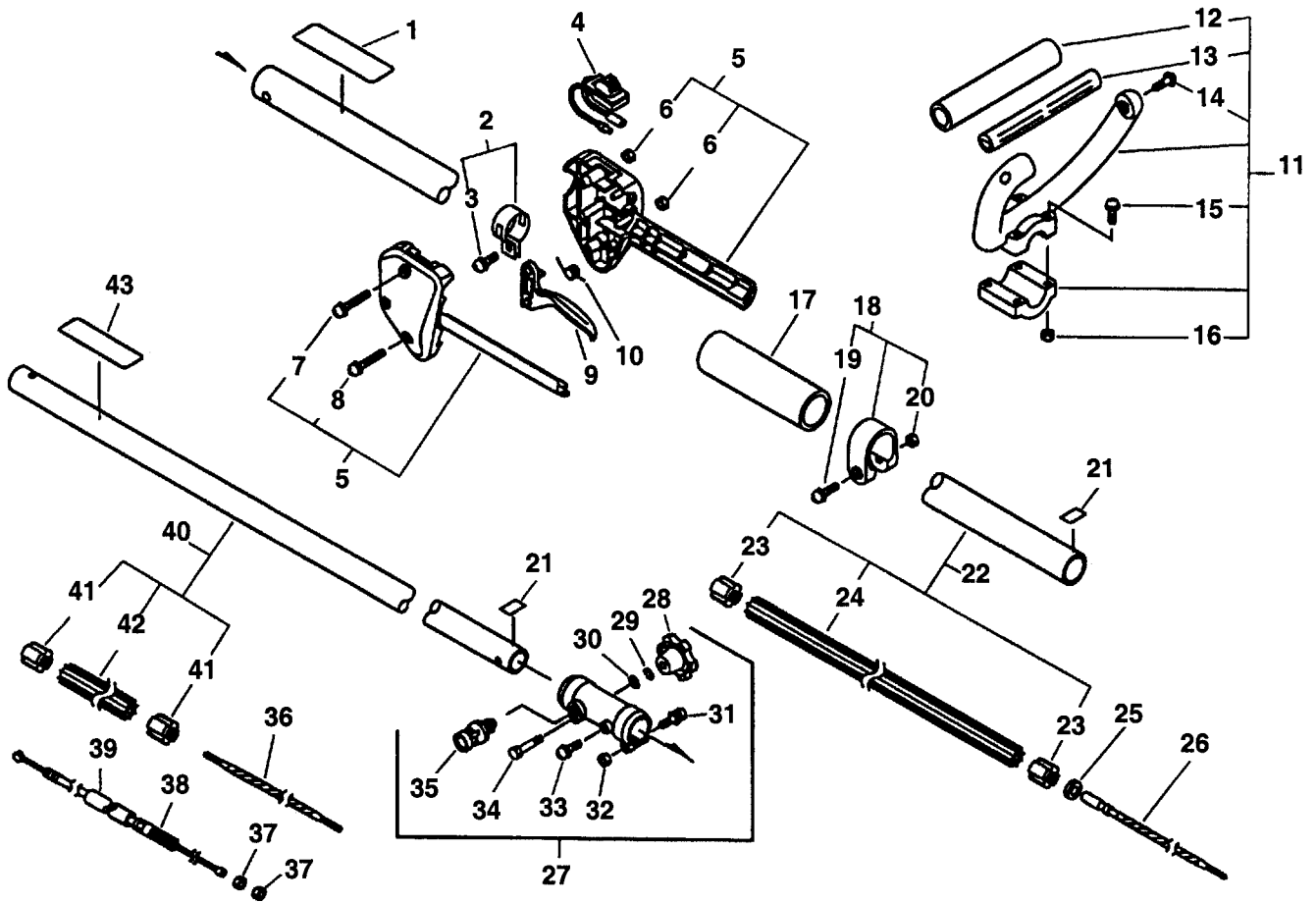


KEY	PART NUMBER	QTY	DESCRIPTION	REMARKS
1	13001042032	1	GASKET, INTAKE	INCLUDED IN KIT 88900042031
2	90023805020	2	SCREW 5X20	
3	13030706561	1	CASE, AIR CLEANER	
4	90024205065	2	SCREW 5X65	
5	13031054130	1	FILTER, AIR H.D.	INCLUDED IN KIT 90008
6	13031306563	1	LID, AIR CLEANER	
7	21041752730	1	BOLT, WING	
8	89012106360	1	LABEL, CHOKE	
9	12901152730	1	PLATE, PREVENT	
10	12520049030	1	CARBURETOR C1U-K47	S/N 001001 - 008231 TYPE 1
10	12520013312	1	CARBURETOR C1U-K52	S/N 008232 & UP TYPE 1 S/N 501001 & UP TYPE 1E
11	13001642031	1	GASKET, INTAKE	INCLUDED IN KIT 88900042031
12	13001742031	1	INSULATOR	
13	90050000005	2	NUT 5	
14	14580054130	1	MUFFLER ASY	INCLUDES ITEMS 15-21
15	14551042031	2	GASKET, MUFFLER	INCLUDED IN KIT 88900042031
16	14587144331	1	COVER, MUFFLER	
17	14586240630	1	SCREEN, MUFFLER	
18	14586642031	1	GASKET, MUFFLER LID	INCLUDED IN KIT 88900042031
19	14587642030	1	LID, MUFFLER	
20	14586354130	1	GUIDE, EXHAUST	
21	90023804010	3	SCREW 4X10	
22	90060000005	2	WASHER 5	
23	90010505055	2	BOLT 5X55	



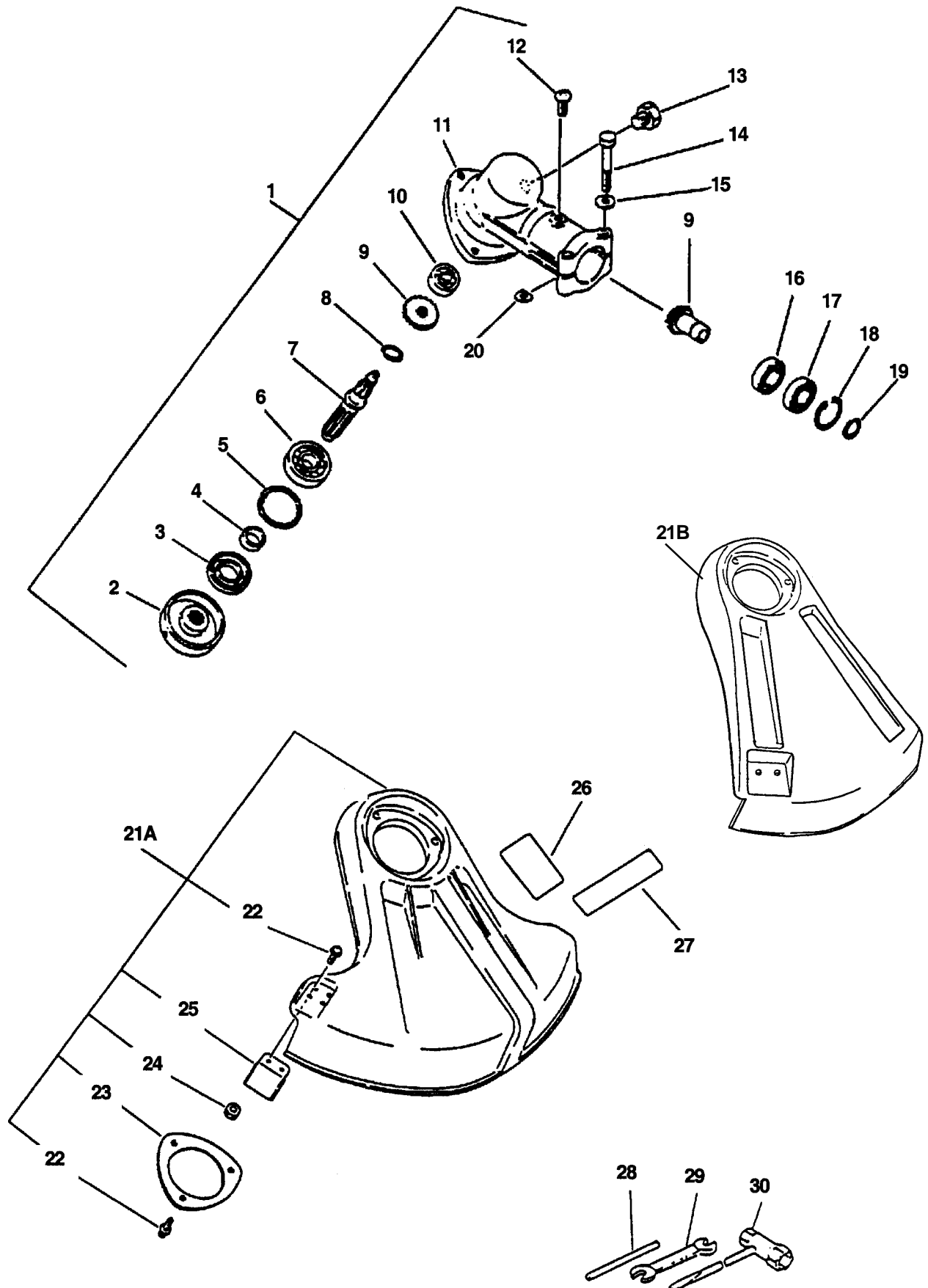
KEY	PART NUMBER	QTY	DESCRIPTION	REMARKS
1	15901201620	1	CAP, SPARK PLUG	
2	15901103432	1	COIL, SPARK PLUG CAP	
3	15901010630	1	PLUG, SPARK BPM-7A	
3	15901010230	1	PLUG, SPARK BPMR-7A	CANADIAN MODELS ONLY
4	15611240630	1	GROMMET	
5	17720244330	1	PAWL ASY, STARTER	INCLUDES ITEMS 6 & 7
6	17723442030	1	SPRING, RETURN	
7	17721844330	1	PAWL, STARTER	
8	17720054130	1	STARTER ASY	INCLUDES ITEMS 9 - 15
9	17723644330	1	SCREW	
10	17721544430	1	DRUM, STARTER	
11	17722042030	1	SPRING, REWIND	
12	17723244333	1	CASE, STARTER	
13	-----	1	ROPE, STARTER	USE BULK ROPE 999444 00040 DIA. 3MM (.12 IN.) X 890MM (35.0 IN.)
14	17722742030	1	GUIDE, ROPE	
15	17722806530	1	GRIP, STARTER	
16	90016204022	4	BOLT, H.S. 4X22	
17	89011849130	1	LABEL, BRAND	
18	15680144731	1	FLYWHEEL	S/N 001001 - 007699 TYPE 1
18	15680109660	1	FLYWHEEL	S/N 007700 & UP TYPE 1 S/N 501001 & UP TYPE 1E
19	17500049030	1	CLUTCH ASY	
20	16202152130	1	LEAD	
21	15660152130	1	COIL, IGNITION W/O LEAD	S/N 001001 - 007699 TYPE 1
21	15662609660	1	COIL, IGNITION	S/N 007700 & UP TYPE 1 S/N 501001 & UP TYPE 1E
22	13130056430	1	VENT ASY	INCLUDED IN KIT 90010
23	13131244330	1	PIPE 3X5X70L	
24	13211546730	1	GROMMET	
25	13201309820	1	CLIP	
26	13120507320	1	STRAINER, FUEL	INCLUDED IN KIT 90008
27	13201056330	1	PIPE 3X6X90	
28	13201013930	1	PIPE, FUEL	
29	13100546830	1	TANK, FUEL	
30	90060300005	2	WASHER 5	
31	90023805016	2	SCREW 5X16	
32	13100455830	1	CAP ASY, FUEL TANK	INCLUDES ITEM 33 (INCLUDED IN KIT 90010)
33	13101655830	1	GASKET, FUEL CAP	

SRM-2100SB TYPE 1/1E SRM DRIVE SHAFT, COUPLING, HANDLES, THROTTLE, STOP SWITCH

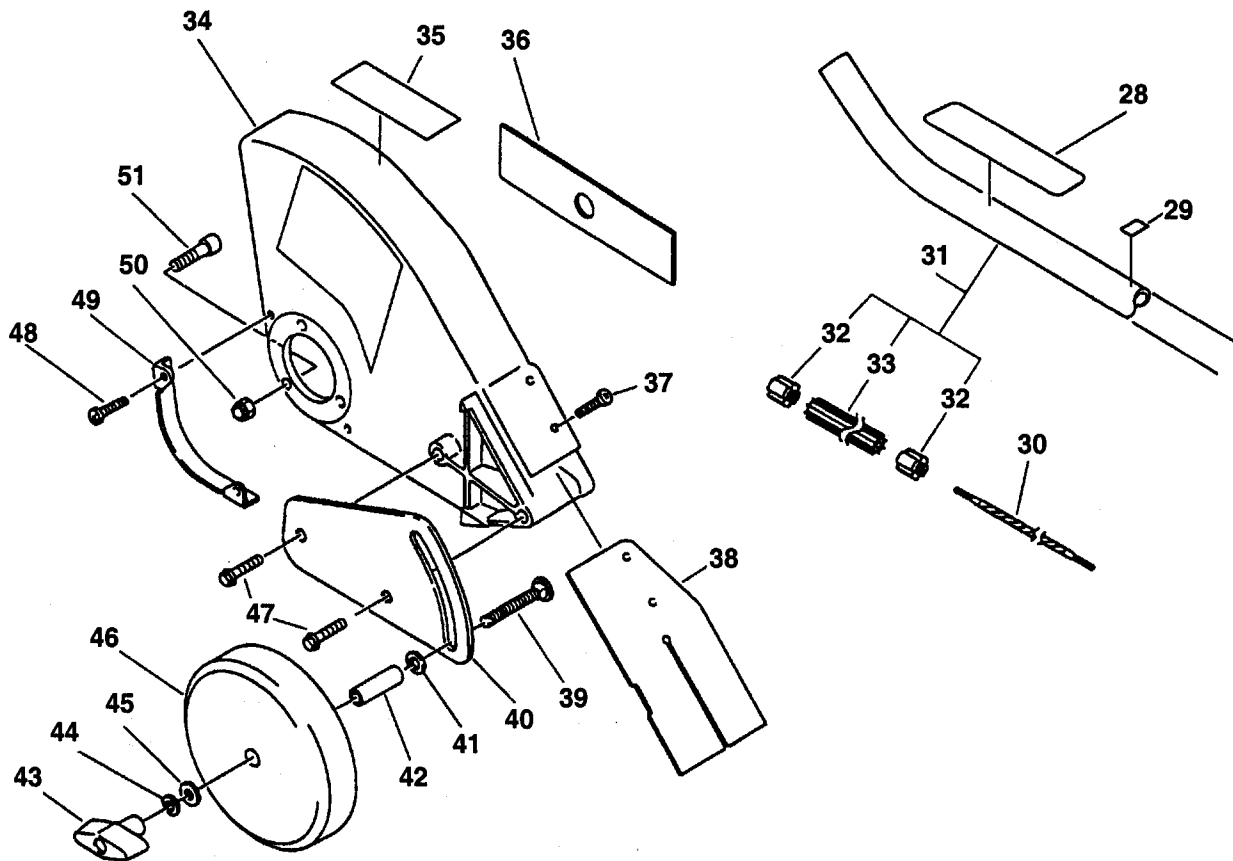
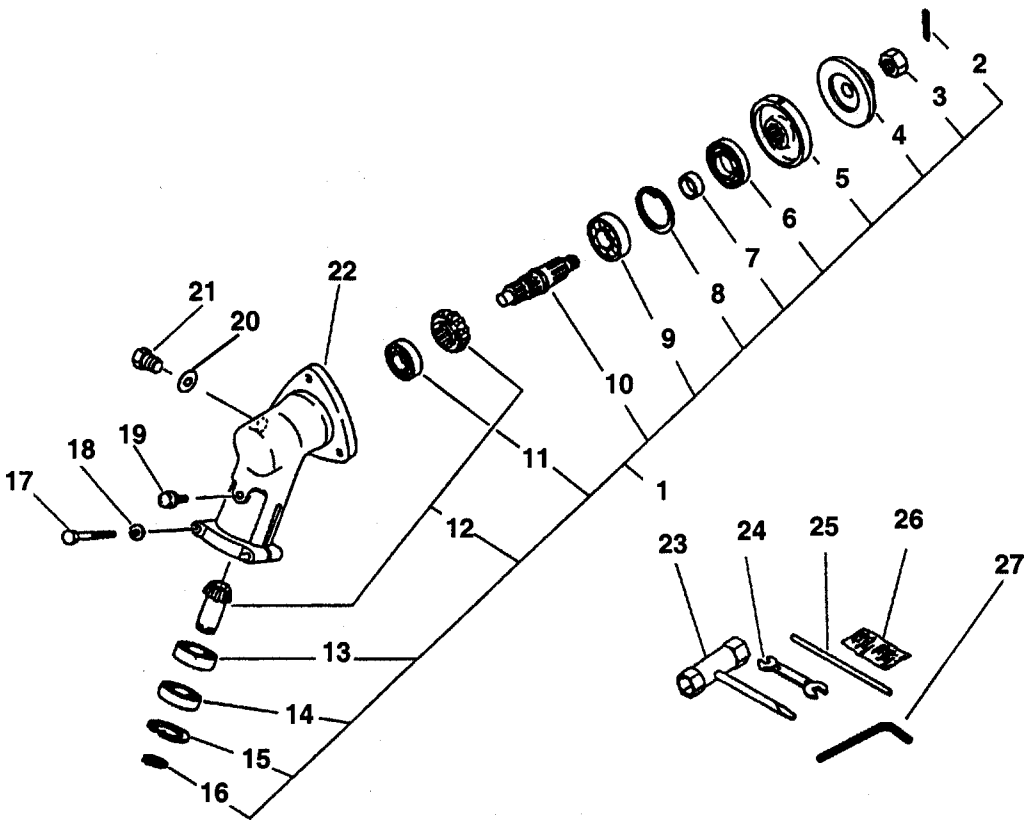


SRM DRIVE SHAFT, COUPLING, HANDLES, THROTTLE, STOP SWITCH SRM-2100SB TYPE 1/1E

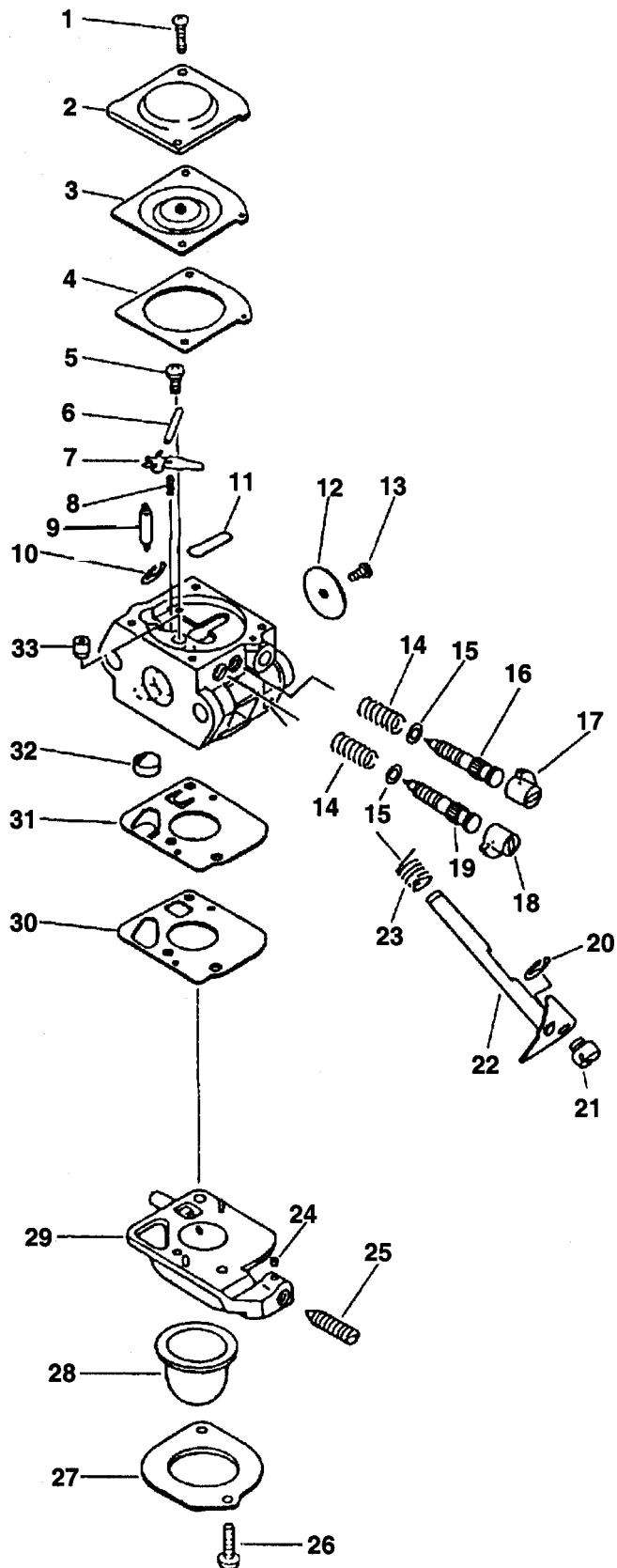
KEY	PART NUMBER	QTY	DESCRIPTION	REMARKS
1	89016054130	1	LABEL, CAUTION	
2	30120029430	1	BAND ASY	INCLUDES ITEM 3
3	90024205014	1	SCREW 5X14	
4	16340155630	1	SWITCH, IGNITION	
5	17800352130	1	BRACKET SET, THROTTLE	INCLUDES ITEMS 6-8
6	90050000005	2	NUT 5	
7	90024205035	1	SCREW 5X35	
8	90024205025	1	SCREW 5X25	
9	17801052130	1	CONTROL, THROTTLE	
10	17804342230	1	SPRING, THROTTLE RETURN	
11	35120152130	1	HANDLE ASY, LOOP	INCLUDES ITEMS 12 - 16
12	35121351730	1	GRIP, FRONT HANDLE	
13	35121051730	1	HANDLE, FRONT	
14	90024605030	2	SCREW 5X30	
15	90024205035	4	SCREW 5X35	
16	90050000005	4	NUT 5	
17	35121352130	1	GRIP, REAR HANDLE	
18	61027252130	1	BAND	INCLUDES ITEMS 19 & 20
19	90024205028	1	SCREW 5X28	
20	90050000005	1	NUT 5	
21	89015204930	2	LABEL, LOCATION	
22	61020656730	1	HOUSING ASY, D. SHAFT (UPPER)	INCLUDES ITEMS 23 & 24
23	61024644730	2	STOPPER	
24	61021756730	1	LINER, FLEXIBLE (UPPER)	
25	10025115130	1	CUSHION	
26	61001355630	1	SHAFT, FLEXIBLE (UPPER)	
27	61060156730	1	BRACKET ASY	INCLUDES ITEMS 28 - 35
28	35232527630	1	LOCKNUT	
29	90060500005	1	WASHER, SPRING 5	
30	90060000005	1	WASHER 5	
31	90014205030	1	BOLT 5X30 (W/W, SW)	
32	90050000005	1	NUT 5	
33	90024205012	1	SCREW 5X12	
34	90010005035	1	BOLT 5X35	
35	17830256630	1	LATCH ASY	
36	61001356730	1	SHAFT, FLEXIBLE (LOWER)	
37	90050200006	2	NUT 6	
38	17800144430	1	WIRE, THROTTLE	
39	17812750330	1	TUBE	
40	61020654130	1	HOUSING ASY, D. SHAFT (LOWER-SRM)	INCLUDES ITEMS 41 & 42
41	61024644730	2	STOPPER	
42	61021752630	1	LINER, FLEXIBLE (LOWER)	
43	89017740630	1	LABEL, CAUTION	



KEY	PART NUMBER	QTY	DESCRIPTION	REMARKS
1	61040247731	1	HOUSING ASY, GEAR	INCLUDES ITEMS 2 - 20
2	61031347731	1	PLATE, ADAPTER (U)	
3	61041307130	1	OILSEAL	
4	61031507130	1	SPACER	
5	90070200032	1	CIRCLIP 32	
6	90081006201	1	BEARING, BALL 6201	
7	61036008931	1	SHAFT, P.T.O.	
8	90070600010	1	CIRCLIP 10	
9	61030044830	1	GEAR SET	
10	90080000609	1	BEARING, BALL 609	
11	61046027430	1	HOUSING, GEAR	
12	90024205010	1	SCREW 5X10	
13	90010008008	1	BOLT 8X8	
14	90010005035	2	BOLT 5X35	
15	90060000005	2	WASHER 5	
16	90085506900	1	BEARING, BALL 6900	
17	90085806900	1	BEARING, BALL 6900Z	
18	90070200022	1	CIRCLIP 22	
19	90070600012	1	CIRCLIP 12	
20	61023904130	2	WASHER, SHIM	
21A	69900040931	1	SHIELD ASY (S/N 001001 - 519600)	INCLUDES ITEMS 22 - 25
21B	P021001260	1	SHIELD ASY (S/N 519601 & UP)	INCLUDES ITEMS 22, 24 & 25
22	90024205016	5	SCREW 5X16	
23	69901840830	1	BRACKET, SHIELD	
24	90050000005	2	NUT 5	
25	69901644330	1	CUTTER	
26	89016844830	1	LABEL, CAUTION	
27	89011848830	1	LABEL, ECHO	
28	89751801131	1	LOCKING TOOL	
29	89511200330	1	SPANNER 8X10	
30	89541008030	1	WRENCH, W/SCREWDRIVER	

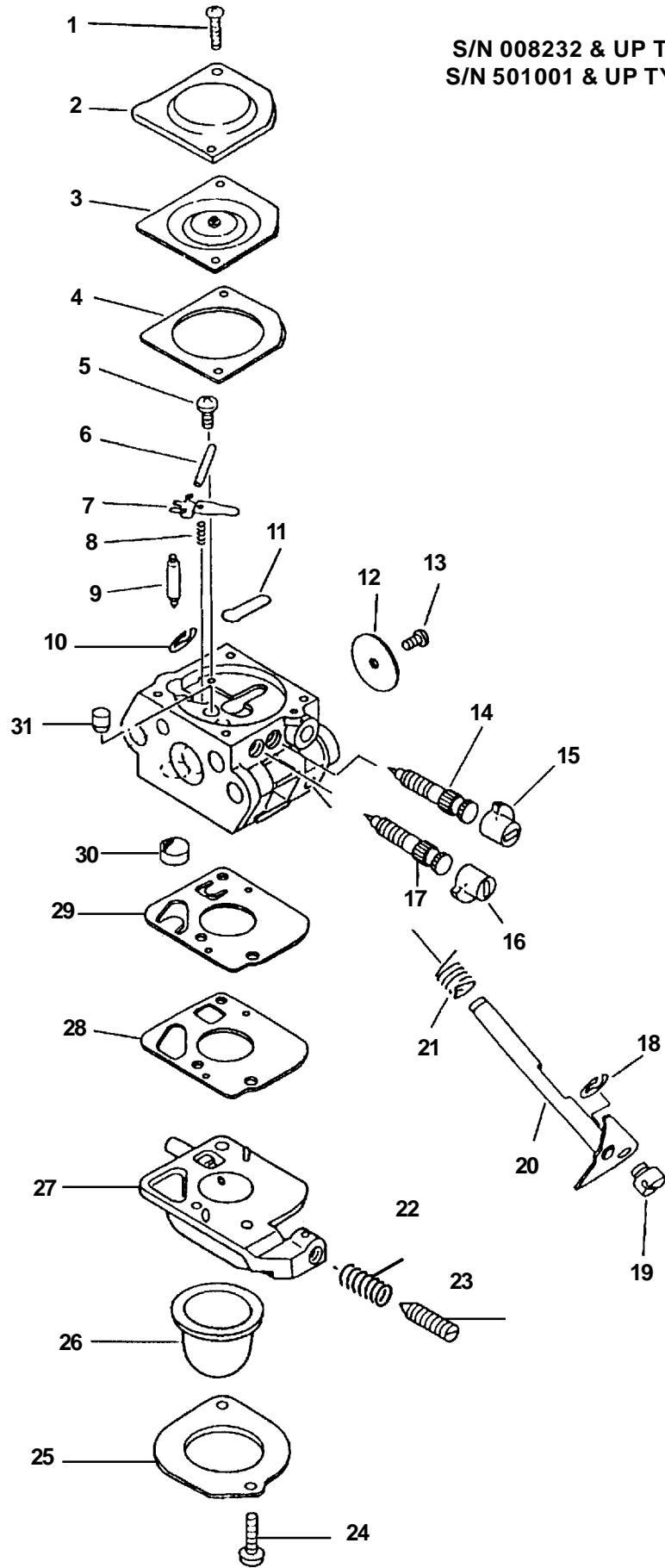


KEY	PART NUMBER	QTY	DESCRIPTION	REMARKS
1	61040040730	1	HOUSING ASY, GEAR	INCLUDES ITEMS 2 - 22
2	90030020022	1	PIN, SPLIT 2X22	
3	90051100010	1	NUT 10 (L-H)	
4	61031404131	1	PLATE, ADAPTER (L)	
5	61031307130	1	PLATE, ADAPTER (U)	
6	61041355330	1	SEAL, OIL 17	
7	61031555330	1	COLLAR	
8	10023855330	1	RETAINING RING 20	
9	90081206201	1	BEARING, BALL 6201	
10	61031055330	1	SHAFT, P.T.O.	
11	90081400629	1	BEARING, BALL 626	
12	61030040730	1	GEAR SET	
13	90080000609	1	BEARING, BALL 609	
14	90080400609	1	BEARING, BALL 609	
15	10022955330	1	RETAININGRING	
16	61033555330	1	RETAININGRING 18	
17	90010005030	2	BOLT 5X30	
18	90060000005	2	WASHER 5	
19	90024205012	1	SCREW 5X12	
20	61051155330	1	WASHER, CIRCULAR	
21	61051055330	1	BOLT 8	
22	61041055330	1	CASE, GEAR	
23	89541008030	1	WRENCH, W/SCREWDRIVER	
24	89511200330	1	SPANNER 8X10	
25	89751801131	1	LOCKING TOOL	
26	89850201130	1	PIN 2X22 (W/POUCH)	
27	89561203430	1	L-WRENCH (3MM)	
28	89016048030	1	LABEL, CAUTION	
29	89015204930	1	LABEL, LOCATION	
30	61001356730	1	SHAFT, FLEXIBLE (LOWER)	
31	61020649230	1	HOUSING ASY, DRIVE SHAFT (LOWER-PE) INCLUDES ITEMS 32 & 33	
32	61024644730	2	STOPPER	
33	61021752630	1	LINER, FLEXIBLE (LOWER)	
34	69901052830	1	SHIELD, BLADE	
35	89016052630	1	LABEL, CAUTION	
36	69601552632	1	2-CUTTERBLADE	
37	90008000200	2	SCREW 4X20	
38	69901755330	1	FLAP, DEBRIS	
39	61025055330	1	BOLT	
40	30202955330	1	BRACKET, WHEEL	
41	90060200010	1	WASHER 10 (10.5X21X2)	
42	30242452630	1	COLLAR 12	
43	17811355330	1	NUT, WING	
44	90060500008	1	WASHER, SPRING 8	
45	90060200008	1	WASHER 8	
46	30241052631	1	WHEEL 6X1.5	
47	90008000100	2	SCREW 8	
48	90008000300	2	SCREW 4X16	
49	69902552630	1	PLATE, PROTECTION	
50	90056250005	3	LOCKNUT 5	
51	90016205022	3	BOLT, H.S. 5X22	



KEY	PART NUMBER	QTY	DESCRIPTION	REMARKS
S/N 001001 - 008231 TYPE 1				
	12520049030	1	CARBURETOR C1U-K47	INCLUDES THE FOLLOWING
1	12534452130	2	SCREW	
2	12534213210	1	COVER, METERING DIAPHRAGM	
3	A B	1	DIAPHRAGM, METERING	
4	A B	1	GASKET, METERING DIAPHRAGM	
5	12533942030	1	SCREW	
6	A	1	PIN, METERING ARM	
7	A	1	LEVER, METERING	
8	A	1	SPRING, METERING LEVER	
9	A	1	VALVE, INLET NEEDLE	
10	12532715130	1	CLIP	
11	A	1	PLUG, WELCH	
12	12531649030	1	VALVE, THROTTLE	
13	12531413930	1	SCREW	
14	12531942030	2	SPRING, NEEDLE	
15	12535320560	2	WASHER	
16	12531807360	1	NEEDLE, LOW SPEED	
17	12532909860	1	LIMITER, CAP L.S.	TYPE 1E ONLY
18	12532939030	1	LIMITER, CAP H.S.	TYPE 1E ONLY
19	12532007360	1	NEEDLE, HIGH SPEED	
20	12532713930	1	CLIP	
21	12537242030	1	SWIVEL	
22	12531749030	1	SHAFT, THROTTLE	
23	12531342030	1	SPRING, THROTTLE RETURN	
24	12537813930	1	PIECE, FRICTION	
25	12533413930	1	SCREW, IDLE ADJUST	
26	12531011610	2	SCREW	
27	12536311610	1	RETAINER, PURGE PUMP	
28	12538108660	1	PUMP, PURGE	
29	12538313310	1	BASE, PURGE	
30	A B	1	GASKET, FUEL PUMP	
31	A B	1	DIAPHRAGM, FUEL PUMP	
32	A	1	STRAINER	
33	12537649030	1	NOZZLE, CHECK VALVE	
A	12530049030	1	REBUILD KIT	
B	12530349030	1	GASKET/DIAPHRAGM KIT	

S/N 008232 & UP TYPE 1
S/N 501001 & UP TYPE 1E



KEY	PART NUMBER	QTY	DESCRIPTION	REMARKS
S/N 008232 & UP TYPE 1				
S/N 501001 & UP TYPE 1E				
	12520013312	1	CARBURETOR C1U-K52	INCLUDES THE FOLLOWING ITEMS
1	12534452130	2	SCREW	
2	12534213210	1	COVER, METERING DIAPHRAGM	
3	A B	1	DIAPHRAGM, METERING	
4	A B	1	GASKET, METERING DIAPHRAGM	
5	12533942030	1	SCREW	
6	A	1	PIN, METERING LEVER	
7	A	1	LEVER, METERING	
8	A	1	SPRING, LEVER METERING	
9	A	1	NEEDLE, INLET	
10	12532715130	1	CLIP	
11	A	1	PLUG, WELCH	
12	12531649030	1	VALVE, THROTTLE	
13	12531413930	1	SCREW	
14	12531813310	1	NEEDLE, LO SPEED	
15	12532909860	1	CAP, LO SPEED LIMITER	
16	12532939030	1	CAP, HI SPEED LIMITER	
17	12532013310	1	NEEDLE, HI SPEED	
18	12532713930	1	CLIP	
19	12537242030	1	SWIVEL	
20	12531749030	1	SHAFT, THROTTLE	
21	12531342030	1	SPRING, THROTTLE RETURN	
22	12537813930	1	PIECE, FRICTION	
23	12533413930	1	SCREW, IDLE ADJUST	
24	12531011610	2	SCREW	
25	12536311610	1	RETAINER, PURGE PUMP	
26	12538108660	1	PUMP, PURGE	
27	12538313310	1	BASE, PURGE	
28	A B	1	GASKET, FUEL PUMP	
29	A B	1	DIAPHRAGM, FUEL PUMP	
30	A	1	STRAINER	
31	12537613120	1	NOZZLE, CHECK VALVE	
A	12530013310	1	REBUILDKIT	
B	12530313310	1	GASKET/DIAPHRAGMKIT	