

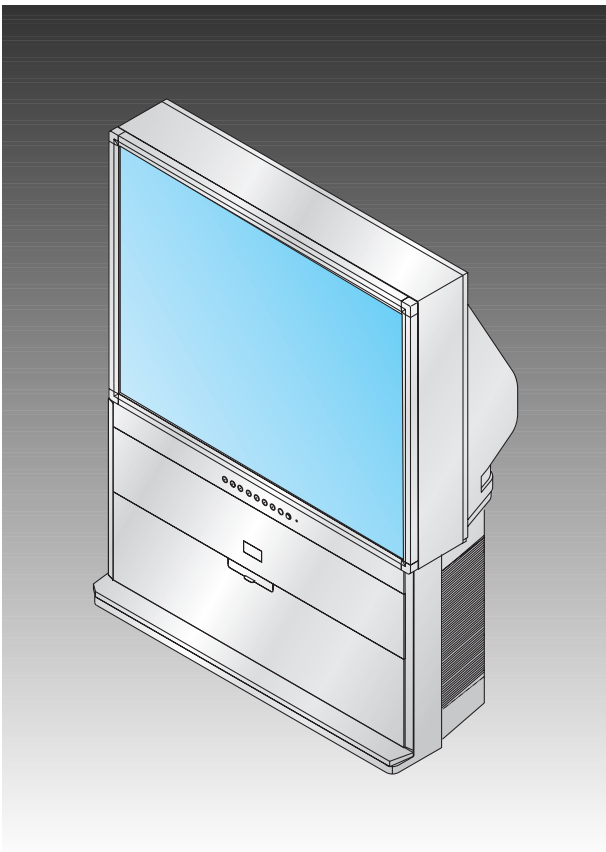
**SAMSUNG**

# PROJECTION TV RECEIVER

Chassis : P51A (REV. 1)  
Model : ST54T63S/XAX  
ST62T63S/XAX

# **SERVICE** *Manual*

## PROJECTION TV RECEIVER



## CONTENTS

1. Precautions
2. Reference Information
3. Specifications
4. Alignment and Adjustments
5. Troubleshooting
6. Exploded View and Parts List
7. Electrical Parts List
8. Block Diagrams
9. Wiring Diagram
10. Schematic Diagrams



## 1. Precautions

Follow these safety, servicing and ESD precautions to prevent damage and protect against potential hazards such as electrical shock and X-rays.

### 1-1 Safety Precautions

1. Be sure that all of the built-in protective devices are replaced. Restore any missing protective shields.
2. When reinstalling the chassis and its assemblies, be sure to restore all protective devices, including: nonmetallic control knobs and compartment covers.
3. Make sure that there are no cabinet openings through which people—particularly children—might insert fingers and contact dangerous voltages. Such openings include the spacing between the picture tube and the cabinet mask, excessively wide cabinet ventilation slots, and improperly fitted back covers.

If the measured resistance is less than 1.0 megohm or greater than 5.2 megohms, an abnormality exists that must be corrected before the unit is returned to the customer.

4. Leakage Current Hot Check (Figure 1-1):  
Warning: Do not use an isolation transformer during this test. Use a leakage-current tester or a metering system that complies with American National Standards Institute (ANIS C101.1, Leakage Current for Appliances), and Underwriters Laboratories (UL Publication UL1410, 59.7).
5. With the unit completely reassembled, plug the AC line cord directly into the power outlet. With the unit's AC switch first in the ON position and then OFF, measure the current between a known earth ground (metal water pipe, conduit, etc.) and all exposed metal parts, including: antennas, handle brackets, metal cabinets, screwheads and control shafts. The current measured should not exceed 0.5 milliamp. Reverse the power-plug prongs in the AC outlet and repeat the test.

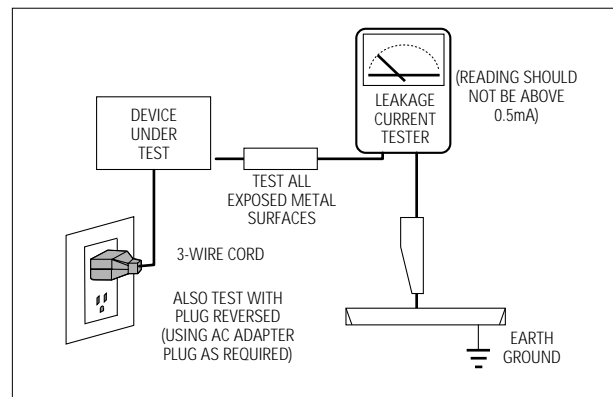


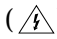
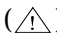
Fig. 1-1 AC Leakage Test

6. Antenna Cold Check:  
With the unit's AC plug disconnected from the AC source, connect an electrical jumper across the two AC prongs. Connect one lead of the ohmmeter to an AC prong. Connect the other lead to the coaxial connector.
7. X-ray Limits:  
The picture tube is especially designed to prohibit X-ray emissions. To ensure continued X-ray protection, replace the picture tube only with one that is the same type as the original. Carefully reinstall the picture tube shields and mounting hardware; these also provide X-ray protection.
8. High Voltage Limits:  
High voltage must be measured each time servicing is done on the B+, horizontal deflection or high voltage circuits. Correct operation of the X-ray protection circuits must be reconfirmed whenever they are serviced.  
(X-ray protection circuits also may be called "horizontal disable" or "hold-down".)

Heed the high voltage limits. These include the X-ray Protection Specifications Label, and the Product Safety and X-ray Warning Note on the service data schematic.

## 1-1 Safety Precautions (Continued)

---

9. High voltage is maintained within specified limits by close-tolerance, safety-related components and adjustments. If the high voltage exceeds the specified limits, check each of the special components.
10. Design Alteration Warning:  
Never alter or add to the mechanical or electrical design of this unit. Example: Do not add auxiliary audio or video connectors. Such alterations might create a safety hazard. Also, any design changes or additions will void the manufacturer's warranty.
11. Hot Chassis Warning:  
Some TV receiver chassis are electrically connected directly to one conductor of the AC power cord. If an isolation transformer is not used, these units may be safely serviced only if the AC power plug is inserted so that the chassis is connected to the ground side of the AC source.  
  
To confirm that the AC power plug is inserted correctly, do the following: Using an AC voltmeter, measure the voltage between the chassis and a known earth ground. If the reading is greater than 1.0V, remove the AC power plug, reverse its polarity and reinsert. Re-measure the voltage between the chassis and ground.
12. Some TV chassis are designed to operate with 85 volts AC between chassis and ground, regardless of the AC plug polarity. These units can be safely serviced only if an isolation transformer inserted between the receiver and the power source.
13. Some TV chassis have a secondary ground system in addition to the main chassis ground. This secondary ground system is not isolated from the AC power line. The two ground systems are electrically separated by insulating material that must not be defeated or altered.
14. Components, parts and wiring that appear to have overheated or that are otherwise damaged should be replaced with parts that meet the original specifications. Always determine the cause of damage or overheating, and correct any potential hazards.
15. Observe the original lead dress, especially near the following areas: Antenna wiring, sharp edges, and especially the AC and high voltage power supplies. Always inspect for pinched, out-of-place, or frayed wiring. Do not change the spacing between components and the printed circuit board. Check the AC power cord for damage. Make sure that leads and components do not touch thermally hot parts.
16. Picture Tube Implosion Warning:  
The picture tube in this receiver employs "integral implosion" protection. To ensure continued implosion protection, make sure that the replacement picture tube is the same as the original.
17. Do not remove, install or handle the picture tube without first putting on shatterproof goggles equipped with side shields. Never handle the picture tube by its neck. Some "in-line" picture tubes are equipped with a permanently attached deflection yoke; do not try to remove such "permanently attached" yokes from the picture tube.
18. Product Safety Notice:  
Some electrical and mechanical parts have special safety-related characteristics which might not be obvious from visual inspection. These safety features and the protection they give might be lost if the replacement component differs from the original—even if the replacement is rated for higher voltage, wattage, etc.  
  
Components that are critical for safety are indicated in the circuit diagram by shading, () or ().  
Use replacement components that have the same ratings, especially for flame resistance and dielectric strength specifications. A replacement part that does not have the same safety characteristics as the original might create shock, fire or other hazards.

## 1-2 Servicing Precautions

---

**Warning 1 :** First read the "Safety Precautions" section of this manual. If some unforeseen circumstance creates a conflict between the servicing and safety precautions, always follow the safety precautions.

**Warning 2 :** An electrolytic capacitor installed with the wrong polarity might explode.

1. Servicing precautions are printed on the cabinet. Follow them.
2. Always unplug the unit's AC power cord from the AC power source before attempting to: (a) Remove or reinstall any component or assembly, (b) Disconnect an electrical plug or connector, (c) Connect a test component in parallel with an electrolytic capacitor.
3. Some components are raised above the printed circuit board for safety. An insulation tube or tape is sometimes used. The internal wiring is sometimes clamped to prevent contact with thermally hot components. Reinstall all such elements to their original position.
4. After servicing, always check that the screws, components and wiring have been correctly reinstalled. Make sure that the portion around the serviced part has not been damaged.
5. Check the insulation between the blades of the AC plug and accessible conductive parts (examples: metal panels, input terminals and earphone jacks).
6. Insulation Checking Procedure: Disconnect the power cord from the AC source and turn the power switch ON. Connect an insulation resistance meter (500V) to the blades of the AC plug.  
  
The insulation resistance between each blade of the AC plug and accessible conductive parts (see above) should be greater than 1 megohm.
7. Never defeat any of the B+ voltage interlocks. Do not apply AC power to the unit (or any of its assemblies) unless all solid-state heat sinks are correctly installed.
8. Always connect a test instrument's ground lead to the instrument chassis ground before connecting the positive lead; always remove the instrument's ground lead last.
9. When some parts inside the optical engine (except lamp) are damaged, replace the whole optical engine.

## 1-3 Precautions for Electrostatically Sensitive Devices (ESDs)

---

1. Some semiconductor (“solid state”) devices are easily damaged by static electricity. Such components are called Electrostatically Sensitive Devices (ESDs); examples include integrated circuits and some field-effect transistors. The following techniques will reduce the occurrence of component damage caused by static electricity.
2. Immediately before handling any semiconductor components or assemblies, drain the electrostatic charge from your body by touching a known earth ground. Alternatively, wear a discharging wrist-strap device. (Be sure to remove it prior to applying power—this is an electric shock precaution.)
3. After removing an ESD-equipped assembly, place it on a conductive surface such as aluminum foil to prevent accumulation of electrostatic charge.
4. Do not use freon-propelled chemicals. These can generate electrical charges that damage ESDs.
5. Use only a grounded-tip soldering iron when soldering or unsoldering ESDs.
6. Use only an anti-static solder removal device. Many solder removal devices are not rated as “anti-static”; these can accumulate sufficient electrical charge to damage ESDs.
7. Do not remove a replacement ESD from its protective package until you are ready to install it. Most replacement ESDs are packaged with leads that are electrically shorted together by conductive foam, aluminum foil or other conductive materials.
8. Immediately before removing the protective material from the leads of a replacement ESD, touch the protective material to the chassis or circuit assembly into which the device will be installed.
9. Minimize body motions when handling unpackaged replacement ESDs. Motions such as brushing clothes together, or lifting a foot from a carpeted floor can generate enough static electricity to damage an ESD.

## 2. Reference Information

### 2-1 Tables of Abbreviations and Acronyms

Table 2-1 Abbreviations

A	Ampere	MV	Megavolt
Ah	Ampere-hour	MW	Megawatt
Å	Angstrom	MΩ	Megohm
dB	Decibel	m	Meter
dBm	Decibel Referenced to One Milliwatt	μA	Microampere
°C	Degree Celsius	μF	Microfarad
°F	Degree Fahrenheit	μH	Microhenry
°K	degree Kelvin	μm	Micrometer
F	Farad	μs	Microsecond
G	Gauss	μW	Microwatt
GHz	Gigahertz	mA	Milliampere
g	Gram	mg	Milligram
H	Henry	mH	Millihenry
Hz	Hertz	ml	Milliliter
h	Hour	mm	Millimeter
ips	Inches Per Second	ms	Millisecond
kWh	Kilowatt-hour	mV	Millivolt
kg	Kilogram	nF	Nanofarad
kHz	Kilohertz	Ω	Ohm
kΩ	Kilohm	pF	Picofarad
km	Kilometer	lb	Pound
km/h	Kilometer Per Hour	rpm	Revolutions Per Minute
kV	Kilovolt	rps	Revolutions Per Second
kVA	Kilovolt-ampere	s	Second (Time)
kW	Kilowatt	V	Volt
l	Liter	VA	Volt-ampere
MHz	Megahertz	W	Watt
		Wh	Watt-hour

Table 2-2 Table of Acronyms

ABL	Automatic Brightness Limiter	I/O	Input/output
AC	Alternating Current	L	Left
ACC	Automatic Chroma Control	L	Low
AF	Audio Frequency	LED	Light Emitting Diode
AFC	Automatic Frequency Control	LF	Low Frequency
AFT	Automatic Fine Tuning	MOSFET	Metal-Oxide-Semiconductor-Field-Effect-Tr
AGC	Automatic Gain Control	MTS	Multi-channel Television Sound
AM	Amplitude Modulation	NAB	National Association of Broadcasters
ANSI	American National Standards Institute	NEC	National Electric Code
APC	Automatic Phase Control	NTSC	National Television Systems Committee
APC	Automatic Picture Control	OSD	On Screen Display
A/V	Audio-Video	PCB	Printed Circuit Board
AVC	Automatic Volume Control	PLL	Phase-Locked Loop
BAL	Balance	PWM	Pulse Width Modulation
BPF	Bandpass Filter	QIF	Quadrature Intermediate Frequency
B-Y	Blue-Y	R	Right
CATV	Community Antenna Television (Cable TV)	RC	Resistor & Capacitor
CB	Citizens Band	RF	Radio Frequency
CCD	Charge Coupled Device	R-Y	Red-Y
CCTV	Closed Circuit Television	SAP	Second Audio Program
Ch	Channel	SAW	Surface Acoustic Wave(Filter)
CRT	Cathode Ray Tube	SIF	Sound Intermediate Frequency
CW	Continuous Wave	SMPS	Switching Mode Power Supply
DC	Direct Current	S/N	Signal/Noise
DVM	Digital Volt Meter	SW	Switch
EIA	Electronics Industries Association	TP	Test Point
ESD	Electrostatic Discharge	TTL	Transistor Transistor Logic
ESD	Electrostatically Sensitive Device	TV	Television
FBP	Feedback Pulse	UHF	Ultra High Frequency
FBT	Flyback Transformer	UL	Underwriters Laboratories
FF	Flip-Flop	UV	Ultraviolet
FM	Frequency Modulation	VCD	Variable-Capacitance Diode
FS	Fail Safe	VCO	Voltage Controlled Oscillator
GND	Ground	VCXO	Voltage Controlled Crystal Oscillator
G-Y	Green-Y	VHF	Very High Frequency
H	High	VIF	Video Intermediate Frequency
HF	High-Frequency	VR	Variable Resistor
HI-FI	High Fidelity	VTR	Video Tape Recorder
IC	Inductance-Capacitance	VTVM	Vacuum Tube Voltmeter
IC	Integrated Circuit	TR	Transistor
IF	Intermediate Frequency		

## 2-2 IC Line Up

### 2-2-1 Progressive

Table 2 - 3 IC Line - Up			
No.	Block Name	IC Location	IC Name
1	MAIN	IC507	EL4583CN (OPTION)
		IC665	TDA7265
		IC904	KS24C04
		ICP02	MC14528BCP (OPTION)
		ICS801	TNY253P
		ICS802	PC123
2	TERMINAL BOARD	IC601	TDA7429S
		IC602	KA4558
		IC905	PCF8574P
		ICV01	TA8851BN
		ICV02,ICV03	HCF4053BE
3	PIP	ICP01	SDA 9488X
		ICP02	4931
4	MTS MODULE	IC101	TDA9850
5	IF MODULE	IC101	LA7565B
6	HV MODULE	IC471	TL494CN
		IC491	74HC123P
7	CONVERGENCE	ICZ104,ICZ103	STK392-040
8	SUB	IC301	LA7845
		IC801	STR-F6656
		IC802	SVD001
		IC804	SE110N
		IC806	PS2561
9	CRT	IC501,IC531,IC561	TDA6111Q
10	3D-COMB	IC01	UPD 64082GF
		IC02	UPC1862GS
		IC03	5412222

Table 2 - 3 IC Line - Up (Continued)			
No.	Block Name	IC Location	IC Name
11	FORMAT-CONVERTER	IC01	FS310KBC
		IC02	72V161621
		IC03	Z9021106PSC
		IC04	24C02
12	PROSCAN	IC201	CIP3250A
		IC202	VPC3215C
		IC203	7705
		IC204	SDS9280
		ICP301	SDA9400
		IC209	SDA9361
		IC212	74F125
		ICV02	CXA2011Q
		ICY03	CXA1839Q
		ICY17	74HCT221
13	3D-PHONIC	ICD101	TL062CDT
		ICD102	SAA7367
		ICD103	TMS57052
		ICD104	LC32464M
		ICD105	Z9021106PSC
		ICD106, ICD107	PCM1717E
		ICD108,ICD109,ICD110,ICD111	TL062CDT

## 2-2-2 Interlace

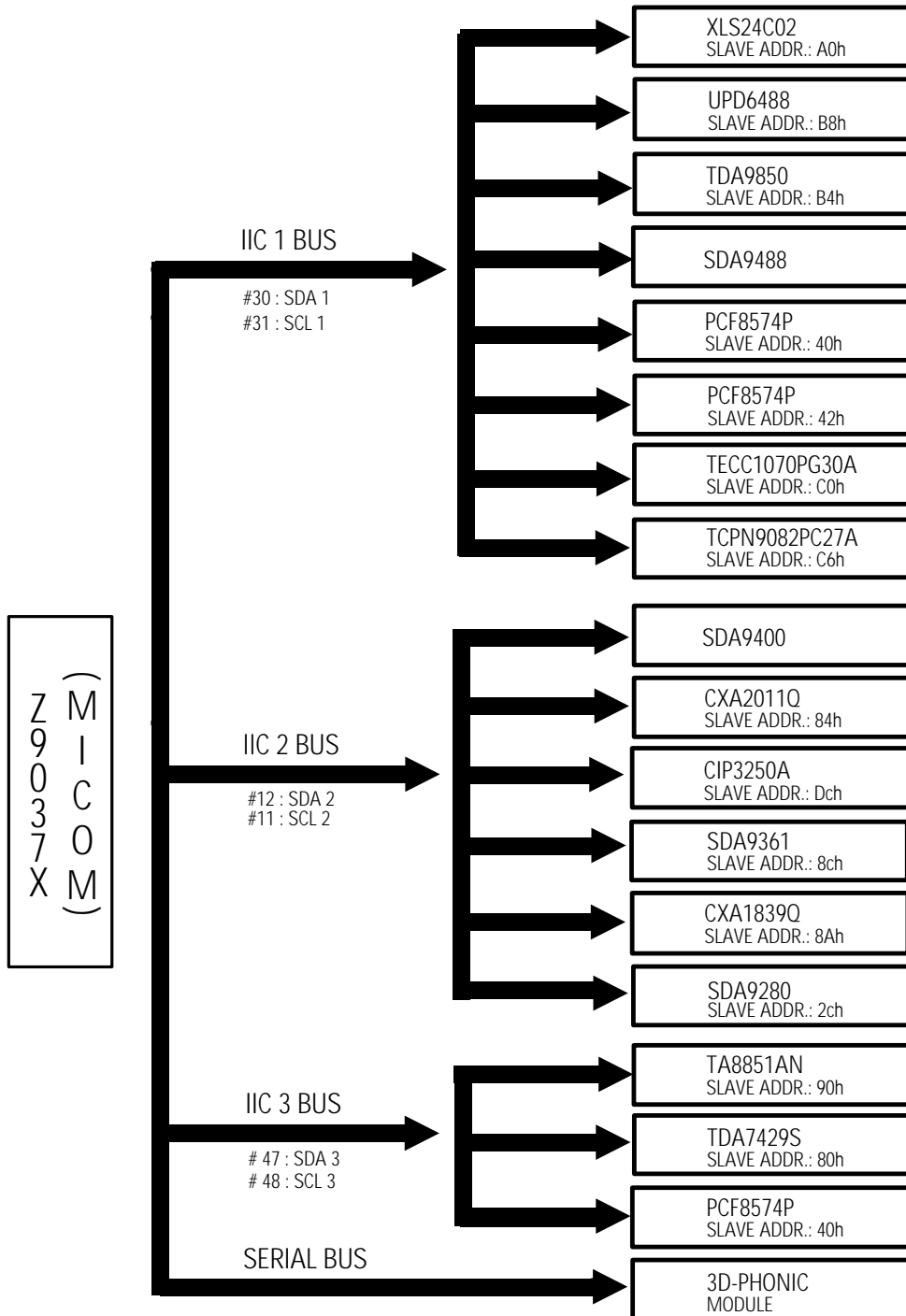
Table 2 - 3 IC Line - Up			
No.	Block Name	IC Location	IC Name
1	MAIN	IC665	TDA7265
		IC904	KS24C04
		ICS801	TNY253P
		ICS802	PC123
2	TERMINAL BOARD	IC601	TDA7429S
		IC602	KA4558
		IC905	PCF8574P
		ICV01	TA8851BN
		ICV02,ICV03	HCF4053BE
3	PIP	ICP01	SDA9488X
		ICP02	4931
4	MTS MODULE	IC101	TDA9850
5	IF MODULE	IC101	LA7565B
6	HV MODULE	IC471	TL494CN
		IC491	74HC123P
7	CONVERGENCE	ICZ104,ICZ103	STK392-010
8	SUB	IC301	LA7845
		IC801	STR-F6656
		IC802	SVD001
		IC804	SE110N
		IC806	PS2561
9	CRT	IC501,IC531,IC561	TDA6111Q
		IC01	UPD64082 GF
10	2D-COMB	ICI02	CXA1686M
		ICC03	CXD2043Q

Table 2 - 3 IC Line - Up (Continued)

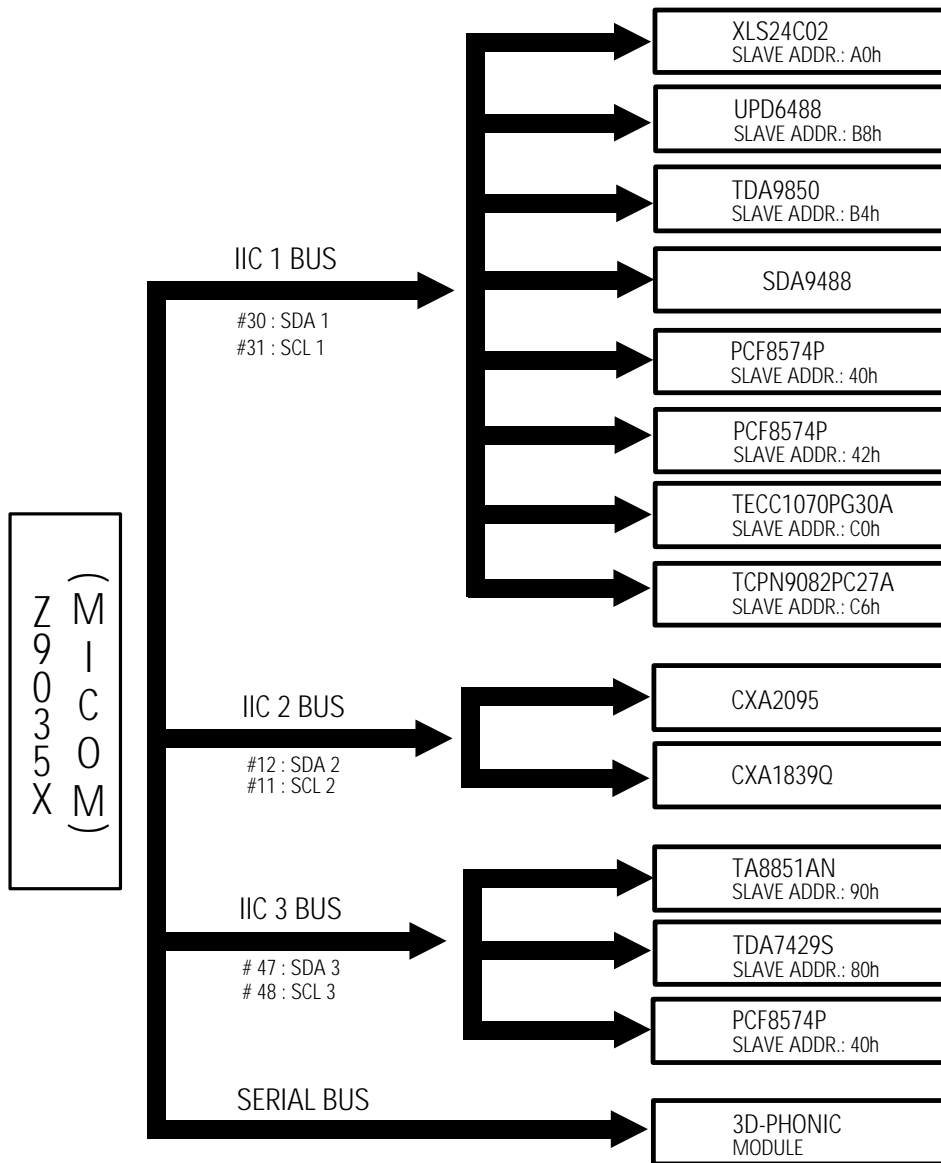
No.	Block Name	IC Location	IC Name
11	CHROMA	IC201	CXA2095S
		IC203	2210
		IC204, IC206	BCF4053B
		IC205	CXA1839Q

## 2-3 MICOM IIC BUS LINE -UP

### 2-3-1 Progressive



### 2-3-2 Interlace



### 3. Specifications

Broadcasting System	NTSC
Scanning System	Progressive Scanning
Tuning Range	VHF : CH2 ~ CH13 UHF : CH14 ~ CH69 Cable : CH1, CH14 ~ 125
Antenna Impedance	75 ohm Unbalanced
Intermediate Frequency	Video : 45.75 MHz Sound : 42.25 MHz Chrominance Subcarrier : 42.17 MHz
Sound Output	STD : 15W FULL MAX : 20W
Rated Voltage	120V / 60 Hz
W/B Coordinates	Hx : 292      Hy : 260      Y : 14.5 Lx : 293      Ly : 263      Y : 0.23
High Voltage	31KV
FUSE	250V/6.3A CODE NO : 3601-000300
Power Consumption	285W

---

## 4. Alignment and Adjustments

---

### 4-1 When entering the service mode:

---

1. Turn on the TV, and then select "STANDARD" on the picture adjustment mode.
2. Turn off the TV (STAND-BY).
3. Enter the service mode by pressing the remote control keys in the following sequence :  
MUTE 1→8→2→Power On

Note : If necessary, re-do steps 1~3.

Initial display when the service mode is switched.

1. When a RF signal is received

SERVICE NORMAL 480P

GEOMETRICS

PICTURE

PICTURE2

SOUND

PIP

OPTION

READ

RESET

2. When a DTV signal is received

SERVICE NORMAL 1080i

GEOMETRICS

PICTURE

PICTURE2

SOUND

PIP

OPTION

READ

RESET

### 3. When the PC mode is switched

MAIN MENU
ZOOM
COMPRESS
FREEZE
SET UP
RESET
EXIT

### 4. Service Mode Control Keys

MAIN MENU	MENU DISPLAY
CH UP/DOWN	Select item by moving cursor
VOL UP/DOWN	Decrease or increase the adjustment values

**Note :** The PC mode can be switched to the service mode by pressing the F.Mode Key (only on the factory remote control).

## 4-2 Factory Data

---

### 4-2-1 Progressive

#### GEOMETRIC

Item	TV/480P			Item	1080i		Remark
	43"	53"	61"		53"	61"	
VS	132	132	114	VS	128	91	
VA	122	122	88	VA	75		
VL	114	114	114	VL	114		
VSC	104	104	104	VSC	104		
VE	0	0	0	VE	0		
HA	80	80	80	HA	114		
PPH	100	100	100	PPH	100		
PA	96	96	96	PA	96	96	
UPC	128	128	128	UPC	128		
LOC	128	128	128	LOC	128		
HEH	0	0	0	HEH	0		
HS	63	63	60	HS	65	62	
VAN	131	131	131	VAN	131		
VBO	128	128	128	VBO	128		
HSP	141	141	141	HSP	139		
VS4	150	150	125	VS4	150	125	
VA4	96	96	53	VA4	96	53	
HS4	56	56	45	HS4	56	45	
HA4	106	106	54	HA4	106	54	
HP4	131	131		HP4	131		

 **PICTURE**

Item	Picture	Item	Picture	Remark
RDR	20	RYR	2	
GDR	20	RYB	13	
BDR	20	GYR	12	
RCT	31	GYB	9	
GCT	31	GAM	12	
BCT	31	HWD	2	
ABM	1	HTM	1	
ATH	1	HSE	0	

 **PICTURE 2**

Item	Picture	Item	Picture	Remark
SBR	31	POV	3	
SCT	7	LTI	2	
SCL	12	VML	2	
SHU	8	VMD	3	
CTI	1	DCT	3	
SSP	2	DPC	1	
SFO	2			

 **OPTION**

Model	Byte	Model	Byte	Remark
PCJ533RF	BYTE 0 : 71 BYTE 1 : 54	PCJ534R	BYTE 0 : 71 BYTE 1 : 40	
PCJ533R	BYTE 0 : 71 BYTE 1 : 50	HCJ552W	BYTE 0 : 79 BYTE 1 : 41	
PCJ534RF PCK520R PCJ614RF PCK5315R PCK6115R	BYTE 0 : 71 BYTE 1 : 44	HCJ652W	BYTE 0 : 39 BYTE 1 : 41	

## 4-2-2 Interlace

 **GEOMETRIC**

Item	Initial Value		Item	Initial Value	
	43"	Remark		43"	Remark
VS	32	Variable	HLC	8	
VA	32	Variable	VAS	40	
VCP	0		VSR	25	
VLN	5		VUV	0	
VSC	3		VLV	0	
HS	0		VJS	0	
HPC	17	Variable	VZS	0	
HA	20	Variable	VRP	3	
HPP	8		VBS	3	
HAA	11		HBS	0	
HAB	0		HLB	15	
HUC	8		HRB	15	

 **PICTURE**

Item	Initial Value			Item	Initial Value		
	43"	52"	Remark		43"	52"	Remark
DCT	1			BA	32	32	Variable
DPI	1			GC	8	8	Variable
AS	1			BC	8	8	Variable
DCL	1			GAM	2	2	Variable
ABL	1			AFC	2	2	
POV	2			TO	1	1	
SFO	1			SSP	5	5	
TA	1			AMS	1	1	
SCT	5			FHS	0	0	
SBT	8			CFS	0	0	
SCR	7			SC	30	30	
STT	9			LWC	32	32	
GA	32		Variable	COR	50	50	

**PICTURE 2**

Item	Initial Value			Item	Initial Value		
	43"	52"	REMARK		43"	52"	REMARK
PIC	55	55		RYP	15	15	
HUE	7	7		RYB	15	15	
BRT	8	8		SHP	0	0	

**SOUND**

Item	Initial Value		
	43"	52"	Remark
SEPERATE	15	16	

**PIP**

Item	Initial Value			Item	Initial Value		
	43"	52"	REMARK		43"	52"	REMARK
Contrast	5	5		POS-HOR-R	29	29	
HUE	3	3		POS-VER-U	21	21	
POS-HOR-L	32	32	Variable	POS-VER-D	21	21	

**OPTION**

Item	Initial Value	Remark
Byte0	91	Dissimilar initial values by model and function
Byte1	01	
Aging Off		

**Note 1** SZM-386U OPTION TABLE

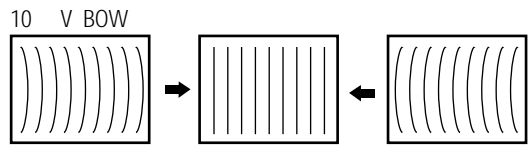
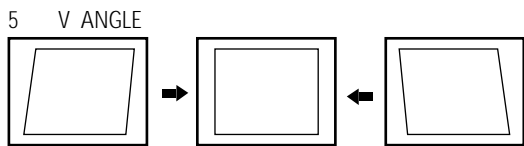
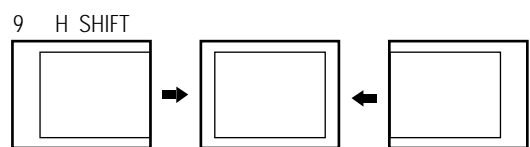
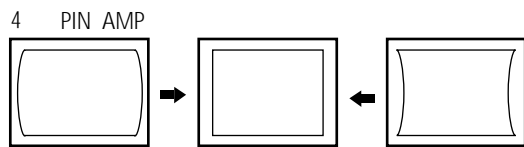
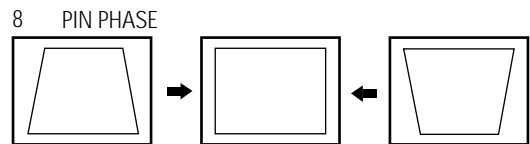
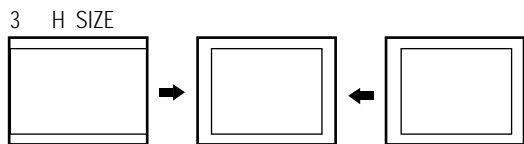
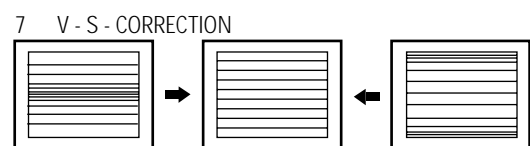
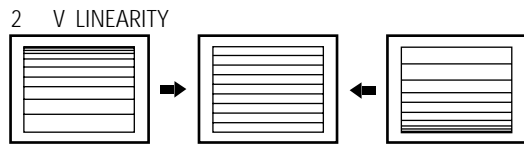
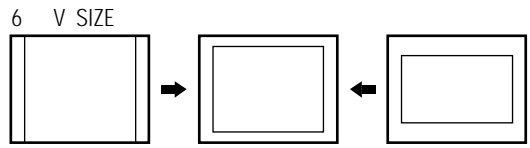
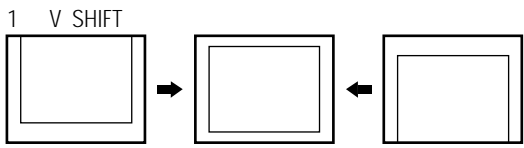
Option adjustment is done in the service mode

Byte : 00	Name	Function		Remark
		0	1	
D7	SharpCenter50En	X	Operate	
D6				
D5	CXA1839(DVD)	Sharpness, Color, Tint adjustment available in the DVD Menu	Sharpness, Color, Tint not adjustable in the DVD Menu	
D4	V-Chip	X	Operate	
D3				
D2				
D1	AFN	X	Operate	
D0	Auto Power On	X	Operate	Current Set Setting

Byte : 01	Name	Function		Remark
		0	1	
D7				
D6	3D Comb-filter	UPD6488	UPD64082	
D5				
D4				
D3				
D2				
D1				
D0	All Mighty Conv.	X	Operate	

## 4-2 Screen Change (When adjusting I<sup>2</sup>C Bus Geometric items)

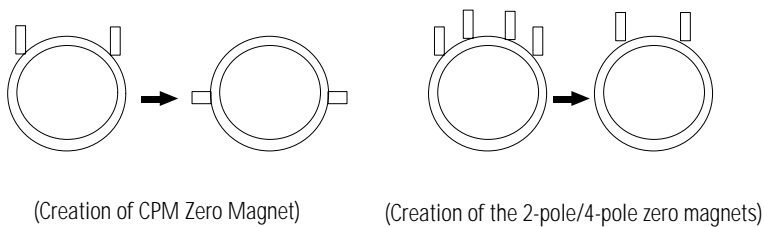
---



## 4-3 Beam Alignment

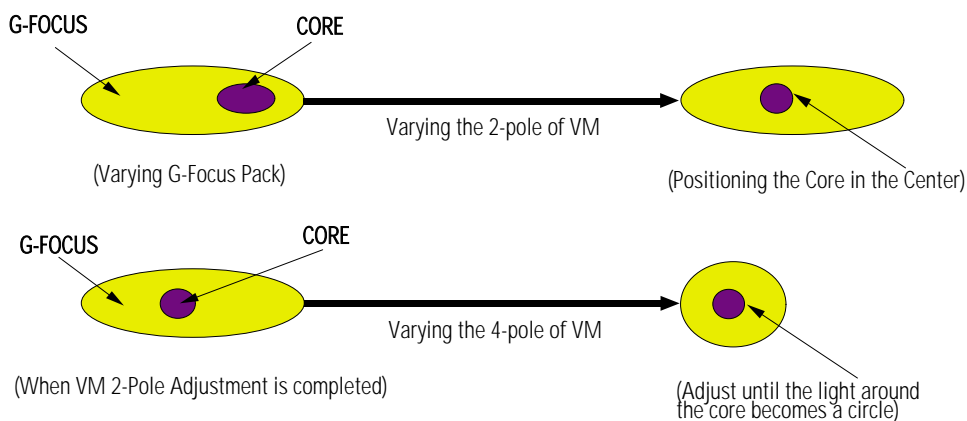
### PRECAUTION

1. Input a crosshatch and dot pattern.
2. Select the "STANDARD" video mode.
3. Warm up the TV for at least 10 minutes.
4. Connect an audio oscillator to the pin jig between GT401~GT402 (located on the deflection PCB) and GND.
5. Determine the ZERO-magnet area (using the beam-alignment CY)
6. Check the squarewave at the point where the focus is misaligned (Use an audio oscillator).



### ADJUSTMENT

1. Cover the Red and Blue lenses.
2. Adjust the Green lens as shown in the figures below
3. Adjust the G-Focus until any light around the core disappears.



4. Cover the Green and Blue lenses.
5. Adjust the Red lens using the same method as with the Green lens.
6. Note: The Blue lens is not adjusted because its focus varies little (VM-coil is installed).
7. After the adjustments are completed, disconnect the jig pin connector.

## 4-4 Other Adjustments

---

### 4-4-1 Screen Adjustment

1. Warm up the TV for at least 30 minutes.
2. Turn to the Video Mode (No Signal) using a remote-control.
3. Connect an oscilloscope to RK,GK,BK.
4. Adjust the VR (VR501, VR531, VR561) screen so that RK, GK, BK pulse is 20Vp-p each. (Turn the R,G,B VR screen fully counterclockwise in the area of each flyback line.)

### 4-4-2 White Balance Adjustment

1. Select the "STANDARD" video mode.
2. Input 100% white pattern.
3. In the stand-by mode, press the remote-control keys in the following sequence:  
Mute → 1 → 8 → 2 → Power ON
4. Warm up the TV for at least 30 minutes.
5. Input a 10-step signal.
6. R-cut off, B-cut off, and G-cut off by pressing the Volume +/- keys.
7. Adjust the low light with viewing the dark side of the screen.
8. Select R-drive, G-drive, and B-drive by pressing the Volume +/- keys.
9. Adjust the high light with viewing the light side of the screen.
10. If necessary, redo adjustments 6~9.
11. Press the Menu key to exit.

### 4-4-3 Sub-Brightness Adjustment

1. Input a sub-brightness adjustment signal. (TOSHIBA PATTERN)
2. In the stand-by mode, press the remote-control keys in the following sequence :  
Mute - 1 - 8 - 2 - Power ON
3. Select SBT by pressing the Volume +/- keys.
4. Adjust so that the 7th step on the right side of the screen is not seen (Use the Volume +/- keys).
5. Press the Menu key to exit.

### 4-4-4 High Voltage (31KV) Check

#### PRECAUTION

1. Input a lion head pattern.
2. Select "STANDARD" video mode.
3. Warm up the TV for at least 10 minutes.
4. Use a 1000:1 probe.

#### ADJUSTMENT

1. Connect the (+) terminal of the 1000:1 probe to the high voltage distributor and the (-) terminal to GND (located on the deflection board).
2. Adjust VR471 (located on the deflection board) so that the digital meter indicates DC 31V ± 0.1V.

### 4-4-5 F.S. (Fail Safe) Circuit Check

Note : The F.S. Circuit check must be performed after servicing.

1. Turn on the TV.
2. Select the "STANDARD" video mode.
3. Short GT18, GT17 (located on the Convergence PCB). Then, both sound and picture disappear. (Note: Even if the shorted terminals are removed, both sound and picture do not appear. This proves the F.S. circuit is working.)
4. To restore both sound and picture, turn off the TV and reset it after about 30 seconds.

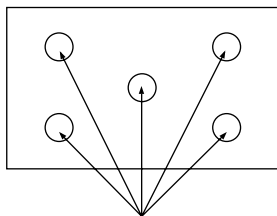
### 4-4-6 Static Focus Adjustment

#### PRECAUTION

1. Select the "STANDARD" video mode.
2. Input a crosshatch pattern.
3. Cover the lenses that are not being adjusted.
4. Connect a convergence jig and read data.
5. Adjust the lens for best focus. (See Fig, 4-1, next page)

#### STATIC FOCUS (CONTINUED)

Vary the focus pack VR (Red, Blue) on the front cabinet. Adjust the TV for best possible focus around the center of the crosshatch pattern, without losing overall screen balance. Figure Crosshatch Pattern Examine these points together.



Examine these points together

Fig. 4-1 Crosshatch Pattern.

### 4-4-7 Lens Focus Adjustment

#### PRECAUTIONS

1. Do this adjustment after the static focus adjustment and the tilt adjustment.
2. Select the "STANDARD" video mode. (Contrast:64, Brightness:32)
3. Input a crosshatch pattern.

#### ADJUSTMENT

1. Loosen the lens screws.
2. Cover the two lenses that are not being adjusted.
3. Adjust the lens, observing the color aberration vertically and horizontally within 3 blocks of the center of the crosshatch pattern.
4. When the lens is turned clockwise, the color aberration will change as follows:

Lens	Color Aberration Change
R	Orange - Crimson
G	Blue - Red
B	Purple - Green

5. Green lens adjustment: Set the lens at the point where Blue just changes to Red. If the color aberration is irregular throughout the picture screen, adjust the lens to show Red color aberration (approximately 1~3 mm area) within a 3-block grid around the horizontal center-line. If the color aberration is irregular, adjust the lens as shown in the diagram below. (Accurate alignment of Green is important for overall color quality.)
6. Red lens adjustment Set the Red lens at the point where Orange becomes Crimson.
7. Blue lens adjustment Set the Blue lens at the point where Purple becomes Green.

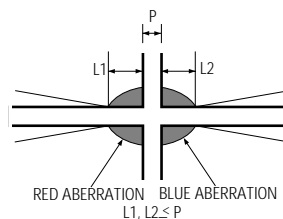


Fig. 4-2 Color Aberration

#### **4-4-8 Horizontal Dynamic Focus Adjustment**

##### PRECAUTION

1. Input a crosshatch pattern.
2. Select the "STANDARD" video mode.
3. Warm up the set for at least 10 minutes.

##### ADJUSTMENT

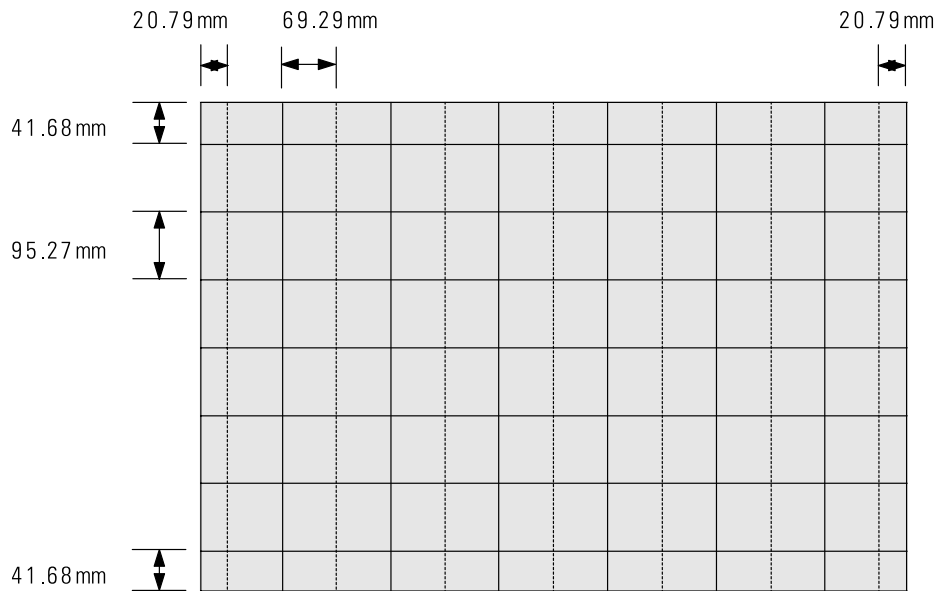
1. Cover the Red and Blue lenses.
2. Adjust VR491 (located on the convergence PCB, H-Parabola).
3. Balance the left and right sides of the dynamic focus lines.

## 4-5 Screen-Jig

### 4-5-1 43J5P

**43J5P Screen Size : X 873, Y 655**

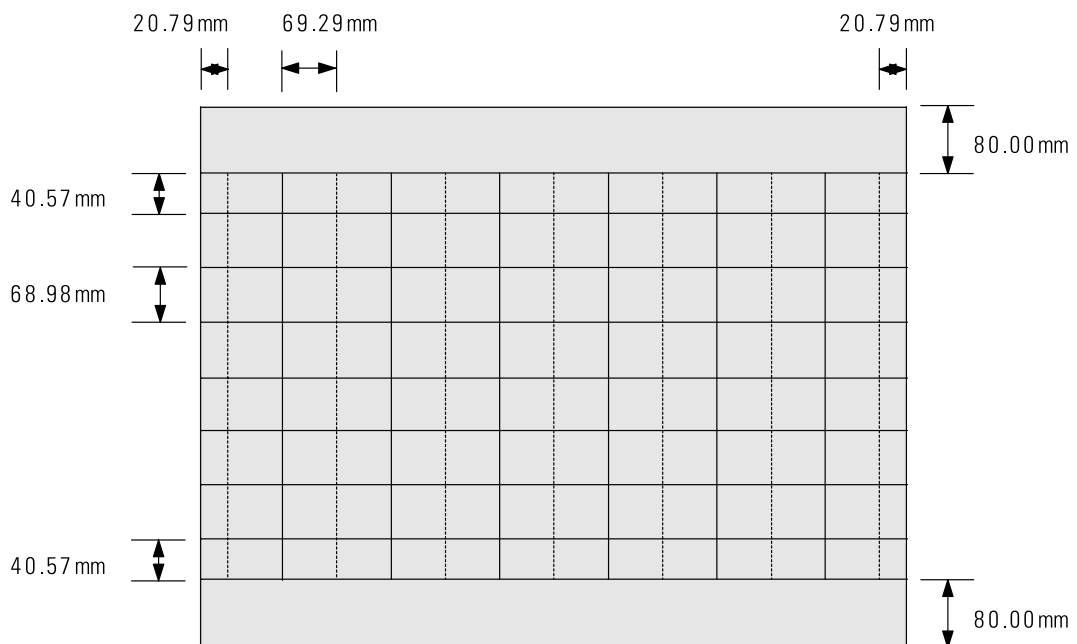
**(X :  $378=9*2 + 30*12$ , Y: $440=28*2+64*6$ )**



### 4-5-2 43J5P DTV Mode

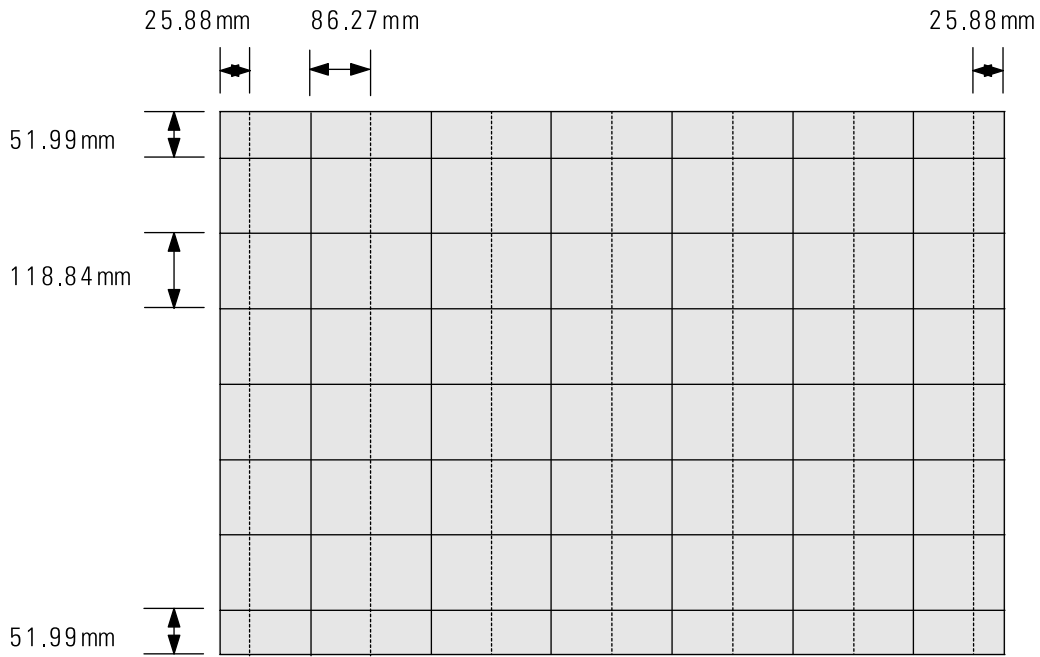
**43J5P DTV Mode Screen Size : X 873, Y 495 + 80 + 80**

**(X: $378=9*2 + 30*12$ , Y: $488=40*2+68*6$ )**



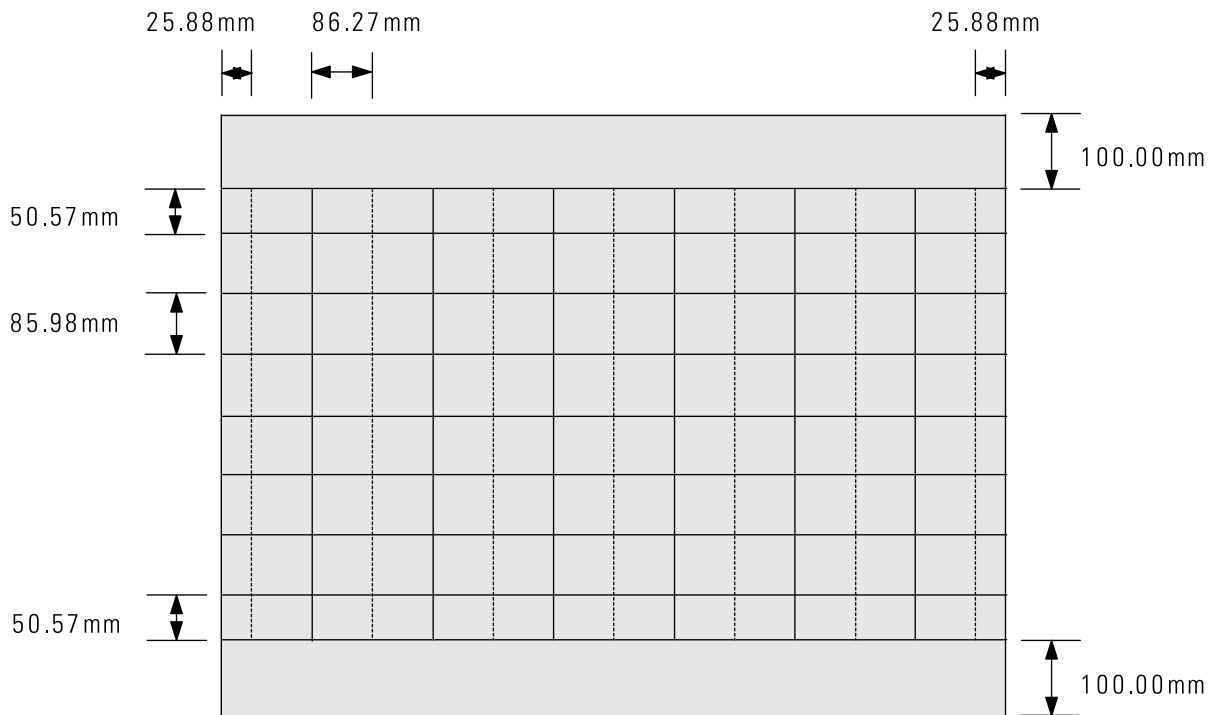
### 4-5-3 53J5P

**53J5P Screen Size : X 1087, Y 817**  
(X: 378=9\*2 + 30\*12, Y:440=28\*2 + 64\*6)



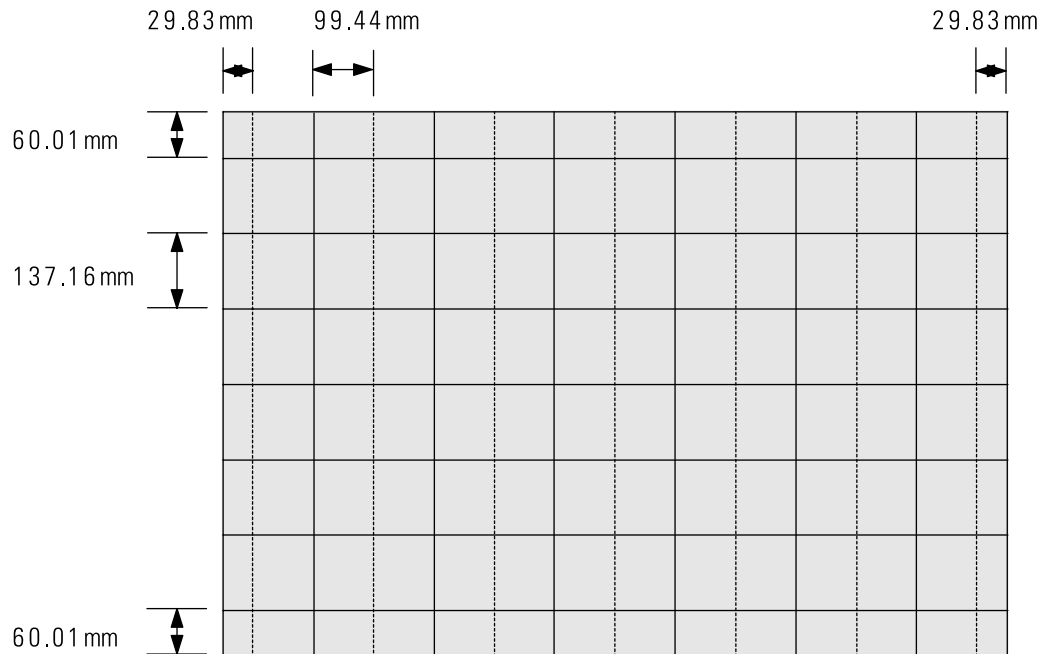
### 4-5-4 53J5P DTV Mode

**53J5P DTV Mode Screen Size : X 1087, Y 617+100+100**  
(X:378=9\*2+30\*12, Y:488=40\*2+68\*6)



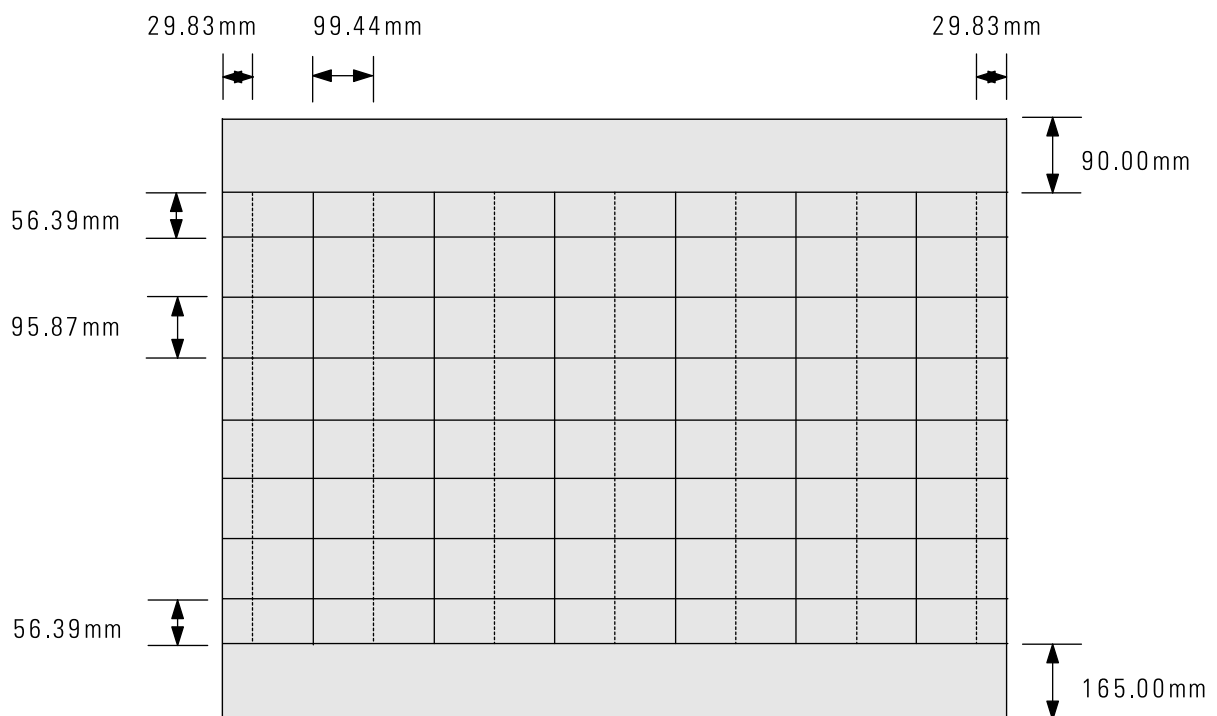
4-5-5 61J5P

**61J5P Screen Size : X 1253, Y 943**  
**(X:  $378=9*2 + 30*12$ , Y:  $440=28*2 + 64*6$ )**



4-5-6 61J5P DTV

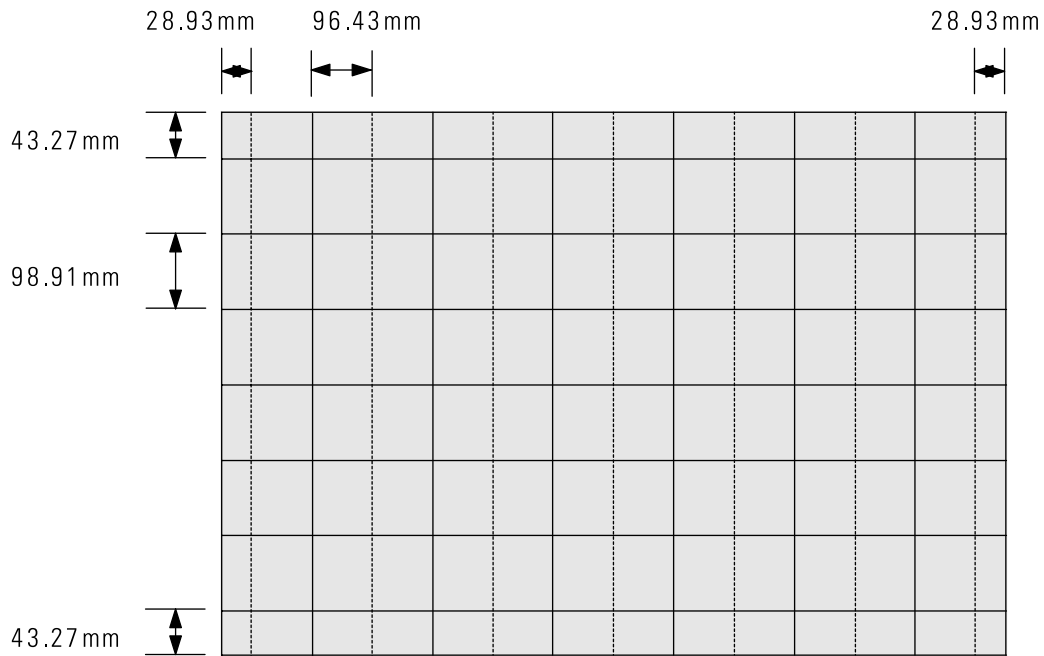
**61J5P DTV Mode Screen Size : X 1253, Y 688 + 90 + 165**  
**(X :  $378 = 9*2 + 30*12$ , Y:  $488=40*2+68*6$ )**



### 4-5-7 552W

**552W Screen Size : X 1215, Y 680**

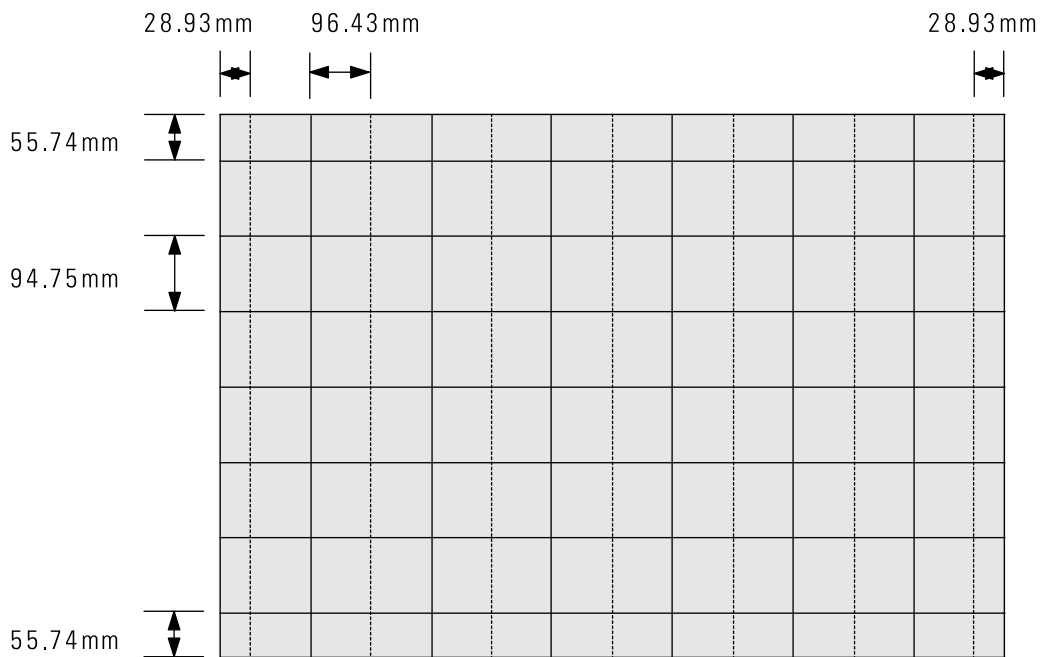
**(X:378=9\*2+30\*12, Y:440=28\*2+64\*6)**



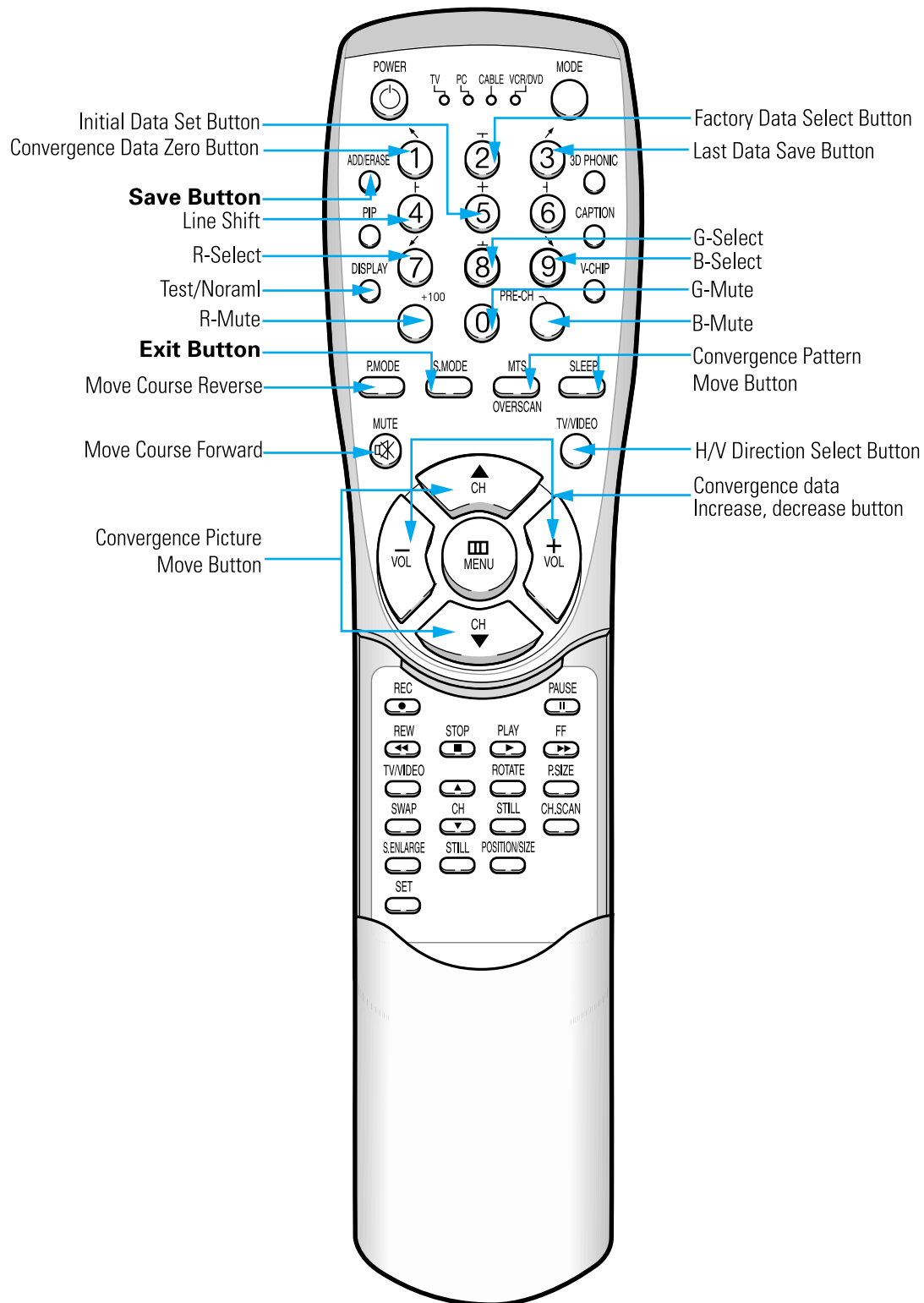
### 4-5-8 552W DTV Mode

**552W DTV Mode Screen Size : X 1215, Y 680**














**(X:378=9\*2+30\*12, Y:488=40\*2+68\*6)**





## 4-6 Remote Control for Servicing (Convergence Mode)



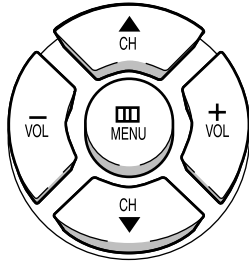
### 4-6-1 KEY Function



1. R-SELECT   
Press to select RED color.
2. G-SELECT   
Press to select GREEN color.
3. B-SELECT   
Press to select BLUE color.
4. R-MUTE   
Press to mute RED color.
5. G-MUTE   
Press to mute GREEN color.
6. B-MUTE   
Press to mute BLUE color.
7. CANCEL KEY   
Press to revert to the previous data during the Convergence Adjustment.
8. TEST/NORMAL   
Press to check TV mode in the Convergence Mode.
9. LINE SHIFT   
Press to move a line up/down or left/right.
10. FACTORY DATA SELECT BUTTON   
Press to call the factory default values.
11. H/V DIRECTION SELECT BUTTON   
Press to switch the cursor direction horizontally or vertically.
12. SAVE BUTTON   
After the Convergence Adjustments are completed, press to save data.
13. EXIT BUTTON   
After the Convergence adjustments are completed, press to exit to TV mode.

14. MOVE CURSOR FORWARD   
 Press to move the cursor right or down.

15. MOVE CURSOR REVERSE   
 Press to move the cursor left or up.

16. CONVERGENCE PICTURE MOVE BUTTON







17. CONVERGENCE PATTERN MOVE BUTTON  
 Press to move the convergence pattern left (  ) or right (  ).

18. CONVERGENCE DATA ZERO BUTTON   
 Press to zero the convergence correction data.

19. INITIAL DATA SET BUTTON

**Changes when applying Almighty-Cg Module (How to extract the basic Cg Data)**

Inch (Type)	Model Name	Basic Data	Screen Display	Discription
	Representative Model	Number after entring the Cg-Mode		
43" (43J5)	SVP-43J5P	5-435 (Press in regular order)		White Oval on the background (white circle)
53" (53J5)	SVP-53J5P	5-535 (Press in regular order)		
61" (614)	PCJ614RF	5-615 (Press in regular order)		
55" (552W)	HCJ552W	5-552 (Press in regular order)		White Oval on the background (white border)
65" (652W)	HCJ652W			Used the existing module (SSVC-1000)

## 4-7 Convergence Adjustment

---


1. Warm up the TV for at least 30 minutes.
2. Input an NTSC Signal. (Use an antenna or AV source.)

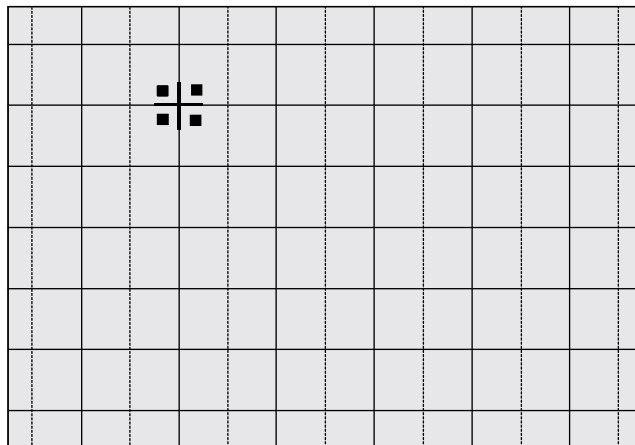





Make sure that both deflection and convergence yokes are properly adjusted so that the center of Green, Red, Blue pattern is aligned on the center of screen jig.

3. Enter the Convergence Mode by pressing the remote control keys in the following sequence :





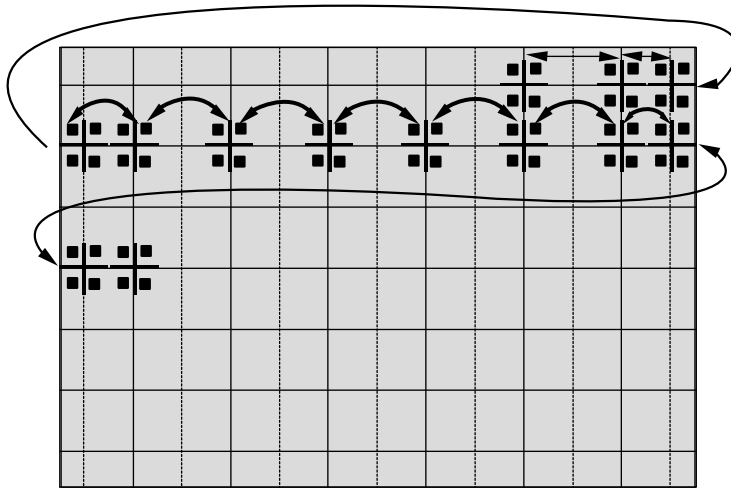
If OSD is displayed as shown in figure below, press the  key to exit. Then, redo step 3 to enter the Convergence Mode. After entering the Convergence Mode, Stand by for about five seconds before doing the adjustments.




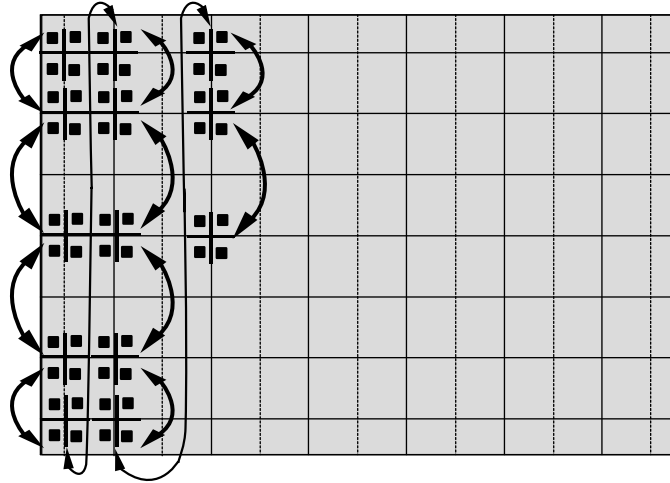
4. To adjust GREEN, first press the  and the  keys, and then press the  key.




5. The  key moves the cursor right, and the  key moves the cursor left.

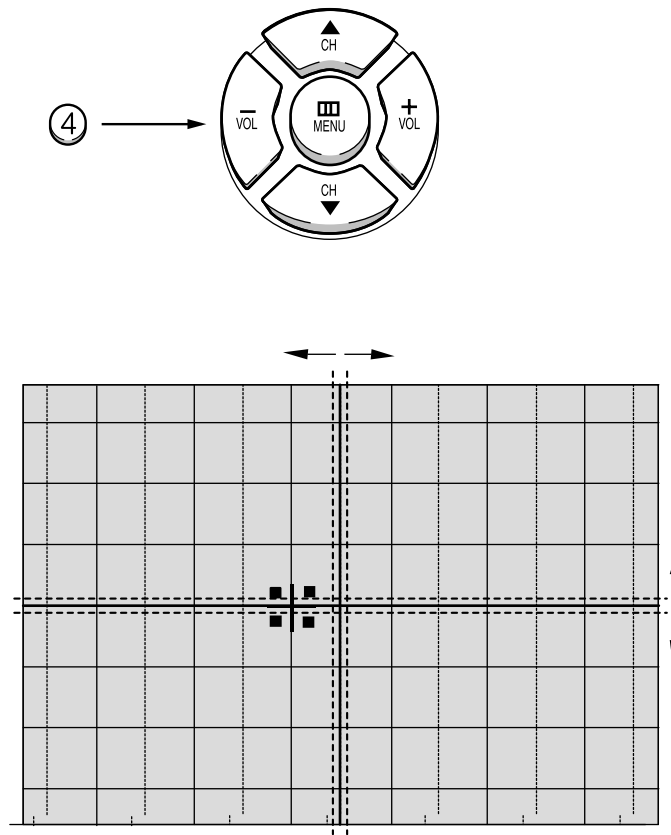


6. The <sup>TV/VIDEO</sup>  key moves the cursor horizontally or vertically.



When the <sup>TV/VIDEO</sup>  key is pressed once again, the cursor moves horizontally.

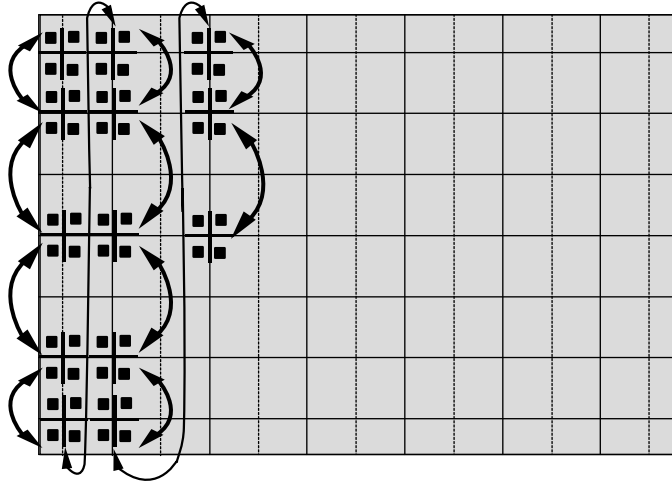
- Use the **4** key for overall balance.





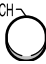

- After the Line Shift is cancelled by pressing the **4** key, use the Channel and Volume keys (Up/Down) to make big adjustments.
- After the green convergence adjustments are completed, press the **ADDERASE** key to save the data.

10. Superimpose the Red and Green colors by pressing the  and the  keys.

11. To adjust RED, redo steps 5~8.



When the cursor moves vertically 

12. To superimpose the blue and green colors, press (1) the  key for R-Mute, (2) the  key to cancel the B-Mute, and (3) the  key for B-select.

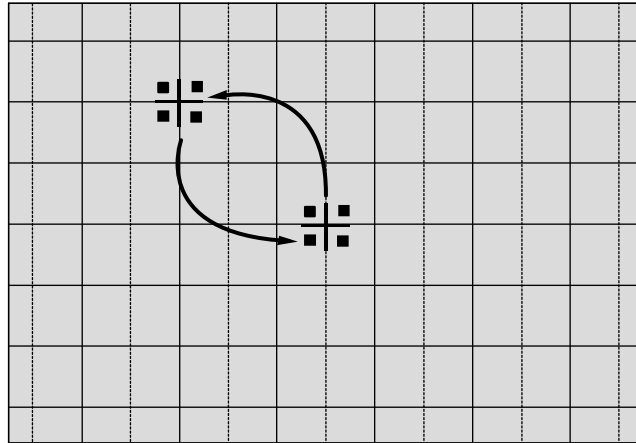
13. To adjust BLUE, redo steps 5 ~ 8, 12.

14. If any color is not properly adjusted when displaying the red, blue and green colors, readjust the color.

15. After the color adjustments are completed, press the  $\overset{\text{ADD/ERASE}}{\text{O}}$  key to save the data.



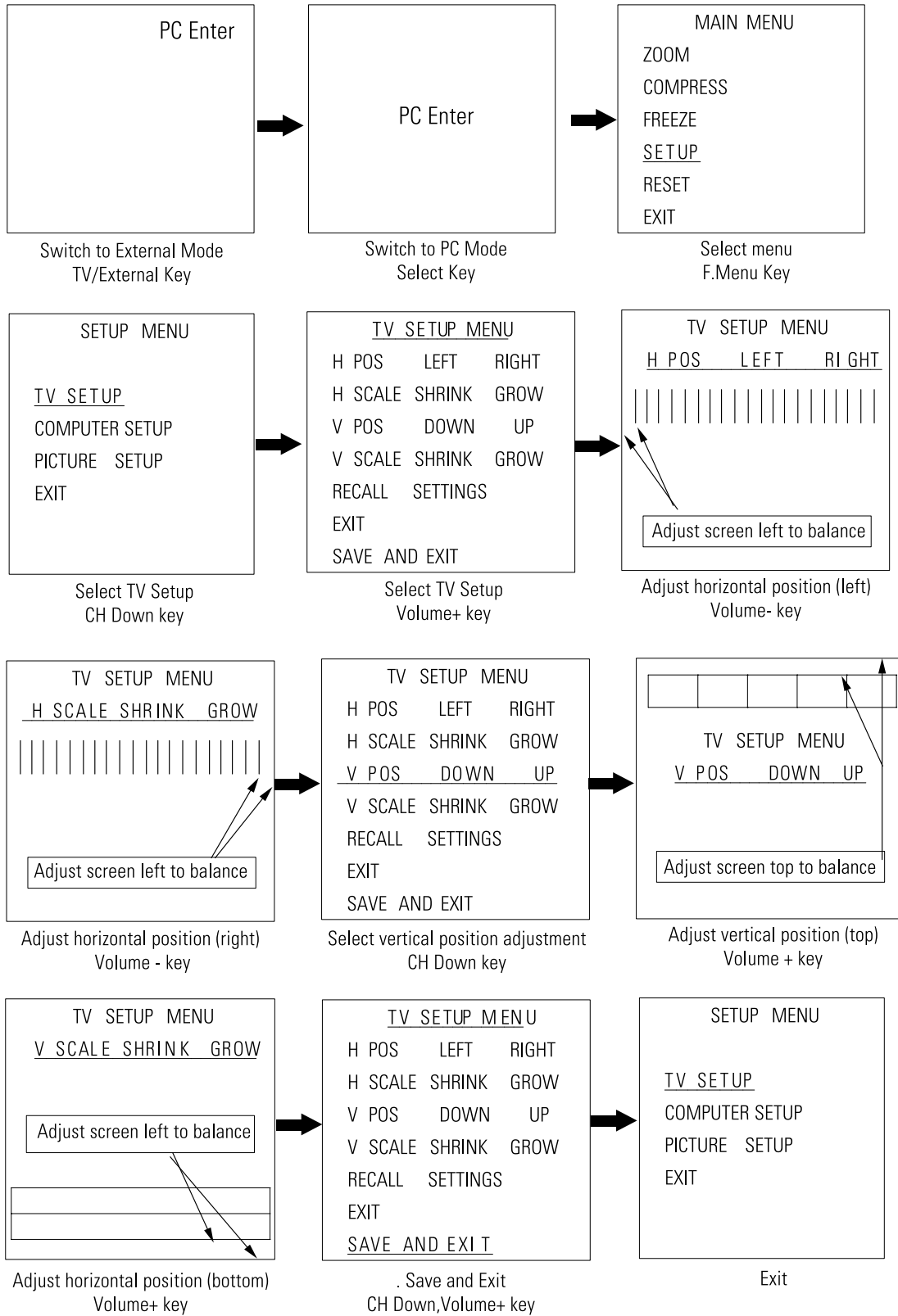
The cursor moves to center, and then automatically moves up and to the left about five seconds later.



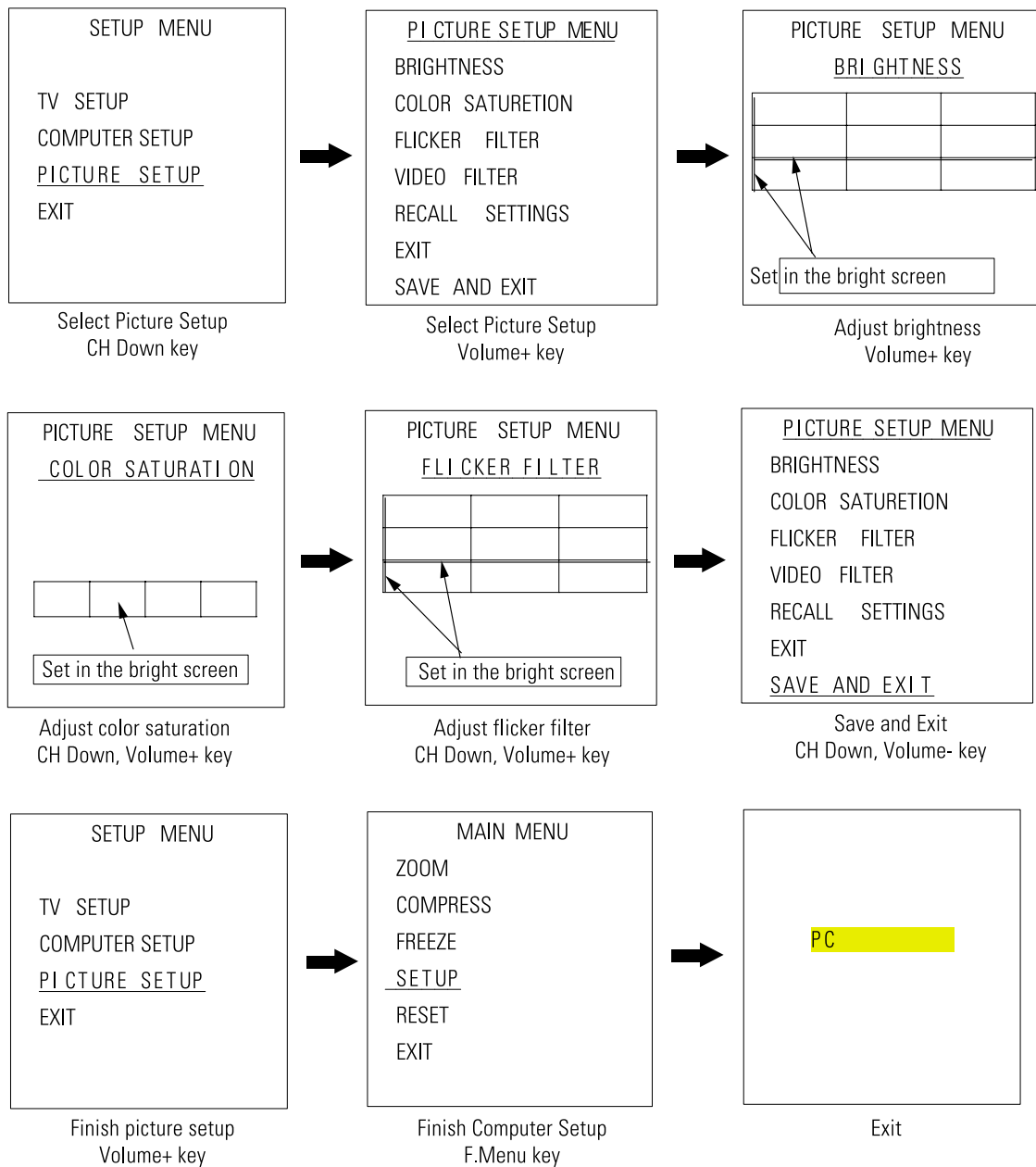
16. After the Convergence Adjustments are completed, press the  $\overset{\text{S.MODE}}{\text{O}}$  key to exit.

## 4-8 PC Mode

### 4-8-1 TV Setup Mode

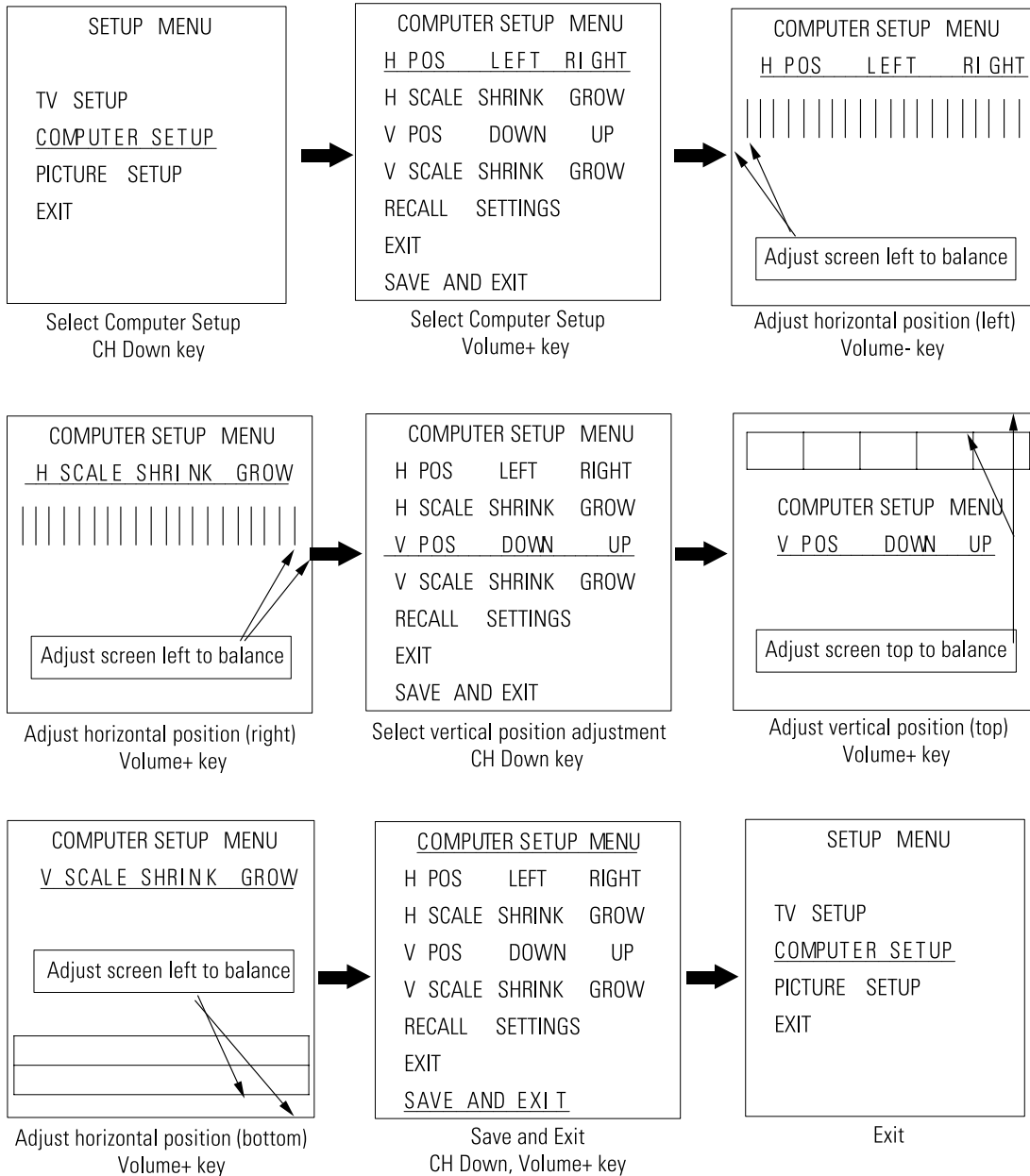


### 4-8-2 Picture Setup Mode



1. Adjust four different modes: VGA3 (VGA), VGA (DOS), VESA (SVGA), VEAS (XGA).
- 2). Perform the setup for each PC mode and picture setup.

### 4-8-3 Picture Setup Mode (computer setup mode only)



1. Adjust four different modes:VGA3 (VGA), VGA (DOS), VESA (SVGA), VEAS (XGA).
2. Perform the setup for each PC mode and picture setup.

## 4-9 MICOM and Pins Voltage

### 4-9-1 Pin Layout

4-9-1(A) PROGRESSIVE

POWER	1		52	D2
IR-IN	2		51	POWER2
V-MUTE	3		50	BUS-STOP
3D-SDA	4		49	HOLD
3D-SCL	5		48	SCL-3
3D-ENA	6		47	SDA-3
IDENT	7		46	TIMER-LED
MODE-SEL	8	<b>Z</b>	45	S/W-MUTE
PROTECT	9	<b>9</b>	44	D1
1H-SYNC	10	<b>0</b>	43	AMP-MUTE
SCL 2	11	<b>3</b>	42	3D-RESET
SDA 2	12	<b>7</b>	41	N.C
CVBS	13	<b>1</b>	40	XTAL GND
LOOP FILTER	14	<b>1</b>	39	VCC
ANALOG GND	15	<b>2</b>	38	GND
SUB-AFT	16	<b>P</b>	37	XTAL2
KEY1	17	<b>S</b>	36	XTAL1
MAIN-AFT	18	<b>C</b>	35	/RESET
KEY2	19		34	N.C
KEY3	20		33	N.C
ANALOG GND	21		32	D3
ANALOG VCC	22		31	SCL-1
HALF TONE	23		30	SDA-1
OSD B	24		29	VSYNC
OSD G	25		28	HSYNC
OSD R	26		27	BLANK

4-9-1(B) INTERLACE

POWER	1	<b>Z 9 0 3 5 1 1 2 P S C</b>	52	D2
IR-IN	2		51	CTRL 1
V-MUTE	3		50	BUS-STOP
3D-SDA	4		49	HOLD
N.C	5		48	SCL-3
N.C	6		47	SDA-3
CRTL 3	7		46	TIMER-LED
N.C	8		45	SAW-MUTE
PROTECT	9		44	D1
N.C	10		43	AMP-MUTE
SCL 2	11		42	CTRL 2
SDA 2	12		41	N.C
CVBS	13		40	XTAL GND
LOOP FILTER	14		39	VCC
ANALOG GND	15		38	GND
SUB-AFT	16		37	XTAL2
KEY1	17		36	XTAL1
MAIN-AFT	18		35	/RESET
KEY2	19		34	N.C
KEY3	20		33	N.C
ANALOG GND	21		32	D3
ANALOG VCC	22		31	SCL-1
HALF TONE	23		30	SDA-1
OSD B	24		29	VSYNC
OSD G	25		28	HSYNC
OSD R	26		27	BLANK

**4-9-2 MICOM Pins**

## 4-9-2(A) PROGRESSIVE

PIN NO.	ITEM	FUNCTION	OUT VOLT
1	POWER	POWER ON/OFF RELAY CONTROL	H--> L
2	IR IN	REMOCON INPUT	5V
3	V-MUTE	VIDEO SIGNAL MUTE	3V
4	3D-SDA	3D PHONIC DATA LINE	5V
5	3D-SCL	3D PHONIC CLOCK LINE	5V
6	3D-ENA	3D PHONIC ENABLE LINE	5V
7	IDENT	VALID DTV SIGNAL (LOW)	5V
8	MODE-SEL	MODE SELECTOR CONTROL	-
9	PROTECT	PROTECT PORT	-
10	1H-SYNC	NORMAL H,V-SYNC	3.5V
11	SCL 2	CLOCK BUS LINE	4.5V
12	SDA 2	DATA BUS LINE	4.5V
13	CVBS	CVBS	1.7V
14	LOOP FILTER	LOOP FILTER	1.9V
15	ANALOG GND	GND	GND
16	SUB-AFT	SUB AUTO FINE TUNING CONTROL	2.64V
17	KEY 1	KEY SCAN 1	4.84V
18	MAIN-AFT	MAIN TUNER AFT	1.9V
19	KEY 2	KEY SCAN 2	-
20	KEY 3	KEY SCAN 3	-
21	ANALOG GND	GND	-
22	ANALOG VCC	VCC	5V
23	HALF TONE	SIGNAL FOR OSC-FREQUENCY OSD CONTROL	-
24	OSD B	ON SCREEN DISPLAY BLUE OUTPUT	-
25	OSD G	ON SCREEN DISPLAY GREEN OUTPUT	-
26	OSD R	ON SCREEN DISPLAY RED OUTPUT	-

PIN NO.	ITEM	FUNCTION	OUT VOLT
27	BLANK	BLAKING SIGNAL OUTPUT	-
28	HSYNC	HORIZONTAL SYNC INPUT	-
29	VSYNC	VERTICAL SYNC INPUT	-
30	SDA-1	DATA BUS LINE	4.5V
31	SCL-1	CLOCK BUS LINE	4.12V
32	D3	CONVERGENCE D3	-
33	N.C	N.C	-
34	N.C	N.C	-
35	/RESET	RESET	4.74V
36	XTAL1	XTAL 1	1.72V
37	XTAL2	XTAL 2	2.2V
38	GND	GND	-
39	VCC	VCC	5V
40	XTAL GND	GND	-
41	N.C	N.C	-
42	3D-RESET	3D PHONIC RESET	5V
43	AMP-MUTE	MAIN AMP MUTE	-
44	D1	CONVERGENCE D1	-
45	S/W-MUTE	SWITCH MUTE (NOT USED)	-
46	TIMER-LED	TIMER LED	4.7V
47	SDA-3	DATA BUS LINE	4.6V
48	SCL-3	CLOCK BUS LINE	4.6V
49	HOLD	HOLD	4.65V
50	BUS-STOP	I <sup>2</sup> C BUS STOP	5V
51	POWER2	PC POWER CONTROL	4.65V
52	D2	CONVERGENCE D2	-

## 4-9-2(B) INTERLACE

PIN NO.	ITEM	FUNCTION	OUT VOLT
1	POWER	POWER ON/OFF RELAY CONTROL	H-> L
2	IR IN	REMOCON INPUT	5V
3	V-MUTE	VIDEO SIGNAL MUTE	3V
4	N.C	N.C	-
5	N.C	N.C	-
6	CRTL 3	CONTROL-3PORT	5V
7	N.C	N.C	-
8	N.C	N.C	-
9	PROTECT	PROTECT PORT	-
10	N.C	N.C	-
11	SCL 2	CLOCK BUS LINE	4.5V
12	SDA 2	DATA BUS LINE	4.5V
13	CVBS	CVBS	1.7V
14	LOOP FILTER	LOOP FILTER	1.9V
15	ANALOG GND	GND	GND
16	SUB-AFT	SUB AUTO FINE TUNING CONTROL	2.64V
17	KEY 1	KEY SCAN 1	4.84V
18	MAIN-AFT	MAIN TUNER AFT	1.9V
19	KEY 2	KEY SCAN 2	-
20	KEY 3	KEY SCAN 3	-
21	ANALOG GND	GND	-
22	ANALOG VCC	VCC	5V
23	HALF TONE	SIGNAL FOR OSC-FREQUENCY OSD CONTROL	-
24	OSD B	ON SCREEN DISPLAY BLUE OUTPUT	-
25	OSD G	ON SCREEN DISPLAY GREEN OUTPUT	-
26	OSD R	ON SCREEN DISPLAY RED OUTPUT	-

PIN NO.	ITEM	FUNCTION	OUT VOLT
27	BLANK	BLAKING SIGNAL OUTPUT	-
28	HSYNC	HORIZONTAL SYNC INPUT	-
29	VSYNC	VERTICAL SYNC INPUT	-
30	SDA-1	DATA BUS LINE	4.5V
31	SCL-1	CLOCK BUS LINE	4.12V
32	D3	CONVERGENCE D3	-
33	N.C	N.C	-
34	N.C	N.C	-
35	/RESET	RESET	4.74V
36	XTAL1	XTAL 1	1.72V
37	XTAL2	XTAL 2	2.2V
38	GND	GND	-
39	VCC	VCC	5V
40	XTAL GND	GND	-
41	N.C	N.C	-
42	CRTL 2	CONTROL - 2 PORT	5V
43	AMP-MUTE	MAIN AMP MUTE	-
44	D1	CONVERGENCE D1	-
45	S/W-MUTE	SWITCH MUTE (NOT USED)	-
46	TIMER-LED	TIMER LED	4.7V
47	SDA-3	DATA BUS LINE	4.6V
48	SCL-3	CLOCK BUS LINE	4.6V
49	HOLD	HOLD	4.65V
50	BUS-STOP	I <sup>2</sup> C BUS STOP	5V
51	CRTL 1	CONTROL - 1 PORT	4.65V
52	D2	CONVERGENCE D2	-

## 4-9-3 Proscan Module (Progressive)

PIN NO.	ITEM	FUNCTION	OUT VOLT
1	DVD-Y	DVD-Y INPUT	2.04V
2	GND	GND	GND
3	CVBS/Y	CVBS/Y INPUT	1.76V
4	CIN	C-INPUT	2.92V
5	GND	GND	GND
6	E-Pr/R	E-Pr/R INPUT	2.0V
7	E-Y/G	E-Y/G INPUT	2.0V
8	E-Pb/B	E-Pb/B INPUT	2.0V
9	E-FB	FAST BLANKING INPUT	0.25V
10	GND	GND	GND
11	HS1	1H-SYNC OUT	-
12	VS1	VS1 OUT	-
13	GND	GND	GND
14	SDA-2	SERIAL DATA LINE 2	4.7V
15	SCL-2	SERIAL CLOCK LINE 2	4.8V
16	5V	5V	5V
17	HD	H-DRIVE OUT	1.6V
18	H-BLK	H-BLANK INPUT	-
19	VD+	VERTICAL DRIVE (+VOLTAGE)	2.90V
20	VD-	VERTICAL DRIVE (-VOLTAGE)	2.95V
21	ABL	ABL INPUT	2.15V
22	V-BLK	V-BLANKING	-
23	EW	EAST WEST OUT	2.2V
24	N.C	N.C	-
25	GND	GND	GND
26	V-OUT	V-OUT	N.C
27	H-OUT	H-OUT	N.C
28	HC	5V INPUT	-
29	GND	GND	GND
30	TEST-Y	WHEN CG ADJ PATTERN INPUT	-

PIN NO.	ITEM	FUNCTION	OUT VOLT
31	PC-R	N.C	-
32	PC-G	N.C	-
33	PC-B	N.C	-
34	PC-H	N.C	-
35	PC-V	N.C	-
36	GND	GND	GND
37	OSD-R	OSD-R INPUT	-
38	OSD-G	OSD-G INPUT	-
39	OSD-B	OSD-B INPUT	-
40	YS	BLANK(MICOM OUT)	-
41	YM	HALF TONE INPUT	-
42	V-MUTE	VIDEO MUTE (V-CHIP ON)	4.72V
43	GND	GND	GND
44	9V	9V	9V
45	D-Pr	D-Pr INPUT	-
46	D-Y	D-Y INPUT	-
47	D-Pb	D-Pb INPUT	-
48	PIP-F/B	N.C	-
49	GND	GND GND	
50	R-OUT	R-OUT	-
51	G-OUT	G-OUT	-
52	B-OUT	B-OUT	-
53	GND	GND	GND
54	IK	IK OUT	3.65V
55	SPOT	SPOT OUT	-
56	GND	GND	GND
57	VM-Y	VM-Y OUT	5.42V
58	VM-MUTE	N.C	-

## 4-9-4 Chroma Module (Interlace)

PIN NO.	ITEM	FUNCTION	OUT VOLT
1	N.C	N.C	-
2	GND	GND	GND
3	CVBS/Y	CVBS/Y INPUT	1.76V
4	CIN	C-INPUT	2.92V
5	GND	GND	GND
6	E-Pr/R	E-Pr/R INPUT	2.0V
7	E-Y/G	E-Y/G INPUT	2.0V
8	E-Pb/B	E-Pb/B INPUT	2.0V
9	E-FB	FAST BLANKING INPUT	0.25V
10	GND	GND	GND
11	HS1	1H-SYNC OUT	-
12	VS1	VS1 OUT	-
13	GND	GND	GND
14	SDA-2	SERIAL DATA LINE 2	4.7V
15	SCL-2	SERIAL CLOCK LINE 2	4.8V
16	N.C	N.C	-
17	HD	H-DRIVE OUT	1.6V
18	H-BLK	H-BLANK INPUT	-
19	VD+	VERTICAL DRIVE (+VOLTAGE)	2.90V
20	VD-	VERTICAL DRIVE (-VOLTAGE)	2.95V
21	ABL	ABL INPUT	2.15V
22	V-BLK	V-BLANKING	-
23	EW	EAST WEST OUT	2.2V
24	N.C	N.C	-
25	GND	GND	GND
26	N.C	N.C	-
27	FSC	FSC	-
28	HC	5V INPUT	-
29	GND	GND	GND
30	TEST-Y	WHEN CG ADJ PATTERN INPUT	-

PIN NO.	ITEM	FUNCTION	OUT VOLT
31	N.C	N.C	-
32	N.C	N.C	-
33	N.C	N.C	-
34	CRTL - 3	CRTL - 3	5V
35	CRTL - 1	CRTL - 1	5V
36	GND	GND	GND
37	OSD-R	OSD-R INPUT	-
38	OSD-G	OSD-G INPUT	-
39	OSD-B	OSD-B INPUT	-
40	YS	BLANK(MICOM OUT)	-
41	YM	HALF TONE INPUT	-
42	V-MUTE	VIDEO MUTE (V-CHIP ON)	4.72V
43	GND	GND	GND
44	9V	9V	9V
45	N.C	N.C	-
46	N.C	N.C	-
47	N.C	N.C	-
48	PIP-F/B	N.C	-
49	GND	GND	
50	R-OUT	R-OUT	-
51	G-OUT	G-OUT	-
52	B-OUT	B-OUT	-
53	GND	GND	GND
54	IK	IK OUT	3.65V
55	SPOT	SPOT OUT	-
56	GND	GND	GND
57	VM-Y	VM-Y OUT	5.42V
58	CTRL - 2	CTRL - 2	5V

## 4-9-5 PIP Module

PIN NO.	ITEM	FUNCTION	OUT VOLT
1	GND	GND	GND
2	TV	SUB-V INPUT	2.93V
3	GND	GND	GND
4	N.C	N.C	-
5	8V	8V INPUT	8V
6	N.C	N.C	-
7	PIP-Pr/R	PIP-Pr/R (DVD SIG) OUT	2.02V
8	PIP-Y/G	PIP-Y/G (DVD SIG) OUT	2.04V
9	PIP-Pb/B	PIP-Pb/B (DVD SIG) OUT	2.02V
10	PIP-FB	PIP FAST BLANKING	2.02V
11	12V	12V INPUT	12V
12	PIP-F/B	N.C	N.C
13	PIP-B	DVD-B IN	-
14	PIP-G	DVD-G IN	-
15	PIP-R	DVD-R IN	-
16	N.C	N.C	-
17	V-SYNC	V-SYNC INPUT	-
18	H-SYNC	H-SYNC INPUT	-
19	SCL	SERIAL CLOCK LINE	4.11V
20	SDA	SERIAL DATA LINE	4.5V
21	5V	5V INPUT	5V
22	GND	GND	GND

#### 4-9-6 3D/COMB Module

PIN NO.	ITEM	FUNCTION	OUT VOLT
1	VIDEO	MAIN VIDEO INPUT	2.74V
2	GND	GND	GND
3	9V	9V INPUT	9V
4	GND	GND	GND
5	SCL	SERIAL CLOCK LINE	4.1V
6	SDA	SERIAL DATA LINE	4.1V
7	V-3D	COPY GUARD REJECT SIGNAL	3.8V
8	5V	5V INPUT	5V
9	Y-OUT	MAIN Y OUT	-
10	GND	GND	GND
11	C-OUT	MAIN C OUT	-
12	GND	GND	GND

#### 4-9-7 IF MODULE

PIN NO.	ITEM	FUNCTION	OUT VOLT
1	SIF	SIF OUT	3.25V
2	9V	9V INPUT	9V
3	GND	GND	GND
4	IF	IF INPUT	4.5V
5	GND	GND	GND
6	AGC	RF AGC IN	5.37V
7	TV-VIDEO	TV-VIDEO OUT	-
8	AFT	MAIN AFT INPUT	2V
9	GND	GND	GND

**4-9-8 F/CONVERTER Module**

PIN NO.	ITEM	FUNCTION	OUT VOLT
1	5V	5V INPUT	5V
2	GND	GND	GND
3	R-IN	PC R INPUT	-
4	G-IN	PC G INPUT	-
5	B-IN	PC B INPUT	-
6	GND	GND	GND
7	HS	PC H-SYNC INPUT	-
8	VS	PC V-SYNC INPUT	-
9	GND	GND	GND
10	SDA	SERIAL DATA LINE	-
11	SCL	SERIAL CLOCK LINE	-
12	GND	GND	GND
13	IR	INPUT REMOCON	2.5V
14	GND	GND	GND
15	R-OUT/Y3	PC Y3 OUT	-
16	N.C	N.C	-
17	B-OUT/C3	PC C3 OUT	-

**4-9-9 3D-PHONIC Module**

PIN NO.	ITEM	FUNCTION	OUT VOLT
1	L-OUT	SOUND L-OUT	4.5V
2	AGND	GND	GND
3	R-OUT	SOUND R-OUT	4.5V
4	A-GND	GND	GND
5	C-OUT	SOUND CENTER OUT	-
6	A-GND	GND	GND
7	S-OUT	SURROUND OUT	0.83V
8	A-GND	GND	GND
9	12V	12V INPUT	12V
10	ENABLE	3D-ENABLE	5V
11	RESET	3D-RESET	5V
12	SDA	SERIAL DATA LINE	4.96V
13	SCL	SERIAL CLOCK LINE	4.96V
14	5V	5V INPUT	5V
15	L-IN	3D L-INPUT	3.86V
16	GND	GND	GND
17	R-IN 3D	R-INPUT	3.22V

**4-9-10 MTS Module**

PIN NO.	ITEM	FUNCTION	OUT VOLT
1	TV-R	TV R-SOUND OUT	-
2	TV-L	TV L-SOUND OUT	-
3	SCL	SERIAL CLOCK LINE	-
4	SDA	SERIAL DATA LINE	-
5	N.C	N.C	-
6	GND	GND	GND
7	SIF	SIF INPUT	-
8	N.C	N.C	-
9	N.C	N.C	-
10	9V	9V INPUT	9V

## 4-9-11 H/V Module

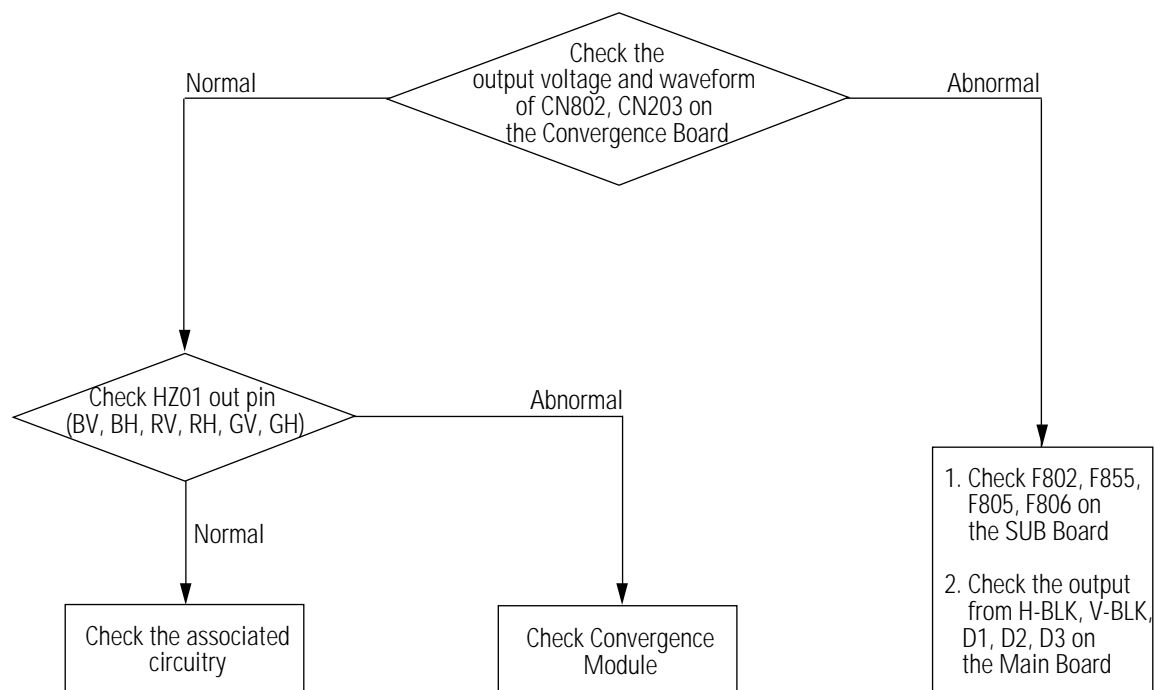
PIN NO.	ITEM	FUNCTION	OUT VOLT
1	12V	12V INPUT	12V
2	GND	GND	GND
3	HD	H-DRIVE INPUT	1.6V
4	V-BLK	V-BLANK INPUT	0.72V
5	2H-BLK	2H-BLANK OUT	0.54V
6	GND	GND	GND
7	PROTECT	PROTECT	ACTIV H
8	FBT-DC	FBT DC FEED BACK	4.87V
9	X-RAY	X-RAY PROTECT F/B	2.10V
10	N.C	N.C	-
11	HV-REG	HV-REG	3.54V
12	HV-DRIVE	HIGH VOLTAGE DRIVE	0.32V
13	H-DRIVE	H-DRIVE OUT	25V
14	GND	GND	GND
15	HEATER	HEATER INPUT	AC[0.7V]
16	N.C	N.C	-
17	208V	208V INPUT	208V
18	N.C	N.C	-
19	GND	GND	GND
20	V2	V2 INPUT	
21	N.C	N.C	-
22	N.C	N.C	-
23	D-FOCUS	DYNAMIC FOCUS OUT	-
24	N.C	N.C	-
25	N.C	N.C	-
26	SCREEN	SCREEN INPUT	1356V

**4-9-12 CONV- Module**

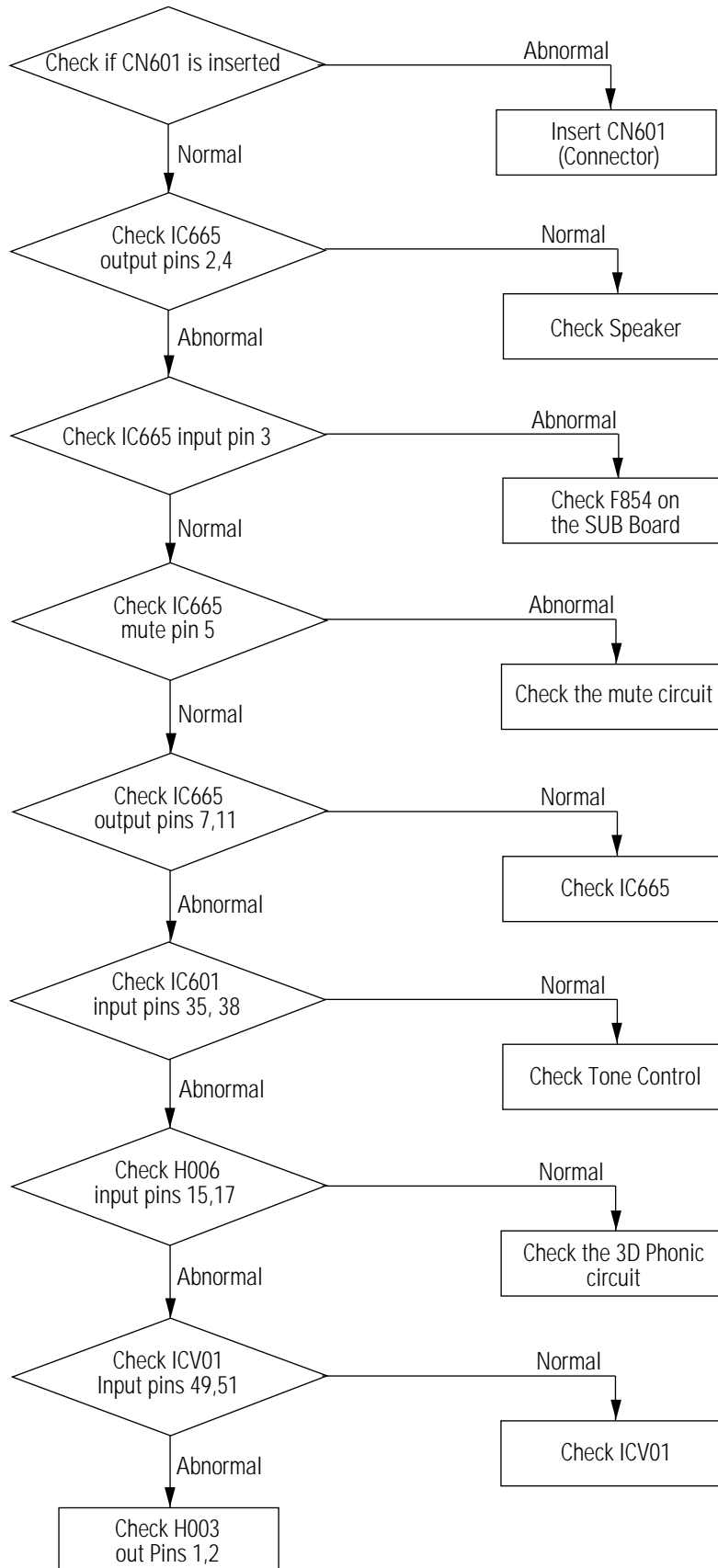
PIN NO.	ITEM	FUNCTION	OUT VOLT
1	SDA	D2	-
2	SCL	D1	-
3	GND	GND	GND
4	BV	BLUE VERTICAL OUT	-
5	BH	BLUE HORIZONTAL OUT	-
6	GV	GREEN VERTICAL OUT	-
7	GH	GREEN HORIZONTAL OUT	-
8	RV	RED VERTICAL OUT	-
9	RH	RED HORIZONTAL OUT	-
10	-5.4V	-5.4V INPUT	-5.4V
11	5.4V	5.4V INPUT	+5.4V
12	V-BLK	V-BLK INPUT	-
13	GND	GND	GND
14	H-BLK	H-BLK INPUT	0.52V
15	COMP	COMP VIDEO OUTPUT (N.C)	N.C
16	IR	INPUT REMOCON	3V
17	CTRL	CTRL (N.C)	N.C
18	D3/SEL	D3	0.2V
19	B	WHEN TEST PATTERN B OUT	-
20	G(TEST)	WHEN TEST PATTERN G OUT	-
21	R	WHEN TEST PATTERN R OUT	-
22	SYNC	SYNC OUTPUT	4.41V

## 5. Troubleshooting

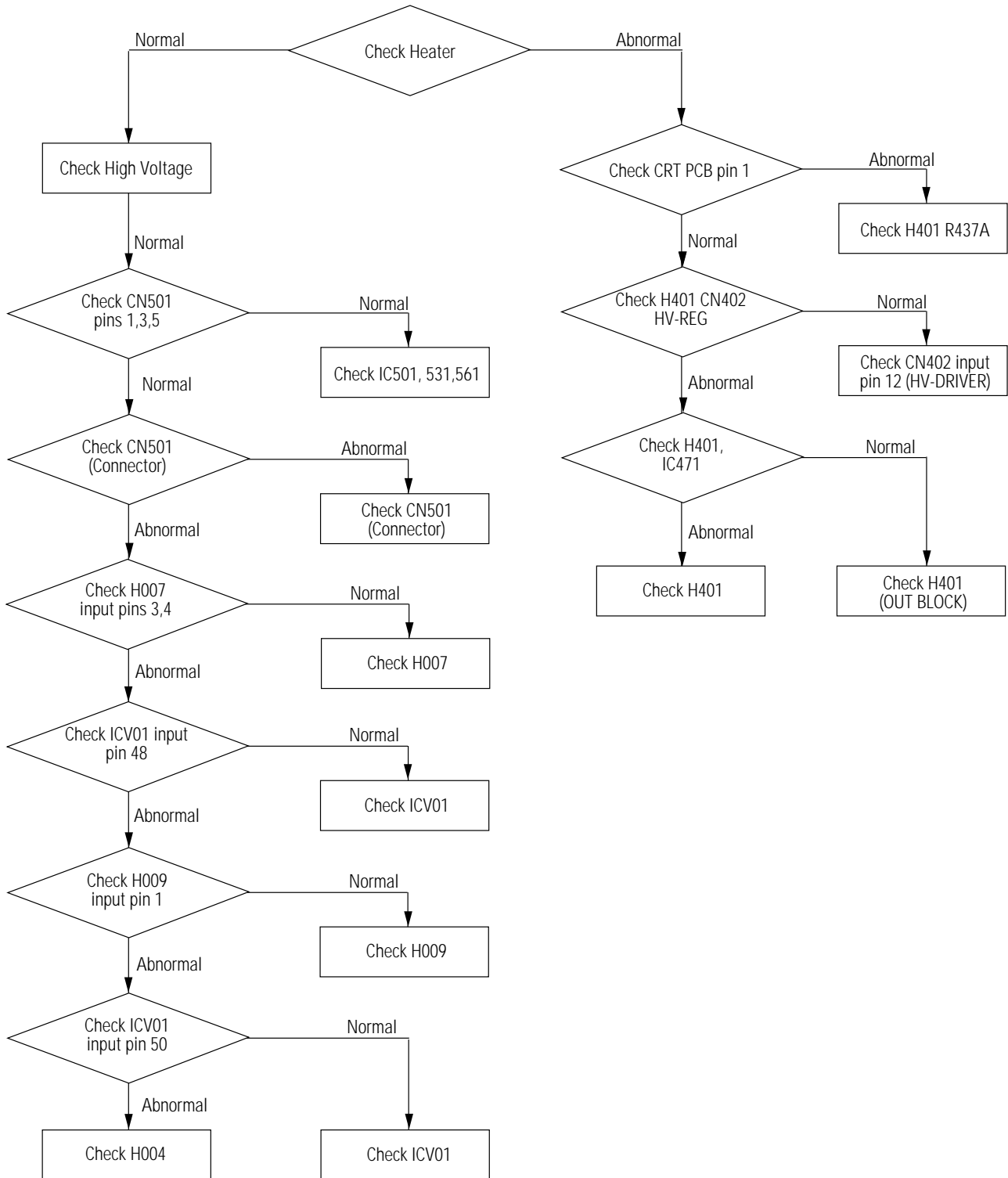
### 5-1 Convergence Misaligned



## 5-2 No Sound



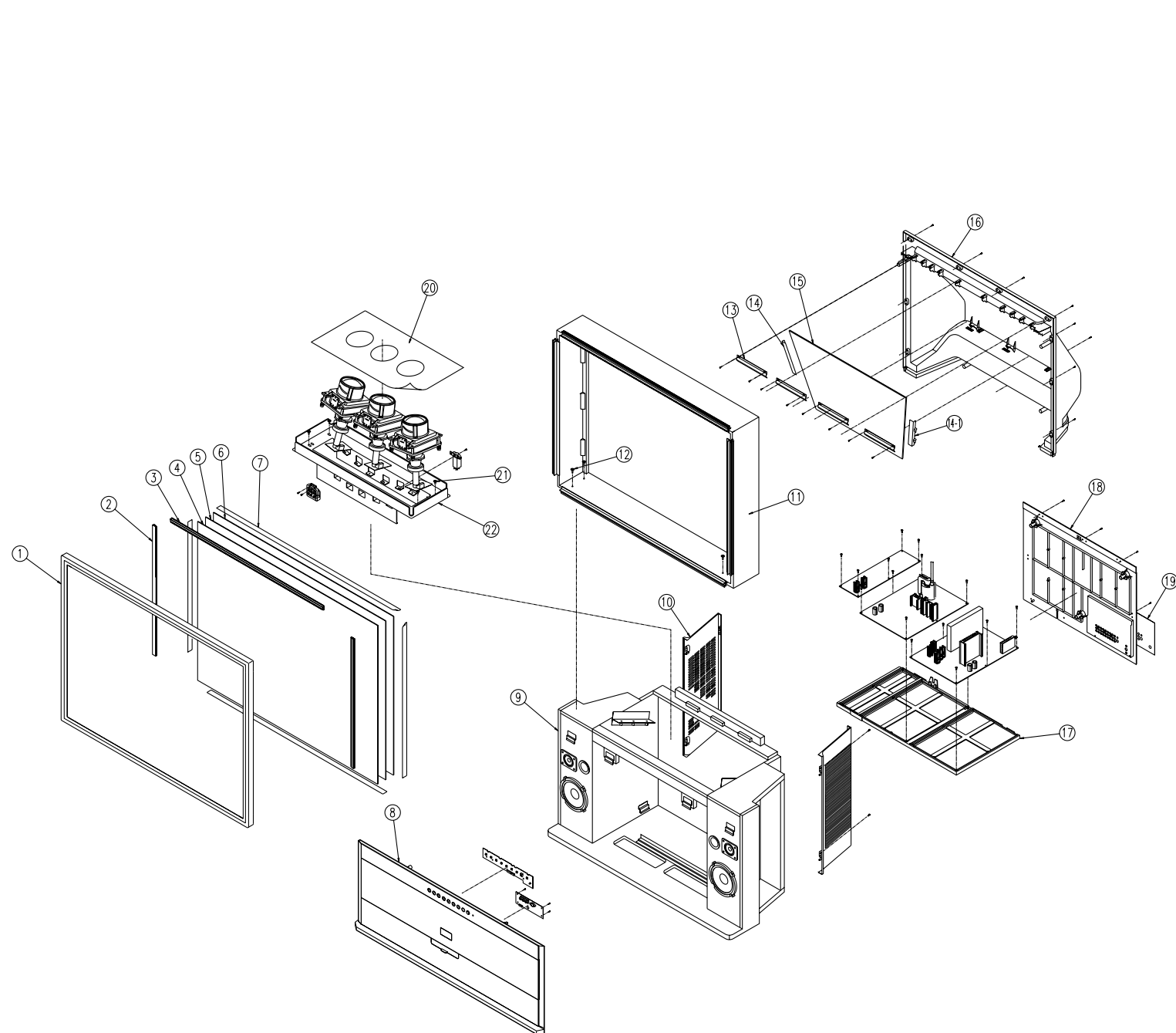
### 5-3 No Raster (Sound OK)



# MEMO

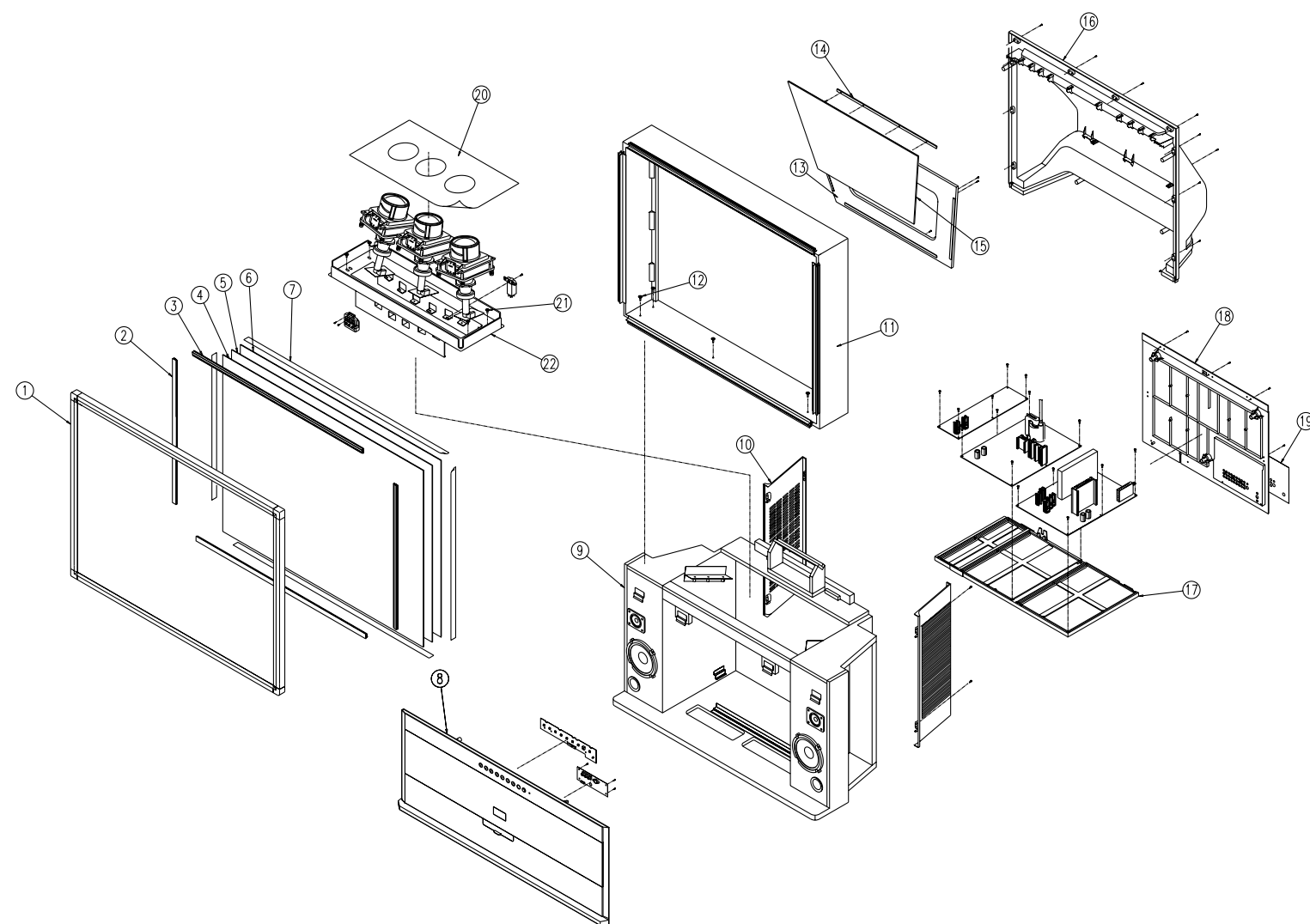
## 6. Exploded View & Parts List

### 6-1 ST54T63S/XAX



No	Code No	Description;Specification	Q'ty	Remark
1	AA64-02170D	CABINET-MASK,ETC;DP,ST54T6,ABS,HB,GRAY,S	1	
2	AA60-00069C	SPACER-SCREEN;43,54,62J8,ABS,-,-,-,BLK,-	2	
3	AA60-00069B	SPACER-SCREEN;43,54,62J8,ABS,-,-,-,BLK,-	2	
4		SUN SCREEN-AG		1
5	AA67-00116A	SCREEN-LENTI;53,-,T1,1123*852,-,-,-,TINT	1	
6	AA67-00116B	SCREEN-FRESNEL;53,-,T2,1125*854,-,-,-,-	1	
7		TAPE-OPP MASKING		4
8	AA91-00734M	ASSY CABINET BOT;DP,HIPS HB,SVM1126 SEA,	1	
9	AA64-01402C	CABINET-WOOD,BOT;54T6SR,WOOD,SDE8336R	1	
10	AA64-01850B	CABINET-BACK,SIDE;DP,54J9,-,-,-,VO,-,A	2	
11	AA64-01399A	CABINET-WOOD,TOP;54J8,WOOD,-,-,-,-,-	1	
12	6006-001094	SCREW-ASS'Y WOOD;WW,HH,+ ,M7,L32,ZPC(YEL)	8	AWTAWB
13	AA91-00661A	ASSY-BRKT,MIRROR;DP,91-00489B 22KG,54J9	4	
14		ASSY-HOLDER,MIRROR(L)		1
15		ASSY-HOLDER,MIRROR(R)		1
16		MIRROR-FRONT		1
17		HOLDER-CHASSIS		1
18	AA64-01849C	CABINET-BACK,BOT;DP,62J8,VO,AA64-01384B	1	
19		INLAY-BACK		1
20	AA60-00072B	SPACER-COVER,DUST;43,54,62J9,SPONGE 94HF	1	
21	6006-001094	SCREW-ASS'Y WOOD;WW,HH,+ ,M7,L32,ZPC(YEL)	4	CWBBCM
22	AA61-00475B	BRACKET-CRT,MAIN;54,SECC,T1.6,-,-,-,-	1	

6-2 ST62T63S/XAX



No	Code No	Description;Specification	Q'ty	Remark
1	AA64-01851H	CABINET-MASK,ETC;DP,ST62T6,ABS,HB,GRAY,S	1	
2	AA60-00069G	SPACER-SCREEN;43,53,61J8,ABS,-,-,-,BLK,-	2	
3	AA60-00069F	SPACER-SCREEN;43,53,61J8,ABS,-,-,-,BLK,-	2	
4		SUN SCREEN-AG	1	
5	AA67-70056A	SCREEN-TINT;61',896-985,2.7,1283*973,	1	
6		SCREEN-FRESNEL	1	
7		TAPE-OPP MASKING	4	
8	AA91-00858D	ASSY CABINET BOT;DP,HIPS HB,SVM1126 SEA,	1	
9	AA64-01921D	CABINET-WOOD,BOT;62T6,WOOD SDE8319R	1	
10	AA64-01850B	CABINET-BACK,SIDE;DP,54J9,-,-,-,V0,-,A	2	
11	AA64-01400A	CABINET-WOOD,TOP;61J8,WOOD,-,-,-,-,-	1	
12	6005-001004	SCREW-WOOD;HH,+,M4,L27,BLK,SWRCH18A	8	CMWCWT
13	AA63-00386A	COVER-MIRROR,WOOD;62J8,WOOD,-,-,-,-,AS	1	
14	AA61-00357B	HOLDER-MIRROR;PCJ612R,ABS,-,-,-,BLK,HB,L	1	
15		MIRROR-FRONT	1	
16	AA64-01870B	CABINET-BACK,TOP;62J9,HIPS HB,-,-,-,BL	1	
17	AA61-00504B	HOLDER-CHASSIS;43,54,62J8,ABS,-,-,-,GRAY	1	
18	AA64-01384B	CABINET-BACK,BOT;43,54,62J8,HIPS,-,-,-,V	1	
19		INLAY-BACK	1	
20	AA60-00072B	SPACER-COVER,DUST;43,54,62J9,SPONGE 94HF	1	
21	6006-001094	SCREW-ASS'Y WOOD;WW,HH,+,M7,L32,ZPC(YEL)	4	CWBBCM
22	AA61-00617B	BRACKET-CRT,MAIN;DP,54J7,AA61-00475B	1	











Loc. No.	Code No.	Description ; Specification	Remark
△...3	T461	AA26-50001V TRANS-HORIZ.DRIVE;-,-,6.0mH,-,-,113uH,	
△...3	T481	AA26-50001W TRANS-HORIZ.DRIVE;-,-,830uH,-,-,23uH,-	
△...3	T802	AA26-00034A TRANS-SWITCHING;-,-,AC90-260V,-,UL/CSA	
...	6003-001023	SCREW-TAPTITE;RWH,+B,M3,L10,ZPC(YEL),SW	S.N.A
...	AA97-04937A	ASSY AUTO-SUB;ST524J,P51A	S.N.A
...	C301	2305-000149 C-FILM,MPEF;100nF,5%,100V,TP,12x12.5x6.5	
...	C302	2201-000292 C-CERAMIC,DISC;1nF,10%,50V,Y5P,TP,5x3.5,	
...	C303	2305-000149 C-FILM,MPEF;100nF,5%,100V,TP,12x12.5x6.5	
...	C304	2201-000292 C-CERAMIC,DISC;1nF,10%,50V,Y5P,TP,5x3.5,	
...	C305	2201-000202 C-CERAMIC,DISC;0.005nF,0.25pF,500V,NP0,T	
...	C307	2401-000365 C-AL;100uF,20%,50V,WT,TP,10x12.5mm,	
...	C308	2401-000365 C-AL;100uF,20%,50V,WT,TP,10x12.5mm,	
...	C309	2305-000285 C-FILM,MPEF;220nF,5%,100V,TP,10.5X5.5X15	
...	C311	2305-000149 C-FILM,MPEF;100nF,5%,100V,TP,12x12.5x6.5	
...	C412	2301-000383 C-FILM,PEF;10nF,5%,50V,TP,6x7x3.2mm,5mm	
...	C413	2401-000360 C-AL;100uF,20%,50V,GP,TP,8x11.5,5	
...	C417	2401-001397 C-AL;470uF,20%,25V,GP,TP,10x16,5	
...	C418	2401-000360 C-AL;100uF,20%,50V,GP,TP,8x11.5,5	
...	C419	2201-000180 C-CERAMIC,DISC;10nF,10%,50V,Y5V,TP,7x3,5	
...	C426	2401-000360 C-AL;100uF,20%,50V,GP,TP,8x11.5,5	
...	C427	2401-002300 C-AL;47uF,20%,50V,GP,TP,6.3x11,5	
...	C428	2306-000122 C-FILM,MPPF;100nF,5%,50V,TP,7.3x4.0x5.0m	
...	C437	2401-003114 C-AL;4.7uF,20%,250V,WT,TP,10x16,5	
...	C441	2401-000262 C-AL;100uF,20%,160V,HR,TP,16x25,7,5	
...	C445	2401-001622 C-AL;6.8uF,20%,50V,BP,TP,16x25mm,7	
...	C450	2401-000262 C-AL;100uF,20%,160V,HR,TP,16x25,7,5	
...	C451	2401-001160 C-AL;33uF,20%,160V,GP,-,16x35mm,7,5	
...	C452	2201-000132 C-CERAMIC,DISC;0.1nF,10%,500V,Y5P,TP,6,5	
...	C453	2401-002288 C-AL;470uF,20%,25V,WT,TP,10x20,5	
...	C454	2401-001429 C-AL;470uF,20%,50V,GP,TP,13x20,5	
...	C455	2201-000132 C-CERAMIC,DISC;0.1nF,10%,500V,Y5P,TP,6,5	
...	C457	2201-000132 C-CERAMIC,DISC;0.1nF,10%,500V,Y5P,TP,6,5	
...	C458	2401-002288 C-AL;470uF,20%,25V,WT,TP,10x20,5	
...	C467	2401-000360 C-AL;100uF,20%,50V,GP,TP,8x11.5,5	
...	C468	2201-000119 C-CERAMIC,DISC;100nF,+80-20%,50V,Y5V,TP,	
...	C469	2201-000291 C-CERAMIC,DISC;1nF,10%,500V,Y5P,TP,7.5x3	
...	C472	2401-000262 C-AL;100uF,20%,160V,HR,TP,16x25,7,5	
...	C476	2401-001017 C-AL;3.3uF,20%,50V,BP,TP,5X11,5	
...	C478	2301-000020 C-FILM,PEF;27nF,5%,100V,TP,7.3x4x12.5mm,	
...	C479	2301-000200 C-FILM,PEF;2.2nF,5%,200V,TP,11.0x6.0x9.0	
...	C483	2401-000660 C-AL;2.2uF,20%,50V,GP,TP,5x11,5	
...	C484	2201-000132 C-CERAMIC,DISC;0.1nF,10%,500V,Y5P,TP,6,5	
...	C809	2201-000551 C-CERAMIC,DISC;0.47nF,10%,1kV,Y5P,TP,6.3	
...	C814	2201-002041 C-CERAMIC,DISC;0.82nF,10%,2kV,Y5P,TP,9x5	
...	C815	2201-000406 C-CERAMIC,DISC;0.27nF,10%,2kV,Y5P,TP,6,3	
...	C816	2201-000332 C-CERAMIC,DISC;2.2nF,20%,250V,Y5U,TP,9x4	
...	C817	2201-000332 C-CERAMIC,DISC;2.2nF,20%,250V,Y5U,TP,9x4	
...	C818	2301-001216 C-FILM,PPF;47nF,5%,630V,TP,20x14.5x22,7	
...	C819	2201-000332 C-CERAMIC,DISC;2.2nF,20%,250V,Y5U,TP,9x4	
...	C833	2201-000292 C-CERAMIC,DISC;1nF,10%,50V,Y5P,TP,5x3.5,	
...	C834	2401-003028 C-AL;100uF,20%,25V,WT,TP,6.3x11,5	
...	C835	2401-000030 C-AL;22uF,20%,25V,GP,TP,5x11,5	
...	C851	2201-000551 C-CERAMIC,DISC;0.47nF,10%,1kV,Y5P,TP,6.3	
...	C852	2401-000133 C-AL;1000uF,20%,16V,GP,TP,10x20,5	
...	C854	2201-000551 C-CERAMIC,DISC;0.47nF,10%,1kV,Y5P,TP,6.3	
...	C855	2401-003141 C-AL;2200uF,20%,25V,WT,TP,13x25,5mm	
...	C857	2401-000133 C-AL;1000uF,20%,16V,GP,TP,10x20,5	
...	C861	2201-000551 C-CERAMIC,DISC;0.47nF,10%,1kV,Y5P,TP,6.3	
...	C864	2201-000551 C-CERAMIC,DISC;0.47nF,10%,1kV,Y5P,TP,6.3	
...	C866	2401-000192 C-AL;1000uF,20%,50V,GP,TP,16x25,7,5	
...	C869	2401-000192 C-AL;1000uF,20%,50V,GP,TP,16x25,7,5	
...	C871	2201-000551 C-CERAMIC,DISC;0.47nF,10%,1kV,Y5P,TP,6.3	
...	C872	2401-000703 C-AL;2200uF,20%,25V,GP,-,12.5x25mm,	
...	C873	2401-001998 C-AL;1000uF,20%,25V,GP,TP,10x20,5mm	
...	C874	2201-000551 C-CERAMIC,DISC;0.47nF,10%,1kV,Y5P,TP,6.3	
...	C877	2305-000427 C-FILM,MPEF;47nF,5%,100V,TP,7.5x12.5x3.5	
...	D302	0402-000546 DIODE-RECTIFIER;TVR10G,400V,1.0A,DO-41,T	
...	D433	0402-000537 DIODE-RECTIFIER;RH1A,600V,0.6A,DO-204AC	
...	D435	0402-000132 DIODE-RECTIFIER;1N4004,400V,1A,DO-41,TP	
...	D438	0402-000546 DIODE-RECTIFIER;TVR10G,400V,1.0A,DO-41,T	
...	D440	0402-000534 DIODE-RECTIFIER;RG10V,400V,1.2A,DO-201,T	
...	D441	0402-000534 DIODE-RECTIFIER;RG10V,400V,1.2A,DO-201,T	
...	D444	0402-000546 DIODE-RECTIFIER;TVR10G,400V,1.0A,DO-41,T	
...	D445	0402-000534 DIODE-RECTIFIER;RG10V,400V,1.2A,DO-201,T	
...	D469	0402-000132 DIODE-RECTIFIER;1N4004,400V,1A,DO-41,TP	
...	D472	0402-000546 DIODE-RECTIFIER;TVR10G,400V,1.0A,DO-41,T	
...	D474	0402-000546 DIODE-RECTIFIER;TVR10G,400V,1.0A,DO-41,T	

Loc. No.	Code No.	Description ; Specification	Remark
△...4	D801	1405-000152 VARISTOR;560V,2500A,14x8.5mm,TP	
△...4	D802	1405-000152 VARISTOR;560V,2500A,14x8.5mm,TP	
△...4	D805	0402-000546 DIODE-RECTIFIER;TVR10G,400V,1.0A,DO-41,T	
△...4	D834	0402-000546 DIODE-RECTIFIER;TVR10G,400V,1.0A,DO-41,T	
△...4	D839	0402-000243 DIODE-RECTIFIER;RC2-V1,2000V,0.2A,DO-201	
△...4	D842	0402-000546 DIODE-RECTIFIER;TVR10G,400V,1.0A,DO-41,T	
△...4	D843	0402-000546 DIODE-RECTIFIER;TVR10G,400V,1.0A,DO-41,T	
△...4	D851	0402-000493 DIODE-RECTIFIER;1R5G4U1,400V,1.5A,DO-15L	
...	DZ301	0403-001327 DIODE-ZENER;MTZJ18A,16.22-17.06V,500mW,D	
...	DZ304	0403-001327 DIODE-ZENER;MTZJ18A,16.22-17.06V,500mW,D	
...	DZ305	0403-001329 DIODE-ZENER;MTZJ24B,22.61-23.77V,500mW,D	
...	DZ306	0403-001167 DIODE-ZENER;MTZJ30D,30V,29.02-30.51V,500	
...	DZ307	0403-001329 DIODE-ZENER;MTZJ24B,22.61-23.77V,500mW,D	
...	DZ413	0403-001319 DIODE-ZENER;MTZJ4.7C,4.68-4.93V,500mW,DO	
...	DZ473	0403-000720 DIODE-ZENER;MTZJ9.1B,9.1V,8.57-9.01V,500	
...	DZ837	0403-000170 DIODE-ZENER;1N4762,82V,1.0A,DO-41,TP	
...	DZ840	0403-001039 DIODE-ZENER;MA2560,56V,52-60V,1W,DO-41,T	
...	DZ841	0403-000691 DIODE-ZENER;R2K,170V,170-200V,-,TP	
...	DZ842	0403-000700 DIODE-ZENER;TZP33A,33V,31-35V,1W,DO-41,T	
...	DZ858	0403-001325 DIODE-ZENER;MTZJ15C,14.35-15.09V,500mW,D	
...	EL09	AA60-40011B EYELET;ID2.2,0D3.2,-,-,BSP-	S.N.A
...	EL10	AA60-40011B EYELET;ID2.2,0D3.2,-,-,BSP-	S.N.A
...	EL11	AA60-40011B EYELET;ID2.2,0D3.2,-,-,BSP-	S.N.A
...	EL12	AA60-40011B EYELET;ID2.2,0D3.2,-,-,BSP-	S.N.A
...	EL13	AA60-40011B EYELET;ID2.2,0D3.2,-,-,BSP-	S.N.A
...	EL14	AA60-40011B EYELET;ID2.2,0D3.2,-,-,BSP-	S.N.A
...	EL15	AA60-40011B EYELET;ID2.2,0D3.2,-,-,BSP-	S.N.A
...	EL18	AA60-40011B EYELET;ID2.2,0D3.2,-,-,BSP-	S.N.A
...	EL19	AA60-40011B EYELET;ID2.2,0D3.2,-,-,BSP-	S.N.A
...	EL20	AA60-40011B EYELET;ID2.2,0D3.2,-,-,BSP-	S.N.A
...	EL21	AA60-40011B EYELET;ID2.2,0D3.2,-,-,BSP-	S.N.A
...	EL22	AA60-40011B EYELET;ID2.2,0D3.2,-,-,BSP-	S.N.A
...	EL25	AA60-40011B EYELET;ID2.2,0D3.2,-,-,BSP-	S.N.A
...	EY01	AA60-40011A EYELET;ID2.0,0D2.8,-,-,BST-	S.N.A
...	EY05	AA60-40011A EYELET;ID2.0,0D2.8,-,-,BST-	S.N.A
...	EY06	AA60-40011A EYELET;ID2.0,0D2.8,-,-,BST-	S.N.A
...	EY09	AA60-40011A EYELET;ID2.0,0D2.8,-,-,BST-	S.N.A
...	EY10	AA60-40011A EYELET;ID2.0,0D2.8,-,-,BST-	S.N.A
...	EY100	AA60-40011A EYELET;ID2.0,0D2.8,-,-,BST-	S.N.A
...	EY101	AA60-40011A EYELET;ID2.0,0D2.8,-,-,BST-	S.N.A
...	EY102	AA60-40011A EYELET;ID2.0,0D2.8,-,-,BST-	S.N.A
...	EY103	AA60-40011A EYELET;ID2.0,0D2.8,-,-,BST-	S.N.A
...	EY104	AA60-40011A EYELET;ID2.0,0D2.8,-,-,BST-	S.N.A
...	EY105	AA60-40011A EYELET;ID2.0,0D2.8,-,-,BST-	S.N.A
...	EY106	AA60-40011A EYELET;ID2.0,0D2.8,-,-,BST-	S.N.A
...	EY107	AA60-40011A EYELET;ID2.0,0D2.8,-,-,BST-	S.N.A
...	EY108	AA60-40011A EYELET;ID2.0,0D2.8,-,-,BST-	S.N.A
...	EY109	AA60-40011A EYELET;ID2.0,0D2.8,-,-,BST-	S.N.A
...	EY11	AA60-40011A EYELET;ID2.0,0D2.8,-,-,BST-	S.N.A
...	EY110	AA60-40011A EYELET;ID2.0,0D2.8,-,-,BST-	S.N.A
...	EY111	AA60-40011A EYELET;ID2.0,0D2.8,-,-,BST-	S.N.A
...	EY112	AA60-40011A EYELET;ID2.0,0D2.8,-,-,BST-	S.N.A
...	EY113	AA60-40011A EYELET;ID2.0,0D2.8,-,-,BST-	S.N.A
...	EY114	AA60-40011A EYELET;ID2.0,0D2.8,-,-,BST-	S.N.A
...	EY115	AA60-40011A EYELET;ID2.0,0D2.8,-,-,BST-	S.N.A
...	EY116	AA60-40011A EYELET;ID2.0,0D2.8,-,-,BST-	S.N.A
...	EY117	AA60-40011A EYELET;ID2.0,0D2.8,-,-,BST-	S.N.A
...	EY118	AA60-40011A EYELET;ID2.0,0D2.8,-,-,BST-	S.N.A
...	EY119	AA60-40011A EYELET;ID2.0,0D2.8,-,-,BST-	S.N.A
...	EY12	AA60-40011A EYELET;ID2.0,0D2.8,-,-,BST-	S.N.A
...	EY120	AA60-40011A EYELET;ID2.0,0D2.8,-,-,BST-	S.N.A
...	EY122	AA60-40011A EYELET;ID2.0,0D2.8,-,-,BST-	S.N.A
...	EY123	AA60-40011A EYELET;ID2.0,0D2.8,-,-,BST-	S.N.A
...	EY124	AA60-40011A EYELET;ID2.0,0D2.8,-,-,BST-	S.N.A
...	EY125	AA60-40011A EYELET;ID2.0,0D2.8,-,-,BST-	S.N.A
...	EY126	AA60-40011A EYELET;ID2.0,0D2.8,-,-,BST-	S.N.A
...	EY127	AA60-40011A EYELET;ID2.0,0D2.8,-,-,BST-	S.N.A
...	EY128	AA60-40011A EYELET;ID2.0,0D2.8,-,-,BST-	S.N.A
...	EY129	AA60-40011A EYELET;ID2.0,0D2.8,-,-,BST-	S.N.A
...	EY13	AA60-40011A EYELET;ID2.0,0D2.8,-,-,BST-	S.N.A
...	EY130	AA60-40011A EYELET;ID2.0,0D2.8,-,-,BST-	S.N.A
...	EY131	AA60-40011A EYELET;ID2.0,0D2.8,-,-,BST-	S.N.A
...	EY132	AA60-40011A EYELET;ID2.0,0D2.8,-,-,BST-	S.N.A
...	EY133	AA60-40011A EYELET;ID2.0,0D2.8,-,-,BST-	S.N.A
...	EY134	AA60-40011A EYELET;ID2.0,0D2.8,-,-,BST-	S.N.A
...	EY135	AA60-40011A EYELET;ID2.0,0D2.8,-,-,BST-	S.N.A







Electrical Parts List

Loc. No.	Code No.	Description ; Specification	Remark	Loc. No.	Code No.	Description ; Specification	Remark	
.....5	C225	2305-000665	C-FILM,MPEF;100nF,5%,63V,TP,7.5x4.0x5.0m	.....6	IC205	1204-001214	IC-CHROMA;CXA1839Q,QFP,48P,-,PLASTIC,11V	
.....5	C226	2305-000665	C-FILM,MPEF;100nF,5%,63V,TP,7.5x4.0x5.0m	.....6	R201	2007-000029	R-CHIP;00HM,5%,1/10W,DA,TP,2012	
.....5	C227	2305-000665	C-FILM,MPEF;100nF,5%,63V,TP,7.5x4.0x5.0m	.....6	R202	2007-000931	R-CHIP;4700HM,5%,1/10W,DA,TP,2012	
.....5	C228	2301-000383	C-FILM,PEF;10nF,5%,50V,TP,6x7x3.2mm,5mm	.....6	R203	2007-000931	R-CHIP;4700HM,5%,1/10W,DA,TP,2012	
.....5	C229	2301-000383	C-FILM,PEF;10nF,5%,50V,TP,6x7x3.2mm,5mm	.....6	R204	2007-000210	R-CHIP;1.1KOHM,5%,1/10W,DA,TP,2012	
.....5	C230	2301-000383	C-FILM,PEF;10nF,5%,50V,TP,6x7x3.2mm,5mm	.....6	R205	2007-000710	R-CHIP;3.9KOHM,5%,1/10W,DA,TP,2012	
.....5	C231	2305-000411	C-FILM,MPEF;470nF,5%,50V,TP,7.3x4.8x5.5m	.....6	R206	2007-000686	R-CHIP;3.3KOHM,5%,1/10W,DA,TP,2012	
.....5	C232	2305-000411	C-FILM,MPEF;470nF,5%,50V,TP,7.3x4.8x5.5m	.....6	R207	2007-000468	R-CHIP;1KOHM,5%,1/10W,DA,TP,2012	
.....5	C233	2305-000411	C-FILM,MPEF;470nF,5%,50V,TP,7.3x4.8x5.5m	.....6	R208	2007-000931	R-CHIP;4700HM,5%,1/10W,DA,TP,2012	
.....5	C234	2201-000573	C-CERAMIC,DISC;0.047nF,5%,50V,NP0,TP,5x3	.....6	R209	2007-000290	R-CHIP;1000HM,5%,1/10W,DA,TP,2012	
.....5	C235	2201-000573	C-CERAMIC,DISC;0.047nF,5%,50V,NP0,TP,5x3	.....6	R210	2007-000757	R-CHIP;330KOHM,5%,1/10W,DA,TP,2012	
.....5	C236	2305-000289	C-FILM,MPEF;220nF,5%,63V,TP,-,5mm	.....6	R211	2007-000406	R-CHIP;15KOHM,1%,1/10W,DA,TP,2012	
.....5	C237	2401-002299	C-AL;4.7uF,20%,50V,GP,TP,5x7,5	.....6	R212	2007-001664	R-CHIP;3900HM,1%,1/10W,DA,TP,2012	
.....5	C238	2401-001333	C-AL;470nF,20%,50V,GP,TP,5x11,5	.....6	R213	2007-001071	R-CHIP;6.8KOHM,5%,1/10W,DA,TP,2012	
.....5	C239	2201-000558	C-CERAMIC,DISC;0.47nF,10%,50V,Y5P,TP,5x3	.....6	R214	2007-000270	R-CHIP;1.8MOHM,5%,1/10W,DA,TP,2012	
.....5	C240	2201-000247	C-CERAMIC,DISC;0.015nF,5%,50V,NP0,TP,5x3	.....6	R215	2007-000468	R-CHIP;1KOHM,5%,1/10W,DA,TP,2012	
.....5	C241	2305-000665	C-FILM,MPEF;100nF,5%,63V,TP,7.5x4.0x5.0m	.....6	R216	2007-000507	R-CHIP;2.49KOHM,1%,1/10W,DA,TP,2012	
.....5	C242	2401-001537	C-AL;47uF,20%,25V,GP,TP,6.3x7mm,5mm	.....6	R217	2007-000300	R-CHIP;10KOHM,5%,1/10W,DA,TP,2012	
.....5	C243	2401-000302	C-AL;100uF,20%,25V,GP,TP,6.3x11,5	.....6	R219	2007-000290	R-CHIP;1000HM,5%,1/10W,DA,TP,2012	
.....5	C244	2201-000119	C-CERAMIC,DISC;100nF,+80-20%,50V,Y5V,TP,	.....6	R220	2007-000465	R-CHIP;1KOHM,1%,1/10W,DA,TP,2012	
.....5	C245	2401-000404	C-AL;10uF,20%,16V,BP,TP,5x11,5	.....6	R221	2007-000290	R-CHIP;1000HM,5%,1/10W,DA,TP,2012	
.....5	C254	2401-001537	C-AL;47uF,20%,25V,GP,TP,6.3x7mm,5mm	.....6	R222	2007-000290	R-CHIP;1000HM,5%,1/10W,DA,TP,2012	
.....5	C255	2305-000665	C-FILM,MPEF;100nF,5%,63V,TP,7.5x4.0x5.0m	.....6	R223	2007-000468	R-CHIP;1KOHM,5%,1/10W,DA,TP,2012	
.....5	C256	2305-000665	C-FILM,MPEF;100nF,5%,63V,TP,7.5x4.0x5.0m	.....6	R224	2007-000290	R-CHIP;1000HM,5%,1/10W,DA,TP,2012	
.....5	C257	2401-001537	C-AL;47uF,20%,25V,GP,TP,6.3x7mm,5mm	.....6	R225	2007-000468	R-CHIP;1KOHM,5%,1/10W,DA,TP,2012	
.....5	C260	2301-000383	C-FILM,PEF;10nF,5%,50V,TP,6x7x3.2mm,5mm	.....6	R226	2007-000941	R-CHIP;47KOHM,5%,1/10W,DA,TP,2012	
.....5	C261	2301-000383	C-FILM,PEF;10nF,5%,50V,TP,6x7x3.2mm,5mm	.....6	R229	2007-000290	R-CHIP;1000HM,5%,1/10W,DA,TP,2012	
.....5	C262	2301-000383	C-FILM,PEF;10nF,5%,50V,TP,6x7x3.2mm,5mm	.....6	R230	2007-000409	R-CHIP;15KOHM,5%,1/10W,DA,TP,2012	
.....5	C263	2401-001537	C-AL;47uF,20%,25V,GP,TP,6.3x7mm,5mm	.....6	R231	2007-000468	R-CHIP;1KOHM,5%,1/10W,DA,TP,2012	
.....5	C264	2305-000665	C-FILM,MPEF;100nF,5%,63V,TP,7.5x4.0x5.0m	.....6	R233	2007-000572	R-CHIP;2200HM,5%,1/10W,DA,TP,2012	
.....5	C265	2301-000383	C-FILM,PEF;10nF,5%,50V,TP,6x7x3.2mm,5mm	.....6	R234	2007-000468	R-CHIP;1KOHM,5%,1/10W,DA,TP,2012	
.....5	C266	2301-000383	C-FILM,PEF;10nF,5%,50V,TP,6x7x3.2mm,5mm	.....6	R235	2007-000290	R-CHIP;1000HM,5%,1/10W,DA,TP,2012	
.....5	C267	2301-000383	C-FILM,PEF;10nF,5%,50V,TP,6x7x3.2mm,5mm	.....6	R237	2007-000572	R-CHIP;2200HM,5%,1/10W,DA,TP,2012	
.....5	C268	2201-000573	C-CERAMIC,DISC;0.047nF,5%,50V,NP0,TP,5x3	.....6	R238	2007-000468	R-CHIP;1KOHM,5%,1/10W,DA,TP,2012	
.....5	C269	2201-000573	C-CERAMIC,DISC;0.047nF,5%,50V,NP0,TP,5x3	.....6	R239	2007-000290	R-CHIP;1000HM,5%,1/10W,DA,TP,2012	
.....5	C270	2401-000480	C-AL;10uF,20%,50V,GP,TP,5x11,5	.....6	R241	2007-000572	R-CHIP;2200HM,5%,1/10W,DA,TP,2012	
.....5	C271	2305-000411	C-FILM,MPEF;470nF,5%,50V,TP,7.3x4.8x5.5m	.....6	R243	2007-000290	R-CHIP;1000HM,5%,1/10W,DA,TP,2012	
.....5	C272	2305-000665	C-FILM,MPEF;100nF,5%,63V,TP,7.5x4.0x5.0m	.....6	R244	2007-000267	R-CHIP;1.8KOHM,5%,1/10W,DA,TP,2012	
.....5	C273	2401-001537	C-AL;47uF,20%,25V,GP,TP,6.3x7mm,5mm	.....6	R245	2007-000267	R-CHIP;1.8KOHM,5%,1/10W,DA,TP,2012	
.....5	C274	2301-000383	C-FILM,PEF;10nF,5%,50V,TP,6x7x3.2mm,5mm	.....6	R246	2007-000267	R-CHIP;1.8KOHM,5%,1/10W,DA,TP,2012	
.....5	C275	2301-000383	C-FILM,PEF;10nF,5%,50V,TP,6x7x3.2mm,5mm	.....6	R247	2007-000572	R-CHIP;2200HM,5%,1/10W,DA,TP,2012	
.....5	C276	2301-000383	C-FILM,PEF;10nF,5%,50V,TP,6x7x3.2mm,5mm	.....6	R248	2007-000572	R-CHIP;2200HM,5%,1/10W,DA,TP,2012	
.....5	C277	2301-000383	C-FILM,PEF;10nF,5%,50V,TP,6x7x3.2mm,5mm	.....6	R249	2007-000572	R-CHIP;2200HM,5%,1/10W,DA,TP,2012	
.....5	C278	2301-000383	C-FILM,PEF;10nF,5%,50V,TP,6x7x3.2mm,5mm	.....6	R250	2007-000572	R-CHIP;2200HM,5%,1/10W,DA,TP,2012	
.....5	C279	2301-000383	C-FILM,PEF;10nF,5%,50V,TP,6x7x3.2mm,5mm	.....6	R251	2007-000572	R-CHIP;2200HM,5%,1/10W,DA,TP,2012	
.....5	L201	2702-001094	INDUCTOR-RADIAL;10uH,10%,6x4mm	.....6	R252	2007-000572	R-CHIP;2200HM,5%,1/10W,DA,TP,2012	
.....5	L203	2702-001094	INDUCTOR-RADIAL;10uH,10%,6x4mm	.....6	R253	2007-000290	R-CHIP;1000HM,5%,1/10W,DA,TP,2012	
.....5	Q201	0501-000389	TR-SMALL SIGNAL;KSC815,NPN,400mW,TO-92,T	.....6	R254	2007-000457	R-CHIP;18KOHM,5%,1/10W,DA,TP,2012	
.....5	Q202	0501-000283	TR-SMALL SIGNAL;KSA539,PNP,400mW,TO-92,T	.....6	R255	2007-001653	R-CHIP;1.8KOHM,1%,1/10W,DA,TP,2012	
.....5	Q203	0501-000283	TR-SMALL SIGNAL;KSA539,PNP,400mW,TO-92,T	.....6	R256	2007-001039	R-CHIP;18KOHM,5%,1/10W,DA,TP,2012	
.....5	Q204	0501-000389	TR-SMALL SIGNAL;KSC815,NPN,400mW,TO-92,T	.....6	R257	2007-000804	R-CHIP;36KOHM,5%,1/10W,DA,TP,2012	
.....5	Q205	0501-000389	TR-SMALL SIGNAL;KSC815,NPN,400mW,TO-92,T	.....6	R258	2007-000468	R-CHIP;1KOHM,5%,1/10W,DA,TP,2012	
.....5	Q206	0501-000283	TR-SMALL SIGNAL;KSA539,PNP,400mW,TO-92,T	.....6	R260	2007-000290	R-CHIP;1000HM,5%,1/10W,DA,TP,2012	
.....5	Q207	0501-000283	TR-SMALL SIGNAL;KSA539,PNP,400mW,TO-92,T	.....6	R261	2007-000290	R-CHIP;1000HM,5%,1/10W,DA,TP,2012	
.....5	Q208	0501-000283	TR-SMALL SIGNAL;KSA539,PNP,400mW,TO-92,T	.....6	R262	2007-000290	R-CHIP;1000HM,5%,1/10W,DA,TP,2012	
.....5		AA97-06098A	ASSY SMD-SUB;SVP-43J7PP51A	S.N.A	.....6	R263	2007-000290	R-CHIP;1000HM,5%,1/10W,DA,TP,2012
.....6	D202	0401-000133	DIODE-SWITCHING;RLS4148,100V,200MA,SOD-8	.....6	R264	2007-000653	R-CHIP;27KOHM,5%,1/10W,DA,TP,2012	
.....6	D203	0401-000133	DIODE-SWITCHING;RLS4148,100V,200MA,SOD-8	.....6	R267	2007-000290	R-CHIP;1000HM,5%,1/10W,DA,TP,2012	
.....6	D204	0401-000133	DIODE-SWITCHING;RLS4148,100V,200MA,SOD-8	.....6	R268	2007-000653	R-CHIP;27KOHM,5%,1/10W,DA,TP,2012	
.....6	D205	0401-000133	DIODE-SWITCHING;RLS4148,100V,200MA,SOD-8	.....6	R270	2007-001001	R-CHIP;5100HM,5%,1/10W,DA,TP,2012	
.....6	D206	0401-000133	DIODE-SWITCHING;RLS4148,100V,200MA,SOD-8	.....6	R271	2007-000904	R-CHIP;4300HM,5%,1/10W,DA,TP,2012	
.....6	D207	0401-000133	DIODE-SWITCHING;RLS4148,100V,200MA,SOD-8	.....6	R272	2007-000586	R-CHIP;22KOHM,5%,1/10W,DA,TP,2012	
.....6	D208	0401-000133	DIODE-SWITCHING;RLS4148,100V,200MA,SOD-8	.....6	R273	2007-000300	R-CHIP;1KOHM,5%,1/10W,DA,TP,2012	
.....6	D209	0401-000133	DIODE-SWITCHING;RLS4148,100V,200MA,SOD-8	.....6	R274	2007-000738	R-CHIP;30KOHM,5%,1/10W,DA,TP,2012	
.....6	D210	0401-000133	DIODE-SWITCHING;RLS4148,100V,200MA,SOD-8	.....6	R275	2007-000290	R-CHIP;1000HM,5%,1/10W,DA,TP,2012	
.....6	D211	0401-000133	DIODE-SWITCHING;RLS4148,100V,200MA,SOD-8	.....6	R276	2007-000290	R-CHIP;1000HM,5%,1/10W,DA,TP,2012	
.....6	D212	0401-000133	DIODE-SWITCHING;RLS4148,100V,200MA,SOD-8	.....6	R277	2007-000290	R-CHIP;1000HM,5%,1/10W,DA,TP,2012	
.....6	D215	0401-000133	DIODE-SWITCHING;RLS4148,100V,200MA,SOD-8	.....6	R278	2007-000572	R-CHIP;2200HM,5%,1/10W,DA,TP,2012	
.....6	DZ201	0403-000314	DIODE-ZENER;RLZJ9.1B,9.1V,8.80-9.30V,400	.....6	R279	2007-000572	R-CHIP;2200HM,5%,1/10W,DA,TP,2012	
.....6	DZ202	0403-001117	DIODE-ZENER;RLZ12B,5%,500mW,LL-34,TP	.....6	R280	2007-000290	R-CHIP;1000HM,5%,1/10W,DA,TP,2012	
.....6	DZ203	0403-001016	DIODE-ZENER;RLZ6.2B,6.2V,5.96-6.27V,400m	.....6	R281	2007-000290	R-CHIP;1000HM,5%,1/10W,DA,TP,2012	
.....6	DZ204	0403-001016	DIODE-ZENER;RLZ6.2B,6.2V,5.96-6.27V,400m	.....6	R282	2007-000290	R-CHIP;1000HM,5%,1/10W,DA,TP,2012	
.....6	DZ206	0403-001016	DIODE-ZENER;RLZ6.2B,6.2V,5.96-6.27V,400m	.....6	R283	2007-000290	R-CHIP;1000HM,5%,1/10W,DA,TP,2012	
.....6	DZ207	0403-001016	DIODE-ZENER;RLZ6.2B,6.2V,5.96-6.27V,400m	.....6	R284	2007-000290	R-CHIP;1000HM,5%,1/10W,DA,TP,2012	
.....6	DZ208	0403-001117	DIODE-ZENER;RLZ12B,5%,500mW,LL-34,TP	.....6	R285	2007-000290	R-CHIP;1000HM,5%,1/10W,DA,TP,2012	
.....6	DZ209	0403-001117	DIODE-ZENER;RLZ12B,5%,500mW,LL-34,TP	.....6	R291	2007-000300	R-CHIP;10KOHM,5%,1/10W,DA,TP,2012	
.....6	DZ210	0403-001016	DIODE-ZENER;RLZ6.2B,6.2V,5.96-6.27V,400m	.....6	R292	2007-001141	R-CHIP;7.5KOHM,5%,1/10W,DA,TP,2012	



Electrical Parts List

Loc. No.	Code No.	Description ; Specification	Remark	Loc. No.	Code No.	Description ; Specification	Remark
.....5	C133	2401-002463	C-AL;470uF,20%,16V,GP,TP,8x11.5,5	.....5	CS809	2201-000556	C-CERAMIC,DISC;0.47nF,10%,500V,Y5P,TP,5.
.....5	C180	2401-000603	C-AL;1uF,20%,50V,GP,TP,5x11,5	.....5	CS812	2201-002076	C-CERAMIC,DISC;0.068nF,5%,1kV,SL,TP,8x4m
.....5	C185	2401-002463	C-AL;470uF,20%,16V,GP,TP,8x11.5,5	.....5	D501	0401-000005	DIODE-SWITCHING;1N4148,100V,200mA,DO-35,
.....5	C191	2401-002619	C-AL;47uF,20%,25V,GP,TP,5x11,5	.....5	D502	0401-000005	DIODE-SWITCHING;1N4148,100V,200mA,DO-35,
.....5	C193	2201-000119	C-CERAMIC,DISC;100nF,+80-20%,50V,Y5V,TP,	.....5	D664	0402-000546	DIODE-RECTIFIER;TVR10G,400V,1.0A,DO-41,T
.....5	C195	2401-002619	C-AL;47uF,20%,25V,GP,TP,5x11,5	.....5	D665	0401-000005	DIODE-SWITCHING;1N4148,100V,200mA,DO-35,
.....5	C501	2305-000665	C-FILM,MPEF;100nF,5%,63V,TP,7.5x4.0x5.0m	.....5	D666	0401-000005	DIODE-SWITCHING;1N4148,100V,200mA,DO-35,
.....5	C502	2401-001397	C-AL;470uF,20%,25V,GP,TP,10x16,5	.....5	D667	0401-000005	DIODE-SWITCHING;1N4148,100V,200mA,DO-35,
.....5	C503	2305-000665	C-FILM,MPEF;100nF,5%,63V,TP,7.5x4.0x5.0m	.....5	D668	0401-000005	DIODE-SWITCHING;1N4148,100V,200mA,DO-35,
.....5	C504	2401-000832	C-AL;220uF,20%,25V,GP,TP,8x11.5,5	.....5	D669	0401-000005	DIODE-SWITCHING;1N4148,100V,200mA,DO-35,
.....5	C513	2401-002594	C-AL;220uF,20%,16V,GP,TP,8x11.5,5	.....5	D671	0402-000132	DIODE-RECTIFIER;1N4004,400V,1A,DO-41,TP
.....5	C514	2305-000665	C-FILM,MPEF;100nF,5%,63V,TP,7.5x4.0x5.0m	.....5	D672	0402-000132	DIODE-RECTIFIER;1N4004,400V,1A,DO-41,TP
.....5	C517	2401-002594	C-AL;220uF,20%,16V,GP,TP,8x11.5,5	.....5	D701	0401-000005	DIODE-SWITCHING;1N4148,100V,200mA,DO-35,
.....5	C518	2305-000665	C-FILM,MPEF;100nF,5%,63V,TP,7.5x4.0x5.0m	.....5	D702	0401-000005	DIODE-SWITCHING;1N4148,100V,200mA,DO-35,
.....5	C519	2305-000665	C-FILM,MPEF;100nF,5%,63V,TP,7.5x4.0x5.0m	.....5	D703	0401-000005	DIODE-SWITCHING;1N4148,100V,200mA,DO-35,
.....5	C520	2401-002594	C-AL;220uF,20%,16V,GP,TP,8x11.5,5	.....5	D901	0401-000005	DIODE-SWITCHING;1N4148,100V,200mA,DO-35,
.....5	C521	2305-000665	C-FILM,MPEF;100nF,5%,63V,TP,7.5x4.0x5.0m	.....5	D902	0401-000005	DIODE-SWITCHING;1N4148,100V,200mA,DO-35,
.....5	C522	2401-002286	C-AL;470uF,20%,16V,WT,TP,10x12.5,5	.....5	D903	0403-000508	DIODE-ZENER;MTZJ5.6B,5.6V,5.45-5.73V,500
.....5	C537	2305-000665	C-FILM,MPEF;100nF,5%,63V,TP,7.5x4.0x5.0m	.....5	D904	0403-001317	DIODE-ZENER;MTZJ3.0B,3.01-3.22V,500mW,DO
.....5	C538	2401-001840	C-AL;100uF,20%,16V,GP,TP,6.3x11,5	.....5	D905	0401-000005	DIODE-SWITCHING;1N4148,100V,200mA,DO-35,
.....5	C539	2401-001840	C-AL;100uF,20%,16V,GP,TP,6.3x11,5	.....5	DS802	1405-000152	VARIABLE;560V,2500A,14x8.5mm,TP
.....5	C540	2305-000665	C-FILM,MPEF;100nF,5%,63V,TP,7.5x4.0x5.0m	.....5	DS803	0403-001322	DIODE-ZENER;MTZJ8.2B,7.78-8.19V,500mW,DO
.....5	C543	2201-000132	C-CERAMIC,DISC;0.1nF,10%,500V,Y5P,TP,5.5	.....5	DS804	0403-001318	DIODE-ZENER;MTZJ4.3B,4.17-4.43V,500mW,DO
.....5	C544	2401-002144	C-AL;47uF,20%,16V,GP,TP,5x11,5	.....5	DS805	0402-000534	DIODE-RECTIFIER;RG10V,400V,1.2A,DO-201,T
.....5	C545	2201-000573	C-CERAMIC,DISC;0.047nF,5%,50V,NP0,TP,5x3	.....5	DS806	1405-001030	VARIABLE;120V,2500A,14x8.5mm,TP
.....5	C547	2201-000573	C-CERAMIC,DISC;0.047nF,5%,50V,NP0,TP,5x3	.....5	DS807	0402-000546	DIODE-RECTIFIER;TVR10G,400V,1.0A,DO-41,T
.....5	C549	2401-002594	C-AL;220uF,20%,16V,GP,TP,8x11.5,5	.....5	DS808	1405-000152	VARIABLE;560V,2500A,14x8.5mm,TP
.....5	C550	2201-000119	C-CERAMIC,DISC;100nF,+80-20%,50V,Y5V,TP,	.....5	DS810	1405-000152	VARIABLE;560V,2500A,14x8.5mm,TP
.....5	C551	2401-000360	C-AL;100uF,20%,50V,GP,TP,8x11.5,5	.....5	DZ503	0403-000720	DIODE-ZENER;MTZJ9.1B,9.1V,8.57-9.01V,500
.....5	C552	2201-000119	C-CERAMIC,DISC;100nF,+80-20%,50V,Y5V,TP,	.....5	DZ504	0403-000720	DIODE-ZENER;MTZJ9.1B,9.1V,8.57-9.01V,500
.....5	C639	2401-002009	C-AL;100uF,20%,16V,GP,TP,6.3x7,5	.....5	DZ505	0403-000720	DIODE-ZENER;MTZJ9.1B,9.1V,8.57-9.01V,500
.....5	C640	2201-000119	C-CERAMIC,DISC;100nF,+80-20%,50V,Y5V,TP,	.....5	DZ506	0403-000508	DIODE-ZENER;MTZJ5.6B,5.6V,5.45-5.73V,500
.....5	C666	2305-000665	C-FILM,MPEF;100nF,5%,63V,TP,7.5x4.0x5.0m	.....5	DZ507	0403-000510	DIODE-ZENER;MTZJ6.2B,6.2V,5.96-6.27V,500
.....5	C667	2401-000603	C-AL;1uF,20%,50V,GP,TP,5x11,5	.....5	DZ508	0403-000510	DIODE-ZENER;MTZJ6.2B,6.2V,5.96-6.27V,500
.....5	C668	2401-000603	C-AL;1uF,20%,50V,GP,TP,5x11,5	.....5	DZ510	0403-000510	DIODE-ZENER;MTZJ6.2B,6.2V,5.96-6.27V,500
.....5	C669	2401-000962	C-AL;22uF,20%,50V,GP,TP,5x11,5	.....5	DZ665	0403-001039	DIODE-ZENER;MA2560,56V,52-60V,1W,DO-41,T
.....5	C670	2401-000603	C-AL;1uF,20%,50V,GP,TP,5x11,5	.....5	DZ666	0403-001325	DIODE-ZENER;MTZJ15C,14.35-15.09V,500mW,DO
.....5	C671	2401-001537	C-AL;47uF,20%,25V,GP,TP,6.3x7mm,5mm	.....5	DZ667	0403-001319	DIODE-ZENER;MTZJ4.7C,4.68-4.93V,500mW,DO
.....5	C672	2401-000360	C-AL;100uF,20%,50V,GP,TP,8x11.5,5	.....5	DZ701	0403-001140	DIODE-ZENER;RD10ESAB-T4,10V,9.19-10.30V,
.....5	C676	2401-001192	C-AL;33uF,20%,50V,GP,TP,6.3x11,5	.....5	DZ801	0403-000700	DIODE-ZENER;TZP33A,33V,31-35V,1W,DO-41,T
.....5	C686	2301-000192	C-FILM,PEF;1nF,5%,50V,TP,5.3x10mm,5mm	.....5	DZ901	2202-000121	C-CERAMIC,MLC-AXIAL;100pF,10%,50V,Y5P,TP
.....5	C687	2301-000192	C-FILM,PEF;1nF,5%,50V,TP,5.3x10mm,5mm	.....5	DZ902	2202-000121	C-CERAMIC,MLC-AXIAL;100pF,10%,50V,Y5P,TP
.....5	C688	2401-000192	C-AL;100uF,20%,50V,GP,TP,16x25,7.5	.....5	DZ903	0403-000510	DIODE-ZENER;MTZJ6.2B,6.2V,5.96-6.27V,500
.....5	C689	2305-000665	C-FILM,MPEF;100nF,5%,63V,TP,7.5x4.0x5.0m	.....5	DZ904	0403-000510	DIODE-ZENER;MTZJ6.2B,6.2V,5.96-6.27V,500
.....5	C690	2305-000665	C-FILM,MPEF;100nF,5%,63V,TP,7.5x4.0x5.0m	.....5	DZ905	0403-000510	DIODE-ZENER;MTZJ6.2B,6.2V,5.96-6.27V,500
.....5	C691	2401-000192	C-AL;100uF,20%,50V,GP,TP,16x25,7.5	.....5	DZ906	0403-000510	DIODE-ZENER;MTZJ6.2B,6.2V,5.96-6.27V,500
.....5	C701	2401-000027	C-AL;4.7uF,20%,50V,GP,TP,5x11,5	.....5	DZ907	0403-000510	DIODE-ZENER;MTZJ6.2B,6.2V,5.96-6.27V,500
.....5	C801	2401-002300	C-AL;47uF,20%,50V,GP,TP,6.3x11,5	.....5	DZ911	0403-000508	DIODE-ZENER;MTZJ5.6B,5.6V,5.45-5.73V,500
.....5	C901	2201-000292	C-CERAMIC,DISC;1nF,10%,50V,Y5P,TP,5x3.5,	.....5	DZ912	0403-000508	DIODE-ZENER;MTZJ5.6B,5.6V,5.45-5.73V,500
.....5	C904	2202-000632	C-CERAMIC,MLC-AXIAL;100nF,20%,50V,Z5U,TP	.....5	DZ913	0403-000508	DIODE-ZENER;MTZJ5.6B,5.6V,5.45-5.73V,500
.....5	C905	2401-001496	C-AL;47uF,20%,16V,GP,TP,5x7,5	.....5	DZ916	0403-000510	DIODE-ZENER;MTZJ6.2B,6.2V,5.96-6.27V,500
.....5	C906	2305-000149	C-FILM,MPEF;100nF,5%,100V,TP,12x12.5x6.5	.....5	DZ917	0403-000510	DIODE-ZENER;MTZJ6.2B,6.2V,5.96-6.27V,500
.....5	C907	2301-000111	C-FILM,PEF;1.8nF,5%,50V,TP,6.5x3.0x5.5mm	.....5	DZ918	0403-000510	DIODE-ZENER;MTZJ6.2B,6.2V,5.96-6.27V,500
.....5	C908	2201-000292	C-CERAMIC,DISC;1nF,10%,50V,Y5P,TP,5x3.5,	.....5	DZ919	0403-000510	DIODE-ZENER;MTZJ6.2B,6.2V,5.96-6.27V,500
.....5	C909	2201-000292	C-CERAMIC,DISC;1nF,10%,50V,Y5P,TP,5x3.5,	.....5	DZ920	0403-000510	DIODE-ZENER;MTZJ6.2B,6.2V,5.96-6.27V,500
.....5	C910	2201-000292	C-CERAMIC,DISC;1nF,10%,50V,Y5P,TP,5x3.5,	.....5	EL01	AA60-40011B	EYELET;ID2.2,OD3.2,-,BSP,S.N.A
.....5	C911	2305-000665	C-FILM,MPEF;100nF,5%,63V,TP,7.5x4.0x5.0m	.....5	EL02	AA60-40011B	EYELET;ID2.2,OD3.2,-,BSP,S.N.A
.....5	C912	2305-000665	C-FILM,MPEF;100nF,5%,63V,TP,7.5x4.0x5.0m	.....5	EL03	AA60-40011B	EYELET;ID2.2,OD3.2,-,BSP,S.N.A
.....5	C913	2201-000193	C-CERAMIC,DISC;0.01nF,0.25pF,50V,NP0,TP,	.....5	EL04	AA60-40011B	EYELET;ID2.2,OD3.2,-,BSP,S.N.A
.....5	C914	2201-000573	C-CERAMIC,DISC;0.047nF,5%,50V,NP0,TP,5x3	.....5	EL05	AA60-40011B	EYELET;ID2.2,OD3.2,-,BSP,S.N.A
.....5	C915	2201-000119	C-CERAMIC,DISC;100nF,+80-20%,50V,Y5V,TP,	.....5	EL06	AA60-40011B	EYELET;ID2.2,OD3.2,-,BSP,S.N.A
.....5	C916	2401-002042	C-AL;220uF,20%,10V,GP,TP,6.3x11,5	.....5	EL07	AA60-40011B	EYELET;ID2.2,OD3.2,-,BSP,S.N.A
.....5	C917	2401-002144	C-AL;47uF,20%,16V,GP,TP,5x11,5	.....5	EL08	AA60-40011B	EYELET;ID2.2,OD3.2,-,BSP,S.N.A
.....5	C918	2201-000119	C-CERAMIC,DISC;100nF,+80-20%,50V,Y5V,TP,	.....5	EL09	AA60-40011B	EYELET;ID2.2,OD3.2,-,BSP,S.N.A
.....5	C919	2401-000480	C-AL;10uF,20%,50V,GP,TP,5x11,5	.....5	EL10	AA60-40011B	EYELET;ID2.2,OD3.2,-,BSP,S.N.A
.....5	C920	2201-000119	C-CERAMIC,DISC;100nF,+80-20%,50V,Y5V,TP,	.....5	EL11	AA60-40011B	EYELET;ID2.2,OD3.2,-,BSP,S.N.A
.....5	C925	2201-000119	C-CERAMIC,DISC;100nF,+80-20%,50V,Y5V,TP,	.....5	EL12	AA60-40011B	EYELET;ID2.2,OD3.2,-,BSP,S.N.A
.....5	C926	2401-000480	C-AL;10uF,20%,50V,GP,TP,5x11,5	.....5	EL13	AA60-40011B	EYELET;ID2.2,OD3.2,-,BSP,S.N.A
.....5	CN003	3711-002642	CONNECTOR-HEADER;BOX,3P,1R,2.5mm,STRAIGH	S.N.A	EL14	AA60-40011B	EYELET;ID2.2,OD3.2,-,BSP,S.N.A
.....5	CN601	3711-002643	CONNECTOR-HEADER;BOX,4P,1R,2.5mm,STRAIGH	S.N.A	EL15	AA60-40011B	EYELET;ID2.2,OD3.2,-,BSP,S.N.A
.....5	CS801	2201-000332	C-CERAMIC,DISC;2.2nF,20%,250V,Y5U,TP,9x4	.....5	EL16	AA60-40011B	EYELET;ID2.2,OD3.2,-,BSP,S.N.A
.....5	CS802	2201-000332	C-CERAMIC,DISC;2.2nF,20%,250V,Y5U,TP,9x4	.....5	EL17	AA60-40011B	EYELET;ID2.2,OD3.2,-,BSP,S.N.A
.....5	CS803	2401-003066	C-AL;10uF,20%,450V,GP,TP,13x20mm,5m	.....5	EL23	AA60-40011B	EYELET;ID2.2,OD3.2,-,BSP,S.N.A
.....5	CS804	2201-000119	C-CERAMIC,DISC;100nF,+80-20%,50V,Y5V,TP,	.....5	EL24	AA60-40011B	EYELET;ID2.2,OD3.2,-,BSP,S.N.A
.....5	CS805	2401-001101	C-AL;330uF,20%,16V,GP,TP,8x11.5,5	.....5	EL26	AA60-40011B	EYELET;ID2.2,OD3.2,-,BSP,S.N.A
.....5	CS807	2201-000119	C-CERAMIC,DISC;100nF,+80-20%,50V,Y5V,TP,	.....5	EL27	AA60-40011B	EYELET;ID2.2,OD3.2,-,BSP,S.N.A
.....5	CS808	2401-002463	C-AL;470uF,20%,16V,GP,TP,8x11.5,5	.....5	EL28	AA60-40011B	EYELET;ID2.2,OD3.2,-,BSP,S.N.A

Loc. No.	Code No.	Description ; Specification	Remark	Loc. No.	Code No.	Description ; Specification	Remark
.....5	EL29	AA60-40011B EYELET;ID2.2,OD3.2,-,-,BSP,-	S.N.A	.....5	Q902	0501-000389 TR-SMALL SIGNAL;KSC815,NPN,400mW,TO-92,T	
.....5	EL30	AA60-40011B EYELET;ID2.2,OD3.2,-,-,BSP,-	S.N.A	.....5	Q909	0501-000283 TR-SMALL SIGNAL;KSA539,PNP,400mW,TO-92,T	
.....5	EL31	AA60-40011B EYELET;ID2.2,OD3.2,-,-,BSP,-	S.N.A	.....5	Q910	0501-000389 TR-SMALL SIGNAL;KSC815,NPN,400mW,TO-92,T	
.....5	EL32	AA60-40011B EYELET;ID2.2,OD3.2,-,-,BSP,-	S.N.A	.....5	QS801	0501-000369 TR-SMALL SIGNAL;KSC2331-Y,NPN,1000mW,TO-	
.....5	EL33	AA60-40011B EYELET;ID2.2,OD3.2,-,-,BSP,-	S.N.A	.....5	R121	2008-000266 R-FUSIBLE(S);1ohm,5%,2W,AF,TP,3.9x10mm	
.....5	EY01	AA60-40011A EYELET;ID2.0,OD2.8,-,-,BST,-	S.N.A	.....5	R123	2001-000429 R-CARBON;1KOHM,5%,1/8W,AA,TP,1.8X3.2MM	
.....5	EY02	AA60-40011A EYELET;ID2.0,OD2.8,-,-,BST,-	S.N.A	.....5	R125	2001-000281 R-CARBON;1000HM,5%,1/8W,AA,TP,1.8X3.2MM	
.....5	EY03	AA60-40011A EYELET;ID2.0,OD2.8,-,-,BST,-	S.N.A	.....5	R126	2001-000281 R-CARBON;1000HM,5%,1/8W,AA,TP,1.8X3.2MM	
.....5	EY04	AA60-40011A EYELET;ID2.0,OD2.8,-,-,BST,-	S.N.A	.....5	R128	2001-000281 R-CARBON;1000HM,5%,1/8W,AA,TP,1.8X3.2MM	
.....5	EY05	AA60-40011A EYELET;ID2.0,OD2.8,-,-,BST,-	S.N.A	.....5	R129	2001-000281 R-CARBON;1000HM,5%,1/8W,AA,TP,1.8X3.2MM	
.....5	EY06	AA60-40011A EYELET;ID2.0,OD2.8,-,-,BST,-	S.N.A	.....5	R130	2001-000281 R-CARBON;1000HM,5%,1/8W,AA,TP,1.8X3.2MM	
.....5	EY07	AA60-40011A EYELET;ID2.0,OD2.8,-,-,BST,-	S.N.A	.....5	R131	2001-000739 R-CARBON;4.7MOHM,5%,1/8W,AA,TP,1.8X3.2MM	
.....5	EY08	AA60-40011A EYELET;ID2.0,OD2.8,-,-,BST,-	S.N.A	.....5	R132	2001-000739 R-CARBON;4.7MOHM,5%,1/8W,AA,TP,1.8X3.2MM	
.....5	EY09	AA60-40011A EYELET;ID2.0,OD2.8,-,-,BST,-	S.N.A	.....5	R133	2001-000449 R-CARBON;2.2KOHM,5%,1/8W,AA,TP,1.8X3.2MM	
.....5	EY10	AA60-40011A EYELET;ID2.0,OD2.8,-,-,BST,-	S.N.A	.....5	R134	2001-000734 R-CARBON;4.7KOHM,5%,1/8W,AA,TP,1.8X3.2MM	
.....5	EY11	AA60-40011A EYELET;ID2.0,OD2.8,-,-,BST,-	S.N.A	.....5	R143	2001-000281 R-CARBON;1000HM,5%,1/8W,AA,TP,1.8X3.2MM	
.....5	EY12	AA60-40011A EYELET;ID2.0,OD2.8,-,-,BST,-	S.N.A	.....5	R144	2001-000281 R-CARBON;1000HM,5%,1/8W,AA,TP,1.8X3.2MM	
.....5	EY13	AA60-40011A EYELET;ID2.0,OD2.8,-,-,BST,-	S.N.A	.....5	R501	2001-000066 R-CARBON(S);10KOHM,5%,1/2W,AA,TP,2.4X6.4	
.....5	EY14	AA60-40011A EYELET;ID2.0,OD2.8,-,-,BST,-	S.N.A	.....5	R502	2001-000281 R-CARBON;1000HM,5%,1/8W,AA,TP,1.8X3.2MM	
.....5	EY15	AA60-40011A EYELET;ID2.0,OD2.8,-,-,BST,-	S.N.A	.....5	R503	2001-000281 R-CARBON;1000HM,5%,1/8W,AA,TP,1.8X3.2MM	
.....5	EY16	AA60-40011A EYELET;ID2.0,OD2.8,-,-,BST,-	S.N.A	.....5	R504	2001-000281 R-CARBON;1000HM,5%,1/8W,AA,TP,1.8X3.2MM	
.....5	EY17	AA60-40011A EYELET;ID2.0,OD2.8,-,-,BST,-	S.N.A	.....5	R505	2001-000281 R-CARBON;1000HM,5%,1/8W,AA,TP,1.8X3.2MM	
.....5	EY18	AA60-40011A EYELET;ID2.0,OD2.8,-,-,BST,-	S.N.A	.....5	R508	2001-000281 R-CARBON;1000HM,5%,1/8W,AA,TP,1.8X3.2MM	
.....5	EY19	AA60-40011A EYELET;ID2.0,OD2.8,-,-,BST,-	S.N.A	.....5	R510	2008-000266 R-FUSIBLE(S);1ohm,5%,2W,AF,TP,3.9x10mm	
.....5	EY20	AA60-40011A EYELET;ID2.0,OD2.8,-,-,BST,-	S.N.A	.....5	R512	2001-000003 R-CARBON;330ohm,5%,1/8W,AA,TP,1.8x3.2mm	
.....5	EY21	AA60-40011A EYELET;ID2.0,OD2.8,-,-,BST,-	S.N.A	.....5	R513	2001-000281 R-CARBON;1000HM,5%,1/8W,AA,TP,1.8X3.2MM	
.....5	F901	3301-000287 CORE-FERRITE BEAD;AA,3.5x1.0x6.0mm,1500,		.....5	R515	2001-000429 R-CARBON;1KOHM,5%,1/8W,AA,TP,1.8X3.2MM	
.....5	GT801	AA60-40014A PIN-GT,ASSY;1P,-,-,AUTO	S.N.A	.....5	R516	2001-000429 R-CARBON;1KOHM,5%,1/8W,AA,TP,1.8X3.2MM	
.....5	GT802	AA60-40014A PIN-GT,ASSY;1P,-,-,AUTO	S.N.A	.....5	R524	2001-000739 R-CARBON;4.7MOHM,5%,1/8W,AA,TP,1.8X3.2MM	
.....5	GT803	AA60-40014A PIN-GT,ASSY;1P,-,-,AUTO	S.N.A	.....5	R528	2001-000429 R-CARBON;1KOHM,5%,1/8W,AA,TP,1.8X3.2MM	
.....5	GTM01	AA60-40014A PIN-GT,ASSY;1P,-,-,AUTO	S.N.A	.....5	R531	2001-000739 R-CARBON;4.7MOHM,5%,1/8W,AA,TP,1.8X3.2MM	
.....5	GTM02	AA60-40014A PIN-GT,ASSY;1P,-,-,AUTO	S.N.A	.....5	R626	2001-000411 R-CARBON;18KOHM,5%,1/8W,AA,TP,1.8X3.2MM	
.....5	GTM03	AA60-40014A PIN-GT,ASSY;1P,-,-,AUTO	S.N.A	.....5	R627	2001-000411 R-CARBON;18KOHM,5%,1/8W,AA,TP,1.8X3.2MM	
.....5	GTM04	AA60-40014A PIN-GT,ASSY;1P,-,-,AUTO	S.N.A	.....5	R661	2004-001970 R-METAL(S);1.8Kohm,1%,1/2W,AA,TP,6.5x2.5	
.....5	IC506	1203-000293 IC-POS.FIXED REG.;7808,TO-220,3P,-,PLAS		.....5	R662	2004-001970 R-METAL(S);1.8Kohm,1%,1/2W,AA,TP,6.5x2.5	
.....5	IC903	1203-001274 IC-VOL. DETECTOR;7545,TO-92,3P,-,PLASTIC		.....5	R665	2001-000052 R-CARBON(S);3.3KOHM,5%,1/2W,AA,TP,2.4X6	
.....5	IC904	1203-000515 IC-VOL. DETECTOR;7042,TO-92,3P,177MIL,PL		.....5	R666	2001-000052 R-CARBON(S);3.3KOHM,5%,1/2W,AA,TP,2.4X6	
.....5	J244	2701-000115 INDUCTOR-AXIAL;10uH,10%,3x7mm		.....5	R668	2001-000780 R-CARBON;4700HM,5%,1/8W,AA,TP,1.8X3.2MM	
.....5	J285	2701-000115 INDUCTOR-AXIAL;10uH,10%,3x7mm		.....5	R669	2001-001144 R-CARBON(S);4.7KOHM,5%,1/2W,AA,TP,2.4X6	
.....5	J317	2701-000115 INDUCTOR-AXIAL;10uH,10%,3x7mm		.....5	R670	2001-000085 R-CARBON(S);10KOHM,5%,1/2W,AA,TP,2.4X6	
.....5	L101	2701-001040 INDUCTOR-AXIAL;10uH,10%,4.5x14mm		.....5	R671	2001-000066 R-CARBON(S);10KOHM,5%,1/2W,AA,TP,2.4X6.4	
.....5	L102	2701-000115 INDUCTOR-AXIAL;10uH,10%,3x7mm		.....5	R672	2001-000066 R-CARBON(S);10KOHM,5%,1/2W,AA,TP,2.4X6.4	
.....5	L103	2701-000115 INDUCTOR-AXIAL;10uH,10%,3x7mm		.....5	R673	2001-001086 R-CARBON(S);18KOHM,5%,1/2W,AA,TP,2.4X6.4	
.....5	L104	2701-000115 INDUCTOR-AXIAL;10uH,10%,3x7mm		.....5	R673A	2001-001144 R-CARBON(S);4.7KOHM,5%,1/2W,AA,TP,2.4X6	
.....5	L106	2701-001040 INDUCTOR-AXIAL;10uH,10%,4.5x14mm		.....5	R674	2001-000780 R-CARBON;4700HM,5%,1/8W,AA,TP,1.8X3.2MM	
.....5	L107	2701-000116 INDUCTOR-AXIAL;10uH,10%,4.2x9.8mm		.....5	R675	2001-000066 R-CARBON(S);10KOHM,5%,1/2W,AA,TP,2.4X6.4	
.....5	L108	2701-000115 INDUCTOR-AXIAL;10uH,10%,3x7mm		.....5	R676	2001-000812 R-CARBON;5.6KOHM,5%,1/8W,AA,TP,1.8X3.2MM	
.....5	L502	2701-000116 INDUCTOR-AXIAL;10uH,10%,4.2x9.8mm		.....5	R677	2001-000290 R-CARBON;10KOHM,5%,1/8W,AA,TP,1.8X3.2MM	
.....5	L505	3301-000287 CORE-FERRITE BEAD;AA,3.5x1.0x6.0mm,1500,		.....5	R678	2001-000008 R-CARBON;15KOHM,5%,1/8W,AA,TP,1.8X3.2MM	
.....5	L506	3301-000287 CORE-FERRITE BEAD;AA,3.5x1.0x6.0mm,1500,		.....5	R679	2001-001071 R-CARBON(S);12KOHM,5%,1/2W,AA,TP,2.4X6.4	
.....5	L507	3301-000287 CORE-FERRITE BEAD;AA,3.5x1.0x6.0mm,1500,		.....5	R680	2001-001000 R-CARBON;82KOHM,5%,1/8W,AA,TP,1.8X3.2MM	
.....5	L509	2701-001040 INDUCTOR-AXIAL;10uH,10%,4.5x14mm		.....5	R681	2004-001970 R-METAL(S);1.8Kohm,1%,1/2W,AA,TP,6.5x2.5	
.....5	L510	3301-000287 CORE-FERRITE BEAD;AA,3.5x1.0x6.0mm,1500,		.....5	R682	2004-002019 R-METAL(S);33Kohm,1%,1/2W,AA,TP,2.5x6.5m	
.....5	L511	3301-000287 CORE-FERRITE BEAD;AA,3.5x1.0x6.0mm,1500,		.....5	R683	2004-002019 R-METAL(S);33Kohm,1%,1/2W,AA,TP,2.5x6.5m	
.....5	L512	3301-000287 CORE-FERRITE BEAD;AA,3.5x1.0x6.0mm,1500,		.....5	R684	2004-001970 R-METAL(S);1.8Kohm,1%,1/2W,AA,TP,6.5x2.5	
.....5	L514	3301-000287 CORE-FERRITE BEAD;AA,3.5x1.0x6.0mm,1500,		.....5	R685	2004-001390 R-METAL(S);1Kohm,2%,1/2W,AA,TP,2.4x6.4mm	
.....5	L516	2701-001040 INDUCTOR-AXIAL;10uH,10%,4.5x14mm		.....5	R686	2004-001390 R-METAL(S);1Kohm,2%,1/2W,AA,TP,2.4x6.4mm	
.....5	L902	2701-000115 INDUCTOR-AXIAL;10uH,10%,3x7mm		.....5	R687	2001-001146 R-CARBON(S);4.7OHM,5%,1/2W,AA,TP,2.4X6.4	
.....5	L903	2701-001040 INDUCTOR-AXIAL;10uH,10%,4.5x14mm		.....5	R688	2001-001146 R-CARBON(S);4.7OHM,5%,1/2W,AA,TP,2.4X6.4	
.....5	L909	3301-000287 CORE-FERRITE BEAD;AA,3.5x1.0x6.0mm,1500,		.....5	R701	2001-000786 R-CARBON;47KOHM,5%,1/8W,AA,TP,1.8X3.2MM	
.....5	L910	3301-000287 CORE-FERRITE BEAD;AA,3.5x1.0x6.0mm,1500,		.....5	R702	2001-000290 R-CARBON;10KOHM,5%,1/8W,AA,TP,1.8X3.2MM	
.....5	L911	2901-000297 FILTER-EMI ON BOARD;-3A,-,-,3.5x5,TP,-		.....5	R703	2001-000290 R-CARBON;10KOHM,5%,1/8W,AA,TP,1.8X3.2MM	
.....5	L912	3301-000287 CORE-FERRITE BEAD;AA,3.5x1.0x6.0mm,1500,		.....5	R704	2001-000290 R-CARBON;10KOHM,5%,1/8W,AA,TP,1.8X3.2MM	
.....5	L913	3301-000287 CORE-FERRITE BEAD;AA,3.5x1.0x6.0mm,1500,		.....5	R801	2003-002161 R-METAL OXIDE(S);22KOHM,5%,3W,AG,TP,6X16	
.....5	LS801	2901-000297 FILTER-EMI ON BOARD;-3A,-,-,3.5x5,TP,-		.....5	R901	2001-000734 R-CARBON;4.7KOHM,5%,1/8W,AA,TP,1.8X3.2MM	
.....5	LS802	2901-000297 FILTER-EMI ON BOARD;-3A,-,-,3.5x5,TP,-		.....5	R903	2001-000429 R-CARBON;1KOHM,5%,1/8W,AA,TP,1.8X3.2MM	
.....5	LS803	3301-000287 CORE-FERRITE BEAD;AA,3.5x1.0x6.0mm,1500,		.....5	R904	2001-000290 R-CARBON;10KOHM,5%,1/8W,AA,TP,1.8X3.2MM	
.....5	PCB	AA41-11053F PCB-MAIN;P51A,1L,FR-1,330x245x1.6T,1A,-,-,	S.N.A	.....5	R905	2001-000734 R-CARBON;4.7KOHM,5%,1/8W,AA,TP,1.8X3.2MM	
.....5	Q501	0501-000389 TR-SMALL SIGNAL;KSC815,NPN,400mW,TO-92,T		.....5	R906	2001-000429 R-CARBON;1KOHM,5%,1/8W,AA,TP,1.8X3.2MM	
.....5	Q502	0501-000389 TR-SMALL SIGNAL;KSC815,NPN,400mW,TO-92,T		.....5	R907	2001-000429 R-CARBON;1KOHM,5%,1/8W,AA,TP,1.8X3.2MM	
.....5	Q503	0501-000389 TR-SMALL SIGNAL;KSC815,NPN,400mW,TO-92,T		.....5	R908	2001-000515 R-CARBON;220OHM,5%,1/8W,AA,TP,1.8X3.2MM	
.....5	Q665	0501-000389 TR-SMALL SIGNAL;KSC815,NPN,400mW,TO-92,T		.....5	R909	2001-000515 R-CARBON;220OHM,5%,1/8W,AA,TP,1.8X3.2MM	
.....5	Q666	0501-000389 TR-SMALL SIGNAL;KSC815,NPN,400mW,TO-92,T		.....5	R910	2001-000515 R-CARBON;220OHM,5%,1/8W,AA,TP,1.8X3.2MM	
.....5	Q667	0501-000389 TR-SMALL SIGNAL;KSC815,NPN,400mW,TO-92,T		.....5	R912	2001-000003 R-CARBON;330ohm,5%,1/8W,AA,TP,1.8x3.2mm	
.....5	Q701	0501-000389 TR-SMALL SIGNAL;KSC815,NPN,400mW,TO-92,T		.....5	R913	2001-000786 R-CARBON;47KOHM,5%,1/8W,AA,TP,1.8X3.2MM	
.....5	Q702	0501-000389 TR-SMALL SIGNAL;KSC815,NPN,400mW,TO-92,T		.....5	R914	2001-000281 R-CARBON;1000HM,5%,1/8W,AA,TP,1.8X3.2MM	
.....5	Q901	0501-000389 TR-SMALL SIGNAL;KSC815,NPN,400mW,TO-92,T		.....5	R915	2001-000281 R-CARBON;1000HM,5%,1/8W,AA,TP,1.8X3.2MM	

Electrical Parts List

Loc. No.	Code No.	Description ; Specification	Remark	Loc. No.	Code No.	Description ; Specification	Remark		
.....5	R916	2001-000472	R-CARBON;2.7KOHM,5%,1/8W,AA,TP,1.8X3.2MM	.....5	CP27	2401-000660	C-AL;2.2uF,20%,50V,GP,TP,5x11,5		
.....5	R917	2001-000472	R-CARBON;2.7KOHM,5%,1/8W,AA,TP,1.8X3.2MM	.....5	LP01	2901-000297	FILTER-EMI ON BOARD;-.3A,-,-,3.5x5,TP-		
.....5	R918	2001-000734	R-CARBON;4.7KOHM,5%,1/8W,AA,TP,1.8X3.2MM	.....5	LP02	2901-000297	FILTER-EMI ON BOARD;-.3A,-,-,3.5x5,TP-		
.....5	R919	2001-000411	R-CARBON;18KOHM,5%,1/8W,AA,TP,1.8X3.2MM	.....5	LP03	2901-000297	FILTER-EMI ON BOARD;-.3A,-,-,3.5x5,TP-		
.....5	R920	2001-000780	R-CARBON;4700HM,5%,1/8W,AA,TP,1.8X3.2MM	.....5	LP04	2901-000297	FILTER-EMI ON BOARD;-.3A,-,-,3.5x5,TP-		
.....5	R921	2001-000812	R-CARBON;5.6KOHM,5%,1/8W,AA,TP,1.8X3.2MM	.....5	PCB	AA41-00278B	PCB-PIP MODULE;ALL MODEL,CEM-3,2L,B,1.6T	S.N.A	
.....5	R922	2001-000812	R-CARBON;5.6KOHM,5%,1/8W,AA,TP,1.8X3.2MM	.....5		AA97-06137A	ASSY SMD-SUB;P51A	S.N.A	
.....5	R923	2001-000786	R-CARBON;47KOHM,5%,1/8W,AA,TP,1.8X3.2MM	.....6	CP01	2203-000274	C-CERAMIC,CHIP;0.01nF,0.25pF,50V,NP0,TP,		
.....5	R924	2001-000786	R-CARBON;47KOHM,5%,1/8W,AA,TP,1.8X3.2MM	.....6	CP02	2203-000274	C-CERAMIC,CHIP;0.01nF,0.25pF,50V,NP0,TP,		
.....5	R925	2001-001050	R-CARBON(S);1.5KOHM,5%,1/2W,AA,TP,2.4X6.	.....6	CP03	2203-000408	C-CERAMIC,CHIP;0.18nF,5%,50V,NP0,TP,2012		
.....5	R926	2001-001050	R-CARBON(S);1.5KOHM,5%,1/2W,AA,TP,2.4X6.	.....6	CP06	2203-000260	C-CERAMIC,CHIP;10nF,10%,50V,X7R,TP,2012		
.....5	R927	2001-001050	R-CARBON(S);1.5KOHM,5%,1/2W,AA,TP,2.4X6.	.....6	CP08	2203-000260	C-CERAMIC,CHIP;10nF,10%,50V,X7R,TP,2012		
.....5	R928	2001-000472	R-CARBON;2.7KOHM,5%,1/8W,AA,TP,1.8X3.2MM	.....6	CP10	2203-000260	C-CERAMIC,CHIP;10nF,10%,50V,X7R,TP,2012		
.....5	R929	2001-000429	R-CARBON;1KOHM,5%,1/8W,AA,TP,1.8X3.2MM	.....6	CP11	2203-005384	C-CERAMIC,CHIP;4700nF,+80-20%,10V,Y5V,TP		
.....5	R930	2001-000734	R-CARBON;4.7KOHM,5%,1/8W,AA,TP,1.8X3.2MM	.....6	CP12	2203-000181	C-CERAMIC,CHIP;100nF,+80-20%,25V,Y5V,TP,		
.....5	R931	2001-000734	R-CARBON;4.7KOHM,5%,1/8W,AA,TP,1.8X3.2MM	.....6	CP13	2203-005384	C-CERAMIC,CHIP;4700nF,+80-20%,10V,Y5V,TP		
.....5	R932	2001-000734	R-CARBON;4.7KOHM,5%,1/8W,AA,TP,1.8X3.2MM	.....6	CP14	2203-000181	C-CERAMIC,CHIP;100nF,+80-20%,25V,Y5V,TP,		
.....5	R933	2001-000290	R-CARBON;10KOHM,5%,1/8W,AA,TP,1.8X3.2MM	.....6	CP15	2203-005384	C-CERAMIC,CHIP;4700nF,+80-20%,10V,Y5V,TP		
.....5	R934	2001-000281	R-CARBON;1000HM,5%,1/8W,AA,TP,1.8X3.2MM	.....6	CP16	2203-000181	C-CERAMIC,CHIP;100nF,+80-20%,25V,Y5V,TP,		
.....5	R935	2001-000281	R-CARBON;1000HM,5%,1/8W,AA,TP,1.8X3.2MM	.....6	CP17	2203-001245	C-CERAMIC,CHIP;0.082nF,5%,50V,NP0,TP,201		
.....5	R936	2001-000281	R-CARBON;1000HM,5%,1/8W,AA,TP,1.8X3.2MM	.....6	CP18	2203-000260	C-CERAMIC,CHIP;10nF,10%,50V,X7R,TP,2012		
.....5	R941	2001-000281	R-CARBON;1000HM,5%,1/8W,AA,TP,1.8X3.2MM	.....6	CP20	2203-000260	C-CERAMIC,CHIP;10nF,10%,50V,X7R,TP,2012		
.....5	R942	2001-000281	R-CARBON;1000HM,5%,1/8W,AA,TP,1.8X3.2MM	.....6	CP22	2203-000181	C-CERAMIC,CHIP;100nF,+80-20%,25V,Y5V,TP,		
.....5	R943	2001-000890	R-CARBON;6.8KOHM,5%,1/8W,AA,TP,1.8X3.2MM	.....6	CP23	2203-000260	C-CERAMIC,CHIP;10nF,10%,50V,X7R,TP,2012		
.....5	R944	2001-000890	R-CARBON;6.8KOHM,5%,1/8W,AA,TP,1.8X3.2MM	.....6	CP25	2203-000181	C-CERAMIC,CHIP;100nF,+80-20%,25V,Y5V,TP,		
.....5	R945	2001-000429	R-CARBON;1KOHM,5%,1/8W,AA,TP,1.8X3.2MM	.....6	CP26	2203-000260	C-CERAMIC,CHIP;10nF,10%,50V,X7R,TP,2012		
.....5	R946	2001-000290	R-CARBON;10KOHM,5%,1/8W,AA,TP,1.8X3.2MM	.....6	CP28	2203-000181	C-CERAMIC,CHIP;100nF,+80-20%,25V,Y5V,TP,		
.....5	R947	2001-000290	R-CARBON;10KOHM,5%,1/8W,AA,TP,1.8X3.2MM	.....6	ICP01	1204-001668	IC-PICTURE PROCESS;SDA9488X,SOP,28P,300M		
.....5	R948	2001-000429	R-CARBON;1KOHM,5%,1/8W,AA,TP,1.8X3.2MM	.....6	ICP02	1203-001419	IC-VOLTAGE REGULATOR;4931,TO-252,3P,6.6x		
.....5	R949	2001-000591	R-CARBON;3.3KOHM,5%,1/8W,AA,TP,1.8X3.2MM	.....6	QP01	0501-000344	TR-SMALL SIGNAL;KSC1623-G,NPN,200mW,SOT-		
.....5	R950	2001-000429	R-CARBON;1KOHM,5%,1/8W,AA,TP,1.8X3.2MM	.....6	QP02	0501-000344	TR-SMALL SIGNAL;KSC1623-G,NPN,200mW,SOT-		
.....5	R951	2001-000591	R-CARBON;3.3KOHM,5%,1/8W,AA,TP,1.8X3.2MM	.....6	QP03	0501-000344	TR-SMALL SIGNAL;KSC1623-G,NPN,200mW,SOT-		
.....5	R952	2001-000281	R-CARBON;1000HM,5%,1/8W,AA,TP,1.8X3.2MM	.....6	QP04	0501-000344	TR-SMALL SIGNAL;KSC1623-G,NPN,200mW,SOT-		
.....5	R953	2001-000734	R-CARBON;4.7KOHM,5%,1/8W,AA,TP,1.8X3.2MM	.....6	RP01	2007-000468	R-CHIP;1KOHM,5%,1/10W,DA,TP,2012		
.....5	R954	2001-000281	R-CARBON;1000HM,5%,1/8W,AA,TP,1.8X3.2MM	.....6	RP02	2007-000931	R-CHIP;4700HM,5%,1/10W,DA,TP,2012		
.....5	R955	2001-000734	R-CARBON;4.7KOHM,5%,1/8W,AA,TP,1.8X3.2MM	.....6	RP03	2007-000290	R-CHIP;1000HM,5%,1/10W,DA,TP,2012		
.....5	R956	2001-000281	R-CARBON;1000HM,5%,1/8W,AA,TP,1.8X3.2MM	.....6	RP04	2007-000290	R-CHIP;1000HM,5%,1/10W,DA,TP,2012		
.....5	R959	2001-000281	R-CARBON;1000HM,5%,1/8W,AA,TP,1.8X3.2MM	.....6	RP05	2007-000290	R-CHIP;1000HM,5%,1/10W,DA,TP,2012		
.....5	R960	2001-000281	R-CARBON;1000HM,5%,1/8W,AA,TP,1.8X3.2MM	.....6	RP06	2007-000290	R-CHIP;1000HM,5%,1/10W,DA,TP,2012		
.....5	R961	2001-000734	R-CARBON;4.7KOHM,5%,1/8W,AA,TP,1.8X3.2MM	.....6	RP07	2007-000300	R-CHIP;1000HM,5%,1/10W,DA,TP,2012		
.....5	R962	2001-000864	R-CARBON;56KOHM,5%,1/8W,AA,TP,1.8X3.2MM	.....6	RP08	2007-001166	R-CHIP;750HM,5%,1/10W,DA,TP,2012		
.....5	R963	2001-000591	R-CARBON;3.3KOHM,5%,1/8W,AA,TP,1.8X3.2MM	.....6	RP09	2007-000941	R-CHIP;47KOHM,5%,1/10W,DA,TP,2012		
.....5	R964	2001-000734	R-CARBON;4.7KOHM,5%,1/8W,AA,TP,1.8X3.2MM	.....6	RP10	2007-000941	R-CHIP;47KOHM,5%,1/10W,DA,TP,2012		
.....5	R965	2001-000734	R-CARBON;4.7KOHM,5%,1/8W,AA,TP,1.8X3.2MM	.....6	RP11	2007-000931	R-CHIP;4700HM,5%,1/10W,DA,TP,2012		
.....5	R967	2001-000429	R-CARBON;1KOHM,5%,1/8W,AA,TP,1.8X3.2MM	.....6	RP12	2007-001166	R-CHIP;750HM,5%,1/10W,DA,TP,2012		
.....5	R968	2001-000429	R-CARBON;1KOHM,5%,1/8W,AA,TP,1.8X3.2MM	.....6	RP13	2007-000941	R-CHIP;47KOHM,5%,1/10W,DA,TP,2012		
.....5	R970	2001-000429	R-CARBON;1KOHM,5%,1/8W,AA,TP,1.8X3.2MM	.....6	RP14	2007-000941	R-CHIP;47KOHM,5%,1/10W,DA,TP,2012		
.....5	R971	2001-000812	R-CARBON;5.6KOHM,5%,1/8W,AA,TP,1.8X3.2MM	.....6	RP15	2007-000931	R-CHIP;4700HM,5%,1/10W,DA,TP,2012		
.....5	R974	2001-001088	R-CARBON(S);1KOHM,5%,1/2W,AA,TP,2.4X6.4M	.....6	RP16	2007-001166	R-CHIP;750HM,5%,1/10W,DA,TP,2012		
.....5	R976	2001-000429	R-CARBON;1KOHM,5%,1/8W,AA,TP,1.8X3.2MM	.....6	RP17	2007-000941	R-CHIP;47KOHM,5%,1/10W,DA,TP,2012		
.....5	R977	2001-001062	R-CARBON(S);10MOHM,5%,1/2W,AA,TP,2.4X6.4	.....6	RP18	2007-000941	R-CHIP;47KOHM,5%,1/10W,DA,TP,2012		
.....5	R978	2001-000290	R-CARBON;10KOHM,5%,1/8W,AA,TP,1.8X3.2MM	.....6	RP19	2007-000931	R-CHIP;4700HM,5%,1/10W,DA,TP,2012		
.....5	R981	2001-000577	R-CARBON;2KOHM,5%,1/8W,AA,TP,1.8X3.2MM	.....6	RP21	2007-000300	R-CHIP;10KOHM,5%,1/10W,DA,TP,2012		
.....5	R982	2001-000577	R-CARBON;2KOHM,5%,1/8W,AA,TP,1.8X3.2MM	.....6	RP22	2007-000290	R-CHIP;1000HM,5%,1/10W,DA,TP,2012		
.....5	R983	2001-000577	R-CARBON;2KOHM,5%,1/8W,AA,TP,1.8X3.2MM	.....6	RP23	2007-000029	R-CHIP;00HM,5%,1/10W,DA,TP,2012		
.....5	RF802	2008-000294	R-FUSIBLE(S);33ohm,5%,2W,AF,TP,3.9x10mm	.....6	RP24	2007-000029	R-CHIP;00HM,5%,1/10W,DA,TP,2012		
.....5	RS801	2001-001093	R-CARBON(S);2.2KOHM,5%,1/2W,AA,TP,2.4X6.	.....6	RP26	2007-000029	R-CHIP;00HM,5%,1/10W,DA,TP,2012		
.....5	RS803	2001-001159	R-CARBON(S);5100HM,5%,1/2W,AA,TP,2.4X6.4	.....6	RP28	2007-000029	R-CHIP;00HM,5%,1/10W,DA,TP,2012		
.....5	RS804	2001-001182	R-CARBON(S);7.5KOHM,5%,1/2W,AA,TP,2.4X6.	.....6	RP30	2007-000607	R-CHIP;2400HM,5%,1/10W,DA,TP,2012		
.....5	RS805	2001-001107	R-CARBON(S);220ohm,5%,1/2W,AA,TP,2.4x6.4	.....6	RP31	2007-000572	R-CHIP;2200HM,5%,1/10W,DA,TP,2012		
.....5	RS806	2001-001159	R-CARBON(S);5100HM,5%,1/2W,AA,TP,2.4X6.4	.....6	RP32	2007-001201	R-CHIP;8200HM,5%,1/10W,DA,TP,2012		
.....5	RS807	2001-001192	R-CARBON(S);8200HM,5%,1/2W,AA,TP,2.4X6.4	.....6	RP48	2007-000468	R-CHIP;1KOHM,5%,1/10W,DA,TP,2012		
...	3	0403-000510	DIODE-ZENER;MTZJ6.2B,6.2V,5.96-6.27V,500	.....6	RP49	2007-000964	R-CHIP;5.1KOHM,5%,1/10W,DA,TP,2012		
...	3	AA95-00649A	ASSY-PCB,PIP;-.P51A ALL,-,-,-	.....6	RP50	2007-000468	R-CHIP;1KOHM,5%,1/10W,DA,TP,2012		
.....4	CNP01	3711-002705	CONNECTOR-HEADER;NOWALL,7P,1R,2.5mm,ANGL	.....6	RP51	2007-000844	R-CHIP;3KOHM,5%,1/10W,DA,TP,2012		
.....4	CNP02	3711-002702	CONNECTOR-HEADER;NOWALL,4P,1R,2.5mm,ANGL	...	3	3301-001201	CORE-FERRITE;AE,21x11x32mm,1500,280G		
.....4	CNP03	3711-002703	CONNECTOR-HEADER;NOWALL,5P,1R,2.5mm,ANGL	...	3	AA65-30105B	CLAMP-WIRE;ALL MODEL,NYLON 66,V2,-,NTR,2	S.N.A	
.....4	CNP04	3711-002704	CONNECTOR-HEADER;NOWALL,6P,1R,2.5mm,ANGL	...	3	AA63-40027A	SHIELD-CASE,T,-,SPT,TO,25,-,-,ACT51A,	S.N.A	
.....4	H001	AA61-10068A	BRACKET-PCB;M2160,SPT,TO,3,-,-,-	S.N.A	3	AA39-30007A	IF-CABLE;-T,100mm,1365#26		
.....4	XP01	2801-004019	CRYSTAL-UNIT;20.25MHz,30ppm,28-AAM,13pF,	S.N.A	3	AA39-20010B	LEAD CONNECTOR-ASSY;1PYFH800-01,S,500,		
.....4		AA97-05135A	ASSY AUTO-SUB;P51A	S.N.A	3	AA39-00025A	LEAD CONNECTOR-ASSY;211PYFH800-02,YFH		
.....5	CP05	2401-002144	C-AL;47uF,20%,16V,GP,TP,5x11,5	...	2	AA90-00850A	ASSY CHASSIS PART;P53A DO,54T6	S.N.A	
.....5	CP07	2401-002144	C-AL;47uF,20%,16V,GP,TP,5x11,5	...	3	CON+HC	6003-001023	SCREW-TAPTITE;RWH,+B,M3,L10,ZPC(YEL),SW	S.N.A
.....5	CP09	2401-002144	C-AL;47uF,20%,16V,GP,TP,5x11,5	...	3	DF+FBT	6003-001023	SCREW-TAPTITE;RWH,+B,M3,L10,ZPC(YEL),SW	S.N.A
.....5	CP19	2401-002235	C-AL;10uF,20%,16V,GP,TP,5x11mm,5mm	...	3	DF+HC	6003-001023	SCREW-TAPTITE;RWH,+B,M3,L10,ZPC(YEL),SW	S.N.A
.....5	CP21	2401-001840	C-AL;100uF,20%,16V,GP,TP,6.3x11,5	...	3	PM+HC	6003-001023	SCREW-TAPTITE;RWH,+B,M3,L10,ZPC(YEL),SW	S.N.A
.....5	CP24	2401-000660	C-AL;2.2uF,20%,50V,GP,TP,5x11,5	...	3		AA61-00504B	HOLDER-CHASSIS;43,54,62J8,ABS,-,-,-GRAY	S.N.A







Loc. No.	Code No.	Description ; Specification	Remark
....4	AA61-00812A	SPRING-WIRE;PROJ,STS,3.6	S.N.A
..2	AA67-10008A	LENS,-,DELTA,RED,PJT,-,77,79,-	
..2	AA67-00147A	LENS-ASSY;DELTA 78,CLEAR A/B	
..2	AA63-00076A	SPACER-LENS;PROJECTION,FELT,-,---,BROWN	S.N.A
..2	AA61-00845A	CASE-COUPLER,R;DPROJ,AA61-00806B	
....3	AA61-00806B	CASE-COUPLER,R;PROJ,ALDC,T8,BLK	S.N.A
..2	AA27-00003B	MAGNET-CONVERGENCE,-,JH92LT-029,29.1MM	
..2	AA03-10026U	CRT-MONO;P16LNM07RJA,7,FLAT,90%,FREE,90,	S.N.A
..2	AA60-00126B	SPACER-CAP;PROJ,EPDM,BLK	S.N.A
..2	AA60-00125B	SPACER-CRT;PROJ,SILICONE,D/GRAY	S.N.A
..2	AA60-00074A	SPACER-DY;PJT,SILICON RUBBER,-,---,GRAY,	S.N.A
..2	AA39-00018A	LEAD CONNECTOR-ASSY;1P,YFH800-01,YRH187	
..2	AA27-50005L	DEFLECTION-YOKE,-,DPD-5292AL(S),ST-3,PJT	

### ASSY CRT-(G)

△ 1 *	AA97-01879A	ASSY CRT-(G);51, ,P51A-I,J51B,D78		
..2	BC+AL	AA60-10011A	SCREW-TAPTITE,-,SWRCH18A,M4,L12,HH,+,PC,	S.N.A
..2		AA61-00810B	HOLDER-CAP;PROJ,PC,CLR	S.N.A
..2		AA61-00809B	HOLDER-CRT;PROJ,PC/ABS GF 20%,BLK	S.N.A
..2		AA61-00056B	BRACKET-LENS;PROJECTION,SECC,T1.6,-,---,	S.N.A
..2		AA60-00127B	SPACER-LENS;PROJ,SILICONE,D/GRAY	S.N.A
..2		AA91-00735B	ASSY-BRKT,CRT;DPA91-00722A,PROJ	
....3		AA91-00722A	ASSY-BRKT,CRT;SECC T1.6,PROJ	
....4		AA61-00473B	BRACKET-CRT;53,SECC,T1.6,-,---,-	S.N.A
....4		AA61-00615B	BRACKET-EARTH;54J8,PBS,TO.5,-,---,-	S.N.A
....4		AA61-00812A	SPRING-WIRE;PROJ,STS,3.6	S.N.A
..2		AA67-10071A	LENS;DELTA 77 79,-,GREEN,C ELEMENT,	
..2		AA67-00147A	LENS-ASSY;DELTA 78,CLEAR A/B	
..2		AA63-00076A	SPACER-LENS;PROJECTION,FELT,-,---,BROWN	S.N.A
..2		AA61-00846A	CASE-COUPLER,G;DPROJ,AA61-00807B	
....3		AA61-00807B	CASE-COUPLER,G;PROJ,ALDC,T8,BLK	S.N.A
..2		AA27-00003B	MAGNET-CONVERGENCE,-,JH92LT-029,29.1MM	
..2		AA03-10026V	CRT-MONO;P16LNM07HKA,7,FLAT,90%,FREE,90,	S.N.A
..2		AA60-00126B	SPACER-CAP;PROJ,EPDM,BLK	S.N.A
..2		AA60-00125B	SPACER-CRT;PROJ,SILICONE,D/GRAY	S.N.A
..2		AA60-00074A	SPACER-DY;PJT,SILICON RUBBER,-,---,GRAY,	S.N.A
..2		AA39-00018A	LEAD CONNECTOR-ASSY;1P,YFH800-01,YRH187	
..2		AA27-50005L	DEFLECTION-YOKE,-,DPD-5292AL(S),ST-3,PJT	

### ASSY CRT-(B)

△ 1 *	AA97-01880A	ASSY CRT-(B);51, ,P51A-I,J51B,D78			
..2	BC+AL	AA60-10011A	SCREW-TAPTITE,-,SWRCH18A,M4,L12,HH,+,PC,	S.N.A	
..2		AA61-00810B	HOLDER-CAP;PROJ,PC,CLR	S.N.A	
..2		AA61-00809B	HOLDER-CRT;PROJ,PC/ABS GF 20%,BLK	S.N.A	
..2		AA61-00056B	BRACKET-LENS;PROJECTION,SECC,T1.6,-,---,	S.N.A	
..2		AA60-00127B	SPACER-LENS;PROJ,SILICONE,D/GRAY	S.N.A	
..2		AA91-00735B	ASSY-BRKT,CRT;DPA91-00722A,PROJ		
....3		AA91-00722A	ASSY-BRKT,CRT;SECC T1.6,PROJ		
....4		AA61-00473B	BRACKET-CRT;53,SECC,T1.6,-,---,-	S.N.A	
....4		AA61-00615B	BRACKET-EARTH;54J8,PBS,TO.5,-,---,-	S.N.A	
....4		AA61-00812A	SPRING-WIRE;PROJ,STS,3.6	S.N.A	
..2		AA67-10007A	LENS,-,DELTA,CLEAR,PJT,-,77,79,-		
..2		AA67-00147A	LENS-ASSY;DELTA 78,CLEAR A/B		
..2		AA63-00076A	SPACER-LENS;PROJECTION,FELT,-,---,BROWN	S.N.A	
..2		AA61-00847A	CASE-COUPLER,B;DPROJ,AA61-00808B		
....3		AA61-00808B	CASE-COUPLER,B;PROJ,ALDC,T8,BLK	S.N.A	
..2		AA27-50005L	DEFLECTION-YOKE,-,DPD-5292AL(S),ST-3,PJT		
..2		AA03-10026W	CRT-MONO;P16LNM07BMB,7,FLAT,90%,FREE,90,	S.N.A	
..2		AA60-00126B	SPACER-CAP;PROJ,EPDM,BLK	S.N.A	
..2		AA60-00125B	SPACER-CRT;PROJ,SILICONE,D/GRAY	S.N.A	
..2		AA60-00074A	SPACER-DY;PJT,SILICON RUBBER,-,---,GRAY,	S.N.A	
..2		AA39-00018A	LEAD CONNECTOR-ASSY;1P,YFH800-01,YRH187		
..2		AA27-60003C	MAGNET-CONVERGENCE,-,JH92LTU-SC-20,29.1m		
..2		CN001A	AA39-00194A	LEAD CONNECTOR ASSY;,12P;35155-1200,6709	
..2		CNY01A	3711-00397A	CONNECTOR-HEADER;BOX,12P;1R,2.5mm,STRAIG	
..2		JK101	3722-000544	JACK-VHS;4P;11.5mm,AG,BLK,N	
..2		JK102	3722-001164	JACK-PIN;3P;3.4mm,SN,WH;YE.RE;#16-22	
..2		PCB	AA41-00359B	PCB-A/V FRONT;SVP-54J8SR,FR-1,1L,A,1.6T,	S.N.A
..2			0202-000187	SOLDER-WIRE FLUX;-RS60S,D1.2.63SN/37Pb	
..2			3301-001201	CORE-FERRITE;AE,21x11x32mm,1500,280G	
<b>ASSY CABINET(COM)</b>					
1	*	AA92-01040K	ASSY CABINET(COM);ST54TGX/XAX	S.N.A	
..2		AC+BCM	AA60-10011A	SCREW-TAPTITE,-,SWRCH18A,M4,L12,HH,+,PC,	S.N.A
..2		AV+CFB	6003-001023	SCREW-TAPTITE;RWH,+,B,M3,L10,ZPC(YEL),SW	S.N.A
..2		BCM	AA63-60131M	SPACER-FELT;PJT,FELT,BLK,T1.0,120*55	S.N.A
..2		BM+CBT	6003-001026	SCREW-TAPTITE;RH,+,B,M4,L15,ZPC(BLK),SWR	
..2		CBB	AA64-01395N	INLAY-TERMINAL;43,54,62T6,PS SHEET,TO.5,	S.N.A
..2		CBB	AA64-02074B	INLAY-SPEAKER;J7,J8,J9,PS SHEET,TO.5,-,-	S.N.A
..2		CBBAPT	6003-001019	SCREW-TAPTITE;RH,+,B,M4,L12,ZPC(BLK),SWR	S.N.A
..2		CBT	AA64-60449B	INLAY-COVER;SP-434JM,FP,TO.5,149.3X69.5	S.N.A
..2		CBT+CW	AA63-60002V	SPACER-FELT;-FELT,-,---,BLK,TO.3,-,60X4	S.N.A
..2		CF	AA73-00005B	RUBBER-CAP;FLAT,PRJ,SILICONE RUBBER,WHIT	
..2		CP*KC	6003-001023	SCREW-TAPTITE;RWH,+,B,M3,L10,ZPC(YEL),SW	S.N.A
..2		CW+CBT	6005-001003	SCREW-WOOD;HH,+,M4,L19,ZPC(BLK),SWRCH18A	S.N.A
..2		CWBBCM	6006-001094	SCREW-ASS'Y WOOD;WW,HH,+,M7,L32,ZPC(YEL)	S.N.A
..2		CWCBCC	6005-001003	SCREW-WOOD;HH,+,M4,L19,ZPC(BLK),SWRCH18A	S.N.A
..2		CWCBSS	6005-001003	SCREW-WOOD;HH,+,M4,L19,ZPC(BLK),SWRCH18A	S.N.A
..2		CWCBFB	6005-001003	SCREW-WOOD;HH,+,M4,L19,ZPC(BLK),SWRCH18A	S.N.A
..2		CWBHC	6005-001003	SCREW-WOOD;HH,+,M4,L19,ZPC(BLK),SWRCH18A	S.N.A
..2		CWTOP	AA60-00070C	SPACER-SCREEN,OPTION;54J8 SIDE,ABS,-,-	S.N.A
..2		CWTOP	AA60-00070B	SPACER-SCREEN,OPTION;54J8 TOP/BOT,ABS,-,-	S.N.A
..2		FP+BCM	AA60-10011A	SCREW-TAPTITE,-,SWRCH18A,M4,L12,HH,+,PC,	S.N.A
..2		HV+BCM	AA60-10011A	SCREW-TAPTITE,-,SWRCH18A,M4,L12,HH,+,PC,	S.N.A
..2		MB+CBT	AA63-60131K	SPACER-FELT;54J9,62J9,FELT,TO.5,40X45	S.N.A
..2		MR+CBT	AA60-00135C	SPACER-MIRROR,FIBER;47W3,ANT-300G,L240,T	
..2		SCDCRT	AA63-60131A	SPACER-FELT;SVP403J,FELT,-,---,BLK,TO.5,	S.N.A
..2			AA73-00008A	RUBBER-SHEET;47W3,MBR,18*50,T2.0	
..2			AA64-02170D	CABINET-MASK,ETC;DP;ST54T6,ABS,HB,GRAY,S	
....3		C/FRON	AA63-00380A	COVER-CORNER;PJT,POLYESTER,-,---,CLR,#	
....3			AA64-02283R	CABINET-FRONT,MASK;ST54T6,ABS,HB,GRAY,SV	
....4			AA64-01393A	CABINET-FRONT,MASK;54J8,ABS,-,---,HB,GRA	S.N.A
....4			AA64-02283Q	CABINET-FRONT,MASK;ST54T6,ABS,HB,GRAY,SV	
....4			AA64-01393A	CABINET-FRONT,MASK;54J8,ABS,-,---,HB,GRA	S.N.A
....3			AA64-01495L	CABINET-MASK,SIDE;ST54T6,ABS,HB,GRAY,SVM	
....4			AA64-01495A	CABINET-MASK,SIDE;54J8,ABS,-,---,HB,GRAY	S.N.A
....3			AA61-00505B	HOLDER-CORNER;43,54,62J8,ABS,-,---,GRAY,	S.N.A
..2			AA91-00661A	ASSY-BRKT,MIRROR;DP;91-00489B 22KG,54J9	S.N.A
....3			AA91-00489B	ASSY-BRKT,MIRROR;-,-,SECC-1 T1.0,54J8	
....4			AA60-00073A	SPACER-FELT;54J8,FELT,-,---,-,T1.0,-,210	S.N.A
....4			AA61-00512B	BRACKET-MIRROR;43,53,61J8,SECC-1,T1.0,-,	S.N.A
..2			AA67-00116B	SCREEN-FRESNEL;53,-,T2,1125*854,-,---,-	
..2			AA61-00617B	BRACKET-CRT,MAIN;DP;54J7,AA61-00475B	
....3			AA61-00475B	BRACKET-CRT,MAIN;54,SECC,T1.6,-,---,-	S.N.A
..2			AA64-01849C	CABINET-BACK,BOT;DP;62J8,V0,AA64-01384B	
....3			AA64-01384B	CABINET-BACK,BOT;43,54,62J8,HIPS,-,---,V	
....4			0103-000161	RESIN-HIPS;BASFK456M,BLK,-,V0	S.N.A
..2			AA67-00116A	SCREEN-LENTI;53,-,T1,1123*852,-,---,TINT	
..2			AA61-00049B	HOLDER-BOX;-PP,-,---,NTR,V0,AA61-20285A	S.N.A
....3			AA61-20285A	HOLDER-BOX;3456,PP,-,---,VHHT,V0	S.N.A
..2			AA60-40006A	PIN-STAPLE;-,-,H18,33X17.8X2.4,-,AUTO	S.N.A
..2			AA60-00072B	SPACER-COVER,DUST;43,54,62J9,SPONGE 94HF	S.N.A
..2			AA60-00069C	SPACER-SCREEN;43,54,62J8,ABS,-,---,BLK,-	S.N.A
..2			AA60-00069B	SPACER-SCREEN;43,54,62J8,ABS,-,---,BLK,-	S.N.A
..2			AA67-00080A	MIRROR-BACK;54J8,GLASS,940.5*684.5*674.5	
..2			AA65-30008A	CLAMP-CORD;-PE,HB,-,BLK,-	S.N.A
..2			AA64-01853B	CABINET-BACK,TOP;DP;54J8,AA64-01379B	
....3			AA64-01379B	CABINET-BACK,TOP;54J8,HIPS,-,---,HB,BLK,	
....4			0103-001229	RESIN-HIPS;HR-1360,GRY,C7425,HB	S.N.A
..2			AA64-01850B	CABINET-BACK,SIDE;DP;54J9,-,---,-,V0,-,A	
....3			AA64-01385C	CABINET-BACK,SIDE;545R,625R(SEA),HIPS,-,-	
..2			AA61-00618B	GUIDE-FLOW;54J8,J7,ABS,-,---,BLK,HB	S.N.A

### ASSY-PCB,A/V FRONT

1	*	AA95-00863C	ASSY-PCB,A/V FRONT;DPPCL541,P51A,AA95-0
---	---	-------------	---

Loc. No.	Code No.	Description ; Specification	Remark
----------	----------	-----------------------------	--------

**ASSY CABINET(COM)**

1	*	AA92-01060B ASSY CABINET(COM);P54A,ST54T6	S.N.A
..2		AWTAWB6006-001094 SCREW-ASS'Y WOOD;WWW,HH,+M7,L32,ZPC(YEL)	S.N.A
..2		CASCWB AA60-10051A SCREW-WOOD;-SWRCH18A,M4,L16,PH,+,-,ZP	S.N.A
..2		CWB AA60-00078A SPACER-DUAL,LOCK;54J8,#250,-,-,-,-,4	S.N.A
..2		CWTHCWA60-10051A SCREW-WOOD;-SWRCH18A,M4,L16,PH,+,-,ZP	S.N.A
..2		HCMCWBAA60-10051A SCREW-WOOD;-SWRCH18A,M4,L16,PH,+,-,ZP	S.N.A
..2		HW+CVBAA60-10051B SCREW-WOOD;-SWRCH18A,M3.5,L11,RH,+,-,ZP	S.N.A
..2		SPKCWB AA60-10051A SCREW-WOOD;-SWRCH18A,M4,L16,PH,+,-,ZP	S.N.A
..2		AA61-00674B HOLDER-SCREEN;54 TOP/BOTTOM,ABS,-,-,-,BL	S.N.A
..2		AA61-00674C HOLDER-SCREEN;54 SIDE-L/R,ABS,-,-,-,BLK	S.N.A
..2		AA61-00722A HOLDER-PIN,DABO;PRJT,NYLON,OD6.5XL25,-,-	S.N.A
..2		AA61-00723A HOLDER-PIN,DABO;PRJT,WOODEN NAIL,OD6XL20	S.N.A
..2		AA63-00384A COVER-DUCT;DP 54J8,-,-,-,HB,-,AA63-003	
..3		AA63-00348B COVER-DUCT;54,62J8,HIPS,-,-,-,HB,BLK,-	
..2		AA64-01399A CABINET-WOOD,TOP;54J8,WOOD,-,-,-,-,4	
..2		AA64-01402C CABINET-WOOD,BOT;54T6SR,WOOD,SDE8336R	
..2		AA61-00616B HOLDER-CRT,MAIN;54J7,DP,-,-,-,-,AA61-005	S.N.A
..3		AA61-00506B HOLDER-CRT,MAIN;43,54,62J8,HIPS,-,-,-,BL	S.N.A
..2		AA61-00094C HOLDER-RAIL;PCJ533R,ABS,-,-,-,BLK,HB,480	S.N.A
..2		AA61-00097A HOLDER-WIRE;-NYLON 6/6,-,-,-,NTR,-	S.N.A
..2		AA61-00458A CASTER;-TP4015-05 NYL,-,OH47,-,-,SR40 T	
..2		AA61-00507B HOLDER-CABINET,WOOD;43,54,62J8,ABS,-,-,-	S.N.A
..2		AA61-00508D HOLDER-JERSEY;W3,ABS V0,GRAY,G4309	
..2		AA61-00533B BRACKET-GRILLE;43,54,62J8,SECC-1 ,TO,5,-	S.N.A

**ASSY CABINET BOT**

1	*	AA91-00734M ASSY CABINET BOT;DP,HIPS HB,SVM1126 SEA,	
..2		KC+CFB 6002-000522 SCREW-TAPPING;TH,+2,M4,L15,ZPC(BLK),SWR	S.N.A
..2		KNPOPW AA61-00343A SPRING-CS;29A7,SUS304,-,-,-,-,0.	S.N.A
..2		AA64-01861F KNOB POWER;ST54T6,ABS,HB,GRAY,SVM1126	
..2		AA64-01860H DOOR-A/V;ST54T6,HIPS,GRAY,SVM1126 HB	
..2		AA64-01862F KNOB CONTROL;ST54T6,ABS,HB,GRAY,SVM1126	
..2		AA64-01863B WINDOW REMOCON;T6,PC,CLEAR	
..2		AA64-01956C BADGE-BRAND;T6,AL,-,-,-,-,NI,SAMSUNG	S.N.A
..2		AA64-01858N CABINET-FRONT,BOT;ST54T6,HIPS,HB,GRAY,SV	S.N.A
..2		AA61-00687B HOLDER-FRONT,BOT;T6,HIPS HB,-,-,-,BLK,HB	S.N.A
..2		AA61-00685B GUIDE-KNOB,CONTROL;T6,ABS HB,GRAY,AL VAC	
..2		AA60-00078A SPACER-DUAL,LOCK;54J8,#250,-,-,-,-,4	S.N.A
..2		AA64-01752B INDICATOR LED;54J9,62J9,ACRYL,-,-,-,-,CL	
..2		AA64-01396G INLAY-AV;43,54,62T6,PS SHEET,TO.3,BLK,P5	S.N.A
..2		AA61-20129A HOLDER-WIRE;-NYLON-66,-,-,-,NTR,DAFC-25	S.N.A
..2		AA61-00805B GUIDE-FRONT;54T6,HIPS,BLK,HB	

**ASSY-SKD**

1	*	AA97-01723A ASSY-SKD;ST54T63S/GSU,P51A,SAMEX	S.N.A
..2		CORE2 3301-001201 CORE-FERRITE;AE,21x11x32mm,1500,280G	
..2		D/B AA26-30006E TRANS-FLYBACK;-FWZ-50A001B(S),50KV,-	
..2		AA65-30018A CLAMP-WIRE;DONG-A,NYLON-66,-,-,-,DATL-60	
..2		AA65-30104B CLAMP-WIRE;ALL MODEL,NYLON 66,V2,-,BLK,W	S.N.A
..2		AA65-30105B CLAMP-WIRE;ALL MODEL,NYLON 66,V2,-,NTR,2	S.N.A
..2		AA65-30013A CLAMP-WIRE;-NYLON-66,VO,-,NTR,DAWH-45N	S.N.A
..2		AA26-30006F TRANS-FLYBACK;-FWZ-50A001C,55',30KV	
..2		AA39-20577A LEAD CONNECTOR-ASSY;6(3)P,FYH806-06,800	
..2		AA59-00171A MODULE-FOCUS,PACK;SVP-5200,S300-P3,-,-,-	

Loc. No.	Code No.	Description ; Specification	Remark
----------	----------	-----------------------------	--------

**ASSY SPEAKER**

1	*	AA96-00463A ASSY SPEAKER;-,-,-,20W(3001-001107),8 OH	S.N.A
..2		3001-001107 SPEAKER;20W,8ohm,95dB,1300Hz	
..2		3001-001134 SPEAKER;30W,8ohm,93dB,60Hz	
..2		AA39-00042A LEAD CONNECTOR-ASSY;2.2UF,REC,REC,200MM	
..2		AA98-00049A ASSY-LEAD,CON;-LEAD-CON,CORE,AA39-20505	S.N.A
..3		3301-001201 CORE-FERRITE;AE,21x11x32mm,1500,280G	

**ASSY-PACKING**

1	*	AA92-00140A ASSY-PACKING;F3 PJT	S.N.A
..2		AA60-40006A PIN-STAPLE;-,-,H18,33X17.8X2.4,-,AUTO	S.N.A
..2		AA69-90001A SILICAGEL;-,-,-,-,M2,5GR,-,-	S.N.A

**ASSY POWER CORD**

△ 1	*	AA96-20112E ASSY POWER CORD;-EP2/NO,H/C 50mm,KJ10,M	S.N.A
..2		3811-000401 WIRE-PVC CU;BCWA,300V,ROLL,17/0.16mm,#22	
..2		AA39-10006K POWER-CORD;-KJ-10,SPT-2 2/18AWG,2400,3P	
..2		AA61-20284A HOLDER,P-CORD,PP,-,-,-,BLK,VO,KE-002	S.N.A

**ASSY ACCESSORY**

1	*	AA97-01722A ASSY ACCESSORY;ST54T63S/XAX,P51A,MEXICO	S.N.A
..2		AA68-01792A MANUAL USERS;ST54T6,SEM,SPA,2(1),B5,P51A	
..2		AA68-01791A MANUAL USERS;ST54T6,SEM,ENG,2(1),B5,P51A	S.N.A
..2		AA61-20126A HOLDER-LEG;-ABS,-,-,-,BLK,HB	S.N.A
..2		AA39-00006A CABLE-RCA;-3000MM	

**REMOCON**

1	*	AA59-00096B REMOCON;-TM57,KS88P0416S,45,L/GRAY,EX,-	
..2		2802-000194 RESONATOR-CERAMIC;8MHz,1.0%,TP8.5x4.5x5	
..2		AA09-00051A IC-MCU;Z86L8808SSC-R501M,SZTM-822,28PIN,	



Loc. No.	Code No.	Description ; Specification	Remark	Loc. No.	Code No.	Description ; Specification	Remark
...4	C427	2401-002300 C-AL;47uF,20%,50V,GP,TP,6.3x11,5		...4	EL09	AA60-40011B EYELET;ID2.2,OD3.2,-,-,BSP-	S.N.A
...4	C428	2306-000122 C-FILM,MPPF,100nF,5%,50V,TP,7.3x4.0x5.0m		...4	EL10	AA60-40011B EYELET;ID2.2,OD3.2,-,-,BSP-	S.N.A
...4	C437	2401-003114 C-AL;4.7uF,20%,250V,WT,TP,10x16,5		...4	EL11	AA60-40011B EYELET;ID2.2,OD3.2,-,-,BSP-	S.N.A
...4	C441	2401-000262 C-AL;100uF,20%,160V,HR,TP,16x25,7,5		...4	EL12	AA60-40011B EYELET;ID2.2,OD3.2,-,-,BSP-	S.N.A
...4	C445	2401-001622 C-AL;6.8uF,20%,50V,BP,TP,16x25mm,7.		...4	EL13	AA60-40011B EYELET;ID2.2,OD3.2,-,-,BSP-	S.N.A
...4	C450	2401-000262 C-AL;100uF,20%,160V,HR,TP,16x25,7,5		...4	EL14	AA60-40011B EYELET;ID2.2,OD3.2,-,-,BSP-	S.N.A
...4	C451	2401-001160 C-AL;33uF,20%,160V,GP,-,16x35mm,7,5		...4	EL15	AA60-40011B EYELET;ID2.2,OD3.2,-,-,BSP-	S.N.A
...4	C452	2201-000132 C-CERAMIC,DISC;0.1nF,10%,500V,Y5P,TP,6.5		...4	EL18	AA60-40011B EYELET;ID2.2,OD3.2,-,-,BSP-	S.N.A
...4	C453	2401-002288 C-AL;470uF,20%,25V,WT,TP,10x20,5		...4	EL19	AA60-40011B EYELET;ID2.2,OD3.2,-,-,BSP-	S.N.A
...4	C454	2401-001429 C-AL;470uF,20%,50V,GP,TP,13x20,5		...4	EL20	AA60-40011B EYELET;ID2.2,OD3.2,-,-,BSP-	S.N.A
...4	C455	2201-000132 C-CERAMIC,DISC;0.1nF,10%,500V,Y5P,TP,6.5		...4	EL21	AA60-40011B EYELET;ID2.2,OD3.2,-,-,BSP-	S.N.A
...4	C457	2201-000132 C-CERAMIC,DISC;0.1nF,10%,500V,Y5P,TP,6.5		...4	EL22	AA60-40011B EYELET;ID2.2,OD3.2,-,-,BSP-	S.N.A
...4	C458	2401-002288 C-AL;470uF,20%,25V,WT,TP,10x20,5		...4	EL25	AA60-40011B EYELET;ID2.2,OD3.2,-,-,BSP-	S.N.A
...4	C467	2401-000360 C-AL;100uF,20%,50V,GP,TP,8x11.5,5		...4	EY01	AA60-40011A EYELET;ID2.0,OD2.8,-,-,BST-	S.N.A
...4	C468	2201-000119 C-CERAMIC,DISC;100nF,+80-20%,50V,Y5V,TP,		...4	EY05	AA60-40011A EYELET;ID2.0,OD2.8,-,-,BST-	S.N.A
...4	C469	2201-000291 C-CERAMIC,DISC;1nF,10%,500V,Y5P,TP,7.5x3		...4	EY06	AA60-40011A EYELET;ID2.0,OD2.8,-,-,BST-	S.N.A
...4	C472	2401-000262 C-AL;100uF,20%,160V,HR,TP,16x25,7,5		...4	EY09	AA60-40011A EYELET;ID2.0,OD2.8,-,-,BST-	S.N.A
...4	C476	2401-001017 C-AL;3.3uF,20%,50V,BP,TP,5x11,5		...4	EY10	AA60-40011A EYELET;ID2.0,OD2.8,-,-,BST-	S.N.A
...4	C478	2301-000020 C-FILM,PEF;27nF,5%,100V,TP,7.3x4x12.5mm,		...4	EY100	AA60-40011A EYELET;ID2.0,OD2.8,-,-,BST-	S.N.A
...4	C479	2301-000200 C-FILM,PEF;2.2nF,5%,200V,TP,11.0x6.0x9.0		...4	EY101	AA60-40011A EYELET;ID2.0,OD2.8,-,-,BST-	S.N.A
...4	C483	2401-000680 C-AL;2.2uF,20%,50V,GP,TP,5x11,5		...4	EY102	AA60-40011A EYELET;ID2.0,OD2.8,-,-,BST-	S.N.A
...4	C484	2201-000132 C-CERAMIC,DISC;0.1nF,10%,500V,Y5P,TP,6.5		...4	EY103	AA60-40011A EYELET;ID2.0,OD2.8,-,-,BST-	S.N.A
...4	C809	2201-000551 C-CERAMIC,DISC;0.47nF,10%,1kV,Y5P,TP,6.3		...4	EY104	AA60-40011A EYELET;ID2.0,OD2.8,-,-,BST-	S.N.A
...4	C814	2201-002041 C-CERAMIC,DISC;0.82nF,10%,2kV,Y5P,TP,9x5		...4	EY105	AA60-40011A EYELET;ID2.0,OD2.8,-,-,BST-	S.N.A
...4	C815	2201-000406 C-CERAMIC,DISC;0.27nF,10%,2kV,Y5P,TP,6.3		...4	EY106	AA60-40011A EYELET;ID2.0,OD2.8,-,-,BST-	S.N.A
...4	C816	2201-000332 C-CERAMIC,DISC;2.2nF,20%,250V,Y5U,TP,9x4		...4	EY107	AA60-40011A EYELET;ID2.0,OD2.8,-,-,BST-	S.N.A
...4	C817	2201-000332 C-CERAMIC,DISC;2.2nF,20%,250V,Y5U,TP,9x4		...4	EY108	AA60-40011A EYELET;ID2.0,OD2.8,-,-,BST-	S.N.A
...4	C818	2301-001216 C-FILM,PPF;47nF,5%,630V,TP,20x14.5x22.7.		...4	EY109	AA60-40011A EYELET;ID2.0,OD2.8,-,-,BST-	S.N.A
...4	C819	2201-000332 C-CERAMIC,DISC;2.2nF,20%,250V,Y5U,TP,9x4		...4	EY11	AA60-40011A EYELET;ID2.0,OD2.8,-,-,BST-	S.N.A
...4	C833	2201-000292 C-CERAMIC,DISC;1nF,10%,50V,Y5P,TP,5x3.5,		...4	EY110	AA60-40011A EYELET;ID2.0,OD2.8,-,-,BST-	S.N.A
...4	C834	2401-003028 C-AL;100uF,20%,25V,WT,TP,6.3x11,5		...4	EY111	AA60-40011A EYELET;ID2.0,OD2.8,-,-,BST-	S.N.A
...4	C835	2401-000030 C-AL;22uF,20%,25V,GP,TP,5x11,5		...4	EY112	AA60-40011A EYELET;ID2.0,OD2.8,-,-,BST-	S.N.A
...4	C851	2201-000551 C-CERAMIC,DISC;0.47nF,10%,1kV,Y5P,TP,6.3		...4	EY113	AA60-40011A EYELET;ID2.0,OD2.8,-,-,BST-	S.N.A
...4	C852	2401-000133 C-AL;100uF,20%,16V,GP,TP,10x20,5		...4	EY114	AA60-40011A EYELET;ID2.0,OD2.8,-,-,BST-	S.N.A
...4	C854	2201-000551 C-CERAMIC,DISC;0.47nF,10%,1kV,Y5P,TP,6.3		...4	EY115	AA60-40011A EYELET;ID2.0,OD2.8,-,-,BST-	S.N.A
...4	C855	2401-003141 C-AL;2200uF,20%,25V,WT,TP,13x25.5mm		...4	EY116	AA60-40011A EYELET;ID2.0,OD2.8,-,-,BST-	S.N.A
...4	C857	2401-000133 C-AL;1000uF,20%,16V,GP,TP,10x20,5		...4	EY117	AA60-40011A EYELET;ID2.0,OD2.8,-,-,BST-	S.N.A
...4	C861	2201-000551 C-CERAMIC,DISC;0.47nF,10%,1kV,Y5P,TP,6.3		...4	EY118	AA60-40011A EYELET;ID2.0,OD2.8,-,-,BST-	S.N.A
...4	C864	2201-000551 C-CERAMIC,DISC;0.47nF,10%,1kV,Y5P,TP,6.3		...4	EY119	AA60-40011A EYELET;ID2.0,OD2.8,-,-,BST-	S.N.A
...4	C866	2401-000192 C-AL;1000uF,20%,50V,GP,TP,16x25,7,5		...4	EY12	AA60-40011A EYELET;ID2.0,OD2.8,-,-,BST-	S.N.A
...4	C869	2401-000192 C-AL;1000uF,20%,50V,GP,TP,16x25,7,5		...4	EY120	AA60-40011A EYELET;ID2.0,OD2.8,-,-,BST-	S.N.A
...4	C871	2201-000551 C-CERAMIC,DISC;0.47nF,10%,1kV,Y5P,TP,6.3		...4	EY121	AA60-40011A EYELET;ID2.0,OD2.8,-,-,BST-	S.N.A
...4	C872	2401-000703 C-AL;2200uF,20%,25V,GP,-,12.5x25mm,		...4	EY122	AA60-40011A EYELET;ID2.0,OD2.8,-,-,BST-	S.N.A
...4	C873	2401-001998 C-AL;1000uF,20%,25V,GP,TP,10x20,5mm		...4	EY123	AA60-40011A EYELET;ID2.0,OD2.8,-,-,BST-	S.N.A
...4	C874	2201-000551 C-CERAMIC,DISC;0.47nF,10%,1kV,Y5P,TP,6.3		...4	EY124	AA60-40011A EYELET;ID2.0,OD2.8,-,-,BST-	S.N.A
...4	C877	2305-000427 C-FILM,MPEF;47nF,5%,100V,TP,7.5x12.5x3.5		...4	EY125	AA60-40011A EYELET;ID2.0,OD2.8,-,-,BST-	S.N.A
...4	D302	0402-000546 DIODE-RECTIFIER;TVR10G,400V,1.0A,DO-41,T		...4	EY126	AA60-40011A EYELET;ID2.0,OD2.8,-,-,BST-	S.N.A
...4	D433	0402-000537 DIODE-RECTIFIER;RH1A,600V,0.6A,DO-204AC		...4	EY127	AA60-40011A EYELET;ID2.0,OD2.8,-,-,BST-	S.N.A
...4	D435	0402-000132 DIODE-RECTIFIER;1N4004,400V,1A,DO-41,TP		...4	EY128	AA60-40011A EYELET;ID2.0,OD2.8,-,-,BST-	S.N.A
...4	D438	0402-000546 DIODE-RECTIFIER;TVR10G,400V,1.0A,DO-41,T		...4	EY129	AA60-40011A EYELET;ID2.0,OD2.8,-,-,BST-	S.N.A
...4	D440	0402-000534 DIODE-RECTIFIER;RG10V,400V,1.2A,DO-201,T		...4	EY13	AA60-40011A EYELET;ID2.0,OD2.8,-,-,BST-	S.N.A
...4	D441	0402-000534 DIODE-RECTIFIER;RG10V,400V,1.2A,DO-201,T		...4	EY130	AA60-40011A EYELET;ID2.0,OD2.8,-,-,BST-	S.N.A
...4	D444	0402-000546 DIODE-RECTIFIER;TVR10G,400V,1.0A,DO-41,T		...4	EY131	AA60-40011A EYELET;ID2.0,OD2.8,-,-,BST-	S.N.A
...4	D445	0402-000534 DIODE-RECTIFIER;RG10V,400V,1.2A,DO-201,T		...4	EY132	AA60-40011A EYELET;ID2.0,OD2.8,-,-,BST-	S.N.A
...4	D469	0402-000132 DIODE-RECTIFIER;1N4004,400V,1A,DO-41,TP		...4	EY133	AA60-40011A EYELET;ID2.0,OD2.8,-,-,BST-	S.N.A
...4	D472	0402-000546 DIODE-RECTIFIER;TVR10G,400V,1.0A,DO-41,T		...4	EY134	AA60-40011A EYELET;ID2.0,OD2.8,-,-,BST-	S.N.A
...4	D474	0402-000546 DIODE-RECTIFIER;TVR10G,400V,1.0A,DO-41,T		...4	EY135	AA60-40011A EYELET;ID2.0,OD2.8,-,-,BST-	S.N.A
△ ...4	D801	1405-000152 VARISTOR;560V,2500A,14x8.5mm,TP		...4	EY136	AA60-40011A EYELET;ID2.0,OD2.8,-,-,BST-	S.N.A
△ ...4	D802	1405-000152 VARISTOR;560V,2500A,14x8.5mm,TP		...4	EY137	AA60-40011A EYELET;ID2.0,OD2.8,-,-,BST-	S.N.A
△ ...4	D805	0402-000546 DIODE-RECTIFIER;TVR10G,400V,1.0A,DO-41,T		...4	EY138	AA60-40011A EYELET;ID2.0,OD2.8,-,-,BST-	S.N.A
△ ...4	D834	0402-000546 DIODE-RECTIFIER;TVR10G,400V,1.0A,DO-41,T		...4	EY139	AA60-40011A EYELET;ID2.0,OD2.8,-,-,BST-	S.N.A
△ ...4	D839	0402-000243 DIODE-RECTIFIER;RC2-V1,2000V,0.2A,DO-201		...4	EY14	AA60-40011A EYELET;ID2.0,OD2.8,-,-,BST-	S.N.A
△ ...4	D842	0402-000546 DIODE-RECTIFIER;TVR10G,400V,1.0A,DO-41,T		...4	EY140	AA60-40011A EYELET;ID2.0,OD2.8,-,-,BST-	S.N.A
△ ...4	D843	0402-000546 DIODE-RECTIFIER;TVR10G,400V,1.0A,DO-41,T		...4	EY141	AA60-40011A EYELET;ID2.0,OD2.8,-,-,BST-	S.N.A
△ ...4	D851	0402-000493 DIODE-RECTIFIER;1R5GU41,400V,1.5A,DO-15L		...4	EY142	AA60-40011A EYELET;ID2.0,OD2.8,-,-,BST-	S.N.A
...4	DZ301	0403-001327 DIODE-ZENER;MTZJ18A,16.22-17.06V,500mW,D		...4	EY143	AA60-40011A EYELET;ID2.0,OD2.8,-,-,BST-	S.N.A
...4	DZ304	0403-001327 DIODE-ZENER;MTZJ18A,16.22-17.06V,500mW,D		...4	EY144	AA60-40011A EYELET;ID2.0,OD2.8,-,-,BST-	S.N.A
...4	DZ305	0403-001329 DIODE-ZENER;MTZJ24B,22.61-23.77V,500mW,D		...4	EY145	AA60-40011A EYELET;ID2.0,OD2.8,-,-,BST-	S.N.A
...4	DZ306	0403-001167 DIODE-ZENER;MTZJ30D,30V,29.02-30.51V,500		...4	EY146	AA60-40011A EYELET;ID2.0,OD2.8,-,-,BST-	S.N.A
...4	DZ307	0403-001329 DIODE-ZENER;MTZJ24B,22.61-23.77V,500mW,D		...4	EY147	AA60-40011A EYELET;ID2.0,OD2.8,-,-,BST-	S.N.A
...4	DZ413	0403-001319 DIODE-ZENER;MTZJ4.7C,4.68-4.93V,500mW,DO		...4	EY148	AA60-40011A EYELET;ID2.0,OD2.8,-,-,BST-	S.N.A
...4	DZ473	0403-000720 DIODE-ZENER;MTZJ9.1B,9.1V,8.57-9.01V,500		...4	EY149	AA60-40011A EYELET;ID2.0,OD2.8,-,-,BST-	S.N.A
...4	DZ837	0403-000170 DIODE-ZENER;1N4762,82V,10%,1W,DO-41,TP		...4	EY15	AA60-40011A EYELET;ID2.0,OD2.8,-,-,BST-	S.N.A
...4	DZ840	0403-001039 DIODE-ZENER;MA2560,56V,52-60V,1W,DO-41,T		...4	EY150	AA60-40011A EYELET;ID2.0,OD2.8,-,-,BST-	S.N.A
...4	DZ841	0403-000691 DIODE-ZENER;R2K,170V,170-200V,-,-,TP		...4	EY151	AA60-40011A EYELET;ID2.0,OD2.8,-,-,BST-	S.N.A
...4	DZ842	0403-000700 DIODE-ZENER;TZP33A,33V,31-35V,1W,DO-41,T		...4	EY152	AA60-40011A EYELET;ID2.0,OD2.8,-,-,BST-	S.N.A
...4	DZ858	0403-001325 DIODE-ZENER;MTZJ15C,14.35-15.09V,500mW,D		...4	EY153	AA60-40011A EYELET;ID2.0,OD2.8,-,-,BST-	S.N.A





Loc. No.	Code No.	Description ; Specification	Remark	Loc. No.	Code No.	Description ; Specification	Remark
.....5	C52	2203-000041	C-CERAMIC,CHIP;0.01nF,0.25pF,50V,NP0,TP	.....5	R116	2007-000097	R-CHIP;47Kohm,5%,1/16W,DA,TP,1608
.....5	C53	2203-000181	C-CERAMIC,CHIP;100nF,+80-20%,25V,Y5V,TP	.....5	R118	2007-000082	R-CHIP;3.3Kohm,5%,1/16W,DA,TP,1608
.....5	C54	2203-000357	C-CERAMIC,CHIP;0.15nF,5%,50V,NP0,TP,1608	.....5	R119	2007-000518	R-CHIP;2.7KOHM,5%,1/10W,DA,TP,2012
.....5	C55	2203-001071	C-CERAMIC,CHIP;0.056nF,5%,50V,NP0,TP,160	.....5	R12	2007-000084	R-CHIP;4.7Kohm,5%,1/16W,DA,TP,1608
.....5	C56	2203-000041	C-CERAMIC,CHIP;0.01nF,0.25pF,50V,NP0,TP	.....5	R120	2007-000086	R-CHIP;4.3KOHM,1%,1/10W,DA,TP,2012
.....5	C57	2203-000181	C-CERAMIC,CHIP;100nF,+80-20%,25V,Y5V,TP	.....5	R121	2007-000109	R-CHIP;1Mohm,5%,1/16W,DA,TP,1608
.....5	C58	2203-000181	C-CERAMIC,CHIP;100nF,+80-20%,25V,Y5V,TP	.....5	R122	2007-000078	R-CHIP;1Kohm,5%,1/16W,DA,TP,1608
.....5	C59	2203-000357	C-CERAMIC,CHIP;0.15nF,5%,50V,NP0,TP,1608	.....5	R123	2007-000078	R-CHIP;1Kohm,5%,1/16W,DA,TP,1608
.....5	C60	2203-001071	C-CERAMIC,CHIP;0.056nF,5%,50V,NP0,TP,160	.....5	R124	2007-000078	R-CHIP;1Kohm,5%,1/16W,DA,TP,1608
.....5	C61	2203-000041	C-CERAMIC,CHIP;0.01nF,0.25pF,50V,NP0,TP	.....5	R125	2007-000078	R-CHIP;1Kohm,5%,1/16W,DA,TP,1608
.....5	C62	2203-000181	C-CERAMIC,CHIP;100nF,+80-20%,25V,Y5V,TP	.....5	R126	2007-000078	R-CHIP;1Kohm,5%,1/16W,DA,TP,1608
.....5	C63	2203-000357	C-CERAMIC,CHIP;0.15nF,5%,50V,NP0,TP,1608	.....5	R127	2007-000078	R-CHIP;1Kohm,5%,1/16W,DA,TP,1608
.....5	C64	2203-001071	C-CERAMIC,CHIP;0.056nF,5%,50V,NP0,TP,160	.....5	R13	2007-000084	R-CHIP;4.7Kohm,5%,1/16W,DA,TP,1608
.....5	C65	2203-000041	C-CERAMIC,CHIP;0.01nF,0.25pF,50V,NP0,TP	.....5	R134	2007-000070	R-CHIP;0ohm,5%,1/16W,DA,TP,1608
.....5	C66	2203-000181	C-CERAMIC,CHIP;100nF,+80-20%,25V,Y5V,TP	.....5	R14	2007-000074	R-CHIP;100ohm,5%,1/16W,DA,TP,1608
.....5	C67	2203-000357	C-CERAMIC,CHIP;0.15nF,5%,50V,NP0,TP,1608	.....5	R15	2007-000074	R-CHIP;1Kohm,5%,1/16W,DA,TP,1608
.....5	C68	2203-001071	C-CERAMIC,CHIP;0.056nF,5%,50V,NP0,TP,160	.....5	R16	2007-000074	R-CHIP;100ohm,5%,1/16W,DA,TP,1608
.....5	C69	2203-000041	C-CERAMIC,CHIP;0.01nF,0.25pF,50V,NP0,TP	.....5	R17	2007-000122	R-CHIP;1.2Kohm,5%,1/16W,DA,TP,1608
.....5	C78	2203-000181	C-CERAMIC,CHIP;100nF,+80-20%,25V,Y5V,TP	.....5	R18	2007-000381	R-CHIP;13Kohm,5%,1/16W,DA,TP,1608
.....5	C79	2203-000181	C-CERAMIC,CHIP;100nF,+80-20%,25V,Y5V,TP	.....5	R20	2007-000080	R-CHIP;2Kohm,5%,1/16W,DA,TP,1608
.....5	C80	2203-000181	C-CERAMIC,CHIP;100nF,+80-20%,25V,Y5V,TP	.....5	R21	2007-000078	R-CHIP;1Kohm,5%,1/16W,DA,TP,1608
.....5	C81	2203-000181	C-CERAMIC,CHIP;100nF,+80-20%,25V,Y5V,TP	.....5	R22	2007-001167	R-CHIP;75ohm,5%,1/16W,DA,TP,1608
.....5	C82	2203-000181	C-CERAMIC,CHIP;100nF,+80-20%,25V,Y5V,TP	.....5	R23	2007-000078	R-CHIP;1Kohm,5%,1/16W,DA,TP,1608
.....5	C83	2203-000181	C-CERAMIC,CHIP;100nF,+80-20%,25V,Y5V,TP	.....5	R28	2007-001163	R-CHIP;75OHM,1%,1/10W,DA,TP,2012
.....5	C84	2203-000181	C-CERAMIC,CHIP;100nF,+80-20%,25V,Y5V,TP	.....5	R29	2007-001163	R-CHIP;75OHM,1%,1/10W,DA,TP,2012
.....5	C86	2203-000181	C-CERAMIC,CHIP;100nF,+80-20%,25V,Y5V,TP	.....5	R30	2007-000122	R-CHIP;1.2Kohm,5%,1/16W,DA,TP,1608
.....5	C87	2203-000181	C-CERAMIC,CHIP;100nF,+80-20%,25V,Y5V,TP	.....5	R32	2007-000122	R-CHIP;1.2Kohm,5%,1/16W,DA,TP,1608
.....5	C88	2203-001245	C-CERAMIC,CHIP;0.082nF,5%,50V,NP0,TP,201	.....5	R33	2007-000028	R-CHIP;390OHM,5%,1/10W,DA,TP,2012
.....5	C89	2203-000181	C-CERAMIC,CHIP;100nF,+80-20%,25V,Y5V,TP	.....5	R34	2007-000028	R-CHIP;390OHM,5%,1/10W,DA,TP,2012
.....5	C90	2203-000575	C-CERAMIC,CHIP;220NF,10%,25V,X7R,TP,2012	.....5	R37	2007-000078	R-CHIP;1Kohm,5%,1/16W,DA,TP,1608
.....5	C91	2203-000975	C-CERAMIC,CHIP;47nF,10%,25V,X7R,TP,1608	.....5	R38	2007-000078	R-CHIP;1Kohm,5%,1/16W,DA,TP,1608
.....5	C92	2203-000257	C-CERAMIC,CHIP;10nF,10%,50V,X7R,TP,1608	.....5	R39	2007-000078	R-CHIP;1Kohm,5%,1/16W,DA,TP,1608
.....5	C93	2402-001042	C-AL,SMD;100uF,20%,16V,GP,TP,6.6x6.6x5.4	.....5	R40	2007-000078	R-CHIP;1Kohm,5%,1/16W,DA,TP,1608
.....5	D01	0401-000160	DIODE-SWITCHING;ISS314,30V,100mA,USC,TP	.....5	R41	2007-000078	R-CHIP;1Kohm,5%,1/16W,DA,TP,1608
.....5	D02	0401-000160	DIODE-SWITCHING;ISS314,30V,100mA,USC,TP	.....5	R42	2007-000078	R-CHIP;1Kohm,5%,1/16W,DA,TP,1608
.....5	D03	0401-000160	DIODE-SWITCHING;ISS314,30V,100mA,USC,TP	.....5	R43	2007-000078	R-CHIP;1Kohm,5%,1/16W,DA,TP,1608
.....5	D04	0401-000160	DIODE-SWITCHING;ISS314,30V,100mA,USC,TP	.....5	R44	2007-000078	R-CHIP;1Kohm,5%,1/16W,DA,TP,1608
.....5	D05	0401-000160	DIODE-SWITCHING;ISS314,30V,100mA,USC,TP	.....5	R45	2007-000074	R-CHIP;100ohm,5%,1/16W,DA,TP,1608
.....5	DZ01	0403-001016	DIODE-ZENER;RLZ6.2B,6.2V,5.96-6.27V,400m	.....5	R46	2007-000084	R-CHIP;4.7Kohm,5%,1/16W,DA,TP,1608
.....5	DZ02	0403-001016	DIODE-ZENER;RLZ6.2B,6.2V,5.96-6.27V,400m	.....5	R47	2007-000084	R-CHIP;4.7Kohm,5%,1/16W,DA,TP,1608
.....5	DZ04	0403-001016	DIODE-ZENER;RLZ6.2B,6.2V,5.96-6.27V,400m	.....5	R48	2007-000078	R-CHIP;1Kohm,5%,1/16W,DA,TP,1608
.....5	EF01	2901-000229	FILTER-EMI SMD;50V,0.3A,-,22000pF,4.5x3	.....5	R49	2007-000080	R-CHIP;2Kohm,5%,1/16W,DA,TP,1608
.....5	EF02	2901-000229	FILTER-EMI SMD;50V,0.3A,-,22000pF,4.5x3	.....5	R50	2007-000074	R-CHIP;100ohm,5%,1/16W,DA,TP,1608
.....5	EF03	3301-001324	CORE-FERRITE BEAD;AB,150HM,2X1.25X0.9MM,	.....5	R51	2007-000084	R-CHIP;4.7Kohm,5%,1/16W,DA,TP,1608
.....5	EF04	3301-001324	CORE-FERRITE BEAD;AB,150HM,2X1.25X0.9MM,	.....5	R52	2007-000084	R-CHIP;4.7Kohm,5%,1/16W,DA,TP,1608
.....5	EF05	3301-001324	CORE-FERRITE BEAD;AB,150HM,2X1.25X0.9MM,	.....5	R53	2007-000078	R-CHIP;1Kohm,5%,1/16W,DA,TP,1608
.....5	EF14	3301-001324	CORE-FERRITE BEAD;AB,150HM,2X1.25X0.9MM,	.....5	R54	2007-000080	R-CHIP;2Kohm,5%,1/16W,DA,TP,1608
.....5	IC01	AA13-00104A	IC ASIC;SDC11,SVP-54T6SR,208P,-0.3VTO3.8	.....5	R55	2007-000074	R-CHIP;100ohm,5%,1/16W,DA,TP,1608
.....5	IC02	1203-002302	IC-POSI.FIXED REG.,78RM33D,D-PAK,3P,-,PL	.....5	R56	2007-000084	R-CHIP;4.7Kohm,5%,1/16W,DA,TP,1608
.....5	IC04	1203-001824	IC-VOL. DETECTOR;7042,SOT-89,3P,-,PLASTI	.....5	R57	2007-000084	R-CHIP;4.7Kohm,5%,1/16W,DA,TP,1608
.....5	IC05	1103-000180	IC-EEPROM;24C16,2Kx8Bit,SOP,8P,150MIL,10	.....5	R58	2007-000078	R-CHIP;1Kohm,5%,1/16W,DA,TP,1608
.....5	IC06	AA09-00032A	IC-MCU;TSC87251G2D-OTP,4.5 TO 5.5V,-,32	.....5	R59	2007-000080	R-CHIP;2Kohm,5%,1/16W,DA,TP,1608
.....5	IC08	1201-001520	IC-VIDEO AMP;EL2250CS,SOIC,8P,150MIL,DUA	.....5	R60	2007-000074	R-CHIP;100ohm,5%,1/16W,DA,TP,1608
.....5	IC09	1001-000164	IC-ANALOG MULTIPLEX;74HC4052,CMOS,SOP,16	.....5	R61	2007-000084	R-CHIP;4.7Kohm,5%,1/16W,DA,TP,1608
.....5	IC10	1201-001504	IC-OP AMP;072,SOP,8P,150MIL,DUAL,-,PLAST	.....5	R62	2007-000084	R-CHIP;4.7Kohm,5%,1/16W,DA,TP,1608
.....5	IC11	1201-001504	IC-OP AMP;072,SOP,8P,150MIL,DUAL,-,PLAST	.....5	R63	2007-000078	R-CHIP;1Kohm,5%,1/16W,DA,TP,1608
.....5	IC12	1201-001504	IC-OP AMP;072,SOP,8P,150MIL,DUAL,-,PLAST	.....5	R64	2007-000080	R-CHIP;2Kohm,5%,1/16W,DA,TP,1608
.....5	IC14	0801-002345	IC-CMOS LOGIC;7S04,INVERTER,SOT-353,5P,4	.....5	R65	2007-000074	R-CHIP;100ohm,5%,1/16W,DA,TP,1608
.....5	IC15	0801-002345	IC-CMOS LOGIC;7S04,INVERTER,SOT-353,5P,4	.....5	R66	2007-000084	R-CHIP;4.7Kohm,5%,1/16W,DA,TP,1608
.....5	IC16	0801-002345	IC-CMOS LOGIC;7S04,INVERTER,SOT-353,5P,4	.....5	R67	2007-000084	R-CHIP;4.7Kohm,5%,1/16W,DA,TP,1608
.....5	IC17	1209-001163	IC-PLL;TLC2932PWLE,SOP,14P,-,PLASTIC	.....5	R68	2007-000078	R-CHIP;1Kohm,5%,1/16W,DA,TP,1608
.....5	OSC01	2804-001479	OSCILLATOR-CLOCK;24MHZ,100PPM,50PF,TP,5V	.....5	R69	2007-000080	R-CHIP;2Kohm,5%,1/16W,DA,TP,1608
.....5	Q01	0501-000280	TR-SMALL SIGNAL;KSA1182,PNP,150mW,SOT-23	.....5	R70	2007-000074	R-CHIP;100ohm,5%,1/16W,DA,TP,1608
.....5	Q02	0501-000280	TR-SMALL SIGNAL;KSA1182,PNP,150mW,SOT-23	.....5	R71	2007-000084	R-CHIP;4.7Kohm,5%,1/16W,DA,TP,1608
.....5	R01	2007-000074	R-CHIP;100ohm,5%,1/16W,DA,TP,1608	.....5	R72	2007-000084	R-CHIP;4.7Kohm,5%,1/16W,DA,TP,1608
.....5	R02	2007-000084	R-CHIP;4.7Kohm,5%,1/16W,DA,TP,1608	.....5	R73	2007-000078	R-CHIP;1Kohm,5%,1/16W,DA,TP,1608
.....5	R03	2007-000074	R-CHIP;100ohm,5%,1/16W,DA,TP,1608	.....5	R74	2007-000080	R-CHIP;2Kohm,5%,1/16W,DA,TP,1608
.....5	R04	2007-000078	R-CHIP;1Kohm,5%,1/16W,DA,TP,1608	.....5	R91	2007-000090	R-CHIP;10KOHM,5%,1/16W,DA,TP,1608
.....5	R10	2007-000084	R-CHIP;4.7Kohm,5%,1/16W,DA,TP,1608	.....5	R93	2007-000084	R-CHIP;4.7Kohm,5%,1/16W,DA,TP,1608
.....5	R100	2007-000072	R-CHIP;47ohm,5%,1/16W,DA,TP,1608	.....5	R94	2007-000084	R-CHIP;4.7Kohm,5%,1/16W,DA,TP,1608
.....5	R101	2007-000072	R-CHIP;47ohm,5%,1/16W,DA,TP,1608	.....5	R95	2007-000072	R-CHIP;47ohm,5%,1/16W,DA,TP,1608
.....5	R102	2007-000072	R-CHIP;47ohm,5%,1/16W,DA,TP,1608	.....5	RN01	2011-000585	R-NETWORK;47ohm,5%,63mW,L,CHIP,8P,TP
.....5	R103	2007-000072	R-CHIP;47ohm,5%,1/16W,DA,TP,1608	.....5	RN02	2011-000585	R-NETWORK;47ohm,5%,63mW,L,CHIP,8P,TP
.....5	R109	2007-000072	R-CHIP;47ohm,5%,1/16W,DA,TP,1608	.....5	RN03	2011-000585	R-NETWORK;47ohm,5%,63mW,L,CHIP,8P,TP
.....5	R11	2007-000078	R-CHIP;1Kohm,5%,1/16W,DA,TP,1608	.....5	RN04	2011-000585	R-NETWORK;47ohm,5%,63mW,L,CHIP,8P,TP
.....5	R110	2007-000084	R-CHIP;4.7Kohm,5%,1/16W,DA,TP,1608	.....5	RN05	2011-000585	R-NETWORK;47ohm,5%,63mW,L,CHIP,8P,TP
.....5	R111	2007-000102	R-CHIP;100Kohm,5%,1/16W,DA,TP,1608	.....5	RN08	2011-000585	R-NETWORK;47ohm,5%,63mW,L,CHIP,8P,TP





Loc. No.	Code No.	Description ; Specification	Remark	Loc. No.	Code No.	Description ; Specification	Remark
....4	DZ121	0403-000510 DIODE-ZENER;MTZJ6.2B,6.2V,5.96-6.27V,500		....4	RZ108	2001-001114 R-CARBON(S);2700HM,5%,1/2W,AA,TP,2.4X6.4	
....4	DZ123	0403-000510 DIODE-ZENER;MTZJ6.2B,6.2V,5.96-6.27V,500		....4	RZ109	2001-001114 R-CARBON(S);2700HM,5%,1/2W,AA,TP,2.4X6.4	
....4	DZ126	0402-000546 DIODE-RECTIFIER;TVR10G,400V,1.0A,DO-41,T		....4	RZ110	2001-000563 R-CARBON;27KOHM,5%,1/8W,AA,TP,1.8X3.2MM	
....4	DZ127	0402-000546 DIODE-RECTIFIER;TVR10G,400V,1.0A,DO-41,T		....4	RZ111	2001-000563 R-CARBON;27KOHM,5%,1/8W,AA,TP,1.8X3.2MM	
....4	DZ128	0403-000510 DIODE-ZENER;MTZJ6.2B,6.2V,5.96-6.27V,500		....4	RZ112	2001-000563 R-CARBON;27KOHM,5%,1/8W,AA,TP,1.8X3.2MM	
....4	DZ129	0403-000510 DIODE-ZENER;MTZJ6.2B,6.2V,5.96-6.27V,500		....4	RZ113	2001-000591 R-CARBON;3.3KOHM,5%,1/8W,AA,TP,1.8X3.2MM	
....4	DZ130	0403-000510 DIODE-ZENER;MTZJ6.2B,6.2V,5.96-6.27V,500		....4	RZ114	2001-000857 R-CARBON;5600HM,5%,1/8W,AA,TP,1.8X3.2MM	
....4	DZ131	0403-000510 DIODE-ZENER;MTZJ6.2B,6.2V,5.96-6.27V,500		....4	RZ115	2001-000591 R-CARBON;3.3KOHM,5%,1/8W,AA,TP,1.8X3.2MM	
....4	EL01	AA60-40011B EYELET;ID2.2,OD3.2,-,-,BSP-	S.N.A	....4	RZ116	2001-000857 R-CARBON;5600HM,5%,1/8W,AA,TP,1.8X3.2MM	
....4	EL02	AA60-40011B EYELET;ID2.2,OD3.2,-,-,BSP-	S.N.A	....4	RZ117	2001-000591 R-CARBON;3.3KOHM,5%,1/8W,AA,TP,1.8X3.2MM	
....4	EL03	AA60-40011B EYELET;ID2.2,OD3.2,-,-,BSP-	S.N.A	....4	RZ118	2001-000857 R-CARBON;5600HM,5%,1/8W,AA,TP,1.8X3.2MM	
....4	EL04	AA60-40011B EYELET;ID2.2,OD3.2,-,-,BSP-	S.N.A	....4	RZ119	2001-000003 R-CARBON;330ohm,5%,1/8W,AA,TP,1.8x3.2mm	
....4	EL05	AA60-40011B EYELET;ID2.2,OD3.2,-,-,BSP-	S.N.A	....4	RZ120	2001-000281 R-CARBON;1000HM,5%,1/8W,AA,TP,1.8X3.2MM	
....4	EY01	AA60-40011A EYELET;ID2.0,OD2.8,-,-,BST-	S.N.A	....4	RZ121	2001-000281 R-CARBON;1000HM,5%,1/8W,AA,TP,1.8X3.2MM	
....4	EY02	AA60-40011A EYELET;ID2.0,OD2.8,-,-,BST-	S.N.A	....4	RZ124	2003-002148 R-METAL OXIDE;3.90HM,2%,2W,AF,TP,3.9X10M	
....4	EY03	AA60-40011A EYELET;ID2.0,OD2.8,-,-,BST-	S.N.A	....4	RZ126	2003-002148 R-METAL OXIDE;3.90HM,2%,2W,AF,TP,3.9X10M	
....4	EY04	AA60-40011A EYELET;ID2.0,OD2.8,-,-,BST-	S.N.A	....4	RZ128	2003-002148 R-METAL OXIDE;3.90HM,2%,2W,AF,TP,3.9X10M	
....4	EY05	AA60-40011A EYELET;ID2.0,OD2.8,-,-,BST-	S.N.A	....4	RZ129	2003-001024 R-METAL OXIDE(S);150ohm,5%,2W,AF,TP,3.9x	
....4	EY06	AA60-40011A EYELET;ID2.0,OD2.8,-,-,BST-	S.N.A	....4	RZ130	2003-001024 R-METAL OXIDE(S);150ohm,5%,2W,AF,TP,3.9x	
....4	EY07	AA60-40011A EYELET;ID2.0,OD2.8,-,-,BST-	S.N.A	....4	RZ131	2003-002171 R-METAL OXIDE(S);150ohm,5%,2W,AF,TP,3.9x	
....4	EY08	AA60-40011A EYELET;ID2.0,OD2.8,-,-,BST-	S.N.A	....4	RZ132	2003-002171 R-METAL OXIDE(S);150ohm,5%,2W,AF,TP,3.9x	
....4	EY09	AA60-40011A EYELET;ID2.0,OD2.8,-,-,BST-	S.N.A	....4	RZ133	2001-000563 R-CARBON;27KOHM,5%,1/8W,AA,TP,1.8X3.2MM	
....4	EY10	AA60-40011A EYELET;ID2.0,OD2.8,-,-,BST-	S.N.A	....4	RZ134	2001-000563 R-CARBON;27KOHM,5%,1/8W,AA,TP,1.8X3.2MM	
....4	GT17	AA60-40014A PIN-GT,ASSY;1P,-,-,AUTO	S.N.A	....4	RZ135	2001-000563 R-CARBON;27KOHM,5%,1/8W,AA,TP,1.8X3.2MM	
....4	GT18	AA60-40014A PIN-GT,ASSY;1P,-,-,AUTO	S.N.A	....4	RZ136	2001-000591 R-CARBON;3.3KOHM,5%,1/8W,AA,TP,1.8X3.2MM	
....4	GT21	AA60-40014A PIN-GT,ASSY;1P,-,-,AUTO	S.N.A	....4	RZ137	2001-000857 R-CARBON;5600HM,5%,1/8W,AA,TP,1.8X3.2MM	
....4	GT22	AA60-40014A PIN-GT,ASSY;1P,-,-,AUTO	S.N.A	....4	RZ138	2001-000591 R-CARBON;3.3KOHM,5%,1/8W,AA,TP,1.8X3.2MM	
....4	GT23	AA60-40014A PIN-GT,ASSY;1P,-,-,AUTO	S.N.A	....4	RZ139	2001-000857 R-CARBON;5600HM,5%,1/8W,AA,TP,1.8X3.2MM	
....4	GT24	AA60-40014A PIN-GT,ASSY;1P,-,-,AUTO	S.N.A	....4	RZ140	2001-000591 R-CARBON;3.3KOHM,5%,1/8W,AA,TP,1.8X3.2MM	
....4	GT25	AA60-40014A PIN-GT,ASSY;1P,-,-,AUTO	S.N.A	....4	RZ141	2001-000857 R-CARBON;5600HM,5%,1/8W,AA,TP,1.8X3.2MM	
....4	GT26	AA60-40014A PIN-GT,ASSY;1P,-,-,AUTO	S.N.A	....4	RZ142	2003-002148 R-METAL OXIDE;3.90HM,2%,2W,AF,TP,3.9X10M	
....4	GT27	AA60-40014A PIN-GT,ASSY;1P,-,-,AUTO	S.N.A	....4	RZ145	2003-002148 R-METAL OXIDE;3.90HM,2%,2W,AF,TP,3.9X10M	
....4	GT28	AA60-40014A PIN-GT,ASSY;1P,-,-,AUTO	S.N.A	....4	RZ147	2003-002148 R-METAL OXIDE;3.90HM,2%,2W,AF,TP,3.9X10M	
....4	GT29	AA60-40014A PIN-GT,ASSY;1P,-,-,AUTO	S.N.A	....4	RZ148	2003-002171 R-METAL OXIDE(S);150ohm,5%,2W,AG,TP,3.9x	
....4	GT30	AA60-40014A PIN-GT,ASSY;1P,-,-,AUTO	S.N.A	....4	RZ149	2003-001024 R-METAL OXIDE(S);150ohm,5%,2W,AF,TP,3.9x	
....4	GT31	AA60-40014A PIN-GT,ASSY;1P,-,-,AUTO	S.N.A	....4	VR472	2103-001086 VR-SEMI;100KOHM,25%,0.3W,TP	
....4	GT32	AA60-40014A PIN-GT,ASSY;1P,-,-,AUTO	S.N.A	..	AA94-01636F	ASSY PCB MAIN(OPT);PCJ522R3C/XAA,P51A,U.	
....4	GT401	AA60-40014A PIN-GT,ASSY;1P,-,-,AUTO	S.N.A	...3	C664	2401-001068 C-AL;3300uF,20%,50V,GP,PK,22x40,10	
....4	GT402	AA60-40014A PIN-GT,ASSY;1P,-,-,AUTO	S.N.A	...3	C665	2401-000737 C-AL;2200uF,20%,50V,GP,TP,18x35,5.7	
....4	GT403	AA60-40014A PIN-GT,ASSY;1P,-,-,AUTO	S.N.A	...3	CNT01	3710-001208 CONNECTOR-SOCKET;32P,2R,2.54mm,STRAIGHT,	
....4	GT404	AA60-40014A PIN-GT,ASSY;1P,-,-,AUTO	S.N.A	...3	CNT02	3710-001208 CONNECTOR-SOCKET;32P,2R,2.54mm,STRAIGHT,	
....4	GT405	AA60-40014A PIN-GT,ASSY;1P,-,-,AUTO	S.N.A	...3	CORE2	3301-001201 CORE-FERRITE;AE,21x11x32mm,1500,280G	
....4	GT406	AA60-40014A PIN-GT,ASSY;1P,-,-,AUTO	S.N.A	...3	H001	AA40-10005R TUNER-F/S,LNA;TECC1070P0G30A(S),NTSC,USA,	
....4	GT407	AA60-40014A PIN-GT,ASSY;1P,-,-,AUTO	S.N.A	...3	H002	AA40-00056A TUNER-F/S;TCPN9082PC27P(S),NTSC,TR,181CH	
....4	GT408	AA60-40014A PIN-GT,ASSY;1P,-,-,AUTO	S.N.A	...3	H003	AA59-40003Q MODULE-MTS;-MZ-201,ZENITH,US,43X54,-	
....4	LZ101	2701-001030 INDUCTOR-AXIAL;43uH,10%,5x14mm		....4	IC101	1204-001204 IC-DECODER;TDA9850,DIP,32P,4000MIL,PLAST	
....4	LZ102	2701-001030 INDUCTOR-AXIAL;43uH,10%,5x14mm		....4	X101	2802-001054 RESONATOR-CERAMIC;514.5KHz,1.5KHz,BK,7.0	
....4	LZ103	2701-000142 INDUCTOR-AXIAL;1uH,10%,2.5x3.4mm		....4	AA41-11040A	PCB-MTS MODULE,PLT51A,1L,FR-1,245x245x1.5	S.N.A
....4	LZ104	2701-000142 INDUCTOR-AXIAL;1uH,10%,2.5x3.4mm		....3	H004	AA95-01279A ASSY-PCB,IF MODULE;AA95-00527A	
....4	LZ107	2701-000142 INDUCTOR-AXIAL;1uH,10%,2.5x3.4mm		....4	CNW201	3711-002707 CONNECTOR-HEADER;NOWALL,9P,1R,2.5mm,ANGL	
....4	LZ108	2701-000142 INDUCTOR-AXIAL;1uH,10%,2.5x3.4mm		....4	IC101	1204-001435 IC-IF SYSTEM;LA7565B,DIP,24P,300MIL,PLAS	
....4	LZ109	2701-000142 INDUCTOR-AXIAL;1uH,10%,2.5x3.4mm		....4	L102	AA26-00047A TRANS RF;-7MG,VIF,-7.7x12.4,39pF,47.85	
....4	LZ110	2701-000142 INDUCTOR-AXIAL;1uH,10%,2.5x3.4mm		....4	SF01	2904-000288 FILTER-SAW AV;45.75MHz,SIP6K,ST,15.2dB,M	
....4	LZ111	2701-000142 INDUCTOR-AXIAL;1uH,10%,2.5x3.4mm		....4	AA41-00234B	PCB-IF MODULE;K56B,1L,FR-1,245x245x1.6T,	S.N.A
....4	LZ112	2701-000142 INDUCTOR-AXIAL;1uH,10%,2.5x3.4mm		....4	AA97-05003A	ASSY AUTO-SUB;PROJ,P51A,AA95-00527A	S.N.A
....4	R382	2002-001006 R-COMPOSITION;4.7Kohm,5%,1/2W,AA,TP,3.7x		....5	C101	2202-000797 C-CERAMIC,MLC-AXIAL;10NF,30%,16V,Y5S,TP	
....4	R476	2004-004046 R-METAL(S);430Kohm,1%,1/2W,AA,TP,2.5x6.5		....5	C102	2202-000797 C-CERAMIC,MLC-AXIAL;10NF,30%,16V,Y5S,TP	
....4	R476A	2004-004001 R-METAL(S);180Kohm,1%,1/2W,AA,TP,2.5x6.5		....5	C103	2202-000797 C-CERAMIC,MLC-AXIAL;10NF,30%,16V,Y5S,TP	
....4	R476B	2004-001892 R-METAL(S);162Kohm,1%,1/2W,AA,TP,2.5x6.5		....5	C104	2202-000797 C-CERAMIC,MLC-AXIAL;10NF,30%,16V,Y5S,TP	
....4	R476C	2004-004046 R-METAL(S);430Kohm,1%,1/2W,AA,TP,2.5x6.5		....5	C105	2202-000797 C-CERAMIC,MLC-AXIAL;10NF,30%,16V,Y5S,TP	
....4	R478	2004-001892 R-METAL(S);162Kohm,1%,1/2W,AA,TP,2.5x6.5		....5	C106	2401-000603 C-AL;1uf,20%,50V,GP,TP,5x11.5	
....4	R501	2004-002016 R-METAL(S);15Kohm,1%,1/2W,AA,TP,2.5x6.5mm		....5	C107	2301-000224 C-FILM,PEF;22nF,5%,50V,TP,7.4x3.9x13mm,5	
....4	R502	2004-001369 R-METAL(S);1.2Kohm,1%,1/2W,AA,TP,2.4x6.4		....5	C108	2202-000797 C-CERAMIC,MLC-AXIAL;10NF,30%,16V,Y5S,TP	
....4	RFZ19	2008-000261 R-FUSIBLE(S);150ohm,5%,1W,AF,TP,3.9x10mm		....5	C109	2202-000797 C-CERAMIC,MLC-AXIAL;10NF,30%,16V,Y5S,TP	
....4	RFZ20	2008-000261 R-FUSIBLE(S);150ohm,5%,1W,AF,TP,3.9x10mm		....5	C110	2401-001625 C-AL;6.8uF,20%,50V,GP,TP,5x11.5	
....4	RFZ21	2008-000261 R-FUSIBLE(S);150ohm,5%,1W,AF,TP,3.9x10mm		....5	C111	2401-001077 C-AL;330nF,20%,50V,GP,TP,4x7mm,5mm	
....4	RFZ22	2008-000261 R-FUSIBLE(S);150ohm,5%,1W,AF,TP,3.9x10mm		....5	C113	2201-000986 C-CERAMIC,DISC;0.012nF,5%,50V,NP0,TP,5x3	
....4	RFZ50	2008-000261 R-FUSIBLE(S);150ohm,5%,1W,AF,TP,3.9x10mm		....5	C114	2401-002183 C-AL;220uF,20%,16V,GP,TP,8x9,5mm	
....4	RFZ51	2008-000261 R-FUSIBLE(S);150ohm,5%,1W,AF,TP,3.9x10mm		....5	C115	2401-000603 C-AL;1uf,20%,50V,GP,TP,5x11.5	
....4	RFZ52	2008-000261 R-FUSIBLE(S);150ohm,5%,1W,AF,TP,3.9x10mm		....5	F101	2903-000135 FILTER-CERAMIC;BP,4.5MHz,120KHz,6dB,-,TP	
....4	RFZ53	2008-000261 R-FUSIBLE(S);150ohm,5%,1W,AF,TP,3.9x10mm		....5	F102	2903-000129 FILTER-CERAMIC;BR,4.5MHz,-,-,TP-	
....4	RZ102	2001-000429 R-CARBON;1KOHM,5%,1/8W,AA,TP,1.8X3.2MM		....5	L101	2701-000171 INDUCTOR-AXIAL;330nH,10%,2.5x3.4mm	
....4	RZ103	2001-000429 R-CARBON;1KOHM,5%,1/8W,AA,TP,1.8X3.2MM		....5	L104	2701-000191 INDUCTOR-AXIAL;47uH,10%,2.5x3.4mm	
....4	RZ104	2001-001114 R-CARBON(S);2700HM,5%,1/2W,AA,TP,2.4X6.4		....5	L105	2701-000215 INDUCTOR-AXIAL;8.2uH,10%,2.5x3.4mm	
....4	RZ105	2001-001114 R-CARBON(S);2700HM,5%,1/2W,AA,TP,2.4X6.4		....5	R101	2001-000405 R-CARBON;1800HM,5%,1/8W,AA,TP,1.8X3.2MM	
....4	RZ106	2001-001114 R-CARBON(S);2700HM,5%,1/2W,AA,TP,2.4X6.4		....5	R102	2001-000221 R-CARBON;1.2KOHM,5%,1/8W,AA,TP,1.8X3.2MM	
....4	RZ107	2001-001114 R-CARBON(S);2700HM,5%,1/2W,AA,TP,2.4X6.4		....5	R103	2001-000734 R-CARBON;4.7KOHM,5%,1/8W,AA,TP,1.8X3.2MM	



Loc. No.	Code No.	Description ; Specification	Remark	Loc. No.	Code No.	Description ; Specification	Remark	
.....5	C234	2201-000573	C-CERAMIC,DISC;0.047nF,5%,50V,NP0,TP,5x3	.....6	R209	2007-000290	R-CHIP;1000HM,5%,1/10W,DA,TP,2012	
.....5	C235	2201-000573	C-CERAMIC,DISC;0.047nF,5%,50V,NP0,TP,5x3	.....6	R210	2007-000757	R-CHIP;330KOHM,5%,1/10W,DA,TP,2012	
.....5	C236	2305-000289	C-FILM,MPEF;220nF,5%,63V,TP-,5mm	.....6	R211	2007-000406	R-CHIP;15KOHM,1%,1/10W,DA,TP,2012	
.....5	C237	2401-002299	C-AL;4.7uF,20%,50V,GP,TP,5x7,5	.....6	R212	2007-001664	R-CHIP;3900HM,1%,1/10W,DA,TP,2012	
.....5	C238	2401-001333	C-AL;470nF,20%,50V,GP,TP,5x11,5	.....6	R213	2007-001071	R-CHIP;6.8KOHM,5%,1/10W,DA,TP,2012	
.....5	C239	2201-000558	C-CERAMIC,DISC;0.47nF,10%,50V,Y5P,TP,5x3	.....6	R214	2007-000270	R-CHIP;1.8MOHM,5%,1/10W,DA,TP,2012	
.....5	C240	2201-000247	C-CERAMIC,DISC;0.015nF,5%,50V,NP0,TP,5x3	.....6	R215	2007-000468	R-CHIP;1KOHM,5%,1/10W,DA,TP,2012	
.....5	C241	2305-000665	C-FILM,MPEF;100nF,5%,63V,TP,7.5x4.0x5.0m	.....6	R216	2007-000507	R-CHIP;2.49KOHM,1%,1/10W,DA,TP,2012	
.....5	C242	2401-001537	C-AL;47uF,20%,25V,GP,TP,6.3x7mm,5mm	.....6	R217	2007-000300	R-CHIP;10KOHM,5%,1/10W,DA,TP,2012	
.....5	C243	2401-000302	C-AL;100uF,20%,25V,GP,TP,6.3x11,5	.....6	R219	2007-000290	R-CHIP;1000HM,5%,1/10W,DA,TP,2012	
.....5	C244	2201-000119	C-CERAMIC,DISC;100nF,+80-20%,50V,Y5V,TP,	.....6	R220	2007-000465	R-CHIP;1KOHM,1%,1/10W,DA,TP,2012	
.....5	C245	2401-000404	C-AL;10uF,20%,16V,BP,TP,5x11,5	.....6	R221	2007-000290	R-CHIP;1000HM,5%,1/10W,DA,TP,2012	
.....5	C254	2401-001537	C-AL;47uF,20%,25V,GP,TP,6.3x7mm,5mm	.....6	R222	2007-000290	R-CHIP;1000HM,5%,1/10W,DA,TP,2012	
.....5	C255	2305-000665	C-FILM,MPEF;100nF,5%,63V,TP,7.5x4.0x5.0m	.....6	R223	2007-000468	R-CHIP;1KOHM,5%,1/10W,DA,TP,2012	
.....5	C256	2305-000665	C-FILM,MPEF;100nF,5%,63V,TP,7.5x4.0x5.0m	.....6	R224	2007-000290	R-CHIP;1000HM,5%,1/10W,DA,TP,2012	
.....5	C257	2401-001537	C-AL;47uF,20%,25V,GP,TP,6.3x7mm,5mm	.....6	R225	2007-000468	R-CHIP;1KOHM,5%,1/10W,DA,TP,2012	
.....5	C260	2301-000383	C-FILM,PEF;10nF,5%,50V,TP,6x7x3.2mm,5mm	.....6	R226	2007-000941	R-CHIP;47KOHM,5%,1/10W,DA,TP,2012	
.....5	C261	2301-000383	C-FILM,PEF;10nF,5%,50V,TP,6x7x3.2mm,5mm	.....6	R229	2007-000290	R-CHIP;1000HM,5%,1/10W,DA,TP,2012	
.....5	C262	2301-000383	C-FILM,PEF;10nF,5%,50V,TP,6x7x3.2mm,5mm	.....6	R230	2007-000409	R-CHIP;15KOHM,5%,1/10W,DA,TP,2012	
.....5	C263	2401-001537	C-AL;47uF,20%,25V,GP,TP,6.3x7mm,5mm	.....6	R231	2007-000468	R-CHIP;1KOHM,5%,1/10W,DA,TP,2012	
.....5	C264	2305-000665	C-FILM,MPEF;100nF,5%,63V,TP,7.5x4.0x5.0m	.....6	R233	2007-000572	R-CHIP;2200HM,5%,1/10W,DA,TP,2012	
.....5	C265	2301-000383	C-FILM,PEF;10nF,5%,50V,TP,6x7x3.2mm,5mm	.....6	R234	2007-000468	R-CHIP;1KOHM,5%,1/10W,DA,TP,2012	
.....5	C266	2301-000383	C-FILM,PEF;10nF,5%,50V,TP,6x7x3.2mm,5mm	.....6	R235	2007-000290	R-CHIP;1000HM,5%,1/10W,DA,TP,2012	
.....5	C267	2301-000383	C-FILM,PEF;10nF,5%,50V,TP,6x7x3.2mm,5mm	.....6	R237	2007-000572	R-CHIP;2200HM,5%,1/10W,DA,TP,2012	
.....5	C268	2201-000573	C-CERAMIC,DISC;0.047nF,5%,50V,NP0,TP,5x3	.....6	R238	2007-000468	R-CHIP;1KOHM,5%,1/10W,DA,TP,2012	
.....5	C269	2201-000573	C-CERAMIC,DISC;0.047nF,5%,50V,NP0,TP,5x3	.....6	R239	2007-000290	R-CHIP;1000HM,5%,1/10W,DA,TP,2012	
.....5	C270	2401-000480	C-AL;10uF,20%,50V,GP,TP,5x11,5	.....6	R241	2007-000572	R-CHIP;2200HM,5%,1/10W,DA,TP,2012	
.....5	C271	2305-000411	C-FILM,MPEF;470nF,5%,50V,TP,7.3x4.8x5.5m	.....6	R243	2007-000290	R-CHIP;1000HM,5%,1/10W,DA,TP,2012	
.....5	C272	2305-000665	C-FILM,MPEF;100nF,5%,63V,TP,7.5x4.0x5.0m	.....6	R244	2007-000267	R-CHIP;1.8KOHM,5%,1/10W,DA,TP,2012	
.....5	C273	2401-001537	C-AL;47uF,20%,25V,GP,TP,6.3x7mm,5mm	.....6	R245	2007-000267	R-CHIP;1.8KOHM,5%,1/10W,DA,TP,2012	
.....5	C274	2301-000383	C-FILM,PEF;10nF,5%,50V,TP,6x7x3.2mm,5mm	.....6	R246	2007-000267	R-CHIP;1.8KOHM,5%,1/10W,DA,TP,2012	
.....5	C275	2301-000383	C-FILM,PEF;10nF,5%,50V,TP,6x7x3.2mm,5mm	.....6	R247	2007-000572	R-CHIP;2200HM,5%,1/10W,DA,TP,2012	
.....5	C276	2301-000383	C-FILM,PEF;10nF,5%,50V,TP,6x7x3.2mm,5mm	.....6	R248	2007-000572	R-CHIP;2200HM,5%,1/10W,DA,TP,2012	
.....5	C277	2301-000383	C-FILM,PEF;10nF,5%,50V,TP,6x7x3.2mm,5mm	.....6	R249	2007-000572	R-CHIP;2200HM,5%,1/10W,DA,TP,2012	
.....5	C278	2301-000383	C-FILM,PEF;10nF,5%,50V,TP,6x7x3.2mm,5mm	.....6	R250	2007-000572	R-CHIP;2200HM,5%,1/10W,DA,TP,2012	
.....5	C279	2301-000383	C-FILM,PEF;10nF,5%,50V,TP,6x7x3.2mm,5mm	.....6	R251	2007-000572	R-CHIP;2200HM,5%,1/10W,DA,TP,2012	
.....5	L201	2702-001094	INDUCTOR-RADIAL;10uH,10%,6x4mm	.....6	R252	2007-000572	R-CHIP;2200HM,5%,1/10W,DA,TP,2012	
.....5	L203	2702-001094	INDUCTOR-RADIAL;10uH,10%,6x4mm	.....6	R253	2007-000290	R-CHIP;1000HM,5%,1/10W,DA,TP,2012	
.....5	Q201	0501-000389	TR-SMALL SIGNAL;KSC815,NPN,400mW,TO-92,T	.....6	R254	2007-000457	R-CHIP;18KOHM,5%,1/10W,DA,TP,2012	
.....5	Q202	0501-000283	TR-SMALL SIGNAL;KSA539,PNP,400mW,TO-92,T	.....6	R255	2007-001653	R-CHIP;1.8KOHM,5%,1/10W,DA,TP,2012	
.....5	Q203	0501-000283	TR-SMALL SIGNAL;KSA539,PNP,400mW,TO-92,T	.....6	R256	2007-001039	R-CHIP;56KOHM,5%,1/10W,DA,TP,2012	
.....5	Q204	0501-000389	TR-SMALL SIGNAL;KSC815,NPN,400mW,TO-92,T	.....6	R257	2007-000804	R-CHIP;36KOHM,5%,1/10W,DA,TP,2012	
.....5	Q205	0501-000389	TR-SMALL SIGNAL;KSC815,NPN,400mW,TO-92,T	.....6	R258	2007-000468	R-CHIP;1KOHM,5%,1/10W,DA,TP,2012	
.....5	Q206	0501-000283	TR-SMALL SIGNAL;KSA539,PNP,400mW,TO-92,T	.....6	R260	2007-000290	R-CHIP;1000HM,5%,1/10W,DA,TP,2012	
.....5	Q207	0501-000283	TR-SMALL SIGNAL;KSA539,PNP,400mW,TO-92,T	.....6	R261	2007-000290	R-CHIP;1000HM,5%,1/10W,DA,TP,2012	
.....5	Q208	0501-000283	TR-SMALL SIGNAL;KSA539,PNP,400mW,TO-92,T	.....6	R262	2007-000290	R-CHIP;1000HM,5%,1/10W,DA,TP,2012	
.....5	A201	AA97-06098A	ASSY SMD-SUB;SVP-43J7P,PE5A	S,N.A	.....6	R263	2007-000290	R-CHIP;1000HM,5%,1/10W,DA,TP,2012
.....6	D202	0401-000133	DIODE-SWITCHING;RLS4148,100V,200MA,SOD-8	.....6	R264	2007-000653	R-CHIP;27KOHM,5%,1/10W,DA,TP,2012	
.....6	D203	0401-000133	DIODE-SWITCHING;RLS4148,100V,200MA,SOD-8	.....6	R267	2007-000290	R-CHIP;1000HM,5%,1/10W,DA,TP,2012	
.....6	D204	0401-000133	DIODE-SWITCHING;RLS4148,100V,200MA,SOD-8	.....6	R268	2007-000653	R-CHIP;27KOHM,5%,1/10W,DA,TP,2012	
.....6	D205	0401-000133	DIODE-SWITCHING;RLS4148,100V,200MA,SOD-8	.....6	R270	2007-001001	R-CHIP;5100HM,5%,1/10W,DA,TP,2012	
.....6	D206	0401-000133	DIODE-SWITCHING;RLS4148,100V,200MA,SOD-8	.....6	R271	2007-000904	R-CHIP;4300HM,5%,1/10W,DA,TP,2012	
.....6	D207	0401-000133	DIODE-SWITCHING;RLS4148,100V,200MA,SOD-8	.....6	R272	2007-000586	R-CHIP;27KOHM,5%,1/10W,DA,TP,2012	
.....6	D208	0401-000133	DIODE-SWITCHING;RLS4148,100V,200MA,SOD-8	.....6	R273	2007-000300	R-CHIP;10KOHM,5%,1/10W,DA,TP,2012	
.....6	D209	0401-000133	DIODE-SWITCHING;RLS4148,100V,200MA,SOD-8	.....6	R274	2007-000738	R-CHIP;30KOHM,5%,1/10W,DA,TP,2012	
.....6	D210	0401-000133	DIODE-SWITCHING;RLS4148,100V,200MA,SOD-8	.....6	R275	2007-000290	R-CHIP;1000HM,5%,1/10W,DA,TP,2012	
.....6	D211	0401-000133	DIODE-SWITCHING;RLS4148,100V,200MA,SOD-8	.....6	R276	2007-000290	R-CHIP;1000HM,5%,1/10W,DA,TP,2012	
.....6	D212	0401-000133	DIODE-SWITCHING;RLS4148,100V,200MA,SOD-8	.....6	R277	2007-000290	R-CHIP;1000HM,5%,1/10W,DA,TP,2012	
.....6	D215	0401-000133	DIODE-SWITCHING;RLS4148,100V,200MA,SOD-8	.....6	R278	2007-000572	R-CHIP;2200HM,5%,1/10W,DA,TP,2012	
.....6	DZ201	0403-000314	DIODE-ZENER;RLZJ9.1B,9.1V,1.8-8.0-9.30V,400	.....6	R279	2007-000572	R-CHIP;2200HM,5%,1/10W,DA,TP,2012	
.....6	DZ202	0403-001117	DIODE-ZENER;RLZ12B,5%,500mW,LL-34,TP	.....6	R280	2007-000290	R-CHIP;1000HM,5%,1/10W,DA,TP,2012	
.....6	DZ203	0403-001016	DIODE-ZENER;RLZ6.2B,6.2V,5.96-6.27V,400m	.....6	R281	2007-000290	R-CHIP;1000HM,5%,1/10W,DA,TP,2012	
.....6	DZ204	0403-001016	DIODE-ZENER;RLZ6.2B,6.2V,5.96-6.27V,400m	.....6	R282	2007-000290	R-CHIP;1000HM,5%,1/10W,DA,TP,2012	
.....6	DZ206	0403-001016	DIODE-ZENER;RLZ6.2B,6.2V,5.96-6.27V,400m	.....6	R283	2007-000290	R-CHIP;1000HM,5%,1/10W,DA,TP,2012	
.....6	DZ207	0403-001016	DIODE-ZENER;RLZ6.2B,6.2V,5.96-6.27V,400m	.....6	R284	2007-000290	R-CHIP;1000HM,5%,1/10W,DA,TP,2012	
.....6	DZ208	0403-001117	DIODE-ZENER;RLZ12B,5%,500mW,LL-34,TP	.....6	R285	2007-000290	R-CHIP;1000HM,5%,1/10W,DA,TP,2012	
.....6	DZ209	0403-001117	DIODE-ZENER;RLZ12B,5%,500mW,LL-34,TP	.....6	R291	2007-000300	R-CHIP;10KOHM,5%,1/10W,DA,TP,2012	
.....6	DZ210	0403-001016	DIODE-ZENER;RLZ6.2B,6.2V,5.96-6.27V,400m	.....6	R292	2007-001141	R-CHIP;7.5KOHM,5%,1/10W,DA,TP,2012	
.....6	IC205	1204-001214	IC-CHROMA;CXA1839Q,QFP,48P,PLASTIC,11V	.....6	R293	2007-000029	R-CHIP;00HM,5%,1/10W,DA,TP,2012	
.....6	R201	2007-000029	R-CHIP;00HM,5%,1/10W,DA,TP,2012	.....6	R295	2007-000029	R-CHIP;00HM,5%,1/10W,DA,TP,2012	
.....6	R202	2007-000931	R-CHIP;4700HM,5%,1/10W,DA,TP,2012	....4	0202-000187	SOLDER-WIRE FLUX;-RS60S,D1.2,63Sn/37Pb		
.....6	R203	2007-000931	R-CHIP;4700HM,5%,1/10W,DA,TP,2012	....4	AA63-00100A	SHIELD-CASE;FCC,SPT,E,0.5,-,-,SCAN-MODU	S,N.A	
.....6	R204	2007-000210	R-CHIP;1.1KOHM,5%,1/10W,DA,TP,2012	....4	2004-002016	R-METAL(S);15Kohm,1%,1/2W,AA,TP,2.5x6.5m		
.....6	R205	2007-000710	R-CHIP;3.9KOHM,5%,1/10W,DA,TP,2012	....4	2004-004045	R-METAL(S);390ohm,1%,1/2W,AA,TP,2.5x6.5m		
.....6	R206	2007-000688	R-CHIP;3.3KOHM,5%,1/10W,DA,TP,2012	....3	AA95-00531B	ASSY-PCB,D-COMB,-PCJ522R,P51A,-,-,AA95-		
.....6	R207	2007-000468	R-CHIP;1KOHM,5%,1/10W,DA,TP,2012	....4	CC01	C-AL;47uF,20%,16V,GP,TP,5x7,5		
.....6	R208	2007-000931	R-CHIP;4700HM,5%,1/10W,DA,TP,2012	....4	CC02	2203-000181	C-CERAMIC,CHIP;100nF,+80-20%,25V,Y5V,TP,	

Electrical Parts List

Loc. No.	Code No.	Description ; Specification	Remark	Loc. No.	Code No.	Description ; Specification	Remark	
....4	CC03	2401-002009	C-AL;100uF,20%,16V,GP,TP;6.3x7,5	....4	RC62	2007-000290	R-CHIP;100OHM,5%,1/10W,DA,TP,2012	
....4	CC04	2203-000181	C-CERAMIC,CHIP;100nF,+80-20%,25V,Y5V,TP	....4	RC63	2007-000493	R-CHIP;2.2KOHM,5%,1/10W,DA,TP,2012	
....4	CC05	2401-001496	C-AL;47uF,20%,16V,GP,TP;5x7,5	....4	RC64	2007-000030	R-CHIP;560OHM,5%,1/10W,DA,TP,2012	
....4	CC06	2203-000181	C-CERAMIC,CHIP;100nF,+80-20%,25V,Y5V,TP	....4	RC65	2007-000981	R-CHIP;5.6KOHM,5%,1/10W,DA,TP,2012	
....4	CC07	2401-002009	C-AL;100uF,20%,16V,GP,TP;6.3x7,5	....4	RC66	2007-000468	R-CHIP;1KOHM,5%,1/10W,DA,TP,2012	
....4	CC08	2203-000181	C-CERAMIC,CHIP;100nF,+80-20%,25V,Y5V,TP	....4	RC67	2007-001166	R-CHIP;75OHM,5%,1/10W,DA,TP,2012	
....4	CC10	2401-001496	C-AL;47uF,20%,16V,GP,TP;5x7,5	....4	RC71	2007-000607	R-CHIP;240OHM,5%,1/10W,DA,TP,2012	
....4	CC11	2401-001496	C-AL;47uF,20%,16V,GP,TP;5x7,5	....4	RC72	2007-000290	R-CHIP;100OHM,5%,1/10W,DA,TP,2012	
....4	CC12	2203-000181	C-CERAMIC,CHIP;100nF,+80-20%,25V,Y5V,TP	....4	RC73	2007-000493	R-CHIP;2.2KOHM,5%,1/10W,DA,TP,2012	
....4	CC15	2203-000361	C-CERAMIC,CHIP;0.15nF,5%,50V,NPO,TP,2012	....4	RC74	2007-000030	R-CHIP;560OHM,5%,1/10W,DA,TP,2012	
....4	CC31	2203-000444	C-CERAMIC,CHIP;1nF,10%,50V,X7R,TP,2012,-	....4	RC75	2007-000981	R-CHIP;5.6KOHM,5%,1/10W,DA,TP,2012	
....4	CC32	2203-000260	C-CERAMIC,CHIP;10nF,10%,50V,X7R,TP,2012	....4	RC76	2007-000468	R-CHIP;1KOHM,5%,1/10W,DA,TP,2012	
....4	CC33	2203-000609	C-CERAMIC,CHIP;22nF,10%,50V,X7R,TP,2012	....4	RC77	2007-001166	R-CHIP;75OHM,5%,1/10W,DA,TP,2012	
....4	CC35	2203-000181	C-CERAMIC,CHIP;100nF,+80-20%,25V,Y5V,TP	....4	RE11	2007-000586	R-CHIP;22KOHM,5%,1/10W,DA,TP,2012	
....4	CC37	2401-001496	C-AL;47uF,20%,16V,GP,TP;5x7,5	....4	RE12	2007-000300	R-CHIP;1KOHM,5%,1/10W,DA,TP,2012	
....4	CC38	2203-000181	C-CERAMIC,CHIP;100nF,+80-20%,25V,Y5V,TP	....4	RE13	2007-000931	R-CHIP;470OHM,5%,1/10W,DA,TP,2012	
....4	CC41	2203-000181	C-CERAMIC,CHIP;100nF,+80-20%,25V,Y5V,TP	....4	RE14	2007-000642	R-CHIP;270OHM,5%,1/10W,DA,TP,2012	
....4	CC42	2401-001496	C-AL;47uF,20%,16V,GP,TP;5x7,5	....4	RE15	2007-000904	R-CHIP;430OHM,5%,1/10W,DA,TP,2012	
....4	CC43	2203-000181	C-CERAMIC,CHIP;100nF,+80-20%,25V,Y5V,TP	....4	RE16	2007-000468	R-CHIP;1KOHM,5%,1/10W,DA,TP,2012	
....4	CC44	2203-000181	C-CERAMIC,CHIP;100nF,+80-20%,25V,Y5V,TP	....4	RE41	2007-000029	R-CHIP;0OHM,5%,1/10W,DA,TP,2012	
....4	CC45	2203-000181	C-CERAMIC,CHIP;100nF,+80-20%,25V,Y5V,TP	....4	RE43	2007-000029	R-CHIP;0OHM,5%,1/10W,DA,TP,2012	
....4	CC46	2401-001496	C-AL;47uF,20%,16V,GP,TP;5x7,5	....4		AA63-40014A	SHIELD-CASE,T,-SPT,TO.5,-,-,SCT51A S.N.A	
....4	CC47	2203-000181	C-CERAMIC,CHIP;100nF,+80-20%,25V,Y5V,TP	....4		0202-000187	SOLDER-WIRE FLUX,-,RS60S,D1,2.63Sn/37Pb	
....4	CC48	2203-000181	C-CERAMIC,CHIP;100nF,+80-20%,25V,Y5V,TP	....3		AA97-02313A	ASSY ROBERT-MAIN;PCJ522R3C/XAA,P51A,U.S. S.N.A	
....4	CC49	2203-000181	C-CERAMIC,CHIP;100nF,+80-20%,25V,Y5V,TP	....4	CN201	3711-003051	CONNECTOR-HEADER;BOX,8P,1R,2.5MM,STRAIGH	
....4	CC50	2401-001496	C-AL;47uF,20%,16V,GP,TP;5x7,5	....4	CN202	3711-003052	CONNECTOR-HEADER;BOX,10P,1R,2.5MM,STRAIG	
....4	CC51	2203-000181	C-CERAMIC,CHIP;100nF,+80-20%,25V,Y5V,TP	....4	CN501	3711-003051	CONNECTOR-HEADER;BOX,8P,1R,2.5MM,STRAIGH	
....4	CC52	2203-000181	C-CERAMIC,CHIP;100nF,+80-20%,25V,Y5V,TP	....4	CN801	3711-003974	CONNECTOR-HEADER;BOX,12P,1R,2.5mm,STRAIG	
....4	CC53	2401-001496	C-AL;47uF,20%,16V,GP,TP;5x7,5	....4	CNY01	3711-003973	CONNECTOR-HEADER;BOX,11P,1R,2.5mm,STRAIG	
....4	CC54	2203-000181	C-CERAMIC,CHIP;100nF,+80-20%,25V,Y5V,TP	....4	CS810	2201-000446	C-CERAMIC,DISC;3.3nF,20%,400V,Y5U,TP,15x	
....4	CE07	2203-000239	C-CERAMIC,CHIP;0.1nF,5%,50V,NPO,TP,2012	....4	CS811	2201-000446	C-CERAMIC,DISC;3.3nF,20%,400V,Y5U,TP,15x	
....4	CE10	2203-000239	C-CERAMIC,CHIP;0.1nF,5%,50V,NPO,TP,2012	....4	DS801	0402-000102	DIODE-BRIDGE;D2SB60,600V,1.5A,-	
....4	CN01	3711-002703	CONNECTOR-HEADER;NOWALL,5P,1R,2.5mm,ANGL	....4	IC501	AA96-00111L	ASSY-H/S,-,-,AA62-30013L,KA78R12,-	
....4	CN02	3711-002703	CONNECTOR-HEADER;NOWALL,5P,1R,2.5mm,ANGL	....5		1203-000165	IC-POSI.ADJUST REG.;78R12,TO-220,4P,-,PL	
....4	IC01	1204-001230	IC-SEPARATOR;CXD2043Q,QFP80P,-,PLASTIC,	....5		6003-000333	SCREW-TAPTITE;RH,+2S,M3,L10,ZPC(YEL),SW S.N.A	
....4	LC01	2702-001095	INDUCTOR-RADIAL;18uH,10%,6x4mm	....5		AA62-30013L	HEAT-SINK,ES;-,-,44/22,-,WHT,-,-,- S.N.A	
....4	LC02	2702-001095	INDUCTOR-RADIAL;18uH,10%,6x4mm	△....4	IC807	AA96-50147A	ASSY-H/S,-,TR,AA62-30012B,KA7805A,- S.N.A	
....4	LC03	2702-001095	INDUCTOR-RADIAL;18uH,10%,6x4mm	....5		1203-000274	IC-POSI.FIXED REG.;7805,TO-220,3P,-,PLAS	
....4	LC05	2702-001095	INDUCTOR-RADIAL;18uH,10%,6x4mm	....5		6003-000333	SCREW-TAPTITE;RH,+2S,M3,L10,ZPC(YEL),SW S.N.A	
....4	LC06	2702-001095	INDUCTOR-RADIAL;18uH,10%,6x4mm	....5		AA62-30012B	HEAT-SINK,ES;-,A6063 EXTR,-,-,45(16) T02 S.N.A	
....4	LC07	2702-001095	INDUCTOR-RADIAL;18uH,10%,6x4mm	....4	IC901	AA09-00095A	IC MICOM;Z9035612PSC-R50L1M,SZM-386U,52P,	
....4	LC08	2702-001095	INDUCTOR-RADIAL;18uH,10%,6x4mm	....4	IC902	1103-001105	IC-EEPROM;C41DC,4Kx1Bit,DIP,8P,300MIL,10	
....4	LC09	2702-001095	INDUCTOR-RADIAL;18uH,10%,6x4mm	....4	ICS801	AA13-00024A	IC-HYBRID;-,-,TNY253P,-,8PIN,-,-	
....4	LC10	2702-001095	INDUCTOR-RADIAL;18uH,10%,6x4mm	....4	ICS802	0604-001032	PHOTO-COUPLER;TR,170-260%,300mW,DIP-4,ST	
....4	LPFC1	2909-001051	FILTER-LC;6MHz,6MHz,0.8dB,TP,5dB/6MHz,30	....4		AA97-03656A	ASSY AUTO-MAIN;PCJ522R3C/XAA,P51A,U.S.A S.N.A	
....4	LPFC2	2909-001051	FILTER-LC;6MHz,6MHz,0.8dB,TP,5dB/6MHz,30	....5	C101	2201-000132	C-CERAMIC,DISC;0.1nF,10%,500V,Y5P,TP,6.5	
....4	LPFC3	2909-001051	FILTER-LC;6MHz,6MHz,0.8dB,TP,5dB/6MHz,30	....5	C102	2201-000132	C-CERAMIC,DISC;0.1nF,10%,500V,Y5P,TP,6.5	
....4	PCB	AA41-00129A	PCB-2D COMB;P51A,2L,FR-4,180X245X1.6T,6A	S.N.A	....5	C103	2201-000119	C-CERAMIC,DISC;100nF,+80-20%,50V,Y5V,TP
....4	QC01	0501-000280	TR-SMALL SIGNAL;KSA1182,PNP,150mW,SOT-23	....5	C104	2401-002463	C-AL;470uF,20%,16V,GP,TP;8x11.5,5	
....4	QC02	0501-000280	TR-SMALL SIGNAL;KSA1182,PNP,150mW,SOT-23	....5	C105	2401-002619	C-AL;47uF,20%,25V,GP,TP;5x11,5	
....4	QC03	0501-000344	TR-SMALL SIGNAL;KSC1623-G,NPN,200mW,SOT-	....5	C106	2201-000132	C-CERAMIC,DISC;0.1nF,10%,500V,Y5P,TP,6.5	
....4	QC11	0501-000280	TR-SMALL SIGNAL;KSA1182,PNP,150mW,SOT-23	....5	C107	2305-000665	C-FILM,MPEF;100nF,5%,63V,TP,7,5x4.0x5.0m	
....4	QC12	0501-000344	TR-SMALL SIGNAL;KSC1623-G,NPN,200mW,SOT-	....5	C108	2201-000132	C-CERAMIC,DISC;0.1nF,10%,500V,Y5P,TP,6.5	
....4	QC13	0501-000280	TR-SMALL SIGNAL;KSA1182,PNP,150mW,SOT-23	....5	C109	2201-000119	C-CERAMIC,DISC;100nF,+80-20%,50V,Y5V,TP	
....4	QC14	0501-000344	TR-SMALL SIGNAL;KSC1623-G,NPN,200mW,SOT-	....5	C110	2401-002463	C-AL;470uF,20%,16V,GP,TP;8x11.5,5	
....4	QE02	0501-000344	TR-SMALL SIGNAL;KSC1623-G,NPN,200mW,SOT-	....5	C112	2201-000132	C-CERAMIC,DISC;0.1nF,10%,500V,Y5P,TP,6.5	
....4	QE03	0501-000280	TR-SMALL SIGNAL;KSA1182,PNP,150mW,SOT-23	....5	C113	2401-002009	C-AL;100uF,20%,16V,GP,TP;6.3x7,5	
....4	RC01	2007-000290	R-CHIP;100OHM,5%,1/10W,DA,TP,2012	....5	C114	2201-000119	C-CERAMIC,DISC;100nF,+80-20%,50V,Y5V,TP	
....4	RC03	2007-000468	R-CHIP;1KOHM,5%,1/10W,DA,TP,2012	....5	C116	2401-000603	C-AL;1uF,20%,50V,GP,TP;5x11.5	
....4	RC04	2007-000468	R-CHIP;1KOHM,5%,1/10W,DA,TP,2012	....5	C117	2301-000310	C-FILM,PEF;68nF,5%,50V,TP,8.0X8.5X4.0X5,	
....4	RC05	2007-000030	R-CHIP;560OHM,5%,1/10W,DA,TP,2012	....5	C118	2201-000180	C-CERAMIC,DISC;10nF,10%,50V,Y5V,TP;7x3,5	
....4	RC06	2007-000981	R-CHIP;5.6KOHM,5%,1/10W,DA,TP,2012	....5	C119	2305-000665	C-FILM,MPEF;100nF,5%,63V,TP,7,5x4.0x5.0m	
....4	RC07	2007-001118	R-CHIP;680OHM,5%,1/10W,DA,TP,2012	....5	C121	2305-000665	C-FILM,MPEF;100nF,5%,63V,TP,7,5x4.0x5.0m	
....4	RC08	2007-000457	R-CHIP;18KOHM,5%,1/10W,DA,TP,2012	....5	C125	2401-000603	C-AL;1uF,20%,50V,GP,TP;5x11.5	
....4	RC09	2007-000686	R-CHIP;3.3KOHM,5%,1/10W,DA,TP,2012	....5	C126	2201-000119	C-CERAMIC,DISC;100nF,+80-20%,50V,Y5V,TP	
....4	RC10	2007-000290	R-CHIP;100OHM,5%,1/10W,DA,TP,2012	....5	C129	2201-000132	C-CERAMIC,DISC;0.1nF,10%,500V,Y5P,TP,6.5	
....4	RC11	2007-000653	R-CHIP;27KOHM,5%,1/10W,DA,TP,2012	....5	C130	2201-000119	C-CERAMIC,DISC;100nF,+80-20%,50V,Y5V,TP	
....4	RC44	2007-001039	R-CHIP;56KOHM,5%,1/10W,DA,TP,2012	....5	C132	2305-000665	C-FILM,MPEF;100nF,5%,63V,TP,7,5x4.0x5.0m	
....4	RC45	2007-001028	R-CHIP;560OHM,5%,1/10W,DA,TP,2012	....5	C133	2401-002463	C-AL;470uF,20%,16V,GP,TP;8x11.5,5	
....4	RC48	2007-001166	R-CHIP;75OHM,5%,1/10W,DA,TP,2012	....5	C180	2401-000603	C-AL;1uF,20%,50V,GP,TP;5x11.5	
....4	RC49	2007-000468	R-CHIP;1KOHM,5%,1/10W,DA,TP,2012	....5	C185	2401-002463	C-AL;470uF,20%,16V,GP,TP;8x11.5,5	
....4	RC51	2007-000468	R-CHIP;1KOHM,5%,1/10W,DA,TP,2012	....5	C191	2401-002619	C-AL;47uF,20%,25V,GP,TP;5x11,5	
....4	RC52	2007-000686	R-CHIP;3.3KOHM,5%,1/10W,DA,TP,2012	....5	C193	2201-000119	C-CERAMIC,DISC;100nF,+80-20%,50V,Y5V,TP	
....4	RC53	2007-000686	R-CHIP;3.3KOHM,5%,1/10W,DA,TP,2012	....5	C195	2401-002619	C-AL;47uF,20%,25V,GP,TP;5x11,5	
....4	RC54	2007-001201	R-CHIP;820OHM,5%,1/10W,DA,TP,2012	....5	C501	2305-000665	C-FILM,MPEF;100nF,5%,63V,TP,7,5x4.0x5.0m	
....4	RC55	2007-000468	R-CHIP;1KOHM,5%,1/10W,DA,TP,2012	....5	C502	2401-001397	C-AL;470uF,20%,25V,GP,TP;10x16,5	
....4	RC61	2007-000642	R-CHIP;270OHM,5%,1/10W,DA,TP,2012	....5	C503	2305-000665	C-FILM,MPEF;100nF,5%,63V,TP,7,5x4.0x5.0m	

Loc. No.	Code No.	Description ; Specification	Remark	Loc. No.	Code No.	Description ; Specification	Remark
.....5 C504	2401-000832	C-AL;220uF,20%,25V,GP,TP,8x11.5,5		.....5 D669	0401-000005	DIODE-SWITCHING;1N4148,100V,200mA,DO-35,	
.....5 C513	2401-002594	C-AL;220uF,20%,16V,GP,TP,8x11.5,5		.....5 D671	0402-000132	DIODE-RECTIFIER;1N4004,400V,1A,DO-41,TP	
.....5 C514	2305-000665	C-FILM,MPEF;100nF,5%,63V,TP,7.5x4.0x5.0m		.....5 D672	0402-000132	DIODE-RECTIFIER;1N4004,400V,1A,DO-41,TP	
.....5 C517	2401-002594	C-AL;220uF,20%,16V,GP,TP,8x11.5,5		.....5 D701	0401-000005	DIODE-SWITCHING;1N4148,100V,200mA,DO-35,	
.....5 C518	2305-000665	C-FILM,MPEF;100nF,5%,63V,TP,7.5x4.0x5.0m		.....5 D702	0401-000005	DIODE-SWITCHING;1N4148,100V,200mA,DO-35,	
.....5 C519	2305-000665	C-FILM,MPEF;100nF,5%,63V,TP,7.5x4.0x5.0m		.....5 D703	0401-000005	DIODE-SWITCHING;1N4148,100V,200mA,DO-35,	
.....5 C520	2401-002594	C-AL;220uF,20%,16V,GP,TP,8x11.5,5		.....5 D901	0401-000005	DIODE-SWITCHING;1N4148,100V,200mA,DO-35,	
.....5 C521	2305-000665	C-FILM,MPEF;100nF,5%,63V,TP,7.5x4.0x5.0m		.....5 D902	0401-000005	DIODE-SWITCHING;1N4148,100V,200mA,DO-35,	
.....5 C522	2401-002286	C-AL;470uF,20%,16V,WT,TP,10x12.5,5		.....5 D903	0403-000508	DIODE-ZENER;MTZJ5.6B,5.6V,5.45-5.73V,500	
.....5 C537	2305-000665	C-FILM,MPEF;100nF,5%,63V,TP,7.5x4.0x5.0m		.....5 D904	0403-001317	DIODE-ZENER;MLC-AXIAL;100pF,10%,50V,Y5P,TP	
.....5 C538	2401-001840	C-AL;100uF,20%,16V,GP,TP,6.3x11,5		.....5 D905	0401-000005	DIODE-SWITCHING;1N4148,100V,200mA,DO-35,	
.....5 C539	2401-001840	C-AL;100uF,20%,16V,GP,TP,6.3x11,5		.....5 DS802	1405-000152	VARISTOR;560V,2500A,14x8.5mm,TP	
.....5 C540	2305-000665	C-FILM,MPEF;100nF,5%,63V,TP,7.5x4.0x5.0m		.....5 DS803	0403-001322	DIODE-ZENER;MTZJ8.2B,7.78-8.19V,500mW,DO	
.....5 C543	2201-000132	C-CERAMIC,DISC;0.1nF,10%,500V,Y5P,TP,6.5		.....5 DS804	0403-001318	DIODE-ZENER;MTZJ4.3B,4.17-4.43V,500mW,DO	
.....5 C544	2401-002144	C-AL;47uF,20%,16V,GP,TP,5x11,5		.....5 DS805	0402-000534	DIODE-RECTIFIER;RG10V,400V,1.2A,DO-201,T	
.....5 C545	2201-000573	C-CERAMIC,DISC;0.047nF,5%,50V,NP0,TP,5x3		.....5 DS806	1405-001030	VARISTOR;120V,2500A,14x8.5mm,TP	
.....5 C547	2201-000573	C-CERAMIC,DISC;0.047nF,5%,50V,NP0,TP,5x3		.....5 DS807	0402-000546	DIODE-RECTIFIER;TVR10G,400V,1.0A,DO-41,T	
.....5 C549	2401-002594	C-AL;220uF,20%,16V,GP,TP,8x11.5,5		.....5 DS808	1405-000152	VARISTOR;560V,2500A,14x8.5mm,TP	
.....5 C550	2201-000119	C-CERAMIC,DISC;100nF,+80-20%,50V,Y5V,TP,		.....5 DS810	1405-000152	VARISTOR;560V,2500A,14x8.5mm,TP	
.....5 C551	2401-000360	C-AL;100uF,20%,50V,GP,TP,8x11.5,5		.....5 DZ503	0403-000720	DIODE-ZENER;MTZJ9.1B,8.1V,8.57-9.01V,500	
.....5 C552	2201-000119	C-CERAMIC,DISC;100nF,+80-20%,50V,Y5V,TP,		.....5 DZ504	0403-000720	DIODE-ZENER;MTZJ9.1B,8.1V,8.57-9.01V,500	
.....5 C639	2401-002009	C-AL;100uF,20%,16V,GP,TP,6.3x7,5		.....5 DZ505	0403-000720	DIODE-ZENER;MTZJ9.1B,8.1V,8.57-9.01V,500	
.....5 C640	2201-000119	C-CERAMIC,DISC;100nF,+80-20%,50V,Y5V,TP,		.....5 DZ506	0403-000508	DIODE-ZENER;MTZJ5.6B,5.6V,5.45-5.73V,500	
.....5 C666	2305-000665	C-FILM,MPEF;100nF,5%,63V,TP,7.5x4.0x5.0m		.....5 DZ507	0403-000510	DIODE-ZENER;MTZJ6.2B,6.2V,5.96-6.27V,500	
.....5 C667	2401-000603	C-AL;1uF,20%,50V,GP,TP,5x11,5		.....5 DZ508	0403-000510	DIODE-ZENER;MTZJ6.2B,6.2V,5.96-6.27V,500	
.....5 C668	2401-000603	C-AL;1uF,20%,50V,GP,TP,5x11,5		.....5 DZ510	0403-000510	DIODE-ZENER;MTZJ6.2B,6.2V,5.96-6.27V,500	
.....5 C669	2401-000962	C-AL;22uF,20%,50V,GP,TP,5x11,5		.....5 DZ665	0403-001039	DIODE-ZENER;MA2560,56V,52-60,1W,DO-41,T	
.....5 C670	2401-000603	C-AL;1uF,20%,50V,GP,TP,5x11,5		.....5 DZ666	0403-001325	DIODE-ZENER;MTZJ15C,14.35-15.09V,500mW,DO	
.....5 C671	2401-001537	C-AL;47uF,20%,25V,GP,TP,6.3x7mm,5mm		.....5 DZ667	0403-001319	DIODE-ZENER;MTZJ4.7C,4.68-4.93V,500mW,DO	
.....5 C672	2401-000360	C-AL;100uF,20%,50V,GP,TP,8x11.5,5		.....5 DZ701	0403-001140	DIODE-ZENER;RD10ESAB-74,10V,9.19-10.30V,	
.....5 C676	2401-001192	C-AL;33uF,20%,50V,GP,TP,6.3x11,5		.....5 DZ801	0403-000700	DIODE-ZENER;TZP33A,33V,31-35V,1W,DO-41,T	
.....5 C686	2301-000192	C-FILM,PEF;1nF,5%,50V,TP,5.3x10mm,5mm		.....5 DZ901	2202-000121	C-CERAMIC,MLC-AXIAL;100pF,10%,50V,Y5P,TP	
.....5 C687	2301-000192	C-FILM,PEF;1nF,5%,50V,TP,5.3x10mm,5mm		.....5 DZ902	2202-000121	C-CERAMIC,MLC-AXIAL;100pF,10%,50V,Y5P,TP	
.....5 C688	2401-000192	C-AL;1000uF,20%,50V,GP,TP,16x25,7.5		.....5 DZ903	0403-000510	DIODE-ZENER;MTZJ6.2B,6.2V,5.96-6.27V,500	
.....5 C689	2305-000665	C-FILM,MPEF;100nF,5%,63V,TP,7.5x4.0x5.0m		.....5 DZ904	0403-000510	DIODE-ZENER;MTZJ6.2B,6.2V,5.96-6.27V,500	
.....5 C690	2305-000665	C-FILM,MPEF;100nF,5%,63V,TP,7.5x4.0x5.0m		.....5 DZ905	0403-000510	DIODE-ZENER;MTZJ6.2B,6.2V,5.96-6.27V,500	
.....5 C691	2401-000192	C-AL;1000uF,20%,50V,GP,TP,16x25,7.5		.....5 DZ906	0403-000510	DIODE-ZENER;MTZJ6.2B,6.2V,5.96-6.27V,500	
.....5 C701	2401-000027	C-AL;4.7uF,20%,50V,GP,TP,5x11,5		.....5 DZ907	0403-000510	DIODE-ZENER;MTZJ6.2B,6.2V,5.96-6.27V,500	
.....5 C801	2401-002300	C-AL;47uF,20%,50V,GP,TP,6.3x11,5		.....5 DZ911	0403-000508	DIODE-ZENER;MTZJ5.6B,5.6V,5.45-5.73V,500	
.....5 C901	2201-000292	C-CERAMIC,DISC;1nF,10%,50V,Y5P,TP,5x3.5,		.....5 DZ912	0403-000508	DIODE-ZENER;MTZJ5.6B,5.6V,5.45-5.73V,500	
.....5 C904	2202-000632	C-CERAMIC,MLC-AXIAL;100nF,20%,50V,Z5U,TP		.....5 DZ913	0403-000508	DIODE-ZENER;MTZJ5.6B,5.6V,5.45-5.73V,500	
.....5 C905	2401-001496	C-AL;47uF,20%,16V,GP,TP,5x7,5		.....5 DZ916	0403-000510	DIODE-ZENER;MTZJ6.2B,6.2V,5.96-6.27V,500	
.....5 C906	2305-000149	C-FILM,MPEF;100nF,5%,100V,TP,12x12.5x6.5		.....5 DZ917	0403-000510	DIODE-ZENER;MTZJ6.2B,6.2V,5.96-6.27V,500	
.....5 C907	2301-000111	C-FILM,PEF;1.8nF,5%,50V,TP,6.5x3.0x5.5mm		.....5 DZ918	0403-000510	DIODE-ZENER;MTZJ6.2B,6.2V,5.96-6.27V,500	
.....5 C908	2201-000292	C-CERAMIC,DISC;1nF,10%,50V,Y5P,TP,5x3.5,		.....5 DZ919	0403-000510	DIODE-ZENER;MTZJ6.2B,6.2V,5.96-6.27V,500	
.....5 C909	2201-000292	C-CERAMIC,DISC;1nF,10%,50V,Y5P,TP,5x3.5,		.....5 DZ920	0403-000510	DIODE-ZENER;MTZJ6.2B,6.2V,5.96-6.27V,500	
.....5 C910	2201-000292	C-CERAMIC,DISC;1nF,10%,50V,Y5P,TP,5x3.5,		.....5 ELO1	AA60-40011B	EYELET;ID2.2,0D3.2,-,BSP,	S.N.A
.....5 C911	2305-000665	C-FILM,MPEF;100nF,5%,63V,TP,7.5x4.0x5.0m		.....5 ELO2	AA60-40011B	EYELET;ID2.2,0D3.2,-,BSP,	S.N.A
.....5 C912	2305-000665	C-FILM,MPEF;100nF,5%,63V,TP,7.5x4.0x5.0m		.....5 ELO3	AA60-40011B	EYELET;ID2.2,0D3.2,-,BSP,	S.N.A
.....5 C913	2201-000193	C-CERAMIC,DISC;0.01nF,0.25pF,50V,NP0,TP,		.....5 ELO4	AA60-40011B	EYELET;ID2.2,0D3.2,-,BSP,	S.N.A
.....5 C914	2201-000573	C-CERAMIC,DISC;0.047nF,5%,50V,NP0,TP,5x3		.....5 ELO5	AA60-40011B	EYELET;ID2.2,0D3.2,-,BSP,	S.N.A
.....5 C915	2201-000119	C-CERAMIC,DISC;100nF,+80-20%,50V,Y5V,TP,		.....5 ELO6	AA60-40011B	EYELET;ID2.2,0D3.2,-,BSP,	S.N.A
.....5 C916	2401-002042	C-AL;220uF,20%,10V,GP,TP,6.3x11,5		.....5 ELO7	AA60-40011B	EYELET;ID2.2,0D3.2,-,BSP,	S.N.A
.....5 C917	2401-002144	C-AL;47uF,20%,16V,GP,TP,5x11,5		.....5 ELO8	AA60-40011B	EYELET;ID2.2,0D3.2,-,BSP,	S.N.A
.....5 C918	2201-000119	C-CERAMIC,DISC;100nF,+80-20%,50V,Y5V,TP,		.....5 ELO9	AA60-40011B	EYELET;ID2.2,0D3.2,-,BSP,	S.N.A
.....5 C919	2401-000480	C-AL;10uF,20%,50V,GP,TP,5x11,5		.....5 EL10	AA60-40011B	EYELET;ID2.2,0D3.2,-,BSP,	S.N.A
.....5 C920	2201-000119	C-CERAMIC,DISC;100nF,+80-20%,50V,Y5V,TP,		.....5 EL11	AA60-40011B	EYELET;ID2.2,0D3.2,-,BSP,	S.N.A
.....5 C925	2201-000119	C-CERAMIC,DISC;100nF,+80-20%,50V,Y5V,TP,		.....5 EL12	AA60-40011B	EYELET;ID2.2,0D3.2,-,BSP,	S.N.A
.....5 C926	2401-000480	C-AL;10uF,20%,50V,GP,TP,5x11,5		.....5 EL13	AA60-40011B	EYELET;ID2.2,0D3.2,-,BSP,	S.N.A
.....5 CN003	3711-002642	CONNECTOR-HEADER;BOX,3P,1R,2.5mm,STRAIGH	S.N.A	.....5 EL14	AA60-40011B	EYELET;ID2.2,0D3.2,-,BSP,	S.N.A
.....5 CN601	3711-002643	CONNECTOR-HEADER;BOX,4P,1R,2.5mm,STRAIGH		.....5 EL15	AA60-40011B	EYELET;ID2.2,0D3.2,-,BSP,	S.N.A
.....5 CS801	2201-000332	C-CERAMIC,DISC;2.2nF,20%,250V,Y5U,TP,9x4		.....5 EL16	AA60-40011B	EYELET;ID2.2,0D3.2,-,BSP,	S.N.A
.....5 CS802	2201-000332	C-CERAMIC,DISC;2.2nF,20%,250V,Y5U,TP,9x4		.....5 EL17	AA60-40011B	EYELET;ID2.2,0D3.2,-,BSP,	S.N.A
.....5 CS803	2401-003066	C-AL;10uF,20%,450V,GP,TP,13x20mm,5m		.....5 EL23	AA60-40011B	EYELET;ID2.2,0D3.2,-,BSP,	S.N.A
.....5 CS804	2201-000119	C-CERAMIC,DISC;100nF,+80-20%,50V,Y5V,TP,		.....5 EL24	AA60-40011B	EYELET;ID2.2,0D3.2,-,BSP,	S.N.A
.....5 CS805	2401-001101	C-AL;330uF,20%,16V,GP,TP,8x11.5,5		.....5 EL26	AA60-40011B	EYELET;ID2.2,0D3.2,-,BSP,	S.N.A
.....5 CS807	2201-000119	C-CERAMIC,DISC;100nF,+80-20%,50V,Y5V,TP,		.....5 EL27	AA60-40011B	EYELET;ID2.2,0D3.2,-,BSP,	S.N.A
.....5 CS808	2401-002463	C-AL;470uF,20%,16V,GP,TP,8x11.5,5		.....5 EL28	AA60-40011B	EYELET;ID2.2,0D3.2,-,BSP,	S.N.A
.....5 CS809	2201-000556	C-CERAMIC,DISC;0.47nF,10%,500V,Y5P,TP,5,		.....5 EL29	AA60-40011B	EYELET;ID2.2,0D3.2,-,BSP,	S.N.A
.....5 CS812	2201-002076	C-CERAMIC,DISC;0.068nF,5%,1kV,SL,TP,8x4m		.....5 EL30	AA60-40011B	EYELET;ID2.2,0D3.2,-,BSP,	S.N.A
.....5 D501	0401-000005	DIODE-SWITCHING;1N4148,100V,200mA,DO-35,		.....5 EL31	AA60-40011B	EYELET;ID2.2,0D3.2,-,BSP,	S.N.A
.....5 D502	0401-000005	DIODE-SWITCHING;1N4148,100V,200mA,DO-35,		.....5 EL32	AA60-40011B	EYELET;ID2.2,0D3.2,-,BSP,	S.N.A
.....5 D664	0402-000546	DIODE-RECTIFIER;TVR10G,400V,1.0A,DO-41,T		.....5 EL33	AA60-40011B	EYELET;ID2.2,0D3.2,-,BSP,	S.N.A
.....5 D665	0401-000005	DIODE-SWITCHING;1N4148,100V,200mA,DO-35,		.....5 EY01	AA60-40011A	EYELET;ID2.0,0D2.8,-,BST,	S.N.A
.....5 D666	0401-000005	DIODE-SWITCHING;1N4148,100V,200mA,DO-35,		.....5 EY02	AA60-40011A	EYELET;ID2.0,0D2.8,-,BST,	S.N.A
.....5 D667	0401-000005	DIODE-SWITCHING;1N4148,100V,200mA,DO-35,		.....5 EY03	AA60-40011A	EYELET;ID2.0,0D2.8,-,BST,	S.N.A
.....5 D668	0401-000005	DIODE-SWITCHING;1N4148,100V,200mA,DO-35,		.....5 EY04	AA60-40011A	EYELET;ID2.0,0D2.8,-,BST,	S.N.A



Loc. No.	Code No.	Description ; Specification	Remark	Loc. No.	Code No.	Description ; Specification	Remark
....5	R925	2001-001050	R-CARBON(S);1.5KOHM,5%,1/2W,AA,TP,2.4X6.	.....6	CP03	2203-000408	C-CERAMIC,CHIP;0.18nF,5%,50V,NP0,TP,2012
....5	R926	2001-001050	R-CARBON(S);1.5KOHM,5%,1/2W,AA,TP,2.4X6.	.....6	CP06	2203-000260	C-CERAMIC,CHIP;10nF,10%,50V,X7R,TP,2012
....5	R927	2001-001050	R-CARBON(S);1.5KOHM,5%,1/2W,AA,TP,2.4X6.	.....6	CP08	2203-000260	C-CERAMIC,CHIP;10nF,10%,50V,X7R,TP,2012
....5	R928	2001-000472	R-CARBON;2.7KOHM,5%,1/8W,AA,TP,1.8X3.2MM	.....6	CP10	2203-000260	C-CERAMIC,CHIP;10nF,10%,50V,X7R,TP,2012
....5	R929	2001-000429	R-CARBON;1KOHM,5%,1/8W,AA,TP,1.8X3.2MM	.....6	CP11	2203-005384	C-CERAMIC,CHIP;4700nF,+80-20%,10V,Y5V,TP
....5	R930	2001-000734	R-CARBON;4.7KOHM,5%,1/8W,AA,TP,1.8X3.2MM	.....6	CP12	2203-000181	C-CERAMIC,CHIP;100nF,+80-20%,25V,Y5V,TP
....5	R931	2001-000734	R-CARBON;4.7KOHM,5%,1/8W,AA,TP,1.8X3.2MM	.....6	CP13	2203-005384	C-CERAMIC,CHIP;4700nF,+80-20%,10V,Y5V,TP
....5	R932	2001-000734	R-CARBON;4.7KOHM,5%,1/8W,AA,TP,1.8X3.2MM	.....6	CP14	2203-000181	C-CERAMIC,CHIP;100nF,+80-20%,25V,Y5V,TP
....5	R933	2001-000290	R-CARBON;10KOHM,5%,1/8W,AA,TP,1.8X3.2MM	.....6	CP15	2203-005384	C-CERAMIC,CHIP;4700nF,+80-20%,10V,Y5V,TP
....5	R934	2001-000281	R-CARBON;100OHM,5%,1/8W,AA,TP,1.8X3.2MM	.....6	CP16	2203-000181	C-CERAMIC,CHIP;100nF,+80-20%,25V,Y5V,TP
....5	R935	2001-000281	R-CARBON;100OHM,5%,1/8W,AA,TP,1.8X3.2MM	.....6	CP17	2203-001245	C-CERAMIC,CHIP;0.082nF,5%,50V,NP0,TP,201
....5	R936	2001-000281	R-CARBON;100OHM,5%,1/8W,AA,TP,1.8X3.2MM	.....6	CP18	2203-000260	C-CERAMIC,CHIP;10nF,10%,50V,X7R,TP,2012
....5	R941	2001-000281	R-CARBON;100OHM,5%,1/8W,AA,TP,1.8X3.2MM	.....6	CP20	2203-000260	C-CERAMIC,CHIP;10nF,10%,50V,X7R,TP,2012
....5	R942	2001-000281	R-CARBON;100OHM,5%,1/8W,AA,TP,1.8X3.2MM	.....6	CP22	2203-000181	C-CERAMIC,CHIP;100nF,+80-20%,25V,Y5V,TP
....5	R943	2001-000890	R-CARBON;6.8KOHM,5%,1/8W,AA,TP,1.8X3.2MM	.....6	CP23	2203-000260	C-CERAMIC,CHIP;10nF,10%,50V,X7R,TP,2012
....5	R944	2001-000890	R-CARBON;6.8KOHM,5%,1/8W,AA,TP,1.8X3.2MM	.....6	CP25	2203-000181	C-CERAMIC,CHIP;100nF,+80-20%,25V,Y5V,TP
....5	R945	2001-000429	R-CARBON;1KOHM,5%,1/8W,AA,TP,1.8X3.2MM	.....6	CP26	2203-000260	C-CERAMIC,CHIP;10nF,10%,50V,X7R,TP,2012
....5	R946	2001-000290	R-CARBON;10KOHM,5%,1/8W,AA,TP,1.8X3.2MM	.....6	CP28	2203-000181	C-CERAMIC,CHIP;100nF,+80-20%,25V,Y5V,TP
....5	R947	2001-000290	R-CARBON;10KOHM,5%,1/8W,AA,TP,1.8X3.2MM	.....6	ICP01	1204-001668	IC-PICTURE PROCESS;SDA9488X,SOP,28P,300M
....5	R948	2001-000429	R-CARBON;1KOHM,5%,1/8W,AA,TP,1.8X3.2MM	.....6	ICP02	1203-001419	IC-VOLTAGE REGULATOR;4931,TO-252,3P,6.6X
....5	R949	2001-000591	R-CARBON;3.3KOHM,5%,1/8W,AA,TP,1.8X3.2MM	.....6	QP01	0501-000344	TR-SMALL SIGNAL;KSC1623-G,NPN,200mW,SOT-
....5	R950	2001-000429	R-CARBON;1KOHM,5%,1/8W,AA,TP,1.8X3.2MM	.....6	QP02	0501-000344	TR-SMALL SIGNAL;KSC1623-G,NPN,200mW,SOT-
....5	R951	2001-000591	R-CARBON;3.3KOHM,5%,1/8W,AA,TP,1.8X3.2MM	.....6	QP03	0501-000344	TR-SMALL SIGNAL;KSC1623-G,NPN,200mW,SOT-
....5	R952	2001-000281	R-CARBON;100OHM,5%,1/8W,AA,TP,1.8X3.2MM	.....6	QP04	0501-000344	TR-SMALL SIGNAL;KSC1623-G,NPN,200mW,SOT-
....5	R953	2001-000734	R-CARBON;4.7KOHM,5%,1/8W,AA,TP,1.8X3.2MM	.....6	RP01	2007-000468	R-CHIP;1KOHM,5%,1/10W,DA,TP,2012
....5	R954	2001-000281	R-CARBON;100OHM,5%,1/8W,AA,TP,1.8X3.2MM	.....6	RP02	2007-000931	R-CHIP;4700HM,5%,1/10W,DA,TP,2012
....5	R955	2001-000734	R-CARBON;4.7KOHM,5%,1/8W,AA,TP,1.8X3.2MM	.....6	RP03	2007-000290	R-CHIP;1000HM,5%,1/10W,DA,TP,2012
....5	R958	2001-000281	R-CARBON;100OHM,5%,1/8W,AA,TP,1.8X3.2MM	.....6	RP04	2007-000290	R-CHIP;1000HM,5%,1/10W,DA,TP,2012
....5	R959	2001-000281	R-CARBON;100OHM,5%,1/8W,AA,TP,1.8X3.2MM	.....6	RP05	2007-000290	R-CHIP;1000HM,5%,1/10W,DA,TP,2012
....5	R960	2001-000281	R-CARBON;100OHM,5%,1/8W,AA,TP,1.8X3.2MM	.....6	RP06	2007-000290	R-CHIP;1000HM,5%,1/10W,DA,TP,2012
....5	R961	2001-000734	R-CARBON;4.7KOHM,5%,1/8W,AA,TP,1.8X3.2MM	.....6	RP07	2007-000300	R-CHIP;10KOHM,5%,1/10W,DA,TP,2012
....5	R962	2001-000864	R-CARBON;56KOHM,5%,1/8W,AA,TP,1.8X3.2MM	.....6	RP08	2007-001166	R-CHIP;750HM,5%,1/10W,DA,TP,2012
....5	R963	2001-000591	R-CARBON;3.3KOHM,5%,1/8W,AA,TP,1.8X3.2MM	.....6	RP09	2007-000941	R-CHIP;47KOHM,5%,1/10W,DA,TP,2012
....5	R964	2001-000734	R-CARBON;4.7KOHM,5%,1/8W,AA,TP,1.8X3.2MM	.....6	RP10	2007-000941	R-CHIP;47KOHM,5%,1/10W,DA,TP,2012
....5	R965	2001-000734	R-CARBON;4.7KOHM,5%,1/8W,AA,TP,1.8X3.2MM	.....6	RP11	2007-000931	R-CHIP;4700HM,5%,1/10W,DA,TP,2012
....5	R967	2001-000429	R-CARBON;1KOHM,5%,1/8W,AA,TP,1.8X3.2MM	.....6	RP12	2007-001166	R-CHIP;750HM,5%,1/10W,DA,TP,2012
....5	R968	2001-000429	R-CARBON;1KOHM,5%,1/8W,AA,TP,1.8X3.2MM	.....6	RP13	2007-000941	R-CHIP;47KOHM,5%,1/10W,DA,TP,2012
....5	R970	2001-000429	R-CARBON;1KOHM,5%,1/8W,AA,TP,1.8X3.2MM	.....6	RP14	2007-000941	R-CHIP;47KOHM,5%,1/10W,DA,TP,2012
....5	R971	2001-000812	R-CARBON;5.6KOHM,5%,1/8W,AA,TP,1.8X3.2MM	.....6	RP15	2007-000931	R-CHIP;4700HM,5%,1/10W,DA,TP,2012
....5	R974	2001-001088	R-CARBON(S);1KOHM,5%,1/2W,AA,TP,2.4X6.4M	.....6	RP16	2007-001166	R-CHIP;750HM,5%,1/10W,DA,TP,2012
....5	R976	2001-000429	R-CARBON;1KOHM,5%,1/8W,AA,TP,1.8X3.2MM	.....6	RP17	2007-000941	R-CHIP;47KOHM,5%,1/10W,DA,TP,2012
....5	R977	2001-001062	R-CARBON(S);10MOHM,5%,1/2W,AA,TP,2.4X6.4	.....6	RP18	2007-000941	R-CHIP;47KOHM,5%,1/10W,DA,TP,2012
....5	R978	2001-000290	R-CARBON;10KOHM,5%,1/8W,AA,TP,1.8X3.2MM	.....6	RP19	2007-000931	R-CHIP;4700HM,5%,1/10W,DA,TP,2012
....5	R981	2001-000577	R-CARBON;2KOHM,5%,1/8W,AA,TP,1.8X3.2MM	.....6	RP21	2007-000300	R-CHIP;10KOHM,5%,1/10W,DA,TP,2012
....5	R982	2001-000577	R-CARBON;2KOHM,5%,1/8W,AA,TP,1.8X3.2MM	.....6	RP22	2007-000290	R-CHIP;1000HM,5%,1/10W,DA,TP,2012
....5	R983	2001-000577	R-CARBON;2KOHM,5%,1/8W,AA,TP,1.8X3.2MM	.....6	RP23	2007-000029	R-CHIP;00HM,5%,1/10W,DA,TP,2012
....5	RF802	2008-000294	R-FUSIBLE(S);33ohm,5%,2W,AF,TP,3.9x10mm	.....6	RP24	2007-000029	R-CHIP;00HM,5%,1/10W,DA,TP,2012
....5	RS801	2001-001093	R-CARBON(S);2.2KOHM,5%,1/2W,AA,TP,2.4X6.	.....6	RP26	2007-000029	R-CHIP;00HM,5%,1/10W,DA,TP,2012
....5	RS803	2001-001159	R-CARBON(S);5100HM,5%,1/2W,AA,TP,2.4X6.4	.....6	RP28	2007-000029	R-CHIP;00HM,5%,1/10W,DA,TP,2012
....5	RS804	2001-001182	R-CARBON(S);7.5KOHM,5%,1/2W,AA,TP,2.4X6.	.....6	RP30	2007-000607	R-CHIP;2400HM,5%,1/10W,DA,TP,2012
....5	RS805	2001-001107	R-CARBON(S);220ohm,5%,1/2W,AA,TP,2.4x6.4	.....6	RP31	2007-000572	R-CHIP;2200HM,5%,1/10W,DA,TP,2012
....5	RS806	2001-001159	R-CARBON(S);5100HM,5%,1/2W,AA,TP,2.4X6.4	.....6	RP32	2007-001201	R-CHIP;8200HM,5%,1/10W,DA,TP,2012
....5	RS807	2001-001192	R-CARBON(S);8200HM,5%,1/2W,AA,TP,2.4X6.4	.....6	RP48	2007-000468	R-CHIP;1KOHM,5%,1/10W,DA,TP,2012
....3		0403-000510	DIODE-ZENER;MTZJ6.2B,6.2V,5.96-6.27V,500	.....6	RP49	2007-000964	R-CHIP;5.1KOHM,5%,1/10W,DA,TP,2012
....3		AA95-006494	ASSY-PCB,PIP,-,-,P51A ALL,-,-,-	.....6	RP50	2007-000468	R-CHIP;1KOHM,5%,1/10W,DA,TP,2012
....4	CNP01	3711-002705	CONNECTOR-HEADER;NOWALL,7P,1R,2.5mm,ANGL	.....6	RP51	2007-000844	R-CHIP;3KOHM,5%,1/10W,DA,TP,2012
....4	CNP02	3711-002702	CONNECTOR-HEADER;NOWALL,4P,1R,2.5mm,ANGL	....3		3301-001201	CORE-FERRITE;AE,21x11x32mm,1500,280G
....4	CNP03	3711-002703	CONNECTOR-HEADER;NOWALL,5P,1R,2.5mm,ANGL	....3		AA65-30105B	CLAMP-WIRE;ALL MODEL,NYLON 66,V2,-,NTR,2
....4	CNP04	3711-002704	CONNECTOR-HEADER;NOWALL,6P,1R,2.5mm,ANGL	....3		AA63-40027A	SHIELD-CASE,T,-,SPTL,TO.25,-,-,ACT51A,
....4	H001	AA61-10068A	BRACKET-PCB;M2160,SPTL,TO.3,-,-,-,-	....3		AA39-30007A	IF-CABLE,-,T,100mm,1365#26
....4	XP01	2801-004019	CRYSTAL-UNIT;20.25MHz,30ppm,28-AAM,13pF,	....3		AA39-20010B	LEAD CONNECTOR-ASSY;1PYFH800-01,S,500,
....4		AA97-05135A	ASSY AUTO-SUB;P51A	....3		AA39-00025A	LEAD CONNECTOR-ASSY;2(1)PYFH800-02,YFH
....5	CP05	2401-002144	C-AL;47uF,20%,16V,GP,TP,5x11,5	....2		AA90-00674A	ASSY CHASSIS PART;P53A,62J8
....5	CP07	2401-002144	C-AL;47uF,20%,16V,GP,TP,5x11,5	....3	CON+HC	6003-001023	SCREW-TAPTITE;RWH,+,B,M3,L10,ZPC(YEL),SW
....5	CP09	2401-002144	C-AL;47uF,20%,16V,GP,TP,5x11,5	....3	DF+FBT	6003-001023	SCREW-TAPTITE;RWH,+,B,M3,L10,ZPC(YEL),SW
....5	CP19	2401-002235	C-AL;10uF,20%,16V,GP,TP,5x11mm,5mm	....3	DF+HC	6003-001023	SCREW-TAPTITE;RWH,+,B,M3,L10,ZPC(YEL),SW
....5	CP21	2401-001840	C-AL;100uF,20%,16V,GP,TP,6.3x11,5	....3	PM+HC	6003-001023	SCREW-TAPTITE;RWH,+,B,M3,L10,ZPC(YEL),SW
....5	CP24	2401-000660	C-AL;2.2uF,20%,50V,GP,TP,5x11,5	....3		AA61-00504B	HOLDER-CHASSIS;43.54,62J8,ABS,-,-,-,GRAY
....5	CP27	2401-000660	C-AL;2.2uF,20%,50V,GP,TP,5x11,5	....2		AA90-00136N	ASSY-PACKING,PCB;J51A,SJ2A NO-T/BOARD,FJ
....5	LP01	2901-000297	FILTER-EMI ON BOARD;-3A,-,-,3.5x5,TP,-	....3	CHASIS	AA69-01403A	WRAP VINYL-PACKING,SKD CHASSIS,LDPE,TO.0
....5	LP02	2901-000297	FILTER-EMI ON BOARD;-3A,-,-,3.5x5,TP,-				
....5	LP03	2901-000297	FILTER-EMI ON BOARD;-3A,-,-,3.5x5,TP,-				
....5	LP04	2901-000297	FILTER-EMI ON BOARD;-3A,-,-,3.5x5,TP,-				
....5	PCB	AA41-00278B	PCB-PIP MODULE;ALL MODEL,CEM-3,2L,B,1.6T	....3			
....5		AA97-06137A	ASSY SMD-SUB;P51A	....3			
....6	CP01	2203-000274	C-CERAMIC,CHIP;0.01nF,0.25pF,50V,NP0,TP,	1	*	AA95-00057E	ASSY-PCB,TERMINAL;DPPCL541/542R5S,P51A
....6	CP02	2203-000274	C-CERAMIC,CHIP;0.01nF,0.25pF,50V,NP0,TP,				

ASSY-PCB,TERMINAL

Loc. No.	Code No.	Description ; Specification	Remark	Loc. No.	Code No.	Description ; Specification	Remark
.2	CNT01	3711-003630 CONNECTOR-HEADER;BOX,32P,2R,2.54mm,ANGLE		...3	CV22	2401-000480 C-AL;10uF,20%,50V,GP,TP5x11,5	
.2	CNT02	3711-003630 CONNECTOR-HEADER;BOX,32P,2R,2.54mm,ANGLE		...3	CV24	2401-000480 C-AL;10uF,20%,50V,GP,TP5x11,5	
.2	CNY02	3711-003601 CONNECTOR-HEADER;BOX,12P,1R,2.5mm,ANGLE,		...3	CV25	2401-000480 C-AL;10uF,20%,50V,GP,TP5x11,5	
.2	IC601	1204-001222 IC-AUDIO PROCESSOR;TDA7429S,DIP,42P,-,PL		...3	CV26	2401-000480 C-AL;10uF,20%,50V,GP,TP5x11,5	
.2	IC602	1201-000191 IC-OP AMP;4558,DIP;8P;300MIL,DUAL,20V/mV		...3	CV27	2201-000132 C-CERAMIC,DISC;0.1nF,10%,500V,Y5P,TP6.5	
.2	IC905	0904-001121 IC-I/O SUPPORT CHIP;8574,8BIT,DIP,16P;30		...3	CV28	2201-000132 C-CERAMIC,DISC;0.1nF,10%,500V,Y5P,TP6.5	
.2	ICV01	1001-000212 IC-VIDEO SWITCH;TA8851AN,-,DIP;54P,-,-,-		...3	CV29	2401-000027 C-AL;4.7uF,20%,50V,GP,TP5x11,5	
.2	ICV02	0801-000961 IC-CMOS LOGIC;4053,MUTIPLEXER,DIP,16P;30		...3	CV31	2401-000471 C-AL;10uF,20%,50V,BP,TP5x11,5mm	
.2	ICV03	0801-000961 IC-CMOS LOGIC;4053,MUTIPLEXER,DIP,16P;30		...3	CV32	2401-000480 C-AL;10uF,20%,50V,GP,TP5x11,5	
.2	JKV01	3722-001039 JACK-PIN;9P;3.4mm,SN,BLK,#16-22		...3	CV33	2401-000471 C-AL;10uF,20%,50V,BP,TP5x11,5mm	
.2	JKV02	3722-000544 JACK-VHS;4P;11.5mm,AG,BLK,N		...3	CV34	2401-000480 C-AL;10uF,20%,50V,GP,TP5x11,5	
.2	JKV05	3722-000144 JACK-PHONE;1P;3.6PI,MBAG,BLACK,-		...3	CV35	2401-000480 C-AL;10uF,20%,50V,GP,TP5x11,5	
.2	JKV06	3722-001382 JACK-PIN;5P(9P);3.4MM,NI,R,W/G/BLUE,-		...3	CV36	2401-000480 C-AL;10uF,20%,50V,GP,TP5x11,5	
.2	PCB	AA41-00020D PCB-TERMINAL;P51A,2L,FR-4,180X245X1.6T,1	S.N.A	...3	CV37	2401-000480 C-AL;10uF,20%,50V,GP,TP5x11,5	
.2	RN902	2011-000160 R-NETWORK;10Kohm,5%,1/8W,A,SIP,9P,TP		...3	CV38	2401-000480 C-AL;10uF,20%,50V,GP,TP5x11,5	
.2		AA97-04946A ASSY AUTO-SUB;DP;PCL541/542R5S,P51A	S.N.A	...3	CV39	2401-000480 C-AL;10uF,20%,50V,GP,TP5x11,5	
...3	C601	2401-000480 C-AL;10uF,20%,50V,GP,TP5x11,5		...3	CV40	2401-000455 C-AL;10uF,20%,35V,GP,TP4x7mm,5mm	
...3	C602	2301-000224 C-FILM,PEF;22nF,5%,50V,TP,7.4x3.9x13mm,5		...3	CV41	2401-000455 C-AL;10uF,20%,35V,GP,TP4x7mm,5mm	
...3	C603	2301-000224 C-FILM,PEF;22nF,5%,50V,TP,7.4x3.9x13mm,5		...3	CV42	2201-000982 C-CERAMIC,DISC;10nF,+80-20%,50V,Y5V,TP4	
...3	C604	2301-000445 C-FILM,PEF;4.7nF,5%,50V,TP,5.7x7.3mm,5mm		...3	CV49	2401-002144 C-AL;47uF,20%,16V,GP,TP5x11,5	
...3	C605	2305-000665 C-FILM,MPEF;100nF,5%,63V,TP,7.5x4.0x5.0mm		...3	DZ603	0403-000701 DIODE-ZENER;TZP5.1A,5.1V,4.8-5.4V,1W,DO-	
...3	C606	2301-000104 C-FILM,PEF;1.2nF,5%,50V,TP,6.5X3.0X5.5MM		...3	DZV01	0403-000720 DIODE-ZENER;MTZJ9.1B,9.1V,8.57-9.01V,500	
...3	C607	2301-000289 C-FILM,PEF;5.6nF,5%,50V,TP,7.6x3,5		...3	DZV04	0403-000720 DIODE-ZENER;MTZJ9.1B,9.1V,8.57-9.01V,500	
...3	C608	2305-001023 C-FILM,MPEF;680nF,10%,63V,TP,7.5x5.5x14		...3	DZV07	0403-000720 DIODE-ZENER;MTZJ9.1B,9.1V,8.57-9.01V,500	
...3	C609	2401-000647 C-AL;2.2uF,20%,50V,BP,TP5x11,5		...3	DZV09	0403-000720 DIODE-ZENER;MTZJ9.1B,9.1V,8.57-9.01V,500	
...3	C610	2401-001989 C-AL;4.7uF,20%,50V,BP,TP5x11,5		...3	DZV11	0403-000720 DIODE-ZENER;MTZJ9.1B,9.1V,8.57-9.01V,500	
...3	C611	2401-001989 C-AL;4.7uF,20%,50V,BP,TP5x11,5		...3	DZV13	0403-000720 DIODE-ZENER;MTZJ9.1B,9.1V,8.57-9.01V,500	
...3	C612	2305-000665 C-FILM,MPEF;100nF,5%,63V,TP,7.5x4.0x5.0mm		...3	DZV15	0403-000720 DIODE-ZENER;MTZJ9.1B,9.1V,8.57-9.01V,500	
...3	C613	2305-000665 C-FILM,MPEF;100nF,5%,63V,TP,7.5x4.0x5.0mm		...3	DZV17	0403-000720 DIODE-ZENER;MTZJ9.1B,9.1V,8.57-9.01V,500	
...3	C614	2401-000360 C-AL;100uF,20%,50V,GP,TP,8x11.5,5		...3	DZV19	0403-000720 DIODE-ZENER;MTZJ9.1B,9.1V,8.57-9.01V,500	
...3	C615	2305-000665 C-FILM,MPEF;100nF,5%,63V,TP,7.5x4.0x5.0mm		...3	DZV23	0403-000720 DIODE-ZENER;MTZJ9.1B,9.1V,8.57-9.01V,500	
...3	C616	2305-000665 C-FILM,MPEF;100nF,5%,63V,TP,7.5x4.0x5.0mm		...3	DZV24	0403-000720 DIODE-ZENER;MTZJ9.1B,9.1V,8.57-9.01V,500	
...3	C617	2301-000224 C-FILM,PEF;22nF,5%,50V,TP,7.4x3.9x13mm,5		...3	DZV25	0403-000720 DIODE-ZENER;MTZJ9.1B,9.1V,8.57-9.01V,500	
...3	C618	2301-000395 C-FILM,PEF;18nF,5%,50V,TP;6.5X12.5X3.5MM		...3	L601	2701-000115 INDUCTOR-AXIAL;10uH,10%,3x7mm	
...3	C619	2301-000224 C-FILM,PEF;22nF,5%,50V,TP,7.4x3.9x13mm,5		...3	LV01	2701-000116 INDUCTOR-AXIAL;10uH,10%,4.2x9.8mm	
...3	C620	2301-000395 C-FILM,PEF;18nF,5%,50V,TP;6.5X12.5X3.5MM		...3	QV01	0501-000389 TR-SMALL SIGNAL;KSC815,NPN,400mW,TO-92,T	
...3	C621	2301-000289 C-FILM,PEF;5.6nF,5%,50V,TP,7.6x3,5		...3	QV02	0501-000283 TR-SMALL SIGNAL;KSA539,PNP,400mW,TO-92,T	
...3	C622	2301-000289 C-FILM,PEF;5.6nF,5%,50V,TP,7.6x3,5		...3	QV05	0501-000389 TR-SMALL SIGNAL;KSC815,NPN,400mW,TO-92,T	
...3	C623	2401-000480 C-AL;10uF,20%,50V,GP,TP5x11,5		...3	QV06	0501-000389 TR-SMALL SIGNAL;KSC815,NPN,400mW,TO-92,T	
...3	C624	2401-000480 C-AL;10uF,20%,50V,GP,TP5x11,5		...3	QV07	0501-000389 TR-SMALL SIGNAL;KSC815,NPN,400mW,TO-92,T	
...3	C625	2401-000027 C-AL;4.7uF,20%,50V,GP,TP5x11,5		...3	R601	2001-000812 R-CARBON;5.6KOHM,5%,1/8W,AA,TP,1.8X3.2MM	
...3	C626	2401-000027 C-AL;4.7uF,20%,50V,GP,TP5x11,5		...3	R602	2001-000812 R-CARBON;5.6KOHM,5%,1/8W,AA,TP,1.8X3.2MM	
...3	C627	2401-001989 C-AL;4.7uF,20%,50V,BP,TP5x11,5		...3	R603	2001-000472 R-CARBON;2.7KOHM,5%,1/8W,AA,TP,1.8X3.2MM	
...3	C628	2401-001989 C-AL;4.7uF,20%,50V,BP,TP5x11,5		...3	R604	2001-000472 R-CARBON;2.7KOHM,5%,1/8W,AA,TP,1.8X3.2MM	
...3	C629	2305-000289 C-FILM,MPEF;220nF,5%,63V,TP,-,5mm		...3	R605	2001-000515 R-CARBON;220OHM,5%,1/8W,AA,TP,1.8X3.2MM	
...3	C630	2401-000480 C-AL;10uF,20%,50V,GP,TP5x11,5		...3	R606	2001-000515 R-CARBON;220OHM,5%,1/8W,AA,TP,1.8X3.2MM	
...3	C631	2305-000665 C-FILM,MPEF;100nF,5%,63V,TP,7.5x4.0x5.0mm		...3	R609	2001-000878 R-CARBON;6.2KOHM,5%,1/8W,AA,TP,1.8X3.2MM	
...3	C632	2401-002463 C-AL;470uF,20%,16V,GP,TP,8x11.5,5		...3	R610	2001-000878 R-CARBON;6.2KOHM,5%,1/8W,AA,TP,1.8X3.2MM	
...3	C633	2301-000383 C-FILM,PEF;10nF,5%,50V,TP;6x7x3.2mm,5mm		...3	R611	2001-001102 R-CARBON(S);200OHM,5%,1/2W,AA,TP,2.4X6.4	
...3	C634	2401-000480 C-AL;10uF,20%,50V,GP,TP5x11,5		...3	R612	2001-000786 R-CARBON;47KOHM,5%,1/8W,AA,TP,1.8X3.2MM	
...3	C635	2401-000480 C-AL;10uF,20%,50V,GP,TP5x11,5		...3	R613	2001-000429 R-CARBON;1KOHM,5%,1/8W,AA,TP,1.8X3.2MM	
...3	C636	2401-000480 C-AL;10uF,20%,50V,GP,TP5x11,5		...3	R614	2001-000313 R-CARBON;11KOHM,5%,1/8W,AA,TP,1.8X3.2MM	
...3	C637	2401-000480 C-AL;10uF,20%,50V,GP,TP5x11,5		...3	R615	2001-000085 R-CARBON(S);100KOHM,5%,1/2W,AA,TP,2.4X6	
...3	C638	2301-000383 C-FILM,PEF;10nF,5%,50V,TP;6x7x3.2mm,5mm		...3	R616	2001-001187 R-CARBON(S);750HM,5%,1/2W,AA,TP,2.4X6.4M	
...3	C707	2401-002144 C-AL;47uF,20%,16V,GP,TP5x11,5		...3	R617	2001-000290 R-CARBON;10KOHM,5%,1/8W,AA,TP,1.8X3.2MM	
...3	C930	2401-000455 C-AL;10uF,20%,35V,GP,TP,4x7mm,5mm		...3	R618	2001-000734 R-CARBON;4.7KOHM,5%,1/8W,AA,TP,1.8X3.2MM	
...3	C931	2201-000982 C-CERAMIC,DISC;10nF,+80-20%,50V,Y5V,TP4		...3	R619	2001-000734 R-CARBON;4.7KOHM,5%,1/8W,AA,TP,1.8X3.2MM	
...3	CV01	2401-002009 C-AL;100uF,20%,16V,GP,TP,6.3x7.5		...3	R620	2001-000290 R-CARBON;10KOHM,5%,1/8W,AA,TP,1.8X3.2MM	
...3	CV02	2201-000982 C-CERAMIC,DISC;10nF,+80-20%,50V,Y5V,TP4		...3	R621	2001-001187 R-CARBON(S);750HM,5%,1/2W,AA,TP,2.4X6.4M	
...3	CV03	2401-002463 C-AL;470uF,20%,16V,GP,TP,8x11.5,5		...3	R622	2001-000085 R-CARBON(S);100KOHM,5%,1/2W,AA,TP,2.4X6	
...3	CV04	2401-000480 C-AL;10uF,20%,50V,GP,TP5x11,5		...3	R623	2001-000429 R-CARBON;1KOHM,5%,1/8W,AA,TP,1.8X3.2MM	
...3	CV05	2401-000480 C-AL;10uF,20%,50V,GP,TP5x11,5		...3	R624	2001-000313 R-CARBON;11KOHM,5%,1/8W,AA,TP,1.8X3.2MM	
...3	CV06	2401-000480 C-AL;10uF,20%,50V,GP,TP5x11,5		...3	R625	2001-000786 R-CARBON;47KOHM,5%,1/8W,AA,TP,1.8X3.2MM	
...3	CV07	2401-000480 C-AL;10uF,20%,50V,GP,TP5x11,5		...3	R985	2001-001102 R-CARBON(S);200OHM,5%,1/2W,AA,TP,2.4X6.4	
...3	CV08	2401-000480 C-AL;10uF,20%,50V,GP,TP5x11,5		...3	R986	2001-000734 R-CARBON;4.7KOHM,5%,1/8W,AA,TP,1.8X3.2MM	
...3	CV09	2401-000480 C-AL;10uF,20%,50V,GP,TP5x11,5		...3	R987	2001-000429 R-CARBON;1KOHM,5%,1/8W,AA,TP,1.8X3.2MM	
...3	CV10	2401-000480 C-AL;10uF,20%,50V,GP,TP5x11,5		...3	R988	2001-000429 R-CARBON;1KOHM,5%,1/8W,AA,TP,1.8X3.2MM	
...3	CV11	2401-000480 C-AL;10uF,20%,50V,GP,TP5x11,5		...3	R990	2001-000429 R-CARBON;1KOHM,5%,1/8W,AA,TP,1.8X3.2MM	
...3	CV12	2401-000480 C-AL;10uF,20%,50V,GP,TP5x11,5		...3	R991	2001-000429 R-CARBON;1KOHM,5%,1/8W,AA,TP,1.8X3.2MM	
...3	CV13	2401-000480 C-AL;10uF,20%,50V,GP,TP5x11,5		...3	R992	2001-000429 R-CARBON;1KOHM,5%,1/8W,AA,TP,1.8X3.2MM	
...3	CV14	2401-000480 C-AL;10uF,20%,50V,GP,TP5x11,5		...3	R993	2001-000429 R-CARBON;1KOHM,5%,1/8W,AA,TP,1.8X3.2MM	
...3	CV15	2401-000480 C-AL;10uF,20%,50V,GP,TP5x11,5		...3	R994	2001-000429 R-CARBON;1KOHM,5%,1/8W,AA,TP,1.8X3.2MM	
...3	CV16	2401-000480 C-AL;10uF,20%,50V,GP,TP5x11,5		...3	RV01	2001-000429 R-CARBON;1KOHM,5%,1/8W,AA,TP,1.8X3.2MM	
...3	CV17	2401-000480 C-AL;10uF,20%,50V,GP,TP5x11,5		...3	RV02	2001-000281 R-CARBON;100OHM,5%,1/8W,AA,TP,1.8X3.2MM	
...3	CV18	2401-000480 C-AL;10uF,20%,50V,GP,TP5x11,5		...3	RV03	2001-001066 R-CARBON(S);110OHM,5%,1/2W,AA,TP,2.4X6.4	
...3	CV19	2401-001840 C-AL;100uF,20%,16V,GP,TP,6.3x11,5		...3	RV04	2001-000003 R-CARBON;330ohm,5%,1/8W,AA,TP,1.8X3.2mm	
...3	CV20	2201-000180 C-CERAMIC,DISC;10nF,10%,50V,Y5V,TP,7x3,5		...3	RV05	2001-000117 R-CARBON(S);680HM,5%,1/2W,AA,TP,2.4X6.4M	

Loc. No.	Code No.	Description ; Specification	Remark	Loc. No.	Code No.	Description ; Specification	Remark
...3	RV06	2001-001050	R-CARBON(S);1.5KOHM,5%,1/2W,AA,TP,2.4X6.	..2	GDW-GN	AA39-20009G	LEAD CONNECTOR-ASSY;,1PYFH800-01,700,16
...3	RV07	2001-000019	R-CARBON(S);100HM,5%,1/2W,AA,TP,2.4X6.4M	..2	GRW-GN	AA39-00047E	LEAD CONNECTOR-ASSY;,1PJUMPER,BLK,300MM
...3	RV08	2001-001187	R-CARBON(S);750HM,5%,1/2W,AA,TP,2.4X6.4M	..2	GRW-SC	AA39-00049A	LEAD CONNECTOR-ASSY;,1PJUMPER,RED,300MM
...3	RV09	2001-000085	R-CARBON(S);100KOHM,5%,1/2W,AA,TP,2.4X6.	..2	IC501	AA96-50151B	ASSY-H/S;-AMP,AA61-10060A,TDA6111Q,- S.N.A
...3	RV10	2001-000085	R-CARBON(S);100KOHM,5%,1/2W,AA,TP,2.4X6.	...3	1201-001131	IC-VIDEO AMP;6111,SIP9P,-,SINGLE,-,PLAS	
...3	RV11	2001-000019	R-CARBON(S);100HM,5%,1/2W,AA,TP,2.4X6.4M	...3	6001-000057	SCREW-MACHINE;RH,+M3,L6,ZPC(BLK),SWRCH1	
...3	RV12	2001-001187	R-CARBON(S);750HM,5%,1/2W,AA,TP,2.4X6.4M	...3	6021-000222	NUT-HEXAGON;2C,M3,ZPC(YEL),SM20C 1	
...3	RV13	2001-000085	R-CARBON(S);100KOHM,5%,1/2W,AA,TP,2.4X6.	...3	AA61-10060A	BRACKET-TR;W3220,CUS-1 1/2H,T0.5,-,-,-	S.N.A
...3	RV14	2001-000085	R-CARBON(S);100KOHM,5%,1/2W,AA,TP,2.4X6.	..2	IC531	AA96-50151B	ASSY-H/S;-AMP,AA61-10060A,TDA6111Q,- S.N.A
...3	RV15	2001-000019	R-CARBON(S);100HM,5%,1/2W,AA,TP,2.4X6.4M	..2	IC561	AA96-50151B	ASSY-H/S;-AMP,AA61-10060A,TDA6111Q,- S.N.A
...3	RV16	2001-001187	R-CARBON(S);750HM,5%,1/2W,AA,TP,2.4X6.4M	..2	PCB	AA41-10998C	PCB-CRT;P51A,1L,FR-1,330x245x1.6T,3A,MC- S.N.A
...3	RV17	2001-000085	R-CARBON(S);100KOHM,5%,1/2W,AA,TP,2.4X6.	..2	R506	2001-001088	R-CARBON(S);1KOHM,5%,1/2W,AA,TP,2.4X6.4M
...3	RV18	2001-000019	R-CARBON(S);100HM,5%,1/2W,AA,TP,2.4X6.4M	..2	RDW-GN	AA39-20009C	LEAD CONNECTOR-ASSY;,1PYFH800-01,400,16
...3	RV19	2001-001187	R-CARBON(S);750HM,5%,1/2W,AA,TP,2.4X6.4M	..2	SG502	AA27-00084A	COIL;-S-23,-,-,-,-,-S-23,5000Mohm MIN,
...3	RV20	2001-000085	R-CARBON(S);100KOHM,5%,1/2W,AA,TP,2.4X6.	..2	SG532	AA27-00084A	COIL;-S-23,-,-,-,-,-S-23,5000Mohm MIN,
...3	RV21	2001-000019	R-CARBON(S);100HM,5%,1/2W,AA,TP,2.4X6.4M	..2	SG562	AA27-00084A	COIL;-S-23,-,-,-,-,-S-23,5000Mohm MIN,
...3	RV22	2001-001187	R-CARBON(S);750HM,5%,1/2W,AA,TP,2.4X6.4M	..2	V501	3704-001019	SOCKET-CRT;10P,29.1PI,35.5PI,AU30U,-
...3	RV23	2001-000085	R-CARBON(S);100KOHM,5%,1/2W,AA,TP,2.4X6.	..2	V531	3704-001019	SOCKET-CRT;10P,29.1PI,35.5PI,AU30U,-
...3	RV24	2001-000019	R-CARBON(S);100HM,5%,1/2W,AA,TP,2.4X6.4M	..2	V561	3704-001019	SOCKET-CRT;10P,29.1PI,35.5PI,AU30U,-
...3	RV25	2001-001187	R-CARBON(S);750HM,5%,1/2W,AA,TP,2.4X6.4M	..2	VR501	2101-000321	VR-ROTARY;1Mohm,-,0.6W,SIDE
...3	RV26	2001-000085	R-CARBON(S);100KOHM,5%,1/2W,AA,TP,2.4X6.	..2	VR531	2101-000321	VR-ROTARY;1Mohm,-,0.6W,SIDE
...3	RV27	2001-000019	R-CARBON(S);100HM,5%,1/2W,AA,TP,2.4X6.4M	..2	VR561	2101-000321	VR-ROTARY;1Mohm,-,0.6W,SIDE
...3	RV28	2001-001187	R-CARBON(S);750HM,5%,1/2W,AA,TP,2.4X6.4M	..2	AA97-05015A	ASSY AUTO-SUB;DPP,PCJ612R,P51A,U.S.A	S.N.A
...3	RV30	2001-000019	R-CARBON(S);100HM,5%,1/2W,AA,TP,2.4X6.4M	...3	C501	2201-000961	C-CERAMIC,DISC;0.01nF,0.5pF,50V,RH,TP,4x
...3	RV32	2001-000019	R-CARBON(S);100HM,5%,1/2W,AA,TP,2.4X6.4M	...3	C502	2401-000027	C-AL;4.7uF,20%,50V,GP,TP,5x11.5
...3	RV34	2001-001185	R-CARBON(S);750OHM,5%,1/2W,AA,TP,2.4X6.4	...3	C503	2201-000119	C-CERAMIC,DISC;100nF,+80-20%,50V,Y5V,TP,
...3	RV35	2001-000085	R-CARBON(S);100KOHM,5%,1/2W,AA,TP,2.4X6.	...3	C504	2401-001537	C-AL;47uF,20%,25V,GP,TP,6.3x7mm,5mm
...3	RV36	2001-001185	R-CARBON(S);750OHM,5%,1/2W,AA,TP,2.4X6.4	...3	C505	2305-000149	C-FILM,MPEF;100nF,5%,100V,TP,12x12.5x6.5
...3	RV37	2001-000085	R-CARBON(S);100KOHM,5%,1/2W,AA,TP,2.4X6.	...3	C506	2401-000430	C-AL;10uF,20%,250V,GP,TP,10x16mm,5m
...3	RV38	2001-000281	R-CARBON;1000HM,5%,1/8W,AA,TP,1.8X3.2MM	...3	C507	2305-000154	C-FILM,MPEF;100nF,5%,400V,TP,21.5x6.5x11
...3	RV39	2001-000281	R-CARBON;1000HM,5%,1/8W,AA,TP,1.8X3.2MM	...3	C510	2401-000430	C-AL;10uF,20%,250V,GP,TP,10x16mm,5m
...3	RV40	2001-000734	R-CARBON;4.7KOHM,5%,1/8W,AA,TP,1.8X3.2MM	...3	C512	2401-000133	C-AL;1000uF,20%,16V,GP,TP,10x20,5
...3	RV41	2001-000734	R-CARBON;4.7KOHM,5%,1/8W,AA,TP,1.8X3.2MM	...3	C513	2201-000983	C-CERAMIC,DISC;1nF,10%,2kV,Y5P,TP,9x5.7.
...3	RV46	2001-000429	R-CARBON;1KOHM,5%,1/8W,AA,TP,1.8X3.2MM	...3	C514	2201-000599	C-CERAMIC,DISC;0.56nF,10%,500V,Y5P,TP,5.
...3	RV47	2001-000281	R-CARBON;1000HM,5%,1/8W,AA,TP,1.8X3.2MM	...3	C531	2201-000961	C-CERAMIC,DISC;0.01nF,0.5pF,50V,RH,TP,4x
...3	RV48	2001-000429	R-CARBON;1KOHM,5%,1/8W,AA,TP,1.8X3.2MM	...3	C532	2401-000027	C-AL;4.7uF,20%,50V,GP,TP,5x11.5
...3	RV49	2001-000281	R-CARBON;1000HM,5%,1/8W,AA,TP,1.8X3.2MM	...3	C533	2201-000119	C-CERAMIC,DISC;100nF,+80-20%,50V,Y5V,TP,
...3	RV50	2001-000429	R-CARBON;1KOHM,5%,1/8W,AA,TP,1.8X3.2MM	...3	C534	2401-001537	C-AL;47uF,20%,25V,GP,TP,6.3x7mm,5mm
...3	RV51	2001-000281	R-CARBON;1000HM,5%,1/8W,AA,TP,1.8X3.2MM	...3	C535	2305-000149	C-FILM,MPEF;100nF,5%,100V,TP,12x12.5x6.5
...3	RV53	2001-000085	R-CARBON(S);100KOHM,5%,1/2W,AA,TP,2.4X6.	...3	C536	2401-000430	C-AL;10uF,20%,250V,GP,TP,10x16mm,5m
...3	RV54	2001-001088	R-CARBON(S);1KOHM,5%,1/2W,AA,TP,2.4X6.4M	...3	C537	2305-000154	C-FILM,MPEF;100nF,5%,400V,TP,21.5x6.5x11
...3	RV55	2001-000085	R-CARBON(S);100KOHM,5%,1/2W,AA,TP,2.4X6.	...3	C540	2401-000430	C-AL;10uF,20%,250V,GP,TP,10x16mm,5m
...3	RV65	2001-001088	R-CARBON(S);1KOHM,5%,1/2W,AA,TP,2.4X6.4M	...3	C542	2201-000983	C-CERAMIC,DISC;1nF,10%,2kV,Y5P,TP,9x5.7.
...3	RV66	2001-001088	R-CARBON(S);1KOHM,5%,1/2W,AA,TP,2.4X6.4M	...3	C543	2201-000599	C-CERAMIC,DISC;0.56nF,10%,500V,Y5P,TP,5.
...3	RV67	2001-001088	R-CARBON(S);1KOHM,5%,1/2W,AA,TP,2.4X6.4M	...3	C561	2201-000247	C-CERAMIC,DISC;0.015nF,5%,50V,NPO,TP,5x3
...3	RV68	2001-001088	R-CARBON(S);1KOHM,5%,1/2W,AA,TP,2.4X6.4M	...3	C562	2401-000027	C-AL;4.7uF,20%,50V,GP,TP,5x11.5
...3	RV69	2001-001088	R-CARBON(S);1KOHM,5%,1/2W,AA,TP,2.4X6.4M	...3	C563	2201-000119	C-CERAMIC,DISC;100nF,+80-20%,50V,Y5V,TP,
...3	RV70	2001-001088	R-CARBON(S);1KOHM,5%,1/2W,AA,TP,2.4X6.4M	...3	C564	2401-001537	C-AL;47uF,20%,25V,GP,TP,6.3x7mm,5mm
...3	RV71	2001-001088	R-CARBON(S);1KOHM,5%,1/2W,AA,TP,2.4X6.4M	...3	C565	2305-000149	C-FILM,MPEF;100nF,5%,100V,TP,12x12.5x6.5
...3	RV80	2001-001088	R-CARBON(S);1KOHM,5%,1/2W,AA,TP,2.4X6.4M	...3	C566	2401-000430	C-AL;10uF,20%,250V,GP,TP,10x16mm,5m
...3	RV81	2001-001088	R-CARBON(S);1KOHM,5%,1/2W,AA,TP,2.4X6.4M	...3	C567	2305-000154	C-FILM,MPEF;100nF,5%,400V,TP,21.5x6.5x11
..2	0202-000187	SOLDER-WIRE FLUX;-RS60S,D1.2,63Sn/37Pb		...3	C570	2401-000430	C-AL;10uF,20%,250V,GP,TP,10x16mm,5m
				...3	C572	2201-000983	C-CERAMIC,DISC;1nF,10%,2kV,Y5P,TP,9x5.7.
				...3	C573	2201-000599	C-CERAMIC,DISC;0.56nF,10%,500V,Y5P,TP,5.
				...3	CN401	3711-002645	CONNECTOR-HEADER;BOX,6P,1R,2.5MM,STRAIGH
1	*	AA95-00344E	ASSY-PCB,CRT,DPP,P51A,-,USA,PCJ612R	...3	D501	0402-000546	DIODE-RECTIFIER;TVR10G,400V,1.0A,DO-41,T
..2	BDW-GN	AA39-20009K	LEAD CONNECTOR-ASSY;,1PYFH800-01,-,1000	...3	D502	0402-000546	DIODE-RECTIFIER;TVR10G,400V,1.0A,DO-41,T
..2	C511	2201-002117	C-CERAMIC,DISC;4.7nF,20%,3kV,Y5U,TP,16x6	...3	D503	0402-000493	DIODE-RECTIFIER;1R5GU41,400V,1.5A,DO-15L
..2	C541	2201-002117	C-CERAMIC,DISC;4.7nF,20%,3kV,Y5U,TP,16x6	...3	D504	0401-000005	DIODE-SWITCHING;1N4148,100V,200mA,DO-35,
..2	C571	2201-002117	C-CERAMIC,DISC;4.7nF,20%,3kV,Y5U,TP,16x6	...3	D509	0401-000005	DIODE-SWITCHING;1N4148,100V,200mA,DO-35,
..2	CN501	3711-003051	CONNECTOR-HEADER;BOX,8P,1R,2.5MM,STRAIGH	...3	D510	0401-000005	DIODE-SWITCHING;1N4148,100V,200mA,DO-35,
..2	CN502	3711-003052	CONNECTOR-HEADER;BOX,10P,1R,2.5MM,STRAIGH	...3	D531	0402-000546	DIODE-RECTIFIER;TVR10G,400V,1.0A,DO-41,T
..2	CN502B	3711-003052	CONNECTOR-HEADER;BOX,10P,1R,2.5MM,STRAIGH	...3	D532	0402-000546	DIODE-RECTIFIER;TVR10G,400V,1.0A,DO-41,T
..2	CN503	3711-003052	CONNECTOR-HEADER;BOX,10P,1R,2.5MM,STRAIGH	...3	D533	0402-000493	DIODE-RECTIFIER;1R5GU41,400V,1.5A,DO-15L
..2	CN503B	3711-003052	CONNECTOR-HEADER;BOX,10P,1R,2.5MM,STRAIGH	...3	D561	0402-000546	DIODE-RECTIFIER;TVR10G,400V,1.0A,DO-41,T
..2	CNW401	AA39-20027D	LEAD CONNECTOR-ASSY;,6P;67096-006,S,600,	...3	D562	0402-000546	DIODE-RECTIFIER;TVR10G,400V,1.0A,DO-41,T
..2	CNW501	AA39-00127B	LEAD CONNECTOR-ASSY;,8P;35155-0800,S,600,	...3	D563	0402-000493	DIODE-RECTIFIER;1R5GU41,400V,1.5A,DO-15L
..2	CNW502	AA39-00112A	LEAD CONNECTOR-ASSY;,10P;35155-1000,S,30,	...3	DZ501	0403-001317	DIODE-ZENER;MTZJ3.0B,3.01-3.22V,500mW,DO
..2	CNW503	AA39-00112A	LEAD CONNECTOR-ASSY;,10P;35155-1000,S,30,	...3	DZ502	0403-000508	DIODE-ZENER;MTZJ5.6B,5.6V,5.45-5.73V,500
..2	FOCUS-	AA39-20115A	LEAD CONNECTOR-ASSY;,1PBUSHING,500,3239	...3	DZ503	0403-000708	DIODE-ZENER;MTZJ13B,13V,12.55-13.21V,500
..2	FOCUS-	AA39-20115A	LEAD CONNECTOR-ASSY;,1PBUSHING,500,3239	...3	DZ531	0403-001317	DIODE-ZENER;MTZJ3.0B,3.01-3.22V,500mW,DO
..2	FOCUS-	AA39-20115B	LEAD CONNECTOR-ASSY;,1PBUSHING,-,700MM,	...3	DZ532	0403-000508	DIODE-ZENER;MTZJ5.6B,5.6V,5.45-5.73V,500
..2	GBW-GN	AA39-00047E	LEAD CONNECTOR-ASSY;,1PJUMPER,BLK,300MM	...3	DZ533	0403-000708	DIODE-ZENER;MTZJ13B,13V,12.55-13.21V,500
..2	GBW-SC	AA39-00049A	LEAD CONNECTOR-ASSY;,1PJUMPER,RED,300MM	...3	DZ561	0403-001317	DIODE-ZENER;MTZJ3.0B,3.01-3.22V,500mW,DO
				...3	DZ562	0403-000508	DIODE-ZENER;MTZJ5.6B,5.6V,5.45-5.73V,500
				...3	DZ563	0403-000708	DIODE-ZENER;MTZJ13B,13V,12.55-13.21V,500
				...3	EL503	AA60-40011B	EYELET;ID2.0,OD3.2,-,-,BSP,- S.N.A

**ASSY-PCB,CRT**

Loc. No.	Code No.	Description ; Specification	Remark	Loc. No.	Code No.	Description ; Specification	Remark
...3	EL504	AA60-40011B EYELET;ID2.2,OD3.2,-,-,BSP,-	S.N.A	...3	R575	2002-001017 R-COMPOSITION;1Kohm,10%,1/2W,AA,TP,3.7x9	
...3	EL505	AA60-40011B EYELET;ID2.2,OD3.2,-,-,BSP,-	S.N.A	...3	R576	2001-000009 R-CARBON;20KOHM,5%,1/8W,AA,TP,1.8X3.2MM	
...3	EL533	AA60-40011B EYELET;ID2.2,OD3.2,-,-,BSP,-	S.N.A	...3	R577	2001-000085 R-CARBON(S);100KOHM,5%,1/2W,AA,TP,2.4X6.4	
...3	EL534	AA60-40011B EYELET;ID2.2,OD3.2,-,-,BSP,-	S.N.A	...3	R578	2002-001021 R-COMPOSITION;560KOHM,10%,1/2W,AA,TP,3.7	
...3	EL535	AA60-40011B EYELET;ID2.2,OD3.2,-,-,BSP,-	S.N.A	...3	R579	2002-001021 R-COMPOSITION;560KOHM,10%,1/2W,AA,TP,3.7	
...3	EL563	AA60-40011B EYELET;ID2.2,OD3.2,-,-,BSP,-	S.N.A	...3	R580	2001-000066 R-CARBON(S);10KOHM,5%,1/2W,AA,TP,2.4X6.4	
...3	EL564	AA60-40011B EYELET;ID2.2,OD3.2,-,-,BSP,-	S.N.A	...3	R581	2001-001052 R-CARBON(S);1.5MOHM,5%,1/2W,AA,TP,2.4X6.4	
...3	EL565	AA60-40011B EYELET;ID2.2,OD3.2,-,-,BSP,-	S.N.A	...3	R582	2002-001006 R-COMPOSITION;4.7Kohm,5%,1/2W,AA,TP,3.7x	
...3	GT501	AA60-40014A PIN-GT,ASSY;1P,-,-,AUTO	S.N.A	...3	R583	2002-001006 R-COMPOSITION;4.7Kohm,5%,1/2W,AA,TP,3.7x	
...3	GT502	AA60-40014A PIN-GT,ASSY;1P,-,-,AUTO	S.N.A	...3	R584	2001-000028 R-CARBON(S);100OHM,5%,1/2W,AA,TP,2.4X6.4	
...3	GT531	AA60-40014A PIN-GT,ASSY;1P,-,-,AUTO	S.N.A	...3	R589	2002-001015 R-COMPOSITION;47Kohm,5%,1/2W,AA,TP,3.7x9	
...3	GT532	AA60-40014A PIN-GT,ASSY;1P,-,-,AUTO	S.N.A	...3	SG351	4715-001036 SURGE ABSORBER;500V,20%,--,-,TP	
...3	GT561	AA60-40014A PIN-GT,ASSY;1P,-,-,AUTO	S.N.A	...3	SG501	4715-001036 SURGE ABSORBER;500V,20%,--,-,TP	
...3	GT562	AA60-40014A PIN-GT,ASSY;1P,-,-,AUTO	S.N.A	...3	SG503	4715-001036 SURGE ABSORBER;500V,20%,--,-,TP	
...3	GT563	AA60-40014A PIN-GT,ASSY;1P,-,-,AUTO	S.N.A	...3	SG533	4715-001036 SURGE ABSORBER;500V,20%,--,-,TP	
...3	GT564	AA60-40014A PIN-GT,ASSY;1P,-,-,AUTO	S.N.A	...3	SG561	4715-001036 SURGE ABSORBER;500V,20%,--,-,TP	
...3	L501	2701-000114 INDUCTOR-AXIAL;10uH,10%,2.5x3.4mm		...3	SG563	4715-001036 SURGE ABSORBER;500V,20%,--,-,TP	
...3	L531	2701-000114 INDUCTOR-AXIAL;10uH,10%,2.5x3.4mm		..2		3301-001201 CORE-FERRITE;AE,21x11x32mm,1500,280G	
...3	L561	2701-000114 INDUCTOR-AXIAL;10uH,10%,2.5x3.4mm		..2		0202-000187 SOLDER-WIRE FLUX;-RS60S,D1.2,63Sn/37Pb	
...3	Q501	0502-000006 TR-POWER;KSC1507,NPN,15W,TO-220,TP,120-					
...3	Q502	0501-000389 TR-SMALL SIGNAL;KSC815,NPN,400mW,TO-92,T					
...3	Q531	0502-000006 TR-POWER;KSC1507,NPN,15W,TO-220,TP,120-					
...3	Q561	0502-000006 TR-POWER;KSC1507,NPN,15W,TO-220,TP,120-					
...3	R500	2001-000449 R-CARBON;2.2KOHM,5%,1/8W,AA,TP,1.8X3.2MM					
...3	R501	2001-000302 R-CARBON;100OHM,5%,1/8W,AA,TP,1.8X3.2MM		1 *	AA95-01162B	ASSY PCB CONTROL;DPP,F53A,AA95-01162A,PCL	
...3	R502	2001-000924 R-CARBON;680OHM,5%,1/8W,AA,TP,1.8X3.2MM		..2	CNW01	AA39-00223A LEAD CONNECTOR ASSY;;11P,67096-011,35155	
...3	R503	2001-000429 R-CARBON;1KOHM,5%,1/8W,AA,TP,1.8X3.2MM		..2	CNY01	3711-003353 CONNECTOR-HEADER;BOX,11P,1R,2.5mm,ANGLE,	
...3	R507	2001-000429 R-CARBON;1KOHM,5%,1/8W,AA,TP,1.8X3.2MM		..2	LEDY01	0601-001381 LED;ROUND,RED;GRN,5.0MM,650/563NM	
...3	R508	2003-000706 R-METAL OXIDE(S);47Kohm,5%,2W,AA,TP,4.3x		..2	PCB	AA41-00465C PCB-CONTROL;SVP-54T6M,FR-1,1L,B,1.6T,330	S.N.A
...3	R511	2001-000009 R-CARBON;20KOHM,5%,1/8W,AA,TP,1.8X3.2MM		..2	RMYY01	AA59-60002B MODULE-REMOCON;-.ORC-50HF,38KHz,940mm,ME	
...3	R513	2008-000252 R-FUSIBLE(S);0.47ohm,10%,1/2W,AF,TP,2.5x		..2	SWY01	3404-001006 SWITCH-TACT;12V,50mA,160gf,6x6mm,SPST	
...3	R514	2001-001122 R-CARBON(S);3.9KOHM,5%,1/2W,AA,TP,2.4X6.4		..2	SWY02	3404-001006 SWITCH-TACT;12V,50mA,160gf,6x6mm,SPST	
...3	R515	2002-001017 R-COMPOSITION;1Kohm,10%,1/2W,AA,TP,3.7x9		..2	SWY03	3404-001006 SWITCH-TACT;12V,50mA,160gf,6x6mm,SPST	
...3	R516	2001-000009 R-CARBON;20KOHM,5%,1/8W,AA,TP,1.8X3.2MM		..2	SWY04	3404-001006 SWITCH-TACT;12V,50mA,160gf,6x6mm,SPST	
...3	R517	2001-000085 R-CARBON(S);100KOHM,5%,1/2W,AA,TP,2.4X6.4		..2	SWY05	3404-001006 SWITCH-TACT;12V,50mA,160gf,6x6mm,SPST	
...3	R518	2002-001021 R-COMPOSITION;560KOHM,10%,1/2W,AA,TP,3.7		..2	SWY06	3404-001006 SWITCH-TACT;12V,50mA,160gf,6x6mm,SPST	
...3	R519	2002-001021 R-COMPOSITION;560KOHM,10%,1/2W,AA,TP,3.7		..2	SWY07	3404-001006 SWITCH-TACT;12V,50mA,160gf,6x6mm,SPST	
...3	R520	2001-000066 R-CARBON(S);10KOHM,5%,1/2W,AA,TP,2.4X6.4		..2	SWY08	3404-001006 SWITCH-TACT;12V,50mA,160gf,6x6mm,SPST	
...3	R521	2001-001052 R-CARBON(S);1.5MOHM,5%,1/2W,AA,TP,2.4X6.4		..2		3301-001201 CORE-FERRITE;AE,21x11x32mm,1500,280G	
...3	R522	2002-001006 R-COMPOSITION;4.7Kohm,5%,1/2W,AA,TP,3.7x		..2		0202-000187 SOLDER-WIRE FLUX;-RS60S,D1.2,63Sn/37Pb	
...3	R523	2002-001006 R-COMPOSITION;4.7Kohm,5%,1/2W,AA,TP,3.7x		..2		AA97-05441A ASSY AUTO-SUB;DPP,CCL541.542R,P53A,AA95-0	S.N.A
...3	R524	2001-000028 R-CARBON(S);100OHM,5%,1/2W,AA,TP,2.4X6.4		...3	CY01	2401-002009 C-AL;100uf;20%,16V,G/TP,6.3x7.5	
...3	R526	2001-000539 R-CARBON;24KOHM,5%,1/8W,AA,TP,1.8X3.2MM		...3	DZY01	0403-000510 DIODE-ZENER;MTZJ6.2B,6.2V,5.96-6.27V,500	
...3	R527	2001-000577 R-CARBON;2KOHM,5%,1/8W,AA,TP,1.8X3.2MM		...3	DZY03	0403-000510 DIODE-ZENER;MTZJ6.2B,6.2V,5.96-6.27V,500	
...3	R528	2001-001015 R-CARBON;9.1KOHM,5%,1/8W,AA,TP,1.8X3.2MM		...3	QY01	0504-000123 TR-DIGITAL;KSR1010,NPN,300mW,10K,TO-92,T	
...3	R529	2002-001021 R-COMPOSITION;560KOHM,10%,1/2W,AA,TP,3.7		...3	RY01	2001-000109 R-CARBON(S);470OHM,5%,1/2W,AA,TP,2.4X6.4	
...3	R531	2001-000302 R-CARBON;100OHM,5%,1/8W,AA,TP,1.8X3.2MM		...3	RY02	2001-000924 R-CARBON;680OHM,5%,1/8W,AA,TP,1.8X3.2MM	
...3	R532	2001-000995 R-CARBON;820OHM,5%,1/8W,AA,TP,1.8X3.2MM		...3	RY03	2001-000429 R-CARBON;1KOHM,5%,1/8W,AA,TP,1.8X3.2MM	
...3	R533	2001-000429 R-CARBON;1KOHM,5%,1/8W,AA,TP,1.8X3.2MM		...3	RY04	2001-000449 R-CARBON;2.2KOHM,5%,1/8W,AA,TP,1.8X3.2MM	
...3	R536	2001-001088 R-CARBON(S);1KOHM,5%,1/2W,AA,TP,2.4X6.4M		...3	RY05	2001-000924 R-CARBON;680OHM,5%,1/8W,AA,TP,1.8X3.2MM	
...3	R537	2001-000429 R-CARBON;1KOHM,5%,1/8W,AA,TP,1.8X3.2MM		...3	RY06	2001-000429 R-CARBON;1KOHM,5%,1/8W,AA,TP,1.8X3.2MM	
...3	R538	2003-000706 R-METAL OXIDE(S);47Kohm,5%,2W,AA,TP,4.3x		...3	RY07	2001-000020 R-CARBON(S);220OHM,5%,1/2W,AA,TP,2.4X6.4M	
...3	R540	2001-001000 R-CARBON;82KOHM,5%,1/8W,AA,TP,1.8X3.2MM		...3	RY08	2001-001108 R-CARBON(S);22KOHM,5%,1/2W,AA,TP,2.4X6.4	
...3	R541	2001-000009 R-CARBON;20KOHM,5%,1/8W,AA,TP,1.8X3.2MM					
...3	R543	2008-000252 R-FUSIBLE(S);0.47ohm,10%,1/2W,AF,TP,2.5x					
...3	R544	2001-001122 R-CARBON(S);3.9KOHM,5%,1/2W,AA,TP,2.4X6.4					
...3	R545	2002-001017 R-COMPOSITION;1Kohm,10%,1/2W,AA,TP,3.7x9					
...3	R546	2001-000009 R-CARBON;20KOHM,5%,1/8W,AA,TP,1.8X3.2MM					
...3	R547	2001-000085 R-CARBON(S);100KOHM,5%,1/2W,AA,TP,2.4X6.4		△ 1 *	AA97-01725A	ASSY CRT-(R);.62.,P51A-I,J51B,D78	
...3	R548	2002-001021 R-COMPOSITION;560KOHM,10%,1/2W,AA,TP,3.7		..2	BC+AL	AA60-10011A SCREW-TAPTITE;-;SWRCH18A,M4,L12,HH,+PC,	S.N.A
...3	R549	2002-001021 R-COMPOSITION;560KOHM,10%,1/2W,AA,TP,3.7		..2		AA61-00809B HOLDER-CRT;PROJ,PC/ABS GF 20%,BLK	S.N.A
...3	R550	2001-000066 R-CARBON(S);10KOHM,5%,1/2W,AA,TP,2.4X6.4		..2		AA61-00810B HOLDER-CAP;PROJ,PC,CLR	S.N.A
...3	R551	2001-001052 R-CARBON(S);1.5MOHM,5%,1/2W,AA,TP,2.4X6.4		..2		AA63-00076A SPACER-LENS;PROJECTION,FELT,-,-,-,BROWN	S.N.A
...3	R552	2002-001006 R-COMPOSITION;4.7Kohm,5%,1/2W,AA,TP,3.7x		..2		AA67-00146A LENS-ASSY;DELTA 260,CLEAR A/B	
...3	R553	2002-001006 R-COMPOSITION;4.7Kohm,5%,1/2W,AA,TP,3.7x		..2		AA67-00157A LENS;DELTA 240,RED,C-ELEMENT	
...3	R554	2001-000028 R-CARBON(S);100OHM,5%,1/2W,AA,TP,2.4X6.4		..2		AA03-10026U CRT-MONO;P16LN,M07RJA,7,FLAT,90%,FREE,90,	S.N.A
...3	R559	2002-001015 R-COMPOSITION;47Kohm,5%,1/2W,AA,TP,3.7x9		..2		AA27-00003B MAGNET-CONVERGENCE;-;JH92LT-029,29.1MM	
...3	R561	2001-000302 R-CARBON;100OHM,5%,1/8W,AA,TP,1.8X3.2MM		..2		AA91-00735B ASSY-BRKT,CRT;DP,AA91-00722A,PROJ	
...3	R562	2001-000429 R-CARBON;1KOHM,5%,1/8W,AA,TP,1.8X3.2MM		..2		AA91-00722A ASSY-BRKT,CRT;SECC T1.6,PROJ	
...3	R563	2001-000429 R-CARBON;1KOHM,5%,1/8W,AA,TP,1.8X3.2MM		..4		AA61-00473B BRACKET-CRT;53,SECC,T1.6,-,-,-,-	S.N.A
...3	R564	2001-000660 R-CARBON;33KOHM,5%,1/8W,AA,TP,1.8X3.2MM		..4		AA61-00615B BRACKET-EARTH;54J8,PBS,TO.5,-,-,-,-	S.N.A
...3	R566	2001-001088 R-CARBON(S);1KOHM,5%,1/2W,AA,TP,2.4X6.4M		..4		AA61-00812A SPRING-WIRE;PROJ,STS,3.6	S.N.A
...3	R567	2001-000429 R-CARBON;1KOHM,5%,1/8W,AA,TP,1.8X3.2MM		..2		AA61-00845A CASE-COUPPLER,R;DPP,PROJ,AA61-00806B	
...3	R571	2001-000281 R-CARBON;100OHM,5%,1/8W,AA,TP,1.8X3.2MM		..3		AA61-00806B CASE-COUPPLER,R;PROJ,ALDC,T8,BLK	S.N.A
...3	R572	2003-000706 R-METAL OXIDE(S);47Kohm,5%,2W,AA,TP,4.3x		..2		AA61-00056B BRACKET-LENS;PROJECTION,SECC,T1.6,-,-,-,-	S.N.A
...3	R573	2008-000252 R-FUSIBLE(S);0.47ohm,10%,1/2W,AF,TP,2.5x					
...3	R574	2001-001122 R-CARBON(S);3.9KOHM,5%,1/2W,AA,TP,2.4X6.4					

## ASSY PCB CONTROL

## ASSY CRT-(R)

Loc. No.	Code No.	Description ; Specification	Remark
..2	AA27-50005L	DEFLECTION-YOKE,-,DPD-5292AL(S),ST-3,PJT	
..2	AA39-00018A	LEAD CONNECTOR-ASSY,-,1P,YFH800-01,YRH187	
..2	AA60-00074A	SPACER-DY;PJT,SILICON RUBBER,-,-,-,GRAY, S.N.A	S.N.A
..2	AA60-00125B	SPACER-CRT;PROJ,SILICONE,D/GRAY	S.N.A
..2	AA60-00126B	SPACER-CAP;PROJ,EPDM,BLK	S.N.A
..2	AA60-00127B	SPACER-LENS;PROJ,SILICONE,D/GRAY	S.N.A

**ASSY CRT-(G)**

Loc. No.	Code No.	Description ; Specification	Remark
△ 1 *	AA97-01726A	ASSY CRT-(G);62, P51A-I,J51B,D78	
..2 BC+AL	AA60-10011A	SCREW-TAPTITE,-,SWRCH18A,M4,L12,HH,+,PC, S.N.A	S.N.A
..2	AA61-00809B	HOLDER-CRT;PROJ,PC/ABS GF 20%,BLK	S.N.A
..2	AA61-00810B	HOLDER-CAP;PROJ,PC,CLR	S.N.A
..2	AA63-00076A	SPACER-LENS;PROJECTION,FELT,-,-,-,BROWN	S.N.A
..2	AA67-00146A	LENS-ASSY,-,DELTA 260,CLEAR A/B	
..2	AA67-00158A	LENS,-,DELTA 240,GREEN,C-ELEMENT	
..2	AA03-10026V	CRT-MONO;P16LNM07HKA,7,FLAT,90%,FREE,90, S.N.A	S.N.A
..2	AA27-00003B	MAGNET-CONVERGENCE,-,JH92LT-029,29.1MM	
..2	AA91-00735B	ASSY-BRKT,CRT;DP,AA91-00722A,PROJ	
..2	AA91-00722A	ASSY-BRKT,CRT,SECC T1.6,PROJ	
..4	AA61-00473B	BRACKET-CRT;53,SECC,T1.6,-,-,- S.N.A	S.N.A
..4	AA61-00615B	BRACKET-EARTH;54J8,PBS,TO.5,-,-,- S.N.A	S.N.A
..4	AA61-00812A	SPRING-WIRE;PROJ,STS,3.6	S.N.A
..2	AA61-00846A	CASE-COUPLER,G;DP,PROJ,AA61-00807B	
..3	AA61-00807B	CASE-COUPLER,G;PROJ,ALDC,T8,BLK	S.N.A
..2	AA61-00056B	BRACKET-LENS;PROJECTION,SECC,T1.6,-,-,- S.N.A	S.N.A
..2	AA27-50005L	DEFLECTION-YOKE,-,DPD-5292AL(S),ST-3,PJT	
..2	AA39-00018A	LEAD CONNECTOR-ASSY,-,1P,YFH800-01,YRH187	
..2	AA60-00074A	SPACER-DY;PJT,SILICON RUBBER,-,-,-,GRAY, S.N.A	S.N.A
..2	AA60-00125B	SPACER-CRT;PROJ,SILICONE,D/GRAY	S.N.A
..2	AA60-00126B	SPACER-CAP;PROJ,EPDM,BLK	S.N.A
..2	AA60-00127B	SPACER-LENS;PROJ,SILICONE,D/GRAY	S.N.A

**ASSY CRT-(B)**

Loc. No.	Code No.	Description ; Specification	Remark
△ 1 *	AA97-01727A	ASSY CRT-(B);62, P51A-I,J51B,D78	
..2 BC+AL	AA60-10011A	SCREW-TAPTITE,-,SWRCH18A,M4,L12,HH,+,PC, S.N.A	S.N.A
..2	AA61-00809B	HOLDER-CRT;PROJ,PC/ABS GF 20%,BLK	S.N.A
..2	AA61-00810B	HOLDER-CAP;PROJ,PC,CLR	S.N.A
..2	AA63-00076A	SPACER-LENS;PROJECTION,FELT,-,-,-,BROWN	S.N.A
..2	AA67-00146A	LENS-ASSY,-,DELTA 260,CLEAR A/B	
..2	AA67-00156A	LENS,-,DELTA 240,CLEAR,C-ELEMENT	
..2	AA03-10026W	CRT-MONO;P16LNM07BMB,7,FLAT,90%,FREE,90, S.N.A	S.N.A
..2	AA27-60003C	MAGNET-CONVERGENCE,-,JH92LTU-SC-20,29.1m	
..2	AA91-00735B	ASSY-BRKT,CRT;DP,AA91-00722A,PROJ	
..2	AA91-00722A	ASSY-BRKT,CRT,SECC T1.6,PROJ	
..3	AA61-00473B	BRACKET-CRT;53,SECC,T1.6,-,-,- S.N.A	S.N.A
..4	AA61-00615B	BRACKET-EARTH;54J8,PBS,TO.5,-,-,- S.N.A	S.N.A
..4	AA61-00812A	SPRING-WIRE;PROJ,STS,3.6	S.N.A
..2	AA61-00847A	CASE-COUPLER,B;DP,PROJ,AA61-00808B	
..3	AA61-00808B	CASE-COUPLER,B;PROJ,ALDC,T8,BLK	S.N.A
..2	AA61-00056B	BRACKET-LENS;PROJECTION,SECC,T1.6,-,-,- S.N.A	S.N.A
..2	AA27-50005L	DEFLECTION-YOKE,-,DPD-5292AL(S),ST-3,PJT	
..2	AA39-00018A	LEAD CONNECTOR-ASSY,-,1P,YFH800-01,YRH187	
..2	AA60-00074A	SPACER-DY;PJT,SILICON RUBBER,-,-,-,GRAY, S.N.A	S.N.A
..2	AA60-00125B	SPACER-CRT;PROJ,SILICONE,D/GRAY	S.N.A
..2	AA60-00126B	SPACER-CAP;PROJ,EPDM,BLK	S.N.A
..2	AA60-00127B	SPACER-LENS;PROJ,SILICONE,D/GRAY	S.N.A

**ASSY-PCB,A/V FRONT**

Loc. No.	Code No.	Description ; Specification	Remark
1 *	AA95-00863C	ASSY-PCB,A/V FRONT;DP,PCL541,P51A,AA95-0	
..2	CNW01A	AA39-00194A LEAD CONNECTOR ASSY,-,12P;35155-1200,6709	
..2	CNY01A	3711-003974 CONNECTOR-HEADER;BOX,12P;1R,2.5mm,STRAIG	
..2	JK101	3722-000544 JACK-VHS;4P;11.5mm,AG,BLK,N	
..2	JK102	3722-001164 JACK-PIN;3P;3.4mm,SN,WH;YE,RE,#16-22	
..2	PCB	AA41-00359B PCB-A/V FRONT;SVP-54J8SR,FR-1,1L,A,1.6T, S.N.A	S.N.A
..2	0202-000187	SOLDER-WIRE FLUX,-,RS60S,D1.2,63Sn/37Pb	
..2	3301-001201	CORE-FERRITE;AE,21x11x32mm,1500,280G	

Loc. No.	Code No.	Description ; Specification	Remark
----------	----------	-----------------------------	--------

**ASSY CABINET(COM)**

Loc. No.	Code No.	Description ; Specification	Remark
1 *	AA92-01399G	ASSY CABINET(COM);ST62T6X/XAX	S.N.A
..2	AC+BCM	AA60-10011A SCREW-TAPTITE,-,SWRCH18A,M4,L12,HH,+,PC, S.N.A	S.N.A
..2	APCAFB	6002-000522 SCREW-TAPPING;TH,+,2,M4,L15,ZPC(BLK),SWR S.N.A	S.N.A
..2	BCM	AA63-60131M SPACER-FELT;PJT,FELT,BLK,T1.0,120*55 S.N.A	S.N.A
..2	CBB	AA64-02074B INLAY-SPEAKER;J7,J8,J9,PS SHEET,TO.5,-,- S.N.A	S.N.A
..2	CBBAPT	6003-001019 SCREW-TAPTITE;RH,+,B,M4,L12,ZPC(BLK),SWR S.N.A	S.N.A
..2	CF	AA73-00005B RUBBER-CAP;FLAT,PRJ,SILICONE RUBBER,WHIT	
..2	CMWCWT	6005-001004 SCREW-WOOD;HH,+,M4,L27,BLK,SWRCH18A	
..2	CW+CBT	6005-001003 SCREW-WOOD;HH,+,M4,L19,ZPC(BLK),SWRCH18A S.N.A	S.N.A
..2	CW+BHC	6005-001003 SCREW-WOOD;HH,+,M4,L19,ZPC(BLK),SWRCH18A S.N.A	S.N.A
..2	CWBBCM	6006-001094 SCREW-ASS'Y WOOD;WWW,HH,+,M7,L32,ZPC(YEL) S.N.A	S.N.A
..2	CWBCCB	6005-001003 SCREW-WOOD;HH,+,M4,L19,ZPC(BLK),SWRCH18A S.N.A	S.N.A
..2	CWBCBS	6005-001003 SCREW-WOOD;HH,+,M4,L19,ZPC(BLK),SWRCH18A S.N.A	S.N.A
..2	CWBCFB	6005-001003 SCREW-WOOD;HH,+,M4,L19,ZPC(BLK),SWRCH18A S.N.A	S.N.A
..2	FP+BCM	AA60-10011A SCREW-TAPTITE,-,SWRCH18A,M4,L12,HH,+,PC, S.N.A	S.N.A
..2	HM+CMW	6005-001003 SCREW-WOOD;HH,+,M4,L19,ZPC(BLK),SWRCH18A S.N.A	S.N.A
..2	HV+BCM	AA60-10011A SCREW-TAPTITE,-,SWRCH18A,M4,L12,HH,+,PC, S.N.A	S.N.A
..2	SCDCRT	AA63-60131A SPACER-FELT;SVP403J,FELT,-,-,-,BLK,TO.5, S.N.A	S.N.A
..2		AA65-30008A CLAMP-CORD;-PE,HB,-,BLK,-	
..2		AA67-00081A MIRROR-BACK;62J8,GLASS,1187*725*830,T3.0	
..2		AA67-70056A SCREEN-TINT;61,896-985,2.7,1283*973,	
..2		AA64-01851H CABINET-MASK,ETC;DP,ST62T6,ABS,HB,GRAY,S S.N.A	S.N.A
..3		AA64-02672E CABINET-FRONT,MASK;ST62T6,ABS,HB,GRAY,SV S.N.A	S.N.A
..4		AA64-01650A CABINET-FRONT,MASK;62J8,ABS,-,-,-,HB,GRA S.N.A	S.N.A
..3		AA64-02672D CABINET-FRONT,MASK;ST62T6,ABS,HB,GRAY,SV S.N.A	S.N.A
..4		AA64-01650A CABINET-FRONT,MASK;62J8,ABS,-,-,-,HB,GRA S.N.A	S.N.A
..3		AA64-01652K CABINET-MASK,SIDE;ST62T6,ABS,HB,GRAY,SVM S.N.A	S.N.A
..4		AA64-01652A CABINET-MASK,SIDE;62J8,ABS,-,-,-,HB,GRAY S.N.A	S.N.A
..3		AA63-00380A COVER-CORNER;PJT,POLYESTER,-,-,-,CLR,#	
..3		AA61-000505B HOLDER-CORNER;43,54,62J8,ABS,-,-,-,GRAY, S.N.A	S.N.A
..2		AA64-01849C CABINET-BACK,BOT;DP;62J8,VO,AA64-01384B	
..3		AA64-01384B CABINET-BACK,BOT;43,54,62J8,HIPS,-,-,-,V	
..4		0103-000161 RESIN-HIPS;BASFK456M,BLK,-,VO S.N.A	S.N.A
..2		AA61-00617B BRACKET-CRT,MAIN;DP;54J7,AA61-00475B	
..3		AA61-00475B BRACKET-CRT,MAIN;54,SECC,T1.6,-,-,- S.N.A	S.N.A
..2		AA64-01922C CABINET-BACK,TOP;DP;62J9,AA64-01870B 75.	
..3		AA64-01870B CABINET-BACK,TOP;62J9,HIPS HB,-,-,-,BL	
..2		AA61-00370C HOLDER-MIRROR;PCJ612R,-,-,-,-,AA61-003 S.N.A	S.N.A
..3		AA61-00357B HOLDER-MIRROR;PCJ612R,ABS,-,-,-,BLK,HB,L S.N.A	S.N.A
..2		AA61-00049B HOLDER-BOX;-PP,-,-,-,NTR,VO,AA61-20285A S.N.A	S.N.A
..3		AA61-20285A HOLDER-BOX;3456,PP,-,-,-,WHT,VO S.N.A	S.N.A
..2		AA60-10051A SCREW-WOOD,-,SWRCH18A,M4,L16,PH,+,-,-,ZP S.N.A	S.N.A
..2		AA60-00072B SPACER-COVER,DUST;43,54,62J9,SPONGE 94HF S.N.A	S.N.A
..2		AA60-00070G SPACER-SCREEN,OPTION;62J8 SIDE,ABS,-,-,- S.N.A	S.N.A
..2		AA60-00070F SPACER-SCREEN,OPTION;62J8 TOP/BOT,ABS,-,-,- S.N.A	S.N.A
..2		AA60-00069G SPACER-SCREEN;43,53,61J8,ABS,-,-,-,BLK,- S.N.A	S.N.A
..2		AA60-00069F SPACER-SCREEN;43,53,61J8,ABS,-,-,-,BLK,- S.N.A	S.N.A
..2		AA64-60449B INLAY-COVER;SP-434JMF,PS,TO.5,149.3X69.5 S.N.A	S.N.A
..2		AA64-01850B CABINET-BACK,SIDE;DP;54J9,-,-,-,-,VO,-,A	
..3		AA64-01385C CABINET-BACK,SIDE;545R,625R(SEA),HIPS,-,-,- S.N.A	S.N.A
..2		AA64-01395N INLAY-TERMINAL;43,54,62T6,PS SHEET,TO.5, S.N.A	S.N.A
..2		AA63-60131A SPACER-FELT;SVP403J,FELT,-,-,-,BLK,TO.5, S.N.A	S.N.A
..2		AA63-00386A COVER-MIRROR,WOOD;62J8,WOOD,-,-,-,-,AS	
..3		AA60-10051A SCREW-WOOD,-,SWRCH18A,M4,L16,PH,+,-,-,ZP S.N.A	S.N.A
..3		AA61-00357C HOLDER-MIRROR;PCJ612R,ABS,-,-,-,BLK,HB,L S.N.A	S.N.A
..3		AA63-00387A COVER-MIRROR,WOOD;62J8,WOOD,-,-,-,-,MD S.N.A	S.N.A
..2		AA61-00618B GUIDE-FLOW;54J8,J7,ABS,-,-,-,BLK,HB S.N.A	S.N.A
..2		AA61-00370D HOLDER-MIRROR;PCJ612R,-,-,-,-,AA61-003 S.N.A	S.N.A
..3		AA61-00357C HOLDER-MIRROR;PCJ612R,ABS,-,-,-,BLK,HB,L S.N.A	S.N.A

**ASSY-CABINET,MIDDLE**

Loc. No.	Code No.	Description ; Specification	Remark
1 *	AA90-00730C	ASSY-CABINET,MIDDLE;P54A JUNGNAI,62T6	S.N.A
..2	CASCWB	AA60-10051A SCREW-WOOD,-,SWRCH18A,M4,L16,PH,+,-,-,ZP S.N.A	S.N.A
..2	CAWTO	AA60-10051A SCREW-WOOD,-,SWRCH18A,M4,L16,PH,+,-,-,ZP S.N.A	S.N.A
..2	CWTHCH	AA60-10051A SCREW-WOOD,-,SWRCH18A,M4,L16,PH,+,-,-,ZP S.N.A	S.N.A
..2	CWTHPM	AA60-10051A SCREW-WOOD,-,SWRCH18A,M4,L16,PH,+,-,-,ZP S.N.A	S.N.A
..2	HCMCWB	AA60-10051A SCREW-WOOD,-,SWRCH18A,M4,L16,PH,+,-,-,ZP S.N.A	S.N.A

Loc. No.	Code No.	Description ; Specification	Remark
..2	HW+CWB AA60-10051B	SCREW-WOOD;-SWRCH18A,M3.5,L11,RH,+,-,-	S.N.A
..2	SPKCVB AA60-10051A	SCREW-WOOD;-SWRCH18A,M4,L16,PH,+,-,-,ZP	S.N.A
..2	AA61-00723A	HOLDER-PIN,DABO;PRJT,WOODEN NAIL,OD6XL20	S.N.A
..2	AA61-00722A	HOLDER-PIN,DABO;PRJT,NYLON,OD6.5XL25,-,-	S.N.A
..2	AA61-00616B	HOLDER-CRT,MAIN;54J7,DP,-,-,-,AA61-005	S.N.A
...3	AA61-00506B	HOLDER-CRT,MAIN;43,54,62J8,HIPS,-,-,-,BL	S.N.A
..2	AA61-00556B	HOLDER-PLATE,MIRROR;43,53,62J8,ABS,-,-,-	S.N.A
..2	AA61-00550B	HOLDER-PLATE,MIRROR;43,53,62J8,ABS,-,-,-	S.N.A
..2	AA64-01400A	CABINET-WOOD,TOP;61J8,WOOD,-,-,-,-,-	S.N.A
..2	AA64-01921D	CABINET-WOOD,BOT;62T6,WOOD SDE8319R	S.N.A
..2	AA63-60123H	SPACER-SPONGE,LCD;48J8,P/U FORM SPONGE,-	S.N.A
..2	AA63-00384A	COVER-DUCT;DP 54J8,-,-,-,-,HB,-,AA63-003	S.N.A
...3	AA63-00348B	COVER-DUCT;54,62J8,HIPS,-,-,-,HB,BLK,-	S.N.A
..2	AA61-00533B	BRACKET-GRILLE;43,54,62J8,SECC-1 ,TO.5,-	S.N.A
..2	AA61-00458B	CASTER;-TP4020-05 PLY,-,OH56,-,-,SR44.4	S.N.A
..2	AA61-00097A	HOLDER-WIRE;-NYLON 6/6,-,-,-,NTR,-	S.N.A
..2	AA61-00094C	HOLDER-RAIL;PCJ533R,ABS,-,-,-,BLK,HB,480	S.N.A
..2	AA60-00078A	SPACER-DUAL,LOCK;54J8,#250,-,-,-,-,4	S.N.A
..2	AA61-00674G	HOLDER-SCREEN;62 SIDE-L/R,ABS,-,-,-,BLK,	S.N.A
..2	AA61-00674F	HOLDER-SCREEN;62 TOP/BOTTOM,ABS,-,-,-,BL	S.N.A
..2	AA61-00508D	HOLDER-JERSEY;W3,ABS V0,GRAY,G4309	S.N.A
..2	AA61-00508B	HOLDER-JERSEY;43,54,62J8,ABS,-,-,-,BLK,H	S.N.A
..2	AA61-00507B	HOLDER-CABINET,WOOD;43,54,62J8,ABS,-,-,-	S.N.A

### ASSY CABINET BOT

1 *	AA91-00858D	ASSY CABINET BOT;DP,HIPS HB,SVM1126 SEA,	
..2	KC+CFB 6002-000522	SCREW-TAPPING;TH,+,-,2,M4,L15,ZPC(BLK),SWR	S.N.A
..2	KNOPOW AA61-00343A	SPRING-CS;29A7,SUS304,-,-,-,-,-,0.	S.N.A
..2	AA64-01861F	KNOB POWER;ST54T6,ABS,HB,GRAY,SVM1126	
..2	AA64-01862F	KNOB CONTROL;ST54T6,ABS,HB,GRAY,SVM1126	
..2	AA64-01860H	DOOR-A/V;ST54T6,HIPS,GRAY,SVM1126 HB	
..2	AA64-01863B	WINDOW REMOCON;T6,PC,CLEAR	
..2	AA64-01956C	BADGE-BRAND;T6,AL,-,-,-,-,-,NI,SAMSUNG	S.N.A
..2	AA61-00687B	HOLDER-FRONT,BOT;T6,HIPS HB,-,-,-,BLK,HB	S.N.A
..2	AA61-00685B	GUIDE-KNOB,CONTROL;T6,ABS HB,GRAY,AL VAC	
..2	AA60-00078A	SPACER-DUAL,LOCK;54J8,#250,-,-,-,-,4	S.N.A
..2	AA61-00805B	GUIDE-FRONT;54T6,HIPS,BLK,HB	
..2	AA64-01859K	CABINET-FRONT,BOT;ST62T6,HIPS,HB,GRAY,SV	S.N.A
..2	AA64-01752B	INDICATOR LED;54J9,62J9,ACRYL,-,-,-,-,CL	
..2	AA64-01396G	INLAY-AV;43,54,62T6,PS SHEET,TO.3,BLK,P5	S.N.A
..2	AA61-20129A	HOLDER-WIRE;-NYLON-66,-,-,-,NTR,DAFC-25	S.N.A

### ASSY-SKD

1 *	AA97-01723A	ASSY-SKD;-ST54T63S/GSU,P51A,SAMEX	S.N.A
..2	CORE2 3301-001201	CORE-FERRITE;AE,21x11x32mm,1500,280G	
..2	D/B AA26-30006E	TRANS-FLYBACK;-FWZ-50A001B(S),50KV,-	
..2	AA65-30018A	CLAMP-WIRE;DONG-A,NYLON-66,-,-,-,DATL-60	
..2	AA65-30104B	CLAMP-WIRE;ALL MODEL,NYLON 66,V2,-,BLK,W	S.N.A
..2	AA65-30105B	CLAMP-WIRE;ALL MODEL,NYLON 66,V2,-,NTR,2	S.N.A
..2	AA65-30013A	CLAMP-WIRE;-NYLON-66,VO,-,NTR,DAWH-45N	S.N.A
..2	AA26-30006F	TRANS-FLYBACK;-FWZ-50A001C,55',30KV	
..2	AA39-20577A	LEAD CONNECTOR-ASSY;-6(3)P,YFH806-06,800	
..2	AA59-00171A	MODULE-FOCUS,PACK;SVP-5200,S300-P3,-,-,-	

Loc. No.	Code No.	Description ; Specification	Remark
		<b>ASSY-PACKING</b>	
1 *	AA92-00140A	ASSY-PACKING;F3 PJT	S.N.A
..2	AA60-40006A	PIN-STAPLE;-,-,H18,33X17.8X2.4,-,AUTO	S.N.A
..2	AA69-90001A	SILICAGEL;-,-,-,-,-,M2,5GR,-,-	S.N.A

### ASSY-SPEAKER

1 *	AA96-00238A	ASSY-SPEAKER;-,-,-,20W(3001-000153),30W(	S.N.A
..2	3001-000153	SPEAKER;20W,8ohm,93dB,1.3KHz	
..2	3001-000176	SPEAKER;30W,8ohm,93dB,65Hz	
..2	AA39-00042C	LEAD CONNECTOR-ASSY;-1.75UF,REC,REC,350M	
..2	AA39-20505P	LEAD CONNECTOR-ASSY;-4P,YSH025-04,REC,18	

### ASSY POWER CORD

△ 1 *	AA96-20112E	ASSY POWER CORD;-EP2/NO,H/C 50mm,KJ10,M	S.N.A
..2	3811-000401	WIRE-PVC CU;BCWA,300V,ROLL,17/0.16mm,#22	
..2	AA39-10006K	POWER-CORD;-KJ-10,SPT-2 2/18AWG,2400,3P	
..2	AA61-20284A	HOLDER;P-CORD,PP,-,-,-,BLK,VO,KE-002	S.N.A

### ASSY ACCESSORY

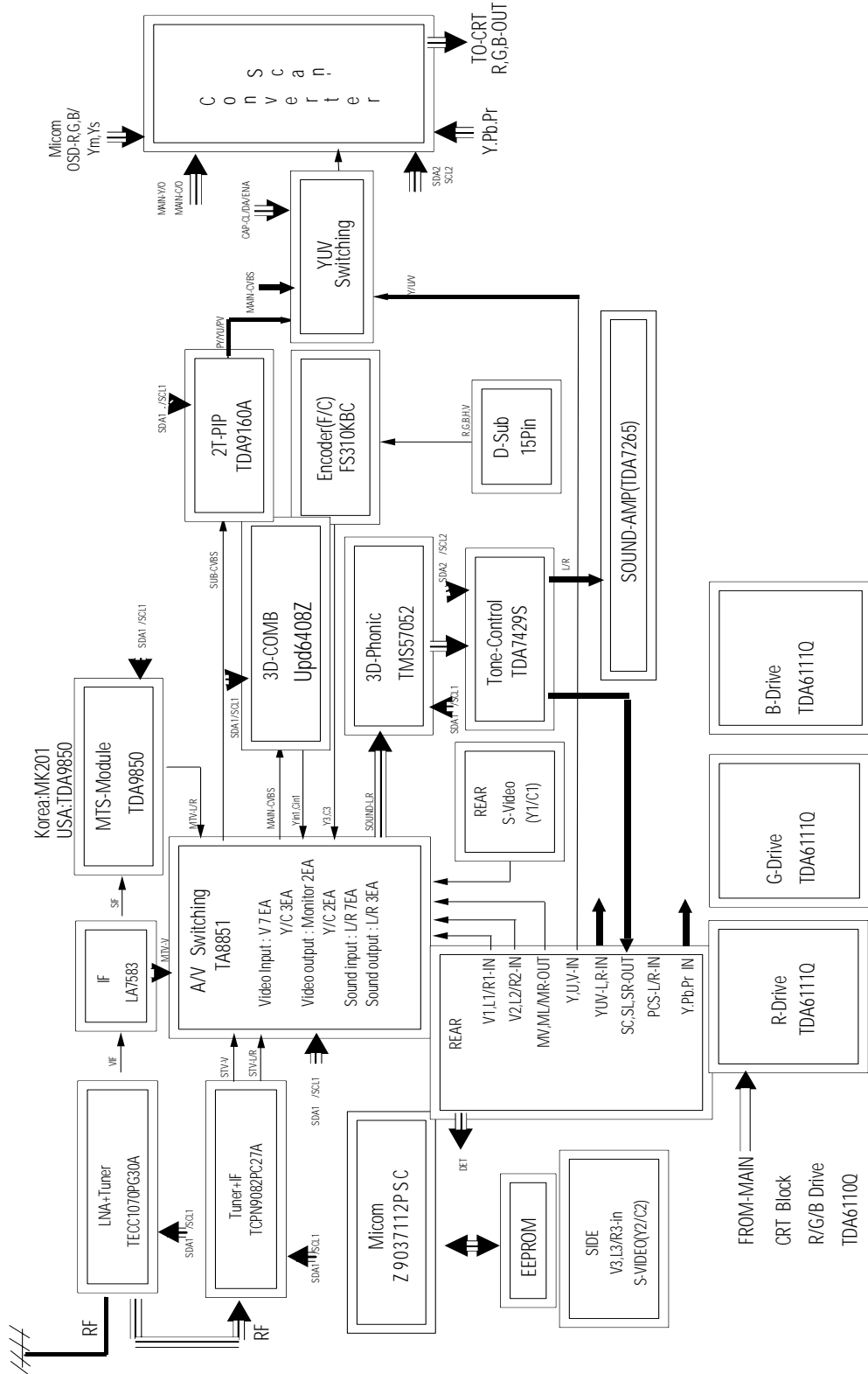
1 *	AA97-01722A	ASSY ACCESSORY;-ST54T63S/XAX,P51A,MEXICO	S.N.A
..2	AA68-01792A	MANUAL USERS;ST54T6,SEM,SPA,2(1),B5,P51A	
..2	AA68-01791A	MANUAL USERS;ST54T6,SEM,ENG,2(1),B5,P51A	S.N.A
..2	AA61-20126A	HOLDER-LEG;-ABS,-,-,-,BLK,HB	S.N.A
..2	AA39-00006A	CABLE-RCA;-3000MM	

### REMOCON

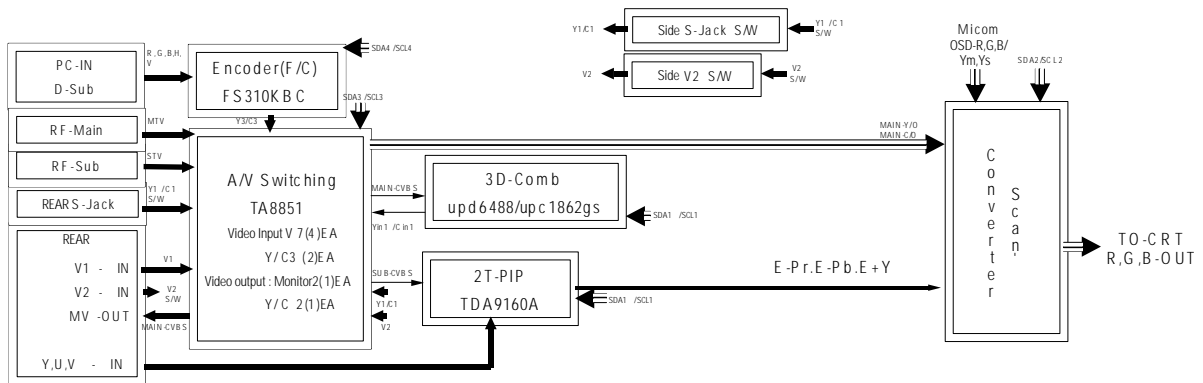
1 *	AA59-00096B	REMOCON;-TM57,KS88P0416S,45,L/GRAY,EX,-	
..2	2802-000194	RESONATOR-CERAMIC;8MHz,1.0%,TP,8.5x4.5x5	
..2	AA09-00051A	IC-MCU;Z86L8808SSC-R501M,SZTM-822,28PIN,	

# 8. Block Diagrams

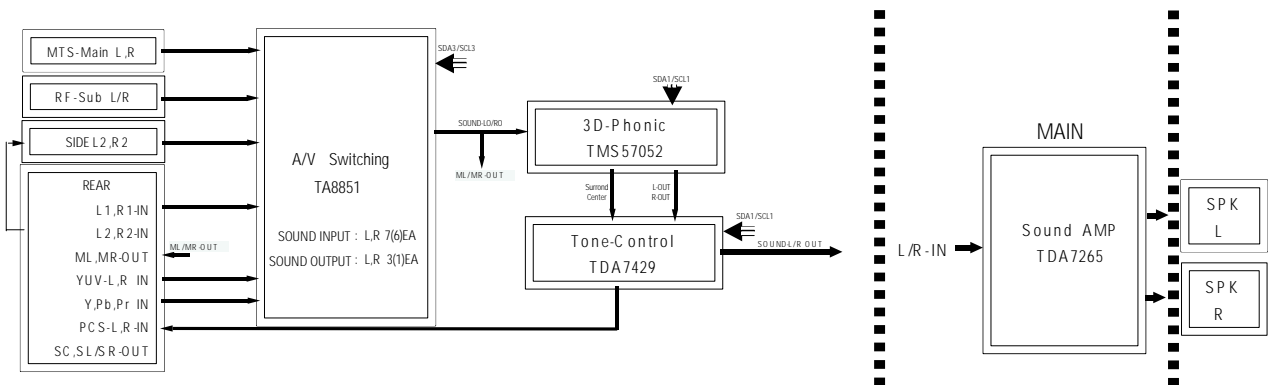
## 8-1 Main Signal



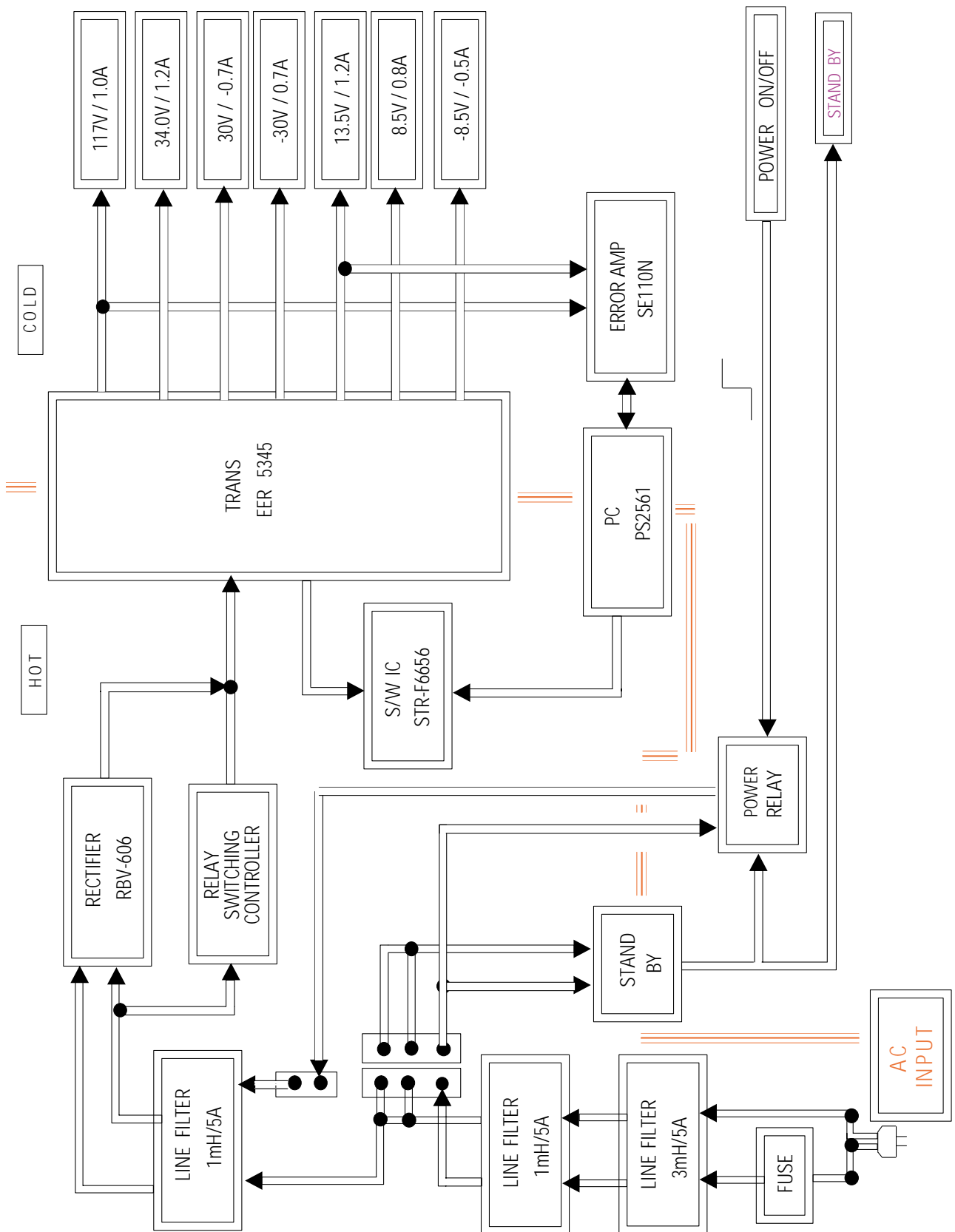
## 8-2 VIDEO SIGNAL



## 8-3 Sound SIGNAL

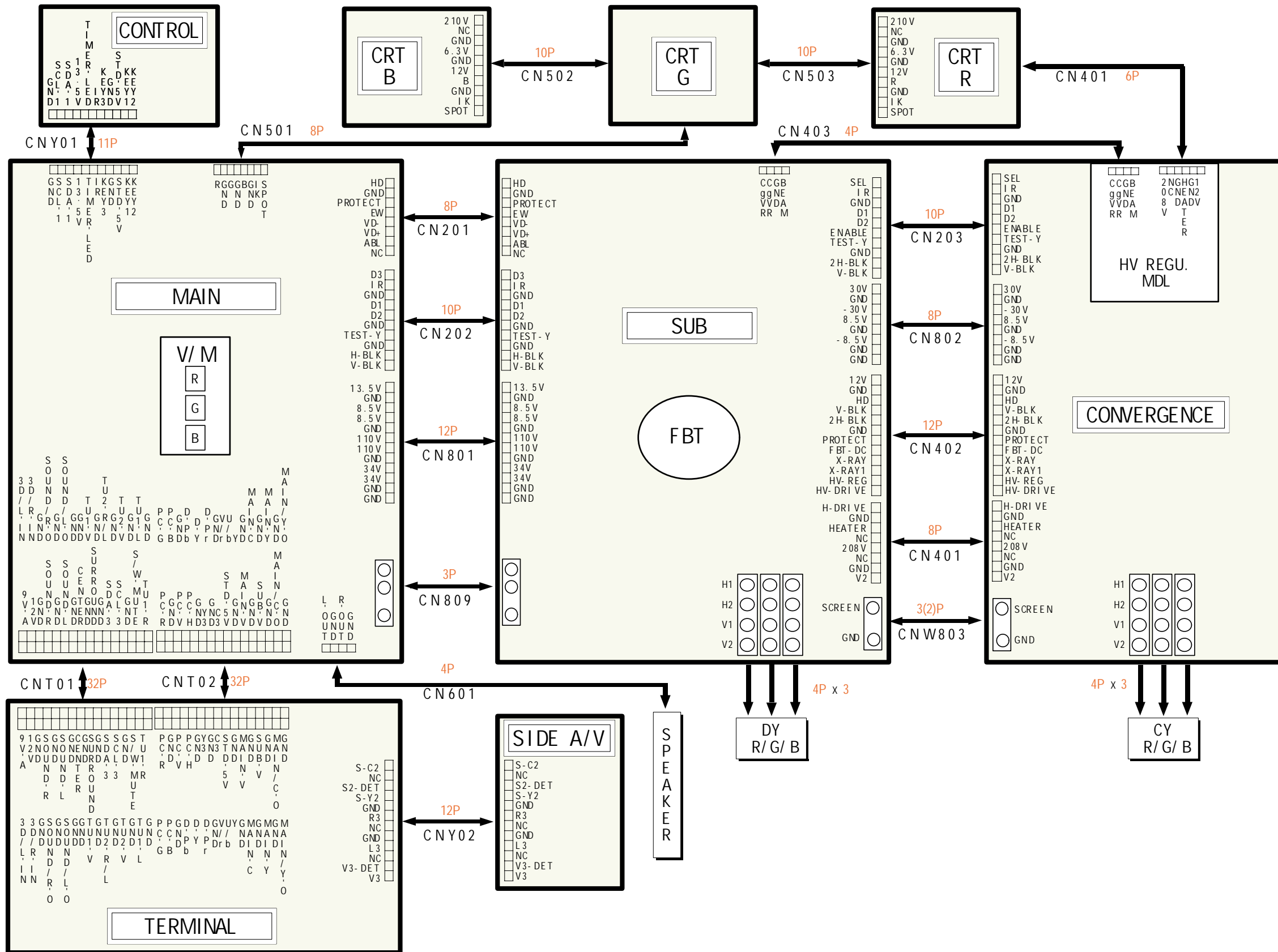


## 8-4 POWER SUPPLY



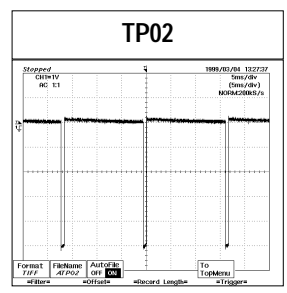
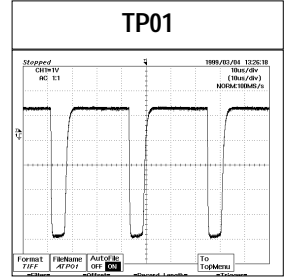
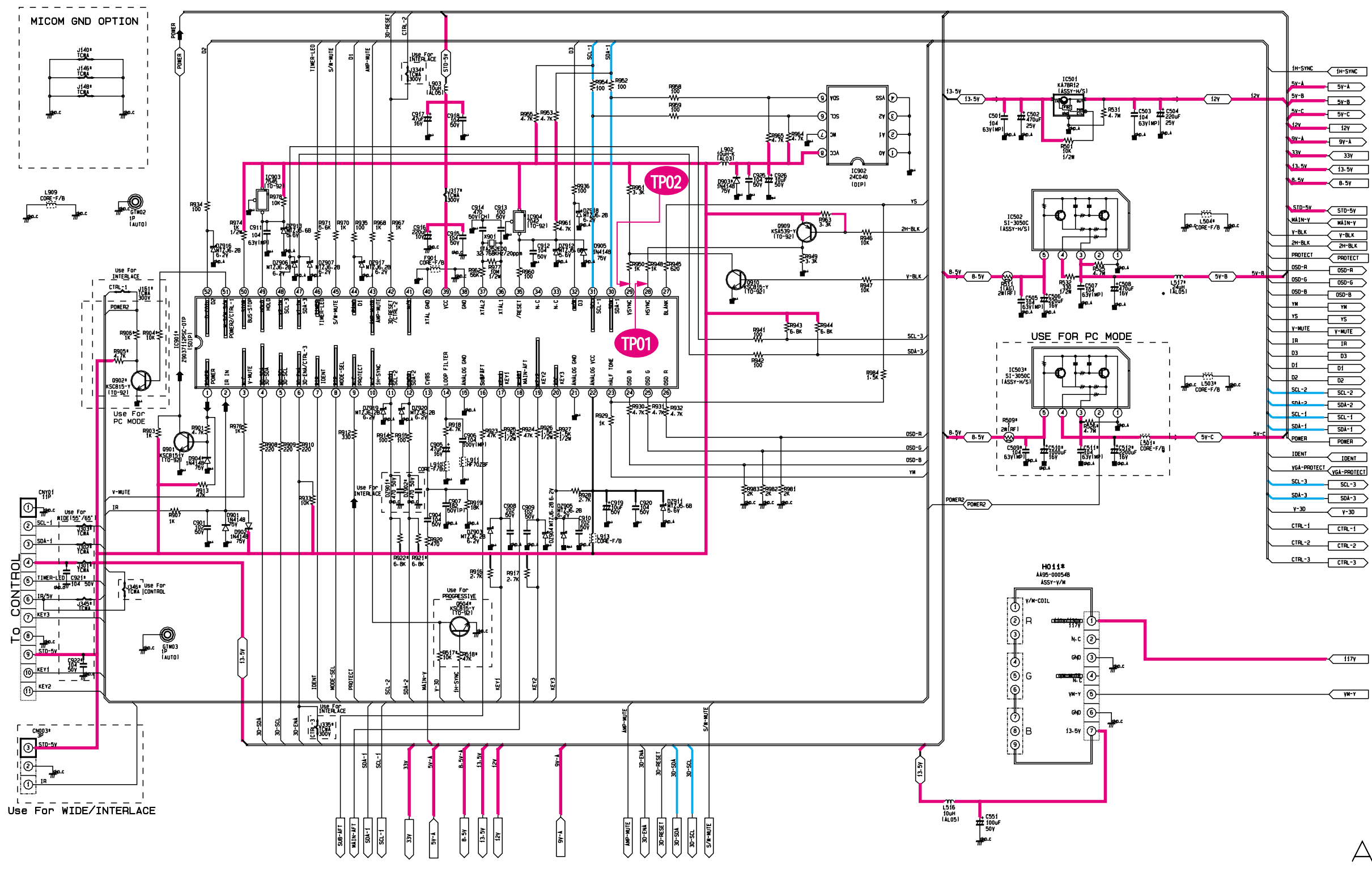
# MEMO

### 9. Wiring Diagram



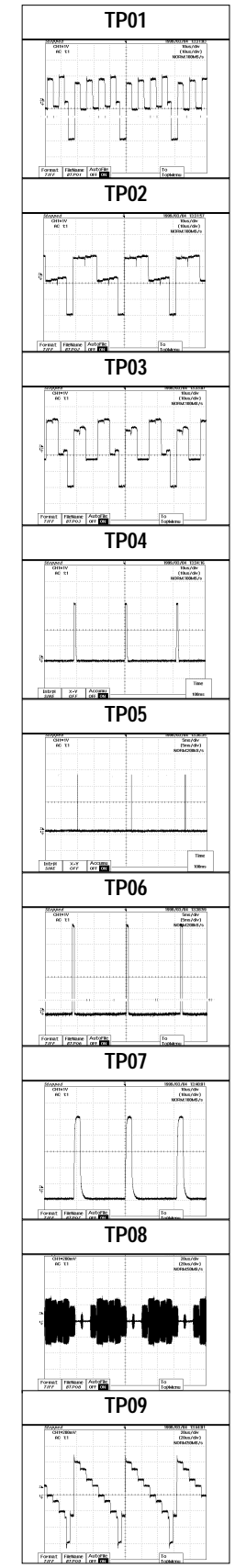
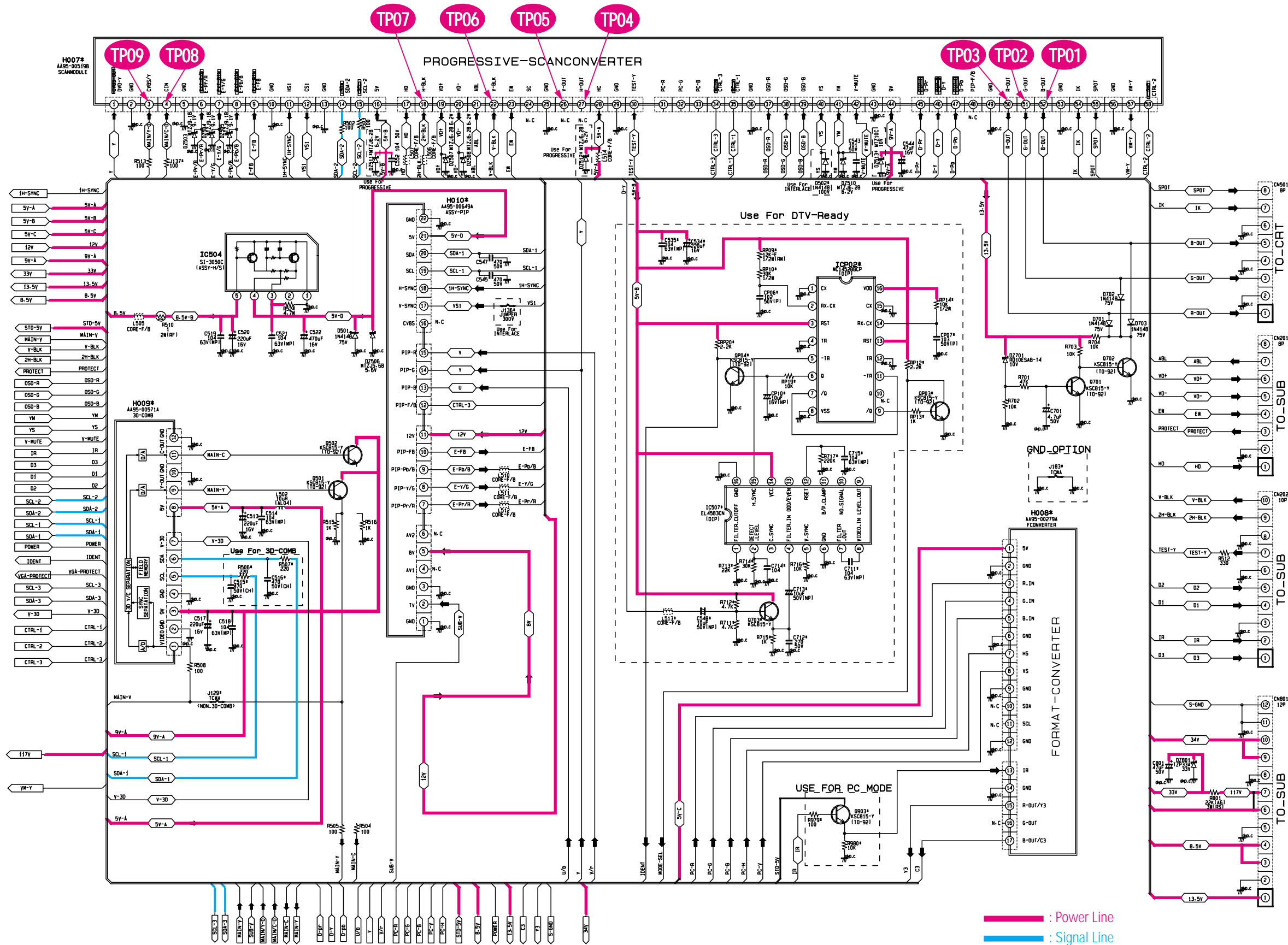
# 10. Schematic Diagrams

## 10-1 MAIN A



△ : Power Line  
 : Signal Line

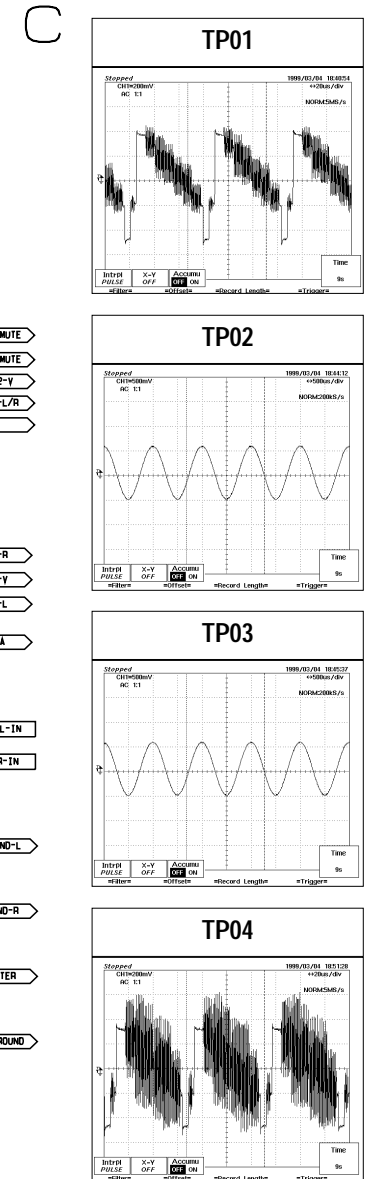
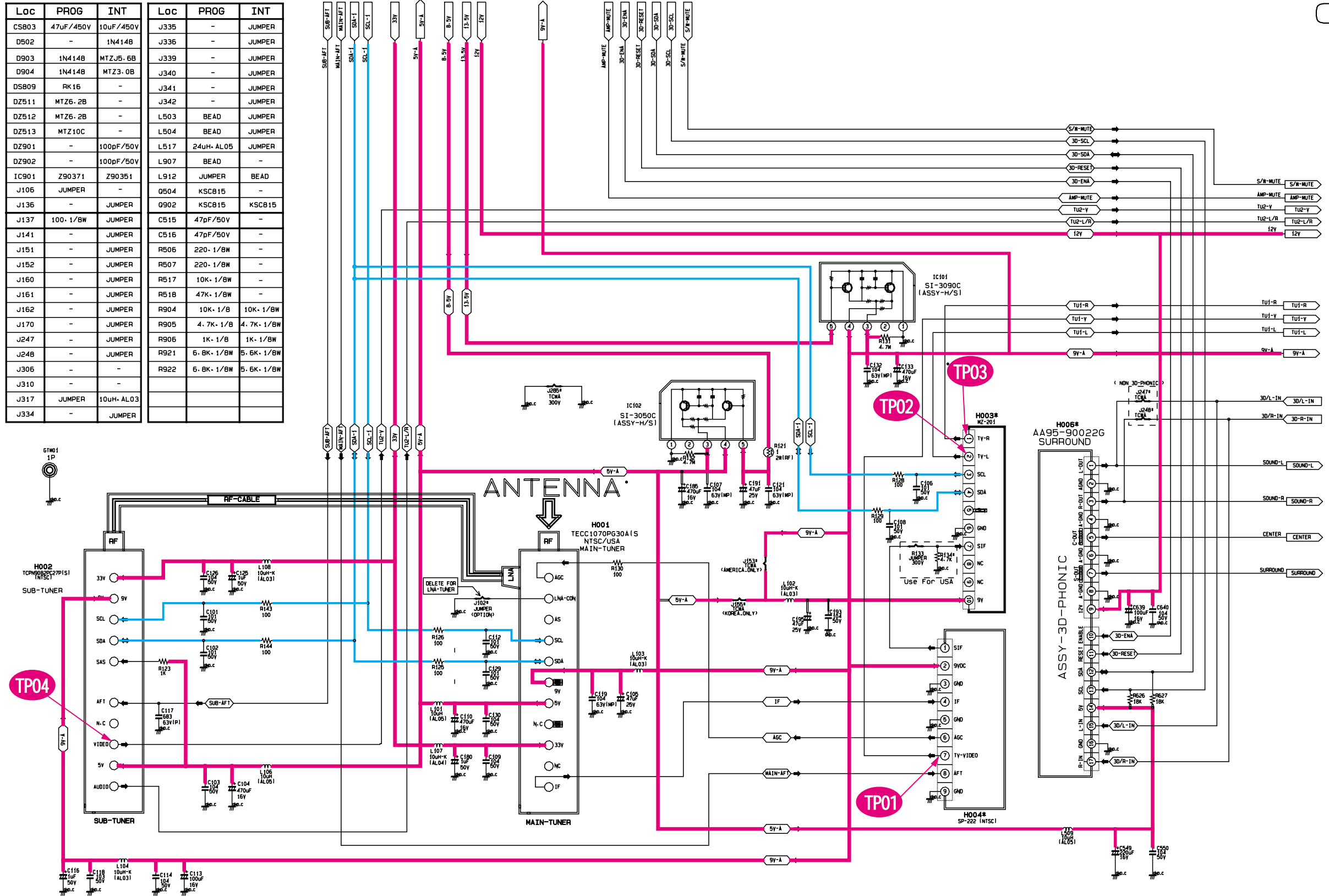
10-2 MAIN B



— : Power Line  
— : Signal Line

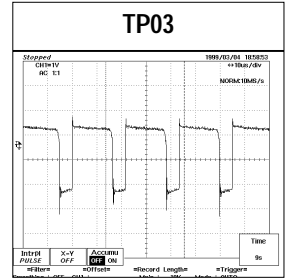
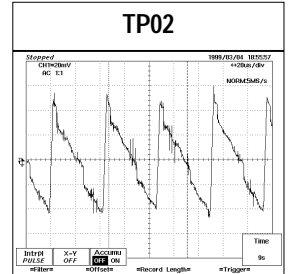
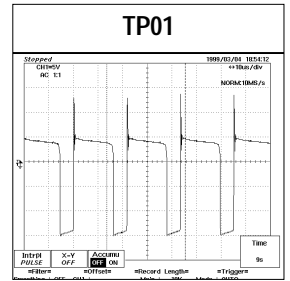
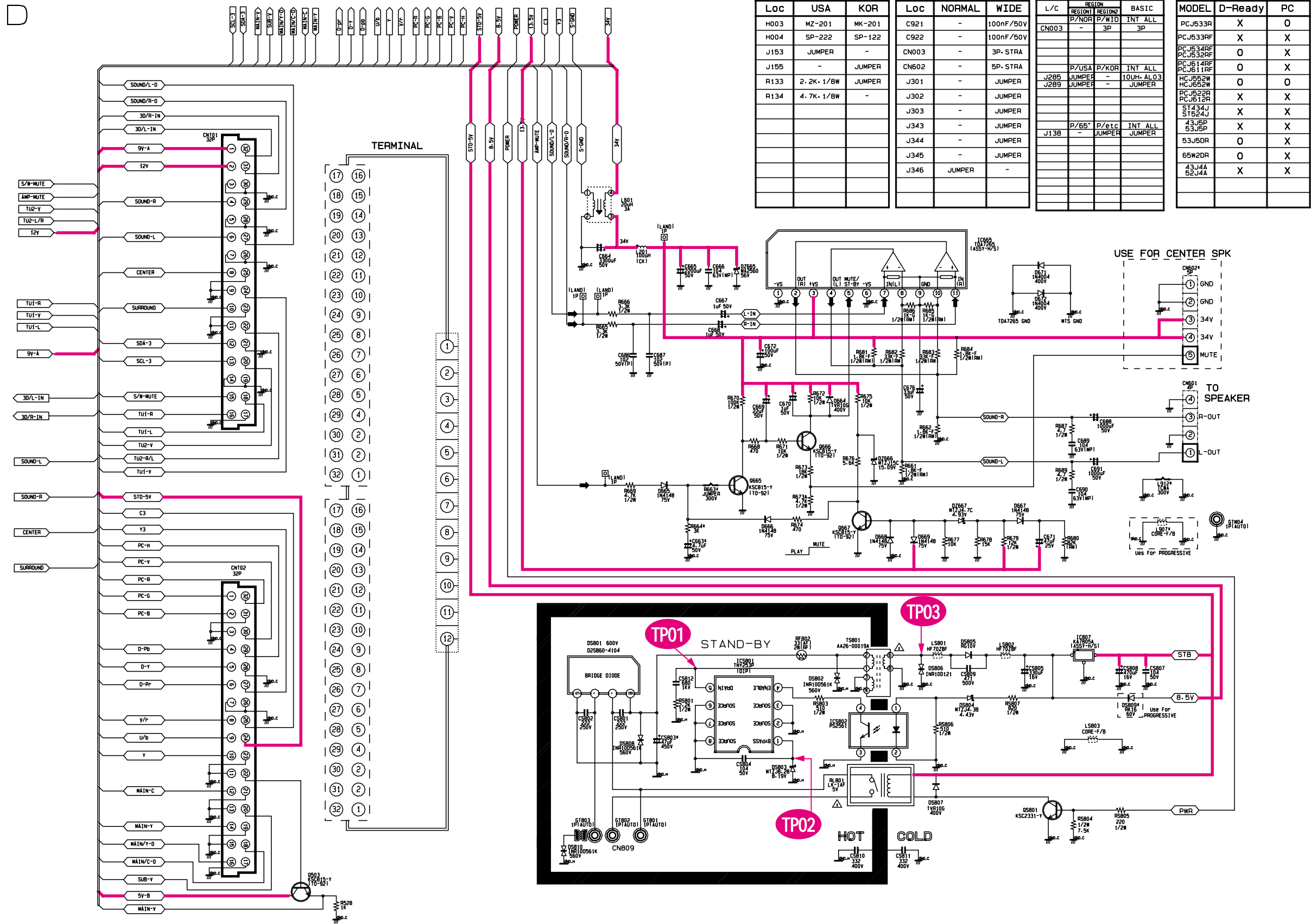
10-3 MAIN C

Loc	PROG	INT	Loc	PROG	INT
C5803	47uF/450V	10uF/450V	J335	-	JUMPER
D502	-	1N4148	J336	-	JUMPER
D903	1N4148	MTZJ5.6B	J339	-	JUMPER
D904	1N4148	MTZ3.0B	J340	-	JUMPER
D5809	RK16	-	J341	-	JUMPER
DZ511	MTZ6.2B	-	J342	-	JUMPER
DZ512	MTZ6.2B	-	L503	BEAD	JUMPER
DZ513	MTZ10C	-	L504	BEAD	JUMPER
DZ901	-	100pF/50V	L517	24uH-AL05	JUMPER
DZ902	-	100pF/50V	L907	BEAD	-
IC901	Z90371	Z90351	L912	JUMPER	BEAD
J106	JUMPER	-	O504	KSC815	-
J136	-	JUMPER	O902	KSC815	KSC815
J137	100-1/BW	JUMPER	C515	47pF/50V	-
J141	-	JUMPER	C516	47pF/50V	-
J151	-	JUMPER	R506	220-1/BW	-
J152	-	JUMPER	R507	220-1/BW	-
J160	-	JUMPER	R517	10K-1/BW	-
J161	-	JUMPER	R518	47K-1/BW	-
J162	-	JUMPER	R904	10K-1/B	10K-1/BW
J170	-	JUMPER	R905	4.7K-1/B	4.7K-1/BW
J247	-	JUMPER	R906	1K-1/B	1K-1/BW
J248	-	JUMPER	R921	6.8K-1/BW	5.6K-1/BW
J306	-	-	R922	6.8K-1/BW	5.6K-1/BW
J310	-	-			
J317	JUMPER	10uH-AL03			
J334	-	JUMPER			



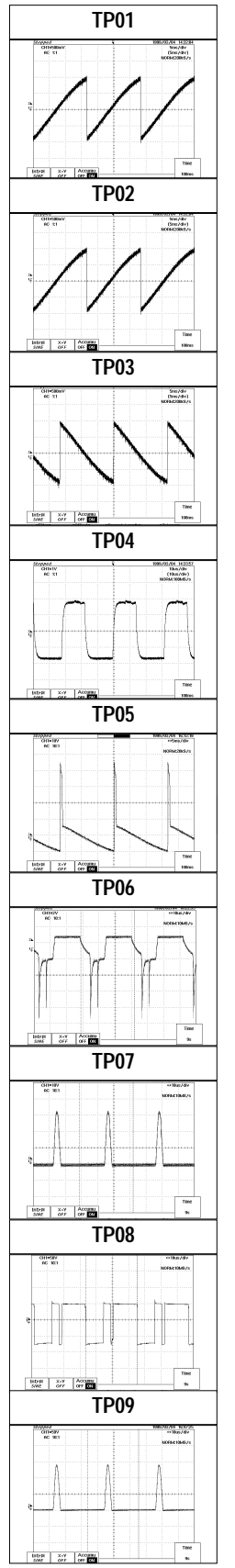
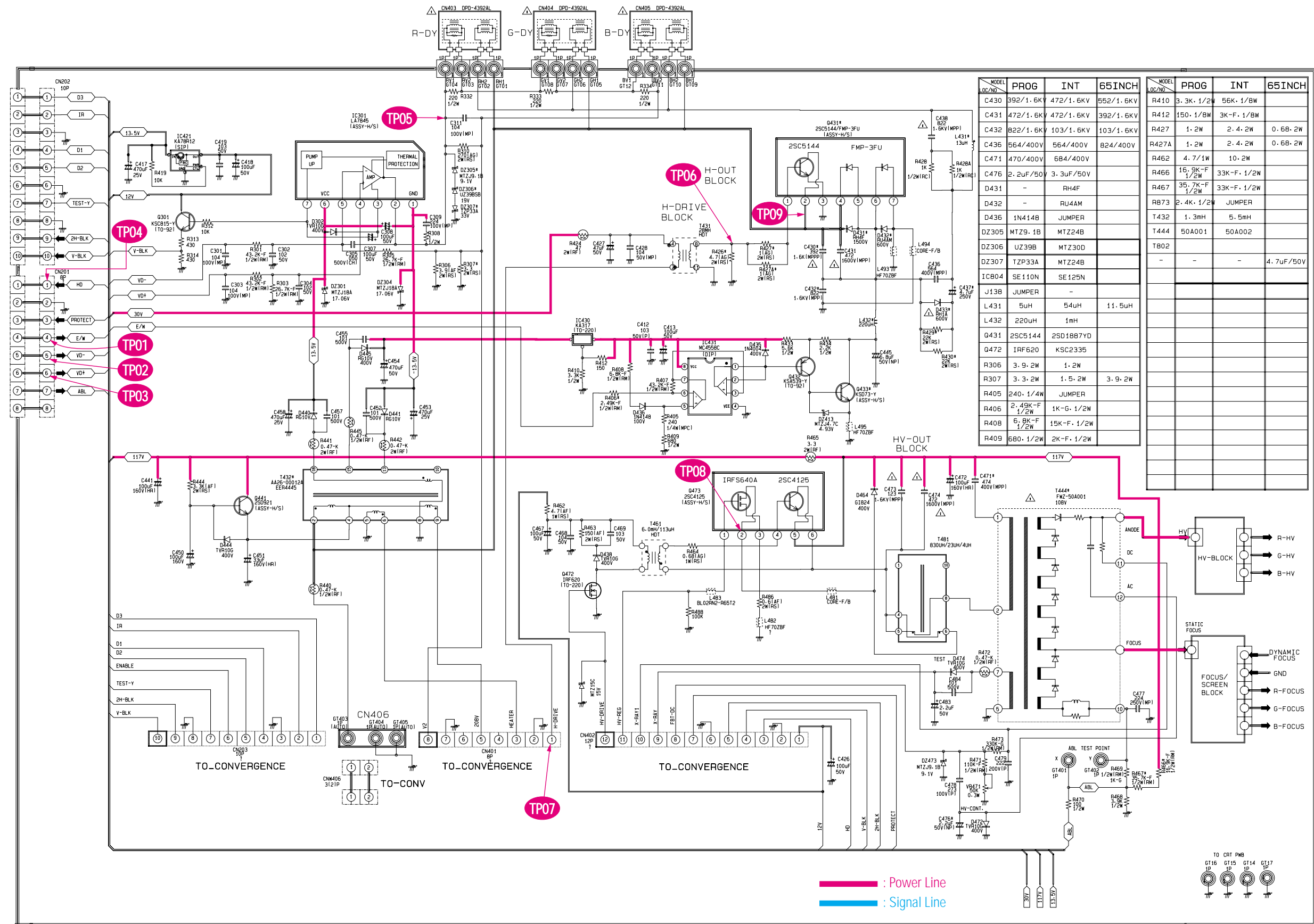
— : Power Line  
— : Signal Line

10-4 MAIN D

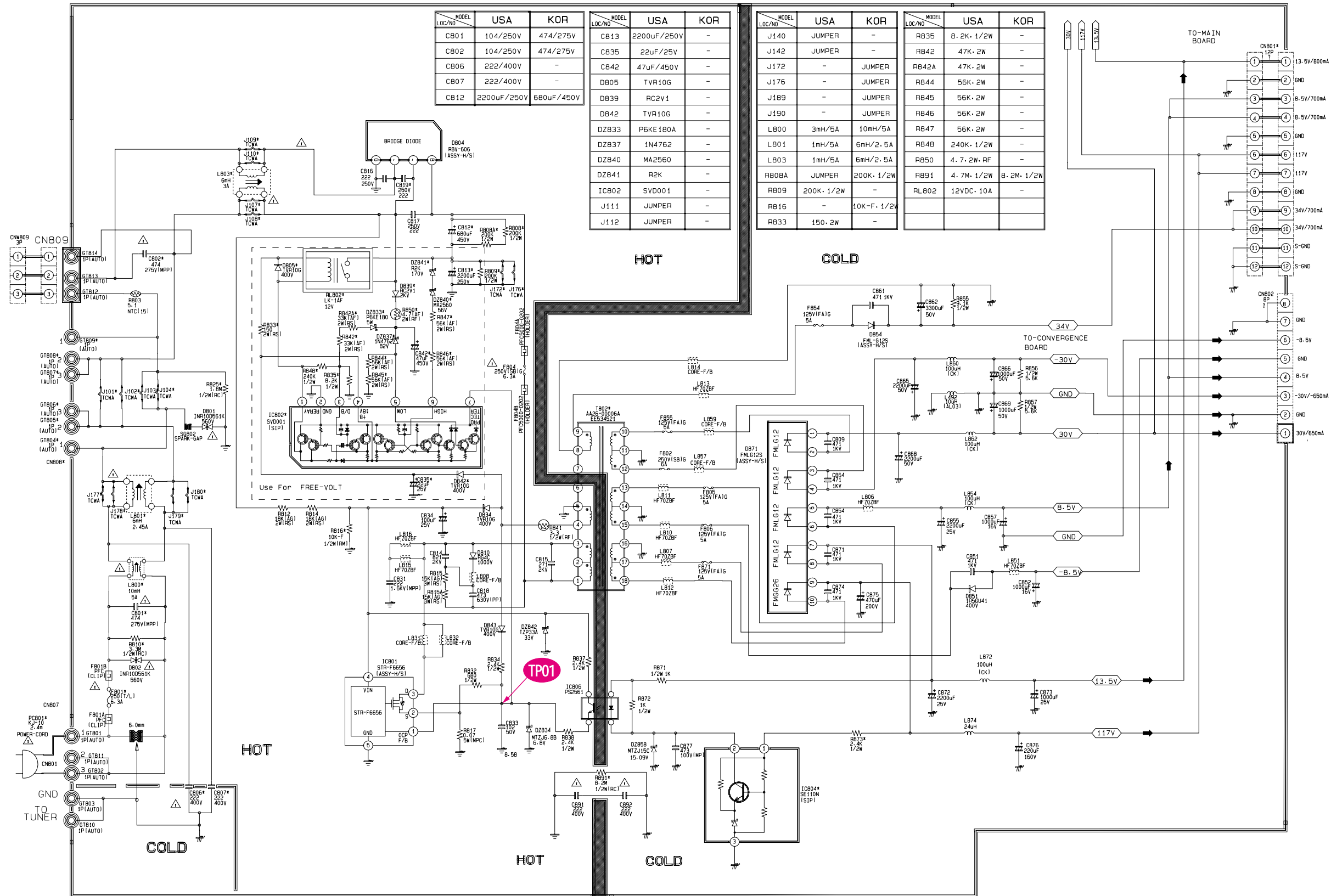


Power Line : Signal Line

10-5 SUB (POWER+DEFL) -1



# 10-6 SUB (POWER+DEFL) -2

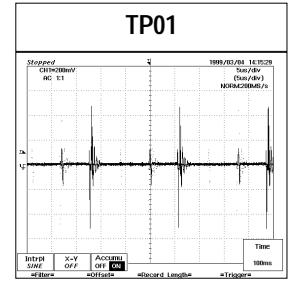


MODEL	USA	KOR
LOC/NO		
CB01	104/250V	474/275V
CB02	104/250V	474/275V
CB06	222/400V	-
CB07	222/400V	-
CB12	2200uF/250V	680uF/450V

MODEL	USA	KOR
LOC/NO		
CB13	2200uF/250V	-
CB35	22uF/25V	-
CB42	47uF/450V	-
DB05	TVR10G	-
DB42	TVR10G	-
DZ833	P6KE180A	-
DZ837	1N4762	-
DZ840	MA2560	-
DZ841	R2K	-
IC802	SVD001	-
J111	JUMPER	-
J112	JUMPER	-

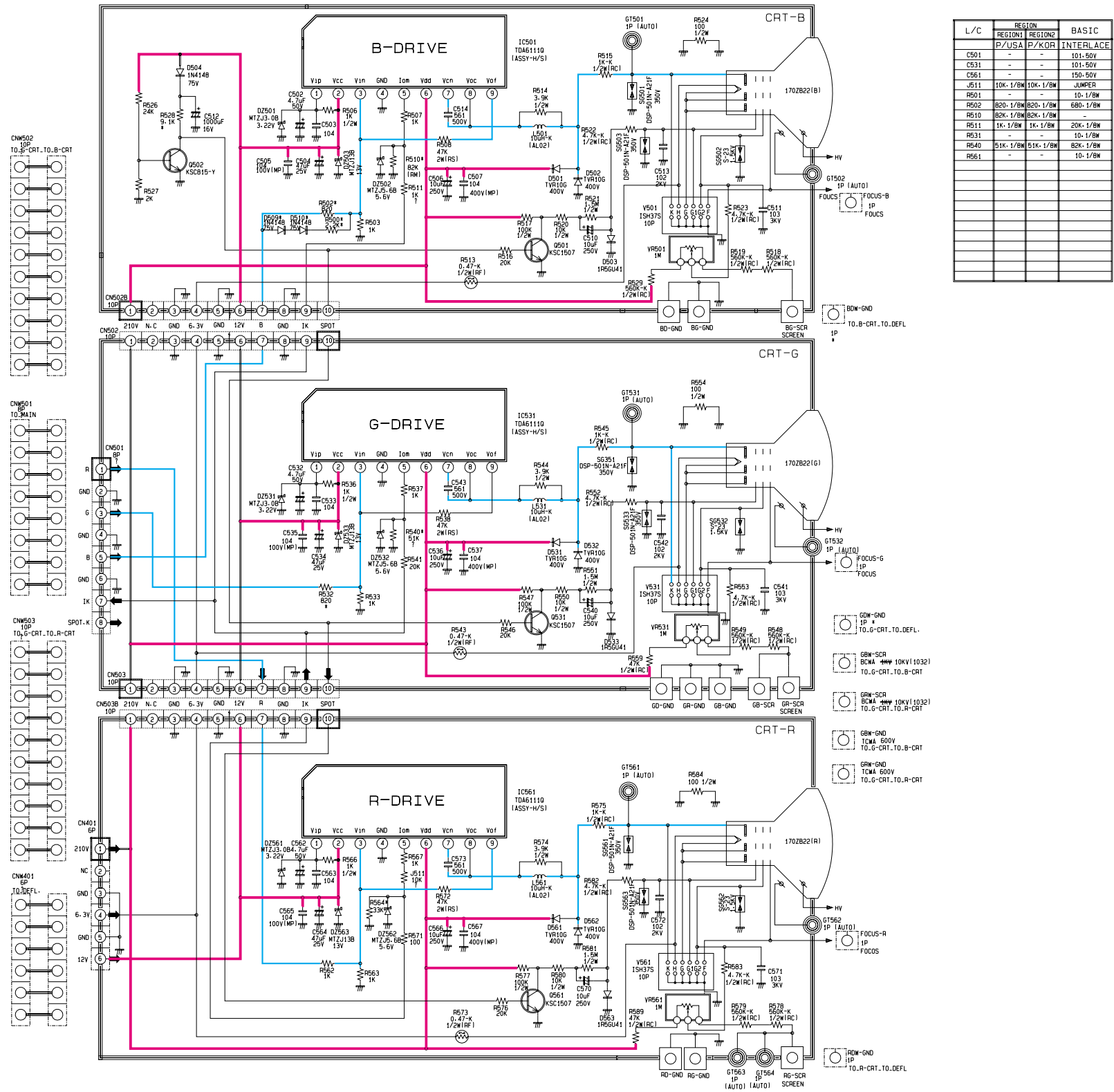
MODEL	USA	KOR
LOC/NO		
J140	JUMPER	-
J142	JUMPER	-
J176	-	JUMPER
J189	-	JUMPER
J190	-	JUMPER
L800	3mH/5A	10mH/5A
L801	1mH/5A	6mH/2.5A
L803	1mH/5A	6mH/2.5A
RB08A	JUMPER	200K-1/2W
RB09	200K-1/2W	-
RB16	-	10K-F-1/2W
RB33	150-2W	-

MODEL	USA	KOR
LOC/NO		
RB35	8-2K-1/2W	-
RB42	47K-2W	-
RB44	56K-2W	-
RB45	56K-2W	-
RB46	56K-2W	-
RB47	56K-2W	-
RB4B	240K-1/2W	-
RB50	4.7-2W-RF	B-2M-1/2W
RB91	4.7M-1/2W	B-2M-1/2W
RL802	12VDC-10A	-



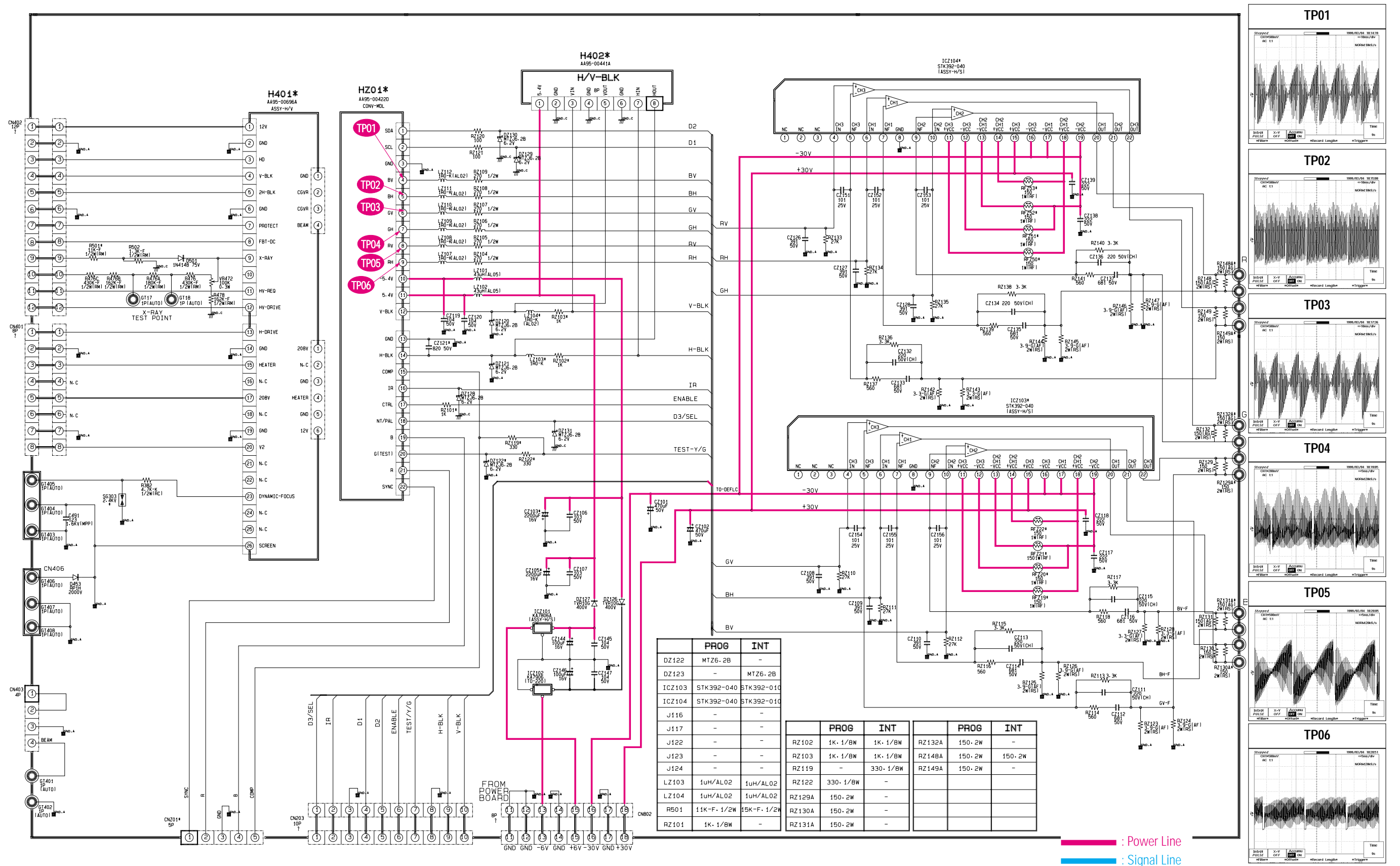
Power Line : —  
Signal Line : —

10-7 CRT

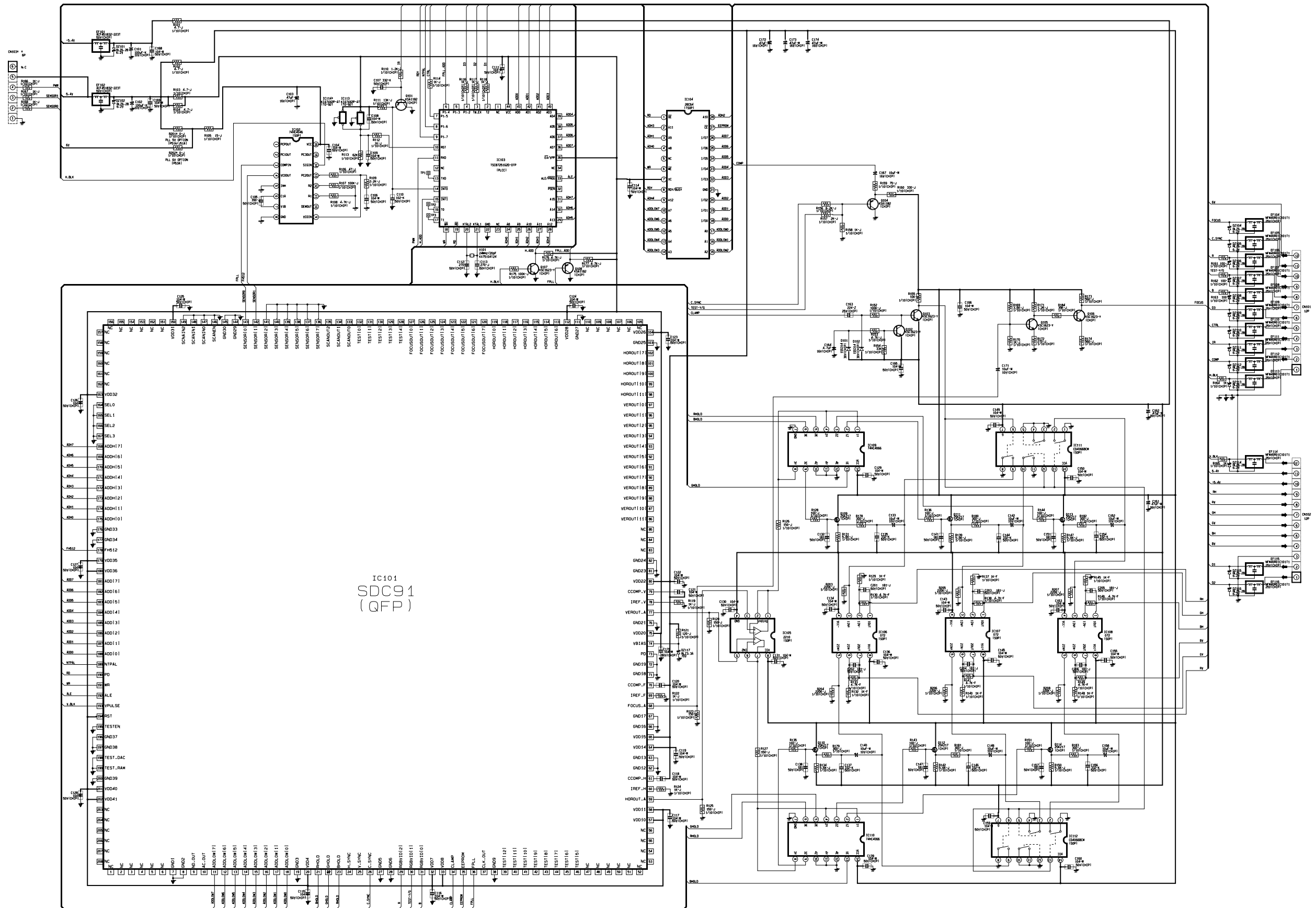


L/C	REGION		BASIC
	REGION1	REGION2	
C501	-	-	101-50V
C531	-	-	101-50V
C561	-	-	150-50V
J211	-	-	JUMPER
R501	10K-1/8W	10K-1/8W	10-1/8W
R502	820-1/8W	820-1/8W	680-1/8W
R510	82K-1/8W	82K-1/8W	-
R511	1K-1/8W	1K-1/8W	20K-1/8W
R531	-	-	10-1/8W
R540	51K-1/8W	51K-1/8W	82K-1/8W
R561	-	-	10-1/8W

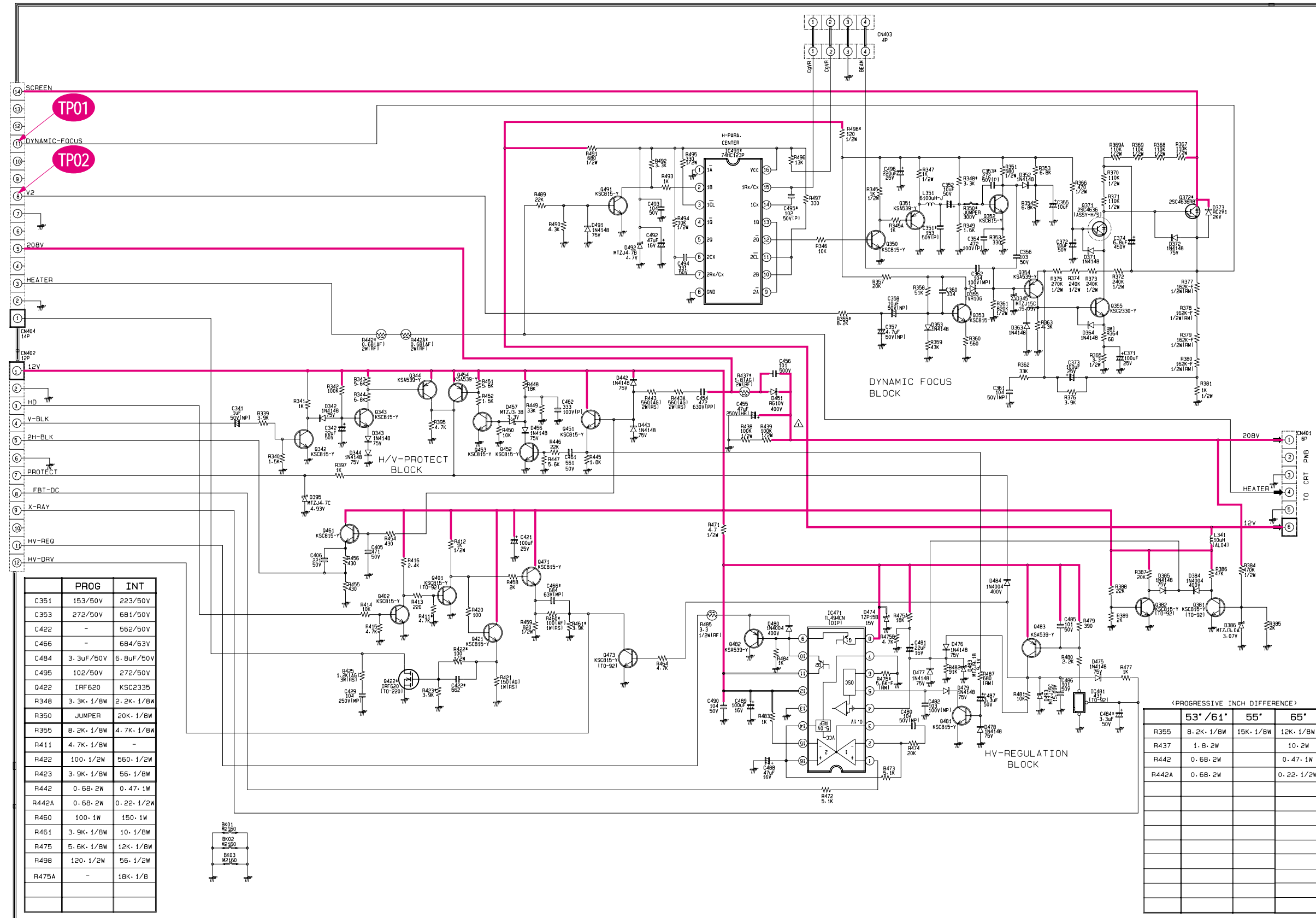
# 10-8 CONVERGENCE



# 10-9 CONVERGENCE MDL



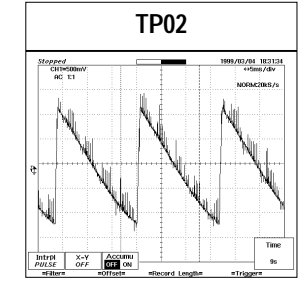
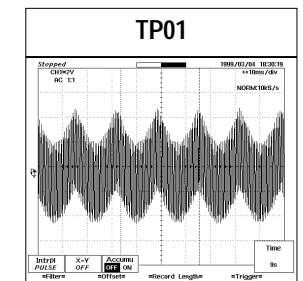
# 10-10 HV-MODULE



	PROG	INT
C351	153/50V	223/50V
C353	272/50V	681/50V
C422	-	562/50V
C466	-	684/63V
C484	3.3uF/50V	6.8uF/50V
C495	102/50V	272/50V
Q422	1RF620	KSC2335
R348	3.3K·1/BW	2.2K·1/BW
R350	JUMPER	20K·1/BW
R355	8.2K·1/BW	4.7K·1/BW
R411	4.7K·1/BW	-
R422	100·1/2W	560·1/2W
R423	3.9K·1/BW	56·1/BW
R442	0.68·2W	0.47·1W
R442A	0.68·2W	0.22·1/2W
R460	100·1W	150·1W
R461	3.9K·1/BW	10·1/BW
R475	5.6K·1/BW	12K·1/BW
R498	120·1/2W	56·1/2W
R475A	-	18K·1/B

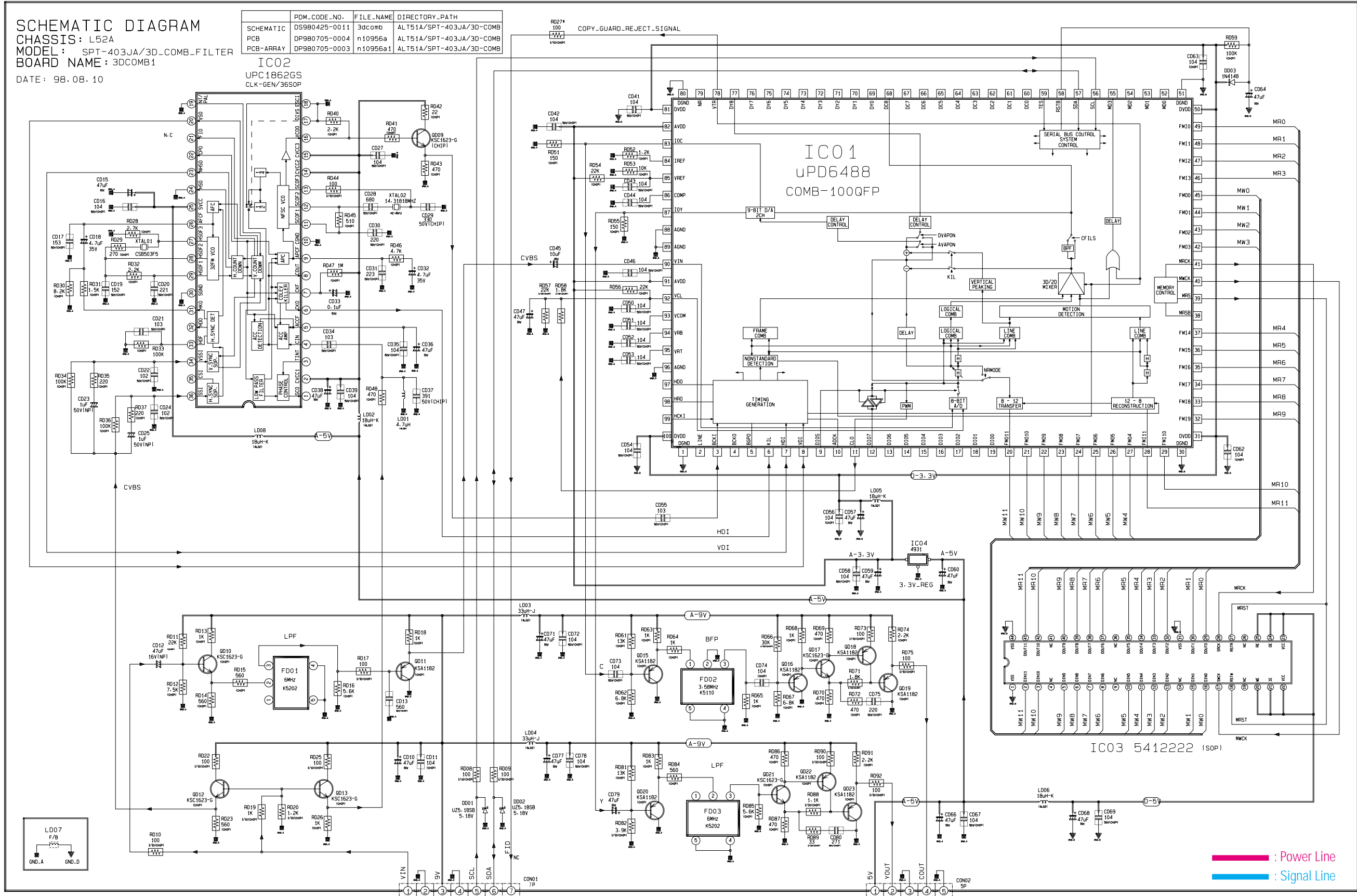
<PROGRESSIVE INCH DIFFERENCE>

	53" / 61"	55"	65"
R355	8.2K·1/BW	15K·1/BW	12K·1/BW
R437	1.8·2W	-	10·2W
R442	0.68·2W	-	0.47·1W
R442A	0.68·2W	-	0.22·1/2W

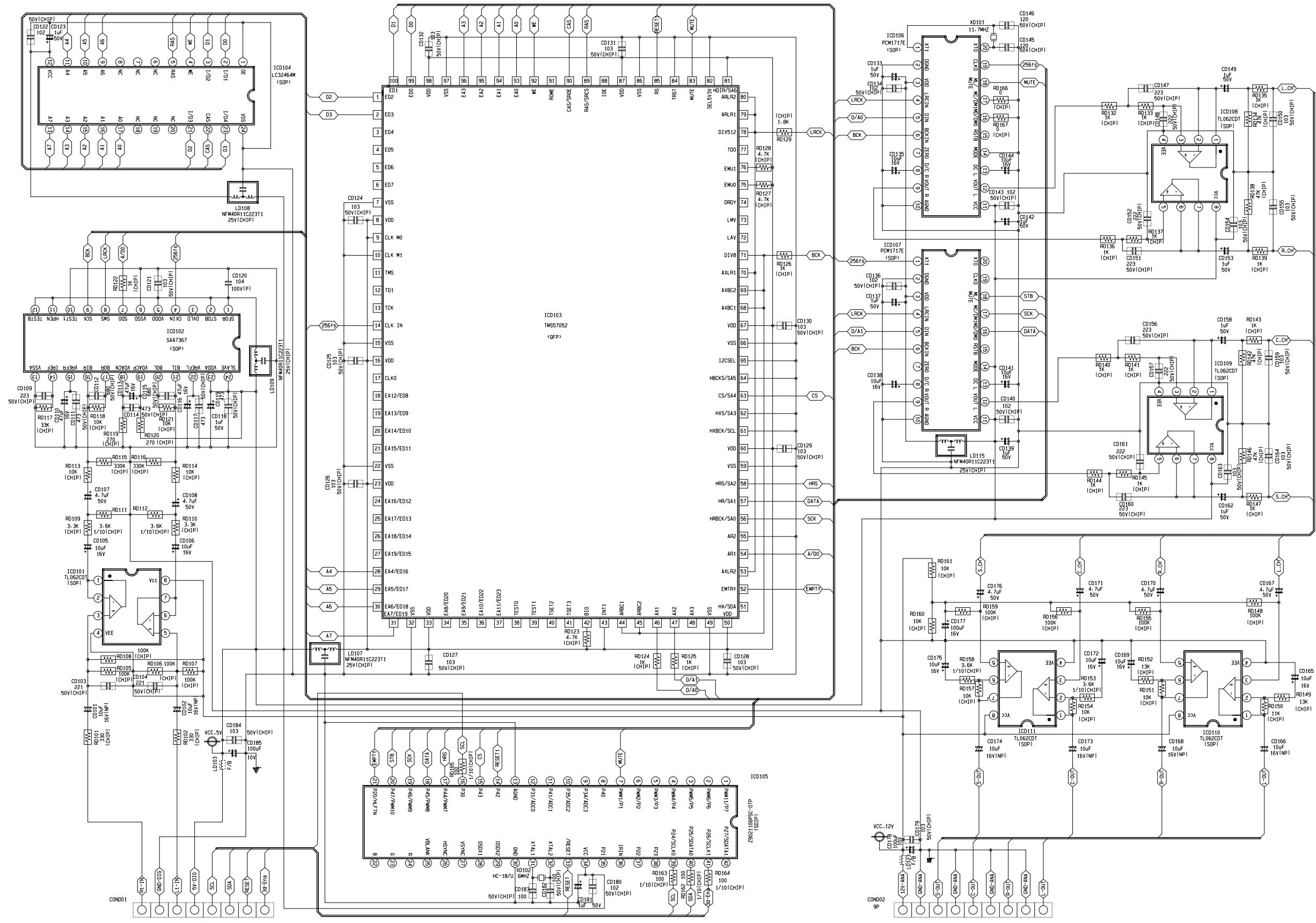


— : Power Line  
— : Signal Line

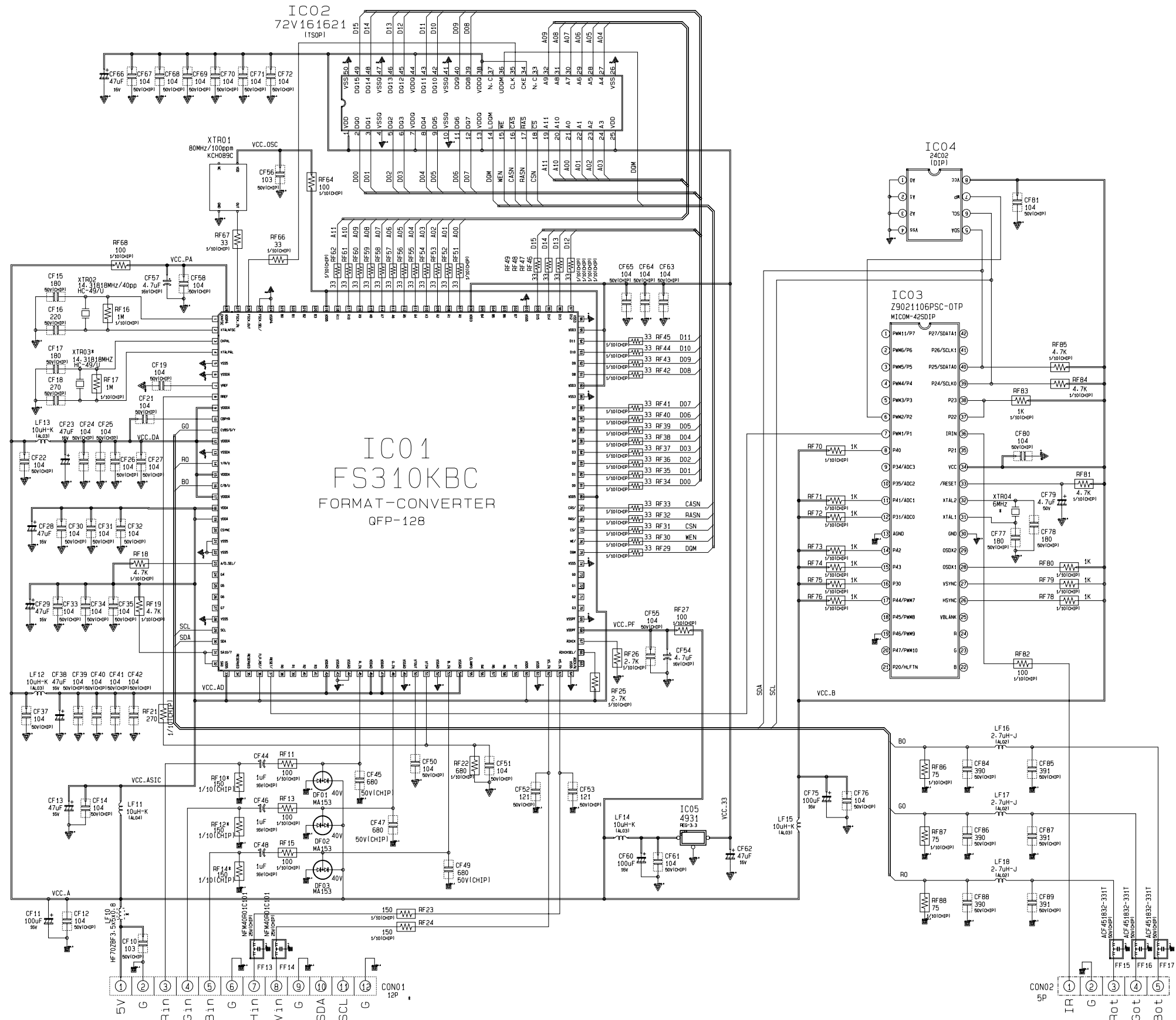
10-11 3D COMB



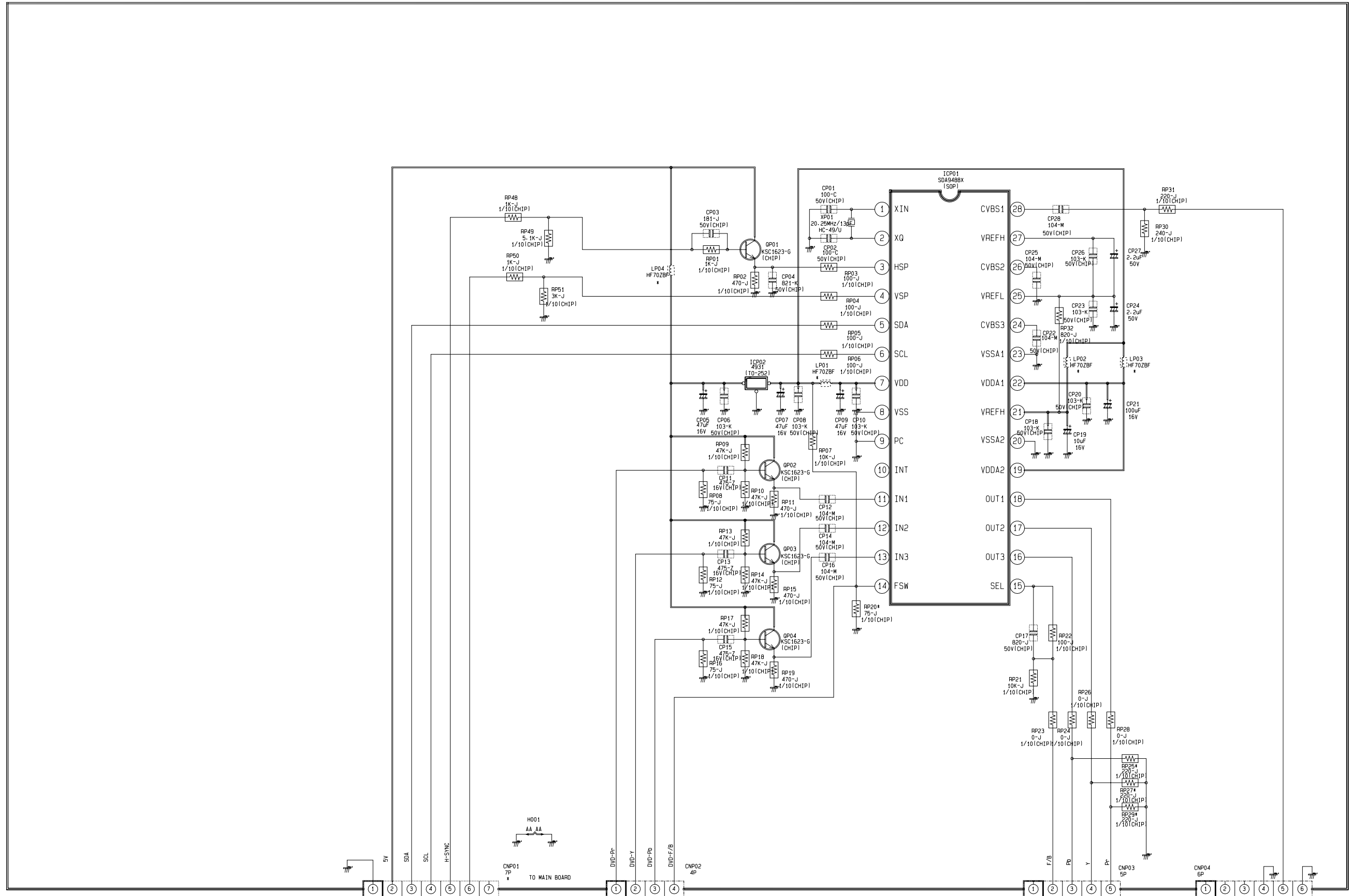
# 10-12 3D PHONIC



10-13 F/CONVERTER

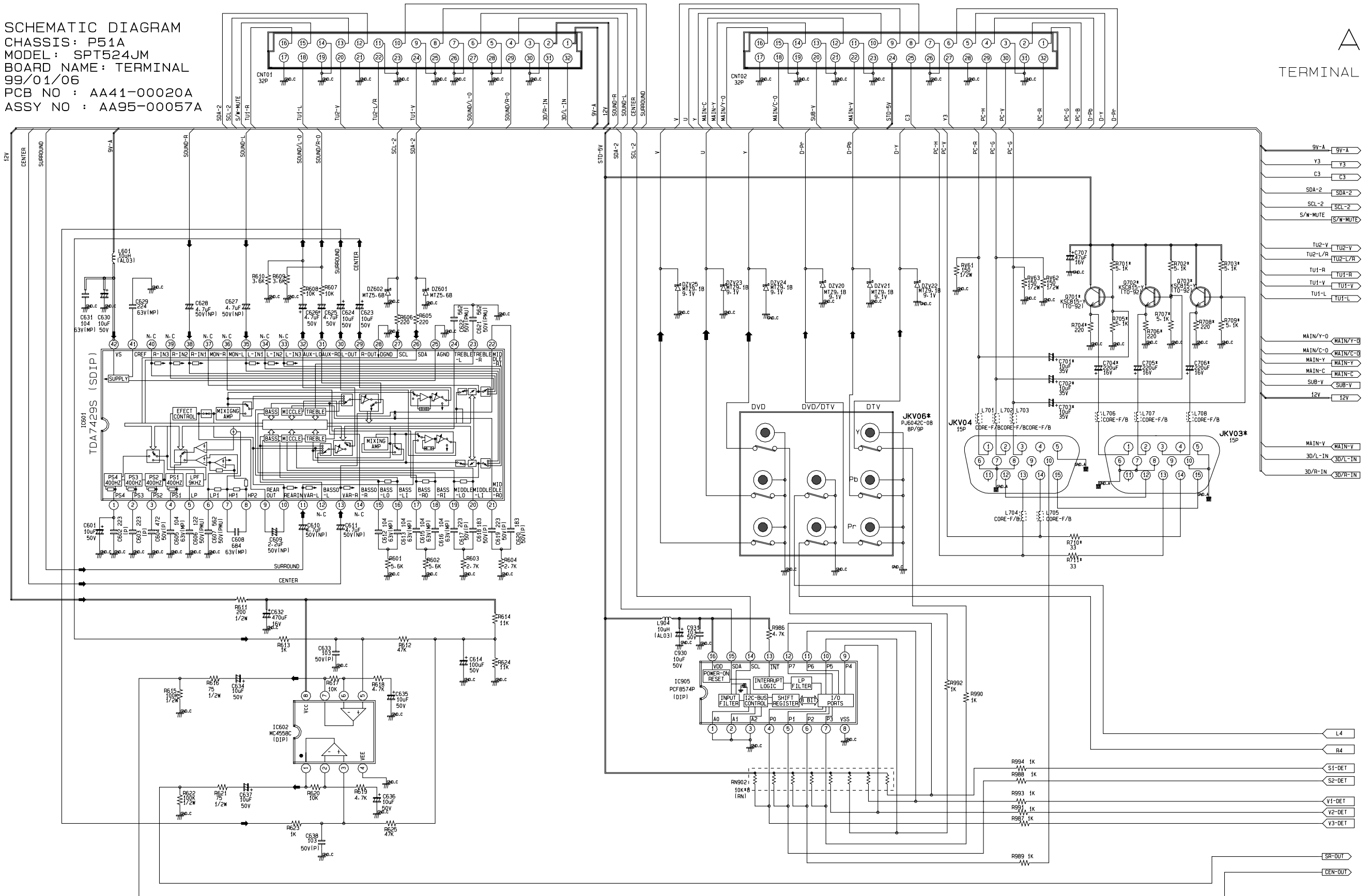


# 10-14 PIP

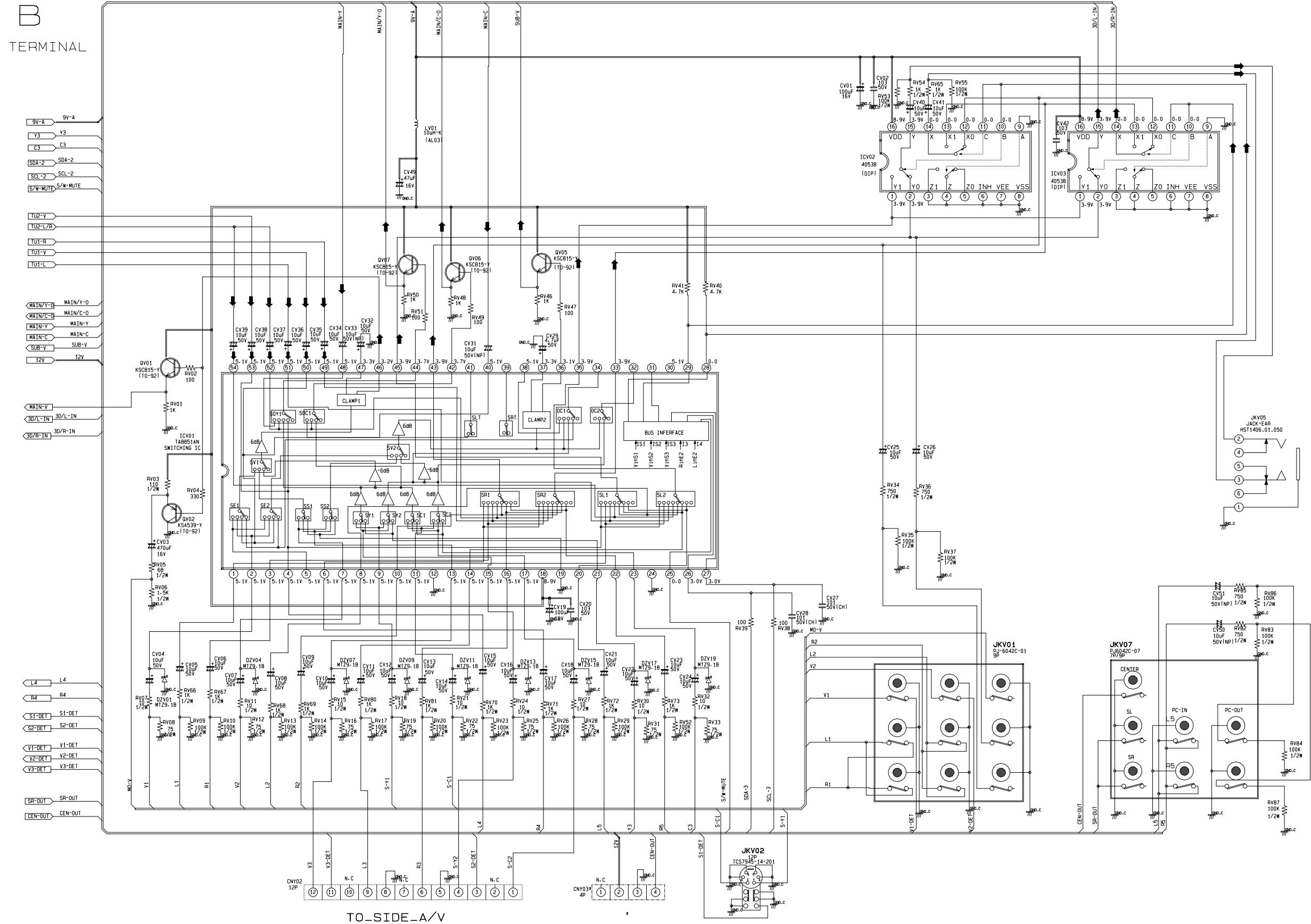


10-15 TERMINAL-1

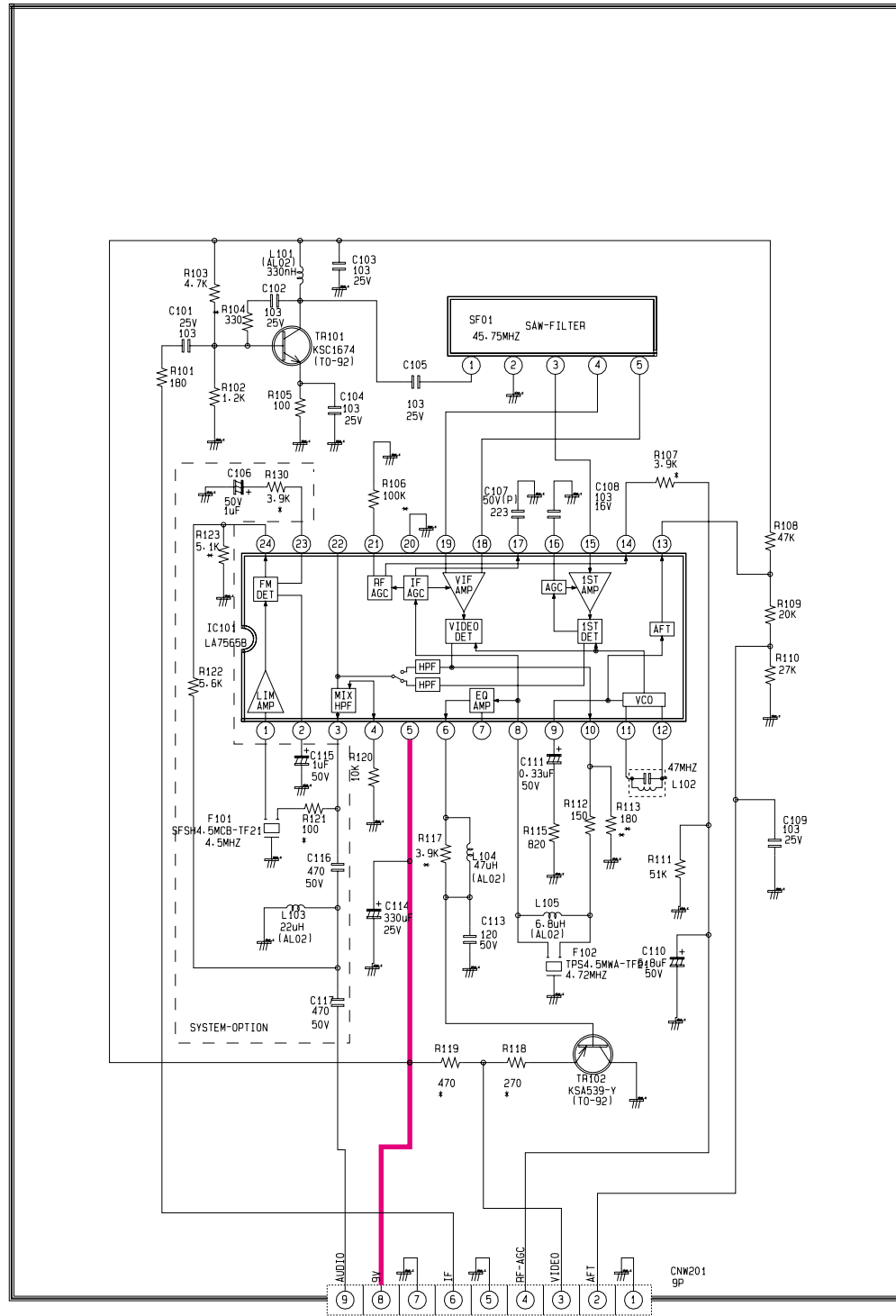
SCHEMATIC DIAGRAM  
 CHASSIS: P51A  
 MODEL: SPT524JM  
 BOARD NAME: TERMINAL  
 99/01/06  
 PCB NO: AA41-00020A  
 ASSY NO: AA95-00057A



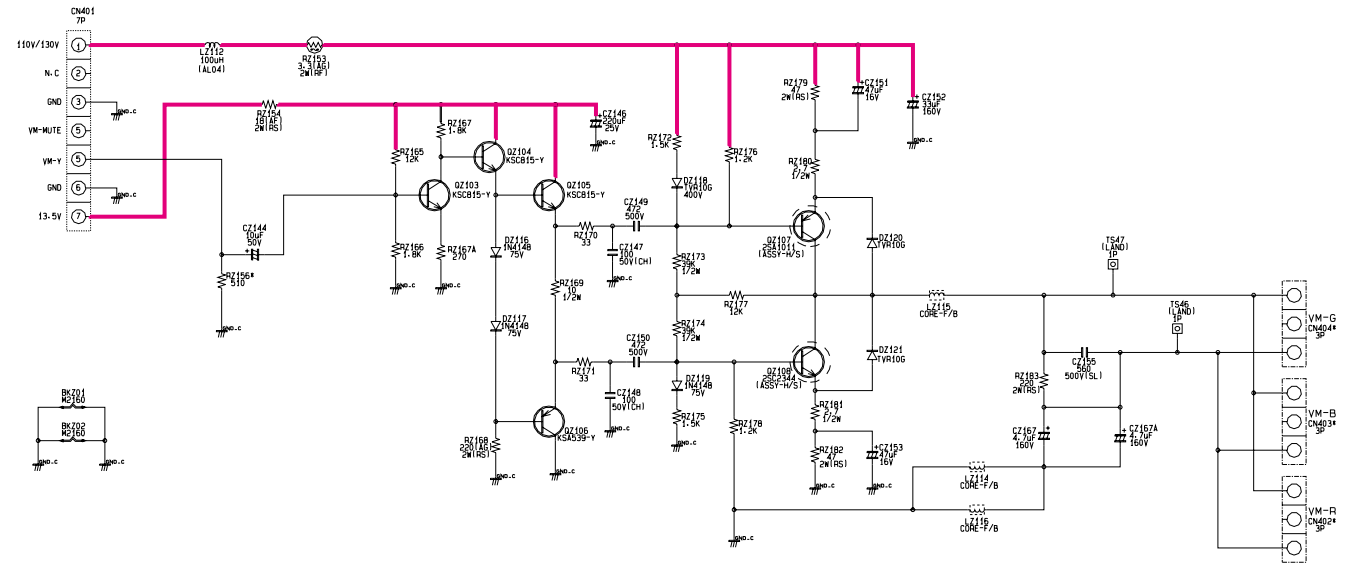
# 10-16 TERMINAL-2



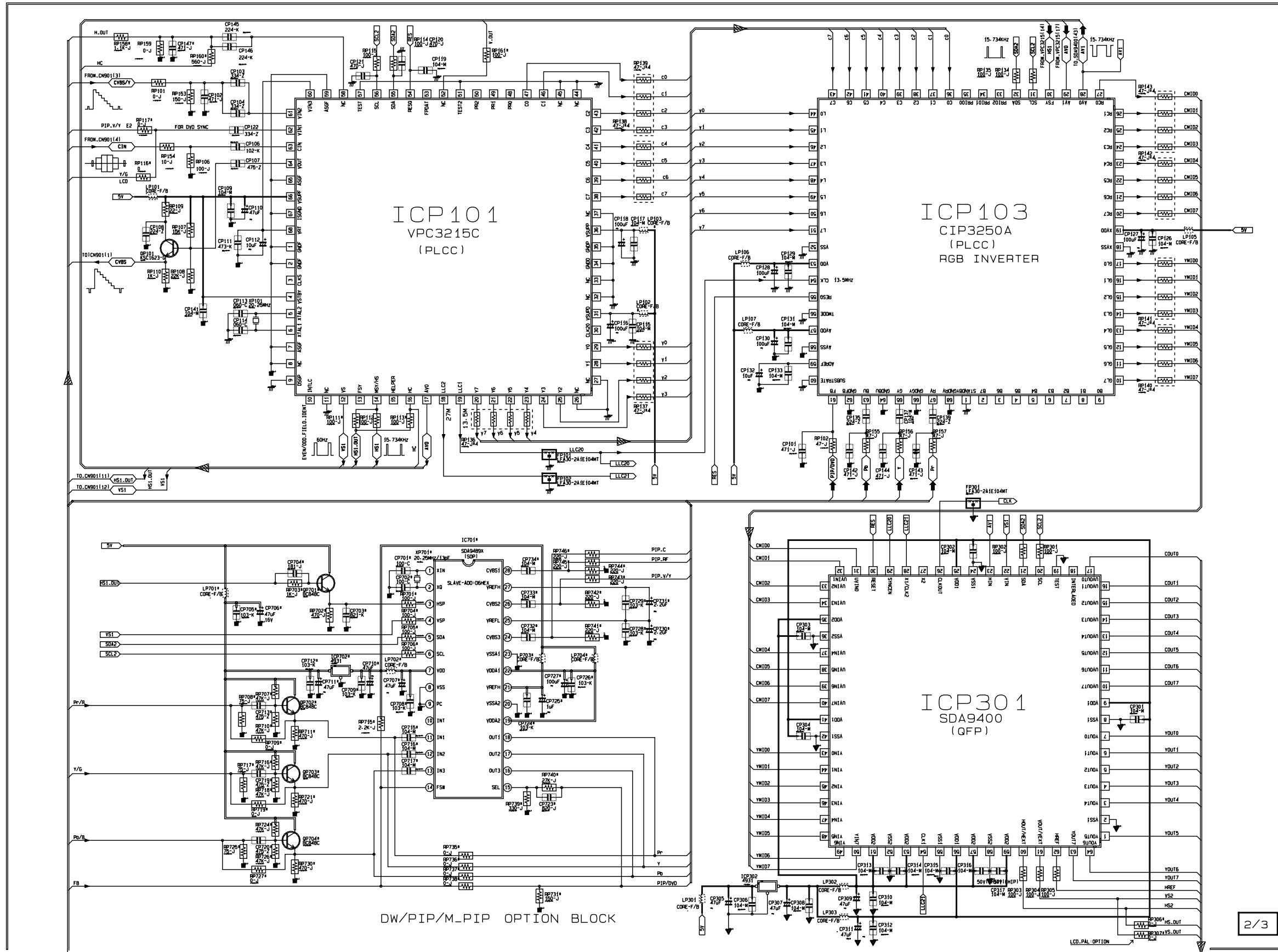
10-17 IF V/M MODULE



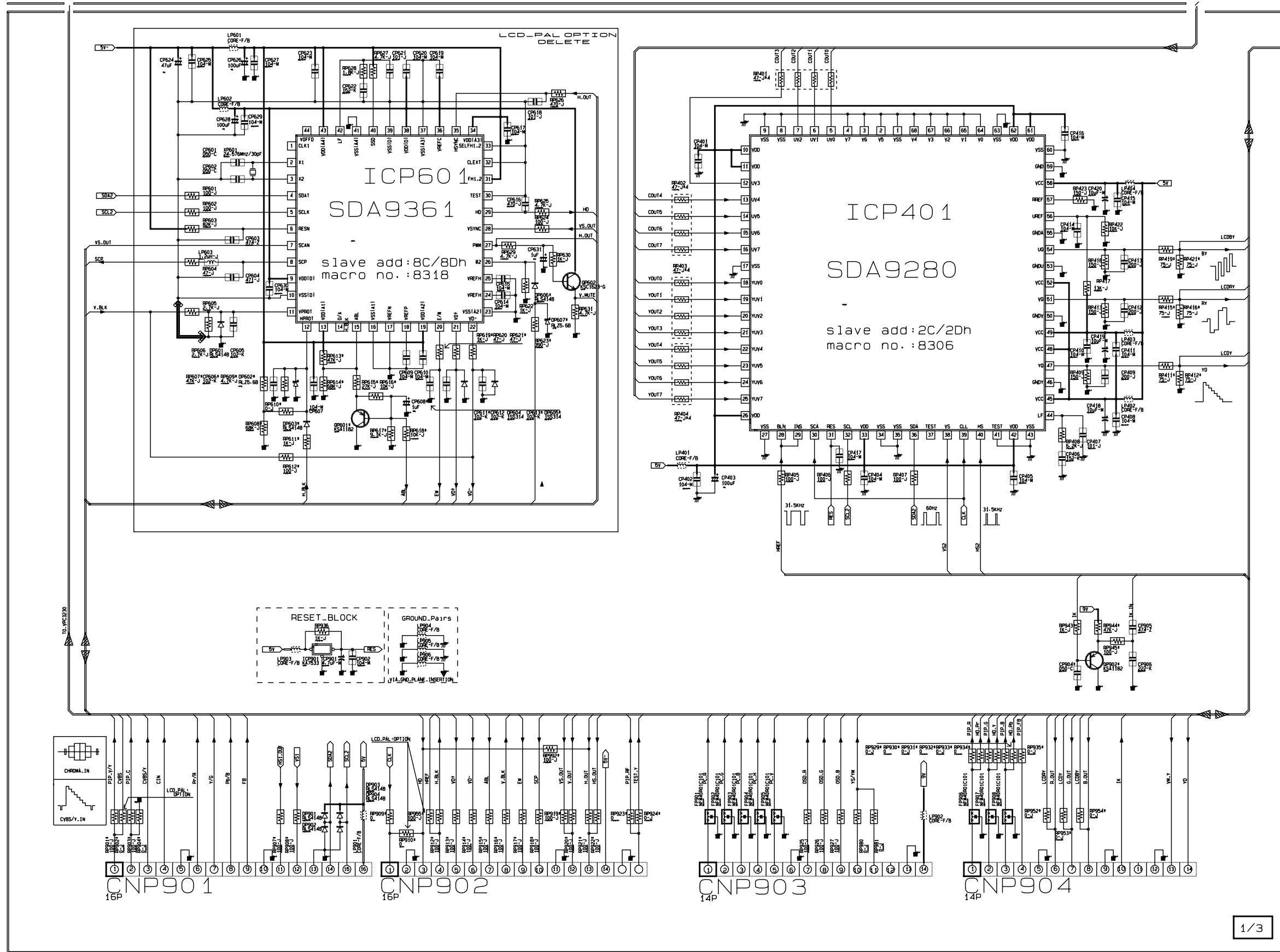
LOC.	KOR	USA
C117	50V47PF	JUMPER
C116	50V47PF	DEL
L103	AL0210UH	DEL
F101	DEL	SFSH4.5MCB
R121	DEL	1/BW100OHM
VR101	DEL	DEL
C106	DEL	50V1UF
C115	DEL	50V1UF
R123	DEL	1/BW5.1KOHM
R122	DEL	1/BW5.6KOHM
R130	DEL	1/BW3.9KOHM



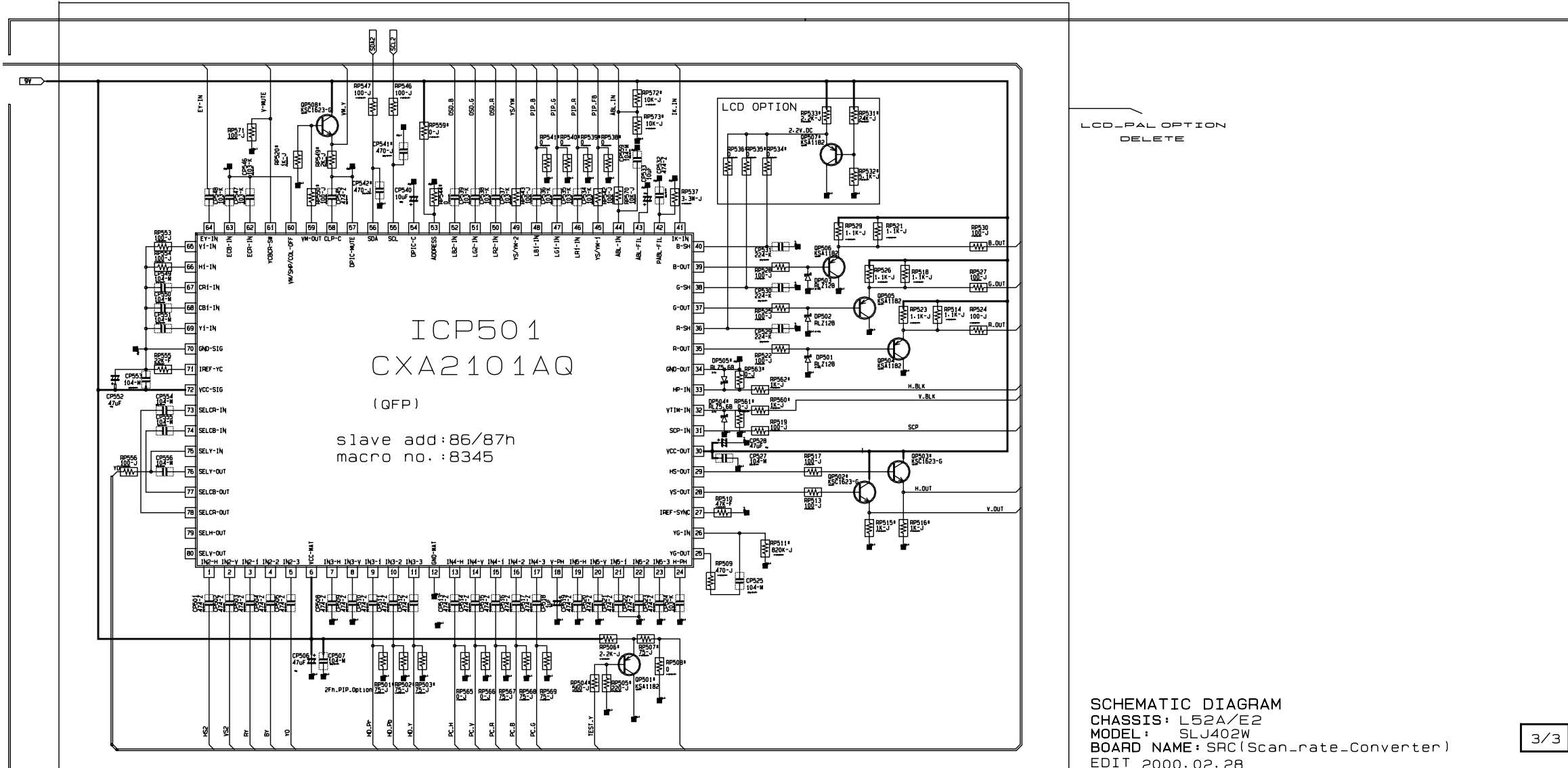
10-18 PROSCAN 1/3



10-19 PROSCAN 2/3



10-20 PROSCAN 3/3



SCHEMATIC DIAGRAM  
 CHASSIS: L52A/E2  
 MODEL: SLJ402W  
 BOARD NAME: SRC(Scan\_rate\_Converter)  
 EDIT 2000.02.28

3/3

LOCATION	SPEC	E2WISC	E2.PAL	LCWISC	LCD.PAL	LOCATION	SPEC	E2WISC	E2.PAL	LCWISC	LCD.PAL	LOCATION	SPEC	PIPI01	E2.PAL	PIPIx1	LOCATION	SPEC	PIPI01	E2.PAL	PIPIx1	LOCATION	SPEC	PIPI01	E2.PAL	PIPIx1
RP107	15K-J	0	X	0	0	RP563	0-J	0	0	0	-	RP701	100-J	0	X	X	RP746	220-J	0	X	X	ICP701	50A499X	0	X	X
RP108	22K-J	0	0-J	0	0	RP567	47K-J	X	X	0	-	RP702	47K-J	0	X	X	CP702	4931	0	X	X	ICP702	4931	0	X	X
RP109	22-J	0	X	0	0	RP568	68K-J	X	X	0	-	RP703	1K-J	0	X	X	LP701	CORE_F/B	0	X	X	LP701	CORE_F/B	0	X	X
RP110	1K-J	0	X	0	0	RP569	4.7K-J	0	0	X	-	RP704	100-J	0	X	X	LP702	CORE_F/B	0	X	X	LP702	CORE_F/B	0	X	X
RP111	100-J	X	X	0	0	RP570	0-J	0	0	X	-	RP705	100-J	0	X	X	CP704	181-J	0	X	X	LP703	CORE_F/B	0	X	X
RP113	100-J	0	0	X	X	RP571	0-J	X	X	0	-	RP706	100-J	0	X	X	CP705	103-K	0	X	X	LP704	CORE_F/B	0	X	X
RP116	0-J	X	X	X	0	RP572	1K-J	0	0	X	-	RP707	47K-J	0	X	X	CP706	47uF	0	X	X	QP701	BC84BC	0	X	X
RP117	0-J	0	0	0	0	RP573	100-J	X	X	0	-	RP708	75-J	0	X	X	CP707	47uF	0	X	X	QP702	BC84BC	0	X	X
RP159	75-J	X	X	0	0	RP574	27K-J	X	X	X	-	RP709	100-J	X	0	0	CP708	103-K	0	X	X	QP703	BC84BC	0	X	X
RP305	0-J	X	X	X	0	RP575	10K-J	X	X	X	-	RP710	47K-J	0	X	X	CP709	103-K	0	X	X	QP704	BC84BC	0	X	X
RP307	0-J	X	X	X	0	RP576	390-J	X	X	X	-	RP711	47K-J	0	X	X	CP710	47uF	0	X	X	XP701	20.25MHz	0	X	X
RP412*	75-J	0	0	0	0	CP606	102-K	X	X	X	-	RP715	2.2K-J	0	X	X	CP711	47uF	0	X	X	RP903	100-J	0	X	X
RP416*	150-J	0	0	0	X	CP611	102-K	0	0	X	-	RP716	47K-J	0	X	X	CP712	103-K	0	X	X	RP904	0-J	X	0	0
RP421*	150-J	0	0	0	X	CP613	102-K	0	0	X	-	RP717	75-J	0	X	X	CP713	475-Z	0	X	X	RP923	0-J	0	X	X
RP501	75-J	0	0-J	0	-	CP904	050-C	0	0	X	X	RP718	47K-J	0	X	X	CP715	104-M	0	X	X					
RP502	75-J	0	0-J	0	-	CP905	474-Z	0	0	0	X	RP719	0-J	X	0	0	CP716	104-M	0	X	X					
RP503	75-J	0	0-J	0	-	RP913	100-J	0	0	X	X	RP721	470-J	0	X	X	CP717	104-M	0	X	X					
RP504	560-J	0	0	X	-	RP914	100-J	0	0	X	X	RP724	47K-J	0	X	X	CP719	475-Z	0	X	X					
RP505	220-J	0	0	X	-	RP915	100-J	0	0	X	X	RP725	75-J	0	X	X	CP720	475-Z	0	X	X					
RP506	390-J	0	0	X	-	CP108	224-Z	0	0	X	0	RP726	47K-J	0	X	X	CP723	820-J	0	X	X					
RP507	75-J	0	0	X	-	CP606	102-K	X	X	X	-	RP727	0-J	X	0	0	CP724	103-K	0	X	X					
RP508	0-J	X	X	0	-	CP611	102-K	0	0	X	-	RP730	470-J	0	X	X	CP725	1uF	0	X	X					
RP534	0-J	X	X	0	-	CP613	102-K	0	0	X	-	RP731	151-J	X	0	0	CP726	103-K	0	X	X					
RP535	0-J	X	X	0	-	CP904	050-C	0	0	X	X	RP735	0-J	X	0	0	CP727	100uF	0	X	X					
RP536	0-J	X	X	0	-	CP905	474-Z	0	0	0	X	RP736	0-J	X	0	0	CP728	103-K	0	X	X					
RP538	0-J	0	X	0	-	DP904	D125-1A	0	X	X	X	RP737	0-J	X	0	0	CP729	103-K	0	X	X					
RP539	0-J	0	X	0	-	DP905	D125-1A	0	X	X	X	RP738	0-J	X	100-J	0	CP730	2.2uF	0	X	X					
RP540	0-J	0	X	0	-	DP906	D125-1A	0	0	X	X	RP739	330-J	0	X	X	CP731	2.2uF	0	X	X					
RP541	0-J	0	X	0	-	DP907	D125-1A	0	0	X	X	RP740	330-J	0	X	X	CP732	104-M	0	X	X					
RP544	0-J	0	X	0	-	DP908	RL5414B	0	0	X	X	RP741	220-J	0	X	X	CP733	104-M	0	X	X					
RP550	0-J	X	X	0	-	DP909	1S5314	0	0	0	X	RP742	220-J	0	X	X	CP734	104-M	0	X	X					
RP560	1K-J	X	X	X	-	DP910	RL5414B	0	0	X	X	RP743	220-J	0	X	X	RP903	100-J	0	X	X					
RP561	0-J	0	0	0	-	DP911	D125-1A	0	0	X	X	RP744	220-J	0	X	X	RP904	0-J	X	0	0					
RP562	1K-J	X	X	X	-	DP912	D125-1A	0	0	0	X	RP745	220-J	0	X	X	RP923	0-J	0	X	X					

Power Line  
 Signal Line

# 10-21 CHROMA (INTERLACE ONLY)

