

STR-DE625/V616

SERVICE MANUAL

US Model
Canadian Model
STR-DE625
Chinese Model
STR-V616



Photo : STR-DE625

Dolby Laboratories Licensing Corporation.
"DOLBY" the double-D symbol $\square\square$ "AC-3" and "PRO LOGIC"
are trademarks of Dolby Laboratories Licensing Corporation.

SPECIFICATIONS

AUDIO POWER SPECIFICATIONS

POWER OUTPUT AND TOTAL HARMONIC DISTORTION:

With 8 ohm loads, both channels driven, from 20 - 20,000 Hz; rated 100 watts per channel minimum RMS power, with no more than 0.09% total harmonic distortion from 250 milliwatts to rated output.

Amplifier section

POWER OUTPUT

Stereo mode (8 ohms 20 Hz - 20 kHz, THD 0.09%) 100 W + 100 W

Surround mode

(8 ohms at 1 kHz, THD 0.8%)
Front: 100 W/ch
Center^{a)}: 100 W
Rear^{a)}: 100 W/ch

a) Depending on the sound field settings and the source, there may be no sound output.

5.1/DVD mode (8 ohms at 1 kHz, THD 0.8%)

Front: 100 W/ch
Center: 100 W
Rear: 100 W/ch

Dynamic power output

155 W + 155 W, 8 ohms
220 W + 220 W, 4 ohms

Frequency response

PHONO: RIAA equalization curve ± 0.5 dB
CD, TAPE/MD, VIDEO 1, 2, : 10 Hz - 50 kHz $+0.5/-2$ dB (with sound field, tone, and bass booster bypassed)

Inputs

PHONO: Sensitivity: 1.5 mV
Impedance: 50 kilohms
S/N^{b)}: 75 dB (A, 2.5 mV^{c)})

CD:

Sensitivity: 150 mV
Impedance: 50 kilohms
S/N^{b)}: 82 dB (A, 150 mV^{c)})

TAPE/MD, VIDEO 1, 2, VIDEO 3, TV/DBS(TV/LD):

Sensitivity: 150 mV
Impedance: 50 kilohms
S/N^{b)}: 82 dB (A, 150 mV^{c)})

5.1/DVD INPUT

Sensitivity: 150 mV
Impedance: 50 kilohms
S/N^{b)}: 82 dB (A, 150 mV^{c)})

b) 78' IHF

c) Weighted network, input level



SONY®

Outputs	AUDIO OUT: Voltage: 150 mV Impedance: 10 kilohms WOOFER: Voltage: 2 V Impedance: 1 kilohm PHONES: Accepts low- and high-impedance headphones
BASS BOOST	+10 dB at 70 Hz
TONE	±8 dB at 100 Hz and 10 kHz

FM tuner section

Tuning range	87.5 - 108.0 MHz
Antenna terminals	75 ohms, unbalanced
Sensitivity	Mono: 18.3 dBf, 4.5 μV Stereo: 38.3 dBf, 45 μV
Usable sensitivity	11.2 dBf, 2 μV (IHF)
S/N	Mono: 76 dB Stereo: 70 dB
Harmonic distortion at 1 kHz	Mono: 0.3% Stereo: 0.5%
Separation	45 dB at 1 kHz
Frequency response	30 Hz - 15 kHz +0.5/ -2 dB
Selectivity	60 dB at 400 kHz

AM tuner section

Tuning range	With 10-kHz tuning scale: 530 - 1710 kHz (USA and Canada only ^d) 530 - 1610 kHz (all other countries) With 9-kHz tuning scale: 531 - 1710 kHz (USA and Canada only) 531 - 1602 kHz (all other countries ^d)
--------------	---

Antenna	Loop antenna
Usable sensitivity	50 dB/m (at 1,000 kHz or 999 kHz)
S/N	54 dB (at 50 mV/m)
Harmonic distortion	0.5 % (50 mV/m, 400 kHz)
Selectivity	At 10 kHz: 40 dB At 9 kHz: 35 dB

d) You can change the AM tuning scale to 9 kHz (USA and Canada only) or to 10 kHz (all countries except USA, Canada). After tuning in any AM station, turn off the receiver. Press down the TUNING + or PRESET TUNING + button and press the I/⊙ button. All preset stations will be reset to their factory settings when you change the tuning scale. To reset the scale to 10 kHz (or 9 kHz), repeat the procedure.

Video section

Inputs	1 Vp-p 75 ohms
Outputs	1 Vp-p 75 ohms

General

System	Tuner section: PLL quartz-locked digital synthesizer system Preamplifier section: Low-noise NF type equalizer Power amplifier section: Pure-complementary SEPP
--------	--

Power requirements

USA and Canada:	120 V AC, 60 Hz
All other countries:	120/240/220 V AC selectable, 50/60 Hz

Power consumption

Canada:	400 VA
All other countries:	250 W

AC outlets	2 switched, total 100 W
------------	----------------------------

Dimensions	430 × 157.5 × 370 mm (17 × 6 ¹ / ₄ × 14 ⁵ / ₈ inches) including projecting parts and controls
------------	---

Mass (approx.)	9.1 kg (20 lb 1 oz)
----------------	---------------------

Design and specifications are subject to change without notice.

SAFETY CHECK-OUT

After correcting the original service problem, perform the following safety checks before releasing the set to the customer: Check the antenna terminals, metal trim, “metallized” knobs, screws, and all other exposed metal parts for AC leakage. Check leakage as described below.

LEAKAGE

The AC leakage from any exposed metal part to earth ground and from all exposed metal parts to any exposed metal part having a return to chassis, must not exceed 0.5 mA (500 microampers). Leakage current can be measured by any one of three methods.

1. A commercial leakage tester, such as the Simpson 229 or RCA WT-540A. Follow the manufacturers’ instructions to use these instruments.
2. A battery-operated AC milliammeter. The Data Precision 245 digital multimeter is suitable for this job.
3. Measuring the voltage drop across a resistor by means of a VOM or battery-operated AC voltmeter. The “limit” indication is 0.75 V, so analog meters must have an accurate low-voltage scale. The Simpson 250 and Sanwa SH-63Trd are examples of a passive VOM that is suitable. Nearly all battery operated digital multimeters that have a 2V AC range are suitable. (See Fig. A)

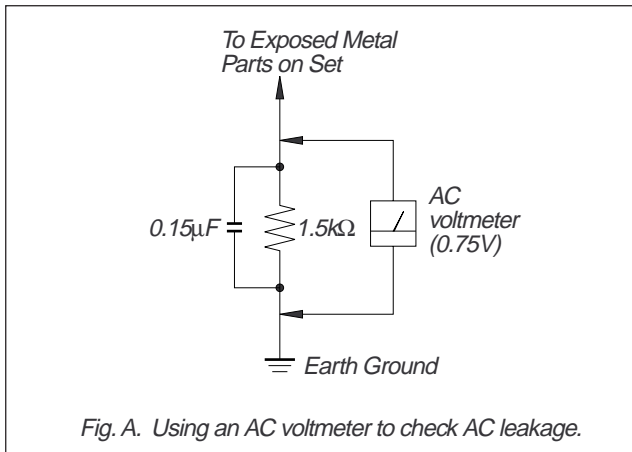


Fig. A. Using an AC voltmeter to check AC leakage.

TABLE OF CONTENTS

1. GENERAL	4
2. TEST MODE	6
3. DIAGRAMS	
3-1. Circuit Boards Location	7
3-2. Block Diagram — Main Section —	9
3-3. Block Diagram — Power Section —	11
3-4. Printed Wiring Board — AMP Section —	13
3-5. Schematic Diagram — AMP Section —	15
3-6. Printed Wiring Board — Video Section —	17
3-7. Schematic Diagram — Video Section —	19
3-8. Printed Wiring Board — S VIDEO Section —	21
3-9. Schematic Diagram — S VIDEO Section —	23
3-10. Printed Wiring Board — Input Section —	25
3-11. Schematic Diagram — Input Section —	27
3-12. Printed Wiring Board — Display Section —	29
3-13. Schematic Diagram — Display Section —	31
3-14. Printed Wiring Board — Power Section —	33
3-15. Schematic Diagram — Power Section —	35
3-16. IC Pin Function Description	37
3-17. IC Block Diagrams	39
4. EXPLODED VIEWS	
4-1. Front Panel Section	42
4-2. Chassis Section	43
5. ELECTRICAL PARTS LIST	44

SAFETY-RELATED COMPONENT WARNING!!

COMPONENTS IDENTIFIED BY MARK \triangle OR DOTTED LINE WITH MARK \triangle ON THE SCHEMATIC DIAGRAMS AND IN THE PARTS LIST ARE CRITICAL TO SAFE OPERATION. REPLACE THESE COMPONENTS WITH SONY PARTS WHOSE PART NUMBERS APPEAR AS SHOWN IN THIS MANUAL OR IN SUPPLEMENTS PUBLISHED BY SONY.

ATTENTION AU COMPOSANT AYANT RAPPORT À LA SÉCURITÉ!

LES COMPOSANTS IDENTIFIÉS PAR UNE MARQUE \triangle SUR LES DIAGRAMMES SCHÉMATIQUES ET LA LISTE DES PIÈCES SONT CRITIQUES POUR LA SÉCURITÉ DE FONCTIONNEMENT. NE REMPLACER CES COMPOSANTS QUE PAR DES PIÈCES SONY DONT LES NUMÉROS SONT DONNÉS DANS CE MANUEL OU DANS LES SUPPLÉMENTS PUBLIÉS PAR SONY.

SECTION 1 GENERAL

LOCATION AND FUNCTION OF CONTROLS [FRONT PANEL]

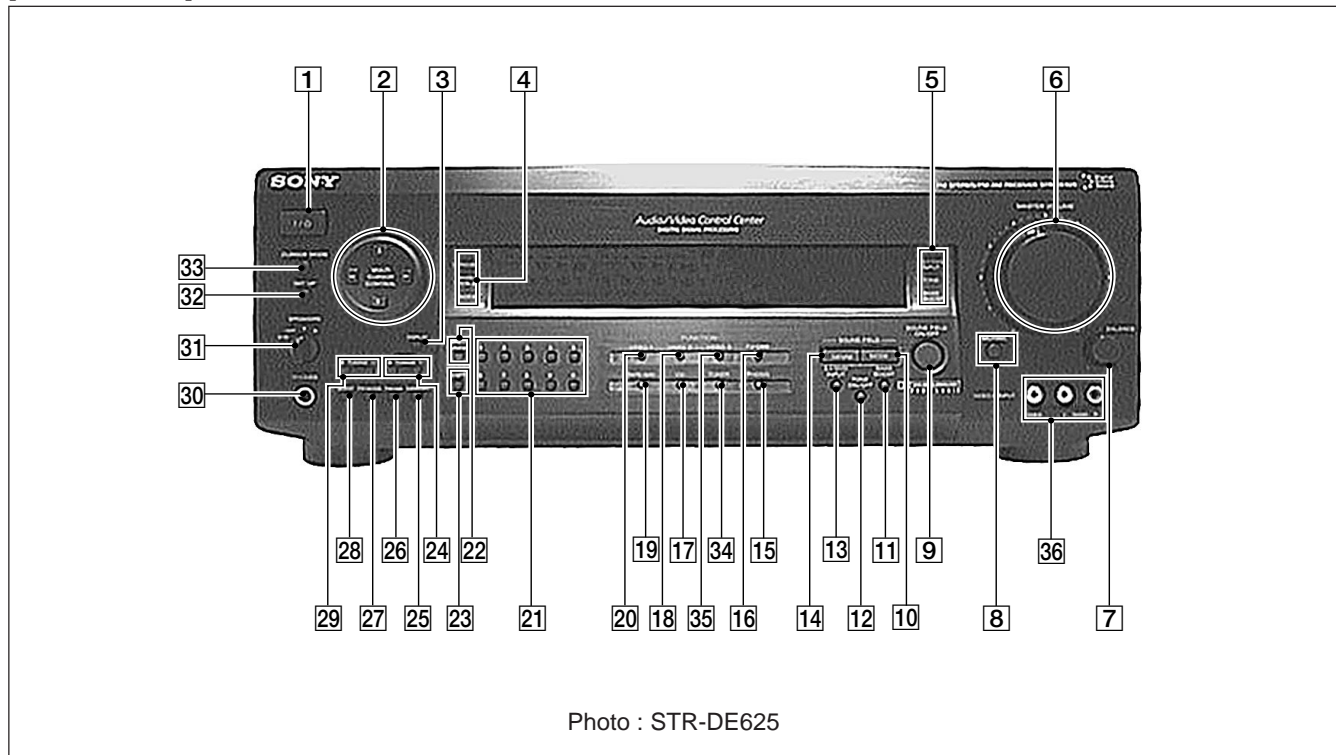
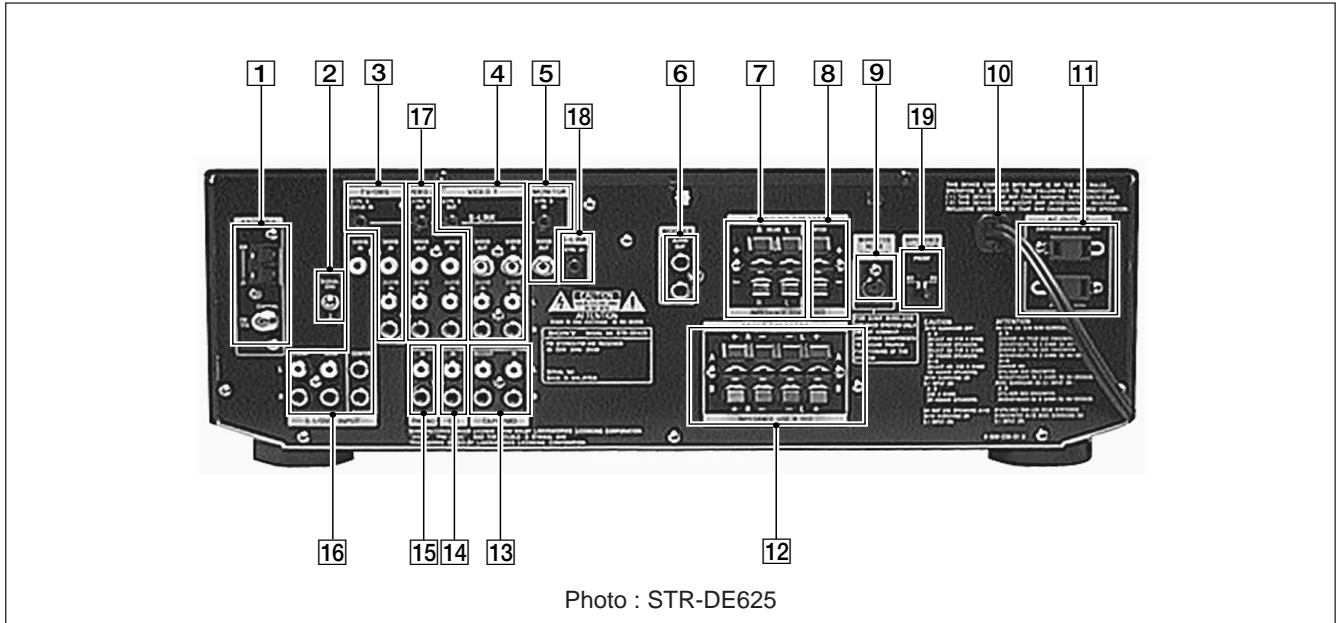


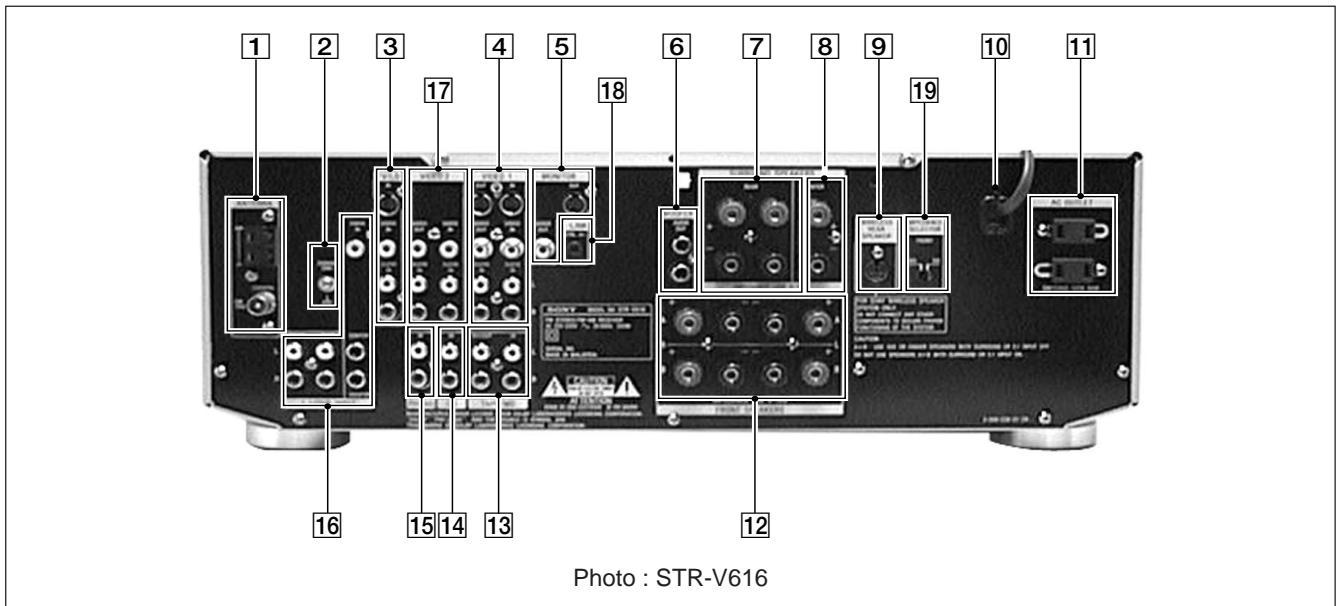
Photo : STR-DE625

- | | | | |
|-----------|---|-----------|----------------------------|
| 1 | I/⏻ (POWER) button | 19 | TAPE/MD button |
| 2 | MULTI CURSOR CONTROL | 20 | VIDEO 1 buttons |
| 3 | DISPLAY REAR LEVEL +, – buttons | 21 | Numeric buttons |
| 4 | SURROUND, BASS/TREBLE, INDEX indicators | 22 | DIRECT TUNING button |
| 5 | 5.1/DVD, TONE, BASS BOOST indicators | 23 | SHIFT buttons |
| 6 | MASTER VOLUME control | 24 | PRESET TUNING +, – buttons |
| 7 | BALANCE control | 25 | MEMORY button |
| 8 | MUTING button | 26 | FM/AM button |
| 9 | SOUND FIELD ON/OFF button | 27 | FM MODE button |
| 10 | SOUND FIELD MODE button | 28 | SLEEP button |
| 11 | BASS BOOST button | 29 | TUNING +, – buttons |
| 12 | TONE ON/OFF button | 30 | PHONES jack |
| 13 | 5.1/DVD INPUT button | 31 | SPEAKERS A, B switches |
| 14 | SOUND FIELD GENRE button | 32 | SET UP button |
| 15 | PHONO button | 33 | CURSOR MODE button |
| 16 | TV/DBS button (DE625) | 34 | TUNER button |
| 16 | TV/LD button (V616) | 35 | VIDEO 3 button |
| 17 | CD button | 36 | VIDEO 3 INPUT |
| 18 | VIDEO 2 button | | |

[REAR PANEL]



- | | |
|------------------------------|-------------------------|
| 1 ANTENNA (FM/AM) | 11 AC OUTLET |
| 2 ʘ SIGNAL GND | 12 FRONT SPEAKERS (A/B) |
| 3 TV/DBS | 13 TAPE/MD |
| 4 VIDEO 1 | 14 CD |
| 5 MONITOR | 15 PHONO |
| 6 WOOFER | 16 5.1/DVD INPUT |
| 7 SURROUND SPEAKERS (REAR) | 17 VIDEO 2 |
| 8 SURROUND SPEAKERS (CENTER) | 18 S-LINK |
| 9 WIRELESS REAR SPEAKER | 19 IMPEDANCE SELECTOR |
| 10 AC power cord | |



- | | |
|------------------------------|-------------------------|
| 1 ANTENNA (FM/AM) | 11 AC OUTLET |
| 2 ʘ SIGNAL GND | 12 FRONT SPEAKERS (A/B) |
| 3 TV/LD | 13 TAPE/MD |
| 4 VIDEO 1 | 14 CD |
| 5 MONITOR | 15 PHONO |
| 6 WOOFER | 16 5.1/DVD INPUT |
| 7 SURROUND SPEAKERS (REAR) | 17 VIDEO 2 |
| 8 SURROUND SPEAKERS (CENTER) | 18 S-LINK |
| 9 WIRELESS REAR SPEAKER | 19 IMPEDANCE SELECTOR |
| 10 AC power cord | |

SECTION 2 TEST MODE

SOFTWARE VERSION DISPLAY MODE

* The software version is displayed.

* Procedure:

While depressing the TUNER and the BASS BOOST buttons simultaneously, press the power [I/⏻] button to turn on the main power. The software version is displayed.

KEY TEST MODE

* All keys are tested.

* Procedure:

While depressing the CD and the BASS BOOST buttons simultaneously, press the power [I/⏻] button to turn on the main power. The message REST40 appears. When the respective keys are pressed one after another, the number decrements in the order of REST39, REST38, and so on.

FLUORESCENT INDICATOR TUBE TEST MODE

* All fluorescent segments are tested. When this test is activated, all segments turn on at the same time, then each segment turns on one after another.

* Procedure:

While depressing the TV/LD and the BASS BOOST buttons simultaneously, press the power [I/⏻] button to turn on the main power. All segments turn on at the same time, then each segment turns on one after another.

FACTORY SET MODE

* All preset contents are reset to the default setting.

* Procedure:

While depressing the VIDEO and the BASS BOOST buttons simultaneously, press the power [I/⏻] button to turn on the main power. The message FACTORY appears and the present contents are reset to the default values.

ALL CLEAR MODE

* All preset contents are cleared when this mode is activated. Use this mode before returning the product to clients upon completion of repair.

* Procedure:

While depressing the VIDEO and the TAPE/MD buttons simultaneously, press the power [I/⏻] button to turn on the main power. The message INITIAL appears and initialization is performed.

SOUND FIELD CLEAR MODE

* The preset sound field is cleared when this mode is activated. Use this mode before returning the product to clients upon completion of repair.

* Procedure:

While depressing the SOUND FIELD ON/OFF button, press the power [I/⏻] button to turn on the main power. The message S. F. CLEAR appears and initialization is performed.

AM CHANNEL STEP 9 kHz/10 kHz SELECTION MODE

* Either the 9 kHz step or 10 kHz step can be selected for the AM channel step.

* Procedure:

Set the FUNCTION to AM. Turn off the main power. While depressing the TUNING+ button or the PRESET+ button, press the power [I/⏻] button to turn on the main power. Either the message 9k STEP or 10k STEP appears. Select the desired step.

DEMO MODE

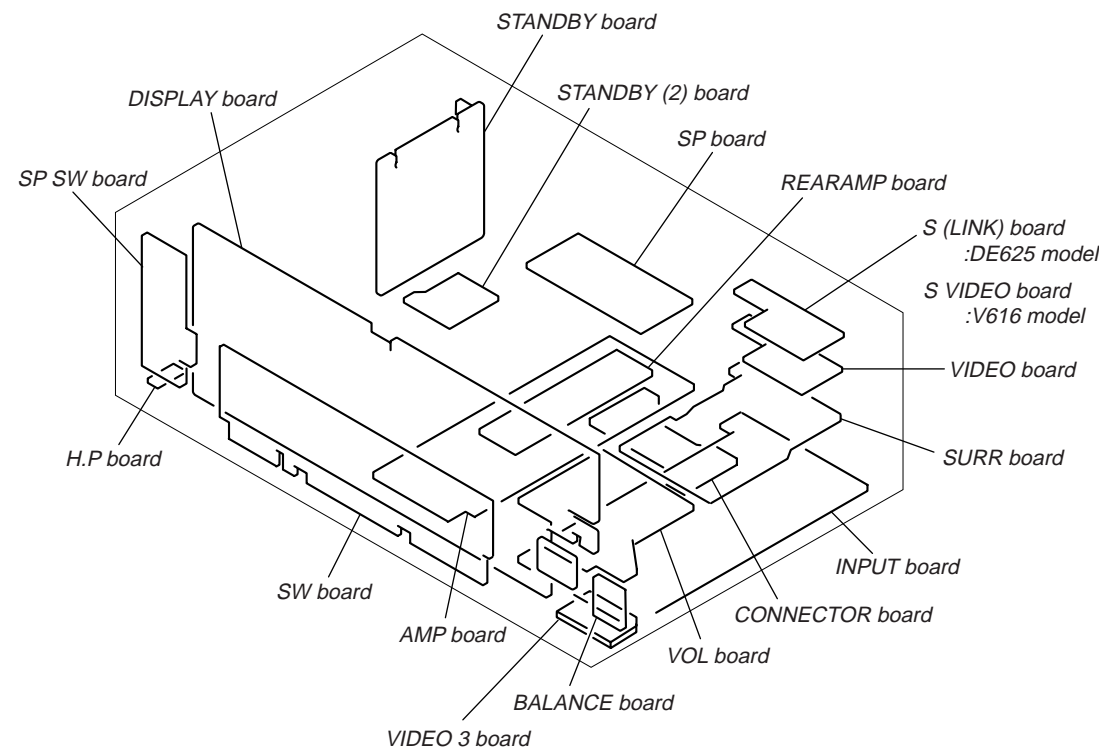
* Continuous demonstration starts when the demo mode is activated.

* Procedure:

While depressing the CURSOR MODE button, press the power [I/⏻] button to turn on the main power. The message MUSIC DEMO appears and demonstration is performed automatically.

**SECTION 3
DIAGRAMS**




3-1. CIRCUIT BOARDS LOCATION



**THIS NOTE IS COMMON FOR PRINTED WIRING BOARDS AND SCHEMATIC DIAGRAMS.
(In addition to this necessary note is printed in each block.)**

For schematic diagrams.

Note:

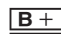



- All capacitors are in μF unless otherwise noted. pF: $\mu\mu\text{F}$ 50 WV or less are not indicated except for electrolytics and tantalums.
- All resistors are in Ω and $\frac{1}{4}W$ or less unless otherwise specified.
- % : indicates tolerance.
- Δ : internal component.
-  : nonflammable resistor.
-  : fusible resistor.
-  : panel designation.

Note:

The components identified by mark Δ or dotted line with mark Δ are critical for safety. Replace only with part number specified.

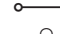
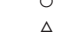



Note:

Les composants identifiés par une marque Δ sont critiques pour la sécurité. Ne les remplacer que par une pièce portant le numéro spécifié.

-  : B+ Line.
-  : B- Line.
-  : adjustment for repair.
- Voltages and waveforms are dc with respect to ground under no-signal (detuned) conditions. No mark : FM
- Voltages are taken with a VOM (Input impedance 10 M Ω). Voltage variations may be noted due to normal production tolerances.
- Waveforms are taken with a oscilloscope.
- Circled numbers refer to waveforms.
- Signal path.  : FM

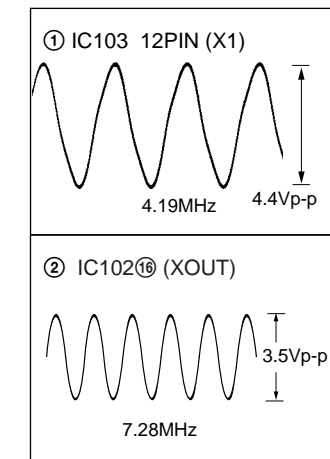
For printed wiring boards.

Note:

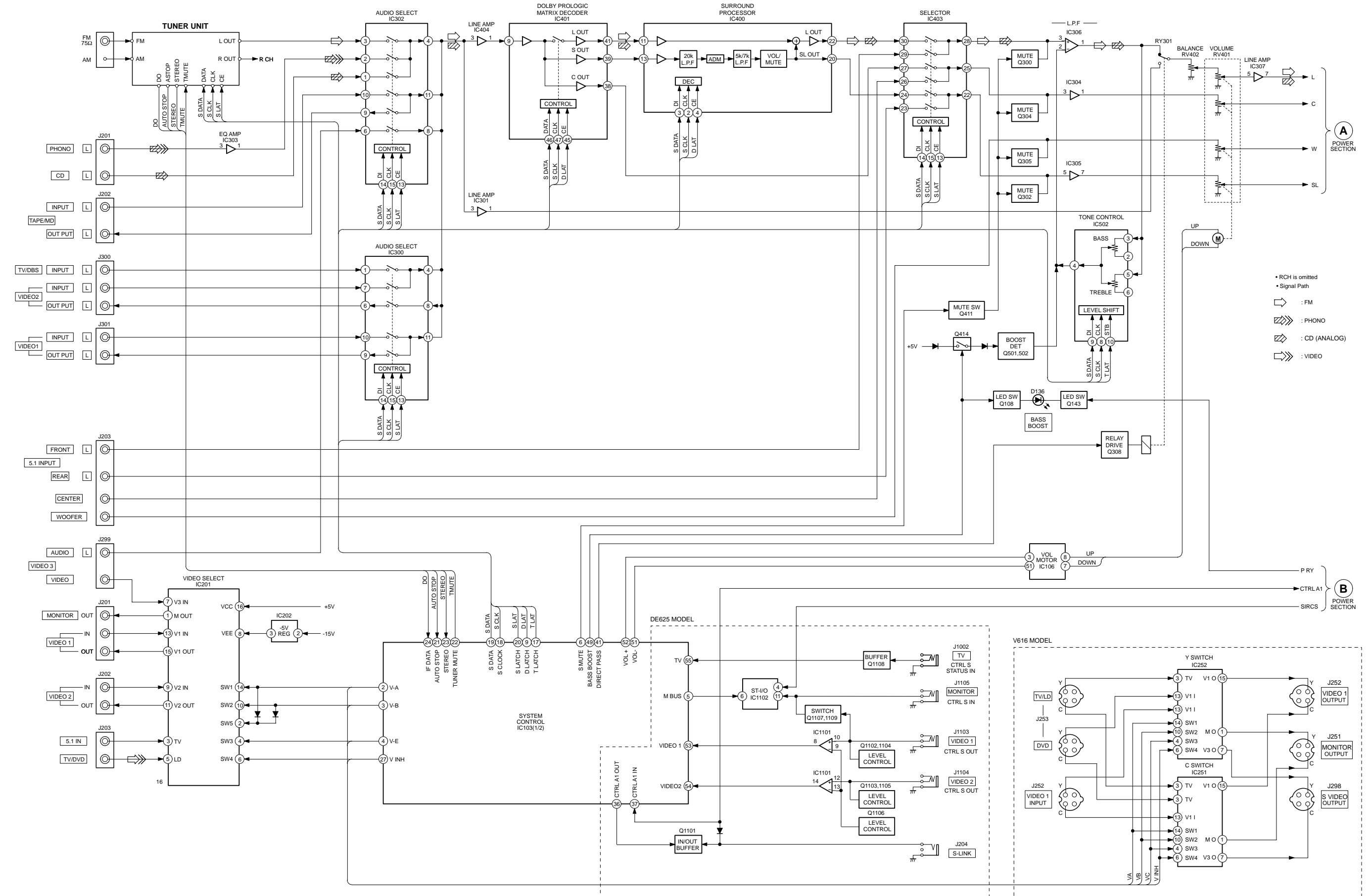
-  : parts extracted from the component side.
-  : Through hole.
-  : internal component.
-  : Pattern from the side which enables seeing.
-  : parts mounted on the conductor side.

• Waveform

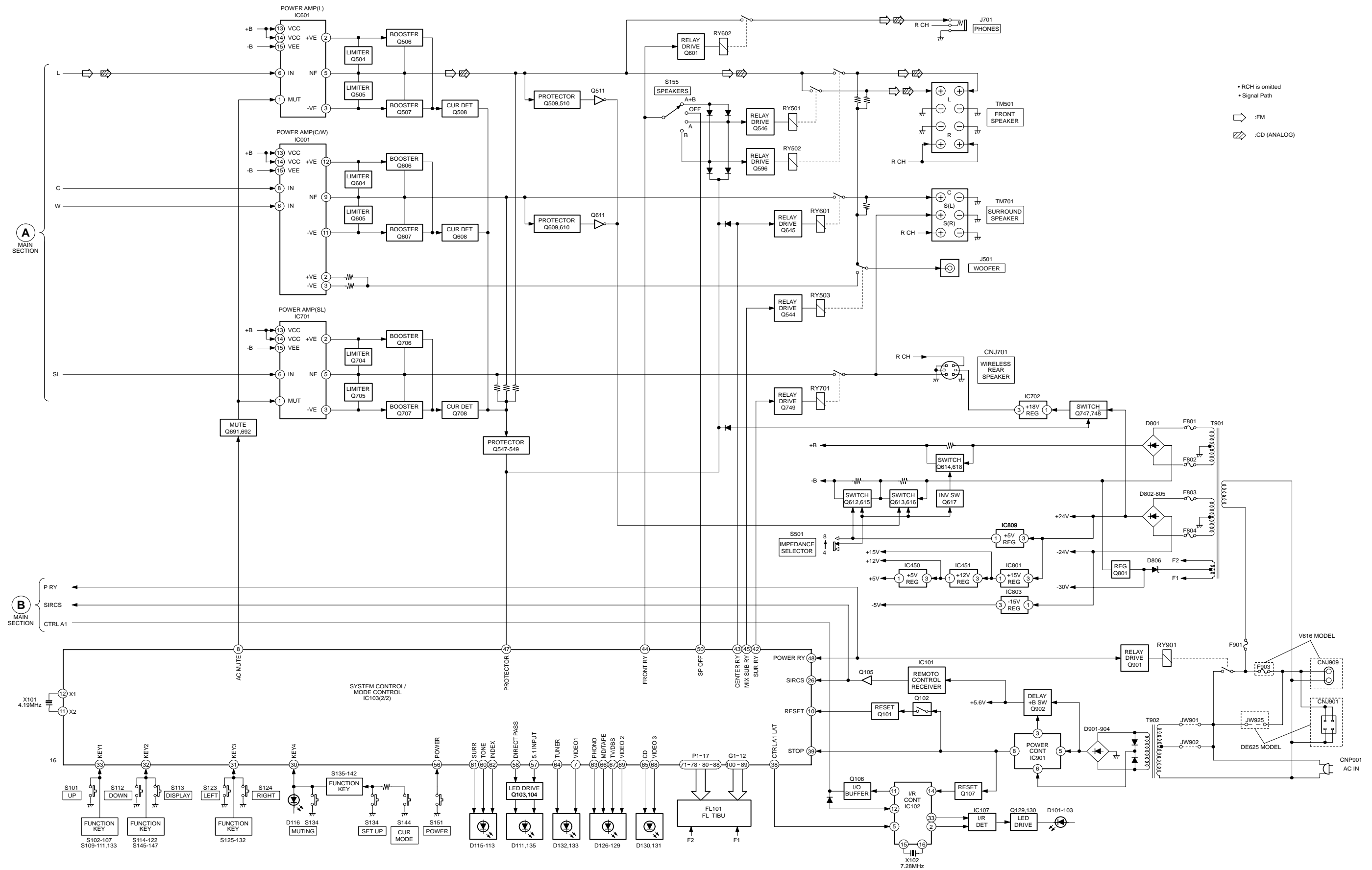
DISPLAY BOARD



3-2. BLOCK DIAGRAM -MAIN SECTION-



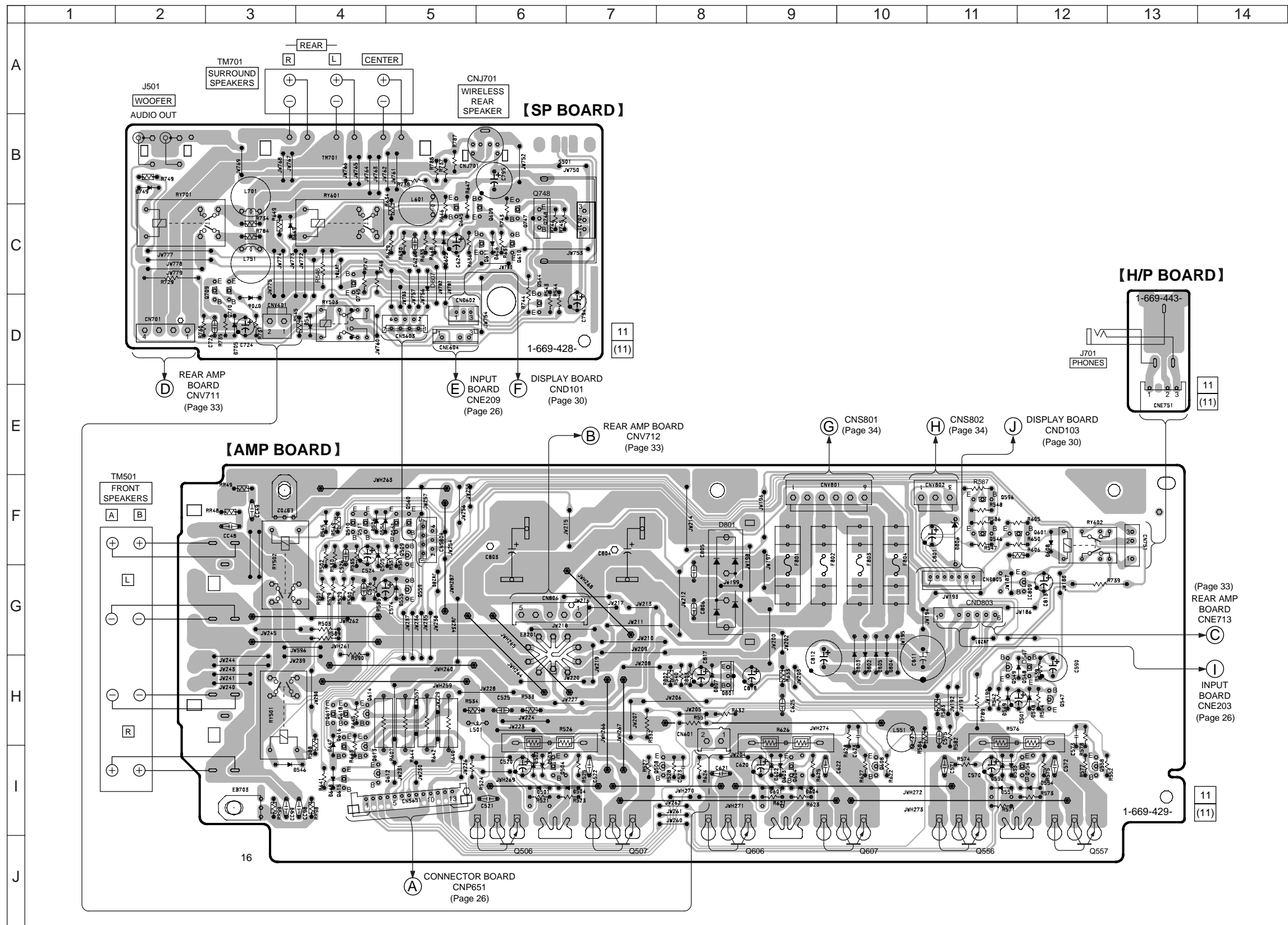
3-3. BLOCK DIAGRAM -POWER SECTION-



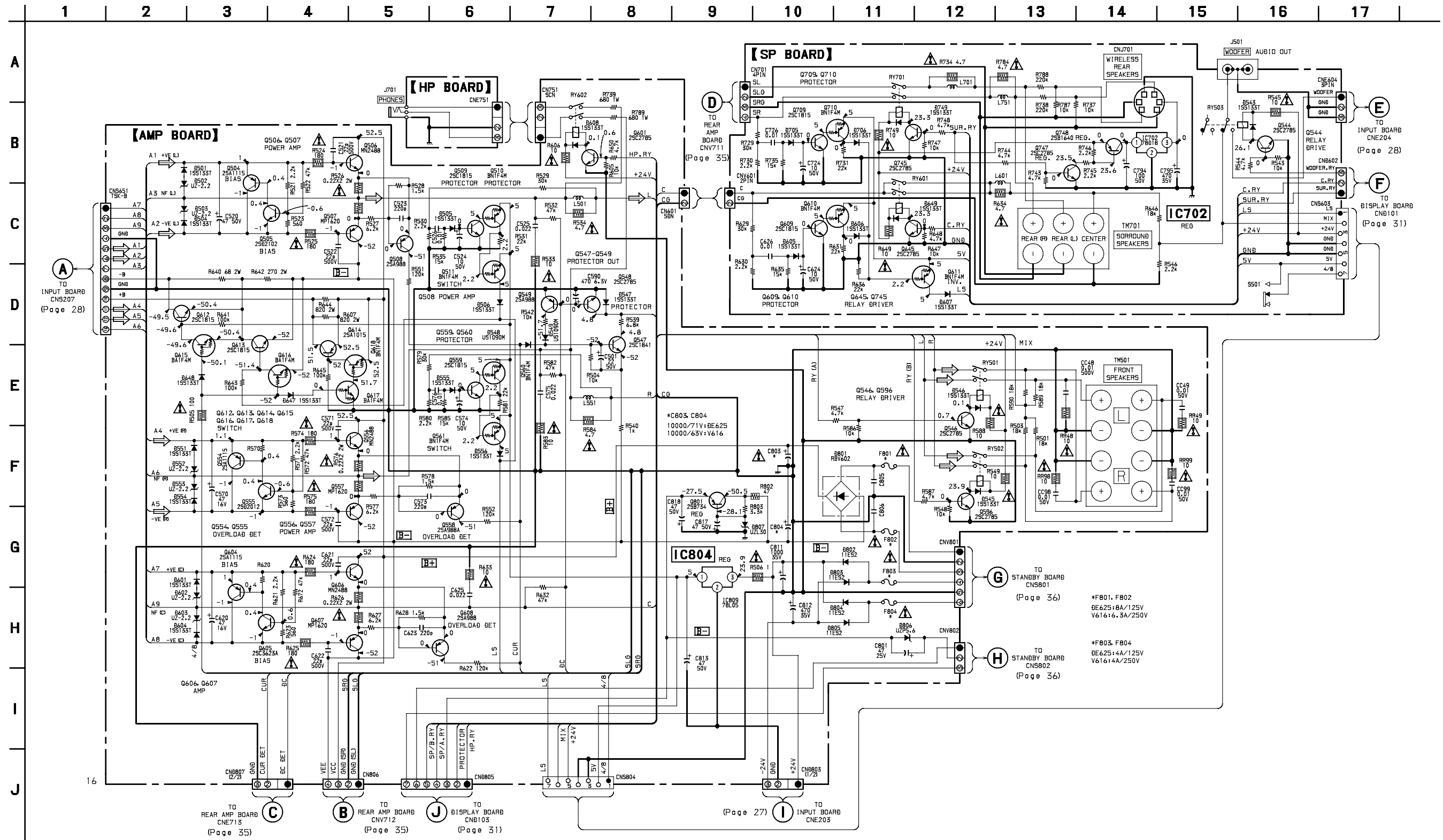
3-4. PRINTED WIRING BOARD — AMP SECTION — • See page 7 for Circuit Boards Location.

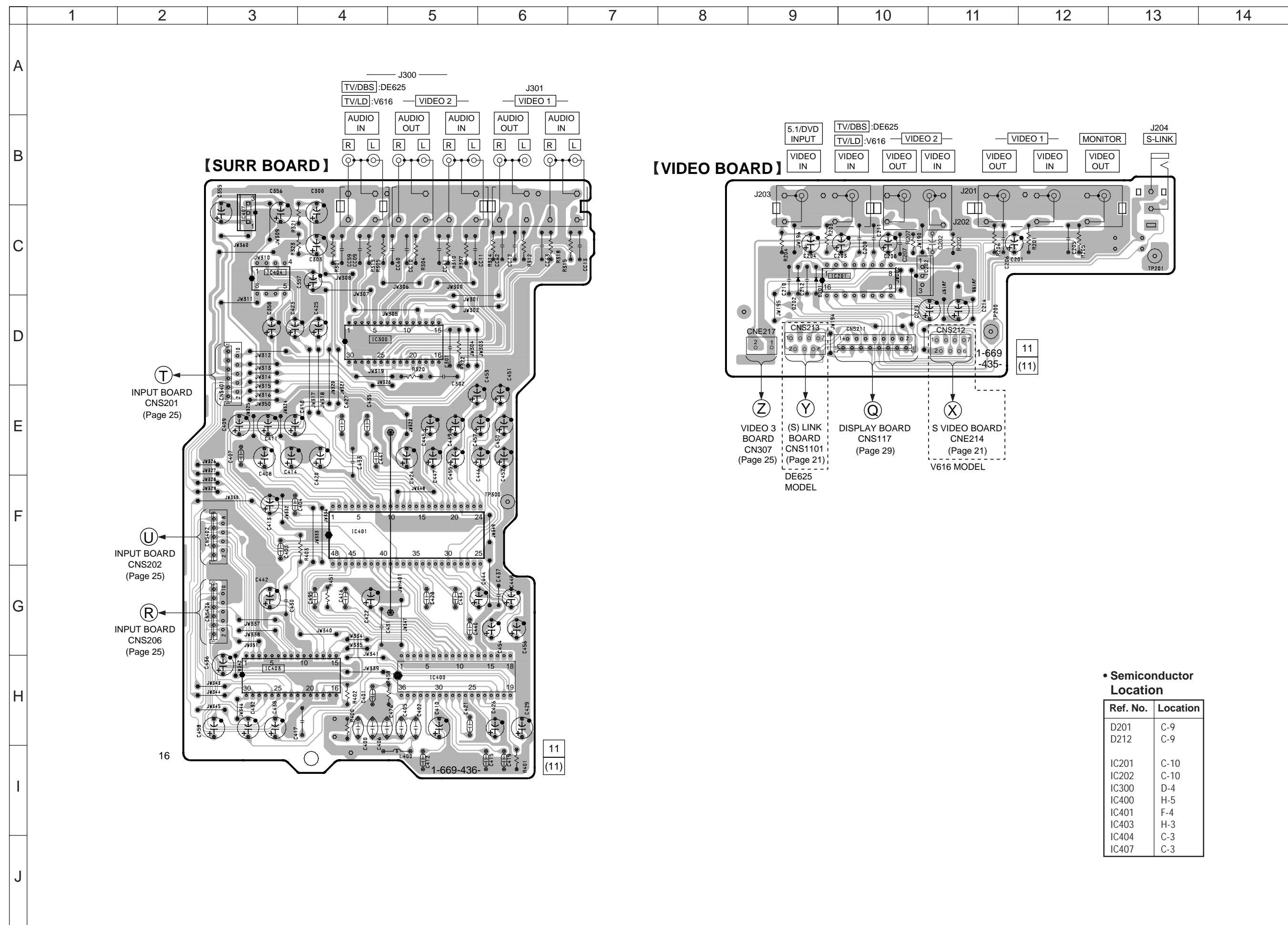
• Semiconductor Location

Ref. No.	Location	Ref. No.	Location
D501	I-6	Q504	I-6
D502	I-6	Q506	J-6
D503	I-6	Q507	J-6
D504	I-7	Q508	I-8
D505	F-4	Q509	F-5
D506	F-4	Q510	F-4
D543	D-4	Q511	F-4
D545	F-4	Q544	C-6
D546	I-3	Q546	F-11
D547	H-11	Q547	H-12
D548	H-11	Q548	H-12
D549	H-11	Q549	H-11
D551	I-11	Q554	I-11
D552	I-11	Q556	J-11
D553	I-11	Q557	J-12
D554	I-12	Q558	I-12
D555	G-4	Q559	G-5
D556	F-4	Q560	F-5
D601	I-9	Q561	F-5
D602	I-9	Q596	F-11
D603	I-9	Q601	F-11
D604	I-9	Q604	I-9
D605	C-5	Q606	J-8
D606	C-6	Q607	J-10
D607	C-5	Q608	I-10
D608	F-12	Q609	C-6
D647	H-4	Q610	C-6
D648	I-4	Q611	C-6
D649	C-3	Q612	I-4
D705	D-3	Q613	H-4
D706	D-3	Q614	H-34
D749	B-2	Q615	I-4
D801	F-8	Q616	H-4
D802	G-10	Q617	H-4
D803	G-10	Q618	H-4
D804	G-10	Q645	C-5
D805	G-10	Q709	C-3
D806	F-11	Q710	C-3
D807	H-8	Q745	C-4
		Q747	C-6
IC702	C-7	Q748	C-6
IC809	G-11	Q801	H-8



3-5. SCHEMATIC DIAGRAM — AMP SECTION —

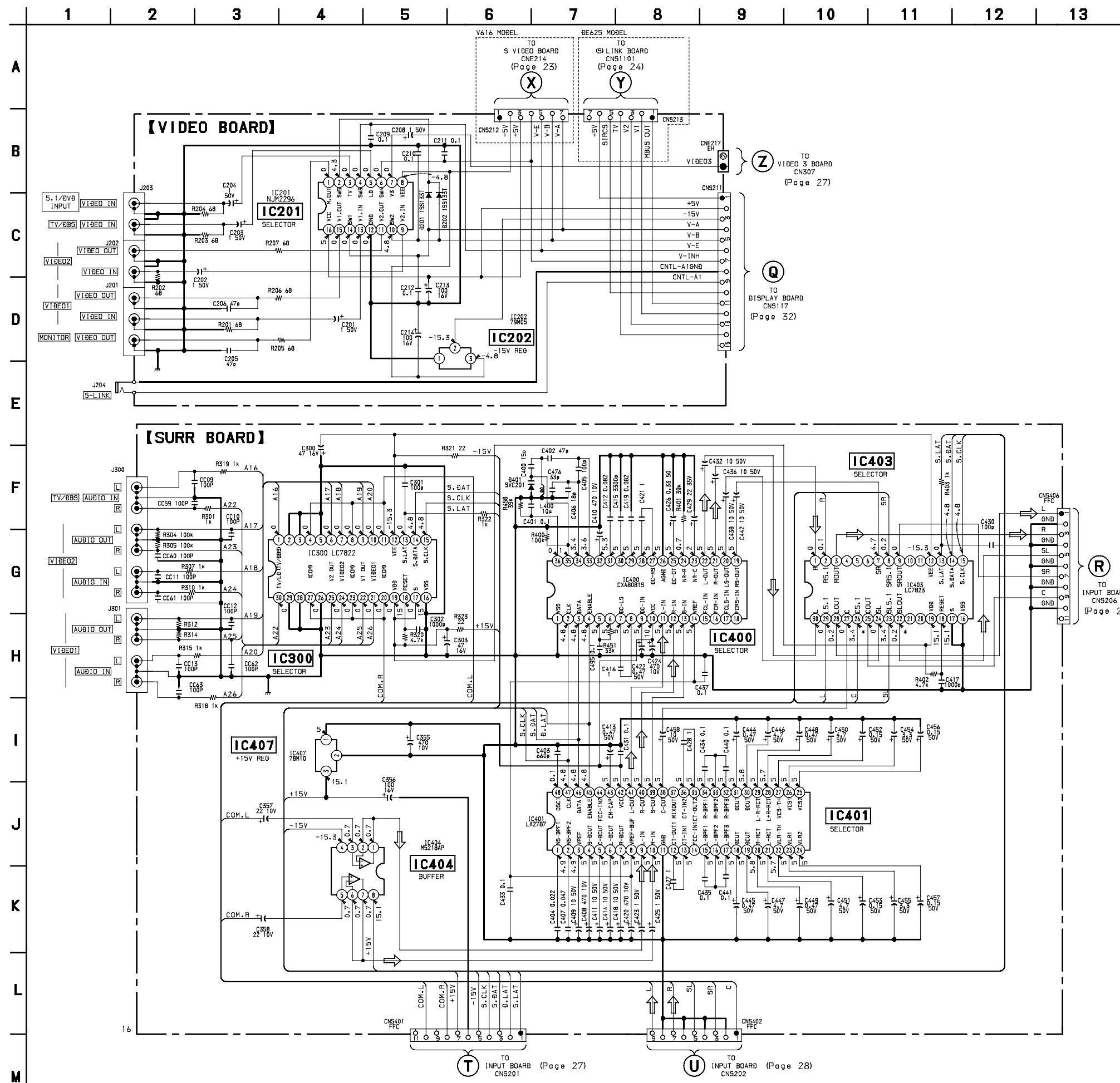




• Semiconductor Location

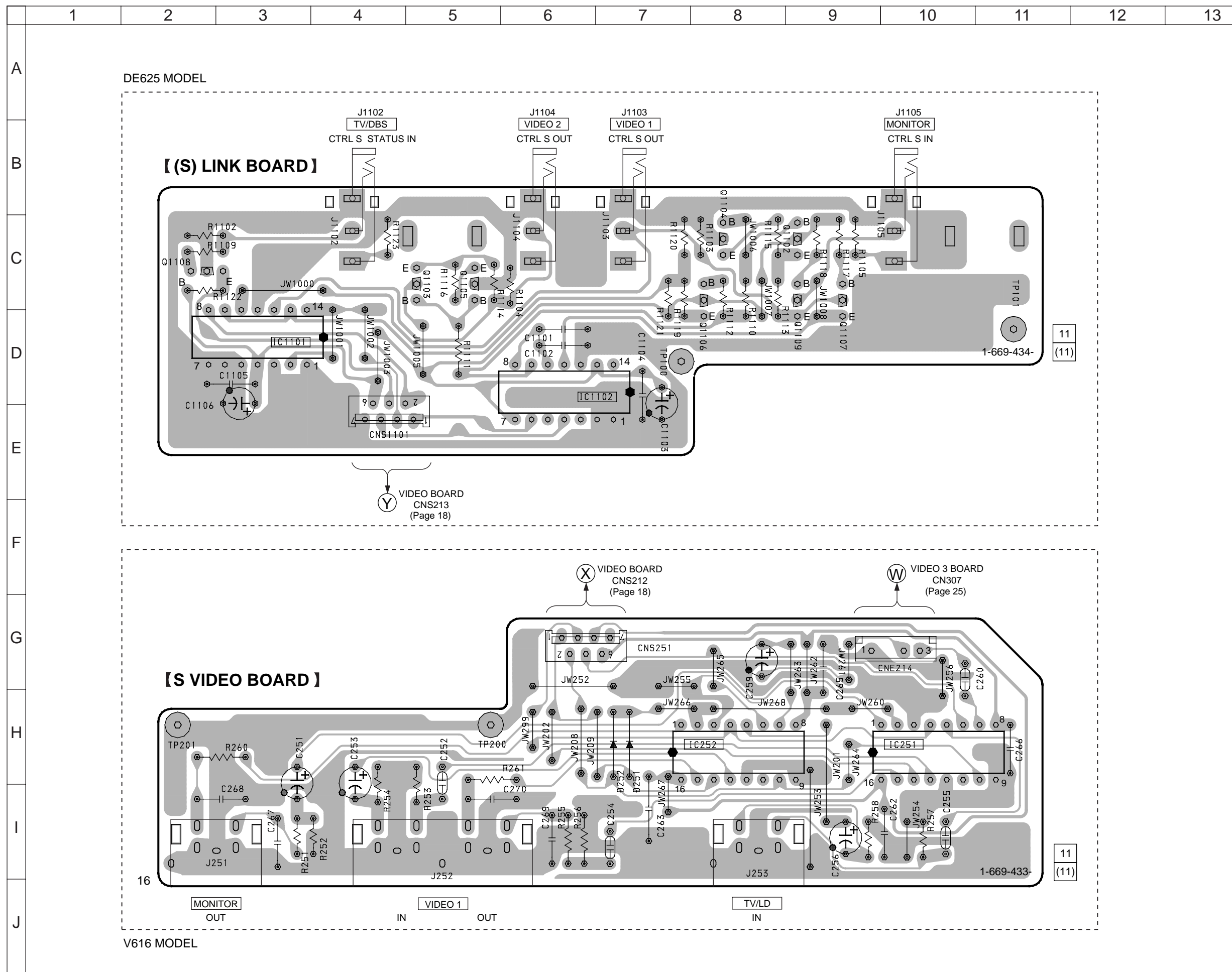
Ref. No.	Location
D201	C-9
D212	C-9
IC201	C-10
IC202	C-10
IC300	D-4
IC400	H-5
IC401	F-4
IC403	H-3
IC404	C-3
IC407	C-3

3-7. SCHEMATIC DIAGRAM — VIDEO SECTION — • See pages 39 for IC Block Diagrams.

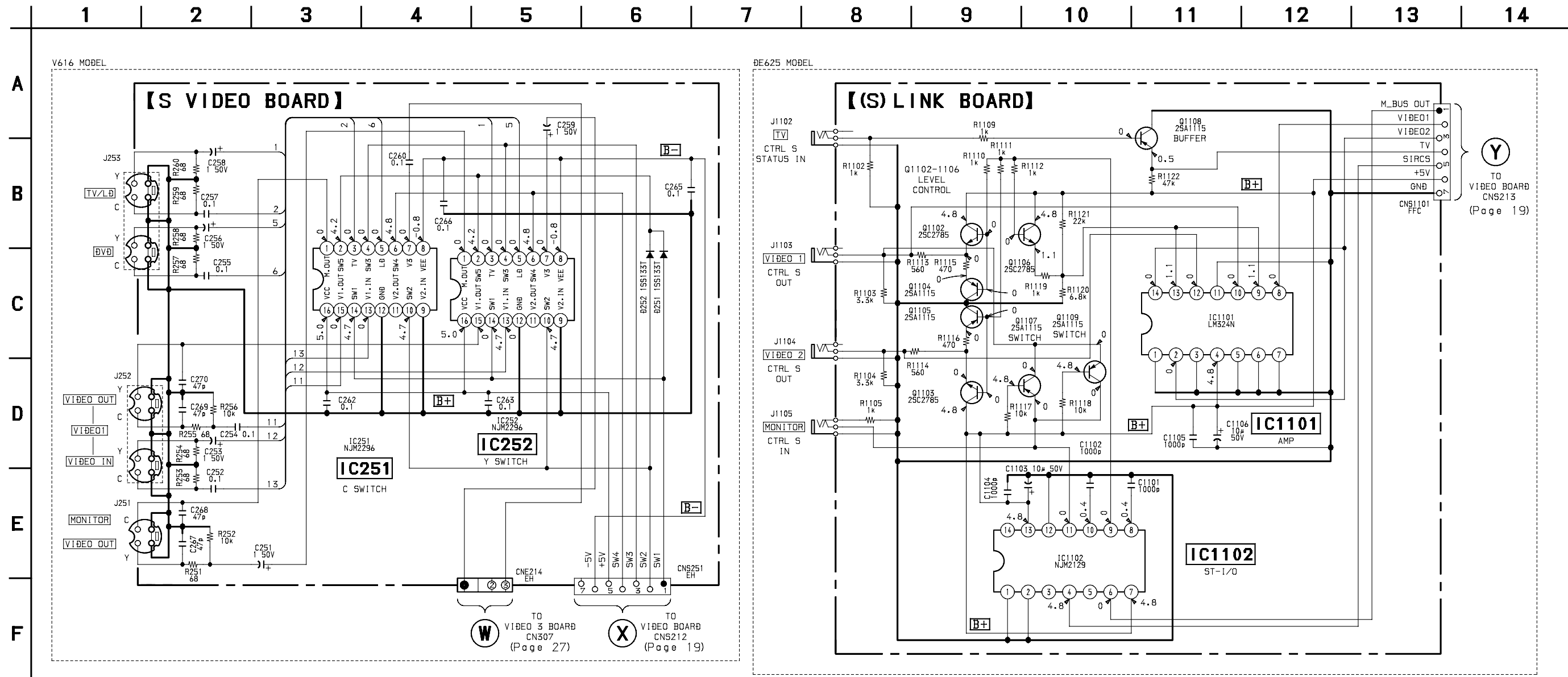


• Semiconductor Location

Ref. No.	Location
D251	H-7
D252	H-7
IC251	H-10
IC252	H-8
IC1101	D-3
IC1102	D-7
Q1102	C-9
Q1103	C-5
Q1104	C-8
Q1105	C-5
Q1106	D-8
Q1107	D-9
Q1108	C-2
Q1109	D-9



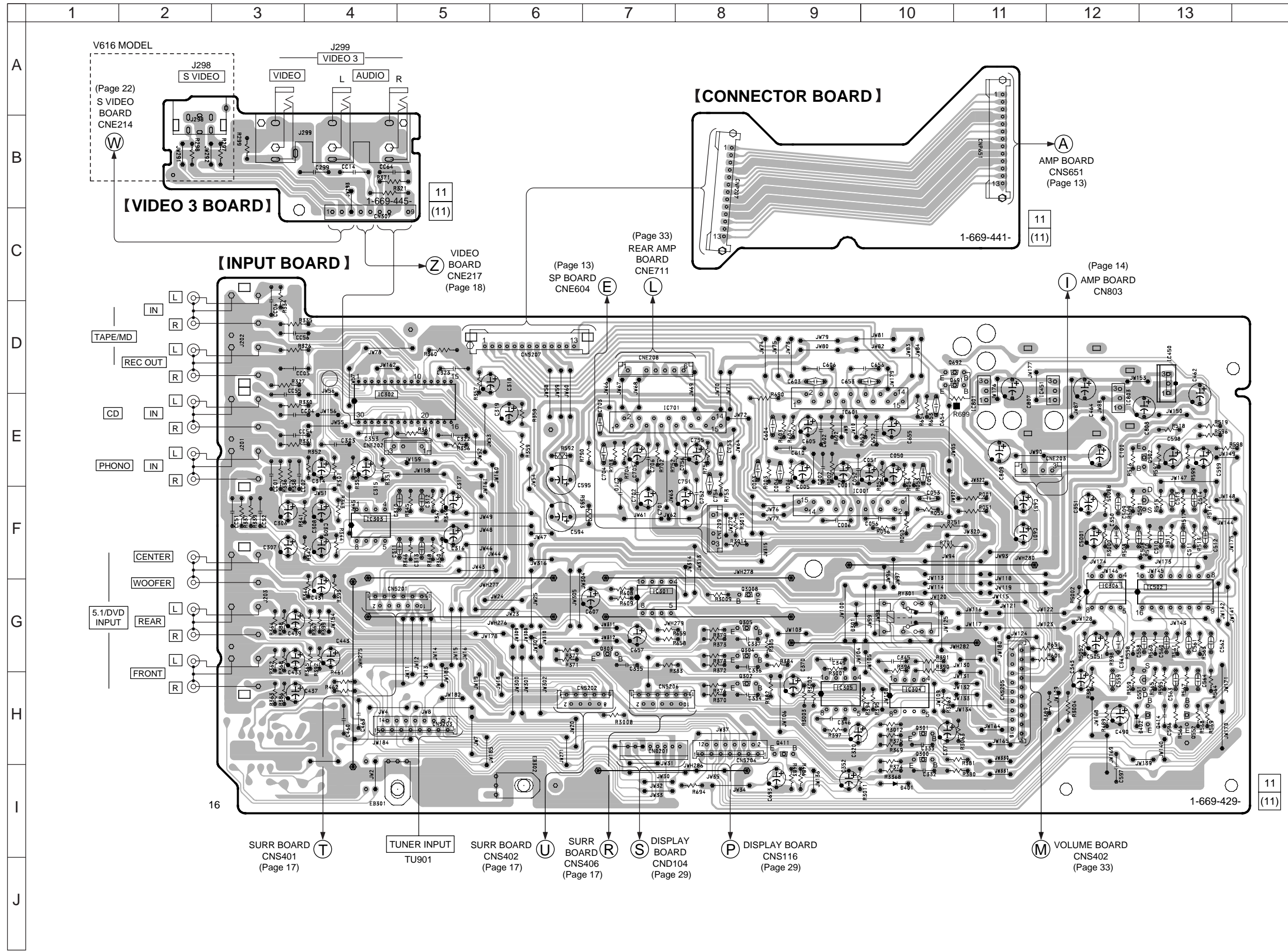
3-9. SCHEMATIC DIAGRAM — S VIDEO SECTION —



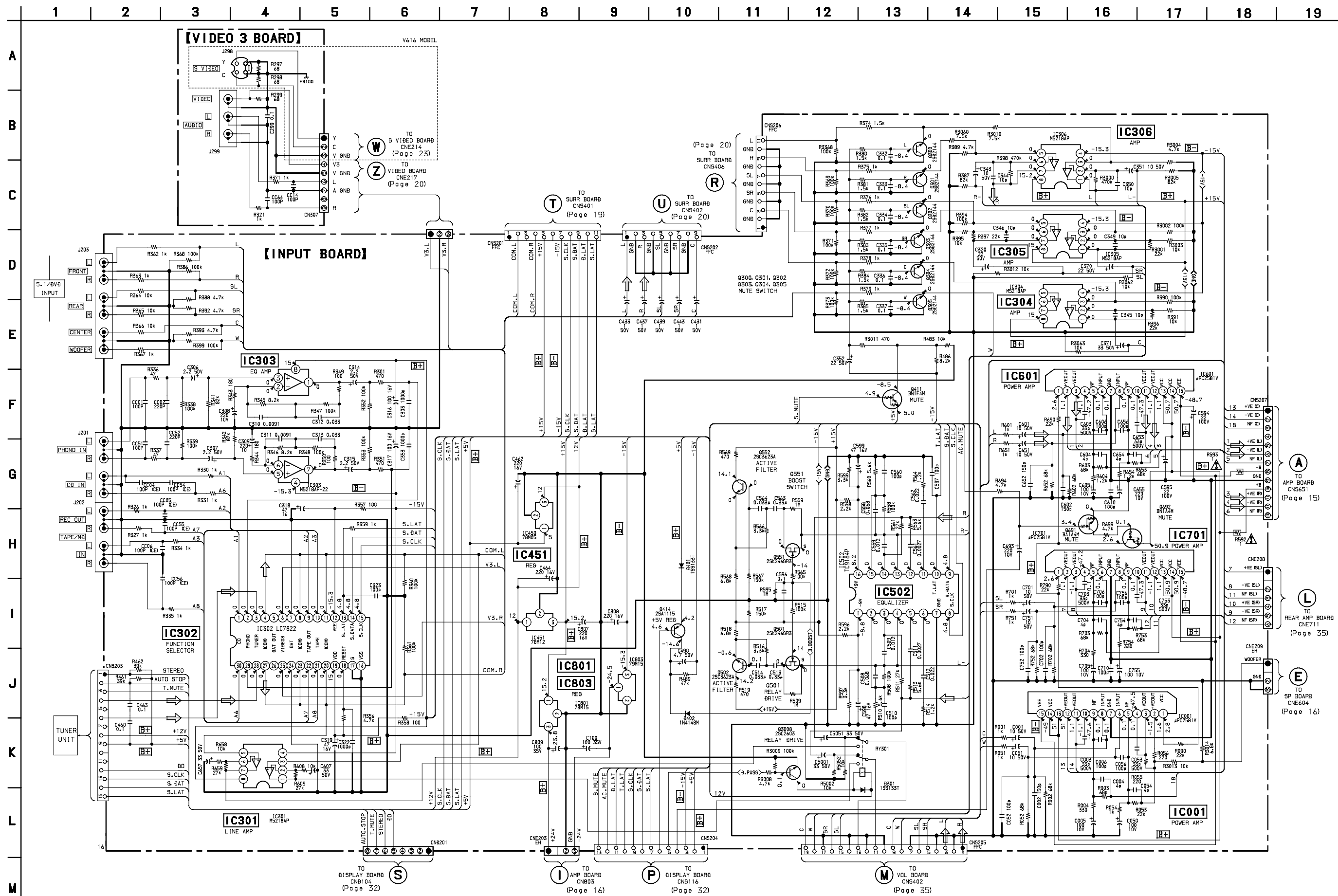
3-10. PRINTED WIRING BOARD — INPUT SECTION — • See page 7 for Circuit Boards Location.

• Semiconductor Location

Ref. No.	Location
D301	G-9
D401	I-10
D402	H-12
IC001	F-9
IC301	G-7
IC302	E-4
IC303	F-4
IC304	H-10
IC305	H-9
IC306	G-12
IC450	D-13
IC451	D-11
IC502	G-13
IC601	E-9
IC701	E-7
IC801	D-11
IC803	D-12
Q300	H-10
Q301	H-10
Q302	H-8
Q303	G-7
Q304	G-8
Q305	G-8
Q411	H-9
Q414	H-12
Q501	F-12
Q502	E-12
Q551	H-12
Q552	H-13
Q691	D-10
Q692	D-10
Q3008	G-8



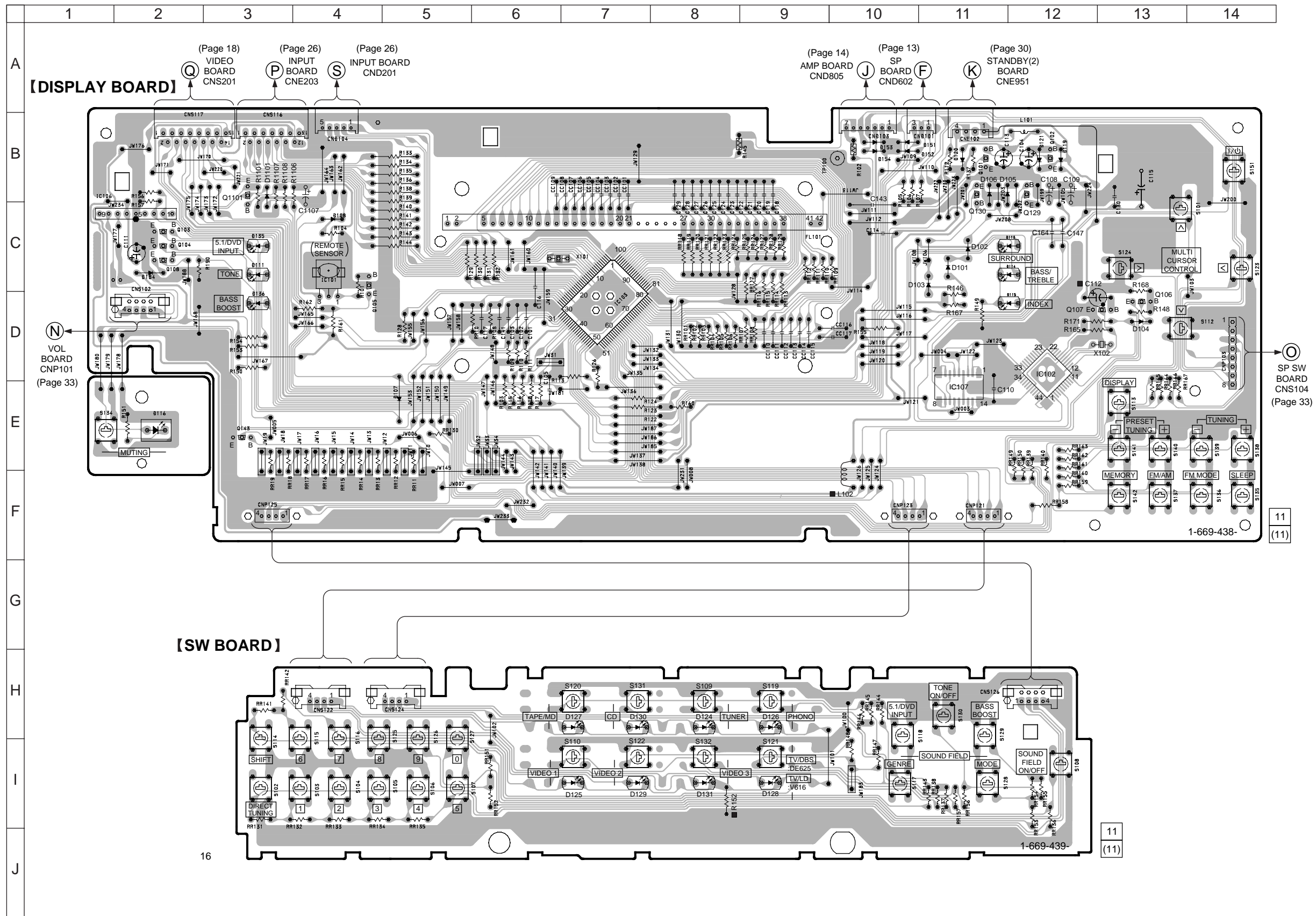
3-11. SCHEMATIC DIAGRAM — INPUT SECTION — • See page 39 for IC Block Diagrams.



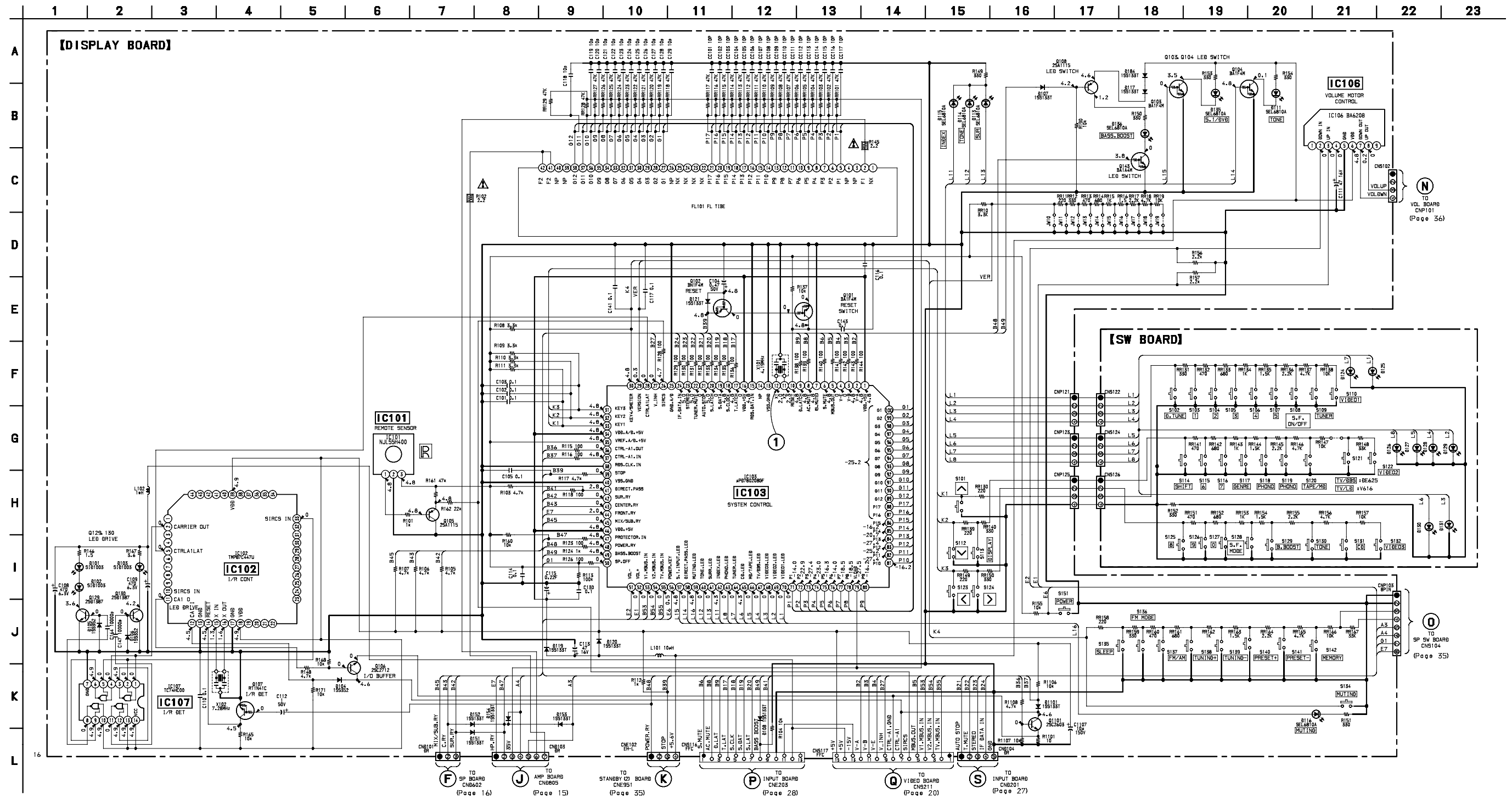
3-12. PRINTED WIRING BOARD— DISPLAY SECTION — • See page 7 for Circuit Boards Location.

• Semiconductor Location

Ref. No.	Location
D101	C-11
D102	C-11
D103	C-11
D104	D-13
D105	B-11
D106	B-11
D107	E-5
D108	C-4
D111	C-3
D113	C-12
D114	C-12
D115	D-12
D116	E-2
D119	B-12
D120	B-11
D121	B-12
D124	H-8
D125	I-6
D126	H-9
D127	H-6
D128	I-9
D129	I-7
D130	H-7
D131	I-8
D135	C-3
D136	D-3
D151	B-10
D152	B-10
D153	B-10
D154	B-10
D184	C-2
D1101	B-3
IC101	C-4
IC102	D-12
IC103	D-7
IC106	C-1
IC107	E-11
Q101	B-11
Q102	B-12
Q103	C-2
Q104	C-2
Q105	D-4
Q106	D-13
Q107	D-12
Q108	C-2
Q129	C-12
Q130	C-11
Q143	E-3
Q1101	B-3

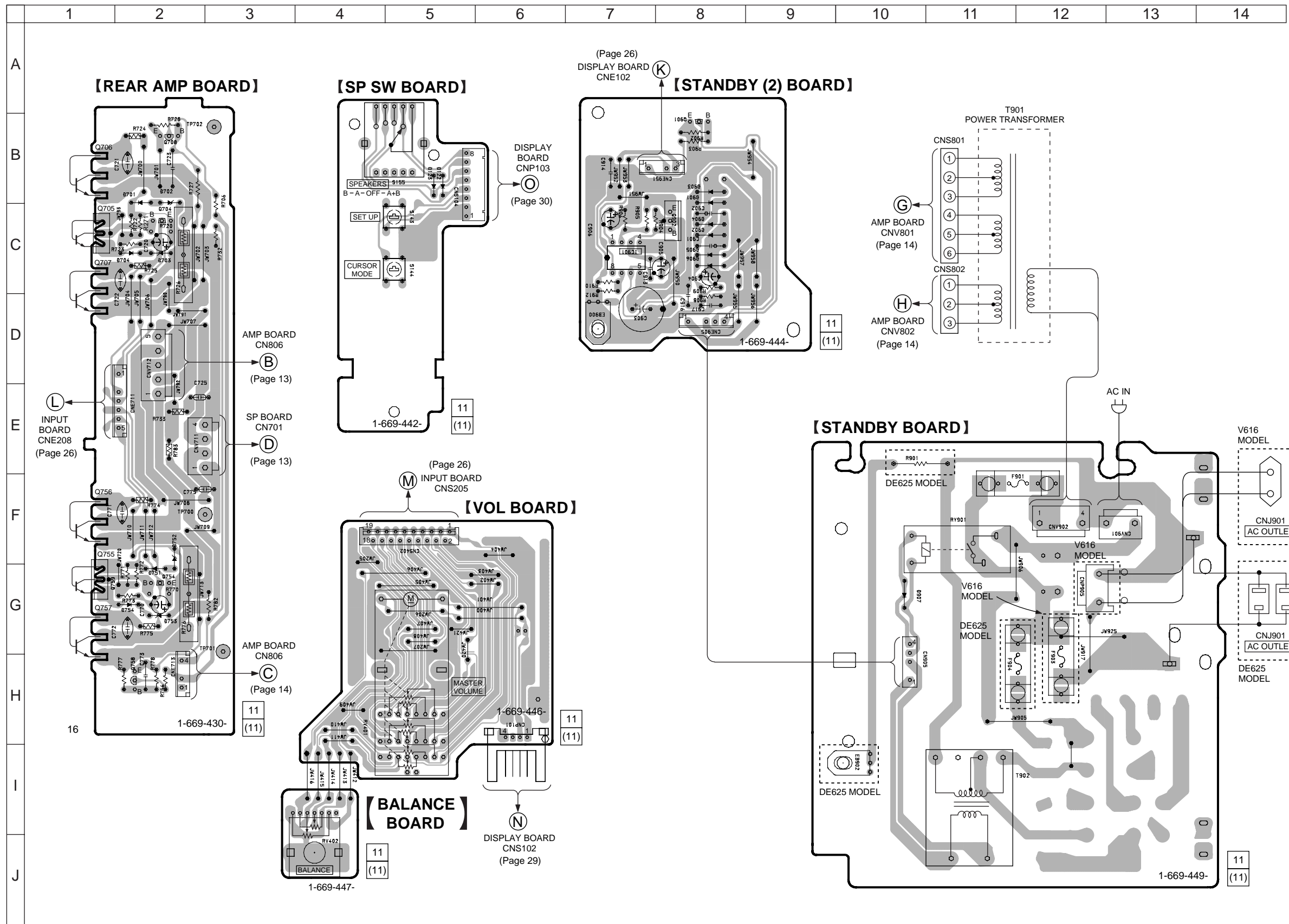


3-13. SCHEMATIC DIAGRAM — DISPLAY SECTION — • See page 8 for Waveform. See page 37 for IC Pin Function Description. See page 39 for IC Block Diagrams.

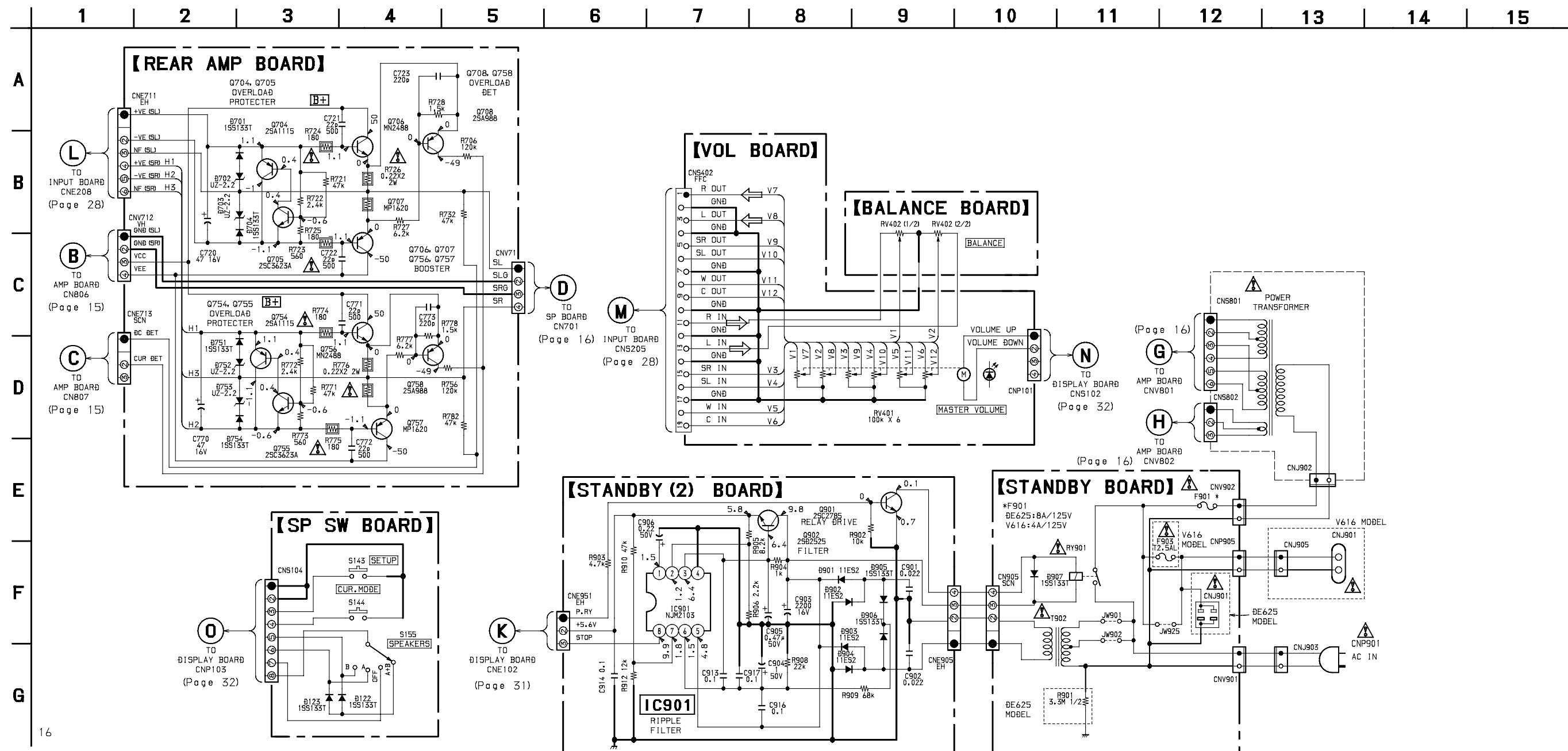


• Semiconductor Location

Ref. No.	Location
D122	B-5
D123	B-5
D543	D-4
D605	C-5
D606	C-6
D607	C-5
D649	C-3
D701	B-2
D702	B-2
D703	C-2
D704	C-2
D705	D-3
D706	D-3
D749	B-2
D751	G-2
D752	F-2
D753	G-2
D754	G-2
D901	B-8
D902	C-8
D903	B-8
D904	C-8
D905	C-8
D906	C-8
IC702	C-7
IC901	C-7
Q544	C-6
Q609	C-6
Q610	C-6
Q611	C-6
Q645	C-5
Q704	C-2
Q705	C-1
Q706	B-1
Q707	C-1
Q708	B-2
Q709	C-3
Q710	C-3
Q745	C-4
Q747	C-6
Q748	C-6
Q754	G-2
Q755	G-1
Q756	F-1
Q757	G-1
Q758	H-2
Q901	B-8
Q902	C-8



3-15. SCHEMATIC DIAGRAM — POWER SECTION — • See page 39 for IC Block Diagrams.



16

3-16. IC Pin Function Description

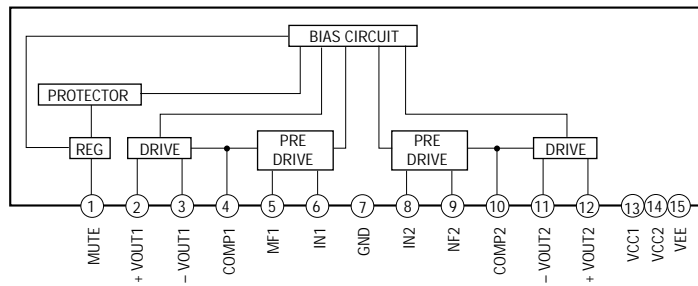
• IC103 uPD780208FGF (DISPLAY BOARD)

Pin No.	Pin Name	I/O	Description
1	VDD	—	Power Supply (+5 V)
2	P37	O	Video IC SW1
3	P36/BUZ	O	Video IC SW2
4	P35/PCL	O	Video IC SW3
5	P34/TI2	O	Ground through resistor
6	P33/TI1	O	S Mute
7	P32/TO2	I	Not used (ground)
8	P31/TO1	O	A-class mute
9	P30/TO0	O	Dolby latch
10	RESET	I	System reset
11	X2	—	System clock (4.19 MHz)
12	X1	I	System clock (4.19 MHz)
13	IC (VPP)	—	= VSS (0 V)
14	XT2	—	Open
15	P04/XT1	I	Ground
16	VDD	—	+5 V
17	P27/SCK0	O	Tone latch
18	P26/SO0/SB1	O	Serial clock
19	P25/SI0/SB0	O	Serial data
20	P24/BUSY	O	Serial latch
21	P23/STB	I	Auto stop
22	P22/SCK1	O	Tuner mute
23	P21/SO1	I	Stereo
24	P20/SI1	I	Tuner data in
25	AVSS	—	A/D ground (0 V)
26	P17/ANI7	I	SIRCS input
27	P16/ANI6	O	Video IC SW4
28	P15/ANI5	O	Ground through resistor
29	P14/ANI4	I	Version
30	P13/ANI3	I	A/D key 4
31	P12/ANI2	I	A/D key 3
32	P11/ANI1	I	A/D key 2
33	P10/ANI0	I	A/D key 1
34	AVDD	—	A/D power supply (+5 V)
35	AVref	I	A/D reference voltage (+5 V)
36	P03/INTP3	O	Ground through resistor
37	P02/INTP2	I	Ground
38	P01/INTP1	I	Ground
39	P00/INTP0/T10	I	STOP
40	VSS	—	0 V
41	P74	O	Direct pass relay
42	P73	O	Surround relay
43	P72	O	Center relay
44	P71	O	Front relay
45	P70	O	Mix/sub relay
46	VDD	—	+5 V
47	P127/FIP52	I	Protector in
48	P126/FIP51	O	Power relay
49	P125/FIP50	O	Bass boost
50	P124/EIP49	I	Speaker off

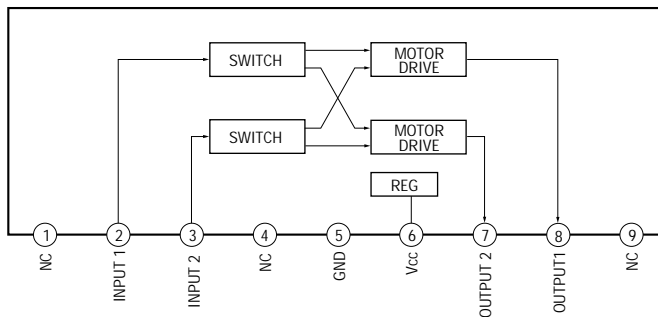
Pin No.	Pin Name	I/O	Description
51	P123/FIP48	O	Volume –
52	P122/EIP47	O	Volume +
53	P121/FIP46	I	Ground
54	P120/FIP45	I	Ground
55	P117/FIP44	I	Ground
56	P116/FIP43	I	Power switch in
57	P115/EIP42	O	5.1/DVD input LED
58	P114/FIP41	O	Tone LED
59	P113/FIP40	O	Muting LED
60	P112/FIP39	O	Bass/Treble LED
61	P111/FIP38	O	Surround LED
62	P110/FIP37	O	Index LED
63	P107/FIP36	O	PHONO LED
64	P106/FIP35	O	TUNER LED
65	P105/FIP34	O	TAPE/MD LED
66	P104/FIP33	O	CD LED
67	P103/FIP32	O	TV/LD LED
68	P102/FIP31	O	Ground through resistor
69	P101/FIP30	O	Ground through resistor
70	P100/FIP29	O	Video LED
71	P97/FIP28	O	P1
72	P96/FIP27	O	P2
73	P95/FIP26	O	P3
74	P94/FIP25	O	P4
75	P93/FIP24	O	P5
76	P92/FIP23	O	P6
77	P91/FIP22	O	P7
78	P90/FIP21	O	P8
79	Vload	—	FIP pull down (–35 V)
80	P87/FIP20	O	P9
81	P86/FIP19	O	P10
82	P85/FIP18	O	P11
83	P84/FIP17	O	P12
84	P83/FIP16	O	P13
85	P82/FIP15	O	P14
86	P81/FIP14	O	P15
87	P80/FIP13	O	P16
88	FIP12	O	P17
89	FIP11	O	12G
90	FIP10	O	11G
91	FIP9	O	10G
92	FIP8	O	9G
93	FIP7	O	8G
94	FIP6	O	7G
95	FIP5	O	6G
96	FIP4	O	5G
97	FIP3	O	4G
98	FIP2	O	3G
99	FIP1	O	2G
100	FIP0	O	1G

3-17. IC BLOCK DIAGRAMS

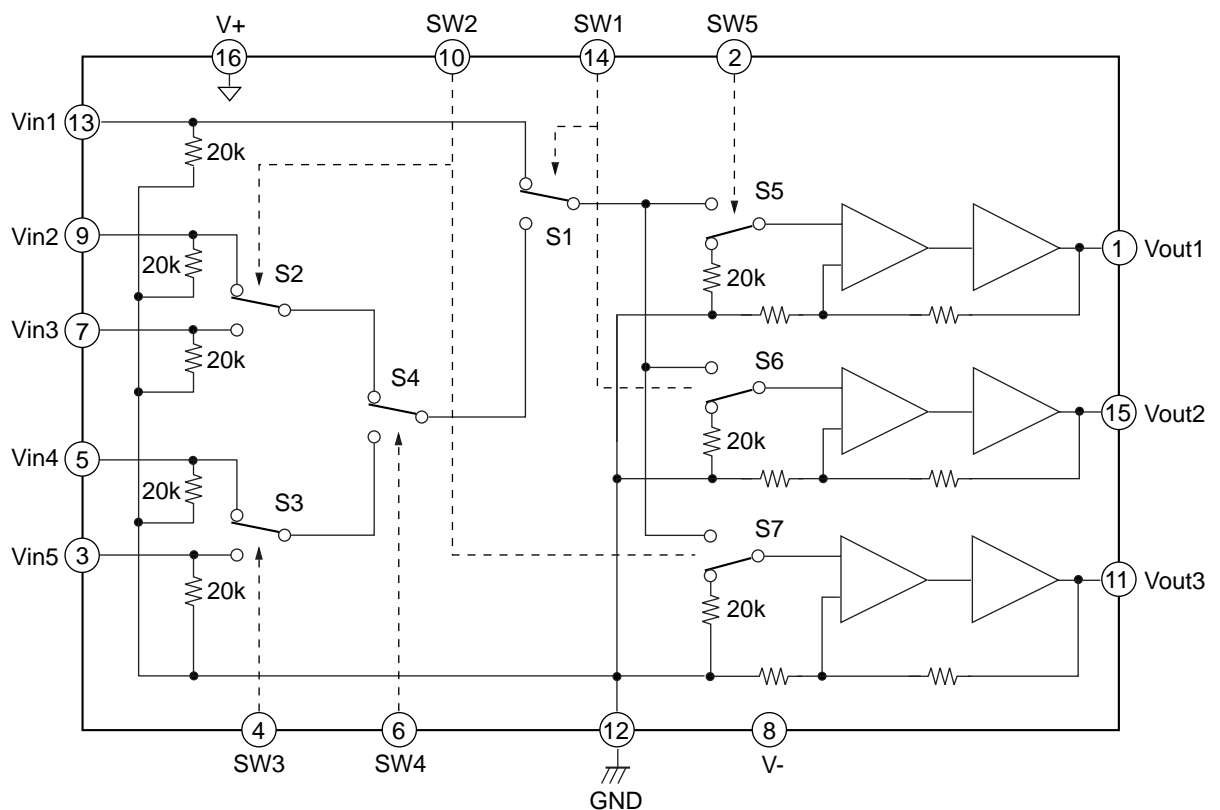
IC001,701 uPC2581V (INPUT BOARD)



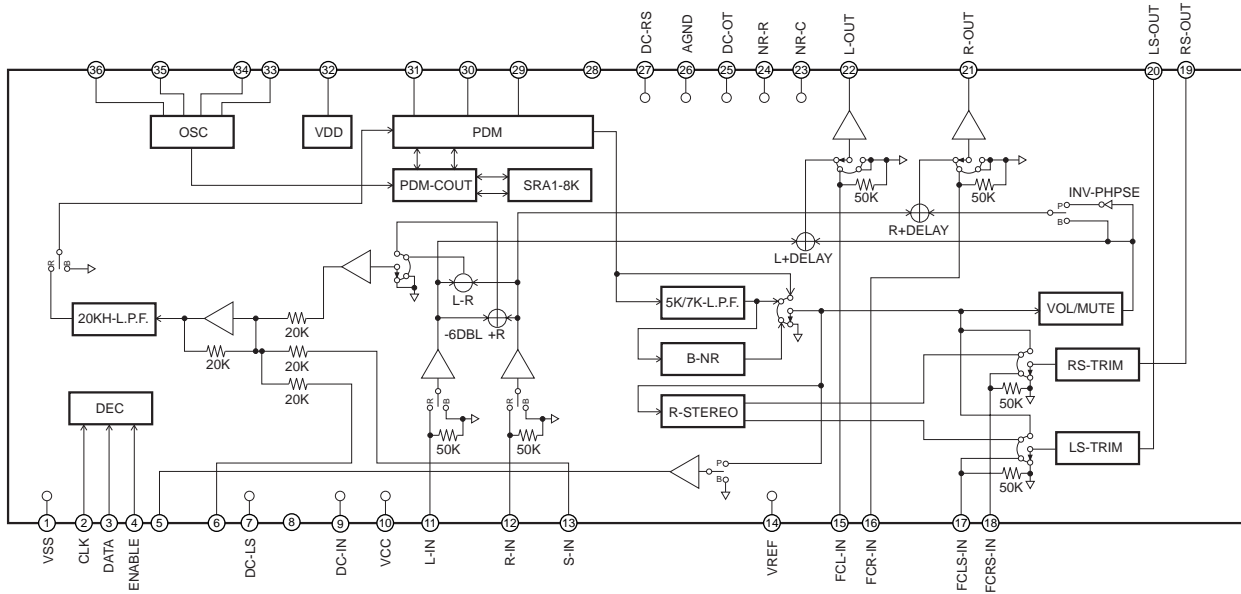
IC106 BA6208 (DISPLAY BOARD)



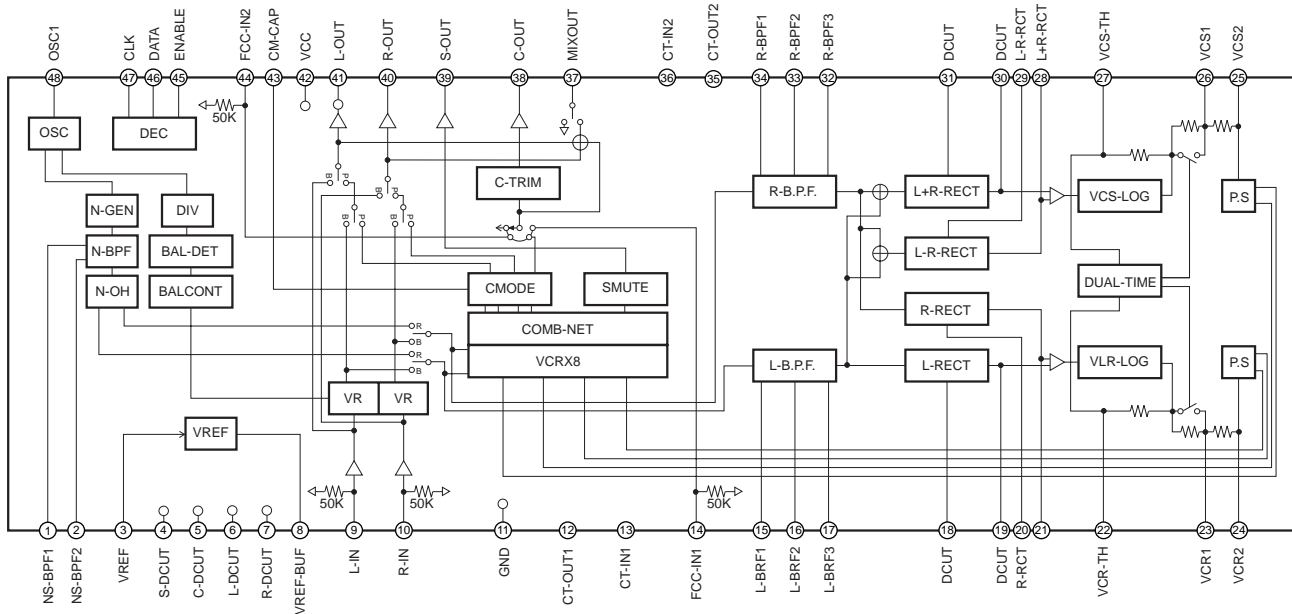
IC201 NJM2296D (VIDEO BOARD)



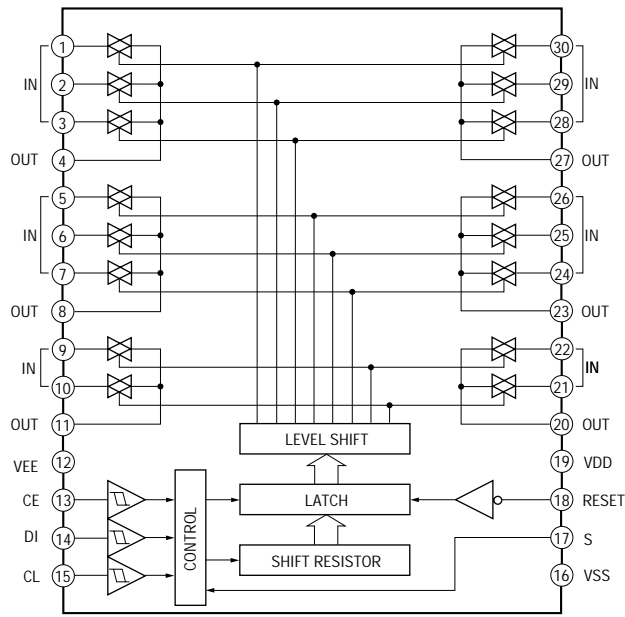
IC400 CXA8081S (SURR BOARD)



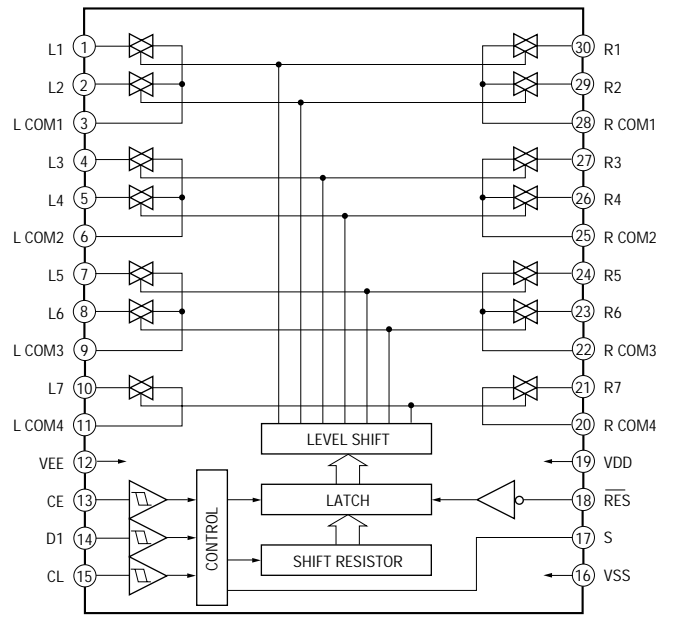
IC401 CXA8079S (SURR BOARD)



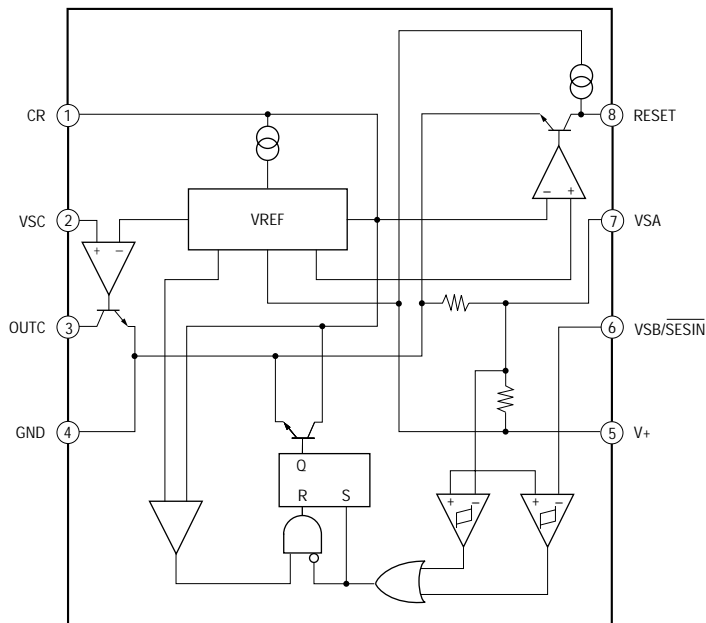
IC302 LC7822 (INPUT BOARD)



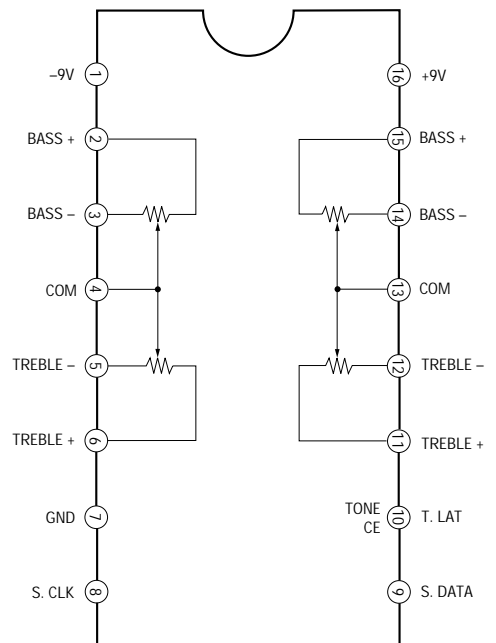
IC403 LC7823 (SURR BOARD)



IC901 NJM2103D (STANDBY(2) BOARD)



IC502 TC9184P (INPUT BOARD)



SECTION 4 EXPLODED VIEWS

NOTE:

- -XX, -X mean standardized parts, so they may have some differences from the original one.
- Items marked “*” are not stocked since they are seldom required for routine service. Some delay should be anticipated when ordering these items.
- The mechanical parts with no reference number in the exploded views are not supplied.

- Hardware (# mark) list and accessories and packing materials are given in the last of this parts list.
- Abbreviation
CND : Canadian
CH : Chinese
- Color Indication of Appearance Parts Example:
KNOB, BALANCE (WHITE) . . . (RED)

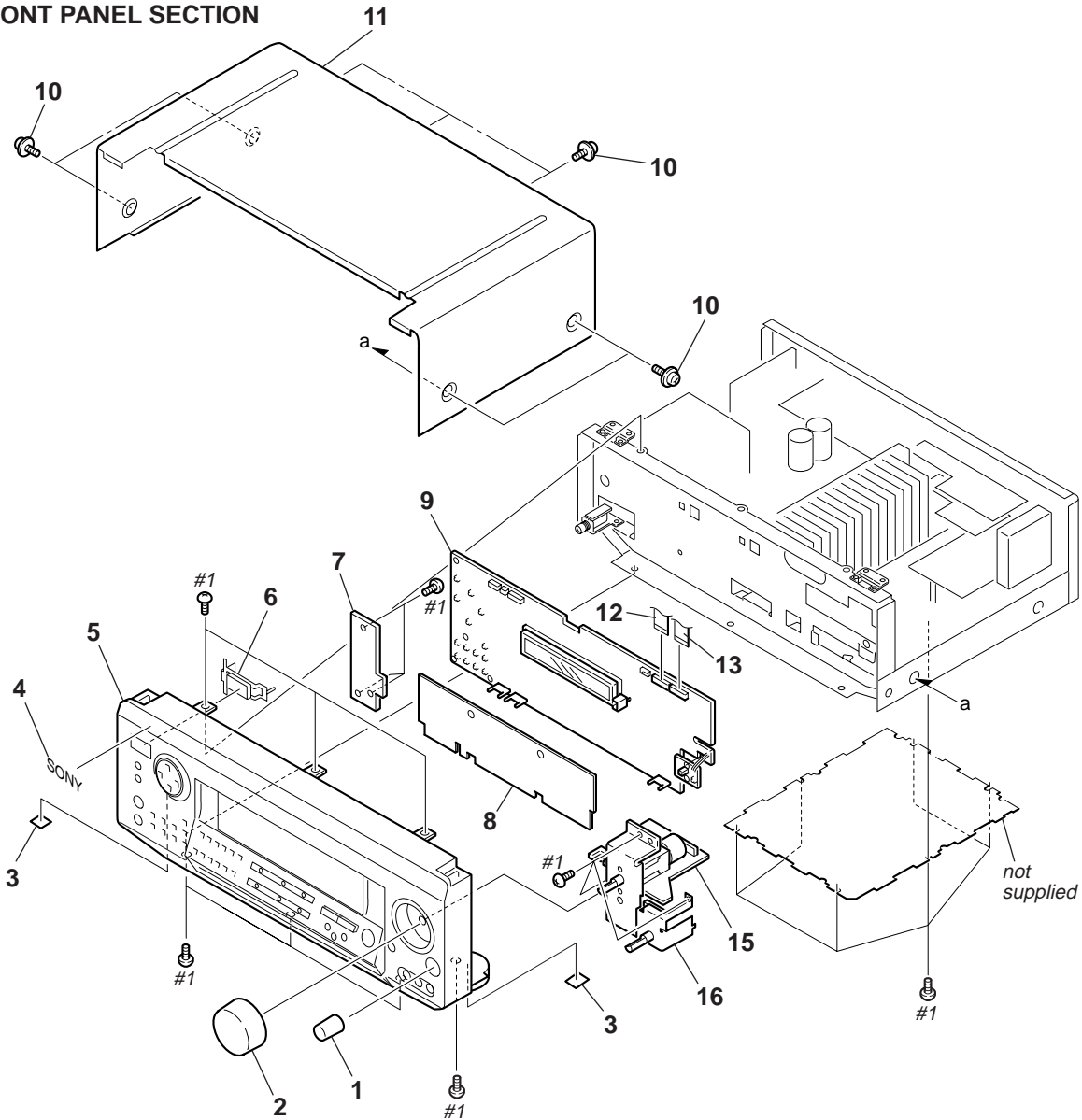
↑ ↑
Parts of Color Cabinet's Color

When indicating parts by reference number, please include the board name.

The components identified by mark Δ or dotted line with mark Δ are critical for safety. Replace only with part number specified.

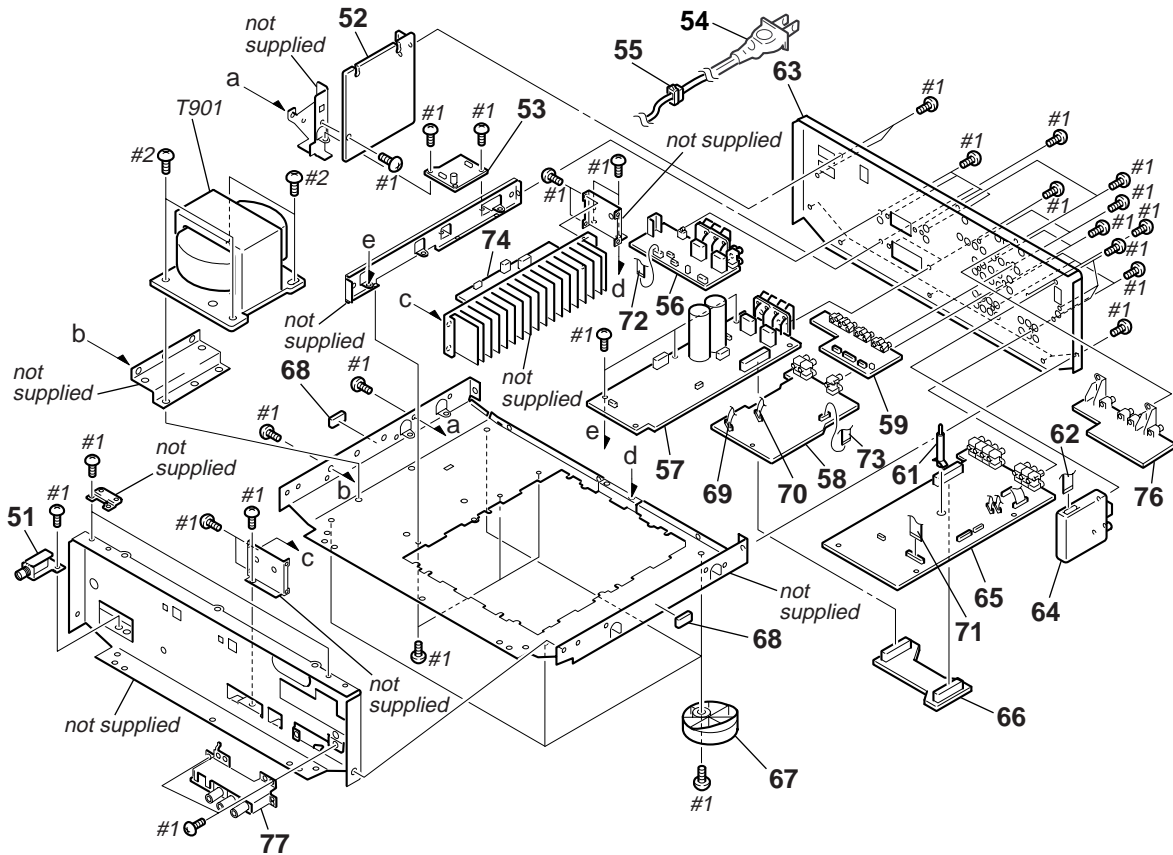
Les composants identifiés par une marque Δ sont critiques pour la sécurité. Ne les remplacer que par une pièce portant le numéro spécifié.

4-1. FRONT PANEL SECTION



Ref. No.	Part No.	Description	Remarks	Ref. No.	Part No.	Description	Remarks
1	4-957-383-01	KNOB (F14)(BLACK)		* 7	1-669-442-11	SP SW BOARD	
1	4-957-383-21	KNOB (F14)(GOLD)		* 8	1-669-439-11	SW BOARD	
2	X-4949-627-1	KNOB (VOL) ASSY (BLACK)		* 9	A-4407-570-A	DISPLAY BOARD, COMPLETE (DE625)	
2	X-4949-750-1	KNOB ASSY (C5)(GOLD)		* 9	A-4407-579-A	DISPLAY BOARD, COMPLETE (V616)	
3	4-977-358-11	CUSHION		10	3-710-901-01	SCREW, TAPPING (GOLD)	
4	4-996-698-01	EMBLEM, SONY (SILVER)		10	3-710-901-11	SCREW, TAPPING (BLACK)	
4	4-996-698-11	EMBLEM, SONY (GOLD)		* 11	4-982-682-01	CASE (414532)(BLACK)	
5	X-4949-742-1	PANEL ASSY (D5), FRONT (BLACK) (DE625:CND)		11	X-4947-723-1	CASE ASSY (GOLD)	
5	X-4949-743-1	PANEL ASSY, FRONT (BLACK)(DE625:US)		12	1-783-776-11	WIRE (FLAT TYPE) (13 CORE)	
5	X-4949-744-1	PANEL ASSY, FRONT (GOLD)(V616)		13	1-773-022-11	WIRE (FLAT TYPE) (15 CORE)	
6	4-989-850-01	BUTTON (BB)(BLACK)		* 15	1-669-446-11	VOL BOARD	
6	4-989-850-11	BUTTON (BB)(GOLD)		* 16	1-669-447-11	BALANCE BOARD	

4-2. CHASSIS SECTION



Ref. No.	Part No.	Description	Remarks	Ref. No.	Part No.	Description	Remarks
* 51	1-669-443-11	H.P BOARD		64	1-693-408-21	TUNER (V616)	
* 52	1-669-449-11	STANDBY BOARD		* 65	A-4407-578-A	INPUT BOARD, COMPLETE (DE625)	
* 53	A-4407-589-A	STANDBY (2) BOARD, COMPLETE		* 65	A-4407-583-A	INPUT BOARD, COMPLETE (V616)	
△ 54	1-769-743-11	CORD, POWER (US,CND)		* 66	1-669-441-11	CONNECTOR BOARD	
△ 54	1-782-464-21	CORD, POWER (CH)		67	X-4947-208-1	FOOT ASSY (F50150S) (DE625)	
* 55	3-703-244-00	BUSHING (2104), CORD		67	X-4947-547-1	FOOT ASSY (F50150S) (V616)	
* 56	1-669-428-11	SP BOARD (DE625)		68	4-985-642-01	CUSHION	
* 56	1-670-651-11	SP BOARD (V616)		69	1-769-941-11	WIRE (FLAT TYPE) (11 CORE)	
* 57	A-4407-577-A	AMP BOARD, COMPLETE (DE625)		70	1-765-321-11	WIRE (FLAT TYPE) (9 CORE)	
* 57	A-4407-582-A	AMP BOARD, COMPLETE (V616)		71	1-773-110-11	WIRE (FLAT TYPE) (19 CORE)	
* 58	A-4407-575-A	SURR BOARD, COMPLETE		72	1-769-877-11	WIRE (FLAT TYPE) (7 CORE)	
* 59	1-669-435-11	VIDEO BOARD		73	1-773-022-11	WIRE (FLAT TYPE) (15 CORE)	
61	4-924-098-91	HOLDER, PC BOARD		* 74	A-4407-590-A	REARAMP BOARD, COMPLETE	
62	1-773-008-11	WIRE (FLAT TYPE) (15 CORE)		* 76	1-669-434-11	(S) LINK BOARD (DE625)	
* 63	4-999-236-01	PANEL, BACK (DE625:US)		* 76	A-4407-581-A	S VIDEO BOARD, COMPLETE (V616)	
* 63	4-999-236-11	PANEL, BACK (DE625:CND)		* 77	1-669-445-11	VIDEO 3 BOARD	
* 63	4-999-236-21	PANEL, BACK (V616)		△ T901	1-431-809-11	TRANSFORMER, POWER (US,CND)	
64	1-693-407-21	TUNER (DE625)		△ T901	1-431-811-11	TRANSFORMER, POWER (CH)	

The components identified by mark △ or dotted line with mark △ are critical for safety. Replace only with part number specified.

Les composants identifiés par une marque △ sont critiques pour la sécurité. Ne les remplacer que par une pièce portant le numéro spécifié.

SECTION 5 ELECTRICAL PARTS LIST

NOTE:

When indicating parts by reference number, please include the board name.

The components identified by mark Δ or dotted line with mark Δ are critical for safety. Replace only with part number specified.

Les composants identifiés par une marque Δ sont critiques pour la sécurité. Ne les remplacer que par une pièce portant le numéro spécifié.

- Due to standardization, replacements in the parts list may be different from the parts specified in the diagrams or the components used on the set.

- -XX, -X mean standardized parts, so they may have some difference from the original one.
- Items marked "*" are not stocked since they are seldom required for routine service. Some delay should be anticipated when ordering these items.

• CAPACITORS:

uF: μ F

• RESISTORS

All resistors are in ohms.

METAL: metal-film resistor

METAL OXIDE: Metal Oxide-film resistor

F: nonflammable

• COILS

uH: μ H

• SEMICONDUCTORS

In each case, u: μ , for example:

uA...: μ A..., uPA..., μ PA...,

uPB..., μ PB..., uPC..., μ PC...,

uPD..., μ PD...

• Abbreviation

CND : Canadian

CH : Chinese

Ref. No.	Part No.	Description	Remarks	Ref. No.	Part No.	Description	Remarks
*	A-4407-577-A	AMP BOARD, COMPLETE (DE625) *****		CC49	1-164-096-11	CERAMIC	0.01uF 50V
*	A-4407-582-A	AMP BOARD, COMPLETE (V616) *****		CC98	1-164-096-11	CERAMIC	0.01uF 50V
	1-533-293-11	FUSE HOLDER		CC99	1-164-096-11	CERAMIC	0.01uF 50V
		< CAPACITOR >				< CONNECTOR >	
C501	1-126-965-11	ELECT	22uF 20% 50V	* CND803	1-564-340-00	PIN, CONNECTOR 6P	
C520	1-126-967-11	ELECT	47uF 20% 50V	* CND805	1-564-341-11	PIN, CONNECTOR 7P	
C521	1-107-597-11	CERAMIC	22PF 10% 500V	* CNN801	1-564-243-11	PIN, CONNECTOR 6P	
C522	1-107-597-11	CERAMIC	22PF 10% 500V	* CNN802	1-564-104-00	PIN, CONNECTOR (B3P-VH) 3P	
C523	1-162-286-31	CERAMIC	220PF 10% 50V	CNS651	1-784-806-11	HOUSING,CONNECTOR(PC BOARD)13P	
C524	1-126-964-11	ELECT	10uF 20% 50V	CNS804	1-568-439-11	SOCKET, CONNECTOR 7P	
C525	1-136-157-00	FILM	0.022uF 5% 50V			< DIODE >	
C526	1-136-153-00	FILM	0.01uF 5% 50V	D501	8-719-911-19	DIODE 1SS119	
C570	1-126-967-11	ELECT	47uF 20% 50V	D502	8-719-109-54	DIODE RD2.2ES-B2	
C571	1-107-597-11	CERAMIC	22PF 10% 500V	D503	8-719-109-54	DIODE RD2.2ES-B2	
C572	1-107-597-11	CERAMIC	22PF 10% 500V	D504	8-719-911-19	DIODE 1SS119	
C573	1-162-286-31	CERAMIC	220PF 10% 50V	D505	8-719-911-19	DIODE 1SS119	
C574	1-126-964-11	ELECT	10uF 20% 50V	D506	8-719-911-19	DIODE 1SS119	
C575	1-136-157-00	FILM	0.022uF 5% 50V	D545	8-719-911-19	DIODE 1SS119	
C576	1-136-153-00	FILM	0.01uF 5% 50V	D546	8-719-911-19	DIODE 1SS119	
C590	1-126-935-11	ELECT	470uF 20% 6.3V	D547	8-719-911-19	DIODE 1SS119	
C598	1-126-965-11	ELECT	22uF 20% 50V	D548	8-719-911-19	DIODE 1SS119	
C620	1-126-967-11	ELECT	47uF 20% 50V	D549	8-719-911-19	DIODE 1SS119	
C621	1-107-597-11	CERAMIC	22PF 10% 500V	D551	8-719-911-19	DIODE 1SS119	
C622	1-107-597-11	CERAMIC	22PF 10% 500V	D552	8-719-109-54	DIODE RD2.2ES-B2	
C623	1-162-286-31	CERAMIC	220PF 10% 50V	D553	8-719-109-54	DIODE RD2.2ES-B2	
C625	1-136-157-00	FILM	0.022uF 5% 50V	D554	8-719-911-19	DIODE 1SS119	
C801	1-126-967-11	ELECT	47uF 20% 50V	D555	8-719-911-19	DIODE 1SS119	
C803	1-109-932-11	ELECT(BLOCK)	10000uF 20% 71V (DE625)	D556	8-719-911-19	DIODE 1SS119	
C803	1-117-950-11	ELECT	10000uF 20% 63V (V616)	D601	8-719-911-19	DIODE 1SS119	
C804	1-109-932-11	ELECT(BLOCK)	10000uF 20% 71V (DE625)	D602	8-719-109-54	DIODE RD2.2ES-B2	
C804	1-117-950-11	ELECT	10000uF 20% 63V (V616)	D603	8-719-109-54	DIODE RD2.2ES-B2	
C805	1-130-781-00	FILM	0.22uF 10% 100V	D604	8-719-911-19	DIODE 1SS119	
C806	1-130-781-00	FILM	0.22uF 10% 100V	D608	8-719-911-19	DIODE 1SS119	
C811	1-126-952-11	ELECT	1000uF 20% 35V	D647	8-719-911-19	DIODE 1SS119	
C812	1-126-951-11	ELECT	470uF 20% 35V	D648	8-719-911-19	DIODE 1SS119	
C813	1-126-967-11	ELECT	47uF 20% 50V	D801	8-719-302-38	DIODE RBV-602-01	
C817	1-126-967-11	ELECT	47uF 20% 50V	D802	8-719-200-82	DIODE 11ES2	
C818	1-126-967-11	ELECT	47uF 20% 50V	D803	8-719-200-82	DIODE 11ES2	
CC48	1-164-096-11	CERAMIC	0.01uF 50V	D804	8-719-200-82	DIODE 11ES2	
				D805	8-719-200-82	DIODE 11ES2	
				D806	8-719-068-24	DIODE HZ5.6BP-TK	
				D807	8-719-934-17	DIODE HZS27-1L	

Ref. No.	Part No.	Description	Remarks	Ref. No.	Part No.	Description	Remarks
		< EARTH >				< RESISTOR >	
* EB702	1-537-738-21	TERMINAL, EARTH		R501	1-249-432-11	CARBON 18K 5%	1/4W
* EB703	1-537-738-21	TERMINAL, EARTH		R503	1-249-432-11	CARBON 18K 5%	1/4W
		< FUSE >		R504	1-249-429-11	CARBON 10K 5%	1/4W
△F801	1-532-506-51	FUSE TIME LAG 6.3A/250V(V616)		△R505	1-249-405-11	CARBON 100 5%	1/4W F
△F801	1-533-311-11	FUSE, GLASS CYLINDRICAL(DIA.5) 8A/125V (DE625)		△R506	1-249-381-11	CARBON 1 5%	1/4W F
△F802	1-532-506-51	FUSE TIME LAG 6.3A/250V(V616)		R521	1-247-840-00	CARBON 2.4K 5%	1/4W
△F802	1-533-311-11	FUSE, GLASS CYLINDRICAL(DIA.5) 8A/125V (DE625)		R523	1-249-414-11	CARBON 560 5%	1/4W F
△F803	1-532-504-51	FUSE TIME LAG 4A/250V(V616)		△R524	1-249-408-81	CARBON 180 5%	1/4W F
△F803	1-533-419-11	FUSE, GLASS CYLINDRICAL(DIA.5) 4A/125V (DE625)		△R525	1-249-408-81	CARBON 180 5%	1/4W F
△F804	1-532-504-51	FUSE TIME LAG 4A/250V(V616)		△R526	1-233-352-41	ENCAPSULATED COMPONENT	
△F804	1-533-419-11	FUSE, GLASS CYLINDRICAL(DIA.5) 4A/125V (DE625)		R527	1-247-850-11	CARBON 6.2K 5%	1/4W
		< IC >		R528	1-249-419-11	CARBON 1.5K 5%	1/4W F
IC809	8-759-708-05	IC NJM78L05A		R529	1-247-866-11	CARBON 30K 5%	1/4W
		< COIL >		R530	1-249-421-11	CARBON 2.2K 5%	1/4W F
L501	1-411-906-11	COIL, AIR-CORE (V616)		R531	1-249-433-11	CARBON 22K 5%	1/4W
L501	1-420-872-00	COIL, AIR-CORE (DE625)		R532	1-249-437-11	CARBON 47K 5%	1/4W
L551	1-411-906-11	COIL, AIR-CORE (V616)		△R533	1-249-393-11	CARBON 10 5%	1/4W F
L551	1-420-872-00	COIL, AIR-CORE (DE625)		△R534	1-249-389-11	CARBON 4.7 5%	1/4W F
		< TRANSISTOR >		R535	1-249-431-11	CARBON 15K 5%	1/4W
Q504	8-729-119-76	TRANSISTOR 2SA1175-HFE		R539	1-249-427-11	CARBON 6.8K 5%	1/4W F
Q506	8-749-010-25	IC MN2488-OPY-M		R540	1-249-417-11	CARBON 1K 5%	1/4W F
Q507	8-749-010-26	IC MP1620-OPY-M		R541	1-249-429-11	CARBON 10K 5%	1/4W
Q508	8-729-140-82	TRANSISTOR 2SA988-PAFAEA		R542	1-249-429-11	CARBON 10K 5%	1/4W
Q509	8-729-281-53	TRANSISTOR 2SC1815-GR		R547	1-249-425-11	CARBON 4.7K 5%	1/4W F
Q510	8-729-900-63	TRANSISTOR DTA124ES		R548	1-249-429-11	CARBON 10K 5%	1/4W
Q511	8-729-900-63	TRANSISTOR DTA124ES		△R549	1-249-393-11	CARBON 10 5%	1/4W F
Q546	8-729-119-79	TRANSISTOR 2SC2785-FEK		R551	1-247-881-00	CARBON 120K 5%	1/4W
Q547	8-729-140-84	TRANSISTOR 2SC1841-PAFAEA		R552	1-247-881-00	CARBON 120K 5%	1/4W
Q548	8-729-119-79	TRANSISTOR 2SC2785-FEK		R571	1-247-840-00	CARBON 2.4K 5%	1/4W
Q549	8-729-140-82	TRANSISTOR 2SA988-PAFAEA		R573	1-249-414-11	CARBON 560 5%	1/4W F
Q554	8-729-119-76	TRANSISTOR 2SA1175-HFE		△R574	1-249-408-81	CARBON 180 5%	1/4W F
Q556	8-749-010-25	IC MN2488-OPY-M		△R575	1-249-408-81	CARBON 180 5%	1/4W F
Q557	8-749-010-26	IC MP1620-OPY-M		△R576	1-233-352-41	ENCAPSULATED COMPONENT	
Q558	8-729-140-82	TRANSISTOR 2SA988-PAFAEA		R577	1-247-850-11	CARBON 6.2K 5%	1/4W
Q559	8-729-281-53	TRANSISTOR 2SC1815-GR		R578	1-249-419-11	CARBON 1.5K 5%	1/4W F
Q560	8-729-900-63	TRANSISTOR DTA124ES		R579	1-247-866-11	CARBON 30K 5%	1/4W
Q561	8-729-900-63	TRANSISTOR DTA124ES		R580	1-249-421-11	CARBON 2.2K 5%	1/4W F
Q596	8-729-119-79	TRANSISTOR 2SC2785-FEK		R581	1-249-433-11	CARBON 22K 5%	1/4W
Q601	8-729-119-79	TRANSISTOR 2SC2785-FEK		R582	1-249-437-11	CARBON 47K 5%	1/4W
Q604	8-729-119-76	TRANSISTOR 2SA1175-HFE		△R583	1-249-393-11	CARBON 10 5%	1/4W F
Q606	8-749-010-25	IC MN2488-OPY-M		△R584	1-249-389-11	CARBON 4.7 5%	1/4W F
Q607	8-749-010-26	IC MP1620-OPY-M		R585	1-249-431-11	CARBON 15K 5%	1/4W
Q608	8-729-140-82	TRANSISTOR 2SA988-PAFAEA		R586	1-249-429-11	CARBON 10K 5%	1/4W
Q612	8-729-281-53	TRANSISTOR 2SC1815-GR		R587	1-249-425-11	CARBON 4.7K 5%	1/4W F
Q613	8-729-281-53	TRANSISTOR 2SC1815-GR		△R588	1-249-393-11	CARBON 10 5%	1/4W F
Q614	8-729-201-53	TRANSISTOR 2SA1015-GR		R589	1-249-432-11	CARBON 18K 5%	1/4W
Q615	8-729-900-36	TRANSISTOR DTC124ES		R590	1-249-432-11	CARBON 18K 5%	1/4W
Q616	8-729-900-36	TRANSISTOR DTC124ES		R605	1-249-429-11	CARBON 10K 5%	1/4W
Q617	8-729-900-36	TRANSISTOR DTC124ES		△R606	1-249-393-11	CARBON 10 5%	1/4W F
Q618	8-729-900-63	TRANSISTOR DTA124ES		R607	1-216-456-00	METAL OXIDE 820 5%	2W F
Q801	8-729-140-97	TRANSISTOR 2SB734-34		R621	1-247-840-00	CARBON 2.4K 5%	1/4W
				R622	1-247-881-00	CARBON 120K 5%	1/4W
				R623	1-249-414-11	CARBON 560 5%	1/4W F
				△R624	1-249-408-81	CARBON 180 5%	1/4W F

The components identified by mark △ or dotted line with mark △ are critical for safety. Replace only with part number specified.

Les composants identifiés par une marque △ sont critiques pour la sécurité. Ne les remplacer que par une pièce portant le numéro spécifié.

AMP	BALANCE	CONNECTOR	DISPLAY				
------------	----------------	------------------	----------------	--	--	--	--

Ref. No.	Part No.	Description	Remarks
△ R625	1-249-408-81	CARBON 180 5%	1/4W F
△ R626	1-233-352-41	ENCAPSULATED COMPONENT	
R627	1-247-850-11	CARBON 6.2K 5%	1/4W
R628	1-249-419-11	CARBON 1.5K 5%	1/4W F
R632	1-249-437-11	CARBON 47K 5%	1/4W
△ R633	1-249-393-11	CARBON 10 5%	1/4W F
R640	1-215-885-00	METAL OXIDE 68 5%	2W F
R641	1-249-441-11	CARBON 100K 5%	1/4W
R642	1-216-453-00	METAL OXIDE 270 5%	2W F
R643	1-249-441-11	CARBON 100K 5%	1/4W
R644	1-216-456-00	METAL OXIDE 820 5%	2W F
R645	1-249-441-11	CARBON 100K 5%	1/4W
R650	1-249-425-11	CARBON 4.7K 5%	1/4W F
R651	1-249-429-11	CARBON 10K 5%	1/4W
R739	1-215-868-00	METAL OXIDE 680 5%	1W F
R789	1-215-868-00	METAL OXIDE 680 5%	1W F
△ R802	1-249-401-11	CARBON 47 5%	1/4W F
R803	1-247-843-11	CARBON 3.3K 5%	1/4W
△ RR48	1-249-393-11	CARBON 10 5%	1/4W F
△ RR49	1-249-393-11	CARBON 10 5%	1/4W F
△ RR98	1-249-393-11	CARBON 10 5%	1/4W F
△ RR99	1-249-393-11	CARBON 10 5%	1/4W F
		< RELAY >	
RY501	1-515-920-11	RELAY (24V)	
RY502	1-515-920-11	RELAY (24V)	
RY602	1-515-793-11	RELAY	
		< TERMINAL >	
TM501	1-694-429-21	TERMINAL BOARD (FRONT SPEAKERS)(V616)	
TM501	1-537-922-11	TERMINAL BOARD (FRONT SPEAKERS) (DE625)	

*	1-669-447-11	BALANCE BOARD *****	
		< VARIABLE RESISTOR >	
RV402	1-225-447-11	RES, VAR, CARBON 100K/100K (BALANCE)	

*	1-669-441-11	CONNECTOR BOARD *****	
		< CONNECTOR >	
CNP207	1-784-807-11	CONNECTOR, BOARD TO BOARD 13P	
CNP651	1-784-807-11	CONNECTOR, BOARD TO BOARD 13P	

*	A-4407-570-A	DISPLAY BOARD, COMPLETE (DE625) *****	
*	A-4407-579-A	DISPLAY BOARD, COMPLETE (V616) *****	
*	3-386-245-11	HOLDER (FL)	
*	4-921-941-01	CUSHION (FL)	

Ref. No.	Part No.	Description	Remarks
		< CAPACITOR >	
C101	1-164-159-11	CERAMIC 0.1uF	50V
C102	1-164-159-11	CERAMIC 0.1uF	50V
C103	1-164-159-11	CERAMIC 0.1uF	50V
C104	1-126-959-11	ELECT 0.47uF	20% 50V
C105	1-164-159-11	CERAMIC 0.1uF	50V
C108	1-126-935-11	ELECT 470uF	20% 6.3V
C109	1-126-935-11	ELECT 470uF	20% 6.3V
C110	1-164-159-11	CERAMIC 0.1uF	50V
C111	1-126-967-11	ELECT 47uF	20% 16V
C112	1-126-960-11	ELECT 1uF	20% 50V
C113	1-126-967-11	ELECT 47uF	20% 16V
C114	1-164-159-11	CERAMIC 0.1uF	50V
C115	1-104-905-11	CAPACITOR 0.22F	5.5V
C116	1-164-159-11	CERAMIC 0.1uF	50V
C117	1-164-159-11	CERAMIC 0.1uF	50V
C118	1-162-199-31	CERAMIC 10PF	5% 50V
C119	1-162-199-31	CERAMIC 10PF	5% 50V
C120	1-162-199-31	CERAMIC 10PF	5% 50V
C121	1-162-199-31	CERAMIC 10PF	5% 50V
C122	1-162-199-31	CERAMIC 10PF	5% 50V
C123	1-162-199-31	CERAMIC 10PF	5% 50V
C124	1-162-199-31	CERAMIC 10PF	5% 50V
C125	1-162-199-31	CERAMIC 10PF	5% 50V
C126	1-162-199-31	CERAMIC 10PF	5% 50V
C127	1-162-199-31	CERAMIC 10PF	5% 50V
C128	1-162-199-31	CERAMIC 10PF	5% 50V
C129	1-162-199-31	CERAMIC 10PF	5% 50V
C130	1-164-159-11	CERAMIC 0.1uF	50V
C141	1-164-159-11	CERAMIC 0.1uF	50V
C143	1-164-159-11	CERAMIC 0.1uF	50V
C147	1-162-306-11	CERAMIC 0.01uF	20% 16V
C164	1-162-306-11	CERAMIC 0.01uF	20% 16V
C1107	1-124-261-00	ELECT 10uF	20% 50V
CC101	1-162-199-31	CERAMIC 10PF	5% 50V
CC102	1-162-199-31	CERAMIC 10PF	5% 50V
CC103	1-162-199-31	CERAMIC 10PF	5% 50V
CC104	1-162-199-31	CERAMIC 10PF	5% 50V
CC105	1-162-199-31	CERAMIC 10PF	5% 50V
CC106	1-162-199-31	CERAMIC 10PF	5% 50V
CC107	1-162-199-31	CERAMIC 10PF	5% 50V
CC108	1-162-199-31	CERAMIC 10PF	5% 50V
CC109	1-162-199-31	CERAMIC 10PF	5% 50V
CC110	1-162-199-31	CERAMIC 10PF	5% 50V
CC111	1-162-199-31	CERAMIC 10PF	5% 50V
CC112	1-162-199-31	CERAMIC 10PF	5% 50V
CC113	1-162-199-31	CERAMIC 10PF	5% 50V
CC114	1-162-199-31	CERAMIC 10PF	5% 50V
CC115	1-162-199-31	CERAMIC 10PF	5% 50V
CC116	1-162-199-31	CERAMIC 10PF	5% 50V
CC117	1-162-199-31	CERAMIC 10PF	5% 50V

The components identified by mark △ or dotted line with mark △ are critical for safety. Replace only with part number specified.	Les composants identifiés par une marque △ sont critiques pour la sécurité. Ne les remplacer que par une pièce portant le numéro spécifié.
--	--

Ref. No.	Part No.	Description	Remarks	Ref. No.	Part No.	Description	Remarks
		< CONNECTOR >				< TRANSISTOR >	
* CND101	1-564-496-11	PIN, CONNECTOR 3P		Q101	8-729-900-36	TRANSISTOR DTC124ES	
* CND103	1-564-500-11	PIN, CONNECTOR 7P		Q102	8-729-900-63	TRANSISTOR DTA124ES	
* CND104	1-564-498-11	PIN, CONNECTOR 5P		Q103	8-729-900-36	TRANSISTOR DTC124ES	
* CNE102	1-564-519-11	PLUG, CONNECTOR 4P		Q104	8-729-900-36	TRANSISTOR DTC124ES	
CNP103	1-779-365-11	CONNECTOR, PC BOARD (PLUG) 8P		Q105	8-729-119-76	TRANSISTOR 2SA1175-HFE	
CNP121	1-779-366-11	CONNECTOR, BOARD TO BOARD 4P		Q106	8-729-119-79	TRANSISTOR 2SC2785-FEK	
CNP123	1-779-366-11	CONNECTOR, BOARD TO BOARD 4P		Q107	8-729-900-80	TRANSISTOR DTC114ES	
CNP125	1-779-366-11	CONNECTOR, BOARD TO BOARD 4P		Q108	8-729-119-76	TRANSISTOR 2SA1175-HFE	
CNS102	1-770-397-11	HOUSING, CONNECTOR(PC BOARD)4P		Q129	8-729-801-93	TRANSISTOR 2SD1387	
* CNS116	1-568-856-11	SOCKET, CONNECTOR 13P		Q130	8-729-801-93	TRANSISTOR 2SD1387	
* CNS117	1-568-858-11	SOCKET, CONNECTOR 15P		Q143	8-729-900-80	TRANSISTOR DTC114ES	
		< DIODE >		Q1101	8-729-119-79	TRANSISTOR 2SC2785-FEK	
D101	8-719-059-14	DIODE SID313BP-TP19				< RESISTOR >	
D102	8-719-059-14	DIODE SID313BP-TP19		R101	1-249-417-11	CARBON 1K 5%	1/4W F
D103	8-719-059-14	DIODE SID313BP-TP19		△R102	1-249-385-11	CARBON 2.2 5%	1/6W F
D104	8-719-911-19	DIODE 1SS119		R103	1-249-425-11	CARBON 4.7K 5%	1/4W F
D105	8-719-911-19	DIODE 1SS119		R104	1-249-425-11	CARBON 4.7K 5%	1/4W F
D106	8-719-911-19	DIODE 1SS119		R104	1-249-429-11	CARBON 10K 5%	1/4W
D107	8-719-911-19	DIODE 1SS119		R105	1-249-425-11	CARBON 4.7K 5%	1/4W F
D108	8-719-911-19	DIODE 1SS119		R106	1-249-425-11	CARBON 4.7K 5%	1/4W F
D111	8-719-058-64	DIODE SEL5823A-TP15 (TONE)		R107	1-249-425-11	CARBON 4.7K 5%	1/4W F
D113	8-719-058-64	DIODE SEL5823A-TP15 (SURROUND)		R108	1-247-843-11	CARBON 3.3K 5%	1/4W
D114	8-719-058-64	DIODE SEL5823A-TP15 (BASS/TREBLE)		R109	1-247-843-11	CARBON 3.3K 5%	1/4W
D115	8-719-058-64	DIODE SEL5823A-TP15 (INDEX)		R110	1-247-843-11	CARBON 3.3K 5%	1/4W
D116	8-719-313-45	DIODE SEL6810A-TH10 (MUTING)		R111	1-247-843-11	CARBON 3.3K 5%	1/4W
D119	8-719-911-19	DIODE 1SS119		R112	1-249-417-11	CARBON 1K 5%	1/4W F
D120	8-719-911-19	DIODE 1SS119		R113	1-249-441-11	CARBON 100K 5%	1/4W
D121	8-719-911-19	DIODE 1SS119		R115	1-247-807-31	CARBON 100 5%	1/4W
D135	8-719-058-64	DIODE SEL5823A-TP15 (5.1/DVD INPUT)		R116	1-247-807-31	CARBON 100 5%	1/4W
D136	8-719-058-64	DIODE SEL5823A-TP15 (BASS BOOST)		R117	1-249-425-11	CARBON 4.7K 5%	1/4W F
D151	8-719-911-19	DIODE 1SS119		R118	1-247-807-31	CARBON 100 5%	1/4W
D152	8-719-911-19	DIODE 1SS119		R123	1-247-807-31	CARBON 100 5%	1/4W
D153	8-719-911-19	DIODE 1SS119		R124	1-249-417-11	CARBON 1K 5%	1/4W F
D154	8-719-911-19	DIODE 1SS119		R126	1-247-807-31	CARBON 100 5%	1/4W
D184	8-719-911-19	DIODE 1SS119		R128	1-247-807-31	CARBON 100 5%	1/4W
D1101	8-719-911-19	DIODE 1SS119		R129	1-247-807-31	CARBON 100 5%	1/4W
		< FILTER >		R130	1-247-807-31	CARBON 100 5%	1/4W
FL101	1-517-770-11	INDICATOR TUBE, FLUORESCENT		R131	1-247-807-31	CARBON 100 5%	1/4W
		< IC >		R132	1-247-807-31	CARBON 100 5%	1/4W
IC101	8-759-459-83	IC NJL55H400A		R133	1-247-807-31	CARBON 100 5%	1/4W
IC102	8-759-545-07	IC TMP87C447U-4A06		R134	1-247-807-31	CARBON 100 5%	1/4W
IC103	8-759-540-93	IC uPD780208GF-023-3BA		R135	1-247-807-31	CARBON 100 5%	1/4W
IC106	8-759-962-08	IC BA6208		R136	1-247-807-31	CARBON 100 5%	1/4W
IC107	8-759-267-86	IC SN74HC00ANS		R137	1-249-429-11	CARBON 10K 5%	1/4W
		< COIL >		R138	1-247-807-31	CARBON 100 5%	1/4W
L101	1-410-509-11	INDUCTOR 10uH		R139	1-247-807-31	CARBON 100 5%	1/4W
L102	1-410-763-71	INDUCTOR 1mH		R140	1-247-807-31	CARBON 100 5%	1/4W
				R141	1-247-807-31	CARBON 100 5%	1/4W
				R142	1-247-807-31	CARBON 100 5%	1/4W
				R143	1-247-807-31	CARBON 100 5%	1/4W
				R144	1-247-807-31	CARBON 100 5%	1/4W
				△R145	1-249-385-11	CARBON 2.2 5%	1/6W F
				R146	1-249-383-11	CARBON 1.5 5%	1/6W F

The components identified by mark △ or dotted line with mark △ are critical for safety. Replace only with part number specified.

Les composants identifiés par une marque △ sont critiques pour la sécurité. Ne les remplacer que par une pièce portant le numéro spécifié.

DISPLAY

H.P

INPUT

Ref. No.	Part No.	Description	Remarks
R148	1-249-425-11	CARBON 4.7K	5% 1/4W F
R149	1-249-411-11	CARBON 330	5% 1/4W
R150	1-249-411-11	CARBON 330	5% 1/4W
R151	1-249-411-11	CARBON 330	5% 1/4W
R153	1-249-411-11	CARBON 330	5% 1/4W
R154	1-249-411-11	CARBON 330	5% 1/4W
R155	1-249-429-11	CARBON 10K	5% 1/4W
R156	1-249-421-11	CARBON 2.2K	5% 1/4W F
R157	1-249-421-11	CARBON 2.2K	5% 1/4W F
R160	1-249-429-11	CARBON 10K	5% 1/4W
R161	1-249-437-11	CARBON 47K	5% 1/4W
R162	1-249-433-11	CARBON 22K	5% 1/4W
R165	1-249-429-11	CARBON 10K	5% 1/4W
R167	1-247-772-00	CARBON 3.6	5% 1/4W
R168	1-249-429-11	CARBON 10K	5% 1/4W
R171	1-249-429-11	CARBON 10K	5% 1/4W
R190	1-249-429-11	CARBON 10K	5% 1/4W
R1101	1-249-393-11	CARBON 10	5% 1/4W F
R1106	1-249-429-11	CARBON 10K	5% 1/4W
R1107	1-249-429-11	CARBON 10K	5% 1/4W
R1108	1-249-425-11	CARBON 4.7K	5% 1/4W F
RR10	1-247-843-11	CARBON 3.3K	5% 1/4W
RR11	1-249-409-11	CARBON 220	5% 1/4W F
RR12	1-249-411-11	CARBON 330	5% 1/4W
RR13	1-249-413-11	CARBON 470	5% 1/4W F
RR14	1-249-415-11	CARBON 680	5% 1/4W F
RR15	1-249-417-11	CARBON 1K	5% 1/4W F
RR16	1-249-419-11	CARBON 1.5K	5% 1/4W F
RR17	1-249-421-11	CARBON 2.2K	5% 1/4W F
RR18	1-249-425-11	CARBON 4.7K	5% 1/4W F
RR19	1-249-429-11	CARBON 10K	5% 1/4W
RR101	1-249-437-11	CARBON 47K	5% 1/4W
RR102	1-249-437-11	CARBON 47K	5% 1/4W
RR103	1-249-437-11	CARBON 47K	5% 1/4W
RR104	1-249-437-11	CARBON 47K	5% 1/4W
RR105	1-249-437-11	CARBON 47K	5% 1/4W
RR106	1-249-437-11	CARBON 47K	5% 1/4W
RR107	1-249-437-11	CARBON 47K	5% 1/4W
RR108	1-249-437-11	CARBON 47K	5% 1/4W
RR109	1-249-437-11	CARBON 47K	5% 1/4W
RR110	1-249-437-11	CARBON 47K	5% 1/4W
RR111	1-249-437-11	CARBON 47K	5% 1/4W
RR112	1-249-437-11	CARBON 47K	5% 1/4W
RR113	1-249-437-11	CARBON 47K	5% 1/4W
RR114	1-249-437-11	CARBON 47K	5% 1/4W
RR115	1-249-437-11	CARBON 47K	5% 1/4W
RR116	1-249-437-11	CARBON 47K	5% 1/4W
RR117	1-249-437-11	CARBON 47K	5% 1/4W
RR118	1-249-437-11	CARBON 47K	5% 1/4W
RR119	1-249-437-11	CARBON 47K	5% 1/4W
RR120	1-249-437-11	CARBON 47K	5% 1/4W
RR121	1-249-437-11	CARBON 47K	5% 1/4W
RR122	1-249-437-11	CARBON 47K	5% 1/4W
RR123	1-249-437-11	CARBON 47K	5% 1/4W
RR124	1-249-437-11	CARBON 47K	5% 1/4W

Ref. No.	Part No.	Description	Remarks
RR125	1-249-437-11	CARBON 47K	5% 1/4W
RR126	1-249-437-11	CARBON 47K	5% 1/4W
RR127	1-249-437-11	CARBON 47K	5% 1/4W
RR128	1-249-437-11	CARBON 47K	5% 1/4W
RR129	1-249-437-11	CARBON 47K	5% 1/4W
RR130	1-249-409-11	CARBON 220	5% 1/4W F
RR139	1-249-409-11	CARBON 220	5% 1/4W F
RR140	1-249-411-11	CARBON 330	5% 1/4W
RR149	1-249-409-11	CARBON 220	5% 1/4W F
RR150	1-249-411-11	CARBON 330	5% 1/4W
RR158	1-249-409-11	CARBON 220	5% 1/4W F
RR159	1-249-411-11	CARBON 330	5% 1/4W
RR160	1-249-413-11	CARBON 470	5% 1/4W F
RR161	1-249-415-11	CARBON 680	5% 1/4W F
RR162	1-249-417-11	CARBON 1K	5% 1/4W F
RR163	1-249-419-11	CARBON 1.5K	5% 1/4W F
RR164	1-249-421-11	CARBON 2.2K	5% 1/4W F
RR165	1-249-425-11	CARBON 4.7K	5% 1/4W F
RR166	1-249-429-11	CARBON 10K	5% 1/4W
RR167	1-249-435-11	CARBON 33K	5% 1/4W
< SWITCH >			
S101	1-762-751-11	SWITCH, TACTILE (UP)	
S112	1-762-751-11	SWITCH, TACTILE (DOWN)	
S113	1-762-751-11	SWITCH, TACTILE (DISPLAY)	
S123	1-762-751-11	SWITCH, TACTILE (LEFT)	
S124	1-762-751-11	SWITCH, TACTILE (RIGHT)	
S134	1-762-751-11	SWITCH, TACTILE (MUTING)	
S135	1-762-751-11	SWITCH, TACTILE (SLEEP)	
S136	1-762-751-11	SWITCH, TACTILE (FM MODE)	
S137	1-762-751-11	SWITCH, TACTILE (FM/AM)	
S138	1-762-751-11	SWITCH, TACTILE (TUNING +)	
S139	1-762-751-11	SWITCH, TACTILE (TUNING -)	
S140	1-762-751-11	SWITCH, TACTILE (PRESET +)	
S141	1-762-751-11	SWITCH, TACTILE (PRESET -)	
S142	1-762-751-11	SWITCH, TACTILE (MEMORY)	
S151	1-762-751-11	SWITCH, TACTILE (I/C)	
< VIBRATOR >			
X101	1-577-101-11	VIBRATOR, CERAMIC, 4.19MHz	
X102	1-767-938-21	VIBRATOR, CERAMIC, 7.28MHz	

*	1-669-443-11	H.P BOARD	*****
< CONNECTOR >			
* CNE751	1-564-519-11	PLUG, CONNECTOR 4P	
< JACK >			
J701	1-568-519-41	JACK, LARGE TYPE (PHONES)	

*	A-4407-578-A	INPUT BOARD, COMPLETE (DE625)	*****
*	A-4407-583-A	INPUT BOARD, COMPLETE (V616)	*****
7-685-872-09	SCREW +BVTT	3 x 8 (S)	

Ref. No.	Part No.	Description	Remarks			Ref. No.	Part No.	Description	Remarks		
< CAPACITOR >						C463	1-164-159-11	CERAMIC	0.1uF		50V
C001	1-126-964-11	ELECT	10uF	20%	50V	C464	1-126-934-11	ELECT	220uF	20%	16V
C002	1-162-282-31	CERAMIC	100PF	10%	50V	C490	1-126-963-11	ELECT	4.7uF	20%	50V
C003	1-102-233-00	CERAMIC	33PF	10%	500V	C508	1-136-495-11	FILM	0.068uF	5%	50V
C004	1-107-584-11	CERAMIC	4PF	0.25PF	500V	C509	1-136-153-00	FILM	0.01uF	5%	50V
C005	1-104-665-11	ELECT	100uF	20%	10V	C510	1-110-335-11	MYLAR	100PF	5%	50V
C006	1-162-282-31	CERAMIC	100PF	10%	50V	C511	1-130-476-00	MYLAR	0.0027uF	5%	50V
C050	1-104-665-11	ELECT	100uF	20%	10V	C512	1-136-157-00	FILM	0.022uF	5%	50V
C051	1-126-964-11	ELECT	10uF	20%	50V	C513	1-136-171-00	FILM	0.33uF	5%	50V
C052	1-162-282-31	CERAMIC	100PF	10%	50V	C514	1-136-159-00	FILM	0.033uF	5%	50V
C053	1-102-233-00	CERAMIC	33PF	10%	500V	C558	1-136-495-11	FILM	0.068uF	5%	50V
C054	1-107-584-11	CERAMIC	4PF	0.25PF	500V	C559	1-136-153-00	FILM	0.01uF	5%	50V
C056	1-162-282-31	CERAMIC	100PF	10%	50V	C560	1-110-335-11	MYLAR	100PF	5%	50V
C100	1-126-948-11	ELECT	100uF	20%	35V	C561	1-130-476-00	MYLAR	0.0027uF	5%	50V
C303	1-162-294-31	CERAMIC	0.001uF	10%	50V	C562	1-136-157-00	FILM	0.022uF	5%	50V
C306	1-126-961-11	ELECT	2.2uF	20%	50V	C563	1-136-171-00	FILM	0.33uF	5%	50V
C307	1-126-961-11	ELECT	2.2uF	20%	50V	C564	1-136-159-00	FILM	0.033uF	5%	50V
C308	1-126-934-11	ELECT	220uF	20%	10V	C594	1-128-560-11	ELECT	22uF	20%	100V
C309	1-126-934-11	ELECT	220uF	20%	10V	C595	1-128-560-11	ELECT	22uF	20%	100V
C310	1-125-896-91	MYLAR	0.0091uF	5%	50V	C596	1-164-159-11	CERAMIC	0.1uF		50V
C311	1-125-896-91	MYLAR	0.0091uF	5%	50V	C597	1-162-282-31	CERAMIC	100PF	10%	50V
C312	1-136-159-00	FILM	0.033uF	5%	50V	C598	1-126-967-11	ELECT	47uF	20%	16V
C313	1-136-159-00	FILM	0.033uF	5%	50V	C599	1-126-967-11	ELECT	47uF	20%	16V
C314	1-126-961-11	ELECT	2.2uF	20%	50V	C601	1-126-964-11	ELECT	10uF	20%	50V
C315	1-126-961-11	ELECT	2.2uF	20%	50V	C602	1-162-282-31	CERAMIC	100PF	10%	50V
C316	1-126-933-11	ELECT	100uF	20%	16V	C603	1-102-233-00	CERAMIC	33PF	10%	500V
C317	1-126-933-11	ELECT	100uF	20%	16V	C604	1-107-584-11	CERAMIC	4PF	0.25PF	500V
C318	1-126-967-11	ELECT	47uF	20%	16V	C605	1-104-665-11	ELECT	100uF	20%	10V
C319	1-126-967-11	ELECT	47uF	20%	16V	C606	1-162-282-31	CERAMIC	100PF	10%	50V
C320	1-126-965-11	ELECT	22uF	20%	50V	C607	1-126-966-11	ELECT	33uF	20%	50V
C322	1-162-294-31	CERAMIC	0.001uF	10%	50V	C610	1-162-282-31	CERAMIC	100PF	10%	50V
C323	1-162-282-31	CERAMIC	100PF	10%	50V	C651	1-126-964-11	ELECT	10uF	20%	50V
C332	1-164-159-11	CERAMIC	0.1uF		50V	C652	1-162-282-31	CERAMIC	100PF	10%	50V
C333	1-164-159-11	CERAMIC	0.1uF		50V	C653	1-102-233-00	CERAMIC	33PF	10%	500V
C334	1-164-159-11	CERAMIC	0.1uF		50V	C654	1-107-584-11	CERAMIC	4PF	0.25PF	500V
C335	1-164-159-11	CERAMIC	0.1uF		50V	C655	1-104-665-11	ELECT	100uF	20%	10V
C336	1-164-159-11	CERAMIC	0.1uF		50V	C656	1-162-282-31	CERAMIC	100PF	10%	50V
C337	1-164-159-11	CERAMIC	0.1uF		50V	C657	1-126-966-11	ELECT	33uF	20%	50V
C343	1-126-964-11	ELECT	10uF	20%	50V	C693	1-126-934-11	ELECT	220uF	20%	10V
C344	1-102-508-91	CERAMIC	10PF	0.5PF	50V	C701	1-126-964-11	ELECT	10uF	20%	50V
C345	1-162-199-31	CERAMIC	10PF	5%	50V	C702	1-162-282-31	CERAMIC	100PF	10%	50V
C346	1-162-199-31	CERAMIC	10PF	5%	50V	C703	1-102-233-00	CERAMIC	33PF	10%	500V
C349	1-162-199-31	CERAMIC	10PF	5%	50V	C704	1-107-584-11	CERAMIC	4PF	0.25PF	500V
C350	1-102-508-91	CERAMIC	10PF	0.5PF	50V	C705	1-104-665-11	ELECT	100uF	20%	10V
C351	1-126-964-11	ELECT	10uF	20%	50V	C706	1-162-282-31	CERAMIC	100PF	10%	50V
C352	1-126-965-11	ELECT	22uF	20%	50V	C710	1-162-282-31	CERAMIC	100PF	10%	50V
C353	1-162-294-31	CERAMIC	0.001uF	10%	50V	C751	1-126-964-11	ELECT	10uF	20%	50V
C370	1-126-965-11	ELECT	22uF	20%	50V	C752	1-162-282-31	CERAMIC	100PF	10%	50V
C371	1-126-965-11	ELECT	22uF	20%	50V	C753	1-102-233-00	CERAMIC	33PF	10%	500V
C431	1-126-960-11	ELECT	1uF	20%	50V	C754	1-107-584-11	CERAMIC	4PF	0.25PF	500V
C433	1-126-960-11	ELECT	1uF	20%	50V	C755	1-104-665-11	ELECT	100uF	20%	10V
C437	1-126-960-11	ELECT	1uF	20%	50V	C756	1-162-282-31	CERAMIC	100PF	10%	50V
C439	1-126-960-11	ELECT	1uF	20%	50V	C807	1-126-934-11	ELECT	220uF	20%	16V
C443	1-126-960-11	ELECT	1uF	20%	50V	C808	1-126-934-11	ELECT	220uF	20%	16V
C460	1-164-159-11	CERAMIC	0.1uF		50V	C809	1-126-948-11	ELECT	100uF	20%	35V
C462	1-126-934-11	ELECT	220uF	20%	16V						

INPUT

Ref. No.	Part No.	Description	Remarks	Ref. No.	Part No.	Description	Remarks
C5001	1-126-965-11	ELECT	22uF 20% 50V			< TRANSISTOR >	
C5051	1-126-965-11	ELECT	22uF 20% 50V				
CC01	1-162-282-31	CERAMIC	100PF 10% 50V	Q300	8-729-922-37	TRANSISTOR 2SD2144S	
CC02	1-162-286-31	CERAMIC	220PF 10% 50V	Q301	8-729-922-37	TRANSISTOR 2SD2144S	
CC04	1-162-282-31	CERAMIC	100PF 10% 50V	Q302	8-729-922-37	TRANSISTOR 2SD2144S	
				Q303	8-729-922-37	TRANSISTOR 2SD2144S	
CC05	1-162-282-31	CERAMIC	100PF 10% 50V	Q304	8-729-922-37	TRANSISTOR 2SD2144S	
CC06	1-162-282-31	CERAMIC	100PF 10% 50V				
CC51	1-162-282-31	CERAMIC	100PF 10% 50V	Q305	8-729-922-37	TRANSISTOR 2SD2144S	
CC52	1-162-286-31	CERAMIC	220PF 10% 50V	Q307	8-729-620-05	TRANSISTOR 2SC2603-EF	
CC54	1-162-282-31	CERAMIC	100PF 10% 50V	Q411	8-729-900-63	TRANSISTOR DTA124ES	
				Q414	8-729-900-63	TRANSISTOR DTA124ES	
CC55	1-162-282-31	CERAMIC	100PF 10% 50V	Q501	8-729-202-67	TRANSISTOR 2SK246-GR3	
CC56	1-162-282-31	CERAMIC	100PF 10% 50V				
		< CONNECTOR >		Q502	8-729-141-30	TRANSISTOR 2SC3623A-LK	
* CND201	1-564-339-00	PIN, CONNECTOR 5P		Q551	8-729-202-67	TRANSISTOR 2SK246-GR3	
CNE202	1-691-765-11	PLUG (MICRO CONNECTOR) 3P		Q552	8-729-141-30	TRANSISTOR 2SC3623A-LK	
CNE203	1-691-765-11	PLUG (MICRO CONNECTOR) 3P		Q691	8-729-900-80	TRANSISTOR DTC114ES	
CNE208	1-691-768-11	PLUG (MICRO CONNECTOR) 6P		Q692	8-729-422-57	TRANSISTOR UN4111	
CNE209	1-691-765-11	PLUG (MICRO CONNECTOR) 3P					
				Q3008	8-729-620-05	TRANSISTOR 2SC2603-EF	
						< RESISTOR >	
CNS201	1-569-060-11	SOCKET, CONNECTOR 11P		R001	1-249-417-11	CARBON 1K 5% 1/4W	F
CNS202	1-568-442-11	SOCKET, CONNECTOR 9P		R002	1-249-439-11	CARBON 68K 5% 1/4W	
CNS203	1-569-321-11	SOCKET, CONNECTOR 15P		R003	1-249-439-11	CARBON 68K 5% 1/4W	
CNS204	1-568-443-11	SOCKET, CONNECTOR 13P		R004	1-249-411-11	CARBON 330 5% 1/4W	
CNS205	1-569-323-11	SOCKET, CONNECTOR 19P		R051	1-249-417-11	CARBON 1K 5% 1/4W	F
CNS206	1-569-060-11	SOCKET, CONNECTOR 11P		R052	1-249-439-11	CARBON 68K 5% 1/4W	
CNS207	1-784-806-11	HOUSING,CONNECTOR(PC BOARD)13P		R053	1-249-433-11	CARBON 22K 5% 1/4W	
		< DIODE >		R054	1-249-417-11	CARBON 1K 5% 1/4W	F
D301	8-719-911-19	DIODE 1SS119		R055	1-249-409-11	CARBON 220 5% 1/4W	F
D302	8-719-911-19	DIODE 1SS119		R056	1-249-409-11	CARBON 220 5% 1/4W	F
D401	8-719-911-19	DIODE 1SS119					
D402	8-719-911-19	DIODE 1SS119		R090	1-249-433-11	CARBON 22K 5% 1/4W	
		< EARTH >		R301	1-249-413-11	CARBON 470 5% 1/4W	F
* EB301	1-537-738-21	TERMINAL, EARTH		R326	1-249-417-11	CARBON 1K 5% 1/4W	F
		< IC >		R327	1-249-417-11	CARBON 1K 5% 1/4W	F
IC001	8-759-326-52	IC uPC2581V		R330	1-249-417-11	CARBON 1K 5% 1/4W	F
IC301	8-759-634-51	IC M5218AP		R331	1-249-417-11	CARBON 1K 5% 1/4W	F
IC302	8-759-805-14	IC LC7822		R334	1-249-417-11	CARBON 1K 5% 1/4W	F
IC303	8-759-636-74	IC M5218AP-22		R335	1-249-417-11	CARBON 1K 5% 1/4W	F
IC304	8-759-634-51	IC M5218AP		R336	1-249-401-11	CARBON 47 5% 1/4W	F
				R337	1-249-401-11	CARBON 47 5% 1/4W	F
IC305	8-759-634-51	IC M5218AP					
IC306	8-759-634-51	IC M5218AP		R338	1-249-441-11	CARBON 100K 5% 1/4W	
IC450	8-759-604-35	IC M5F78M05L		R339	1-249-441-11	CARBON 100K 5% 1/4W	
IC451	8-759-391-87	IC BA78M12P		R341	1-249-440-11	CARBON 82K 5% 1/4W	
IC502	8-759-462-99	IC TC9184P		R342	1-249-440-11	CARBON 82K 5% 1/4W	
				R343	1-249-408-11	CARBON 180 5% 1/4W	F
IC601	8-759-326-52	IC uPC2581V					
IC701	8-759-326-52	IC uPC2581V		R344	1-249-408-11	CARBON 180 5% 1/4W	F
IC801	8-759-604-40	IC M5F78M15		R345	1-249-428-11	CARBON 8.2K 5% 1/4W	F
IC803	8-759-604-46	IC M5F79M15		R346	1-249-428-11	CARBON 8.2K 5% 1/4W	F
		< JACK >		R347	1-249-441-11	CARBON 100K 5% 1/4W	
J201	1-695-188-31	JACK, PIN 4P (CD/PHONO)		R348	1-249-441-11	CARBON 100K 5% 1/4W	
J202	1-573-028-31	JACK, PIN 4P (TAPE/MD)					
J203	1-785-009-11	JACK, PIN 6P (5.1/DVD INPUT)		R349	1-247-807-31	CARBON 100 5% 1/4W	
				R350	1-247-807-31	CARBON 100 5% 1/4W	
				R351	1-249-413-11	CARBON 470 5% 1/4W	F
				R352	1-249-441-11	CARBON 100K 5% 1/4W	
				R353	1-249-441-11	CARBON 100K 5% 1/4W	

INPUT

Ref. No.	Part No.	Description	Quantity	Material	Remarks	Ref. No.	Part No.	Description	Quantity	Material	Remarks
R356	1-249-425-11	CARBON	4.7K	5%	1/4W F	R515	1-249-441-11	CARBON	100K	5%	1/4W
R357	1-247-807-31	CARBON	100	5%	1/4W	R516	1-247-843-11	CARBON	3.3K	5%	1/4W
R358	1-247-807-31	CARBON	100	5%	1/4W	R517	1-247-883-00	CARBON	150K	5%	1/4W
R359	1-249-417-11	CARBON	1K	5%	1/4W F	R518	1-249-427-11	CARBON	6.8K	5%	1/4W F
R360	1-249-441-11	CARBON	100K	5%	1/4W	R519	1-249-413-11	CARBON	470	5%	1/4W F
R361	1-249-441-11	CARBON	100K	5%	1/4W	R558	1-249-441-11	CARBON	100K	5%	1/4W
R362	1-249-417-11	CARBON	1K	5%	1/4W F	R559	1-247-903-00	CARBON	1M	5%	1/4W
R363	1-249-417-11	CARBON	1K	5%	1/4W F	R560	1-249-426-11	CARBON	5.6K	5%	1/4W
R364	1-249-429-11	CARBON	10K	5%	1/4W	R561	1-249-434-11	CARBON	27K	5%	1/4W
R365	1-249-429-11	CARBON	10K	5%	1/4W	R563	1-249-426-11	CARBON	5.6K	5%	1/4W
R366	1-249-429-11	CARBON	10K	5%	1/4W	R564	1-249-418-11	CARBON	1.2K	5%	1/4W F
R367	1-249-417-11	CARBON	1K	5%	1/4W F	R565	1-249-441-11	CARBON	100K	5%	1/4W
R368	1-249-441-11	CARBON	100K	5%	1/4W	R566	1-247-843-11	CARBON	3.3K	5%	1/4W
R369	1-249-441-11	CARBON	100K	5%	1/4W	R567	1-247-883-00	CARBON	150K	5%	1/4W
R370	1-249-441-11	CARBON	100K	5%	1/4W	R568	1-249-427-11	CARBON	6.8K	5%	1/4W F
R371	1-249-441-11	CARBON	100K	5%	1/4W	R569	1-249-413-11	CARBON	470	5%	1/4W F
R372	1-249-441-11	CARBON	100K	5%	1/4W	△R592	1-249-381-11	CARBON	1	5%	1/4W F
R373	1-249-441-11	CARBON	100K	5%	1/4W	△R593	1-249-381-11	CARBON	1	5%	1/4W F
R374	1-249-417-11	CARBON	1K	5%	1/4W F	R595	1-247-903-00	CARBON	1M	5%	1/4W
R375	1-249-417-11	CARBON	1K	5%	1/4W F	R596	1-249-421-11	CARBON	2.2K	5%	1/4W F
R376	1-249-417-11	CARBON	1K	5%	1/4W F	R597	1-247-843-11	CARBON	3.3K	5%	1/4W
R377	1-249-417-11	CARBON	1K	5%	1/4W F	R598	1-249-421-11	CARBON	2.2K	5%	1/4W F
R378	1-249-417-11	CARBON	1K	5%	1/4W F	R599	1-247-843-11	CARBON	3.3K	5%	1/4W
R379	1-249-417-11	CARBON	1K	5%	1/4W F	R601	1-249-417-11	CARBON	1K	5%	1/4W F
R380	1-249-419-11	CARBON	1.5K	5%	1/4W F	R602	1-249-439-11	CARBON	68K	5%	1/4W
R381	1-249-419-11	CARBON	1.5K	5%	1/4W F	R603	1-249-439-11	CARBON	68K	5%	1/4W
R382	1-249-419-11	CARBON	1.5K	5%	1/4W F	R604	1-249-418-11	CARBON	1.2K	5%	1/4W F
R383	1-249-419-11	CARBON	1.5K	5%	1/4W F	R608	1-249-429-11	CARBON	10K	5%	1/4W
R384	1-249-419-11	CARBON	1.5K	5%	1/4W F	R609	1-249-434-11	CARBON	27K	5%	1/4W
R385	1-249-419-11	CARBON	1.5K	5%	1/4W F	R651	1-249-417-11	CARBON	1K	5%	1/4W F
R386	1-249-441-11	CARBON	100K	5%	1/4W	R652	1-249-439-11	CARBON	68K	5%	1/4W
R387	1-249-440-11	CARBON	82K	5%	1/4W	R653	1-249-439-11	CARBON	68K	5%	1/4W
R388	1-249-425-11	CARBON	4.7K	5%	1/4W F	R654	1-249-418-11	CARBON	1.2K	5%	1/4W F
R389	1-249-425-11	CARBON	4.7K	5%	1/4W F	R658	1-249-429-11	CARBON	10K	5%	1/4W
R390	1-249-441-11	CARBON	100K	5%	1/4W	R659	1-249-434-11	CARBON	27K	5%	1/4W
R391	1-249-429-11	CARBON	10K	5%	1/4W	R690	1-249-433-11	CARBON	22K	5%	1/4W
R392	1-249-425-11	CARBON	4.7K	5%	1/4W F	R694	1-249-425-11	CARBON	4.7K	5%	1/4W F
R393	1-249-425-11	CARBON	4.7K	5%	1/4W F	R699	1-249-425-11	CARBON	4.7K	5%	1/4W F
R394	1-249-441-11	CARBON	100K	5%	1/4W	R701	1-249-417-11	CARBON	1K	5%	1/4W F
R395	1-249-429-11	CARBON	10K	5%	1/4W	R702	1-249-439-11	CARBON	68K	5%	1/4W
R396	1-249-433-11	CARBON	22K	5%	1/4W	R703	1-249-439-11	CARBON	68K	5%	1/4W
R397	1-249-433-11	CARBON	22K	5%	1/4W	R704	1-249-411-11	CARBON	330	5%	1/4W
R398	1-247-895-00	CARBON	470K	5%	1/4W	R751	1-249-417-11	CARBON	1K	5%	1/4W F
R399	1-249-441-11	CARBON	100K	5%	1/4W	R752	1-249-439-11	CARBON	68K	5%	1/4W
R461	1-249-436-11	CARBON	39K	5%	1/4W	R753	1-249-439-11	CARBON	68K	5%	1/4W
R462	1-249-436-11	CARBON	39K	5%	1/4W	R754	1-249-411-11	CARBON	330	5%	1/4W
R483	1-249-429-11	CARBON	10K	5%	1/4W	R790	1-249-433-11	CARBON	22K	5%	1/4W
R486	1-249-428-11	CARBON	8.2K	5%	1/4W F	R3000	1-247-895-00	CARBON	470K	5%	1/4W
R489	1-249-437-11	CARBON	47K	5%	1/4W	R3001	1-249-433-11	CARBON	22K	5%	1/4W
R508	1-249-441-11	CARBON	100K	5%	1/4W	R3002	1-249-441-11	CARBON	100K	5%	1/4W
R509	1-247-903-00	CARBON	1M	5%	1/4W	R3003	1-249-429-11	CARBON	10K	5%	1/4W
R510	1-249-426-11	CARBON	5.6K	5%	1/4W	R3004	1-249-425-11	CARBON	4.7K	5%	1/4W F
R511	1-249-434-11	CARBON	27K	5%	1/4W	R3004	1-249-429-11	CARBON	10K	5%	1/4W
R513	1-249-426-11	CARBON	5.6K	5%	1/4W	R3005	1-249-440-11	CARBON	82K	5%	1/4W
R514	1-249-418-11	CARBON	1.2K	5%	1/4W F	R3006	1-249-425-11	CARBON	4.7K	5%	1/4W F

<p>The components identified by mark △ or dotted line with mark △ are critical for safety. Replace only with part number specified.</p>	<p>Les composants identifiés par une marque △ sont critiques pour la sécurité. Ne les remplacer que par une pièce portant le numéro spécifié.</p>
---	---

INPUT	REARAMP	S (LINK)
--------------	----------------	-----------------

Ref. No.	Part No.	Description	Remarks
R3007	1-249-441-11	CARBON 100K 5%	1/4W
R3008	1-249-425-11	CARBON 4.7K 5%	1/4W F
R3009	1-249-441-11	CARBON 100K 5%	1/4W
R3010	1-249-434-11	CARBON 27K 5%	1/4W
R3011	1-249-413-11	CARBON 470 5%	1/4W F
R3012	1-249-429-11	CARBON 10K 5%	1/4W
R3013	1-249-429-11	CARBON 10K 5%	1/4W
R3014	1-249-427-11	CARBON 6.8K 5%	1/4W F
R3060	1-249-434-11	CARBON 27K 5%	1/4W
R3062	1-249-429-11	CARBON 10K 5%	1/4W
R3063	1-249-429-11	CARBON 10K 5%	1/4W
R3368	1-249-441-11	CARBON 100K 5%	1/4W
R5002	1-249-429-11	CARBON 10K 5%	1/4W
R5052	1-249-429-11	CARBON 10K 5%	1/4W
< RELAY >			
RY301	1-515-614-11	RELAY	

*	A-4407-590-A	REARAMP BOARD, COMPLETE	

< CAPACITOR >			
C720	1-126-967-11	ELECT 47uF 20%	16V
C721	1-107-597-11	CERAMIC 22PF 10%	500V
C722	1-107-597-11	CERAMIC 22PF 10%	500V
C723	1-162-286-31	CERAMIC 220PF 10%	50V
C725	1-136-157-00	FILM 0.022uF 5%	50V
C770	1-126-967-11	ELECT 47uF 20%	16V
C771	1-107-597-11	CERAMIC 22PF 10%	500V
C772	1-107-597-11	CERAMIC 22PF 10%	500V
C773	1-162-286-31	CERAMIC 220PF 10%	50V
C775	1-136-157-00	FILM 0.022uF 5%	50V
< CONNECTOR >			
CNE711	1-691-768-11	PLUG (MICRO CONNECTOR) 6P	
CNE713	1-691-765-11	PLUG (MICRO CONNECTOR) 3P	
* CNV711	1-564-241-11	PIN, CONNECTOR (B4P-VH) 4P	
* CNV712	1-564-242-00	PIN, CONNECTOR 5P	
< DIODE >			
D701	8-719-911-19	DIODE 1SS119	
D702	8-719-109-51	DIODE RD2.0ES-B2	
D703	8-719-109-51	DIODE RD2.0ES-B2	
D704	8-719-911-19	DIODE 1SS119	
D751	8-719-911-19	DIODE 1SS119	
D752	8-719-109-51	DIODE RD2.0ES-B2	
D753	8-719-109-51	DIODE RD2.0ES-B2	
D754	8-719-911-19	DIODE 1SS119	
< TRANSISTOR >			
Q704	8-729-119-76	TRANSISTOR 2SA1175-HFE	
Q705	8-729-209-15	TRANSISTOR 2SD2012	
Q706	8-749-010-25	IC MN2488-OPY-M	
Q707	8-749-010-26	IC MP1620-OPY-M	
Q708	8-729-140-82	TRANSISTOR 2SA988-PAFAEA	
Q754	8-729-119-76	TRANSISTOR 2SA1175-HFE	
Q755	8-729-209-15	TRANSISTOR 2SD2012	
Q756	8-749-010-25	IC MN2488-OPY-M	
Q757	8-749-010-26	IC MP1620-OPY-M	
Q758	8-729-140-82	TRANSISTOR 2SA988-PAFAEA	

Ref. No.	Part No.	Description	Remarks
< RESISTOR >			
R706	1-247-881-00	CARBON 120K 5%	1/4W
R722	1-247-840-00	CARBON 2.4K 5%	1/4W
R723	1-249-414-11	CARBON 560 5%	1/4W F
△R724	1-249-408-11	CARBON 180 5%	1/4W F
△R725	1-249-408-11	CARBON 180 5%	1/4W F
△R726	1-233-352-41	ENCAPSULATED COMPONENT	
R727	1-247-850-11	CARBON 6.2K 5%	1/4W
R728	1-249-419-11	CARBON 1.5K 5%	1/4W F
R732	1-249-437-11	CARBON 47K 5%	1/4W
R733	1-249-393-11	CARBON 10 5%	1/4W F
R756	1-247-881-00	CARBON 120K 5%	1/4W
R772	1-247-840-00	CARBON 2.4K 5%	1/4W
R773	1-249-414-11	CARBON 560 5%	1/4W F
△R774	1-249-408-11	CARBON 180 5%	1/4W F
△R775	1-249-408-11	CARBON 180 5%	1/4W F
△R776	1-233-352-41	ENCAPSULATED COMPONENT	
R777	1-247-850-11	CARBON 6.2K 5%	1/4W
R778	1-249-419-11	CARBON 1.5K 5%	1/4W F
R782	1-249-437-11	CARBON 47K 5%	1/4W
R783	1-249-393-11	CARBON 10 5%	1/4W F

*	1-669-434-11	(S) LINK BOARD (DE625)	

< CAPACITOR >			
C1101	1-162-294-31	CERAMIC 0.001uF 10%	50V
C1102	1-162-294-31	CERAMIC 0.001uF 10%	50V
C1103	1-126-964-11	ELECT 10uF 20%	50V
C1104	1-162-294-31	CERAMIC 0.001uF 10%	50V
C1105	1-162-294-31	CERAMIC 0.001uF 10%	50V
C1106	1-126-964-11	ELECT 10uF 20%	50V
< CONNECTOR >			
CNS110	1-568-439-11	SOCKET, CONNECTOR 7P	
< IC >			
IC1101	8-759-912-77	IC LM324N	
IC1102	8-759-388-26	IC NJM2129D	
< JACK >			
J1102	1-563-330-11	JACK (CTRL S)	
J1103	1-563-330-11	JACK (VIDEO 2)	
J1104	1-563-330-11	JACK (VIDEO 1)	
J1105	1-563-330-11	JACK (MONITOR)	
< TRANSISTOR >			
Q1102	8-729-119-79	TRANSISTOR 2SC2785-FEK	
Q1103	8-729-119-79	TRANSISTOR 2SC2785-FEK	
Q1104	8-729-119-76	TRANSISTOR 2SA1175-HFE	
Q1105	8-729-119-76	TRANSISTOR 2SA1175-HFE	
Q1106	8-729-119-79	TRANSISTOR 2SC2785-FEK	
Q1107	8-729-119-76	TRANSISTOR 2SA1175-HFE	
Q1108	8-729-119-76	TRANSISTOR 2SA1175-HFE	
Q1109	8-729-119-76	TRANSISTOR 2SA1175-HFE	

The components identified by mark △ or dotted line with mark △ are critical for safety. Replace only with part number specified.	Les composants identifiés par une marque △ sont critiques pour la sécurité. Ne les remplacer que par une pièce portant le numéro spécifié.
--	--

Ref. No.	Part No.	Description	Remarks
< RESISTOR >			
R1102	1-249-417-11	CARBON 1K 5%	1/4W F
R1103	1-247-843-11	CARBON 3.3K 5%	1/4W
R1104	1-247-843-11	CARBON 3.3K 5%	1/4W
R1105	1-249-417-11	CARBON 1K 5%	1/4W F
R1109	1-249-417-11	CARBON 1K 5%	1/4W F
R1110	1-249-417-11	CARBON 1K 5%	1/4W F
R1111	1-249-417-11	CARBON 1K 5%	1/4W F
R1112	1-249-417-11	CARBON 1K 5%	1/4W F
R1113	1-249-414-11	CARBON 560 5%	1/4W F
R1114	1-249-414-11	CARBON 560 5%	1/4W F
R1115	1-249-413-11	CARBON 470 5%	1/4W F
R1116	1-249-413-11	CARBON 470 5%	1/4W F
R1117	1-249-429-11	CARBON 10K 5%	1/4W
R1118	1-249-429-11	CARBON 10K 5%	1/4W
R1119	1-249-417-11	CARBON 1K 5%	1/4W F
R1120	1-249-427-11	CARBON 6.8K 5%	1/4W F
R1121	1-249-433-11	CARBON 22K 5%	1/4W
R1122	1-249-437-11	CARBON 47K 5%	1/4W

*	A-4407-581-A	S VIDEO BOARD, COMPLETE (V616)	*****
< CAPACITOR >			
C251	1-126-960-11	ELECT 1uF 20%	50V
C252	1-136-165-00	FILM 0.1uF 5%	50V
C253	1-126-960-11	ELECT 1uF 20%	50V
C254	1-136-165-00	FILM 0.1uF 5%	50V
C255	1-136-165-00	FILM 0.1uF 5%	50V
C256	1-126-960-11	ELECT 1uF 20%	50V
C259	1-126-960-11	ELECT 1uF 20%	50V
C260	1-136-165-00	FILM 0.1uF 5%	50V
C261	1-126-967-11	ELECT 47uF 20%	16V
C262	1-164-159-11	CERAMIC 0.1uF	50V
C263	1-164-159-11	CERAMIC 0.1uF	50V
C264	1-126-967-11	ELECT 47uF 20%	16V
C265	1-164-159-11	CERAMIC 0.1uF	50V
C266	1-164-159-11	CERAMIC 0.1uF	50V
C267	1-162-215-31	CERAMIC 47PF 5%	50V
C268	1-162-215-31	CERAMIC 47PF 5%	50V
C269	1-162-215-31	CERAMIC 47PF 5%	50V
C270	1-162-215-31	CERAMIC 47PF 5%	50V
< CONNECTOR >			
CNE214	1-691-765-11	PLUG (MICRO CONNECTOR) 3P	
CNS211	1-568-439-11	SOCKET, CONNECTOR 7P	
< DIODE >			
D251	8-719-911-19	DIODE 1SS119	
D252	8-719-911-19	DIODE 1SS119	
< IC >			
IC251	8-759-529-20	IC NJM2296D	
IC252	8-759-529-20	IC NJM2296D	
< JACK >			
J251	1-537-943-11	TERMINAL, S (MONITOR)	
J252	1-764-676-11	CONNECTOR (ROUND TYPE)(VIDEO 1)	
J253	1-537-943-11	TERMINAL, S (TV/LD/DVD)	

Ref. No.	Part No.	Description	Remarks
< RESISTOR >			
R251	1-249-403-11	CARBON 68 5%	1/4W F
R252	1-249-429-11	CARBON 10K 5%	1/4W
R253	1-249-403-11	CARBON 68 5%	1/4W F
R254	1-249-403-11	CARBON 68 5%	1/4W F
R255	1-249-403-11	CARBON 68 5%	1/4W F
R256	1-249-429-11	CARBON 10K 5%	1/4W
R257	1-249-403-11	CARBON 68 5%	1/4W F
R258	1-249-403-11	CARBON 68 5%	1/4W F
R260	1-249-403-11	CARBON 68 5%	1/4W F
R261	1-249-403-11	CARBON 68 5%	1/4W F

*	1-669-428-11	SP BOARD (DE625)	*****
*	1-670-651-11	SP BOARD (V616)	*****
< CAPACITOR >			
C624	1-126-964-11	ELECT 10uF 20%	50V
C626	1-136-153-00	FILM 0.01uF 5%	50V
C724	1-126-964-11	ELECT 10uF 20%	50V
C726	1-136-153-00	FILM 0.01uF 5%	50V
C794	1-126-968-11	ELECT 100uF 20%	50V
C795	1-126-951-11	ELECT 470uF 20%	35V
< CONNECTOR >			
* CND602	1-564-337-00	PIN, CONNECTOR 3P	
CNE604	1-691-765-11	PLUG (MICRO CONNECTOR) 3P	
CNJ701	1-774-136-11	CONNECTOR, ROUND TYPE 6P	
CNS603	1-568-439-11	SOCKET, CONNECTOR 7P	
CNV601	1-564-320-00	PIN, CONNECTOR (B2P-VH) 2P	
< DIODE >			
D543	8-719-911-19	DIODE 1SS119	
D605	8-719-911-19	DIODE 1SS119	
D606	8-719-911-19	DIODE 1SS119	
D607	8-719-911-19	DIODE 1SS119	
D649	8-719-911-19	DIODE 1SS119	
D705	8-719-911-19	DIODE 1SS119	
D706	8-719-911-19	DIODE 1SS119	
D749	8-719-911-19	DIODE 1SS119	
< IC >			
IC702	8-759-605-01	IC M5F78M18L	
< JACK >			
J501	1-770-157-21	JACK, PIN 2P (WOOFER)	
< COIL >			
L601	1-420-872-00	COIL, AIR-CORE (DE625)	
L601	1-411-906-11	COIL, AIR-CORE (V616)	
L701	1-420-872-00	COIL, AIR-CORE (DE625)	
L701	1-411-906-11	COIL, AIR-CORE (V616)	
L751	1-420-872-00	COIL, AIR-CORE (DE625)	
L751	1-411-906-11	COIL, AIR-CORE (V616)	

SP	SP SW	STANDBY
-----------	--------------	----------------

Ref. No.	Part No.	Description	Remarks
		< TRANSISTOR >	
Q544	8-729-119-79	TRANSISTOR 2SC2785-FEK	
Q609	8-729-281-53	TRANSISTOR 2SC1815-GR	
Q610	8-729-900-63	TRANSISTOR DTA124ES	
Q611	8-729-900-63	TRANSISTOR DTA124ES	
Q645	8-729-119-79	TRANSISTOR 2SC2785-FEK	
Q709	8-729-281-53	TRANSISTOR 2SC1815-GR	
Q710	8-729-900-63	TRANSISTOR DTA124ES	
Q745	8-729-119-79	TRANSISTOR 2SC2785-FEK	
Q747	8-729-119-79	TRANSISTOR 2SC2785-FEK	
Q748	8-729-030-19	TRANSISTOR 2SB1640	
		< RESISTOR >	
R543	1-249-429-11	CARBON 10K 5% 1/4W	
R544	1-249-425-11	CARBON 4.7K 5% 1/4W F	
△R545	1-249-393-11	CARBON 10 5% 1/4W F	
R546	1-249-421-11	CARBON 2.2K 5% 1/4W F	
R629	1-247-866-11	CARBON 30K 5% 1/4W	
R630	1-249-421-11	CARBON 2.2K 5% 1/4W F	
R631	1-249-433-11	CARBON 22K 5% 1/4W	
△R634	1-249-389-11	CARBON 4.7 5% 1/4W F	
R635	1-249-431-11	CARBON 15K 5% 1/4W	
R636	1-249-433-11	CARBON 22K 5% 1/4W	
R646	1-249-432-11	CARBON 18K 5% 1/4W	
R647	1-249-429-11	CARBON 10K 5% 1/4W	
R648	1-249-425-11	CARBON 4.7K 5% 1/4W F	
△R649	1-249-393-11	CARBON 10 5% 1/4W F	
R729	1-247-866-11	CARBON 30K 5% 1/4W	
R730	1-249-421-11	CARBON 2.2K 5% 1/4W F	
R731	1-249-433-11	CARBON 22K 5% 1/4W	
△R734	1-249-389-11	CARBON 4.7 5% 1/4W F	
R735	1-249-431-11	CARBON 15K 5% 1/4W	
R737	1-249-429-11	CARBON 10K 5% 1/4W	
R738	1-247-887-00	CARBON 220K 5% 1/4W	
R743	1-249-425-11	CARBON 4.7K 5% 1/4W F	
R744	1-249-425-11	CARBON 4.7K 5% 1/4W F	
R745	1-249-421-11	CARBON 2.2K 5% 1/4W F	
R746	1-249-421-11	CARBON 2.2K 5% 1/4W F	
R747	1-249-429-11	CARBON 10K 5% 1/4W	
R748	1-249-425-11	CARBON 4.7K 5% 1/4W F	
△R749	1-249-393-11	CARBON 10 5% 1/4W F	
△R784	1-249-389-11	CARBON 4.7 5% 1/4W F	
R787	1-249-429-11	CARBON 10K 5% 1/4W	
R788	1-247-887-00	CARBON 220K 5% 1/4W	
		< RELAY >	
RY503	1-515-793-11	RELAY	
RY601	1-515-920-11	RELAY (24V)	
RY701	1-515-920-11	RELAY (24V)	
		< SWITCH >	
S501	1-692-196-11	SWITCH, SLIDE	
		< TERMINAL >	
TM701	1-537-510-11	TERMINAL BOARD(SURROUND SPEAKER) (DE625)	
TM701	1-694-431-21	TERMINAL BOARD(SURROUND SPEAKER) (V616)	

Ref. No.	Part No.	Description	Remarks
*	1-669-442-11	SP SW BOARD *****	
		< CONNECTOR >	
* CNS104	1-695-808-11	CONNECTOR, PC BOARD 8P	
		< DIODE >	
D122	8-719-911-19	DIODE 1SS119	
D123	8-719-911-19	DIODE 1SS119	
		< SWITCH >	
S143	1-762-751-11	SWITCH, TACTILE (SET UP)	
S144	1-762-751-11	SWITCH, TACTILE (CURSUR MODE)	
S155	1-762-268-11	SWITCH, ROTARY (SPEAKERS)	

*	1-669-449-11	STANDBY BOARD *****	
	1-533-217-31	HOLDER, FUSE	
		< JACK >	
△CNJ901	1-540-060-11	OUTLET, AC (POLAR) (DE625)	
△CNJ901	1-540-041-11	OUTLET, AC (NONPOLAR) (2P) (V616)	
		< CONNECTOR >	
CNV901	1-564-321-00	PIN, CONNECTOR 2P	
* CNV902	1-565-792-11	PIN, CONNECTOR 2P	
		< DIODE >	
D907	8-719-911-19	DIODE 1SS119	
		< EARTH >	
* EB902	1-537-738-21	TERMINAL, EARTH (DE625)	
		< FUSE >	
△F901	1-532-504-51	FUSE TIME LAG 4A/250V (V616)	
△F901	1-533-311-11	FUSE, GLASS CYLINDRICAL (DIA.5) 8A/125V	
△F903	1-532-464-51	FUSE TIME LAG 2.5A/250V (V616)	
		< RESISTOR >	
△R901	1-202-725-00	SOLID 3.3M 10% 1/2W (DE625)	
		< RELAY >	
△RY901	1-515-999-11	RELAY, POWER	
		< TRANSFORMER >	
△T902	1-450-358-11	TRANSFORMER, POWER (V616)	
△T902	1-450-361-11	TRANSFORMER, POWER (DE625)	

The components identified by mark △ or dotted line with mark △ are critical for safety. Replace only with part number specified.	Les composants identifiés par une marque △ sont critiques pour la sécurité. Ne les remplacer que par une pièce portant le numéro spécifié.
--	--

Ref. No.	Part No.	Description	Remarks	Ref. No.	Part No.	Description	Remarks
*	A-4407-589-A	STANDBY (2) BOARD, COMPLETE *****		C356	1-126-933-11	ELECT	100uF 20% 16V
		< CAPACITOR >		C357	1-126-514-11	ELECT	22uF 20% 10V
C901	1-136-157-00	FILM	0.022uF 5% 50V	C358	1-126-514-11	ELECT	22uF 20% 10V
C902	1-136-157-00	FILM	0.022uF 5% 50V	C400	1-102-951-00	CERAMIC	15PF 5% 50V
C903	1-126-768-11	ELECT	2200uF 20% 16V	C401	1-136-165-00	FILM	0.1uF 5% 50V
C904	1-126-960-11	ELECT	1uF 20% 50V	C402	1-102-852-91	CERAMIC	47PF 5% 50V
C905	1-126-959-11	ELECT	0.47uF 20% 50V	C403	1-130-469-00	MYLAR	680PF 5% 50V
C906	1-124-464-11	ELECT	0.22uF 20% 50V	C404	1-136-157-00	FILM	0.022uF 5% 50V
C913	1-164-159-11	CERAMIC	0.1uF 50V	C405	1-102-973-00	CERAMIC	100PF 5% 50V
C914	1-164-159-11	CERAMIC	0.1uF 50V	C406	1-102-953-00	CERAMIC	18PF 5% 50V
C916	1-164-159-11	CERAMIC	0.1uF 50V	C407	1-136-161-00	FILM	0.047uF 5% 50V
C917	1-164-159-11	CERAMIC	0.1uF 50V	C408	1-126-925-11	ELECT	470uF 20% 10V
		< CONNECTOR >		C409	1-124-261-00	ELECT	10uF 20% 50V
CNE905	1-691-766-11	PLUG (MICRO CONNECTOR) 4P		C410	1-126-925-11	ELECT	470uF 20% 10V
CNE951	1-691-765-11	PLUG (MICRO CONNECTOR) 3P		C411	1-124-261-00	ELECT	10uF 20% 50V
		< DIODE >		C412	1-136-164-00	FILM	0.082uF 5% 50V
D901	8-719-200-82	DIODE 11ES2		C413	1-124-465-00	ELECT	0.47uF 20% 50V
D902	8-719-200-82	DIODE 11ES2		C414	1-124-261-00	ELECT	10uF 20% 50V
D903	8-719-200-82	DIODE 11ES2		C415	1-130-477-00	MYLAR	0.0033uF 5% 50V
D904	8-719-200-82	DIODE 11ES2		C416	1-136-177-00	FILM	1uF 5% 50V
D905	8-719-911-19	DIODE 1SS119		C417	1-162-294-31	CERAMIC	0.001uF 10% 50V
D906	8-719-911-19	DIODE 1SS119		C418	1-124-261-00	ELECT	10uF 20% 50V
		< EARTH >		C419	1-136-164-00	FILM	0.082uF 5% 50V
* EB900	1-537-738-21	TERMINAL, EARTH		C420	1-126-925-11	ELECT	470uF 20% 10V
		< IC >		C421	1-136-177-00	FILM	1uF 5% 50V
IC901	8-759-333-83	IC NJM2103D		C422	1-124-465-00	ELECT	0.47uF 20% 50V
		< TRANSISTOR >		C423	1-126-301-11	ELECT	1uF 20% 50V
Q901	8-729-119-79	TRANSISTOR 2SC2785-FEK		C424	1-126-925-11	ELECT	470uF 20% 10V
Q902	8-729-026-68	TRANSISTOR 2SD2525(TP)		C425	1-126-301-11	ELECT	1uF 20% 50V
		< RESISTOR >		C426	1-124-252-00	ELECT	0.33uF 20% 50V
R902	1-249-429-11	CARBON	10K 5% 1/4W	C427	1-136-177-00	FILM	1uF 5% 50V
R903	1-249-425-11	CARBON	4.7K 5% 1/4W F	C428	1-136-177-00	FILM	1uF 5% 50V
R904	1-249-417-11	CARBON	1K 5% 1/4W F	C429	1-128-551-11	ELECT	22uF 20% 35V
R905	1-249-428-11	CARBON	8.2K 5% 1/4W F	C430	1-162-282-31	CERAMIC	100PF 10% 50V
R906	1-249-421-11	CARBON	2.2K 5% 1/4W F	C431	1-164-159-11	CERAMIC	0.1uF 50V
R908	1-249-433-11	CARBON	22K 5% 1/4W	C432	1-124-261-00	ELECT	10uF 20% 50V
R909	1-249-439-11	CARBON	68K 5% 1/4W	C433	1-164-159-11	CERAMIC	0.1uF 50V
R910	1-249-437-11	CARBON	47K 5% 1/4W	C434	1-136-165-00	FILM	0.1uF 5% 50V
R912	1-249-430-11	CARBON	12K 5% 1/4W	C435	1-136-165-00	FILM	0.1uF 5% 50V
*****				C436	1-124-261-00	ELECT	10uF 20% 50V
* A-4407-575-A	SURR BOARD, COMPLETE *****			C437	1-164-159-11	CERAMIC	0.1uF 50V
		< CAPACITOR >		C438	1-124-261-00	ELECT	10uF 20% 50V
C300	1-124-589-11	ELECT	47uF 20% 16V	C440	1-136-165-00	FILM	0.1uF 5% 50V
C301	1-162-282-31	CERAMIC	100PF 10% 50V	C441	1-136-165-00	FILM	0.1uF 5% 50V
C302	1-162-294-31	CERAMIC	0.001uF 10% 50V	C442	1-124-261-00	ELECT	10uF 20% 50V
C303	1-124-589-11	ELECT	47uF 20% 16V	C444	1-124-465-00	ELECT	0.47uF 20% 50V
C355	1-126-925-11	ELECT	470uF 20% 10V	C445	1-124-465-00	ELECT	0.47uF 20% 50V
				C446	1-126-163-11	ELECT	4.7uF 20% 50V
				C447	1-126-163-11	ELECT	4.7uF 20% 50V
				C448	1-124-465-00	ELECT	0.47uF 20% 50V
				C449	1-124-465-00	ELECT	0.47uF 20% 50V
				C450	1-126-163-11	ELECT	4.7uF 20% 50V
				C451	1-126-163-11	ELECT	4.7uF 20% 50V
				C452	1-124-250-11	ELECT	0.15uF 20% 50V
				C453	1-124-250-11	ELECT	0.15uF 20% 50V

The components identified by mark Δ or dotted line with mark Δ are critical for safety. Replace only with part number specified.	Les composants identifiés par une marque Δ sont critiques pour la sécurité. Ne les remplacer que par une pièce portant le numéro spécifié.
--	---

C454	1-126-162-11	ELECT	3.3uF	20%	50V
C455	1-126-162-11	ELECT	3.3uF	20%	50V
C456	1-124-250-11	ELECT	0.15uF	20%	50V
C457	1-124-250-11	ELECT	0.15uF	20%	50V
C458	1-124-261-00	ELECT	10uF	20%	50V
C459	1-124-261-00	ELECT	10uF	20%	50V
C476	1-102-518-11	CERAMIC	33PF	5%	50V
C495	1-136-165-00	FILM	0.1uF	5%	50V
CC09	1-162-282-31	CERAMIC	100PF	10%	50V
CC10	1-162-282-31	CERAMIC	100PF	10%	50V
CC11	1-162-282-31	CERAMIC	100PF	10%	50V
CC12	1-162-282-31	CERAMIC	100PF	10%	50V
CC13	1-162-282-31	CERAMIC	100PF	10%	50V
CC59	1-162-282-31	CERAMIC	100PF	10%	50V
CC60	1-162-282-31	CERAMIC	100PF	10%	50V
CC61	1-162-282-31	CERAMIC	100PF	10%	50V
CC62	1-162-282-31	CERAMIC	100PF	10%	50V
CC63	1-162-282-31	CERAMIC	100PF	10%	50V
< CONNECTOR >					
CNS401	1-569-060-11	SOCKET, CONNECTOR	11P		
CNS402	1-568-442-11	SOCKET, CONNECTOR	9P		
CNS406	1-569-060-11	SOCKET, CONNECTOR	11P		
< DIODE >					
D401	8-719-070-77	DIODE	SVC201SPA-M1-AC		
< IC >					
IC300	8-759-805-14	IC	LC7822		
IC400	8-759-528-36	IC	CXA8081S		
IC401	8-759-528-35	IC	CXA8079S		
IC403	8-759-805-15	IC	LC7823		
IC404	8-759-634-51	IC	M5218AP		
IC407	8-759-604-38	IC	M5F78M10		
< JACK >					
J300	1-774-411-11	JACK, PIN 6P	(TV/DBS AUDIO IN)		
J301	1-573-028-31	JACK, PIN 4P	(VIDEO AUDIO IN/OUT)		
< COIL >					
L400	1-410-509-11	INDUCTOR	10uH		
< RESISTOR >					
R301	1-249-417-11	CARBON	1K	5%	1/4W F
R304	1-249-441-11	CARBON	100K	5%	1/4W
R305	1-249-441-11	CARBON	100K	5%	1/4W
R307	1-249-417-11	CARBON	1K	5%	1/4W F
R310	1-249-417-11	CARBON	1K	5%	1/4W F
R312	1-249-441-11	CARBON	100K	5%	1/4W
R314	1-249-441-11	CARBON	100K	5%	1/4W
R315	1-249-417-11	CARBON	1K	5%	1/4W F
R318	1-249-417-11	CARBON	1K	5%	1/4W F
R319	1-249-417-11	CARBON	1K	5%	1/4W F
R320	1-249-425-11	CARBON	4.7K	5%	1/4W F
R321	1-249-397-11	CARBON	22	5%	1/4W F
R322	1-249-417-11	CARBON	1K	5%	1/4W F
R323	1-249-397-11	CARBON	22	5%	1/4W F
R400	1-249-441-11	CARBON	100K	5%	1/4W

R401	1-249-436-11	CARBON	39K	5%	1/4W
R402	1-249-425-11	CARBON	4.7K	5%	1/4W F
R403	1-249-417-11	CARBON	1K	5%	1/4W F
R451	1-249-435-11	CARBON	33K	5%	1/4W
R458	1-249-436-11	CARBON	39K	5%	1/4W

*	1-669-439-11	SW BOARD			

< CONNECTOR >					
CNS122	1-770-397-11	HOUSING, CONNECTOR(PC BOARD)	4P		
CNS124	1-770-397-11	HOUSING, CONNECTOR(PC BOARD)	4P		
CNS126	1-770-397-11	HOUSING, CONNECTOR(PC BOARD)	4P		
< DIODE >					
D124	8-719-058-64	DIODE	SEL5823A-TP15 (TUNER)		
D125	8-719-058-64	DIODE	SEL5823A-TP15 (VIDEO 1)		
D126	8-719-058-64	DIODE	SEL5823A-TP15 (PHONO)		
D127	8-719-058-64	DIODE	SEL5823A-TP15 (TAPE/MD)		
D128	8-719-058-64	DIODE	SEL5823A-TP15 (TV/DBS)		
D129	8-719-058-64	DIODE	SEL5823A-TP15 (VIDEO 2)		
D130	8-719-058-64	DIODE	SEL5823A-TP15 (CD)		
D131	8-719-058-64	DIODE	SEL5823A-TP15 (VIDEO 3)		
< RESISTOR >					
R152	1-249-411-11	CARBON	330	5%	1/4W
RR131	1-249-411-11	CARBON	330	5%	1/4W
RR132	1-249-413-11	CARBON	470	5%	1/4W F
RR133	1-249-415-11	CARBON	680	5%	1/4W F
RR134	1-249-417-11	CARBON	1K	5%	1/4W F
RR135	1-249-419-11	CARBON	1.5K	5%	1/4W F
RR136	1-249-421-11	CARBON	2.2K	5%	1/4W F
RR137	1-249-425-11	CARBON	4.7K	5%	1/4W F
RR138	1-249-429-11	CARBON	10K	5%	1/4W
RR141	1-249-413-11	CARBON	470	5%	1/4W F
RR142	1-249-415-11	CARBON	680	5%	1/4W F
RR143	1-249-417-11	CARBON	1K	5%	1/4W F
RR144	1-249-419-11	CARBON	1.5K	5%	1/4W F
RR145	1-249-421-11	CARBON	2.2K	5%	1/4W F
RR146	1-249-425-11	CARBON	4.7K	5%	1/4W F
RR147	1-249-429-11	CARBON	10K	5%	1/4W
RR148	1-249-435-11	CARBON	33K	5%	1/4W
RR151	1-249-413-11	CARBON	470	5%	1/4W F
RR152	1-249-415-11	CARBON	680	5%	1/4W F
RR153	1-249-417-11	CARBON	1K	5%	1/4W F
RR154	1-249-419-11	CARBON	1.5K	5%	1/4W F
RR155	1-249-421-11	CARBON	2.2K	5%	1/4W F
RR156	1-249-425-11	CARBON	4.7K	5%	1/4W F
RR157	1-249-429-11	CARBON	10K	5%	1/4W
< SWITCH >					
S102	1-762-751-11	SWITCH, TACTILE (DIRECT TUNING)			
S103	1-762-751-11	SWITCH, TACTILE (1)			
S104	1-762-751-11	SWITCH, TACTILE (2)			
S105	1-762-751-11	SWITCH, TACTILE (3)			
S106	1-762-751-11	SWITCH, TACTILE (4)			

S107	1-762-751-11	SWITCH, TACTILE (5)
S108	1-762-751-11	SWITCH, TACTILE (SOUND FIELD ON/OFF)
S109	1-762-750-11	SWITCH, TACTILE (TUNER)
S110	1-762-750-11	SWITCH, TACTILE (VIDEO 1)
S114	1-762-751-11	SWITCH, TACTILE (SHIFT)
S115	1-762-751-11	SWITCH, TACTILE (6)
S116	1-762-751-11	SWITCH, TACTILE (7)
S117	1-762-751-11	SWITCH, TACTILE (GENRE)
S118	1-762-751-11	SWITCH, TACTILE (5.1/DVD INPUT)
S119	1-762-750-11	SWITCH, TACTILE (PHONO)
S120	1-762-750-11	SWITCH, TACTILE (TAPE/MD)
S121	1-762-750-11	SWITCH, TACTILE (TV/DBS)
S122	1-762-750-11	SWITCH, TACTILE (VIDEO 2)
S125	1-762-751-11	SWITCH, TACTILE (8)
S126	1-762-751-11	SWITCH, TACTILE (9)
S127	1-762-751-11	SWITCH, TACTILE (0)
S128	1-762-751-11	SWITCH, TACTILE (MODE)
S129	1-762-751-11	SWITCH, TACTILE (BASS BOOST)
S130	1-762-751-11	SWITCH, TACTILE (TONE ON/OFF)
S131	1-762-750-11	SWITCH, TACTILE (CD)
S132	1-762-750-11	SWITCH, TACTILE (VIDEO 3)

*	1-669-445-11	VIDEO 3 BOARD

< CAPACITOR >		
C299	1-164-159-11	CERAMIC 0.1uF 50V
CC14	1-162-282-31	CERAMIC 100PF 10% 50V
CC16	1-162-282-31	CERAMIC 100PF 10% 50V
< JACK >		
J298	1-784-808-11	TERMINAL, S (S VIDEO) (CH)
J299	1-770-340-11	JACK BLOCK, PIN (L TYPE) 3P (VIDEO 3 INPUT)(US,CND)
J299	1-770-571-11	JACK BLOCK, PIN (L TYPE) 3P (VIDEO 3 INPUT)(CH)
< RESISTOR >		
R299	1-249-403-11	CARBON 68 5% 1/4W F (US,CND)
R321	1-249-417-11	CARBON 1K 5% 1/4W F
R371	1-249-417-11	CARBON 1K 5% 1/4W F

*	1-669-435-11	VIDEO BOARD

< CAPACITOR >		
C201	1-126-960-11	ELECT 1uF 20% 50V
C202	1-126-960-11	ELECT 1uF 20% 50V
C203	1-126-960-11	ELECT 1uF 20% 50V
C204	1-126-960-11	ELECT 1uF 20% 50V
C205	1-162-215-31	CERAMIC 47PF 5% 50V
C206	1-162-215-31	CERAMIC 47PF 5% 50V
C207	1-162-215-31	CERAMIC 47PF 5% 50V
C208	1-126-960-11	ELECT 1uF 20% 50V
C209	1-164-159-11	CERAMIC 0.1uF 50V
C210	1-164-159-11	CERAMIC 0.1uF 50V

C211	1-164-159-11	CERAMIC 0.1uF 50V
C212	1-164-159-11	CERAMIC 0.1uF 50V
C213	1-126-933-11	ELECT 100uF 20% 16V
C214	1-126-933-11	ELECT 100uF 20% 16V
< CONNECTOR >		
CNE217	1-564-505-11	PLUG, CONNECTOR 2P
CNS211	1-569-321-11	SOCKET, CONNECTOR 15P
CNS212	1-568-439-11	SOCKET, CONNECTOR 7P (CH)
CNS213	1-568-439-11	SOCKET, CONNECTOR 7P (US,CND)
< DIODE >		
D201	8-719-911-19	DIODE 1SS119
D202	8-719-911-19	DIODE 1SS119
< IC >		
IC201	8-759-529-20	IC NJM2296D
IC202	8-759-701-65	IC NJM79M05FA
< JACK >		
J201	1-770-337-11	JACK, PIN 3P (VIDEO 1/MONITOR)
J202	1-695-317-21	JACK, PIN 2P (VIDEO 2)
J203	1-695-317-21	JACK, PIN 2P (5.1DVD/TV/DBS)
J204	1-563-330-11	JACK (S-LINK)
< RESISTOR >		
R201	1-249-403-11	CARBON 68 5% 1/4W F
R202	1-249-403-11	CARBON 68 5% 1/4W F
R203	1-249-403-11	CARBON 68 5% 1/4W F
R204	1-249-403-11	CARBON 68 5% 1/4W F
R205	1-249-403-11	CARBON 68 5% 1/4W F
R206	1-249-403-11	CARBON 68 5% 1/4W F
R207	1-249-403-11	CARBON 68 5% 1/4W F

*	1-669-446-11	VOL BOARD

< CONNECTOR >		
CNP101	1-770-388-11	PIN, CONNECTOR (PC BOARD) 4P
CNS402	1-569-323-11	SOCKET, CONNECTOR 19P
< VARIABLE RESISTOR >		
RV401	1-225-446-11	RES, VAR, CARBON 100KX6 (MASTER VOLUME)

MISCELLANEOUS		

12	1-783-776-11	WIRE (FLAT TYPE) (13 CORE)
13	1-773-022-11	WIRE (FLAT TYPE) (15 CORE)
△ 54	1-769-743-11	CORD, POWER (US,CND)
△ 54	1-782-464-21	CORD, POWER (CH)
62	1-773-008-11	WIRE (FLAT TYPE) (15 CORE)
64	1-693-407-21	TUNER (US,CND)
64	1-693-408-21	TUNER (CH)
69	1-769-941-11	WIRE (FLAT TYPE) (11 CORE)
70	1-765-321-11	WIRE (FLAT TYPE) (9 CORE)
71	1-773-110-11	WIRE (FLAT TYPE) (19 CORE)

VOL

Ref. No.	Part No.	Description	Remarks	Ref. No.	Part No.	Description	Remarks
72	1-769-877-11	WIRE (FLAT TYPE) (7 CORE)					
73	1-773-022-11	WIRE (FLAT TYPE) (15 CORE)					
△T901	1-431-809-11	TRANSFORMER, POWER (US,CND)					
△T901	1-431-811-11	TRANSFORMER, POWER (CH)					

ACCESSORIES & PACKING MATERIALS

1-475-726-11	REMOTE COMMANDER (RM-LJ301)
1-501-374-11	ANTENNA, LOOP
1-776-258-11	CORD, AVC CONNECTION
1-777-172-11	CORD, CONNECTION
3-810-765-11	MANUAL,COMMONNESS INSTRUCTION (ENGLISH)(US)
3-810-765-21	MANUAL,COMMONNESS INSTRUCTION (ENGLISH/FRENCH/GERMAN/SPANISH/DUTCH/ SWEDISH/ITALIAN/PORTUGUESE/CHINESE)(CND)
3-864-029-11	MANUAL,INSTRUCTION(ENGLISH)(US,CND)
3-864-029-21	MANUAL,INSTRUCTION(FRENCH) (CND)
3-864-029-51	MANUAL,INSTRUCTION(ENGLISH/CHINESE) (CH)
4-210-990-01	BATTERY COVER(for RM-LJ301)

HARDWARE LIST

#1	7-685-646-79	SCREW +BVTP 3 × 8 TYPE2 TT(B)
#2	7-685-881-09	SCREW +BVTT 4 × 8 (S)
#3	7-685-872-09	SCREW +BVTT 3 × 8 (S)

The components identified by mark △ or dotted line with mark △ are critical for safety. Replace only with part number specified.	Les composants identifiés par une marque △ sont critiques pour la sécurité. Ne les remplacer que par une pièce portant le numéro spécifié.
--	--