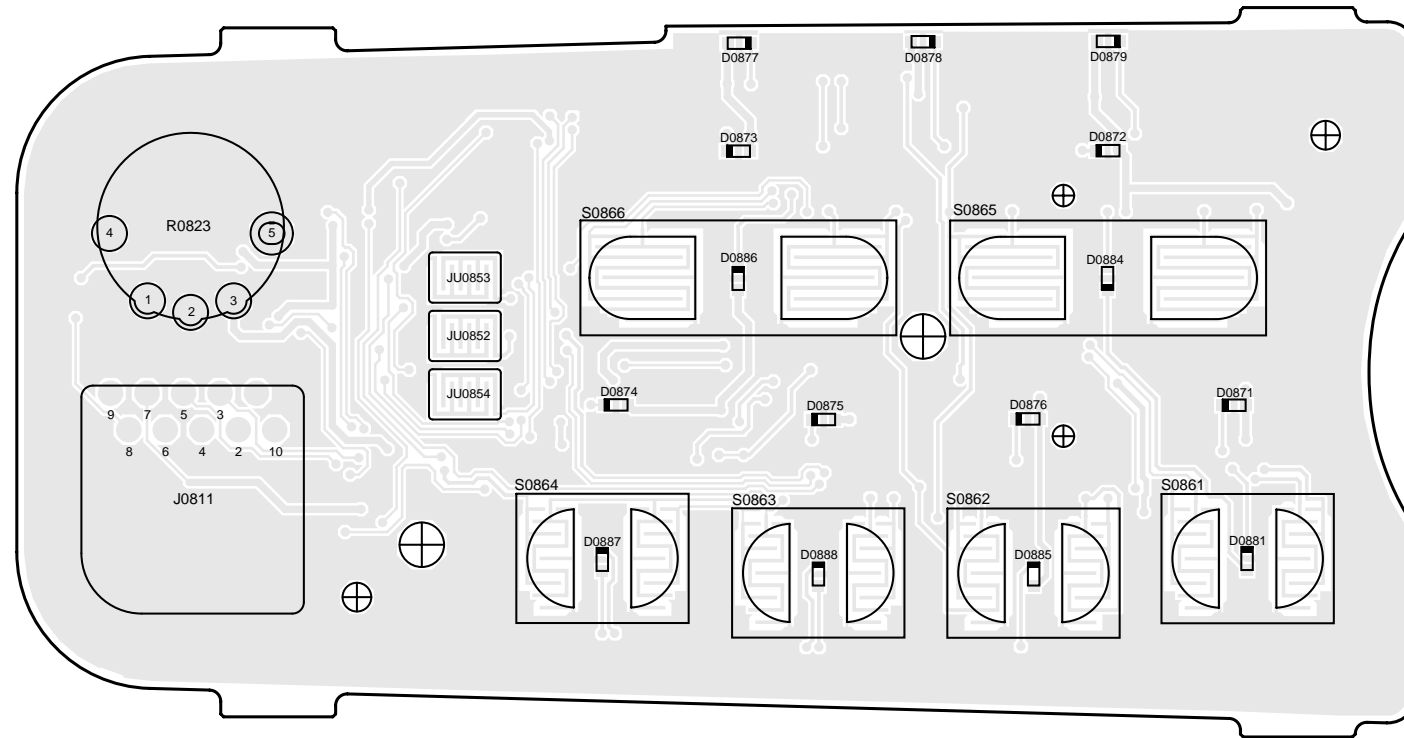
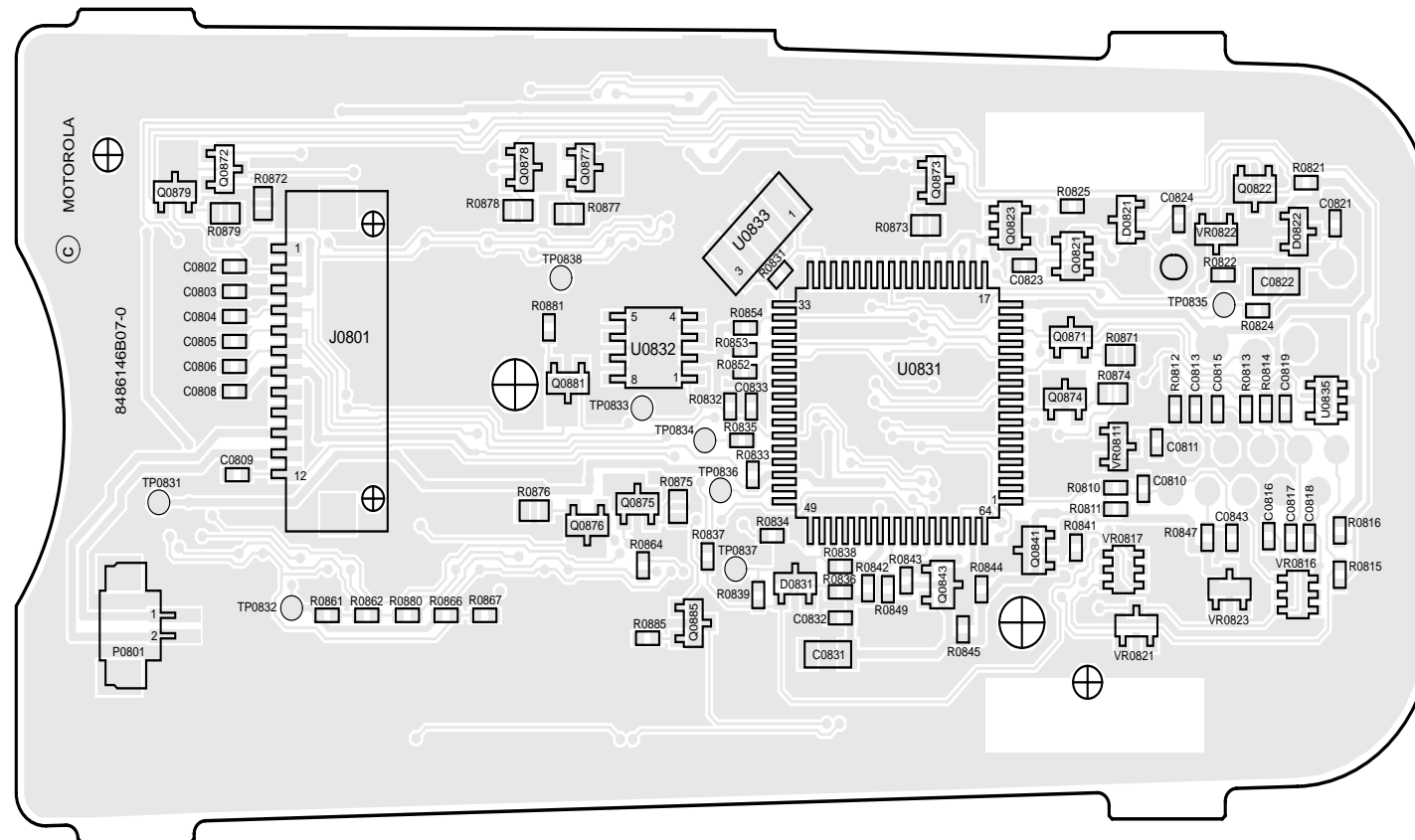


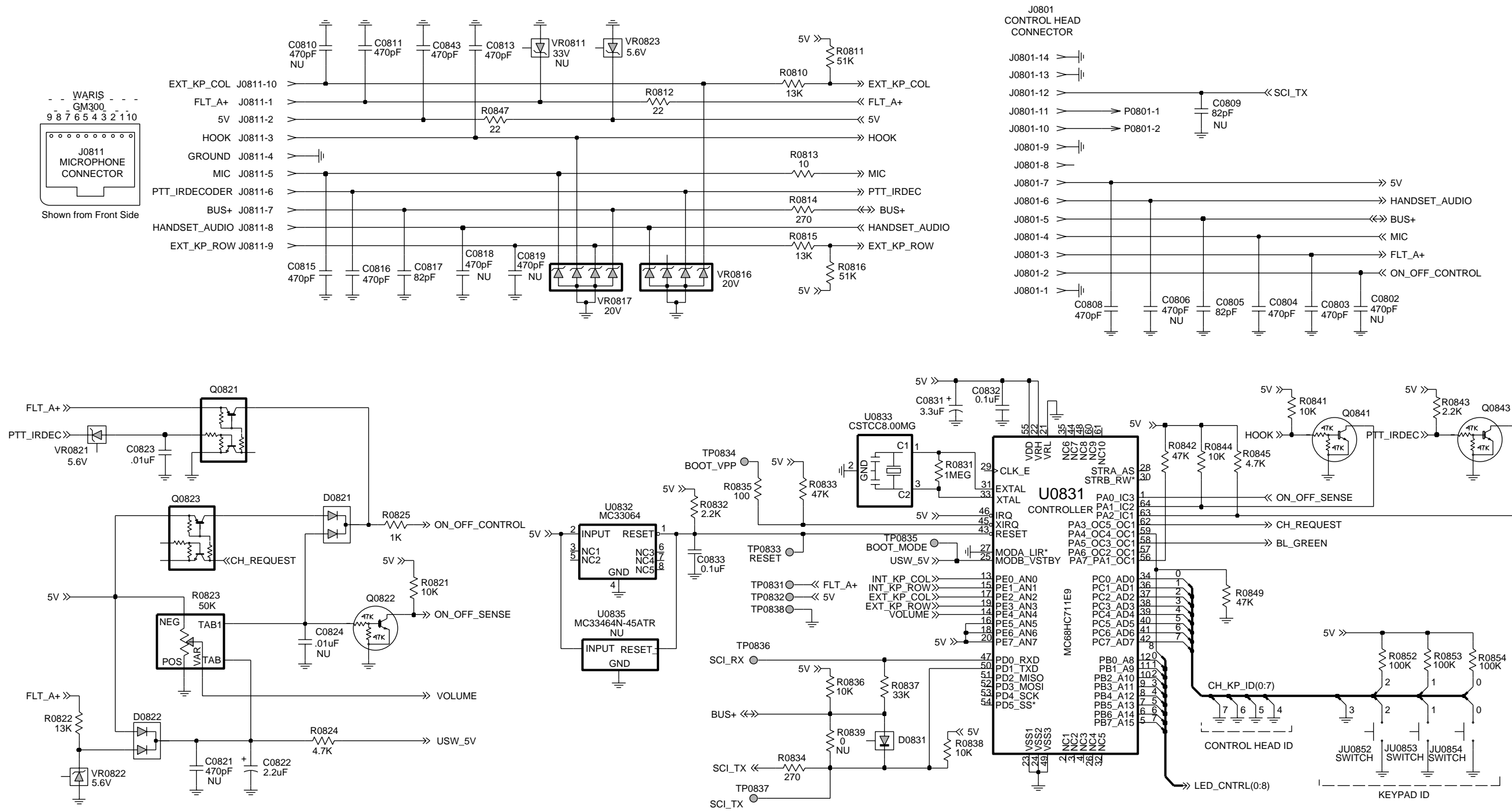
2.0 Controlhead GM140/340/640 - PCB 8486146B07 / Schematics



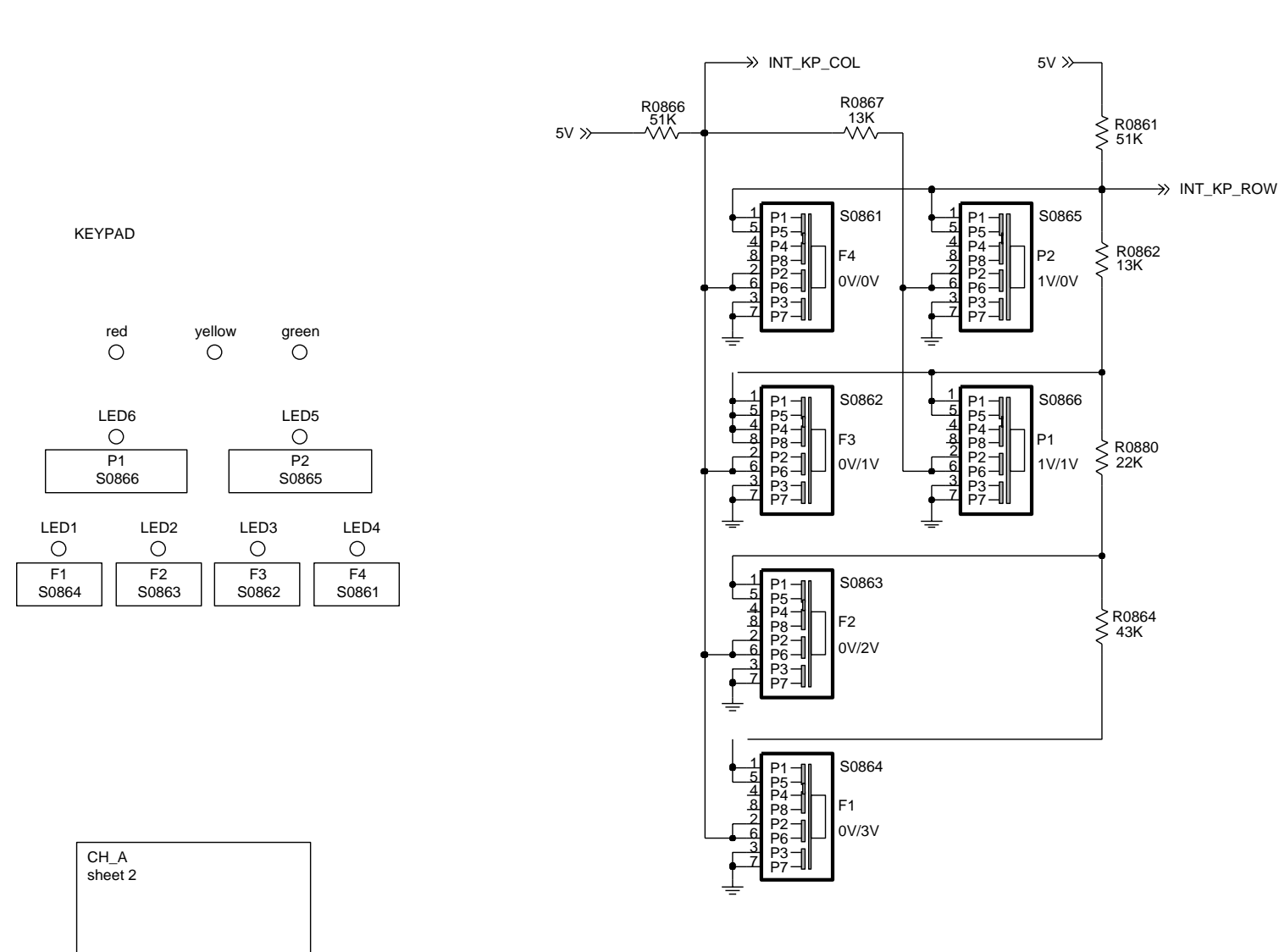
ZWG0130114-A Top Side



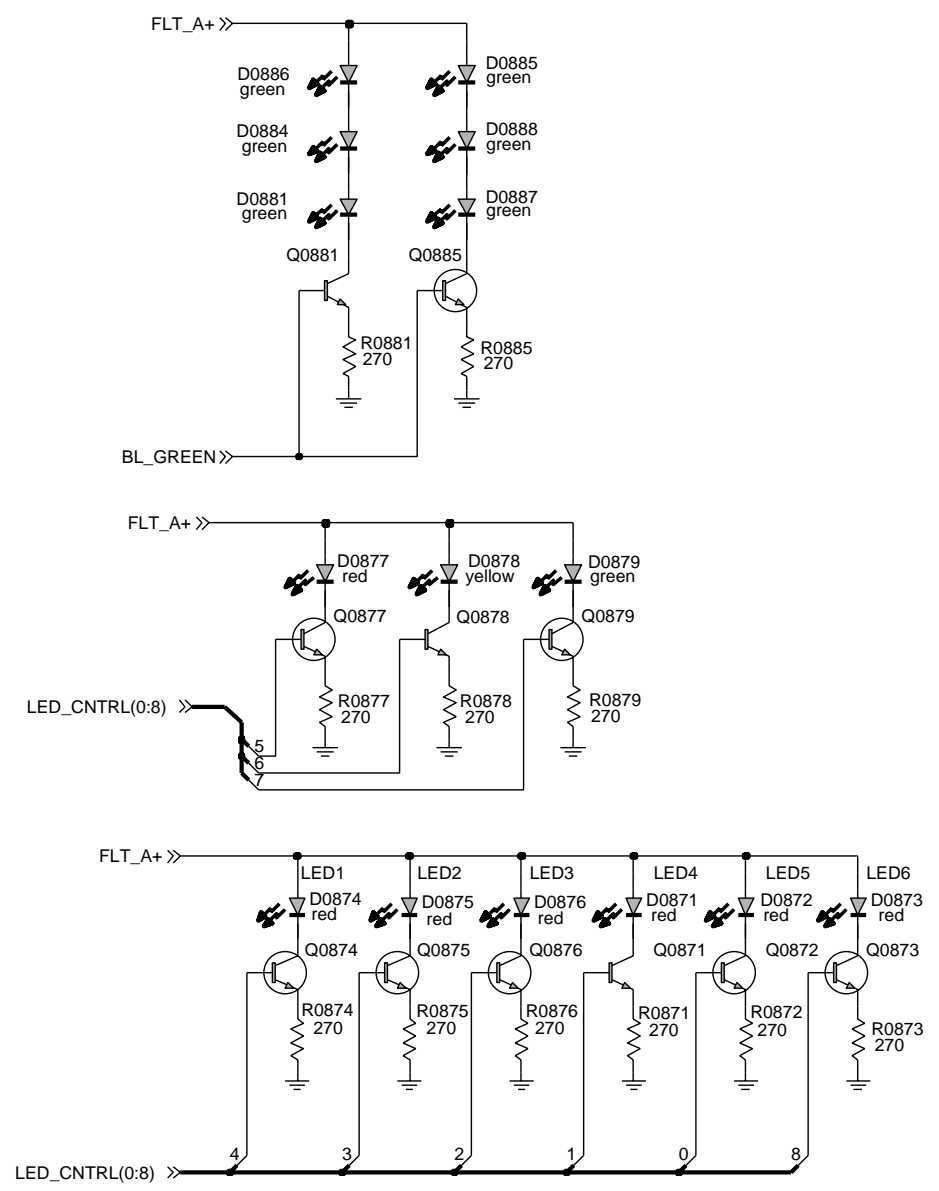
ZWG0130113-B Bottom Side



ZWG01300239-B



CH_A
sheet 2



ZWG0130240-A

2.1 Controlhead PCB 8486146B07 Parts List

Circuit Ref	Motorola Part No	Description
C0802	2113741F17	470pF 50V
C0803	2113741F17	470pF 50V
C0804	2113741F17	470pF 50V
C0805	2113740F49	82pF 5% 50V
C0806	2113741F17	470pF 50V
C0808	2113741F17	470pF 50V
C0810	2113741F17	470pF 50V
C0811	2113741F17	470pF 50V
C0813	2113741F17	470pF 50V
C0815	2113741F17	470pF 50V
C0816	2113741F17	470pF 50V
C0817	2113740F49	82pF 5% 50V
C0818	2113741F17	470pF 50V
C0821	2113741F17	470pF 50V
C0822	2311049A40	TANT CP 2.2uF 10% 10V
C0823	2113741F49	10nF 50V
C0824	2113741F49	10nF 50V
C0831	2311049A42	TANT CP 3.3uF 10% 6V
C0832	2113743E20	100nF 16V
C0833	2113743E20	100nF 16V
C0843	2113741F17	470pF 50V
D0821	4813833C02	DUAL SOT MMBD6100
D0822	4813833C02	DUAL SOT MMBD6100
D0831	4880236E05	DIODE CHIP SCHOTTKY
D0871	4886171B01	LED RED
D0872	4886171B01	LED RED
D0873	4886171B01	LED RED
D0874	4886171B01	LED RED
D0875	4886171B01	LED RED
D0876	4886171B01	LED RED
D0877	4886171B01	LED RED
D0878	4886171B03	LED YELLOW
D0879	4886171B04	LED GREEN
D0881	4886171B04	LED GREEN
D0884	4886171B04	LED GREEN
D0885	4886171B04	LED GREEN
D0886	4886171B04	LED GREEN
D0887	4886171B04	LED GREEN
D0888	4886171B04	LED GREEN
J0801	0902636Y02	CONNECTOR FLEX 12 PIN
J0811	2864287B01	CONN TELCO 10 PIN JACK
P0801	2809926G01	CONN 1.25MM 2PIN SURMT
Q0821	4805921T02	TSTR DUAL ROHM FMC2 RH
Q0822	4880048M01	TSTR NPN DIG 47k/47k
Q0823	4805921T02	TSTR DUAL ROHM FMC2 RH
Q0841	4880048M01	TSTR NPN DIG 47k/47k
Q0843	4880048M01	TSTR NPN DIG 47k/47k

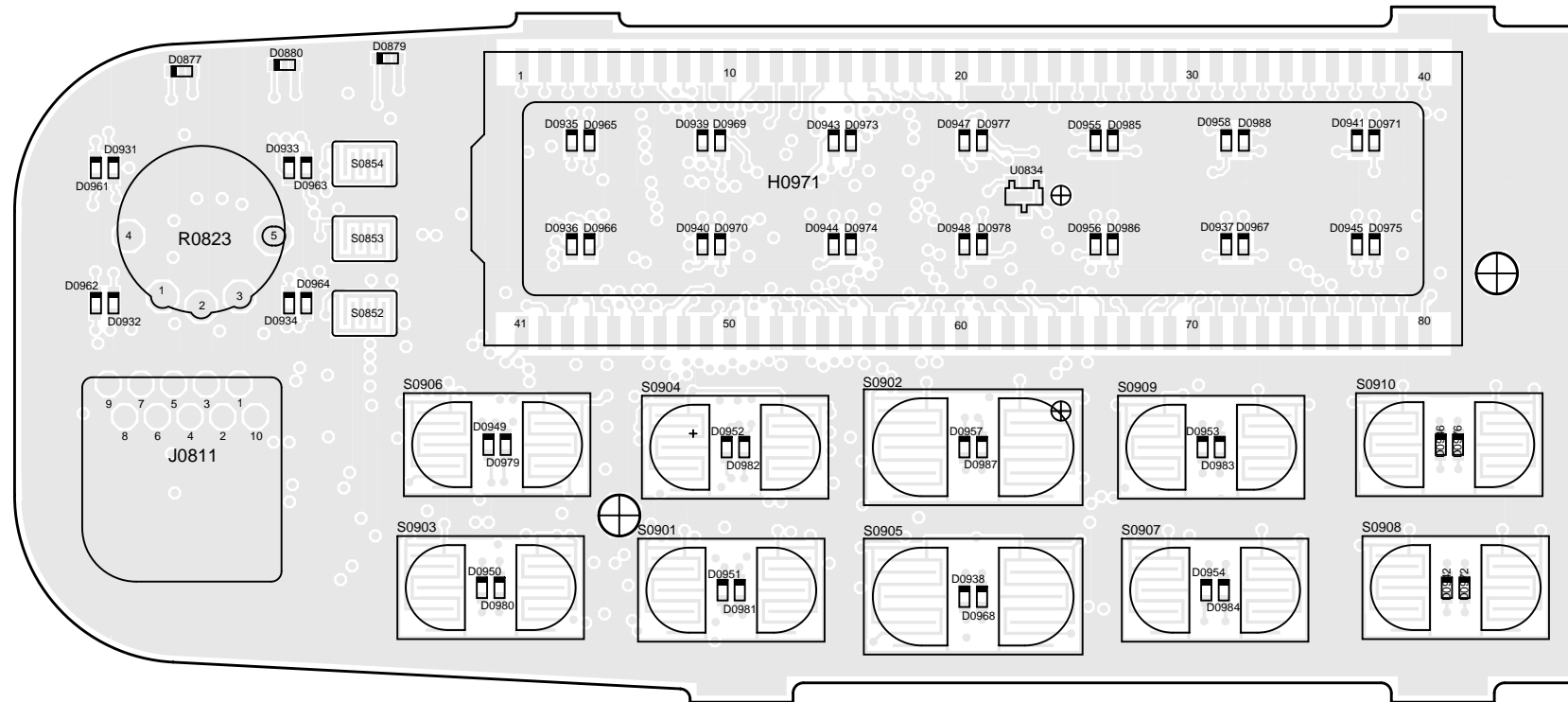
Circuit Ref	Motorola Part No	Description
Q0871	4813824A10	TSTR NPN 40V .2A B=50-150
Q0872	4813824A10	TSTR NPN 40V .2A B=50-150
Q0873	4813824A10	TSTR NPN 40V .2A B=50-150
Q0874	4813824A10	TSTR NPN 40V .2A B=50-150
Q0875	4813824A10	TSTR NPN 40V .2A B=50-150
Q0876	4813824A10	TSTR NPN 40V .2A B=50-150
Q0877	4813824A10	TSTR NPN 40V .2A B=50-150
Q0878	4813824A10	TSTR NPN 40V .2A B=50-150
Q0879	4813824A10	TSTR NPN 40V .2A B=50-150
Q0881	4813824A10	TSTR NPN 40V .2A B=50-150
Q0885	4813824A10	TSTR NPN 40V .2A B=50-150
R0810	0662057A76	13k 1/16W 5%
R0811	0662057A90	51k 1/16W 5%
R0812	0662057A09	22 1/16W 5%
R0813	0662057A01	10 1/16W 5%
R0814	0662057A35	270 1/16W 5%
R0815	0662057A76	13k 1/16W 5%
R0816	0662057A90	51k 1/16W 5%
R0821	0662057A73	10k 1/16W 5%
R0822	0662057A76	13K 1/16W 5%
R0823	1805911V02	POT VOL
R0824	0662057A65	4k7 1/16W 5%
R0825	0662057A49	1k 1/16W 5%
R0831	0662057B22	1M 1/16W 5%
R0832	0662057A57	2k2 1/16W 5%
R0833	0662057A89	47k 1/16W 5%
R0834	0662057A35	270 1/16W 5%
R0835	0662057A25	100 1/16W 5%
R0836	0662057A73	10k 1/16W 5%
R0837	0662057A85	33k 1/16W 5%
R0838	0662057A73	10k 1/16W 5%
R0841	0662057A73	10k 1/16W 5%
R0842	0662057A89	47k 1/16W 5%
R0843	0662057A57	2.2k 1/16W 5%
R0844	0662057A73	10k 1/16W 5%
R0845	0662057A65	4k7 1/16W 5%
R0847	0662057A09	22 1/16W 5%
R0849	0662057A89	47k 1/16W 5%
R0852	0662057A97	100k 1/16W
R0853	0662057A97	100k 1/16W
R0854	0662057A97	100k 1/16W
R0861	0662057A90	51k 1/16W 5%
R0862	0662057A76	13k 1/16W 5%
R0864	0662057A88	43k 1/16W 5%
R0866	0662057A90	51k 1/16W 5%
R0867	0662057A76	13k 1/16W 5%
R0873	0660076A35	270 5 1/8
R0874	0660076A35	270 5 1/8
R0875	0660076A35	270 5 1/8
R0876	0660076A35	270 5 1/8
R0877	0660076A35	270 5 1/8

Circuit Ref	Motorola Part No	Description
R0878	0660076A35	270 5 1/8
R0879	0660076A35	270 5 1/8
R0880	0662057A81	22k 1/16W 5%
R0881	0662057A35	270 1/16W 5%
R0885	0662057A35	270 1/16W 5%
*U0831	5113802A24	IC 68HC11 W/SCI,SPI,A/D
U0832	5113815A02	IC
U0833	4886061B01	CER RESONATOR 8MHZ CSTCC8.00MG
VR0816	4805656W09	DIODE ZENER QUAD MMQA20VT1
VR0817	4805656W09	DIODE ZENER QUAD MMQA20VT1
VR0821	4813830A15	DIODE 5.6V 5% 225mW
VR0822	4813830A15	DIODE 5.6V 5% 225mW
VR0823	4813830A15	DIODE 5.6V 5% 225mW

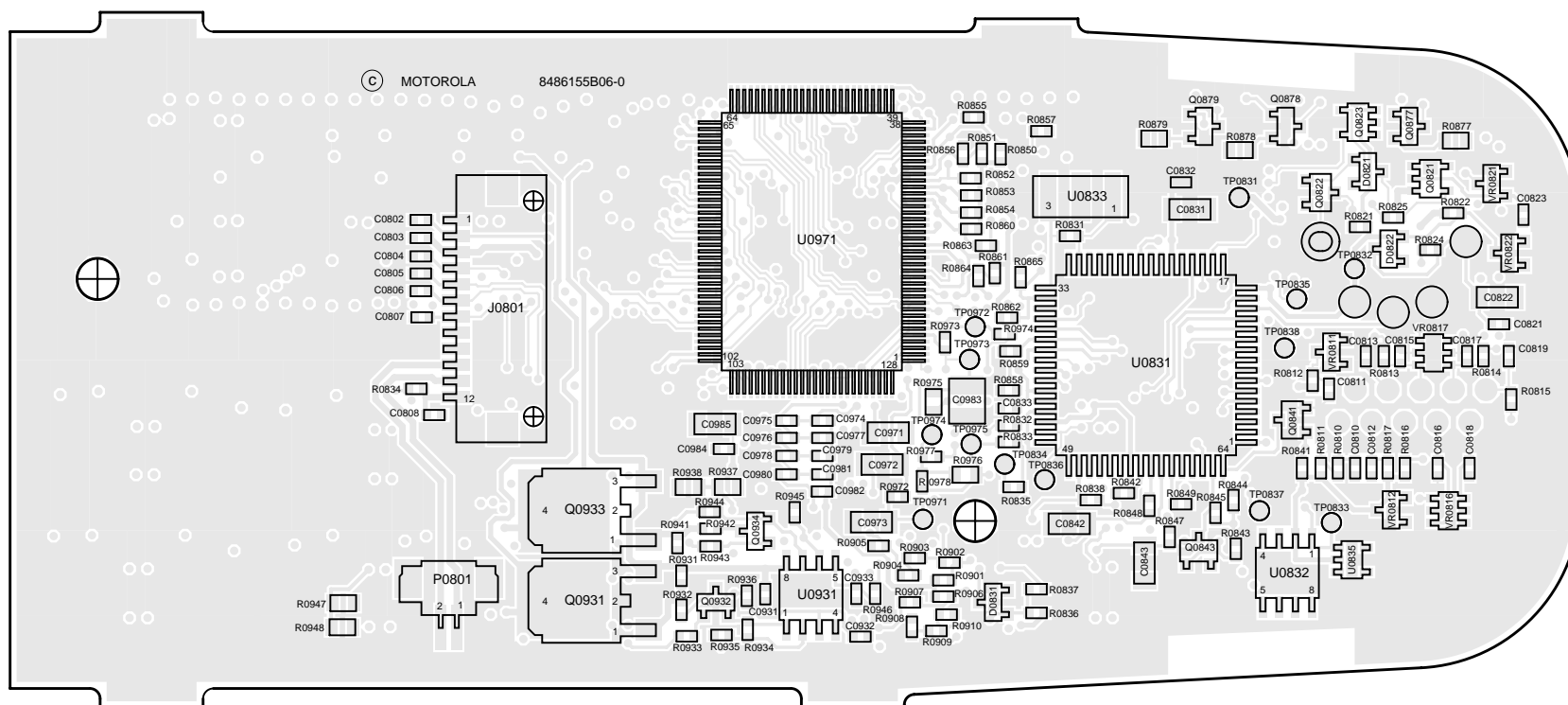
* Motorola Depot Servicing only

Reference designators with an asterisk indicate components which are not fieldreplaceable because they need to be calibrated with specialized factory equipment after installation. Radios in which these parts have been replaced in the field will be off frequency at temperature extremes.

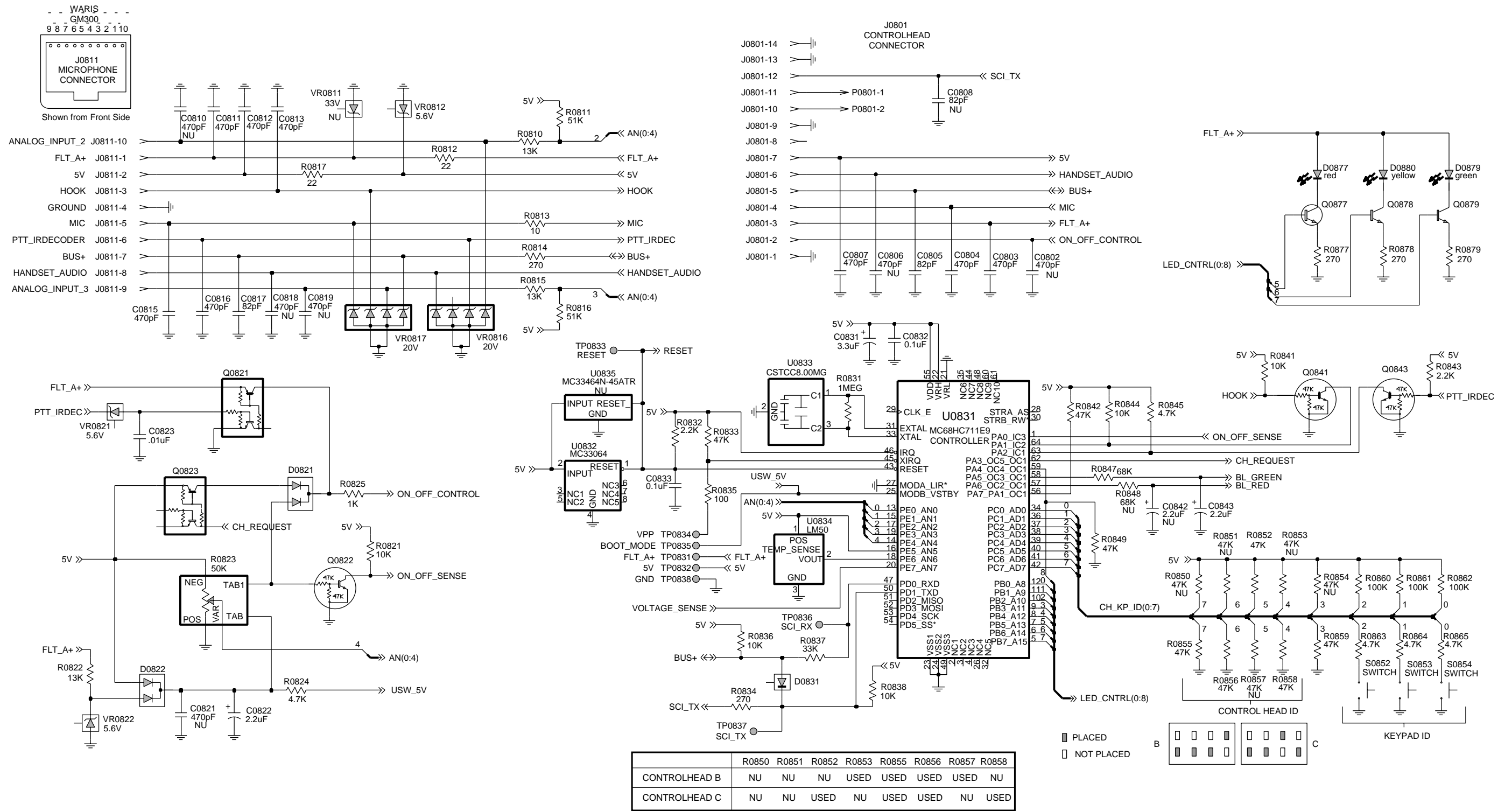
3.0 Controlhead GM160/360/660 - PCB 8486155B06 / Schematics



ZWG0130136-A Top Side

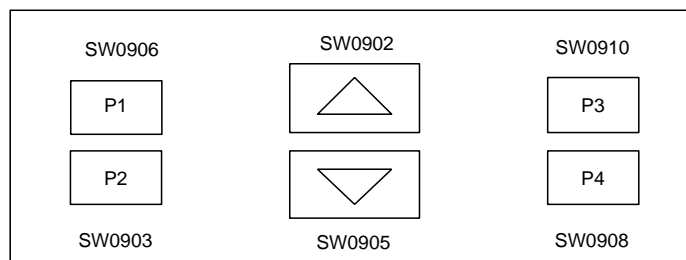


ZWG0130137-B Bottom Side

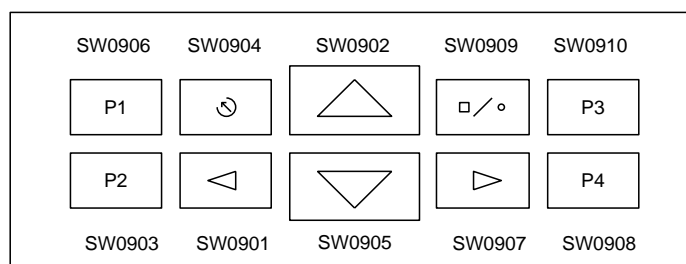


ZWG0130241-B

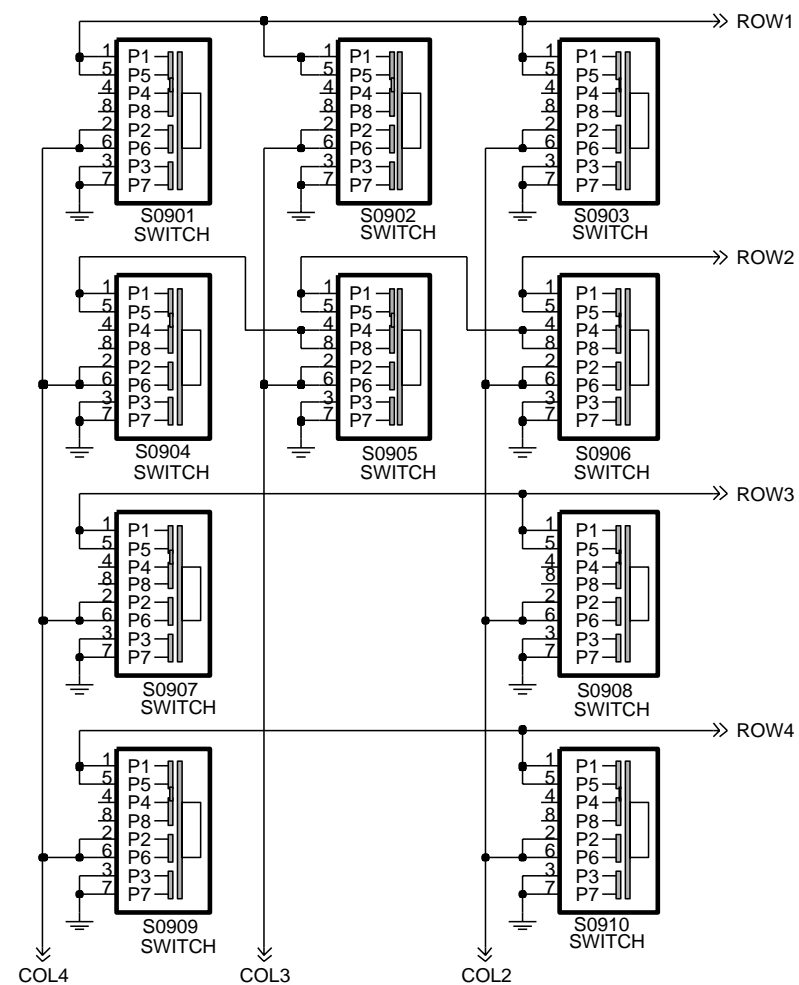
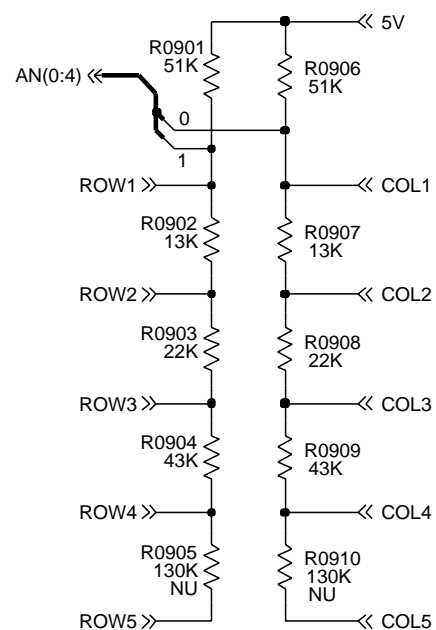
KEYPAD B



KEYPAD C

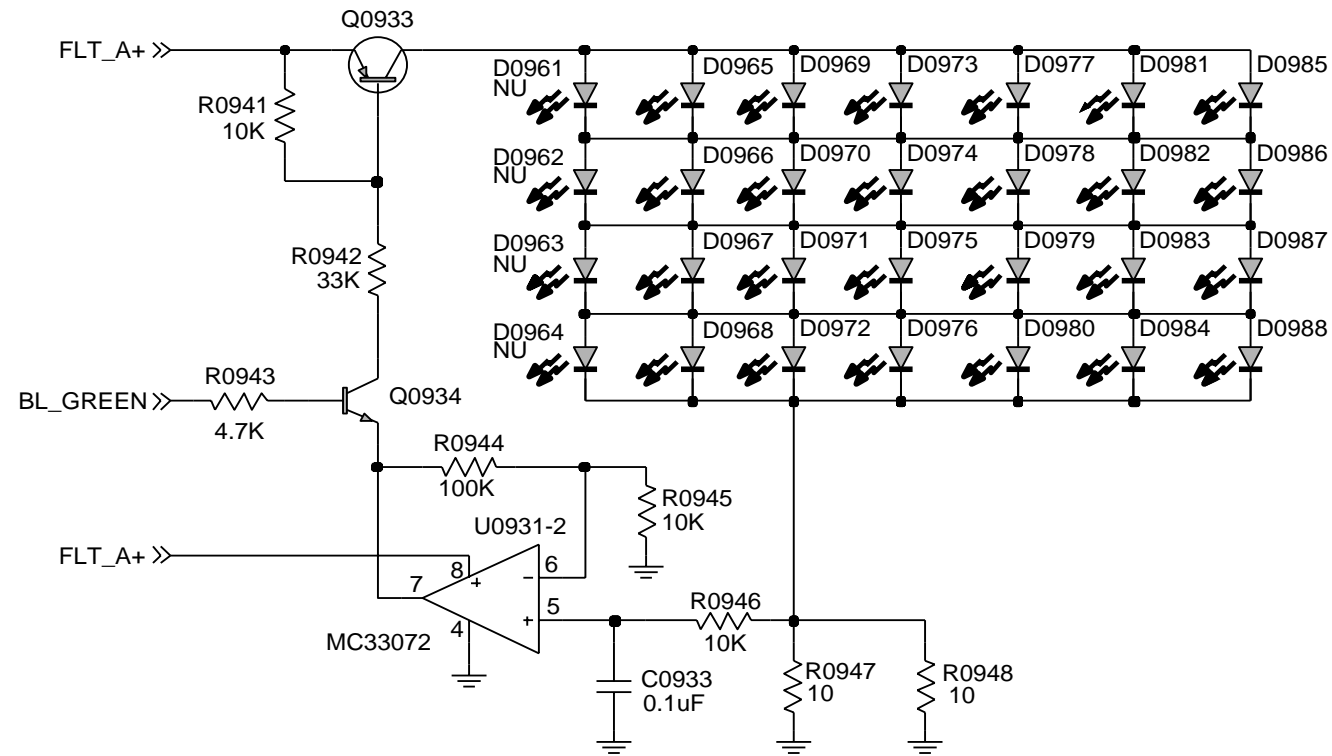


CH_B
CH_C
sheet 2

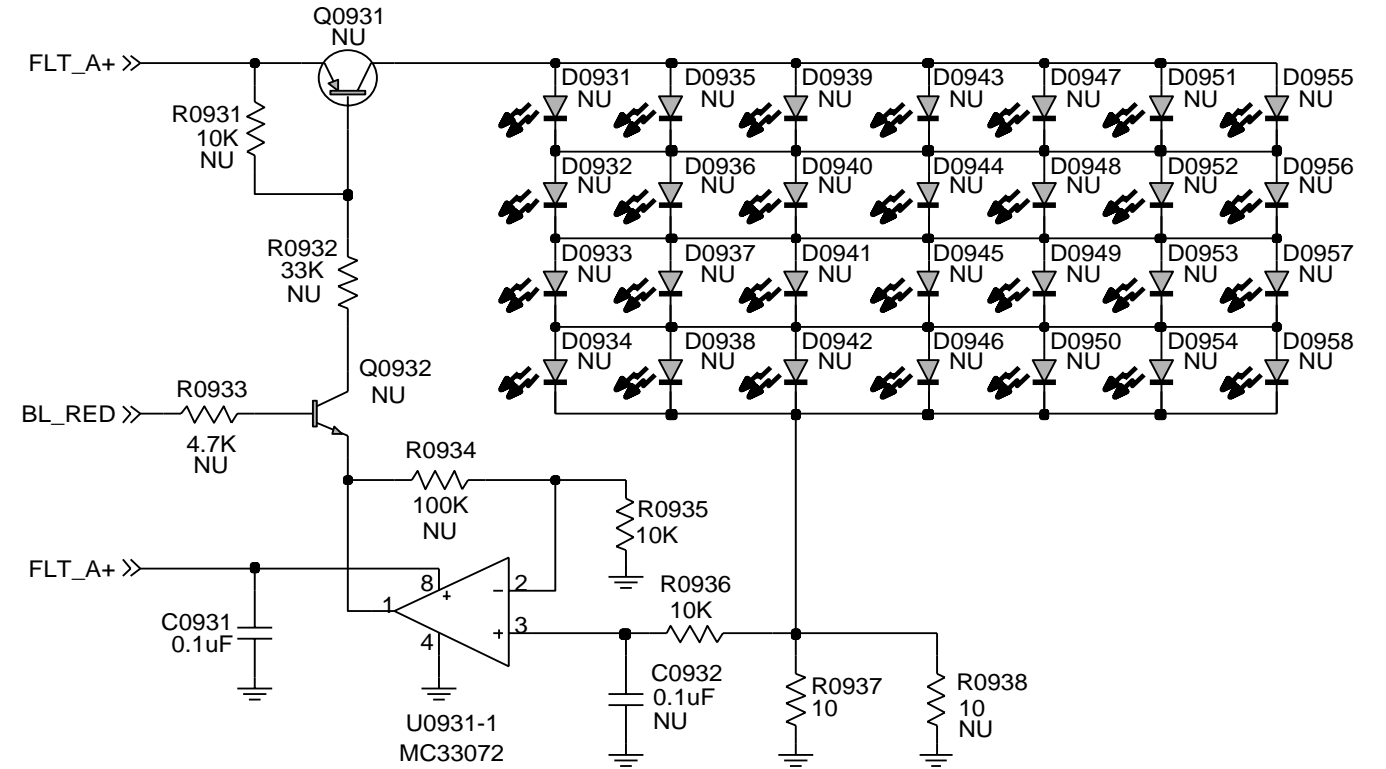


ZWG0130242-A

BACKLIGHT GREEN

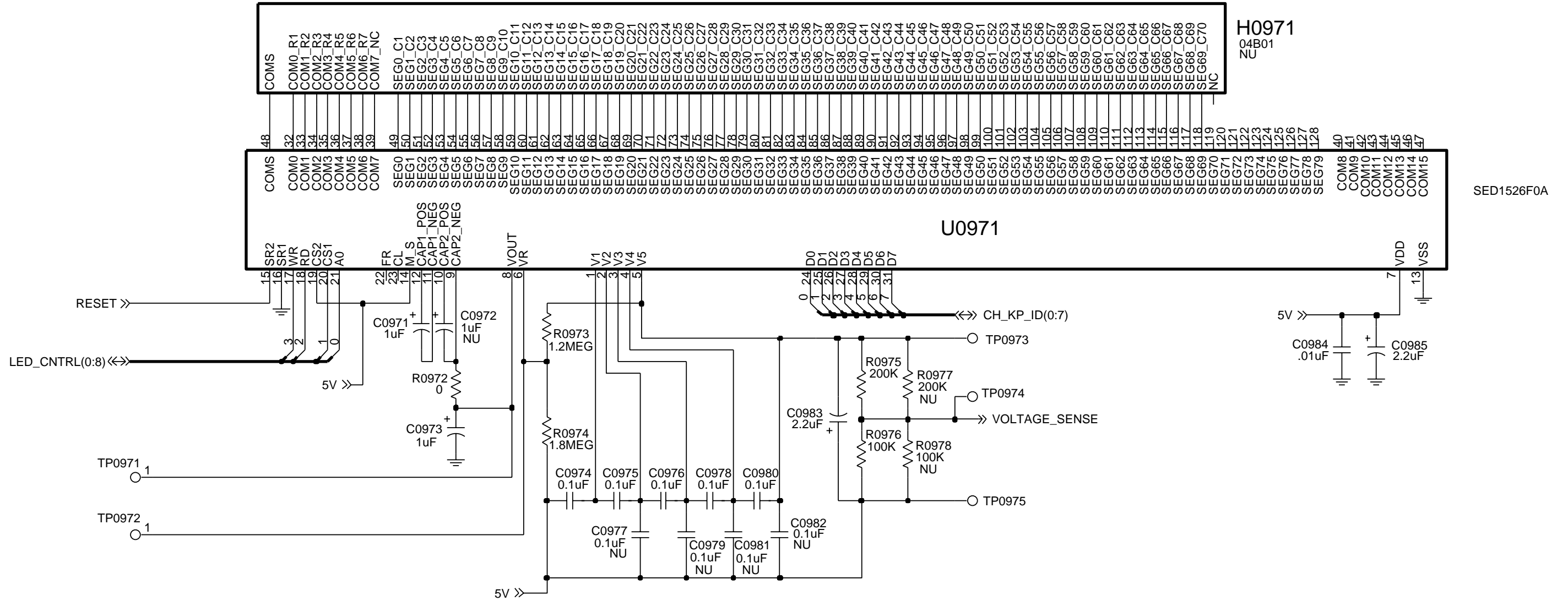


BACKLIGHT RED



ZWG0130243-A

THE LCD IS PART OF HARDWAREKITS GLN7358A (EUR) AND GLN7359A (US)



ZWG0130244-A

3.1 Controlhead PCB 8486155B06 Parts List

Circuit Ref	Motorola Part No	Description
C0803	2113741F17	470pF 50V
C0804	2113741F17	470pF 50V
C0805	2113740F49	82pF 5% 50V NP0
C0807	2113741F17	470pF 50V
C0811	2113741F17	470pF 50V
C0812	2113741F17	470pF 50V
C0813	2113741F17	470pF 50V
C0815	2113741F17	470pF 50V
C0816	2113741F17	470pF 50V
C0817	2113740F49	82pF 5% 50V
C0822	2311049A40	TANT CP 2.2uF 10% 10V
C0823	2113741F49	10nF 50V
C0831	2311049A42	TANT CP 3.3uF 10% 6V
C0832	2113743E20	100nF 16V
C0833	2113743E20	100nF 16V
C0843	2311049A40	TANT CP 2.2uF 10% 10V
C0931	2113743E20	100nF 16V
C0933	2113743E20	100nF 16V
C0971	2311049A07	TANT CP 1uF 10% 16V
C0973	2311049A07	TANT CP 1uF 10% 16V
C0974	2113743E20	100nF 16V
C0975	2113743E20	100nF 16V
C0976	2113743E20	100nF 16V
C0978	2113743E20	100nF 16V
C0980	2113743E20	100nF 16V
C0983	2311049A09	TANT CP 2.2uF 10% 20V
C0984	2113741F49	10nF 50V
C0985	2311049A40	TANT CP 2.2uF 10% 10V
D0821	4813833C02	DIODE DUAL SOT MMBD6100
D0822	4813833C02	DIODE DUAL SOT MMBD6100
D0831	4880236E05	DIODE CHIP SCHOTTKY
D0877	4886171B01	LED RED
D0879	4886171B04	LED GREEN
D0880	4886171B03	LED YELLOW
D0965	4886171B04	LED GREEN
D0966	4886171B04	LED GREEN
D0967	4886171B04	LED GREEN
D0968	4886171B04	LED GREEN
D0969	4886171B04	LED GREEN
D0970	4886171B04	LED GREEN
D0971	4886171B04	LED GREEN
D0972	4886171B04	LED GREEN
D0973	4886171B04	LED GREEN
D0974	4886171B04	LED GREEN
D0975	4886171B04	LED GREEN

Circuit Ref	Motorola Part No	Description
D0976	4886171B04	LED GREEN
D0977	4886171B04	LED GREEN
D0978	4886171B04	LED GREEN
D0979	4886171B04	LED GREEN
D0980	4886171B04	LED GREEN
D0981	4886171B04	LED GREEN
	Not used in	Controlhead B
D0982	4886171B04	LED GREEN
	Not used in	Controlhead B
D0983	4886171B04	LED GREEN
	Not used in	Controlhead B
D0984	4886171B04	LED GREEN
	Not used in	Controlhead B
D0985	4886171B04	LED GREEN
D0986	4886171B04	LED GREEN
D0987	4886171B04	LED GREEN
D0988	4886171B04	LED GREEN
J0801	0902636Y02	CONNECTOR FLEX 12 PIN
J0811	2864287B01	CONN TELCO 10 PIN JACK
P0801	2809926G01	CONN 1.25MM 2PIN SUR MT
Q0821	4805921T02	TSTR DUAL ROHM FMC2 RH
Q0822	4880048M01	TSTR NPN DIG 47k/47k
Q0823	4805921T02	TSTR DUAL ROHM FMC2 RH
Q0841	4880048M01	TSTR NPN DIG 47k/47k
Q0843	4880048M01	TSTR NPN DIG 47k/47k
Q0877	4813824A10	TSTR NPN 40V .2A B=50-150
Q0878	4813824A10	TSTR NPN 40V .2A B=50-150
Q0879	4813824A10	TSTR NPN 40V .2A B=50-150
Q0933	4813822A08	TSTR PNP 25V 5AMJD210T4
Q0934	4813824A10	TSTR NPN 40V .2A B=50-150
R0810	0662057A76	13k 1/16W 5%
R0811	0662057A90	51k 1/16W 5%
R0812	0662057A09	22 1/16W 5%
R0813	0662057A01	10 1/16W 5%
R0814	0662057A35	270 1/16W 5%
R0815	0662057A76	13k 1/16W 5%
R0816	0662057A90	51k 1/16W 5%
R0817	0662057A09	22 1/16W 5%
R0821	0662057A73	10k 1/16W 5%
R0822	0662057A76	13k 1/16W 5%
R0823	1805911V02	POT VOL
R0824	0662057A65	4k7 1/16W 5%
R0825	0662057A49	1k 1/16W 5%
R0831	0662057B22	1M 1/16W 5%
R0832	0662057A57	2k2 1/16W 5%
R0833	0662057A89	47k 1/16W 5%
R0834	0662057A35	270 1/16W 5%
R0835	0662057A25	100 1/16W 5%
R0836	0662057A73	10k 1/16W 5%
R0837	0662057A85	33k 1/16W 5%
R0838	0662057A73	10k 1/16W 5%

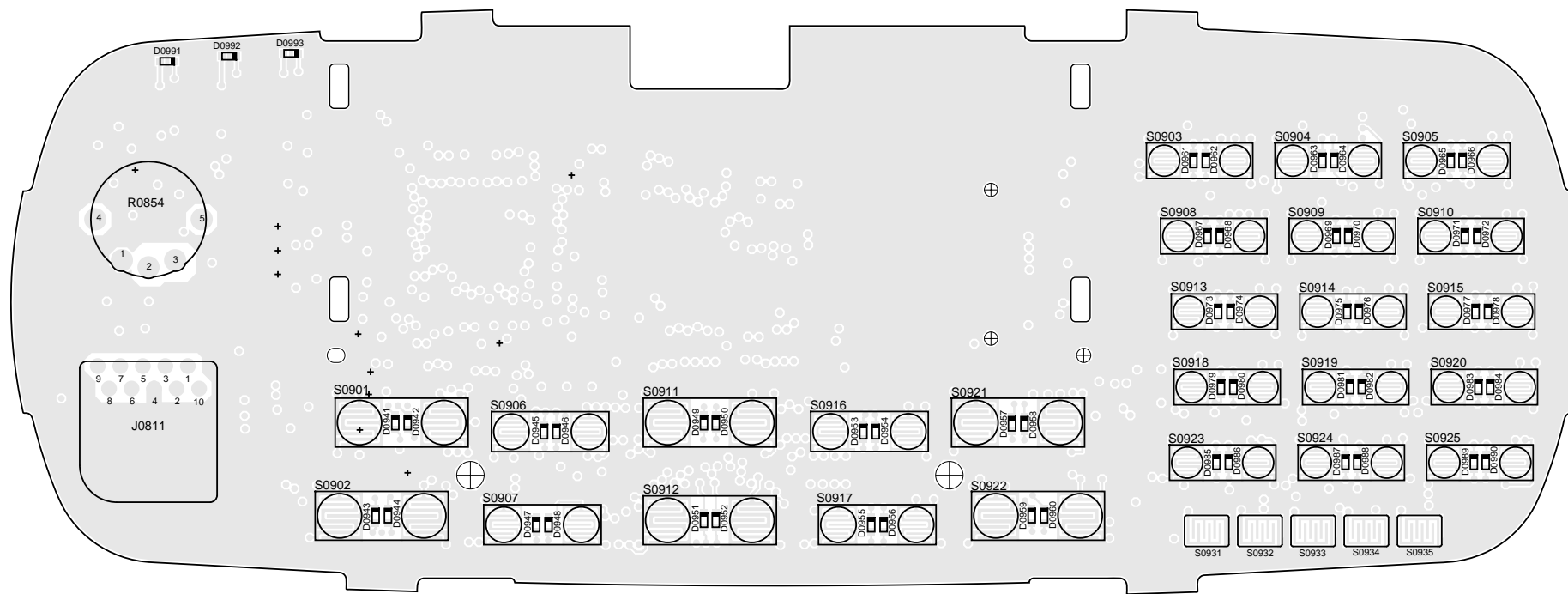
Circuit Ref	Motorola Part No	Description
R0841	0662057A73	10k 1/16W 5%
R0842	0662057A89	47k 1/16W 5%
R0843	0662057A57	2.2k 1/16W 5%
R0844	0662057A73	10k 1/16W 5%
R0845	0662057A65	4k7 1/16W 5%
R0847	0662057A93	68k 1/16W 5%
R0849	0662057A89	47k 1/16W 5%
R0852	0662057A89	47k 1/16W 5%
R0855	0662057A89	47k 1/16W 5%
R0856	0662057A89	47k 1/16W 5%
R0857	0662057A89	47k 1/16W 5%
	Not used in	Controlhead C
R0858	0662057A89	47k 1/16W 5%
	Not used in	Controlhead B
R0859	0662057A89	47k 1/16W 5%
R0860	0662057A97	100k 1/16W
R0861	0662057A97	100k 1/16W
R0862	0662057A97	100k 1/16W
R0863	0662057A65	4k7 1/16W 5%
R0864	0662057A65	4k7 1/16W 5%
R0865	0662057A65	4k7 1/16W 5%
R0877	0660076A35	270 5 1/8
R0878	0660076A35	270 5 1/8
R0879	0660076A35	270 5 1/8
R0901	0662057A90	51k 1/16W 5%
R0902	0662057A76	13k 1/16W 5%
R0903	0662057A81	22k 1/16W 5%
R0904	0662057A88	43k 1/16W 5%
R0906	0662057A90	51k 1/16W 5%
R0907	0662057A76	13k 1/16W 5%
R0908	0662057A81	22k 1/16W 5%
R0909	0662057A88	43k 1/16W 5%
	Not used in	Controlhead B
R0935	0662057A73	10k 1/16W 5%
R0936	0662057A73	10k 1/16W 5%
R0937	0660076A01	10 5 1/8
R0941	0662057A73	10k 1/16W 5%
R0942	0662057A85	33k 1/16W 5%
R0943	0662057A65	4k7 1/16W 5%
R0944	0662057A97	100k 1/16W
R0945	0662057A73	10k 1/16W 5%
R0946	0662057A73	10k 1/16W 5%
R0947	0660076A01	10 5 1/8
R0948	0660076A01	10 5 1/8
R0972	0662057B47	0 1/16W
R0973	0662057B24	1.2M 1/16W 5%
R0974	0662057B28	1.8M 1/16W 5%
R0975	0662057G29	200k 0.1W 1%
R0976	0662057G13	100k 0.1W 1%
*U0831	5113802A24	IC 68HC11 W/SCI,SPI,A/D

Circuit Ref	Motorola Part No	Description
U0832	5113815A02	MC33064
		UNDER VLTG SENSING
U0833	4886061B01	CER RESONATOR 8MHZ CSTCC8.00MG
U0834	5185963A15	TEMP SENSOR 1M5
U0931	5113818A03	IC HIGH PERFORMANCE SI
U0971	5186158B01	LCD DRIVER SED1526FOA
VR0812	4813830A15	DIODE 5.6V 5% 225mW
VR0816	4805656W09	DIODE ZENER QUAD MMQA20VT1
VR0817	4805656W09	DIODE ZENER QUAD MMQA20VT1
VR0821	4813830A15	DIODE 5.6V 5% 225mW
VR0822	4813830A15	DIODE 5.6V 5% 225mW

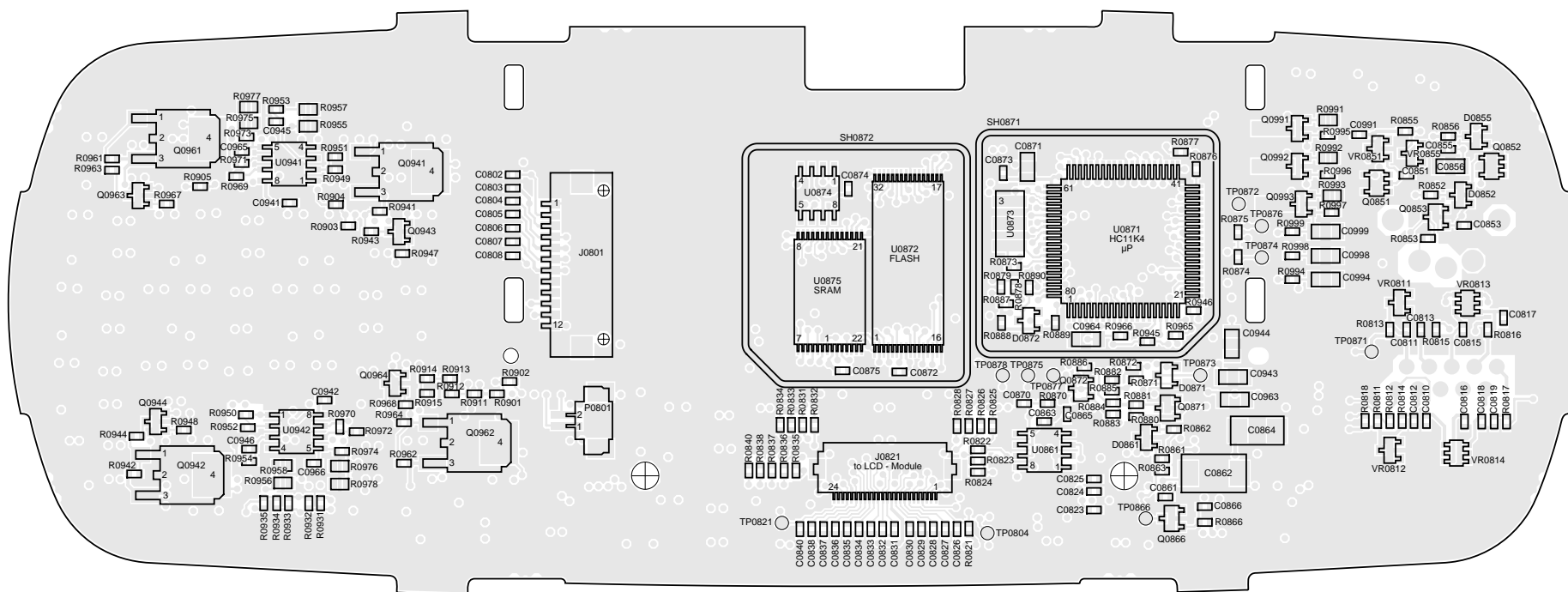
* Motorola Depot Servicing only

Reference designators with an asterisk indicate components which are not fieldreplaceable because they need to be calibrated with specialized factory equipment after installation. Radios in which these parts have been replaced in the field will be off frequency at temperature extremes.

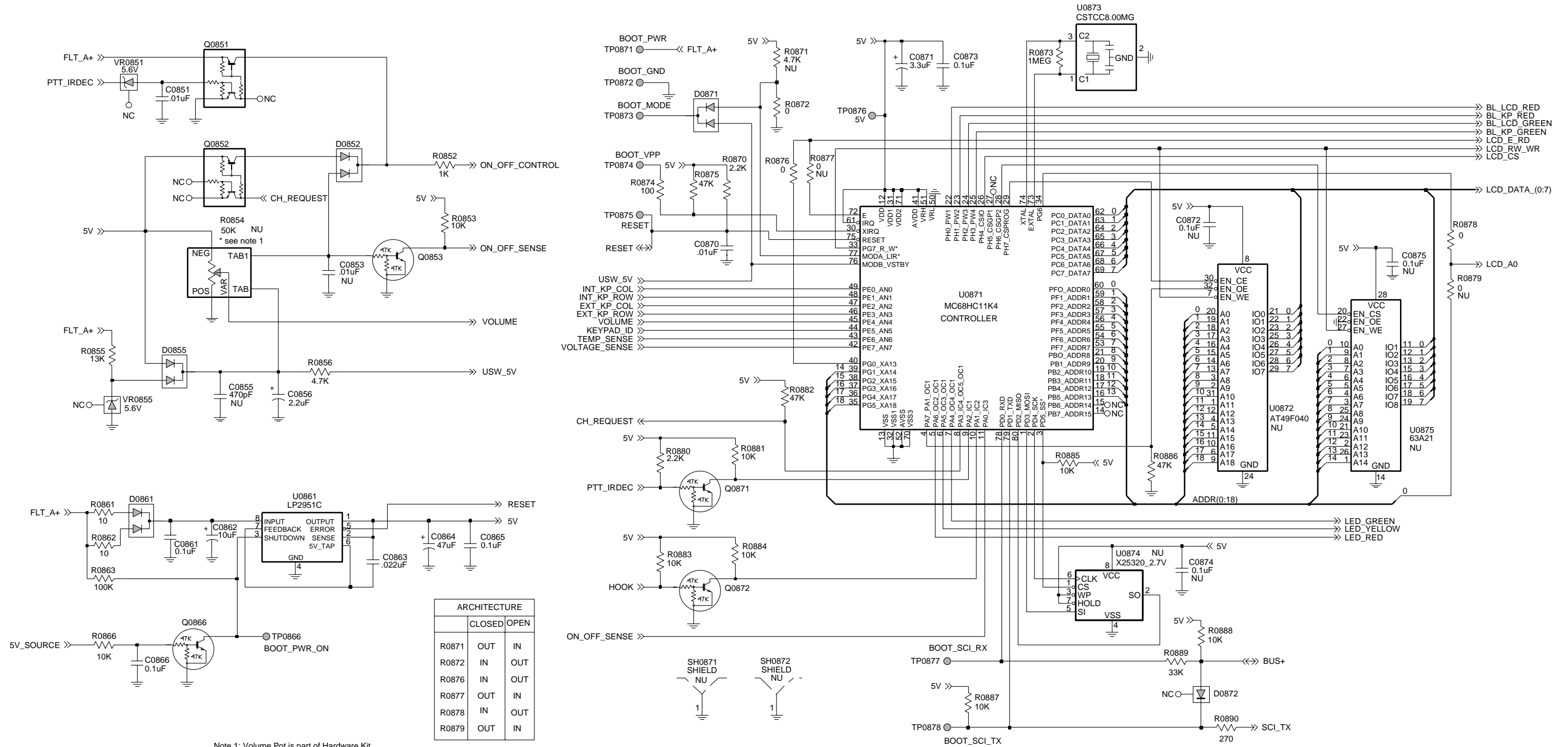
4.0 Controlhead GM380/1280 - PCB 8486178B03/B04 / Schematics



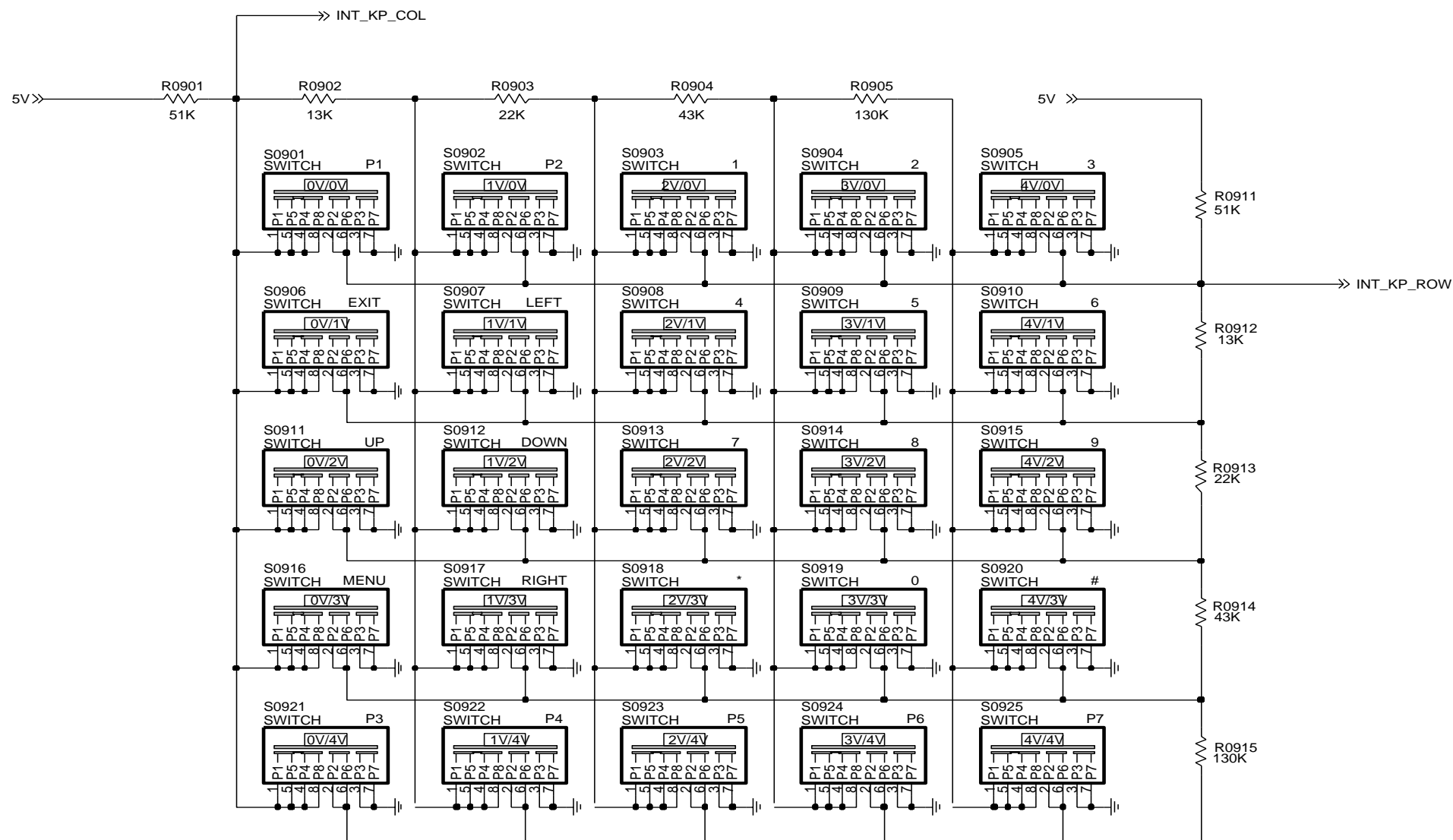
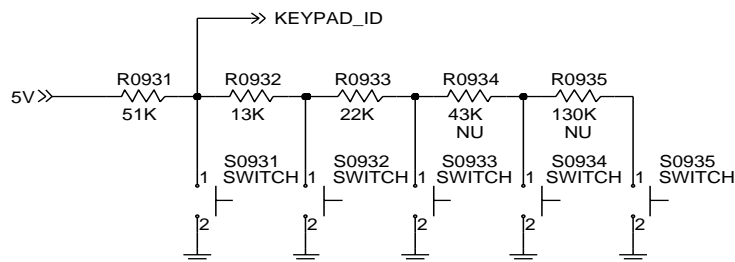
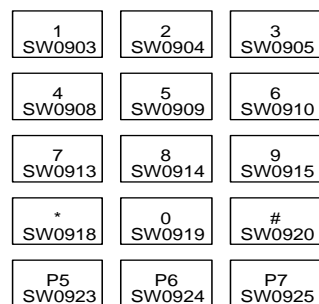
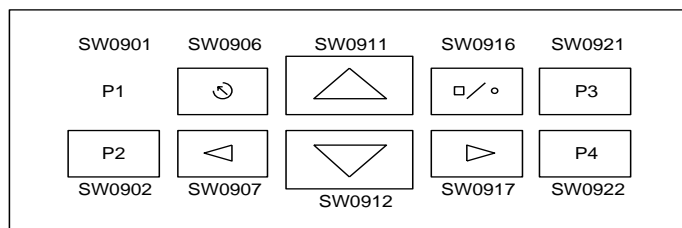
ZWG0130368-B Top Side



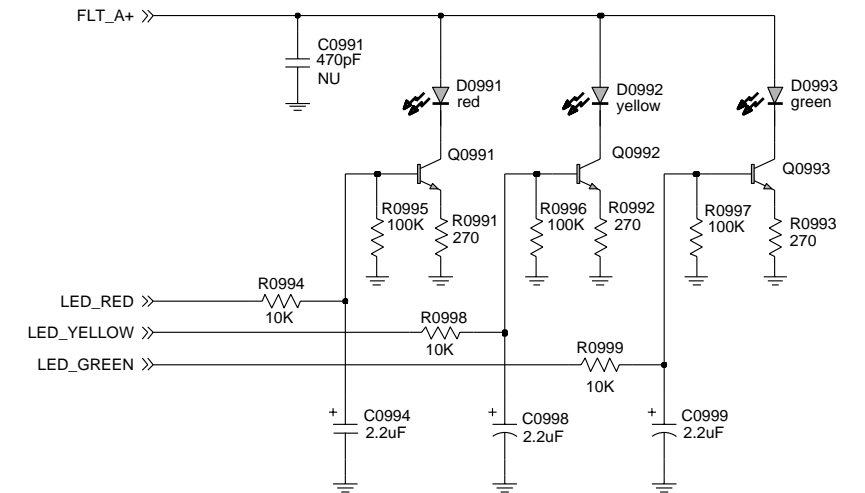
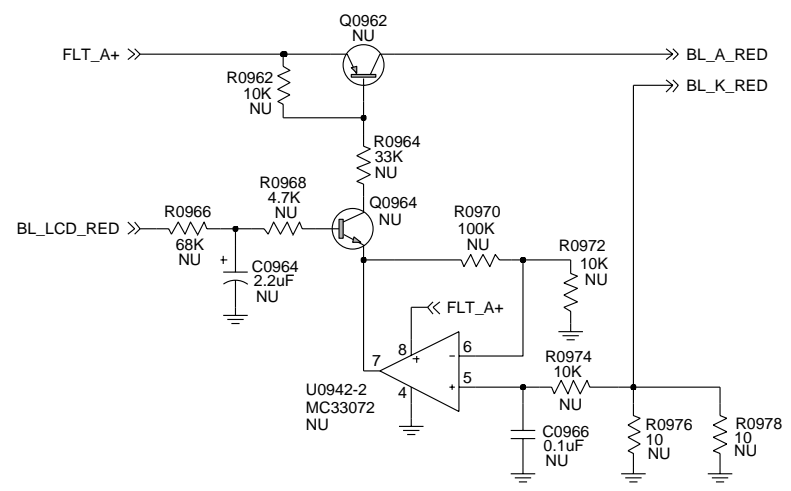
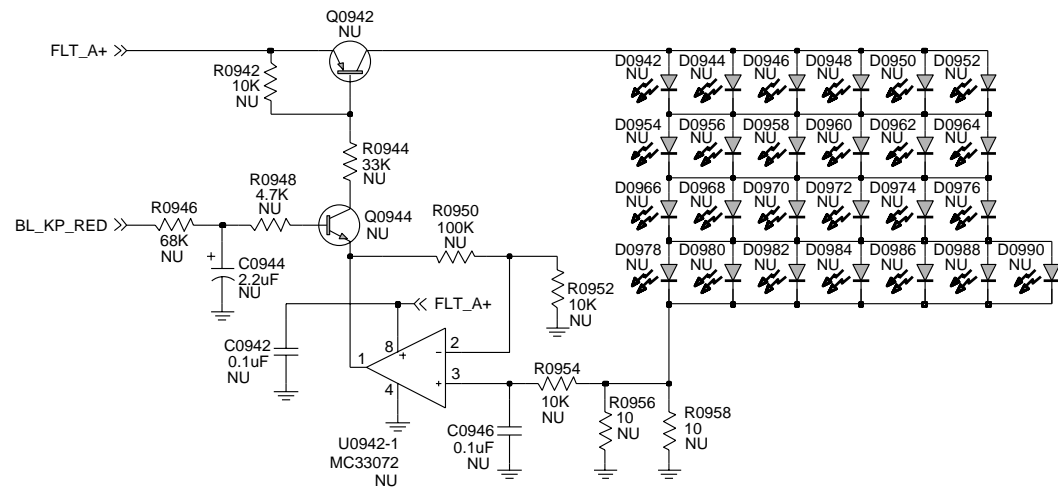
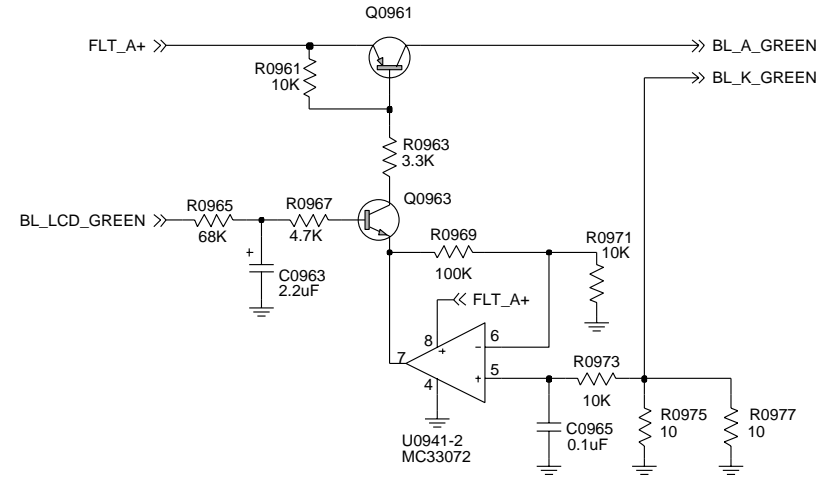
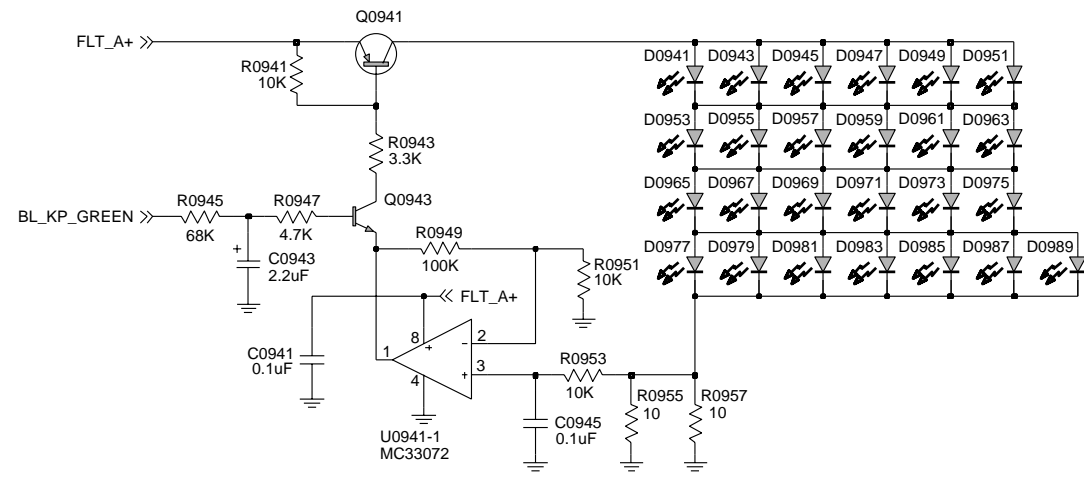
ZWG0130369-C Bottom Side



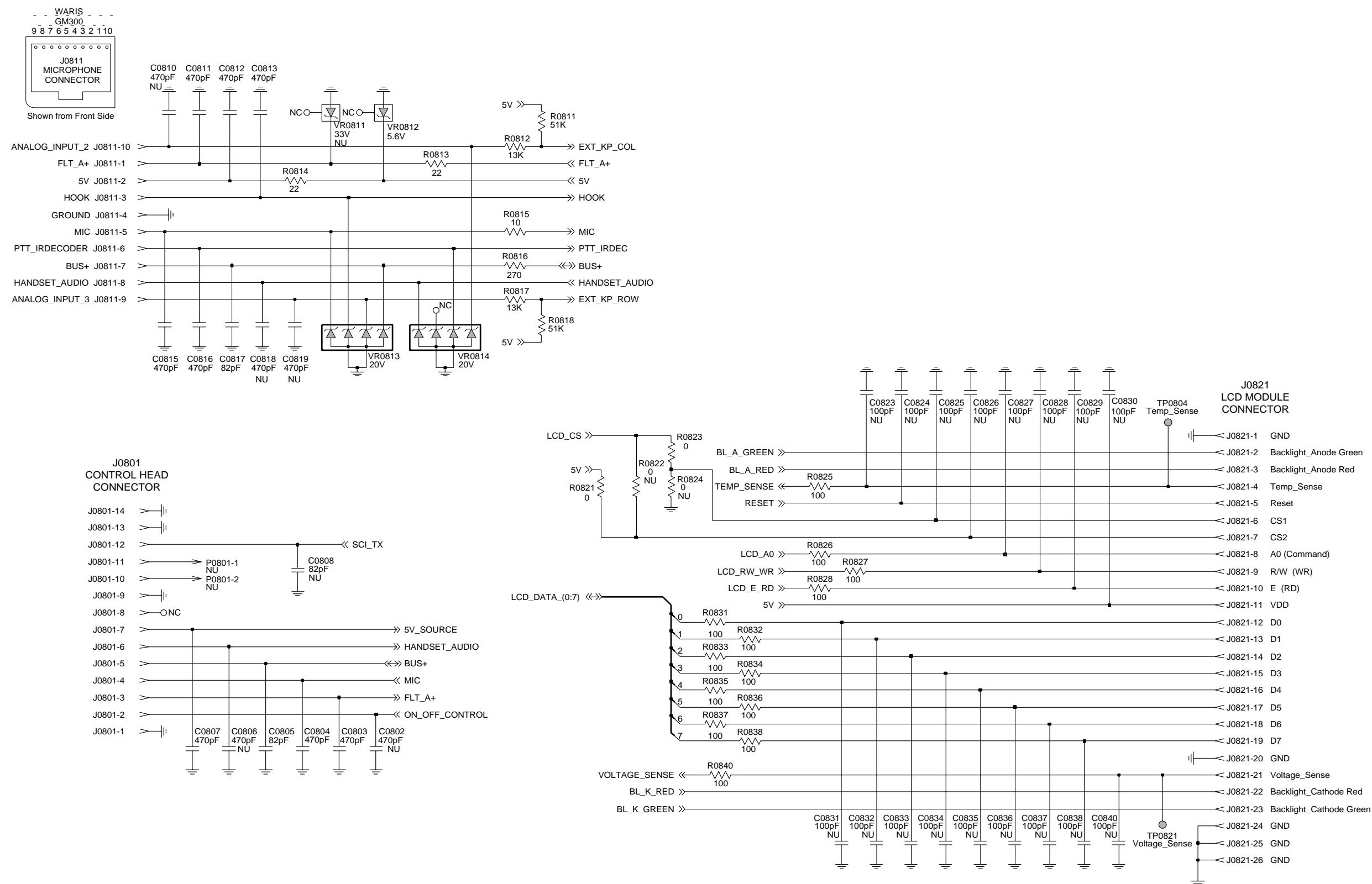
KEYPAD D



ZWG0130371-A



ZWG0130372-C



ZWG0130373-B

4.1 Controlhead PCB 8486178B03/B04 Parts List

Circuit Ref	Motorola Part No	Description
C0803	2113741F17	470pF 50V
C0804	2113741F17	470pF 50V
C0805	2113740F49	82pF 5% 50V
C0807	2113741F17	470pF 50V
C0811	2113741F17	470pF 50V
C0812	2113741F17	470pF 50V
C0813	2113741F17	470pF 50V
C0815	2113741F17	470pF 50V
C0816	2113741F17	470pF 50V
C0817	2113740F49	82pF 5% 50V
C0851	2113741F49	10nF 50V
C0856	2311049A40	TANT CP 2.2uF 10% 10V
C0861	2113743E20	100nF 16V
C0862	2311049A45	TANT CP 10uF 10% 35V
C0863	2113743E07	22nF 16V
C0864	2311049A99	TANT CP 47uF 20% 10V
C0865	2113743E20	100nF 16V
C0866	2113743E20	100nF 16V
C0870	2113741F49	10nF 50V
C0871	2311049A42	TANT CP 3.3uF 10% 6V
C0873	2113743E20	100nF 16V
C0941	2113743E20	100nF 16V
C0943	2311049A40	TANT CP 2.2uF 10% 10V
C0945	2113743E20	100nF 16V
C0963	2311049A40	TANT CP 2.2uF 10% 10V
C0965	2113743E20	100nF 16V
C0994	2311049A40	TANT CP 2.2uF 10% 10V
C0998	2311049A40	TANT CP 2.2uF 10% 10V
C0999	2311049A40	TANT CP 2.2uF 10% 10V
D0852	4813833C02	DUAL SOT MMBD6100
D0855	4813833C02	DUAL SOT MMBD6100
D0861	4813833C02	DUAL SOT MMBD6100
D0871	4813833C02	DUAL SOT MMBD6100
D0872	4880236E05	DIODECHIP SCHOTTKY
D0941	4886171B04	LED GREEN
D0943	4886171B04	LED GREEN
D0945	4886171B04	LED GREEN
D0947	4886171B04	LED GREEN
D0949	4886171B04	LED GREEN
D0951	4886171B04	LED GREEN
D0953	4886171B04	LED GREEN
D0955	4886171B04	LED GREEN
D0957	4886171B04	LED GREEN
D0959	4886171B04	LED GREEN
D0961	4886171B04	LED GREEN
D0963	4886171B04	LED GREEN
D0965	4886171B04	LED GREEN

Circuit Ref	Motorola Part No	Description
D0967	4886171B04	LED GREEN
D0969	4886171B04	LED GREEN
D0971	4886171B04	LED GREEN
D0973	4886171B04	LED GREEN
D0975	4886171B04	LED GREEN
D0977	4886171B04	LED GREEN
D0979	4886171B04	LED GREEN
D0981	4886171B04	LED GREEN
D0983	4886171B04	LED GREEN
D0985	4886171B04	LED GREEN
D0987	4886171B04	LED GREEN
D0989	4886171B04	LED GREEN
D0991	4886171B01	LED RED
D0992	4886171B03	LED YELLOW
D0993	4886171B04	LED GREEN
J0801	0902636Y02	CONN FLEX 12 PIN
J0811	2864287B01	CONN TELCO 10 PIN JACK
J0821	0986197B01	CONN ZIF HOR 24PIN
Q0851	4805921T02	DUAL ROHM FMC2 RH
Q0852	4805921T02	DUAL ROHM FMC2 RH
Q0853	4880048M01	NPN DIG 47k/47k
Q0866	4880048M01	NPN DIG 47k/47k
Q0871	4880048M01	NPN DIG 47k/47k
Q0872	4880048M01	NPN DIG 47k/47k
Q0941	4813822A08	PNP 25V 5A MJD210T4
Q0943	4813824A10	NPN 40V .2A B=50-150
Q0961	4813822A08	PNP 25V 5A MJD210T4
Q0963	4813824A10	NPN 40V .2A B=50-150
Q0991	4813824A10	NPN 40V .2A B=50-150
Q0992	4813824A10	NPN 40V .2A B=50-150
Q0993	4813824A10	NPN 40V .2A B=50-150
R0811	0662057A90	51k 1/16W 5%
R0812	0662057A76	13k 1/16W 5%
R0813	0662057A09	22 1/16W 5%
R0814	0662057A09	22 1/16W 5%
R0815	0662057A01	10 1/16W 5%
R0816	0662057A35	270 1/16W 5%
R0817	0662057A76	13k 1/16W 5%
R0818	0662057A90	51k 1/16W 5%
R0821	0662057B47	0 1/16W
R0823	0662057B47	0 1/16W
R0825	0662057A25	100 1/16W 5%
R0826	0662057A25	100 1/16W 5%
R0827	0662057A25	100 1/16W 5%
R0828	0662057A25	100 1/16W 5%
R0831	0662057A25	100 1/16W 5%
R0832	0662057A25	100 1/16W 5%
R0833	0662057A25	100 1/16W 5%
R0834	0662057A25	100 1/16W 5%
R0835	0662057A25	100 1/16W 5%
R0836	0662057A25	100 1/16W 5%

Circuit Ref	Motorola Part No	Description
R0837	0662057A25	100 1/16W 5%
R0838	0662057A25	100 1/16W 5%
R0840	0662057A25	100 1/16W 5%
R0852	0662057A49	1k 1/16W 5%
R0853	0662057A73	10k 1/16W 5%
R0854	1805911V02	POT VOL (Part of Hardware Kit)
R0855	0662057A76	13K 1/16W 5%
R0856	0662057A65	4k7 1/16W 5%
R0861	0662057A01	10 1/16W 5%
R0862	0662057A01	10 1/16W 5%
R0863	0662057A97	100k 1/16W
R0866	0662057A73	10k 1/16W 5%
R0870	0662057A73	10k 1/16W 5%
R0872	0662057B47	0 1/16W
R0873	0662057B22	1M 1/16W 5%
R0874	0662057A25	100 1/16W 5%
R0875	0662057A89	47k 1/16W 5%
R0876	0662057B47	0 1/16W
R0878	0662057B47	0 1/16W
R0880	0662057A57	2k2 1/16W 5%
R0881	0662057A73	10k 1/16W 5%
R0882	0662057A89	47k 1/16W 5%
R0883	0662057A73	10k 1/16W 5%
R0884	0662057A73	10k 1/16W 5%
R0885	0662057A73	10k 1/16W 5%
R0886	0662057A89	47k 1/16W 5%
R0887	0662057A73	10k 1/16W 5%
R0888	0662057A73	10k 1/16W 5%
R0889	0662057A85	33k 1/16W 5%
R0890	0662057A35	270 1/16W 5%
R0901	0662057A90	51k 1/16W 5%
R0902	0662057A76	13k 1/16W 5%
R0903	0662057A81	22k 1/16W 5%
R0904	0662057A88	43k 1/16W 5%
R0905	0662057B01	130K 1/16W 5%
R0911	0662057A90	51k 1/16W 5%
R0912	0662057A76	13k 1/16W 5%
R0913	0662057A81	22k 1/16W 5%
R0914	0662057A88	43k 1/16W 5%
R0915	0662057B01	130K 1/16W 5%
R0931	0662057A90	51k 1/16W 5%
R0932	0662057A76	13k 1/16W 5%
R0933	0662057A81	22k 1/16W 5%
R0941	0662057A73	10k 1/16W 5%
R0943	0662057A61	3.3k 1/16W 5%
R0945	0662057A93	68k 1/16W 5%
R0947	0662057A65	4k7 1/16W 5%
R0949	0662057A97	100k 1/16W
R0951	0662057A73	10k 1/16W 5%
R0953	0662057A73	10k 1/16W 5%

Circuit Ref	Motorola Part No	Description
R0955	0660076A01	10 5 1/8
R0957	0660076A01	10 5 1/8
R0961	0662057A73	10k 1/16W 5%
R0963	0662057A61	3.3k 1/16W 5%
R0965	0662057A93	68k 1/16W 5%
R0967	0662057A65	4k7 1/16W 5%
R0969	0662057A97	100k 1/16W
R0971	0662057A73	10k 1/16W 5%
R0973	0662057A73	10k 1/16W 5%
R0975	0660076A01	10 5 1/8
R0977	0660076A01	10 5 1/8
R0991	0660076A35	270 5 1/8
R0992	0660076A35	270 5 1/8
R0993	0660076A35	270 5 1/8
R0994	0662057A73	10k 1/16W 5%
R0995	0662057A97	100k 1/16W
R0996	0662057A97	100k 1/16W
R0997	0662057A97	100k 1/16W
R0998	0662057A73	10k 1/16W 5%
R0999	0662057A73	10k 1/16W 5%
U0861	5105469E65	IC VLTR REGLTR LP2951C
*U0871	5113802A32	68HC11 W/SCI SPI A/D
U0873	4886061B01	CER RESONATOR 8MHZ
U0941	5113818A03	IC HIGH PERFORMANCE SI
VR0812	4813830A15	DIODE 5.6V 5% 225mW
VR0813	4805656W09	ZENER QUAD MMQA20VT1
VR0814	4805656W09	ZENER QUAD MMQA20VT1
VR0851	4813830A15	DIODE 5.6V 5% 225mW
VR0855	4813830A15	DIODE 5.6V 5% 225mW

* Motorola Depot Servicing only

Reference designators with an asterisk indicate components which are not fieldreplaceable because they need to be calibrated with specialized factory equipment after installation. Radios in which these parts have been replaced in the field will be off frequency at temperature extremes.