

Figure 0-1  
ABSTRACT SCHEMATIC

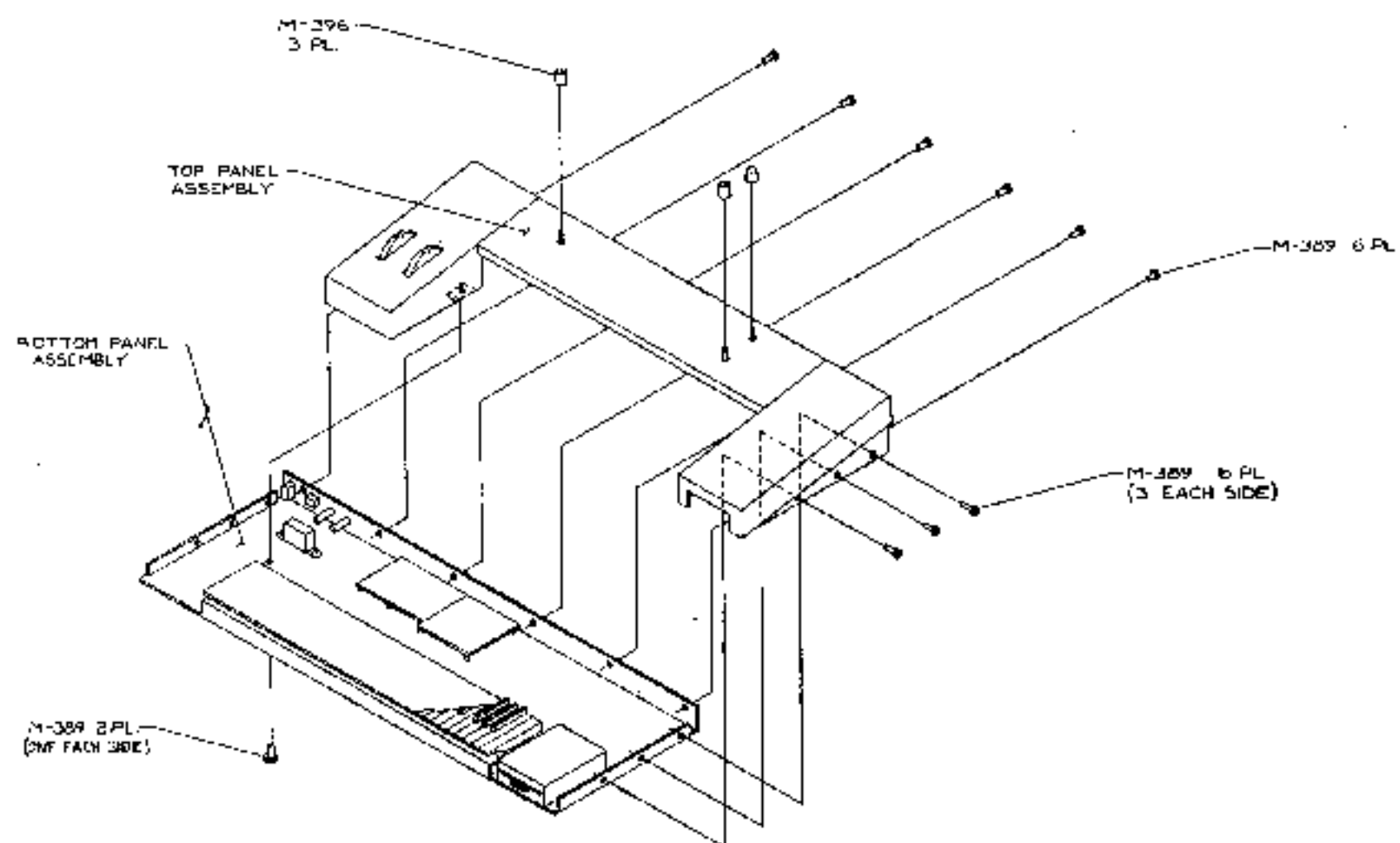
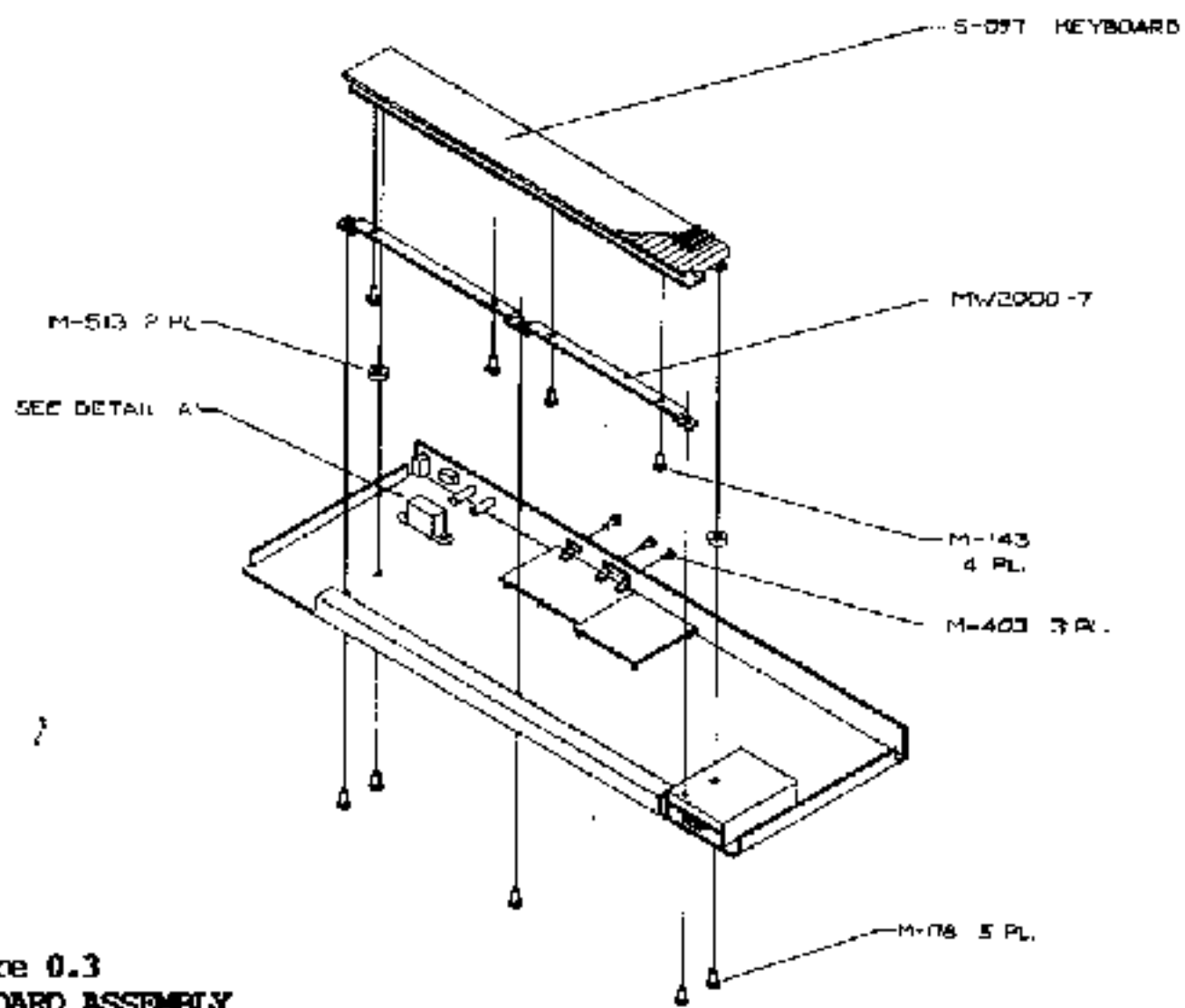


Figure 0.2  
POSITION OF BOTTOM PANEL SCREWS



**Figure 0.3**  
**KEYBOARD ASSEMBLY**

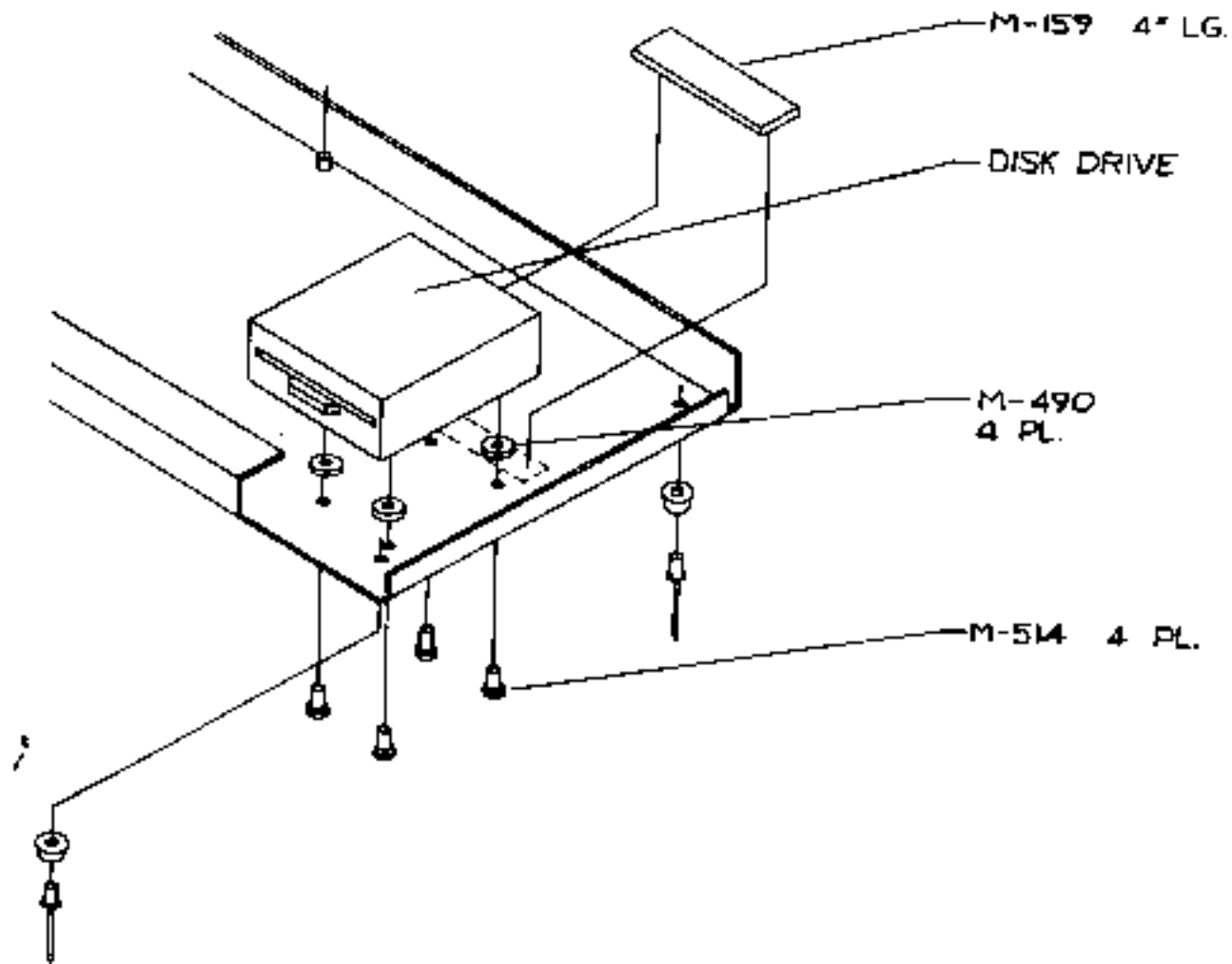
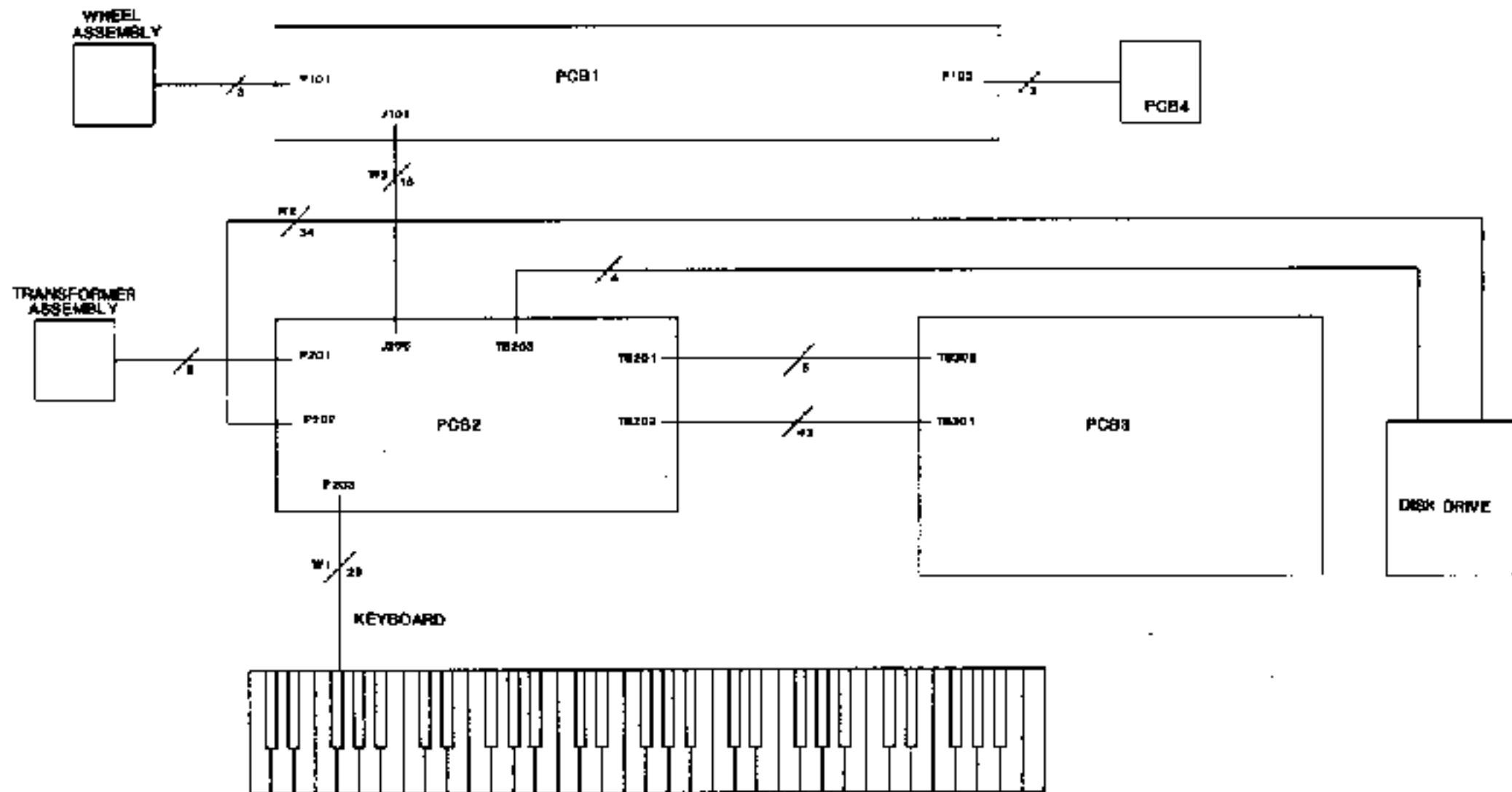


Figure 0.4  
POSITION OF DISK DRIVE SCREWS

Figure 0.5  
INTERCONNECTION DIAGRAM





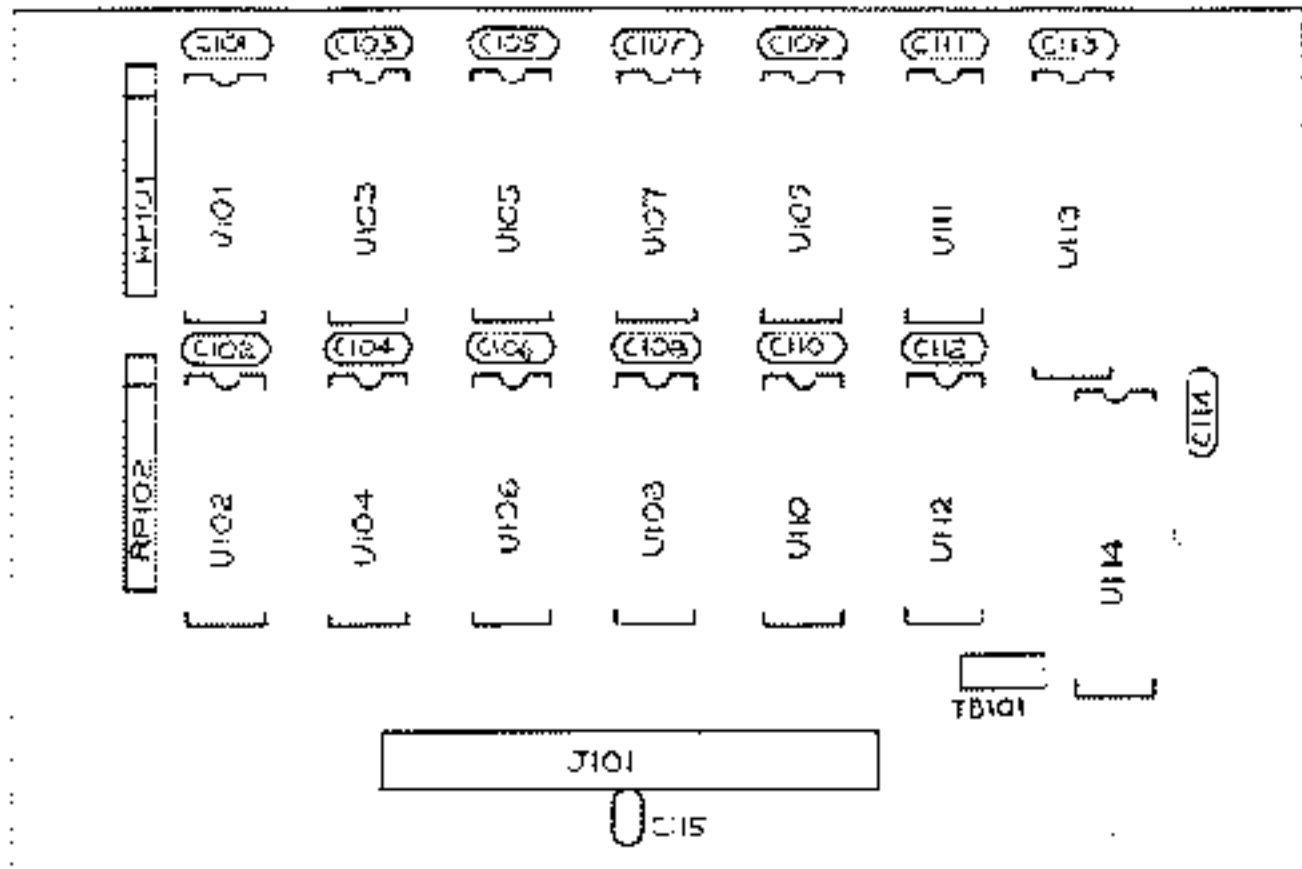
4

3

2

1

REVISIONS			
REV	DESCRIPTION	DATE	APPROVED



J101

C:15

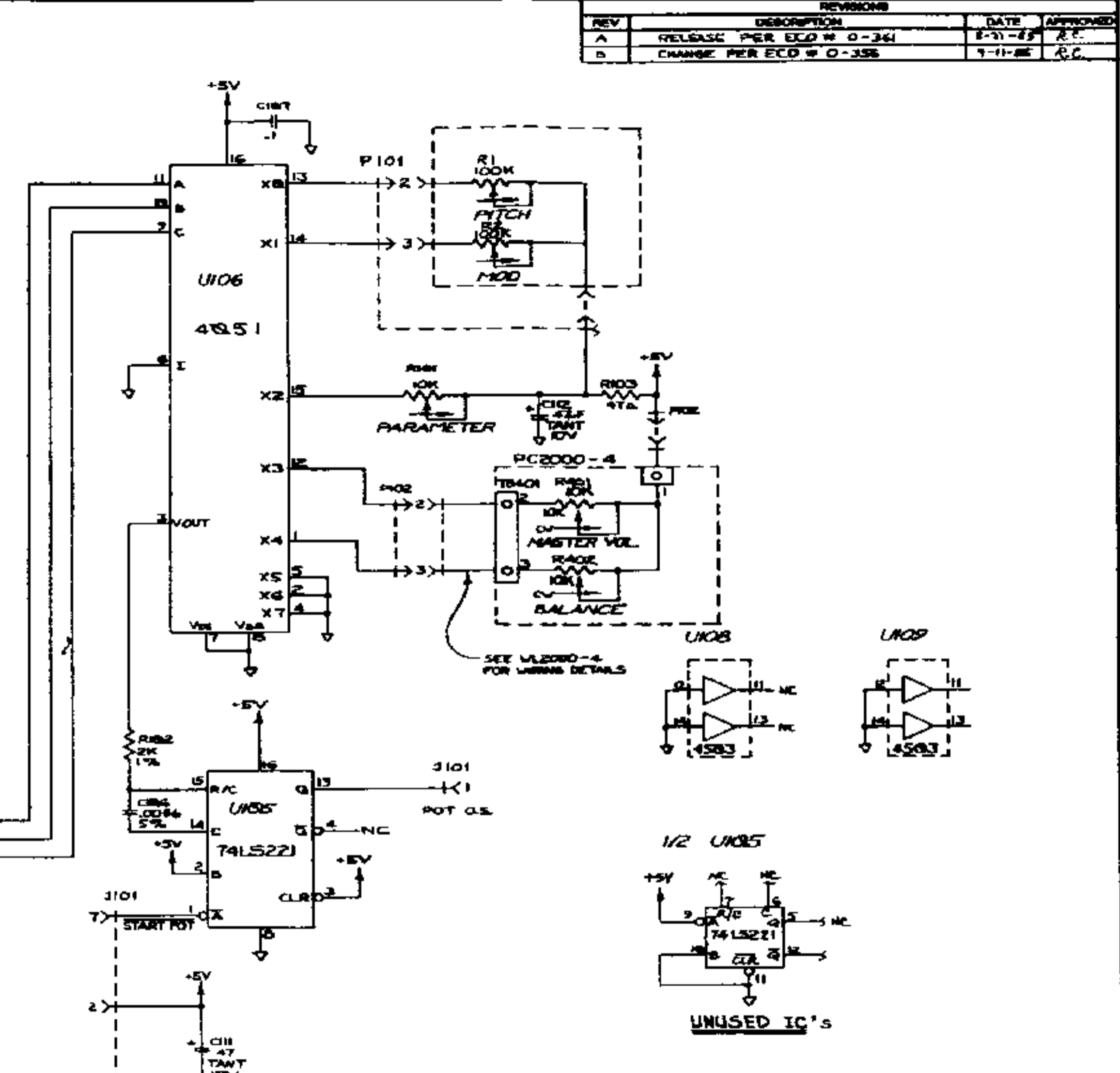
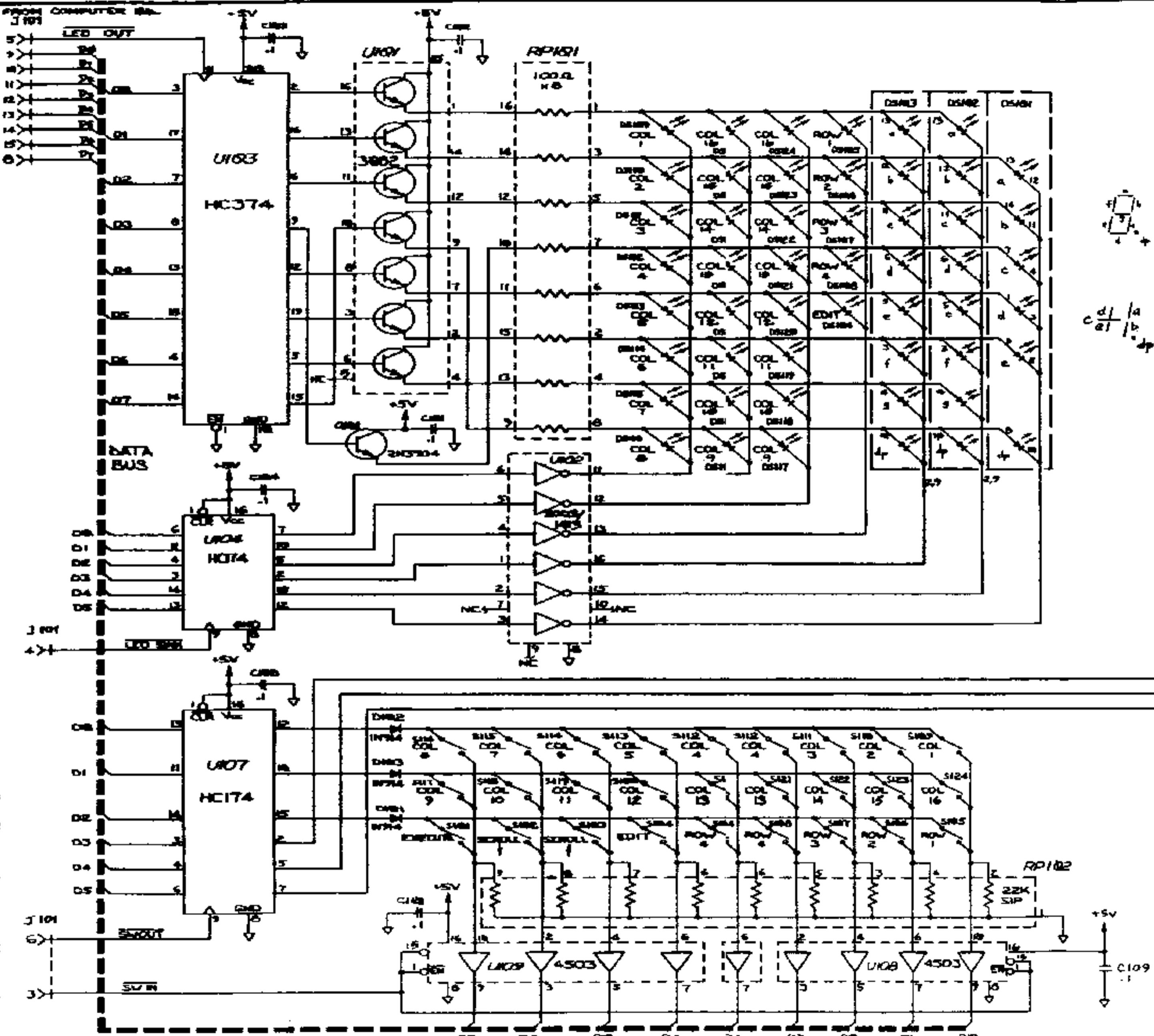
TB101

	872
NEXT ABBY	USPO PM
APPLICATION	

DO NOT SCALE DRAWING	
APPROVALS	DATE
DRAWN <i>Ron Chaffin</i>	7-9-88
CHECKED	7-9-88
ELCD, ENGR	
WFO, ENGR	
WFO, ENGR	

		305 F N, FIRST ST. SAN JOSE, CA 95134	
TITLE DESIGNATOR MAP			
S: 2	DRAWING NO.	REV	
B	PP877	SI	
SCALE: 2/1		SHEET 1 OF 1	

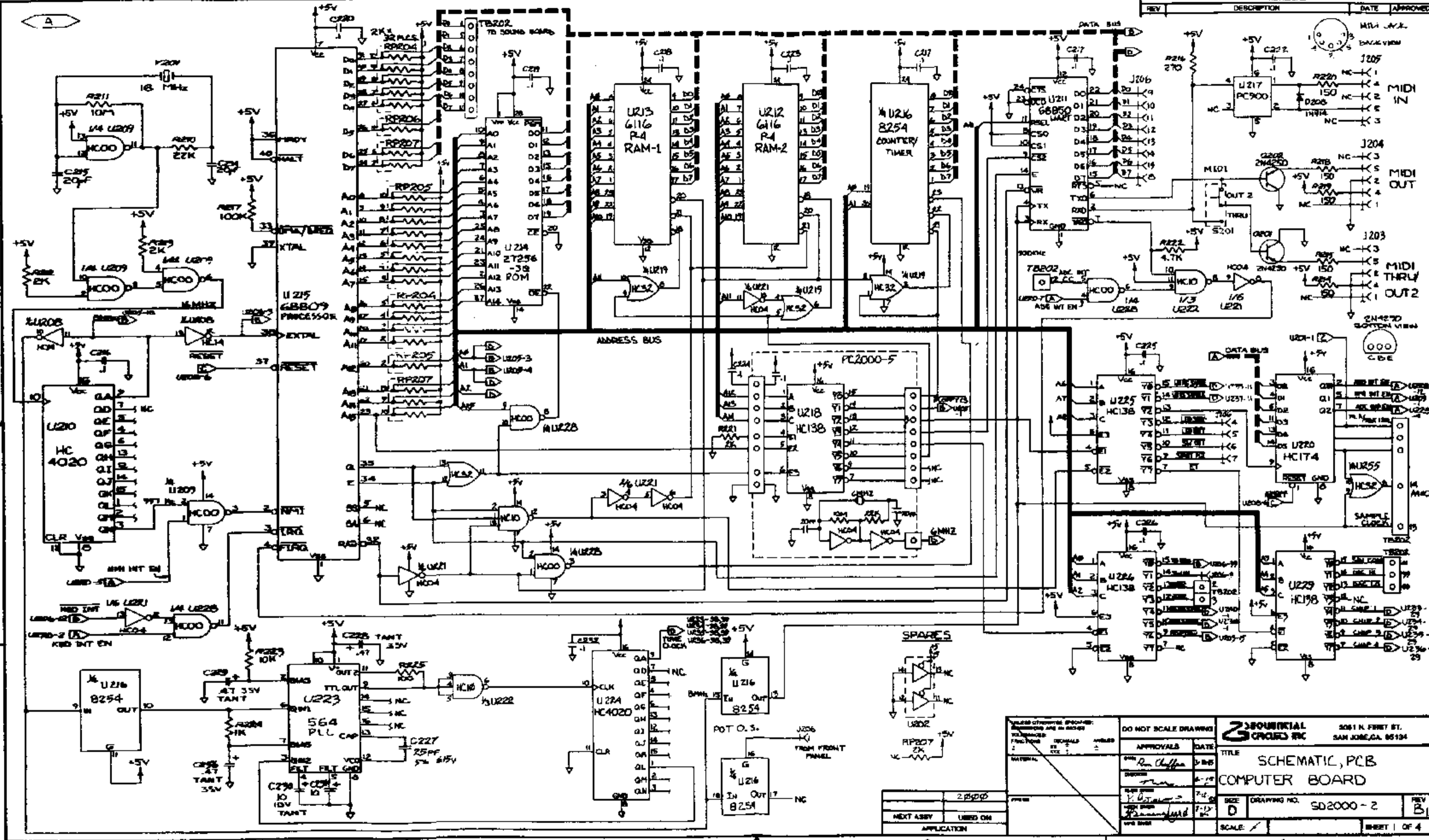
REVISIONS			
REV	DESCRIPTION	DATE	APPROVED
A	RELEASE PER ECD # 0-341	8-31-85	R.C.
B	CHANGE PER ECD # 0-356	7-11-86	R.C.

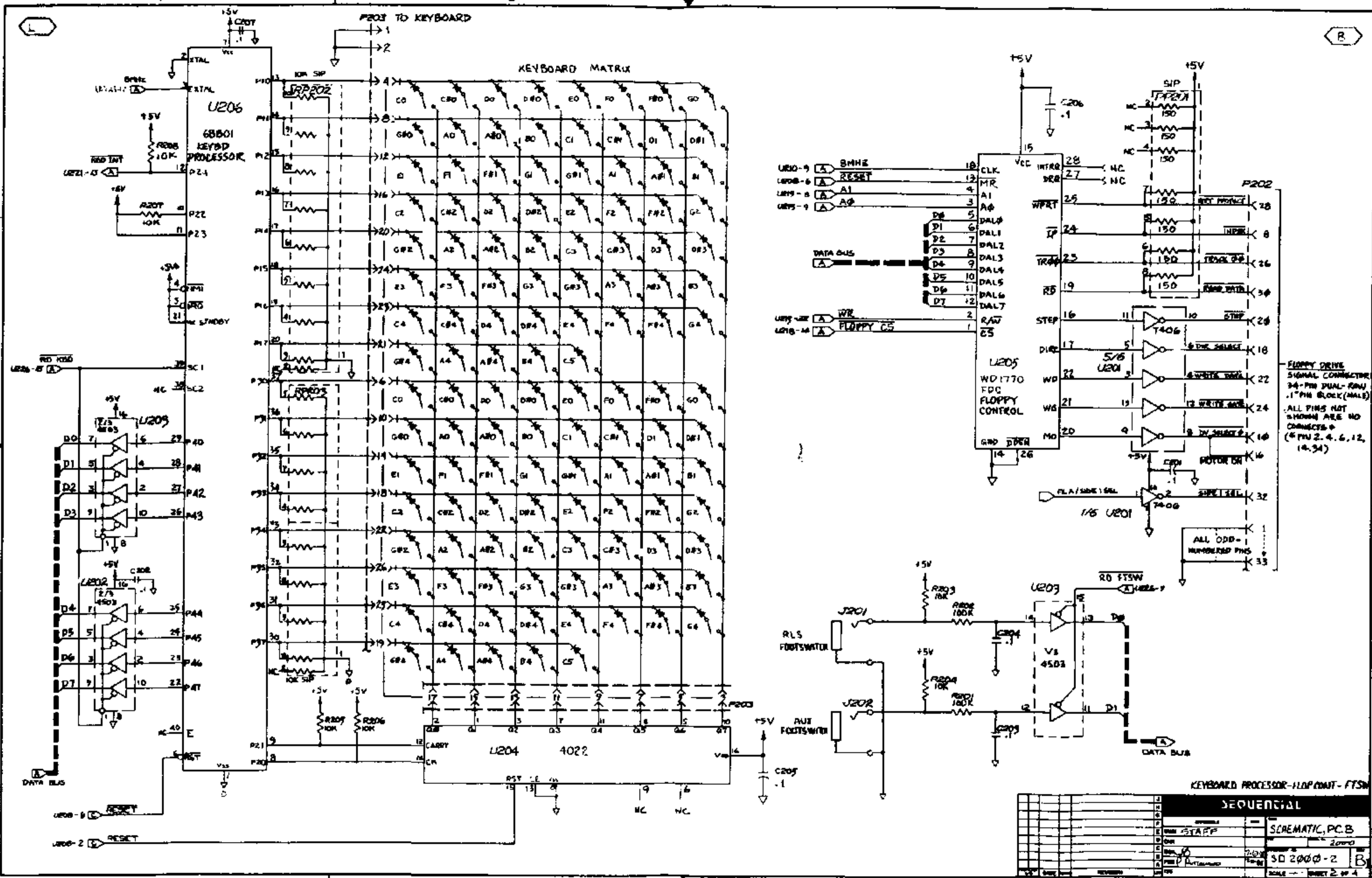


DO NOT SCALE DRAWING		SEQUENTIAL GROUP INC.		3081 N. FIRST ST. SAN JOSE, CA. 95134	
APPROVALS	DATE	TITLE			
BY: <i>Ron Chaffin</i>	8-1-85	FRONT PANEL BD. SCHEMIO			
DESIGNED		SIZE	DRAWING NO.	REV	
		D	SD2000-1	B	
SCALE	N/A	SHEET 1 OF 1			

APPLICATION	
NEXT ASSY	USED ON



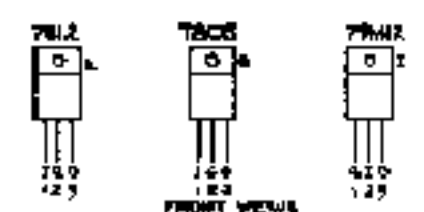
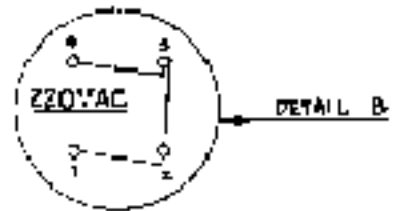
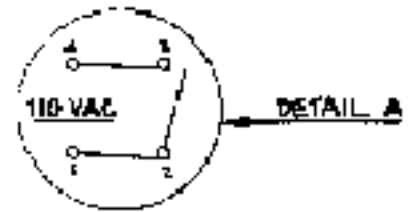
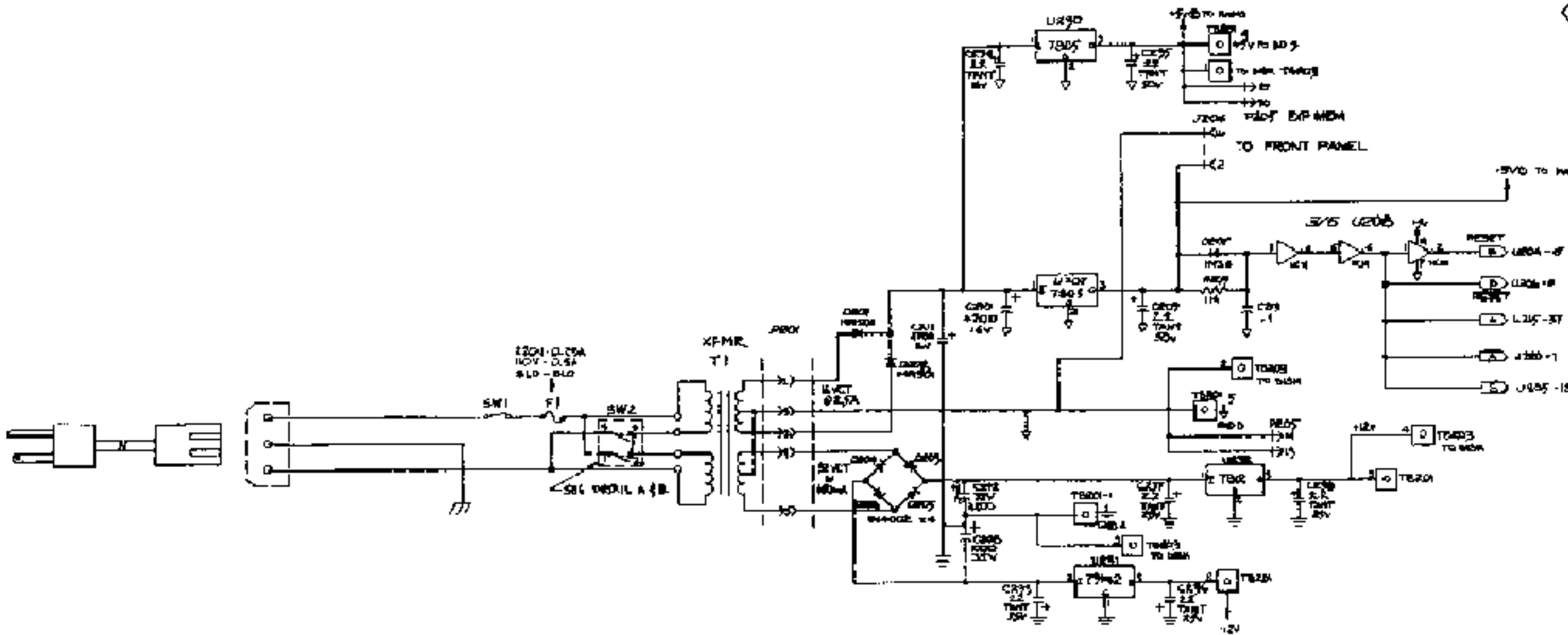




FLOPPY DRIVE SIGNAL CONNECTOR 34-PIN DUAL-ROW 1.27MM PITCH (MALE)  
 ALL PINS NOT SHOWN ARE NO CONNECTS  
 (\* PIN 2, 4, 6, 12, 14, 34)

KEYBOARD PROCESSOR-110P CONT-FTSW

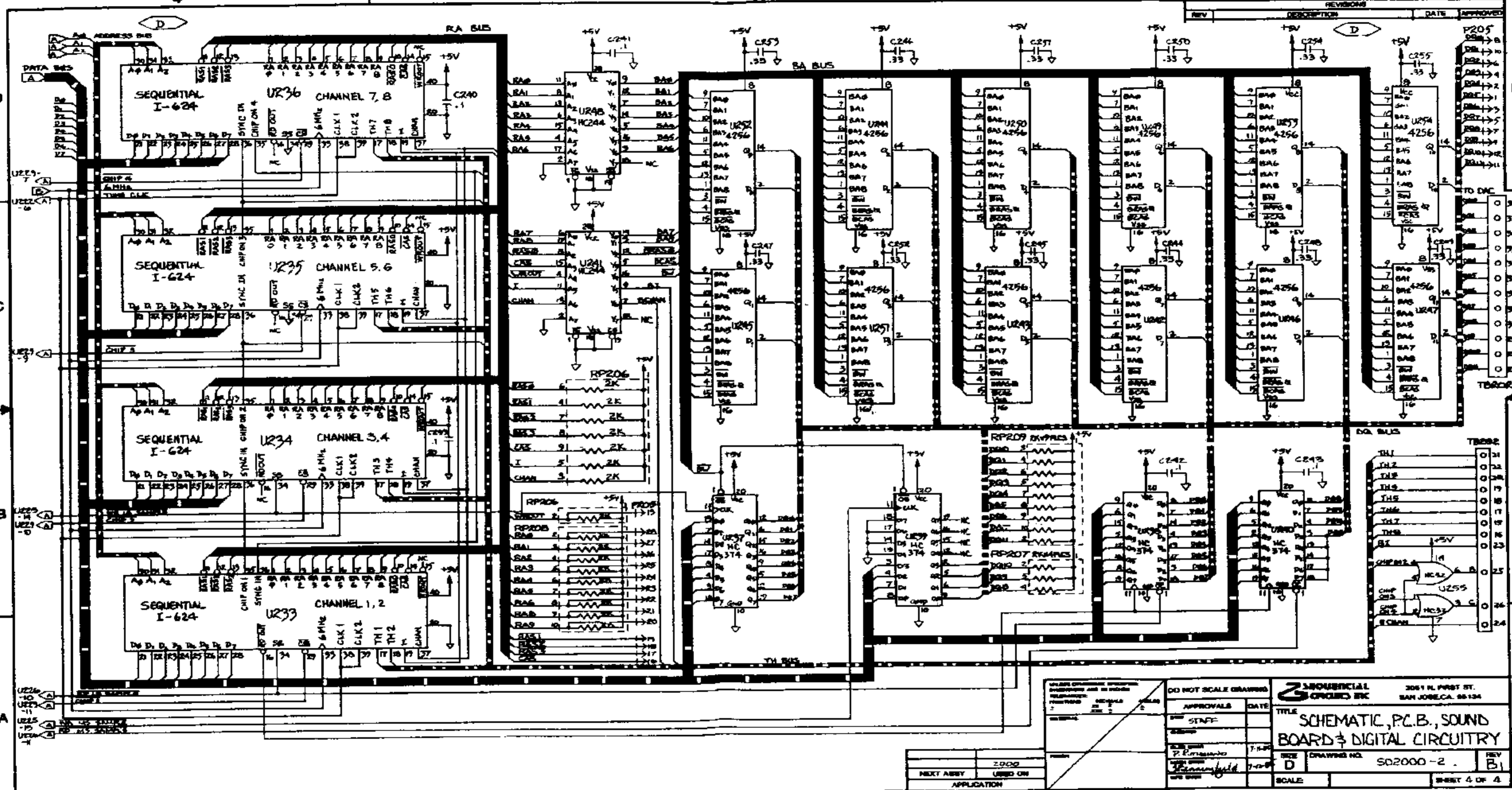
SEQUENTIAL	
1	SCHEMATIC, PCB
2	30 2000-2
3	SCALE - INCHES 2 OF 4



↓ DIGITAL GND  
 ⊥ ANALOG GND  
 ⏏ CHASSIS GND

		100% FULLY TESTED SAN JOSE, CA 95134	
TITLE: SCHEMATIC, P.C.B., POWER SUPPLY			
DES: D DATE: 11/1/85	DRAWING NO: 502000-2	REV: 1/1	SHEET 3 OF 4

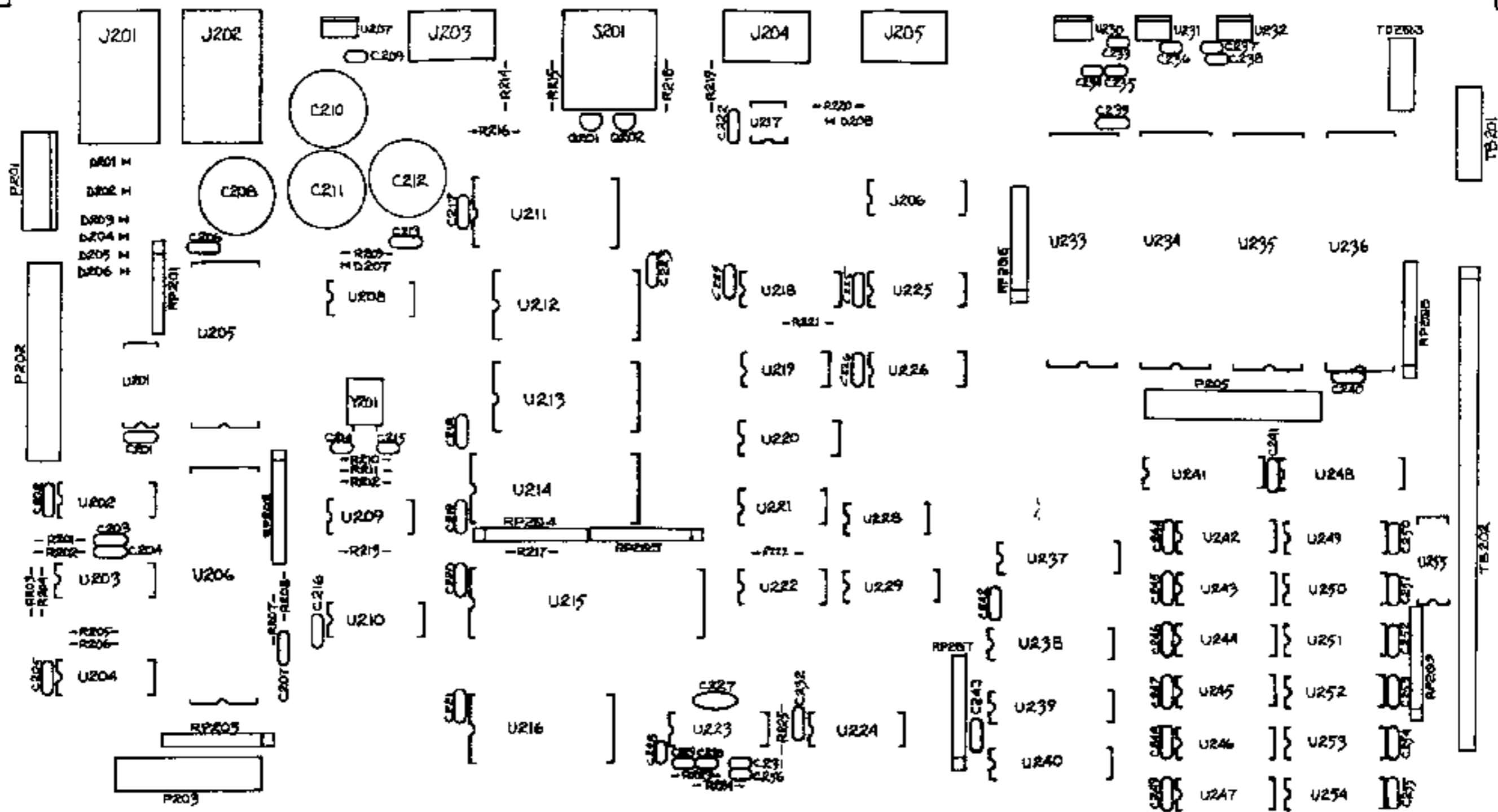
22 Rev 11/1/85

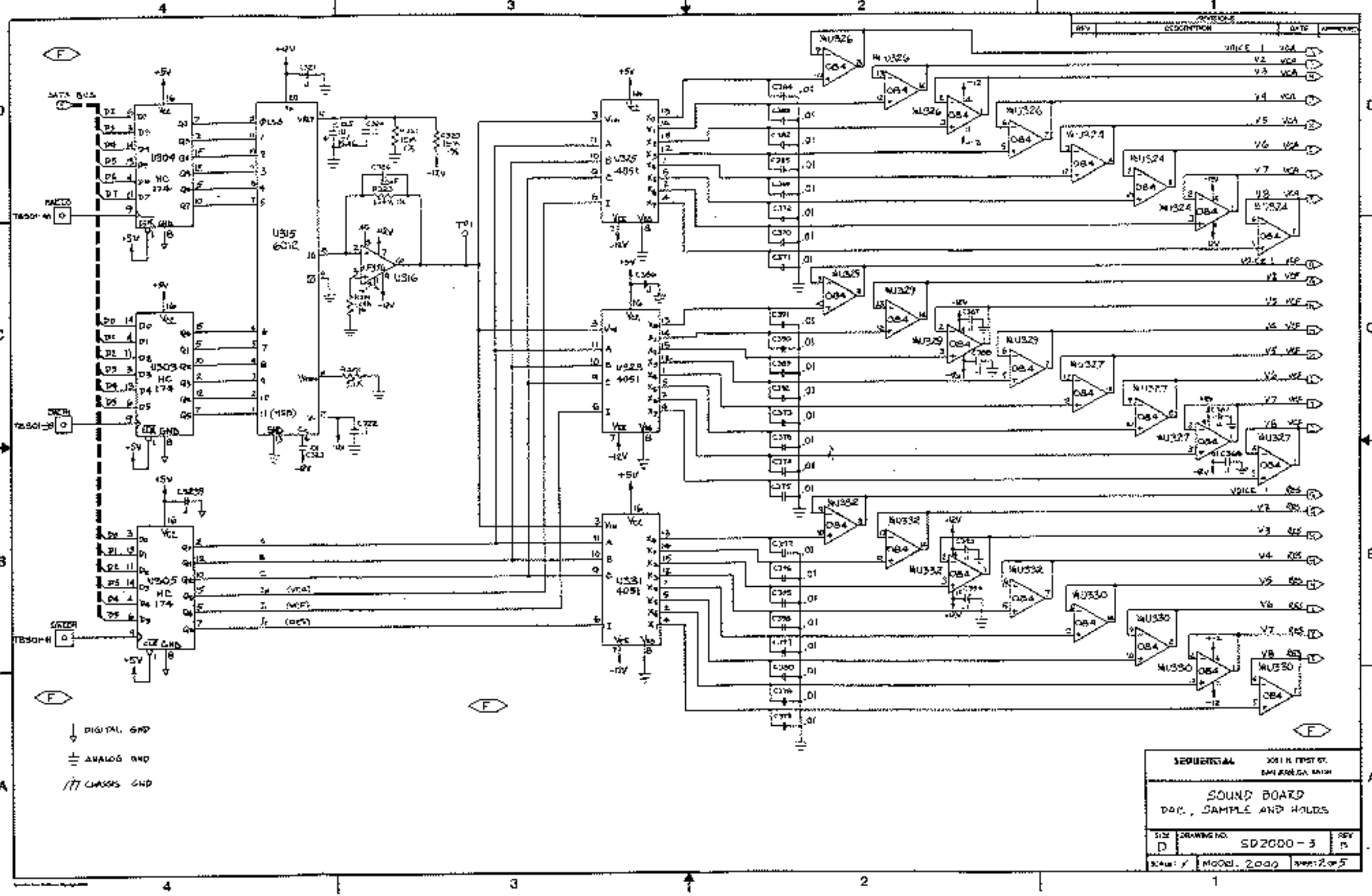


REV	DESCRIPTION	DATE	APPROVED

DO NOT SCALE DRAWING APPROVALS: _____ DATE: _____ STAFF: _____ P. L. ... ...		3 INDUSTRIAL CIRCUITS INC. 2051 N. FIRST ST. SAN JOSE, CA 95134
TITLE: SCHEMATIC, P.C.B., SOUND BOARD & DIGITAL CIRCUITRY DRAWING NO: 502000-2 SCALE: 1		REV: B1 SHEET 4 OF 4

	ZDDG
NEXT ASSY	USED ON
APPLICATION	





REV	DESCRIPTION	DATE	APPROVED
1	VOICE 1	2/68	
2	VOICE 2	3/68	
3	VOICE 3	3/68	
4	VOICE 4		
5	VOICE 5		
6	VOICE 6		
7	VOICE 7		
8	VOICE 8		
9	VOICE 9		
10	VOICE 10		
11	VOICE 11		
12	VOICE 12		
13	VOICE 13		
14	VOICE 14		
15	VOICE 15		
16	VOICE 16		
17	VOICE 17		
18	VOICE 18		
19	VOICE 19		
20	VOICE 20		

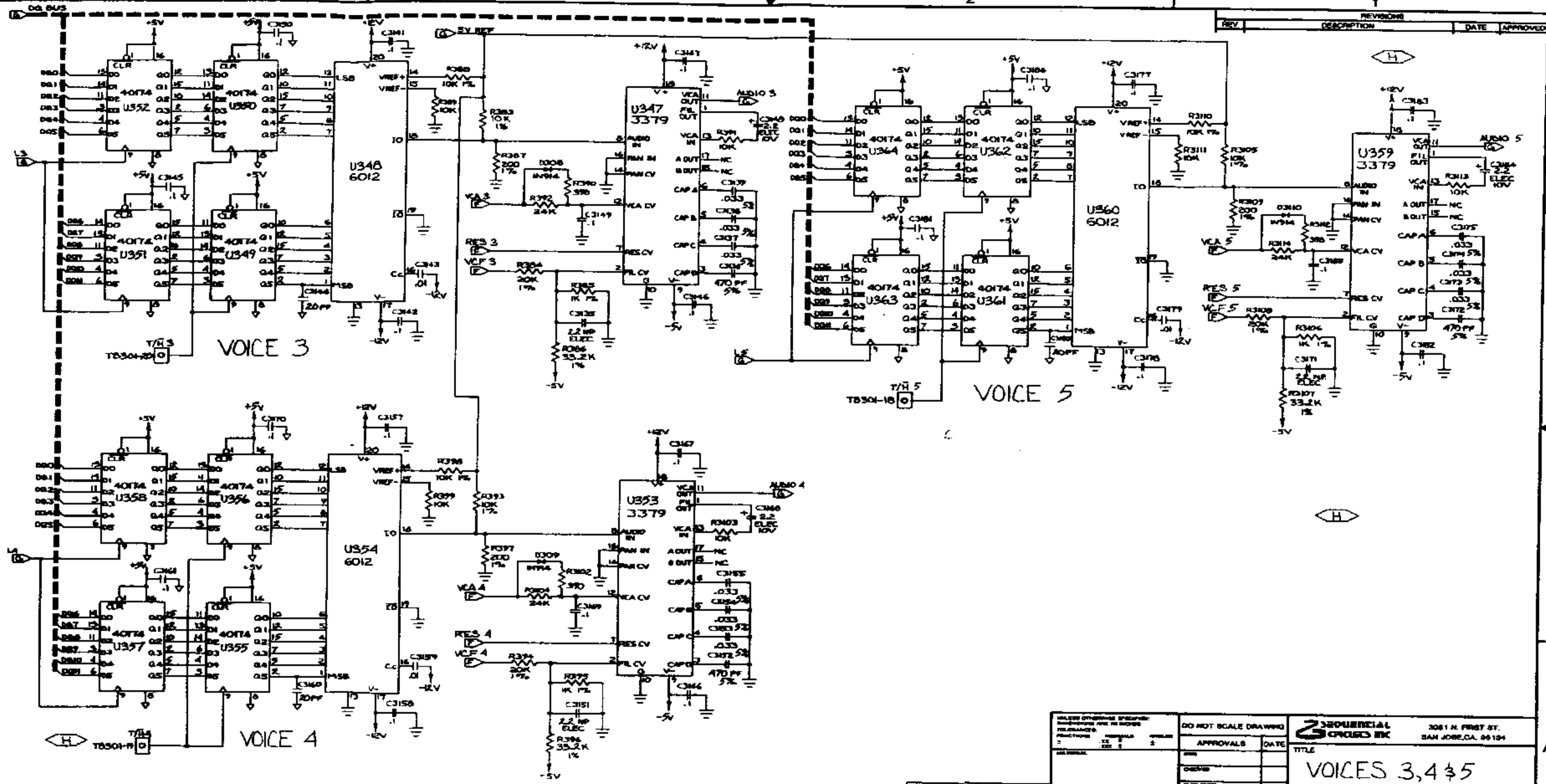
- ↓ DIGITAL GND
- ⊥ ANALOG GND
- /// CLASS GND

SEQUENTIAL		JOB 11 FIRST BY EMERSON BATH	
SOUND BOARD DAC, SAMPLE AND HOLDS			
SIZE D	DRAWING NO. SD2000-3	REV 15	
SCALE 1	MODEL 2000	SHEET 2 of 5	



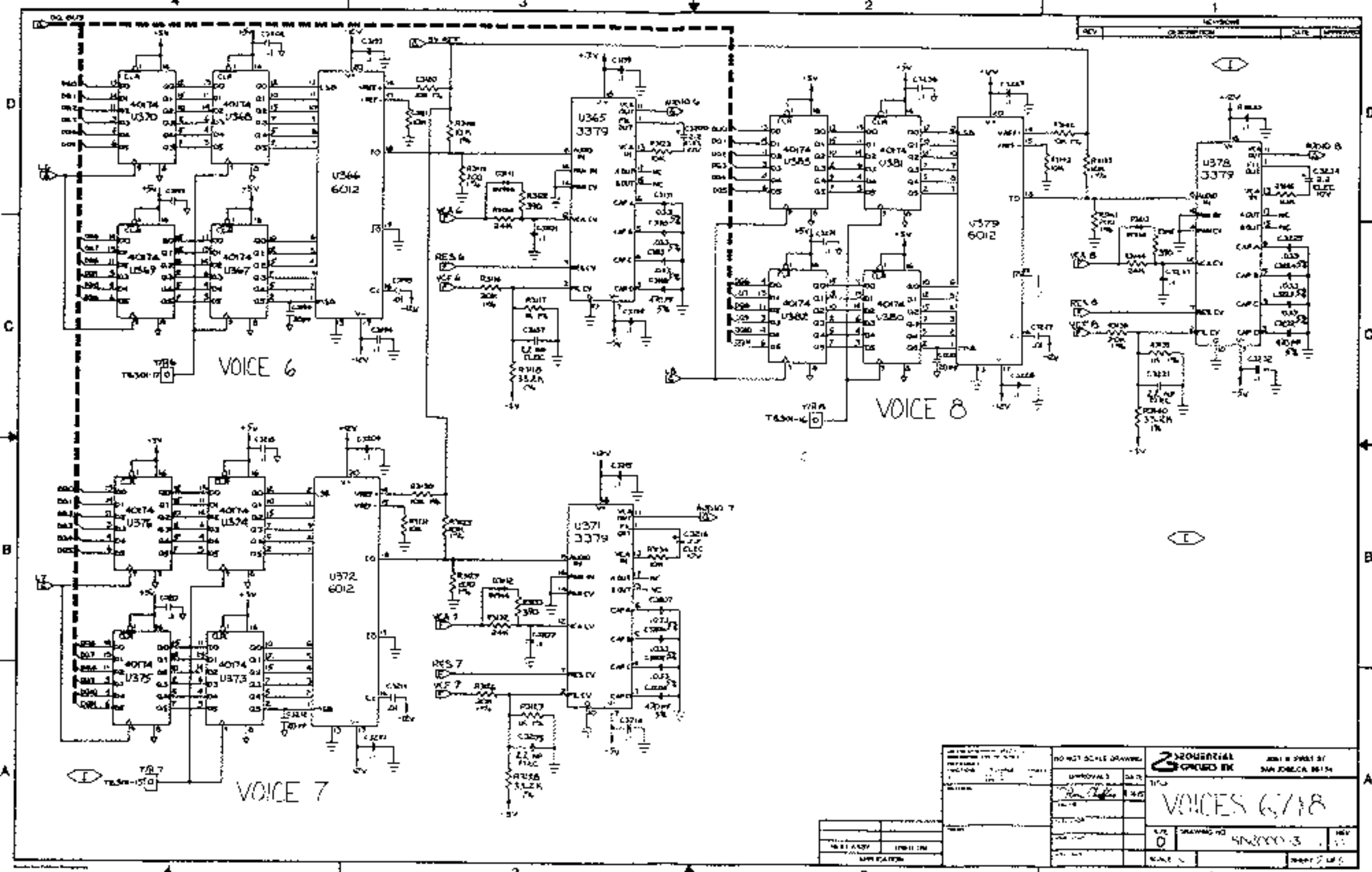


REV	DESCRIPTION	DATE	APPROVED



<small>UNLESS OTHERWISE SPECIFIED: DIMENSIONS ARE IN INCHES FRACTIONS DECIMALS TOLERANCES</small>		<small>DO NOT SCALE DRAWING</small>		<b>SEQUENTIAL</b> <b>CYCLES INC.</b> <small>3081 N. FIRST ST.        SAN JOSE, CA. 95134</small>	
APPROVALS DESIGNED CHECKED DRAWN DATE		TITLE <b>VOICES 3,4 &amp; 5</b>		SIZE <b>D</b> DRAWING NO. <b>SD2000-3</b> SCALE <b>~</b>	
NEXT ASSY USED ON APPLICATION		SHEET <b>4</b> OF <b>5</b>		REV <b>B</b>	





APPROVALS DATE TIME		APPROVALS DATE TIME		APPROVALS DATE TIME
TITLE <b>VOICES 6/7/8</b>		DRAWING NO. 542000-3		REV 1
NAME DATE		NAME DATE		NAME DATE

PI01

RI01

SI01

DS101  
DS102  
DS103

C12  
R101

SI02  
SI03

DS104  
SI04

SI05  
DS105

SI06  
DS106

SI07  
DS107

SI08  
DS108  
DS109  
DS110  
DS111

SI09

RF101  
U101  
U102  
U103  
U104

J101

U105  
U106  
U107

U108  
U109

RP102

DS110  
SI10

DS111  
SI11

DS112  
SI12

DS113  
SI13

DS114  
SI14

DS115  
SI15

DS116  
SI16

DS117  
SI17

DS118  
SI18

DS119  
SI19

DS120  
SI20

DS121  
SI21

DS122  
SI22

DS123  
SI23

DS124  
SI24

TB101  
1  
2  
3

T6302

-R301-

[ 52 30 ]

