



Service Manual
For
BAPT1, BAPT2, BAPT3
BAUR1, BAUR2, BAUR3, BAUF1, BAUF2



BAPT(Prep Table)

BAUR / BAUF
(Undercounter Ref / Frz)



CONTENTS

1. SPECIFICATIONS '-----	2
2. WIRING DIAGRAMS '-----	3
REFRIGERATOR : BAPT1, BAPT2, BAUR1, BAUR2	
REFRIGERATOR : BAPT3, BAUR3	
FREEZER : BAUF1, BAUF2	
3. FEATURE CHART '-----	5
1. FRONT VIEW	
2. SIDE VIEW	
4. PART LIST '-----	7
1. FRONT & DOOR PART	
2. EVAPORATOR PART	
3. CONDENSING UNIT PART	
4. INNER CABINET & DUCT PART	
5. MAIN COMPONENTS '-----	8
1. COMPRESSOR	
2. COMPRESSOR RELAY	
3. CONDENSER DRYER	
4. CAPACITOR	
5. EVA FAN MOTOR	
6. CONDENSER FAN MOTOR	
7. DEFROST HEATER	
8. FRAME HEATER	
9. DRAIN HEATER	
10. RELAY	
11. TIMER	
12. BI-METAL	
13. THERMOSTAT CONTROL	
6. TROUBLESHOOTING '-----	10

1. SPECIFICATIONS

PRODUCT		SANDWICH PREP.		
Model		BAPT1	BAPT2	BAPT3
Capacity (cuft)		7	13	20
Exterior Dimension(in) (excluding caster 6")	W	27 1/2	48 2/5	72 1/5
	D	30	30	30
	H	36 1/2	36 1/2	36 1/2
Net Weight(lbs)		200	285	370
Power Voltage		115V/60Hz		
Amps.		3.2A	7.9A	9.9A
Compressor		1/5HP	3/8HP	1/2HP
Refrigerant		R-134a		
Range of Operating Temperature		32~40°F		
Shelving		2	4	6
Vessel		1/6"x6+1/9"x2(8PC)	1/6"x12(12PC)	1/6"x12(18PC)
Swing Door		1	2	3

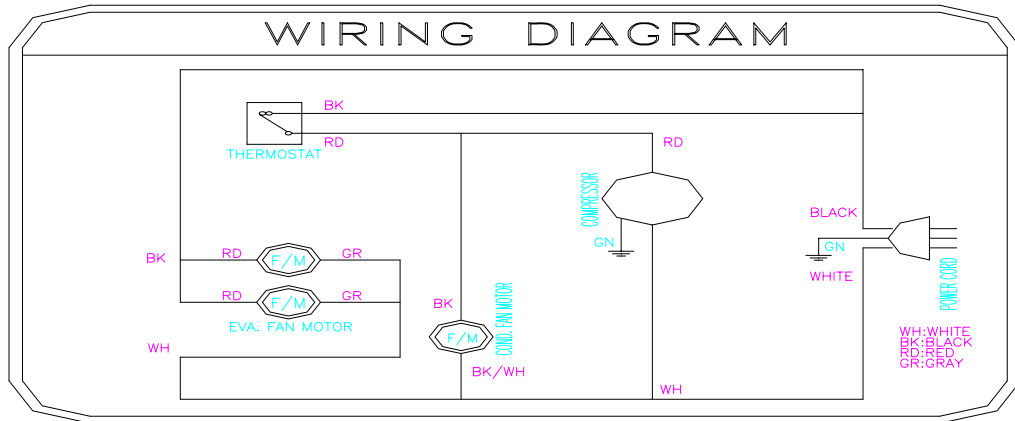
PRODUCT		UNDERCOUNTER					
		Refrigerator			Freezer		
Model		BAUR1	BAUR2	BAUR3	BAUF1	BAUF2	
Capacity (cuft)		7	13	20	7	13	
Exterior Dimension(in) (excluding caster 6")	W	27 1/2	48 2/5	72 1/5	27 1/2	48 2/5	
	D	30	30	30	30	30	
	H	29 4/5	29 4/5	29 4/5	29 4/5	29 4/5	
Net Weight(lbs)		185	265	350	195	280	
Power Voltage		115V/60Hz					
Amps.		3.2A	7.9A	8.1A	8.8A	8.9A	
Compressor		1/5HP	3/8HP	3/8HP	1/2HP	1/2HP	
Refrigerant		R-134a			R-404a		
Range of Operating Temperature		32~40°F			Below 0°F		
Shelving		2	4	6	2	4	
Swing Door		1	2	3	1	2	

* Above specifications are subject to change without prior notice for quality improvement.

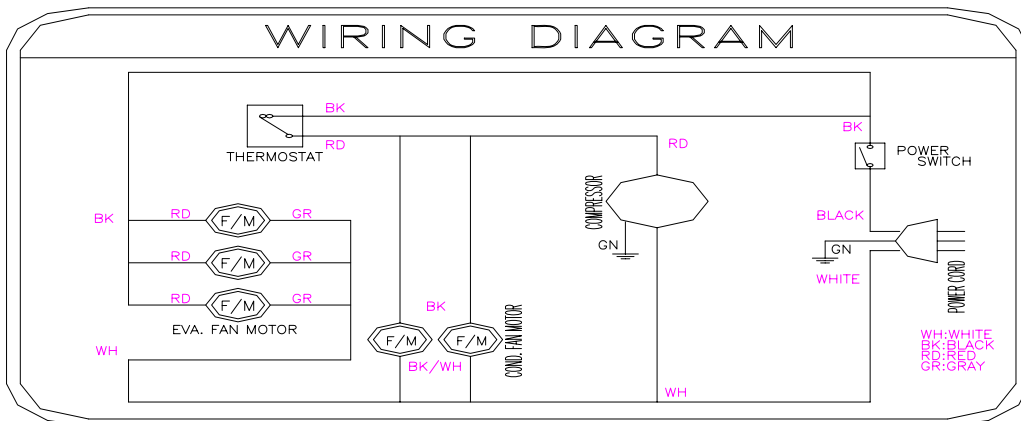
* The nameplate (include Serial Number) is located on the upper left of the cabinet interior.

2. WIRING DIAGRAMS

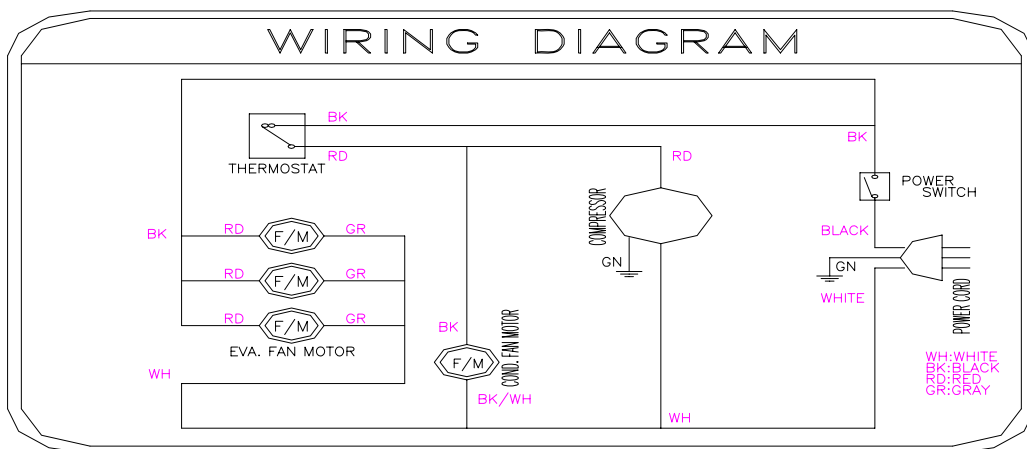
1. BAPT1, BAPT2, BAUR1, BAUR2



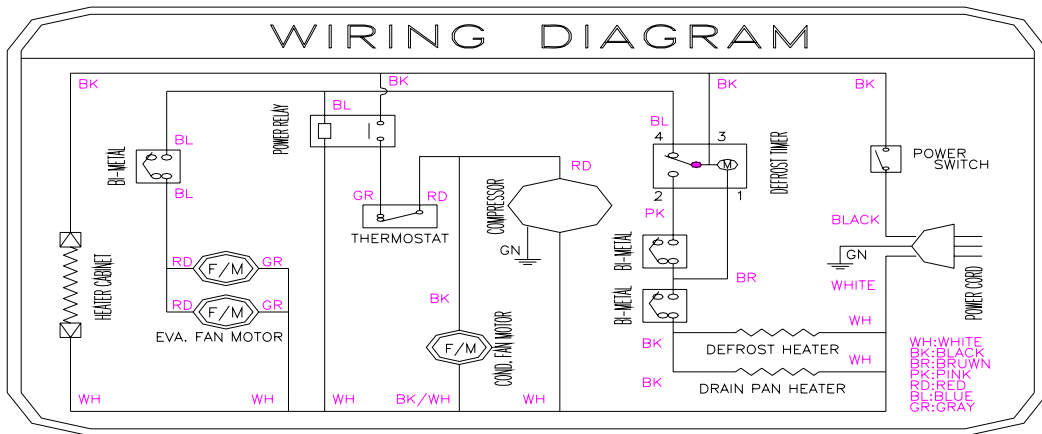
2. BAPT3



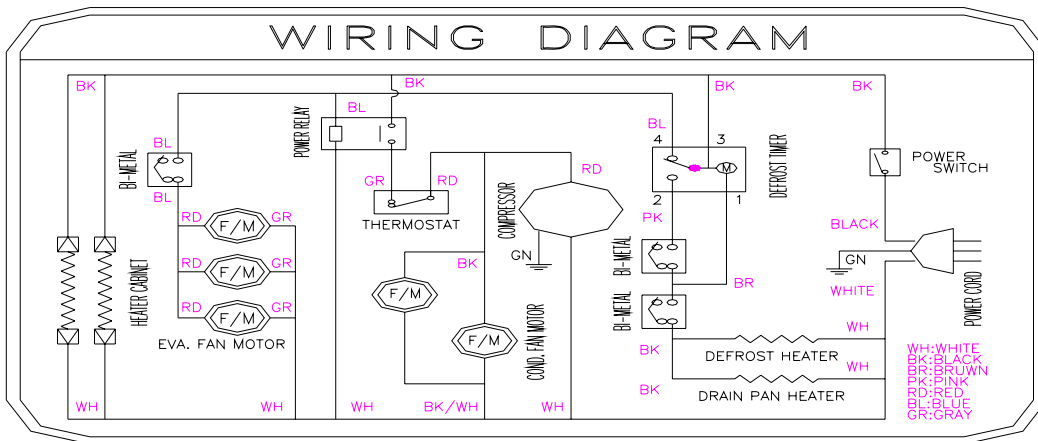
3. BAUR3



4. BAUF1

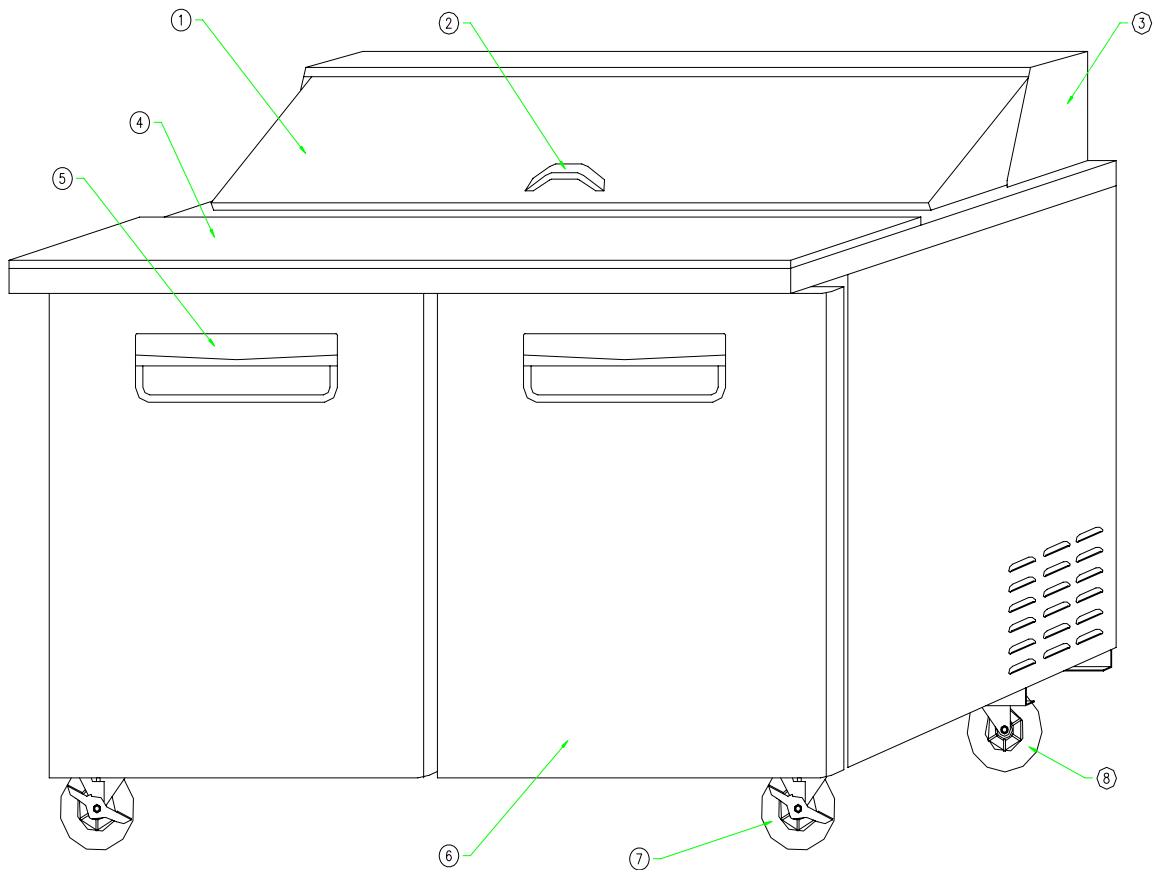


5. BAUF2



3. FEATURE CHART

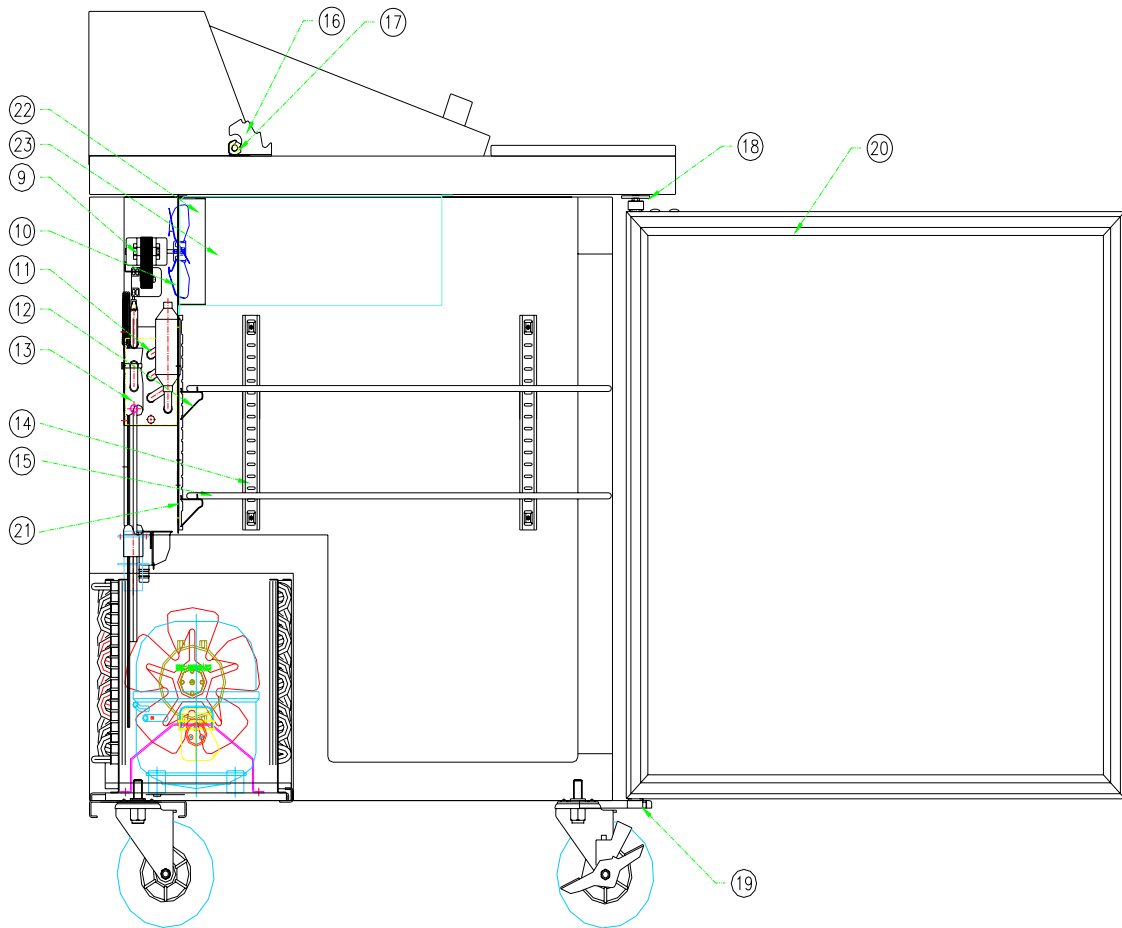
1. FRONT VIEW



1. TOP COVER FRONT
2. TOP COVER HANDLE
3. TOP COVER BACK
4. CUTTING BOARD
5. DOOR HANDLE
6. DOOR ASSEMBLY
7. CASTER WITH BRAKE
8. CASTER

FEATURE CHART

2. SIDE VIEW

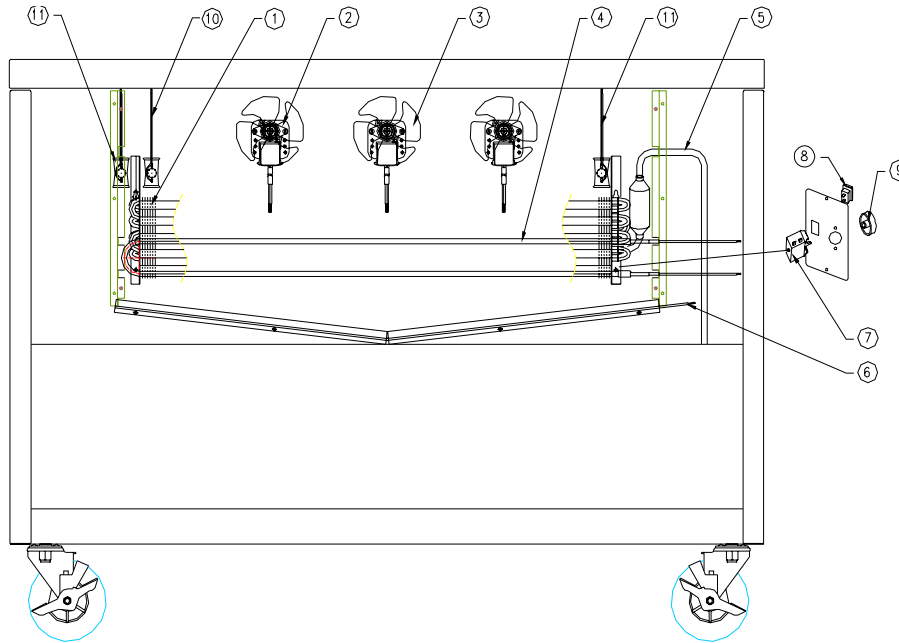


- 9. EVAPORATOR FAN MOTOR
- 10. EVAPORATOR FAN
- 11. EVAPORATOR
- 12. SHELF CLIP
- 13. SUCTION PIPE
- 14. SHELF PILASTER
- 15. SHELF
- 16. TOP COVER HINGE

- 17. TOP COVER HINGE SHAFT
- 18. DOOR HINGE TOP ASSEMBLY
- 19. DOOR HINGE BOTTOM ASSEMBLY
- 20. DOOR GASKET
- 21. DUCT
- 22. LOUVER
- 23. DUCT VESSEL

PART LIST

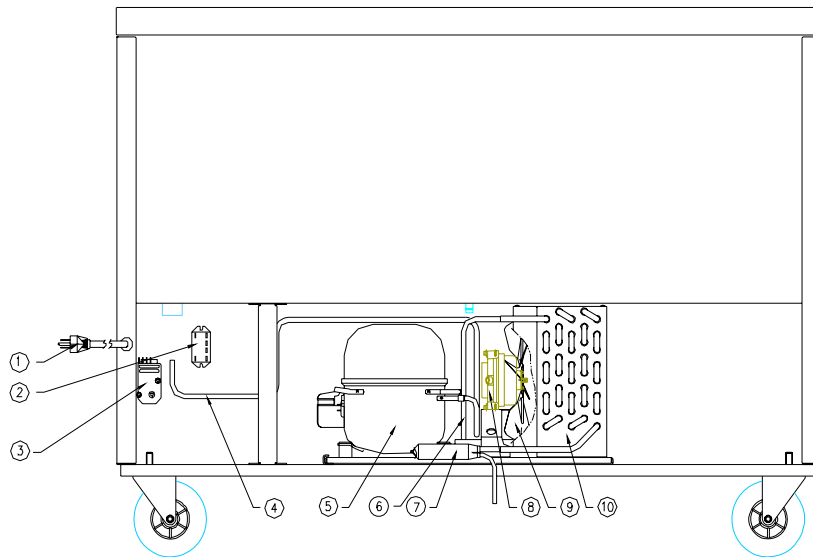
2. EVAPORATOR PART



No	Part Name	Description	Part Number	Quantity								
				BAPT1	BAPT2	BAPT3	BAUR1	BAUR2	BAUR3	BAUF1	BAUF2	BAUF3
1	EVAPORATOR	4S*3R, 3/8"	F0119C010	1	N/A	N/A	1	N/A	N/A	N/A	N/A	N/A
		4S*3R, 3/8"	F0119C020	N/A	1	N/A	N/A	1	N/A	N/A	N/A	N/A
		4S*3R, 3/8"	F0119C030	N/A	N/A	1	N/A	N/A	1	N/A	N/A	N/A
		5S*3R, 3/8"	F0119C040	N/A	N/A	N/A	N/A	N/A	N/A	1	N/A	N/A
		5S*3R, 3/8"	F0119C050	N/A	N/A	N/A	N/A	N/A	N/A	N/A	1	N/A
		5S*3R, 3/8"	F0119C060	N/A	N/A	N/A	N/A	N/A	N/A	N/A	N/A	1
2	EVAPORATOR FAN MOTOR	115V/4W	F0140C010	2	2	3	2	2	3	2	3	4
3	EVAPORATOR FAN	ABS, 4"	F0120C010	2	2	3	2	2	3	2	3	4
4	DEFROST HEATER	115V/300W	F0130C080	N/A	N/A	N/A	N/A	N/A	N/A	1	N/A	N/A
		115V/500W	F0130C070	N/A	N/A	N/A	N/A	N/A	N/A	N/A	1	N/A
		115V/700W	F0130C060	N/A	N/A	N/A	N/A	N/A	N/A	N/A	N/A	1
5	SUCTION PIPE AS(EVA.)	OD 1/3"	F0100C070	1	N/A	N/A	1	N/A	N/A	1	N/A	N/A
		OD 1/3"	F0100C080	N/A	1	1	N/A	1	1	N/A	N/A	1
		OD 1/3"	F0100C090	N/A	N/A	N/A	N/A	N/A	N/A	N/A	1	N/A
6	DRAIN HEATER	115V/16W	F0130C030	N/A	N/A	N/A	N/A	N/A	N/A	1	N/A	N/A
		115V/30W	F0130C040	N/A	N/A	N/A	N/A	N/A	N/A	N/A	1	N/A
		115V/43W	F0130C050	N/A	N/A	N/A	N/A	N/A	N/A	N/A	N/A	1
7	THERMOSTAT CONTROL	GNA-240L	F0163A020	1	1	1	1	1	1	N/A	N/A	N/A
		GNA-204A	F0163C010	N/A	N/A	N/A	N/A	N/A	N/A	1	1	1
8	POWER SWITCH	125V/12A	F0161A010	N/A	N/A	1	N/A	N/A	1	1	1	1
9	KNOB	ABS	F0167A010	1	1	1	1	1	1	1	1	1
10	BI-METAL	PB308	F0170C010	N/A	N/A	N/A	N/A	N/A	N/A	1	1	1
11		PST-3A	F0170C020	N/A	N/A	N/A	N/A	N/A	N/A	2	2	2

PART LIST

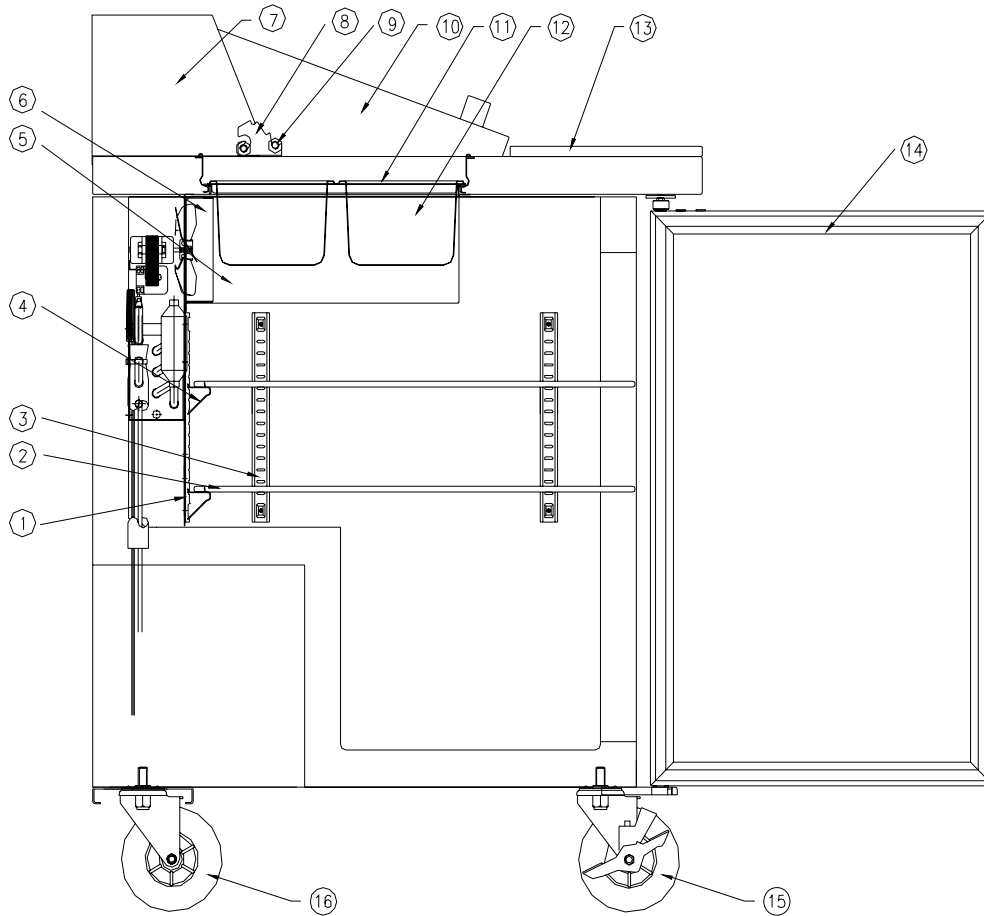
3. CONDENSING UNIT PART



No	Part Name	Description	Part Number	Quantity									
				BAPT1	BAPT2	BAPT3	BAUR1	BAUR2	BAUR3	BAUF1	BAUF2	BAUF3	
1	MAIN POWER CORD	125V/15A	F0111C020	1	1	N/A	1	1	N/A	N/A	N/A	N/A	
			F0111C010	N/A	N/A	1	N/A	N/A	1	1	1	1	
2	RELAY	UZ2A 110BT	F0151C010	N/A	N/A	N/A	N/A	N/A	N/A	1	1	1	
3	TIMER	TD-20NT	F0151C020	N/A	N/A	N/A	N/A	N/A	N/A	1	1	1	
4	SUCTION PIPE AS(COND.)	OD 1/3"	F0147C040	1	N/A	N/A	1	N/A	N/A	N/A	N/A	N/A	
			F0147C050	N/A	1	N/A	N/A	1	N/A	N/A	N/A	N/A	
			F0147C060	N/A	N/A	1	N/A	N/A	N/A	N/A	N/A	N/A	
			F0147C070	N/A	N/A	N/A	N/A	N/A	1	N/A	N/A	N/A	
			F0147C080	N/A	N/A	N/A	N/A	N/A	N/A	1	N/A	N/A	
			F0147C090	N/A	N/A	N/A	N/A	N/A	N/A	N/A	1	N/A	
5	COMPRESSOR	SD162C-L1U	F0140A050	1	N/A	N/A	1	N/A	N/A	N/A	N/A	N/A	
		SK6A1C-H2Y	F0140C040	N/A	1	N/A	N/A	1	1	N/A	N/A	N/A	
		CAE4456Y	F0140C050	N/A	N/A	1	N/A	N/A	N/A	N/A	N/A	N/A	
		CAE2420Z	F0140C060	N/A	N/A	N/A	N/A	N/A	N/A	1	1	N/A	
		CAE2432Z	F0140C070	N/A	N/A	N/A	N/A	N/A	N/A	N/A	N/A	1	
	HARNES COMP.	AWM1015	F0129C040	1	N/A	N/A	1	N/A	N/A	N/A	N/A	N/A	N/A
			F0129C050	N/A	1	N/A	N/A	1	N/A	1	N/A	N/A	N/A
			F0129C060	N/A	N/A	1	N/A	N/A	1	N/A	N/A	N/A	N/A
			F0129C070	N/A	N/A	N/A	N/A	N/A	N/A	N/A	1	N/A	N/A
			F0129C080	N/A	N/A	N/A	N/A	N/A	N/A	N/A	N/A	1	N/A
6	HOT PIPE	OD 1/3"	F0147C110	1	1	N/A	1	1	1	N/A	N/A	N/A	
			F0147C120	N/A	N/A	1	N/A	N/A	N/A	1	1	N/A	
			F0147C130	N/A	N/A	N/A	N/A	N/A	N/A	N/A	N/A	1	
7	DRYER	XH-9,30g	F0116C010	1	1	1	1	1	1	1	1		
8	CONDENSER FAN MOTOR	SE-046	F0140A010	1	1	2	1	1	1	1	2	2	
9	CONDENSER FAN	AL Φ200	F0120C020	1	1	2	1	1	1	1	2	2	
10	CONDENSER	8S*3R, 3/8"	F0166C010	1	N/A	N/A	1	N/A	N/A	N/A	N/A	N/A	
		8S*4R, 3/8"	F0166C020	N/A	1	N/A	N/A	1	N/A	1	N/A	N/A	
		8S*5R, 3/8"	F0166C030	N/A	N/A	N/A	N/A	N/A	1	N/A	1	N/A	
		8S*6R, 3/8"	F0166C040	N/A	N/A	1	N/A	N/A	N/A	N/A	N/A	1	

PART LIST

4. INNER CABINET & DUCT PART 4-1. INNER CABINET PART



No	Part Name	Description	Part Number	Quantity								
				BAPT1	BAPT2	BAPT3	BAUR1	BAUR2	BAUR3	BAUF1	BAUF2	BAUF3
1	DUCT	STS304	F0117C010	1	N/A	N/A	1	N/A	N/A	1	N/A	N/A
			F0117C020	N/A	1	N/A	N/A	1	N/A	N/A	N/A	N/A
			F0117C030	N/A	N/A	1	N/A	N/A	1	N/A	N/A	N/A
			F0117C040	N/A	N/A	N/A	N/A	N/A	N/A	1	N/A	N/A
			F0117C050	N/A	N/A	N/A	N/A	N/A	N/A	N/A	N/A	1
2	SHELF	SWRM-B (+PE Coating)	F0156C010	2	N/A	2	2	N/A	2	2	N/A	2
			F0156C020	N/A	4	4	N/A	4	4	N/A	4	4
3	SHELF PILASTER	STS304	F0146C010	4	8	12	4	8	12	4	8	12
4	SHELF CLIP	STS304	F0121C040	8	16	24	8	16	24	8	16	24
5	DUCT VESSEL	STS304	F0139C060	N/A	1	N/A	N/A	N/A	N/A	N/A	N/A	N/A
			F0139C070	N/A	N/A	1	N/A	N/A	N/A	N/A	N/A	N/A
6	LOUVER	STS304	F0139C010	1	N/A	N/A	1	N/A	N/A	1	N/A	N/A
			F0139C020	N/A	1	N/A	N/A	1	N/A	N/A	1	N/A
			F0139C030	N/A	N/A	1	N/A	N/A	1	N/A	N/A	1
7	TOP COVER (BACK)	STS430	F0112C300	1	N/A	N/A	N/A	N/A	N/A	N/A	N/A	N/A
			F0112C310	N/A	1	N/A	N/A	N/A	N/A	N/A	N/A	N/A
			F0112C400	N/A	N/A	1	N/A	N/A	N/A	N/A	N/A	N/A

5. MAIN COMPONENTS

1. COMPRESSOR

Model	BAPT1	BAPT2	BAPT3	BAUR1	BAUR2	BAUR3	BAUF1	BAUF2
Refrigerant	R-134a						R-404a	
Voltage	115V/60Hz							
Comp. Model	SD162C-L1U	SK6A1C-H2Y	CAE4456Y	SD162C-L1U	SK6A1C-H2Y	SK6A1C-H2Y	CAE2420Z	
Starting type	RSCR	RSIR	CSIR	RSCR	RSIR	RSIR	CSIR	
Part code	F0140A050	F0140C040	F0140C050	F0140A050	F0140C040	F0140C040	F0140C060	

2. COMPRESSOR RELAY

Voltage	115V/60Hz						
Relay. Model	J531Q33E100M	MTRP0052-02	3ARR12KP*498	J531Q33E100M	MTRP0052-02	MTRP0052-02	3ARR12KP*483
OL. Model	427PHBY-53	811XHBZZ-53	MST16AGZ	427PHBY-53	811XHBZZ-53	811XHBZZ-53	MST16AHN

3. CONDENSER DRYER

Spec.	XH-9(30g)
Part code	F0116C010

4. CAPACITOR

Voltage	115V/60Hz							
Running	12 μ F, 250VAC	N/A	N/A	12 μ F, 250VAC	N/A	N/A	N/A	N/A
Strating	N/A	N/A	315 μ F, 160VAC	N/A	N/A	N/A	315 μ F, 160VAC	

5. EVA. FAN MOTOR

Voltage	115V/60Hz	
Motor Model	SC-028(4W,CCW,3000RPM)	
Part code	F0140C010	

6. CONDENSER FAN MOTOR

Voltage	115V/60Hz	
Motor Model	SE-046(9W,CW,1550RPM)	
Part code	F0140A010	

7. DEFROST HEATER

Voltage	N/A	115V/60Hz	
Spec.	N/A	300W,44.1 Ω	500W,26.5 Ω
Part code	N/A	F0130C080	F0130C070

MAIN COMPONENTS

8. FRAME HEATER

Model	BAPT1	BAPT2	BAPT3	BAUR1	BAUR2	BAUR3	BAUF1	BAUF2
Voltage	N/A						115V	
Spec.	N/A						25W, L100"	25W, L93.7"
Part code	N/A						F0130C010	F0130C020

9. DRN HEATER

a	N/A						115V	
Spec.	N/A						16W	30W
Part code	N/A						F0130C030	F0130C040

10. RELAY

Voltage	N/A						120V	
Spec.	N/A						UZ2A 110BT	
Part code	N/A						F0151C010	

11. TIMER

Voltage	N/A						125V/10A	
Spec.	N/A						TD-20NT	
Part code	N/A						F0151C020	

12. BI-METAL

a	N/A						125V/15A	
Spec.	N/A						PB308	
Part code	N/A						F0170C010	
Spec.	N/A						PST-3A	
Part code	N/A						F0170C020	

13. THERMOSTAT CONTROL

Voltage	125V/20A							
Spec.	GNA-240L						N/A	
Part code	F0163A020						N/A	
Spec.	N/A						GNA-204A	
Part code	N/A						F0163A010	

6. TROUBLESHOOTING

Problem	Possible Cause	Remedy
	Power connection failure	Check power cord and plug it in
	Power switch is 'off' position	Turn it to 'ON' position
Compressor	(Freezer model only)	
is not start	Thermostat is 'off' position	Reset it
	Overload protector tripped	Check the reason and correct or replace O.L.P if necessary
	Wiring is improper or loosed	Check wiring against diagram
	Control setting incorrect	Reset the thermostat
	Inadequate air circulation	Rearrange products stocked to improve air circulation
	Door not sealing	Check the sealing condition and correct it
The unit is not	Refrigerant leak	Check the leak part and repair / recharge
is not	Fan motor defective	Check and replace it
refrigerate well	Not enough ventilation	Move the unit in a well ventilated place with at least 7inches of clearence on all sides
	Condenser is clogged	Clean it
	Thermostat defective	Replace it
	Not enough defrosts occuring	
Evaporator	a day operation in humid	
is not defrost	condition	
completely	Defrost heater defective	Replace it
	Wiring is improper or loose	Check wiring against diagram
	Poor sealing around	Adjust and clean it
	door gasket	or replace it if necessery
Condensate	Loading of too much warm or	Cover products with vinyl wrap
water	moist products	
overflow	Extreme enviroment	
	(i.e rainy season etc)	