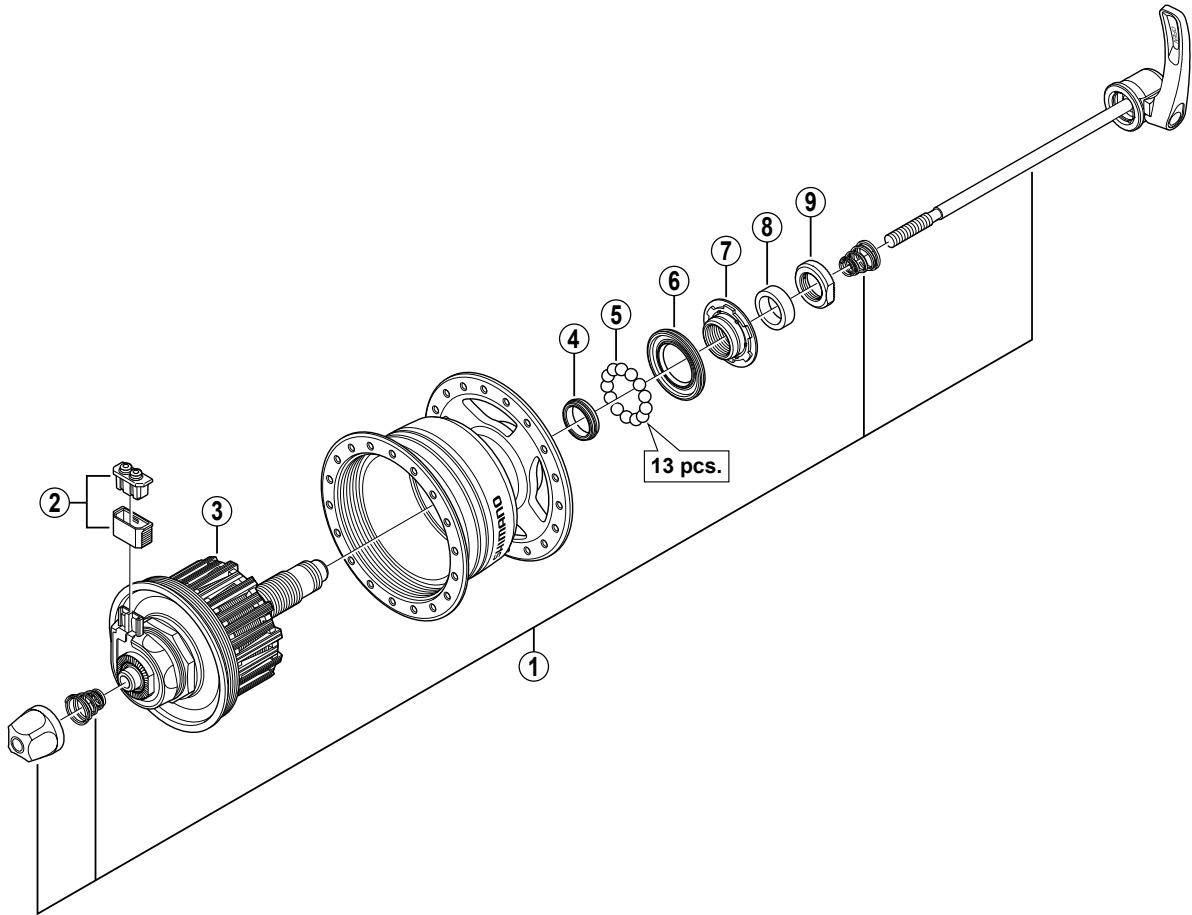


Hub Dynamo  
**DH-3N80** 6V-3W  
**DH-2N80-E** 6V-2.4W



DH-3N71  
 DH-3N20  
 DH-2N30-E

ITEM NO.	SHIMANO CODE NO.	DESCRIPTION	INTERCHANGEABILITY
1	Y-20E 98010	Complete Quick Release 133 mm (5-1/4")	B
2	Y-2SS 98030	Connector Cap & Cover	A A A
3	Y-2Z4 98010	Internal Assembly (Axle Length 108 mm) for DH-3N80	
	Y-2Z5 98010	Internal Assembly (Axle Length 108 mm) for DH-2N80-E	
4	Y-2Z4 13000	Grease Guard	
5	Y-000 91210	Steel Ball (3/16") 20 pcs.	A A A
6	Y-2Z4 12000	Seal Ring	
7	Y-2Z4 98020	Cone (M14 x 10.73 mm) w/Dust Cover	
8	Y-2Z4 16000	Left Hand Spacer (5.2 mm)	
9	Y-2Z4 10000	Serrated Lock Nut (M12 x 4.5 mm)	

A: Same parts.

B: Parts are usable, but differ in materials, appearance, finish, size, etc.

Absence of mark indicates non-interchangeability.

0708-2732A

Specifications are subject to change without notice.

**SHIMANO**

# General Safety Information

**WARNING** – To avoid serious injuries:

- Obtain and read the service instructions carefully prior to installing the parts. Loose, worn, or damaged parts may cause serious injury to the rider. We strongly recommend only using genuine Shimano replacement parts.
- Check that the wheels are fastened securely before riding the bicycle. If the wheels are loose in any way, they may come off the bicycle and serious injury may result.
- Check that the lamp illuminates normally when riding at nighttime.
- Read these Technical Service Instructions carefully, and keep them in a safe place for later reference.

**CAUTION**

The hub dynamo generates an extremely high voltage. Never touch the connection terminal of the hub dynamo directly while riding the bicycle or while the wheel is spinning. Touching the dynamo terminal may cause an electric shock.

**NOTE:**

- According to German regulations (StVZO), a hub dynamo in Germany requires overvoltage protection. This hub dynamo does not have overvoltage protection inside the hub itself. Use an external overvoltage protector with a symbol to show that it complies with the German regulations (Shimano SM-DH10 overvoltage protector or similar product).
- Check the degree of parallel of the front fork end. If the front fork end is severely out of parallel, deformation of the hub axle may cause noise from an obstruction inside the hub dynamo to be generated.
- Install the hub dynamo to the front fork so that the side with the connection terminal is on the right when facing toward the front of the bicycle. If the side with the connection terminal is facing toward the left, the hub dynamo may not turn properly while riding.
- Check that the hub dynamo connection terminal is securely connected before using the hub dynamo.
- Compatible bulbs

Front lamp	Taillamp
6.0 V / 2.4 W	6.0 V / 0.6 W
6.0 V / 3.0 W	

- If the bulb of either the front lamp or taillamp blows, excessive voltage will be applied to the remaining lamp and shorten the operating life of the bulb, so any blown bulbs should be replaced as soon as possible.
- Lamps with electrical circuits such as automatic lamps may become damaged if the bicycle is ridden at high speeds.
- If the lamp is frequently turned on when riding at high speed ranges, it will shorten the operating life of the bulbs.
- Do not disassemble the internal hub mechanism.
- Do not apply any lubricant to the inside of the hub, otherwise the grease will come out and it may cause problems with conductivity.
- The hub dynamo will cause the turning of the wheel to become slightly heavier because of the magnet inside the hub.
- Parts are not guaranteed against natural wear or deterioration resulting from normal use.

CE SI-2ZR0B-001

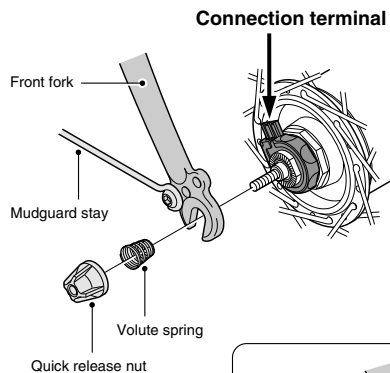
**DH-3N80**  
**DH-3N71**

Hub Dynamo

## Technical Service Instructions

### Installation of the front wheel

Install the wheel so that the side with the hub dynamo connection terminal is on the right side when looking toward the front of the bicycle, and so that the hub connection terminal is aligned with the front fork or with the basket stay. Then install by following the procedure shown in the illustration below so that the connection terminal is facing upward. Do not force the connection terminal to turn after the quick release lever has been secured.

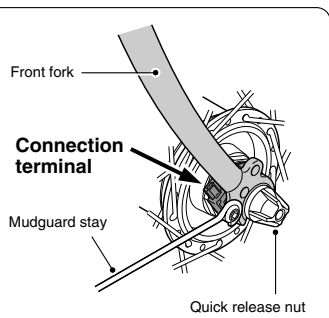


**Note:**

- The toothed axle washer is not necessary for a quick release type.



- Connect the two wires to ensure that the current flows smoothly.

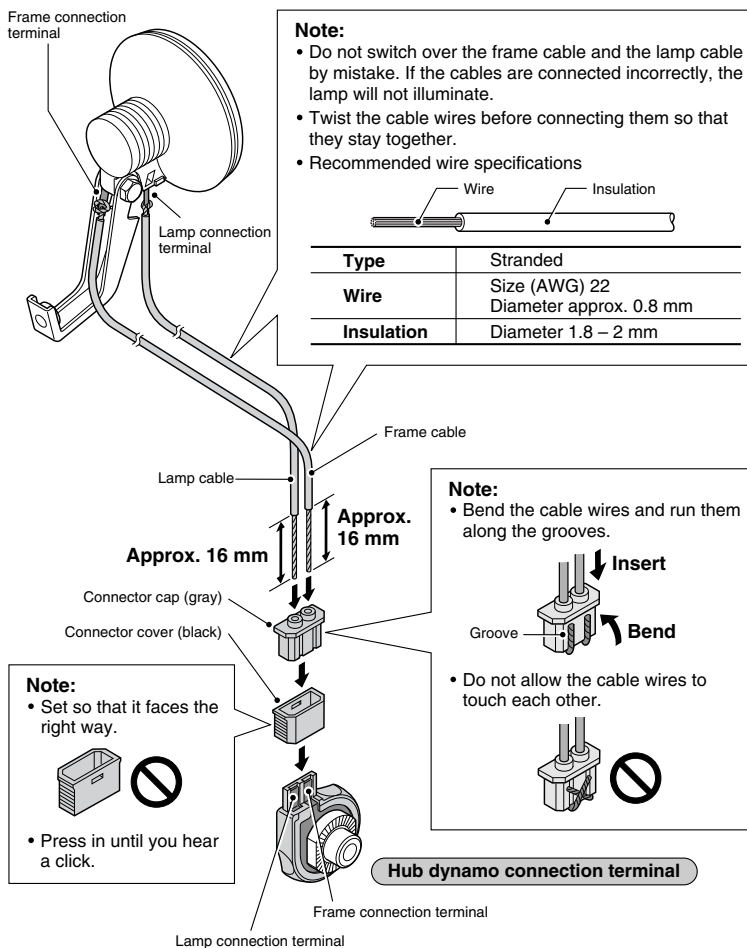


## Connection of the cables

Connect the cables as shown in the illustration below.

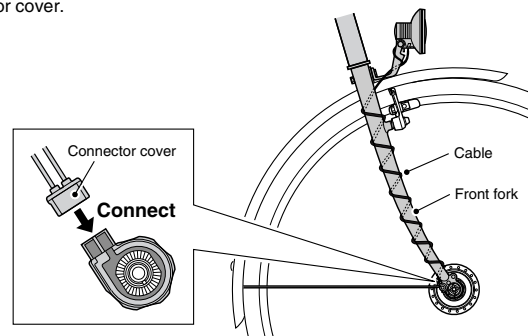
**Note:**

Scrape away the paint from the lamp's frame connection terminal and the lamp connection terminal when connecting the cables.



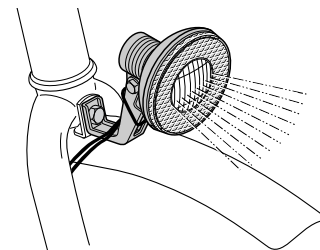
**Note:**

- Secure the cable to the front fork or the basket stay so that it will not get caught in the spokes or any other parts while riding. If the position of the hub dynamo may change with respect to the lamp while riding, for example when using a suspension fork, make sure that the cable is connected so that it will not be too loose or too tight at any point within the range of movement.
- Connect so that the current from the hub dynamo flows through the cable from the lamp connection terminal of the hub dynamo to the frame connection terminal.
- To disconnect the lamp from the hub dynamo, remove the connector cover.
- Do not ride the bicycle while the connector cover is removed, otherwise the cable might get caught in the bicycle wheel.
- When removing the bicycle wheel, first remove the connector cover. If the cables are pulled strongly, it may break the cable wires or cause poor contacts. Furthermore, when installing the wheel, first secure the wheel to the front forks and then connect the connector cover.



## Checking the lamp illumination

Rotate the front wheel and check that the lamp illuminates.



These service instructions explain how to use and maintain the Shimano bicycle parts which have been used on your new bicycle. For any questions regarding your bicycle or other matters which are not related to Shimano parts, please contact the place of purchase or the bicycle manufacturer.

Please note: Specifications are subject to change for improvement without notice. (English)

**SHIMANO**

SHIMANO AMERICAN CORPORATION  
One Holland, Irvine, California 92618, U.S.A. Phone: +1-949-951-5003

SHIMANO EUROPE B.V.  
Industrieweg 24, 8071 CT Nunspeet, The Netherlands Phone: +31-341-272222

SHIMANO INC.  
3-77 Oimatsu-cho, Sakai-ku, Sakai, Osaka 590-8577, Japan