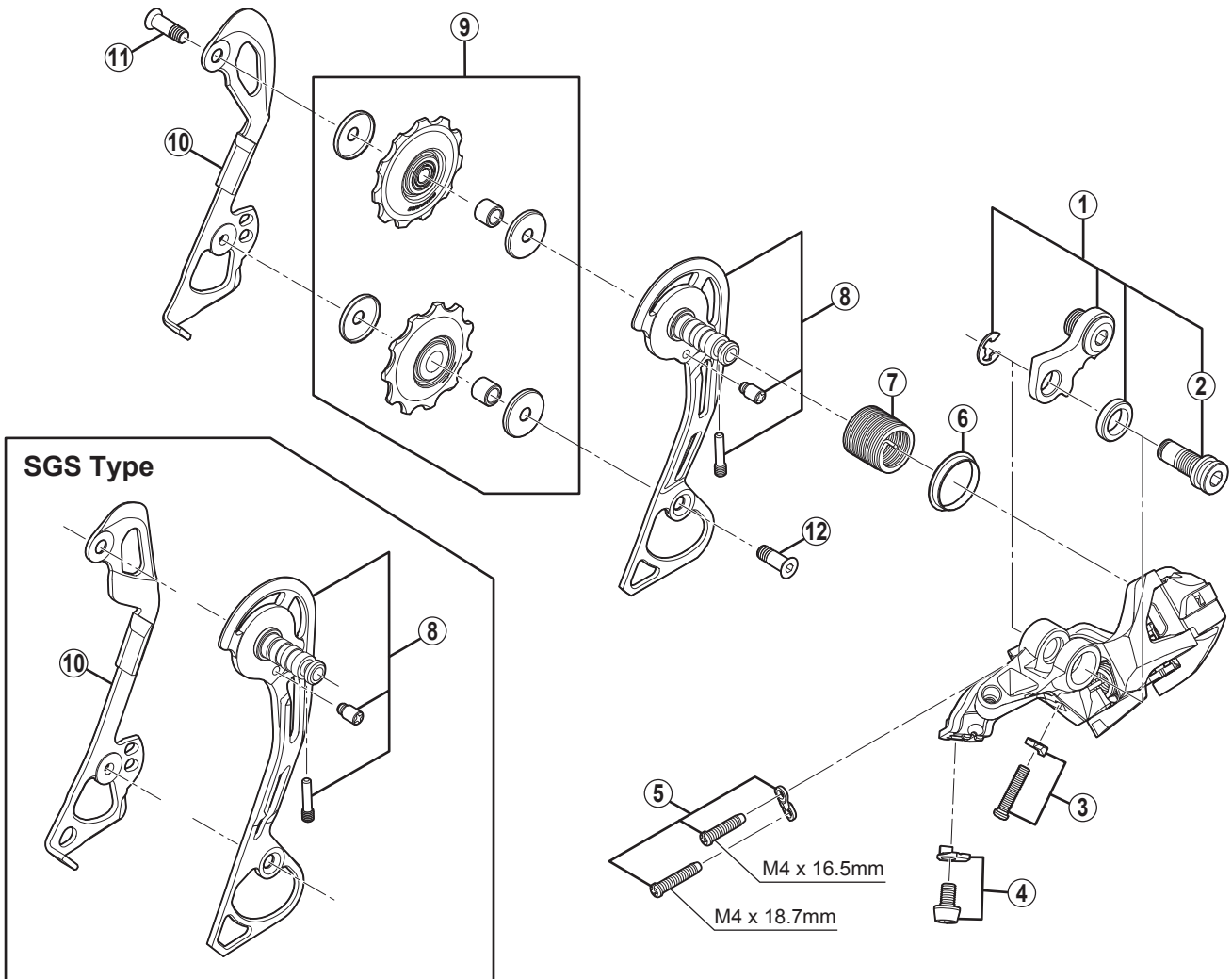


SHIMANO SLX Rear Derailleur
RD-M670 (GS/SGS)
RD-M670-D (GS/SGS)



RD-M781

| ITEM NO. | SHIMANO CODE NO. | DESCRIPTION | INTERCHANGEABILITY |
|----------|------------------|---|--------------------|
| 1 | Y50Y98010 | Bracket Axle Unit (for normal type) | B |
| 2 | Y50Y17000 | B-Axle2 (for Direct Mount type) | A |
| 3 | Y5XP98030 | B-Tension Adjusting Screw (M 4x 18) & Plate | A |
| 4 | Y5W798030 | Cable Fixing Bolt (M5 x 8) & Plate | A |
| 5 | Y5W798020 | Stroke Adjusting Screws & Plate | A |
| 6 | Y5UC14000 | P-Seal Ring | A |
| 7 | Y5W722000 | P-Tension Spring | A |
| 8 | Y50Y98020 | Outer Plate Assembly (GS-Type) | B |
| 8 | Y50Y98030 | Outer Plate Assembly (SGS-Type) | B |
| 9 | Y5XE98030 | Guide & Tension Pulley Unit | |
| 10 | Y5XC09100 | Inner Plate (GS-Type) | A |
| 10 | Y5Y010000 | Inner Plate (SGS-Type) | A |
| 11 | Y53M24400 | Guide Pulley Bolt (M5 x 13.95) | |
| 12 | Y53M24000 | Tension Pulley Bolt (M5 x 12.45) | |

A: Same parts.

B: Parts are usable, but differ in materials, appearance, finish, size, etc.
Absence of mark indicates non-interchangeability.

Mar.-2012-3406
© Shimano Inc.D