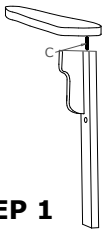


SHORELINE ADIRONDACK ROCKER

AD-0110

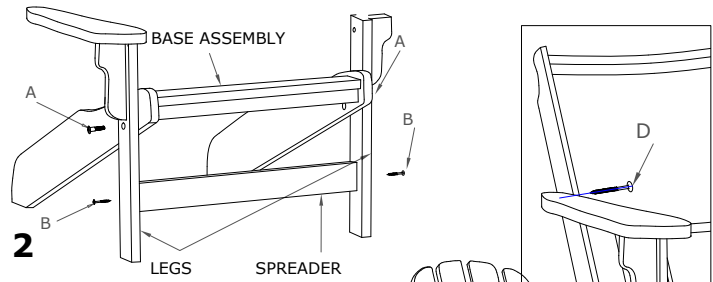
BREEZESTA™
Recycled Poly Furniture

STEP 1



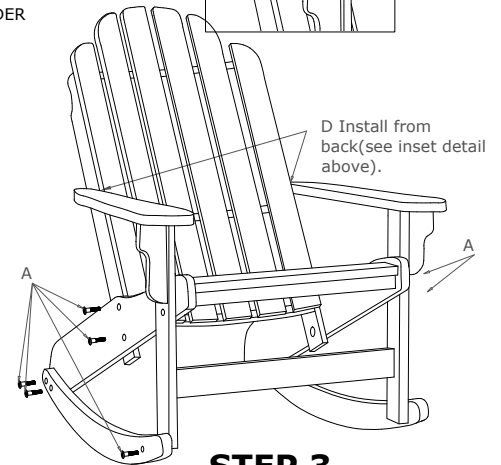
Attach front legs to the arms by inserting screw (c) into pre-drilled holes and twisting legs into arms till tight.

STEP 2



Attach spreader to legs with screws (B) as shown. Bolt legs with arms to base assembly using bolts (A).

STEP 3



Bolt back assembly to base assembly using 2 bolts (A) on each side as shown. Attach arm to seat back using Large Head Screws (D). Bolt rocker legs to using bolt (A) as shown.

- LIST OF PARTS**
- Back Assembly (1)
 - Base Assembly (1)
 - Front Leg Assembly(2)
 - Spreader (1)
 - Arms (1R) (1L)
 - Rocker Legs (2)
 - Chair Bolts "A" (12)
 - Colored Screws "B" (2)
 - Screws "C" (2)
 - Colored Screws "D" (2)
 - Insert Bit Tool (1)

A-1.5"(12 pcs.)

B-1.5"(2 pcs.)painted

C-1.5"(2 pcs.)unpainted

D-3"(2 pcs.)painted