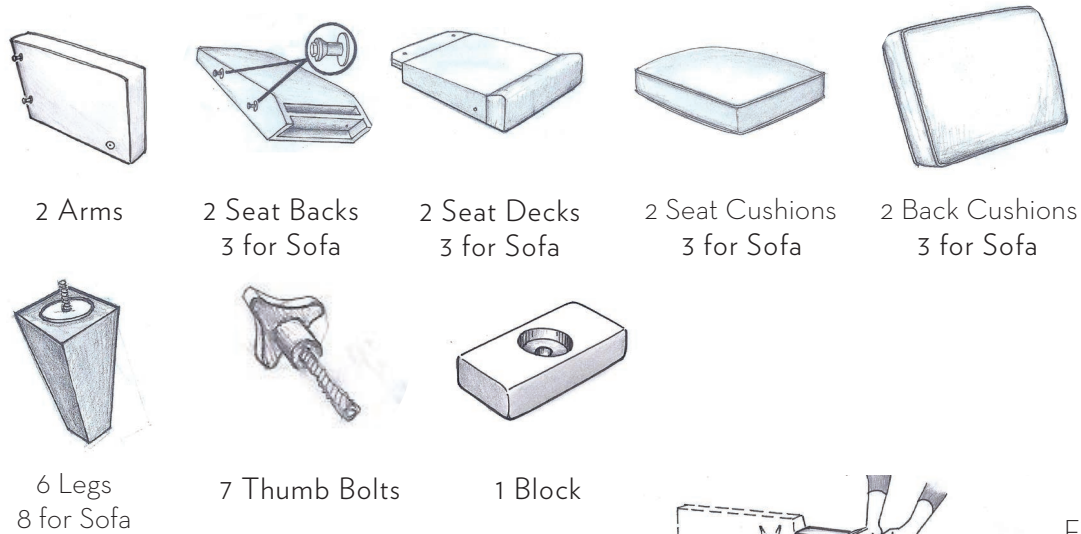


SOFA & LOVESEAT ASSEMBLY



1. Using the Left Facing Arm and the Left Facing Seat Back (seat back with yellow arrow sticker), complete Steps 1 and 2 of the Chair Assembly. (Fig. 1)

2. Place the Block under the Seat Back, as shown. In Fig. 5, Align the next Seat Back so that the connectors line up with the openings in the first Seat Back.

3. Insert the connectors into the openings and push down to engage the connectors (Fig. 5).

4. Repeat steps 2 and 3 for as many seats as you purchased (Fig. 5).

5. Attach the Right Facing Arm by placing the Block under the Arm by inserting the Connectors on the Arm into your last Seat Back. Push down on the Seat Back to engage the Connectors (Fig 6).

6. Turn the loveseat / sofa on its back.

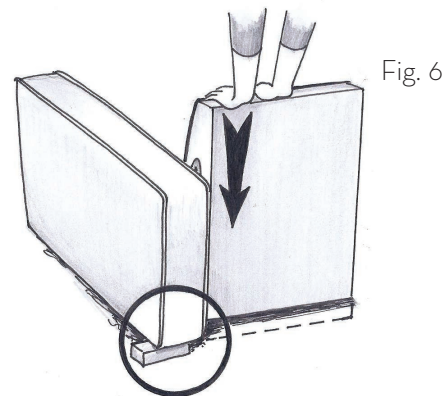
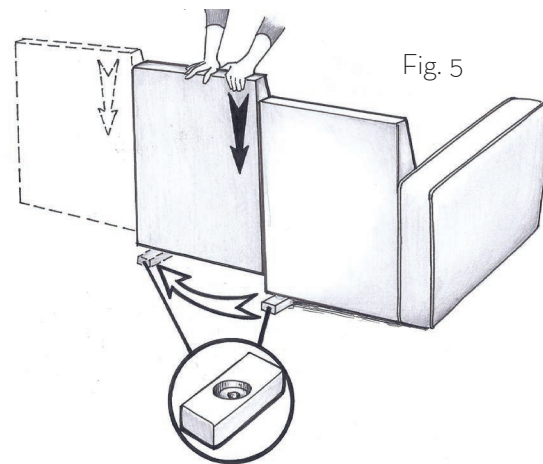
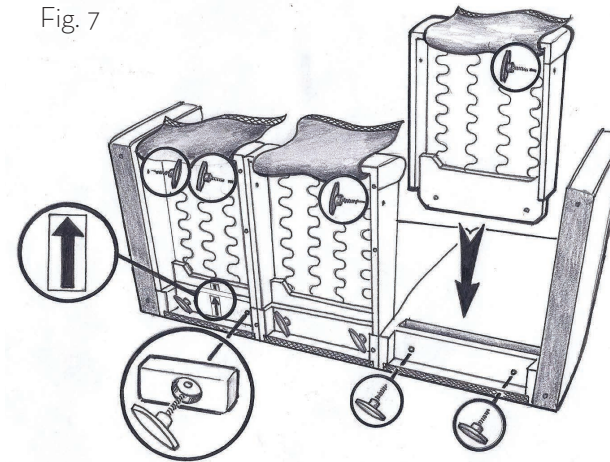


Fig. 7

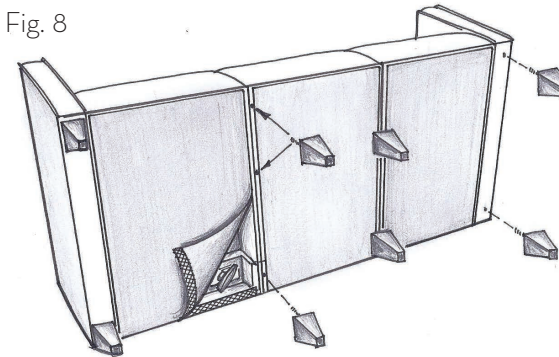


7. Insert the Seat Deck with the yellow arrow into the Seat Back with the yellow arrow (Left Facing Seat Back). Thread in 2 Thumb Bolts through the bottom of the Seat Deck into the Seat Back. Repeat for each Seat Deck (Fig. 7)

Helpful Hint: Thread the Thumb Bolts from the left side seat deck into the next seat deck.

8. Once Seat Decks are secured to the Seat Backs, thread the Thumb Bolts from the left side Seat Deck into the next Seat Deck to attach the Seat Decks together. Start all Thumb Bolts before tightening (Fig. 7)

Fig. 8



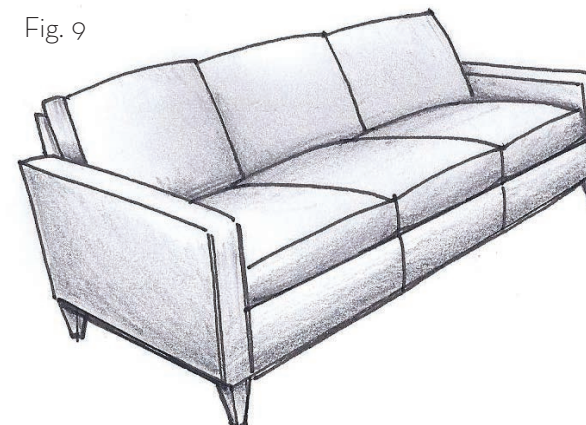
9. Thread the remaining 2 Thumb Bolts to attach the Seat Decks to the Arms.

10. After all the thumb bolts are tightened, attach the dust cover for each Seat (Fig 8).

11. Attach the legs to the bottom of the frame (Fig. 8).

12. Flip the Sofa or Love Seat upright and add the Seat Cushions & Back Pillows.

Fig. 9



Enjoy!