



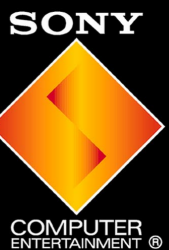
SCPH-30000  
SCPH-30001  
SCPH-30002  
SCPH-30003  
SCPH-30004

# SCPH-30000 series

## SERVICE MANUAL

6th Edition

# PlayStation®2



Sony Computer Entertainment Inc.  
Customer Service Department  
Published in Japan c 5. 2000 9-927-084-06

## Reproduction Prohibited

## NOTICE

Copyright by Sony Computer Entertainment Inc. All rights reserved. No reproduced and transferred required except permission by Sony Computer Entertainment Inc. No commercial use and rental required.

## REVISIONS.

This manual compiled by first edition of SCPH-30000, 30001, 30002, 30003, 30004 B, B', C, C', D type design data. Design and Specification will be subject to changed without notice. The latest versions of service manual, Technical memo, Technical information should be used together.

## SAFETY-RELATED COMPONENT WARNING !!

COMPONENTS IDENTIFIED BY MARK  $\triangle$  OR DOTTED LINE WITH MARK  $\triangle$  ON THE SCHEMATIC DIAGRAMS AND IN THE PARTS LIST ARE CRITICAL TO SAFE PERATION. REPLACE THESE COMPONENTS WITH SONY PARTS WHOSE PART NUMBERS APPEAR AS SHOWN IN THIS MANUAL OR IN SUPPLEMENTS PUBLISHED BY SONY.

## ATTENTION AU COMPOSANT AYANT RAPPORT À LA SÉCURITÉ !

LES COMPOSANTS IDENTIFIÉS PAR UNE MARQUE  $\triangle$  SUR LES DIAGRAMMES SCHÉMATIQUES ET LA LISTE DES PIÈCES SONT CRITIQUES POUR LA SÉCURITÉ DE FONCTIONNEMENT. NE REMPLACER CES COMPOSANTS QUE PAR DES PIÈCES SONY DONT LES NUMÉROS SONT DONNÉS DANS CE MANUEL OU DANS LES SUPPLÉMENTS UBLIÉS PAR SONY.

## CAUTION

Replace the battery with a Sony CR2032 battery. Use of any other type of battery may present the risk of fire or explosion. The battery may explode if mistreated. Do not recharge, disassemble, or dispose of in fire.

## CAUTION

The use of optical instruments with this product will increase eye Hazard. As the laser beam used in this CD/DVD player is harmful To eyes, do not attempt to disassemble the cabinet. Refer servicing to qualified personnel only.

## WARNING !!

WHEN SERVICING, DO NOT APPROACH THE LASER EXIT WITH THE EYE TOO CLOSELY. IN CASE IT IS NECESSARY TO CONFIRM LASER BEAM EMISSION, BE SURE TO OBSERVE FROM A DISTANCE OF MORE THAN 25cm FROM THE SURFACE OF THE OBJECTIVE LENS ON THE OPTICAL PICK-UP BLOCK.

## CAUTION

Use of controls or adjustments or performance of procedures other than those specified herein may result in hazardous radiation exposure.

## CAUTION for electric shock

When power is ON, Don't touch to Power supply block, AC-inlet, Power switch and so on, not to get an electric shock at repair.

## CAUTION for burning

When current is supplied, Some of part surface temperature like EE, GS, Regulator-IC, power supply, Optical device and so on. These part surface is become high temperature condition. When it repair, Don't touch them at a time during it surface is high temperature condition to take prevent against burning. Do repair after it is cooled down enough.

## CAUTION

Danger of explosion if battery is incorrectly replaced. Replace only with the same or equivalent type recommended by the manufacturer. Discard used batteries according to the manufacturer's instructions.

## ADVARSEL!

Lithiumbatteri - Eksplosjonsfare ved feilagtig håndtering. Udskiftning må kun ske med batteri af samme fabrikat og type. Levér det brugte batteri tilbage til leverandøren.

## ADVARSEL

Eksplosjonsfare ved feilaktig skifte av batteri. Benytt samme batteritype eller en tilsvarende type anbefalt av apparatfabrikanten. Brukte batterier kasseres i henhold til fabrikantens instruksjoner.

## VARNING

Explosionsfara vid felaktigt batteribyte. Använt samma batterityp eller en ekvivalent typ som rekommenderas av apparatillverkaren. Kassera använt batteri enligt fabrikantens instruktion.

## VAROITUS

Paristo voi räjähtää, jos se on virheellisesti asennettu. Vaihda paristo ainoastaan valmistajan suosittelemaan tyyppiin. Hävitä käytetty paristo valmistajan ohjeiden mukaisesti.

## SAFETY CHECK-OUT

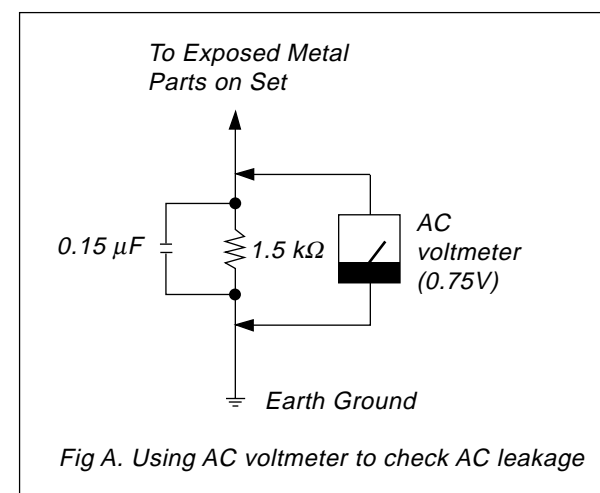
After correcting the original service problem, perform the following safety checks before releasing the set to the customer:

1. Check the area of your repair for unsoldered or cold-soldered connections. Check the entire board surface for solder splashes and bridges.
2. Check the inter board wiring to ensure that no wires are "pinched" or contact high-wattage resistors.
3. Look for unauthorized replacement parts, particularly transistors, that were installed during a previous repair. Point them out to the customer and recommend their replacement.
4. Look for parts which, though functioning, show obvious signs of deterioration. Point them out of the customer and recommend their replacement.
5. Check the line cord for cracks and abrasion. Recommend the replacement of any such line cord to the customer.
6. Check the b+ voltage to see it is at the values specified.
7. Check the antenna terminals, metal trim, "metalized" knobs, screws, and all other exposed metal parts for ac leakage. Check leakage as described below.

## LEAKAGE

The AC leakage from any exposed metal part to earth ground and from all exposed metal parts to any exposed metal part having a Return to chassis, must not exceed 0.5 mA (500 micro-amperes). Leakage current can be measured by any one of three methods.

1. A commercial leakage tester, such as the SIMPSON 229 or RCA WT-540A. Follow the manufacturers' instructions to use these instruments.
2. A battery-operated AC milli-ammeter. The Data Precision 245 digital multi-meter is suitable for this job
3. Measuring the voltage drop across a resistor by means of a VOM or battery-operated ac voltmeter. The "limit" indication is 0.75V, so analog meters must have an accurate low-voltage scale. The SIMPSON 250 and SANWA SH-63TRD are examples of a passive VOM that is suitable. Nearly all battery operated digital multi-meters that have a 2V AC range are suitable.



## NOTIFICATION for environmental assessment

This model is CR2032 lithium battery onboard inside on the GD MOUNT as Timer backup power. CR2032 life may be about 5 to 8 years so you have very few need for changing to new one. But if you have necessary to replaced to new one or disassemble for scrapping, you have to keep your country low, regulation, standard, etc. of environmental assessment and safty.

## TABLE OF CONTENTS

## SECTION 1 SPECIFICATIONS

SCPH-30001 (B, B')	4-38
SCPH-30001 (C)	39-70
SCPH-30002/30003/30004 (C, C')	71-115
SCPH-30001D	116-138
<b>SCPH-30002/30003/30004 (D, D')</b>	
1. Table of Contents and Specifications	139
<b>2. Exploded Views</b>	
Overall and Main Block	140
MD Block	141
GH-010/GH-012 Block	142
GB-003/GB-004 and Plate Assy Block	142
Shield (A) Assy Block	142
Shield (B) Block	142
Fan and Rear Panel Block	142
Switch Block	142
<b>3. Block Diagram for D type</b>	
<b>143</b>	
<b>4. Printed Wiring Boards and Schematic Diagrams for SCPH-30002D/30003D/30004D</b>	
This Note is Common for Printed Wiring boards and Schematic diagrams	
Schematic diagrams	144
GH-010	145
GB-003	154
SW-358	155
<b>5. Electrical Parts List for SCPH-30002D/30003D/30004D</b>	
<b>156</b>	
<b>6. Printed Wiring Boards and Schematic Diagrams for SCPH-30003D'/30004D'</b>	
This Note is Common for Printed Wiring boards and Schematic diagrams	
Schematic diagrams	162
GH-012	163
GB-004	172
SW-363	173
<b>7. Electrical Parts List for SCPH-30003D'/30004D'</b>	
<b>174</b>	
SCPH-30000	180-202

### **General**

Power requirements  
220-240 V AC, 50/60 Hz  
Power consumption  
50 W  
Dimensions  
301 × 78 × 182 mm (w/h/d)  
Mass  
2.4 kg

### **Inputs/ Outputs on the front**

Controller ports (2)  
Memory card slots (2)  
USB ports (2)  
S400 (i-Link) port (1)

### **Inputs/Outputs on the rear**

HDD bay slot (1)

### **Outputs on the rear**

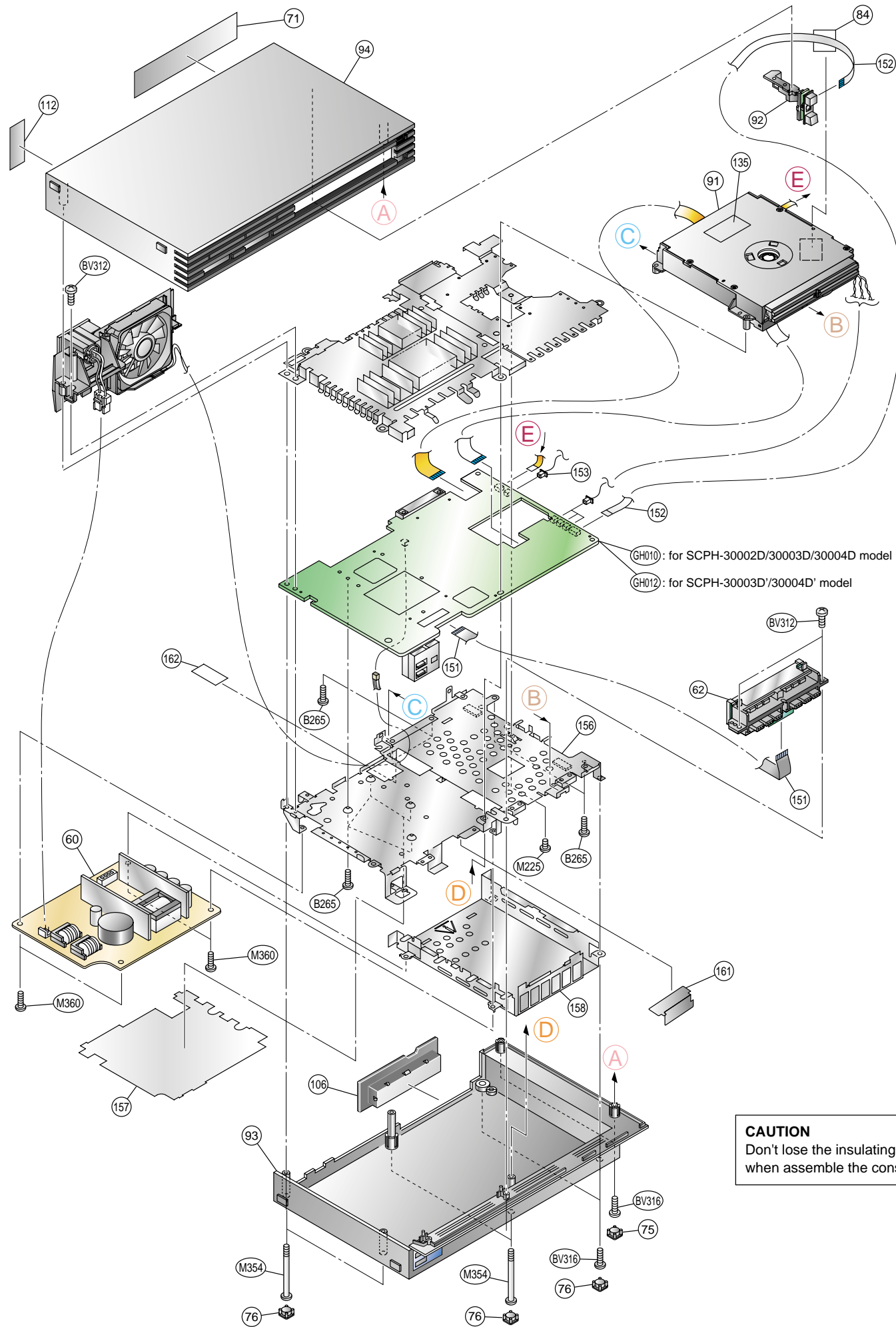
AV Multi out port (1)  
RGB, Ycbcr, Y/C, Composite-video,  
Audio-L/R, XGA  
Digital out port (1)  
Optical audio

### **Supplied accessories**

AC power cord (1)  
Euro-AV connector (1)  
(for SCPH-30003, 30004)  
A/V connecting cable (1)  
Dualshock2 Analog controller (1)

## SECTION 2 EXPLODED VIEWS

### Overall and Main Block



### CAUTION

The components identified by mark  $\Delta$  or dotted line with mark  $\Delta$  are critical for safety. Replace only with part number specified.

### CAUTION :

Use of controls or adjustments or performance of procedures other than those specified herein may result in hazardous radiation exposure.

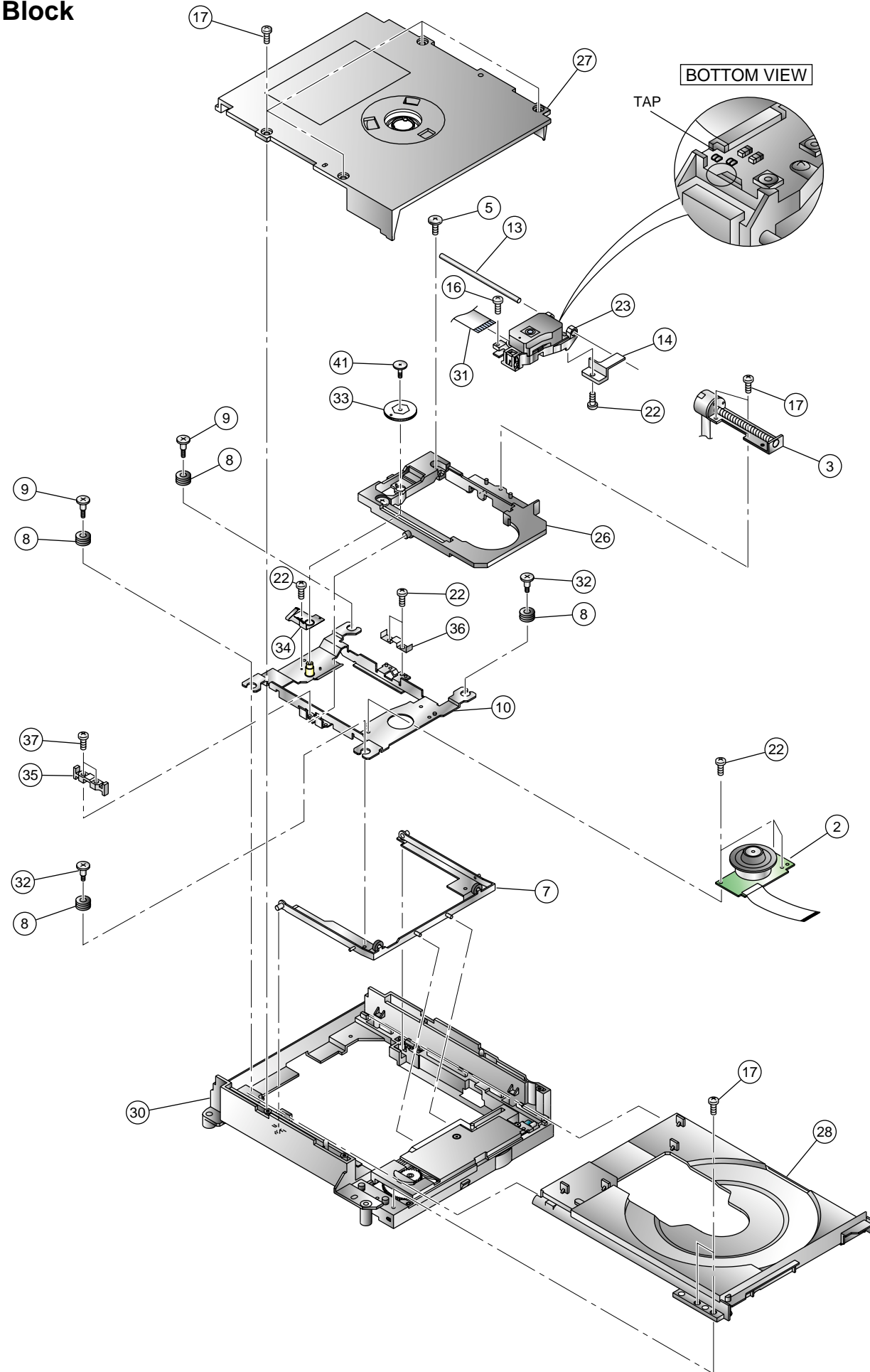
### OVERALL AND MAIN BLOCK

Ref-No.	Part No.	Description	Remark	Place code
$\Delta$ 60	1-468-605-21	POWER BLOCK		#00
62	1-694-676-21	TERMINAL BOARD (FRONT)		#17
$\Delta$ 71	3-069-119-01	LABEL, MODEL NUMBER (AU)	for SCPH-30002D	#87
$\Delta$ 71	3-069-120-01	LABEL, MODEL NUMBER (CEK)	for SCPH-30003D/30003D'	#87
$\Delta$ 71	3-069-121-01	LABEL, MODEL NUMBER (CEL)	for SCPH-30004D/30004D'	#87
75	3-059-626-03	COVER, SCREW		#22
76	3-059-627-01	CAP		#22
84	3-067-170-01	TAPE (20X20), HARNESS STOPPER		#87
91	A-6705-342-A	MD BLOCK ASSY		#10
92	A-6705-401-A	SWITCH BLOCK ASSY		#87
93	X-3951-722-1	COVER ASSY, LOWER		#87
94	X-3951-721-1	COVER ASSY, UPPER		#87
106	X-3951-317-1	LID ASSY		#87
$\Delta$ 112	3-066-498-01	TAPE, VOID		#87
$\Delta$ 135	3-988-711-02	LABEL, LASER COUTION		#87
151	1-757-934-11	CABLE, FLAT (FFC-011)		#12
152	1-757-935-11	CABLE, FLAT (FFC-012)		#12
153	1-961-160-21	HARNESS (HS-059)		#12
156	3-068-669-02	SHIELD B		#16
157	3-068-674-01	SHEET, INSULATING		#16
158	3-068-675-02	SHIELD HDD		#87
161	3-070-120-01	SHEET, INTERCEPTION		#87
162	3-069-212-01	TAPE, HARNESS STOPPER		#16
B265	3-069-170-01	TAPPING (B2X6.5)		#87
BV312	3-325-679-21	SCREW, TAPPING +BV 3X12		#87
BV316	3-325-679-91	SCREW (2 LOCK), +BV TAPPING		#87
GH010	A-6712-954-A	GH-010 MOUNT (32M M) Block	for SCPH-30003D/30004D	#25GB
GH010	A-6712-957-A	GH-010 MOUNT (64M M) Block	for SCPH-30002D	#25GB
GH010	A-6712-955-A	GH-010 MOUNT (64M M) Block	for SCPH-30003D/30004D	#25GB
GH010	A-6712-958-A	GH-010 MOUNT (64M R) Block	for SCPH-30002D	#25GB
GH010	A-6712-956-A	GH-010 MOUNT (64M R) Block	for SCPH-30003D/30004D	#25GB
GH012	A-6712-985-A	GH-012 MOUNT (32M R) Block	for SCPH-30003D'/30004D'	#25GH
GH012	A-6712-986-A	GH-012 MOUNT (64M R) Block	for SCPH-30003D'/30004D'	#25GH
M225	3-069-169-01	SCREW (M2X2.5)		#87
M354	3-059-622-02	SCREW (M3X54), HEAD TAPPING		#87
M360	3-069-168-01	TITE (CZN), M3X6 +BV S		#87

**CAUTION**  
Don't lose the insulating sheet when assemble the console.

for details  
Click here.

MD Block

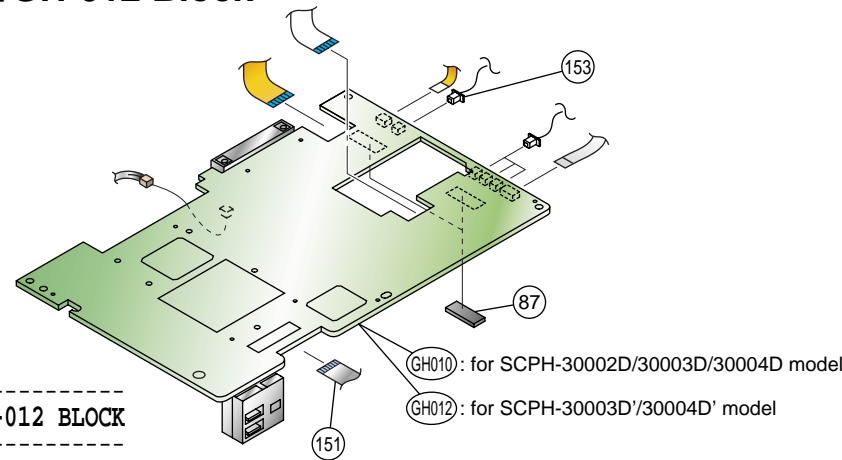


MD BLOCK

Ref-No.	Part No.	Description	Remark	Place code
2	8-835-733-01	MOTOR, DC SSC28C/C-NP		#10SP
2	1-763-700-12	MOTOR, DC (SPINDLE)		#10SP
3	1-763-639-21	MOTOR, DC		#10
5	3-059-845-01	SCREW (B2X6.5), SHAFT RETAINER		#10
7	X-3951-637-1	FRAME ASSY, SUB		#10
8	3-065-277-01	INSULATOR		#10
9	3-065-276-01	SCREW, STEP		#10
10	X-3951-606-1	CHASSIS ASSY, MAIN		#10
13	3-059-854-02	SHAFT, MAIN		#10
14	3-059-855-02	RACK		#10
16	3-060-399-01	SCREW, SKEW		#10
17	3-060-400-01	TAPPING (B2X6.5)		#10
22	3-062-728-01	0 PLATE 3, MAIN M3X3.2		#10
△ 23	8-820-141-10	DEVICE, OPICAL KHS-400B		#10OP
26	X-3951-607-2	CHASSIS ASSY, SUB		#10
27	X-3951-609-2	BRACKET ASSY, PULLEY		#10
28	X-3951-608-2	TRAY ASSY		#10TR
30	X-3951-610-2	FRAME ASSY, MAIN		#10
31	1-680-370-12	PWB, FLEXIBLE		#10
32	3-068-075-02	SCREW (SUB), STEP		#10
33	3-065-278-02	CAM, TILT		#10
34	3-068-076-01	SPRING (TILT), LEAF		#10
35	3-065-282-01	GUIDE (L)		#10
36	3-065-283-01	GUIDE (R)		#10
37	3-065-557-01	SCREW (M2X6.0)		#10
41	3-065-279-02	SCREW, CAM RETAINER		#10

for details  
Click here

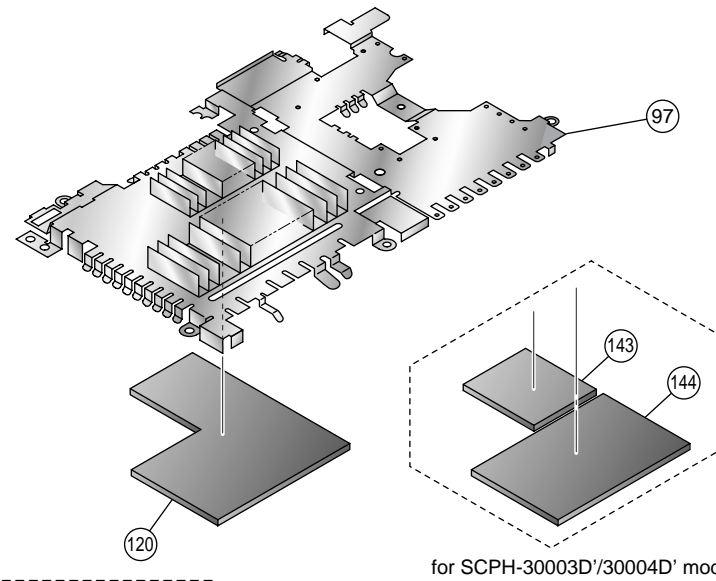
**GH-010/GH-012 Block**



**GH-010/GH-012 BLOCK**

Ref-No.	Part No.	Description	Place code
87	3-068-806-01	SHEET (DRIVER), ELECTRIC HEAT	#25GH
151	1-757-934-11	CABLE, FLAT (FFC-011)	#12
153	1-961-160-21	HARNESS (HS-059)	#12
GH010	A-6712-954-A	GH-010 MOUNT (32M M) for SCPH-30003D/30004D	#25GH
GH010	A-6712-957-A	GH-010 MOUNT (64M M) for SCPH-30002D	#25GH
GH010	A-6712-955-A	GH-010 MOUNT (64M M) for SCPH-30003D/30004D	#25GH
GH010	A-6712-958-A	GH-010 MOUNT (64M R) for SCPH-30002D	#25GH
GH010	A-6712-956-A	GH-010 MOUNT (64M R) for SCPH-30003D/30004D	#25GH
GH012	A-6712-985-A	GH-012 MOUNT (32M R) for SCPH-30003D'/30004D'	#25GH
GH012	A-6712-986-A	GH-012 MOUNT (64M R) for SCPH-30003D'/30004D'	#25GH

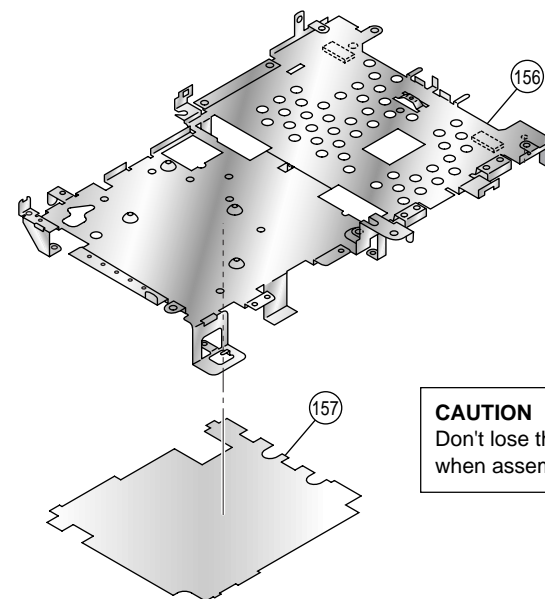
**Shield (A) Assy Block**



**SHIELD (A) ASSY BLOCK**

Ref-No.	Part No.	Description	Place code
97	X-3951-707-2	SHIELD (A) ASSY	#87
120	3-059-652-01	SHEET (A), ELECTRIC HEAT for SCPH-30002D/30003D/30004D	#16
143	3-066-277-01	SHEET (P), ELECTRIC HEAT for SCPH-30003D'/30004D'	#16
144	3-066-278-01	SHEET (Q), ELECTRIC HEAT for SCPH-30003D'/30004D'	#16

**Shield (B) Block**

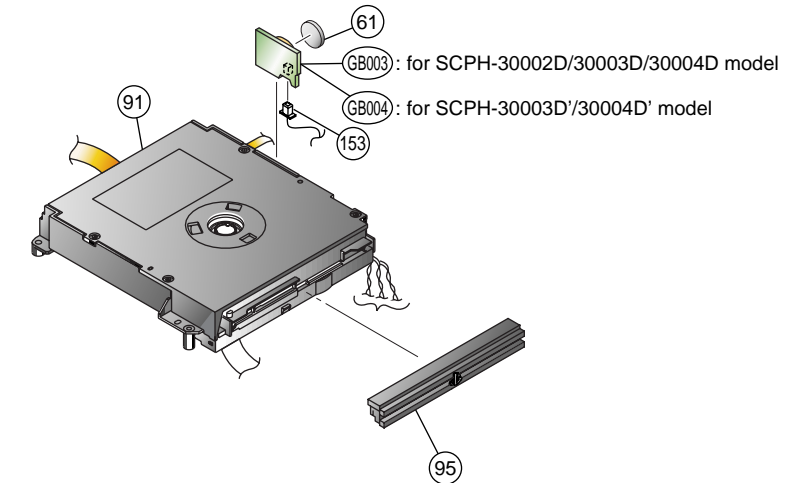


**CAUTION**  
Don't lose the insulating sheet  
when assemble the console.

**SHIELD (B) BLOCK**

Ref-No.	Part No.	Description	Place code
156	3-068-669-02	SHIELD B	#16
157	3-068-674-01	SHEET, INSULATING	#16

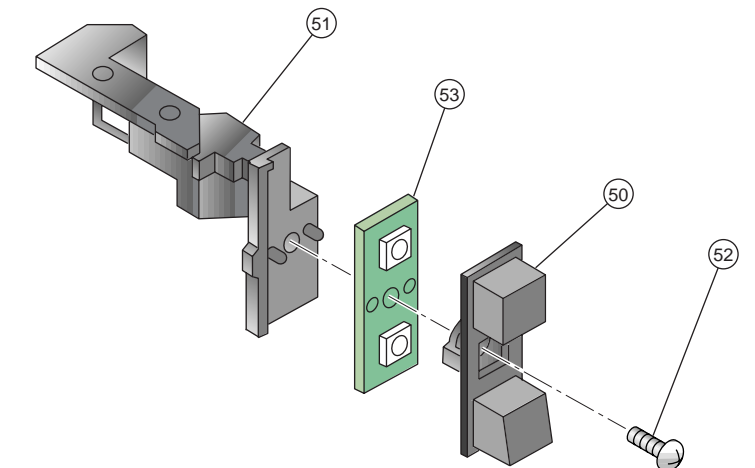
**GB-003/GB-004 and Plate Assy Block**



**GB-003/GB-004 AND PLATE ASSY BLOCK**

Ref-No.	Part No.	Description	Place code
61	1-528-174-41	BATTERY, LITHIUM (CR2032 TYPE)	#25GB
91	A-6705-342-A	MD BLOCK ASSY	#10
95	X-3951-099-1	PLATE ASSY, ORNAMENTAL	#87
153	1-961-160-21	HARNESS (HS-059)	#12
GB003	A-6712-923-A	GB-003 MOUNT for SCPH-30002D/30003D/30004D	#25GB
GB004	A-6712-984-A	GB-004 MOUNT for SCPH-30003D'/30004D'	#25GB

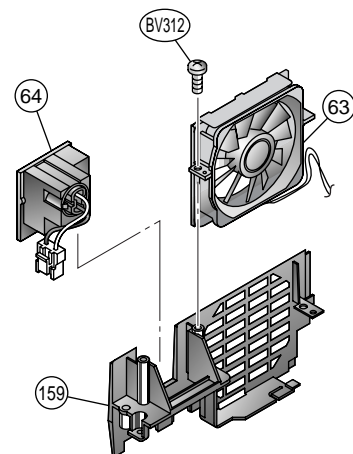
**Switch Block**



**SWITCH BLOCK**

Ref-No.	Part No.	Description	Place code
50	3-059-665-03	BUTTON, SWITCH	#25SW
51	3-059-666-05	BRACKET, SWITCH	#25SW
52	7-685-105-11	TPG +P 2X8, TYPE 2, NON-SLIT	#25SW
53	A-6712-922-A	SW-358 MOUNT for SCPH-30002D/30003D/30004D	#25SW
53	A-6712-983-A	SW-363 MOUNT for SCPH-30003D'/30004D'	#25SW

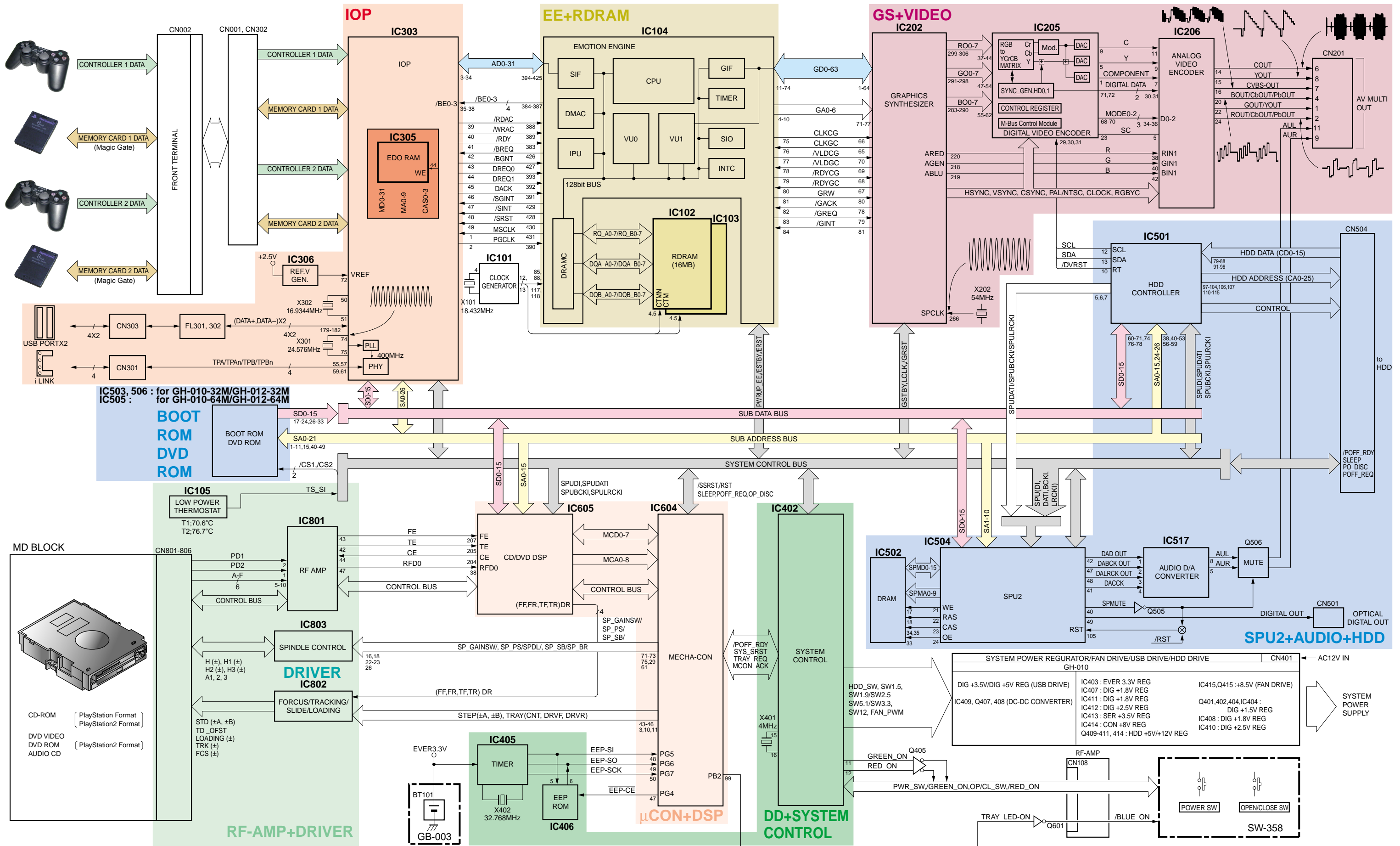
**Fan and Rear Panel Block**



**FAN AND REAR PANEL BLOCK**

Ref-No.	Part No.	Description	Place code
63	1-763-480-22	DC. FAN	#74
64	1-771-995-31	SWITCH, POWER (WITH AC INLET)	#00
159	3-068-676-11	PANEL, REAR	#87
BV312	3-325-679-21	SCREW, TAPPING +BV 3X12	#87

# SECTION 3 BLOCK DIAGRAM for D type




## SECTION 4

### PRINTED WIRING BOARDS AND SCHEMATIC DIAGRAMS for SCPH-30002D/30003D/30004D

#### THIS NOTE IS COMMON FOR PRINTED WIRING BOARDS AND SCHEMATIC DIAGRAMS.

**Note on Printed Wiring Boards :**

- Through hole is omitted.
-  : Pattern on the side which is seen.

**Note on Schematic Diagram :**

- Use caution when replacing chip parts.  
New parts must be attached after removal of chip.  
Be careful not to heat the minus side of tantalum capacitor, because it is damaged by the heat.
- All capacitors are in  $\mu\text{F}$  unless otherwise noted.  $\text{pF}$  :  $\mu\mu\text{F}$  50 WV or less are not indicated except for electrolytics and tantalums.
- All resistors are in  $\Omega$  and 1/4 W (Chip resistors : 1/10W) unless otherwise specified.
- Chip resistors are 1/8 W or 1/10 W unless otherwise noted.  
 $\text{k}\Omega$  :  $1000\Omega$ ,  $\text{M}\Omega$  :  $1000 \text{ k}\Omega$ .

**Note :**






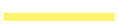







The components identified by mark  $\triangle$  or dotted line with mark  $\triangle$  are critical for safety. Replace only with part number specified.

**Note :**

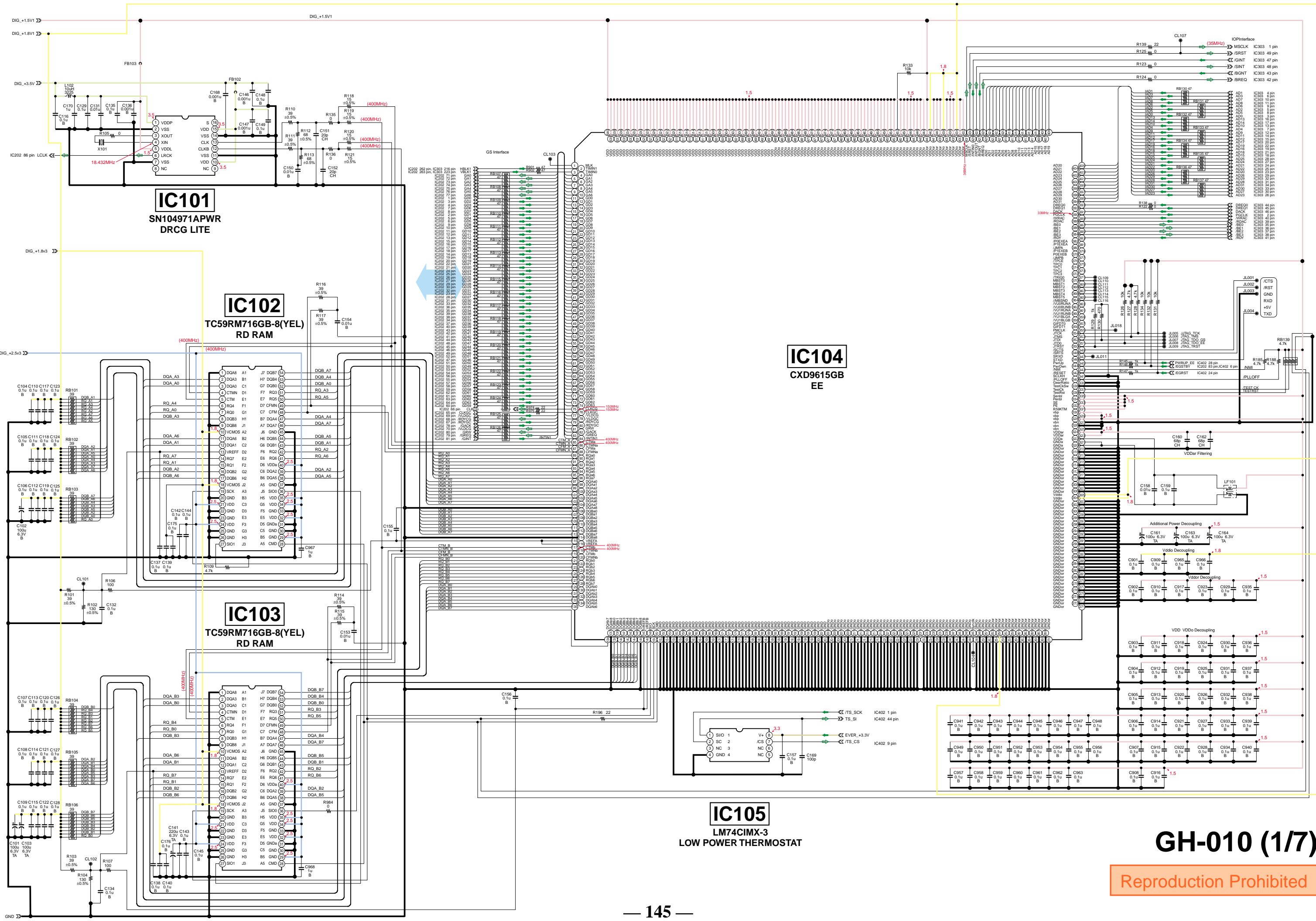
Les composants identifiés par une marque  $\triangle$  sont critiques pour la sécurité. Ne les remplacer que par une pièce portant le numéro spécifié.

**Note on DC Power line :**

Unit of voltage is V (volt)

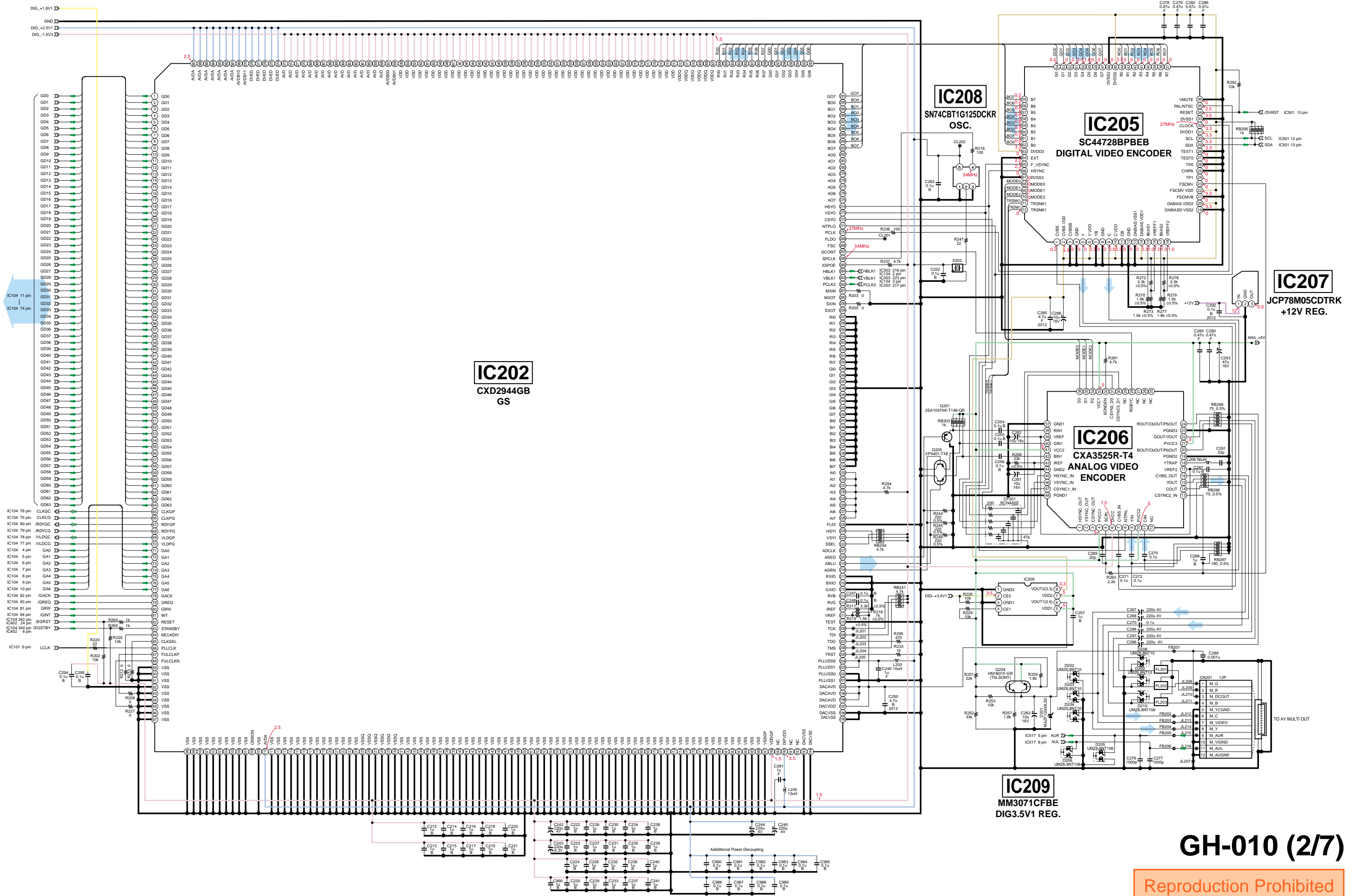
- |   |   |
|---|---|
| • +12V :   | • +3.3V :  |
| • +8.0V :  | • +2.5V :  |
| • +5.0V :  | • +1.8V :  |
| • +3.5V :  | • +1.7V :  |
| • +3.4V :  | • +1.5V :  |
- 
- |   |  |
|---|--|
| • IN :   | • Main Signal Line :  |
| • OUT :  |  |





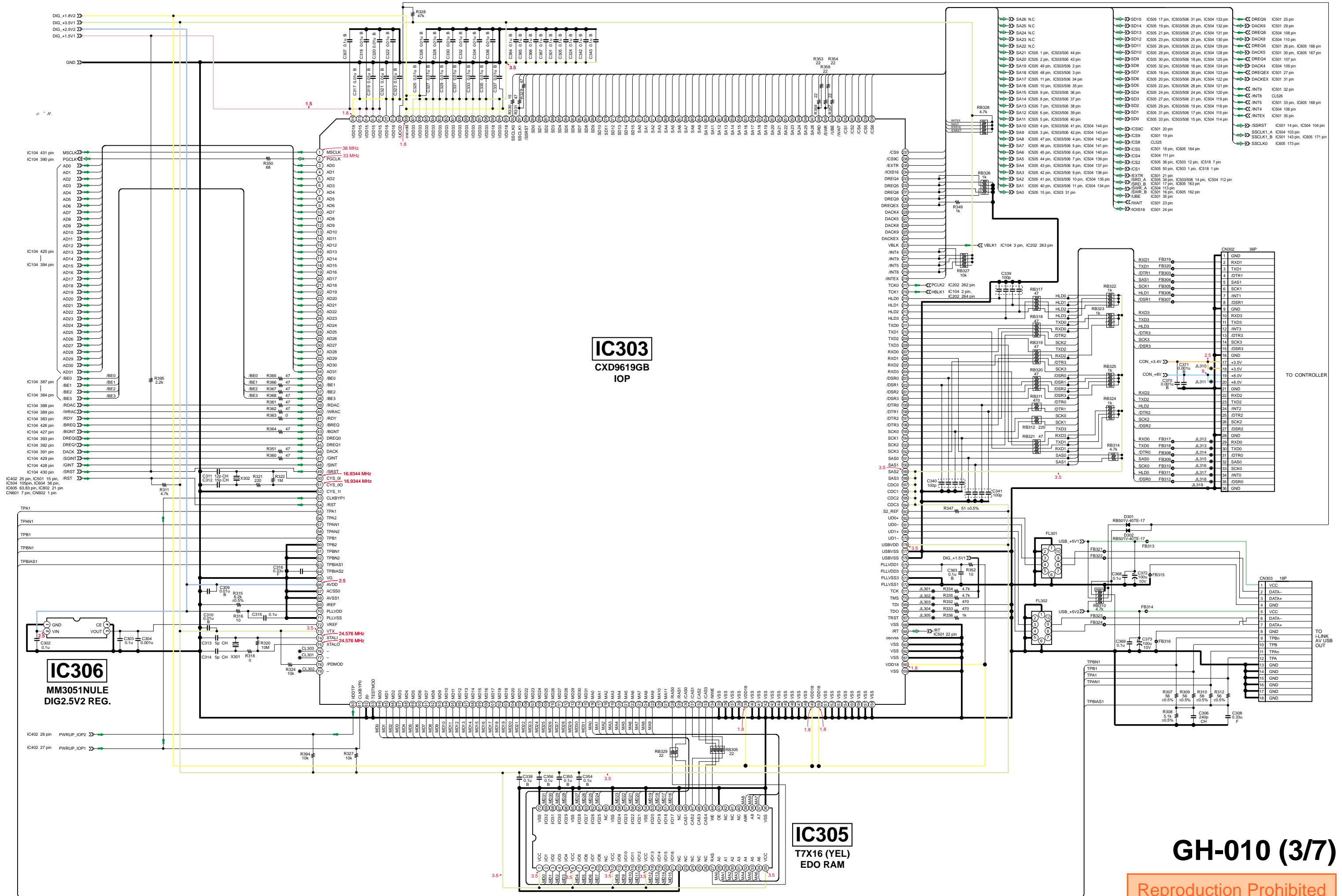
**GH-010 (1/7)**

Reproduction Prohibited



GH-010 (2/7)

Reproduction Prohibited



GH-010 (3/7)

Reproduction Prohibited

BD3992F-E2 : for GH010-64MR  
MM1537DFBE : for GH010-32MM & GH010-64MM

**IC403**

**IC405**  
RS5C348A-E2

**IC406**  
BR9080F-E2

**IC401**  
S-80769SN-J0-T1

**IC415**  
NJM2125F(Te2)

**IC402**  
TMP87C807U-1V33

**IC409**  
SN104809DBTR

**IC414**  
TA7808F(Te16L)

**IC413**  
LP2985IM5X-3.5

**IC404**  
SN104809DBTR

**IC407**  
PQ018PZ01ZP

**IC408**  
PQ070XZ01ZP

**IC410**  
SI-3026LSA-TL

**IC411**  
MM3031JULE

**IC412**  
ST-3025LSA-TL

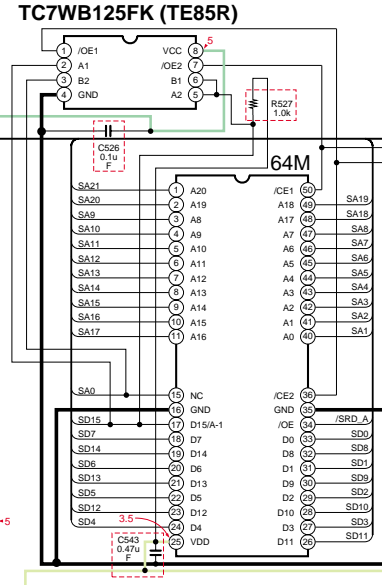
- TRAY\_LED\_ON IC604 99 pin
- POFF\_REQ IC604 96 pin, IC604 74 pin
- REGSTBY IC104 344 pin
- POFF\_RDY IC604 95 pin, IC604 32 pin
- PWRUP\_EE IC104 345 pin
- SYS\_SRST IC604 7 pin
- PWRUP\_IOP2 IC303 80 pin
- TRAY\_LED\_ON IC604 99 pin, IC604 6 pin
- PWRUP\_IOP1 IC303 81 pin
- HDD\_SET IC604 8 pin
- SLEEP IC604 94 pin, IC604 5 pin
- HDD\_ACK IC104 342 pin
- REG\_RST IC604 97 pin
- TRAY\_LED\_ON IC105 7 pin
- TS\_CS IC105 10 pin
- TS\_RST IC303 54 pin, IC501 15 pin, IC504 105 pin, IC604 99 pin, IC605 63.83 pin, IC602 21 pin, IC601 7 pin, IC602 1 pin
- TS\_SCK IC105 2 pin
- TRSETIN IC605 73 pin
- GND

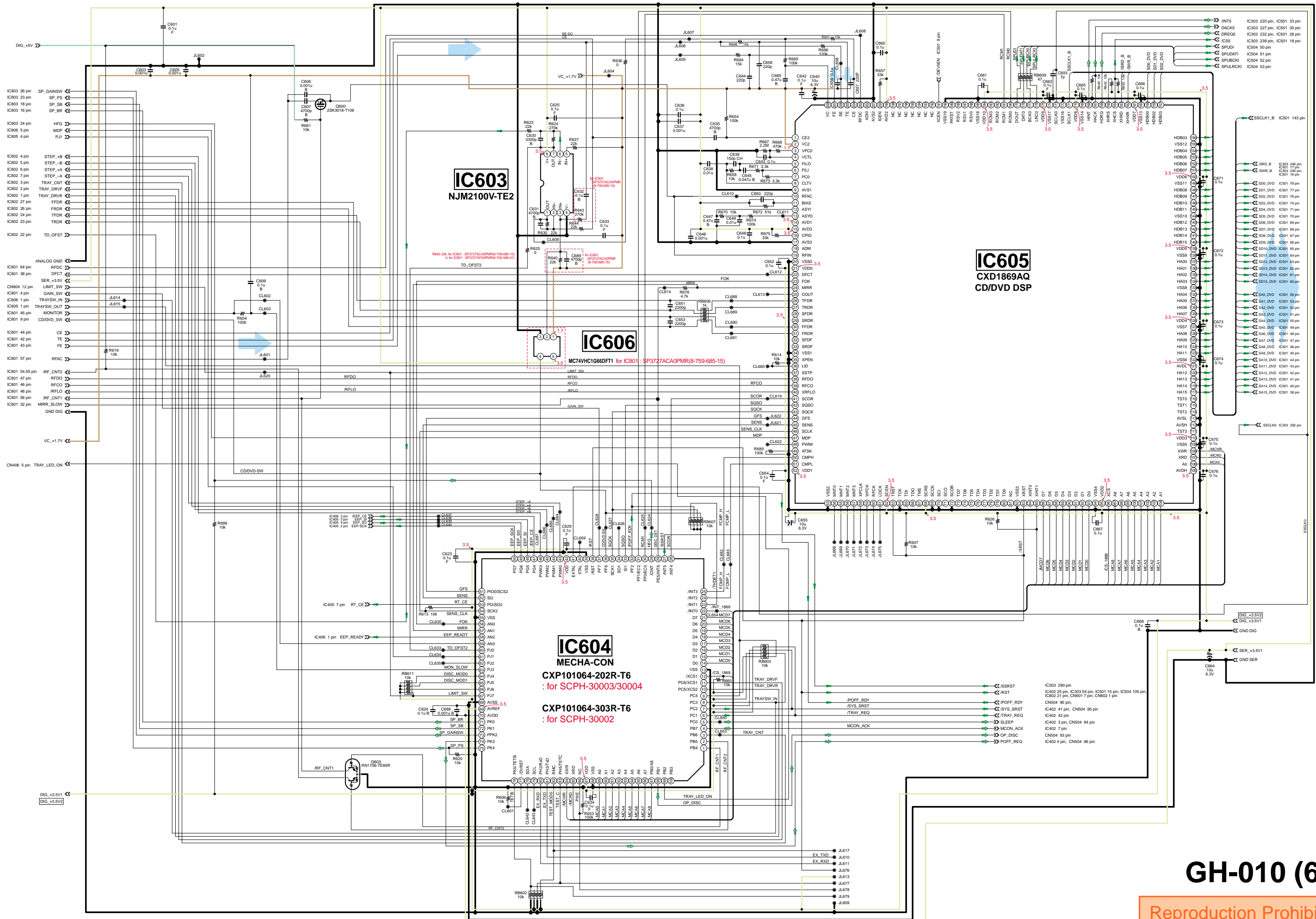
**GH-010 (4/7)**

Reproduction Prohibited

C526, C543, R527 :  
for GH010-64MM & GH010-64MR

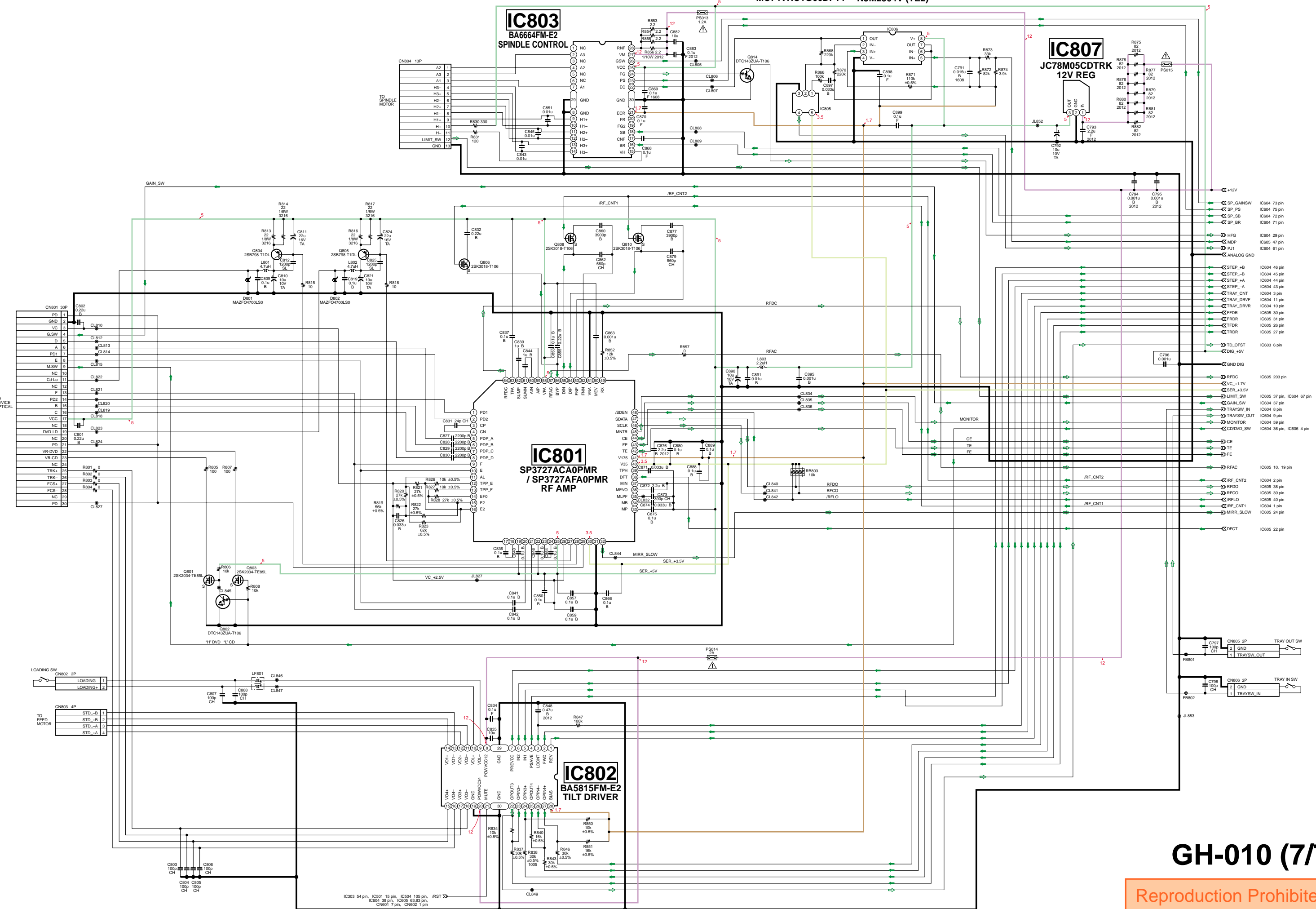
- IC303 239 pin, IC605 164 pin, IC527 1.0
- IC303 220 pin, IC605 168 pin, IC527 1.0
- IC303 232 pin, IC605 167 pin, IC527 1.0
- IC303 227 pin, IC605 237 pin, IC527 1.0
- IC303 221 pin, IC605 167 pin, IC527 1.0
- IC303 230 pin, IC605 167 pin, IC527 1.0
- IC303 225 pin, IC605 237 pin, IC527 1.0
- IC303 240 pin, IC605 167 pin, IC527 1.0
- IC303 222 pin, IC605 167 pin, IC527 1.0
- IC303 233 pin, IC605 167 pin, IC527 1.0
- IC303 226 pin, IC605 167 pin, IC527 1.0
- IC303 243 pin, IC605 167 pin, IC527 1.0
- IC303 165 pin, IC605 167 pin, IC527 1.0
- IC303 231 pin, IC605 167 pin, IC527 1.0
- IC303 226 pin, IC605 167 pin, IC527 1.0
- IC303 242 pin, IC605 167 pin, IC527 1.0
- IC303 241 pin, IC605 167 pin, IC527 1.0
- IC303 235 pin, IC605 167 pin, IC527 1.0
- IC303 218 pin, IC605 167 pin, IC527 1.0
- IC303 236 pin, IC605 167 pin, IC527 1.0
- IC303 234 pin, IC605 167 pin, IC527 1.0
- IC303 244 pin, IC605 167 pin, IC527 1.0
- IC303 224 pin, IC605 167 pin, IC527 1.0
- IC303 229 pin, IC605 167 pin, IC527 1.0
- IC303 257 pin, IC605 167 pin, IC527 1.0
- IC303 256 pin, IC605 167 pin, IC527 1.0
- IC303 255 pin, IC605 167 pin, IC527 1.0
- IC303 254 pin, IC605 167 pin, IC527 1.0
- IC303 253 pin, IC605 167 pin, IC527 1.0
- IC303 252 pin, IC605 167 pin, IC527 1.0
- IC303 251 pin, IC605 167 pin, IC527 1.0
- IC303 250 pin, IC605 167 pin, IC527 1.0
- IC303 249 pin, IC605 167 pin, IC527 1.0
- IC303 248 pin, IC605 167 pin, IC527 1.0
- IC303 247 pin, IC605 167 pin, IC527 1.0
- IC303 292 pin, IC605 171 pin, IC527 1.0
- IC303 238 pin, IC605 171 pin, IC527 1.0
- IC303 219 pin, IC605 171 pin, IC527 1.0





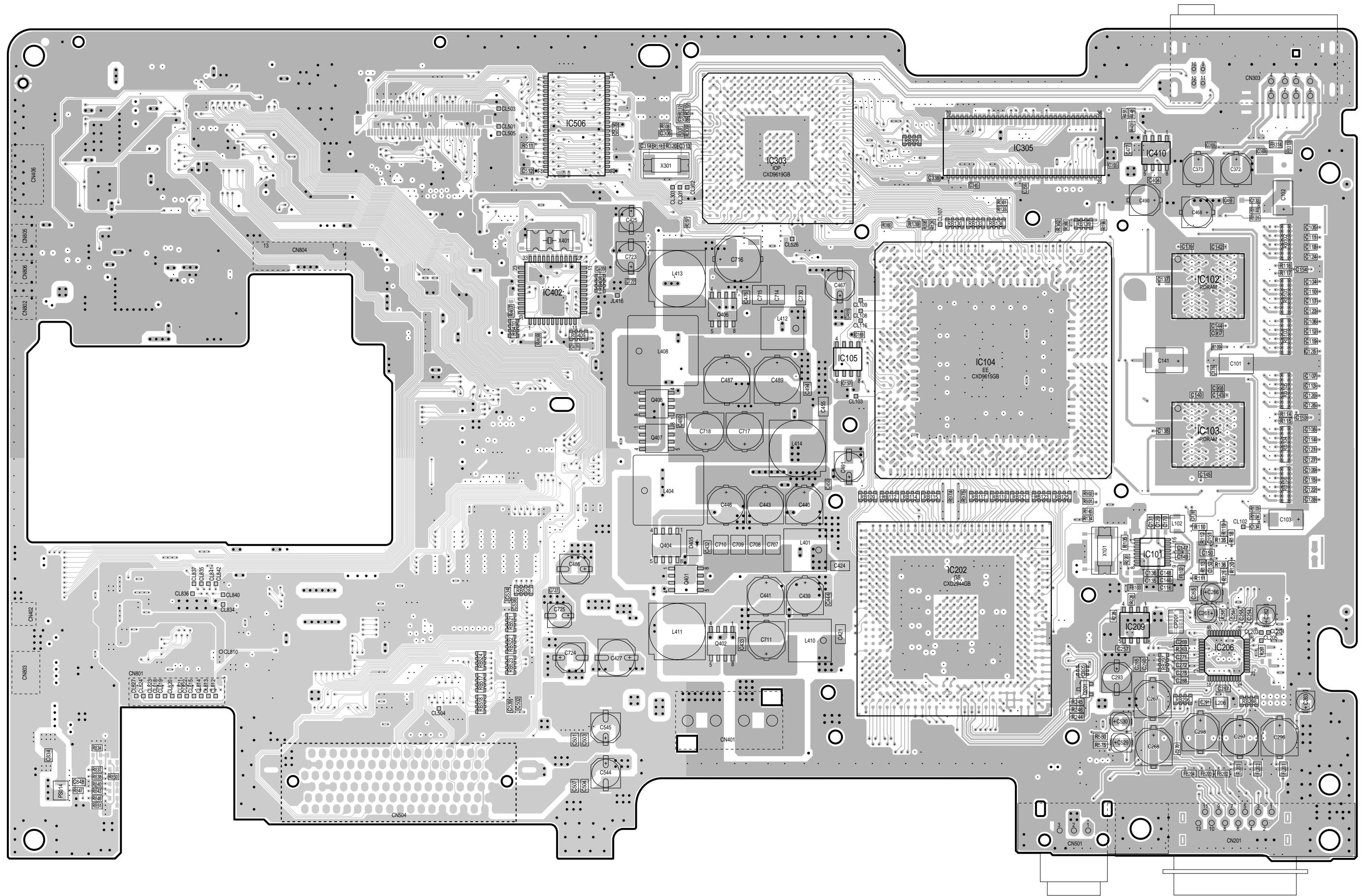
**GH-010 (6/7)**

Reproduction Prohibited



**GH-010 (7/7)**

Reproduction Prohibited

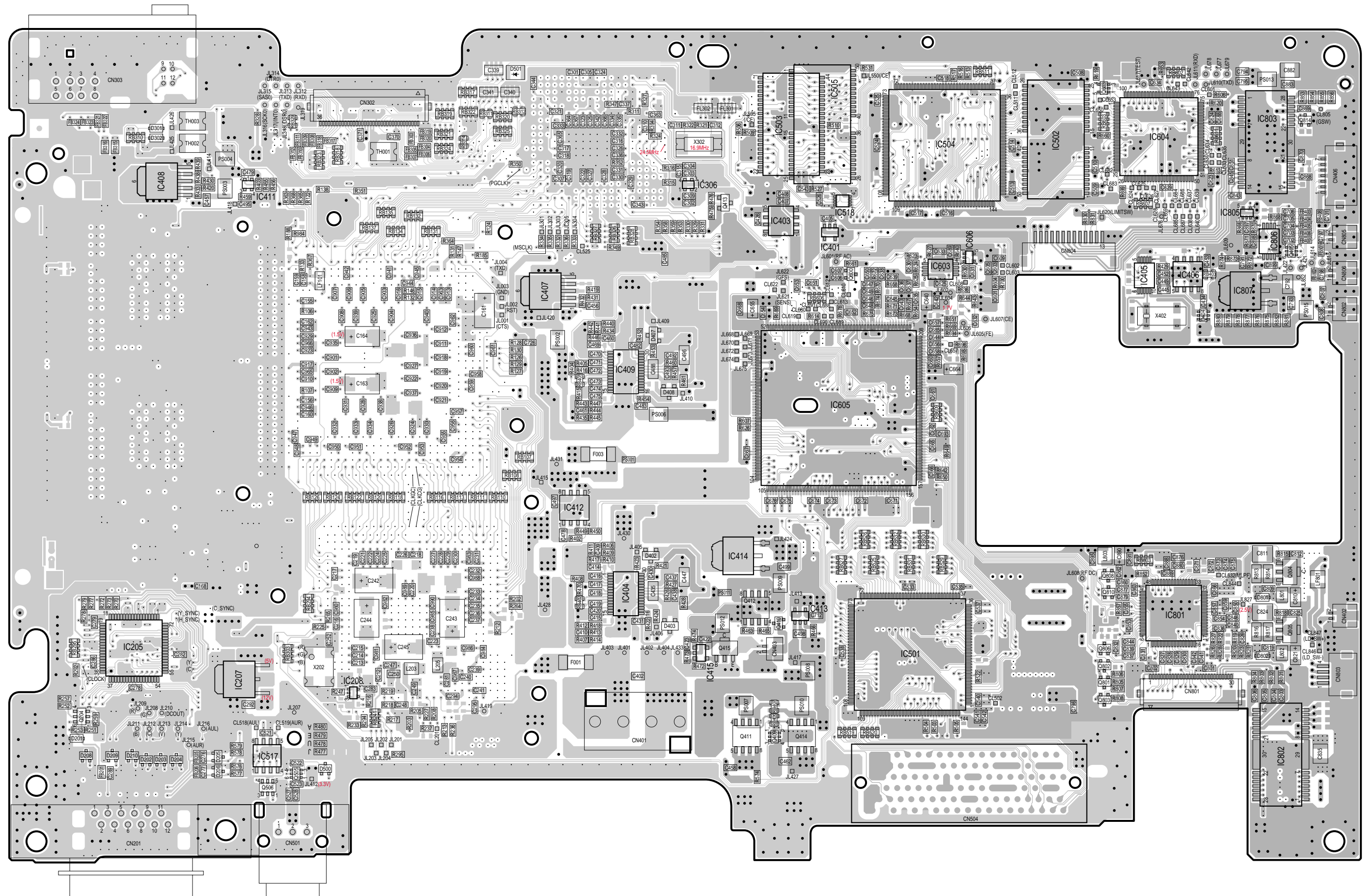


# GH-010

A side

Reproduction Prohibited

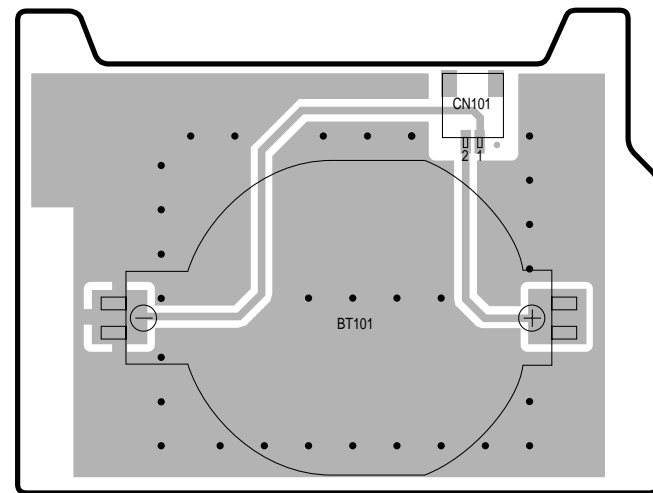




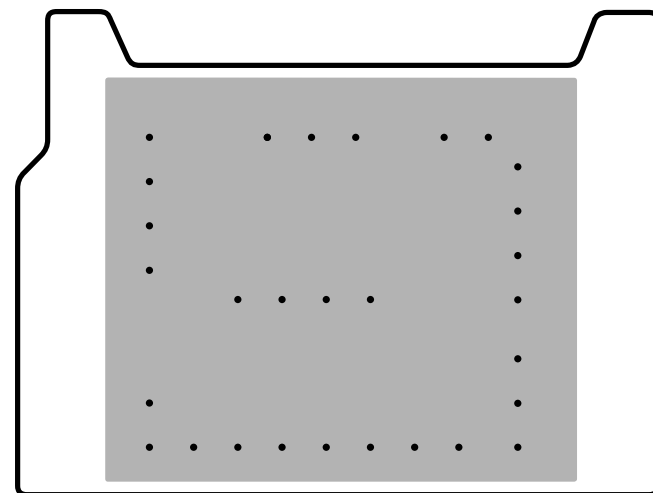
# GH-010

B side

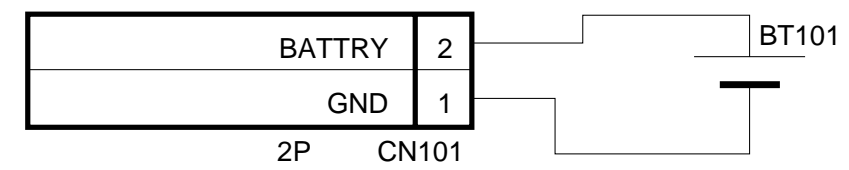
Reproduction Prohibited



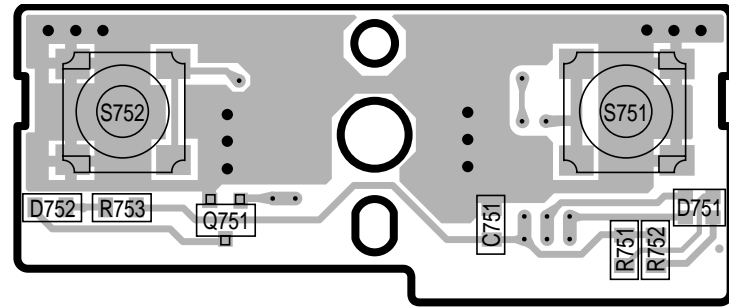
**GB-003**  
A side



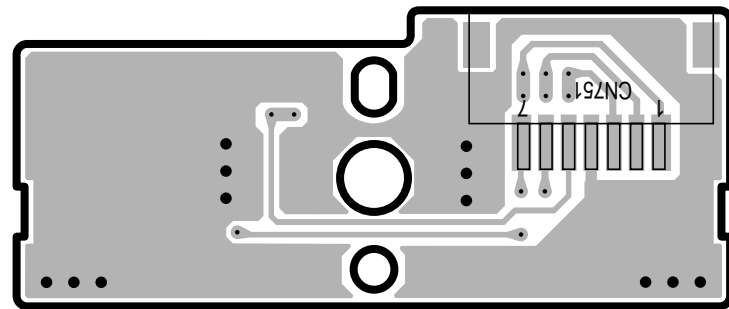
**GB-003**  
B side



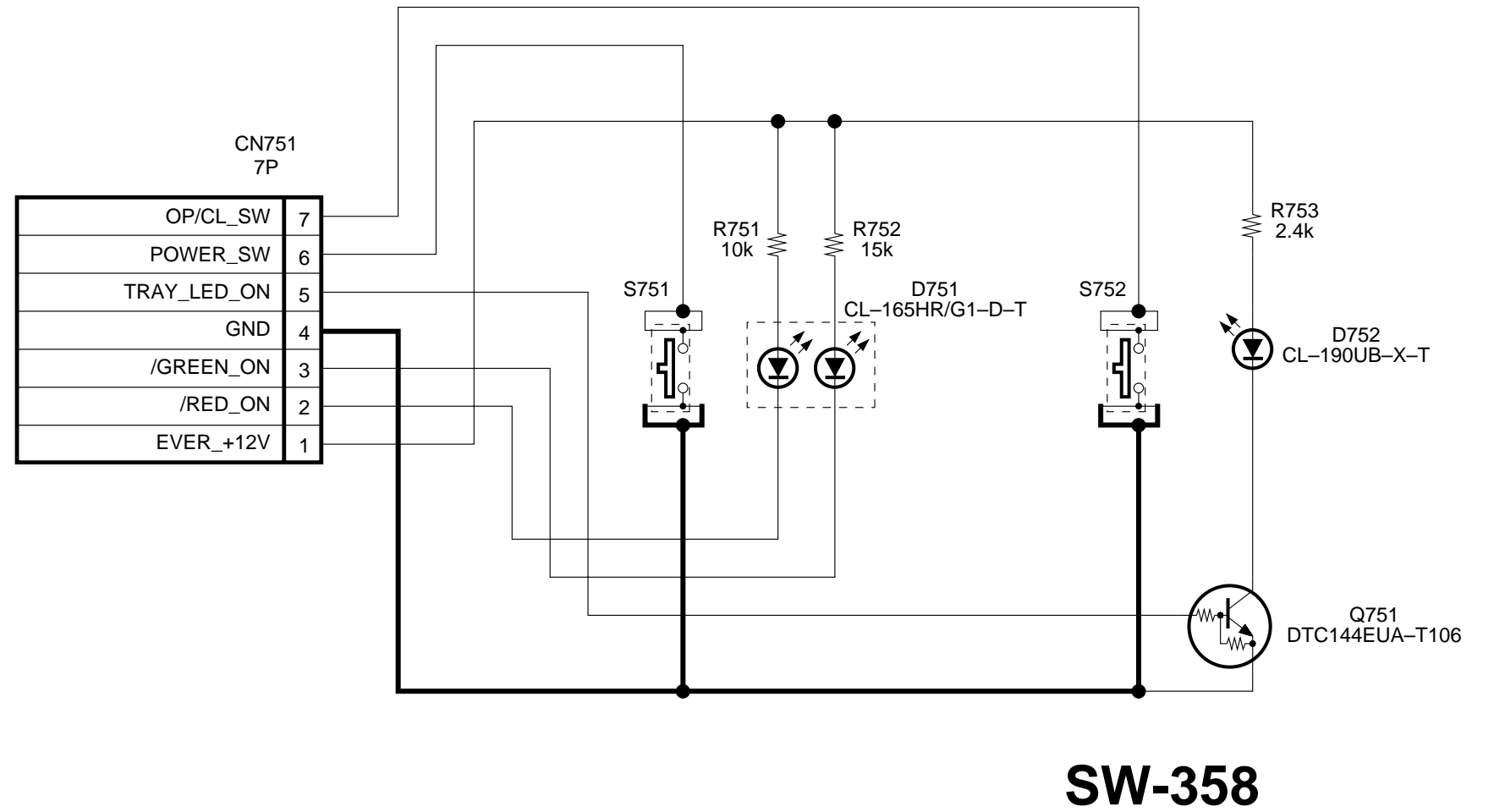
**GB-003**  
A side



**SW-358**  
A side



**SW-358**  
B side



# SECTION 5 ELECTRICAL PARTS LIST for SCPH-30002D/30003D/30004D GH010 MOUNT

**NOTE :**

- Due to standardization, replacements in the parts list may be different from the parts specified in the diagrams or the components used on the set.
- -XX and -X mean standardized parts, so they may have some difference from the original one.
- RESISTORS  
METAL : Metal-film resistor.  
F : nonflammable  
Unit is Ω.

- SEMICONDUCTORS  
In each case, u : μ, for example :  
uA . . : μA . . uPA . . : μPA . .  
uPB . . : μPB . . uPC . . : μPC . . uPD . . : μPD . .
- CAPACITORS  
uF : μF
- COILS  
uH : μH

The components identified by mark  $\triangle$  or dotted line with mark.  $\triangle$  are critical for safety. Replace only with part number specified.

When indicating parts by reference number, please include the board.

Ref.	Part No.	Description
<b>Dissimilarity Parts</b>		
for SCPH-30002 GH010-64MM *****		
C408	1-125-837-91	CAP, CHIP CERAMIC 1MF B (1608)
C526	1-164-156-91	CAP, CHIP CERAMIC 0.1MF F (1608)
C543	1-113-619-91	CAP, CERAMIC 470000PF F (1608)
IC403	8-759-688-08	IC MM1537DFBE
IC505	6-800-199-01	IC TC5364200FT-PA07
IC518	8-759-680-49	IC TC7WB125FK(TE85R)
IC604	8-752-922-01	IC CXP101064-303R-T6
R527	1-216-821-91	RES, CHIP 1.0K (1608)
for SCPH-30002 GH010-64MR *****		
C408	1-107-826-91	CAP, CHIP CERAMIC 100000PF B
C526	1-164-156-91	CAP, CHIP CERAMIC 0.1MF F (1608)
C543	1-113-619-91	CAP, CERAMIC 470000PF F (1608)
IC403	6-700-234-01	IC BD3992F-E2
IC505	6-800-199-01	IC TC5364200FT-PA07
IC518	8-759-680-49	IC TC7WB125FK(TE85R)
IC604	8-752-922-02	IC CXP101064-303R-T7
R527	1-216-821-91	RES, CHIP 1.0K (1608)
for SCPH-30003/-30004 GH010-32MM *****		
C408	1-125-837-91	CAP, CHIP CERAMIC 1MF B (1608)
C505	1-113-619-91	CAP, CERAMIC 470000PF F (1608)
C512	1-113-619-91	CAP, CERAMIC 470000PF F (1608)
IC403	8-759-688-08	IC MM1537DFBE
IC503	6-800-197-01	IC MR27V3202F-A7TPZ
IC506	6-800-198-01	IC MR27V1602E-74TPZ
IC604	8-752-921-99	IC CXP101064-202R-T6
R510	1-216-864-91	CONDUCTOR, CHIP (1608)
R511	1-216-864-91	CONDUCTOR, CHIP (1608)
for SCPH-30003/-30004 GH010-64MM *****		
C408	1-125-837-91	CAP, CHIP CERAMIC 1MF B (1608)
C526	1-164-156-91	CAP, CHIP CERAMIC 0.1MF F (1608)
C543	1-113-619-91	CAP, CERAMIC 470000PF F (1608)
IC403	8-759-688-08	IC MM1537DFBE
IC505	6-800-196-01	IC TC5364200FT-PA06
IC518	8-759-680-49	IC TC7WB125FK(TE85R)
IC604	8-752-921-99	IC CXP101064-202R-T6
R527	1-216-821-91	RES, CHIP 1.0K (1608)

Ref.	Part No.	Description
for SCPH-30003/-30004 GH010-64MR *****		
C408	1-107-826-91	CAP, CHIP CERAMIC 100000PF B
C526	1-164-156-91	CAP, CHIP CERAMIC 0.1MF F (1608)
C543	1-113-619-91	CAP, CERAMIC 470000PF F (1608)
IC403	6-700-234-01	IC BD3992F-E2
IC505	6-800-196-01	IC TC5364200FT-PA06
IC518	8-759-680-49	IC TC7WB125FK(TE85R)
IC604	8-752-921-99	IC CXP101064-202R-T6
R527	1-216-821-91	RES, CHIP 1.0K (1608)
for IC801 : SP3727ACA0PMR(8-7529-685-15) *****		
C632	1-107-826-91	CAP, CHIP CERAMIC 100000PF
C689	1-162-968-91	CAP, CHIP CERAMIC 100000PF
IC606	8-759-712-38	IC HD74HC1G66CME
IC606	8-759-712-63	IC MC74VHC1G66DFT1
IC801	8-7529-685-15	IC SP3727ACA0PMR
R640	1-216-837-91	RES, CHIP 22K (1608)
R643	1-216-850-91	RES, CHIP 270K (1608)
for IC801:SP3727AFA0PMR(6-700-585-01) *****		
IC801	6-700-585-01	IC SP3727AFA0PMR
R640	1-216-864-91	CONDUCTOR, CHIP(1608)
<b>Common Parts</b>		
<CAPACITOR>		
C101	1-128-964-91	CAP, CHIP TANTALUM ELECT 100MF
C102	1-128-964-91	CAP, CHIP TANTALUM ELECT 100MF
C103	1-128-964-91	CAP, CHIP TANTALUM ELECT 100MF
C104	1-107-826-91	CAP, CHIP CERAMIC 100000PF B
C105	1-107-826-91	CAP, CHIP CERAMIC 100000PF B
C106	1-107-826-91	CAP, CHIP CERAMIC 100000PF B
C107	1-107-826-91	CAP, CHIP CERAMIC 100000PF B
C108	1-107-826-91	CAP, CHIP CERAMIC 100000PF B
C109	1-107-826-91	CAP, CHIP CERAMIC 100000PF B
C110	1-107-826-91	CAP, CHIP CERAMIC 100000PF B
C111	1-107-826-91	CAP, CHIP CERAMIC 100000PF B
C112	1-107-826-91	CAP, CHIP CERAMIC 100000PF B
C113	1-107-826-91	CAP, CHIP CERAMIC 100000PF B
C114	1-107-826-91	CAP, CHIP CERAMIC 100000PF B
C115	1-107-826-91	CAP, CHIP CERAMIC 100000PF B
C116	1-107-826-91	CAP, CHIP CERAMIC 100000PF B
C117	1-107-826-91	CAP, CHIP CERAMIC 100000PF B
C118	1-107-826-91	CAP, CHIP CERAMIC 100000PF B
C119	1-107-826-91	CAP, CHIP CERAMIC 100000PF B
C120	1-107-826-91	CAP, CHIP CERAMIC 100000PF B
C121	1-107-826-91	CAP, CHIP CERAMIC 100000PF B

Ref.	Part No.	Description	Ref.	Part No.	Description
C122	1-107-826-91	CAP, CHIP CERAMIC 100000PF B	C232	1-125-837-91	CAP, CHIP CERAMIC 1MF B (1608)
C123	1-107-826-91	CAP, CHIP CERAMIC 100000PF B	C233	1-125-837-91	CAP, CHIP CERAMIC 1MF B (1608)
C124	1-107-826-91	CAP, CHIP CERAMIC 100000PF B	C234	1-125-837-91	CAP, CHIP CERAMIC 1MF B (1608)
C125	1-107-826-91	CAP, CHIP CERAMIC 100000PF B	C235	1-125-837-91	CAP, CHIP CERAMIC 1MF B (1608)
C126	1-107-826-91	CAP, CHIP CERAMIC 100000PF B	C236	1-125-837-91	CAP, CHIP CERAMIC 1MF B (1608)
C127	1-107-826-91	CAP, CHIP CERAMIC 100000PF B	C237	1-125-837-91	CAP, CHIP CERAMIC 1MF B (1608)
C128	1-107-826-91	CAP, CHIP CERAMIC 100000PF B	C238	1-125-837-91	CAP, CHIP CERAMIC 1MF B (1608)
C129	1-107-826-91	CAP, CHIP CERAMIC 100000PF B	C239	1-125-837-91	CAP, CHIP CERAMIC 1MF B (1608)
C131	1-162-970-91	CAP, CERAMIC 10000PF B (1608)	C240	1-125-837-91	CAP, CHIP CERAMIC 1MF B (1608)
C132	1-125-777-81	CAP, CHIP CERAMIC 0.1MF B (1005)	C241	1-125-837-91	CAP, CHIP CERAMIC 1MF B (1608)
C134	1-125-777-81	CAP, CHIP CERAMIC 0.1MF B (1005)	C242	1-128-707-22	CAP, TANTALUM ELECT (SMD) 220
C135	1-107-826-91	CAP, CHIP CERAMIC 100000PF B	C243	1-135-609-91	CAP, CHIP TANTALUM ELECT 220MF
C136	1-162-964-91	CAP, CHIP CERAMIC 1000PF B (1608)	C244	1-128-707-22	CAP, TANTALUM ELECT (SMD) 220
C137	1-107-826-91	CAP, CHIP CERAMIC 100000PF B	C245	1-128-707-22	CAP, TANTALUM ELECT (SMD) 220
C138	1-107-826-91	CAP, CHIP CERAMIC 100000PF B	C247	1-107-826-91	CAP, CHIP CERAMIC 100000PF B
C139	1-107-826-91	CAP, CHIP CERAMIC 100000PF B	C248	1-107-826-91	CAP, CHIP CERAMIC 100000PF B
C140	1-107-826-91	CAP, CHIP CERAMIC 100000PF B	C249	1-115-156-91	CAP, CERAMIC 1000000PF F (1608)
C141	1-135-609-91	CAP, CHIP TANTALUM ELECT 220MF	C250	1-127-760-91	CAP, CERAMIC 4.7MF (2012)
C142	1-107-826-91	CAP, CHIP CERAMIC 100000PF B	C252	1-107-826-91	CAP, CHIP CERAMIC 100000PF B
C143	1-107-826-91	CAP, CHIP CERAMIC 100000PF B	C254	1-107-826-91	CAP, CHIP CERAMIC 100000PF B
C144	1-107-826-91	CAP, CHIP CERAMIC 100000PF B	C255	1-107-826-91	CAP, CHIP CERAMIC 100000PF B
C145	1-107-826-91	CAP, CHIP CERAMIC 100000PF B	C256	1-125-777-81	CAP, CHIP CERAMIC 0.1MF B (1005)
C146	1-162-964-91	CAP, CHIP CERAMIC 1000PF B (1608)	C257	1-125-837-91	CAP, CHIP CERAMIC 1MF B (1608)
C147	1-162-964-91	CAP, CHIP CERAMIC 1000PF B (1608)	C261	1-128-004-21	CAP, ELECT (CHIP) 10MF
C148	1-107-826-91	CAP, CHIP CERAMIC 100000PF B	C262	1-128-004-21	CAP, ELECT (CHIP) 10MF
C149	1-107-826-91	CAP, CHIP CERAMIC 100000PF B	C263	1-128-004-21	CAP, ELECT (CHIP) 10MF
C150	1-162-970-91	CAP, CERAMIC 10000PF B (1608)	C265	1-117-720-91	CAP, CERAMIC 4.7MF F (2012)
C151	1-164-160-91	CAP, CERAMIC 20PF CH (1608)	C266	1-128-004-21	CAP, ELECT (CHIP) 10MF
C152	1-164-160-91	CAP, CERAMIC 20PF CH (1608)	C267	1-126-210-21	CAP, ELECT 220MF
C153	1-162-970-91	CAP, CERAMIC 10000PF B (1608)	C268	1-126-210-21	CAP, ELECT 220MF
C154	1-162-970-91	CAP, CERAMIC 10000PF B (1608)	C269	1-164-160-91	CAP, CERAMIC 20PF CH (1608)
C155	1-107-826-91	CAP, CHIP CERAMIC 100000PF B	C270	1-125-777-81	CAP, CHIP CERAMIC 0.1MF B (1005)
C156	1-107-826-91	CAP, CHIP CERAMIC 100000PF B	C271	1-107-826-91	CAP, CHIP CERAMIC 100000PF B
C157	1-125-777-81	CAP, CHIP CERAMIC 0.1MF B (1005)	C272	1-107-826-91	CAP, CHIP CERAMIC 100000PF B
C158	1-162-970-91	CAP, CERAMIC 10000PF B (1608)	C275	1-107-826-91	CAP, CHIP CERAMIC 100000PF B
C159	1-107-826-91	CAP, CHIP CERAMIC 100000PF B	C276	1-162-965-91	CAP, CERAMIC 1500PF B (1608)
C160	1-162-925-91	CAP, CERAMIC 68PF CH (1608)	C277	1-162-965-91	CAP, CERAMIC 1500PF B (1608)
C161	1-128-964-91	CAP, CHIP TANTALUM ELECT 100MF	C278	1-113-619-91	CAP, CERAMIC 470000PF F (1608)
C162	1-162-925-91	CAP, CERAMIC 68PF CH (1608)	C279	1-113-619-91	CAP, CERAMIC 470000PF F (1608)
C163	1-128-964-91	CAP, CHIP TANTALUM ELECT 100MF	C281	1-115-156-91	CAP, CERAMIC 1000000PF F (1608)
C164	1-128-964-91	CAP, CHIP TANTALUM ELECT 100MF	C282	1-113-619-91	CAP, CERAMIC 470000PF F (1608)
C168	1-162-964-91	CAP, CHIP CERAMIC 1000PF B (1608)	C283	1-107-826-91	CAP, CHIP CERAMIC 100000PF B
C169	1-164-874-81	CAP, CHIP CERAMIC 100PF CH (1005)	C285	1-113-619-91	CAP, CERAMIC 470000PF F (1608)
C170	1-125-837-91	CAP, CHIP CERAMIC 1MF B (1608)	C286	1-113-619-91	CAP, CERAMIC 470000PF F (1608)
C175	1-125-777-81	CAP, CHIP CERAMIC 0.1MF B (1005)	C287	1-107-826-91	CAP, CHIP CERAMIC 100000PF B
C176	1-125-777-81	CAP, CHIP CERAMIC 0.1MF B (1005)	C288	1-125-837-91	CAP, CHIP CERAMIC 1MF B (1608)
C212	1-125-837-91	CAP, CHIP CERAMIC 1MF B (1608)	C289	1-162-964-91	CAP, CHIP CERAMIC 1000PF B (1608)
C213	1-125-837-91	CAP, CHIP CERAMIC 1MF B (1608)	C290	1-113-619-91	CAP, CERAMIC 470000PF F (1608)
C214	1-125-837-91	CAP, CHIP CERAMIC 1MF B (1608)	C291	1-164-862-81	CAP, CHIP CERAMIC 33PF CH (1005)
C215	1-125-837-91	CAP, CHIP CERAMIC 1MF B (1608)	C292	1-107-725-91	CAP, CERAMIC 100000PF B (2012)
C216	1-125-837-91	CAP, CHIP CERAMIC 1MF B (1608)	C293	1-137-765-21	CAP, ELECT 47MF
C217	1-125-837-91	CAP, CHIP CERAMIC 1MF B (1608)	C294	1-107-826-91	CAP, CHIP CERAMIC 100000PF B
C218	1-125-837-91	CAP, CHIP CERAMIC 1MF B (1608)	C295	1-107-826-91	CAP, CHIP CERAMIC 100000PF B
C219	1-125-837-91	CAP, CHIP CERAMIC 1MF B (1608)	C296	1-126-210-21	CAP, ELECT 220MF
C220	1-125-837-91	CAP, CHIP CERAMIC 1MF B (1608)	C297	1-126-210-21	CAP, ELECT 220MF
C221	1-125-837-91	CAP, CHIP CERAMIC 1MF B (1608)	C298	1-126-210-21	CAP, ELECT 220MF
C222	1-125-837-91	CAP, CHIP CERAMIC 1MF B (1608)	C301	1-107-826-91	CAP, CHIP CERAMIC 100000PF B
C223	1-125-837-91	CAP, CHIP CERAMIC 1MF B (1608)	C302	1-107-826-91	CAP, CHIP CERAMIC 100000PF B
C224	1-125-837-91	CAP, CHIP CERAMIC 1MF B (1608)	C303	1-107-826-91	CAP, CHIP CERAMIC 100000PF B
C225	1-125-837-91	CAP, CHIP CERAMIC 1MF B (1608)	C304	1-162-964-91	CAP, CHIP CERAMIC 1000PF B (1608)
C226	1-125-837-91	CAP, CHIP CERAMIC 1MF B (1608)	C305	1-107-826-91	CAP, CHIP CERAMIC 100000PF B
C227	1-125-837-91	CAP, CHIP CERAMIC 1MF B (1608)	C306	1-164-387-91	CAP, CERAMIC 240PF CH (1608)
C228	1-125-837-91	CAP, CHIP CERAMIC 1MF B (1608)	C307	1-107-826-91	CAP, CHIP CERAMIC 100000PF B
C229	1-125-837-91	CAP, CHIP CERAMIC 1MF B (1608)	C308	1-165-112-91	CAP, CERAMIC 330000PF F (1608)
C230	1-125-837-91	CAP, CHIP CERAMIC 1MF B (1608)	C309	1-162-970-91	CAP, CERAMIC 10000PF B (1608)
C231	1-125-837-91	CAP, CHIP CERAMIC 1MF B (1608)	C310	1-162-970-91	CAP, CERAMIC 10000PF B (1608)

Ref.	Part No.	Description	Ref.	Part No.	Description	Ref.	Part No.	Description	Ref.	Part No.	Description				
C311	1-162-916-91	CAP, CERAMIC 12PF CH	(1608)	C424	1-127-820-91	CAP, SQUARE TYPE CHIP 4.7MF	C504	1-164-346-91	CAP, CHIP CERAMIC 1MF F	(2012)	C657	1-164-230-91	CAP, CERAMIC 220PF CH	(1608)	
C312	1-162-917-91	CAP, CERAMIC 15PF CH	(1608)	C425	1-124-779-21	CAP, ELECT 10MF	C507	1-163-009-91	CAP, CHIP CERAMIC 1000PF B	(2012)	C658	1-164-230-91	CAP, CERAMIC 220PF CH	(1608)	
C313	1-162-910-91	CAP, CERAMIC 5.0PF CH	(1608)	C426	1-107-826-91	CAP, CHIP CERAMIC 100000PF B	C508	1-113-619-91	CAP, CERAMIC 470000PF F	(1608)	C660	1-107-826-91	CAP, CHIP CERAMIC 100000PF B	(1608)	
C314	1-162-910-91	CAP, CERAMIC 5.0PF CH	(1608)	C430	1-107-826-91	CAP, CHIP CERAMIC 100000PF B	C509	1-113-619-91	CAP, CERAMIC 470000PF F	(1608)	C661	1-164-360-91	CAP, CERAMIC 0.1MF F	(1608)	
C315	1-107-826-91	CAP, CHIP CERAMIC 100000PF B	(1608)	C431	1-107-826-91	CAP, CHIP CERAMIC 100000PF B	C510	1-113-619-91	CAP, CERAMIC 470000PF F	(1608)	C662	1-164-156-91	CAP, CHIP CERAMIC 0.1MF F	(1608)	
C316	1-165-112-91	CAP, CERAMIC 330000PF F	(1608)	C432	1-115-339-91	CAP, CERAMIC 0.1MF B	(2012)	C513	1-113-619-91	CAP, CERAMIC 470000PF F	(1608)	C664	1-135-259-91	CAP, CHIP TANTALUM ELECT 10MF	(1608)
C317	1-162-970-91	CAP, CERAMIC 10000PF B	(1608)	C433	1-115-339-91	CAP, CERAMIC 0.1MF B	(2012)	C514	1-113-619-91	CAP, CERAMIC 470000PF F	(1608)	C665	1-164-360-91	CAP, CERAMIC 0.1MF F	(1608)
C318	1-162-970-91	CAP, CERAMIC 10000PF B	(1608)	C434	1-162-964-91	CAP, CHIP CERAMIC 1000PF B	(1608)	C516	1-113-619-91	CAP, CERAMIC 470000PF F	(1608)	C666	1-164-360-91	CAP, CERAMIC 0.1MF F	(1608)
C319	1-162-970-91	CAP, CERAMIC 10000PF B	(1608)	C435	1-115-566-91	CAP, CERAMIC 4.7MF B	(2012)	C517	1-113-619-91	CAP, CERAMIC 470000PF F	(1608)	C667	1-164-360-91	CAP, CERAMIC 0.1MF F	(1608)
C320	1-162-970-91	CAP, CERAMIC 10000PF B	(1608)	C437	1-107-826-91	CAP, CHIP CERAMIC 100000PF B	(2012)	C518	1-113-619-91	CAP, CERAMIC 470000PF F	(1608)	C668	1-107-826-91	CAP, CHIP CERAMIC 100000PF B	(1608)
C321	1-162-970-91	CAP, CERAMIC 10000PF B	(1608)	C438	1-107-826-91	CAP, CHIP CERAMIC 100000PF B	(2012)	C521	1-125-837-91	CAP, CHIP CERAMIC 1MF B	(1608)	C671	1-164-156-91	CAP, CHIP CERAMIC 0.1MF F	(1608)
C322	1-162-970-91	CAP, CERAMIC 10000PF B	(1608)	C439	1-135-593-21	CAP, ELECT 150MF	(2012)	C522	1-164-156-91	CAP, CHIP CERAMIC 0.1MF F	(1608)	C672	1-164-156-91	CAP, CHIP CERAMIC 0.1MF F	(1608)
C323	1-162-970-91	CAP, CERAMIC 10000PF B	(1608)	C440	1-135-592-21	CAP, ELECT 100MF	(2012)	C523	1-107-726-91	CAP, CHIP CERAMIC 10000PF B	(1608)	C673	1-164-156-91	CAP, CHIP CERAMIC 0.1MF F	(1608)
C324	1-107-826-91	CAP, CHIP CERAMIC 100000PF B	(1608)	C441	1-135-593-21	CAP, ELECT 150MF	(2012)	C524	1-113-619-91	CAP, CERAMIC 470000PF F	(1608)	C674	1-164-156-91	CAP, CHIP CERAMIC 0.1MF F	(1608)
C325	1-162-970-91	CAP, CERAMIC 10000PF B	(1608)	C443	1-135-592-21	CAP, ELECT 100MF	(2012)	C525	1-113-619-91	CAP, CERAMIC 470000PF F	(1608)	C675	1-164-360-91	CAP, CERAMIC 0.1MF F	(1608)
C326	1-162-970-91	CAP, CERAMIC 10000PF B	(1608)	C444	1-107-826-91	CAP, CHIP CERAMIC 100000PF B	(2012)	C527	1-162-964-91	CAP, CHIP CERAMIC 1000PF B	(1608)	C676	1-164-360-91	CAP, CERAMIC 0.1MF F	(1608)
C327	1-162-970-91	CAP, CERAMIC 10000PF B	(1608)	C445	1-117-720-91	CAP, CERAMIC 4.7MF F	(2012)	C528	1-125-837-91	CAP, CHIP CERAMIC 1MF B	(1608)	C685	1-117-863-91	CAP, CHIP CERAMIC 0.47MF B	(1608)
C328	1-162-970-91	CAP, CERAMIC 10000PF B	(1608)	C446	1-135-592-21	CAP, ELECT 100MF	(2012)	C529	1-128-008-21	CAP, ELECT (CHIP) 3.3MF	(1608)	C688	1-162-964-91	CAP, CHIP CERAMIC 1000PF B	(1608)
C329	1-162-970-91	CAP, CERAMIC 10000PF B	(1608)	C447	1-107-682-91	CAP, CERAMIC 1000000PF B	(3216)	C530	1-128-008-21	CAP, ELECT (CHIP) 3.3MF	(1608)	C693	1-162-912-91	CAP, CERAMIC 7.0PF CH	(1608)
C330	1-162-970-91	CAP, CERAMIC 10000PF B	(1608)	C449	1-162-964-91	CAP, CHIP CERAMIC 1000PF B	(1608)	C533	1-113-619-91	CAP, CERAMIC 470000PF F	(1608)	C701	1-162-927-91	CAP, CERAMIC 100PF CH	(1608)
C331	1-162-970-91	CAP, CERAMIC 10000PF B	(1608)	C450	1-107-826-91	CAP, CHIP CERAMIC 100000PF B	(1608)	C534	1-113-619-91	CAP, CERAMIC 470000PF F	(1608)	C702	1-162-927-91	CAP, CERAMIC 100PF CH	(1608)
C332	1-162-970-91	CAP, CERAMIC 10000PF B	(1608)	C452	1-164-360-91	CAP, CERAMIC 0.1MF F	(1608)	C535	1-113-619-91	CAP, CERAMIC 470000PF F	(1608)	C703	1-162-927-91	CAP, CERAMIC 100PF CH	(1608)
C333	1-162-970-91	CAP, CERAMIC 10000PF B	(1608)	C453	1-164-360-91	CAP, CERAMIC 0.1MF F	(1608)	C536	1-113-619-91	CAP, CERAMIC 470000PF F	(1608)	C704	1-162-927-91	CAP, CERAMIC 100PF CH	(1608)
C334	1-162-970-91	CAP, CERAMIC 10000PF B	(1608)	C455	1-127-820-91	CAP, SQUARE TYPE CHIP 4.7MF	(1608)	C537	1-113-619-91	CAP, CERAMIC 470000PF F	(1608)	C705	1-162-927-91	CAP, CERAMIC 100PF CH	(1608)
C335	1-162-970-91	CAP, CERAMIC 10000PF B	(1608)	C456	1-127-760-91	CAP, CERAMIC 4.7MF	(2012)	C538	1-113-619-91	CAP, CERAMIC 470000PF F	(1608)	C706	1-162-927-91	CAP, CERAMIC 100PF CH	(1608)
C336	1-162-970-91	CAP, CERAMIC 10000PF B	(1608)	C457	1-127-760-91	CAP, CERAMIC 4.7MF	(2012)	C539	1-113-619-91	CAP, CERAMIC 470000PF F	(1608)	C707	1-127-692-91	CAP, CHIP CERAMIC 10MF B	(3225)
C337	1-162-970-91	CAP, CERAMIC 10000PF B	(1608)	C458	1-162-964-91	CAP, CHIP CERAMIC 1000PF B	(1608)	C540	1-113-619-91	CAP, CERAMIC 470000PF F	(1608)	C708	1-127-692-91	CAP, CHIP CERAMIC 10MF B	(3225)
C338	1-107-826-91	CAP, CHIP CERAMIC 100000PF B	(1608)	C460	1-164-174-91	CAP, CERAMIC 8200PF B	(1608)	C541	1-113-619-91	CAP, CERAMIC 470000PF F	(1608)	C709	1-127-692-91	CAP, CHIP CERAMIC 10MF B	(3225)
C339	1-125-764-61	CAP, CHIP CERAMIC 100PF CH	(1608)	C461	1-164-174-91	CAP, CERAMIC 8200PF B	(1608)	C542	1-162-927-91	CAP, CERAMIC 100PF CH	(1608)	C710	1-127-692-91	CAP, CHIP CERAMIC 10MF B	(3225)
C340	1-125-764-61	CAP, CHIP CERAMIC 100PF CH	(1608)	C462	1-163-009-91	CAP, CHIP CERAMIC 1000PF B	(2012)	C544	1-137-765-21	CAP, ELECT 47MF	(1608)	C711	1-135-346-21	CAP, SOLID ELECT 39MF	(1608)
C341	1-125-764-61	CAP, CHIP CERAMIC 100PF CH	(1608)	C465	1-125-777-81	CAP, CHIP CERAMIC 0.1MF B	(1005)	C601	1-164-156-91	CAP, CHIP CERAMIC 0.1MF F	(1608)	C712	1-162-970-91	CAP, CERAMIC 10000PF B	(1608)
C342	1-107-826-91	CAP, CHIP CERAMIC 100000PF B	(1608)	C466	1-125-777-81	CAP, CHIP CERAMIC 0.1MF B	(1005)	C603	1-162-964-91	CAP, CHIP CERAMIC 1000PF B	(1608)	C714	1-127-692-91	CAP, CHIP CERAMIC 10MF B	(3225)
C343	1-107-826-91	CAP, CHIP CERAMIC 100000PF B	(1608)	C467	1-126-209-21	CAP, ELECT 100MF	(1608)	C605	1-162-964-91	CAP, CHIP CERAMIC 1000PF B	(1608)	C715	1-127-692-91	CAP, CHIP CERAMIC 10MF B	(3225)
C344	1-107-826-91	CAP, CHIP CERAMIC 100000PF B	(1608)	C468	1-126-209-21	CAP, ELECT 100MF	(1608)	C606	1-162-964-91	CAP, CHIP CERAMIC 1000PF B	(1608)	C716	1-131-999-21	CAP, SOLID ELECT 150MF	(1608)
C345	1-125-777-81	CAP, CHIP CERAMIC 0.1MF B	(1005)	C469	1-162-977-91	CAP, CERAMIC 1800PF B	(1608)	C607	1-162-968-91	CAP, CHIP CERAMIC 4700PF B	(1608)	C717	1-135-346-21	CAP, SOLID ELECT 39MF	(1608)
C355	1-125-777-81	CAP, CHIP CERAMIC 0.1MF B	(1005)	C470	1-107-826-91	CAP, CHIP CERAMIC 100000PF B	(1608)	C609	1-107-826-91	CAP, CHIP CERAMIC 100000PF B	(1608)	C718	1-135-346-21	CAP, SOLID ELECT 39MF	(1608)
C356	1-125-777-81	CAP, CHIP CERAMIC 0.1MF B	(1005)	C471	1-164-379-91	CAP, CERAMIC 43PF CH	(1608)	C623	1-164-156-91	CAP, CHIP CERAMIC 0.1MF F	(1608)	C722	1-164-937-81	CAP, CHIP CERAMIC 1000PF B	(1005)
C363	1-107-826-91	CAP, CHIP CERAMIC 100000PF B	(1608)	C472	1-107-826-91	CAP, CHIP CERAMIC 100000PF B	(1608)	C624	1-107-826-91	CAP, CHIP CERAMIC 100000PF B	(1608)	C723	1-137-766-21	CAP, ELECT 68MF	(1608)
C364	1-107-826-91	CAP, CHIP CERAMIC 100000PF B	(1608)	C473	1-162-970-91	CAP, CERAMIC 10000PF B	(1608)	C625	1-164-156-91	CAP, CHIP CERAMIC 0.1MF F	(1608)	C724	1-137-765-21	CAP, ELECT 47MF	(1608)
C365	1-107-826-91	CAP, CHIP CERAMIC 100000PF B	(1608)	C474	1-107-826-91	CAP, CHIP CERAMIC 100000PF B	(1608)	C629	1-164-156-91	CAP, CHIP CERAMIC 0.1MF F	(1608)	C725	1-124-779-21	CAP, ELECT 10MF	(1608)
C366	1-107-826-91	CAP, CHIP CERAMIC 100000PF B	(1608)	C475	1-164-730-91	CAP, CERAMIC 1200PF B	(1608)	C630	1-164-173-91	CAP, CERAMIC 3900PF B	(1608)	C726	1-162-964-91	CAP, CHIP CERAMIC 1000PF B	(1608)
C367	1-107-826-91	CAP, CHIP CERAMIC 100000PF B	(1608)	C476	1-115-339-91	CAP, CERAMIC 0.1MF B	(2012)	C631	1-162-968-91	CAP, CHIP CERAMIC 4700PF B	(1608)	C727	1-164-937-81	CAP, CHIP CERAMIC 1000PF B	(1005)
C368	1-125-777-81	CAP, CHIP CERAMIC 0.1MF B	(1005)	C477	1-127-760-91	CAP, CERAMIC 4.7MF	(2012)	C633	1-164-156-91	CAP, CHIP CERAMIC 0.1MF F	(1608)	C730	1-127-820-91	CAP, SQUARE TYPE CHIP 4.7MF	(1608)
C369	1-125-777-81	CAP, CHIP CERAMIC 0.1MF B	(1005)	C478	1-127-760-91	CAP, CERAMIC 4.7MF	(2012)	C634	1-164-156-91	CAP, CHIP CERAMIC 0.1MF F	(1608)	C791	1-164-245-91	CAP, CERAMIC 15000PF B	(1608)
C370	1-162-964-91	CAP, CHIP CERAMIC 1000PF B	(1608)	C479	1-125-837-91	CAP, CHIP CERAMIC 1MF B	(1608)	C635	1-162-968-91	CAP, CHIP CERAMIC 4700PF B	(1608)	C792	1-104-851-91	CAP, CHIP TANTALUM ELECT 10MF	(1608)
C371	1-162-964-91	CAP, CHIP CERAMIC 1000PF B	(1608)	C480	1-115-339-91	CAP, CERAMIC 0.1MF B	(2012)	C636	1-107-826-91	CAP, CHIP CERAMIC 100000PF B	(1608)	C793	1-164-505-91	CAP, CHIP CERAMIC 2.2MF F	(2012)
C372	1-165-492-21	CAP, ELECT 100MF	(1608)	C482	1-107-826-91	CAP, CHIP CERAMIC 100000PF B	(1608)	C637	1-162-964-91	CAP, CHIP CERAMIC 1000PF B	(1608)	C794	1-163-009-91	CAP, CHIP CERAMIC 1000PF B	(2012)
C373	1-165-492-21	CAP, ELECT 100MF	(1608)	C483	1-107-826-91	CAP, CHIP CERAMIC 100000PF B	(1608)	C638	1-107-726-91	CAP, CHIP CERAMIC 100000PF B	(1608)	C795	1-163-009-91	CAP, CHIP CERAMIC 1000PF B	(2012)
C401	1-125-777-81	CAP, CHIP CERAMIC 0.1MF B	(1005)	C485	1-107-826-91	CAP, CHIP CERAMIC 100000PF B	(1608)	C639	1-164-217-91	CAP, CERAMIC 150PF CH	(1608)	C796	1-162-964-91	CAP, CHIP CERAMIC 1000PF B	(1608)
C402	1-164-505-91	CAP, CHIP CERAMIC 2.2MF F	(2012)	C486	1-137-765-21	CAP, ELECT 47MF	(1608)	C640	1-135-259-91	CAP, CHIP TANTALUM ELECT 10MF	(1608)	C797	1-162-927-91	CAP, CERAMIC 100PF CH	(1608)
C403	1-164-937-81	CAP, CHIP CERAMIC 1000PF B	(1005)	C487	1-131-999-21	CAP, SOLID ELECT 150MF	(1608)	C642	1-164-156-91	CAP, CHIP CERAMIC 0.1MF F	(1608)	C798	1-162-927-91	CAP, CERAMIC 100PF CH	(1608)
C404	1-125-837-91	CAP, CHIP CERAMIC 1MF B	(1608)	C488	1-115-566-91	CAP, CERAMIC 4.7MF B	(2012)	C643	1-107-826-91	CAP, CHIP CERAMIC 100000PF B	(1608)	C801	1-115-467-91	CAP, CHIP CERAMIC 0.22MF B	(1608)
C405	1-107-826-91	CAP, CHIP CERAMIC 100000PF B	(1608)	C489	1-131-999-21	CAP, SOLID ELECT 150MF	(2012)	C644	1-164-230-91	CAP, CERAMIC 220PF CH	(1608)	C802	1-115-467-91	CAP, CHIP CERAMIC 0.22MF B	(1608)
C407	1-107-826-91	CAP, CHIP CERAMIC 100000PF B	(1608)	C490	1-126-209-21	CAP, ELECT 100MF	(1608)	C645	1-165-176-91	C					

Ref.	Part No.	Description	
C826	1-164-677-91	CAP, CERAMIC 33000PF B	(1608)
C827	1-162-966-91	CAP, CERAMIC 2200PF B	(1608)
C828	1-162-966-91	CAP, CERAMIC 2200PF B	(1608)
C829	1-162-966-91	CAP, CERAMIC 2200PF B	(1608)
C830	1-162-966-91	CAP, CERAMIC 2200PF B	(1608)
C831	1-162-975-91	CAP, CERAMIC 24PF CH	(1608)
C832	1-115-467-91	CAP, CHIP CERAMIC 0.22MF B	(1608)
C834	1-163-038-91	CAP, CERAMIC 100000PF F	(2012)
C835	1-127-692-91	CAP, CHIP CERAMIC 10MF B	(3225)
C836	1-107-826-91	CAP, CHIP CERAMIC 100000PF B	
C837	1-107-826-91	CAP, CHIP CERAMIC 100000PF B	
C839	1-125-837-91	CAP, CHIP CERAMIC 1MF B	(1608)
C840	1-107-826-91	CAP, CHIP CERAMIC 100000PF B	
C841	1-107-826-91	CAP, CHIP CERAMIC 100000PF B	
C842	1-107-826-91	CAP, CHIP CERAMIC 100000PF B	
C843	1-162-970-91	CAP, CERAMIC 10000PF B	(1608)
C844	1-125-837-91	CAP, CHIP CERAMIC 1MF B	(1608)
C845	1-162-970-91	CAP, CERAMIC 10000PF B	(1608)
C846	1-107-826-91	CAP, CHIP CERAMIC 100000PF B	
C848	1-107-823-91	CAP, CERAMIC 470000PF B	(2012)
C850	1-107-826-91	CAP, CHIP CERAMIC 100000PF B	
C851	1-162-970-91	CAP, CERAMIC 10000PF B	(1608)
C853	1-107-826-91	CAP, CHIP CERAMIC 100000PF B	
C854	1-107-826-91	CAP, CHIP CERAMIC 100000PF B	
C855	1-115-467-91	CAP, CHIP CERAMIC 0.22MF B	(1608)
C857	1-107-826-91	CAP, CHIP CERAMIC 100000PF B	
C859	1-107-826-91	CAP, CHIP CERAMIC 100000PF B	
C860	1-164-173-91	CAP, CERAMIC 3900PF B	(1608)
C862	1-164-739-91	CAP, CERAMIC 560PF CH	(1608)
C863	1-162-964-91	CAP, CHIP CERAMIC 1000PF B	(1608)
C866	1-107-826-91	CAP, CHIP CERAMIC 100000PF B	
C868	1-164-156-91	CAP, CHIP CERAMIC 0.1MF F	(1608)
C869	1-164-156-91	CAP, CHIP CERAMIC 0.1MF F	(1608)
C870	1-164-156-91	CAP, CHIP CERAMIC 0.1MF F	(1608)
C871	1-164-677-91	CAP, CERAMIC 33000PF B	(1608)
C872	1-115-467-91	CAP, CHIP CERAMIC 0.22MF B	(1608)
C873	1-164-392-91	CAP, CERAMIC 390PF CH	(1608)
C874	1-164-677-91	CAP, CERAMIC 33000PF B	(1608)
C875	1-107-826-91	CAP, CHIP CERAMIC 100000PF B	
C876	1-125-838-91	CAP, CHIP CERAMIC 2.2MF B	(2012)
C877	1-164-173-91	CAP, CERAMIC 3900PF B	(1608)
C879	1-164-739-91	CAP, CERAMIC 560PF CH	(1608)
C880	1-107-826-91	CAP, CHIP CERAMIC 100000PF B	
C882	1-127-692-91	CAP, CHIP CERAMIC 10MF B	(3225)
C883	1-163-038-91	CAP, CERAMIC 100000PF F	(2012)
C888	1-107-826-91	CAP, CHIP CERAMIC 100000PF B	
C889	1-107-826-91	CAP, CHIP CERAMIC 100000PF B	
C890	1-104-851-91	CAP, CHIP TANTALUM ELECT 10MF	
C891	1-107-826-91	CAP, CHIP CERAMIC 100000PF B	
C895	1-162-964-91	CAP, CHIP CERAMIC 1000PF B	(1608)
C897	1-164-677-91	CAP, CERAMIC 33000PF B	(1608)
C898	1-164-156-91	CAP, CHIP CERAMIC 0.1MF F	(1608)
C899	1-164-156-91	CAP, CHIP CERAMIC 0.1MF F	(1608)
C901	1-107-826-91	CAP, CHIP CERAMIC 100000PF B	
C902	1-107-826-91	CAP, CHIP CERAMIC 100000PF B	
C903	1-107-826-91	CAP, CHIP CERAMIC 100000PF B	
C904	1-107-826-91	CAP, CHIP CERAMIC 100000PF B	
C905	1-107-826-91	CAP, CHIP CERAMIC 100000PF B	
C906	1-107-826-91	CAP, CHIP CERAMIC 100000PF B	
C907	1-107-826-91	CAP, CHIP CERAMIC 100000PF B	
C908	1-107-826-91	CAP, CHIP CERAMIC 100000PF B	
C909	1-107-826-91	CAP, CHIP CERAMIC 100000PF B	
C910	1-107-826-91	CAP, CHIP CERAMIC 100000PF B	
C911	1-107-826-91	CAP, CHIP CERAMIC 100000PF B	
C912	1-107-826-91	CAP, CHIP CERAMIC 100000PF B	
C913	1-107-826-91	CAP, CHIP CERAMIC 100000PF B	

Ref.	Part No.	Description	
C914	1-107-826-91	CAP, CHIP CERAMIC 100000PF B	
C915	1-107-826-91	CAP, CHIP CERAMIC 100000PF B	
C916	1-107-826-91	CAP, CHIP CERAMIC 100000PF B	
C917	1-107-826-91	CAP, CHIP CERAMIC 100000PF B	
C918	1-107-826-91	CAP, CHIP CERAMIC 100000PF B	
C919	1-107-826-91	CAP, CHIP CERAMIC 100000PF B	
C920	1-107-826-91	CAP, CHIP CERAMIC 100000PF B	
C921	1-107-826-91	CAP, CHIP CERAMIC 100000PF B	
C922	1-107-826-91	CAP, CHIP CERAMIC 100000PF B	
C923	1-107-826-91	CAP, CHIP CERAMIC 100000PF B	
C924	1-107-826-91	CAP, CHIP CERAMIC 100000PF B	
C925	1-107-826-91	CAP, CHIP CERAMIC 100000PF B	
C926	1-107-826-91	CAP, CHIP CERAMIC 100000PF B	
C927	1-107-826-91	CAP, CHIP CERAMIC 100000PF B	
C928	1-107-826-91	CAP, CHIP CERAMIC 100000PF B	
C929	1-107-826-91	CAP, CHIP CERAMIC 100000PF B	
C930	1-107-826-91	CAP, CHIP CERAMIC 100000PF B	
C931	1-107-826-91	CAP, CHIP CERAMIC 100000PF B	
C932	1-107-826-91	CAP, CHIP CERAMIC 100000PF B	
C933	1-107-826-91	CAP, CHIP CERAMIC 100000PF B	
C934	1-107-826-91	CAP, CHIP CERAMIC 100000PF B	
C935	1-107-826-91	CAP, CHIP CERAMIC 100000PF B	
C936	1-107-826-91	CAP, CHIP CERAMIC 100000PF B	
C937	1-107-826-91	CAP, CHIP CERAMIC 100000PF B	
C938	1-107-826-91	CAP, CHIP CERAMIC 100000PF B	
C939	1-107-826-91	CAP, CHIP CERAMIC 100000PF B	
C940	1-107-826-91	CAP, CHIP CERAMIC 100000PF B	
C941	1-107-826-91	CAP, CHIP CERAMIC 100000PF B	
C942	1-107-826-91	CAP, CHIP CERAMIC 100000PF B	
C943	1-107-826-91	CAP, CHIP CERAMIC 100000PF B	
C944	1-107-826-91	CAP, CHIP CERAMIC 100000PF B	
C945	1-107-826-91	CAP, CHIP CERAMIC 100000PF B	
C946	1-107-826-91	CAP, CHIP CERAMIC 100000PF B	
C947	1-107-826-91	CAP, CHIP CERAMIC 100000PF B	
C948	1-107-826-91	CAP, CHIP CERAMIC 100000PF B	
C949	1-107-826-91	CAP, CHIP CERAMIC 100000PF B	
C950	1-107-826-91	CAP, CHIP CERAMIC 100000PF B	
C951	1-107-826-91	CAP, CHIP CERAMIC 100000PF B	
C952	1-107-826-91	CAP, CHIP CERAMIC 100000PF B	
C953	1-107-826-91	CAP, CHIP CERAMIC 100000PF B	
C954	1-107-826-91	CAP, CHIP CERAMIC 100000PF B	
C955	1-107-826-91	CAP, CHIP CERAMIC 100000PF B	
C956	1-107-826-91	CAP, CHIP CERAMIC 100000PF B	
C957	1-107-826-91	CAP, CHIP CERAMIC 100000PF B	
C958	1-107-826-91	CAP, CHIP CERAMIC 100000PF B	
C959	1-107-826-91	CAP, CHIP CERAMIC 100000PF B	
C960	1-107-826-91	CAP, CHIP CERAMIC 100000PF B	
C961	1-107-826-91	CAP, CHIP CERAMIC 100000PF B	
C962	1-107-826-91	CAP, CHIP CERAMIC 100000PF B	
C963	1-107-826-91	CAP, CHIP CERAMIC 100000PF B	
C965	1-107-826-91	CAP, CHIP CERAMIC 100000PF B	
C966	1-107-826-91	CAP, CHIP CERAMIC 100000PF B	
C967	1-125-837-91	CAP, CHIP CERAMIC 1MF B	(1608)
C968	1-125-837-91	CAP, CHIP CERAMIC 1MF B	(1608)
C980	1-107-826-91	CAP, CHIP CERAMIC 100000PF B	
C981	1-107-826-91	CAP, CHIP CERAMIC 100000PF B	
C982	1-107-826-91	CAP, CHIP CERAMIC 100000PF B	
C983	1-107-826-91	CAP, CHIP CERAMIC 100000PF B	
C984	1-107-826-91	CAP, CHIP CERAMIC 100000PF B	
C985	1-107-826-91	CAP, CHIP CERAMIC 100000PF B	
C986	1-107-826-91	CAP, CHIP CERAMIC 100000PF B	
C987	1-107-826-91	CAP, CHIP CERAMIC 100000PF B	
C988	1-107-826-91	CAP, CHIP CERAMIC 100000PF B	
C989	1-107-826-91	CAP, CHIP CERAMIC 100000PF B	
C990	1-125-837-91	CAP, CHIP CERAMIC 1MF B	(1608)

Ref.	Part No.	Description
<CONNECTOR>		
CN201	1-815-631-11	CONNECTOR, SQUARE TYPE 12P
CN302	1-794-206-21	CONNECTOR, FFC/FPC (ZIF) 36P
CN303	1-694-822-11	TERMINAL BOARD (LINK/USB)
CN401	1-815-630-11	PIN, CONNECTOR 4P
CN402	1-815-648-21	PIN, CONNECTOR (PC BOARD)
CN403	1-784-650-21	CONNECTOR 2P
CN406	1-815-653-21	CONNECTOR, FFC/FPC (ZIF) 7P
CN501	1-476-736-11	TRANSMITTER UNIT, LIGHT
CN504	1-815-632-11	CONNECTOR BOARD TO BOARD 110P
CN801	1-794-237-21	CONNECTOR, FFC/FPC 30P
CN802	1-770-619-41	PIN, CONNECTOR 2P
CN803	1-779-206-21	CONNECTOR, FFC (LIF(NON-ZIF)) 4P
CN804	1-794-194-21	CONNECTOR, FFC/FPC 13P
CN805	1-770-619-21	PIN, CONNECTOR 2P
CN806	1-770-619-81	PIN, CONNECTOR 2P
<NETWORK>		
CP201	1-234-605-21	NETWORK, RC
<DIODE>		
D201	8-719-065-78	DIODE MAZF12000LSO
D202	8-719-064-61	DIODE 01BZA8.2 (TE85L)
D203	8-719-064-61	DIODE 01BZA8.2 (TE85L)
D204	8-719-064-61	DIODE 01BZA8.2 (TE85L)
D205	8-719-064-61	DIODE 01BZA8.2 (TE85L)
D206	8-719-064-61	DIODE 01BZA8.2 (TE85L)
D208	8-719-064-61	DIODE 01BZA8.2 (TE85L)
D209	8-719-064-61	DIODE 01BZA8.2 (TE85L)
D210	8-719-064-61	DIODE 01BZA8.2 (TE85L)
D301	8-719-071-87	DIODE MA785-(TX),SO
D302	8-719-071-87	DIODE MA785-(TX),SO
D402	8-719-074-34	DIODE RB495D-T146
D403	8-719-074-34	DIODE RB495D-T146
D404	8-719-033-15	DIODE HN2D02FU-TE85R
D405	8-719-078-04	DIODE EC31QS03L-TE12L
D407	8-719-074-34	DIODE RB495D-T146
D408	8-719-074-34	DIODE RB495D-T146
D500	8-719-941-21	DIODE DAP202UT106
D501	8-719-082-76	DIODE CL-201TLY-C-TU
D801	8-719-065-68	DIODE MAZF04700LSO
D802	8-719-065-68	DIODE MAZF04700LSO
<FUSE>		
Δ F001	1-576-434-21	FUSE, CHIP
Δ F003	1-576-434-21	FUSE, CHIP
<FERRITE BEAD>		
FB102	1-469-667-21	FERRITE, EMI (SMD)
FB103	1-469-667-21	FERRITE, EMI (SMD)
FB201	1-414-813-21	FERRITE, EMI (SMD)
FB202	1-500-113-22	BEAD, FERRITE (CHIP)
FB203	1-500-113-22	BEAD, FERRITE (CHIP)
FB204	1-500-113-22	BEAD, FERRITE (CHIP)
FB205	1-500-113-22	BEAD, FERRITE (CHIP)
FB206	1-500-113-22	BEAD, FERRITE (CHIP)
FB303	1-414-555-21	FERRITE, EMI (SMD)
FB304	1-414-555-21	FERRITE, EMI (SMD)
FB305	1-414-555-21	FERRITE, EMI (SMD)
FB306	1-414-555-21	FERRITE, EMI (SMD)
FB307	1-414-555-21	FERRITE, EMI (SMD)
FB308	1-414-555-21	FERRITE, EMI (SMD)
FB309	1-414-555-21	FERRITE, EMI (SMD)
FB310	1-414-555-21	FERRITE, EMI (SMD)
FB311	1-414-555-21	FERRITE, EMI (SMD)

Ref.	Part No.	Description	
FB312	1-414-555-21	FERRITE, EMI (SMD)	
FB313	1-469-324-21	FERRITE, EMI (SMD)	
FB314	1-469-324-21	FERRITE, EMI (SMD)	
FB315	1-469-324-21	FERRITE, EMI (SMD)	
FB316	1-469-324-21	FERRITE, EMI (SMD)	
FB317	1-469-110-21	FERRITE, EMI (SMD)	
FB318	1-469-110-21	FERRITE, EMI (SMD)	
FB319	1-469-110-21	FERRITE, EMI (SMD)	
FB320	1-469-110-21	FERRITE, EMI (SMD)	
FB321	1-469-110-21	FERRITE, EMI (SMD)	
FB322	1-469-110-21	FERRITE, EMI (SMD)	
FB323	1-469-110-21	FERRITE, EMI (SMD)	
FB324	1-469-110-21	FERRITE, EMI (SMD)	
FB403	1-469-667-21	FERRITE, EMI (SMD)	
FB404	1-469-667-21	FERRITE, EMI (SMD)	
FB405	1-469-667-21	FERRITE, EMI (SMD)	
FB406	1-469-667-21	FERRITE, EMI (SMD)	
FB407	1-469-667-21	FERRITE, EMI (SMD)	
FB408	1-469-667-21	FERRITE, EMI (SMD)	
FB801	1-469-562-21	FERRITE, EMI (SMD)	
FB802	1-469-562-21	FERRITE, EMI (SMD)	
<FILTER>			
FL201	1-469-991-21	EMI FILTER (SMD)	
FL202	1-469-991-21	EMI FILTER (SMD)	
FL203	1-469-991-21	EMI FILTER (SMD)	
FL301	1-234-601-21	NETWORK, RC (USB)	(3216)
FL302	1-234-601-21	NETWORK, RC (USB)	(3216)
<IC>			
IC101	8-759-831-20	IC CY2212ZC-2T	
IC101	8-759-834-04	IC SN104971APWR	
IC102	6-800-080-01	IC TC59RM716GB-8DYELZ	
IC102	8-759-666-89	IC TC59RM716GB-8(YEL)	
IC102	8-759-837-33	IC K4R271669A-SCK8T00	
IC103	6-800-080-01	IC TC59RM716GB-8DYELZ	
IC103	8-759-666-89	IC TC59RM716GB-8(YEL)	
IC103	8-759-837-33	IC K4R271669A-SCK8T00	
IC104	8-759-699-09	IC CXD9615GB	
IC105	8-759-689-90	IC LM74CIMX-3	
IC202	8-759-699-08	IC CXD2944GB	
IC205	6-700-230-01	IC SC44728BPBEB	
IC206	8-752-093-56	IC CXA3525R-T4	
IC206	8-752-099-53	IC CXA3525BR-T4	
IC207	8-759-391-69	IC MC78M05CDTRK	
IC207	8-759-691-00	IC JCP78M05CDTRK	

Ref.	Part No.	Description
IC413	6-700-233-01	IC MM1573ZNLE
IC413	8-759-598-12	IC LP29851M5X-3.5
IC414	8-759-069-41	IC TA7808F(Te16L)
IC414	8-759-473-16	IC BA17808FP-E2
IC414	8-759-697-62	IC NJM7808DL1A(Te1)
IC415	8-759-581-11	IC NJM2125F(Te2)
IC501	6-700-231-01	IC CXD9611AR
IC501	8-759-699-10	IC CXD9611R
IC502	8-759-712-79	IC K4E151612D-TL50T00
IC502	8-759-712-80	IC MT4LC1M16E5TG-5TR
IC502	8-759-712-81	IC GM71V18163CT-5
IC502	8-759-712-82	IC SDMV18165CTM6S
IC503	6-800-197-01	IC MR27V3202F-A7TPZ
IC504	8-752-408-53	IC CXD2942AR
IC504	8-752-410-55	IC CXD2942BR
IC517	8-759-667-10	IC CS4335-KS
IC603	8-759-370-11	IC NJM2100V-TE2
IC605	8-752-413-11	IC CXD1869BQ
IC802	8-759-697-65	IC BA5815FM-E2
IC803	8-759-588-60	IC BA6664FM-E2
IC805	8-759-712-38	IC HD74HC1G66CME
IC805	8-759-712-63	IC MC74VHC1G66DFT1
IC806	8-759-337-40	IC NJM2904V(Te2)
IC807	8-759-391-69	IC MC78M05CDTRK
IC807	8-759-691-00	IC JCP78M05CDTRK
IC807	8-759-697-61	IC L78M05CDT-TR(P)
		<INDUCTOR>
L102	1-414-398-41	INDUCTOR (SMD) 10.0UH
L203	1-469-967-21	INDUCTOR, CHIP 10UH
L205	1-469-967-21	INDUCTOR, CHIP 10UH
L206	1-412-960-21	INDUCTOR, SMALL TYPE 56UH
L401	1-411-197-21	COIL, DD CONVERTER
L404	1-419-905-21	COIL, CHOKE (SMD) 1.82UH
L408	1-419-898-21	COIL, CHOKE 5.6UH
L410	1-411-197-21	COIL, DD CONVERTER
L411	1-424-789-21	COIL, CHOKE (SMD) 10UH
L412	1-411-197-21	COIL, DD CONVERTER
L413	1-424-789-21	COIL, CHOKE (SMD) 10UH
L414	1-424-789-21	COIL, CHOKE (SMD) 10UH
L801	1-469-524-91	INDUCTOR 4.7UH (NLFV25)
L802	1-469-524-91	INDUCTOR 4.7UH (NLFV25)
L803	1-414-394-41	INDUCTOR (SMD) 2.2UH
		<COIL>
LF101	1-419-100-21	COIL, COMMON-MODE CHOKE
LF801	1-416-405-21	FILTER, CHIP EMI (COMMON MODE)
		<LINK>
△ PS001	1-576-519-21	FUSE, MICRO
△ PS002	1-533-940-21	RINK, CHIP IC
△ PS003	1-533-940-21	RINK, CHIP IC
△ PS004	1-533-940-21	RINK, CHIP IC
△ PS006	1-533-915-41	RINK, CHIP IC
△ PS007	1-533-282-21	LINK, IC
△ PS008	1-533-940-21	RINK, CHIP IC
△ PS009	1-533-915-41	RINK, CHIP IC
△ PS010	1-533-282-21	LINK, IC
△ PS011	1-576-519-21	FUSE, MICRO
△ PS012	1-533-915-41	RINK, CHIP IC
△ PS013	1-533-940-21	RINK, CHIP IC
△ PS014	1-533-282-21	LINK, IC
△ PS015	1-533-915-41	RINK, CHIP IC
		<TRANSISTOR>
Q201	8-729-026-50	TRANSISTOR 2SA1037AK-T146-QR

Ref.	Part No.	Description
Q204	8-729-049-77	TRANSISTOR HN1B01F-GR (T5LSONY)
Q205	8-729-013-22	TRANSISTOR HN1A01FU-TE85R
Q401	8-729-055-58	TRANSISTOR SI4894DY-T1
Q402	8-729-053-80	TRANSISTOR SI4830DY-T1
Q404	8-729-052-07	TRANSISTOR HAT2064R-EL
Q405	8-729-427-47	TRANSISTOR XP4213-TXE
Q406	8-729-053-80	TRANSISTOR SI4830DY-T1
Q407	8-729-046-04	TRANSISTOR FDS6690A
Q408	8-729-051-61	TRANSISTOR IRF7807D1-TR
Q409	8-729-427-47	TRANSISTOR XP4213-TXE
Q410	8-729-013-97	TRANSISTOR RN1304-TE85L
Q411	8-729-043-74	TRANSISTOR SI4435DY-T1-REVA
Q412	8-729-043-74	TRANSISTOR SI4435DY-T1-REVA
Q413	8-729-054-34	TRANSISTOR FDN304P
Q414	8-729-043-74	TRANSISTOR SI4435DY-T1-REVA
Q415	8-729-052-41	TRANSISTOR 2SC4541 (2TL SONY1)
Q505	8-729-021-09	TRANSISTOR RN4904 (TE85R)
Q506	8-729-056-15	TRANSISTOR IMH20T108
Q600	8-729-016-26	TRANSISTOR 2SK1958-T1
Q603	8-729-017-33	TRANSISTOR RN1706-TE85R
Q801	8-729-031-35	TRANSISTOR 2SK2034-TE85L
Q802	8-729-029-13	TRANSISTOR DTC143ZUA-T106
Q803	8-729-031-35	TRANSISTOR 2SK2034-TE85L
Q804	8-729-103-96	TRANSISTOR 2SB798-T1DL
Q805	8-729-103-96	TRANSISTOR 2SB798-T1DL
Q806	8-729-048-50	TRANSISTOR 2SK3018-T106
Q808	8-729-048-50	TRANSISTOR 2SK3018-T106
Q810	8-729-048-50	TRANSISTOR 2SK3018-T106
Q814	8-729-029-13	TRANSISTOR DTC143ZUA-T106
		<RESISTOR>
R101	1-220-884-81	RES, CHIP 39
R102	1-208-866-81	RES, CHIP 130
R103	1-220-884-81	RES, CHIP 39
R104	1-208-866-81	RES, CHIP 130
R105	1-216-864-91	CONDUCTOR, CHIP
R106	1-216-809-91	RES, CHIP 100
R107	1-216-809-91	RES, CHIP 100
R109	1-218-961-81	RES, CHIP 4.7K
R110	1-211-983-91	RES, CHIP 39
R111	1-211-983-91	RES, CHIP 39
R112	1-211-989-91	RES, CHIP 68
R113	1-211-989-91	RES, CHIP 68
R114	1-211-983-91	RES, CHIP 39
R115	1-211-983-91	RES, CHIP 39
R116	1-211-983-91	RES, CHIP 39
R117	1-211-983-91	RES, CHIP 39
R118	1-211-973-91	RES, CHIP 15
R119	1-211-973-91	RES, CHIP 15
R120	1-211-973-91	RES, CHIP 15
R121	1-211-973-91	RES, CHIP 15
R122	1-216-864-91	CONDUCTOR, CHIP
R123	1-218-990-81	CONDUCTOR, CHIP
R124	1-216-864-91	CONDUCTOR, CHIP
R125	1-218-990-81	CONDUCTOR, CHIP
R126	1-216-833-91	RES, CHIP 10K
R127	1-216-829-91	RES, CHIP 4.7K
R128	1-216-829-91	RES, CHIP 4.7K
R129	1-216-821-91	RES, CHIP 1.0K
R130	1-216-817-91	RES, CHIP 470
R131	1-216-833-91	RES, CHIP 10K
R132	1-216-833-91	RES, CHIP 10K
R133	1-216-833-91	RES, CHIP 10K
R134	1-218-965-81	RES, CHIP 10K
R135	1-216-864-91	CONDUCTOR, CHIP
R136	1-216-864-91	CONDUCTOR, CHIP

Ref.	Part No.	Description
R138	1-216-864-91	CONDUCTOR, CHIP
R139	1-216-801-91	RES, CHIP 22
R145	1-218-953-81	RES, CHIP 1.0K
R146	1-216-821-91	RES, CHIP 1.0K
R147	1-216-821-91	RES, CHIP 1.0K
R185	1-216-829-91	RES, CHIP 4.7K
R188	1-216-829-91	RES, CHIP 4.7K
R196	1-218-933-81	RES, CHIP 22
R202	1-216-833-91	RES, CHIP 10K
R203	1-216-864-91	CONDUCTOR, CHIP
R205	1-216-864-91	CONDUCTOR, CHIP
R208	1-216-864-91	CONDUCTOR, CHIP
R212	1-216-864-91	CONDUCTOR, CHIP
R213	1-216-864-91	CONDUCTOR, CHIP
R216	1-216-809-91	RES, CHIP 100
R217	1-218-859-91	RES, CHIP 3.3K
R218	1-218-847-91	RES, CHIP 1.0K
R219	1-218-851-91	RES, CHIP 1.5K
R220	1-218-933-81	RES, CHIP 22
R225	1-216-833-91	RES, CHIP 10K
R226	1-218-965-81	RES, CHIP 10K
R227	1-216-864-91	CONDUCTOR, CHIP
R228	1-218-965-81	RES, CHIP 10K
R233	1-216-821-91	RES, CHIP 1.0K
R236	1-216-809-91	RES, CHIP 100
R237	1-216-829-91	RES, CHIP 4.7K
R244	1-218-831-91	RES, CHIP 220
R245	1-218-831-91	RES, CHIP 220
R246	1-218-831-91	RES, CHIP 220
R247	1-216-801-91	RES, CHIP 22
R251	1-216-837-91	RES, CHIP 22K
R252	1-216-839-91	RES, CHIP 33K
R253	1-216-833-91	RES, CHIP 10K
R257	1-216-824-91	RES, CHIP 1.8K
R258	1-208-923-81	RES, CHIP 33K
R259	1-216-824-91	RES, CHIP 1.8K
R261	1-218-961-81	RES, CHIP 4.7K
R263	1-216-825-91	RES, CHIP 2.2K
R264	1-216-821-91	RES, CHIP 1.0K
R265	1-216-821-91	RES, CHIP 1.0K
R270	1-218-853-91	RES, CHIP 1.8K
R272	1-218-859-91	RES, CHIP 3.3K
R273	1-218-851-91	RES, CHIP 1.5K
R277	1-218-853-91	RES, CHIP 1.8K
R278	1-218-859-91	RES, CHIP 3.3K
R279	1-218-851-91	RES, CHIP 1.5K
R292	1-216-833-91	RES, CHIP 10K
R294	1-216-829-91	RES, CHIP 4.7K
R295	1-216-817-91	RES, CHIP 470
R307	1-208-857-81	RES, CHIP 56
R308	1-208-904-81	RES, CHIP 5.1K
R309	1-211-987-91	RES, CHIP 56
R310	1-211-987-91	RES, CHIP 56
R311	1-216-829-91	RES, CHIP 4.7K
R312	1-208-857-81	RES, CHIP 56
R315	1-218-866-91	RES, CHIP 6.2K
R316	1-216-797-91	RES, CHIP 10
R318	1-218-990-81	CONDUCTOR, CHIP
R320	1-219-570-91	RES, CHIP 10M
R321	1-216-813-91	RES, CHIP 220
R322	1-216-857-91	RES, CHIP 1.0M
R324	1-216-833-91	RES, CHIP 10K
R327	1-216-833-91	RES, CHIP 10K
R328	1-216-841-91	RES, CHIP 47K
R329	1-216-805-91	RES, CHIP 47
R330	1-211-973-91	RES, CHIP 15

Ref.	Part No.	Description
R331	1-216-805-91	RES, CHIP 47
R332	1-216-817-91	RES, CHIP 470
R333	1-216-817-91	RES, CHIP 470
R334	1-216-829-91	RES, CHIP 4.7K
R335	1-216-829-91	RES, CHIP 4.7K
R336	1-216-821-91	RES, CHIP 1.0K
R347	1-211-986-91	RES, CHIP 51
R349	1-216-821-91	RES, CHIP 1.0K
R350	1-216-807-91	RES, CHIP 68
R351	1-216-805-91	RES, CHIP 47
R352	1-216-797-91	RES, CHIP 10
R353	1-216-801-91	RES, CHIP 22
R354	1-216-801-91	RES, CHIP 22
R357	1-218-933-81	RES, CHIP 22
R358	1-216-801-91	RES, CHIP 22
R359	1-216-801-91	RES, CHIP 22
R360	1-218-937-81	RES, CHIP 47
R361	1-218-937-81	RES, CHIP 47
R362	1-216-805-91	RES, CHIP 47
R363	1-216-864-91	CONDUCTOR, CHIP
R364	1-216-805-91	RES, CHIP 47
R365	1-216-805-91	RES, CHIP 47
R366	1-218-937-81	RES, CHIP 47
R367	1-216-805-91	RES, CHIP 47
R368	1-216-805-91	RES, CHIP 47
R394	1-216-833-91	RES, CHIP 10K
R395	1-218-957-81	RES, CHIP 2.2K
R401	1-218-969-81	RES, CHIP 22K
R402	1-216-837-91	RES, CHIP 22K
R403	1-216-849-91	RES, CHIP 220K
R404	1-216-845-91	RES, CHIP 100K
R405	1-216-845-91	RES, CHIP 100K
R406	1-216-811-91	RES, CHIP 150
R407	1-216-811-91	RES, CHIP 150
R408	1-216-839-91	RES, CHIP 33K
R409	1-216-864-91	CONDUCTOR, CHIP
R410	1-218-883-91	RES, CHIP 33K
R411	1-218-883-91	RES, CHIP 33K
R412	1-218-883-91	RES, CHIP 33K
R413	1-218-883-91	RES, CHIP 33K
R414	1-216-864-91	CONDUCTOR, CHIP
R415	1-216-839-91	RES, CHIP 33K
R416	1-216-839-91	RES, CHIP 33K
R417	1-216-813-91	RES, CHIP 220
R418	1-216-817-91	RES, CHIP 470
R419	1-216-833-91	RES, CHIP 10K
R420	1-216-833-91	RES, CHIP 10K
R421	1-216-790-91	RES, CHIP 2.7
R422	1-216-797-91	RES, CHIP 10
R423	1-216-790-91	RES, CHIP 2.7
R424	1-216-797-91	RES, CHIP 10
R426	1-218-879-91	RES, CHIP 22K
R427	1-218-871-91	RES, CHIP 10K
R428	1-216-309-91	RES, CHIP 5.6
R429	1-216-833-91	RES, CHIP 10K
R430	1-216-813-91	RES, CHIP 220
R431	1-	





Ref.	Part No.	Description
	<b>A-6712-923-A</b>	<b>MOUNTED CIRCUIT BOARD, GB-003</b> ***** <b>PLACE CODE #25BG</b>
		<BATTERY>
BT101	1-756-076-21	HOLDER, LITHIUM BATTERY  <CONNECTOR>
CN101	1-815-648-21	PIN, CONNECTOR (PC BOARD)
*****		
	<b>A-6712-922-A</b>	<b>MOUNTED CIRCUIT BOARD, SW-358</b> ***** <b>PLACE CODE #25BG</b>
		<CONNECTOR>
CN751	1-785-470-21	CONNECTOR, FPC(LIF(NON-ZIF))7P  <DIODE>
D751	8-719-078-90	DIODE CL-165HR/G1-D-T
D752	8-719-080-04	DIODE CL-190UB-X-T  <TRANSISTOR>
Q751	8-729-013-97	TRANSISTOR RN1304-TE85L  <RESISTOR>
R751	1-216-833-91	RES, CHIP 10K (1608)
R752	1-216-835-91	RES, CHIP 15K (1608)
R753	1-216-993-91	RES, CHIP 2.4K (1608)  <SWITCH>
S751	1-771-917-21	SWITCH, TACTILE
S752	1-771-917-21	SWITCH, TACTILE
*****		

Ref.	Part No.	Description
		SUPPLIED ACCESSORIES PLACE CODE #23 *****
	A-6785-242-A	ACCESSORY & PACKING GROUP
△ AC	1-555-074-51	CORD, POWER for SCPH-30002
△ AC	1-751-115-21	CORD, POWER for SCPH-30003
△ AC	1-575-131-82	CORD, POWER for SCPH-30004
CONV	1-573-291-12	CONNECTOR, CONVERSION for SCPH-30003/-30004
AV	1-792-028-11	CORD, CONNECTION
CONT	1-792-238-72	DS2 ANALOG CONTROLLER
SH	3-060-494-01	SHEET, PROTECTION
CU	3-064-714-01	CUSHION
PA	3-065-172-01	PAD, TOGETHER PACKING for SCPH-30003/-30004
CA	3-066-440-12	INDIVIDUAL CARTON for SCPH-30002
CA	3-066-440-02	INDIVIDUAL CARTON for SCPH-30003
CA	3-066-446-02	INDIVIDUAL CARTON for SCPH-30004
MC	3-066-441-21	MASTER CARTON, 3 SETS
	A-6785-208-A	ACCESSORY & PACKING GROUP
		MANUAL BLOCK ASSY PLACE CODE #23 *****
	A-6785-243-A	MANUAL BLOCK ASSY, INSTRUCTION for SCPH-30002
	A-6785-245-A	MANUAL BLOCK ASSY, INSTRUCTION for SCPH-30003
	A-6785-241-A	MANUAL BLOCK ASSY, INSTRUCTION for SCPH-30004
RE	3-066-158-02	CARD (A), OWNER REGISTRATION
DISC	3-066-725-02	DISK, DEMONSTRATION
IN	3-068-128-11	INSTRUCTION for SCPH-30002
IN	3-068-129-12	INSTRUCTION for SCPH-30003
IN	3-068-130-13	INSTRUCTION for SCPH-30004
IM	3-068-537-21	MANUAL, INSTRUCTION for SCPH-30002
IM	3-068-537-31	MANUAL, INSTRUCTION for SCPH-30003
IM	3-068-537-41	MANUAL, INSTRUCTION for SCPH-30004
SE	3-987-375-02	SEAL, SEAL
*****		

Ref. Part No. Description


Ref. Part No. Description

## SECTION 6

### PRINTED WIRING BOARDS AND SCHEMATIC DIAGRAMS for SCPH-30003D'/30004D'

#### THIS NOTE IS COMMON FOR PRINTED WIRING BOARDS AND SCHEMATIC DIAGRAMS.

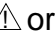
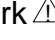
**Note on Printed Wiring Boards :**

- Through hole is omitted.
-  : Pattern on the side which is seen.

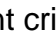
**Note on Schematic Diagram :**

- Use caution when replacing chip parts.  
New parts must be attached after removal of chip.  
Be careful not to heat the minus side of tantalum capacitor, because it is damaged by the heat.
- All capacitors are in  $\mu\text{F}$  unless otherwise noted. pF :  $\mu\mu\text{F}$  50 WV or less are not indicated except for electrolytics and tantalums.
- All resistors are in  $\Omega$  and 1/4 W (Chip resistors : 1/10W) unless otherwise specified.
- Chip resistors are 1/8 W or 1/10 W unless otherwise noted.  
k $\Omega$  : 1000 $\Omega$ , M $\Omega$  : 1000 k $\Omega$ .

**Note :**








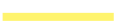





The components identified by mark  or dotted line with mark  are critical for safety. Replace only with part number specified.

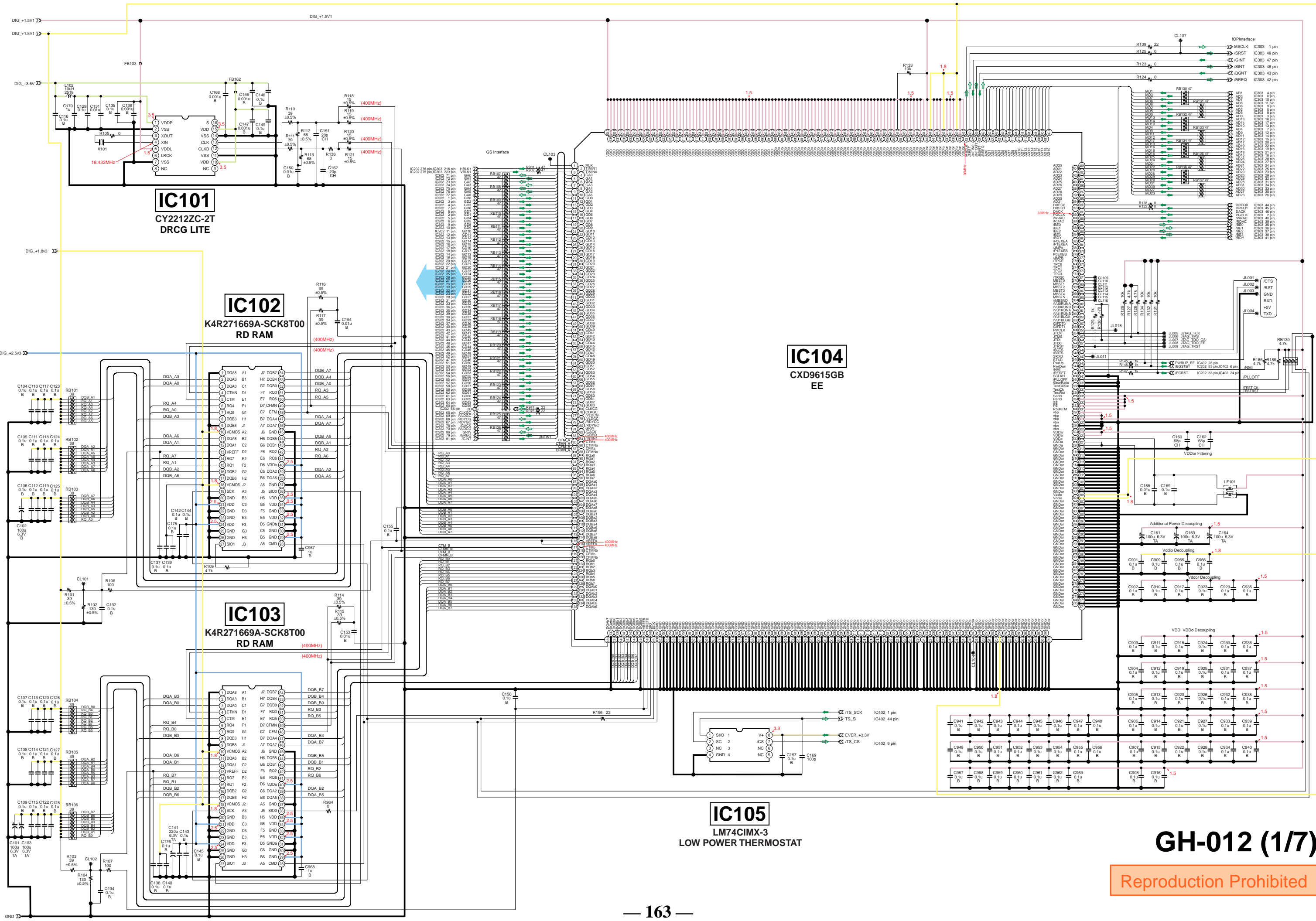
**Note :**

Les composants identifiés par une marque  sont critiques pour la securite. Ne les remplacer que par une piece portant le numero specifie.

**Note on DC Power line :**

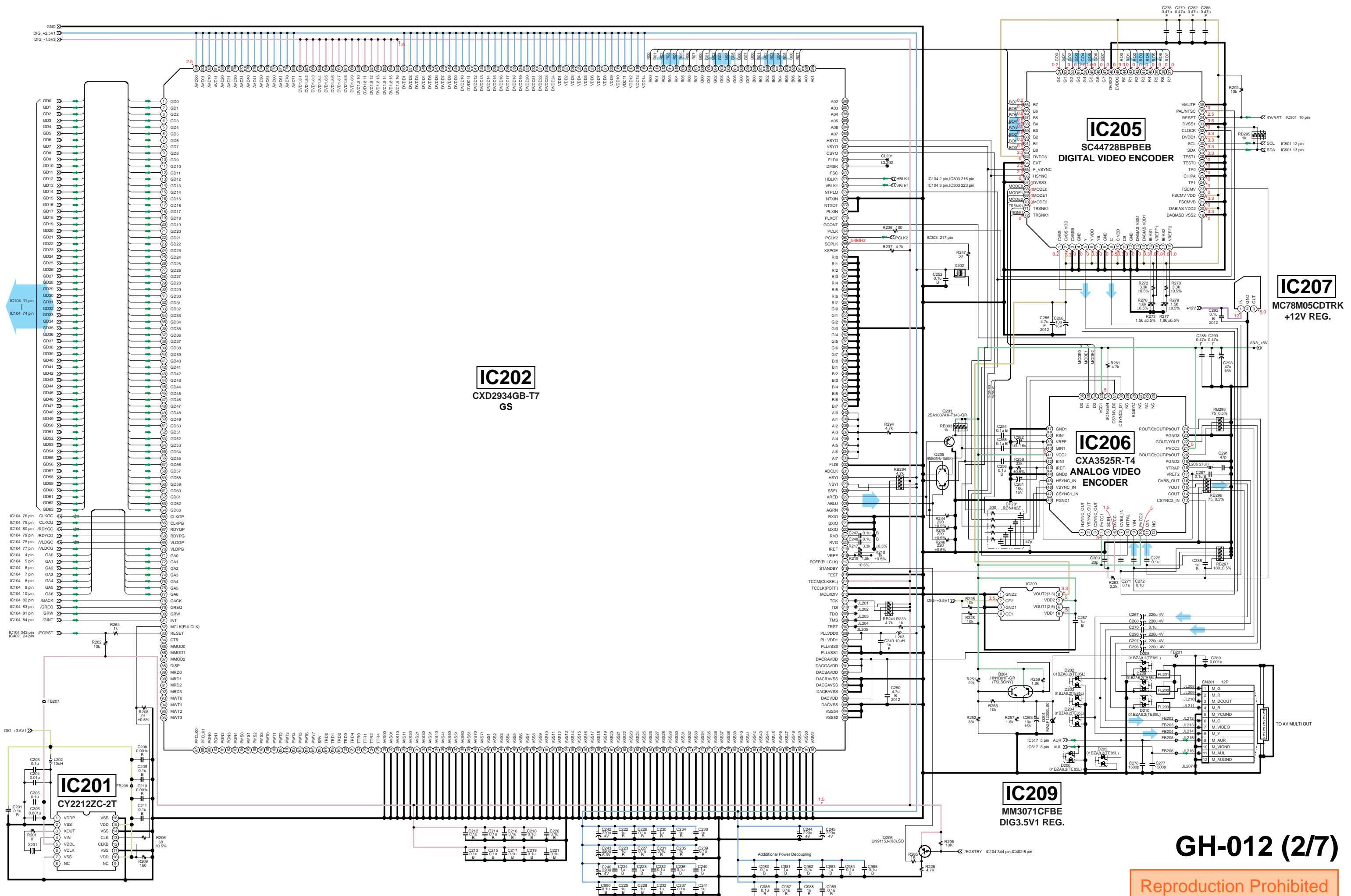
Unit of voltage is V (volt)

- |  |   |
|--|---|
| <ul style="list-style-type: none"> <li>• +12V : </li> <li>• +8.0V : </li> <li>• +5.0V : </li> <li>• +3.5V : </li> <li>• +3.4V : </li> </ul> | <ul style="list-style-type: none"> <li>• +3.3V : </li> <li>• +2.5V : </li> <li>• +1.8V : </li> <li>• +1.7V : </li> <li>• +1.5V : </li> </ul> |
| <ul style="list-style-type: none"> <li>• IN : </li> <li>• OUT : </li> </ul>  | <ul style="list-style-type: none"> <li>• Main Signal Line : </li> </ul>  |



**GH-012 (1/7)**

Reproduction Prohibited



- IC104 11 pin
- IC104 74 pin
- IC104 78 pin
- IC104 75 pin
- IC104 80 pin
- IC104 80 pin
- IC104 79 pin
- IC104 79 pin
- IC104 78 pin
- IC104 77 pin
- IC104 4 pin
- IC104 5 pin
- IC104 6 pin
- IC104 7 pin
- IC104 8 pin
- IC104 9 pin
- IC104 10 pin
- IC104 12 pin
- IC104 83 pin
- IC104 81 pin
- IC104 84 pin
- IC104 342 pin
- IC402 24 pin

**IC202**  
CXD2934GB-T7  
GS

**IC205**  
SC44728BPBEB  
DIGITAL VIDEO ENCODER

**IC207**  
MC78M05CDTRK  
+12V REG.

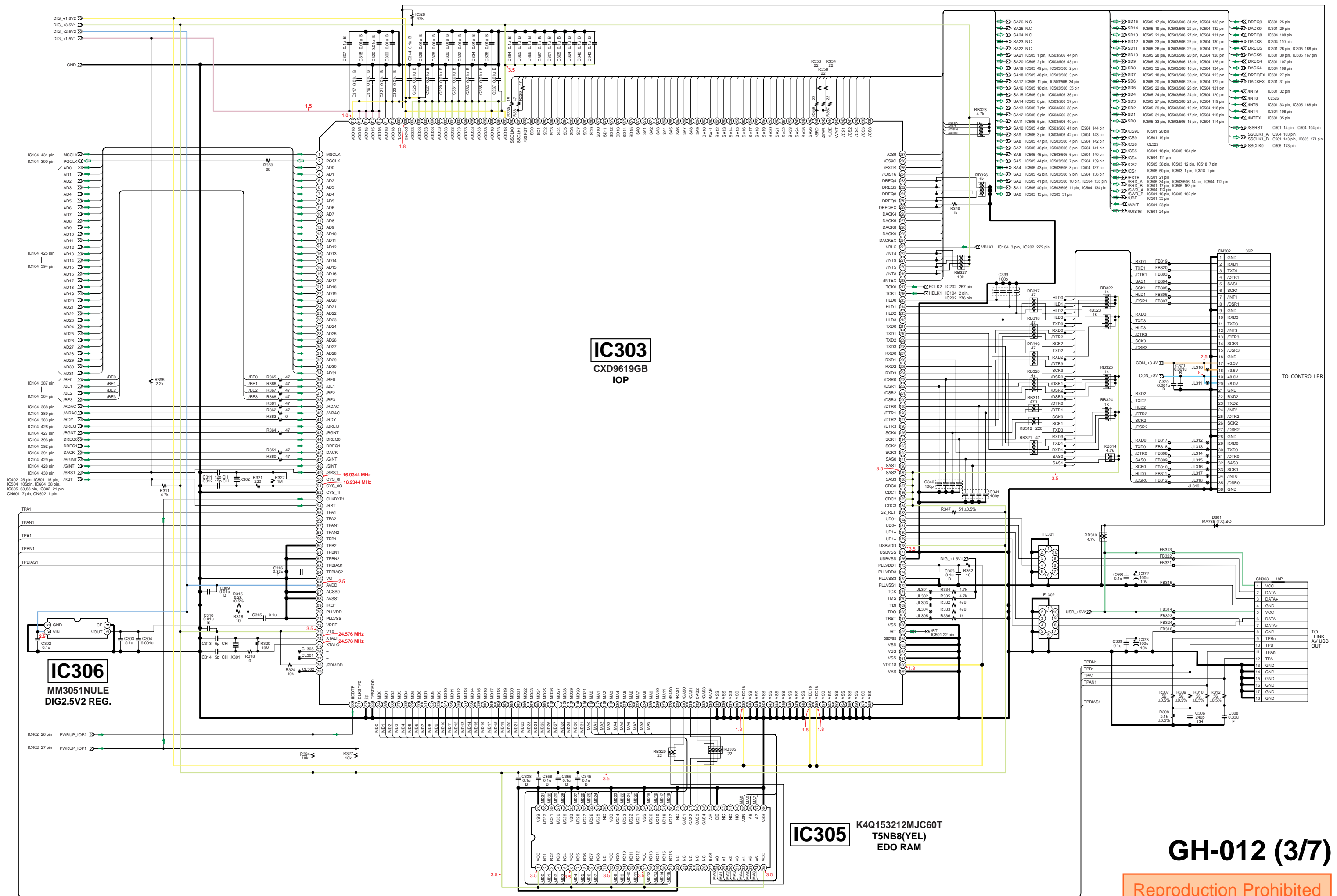
**IC206**  
CXA3525R-T4  
ANALOG VIDEO ENCODER

**IC209**  
MM3071CFBE  
DIG3.5V1 REG.

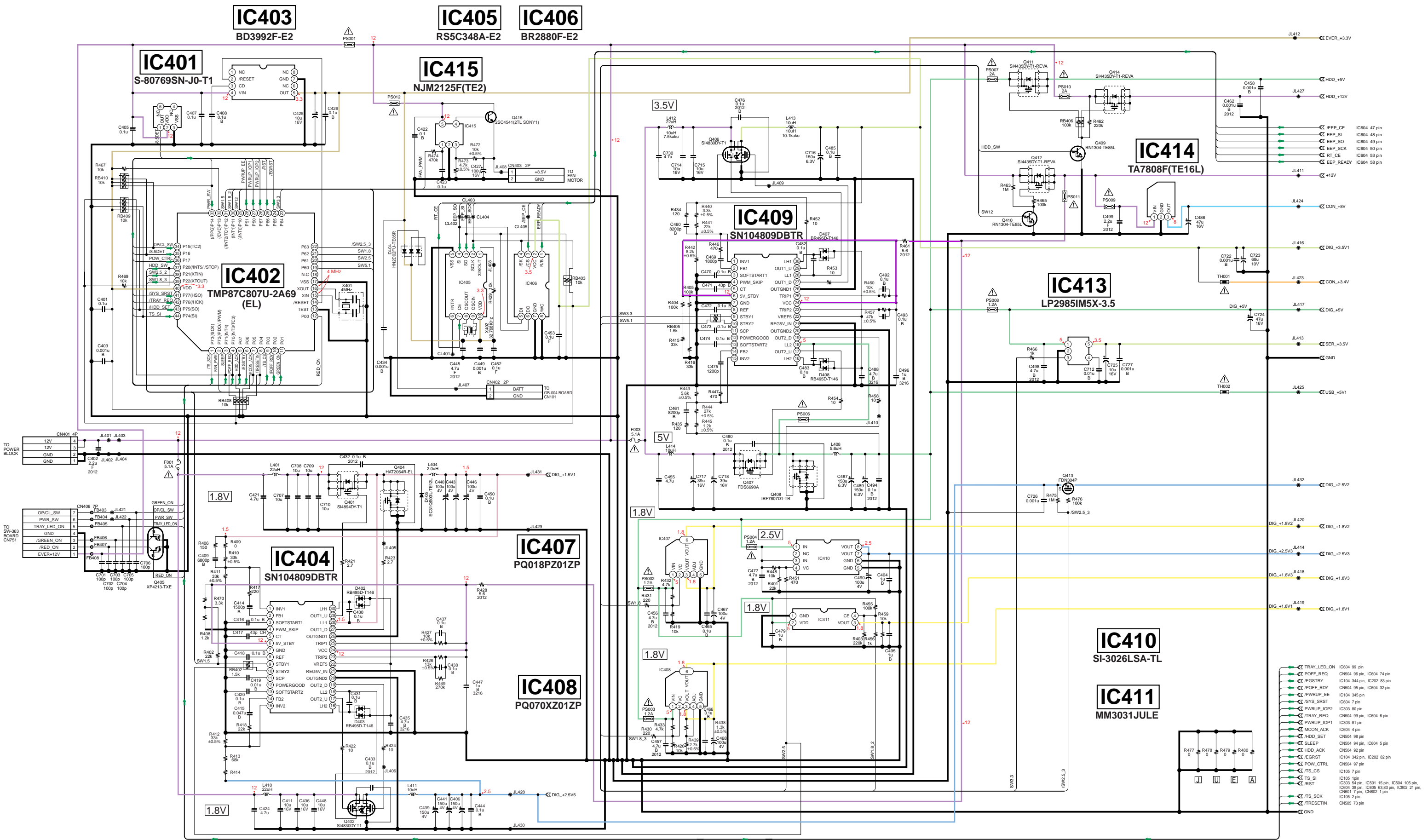
**IC201**  
CY2212ZC-2T

**GH-012 (2/7)**

Reproduction Prohibited



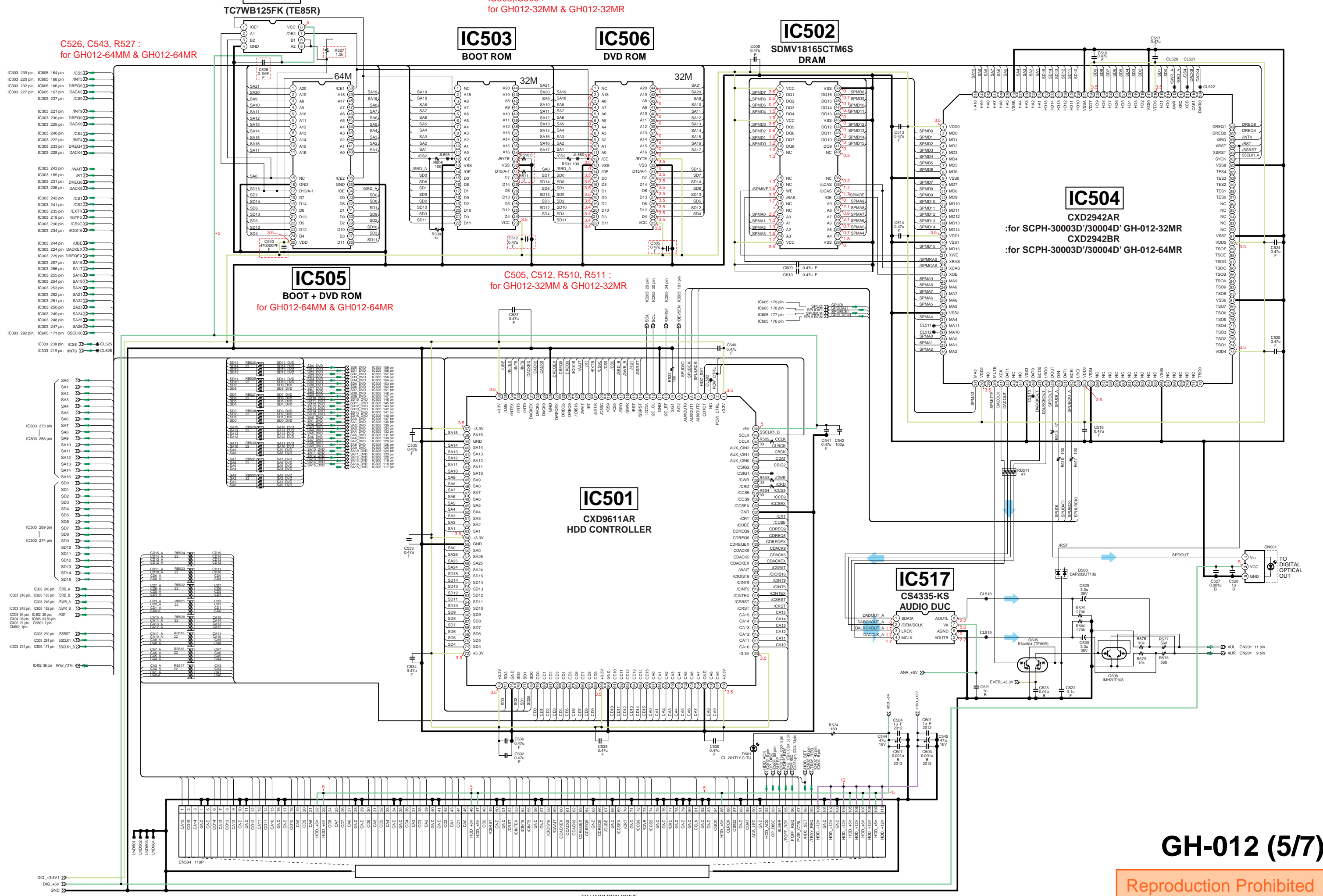
Reproduction Prohibited



- TRAY\_LED\_ON IC504 99 pin
- POFF\_RECD IC504 99 pin, IC504 74 pin
- EGSTBY IC104 344 pin, IC202 83 pin
- POFF\_RDY IC504 95 pin, IC204 32 pin
- PWRUP\_EE IC104 345 pin
- SYST\_SRST IC604 7 pin
- PWRUP\_IP2 IC303 80 pin
- TRAY\_RECD IC504 99 pin, IC604 6 pin
- PWRUP\_IP1 IC303 81 pin
- WCON\_ACK IC604 4 pin
- HDD\_SET IC504 98 pin
- SLEEP IC504 94 pin, IC504 5 pin
- HDD\_ACK IC504 92 pin
- EGRST IC104 342 pin, IC202 82 pin
- ITS\_CS IC105 7 pin
- TS\_SI IC105 1 pin
- IC303 54 pin, IC501 15 pin, IC504 105 pin, IC604 38 pin, IC605 63.83 pin, IC602 21 pin, CN601 7 pin, CN602 1 pin, IC106 3 pin
- ITS\_SCK IC106 3 pin
- TRESETIN IC605 73 pin
- GND

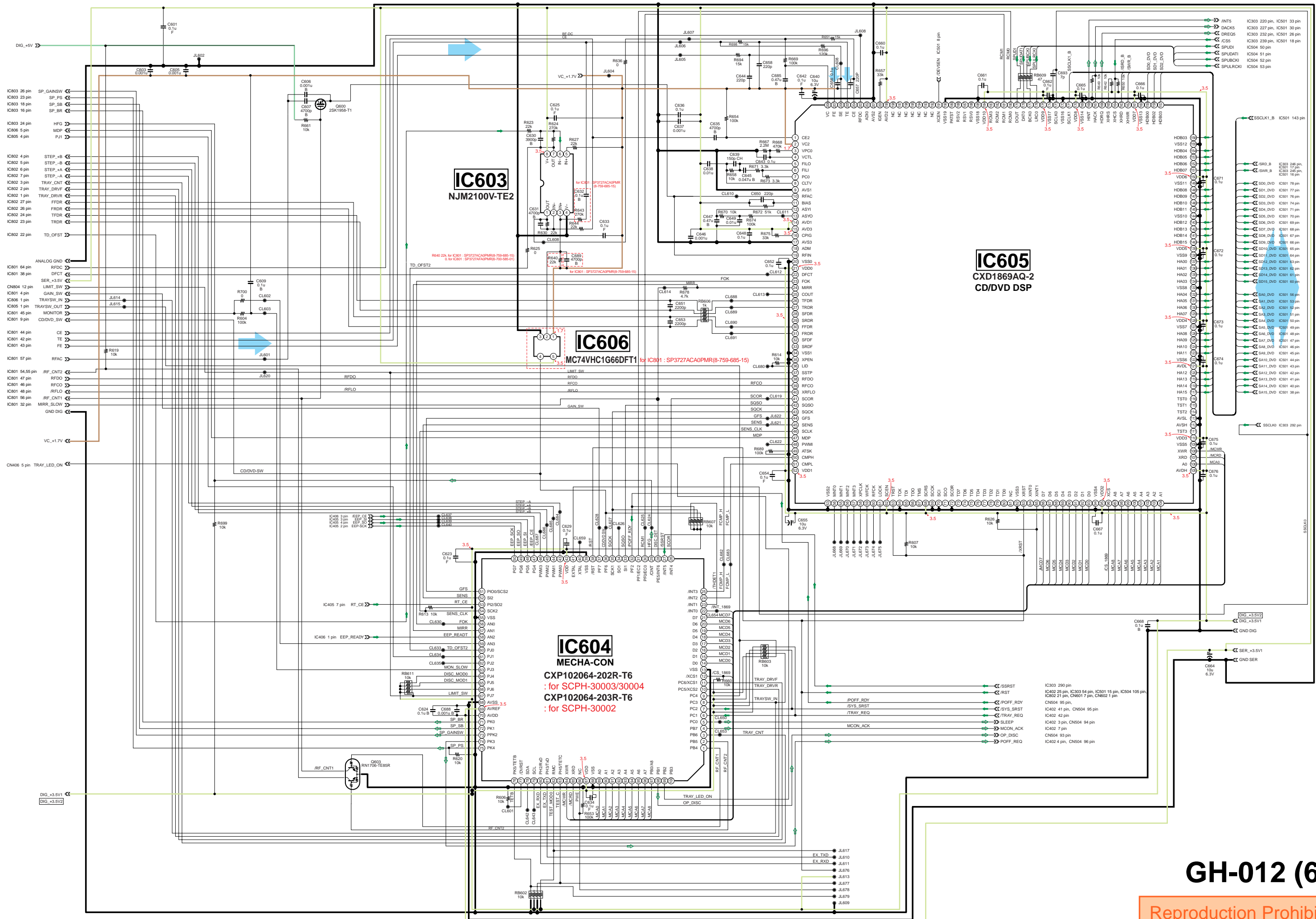
**GH-012 (4/7)**

Reproduction Prohibited



GH-012 (5/7)

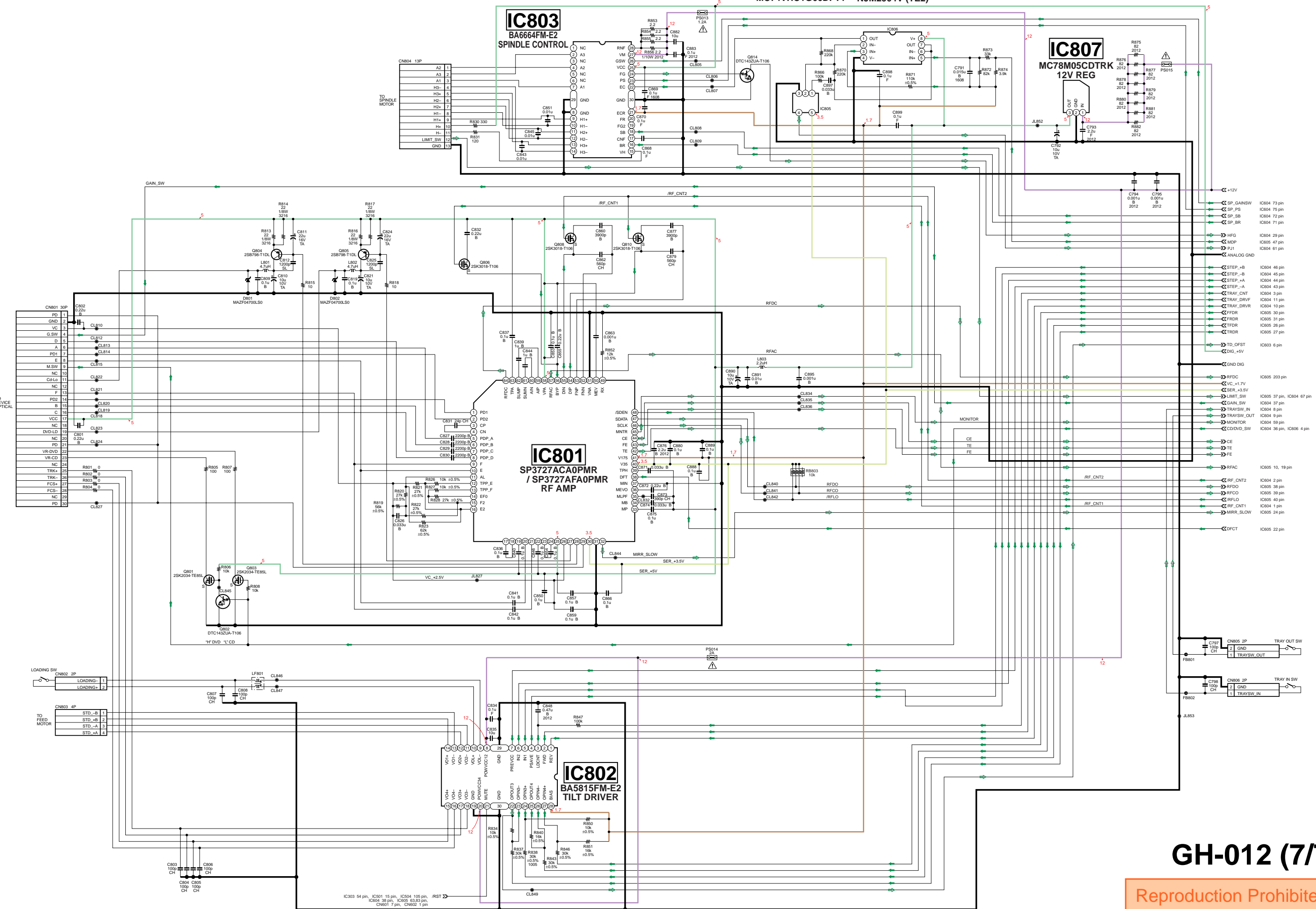
Reproduction Prohibited



GH-012 (6/7)

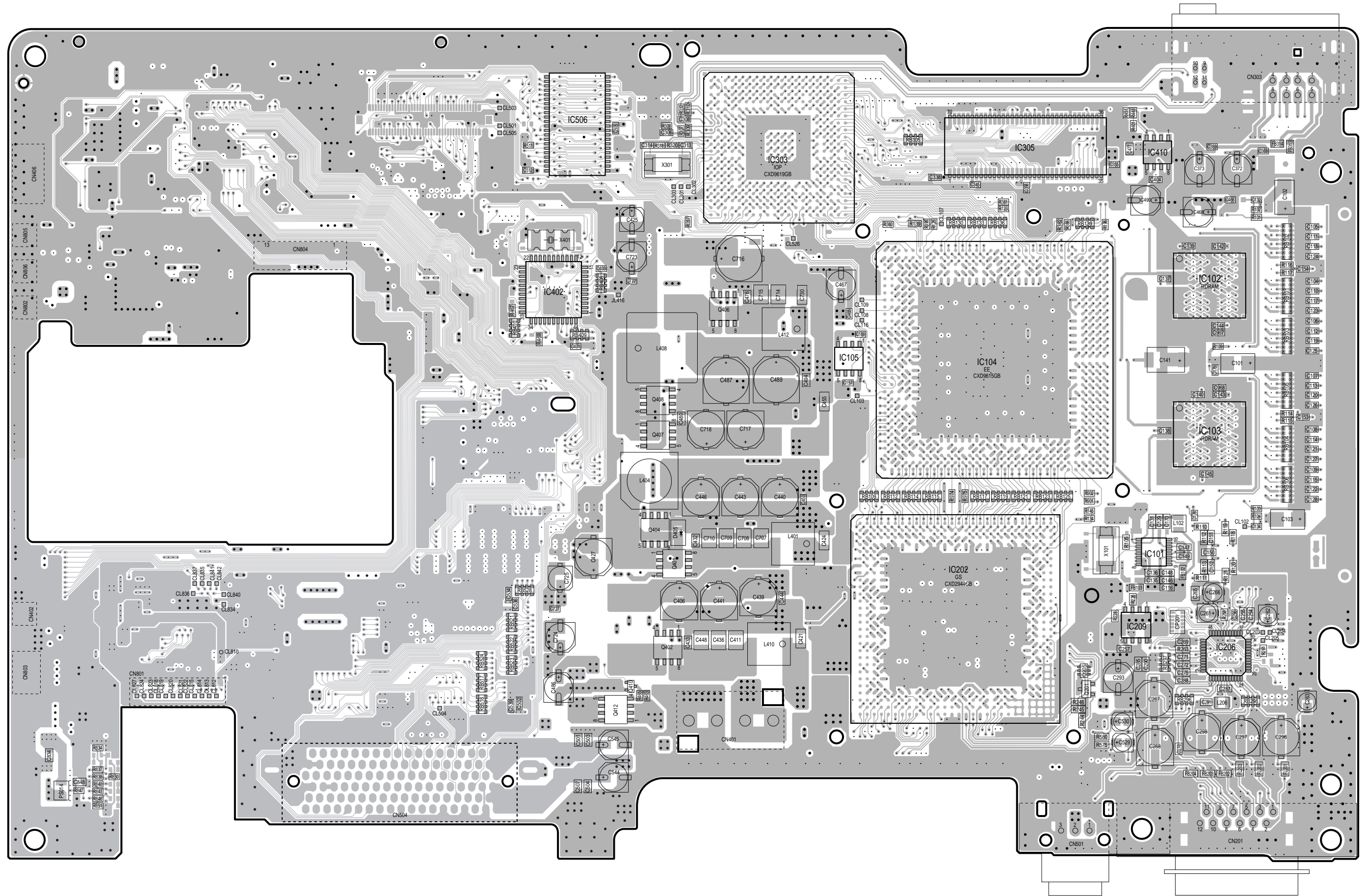
Reproduction Prohibited





**GH-012 (7/7)**

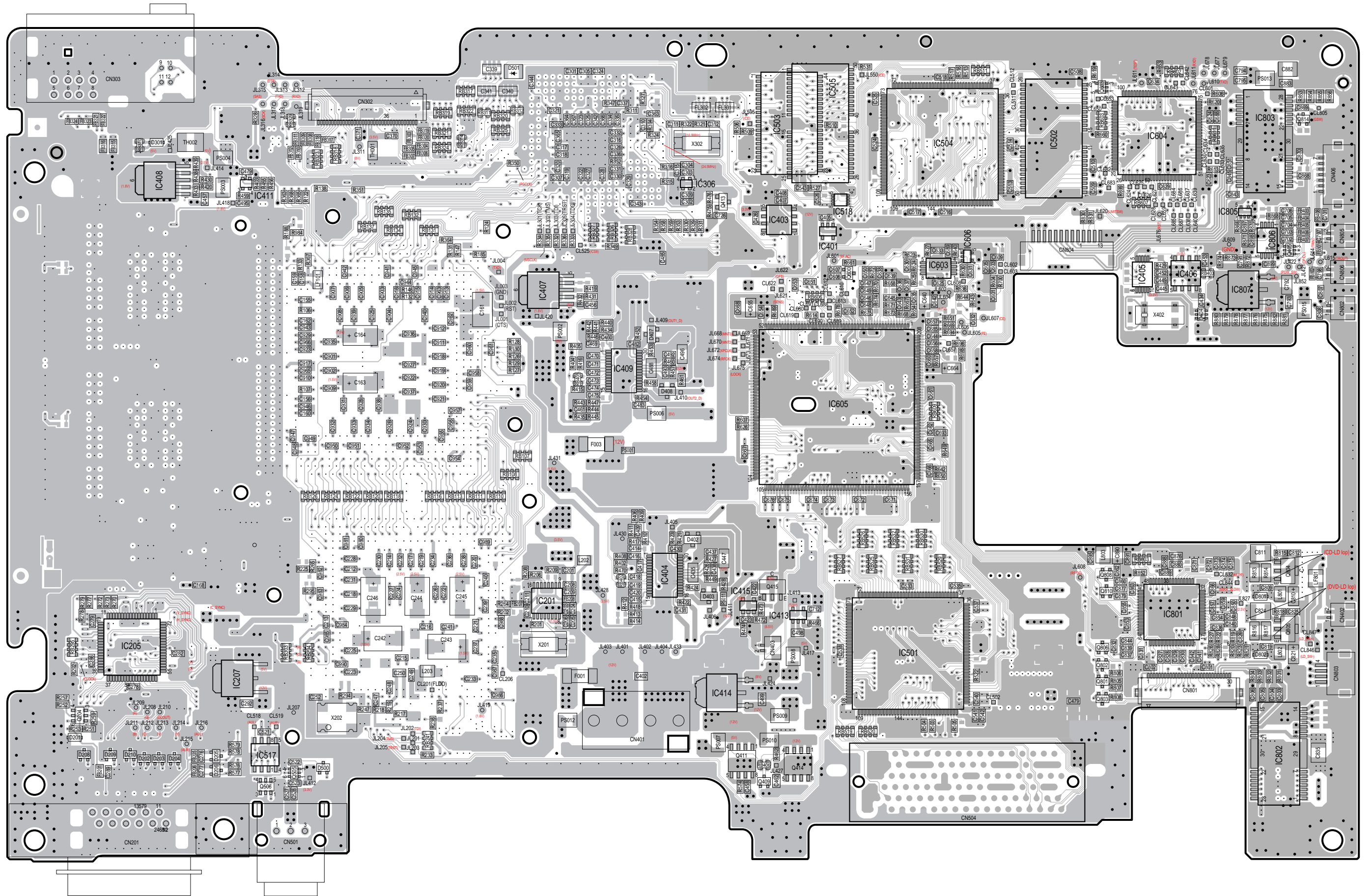
Reproduction Prohibited



# GH-012

A side

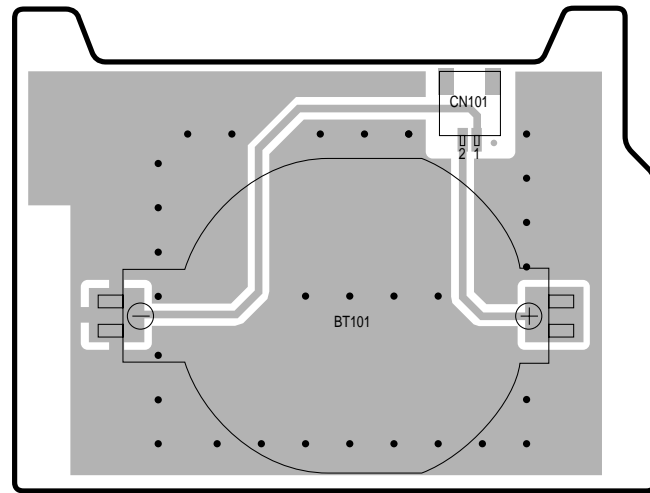
Reproduction Prohibited



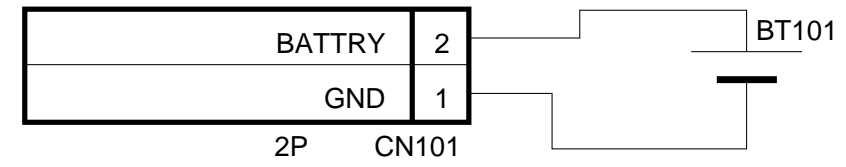
# GH-012

B side

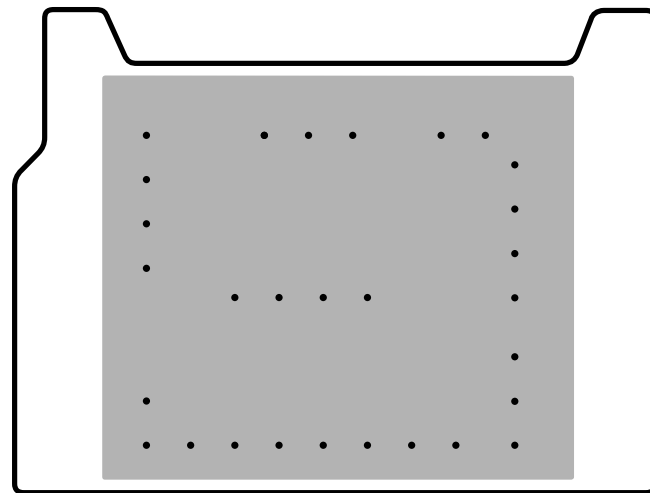
Reproduction Prohibited



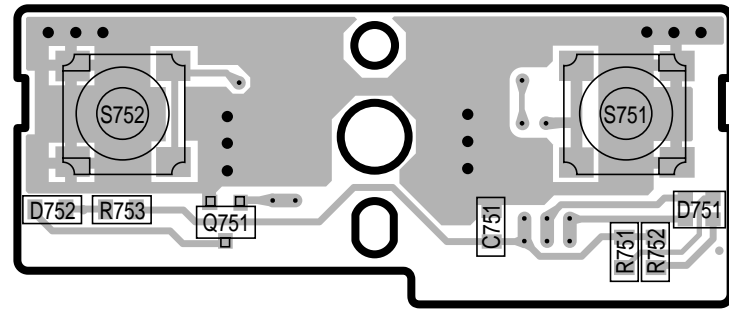
**GB-004**  
A side



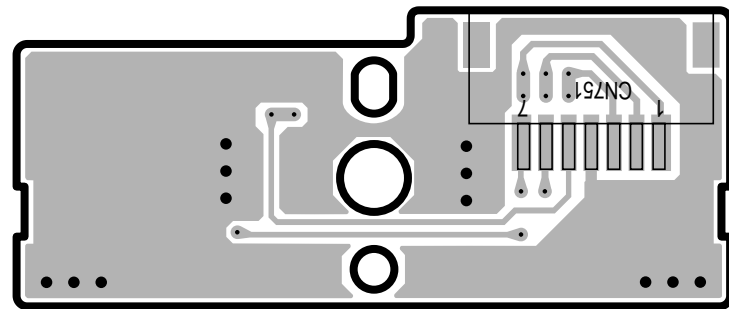
**GB-004**  
A side



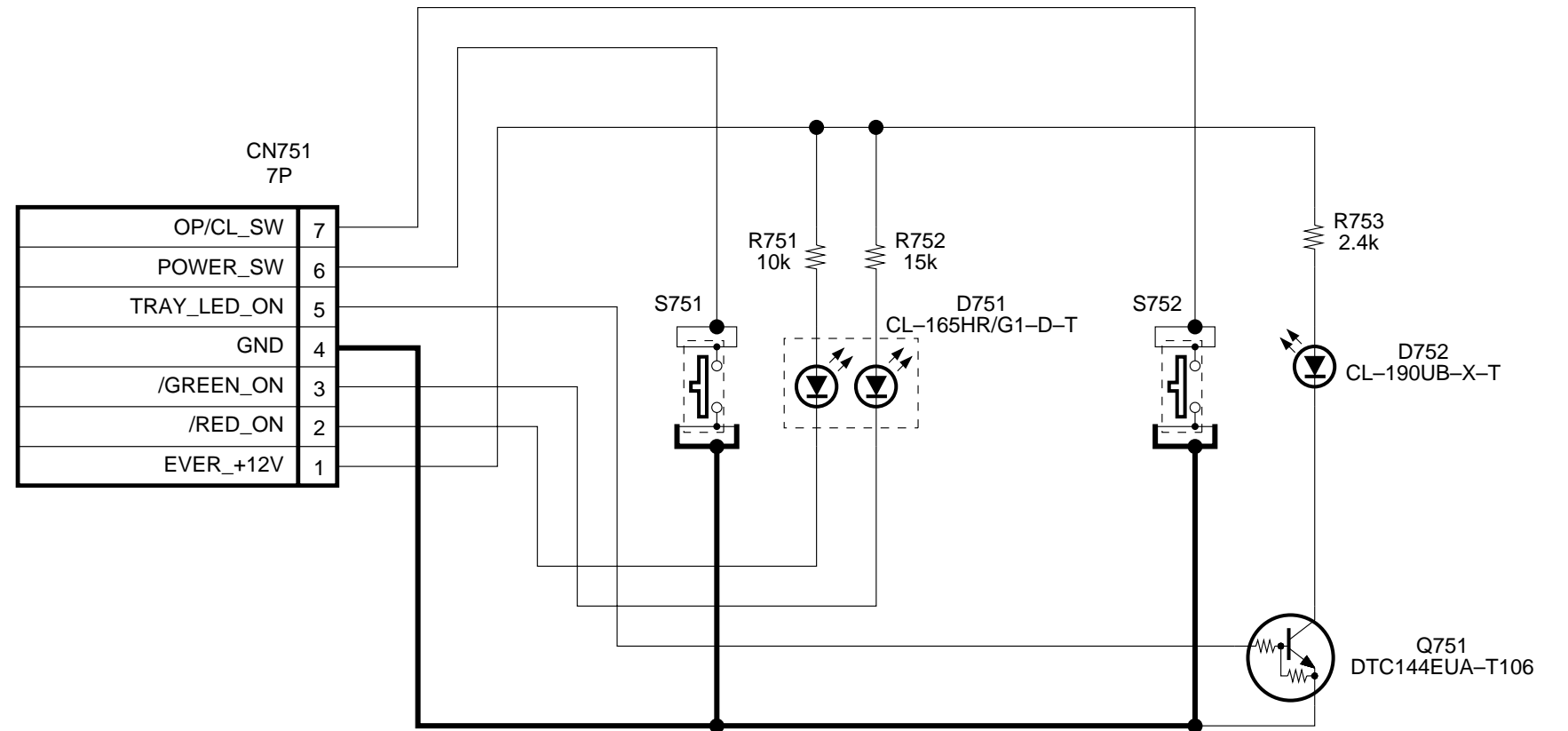
**GB-004**  
B side



**SW-363**  
A side



**SW-363**  
B side



**SW-363**

# SECTION 7 ELECTRICAL PARTS LIST for SCPH-30003D'/30004D' GH012 MOUNT

**NOTE :**

- Due to standardization, replacements in the parts list may be different from the parts specified in the diagrams or the components used on the set.
- -XX and -X mean standardized parts, so they may have some difference from the original one.
- RESISTORS  
METAL : Metal-film resistor.  
F : nonflammable  
Unit is Ω.

- SEMICONDUCTORS  
In each case, u : μ, for example :  
uA . . : μA . . uPA . . : μPA . .  
uPB . . : μPB . . uPC . . : μPC . . uPD . . : μPD . .
- CAPACITORS  
uF : μF
- COILS  
uH : μH

The components identified by mark  $\Delta$  or dotted line with mark.  $\Delta$  are critical for safety. Replace only with part number specified.

When indicating parts by reference number, please include the board.

Ref.	Part No.	Description
A-6712-985-A	GH-012 MOUNT (32M R)	
	for SCPH-30003D' & 30004D' GH-012-32MR	
A-6712-986-A	GH-012 MOUNT (64M R)	
	for SCPH-30003D' & 30004D' GH-012-64MR	
*****		

**Dissimilarity Parts**

Ref.	Part No.	Description
for SCPH-30003D' & 30004D' GH-012-32MR		
*****		
C505	1-113-619-91	CAP, CERAMIC 470000PF F (1608)
C512	1-113-619-91	CAP, CERAMIC 470000PF F (1608)
IC503	6-800-197-01	IC MR27V3202F-A7TPZ
IC504	8-752-408-53	IC CXD2942AR
IC506	6-800-198-01	IC MR27V1602E-74TPZ
R510	1-216-864-91	CONDUCTOR, CHIP (1608)
R511	1-216-864-91	CONDUCTOR, CHIP (1608)
for SCPH-30003D' & 30004D' GH-012-64MR		
*****		
C526	1-164-156-91	CAP, CHIP CERAMIC 0.1MF F (1608)
C543	1-113-619-91	CAP, CERAMIC 470000PF F (1608)
IC504	8-752-410-55	IC CXD2942BR
IC505	6-800-196-01	IC TC5364200FT-PA06
IC518	8-759-680-49	IC TC7WB125FK(TE85R)
R527	1-216-821-91	RES, CHIP 1.0K (1608)
for IC801 : SP3727ACA0PMR(8-7529-685-15)		
*****		
C632	1-107-826-91	CAP, CHIP CERAMIC 100000PF
C689	1-162-968-91	CAP, CHIP CERAMIC 100000PF
IC606	8-759-712-38	IC HD74HC1G66CME
IC606	8-759-712-63	IC MC74VHC1G66DFT1
IC801	8-7529-685-15	IC SP3727ACA0PMR
R640	1-216-837-91	RES, CHIP 22K (1608)
R643	1-216-850-91	RES, CHIP 270K (1608)
for IC801:SP3727AFA0PMR(6-700-585-01)		
*****		
IC801	6-700-585-01	IC SP3727AFA0PMR
R640	1-216-864-91	CONDUCTOR, CHIP(1608)

**Common Parts**

Ref.	Part No.	Description
<CAPACITOR>		
C101	1-128-964-91	CAP, CHIP TANTALUM ELECT 100MF
C102	1-128-964-91	CAP, CHIP TANTALUM ELECT 100MF
C103	1-128-964-91	CAP, CHIP TANTALUM ELECT 100MF
C104	1-107-826-91	CAP, CHIP CERAMIC 100000PF B
C105	1-107-826-91	CAP, CHIP CERAMIC 100000PF B

Ref.	Part No.	Description
C106	1-107-826-91	CAP, CHIP CERAMIC 100000PF B
C107	1-107-826-91	CAP, CHIP CERAMIC 100000PF B
C108	1-107-826-91	CAP, CHIP CERAMIC 100000PF B
C109	1-107-826-91	CAP, CHIP CERAMIC 100000PF B
C110	1-107-826-91	CAP, CHIP CERAMIC 100000PF B
C111	1-107-826-91	CAP, CHIP CERAMIC 100000PF B
C112	1-107-826-91	CAP, CHIP CERAMIC 100000PF B
C113	1-107-826-91	CAP, CHIP CERAMIC 100000PF B
C114	1-107-826-91	CAP, CHIP CERAMIC 100000PF B
C115	1-107-826-91	CAP, CHIP CERAMIC 100000PF B
C116	1-107-826-91	CAP, CHIP CERAMIC 100000PF B
C117	1-107-826-91	CAP, CHIP CERAMIC 100000PF B
C118	1-107-826-91	CAP, CHIP CERAMIC 100000PF B
C119	1-107-826-91	CAP, CHIP CERAMIC 100000PF B
C120	1-107-826-91	CAP, CHIP CERAMIC 100000PF B
C121	1-107-826-91	CAP, CHIP CERAMIC 100000PF B
C122	1-107-826-91	CAP, CHIP CERAMIC 100000PF B
C123	1-107-826-91	CAP, CHIP CERAMIC 100000PF B
C124	1-107-826-91	CAP, CHIP CERAMIC 100000PF B
C125	1-107-826-91	CAP, CHIP CERAMIC 100000PF B
C126	1-107-826-91	CAP, CHIP CERAMIC 100000PF B
C127	1-107-826-91	CAP, CHIP CERAMIC 100000PF B
C128	1-107-826-91	CAP, CHIP CERAMIC 100000PF B
C129	1-107-826-91	CAP, CHIP CERAMIC 100000PF B
C131	1-162-970-91	CAP, CERAMIC 10000PF B (1608)
C132	1-125-777-81	CAP, CHIP CERAMIC 0.1MF B (1005)
C134	1-125-777-81	CAP, CHIP CERAMIC 0.1MF B (1005)
C135	1-107-826-91	CAP, CHIP CERAMIC 100000PF B
C136	1-162-964-91	CAP, CHIP CERAMIC 1000PF B (1608)
C137	1-107-826-91	CAP, CHIP CERAMIC 100000PF B
C138	1-107-826-91	CAP, CHIP CERAMIC 100000PF B
C139	1-107-826-91	CAP, CHIP CERAMIC 100000PF B
C140	1-107-826-91	CAP, CHIP CERAMIC 100000PF B
C141	1-135-609-91	CAP, CHIP TANTALUM ELECT 220MF
C142	1-107-826-91	CAP, CHIP CERAMIC 100000PF B
C143	1-107-826-91	CAP, CHIP CERAMIC 100000PF B
C144	1-107-826-91	CAP, CHIP CERAMIC 100000PF B
C145	1-107-826-91	CAP, CHIP CERAMIC 100000PF B
C146	1-162-964-91	CAP, CHIP CERAMIC 1000PF B (1608)
C147	1-162-964-91	CAP, CHIP CERAMIC 1000PF B (1608)
C148	1-107-826-91	CAP, CHIP CERAMIC 100000PF B
C149	1-107-826-91	CAP, CHIP CERAMIC 100000PF B
C150	1-162-970-91	CAP, CERAMIC 10000PF B (1608)
C151	1-164-160-91	CAP, CERAMIC 20PF CH (1608)
C152	1-164-160-91	CAP, CERAMIC 20PF CH (1608)
C153	1-162-970-91	CAP, CERAMIC 10000PF B (1608)
C154	1-162-970-91	CAP, CERAMIC 10000PF B (1608)
C155	1-107-826-91	CAP, CHIP CERAMIC 100000PF B
C156	1-107-826-91	CAP, CHIP CERAMIC 100000PF B
C157	1-125-777-81	CAP, CHIP CERAMIC 0.1MF B (1005)
C158	1-162-970-91	CAP, CERAMIC 10000PF B (1608)

Ref.	Part No.	Description
C159	1-107-826-91	CAP, CHIP CERAMIC 100000PF B
C160	1-162-925-91	CAP, CERAMIC 68PF CH (1608)
C161	1-128-964-91	CAP, CHIP TANTALUM ELECT 100MF
C162	1-162-925-91	CAP, CERAMIC 68PF CH (1608)
C163	1-128-964-91	CAP, CHIP TANTALUM ELECT 100MF
C164	1-128-964-91	CAP, CHIP TANTALUM ELECT 100MF
C168	1-162-964-91	CAP, CHIP CERAMIC 1000PF B (1608)
C169	1-164-874-81	CAP, CHIP CERAMIC 100PF CH (1005)
C170	1-125-837-91	CAP, CHIP CERAMIC 1MF B (1608)
C175	1-125-777-81	CAP, CHIP CERAMIC 0.1MF B (1005)
C176	1-125-777-81	CAP, CHIP CERAMIC 0.1MF B (1005)
C201	1-107-826-91	CAP, CHIP CERAMIC 100000PF B
C203	1-107-826-91	CAP, CHIP CERAMIC 100000PF B
C204	1-162-970-91	CAP, CERAMIC 10000PF B (1608)
C205	1-107-826-91	CAP, CHIP CERAMIC 100000PF B
C206	1-162-964-91	CAP, CHIP CERAMIC 1000PF B (1608)
C208	1-162-964-91	CAP, CHIP CERAMIC 1000PF B (1608)
C209	1-107-826-91	CAP, CHIP CERAMIC 100000PF B
C210	1-162-964-91	CAP, CHIP CERAMIC 1000PF B (1608)
C211	1-107-826-91	CAP, CHIP CERAMIC 100000PF B
C212	1-107-826-91	CAP, CHIP CERAMIC 100000PF B
C213	1-107-826-91	CAP, CHIP CERAMIC 100000PF B
C214	1-107-826-91	CAP, CHIP CERAMIC 100000PF B
C215	1-107-826-91	CAP, CHIP CERAMIC 100000PF B
C216	1-107-826-91	CAP, CHIP CERAMIC 100000PF B
C217	1-107-826-91	CAP, CHIP CERAMIC 100000PF B
C218	1-107-826-91	CAP, CHIP CERAMIC 100000PF B
C219	1-107-826-91	CAP, CHIP CERAMIC 100000PF B
C220	1-107-826-91	CAP, CHIP CERAMIC 100000PF B
C221	1-107-826-91	CAP, CHIP CERAMIC 100000PF B
C222	1-125-837-91	CAP, CHIP CERAMIC 1MF B (1608)
C223	1-125-837-91	CAP, CHIP CERAMIC 1MF B (1608)
C224	1-125-837-91	CAP, CHIP CERAMIC 1MF B (1608)
C225	1-125-837-91	CAP, CHIP CERAMIC 1MF B (1608)
C226	1-107-826-91	CAP, CHIP CERAMIC 100000PF B
C227	1-107-826-91	CAP, CHIP CERAMIC 100000PF B
C228	1-125-837-91	CAP, CHIP CERAMIC 1MF B (1608)
C229	1-125-837-91	CAP, CHIP CERAMIC 1MF B (1608)
C230	1-125-837-91	CAP, CHIP CERAMIC 1MF B (1608)
C231	1-107-826-91	CAP, CHIP CERAMIC 100000PF B
C232	1-107-826-91	CAP, CHIP CERAMIC 100000PF B
C233	1-125-837-91	CAP, CHIP CERAMIC 1MF B (1608)
C234	1-125-837-91	CAP, CHIP CERAMIC 1MF B (1608)
C235	1-125-837-91	CAP, CHIP CERAMIC 1MF B (1608)
C236	1-107-826-91	CAP, CHIP CERAMIC 100000PF B
C237	1-107-826-91	CAP, CHIP CERAMIC 100000PF B
C238	1-125-837-91	CAP, CHIP CERAMIC 1MF B (1608)
C239	1-107-826-91	CAP, CHIP CERAMIC 100000PF B
C240	1-125-837-91	CAP, CHIP CERAMIC 1MF B (1608)
C241	1-125-837-91	CAP, CHIP CERAMIC 1MF B (1608)
C242	1-128-707-22	CAP, TANTALUM ELECT (SMD)220
C243	1-128-707-22	CAP, TANTALUM ELECT (SMD)220
C244	1-135-609-91	CAP, CHIP TANTALUM ELECT 220MF
C245	1-128-707-22	CAP, TANTALUM ELECT (SMD)220
C246	1-135-609-91	CAP, CHIP TANTALUM ELECT 220MF
C247	1-107-826-91	CAP, CHIP CERAMIC 100000PF B
C248	1-107-826-91	CAP, CHIP CERAMIC 100000PF B
C249	1-115-156-91	CAP, CERAMIC 1000000PF F (1608)
C250	1-127-760-91	CAP, CERAMIC 4.7MF (2012)
C252	1-107-826-91	CAP, CHIP CERAMIC 100000PF B
C254	1-107-826-91	CAP, CHIP CERAMIC 100000PF B
C255	1-107-826-91	CAP, CHIP CERAMIC 100000PF B
C256	1-125-777-81	CAP, CHIP CERAMIC 0.1MF B (1005)
C257	1-125-837-91	CAP, CHIP CERAMIC 1MF B (1608)
C261	1-128-004-21	CAP, ELECT (CHIP) 10MF
C262	1-128-004-21	CAP, ELECT (CHIP) 10MF

Ref.	Part No.	Description
C263	1-128-004-21	CAP, ELECT (CHIP) 10MF
C265	1-117-720-91	CAP, CERAMIC 4.7MF F (2012)
C266	1-128-004-21	CAP, ELECT (CHIP) 10MF
C267	1-126-210-21	CAP, ELECT 220MF
C268	1-126-210-21	CAP, ELECT 220MF
C269	1-164-160-91	CAP, CERAMIC 20PF CH (1608)
C270	1-125-777-81	CAP, CHIP CERAMIC 0.1MF B (1005)
C271	1-107-826-91	CAP, CHIP CERAMIC 100000PF B
C272	1-107-826-91	CAP, CHIP CERAMIC 100000PF B
C275	1-107-826-91	CAP, CHIP CERAMIC 100000PF B
C276	1-162-965-91	CAP, CERAMIC 1500PF B (1608)
C277	1-162-965-91	CAP, CERAMIC 1500PF B (1608)
C278	1-113-619-91	CAP, CERAMIC 470000PF F (1608)
C279	1-113-619-91	CAP, CERAMIC 470000PF F (1608)
C282	1-113-619-91	CAP, CERAMIC 470000PF F (1608)
C285	1-113-619-91	CAP, CERAMIC 470000PF F (1608)
C286	1-113-619-91	CAP, CERAMIC 470000PF F (1608)
C287	1-107-826-91	CAP, CHIP CERAMIC 100000PF B
C288	1-125-837-91	CAP, CHIP CERAMIC 1MF B (1608)
C289	1-162-964-91	CAP, CHIP CERAMIC 1000PF B (1608)
C290	1-113-619-91	CAP, CERAMIC 470000PF F (1608)
C291	1-164-866-81	CAP, CHIP CERAMIC 47PF CH (1005)
C292	1-107-725-91	CAP, CERAMIC 100000PF B (2012)
C293	1-137-765-21	CAP, ELECT 47MF
C296	1-126-210-21	CAP, ELECT 220MF
C297	1-126-210-21	CAP, ELECT 220MF
C298	1-126-210-21	CAP, ELECT 220MF
C301	1-107-826-91	CAP, CHIP CERAMIC 100000PF B
C302	1-107-826-91	CAP, CHIP CERAMIC 100000PF B
C303	1-107-826-91	CAP, CHIP CERAMIC 100000PF B
C304	1-162-964-91	CAP, CHIP CERAMIC 1000PF B (1608)
C305	1-107-826-91	CAP, CHIP CERAMIC 100000PF B
C306	1-164-387-91	CAP, CERAMIC 240PF CH (1608)
C307	1-107-826-91	CAP, CHIP CERAMIC 100000PF B
C308	1-165-112-91	CAP, CERAMIC 330000PF F (1608)
C309	1-162-970-91	CAP, CERAMIC 1000PF B (1608)
C310	1-162-970-91	CAP, CERAMIC 1000PF B (1608)
C311	1-162-916-91	CAP, CERAMIC 12PF CH (1608)
C312	1-162-917-91	CAP, CERAMIC 15PF CH (1608)
C313	1-162-910-91	CAP, CERAMIC 5.0PF CH (1608)
C314	1-162-910-91	CAP, CERAMIC 5.0PF CH (1608)
C315	1-107-826-91	CAP, CHIP CERAMIC 100000PF B
C316	1-165-112-91	CAP, CERAMIC 330000PF F (1608)
C317	1-162-970-91	CAP, CERAMIC 1000PF B (1608)
C318	1-162-970-91	CAP, CERAMIC 1000PF B (1608)
C319	1-162-970-91	CAP, CERAMIC 1000PF B (1608)
C320	1-162-970-91	CAP, CERAMIC 1000PF B (1608)
C321	1-162-970-91	CAP, CERAMIC 1000PF B (1608)
C322	1-162-970-91	CAP, CER

Ref.	Part No.	Description
C340	1-125-764-61	CAP, CHIP CERAMIC 100PF CH
C341	1-125-764-61	CAP, CHIP CERAMIC 100PF CH
C342	1-107-826-91	CAP, CHIP CERAMIC 100000PF B
C343	1-107-826-91	CAP, CHIP CERAMIC 100000PF B
C344	1-107-826-91	CAP, CHIP CERAMIC 100000PF B
C345	1-125-777-81	CAP, CHIP CERAMIC 0.1MF B (1005)
C355	1-125-777-81	CAP, CHIP CERAMIC 0.1MF B (1005)
C356	1-125-777-81	CAP, CHIP CERAMIC 0.1MF B (1005)
C363	1-107-826-91	CAP, CHIP CERAMIC 100000PF B
C364	1-107-826-91	CAP, CHIP CERAMIC 100000PF B
C365	1-107-826-91	CAP, CHIP CERAMIC 100000PF B
C366	1-107-826-91	CAP, CHIP CERAMIC 100000PF B
C367	1-107-826-91	CAP, CHIP CERAMIC 100000PF B
C368	1-125-777-81	CAP, CHIP CERAMIC 0.1MF B (1005)
C369	1-125-777-81	CAP, CHIP CERAMIC 0.1MF B (1005)
C370	1-162-964-91	CAP, CHIP CERAMIC 1000PF B (1608)
C371	1-162-964-91	CAP, CHIP CERAMIC 1000PF B (1608)
C372	1-165-492-21	CAP, ELECT 100MF
C373	1-165-492-21	CAP, ELECT 100MF
C401	1-125-777-81	CAP, CHIP CERAMIC 0.1MF B (1005)
C402	1-164-505-91	CAP, CHIP CERAMIC 2.2MF F (2012)
C403	1-164-937-81	CAP, CHIP CERAMIC 1000PF B (1005)
C404	1-125-837-91	CAP, CHIP CERAMIC 1MF B (1608)
C405	1-107-826-91	CAP, CHIP CERAMIC 100000PF B
C406	1-135-593-21	CAP, ELECT 150MF
C407	1-107-826-91	CAP, CHIP CERAMIC 100000PF B
C408	1-107-826-91	CAP, CHIP CERAMIC 100000PF B
C409	1-162-969-91	CAP, CERAMIC 6800PF B (1608)
C411	1-127-692-91	CAP, CHIP CERAMIC 10MF B (3225)
C414	1-162-965-91	CAP, CERAMIC 1500PF B (1608)
C415	1-165-176-91	CAP, CERAMIC 47000PF B (1608)
C416	1-107-826-91	CAP, CHIP CERAMIC 100000PF B
C417	1-164-379-91	CAP, CERAMIC 43PF CH (1608)
C418	1-107-826-91	CAP, CHIP CERAMIC 100000PF B
C419	1-162-970-91	CAP, CERAMIC 10000PF B (1608)
C420	1-107-826-91	CAP, CHIP CERAMIC 100000PF B
C421	1-127-820-91	CAP, SQUARE TYPE CHIP 4.7MF
C422	1-107-826-91	CAP, CHIP CERAMIC 100000PF B
C423	1-107-826-91	CAP, CHIP CERAMIC 100000PF B
C424	1-127-820-91	CAP, SQUARE TYPE CHIP 4.7MF
C425	1-124-779-21	CAP, ELECT 10MF
C426	1-107-826-91	CAP, CHIP CERAMIC 100000PF B
C427	1-117-681-21	CAP, ELECT 100MF
C430	1-107-826-91	CAP, CHIP CERAMIC 100000PF B
C431	1-107-826-91	CAP, CHIP CERAMIC 100000PF B
C432	1-115-339-91	CAP, CERAMIC 0.1MF B (2012)
C433	1-115-339-91	CAP, CERAMIC 0.1MF B (2012)
C434	1-162-964-91	CAP, CHIP CERAMIC 1000PF B (1608)
C435	1-115-566-91	CAP, CERAMIC 4.7MF B
C436	1-127-692-91	CAP, CHIP CERAMIC 10MF B (3225)
C437	1-107-826-91	CAP, CHIP CERAMIC 100000PF B
C438	1-107-826-91	CAP, CHIP CERAMIC 100000PF B
C439	1-135-593-21	CAP, ELECT 150MF
C440	1-135-592-21	CAP, ELECT 100MF
C441	1-135-593-21	CAP, ELECT 150MF
C443	1-135-592-21	CAP, ELECT 100MF
C444	1-107-826-91	CAP, CHIP CERAMIC 100000PF B
C445	1-117-720-91	CAP, CERAMIC 4.7MF F (2012)
C446	1-135-592-21	CAP, ELECT 100MF
C447	1-107-682-91	CAP, CERAMIC 100000PF B (3216)
C448	1-127-692-91	CAP, CHIP CERAMIC 10MF B (3225)
C449	1-162-964-91	CAP, CHIP CERAMIC 1000PF B (1608)
C450	1-107-826-91	CAP, CHIP CERAMIC 100000PF B
C452	1-164-360-91	CAP, CERAMIC 0.1MF F (1608)
C453	1-164-360-91	CAP, CERAMIC 0.1MF F (1608)
C455	1-127-820-91	CAP, SQUARE TYPE CHIP 4.7MF

Ref.	Part No.	Description
C456	1-127-760-91	CAP, CERAMIC 4.7MF (2012)
C457	1-127-760-91	CAP, CERAMIC 4.7MF (2012)
C458	1-162-964-91	CAP, CHIP CERAMIC 1000PF B (1608)
C460	1-164-174-91	CAP, CERAMIC 8200PF B (1608)
C461	1-164-174-91	CAP, CERAMIC 8200PF B (1608)
C462	1-163-009-91	CAP, CHIP CERAMIC 1000PF B (2012)
C465	1-125-777-81	CAP, CHIP CERAMIC 0.1MF B (1005)
C466	1-125-777-81	CAP, CHIP CERAMIC 0.1MF B (1005)
C467	1-126-209-21	CAP, ELECT 100MF
C468	1-126-209-21	CAP, ELECT 100MF
C469	1-162-977-91	CAP, CERAMIC 1800PF B (1608)
C470	1-107-826-91	CAP, CHIP CERAMIC 100000PF B
C471	1-164-379-91	CAP, CERAMIC 43PF CH (1608)
C472	1-107-826-91	CAP, CHIP CERAMIC 100000PF B
C473	1-162-970-91	CAP, CERAMIC 10000PF B (1608)
C474	1-107-826-91	CAP, CHIP CERAMIC 100000PF B
C475	1-164-730-91	CAP, CERAMIC 1200PF B (1608)
C476	1-115-339-91	CAP, CERAMIC 0.1MF B (2012)
C477	1-127-760-91	CAP, CERAMIC 4.7MF (2012)
C479	1-125-837-91	CAP, CHIP CERAMIC 1MF B (1608)
C480	1-115-339-91	CAP, CERAMIC 0.1MF B (2012)
C482	1-107-826-91	CAP, CHIP CERAMIC 100000PF B
C483	1-107-826-91	CAP, CHIP CERAMIC 100000PF B
C485	1-107-826-91	CAP, CHIP CERAMIC 100000PF B
C486	1-137-765-21	CAP, ELECT 47MF
C487	1-131-999-21	CAP, SOLID ELECT 150MF
C488	1-115-566-91	CAP, CERAMIC 4.7MF B
C489	1-131-999-21	CAP, SOLID ELECT 150MF
C490	1-126-209-21	CAP, ELECT 100MF
C492	1-107-826-91	CAP, CHIP CERAMIC 100000PF B
C493	1-107-826-91	CAP, CHIP CERAMIC 100000PF B
C494	1-107-725-91	CAP, CERAMIC 100000PF B (2012)
C495	1-125-837-91	CAP, CHIP CERAMIC 1MF B (1608)
C496	1-107-682-91	CAP, CERAMIC 1000000PF B (3216)
C498	1-127-760-91	CAP, CERAMIC 4.7MF (2012)
C499	1-164-505-91	CAP, CHIP CERAMIC 2.2MF F (2012)
C501	1-164-346-91	CAP, CHIP CERAMIC 1MF F (2012)
C502	1-113-619-91	CAP, CERAMIC 470000PF F (1608)
C503	1-163-009-91	CAP, CHIP CERAMIC 1000PF B (2012)
C504	1-164-346-91	CAP, CHIP CERAMIC 1MF F (2012)
C507	1-163-009-91	CAP, CHIP CERAMIC 1000PF B (2012)
C508	1-113-619-91	CAP, CERAMIC 470000PF F (1608)
C509	1-113-619-91	CAP, CERAMIC 470000PF F (1608)
C510	1-113-619-91	CAP, CERAMIC 470000PF F (1608)
C513	1-113-619-91	CAP, CERAMIC 470000PF F (1608)
C514	1-113-619-91	CAP, CERAMIC 470000PF F (1608)
C516	1-113-619-91	CAP, CERAMIC 470000PF F (1608)
C517	1-113-619-91	CAP, CERAMIC 470000PF F (1608)
C518	1-113-619-91	CAP, CERAMIC 470000PF F (1608)
C521	1-125-837-91	CAP, CHIP CERAMIC 1MF B (1608)
C522	1-164-156-91	CAP, CHIP CERAMIC 0.1MF F (1608)
C523	1-107-726-91	CAP, CHIP CERAMIC 100000PF B (1608)
C524	1-113-619-91	CAP, CERAMIC 470000PF F (1608)
C525	1-113-619-91	CAP, CERAMIC 470000PF F (1608)
C527	1-162-964-91	CAP, CHIP CERAMIC 1000PF B (1608)
C528	1-125-837-91	CAP, CHIP CERAMIC 1MF B (1608)
C529	1-128-008-21	CAP, ELECT (CHIP) 3.3MF
C530	1-128-008-21	CAP, ELECT (CHIP) 3.3MF
C533	1-113-619-91	CAP, CERAMIC 470000PF F (1608)
C534	1-113-619-91	CAP, CERAMIC 470000PF F (1608)
C535	1-113-619-91	CAP, CERAMIC 470000PF F (1608)
C536	1-113-619-91	CAP, CERAMIC 470000PF F (1608)
C537	1-113-619-91	CAP, CERAMIC 470000PF F (1608)
C538	1-113-619-91	CAP, CERAMIC 470000PF F (1608)
C539	1-113-619-91	CAP, CERAMIC 470000PF F (1608)
C540	1-113-619-91	CAP, CERAMIC 470000PF F (1608)

Ref.	Part No.	Description
C541	1-113-619-91	CAP, CERAMIC 470000PF F (1608)
C542	1-162-927-91	CAP, CERAMIC 100PF CH (1608)
C544	1-137-765-21	CAP, ELECT 47MF
C545	1-137-765-21	CAP, ELECT 47MF
C601	1-164-156-91	CAP, CHIP CERAMIC 0.1MF F (1608)
C603	1-162-964-91	CAP, CHIP CERAMIC 1000PF B (1608)
C605	1-162-964-91	CAP, CHIP CERAMIC 1000PF B (1608)
C606	1-162-964-91	CAP, CHIP CERAMIC 1000PF B (1608)
C607	1-162-968-91	CAP, CHIP CERAMIC 4700PF B (1608)
C609	1-107-826-91	CAP, CHIP CERAMIC 100000PF B
C623	1-164-156-91	CAP, CHIP CERAMIC 0.1MF F (1608)
C624	1-107-826-91	CAP, CHIP CERAMIC 100000PF B
C625	1-164-156-91	CAP, CHIP CERAMIC 0.1MF F (1608)
C629	1-164-156-91	CAP, CHIP CERAMIC 0.1MF F (1608)
C630	1-164-173-91	CAP, CERAMIC 3900PF B (1608)
C631	1-162-968-91	CAP, CHIP CERAMIC 4700PF B (1608)
C633	1-164-156-91	CAP, CHIP CERAMIC 0.1MF F (1608)
C634	1-164-156-91	CAP, CHIP CERAMIC 0.1MF F (1608)
C635	1-162-968-91	CAP, CHIP CERAMIC 4700PF B (1608)
C636	1-107-826-91	CAP, CHIP CERAMIC 100000PF B
C637	1-162-964-91	CAP, CHIP CERAMIC 1000PF B (1608)
C638	1-107-726-91	CAP, CHIP CERAMIC 10000PF B (1608)
C639	1-164-217-91	CAP, CERAMIC 150PF CH (1608)
C640	1-135-259-91	CAP, CHIP TANTALUM ELECT 10MF
C642	1-164-156-91	CAP, CHIP CERAMIC 0.1MF F (1608)
C643	1-107-826-91	CAP, CHIP CERAMIC 100000PF B
C644	1-164-230-91	CAP, CERAMIC 220PF CH (1608)
C645	1-165-176-91	CAP, CERAMIC 47000PF B (1608)
C646	1-162-964-91	CAP, CHIP CERAMIC 1000PF B (1608)
C647	1-117-863-91	CAP, CHIP CERAMIC 0.47MF B (1608)
C648	1-164-360-91	CAP, CERAMIC 0.1MF F (1608)
C649	1-107-726-91	CAP, CHIP CERAMIC 10000PF B (1608)
C650	1-164-230-91	CAP, CERAMIC 220PF CH (1608)
C651	1-162-966-91	CAP, CERAMIC 2200PF B (1608)
C652	1-107-826-91	CAP, CHIP CERAMIC 100000PF B
C653	1-162-966-91	CAP, CERAMIC 2200PF B (1608)
C654	1-164-156-91	CAP, CHIP CERAMIC 0.1MF F (1608)
C655	1-135-259-91	CAP, CHIP TANTALUM ELECT 10MF
C656	1-164-360-91	CAP, CERAMIC 0.1MF F (1608)
C657	1-164-230-91	CAP, CERAMIC 220PF CH (1608)
C658	1-164-230-91	CAP, CERAMIC 220PF CH (1608)
C660	1-107-826-91	CAP, CHIP CERAMIC 100000PF B
C661	1-164-360-91	CAP, CERAMIC 0.1MF F (1608)
C662	1-164-156-91	CAP, CHIP CERAMIC 0.1MF F (1608)
C664	1-135-259-91	CAP, CHIP TANTALUM ELECT 10MF
C665	1-164-360-91	CAP, CERAMIC 0.1MF F (1608)
C666	1-164-360-91	CAP, CERAMIC 0.1MF F (1608)
C667	1-164-360-91	CAP, CERAMIC 0.1MF F (1608)
C668	1-107-826-91	CAP, CHIP CERAMIC 100000PF B
C671	1-164-156-91	CAP, CHIP CERAMIC 0.1MF F (1608)
C672	1-164-156-91	CAP, CHIP CERAMIC 0.1MF F (1608)
C673	1-164-156-91	CAP, CHIP CERAMIC 0.1MF F (1608)
C674	1-164-156-91	CAP, CHIP CERAMIC 0.1MF F (1608)
C675	1-164-360-91	CAP, CERAMIC 0.1MF F (1608)
C676	1-164-360-91	CAP, CERAMIC 0.1MF F (1608)
C685	1-117-863-91	CAP, CHIP CERAMIC 0.47MF B (1608)
C688	1-162-964-91	CAP, CHIP CERAMIC 1000PF B (1608)
C693	1-162-912-91	CAP, CERAMIC 7.0PF CH (1608)
C701	1-162-927-91	CAP, CERAMIC 100PF CH (1608)
C702	1-162-927-91	CAP, CERAMIC 100PF CH (1608)
C703	1-162-927-91	CAP, CERAMIC 100PF CH (1608)
C704	1-162-927-91	CAP, CERAMIC 100PF CH (1608)
C705	1-162-927-91	CAP, CERAMIC 100PF CH (1608)
C706	1-162-927-91	CAP, CERAMIC 100PF CH (1608)
C707	1-127-692-91	CAP, CHIP CERAMIC 10MF B (3225)
C708	1-127-692-91	CAP, CHIP CERAMIC 10MF B (3225)

Ref.	Part No.	Description
C709	1-127-692-91	CAP, CHIP CERAMIC 10MF B (3225)
C710	1-127-692-91	CAP, CHIP CERAMIC 10MF B (3225)
C712	1-162-970-91	CAP, CERAMIC 10000PF B (1608)
C714	1-127-692-91	CAP, CHIP CERAMIC 10MF B (3225)
C715	1-127-692-91	CAP, CHIP CERAMIC 10MF B (3225)
C716	1-131-999-21	CAP, SOLID ELECT 150MF
C717	1-135-346-21	CAP, SOLID ELECT 39MF
C718	1-135-346-21	CAP, SOLID ELECT 39MF
C722	1-164-937-81	CAP, CHIP CERAMIC 1000PF B (1005)
C723	1-137-766-21	CAP, ELECT 68MF
C724	1-137-765-21	CAP, ELECT 47MF
C725	1-124-779-21	CAP, ELECT 10MF
C726	1-162-964-91	CAP, CHIP CERAMIC 1000PF B (1608)
C727	1-164-937-81	CAP, CHIP CERAMIC 1000PF B (1005)
C730	1-127-820-91	CAP, SQUARE TYPE CHIP 4.7MF
C791	1-164-245-91	CAP, CERAMIC 15000PF B (1608)
C792	1-104-851-91	CAP, CHIP TANTALUM ELECT 10MF
C793	1-164-505-91	CAP, CHIP CERAMIC 2.2MF F (2012)
C794	1-163-009-91	CAP, CHIP CERAMIC 1000PF B (2012)
C795	1-163-009-91	CAP, CHIP CERAMIC 1000PF B (2012)
C797	1-162-927-91	CAP, CERAMIC 100PF CH (1608)
C798	1-162-927-91	CAP, CERAMIC 100PF CH (1608)
C801	1-115-467-91	CAP, CHIP CERAMIC 0.22MF B (1608)
C802	1-115-467-91	CAP, CHIP CERAMIC 0.22MF B (1608)
C803	1-162-927-91	CAP, CERAMIC 100PF CH (1608)
C804	1-162-927-91	CAP, CERAMIC 100PF CH (1608)
C805	1-162-927-91	CAP, CERAMIC 100PF CH (1608)
C806	1-162-927-91	CAP, CERAMIC 100PF CH (1608)
C807	1-162-927-91	CAP, CERAMIC 100PF CH (1608)
C808	1-162-927-91	CAP, CERAMIC 100PF CH (1608)
C809	1-107-826-91	CAP, CHIP CERAMIC 100000PF B
C810	1-104-851-91	CAP, CHIP TANTALUM ELECT 10MF
C811	1-135-900-21	CAP, TANTALUM ELECT 22MF
C812	1-164-730-91	CAP, CERAMIC 1200PF B (1608)
C819	1-107-826-91	CAP, CHIP CERAMIC 100000PF B
C821	1-104-851-91	CAP, CHIP TANTALUM ELECT 10MF
C824	1-135-900-21	CAP, TANTALUM ELECT 22MF
C825	1-164-730-91	CAP, CERAMIC 1200PF B (1608)
C826	1-164-677-91	CAP, CERAMIC 33000PF B (1608)
C827	1-162-966-	

Ref.	Part No.	Description	Ref.	Part No.	Description	Ref.	Part No.	Description	Ref.	Part No.	Description
C862	1-164-739-91	CAP, CERAMIC 560PF CH (1608)	C942	1-107-826-91	CAP, CHIP CERAMIC 100000PF B	D209	8-719-064-61	DIODE 01BZA8.2(TE85L)	FL302	1-234-601-21	NETWORK, RC (USB) (3216)
C863	1-162-964-91	CAP, CHIP CERAMIC 10000PF B (1608)	C943	1-107-826-91	CAP, CHIP CERAMIC 100000PF B	D210	8-719-064-61	DIODE 01BZA8.2(TE85L)			
C866	1-107-826-91	CAP, CHIP CERAMIC 100000PF B				D301	8-719-071-87	DIODE MA785-(TX),SO			<IC>
C868	1-164-156-91	CAP, CHIP CERAMIC 0.1MF F (1608)	C944	1-107-826-91	CAP, CHIP CERAMIC 100000PF B	D402	8-719-074-34	DIODE RB495D-T146	IC101	8-759-831-20	IC CY2212ZC-2T
C869	1-164-156-91	CAP, CHIP CERAMIC 0.1MF F (1608)	C945	1-107-826-91	CAP, CHIP CERAMIC 100000PF B	D403	8-719-074-34	DIODE RB495D-T146	IC102	8-759-837-33	IC K4R271669A-SCK8T00
C870	1-164-156-91	CAP, CHIP CERAMIC 0.1MF F (1608)	C946	1-107-826-91	CAP, CHIP CERAMIC 100000PF B	D404	8-719-033-15	DIODE HN2D02FU-TE85R	IC103	8-759-837-33	IC K4R271669A-SCK8T00
C871	1-164-677-91	CAP, CERAMIC 33000PF B (1608)	C947	1-107-826-91	CAP, CHIP CERAMIC 100000PF B	D405	8-719-078-04	DIODE EC31QS03L-TE12L	IC104	8-759-699-09	IC CXD9615GB
C872	1-115-467-91	CAP, CHIP CERAMIC 0.22MF B (1608)	C948	1-107-826-91	CAP, CHIP CERAMIC 100000PF B	D407	8-719-074-34	DIODE RB495D-T146	IC105	8-759-689-90	IC LM74CIMX-3
C873	1-164-392-91	CAP, CERAMIC 390PF CH (1608)	C949	1-107-826-91	CAP, CHIP CERAMIC 100000PF B	D408	8-719-074-34	DIODE RB495D-T146	IC201	8-759-831-20	IC CY2212ZC-2T
C874	1-164-677-91	CAP, CERAMIC 33000PF B (1608)	C950	1-107-826-91	CAP, CHIP CERAMIC 100000PF B	D500	8-719-941-21	DIODE DAP202UT106			for CEX-DA10002B/C model only
C875	1-107-826-91	CAP, CHIP CERAMIC 100000PF B	C951	1-107-826-91	CAP, CHIP CERAMIC 100000PF B	D501	8-719-082-76	DIODE CL-201TLY-C-TU	IC202	8-752-404-01	IC CXD2934GB-T7
C876	1-125-838-91	CAP, CHIP CERAMIC 2.2MF B (2012)	C952	1-107-826-91	CAP, CHIP CERAMIC 100000PF B	D801	8-719-065-68	DIODE MAZF04700LS0			for CEX-DA10002B/C model only
C877	1-164-173-91	CAP, CERAMIC 3900PF B (1608)	C953	1-107-826-91	CAP, CHIP CERAMIC 100000PF B	D802	8-719-065-68	DIODE MAZF04700LS0	IC205	6-700-230-01	IC SC44728BPPBEB
C879	1-164-739-91	CAP, CERAMIC 560PF CH (1608)	C954	1-107-826-91	CAP, CHIP CERAMIC 100000PF B			<FUSE>	IC206	8-752-093-56	IC CXA3525R-T4
C880	1-107-826-91	CAP, CHIP CERAMIC 100000PF B	C955	1-107-826-91	CAP, CHIP CERAMIC 100000PF B				IC206	8-752-099-53	IC CXA3525BR-T4
C882	1-127-692-91	CAP, CHIP CERAMIC 10MF B (3225)	C956	1-107-826-91	CAP, CHIP CERAMIC 100000PF B	△ F001	1-576-434-21	FUSE, CHIP	IC207	8-759-391-69	IC MC78M05CDTRK
C883	1-163-038-91	CAP, CERAMIC 100000PF F (2012)	C957	1-107-826-91	CAP, CHIP CERAMIC 100000PF B	△ F003	1-576-434-21	FUSE, CHIP	IC207	8-759-691-00	IC JCP78M05CDTRK
C888	1-107-826-91	CAP, CHIP CERAMIC 100000PF B	C958	1-107-826-91	CAP, CHIP CERAMIC 100000PF B			<FERRITE BEAD>	IC207	8-759-697-61	IC L78M05CDT-TR(P)
C889	1-107-826-91	CAP, CHIP CERAMIC 100000PF B	C959	1-107-826-91	CAP, CHIP CERAMIC 100000PF B	FB102	1-469-667-21	FERRITE, EMI (SMD)	IC209	8-759-697-60	IC MM3071CFBE
C890	1-104-851-91	CAP, CHIP TANTALUM ELECT 10MF	C960	1-107-826-91	CAP, CHIP CERAMIC 100000PF B	FB103	1-469-667-21	FERRITE, EMI (SMD)	IC303	8-759-699-11	IC CXD9619GB
C891	1-107-826-91	CAP, CHIP CERAMIC 100000PF B	C961	1-107-826-91	CAP, CHIP CERAMIC 100000PF B	FB201	1-414-813-21	FERRITE, EMI (SMD)	IC305	6-700-549-01	IC K4Q153212MJJC60T
C895	1-162-964-91	CAP, CHIP CERAMIC 1000PF B (1608)	C962	1-107-826-91	CAP, CHIP CERAMIC 100000PF B	FB202	1-500-113-22	BEAD, FERRITE (CHIP)	IC305	6-700-119-01	IC T5NB8(YEL)
C897	1-164-677-91	CAP, CERAMIC 33000PF B (1608)	C963	1-107-826-91	CAP, CHIP CERAMIC 100000PF B	FB203	1-500-113-22	BEAD, FERRITE (CHIP)	IC306	8-759-688-07	IC MM3051NULU
C898	1-164-156-91	CAP, CHIP CERAMIC 0.1MF F (1608)	C965	1-107-826-91	CAP, CHIP CERAMIC 100000PF B	FB204	1-500-113-22	BEAD, FERRITE (CHIP)	IC306	8-759-697-24	IC S-817A12ANB-CUB-T2
C899	1-164-156-91	CAP, CHIP CERAMIC 0.1MF F (1608)	C966	1-107-826-91	CAP, CHIP CERAMIC 100000PF B	FB205	1-500-113-22	BEAD, FERRITE (CHIP)	IC401	8-759-661-25	IC S-80769SN-J0-T1
C901	1-107-826-91	CAP, CHIP CERAMIC 100000PF B	C967	1-125-837-91	CAP, CHIP CERAMIC 1MF B (1608)	FB206	1-500-113-22	BEAD, FERRITE (CHIP)	IC402	8-759-837-34	IC TMP87C807U-2A69(EL)
C902	1-107-826-91	CAP, CHIP CERAMIC 100000PF B	C968	1-125-837-91	CAP, CHIP CERAMIC 1MF B (1608)	FB207	1-469-667-21	FERRITE, EMI (SMD)	IC403	6-700-234-01	IC BD3992F-E2
C903	1-107-826-91	CAP, CHIP CERAMIC 100000PF B	C980	1-107-826-91	CAP, CHIP CERAMIC 100000PF B	FB208	1-469-667-21	FERRITE, EMI (SMD)	IC403	6-700-234-01	IC BD3992F-E2
C904	1-107-826-91	CAP, CHIP CERAMIC 100000PF B	C981	1-125-837-91	CAP, CHIP CERAMIC 1MF B (1608)	FB303	1-414-555-21	FERRITE, EMI (SMD)	IC404	8-759-689-89	IC SN104809DBTR
C905	1-107-826-91	CAP, CHIP CERAMIC 100000PF B	C982	1-107-826-91	CAP, CHIP CERAMIC 100000PF B	FB304	1-414-555-21	FERRITE, EMI (SMD)	IC405	8-759-560-17	IC RS5C348A-E2
C906	1-107-826-91	CAP, CHIP CERAMIC 100000PF B	C983	1-125-837-91	CAP, CHIP CERAMIC 1MF B (1608)	FB305	1-414-555-21	FERRITE, EMI (SMD)	IC406	8-759-698-67	IC BR2880F-E2
C907	1-107-826-91	CAP, CHIP CERAMIC 100000PF B	C984	1-107-826-91	CAP, CHIP CERAMIC 100000PF B	FB306	1-414-555-21	FERRITE, EMI (SMD)	IC407	8-759-712-66	IC PQ018PZ01ZP
C908	1-107-826-91	CAP, CHIP CERAMIC 100000PF B	C985	1-107-826-91	CAP, CHIP CERAMIC 100000PF B	FB307	1-414-555-21	FERRITE, EMI (SMD)	IC408	8-759-712-65	IC PQ070XZ01ZP
C909	1-107-826-91	CAP, CHIP CERAMIC 100000PF B	C986	1-107-826-91	CAP, CHIP CERAMIC 100000PF B	FB309	1-414-555-21	FERRITE, EMI (SMD)	IC409	8-759-689-89	IC SN104809DBTR
C910	1-107-826-91	CAP, CHIP CERAMIC 100000PF B	C987	1-107-826-91	CAP, CHIP CERAMIC 100000PF B	FB310	1-414-555-21	FERRITE, EMI (SMD)	IC410	8-749-018-42	IC SI-3026LSA-TL
C911	1-107-826-91	CAP, CHIP CERAMIC 100000PF B	C988	1-125-837-91	CAP, CHIP CERAMIC 1MF B (1608)	FB311	1-414-555-21	FERRITE, EMI (SMD)	IC411	8-759-688-06	IC MM3031JULE
C912	1-107-826-91	CAP, CHIP CERAMIC 100000PF B	C989	1-107-826-91	CAP, CHIP CERAMIC 100000PF B	FB312	1-414-555-21	FERRITE, EMI (SMD)	IC413	6-700-233-01	IC MM1573ZNLX
C913	1-107-826-91	CAP, CHIP CERAMIC 100000PF B	C990	1-107-826-91	CAP, CHIP CERAMIC 100000PF B	FB313	1-469-324-21	FERRITE, EMI (SMD)	IC413	8-759-598-12	IC LP2985IM5X-3.5
C914	1-107-826-91	CAP, CHIP CERAMIC 100000PF B			<CONNECTOR>	FB314	1-469-324-21	FERRITE, EMI (SMD)	IC414	8-759-069-41	IC TA7808F(TE16L)
C915	1-107-826-91	CAP, CHIP CERAMIC 100000PF B	CN201	1-815-631-11	CONNECTOR, SQUARE TYPE 12P	FB315	1-469-324-21	FERRITE, EMI (SMD)	IC414	8-759-473-16	IC BA17808FP-E2
C916	1-107-826-91	CAP, CHIP CERAMIC 100000PF B	CN202	1-794-206-21	CONNECTOR, FFC/FPC (ZIF) 36P	FB316	1-469-324-21	FERRITE, EMI (SMD)	IC414	8-759-697-62	IC NJM7808DL1A(TE1)
C917	1-107-826-91	CAP, CHIP CERAMIC 100000PF B	CN303	1-694-822-11	TERMINAL BOARD (LINK/USB)	FB317	1-469-110-21	FERRITE, EMI (SMD)	IC415	8-759-581-11	IC NJM2125F(TE2)
C918	1-107-826-91	CAP, CHIP CERAMIC 100000PF B	CN401	1-815-630-11	PIN, CONNECTOR 4P	FB318	1-469-110-21	FERRITE, EMI (SMD)	IC501	6-700-231-01	IC CXD9611AR
C919	1-107-826-91	CAP, CHIP CERAMIC 100000PF B	CN402	1-815-648-21	PIN, CONNECTOR (PC BOARD) 2P	FB319	1-469-110-21	FERRITE, EMI (SMD)	IC501	8-759-699-10	IC CXD9611R
C920	1-107-826-91	CAP, CHIP CERAMIC 100000PF B	CN403	1-784-650-21	CONNECTOR 2P	FB320	1-469-110-21	FERRITE, EMI (SMD)	IC502	8-759-712-79	IC K4E151612D-TL50T00
C921	1-107-826-91	CAP, CHIP CERAMIC 100000PF B	CN406	1-815-653-21	CONNECTOR, FFC/FPC (ZIF) 7P	FB321	1-469-110-21	FERRITE, EMI (SMD)	IC502	8-759-712-80	IC MT4LC1M16E5TG-5TR
C922	1-107-826-91	CAP, CHIP CERAMIC 100000PF B	CN501	1-476-736-11	TRANSMITTER UNIT, LIGHT	FB322	1-469-110-21	FERRITE, EMI (SMD)	IC502	8-759-712-81	IC GM71V18163CT-5
C923	1-107-826-91	CAP, CHIP CERAMIC 100000PF B	CN504	1-815-632-11	CONNECTOR BOARD TO BOARD 110P	FB323	1-469-110-21	FERRITE, EMI (SMD)	IC502	8-759-712-82	IC SDMV18165CTM6S
C924	1-107-826-91	CAP, CHIP CERAMIC 100000PF B	CN801	1-794-237-21	CONNECTOR, FFC/FPC 30P	FB324	1-469-110-21	FERRITE, EMI (SMD)	IC504	8-752-408-53	IC CXD2942AR
C925	1-107-826-91	CAP, CHIP CERAMIC 100000PF B	CN802	1-770-619-41	PIN, CONNECTOR 2P	FB324	1-469-110-21	FERRITE, EMI (SMD)	IC517	8-759-667-10	IC CS4335-KS
C926	1-107-826-91	CAP, CHIP CERAMIC 100000PF B	CN803	1-779-206-21	CONNECTOR, FFC(LIF(NON-ZIF)4P	FB403	1-469-667-21	FERRITE, EMI (SMD)	IC603	8-759-370-11	IC NJM2100V-TE2
C927	1-107-826-91	CAP, CHIP CERAMIC 100000PF B	CN804	1-794-194-21	CONNECTOR, FFC/FPC 13P	FB404	1-469-667-21	FERRITE, EMI (SMD)	IC604	8-752-921-99	IC CXP102064-202R-T6
C928	1-107-826-91	CAP, CHIP CERAMIC 100000PF B	CN805	1-770-619-21	PIN, CONNECTOR 2P	FB405	1-469-667-21	FERRITE, EMI (SMD)	IC604	8-752-921-99	IC CXP102064-202R-T6
C929	1-107-826-91	CAP, CHIP CERAMIC 100000PF B	CN806	1-770-619-81	PIN, CONNECTOR 2P	FB406	1-469-667-21	FERRITE, EMI (SMD)	IC604	8-752-924-75	IC CXP102064-203R-T6
C930	1-107-826-91	CAP, CHIP CERAMIC 100000PF B			<NETWORK>	FB407	1-469-667-21	FERRITE, EMI (SMD)	IC605	8-752-414-53	IC CXD1869AQ-2
C931	1-107-826-91	CAP, CHIP CERAMIC 100000PF B	CP201	1-234-605-21	NETWORK, RC	FB408	1-469-667-21	FERRITE, EMI (SMD)	IC605	8-752-413-11	IC CXD1869BQ
C932	1-107-826-91	CAP, CHIP CERAMIC 100000PF B			<DIODE>	FB409	1-469-667-21	FERRITE, EMI (SMD)	IC802	8-759-697-65	IC BA5815FM-E2
C933	1-107-826-91	CAP, CHIP CERAMIC 100000PF B				FB801	1-469-562-21	FERRITE, EMI (SMD)	IC803	8-759-588-60	IC BA6664FM-E2
C934	1-107-826-91	CAP, CHIP CERAMIC 100000PF B	D201	8-719-065-78	DIODE MAZF12000LS0	FB802	1-469-562-21	FERRITE, EMI (SMD)	IC805	8-759-712-38	IC HD74HC1G66CME
C935	1-107-826-91	CAP, CHIP CERAMIC 100000PF B	D202	8-719-064-61	DIODE 01BZA8.2(TE85L)			<FILTER>	IC805	8-759-712-63	IC MC74VHC1G66DFT1
C936	1-107-826-91	CAP, CHIP CERAMIC 100000PF B	D203	8-719-064-61	DIODE 01BZA8.2(TE85L)	FL201	1-469-991-21	EMI FILTER (SMD)	IC806	8-759-337-40	IC NJM2904V(TE2)
C937	1-107-826-91	CAP, CHIP CERAMIC 100000PF B	D204	8-719-064-61	DIODE 01BZA8.2(TE85L)	FL202	1-469-991-21	EMI FILTER (SMD)	IC807	8-759-391-69	IC MC78M05CDTRK
C938	1-107-826-91	CAP, CHIP CERAMIC 100000PF B	D205	8-719-064-61	DIODE 01BZA8.2(TE85L)	FL203	1-469-991-21	EMI FILTER (SMD)	IC807	8-759-691-00	IC JCP78M05CDTRK
C939	1-107-826-91	CAP, CHIP CERAMIC 100000PF B	D206	8-719-064-61	DIODE 01BZA8.2(TE85L)	FL301	1-234-601-21	NETWORK, RC (USB) (3216)			
C940	1-107-826-91	CAP, CHIP CERAMIC 100000PF B	D208	8-719-064-61	DIODE 01BZA8.2(TE85L)						
C941	1-107-826-91	CAP, CHIP CERAMIC 100000PF B									



Ref.	Part No.	Description	
		<INDUCTOR>	
L102	1-469-967-21	INDUCTOR, CHIP 10UH	(2518)
L202	1-469-967-21	INDUCTOR, CHIP 10UH	(2518)
L203	1-469-967-21	INDUCTOR, CHIP 10UH	(2518)
L206	1-412-956-21	INDUCTOR, SMALL TYPE 27UH	(2518)
L401	1-411-197-21	COIL, DD CONVERTER	
L404	1-424-854-21	COIL (SMD), CHOKE 2.0UH	
L408	1-419-898-21	COIL, CHOKE 5.6UH	
L410	1-411-197-21	COIL, DD CONVERTER	
L412	1-411-197-21	COIL, DD CONVERTER	
L801	1-469-524-91	INDUCTOR 4.7UH (NLFV25)	
L802	1-469-524-91	INDUCTOR 4.7UH (NLFV25)	
L803	1-414-394-41	INDUCTOR (SMD) 2.2UH	
		<COIL>	
LF101	1-419-100-21	COIL, COMMON-MODE CHOKE	
LF801	1-416-405-21	FILTER, CHIP EMI (COMMON MODE)	
		<LINK>	
△ PS001	1-576-519-21	FUSE, MICRO (1608) TYPE)	
△ PS002	1-533-940-21	RINK, CHIP IC	
△ PS003	1-533-940-21	RINK, CHIP IC	
△ PS004	1-533-940-21	RINK, CHIP IC	
△ PS006	1-533-915-41	RINK, CHIP IC	
△ PS007	1-533-282-21	LINK, IC	
△ PS008	1-533-940-21	RINK, CHIP IC	
△ PS009	1-533-915-41	RINK, CHIP IC	
△ PS010	1-533-282-21	LINK, IC	
△ PS011	1-576-519-21	FUSE, MICRO (1608) TYPE)	
△ PS012	1-533-915-41	RINK, CHIP IC	
△ PS013	1-533-940-21	RINK, CHIP IC	
△ PS014	1-533-282-21	LINK, IC	
△ PS015	1-533-915-41	RINK, CHIP IC	
		<TRANSISTOR>	
Q201	8-729-026-50	TRANSISTOR 2SA1037AK-T146-QR	
Q204	8-729-049-77	TRANSISTOR HN1B01F-GR(T5LSONY)	
Q205	8-729-013-22	TRANSISTOR HN1A01FU-TE85R	
Q206	8-729-037-63	TRANSISTOR UN9115J-(TX).SO for SCPH-30003D' / -30004D'	
Q401	8-729-055-58	TRANSISTOR SI4894DY-T1	
Q402	8-729-053-80	TRANSISTOR SI4830DY-T1	
Q404	8-729-052-07	TRANSISTOR HAT2064R-EL	
Q405	8-729-427-47	TRANSISTOR XP4213-TXE	
Q406	8-729-053-80	TRANSISTOR SI4830DY-T1	
Q407	8-729-046-04	TRANSISTOR FDS6690A	
Q408	8-729-051-61	TRANSISTOR IRF7807D1-TR	
Q409	8-729-013-97	TRANSISTOR RN1304-TE85L	
Q410	8-729-013-97	TRANSISTOR RN1304-TE85L	
Q411	8-729-043-74	TRANSISTOR SI4435DY-T1-REVA	
Q412	8-729-043-74	TRANSISTOR SI4435DY-T1-REVA	
Q413	8-729-054-34	TRANSISTOR FDN304P	
Q414	8-729-043-74	TRANSISTOR SI4435DY-T1-REVA	
Q415	8-729-052-41	TRANSISTOR 2SC4541 (2TL SONY1)	
Q505	8-729-021-09	TRANSISTOR RN4904(TE85R)	
Q506	8-729-056-15	TRANSISTOR IMH20T108	
Q600	8-729-016-26	TRANSISTOR 2SK1958-T1	
Q603	8-729-017-33	TRANSISTOR RN1706-TE85R	
Q801	8-729-031-35	TRANSISTOR 2SK2034-TE85L	
Q802	8-729-029-13	TRANSISTOR DTC143ZUA-T106	
Q803	8-729-031-35	TRANSISTOR 2SK2034-TE85L	
Q804	8-729-103-96	TRANSISTOR 2SB798-T1DL	
Q805	8-729-103-96	TRANSISTOR 2SB798-T1DL	
Q806	8-729-048-50	TRANSISTOR 2SK3018-T106	
Q808	8-729-048-50	TRANSISTOR 2SK3018-T106	
Q810	8-729-048-50	TRANSISTOR 2SK3018-T106	

Ref.	Part No.	Description	
Q814	8-729-029-13	TRANSISTOR DTC143ZUA-T106	
		<RESISTOR>	
R101	1-220-884-81	RES, CHIP 39	(1005)
R102	1-208-866-81	RES, CHIP 130	(1005)
R103	1-220-884-81	RES, CHIP 39	(1005)
R104	1-208-866-81	RES, CHIP 130	(1005)
R105	1-216-864-91	CONDUCTOR, CHIP	(1608)
R106	1-216-809-91	RES, CHIP 100	(1608)
R107	1-216-809-91	RES, CHIP 100	(1608)
R109	1-218-961-81	RES, CHIP 4.7K	(1608)
R110	1-211-983-91	RES, CHIP 39	(1608)
R111	1-211-983-91	RES, CHIP 39	(1608)
R112	1-211-989-91	RES, CHIP 68	(1608)
R113	1-211-989-91	RES, CHIP 68	(1608)
R114	1-211-983-91	RES, CHIP 39	(1608)
R115	1-211-983-91	RES, CHIP 39	(1608)
R116	1-211-983-91	RES, CHIP 39	(1608)
R117	1-211-983-91	RES, CHIP 39	(1608)
R118	1-211-973-91	RES, CHIP 15	(1608)
R119	1-211-973-91	RES, CHIP 15	(1608)
R120	1-211-973-91	RES, CHIP 15	(1608)
R121	1-211-973-91	RES, CHIP 15	(1608)
R122	1-216-864-91	CONDUCTOR, CHIP	(1608)
R123	1-218-990-81	CONDUCTOR, CHIP	(1005)
R124	1-216-864-91	CONDUCTOR, CHIP	(1608)
R125	1-218-990-81	CONDUCTOR, CHIP	(1005)
R126	1-216-833-91	RES, CHIP 10K	(1608)
R127	1-216-829-91	RES, CHIP 4.7K	(1608)
R128	1-216-829-91	RES, CHIP 4.7K	(1608)
R129	1-216-821-91	RES, CHIP 1.0K	(1608)
R130	1-216-817-91	RES, CHIP 470	(1608)
R131	1-216-833-91	RES, CHIP 10K	(1608)
R132	1-216-833-91	RES, CHIP 10K	(1608)
R133	1-216-833-91	RES, CHIP 10K	(1608)
R134	1-218-965-81	RES, CHIP 10K	(1608)
R138	1-216-864-91	CONDUCTOR, CHIP	(1608)
R139	1-216-801-91	RES, CHIP 22	(1608)
R145	1-218-953-81	RES, CHIP 1.0K	(1608)
R146	1-216-821-91	RES, CHIP 1.0K	(1608)
R147	1-216-821-91	RES, CHIP 1.0K	(1608)
R185	1-216-829-91	RES, CHIP 4.7K	(1608)
R188	1-216-829-91	RES, CHIP 4.7K	(1608)
R196	1-218-933-81	RES, CHIP 22	(1608)
R201	1-216-864-91	CONDUCTOR, CHIP	(1608)
R202	1-216-833-91	RES, CHIP 10K	(1608)
R206	1-211-989-91	RES, CHIP 68	(1608)
R208	1-211-992-91	RES, CHIP 91	(1608)
R209	1-218-828-91	RES, CHIP 160	(1608)
R217	1-218-859-91	RES, CHIP 3.3K	(1608)
R218	1-218-847-91	RES, CHIP 1.0K	(1608)
R219	1-218-851-91	RES, CHIP 1.5K	(1608)
R225	1-216-829-91	RES, CHIP 4.7K	(1608)
R226	1-218-965-81	RES, CHIP 10K	(1608)
R228	1-218-965-81	RES, CHIP 10K	(1608)
R233	1-216-821-91	RES, CHIP 1.0K	(1608)
R236	1-216-809-91	RES, CHIP 100	(1608)
R237	1-216-829-91	RES, CHIP 4.7K	(1608)
R244	1-218-831-91	RES, CHIP 220	(1608)
R245	1-218-831-91	RES, CHIP 220	(1608)
R246	1-218-831-91	RES, CHIP 220	(1608)
R247	1-216-801-91	RES, CHIP 22	(1608)
R251	1-216-837-91	RES, CHIP 22K	(1608)
R252	1-216-839-91	RES, CHIP 33K	(1608)
R253	1-216-833-91	RES, CHIP 10K	(1608)
R257	1-216-824-91	RES, CHIP 1.8K	(1608)

Ref.	Part No.	Description	
R258	1-208-923-81	RES, CHIP 33K	(1005)
R259	1-216-824-91	RES, CHIP 1.8K	(1608)
R261	1-218-961-81	RES, CHIP 4.7K	(1608)
R263	1-216-825-91	RES, CHIP 2.2K	(1608)
R264	1-216-821-91	RES, CHIP 1.0K	(1608)
R265	1-216-821-91	RES, CHIP 1.0K	(1608)
R270	1-218-853-91	RES, CHIP 1.8K	(1608)
R272	1-218-859-91	RES, CHIP 3.3K	(1608)
R273	1-218-851-91	RES, CHIP 1.5K	(1608)
R277	1-218-853-91	RES, CHIP 1.8K	(1608)
R278	1-218-859-91	RES, CHIP 3.3K	(1608)
R279	1-218-851-91	RES, CHIP 1.5K	(1608)
R292	1-216-833-91	RES, CHIP 10K	(1608)
R294	1-216-829-91	RES, CHIP 4.7K	(1608)
R295	1-216-833-91	RES, CHIP 10K	(1608)
R307	1-208-857-81	RES, CHIP 56	(1005)
R308	1-208-904-81	RES, CHIP 5.1K	(1005)
R309	1-211-987-91	RES, CHIP 56	(1608)
R310	1-211-987-91	RES, CHIP 56	(1608)
R311	1-216-829-91	RES, CHIP 4.7K	(1608)
R312	1-208-857-81	RES, CHIP 56	(1005)
R315	1-218-866-91	RES, CHIP 6.2K	(1608)
R316	1-216-797-91	RES, CHIP 10	(1608)
R318	1-218-990-81	CONDUCTOR, CHIP	(1005)
R320	1-219-570-91	RES, CHIP 10M	(1608)
R321	1-216-813-91	RES, CHIP 220	(1608)
R322	1-216-857-91	RES, CHIP 1.0M	(1608)
R324	1-216-833-91	RES, CHIP 10K	(1608)
R327	1-216-833-91	RES, CHIP 10K	(1608)
R328	1-216-841-91	RES, CHIP 47K	(1608)
R329	1-216-805-91	RES, CHIP 47	(1608)
R330	1-211-973-91	RES, CHIP 15	(1608)
R331	1-216-805-91	RES, CHIP 47	(1608)
R332	1-216-817-91	RES, CHIP 470	(1608)
R333	1-216-817-91	RES, CHIP 470	(1608)
R334	1-216-829-91	RES, CHIP 4.7K	(1608)
R335	1-216-829-91	RES, CHIP 4.7K	(1608)
R336	1-216-821-91	RES, CHIP 1.0K	(1608)
R347	1-211-986-91	RES, CHIP 51	(1608)
R349	1-216-821-91	RES, CHIP 1.0K	(1608)
R350	1-216-807-91	RES, CHIP 68	(1608)
R351	1-216-805-91	RES, CHIP 47	(1608)
R352	1-216-797-91	RES, CHIP 10	(1608)
R353	1-216-801-91	RES, CHIP 22	(1608)
R354	1-216-801-91	RES, CHIP 22	(1608)
R357	1-218-933-81	RES, CHIP 22	(1608)
R358	1-216-801-91	RES, CHIP 22	(1608)
R359	1-216-801-91	RES, CHIP 22	(1608)
R360	1-218-937-81	RES, CHIP 47	(1608)
R361	1-218-937-81	RES, CHIP 47	(1608)
R362	1-216-805-91	RES, CHIP 47	(1608)
R363	1-216-864-91	CONDUCTOR, CHIP	(1608)
R364	1-216-805-91	RES, CHIP 47	(1608)
R365	1-216-805-91	RES, CHIP 47	(1608)
R366	1-218-937-81	RES, CHIP 47	(1608)
R367	1-216-805-91	RES, CHIP 47	(1608)
R368	1-216-805-91	RES, CHIP 47	(1608)
R394	1-216-833-91	RES, CHIP 10K	(1608)
R395	1-218-957-81	RES, CHIP 2.2K	(1608)
R401	1-218-969-81	RES, CHIP 22K	(1608)
R402	1-216-837-91	RES, CHIP 22K	(1608)
R403	1-216-849-91	RES, CHIP 220K	(1608)
R404	1-216-845-91	RES, CHIP 100K	(1608)
R405	1-216-845-91	RES, CHIP 100K	(1608)
R406	1-216-811-91	RES, CHIP 150	(1608)
R408	1-216-822-91	RES, CHIP 1.2K	(1608)

Ref.	Part No.	Description	
R409	1-216-864-91	CONDUCTOR, CHIP	(1608)
R410	1-218-883-91	RES, CHIP 33K	(1608)
R411	1-218-883-91	RES, CHIP 33K	(1608)
R412	1-218-883-91	RES, CHIP 33K	(1608)
R413	1-218-891-91	RES, CHIP 68K	(1608)
R414	1-218-859-91	RES, CHIP 3.3K	(1608)
R415	1-216-839-91	RES, CHIP 33K	(1608)
R416	1-216-839-91	RES, CHIP 33K	(1608)
R417	1-216-813-91	RES, CHIP 220	(1608)
R418	1-216-837-91	RES, CHIP 22K	(1608)
R419	1-216-833-91	RES, CHIP 10K	(1608)
R420	1-216-833-91	RES, CHIP 10K	(1608)
R421	1-216-790-91	RES, CHIP 2.7	(1608)
R422	1-216-797-91	RES, CHIP 10	(1608)
R423	1-216-790-91	RES, CHIP 2.7	(1608)
R424	1-216-797-91	RES, CHIP 10	(1608)
R426	1-218-874-91	RES, CHIP 13K	(1608)
R427	1-218-871-91	RES, CHIP 10K	(1608)
R428	1-216-309-91	RES, CHIP 5.6	(2012)
R4			

Ref.	Part No.	Description
R509	1-216-821-91	RES, CHIP 1.0K (1608)
R513	1-216-805-91	RES, CHIP 47 (1608)
R516	1-216-809-91	RES, CHIP 100 (1608)
R517	1-216-809-91	RES, CHIP 100 (1608)
R522	1-216-833-91	RES, CHIP 10K (1608)
R531	1-216-809-91	RES, CHIP 100 (1608)
R574	1-216-812-91	RES, CHIP 180 (1608)
R575	1-216-850-91	RES, CHIP 270K (1608)
R576	1-216-833-91	RES, CHIP 10K (1608)
R577	1-216-818-91	RES, CHIP 560 (1608)
R578	1-216-818-91	RES, CHIP 560 (1608)
R579	1-216-833-91	RES, CHIP 10K (1608)
R580	1-216-850-91	RES, CHIP 270K (1608)
R604	1-216-845-91	RES, CHIP 100K (1608)
R606	1-216-833-91	RES, CHIP 10K (1608)
R607	1-216-833-91	RES, CHIP 10K (1608)
R613	1-216-833-91	RES, CHIP 10K (1608)
R614	1-216-833-91	RES, CHIP 10K (1608)
R619	1-216-833-91	RES, CHIP 10K (1608)
R620	1-216-833-91	RES, CHIP 10K (1608)
R623	1-216-837-91	RES, CHIP 22K (1608)
R624	1-216-850-91	RES, CHIP 270K (1608)
R625	1-216-864-91	CONDUCTOR, CHIP (1608)
R626	1-216-833-91	RES, CHIP 10K (1608)
R627	1-216-837-91	RES, CHIP 22K (1608)
R630	1-216-837-91	RES, CHIP 22K (1608)
R636	1-216-864-91	CONDUCTOR, CHIP (1608)
R642	1-216-833-91	RES, CHIP 10K (1608)
R644	1-216-837-91	RES, CHIP 22K (1608)
R649	1-216-833-91	RES, CHIP 10K (1608)
R650	1-216-833-91	RES, CHIP 10K (1608)
R651	1-216-835-91	RES, CHIP 15K (1608)
R653	1-216-845-91	RES, CHIP 100K (1608)
R654	1-216-845-91	RES, CHIP 100K (1608)
R657	1-216-839-91	RES, CHIP 33K (1608)
R658	1-216-833-91	RES, CHIP 10K (1608)
R660	1-216-833-91	RES, CHIP 10K (1608)
R661	1-216-833-91	RES, CHIP 10K (1608)
R667	1-216-861-91	RES, CHIP 2.2M (1608)
R668	1-216-853-91	RES, CHIP 470K (1608)
R669	1-216-845-91	RES, CHIP 100K (1608)
R670	1-216-833-91	RES, CHIP 10K (1608)
R671	1-216-827-91	RES, CHIP 3.3K (1608)
R672	1-218-888-91	RES, CHIP 51K (1608)
R673	1-216-827-91	RES, CHIP 3.3K (1608)
R674	1-216-845-91	RES, CHIP 100K (1608)
R675	1-216-839-91	RES, CHIP 33K (1608)
R678	1-216-829-91	RES, CHIP 4.7K (1608)
R689	1-216-845-91	RES, CHIP 100K (1608)
R694	1-216-835-91	RES, CHIP 15K (1608)
R696	1-216-846-91	RES, CHIP 120K (1608)
R698	1-216-835-91	RES, CHIP 15K (1608)
R699	1-216-833-91	RES, CHIP 10K (1608)
R700	1-216-864-91	CONDUCTOR, CHIP (1608)
R801	1-216-864-91	CONDUCTOR, CHIP (1608)
R802	1-216-864-91	CONDUCTOR, CHIP (1608)
R803	1-216-864-91	CONDUCTOR, CHIP (1608)
R804	1-216-864-91	CONDUCTOR, CHIP (1608)
R805	1-216-809-91	RES, CHIP 100 (1608)
R806	1-216-833-91	RES, CHIP 10K (1608)
R807	1-216-809-91	RES, CHIP 100 (1608)
R808	1-216-833-91	RES, CHIP 10K (1608)
R813	1-216-158-91	RES, CHIP 22 (3216)
R814	1-216-158-91	RES, CHIP 22 (3216)
R815	1-216-797-91	RES, CHIP 10 (1608)
R816	1-216-158-91	RES, CHIP 22 (3216)

Ref.	Part No.	Description
R817	1-216-158-91	RES, CHIP 22 (3216)
R818	1-216-797-91	RES, CHIP 10 (1608)
R819	1-218-889-91	RES, CHIP 56K (1608)
R820	1-218-881-91	RES, CHIP 27K (1608)
R821	1-218-881-91	RES, CHIP 27K (1608)
R822	1-218-881-91	RES, CHIP 27K (1608)
R823	1-218-890-91	RES, CHIP 62K (1608)
R826	1-218-871-91	RES, CHIP 10K (1608)
R827	1-218-871-91	RES, CHIP 10K (1608)
R828	1-218-881-91	RES, CHIP 27K (1608)
R830	1-216-815-91	RES, CHIP 330 (1608)
R831	1-216-810-91	RES, CHIP 120 (1608)
R834	1-208-911-81	RES, CHIP 10K (1005)
R837	1-208-922-81	RES, CHIP 30K (1005)
R838	1-208-922-81	RES, CHIP 30K (1005)
R840	1-208-916-81	RES, CHIP 16K (1005)
R843	1-208-922-81	RES, CHIP 30K (1005)
R846	1-208-922-81	RES, CHIP 30K (1005)
R847	1-218-977-81	RES, CHIP 100K (1005)
R850	1-208-911-81	RES, CHIP 10K (1005)
R851	1-208-916-81	RES, CHIP 16K (1005)
R852	1-218-873-91	RES, CHIP 12K (1608)
R853	1-216-298-91	RES, CHIP 2.2 (2012)
R854	1-216-298-91	RES, CHIP 2.2 (2012)
R855	1-216-298-91	RES, CHIP 2.2 (2012)
R856	1-216-298-91	RES, CHIP 2.2 (2012)
R866	1-216-845-91	RES, CHIP 100K (1608)
R868	1-216-849-91	RES, CHIP 220K (1608)
R870	1-216-849-91	RES, CHIP 220K (1608)
R871	1-218-896-91	RES, CHIP 110K (1608)
R872	1-216-844-91	RES, CHIP 82K (1608)
R873	1-216-839-91	RES, CHIP 33K (1608)
R874	1-216-828-91	RES, CHIP 3.9K (1608)
R875	1-216-023-91	RES, CHIP 82 (2012)
R876	1-216-023-91	RES, CHIP 82 (2012)
R877	1-216-023-91	RES, CHIP 82 (2012)
R878	1-216-023-91	RES, CHIP 82 (2012)
R879	1-216-023-91	RES, CHIP 82 (2012)
R880	1-216-023-91	RES, CHIP 82 (2012)
R881	1-216-023-91	RES, CHIP 82 (2012)
R882	1-216-023-91	RES, CHIP 82 (2012)
R901	1-218-937-81	RES, CHIP 47 (1608)
R902	1-218-937-81	RES, CHIP 47 (1608)
R974	1-216-801-91	RES, CHIP 22 (1608)
R975	1-216-801-91	RES, CHIP 22 (1608)
R984	1-216-864-91	CONDUCTOR, CHIP (1608)
RB101	1-234-496-21	ARRAY, RESISTOR 39 (3216)
RB102	1-234-496-21	ARRAY, RESISTOR 39 (3216)
RB103	1-234-496-21	ARRAY, RESISTOR 39 (3216)
RB104	1-234-496-21	ARRAY, RESISTOR 39 (3216)
RB105	1-234-496-21	ARRAY, RESISTOR 39 (3216)
RB106	1-234-496-21	ARRAY, RESISTOR 39 (3216)
RB107	1-233-575-21	RES, CHIP NETWORK 22 (3216)
RB108	1-233-575-21	RES, CHIP NETWORK 22 (3216)
RB109	1-233-575-21	RES, CHIP NETWORK 22 (3216)
RB110	1-233-575-21	RES, CHIP NETWORK 22 (3216)
RB111	1-233-575-21	RES, CHIP NETWORK 22 (3216)
RB112	1-233-575-21	RES, CHIP NETWORK 22 (3216)
RB113	1-233-575-21	RES, CHIP NETWORK 22 (3216)
RB114	1-233-575-21	RES, CHIP NETWORK 22 (3216)
RB115	1-233-575-21	RES, CHIP NETWORK 22 (3216)
RB116	1-233-575-21	RES, CHIP NETWORK 22 (3216)
RB117	1-233-575-21	RES, CHIP NETWORK 22 (3216)
RB118	1-233-575-21	RES, CHIP NETWORK 22 (3216)
RB119	1-233-575-21	RES, CHIP NETWORK 22 (3216)
RB120	1-233-575-21	RES, CHIP NETWORK 22 (3216)

Ref.	Part No.	Description
RB121	1-233-575-21	RES, CHIP NETWORK 22 (3216)
RB122	1-233-575-21	RES, CHIP NETWORK 22 (3216)
RB123	1-233-575-21	RES, CHIP NETWORK 22 (3216)
RB124	1-233-575-21	RES, CHIP NETWORK 22 (3216)
RB125	1-233-575-21	RES, CHIP NETWORK 22 (3216)
RB126	1-233-575-21	RES, CHIP NETWORK 22 (3216)
RB130	1-233-423-21	RES, CHIP NETWORK 47 (3216)
RB131	1-233-423-21	RES, CHIP NETWORK 47 (3216)
RB132	1-233-423-21	RES, CHIP NETWORK 47 (3216)
RB133	1-233-423-21	RES, CHIP NETWORK 47 (3216)
RB134	1-233-423-21	RES, CHIP NETWORK 47 (3216)
RB135	1-233-423-21	RES, CHIP NETWORK 47 (3216)
RB136	1-233-423-21	RES, CHIP NETWORK 47 (3216)
RB137	1-233-423-21	RES, CHIP NETWORK 47 (3216)
RB139	1-233-414-21	RES, CHIP NETWORK 4.7K (3216)
RB241	1-233-414-21	RES, CHIP NETWORK 4.7K (3216)
RB294	1-233-412-21	RES, CHIP NETWORK 1.0K (3216)
RB295	1-233-412-21	RES, CHIP NETWORK 1.0K (3216)
RB296	1-234-598-21	RES, CHIP NETWORK 75X4 (3216)
RB297	1-234-599-21	RES, CHIP NETWORK 180X4 (3216)
RB298	1-234-598-21	RES, CHIP NETWORK 75X4 (3216)
RB303	1-233-412-21	RES, CHIP NETWORK 1.0K (3216)
RB305	1-233-575-21	RES, CHIP NETWORK 22 (3216)
RB310	1-233-681-91	RES, NETWORK 4.7K (1608)
RB311	1-233-679-91	RES, NETWORK 470 (1608)
RB312	1-233-786-91	RES, NETWORK 220 (1608)
RB314	1-233-681-91	RES, NETWORK 4.7K (1608)
RB317	1-233-423-21	RES, CHIP NETWORK 47 (3216)
RB318	1-233-423-21	RES, CHIP NETWORK 47 (3216)
RB319	1-233-423-21	RES, CHIP NETWORK 47 (3216)
RB320	1-233-423-21	RES, CHIP NETWORK 47 (3216)
RB321	1-233-423-21	RES, CHIP NETWORK 47 (3216)
RB322	1-233-412-21	RES, CHIP NETWORK 1.0K (3216)
RB323	1-233-412-21	RES, CHIP NETWORK 1.0K (3216)
RB324	1-233-412-21	RES, CHIP NETWORK 1.0K (3216)
RB325	1-233-412-21	RES, CHIP NETWORK 1.0K (3216)
RB326	1-233-412-21	RES, CHIP NETWORK 1.0K (3216)
RB327	1-233-415-21	RES, CHIP NETWORK 10K (3216)
RB328	1-233-414-21	RES, CHIP NETWORK 4.7K (3216)
RB329	1-233-783-91	RES, NETWORK 22 (1608)
RB402	1-233-803-91	RES, NETWORK 1.5K (1608)
RB403	1-233-789-91	RES, NETWORK 10K (1608)
RB405	1-233-803-91	RES, NETWORK 1.5K (1608)
RB406	1-233-792-91	RES, NETWORK 100K (1608)
RB408	1-233-415-21	RES, CHIP NETWORK 10K (3216)
RB409	1-233-415-21	RES, CHIP NETWORK 10K (3216)
RB410	1-233-415-21	RES, CHIP NETWORK 10K (3216)
RB511	1-233-423-21	RES, CHIP NETWORK 47 (3216)
RB517	1-233-575-21	RES, CHIP NETWORK 22 (3216)
RB518	1-233-575-21	RES, CHIP NETWORK 22 (3216)
RB519	1-233-575-21	RES, CHIP NETWORK 22 (3216)
RB520	1-233-575-21	RES, CHIP NETWORK 22 (3216)
RB521	1-233-575-21	RES, CHIP NETWORK 22 (3216)
RB522	1-233-575-21	RES, CHIP NETWORK 22 (3216)
RB523	1-233-575-21	RES, CHIP NETWORK 22 (3216)
RB524	1-233-575-21	RES, CHIP NETWORK 22 (3216)
RB525	1-233-575-21	RES, CHIP NETWORK 22 (3216)
RB526	1-233-575-21	RES, CHIP NETWORK 22 (3216)
RB527	1-233-575-21	RES, CHIP NETWORK 22 (3216)
RB528	1-233-575-21	RES, CHIP NETWORK 22 (3216)
RB529	1-233-575-21	RES, CHIP NETWORK 22 (3216)
RB530	1-233-575-21	RES, CHIP NETWORK 22 (3216)
RB531	1-233-575-21	RES, CHIP NETWORK 22 (3216)
RB532	1-233-575-21	RES, CHIP NETWORK 22 (3216)
RB533	1-233-575-21	RES, CHIP NETWORK 22 (3216)
RB602	1-233-415-21	RES, CHIP NETWORK 10K (3216)

Ref.	Part No.	Description
RB603	1-233-415-21	RES, CHIP NETWORK 10K (3216)
RB606	1-233-412-21	RES, CHIP NETWORK 1.0K (3216)
RB607	1-233-415-21	RES, CHIP NETWORK 10K (3216)
RB609	1-233-423-21	RES, CHIP NETWORK 47 (3216)
RB611	1-233-415-21	RES, CHIP NETWORK 10K (3216)
RB803	1-233-415-21	RES, CHIP NETWORK 10K (3216)
<THERMISTOR>		
△ TH001	1-804-479-21	THERMISTOR, POSITIVE
△ TH002	1-804-478-21	THERMISTOR, POSITIVE
<CRYSTAL>		
X101	1-781-640-21	VIBRATOR, CRYSTAL
X201	1-781-640-21	VIBRATOR, CRYSTAL
X202	1-781-857-21	OSCILLATOR, CRYSTAL
X301	1-781-856-21	VIBRATOR, CRYSTAL
X302	1-781-768-21	VIBRATOR, CRYSTAL
X401	1-760-496-22	VIBRATOR, LITHIUM NIOBATE
X402	1-767-300-21	VIBRATOR, CRYSTAL
*****		
<b>A-6712-984-A MOUNTED CIRCUIT BOARD, GB-004</b> ***** PLACE CODE #25BG		
<BATTERY>		
BT101	1-756-076-21	HOLDER, LITHIUM BATTERY
<CONNECTOR>		
CN101	1-815-648-21	PIN, CONNECTOR (PC BOARD) 2P
*****		
<b>A-6712-983-A MOUNTED CIRCUIT BOARD, SW-363</b> ***** PLACE CODE #25SW		
<CONNECTOR>		
CN751	1-785-470-21	CONNECTOR, FPC(LIF(NON-ZIF)7P
<DIODE>		
D751	8-719-078-90	DIODE CL-165HR/G1-D-T
D752	8-719-080-04	DIODE CL-190UB-X-T
<TRANSISTOR>		
Q751	8-729-013-97	TRANSISTOR RN1304-TE85L
Q751	8-729-029-14	TRANSISTOR DTC144EUA-T106
<RESISTOR>		
R751	1-216-833-71	RES, CHIP 10K (1608)
R751	1-216-833-81	RES, CHIP 10K (1608)
R751	1-216-833-91	RES, CHIP 10K (1608)
R751	1-220-740-51	RES, METAL FILM 10K (1608)
R752	1-216-835-91	RES, CHIP 15K (1608)
R753	1-216-993-91	RES, CHIP 2.4K (1608)
<SWITCH>		
S751	1-771-917-21	SWITCH, TACTILE
S752	1-771-917-21	SWITCH, TACTILE
*****		

Ref.	Part No.	Description	
SUPPLIED ACCESSORIES			PLACE CODE #23
*****			
△ AC	1-751-115-21	CORD, POWER	SCPH-30003D'
MC	3-066-441-11	MASTER CARTON, 3 SETS	SCPH-30003D'
△ AC	1-575-131-82	CORD, POWER	SCPH-30004D'
MC	3-066-441-01	MASTER CARTON, 3 SETS	SCPH-30004D'
CONV	1-573-291-12	CONNECTOR, CONVERSION	
AV	1-792-028-11	CORD, CONNECTION	
CONT	1-792-238-72	CORD, CONNECTION	
SH	3-060-494-01	SHEET, PROTECTION	
CU	3-064-714-01	CUSHION	
PA	3-065-172-01	PAD, TOGETHER PACKING	
CA	3-066-440-12	INDIVIDUAL CARTON	
MANUAL BLOCK ASSY			PLACE CODE #23
*****			
RE	3-066-159-02	CARD (B), OWNER REGISTRATION	
			for SCPH-30003D'
DISC	3-066-725-02	DISK, DEMONSTRATION	for SCPH-30003D'
IN	3-068-129-12	INSTRUCTION	for SCPH-30003D'
IM	3-068-537-32	MANUAL, INSTRUCTION	for SCPH-30003D'
SE	3-987-375-02	SEAL, SEAL	for SCPH-30003D'
RE	3-066-160-03	CARD (C), OWNER REGISTRATION	
			for SCPH-30004D'
IN	3-068-130-13	INSTRUCTION	for SCPH-30004D'
IM	3-068-537-42	MANUAL, INSTRUCTION	for SCPH-30004D'
IM	3-068-537-52	MANUAL, INSTRUCTION	for SCPH-30004D'

\*\*\*\*\*

Ref. Part No. Description

Ref. Part No. Description

Ref. Part No. Description



SCPH-30001D  
SCPH-30002D  
SPCH-30003D  
SPCH-30004D

# SCPH30000 series SERVICE MANUAL

3rd edition

for D type MD and CONSOLE structure only

PlayStation®2



Sony Computer Entertainment Inc.  
Customer Service Department  
Published in Japan c2.2001 9-927-086-03

## NOTICE

This service manual published ©2.2001 by Sony Computer Entertainment Inc.. All right received. Reproduction and distribution without the permission of Sony Computer Entertainment Inc. is strictly prohibited. Commercial use or Rental prohibited. This service manual is the proprietary property of Sony Computer Entertainment Inc.. It's use is authorized person who work for PlayStation®2 only.

## REVISIONS

Design and Specification are subject to change without notice.

## CAUTION

This use of optical instruments with this product will increase eye Hazard. As the laser beam used in this PlayStation®2 is harmful to eyes do not attempt to disassemble the cabinet. Refer servicing to qualified personnel only.

## WARNING!!

WHEN SERVICING, DO NOT APPROACH THE LASER EXIT WITH THE EYE TOO CLOSELY. IN CASE IT IS NECESSARY TO CONFIRM LASER BEAM EMISSION, BE SURE TO OBSERVE FROM A DISTANCE OF MORE THAN 25 CM FROM THE SURFACE OF THE OBJECTIVE LENS ON THE OPTICAL PICK-UP BLOCK.

## CAUTION for electric shock

When power is ON, Don't touch to Power block, AC-inlet, Power switch and so on, not to get an electric shock at repair.

## CAUTION for burning

When current is supplied, Some of part surface temperature like EE, GS, Regulator-IC, Power supply, Optical device and so on. These part surface is become high temperature condition. When it repair, Don't touch them at a time during it surface is high temperature condition to take prevent against burning. Do repair after it is cooled down enough.

## NOTIFICATION for environmental assessment

This model is CR2032 lithium battery on board inside on the GB003 as timer back-up power. CR2032 life may be about 5-8 years so you have very few need for changing to new one. But if you have necessary to new one or disassemble for scrapping, you have to keep your to country low, regulation, standard, etc. of environmentl assess-ment and safety.

## CAUTION

Danger of explosion if battery is incorrectly replaced. Replace only with the same or equivalent type recommended by the manufacturer. Discard used batteries according to the manufacturer's instruction.

## ADVARSEL!

Lithiumbatteri-Eksplosionsfare ved fejlagtig håndtering. Udskiftning må kun ske med batteri af samme fabrikat og type. levér det brugte batteri tilbage til leverandøren.

## ADVARSEL

Eksplosjonsfare ved feilaktig skifte av batteri. Benytt samme batteritype eller en tilsvarende type anbefalt av apparatfabrikanten. Brukte batterier kasseres i henhold til fabrikantens instruksjoner.

## VARNING

Explosionsfara vid felaktigt batteribyte. använt samme batterityp eller en ekvivalent typ som rekommenderas av apparattillverkaren. Kassera använt batteri enligt fabrikantens instruktion.

## VAROITUS

Paristo voi räjähtää, jos se on virheellisesti asennettu. Vaihda paristo ainoastaan valmistajan suosittelemaan tyyppiin. Hävitä käytetty paristo valmistajan ohjeiden mukaisesti.

---

## Table of contents

• CONSOLE .....	3
• MD BLOCK .....	23

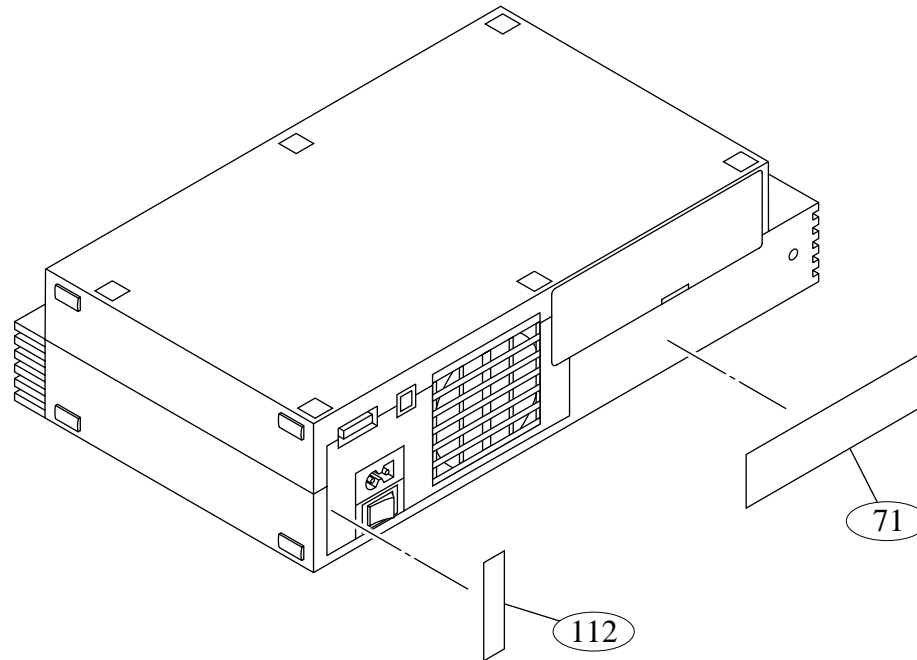
**CAUTION for static electricity**

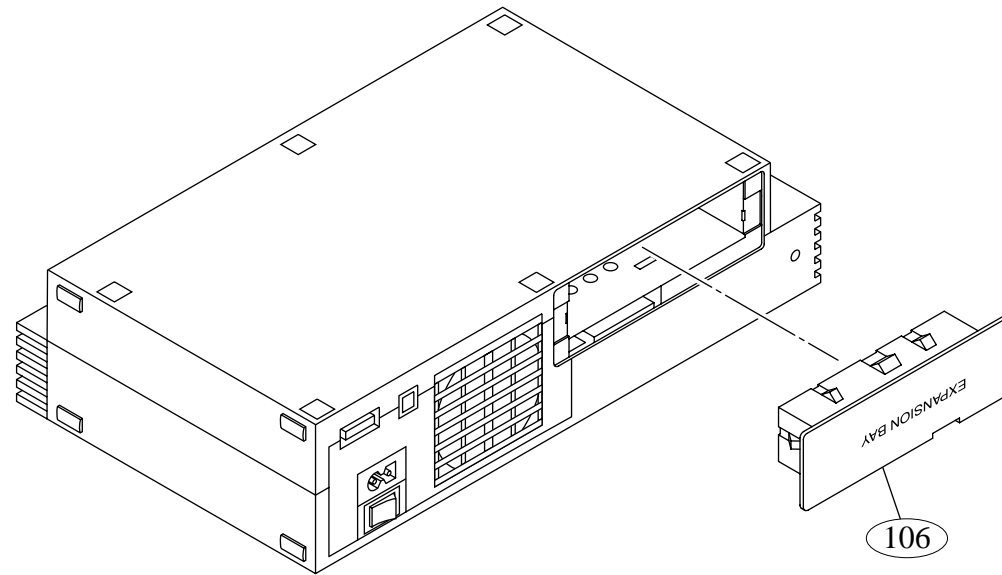
For disassemble and assemble the console, Don' t charge static electricity on your body and around equipment. Get rid static electricity by grounding your body and around equipment.

Static electricity will be destroyed key devives like ICs, OPT and etc.

71 LABEL, MODEL NUMBER

112 TAPE, VOID





### CAUTION

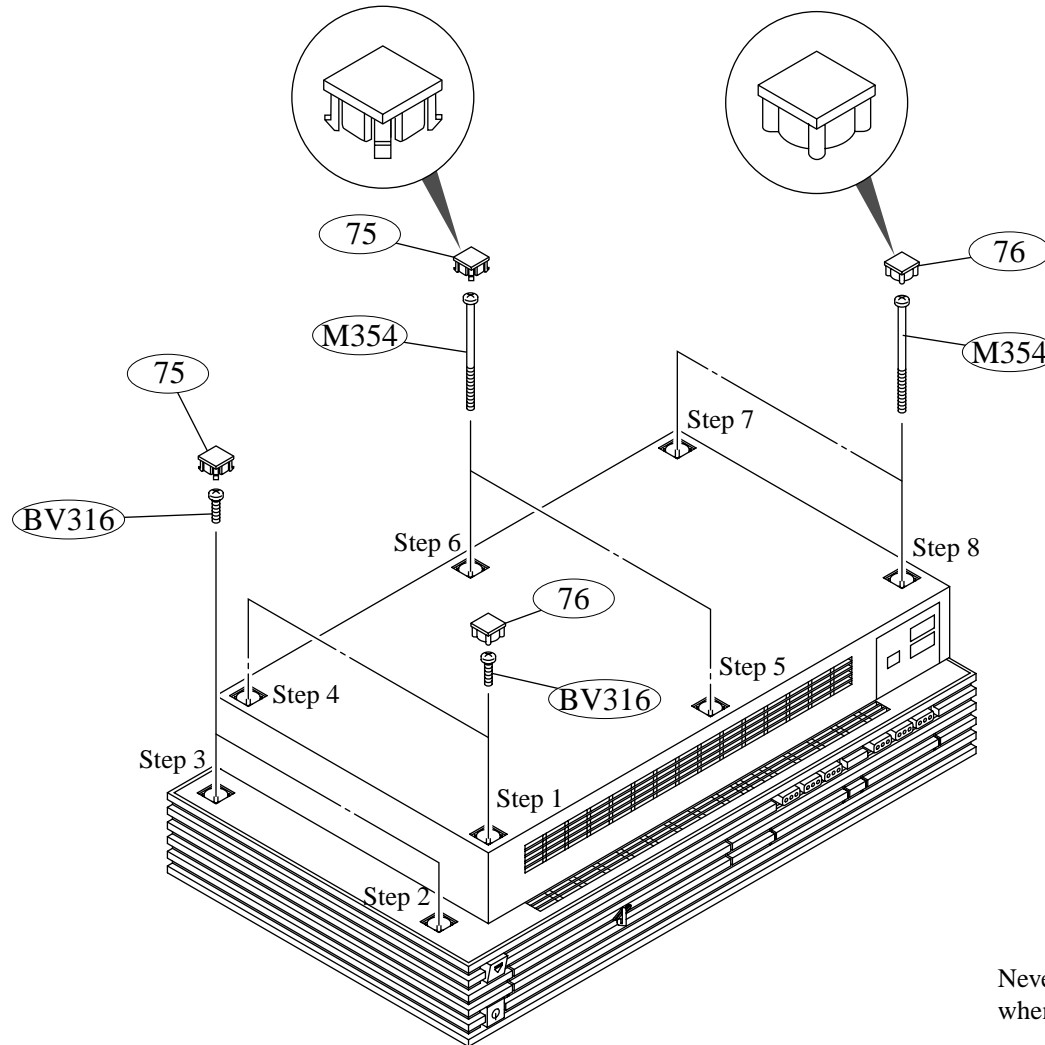
When tighten the BV316 and M354 screws,  
Tighten them in order to the steps shown figure.

75 COVER, SCREW

76 CAP

BV316 SCREW (2 LOCK),  
+BV TAPPING

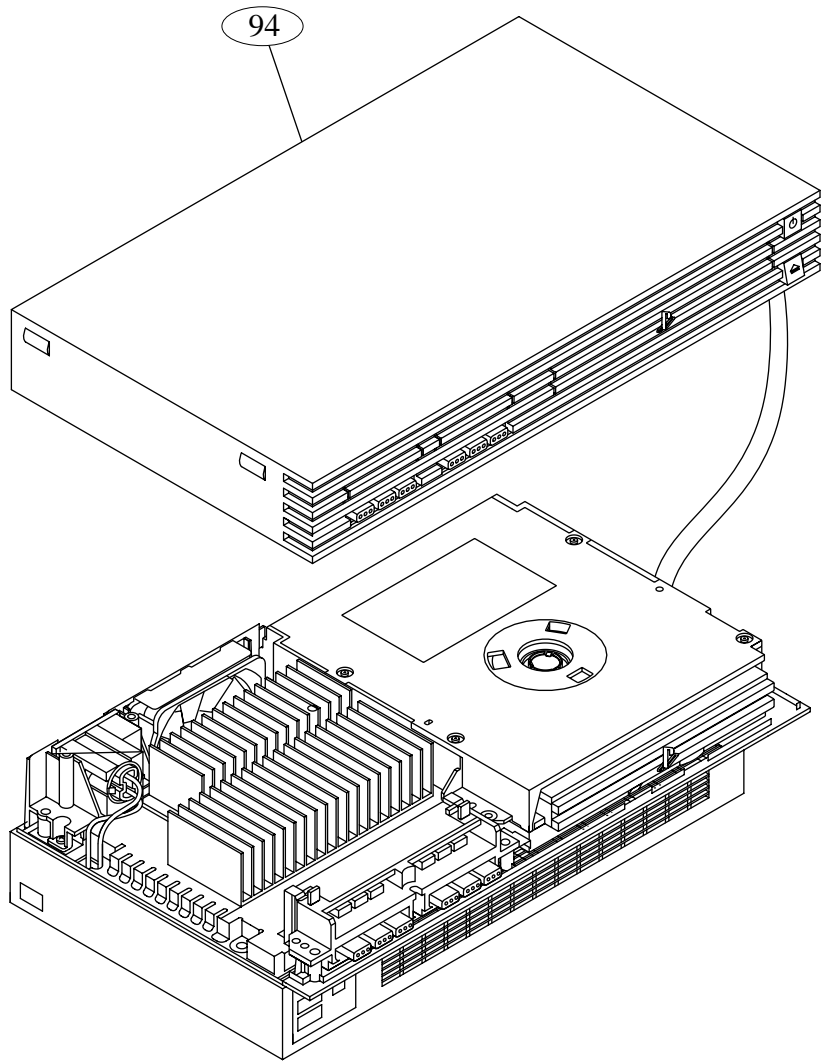
M354 SCREW (M3 X 54),  
HEAD TAPPING



Never scratch for CAPS and SCREW COVERS  
when removing them.

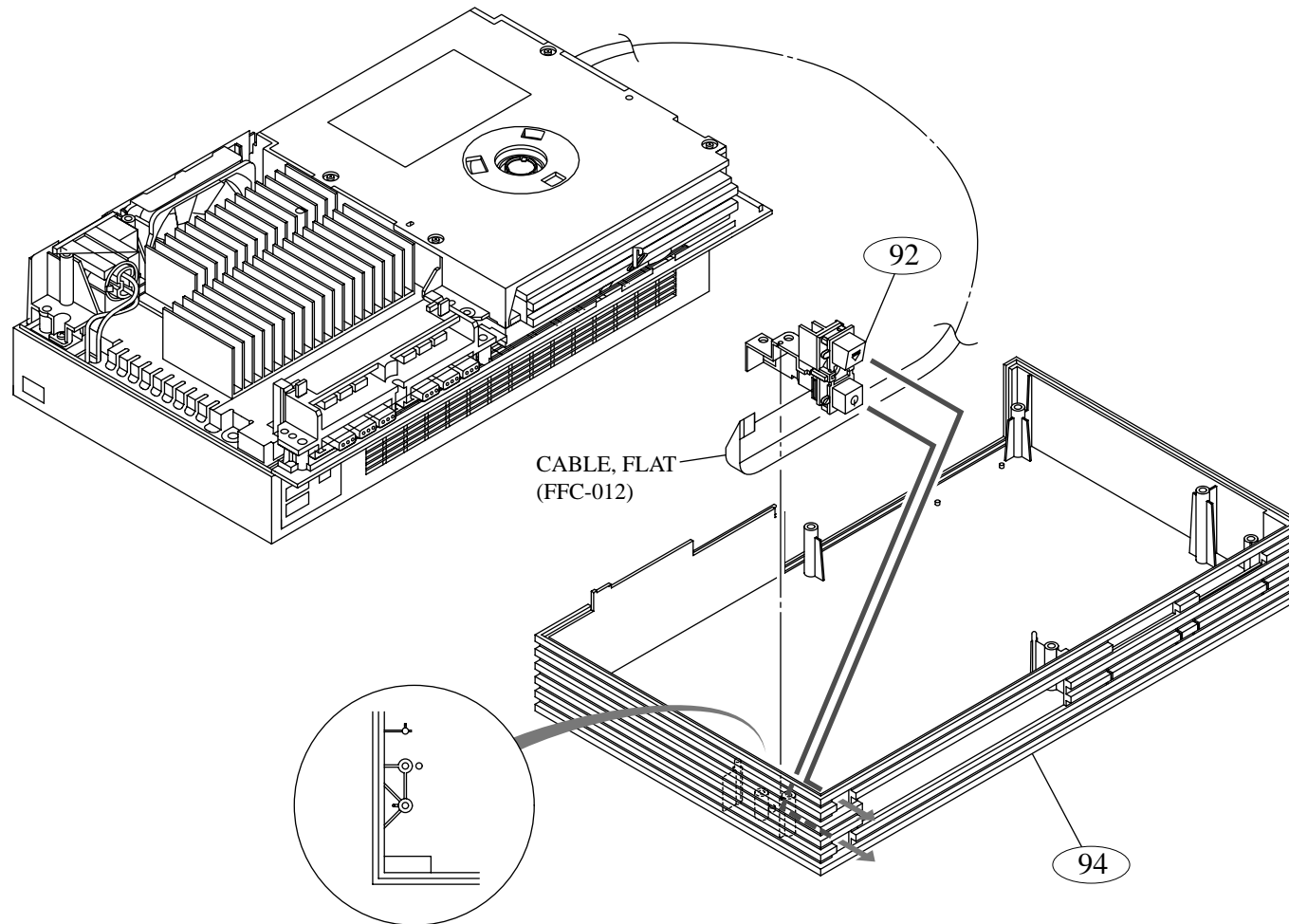
TOOLS : SCREW DRIVER (+ #3)





92 SWITCH BLOCK ASSY

94 UPPER COVER ASSY

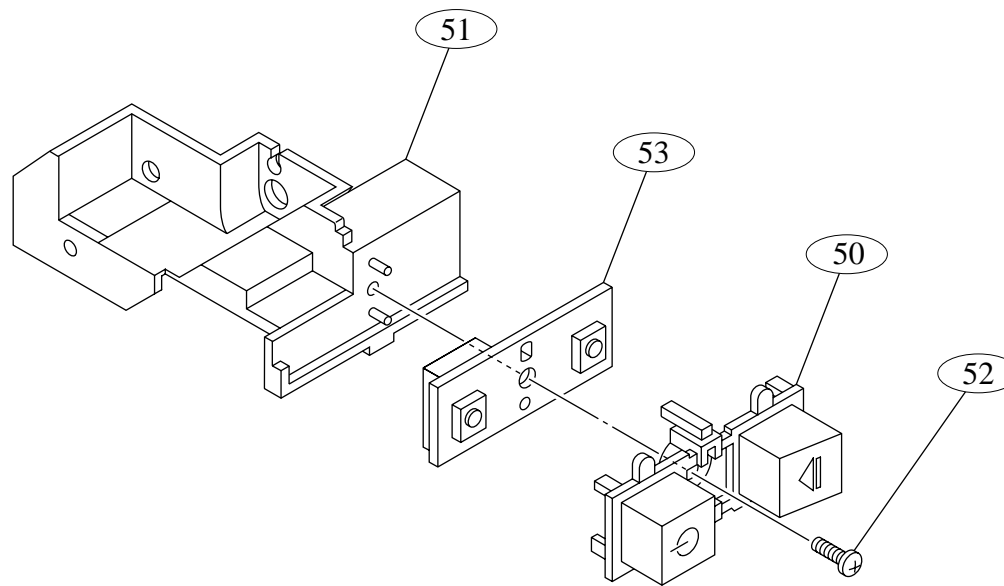


50 BUTTON, SWITCH

51 BRACKET, SWITCH

52 TPG +P 2 X 8,  
TYPE 2, NON-SLIT

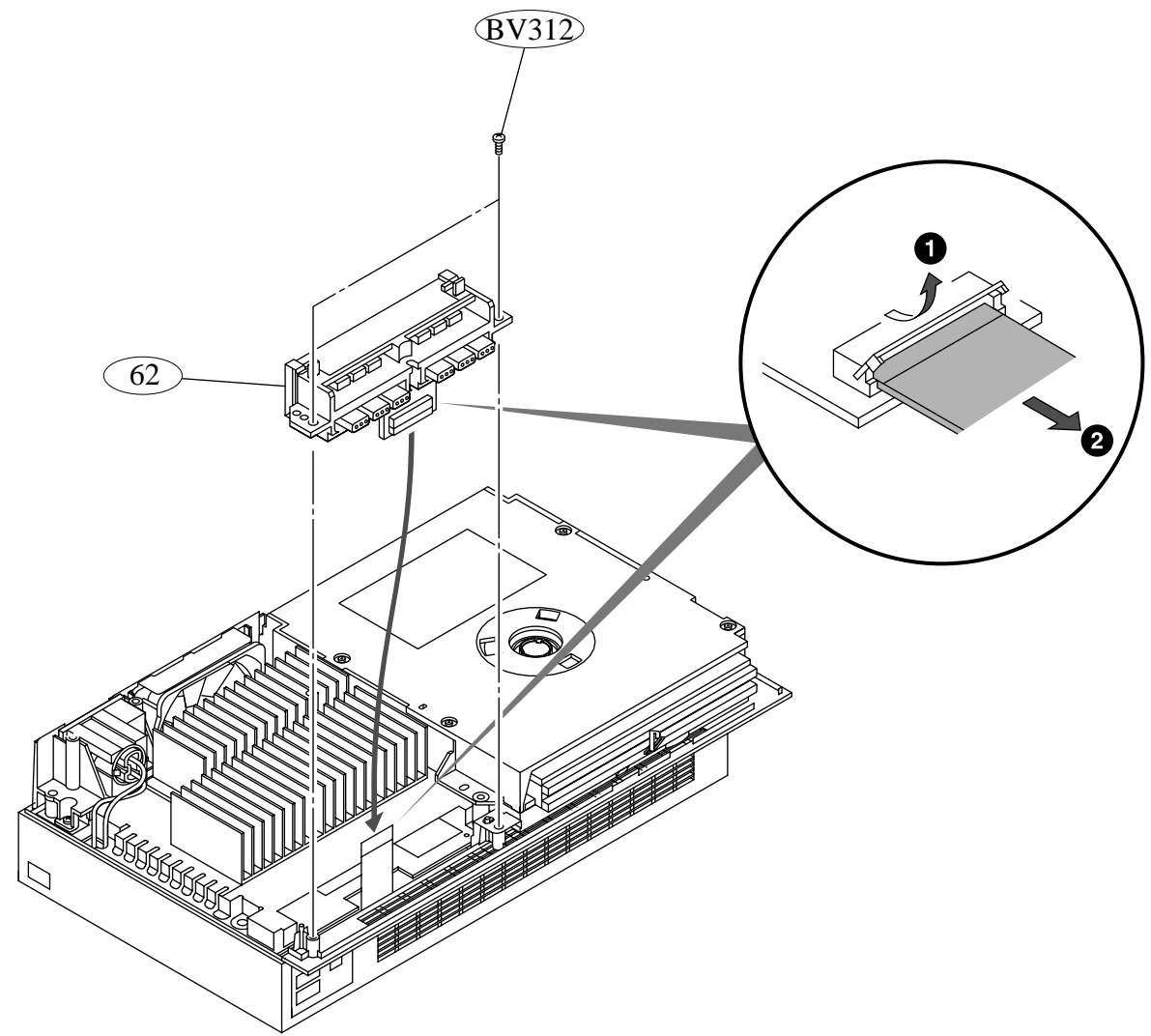
53 SW-358 MOUNT  
SW-363 MOUNT



TOOLS : SCREW DRIVER (+ #0)

62 TERMINAL BOARD  
(FRONT)

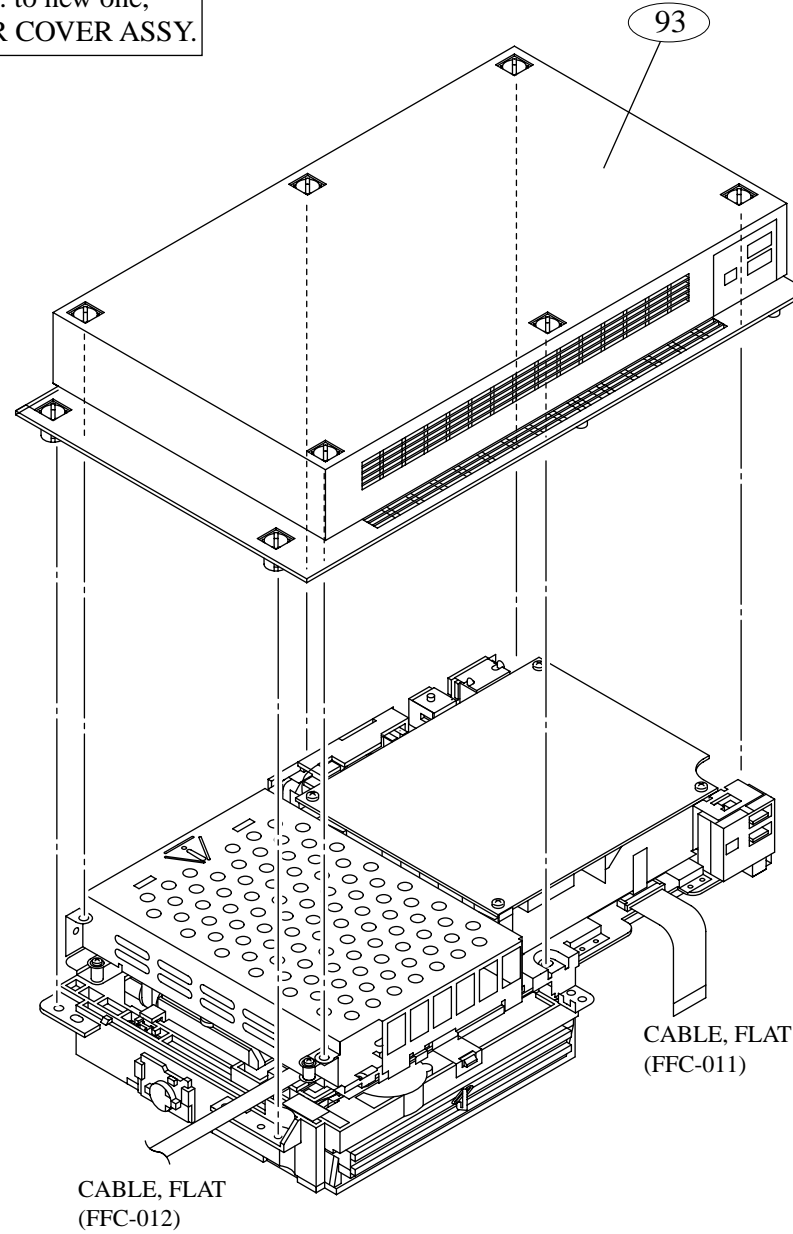
BV312 SCREW,  
TAPPING +BV 3 x 12



TOOLS : SCREW DRIVER (+ #3)

**CAUTION**

For exchanging the LOWER COVER ASSY. to new one,  
Check the carved seal on surface of LOWER COVER ASSY.

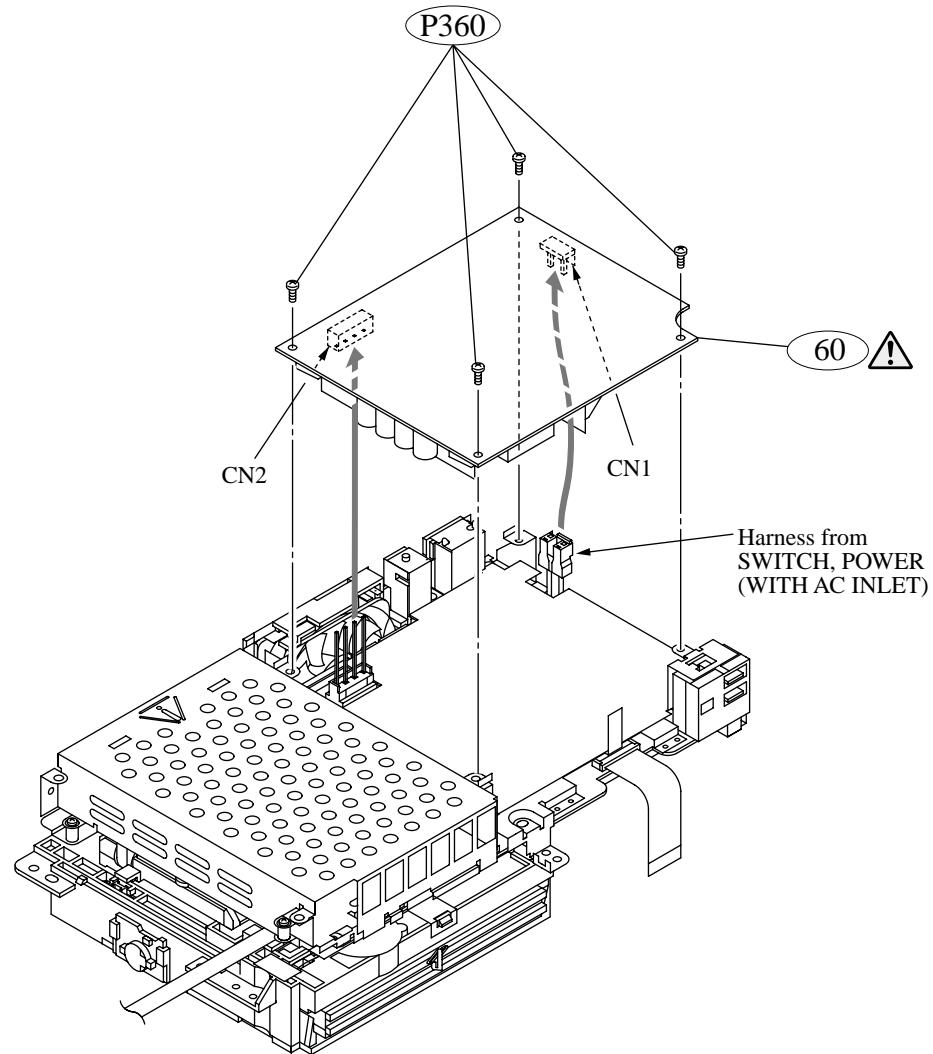


**CAUTION**



Use of controls or adjustments or performance of procedures other than those specified herein may result in hazardous radiation exposure.

 (60) POWER BLOCK

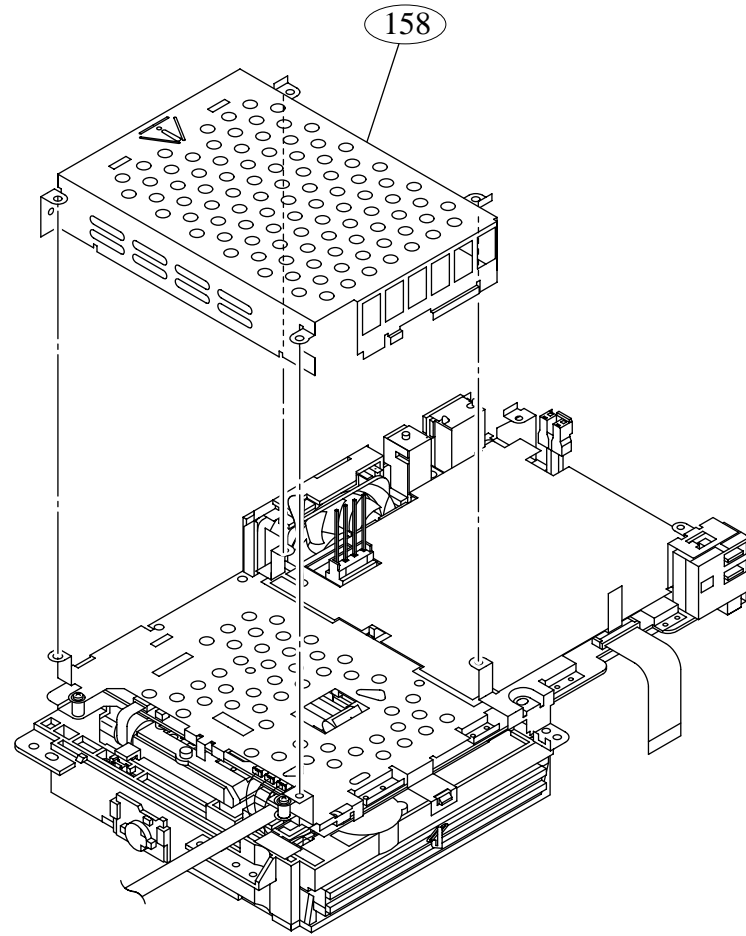
(P360) SCREW +P 3 X 6



**CAUTION**

The components identified by mark  or dotted line with mark.  are critical for safety. Replace only with part number specified.

TOOLS : SCREW DRIVER (+ #3)



**CAUTION**

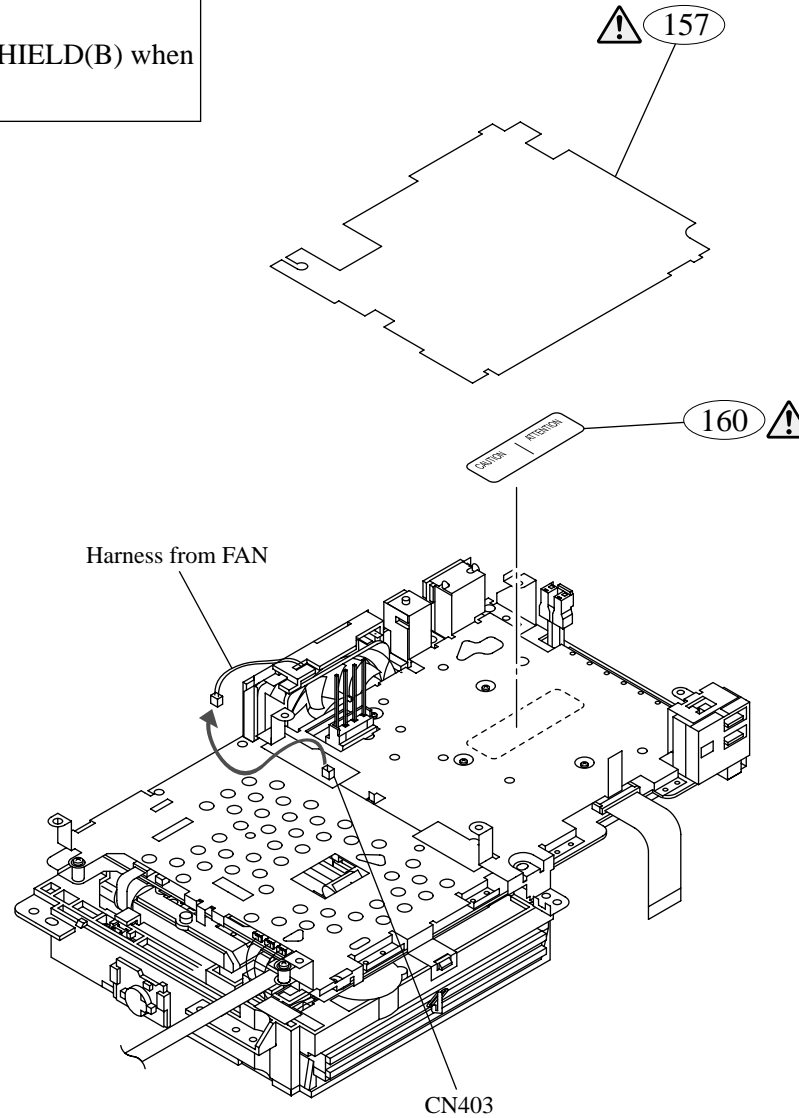
Never lose the fitting of INSULATING SHEET put on the SHIELD(B) when assemble the console.

**CAUTION**

Never lose the fitting of LABELs put on the SHIELD(B) when assemble the console.

⚠ (157) SHEET, INSULATING

⚠ (160) LABEL, CUTION, BARRIER for SCPH-30001

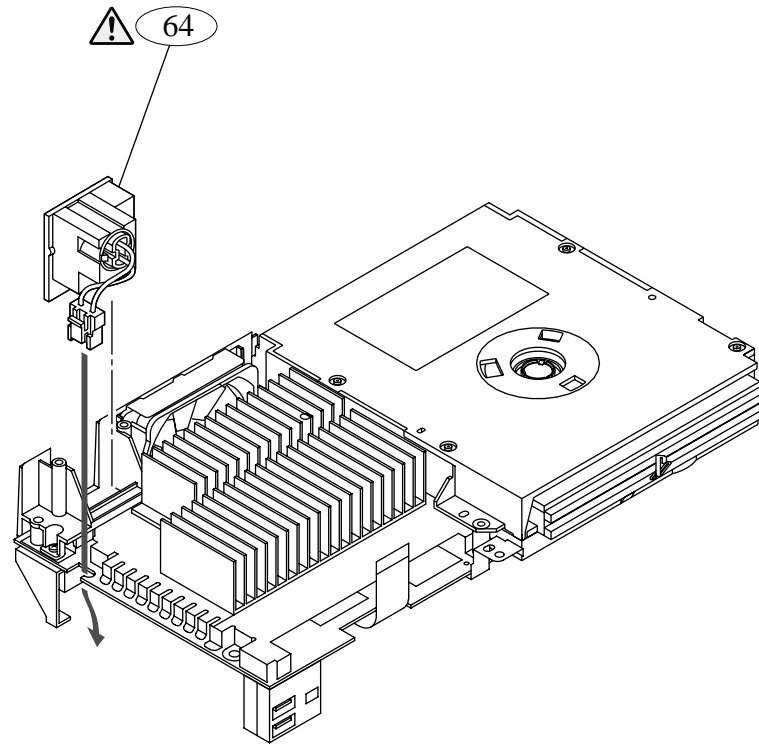


**CAUTION**

The components identified by mark ⚠ or dotted line with mark. ⚠ are critical for safety. Replace only with part number specified.

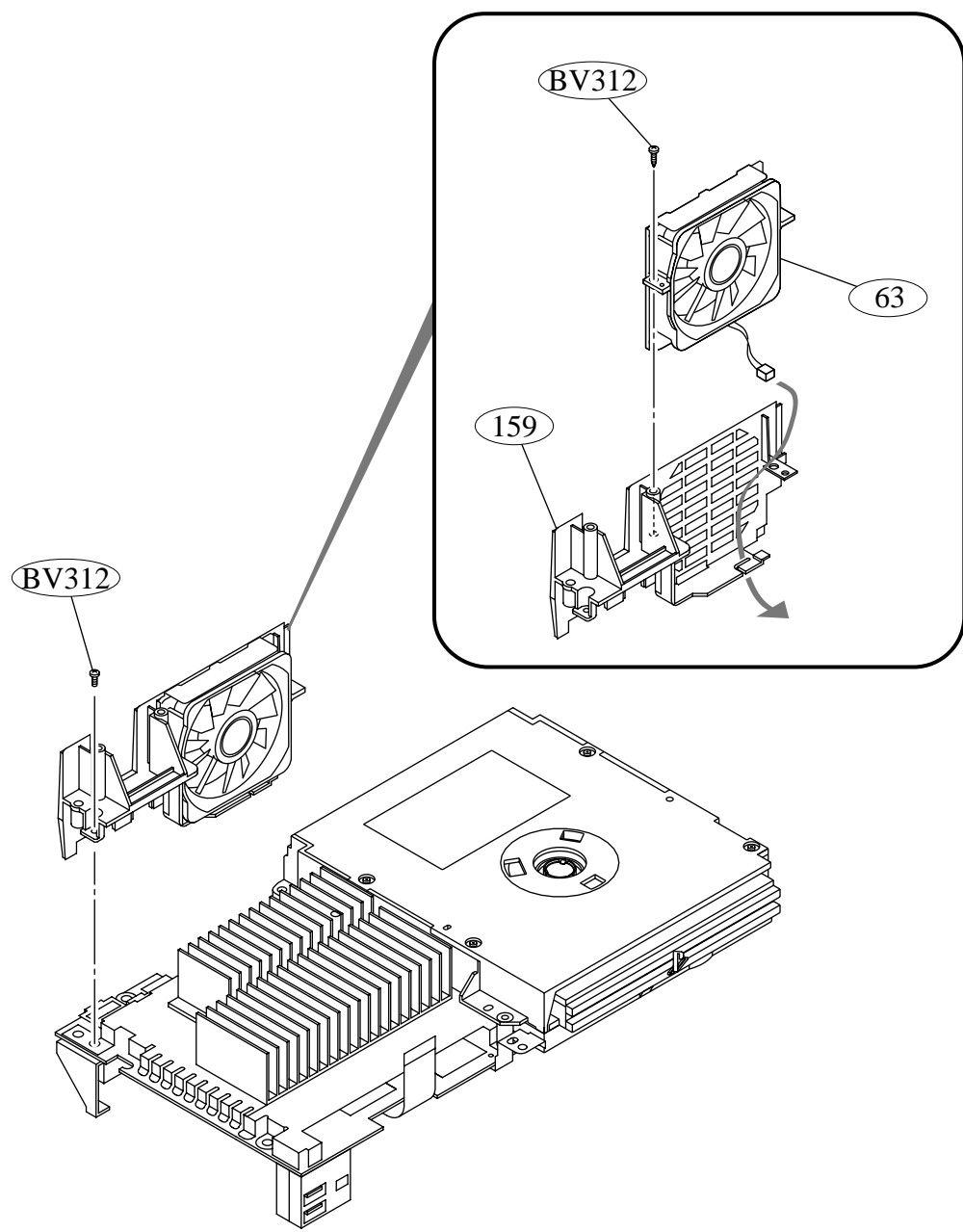


⚠ 64 SWITCH, POWER  
(WITH AC INLET)



**CAUTION**

The components identified by mark ⚠ or dotted line with mark. ⚠ are critical for safety. Replace only with part number specified.

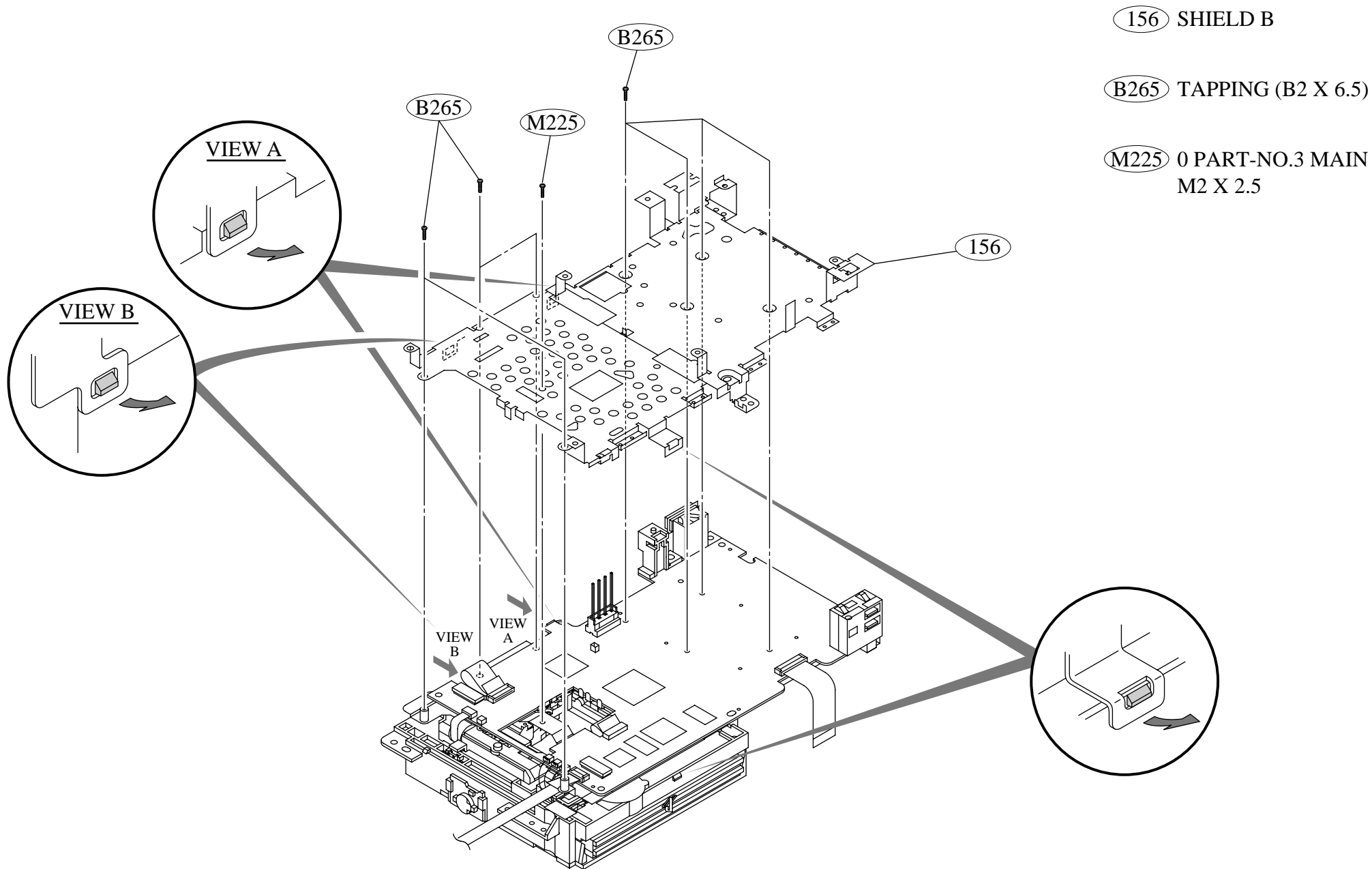


63 DC. FAN

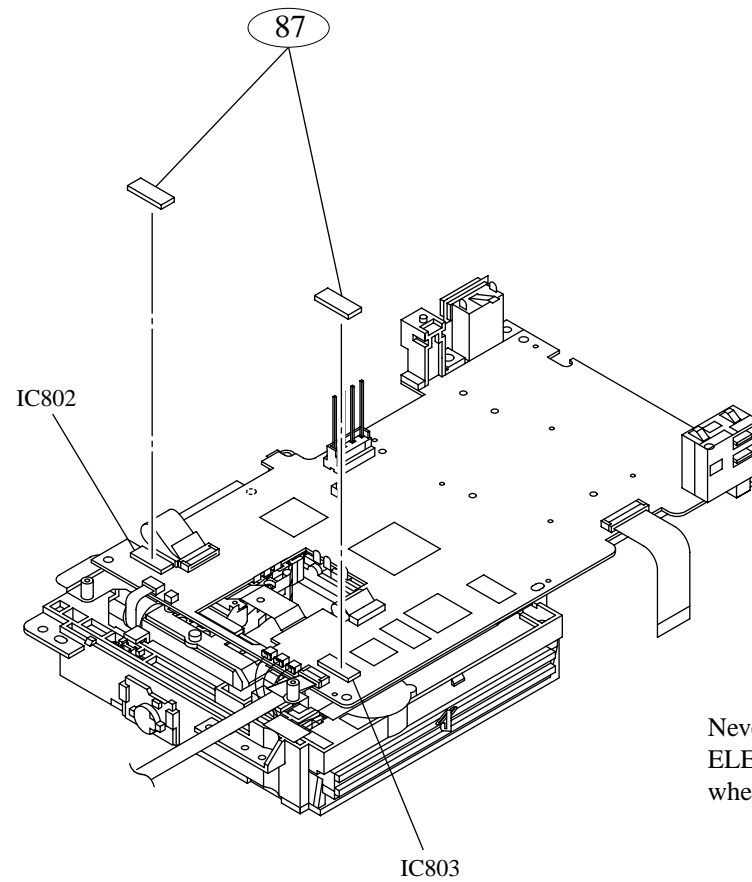
159 PANEL, REAR

BV312 SCREW, TAPPING  
+BV 3 X 12

TOOLS : SCREW DRIVER (+ #3)



TOOLS : SCREW DRIVER (+ #0)

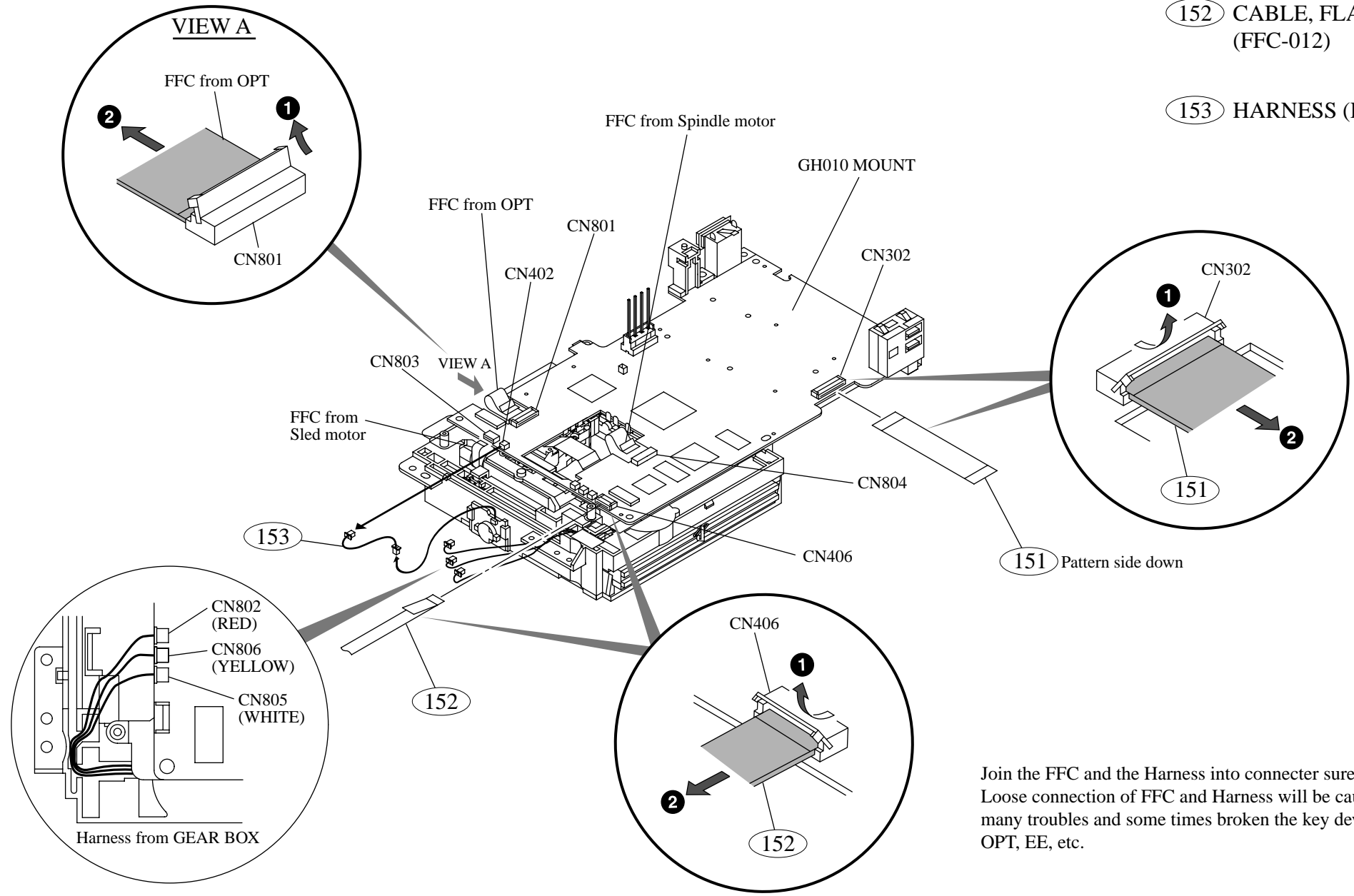


Never lose the fitting of SHEET(DRIVER),  
ELECTRIC HEAT put on the IC802 and IC803  
when assemble the console.

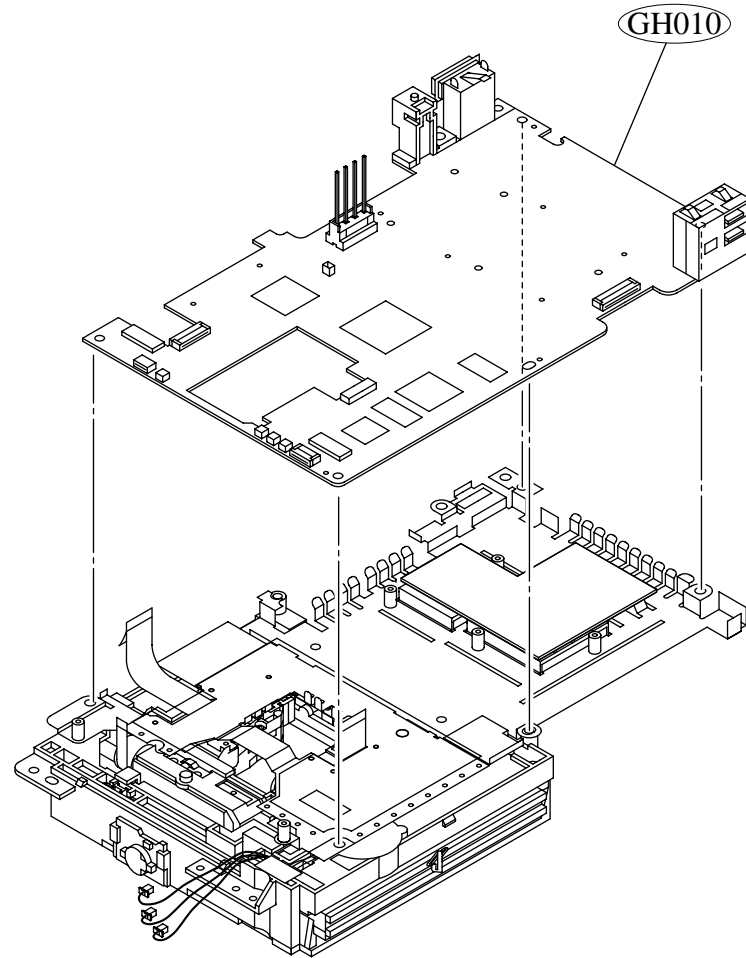
151 CABLE, FLAT (FFC-011)

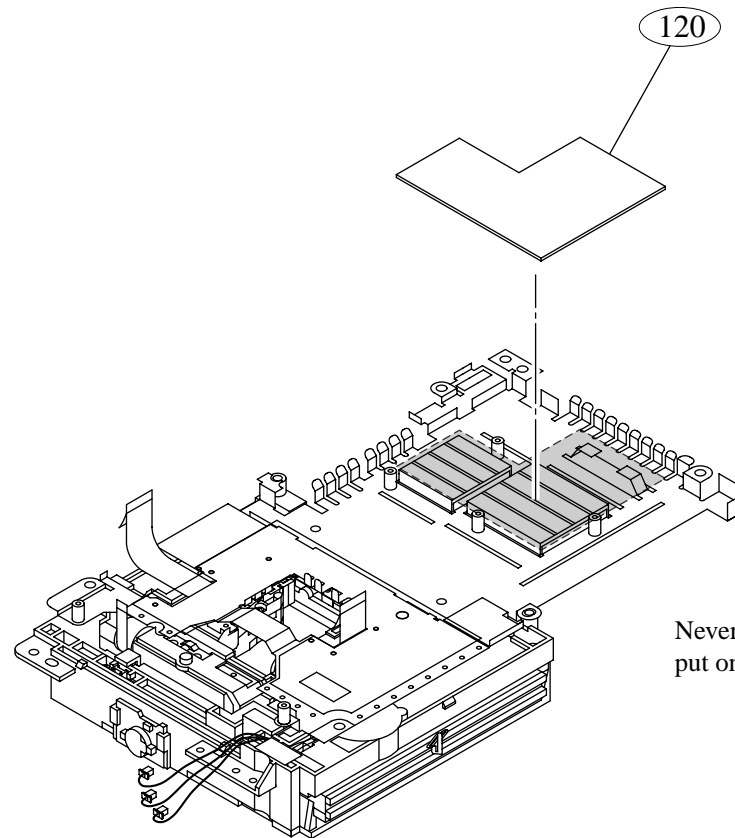
152 CABLE, FLAT (FFC-012)

153 HARNESS (HS-059)



Join the FFC and the Harness into connector sureiy,  
Loose connection of FFC and Harness will be caused the  
many troubles and some times broken the key device like  
OPT, EE, etc.



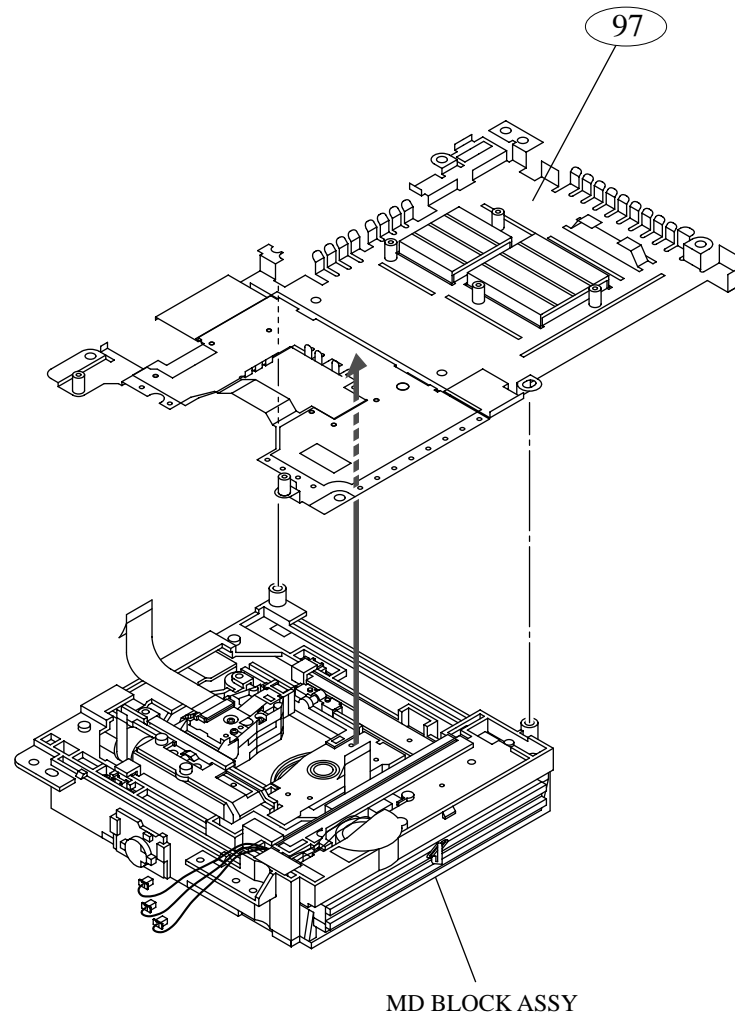


Never lose the fitting SHEET(A) ELECTRIC HEAT  
put on SHIELD(A) ASSY. when assemble the console.

**CAUTION**

Don't touch the OPTICAL DEVICE not to brocken it.


97. SHIELD (A) ASSY



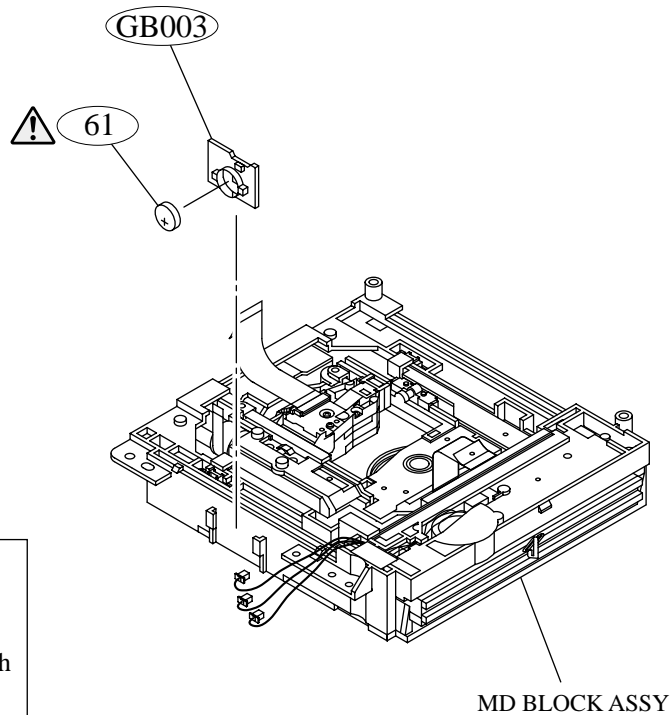


**CAUTION**



For dumping the consumed CR2032 Lithium battery,  
Obey your county law Standard procedures.

 **61** BATTERY, LITHIUM  
(CR2032 TYPE)

**GB003** GB-003/-004 MOUNT



**CAUTION**

The components identified by mark  or dotted line with mark.  are critical for safety. Replace only with part number specified.

**BACK**

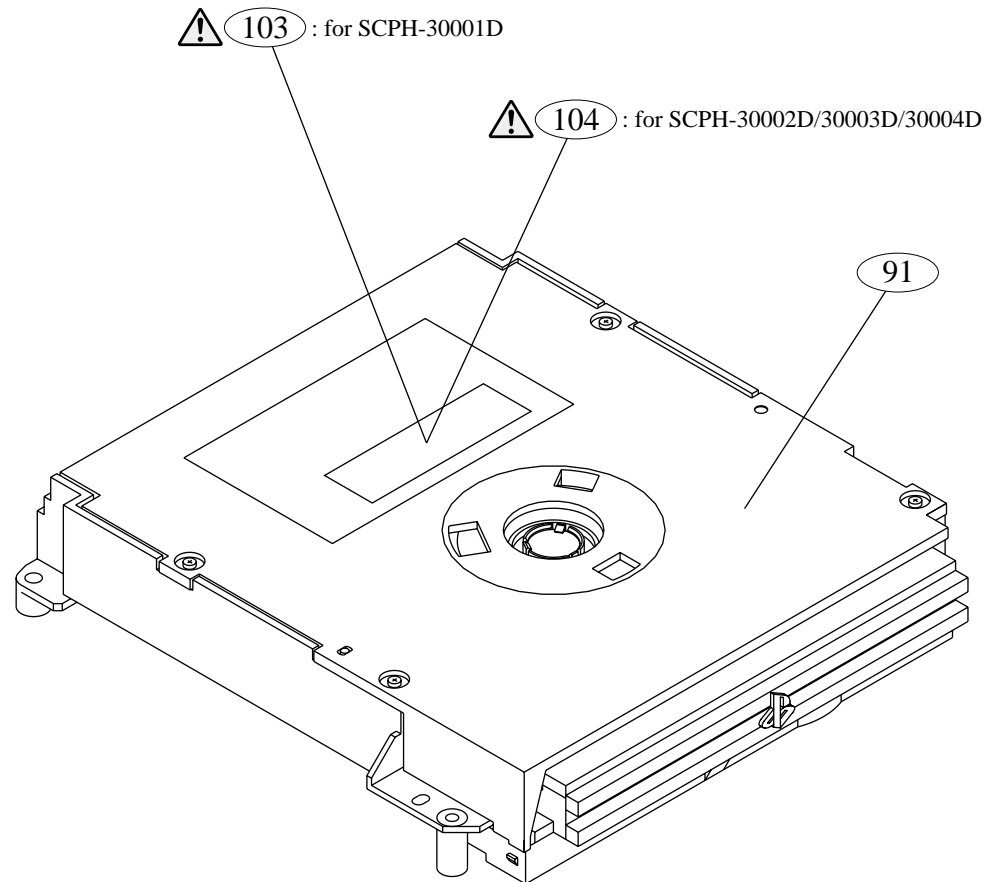
**CAUTION**

PULLEY BRACKET change to new one by repaier  
LABEL has to put on new PULLEY BRACKET due  
to in your country law and standart procedure for safty.

91 MD BLOCK ASSY

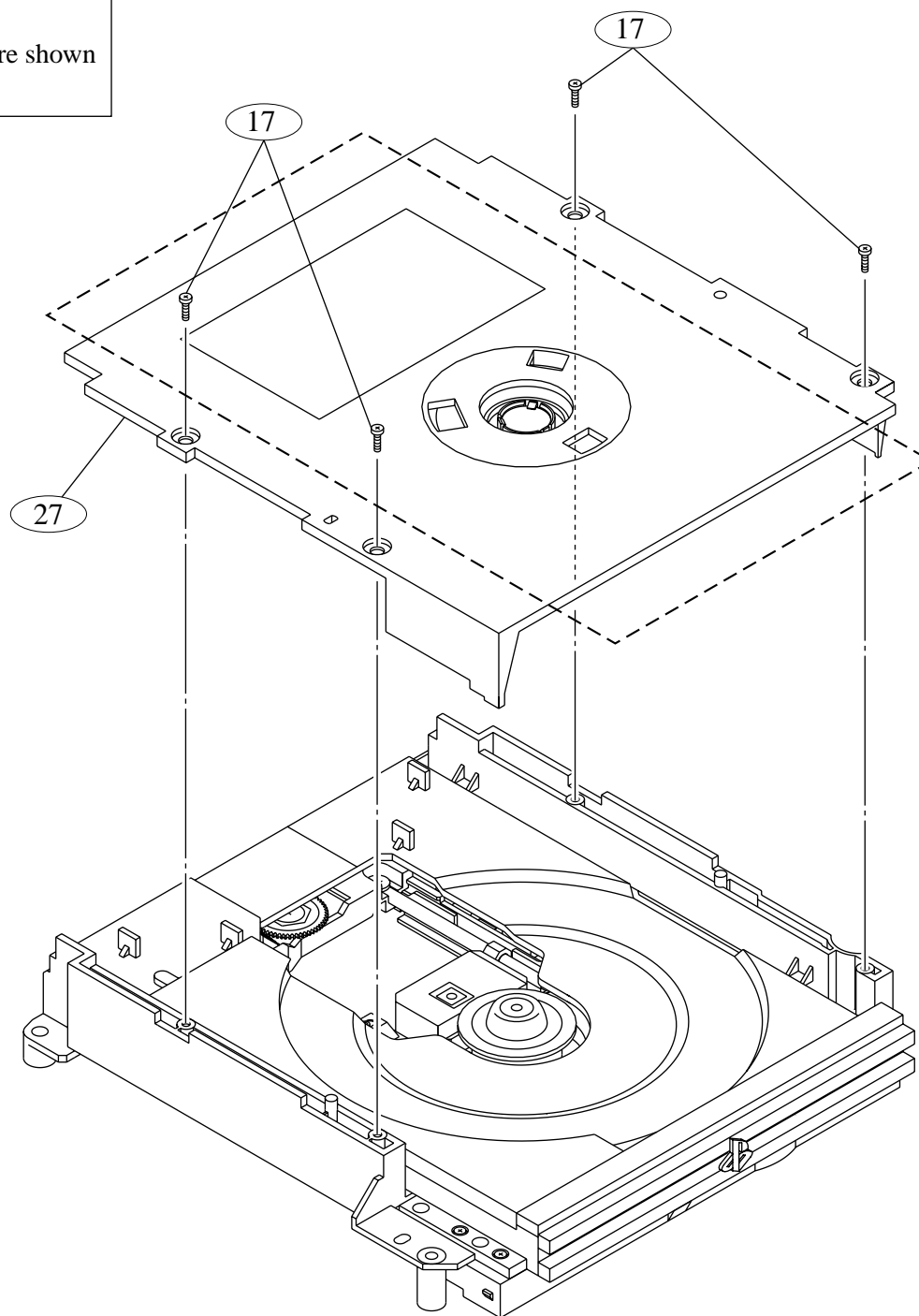
⚠ 103 LABEL, CAUTION

⚠ 104 LABEL, LASER  
CAUTION



**CAUTION**

Don't touch the place surrounded square shown figure when tighten screws.



17 TAPPING (B2 X 6.5)

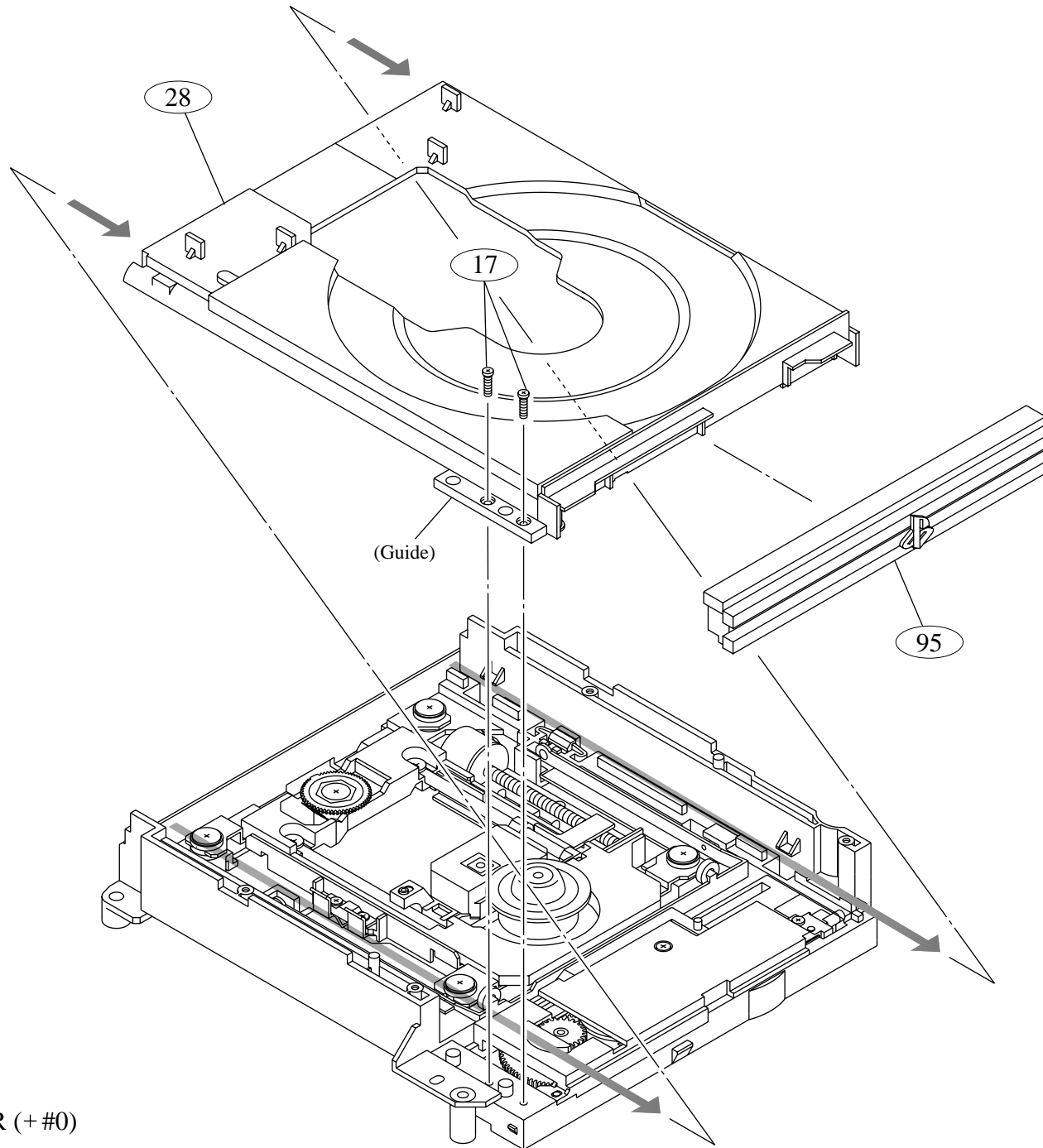
27 PULLEY,  
BRACKET ASSY

TOOLS : SCREW DRIVER (+ #0)

17 TAPPING (B2 X 6.5)

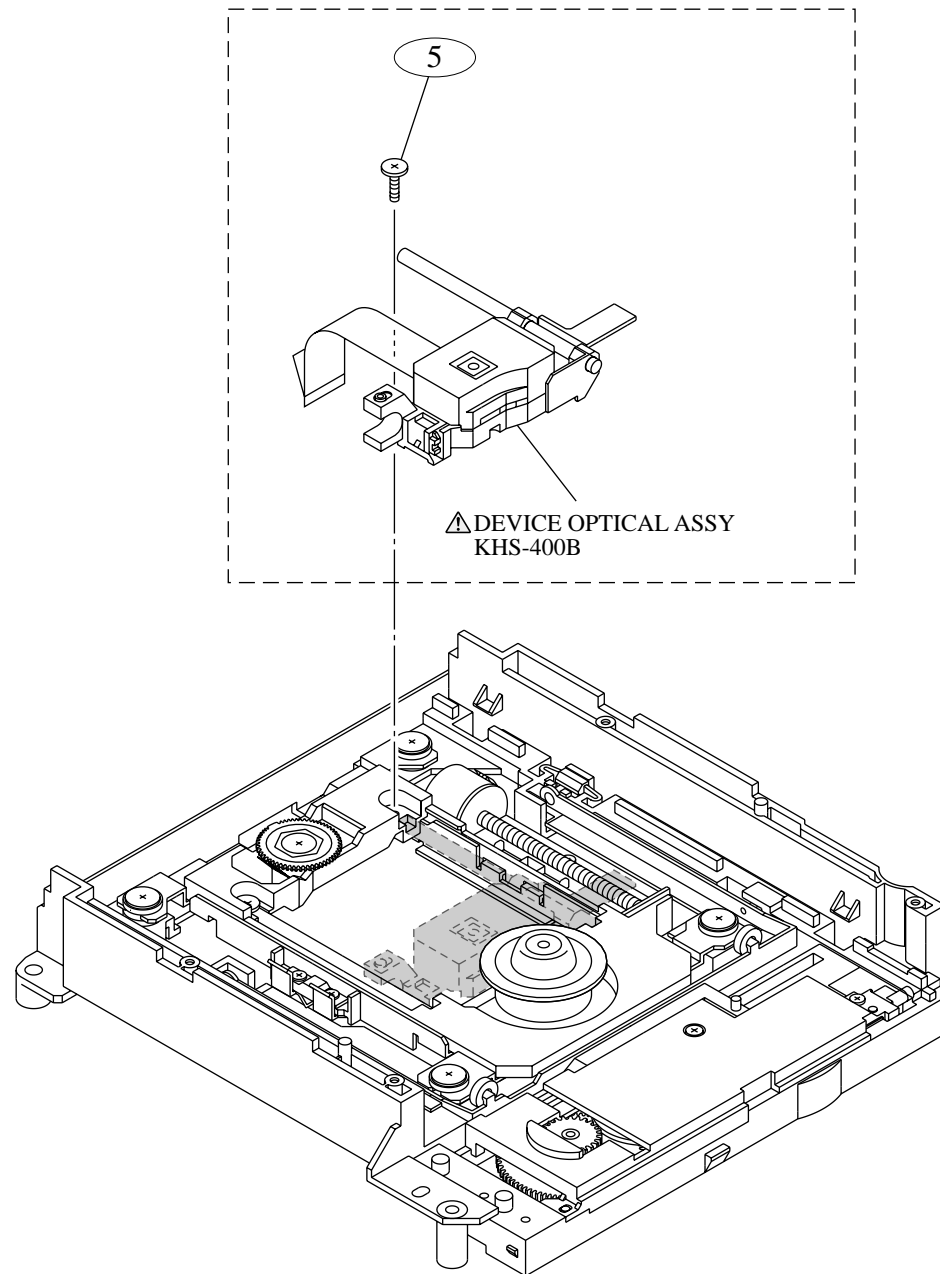
28 TRAY ASSY

95 PLATE ASSY,  
ORNAMENTAL



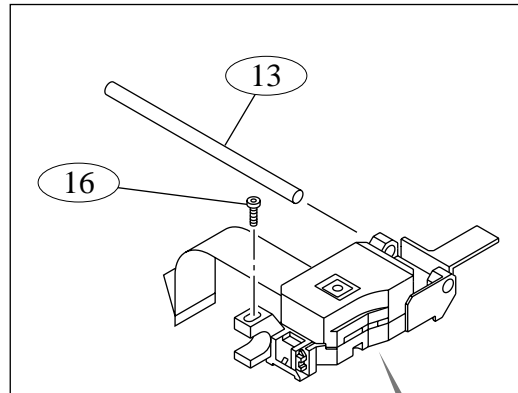
TOOLS : SCREW DRIVER (+ #0)

5 SCREW (B2 X 6.5),  
SHAFT RETAINER



TOOLS : SCREW DRIVER (+ #0)

### TOP SIDE VIEW



④ PWB, FLEXIBLE

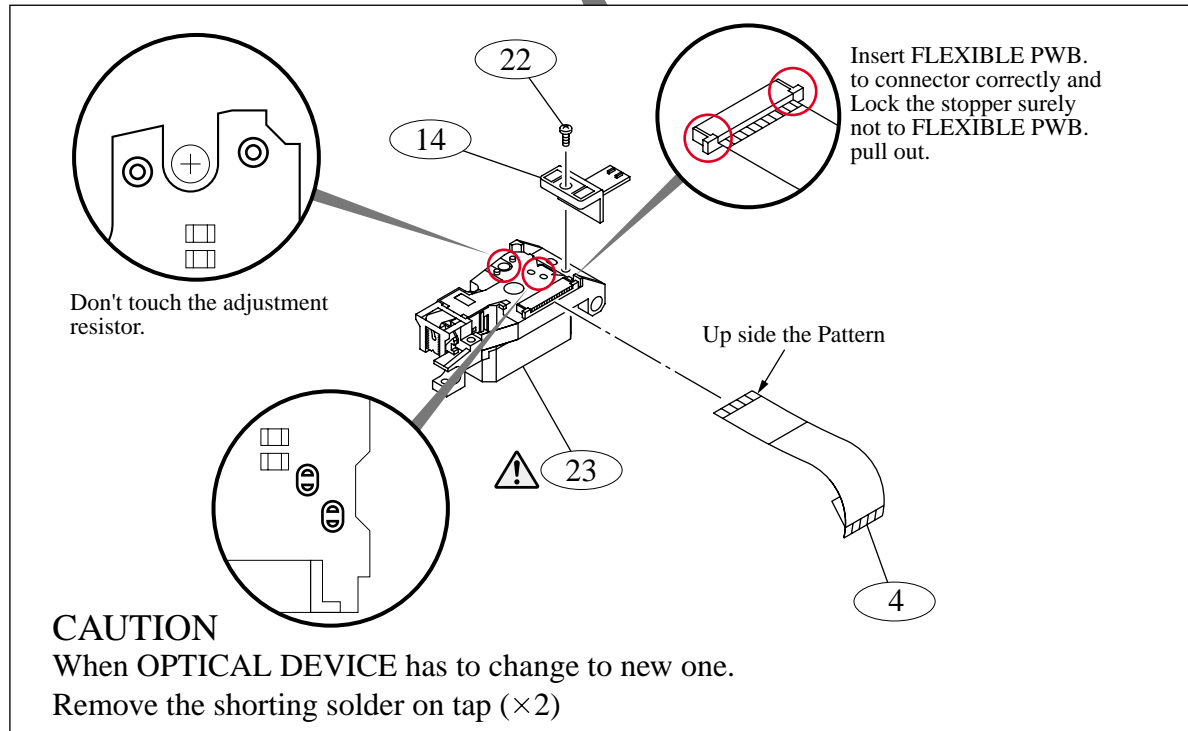
⑬ SHAFT, MAIN

⑭ RACK

⑯ SCREW, SKEW

⑳ 0 PLATE 3 MAIN  
M2 X 3.2

### BOTTOM SIDE VIEW

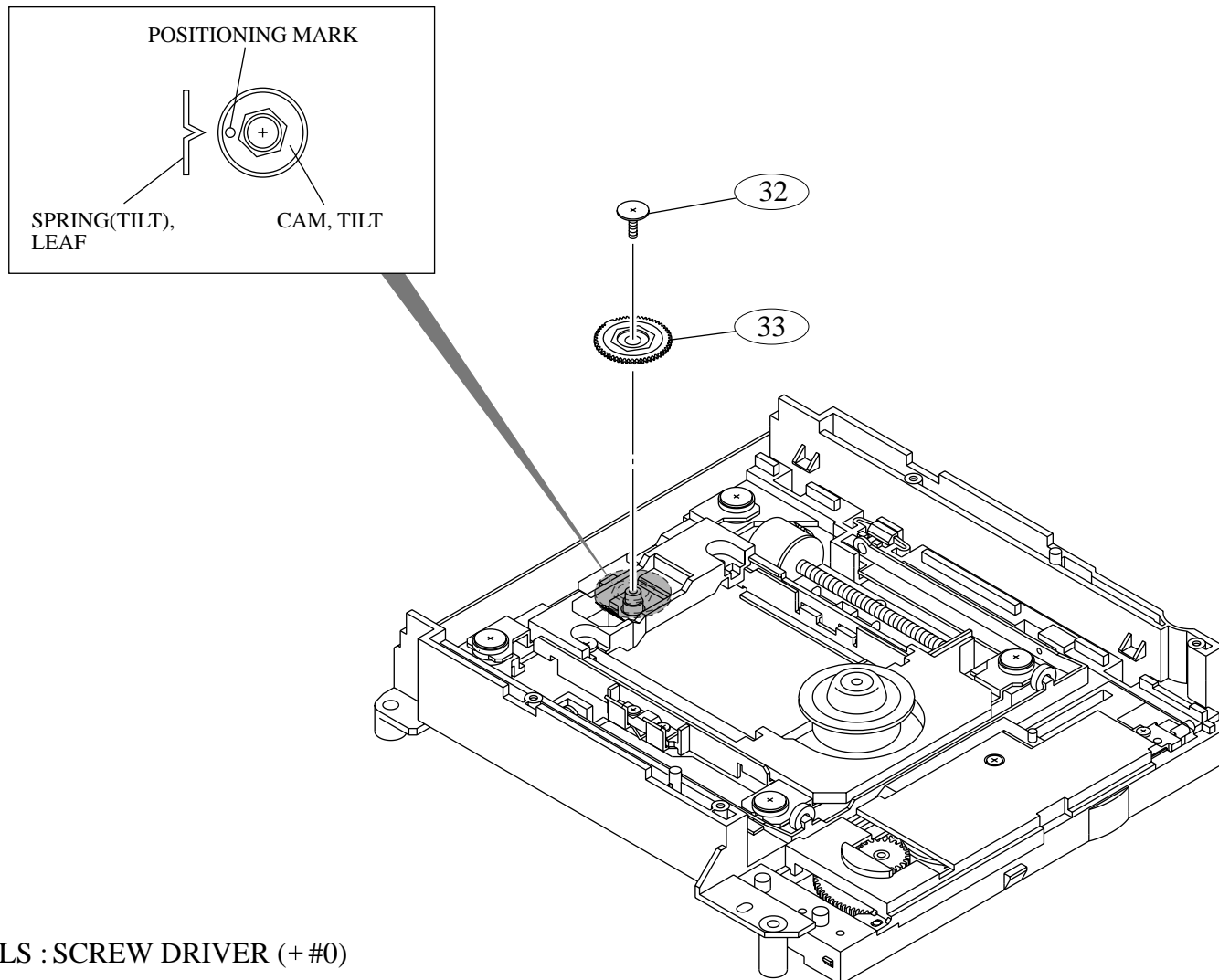


⚠ ㉓ DEVICE, OPTICAL  
KHS-400B

TOOLS : SCREW DRIVER (+ #0)  
HEXAGRAM SCREW DRIVER (T5)

32 SCREW,  
CAM RETAINER

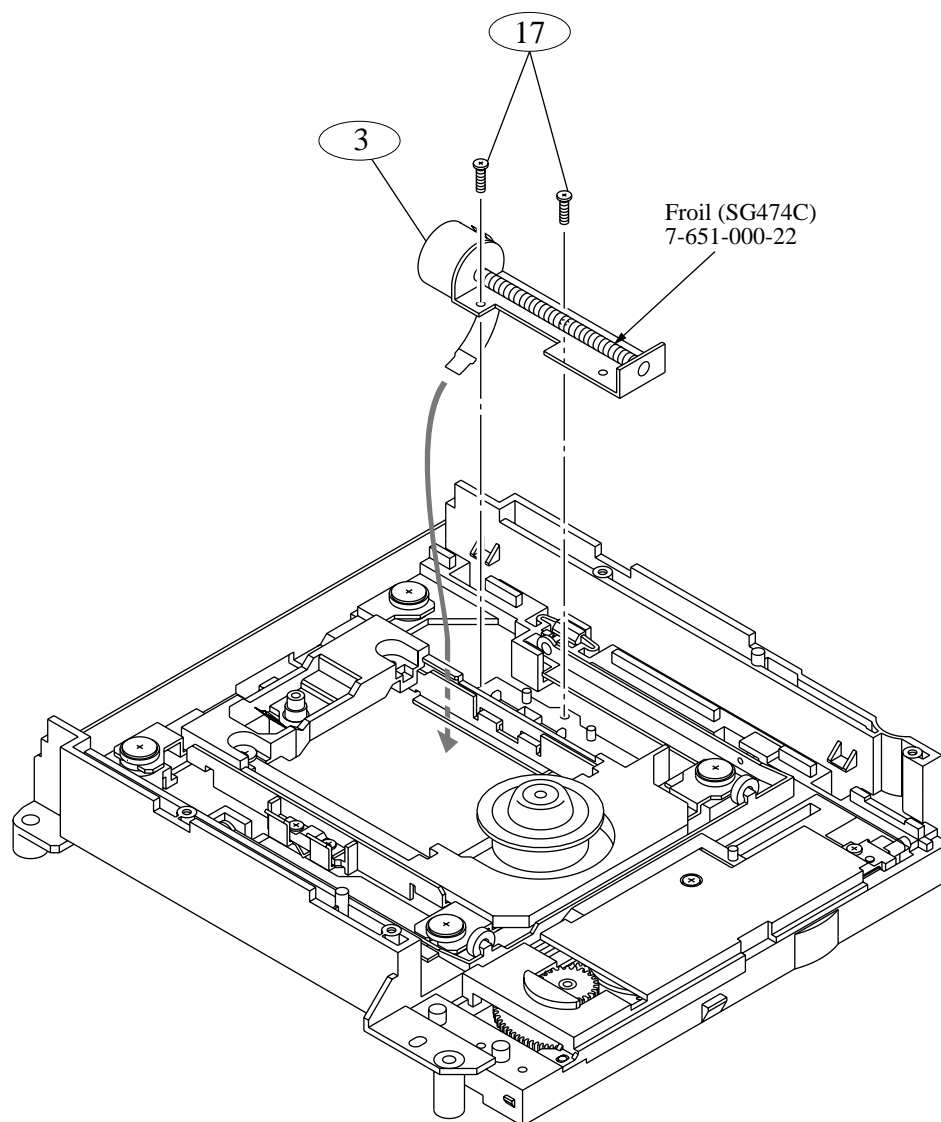
33 CAM, TILT



TOOLS : SCREW DRIVER (+ #0)

3 MOTOR, DC

17 TAPPING (B2 X 6.5)



TOOLS : SCREW DRIVER (+ #0)

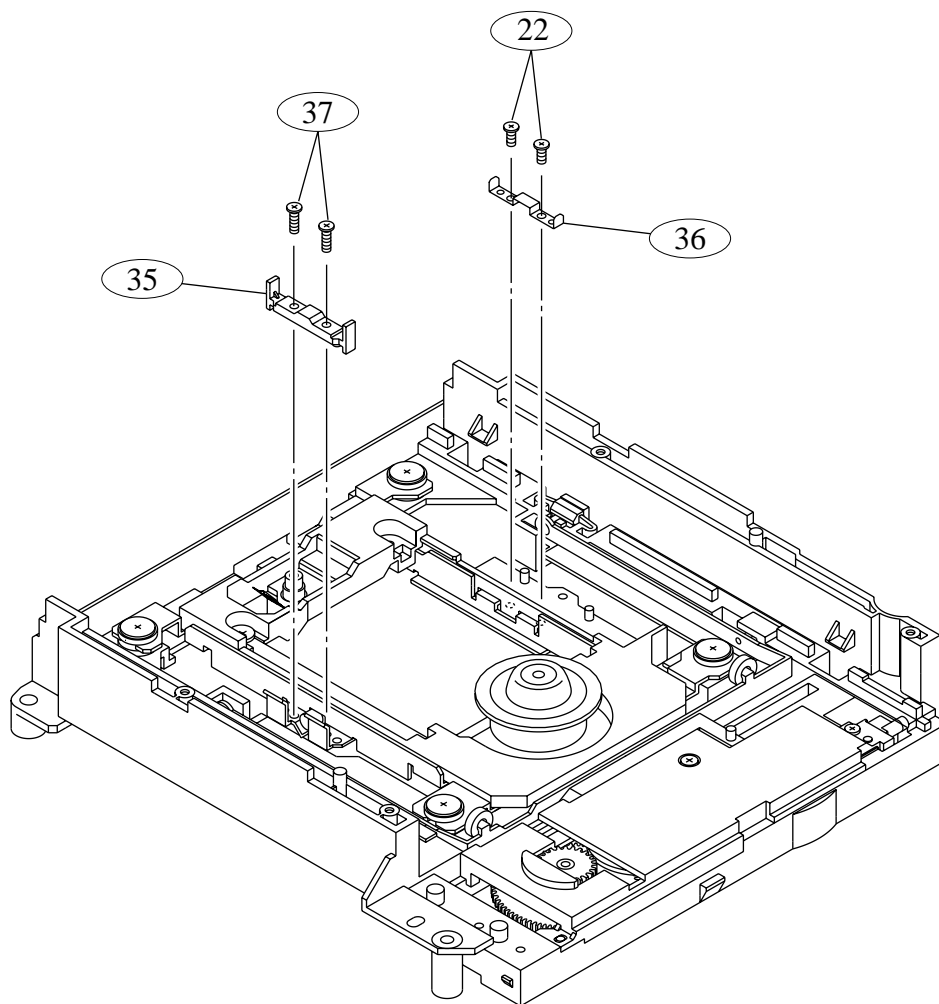


22 0 PLATE 3 MAIN  
M2 X 3.2

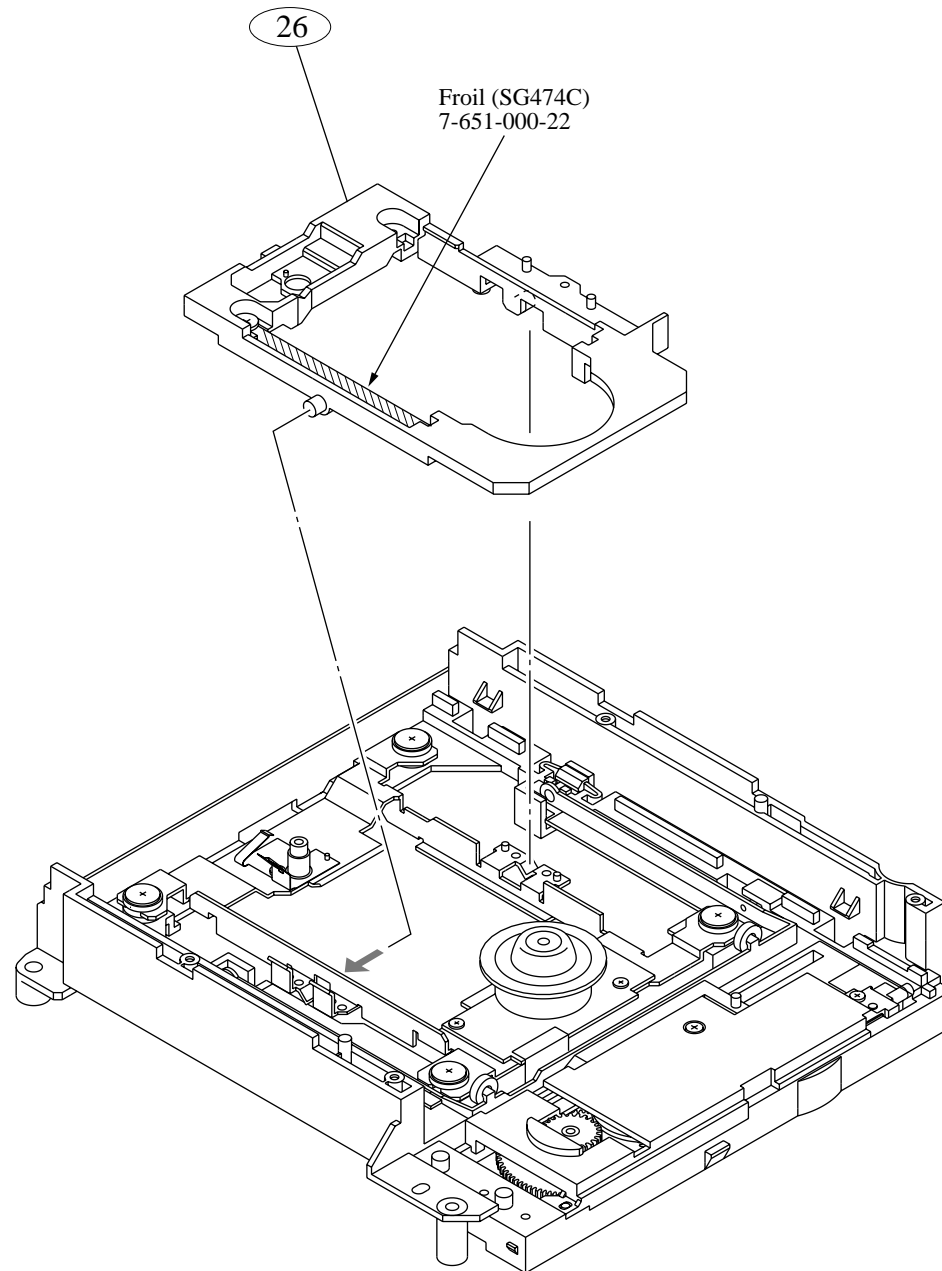
35 GUIDE (L)

36 GUIDE (R)

37 SCREW, SKEW

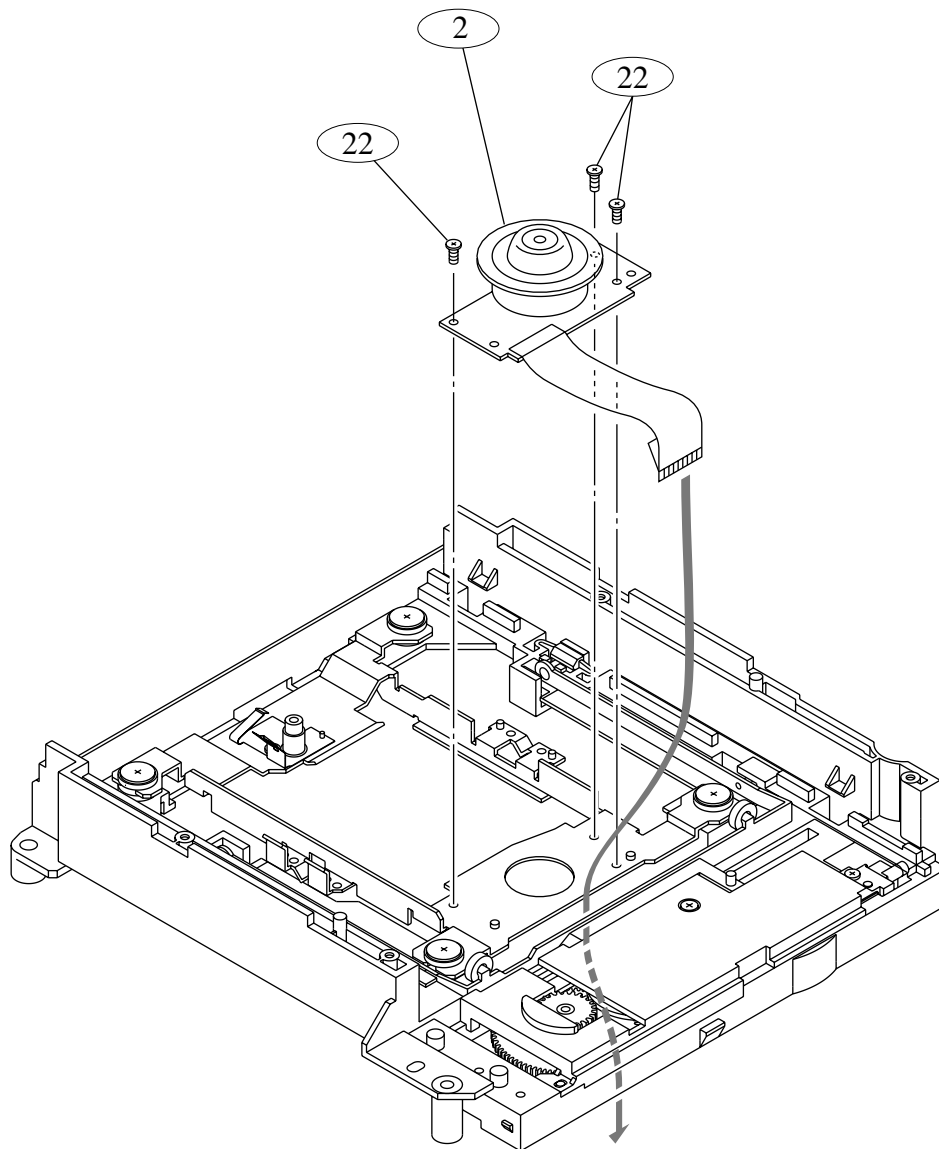


TOOLS : SCREW DRIVER (+ #0)



2 SPINDLE  
MOTOR, DC

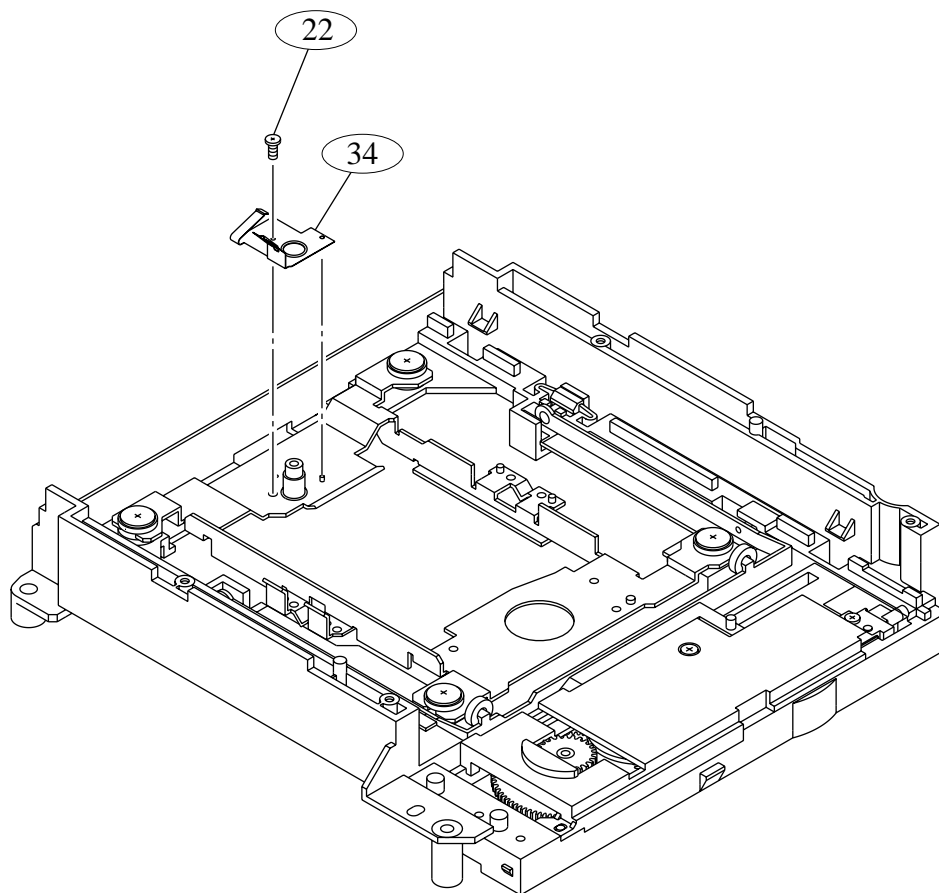
22 0 PLATE 3 MAIN  
M2 X 3.2



TOOLS : SCREW DRIVER (+ #0)

22 0 PLATE 3 MAIN  
M2 X 3.2

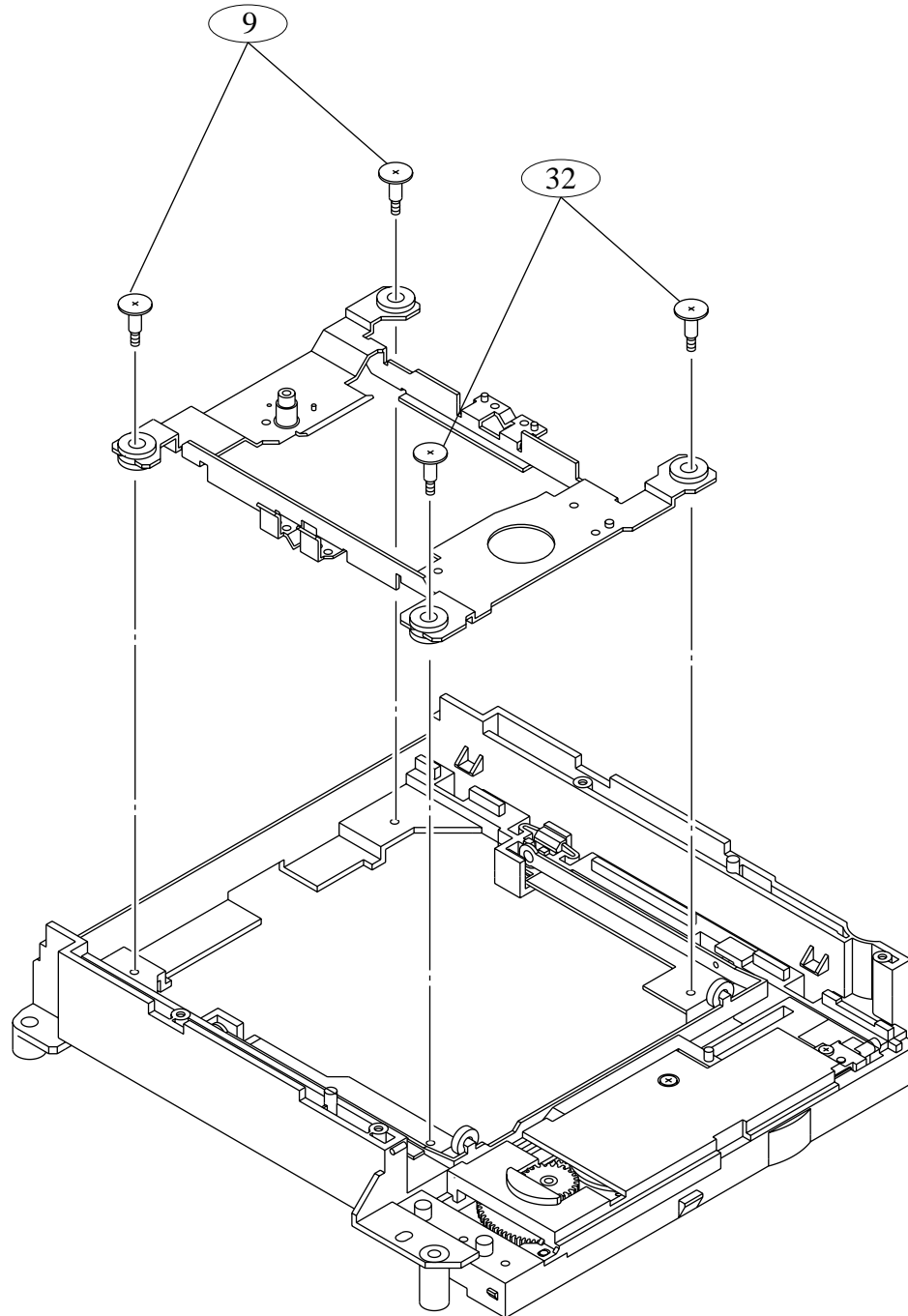
34 SPRING (TILT),  
LEAF



TOOLS : SCREW DRIVER (+ #0)

9 SCREW, STEP

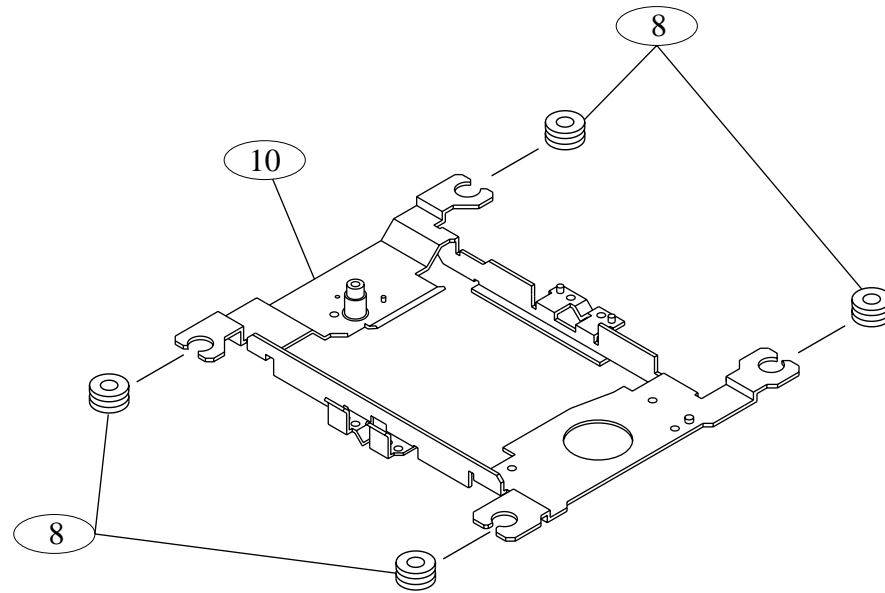
32 SCREW (SUB), STEP



TOOLS : SCREW DRIVER (+ #0)

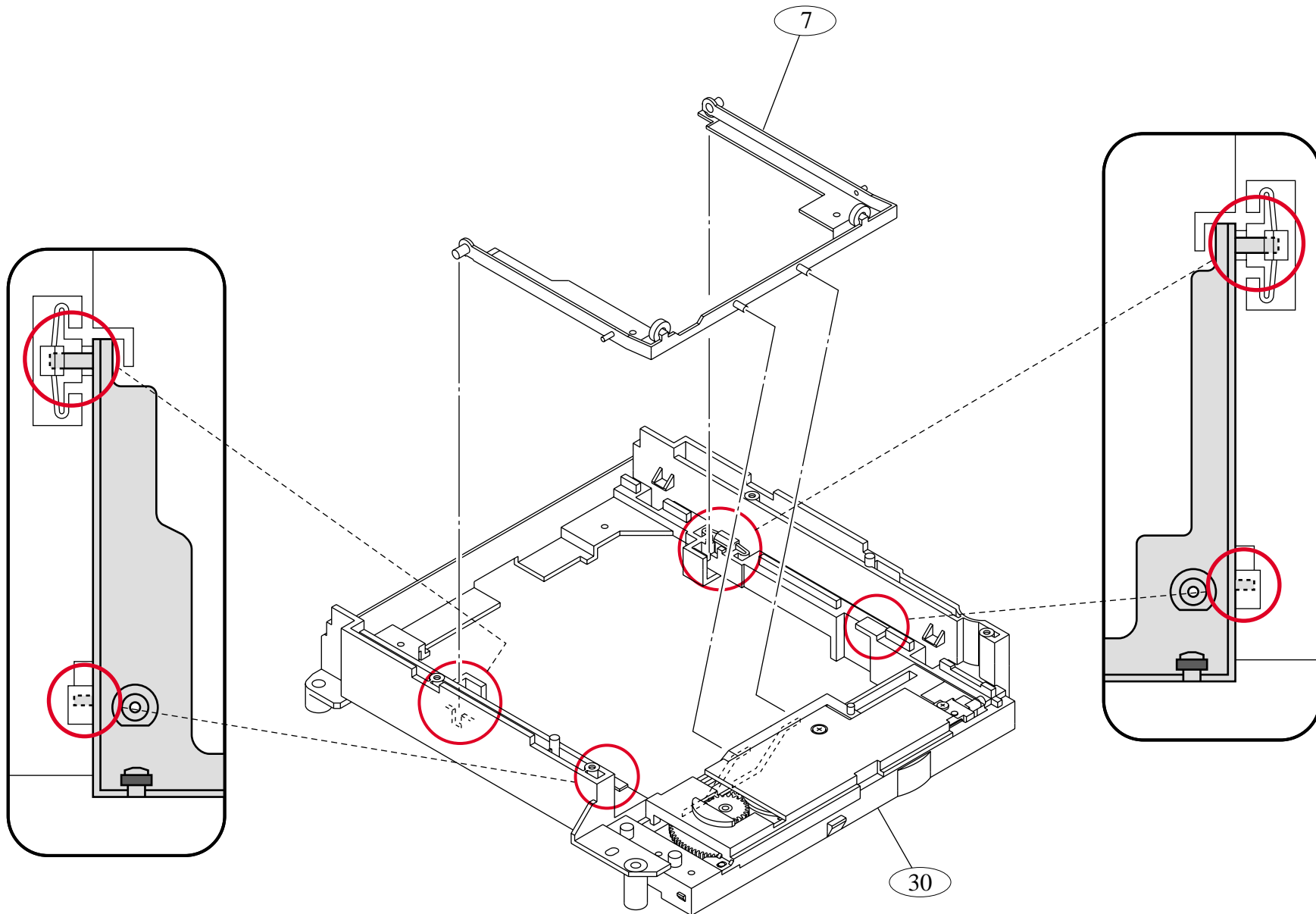
8 INSULATOR

10 CHASSIS ASSY,  
MAIN



7 SUB FRAME ASSY

30 MAIN FRAME ASSY

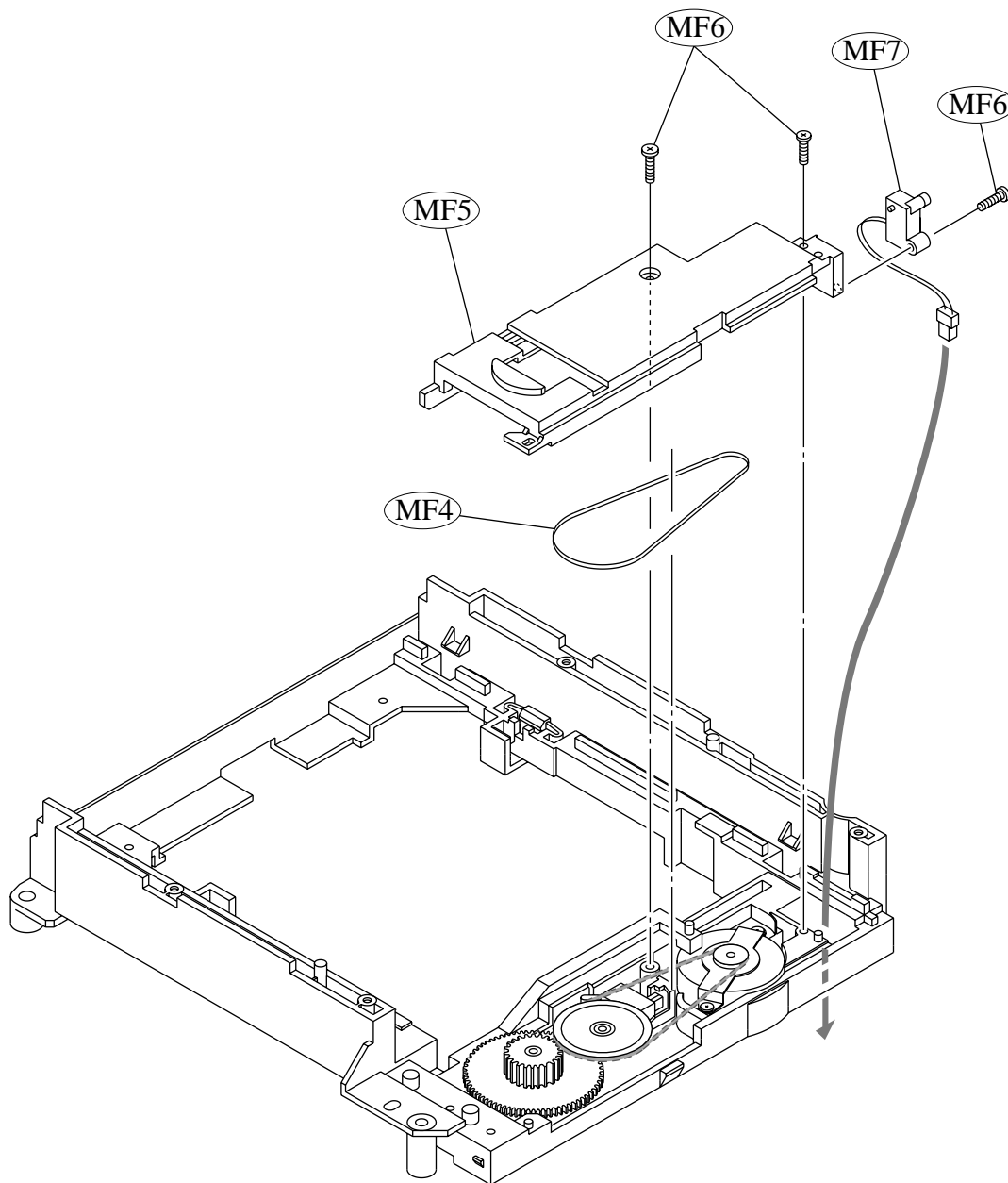


MF4 BELT, RUBBER

MF5 COVER GEAR

MF6 TAPPING (B2 X 6.5)

MF7 SWITCH LEAF



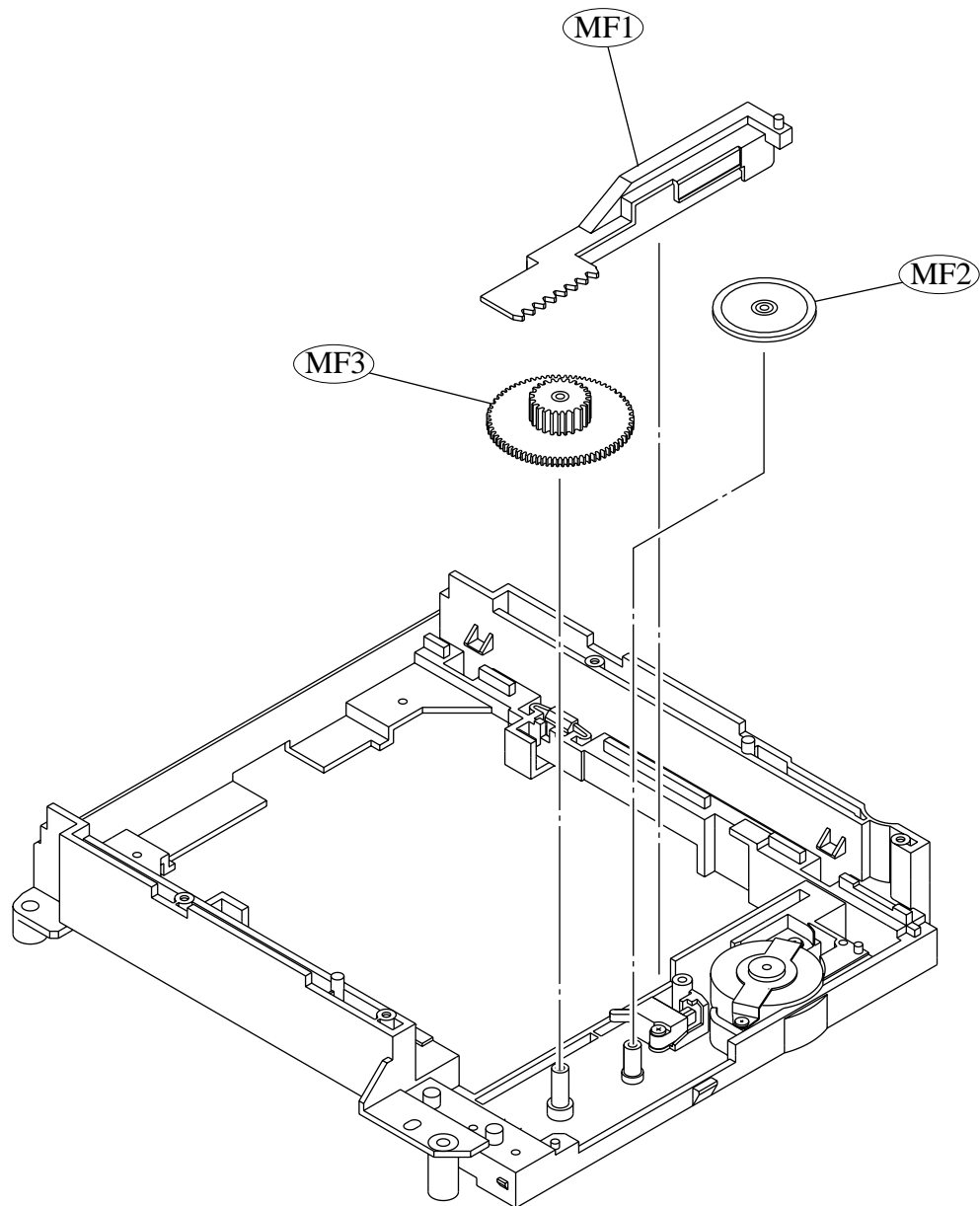
TOOLS : SCREW DRIVER (+ #0)

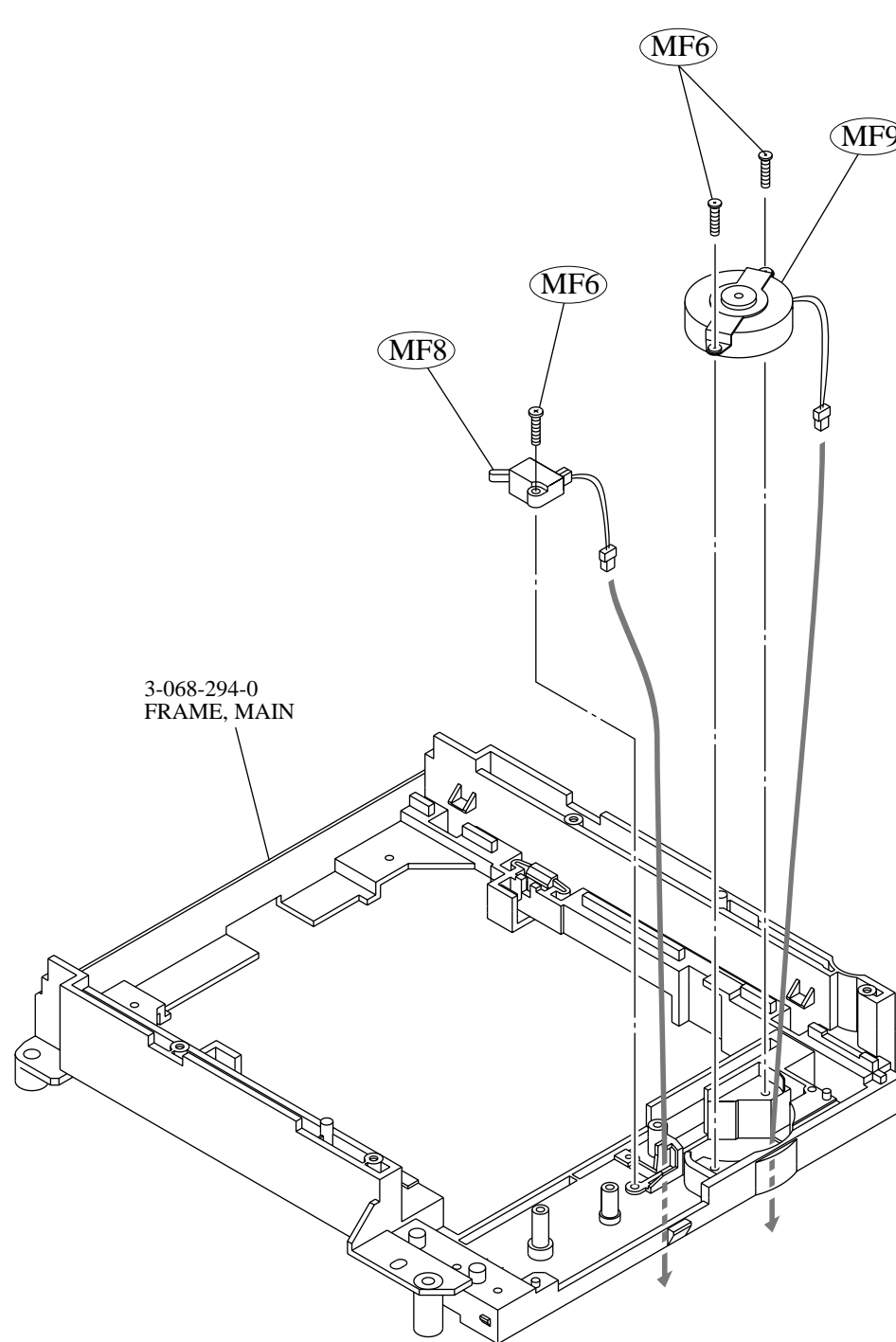


MF1 CAM, SLIDE

MF2 PULLEY

MF3 GEAR, DRIVING





MF6 TAPPING (B2 X 6.5)

MF8 SWITCH LEAF

MF9 LOADING MOTOR, DC

BACK

COVER PAGE

TOOLS : SCREW DRIVER (+ #0)