

Sony Tape Recorder



"It's a Sony."

Three words.

Perhaps the most important three words in tape recorder history.

It all goes back to 1949, when a patent was issued to a small company in Japan. The patent was for something called "AC Bias Magnetic Recording System."

Sound familiar?

It should. Because that patent became the cornerstone of an entire communications industry.

And that small company became Sony.

In 1950, we marketed the first magnetic recording tape in Japan.

And the first tape recorder.

In 1955, we introduced Japan's first home stereo tape recorder.

By 1968, when we developed a pocket tape recorder utilizing integrated circuitry, Sony had become synonymous with technological innovation. And technological excellence.

Today, more than twenty million tape recorders later, Sony still maintains that reputation. With products like the TC-150, world's slimmest standard cassette recorder. The M-101 microcassette recorder. And the CF-570 portable stereo recorder.

How do we do it?

Research makes the difference.

Research, and a firm dedication to quality. To service. To making products for people, not just for profit.

But you don't have to remember all that.

You just have to remember three words.

"It's a Sony."

Contents

	PAGE
INTRODUCTION	2
HIGHLIGHTS & FEATURES	
M-101	4
TC-150	5
TC-56, TC-44	6
TC-142	7
TC-92	8
TC-110B, TC-207	9
TC-205, TC-65	10
TC-520CS, TPB-800	11
CF-580	12
CF-550A	13
CF-570	14
CF-440	15
CF-370	16
CF-303, CF-302	17
ACCESSORIES	18
ACCESSORY DIAGRAM	20
GLOSSARY	21

HIGHLIGHTS & FEATURES

Sony's Micro Cassette Notetaker, the M-101...offers the convenience of micro cassette recording, with all the full function features found in the larger recorders, including easy front loading capstan drive tape mechanism, providing superb tape speed stability. The M-101 is completely pocketable too—about the size of an eye glass case and weighs less than a pound. Each micro cassette records up to one full hour and is one quarter the size of standard cassettes. All components of the M-101 have been scaled down but operate as efficiently as components found in full size tape recorders. See page 4 for complete details.

The CF-570 is the Ideal Solution to having Total Stereo Sound in a Portable Unit It's the first combination high performance FM/AM stereo radio with high performance tape transport featuring front loading vertical cassette compartment—the same type found on cassette decks. This new design allows additional room for two professional type sound level meters for perfect recording. The cassette compartment opens slowly with a new soft touch spring loaded eject button. And for the ultimate in true stereo sound there are two 6" woofers and two 2" tweeters for smooth, expanded frequency response. Check out the CF-570 on page 14 for all the specs.

World's Slimmest Cassette-Corder Using Standard Cassettes...now Sony brings you the ultimate in personal tape recorders—the TC-150! It's so slim and sleek—just 1 3/4" deep, it slips in and out of a portfolio or pocket with ease. It features one touch recording plus a music/speech selector switch to insure optimum recording.

Sleep-Timer Mechanism...The CF-440 offers a sleep timer that automatically shuts this cassette-corder off. Should you doze off, you tape continues to play or record. When the tape is finished, tape and radio are automatically turned off.

Built-in Electret Condenser Microphone... Originated by Sony and imitated by many, this type of microphone eliminates the need for any external polarizing power supply used in conventional condenser microphones. In this microphone the movable diaphragm or fixed electrode is permanently charged with high static electricity. The

material which holds this charge is called "electret." The extremely light weight diaphragm makes it respond to every nuance of sound while making it immune to outside mechanical shocks. Most Sony cassette-corders offer this feature.

2-Position Pop-Up Microphone...The 2-position pop-up microphone featured on the TC-207 serves as a directional mic in the "up" position—ideal for correspondence, recitation, language study. Push it down and you have an omnidirectional mic—for group meetings, discussions.

3-Head Tape Monitor...With addition of a head used exclusively for off-the-tape sound monitoring while recording, you can always be completely sure of the quality of your recording. An extremely important and valuable feature for professionals and others who can't afford to miss anything on their recordings.

3-Position Tape Selector...For normal, CrO₂ and FeCr cassettes. The CF-580 offers this feature for optimum utilization of your choice of cassette. Unit can play back any type of cassette as well.

Counter-Inertial Flywheel System...For people who like to tape where the action is, this system provides greater tape stability when the tape recorder is in motion, preventing any loss in fidelity.

4-Speaker Matrix Stereo Sound System...Matrixed stereo signals project through four separate speakers for true stereo separation without actual physical separation for natural stereo sound in a completely portable design.

Servo Controlled Motor...A Sony feature found in many of our cassette-corders, the servo controlled motor reduces wow and flutter, maintaining extremely accurate speed.

Pre-end Alarm...Another indispensable for professionals, this features gives visible and audible alarm signal (through the earphone) approximately two minutes before the tape reaches its end while recording. This special feature is found in the TC-142.

Magnetic Phono Input...a turntable may be plugged directly into the CF-580 without an additional amplifier. This Sony original is a completely self-contained stereo set-up, allowing great portability, indoors or outdoors.



Mini Tape Transport in M-101



Integrated Circuit Board in M-101



Front Loading Vertical Design Cassette Compartment in CF-570



World's Slimmest Cassette-Corder Using Standard Cassettes



3-Head Tape Monitor

2-position Pop-up Microphone



Built-in Electret Condenser Microphone



Counter Inertial Flywheel System

3-Position Tape Selector



Servo Controlled Motor



Pre-end Alarm



Magnetic Phono Input

SONY M-101

MICRO CASSETTE NOTETAKER



THE PERSONAL NOTETAKER THAT FOLLOWS YOU EVERYWHERE

- Micro cassette full function recorder with easy slip-in front loading
- Capstan motor drive for tape speed stability
- Completely "pocketable"—just 2½" wide, compact and lightweight
- Built-in electret condenser microphone
- Counter-inertial flywheel system for tape transport stability when unit is in motion
- Sonymatic system maintains optimum recording level eliminating need for manual volume adjustment during recording
- Playback, stop, rewind functions controlled by single control switch
- One hand operation, plus one button recording
- Safety lock prevents accidental use or power drain
- Review function for editing and changes
- Wide frequency response
- LED record level/battery light
- 3-way power supply

SPECIFICATIONS

Frequency Response: 200Hz—7,000kHz

S/N Ratio: 45 dB

Wow and Flutter: less than 0.36%

Tape Speed: 1½/16 ips

Inputs: External microphone, DC 3V

Output: Earphone

Power Output: 0.15W

Speaker: 1¾"

Semiconductors: 1 FET, 1 LED, 1 Transistor, 7 integrated circuits

Power Requirements: Battery—"AA" x 2 (3V), AC 120V, 60Hz, with optional adaptor (AC-31), Rechargeable Battery Pack BP-31 (optional).

Dimensions: 5 6/8" H x 2.5" W x 1"D

Weight: 12.3 oz

Supplied Accessories: Battery—"AA" x 2, Suede Carrying Case, Earphone (ME-20H), Sony Micro-cassette (MC-60 60 minute), Patch Cord (RK-64H).

Optional Accessories: See page 18.

All specifications are subject to change without notice.

SONY TC-150

CASSETTE-CORDER



THE WORLD'S SLIMMEST CASSETTE-CORDER USING STANDARD CASSETTES!

- Ultra-thin (just 1³/₁₆"), brushed chrome finish
- Fits in a pocket or a portfolio
- Sonymatic system maintains optimum recording level
- Leather carrying case
- Piano-key touch selectors for easy desk top or handheld operation
- 3-digit tape counter
- One touch recording
- Music/speech selector switch
- Built-in electret condenser microphone
- Counter-inertial flywheel system for tape transport stability when unit is in motion
- Cue and review functions, plus pause switch
- Record level/battery meter
- New motion-sensing automatic shut-off
- AC adaptor extends life of your batteries
- 4-way power supply
- 5-hour quick charge battery pack (optional)

SPECIFICATIONS

Frequency Response: 90—10,000Hz

S/N ratio: 44dB

Wow and Flutter: 0.22% (WRMS)

Power Requirements: Battery—"AA" x 4 (Batteries not included) • AC 120V, 60Hz, 6W • Rechargeable Battery Pack BP-28 (optional) • DC 12V with optional Car/Boat Battery Cord DCC-127H

Dimensions: 1³/₁₆" H x 6³/₈" W x 4½" D

Weight: 1 lb., 11 oz.

Supplied Accessories: Carrying Case, AC Adaptor AC-9W, Demonstration Tape, Head Cleaning Sticks, Patch Cord RK-64H, Earphone ME-21

All specifications are subject to change without notice.

SONY TC-56 CASSETTE-CORDER



THE TC-56 MAY BE SMALL BUT THE SOUND IS BIG AND SO ARE THE BENEFITS...PERFECT FOR ON-THE-GO RECORDING!

- Built-in electret condenser microphone
- Sonymatic system with selector for music or speech recording • Cue function
- Automatic shut-off mechanism for record, play & power • Record level/battery meter
- Counter inertial flywheel system for stable tape transport • Servo-controlled motor
- 3-digit tape counter • Pause switch
- 5-hour quick charge battery pack (opt.)
- 4-way power supply

SPECIFICATIONS

Frequency Response: 90—10,000Hz

S/N Ratio: 45dB

Wow and Flutter: 0.35% (WRMS)

Power Requirements: Battery—"AA" x 4 (6V) • AC 120V, 60Hz, 6W with optional Power Adaptor/Charger AC-9W • Rechargeable Battery Pack BP-23 (optional) • DC 12V with optional Car/Boat Battery Cord DCC-127H

Dimensions: 5 $\frac{1}{8}$ "H x 1 $\frac{1}{2}$ "W x 3 $\frac{3}{8}$ "D

Weight: 1 lb. 14 oz.

Supplied Accessories: Carrying Case, Earphone ME-21, Shorting Plug, Demonstration Tape, Patch Cord RK-64H, Battery—"AA" x 4, Head Cleaning Sticks

All specifications are subject to change without notice.

SONY TC-44 CASSETTE-CORDER



A PALM-SIZE CASSETTE-CORDER WITH AN EXECUTIVE PROFILE—THE TC-44!

- Sonymatic system maintains optimum recording level • Cue & review functions • 4-way power supply
- Servo-controlled motor for low wow & flutter
- Built-in electret condenser mic • Pause switch
- One touch rec. & review • LED rec. level/bat. meter
- 3-digit tape counter • Auto shut-off mechanism
- 5-hour quick charge battery pack (optional)

SPECIFICATIONS

Frequency Response: 70-8,000Hz

S/N Ratio: 45dB

Wow and Flutter: 0.38% (WRMS)

Power Requirements: Battery—"A" x 4 (6V) AC 120V, 60Hz, 3.7W with optional Power Adaptor/Charger AC-9W • Rechargeable Battery Pack (opt.) BP-23 • DC 12V with optional Car/Boat Battery Cord DCC-127H

Dimensions: 6 $\frac{3}{4}$ "H x 2"W x 4 $\frac{1}{4}$ "D

Weight: 1 lb. 15 oz.

Supplied Accessories: Carrying Case and Easy-Carry Strap, Earphone ME-20H, Patch Cord RK-64H, Batteries—"AA" x 4

All specifications are subject to change without notice.

SONY TC-142 CASSETTE-CORDER



IF YOU WANT EXPERT RESULTS, TALK TO THE PRO—THE TC-142, FOR INSTANT REPLAYS, COMPLIMENTS OF THE SONY TAPE TEAM!

- 3-head system for instant tape monitoring
- Ferrite-and-ferrite record/playback head
- Built-in electret condenser microphone
- Sonymatic, plus manual recording adjustment
- Counter-inertial flywheel system for stable tape transport
- Automatic All-Mode shut-off mechanism for tape transport and power
- DC servo-controlled motor
- Pre-end alarm system
- Tape selector for normal and CrO₂ tapes
- Record level/battery meter
- Pause switch, continuous tone control, 3-digit tape counter

SPECIFICATIONS

Frequency Response: 70—10,000Hz with standard tape cassette • 70—12,000Hz with CrO₂ cassette

S/N Ratio: 45dB

Wow and Flutter: 0.26% (WRMS)

Power Requirements: Battery—"C" x 4 (6V) (Batteries not included) • AC 120V, 60Hz, 6W • Rechargeable Battery Pack BP-16 (optional) • DC 12V with optional Car/Boat Battery Cord DCC-127H

Dimensions: 2 $\frac{7}{8}$ "H x 9 $\frac{3}{4}$ "W x 7 $\frac{5}{8}$ "D

Weight: 5 lbs. 12 oz. (without Batteries)

Supplied Accessories: Carrying Case, AC Cord, Earphone, Head Cleaning Sticks, Demonstration Tape, Patch Cord RK-69H

All specifications are subject to change without notice.

SONY TC-110B CASSETTE-CORDER



FOR ON-THE-SPOT RECORDING, TAKE YOUR NOTES WITHOUT MISSING ANY!

- Built-in electret condenser microphone
- Sonymatic system maintains optimum recording level
- Automatic shut-off mechanism for record, play and power
- Record level/battery meter
- Line input for direct recording
- Earphone supplied for private listening (and recording monitor)
- Wide-range tone control
- 3-digit tape counter
- 4-way power supply
- Comes with external microphone
- Handsome styling, with carrying case included

SPECIFICATIONS

Frequency Response: 50—10,000Hz

S/N Ratio: 46dB

Wow and Flutter: 0.28% (WRMS)

Power Requirements: Battery—"C" x 4 (6V) (Batteries not included) • AC 120V, 60Hz, 3.5W • Rechargeable Battery Pack BP-9 (optional) • DC 12V with optional Car/Boat Battery Cord DCC-127H

Dimensions: 2½"H x 5¾"W x 9½"D

Weight: 3 lbs. 13 oz.

Supplied Accessories: Carrying Case, AC Cord, Earphone, Shorting Plug, Demonstration Tape, External Microphone F-27S, Patch Cord RK-69H, Remote Control Switch RM-15, Head Cleaning Sticks

All specifications are subject to change without notice.

SONY TC-92 CASSETTE-CORDER



GET IT ALL—AT NEWSMAKING PRESS CONFERENCES OR MEETINGS!

- Built-in electret condenser microphone
- Sonymatic system maintains optimum recording level
- Automatic all-mode shut-off mechanism for tape transport and power
- Variable level recording monitor
- Cue and Review functions
- Tone control
- Record level/battery meter
- 3-digit tape counter
- 4-way power supply
- Special telephone input jack for clear telephone recording

SPECIFICATIONS

Frequency Response: 50—10,000Hz

S/N Ratio: 45dB

Wow and Flutter: 0.28% (WRMS)

Power Requirements: Battery—"C" x 4 (6V) (Batteries not included) • AC 120V, 60Hz, 8.5W • Rechargeable Battery Pack BP-16 H (optional) • DC 12V with optional Car/Boat Battery Cord DCC-127H

Dimensions: 2½" x 6" H x 7½" W x 9½" D

Weight: 4 lbs. 14 oz.

Supplied Accessories: Carrying Case, AC Cord, Earphone, Shorting Plug, Demonstration Tape, Patch Cord RK-69H, External Microphone F-25S, Head Cleaning Sticks

All specifications are subject to change without notice.

SONY TC-207 CASSETTE-CORDER



VERSATILE IS THE WORD FOR THE TC-207 WITH ITS 2-POSITION POP-UP MIC!

- 2-position "pop-up" directional/omnidirectional electret condenser microphone
- Sonymatic system maintains optimum recording level
- Automatic shut-off mechanism for record, play and power
- 3-digit tape counter
- Continuous tone control
- LED record level/battery indicator
- Review function
- One touch recording
- 3-way power supply
- Attractive travel case with adjustable shoulder strap—fully operational with case on

SPECIFICATIONS

Frequency Response: 70—8,000Hz

S/N Ratio: 45dB

Wow and Flutter: 0.28% (WRMS)

Power Requirements: Battery—"D" x 4 (6V) (Batteries not included) • AC 120V, 60Hz, 6W • Rechargeable Battery Pack BP-8H (optional)

Dimensions: 3½"H x 6¾"W x 10¾"D

Weight: 4 lbs. 7 oz.

Supplied Accessories: Carrying Case, Demonstration Tape, Head Cleaning Sticks, AC Cord, Shorting Plug SP-100, Earphone ME-20H

All specifications are subject to change without notice.

SONY TC-205 CASSETTE-CORDER



ON THE GO OR ON A DESK, THE TC-205 IS IDEAL FOR SCHOOL OR HOME!

- Sonymatic system maintains optimum recording level
- Built-in electret condenser microphone
- One touch recording system
- Automatic shut-off mechanism for record, play and power
- LED record level/battery indicator
- Review function
- Hi-Lo tone control and slide-lever volume control
- Earphone supplied for private listening
- Provision for external microphone
- AC-battery operation
- Compact cabinet with easy-carry slide-away handle

SPECIFICATIONS

Frequency Response: 80—8,000Hz

S/N Ratio: 45dB

Wow and Flutter: 0.28% (WRMS)

Power Requirements: Battery—"C" x 4 (6V) (Batteries not included) • AC 120V, 60Hz, 6W

Dimensions: 2¾"H x 6¾"W x 10¼"D

Weight: 3 lbs. 12 oz.

Supplied Accessories: Earphone ME-20H, AC Cord

All specifications are subject to change without notice.

SONY TC-65 CASSETTE-CORDER



A NOTE-WORTHY NOTE
TAKER FOR ACTION-PACKED LIFESTYLES!

- Sonymatic system maintains optimum recording level
- Built-in electret condenser microphone
- One touch recording
- LED record level/battery indicator
- Automatic shut-off mechanism for record, play and power
- Vertical styling and large, powerful speaker
- Earphone and AC cord supplied
- Continuous tone control
- Inputs for external microphone and remote control unit
- AC-battery operation
- Attractive, lightweight unit with easy-carry handle

SPECIFICATIONS

Frequency Response: 80—8,000Hz

S/N Ratio: 40dB

Wow and Flutter: 0.3% (WRMS)

Power Requirements: Battery—"C" x 4 (6V) (Batteries not included) • AC 120V, 60Hz, 6W

Dimensions: 7"H x 10½"W x 2¾"D

Weight: 4 lbs. 7 oz.

Supplied Accessories: AC Cord, Earphone, Demonstration Tape, Patch Cord RK-64H

All specifications are subject to change without notice.

SONY TC-520CS STEREO CASSETTE-CORDER



BE WHERE THE ACTION IS... THEN TAKE IT
HOME RECORDED LIVE IN STEREO!

- Mono/stereo record & playback
- Sonymatic system maintains optimum recording level
- Variable level recording monitor system
- Automatic all-mode shut-off mechanism
- Tape selector for normal and CrO₂ tapes
- Built-in electret condenser microphone
- Cue & review functions plus pause switch
- Record level/battery meter • 3-digit tape counter
- 2 detachable speakers plus built-in speaker
- 4-way power supply • Stereo headphone jack
- Ext. stereo mic (F99S) supplied

SPECIFICATIONS

Frequency Response: 50-10,000Hz with standard cassette • 50-13,000Hz with CrO₂ cassette

S/N Ratio: 45dB

Wow and Flutter: 0.26% (WRMS)

Power Requirements: Battery—"D" x 4 (6V) (Batteries not included) • AC 120V, 60Hz, 7W • Rechargeable Battery Pack BP-8H (optional) DC 12V with optional Car/Boat Battery Cord DCC-129

Dimensions: 3½"H x 11½"W x 9¾"D

Weight: 7 lbs 8 oz.

Supplied Accessories: Carrying Case, Shoulder Strap, AC Cord, External Microphone F99-S, Patch Cords RK-50H (2), Demonstration Tape, External Speakers (2), Head Cleaning Sticks

All specifications are subject to change without notice.

SONY TPB-800 8-TRACK CARTRIDGE PLAYER



THE SOUND OF MUSIC IS YOURS WHEREVER
YOU GO... WITH THE TPB-800

- Easy loading of 8-track cartridges
- Automatic program selection
- Manual operation by simply pressing the program selector
- LED program indicator
- Continuous tone control
- 3-way power supply
- Attractive cabinet with fold-down carrying handle

SPECIFICATIONS

Frequency Response: 80—8,000Hz

Speaker: 4" diameter

Semiconductors: 5 transistors, 3 diodes 4 LED's

Power Requirements: Battery—"D" x 6 (9V) (Batteries not included) • AC 120V, 60Hz, 7W • Optional Car/Boat Battery Cord DCC-129

Weight: 5 lbs. 8 oz.

Supplied Accessories: AC cord

All specifications are subject to change without notice.

SONY CF-580

STEREO CASSETTE-CORDER, FM-AM RADIO



THE FIRST COMPLETELY PORTABLE SELF-CONTAINED STEREO CASSETTE SYSTEM WITH FM-AM PLUS PHONO INPUT!

- One piece AC/DC portable sound system
- Sony's 4-speaker Matrix Stereo Sound System
- Unique magnetic phonograph input
- Highly sensitive FM Stereo/FM-AM tuner
- Stereo cassette recording and playback
- Transformer-less input and output provides higher sound quality
- Servo-controlled motor for ultra low wow and flutter
- Two built-in electret condenser microphones
- Automatic all-mode shut-off mechanism
- 3-position tape selector (normal, FeCr and CrO₂)
- Sonymatic system maintains optimum recording level
- Record level/battery/tuning meter
- Variable level recording monitor
- AFC switch for drift-free FM reception
- 3-way power supply

SPECIFICATIONS

TUNER SECTION

Frequency Range: FM—87.5—108MHz • AM—530—1605kHz

TAPE SECTION

Frequency Response: 40—10,000Hz with standard cassette • 40—13,000 Hz with CrO₂/FeCr cassettes

S/N ratio: 45dB

Wow and Flutter: 0.19% (WRMS)

Power Requirements: Battery—"D" x 8 (12V) (Batteries not included) • AC 120V, 60Hz, 12W • DC 12V with optional Car/Boat Battery Cord DCC-9

Dimensions: 12"H x 15³/₁₆"W x 5⁵/₁₆"D

Weight: 17 lbs. 7 oz.

Supplied Accessories: AC Cord, Demonstration Tape, Head Cleaning Sticks

All specifications are subject to change without notice.

SONY CF-550A

STEREO CASSETTE-CORDER, FM-AM RADIO



TAKE IT OR LEAVE IT—THE CF-550A DELIVERS GREAT STEREO LISTENING AND RECORDING AT HOME OR ON THE ROAD!

- Stereo cassette recording and playback
- Highly sensitive FM Stereo/FM-AM tuner
- Sony's 4-speaker Matrix Stereo Sound System
- Two built-in electret condenser microphones
- Sonymatic system maintains optimum recording level
- Automatic shut-off mechanism for record and play
- Record level/battery/tuning meter
- Variable level recording monitor
- Tape selector for normal and CrO₂ tapes
- AFC switch for drift-free FM reception
- Interference suppressor switch for low noise AM recording
- Stereo headphone jack

SPECIFICATIONS

TUNER SECTION

Frequency Range: FM—87.5—108MHz • AM—1605kHz

TAPE SECTION

Frequency Response: 50—10,000Hz with standard cassette • 50—13,000Hz with CrO₂ cassette

S/N Ratio: 45dB

Wow and Flutter: 0.22% (WRMS)

Power Requirements: Battery—"D" x 4 (6V) (Batteries not included) • AC 120V, 60Hz, 8.5W • Rechargeable Battery Pack BP-8H (optional) • DC 12V with optional Car/Boat Battery Cord DCC-127H

Dimensions: 9⁵/₁₆"H x 13³/₁₆"W x 4¹¹/₁₆"D

Weight: 11 lbs. 11 oz.

Supplied Accessories: AC Cord, Demonstration Tape, Head Cleaning Sticks

All specifications are subject to change without notice.

SONY CF-570

DELUXE STEREO CASSETTE-CORDER, FM/AM RADIO



ALL AROUND GREAT STEREO SOUND TO TAKE ALL AROUND—WITH A UNIQUE 2-WAY SPEAKER SYSTEM!

- Advanced FM/AM and amplifier circuitry
- Two-way speaker system with two 6" woofers and two 2" tweeters for smooth, extended frequency response
- Soft touch spring loaded eject function
- Front loading vertical cassette compartment
- All-mode shut-off mechanism & pause switch
- Sonymatic system maintains optimum recording level, eliminating need for manual volume adjustment
- Two sound level meters for perfect recording
- Two built-in electret condenser mics
- Tape selector for normal and CrO₂ tapes
- Line input & output for connection to ext. hi fi system
- Servo-controlled motor for ultra low wow & flutter
- Slide rule dial scale, sep. tuning meter
- LED stereo indicator & stereo headphone output
- Flywheel assisted tuning knob for accurate tuning
- Separate bass and treble tone controls
- Volume and Stereo Balance controls
- 3-way power supply

SPECIFICATIONS

TUNER SECTION

Frequency range: FM—87.5MHz—108MHz • AM—530kHz—1605kHz

Antenna system: FM—Telescopic Antenna • AM—Built-in ferrite bar antenna

CASSETTE-CORDER SECTION

Frequency response: 60—10,000Hz with standard cassette • 60—13,000Hz with CrO₂ cassette

S/N ratio: 45dB

Wow and Flutter: 0.19% (WRMS)

Inputs: External microphone (2), line (2)

Outputs: line (2), stereo headphones

GENERAL SPECIFICATIONS

Power Output: 2W max.

Speakers: 2" diameter (2) • 6" diameter (2)

Semiconductors: 2 FET, 3 IC, 28 transistors, 19 diodes

Power requirements: "D" x 8 (batteries not included) • AC 120V, 60Hz, 12W

Dimensions: 11¾"H x 18¾"W x 5½"D

Weight: 15 lbs. 7 oz.

Supplied accessories: AC cord, demonstration tape, head cleaning sticks

All specifications are subject to change without notice.

SONY CF-440

CASSETTE-CORDER, FM-AM-PSB RADIO



LIVE ACTION 24-HOURS A DAY WITH PSB REPORTS—PLUS FM/AM AND CASSETTE TO GO!

- FM-AM-PSB tuning section for music, news and Public Service Band information
- Powerful output and large speaker
- Dial light button, AFC and PSB squelch control
- Built-in electret condenser microphone
- Sonymatic system maintains optimum recording level
- Automatic all-mode shut-off mechanism for record, play and power, with timer function for bedtime radio listening
- 3-way meter for tuning, battery level and recording indication
- Variable level recording monitor system
- Cue and Review functions
- 3-digit tape counter
- 4-way power supply

SPECIFICATIONS

TUNER SECTION

Frequency Range: FM—87.5—108MHz • AM—530—1605kHz • PSB—147—174Hz

TAPE SECTION

Frequency Response: 50—10,000Hz

S/N Ratio: 42dB

Wow and Flutter: 0.28% (WRMS)

Power Requirements: Battery—"D" x 4 (6V) (Batteries not included) • AC 120V, 60Hz, 10W • Rechargeable Battery Pack BP-8H (optional) • DC 12V with optional Car/Boat Battery Cord DCC-129

Dimensions: 9¾"H x 12¾"W x 4½"D

Weight: 8 lbs. 13 oz.

Supplied Accessories: AC Cord, Earphone ME-20H, Shorting plug SP-100, Demonstration Tape, Head Cleaning Sticks

All specifications are subject to change without notice.

All specifications are subject to change without notice.

SONY CF-370

DELUXE CASSETTE-CORDER, FM/AM RADIO



EASY LISTENER... THE PORTABLE WITH THE RICH HI FI SOUND OF CASSETTE AND FM/AM RADIO!

- High performance FM/AM reception
- Top quality tape recorder mechanism
- Automatic shut off and pause
- 3-digit tape counter
- Cue and review function for easy indexing and fast location of recorded material
- One touch recording system
- LED record level/battery meter
- Variable level recording monitor system
- Sonymatic recording system
- Exceptional power output and large 4¾" dynamic speaker for rich hi fi sound
- Built-in electret condenser microphone
- Continuous tone control
- 2-way power supply

SPECIFICATIONS

TUNER SECTION

Frequency range: FM—87.5 MHz—108MHz • AM—530kHz—1605kHz

Antenna system: FM—Telescopic antenna • AM—Built-in ferrite bar antenna

CASSETTE-CORDER SECTION

Frequency response: 80—8000Hz

S/N ratio: 40dB

Wow and Flutter: 0.3% (WRMS)

Inputs: External microphone

Outputs: Earphone

GENERAL SPECIFICATIONS

Power Output: 2.0W max

Speaker: 4¾" diameter

Semiconductors: 1 FET 23 transistors, 11 diodes

Power requirements: Battery—"D" x 4 (Batteries not included) • AC 120V 60Hz 10W

Dimensions: 8¾"H x 13¼"W x 4"D

Weight: 6 lbs. 10 oz.

Supplied accessories: AC cord

All specifications are subject to change without notice

SONY CF-303

CASSETTE-CORDER, FM-AM RADIO



RECORD LIKE A PRO...STAY IN TUNE WITH THE LATEST IN FM AND AM!

- Highly sensitive and selective FM-AM tuner
- Built-in electret condenser microphone
- Automatic shut-off mechanism for record and play
- Record level/battery indicator
- Variable level recording monitor
- Sonymatic system maintains optimum recording level
- AFC switch for drift-free FM reception
- 3-digit tape counter
- AC-battery operation
- Tone control
- Handsome styling with easy-carry handle

SPECIFICATIONS

TUNER SECTION

Frequency Range: FM—87.5—108MHz • AM—530—1605kHz

TAPE SECTION

Frequency Response: 80—9,000Hz

S/N Ratio: 40dB

Wow and Flutter: 0.3% (WRMS)

Power Requirements: Battery—"D" x 4 (6V) (Batteries not included) • AC 120V, 60Hz, 10W

Dimensions: 8¾"H x 11¾"W x 3¾"D • **Weight:** 6 lbs. 10 oz.

Supplied Accessories: AC Cord

All specifications are subject to change without notice.

SONY CF-302

CASSETTE-CORDER, FM-AM RADIO



AN UNBEATABLE COMBINATION: FM/AM RADIO WITH SONY MATIC CASSETTE RECORDING!

- Sonymatic system maintains optimum recording level
- Automatic shut-off for record and play
- One touch recording
- AFC switch for drift-free FM reception
- Built-in electret condenser microphone
- LED record level/battery indicator
- Continuous tone control
- 3-position speaker recording monitor
- High power output
- AC-battery operation
- Attractive modern styling with large smoked glass dial

SPECIFICATIONS

TUNER SECTION

Frequency Range: FM—87.5—108MHz • AM—530—1605kHz

TAPE SECTION

Frequency Response: 80—8,000Hz

S/N Ratio: 40dB

Wow and Flutter: 0.3% (WRMS)

Power Requirements: Battery—"D" x 4 (Batteries not included) • AC 120V, 60Hz, 8W

Dimensions: 7¾"H x 11¾"W x 3¾"D

Weight: 6 lbs. 10 oz.

Supplied Accessories: AC Cord

All specifications are subject to change without notice.

ACCESSORIES

PC-1H—Converts standard phone jack to mini plug.

PC-2H—Converts mini plug to standard phone jack.

PC-9H—Converts stereo headphone plug into mono mini plug used in small tape recorders that do not take stereo phone plug

RK-36H—Mini phone plug to alligator clips. For machines without output capabilities.

RK-50H—Mini phone plug to phono plug. Connects stereo amp or receiver to mono tape recorder.

RK-64H—Mini phone plug to mini phone plug. Patch cord with attenuator for recording from external sources to Sony recorders without high level signal input.

RK-69H—Mini phone plug to mini phone plug. For recording from external source to aux. or mic input.

RK-74H—Phono plugs to phono plugs. RCA type for stereo connection. Most commonly used patch cord.

RK-81H—Phono plugs to stereo standard phone plug—one end RCA type phono plugs (2) to stereo phone plug.

RK-99H—Mini phone plug to phono jack.

RK-105H—Mini phone plug to phono plugs. Connects stereo amp or receiver to mono tape recorder.

AC-9W—AC adaptor.

AC-31—AC adaptor for M-101 only.

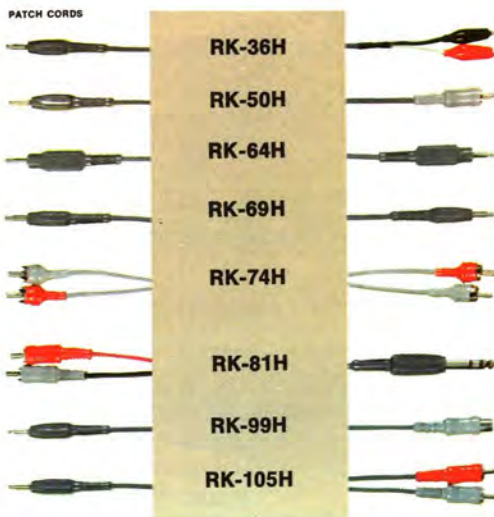
RM-15—Remote control unit with stop/go switch.

DCC-127H—Car/boat battery cord for 4.5V, 6V & 7.5V operation.

TP-5S—Telephone pickup

DCC-129—Car/boat battery cord for 4.5V, 6V and 10.5V operation for recorders with higher power capabilities.

DCC-9—Car/boat battery cord for 12V operation



ECM-200—Budget priced electret condenser microphone, fits any Sony tape recorder.

ECM-250D—Deluxe cardioid type electret condenser mic for TC-142.

F-27S—Cardioid dynamic microphone with built-in remote control stop/go switch.

F-99B—Dynamic 1 pt. stereo microphone. Two mics in one with two separate plugs

ECM-99—1 pt. electret condenser microphone. Two mics in one for stereo recording. Two separate plugs.

ECM-16—Electret condenser lapel microphone works on any Sony tape recorder. Use concealed or on lapel or tie clip.

DR-7—Stereo headphones

DR-9—Stereo headphone with tone and volume controls on ear pieces.

MX-600M—Microphone mixer. Allows user to record with three different mics at different recording levels. Mixer has separate controls for each mic and mixes the sound for uniform tape.

BP-16H—Rechargeable battery pack for 4 "C" size

BP-8H—Rechargeable battery pack for 4 "D" size

BP-9H—Rechargeable battery pack for 4 "C" size (for TC-110B only).

BP-23—Quick rechargeable battery pack for 4 "AA" size. Faster charging time—takes a full charge in approximately 5 hours. (For TC-56 & TC-44 only.)

BP-28—Quick rechargeable battery pack for 4 "AA" size. (for TC-150 only).

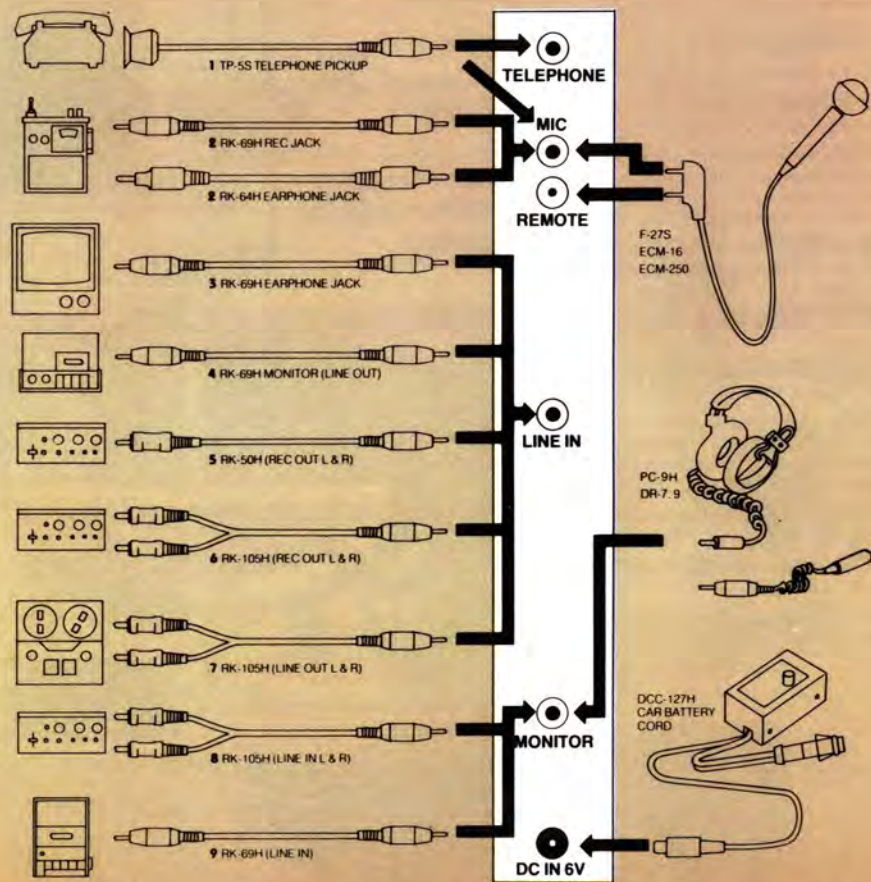
BP-31—Quick rechargeable battery pack for M-101 only.

AK-3—AC adaptor plus BP-23 quick rechargeable battery pack 4 "AA" size.



PATCH CORDS TO EXPAND THE FUNCTIONS OF YOUR TAPE RECORDER

- 1 Recording from telephone.
- 2 Recording from recording jack of radio or TV.
- 3 Recording from earphone jack of TV.
- 4 Copying from monitor or line out jack of mono tape recorder.
- 5 Recording from REC OUT of amplifier with mode selector.
- 5 Recording from REC OUT of amplifier without mode selector.
- 7 Recording from stereo deck.
- 8 Copy to deck through amplifier.
- 9 Copy to mono tape recorder.



GLOSSARY

Automatic All-Mode Shut-Off Mechanism—Turns off all mechanical operation and power in either fast-forward or rewind in addition to play and record.

Automatic Shut-Off Mechanism—Turns off tape transport and/or power in play and record.

Auxiliary Input—This input allows for direct recording from any line output of a tape recorder, phonograph or radio.

Bias—A constant high frequency current applied to the recording head to minimize distortion of the sound.

Capstan—A motor driven spindle that drives the tape at the required speeds over the tape heads. The tape is usually gripped between the capstan and a soft pinch roller to minimize slippage.

Cardioid Microphone—A microphone having a heart-shaped "polar pattern." Commonly called an unidirectional microphone.

Condenser Microphone—A microphone utilizing a capacitor (condenser), a fixed and movable electrode in which sound pressure vibrates the movable electrode to effect variation in the capacitance. Is considered as the best microphone around.

CrO₂ Tape—This tape utilizes chromium dioxide instead of the more conventional iron oxide particles. CrO₂ tape has low noise characteristics and better high frequency response.

Counter-Inertial Flywheel System—In this drive system there are two flywheels which rotate in opposite directions to provide stable tape speed when the tape recorder is in motion.

Electret Condenser Microphone—In this microphone the movable diaphragm or fixed electrode is permanently charged with high static electricity. The material which holds this charge is called "electret." This eliminates the need of an external polarizing power supply used in conventional condenser microphones.

Equalization Selector—This Switch adjusts the recording circuits to equalize the signal going into the record head to match the characteristics of CrO₂, Fe Cr or regular tape.

FeCr Tape—Ferrichrome tape combines the best qualities of both Fe₂O₃ tape (gamma ferric oxide) and CrO₂ tape (chromium dioxide), allowing for greater performance in both the lower and middle ranges, with excellent high frequency response and very low noise characteristics. This recently developed type of tape is made by superimposing a coating of chromium dioxide over a coating of ferric oxide.

Ferrite-and-Ferrite Head—An extremely durable head utilizing ferrite in the pole-piece & the head face. Ferrite heads last longer & have a wide frequency response than permalloy heads.

Four Track Recording—The ability to record four discrete or distinct channels of material on a magnetic tape.

Four-Way Operation—Multiple power operation using AC current, batteries, rechargeable batteries & car or boat battery.

Frequency Response—The measurement or range of frequencies over which an audio signal can pass with minimal change in the signal's characteristics and intensity.

IPS—Inches per second is the speed at which tape travels.

LED Indicator—A light emitting diode is used to indicate that the tape recorder is in the record mode, by flickering as the signal is being recorded. It stops flickering and stays lit when the battery voltage drops to certain level.

Line Input—A terminal, jack or receptacle provided for the introduction of high level audio signals.

Line Input Monitor—A circuit designed to permit listening or monitoring of the input's incoming signals.

Line Output—A jack or receptacle from which high level audio signals can be transferred to an external amplifier etc.

Matrix Stereo Sound System—Sony's unique matrix stereo sound system consists of matrixed stereo signals which are projected through four separate speakers. The matrixing of FM stereo signals creates a well separated stereo effect, while the four front-mounted speakers disperse sound. The result is a natural stereo sound.

Pause Switch—This switch enables the user to stop the tape movement while recording or in playback.

Permalloy—This material is commonly used in magnetic tape heads. It is relatively soft and is subject to wear.

Pre-End Alarm—This alarm gives both an audible and visual indication that there are a few minutes of recording time left.

PSB (Public Service Band)—This band covers the range from 150 to 175MHz. Police, fire and ambulance calls, as well as harbor activities, highway patrol and other types of community broadcasts operate on this band.

Record Level/Battery Meter—This metering system monitors input levels for recording and indicates battery strength.

Servo-Controlled Motor—An electronically controlled motor which maintains constant speed. Though expensive, this motor has better speed stability than mechanically regulated motors.

Signal-to-Noise Ratio—The ratio between the desired signal and unwanted noise. The value is expressed in decibels, the greater the number the better.

Sleep Function—This feature, found in cassette recorders with a built-in FM/AM radio, enables the user to use the cassette's playing time as a shut-off timer when listening to the radio.

Sonomatic Recording—This control system automatically adjusts the recording level for optimum volume.

Tape Monitor—In a three-head tape system the third head is used for monitoring. This head enables the user to listen to what has been recorded for better quality control.

Tape Transport—The platform or assembly of a tape recorder which contains the tape drive mechanism and tape heads.

Tuning Meter—This meter indicates the signal strength of the station being received.

Variable Level Recording Monitor—Found in cassette recorders with built-in FM/AM radio for monitoring sound through the speaker at any level while recording from the radio.

Wow and Flutter—"Wow" is a relatively slow variation in the pitch of a signal due to variations in tape speed. "Flutter" is rapid-repeating fluctuations in tape speed that can cause bubbling or quivering.

SONY®
CORPORATION OF AMERICA

EXECUTIVE OFFICE:

9 West 57th Street, New York, New York 10019 (212) 371-5800

OFFICES:

New England Region: 36 Washington Street, Wellesley Hills, Massachusetts 02181 —(617) 237-6868

Eastern Region: 47-47 Van Dam Street, L. I. C., New York 11101 —(212) 361-8600

Mid Atlantic Region: 1050 Kings Hwy. North, Suite 200, Cherry Hill, New Jersey 08034
(215) WA 5-8654 or (609) 677-9464

Southeastern Region: 2300 Peachford Road, Two Exchange Place, Suite 2131, Atlanta, Georgia
30341 (404) 451-7501

Florida Region: 4230 NW 128th Street, Opa Locka, Florida 33054 —(305) 685-6488

East Central Region: 4650 West 160th Street, Cleveland, Ohio 44135 —(216) 433-7722

North Central Region: 10610 Galaxie Avenue, Ferndale, Michigan 48220 —(313) 548-9325

Midwestern Region: 6801 West Jarvis Street, Niles, Illinois 60648 —(312) 792-3600

Southwestern Region: 9004 Ambassador Row, Dallas, Texas 75247 —(214) 631-3431

Western Region: 700 West Artesia Boulevard, Compton, California 90220 —(213) 537-4300

Northwestern Region: 230 West Hill Place, Brisbane, California 94005 —(415) 467-4900

Hawaii: 1020 Auahi Street, P. O. Box 5306, Honolulu, Hawaii 96814 —(808) 537-9756

Sony Puerto Rico Inc.: P. O. Box Y, La Ceramica Annex, Carolina, Puerto Rico 00630 —
(809) 768-2340

For the name of your nearest authorized SONY service facility, contact:

TOLL FREE NUMBER: 800-253-6065

For all Connecticut directories, toll-free telephone number is:

1-800-882-6500.