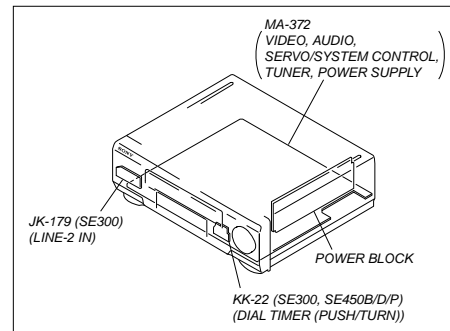
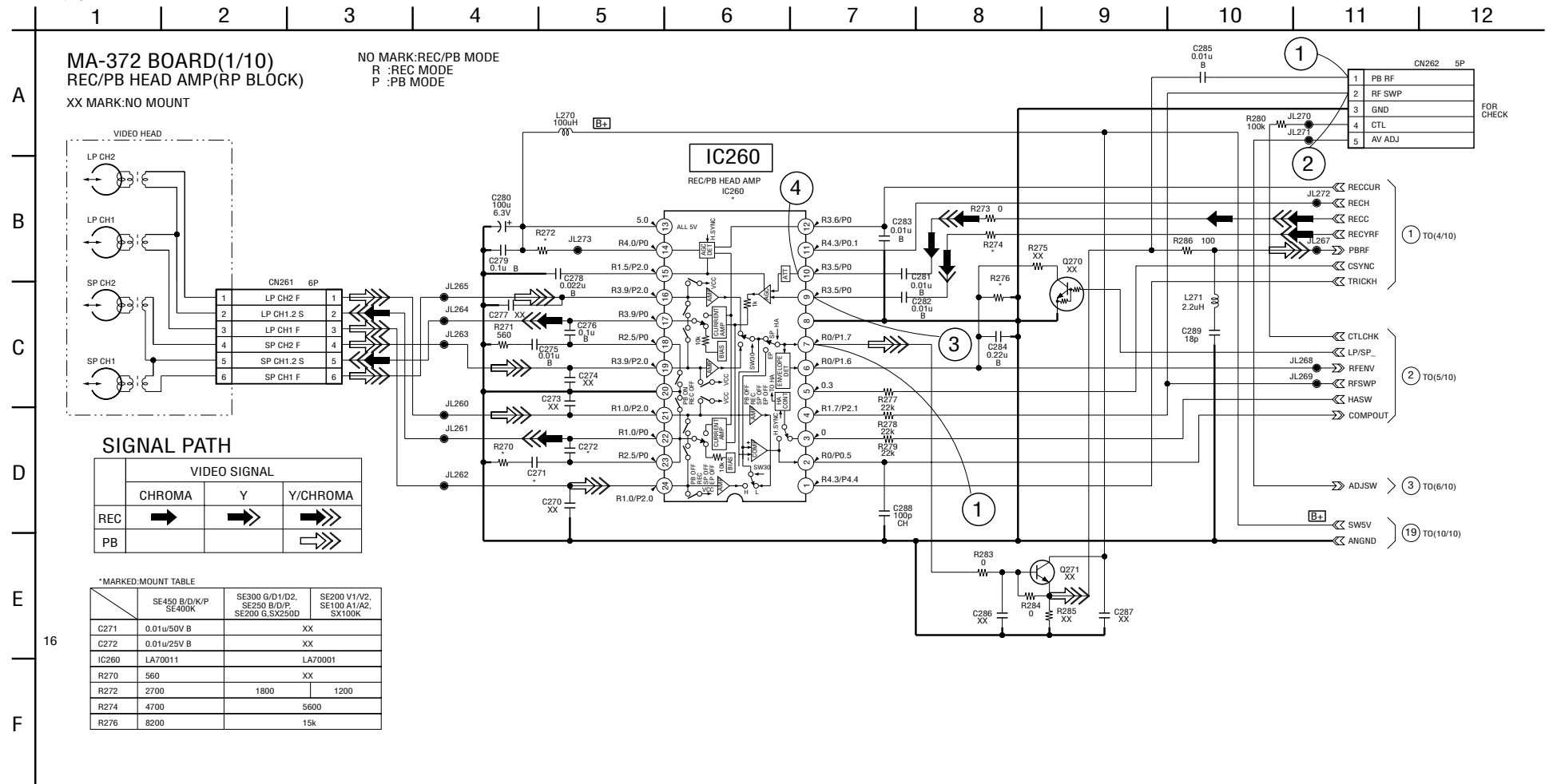


For schematic diagram  
 • Refer to page 4-2 for waveforms.



For schematic diagram  
 • Refer to page 4-5 for printed wiring board.

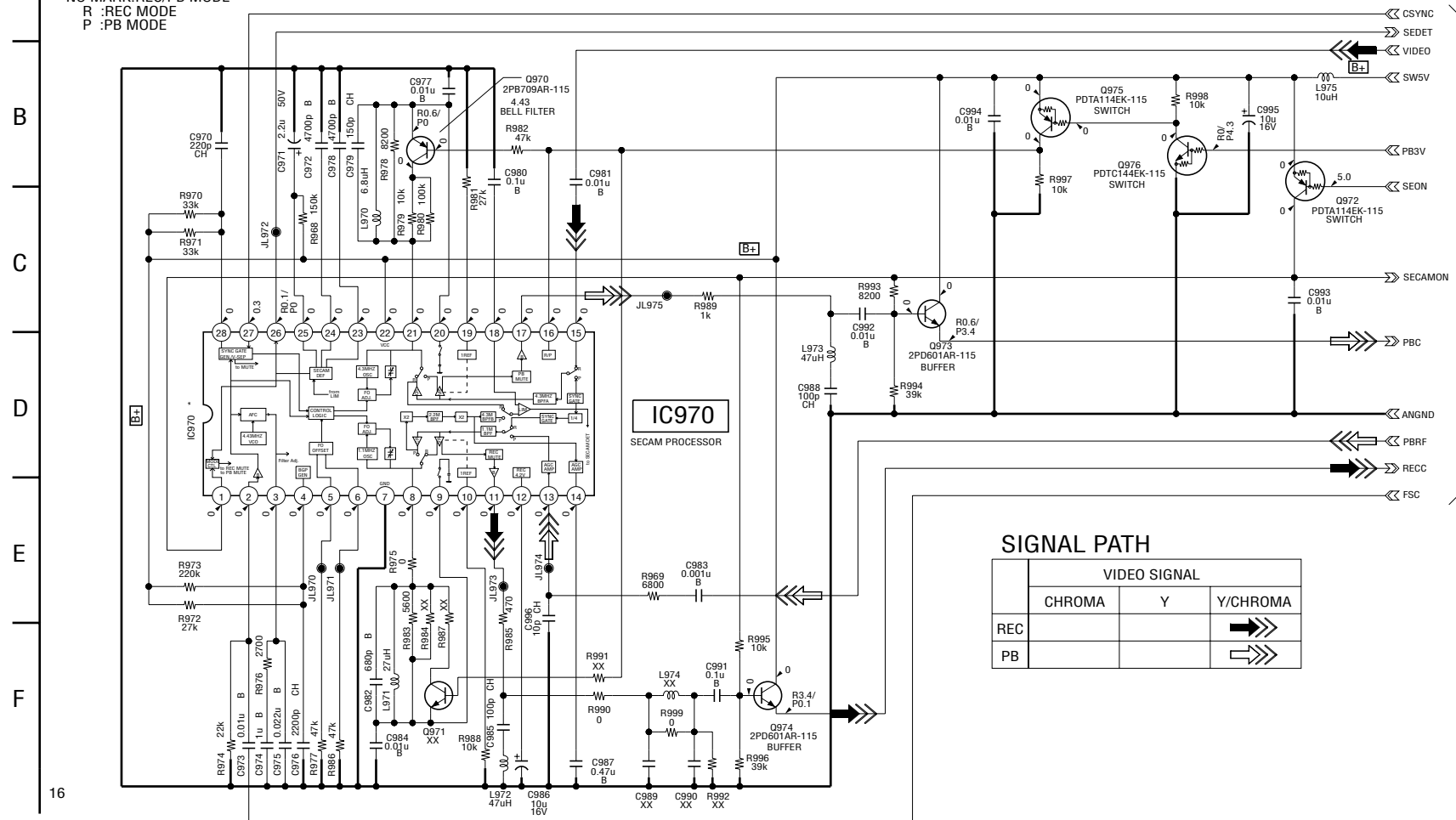


MA-372 BOARD(2/10) (SE450B,SE250B ONLY)

SECAM PROCESSOR(SE BLOCK)

XX MARK:NO MOUNT  
 NO MARK:REC/PB MODE  
 B :REC MODE  
 P :PB MODE

www.rtv-horvat-dj.hr



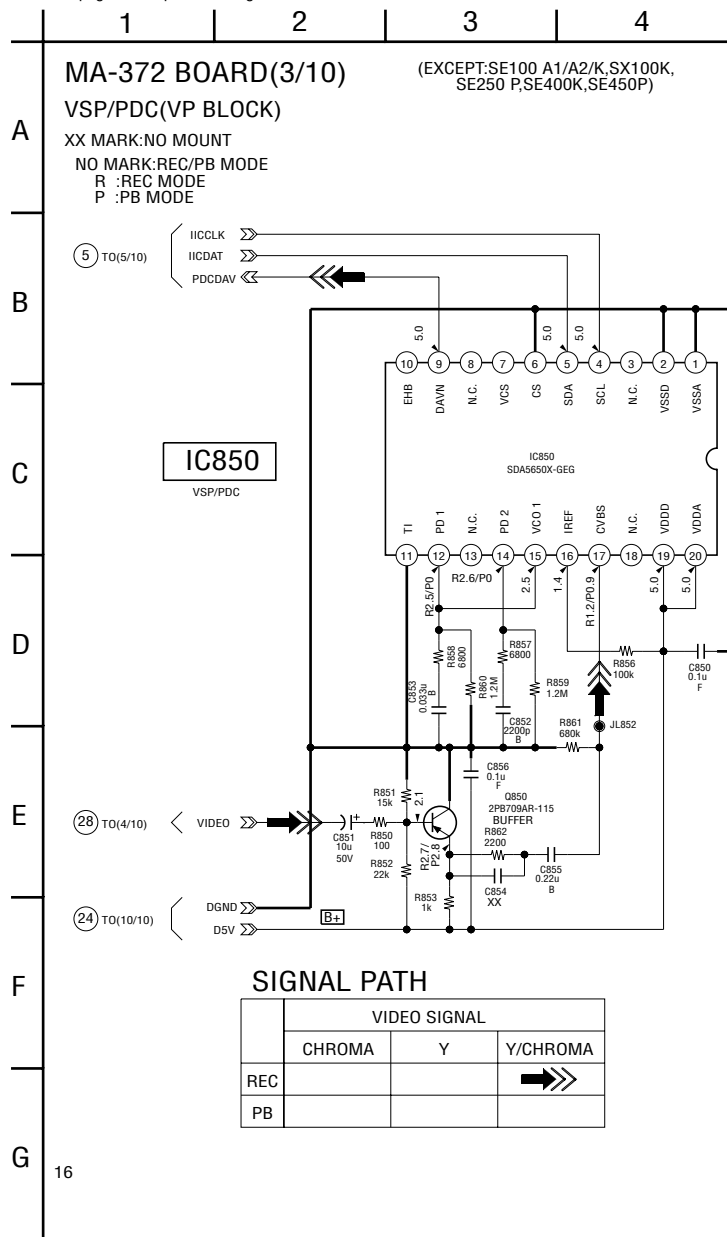
④ TO(4/10)

**SIGNAL PATH**

	VIDEO SIGNAL		
	CHROMA	Y	Y/CHROMA
REC			➡➡➡
PB			➡➡➡

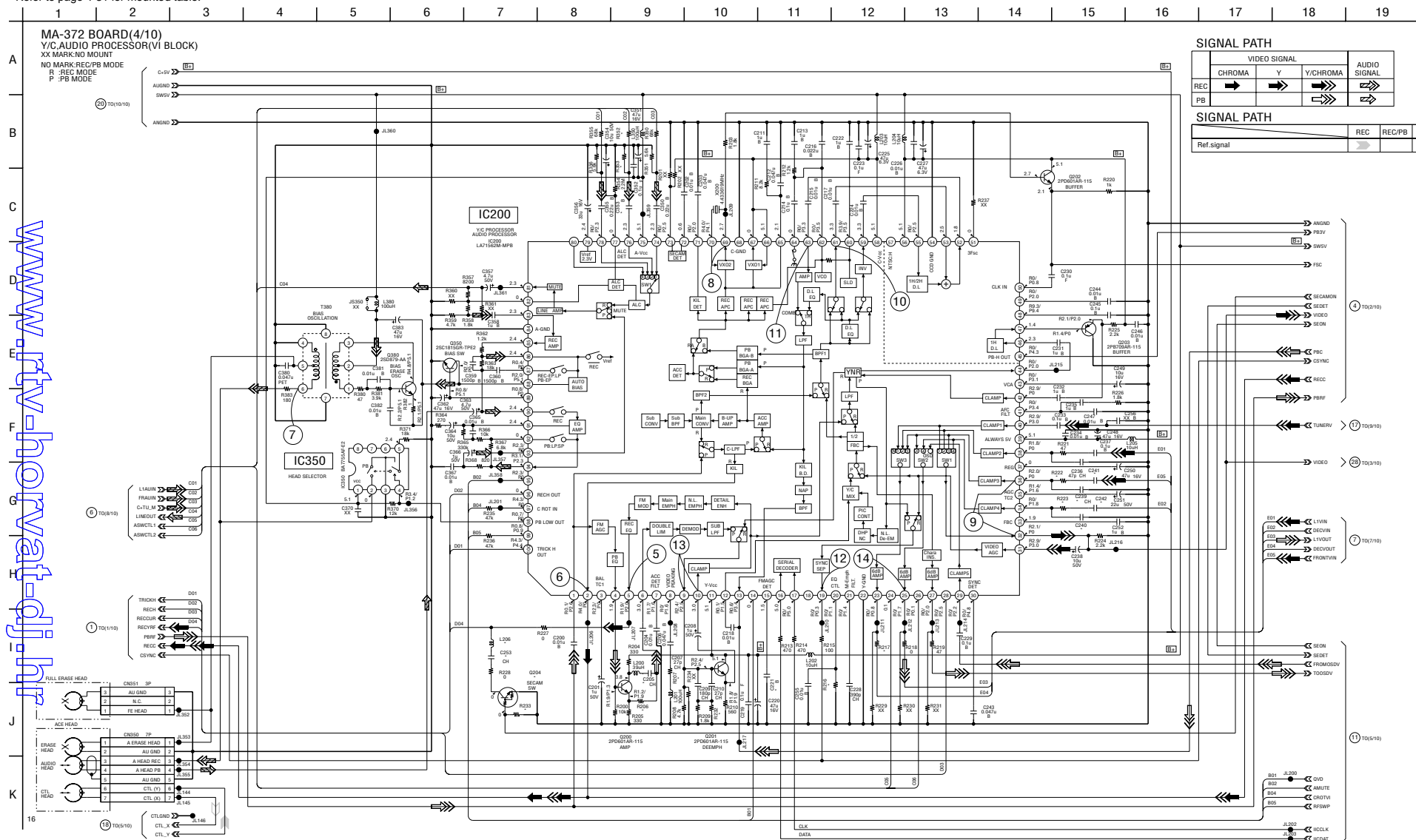
For schematic diagram

• Refer to page 4-5 for printed wiring board.

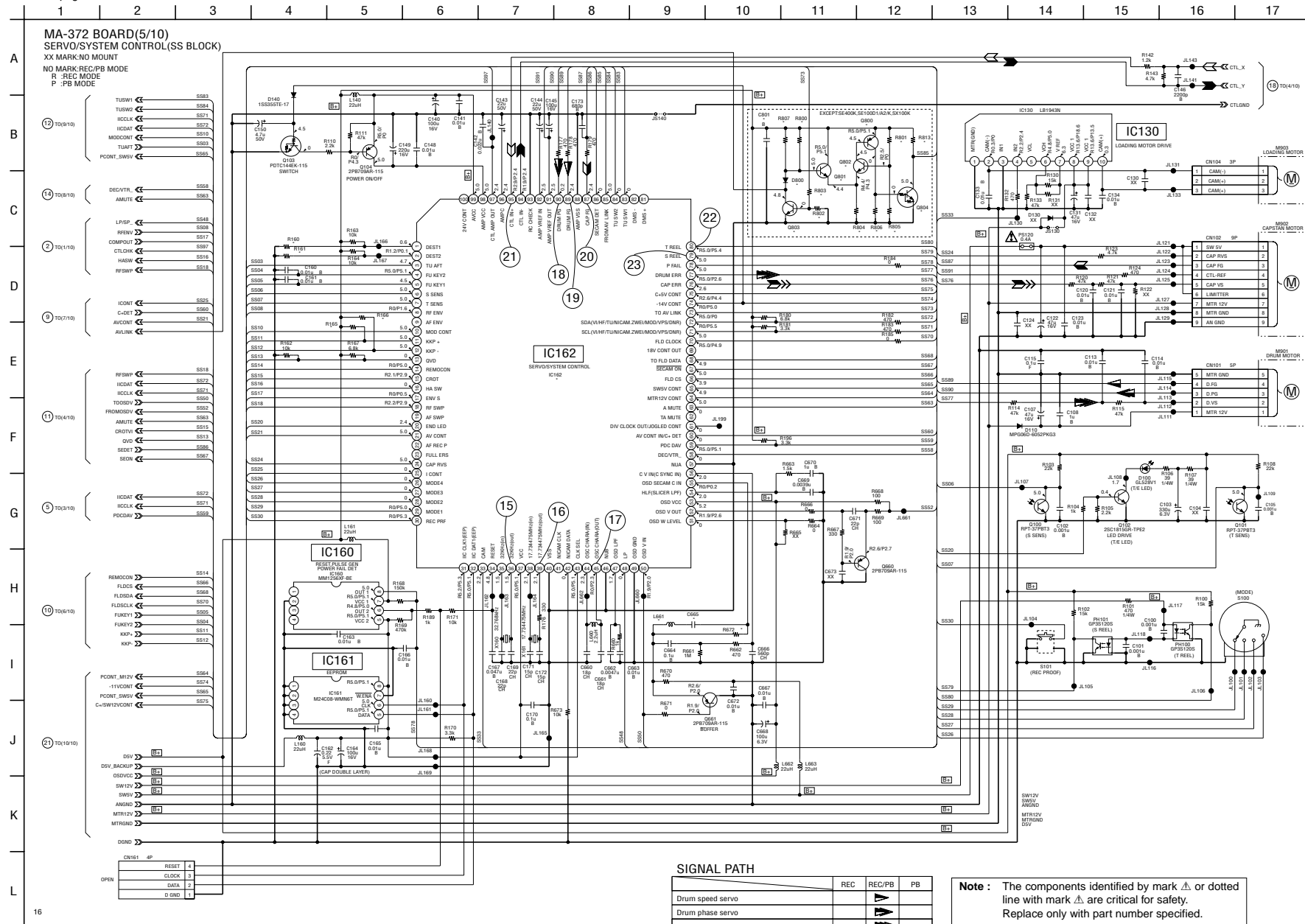


For schematic diagram

- Refer to page 4-5 for printed wiring board.
- Refer to page 4-2 for waveforms.
- Refer to page 4-31 for mounted table.

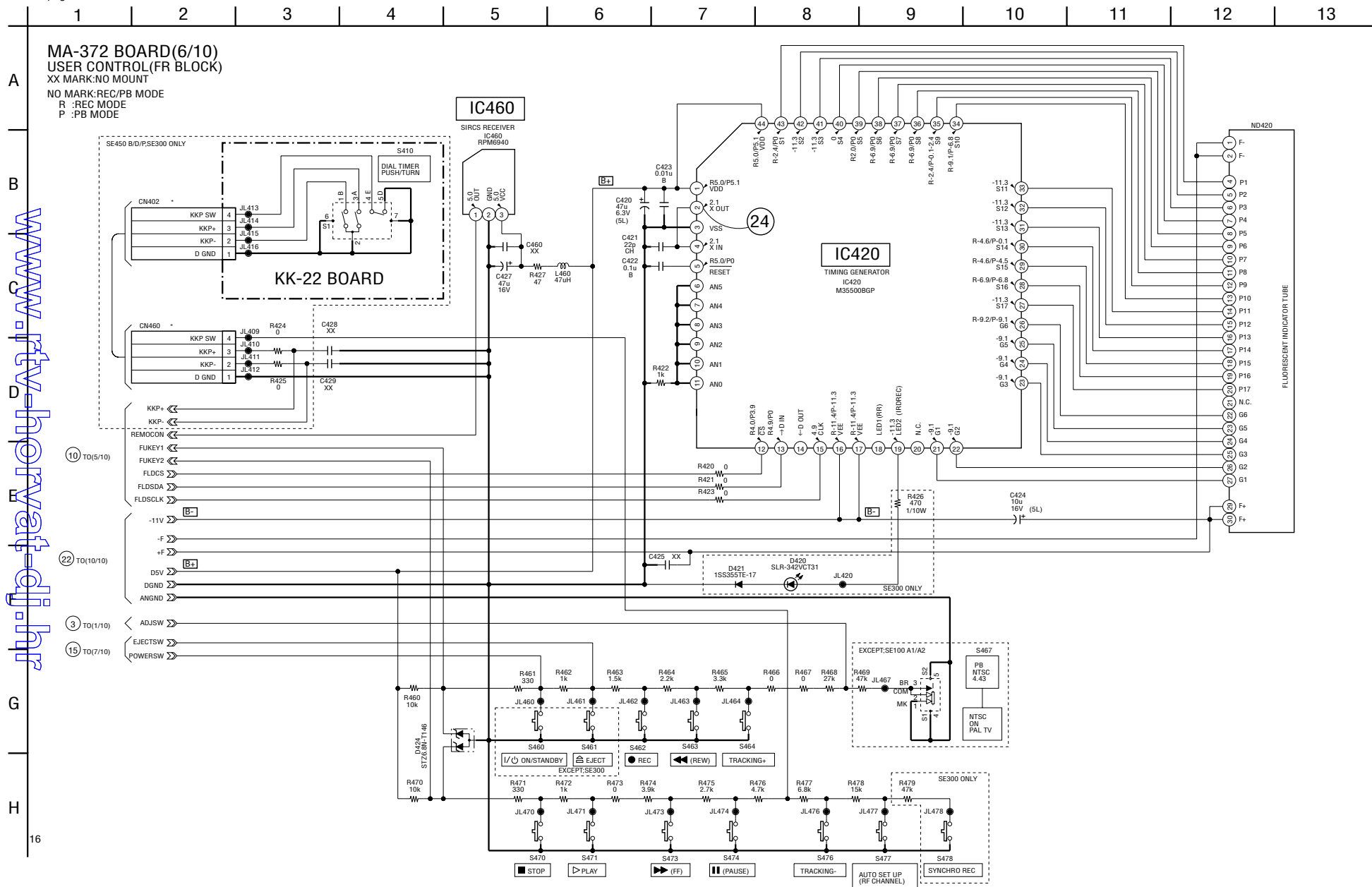


- For schematic diagram**
- Refer to page 4-5 for printed wiring board.
  - Refer to page 4-2 for waveforms.
  - Refer to page 4-31 for mounted table.



For schematic diagram

- Refer to page 4-5 for MA-372 board printed wiring board.
- Refer to page 4-27 for KK-22 board printed wiring board.
- Refer to page 4-2 for waveform.

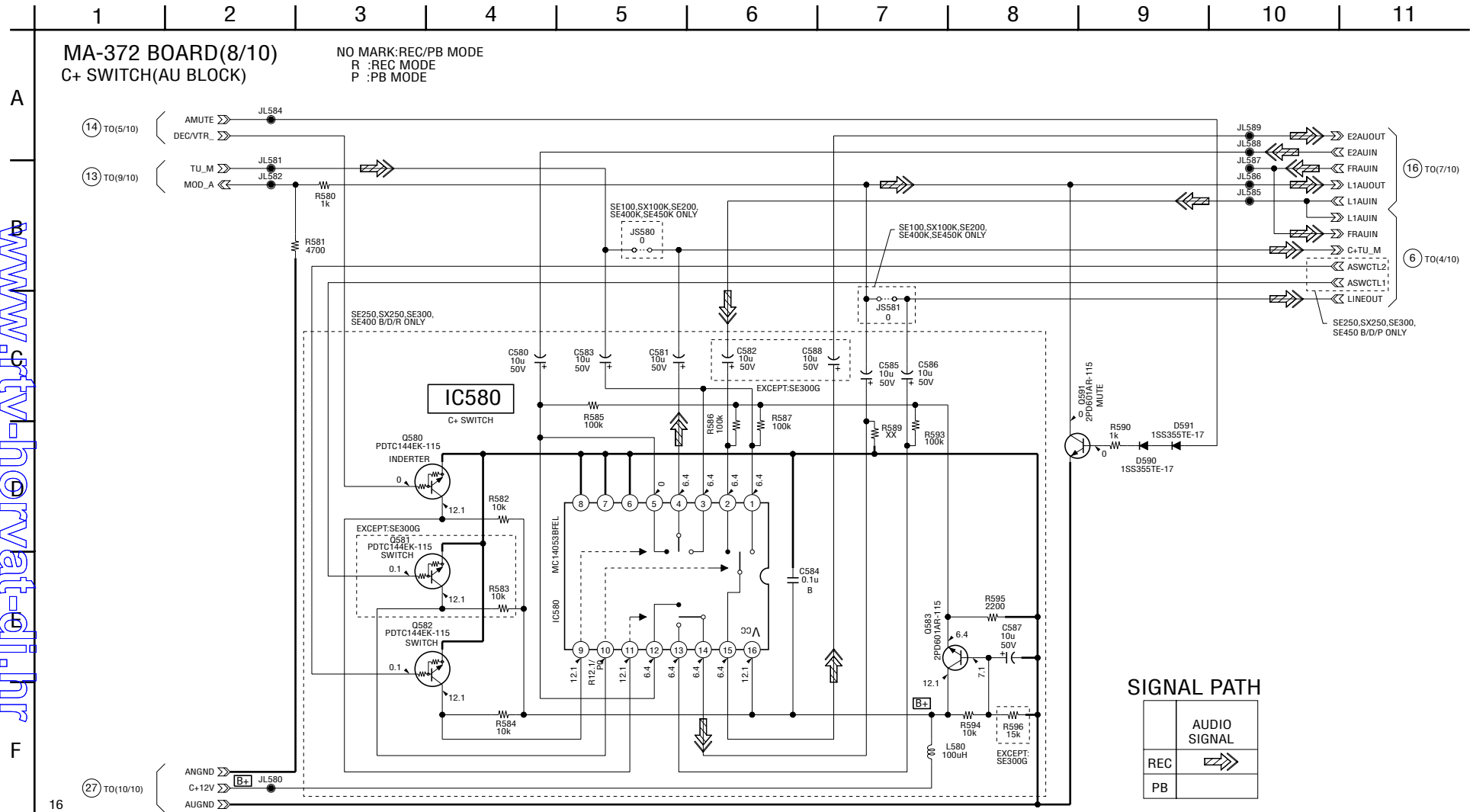


www.rtv-horvat-dj.hr



For schematic diagram

• Refer to page 4-5 for printed wiring board.

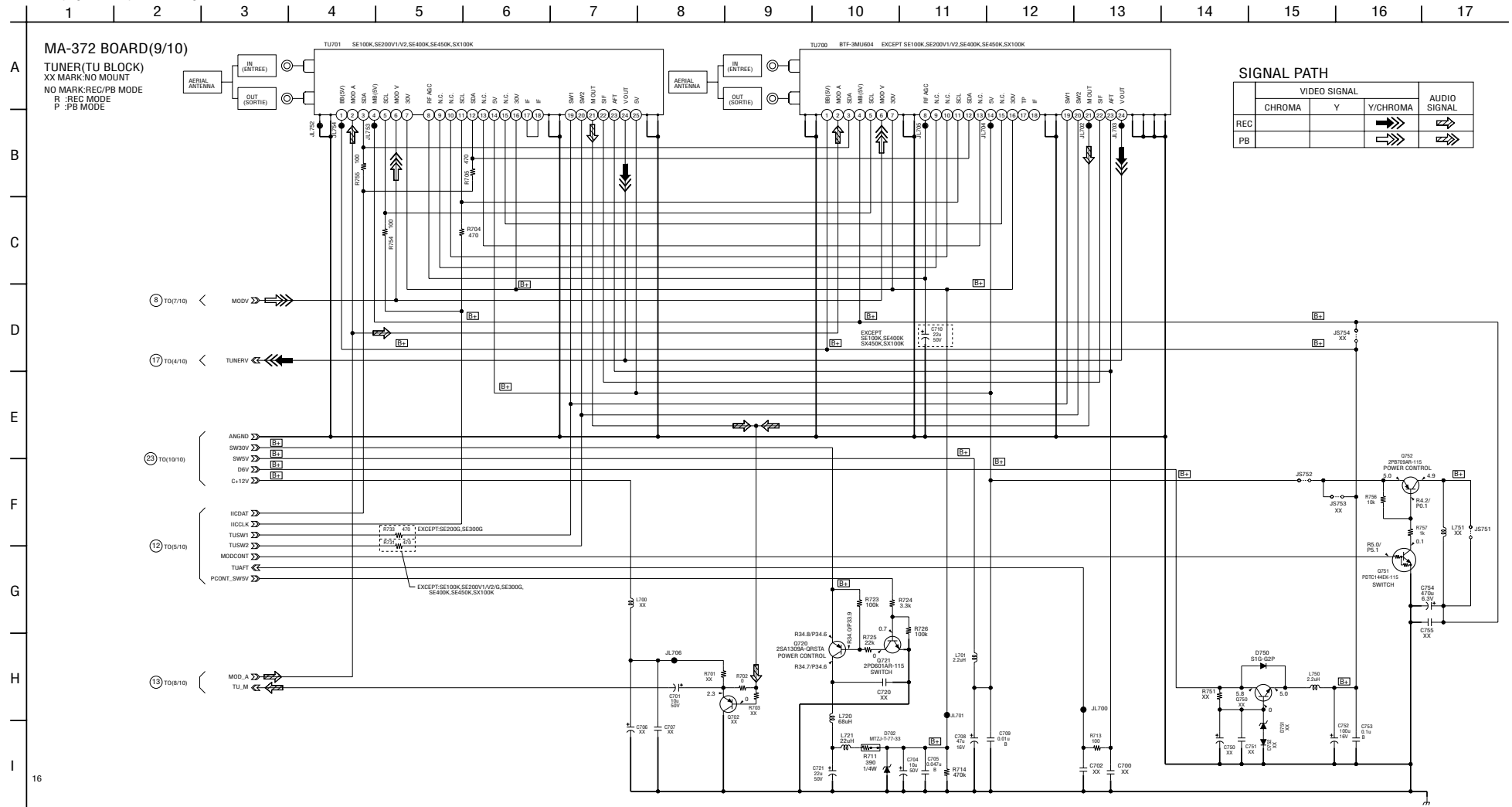


www.rftv-horvat-dj.hr



For schematic diagram

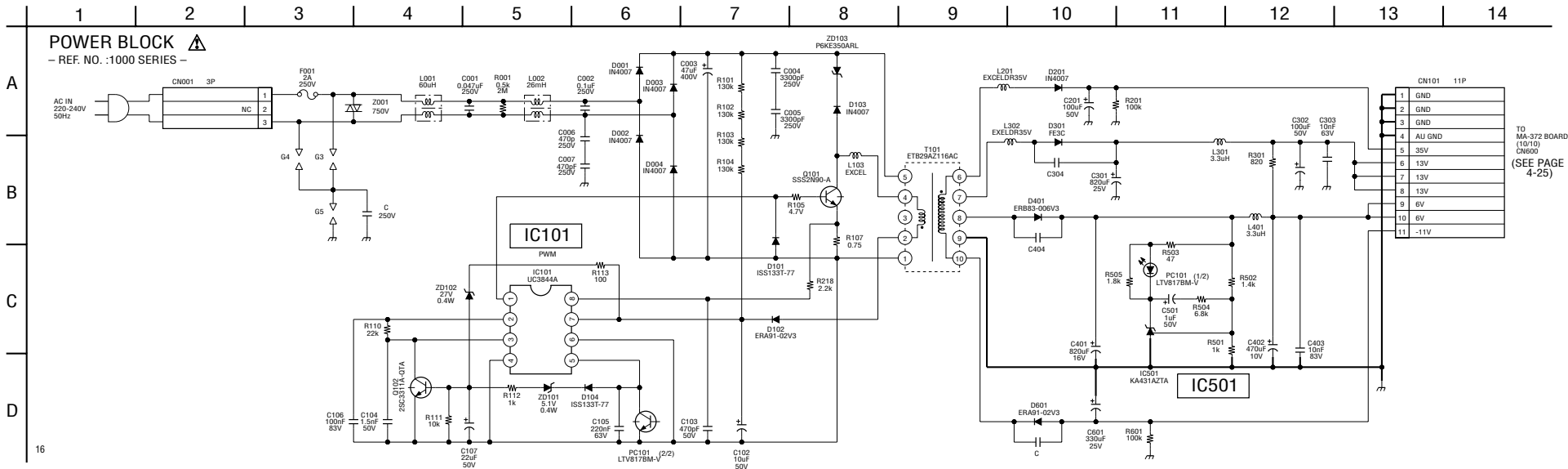
• Refer to page 4-5 for printed wiring board.



www.rtv-horvat-dj.hr



www.rtv-horvat-dj.hr



**Note :** The components identified by mark  $\Delta$  or dotted line with mark  $\Delta$  are critical for safety. Replace only with part number specified.

Pin	Label
1	GND
2	GND
3	GND
4	AU GND
5	35V
6	13V
7	13V
8	13V
9	6V
10	6V
11	-11V

TO MA-372 BOARD (10/10) CN600 (SEE PAGE 4-25)