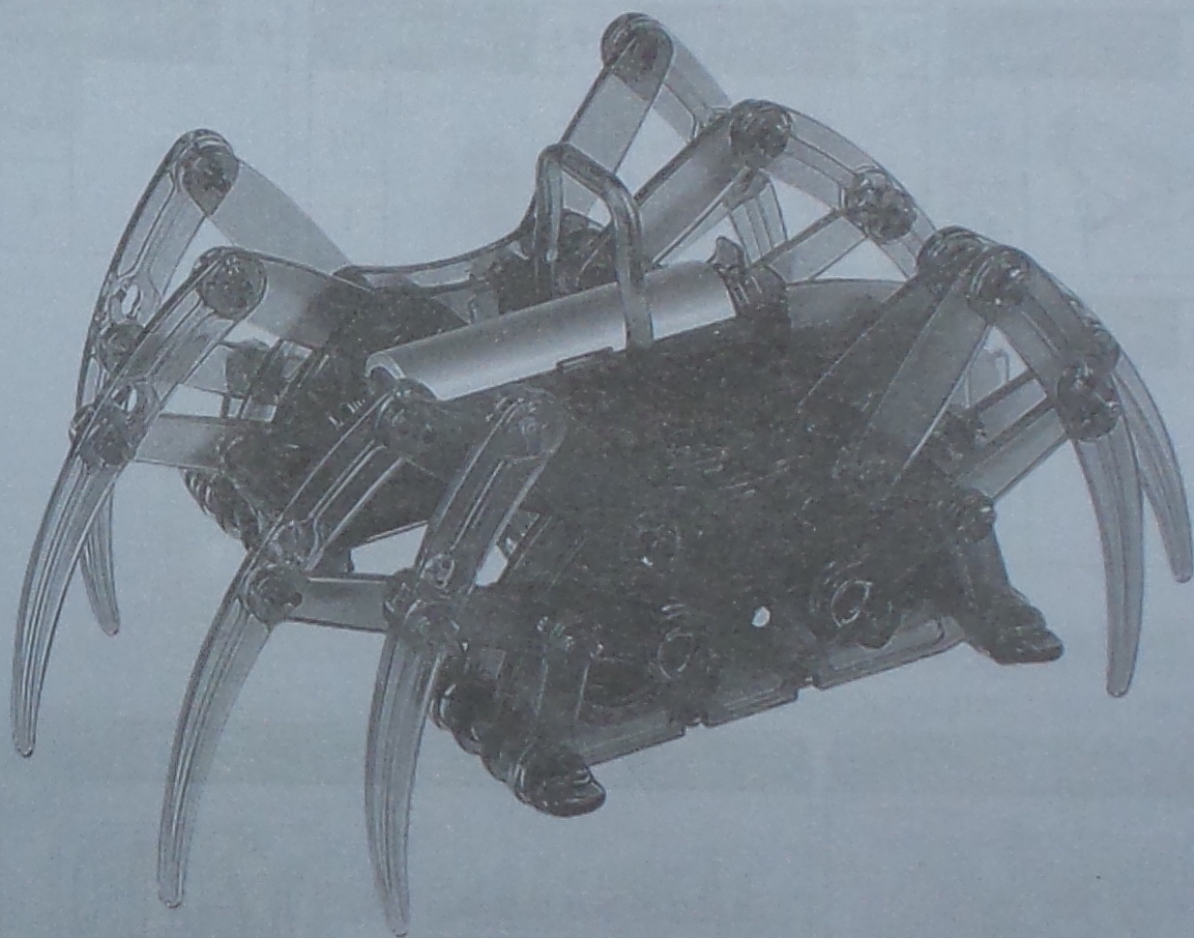


**DO IT
YOURSELF
TECH KIT**

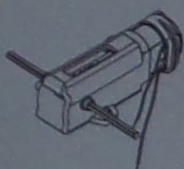


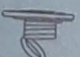
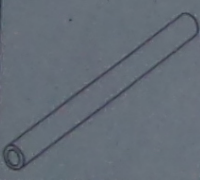
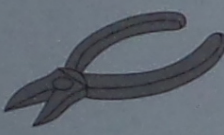



SPIDERBOT

DO IT YOURSELF TECH KIT

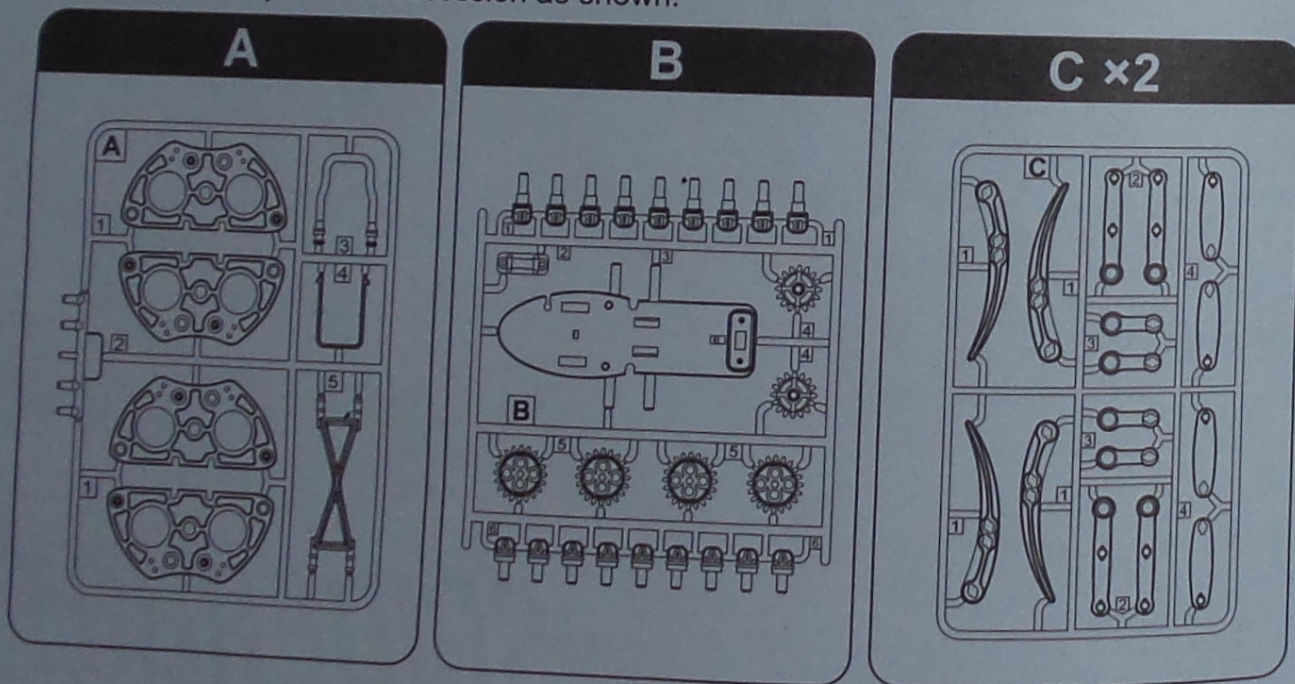
SPIDERBOT

Mechanical Parts List & Tool You May Need:

P1 Gear box  Qty 1	P2 Switch  Qty 1	P3 - Terminal  Qty 1	P4 + Terminal  Qty 1
P5 Rubber tube  Qty 1	Diagonal Cutter 	Scissors 	

Plastic Parts:

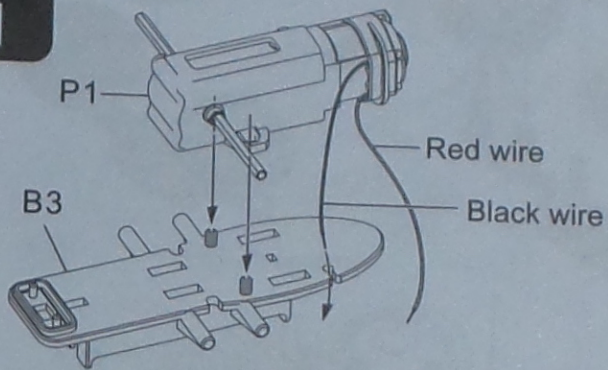
Cut up the plastic parts in succession as shown.



Mechanical Assembly:

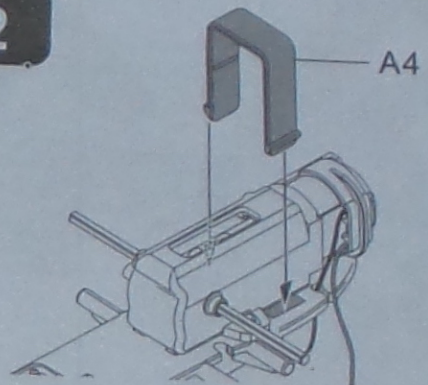
STEP

1



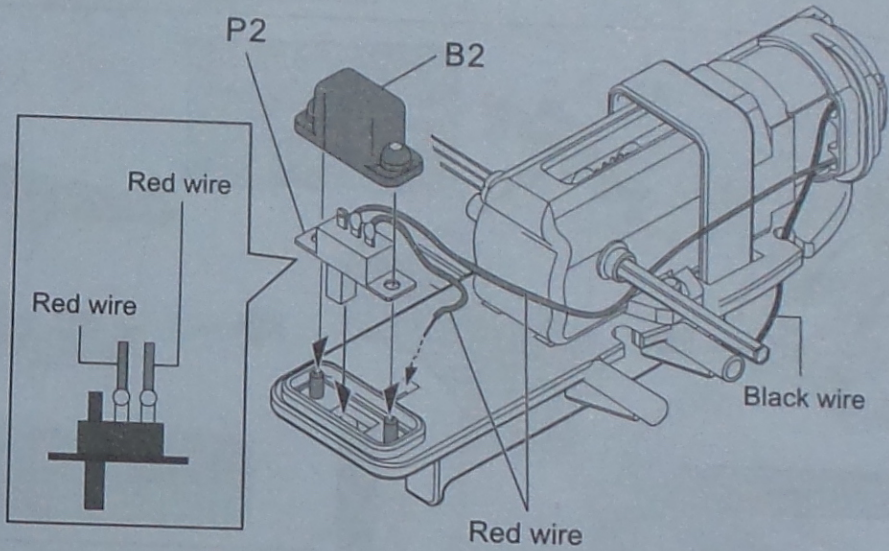
STEP

2



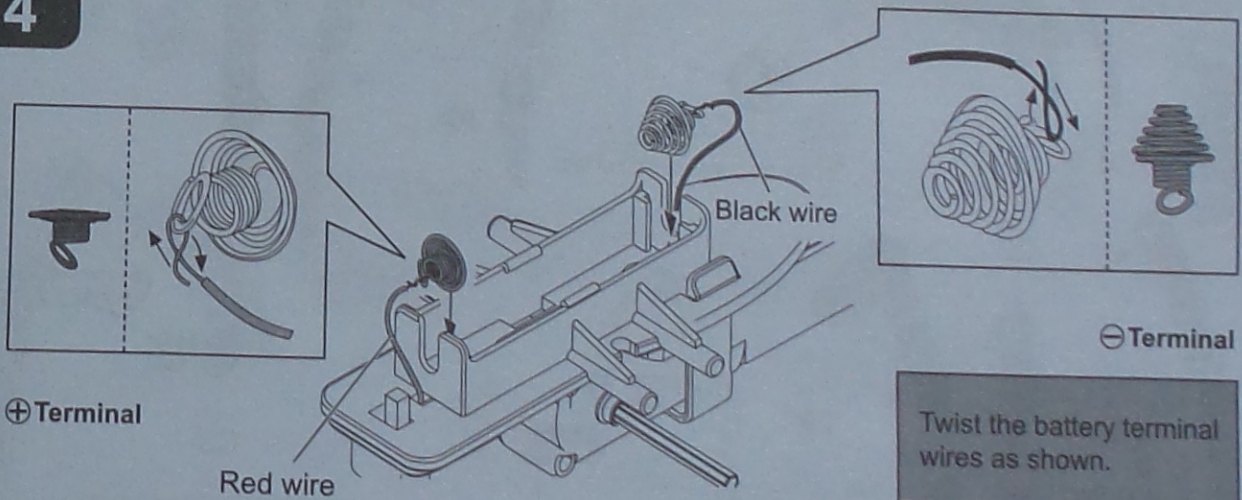
STEP

3

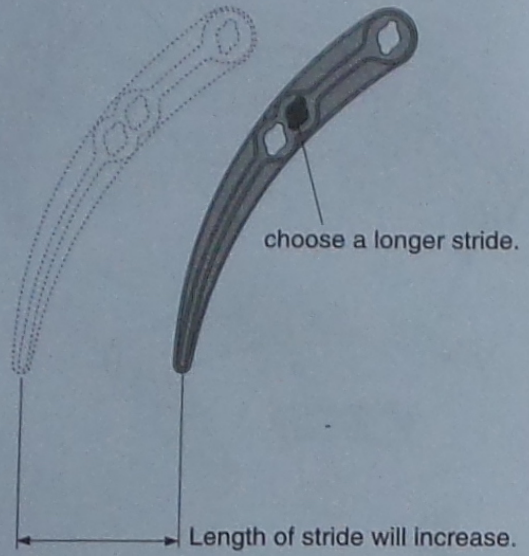
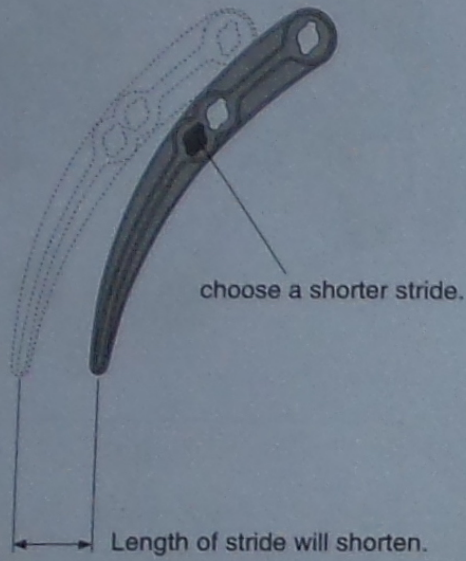


STEP

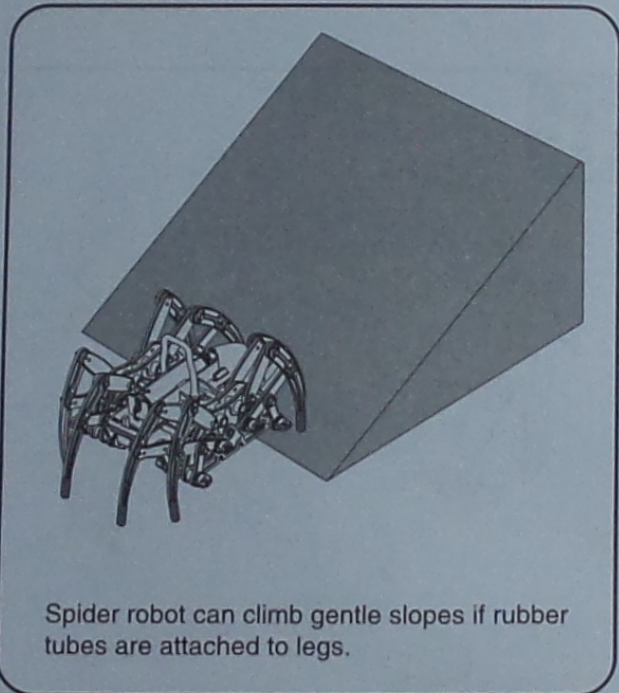
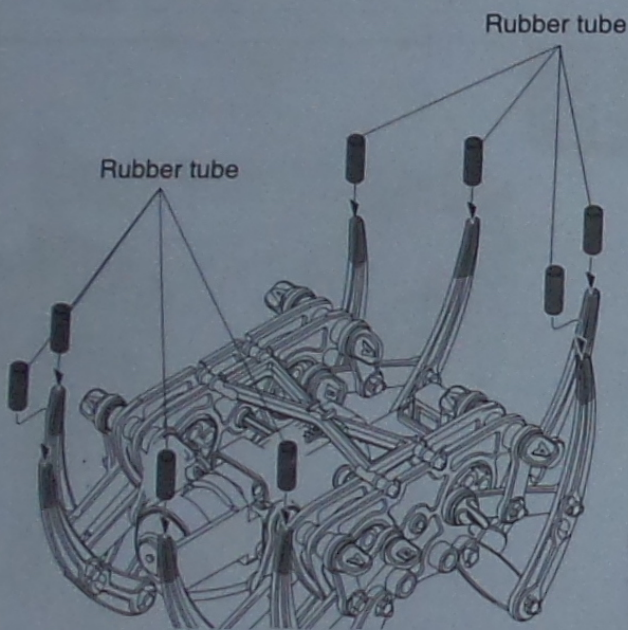
4



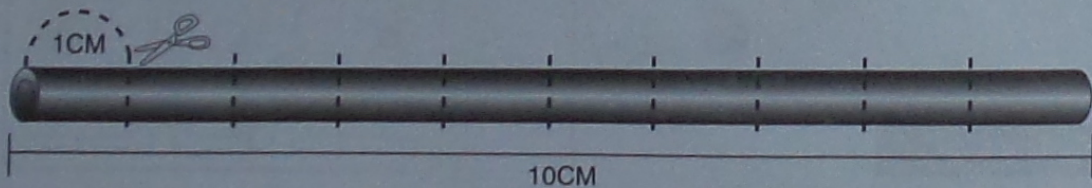
Change the stride length for the spider robot as shown



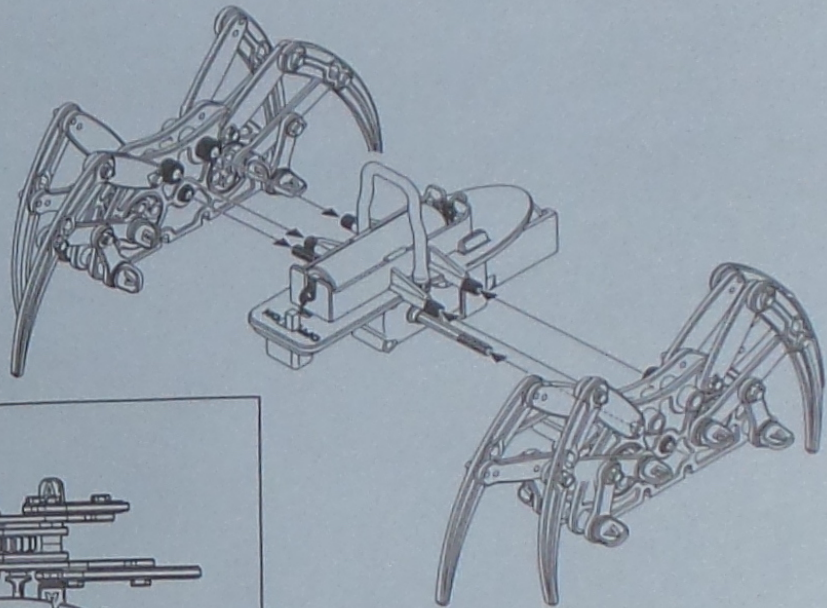
Insert the rubber tube



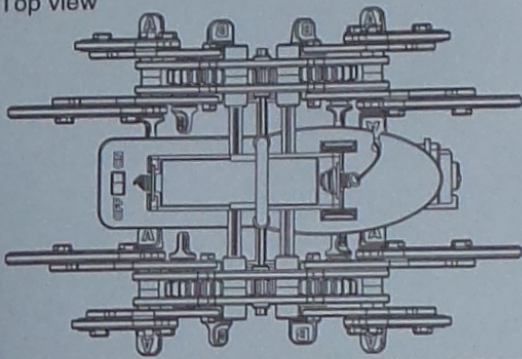
Cut the rubber tube in 8 equal lengths (as shown) and attach to legs.



STEP
13



Top view

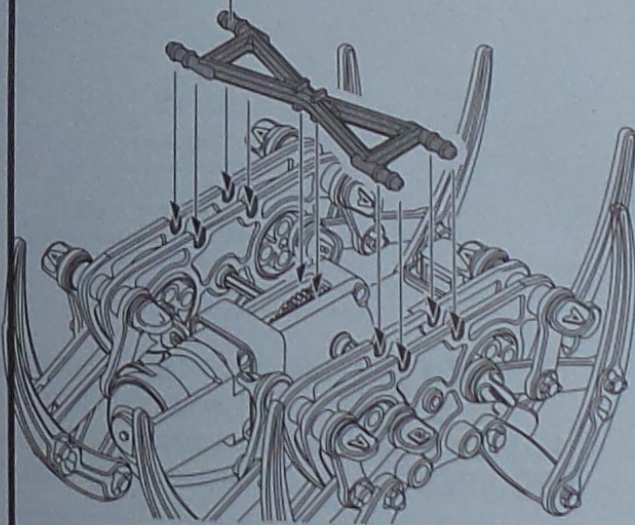


left and right leg assembly should be identical

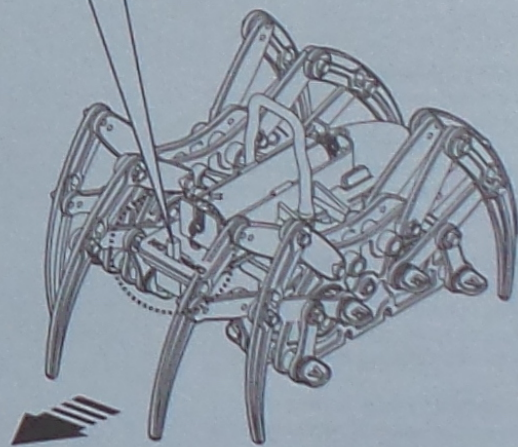
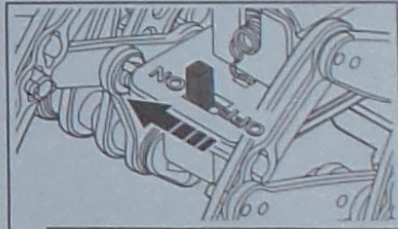
STEP
14

A5

Bottom view

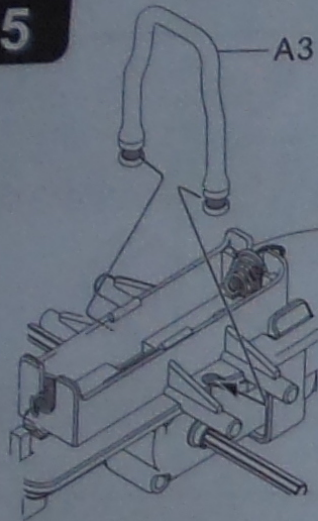


How to operate

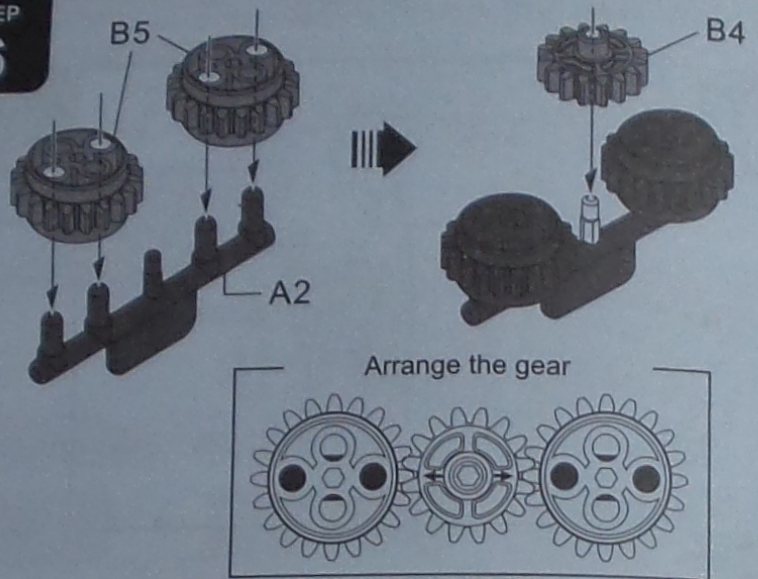


Move the switch to the ON position as shown to operate the spider's legs.

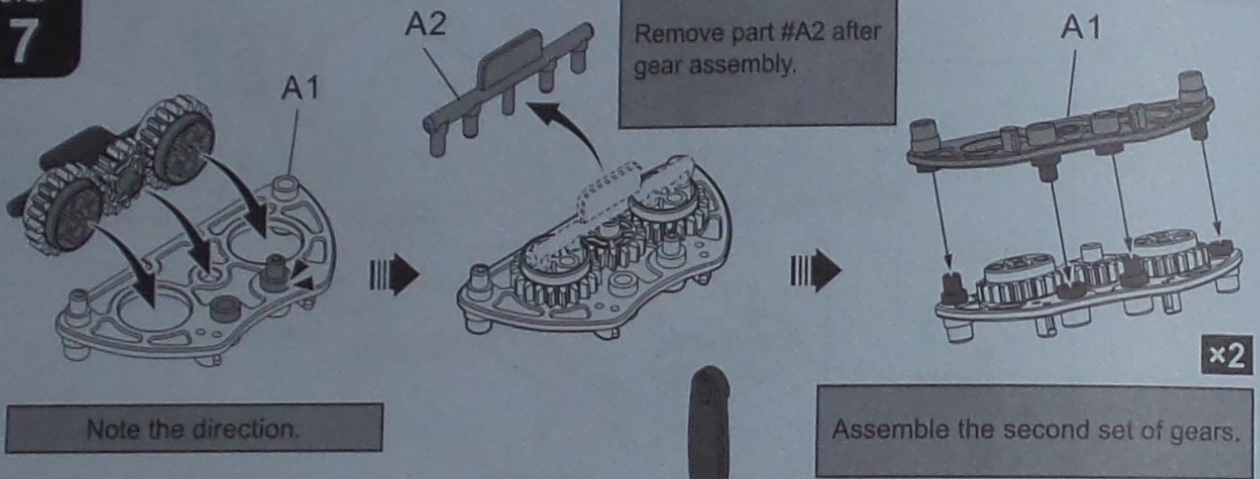
STEP
5



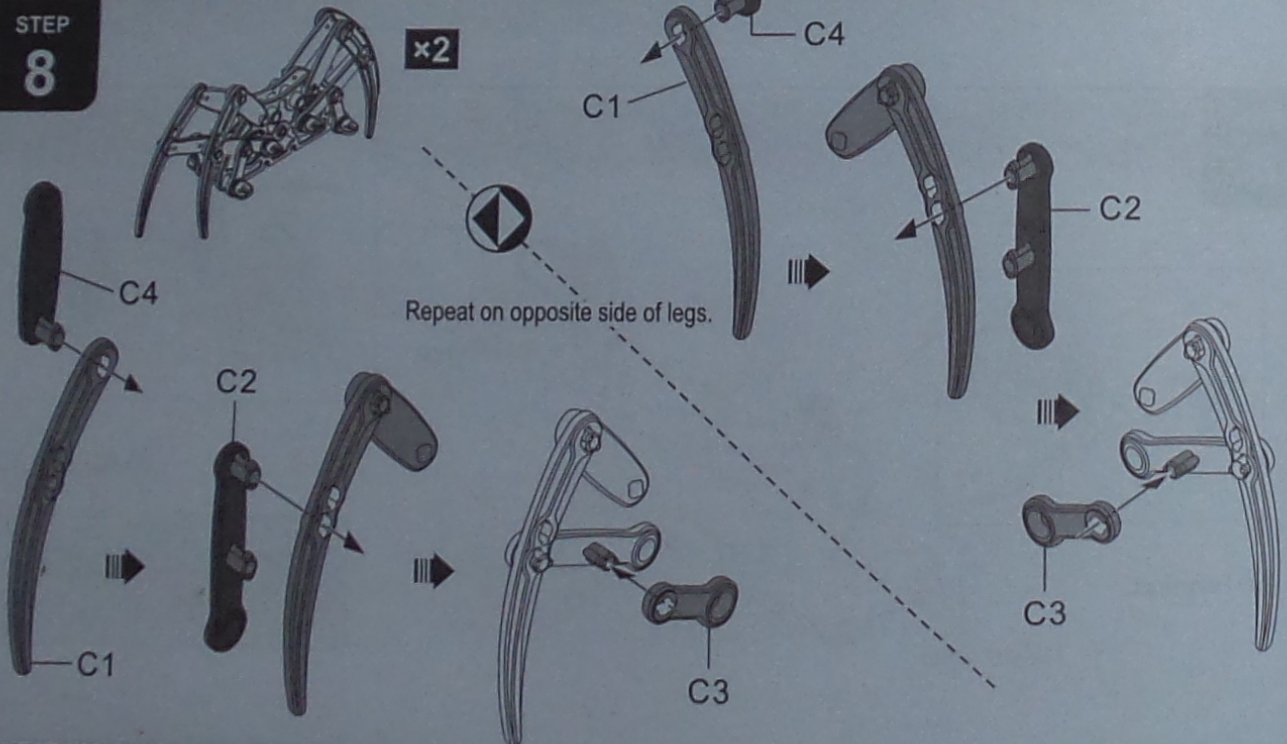
STEP
6



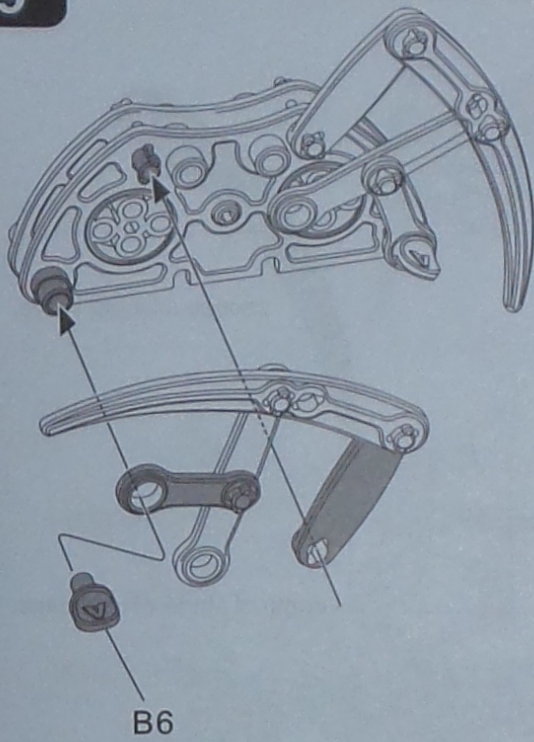
STEP
7



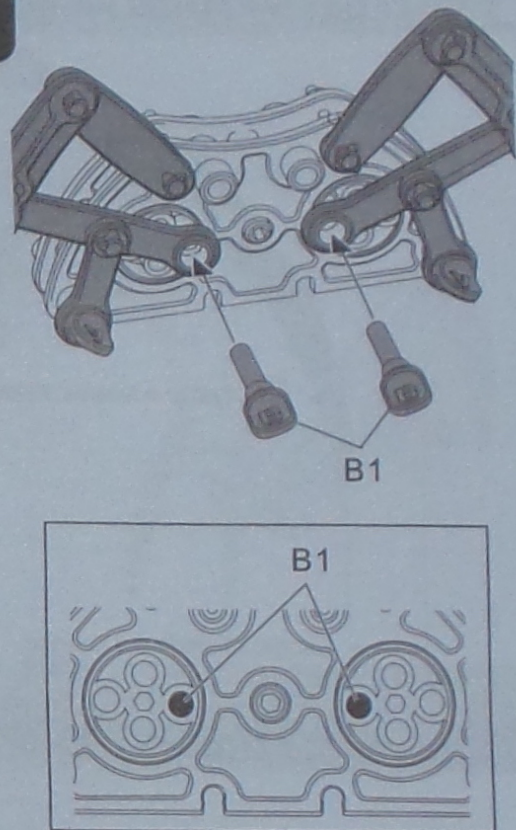
STEP
8



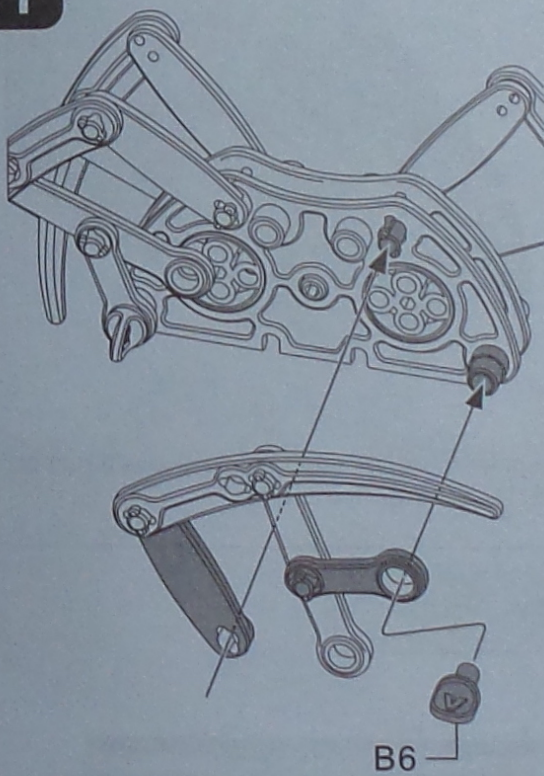
STEP
9



STEP
10

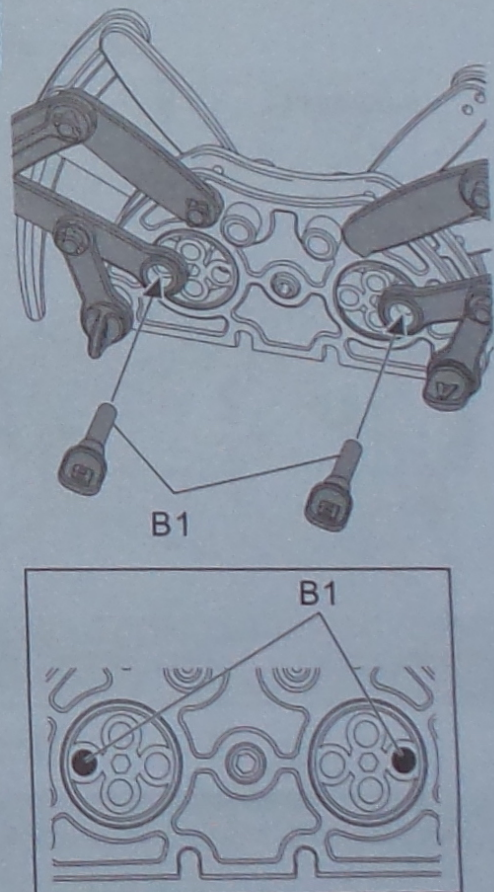


STEP
11



Opposite side

STEP
12



BATTERY SAFETY INFORMATION

- Never mix old and new batteries (replace all batteries at the same time).
- Do not mix alkaline, standard (carbon-zinc), or rechargeable (nickel-cadmium) batteries.
- Always replace all batteries at the same time.
- Alkaline batteries are recommended for best performance.
- Rechargeable batteries are to be removed from the toy/game before being recharged.
- Rechargeable batteries are only to be recharged under adult supervision.
- Non-rechargeable batteries are not to be recharged.
- Do not mix different types of batteries.
- Only batteries of the same or equivalent type as recommended are to be used.
- Batteries are to be inserted with correct polarity.
- Exhausted batteries are to be removed from the toy.
- Supply terminals are not to be short-circuited.
- Dispose of batteries safely (Do not dispose of batteries in fire, batteries may explode or leak).

Item #: FB21002

©2015 Distributed Exclusively by:

Five Below Merchandising, Inc.

1818 Market Street, Suite 2000

Philadelphia, PA 19103 MADE IN CHINA

CONFORMS TO ASTM F963-11 Colors and contents

may vary from those illustrated

Please retain package for information

Visit us at: www.fivebelow.com

**X1
AA
BATTERY
REQUIRED**

Phillips/cross head screwdriver
(not included) required for
battery replacement. Alkaline
batteries recommended.



WARNING:

CHOKING HAZARD—Small parts.
Not for children under 3 years.