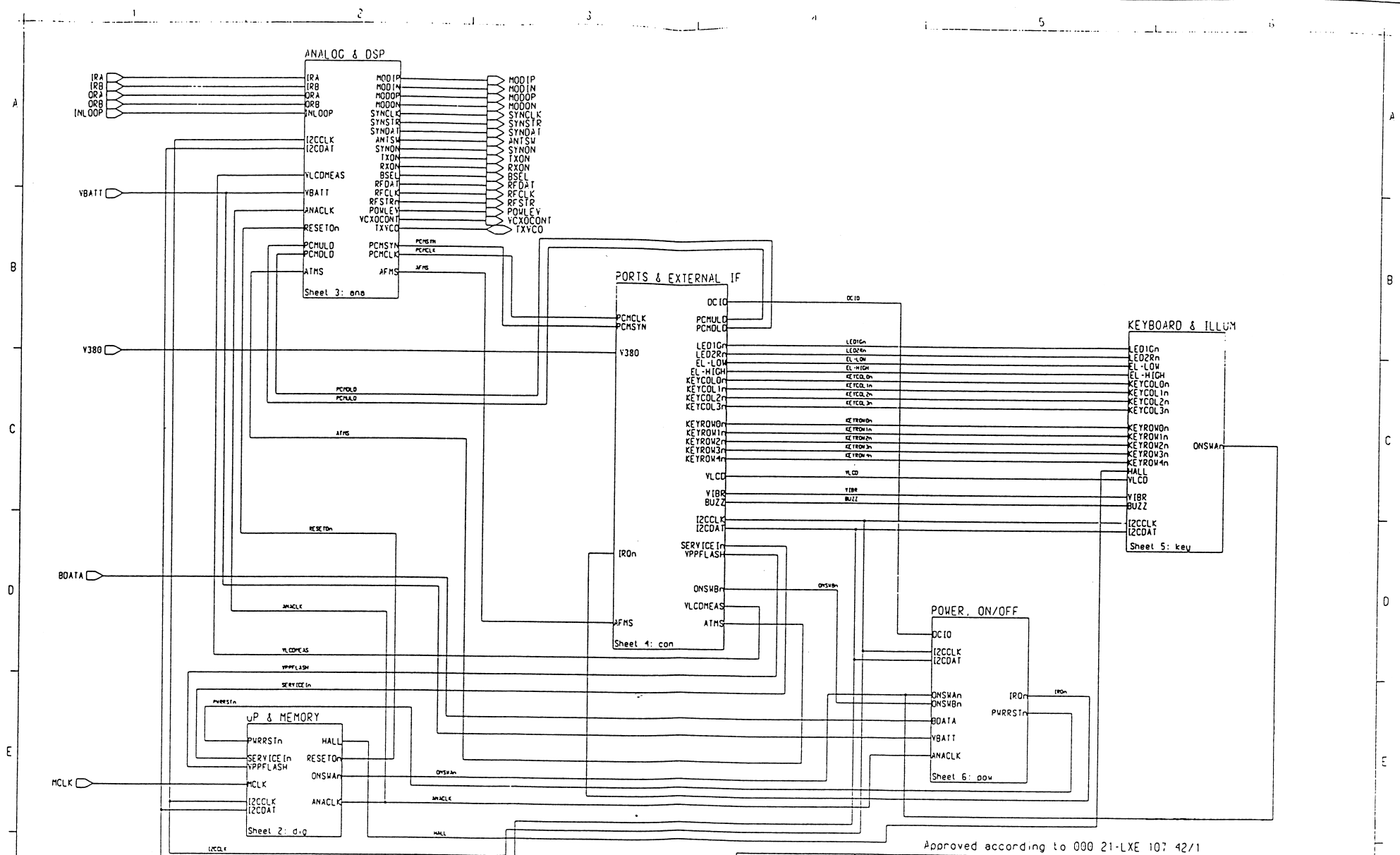


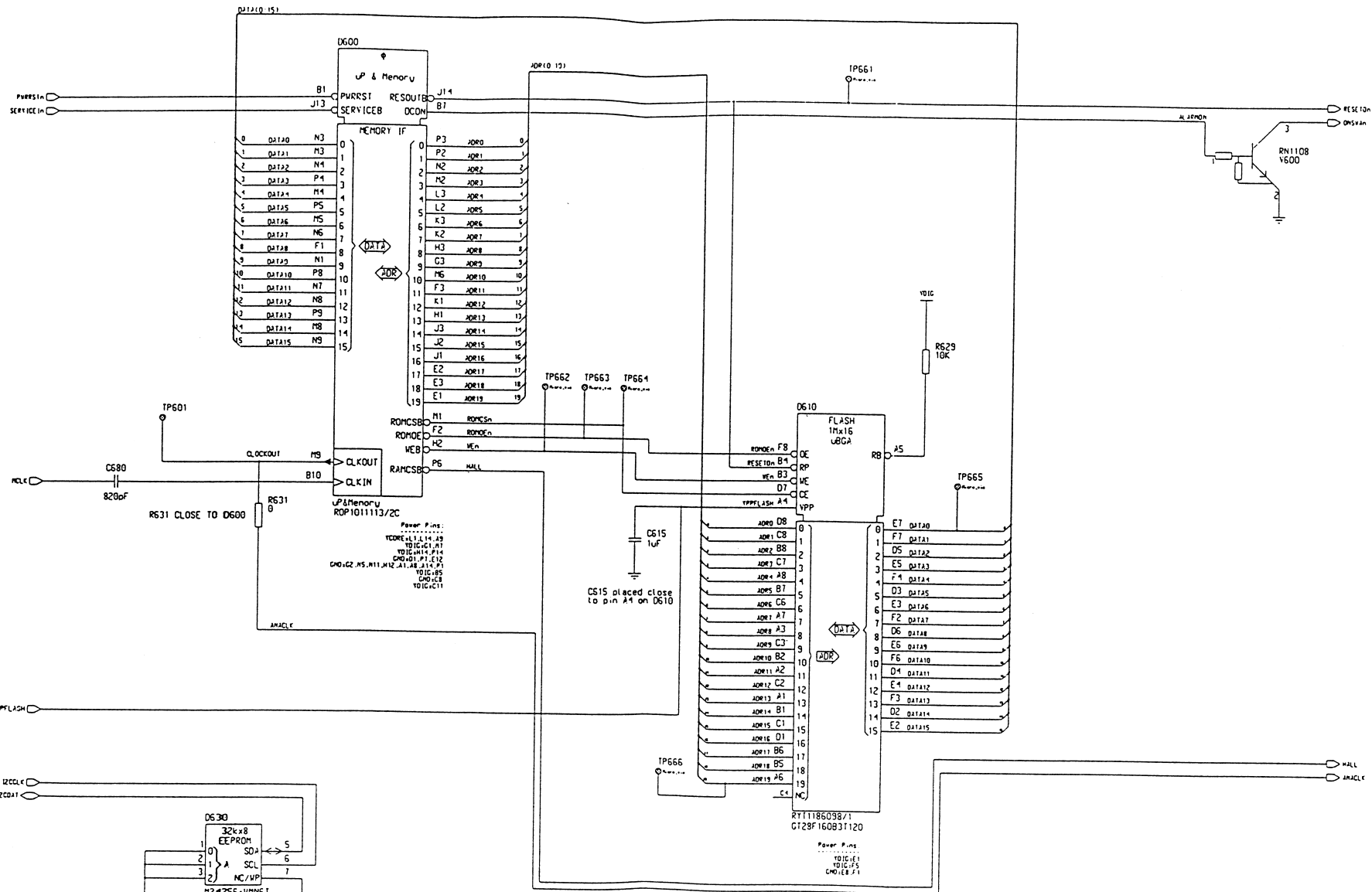
Secondary side of Marianne1

ERICSSON		Udgjort (även iaktansvarig om annan) - Prepared (also subject responsible if other)	
1B/DD ECSUKAR		1B/DD ECSUKAR	
Referenser - References	Dotansvar/Goat - Doc respons/approved	Datum - Date	Rev
	LD/ECS/1B/DDC	1998-01-08	PA1
Produktbenämning - Product name			
Printed Circuit Board			
Doc.nr/Doc No	Doc.nr/Doc No	Doc.nr/Doc No	Doc.nr/Doc No



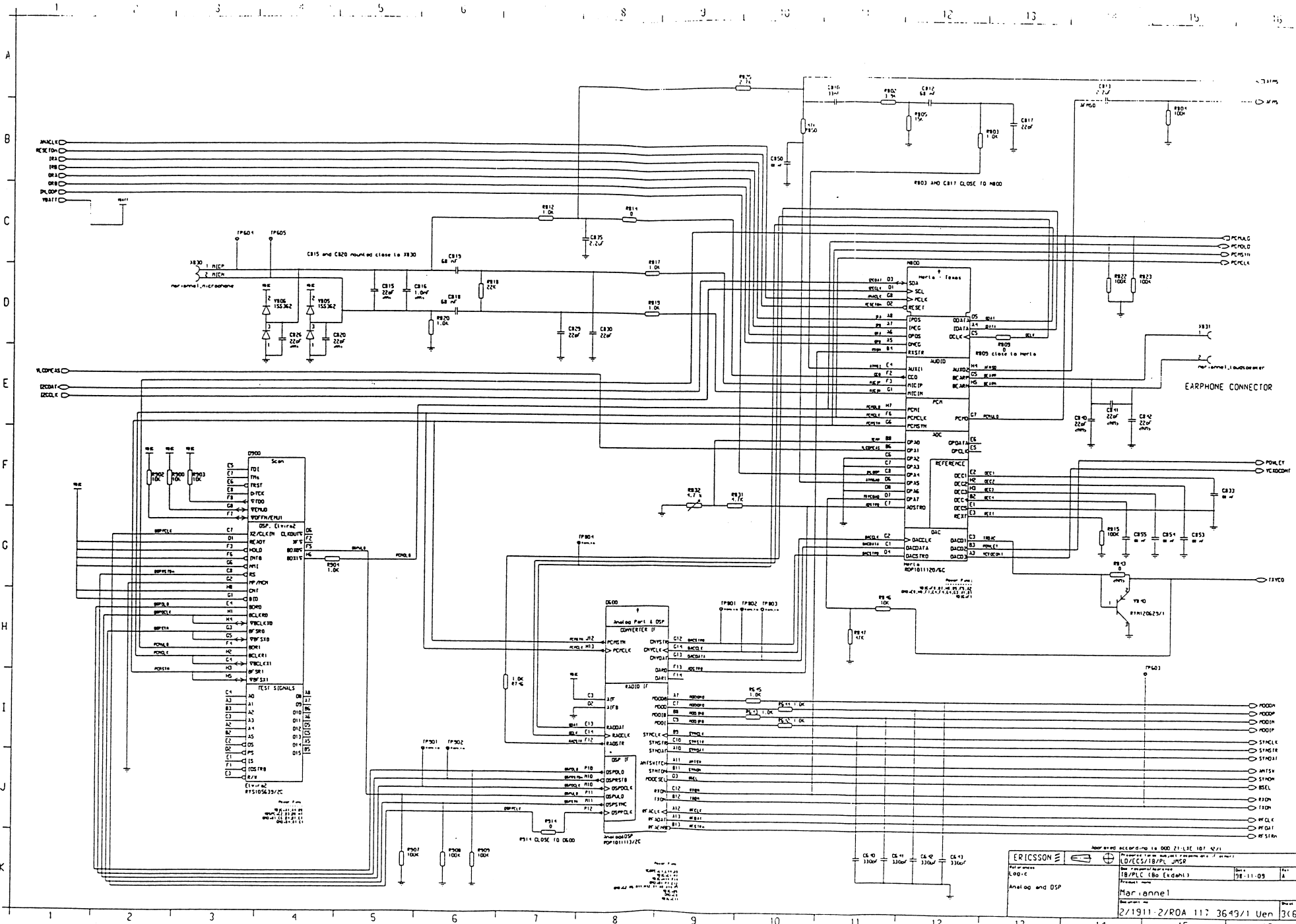
Approved according to 000 21-LXE 107 42/1

ERICSSON		Prepared (also subject responsible if other) LD/ECS/TB/PL Mats Larsson	
References Log:c	Doc respons/Approved TB/PLC (Bo Ekdahl)	Date 98-11-09	Rev A
Block Schematic		Product name Marianne1	
Document no 2/1911-2/ROA 117 3649/1 Uen		Sheet 1(6)	

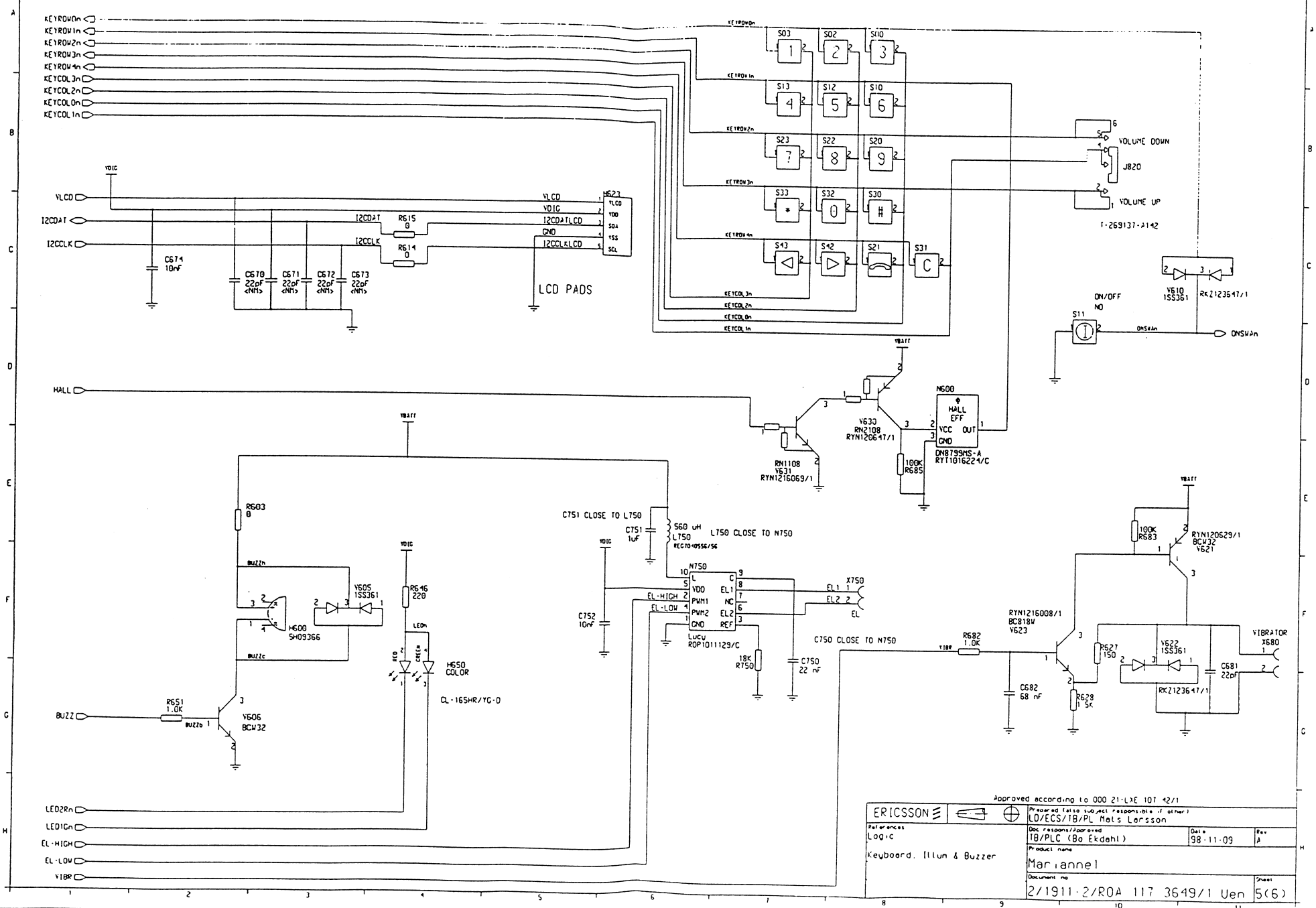


Approved according to 000 21-LXC 107 42/1

ERICSSON References Log/c up & Memory	Doc response/Approved TB/PLC (Bo Ekdaht)	Date 98-11-09	Ser. A
	Product name Marianne!		
Document no 2/1911-2/ROA 117 3649/1 Uen			Sheet 2(6)

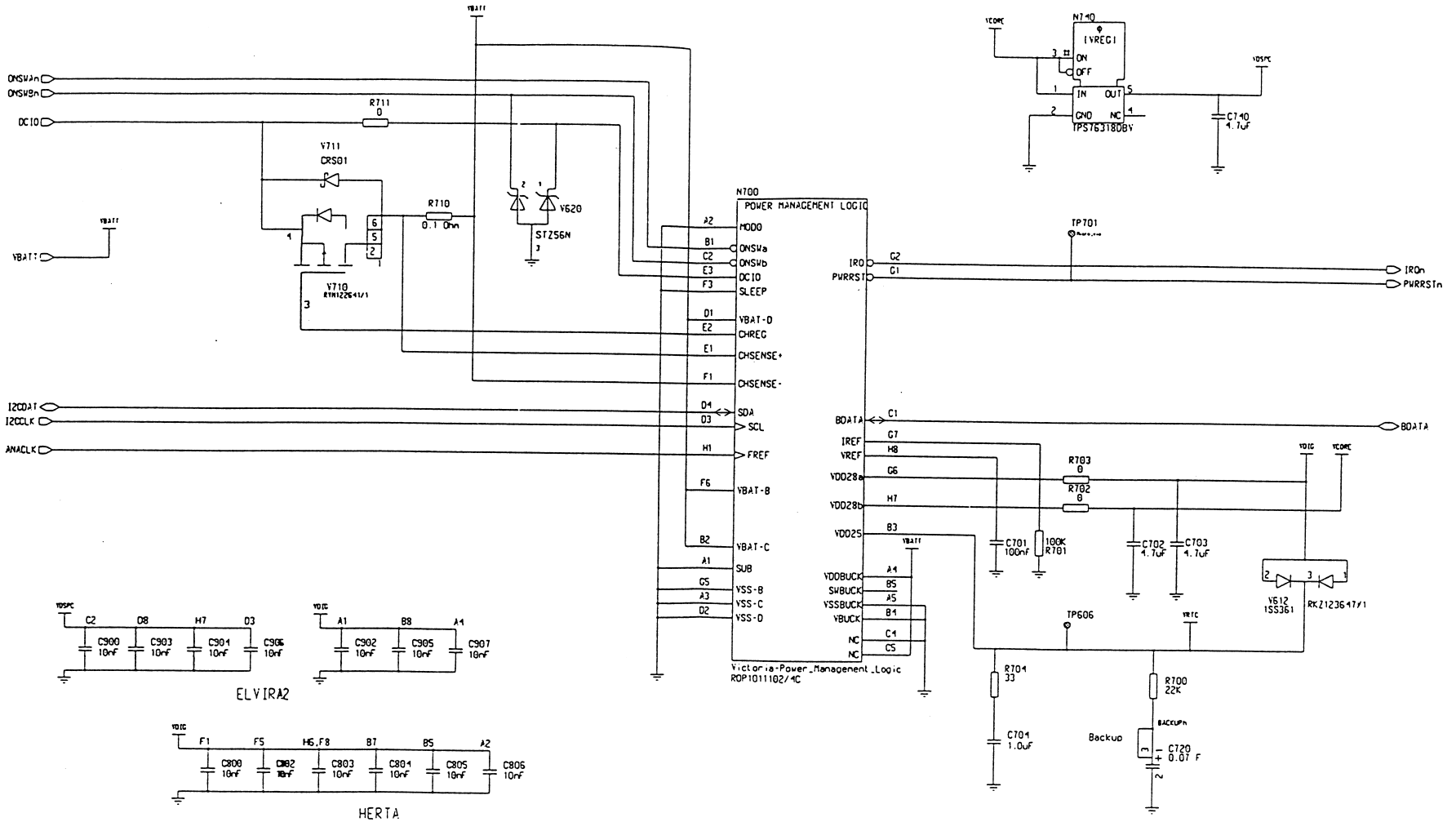


		2/1911-2/ROA 112 3649/1 Uen 3(6)	
Ericsson Analog and DSP	18/M/LC (Bo Edgah) 78-11-09	18/M/LC (Bo Edgah) 78-11-09	18/M/LC (Bo Edgah) 78-11-09

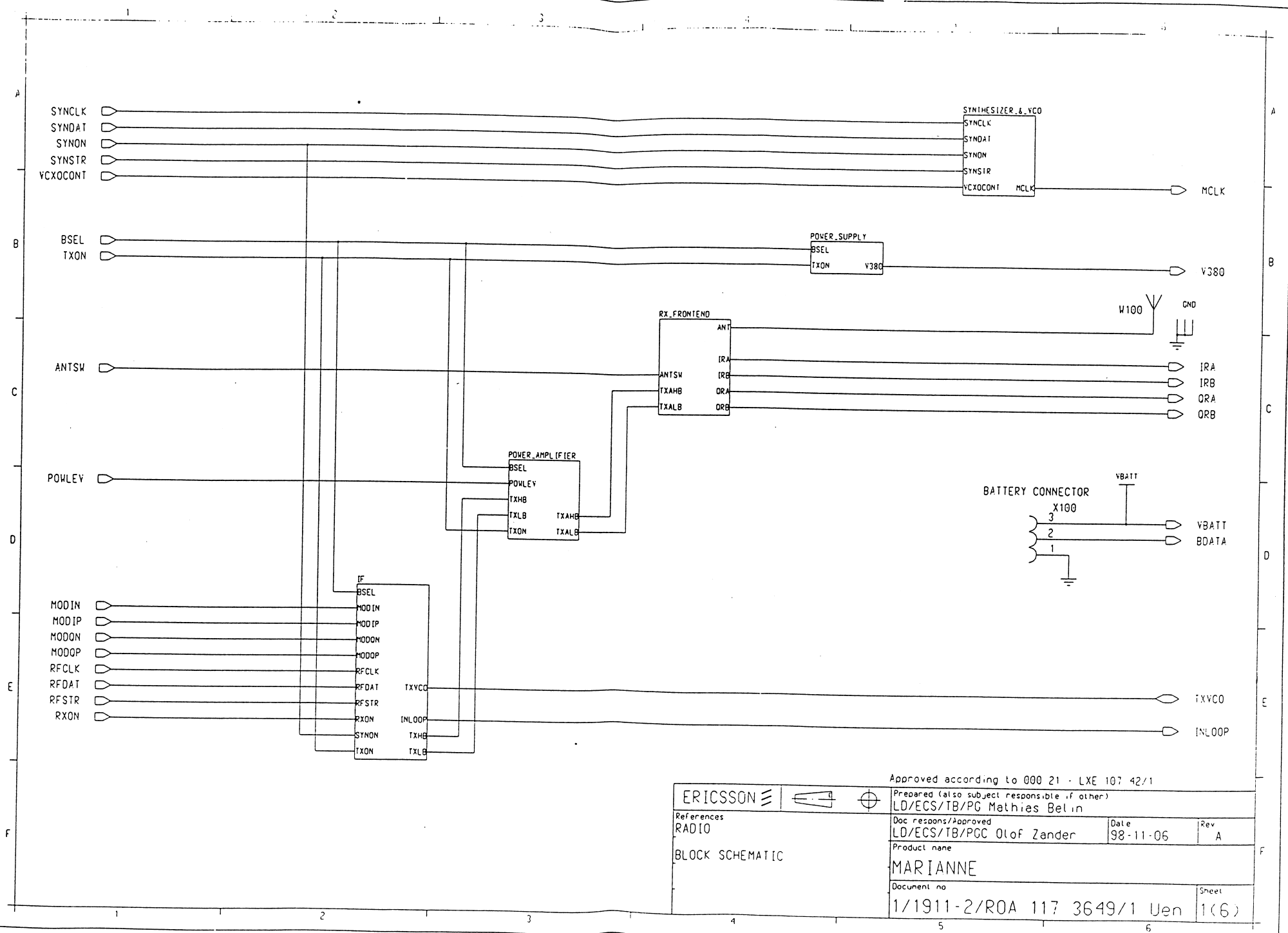


Approved according to 000 21-LXE 107 42/1

		Approved for subject responsibility of other LO/ECS/IB/PL Mats Larsson	
References	Doc respons/approved	Date	Rev
Log:c	IB/PLC (Bo Ekdahl)	98-11-09	1
Product name			
Marianne!			
Document no			
2/1911-2/ROA 117 3649/1 Uen			
			Sheet
			5(6)



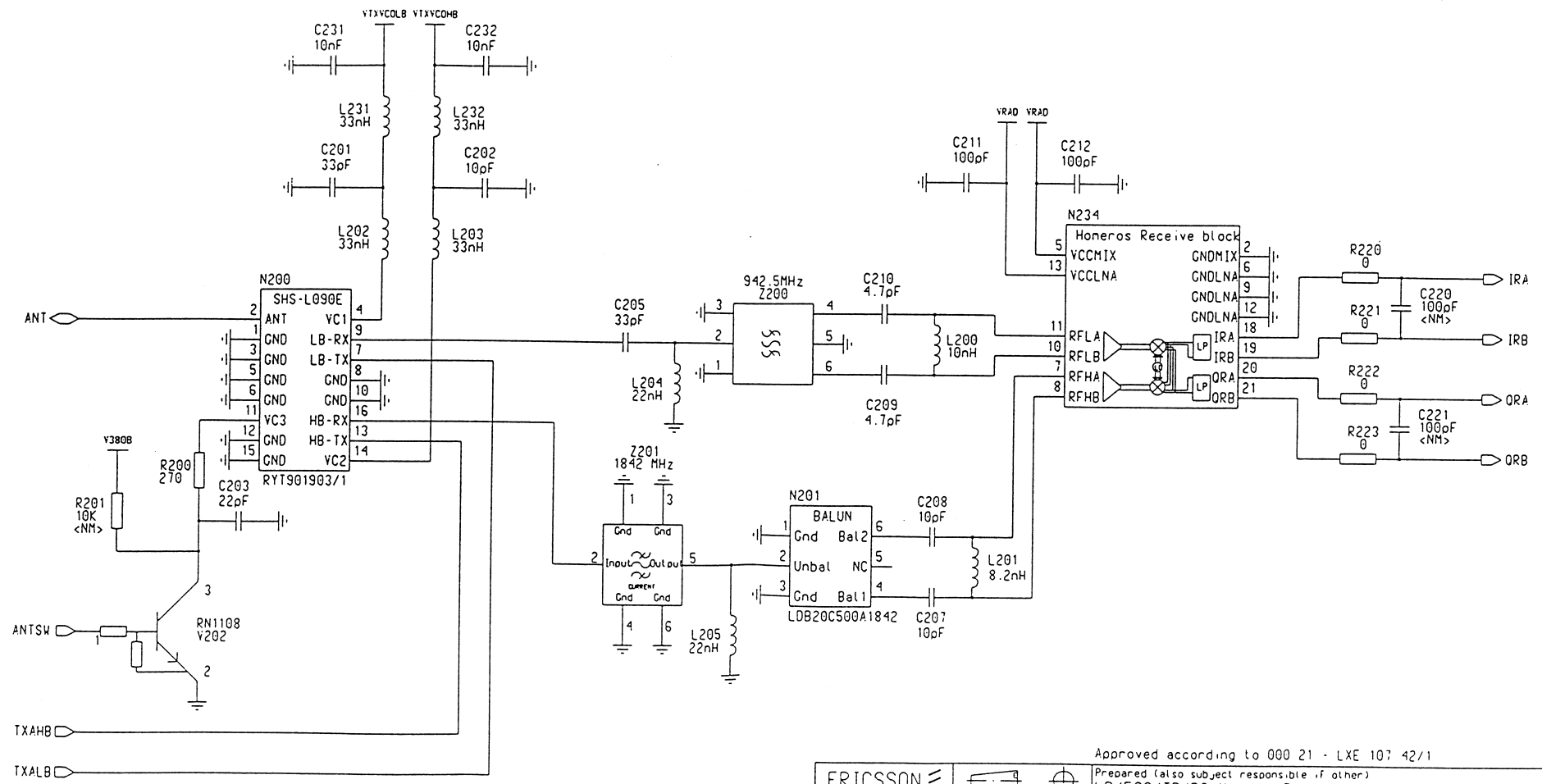
ERICSSON		Approved according to 000 21-LXE 101 42/1	
References: Logic		Prepared (also subject responsible if other): LD/ECS/IB/PL JMSR	
Power Management, ON/OFF		Doc reasons/Approved: IB/PLC (Bo EkdaHL)	Date: 98-11-09
		Product name: Marianne1	Rev: A
		Document no: 2/1911-2/ROA 117 3649/1 Uen	Sheet: 6(6)



Approved according to 000 21 - LXE 107 42/1

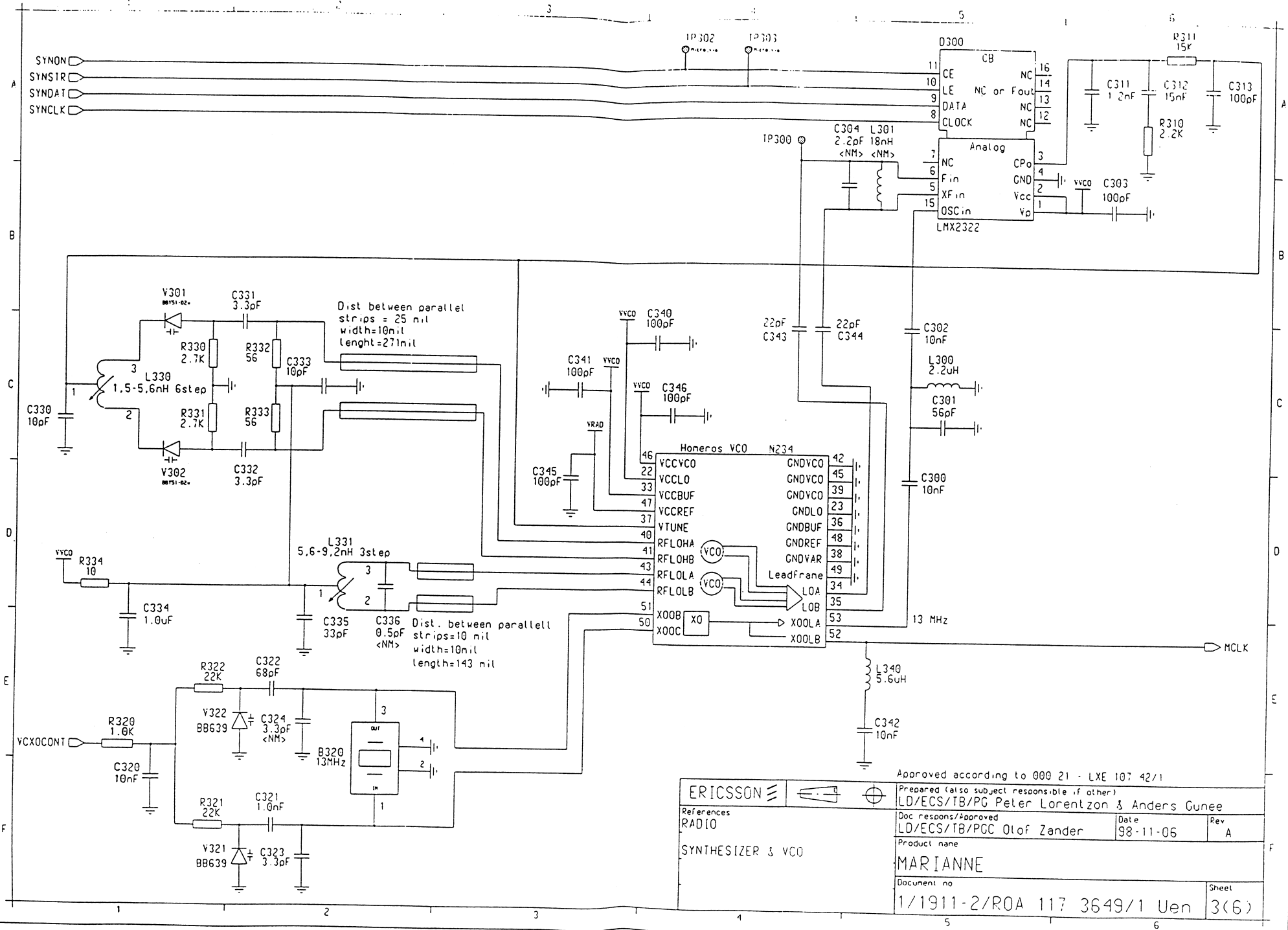
ERICSSON		Prepared (also subject responsible if other) LD/ECS/TB/PG Mathias Belin	
References RADIO BLOCK SCHEMATIC	Doc respons/Approved LD/ECS/TB/PGC Olaf Zander	Date 98-11-06	Rev A
Product name MARIANNE		Document no 1/1911-2/ROA 117 3649/1 Uen	
		Sheet 1(6)	

A
B
C
D
E
F

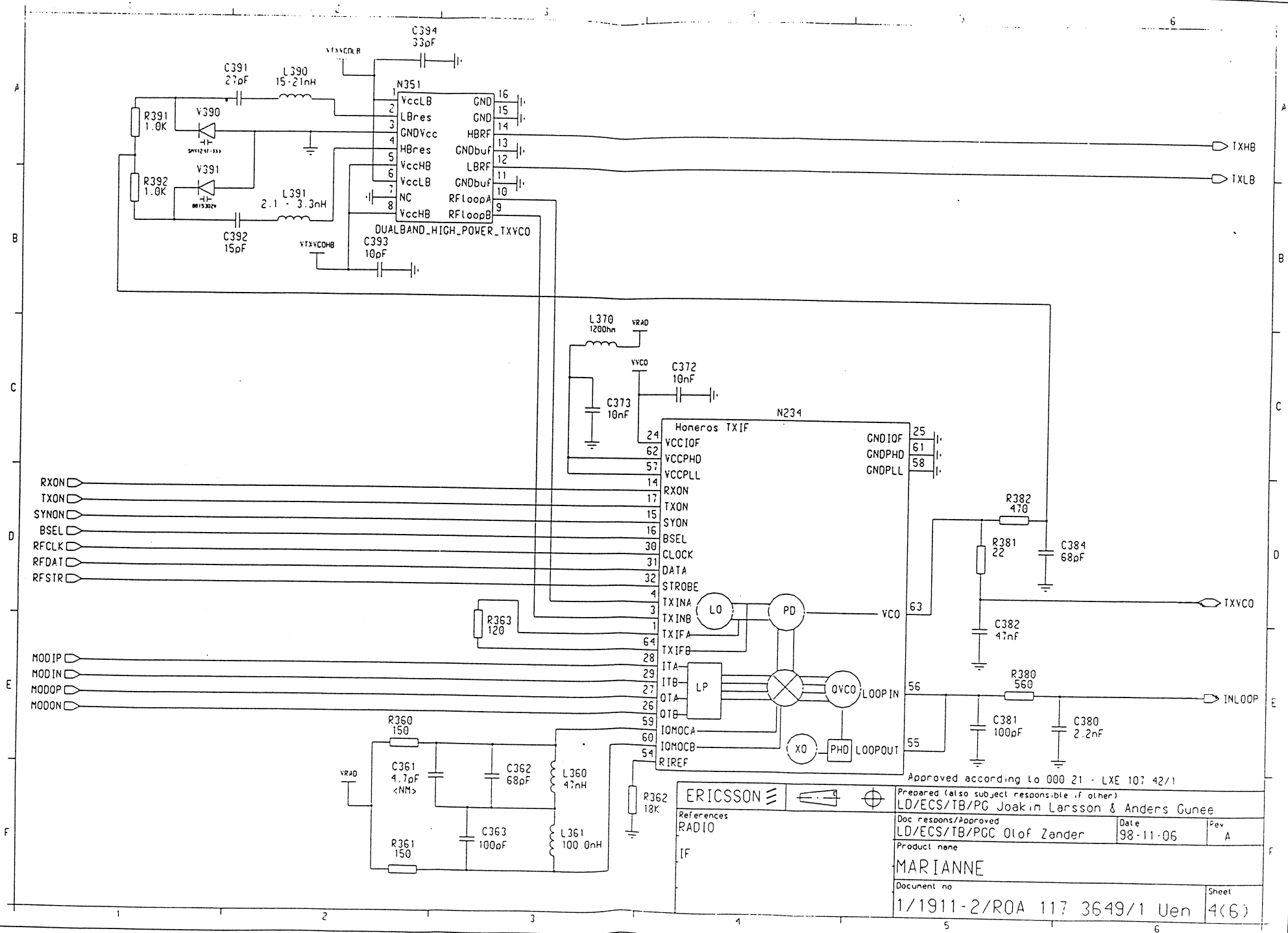


Approved according to 000 21 - LXE 107 42/1

		Prepared (also subject responsible, if other) LD/ECS/TB/PG Martin Pranheden & Ulrik Inberg	
References RADIO	Doc respons/Approved LD/ECS/TB/PCC Olof Zander	Date 98-11-06	Rev A
RX FRONTEND		Product name MARIANNE	
Document no 1/1911-2/ROA 117 3649/1 Uen		Sheet 2(6)	



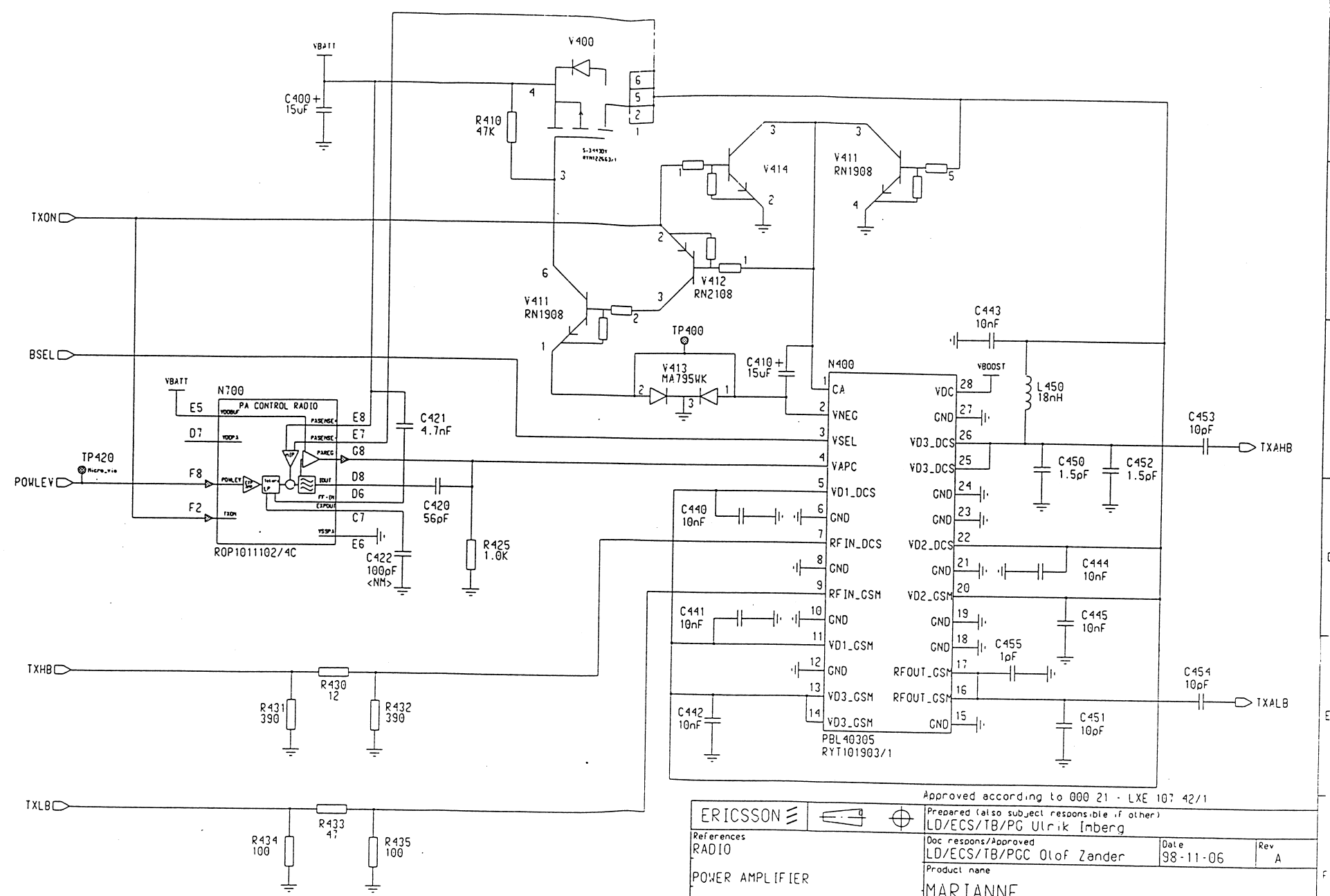
		Approved according to 000 21 - LXE 107 42/1	
References RADIO		Prepared (also subject responsible, if other) LD/ECS/TB/PG Peter Lorentzon & Anders Gunee	
SYNTHESIZER & VCO		Doc resons/Approved LD/ECS/TB/PCC Olof Zander	Date 98-11-06
		Product name MARIANNE	Rev A
		Document no 1/1911-2/ROA 117 3649/1 Uen	Sheet 3(6)



Approved according to 000 21 - LXE 107 42/1

ERICSSON References RADIO IF		Prepared (also subject responsible if other) LD/ECS/TB/PG Joakim Larsson & Anders Gunee		
		Doc resposns/Approved LD/ECS/TB/PGC Olaf Zander	Date 98-11-06	Pev A
		Product name MARIANNE		
		Document no 1/1911-2/ROA 117 3649/1 Uen		Sheet 4(6)

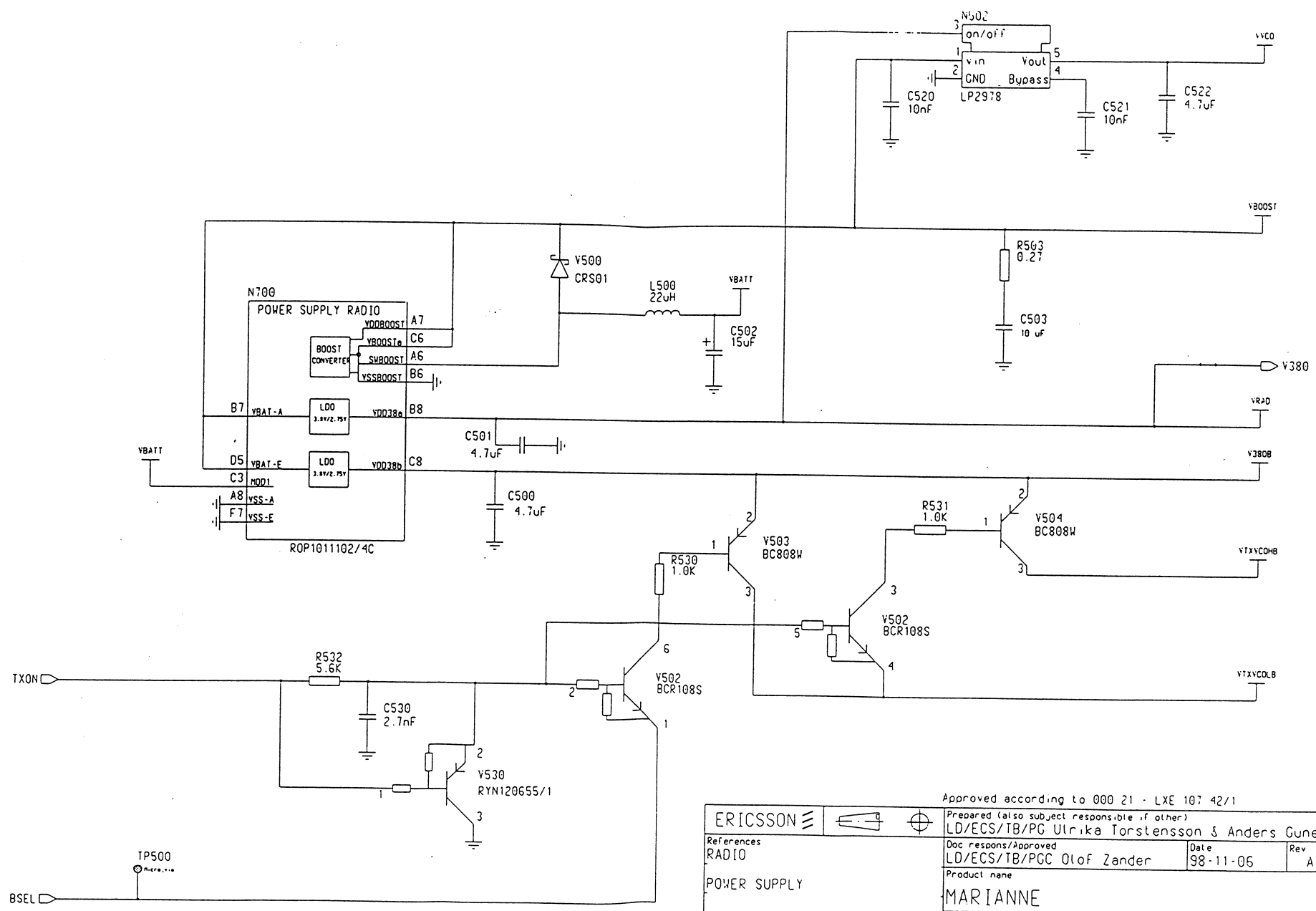
A
B
C
D
E
F



Approved according to 000 21 - LXE 107 42/1

ERICSSON		Prepared (also subject responsible if other) LD/ECS/TB/PG Ulrik Imberg	
References RADIO	Doc respons/Approved LD/ECS/TB/PG Olof Zander	Date 98-11-06	Rev A
POWER AMPLIFIER		Product name MARIANNE	
Document no 1/1911-2/ROA 117 3649/1 Uen		Sheet 5(6)	

A
B
C
D
E
F



Approved according to 000 21 - LXE 107 42/1

ERICSSON <small>References</small> RADIO POWER SUPPLY	Prepared (also subject responsible if other) LD/ECS/TB/PG Ulrika Torstensson & Anders Gunee		
	<small>Doc respons/Approved</small> LD/ECS/TB/PGC 01 of Zander	<small>Date</small> 98-11-06	<small>Rev</small> A
<small>Product name</small> MARIANNE			
<small>Document no</small> 1/1911-2/ROA 117 3649/1 Uen		<small>Sheet</small> 6(6)	

1 2 3 4 5 6

A
B
C
D
E
F