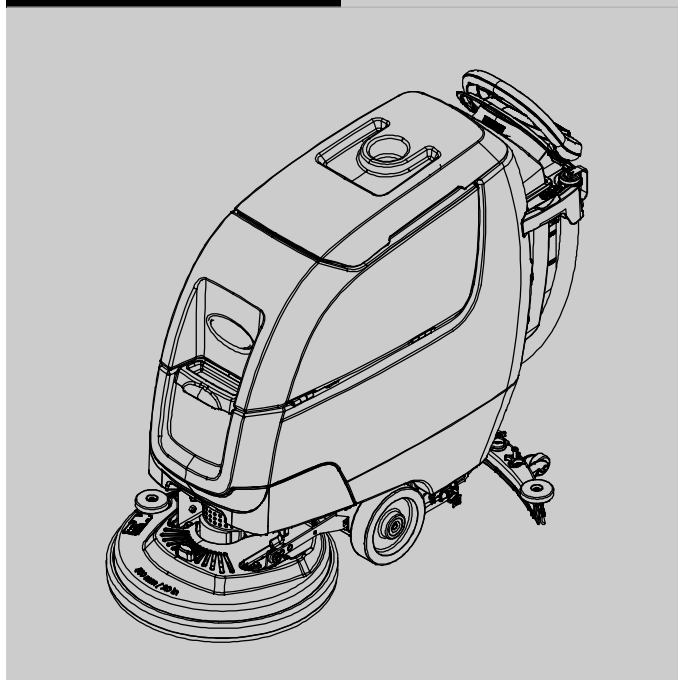




# T300 T300e

Automatic Floor Scrubber

English **EN**  
Operator Manual



**Hygenic<sup>®</sup> Fully Cleanable Recovery Tank**  
**TennantTrue<sup>®</sup> Parts**  
**IRIS<sup>®</sup> a Tennant Technology**  
**Pro-Panel<sup>™</sup> Controls**  
**Insta-Click<sup>™</sup> Magnetic Disk**



CE

Europe



For the latest Parts manuals and other language Operator manuals, visit:

[www.tennantco.com/manuals](http://www.tennantco.com/manuals)

9014525  
Rev. 02 (02-2016)



## INTRODUCTION

This manual is furnished with each new model. It provides necessary operation and maintenance instructions.



**Read this manual completely and understand the machine before operating or servicing it.**

This machine will provide excellent service. However, the best results will be obtained at minimum costs if:

- The machine is operated with reasonable care.
- The machine is maintained regularly - per the maintenance instructions provided.
- The machine is maintained with manufacturer supplied or equivalent parts.

To view, print or download manuals online visit [www.tennantco.com/manuals](http://www.tennantco.com/manuals)



### PROTECT THE ENVIRONMENT

Please dispose of packaging materials and used machine components such as batteries in an environmentally safe way according to your local waste disposal regulations.

Always remember to recycle.

## INTENDED USE

The automatic floor scrubber is intended for commercial use, for example in hotels, schools, hospitals, factories, shops, offices and rental businesses. It is designed to scrub hard floor surfaces (concrete, tile, stone, synthetic, etc.) in an indoor environment. Do not use this machine on carpeted surfaces. Use only recommended pads/brushes and commercially available floor cleaning detergents. Do not use this machine other than described in this Operator Manual.

## MACHINE DATA

Please fill out at time of installation for future reference.

Model No. - \_\_\_\_\_

Serial No. - \_\_\_\_\_

Installation Date - \_\_\_\_\_



EN

### EC Declaration of Conformity

(according to Annex II A of the Machinery Directive)



Machine Type: Floor Scrubber Model: T300, T300e

This machine is in conformity with the following EU directives:

- Machinery Directive: 2006/42/EC

- Electro Magnetic Compatibility Directive: 2004/108/EC

**Applied harmonized standards:** EN ISO 14121-1, EN 1037, EN 60335-1, EN 60204-1, EN ISO 13849-1, EN ISO 13849-2, EN 60529, EN ISO 4413, EN 55012, EN 61000-6-2, EN ISO 11201, EN ISO 4871, EN ISO 3744, EN ISO 3741, EN ISO 13059, EN ISO 3450, EN 60335-2-72.

#### TENNANT N.V.

Industrielaan 6 5405 AB  
P.O. Box 6 5400 AA  
Uden - The Netherlands  
Uden, 03/01/2015

Ives Franssen  
Operation Manager

## UNCRATING MACHINE

Carefully check machine for signs of damage. Report damages at once to carrier. Contact distributor or Tennant for missing items.

To uncrate the machine, remove straps, wheel blocks and shipping brackets. Using the supplied ramp carefully back the machine off the pallet. Make sure scrub head is in the raised position.

**ATTENTION: Do not remove machine from pallet without using ramp, machine damage may occur.**

### TENNANT N.V.

Industrielaan 6 5405 AB  
P.O. Box 6 5400 AA, Uden -The Netherlands  
Europe@tennantco.com www.tennantco.com

This product may contain portions of software that have various 3<sup>rd</sup> party licenses. More information can be found at: [www.tennantco.com/opensource](http://www.tennantco.com/opensource)

Specifications and parts are subject to change without notice.

Original Instructions. Copyright ©2015-2016 Tennant Company. All rights reserved.

---



---

## TABLE OF CONTENTS

---

<b>OPERATION</b>		<b>SERVICE INDICATOR CODES</b> .....	<b>30</b>
<b>IMPORTANT SAFETY INSTRUCTIONS</b> .....	<b>4</b>	ON-BOARD BATTERY CHARGER SERVICE	
<b>SAFETY LABELS</b> .....	<b>6</b>	INDICATOR CODES .....	<b>31</b>
<b>MACHINE COMPONENTS</b> .....	<b>7</b>	ec-H <sub>2</sub> O SYSTEM SERVICE	
<b>MACHINE SYMBOLS</b> .....	<b>8</b>	INDICATOR CODES .....	<b>32</b>
<b>CONTROL PANEL COMPONENTS</b> .....	<b>9</b>	<b>MAINTENANCE</b>	
T300e Model Control Panel .....	9	<b>MAINTENANCE CHART</b> .....	<b>33</b>
T300 Model with Membrane Control Panel		<b>MACHINE MAINTENANCE</b> .....	<b>34</b>
(Manual down pressure model) .....	9	AFTER DAILY USE .....	34
T300 Model with Pro-Membrane Control Panel		AFTER WEEKLY USE .....	35
(Actuated Down Pressure Model) .....	10	AFTER EVERY 50 HOURS OF USE .....	36
T300 Model with Pro-Panel Controls		AFTER EVERY 100 HOURS OF USE .....	36
(LCD - Liquid Crystal Display) .....	10	ELECTRIC MOTORS .....	36
<b>INSTALLING BATTERIES</b> .....	<b>11</b>	BELTS .....	37
BATTERY PACK LIFT- OUT TRAY (Option) .	11	ORBITAL SCRUB HEAD ISOLATORS .....	37
<b>HOW THE MACHINE WORKS</b> .....	<b>12</b>	<b>BATTERIES</b> .....	<b>37</b>
<b>BRUSH AND PAD INFORMATION</b> .....	<b>12</b>	MAINTENANCE FREE-BATTERIES .....	37
<b>MACHINE SETUP</b> .....	<b>13</b>	FLOODEDF (WET) LEAD-ACID BATTERIES	37
ATTACHING SQUEEGEE ASSEMBLY .....	13	CHECKING CONNECTIONS / CLEANING ..	38
INSTALLING BRUSH/PAD - 3 Lug Disk (T300e)	13	CHARGING BATTERIES .....	38
INSTALLING BRUSH/PAD		BATTERY CHARGER SETTINGS .....	39
- Insta-Click Magnetic Disk .....	14	<b>SQUEEGEE BLADE REPLACEMENT</b> .....	<b>41</b>
INSTALLING PAD - Orbital .....	15	<b>ec-H<sub>2</sub>O NanoClean WATER CONDITIONING</b>	
INSTALLING CYLINDRICAL BRUSHES .....	15	<b>CARTRIDGE REPLACEMENT</b> .....	<b>42</b>
FILLING SOLUTION TANK .....	16	<b>LOADING/UNLOADING MACHINE FOR</b>	
FILLING SEVERE ENVIRONMENT TANK		<b>TRANSPORTING</b> .....	<b>43</b>
(T300 ec-H <sub>2</sub> O model Option) .....	17	<b>STORING MACHINE</b> .....	<b>43</b>
ec-H <sub>2</sub> O NanoClean WATER CONDITIONING		Freeze Protection .....	43
CARTRIDGE (ec-H <sub>2</sub> O model) .....	17	<b>TROUBLESHOOTING</b> .....	<b>44</b>
ACCESSORY RAILS .....	18	<b>SPECIFICATIONS</b>	
<b>T300 CONTROL PANEL OPERATION</b> .....	<b>19</b>	<b>GENERAL MACHINE</b>	
T300 WITH MEMBRANE CONTROL PANEL		<b>DIMENSIONS/CAPACITIES/PERFORMANCE</b> ..	<b>46</b>
(Manual Down Pressure Model) .....	19	<b>MACHINE DIMENSIONS</b> .....	<b>48</b>
T300 WITH PRO-MEMBRANE		<b>SUPERVISOR CONTROLS</b>	
CONTROL PANEL .....	20	<b>SUPERVISOR CONTROLS</b> .....	<b>53</b>
T300 MODEL WITH PRO- PANEL		T300 MODEL WITH PRO-MEMBRANE	
CONTROLS .....	21	CONTROL PANEL .....	53
<b>MACHINE OPERATION</b> .....	<b>25</b>	T300 MODEL WITH PRO-PANEL CONTROLS	54
PRE-OPERATION CHECK LIST .....	25		
OPERATING MACHINE .....	25		
WHILE OPERATING MACHINE .....	27		
EMERGENCY SHUT-OFF BUTTON			
(Drive models) .....	27		
BATTERY DISCHARGE INDICATOR .....	27		
CIRCUIT BREAKER PANEL .....	28		
HOUR METER .....	28		
<b>DRAINING TANKS</b> .....	<b>28</b>		
DRAINING RECOVERY TANK .....	28		
DRAINING SOLUTION TANK .....	29		

### IMPORTANT SAFETY INSTRUCTIONS - SAVE THESE INSTRUCTIONS

---

The following warning precautions are used throughout this manual as indicated in their description:

**⚠ WARNING:** To warn of hazards or unsafe practices which could result in severe personal injury or death.

**FOR SAFETY:** To identify actions which must be followed for safe operation of equipment.

The following information signals potentially dangerous conditions to the operator. Know when these conditions can exist. Locate all safety devices on the machine. Report machine damage or faulty operation immediately.

**⚠ WARNING:** To Reduce the Risk of Fire, Explosion, Electric Shock or Injury:

- Read manual before operating machine.
- Do not use or pick up flammable materials.
- Do not use near flammable liquids, vapors or combustible dusts.

This machine is not equipped with an explosion proof motor. The electric motor will spark upon start up and during operation which could cause a flash fire or explosion if machine is used in an area where flammable vapors/liquids or combustible dusts are present.

- Batteries emit hydrogen gas. Explosion or fire can result. Keep sparks and open flame away when charging.
- Disconnect battery cables and charger cord before cleaning and servicing machine.
- Do not charge batteries with damaged cord. Do not modify plug.

If the charger supply cord is damaged or broken, it must be replaced by the manufacturer or its service agent or a similarly qualified person in order to avoid a hazard.

- Do not use outdoors. Store indoors.
- Spinning pad/brush, keep hands away.

**⚠ WARNING:** Magnetic Field Hazard. Magnetic pad driver/brush can be harmful to pacemaker wearers or medical implants.

This machine may be equipped with technology that automatically communicates over the cellular network. If the machine will be operated where cell phone use is restricted because of concerns related to equipment interference, please contact a Tennant representative for information on how to disable the cellular communication functionality.

**FOR SAFETY:**

1. Do not operate machine:
  - Unless trained and authorized.
  - Unless operator manual is read and understood.
  - Unless mentally and physically capable of following machine instructions.
  - Under the influence of alcohol or drugs.
  - While using a cell phone or other types of electronic devices.
  - If not in proper operating condition.
  - In outdoor areas. This machine is for indoor use only.
  - In areas where flammable vapors/liquids or combustible dusts are present.
  - With pads or accessories not supplied or approved by Tennant. The use of other pads may impair safety.
  - In areas with possible falling objects.
  - In areas that are too dark to safely see the controls or operate machine.
2. Before operating machine:
  - Check machine for fluid leaks.
  - Make sure all safety devices are in place and operate properly.
3. When operating machine:
  - Use only as described in this manual.
  - Report machine damage or faulty operation immediately.
  - Wear closed-toe, non-slip work shoes.
  - Reduce speed when turning.
  - Go slowly on inclines and slippery surfaces.
  - Do not scrub on inclines that exceed 9% grade or transport on inclines that exceed 21% grade.
  - Follow site safety guidelines concerning wet floors.
  - Follow mixing, handling and disposal instructions on chemical containers.
  - Do not carry passengers on machine.
  - Use care when reversing machine.
  - Keep children and unauthorized persons away from machine.
  - Do not allow machine to be used as a toy.

4. **Before leaving or servicing machine:**
  - Stop on level surface.
  - Set the parking brake, if equipped.
  - Turn off machine and remove key.
5. **When servicing machine:**
  - Disconnect battery connection and charger cord before working on machine.
  - All work must be done with sufficient lighting and visibility.
  - All repairs must be performed by trained personnel.
  - Use Tennant supplied or approved replacement parts.
  - Do not modify the machine from its original design.
  - Do not jack up machine.
  - Avoid moving parts. Do not wear loose clothing or jewelry and secure long hair.
  - Do not disconnect the off-board charger's DC cord from the machine's receptacle when the charger is operating. Arcing may result. If the charger must be interrupted during charging cycle, disconnect the AC power supply cord first.
  - Do not use incompatible battery chargers as this may damage battery packs and potentially cause a fire hazard.
  - Inspect charger cord regularly for damage.
  - Keep work area well ventilated.
  - Avoid contact with battery acid.
  - Keep all metal objects off batteries.
  - Do not power spray or hose off machine.
  - Use a hoist or adequate assistance when lifting batteries.
  - Battery installation must be done by trained personnel.
  - Wear personal protection equipment as needed and where recommended in this manual.
6. **When loading/unloading machine onto/off truck or trailer:**
  - Drain tanks before loading machine.
  - Use a ramp, truck or trailer that can support the machine weight and operator.
  - Do not operate the machine on a ramp incline that exceeds a 21% grade level.
  - Use a winch if ramp incline exceeds a 21% grade level.
  - Lower the scrub head and squeegee before tying down machine.
  - Turn machine off and remove key.
  - Set parking brake (if equipped).
  - Block machine wheels.
  - Use tie-down straps to secure machine.



**For Safety: wear protective gloves.**



**For Safety: wear eye protection.**

**SAFETY LABELS**

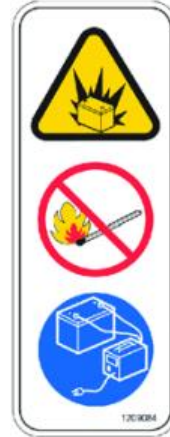
The safety labels appear on the machine in the locations indicated. Replace labels if they are missing or become damaged or illegible.



**WARNING LABEL - Flammable materials or reactive metals can cause an explosion or fire. Do not pick up.**  
Located near control console.



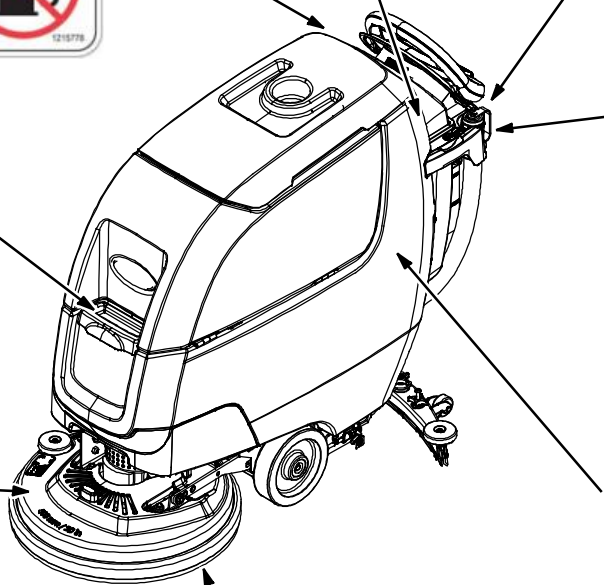
**FOR SAFETY LABEL - Read manual before operating machine.**  
Located near control console.



**WARNING LABEL - Batteries emit hydrogen gas. Explosion or fire can result. Keep sparks and open flame away when charging.**  
Located on control console and bottom side of recovery tank.



**WARNING LABEL - Flammable materials can cause explosion or fire. Do not use flammable materials in tank(s).**  
Located on backside of solution tank cover.



**WARNING LABEL - Do not charge batteries with damaged cord. Electric shock can result. Disconnect charger cord before servicing.**  
Located on control console.



**WARNING LABEL - Spinning pad. Keep hands away.**  
Located on disk scrub head model.



**WARNING LABEL - Electrical Hazard. Disconnect battery cables before servicing machine.**  
Located on circuit board panel.

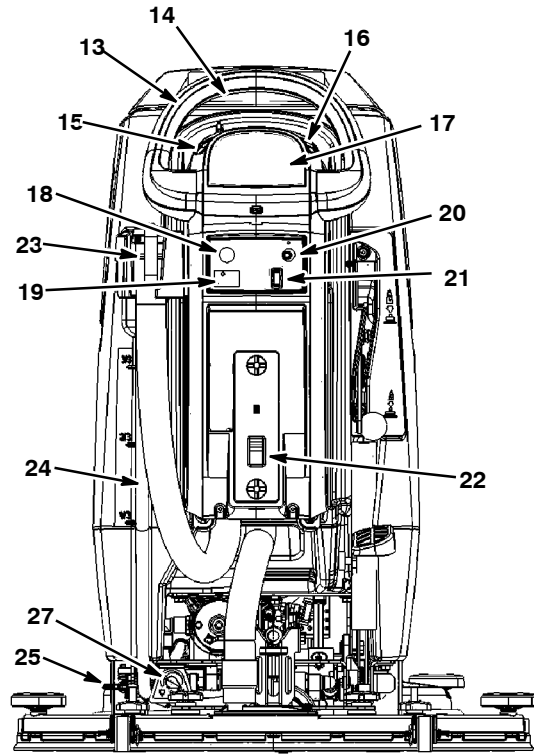
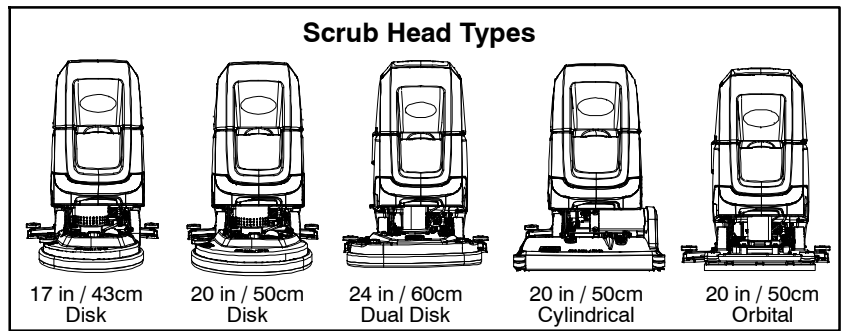
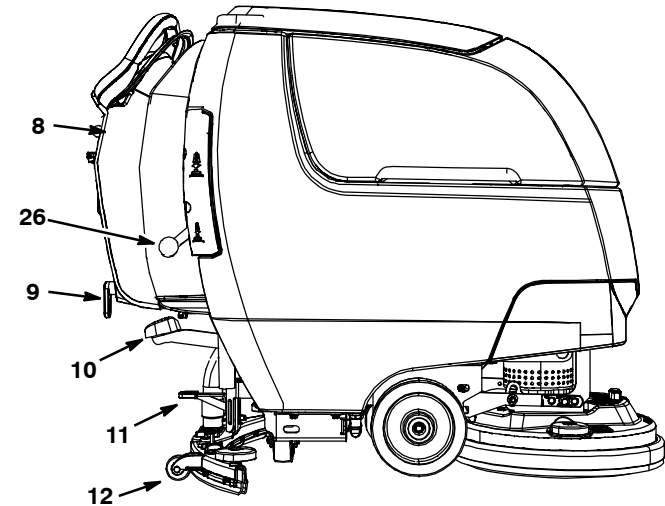
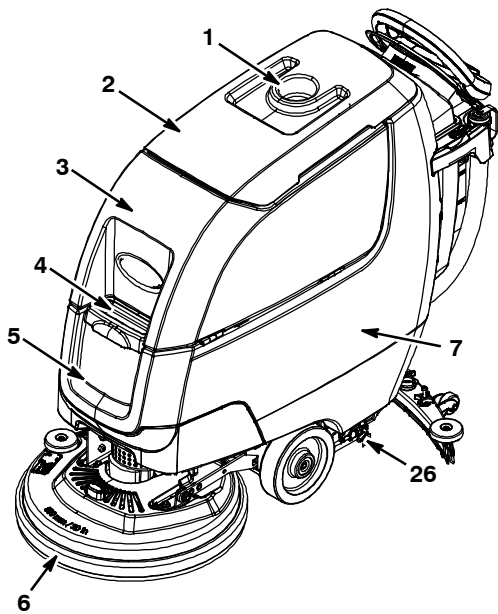


**WARNING LABEL - Spinning brush. Keep hands away.**  
Located on cylindrical scrub head model.



**WARNING LABEL - Magnetic field hazard. Magnetic pad driver/brush can be harmful to pacemaker wearers or medical implants.**  
Located on Insta-Click magnetic pad driver/brush.

MACHINE COMPONENTS




- |  |   |
|--|---|
| <ul style="list-style-type: none"> <li>1. Cup holder/tray</li> <li>2. Recovery tank lid</li> <li>3. Recovery tank</li> <li>4. Solution tank fill-port</li> <li>5. Solution tank</li> <li>6. Scrub head</li> <li>7. Battery compartment</li> <li>8. Accessory rail(s)</li> <li>9. On-board battery charger cord hooks</li> <li>10. Scrub head lift pedal</li> <li>11. Squeegee foot pad</li> <li>12. Squeegee assembly</li> </ul> | <ul style="list-style-type: none"> <li>13. Control handle</li> <li>14. Control handle start bail</li> <li>15. Speed control knob (drive model)</li> <li>16. Forward/Reverse lever (drive model)</li> <li>17. Control panel display</li> <li>18. Emergency stop button</li> <li>19. Hour meter</li> <li>20. Key switch</li> <li>21. ec-H2O on/off switch (option)</li> <li>22. Off-board battery charger receptacle</li> <li>23. Recovery tank drain hose</li> <li>24. Solution tank level/drain hose</li> <li>25. Parking brake</li> <li>26. Dual down pressure lever (T300e option and T300 manual down pressure model)</li> <li>27. Solution flow control knob (T300e)</li> </ul> |
|--|---|

# OPERATION

---

## MACHINE SYMBOLS

---

	Fast speed (drive model)
	Slow speed (drive model)
	Forward / Reverse (drive model)
	On
	Off
	ec-H2O scrubbing (option)
	Battery charge
	Do not lift by accessory rails
	No step
	Dual down pressure (T300e and T300 manual down pressure models)
	Parking brake
	No detergent (ec-H2O option)
	Water temperature (ec-H2O option)
	Solution flow (T300e)
	No Solution flow (T300e)
	Circuit breaker



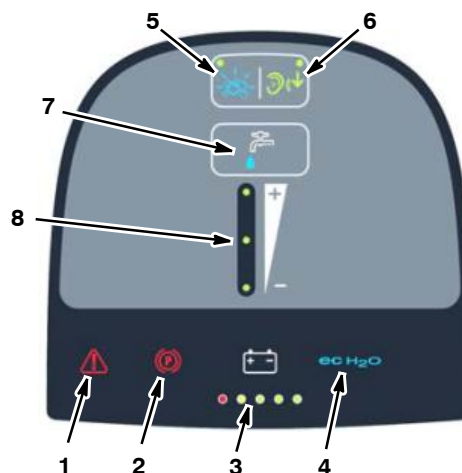
## CONTROL PANEL COMPONENTS

### T300e Model Control Panel



1. **Service indicator** - Lights up when a machine or charger fault is detected.
2. **Parking brake indicator** - Lights up when parking brake lever is engaged. To turn off indicator, disengage parking brake lever near left rear wheel.
3. **Battery discharge indicator (BDI)** - The battery discharge indicator serves two functions. In normal scrub mode it displays the charge level of the batteries. It also, in conjunction when the service indicator is flashing, provides specific LED codes when a machine or charger fault is detected.
4. **ec-H2O indicator (Option)** - Lights up blue when ec-H2O system is activated and operating normally.

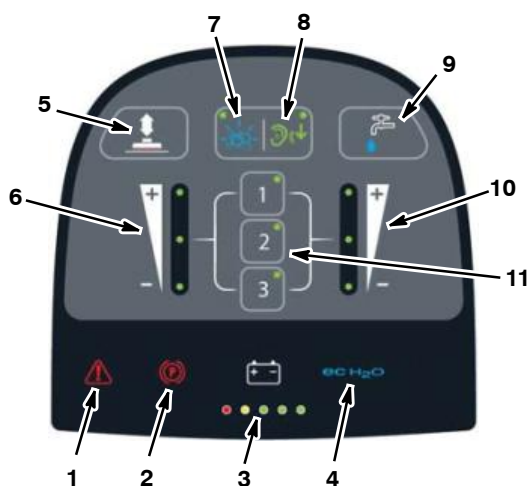
### T300 Model with Membrane Control Panel (Manual down pressure model)



1. **Service indicator** - Lights up when a machine or charger fault is detected.
2. **Parking brake indicator** - Lights up when parking brake lever is engaged. To turn off indicator, disengage parking brake lever near left rear wheel.
3. **Battery discharge indicator (BDI)** - The battery discharge indicator serves two functions. In normal scrub mode it displays the charge level of the batteries. It also, in conjunction when the service indicator is flashing, provides specific LED codes when a machine or charger fault is detected.
4. **ec-H2O indicator (Option)** - Lights up blue when ec-H2O system is activated and operating normally.
5. **Severe Environment on/off button (ec-H2O Model Option)** - Press button to dispense cleaning detergent as needed for excessive soil buildup while operating.
6. **Quiet mode on/off button (Option)** - Press button to reduce the vacuum motor sound for noise restricted areas.
7. **Solution flow adjustment button** - Press button to adjust the solution flow setting from low, medium, high or to turn off solution flow.
8. **Solution flow indicator** - Displays solution flow setting.

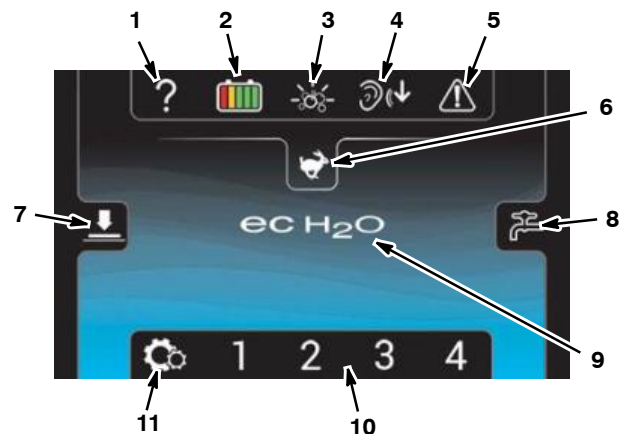
## OPERATION

### T300 Model with Pro-Membrane Control Panel (Actuated Down Pressure Model)



1. **Service indicator** - Lights up when a machine or charger fault is detected.
2. **Parking brake indicator** - Lights up when parking brake lever is engaged. To turn off indicator, disengage parking brake lever near left rear wheel.
3. **Battery discharge indicator (BDI)** - The battery discharge indicator serves two functions. In normal scrub mode it displays the charge level of the batteries. It also, in conjunction when the service indicator is flashing, provides specific LED codes when a machine or charger fault is detected.
4. **ec-H2O indicator (Option)** - Lights up blue when ec-H2O system is activated and operating normally.
5. **Down pressure adjustment button** - Press button to adjust the down pressure from low, medium or high.
6. **Down pressure indicator** - Displays down pressure setting.
7. **Severe Environment on/off button (ec-H2O Model Option)** - Press button to dispense cleaning detergent as needed for excessive soil buildup while operating.
8. **Quiet mode on/off button (Option)** - Press button to reduce the vacuum motor sound for noise restricted areas.
9. **Solution flow adjustment button** - Press button to adjust the solution flow setting from low, medium, high or to turn off solution flow.
10. **Solution flow indicator** - Displays solution flow setting.
11. **Zone Settings buttons** - Machine comes with three factory default Zone Settings for quick operation. The factory zone settings are configured with different solution flow rates, down pressures and maximum scrub speeds.

### T300 Model with Pro-Panel Controls (LCD - Liquid Crystal Display)



1. **Help icon** - For first time users. Use to select display language, identify control panel symbols and view start-up videos.
2. **Battery discharge indicator (BDI)** - Displays the discharge level of batteries.
3. **Severe Environment icon (ec-H2O Model Option)** - Press icon to dispense cleaning detergent as needed for excessive soil buildup.
4. **Quiet mode icon (Option)** - Press icon to reduce the vacuum motor sound for noise restricted areas.
5. **Service indicator** - Lights up and begins flashing when a machine or charger fault is detected.
6. **Maximum scrub speed icon** - Press icon to adjust the maximum scrubbing speed. Supervisor mode accessible only.
7. **Down pressure icon** - Press icon to adjust the down pressure setting from low, medium to high.
8. **Solution flow icon** - Press icon to adjust the solution flow setting from low, medium, high or to turn off solution flow.
9. **ec-H2O indicator (Option)** - The ecH2O icon is displayed when ec-H2O system is activated and operating normally.
10. **Zone Settings** - Machine comes with four zone settings for quick operation. The factory default zone settings are configured with different solution flow rates, down pressures and maximum scrub speeds.
11. **Settings icon** - Provides access to training video tutorials, machine software information, battery type selection and supervisor controls. A supervisor can setup users with operator login ID with the ability to program the machine's settings with lock-out functionality.

## INSTALLING BATTERIES

**⚠ WARNING: Batteries emit hydrogen gas. Explosion or fire can result. Keep sparks and open flame away when charging.**

**FOR SAFETY: When servicing machine, wear appropriate personal protection equipment as needed. Avoid contact with battery acid.**

### BATTERY SPECIFICATIONS

Two 12 volt deep-cycle batteries.

Contact distributor or Tennant for battery recommendations.

**FOR SAFETY: Before leaving or servicing machine, stop on level surface, turn off machine, remove key and set parking brake if equipped.**

1. Lift the recovery tank to access the battery compartment (Figure 1).

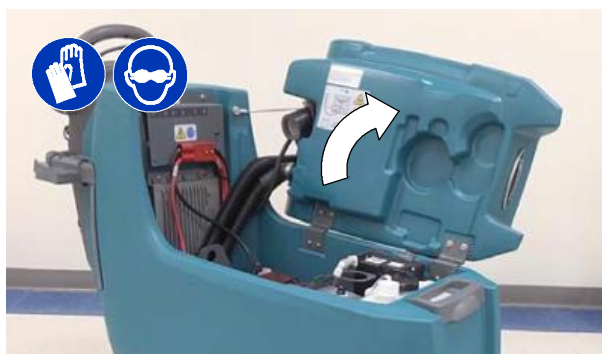


FIG. 1

2. With adequate assistance, carefully install the batteries into the battery compartment. Arrange the batteries as shown (Figure 2).

**FOR SAFETY: When servicing machine, use a hoist or adequate assistance when lifting batteries.**

3. Using the supplied battery post boots, connect the cables to the battery posts as shown (Figure 2). Connect the machine's black (-) battery cable last. Use insulated tools when working near batteries.

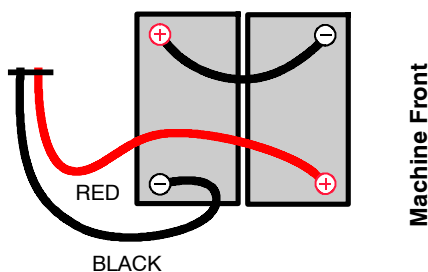


FIG. 2

**IMPORTANT: Make sure that the machine's battery charger is properly set before charging. See BATTERY CHARGER SETTINGS.**

### BATTERY PACK LIFT-OUT TRAY (Option)

Models equipped with the optional battery lift-out tray for quick or frequent battery pack exchange.

**FOR SAFETY: Before leaving or servicing machine, stop on level surface, turn off machine, remove key and set parking brake if equipped.**

**⚠ WARNING: Batteries emit hydrogen gas. Explosion or fire can result. Keep sparks and open flame away when charging.**

1. Disconnect the battery cable connection at machine (Figure 3).



FIG. 3

**FOR SAFETY: When servicing machine, wear appropriate personal protection equipment as needed. Avoid contact with battery acid.**

2. Using an approved lift strap that supports the weight of battery pack, connect the strap to the two lift brackets as shown. Using a lift hoist rated to handle the weight of the battery pack, carefully lift the battery packs to and from machine. Keep one hand on the battery lift-out tray when lifting for stability (Figure 4).

Before lifting battery pack, make sure the batteries are secured to the battery lift-out tray with the supplied battery strap as shown (Figure 4).



FIG. 4

3. Reconnect the battery cable connection after installing battery pack.

---

### HOW THE MACHINE WORKS

---

#### **Conventional scrubbing:**

When using the conventional scrubbing mode, water and detergent mixture from the solution tank flows to the floor and the rotating brush(es)/pad(s) scrub the floor clean. As the machine moves forward, the squeegee with vacuum suction picks up the dirty solution from the floor into the recovery tank.

#### **ec-H<sub>2</sub>O NanoClean Technology (option):**

When using the ec-H<sub>2</sub>O NanoClean technology, normal water passes through a module where it is electrically converted into a cleaning solution. The electrically converted water attacks the dirt, allowing the machine to easily scrub away the suspended soil. The converted water then returns to normal water in the recovery tank.

---

### BRUSH AND PAD INFORMATION

---

For best cleaning results use the appropriate brush or pad for your cleaning application. Listed below are brushes and pads and the applications for which each is best suited.

*NOTE: The amount and type of soilage play an important role in determining the type of brush or pad to use. Contact a Tennant representative for specific recommendations.*

#### **Soft nylon bristle scrub brush (White) -**

Recommended for cleaning coated floors without removing finish. Cleans without scuffing.

#### **Polypropylene bristle scrub brush (Black) -**

This general purpose polypropylene bristle scrub brush is used for scrubbing lightly compacted soilage. This brush works well for maintaining concrete, wood and grouted tile floors.

#### **Super abrasive bristle scrub brush (Gray) -**

Nylon fiber impregnated with abrasive grit to remove stains and soilage. Strong action on any surface. Performs well on buildup, grease, or tire marks.

#### **Polishing pad (White) -**

Used to maintain highly polished or burnished floors.

**Buffing pad (Red) -** Used for light duty scrubbing without removing floor finish.

**Scrubbing pad (Blue) -** Used for medium to heavy-duty scrubbing. Removes dirt, spills, and scuffs and leaves surface clean ready for recoating.

**Stripping pad (Brown) -** Used for stripping of floor finish to prepare the floor for recoating.

**Heavy duty stripping pad (Black) -** Used for aggressive stripping of heavy finishes/sealers, or very heavy duty scrubbing.

**Surface preparation pad (Maroon) -** Used for very aggressive chemical free removal of floor finish to prepare the floor for re-coating



**MACHINE SETUP**

**ATTACHING SQUEEGEE ASSEMBLY**

**FOR SAFETY: Before leaving or servicing machine, stop on level surface, turn off machine, remove key and set parking brake if equipped.**

1. Lift the squeegee mount bracket to the raised position. Place toe under pedal to lift (Figure 5).



FIG. 5

2. Mount the squeegee assembly to the squeegee mount bracket (Figure 6). Tighten knobs to secure squeegee assembly to bracket.



FIG. 6

3. Connect the vacuum hose to the squeegee assembly (Figure 7).



FIG. 7

**INSTALLING BRUSH/PAD - 3 Lug Disk (T300e)**

**FOR SAFETY: Before leaving or servicing machine, stop on level surface, turn off machine, remove key and set parking brake if equipped.**

1. Step down on the scrub head lift pedal to raise the scrub head off the floor (Figure 8).



FIG. 8

2. Attach the pad to the pad driver before installing the disk (Figure 9). Secure pad with centerlock.

**FOR SAFETY: Do not operate machine with pads or accessories not supplied or approved by Tennant. The use of other pads may impair safety.**

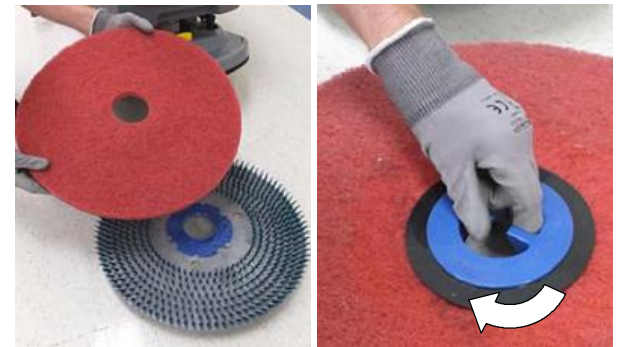


FIG. 9

3. Single disk model - Position the three lugs into the motor hub slots and give the pad driver/brush a quick counter-clockwise turn to engage hub (Figure 10). View through the scrub head window to align lugs.



FIG. 10

## OPERATION

Dual disk model - Turn the brush motor hub until the lug slot with spring clip is visible. Position the three lugs into the motor hub slots and give the pad driver/brush a quick turn towards the spring clip (Figure 11). View through the scrub head window to align lugs.

**NOTE:** The left and right disks engage the hubs in opposite directions.

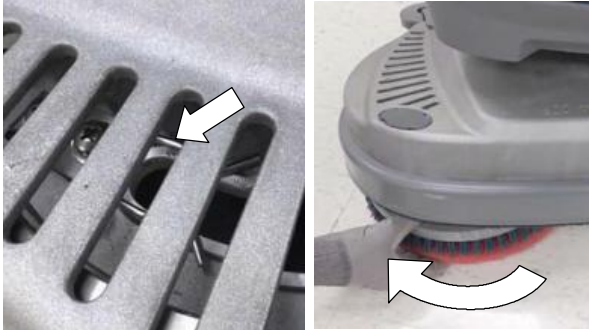


FIG. 11

4. Single disk model - To remove the pad driver/brush, press down on the plunger and turn the pad driver/brush clockwise (Figure 12).



FIG. 12

Dual disk model - To remove the pad driver/brush, grip the disk and give it a quick turn in the direction as shown (Figure 13).

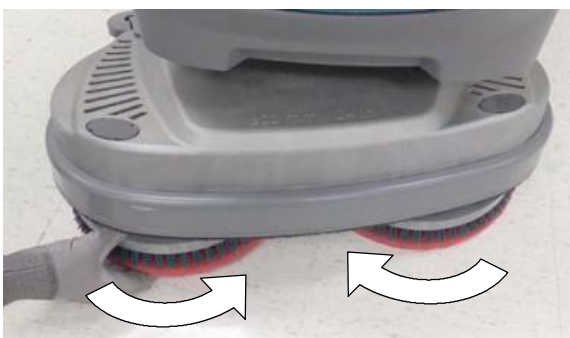


FIG. 13

### INSTALLING BRUSH/PAD - Insta-Click Magnetic Disk

**FOR SAFETY:** Before leaving or servicing machine, stop on level surface, turn off machine, remove key and set parking brake if equipped.

**⚠ WARNING:** Magnetic Field Hazard. Magnetic pad driver/brush can be harmful to pacemaker wearers or medical implants.

1. Step down on the scrub head lift pedal to raise the scrub head off the floor (Figure 14).



FIG. 14

2. Attach the pad to the pad driver before installing the driver (Figure 15). Secure pad with centerlock.

**FOR SAFETY:** Do not operate machine with pads or accessories not supplied or approved by Tennant. The use of other pads may impair safety.

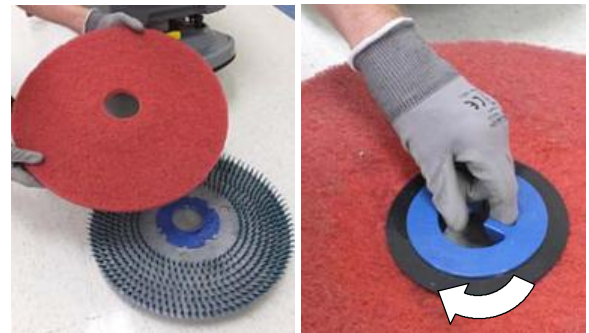


FIG. 15

3. Place the pad driver/brush under the scrub head and lift into position. The Insta-Click pad driver/brush will automatically click into position (Figure 16).



FIG. 16

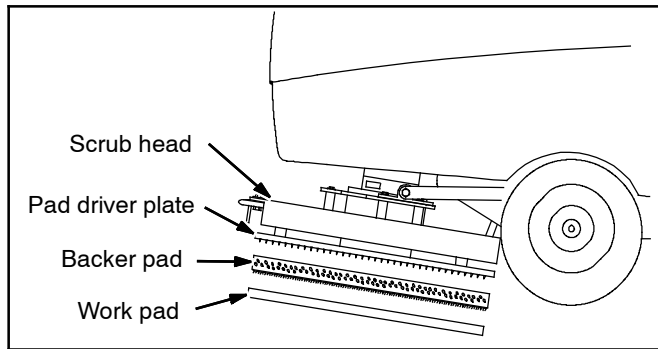
4. To remove the pad driver(s)/brush(es), raise the scrub head and press the yellow plunger button with foot or hand (Figure 17). Pad will drop to floor.



**FIG. 17**

**INSTALLING PAD - Orbital**

For best cleaning performance and to avoid damaging the pad driver plate or floor surface, always use backer pad with work pads (Figure 18).



**FIG. 18**

**FOR SAFETY: Before leaving or servicing machine, stop on level surface, turn off machine, remove key and set parking brake if equipped.**

1. Step down on the scrub head lift pedal to raise the scrub head off the floor (Figure 19).



**FIG. 19**

2. Install the backer pad, retaining strips facing outward, to bottom of scrub head (Figure 20). Make sure pad is centered on scrub head.



**FIG. 20**

3. Attach the work pad to the backer pad (Figure 21).



**FIG. 21**

**INSTALLING CYLINDRICAL BRUSHES**

**FOR SAFETY: Before leaving or servicing machine, stop on level surface, turn off machine, remove key and set parking brake if equipped.**

1. Step down on the scrub head lift pedal to raise the scrub head off the floor (Figure 22).



**FIG. 22**



## OPERATION

2. Remove the debris tray by sliding it out from the scrub head (Figure 23).

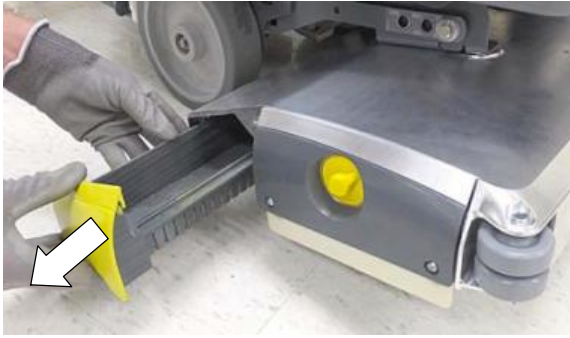


FIG. 23

3. Remove the idler plate from the scrub head by unscrewing the yellow knob (Figure 24).



FIG. 24

4. Slide the brushes into the scrub head and connect the slotted ends of each brush into the drive hubs (Figure 25).



FIG. 25

5. Connect the idler plate to the brush ends and reattach the idler plate. Make sure the idler plate hooks are engaged before tightening knob (Figure 26).



FIG. 26

6. Replace debris tray.

## FILLING SOLUTION TANK

**FOR SAFETY:** Before leaving or servicing machine, stop on level surface, turn off machine, remove key and set parking brake if equipped.

Remove the solution tank lid and fill the solution tank. Stop filling tank when the level reaches the “3/3” mark on the solution tank drain hose indicator (Figure 27).

**ec-H<sub>2</sub>O Scrubbing** - Only use cool clean water (less than 21°C). Do not use hot water or add conventional floor cleaning detergents. An ec-H<sub>2</sub>O system fault will occur if cleaning detergents are added.

**Conventional Scrubbing** - Use hot water (60°C maximum). Pour a recommended cleaning detergent into the solution tank according to mixing instructions on the container.

**NOTE:** Do not use the ec-H<sub>2</sub>O system when there are conventional cleaning detergents in the solution tank. Drain, rinse, and refill the solution tank with clear cool water before operating the ec-H<sub>2</sub>O system.

**⚠ WARNING:** Flammable materials can cause an explosion or fire. Do not use flammable materials in tank(s).

**ATTENTION:** For Conventional Scrubbing, only use commercially approved cleaning detergents. Machine damage due to improper detergent usage will void the manufacturer's warranty.



FIG. 27

The solution tank fill-port is equipped with two hose clips to hold hose while filling. The two clips are different hose diameter sizes (Figure 28).

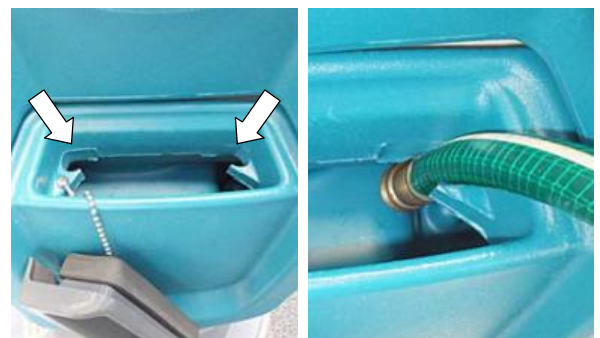


FIG. 28



**FILLING SEVERE ENVIRONMENT TANK  
(T300 ec-H2O model Option)**

The ec-H2O NanoClean model may come equipped with the optional Severe Environment mode. The Severe Environment button allows you to dispense cleaning detergent as needed for excessive soil buildup.

1. Lift the recovery tank to access the severe environment tank (Figure 29). Drain recovery tank before lifting tank.



FIG. 29

2. Remove cap from tank and add a recommended cleaning detergent at full concentration (Figure 30). Do not add water. Replace cap.



FIG. 30

**⚠ WARNING: Flammable materials can cause an explosion or fire. Do not use flammable materials in tank(s).**

**ATTENTION:** Only use commercially approved cleaning detergents in the severe environment tank. Do not use cleaners based with d-limonene. Machine damage due to improper detergent usage will void the manufacturer's warranty.

*NOTE: To prevent from running out of detergent while operating, it is recommended to refill the severe environment tank when refilling the solution tank.*

3. Adjust the mixing ratio knob according to the cleaning detergent's mixing instructions (Figure 31).



FIG. 31

**ec-H2O NanoClean WATER CONDITIONING CARTRIDGE (ec-H2O model)**

The ec-H2O system is equipped with a water conditioning cartridge (Figure 32). The cartridge is designed to protect the machine's plumbing system from potential scaling.

The cartridge is required to be replaced when it reaches its maximum water usage or expiration time of when the cartridge was activated, whichever comes first.

Depending on machine usage a new cartridge can last anywhere from 12 to 24 months.

The control panel will signal a code when it's time to replace cartridge. See SERVICE INDICATOR CODES for further details.



FIG. 32

All cartridges are labeled with a manufacture date. The shelf-life of an un-installed cartridge is one year from manufacture date. For new cartridge replacement, the ecH2O module timer must be reset. See ec-H2O NanoClean WATER CONDITIONING CARTRIDGE REPLACEMENT.

**ATTENTION:** During first time use and after replacing the water conditioning cartridge, the ec-H2O system will automatically override the selected solution flow rate for up to 75 minutes.

## OPERATION

### ACCESSORY RAILS

The machine is equipped with one or two accessory rails which straddle the control console. The left side rail also serves as the recovery tank and solution tank drain hose holder.

The accessory rails are designed to store the squeegee assembly, spray bottles and other accessory items (Figure 33).



FIG. 33

The J-hooks on the underside of the right side rail allow debris bag storage (Figure 34).



FIG. 34

**ACCESSORY CLIPS (Option)** - If model is equipped with the optional accessory clips, the clips easily clip on and off the rails for additional accessory storage (Figure 35).

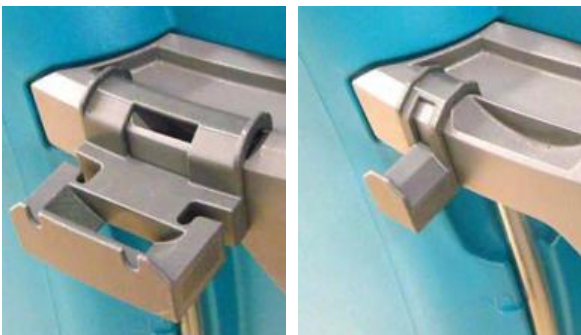


FIG. 35

To install the accessory clips, hook the clip over the rail and push downward until it snaps into position. To remove the accessory clip, reach under the clip and carefully pull the latch tab downward to release from rail. (Figure 36)

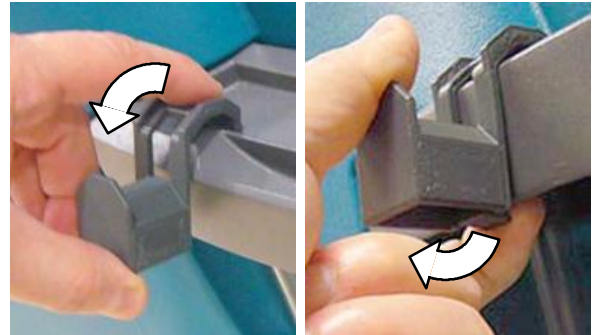


FIG. 36

The optional accessory clips allow for storage of wet floor signs, spray bottles, squeegee assembly, debris bags and other items (Figure 37).



FIG. 37



**ATTENTION:** Do not use the accessory rails to lift machine, damage may occur.



**ATTENTION:** Do not step on accessory rails, damage may occur.

## T300 CONTROL PANEL OPERATION

### T300 WITH MEMBRANE CONTROL PANEL (Manual Down Pressure Model)

1. Turn the key to on ( I ) position to power up machine.

Models equipped with the ec-H<sub>2</sub>O option - The ecH<sub>2</sub>O system will automatically turn on at start up. A blue ec-H<sub>2</sub>O icon will appear on the control panel (Figure 38). This indicates that the ecH<sub>2</sub>O system is turned on and ready for operation. To turn off the ec-H<sub>2</sub>O system, press the ec-H<sub>2</sub>O switch located below the key switch.



FIG. 38

2. Press the solution flow button to increase or decrease the solution flow rate (Figure 39). The solution flow indicator will display flow setting. No LED = No flow, One LED = Low flow, two LED's = Medium flow, three LED's = High flow.



FIG. 39

3. Models equipped with Severe Environment button option - Press Severe Environment button one time to dispense cleaning detergent for 30 seconds (Figure 40). A green LED in the corner will blink slowly when dispensing. During the last 5 seconds, the LED will blink rapidly as an alert that the dispensing is about to stop. For continuous dispense, press and hold the button for 2 seconds until LED turns solid green. Press button at anytime to turn off.

The icon will blink blue when the severe environment tank needs to be refilled.

*NOTE: When the severe environment mode is turned on, the down pressure and solution flow settings automatically increase to the high setting. When turned off, the settings revert back to the original settings.*



FIG. 40

4. Models equipped with Quiet-Mode option - Press the Quiet-Mode button to reduce the vacuum motor sound (Figure 41). A green LED in the corner will turn on when mode is activated. Press button to turn off.

*NOTE: Water pickup will reduce slightly when Quiet-Mode is activated.*



FIG. 41

5. If a machine fault is detected during operation, the service indicator will light up and begin flashing (Figure 42). See SERVICE INDICATOR CODES.

If the ec-H<sub>2</sub>O system detects a fault during operation, the ec-H<sub>2</sub>O icon will turn or blink red. See SERVICE INDICATOR CODES.



FIG. 42

ec-H <sub>2</sub> O INDICATOR	CONDITION
Solid blue	Normal operation
Blinking blue/red	Water conditioning cartridge expired. Replace cartridge.
Solid or blinking red	See Service Indicator Codes.



## OPERATION

### T300 WITH PRO-MEMBRANE CONTROL PANEL

(Actuated Down Pressure Model)

The control panel operation can be set up with lockout functionality by using the supervisor controls feature. This will prevent an operator from changing or saving the Zone Settings. See SUPERVISOR CONTROLS instructions at back of manual.

1. Turn the key to on ( I ) position to power up machine.

Models equipped with the ec-H2O option - The ecH2O system will automatically turn on at start up. A blue ec-H2O icon will appear on the control panel (Figure 43). This indicates that the ecH2O system is turned on and ready for operation. To turn off the ec-H2O system, press the ec-H2O switch located below the key switch.



FIG. 43

2. Press the down pressure button to increase or decrease the down pressure (Figure 44). The down pressure indicator will display the pressure setting. One LED = Low pressure, two LED's = Medium pressure, three LED's = High pressure.

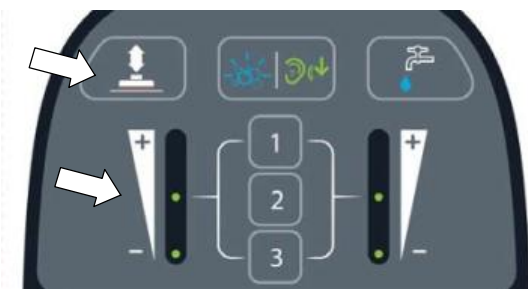


FIG. 44

3. Press the solution flow button to increase or decrease the solution flow rate (Figure 45). The solution flow indicator will display flow setting. No LED = No flow, One LED = Low flow, two LED's = Medium flow, three LED's = High flow.

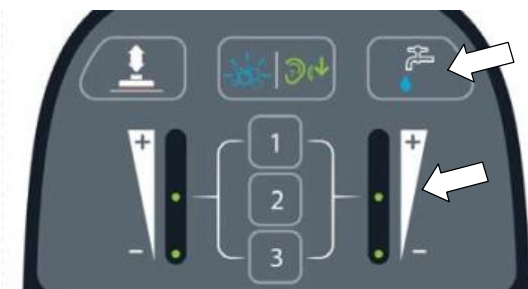


FIG. 45

4. Models equipped with Severe Environment button option - Press Severe Environment button one time to dispense cleaning detergent for 30 seconds (Figure 46). A green LED in the corner will blink slowly when dispensing. During the last 5 seconds, the LED will blink rapidly as an alert that the dispensing is about to stop. For continuous dispense, press and hold the button for 2 seconds until LED turns solid green. Press button at anytime to turn off.

The icon will blink blue when the severe environment tank needs to be refilled.

*NOTE: When the severe environment mode is turned on, the down pressure and solution flow settings automatically increase to the high setting. When turned off, the settings revert back to the original settings.*



FIG. 46

5. Models equipped with Quiet-Mode option - Press the Quiet-Mode button to reduce the vacuum motor sound (Figure 47). A green LED in the corner will turn on when mode is activated. Press button to turn off.

*NOTE: Water pickup will reduce slightly when Quiet-Mode is activated.*



FIG. 47

6. Press the Zone Setting numbers for quick operation (Figure 48). The three preset zones are factory configured with different solution flow rates and down pressures.



FIG. 48

To change the Zone Settings for a specific scrubbing application, configure the new zone settings and press and hold the zone button until it blinks three times to save new zone setting.

The zone settings can configure the following controls:

- Down pressure rate
- Solution flow rate
- Quiet-Mode on or off (option)
- ec-H2O mode on or off (option)
- Severe Environment mode on or off (option).

*NOTE: The severe environment mode and ec-H2O mode cannot be configured together.*

7. If a machine fault is detected during operation, the service indicator will light up and begin flashing (Figure 49). See SERVICE INDICATOR CODES.

If the ec-H2O system detects a fault during operation, the ec-H2O icon will turn or blink red. See SERVICE INDICATOR CODES.



FIG. 49

ec-H2O INDICATOR	CONDITION
Solid blue	Normal operation
Blinking blue/red	Water conditioning cartridge expired. Replace cartridge.
Solid or blinking red	See Service Indicator Codes.

### T300 MODEL WITH PRO- PANEL CONTROLS

There are two types of user modes that will interface with the operator home screen:

**Operator Mode** - Capable of machine operation with permissions and restrictions controlled by the supervisor.

**Supervisor Mode** - Capable of machine operation with full use of all controls, along with configuring permissions and restrictions for the operator mode.

A new machine from the factory will automatically start up in the supervisor mode by default. To configure the control panel with permissions and restrictions for the operator mode, see SUPERVISOR CONTROLS instructions at back of manual.

1. Turn the key to on ( I ) position. At start up, a Tennant logo screen will first appear followed by the operator home screen as shown below (Figure 50).



FIG. 50

Models equipped with the ec-H2O option, the ec-H2O icon will appear at the center of the display. This indicates the ec-H2O system is turned on and ready for operation. The ec-H2O system will automatically turn on at start up.

To turn off the ec-H2O system, press the ec-H2O on/off switch located below the key switch. A slash mark over the icon will indicate that the ec-H2O system is turned off (Figure 51).

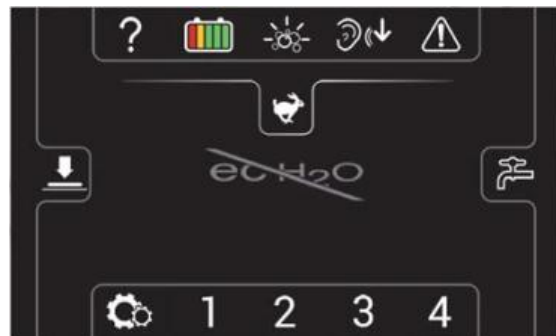


FIG. 51

## OPERATION

When supervisor controls are configured for the operator mode, a login screen will appear at start up (Figure 52). Enter the login number assigned by the supervisor and press the green arrow to access the operator home screen. See SUPERVISOR CONTROLS instructions at back of manual.

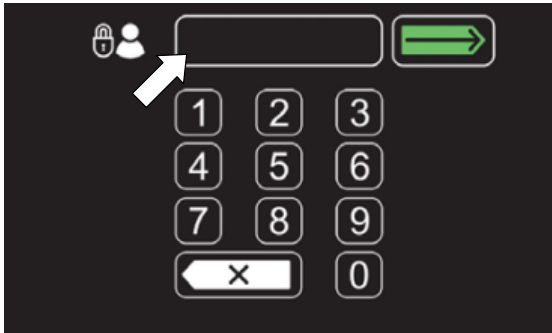


FIG. 52

- For first time users, press the help icon on the operator home screen (Figure 50). The help screen, shown below, will allow you to select a different display language, help identify control panel icons and view start-up operator videos (Figure 53).

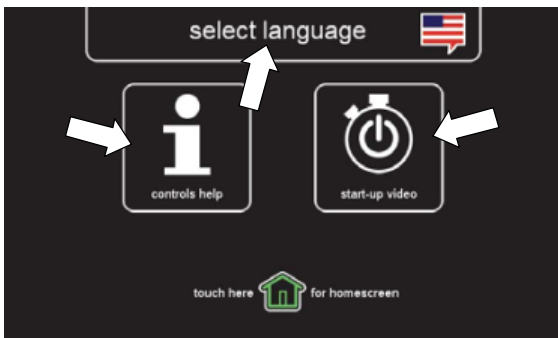


FIG. 53

Press the home screen icon at anytime to return to the operator home screen.

- Press the down pressure icon to display the down pressure scale (Figure 54). Press the (+) symbol to increase down pressure. Press the (-) symbol to decrease the down pressure.



FIG. 54

- Press the solution flow icon to display the solution flow scale (Figure 55). Press the (+) symbol to increase solution flow. Press the (-) symbol to decrease the flow solution or to turn it off.

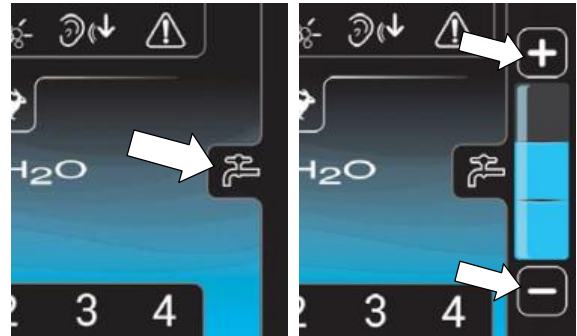


FIG. 55

- Press the maximum scrub speed icon to display the maximum speed scale (Figure 56). Press (+) symbol to increase the maximum scrub speed. Press the (-) symbol to decrease the maximum scrub speed. Only accessible in Supervisor Mode.

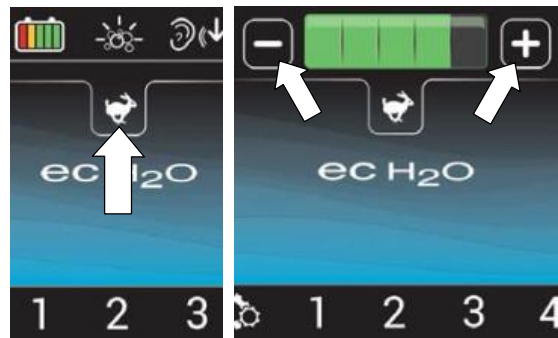


FIG. 56

- Models equipped with Severe Environment option - Press the Severe Environment icon once to dispense cleaning detergent for 30 seconds. The icon will turn green and a 30 second count down timer will start. For continuous dispensing of detergent, press and hold the icon for 2 seconds until a continuous timer is displayed. Press the icon at anytime to turn off. (Figure 57). The icon will blink yellow when the severe environment tank needs to be refilled.



FIG. 57

*NOTE: When the severe environment mode is turned on, the down pressure and solution flow settings automatically increase to the high setting. When turned off, the settings revert back to the original settings.*

- Models equipped with Quiet-Mode option - Press the quiet mode icon to reduce the vacuum motor sound for noise restricted areas (Figure 58). The icon will turn green when activated. Press again to turn off.

*NOTE: When the Quiet-Mode is activated the water pickup will slightly be reduced.*



FIG. 58

- Press the Zone Setting numbers for quick operation (Figure 59). The zone number will turn green when activated. Each Zone Setting number is factory configured with different solution flow rates, down pressures and maximum scrub speeds.

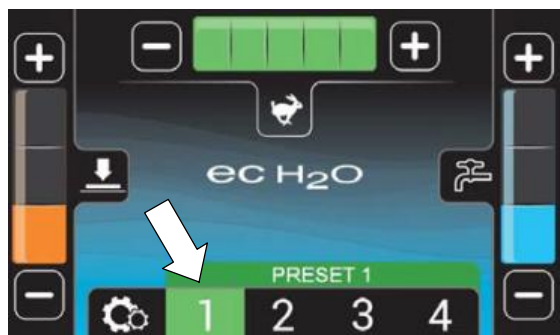


FIG. 59

To change the default zone settings - Configure the desired zone settings then press and hold the zone number button until it prompts you to name the new zone setting. Select "yes" to enter a new name (Figure 60). By selecting "no", the preset name will be removed.

*NOTE: Only the supervisor mode has the capability to change the factory zone settings (See SUPERVISOR CONTROLS instructions at back of manual).*

The zone settings can configure the following controls:

- Down pressure rate
- Solution flow rate
- Quiet-Mode on or off (option)
- Maximum scrub speed (drive model)
- ec-H2O mode on or off (option)
- Severe Environment mode on or off (option).

*NOTE: The Severe Environment and ec-H2O modes cannot be configured together.*



FIG. 60

If the zone settings are configured to scrub a lobby for example, rename the zone "LOBBY" (Figure 61). Press the green arrow to set new zone setting.



FIG. 61

The name will appear above the zone setting number when the zone button is pressed (Figure 62). Repeat process for other zone settings.

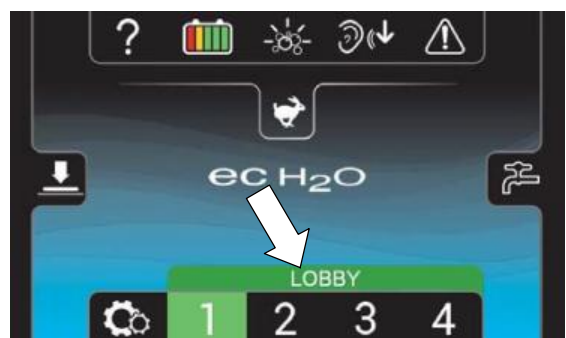


FIG. 62

- Press the Settings icon on the operator home screen to access the following screen (Figure 63). The buttons are explained as follows.

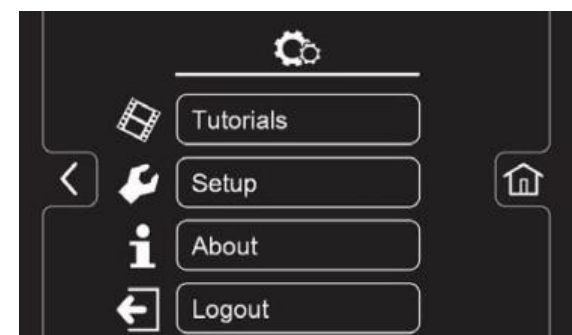



FIG. 63



 Tutorials button - Includes videos on how to perform specific operation and maintenance procedures. Press the video icons to start videos (Figure 64).

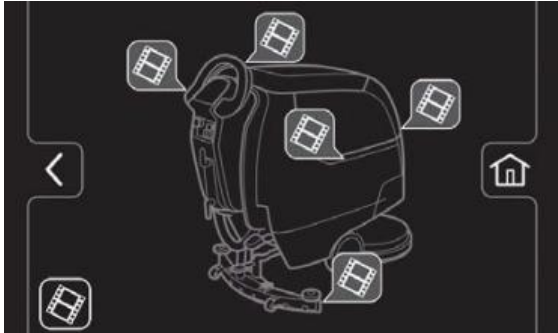





FIG. 64

 Setup button - Requires the user to be in supervisor mode to access machine setup. See SUPERVISOR CONTROLS instructions at back of manual.

 About button - Includes machine systems information.

 Logout button - Required when supervisor controls are configured with assigned login numbers. See SUPERVISOR CONTROLS instructions at back of manual.


10.  The service indicator icon on the home screen will flash yellow or red when a machine fault is detected (Figure 65).



FIG. 65

In conjunction with a flashing service indicator icon, the following fault screens will automatically pop up to indicate the problem.

**Yellow machine fault icon** (Figure 66). See SERVICE INDICATOR CODES to diagnose machine fault.



FIG. 66

**Red or Yellow ec-H2O system fault icon** (Figure 67). See SERVICE INDICATOR CODES to diagnose ec-H2O system fault.

When the ec-H2O system fault icon is **blinking Blue and Red**, the water conditioning cartridge has expired and needs to be replaced. See ec-H2O NanoClean WATER CONDITIONING CARTRIDGE REPLACEMENT.



FIG. 67

**Yellow Parking brake icon** (figure 68). Parking brake lever must be released before operating.



FIG. 68

Press arrows at top of screen to cycle through fault screens.



## MACHINE OPERATION

**FOR SAFETY: Do not operate machine unless operator manual is read and understood.**

### PRE-OPERATION CHECK LIST

- Sweep area and remove any obstructions.
- Check brushes/pads for wear and damage.
- Check squeegee blades for wear and damage.
- Confirm recovery tank empty and screen and debris tray is clean.
- Check scrub head skirt for wear and damage.
- Cylindrical brush model - confirm scrub head debris tray is empty and clean.
- ec-H2O Scrubbing: Confirm solution tank is filled with clear cool water only.
- ec-H2O Scrubbing: Ensure all conventional cleaning agents/restorers are drained and rinsed from solution tank.
- Check machine for proper operation.

### OPERATING MACHINE

For T300 control panel operating instructions, see CONTROL PANEL OPERATION.

1. Release the parking brake lever, if equipped (Figure 69)
2. Turn the key to the on ( I ) position (Figure 69).

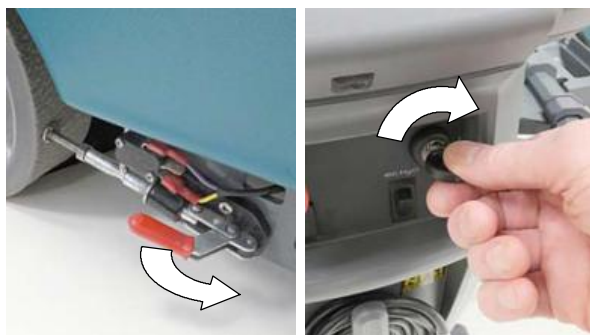


FIG. 69

3. ec-H2O models - The ec-H2O system will automatically turn on at start up. To turn off the ec-H2O system, press the ec-H2O switch located below the key switch (Figure 70).

**ATTENTION:** During first time use and after replacing the water conditioning cartridge, the ec-H2O system will automatically override the selected solution flow rate for up to 75 minutes.

**ATTENTION:** If cleaning detergent is accidentally cycled through ec-H2O system, immediately turn the ec-H2O system off. Drain solution tank, refill with cool water and operate the ec-H2O system to flush out detergent.

T300e models -

T300 models with Membrane control panel -



FIG. 70

ec-H2O INDICATOR	CONDITION
Solid blue	Normal operation
Blinking blue/red	Water conditioning cartridge expired. Replace cartridge.
Solid or blinking red	See Service Indicator Codes.

4. Lower the scrub head to the floor by stepping on the scrub head lift pedal as shown (Figure 71).



FIG. 71

5. Lower the squeegee assembly to floor by stepping on foot pad as shown (Figure 72). To raise squeegee assembly, place toe under foot pad and lift. The vacuum motor will start when squeegee assembly is lowered.



FIG. 72

## OPERATION

6. Drive models - push the directional lever to the forward position to go forward (Figure 73). To reverse the machine pull the directional lever backwards.



FIG. 73

7. To begin scrubbing, pull the start bail (Figure 74).



FIG. 74

8. Drive models - Adjust the scrubbing speed by turning the speed dial to the desired speed (Figure 75).

Push models - Slowly push the machine forward. The rotating brush(es) will help assist the machine forward.



FIG. 75

9. T300e ec-H2O model - To adjust the solution flow rate when ec-H2O scrubbing, press the solution flow button located on the ec-H2O module (Figure 76). One LED= low, two LED's=medium, and three LED's= high.



FIG. 76

10. T300e model - To adjust the solution flow rate when conventional scrubbing, turn the solution flow control knob located underneath machine (Figure 77).

*NOTE: The solution flow control knob is only functional when conventional scrubbing.*

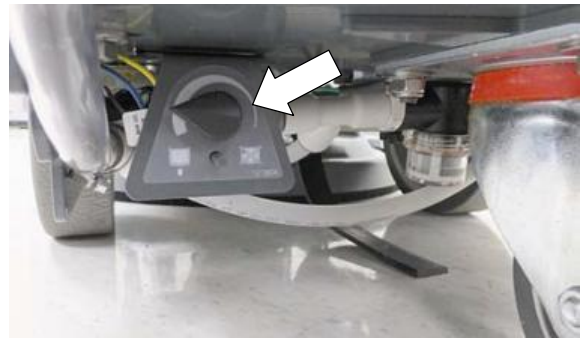


FIG. 77

11. T300e model option / T300 manual down pressure model - When extra brush pressure is needed for heavily soiled areas lift the down pressure lever (Figure 78).

*NOTE: Release the down pressure lever when raising scrub head.*



FIG. 78

12. To stop scrubbing, release the start bail and raise the scrub head and squeegee assembly off floor. Turn key off and set parking brake, if equipped.

**WHILE OPERATING MACHINE**

**⚠ WARNING: Flammable materials materials or reactive metals can cause an explosion or fire. Do not pick up.**

1. Overlap each scrub path by 5 cm.
2. Keep machine moving to prevent damage to floor finish.
3. Wipe squeegee blades with a cloth if blades leave streaks.
4. Avoid bumping the machine into posts and walls.
5. T300 Model - When draining and refilling machine, always top off the optional Severe Environment tank with detergent.

**FOR SAFETY: When operating machine, do not scrub on inclines that exceed 9% grade or transport on inclines that exceed 21% grade.**

6. Pour a recommended foam control solution into the recovery tank if excessive foam appears.

**ATTENTION:** Foam buildup will not activate the float shut-off screen, vacuum motor damage will result.

7. Use the double scrubbing method for heavily soiled areas. First scrub the area with the squeegee up, let solution set for 3-5 minutes, then scrub the area a second time with squeegee down.
8. Orbital Scrub Head Model - Use caution when working near the tile cove (Figure 79) and floor mounted fixtures such as pedestal sinks and other breakable items. Keep the metal scrub head edge away to avoid possible damage.

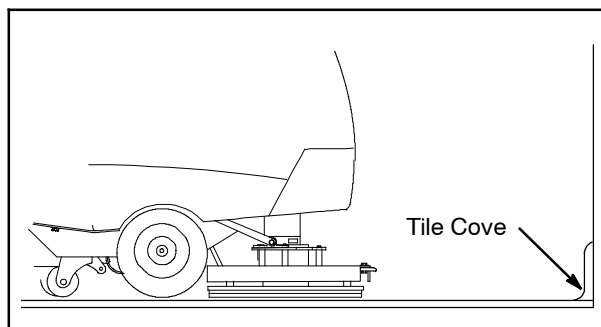


FIG. 79

9. When leaving the machine unattended, remove the key and set the parking brake, if equipped.
10. Do not operate machine in areas where the ambient temperature is above 43°C or below freezing 0°C.

**EMERGENCY SHUT-OFF BUTTON (Drive models)**

Push the emergency shut-off button in the event of an emergency (Figure 80). This red button shuts off all power to machine. To regain power, turn the button clockwise and restart the key.

Only use this button in the event of an emergency. It is not intended for routine machine shutdown.



FIG. 80

**BATTERY DISCHARGE INDICATOR**

The battery discharge indicator (BDI) displays the charge level of the batteries while the machine is operating. When the batteries are fully charged, all five indicators are lit (Figure 81). When the discharge level reaches the red light, stop scrubbing and recharge the batteries. If the red light begins to flash, the scrubbing function will automatically shut off to protect the batteries from total discharge. Drive Model: The machine will still propel when the red light is flashing, this will allow user to transport machine to charging station.



FIG. 81



## OPERATION

### CIRCUIT BREAKER PANEL

The machine is equipped with resettable circuit breakers to protect the machine from a current overload. If a circuit breaker trips, disconnect the battery cable connection and reset the breaker by pressing the reset button after the breaker has cooled down. Reconnect the battery cable connection. If the circuit breaker does not reset or continues to trip contact service personnel.

The circuit breaker panel is located near the battery compartment and identified as described below (Figure 82).



FIG. 82

Circuit Breaker	Rating	Circuit protected
CB1	4 A	Key switch, control board
CB2	4 A	ec-H2O module
CB3	4 A	ec-H2O pump
CB4	30 A	Propel
CB5	37 A	Brush motor (T300e)
CB6	20 A	Vacuum motor (T300e)

**FOR SAFETY:** When servicing machine, all repairs must be performed by trained personnel.

### HOUR METER

The hour meter records the number of hours the machine has been operated. Use the hour meter to perform specific maintenance procedures and to record service history (Figure 83).



FIG. 83

### DRAINING TANKS

**FOR SAFETY:** Before leaving or servicing machine, stop on level surface, turn off machine, remove key and set parking brake if equipped.

#### DRAINING RECOVERY TANK

Drain and clean the recovery tank daily and between solution tank refills.

1. Transport the machine to drain area.
2. For models equipped with drain hose caps, hold the hose upward, remove cap then slowly lower hose to drain. For models equipped with flow control valve drain hose, lower hose and slowly open valve to drain (Figure 84).



FIG. 84

**NOTE:** When using a bucket to drain the machine, do not use the same bucket to fill the solution tank.

3. Remove and clean the float shut-off screen (Figure 85).



FIG. 85

- Remove the debris tray and empty (Figure 86).



FIG. 86

- Rinse out the recovery tank with clean water and wipe clean of any soil residue (Figure 87).



FIG. 87

- Rinse out solution tank with clean water (Figure 89).



FIG. 89

- Remove the solution tank filter and clean screen after every 50 hours of use (Figure 90). Solution filter is located under machine at rear. Drain solution tank before removing filter.

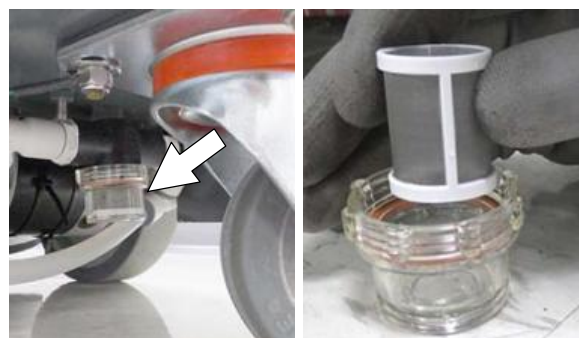


FIG. 90

### DRAINING SOLUTION TANK

Drain the solution tank daily.

- Transport the machine to drain area.

**FOR SAFETY: Before leaving or servicing machine, stop on level surface, turn off machine, remove key and set parking brake if equipped.**

- To drain remaining water from solution tank, pull the solution hose from the accessory rail (Figure 88).



FIG. 88

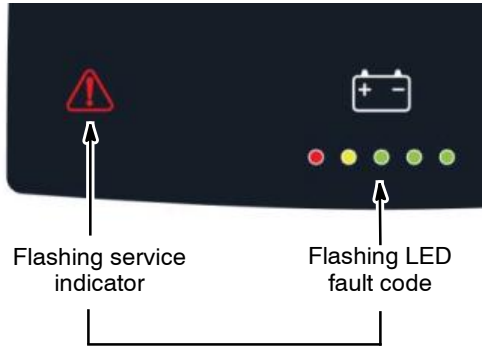
Firmly reconnect the solution hose to accessory rail after draining tank.

# OPERATION

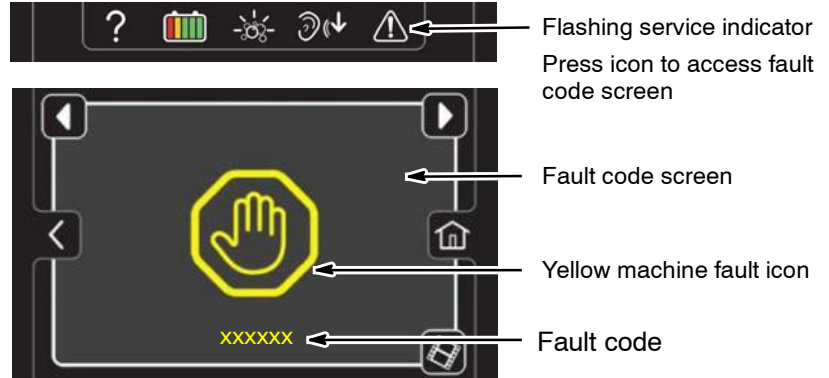
## SERVICE INDICATOR CODES

When the machine or battery charger detects a fault, the service indicator will flash. A fault code will be provided to determine problem as described below.

### T300e/T300 Control Panels



### T300 Pro-Panel Controls (LCD)



LED Fault Code * = Flashing	LCD Fault Code	CAUSE	SOLUTION
* * * * *	0xFFFF0	Emergency stop button activated.	Release emergency stop button and restart machine.
. . . * .	0x0201	Head lift actuator, wiring, connector or control board problem.	Contact service.
. . . * *	0x0101	Brush motor wiring, connector or control board problem.	Contact service.
* * * * .	0x0102	Voltage loss.	Contact service.
. * . . *	0x0301	Solution valve wiring, connector or control board problem.	Check connections. Contact service.
. * . * *	0x0303	Solution valve over current.	Contact service.
* . * * .	0x0307	Solution valve control board fault.	Contact service.
. . * . .	0x0501	Vacuum motor wiring, connector or control board problem.	Contact service.
. . * . *	0x0601	Severe environment detergent pump wiring, connector or control board problem.	Contact service.
. . * * .	0x0910	Propel circuit breaker tripped.	Disconnect battery and reset circuit breaker. If trip repeats, contact service.
. . * * *	0x0901	Propel motor wiring, connector or control board problem.	Contact service.
. * . * *	0xFF00	Software load failure.	Contact service.
* . . . *	0x0900 0x0903 0x0904 0x0905 0x0920→0x0934	Propel I-Drive fault Propel I-Drive communication lost Propel power cycle fault Propel current limit fault Propel faults	Restart machine. If fault repeats, contact service.
* . . * .	0x0906 0x0907	Propel motor shorted fault	Contact service.
* . . * *	0x0103 0x0104 0x0105	Brush motor over current	Contact service.

## SERVICE INDICATOR CODES - Continued

LED Fault Code * = Flashing	LCD Fault Code	CAUSE	SOLUTION
* • * • *	0x0902	Start bail is pulled or obstructed before turning machine on.	Release start bail or remove bail obstruction before turning machine on.
* • * * •	0x0107 0x0207 0x0507 0x0607	Brush motor control board fault Actuator motor control board fault Vacuum motor control board fault Detergent pump control board fault	Disconnect battery cable connection and contact service to replace control board.
* • * * *	0x0503 0x0504 0x0505	Vacuum motor over current.	Contact service.
* * • • •	0x0506	Vacuum motor shorted fault.	Contact service.
* • * * *	0x0603 0x0604 0x0605	Severe environment detergent pump over current.	Contact service.
* * • * •	0x0606	Severe environment detergent pump shorted fault.	Contact service.
* * • * •	0x0106	Brush motor shorted fault.	Contact service.
• * * * •	0xF103 0xFF20 0x0704	Charger communication fault Scrub control board comm. fault ec-H2O system comm. fault	Restart. If fault code persists, contact service.

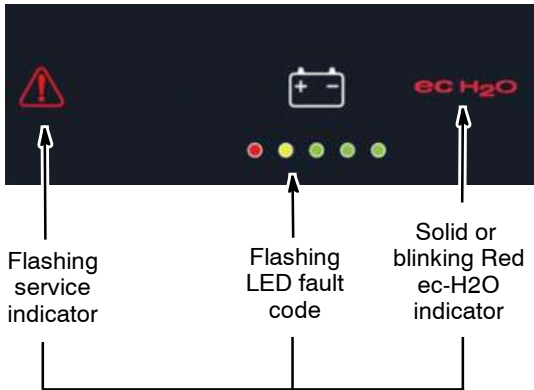
## ON-BOARD BATTERY CHARGER SERVICE INDICATOR CODES

LED Fault Code * = Flashing	LCD Fault Code	CAUSE	SOLUTION
* * * • •	0xF100	Charger error condition.	Contact service.
• * * • •	0xF101	Charger is not connected to battery pack.	Check cable connections.
• * • • •	0xF102	Charger overheated.	Let charger cool. Move to well ventilated area. Charge batteries in areas with temperatures 80°F/27°C or less. If fault persists, contact service.
• * * * •	0xF103	Charger communication fault	Restart charger. If fault code persists, contact service.
• * * • *	0xF104	Charger timer exceeded maximum charging time. Interrupts charging cycle.	Replace Batteries.

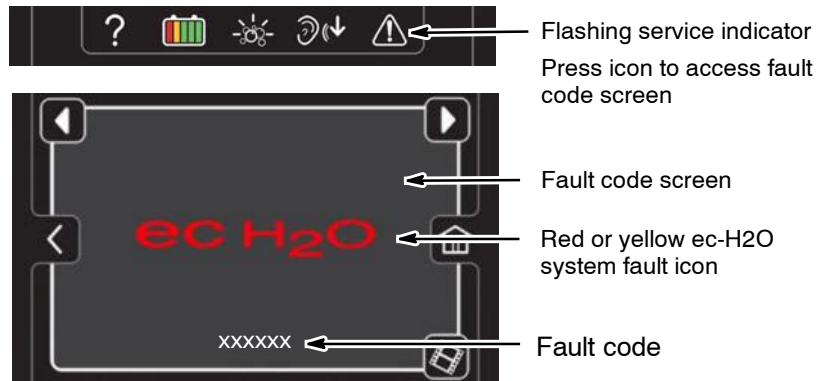
# OPERATION

## ec-H2O SYSTEM SERVICE INDICATOR CODES - OPTION

### T300e/T300 Control Panel



### T300 Pro-Panel Controls (LCD)

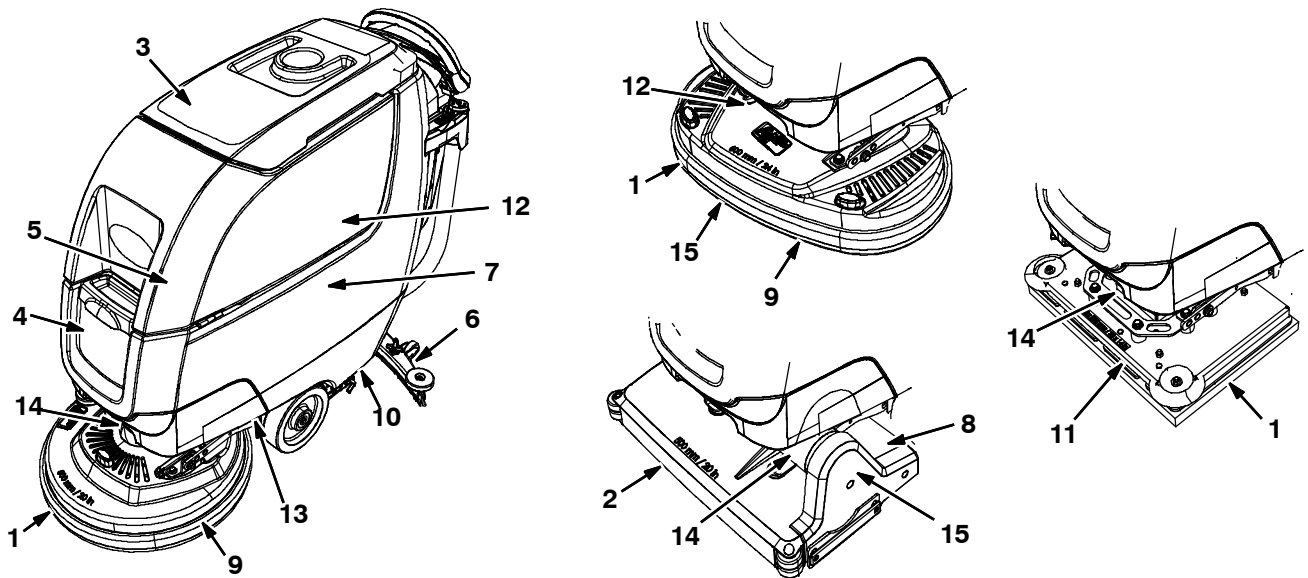


LED Fault Code * = Flashing	LCD Fault Code	CAUSE	SOLUTION
• * • * •	0x0711	ec-H2O pump wiring, connector or control board problem.	Contact service.
• * * * *	0x0713 0x0714 0x0715	ec-H2O pump over current	Contact service.
* • • • •	0x0717	ec-H2O pump shorted fault	Contact service.
* • * • •	0x0703 0x0712	ec-H2O system breaker tripped ec-H2O pump breaker tripped	Reset circuit breaker. If trip repeats, contact service.
ecH2O indicator solid red	0x0716 0x0727 0x0741 0x0746	ec-H2O pump shorted fault ec-H2O control board fault Water conditioning pump open Water conditioning pump fault	Contact service.
ecH2O indicator blinking red*	0x0702 0x0708* 0x072A 0x0721 0x0723 0x0726	ec-H2O pressure switch trip ec-H2O system over regulation ec-H2O electrode fault No ec-H2O cell current ec-H2O cell over current ec-H2O cell shorted fault	Contact service.
ecH2O indicator blinking blue/red		Water conditioning cartridge expired	Replace water conditioning cartridge.

\*Verify if cleaning detergent was added to solution tank. If ec-H2O system was operated with cleaning detergent, drain solution tank, add clear water and operate the ec-H2O system until the fault code clears.



MAINTENANCE CHART



Interval	Person Resp.	Key	Description	Procedure
Daily	O	1	Pad(s)	Check, flip or replace
	O	1	Brush(es)	Check, clean
	O	2	Cylindrical Brushes	Check, clean
	O	3	Recovery tank	Drain, rinse, clean float shut-off screen and debris tray if equipped
	O	4	Solution tank	Drain, rinse
	O	5	Severe environment tank (option)	Check, refill
	O	6	Squeegee	Clean, check for damage and wear
	O	7	Batteries	Charge if necessary
	O	8	Debris trough	Clean
	O	9	Scrub head skirt	Check for damage and wear
Weekly	O	7	Battery cells	Check electrolyte level
	O	6	Squeegee assembly drip trap reservoir	Check, clean
50 Hours	O	2	Cylindrical brushes.	Rotate brushes. Check for wear
	O	2	Cylindrical scrub head	Clean underside of scrub head
	O	3	Recovery tank lid seal	Check for wear.
	O	10	Solution tank filter	Clean
100 Hours	O	7	Battery watering system (option)	Check hoses for damage and wear
200 Hours	O	7	Batteries, terminals and cables	Check and clean
500 Hours	T	11	Lower orbital isolators	Replace (4 qty)
750 Hours	T	12	Vacuum motor	Replace carbon brushes
1250 Hours	T	13	Propel motor	Replace carbon brushes
	T	14	Brush motor	Replace carbon brushes
	T	15	Brush belt	Replace belt

O = Operator T = Trained Personnel

## MACHINE MAINTENANCE

To keep the machine in good working condition, simply perform the following maintenance procedures.

**FOR SAFETY: Before leaving or servicing machine, stop on level surface, turn off machine, remove key and set parking brake if equipped.**

**FOR SAFETY: When servicing machine wear personal protection equipment as needed. All repairs must be performed by trained personnel**

### AFTER DAILY USE

1. Drain and rinse out the recovery tank (Figure 91). See DRAINING TANKS.



FIG. 91

2. Remove the debris tray and empty (Figure 92).



FIG. 92

3. Remove and clean the float shut-off screen (Figure 93).



FIG. 93

4. Drain and rinse out the solution tank (Figure 94).

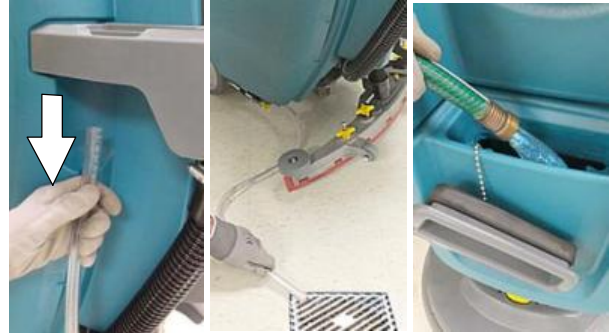


FIG. 94

5. Disk scrub head - Turn pad over or replace when worn (Figure 95).

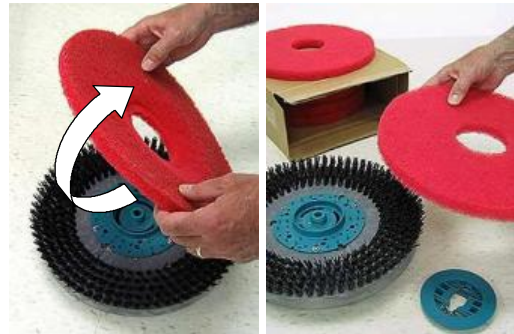


FIG. 95

Orbital scrub head - Turn the work pad over or replace when worn (Figure 96).



FIG. 96

6. Click-Quick pad driver/brushes - clean any debris buildup from hub connection area (Figure 97).



FIG. 97

- Wipe the squeegee blades clean. Inspect blades for wear and damage (Figure 98). Rotate blade if worn. See SQUEEGEE BLADE REPLACEMENT.



**FIG. 98**

- Check the scrub head skirt for wear or damage (Figure 99). Replace if worn or damaged.



**FIG. 99**

- Clean the outside surface of the machine with an all purpose cleaner and damp cloth (Figure 100).



**FIG. 100**

- Cylindrical scrub head - Remove and clean debris trough (Figure 101).



**FIG. 101**

- Severe environment option - Refill the severe environment tank with a recommended cleaning detergent at full concentration (Figure 102). Replace cap.



**FIG. 102**

- Charge batteries (Figure 103). See BATTERIES.



**FIG. 103**

**AFTER WEEKLY USE**

- Check the electrolyte level in all batteries (Figure 104). See BATTERIES.



**FIG. 104**

- Remove the drip trap cover from the squeegee assembly and clean reservoir (Figure 105).



**FIG. 105**



## AFTER EVERY 50 HOURS OF USE

1. Remove the solution tank filter and clean screen (Figure 106). Turn the filter bowl counter-clockwise to remove. Make sure to drain solution tank before removing filter.

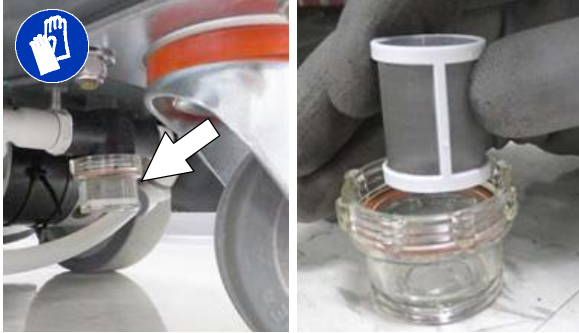


FIG. 106

2. Cylindrical brushes - Rotate brushes from front to rear (Figure 107). Replace brushes when they no longer clean effectively.

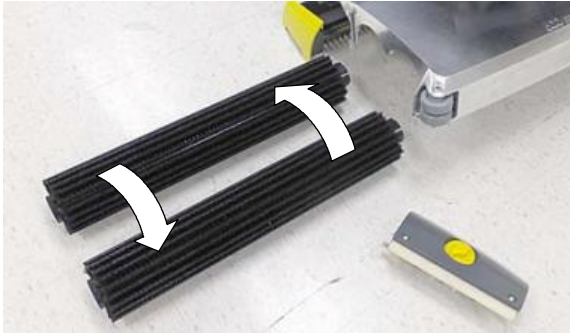


FIG. 107

3. Cylindrical scrub head - Remove debris buildup from underside of scrub head (Figure 108).



FIG. 108

4. Inspect and clean the seal on the recovery tank lid (Figure 109). Replace seal if damaged.



FIG. 109

## AFTER EVERY 100 HOURS OF USE

If machine is equipped with the optional battery watering system, check the watering hoses and connections for damage and wear (Figure 110). Replace system if damaged.

**FOR SAFETY: When servicing batteries, wear personal protection equipment as needed. Avoid contact with battery acid.**

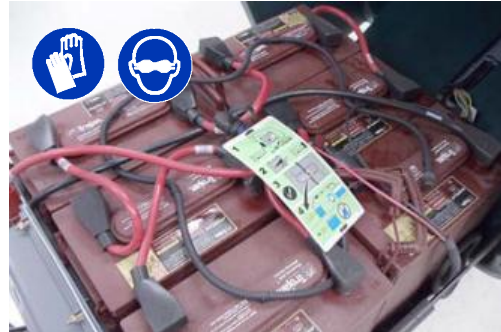


FIG. 110

## ELECTRIC MOTORS

Replace motor carbon brushes as indicated. Contact trained personnel for carbon brush replacement.

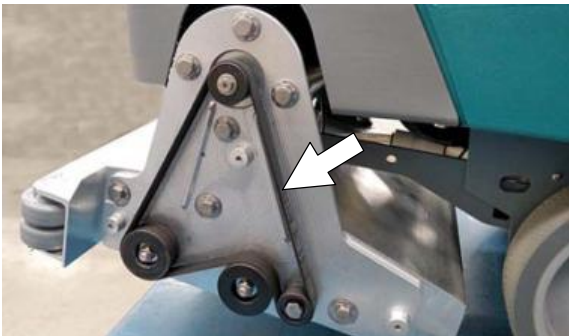
Carbon Brush Replacement	Hours
Vacuum motor	750
Propel motor (drive model)	1250
Disk brush motor	1250
Cylindrical brush motor	1250
Orbital brush motor	1250

**BELTS**

**FOR SAFETY: Before leaving or servicing machine, stop on level surface, turn off machine, remove key and set parking brake if equipped.**

Replace belts every 1250 hours. Contact trained personnel for belt replacement (Figure 111).

**Cylindrical Brush Drive Belt**



**Dual Disk Brush Drive Belt**

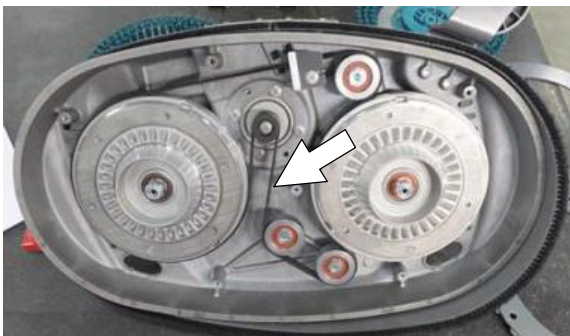


FIG. 111

**ORBITAL SCRUB HEAD ISOLATORS**

**FOR SAFETY: Before leaving or servicing machine, stop on level surface, turn off machine, remove key and set parking brake if equipped.**

Replace the four lower vibration isolators every 500 hours. The lower isolators (hidden) are located between the deck plate the driver plate. Contact trained personnel for isolator replacement (Figure 112).



FIG. 112

**BATTERIES**

**FOR SAFETY: Before servicing machine, stop on level surface, turn off machine, remove key and set parking brake if equipped.**

The lifetime of the batteries depends on their proper maintenance. To get the most life from the batteries;

- Do not charge the batteries more than once a day and only after running the machine for a minimum of 15 minutes.
- Do not leave the batteries partially discharged for long period of time.
- Only charge the batteries in a well-ventilated area to prevent gas build up. Charge batteries in areas with ambient temperatures 27°C or less.
- Allow the charger to complete charging the batteries before re-using the machine.
- Maintain the proper electrolyte levels of flooded (wet) batteries by checking levels weekly.

Your machine is equipped with either flooded (wet) lead-acid or maintenance-free batteries supplied by Tennant.

**FOR SAFETY: When servicing machine, keep all metal objects off batteries. Avoid contact with battery acid.**

**MAINTENANCE-FREE BATTERIES**

Maintenance-free (Sealed AGM) batteries do not require watering. Cleaning and other routine maintenance is still required.

**FLOODED (WET) LEAD-ACID BATTERIES**

The flooded (wet) lead-acid batteries require routine watering as described below. Check the battery electrolyte level weekly.

The electrolyte level should be slightly above the battery plates as shown before charging (Figure 113). Add distilled water if low. **DO NOT OVERFILL.** The electrolyte will expand and may overflow when charging. After charging, distilled water can be added up to about 3 mm below the sight tubes.

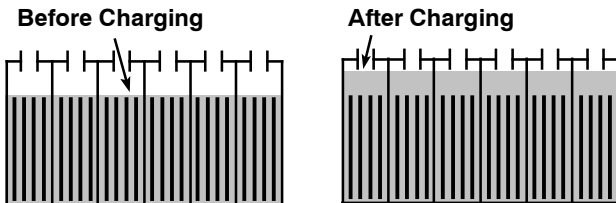


FIG. 113

*NOTE: Make sure the battery caps are in place while charging. There may be a sulfur smell after charging batteries. This is normal.*

## CHECKING CONNECTIONS / CLEANING

After every 200 hours of use, check for loose battery connections and clean the surface of the batteries, including terminals and cable clamps to prevent battery corrosion. Use a scrub brush with a strong mixture of baking soda and water (Figure 114). Do not remove battery caps when cleaning batteries.



FIG. 114

## CHARGING BATTERIES

The charging instructions in this manual are intended for the battery charger supplied with your machine. The use of other battery chargers that are not supplied and approved by Tennant are prohibited.

If your machine is equipped with an off-board battery charger refer to the charger's owners manual for operating instructions. Contact distributor or Tennant for battery charger recommendations if machine is not equipped with charger.

**FOR SAFETY: The use of incompatible battery chargers may damage battery packs and potentially cause a fire hazard.**

**IMPORTANT NOTICE:** The battery charger is set to charge the battery type supplied with your machine. If you choose to change to a different battery type or capacity (i.e. flooded (wet) lead-acid, maintenance-free, sealed, AGM batteries, etc.), the charger's charging profile must be changed to prevent battery damage. See BATTERY CHARGER SETTINGS.

1. Transport the machine to a well-ventilated area.

**⚠ WARNING: Batteries emit hydrogen gas. Explosion or fire can result. Keep sparks and open flame away when charging.**

2. Park the machine on a flat, dry surface, turn off machine and remove key.

**FOR SAFETY: When servicing batteries, stop on level surface, turn off machine, remove key and set parking brake if equipped.**

3. If the machine is equipped with flooded (wet) lead-acid batteries check the battery electrolyte level weekly before charging. See FLOODED (WET) LEAD-ACID BATTERIES.
4. For models equipped with on-board chargers, remove the charger's power cord from the storage hooks and plug power cord into a properly grounded wall outlet (Figure 115).



FIG. 115



For models equipped with off-board chargers, first connect the charger's DC cord into the machine's battery charge receptacle then plug the AC power supply cord into a properly grounded wall outlet (Figure 116). Refer to the off-board battery charger's owner manual for operating instructions.

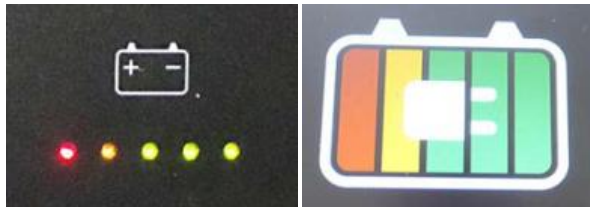
**FOR SAFETY: Do not disconnect the off-board charger's DC cord from the machine's receptacle when the charger is operating. Arcing may result. If the charger must be interrupted during charging, disconnect the AC power supply cord first.**



FIG. 116

- The charger will automatically begin charging and shut off when fully charged. The maximum charging cycle may take up to 6- 12 hours depending on battery type.

On-board battery charger: The battery discharge indicator lights will ripple back and forth during the charging cycle. When all five lights are flashing, the charging cycle is complete (Figure 117).



T300e/T300

T300 LCD

FIG. 117

- After charging batteries unplug the power supply cord and wrap cord around the cord hooks (Figure 118). For models equipped with an off-board charger, always disconnect the AC power supply cord first before disconnecting charger from machine.



FIG. 118

## BATTERY CHARGER SETTINGS

The battery charger is set to charge the battery type supplied with your machine. If you choose to change to a different battery type or capacity, the charger's charging profile must be changed to prevent battery damage.

If machine is ordered without batteries, adjust the charger setting to match battery type.

For machine's equipped with an off-board battery charger, refer to the off-board charger's owner manual to change the charger's charging profile.

### T300e Models- T300 Models with Membrane Control Panel-

**FOR SAFETY: When servicing batteries, stop on level surface, turn off machine, remove key and set parking brake if equipped.**

To change the on-board battery charger settings for a different battery type :

- Disconnect the battery cable connection at machine (Figure 119).

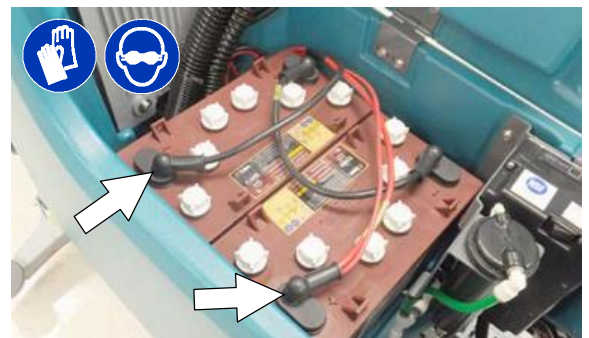


FIG. 119

- Unwrap the battery charger power cord from the cord hooks.
- Using a T25 star screwdriver, remove the two screws located at the bottom of the control console to access battery charger (Figure 120).

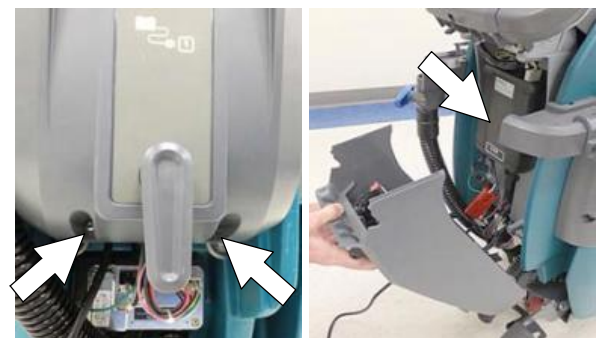


FIG. 120

## MAINTENANCE

- Disconnect the battery cable, power cord and wire harness from charger. Using a T25 star screwdriver, remove the four screws that mount charger to machine (Figure 121). Remove charger from machine.

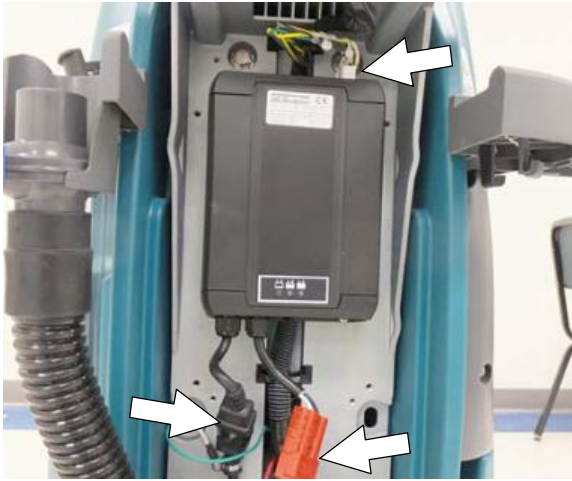


FIG. 121

- Remove the black cap from bottom side of charger to access the profile dial (Figure 122)

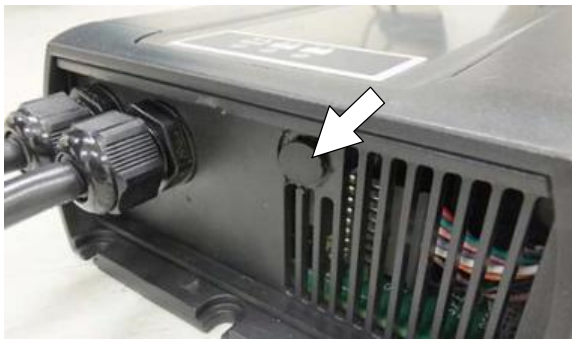


FIG. 122

- Using a small standard screwdriver, turn the dial to the appropriate battery type according to the following chart (Figure 123).



FIG. 123

Dial Position	Battery Description Settings with AH Ranges
0	Factory setting*
1	Wet, Trojan 105- 155 AH
2	Wet, Energys/Tab 105- 155 AH
3	AGM, Discover 80- 150 AH
4	AGM, Fullriver 80- 150 AH
5	AGM, TPPL, Energsys 20- 40 AH
6	Gel, Sonnenschein 80- 150 AH

\* The factory setting, dial position "0", is pre-programmed to accommodate the battery type supplied with new machine. After the dial is changed from the factory setting, it should not be returned to "0" otherwise battery damage may result.

- Replace the black cap on charger, reinstall battery charger and replace control console.
- Reconnect the battery cable connection.

### T300 Model with Pro-Panel Controls -

**NOTE:** To perform this procedure, machine must be in supervisor mode. See SUPERVISOR CONTROLS instructions at back of manual.

To change the on-board battery charger settings for a different battery type :



- Turn the key to the on position.
-  Press the settings button located on the home screen (Figure 124).



FIG. 124

-  Press the Setup button to access the Setup screen (Figure 125).

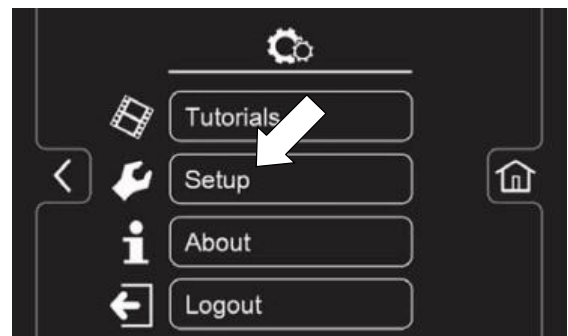



FIG. 125

-  Press the Battery Type button to select the battery type installed in machine (Figure 126).

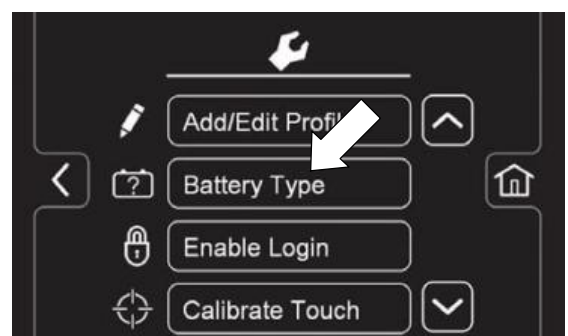


FIG. 126



## SQUEEGEE BLADE REPLACEMENT

**FOR SAFETY: Before leaving or servicing machine, stop on level surface, turn off machine, remove key and set parking brake if equipped.**

Each squeegee blade has four wiping edges. When the blades become worn, simply rotate the blades end-for-end or top-to-bottom for a new wiping edge. Replace blade if all four edges are worn.

1. Remove the squeegee assembly from the machine.
2. Fully loosen the two outside knobs on squeegee assembly. This will separate the spring loaded blade retainer from squeegee frame (Figure 127). To loosen the knobs quickly, squeeze the blade retainer and squeegee frame together.

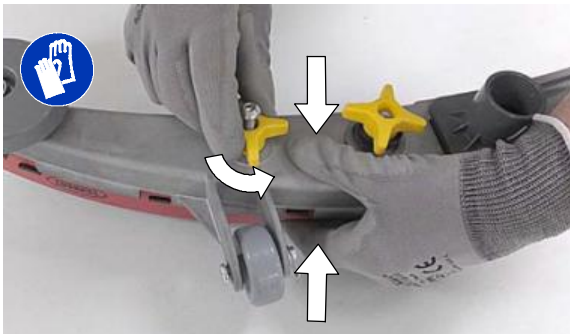


FIG. 127

3. Remove worn blade(s) from the blade retainer (Figure 128).



FIG. 128

4. Rotate the rear blade to a new wiping edge (Figure 129). Make sure to align the slots in the blade with retainer tabs.

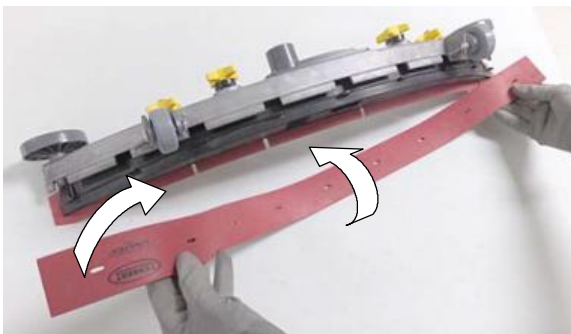


FIG. 129

5. Squeeze the squeegee frame and blade retainer together and re-tighten the two outside knobs (Figure 130).



FIG. 130

## ec-H2O NanoClean WATER CONDITIONING CARTRIDGE REPLACEMENT

**FOR SAFETY:** Before leaving or servicing machine, stop on level surface, turn off machine, remove key and set parking brake if equipped.

The water conditioning cartridge is required to be replaced when it reaches its maximum water usage or expiration time of when the cartridge was activated, whichever comes first. The control panel will signal a code when it's time to replace cartridge. See CONTROL PANEL OPERATION for further details.

Depending on machine usage, on average, a new cartridge can last anywhere from 12 months for heavy machine usage to 24 months for light machine usage.

**ATTENTION:** During first time use and after replacing the water conditioning cartridge, the ec-H2O system will automatically override the selected solution flow rate for up to 75 minutes.

1. Park the machine on a level surface, remove the key and set parking brake, if equipped.
2. Lift the recovery tank to access the ec-H2O water conditioning cartridge (Figure 131). Drain recovery tank before lifting tank.



FIG. 131

3. Disconnect the two hose connectors from the top of the cartridge by pressing the gray collars inward and pulling the connectors outward (Figure 132). Lift cartridge to remove.



FIG. 132

4. Fill in the installation date on the new cartridge label (Figure 133).



FIG. 133

5. Install the new cartridge and reconnect the two hoses. Make sure the hose connectors are fully inserted into the cartridge.
6. Reset timer for new cartridge.

Carefully read and understand all steps first before performing procedure.

- a. Turn key on.
- b. Press and hold the service switch, located on the ec-H2O module, for 10 seconds. After releasing service switch, the three solution flow indicator lights will begin to (ripple) move back and forth (Figure 134).
- c. Within 5 seconds after releasing the service switch, while the three indicator lights are moving back and forth, quickly press and release the solution flow button located on ec-H2O module (Figure 134).

The three indicator lights will then blink three times to indicate timer has been reset.

Repeat process if the three indicator lights do not blink three times.

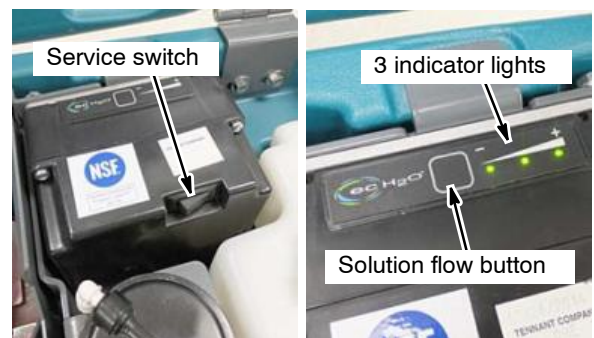


FIG. 134

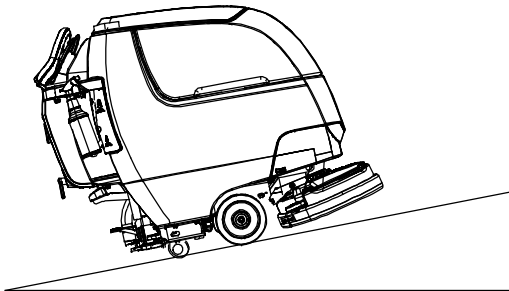
## LOADING/UNLOADING MACHINE FOR TRANSPORTING

When transporting the machine by use of trailer or truck, carefully follow the loading and tie-down procedure:

1. Raise the scrub head and remove squeegee assembly.
2. Use a ramp that can support the machine weight and operator and carefully load machine. Do not operate the machine on a ramp incline that exceeds a 21% grade level (Figure 135). A winch must be used when ramp incline exceeds a 21% grade level.

**FOR SAFETY: When loading/unloading machine onto/off truck or trailer, use a ramp that can support the machine weight and operator.**

**FOR SAFETY: Do not operate the machine on a ramp incline that exceeds a 21% grade level.**

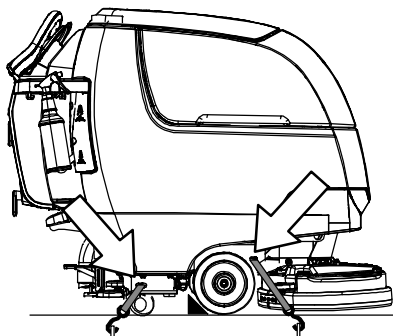


**FIG. 135**

3. Once loaded, position the front of the machine up against the front of the trailer or truck. Lower the scrub head, turn key off and set parking brake, if equipped (Figure 136).
4. Place a block behind each wheel (Figure 136).
5. Using tie-down straps, secure the machine using the four tie-down brackets located on the machine frame (Figure 136). It may be necessary to install tie-down brackets to the floor of your trailer or truck.

**NOTE: When transporting machine in an open truck or trailer, secure recovery tank lid.**

**ATTENTION: Do not use control console area or accessory storage rails for tie-down locations, damage may occur.**



**FIG. 136**

## STORING MACHINE

The following steps should be taken when storing the machine for extended periods of time.

1. Charge the batteries before storing machine to prolong the life of the batteries. Recharge batteries once a month.
2. Disconnect batteries before storing.
3. Drain and rinse recovery tank and solution tank.
4. Store the machine in a dry area with squeegee and scrub head in the up position.

**ATTENTION: Do not expose machine to rain, store indoors.**

5. Open the recovery tank lid to promote air circulation.

**NOTE: To prevent potential machine damage store machine in a rodent and insect free environment.**

## FREEZE PROTECTION

Storing machine in freezing temperatures.

1. Completely drain solution tank and recovery tank.
2. Empty the water from the solution tank filter located under machine. Replace filter.
3. Pour 1 gallon / 4 liters of propylene glycol based recreational vehicle (RV) antifreeze into the solution tank.

Models equipped with optional Severe Environment detergent tank - Lift out the tank and empty the detergent from tank. Pour a 1/4 gallon / 1 liter of propylene glycol based recreational vehicle (RV) antifreeze into the detergent tank.

4. Turn machine on and operate the solution flow system. Turn the machine off when the antifreeze is visible on floor.

Models equipped with ec-H2O option - Operate ec-H2O scrubbing to cycle antifreeze through system.

Models equipped with Severe Environment mode option - Press the Severe Environment button to cycle antifreeze through system.

5. After storing machine in freezing temperatures, drain any remaining antifreeze from the solution tank and from the optional Severe Environment detergent tank. Add clean water to solution tank and to optional detergent tank and operate the machine to flush system.

## MAINTENANCE

### TROUBLESHOOTING

PROBLEM	CAUSE	SOLUTION
Service indicator icon is blinking	Machine or on-board battery charger fault has been detected	See SERVICE INDICATOR CODES
ec-H2o indicator icon is red or blinking red	ec-H2O system fault has been detected	See SERVICE INDICATOR CODES
Machine will not operate	Emergency stop button activated	Turn button to reset
	Machine fault detected	See SERVICE INDICATOR CODES
	Batteries discharged	Recharge batteries
	Loose battery cable(s)	Tighten loose cables
	Faulty battery(s)	Replace battery(s)
	Faulty key switch	Contact service
	Faulty start bail switch	Contact service
	Circuit breaker tripped	Reset circuit breaker
On-board battery charger will not operate	Plug not connected to power supply	Check plug connection
	Batteries over discharged	Replace batteries
	Battery charger fault detected	See SERVICE INDICATOR CODES
	Faulty charger	Replace charger
Machine will not propel (Drive Model)	Propel fault has been detected.	See SERVICE INDICATOR CODES
	Circuit breaker tripped	Reset circuit breaker
	Faulty propel motor or wiring	Contact service
	Worn carbon brushes in motor	Contact service
Brush motor will not operate	Brush motor fault has been detected.	See SERVICE INDICATOR CODES
	Faulty pad motor or wiring	Contact service
	Circuit breaker tripped (T300e)	Reset circuit breaker
	Worn carbon brushes in motor	Contact service
	Broken or loose belt (dual disk/cylindrical models)	Contact service
Vacuum motor will not operate	Squeegee assembly is raised off floor	Lower squeegee assembly to floor
	Vacuum motor fault has been detected	See SERVICE INDICATOR CODES
	Faulty vacuum motor or wiring	Contact service
	Circuit breaker tripped (T300e)	Reset circuit breaker
Poor scrubbing performance	Debris caught in brush/pad	Remove debris
	Worn brush/pad	Replace brushes/pad
	Incorrect brush pressure	Adjust brush pressure
	Wrong brush/pad type	Use correct brush/pad for application
	Low battery charge	Recharge batteries



**TROUBLESHOOTING - Continued**

<b>PROBLEM</b>	<b>CAUSE</b>	<b>SOLUTION</b>
Trailing water - poor or not water pickup	Full recovery tank or excessive foam buildup	Drain recovery tank
	Loose drain hose cap or flow control valve is open	Replace cap or close flow control valve on drain hose
	Worn squeegee blades	Rotate or replace squeegee blades
	Clogged drip trap (Squeegee assembly)	Remove cover and clean
	Clogged squeegee assembly	Clean squeegee assembly
	Loose vacuum hose connection	Secure vacuum hose connection
	Clogged vacuum hose	Flush vacuum hose
	Clogged vacuum hose	Flush vacuum hose
	Damaged vacuum hose	Replace vacuum hose
	Clogged float shut-off screen in recovery tank	Clean screen
	Recovery tank lid not completely closed	Check lid for obstructions
Defective seals on recovery tank lid	Replaced seal	
Little or no solution flow	Empty solution tank	Refill solution tank
	Low solution flow rate set	Increase solution flow rate
	Clogged solution tank filter	Clean filter
	Plugged solution supply line	Flush solution supply line
T300 models option - Severe environment tank does not dispense detergent	No detergent	Refill tank
	Faulty float switch	Contact service
	Defective pump	Contact service
	Defective pump potentiometer	Contact service
	Faulty control panel	Contact service
Short run time	Low battery charge	Charge batteries
	Batteries need maintenance	See BATTERIES
	Defective battery or end of battery life	Replace batteries
	Battery discharge indicator (BDI) programmed incorrectly	See CHARGING BATTERIES
	Faulty charger	Replace battery charger
	Brush pressure set too high	Lower brush pressure. T300e - lower dual down pressure lever

# SPECIFICATIONS

## GENERAL MACHINE DIMENSIONS/CAPACITIES/PERFORMANCE

MODEL	43 cm Disk (Push)	50 cm Disk (Push)	43 cm Disk (Drive)	50 cm Disk (Drive)
Length	1302 mm	1372 mm	1302 mm	1372 mm
Width	508 mm	559 mm	508 mm	559 mm
Height	1095 mm	1095 mm	1095 mm	43.1 in / 1095 mm
Weight	98 kg	104 kg	104 kg	109 kg
Weight (with batteries)	166 kg	171 kg	177 kg	181 kg
GVW	207 kg	212 kg	219 kg	223 kg
Squeegee width	772 mm			
Recovery tank capacity	53 L			
Solution tank capacity	42 L			
Severe Environment tank capacity	1.5 L			
Scrubbing path width	430 mm	505 mm	430 mm	505 mm
Down pressure - T300	Low: 21.3 kg Med: 33 kg High: 40 kg	Low: 23.5 kg Med: 35 kg High: 41.7 kg	Low: 21.3 kg Med: 32 kg High: 39 kg	Low: 23 kg Med: 34.5 kg High: 41 kg
Down pressure - T300e/T300 manual	21.3 kg	23.5 kg	21.3 kg	23 kg
Dual down pressure - T300e/ T300 manual	40 kg	41.7 kg	39 kg	41 kg
Scrubbing speed	Pad assist		61 mpm	
Transport speed	n/a	n/a	73 mpm	
Reverse speed	n/a	n/a	44 mpm	
Productivity rate - estimated actual	868m <sup>2</sup> /hr	1041m <sup>2</sup> /hr	1157m <sup>2</sup> /hr	1388m <sup>2</sup> /hr
ec-H2O productivity rate - est. actual	898 m <sup>2</sup> /hr	1078m <sup>2</sup> /hr	1198m <sup>2</sup> /hr	1437m <sup>2</sup> /hr
Aisle turnaround width	1321 mm	1384 mm	1321 mm	1384 mm
Ramp incline for scrubbing	9% maximum			
Ramp incline for transporting	21% maximum			
Ramp incline for loading- empty tanks	21% maximum			
Solution flow rate - T300e	1.9 L/min maximum			
Solution flow rate - T300	Low: .57 L/min, Med: 1.3 L/min, High: 1.9 L/min			
ec-H2O solution flow rate	Low: .45 L/min, Med: .94 L/min, High: 1.3 L/min			
Brush motor	24 VDC, .75kW			
Propel motor	n/a	n/a	24 VDC, .175 kW	
Vacuum motor - T300e	24 VDC, .37kW			
Water lift - T300e	876 mm			
Vacuum motor - T300	24 VDC, .47kW			
Water lift - T300	1067 mm			
Water lift Quiet- Mode - T300	711 mm			
ec-H2O solution pump	24 VDC, 3.8 L/min, min open flow			
Machine voltage	24 VDC			
Battery capacity	2- 12V 120AH C/5 Wet, 2- 12V 58AH C/5 Sealed/TPPL, 2- 12V 76AH C/5 Sealed/Gel, 2- 12V 105AH C/5 Sealed/Gel			
Total power consumption	31.5A nominal	36.5A nominal	34.5A nominal	39.5A nominal
Battery Charger - on-board	100- 240VAC, 50/60Hz, 24VDC, 13A			
Battery Charger - smart off-board	100- 240VAC, 50/60Hz, 24VDC, 13A			
Protection grade	IPX3			
Sound pressure level L <sub>pA</sub> * - T300e	67 dB(A)	67 dB(A)	67 dB(A)	67 dB(A)
Sound pressure level L <sub>pA</sub> * - T300	64.9 dB(A)	64.9 dB(A)	64.9 dB(A)	64.9 dB(A)
Sound pressure level L <sub>pA</sub> * - Quiet mode	57.8 dB(A)	57.8 dB(A)	57.8 dB(A)	57.8 dB(A)
Sound uncertainty K <sub>pA</sub> *	0.8 dB(A)	0.8 dB(A)	0.8 dB(A)	0.8 dB(A)
Sound power level uncertainty L <sub>WA</sub> + uncertainty K <sub>WA</sub> *	84.3 dB(A)	84.3 dB(A)	84.3 dB(A)	84.3 dB(A)
Machine vibration at hand-arm*	<2.5 m/s <sup>2</sup>			
Ambient operating temperature	Min: 0°C, Max: 43°C			

\*Values per EN 60335-2-72. Specifications are subject to change without notice.

**GENERAL MACHINE DIMENSIONS/CAPACITIES/PERFORMANCE**

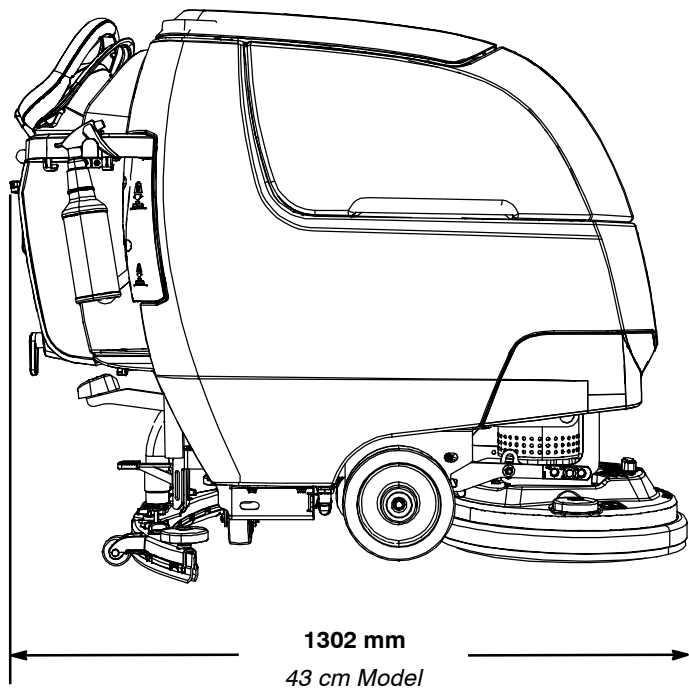
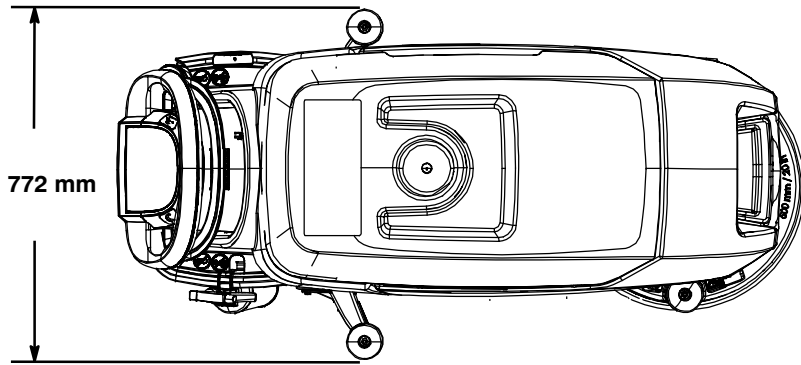
MODEL	60 cm Dual Disk	50 cm Cylindrical Brush	50 cm Orbital
Length	1314 mm	1283 mm	1245 mm
Width	660 mm	635 mm	521 mm
Height	1095 mm	1095 mm	1095 mm
Weight	113 kg	113 kg	116 kg
Weight (with batteries)	186 kg	186 kg	188 kg
GVW	228 kg	228 kg	230 kg
Squeegee width	772 mm		
Recovery tank capacity	53 L		
Solution tank capacity	42 L		
Severe Environment tank capacity	1.5 L		
Scrubbing path width	600 mm	500 mm	500 mm
Down pressure - T300	Low: 26 kg Med: 36.7 kg High: 44 kg	Low: 24 kg Med: 27 kg High: 29 kg	Low: 28.5 kg Med: 42 kg High: 49.5 kg
Down pressure - T300e/T300 manual	26 kg	24 kg	28.5 kg
Dual down pressure - T300e/T300 manual	44 kg	29 kg	49.5 kg
Scrubbing speed	61 mpm		
Transport speed	73 mpm		
Reverse speed	44 mpm		
Productivity rate - estimated actual	1697m <sup>2</sup> /hr	1388m <sup>2</sup> /hr	1388m <sup>2</sup> /hr
ec-H2O productivity rate - est. actual	1756m <sup>2</sup> /hr	1437m <sup>2</sup> /hr	1437m <sup>2</sup> /hr
Aisle turnaround width	1346 mm	1321 mm	1245 mm
Ramp incline for scrubbing	9% max.		
Ramp incline for transporting	21% max.		
Ramp incline for loading-empty tanks	21% max.		
Solution flow rate - T300e	.1.9 L/min maximum		
Solution flow rate - T300	Low: .57 L/min, Med: 1.3 L/min, High: 1.9 L/min	Low: .57 L/min, Med: 1.0 L/min, High: 1.3 L/min	Low: .57 L/min, Med: 1.3 L/min, High: 1.9 L/min
ec- H2O solution flow rate	Low: .45 L/min, Med: .94 L/min, High: 1.3 L/min		
Brush motor	24 VDC, .75kW		
Propel motor	24 VDC, .175kW		
Vacuum motor - T300e	24 VDC, .37 kW		
Water lift - T300e	876 mm		
Vacuum motor - T300	24 VDC, .47 kW		
Water lift - T300	1067 mm		
Water lift - Quiet-Mode - T300	711 mm		
ec- H2O solution pump	24 VDC, 3.8 L/min, min open flow		
Machine voltage	24 VDC		
Battery capacity	2- 12V 120AH C/5 Wet, 2- 12V 58AH C/5 Sealed/TPPL 2- 12V 76AH C/5 Sealed/Gel, 2- 12V 105AH C/5 Sealed/Gel		
Total power consumption	36A nominal	40A nominal	30A nominal
Battery Charger - on-board	100- 240VAC, 50/60Hz, 24VDC, 13A		
Battery Charger - smart off-board	100- 240VAC, 50/60Hz, 24VDC, 13A		
Protection grade	IPX3		
Sound pressure level L <sub>pA</sub> * - T300e	67.7 dB(A)	67 dB(A)	67.5 dB(A)
Sound pressure level L <sub>pA</sub> * - T300	66.5 dB(A)	63.6 dB(A)	65.3 dB(A)
Sound pressure level L <sub>pA</sub> * - Quiet mode	59.1 dB(A)	57.2 dB(A)	57.6 dB(A)
Sound uncertainty K <sub>pA</sub> *	0.8 dB(A)	0.8 dB(A)	0.8 dB(A)
Sound power level uncertainty L <sub>wA</sub> + uncertainty K <sub>wA</sub> *	83.8 dB(A)	85 dB(A)	83.5 dB(A)
Machine vibration at hand-arm*	<2.5 m/s <sup>2</sup>		
Ambient operating temperature	Min: 0°C, Max: 43°C		

\*Values per EN 60335- 2- 72. Specifications are subject to change without notice.

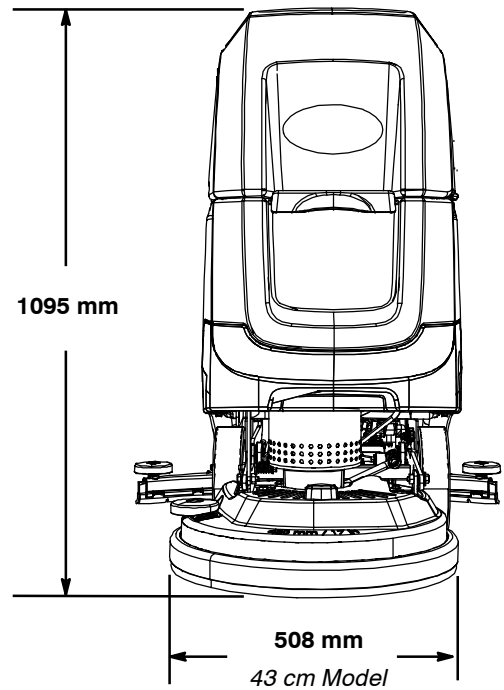
# SPECIFICATIONS

## MACHINE DIMENSIONS

### SINGLE DISK MODEL



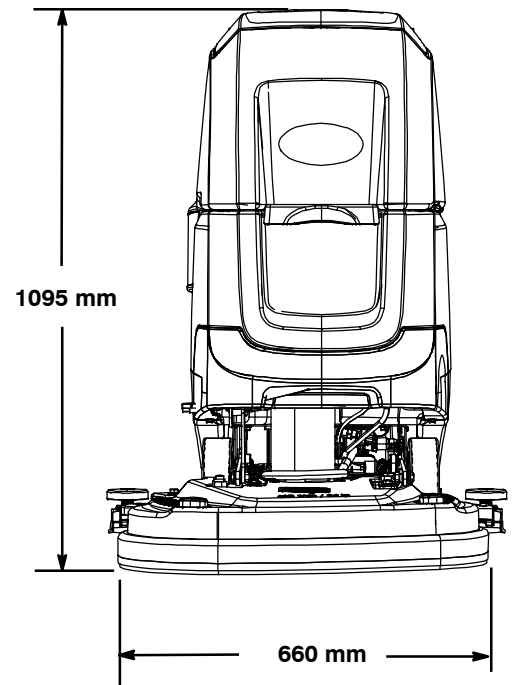
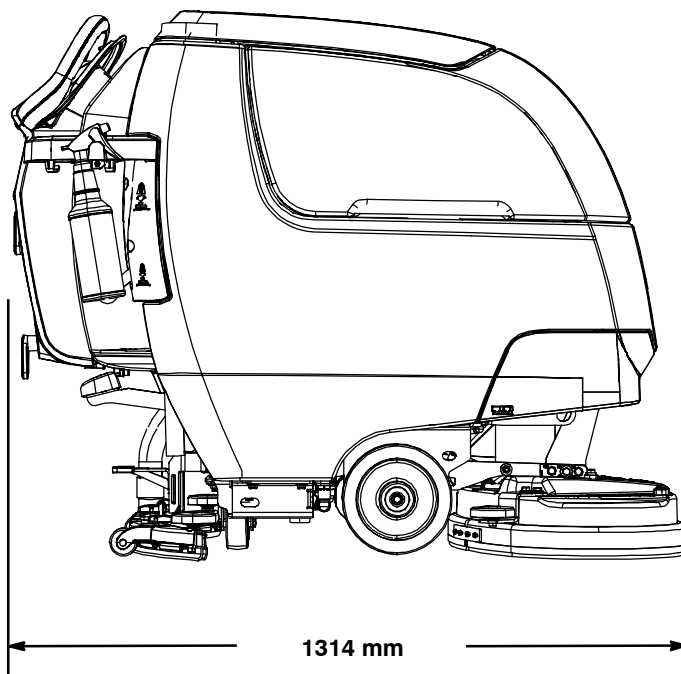
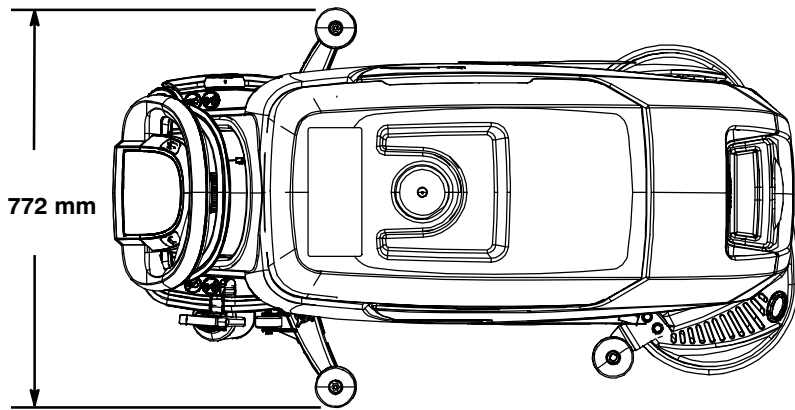
1372 mm  
50 cm Model



559 mm  
50 cm Model



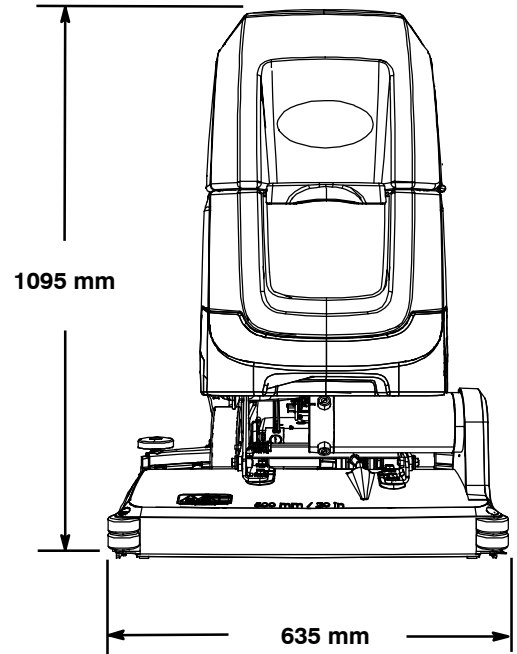
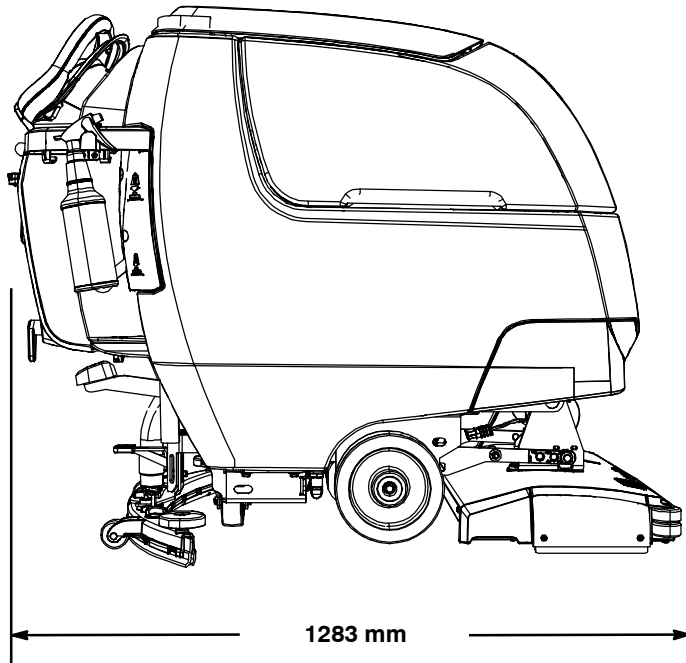
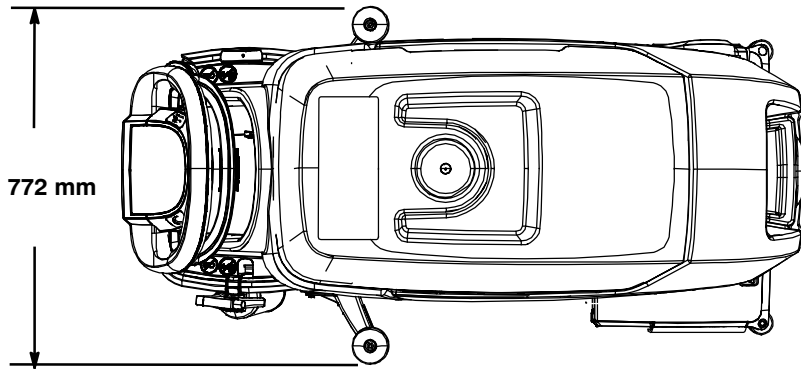
DUAL DISK MODEL



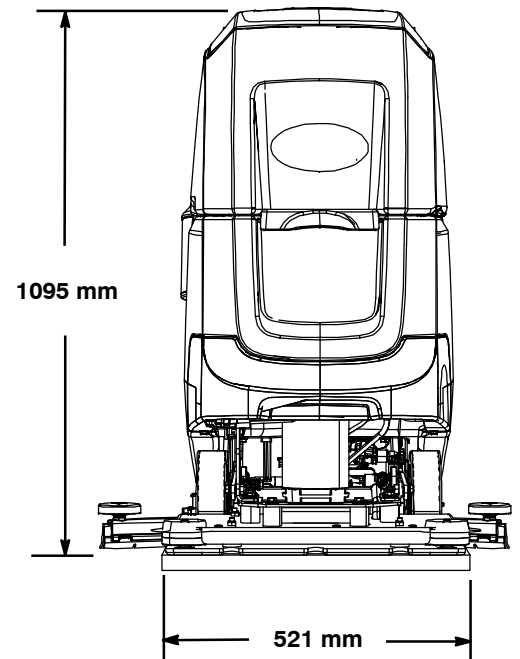
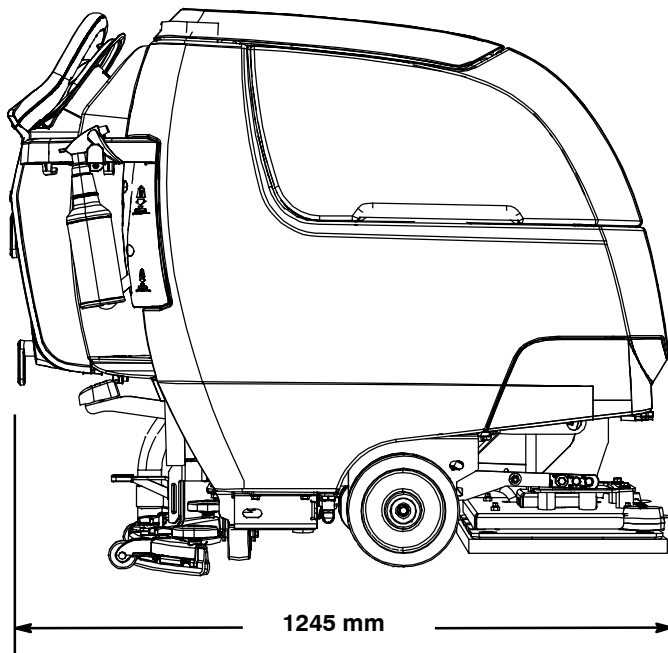
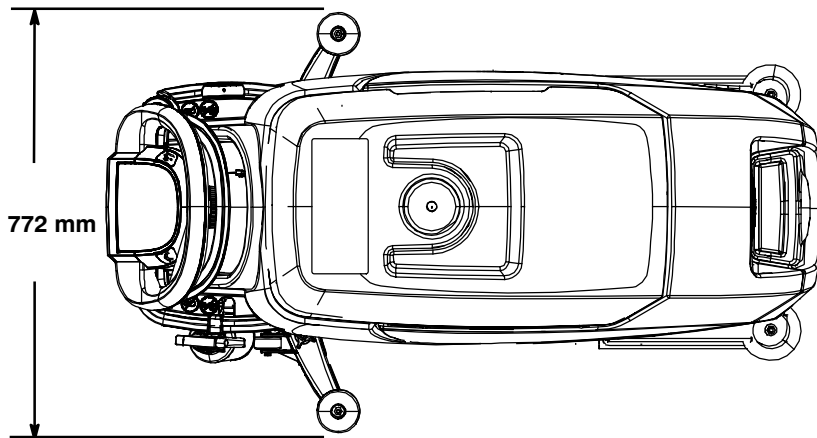
# SPECIFICATIONS

---

## CYLINDRICAL BRUSH MODEL



ORBITAL PAD MODEL







**ATTENTION:** The following instructions are intended for supervisor use only. Remove pages from manual if necessary.

**SUPERVISOR CONTROLS**

The supervisor controls feature allows a supervisor to program the machine's scrubbing settings for operator use. The lockout functionality will prevent the operator from changing or saving the Zone Settings.

The supervisor controls feature will lower machine variability for consistent, repeatable cleaning results, machine quality assurance regardless of user experience, and reduce user training requirements.

*NOTE: The T300e model is not equipped with the supervisor controls feature.*

**T300 MODEL WITH PRO-MEMBRANE CONTROL PANEL**

The machine has three supervisor control modes of operation to choose from:

**Unlocked Mode 1:** Operator has full control of all scrubbing parameters with the ability to save Zone Settings. The Unlocked Mode 1 is the factory default setting.

**Lockout Mode 2:** Zone Settings are configured and locked by supervisor. Operator has control to reconfigure the zone settings, but are not able to save them.

**Lockout Mode 3:** Zone Settings are configured and locked by supervisor. Operator is restricted to only use the Zone Settings configured by supervisor.

To enter the supervisor controls mode follow the instructions below:

1. Park the machine on a level surface and turn the key to off ( O ) position.
2. Press and hold the Down Pressure button while turning the key on. Release button when the far right battery discharge indicator LED turns on (Figure 137).

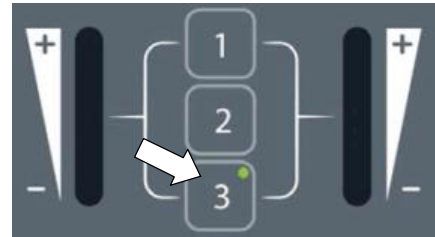


**FIG. 137**

3. Select the preferred supervisor control mode by pressing the following Zone Setting buttons as described:

- Zone 1 button = Unlocked mode 1
- Zone 2 button = Lockout mode 2
- Zone 3 button = Lockout mode 3

Hold down the Zone Setting button until it blinks three times to save the preferred supervisor control mode (Figure 138). In this example, Lockout mode 3 was selected.



**FIG. 138**

4. If Lockout mode 2 or 3 was selected, press the Solution Flow button. This will allow you to configure the Zone Settings for the selected supervisor control mode (Figure 139).



**FIG. 139**

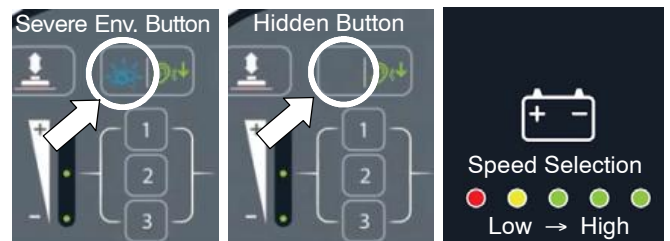
5. Configure the following Zone Settings for zone 1. After the Zone Settings are configured, press and hold the zone button until it blinks three times to save Zone Setting. Repeat process for other zones.

Zone Settings:

- Down pressure rate
- Solution flow rate
- Quiet-Mode on or off (option)
- ec-H2O mode on or off (option)
- Maximum scrubbing speed (drive model)

To adjust the maximum scrub speed, press the circled button to cycle through the five speed selections as described below (Figure 140).

The speed selection is displayed by the battery discharge indicator LED's. The red LED represents the lowest speed. The far right green LED represents the highest speed (Figure 140).



**FIG. 140**

6. To exit the supervisor control mode, turn key off.

## T300 MODEL WITH PRO-PANEL CONTROLS

There are two types of user modes that will interface with the operator home screen:

**Operator Mode** - Capable of machine operation with permissions and restrictions controlled by the supervisor.


**Supervisor Mode** - Capable of machine operation with full use of all controls, along with configuring permissions and restrictions for the operator mode.

A new machine from the factory will automatically start up in the supervisor mode with a preassigned default supervisor profile. The machine's factory-assigned supervisor login number is "1234". This login number is not required until it's enabled. The default supervisor profile name and login number can be changed as described in this section. If the new assigned supervisor mode login number is forgotten, use the recovery login code 836626826.

To enter the supervisor controls follow the instructions below:

1. Park the machine on a level surface and turn the key to the on ( I ) position. The home screen will display at start up (Figure 141). This is the factory default screen at start up.

*NOTE: If a login screen appears at start up. Enter the factory-assigned supervisor login number or your saved personalized supervisor login number to access the operator home screen.*

2.  Press the settings button located on the home screen (Figure 141).

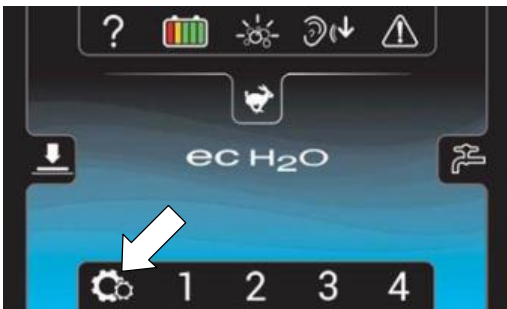



FIG. 141

3.  Press the Setup button to access the Setup screen (Figure 142). The Setup screen is only accessible with an assigned supervisor login number.

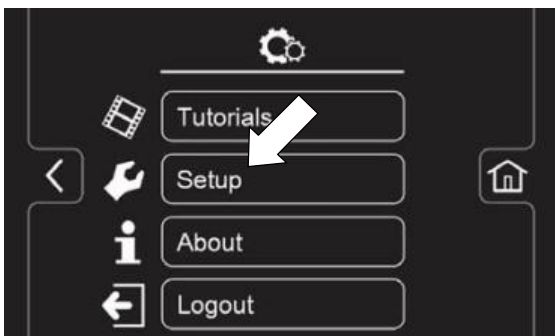


FIG. 142

4. The Setup screen allows supervisor access to the following controls as described below.

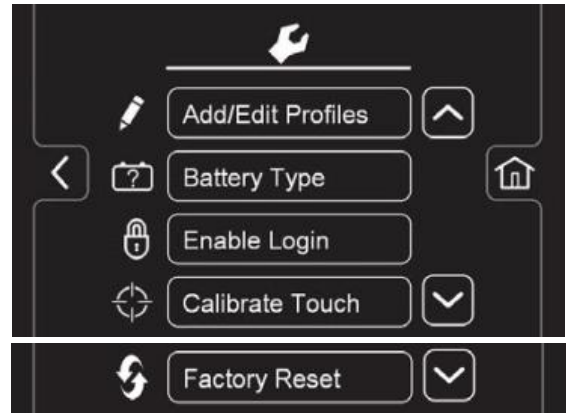





FIG. 143

 **Add/Edit Profiles** - Provides the capability to add, edit, copy or delete user profiles.

 **Battery Type** - Use this to select battery type installed in machine. This ensures the on-board battery charger charging profile is properly programmed to your battery type. See BATTERIES.


 **Enable Login** - Activates a required login number at machine start up for all user profiles to operate machine.

 **Calibrate Touch Icon** - Use this to calibrate the touch screen if the touch points become misaligned.

 **Factory Reset** - Resets the supervisor login number back to the factory default number 1234, removes user profiles and resets any custom preset zone setting names back to the factory preset names.

### To Add/Edit User Profiles

Before adding new user profiles, it is recommended to configure the four Zone Settings in advance (See CONTROL PANEL OPERATION).

1.  Press the "Add/Edit Profiles" button to enter the user profile settings (Figure 144).

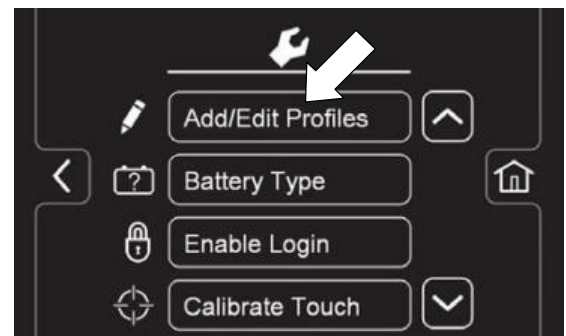



FIG. 144

2.  Press the “Add Profile” button to add a new user profile (Figure 145).

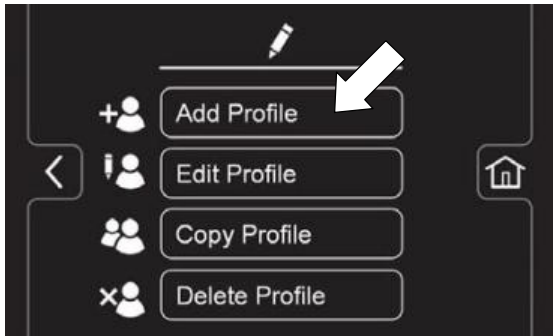




FIG. 145

3.  Press the “Operator” button to add a new operator (Figure 146).

 Or press the “Supervisor” button to add an additional supervisor (Figure 146).  
 Note: The machine’s default supervisor profile can not be deleted from profile list.

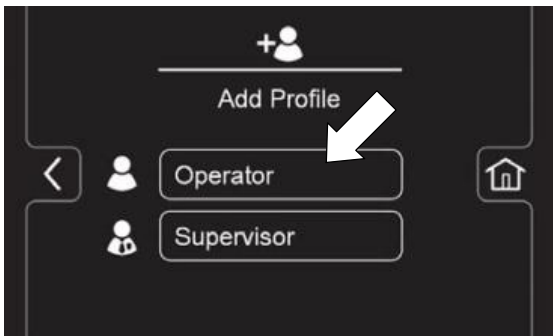


FIG. 146

4. Enter the new user’s profile ID (identification) then press the green forward arrow (Figure 147).



FIG. 147

5. Create an assigned login number for the new user profile then press the green arrow (Figure 148). The new login number can be any combination of numbers ranging from 3 to 8 digits long.



FIG. 148

6. Now select the controls that the new user should have access to use (Figure 149). Green represents unlocked controls and gray represents locked controls. Press the blinking save icon to save new profile.

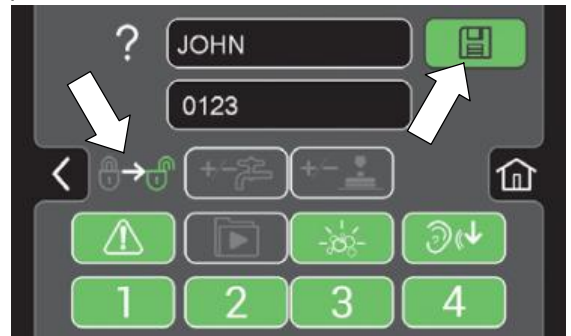


FIG. 149

7. The new user profile is now saved to the operator profile list as shown (Figure 150). Multiple Operator and Supervisor user profiles can be added. Press the back arrow to return to the previous screen to add more user profiles or to enable login.

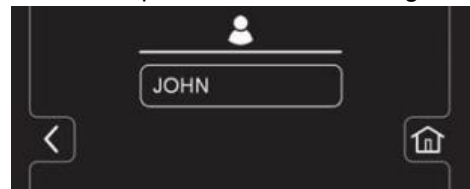


FIG. 150

8. To enable the login number at start up, press the “Enable Login” button (Figure 151). This button will change from “Enable Login” to “Disable Login”. This will allow you to disable a required login number at start up as described in step 13.

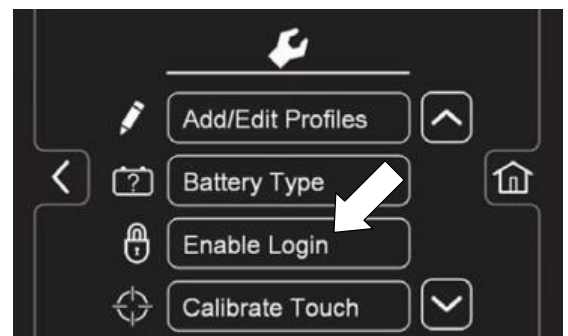


FIG. 151

## SUPERVISOR CONTROLS

9. Now at machine start up, a login screen will display (Figure 152). The new user will need to enter their assigned login number to operate machine

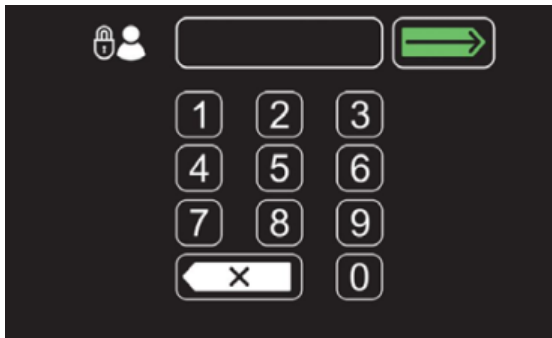


FIG. 152

10. When the user is done operating the machine, it is recommended to have the user log out by pressing the Settings button, then pressing the logout button (Figure 153). Turning the key to the off position is another way to also logout.



FIG. 153

11. Use the edit, copy and delete profile buttons to manage the current user profiles (Figure 154).

For example, to edit any user profile settings including the factory-assigned default supervisor login number, press the "Edit Profile" button

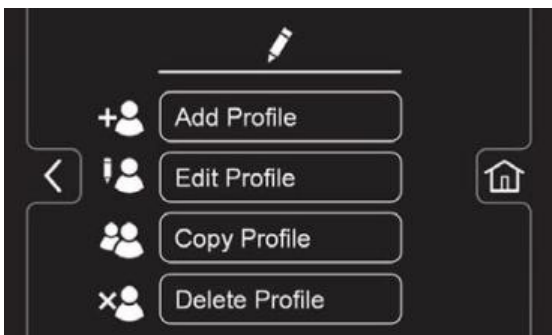


FIG. 154

To change the factory-assigned default supervisor login number, press the Supervisor button. Then press the "DEFAULT SUPER" profile button to enter the profile settings (Figure 155).

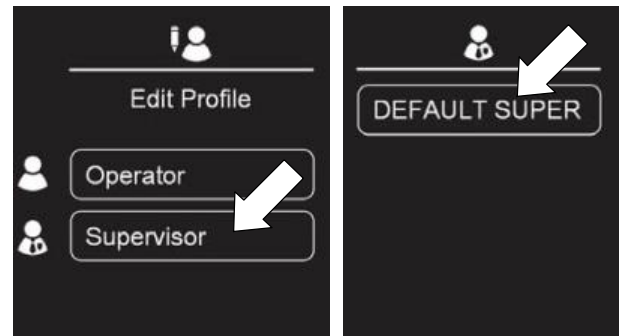


FIG. 155

Within the profile settings screen, press the factory-assigned login number and enter a new login number (Figure 156).



 Press the blinking save icon to save the new login number.



FIG. 156

13. To setup the machine without a login number requirement for a specific user profile as the default, follow the instructions below:

- a.  Press the "Disable Login" button (Figure 157).

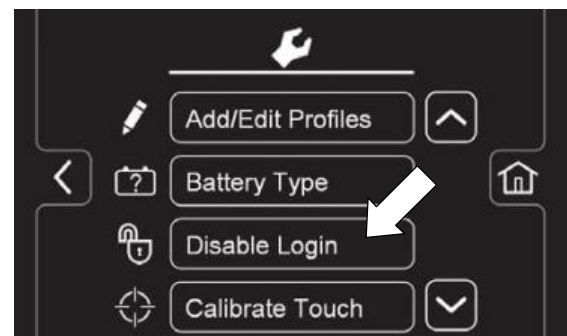
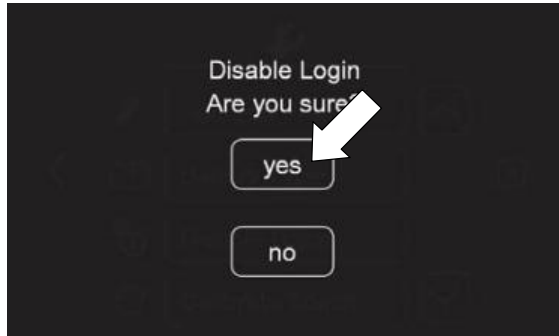


FIG. 157

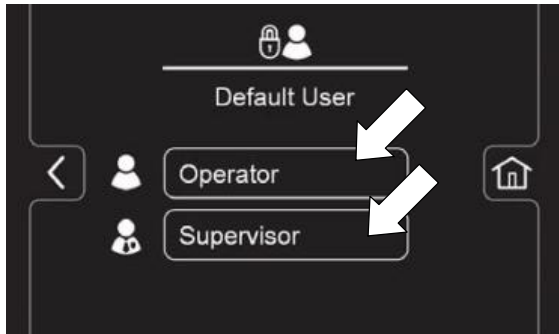


- b. Press the “yes” button to enter the Default User screen (Figure 158).



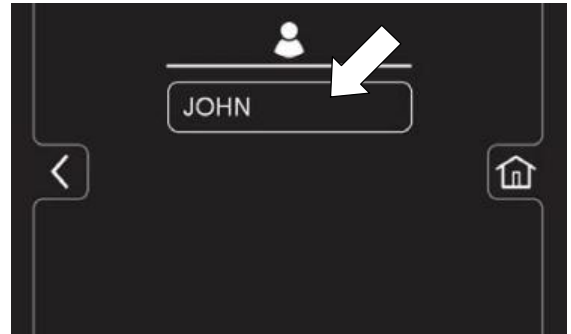
**FIG. 158**

- c. Select the desired default user by pressing the Operator or Supervisor button (Figure 159).



**FIG. 159**

- d. Select a pre-assigned user profile. In this example, operator profile “JOHN” is selected (Figure 160). Turn the key off to apply the setting.



**FIG. 160**

- e. At start up, the home screen is now set without a login requirement for John's operator profile as the default.