



TABLE TENNIS TABLE
MODEL NOS.
T8611
T8611B
T8611SE

OWNER'S MANUAL

1. **Read this manual carefully before starting assembly.** Read each step completely before beginning each step.
2. **Some smaller parts may be shipped inside larger parts. Check inside all parts and cartons before assembling or ordering parts.**
3. **To make assembly easier, use the Hardware Identifier on page 11 to identify and sort all fasteners. Check all cartons for kits. All hardware may not be located in one kit.**
4. **Do not tighten hardware until instructed to do so.** If hardware is tightened too soon, mounting holes may not align and parts may not easily fit together. Leave locknuts slightly loose until you are instructed to tighten them.
5. **Tools required for assembly:** Phillips Screwdriver, Two 7/16 Wrenches, One 3/8 Wrench (an adjustable wrench may be substituted for the wrenches).
6. **Do not use power tools to drive screws into wood tops.** Hand tighten screws only. Tighten screws snug, but do not overtighten causing screws to strip.
7. **Save this instruction and your proof of purchase (receipt) in the event that the manufacturer has to be contacted for replacement parts.**

Please Do Not Return This Product To The Store!

Contact Escalade® Sports customer service department at:

Phone: 1-866-873-3528 Toll – Free !

Fax: 1-866-873-3533 Toll – Free !

E-mail: tabletennis@escaladesports.com

Mailing Address (correspondence only):

Escalade Sports

PO Box 889

Evansville, IN 47706

Please visit our World Wide Web site at: www.escaladesports.com

ON-LINE TROUBLE SHOOTING

TECHNICAL ASSISTANCE

ON-LINE PARTS REQUESTS

FREQUENTLY ASKED QUESTIONS

ADDITIONAL ESCALADE® SPORTS PRODUCT INFORMATION



2L-4129-01

Escalade® Sports products may be manufactured and/or licensed under the following patents.
6120397, 5816957, 5769744, 5119741, 4911085, 4717157, D460140, D420563
Additional patents may be pending. One or more of the listed patents and/or pending patents may cover specific product.

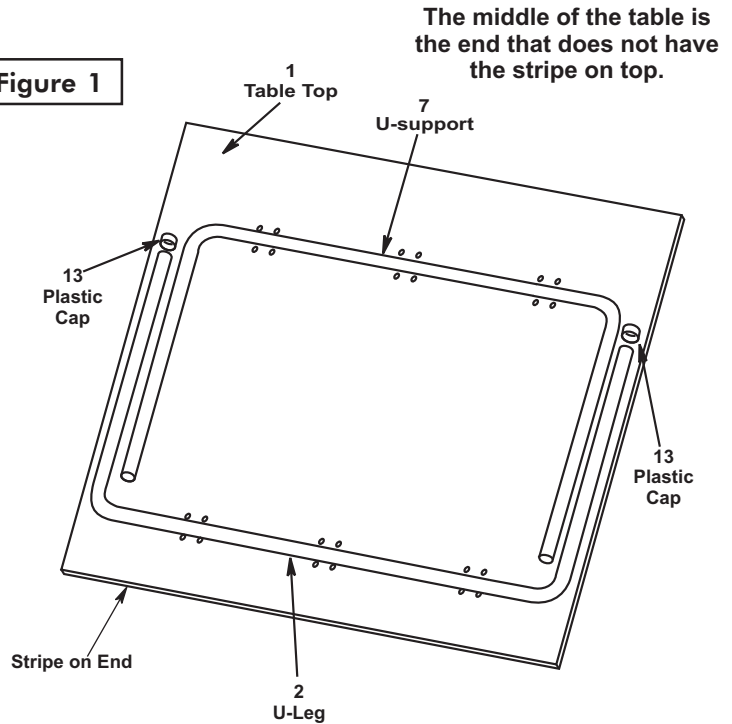


CAUTION :

DO NOT USE POWER TOOLS TO DRIVE SCREWS INTO WOOD TOPS. HAND TIGHTEN SCREWS ONLY. TIGHTEN SCREWS SNUG, BUT DO NOT OVERTIGHTEN, CAUSING SCREWS TO STRIP IN WOOD.

1. Lay table top #1 painted side down, on a smooth, flat surface. Use the shipping container to protect the painted surface of the table top.
2. Align U-Support (#7) and U-Leg (#2) on Table Top as shown in Figure 1. **Note: "U" Leg is Larger and wider than U-Support. The U-Leg should be installed on the end of the table half with the end stripe on top side.**
3. Put plastic caps #13 on the end of U-leg #2.

Figure 1



CAUTION:

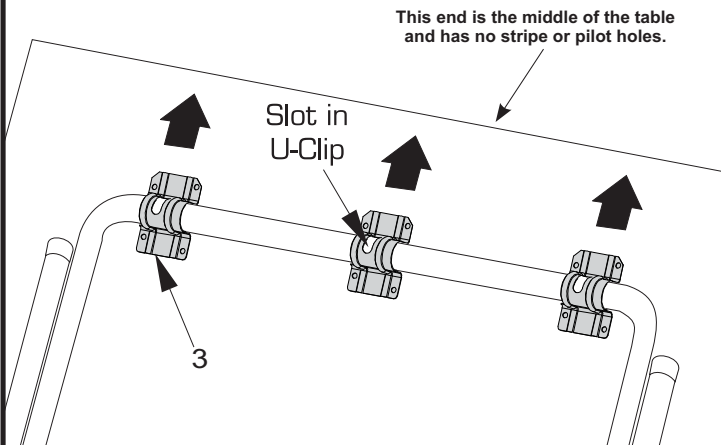
WHEN ASSEMBLING TABLE, IT IS EXTREMELY IMPORTANT THAT THE U-CLIPS (#3) BE TURNED AS SHOWN HERE. IF U-CLIPS ARE TURNED INCORRECTLY, YOU WILL DO IRREPARABLE DAMAGE TO YOUR TABLE WHEN YOU ATTEMPT TO OPEN IT TO THE PLAYING POSITION.

If you want to see a video on how to position the U-Clips go to: <http://www.escaladesports.com/customer-service/videos.html>

4. Align the holes in the Large U-clips #3 with pilot holes in table top assembly and secure with twenty four screws #20 as shown. All four holes in each U-Clip must align with four pilot holes in top.

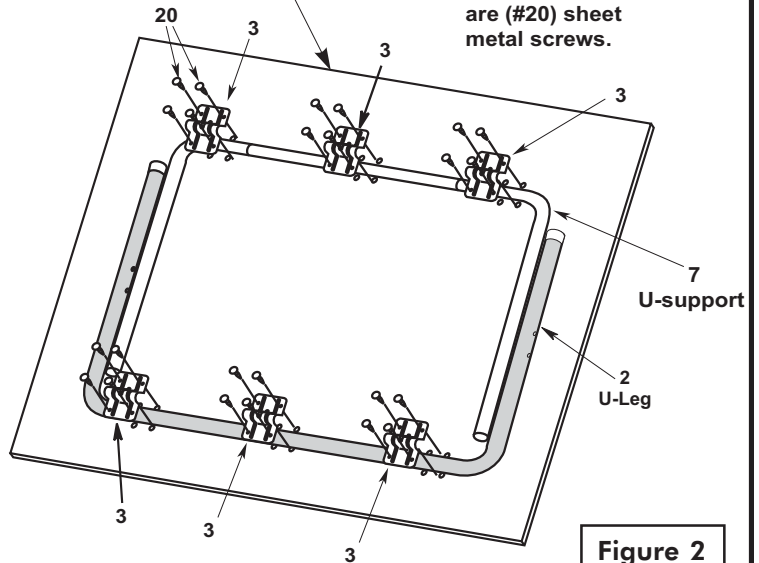
IMPORTANT:

Be sure that slot in the six U-clips #3 all face the same direction (toward the middle of the table with the U-support) as shown.



This end will be the middle of the table when completely assembled.

All screws shown are (#20) sheet metal screws.



IMPORTANT: U-Leg is wider than U-support. Make sure they are assembled exactly as shown. If not, there will be a large gap between table halves and table will not operate properly!

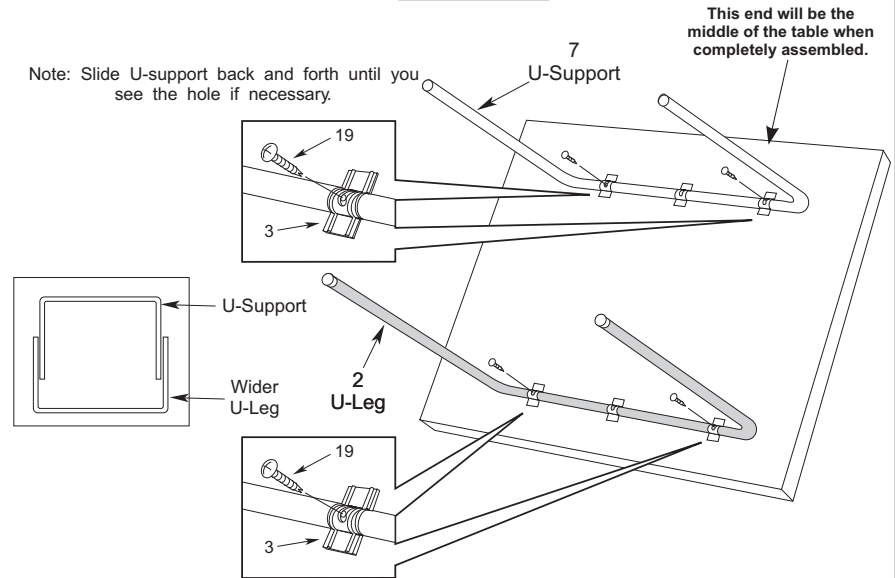
- Rotate U-support #7 until you see the screw hole in the slot of U-clip #3. Slide U-support #7 side to side if necessary.

Note: To aid in assembly you can use a cordless drill and Phillips bit for **Step 6 only**. **Wear safety glasses.**

- Insert screw #19 through slot in U-clip #3 and into U-support #7. Thread it all the way into U-support #7 until it touches the back of the tube. There should be about 3/8 inch of screw #19 left sticking out. Repeat for U Leg #2.

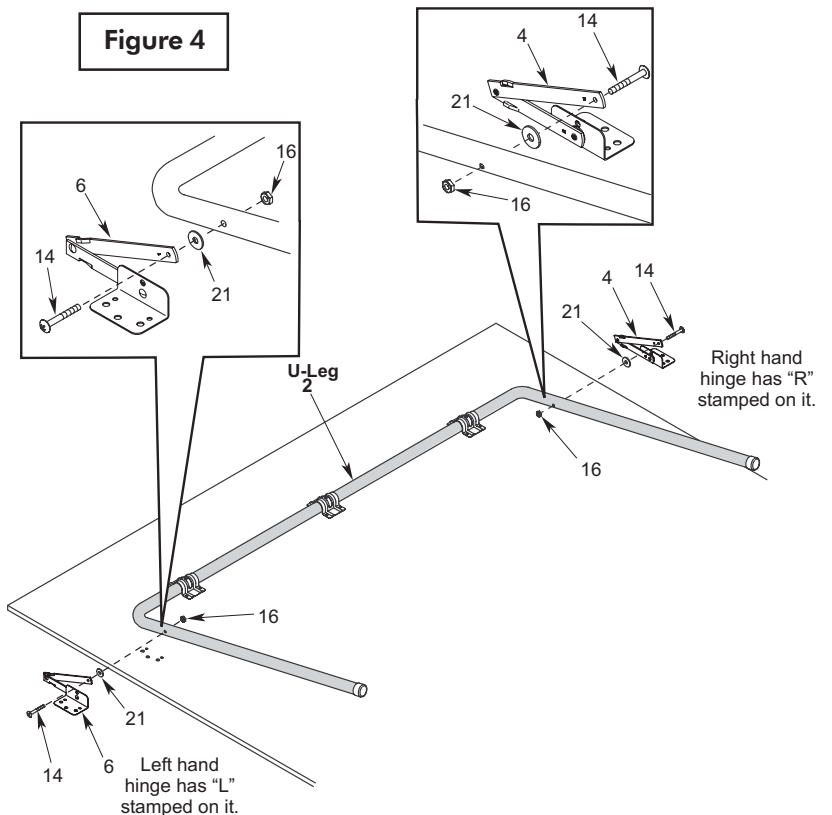
If you want to see a video on how to insert Screw (#19) go to: <http://www.escaladesports.com/customer-service/videos.html>

Figure 3



- Attach hinge and brackets #6 and #4 to U-leg #2 as shown in Figure 4. **NOTE: Hinges are right hand and left hand and must be attached as shown.** Left hand hinge #6 has the letter "L" stamped on it and the right hand hinge has "R". Attach with screws #14, plastic washers #21 and locknuts #16. Tighten nuts until snug, but do not overtighten. Hinges must pivot. See Figure 4.

Figure 4



8. Screw left hand hinge brackets #6 to table top following these steps:
 - A. Push U-leg #2 and hinge assembly flat against top. See Figure 5.
 - B. Place a spacer that is about 1/16" thick between hinge legs. Suggestion: either a nickel or a quarter is an ideal spacer See Figure 6.
 - C. With hinge bracket, hinge and leg flat against table top and spacer between hinge legs, screw bracket to table with five #20 screws. See Figure 6.
 - D. Open leg and lock leg hinge. See Figure 7. Remove spacer that you used between hinge legs.
9. Repeat step 8 to attach right hand hinge bracket to table.

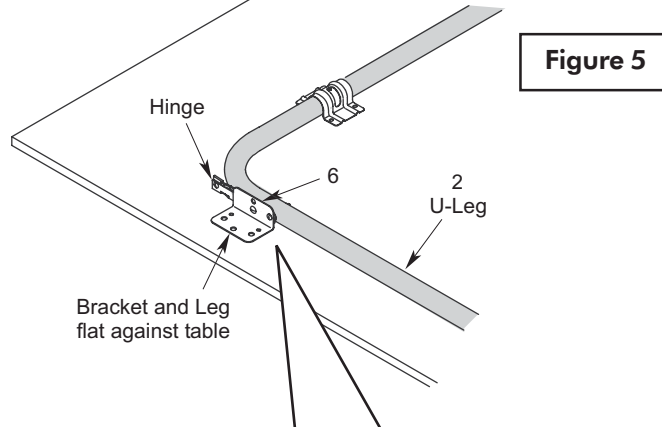


Figure 5

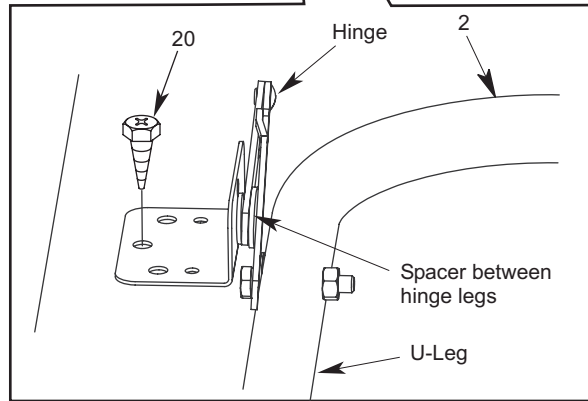


Figure 6

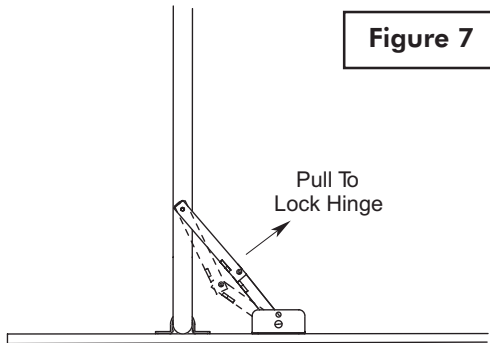


Figure 7

- 10a. Lay out rails #25 and 26, as shown in Figure 8, around edges of table top.
- 10b. Slide Right #27 and Left Vinyl End #28 Caps onto the ends of the Side Rails #25 as shown.
11. Line up holes in rails with pilot holes in top and secure using eighteen screws #20. See Figure 8.
12. Lay Corner Caps #22 on table as shown in Figure 9. If Corner Cap sticks above table top surface of table, flip over so shorter distance is against edge. Secure to bottom of table with three screws #24.

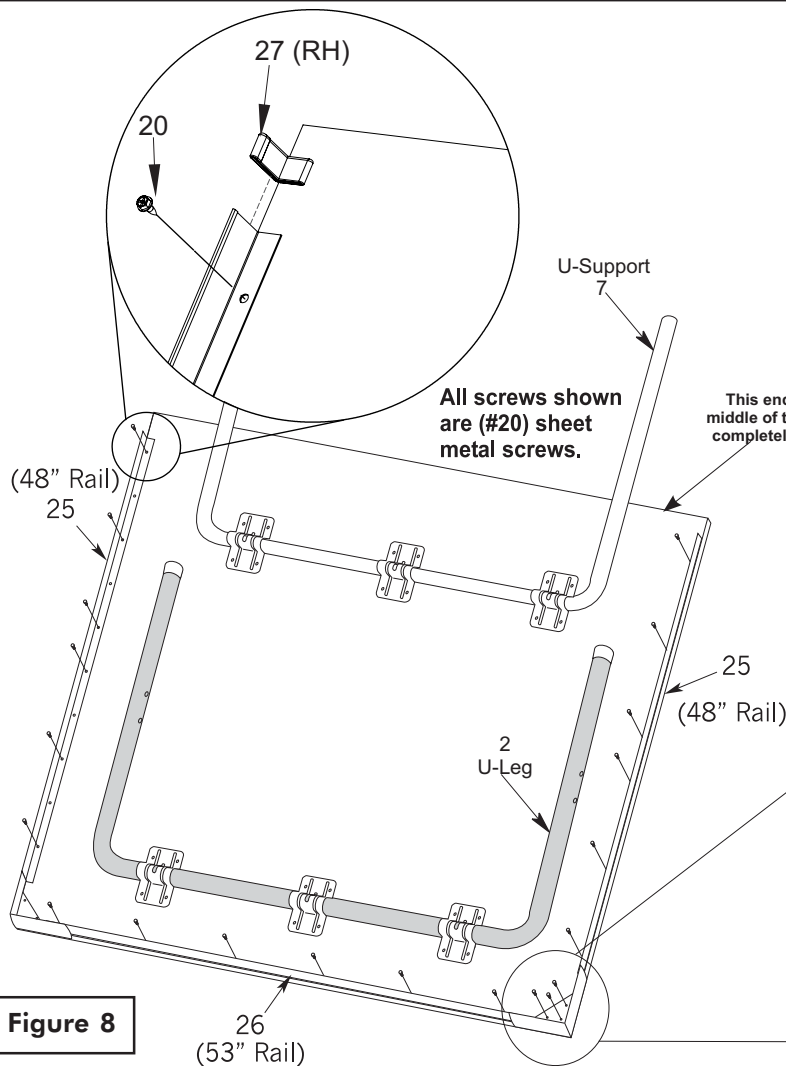


Figure 8

NOTE: This smaller Corner Protector included in the hardware kit is not used for this table, please discard it. Use Corner Protector shown in Figure 8 & 9.

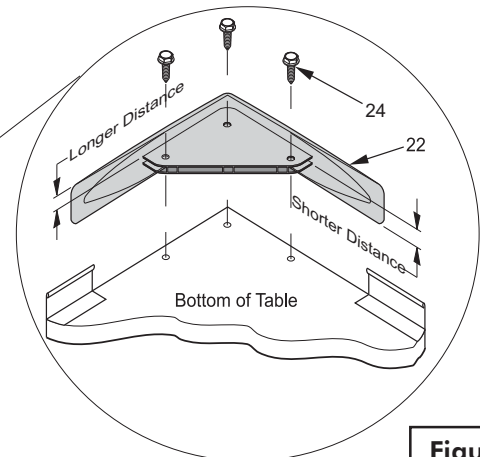
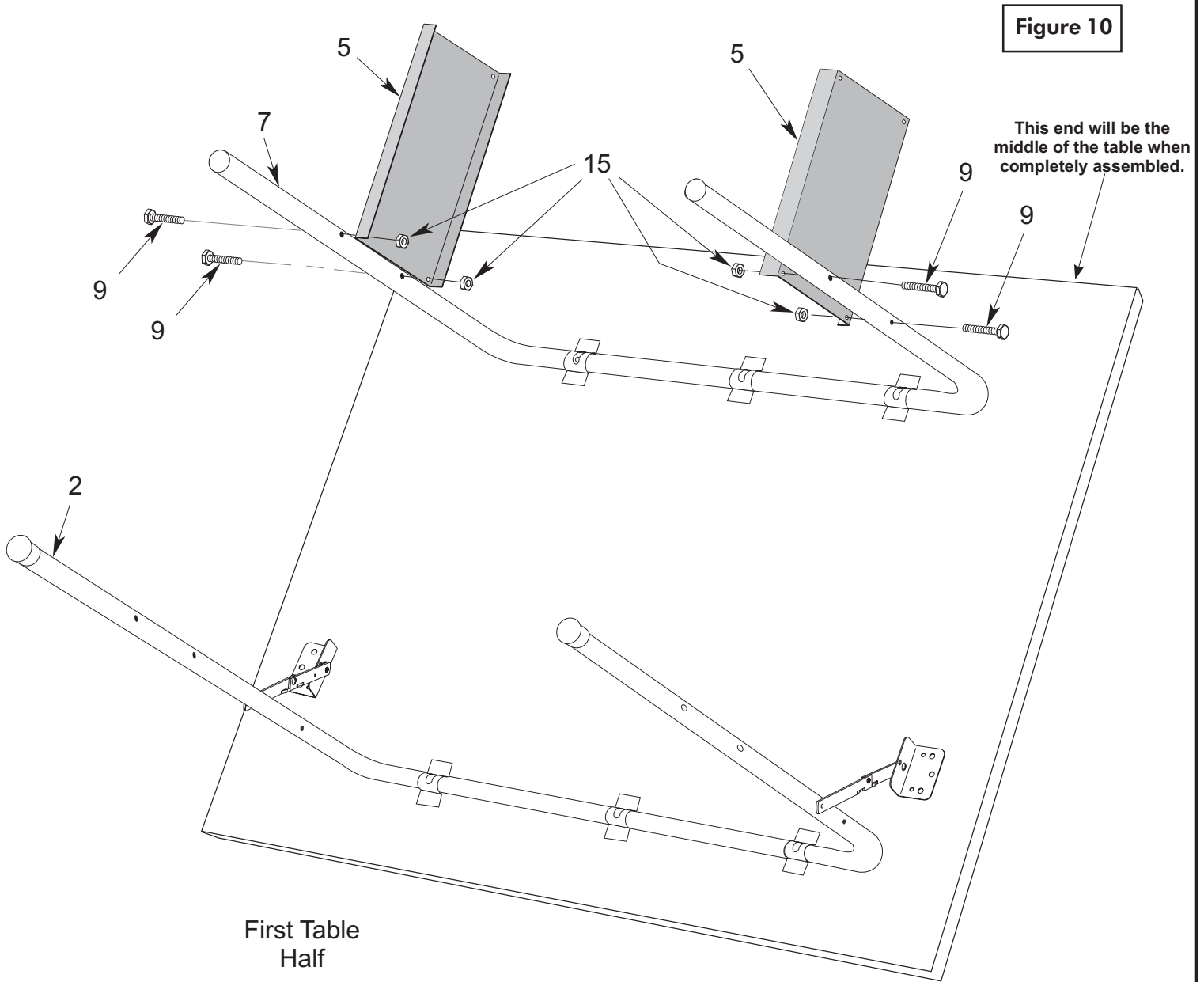


Figure 9

13. Attach name panel #5 to inside of U-supports #7. Secure with hex bolts #9 and locknuts #15. Tighten nuts but be careful not to crush tubes. See Figure 10.

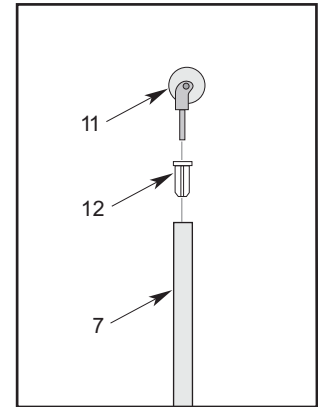


14. Gently tap caster sockets #12 into U-support #7 until flange on sockets touches the edge of the tube. **DO NOT HIT CASTER SOCKET DIRECTLY WITH A HAMMER! SET A PIECE OF WOOD ON CASTER SOCKET AND HIT PIECE OF WOOD TO DRIVE CASTER SOCKET INTO U-SUPPORT**
See Figure 11.

15. Insert casters #11 into caster sockets #12. See Figure 11.

CAUTION:
AT LEAST TWO ADULTS ARE NEEDED TO MOVE TABLE HALF!

Figure 11



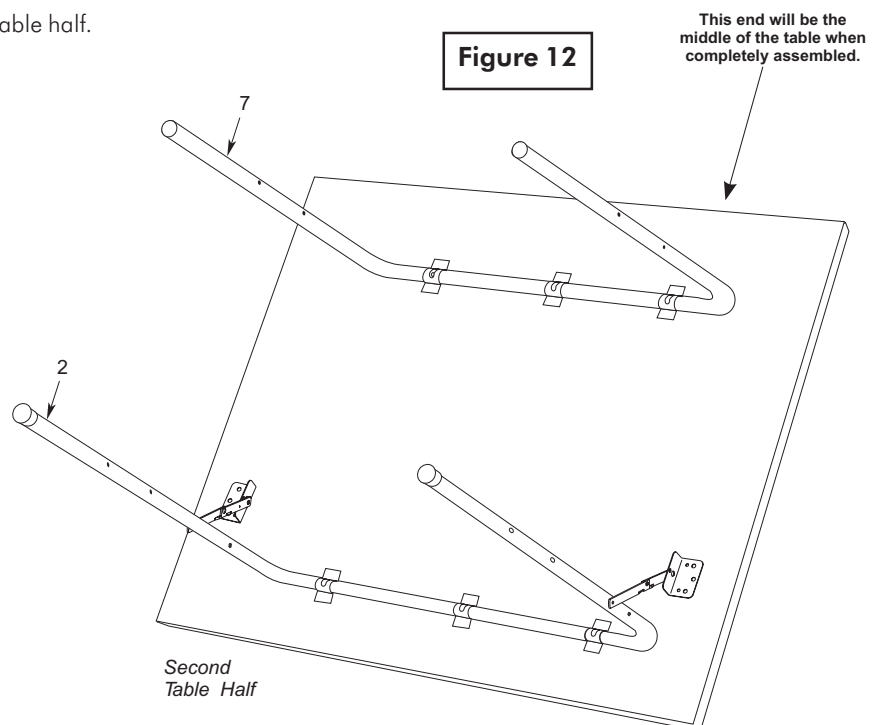
16. Prepare an area for the assembly of the second table top half. If necessary, move the first table top half aside with the aid of a helper. Be sure to place it in a location where it won't be disturbed or damaged. If setting on its side, be sure to place the bottom edge no less than 12 inches away from the wall. Also be sure to place carpet or pieces of the shipping carton down to protect table top edges. If floor is not carpeted, brace table top half with a heavy object to keep it from sliding.

17. Repeat steps 1 through 12 on second table half.

18. Gently tap caster sockets #12 into U-support #7 on second table half until flange on sockets touches the edge of the tube. **DO NOT HIT CASTER SOCKETS TOO HARD WITH A HAMMER.** Casters could break if hit too hard.

19. Insert casters #11 into caster sockets #12 on second table half.

Figure 12

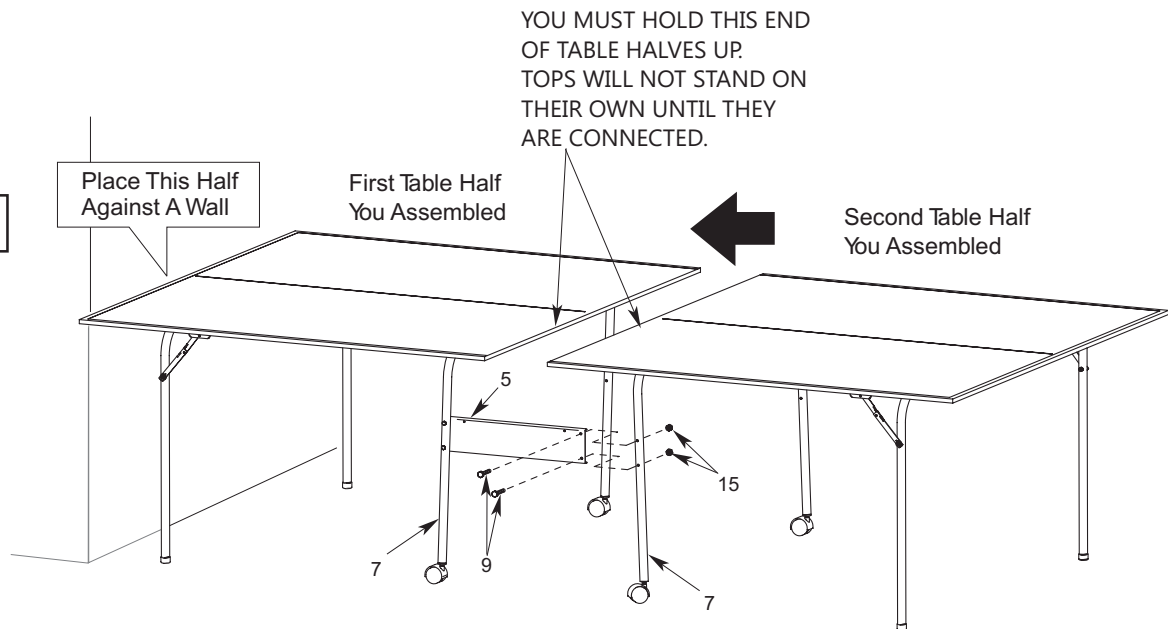




CAUTION :

AT LEAST THREE ADULTS ARE NEEDED TO COMPLETE THE REMAINDER OF THE ASSEMBLY! READ AND UNDERSTAND STEPS 20, 21 AND 22 BEFORE CONTINUING WITH ASSEMBLY.

Figure 13



20. Make sure the legs on the first table top half (the half with the name panel #5) are open and hinges are locked. With one person on each side of the table, lift and set table half on its legs. Place table against a wall as shown above to help stabilize table top half while second half is being attached. Be sure there is enough room to connect second half. You must hold table half up. It will not stand on its own until other half is connected.



CAUTION:

BE SURE THE FIRST TABLE HALF YOU ASSEMBLED (WITH NAME PANELS #5 ATTACHED) IS STABLE AND AGAINST A WALL. DO NOT LEAVE TABLE HALF STANDING UNATTENDED. IT WILL NOT STAND ON ITS OWN.

21. Place two hex bolts #9 and locknuts #15 on floor next to caster wheels (on both sides of the table half) so they will be handy for the next step.

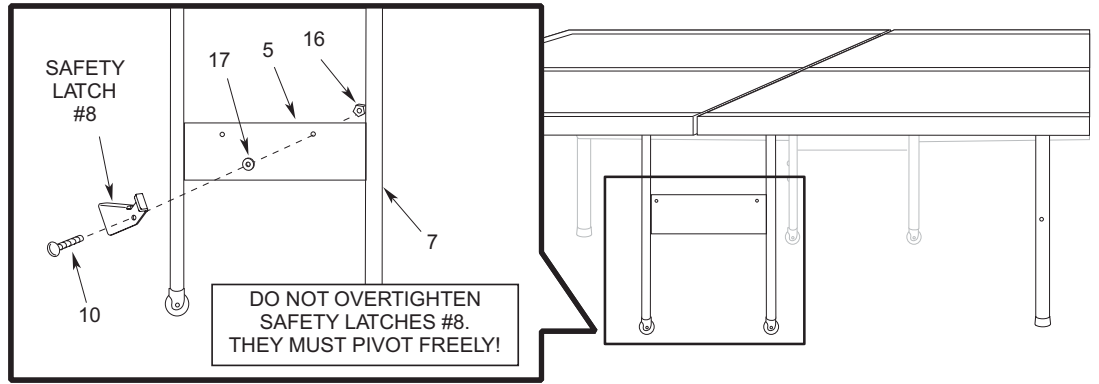
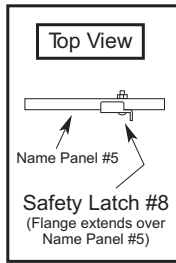


CAUTION:

UNTIL THE TABLE HALVES ARE CONNECTED THEY WILL NOT STAND ON THEIR OWN. AT LEAST THREE PEOPLE ARE NEEDED TO CONNECT TABLE HALVES. TWO TO STABILIZE TABLE AND ONE TO BOLT TABLE TOGETHER.

22. With a person on both sides of the second table half, slide the second table half against the first table half. Align holes in name panels #5 (on first table half) with holes in U-supports (on second table half). Secure second table half to name panel #5 with the two hexbolts #9 and locknuts #15 you placed on the floor earlier. Tighten locknuts snug but do not overtighten. These joints must pivot. At this point go back and tighten hex bolts #9.

Figure 14



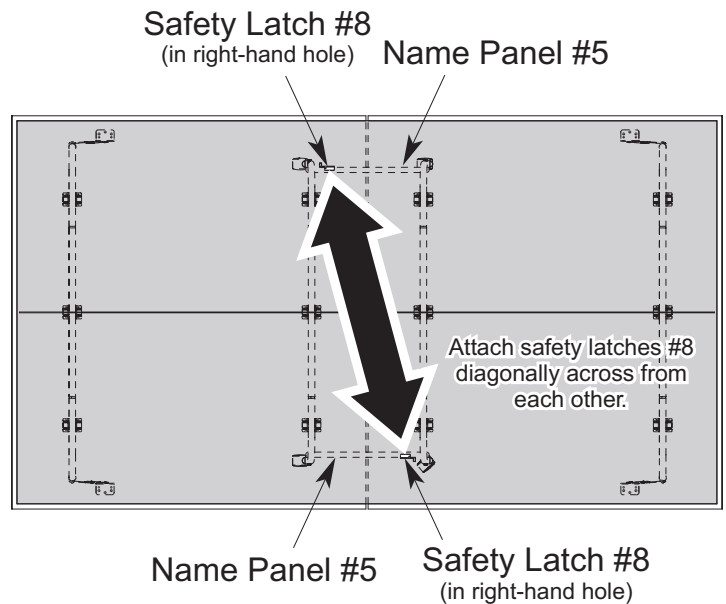
CAUTION:

INSTALL SAFETY LATCHES #8 AS SHOWN ABOVE FOR PROPER USE OF TABLE! DO NOT SKIP THIS STEP! DO NOT OPERATE TABLE UNTIL SAFETY LATCHES ARE INSTALLED AND ASSEMBLY IS COMPLETE!

23. Choose a name panel #5 on either side of the table and install one safety latch #8 into the right-hand hole on that name panel as shown in Figures 14 & 15. Use one screw #10 one washer #17 and one hex nut #16. **NOTE: Flange on safety latch must extend over top of name panel as shown in Figure 14. Safety latch must pivot freely.**
24. Go to the other side of the table and install the second safety latch into the right-hand hole on the other name panel #5. **NOTE: Safety latches must be attached diagonally across from each other.** (See Figure 15).

Figure 15

Top View Of Table

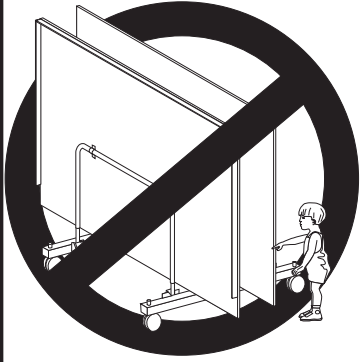




WARNING!

DO NOT ALLOW CHILDREN TO OPEN TABLE! DO NOT CLIMB, SIT, STAND OR JUMP ON TABLE! SERIOUS OR FATAL INJURY MAY RESULT! THIS IS NOT A TOY! TABLE IS TO BE OPENED OR CLOSED BY ADULTS ONLY! FAILURE TO COMPLY WITH OPENING AND CLOSING INSTRUCTIONS COULD RESULT IN PERSONAL INJURY OR PROPERTY DAMAGE.

OPENING AND CLOSING INSTRUCTIONS

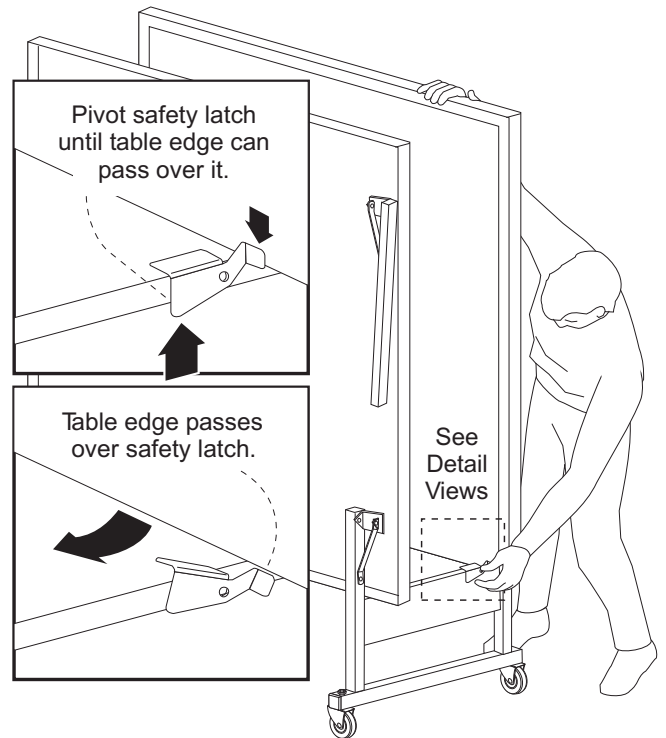
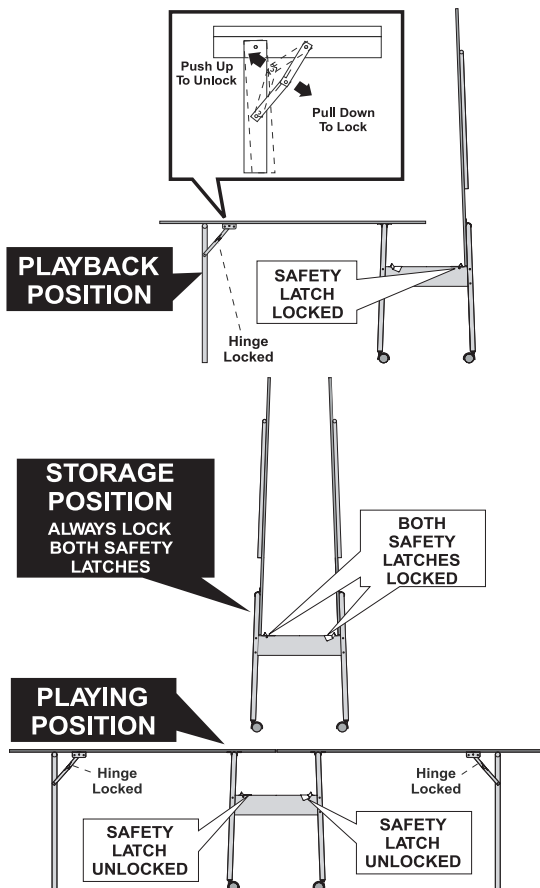


TO OPEN:

1. Open legs and lock hinges.
2. Stand behind the table near the safety latch.
3. Hold table half with one hand and pivot safety latch enough to allow the edge of the table half to pass over it.
4. While keeping an eye on the safety latch, pivot table half until it moves past the safety latch. Once edge of table has passed over safety latch, stop pivoting table half.
5. With both hands on the table half, center yourself along the table half and lower the table half to the floor.
6. Repeat for the other table half.
7. Attach net and post.

TO CLOSE:

1. Remove net and post.
2. Lift table half upward and inward to vertical position.
3. Unlock leg hinges and close legs.
4. Repeat for the other table half.



! CAUTION

THIS IS A GAME TABLE. DO NOT SIT, STAND, LEAN, WALK OR JUMP ON TABLE! FAILURE TO COMPLY WITH THIS CAUTION COULD RESULT IN PERSONAL INJURY AND/OR PROPERTY DAMAGE!

90 DAY LIMITED WARRANTY

This consumer warranty extends to the original consumer purchase of any ESCALADE® SPORTS Product (hereinafter referred as the "Product").

WARRANTY DURATION: This Product is warranted to the original consumer purchase of a period of ninety (90) days from the original purchase.

WARRANTY COVERAGE: ESCALADE SPORTS warrants to the original Consumer Purchaser that any Product of its manufacture is free from defects in material and workmanship when used for the intended purpose under normal use and conditions. THIS WARRANTY IS VOID IF THE PRODUCT HAS BEEN DAMAGED BY ACCIDENT, UNREASONABLE USE, NEGLIGENCE, IMPROPER SERVICE, FAILURE TO FOLLOW INSTRUCTIONS PROVIDED WITH THE PRODUCT OR OTHER CAUSES NOT ARISING OUT OF DEFECTS IN MATERIAL AND WORKMANSHIP.

WARRANTY PERFORMANCE: During the above ninety (90) day warranty period, ESCALADE SPORTS shall repair or replace with a comparable model, and Product, or component thereof, which may prove defective under normal use and proper care, and which our examination shall disclose to our satisfaction to be thus defective, please contact our Warranty Dept.

1-866-873-3528 / Warranty Dept.

Or Write us at:

Escalade® Sports, Inc. - P.O. Box 889, Evansville, IN 47706 - Attn: Warranty Dept.

Or E-mail us at:

customerservice@escaladesports.com

Other than shipping requirements no charge will be made for such repair or replacement of in-warranty Products. ESCALADE® SPORTS strongly recommends that the Product is insured for value prior to mailing.

WARRANTY DISCLAIMERS: ANY IMPLIED WARRANTIES ARISING OUT OF THIS SALE, INCLUDING BUT NOT LIMITED TO THE IMPLIED WARRANTIES OF MERCHANTABILITY AND FITNESS FOR A PARTICULAR PURPOSE, ARE LIMITED IN DURATION TO THE ABOVE NINETY (90) DAY WARRANTY PERIOD. ESCALADE® SPORTS SHALL NOT BE LIABLE FOR LOSS OF USE OF THE PRODUCT OR OTHER CONSEQUENTIAL OR INCIDENTAL COSTS, EXPENSES OR DAMAGES INCURRED BY THE CONSUMER OF ANY OTHER USE.

Some states do not allow the exclusion or limitation of implied warranties or consequential or incidental damages, so the above limitations or exclusions may not apply to you.

LEGAL REMEDIES: This warranty gives you specific legal rights and you may also have other rights which may vary from state to state.

CARE AND MAINTENANCE

You have purchased a quality product that will give you years of enjoyment. By following these simple maintenance steps, you will add to the life of your new table.

THE TABLE TOP

The top (playing surface) of your table is made of particle board. Like all products made of wood, it can be affected by atmospheric changes in both temperature and humidity. This may cause a slight sag or distortion as the top expands or contracts. This is normal and should not cause concern as it does not detract from the play or utility value of the table. After assembly of the table, you can minimize the effects of temperature and humidity changes by storing the table in the folded up position in a dry area when table is not in use.

STORAGE OF YOUR TABLE

This table must be stored indoors to prevent damage to the playing surface. Dampness and extreme temperature changes can cause the wood to warp, swell, crack or blister. When your table is not in use, it should be folded up in a dry area. Due to the nature of particle board, table top may bow. Damp and humid conditions will amplify this. This is normal and will not affect playability of table.

CLEANING YOUR TABLE

To clean your table use a soft, damp (NOT WET) cloth only. To prevent damage to your table's playing surface, DO NOT USE ANY CHEMICALS, ABRASIVE OR CLEANING PRODUCTS on your table's playing surface.




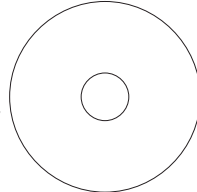




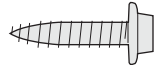
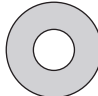

MAINTENANCE OF YOUR TABLE

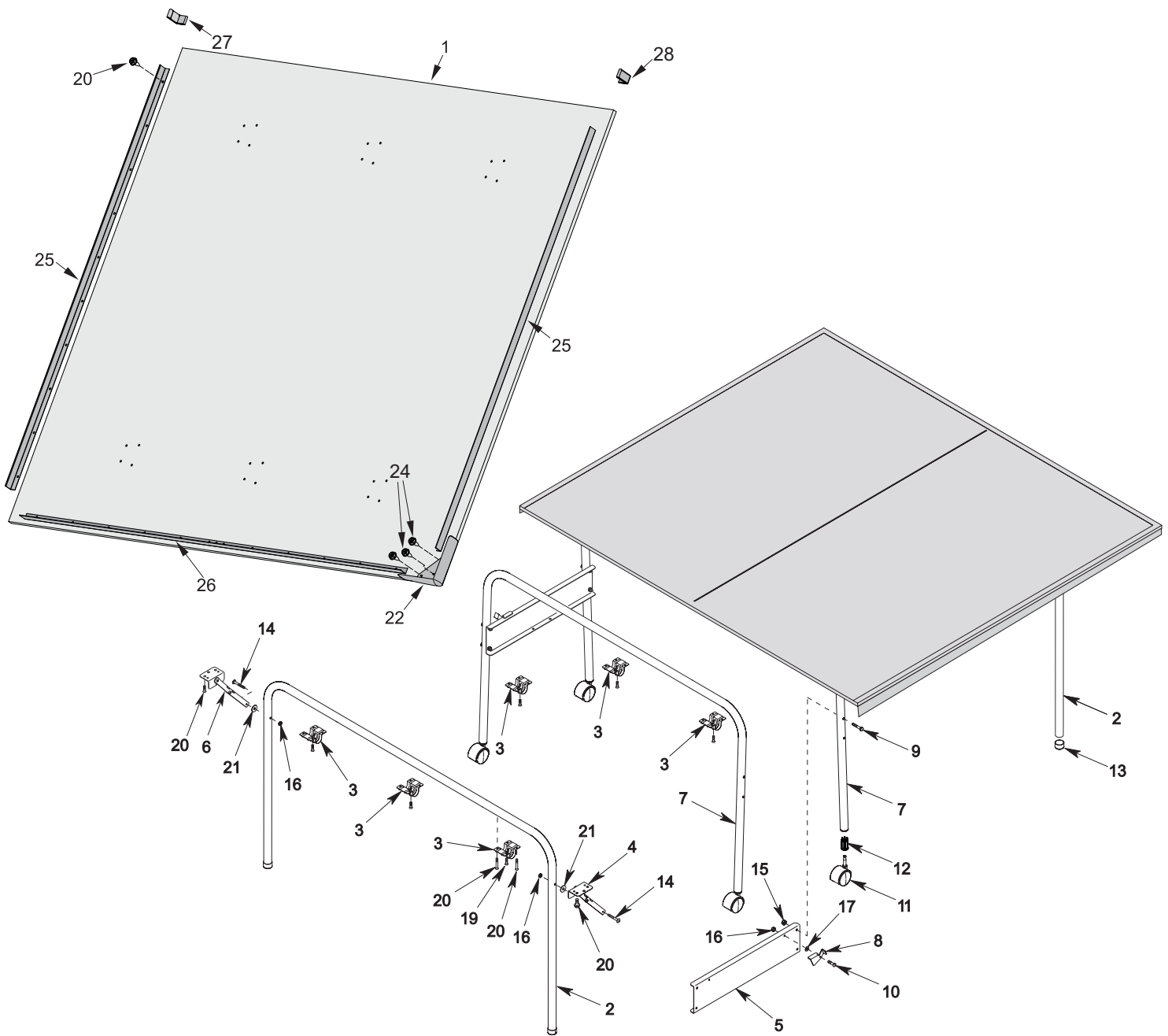
Be sure to oil all moving parts of your table including the pivot points. This will insure the safety and ease of use of your table.

This table must be kept indoors to prevent damage to the playing surface. Dampness and extreme temperature changes which occur on patios or similar areas can cause wood to warp, swell, crack or blister.

UNEVEL FLOORS

If table does not seem level, it is probably due to uneven or unlevel floors. Set the table in its PLAYING POSITION and move table several inches in different directions to find the best location for the table. If the floor is extremely unlevel, table may not play or operate properly. If table is high in the center, shim up under the outer U-legs.

KEY NO.		HARDWARE IDENTIFIER	
9	1/4-20 x 1-1/2 Hex Hd. Bolt		19 #8-32 x 1-1/4 S.M.S. 
10	#10-24 x 3/4 Rd. Hd. Screw		21 Plastic Washer 
14	#10-24 x 1-1/2 Phillips Pan Head Screw		23 1/4-20 x 2-3/4 Hex Hd. Bolt 
15	1/4-20 Locknut 	16 #10-24 Locknut 	24 #8 X 5/8 Sheet Metal Screw 
17	#10 Flat Washer 	20 #8 X 7/16 Sheet Metal Screw 	



PRODUCT PARTS LIST T8611, T8611B & T8611SE

Key #	Part#	Description	Qty.	Key #	Part#	Description	Qty.
1	4A-5467-00	Table Top - Black for T8611B	2	16	WB-1007-99	#10-24 Locknut	6
	4A-5467-02	Table Top - Green for T8611		17	2B-5001-99	#10 Washer	2
	4A-5467-04	Table Top - Blue for T8611SE		19	1B-4089-00	#8-32 x 1 1/4 Sheet Metal Screw	8
2	8S-6754-00	U-Leg	2	20	1B-6451-00	#8 x 7/16 Sheet Metal Screw	104
3	2S-6879-01	1" U-Clip	12	21	2B-6087-00	Plastic Washer	4
4	4A-7040-00	RH Hinge & Bracket Assembly	2	22	3M-6494-00	Corner Cap	4
5	2S-6780-00	Name Panel - 6"	2	23	2L-4129-01	Owner's Manual	1
6	4A-7041-00	LH Hinge & Bracket Assembly	2	24	1B-6449-00	#8 X 5/8 Sheet Metal Screws	12
7	8S-6755-00	U-Support	2	25	2S-6384-10	3/4 Side Rail-Black	4
8	2S-6264-03	Safety Latch	2	26	2S-6385-10	3/4 End Rail-Black	2
9	WB-1094-00	1/4-20 x 1 1/2 Hex Head Bolt	8	27	3M-4152-00	3/4" Vinyl End Cap-Right Hand	2
10	1B-4049-00	#10-24 x 3/4 Phil Rd Hd Screw	2	28	3M-4153-00	3/4" Vinyl End Cap-Left Hand	2
11	2Q-6084-00	Caster	4				
12	3M-6115-00	Caster Socket	4				
13	4C-0159-00	1" Leg Cap	4				
14	1B-6761-00	#10-24 x 1 1/2 Phil Pan Hd Screw	4				
15	WN-1008-99	1/4-20 Locknut	8				

STIGA®

Play The Best®

MESA DE TENIS
NÚMERO DE MODELÓ

T8611

T8611B

T8611SE

MANUAL DEL USUARIO

1. **Lea este manual cuidadosamente antes de empezar a ensamblar.** Lea completamente cada uno de los pasos antes de empezar cada paso.
2. **Algunas partes pequeñas pueden ser empacadas dentro de las partes grandes . Verifique en el interior de todas las partes y cartones antes de ensamblar o solicitar partes.**
3. **Para que el ensamblado le sea más fácil, utilice la lista de partes de la página 11 para la identificación y clasificación de las partes y sus componentes. Busque los juegos de tornillos en todos los cartones. Todos los tornillos y sus componentes no se encuentren en un sólo juego.**
4. **No ajuste las partes hasta que las instrucciones se lo indiquen.** Si las partes se ajustan antes de lo indicado, es posible que los orificios no queden alineados, resultando que las partes queden fuera de su lugar y fácilmente no coincidan. Deje las tuercas de seguridad levemente flojas hasta que las instrucciones le indiquen ajustarlas.
5. **Herramientas necesarias:** Desarmador Phillips, una llave de 3/8" y dos llaves de 7/16" (Puede utilizar una llave ajustable en vez de llaves).
6. **No utilice herramientas eléctricas para atornillar los tornillos en el tablero de madera.** Sólo apriételes con un desatornillador de mano. Apriete los tornillos seguramente, pero no los sobre apriete.
7. **Guarde estas instrucciones y recibo de pago en el evento que el fabricante deba de ser contactado para partes de remplazo.**

Por favor no devuelva este producto a la tienda!

Contacte al departamento de servicio al cliente de Escalade® Sports:

Teléfono: 1-866-873-3528 ¡Sin costo alguno!

Fax: 1-866-873-3533 ¡Sin costo alguno!

E-mail: tabletennis@escaladesports.com

Apartado postal (sólo para correspondencia):

Escalade Sports

PO Box 889

Evansville, IN 47706

Visite nuestra página Web internacional: www.escaladesports.com

SOLUCIÓN DE PROBLEMAS POR INTERNET

ASISTENCIA TÉCNICA

PEDIDO DE PARTES POR INTERNET

PREGUNTAS FRECUENTES

MÁS INFORMACIÓN SOBRE PRODUCTOS DE ESCALADE® SPORTS

ESCALADE®

S P O R T S

2L-4129-01

Los productos Escalade® Sports se pueden fabricar y/o producir bajo las siguientes patentes.
6120397, 5816957, 5769744, 5119741, 4911085, 4717157, D460140, D420563

Puede haber patentes en trámite. Una o más patentes mencionadas y/o en trámite pueden cubrir productos específicos.

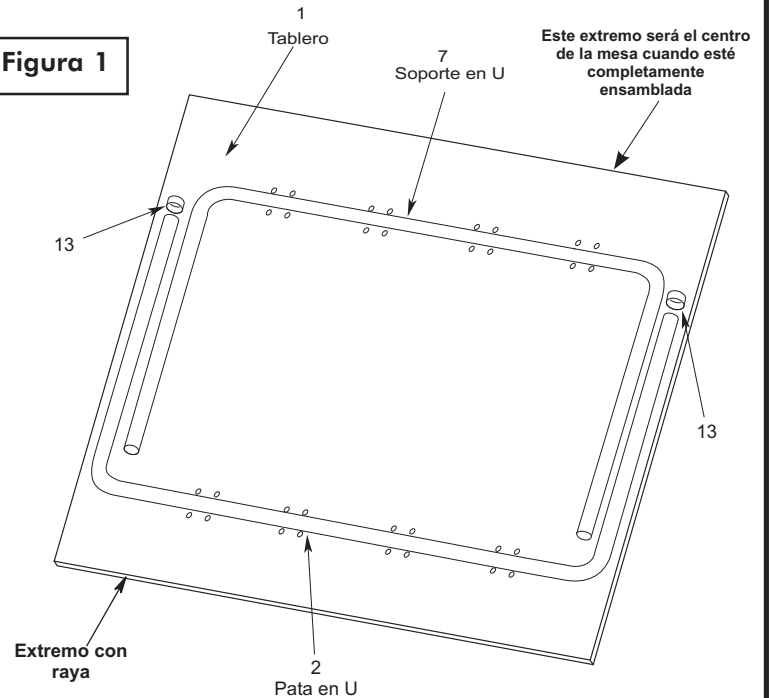
©2011 Escalade®Sports

! ADVERTENCIA:

NO USE DESARMADOR ELÉCTRICO CUANDO ATORNILLE EN LA MADERA DE LOS TABLEROS. ÚNICAMENTE ATORNILLELOS MANUALMENTE. ATORNILLE LOS TORNILLOS HASTA QUE QUEDEN AJUSTADOS, PERO NO LOS SOBREPRIETE YA QUE CAUSARÍA QUE LOS TORNILLOS DESTRUYAN LA MADERA HACIENDO LOS ORIFICIOS DEMASIADO GRANDES.

1. Coloque el tablero #1 sobre una superficie plana y lisa con la cara pintada hacia abajo. Use la caja en donde venía la mesa para proteger la pintura de la superficie de la mesa.
2. Alinee los Soporte en U (#7) y las Patas en U (#2) como está mostrado en la figura 1. **Nota: La pata en "U" es más grande y más ancha que el soporte en "U". La pata en "U" deberá ser instalada del lado extremo de la mitad de la mesa con la raya.**
3. Ponga las Tapaderas de plástico #13 en la parte de abajo de las patas en "U" #2.

Figura 1



! ADVERTENCIA:

CUANDO ENSAMBLE LA MESA, ES EXTREMADAMENTE IMPORTANTE QUE TODAS LAS (6) ABRAZADERAS "U" (#3) ESTÉN PUESTAS COMO ESTÁN MOSTRADAS EN LA FIGURA DE ABAJO. SI LAS ABRAZADERAS "U" ESTÁN COLOCADAS INCORRECTAMENTE, USTED LE OCASIONARA DAÑOS IRREPARABLES A SU MESA CUANDO TRATE DE ABRIRLA EN LA POSICIÓN DE JUEGO.

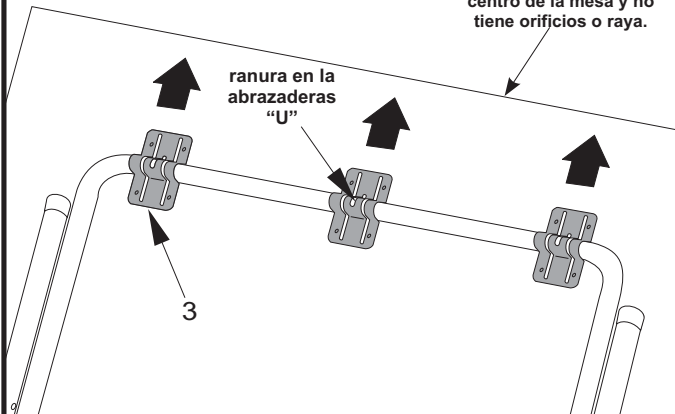
Si desea ver un video de como poner la abrazadera en "U" vaya a: <http://www.escaladesports.com/customer-service/videos.html>

4. Alinee los orificios de las abrazaderas en "U" #3 con los orificios que están de guía ensamblados en el tablero y atornillelos con los veinticuatro tornillos #20 como están mostrados. Los cuatro orificios en cada abrazadera en U deben de estar alineados con los cuatro orificios en el Tablero.

IMPORTANTE:

Esté seguro que la ranura de todas las seis abrazaderas "U" #3 estén de frente en la misma dirección (hacia la mitad de la mesa con el tubo de soporte en "U") como está mostrado.

Este extremo es el en centro de la mesa y no tiene orificios o raya.



Este extremo es el en centro de la mesa y no tiene orificios o raya.

Todos los tornillos mostrados son los (#20) Tornillos para lamina de metal

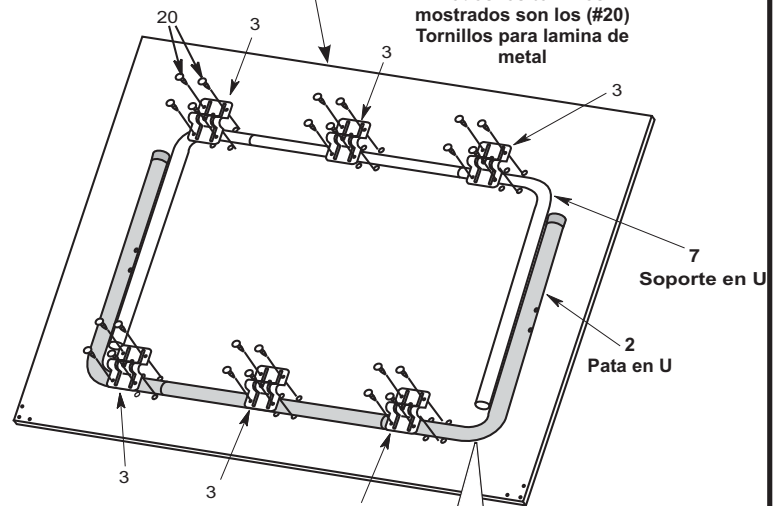


Figura 2

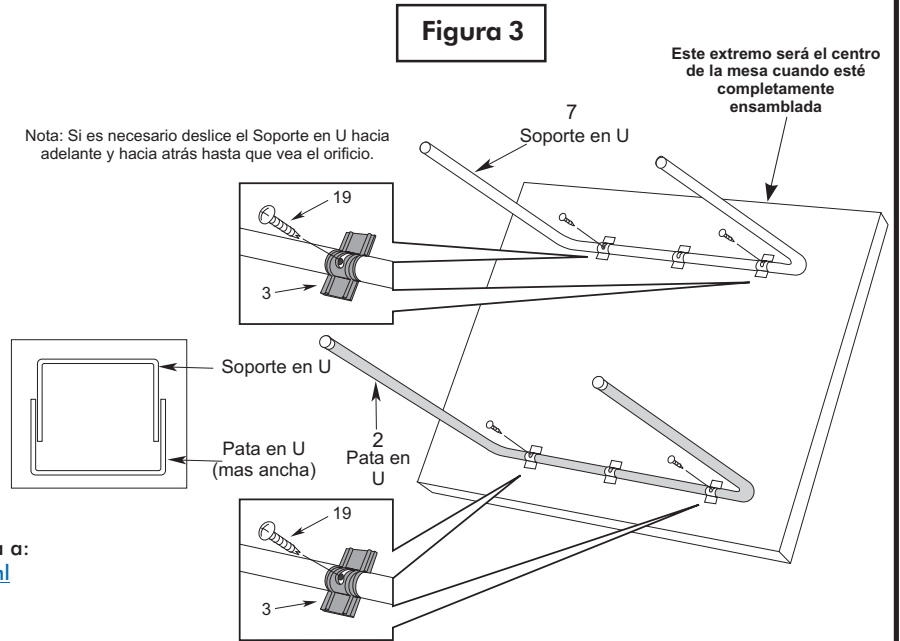
IMPORTANTE: La Pata en U es más ancha que el Soporte en U. Esté seguro de que éstos estén ensamblados exactamente como están mostrados. De lo contrario quedará un espacio grande entre las dos mitades de la mesa y la mesa no operará apropiadamente.

5. Rote el soporte en forma de U #7 hasta que se vean los orificios a través de las ranuras de las abrazaderas en U #3 donde irán los tornillos. Mueva el Soporte en forma de U #7 de lado a lado si es necesario. Ver Figura 5.

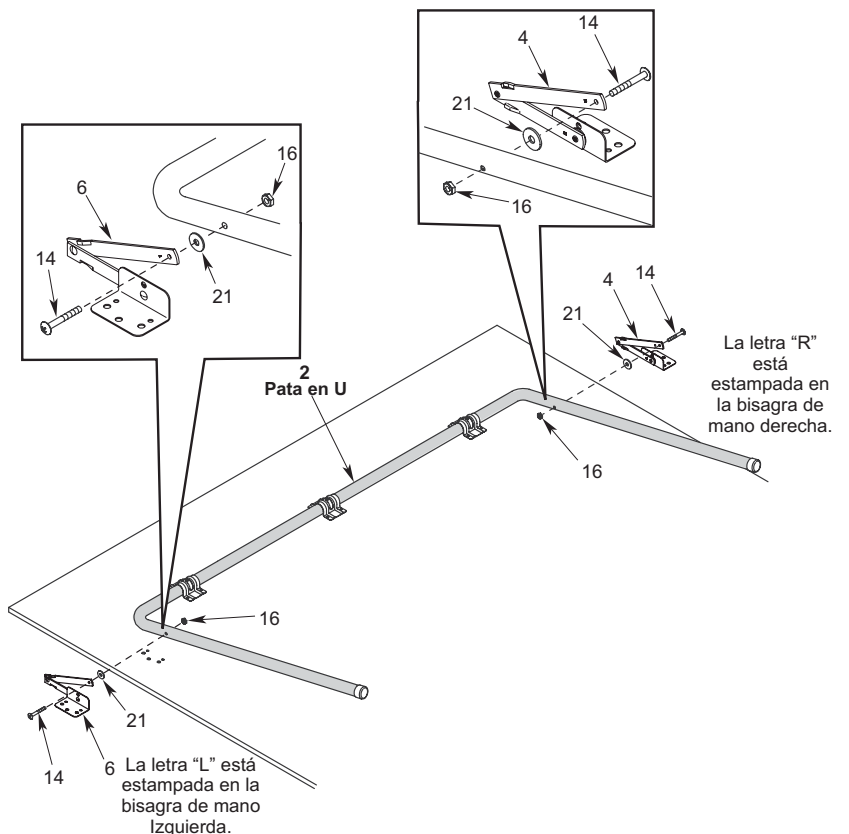
Nota: Para facilitar el ensamblado se puede utilizar un taladro inalámbrico y una broca Phillips **únicamente para el paso 6. Use anteojos de seguridad.**

6. Inserte el tornillo # 19 a través de las ranuras de la abrazadera "U" #3 y dentro del soporte en forma de U #7. Atornillelo al soporte en U hasta que toque el fondo del tubo. El tornillo # 19 debe sobresalir acerca de $\frac{3}{8}$ de pulgada. Repita lo mismo para la pata en "U" #2.

Si desea ver un video de como insertar el Tornillo (#19) vaya a: <http://www.escaladesports.com/customer-service/videos.html>

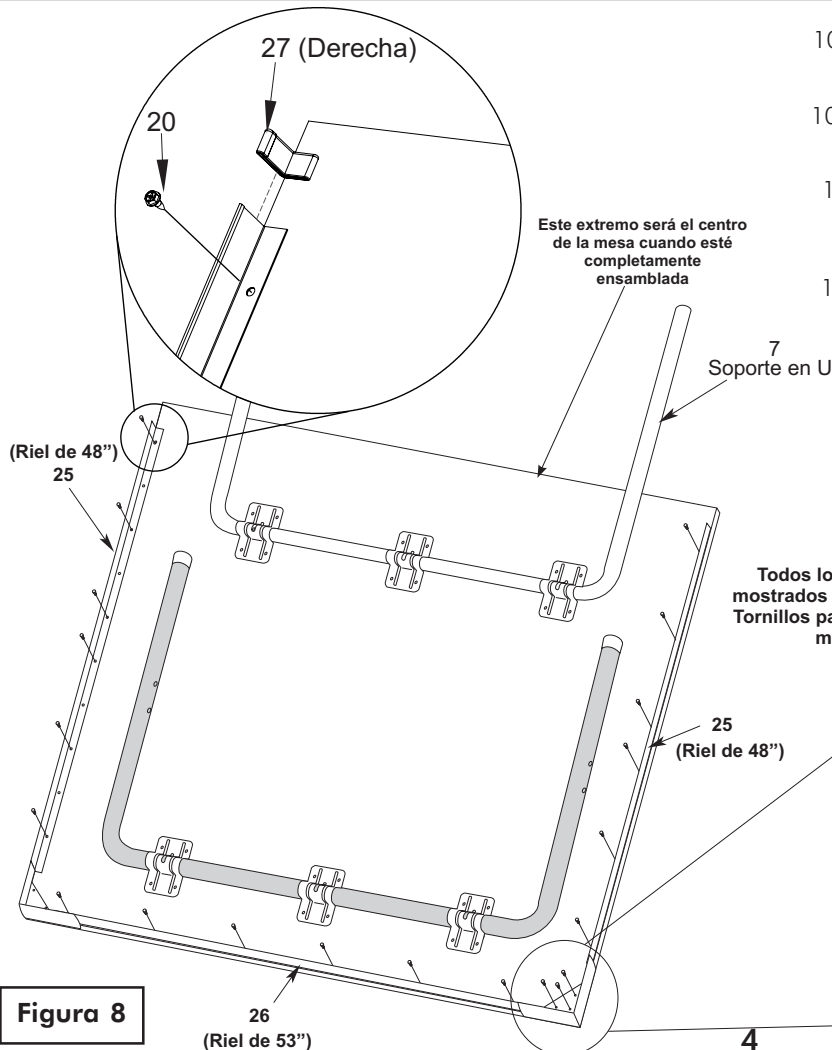
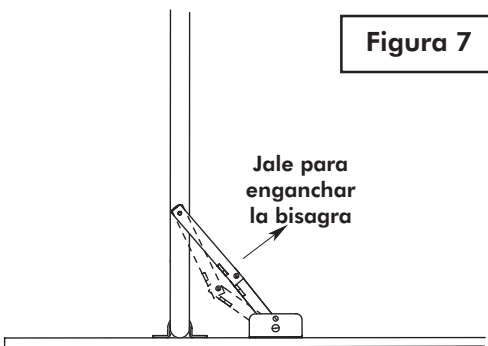
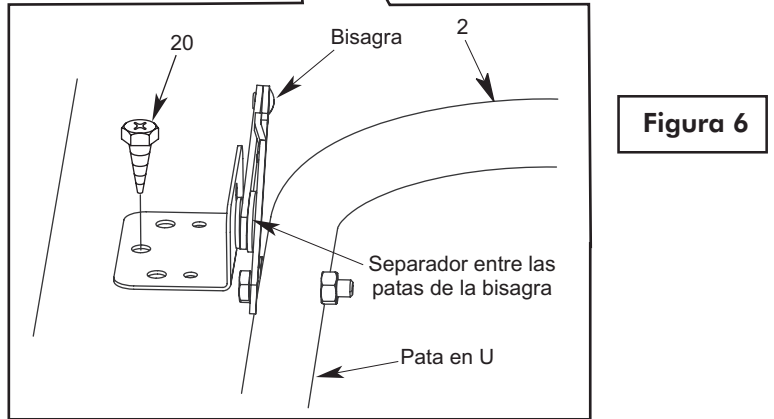
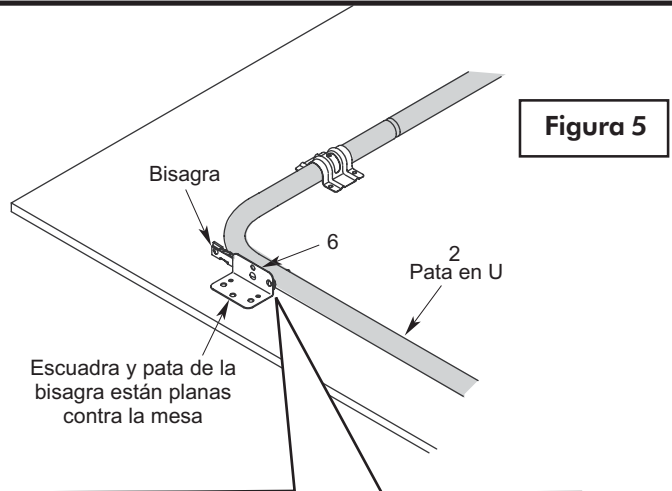


7. Una las bisagras y los soportes # 6 y #4 a la pata en "U" como se muestra en la figura 4. **NOTA: Las bisagras son lado derecho y las otras lado izquierdo y deben ser colocadas como están mostradas.** La bisagra izquierda #6 tiene estampada la letra "L" y la bisagra derecha tiene estampada la letra "R". Unalas con los tornillos # 14, la rondana de plástico #21 y la tuerca de seguridad #16. Apriete las tuercas hasta que queden ajustadas, pero no las sobre apriete. Las bisagras deben girar. Ver Figura 4.



8. Atornille la bisagra de soporte del lado izquierdo #6 al tablero siguiendo estos pasos:

- Presione la pata en "U" #2 y la bisagra hasta que estén planas contra la mesa. Ver figura 5.
 - Ponga un separador de alrededor de 1/16" de grueso entre las patas de la bisagra. Sugerencia: con cualquier moneda de cinco centavos ó de 25 centavos sería un separador ideal. Ver Figura 6.
 - Con la escuadra de la, la bisagra y la pata plana contra la mesa a, atornille el soporte a la mesa con los cinco tornillos #20. Ver Figura 6.
 - Abra la pata (#2) y enganche la bisagra. Ver Figura 7. Remueva el separador que usó para separar las patas de la bisagra.
9. Repita el paso # 8 para instalar la bisagra de la mano derecha a la mesa.



10a. Coloque los rieles #25 y #26, alrededor de los bordes del tablero, como están mostrados en la figura 8.

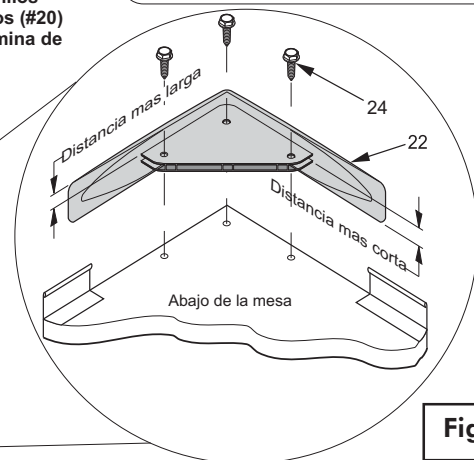
10b. Deslice las Tapas de Riel (de mano izquierda #28 y derecha #27) en el extremo de cada Riel #25 como esta mostrado.

11. Alinee los orificios de los rieles con los orificios de guía del tablero, atornillelos y asegúrelos con los dieciocho tornillos #20. Ver figura 8.

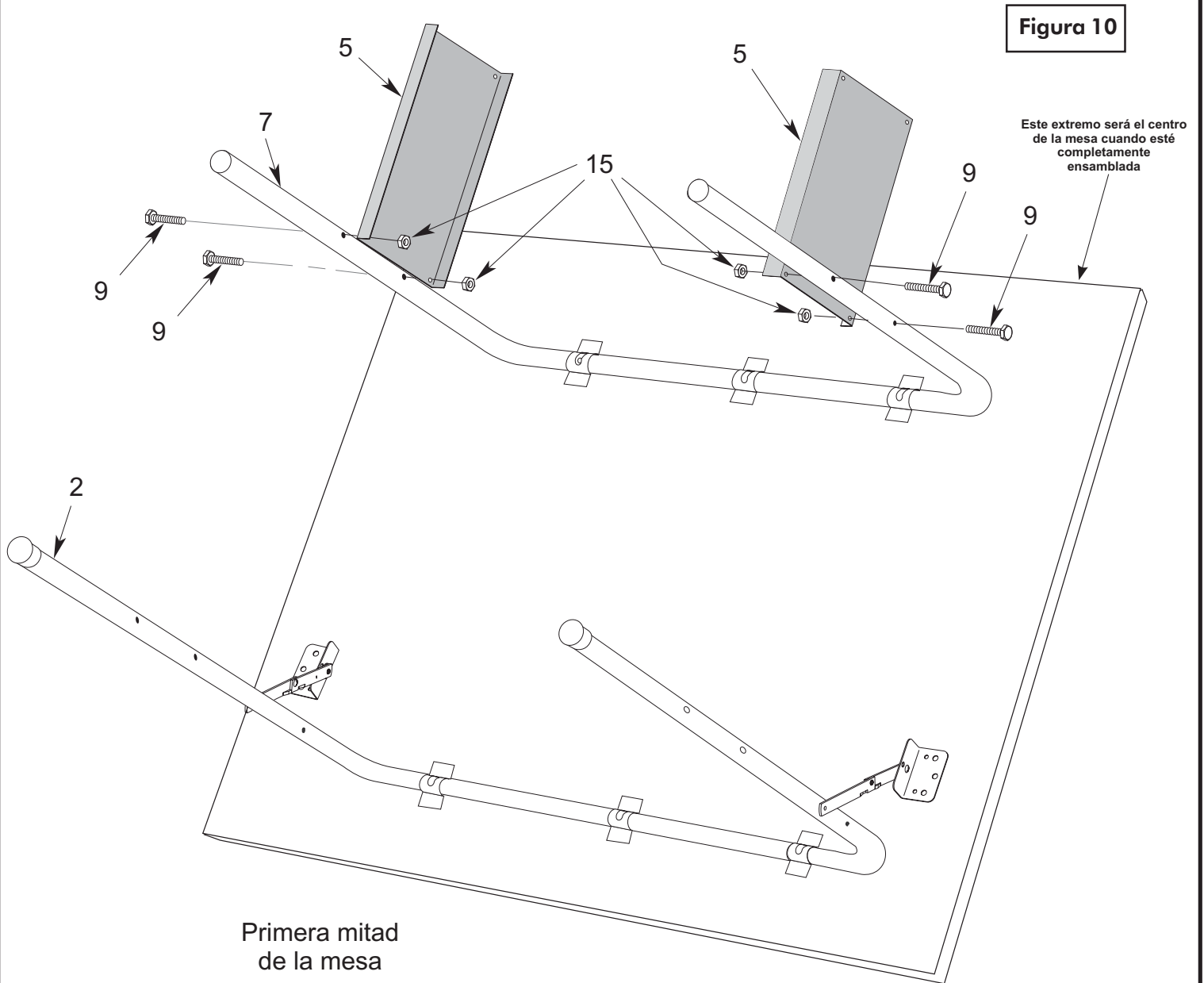
12. Coloque los Protectores de Esquina #22 al tablero como están mostrados en la figura 9. Si el protector de la esquina sobresale de la superficie del tablero, volteélo así que la parte más corta esté en contra del borde. Atornillelos y asegúrelos por la parte de abajo de la mesa con los tornillos #24.

NOTA: El protector de esquinas mas chico que está incluido en el conjunto de tornillos no se usa para esta mesa, por favor descartelo. Use el Protector de Esquinas que está mostrado en la Figura 8 & 9.

Todos los tornillos mostrados son los (#20)
Tornillos para lámina de metal



13. Una la placa #5 al interior de los soportes en forma de U #7. Atornille los tornillos hexagonales # 9, y las tuercas de seguridad # 15. Apriete las tuercas, pero esté seguro de no doblar los tubos. Ver figura 10.



14. Inserte cuidadosamente el casquillo de la llanta #12 dentro del soporte en forma de U #7 hasta que el borde del casquillo toque el borde del tubo. **NO GOLPEE EL CASQUILLO DIRECTAMENTE CON EL MARTILLO! COLOQUE UN PEDAZO DE MADERA SOBRE EL CASQUILLO Y GOLPE SOBRE EL PEDAZO DE MADERA PARA INSERTAR EL CASQUILLO ADENTRO DEL SOPORTE EN FORMA DE U.** Vea Figura 11.

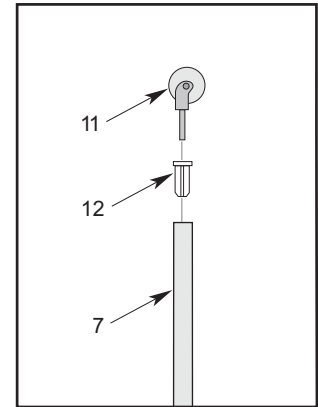
15. Inserte las llantas #11 adentro del casquillo #12.



ADVERTENCIA:

¡POR LO MENOS SE REQUIERE DE DOS (2) ADULTOS PARA MOVER LA MITAD DE LA MESA!

Figura 11



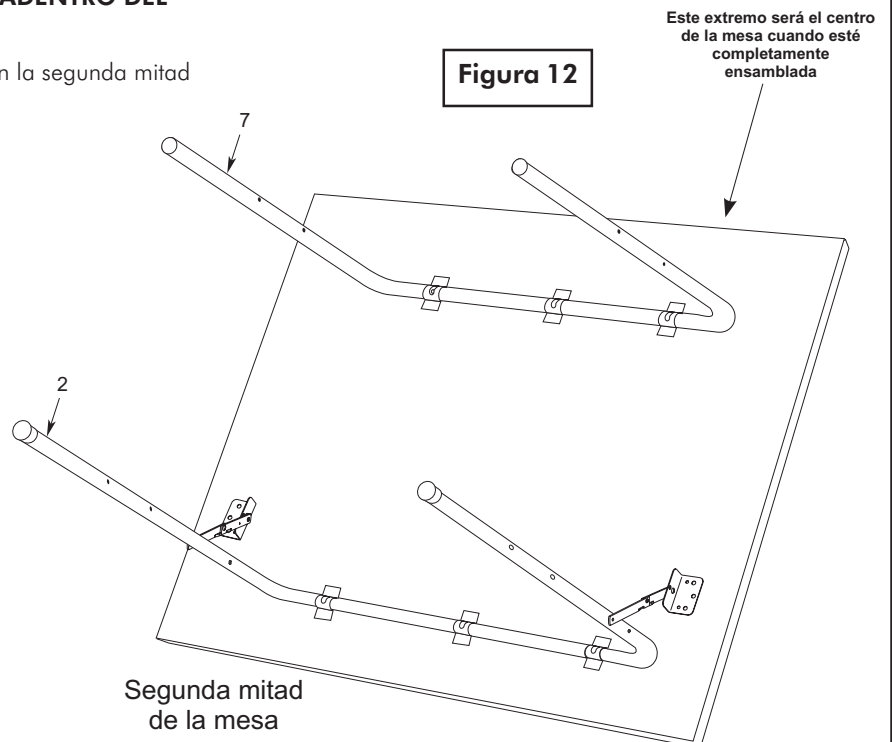
16. Prepare una área para el ensamblado de la Segunda mitad de la mesa. Si es necesario mueva el primer tablero a un lado con la ayuda de otra persona. Asegúrese de ponerlo en un lugar donde no estorbe y no se dañe. Y si se coloca de lado, asegúrese de poner el borde inferior a no menos de 12 pulgadas de distancia de la pared. También esté seguro de poner un pedazo de alfombra o una colchoneta abajo de los bordes de la mesa para protegerlos. Si el piso no está alfombrado ponga un objeto pesado sosteniendo la mesa para que no se resbale.

17. Repita los pasos del 1 al 12 para el segundo tablero.

18. Inserte cuidadosamente el casquillo de la llanta #12 dentro soporte en forma de U #7 en la Segunda mitad hasta que el borde del casquillo toque el borde del tubo. **NO GOLPEE EL CASQUILLO DIRECTAMENTE CON EL MARTILLO! PONGA UN PEDAZO DE MADERA SOBRE EL CASQUILLO Y GOLPE SOBRE EL PEDAZO DE MADERA PARA INSERTAR EL CASQUILLO ADENTRO DEL SOPORTE EN FORMA DE U.**

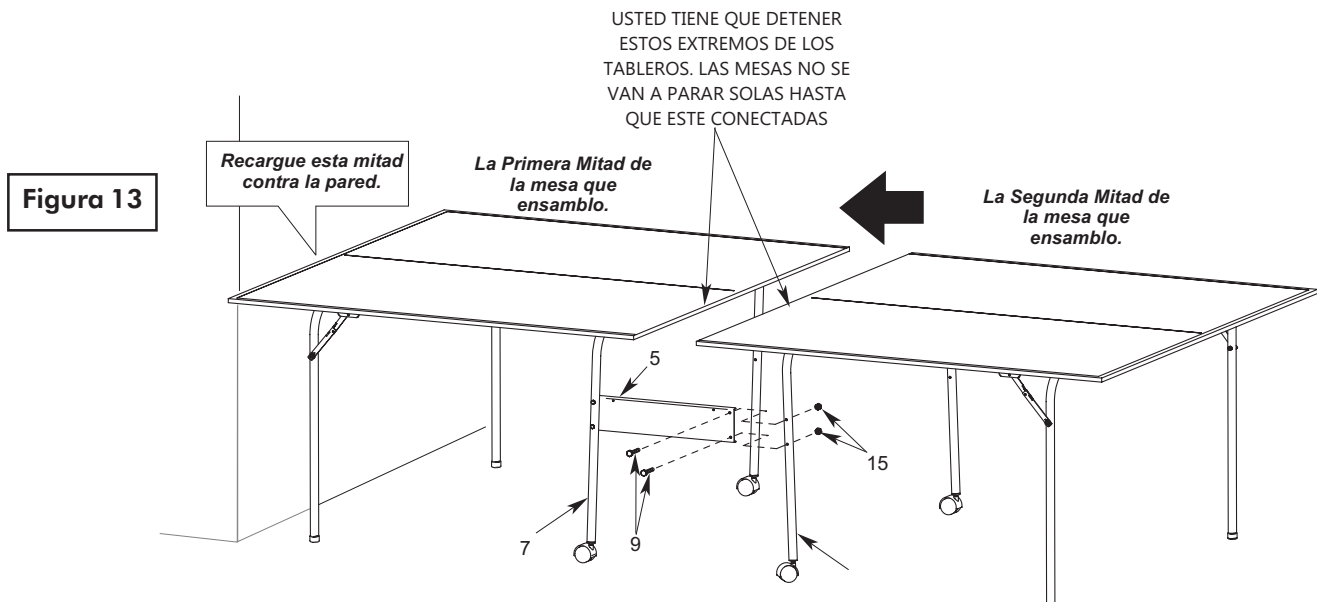
19. Inserte las llantas #11 adentro del casquillo #12 en la segunda mitad de la mesa.

Figura 12



! ADVERTENCIA:

POR LO MENOS TRES ADULTOS SE NECESITAN PARA COMPLETAR LO QUE FALTA DEL ENSAMBLADO. LEA Y ENTIENDA LOS PASOS 20, 21 Y 22 ANTES DE CONTINUAR CON EL ENSAMBLADO.



20. Esté seguro que las patas de la primera mitad de la mesa (la mitad con la placa #5) estén abiertas y que las bisagras estén atrancadas. Con una persona en cada lado de la mesa, levante y ponga la mitad de la mesa sobre sus propias patas. Coloque la mesa contra la pared como está mostrado arriba, para ayudar a estabilizar la mitad de la mesa mientras que la Segunda mitad esta siendo colocada. Asegúrese que haya suficiente espacio para colocar la segunda mitad de la mesa. Se tiene que detener la mitad de la mesa. No se van a parar solos hasta que la otra mitad este conectada.



ESTÉ SEGURO QUE LA PRIMERA MITAD DE LA MESA QUE USTED ENSAMBLÓ (CON LAS PLACAS #5) ESTÉ ESTABLE Y CONTRA LA PARED. NO DEJE LA MITAD DE LA MESA DESATENDIDA.

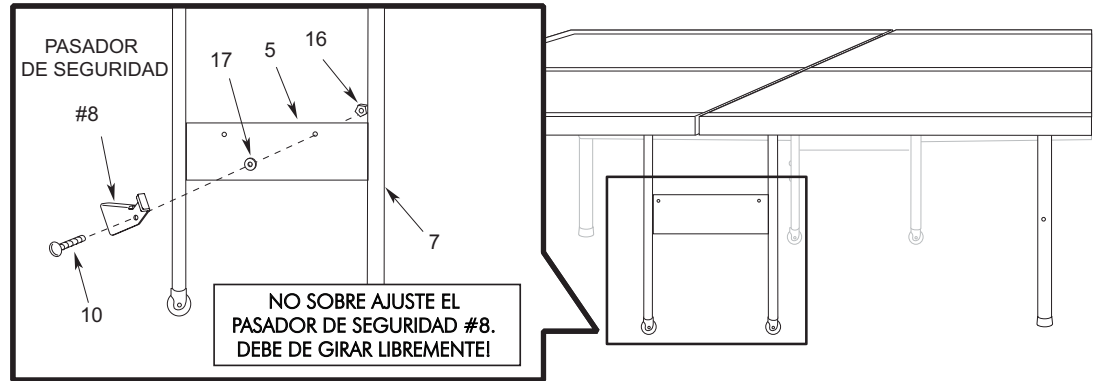
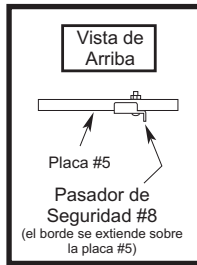
21. Inserte el tornillo hexagonal # 9 y las tuercas de seguridad # 15 sobre el piso a un lado de las llantas (en ambos lados de la mitad de la mesa) así las tendrá a la mano para el próximo paso.



HASTA QUE LAS DOS MITADES DE LA MESA ESTÉN COLOCADAS NO PUEDEN ESTAR PARADAS SOLAS. SE RECOMIENDA QUE TRES (3) PERSONAS PARA UNIR LAS DOS MITADES DE LA MESA. DOS PERSONAS PARA SOSTENER LA MESA Y UNA PERSONA PARA ATORNILLAR LOS TORNILLOS A LA MESA.

22. Con una persona en cada uno de los lados de la Segunda mitad de la mesa, deslice la Segunda mitad o tablero contra de la primera mitad. Alinee los orificios de la Placa #5 (en la primera mitad de la mesa) con los orificios en el Soporte en U (en la segunda mitad de la mesa). Asegure la Segunda mitad de la mesa con el orificio de abajo de la Placa #5 con los dos tornillos hexagonales # 9 y las tuercas de seguridad # 15 que usted puso en el piso con anterioridad. Asegurándose que las tuercas estén apretadas y seguras. Pero no las sobre apriete. éstas uniones deben moverse. Hasta este punto regrese y apriete los tornillos hexagonales # 9.

Figura 14



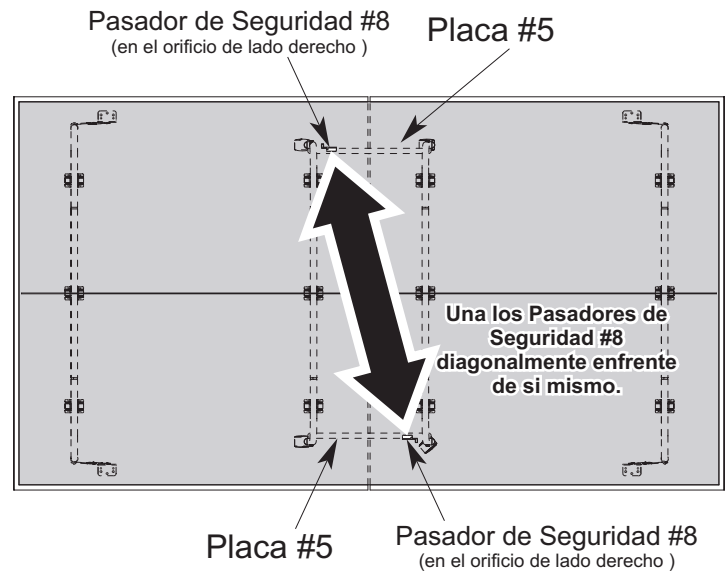
ADVERTENCIA:

INSTALE LOS PASADORES DE SEGURIDAD #8 COMO SE MUESTRA ARRIBA PARA EL USO APROPIADO DE LA MESA! NO OMITA ESTE PASO! NO USE LA MESA HASTA QUE LOS PASADORES DE SEGURIDAD ESTÉN INSTALADOS Y HASTA QUE HAYA TERMINADO DE ENSAMBLAR LA MESA.

- Escoja la Placa #5 en cualquiera de los lados de la mesa instale el Pasador de seguridad #8 dentro del lado derecho del orificio sobre la Placa como está mostrado en las figuras 14 y 15. Use uno de los tornillos #10, una rondana #17 y una tuerca hexagonal #16. **NOTA: EL BORDE DEL PASADOR DE SEGURIDAD DEBE IR EXTENDIDO SOBRE DE LA PLACA COMO ESTÁ MOSTRADA EN FIGURA 14. EL PASADOR DE SEGURIDAD DEBE MOVERSE LIBREMENTE.**
- Vaya al otro lado de la mesa e instale el segundo Pasador de seguridad #8 dentro del lado derecho del orificio sobre la Placa #5. **NOTA: Los Pasadores de seguridad deben ir unidos diagonalmente cruzados de cada uno. (Ver figura 15)**

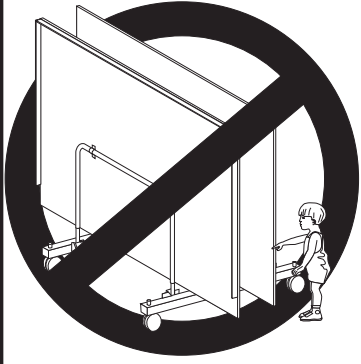
Figura 15

Vista de Arriba de la mesa



! ADVERTENCIA!

¡NO PERMITA QUE NIÑOS ABRAN LA MESA! NO DEBEN DE PARARSE, SUBIRSE O BRINCAR SOBRE LA MESA. PUEDEN OCURRIR LESIONES GRAVES O MORTALES. ¡ESTA MESA NO ES UN JUGUETE! ¡ÚNICAMENTE LOS ADULTOS DEBEN ABRIR O CERRAR LA MESA. DE NO CUMPLIR CON LAS INSTRUCCIONES PARA ABRIR Y CERRAR LA MESA PUEDE RESULTAR EN LESIONES PERSONALES O DAÑOS MATERIALES.



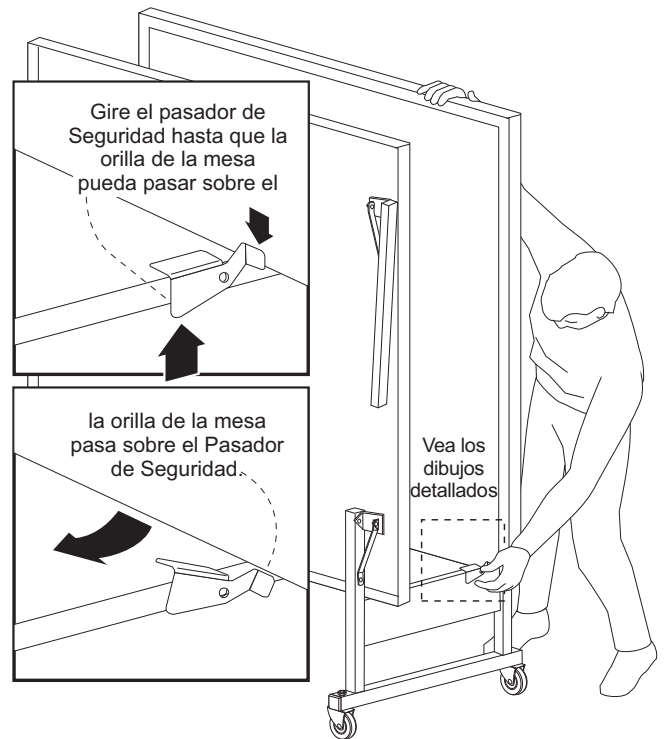
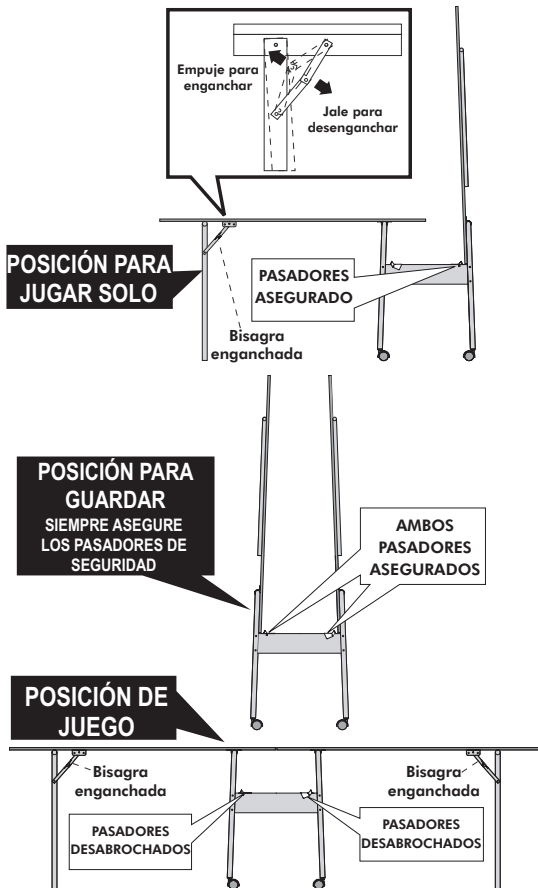
INSTRUCCIONES PARA ABRIR Y CERRAR LA MESA

PARA ABRIR:

1. Separe las patas y asegure las bisagras.
2. Párese detrás de la mesa cerca del seguro.
3. Sostenga con una mano la mitad de la mesa y gire el pasador de seguridad lo suficientemente hasta que permita que la orilla de la mitad de la mesa lo sobrepase.
4. Vigile el pasador de seguridad mientras gira la mitad de la mesa hasta que se mueva y sobrepase el pasador de seguridad. Una vez que la orilla de la mesa ha pasado sobre el pasador de seguridad pare de girar la mitad de la mesa.
5. Con ambas manos en el tablero colóquese a la altura de la mesa y bájelo hasta el piso.
6. Repita con el otro tablero.
7. Coloque la red y el poste.

PARA CERRAR:

1. Remueva la red y el poste.
2. Levante la mitad de la mesa hacia arriba y hacia adentro hasta la posición vertical.
3. Desenganche las patas de las bisagras y cierre las patas.
4. Repita lo mismo a la otra mitad de la mesa.



! PRECAUCIÓN

ESTA ES UNA MESA DE JUEGO. NO DEBEN DE PARARSE, SUBIRSE O BRINCAR SOBRE LA MESA. DE NO CUMPLIR CON LAS INSTRUCCIONES PARA ABRIR Y CERRAR LA MESA PUEDE RESULTAR EN LESIONES PERSONALES O DAÑOS MATERIALES.

GARANTÍA LIMITADA POR 90 DÍAS

Esta garantía es aplicable para consumidores de la compra original de cualquier producto ESCALADE® SPORTS (en adelante denominado el "Producto").

DURACIÓN DE LA GARANTÍA: Se garantiza este Producto al comprador original por un período de (90) días a partir de la fecha de compra.

COBERTURA DE LA GARANTÍA: ESCALADE SPORTS le garantiza al comprador original que cualquier producto de su fabricación está libre de defectos en los materiales y fabricación cuando se lo utiliza para el propósito establecido, bajo condiciones normales de uso. ESTA GARANTÍA NO TIENE VALIDEZ SI EL PRODUCTO SE HA DETERIORADO POR ACCIDENTE, USO INDEBIDO, NEGLIGENCIA, MANTENIMIENTO INCORRECTO, NO SEGUIR LAS INSTRUCCIONES QUE VIENEN CON EL PRODUCTO U OTRAS CAUSAS NO RELACIONADAS CON DEFECTOS EN LOS MATERIALES O FABRICACIÓN.

APLICACIÓN DE LA GARANTÍA: Durante el período de garantía de (90) días, ESCALADE SPORTS reparará o reemplazará con otro similar, todo modelo o Producto o componente que resulte defectuoso bajo condiciones normales de uso y cuidado, cuando nuestra inspección demuestre que a nuestra satisfacción el mismo realmente es defectuoso; sírvase contactar a nuestro Departamento de Garantía.

1-866-873-3528 / Departamento de Garantía (Warranty Dept.)

○ escribanos a:

Escalade® Sports, Inc. - P.O. Box 889, Evansville, IN 47706 - Attn: Warranty Dept.

○ por correo electrónico a:

tabletennis@escaladesports.com

Fuera de los gastos de envío, no se impondrá cargo alguno por la reparación o reemplazo de los productos en garantía. ESCALADE® SPORTS recomienda asegurar los Productos por su valor antes del envío.

LIMITACIÓN DE LA GARANTÍA: TODA GARANTÍA ORIGINADA EN ESTA VENTA, INCLUYENDO EN FORMA NO TAXATIVA, LAS GARANTÍAS IMPLÍCITAS DE COMERCIALIZACIÓN Y APTITUD PARA UN FIN ESPECÍFICO, TENDRÁ VIGENCIA POR UN PLAZO DE (90) DÍAS. ESCALADE® SPORTS NO SERÁ RESPONSABLE POR LA PÉRDIDA DE USO DEL PRODUCTO U OTROS COSTOS INCIDENTALES O RELACIONADOS, PERJUICIOS O PERDIDAS GENERADAS POR EL CONSUMIDOR ANTE CUALQUIER OTRO USO.

Algunos estados no permiten la exclusión o limitación de las garantías implícitas o daños incidentales o conexos, de modo que las limitaciones que anteceden pueden no ser aplicables en su caso.

RECURSOS LEGALES: Esta garantía le otorga algunos derechos específicos además de otros derechos que varían según el estado.

CUIDADO Y MANTENIMIENTO

Usted ha comprado un producto de calidad que podrá disfrutar muchos años. Si sigue estos simples pasos de mantenimiento, alargará la vida de la mesa.

TABLERO

El tablero (superficie de juego) está construido de aglomerado. Al igual que todos los productos de madera, se puede ver afectado por cambios de temperatura y humedad causando una leve deformación por expansión o contracción. Esta situación es normal y no resta valor a la mesa ni afecta el juego. Después de armada, guardar plegada en lugar seco cuando no está en uso para minimizar los efectos de cambios de temperatura y humedad.

GUARDADO DE LA MESA

Se debe guardar la mesa en el interior para prevenir daños en la superficie de juego. La humedad y los cambios bruscos de temperatura pueden provocar alabeo, hinchazón, fisuras o ampollado de la madera. Cuando la mesa no se encuentra en uso, guardar plegada en lugar seco. Debido a la naturaleza del aglomerado, se puede alabear la superficie. La humedad puede aumentar este efecto que es normal y no afecta el uso de la mesa.

LIMPIEZA

Para limpiar la mesa, utilizar un trapo suave y húmedo solamente (NO MOJADO). Para evitar daños en la superficie de juego, NO UTILIZAR AGENTES QUÍMICOS, ABRASIVOS NI PRODUCTOS DE LIMPIEZA sobre el tablero.






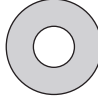
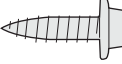

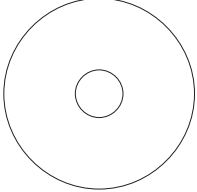

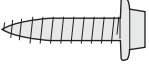
MANTENIMIENTO

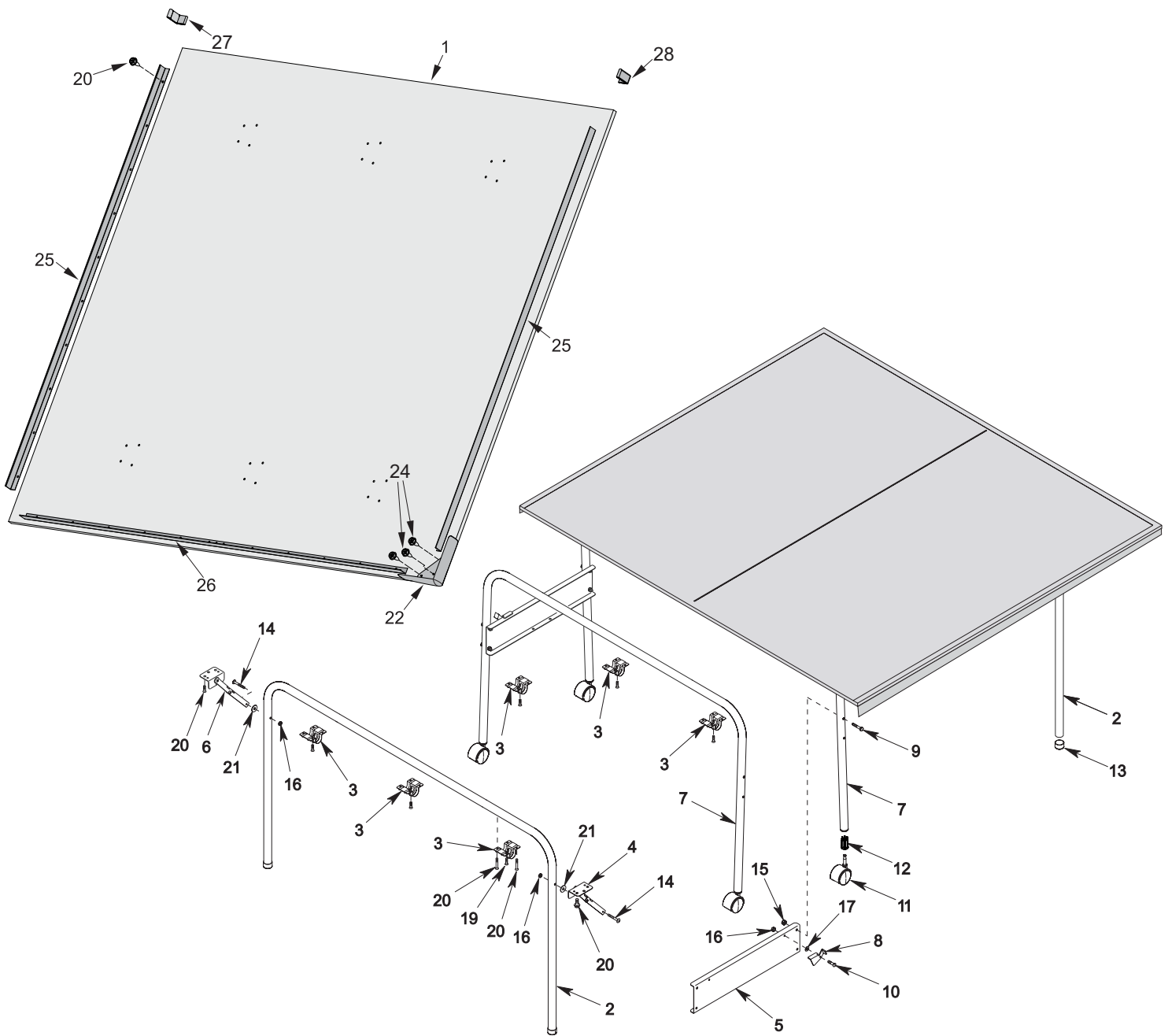
Lubricar todas las partes móviles, incluyendo los puntos de giro. Esto garantizará la seguridad y facilidad de uso.

Guardar en lugar cerrado para impedir daños en la superficie de juego. La humedad y los cambios bruscos de temperatura que se producen en patios o áreas similares pueden provocar el alabeo, hinchazón, fisuras o ampollado de la madera.

PISOS DESNIVELADOS

Si la mesa no parece estar nivelada, probablemente se deba a pisos desparejos o desnivelados. Colocar la mesa en POSICION DE JUEGO y moverla algunas pulgadas en distintas direcciones hasta encontrar una mejor ubicación. Si el piso está extremadamente desnivelado, no se puede utilizar la mesa adecuadamente. Si el tablero está más alto en el medio, suplementar con una cuña las patas exteriores.

# DE REF.	IDENTIFICADOR DE TORNILLOS	
9	1/4-20 x 1-1/2 Tornillo de cabeza Hexagonal	
10	#10-24 x 3/4 Tornillo de Phillips	
14	#10-24 x 1-1/2 Tornillo de Phillips	
15	1/4-20 Tuerca de Seguridad	
16	#10-24 Tuerca de Seguridad	
17	#10 Rondana	
20	#8 X 7/16 Tornillo para lamina de metal	
19	#8-32 x 1-1/4 Tornillo SMS	
21	Rondana de plástico	
23	1/4-20 X 2 3/4 Tornillo de Cabeza Hexagonal	
24	#8 X 5/8 Tornillo para lamina de metal	



LISTA DE PARTES REEMPLAZABLES T8611, T8611B & T8611SE

# de Ref.	# de Parte	Descripción	Cant.	# de Ref.	# de Parte	Descripción	Cant.
1	4A-5467-00	Tablero Negro para modelo T8611B	2	16	WB-1007-99	#10-24 Tuerca de Seguridad	6
	4A-5467-02	Tablero Verde para modelo T8611		17	2B-5001-99	#10 Rondana	2
	4A-5467-04	Tablero Azul para modelo T8611SE		19	1B-4089-00	#8-32 x 1 1/4" Tornillo para lamina de metal	8
2	8S-6754-00	Pata en U	2	20	1B-6451-00	#8 x 7/16 Tornillo para lamina de metal	104
3	2S-6879-01	Abrazadera en U	12	21	2B-6087-00	Rondana de plástico	4
4	4A-7040-00	Bisagra y Escuadra de mano derecha	2	22	3M-6494-00	Protector de Esquinas	4
5	2S-6780-00	Placa de 6"	2	23	2L-4129-01	Manual del Usuario	1
6	4A-7041-00	Bisagra y Escuadra de mano izquierda	2	24	1B-6449-00	#8 X 5/8 Tornillo para lamina de metal	12
7	8S-6755-00	Tubo de Soporte en U	2	25	2S-6384-10	Riel Lateral - 3/4"	4
8	2S-6264-03	Pasador de Seguridad	2	26	2S-6385-10	Riel del Extremo - 3/4"	2
9	WB-1094-00	1/4-20 x 1 1/2 Tornillo de Cabeza Hexagonal	8	27	3M-4152-00	Tapa de Riel de 3/4"(Mano Derecha)	2
10	1B-4049-00	#10-24 x 3/4 Tornillo de Cabeza Phillips	2	28	3M-4153-00	Tapa de Riel de 3/4"(Mano Izquierda)	2
11	2Q-6084-00	Llanta	4				
12	3M-6115-00	Casquillo para llanta	4				
13	4C-0159-00	Tapadera de plástico - 1"	4				
14	1B-6761-00	#10-24 x 1 1/2 Tornillo de Cabeza Phillips	4				
15	WN-1008-99	1/4-20 Tuerca de Seguridad	8				