

# Group Metering & Meter Breakers

## Contents

<i>Description</i>	<i>Page</i>
<b>Single Meter Sockets</b> .....	<b>5-2</b>
<b>Group Metering</b> .....	<b>5-8</b>
Meter Packs .....	5-10
Main Service Modules .....	5-16
Main Circuit Breakers .....	5-19
Main Fusible Switches .....	5-20
Surge Metering .....	5-28
Residential Meter Stacks .....	5-29
Commercial Meter Stacks .....	5-38
Accessories .....	5-44
Phase Balancing .....	5-48
Series Combination Short Circuit Ratings .....	5-49
Technical Specifications .....	5-52
<b>Meter Breakers</b>	
Residential .....	5-53
House Panels .....	5-80
Commercial Safety Sockets .....	5-87



*Group Metering and Meter Breaker Family*

### Product Selection

## Product Description

### Single-Phase 3-Wire and Three-Phase 4-Wire 600 Vac Single Meter Sockets

All Eaton's Cutler-Hammer® sockets are rated 600 Vac maximum and either 100, 200 or 320 amperes continuous. All have a short circuit rating of 10,000 rms symmetrical amperes (watt-hour meter is not included in rating).

All single meter sockets are UL® labeled and are supplied in surface mounted outdoor enclosures. Confirm local utility acceptance prior to order entry.



URS101BCH



URS212ACH

## Product Selection

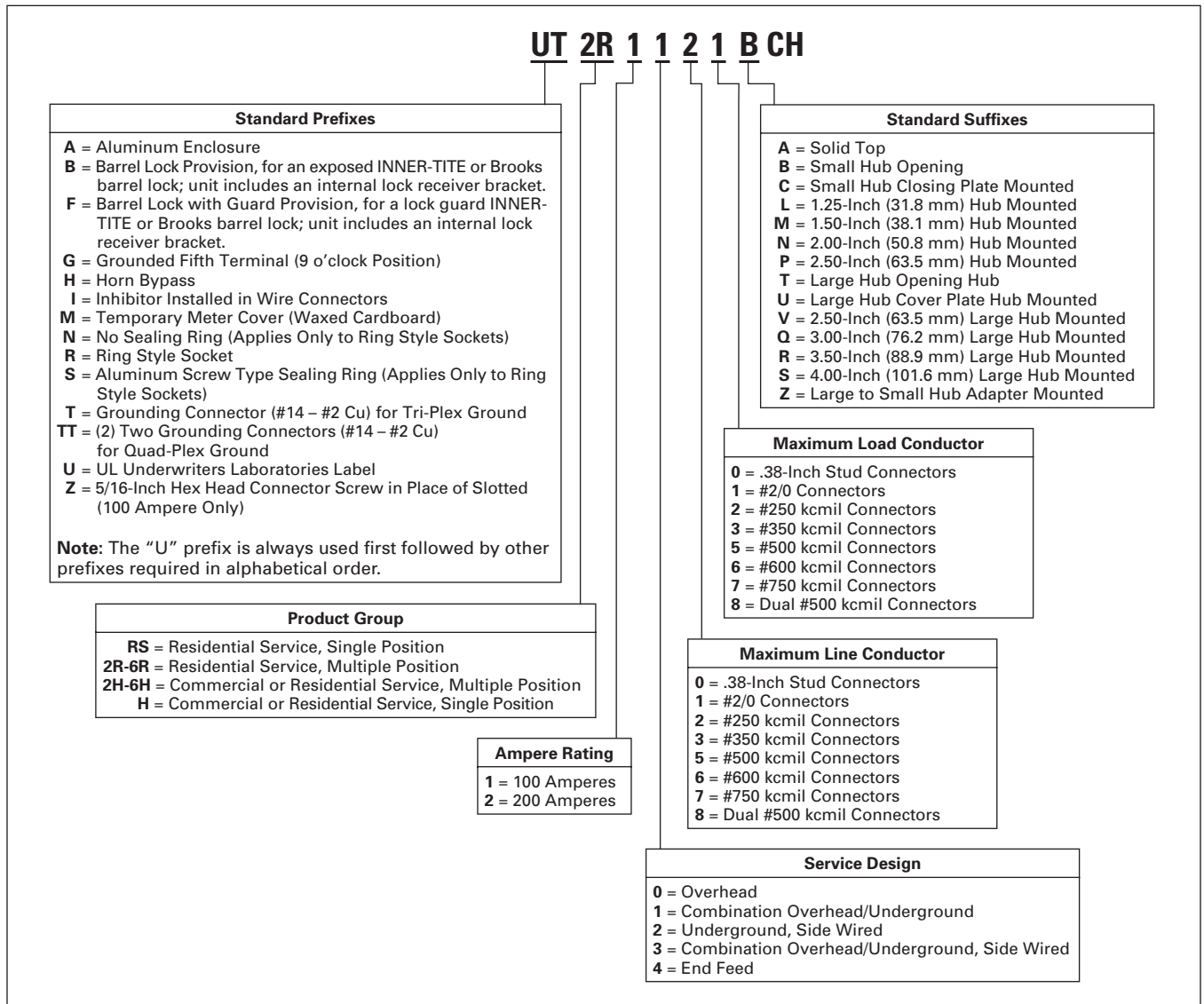
Table 5-1. Single Meter Sockets RS Group Catalog Numbering System

Standard Prefixes		Standard Suffixes	
<b>A</b> = Aluminum Enclosure	<p><b>UT RS 2 0 2 B CH</b></p>	<b>A</b> = Solid Top	<p><b>Maximum Conductor (Line &amp; Load)</b></p> <p><b>0</b> = .38-Inch Stud Connectors  <b>1</b> = #2/0 Connectors  <b>2</b> = #250 kcmil Connectors  <b>3</b> = #350 kcmil Connectors</p>
<b>B</b> = Barrel Lock Provision, for an exposed INNER-TITE® or Brooks barrel lock; unit includes an internal lock receiver bracket.		<b>B</b> = Small Hub Opening	
<b>F</b> = Barrel Lock with Guard Provision, for a lock guard INNER-TITE or Brooks barrel lock; unit includes an internal lock receiver bracket.		<b>C</b> = Small Hub Closing Plate Mounted	
<b>G</b> = Grounded Fifth Terminal (9 o'clock Position)		<b>L</b> = 1.25-Inch (31.8 mm) Hub Mounted	
<b>H</b> = Horn Bypass		<b>M</b> = 1.50-Inch (38.1 mm) Hub Mounted	
<b>I</b> = Inhibitor Installed in Wire Connectors		<b>N</b> = 2.00-Inch (50.8 mm) Hub Mounted	
<b>M</b> = Temporary Meter Cover (Waxed Cardboard)		<b>P</b> = 2.50-Inch (63.5 mm) Hub Mounted	
<b>N</b> = No Sealing Ring (Applies Only to Ring Style Sockets)		<b>T</b> = Large Hub Opening Hub	
<b>R</b> = Ring Style Socket		<b>U</b> = Large Hub Cover Plate Hub Mounted	
<b>S</b> = Aluminum Screw Type Sealing Ring (Applies Only to Ring Style Sockets)		<b>V</b> = 2.50-Inch (63.5 mm) Large Hub Mounted	
<b>T</b> = Grounding Connector (#14 – #2 Cu) for Tri-Plex Ground		<b>Q</b> = 3.00-Inch (76.2 mm) Large Hub Mounted	
<b>TT</b> = (2) Two Grounding Connectors (#14 – #2 Cu) for Quad-Plex Ground		<b>R</b> = 3.50-Inch (88.9 mm) Large Hub Mounted	
<b>U</b> = UL Underwriters Laboratories Label		<b>S</b> = 4.00-Inch (101.6 mm) Large Hub Mounted	
<b>Z</b> = 5/16-Inch Hex Head Connector Screw in Place of Slotted (100 Ampere Only)		<b>Z</b> = Large to Small Hub Adapter Mounted	
<b>Note:</b> The "U" prefix is always used first followed by other prefixes required in alphabetical order.			
Product Group		Service Design	
<b>RS</b> = Residential Service, Single Position	<p><b>0</b> = Overhead  <b>1</b> = Combination Overhead/Underground  <b>2</b> = Underground, Side Wired  <b>3</b> = Combination Overhead/Underground, Side Wired</p>		
<b>2R-6R</b> = Residential Service, Multiple Position			
<b>2H-6H</b> = Commercial or Residential Service, Multiple Position			
<b>H</b> = Commercial or Residential Service, Single Position			
		Ampere Rating	
		<p><b>1</b> = 100 Amperes  <b>2</b> = 200 Amperes  <b>5</b> = 150 Amperes</p>	

**Product Selection**



**Table 5-2. Single Meter Sockets 2R-6R and 2H-6H Group Catalog Numbering System**



Product Selection

**Product Selection**

5



**Table 5-3. Single Meter Sockets H Group Catalog Numbering System**

Standard Prefixes		Standard Suffixes	
<p><b>A</b> = Aluminum Enclosure</p> <p><b>B</b> = Barrel Lock Provision, for an exposed INNER-TITE or Brooks barrel lock; unit includes an internal lock receiver bracket.</p> <p><b>F</b> = Barrel Lock with Guard Provision, for a lock guard INNER-TITE or Brooks barrel lock; unit includes an internal lock receiver bracket.</p> <p><b>G</b> = Grounded Fifth Terminal (9 o'clock Position)</p> <p><b>H</b> = Horn Bypass</p> <p><b>I</b> = Inhibitor Installed in Wire Connectors</p> <p><b>M</b> = Temporary Meter Cover (Waxed Cardboard)</p> <p><b>N</b> = No Sealing Ring (Applies Only to Ring Style Sockets)</p> <p><b>R</b> = Ring Style Socket</p> <p><b>S</b> = Aluminum Screw Type Sealing Ring (Applies Only to Ring Style Sockets)</p> <p><b>T</b> = Grounding Connector (#14 – #2 Cu) for Tri-Plex Ground</p> <p><b>TT</b> = (2) Two Grounding Connectors (#14 – #2 Cu) for Quad-Plex Ground</p> <p><b>U</b> = UL Underwriters Laboratories Label</p> <p><b>Z</b> = 5/16-Inch Hex Head Connector Screw in Place of Slotted (100 Ampere Only)</p> <p><b>Note:</b> The "U" prefix is always used first followed by other prefixes required in alphabetical order.</p>	<p><b>A</b> = Solid Top</p> <p><b>B</b> = Small Hub Opening</p> <p><b>C</b> = Small Hub Closing Plate Mounted</p> <p><b>L</b> = 1.25-Inch (31.8 mm) Hub Mounted</p> <p><b>M</b> = 1.50-Inch (38.1 mm) Hub Mounted</p> <p><b>N</b> = 2.00-Inch (50.8 mm) Hub Mounted</p> <p><b>P</b> = 2.50-Inch (63.5 mm) Hub Mounted</p> <p><b>T</b> = Large Hub Opening Hub</p> <p><b>U</b> = Large Hub Cover Plate Hub Mounted</p> <p><b>V</b> = 2.50-Inch (63.5 mm) Large Hub Mounted</p> <p><b>Q</b> = 3.00-Inch (76.2 mm) Large Hub Mounted</p> <p><b>R</b> = 3.50-Inch (88.9 mm) Large Hub Mounted</p> <p><b>S</b> = 4.00-Inch (101.6 mm) Large Hub Mounted</p> <p><b>Z</b> = Large to Small Hub Adapter Mounted</p>		
<p><b>Product Group</b></p> <p><b>RS</b> = Residential Service, Single Position</p> <p><b>2R-6R</b> = Residential Service, Multiple Position</p> <p><b>2H-6H</b> = Commercial or Residential Service, Multiple Position</p> <p><b>H</b> = Commercial or Residential Service, Single Position</p>	<p><b>Maximum Conductor (Line &amp; Load)</b></p> <p><b>0</b> = .38-Inch Stud Connectors</p> <p><b>3</b> = #350 kcmil Connectors</p> <p><b>5</b> = #500 kcmil Connectors</p> <p><b>6</b> = #600 kcmil Connectors</p> <p><b>7</b> = #750 kcmil Connectors</p> <p><b>8</b> = Dual #250 kcmil Connectors</p> <p><b>9</b> = Dual #350 kcmil Connectors</p>		
<p><b>Jaw Quantity</b></p> <p><b>4</b> = 4 Terminals</p> <p><b>5</b> = 5 Terminals</p> <p><b>7</b> = 7 Terminals</p>	<p><b>Service Design</b></p> <p><b>0</b> = Overhead</p> <p><b>1</b> = Combination Overhead/Underground</p> <p><b>2</b> = Underground, Side Wired</p> <p><b>3</b> = Combination Overhead/Underground, Side Wired</p>		
	<p><b>Ampere Rating</b></p> <p><b>2</b> = 200 Amperes</p> <p><b>3</b> = 320 Amperes</p>		

**Product Selection**

**Meter Sockets**

**Table 5-4. Single Meter Sockets**

Ampere Rating	Jaws	Service	Bypass	Connections		Dimensions in Inches			Opening, Hub or Closure Plate	UPC Code	Catalog Number	Figure Number	Price U.S. \$
				Line	Load	Height	Width	Depth					
<b>Residential Ringless Type Cover</b>													
125	4	OH/UG	—	#8 – 2/0	#8 – 2/0	10.88	8.00	3.50	Hub Opening	782113685168	UTRS101BCH	5-1	
125	4	OH/UG	—	#8 – 2/0	#8 – 2/0	10.88	8.00	3.50	1 1/4" Hub	782116016242	UTRS101LCH	5-1	
125	4	OH/UG	Horn	#8 – 2/0	#8 – 2/0	10.88	8.00	3.50	Hub Opening	782114007556	UHTRS101BCH	5-1	
125	5	OH/UG	Horn	#8 – 2/0	#8 – 2/0	10.88	8.00	3.50	Hub Opening	782113890623	UGHTRS101BCH	5-1	
150	4	OH/UG	—	#8 – 250 kcmil	#8 – 250 kcmil	14.00	8.00	4.38	Hub Opening	782113684024	UTRS502BCH	5-3	
150	4	OH/UG	—	#8 – 250 kcmil	#8 – 250 kcmil	14.00	8.00	4.38	Closure Plate	782113729732	UTRS502CCH	5-3	
200	4	OH	—	#8 – 250 kcmil	#8 – 250 kcmil	14.00	8.00	4.38	Hub Opening	782113685144	UTRS202BCH	5-3	
200	4	OH	Horn	#8 – 250 kcmil	#8 – 250 kcmil	14.00	8.00	4.38	Hub Opening	782114582626	UHTRS202BCH	5-3	
200	4	OH	—	#8 – 250 kcmil	#8 – 250 kcmil	14.00	8.00	4.38	2" Hub	782114110607	UTRS202NCH	5-3	
200	4	OH/UG	—	#6 – 350 kcmil	#6 – 350 kcmil	15.00	11.00	4.38	Hub Opening	782113685182	UTRS213BCH	5-2	
200	4	OH/UG	—	#6 – 350 kcmil	#6 – 350 kcmil	15.00	11.00	4.38	Closure Plate	782114631058	UTRS213CCH	5-2	
200	4	OH/UG	Horn	#6 – 350 kcmil	#6 – 350 kcmil	15.00	11.00	4.38	Hub Opening	782116016389	UHTRS213BCH	5-2	
200	4	OH/UG	Horn	#6 – 350 kcmil	#6 – 350 kcmil	15.00	11.00	4.38	Closure Plate	782114007563	UHTRS213CCH	5-2	
200	5	OH/UG	Horn	#6 – 350 kcmil	#6 – 350 kcmil	15.00	11.00	4.38	Hub Opening	782113890616	UGHTRS213BCH	5-2	
200	5	OH/UG	Horn	#6 – 350 kcmil	#6 – 350 kcmil	15.00	11.00	4.38	Closure Plate	782116016433	UGHTRS213CCH	5-2	
200	4	UG	—	#6 – 350 kcmil	#6 – 350 kcmil	13.00	13.00	4.94	Solid Top	782114103524	UTRS223ACH	5-6	
200	4	UG	Horn	#6 – 350 kcmil	#6 – 350 kcmil	13.00	13.00	4.94	Solid Top	782114113905	UHTRS223ACH	5-6	
200	5	UG	Horn	#6 – 350 kcmil	#6 – 350 kcmil	13.00	13.00	4.94	Solid Top	782113890647	UGHTRS223ACH	5-6	
200	4	OH/UG	Horn	#6 – 350 kcmil	#6 – 350 kcmil	20.00	13.00	4.94	Closure Plate	782116168613	UHTRS233CCH	5-6	
<b>Residential Ring Type Cover</b>													
125	4	OH/UG	—	#8 – 2/0	#8 – 2/0	10.88	8.00	3.50	Hub Opening	782114114346	URTRS101BCH	5-1	
125	4	OH/UG	—	#8 – 2/0	#8 – 2/0	14.00	11.00	4.38	Hub Opening	782116136520	URTRS111BCH	5-4	
125	4	OH/UG	—	#8 – 2/0	#8 – 2/0	10.88	8.00	3.50	Hub Opening	782113683928	UNRRS101BEUSCH ①	5-1	
125	4	OH/UG	—	#8 – 2/0	#8 – 2/0	14.00	11.00	4.38	Hub Opening	782113683935	UNRRS111BEUSCH ①	5-5	
200	4	OH	—	#8 – 250 kcmil	#8 – 250 kcmil	14.00	8.00	4.38	Hub Opening	782114114339	URTRS202BCH	5-3	
200	4	OH	—	#8 – 250 kcmil	#8 – 250 kcmil	14.00	8.00	4.38	2" Hub	782116103324	URTRS202NEUSCH	5-3	
200	4	OH	—	#8 – 250 kcmil	#8 – 250 kcmil	14.00	8.00	4.38	Hub Opening	782113683959	UNRRS202BEUSCH ①	5-3	
200	4	OH/UG	—	#6 – 350 kcmil	#6 – 350 kcmil	15.00	11.00	4.38	Hub Opening	782114114322	URTRS213BCH	5-2	
200	4	OH/UG	—	#6 – 350 kcmil	#6 – 350 kcmil	15.00	11.00	4.38	Closure Plate	782116124329	URTRS213CEUSCH	5-2	
200	4	OH/UG	—	#6 – 350 kcmil	#6 – 350 kcmil	15.00	11.00	4.38	2" Hub	782116103317	URTRS213NEUSCH	5-2	
200	4	UG	—	#6 – 350 kcmil	#6 – 350 kcmil	15.00	11.00	4.38	Hub Opening	782113928630	UNRRS213AEUSCH ①	5-2	
200	4	OH/UG	—	#6 – 350 kcmil	#6 – 350 kcmil	15.00	11.00	4.38	Hub Opening	782113928647	UNRRS213BEUSCH ①	5-2	
200	4	OH/UG	—	#6 – 350 kcmil	#6 – 350 kcmil	15.00	11.00	4.38	Closure Plate	782113683966	UNRRS213CEUSCH ①	5-2	
<b>Residential/Commercial Lever Bypass</b>													
200	4	OH	Lever	#6 – 350 kcmil	#6 – 350 kcmil	19.00	10.50	4.94	Hub Opening	782114840313	UTH4203BCH	5-10	
200	5	OH	Lever	#6 – 350 kcmil	#6 – 350 kcmil	19.00	10.50	4.94	Hub Opening	782116109449	UTH5203BCH	5-10	
200	5	OH	Lever	#6 – 350 kcmil	#6 – 350 kcmil	19.00	10.50	4.94	Hub Opening	782116109470	UTH7203TCH	5-10	
200	4	OH/UG	Lever	#6 – 350 kcmil	#6 – 350 kcmil	19.00	13.00	4.94	Closure Plate	782113685038	UTH4213CCH	5-7	
200	5	OH/UG	Lever	#6 – 350 kcmil	#6 – 350 kcmil	19.00	13.00	4.94	Closure Plate	782116106660	UTH5213CCH	5-7	
200	7	OH/UG	Lever	#6 – 350 kcmil	#6 – 350 kcmil	19.00	13.00	4.94	Closure Plate	782116016600	UTH7213UCH	5-7	
320	4	OH	Lever	3/8" Studs	3/8" Studs	34.25	13.00	4.94	Hub Opening	782113715445	UTH4300TCH	5-11	
320	5	OH	Lever	3/8" Studs	3/8" Studs	34.25	13.00	4.94	Hub Opening	782116144679	UTH5300TCH	5-11	
320	7	OH	Lever	3/8" Studs	3/8" Studs	34.25	15.00	5.69	Hub Opening	782116094875	UTH7300TCH	5-11	
320	4	OH/UG	Lever	3/8" Studs	3/8" Studs	36.63	15.00	5.69	Closure Plate	782116003778	UTH4330UCH	5-11	
320	5	OH/UG	Lever	3/8" Studs	3/8" Studs	39.88	20.00	6.50	Closure Plate	782116096381	UTH5330UCH	5-9	
320	7	OH/UG	Lever	3/8" Studs	3/8" Studs	39.88	20.00	6.50	Closure Plate	782116016686	UTH7330UCH	5-9	

① Does not include the ring. Ring to be provided by local utility.

**Product Selection**

**Table 5-4. Single Meter Sockets (Continued)**

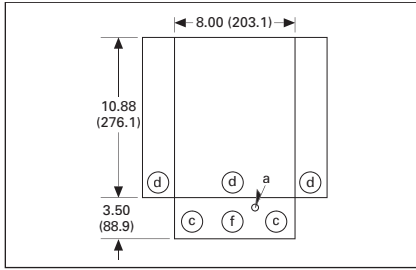
Ampere Rating	Jaws	Positions	Service	Bypass	Connections		Dimensions in Inches			Opening, Hub or Closure Plate	UPC Code	Catalog Number	Price U.S. \$
					Line	Load	Height	Width	Depth				
<b>Horizontal Design — Multi-Position Ringless</b>													
100	4	2	OH/UG	—	#6 – 250 kcmil	#8 – 2/0	14.13	24.31	4.50	Hub Opening	782116016532	<b>UT2R1121BCH</b>	
100	4	3	OH/UG	—	#6 – 250 kcmil	#8 – 2/0	14.13	32.47	4.50	Hub Opening	782116094615	<b>UT3R1121BCH</b>	
100	4	4	OH/UG	—	#6 – 250 kcmil	#8 – 2/0	14.13	40.63	4.50	Hub Opening	782116094639	<b>UT4R1121BCH</b>	
100	4	5	OH/UG	—	#6 – 250 kcmil	#8 – 2/0	14.13	48.78	4.50	Hub Opening	782116094646	<b>UT5R1121BCH</b>	
100	4	6	OH/UG	—	#6 – 350 kcmil	#8 – 2/0	14.13	56.94	4.50	Hub Opening	782116094653	<b>UT6R1131BCH</b>	
100	4	2	OH/UG	Horn	#6 – 250 kcmil	#8 – 2/0	14.13	24.31	4.50	Hub Opening	782116007769	<b>UHT2R1121BCH</b>	
100	4	3	OH/UG	Horn	#6 – 250 kcmil	#8 – 2/0	14.13	32.47	4.50	Hub Opening	782116007783	<b>UHT3R1121BCH</b>	
100	4	4	OH/UG	Horn	#6 – 250 kcmil	#8 – 2/0	14.13	40.63	4.50	Hub Opening	782116007806	<b>UHT4R1121BCH</b>	
100	4	5	OH/UG	Horn	#6 – 250 kcmil	#8 – 2/0	14.13	48.78	4.50	Hub Opening	782116007820	<b>UHT5R1121BCH</b>	
100	4	6	OH/UG	Horn	#6 – 350 kcmil	#8 – 2/0	14.13	56.94	4.50	Hub Opening	782116007844	<b>UHT6R1131BCH</b>	
200	4	2	OH/UG	—	#6 – 350 kcmil	#8 – 250 kcmil	14.13	24.31	5.38	Hub Opening	782116064083	<b>UT2R2332TCH</b>	
200	4	3	OH/UG	—	#6 – 350 kcmil	#8 – 250 kcmil	14.13	32.47	5.38	Hub Opening	782116036011	<b>UT3R2332TCH</b>	
200	4	4	OH/UG	—	1/0 – 500 kcmil	#8 – 250 kcmil	14.13	40.63	5.38	Hub Opening	782116016693	<b>UT4R2352TCH</b>	
200	4	5	OH/UG	—	1/0 – 500 kcmil	#8 – 250 kcmil	14.13	54.78	5.38	Hub Opening	782116104642	<b>UT5R2392TTCH</b>	
200	4	6	OH/UG	—	1/0 – 500 kcmil	#8 – 250 kcmil	14.13	62.94	5.38	Hub Opening	782116104659	<b>UT6R2392TTCH</b>	
200	4	2	OH/UG	Horn	#6 – 350 kcmil	#8 – 250 kcmil	14.13	24.31	5.38	Hub Opening	782113922621	<b>UHT2R2332TCH</b>	
200	4	3	OH/UG	Horn	#6 – 350 kcmil	#8 – 250 kcmil	14.13	32.47	5.38	Hub Opening	782113923093	<b>UHT3R2332TCH</b>	
200	4	4	OH/UG	Horn	1/0 – 500 kcmil	#8 – 250 kcmil	14.13	40.63	5.38	Hub Opening	782116007813	<b>UHT4R2352TCH</b>	
200	4	5	OH/UG	Horn	1/0 – 500 kcmil	#8 – 250 kcmil	14.13	54.78	5.38	Hub Opening	782116073979	<b>UHT5R2392TTCH</b>	
200	4	6	OH/UG	Horn	1/0 – 500 kcmil	#8 – 250 kcmil	14.13	62.94	5.38	Hub Opening	782116073986	<b>UHT6R2392TTCH</b>	
200	5	2	OH/UG	Lever	1/0 – 500 kcmil	#6 – 350 kcmil	23.56	32.78	6.00	Hub Opening	782116143986	<b>UT2H52353TCH</b>	
200	5	3	OH/UG	Lever	1/0 – 500 kcmil	#6 – 350 kcmil	23.56	43.91	6.00	Hub Opening	782116143993	<b>UT3H52353TCH</b>	
200	5	4	OH/UG	Lever	1/0 – 500 kcmil	#6 – 350 kcmil	23.56	61.03	6.00	Hub Opening	782116144006	<b>UT4H52393TTCH</b>	
200	5	5	OH/UG	Lever	1/0 – 500 kcmil	#6 – 350 kcmil	23.56	72.16	6.00	Hub Opening	782116144013	<b>UT5H52393TTCH</b>	
200	5	6	OH/UG	Lever	1/0 – 500 kcmil	#6 – 350 kcmil	23.56	83.28	6.00	Hub Opening	782116144020	<b>UT6H52393TTCH</b>	

**Table 5-5. Cutler-Hammer Meter Socket Accessories**

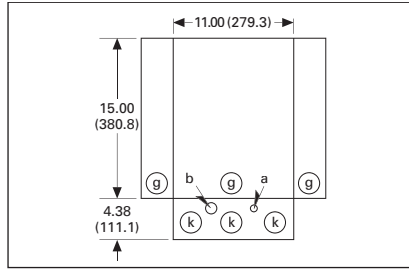
Description	Cutler-Hammer Catalog Number	Price U.S. \$
1.00-Inch Hub 1.25-Inch Hub 1.50-Inch Hub 2.00-Inch Hub — Small Opening 2.50-Inch Hub — Small Opening	<b>ARP00003CH1</b> <b>ARP00004CH12</b> <b>ARP00005CH15</b> <b>ARP00006CH2</b> <b>ARP00007CH25</b>	
2.00-Inch Hub — Large Opening 2.50-Inch Hub — Large Opening 3.00-Inch Hub — Large Opening 4.00-Inch Hub — Large Opening Small Hub Closure Plate	<b>ARP00017CH2</b> <b>ARP00018CH25</b> <b>ARP00019CH3</b> <b>ARP00021CH4</b> <b>ARP00002CHB</b>	
Small Hub Closure Plate — Aluminum Large Hub Closure Plate Hub Adapter Plate — Large to Small Replacement — Plug-in Fifth Terminal (R and RS Models Only) Replacement Block Assembly for 100 A Sockets (2/0 Maximum)	<b>ARP00008CH</b> <b>ARP00016CHB</b> <b>ARP00015CHAP</b> <b>ARP00035CHJ</b> <b>ARP00039CH</b>	
Replacement Block Assembly for 200 A Sockets (350 Maximum) Replacement Block Assembly for 150 A Sockets (250 Maximum) #4 – 600 kcmil Lug #6 – 350 kcmil Dual Lug #6 – 350 kcmil Lug	<b>ARP00048CH</b> <b>ARP00354CH</b> <b>ARP00129CH</b> <b>ARP00427CH</b> <b>ARP00119CH</b>	

Discount Symbol ..... **22CD**

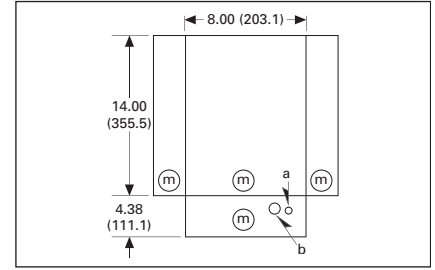
**Dimensions and Knockout Illustrations in Inches (mm)**



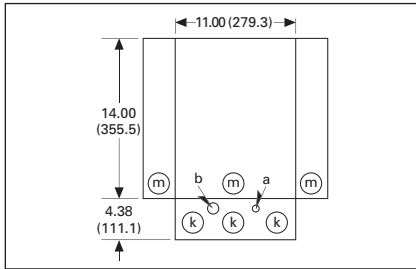
**Figure 5-1. Arrangement A**



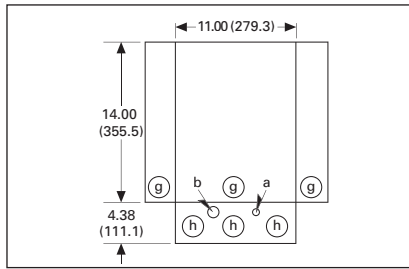
**Figure 5-2. Arrangement B**



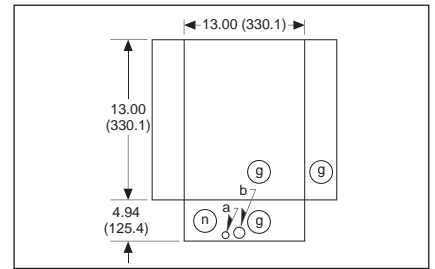
**Figure 5-3. Arrangement C**



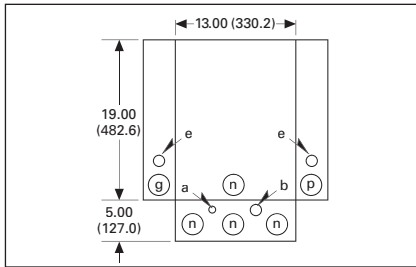
**Figure 5-4. Arrangement D**



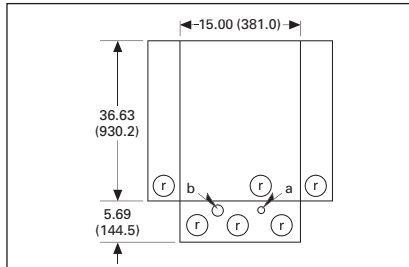
**Figure 5-5. Arrangement E**



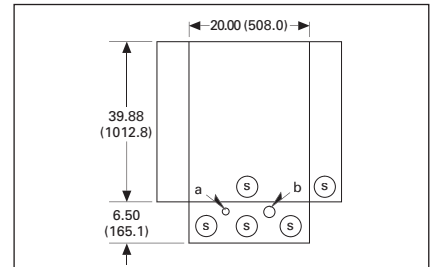
**Figure 5-6. Arrangement F**



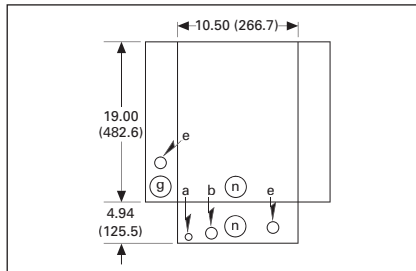
**Figure 5-7. Arrangement G**



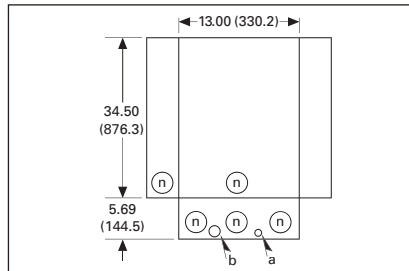
**Figure 5-8. Arrangement H**



**Figure 5-9. Arrangement I**



**Figure 5-10. Arrangement J**



**Figure 5-11. Arrangement K**

**Note:** Dimensions in Figures 5-1 – 5-11 are approximate and not drawn to scale.

**Table 5-6. Knockout Sizes**

Code	Conduit Diameter in Inches (mm)
a	.31 (7.9)
b	.50 (12.7)
c	.50 (12.7) – .75 (19.1) – 1.00 (25.4) – 1.25 (31.7)
d	.50 (12.7) – .75 (19.1) – 1.00 (25.4) – 1.25 (31.7) – 1.50 (38.1)
e	.75 (19.1)
f	1.00 (25.4) – 1.25 (31.7) – 1.50 (38.1) – 2.00 (50.8)
g	1.00 (25.4) – 1.25 (31.7) – 1.50 (38.1) – 2.00 (50.8) – 2.50 (63.5)
h	1.25 (31.7) – 1.50 (38.1) – 2.00 (50.8)
k	1.25 (31.7) – 1.50 (38.1) – 2.00 (50.8) – 2.50 (63.5)
m	1.50 (38.1) – 2.00 (50.8) – 2.50 (63.5)
n	2.00 (50.8) – 2.50 (63.5) – 3.00 (76.2)
p	3.00 (76.2)
r	3.50 (88.9)
s	4.00 (101.6)
x	Hub Provision

### Product Selection

## Systems for Residential and Commercial Applications



*Systems for Residential and Commercial Application*

### Product Description

Group metering is a service entrance product line that consists of a main device and multiple meter sockets in one enclosure or several connected enclosures. Group metering allows the customer to install a multiple tenant-metering device in one location while providing a space and installation cost savings.

### Application Description

Eaton's electrical business offers two group metering designs which are Meter Packs and Gangable Metering.

#### Meter Packs

The first type of group metering is Meter Packs which are also called All-in-Ones. Meter packs consist of main lugs and up to six meter sockets in one enclosure. Meter packs are supplied as one complete unit and the user cannot "add" additional meter sockets to the unit in the future. The most common application for meter packs is garden apartments, small condominiums and townhouses where six or less units are metered through one centrally located meter pack.

#### Gangable Metering (Main Service Modules and Meter Stacks)

The second type of group metering is Gangable Metering, which consists of a Main Service Module used in conjunction with a Meter Stack to make a custom metering lineup. The Main Service Module can be main lug, main circuit breaker, main fusible switch or bolted pressure switch. The Meter Stack is offered with various meter sockets and bus ratings. This type of custom lineup allows the owner to add/remove meter sockets and main devices to meet future need. Gangable Metering is often used in large condominiums, strip malls and light commercial applications where more than six units are metered, or there will be a future need to add more units.

### Standards and Certifications

- UL listed.

### Features, Benefits and Functions

#### Clip-Tight™ Socket



*Clip-Tight Socket*

Cutler-Hammer 1MP, 1MM, 3MM metering devices incorporate the only socket base in the industry without fasteners. This component utilizes jaws on both sides of a thermoplastic polyester glass fiber reinforced (PBT) base eliminating the need for self tapping screw connections to vertical bus bars.

#### One-Piece Vertical Bus Bar



*One-Piece Vertical Bus Bar*

Cutler-Hammer 1MP, 1MM, 3MM meter stacks embody a one-piece bus bar construction to each socket, as well as a one-piece cross bus to each tenant main. Because the Cutler-Hammer design utilizes the Clip-Tight meter socket and does not have bus bar joints, the chance of hot spots occurring is virtually eliminated.

#### Field Phase Balancing

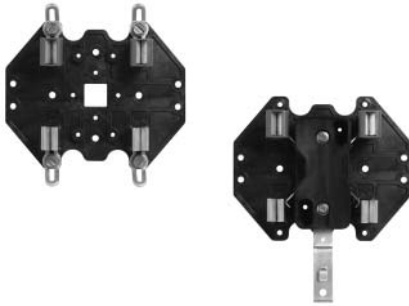


*Field Phase Balancing*

Due to popular incoming 3-phase voltage systems and single-phase outgoing loads, installers have the option to field phase balance on the individual stack (A-B, B-C, A-C). This feature eliminates the chance of installing an incorrectly phased device due to its versatility.



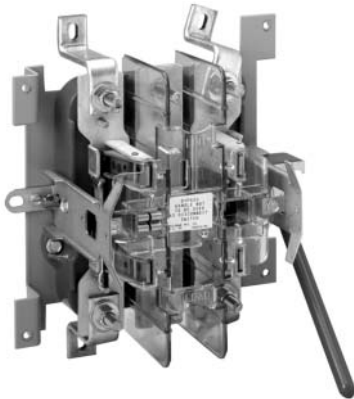
**Horn and Manual Bypass**



*Horn and Manual Bypass*

With an increasing demand for uninterrupted power, Eaton's Cutler-Hammer 1MP, 1MM and 3MM meter sockets offer horn (ringless style) and manual (ring style) field-installable bypass accessories. These accessories provide uninterrupted tenant service if a meter is pulled for inspection or replacement.

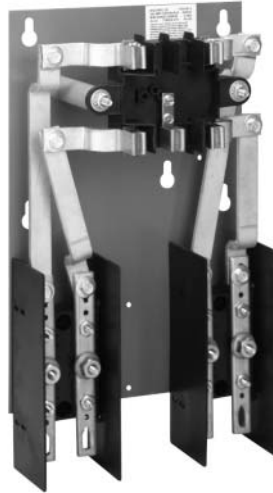
**Lever Bypass**



*Lever Bypass*

Due to commercial requirements, Eaton offers a lever bypass (as standard) on all 35MM and 37MM devices. Each socket base consists of a lever bypass which also releases the jaws (when lever is engaged in bypass position) enabling utility company mechanics to easily remove and/or insert utility meter.

**Test Bypass Disconnects**



*Test Bypass Disconnects*

Eaton also provides commercial meter stacks with EUSERC required test-bypass disconnects (35SS and 37SS). This bypass is used in the same applications as the lever bypass and it is required by EUSERC utilities.

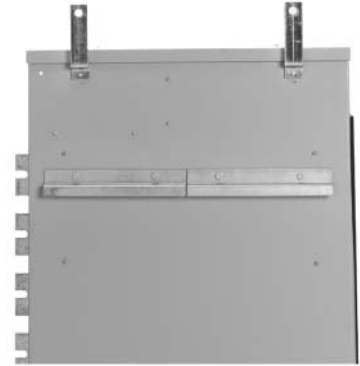
**Main Tenant Breaker Cover**



*Main Tenant Breaker Cover*

Each tenant circuit breaker is protected by a lockable raintight cover which secures the breaker against unauthorized operation. The tenant breaker cover is a high impact plastic to resist wear, rusting and corrosion.

**Mounting Features**



*Mounting Features*

A standard mounting rail and factory installed swing away feet, speed up and simplify installation.

### Meter Packs

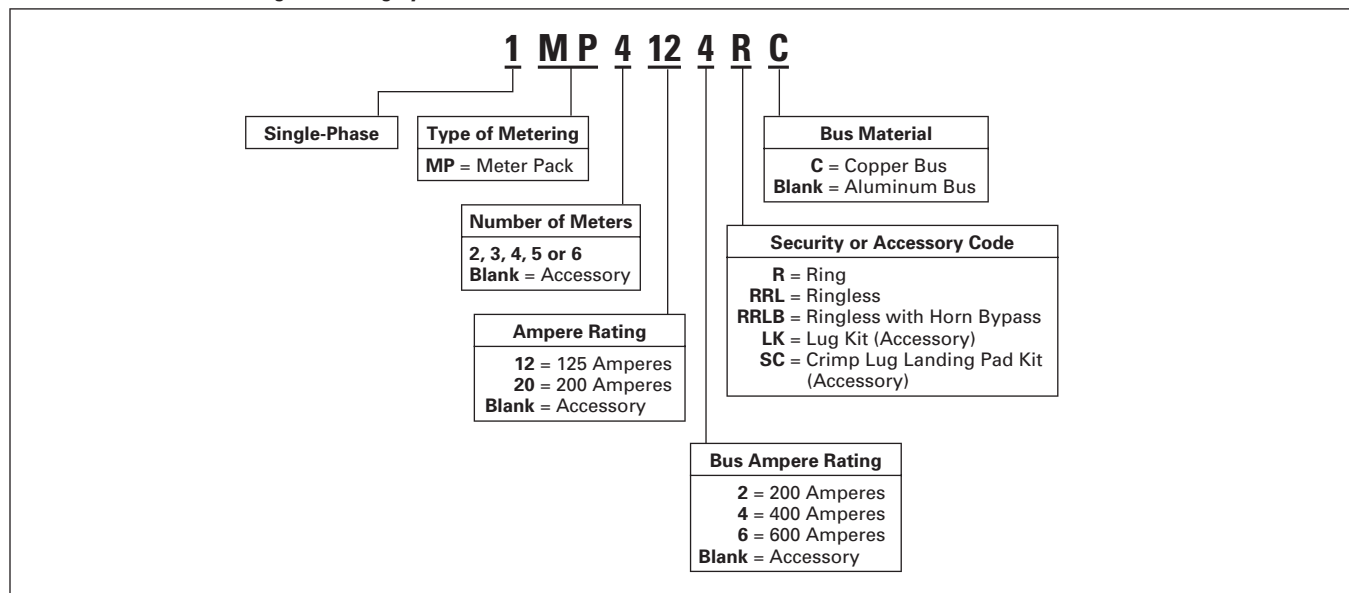


Meter Pack

- Cutler-Hammer 1MP units by Eaton Corporation are self-contained (main terminal box included) for installations requiring up to six meter socket positions in a single enclosure.
- Units are not gangable with any other metering device.
- Approved by major power companies, UL listed, suitable as service equipment and meets the service and electrical requirements of EUSERC and CECHA.
- Series rating up to 100,000 AIC.
- All ringless cover devices include fifth jaw as standard.
- Ring type devices do not include fifth jaw as standard. Order 1MM5JK if needed.
- Bondable neutral.
- 120/240 Vac, single-phase 3-wire metering device.
- Up to 600 ampere maximum horizontal bus rating.
- Incoming lugs not included (phase A, phase B, and neutral).
- Indoor/outdoor construction.
- Provision for 2-pole breaker (plug-on type for 125 ampere sockets and bolt-on type for 200 ampere sockets) — circuit breakers not included.
- Underground incoming feed.
- Aluminum or copper bus.

## Product Selection

Table 5-7. Meter Pack Catalog Numbering System



### When Ordering:

1. Determine catalog number of the basic device.
2. Include Lug Kit for incoming section. See **Table 5-10**.
3. Find quantity and catalog numbers for tenant circuit breakers. (Order one breaker per socket.) See **Page 5-13**.
4. Select required accessories. See **Pages 5-44** and **5-45**.

**Meter Packs**

**Product Selection**

**Meter Packs**

**Table 5-8. Aluminum Bus — Main Lugs not included — See Table 5-10**

Socket Ampere Rating	Number of Meter Sockets	Bus Ampacity	Main Tenant Breaker Type See Table 5-12	Catalog Number	Price U.S. \$	Semi-flush Flange Kit Catalog Number	Price U.S. \$
<b>Ring Style Meter Socket Covers ①</b>							
125 ②	2 ④	200	Plug-on Type	1MP2122R ⑤⑥		1MPSFK1	
	3	400	BR_	1MP3124R ⑥		1MPSFK2	
	4	400	BRH_	1MP4124R ⑥		1MPSFK2	
	5 ④	600	BRHH_	1MP5126R ⑥		1MPSFK3	
	6 ④	600	—	1MP6126R ⑥		1MPSFK3	
200 ③	2	400	Bolt-on Type	1MP2204R ⑥		1MPSFK4	
	3	600	CC2_X	1MP3206R ⑥		1MPSFK5	
	4	600	CHH2_H2X	1MP4206R ⑥		1MPSFK5	
	5	600	CHH2_H4X	1MP5206R ⑥		1MPSFK6	
	6	600	CHH_X	1MP6206R ⑥		1MPSFK6	
<b>Ringless Style Meter Socket Covers ⑦</b>							
125	2	200	Plug-on Type	1MP2122RRL ⑤⑥		1MPSFK1	
	3	400	BR_	1MP3124RRL ⑥		1MPSFK2	
	4	400	BRH_	1MP4124RRL ⑥		1MPSFK2	
	5	600	BRHH_	1MP5126RRL ⑥		1MPSFK3	
	6	600	—	1MP6126RRL ⑥		1MPSFK3	
200	2	400	Bolt-on Type	1MP2204RRL ⑥		1MPSFK4	
	3	600	CC2_X	1MP3206RRL ⑥		1MPSFK5	
	4	600	CHH2_H2X	1MP4206RRL ⑥		1MPSFK5	
	5	600	CHH2_H4X	1MP5206RRL ⑥		1MPSFK6	
	6	600	CHH_X	1MP6206RRL ⑥		1MPSFK6	
<b>Ringless Style Covers with Horn Bypass ⑦</b>							
125	2	200	Plug-on Type	1MP2122RRLB ⑤⑥		1MPSFK1	
	3	400	BR_	1MP3124RRLB ⑥⑨		1MPSFK2	
	4	400	BRH_	1MP4124RRLB ⑥⑨		1MPSFK2	
	5	600	BRHH_	1MP5126RRLB ⑥⑨		1MPSFK3	
	6	600	—	1MP6126RRLB ⑥⑨		1MPSFK3	
200	2	400	Bolt-on Type	1MP2204RRLB ⑥⑨		1MPSFK4	
	3	600	CC2_X	1MP3206RRLB ⑥⑨		1MPSFK5	
	4	600	CHH2_H2X	1MP4206RRLB ⑥⑨		1MPSFK5	
	5	600	CHH2_H4X	1MP5206RRLB ⑥⑨		1MPSFK6	
	6	600	CHH_X	1MP6206RRLB ⑥⑨		1MPSFK6	

- ① Ring Style Meter Packs do not come with fifth jaw. Order **1MM5JK** if needed.
- ② To change in field from ring to ringless — order **1MMRC125**.
- ③ To change in field from ring to ringless — order **1MMRC200**.
- ④ To change from ring to ringless covers, the top socket only in 2, 5 and 6 socket designs — order **1MMRC125T**. Top socket only — other sockets see ⑥.
- ⑤ Main lugs included. #6 – 300 kcmil. (Optional lugs are not available.)
- ⑥ Bottom feed only.
- ⑦ Fifth jaw factory installed at 9 o'clock position.
- ⑧ For overhead use, order DS type hub.
- ⑨ To order with raceway provision in bottom endwall, add "T" suffix to the catalog number. Trough accessory catalog number is 1008934CH.

**Note:** See **Table 5-10** for Main Lug Kit selection. See **Table 5-11** for Wire Sizes.

Meter Packs

Product Selection

Meter Packs

Table 5-9. Copper Bus — Main Lugs not included — See Table 5-10

Socket Ampere Rating	Number of Meter Sockets	Bus Ampacity	Main Tenant Breaker Type. See Table 5-12	Catalog Number	Price U.S. \$	Semi-flush Flange Kit Catalog Number	Price U.S. \$
<b>Ring Style Meter Socket Covers</b> ①							
125 ②	2 ④	200	Plug-on Type	1MP2122RC		1MPSFK1	
	3	400	Plug-on Type	1MP3124RC		1MPSFK2	
	4	400	BR_	1MP4124RC		1MPSFK2	
	5 ④	600	BRH_	1MP5126RC		1MPSFK3	
	6 ④	600	BRHH_	1MP6126RC		1MPSFK3	
200 ③	2	400	Bolt-on Type	1MP2204RC		1MPSFK4	
	3	600	CC2_X	1MP3206RC		1MPSFK5	
	4	600	CHH2_H2X	1MP4206RC		1MPSFK5	
	5	600	CHH2_H4X	1MP5206RC		1MPSFK6	
	6	600	CHH_X	1MP6206RC		1MPSFK6	

Ringless Style Meter Socket Covers ⑤

125	2	200	Plug-on Type	1MP2122RRLC		1MPSFK1	
	3	400	Plug-on Type	1MP3124RRLC		1MPSFK2	
	4	400	BR_	1MP4124RRLC		1MPSFK2	
	5	600	BRH_	1MP5126RRLC		1MPSFK3	
	6	600	BRHH_	1MP6126RRLC		1MPSFK3	
200	2	400	Bolt-on Type	1MP2204RRLC		1MPSFK4	
	3	600	CC2_X	1MP3206RRLC		1MPSFK5	
	4	600	CHH2_H2X	1MP4206RRLC		1MPSFK5	
	5	600	CHH2_H4X	1MP5206RRLC		1MPSFK6	
	6	600	CHH_X	1MP6206RRLC		1MPSFK6	

Ringless Style Covers with Horn Bypass ⑥

125	2	200	Plug-on Type	1MP2122RRLBC		1MPSFK1	
	3	400	Plug-on Type	1MP3124RRLBC		1MPSFK2	
	4	400	BR_	1MP4124RRLBC		1MPSFK2	
	5	600	BRH_	1MP5126RRLBC		1MPSFK3	
	6	600	BRHH_	1MP6126RRLBC		1MPSFK3	
200	2	400	Bolt-on Type	1MP2204RRLBC		1MPSFK4	
	3	600	CC2_X	1MP3206RRLBC		1MPSFK5	
	4	600	CHH2_H2X	1MP4206RRLBC		1MPSFK5	
	5	600	CHH2_H4X	1MP5206RRLBC		1MPSFK6	
	6	600	CHH_X	1MP6206RRLBC		1MPSFK6	

① Ring Style Meter Packs do not come with fifth jaw. Order 1MM5JK if needed.

② To change in field from ring to ringless — order 1MMRC125.

③ To change in field from ring to ringless — order 1MMRC200.

④ To change in field from ring to ringless covers, the top socket only in 5 to 6 socket design — order 1MMRC125T. Top socket only — other sockets see ②.

⑤ Fifth jaw factory installed at 9 o'clock position.

Table 5-10. Main Lug Selection — Field Installed Lugs for Either 400 or 600 Ampere Main Bus

Line Lug and Wire Sizes Order Separately and Field Install	Line Lug Kit Catalog Number Order Three Kits (For Two Lines & Neutral)	Price Per Kit U.S. \$
(1) #6 – 600 kcmil or (2) 2/0 – 250 kcmil (2) 250 – 500 kcmil (3) #4 – 300 kcmil (1) 750 kcmil Crimp lug landing pad 250 – 750 kcmil	1MPLK1 1MPLK3 1MPLK4 ⑥ 1MPLK2 ⑦ 1MPSC1 ⑥	

⑥ This kit comes with three pads for two lines and neutral. Each pad will accept one or two crimp lugs. Cannot be used on 1MP2122R, RL, RC and RLB EUSERC underground termination.

⑦ This lug is not UL listed.



1MPLK3

Table 5-11. Wire Sizes — Neutral and Ground Lugs

Description	Wire Size, Al/Cu	Catalog Number	Price U.S. \$
Neutral — 125 A meter pack	#6 – 2/0	—	
Neutral — 200 A meter pack	#1/0 – 300 kcmil	—	
Equipment Ground Bar — 125 A meter pack	#14 – #2	—	
Equipment Ground Bar — 200 A meter pack	#14 – 2/0	—	
Optional Ground Bar	#6 – 2/0	1MMGBK	

Note: Each stack includes a neutral and ground bar. If an extra ground bar is needed, order 1MMGBK.

Discount Symbol..... 22CD

**Features, Benefits and Functions**

**1MP, 1MM and 3MM Main Tenant Circuit Breakers**

- The following Cutler-Hammer breakers are to be used on 1MP, 1MM and 3MM modular metering stacks.
- Series rating information available on **Pages 5-49 through 5-51**.
- 120/240 Vac — **field installed**.



BR2100



CC2200

**Product Selection**

Table 5-12. 1MP, 1MM and 3MM Main Tenant Circuit Breakers

Description	Number of Poles	Main Tenant Circuit Breaker Ampere Rating	10,000 AIC		22,000 AIC		25,000 AIC		42,000 AIC		100,000 AIC	
			Catalog Number	Price U.S. \$	Catalog Number	Price U.S. \$	Catalog Number	Price U.S. \$	Catalog Number	Price U.S. \$	Catalog Number	Price U.S. \$
Plug-on type circuit breakers used with 1MP, 1MM and 3MM 125 A modular metering stacks	2	60	BR260		BRH260		—		BRHH260		—	
	2	70	BR270		BRH270		—		BRHH270		—	
	2	80	BR280		BRH280		—		BRHH280		—	
	2	90	BR290		BRH290		—		BRHH290		—	
	2	100	BR2100		BRH2100		—		BRHH2100		—	
	2	110	BR2110		BRH2110		—		BRHH2110		—	
Bolt-on type circuit breakers used with 1MP, 1MM and 3MM 200 A modular metering stacks	2	125	BR2125		BRH2125		—		BRHH2125		—	
	2	60	—		—		CHH2060H2X		CHH2060H4X		CHH2060X	
	2	70	—		—		CHH2070H2X		CHH2070H4X		CHH2070X	
	2	80	—		—		CHH2080H2X		CHH2080H4X		CHH2080X	
	2	90	—		—		CHH2090H2X		CHH2090H4X		CHH2090X	
	2	100	CC2100X		—		CHH2100H2X		CHH2100H4X		CHH2100X	
	2	125	CC2125X		—		CHH2125H2X		CHH2125H4X		CHH2125X	
	2	150	CC2150X		—		CHH2150H2X		CHH2150H4X		CHH2150X	
	2	175	CC2175X		—		CHH2175H2X		CHH2175H4X		CHH2175X	
	2	200	CC2200X		—		CHH2200H2X		CHH2200H4X		CHH2200X	

Technical Data and Specifications

Dimensions and Knockouts (in Inches) — 1MP, 125 Ampere Meter Packs — Aluminum and Copper Bus

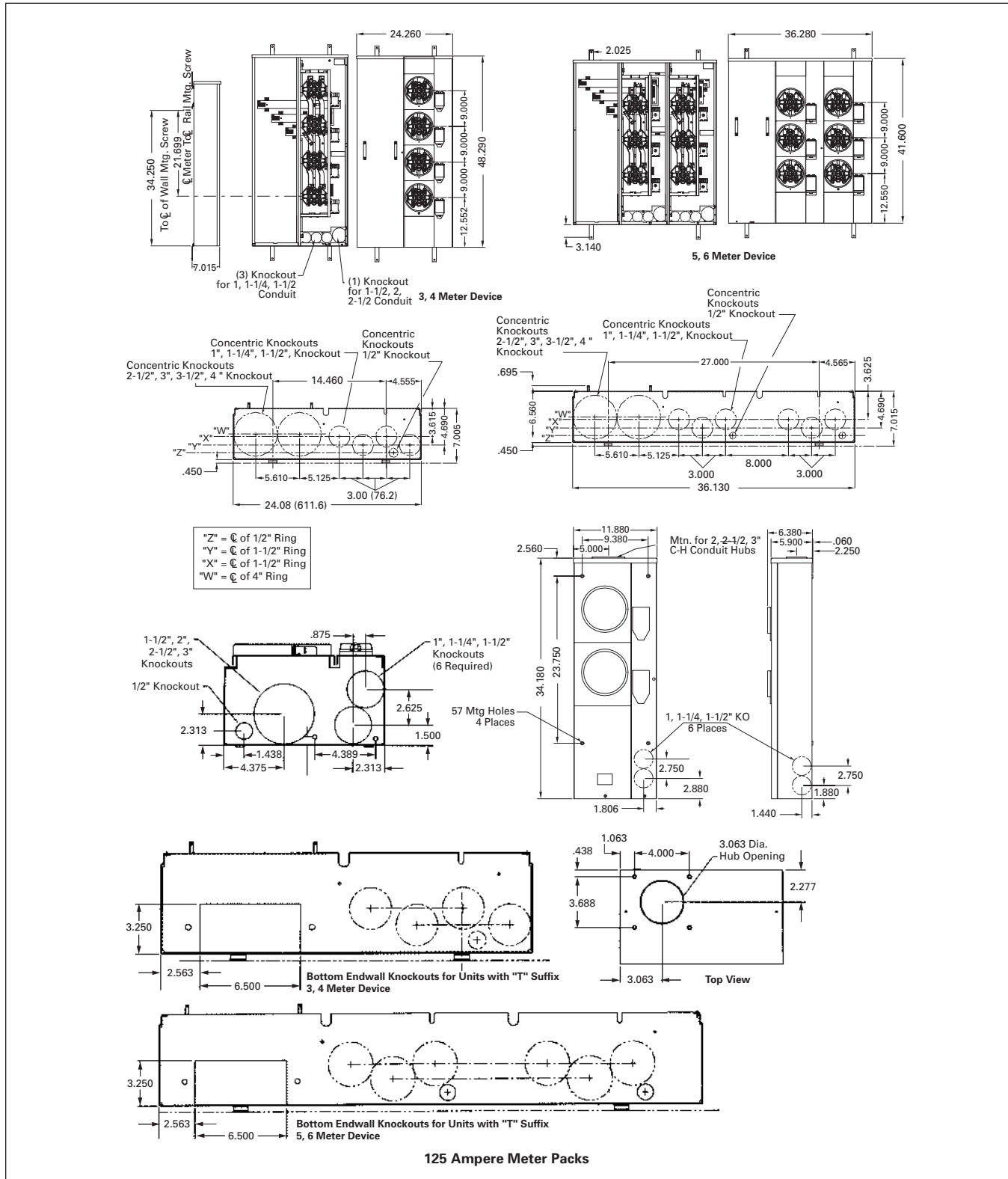
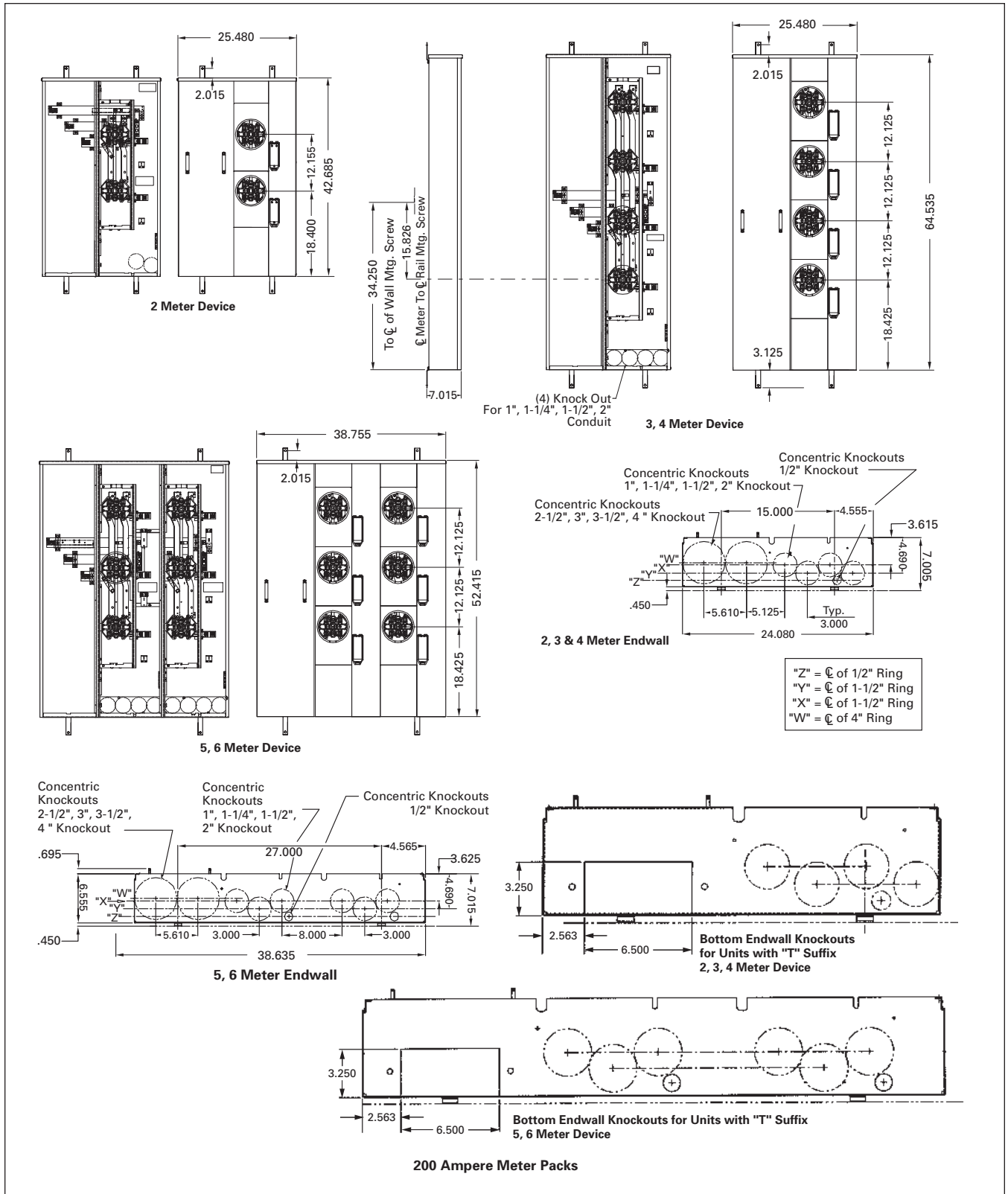


Figure 5-12. 125 Ampere Maximum Tenant Breaker

**Dimensions and Knockouts (in Inches) — 1MP, 200 Ampere Meter Packs — Aluminum and Copper Bus**



**Figure 5-13. 200 Ampere Maximum Tenant Breaker**

## Main Service Modules

## Product Description

- Main terminal box.
- Main circuit breaker.
- Main bolted pressure switch.
- Main fusible switch.
- Main fusible switch with pull box.
- Underground pull box.



Main Terminal Box



Main Fusible Switch



Main Circuit Breaker



Underground Pull Box



Main Fusible Switch with Utility Pull Box



Main Terminal Box with Utility Pull Box



Main Circuit Breaker with Utility Pull Box

## Eaton's Cutler-Hammer Main Service Modules

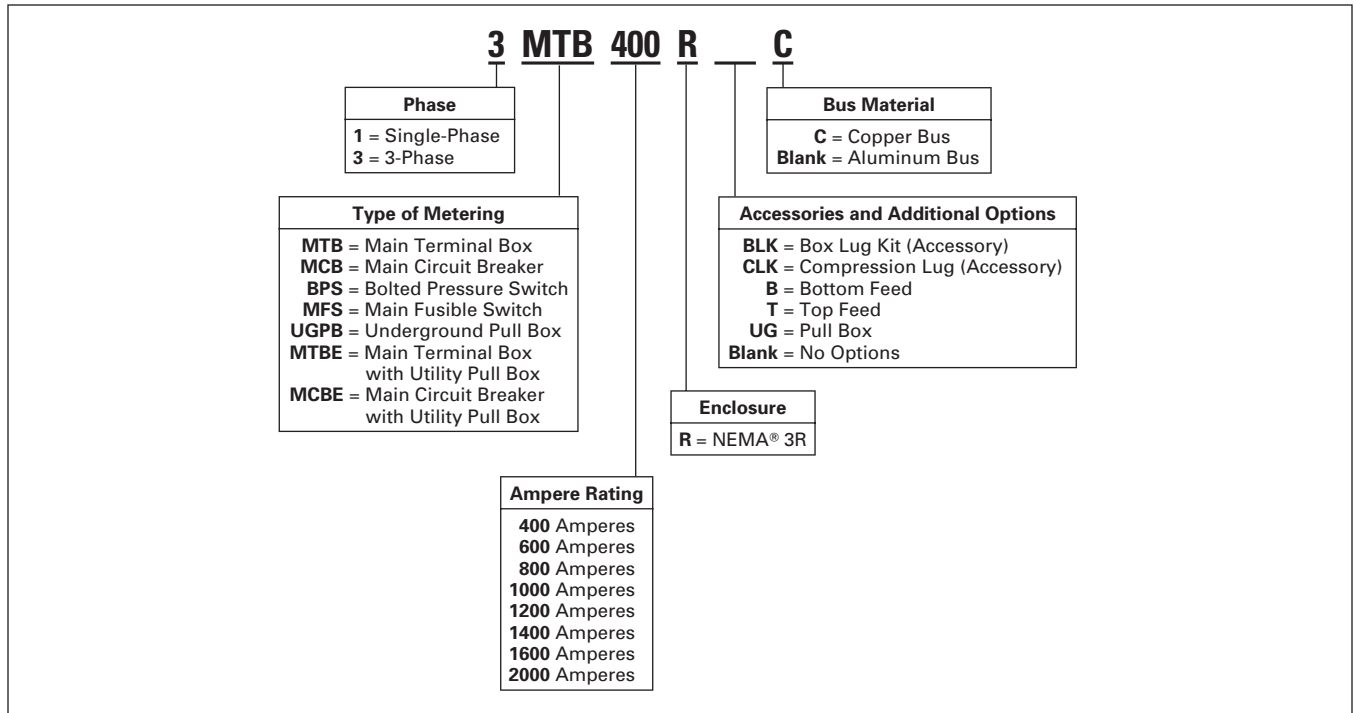
- Offering: main terminal/lug compartment, main circuit breaker, main bolted pressure switch, main fusible switch, main fusible switch with pull box (meets EUSERC electrical requirements), underground pull box termination compartment without cross bus (meets EUSERC electrical requirements).
- Mechanically and electrically built for use with 1MM, 3MM, 35MM, 37MM, 35SS and 37SS modular metering stacks.
- For integrated system short circuit ratings with main devices, see series ratings on **Page 5-49**.
- All main service modules include both left and right horizontal bus closure plates.
- Two-pole devices are applied to 1-phase, 3-wire, 120/240 volt or 208Y/120 volt systems, 3-pole devices to 208Y/240 volts or 120/240 volts delta systems.
- Single-phase mains couple to any modular metering stack (1MM, 3MM, 35MM, 37MM, 35SS and 37SS).
- 3-phase mains require 3-phase bussed stacks. These modular metering stacks are 3MM, 35MM, 37MM, 35SS and 37SS.
- If the ampere rating of the main service module is greater than the horizontal bus rating of the meter stack (Residential or Commercial), the main service module must be center fed. Examples: 1200 ampere Main Circuit Breaker (**1MCB1200R**) with a 800 ampere residential stack (**1MM512R**). 1600 ampere Main Terminal Box (**3MTB1600R**) with a 1200 ampere residential stack (**3MM212R12**).
- Most main service modules are available with aluminum or copper bus.

## Features, Benefits and Functions



**Product Selection**

**Table 5-13. Main Service Modules Catalog Numbering System**



**5**

**When Ordering:**

1. Determine catalog number of Main Service Module.
2. Determine catalog number of Meter Stack (Residential or Commercial).
3. Find quantity and catalog numbers for tenant circuit breakers (found on **Page 5-34** or **5-42**). Order one breaker per socket.
4. If any accessories are needed, order from **Pages 5-44** through **5-46**.

Main Service Modules

Features, Benefits and Functions

Main Terminal Box

- Phase and neutral lugs are included.
- Top or bottom feed:
  - For top feed, use Myer type hub
- Indoor or outdoor.
- Terminal box UL listed short circuit rating is the least AIC rating of any installed main tenant breaker — to a maximum of 100,000 rms symmetrical amperes.

5 Product Selection

Table 5-14. Main Terminal Box

Ampere Rating	Line Side Lug and Wire Sizes — Included	System Voltage			
		120/240 Vac Single-Phase, 3-Wire		120/208 Vac 3-Phase, 4-Wire	
		Catalog Number	Price U.S. \$	Catalog Number	Price U.S. \$
<b>Aluminum Bus</b>					
400	(1) #6 – 600 or (2) 1/0 – 250 kcmil	Use 3-phase		3MTB400R	
600	(2) 250 – 500 kcmil <sup>②</sup>	Use 3-phase		3MTB600R	
800	(4) 250 – 500 kcmil <sup>③⑤</sup>	1MTB800R		3MTB800R	
1200 <sup>①</sup>	(4) 250 – 500 kcmil <sup>④⑤</sup>	1MTB1200R		3MTB1200R	
1600 <sup>①</sup>	(6) 500 kcmil <sup>⑦</sup>	1MTB1600RC		3MTB1600RC	
<b>Aluminum Bus (EUSERC)</b>					
400	Crimp Lug Landing Pads (no lugs included)	1MTBE400R <sup>⑥</sup>		3MTBE400R <sup>⑥</sup>	
800	Crimp Lug Landing Pads (no lugs included)	1MTBE800R <sup>⑥</sup>		3MTBE800R <sup>⑥</sup>	
<b>Copper Bus</b>					
400	(1) #6 – 600 or (2) 1/0 – 250 kcmil	Use 3-phase		3MTB400RC	
600	(2) 250 – 500 kcmil <sup>②</sup>	Use 3-phase		3MTB600RC	
800	(4) 250 – 500 kcmil <sup>③⑤</sup>	1MTB800RC		3MTB800RC	
1200 <sup>①</sup>	(4) 250 – 500 kcmil <sup>④⑤</sup>	1MTB1200RC		3MTB1200RC	
1600 <sup>①</sup>	(6) 500 kcmil <sup>⑦</sup>	1MTB1600RC		3MTB1600RC	

- ① 120 ampere main devices must be center fed when installing 800 ampere residential meter stacks. 1600 ampere main devices must be center fed when installing 800 – 1200 ampere residential and commercial meter stacks.
- ② For compression lug landing kits for 600 ampere units, order 3MTB600CLK. Kit includes lug landings for 3 phases and neutral.
- ③ For 800 ampere units, to obtain (4) 1/0 – 300 kcmil or (2) 1/0 – 750 kcmil cables per phase — order catalog number 3MTB800BLK, one lug kit per main terminal box ordered (neutral and ground included in kit).
- ④ For 1200 ampere units, to obtain (6) 1/0 – 300 kcmil or (3) 750 kcmil cables per phase — order catalog number 3MTB1200BLK, one lug kit per main terminal box ordered (neutral and ground included in kit).
- ⑤ For 800 ampere and 1200 ampere units, for compression lug landing kits, order 3MTB1200CLK. Kit includes lug landings for 3-phases and neutral.
- ⑥ Meets EUSERC electrical requirements and eliminates the need to add additional pull box section.
- ⑦ For 1600 ampere units, to obtain (4) 750 kcmil cables per phase — order catalog number 3MTB1600BLK, one lug kit per main terminal box ordered. For a 1600 ampere compression lug landing kit, order catalog number 3MTB1600CLK.

**Main Circuit Breakers**

**Main Circuit Breakers**

- Phase and neutral lugs included. If additional neutral lugs are needed, order 1MCB1200NLK for (3) 1/0 – 750 or (6) 1/0 – 300 kcmil.
- For shunt trip mains, order the field installable shunt trip kit from **Section 12**, the Circuit Breaker Section.
- For overhead feed, use Myer type hub. Verify local utility approval.
- For compression lugs on 400, 600, 800, 1000 and 1200 ampere units add CL to the end of the part number (includes copper lug pads for lines and neutral).
- 1200 ampere or greater main devices must be center fed when installing 800 ampere residential meter stacks.
- 1400, 1600 and 2000 ampere main devices must be center fed when installing 800 and 1200 ampere residential and commercial meter stacks.

**Table 5-15. Main Circuit Breaker**

Main Ampere Rating	Main Circuit Breaker Type	Feed	kAIC	Line Side Lug and Wire Sizes. Lugs Included with Main Breaker ①	System Voltage			
					120/240 Vac Single-Phase, 3-Wire		120/208 Vac 3-Phase, 4-Wire	
					Catalog Number	Price U.S. \$	Catalog Number	Price U.S. \$
<b>Aluminum Bus</b>								
250	KD HKD	Bottom Bottom	65 100	(2) 3/0 – 250 kcmil or (1) 2/0 – 500 kcmil (2) 3/0 – 250 kcmil or (1) 2/0 – 500 kcmil	1MCB250R 1MHCB250R		3MCB250R 3MHCB250R	
300	KD HKD	Bottom Bottom	65 100	(2) 3/0 – 250 kcmil or (1) 2/0 – 500 kcmil (2) 3/0 – 250 kcmil or (1) 2/0 – 500 kcmil	1MCB300R 1MHCB300R		3MCB300R 3MHCB300R	
350	KD HKD	Bottom Bottom	65 100	(2) 3/0 – 250 kcmil or (1) 2/0 – 500 kcmil (2) 3/0 – 250 kcmil or (1) 2/0 – 500 kcmil	1MCB350R 1MHCB350R		3MCB350R 3MHCB350R	
400	KD HKD	Bottom Bottom	65 100	(2) 3/0 – 250 kcmil or (1) 2/0 – 500 kcmil (2) 3/0 – 250 kcmil or (1) 2/0 – 500 kcmil	1MCB400R ② 1MHCB400R ②		3MCB400R ② 3MHCB400R ②	
500	LD HLD	Bottom Bottom	65 100	(2) 400 – 500 kcmil (2) 400 – 500 kcmil	1MCB500R 1MHCB500R		3MCB500R 3MHCB500R	
600	LD HLD	Bottom Bottom	65 100	(2) 400 – 500 kcmil (2) 400 – 500 kcmil	1MCB600R ② 1MHCB600R ②		3MCB600R ② 3MHCB600R ②	
700	MDL HMDL	Bottom Bottom	65 100	(3) 3/0 – 400 kcmil (3) 3/0 – 400 kcmil	1MCB700R 1MHCB700R		3MCB700R 3MHCB700R	
800	MDL MDL HMDL	Bottom Bottom Bottom	65 65 100	(3) 3/0 – 400 kcmil (2) 500 – 750 kcmil (3) 3/0 – 400 kcmil	1MCB800R ② 1MCB800R750 1MHCB800R ②		3MCB800R ② 3MCB800R750 3MHCB800R ②	
900	ND HND	Bottom Bottom	65 100	(4) 4/0 – 500 kcmil ③ (4) 4/0 – 500 kcmil ③	1MCB900R ④ 1MHCB900R ④		3MCB900R ④ 3MHCB900R ④	
1000	ND ND HND	Bottom Bottom Bottom	65 65 100	(4) 4/0 – 500 kcmil ③ (2) 500 – 750 kcmil (4) 4/0 – 500 kcmil ③	1MCB1000R ②④ 1MCB1000R750 1MHCB1000R ②④		3MCB1000R ②④ 3MCB1000R750 3MHCB1000R ②④	
1200	ND HND	Bottom Bottom	65 100	(4) 4/0 – 500 kcmil ③ (4) 4/0 – 500 kcmil ③	1MCB1200R ②④ 1MHCB1200R ②④		3MCB1200R ②④ 3MHCB1200R ②④	
1400	RD RD	Bottom Top	100 100	(4) 500 – 1000 kcmil ⑤ (4) 500 – 1000 kcmil ⑤	1MCB1400RBC ④⑥ 1MCB1400RT ⑦		3MCB1400RBC ④⑥ 3MCB1400RT ⑦	
1600	RD RD	Bottom Top	100 100	(4) 500 – 1000 kcmil ⑤ (4) 500 – 1000 kcmil ⑤	1MCB1600RBC ⑥⑦ 1MCB1600RT ⑦		3MCB1600RBC ⑥⑦ 3MCB1600RT ⑦	
2000	RD RD	Bottom Top	100 100	(6) #2 – 600 kcmil (6) #2 – 600 kcmil	1MCB2000RBC ⑥⑧ 1MCB2000RT ⑧		3MCB2000RBC ⑥⑧ 3MCB2000RT ⑧	

**Aluminum Bus (EUSERC Approved)**

400	KD HKD	Bottom Bottom	65 100	Crimp Lug Landing Pads (no lugs included) Crimp Lug Landing Pads (no lugs included)	1MCBE400R 1MHCBE400R		3MCBE400R 3MHCBE400R	
600	LD HLD	Bottom Bottom	65 100	Crimp Lug Landing Pads (no lugs included) Crimp Lug Landing Pads (no lugs included)	1MCBE600R 1MHCBE600R		3MCBE600R 3MHCBE600R	
800	MDL HMDL	Bottom Bottom	65 100	Crimp Lug Landing Pads (no lugs included) Crimp Lug Landing Pads (no lugs included)	1MCBE800R 1MHCBE800R		3MCBE800R 3MHCBE800R	
1200	ND HND	Bottom Bottom	65 100	Crimp Lug Landing Pads (no lugs included) Crimp Lug Landing Pads (no lugs included)	1MCBE1200R 1MHCBE1200R		3MCBE1200R 3MHCBE1200R	

**Copper Bus**

400	KD	Bottom	65	(2) 3/0 – 250 kcmil or (1) 2/0-500 kcmil	1MCB400RC ②		3MCB400RC ②	
400	HKD	Bottom	100	2/0-500 kcmil	1MHCB400RC ②		3MHCB400RC ②	
600	LD	Bottom	65	(2) 300 – 500 kcmil	1MCB600RC ②		3MCB600RC ②	
600	HLD	Bottom	100	(2) 300 – 500 kcmil	1MHCB600RC ②		3MHCB600RC ②	
800	MDL	Bottom	65	(3) 3/0 – 400 kcmil	1MCB800RC ②		3MCB800RC ②	
800	HMDL	Bottom	100	(3) 3/0 – 400 kcmil	1MHCB800RC ②		3MHCB800RC ②	
1000	ND	Bottom	65	(4) 4/0 – 500 kcmil ③	1MCB1000RC ②④		3MCB1000RC ②④	
1000	ND	Bottom	100	(4) 4/0 – 500 kcmil ③	1MHCB1000RC ②④		3MHCB1000RC ②④	
1200	ND	Bottom	65	(4) 4/0 – 500 kcmil ③	1MCB1200RC ②④		3MCB1200RC ②④	
1200	HND	Bottom	100	(4) 4/0 – 500 kcmil ③	1MHCB1200RC ②④		3MHCB1200RC ②④	

- ① If additional neutral lugs are needed, order 1MCB1200NLK [(3) 1/0 – 750 kcmil or (6) 1/0 – 300 kcmil].
- ② Add CL to end of catalog number for compression lug pads (includes lug pads for lines and neutral).
- ③ If (3) 500 – 750 kcmil are needed, order TA1201NB1. Order one kit per pole.
- ④ Main devices with a rating greater than 800 ampere can be used with 800 ampere residential modular stacks but only as a center fed main.
- ⑤ If (6) #2 – 600 kcmil lugs are needed, order TA2000RD. Catalog number includes terminals and hardware for 3 poles. If neutral is needed, order TA2000N.
- ⑥ Copper bus.
- ⑦ Main devices with a rating greater than 1200 ampere can be used with residential and commercial modular metering stacks but only as a center fed main.
- ⑧ Only to be used in center feed applications with 1200 ampere meter stacks. Not to be used with 800 ampere stacks.

Discount Symbol ..... **22CD**

Main Fusible Switches

Main Fusible Switches

- Fuses not included.
  - Main lugs and neutral included with device.
  - 100 kAIC rating on switches with Class T fuses installed. If converting to Class H, the AIC rating is 10 k and if converted to Class R, the AIC rating is 200 k.
  - 800 ampere top and bottom fed units are supplied with Class T fuse clips as standard. The Class T fuse clips are field convertible to Class L by repositioning. No kit is needed.
- Note:** This is the fuse rating, switch still rated at 100 kAIC.
- Barrier kits available for fusible switches: Bottom feed — **3MFSBBK**, Top feed — **3MFSTBK**.

5

Table 5-16. Main Fusible Switches

Ampere Rating	Feed	Class Fuse Clips (Fuses Not Included)	Line Side Box Lugs and Wire Sizes (Included with Switch)	System Voltage			
				120/240 Vac Single-Phase, 3-Wire		120/208 Vac 3-Phase, 4-Wire	
				Catalog Number	Price U.S. \$	Catalog Number	Price U.S. \$
<b>Aluminum Bus</b>							
400	Bottom Top	T ① T ①	(2) 1/0 – 300 kcmil or (1) 750 kcmil ④ (2) 1/0 – 300 kcmil or (1) 750 kcmil ⑤	1MFS400RB 1MFS400RT		3MFS400RB 3MFS400RT	
600	Bottom Top	T ② T ②	(2) #2 – 600 kcmil ④ (2) #2 – 600 kcmil ⑤	1MFS600RB 1MFS600RT		3MFS600RB 3MFS600RT	
800	Bottom Top	T ③ T ③	(4) 3/0 – 750 kcmil ④ (4) 3/0 – 750 kcmil ⑤	1MFS800RB 1MFS800RT		3MFS800RB 3MFS800RT	
1200	Bottom	T ③	(4) #2 – 600 kcmil	1MFS1200RB		3MFS1200RB	
<b>Copper Bus</b>							
400	Bottom Top	T ① T ①	(2) 1/0 – 300 kcmil or (1) 750 kcmil ④ (2) 1/0 – 300 kcmil or (1) 750 kcmil ⑤	1MFS400RBC 1MFS400RTC		3MFS400RBC 3MFS400RTC	
600	Bottom Top	T ② T ②	(2) #2 – 600 kcmil ④ (2) #2 – 600 kcmil ⑤	1MFS600RBC 1MFS600RTC		3MFS600RBC 3MFS600RTC	
800	Bottom Top	T ③ T ③	(4) 3/0 – 750 kcmil ④ (4) 3/0 – 750 kcmil ⑤	1MFS800RBC 1MFS800RTC		3MFS800RBC 3MFS800RTC	
1200	Bottom	T ③	(4) #2 – 600 kcmil	1MFS1200RBC		3MFS1200RBC	

① If Class H fuse clips are needed, use catalog number **WCG3HK400** (order (1) per phase).  
If Class R fuse clips are needed, order catalog number **DS56FK** in addition to **WCG3HK400**.  
In order to go from T to R, the device must first be converted to H.  
All kits are field installable and each **DS56FK** kit will convert 3 poles.

② If Class H fuse clips are needed, use catalog number **WCG3HK600** (order (1) per phase).  
If Class R fuse clips are needed, order catalog number **DS66FK** in addition to **WCG3HK600**.  
In order to go from T to R, the device must first be converted to H.  
All kits are field installable and each **DS66FK** kit will convert 3 poles.

③ Class T fuse clips provided are field convertible to Class L by repositioning. No kit is needed.

④ If compression lugs are being used, order **3MFS800CLK**. This compression lug kit includes four pads (3 poles and neutral).

⑤ If compression lugs are being used, order **3MFS800CLKT**. This compression lug kit includes four pads (3 poles and neutral).

**Main Fusible Switches**

**Main Fusible Switch with Utility Pull Box**

- Fuses not included.
- Includes lug landing pads on line side and neutral.
- Spacer kit 3MMBSK required when stacks are mounted on right-hand side in EUSERC areas.
- 100 kAIC rating on switches with Class T fuse clips installed.

**Table 5-17. Main Fusible Switch with Utility Pull Box**

Ampere Rating	Feed	Class Fuse Clips (Fuses Not Included)	Line Side Box Lugs and Wire Sizes. Included with Switch	System Voltage			
				120/240 Vac Single-Phase, 3-Wire		120/208 Vac 3-Phase, 4-Wire	
				Catalog Number	Price U.S. \$	Catalog Number	Price U.S. \$
<b>Aluminum Bus</b>							
400	Bottom	T	①	1MFS400RUG		3MFS400RUG	
600	Bottom	T	①	1MFS600RUG		3MFS600RUG	
800	Bottom	T, L	①	1MFS800RUG		3MFS800RUG	
1200	Bottom	T, L	①	1MFS1200RUG		3MFS1200RUG	
<b>Copper Bus</b>							
400	Bottom	T	①	1MFS400RUGC		3MFS400RUGC	
600	Bottom	T	①	1MFS600RUGC		3MFS600RUGC	
800	Bottom	T, L	①	1MFS800RUGC		3MFS800RUGC	
1200	Bottom	T, L	①	1MFS1200RUGC		3MFS1200RUGC	

① Pull box section includes landing studs for line side compression lugs. Wire sizes refer to fusible switch line side connection.

**Utility Pull Box**

- Includes lug landing pads on line side and neutral.
- Requires cable connection in field to main device. Does not include cross bus.

**Table 5-18. Pull Box**

Ampere Rating	Feed	Line Side Lug Information	Load Side Lug Information for Cable Connection to Main Disconnect	System Voltage			
				120/240 Vac Single-Phase, 3-Wire		120/208 Vac 3-Phase, 4-Wire	
				Catalog Number	Price U.S. \$	Catalog Number	Price U.S. \$
<b>Aluminum Bus</b>							
400	Bottom	Pull box section includes landing studs for line side compression lugs.	1/0 – 750 kcmil or (2) 1/0 – 300 kcmil (2) 1/0 – 750 kcmil or (4) 1/0 – 300 kcmil (4) #2 – 600 kcmil	1UGPB400R		3UGPB400R	
800	Bottom			1UGPB800R		3UGPB800R	
1200	Bottom			1UGPB1200R		3UGPB1200R	
<b>Copper Bus</b>							
400	Bottom	Pull box section includes landing studs for line side compression lugs.	1/0 – 750 kcmil or (2) 1/0–300 kcmil (2) 1/0 – 750 kcmil or (4) 1/0 – 300 kcmil (4) #2 – 600 kcmil	1UGPB400RC		3UGPB400RC	
800	Bottom			1UGPB800RC		3UGPB800RC	
1200	Bottom			1UGPB1200RC		3UGPB1200RC	

**Main Bolted Pressure Contact Switches**

- Add suffix ST to catalog number for shunt trip and add \$500 to price U.S. \$. (May need to be loaded on Vista.)
- Fuses not included.
- 100 kAIC rating on switches with Class L fuses installed.

**Table 5-19. Main Bolted Pressure Contact Switches**

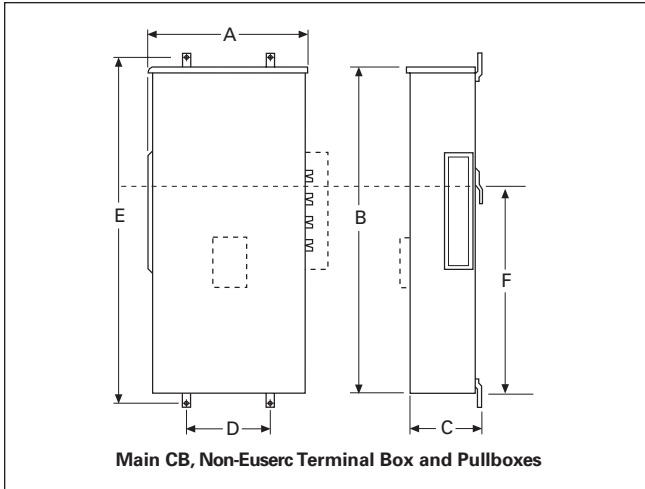
Ampere Rating	Feed	Class Fuse Clips (Fuses Not Included)	System Voltage				Line Side Box Lugs and Wire Sizes (Included)
			120/240 Vac Single-Phase, 3-Wire		120/208 Vac 3-Phase, 4-Wire		
			Catalog Number	Price U.S. \$	Catalog Number	Price U.S. \$	
1200	Bottom Top	L L	1BPS1200RB		3BPS1200RB		(6) #4 – 600 kcmil (6) #4 – 600 kcmil
			1BPS1200RT		3BPS1200RT		
1600	Bottom Top	L L	Use 3-Phase		3BPS1600RB		(6) #4 – 600 kcmil (6) #4 – 600 kcmil
			Use 3-Phase		3BPS1600RT		
2000	Bottom Top	L L	Use 3-Phase		3BPS2000RB		(6) #4 – 600 kcmil (6) #4 – 600 kcmil
			Use 3-Phase		3BPS2000RT		

### Main Service Modules

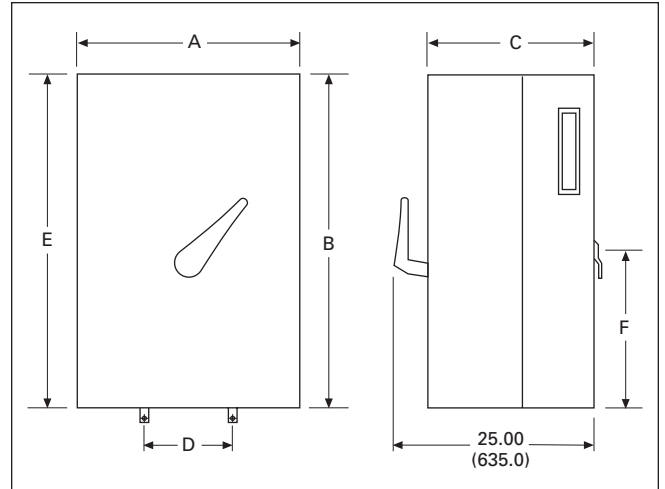
**Table 5-20. Approximate Dimensions (Not to be used for Construction Purposes) — Dimensions in Inches (mm)**

Main Device	Width	Height	Depth	Mounting		Center Line of Wall Mounting Bracket	Knockouts in Bottom Endwalls Except No KOs for Top Feed Switch or Bolted Pressure Switch Conduit Diameter		KO Dwg.
	A	B	C	D	E	F	Inches	mm	
Terminal Box 400 and 600 Ampere	13.50 (342.9)	48.75 (1238.3)	7.00 (177.8)	—	54.00 (1371.6)	30.63 (777.9)	(1) 2.50, 3.00, 3.50, 4.00 (1) .50	(1) 63.5, 76.2, 88.9, 101.6 (1) 12.7	1
800 and 1200 Ampere	20.00 (508.0)	47.63 (1209.8)	11.75 (298.5)	12.00 (304.8)	51.50 (1308.1)	30.63 (777.9)	(2) .50, .75, 1.00 (4) 2.00, 2.50, 3.00, 3.50, 4.00	(2) 12.1, 19.1, 25.4 (4) 50.8, 63.5, 76.2, 88.9, 101.6	2
1600 Ampere	32.88 (835.2)	52.13 (1324.1)	11.75 (298.5)	16.00 (406.4)	56.25 (1428.8)	31.63 (803.4)	(1) .75, 1.00, 1.25, 1.50 (5) 3.00, 3.50, 4.00, 5.00	(1) 19.1, 25.4, 31.8, 38.1 (5) 76.2, 88.9, 101.6, 127.0	3
Main Circuit Breaker with Box Lugs 400 – 1200 Ampere	20.00 (508.0)	47.63 (1209.8)	11.75 (298.5)	12.00 (304.8)	51.50 (1308.1)	30.63 (777.9)	(2) .50, .75, 1.00 (4) 2.00, 2.50, 3.00, 3.50, 4.00	(2) 12.7, 19.1, 25.4 (4) 50.8, 63.5, 76.2, 88.9, 101.6	2
Main Circuit Breaker with Box Lugs 1400 – 2000 Ampere	24.88 (632.0)	57.13 (1451.0)	14.88 (378.0)	16.00 (406.4)	57.13 (1451.0)	44.00 (1117.6)	—	—	—
Main Circuit Breaker with Compression Lugs 400 – 1200 Ampere	20.00 (508.0)	61.00 (1549.4)	11.75 (298.5)	12.00 (304.8)	65.00 (1651.0)	44.00 (1117.6)	(2) .50, .75, 1.00 (4) 2.00, 2.50, 3.00, 3.50, 4.00	(2) 12.7, 19.1, 25.4 (4) 50.8, 63.5, 76.2, 88.9, 101.6	2
Main Fusible Switch — Bottom Feed	20.00 (508.0)	47.63 (1209.8)	11.75 (298.5)	12.00 (304.8)	51.50 (1308.1)	30.63 (777.9)	(2) .50, .75, 1.00 (4) 2.00, 2.50, 3.00, 3.50, 4.00	(2) 12.7, 19.1, 25.4 (4) 50.8, 63.5, 76.2, 88.9, 101.6	2
Main Fusible Switch — Top Feed	20.00 (508.0)	47.63 (1209.8)	11.75 (298.5)	12.00 (304.8)	51.50 (1308.1)	18.13 (460.4)	(2) .50, .75, 1.00 (4) 2.00, 2.50, 3.00, 3.50, 4.00	(2) 12.7, 19.1, 25.4 (4) 50.8, 63.5, 76.2, 88.9, 101.6	2
Main Fusible Switch — 1200 Ampere	33.50 (850.9)	52.75 (1339.9)	11.88 (301.8)	16.00 (406.4)	56.25 (1428.8)	30.75 (781.1)	(5) 3.50, 4.00, 5.00 (1) .75, 1.00, 1.25, 1.50	(5) 88.9, 101.6, 127.0 (1) 19.1, 25.4, 31.8, 38.1	4
Bolted Pressure Switch	36.50 (927.1)	66.50 (1689.1)	19.50 (495.3)	28.00 (711.2)	60.00 (1524.0)	30.63 (777.9)	—	—	—
Main Fusible Switch with Pull Box 400 Ampere	20.00 (508.0)	61.00 (1549.4)	11.75 (298.5)	12.00 (304.8)	65.00 (1651.0)	44.00 (1117.6)	(2) .50, .75, 1.00 (4) 2.00, 2.50, 3.00, 3.50, 4.00	(2) 12.7, 19.1, 25.4 (4) 50.8, 63.5, 76.2, 88.9, 101.6	2
600 and 800 Ampere (1-Phase)	20.00 (508.0)	61.00 (1549.4)	11.75 (298.5)	12.00 (304.8)	65.00 (1651.0)	44.00 (1117.6)	(2) .50, .75, 1.00 (4) 2.00, 2.50, 3.00, 3.50, 4.00	(2) 12.7, 19.1, 25.4 (4) 50.8, 63.5, 76.2, 88.9, 101.6	2
600 and 800 Ampere (3-Phase)	25.06 (636.5)	61.00 (1549.4)	11.75 (298.5)	17.00 (431.8)	65.00 (1651.0)	44.00 (1117.6)	(2) .50, .75, 1.00 (4) 2.00, 2.50, 3.00, 3.50, 4.00	(2) 12.7, 19.1, 25.4 (4) 50.8, 63.5, 76.2, 88.9, 101.6	4
1200 Ampere	33.50 (850.9)	61.50 (1562.1)	11.88 (301.8)	16.00 (406.4)	65.25 (1657.4)	48.00 (1219.2)	(5) 3.50, 4.00, 5.00 (1) .75, 1.00, 1.25, 1.50	(5) 88.9, 101.6, 127.0 (1) 19.1, 25.4, 31.8, 38.1	4
Main Circuit Breaker with Pull Box (EUSERC) 400 Ampere	20.01 (508.2)	60.44 (1535.2)	11.14 (283.0)	12.00 (304.8)	65.11 (1653.8)	39.75 (1009.6)	(4) 2.50, 3.00, 3.50, 4.00	(4) 63.5, 76.2, 88.9, 101.6	2
800 Ampere	24.88 (632.0)	60.94 (1547.9)	11.14 (283.0)	17.00 (431.8)	64.88 (1648.0)	39.81 (1011.2)	(4) 2.50, 3.00, 3.50, 4.00	(4) 63.5, 76.2, 88.9, 101.6	2
1200 Ampere	33.00 (838.2)	61.14 (1553.0)	11.32 (287.5)	16.00 (406.4)	65.25 (1657.4)	43.56 (1106.4)	(4) 2.50, 3.00, 3.50, 4.00	(4) 63.5, 76.2, 88.9, 101.6	4
Pull Box 400 Ampere	16.38 (416.1)	44.88 (1140.0)	7.88 (200.2)	8.00 (203.2)	45.75 (1162.1)	28.63 (727.2)	(2) 4.00	101.6	6
800 Ampere	24.38 (619.3)	46.88 (1190.8)	11.88 (301.8)	12.00 (304.8)	47.75 (1212.9)	32.25 (819.2)	(3) 4.00	101.6	7
1200 Ampere	32.50 (825.5)	56.88 (1444.8)	12.00 (304.8)	17.75 (450.9)	57.75 (1466.9)	42.25 (1073.2)	(4) 5.00	127.0	8
EUSERC Bussed Pull Section Single-Phase 400 and 800 Ampere	20.13 (511.3)	61.00 (1549.4)	11.25 (285.8)	12.00 (304.8)	64.88 (1648.0)	44.00 (1117.6)	(4) 2.50, 3.00, 3.50, 4.00	(4) 63.5, 76.2, 88.9, 101.6	5
Three-Phase 400 and 800 Ampere	25.13 (638.3)	61.00 (1549.4)	11.88 (301.8)	17.00 (431.8)	64.88 (1648.0)	44.00 (1117.6)	(4) 2.50, 3.00, 3.50, 4.00	(4) 63.5, 76.2, 88.9, 101.6	6
EUSERC Main Terminal Box Single-Phase 400 and 800 Ampere	20.13 (511.3)	61.00 (1549.4)	11.88 (301.8)	12.00 (304.8)	64.88 (1648.0)	44.00 (1117.6)	(2) .50, .75, 1.00	(2) 12.7, 19.1, 25.4	2
Three-Phase 400 Ampere	20.13 (511.3)	61.00 (1549.4)	11.88 (301.8)	12.00 (304.8)	64.88 (1648.0)	44.00 (1117.6)	(4) 2.00, 2.50, 3.00, 3.50, 4.00	(4) 50.8, 63.5, 76.2, 88.9, 101.6	
800 Ampere	25.13 (638.3)	61.00 (1549.4)	11.88 (301.8)	17.00 (431.8)	64.88 (1648.0)	44.00 (1117.6)	(4) 2.00, 2.50, 3.00, 3.50, 4.00	(4) 50.8, 63.5, 76.2, 88.9, 101.6	

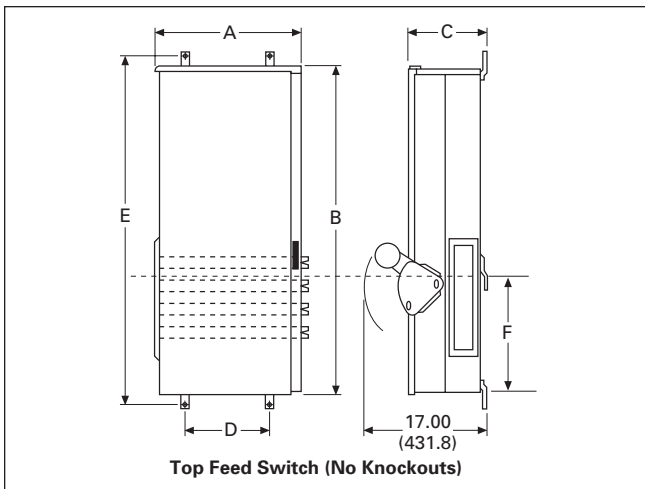
**Dimensions in Inches (mm)**



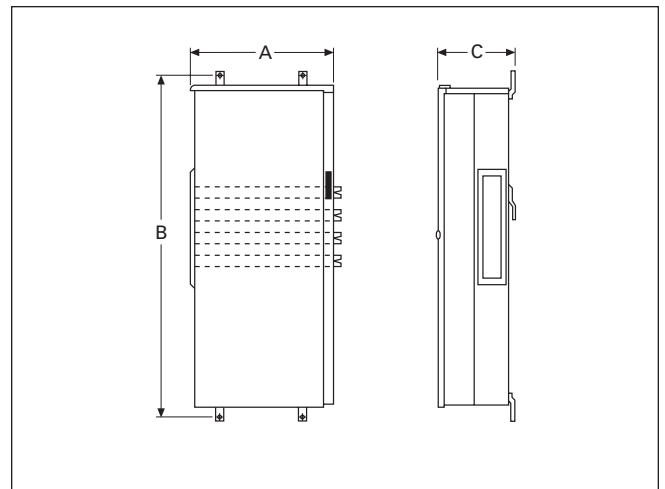
**Figure 5-14. Main Circuit Breakers, Terminal Boxes and Pull Boxes**



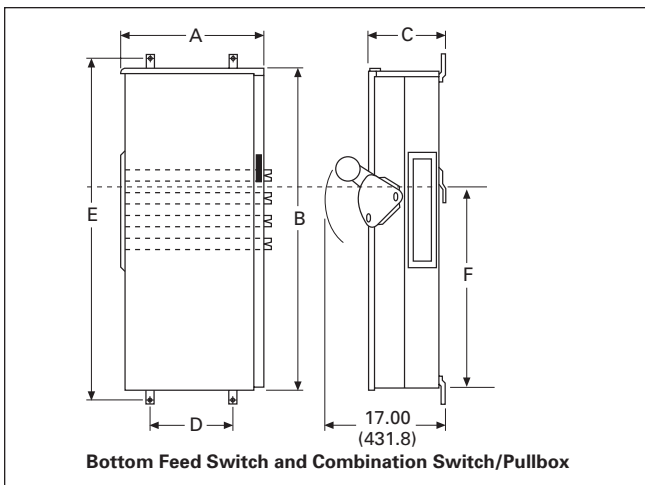
**Figure 5-17. Bolted Pressure Switch**



**Figure 5-15. Top Feed Fusible Switch**



**Figure 5-18. EUSERC Main Terminal Box**



**Figure 5-16. Bottom Feed Fusible Switch and Combination Fusible Switch with Pull Box**

Main Service Modules

Dimensions in Inches

5

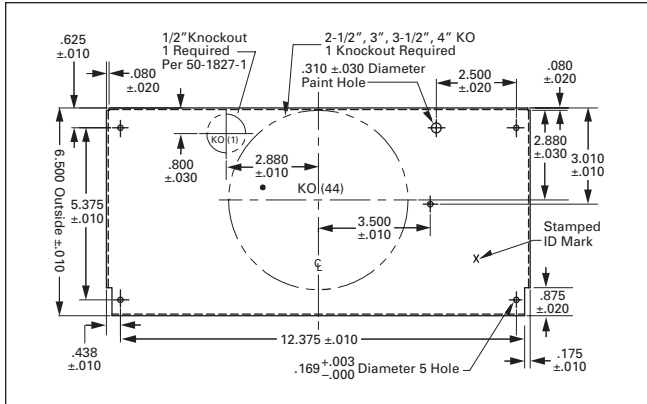


Figure 5-19. Knockout 1

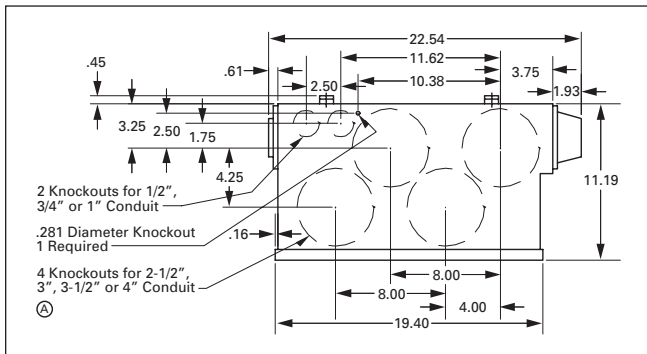


Figure 5-20. Knockout 2

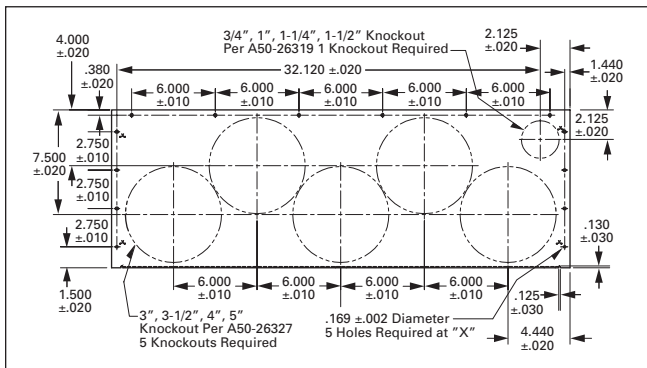


Figure 5-21. Knockout 3

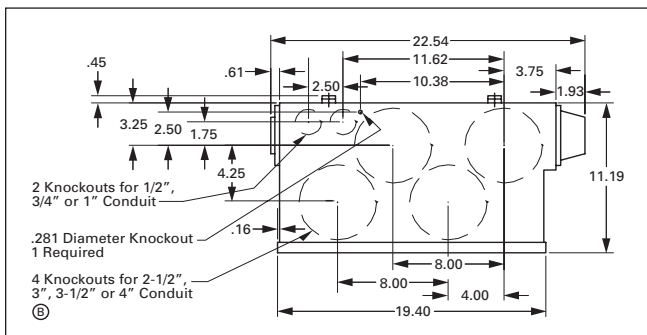


Figure 5-22. Knockout 4

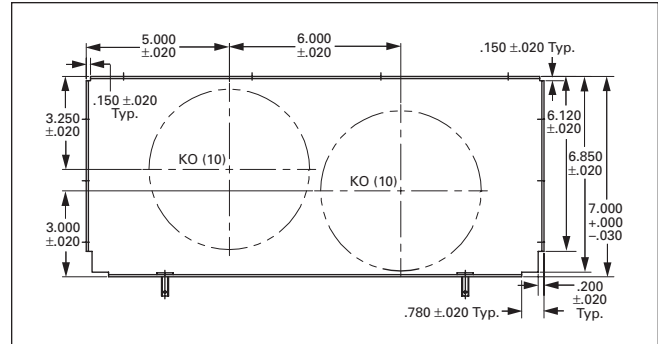


Figure 5-23. Knockout 5

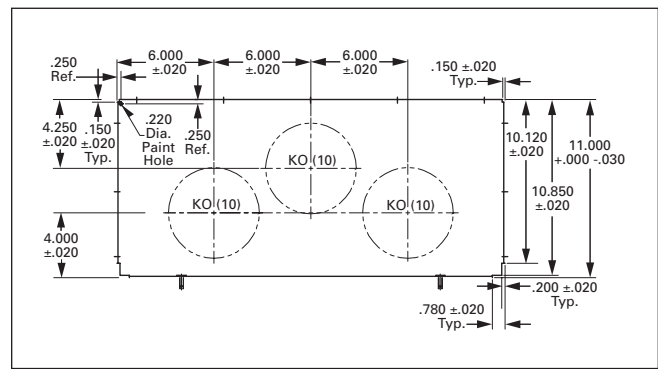


Figure 5-24. Knockout 6

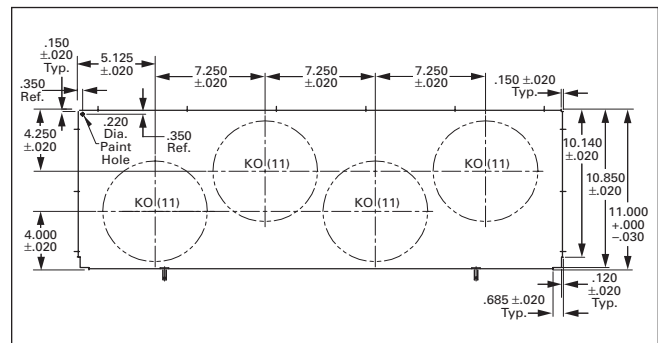


Figure 5-25. Knockout 7

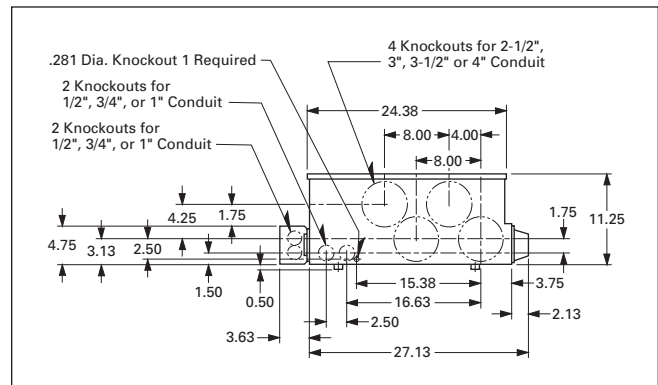


Figure 5-26. Knockout 8



**Product & Application Description**

The Service Entrance Product Team announces the availability of both main fusible switch and main circuit breaker group metering mains with busway connections. This offering provides us with the ability to offer multiple tenant metering in high rise apartment buildings where riser busway is used.

**Key Features**

- Three-phase, 400 – 1200 A main circuit breakers.
- Three-phase, 400 – 800 A main fusible switches.
- Simple bridge joint connection.
- Variety of options:
  - Right or left mounting
  - Internal ground or housing ground
- The MFS/MCB and busway connector are supplied completely assembled.

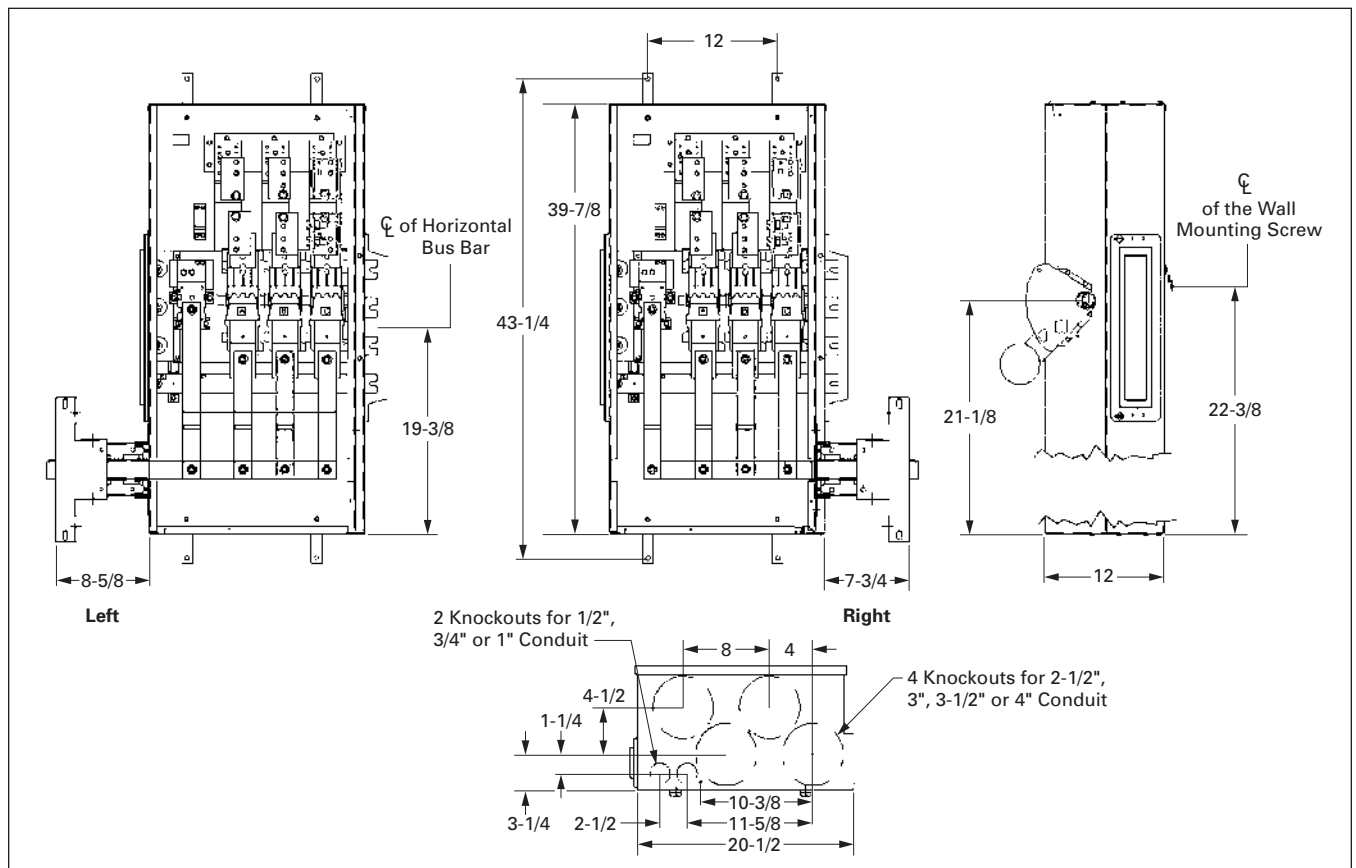
**Product Selection**

Verify proper left/right – bus/main phasing.

**Note:** “Right” is that the bus duct is to the right of the main and “left” means that the bus duct is to the left of the main. (See Dimension/ Layout section for clarification.)

Using this information, select the correct main device catalog number per the selection chart.

**Dimensions/Layout**



**Figure 5-27. Dimensions/Layout — Main Fusible Switch**

Main Circuit Breakers

5

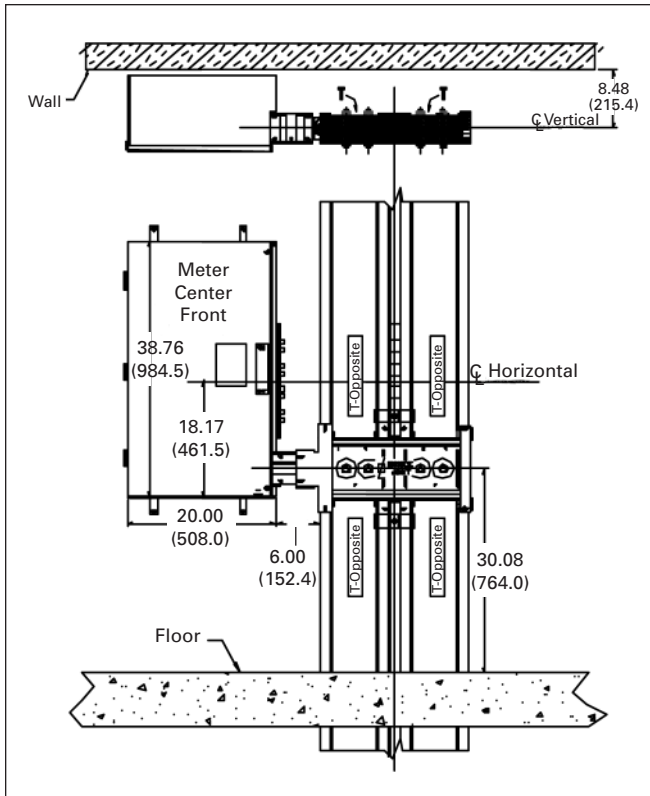


Figure 5-28. Main Circuit Breaker — "T-Opposite" Phasing Right

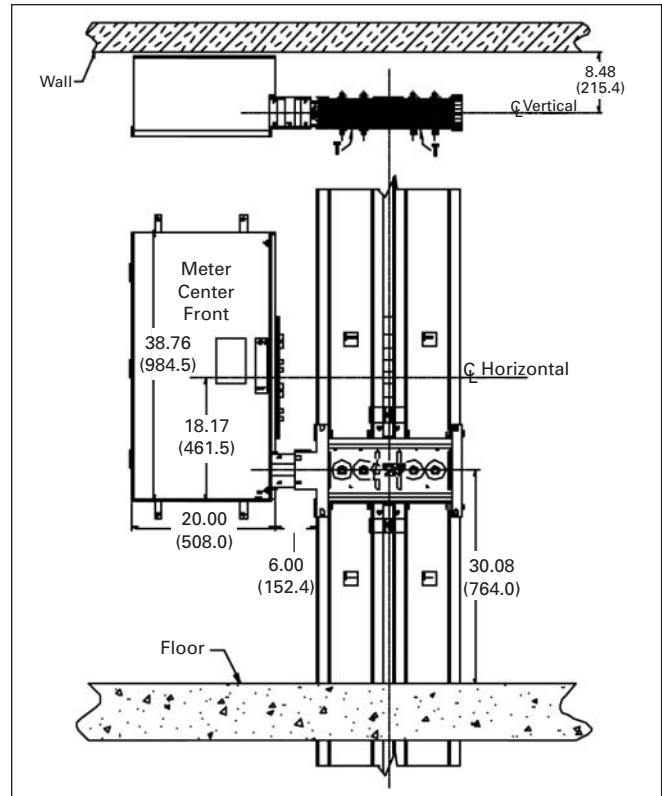


Figure 5-30. Main Circuit Breaker — "Standard T" Phasing Right

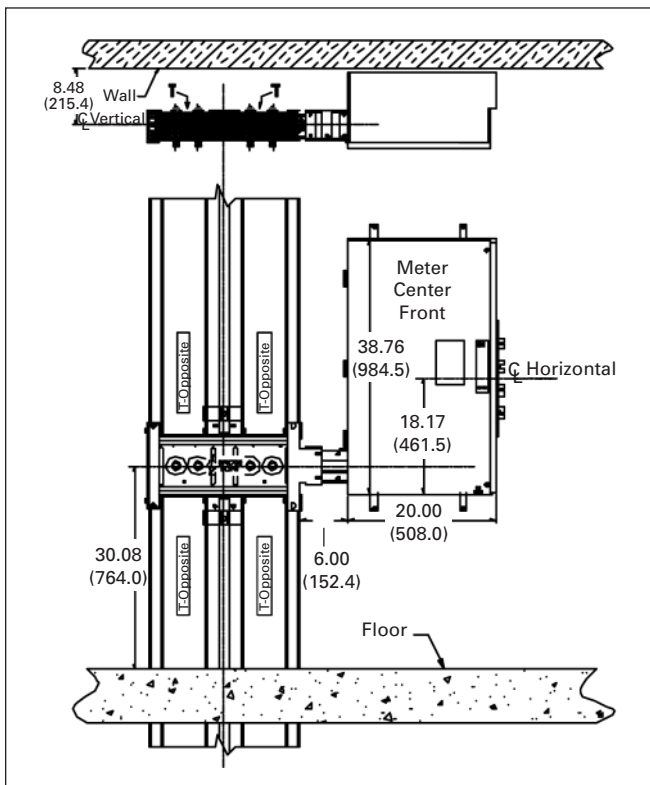


Figure 5-29. Main Circuit Breaker — "T-Opposite" Phasing Left

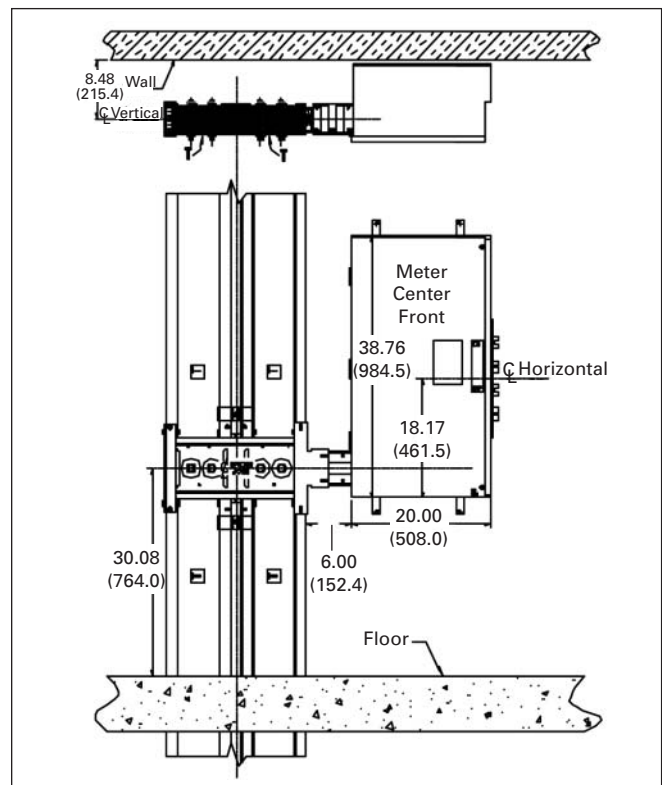


Figure 5-31. Main Circuit Breaker — "Standard T" Phasing Left

**Main Circuit Breakers**

**Table 5-21. Product Selection**

Ampere Rating	Feed	System Voltage 120/208 Vac 3-Phase, 4-Wire Catalog Number	Internal Ground or Housing Ground	Standard T or TO Opposite Phasing	Right or Left Side
400 600 800	Bottom Bottom Bottom	3MFS400BCRGTO 3MFS600BCRGTO 3MFS800BCRGTO	Internal Internal Internal	TO TO TO	Right Right Right
400 600 800	Bottom Bottom Bottom	3MFS400BCLGTO 3MFS600BCLGTO 3MFS800BCLGTO	Internal Internal Internal	TO TO TO	Left Left Left
400 600 800	Bottom Bottom Bottom	3MFS400BCRGT 3MFS600BCRGT 3MFS800BCRGT	Internal Internal Internal	T T T	Right Right Right
400 600 800	Bottom Bottom Bottom	3MFS400BCLGT 3MFS600BCLGT 3MFS800BCLGT	Internal Internal Internal	T T T	Left Left Left
400 600 800	Bottom Bottom Bottom	3MFS400BCRNTO 3MFS600BCRNTO 3MFS800BCRNTO	Housing Housing Housing	TO TO TO	Right Right Right
400 600 800	Bottom Bottom Bottom	3MFS400BCLNTO 3MFS600BCLNTO 3MFS800BCLNTO	Housing Housing Housing	TO TO TO	Left Left Left
400 600 800	Bottom Bottom Bottom	3MFS400BCRNT 3MFS600BCRNT 3MFS800BCRNT	Housing Housing Housing	T T T	Right Right Right
400 600 800	Bottom Bottom Bottom	3MFS400BCLNT 3MFS600BCLNT 3MFS800BCLNT	Housing Housing Housing	T T T	Left Left Left
400 400 600	Bottom Bottom Bottom	3MFCB400BCRGT 3HMFCB400BCRGT 3MFCB600BCRGT	Internal Internal Internal	T T T	Right Right Right
600 800 800	Bottom Bottom Bottom	3HMFCB600BCRGT 3MFCB800BCRGT 3HMFCB800BCRGT	Internal Internal Internal	T T T	Right Right Right
1000 1000 1200	Bottom Bottom Bottom	3MFCB1000BCRGT 3HMFCB1000BCRGT 3MFCB1200BCRGT	Internal Internal Internal	T T T	Right Right Right
1200 400 400	Bottom Bottom Bottom	3HMFCB1200BCRGT 3MFCB400BCLGT 3HMFCB400BCLGT	Internal Internal Internal	T T T	Right Left Left
600 600 800	Bottom Bottom Bottom	3MFCB600BCLGT 3HMFCB600BCLGT 3MFCB800BCLGT	Internal Internal Internal	T T T	Left Left Left
800 1000 1000	Bottom Bottom Bottom	3HMFCB800BCLGT 3MFCB1000BCLGT 3HMFCB1000BCLGT	Internal Internal Internal	T T T	Left Left Left
1200 1200 400	Bottom Bottom Bottom	3MFCB1200BCLGT 3HMFCB1200BCLGT 3MFCB400BCRNT	Internal Internal Housing	T T T	Left Left Right
400 600 600	Bottom Bottom Bottom	3HMFCB400BCRNT 3MFCB600BCRNT 3HMFCB600BCRNT	Housing Housing Housing	T T T	Right Right Right
800 800 1000	Bottom Bottom Bottom	3MFCB800BCRNT 3HMFCB800BCRNT 3MFCB1000BCRNT	Housing Housing Housing	T T T	Right Right Right

**Table 5-21. Product Selection (Continued)**

Amperes Rating	Feed	System Voltage 120/208 Vac 3-Phase, 4-Wire Catalog Number	Internal Ground or Housing Ground	Standard T or TO Opposite Phasing	Right or Left Side
1000 1200 1200	Bottom Bottom Bottom	3HMFCB1000BCRNT 3MFCB1200BCRNT 3HMFCB1200BCRNT	Housing Housing Housing	T T T	Right Right Right
400 400 600	Bottom Bottom Bottom	3MFCB400BCLNT 3HMFCB400BCLNT 3MFCB600BCLNT	Housing Housing Housing	T T T	Left Left Left
600 800 800	Bottom Bottom Bottom	3HMFCB600BCLNT 3MFCB800BCLNT 3HMFCB800BCLNT	Housing Housing Housing	T T T	Left Left Left
1000 1000 1200	Bottom Bottom Bottom	3MFCB1000BCLNT 3HMFCB1000BCLNT 3MFCB1200BCLNT	Housing Housing Housing	T T T	Left Left Left
1200 400 400	Bottom Bottom Bottom	3HMFCB1200BCLNT 3MFCB400BCRGT 3HMFCB400BCRGT	Housing Internal Internal	T TO TO	Left Right Right
600 600 800	Bottom Bottom Bottom	3MFCB600BCRGT 3HMFCB600BCRGT 3MFCB800BCRGT	Internal Internal Internal	TO TO TO	Right Right Right
800 1000 1000	Bottom Bottom Bottom	3HMFCB800BCRGT 3MFCB1000BCRGT 3HMFCB1000BCRGT	Internal Internal Internal	TO TO TO	Right Right Right
1200 1200 400	Bottom Bottom Bottom	3MFCB1200BCRGT 3HMFCB1200BCRGT 3MFCB400BCLGTO	Internal Internal Internal	TO TO TO	Right Right Left
400 600 600	Bottom Bottom Bottom	3HMFCB400BCLGTO 3MFCB600BCLGTO 3HMFCB600BCLGTO	Internal Internal Internal	TO TO TO	Left Left Left
800 800 1000	Bottom Bottom Bottom	3MFCB800BCLGTO 3HMFCB800BCLGTO 3MFCB1000BCLGTO	Internal Internal Internal	TO TO TO	Left Left Left
1000 1200 1200	Bottom Bottom Bottom	3HMFCB1000BCLGTO 3MFCB1200BCLGTO 3HMFCB1200BCLGTO	Internal Internal Internal	TO TO TO	Left Left Left
400 400 600	Bottom Bottom Bottom	3MFCB400BCRNTO 3HMFCB400BCRNTO 3MFCB600BCRNTO	Housing Housing Housing	TO TO TO	Right Right Right
600 800 800	Bottom Bottom Bottom	3HMFCB600BCRNTO 3MFCB800BCRNTO 3HMFCB800BCRNTO	Housing Housing Housing	TO TO TO	Right Right Right
1000 1000 1200	Bottom Bottom Bottom	3MFCB1000BCRNTO 3HMFCB1000BCRNTO 3MFCB1200BCRNTO	Housing Housing Housing	TO TO TO	Right Right Right
1200 400 400	Bottom Bottom Bottom	3HMFCB1200BCRNTO 3MFCB400BCLNTO 3HMFCB400BCLNTO	Housing Housing Housing	TO TO TO	Right Left Left
600 600 800	Bottom Bottom Bottom	3MFCB600BCLNTO 3HMFCB600BCLNTO 3MFCB800BCLNTO	Housing Housing Housing	TO TO TO	Left Left Left
800 1000 1000	Bottom Bottom Bottom	3HMFCB800BCLNTO 3MFCB1000BCLNTO 3HMFCB1000BCLNTO	Housing Housing Housing	TO TO TO	Left Left Left
1200 1200	Bottom Bottom	3MFCB1200BCLNTO 3HMFCB1200BCLNTO	Housing Housing	TO TO	Left Left

Surge Metering

Surge Metering



Group Metering — Surge Cubicle

Product Description

Eaton’s Cutler-Hammer multiple metering product family is proud to announce the availability of main surge devices. The new main surge is mounted between the main service module and the meter stacks and serves the purpose of providing surge protection for downstream multiple metering products. The main surge is compatible with all meter stacks currently manufactured (1MM, 3MM, 35MM and 37MM).

Features, Benefits and Functions

- Utilizes the Clipper Power System (CPS) with GD frame breaker.
- The cover contains a window for surge status viewing.

- Copper bus.
- The device is grounded through the enclosure and an additional ground lug is provided for equipment grounding.
- Compatible with 37MM enclosure accessories.
- Basic Diagnostics consist of status indicator lights on each phase. Standard Diagnostics consist of Basic Diagnostic features along with a TRI-MONITOR™ flashing trouble alarm and 200 kAIC internal fusing.
- Offers surge protection for all units fed from a main service module.
- Benefit for building/complex owners who want to offer surge protection to their tenants. Owner can market their apartment complex as being surge friendly to appliances and electronics.
- **Attain local utility company approval. Not for use in EUSERC area.**

Product Selection

Table 5-22. Surge Metering

Voltage	Surge Current per Phase (kA)	Diagnostics	Catalog Number	Price U.S. \$
120/240 Volts Single-Phase	100 (CPS-B) 200 (CPS-B)	Basic Standard	1MMSURGE 1MMSURGEH	
208Y/120 Volts Three-Phase	100 (CPS-S3) 200 (CPS-S3)	Basic Standard	3MMSURGE 3MMSURGEH	

Dimensions in Inches

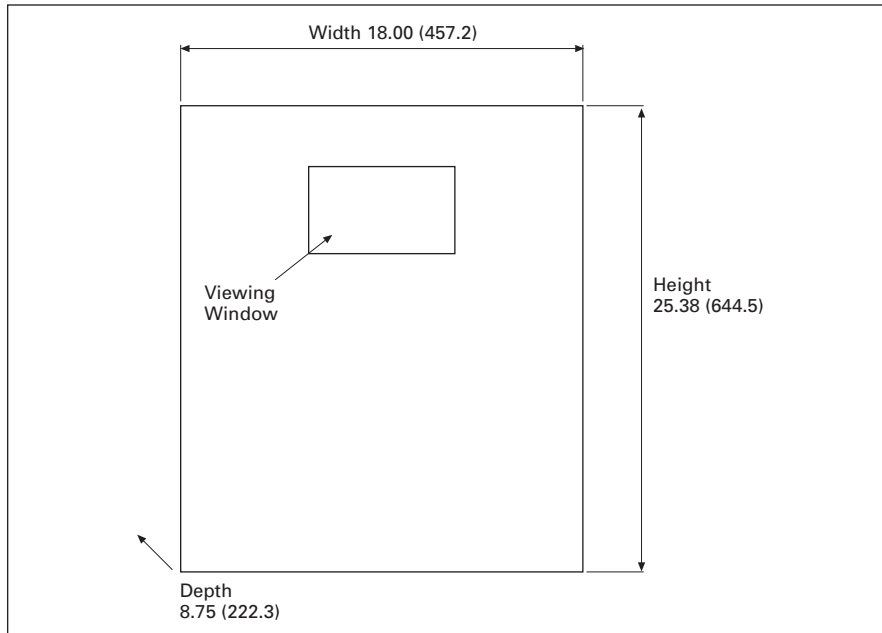


Figure 5-32. Main Surge Device

Discount Symbol ..... 22CD

**Residential Meter Stacks**

**Features, Benefits and Functions**

**1MM and 3MM Meter Stack Modules**

**A. Barrier**

Meter socket and tenant main breaker/wireway sections are separated by a solid metal barrier to guard unmetereed bus against power theft.

**B. Tenant Breaker**

Reliable bus bar-to-bus bar connection. 200 ampere modules accept bolt-on breakers 60 – 200 amperes. 125 ampere modules accept 15 – 125 ampere plug-on breakers.

**C. Moveable Phase Connector**

Four-wire horizontal bus lets you use any 3MM module for single- or 3-phase incoming service. Shipped with A and B phase connection, phase balancing is easily accomplished in the field by moving one, front-accessible phase connector post per module.

**D. Neutral Assembly**

A convenient termination for neutral conductors is in the wireway of each module.

**E. Enclosed Horizontal Bus**

Added security because a non-removable barrier encloses the 800 or 1200 ampere horizontal bus passing through tenant breaker section.

**F. Equipment Ground Bar**

Factory installed in side gutter, a standard feature that's moveable to the top or bottom gutter.

**G. Raintight Cap**

Shipped on each outdoor meter module and main device.

**H. Knockouts**

Tangential in bottom endwall.

**I. Superior Finish**

Rust inhibiting phosphate primer and gray baked enamel is standard. All outdoor enclosures are of galvanized steel construction.

**J. Meter Socket**

Our unique meter socket base is installed without any fasteners — reducing chances for hot spots, easily replaceable, and improves connection to vertical bus.

**K. Bus Connection**

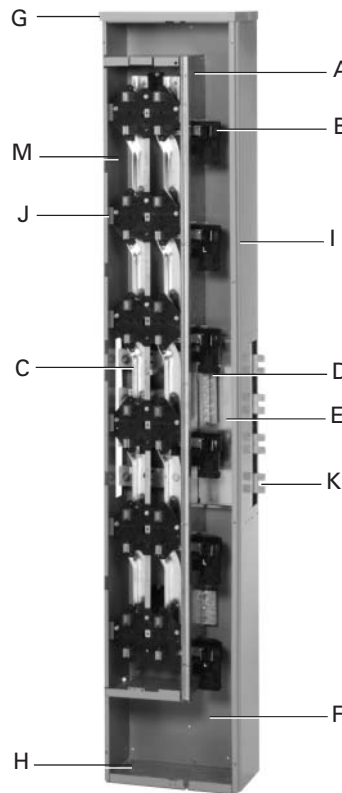
Mains and modules slip together quickly and smoothly with front-accessible captive bolts securing the juncture without removing socket interiors or bus access plate. Main bus joint bolts torque to 25 foot pounds.

**L. Separate Wireway Cover**

Separate covers allow easy access to tenant breaker and wireway section, permit work on breakers or in wireway without disturbing meters or meter covers. (Not shown.)

**M. Vertical Bus Bar**

One-piece vertical bus bar from phase balancing joints to meter socket eliminating any chance for hot spots.



*1MM Meter Stack Module*

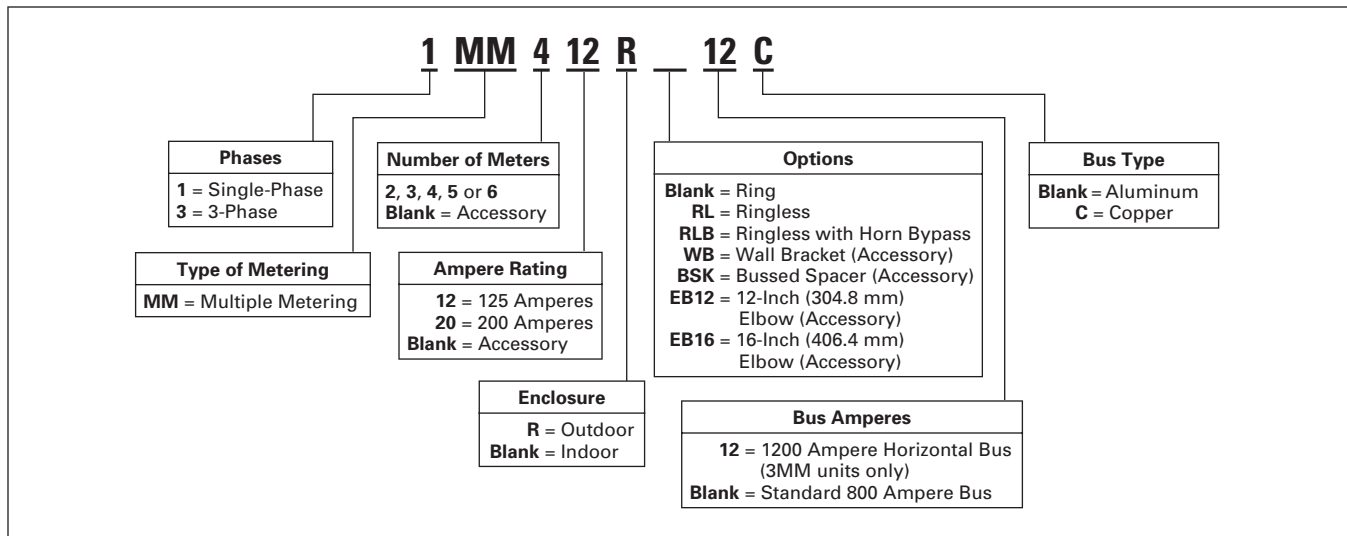
- Cutler-Hammer 1MM stacks are single-phase in, single-phase out design.
  - Cutler-Hammer 3MM stacks are 3-phase in, single-phase out design.
  - Stacks with single-phase horizontal bus are rated 240/120 volts, single-phase, 3-wire. Stacks with 3-phase horizontal bus are rated 208Y/120 volts, 3-phase, 4-wire but can be used on 240/120 volts, 3-phase, 4-wire delta systems.
  - All 3-phase horizontal bus modules have 4-wire cross bus, connected A-B phase to vertical bus, readily reconnectable for phase balance on installation.
- Note:** Individual sockets cannot be phase balanced, only each stack.
- Short circuit ratings up to 100,000 amperes rms symmetrical depending upon AIC rating of installed main tenant circuit breakers and main device.
  - Main tenant feeders can exit bottom or back. Knockouts are available at all exit locations.
  - If being used in outdoor application and exiting the top, mount Myer type hubs on rainproof cap.
  - Provision for 2-pole breaker (plug-on type for 125 ampere sockets and bolt-on type for 200 ampere sockets) — circuit breakers not included.
  - Mechanically and electrically built to bolt-up with main service modules and commercial modular metering stacks.
  - Aluminum or copper bus.
  - 800 or 1200 ampere horizontal bus.
  - All 3MM stacks include fifth jaw at 9 o'clock position.
  - All 1MM stacks do not include fifth jaw. Order 1MM5JK if needed.



*1MM and 3MM Metering Stack Modules*

## Product Selection

Table 5-23. Residential Meter Stacks Catalog Numbering System



## When Ordering:

1. Determine catalog number of Main Service Module.
2. Determine catalog number of Meter Stack (Residential or Commercial).
3. Find quantity and catalog numbers for tenant circuit breakers (found on **Page 5-34**). Order one breaker per socket.
4. If any accessories are needed, order from **Pages 5-44** and **5-45**.

**Residential Meter Stacks**

**1MM and 3MM Residential Meter Stack Modules**

**Table 5-24. 800 Ampere Aluminum Bus**

Amperes Per Meter Socket	Number of Meter Sockets	Bus Ampacity	Enclosure Type ①	Main Tenant Breaker Type. For Specific Catalog Numbers, Refer to Page 5-34	Single-Phase In, Single-Phase Out		3-Phase In, Single-Phase Out	
					Single-Phase Horizontal Bus (3 Horizontal Bus Bars — A, B, and Neutral) ②		3-Phase Horizontal Bus (4 Horizontal Bus Bars — A, B, C and Neutral)	
					Catalog Number	Price U.S. \$	Catalog Number	Price U.S. \$

**Ring Style Meter Socket Covers**

125 ③	2 ④	800	Indoor/Outdoor	Plug-on Type BR_ BRH_ BRHH_	Use 3-Phase 1MM312R 1MM412R 1MM512R 1MM612R		3MM212R	
	3 ④	800	Indoor/Outdoor				3MM312R	
	4	800	Indoor/Outdoor				3MM412R	
	5	800	Indoor/Outdoor				3MM512R	
	6	800	Indoor/Outdoor				3MM612R	
200 ⑤	2	800	Outdoor	Bolt-on Type CC2_X, CHH2_H2X CHH2_H4X, CHH2_X CHH2_H4X, CHH2_X	Use 3-Phase 1MM320R 1MM420R 1MM520R ⑥		3MM220R	
	3	800	Outdoor				3MM320R	
	4	800	Outdoor				3MM420R	
	5	800	Outdoor				3MM520R ⑥	

**Ringless Style Meter Socket Covers**

125	2	800	Outdoor	Plug-on Type BR_ BRH_ BRHH_	Use 3-Phase 1MM312RRL 1MM412RRL 1MM512RRL 1MM612RRL		3MM212RRL	
	3	800	Outdoor				3MM312RRL	
	4	800	Outdoor				3MM412RRL	
	5	800	Outdoor				3MM512RRL	
	6	800	Outdoor				3MM612RRL	
200	2	800	Outdoor	Bolt-on Type CC2_X, CHH2_H2X CHH2_H4X, CHH2_X CHH2_H4X, CHH2_X	Use 3-Phase 1MM320RRL 1MM420RRL 1MM520RRL ⑥		3MM220RRL	
	3	800	Outdoor				3MM320RRL	
	4	800	Outdoor				3MM420RRL	
	5	800	Outdoor				3MM520RRL ⑥	

**Ringless Style Covers with Horn Bypass**

125	2	800	Outdoor	Plug-on Type BR_ BRH_ BRHH_	Use 3-Phase 1MM312RRLB 1MM412RRLB 1MM512RRLB 1MM612RRLB		3MM212RRLB	
	3	800	Outdoor				3MM312RRLB	
	4	800	Outdoor				3MM412RRLB	
	5	800	Outdoor				3MM512RRLB	
	6	800	Outdoor				3MM612RRLB	
200	2	800	Outdoor	Bolt-on Type CC2_X, CHH2_H2X CHH2_H4X, CHH2_X CHH2_H4X, CHH2_X	Use 3-Phase 1MM320RRLB 1MM420RRLB 1MM520RRLB ⑥		3MM220RRLB	
	3	800	Outdoor				3MM320RRLB	
	4	800	Outdoor				3MM420RRLB	
	5	800	Outdoor				3MM520RRLB ⑥	

① For indoor applications where a top endwall with knockouts is needed, order (1) of part number **MM12N1WLK** for each 125 ampere stack or **MM20N1WLK** for each 200 ampere stack.

② 1MM units do not come with 5th Jaw.

③ To change in field from ring to ringless — order **1MMRC125**.

④ To change in field from ring to ringless, the top socket in 125 ampere, 2- and 3-high stacks use **1MMRC125T**. Top socket only — other sockets see ③.

⑤ To change in field from ring to ringless — order **1MMRC200**.

⑥ Check with local utility for height requirements or restrictions.

**Wire Sizes — Neutral and Ground Lugs**

- Each stack includes a neutral and ground bar.
- If an extra ground bar is needed, order **1MMGBK**.

**Table 5-25. Wire Sizes — Neutral and Ground Lugs**

Lugs in Meter Socket Modules	Wire Size, Al/Cu
Branch Neutral — 125 ampere socket module	#6 – 2/0 kcmil
Branch Neutral — 200 ampere socket module	#1/0 – 300 kcmil
Equipment Ground Bar, 125 ampere socket module	#14 – #2 kcmil
Equipment Ground Bar, 200 ampere socket module	#14 – 2/0 kcmil
Optional Ground Bar ( <b>1MMGBK</b> )	#6 – 2/0 kcmil

Residential Meter Stacks

1MM and 3MM Residential Meter Stack Modules

Note: For 3-phase stacks, please refer to Page 5-48 for Phase Balancing instructions.

Table 5-26. 800 Ampere Copper Bus

Amperes Per Meter Socket	Number of Meter Sockets	Bus Ampacity	Enclosure Type ①	Main Tenant Breaker Type. For Specific Catalog Numbers, Refer to Page 5-34	Single-Phase In, Single-Phase Out		3-Phase In, Single-Phase Out	
					Single-Phase Horizontal Bus (3 Horizontal Bus Bars — A, B, and Neutral) ②		3-Phase Horizontal Bus (4 Horizontal Bus Bars — A, B, C and Neutral)	
					Catalog Number	Price U.S. \$	Catalog Number	Price U.S. \$

Ring Style Meter Socket Covers

125 ③	2 ④	800	Outdoor	Plug-on Type	Use 3-Phase 1MM312RC 1MM412RC 1MM512RC 1MM612RC		3MM212RC	
	3 ④	800	Outdoor	BR_			3MM312RC	
	4	800	Outdoor	BRH_			3MM412RC	
	5	800	Outdoor	BRHH_			3MM512RC	
	6	800	Outdoor	—			3MM612RC	
200 ⑤	2	800	Outdoor	Bolt-on Type	Use 3-Phase 1MM320RC 1MM420RC 1MM520RC ⑥		3MM220RC	
	3	800	Outdoor	CC2_X, CHH2_H2X			3MM320RC	
	4	800	Outdoor	H4X, CHH2_X			3MM420RC	
	5	800	Outdoor	H4X, CHH2_X			3MM520RC ⑥	

Ringless Style Meter Socket Covers

125	2	800	Outdoor	Plug-on Type	Use 3-Phase 1MM312RRLC 1MM412RRLC 1MM512RRLC 1MM612RRLC		3MM212RRLC	
	3	800	Outdoor	BR_			3MM312RRLC	
	4	800	Outdoor	BRH_			3MM412RRLC	
	5	800	Outdoor	BRHH_			3MM512RRLC	
	6	800	Outdoor	—			3MM612RRLC	
200	2	800	Outdoor	Bolt-on Type	Use 3-Phase 1MM320RRLC 1MM420RRLC 1MM520RRLC ⑥		3MM220RRLC	
	3	800	Outdoor	CC2_X, CHH2_H2X			3MM320RRLC	
	4	800	Outdoor	H4X, CHH2_X			3MM420RRLC	
	5	800	Outdoor	H4X, CHH2_X			3MM520RRLC ⑥	

Ringless Style Covers with Horn Bypass

125	2	800	Outdoor	Plug-on Type	Use 3-Phase 1MM312RRLBC 1MM412RRLBC 1MM512RRLBC 1MM612RRLBC		3MM212RRLBC	
	3	800	Outdoor	BR_			3MM312RRLBC	
	4	800	Outdoor	BRH_			3MM412RRLBC	
	5	800	Outdoor	BRHH_			3MM512RRLBC	
	6	800	Outdoor	—			3MM612RRLBC	
200	2	800	Outdoor	Bolt-on Type	Use 3-Phase 1MM320RRLBC 1MM420RRLBC 1MM520RRLBC ⑥		3MM220RRLBC	
	3	800	Outdoor	CC2_X, CHH2_H2X			3MM320RRLBC	
	4	800	Outdoor	H4X, CHH2_X			3MM420RRLBC	
	5	800	Outdoor	H4X, CHH2_X			3MM520RRLBC ⑥	

① For indoor applications where a top endwall with knockouts is needed, order (1) of part number MM12N1WLK for each 125 ampere stack or MM20N1WLK for each 200 ampere stack.

② 1MM units do not come with 5th Jaw.

③ To change in field from ring to ringless — order 1MMRC125.

④ To change in field from ring to ringless, the top socket in 125 ampere, 2- and 3-high stacks use 1MMRC125T. Top socket only — other sockets see ③.

⑤ To change in field from ring to ringless — order 1MMRC200

⑥ Check with local utility for height requirements or restrictions.

Wire Sizes — Neutral and Ground Lugs

- Each stack includes a neutral and ground bar.
- If an extra ground bar is needed, order 1MMGBK.

Table 5-27. Wire Sizes — Neutral and Ground Lugs

Lugs in Meter Socket Modules	Wire Size, Al/Cu
Branch Neutral — 125 ampere socket module	#6 – 2/0 kcmil
Branch Neutral — 200 ampere socket module	#1/0 – 300 kcmil
Equipment Ground Bar, 125 ampere socket module	#14 – #2 kcmil
Equipment Ground Bar, 200 ampere socket module	#14 – 2/0 kcmil
Optional Ground Bar (1MMGBK)	#6 – 2/0 kcmil



**Residential Meter Stacks**

**1MM and 3MM Residential Meter Stack Modules**

**Table 5-28. 1200 Ampere Horizontal Bus — Copper**

Amperes Per Meter Socket	Number of Meter Sockets	Bus Ampacity	Enclosure Type ①	Main Tenant Breaker Type For Specific Catalog Numbers, Refer to Page 5-34	3-Phase In, Single-Phase Out	
					3-Phase Horizontal Bus (4 Horizontal Bus Bars — A, B, C and Neutral)	
					Catalog Number	Price U.S. \$

**Ring Style Meter Socket Covers**

125 ②	2 ③	1200	Indoor/Outdoor	Plug-on Type BR_ BRH_ BRHH_ —	3MM212R12 3MM312R12 3MM412R12 3MM512R12 3MM612R12
	3 ③	1200	Indoor/Outdoor		
	4	1200	Indoor/Outdoor		
	5	1200	Indoor/Outdoor		
	6	1200	Indoor/Outdoor		
200 ④	2	1200	Outdoor	Bolt-on Type CC2_X, CHH2_H2X CHH2_H4X, CHH2_X	3MM220R12 3MM320R12 3MM420R12
	3	1200	Outdoor		
	4	1200	Outdoor		

**Ringless Style Meter Socket Covers (5th Jaw at 9 o'clock Standard — Field Adjustable to 3 or 6 o'clock)**

125	2	1200	Outdoor	Plug-on Type BR_ BRH_ BRHH_ —	3MM212R12RL 3MM312R12RL 3MM412R12RL 3MM512R12RL 3MM612R12RL
	3	1200	Outdoor		
	4	1200	Outdoor		
	5	1200	Outdoor		
	6	1200	Outdoor		
200	2	1200	Outdoor	Bolt-on Type CC2_X, CHH2_H2X CHH2_H4X, CHH2_X	3MM220R12RL 3MM320R12RL 3MM420R12RL
	3	1200	Outdoor		
	4	1200	Outdoor		

**Ringless Style Covers with Horn Bypass (5th Jaw at 9 o'clock Standard — Field Adjustable to 3 or 6 o'clock)**

125	2	1200	Outdoor	Plug-on Type BR_ BRH_ BRHH_ —	3MM212R12RLB 3MM312R12RLB 3MM412R12RLB 3MM512R12RLB 3MM612R12RLB
	3	1200	Outdoor		
	4	1200	Outdoor		
	5	1200	Outdoor		
	6	1200	Outdoor		
200	2	1200	Outdoor	Bolt-on Type CC2_X, CHH2_H2X CHH2_H4X, CHH2_X	3MM220R12RLB 3MM320R12RLB 3MM420R12RLB
	3	1200	Outdoor		
	4	1200	Outdoor		

① For indoor applications where a top endwall with knockouts is needed, order (1) of part number **MM12N1WLK** for each 125 ampere stack or **MM20N1WLK** for each 200 ampere stack.

② To change in field from ring to ringless — order **1MMRC125**.

③ To change in field from ring to ringless, the top socket in 125 ampere, 2- and 3-high stacks use **1MMRC125T**. Top socket only — other sockets see ②.

④ To change in field from ring to ringless — order **1MMRC200**.

**Wire Sizes — Neutral and Ground Lugs**

- Each stack includes a neutral and ground bar.
- If an extra ground bar is needed, order **1MMGBK**.

**Table 5-29. Wire Sizes — Neutral and Ground Lugs**

Lugs in Meter Socket Modules	Wire Size, Al/Cu
Branch Neutral — 125 ampere socket module	#6 – 2/0 kcmil
Branch Neutral — 200 ampere socket module	#1/0 – 300 kcmil
Equipment Ground Bar, 125 ampere socket module	#14 – #2 kcmil
Equipment Ground Bar, 200 ampere socket module	#14 – 2/0 kcmil
Optional Ground Bar ( <b>1MMGBK</b> )	#6 – 2/0 kcmil

Residential Meter Stacks

Features, Benefits and Functions

1MP, 1MM and 3MM Main Tenant Circuit Breakers

- The following breakers are to be used on 1MP, 1MM and 3MM modular metering stacks.
- Series rating information available on **Pages 5-49** through **5-51**.
- 120/240 Vac — field installed.

5



BR2100



CC2200

Product Selection

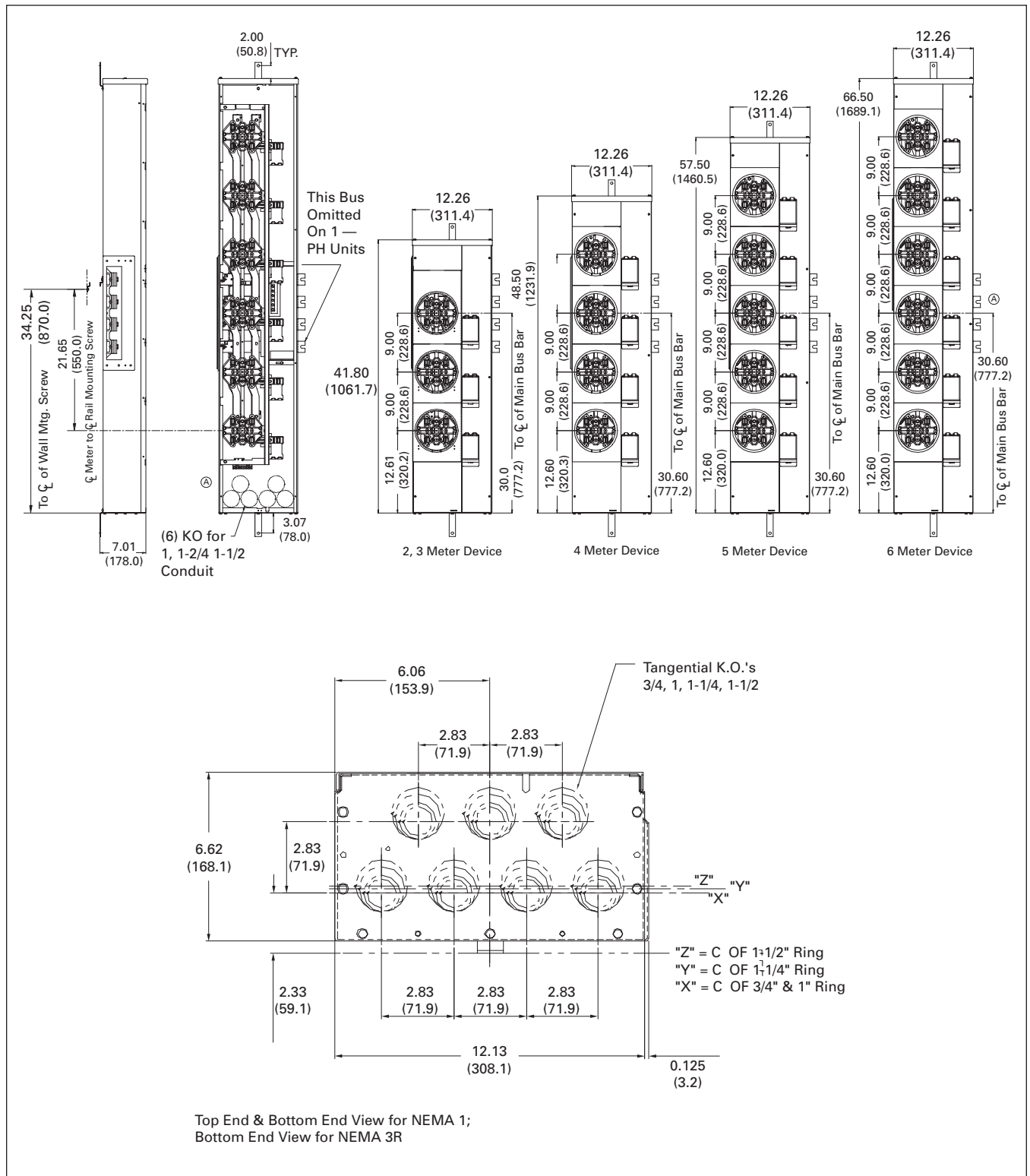
Table 5-30. 1MP, 1MM and 3MM Main Tenant Circuit Breakers

Description	Number of Poles	Main Tenant Circuit Breaker Ampere Rating	10,000 AIC		22,000 AIC		25,000 AIC		42,000 AIC		100,000 AIC	
			Catalog Number	Price U.S. \$	Catalog Number	Price U.S. \$	Catalog Number	Price U.S. \$	Catalog Number	Price U.S. \$	Catalog Number	Price U.S. \$
Plug-on type circuit breakers used with 1MP, 1MM and 3MM 125 ampere modular metering stacks	2	60	BR260		BRH260		—		BRHH260		—	
	2	70	BR270		BRH270		—		BRHH270		—	
	2	80	BR280		BRH280		—		BRHH280		—	
	2	90	BR290		BRH290		—		BRHH290		—	
	2	100	BR2100		BRH2100		—		BRHH2100		—	
	2	110	BR2110		BRH2110		—		BRHH2110		—	
Bolt-on type circuit breakers used with 1MP, 1MM and 3MM 200 ampere modular metering stacks	2	125	BR2125		BRH2125		—		BRHH2125		—	
	2	60	—		—		CHH2060H2X		CHH2060H4X		CHH2060X	
	2	70	—		—		CHH2070H2X		CHH2070H4X		CHH2070X	
	2	80	—		—		CHH2080H2X		CHH2080H4X		CHH2080X	
	2	90	—		—		CHH2090H2X		CHH2090H4X		CHH2090X	
	2	100	CC2100X		—		CHH2100H2X		CHH2100H4X		CHH2100X	
	2	125	CC2125X		—		CHH2125H2X		CHH2125H4X		CHH2125X	
	2	150	CC2150X		—		CHH2150H2X		CHH2150H4X		CHH2150X	
	2	175	CC2175X		—		CHH2175H2X		CHH2175H4X		CHH2175X	
	2	200	CC2200X		—		CHH2200H2X		CHH2200H4X		CHH2200X	

**Residential Meter Stacks**

**Dimensions and Knockouts (in Inches) — Modular Metering Stacks — Aluminum and Copper**

**Note:** Dimensions Apply to 800 and 1200 Ampere Horizontal Bus.



**Figure 5-33. 1MM, 3MM, 125 Amperes**

Residential Meter Stacks

Dimensions and Knockouts (in Inches) — Modular Metering Stacks — Aluminum and Copper

Note: Dimensions Apply to 800 and 1200 Ampere Horizontal Bus.

5

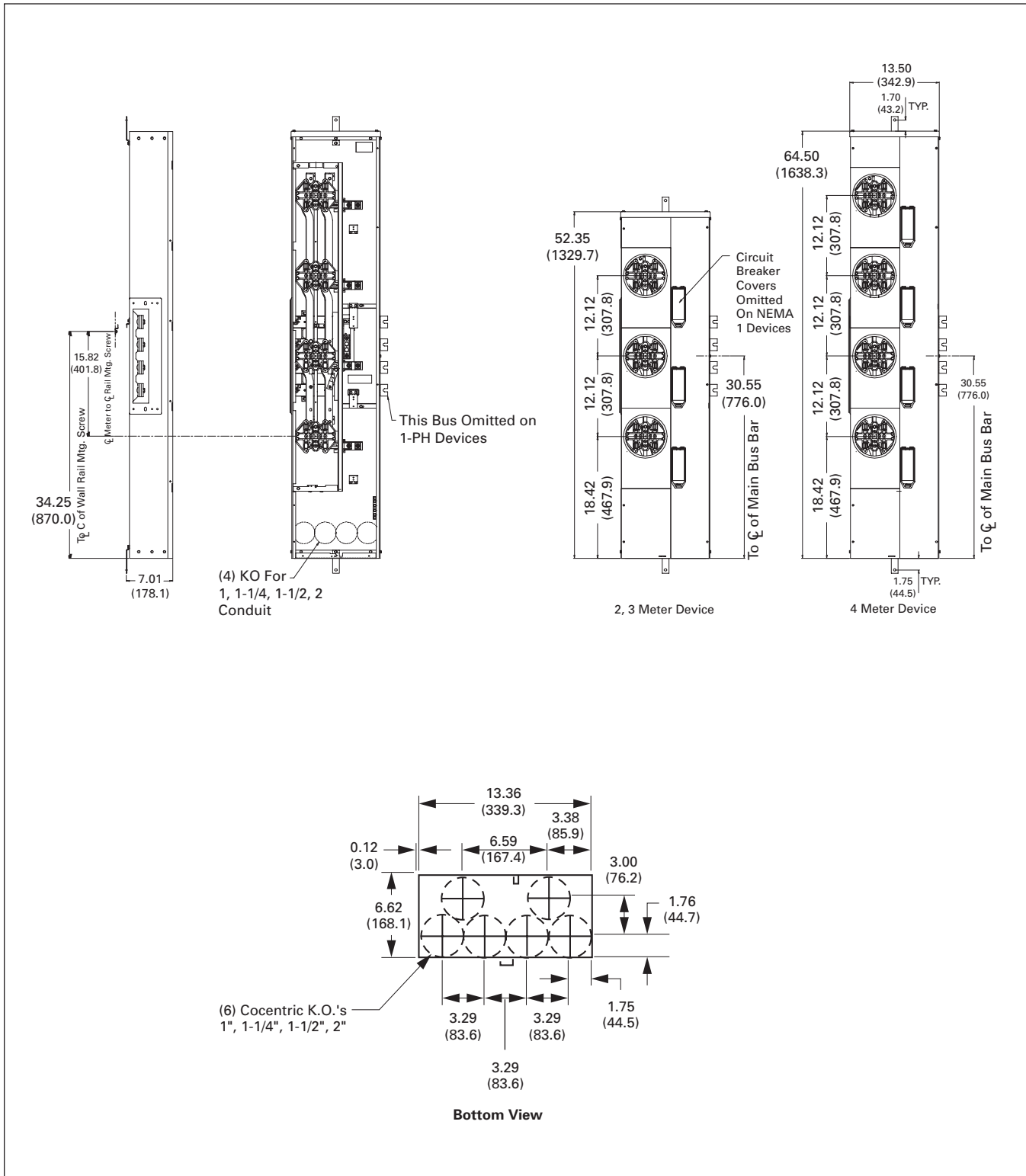
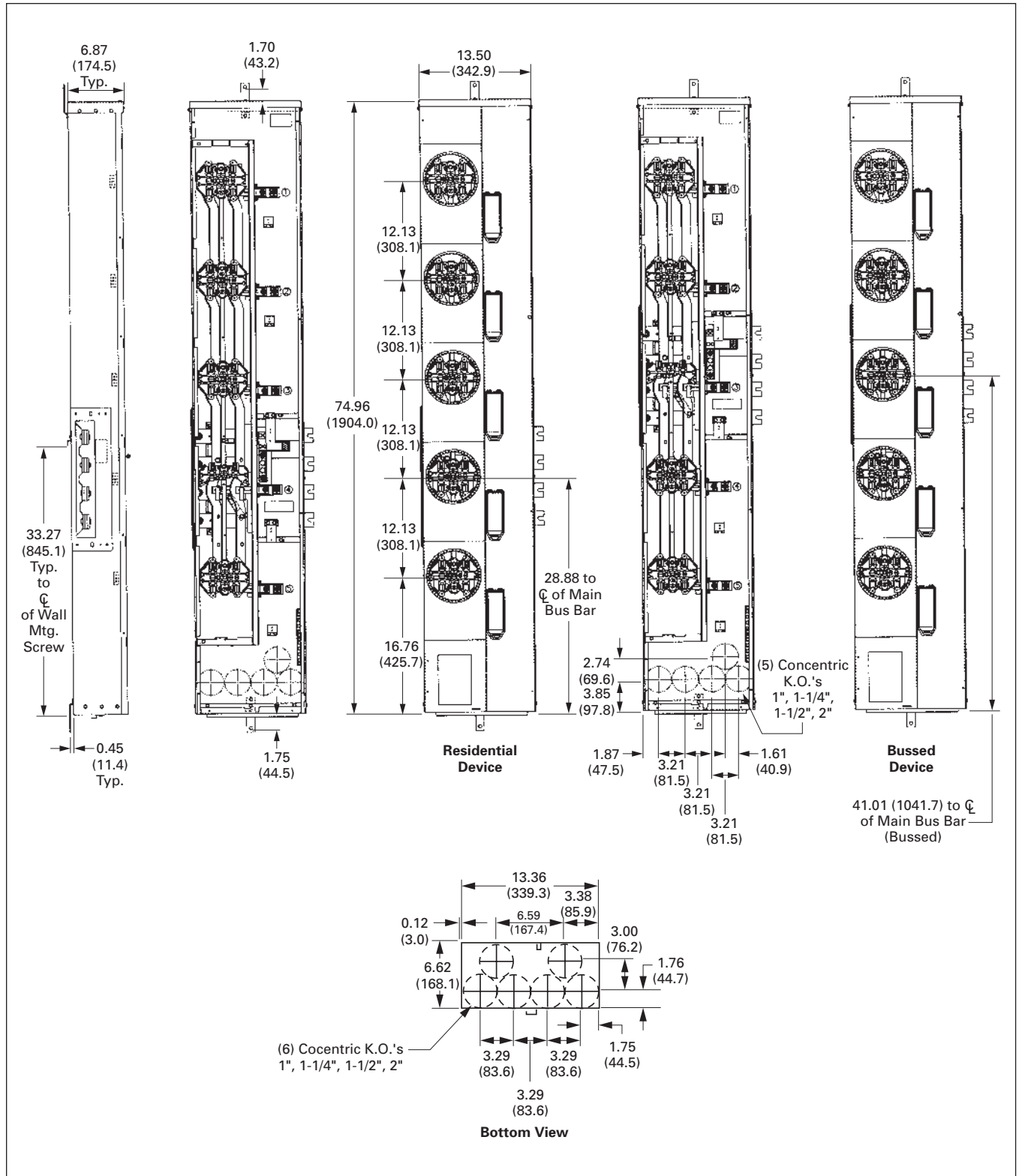


Figure 5-34. 1MM, 3MM, 200 Amperes

**Residential Meter Stacks**

**Dimensions and Knockouts (in Inches)**



**Figure 5-35. 5-High, 200 Ampere, 1MM and 3MM Metering**

### Commercial Meter Stacks

## Features, Benefits and Functions

### Commercial Meter Stack Modules (35MM, 37MM, 35SS and 37SS)

#### A. End Walls

The top cap is removable and does not contain knockouts, so contractors can position and punch holes where they need them. There are numerous KOs in the back and bottom for flexibility.

#### B. Ground Bars

The factory installed equipment ground bars are provided in both the top and bottom gutters.

#### C. Meter Socket

The 5-jaw meter socket and 7-jaw meter socket includes a built-in manual bypass and jaw release. The ground wire is factory connected in both 35MM and 37MM modules.

#### D. Separate Wireway Cover

If work on the breakers or cables is necessary, it can be accomplished without disturbing the meters or meter covers, thanks to a separate cover that allows easy access to the module's main tenant breaker and wireway section. (Not shown.)

#### E. Barrier

A solid metal barrier separates the meter socket section from the tenant breaker in the wireway section. The unmetrated vertical bus is enclosed to guard against power theft.

#### F. Neutral Assembly

Located in the wireway of each module, the assembly permits convenient termination of the neutral conductors.

#### G. Enclosed Horizontal Bus

Non-removable metal barrier encloses 1200 ampere horizontal bus when passing through the tenant breaker section for added security.

#### H. Tenant Breaker Range

All modules accept 15 through 225 ampere bolt-on breakers in various AIC ratings. The CHH\_X breaker carries a UL listed series rating of 100,000 amperes, which allows you to use standard 10,000 AIC breakers in downstream Cutler-Hammer loadcenters and panelboards by Eaton Corporation.

#### I. Indoor/Outdoor Construction

Raintight caps, meter covers and lockable raintight tenant breaker covers make it convenient for you to use any of our modules on either NEMA 1 or NEMA 3R applications.

#### J. Mounting Rail

Rear mounting rail and wall hanger speed and simplify installation. (Mounting rail not shown.)

#### K. Nameplate and Ratings

The nameplate gives you full rating data: 208Y/120, 3-phase, 4-wire; 240/120, 3-phase, 4-wire Delta (high leg on B-Phase); and 240/120 single-phase. (Not shown.)

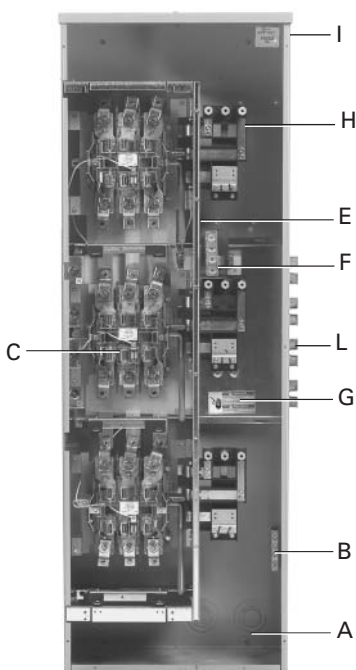
#### L. Mains and Modules

Slip together quickly, smoothly with front-accessible captive bolts securing the juncture without removing socket interiors or bus access plate. Main bus joint bolts torque to 25 foot pounds.

- Cutler-Hammer 35MM and 37MM modular metering stacks contain meter sockets with built-in manual bypass and jaw release (Non-EUSERC areas).
- Cutler-Hammer 35SS and 37SS stacks utilize meter sockets with test bypass feature (meets EUSERC electrical requirements).
- All commercial modular metering stacks contain four horizontal cross buses.
- Mechanically and electrically built to bolt-up with main service modules and residential modular metering stacks.



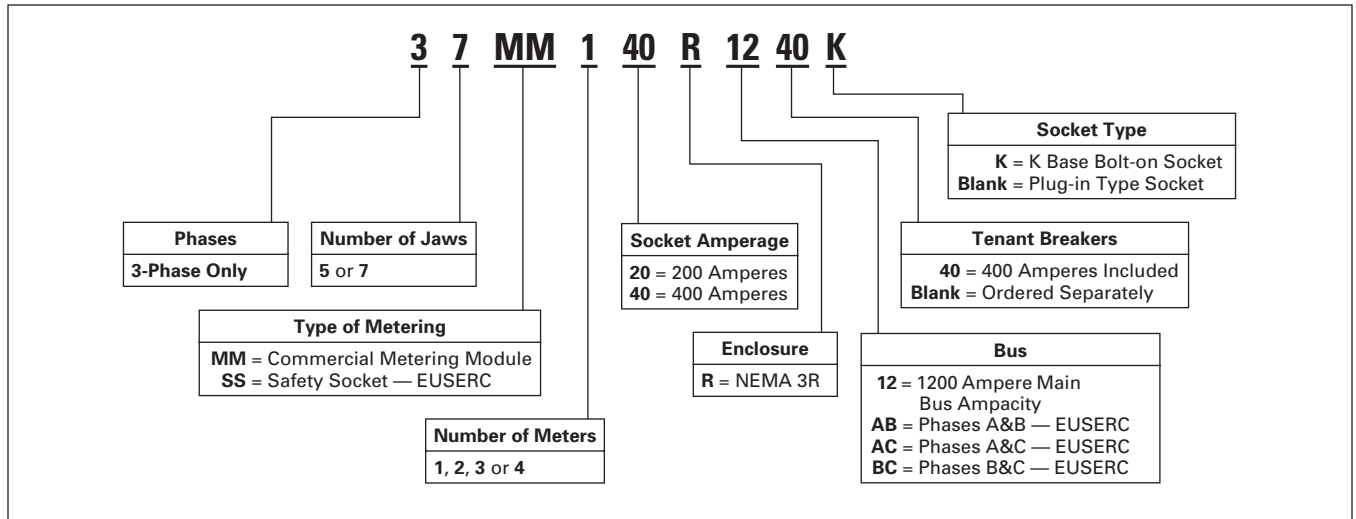
35MM, 37MM, 35SS and 37SS



37MM

**Product Selection**

**Table 5-31. Commercial Meter Stack Modules Catalog Numbering System**



**When Ordering:**

1. Determine catalog number of Main Service Module.
2. Determine catalog number of Meter Stack (Residential or Commercial).
3. Find quantity and catalog numbers for tenant circuit breakers (found on **Page 5-42**). Order one breaker per socket.
4. If any accessories are needed, order from **Page 5-44 to 5-46**.

**Commercial Meter Stacks**

**35MM, Single-Phase Commercial Meter Stack Modules**

- Each socket is a 5 terminal block with lever bypass and jaw release.
- Ringless covers.
- Provision for 2-pole main tenant breakers (circuit breakers not included). For circuit breaker catalog numbers, refer to **Page 5-42**.
- Phase balancing kits are included with three high and four high modules. Each individual socket can be phase balanced in the field to the desired lines (A-B, B-C, or A-C). Comes from factory as A-B.
- Indoor/outdoor construction.
- Main tenant feeders can exit top, bottom, or back.
- If being used in outdoor application and exiting the top, mount Myer type hubs on rainproof cap.
- Short circuit ratings up to 100 ampere rms symmetrical depending upon the kAIC rating of installed main tenant circuit breakers and main device.
- Copper horizontal bus supplied as standard.
- Non-EUSERC areas.

**Table 5-32. 35MM — Single-Phase Commercial Meter Stack Modules (3-Phase In, Single-Phase Out)**

System Voltage	Ampere Rating Per Meter Socket	Number of Meter Sockets	Bus Ampacity	Number of Jaws Per Meter Socket	Main Tenant Breaker Type (Page 5-42)	Catalog Number	Price U.S. \$
120/240 volt, Single-phase, 3-wire systems and 208Y/120 volt network metering (Not suitable for use on 3-phase, 4-wire Delta systems)	225	1	1200	5	Bolt-on Type EHD2_①	35MM120R12	
		2	1200	5	CC2_X	35MM220R12	
		3	1200	5	CHH2_H2X	35MM320R12	
		4	1200	5	CHH2_H4X CHH2_X	35MM420R12	
	400	1	1200	5	400 Ampere K-Frame Included	35MM140R1240 ② 35MM140HR1240 ③	
400	2	1200	5	400 Ampere K-Frame Included	35MM240R1240		
400 Continuous	1	1200	5	400 Ampere L-Frame Included	35MM140R1240K ④		
400 Continuous	1	1200	5	400 Ampere L-Frame Included	35MM140HR1240K ⑤		

① EHD main tenant breakers require one 37MMCBK kit per breaker.  
 ② Unit is bottom exit only.  
 ③ Rated at 100 kAIC.  
 ④ Rated at 25 kAIC.  
 ⑤ Rated at 35 kAIC.

**37MM, Three-Phase Commercial Meter Stack Modules**

- Each socket is a 7 terminal block with lever bypass and jaw release.
- Ringless covers.
- Provision for 3-pole main tenant breakers (circuit breakers not included). For circuit breaker catalog numbers, refer to **Page 5-42**.
- Indoor/outdoor construction.
- Main tenant breakers can exit top, bottom, or back.
- If being used in outdoor application and exiting the top, mount Myer type hubs on rainproof cap.
- Short circuit ratings up to 100 ampere rms symmetrical depending upon the kAIC rating of installed main tenant circuit breakers and main device.
- Copper horizontal bus supplied as standard.
- Non-EUSERC areas.

**Table 5-33. 37MM — Three-Phase Commercial Meter Stack Modules (3-Phase In, Three-Phase Out)**

System Voltage	Ampere Rating Per Meter Socket	Number of Meter Sockets	Bus Ampacity	Number of Jaws Per Meter Socket ⑥	Main Tenant Breaker Type (Page 5-42)	Catalog Number	Price U.S. \$
208Y/120 volt, 3-phase, 4-wire 240/120 volt, 3-phase, 4-wire Delta (B-Phase is high leg)	225	1	1200	7	Bolt-on Type EHD3_⑦	37MM120R12	
		2	1200	7	CC3_X	37MM220R12	
		3	1200	7	CHH3_H2X	37MM320R12	
		4	1200	7	CHH3_H4X CHH3_	37MM420R12 37MM140R12 ⑧	
	400	1	1200	7	400 Ampere K-Frame Included	37MM140R1240 ⑨ 37MM140HR1240 ⑩	
	400	2	1200	7	400 Ampere K-Frame Included	37MM240R1240	
400 Continuous	1	1200	7	400 Ampere L-Frame Included	37MM140R1240K ⑪		
400 Continuous	1	1200	7	400 Ampere L-Frame Included	37MM140HR1240K ⑫		

⑥ If a socket in a 37MM meter stack module needs to be single-phase, order 37MM1CK. This will convert the 3-phase socket to single-phase.  
 ⑦ EHD main tenant breakers require one 37MMCBK kit per breaker.  
 ⑧ 320 ampere continuous rated socket with provisions for two main tenant breakers.  
 ⑨ Unit is bottom exit only.  
 ⑩ Rated at 100 kAIC.  
 ⑪ Rated at 25 kAIC.  
 ⑫ Rated at 35 kAIC.

Discount Symbol ..... **22CD**



**35SS, Single-Phase Commercial Meter Stack Modules**

- Sockets include EUSERC required test-bypass-disconnect feature.
- Ring type covers.
- Single-phase units have provisions for 2-pole main tenant breakers.
- When applying 35SS (single-phase) stacks on 208Y/120 volt, 3-phase, 4-wire and 240/120 volt, 3-phase, 4-wire delta systems, refer to suffixes for proper phase balancing. Each meter stack module is phase balanced at the plant (A-B, B-C, or A-C) and cannot be field modified.
- Indoor/outdoor construction.
- Main tenant breakers can exit top, bottom or back. Removable blank plates are supplied for customer punched service cable exits. If being used in outdoor application and exiting the top, mount Myer type hubs on rainproof cap.
- Short circuit ratings up to 100A rms symmetrical depending upon the kAIC rating of installed main tenant circuit breakers and main device.
- Copper horizontal bus supplied as standard.



**35SS**

**Table 5-34. 35SS — Three-Phase Commercial Meter Stack Modules**

System Voltage	Ampere Rating Per Meter Socket	Number of Meter Sockets	Bus Ampacity	Number of Jaws Per Meter Socket	Main Tenant Breaker Type ① (Page 5-42)	Catalog Number	Price U.S. \$			
120/240 volt, Single-phase, 3-wire systems and 208Y/120 volt network metering (Not suitable for use on 3-phase, 4-wire Delta systems)	225	1	1200	5	Bolt-on Type EHD2_② CC2_X CHH2_H2X CHH2_H4X CHH2_X	35SS120RAB ③				
		2	1200	5		35SS120RAC ③				
		3	1200	5		35SS120RBC ③				
						35SS220RAB ③				
									35SS220RAC ③	
									35SS220RBC ③	
						35SS320RAB ③				
									35SS320RAC ③	
									35SS320RBC ③	

① For specific circuit breaker catalog numbers, refer to **Page 5-42**.  
 ② EHD main tenant breakers require one **37MMCBK** kit per breaker.  
 ③ Last 2 digits of catalog number indicate phase balancing (AB indicates all sockets in this stack are connected to phases A and B only).

**37SS, Three-Phase Commercial Meter Stack Modules**

- Sockets include EUSERC required test-bypass-disconnect feature.
- Ring type covers.
- Three-phase units have provisions for 3-pole main tenant breaker.
- Copper horizontal bus supplied as standard.

**Table 5-35. 37SS — Three-Phase Commercial Meter Stack Modules**

System Voltage	Ampere Rating Per Meter Socket	Number of Meter Sockets	Bus Ampacity	Number of Jaws Per Meter Socket	Main Tenant Breaker Type ④ (Page 5-42)	Catalog Number	Price U.S. \$
208Y/120 volt, 3-phase, 4-wire 240/120 volt, 3-phase, 4-wire Delta (B-Phase is high leg)	225	1	1200	7	Bolt-on Type EHD3_⑤ CC3_X CHH3_H2X CHH3_H4X CHH3_	37SS120R	
		2	1200	7		37SS220R	
		3	1200	7		37SS320R	

④ For specific circuit breaker catalog numbers, refer to **Page 5-42**.  
 ⑤ EHD main tenant breakers require one **37MMCBK** kit per breaker.

Commercial Meter Stacks

35MM, 37MM, 35SS and 37SS Main  
Tenant Circuit Breakers

- The following breakers are to be used on 35MM, 37MM, 35SS and 37SS modular metering stacks.
- Series rating information available on **Pages 5-49 through 5-51**.
- 2-pole breakers are 120/240 Vac:
  - Field Installed
- 3-pole breakers are 208Y/120 Vac:
  - Field Installed

5



CC2200



EHD2100

Table 5-36. 35MM, 37MM, 35SS and 37SS Main Tenant Circuit Breakers

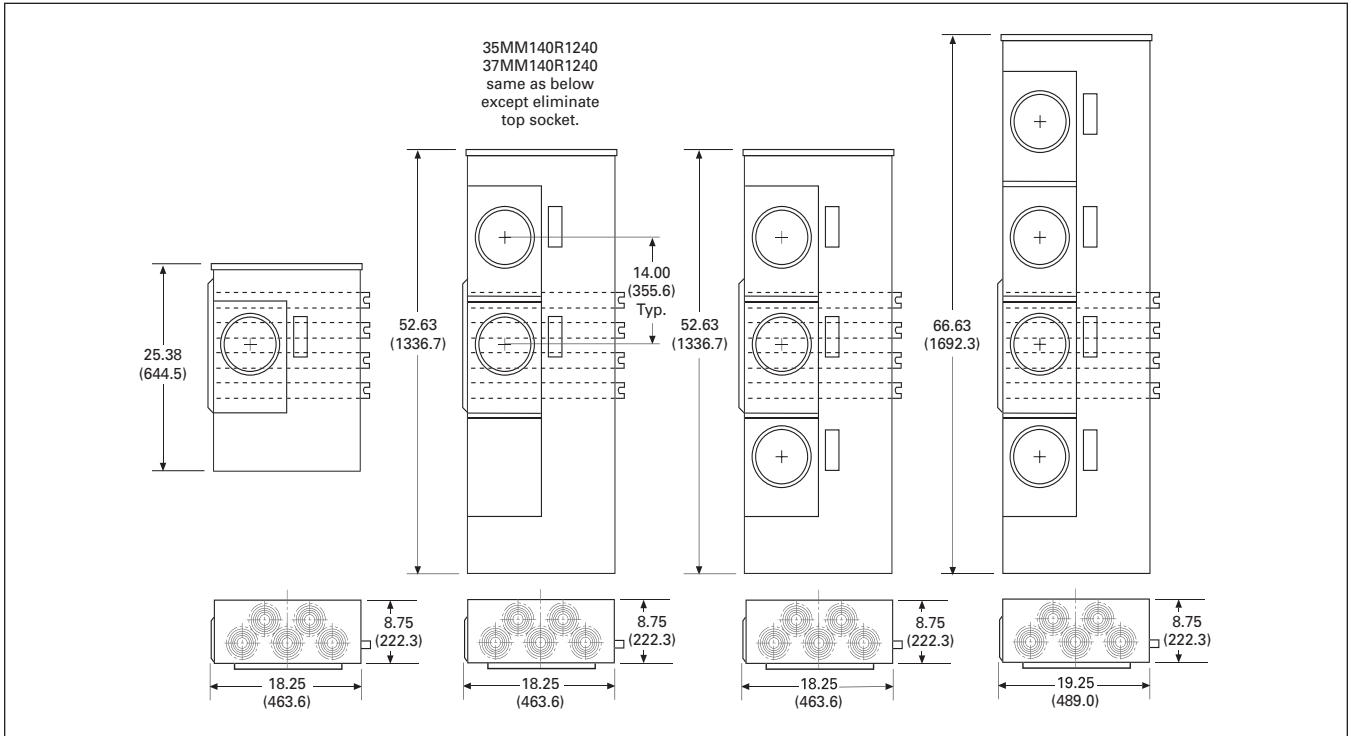
Description	Number of Poles	Main Tenant Circuit Breaker Ampere Rating	10,000 AIC		25,000 AIC		42,000 AIC		100,000 AIC	
			Catalog Number	Price U.S. \$	Catalog Number	Price U.S. \$	Catalog Number	Price U.S. \$	Catalog Number	Price U.S. \$
Bolt-on type circuit breakers used with 35MM and 35SS (single-phase modular metering stacks) ②	2	15	EHD2015		—		—		—	
	2	20	EHD2020		—		—		—	
	2	30	EHD2030		—		—		—	
	2	40	EHD2040		—		—		—	
	2	50	EHD2050		—		—		—	
	2	60	EHD2060		CHH2060H2X		CHH2060H4X		CHH2060X	
	2	70	EHD2070		CHH2070H2X		CHH2070H4X		CHH2070X	
	2	80	EHD2080		CHH2080H2X		CHH2080H4X		CHH2080X	
	2	90	EHD2090		CHH2090H2X		CHH2090H4X		CHH2090X	
	2	100	CC2100X		CHH2100H2X		CHH2100H4X		CHH2100X	
	2	125	CC2125X		CHH2125H2X		CHH2125H4X		CHH2125X	
	2	150	CC2150X		CHH2150H2X		CHH2150H4X		CHH2150X	
Bolt-on type circuit breakers used with 37MM and 37SS (3-phase modular metering stacks) ②	2	175	CC2175X		CHH2175H2X		CHH2175H4X		CHH2175X	
	2	200	CC2200X		CHH2200H2X		CHH2200H4X		CHH2200X	
	2	225	CC2225X		CHH2225H2X		CHH2225H4X		CHH2225X	
	3	15	EHD3015		—		—		—	
	3	20	EHD3020		—		—		—	
	3	30	EHD3030		—		—		—	
	3	40	EHD3040		—		—		—	
	3	50	EHD3050		—		—		—	
	3	60	EHD3060		CHH3060H2X		CHH3060H4X		CHH3060	
	3	70	EHD3070		CHH3070H2X		CHH3070H4X		CHH3070	
	3	80	EHD3080		CHH3080H2X		CHH3080H4X		CHH3080	
	3	90	EHD3090		CHH3090H2X		CHH3090H4X		CHH3090	
3	100	CC3100X		CHH3100H2X		CHH3100H4X		CHH3100		
3	125	CC3125X		CHH3125H2X		CHH3125H4X		CHH3125		
3	150	CC3150X		CHH3150H2X		CHH3150H4X		CHH3150		
3	175	CC3175X		CHH3175H2X		CHH3175H4X		CHH3175		
3	200	CC3200X		CHH3200H2X		CHH3200H4X		CHH3200		
3	225	CC3225X		CHH3225H2X		CHH3225H4X		CHH3225		

① EHD main tenant circuit breakers require one 37MMCBK kit per breaker.  
 ② Main tenant circuit breakers are also available in ratings from 15 to 50 amperes.

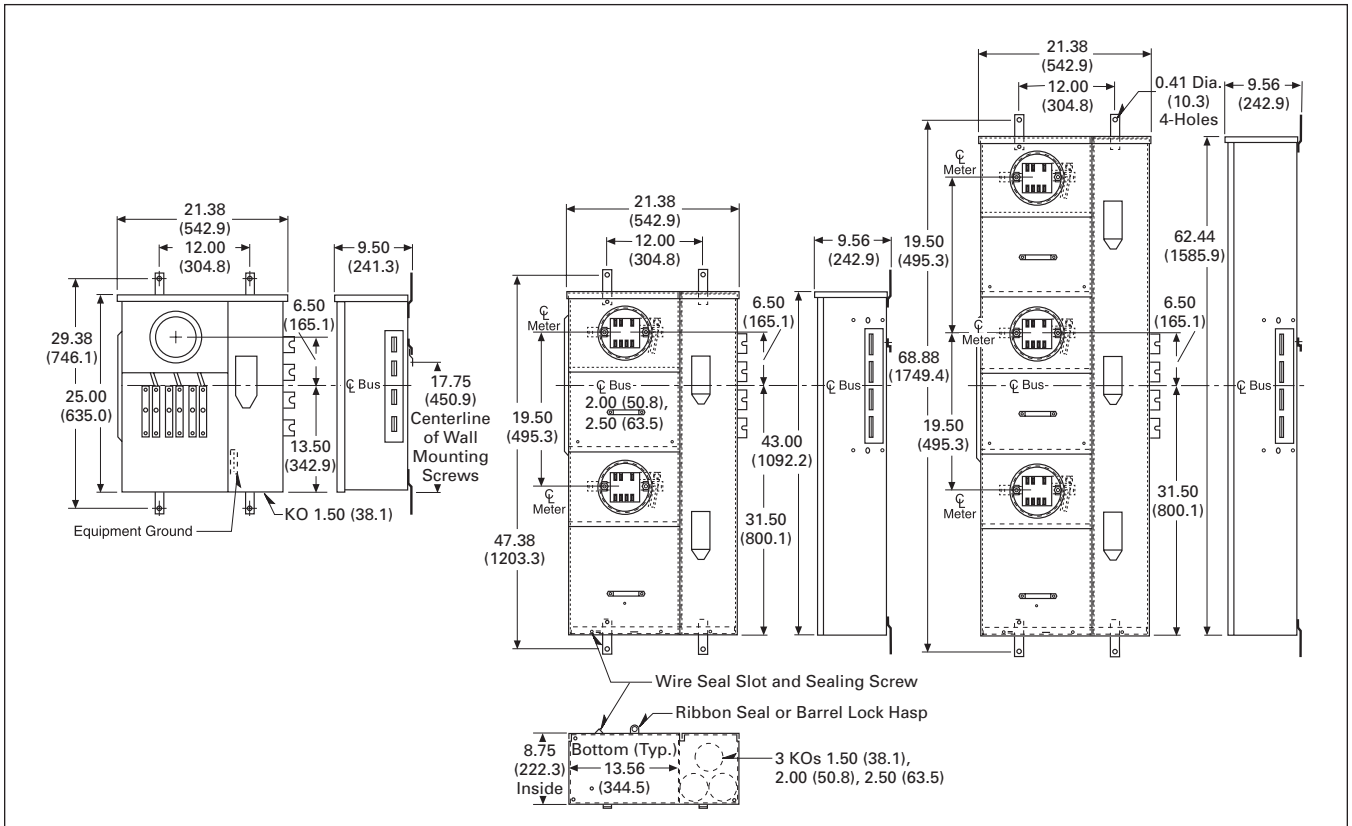
**Commercial Meter Stacks**

**Commercial Stacks (35MM, 37MM, 35SS and 37SS) — Dimensions in Inches (mm)**

**5**



**Figure 5-36. 35MM and 37MM**



**Figure 5-37. 35SS and 37SS**

### Accessories

**Table 5-37. Accessories for 1MP, 1MM and 3MM Modular Metering Stacks**

Description	Application	Catalog Number	Price U.S. \$
Fifth Jaw Kit	Bolted onto neutral in the 3, 6, or 9 o'clock position. Typically used on network metering systems (3-phase in/single-phase out) or when specified by utility company.	1MM5JK	
Isolated Fifth Jaw Kit	Connects to the neutral with an insulated wire.	1MM5JKOP	
Manual Bypass Kit (Ring style socket only)	For use with 125 ampere sockets only. (Not top socket.)	1MMBPM125	
	For use with 200 ampere sockets only. (Not top socket.)	1MMBPM200	
	This kit only to be used for top position of 2 and 3 high 125 ampere 1MM and 3MM stacks and of 2, 5 and 6-position 125 ampere 1MP packs.	1MMBPM125T	
	This kit only to be used for top position of 200 ampere 2-position 1MP packs.	1MMBPM200T	
Horn Bypass	Used only on ringless cover stacks, kits can be installed on 125 ampere or 200 ampere sockets. <b>Note:</b> For 1MP2122RRL use:	1MMBPH	
		WCG8HB ①	
Meter Bypass Jumper	Installed on 125 ampere or 200 ampere sockets. Jumpers are plugged into jaws. Order lexan cover plate with bypass jumpers to prevent access to meter socket once energized. (Not UL listed.)	1MMBPJ	
Lexan Blank Cover	Circular cover mounted on ring or ringless devices preventing access to meter socket while meter is not in place. Includes 4 plastic tabs which plug into each jaw.	1MMPCP	
	Same as 1MMPCP minus the tabs located in the back to plug into jaws. This device to be used while meter bypass jumpers are in place (1MMBPJ).	1MMACP	
Blank Meter Socket Cover	Used for 125 ampere stacks. Fits bottom socket only. Kit replaces existing meter cover preventing access to meter socket. Includes hasp for seal.	1MMBC125B	
	Used on 200 ampere stacks. Fits bottom socket only. Kit replaces existing meter cover preventing access to meter socket. Includes hasp for seal.	1MMBC200B	
Wall Mounting Rail	Rails are 4 feet (1.2 m) in length. Bolted on wall for stacks, packs, and mains to be hung.	1MMWB	
Bussed Spacer	Bussed spacer 1200 ampere 4-inch (101.6 mm). Required when stacks are mounted on right-hand side in EUSERC areas. (Copper)	3MMBSK ②	
Bus Duct Riser/ Meter Center Connection	Available in 400, 600, 800 ampere Main Fusible units only. Contact Product Line for details.	—	

① WCG8HB only applies to meter packs built prior to 1998. Current meter packs use 1MMBPH.

② Must be used when mounting MCB main next to an MTB main or another MCB main device.


**Fifth Jaw Kit**

**Manual Bypass Kit**

**Horn Bypass Kit**

**Lexan Blank Cover**

**Wall Mounting Rail**

**Bussed Spacer**

**Table 5-37. Accessories for 1MP, 1MM and 3MM Modular Metering Stacks (Continued)**

Description	Application	Catalog Number	Price U.S. \$
Indoor Corner Elbow (Copper)	12-inch (304.8 mm) indoor corner elbow, 1200 ampere, 3-phase, 4-wire for use with 1MM and 3MM only. <b>Do not use with 35MM, 37MM, 35SS, or 37SS stacks.</b> 12-inch corner elbow not EUSERC approved.	3MMEB12	
Indoor Corner Elbow (Copper)	16-inch (406.4 mm) indoor corner elbow, 1200 ampere, 3-phase, 4-wire for use with 1MM, 3MM, 35MM, 37MM, 35SS, and 37SS.	3MMEB16	
Barrier	Barrier for individual sockets	1MMBK	
Meter Jumper and Cover	Combination meter jumper and cover (200 ampere maximum). Used to jumper line and load jaws as well as cover meter socket preventing exposure to current carrying parts.	1MMJCK	
Lug Block	125 ampere 2-pole lug block assembly.	BRSF125	
Sealing Ring	Standard (included with packs and stacks) ①	1MMSR2	
	Stainless steel screw type	1MMSR1	
	Stainless steel snap type	1MMSR4	
	Aluminum screw type with locking provisions	1MMSR5	
Top Endwall	125 ampere, NEMA 1 top end wall with knockouts for 1MM, 3MM meter stacks	MM12N1WLK	
	200 ampere, NEMA 1 top end wall for 1MM, 3MM meter stacks	MM20N1WLK	

① Aluminum Snap Type.

**Table 5-38. 1MP, 1MM and 3MM Replacement Parts**

Description	Application	Catalog Number	Price U.S. \$
Ringless Cover (Can install this to go from ring to ringless)	Installed on 125 ampere socket for ringless security	1MMRC125	
	Installed on 200 ampere socket for ringless security	1MMRC200	
	For use with top position of 125 ampere, 2 and 3 position, 1MM and 3MM stacks and 2, 5 and 6 position 1MP packs	1MMRC125T	
Ring Cover	Installed on 125 ampere socket for ring security	1MMCP1	
	Installed on 200 ampere socket for ring security	1MMCP2	
	Top socket ring cover 125 amperes	1MMCP1T	
	Top socket ring cover 200 amperes	1MMCP2T	
Tenant Breaker Hinged Cover	125 ampere cover	1MMBC1	
	200 ampere cover	1MMBC2	
Meter Socket ②	125 and 200 amperes	1MMMS	
Bus Bar End Cap	Flat — left side	47-24139A	
	Bump — right side	47-28172-2A	
Main Circuit Breaker Cover Kit (Black)		49-7060	

② Meter Packs **1MP2122RRL** and **1MP2122RRLB** use different meter sockets, see Renewal Parts listing RP.32A.01A.T.E for details.

**Note:** See **RP.32A.01A.T.E** for a complete Renewal Parts listing.



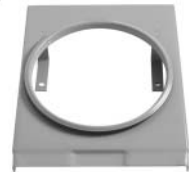
Indoor Corner Elbow



Standard Sealing Ring



Ringless Cover



Ring Cover



Tenant Breaker Cover



Meter Socket

5

**Accessories**

**5**

**Table 5-39. Accessories for 35MM and 37MM Modular Metering Stacks**

Description	Application	Catalog Number	Price U.S. \$
Wall Mounting Rail	Rails are 4 feet (1.2 m) in length. Bolted on wall for stacks, packs, and mains to be hung.	1MMWB	
Indoor Corner Elbow (Copper)	16-inch (406.4 mm) indoor corner elbow, 1200 ampere, 3-phase, 4-wire for use with 1MM, 3MM, 35MM, 37MM, 35SS, and 37SS.	3MMEB16	
Handle Insulator	Each meter block includes a lever bypass. This kit includes the sleeve which slides onto the lever handle.	37MMHC	
Barrel Lock Bracket Kit	Needed when using barrel lock security.	37MMBLK	
Totalizing Jumper Kit	Used if one socket is to meter two tenant feeds. When ordering jumper kit, should also order a plastic cover plate (1MMPCP + 1MMJCK) preventing access to live parts on unused socket.	37MMTJK	
EHD Breaker Mounting Kit	Bolt-on breaker provisions are set up to accept CC/CHH breaker styles. If an EHD breaker is needed, each breaker requires one mounting kit.	37MMCBK	
Blank Cover Kit	Kit replaces meter cover preventing access to socket.	37MMCK ①	
		37MMCKA ②	
Barrier	Barrier for individual sockets	37MMBK	
3-Phase to Single-Phase Conversion Kit	This kit will convert one 3-phase meter socket (37MM devices) to a single-phase socket. Only needed if phasing A-C or C-B. If single-phase socket is to be phased A-B, kit is not required for field conversion. (Must use 3-phase breaker.)	37MM1CK	
Bus Duct Riser/ Meter Center Connection	Available in 400, 600, 800 ampere Main Fusible units and 400, 600, 800, 1000, 1200 main circuit breaker. Contact product line for details.	—	
Anti-inversion Clip	This clip should be inserted into upper right hand jaw of a 320 ampere meter socket. The purpose is prevent a 200 ampere meter from being inserted into a 320 ampere meter socket.	37MMINVCLIP	

① For all units made 10/2002 and earlier.

② For all units made after 11/2002.

**Table 5-40. Replacement Parts**

Description	Application	Catalog Number	Price U.S. \$
35MM Replacement Meter Socket	To replace meter socket with lever bypass and jaw release.	MSLMSA1	
37MM Replacement Meter Socket	To replace meter socket with lever bypass and jaw release.	MSLMSA2	
35SS Replacement Meter Socket	To replace meter socket with test bypass disconnect feature	MSTMSA1	
37SS Replacement Meter Socket	To replace meter socket with test bypass disconnect feature	MSTMSA2	
Safety Socket Meter Cover Assembly	To replace ring type cover over the meter prior to 7/1/02.	MSTMCVR1	
Safety Socket Meter Cover Assembly	To replace ring type cover over the meter after 7/1/02	MSTMCVR1E	
35MM & 37MM Meter Cover Assembly	Prior to 12/1/02	37MMSK	
	After 12/1/02	37MMSK1	
Meter Cover Assembly with NJ Latch	To replace ringless cover over the meter. Includes New Jersey latch requirement.	37MMSKNJ	
Tenant Breaker Hinged Cover	To replace cover over tenant breakers.	1MMBC2	
Bus Bar End Cap	Flat — left side	47-24139A	
	Bump — right side	47-28172-2A	
Main Circuit Breaker Cover/CIT (Black)		49-7060	

**Note:** See RP.32A.01.T.E for a complete Renewal Parts listing.



**Barrel Lock Bracket Kit**



**Totalizing Jumper Kit**



**EHD Breaker Mounting Kit**



**Blank Cover Kit**



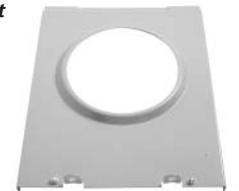
**3-Phase to Single-Phase Conversion Kit**



**35MM Replacement Meter Socket**



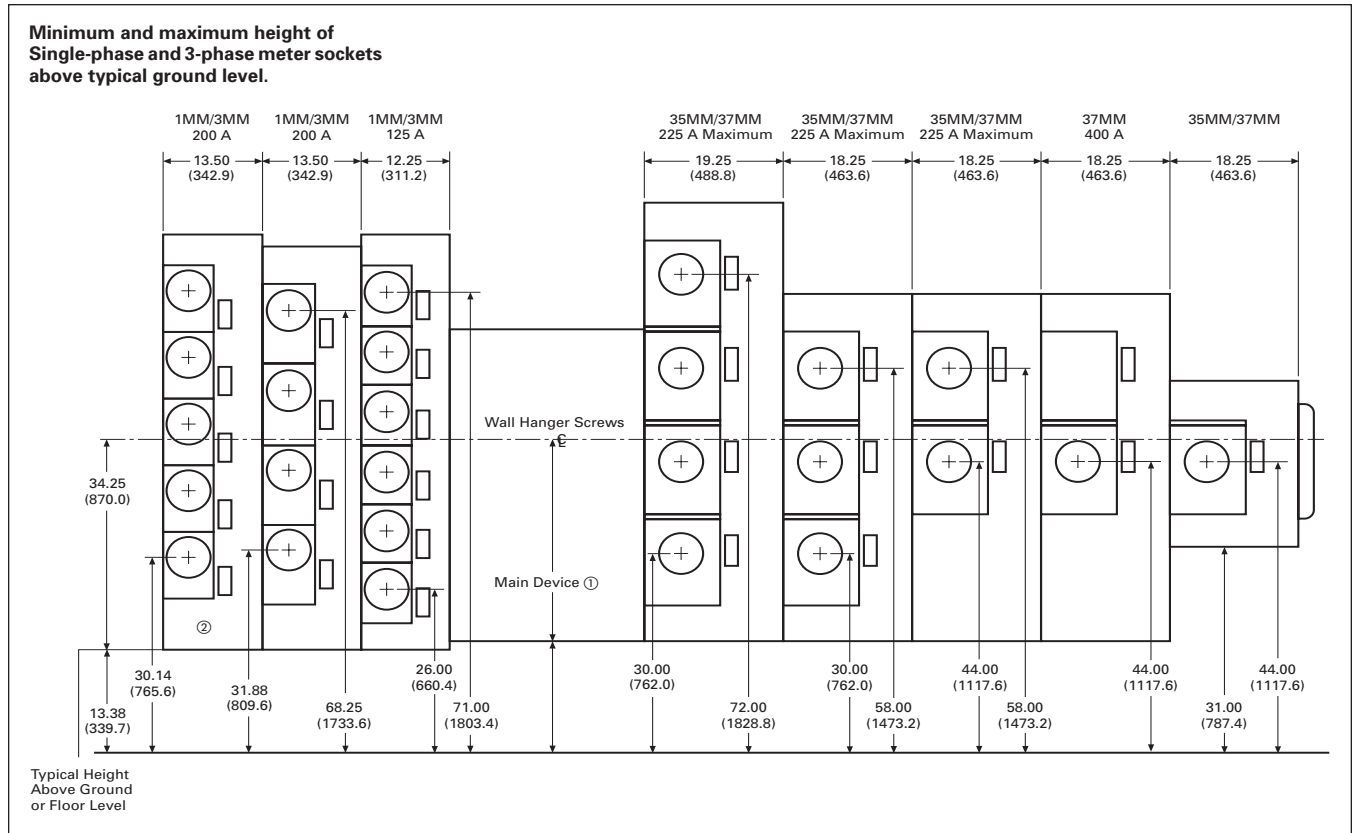
**35SS Replacement Meter Socket**



**Meter Cover Assembly**

Discount Symbol ..... **22CD**

**General Layout — Dimensions in Inches (mm)**



**Figure 5-38. General Layout**

- ① Not a constant value. Dimension changes depending on main device chosen. See Page 5-22 for specific dimensions.
- ② Residential device.

**Mounting Features**



**Mounting Features**

A standard mounting rail and factory installed swing away feet, speed up and simplify installation.

Phase Balancing

Phase Balancing

All 3MM meter modules come factory connected to phase A and B, per Figure A. When connected to a 208Y/120 Vac 3-phase, 4-wire system, field phase balancing of two out of every three stacks is required. One of every three stacks should be phased AC, per Figure B, and one of every three stacks should be phased CB, per Figure C.

Examples:

**9 Total Positions** — use (3) 3-position stacks and phase one per Figure B (A-C phasing) and one per Figure C (C-B phasing).

**16 Total Positions** — use (2) 5-position and (2) 3-position stacks. Phase balance (1) 5-position per Figure B (A-C phasing) and (1) 5-position per Figure C (C-B phasing).

**19 Total Positions** — where 4-position maximum height is allowed by utility. Use (1) 4-position and (5) 3-position stacks. Phase balance (2) 3-position stacks per Figure B (A-C phasing) and (2) 3-position stacks per Figure C (C-B phasing).

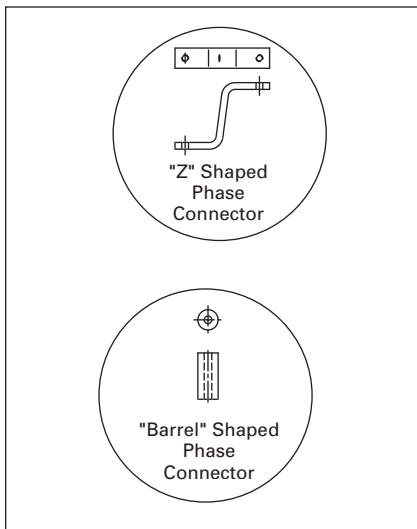


Figure 5-39. "Z" Shaped and "Barrel" Shaped Phase Connector

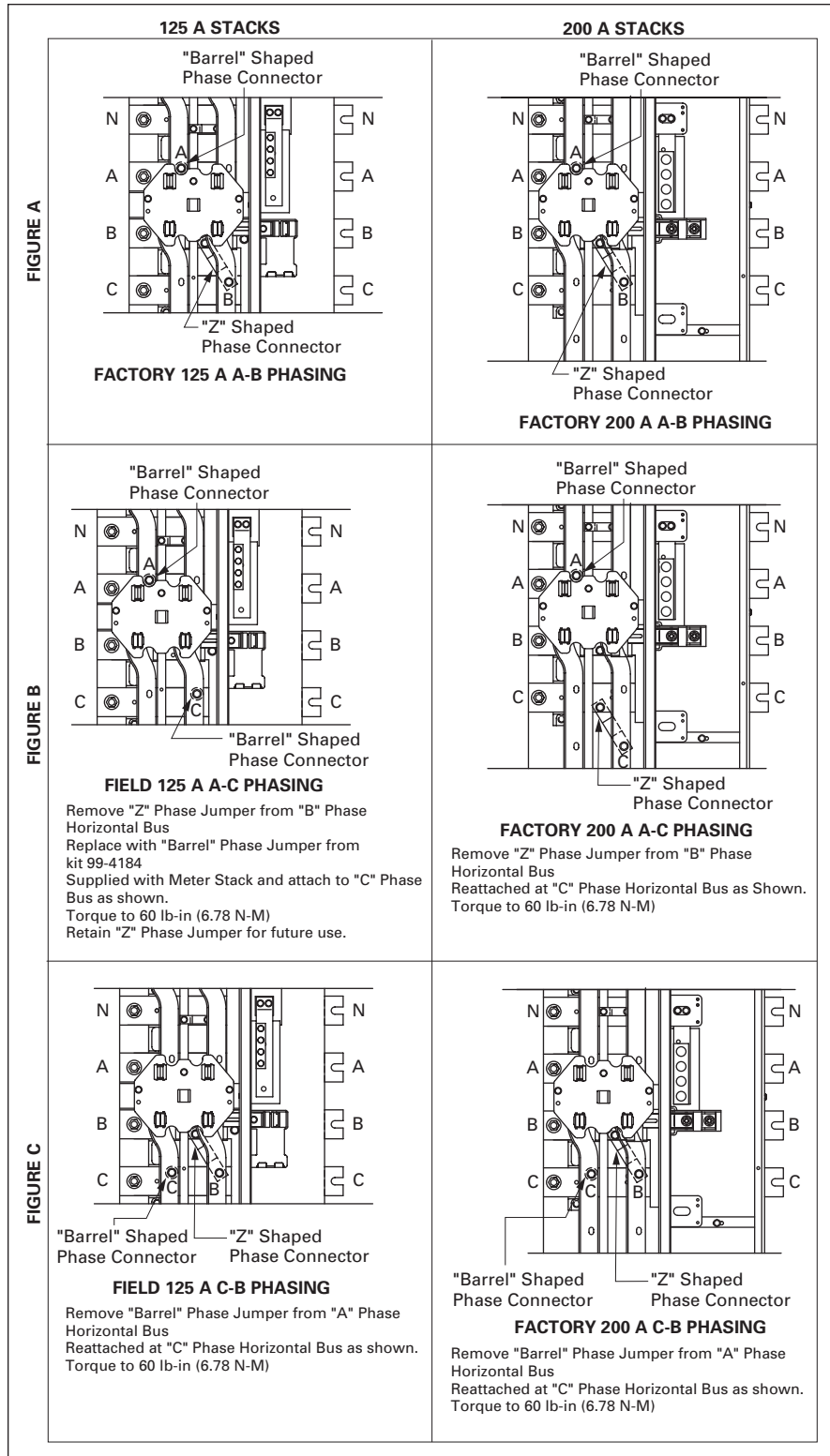


Figure 5-40. Phase Balancing

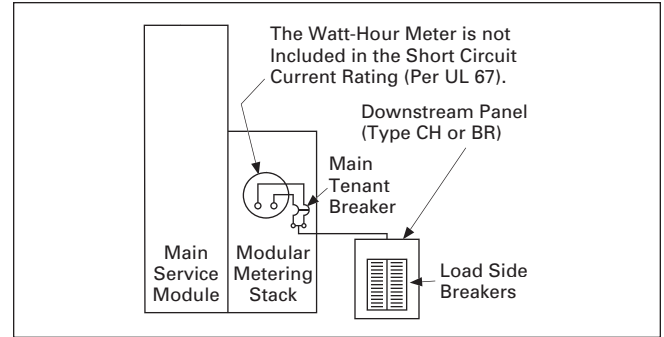


**Series Combination Short Circuit Ratings**

**Application Description**

When main tenant breakers are installed in Eaton’s Cutler-Hammer modular metering stack per the table below, the branch breakers installed in Cutler-Hammer downstream panel rated 10,000 AIC or greater are protected to the listed series AIC rating. Refer to the downstream panel marking for the proper series combination short circuit ratings.

Replacement or additional breakers shall be of the same manufacture and type and shall have an interrupting rating equal to or greater than the interrupting rating of any main tenant breaker installed.



**Figure 5-41. Series Combination Short Circuit Ratings**

**Table 5-41. Series Combination Short Circuit Ratings — 240 Vac**

Main Module Overcurrent Device Breaker Type or Class Fuse	System AIC Rating 120/240 Vac Maximum	Meter Module Tenant Feeder Breaker Type 1MM, 3MM, 35MM, 37MM, 35SS, 37SS or Loadcenter Main Breaker	Tenant Feeder Breaker Short Circuit Rating	Loadcenter Branch Breaker (1-, 2- or 3-Pole)
None	10,000	None	—	BD, BR, BRD, BQ, BQC, GFCB, CH, CHT, CH3, CH-GFCI
Without Main Disconnect. Cable Tap Box Type 1MTB_, 3MTB_	10,000	BR_, CC_, BW_	10,000	
	22,000	BRH_	22,000	
	25,000	BWH_, CHH_H2	25,000	
	42,000	BRHH_, CHH_H4	42,000	
	100,000	CHH	100,000	
Main Switch Module Type 1MFS_, 3MFS_ with Class T Fuse, 400 Ampere Maximum	42,000	BRH	22,000	CH, CHT, CH3, CH-GFCI
Main Switch Module Type 1MFS_, 3MFS_ with Class T Fuse, 600 Ampere Maximum	100,000	BRH_	22,000	BD, BR, BRD, BQ, BQC, GFCB
	42,000	BRHH	42,000	CH, CHT, CH3, CH-GFCI
Main Switch Module Type 1MFS_, 3MFS_ with Class T Fuse, 800 Ampere Maximum	10,000	BR_, CC_, BW_	10,000	BD, BR, BRD, BQ, BQC, GFCB, CH, CHT, CH3, CH-GFCI
	22,000	BRH_	22,000	
	100,000 ①	BRH_	22,000	
	25,000	BWH_, CHH_H2	25,000	
	42,000	BRHH_, CHH_H4	42,000	
	100,000 ①	BRHH_, CHH_H4	42,000	
	100,000	CHH	100,000	BD, BR, BRD, BQ, BQC, GFCB, CH, CHT, CH3, CH-GFCI
Main Switch Module Type 1MFS_, 3MFS_ with Class T Fuse, 1200 Ampere Maximum	100,000	BRHH	42,000	BD, BR, BRD, BQ, BQC, GFCB, CH, CHT, CH3, CH-GFCI
Main Switch Module Type 1BPS_, 3BPS_ with Class L Fuse, 1200 – 1600 Amperes	10,000	BR_, CC_, BW_	10,000	BD, BR, BRD, BQ, BQC, GFCB, CH, CHT, CH3, CH-GFCI
	22,000	BRH_	22,000	
	25,000	BWH_, CHH_H2	25,000	
	42,000	BRHH_, CHH_H4	42,000	
	100,000	CHH_	100,000	
Main Breaker Module Type 1MCB_, 3MCB_ with LC, LD, LSE (600 Ampere Maximum) MC, MA, MDL (800 Ampere Maximum)	10,000	BR_, CC_, BW_	10,000	BD, BR, BRD, BQ, BQC, GFCB, CH, CHT, CH3, CH-GFCI
	22,000	BRH_	22,000	
	25,000	BWH_, CHH_H2	25,000	
	42,000	BRHH_, CHH_H4	42,000	
Main Breaker Module Type 1MCB_, 3MCB_ with ND 1200 Ampere Maximum	100,000	CHH_	100,000	BD, BR, BRD, BQ, BQC, GFCB, CH, CHT, CH3, CH-GFCI
	65,000	BRHH_	42,000	BD, BR, BRD, BQ, BQC, GFCB
Main Breaker Module Type 1MCB_, 3MCB_ with LHE, HLD, LDC (600 Ampere Maximum) HMDL (800 Ampere Maximum) NBY, HND, NDC (1200 Ampere Maximum)	10,000	BR_, CC_, BW_	10,000	BD, BR, BRD, BQ, BQC, GFCB, CH, CHT, CH3, CH-GFCI
	22,000	BRH_	22,000	
	25,000	BWH_, CHH_H2	25,000	
	42,000	BWH_, CHH_H4	42,000	
	100,000	CHH_	100,000	

① 100,000 with Class T fuse, 600 ampere maximum.

Series Combination Short Circuit Ratings

Series Combination Short Circuit Rating

**Note:** The ratings for both 125 and 200 ampere tenant positions apply to both type BR and CH loadcenters and 10,000 AIC branch breakers.

1MP 125 Ampere Meter Module

This All-in-One Meter Module is UL listed for the short circuit rating at 240 Vac maximum in rms symmetrical amperes per table below.

Table 5-42. 1MP 125 Ampere Meter Module

Tenant Breaker Catalog Number 2-Pole	Amperes Maximum	UL Listed Series Short Circuit Rating
BRHH_____	125	42,000 AIC
BRH_____	125	22,000 AIC
BR_____	125	10,000 AIC

When Type BRHH or BRH tenant breakers are installed in this meter module, then Eaton's Cutler-Hammer breakers rated 10,000 AIC or greater installed on the load side of this meter module may be protected for short circuits up to 22,000 AIC with Type BRH breakers or 42,000 AIC with Type BRHH breakers.

See load side breaker panel marking for proper short circuit current rating.

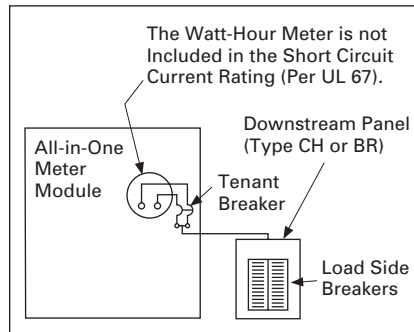


Figure 5-42. 1MP 125 Ampere Meter Module

1MP 200 Ampere Meter Module

This All-in-One Meter Module is UL listed for the short circuit rating at 240 Vac maximum in rms symmetrical amperes per table below.

Table 5-43. 1MP 200 Ampere Meter Module

Tenant Breaker Catalog Number 2- or 3-Pole	Amperes Maximum	UL Listed Series Short Circuit Rating
CHH_____	200	100,000 AIC
CHH_____H4	200	42,000 AIC
CHH_____H2	200	25,000 AIC
CC_____	200	10,000 AIC

When Type CHH tenant breakers are installed in this meter module, then Cutler-Hammer breakers rated 10,000 AIC or greater installed on the load side of this meter module may be protected for short circuits up to 100,000 AIC.

See load side breaker panel marking for proper short circuit current rating.

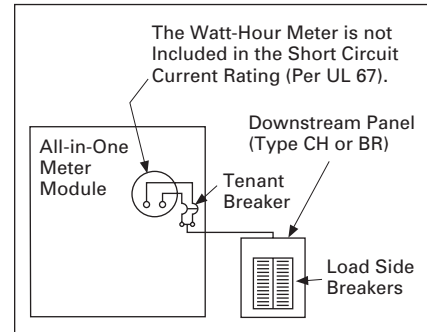


Figure 5-43. 1MP 200 Ampere Meter Module

**Series Combination Short Circuit Rating**

**General**

When tenant breakers are installed in Eaton's Cutler-Hammer metering modules per the short circuit current ratings below, the branch breakers installed in Cutler-Hammer downstream panel rated 10,000 AIC or greater are protected to the listed series AIC rating. Refer to the downstream panel marking for the proper series combination short circuit ratings. These ratings apply to both loadcenter Types BR and CH.

The short circuit rating is limited to the lowest interrupting rating of any tenant breaker installed or to the lowest marked interrupting rating of the main switch, main breaker, or main lug modules.

Replacement or additional breakers shall be of the same type and manufacturer and shall have an interrupting rating equal to or greater than the interrupting rating of any tenant breaker presently installed in the meter module.

**1MM, 3MM 125 Ampere Meter Module**

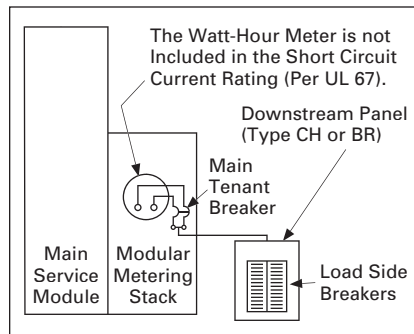
When used with main switch, main breaker, or main lug modules, this meter module is UL listed for the short circuit rating at 240 Vac maximum in rms symmetrical amperes per table below.

**Table 5-44. 1MM, 3MM 125 Ampere Meter Module**

Tenant Breaker Catalog Number 2-Pole	Amperes Maximum	UL Listed Series Short Circuit Rating
BRHH_____	125	42,000 AIC
BRH_____	125	22,000 AIC
BR_____	125	10,000 AIC

When Type BRHH or BRH tenant breakers are installed in this meter module, then Cutler-Hammer breakers rated 10,000 AIC or greater installed on the load side of this meter module may be protected for short circuits up to 22,000 AIC with Type BRH breakers or 42,000 AIC with Type BRHH breakers.

See load side breaker panel marking for proper short circuit current rating.



**Figure 5-44. 1MM, 3MM 125 Ampere Meter Module**

**1MM, 3MM, 200 Ampere Meter Modules, 35MM, 37MM, 35SS and 37SS 225 Ampere Meter Modules**

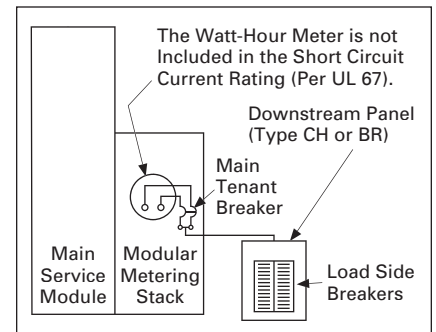
When used with Main Switch, main breaker, or main lug modules, these meter modules are UL listed for the short circuit rating at 240 Vac maximum in rms symmetrical amperes per table below.

**Table 5-45. 1MM, 3MM, 200 Ampere Meter Modules, 35MM, 37MM, 35SS and 37SS 225 Ampere Meter Modules**

Tenant Breaker Catalog Number 2- or 3-Pole	Amperes Maximum		UL Listed Series Short Circuit Rating
	1MM 3MM 200 A	35MM, 37MM, 35SS, 37SS 225 A	
CHH_____	200	225	100,000 AIC
CHH_____H4	200	225	42,000 AIC
CHH_____H2	200	225	25,000 AIC
CC_____	200	225	10,000 AIC

When Type CHH tenant breakers are installed in these meter modules, then Cutler-Hammer breakers rated 10,000 AIC or greater installed on the load side of these meter modules may be protected for short circuits up to 100,000 AIC.

See load side breaker panel marking for proper short circuit current rating.



**Figure 5-45. 1MM, 3MM, 200 Ampere Meter Modules, 35MM, 37MM, 35SS and 37SS 225 Ampere Meter Modules**

## Product Specifications

### Ratings

- A. The assembly shall be rated to withstand mechanical forces exerted during short circuit conditions when connected directly to a power source having available fault current [22,000] [42,000] [65,000] [100,000] amperes symmetrical at rated voltage.

### Construction

- A. The entire assembly shall be front accessible and shall include [main lugs] [a main disconnect device].
- B. Tenant disconnects shall be wired for cold sequence and shall be molded case circuit breakers.
- C. The meter sockets shall be [ring-] [ringless-] type rated [125 amperes] [200 amperes] [as shown on the plans] and a bypass [shall be] [shall not be] required. If required, the bypass shall be a [slider-] [horn-] [lever-] [disconnect block-] type. The meter sockets and associated branch protective device positions shall be completely prewired and shipped ready for installation of the meters and tenant main breakers. Meter sockets shall include covers with sealing positions.

### Bus

- A. All bus bars shall be [tin-plated aluminum or copper]. Main horizontal bus bars shall be mounted with all three phases arranged in the same vertical plane. Bus sizing shall be based on UL standard temperature rise criteria for multiple metering equipment.
- B. Provide a full capacity neutral bus where a neutral bus is indicated on the drawings.
- C. All hardware used for bus bar connections shall be high-tensile strength, zinc-plated. Provide Belleville-type spring washers for all bus joints.

### Wiring/Terminations

- A. [Mechanical-type terminals] [Crimp-type termination provisions] shall be provided for all line terminations suitable for copper or aluminum cable and rated at 75°C.
- B. Lugs shall be provided in the incoming line section for connection of the main grounding conductor.

### Main Circuit Protective Devices

- A. Main protective devices shall be [molded case circuit breakers] [bolted pressure switches] [quick-make/quick-break fusible switches].

### Molded Case Circuit Breakers

- A. [Main] [Feeder] [All] protective devices shall be molded case circuit breakers with inverse time and instantaneous tripping characteristics.
- B. Circuit breakers shall be operated by a toggle-type handle and shall have a quick-make/quick-break over-center switching mechanism that is mechanically trip-free. Automatic tripping of the breaker shall be clearly indicated by the handle position. Contacts shall be nonwelding silver alloy and arc extension shall be accomplished by means of DE-ION® arc chutes.
- C. Circuit breakers shall have a minimum symmetrical interrupting capacity as indicated on the drawings.
- D. Circuit breakers [250-] [400-] [600-] [1200-] ampere frame and below shall be manufactured by Eaton with thermal-magnetic or electronic trip units having inverse time-current characteristics.
- E. Circuit breakers shall be UL listed for series application.

### Bolted Pressure Switches

- A. Main protective devices shall be bolted pressure contact type and shall be UL listed.
- B. Fusible switches shall be furnished with class L fuse clips. Switch contact interrupting capacity shall be 12 times the continuous rating of the switch.
- C. Fuse access door shall be mechanically interlocked with the operating handle and shall have provisions for padlocking the switch in the open position.
- D. The switch shall utilize a stored energy deadfront operating mechanism compressed and released by the operating handle, to provide quick positive switching action, independent of the operating handle.
- E. Switches shall be manually operated.

### Quick-Make/Quick-Break Fusible Switches

- A. Fusible switches 30 ampere through 1200 ampere frames shall be furnished with 300 volt Class T-type fuse clips unless otherwise scheduled.
- B. Switches shall incorporate safety cover interlocks to prevent opening the cover with the switch in the ON position.
- C. Provide defeater for authorized personnel.
- D. Handles shall have provisions for padlocking and shall clearly indicate the ON or OFF position.
- E. Front cover doors shall be padlockable in the closed position.
- F. Main protective devices shall be quick-make/quick-break fusible switches as manufactured by Eaton.

### Tenant Utility Metering

- A. For EUSERC serviced areas, meter centers shall incorporate metering sections with tenant feeder circuits using ring-type meter sockets rated [125] [200] amperes to meet local utility and/or customer requirements.
- B. The self-contained meter sockets shall include a test bypass/disconnect block per EUSERC requirements,  
– OR –
- A. For non-EUSERC serviced areas, meter centers shall incorporate metering sections with tenant feeder circuits using [ring-] [ringless-] type meter sockets rated [125] [200] [320] amperes to meet local utility or customer requirements. Provide meter sockets with individual covers having sealing provisions.
- B. Meter sockets shall have manual bypass and optional internal barriers.

### Enclosures

- A. NEMA 1 Enclosure  
– OR –
- A. Outdoor NEMA 3R Surface-Mounted Enclosure

### Finish

- A. Boxes and trims shall be bonderized and finished with ANSI 61 light gray enamel.

For a complete product specification in CSI format, see Cutler-Hammer Product Specification Guide. . . . . **Section 16432**

## Residential Meter Breakers



Residential Meter Breakers

### Product Description

A meter breaker is service entrance equipment that consists of a single meter socket and loadcenter (circuit breaker distribution section) or meter socket and main breaker combined in one enclosure. Sometimes called Combos, All-in-Ones, Meter Centers or Meter Mains these units are increasing in popularity as the socket and load-center or main breaker are located in one location, thus providing the contractor with a labor and material savings when installing.

### Application Description

In addition to residential installations, meter breakers are equally applicable for rural service entrance, mobile homes, and construction site temporary power. Meter breakers are most often sold in the western, southwestern and southeastern United States. The popularity of meter breakers is continuing to increase as more utilities deregulate and pass the responsibility of supplying wathour meter sockets on to the electrical contractor.

### Application Considerations

We have the meter breaker to meet your application. Eaton offers:

- Non-EUSERC.
- EUSERC/West Coast (Electrical Utility Service Equipment Requirements Committee).
- House Panels.
- Commercial Safety Sockets.

#### Non-EUSERC (Pages 5-54 and 5-56)

Cutler-Hammer line of non-EUSERC meter breakers are designed for customers served by utilities that are not members of EUSERC.

#### EUSERC/West Coast (Pages 5-55 through 5-65)

Cutler-Hammer line of EUSERC required devices adhere to the agreed upon standards. EUSERC utilities are predominately located in the western United States, but some eastern and midwestern utilities are also members. **These units can also be used in many Non-EUSERC areas.**

#### House Panels (Pages 5-80 through 5-85)

#### CH Style (Pages 5-80 through 5-86)

#### BR Style (Pages 5-84 through 5-85)

Meter breaker device rated at 300 – 400 amperes. Applied in EUSERC and non-EUSERC areas.

#### Commercial Safety Sockets (Pages 5-87 through 5-90)

Applied in EUSERC and non-EUSERC service areas and used in commercial applications.

### Standards and Certifications

- UL Specification 414 (socket).
- UL File Number E52977.
- AEIC-EEI-NEMA Standards (MSJ-7).
- Meet EUSERC Utility requirements where noted.
- Documented Seismic Qualified — UBC® and CBC Title 24.
- UL Specification 67 (panel).

### Product Specification

- Ratings single-phase, 3-wire, 120/240 Vac.
- 100 – 225 ampere main breaker and main lug types.
- 10,000 amperes rms symmetrical short circuit rating.

### Features, Benefits and Functions

- Both Type BR and CH branch circuit breaker styles available.
- Meets latest NEC® wire bending space requirements.
- Slotted sealing screws at hub with sealing provision provided.
- Surface units are supplied with mounting tabs.
- Semi-flush units are supplied with stucco flange.
- Meter socket ring landing will accept locking security rings.
- Overhead or underground service.
- Fifth jaw can be installed in the 3 o'clock or 9 o'clock position.
- Semi-flush with nail flange or surface mounting.
- Meter mounting and underground pull sections are utility sealable.
- Units are rated a minimum of 10 kAIC; some units are 22 kAIC.
- Numerous units supplied with center keyhole for ease of mounting.
- NEMA 3R rainproof construction.

### Technical Data and Specifications

Consult TD.31F.01.T.E for dimensions, wiring diagrams and knockouts.

Residential

**Non-EUSERC Combination Service Entrance Devices 100 – 200 Ampere Styles**

**Features, Benefits and Functions**

5

**Meter Mains and All-in-Ones**

- Single-phase, 3-wire, 120/240 Vac, 10,000 AIC.
- Larger lay-in lugs and 3-inch (76.2 mm) knockouts for ease of installation.
- Box-type main lugs included.
- Factory-installed neutral.
- Hub provisions on top endwall. If hubs are required, order "DS" style.
  - WMB style uses RH type hub
- Ring, ringless and ringless with horn bypass styles available.
- Ringless style, provided with embossed covers and security latch for utility company lock.
- Padlockable device covers provide additional measure of safety and help prevent tampering.
- NEMA 3R rainproof construction.

**Meter Mains**

- Meter socket and main breaker.
- Stainless steel latches on meter compartments in MBP types.
- No distribution section included.

**All-in-Ones**

- Meter socket and loadcenter distribution section.
- Stainless steel latches on meter compartments.
- Several designs with horn bypass and fifth jaw.
- Center-fed main breaker, lugs or provision. Uses Type BR 1-inch (25.4 mm) wide branch breakers.
- Special channel for top exit.

**Standard Design Non-EUSERC Panel**



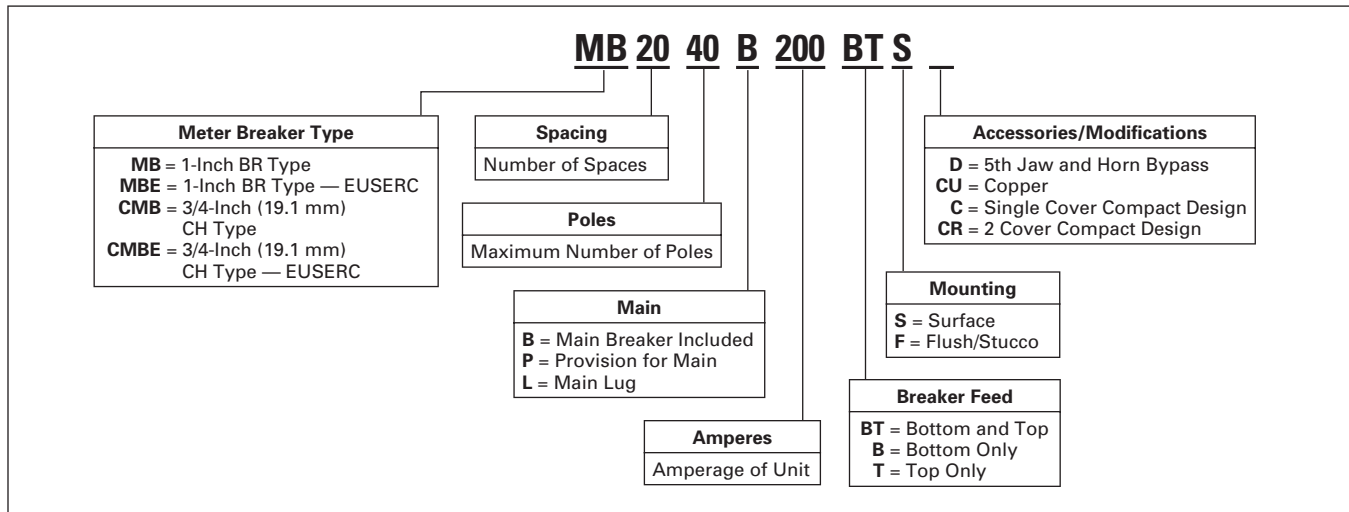
Non-EUSERC Panel

**Compact Design Non-EUSERC Panel**



Compact Design

Table 5-46. Catalog Numbering System (Applies to New Designs Only)



**Meets EUSERC Requirements  
Service Entrance Devices  
100 – 225 Amperes**



*Meets EUSERC Requirements Service Entrance Devices 100 – 225 Amperes*

**Product Description**

Eaton is proud to introduce a new line of Cutler-Hammer West Coast/EUSERC Meter Breaker units. The new EUSERC devices complement the existing standard meter breaker devices. Customers who are interested in the complete meter breaker line of products can refer to Technical Data TD.31F.01.T.E

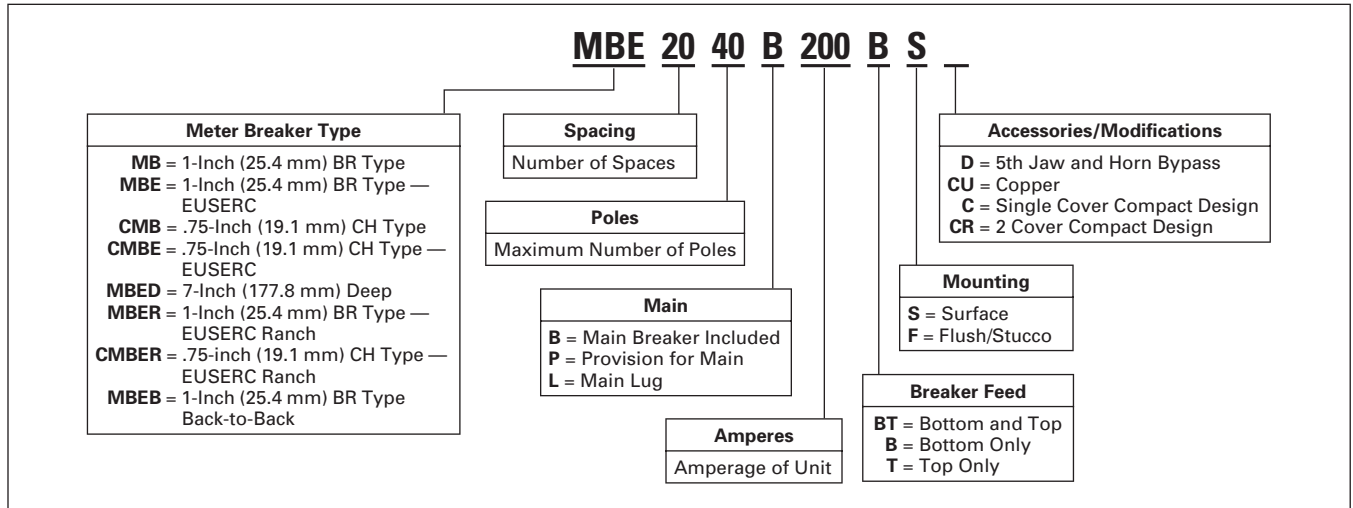
**Features, Benefits and Functions**

- Single-phase, 3-wire, 120/240 volt, 10,000 AIC.
- Larger 300 kcmil lugs and additional knockouts for ease of installation.
- Box type main lugs are included.
- Factory installed neutrals.
- Hub provisions on top endwall. If hubs are required, order "DS" type hubs.
- Ring type sockets are provided with a sealing ring.
- Padlockable device covers provide an additional measure of security, and help prevent tampering.
- Most units have center keyhole for easy one-person installation.
- Clip-Tight™ socket has reduced connections. This offers fewer hot spots and improves socket integrity.
- NEMA 3R rainproof construction.

**5**

**Product Selection**

**Table 5-47. Catalog Numbering System (Applies to New Designs Only)**



Residential

Product Selection

Table 5-48. Combination Service Entrance Devices — Non-EUSERC

Ampere Rating	Bypass	Service	kAIC	Jaws	Distribution	Main	Branch Breaker Type	Dimensions & Enclosure Shape <sup>①</sup>	Figure Numbers		Catalog Number	Price U.S. \$
									Wiring <sup>②</sup>	Knockout <sup>②</sup>		
<b>Ring Style Meter Mains (no distribution section included)</b>												
100	None	OH	③	4	None	Provision <sup>④</sup>	None	8	—	—	WMB102RN	
150	None	OH/UG	10	4	None	CSH2150	None	13	5-95	5-113	MBB150BTSCR <sup>⑨</sup>	
150	None	OH/UG	22	4	None	CSH2150	None	3	5-59	5-103	CMBB150BTS <sup>⑨⑩</sup>	
200	None	OH/UG	10	4	None	CSH2200	None	13	5-95	5-113	MBB200BTSCR <sup>⑨</sup>	
200	None	OH/UG	③	4	None	Provision <sup>⑥⑦</sup>	None	3	5-59	5-103	CMBP200BTS <sup>⑨⑩</sup>	
200	None	OH/UG	22	4	None	CSH2200	None	3	5-59	5-103	CMBB200BTS <sup>⑨⑩</sup>	
<b>Ringless Meter Mains (no distribution section included)</b>												
150	None	OH/UG	10	4	None	CSH2150	None	13	5-95	5-113	MBB150BTSC <sup>⑪</sup>	
200	None	OH/UG	10	4	None	CSH2200	None	9	5-96	5-112	MBB200BTS <sup>⑪</sup>	
200	None	OH/UG	10	4	None	CSH2200	None	13	5-95	5-113	MBB200BTSC <sup>⑪</sup>	
150	None	OH/UG	10	4	None	CSH2125	None	9	5-96	5-112	MBB150BTS	
200	None	OH/UG	③	4	None	Provision <sup>⑤</sup>	None	9	5-96	5-112	MBP200BTS <sup>⑫</sup>	
200	Horn	OH/UG	③	5	None	Provision <sup>⑤⑥</sup>	None	11	5-96	5-112	MBP200SD <sup>⑬</sup>	
200	Horn	OH/UG	③	5	None	Provision <sup>⑤⑥</sup>	None	9	5-96	5-112	MBP200BTSD	
100	Horn	OH/UG	10	5	None	Provision	None	15	—	5-114	CHMMB100BTS	
150	Horn	OH/UG	10	5	None	BWH2150	None	16	—	5-115	CHMMB150BTS	
200	Horn	OH/UG	10	5	None	BWH2200	None	16	—	5-115	CHMMB200BTS	

- ① See Page 5-65 for box details.
- ② See drawings for hub information knockout.
- ③ Per installed main breaker rating.
- ④ Provision for main is provided. WMB style devices accept Main Breaker style BR, 2-Pole.
- ⑤ When a provision for main is provided, order one of the main breakers listed in Table 5-49. Panels are dual labeled to accept Types BW or CSR Main Breakers.
- ⑥ MCBK225 lug kit is needed for load side cable connection for Meter Mains. Please order separately.
- ⑦ When a provision for main is provided, order one of the main breakers listed in this table. Panels are labeled to accept Type CSR Main Breakers.
- ⑧ Panels are specifically designed for the Georgia Power Service Territory, but may be used in any service territory that has the same design requirements.
- ⑨ Copper bus.
- ⑩ One-piece cover on utility side, Florida approved.
- ⑪ Single cover design.
- ⑫ Xcel approved.



**Product Selection**

**Table 5-48. Combination Service Entrance Devices — Non-EUSERC (Continued)**

Ampere Rating	Bypass	Service	kAIC	Jaws	Distribution	Main	Branch Breaker Type	Dimensions & Enclosure Shape <sup>①</sup>	Figure Numbers		Catalog Number	Price U.S. \$
									Wiring <sup>②</sup>	Knockout <sup>②</sup>		
<b>Ring Style All-in-Ones (includes distribution section)</b>												
125	None	OH/UG	③	4	④	None — Refer to Distribution	BR	1	⑤	—	WMB1224SCN	
150	None	OH/UG	③	4	2/4	CSH2150	CH	2	5-61	5-103	CMB24L125BTS <sup>⑥⑦</sup>	
150	None	OH/UG	22	4	8	CSH2150	CH	3	5-60	5-103	CMB88B150BTS <sup>⑥⑦</sup>	
200	None	OH/UG	10	4	4/8	BWH2200	BR	3	5-73	5-103	MB48B200BTS <sup>⑦⑧</sup>	
200	None	OH/UG	22	4	8	CSH2200	CH	3	5-60	5-103	CMB88B200BTS <sup>⑥⑦⑧</sup>	
200	None	UG	22	4	32/42	CSH2200	CH	7	5-56	5-101	CMB3242B200BS <sup>⑥⑦</sup>	
200	None	OH/UG	22	—	42/42	—	CH	—	—	—	CMB4242B200BTS <sup>⑥</sup>	
<b>Ringless All-in-Ones (includes distribution section)</b>												
125	None	OH/UG	22	4	4/8	BWH2125	BR	21	—	5-111	MBT48B125BTS	
150	None	OH/UG	22	4	4/8	BWH2150	BR	21	5-90	5-111	MBT48B150BTS	
150	Horn	OH/UG	10	5	8/16	BW2150	BR	11	—	—	MB816B150STD <sup>⑨</sup>	
150	Horn	OH/UG	10	5	20/40	BW2150	BR	11	5-98	5-112	MB2040B150SD <sup>⑨</sup>	
200	None	OH/UG	10	4	8/16	BWH2200	BR	10	5-97	5-112	MB816B200BTS <sup>⑦⑧</sup>	
200	None	OH/UG	10	4	8/16	BWH2200	BR	10	5-97	5-112	MB816B200BTS <sup>⑥⑦⑧</sup>	
200	Horn	OH/UG	③	4	8/16	BW2200	BR	11	—	—	MB816B200STD <sup>⑨</sup>	
200	None	OH/UG	③	4	8/16	Provision <sup>⑤</sup>	BR	10	5-97	5-112	MB816P200BTS <sup>⑦⑧</sup>	
200	None	OH/UG	③	4	8/16	Provision <sup>⑤</sup>	BR	10	5-97	5-112	MB816P200BTSCU <sup>⑥⑦⑧</sup>	
200	Horn	OH/UG	③	5	8/16	Provision <sup>⑤</sup>	BR	11	5-97	5-112	MB816P200STD <sup>⑧⑨</sup>	
200	Horn	OH/UG	③	5	8/16	Provision <sup>⑤</sup>	BR	10	5-97	5-112	MB816P200BTD <sup>⑧</sup>	
200	None	OH/UG	10	4	12/12	CSH2200	CH	10	5-81	5-105	CMB1212B200BTS <sup>⑥⑦⑧</sup>	
200	None	OH/UG	③	4	6 – 2 Pole	Main Lugs	CH	9	5-84	5-105	CMB1212L200BTS <sup>⑥⑧</sup>	
200	None	OH/UG	③	4	12/12	Provision <sup>⑤</sup>	CH	10	5-81	5-105	CMB1212P200BTS <sup>⑥⑦⑧</sup>	
200	None	OH/UG	③	4	6 – 2 Pole	Main Lugs	BR	9	5-82	5-105	MB1212L200BTS <sup>⑧</sup>	
200	None	OH/UG	22	4	24/24	CSH2200	CH	10	5-83	5-113	CMB2424B200BTS <sup>⑥⑦</sup>	
200	None	OH/UG	22	4	24/36	CSH2200	CH	10	5-89	5-113	CMB2436B200BTS <sup>⑥</sup>	
200	None	OH/UG	10	4	20/40	BWH2200	BR	10	5-98	5-112	MB2040B200BTS <sup>⑦</sup>	
200	None	OH/UG	③	4	20/40	Provision <sup>⑤</sup>	BR	10	5-98	5-112	MB2040P200BTS <sup>⑦</sup>	
200	Horn	OH/UG	③	5	20/40	Provision <sup>⑤</sup>	BR	11	5-98	5-112	MB2040P200SD <sup>⑨</sup>	
200	Horn	OH/UG	10	5	20/40	BWH2200	BR	10	5-98	5-112	MB2040B200SD <sup>⑨</sup>	
200	Lever	OH/UG	10	5	None	CSH2200	None	14	5-91	5-108	CMBXB200BTS <sup>⑩</sup>	
200	Lever	OH/UG	10	5	12/12	CSH2200	CH	14	5-93	5-108	CMBX1212B200BTS <sup>⑥⑧</sup>	
200	Lever	OH/UG	10	5	32/42	CSH2200	CH	14	5-92	5-108	CMBX3242B200BTS <sup>⑥</sup>	
200	Lever	OH/UG	10	5	None	Provision	None	14	5-91	5-108	CMBXP200BTS <sup>⑩</sup>	
200	Lever	OH/UG	10	5	12/12	Provision	CH	14	5-93	5-108	CMBX1212P200BTS <sup>⑥⑧</sup>	
200	Lever	OH/UG	10	5	32/42	Provision	CH	14	5-92	5-108	CMBX3242P200BTS <sup>⑥</sup>	
200	None	OH/UG	③	4	4/8	Provision	BR	21	5-90	5-111	MBT48P200BTS <sup>⑧</sup>	
200	None	OH/UG	22	4	4/8	BWH2200	BR	21	5-90	5-111	MBT48B200BTS <sup>⑧</sup>	

- ① See Page 5-65 for box details.
- ② See knock-out drawings for hub information.
- ③ Per installed main breaker rating.
- ④ Will accept maximum four 1-pole, two 2-pole, or two quad breakers.
- ⑤ When a provision for main is provided, order one of the main breakers listed in Table 5-49. All panels are dual labeled to accept Types BW or CSR Main Breakers.
- ⑥ Copper bus.
- ⑦ One-piece cover on utility side, Florida approved.
- ⑧ Units come with feed-through lugs.
- ⑨ Xcel approved.

**Table 5-49. Main Breaker Selection Chart**

Maximum Ampere Rating	2-Pole Breaker Catalog Numbers					
	10 kAIC	Price U.S. \$	22 kAIC	Price U.S. \$	22 kAIC	Price U.S. \$
100	BW2100		BWH2100		CSR2100N	
125	BW2125		BWH2125		CSR2125N	
150	BW2150		BWH2150		CSR2150N	
200	BW2200		BWH2200		CSR2200N	
Load Side Lug Kit for BW and CSR Breakers <sup>⑩</sup>					MCBK225	

<sup>⑩</sup> When a provision for main is provided, order one of the main breakers listed in this table. All panels are dual labeled to accept Types BW, BWH and CSR Main Breakers.

Residential

Table 5-50. Combination Service Entrance Devices (EUSERC)

Amp. Rating	By-pass	Service	kAIC	Jaws	Distri-bution	Main	Branch Breaker Type	Dimen-sions & Enclosure Shape ①	Figure Numbers		Catalog Number	Price U.S. \$	Flush	Price U.S. \$
									Wir-ing	Knock-out ②				
125	None	OH/UG	③	4	2/4	MLO	BR	2	5-71	5-103, 5-102	MBE24L125BTS		MBE24L125BTF	
125	None	OH/UG	③	4	2/4	MLO	CH	2	5-61	5-103	CMBE24L125BTS ④		—	
150	None	OH/UG	22	4	None	CSH2150N	None	3	5-59	5-103	CMBE150BTS ④		—	
200	None	OH/UG	10	4	None	BWH2200	None	3	5-75	5-103, 5-102	MBEB200BTS		MBEB200BTF	
200	None	OH/UG	22	4	None	CSH2200N	None	3	5-59	5-103	CMBE150BTS ④		—	
200	None	OH/UG	③	4	2/4	MLO	BR	3	5-72	5-103, 5-102	MBE24L200BTS		MBE24L200BTF	
200	None	OH/UG	③	4	2/4	MLO	CH	3	5-63	5-103	CMBE24L200BTS ④		—	
<b>Ring Style Meter Mains (no distribution section included)</b>														
100	None	OH/UG	10	4	12/24	BR2100	BR	2	5-62	5-103, 5-102	MBE1224B100BTS		MBE1224B100BTF	
100	None	UG	10	4	14/28	BR2100	BR	4	5-66	5-101, 5-100	MBE1428B100BS		MBE1428B100BF	
100	None	OH	10	4	12/24	BR2100	BR	9	5-99	5-105	MBE1224B100TS		—	
125	None	OH/UG	10	4	12/24	BR2125	BR	2	5-62	5-103, 5-102	MBE1224B125BTS		MBE1224B125BTF	
125	None	OH	10	4	12/24	BR2125	BR	9	5-99	5-105	MBE1224B125TS		—	
125	None	UG	10	4	18/36	BR2125	BR	5	5-65	5-100	—		MBE1836B125BF	
150	None	OH/UG	10	4	4/8	BWH2150	BR	19	—	—	MBER48B150BTS ⑤⑩		—	
150	None	OH/UG	22	4	8/8	CSH2150N	CH	19	—	—	CMBER88B150BTS ④⑤⑩		—	
150	None	OH/UG	22	4	8	CSH2150N	CH	3	5-60	5-103, 5-102	CMBE88B150BTS ④⑤		CMBE88B150BTF ④⑤	
150	None	UG	22	4	32/42	CSH2150N	CH	7	5-56	5-101	CMBE3242B150BS ④		—	
150	None	UG	10	4	20/40	BWH2150	BR	6	5-64	5-100	—		MBE2040B150BF ⑦	
150	None	OH/UG	22	4	20/40	BWH2150	BR	—	5-68	—	MBE2040B150BTS ⑦		—	
150	None	OH/UG	10	4	4/8	BWH2150	BR	3	5-73	5-103	MBE48B150BTS		—	
200	None	OH/UG	10	4	4/8	BWH2200	BR	3	5-73	5-103, 5-102	MBE48B200BTS ⑤		MBE48B200BTF ⑤	
200	None	OH/UG	22	4	8	CSH2200N	CH	3	5-60	5-103, 5-102	CMBE88B200BTS ④⑤		CMBE88B200BTF ④⑤	
200	None	OH/UG	10	4	8	BWH2200	BR	3	5-74	5-103	MBE88B200BTS		—	
200	None	OH/UG	③	4	4/8	BWH2200	BR	19	5-88	5-107	MBER48B200BTS ⑤⑩		—	
200	None	OH/UG	22	4	8/8	CSH2200N	CH	19	5-87	5-107	CMBER88B200BTS ④⑤⑩		—	
200	None	OH/UG	③	4	8/16	Provision	BR	10	5-76	5-105	MBE816P200TSCU ④⑥		—	
200	None	OH	③	4	8/16	Provision	BR	10	5-76	5-105	MBE816P200TS ⑤⑥		—	
200	None	UG	③	4	6 – 2 Pole	Main Lug	CH	5	5-58	5-101, 5-100	CMBE1212L200BS ④		MBE1212L200BTF	
200	None	OH/UG	③	4	6 – 2 Pole	Main Lug	BR	9	5-78	5-100, 5-101	MBE1212L200BTS		—	
200	None	OH	10	4	20/40	BWH2200	BR	10	5-77	5-105, 5-104	MBE2040B200TS ⑦		MBE2040B200TF ⑦	
200	None	UG	10	4	20/40	BWH2200	BR	6	5-64	5-101, 5-100	MBE2040B200BS ⑦		MBE2040B200BF ⑦	
200	None	OH/UG	22	4	20/40	BWH2200	BR	—	5-68	—	MBE2040BH200BTS ⑦		—	
200	None	OH/UG	22	4	20/40	BWH2200	BR	—	5-68	—	MBE2040BH200BTF ⑦		—	
200	None	UG	22	4	30/42	BWH2200	BR	7	5-69	—	—		MBE3042B200BF	
200	None	UG	22	4	32/42	CSH2200N	CH	7	5-56	5-101, 5-100	CMBE3242B200BS ④		CMBE3242B200BF ④	
200	None	OH	22	4	40	BWH2200	BR	12	5-86	5-106	MBE4040B200BSH ⑧		—	
200	None	OH/UG	22	4	40	BWH2200	BR	12	5-86	5-106	MBE4040B200BTS		MBE4040B200BTF ⑨	
200	None	OH/UG	22	4	42	CSH2200N	CH	12	5-85	5-106	CMBE4242B200BTS ④		—	
200	None	OH/UG	10	4	20/40	BWH2200	BR	18	5-68	5-109, 5-110	MBE2040B200BTS ⑦		MBE2040B200BTF ⑦	
225	None	OH/UG	10	4	20/40	BWH2225	BR	18	5-94	5-109	MBE2040B225BTS ⑦		MBE2040B225BTF ⑦	
225	None	UG	22	4	30/42	BWH2225	BR	7	5-70	—	—		MBE3042B225BF	
225	None	UG	22	4	32/42	CSH2225N	CH	7	5-56	5-101, 5-100	CMBE3242B225BS ④		CMBE3242B225BF ④	

- ① See Table 5-57 on Page 5-65 for box details.
- ② See knockout drawings for hub information.
- ③ Interrupting rating is dependent on the main breaker that is installed.
- ④ Unit has copper bus.
- ⑤ Units come with feed-through lugs.
- ⑥ When a provision for main is provided, order one of the main breakers listed in Table 5-51. All panels are dual labeled to accept Types BW or CSR Main Breakers.
- ⑦ Please use RH-Type hubs on top end wall for overhead feed.
- ⑧ Includes factory mounted 2.50 inch hub on bottom endwall. UG feed only.
- ⑨ Semi flush flange, not full stucco flange.
- ⑩ Units include a 2-pole provision for secondary main 70 A max. Type BR, BRH, BRHH.

Table 5-51. Main Breaker Selection Chart

Maximum Ampere Rating	2-Pole Breaker Catalog Numbers					
	10 kAIC	Price U.S. \$	22 kAIC	Price U.S. \$	22 kAIC	Price U.S. \$
100	BW2100		BWH2100		CSR2100N	
125	BW2125		BWH2125		CSR2125N	
150	BW2150		BWH2150		CSR2150N	
200	BW2200		BWH2200		CSR2200N	
Load Side Lug Kit for BW and CSR Breakers ⑪					MCBK225	

- ⑪ When a provision for main is provided, order one of the main breakers listed in this table. All panels are dual labeled to accept Types BW, BWH and CSR Main Breakers.

**Back-to-Back Meter Breaker**



*Back-to-Back Meter Breaker*



*Back-to-Back Meter Breaker*

**Features, Benefits and Functions**

- Exterior meter main factory assembled and wired to an interior loadcenter.
- Designed for flush-mounted applications.
- Sealed with a gasket at the flange to prevent water intrusion.
- Easily adjusts from 2 x 4 to 2 x 6 framing.
- Meets EUSURC requirements.

**West Coast All-in-One Design**



*MBED3042B200BF*

**Features, Benefits and Functions**

- Semi-flush mounting. 7-inch design ideal for stucco homes.
- Endwall knockouts are easily accessible for future wiring without damaging stucco.
- Prevent water and moisture penetration by gasketing and chancing of hood.
- Knockout in back of case for mounting car-charging receptacle in garage (meets future electric car requirements).
- Outboard split neutral for easy wiring.
- Commercial grade main breaker.
- Value-added kits available:
  - Surge kit — for adding integral surge to the panel
  - Receptacle kit — add 20 A duplex GFI
  - 30 A TT-30 receptacle
  - 50 A 14-50R receptacle
  - Hub adapter plate

Residential

Product Selection for Back-to-Back Meter Breaker Above 7" Deep

Table 5-52. Back-to-Back Meter Breaker

Ampere Rating	Bypass	Service	kAIC	Jaws	Distri- bution	Main	Branch Breaker Type	Dimensions in Inches (mm)				Catalog Number	Factory Installed Kits	Price U.S. \$
								Height	Width	Depth 2 x 4	Depth 2 x 6			
200	None	UG	10	4	30/40	BWH2200	BR	53.13 (1349.5)	14.31 (363.5)	5.88 (149.4)	7.88 (200.2)	MBEB2003040BB	—	
225	None	UG	10	4	30/40	BWH2225	BR	53.13 (1349.5)	14.31 (363.5)	5.88 (149.4)	7.88 (200.2)	MBEB2253040BB	—	

Standard Design

5

Table 5-53. Accessories for MBEB Product Only

Description	Catalog Number
Closing Plate for 2 x 6 Framing	MB2X6PLT

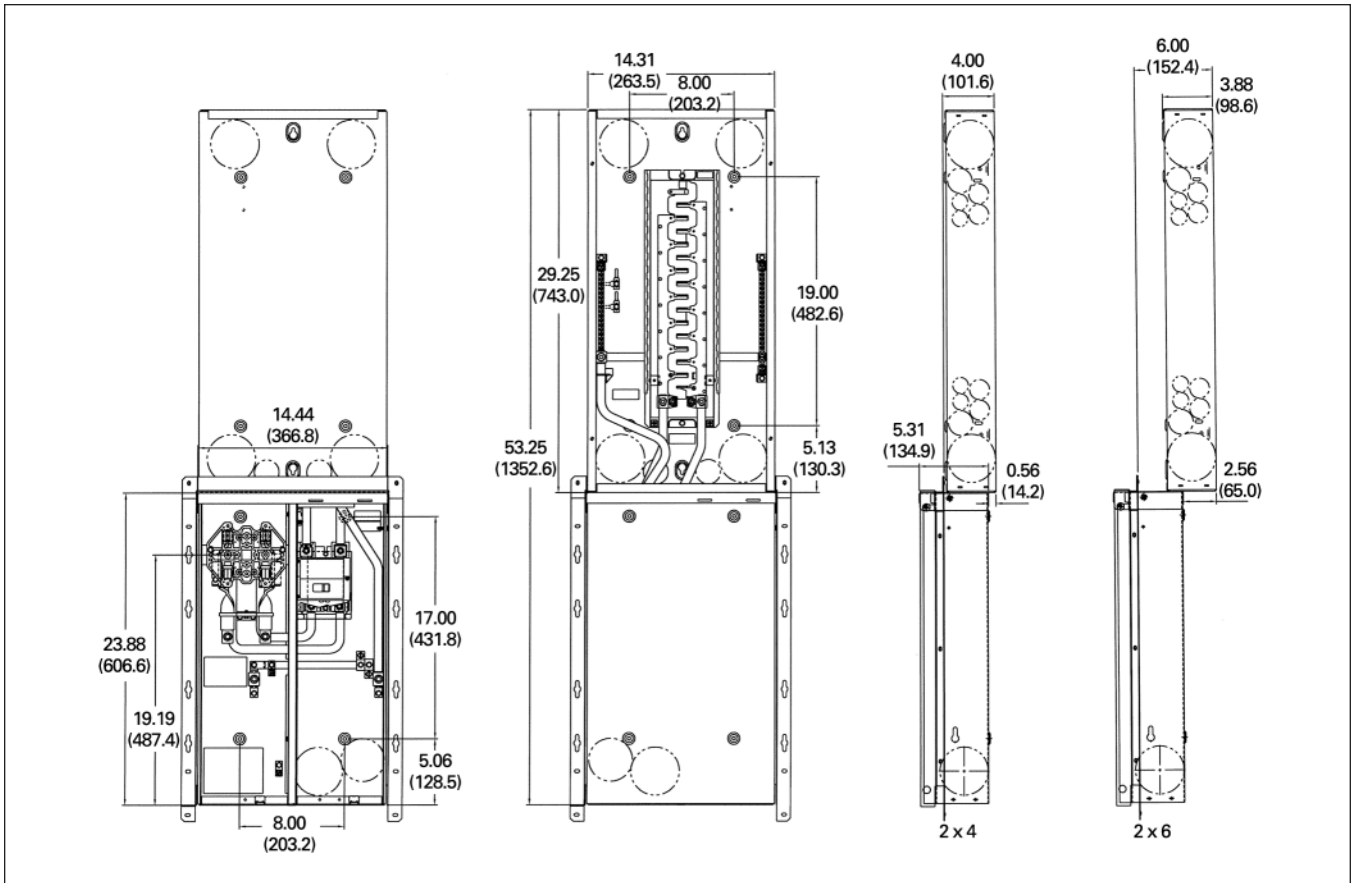
Table 5-54. 7-Inch Deep Meter Breaker

Ampere Rating	Bypass	Service	kAIC	Jaws	Distri- bution	Main	Branch Breaker Type	Dimensions in Inches (mm)			Catalog Number	Factory Installed Kits	Price U.S. \$
								Height	Width	Depth			
Standard Design													
100	None	UG	10	4	18/36	BW2100	BR	38.00 (965.2)	14.19 (360.4)	7.00 (177.8)	MBED1836B100BF	—	
125	None	UG	10	4	18/36	BW2125	BR	38.00 (965.2)	14.19 (360.4)	7.00 (177.8)	MBED1836B125BF	—	
200	None	UG	10	4	20/40	BW2200	BR	38.00 (965.2)	14.19 (360.4)	7.00 (177.8)	MBED2040B200BF	—	
200 ①	None	UG	10	4	20/40	BW2200	BR	42.50 (1079.5)	14.19 (360.4)	7.00 (177.8)	MBED2040B200BFN	—	
200	None	UG	10	4	30/42	BW2200	BR	42.50 (1079.5)	14.19 (360.4)	7.00 (177.8)	MBED3042B200BF	—	
200	None	UG	22	4	20/40	BW2200	BR	38.00 (965.2)	14.19 (360.4)	7.00 (177.8)	MBED2040BH200BF	—	
200	None	UG	22	4	30/42	BW2200	BR	42.50 (1079.5)	14.19 (360.4)	7.00 (177.8)	MBED3042BH200BF	—	
225	None	UG	10	4	20/40	BW2225	BR	38.00 (965.2)	14.19 (360.4)	7.00 (177.8)	MBED2040B225BF	—	
225 ①	None	UG	10	4	20/40	BW2225	BR	42.50 (1079.5)	14.19 (360.4)	7.00 (177.8)	MBED2040B225BFN	—	
225	None	UG	10	4	30/42	BW2225	BR	42.50 (1079.5)	14.19 (360.4)	7.00 (177.8)	MBED3042B225BF	—	
225	None	UG	22	4	20/40	BW2225	BR	38.00 (965.2)	14.19 (360.4)	7.00 (177.8)	MBED2040BH225BF	—	
225	None	UG	22	4	30/42	BW2225	BR	42.50 (1079.5)	14.19 (360.4)	7.00 (177.8)	MBED3042BH225BF	—	

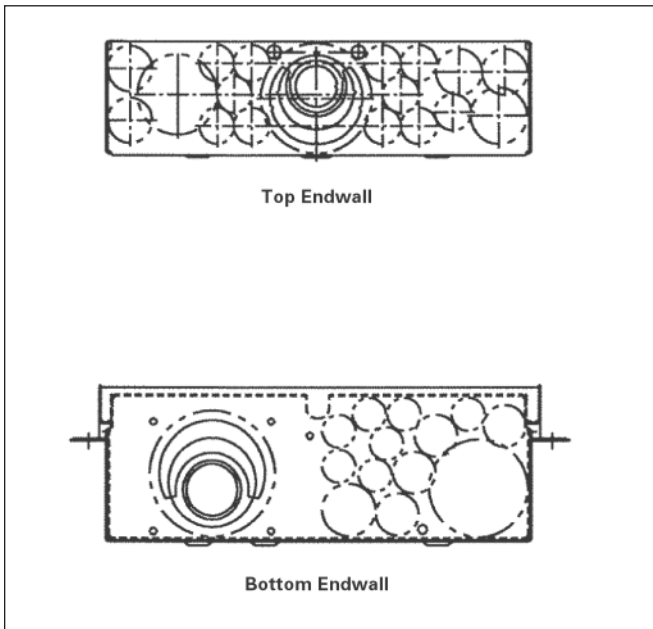
① Main Breaker Bus connected to 20/40 distribution. Main and Disconnect in same compartment.

Table 5-55. Accessories

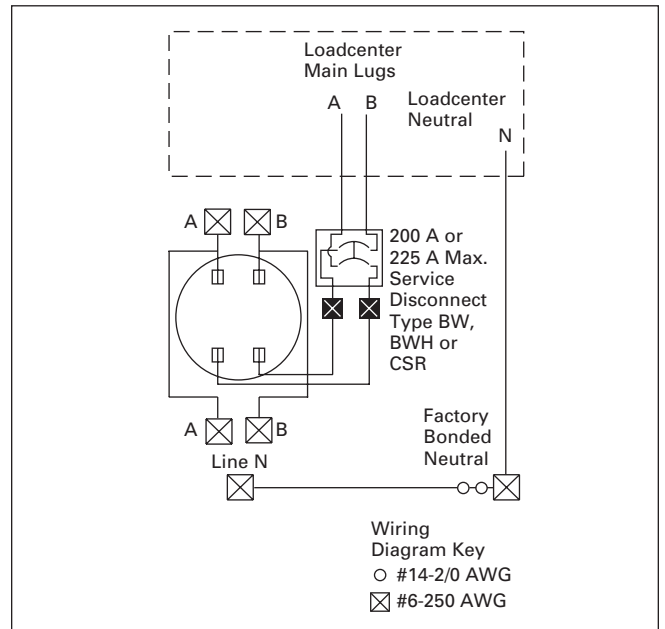
Description	Catalog Number
Field-Mounted Surge Kit Hub Adapter Plate	MBEDSURGE MBEDADPT
Field-Mounted 20 A GFI Receptacle Kit for 125 Ampere All-in-One Field-Mounted 30 A TT-30 Receptacle Kit for 125 Ampere All-in-One Field-Mounted 50 A 14-50R Receptacle Kit for 125 Ampere All-in-One	MBED125RCK20GFI MBED125RCK30A MBED125RCK50A
Field-Mounted 20 A GFI Receptacle Kit for 200 Ampere All-in-One Field-Mounted 30 A TT-30 Receptacle Kit for 200 Ampere All-in-One Field-Mounted 50 A 14-50R Receptacle Kit for 200 Ampere All-in-One	MBED200RCK20GFI MBED200RCK30A MBED200RCK50A



**Figure 5-46. Dimensions for Catalog Numbers MBEB2003040BB, MBEB2253040BB**



**Figure 5-47. Knockout Configurations and Dimensions for MBEB2003040BB, MBEB2253040BB**



**Figure 5-48. Typical Wiring Diagram for Catalog Number MBEB2003040BB, MBEB2253040BB**

Residential

5

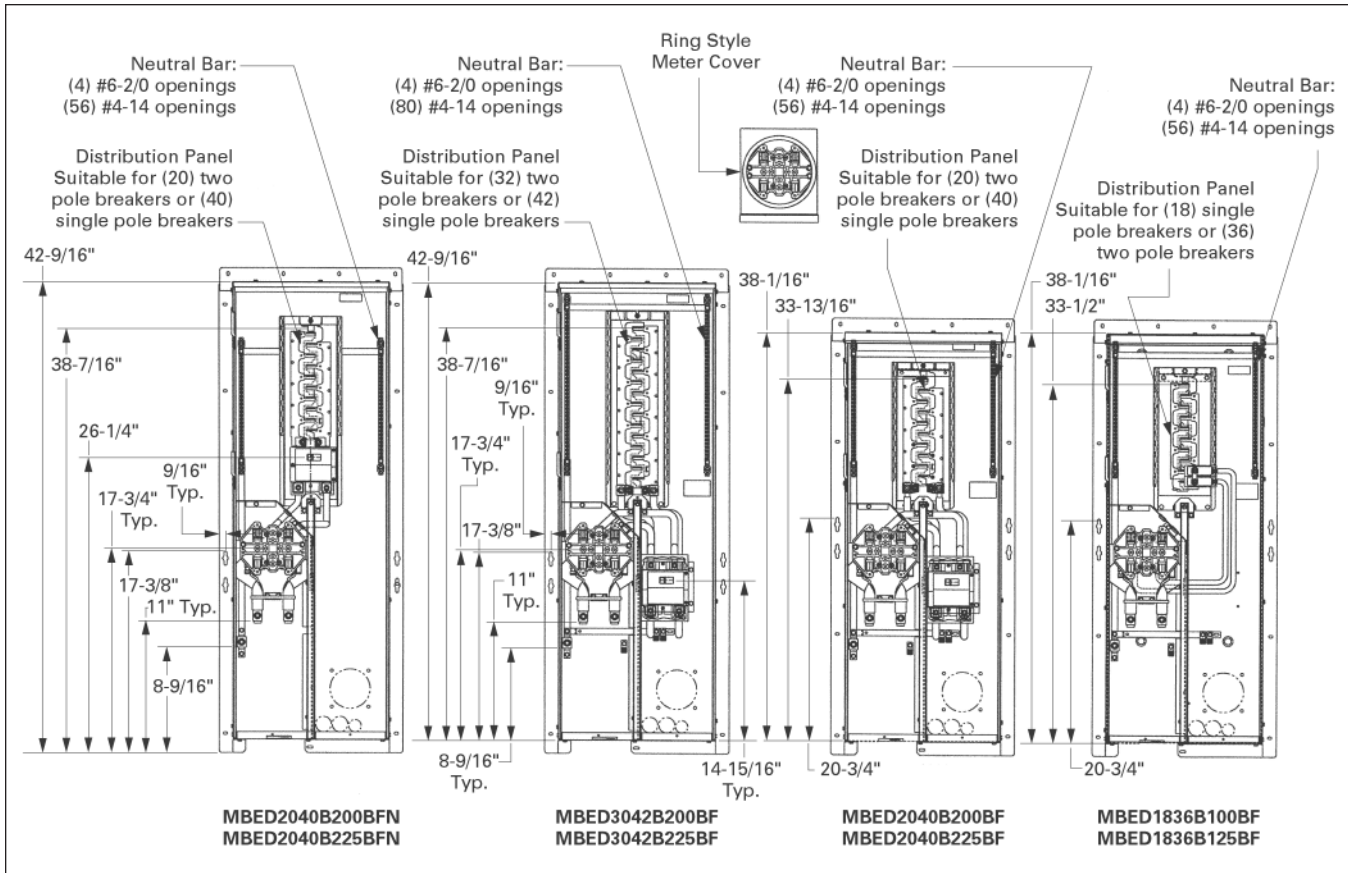


Figure 5-49. Dimensions for Catalog Numbers MBED3042BH200BF, MBED3042BH225BF, MBED2040BH200BF, MBED2040BH225BF

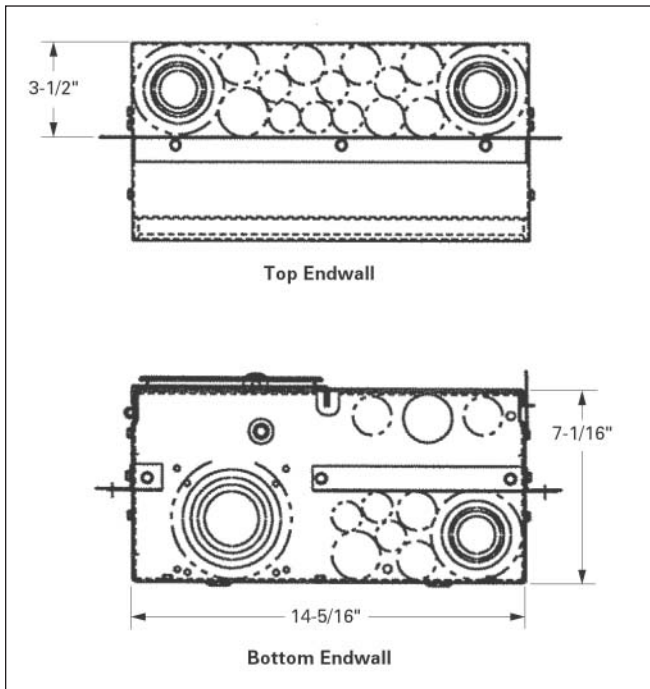
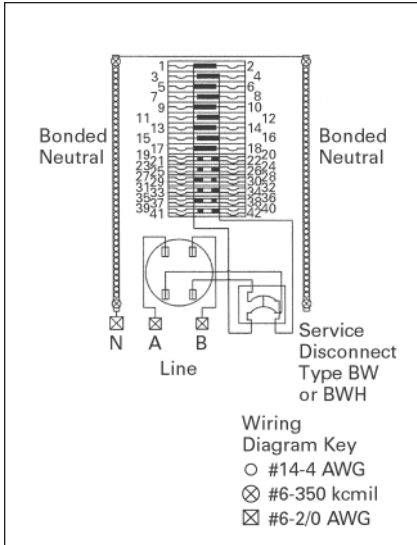
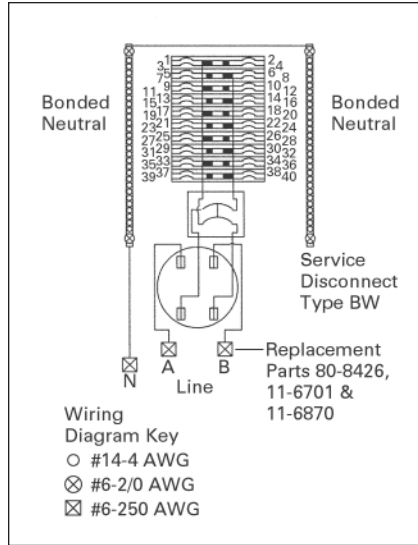


Figure 5-50. Knockout Configurations and Dimensions for MBED3042BH200BF, MBED3042BH225BF, MBED2040BH200BF, MBED2040BH225BF

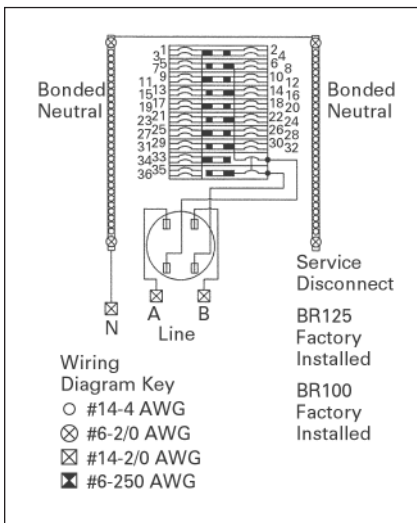
**Residential**



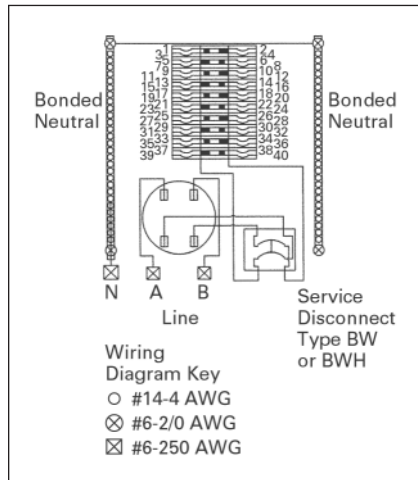
**Figure 5-51. Typical Wiring Diagram for Catalog Numbers MBED3042B200BF, MBED3042B225BF, MBED3042BH200BF, MBED3042BH225BF**



**Figure 5-53. Typical Wiring Diagram for Catalog Numbers MBED2040B200BFN, MBED2040B225BFN**



**Figure 5-52. Typical Wiring Diagram for Catalog Numbers MBED1836B100BF, MBED1836B125BF**



**Figure 5-54. Typical Wiring Diagram for Catalog Numbers MBED2040B200BF, MBED2040B225BF, MBED2040BH200BF, MBED2040BH225BF**

## Mechanical Interlock Covers

## Product Selection

Table 5-56. Mechanical Interlock Cover

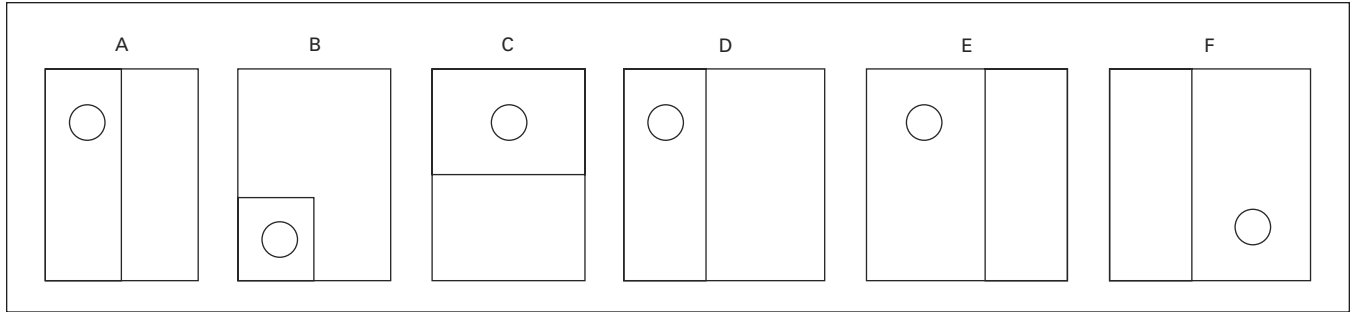
Mechanical Interlock Deadfront	Meter Breaker Catalog Number
MBDF1M	CMB1212B200BTS, CMB1212B200BTSD, CMB1212P200BTS, CMB1212P200BTSD
MBDF1AM	CMB2424B200BTS
MBDF2M	MB816B200BTS, MB816B200BTSCU, MB816P200BTS, MB816P200BTSCU, MB816P200STD
MBDF3M	MB2040B200BTS, MB2040P200BTS, MB2040P200SD
MBDF4M	MBE816P200TS, MBE816P200TSCU
MBDF5M	MBE2040B150BF, MBE2040B150BS, MBE2040B200BF, MBE2040B200BS
MBDF6M	MBE2040B200TF, MBE2040B200TS, MBE2040T200TF, MBE2040P200TS
MBDF7M	CMBE324B150BF, CMBE324B150BS, CMBE324B200BF, CMBE324B200BS, CMB324B150BS, CMB324B200BS
MBDF8M	CMBE4242B200BSH, CMBE4242B200BTF, CMBE4242B200BTS
MBDF9M	MBE4040B200BSH, MBE4040B200BSHH, MBE4040B200BTF, MBE4040B200BTS

*Meter Breaker with Interlock Cover*

Covers mechanically interlock two breakers. Covers interlock main breaker with 2-pole breaker mounted in the distribution section of the meter breakers.



**Box Styles**



**Figure 5-55. Five Different Styles (Shapes) of Product**

**Table 5-57. Box Dimensions**

Box Number	Dimensions in Inches (mm)			Box Style
	Height	Width	Depth	
1	12.50 (317.5)	14.44 (366.7)	4.00 (101.6)	A
2	23.88 (606.4)	14.44 (366.7)	5.38 (136.5)	A
3	28.38 (720.7)	14.44 (366.7)	5.38 (136.5)	A
4	34.13 (866.8)	14.44 (366.7)	5.38 (136.5)	B
5	36.13 (917.6)	14.44 (366.7)	5.38 (136.5)	B
6	43.38 (1101.7)	14.44 (366.7)	5.38 (136.5)	B
7	46.88 (1190.6)	14.44 (366.7)	5.38 (136.5)	B
8	19.75 (501.7)	7.50 (190.5)	4.00 (101.6)	C
9	25.00 (635.0)	14.44 (366.7)	5.38 (136.5)	C
10	32.38 (822.3)	14.44 (366.7)	5.38 (136.5)	C
11	36.63 (930.3)	14.44 (366.7)	5.38 (136.5)	C
12	34.38 (873.1)	22.00 (558.8)	5.38 (136.5)	D
13	19.75 (501.7)	14.44 (366.7)	5.38 (136.5)	E
14	39.91 (1013.7)	14.44 (366.7)	5.38 (136.5)	C
15	23.88 (606.6)	13.00 (330.2)	4.94 (125.5)	F
16	28.38 (720.9)	13.00 (330.2)	4.94 (125.5)	F
17	34.19 (868.4)	22.13 (562.1)	5.00 (127.0)	D
18	36.06 (915.9)	16.63 (422.4)	5.50 (139.7)	A
19	28.38 (720.9)	14.44 (366.8)	4.94 (125.5)	A
20	32.06 (814.3)	14.44 (366.8)	4.94 (125.5)	C
21	25.50 (647.7)	14.44 (366.8)	4.94 (125.5)	C

**Table 5-58. Meter Breaker Parts**

Description	Catalog Number	Price U.S. \$
<b>5th Jaw Kits</b>		
Compact and Standard Styles (MB & CMB) WMB Style	<b>MB5JAWKIT</b>	
EUSERC Styles	<b>WMB5J</b> <b>1MM5JKOP</b>	
<b>Manual Bypass Kits</b>		
Ring Style Units Only (MB)	<b>1MMBPM200</b>	
<b>Horn Bypass Kits</b>		
Ringless Style Units Only (MB & CMB) EUSERC Styles	<b>MBHBPKIT</b> <b>1MMBPH</b>	

**Table 5-59. Wire Size Chart**

Main	Wire Size Range Cu/Al 60°C or 75°C for Line Terminals
BR250	#14 – 4 kcmil
BR260	#4 – 1/0 kcmil
BR270	#4 – 1/0 kcmil
BR280	#4 – 1/0 kcmil
BR290	#4 – 1/0 kcmil
BR2100	#4 – 1/0 kcmil
BW2125	#2 – 300 kcmil
BW2150	#2 – 300 kcmil
BW2200	#2 – 300 kcmil
BWH2125	#2 – 300 kcmil
BWH2150	#2 – 300 kcmil
BWH2200	#2 – 300 kcmil
CSR2125N	#1/0 – 250 kcmil
CSR2150N	#1/0 – 250 kcmil
CSR2200N	#1/0 – 250 kcmil
125 Ampere Main Lugs	—
200 Ampere Main Lugs	—
MCBK225	#2 – 300 kcmil

**Table 5-60. Wire Size is Determined by the Circuit Breaker Installed in the Enclosure**

Wire/Application	Maximum	
	Wire Size	Ampere Rating
Aluminum — Standard	250 kcmil	200
Aluminum — Service Entrance	250 kcmil	225
Copper — Standard and Service Entrance	250 kcmil	225

**Table 5-61. Hub Selection Chart**

Hub Size Dimensions in Inches (mm)	Catalog Number	Price U.S. \$
1.00 (25.4)	<b>DS100H2</b>	
1.25 (31.8)	<b>DS125H2</b>	
1.50 (38.1)	<b>DS150H2</b>	
2.00 (50.8)	<b>DS200H2</b>	
2.50 (63.5)	<b>DS250H2</b>	
3.00 (76.2)	<b>DS300H2</b>	

Typical Wiring Diagrams (Residential Meter Breakers)

5

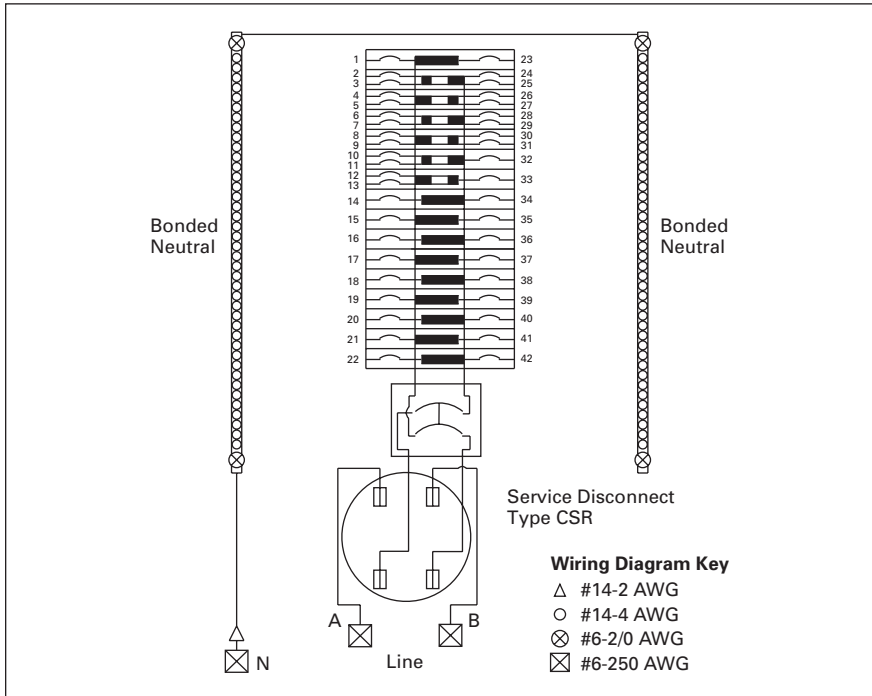


Figure 5-56. Catalog Numbers — CMB3242B200BS, CMBE3242B150BS, CMBE3242B200BS, CMBE3242B200BF, CMBE3242B225BS and CMBE3242B225BF

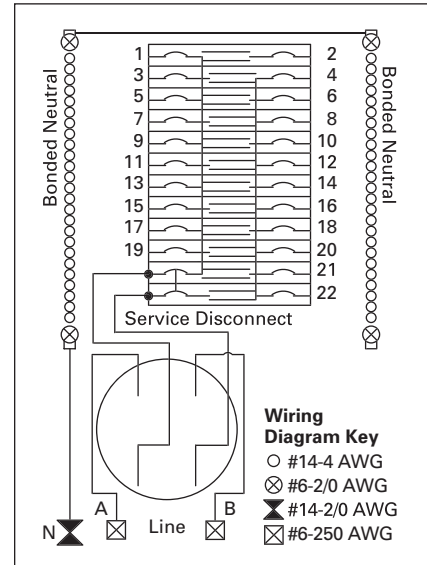


Figure 5-57. Catalog Numbers —

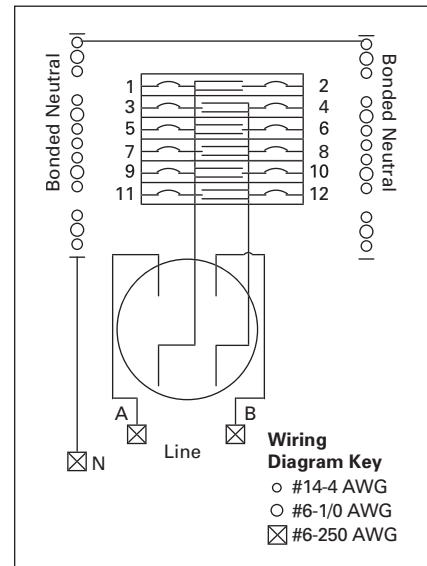
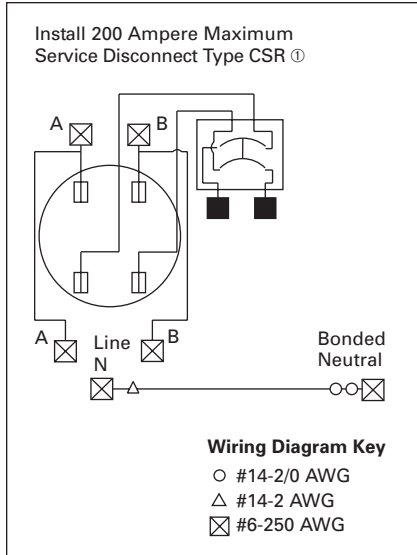


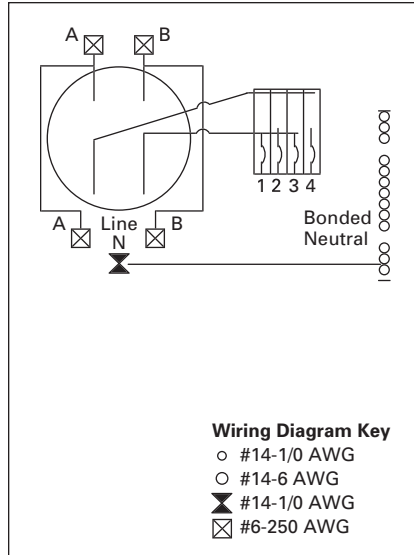
Figure 5-58. Catalog Number — CMBE1212L200BS

**Typical Wiring Diagrams (Residential Meter Breakers)**

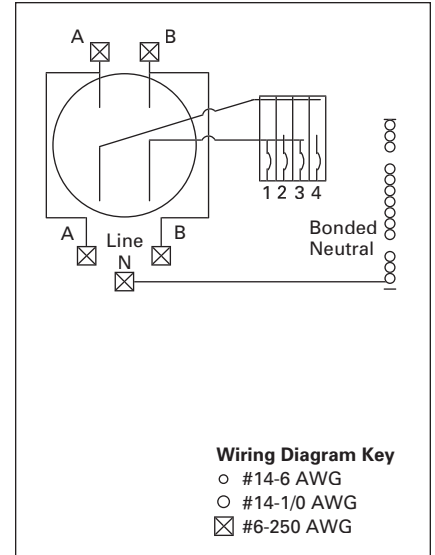


**Figure 5-59. Catalog Numbers —  
CMBP200BTS, CMBB150BTS, CMBB200BTS,  
CMBEB150BTS and CMBEB200BTS**

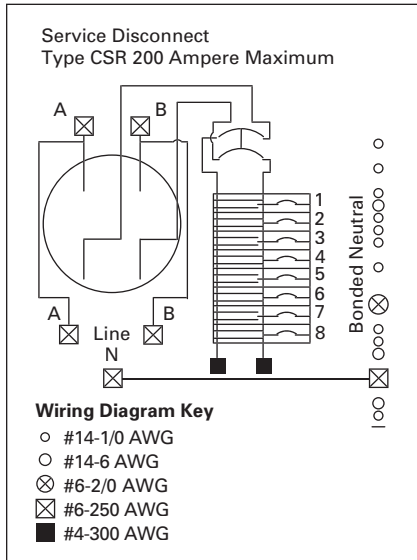
① Factory installed MCBK225 Kit for C/B load lugs.



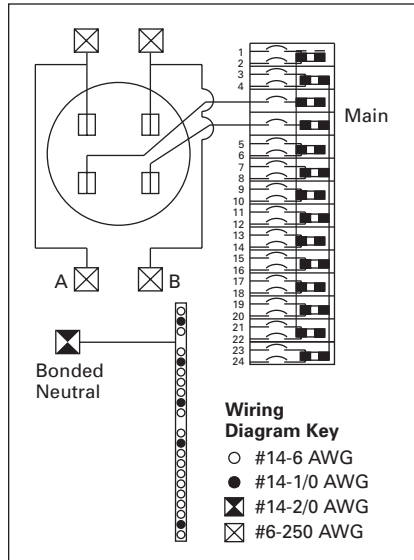
**Figure 5-61. Catalog Numbers —  
CMBE24L125BTS and CMB24L125BTS**



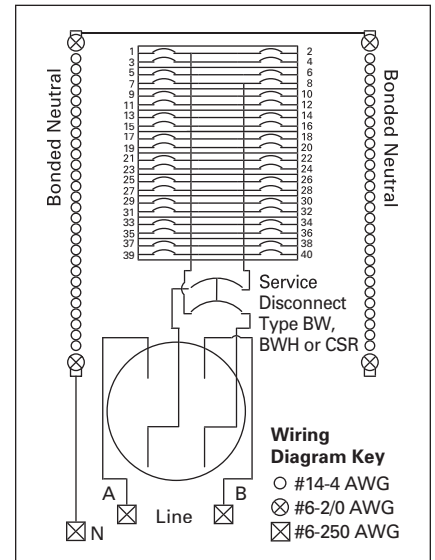
**Figure 5-63. Catalog Number —  
CMBE24L200BTS**



**Figure 5-60. Catalog Numbers —  
CMBE88B200BTS, CMBE88B200BTF,  
CMB88B200BTS, CMB88B150BTS,  
CMBE88B150BTS and CMBE88B150BTF**



**Figure 5-62. Catalog Numbers —  
MBE1224B100BTS, MBE1224B100BTF,  
MBE1224B125BTS and MBE1224B125BTF**



**Figure 5-64. Catalog Numbers —  
MBE2040B150BF, MBE2040B200BS and  
MBE2040B200BF**

Typical Wiring Diagrams (Residential Meter Breakers)

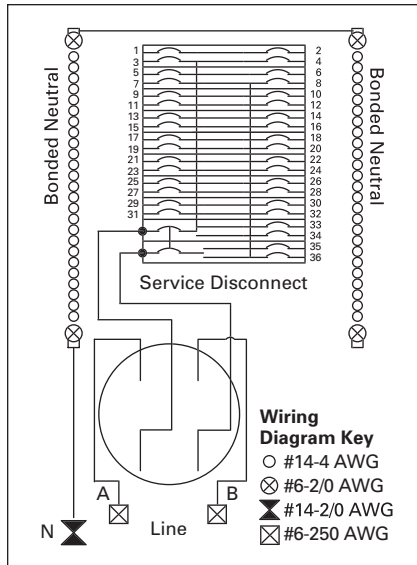


Figure 5-65. Catalog Number —  
MBE1836B125BF

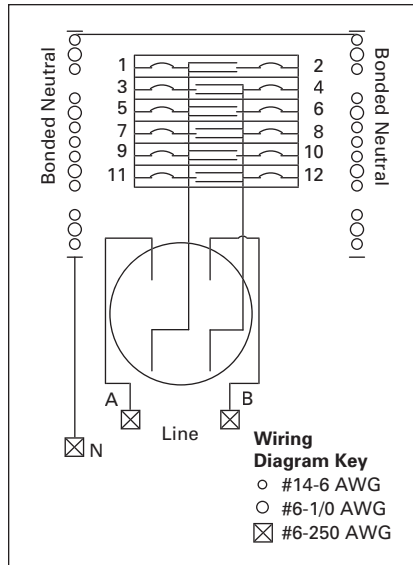


Figure 5-67. Catalog Numbers —

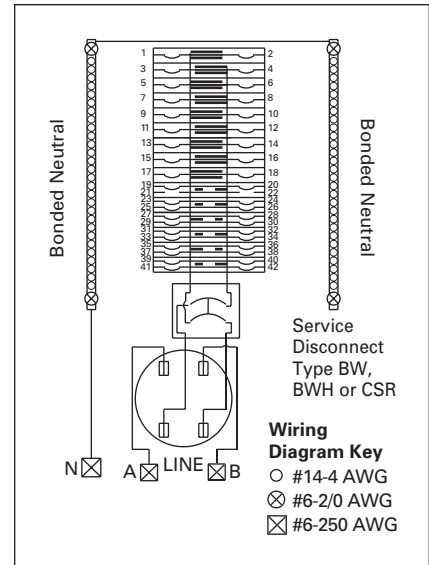


Figure 5-69. Catalog Number —  
MBE3042B200BF

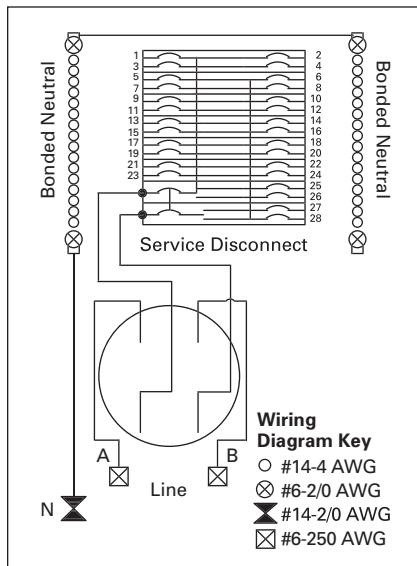


Figure 5-66. Catalog Numbers —  
MBE1428B100BS and MBE1428B100BF

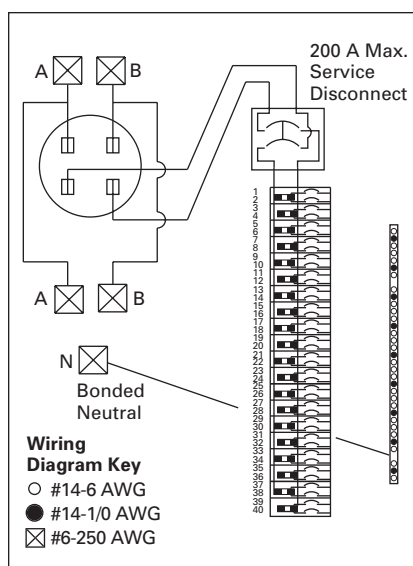


Figure 5-68. Catalog Numbers —  
MBE2040B200BTS, MBE2040B150BTS,  
MBE2040BH200BTS and MBE2040BH200BTF

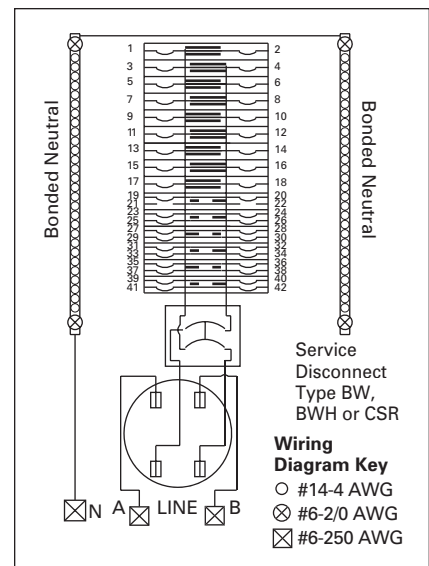
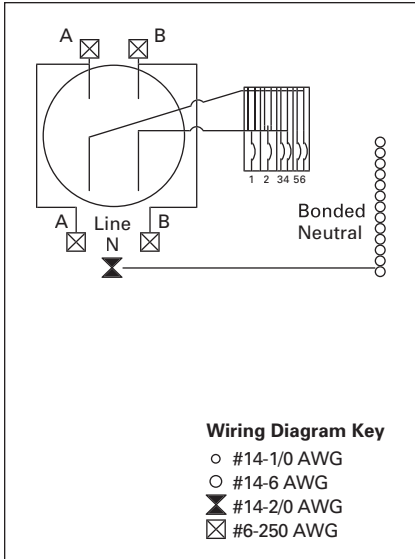
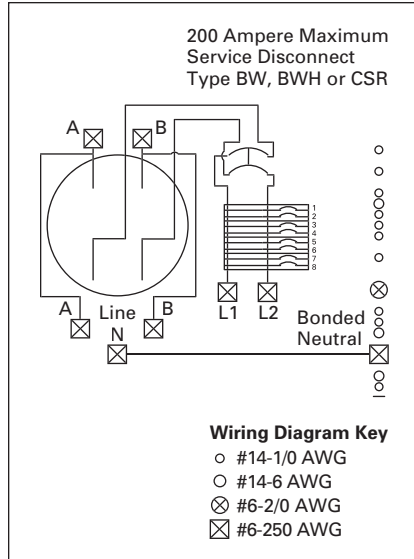


Figure 5-70. Catalog Number —  
MBE3042B225BF

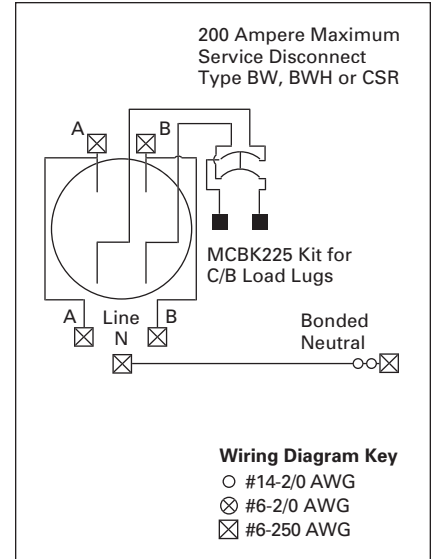
**Typical Wiring Diagrams (Residential Meter Breakers)**



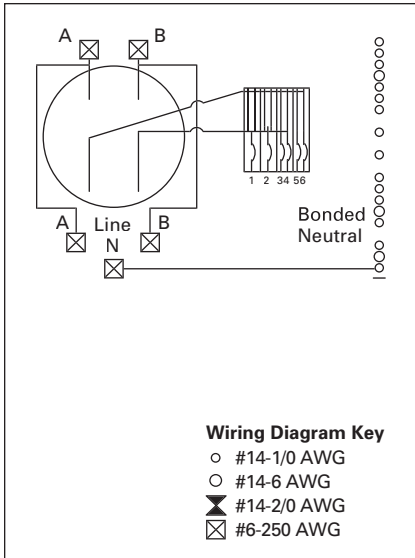
**Figure 5-71. Catalog Numbers —  
MBE24L125BTS and MBE24L125BTF**



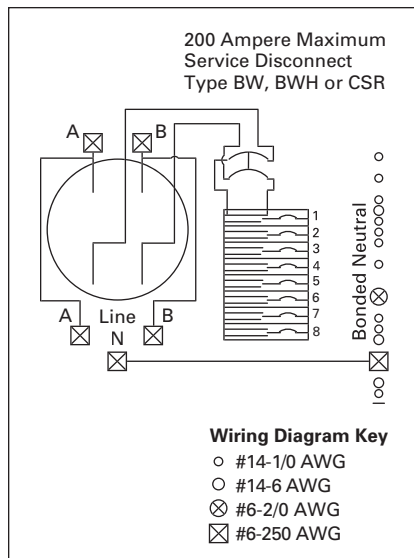
**Figure 5-73. Catalog Numbers —  
MBE48B150BTS, MBE48B200BTS,  
MBE48B200BTF and MB48B200BTS**



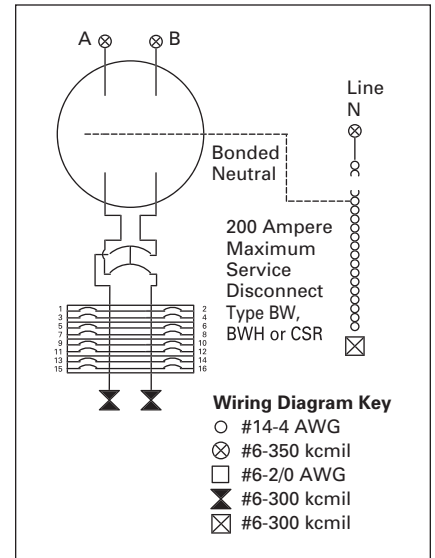
**Figure 5-75. Catalog Numbers —  
MBEB200BTS and MBEB200BTF**



**Figure 5-72. Catalog Numbers —  
MBE24L200BTS and MBE24L200BTF**



**Figure 5-74. Catalog Number —  
MBE88B200BTS**



**Figure 5-76. Catalog Numbers —  
MBE816P200TS and MBE816P200TSCU**

Residential

Typical Wiring Diagrams (Residential Meter Breakers)

5

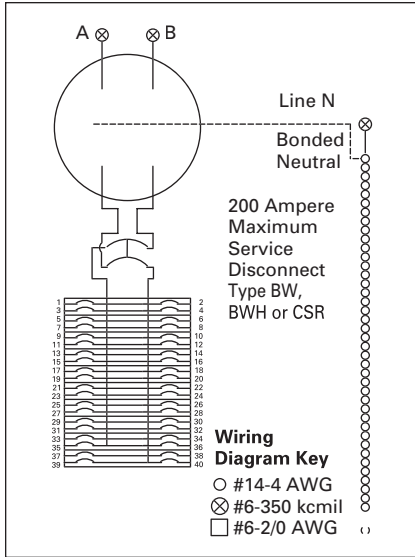


Figure 5-77. Catalog Numbers — MBE2040B200TS and MBE2040B200TF

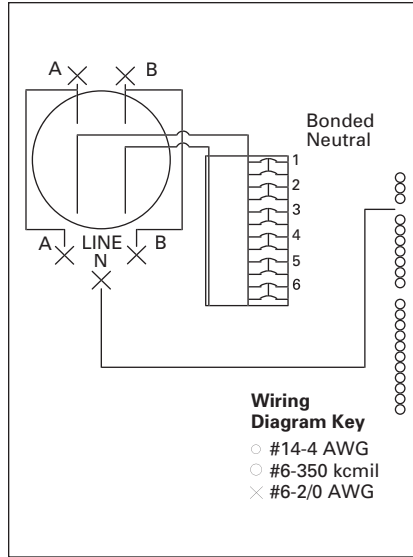


Figure 5-79. Catalog Number — MBE1212L200BTS

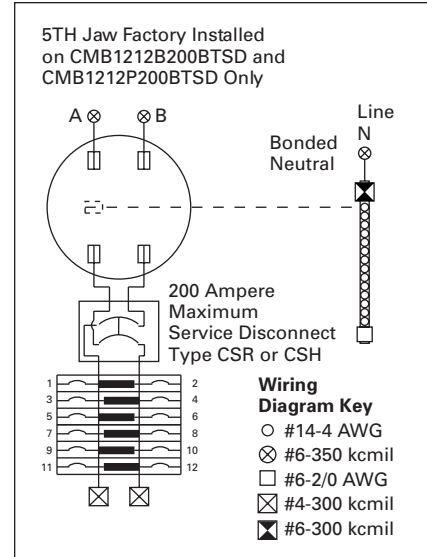


Figure 5-81. Catalog Numbers — CMB1212P200BTSD, CMB1212P200BTS and CMB1212B200BTS

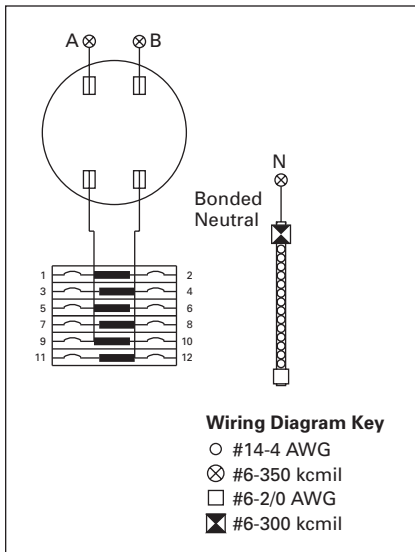


Figure 5-78. Catalog Number — MBE1212L200BTS

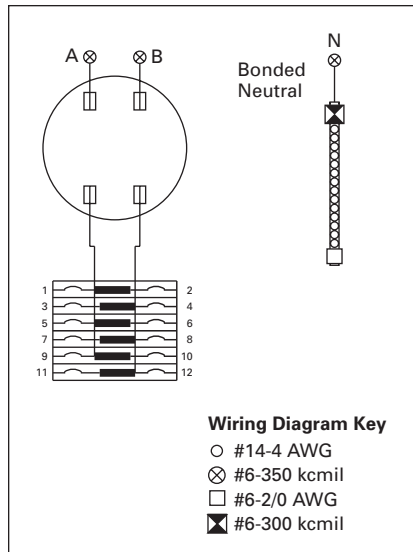


Figure 5-80. Catalog Number — CMBE1212L200TS

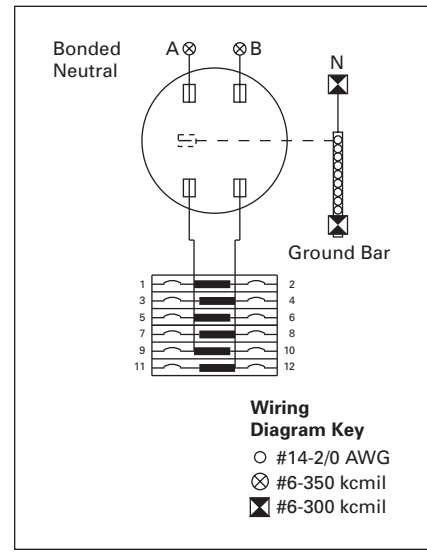
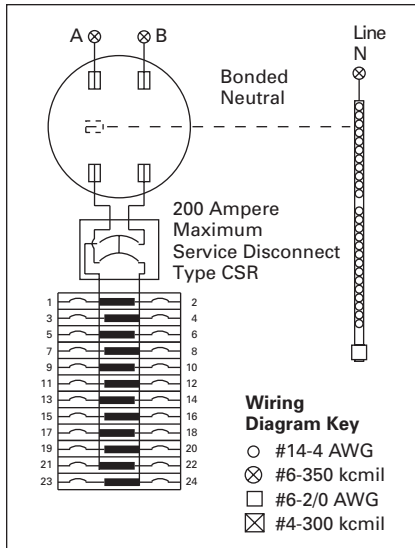


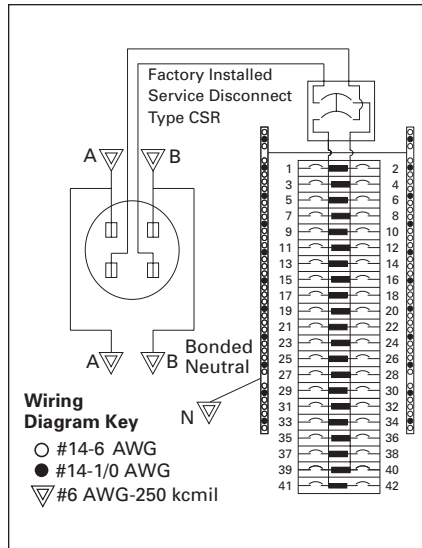
Figure 5-82. Catalog Number — MB1212L200BTS

**Typical Wiring Diagrams (Residential Meter Breakers)**

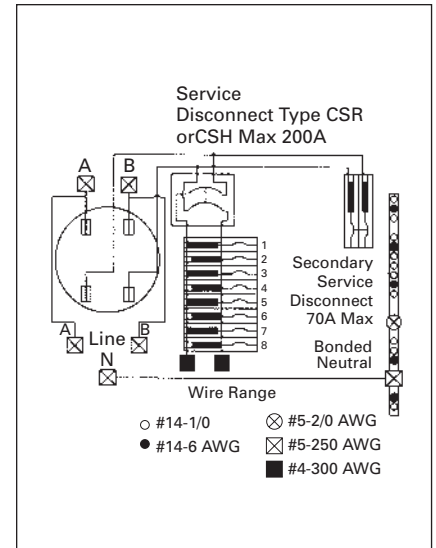
**5**



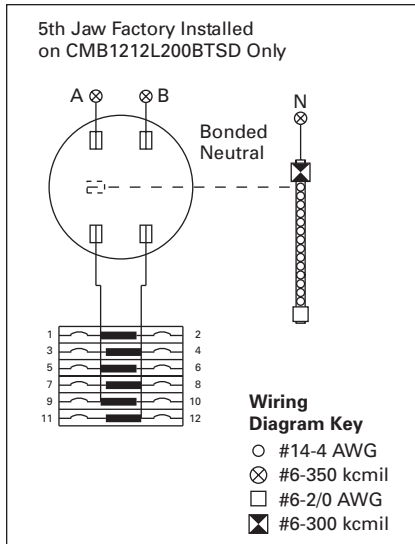
**Figure 5-83. Catalog Number — CMB2424B200BTS**



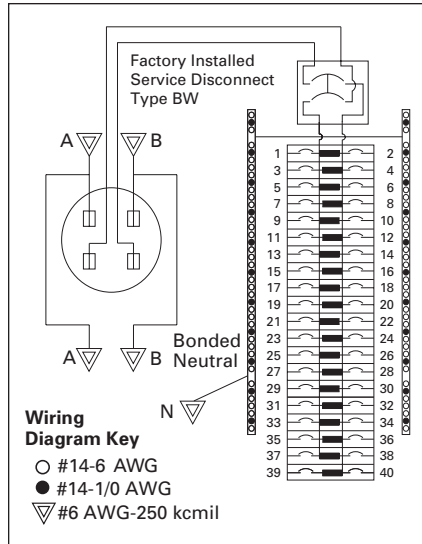
**Figure 5-85. Catalog Number — CMBE4242B200BTS**



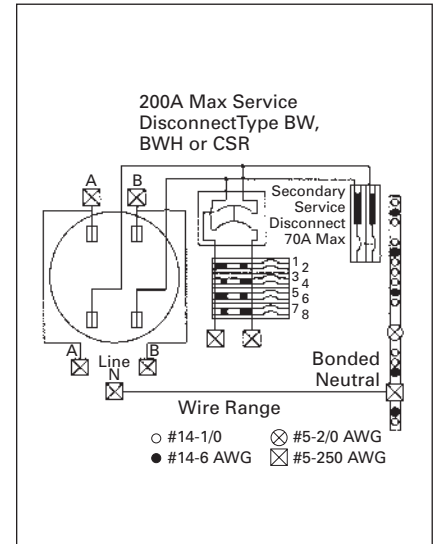
**Figure 5-87. Typical Wiring Diagram for CMBER88B200BTS and CMBER88B200BTF**



**Figure 5-84. Catalog Number — CMB1212L200BTS**



**Figure 5-86. Catalog Numbers — MBE4040B200BTS and MBE4040B200BSH**



**Figure 5-88. Typical Wiring Diagram for MBER48B200BTS and MBER48B200BTF**

Residential

Typical Wiring Diagrams (Residential Meter Breakers)

5

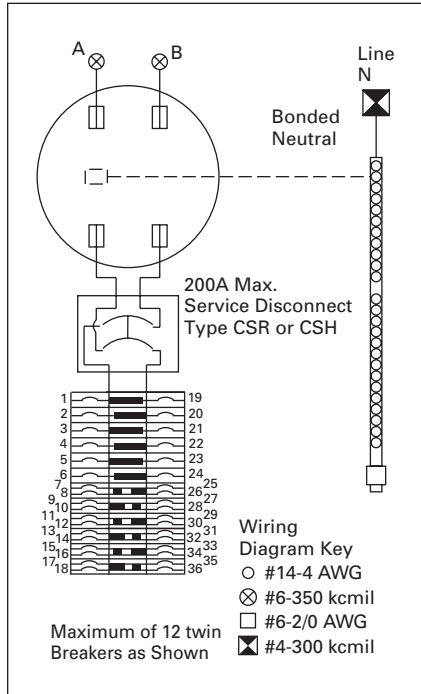


Figure 5-89. Typical Wiring Diagram for Catalog Number CMB2436B200BTS

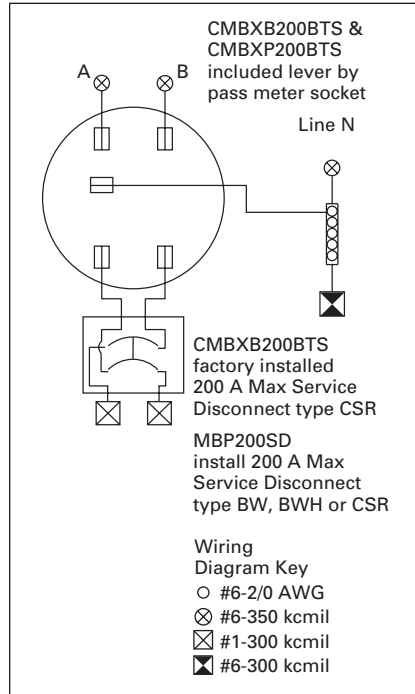


Figure 5-91. Typical Wiring Diagram for Catalog Numbers MBP200SD, CMBXB200BTS, CMBXP200BTS

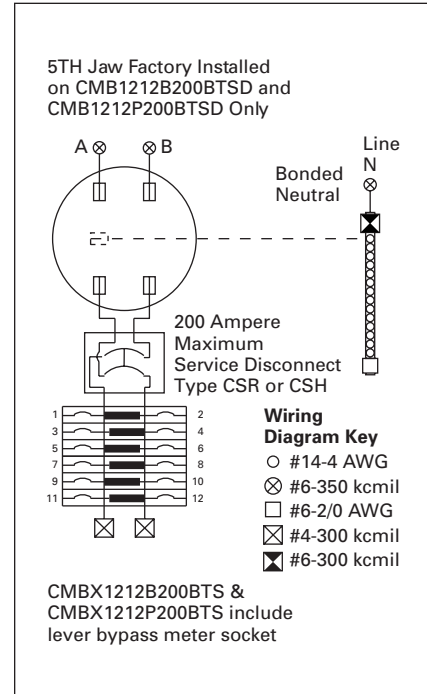


Figure 5-93. Typical Wiring Diagram for Catalog Numbers CMB1212B150BTS, CMB1212B200BTS, CMB1212P200BTS, CMB1212B200BTS, CMB1212P200BTS, CMB1212P200BTS

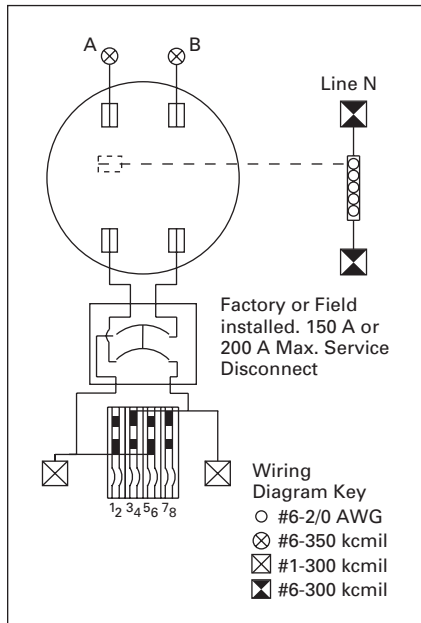


Figure 5-90. Typical Wiring Diagram for Catalog Numbers MBT48B200BTS, MBT48P200BTS, MBT48B150BTS, MBT48P150BTS

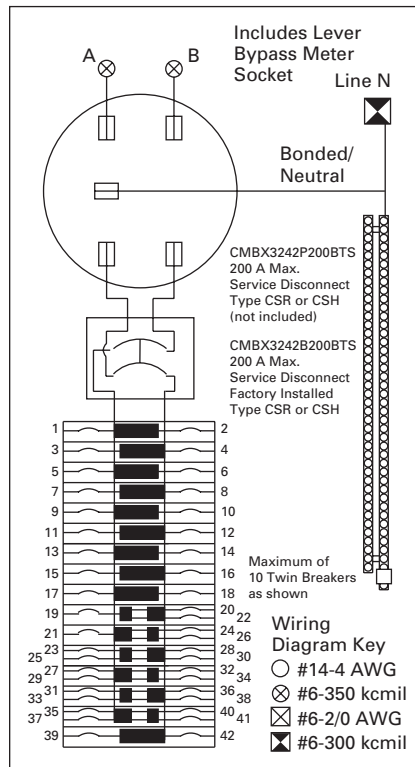


Figure 5-92. Typical Wiring Diagram for Catalog Numbers CMBX3242P200BTS, CMBX3242B200BTS

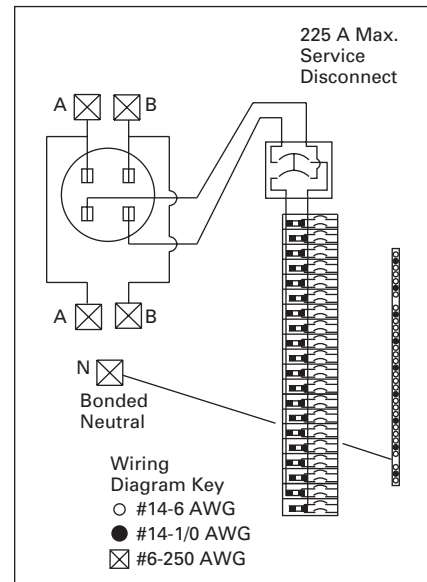
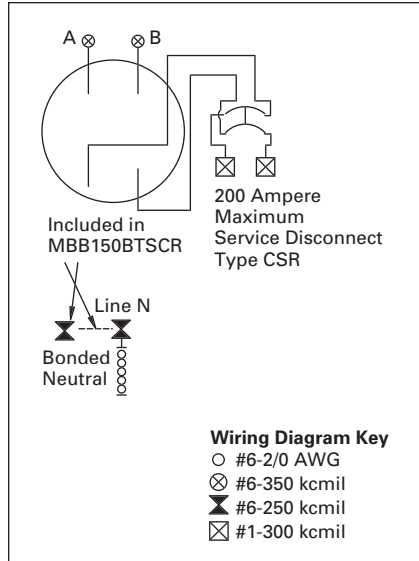


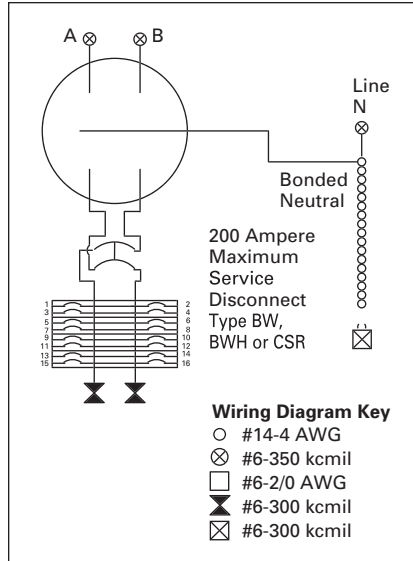
Figure 5-94. Typical Wiring Diagram for Catalog Numbers MBE2040B225BTS, MBE2040B225BTF



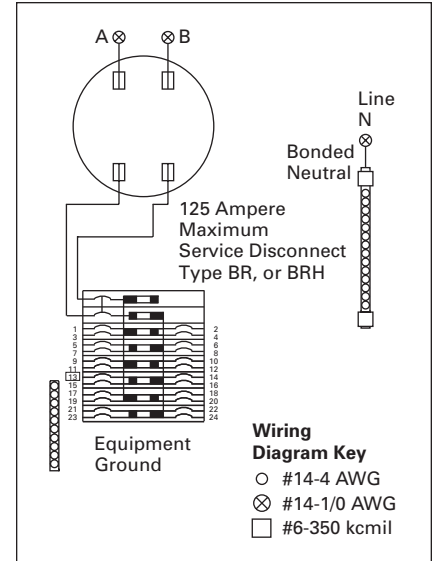
**Typical Wiring Diagrams (Non-EUSERC Meter Breaker Design)**



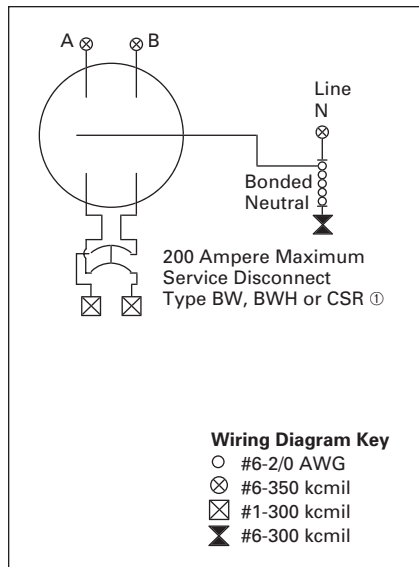
**Figure 5-95. Catalog Numbers — MBB150BTSCR, MBB150BTSCR, MBB200BTSCR and MBB200BTSCR**



**Figure 5-97. Catalog Numbers — MB816P200STD, MB816B200BTS, MB816B200BTSCU, MB816P200BTS, MB816P200BTSCU and MB816P200BTS**

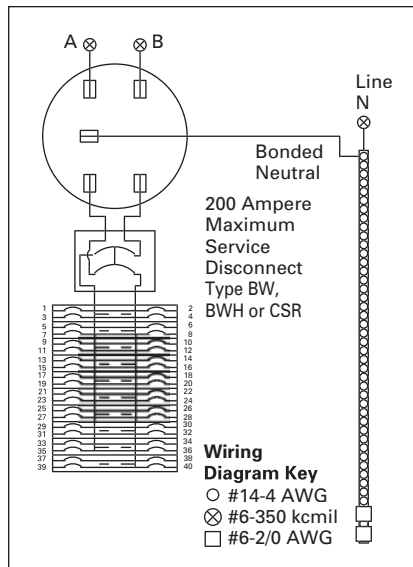


**Figure 5-99. Catalog Numbers — MBE1224B125TS and MBE1224B100TS**



**Figure 5-96. Catalog Numbers — MBB150BTS, MBP200SD, MBB200BTS, MBP200BTS, MBP200BTSD, CMBXB200BTS and CMBXP200BTS**

① Use MCBK225 for C/B Load Lugs.



**Figure 5-98. Catalog Numbers — MB2040P200SD, MB2040B200BTS, MB2040P200BTS, MB2040B150SD and MB2040B200SD**

Dimensions and Knockouts (Residential Meter Breakers) — Dimensions in Inches (mm)

5

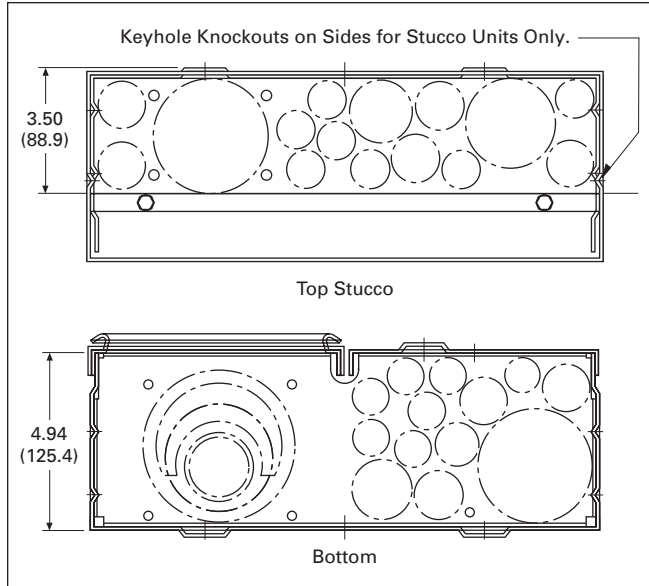


Figure 5-100. Knockouts for Stucco and Surface Units Catalog Numbers — CMBE3242B200BF, CMBE3242B225BF, MBE2040B200BF, MBE2040B150BF, MBE1428B100BF, MBE1212L200BTF, MBE1836B125BF and MBE1212L200BTS

Table 5-62. Top Endwall (Surface)

Hub Provision Catalog Number	Price U.S. \$
DS100H2 DS125H2 DS150H2	
DS200H2 DS250H2 DS300H2 DS900AP (Adapter Plate if using DS__H1 hubs only) ①	

① Use when DS H1 Type 1, 1.25 and 1.50-inch hubs are needed.

Table 5-63. Top Endwall (Stucco)

Knockout Size Dimensions in Inches (mm)	Quantity
1.25, 1.50, 2.00, 2.50 (31.8, 38.1, 50.8, 63.5)	1
1.00, 1.25, 1.50 (25.4, 31.8, 38.1)	1
.50, .75, 1.00 (12.7, 19.1, 25.4)	1
.50, .75 (12.7, 19.1)	5
.50 (12.7)	7

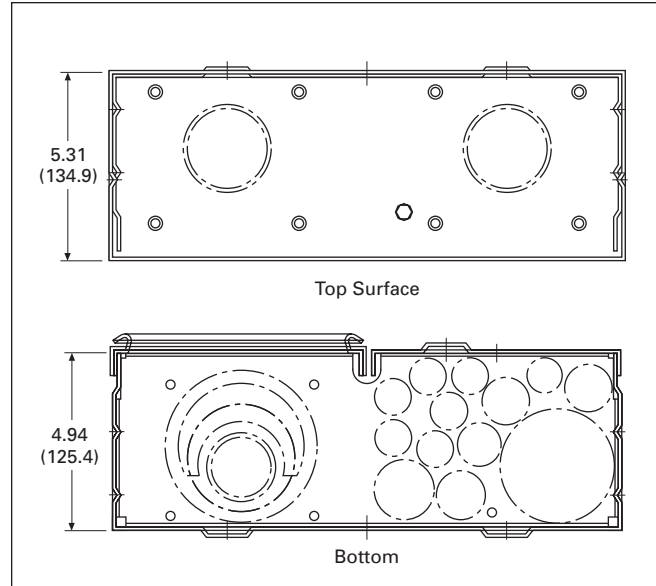
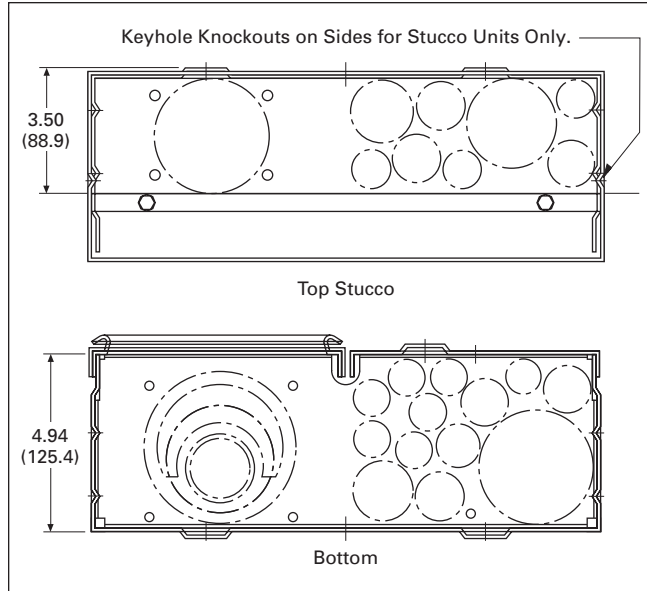


Figure 5-101. Knockouts for Stucco and Surface Units Catalog Numbers — CMBE3242B150BS, CMBE3242B200BS, CMBE3242B225BS, CMBE1212L200BS, MBE2040B200BS, MBE1428B100BS, MBE1212L200BTS, CMB3242B150BS and CMB3242B200BS

Table 5-64. Bottom Endwall

Knockout Size Dimensions in Inches (mm)	Quantity
.50 (12.7)	7
.50, .75 (12.7, 19.1)	4
.50, .75, 1.00 (12.7, 19.1, 25.4)	1
1.00, 1.25, 1.50, 2.00 (25.4, 31.8, 38.1, 50.8)	1
1.25, 1.50, 2.00, 2.50, 3.00 (31.8, 38.1, 50.8, 63.5, 76.2)	1

**Dimensions and Knockouts (Residential Meter Breakers) — Dimensions in Inches (mm)**



**Figure 5-102. Knockouts for Stucco and Surface Units Catalog Numbers — CMBE88B150BTF, CMBE88B200BTF, MBE24L125BTF, MBE24L200BTF, MBE48B200BTF, MBEB200BTF, MBE1224B100BTF and MBE1224B125BTF**

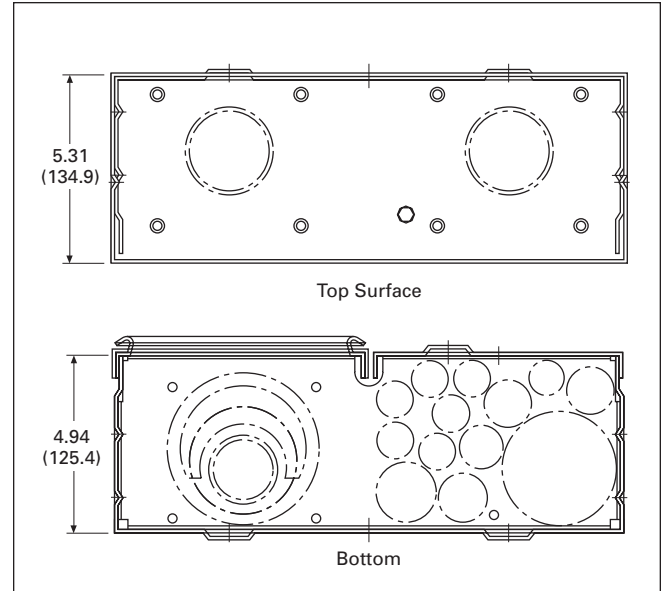
**Table 5-65. Top Endwall (Surface)**

Hub Provision Catalog Number	Price U.S. \$
DS100H2	
DS125H2	
DS150H2	
DS200H2	
DS250H2	
DS300H2	
DS900AP (Adapter Plate) ①	

① Use when DS H1 Type 1, 1.25 and 1.50-inch hubs are needed.

**Table 5-66. Top Endwall (Stucco)**

Knockout Size Dimensions in Inches (mm)	Quantity
1.25, 1.50, 2.00, 2.50 (31.8, 38.1, 50.8, 63.5)	1
1.00, 1.25, 1.50 (25.4, 31.8, 38.1)	1
.50, .75, 1.00 (12.7, 19.1, 25.4)	1
.50, .75 (12.7, 19.1)	3
.50 (12.7)	3



**Figure 5-103. Knockouts for Stucco and Surface Units Catalog Numbers — CMBB150BTS, CMBB200BTS, CMBP200BTS, CMBE24L125BTS, CMB24L125BTS, CMBE24L200BTS, CMBE200BTS, CMBE150BTS, CMBE88B150BTS, CMBP200BTS, CMBE88B200BTS, MBE24L125BTS, MBE24L200BTS, MBE48B150BTS, MBE48B200BTS, MBE88B200BTS, MBEB200BTS, MBE1224B100BTS, MBE1224B125BTS, CMB88B150BTS, CMB88B200BTS and MB48B200BTS**

**Table 5-67. Bottom Endwall**

Knockout Size Dimensions in Inches (mm)	Quantity
.50 (12.7)	7
.50, .75 (12.7, 19.1)	4
.50, .75, 1.00 (12.7, 19.1, 25.4)	1
1.00, 1.25, 1.50, 2.00 (25.4, 31.8, 38.1, 50.8)	1
1.25, 1.50, 2.00, 2.50, 3.00 (31.8, 38.1, 50.8, 63.5, 76.2)	1

Dimensions and Knockouts (Residential Meter Breakers) — Dimensions in Inches (mm)

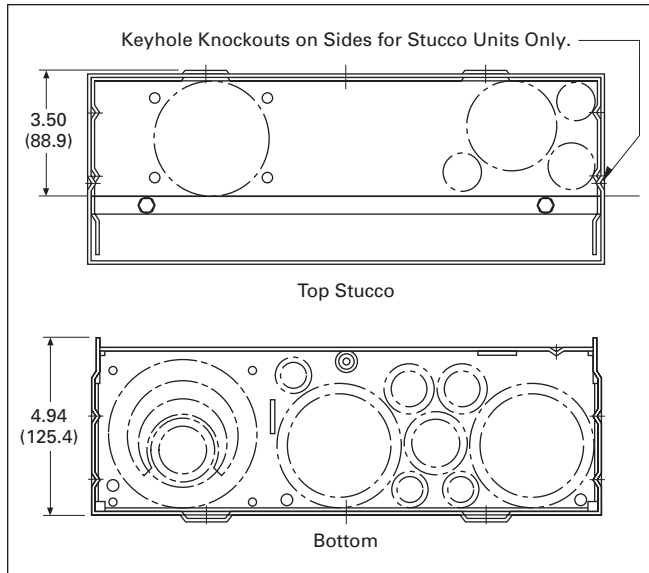


Figure 5-104. Knockouts for Stucco and Surface Units Catalog Number — MMBE2040B200TF

Table 5-68. Top Endwall (Surface)

Hub Provision Catalog Number	Price U.S. \$
DS100H2 DS125H2 DS150H2	
DS200H2 DS250H2 DS300H2 DS900AP (Adapter Plate) ①	

① Use when DS H1 Type 1, 1.25 and 1.50-inch hubs are needed.

Table 5-69. Top Endwall (Stucco)

Knockout Size Dimensions in Inches (mm)	Quantity
1.25, 1.50, 2.00, 2.50 (31.8, 38.1, 50.8, 63.5)	1
1.00, 1.25, 1.50 (25.4, 31.8, 38.1)	1
.50, .75, 1.00 (12.7, 19.1, 25.4)	1
.50, .75 (12.7, 19.1)	3
.50 (12.7)	3

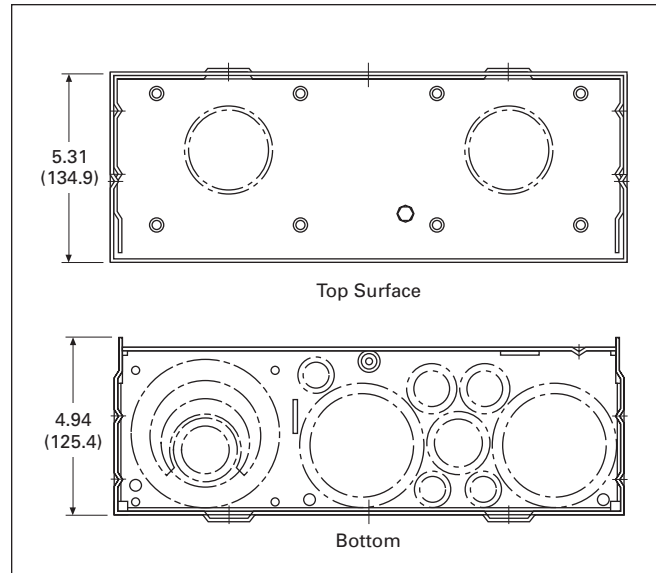


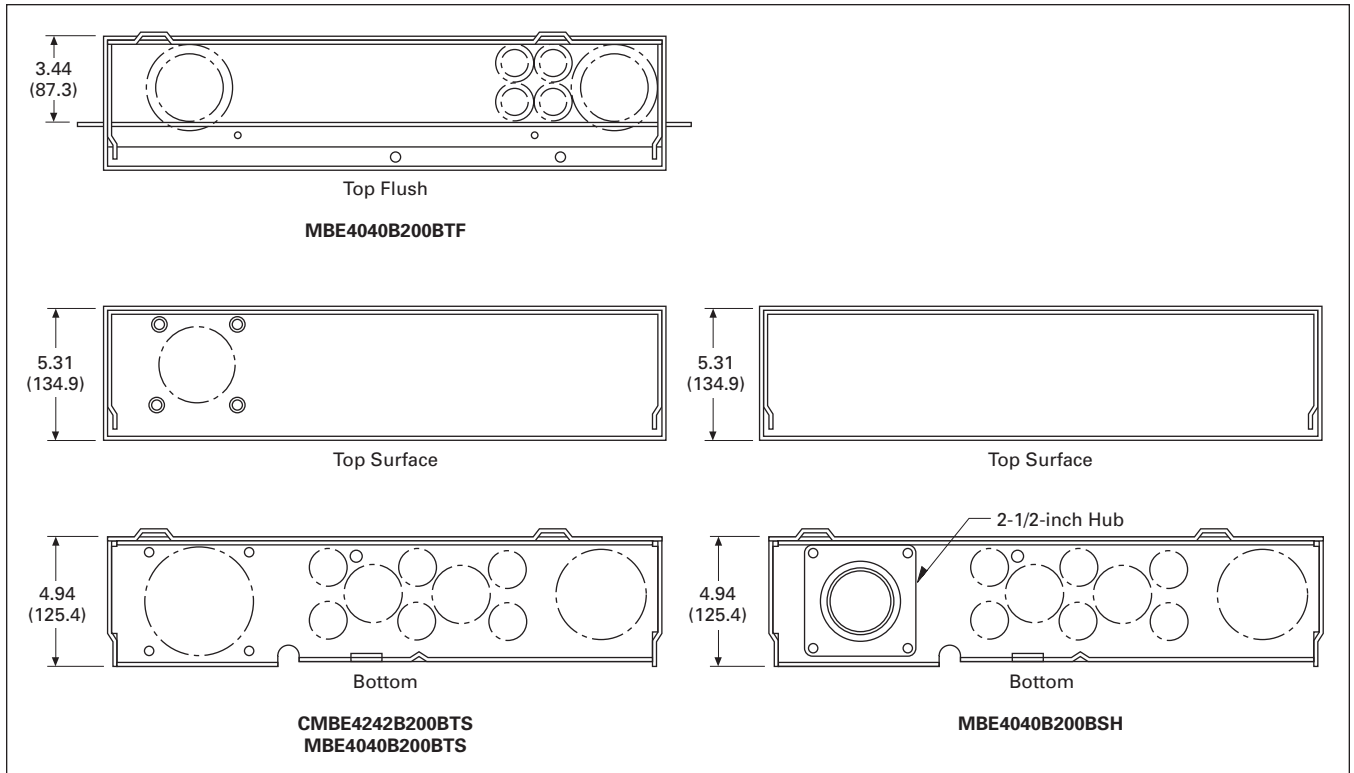
Figure 5-105. Knockouts for Stucco and Surface Units Catalog Numbers — MBE1224B100TS, MBE1224B125TS, MBE816P200TS, MBE816P200TSU, MBE2040B200TS, CMB1212P200BTS, CMB1212P200BTS, CMB1212B200BTS, MB1212L200BTS and CMB1212L200BTS

Table 5-70. Bottom Endwall

Knockout Size Dimensions in Inches (mm)	Quantity
.50 (12.7)	7
.50, .75 (12.7, 19.1)	4
.50, .75, 1.00 (12.7, 19.1, 25.4)	1
1.00, 1.25, 1.50, 2.00 (25.4, 31.8, 38.1, 50.8)	1
1.25, 1.50, 2.00, 2.50, 3.00 (31.8, 38.1, 50.8, 63.5, 76.2)	1

**Dimensions and Knockouts (Residential Meter Breakers) — Dimensions in Inches (mm)**

**5**



**Figure 5-106. Knockouts for Stucco and Surface Units**

**Table 5-71. Top Endwall (Surface)**

Hub Provision Catalog Number	Price U.S. \$
DS100H2	
DS125H2	
DS150H2	
DS200H2	
DS250H2	
DS300H2	
DS900AP (Adapter Plate) ①	

① Use when DS H1 Type 1, 1.25 and 1.50-inch hubs are needed.

**Table 5-72. Top Endwall (Stucco)**

Knockout Size Dimensions in Inches (mm)	Quantity
1.25, 1.50, 2.00, 2.50 (31.8, 38.1, 50.8, 63.5)	2
.50, .75 (12.7, 19.1)	3

**Table 5-73. Bottom Endwall**

Knockout Size Dimensions in Inches (mm)	Quantity
.50, .75 (12.7, 19.1)	6
.50, .75, 1, 1.25 (12.7, 19.1, 25.4, 31.8)	2
1.00, 1.25, 1.50, 2.00, 2.50 (25.4, 31.8, 38.1, 50.8, 63.5)	1
1.00, 1.25, 1.50, 2.00, 2.50, 3.00 (25.4, 31.8, 38.1, 50.8, 63.5, 76.2)	1

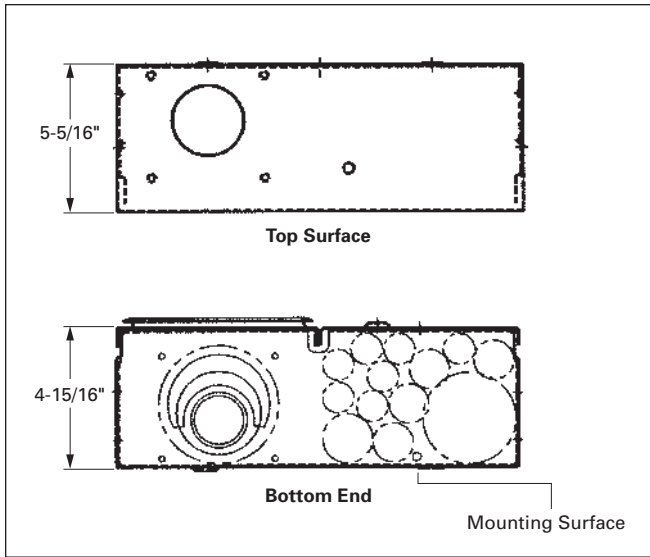


Figure 5-107. Knockout Configurations and Dimensions for Catalog Numbers MBER48B200BTS and CMBER88B200BTS

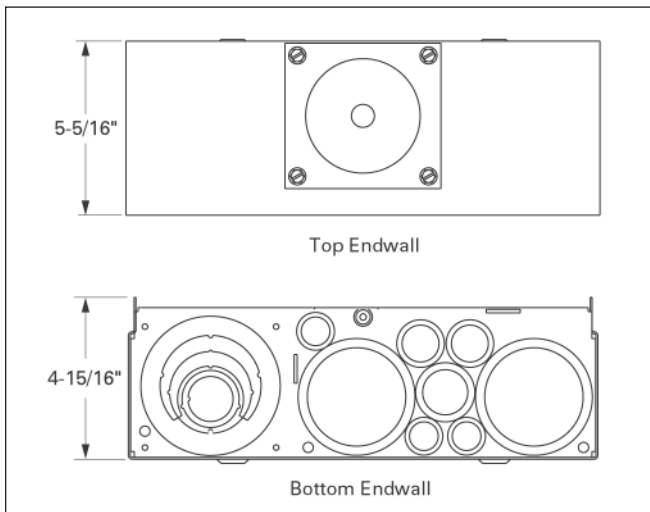


Figure 5-108. Knockout Configurations and Dimensions for Catalog Numbers CMBXP200BTS, CMBXB200BTS, CMBX1212P200BTS and CMBX3242P200BTS, CMBX3242B200BTS, CMBX1212B200BTS

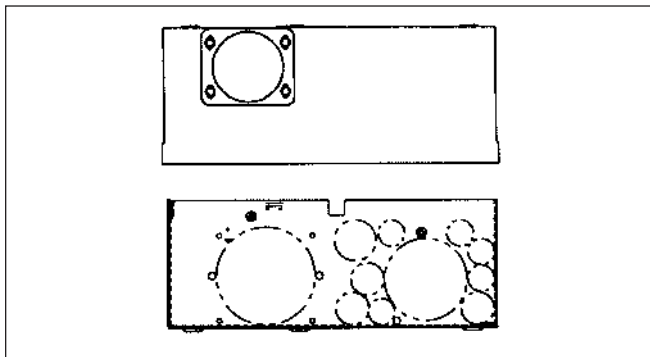


Figure 5-109. Surface Unit Knockout Configurations and Dimensions for MBE2040B200BTS, MBE2040B225BTS, MBE2040B200BTF and MBE2040B225BTF

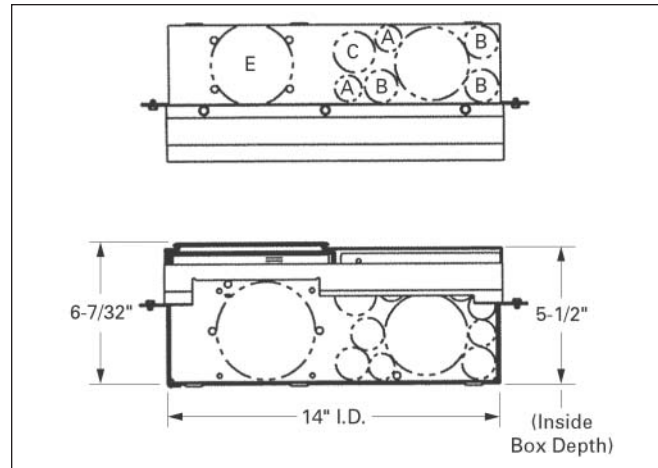


Figure 5-110. Semi-Flush Stucco Unit Knockout Configurations and Dimensions for MBE2040B200BTS, MBE2040B225BTS, MBE2040B200BTF and MBE2040B225BTF

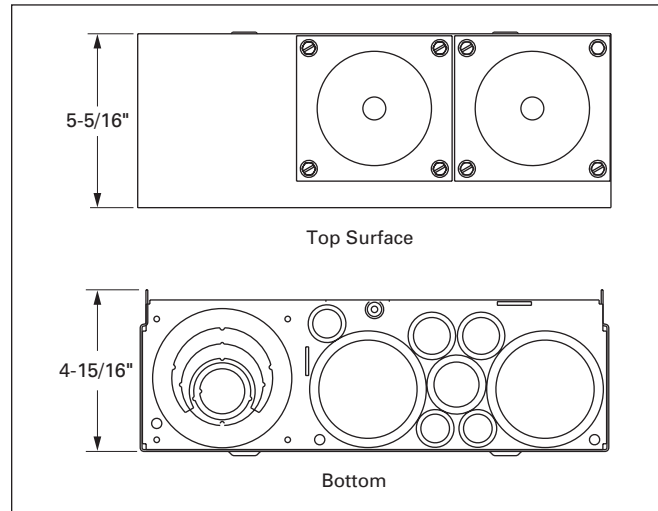
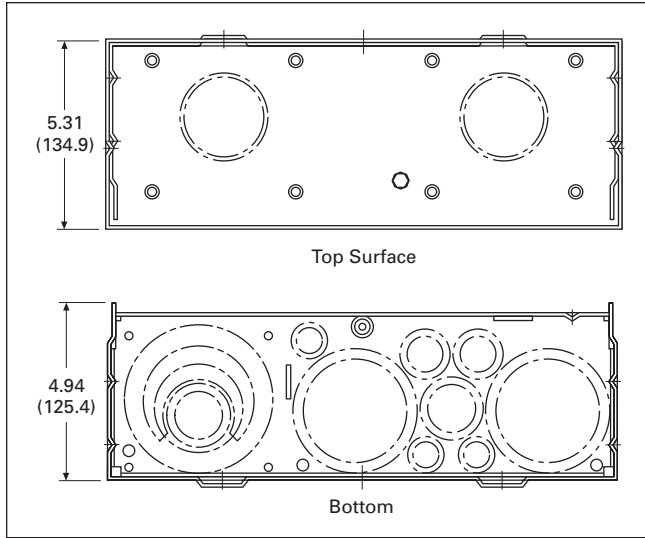


Figure 5-111. Knockout Configurations and Dimensions for Catalog Numbers MBT48B125BTS, MBT48B150BTS, MBT48B200BTS and MBT48P200BTS

**Dimensions and Knockouts (Non-EUSERC Meter Breaker Design) — Dimensions in Inches (mm)**

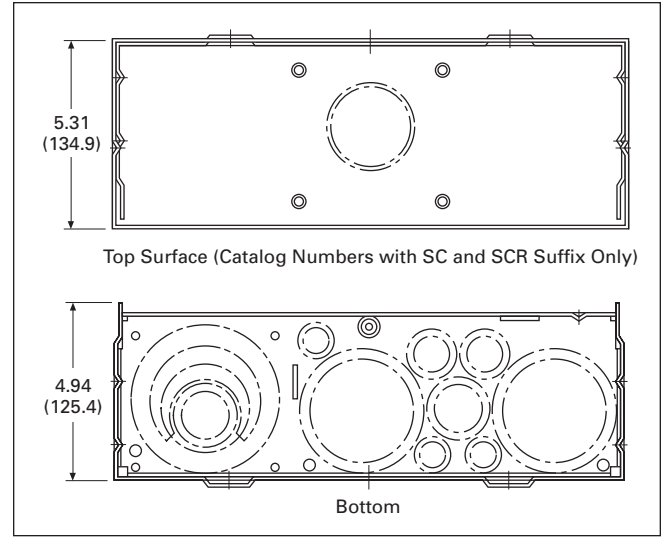


**Figure 5-112. Knockouts for Non-EUSERC Units Catalog Numbers — MBB150BTS, MBB200BTS, MBP200BTS, MB816P200BTS, MB816P200BTSCU, MB816P200BTSD, MB816B200BTS, MB816B200BTSCU, MB2040P200BTS, MB2040B200BTS, MBP200BTSD, MBP200SD, MB816P200STD, MB2040B150SD, MB2040B200SD and MB2040P200SD**

**Table 5-74. Top Endwall (Surface)**

Hub Provision Catalog Number	Price U.S. \$
DS100H2 DS125H2 DS150H2	
DS200H2 DS250H2 DS300H2 DS900AP (Adapter Plate) ①	

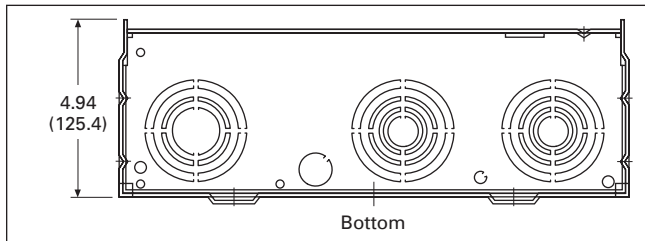
① Use when DS H1 Type 1, 1.25 and 1.50-inch hubs are needed.



**Figure 5-113. Knockouts for Non-EUSERC Units Catalog Numbers — CMB2424B200BTS, MBB150BTSCR, MBB200BTSCR, MBB150BTSC, MBB200BTSC and CMB2436B200BTS**

**Table 5-75. Bottom Endwall**

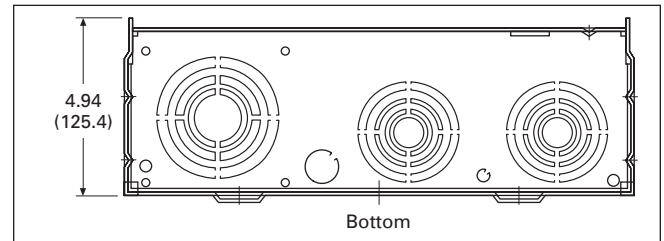
Knockout Size Dimensions in Inches (mm)	Quantity
.31 (7.9)	3
.50 (12.7)	3
.50, .75 (12.7, 19.1)	2
.75, 1.00 (12.7, 25.4)	1
1.25, 1.50, 2.00, 2.50 (19.1, 38.1, 50.8, 63.5)	2
1.50, 2.00, 2.50, 3.00 (38.1, 50.8, 63.5, 76.2)	1



**Figure 5-114. Knockouts for Non-EUSERC Units Catalog Number — CHMMB100BTS**

**Table 5-76. Bottom Endwall**

Knockout Size Dimensions in Inches (mm)	Quantity
.31 (7.9)	1
.50 (12.7)	1
.50, .75, 1.00, 1.25, 1.50, 2.00, 2.50 (12.7, 19.1, 25.4, 31.8, 38.1, 50.8, 63.5)	2
1.00, 1.25, 1.50, 2.00, 2.50 (25.4, 31.8, 38.1, 50.8, 63.5)	1



**Figure 5-115. Knockouts for Non-EUSERC Units Catalog Numbers — CHMMB150BTS and CHMMB200BTS**

**Table 5-77. Bottom Endwall**

Knockout Size Dimensions in Inches (mm)	Quantity
.31 (7.9)	1
.50 (12.7)	1
.50, .75, 1.00, 1.25, 1.50, 2.00, 2.50 (12.7, 19.1, 25.4, 31.8, 38.1, 50.8, 63.5)	2
1.00, 1.25, 1.50, 2.00, 2.50, 3.00 (25.4, 31.8, 38.1, 50.8, 63.5, 76.2)	1

## House Panels

## House Panels



House Panel

## Product Description

A recently redesigned Cutler-Hammer House Panel by Eaton Corporation offers a faster, easier and safer installation. These 400 ampere units are ideal for larger homes in North America that require meter breakers.

Coming in both CH and BR styles, these service entrance devices consist of a meter socket and a distribution section. In response to contractor feedback, these panels have been redesigned with a focus on flexibility, simplified wiring, and an overall ease of installation.

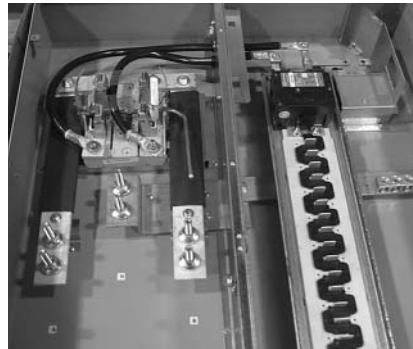
All units come standard with a 22 kAIC main breaker. Previously, the panels were designed as bottom-exit only. Now the load conductors can exit the top, bottom, side or back for greater application and installation flexibility.

## Application Description

Additionally, Cutler-Hammer House Panels can be used for apartments, condominiums, clubhouses or common areas.

## Features, Benefits and Functions

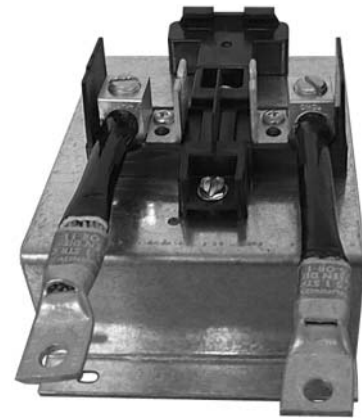
- Ring style units meet EUSERC requirements.
- NEMA 3R rainproof.
- Rated for service entrance equipment.
- UL listed.
- Lever bypass socket available on certain catalog numbers.
- Pin type door hinges.
- Socket to distribution section is connected via insulated cable for safety.
- Second main space can accept 100 to 200 amperes BW, BWH or CSR breakers, or accept a plug-on kit for breakers less than 100 amperes.



House Panel Interior

## New Accessories

- Top-feed gutter kit to ease top-fed installation.
- Re-engineered, adjustable flush mount kit for a cleaner installation.
- 100 ampere second main breaker kit.
- New 750 kcmil box type lug kit.



HP2NDMNKIT



HPBPK



HPBLK750



HP40TFKIT



**House Panels**

**Product Selection**

**Table 5-78. 400 Ampere "House Panels"**

Ampere Rating	Security ①	Bypass ②	Main Breaker	Optional Secondary Main Breaker (Not Included)	Service Type	kAIC	Dist.	Wiring Diagram Figure Number	Line Side Main Lugs and Neutral (Lugs Not Included)	Semi-Flush Catalog Number ③	Surface Catalog Number	Price U.S. \$		
300	Ringless	Lever	BWH2150	BW/BWH	UG	22	None	—	Lug landings for compression lugs	—	HPC30SHL			
400	Ringless	None	CSH2200N	CSR	UG	22	32/42	5-119		—	CG403242SH			
400	Ring	None	CSH2200N	CSR	UG	22	12/12	5-121		—	CG1212P400BS ④			
400	Ring	Manual	BWH2200	BRH/BWH	UG	22	None	—		—	HP40SHA ⑦	HP404040SHA ⑤⑦		
400	Ring	Manual	BWH2200	BRH/BWH	UG	22	40/40	5-134		—				
400	Ringless	None	DK2400	None	UG	22	24/40	5-125		—	HP402440B ⑥	HP402440SBH ⑥⑦		
400	Ringless	None	BWH2200	BRH/BWH	UG	22	24/40	5-128		—				
400	Ring	None	DK2400	None	UG	22	None	5-124		—	HP40	HP404040SHF HP404040SHFA ⑤	HP404040SH ⑦ HP816P400BS ④⑦	
400	Ring	None	BWH2200	BRH/BWH	UG	22	None	5-132		—	HP40SH ⑦			
400	Ring	None	DK2400	None	UG	22	24/42	5-130		—	HP402442			
400	Ring	None	BWH2200	BRH/BWH	UG	22	40/40	5-126		—	HP404040SH ⑦			
400	Ring	Manual	BWH2200	BRH/BWH	UG	22	40/40	—		—	HP404040SH ⑦			
400	Ring	None	BWH2200	BRH/BWH	UG	22	8/16	5-127	—	HP816P400BS ④⑦				
400	Ringless	Lever	CSH2200N	CSR	UG	22	12/12	—	—	CG1212P400BSL ④	CG404242SHL HP40SHL ⑦ HPC40SHL ⑦ HP404040SHL ⑦ HP816P400BSL ④⑦			
400	Ringless	Lever	CSH2200N	CSR	UG	22	42/42	5-120	—					
400	Ringless	Lever	BWH2200	BRH/BWH	UG	22	None	5-133	—					
400	Ringless	Lever	BWH2200	BRH/BWH	OH/UG	22	None	—	—					
400	Ringless	Lever	BWH2200	BRH/BWH	UG	22	40/40	5-131	—					
400	Ringless	Lever	BWH2200	BRH/BWH	UG	22	40/40	—	—					
400	Ringless	Lever	BWH2200	BRH/BWH	UG	22	8/16	—	—					

- ① Confirm security type for individual EUSERC utility requirements.
- ② Included in all of the following devices.
- ③ If unit needs to be semi-flush, order accessory item catalog number **HPPR** to convert all surface mounting devices to semi-flush mounting.
- ④ Feed-through lugs included.
- ⑤ Includes manual bypass and additional ground lug to meet Nevada Power requirements.
- ⑥ Bolt-on meter socket.
- ⑦ For 10 kAIC, use BR or BW breakers as secondary main.

**Table 5-79. Accessories**

Description	Catalog Number	Price U.S. \$
Top Feed Kit to convert surface mount house panel for overhead service	HP40TFKIT	
750 kcmil Lug Kit Manual Bypass Kit Flush Mount Kit	HPBLK750 HPBPK HPPR	
100 Ampere 2nd Main Kit (Type BR Branch) 100 Ampere 2nd Main Kit (Type CH Branch) 5th Jaw for lever bypass house panels	HP2NDMNKIT CH2NDMNKIT ARP00326CH	
Locates 3" (only) incoming conduit to back of can by utilizing the 4" knockout useful in semi-flush applications	HP40HUBPLATE	

**5**

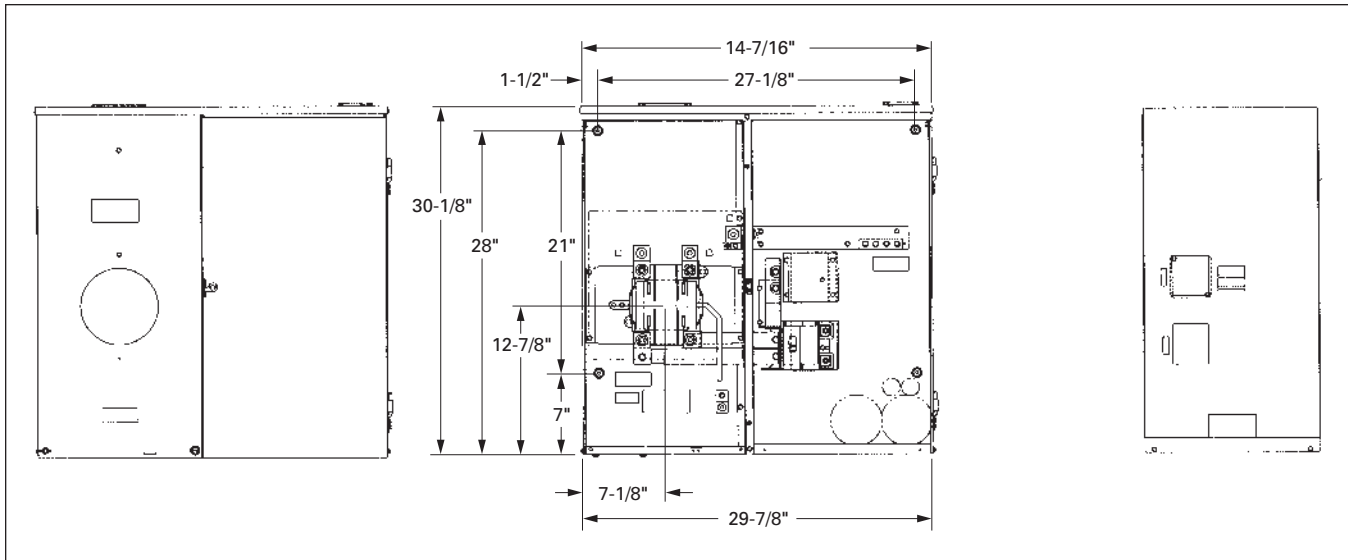


Figure 5-116. Dimensions for Catalog Numbers HPC40SHL and HPC30SHL

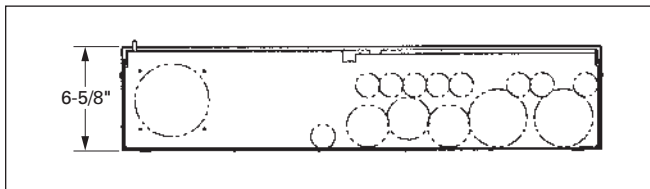


Figure 5-117. Knockout Configurations and Dimensions for HPC40SHL and HPC30SHL

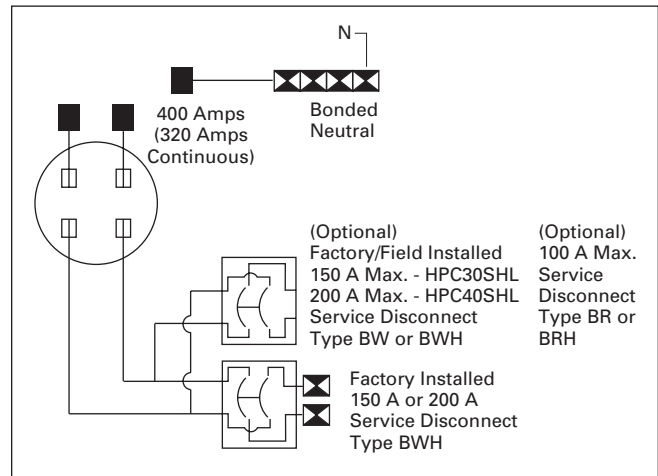
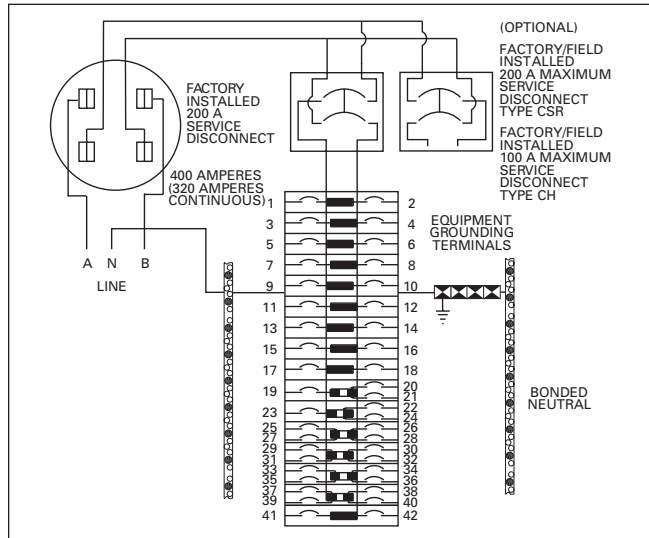


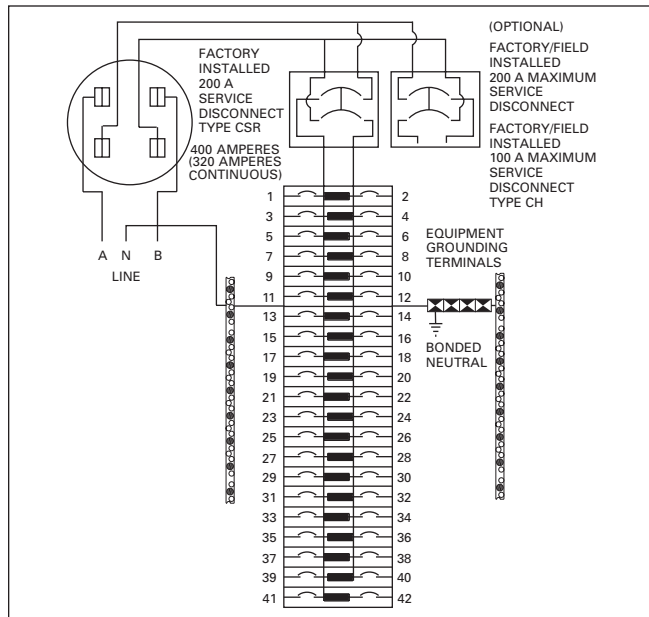
Figure 5-118. Typical Wiring Diagram for Catalog Numbers HPC40SHL and HPC30SHL

**Technical Data and Specifications**

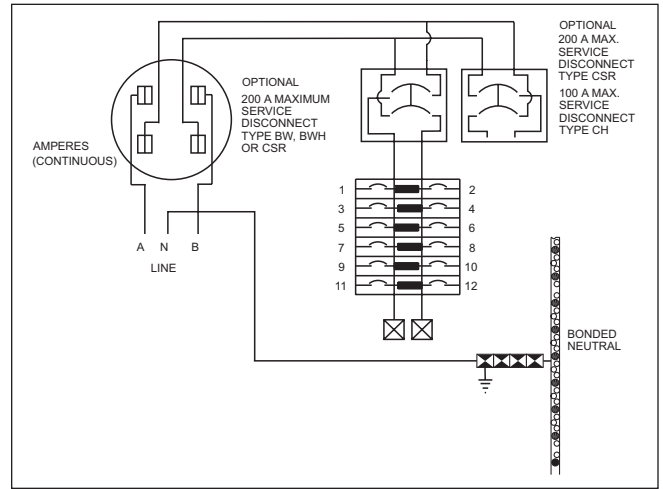
**Typical Wiring Diagrams (Type CH Style House Panels)**



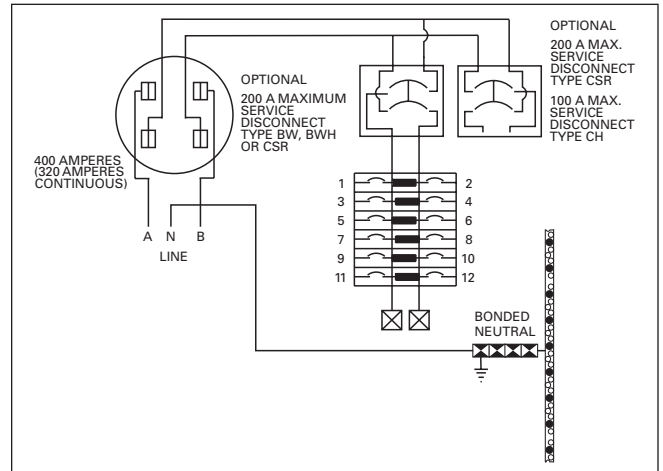
**Figure 5-119. Type CH Wiring Diagram 1 — Catalog Number CG403242SH**



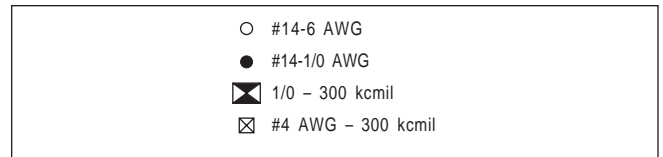
**Figure 5-120. Type CH Wiring Diagram 2 — Catalog Number CG404242SHL**



**Figure 5-121. Type CH Wiring Diagram 3 — Catalog Number CG1212P400BS**



**Figure 5-122. Type CH Wiring Diagram 4 — Catalog Number CG1212P400BSL**



**Figure 5-123. Type CH Wiring Diagram Key**

House Panels

Typical Wiring Diagrams (Type BR Style House Panels)

5

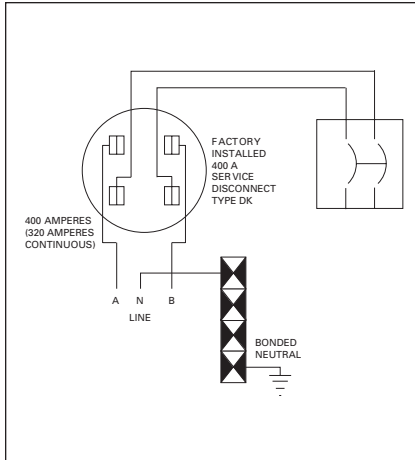


Figure 5-124. Type BR Wiring Diagram 1 — Catalog Number HP40

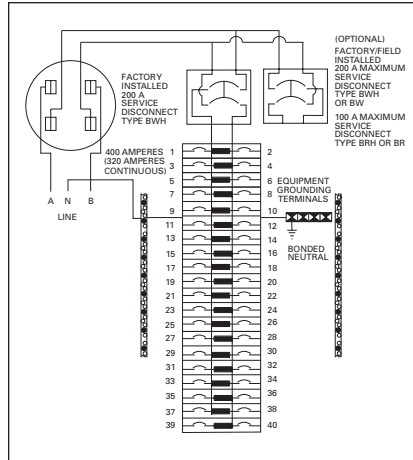


Figure 5-126. Type BR Wiring Diagram 3 — Catalog Number HP404040SH

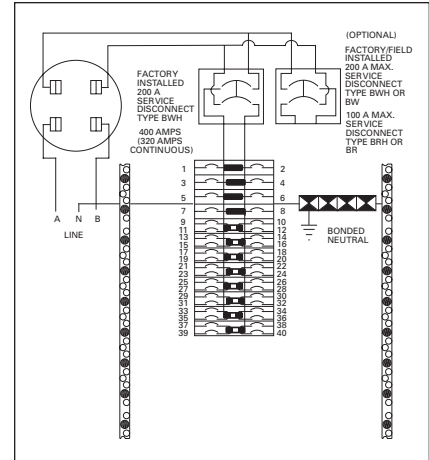


Figure 5-128. Type BR Wiring Diagram 5 — Catalog Number HP402440SBH

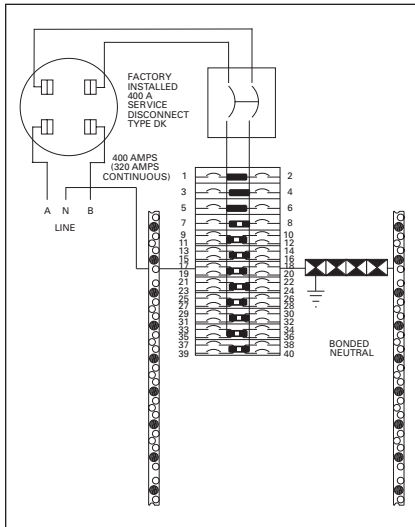


Figure 5-125. Type BR Wiring Diagram 2 — Catalog Number HP402440B

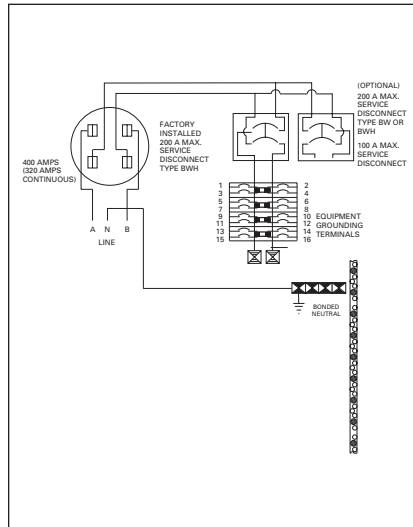


Figure 5-127. Type BR Wiring Diagram 4 — Catalog Number HP816P400BS

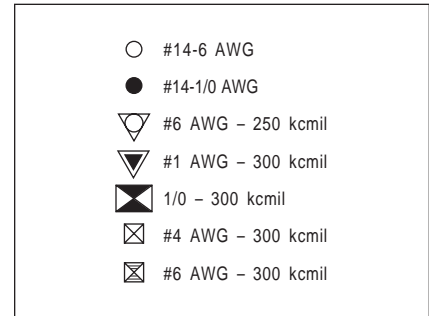
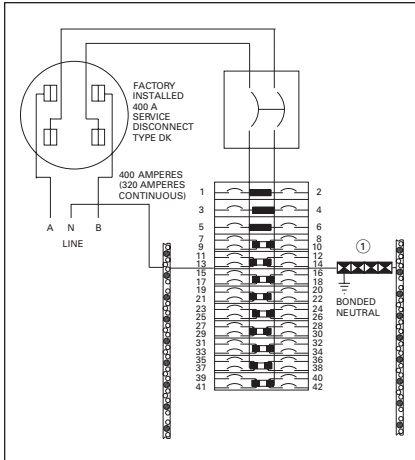
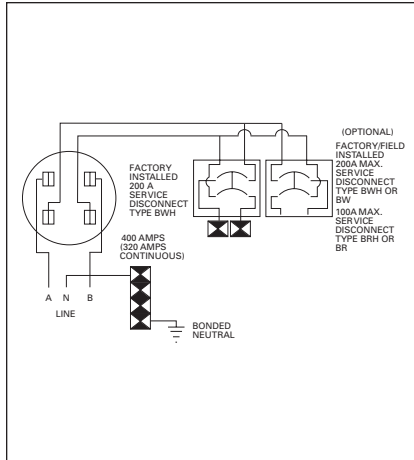


Figure 5-129. Type BR Wiring Diagram Key

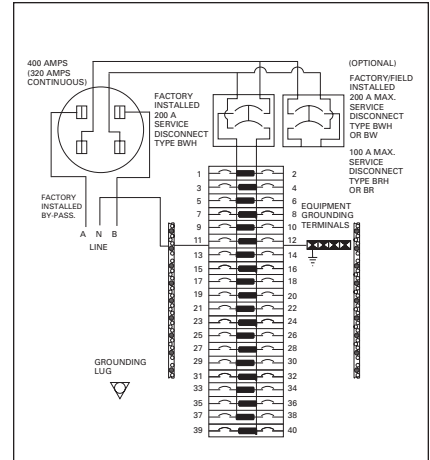
**Typical Wiring Diagrams (Type BR Style House Panels)**



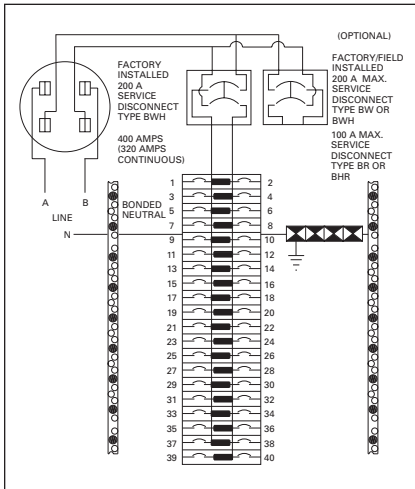
**Figure 5-130. Type BR Wiring Diagram 6 —  
Catalog Number HP402442**



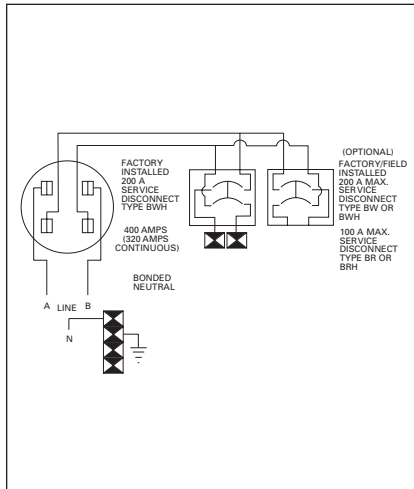
**Figure 5-132. Type BR Wiring Diagram 8 —  
Catalog Number HP40SH**



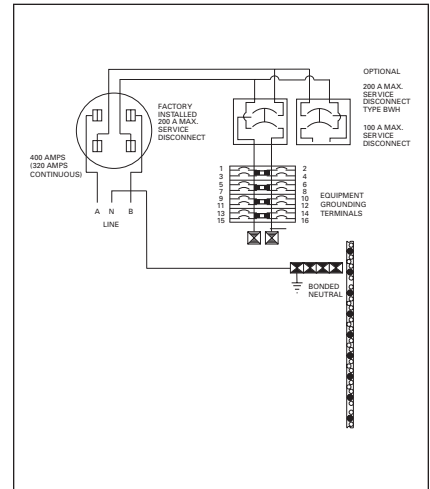
**Figure 5-134. Type BR Wiring Diagram 10 —  
Catalog Number HP404040SHA**



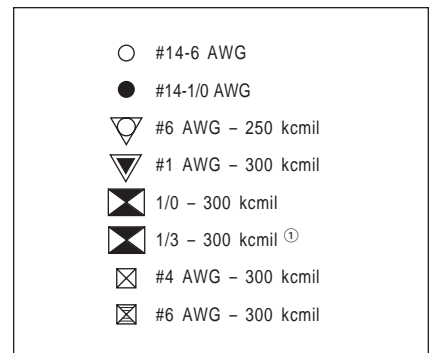
**Figure 5-131. Type BR Wiring Diagram 7 —  
Catalog Number HP404040SHL**



**Figure 5-133. Type BR Wiring Diagram 9 —  
Catalog Number HP40SHL**



**Figure 5-135. Type BR Wiring Diagram 11 —  
Catalog Number HP816P400BSL**



**Figure 5-136. Type BR Wiring Diagram Key**

Dimensions and Knockouts (House Panels) — Dimensions in Inches

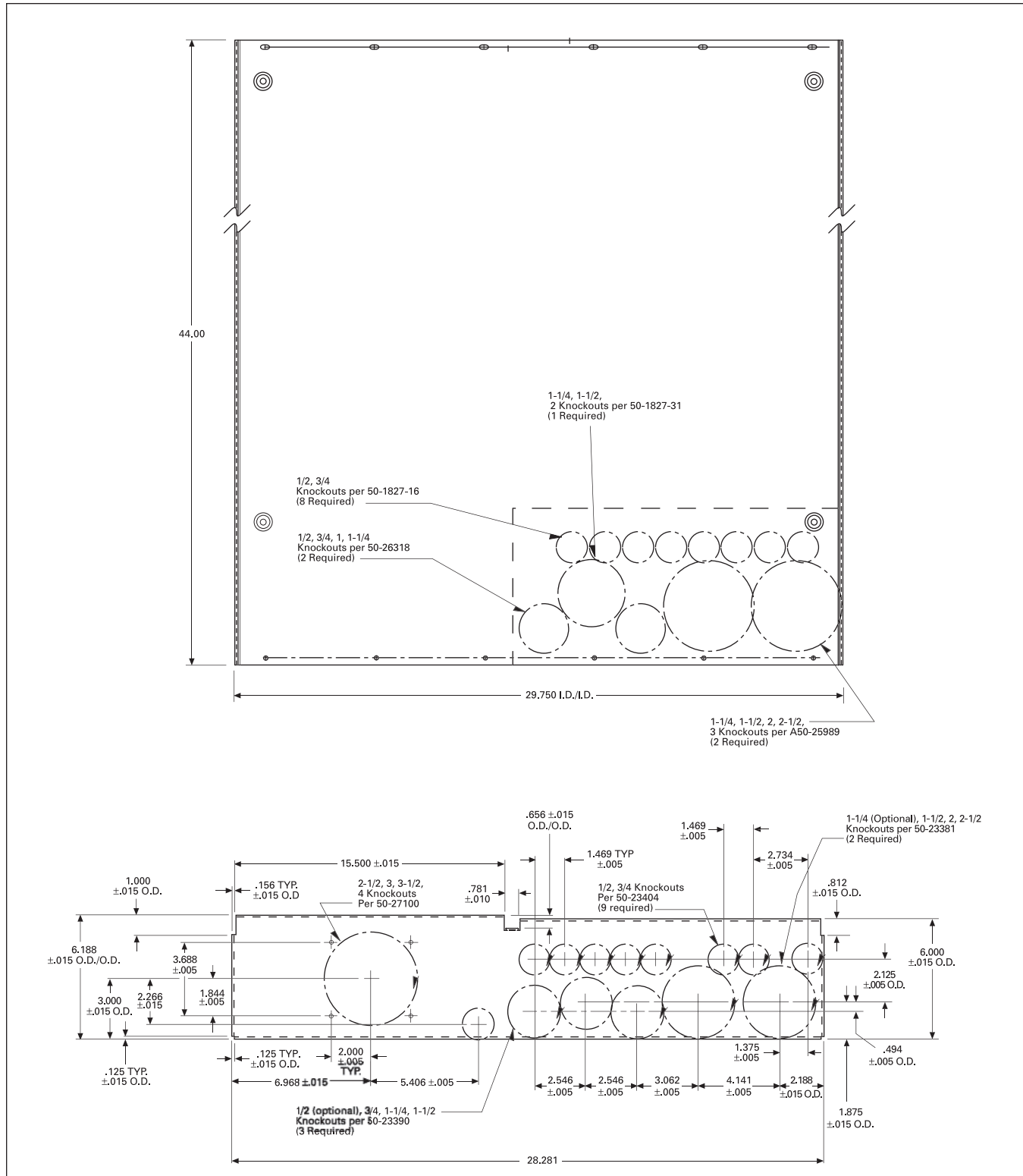


Figure 5-137. House Panel Dimensions and Knockouts — For All House Panels Except HPC40SHL and HPC30SHL

**Commercial Safety Sockets**

**Product Description**

A Commercial Safety Socket is service entrance equipment that consists of a commercial meter socket with a test block, and may come with or without a loadcenter type distribution section.

**Features, Benefits and Functions**

**Commercial Safety Sockets with No Secondary Feeder**



*Commercial Safety Socket*

- Ring type continuous duty meter socket. 600 Vac maximum, single- or 3-phase.
- 100 ampere and 200 ampere units.
- Bussed connection from meter socket to test block.
- For use with self-contained watt-hour meter.
- Conform with EUSERC standards.
- NEMA 3R construction for indoor/outdoor applications.
- Units can be individually mounted with provisions for hub kits and pole mounting.

**Application Description**

Eaton's Cutler-Hammer Commercial Safety Sockets are typically used where a single meter socket or single meter socket with a distribution section are needed. These areas could include a commercial business, commercial office building, individual retail facilities and signs and street lighting. Commercial Safety Sockets are typically used in EUSERC utility regions.

**Overhead Combination Units**



*Overhead Combination Unit*

- NEMA 3R construction for indoor/outdoor applications.
- T-fuse protection, 480 Vac maximum.
- Line at top, load at bottom.
- 100 ampere and 200 ampere units available up to 480 Vac maximum.
- Circuit breaker protection to 480 Vac maximum in 10, 22, 42 and 100 kAIC ratings.
- Factory-cabled connection from test block to line side of tenant main.

**Underground Combination Units**



*Underground Combination Unit*

- 100 and 200 ampere units.
- 480 Vac maximum.
- NEMA 3R construction for indoor/outdoor applications.
- Underground or overhead feed.
- Provisions for self-contained watt-hour meter.
- Bussed connection from meter socket to test block.
- Tenant main disconnects are available with circuit breakers up to 480 Vac maximum and T-fuse mains, 240 Vac maximum.
- Load wires can exit top or bottom.

Commercial Safety Sockets

Product Selection

Overhead and Underground  
Combination Units  
and Individual Units

5



CH214MTBP



CH127TB

Table 5-80. Individual Safety Sockets — 600 Volts Maximum — Ne Secondary Feeder Devices

Ampere Rating	No. of Jaws	ac Voltage	Service	Phase, Wire	Max. Inter. Rating	Wire Size	KO No.	Dimensions in Inches (mm)			Catalog Number	Price U.S. \$
								Height	Width	Depth		
125	4	600	OH/UG	1-Phase, 3-Wire	①	#14 – 2/0	A	24.00 (609.6)	12.00 (304.8)	4.63 (117.6)	CH114TB	
125	5	600	OH/UG	3-Phase, 3-Wire	①	#14 – 2/0	A	24.00 (609.6)	12.00 (304.8)	4.63 (117.6)	CH115TB	
125	7	600	OH/UG	3-Phase, 4-Wire	①	#14 – 2/0	A	24.00 (609.6)	12.00 (304.8)	4.63 (117.6)	CH117TB	
200	4	600	OH/UG	1-Phase, 3-Wire	①	#6 – 250 kcmil	B	30.00 (762.0)	14.00 (355.6)	6.00 (152.4)	CH124TB	
200	5	600	OH/UG	3-Phase, 3-Wire	①	#6 – 250 kcmil	B	30.00 (762.0)	14.00 (355.6)	6.00 (152.4)	CH125TB	
200	7	600	OH/UG	3-Phase, 4-Wire	①	#6 – 250 kcmil	B	30.00 (762.0)	14.00 (355.6)	6.00 (152.4)	CH127TB	

① If being protected by a fuse, the interrupting rating of the unit is limited to the fuse AIC rating. If being protected by a single- or three-phase, 600 volt breaker, the AIC is 14 kA; by a maximum 400 ampere, single-phase, 240 volt breaker, the AIC is 18 kA; by a maximum 200 ampere, single- or three-phase, 240 volt breaker, the AIC is 18 kA; by a maximum 125 ampere, single-phase, 240 volt breaker, the AIC is 22 kA.

Table 5-81. Commercial Safety Sockets with Provision for Main Circuit Breaker

Ampere Rating	No. of Jaws	ac Voltage	Service	Phase, Wire	Feeder Circuit Breaker	Max. Inter. Rating	Wire Size	KO No.	Dimensions in Inches (mm)			Catalog Number	Price U.S. \$
									Height	Width	Depth		
125	4	240	OH	1-Phase, 3-Wire	Provision ②	④	#14 – 2/0	C	40.00 (1016.0)	13.00 (330.2)	6.00 (152.4)	CH214MTBLB	
125	7	208/120	OH	3-Phase, 4-Wire	Provision ②	④	#14 – 2/0	C	40.00 (1016.0)	13.00 (330.2)	6.00 (152.4)	CH217MTBLB	
125	4	240	UG	1-Phase, 3-Wire	Provision ②	④	#14 – 2/0	D	26.00 (660.4)	20.00 (508.0)	6.00 (152.4)	CHU214MTBLB	
125	7	208/120	UG	3-Phase, 4-Wire	Provision ②	④	#14 – 2/0	D	26.00 (660.4)	20.00 (508.0)	6.00 (152.4)	CHU217MTBLB	
200	4	120/240	OH	1-Phase, 3-Wire	Provision ③	⑤	#6 – 250 kcmil	E	50.00 (1270.0)	15.00 (381.0)	7.00 (177.8)	CH224MTBLB	
200	7	208/120	OH	3-Phase, 4-Wire	Provision ③	⑤	#6 – 250 kcmil	E	50.00 (1270.0)	15.00 (381.0)	7.00 (177.8)	CH227MTBLB	
200	4	120/240	UG	1-Phase, 3-Wire	Provision ③	⑤	#6 – 250 kcmil	F	32.00 (812.8)	24.00 (609.6)	7.00 (177.8)	CHU224MTBLB	
200	7	208/120	UG	3-Phase, 4-Wire	Provision ③	⑤	#6 – 250 kcmil	F	32.00 (812.8)	24.00 (609.6)	7.00 (177.8)	CHU227MTBLB	

② Order plug-on Type BR, BRH or BRHH circuit breaker separately.

③ Order Type CC or CHH breaker separately.

④ Type BR = 10 kA; Type BRH = 22 kA; Type BRHH = 42 kA.

⑤ Type CC = 10 kA; Type CHH = 100 kA.

Table 5-82. Commercial Safety Sockets with Main Circuit Breaker Included

Ampere Rating	No. of Jaws	ac Voltage	Service	Phase, Wire	Feeder Circuit Breaker	Max. Inter. Rating	Wire Size	KO No.	Dimensions in Inches (mm)			Catalog Number	Price U.S. \$
									Height	Width	Depth		
100	7	480/277	OH	3-Phase, 4-Wire	EHD3100	14 kA	#14 – 2/0	G	40.00 (1016.0)	14.00 (355.6)	6.00 (152.4)	CH217MTBM515	
100	7	480/277	UG	3-Phase, 4-Wire	EHD3100	14 kA	#14 – 2/0	H	26.00 (660.4)	20.00 (508.0)	6.00 (152.4)	CHU217MTBMS15	
200	7	480/277	OH	3-Phase, 4-Wire	JD3200	25 kA	#6 – 250 kcmil	I	53.00 (1346.2)	16.00 (406.4)	6.00 (152.4)	CH227MTBHMS15	
200	7	480/277	UG	3-Phase, 4-Wire	JD3200	25 kA	#6 – 250 kcmil	J	32.00 (812.8)	24.00 (609.6)	6.00 (152.4)	CHU227MTBHMS15	



**Product Selection**

**Underground Combination Units  
and Safety Socket Accessories**



**CHU227MTBP**

**Table 5-83. Commercial Safety Sockets with T-Fuse Switch**

Ampere Rating	No. of Jaws	ac Voltage	Service	Phase, Wire	Max. Inter. Rating	Wire Size	KO No.	Dimensions in Inches (mm)			Catalog Number	Price U.S. \$
								Height	Width	Depth		
100	4	120/240	OH	1-Phase, 3-Wire	200 kA	#14 – 2/0	K	40.00 (1016.0)	14.00 (355.6)	6.00 (152.4)	<b>CH214MTBP</b> <b>CH217MTBP</b> <b>CHU214MTBP</b> <b>CHU217MTBP</b>	
100	7	208/120	OH	3-Phase, 4-Wire	200 kA	#14 – 2/0	K	40.00 (1016.0)	14.00 (355.6)	6.00 (152.4)		
100	4	120/240	UG	1-Phase, 3-Wire	200 kA	#14 – 2/0	L	26.00 (660.4)	20.00 (508.0)	6.00 (152.4)		
100	7	208/120	UG	3-Phase, 4-Wire	200 kA	#14 – 2/0	L	26.00 (660.4)	20.00 (508.0)	6.00 (152.4)		
200	4	120/240	OH	1-Phase, 3-Wire	200 kA	#6 – 250 kcmil	M	50.00 (1270.0)	16.00 (406.4)	7.00 (177.8)	<b>CH224MTBP</b> <b>CH227MTBP</b> <b>CHU224MTBP</b> <b>CHU227MTBP</b>	
200	7	208/120	OH	3-Phase, 4-Wire	200 kA	#6 – 250 kcmil	M	50.00 (1270.0)	16.00 (406.4)	7.00 (177.8)		
200	4	120/240	UG	1-Phase, 3-Wire	200 kA	#6 – 250 kcmil	N	32.00 (812.8)	24.00 (609.6)	7.00 (177.8)		
200	7	208/120	UG	3-Phase, 4-Wire	200 kA	#6 – 250 kcmil	N	32.00 (812.8)	24.00 (609.6)	7.00 (177.8)		

© Order plug-on Type BR, BRH or BRHH circuit breaker separately.

**Note:** Order Type CC or CHH breaker separately.

**Table 5-84. Hubs**

Description	Carton Weight Lbs. (kg)	Catalog Number	Price U.S. \$
Hub Closure Plate 1.00 inch (25.4 mm) Hub 1.25 inch (31.8 mm) Hub	3 (1.4)	<b>ARP00002CHB</b> <b>ARP00003CH1</b> <b>ARP00004CH12</b>	
1.50 inch (38.1 mm) Hub 2.00 inch (50.8 mm) Hub 2.50 inch (63.5 mm) Hub	3 (1.4)	<b>ARP00005CH15</b> <b>ARP00006CH2</b> <b>ARP00007CH25</b>	

Technical Data and Specifications

Enclosure and Knockout Dimensions — in Inches

5

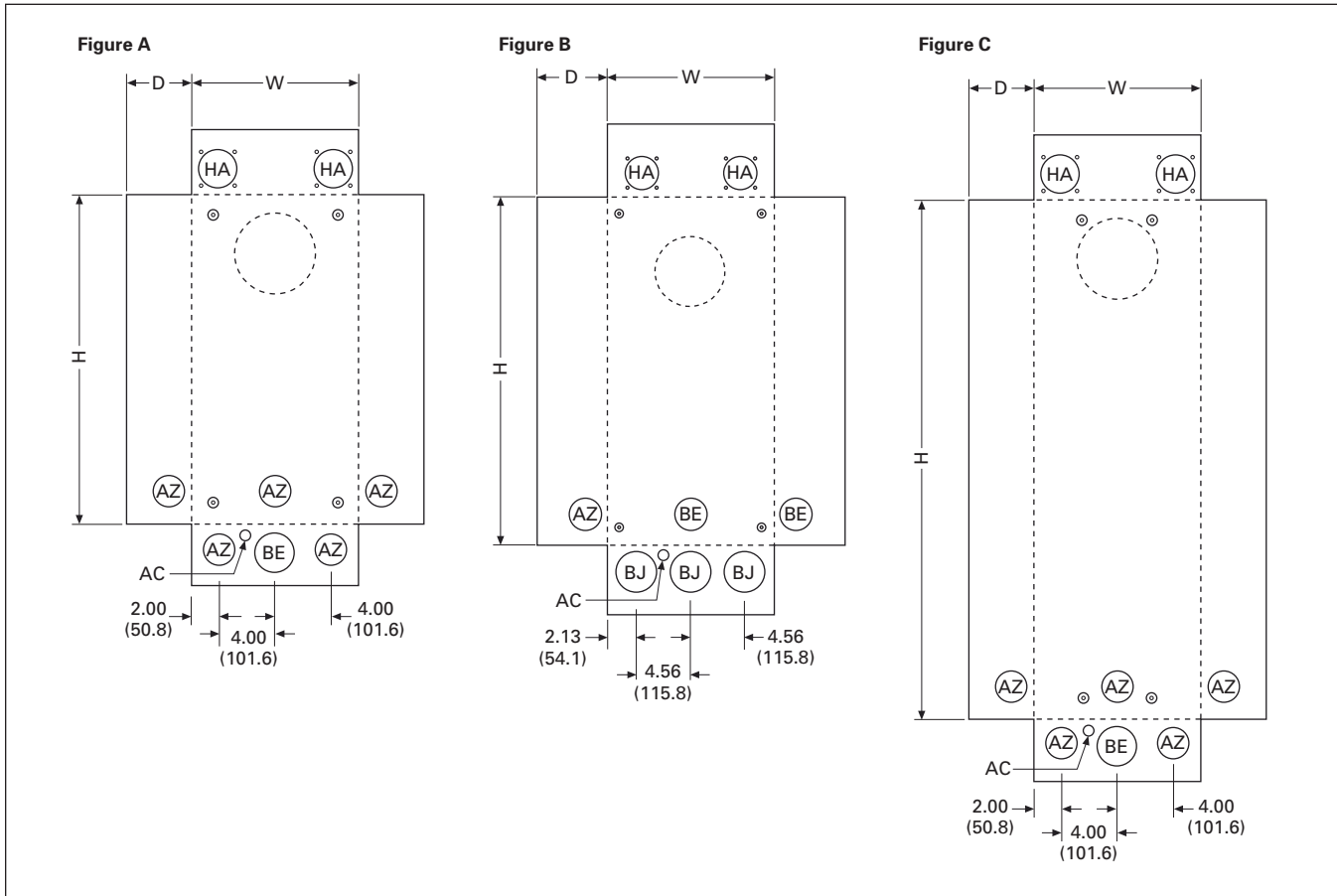


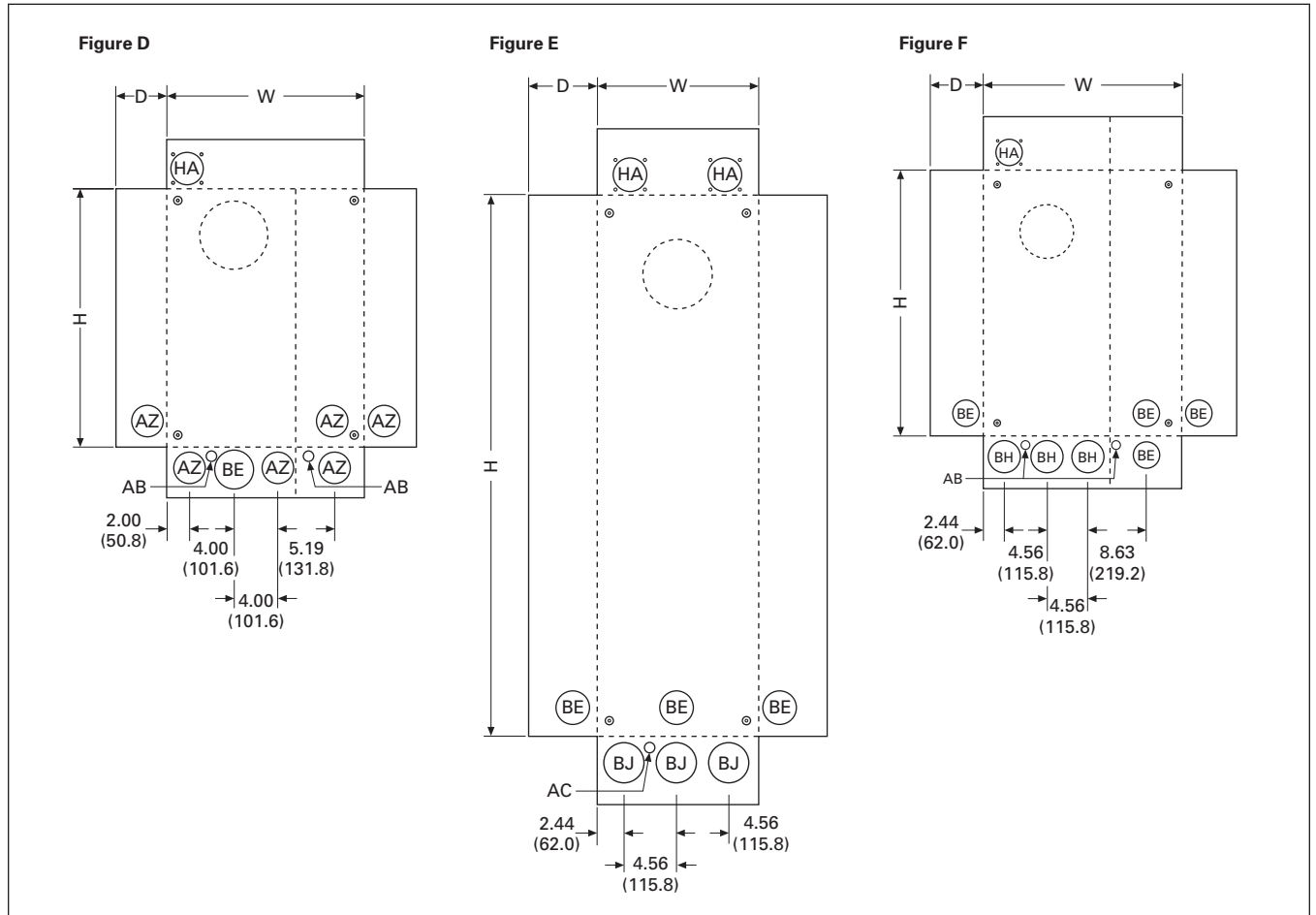
Figure 5-138. Commercial Safety Sockets Dimensions

Table 5-85. Conduit Knockouts

Code	Conduit Knockout Sizes in Inches (mm)											
AB	—	.50 (12.7)	—	—	—	—	—	—	—	—	—	—
AC	.25 (6.4)	.50 (12.7)	—	—	—	—	—	—	—	—	—	—
AU	—	—	.75 (19.1)	1.00 (25.4)	1.25 (31.8)	1.50 (38.1)	—	—	—	—	—	—
AZ	—	—	—	1.00 (25.4)	1.25 (31.8)	1.50 (38.1)	—	2.00 (50.8)	—	—	—	—
BE	—	—	—	—	1.25 (31.8)	1.50 (38.1)	—	2.00 (50.8)	—	2.50 (63.5)	—	—
BH	—	—	—	—	—	—	—	—	—	2.50 (63.5)	—	3.00 (76.2)
BJ	—	—	—	—	—	—	—	2.00 (50.8)	—	2.50 (63.5)	—	3.00 (76.2)
BK	—	—	—	—	—	1.50 (38.1)	—	2.00 (50.8)	—	2.50 (63.5)	—	3.00 (76.2)
HA	ARP HUB											

**Technical Data and Specifications**

**Enclosure and Knockout Dimensions — in Inches**



**Figure 5-139. Commercial Safety Sockets Dimensions**

**Table 5-86. Conduit Knockouts**

Code	Conduit Knockout Sizes in Inches (mm)											
AB	—	.50 (12.7)	—	—	—	—	—	—	—	—	—	—
AC	.25 (6.4)	.50 (12.7)	—	—	—	—	—	—	—	—	—	—
AU	—	—	.75 (19.1)	1.00 (25.4)	1.25 (31.8)	1.50 (38.1)	—	—	—	—	—	—
AZ	—	—	—	1.00 (25.4)	1.25 (31.8)	1.50 (38.1)	—	2.00 (50.8)	—	—	—	—
BE	—	—	—	—	1.25 (31.8)	1.50 (38.1)	—	2.00 (50.8)	—	2.50 (63.5)	—	—
BH	—	—	—	—	—	—	—	—	—	2.50 (63.5)	—	3.00 (76.2)
BJ	—	—	—	—	—	—	—	2.00 (50.8)	—	2.50 (63.5)	—	3.00 (76.2)
BK	—	—	—	—	—	1.50 (38.1)	—	2.00 (50.8)	—	2.50 (63.5)	—	3.00 (76.2)
HA	ARP HUB											

Technical Data and Specifications

Enclosure and Knockout Dimensions — in Inches

5

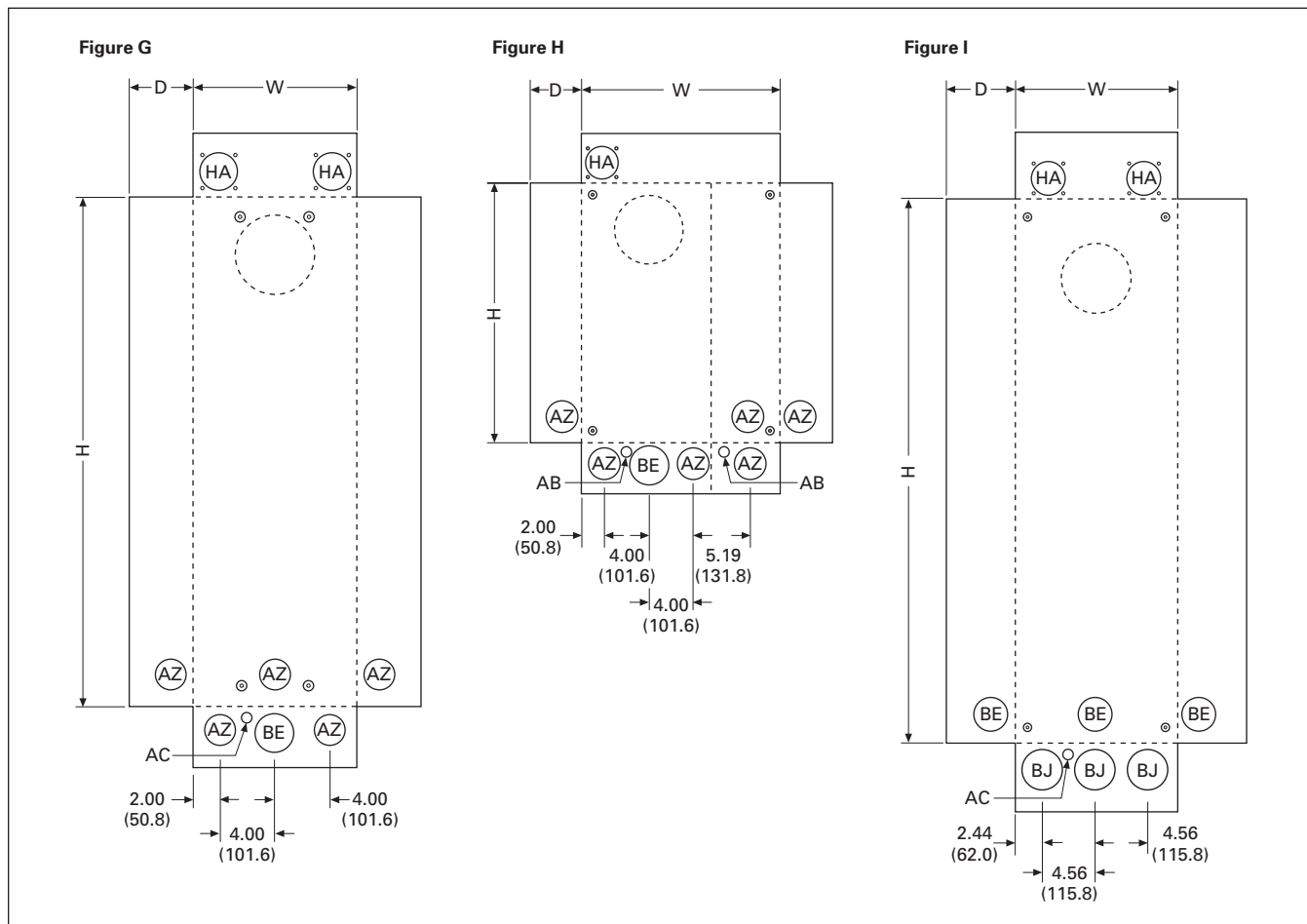


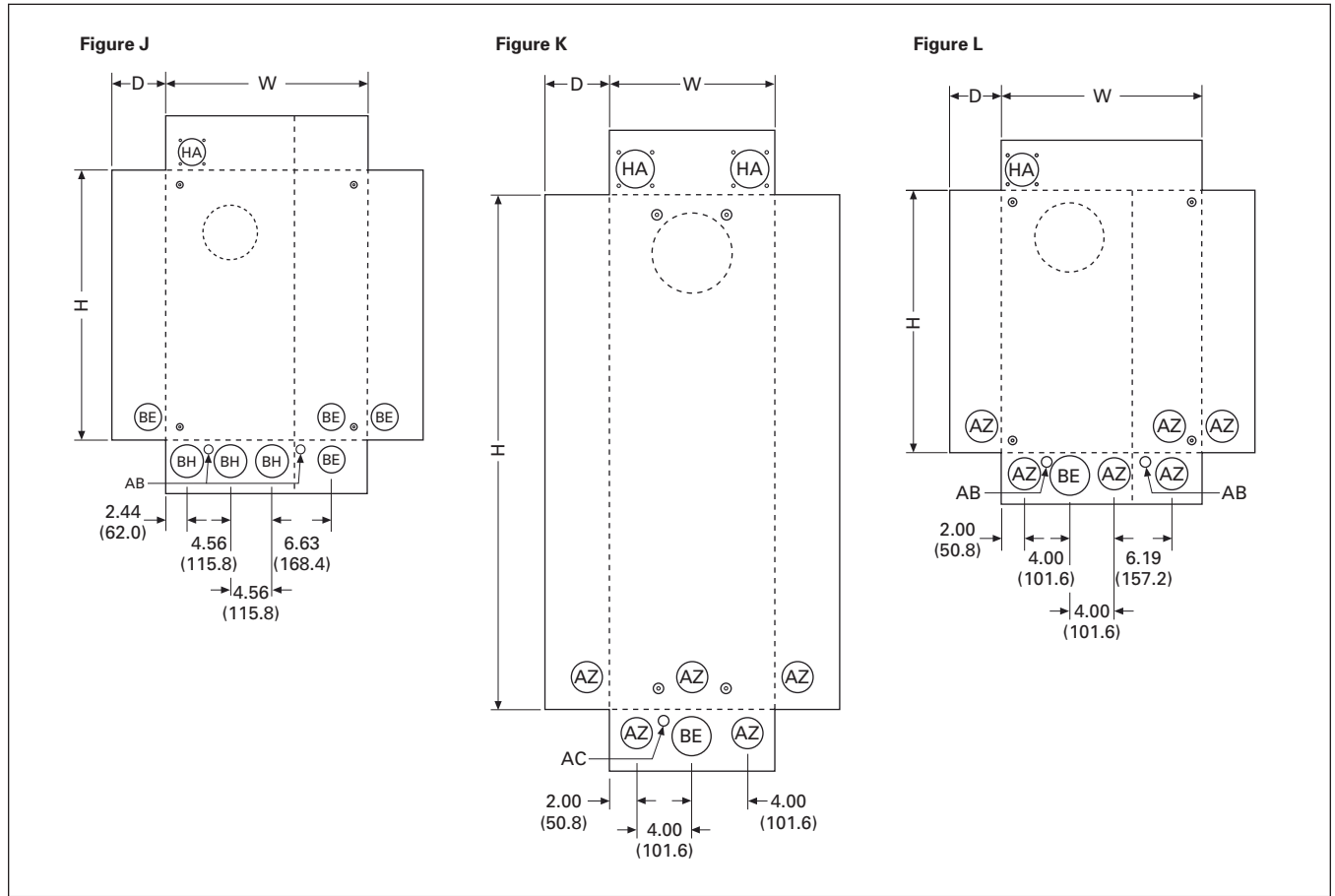
Figure 5-140. Commercial Safety Sockets Dimensions

Table 5-87. Conduit Knockouts

Code	Conduit Knockout Sizes in Inches (mm)											
AB	—	.50 (12.7)	—	—	—	—	—	—	—	—	—	—
AC	.25 (6.4)	.50 (12.7)	—	—	—	—	—	—	—	—	—	—
AU	—	—	.75 (19.1)	1.00 (25.4)	1.25 (31.8)	1.50 (38.1)	—	—	—	—	—	—
AZ	—	—	—	1.00 (25.4)	1.25 (31.8)	1.50 (38.1)	—	2.00 (50.8)	—	—	—	—
BE	—	—	—	—	1.25 (31.8)	1.50 (38.1)	—	2.00 (50.8)	—	2.50 (63.5)	—	—
BH	—	—	—	—	—	—	—	—	—	2.50 (63.5)	—	3.00 (76.2)
BJ	—	—	—	—	—	—	—	2.00 (50.8)	—	2.50 (63.5)	—	3.00 (76.2)
BK	—	—	—	—	—	1.50 (38.1)	—	2.00 (50.8)	—	2.50 (63.5)	—	3.00 (76.2)
HA	ARP HUB											

**Technical Data and Specifications**

**Enclosure and Knockout Dimensions — in Inches**



**Figure 5-141. Commercial Safety Sockets Dimensions**

**Table 5-88. Conduit Knockouts**

Code	Conduit Knockout Sizes in Inches (mm)											
AB	—	.50 (12.7)	—	—	—	—	—	—	—	—	—	—
AC	.25 (6.4)	.50 (12.7)	—	—	—	—	—	—	—	—	—	—
AU	—	—	.75 (19.1)	1.00 (25.4)	1.25 (31.8)	1.50 (38.1)	—	—	—	—	—	—
AZ	—	—	—	1.00 (25.4)	1.25 (31.8)	1.50 (38.1)	—	2.00 (50.8)	—	—	—	—
BE	—	—	—	—	1.25 (31.8)	1.50 (38.1)	—	2.00 (50.8)	—	2.50 (63.5)	—	—
BH	—	—	—	—	—	—	—	—	—	2.50 (63.5)	—	3.00 (76.2)
BJ	—	—	—	—	—	—	—	2.00 (50.8)	—	2.50 (63.5)	—	3.00 (76.2)
BK	—	—	—	—	—	1.50 (38.1)	—	2.00 (50.8)	—	2.50 (63.5)	—	3.00 (76.2)
HA	ARP HUB											

Technical Data and Specifications

Enclosure and Knockout Dimensions — in Inches

5

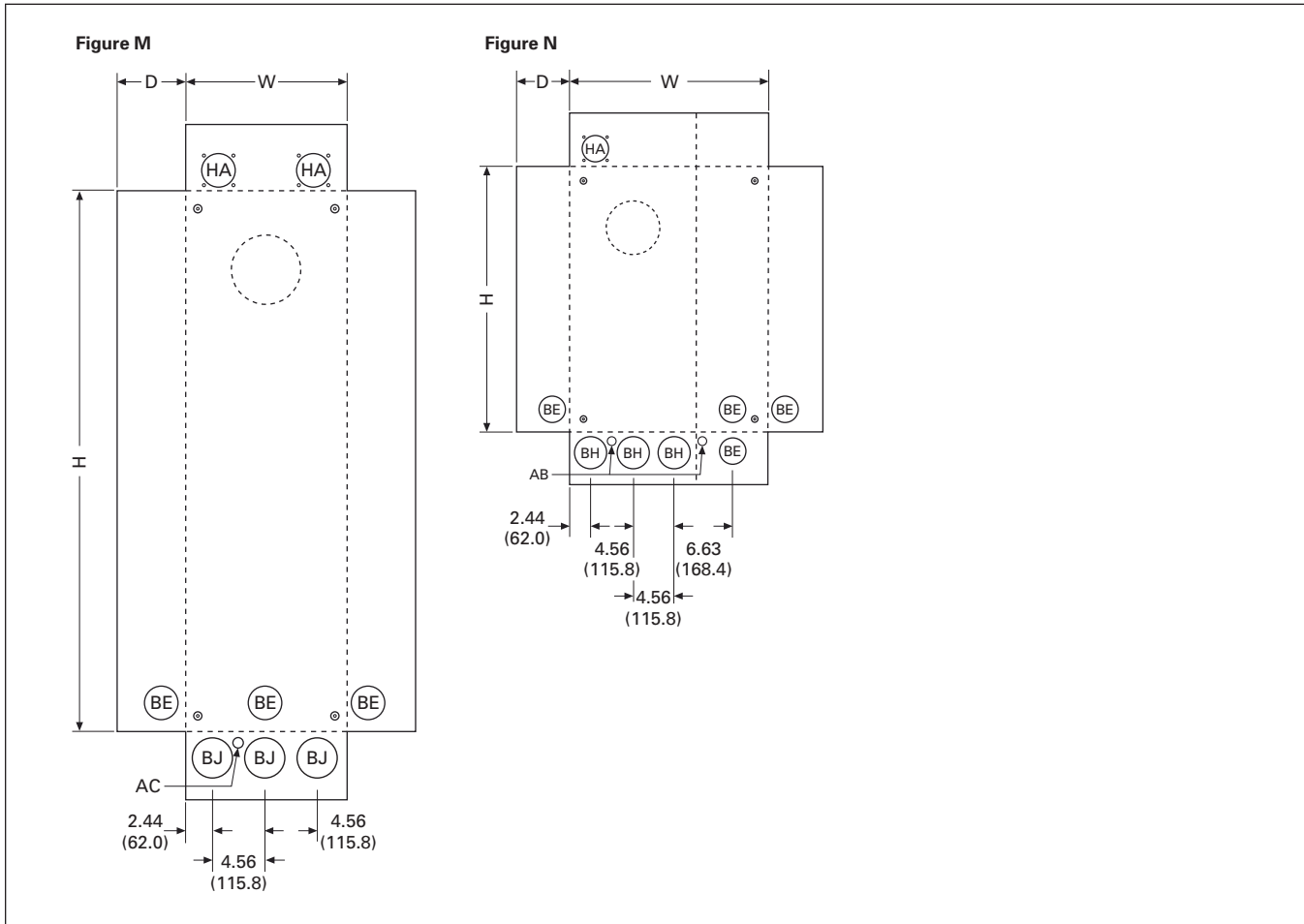


Figure 5-142. Commercial Safety Sockets Dimensions

Table 5-89. Conduit Knockouts

Code	Conduit Knockout Sizes in Inches (mm)										
AB	—	.50 (12.7)	—	—	—	—	—	—	—	—	—
AC	.25 (6.4)	.50 (12.7)	—	—	—	—	—	—	—	—	—
AU	—	—	.75 (19.1)	1.00 (25.4)	1.25 (31.8)	1.50 (38.1)	—	—	—	—	—
AZ	—	—	—	1.00 (25.4)	1.25 (31.8)	1.50 (38.1)	—	2.00 (50.8)	—	—	—
BE	—	—	—	—	1.25 (31.8)	1.50 (38.1)	—	2.00 (50.8)	—	2.50 (63.5)	—
BH	—	—	—	—	—	—	—	—	—	2.50 (63.5)	3.00 (76.2)
BJ	—	—	—	—	—	—	—	2.00 (50.8)	—	2.50 (63.5)	3.00 (76.2)
BK	—	—	—	—	—	1.50 (38.1)	—	2.00 (50.8)	—	2.50 (63.5)	3.00 (76.2)
HA	ARP HUB										

UL is a federally registered trademark of Underwriters Laboratories Inc. NEMA is the registered trademark and service mark of the National Electrical Manufacturers Association. Uniform Building Code (UBC) is a trademark of the International Conference of Building Officials (ICBO). National Electrical Code and NEC are registered trademarks of the National Fire Protection Association, Quincy, Mass. INNER-TITE is a registered trademark of Inner-Tite Corp. Cutler-Hammer is a federally registered trademark of Eaton Corporation.