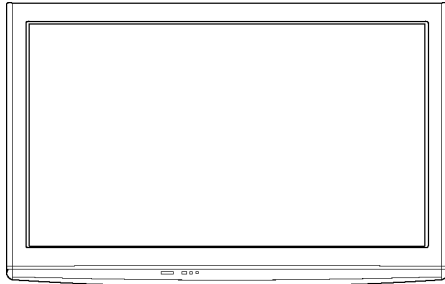


# Service Manual

42 inch Class 1080p Plasma HDTV

Model No. **TC-42PS14**


GPF12DU Chassis



## **WARNING**

This service information is designed for experienced repair technicians only and is not designed for use by the general public. It does not contain warnings or cautions to advise non-technical individuals of potential dangers in attempting to service a product. Products powered by electricity should be serviced or repaired only by experienced professional technicians. Any attempt to service or repair the product or products dealt with in this service information by anyone else could result in serious injury or death.

## **IMPORTANT SAFETY NOTICE**

There are special components used in this equipment which are important for safety. These parts are marked by  in the Schematic Diagrams, Circuit Board Diagrams, Exploded Views and Replacement Parts List. It is essential that these critical parts should be replaced with manufacturer's specified parts to prevent shock, fire or other hazards. Do not modify the original design without permission of manufacturer.

# 1 Safety Precautions

## 1.1. General Guidelines

1. When conducting repairs and servicing, do not attempt to modify the equipment, its parts or its materials.
2. When wiring units (with cables, flexible cables or lead wires) are supplied as repair parts and only one wire or some of the wires have been broken or disconnected, do not attempt to repair or re-wire the units. Replace the entire wiring unit instead.
3. When conducting repairs and servicing, do not twist the Faston connectors but plug them straight in or unplug them straight out.
4. When servicing, observe the original lead dress. If a short circuit is found, replace all parts which have been overheated or damaged by the short circuit.
5. After servicing, see to it that all the protective devices such as insulation barriers, insulation papers shields are properly installed.
6. After servicing, make the following leakage current checks to prevent the customer from being exposed to shock hazards.

### 1.1.1. Leakage Current Cold Check

1. Unplug the AC cord and connect a jumper between the two prongs on the plug.
2. Measure the resistance value, with an ohmmeter, between the jumpered AC plug and each exposed metallic cabinet part on the equipment such as screwheads, connectors, control shafts, etc. When the exposed metallic part has a return path to the chassis, the reading should be between 1Mohm and 5.2Mohm. When the exposed metal does not have a return path to the chassis, the reading must be  $\infty$ .

### 1.1.2. Leakage Current Hot Check (See Figure 1.)

1. Plug the AC cord directly into the AC outlet. Do not use an isolation transformer for this check.
2. Connect a 1.5kohm, 10 watts resistor, in parallel with a 0.15 $\mu$ F capacitors, between each exposed metallic part on the set and a good earth ground such as a water pipe, as shown in Figure 1.
3. Use an AC voltmeter, with 1000 ohms/volt or more sensitivity, to measure the potential across the resistor.
4. Check each exposed metallic part, and measure the voltage at each point.
5. Reverse the AC plug in the AC outlet and repeat each of the above measurements.
6. The potential at any point should not exceed 0.75 volts RMS. A leakage current tester (Simpson Model 229 or equivalent) may be used to make the hot checks, leakage current must not exceed 1/2 milliamp. In case a measurement is outside of the limits specified, there is a possibility of a shock hazard, and the equipment should be repaired and rechecked before it is returned to the customer.

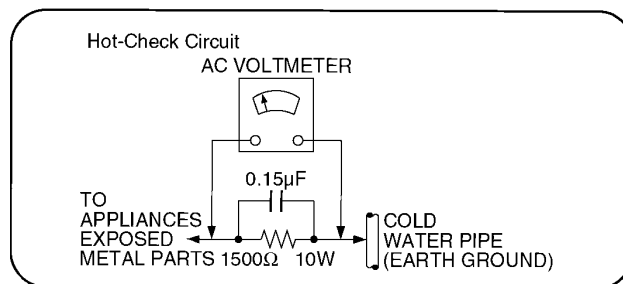


Figure 1

## 2 Warning

### 2.1. Prevention of Electrostatic Discharge (ESD) to Electrostatically Sensitive (ES) Devices

Some semiconductor (solid state) devices can be damaged easily by static electricity. Such components commonly are called Electrostatically Sensitive (ES) Devices. Examples of typical ES devices are integrated circuits and some field-effect transistors and semiconductor [chip] components. The following techniques should be used to help reduce the incidence of component damage caused by electrostatic discharge (ESD).

1. Immediately before handling any semiconductor component or semiconductor-equipped assembly, drain off any ESD on your body by touching a known earth ground. Alternatively, obtain and wear a commercially available discharging ESD wrist strap, which should be removed for potential shock reasons prior to applying power to the unit under test.
2. After removing an electrical assembly equipped with ES devices, place the assembly on a conductive surface such as aluminum foil, to prevent electrostatic charge buildup or exposure of the assembly.
3. Use only a grounded-tip soldering iron to solder or unsolder ES devices.
4. Use only an anti-static solder removal device. Some solder removal devices not classified as [anti-static (ESD protected)] can generate electrical charge sufficient to damage ES devices.
5. Do not use freon-propelled chemicals. These can generate electrical charges sufficient to damage ES devices.
6. Do not remove a replacement ES device from its protective package until immediately before you are ready to install it. (Most replacement ES devices are packaged with leads electrically shorted together by conductive foam, aluminum foil or comparable conductive material).
7. Immediately before removing the protective material from the leads of a replacement ES device, touch the protective material to the chassis or circuit assembly into which the device will be installed.

#### **Caution**

Be sure no power is applied to the chassis or circuit, and observe all other safety precautions.

8. Minimize bodily motions when handling unpackaged replacement ES devices. (Otherwise ham less motion such as the brushing together of your clothes fabric or the lifting of your foot from a carpeted floor can generate static electricity (ESD) sufficient to damage an ES device).

## 2.2. About lead free solder (PbF)

**Note:** Lead is listed as (Pb) in the periodic table of elements.

In the information below, Pb will refer to Lead solder, and PbF will refer to Lead Free Solder.

The Lead Free Solder used in our manufacturing process and discussed below is (Sn+Ag+Cu).

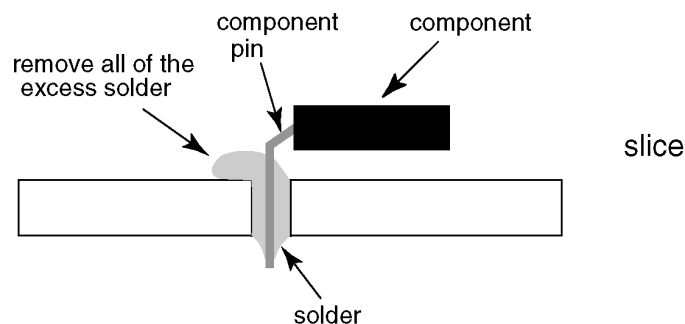
That is Tin (Sn), Silver (Ag) and Copper (Cu) although other types are available.

This model uses Pb Free solder in it's manufacture due to environmental conservation issues. For service and repair work, we'd suggest the use of Pb free solder as well, although Pb solder may be used.

PCBs manufactured using lead free solder will have the PbF within a leaf Symbol **PbF** stamped on the back of PCB.

### Caution

- Pb free solder has a higher melting point than standard solder. Typically the melting point is 50 ~ 70 °F (30~40 °C) higher. Please use a high temperature soldering iron and set it to 700 ± 20 °F (370 ± 10 °C).
- Pb free solder will tend to splash when heated too high (about 1100 °F or 600 °C).  
If you must use Pb solder, please completely remove all of the Pb free solder on the pins or solder area before applying Pb solder. If this is not practical, be sure to heat the Pb free solder until it melts, before applying Pb solder.
- After applying PbF solder to double layered boards, please check the component side for excess solder which may flow onto the opposite side. (see figure below)



### Suggested Pb free solder

There are several kinds of Pb free solder available for purchase. This product uses Sn+Ag+Cu (tin, silver, copper) solder. However, Sn+Cu (tin, copper), Sn+Zn+Bi (tin, zinc, bismuth) solder can also be used.

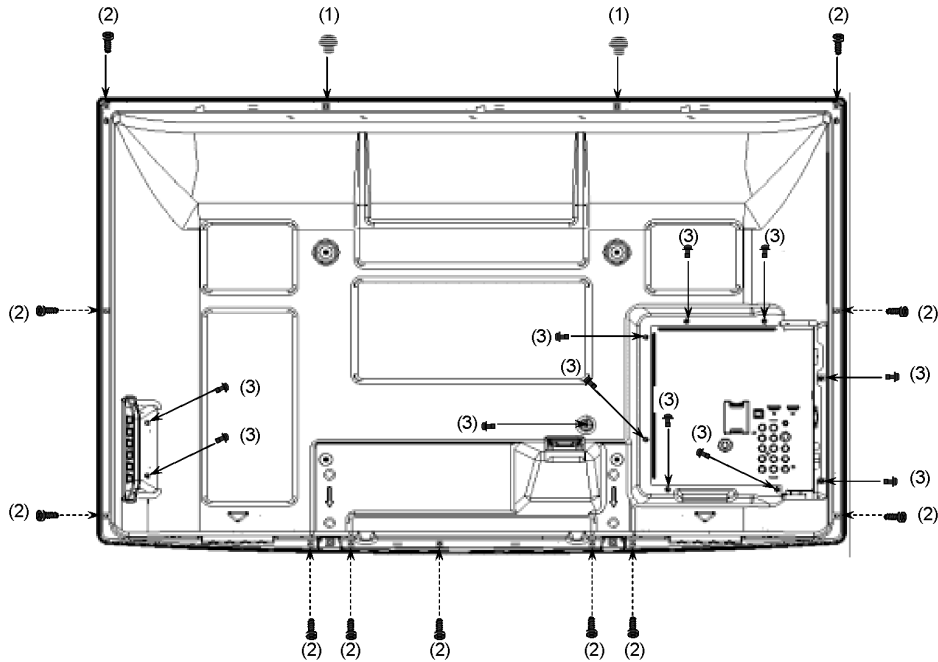
0.3mm X 100g	0.6mm X 100g	1.0mm X 100g



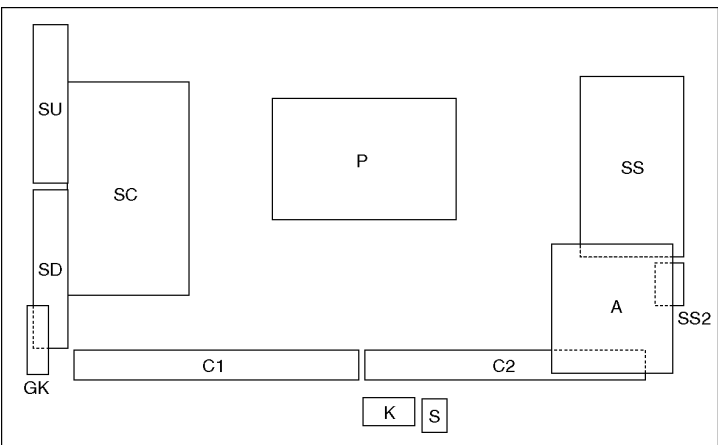
# 3 Service Navigation

## 3.1. Service Hint

Remove the Rear cover



Remove:  
 2screws (1) THEL052Z  
 11screws (2) XTB4+12GFJK  
 11screws (3) THEL0429



Board Name	Function	Board Name	Function
P	Power Supply	C1	Data Driver (Lower Right)
A	DC-DC Converter, Tuner Speaker out, AV Terminal, AV Switch, PC Digital Signal Processor, SYSTEM MPU, HDMI Switch Seine 3LV Format Converter, Plasma AI, Sub-Field Processor	C2	Data Driver (Lower Left)
		SC	Scan Drive
		SS	Sustain Drive
		SS2	Sustain out (Lower)
		SU	Scan out (Upper) Non-serviceable SU-Board should be exchanged for service.
K	Remote receiver, Power LED, C.A.T.S. sensor	SD	Scan out (Lower) Non-serviceable SD-Board should be exchanged for service.
S	Power Switch		
GK	Key Switch		

## 3.2. Applicable signals

\* Mark: Applicable input signal for Component (Y, PB, PR), HDMI and PC

	horizontal frequency (kHz)	vertical frequency (Hz)	COMPONENT	HDMI	PC
525 (480) / 60i	15.73	59.94	*	*	
525 (480) /60p	31.47	59.94	*	*	
750 (720) /60p	45.00	59.94	*	*	
1,125 (1,080) /60i	33.75	59.94	*	*	
1,125 (1,080) /60p	67.43	59.94		*	
1,125 (1,080) /60p	67.50	60.00		*	
1,125 (1,080) /24p	26.97	23.98		*	
1,125 (1,080) /24p	27.00	24.00		*	
640 × 400 @70	31.47	70.08			*
640 × 480 @60	31.47	59.94			*
Macintosh13 inch (640 × 480)	35.00	66.67			*
640 × 480 @75	37.50	75.00			*
852 × 480 @60	31.47	59.94			*
800 × 600 @60	37.88	60.32			*
800 × 600 @75	46.88	75.00			*
800 × 600 @85	53.67	85.08			*
Macintosh16 inch (832 × 624)	49.73	74.55			*
1,024 × 768 @60	48.36	60.00			*
1,024 × 768 @70	56.48	70.07			*
1,024 × 768 @75	60.02	75.03			*
1,024 × 768 @85	68.68	85.00			*
Macintosh 21 inch (1,152 × 870)	68.68	75.06			*
1,280 × 1,024 @60	63.98	60.02			*
1,366 × 768 @60	48.36	60.00			*

### Note

- Signals other than above may not be displayed properly.
- The above signals are reformatted for optimal viewing on your display.

# 4 Specifications

<b>Power Source</b>	AC 120 V, 60 Hz	
<b>Power Consumption</b>		
<b>Maximum</b>	485 W	
<b>Standby condition</b>	0.3 W	
<b>Plasma Display panel</b>		
<b>Drive method</b>	AC type	
<b>Aspect Ratio</b>	16:9	
<b>Visible screen size</b>	42 inch class (41.6 inches measured diagonally)	
<b>(W × H × Diagonal)</b>	36.2 inch × 20.4 inch × 41.6 inch (921 mm × 518 mm × 1,057 mm)	
<b>(No. of pixels)</b>	2,073,600 (1,920 (W) × 1,080 (H))[5,760 × 1,080 dots]	
<b>Sound</b>		
<b>Audio Output</b>	20 W [ 10 W + 10 W ] ( 10 % THD )	
<b>PC signals</b>	VGA, SVGA, XGA, WXGA, SXGA	
	Horizontal scanning frequency 31 - 69 kHz	
	Vertical scanning frequency 59 - 86 Hz	
<b>Channel Capability (Digital/Analog)</b>	VHF/ UHF: 2 - 69, CATV: 1 - 135	
<b>Operating Conditions</b>		
	Temperature:	32 °F - 104 °F (0 °C - 40 °C)
	Humidity:	20 % - 80 % RH (non-condensing)
<b>Connection Terminals</b>		
<b>VIDEO IN 1</b>	VIDEO:	RCA PIN Type × 1 1.0 V [p-p] (75 Ω)
	S-VIDEO:	Mini DIN 4-pin Y: 1.0 V [p-p] (75 Ω) C: 0.286 V [p-p] (75 Ω)
	AUDIO L-R:	RCA PIN Type × 2 0.5 V [rms]
<b>VIDEO IN 2</b>	VIDEO:	RCA PIN Type × 1 1.0 V [p-p] (75 Ω)
	AUDIO L-R:	RCA PIN Type × 2 0.5 V [rms]
<b>COMPONENT IN 1-2</b>	Y:	1.0 V [p-p] (including synchronization)
	PB, PR:	±0.35 V [p-p]
	AUDIO L-R:	RCA PIN Type × 2 0.5 V [rms]
<b>HDMI 1-3</b>	TYPE A Connector × 3	
	This TV supports [HDAVI Control 4] function.	
<b>PC</b>	D-SUB 15PIN:	R,G,B / 0.7 V [p-p] (75 Ω)
		HD, VD / 1.0 - 5.0 V [p-p] (high impedance)
<b>Card slot</b>	SD CARD slot × 1	
<b>DIGITAL AUDIO OUT</b>	PCM / Dolby Digital, Fiber Optic	
<b>FEATURES</b>	3D Y/C FILTER	
	CLOSED CAPTION	V-Chip
	Photo Viewer	HDAVI Control 4
<b>Dimensions (W × H × D)</b>		
<b>Including pedestal</b>	40.6 inch × 28.0 inch × 12.9 inch (1,029 mm × 709 mm × 327 mm)	
<b>TV Set only</b>	40.6 inch × 26.1 inch × 3.8 inch (4.2 inch) (1,029mm × 661 mm × 94 mm (105 mm))	
<b>Mass</b>		
<b>Including pedestal</b>	59.6 lb. (27.0 kg)	
<b>TV Set only</b>	57.4 lb. (26.0 kg)	

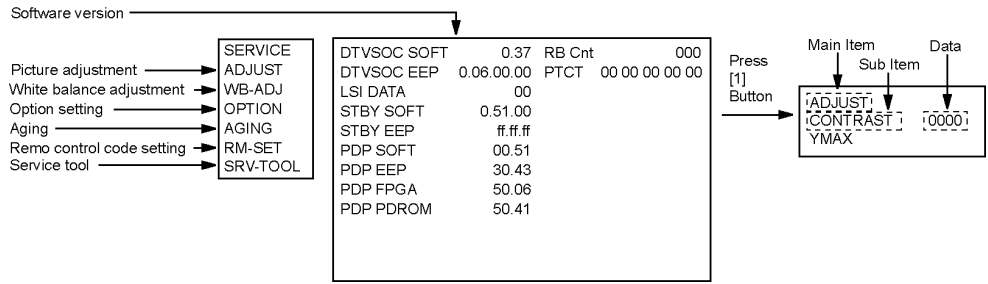
## Note

- Design and Specifications are subject to change without notice. Mass and Dimensions shown are approximate.

# 5 Service Mode

## 5.1. How to enter into Service Mode

While pressing [VOLUME (-)] button of the main unit, press [INFO] button of the remote control three times within 2 seconds.



### 5.1.1. Key command

- [1] button...Main items Selection in forward direction
- [2] button...Main items Selection in reverse direction
- [3] button...Sub items Selection in forward direction
- [4] button...Sub items Selection in reverse direction
- [VOL] button...Value of sub items change in forward direction ( + ), in reverse direction ( - )

### 5.1.2. Contents of adjustment mode

- Value is shown as a hexadecimal number.
- Preset value differs depending on models.
- After entering the adjustment mode, take note of the value in each item before starting adjustment.

Main item	Sub item	Sample Data	Remark
ADJUST	CONTRAST	46	
	COLOR	00	
	TINT	00	
	SUB-BRT	000	
WB-ADJ	R-CUT	80	
	G-CUT	80	
	B-CUT	80	
	R-DRV	FC	
	G-DRV	FF	
	B-DRV	E8	
	ALL-CUT	80	
	ALL-DRV	FC	
OPTION	BOOT	ROM	Factory Preset
	STBY-SET	--	
	EMERGENCY	ON	
	CLK MODE	00	
	CLOCK	000	
AGING	RGBW		
	VERTICAL LINE		
	COUNT		
	ALL WHITE		
	ALL RED		
	ALL GREEN		
	ALL BLUE		
	ON/OFF		
	RAMP WHITE		
	RAMP RED		
	RAMP GREEN		
	RAMP BLUE		
	1% WINDOW		
	COLOR BAR		
	A-ZONE B-ZONE/4 TRIO		
	SCROLL		
	WHITE FLAME		
	LOW SETUP RED		
	LOW SETUP GREEN		
	LOW SETUP BLUE		
RM-SET	CODE	A	Fixed
SRV-TOOL	-		See next

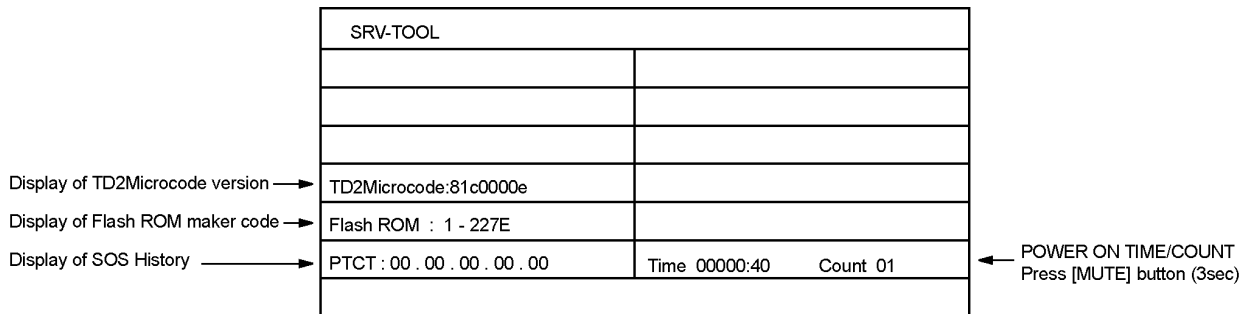
### 5.1.3. How to exit

Switch off the power with the [POWER] button on the main unit or the [POWER] button on the remote control.

## 5.2. Service tool mode

### 5.2.1. How to access

1. Select [SRV-TOOL] in Service Mode.
2. Press [OK] button on the remote control.



### 5.2.2. Display of SOS History

SOS History (Number of LED blinking) indication.

From left side; Last SOS, before Last, three occurrence before, 2nd occurrence after shipment, 1st occurrence after shipment.

This indication except 2nd and 1st occurrence after shipment will be cleared by [Self-check indication and forced to factory shipment setting].

### 5.2.3. POWER ON TIME/COUNT

Note : To display TIME/COUNT menu, highlight position, then press MUTE for (3sec).

Time : Cumulative power on time, indicated hour : minute by decimal

Count : Number of ON times by decimal

Note : This indication will not be cleared by either of the self-checks or any other command.

### 5.2.4. Exit

1. Disconnect the AC cord from wall outlet.

### 5.3. Hotel mode

1. Purpose  
Restrict a function for hotels.
2. Access command to the Hotel mode setup menu  
In order to display the Hotel mode setup menu, please enter the following command (**within 2 second**).  
[TV] : Vol. [Down] + [REMOTE] : INPUT (3 times)

Then, the Hotel mode setup menu is displayed.

#### Hotel Mode

Mode	Off
Input	-
Channel	-
Volume	+ 25
Vol. Max	+ 100
OSD Ctrl	Off
FP Ctrl	Off
Pow Ctrl	Off

Select
Change

RETURN

3. To exit the Hotel mode setup menu  
Disconnect AC power cord from wall outlet.
4. Explain the Hotel mode setup menu

item	Function
Mode	Select hotel mode ON/OFF
Input	Select input signal modes. Set the input, when each time power is switched on. Selection: -/ANTENNA/COMP1/COMP2/HDMI1/ HDMI2/HDMI3/VIDEO1/VIDEO2/PC Off: give priority to a last memory.
Channel	Select channel when input signal is RF. Set the channel, each time power is switched on. Selection: Any channel number or [-]. [-] means the channel when turns off.
Volume	Adjust the volume when each time power is switched on. Range: 0 to 100
Vol. Max	Adjust maximum volume. Range: 0 to 100
OSD Ctrl	Restrict the OSD. Selection: OFF/PATTERN1 • OFF: No restriction • PATTERN1: restriction
FP Ctrl	Select front key conditions. Selection: Off/All/Pattern1 • Off: altogether valid. • All: altogether invalid. • Pattern: only input key is valid.
Pow Ctrl	Select POWER-ON/OFF condition when AC power cord is disconnected and then connected. OFF: The same condition when AC power cord is disconnected. ON: Forced power ON condition.

## 6 Troubleshooting Guide

Use the self-check function to test the unit.

1. Checking the IIC bus lines
2. Power LED Blinking timing

### 6.1. Check of the IIC bus lines

#### 6.1.1. How to access

Self-check indication only:

Produce TV reception screen, and while pressing [VOLUME ( - )] button on the main unit, press [OK] button on the remote control for more than 3 seconds.

Self-check indication and forced to factory shipment setting:

Produce TV reception screen, and while pressing [VOLUME ( - )] button on the main unit, press [MENU] button on the remote control for more than 3 seconds.

#### 6.1.2. Exit

Disconnect the AC cord from wall outlet.

#### 6.1.3. Screen display

SELF CHECK		1.3.39.31-6	
DTVSOC	OK	AMP	OK
TUN1	OK	SYSMPU	OK
TUN2	OK		
AVSW	OK		
MEM1	OK		
MEM2	OK		
TEMP	OK		
PANEL	OK		

Copyright Panasonic Corporation 2009

#### 6.1.4. Check Point

Confirm the following parts if NG was displayed.

DISPLAY	Ref. No.	Description	P.C.B.
DTVSOC	IC8001	Seine3LV	A-Board
TUN1	TU8300	TUNER (PLL block)	A-Board
TUN2	TU8300	TUNER (MTS block)	A-Board
AVSW	IC3001	AUDIO/VIDEO SW	A-Board
MEM1	IC1101	EEPROM (SYSTEM MPU)	A-Board
MEM2	IC8503	EEPROM (Peaks)	A-Board
TEMP	IC4800	TEMP SENSOR	A-Board
PANEL	IC9003	PANEL MICOM	A-Board
AMP	IC2109	AUDIO AMP	A-Board
SYSMPU	IC1100	SYSTEM MPU	A-Board



## 6.2. Power LED Blinking timing chart

1. Subject

Information of LED Flashing timing chart.

2. Contents

When an abnormality has occurred the unit, the protection circuit operates and reset to the stand by mode. At this time, the defective block can be identified by the number of blinks of the Power LED on the front panel of the unit.

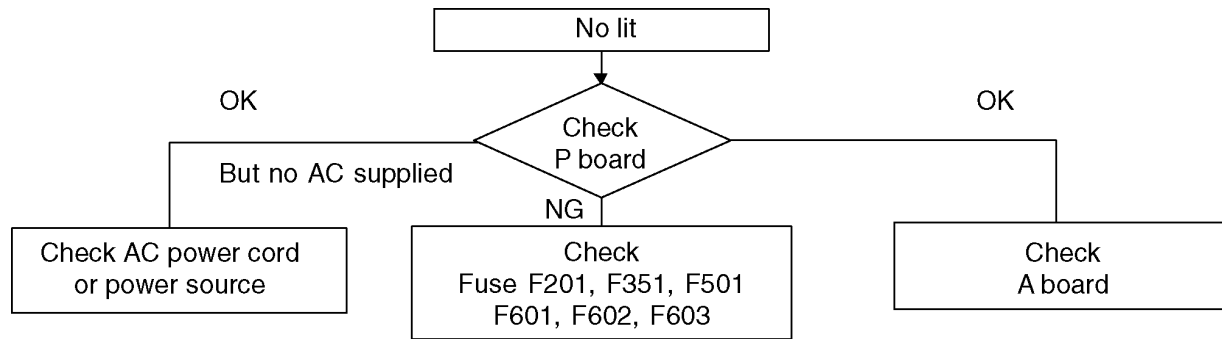
Blinking Times	Blinking timing	Contents	Check point
1		No particular check point	-
		Panel Status	-
		STB 5V SENSE Time out	A-Board
2		15V SOS	A-Board
3		3.3V SOS	A-Board
4		Power SOS	P-Board
5		5V SOS	A-Board
6		Driver SOS1 (SC/SS Energy recovery circuit)	SU-Board SD-Board SC-Board SS-Board
7		Driver SOS2 (SS floating voltage area)	SU-Board SD-Board SC-Board
8		Driver SOS3 (SS FPC DET)	SS-Board SS2-Board
9		Communication Error between Panel-MPU and SYS-MPU	A-Board
10		Sub 5V SOS Main 3.3V SOS DTV 9V SOS Tuner Power SOS	A-Board
11		Fan SOS	A-Board
13		Communication Error with IC8001	A-Board

### 6.3. No Power

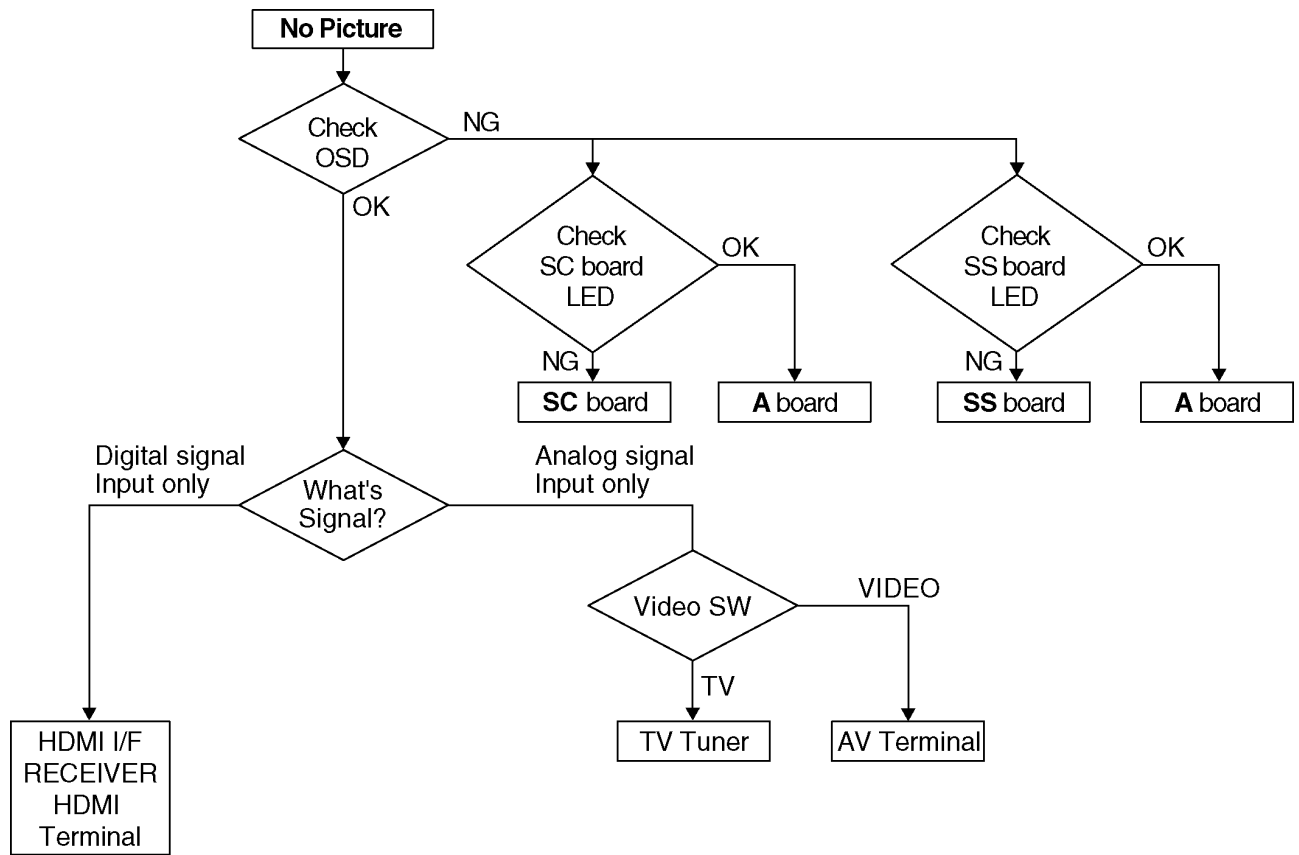
#### First check point

There are following 2 states of No Power indication by power LED.

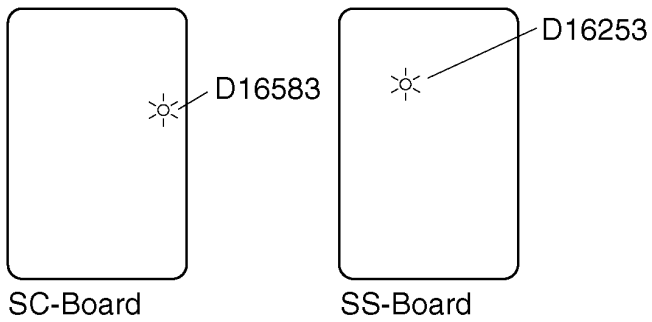
1. No lit
2. Red is lit then turns red blinking a few seconds later. (See 6.2.)



## 6.4. No Picture



Drive circuits LED indicator



## 6.5. Local screen failure

Plasma display may have local area failure on the screen. Fig-1 is the possible defect P.C.B. for each local area.

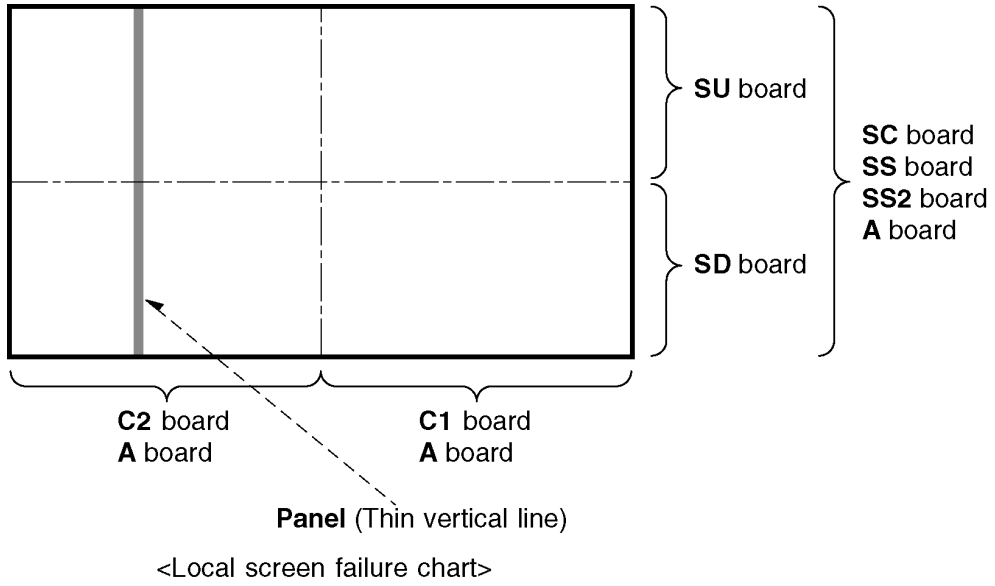


Fig-1

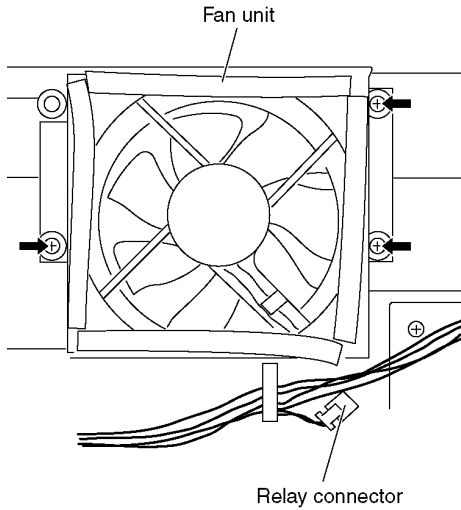
# 7 Disassembly and Assembly Instructions

## 7.1. Remove the Rear cover

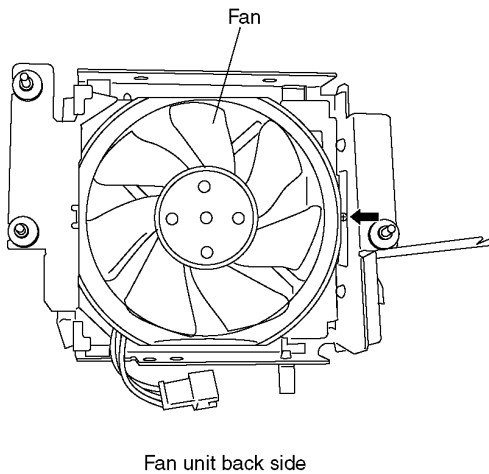
1. See Service Hint (Section 3)

## 7.2. Remove the Fan

1. Unlock the cable clampers to free the cable.
2. Remove the screws (×3 ➡).
3. Remove the relay connectors and remove the Fan unit.



4. Remove the screw (×1 ➡) on the back side.
5. Remove the Fan.

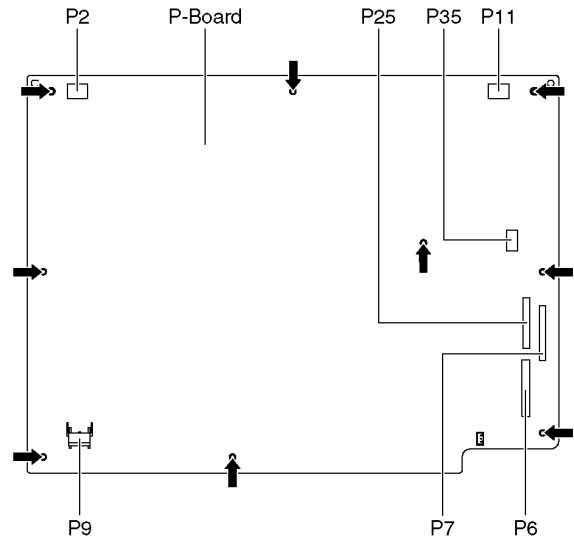


## 7.3. Remove the P-Board

### Caution:

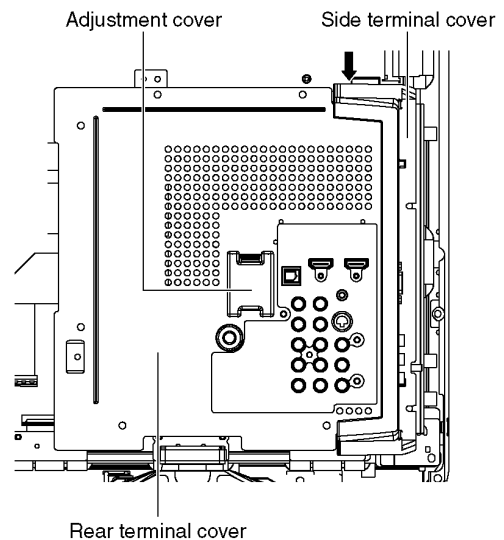
To remove P.C.B. wait 1 minute after power was off for discharge from electrolysis capacitors.

1. Unlock the cable clampers to free the cable
2. Disconnect the connectors (P2, P6, P7, P9, P11, P25 and P35).
3. Remove the screws (×9 ➡) and remove the P-Board.

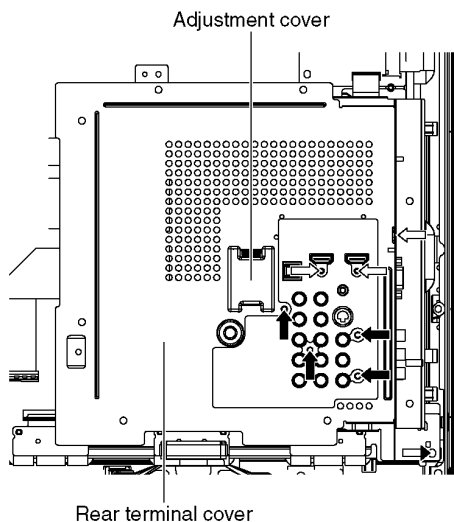


## 7.4. Remove the Side terminal cover and Rear terminal cover

1. Remove the claw (×1 ➡).
2. Remove the Side terminal cover.

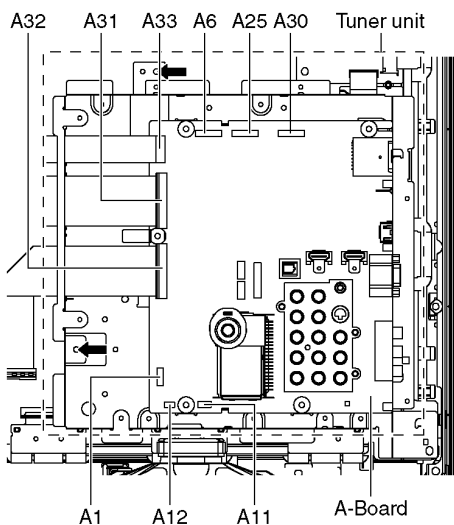


3. Remove the Adjustment cover.
4. Remove the screws (×4 ➡, ×3 ⇨, ×1 ⇨).
5. Remove the Rear terminal cover.



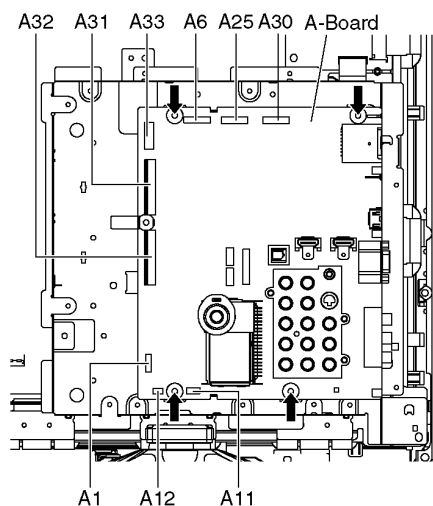
### 7.5. Remove the Tuner unit

1. Unlock the cable clampers to free the cable.
2. Disconnect the connectors (A1, A6 A11, A12, A25 and A30).
3. Disconnect the flexible cables (A31, A32 and A33).
4. Remove the screws (×2 ➡) and remove the Tuner unit.



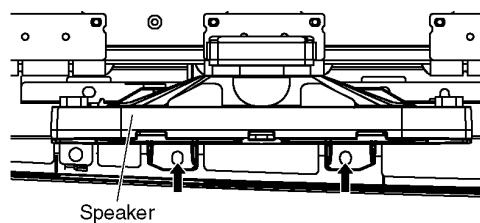
### 7.6. Remove the A-Board

1. Remove the Tuner unit. (See section 7.5.)
2. Remove the screws (×4 ➡) and remove the A-Board.



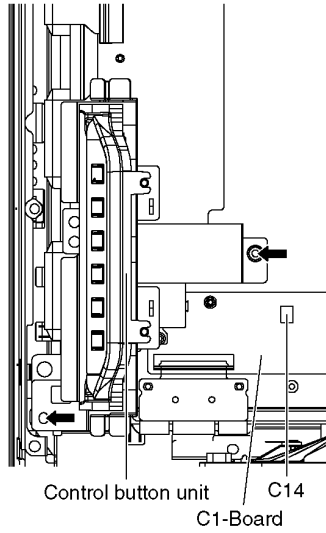
### 7.7. Remove the Speakers

1. Unlock the cable clampers to free the cable.
2. Disconnect the relay connector.
3. Remove the screws (×2 ➡) and remove the Speaker R.
4. Disconnect the connector (A12). (See section 7.5.)
5. Remove the screws (×2 ➡) and remove the Speaker L.



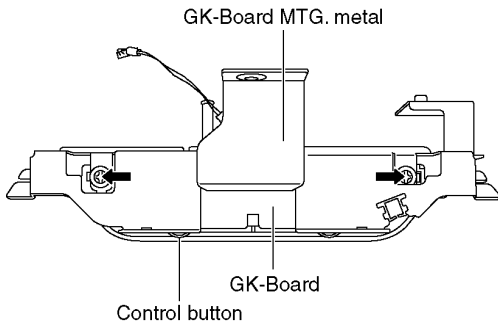
### 7.8. Remove the Control button unit

1. Disconnect the connector (C14).
2. Remove the screws (×2 ➡).
3. Remove the Control button unit.

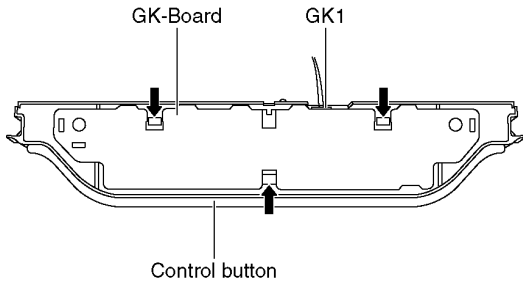


### 7.9. Remove the GK-Board

1. Remove the Control button unit. (See section 7.8.)
2. Remove the screws (×2 ➡).
3. Remove the GK-Board MTG. metal.

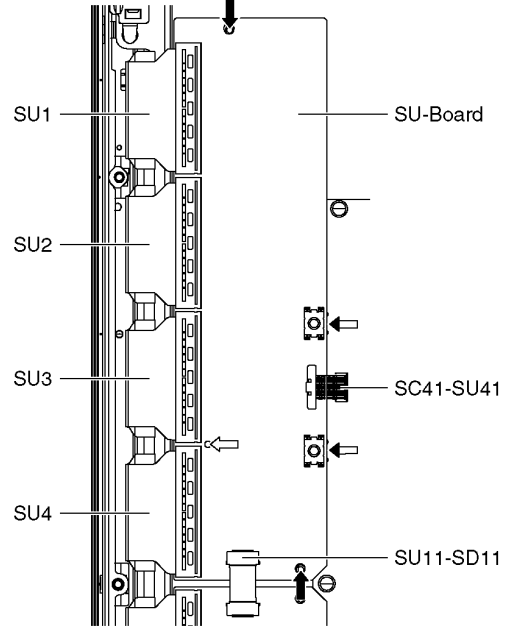


4. Remove the claw (×3 ➡).
5. Disconnect the connector (GK1).
6. Remove the GK-Board from Control button.



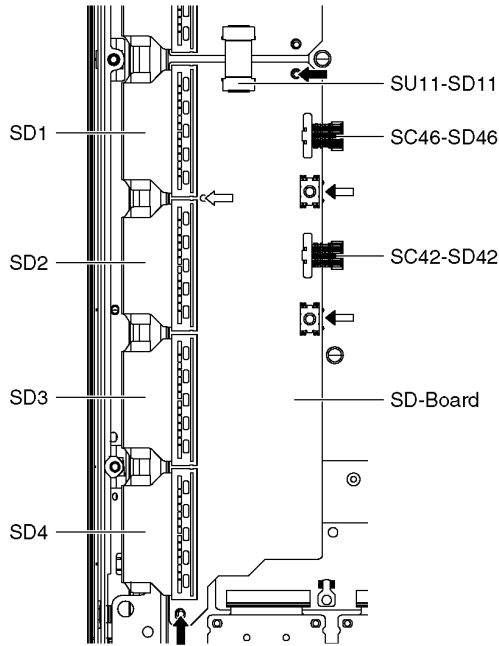
### 7.10. Remove the SU-Board

1. Remove the flexible cables (SU1, SU2, SU3 and SU4) connected to the SU-Board.
2. Remove the flexible cable (SU11-SD11) and the bridge connector (SC41-SU41).
3. Remove the molding prop (×1 ⇨).
4. Remove the screws (×2 ➡, ×2 ⇨) and remove the SU-Board.



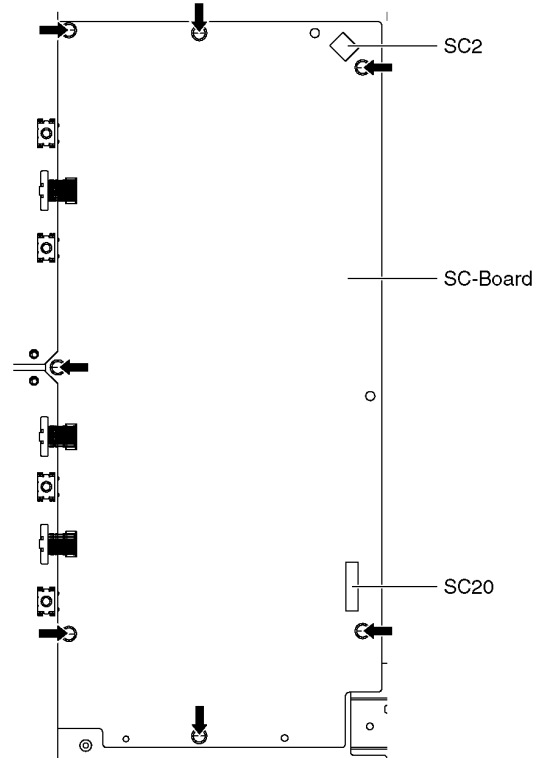
## 7.11. Remove the SD-Board

1. Remove the Control button unit. (See section 7.8.)
2. Remove the flexible cables (SD1, SD2, SD3 and SD4) connected to the SD-Board.
3. Remove the flexible cable (SU11-SD11) and the bridge connectors (SC42-SD42 and SC46-SD46).
4. Remove the molding prop (×1 ⇨).
5. Remove the screws (×2 ⇨, ×2 ⇨) and remove the SD-Board.



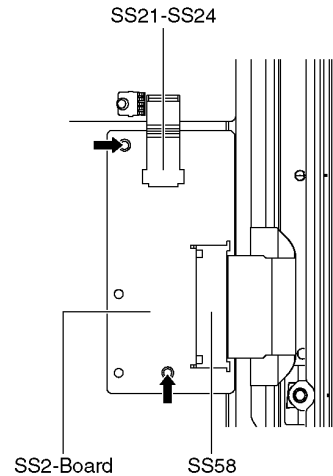
## 7.12. Remove the SC-Board

1. Remove the SU-Board and SD-Board. (See section 7.10. and 7.11.)
2. Unlock the cable claspers to free the cable.
3. Disconnect the connector (SC2).
4. Disconnect the flexible cable (SC20).
5. Remove the screws (×7 ⇨) and remove the SC-Board.



## 7.13. Remove the SS2-Board

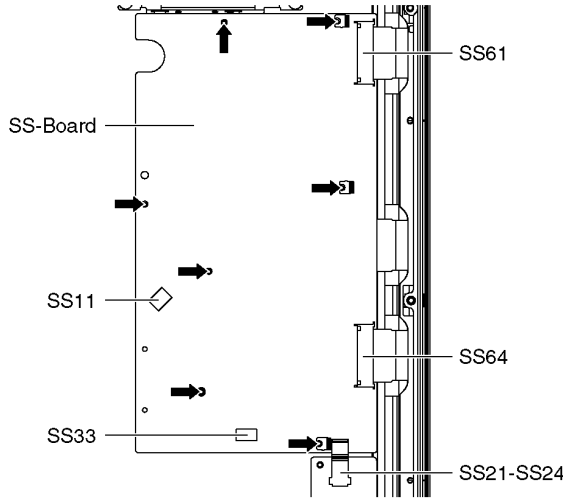
1. Remove the Tuner unit. (See section 7.5.)
2. Disconnect the bridge connector (SS21-SS24) and disconnect the flexible cable (SS58).
3. Remove the screws (×2 ⇨) and remove the SS2-Board.





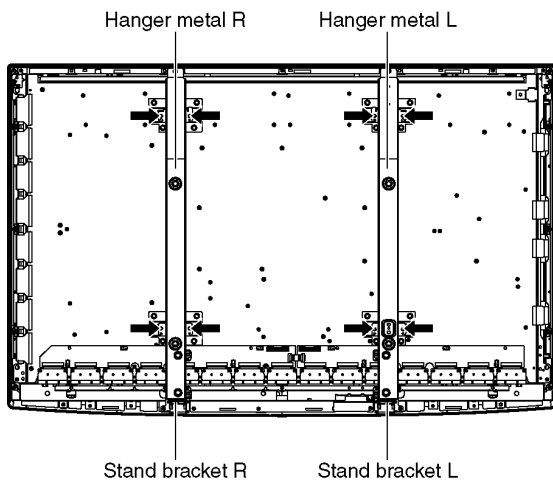
## 7.14. Remove the SS-Board

1. Remove the Tuner unit. (See section 7.5.)
2. Unlock the cable claspers to free the cable.
3. Disconnect the connectors (SS11 and SS33).
4. Disconnect the flexible cables (SS61 and SS64).
5. Disconnect the bridge connector (SS21-SS24).
6. Remove the screws (×7 ➡) and remove the SS-Board.

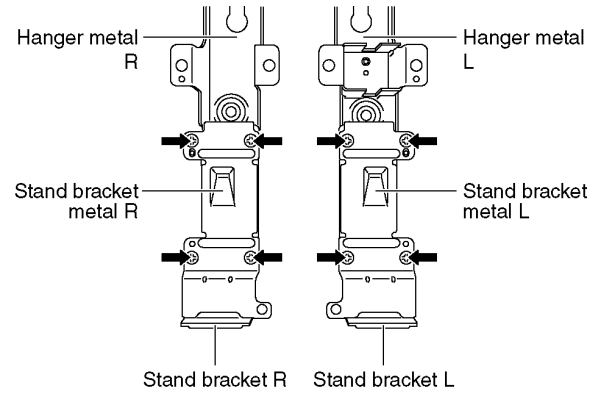


## 7.15. Remove the Hanger metals and the Stand brackets

1. Remove the Plasma panel section from the servicing stand and lay on a flat surface such as a table (covered by a soft cloth) with the Plasma panel surface facing downward.
2. Remove the Hanger metals (L, R) fastening screws (×4 ➡ each) and remove the Hanger metals (L, R).

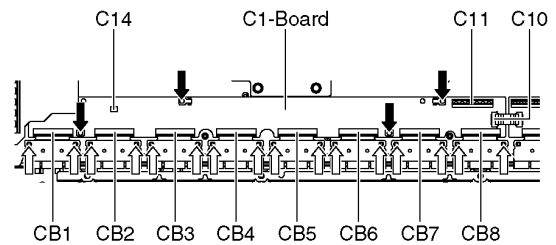


3. Remove the Stand brackets (L, R) fastening screws (×4 ➡ each) and remove the Stand bracket metals (L, R) and the Stand brackets (L, R).



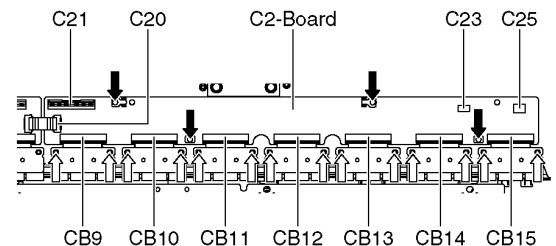
## 7.16. Remove the C1-Board

1. Remove the Control button unit. (See section 7.8.)
2. Remove the Hanger metal R and the Stand bracket R. (See section 7.15.)
3. Remove the flexible cables holder fastening screws (×14 ⇨).
4. Disconnect the flexible cables (CB1, CB2, CB3, CB4, CB5, CB6, CB7 and CB8).
5. Disconnect the connector (C14).
6. Disconnect the flexible cables (C10 and C11).
7. Remove the screws (×4 ➡) and remove the C1-Board.



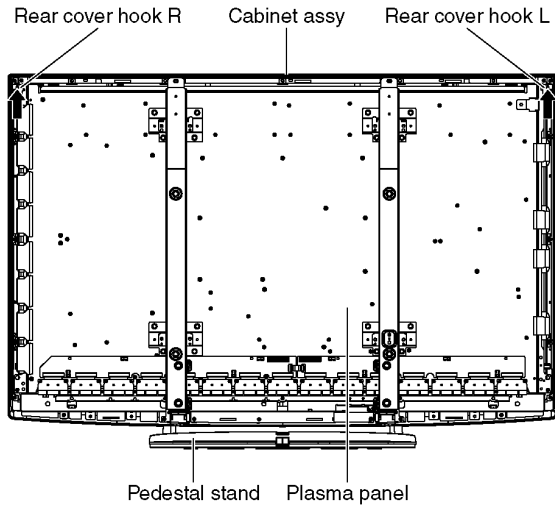
## 7.17. Remove the C2-Board

1. Remove the Tuner unit. (See section 7.5.)
2. Remove the Hanger metal L and the Stand bracket L. (See section 7.15.)
3. Remove the flexible cables holder fastening screws (×14 ⇨).
4. Disconnect the flexible cables (CB9, CB10, CB11, CB12, CB13, CB14 and CB15).
5. Disconnect the flexible cables (C20 and C21).
6. Disconnect the connectors (C23 and C25).
7. Remove the screws (×4 ➡) and remove the C2-Board.

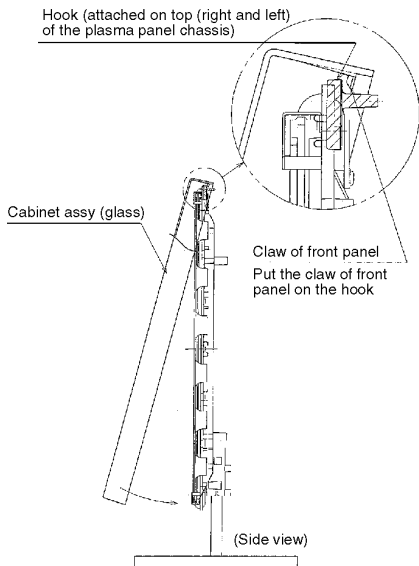


## 7.18. Remove the Plasma panel section from the Cabinet assy (glass)

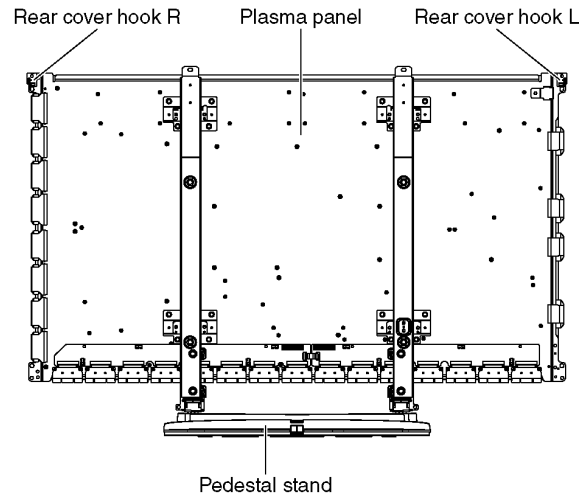
1. Remove the cabinet assy and the plasma panel fastening screws (x2 ➡).



2. For leaving the plasma panel from the front frame, pull the bottom of the cabinet assy forward, lift, and remove.

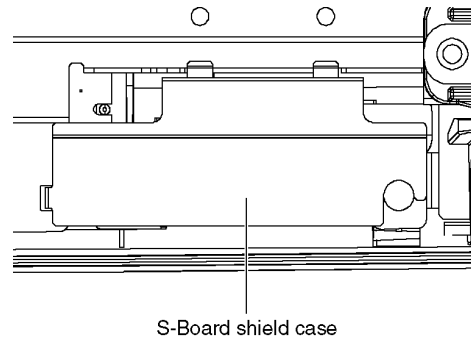


3. Remove the Rear cover hooks (L, R).

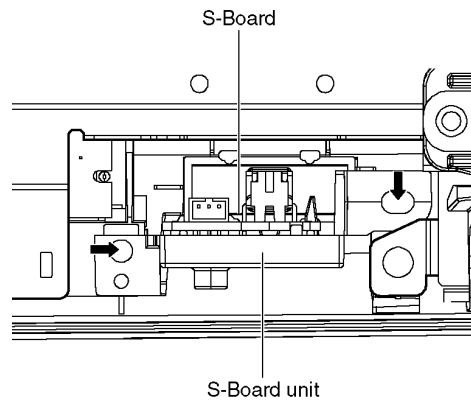


## 7.19. Remove the S-Board

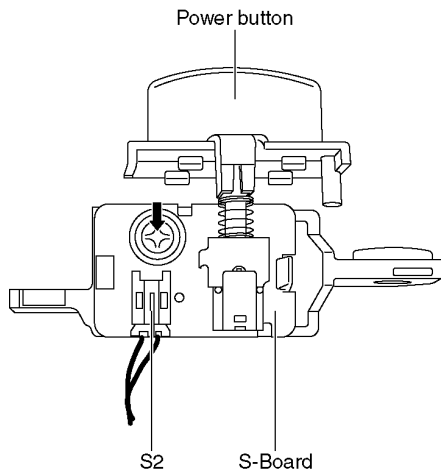
1. Remove the Cabinet assy. (See section 7.18.)
2. Remove the S-Board shield case.



3. Remove the screws (x2 ➡) and remove the S-Board unit.

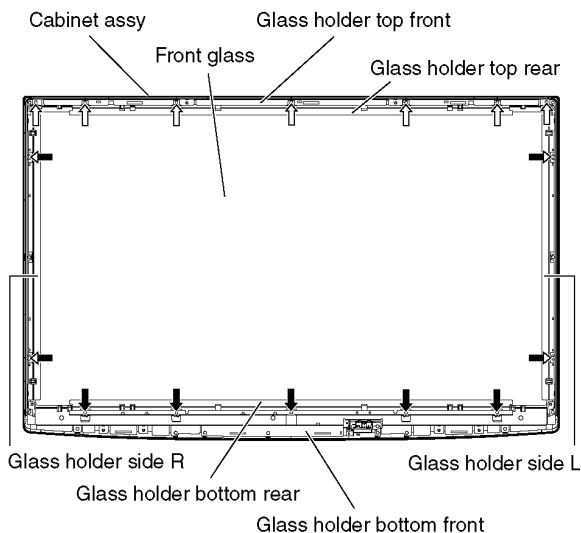


4. Disconnect the connector (S2).
5. Remove the Power button.
6. Remove the screw (×1 ➡) and remove the S-Board.

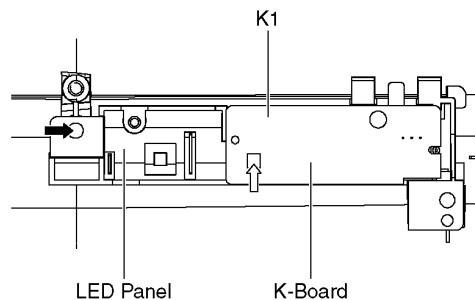


## 7.20. Remove the K-Board

1. Remove the Cabinet assy. (See section 7.18.)
2. Remove the S-Board. (See section 7.19.)
3. Remove the screws (×5 ➡).
4. Remove the Glass holder bottom rear.
5. Remove the screws (×4 ➡).
6. Remove the Glass holder side (L, R).
7. Remove the screws (×7 ⇨).
8. Remove the Glass holder top rear and the Glass holder top front.
9. Remove the Glass holder bottom front.



10. Remove the screw (×1 ➡).
11. Remove the claw (×1 ⇨).
12. Disconnect the connector (K1) and remove the K-Board from LED Panel.



## 7.21. Replace the plasma panel

### Caution:

A new plasma panel itself without Hanger metals is fragile.

To avoid the damage to new plasma panel, carry a new plasma panel taking hold of the Hanger metals after assembling the Hanger metals and the Stand brackets.

1. Place a carton box packed a new plasma panel on the flat surface of the work bench.
2. Open a box and without taking a new plasma panel; Attach the C1-Board and the C2-Board, connect the flexible cables from the plasma panel to the C1-Board and the C2-Board, and fit the flexible cable holders.
3. Attach the Hanger metals and the Stand brackets to the new plasma panel.
4. Place the plasma panel on the servicing stand taking hold of the Hanger metals.
5. Attach the cabinet assy and each P.C.Board and so on, to the new plasma panel.

**\*When fitting the cabinet assy, be careful not to allow any debris, dust or handling residue to remain between the front glass and plasma panel.**

# 8 Measurements and Adjustments

## 8.1. Adjustment Procedure

### 8.1.1. Driver Set-up

#### 8.1.1.1. Item / Preparation

1. Input a white signal to plasma video input.
2. Set the picture controls as follows.  
 Picture menu: Vivid  
 Normal: Set  
 Aspect: Full

**Caution**

1. First perform Vsus adjustment.
2. The Vscn voltages are measured from the Vad (Vad\_base), but may be measured from the GND (GND\_base) in an unavoidable case.

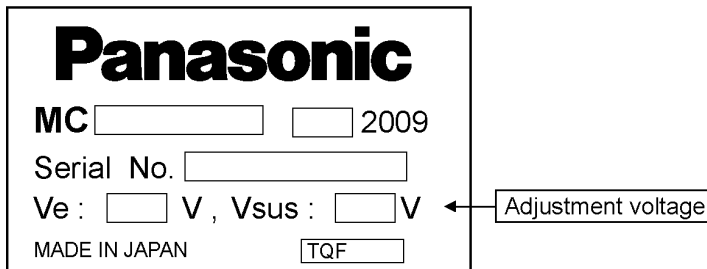
#### 8.1.1.2. Adjustments

Adjust driver section voltages referring the panel data on the panel data label.  
 Check or adjust the following voltages with the multimeter.

Name	Test Point	Voltage	Volume	Remarks
Vsus	TPVSUS (SS)	Vsus $\pm$ 2V	VR251(P)	*
Ve	TPVE (SS)	Ve $\pm$ 2.5V	Fixed	*
Vset	TPVSET (SC)	290V $\pm$ 9V	Fixed	
Vad	TPVAD (SC)	- 195V $\pm$ 2V	VR16600 (SC)	
Vscn	TPVSCN (SC)	Vad_base : 148V $\pm$ 1V GND_base : - 47V $\pm$ 3V	VR16841 (SC)	
Vda	TP9 (P)	60V + 1V, - 2V	Fixed	

\*See the Panel label.

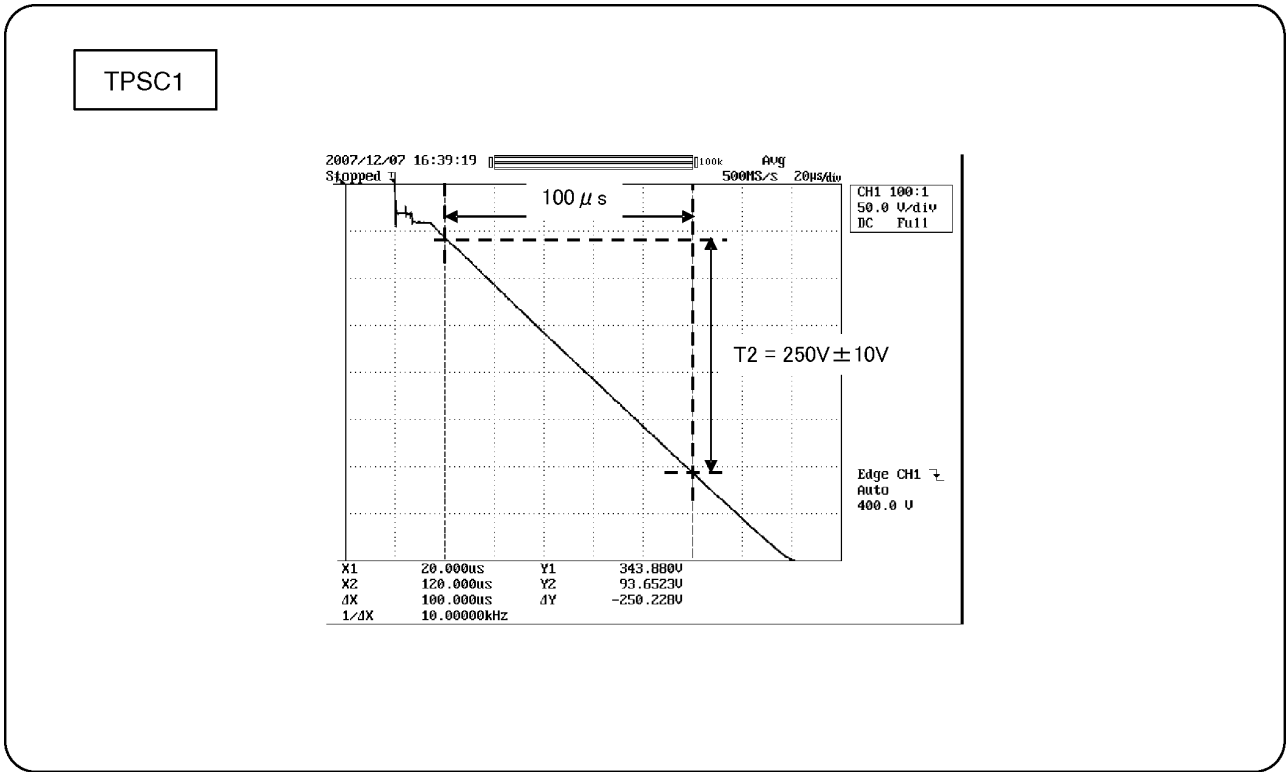
Panel Label information



### 8.1.2. Initialization Pulse Adjust

1. Input the White signal to plasma video input.
2. Set the picture controls as follows.  
Picture menu : Vivid  
Normal : Set  
Aspect : Full
3. Connect Oscilloscope to TPSC1 (SC).  
Check the voltage (T2) at 100µs period on the down slop.

	Test point	Volume	Level
T2	TPSC1 (SC)	VR16601 (SC)	250 V ± 10 V



### 8.1.3. P.C.B. (Printed Circuit Board) exchange

#### 8.1.3.1. Caution

1. To remove P.C.B., wait 1 minute after power was off for discharge from electrolysis capacitors.

#### 8.1.3.2. Quick adjustment after P.C.B. exchange

Adjust the following voltages with the multimeter.

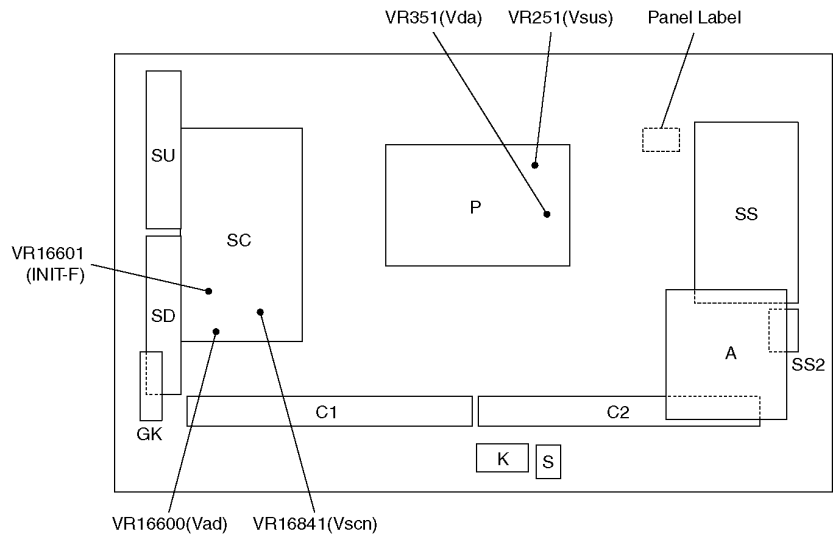
P.C.B.	Name	Test Point	Voltage	Volume	Remarks
P Board	Vsus	TPVSUS (SS)	Vsus ± 2V	VR251 (P)	*
SC Board	Vad	TPVAD (SC)	- 195V ± 2V	VR16600 (SC)	
SC Board	Vscn	TPVSCN (SC)	Vad_base : 148V ± 1V GND_base : - 47V ± 3V	VR16841 (SC)	
A Board	White balance and Sub brightness for NTSC, PAL, HD, PC and 625i signals				

\*See the Panel label.

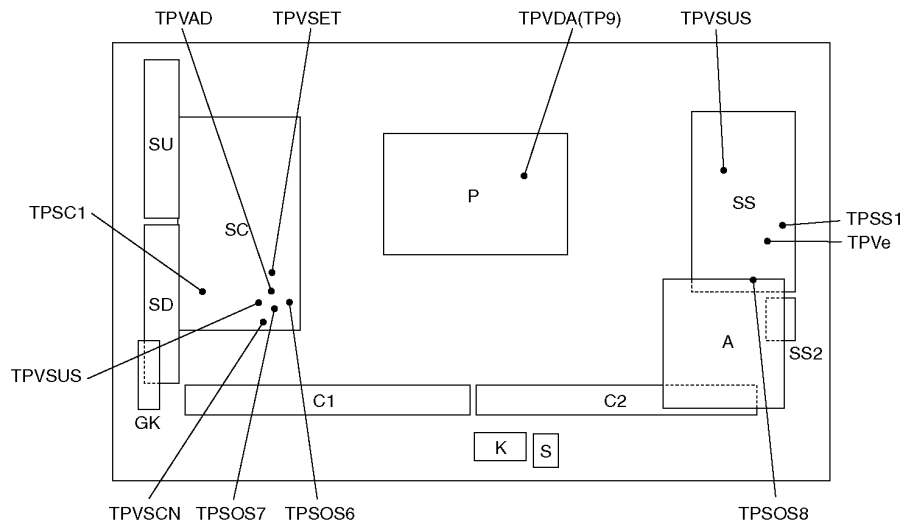
#### Caution:

Absolutely do not reduce Vsus below Ve not to damage the P.C.B.

### 8.1.4. Adjustment Volume Location



### 8.1.5. Test Point Location



## 8.2. Adjustment

### 8.2.1. White balance adjustment

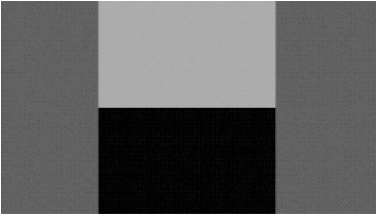
Name of measuring instrument	Connection	Remarks
<ul style="list-style-type: none"> <li>• W/B pattern</li> <li>• Color analyzer (Minolta CA-100 or equivalent)</li> </ul>	Component input or HDMI input or ATSC 1080i signal Panel surface	
Procedure		Remarks
<ul style="list-style-type: none"> <li>• Make sure the front panel to be used on the final set is fitted.</li> <li>• Make sure a color signal is not being shown before adjustment.</li> <li>• Put the color analyzer where there is little color variation.</li> </ul> <ol style="list-style-type: none"> <li>1. Set the Picture menu to [vivid] and output the W/B pattern.               <div style="text-align: center; margin: 10px 0;">  <p data-bbox="565 793 683 821">W/B pattern</p> </div> </li> <li>2. Check that the color temperature is [Cool].</li> <li>3. Set to serviceman mode, WB-ADJ.</li> <li>4. Set [R-CUT] [G-CUT] [B-CUT] the values written in table 1.</li> <li>5. Attach the sensor of color analyzer to the center of highlight window.</li> <li>6. Fix G drive at C0h and adjust [B-DRV] and [R-DRV] so x, y value of color analyzer become the [Color temperature High] in table 2.</li> <li>7. Increase RGB together so the maximum drive value in RGB becomes FC. That is, set [ALL DRIVE] to FC. Execute adjustment again. When that, the maximum value of R/G/B DRV should be FC, and either R/G/B DRV should be FC.</li> <li>8. Set color temperature to [Normal].</li> <li>9. Set [R-CUT] [G-CUT] [B-CUT] the values written in table 1.</li> <li>10. Attach the sensor of color analyzer to the center of highlight window.</li> <li>11. Fix G drive at C0h and adjust [B-DRV] and [R-DRV] so x, y value of color analyzer become the [Color temperature Mid] in table 2.</li> <li>12. Increase RGB together so the maximum drive value in RGB becomes FC. That is, set [ALL DRIVE] to FC. Execute adjustment again. When that, the maximum value of R/G/B DRV should be FC, and either R/G/B DRV should be FC.</li> <li>13. Set color temperature to [Warm].</li> <li>14. Set [R-CUT] [G-CUT] [B-CUT] the values written in table 1.</li> <li>15. Attach the sensor of color analyzer to the center of highlight window.</li> <li>16. Fix G drive at C0h and adjust [B-DRV] and [R-DRV] so x, y value of color analyzer become the [Color temperature Low] in table 2.</li> <li>17. Increase RGB together so the maximum drive value in RGB becomes FC. That is, set [ALL DRIVE] to FC. Execute adjustment again. When that, the maximum value of R/G/B DRV should be FC, and either R/G/B DRV should be FC.</li> <li>18. Set color temperature to [Cool].</li> </ol>		

Table 1: R-CUT,G-CUT,B-CUT setting data

Color temperature	R-CUT	G-CUT	B-CUT
High(Cool)	80	80	80
Mid	80	80	80
Low(Warm)	80	80	80

Table 2: W/B adjustment values

Color temperature	x	y
High(Cool)	0.276	0.276
Mid	0.288	0.303
Low(Warm)	0.306	0.327

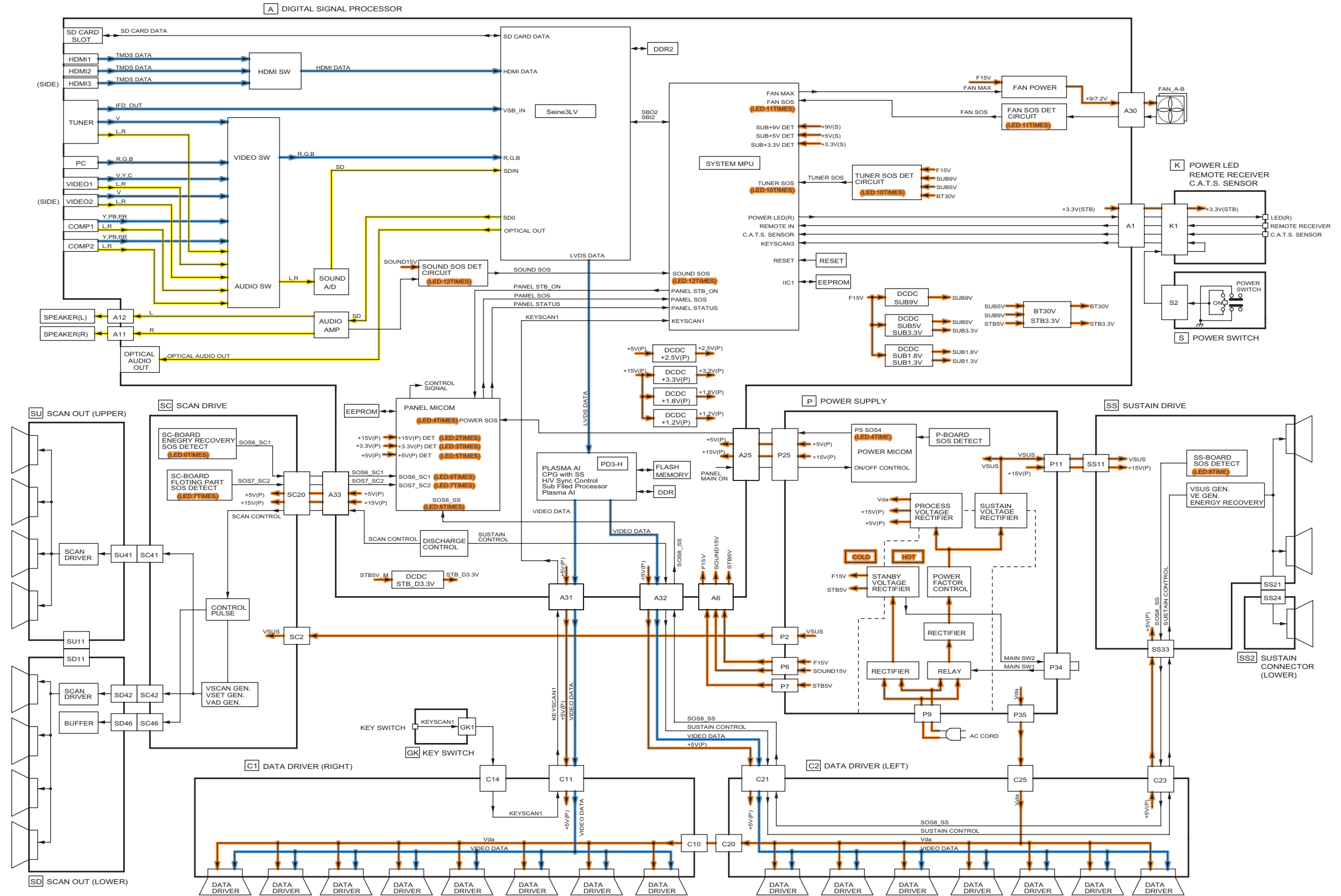
Table 3: EEPROM data addresses

SD/ Color temperature High	R-CUTOFF	017C
	G-CUTOFF	017D
	B-CUTOFF	017E
	R-DRIVE	017F
	G-DRIVE	0180
	B-DRIVE	0181
SD/ Color temperature Mid	R-CUTOFF	0182
	G-CUTOFF	0183
	B-CUTOFF	0184
	R-DRIVE	0185
	G-DRIVE	0186
	B-DRIVE	0187
SD/ Color temperature Low	R-CUTOFF	0188
	G-CUTOFF	0189
	B-CUTOFF	018A
	R-DRIVE	018B
	G-DRIVE	018C
	B-DRIVE	018D
HD/ Color temperature High	R-CUTOFF	018E
	G-CUTOFF	018F
	B-CUTOFF	0190
	R-DRIVE	0191
	G-DRIVE	0192
	B-DRIVE	0193
HD/ Color temperature Mid	R-CUTOFF	0194
	G-CUTOFF	0195
	B-CUTOFF	0196
	R-DRIVE	0197
	G-DRIVE	0198
	B-DRIVE	0199
HD/ Color temperature Low	R-CUTOFF	019A
	G-CUTOFF	019B
	B-CUTOFF	019C
	R-DRIVE	019D
	G-DRIVE	019E
	B-DRIVE	019F

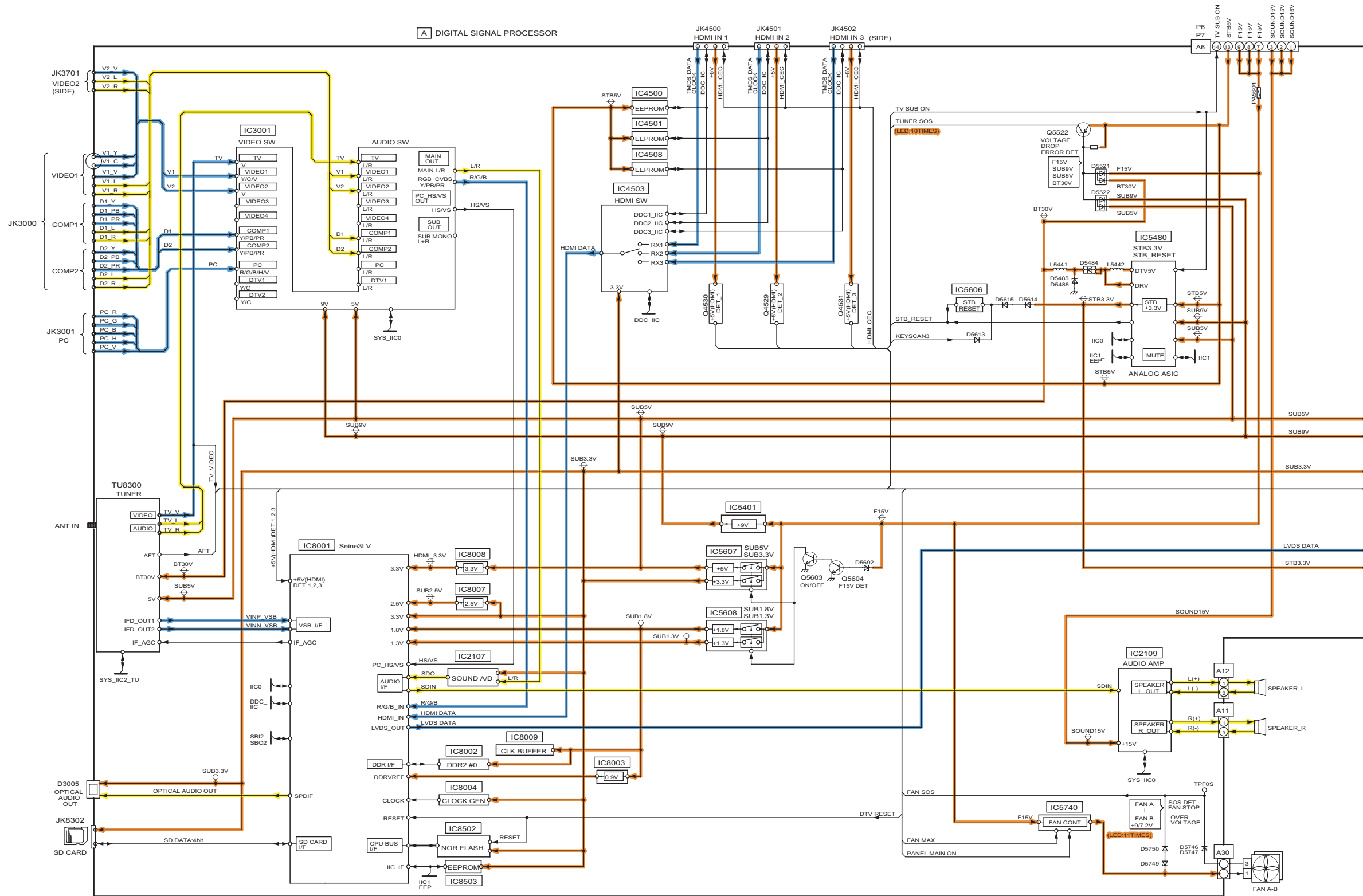


# 9 Block Diagram

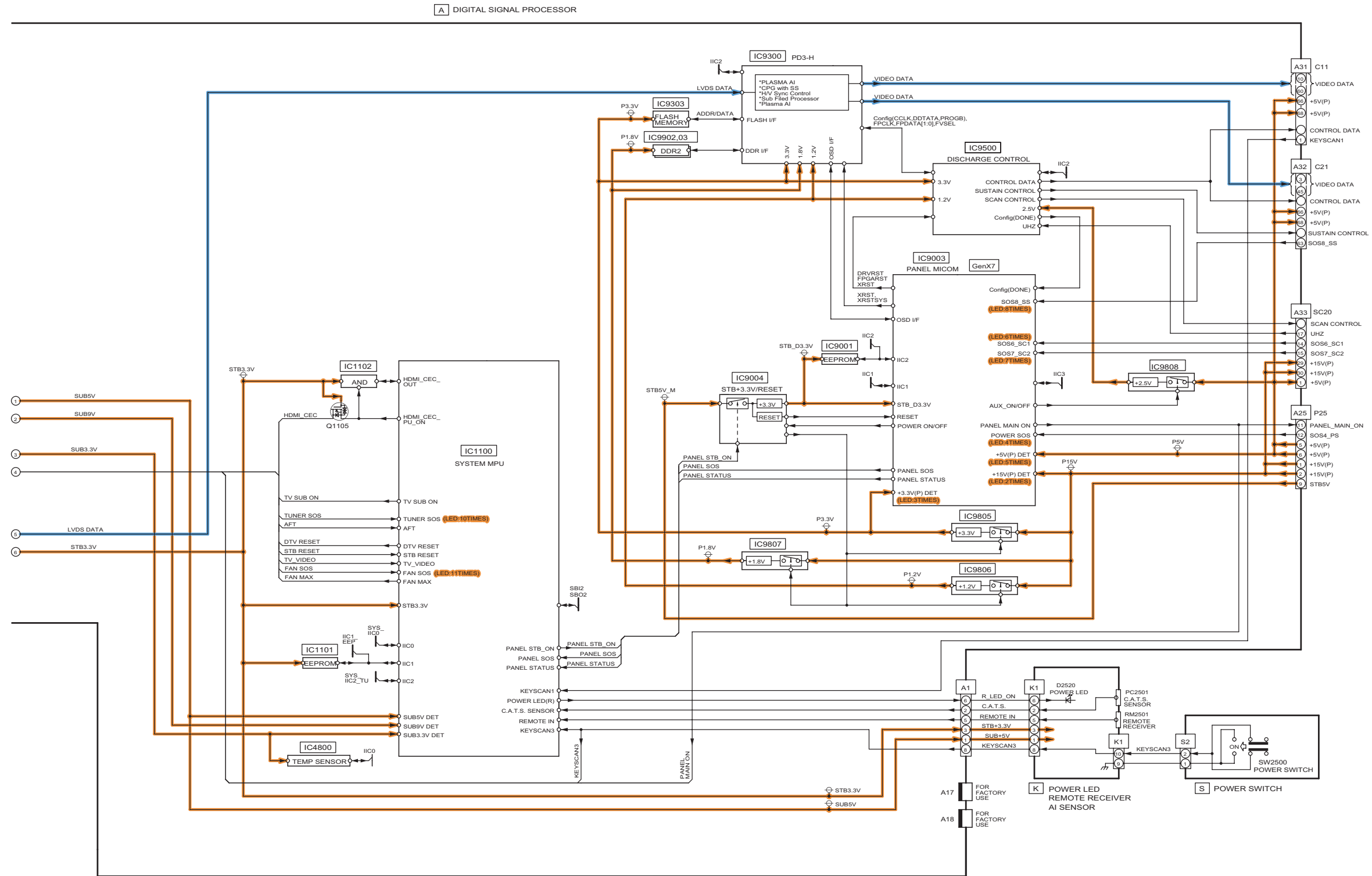
## 9.1. Main Block Diagram



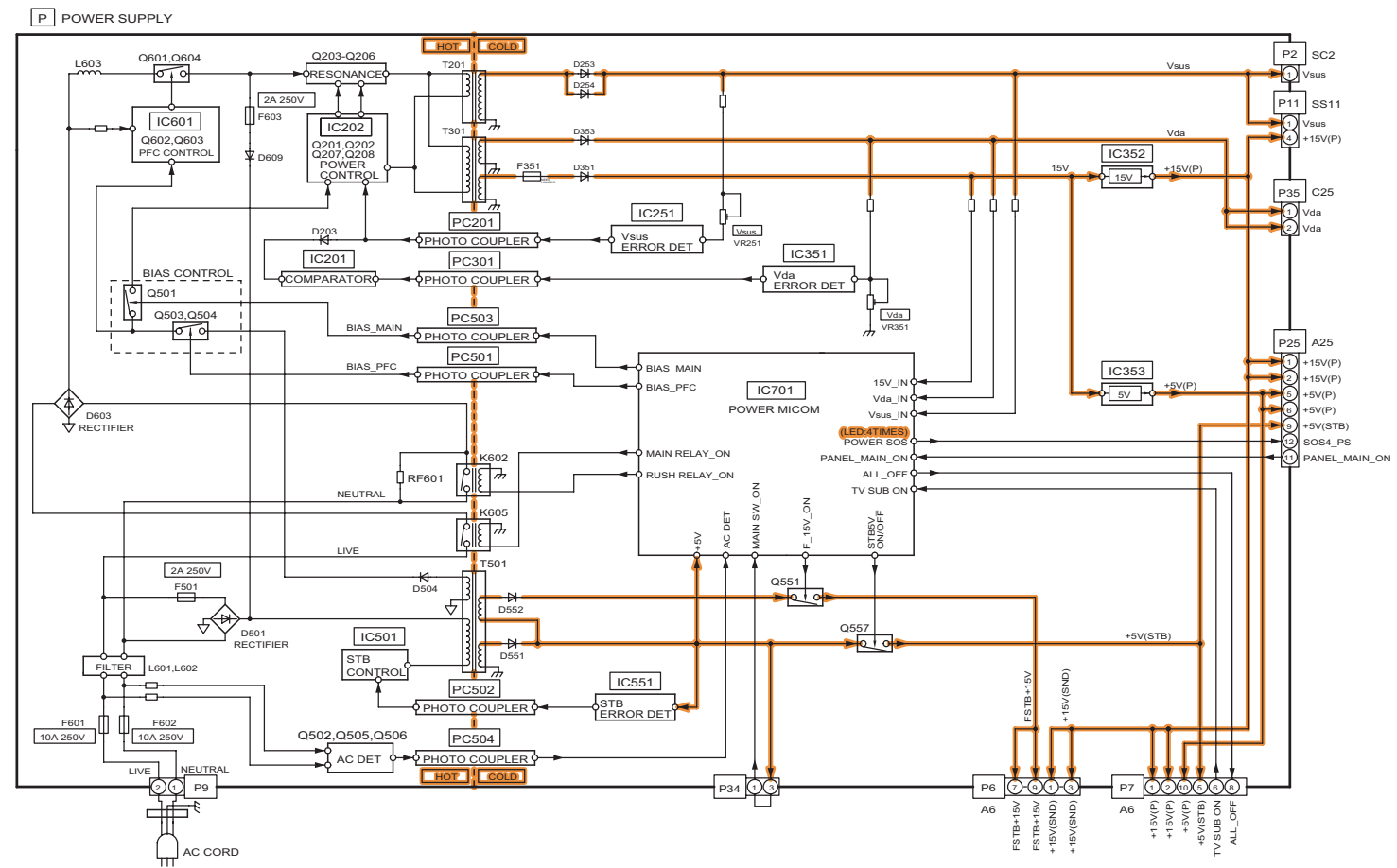
## 9.2. Block (1/4) Diagram



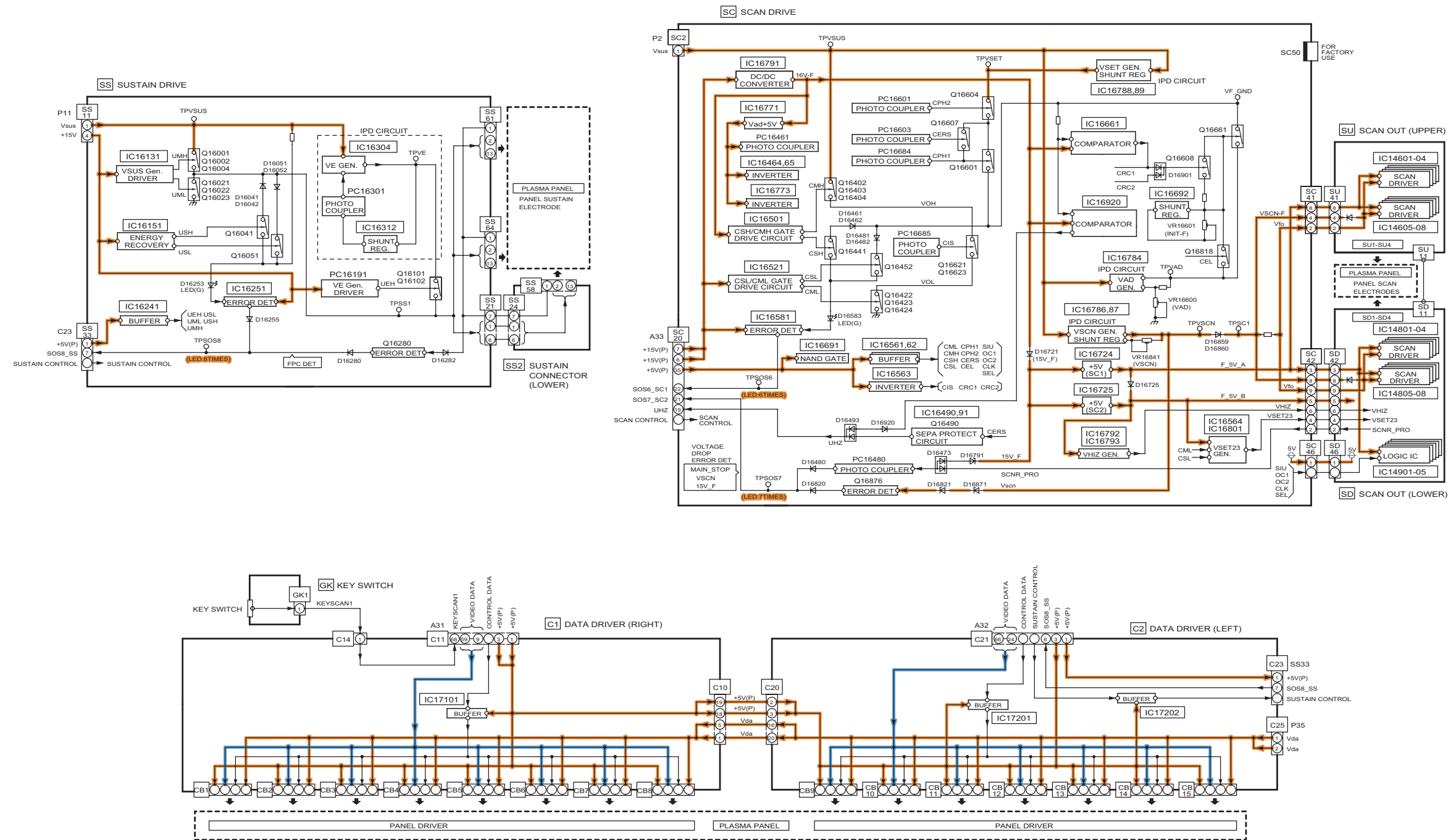
### 9.3. Block (2/4) Diagram



### 9.4. Block (3/4) Diagram



## 9.5. Block (4/4) Diagram



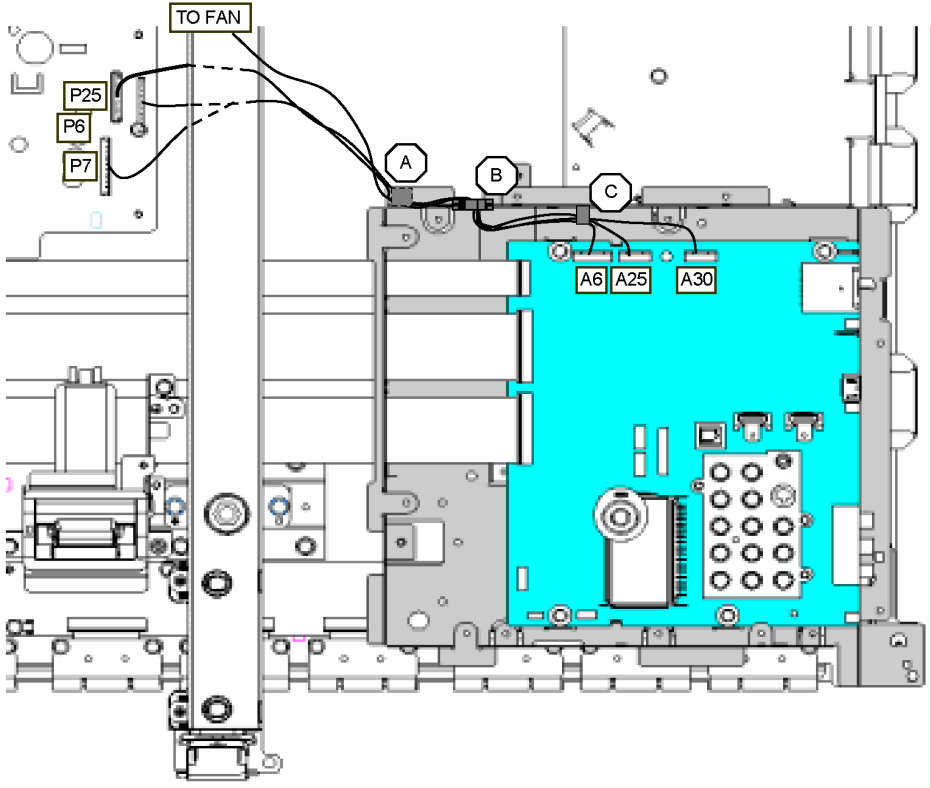


# 10 Wiring Connection Diagram

## 10.1. Caution statement.

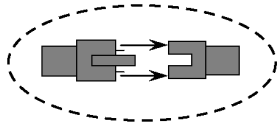
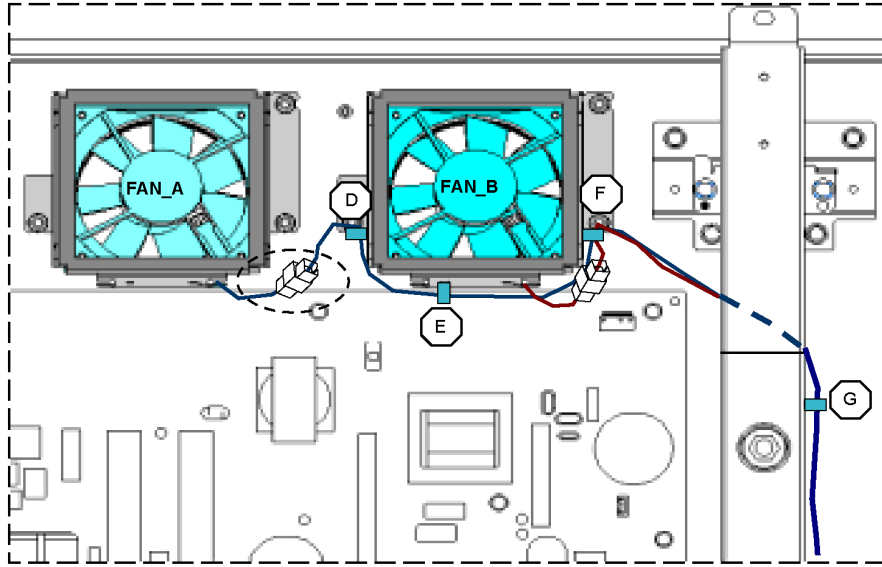
**Caution:**  
 Please confirm that all flexible cables are assembled correctly.  
 Also make sure that they are locked in the connectors.  
 Verify by giving the flexible cables a very slight pull.

## 10.2. Wiring (1)



CABLE	CLAMPER		
	A	B	C
A6-P6/P7	●	●	●
A25-P25	●	●	●
FAN-A30	●	●	●

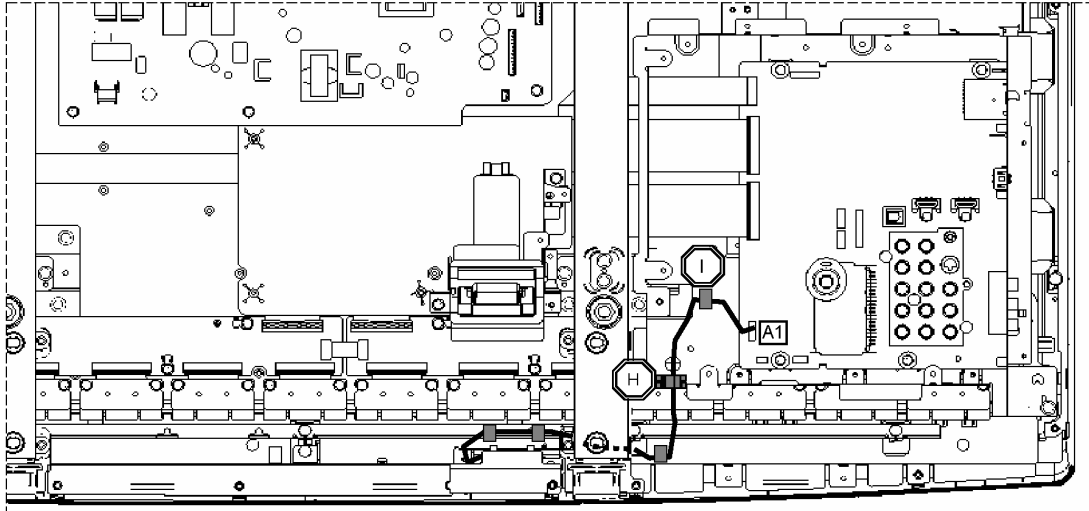
### 10.3. Wiring (2)

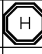

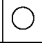



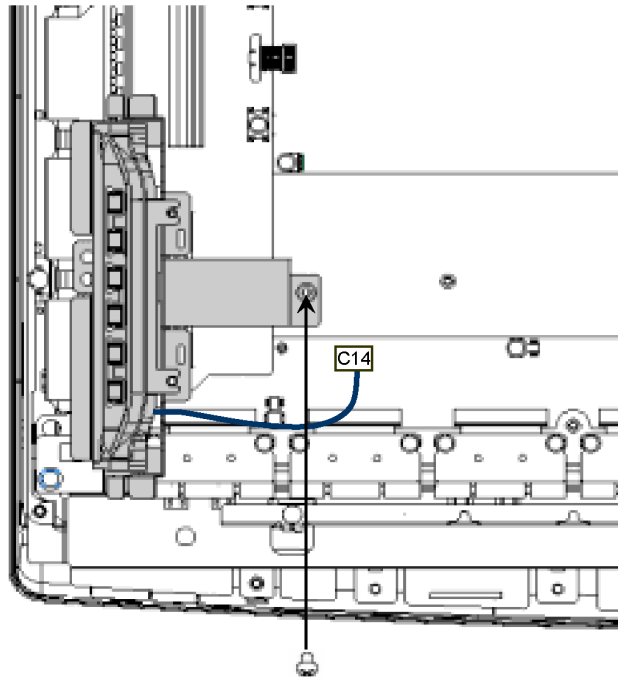
	CLAMPER			
CABLE	D	E	F	G
FAN_A	●	●	●	●
FAN_B			●	●



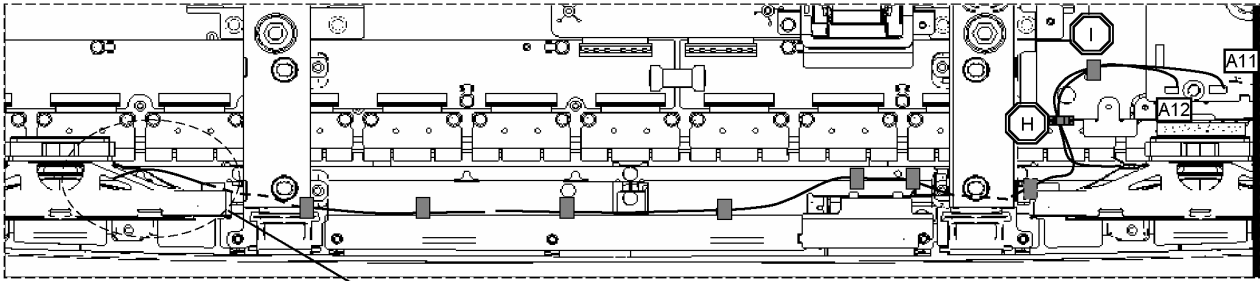
### 10.4. Wiring (3)



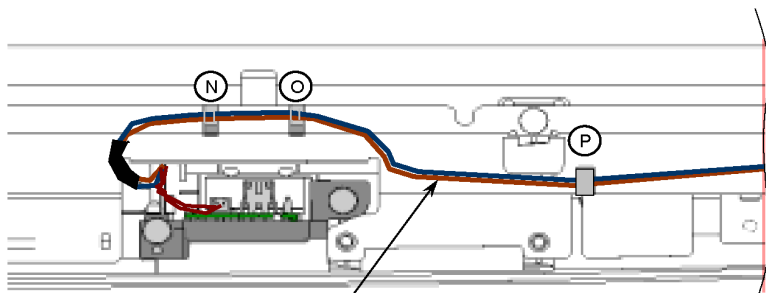
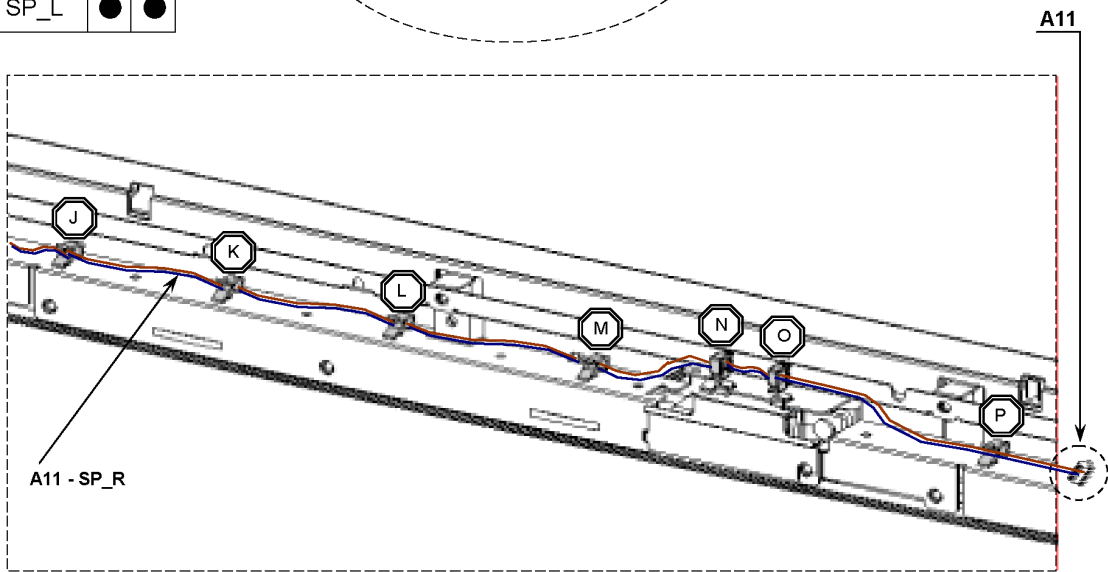
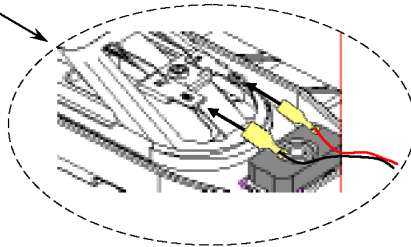
	CLAMP ER	
CABLE		
K1 - A1		



# 10.5. Wiring (4)



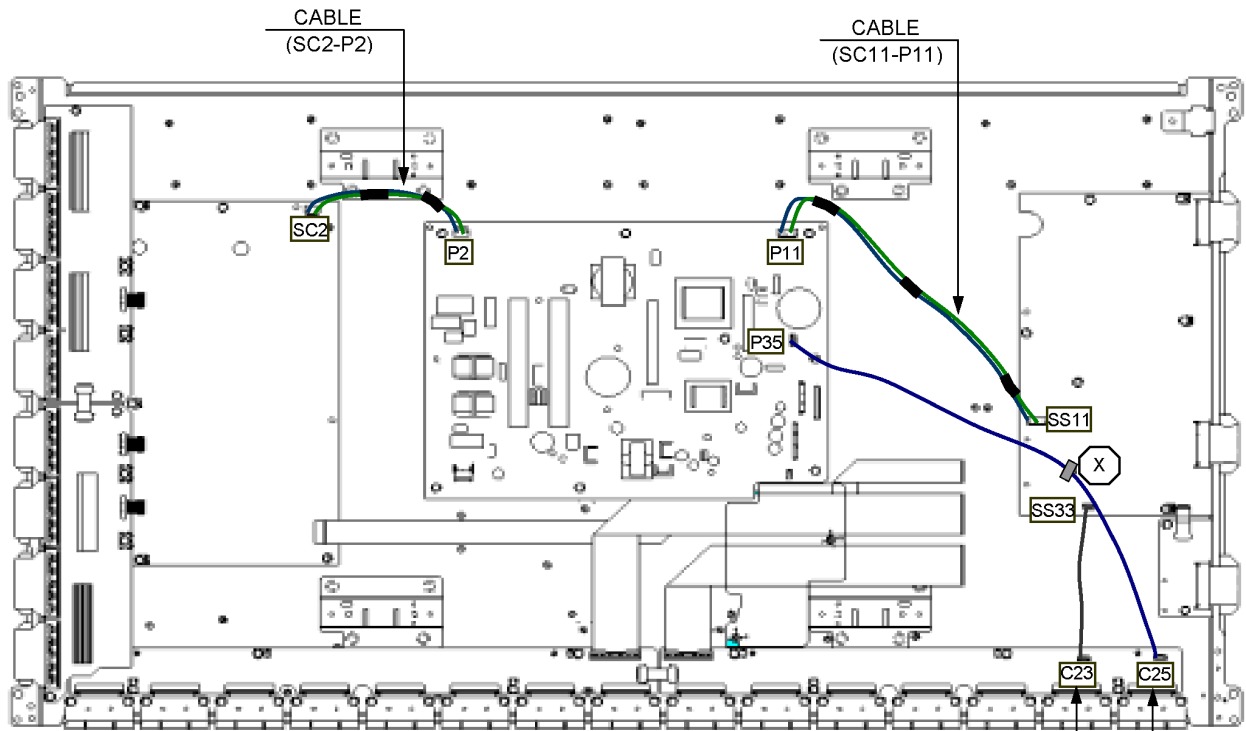
CABLE	CLAMP ER	
	H	I
A11 - SP_R	●	●
A12 - SP_L	●	●



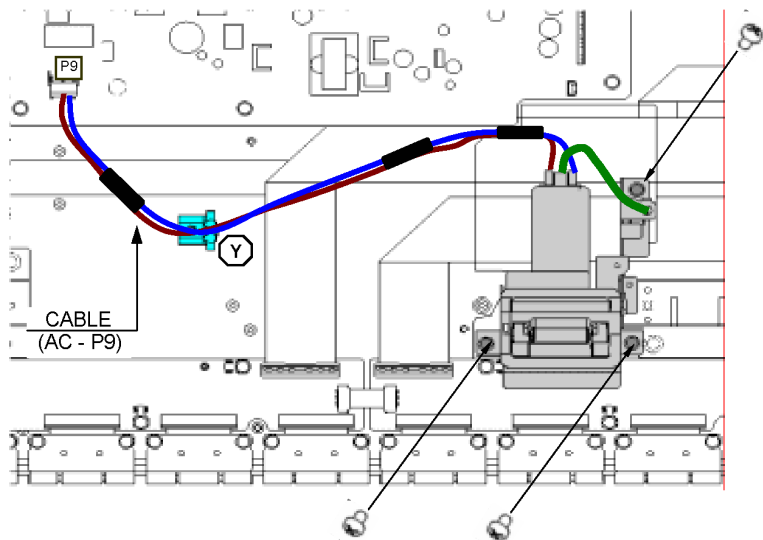
A1-K1

CABLE	CLAMPERS						
	J	K	L	M	N	O	P
A11-SP_R	●	●	●	●	●	●	●
A1 - K1					●	●	●

# 10.6. Wiring (5)



CABLE	(X)
C23 - SS33	
C25 - P35	●
P11 - SS11	
P2 - SC2	




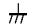

CABLE	(Y)
AC - P9	●



# 11 Schematic Diagram

## 11.1. Schematic Diagram Note

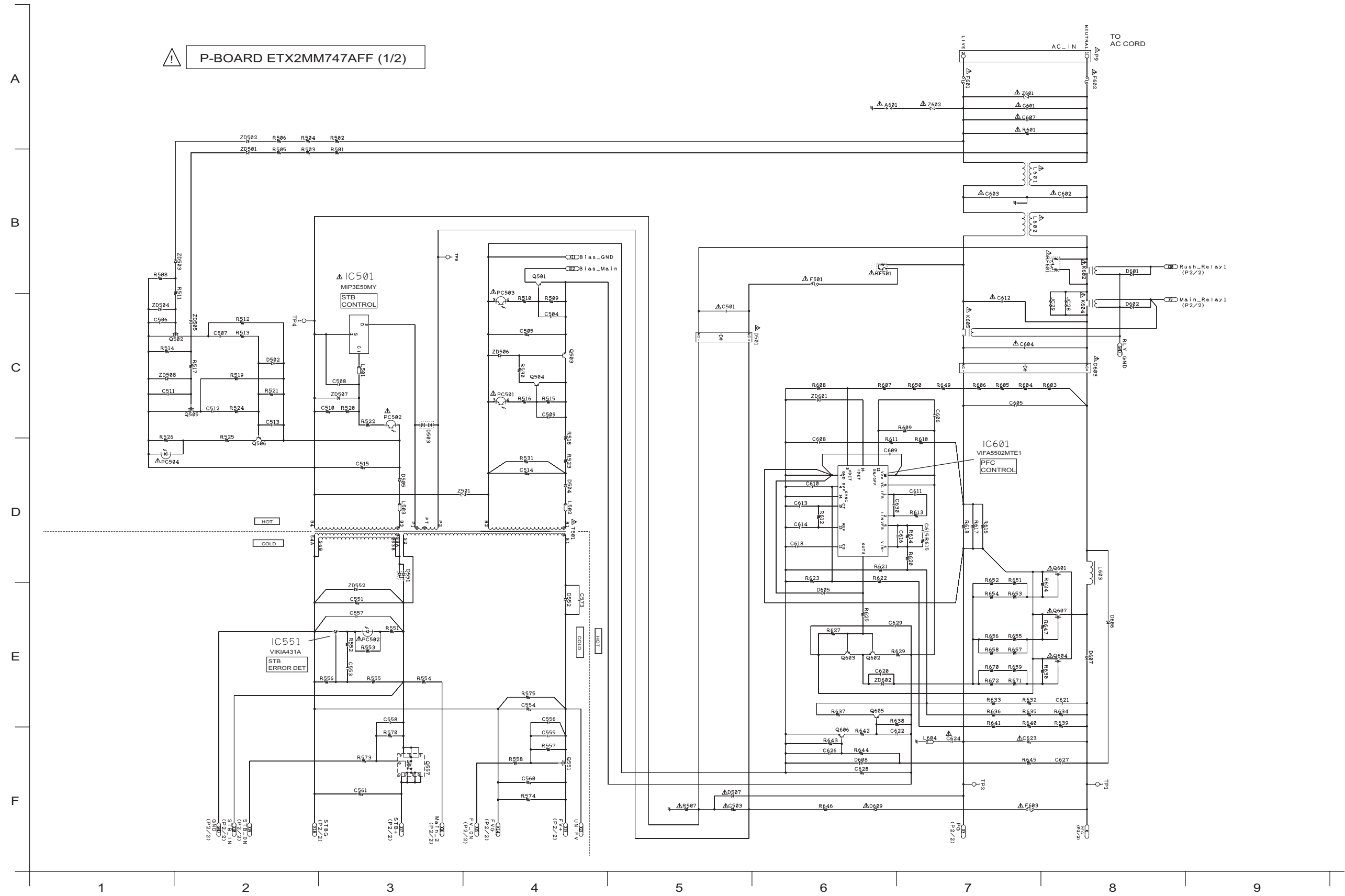
### Notes:

- 1. Resistor**  
Unit of resistance is OHM [ $\Omega$ ] (K=1,000, M=1,000,000).
- 2. Capacitor**  
Unit of capacitance is  $\mu$ F, unless otherwise noted.
- 3. Coil**  
Unit of inductance is H, unless otherwise noted.
- 4. Test Point**  
 : Test Point position
- 5. Earth Symbol**  
 : Chassis Earth (Cold)       : Line Earth (Hot)
- 6. Voltage Measurement**  
Voltage is measured by a DC voltmeter.  
Conditions of the measurement are the following:  
Power Source ..... AC120V, 60Hz  
Receiving Signal ..... Colour Bar signal (RF)  
All customer's controls ..... Maximum positions
- 7. When arrow mark (↗) is found, connection is easily found from the direction of arrow.**
- 8. Indicates the major signal flow.**      : Video ➡      Audio ⇔
- 9. This schematic diagram is the latest at the time of printing and subject to change without notice.**

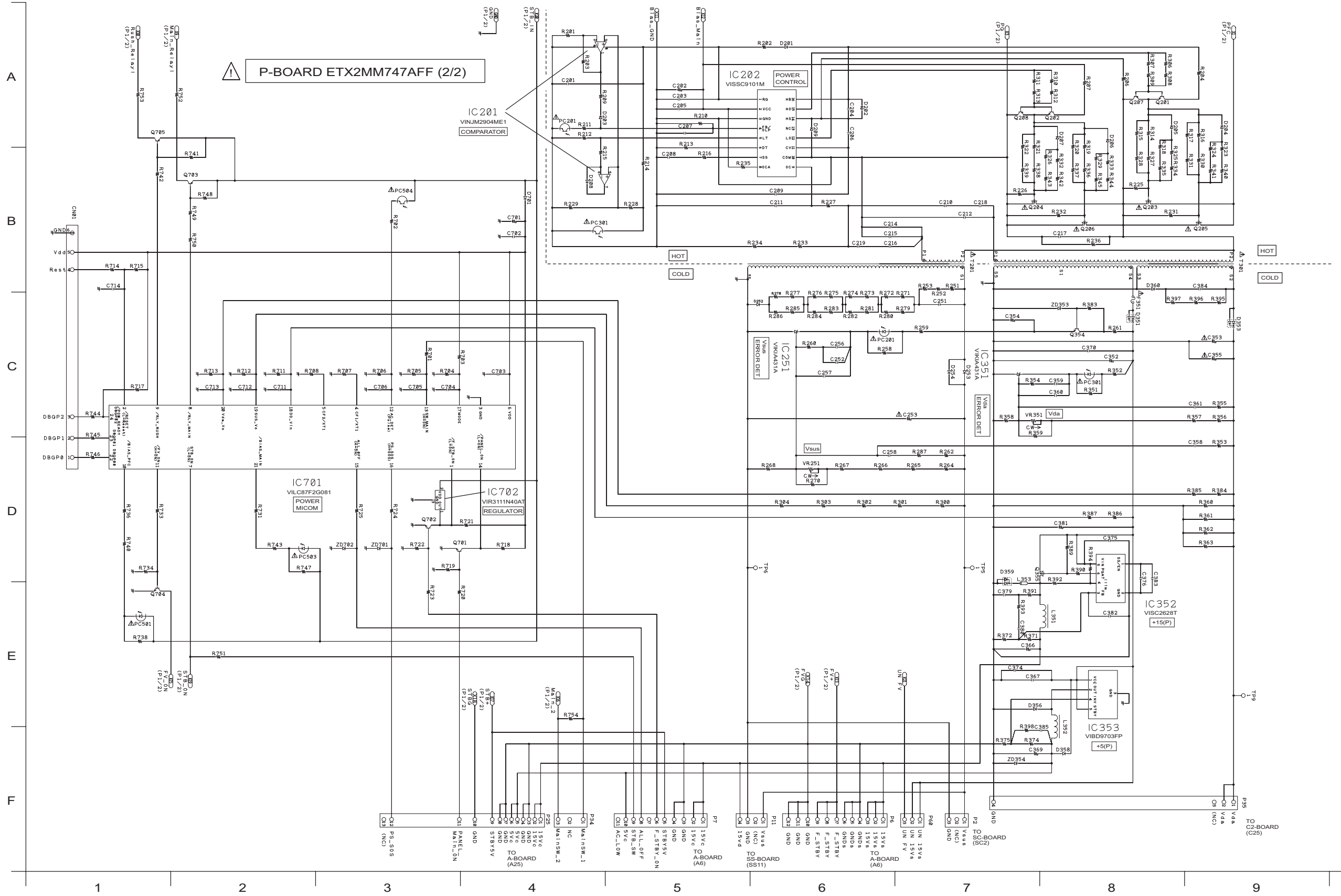
### Remarks:

- 1. The Power Circuit contains a circuit area which uses a separate power supply to isolate the earth connection.**  
The circuit is defined by HOT and COLD indications in the schematic diagram. Take the following precautions.  
All circuits, except the Power Circuit, are cold.  
Precautions
  - a. Do not touch the hot part or the hot and cold parts at the same time or you may be shocked.**
  - b. Do not short-circuit the hot and cold circuits or a fuse may blow and parts may break.**
  - c. Do not connect an instrument, such as an oscilloscope, to the hot and cold circuits simultaneously or a fuse may blow.**  
Connect the earth of instruments to the earth connection of the circuit being measured.
  - d. Make sure to disconnect the power plug before removing the chassis.**

## 11.2. P-Board (1/2) Schematic Diagram

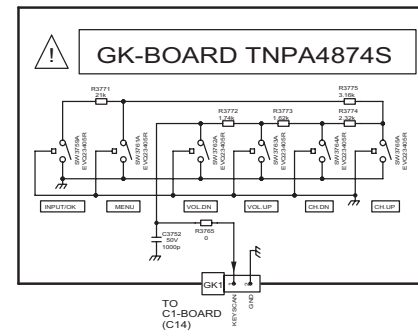
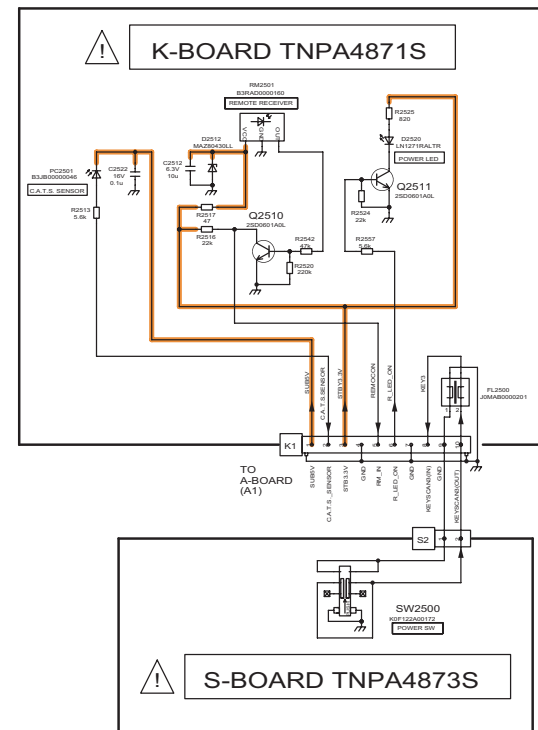


### 11.3. P-Board (2/2) Schematic Diagram



# 11.4. GK, K and S-Board Schematic Diagram

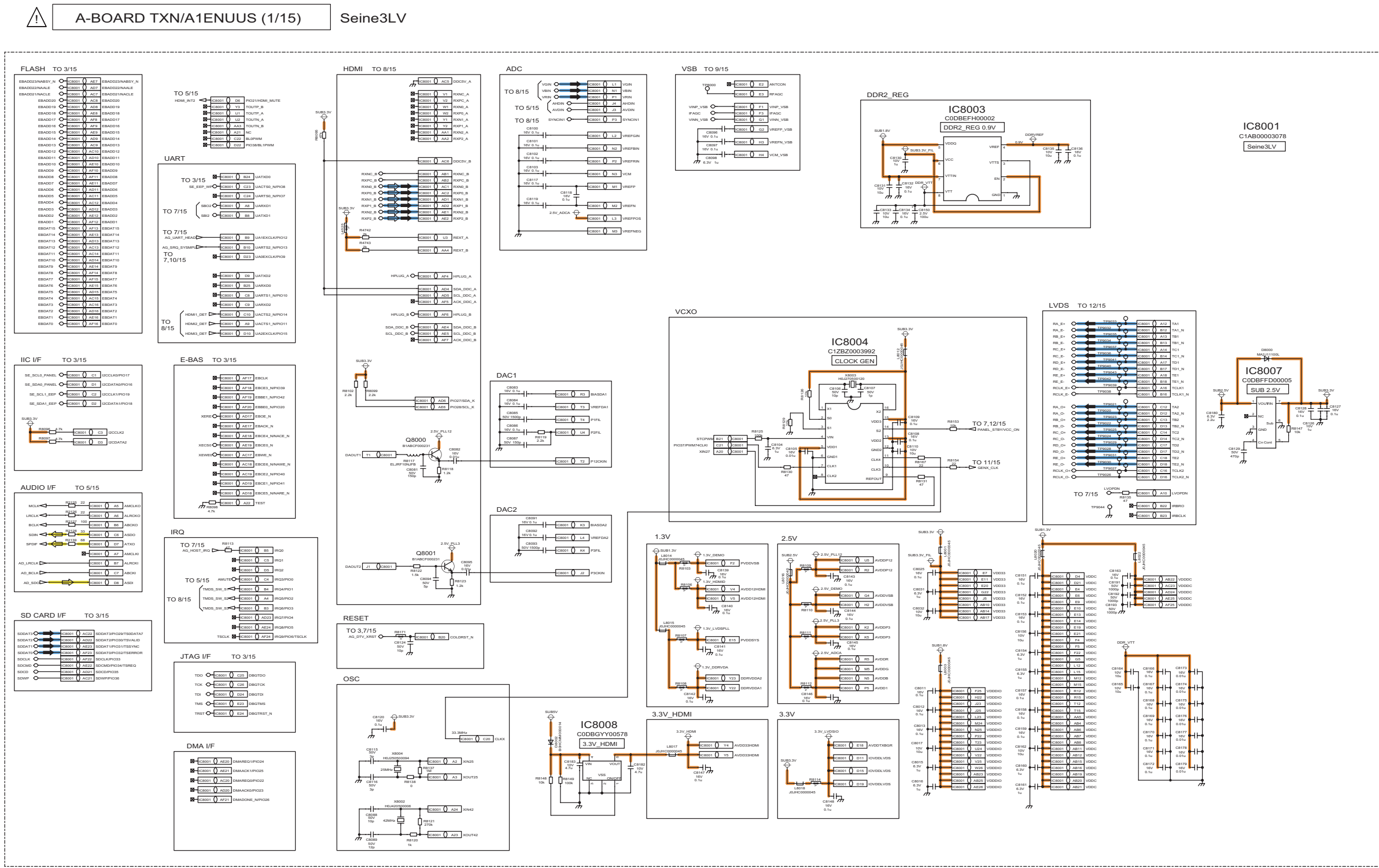
A  
B  
C  
D  
E  
F





# 11.5. A-Board (1/15) Schematic Diagram

A  
B  
C  
D  
E  
F

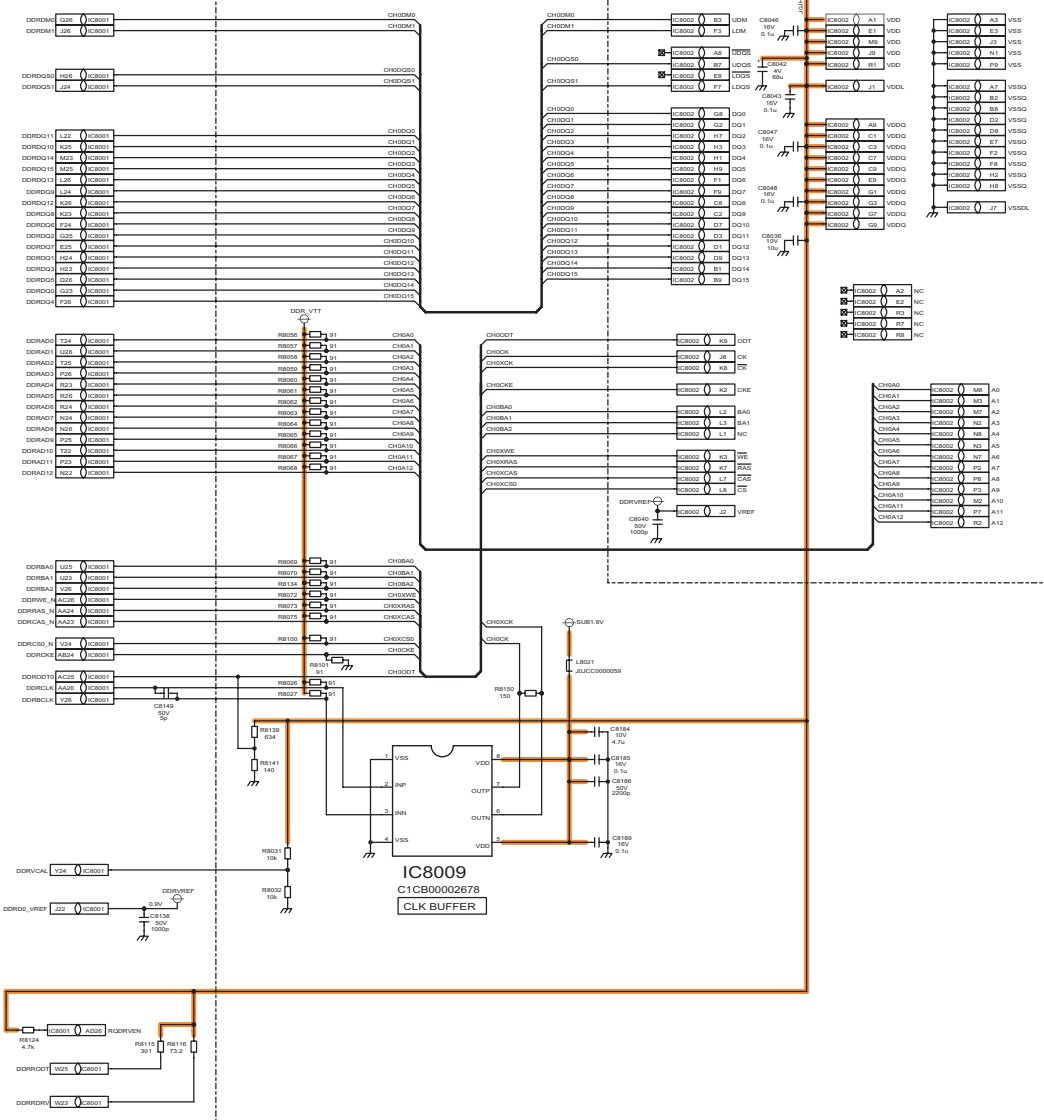
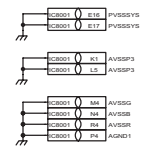
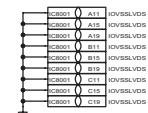
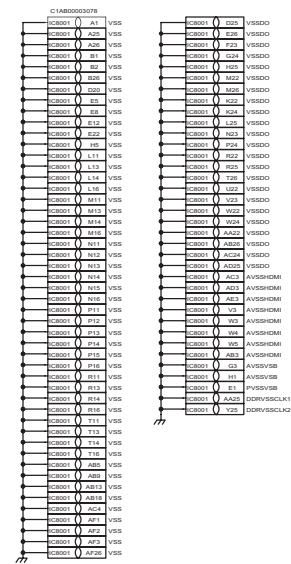


1 2 3 4 5 6 7 8 9

# 11.6. A-Board (2/15) Schematic Diagram

**A-BOARD TXN/A1ENUUS (2/15) DDR2**

**IC8001**  
C1AB0003078  
Seine3LV

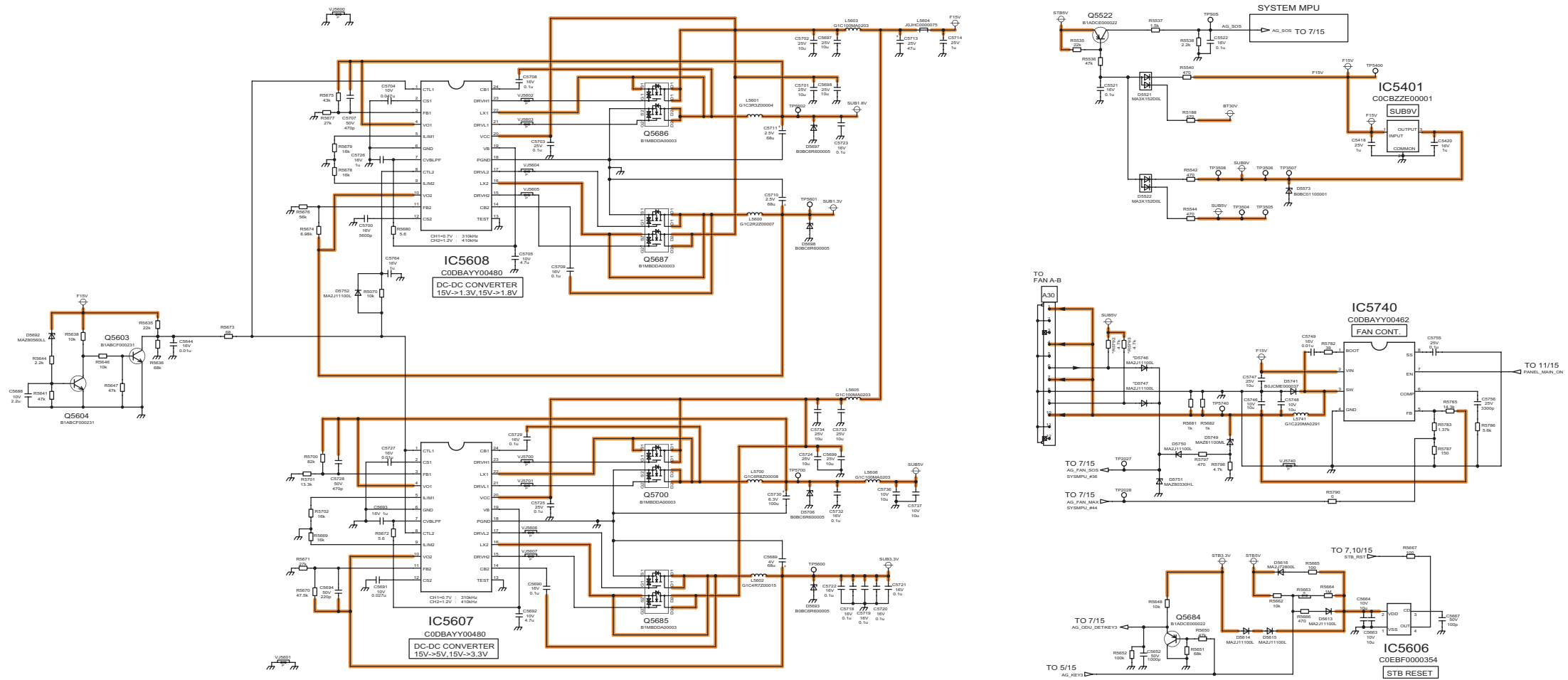


10 11 12 13 14 15 16 17 18



# 11.8. A-Board (4/15) Schematic Diagram

 A-BOARD TXN/A1ENUUS (4/15) POWER SUPPLY



28

29

30

31

32

33

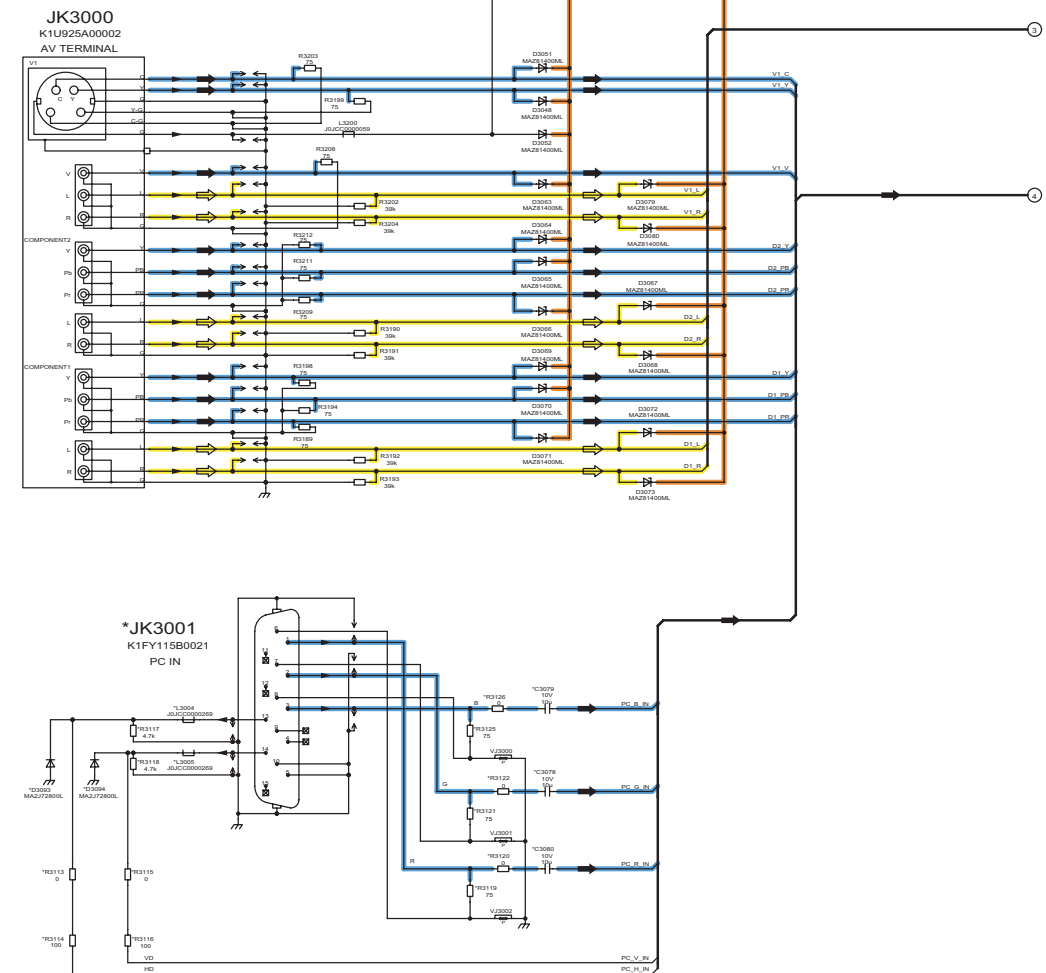
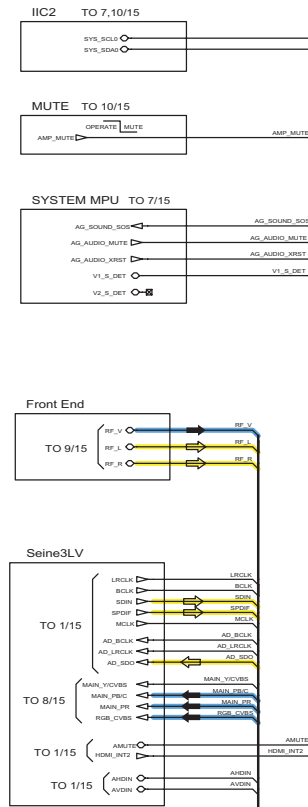
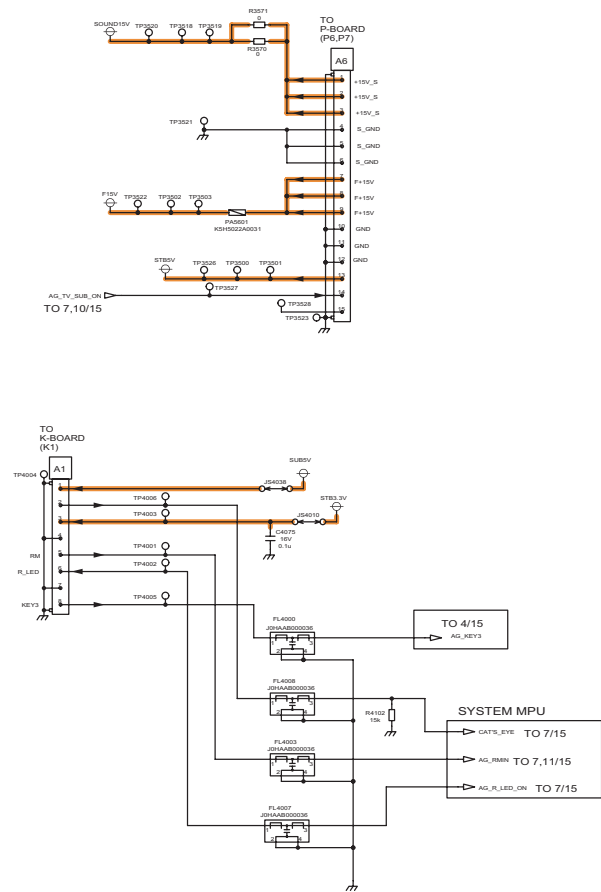
34

35

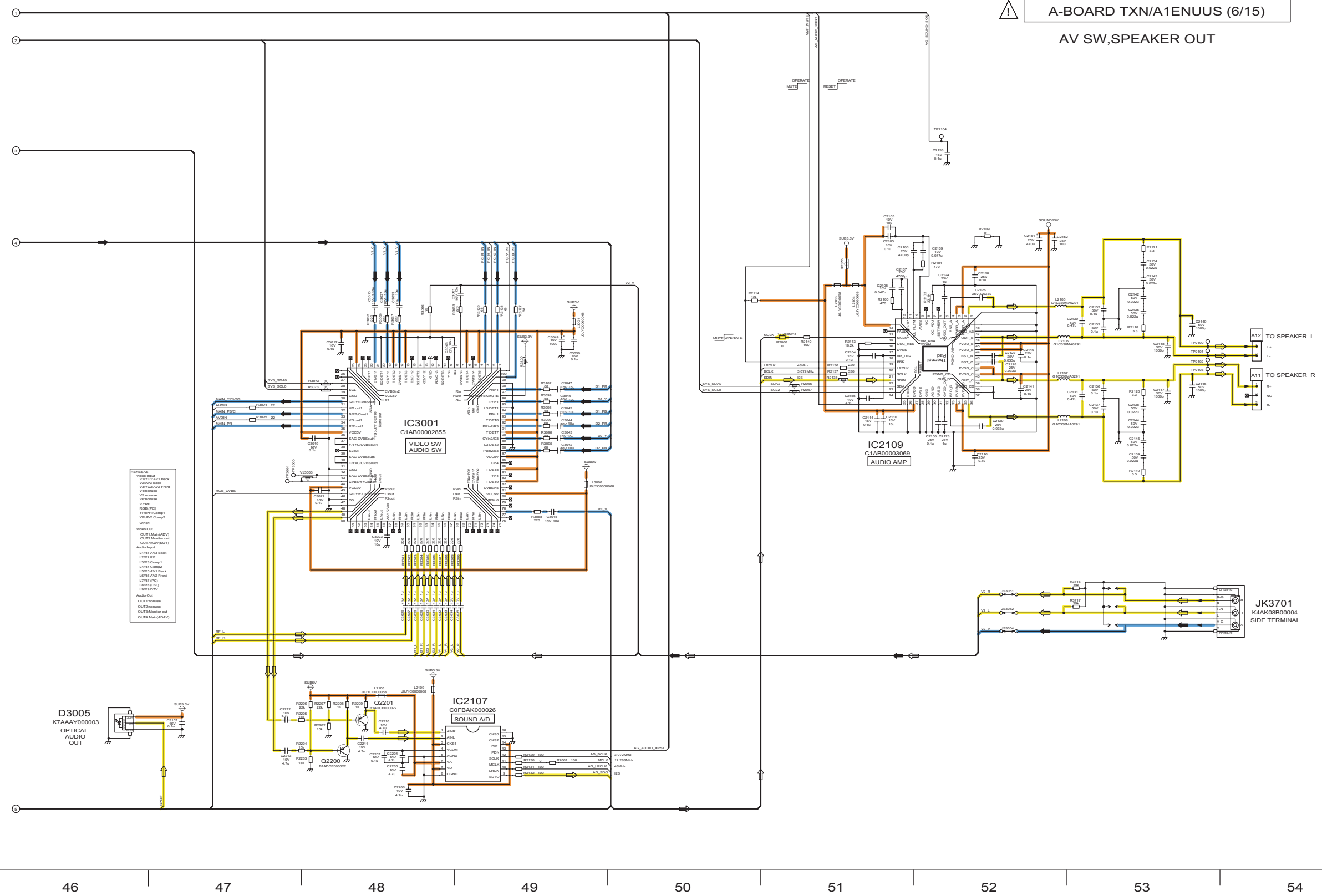
36

# 11.9. A-Board (5/15) Schematic Diagram

**A-BOARD TXN/A1ENUUS (5/15) CONNECTOR**

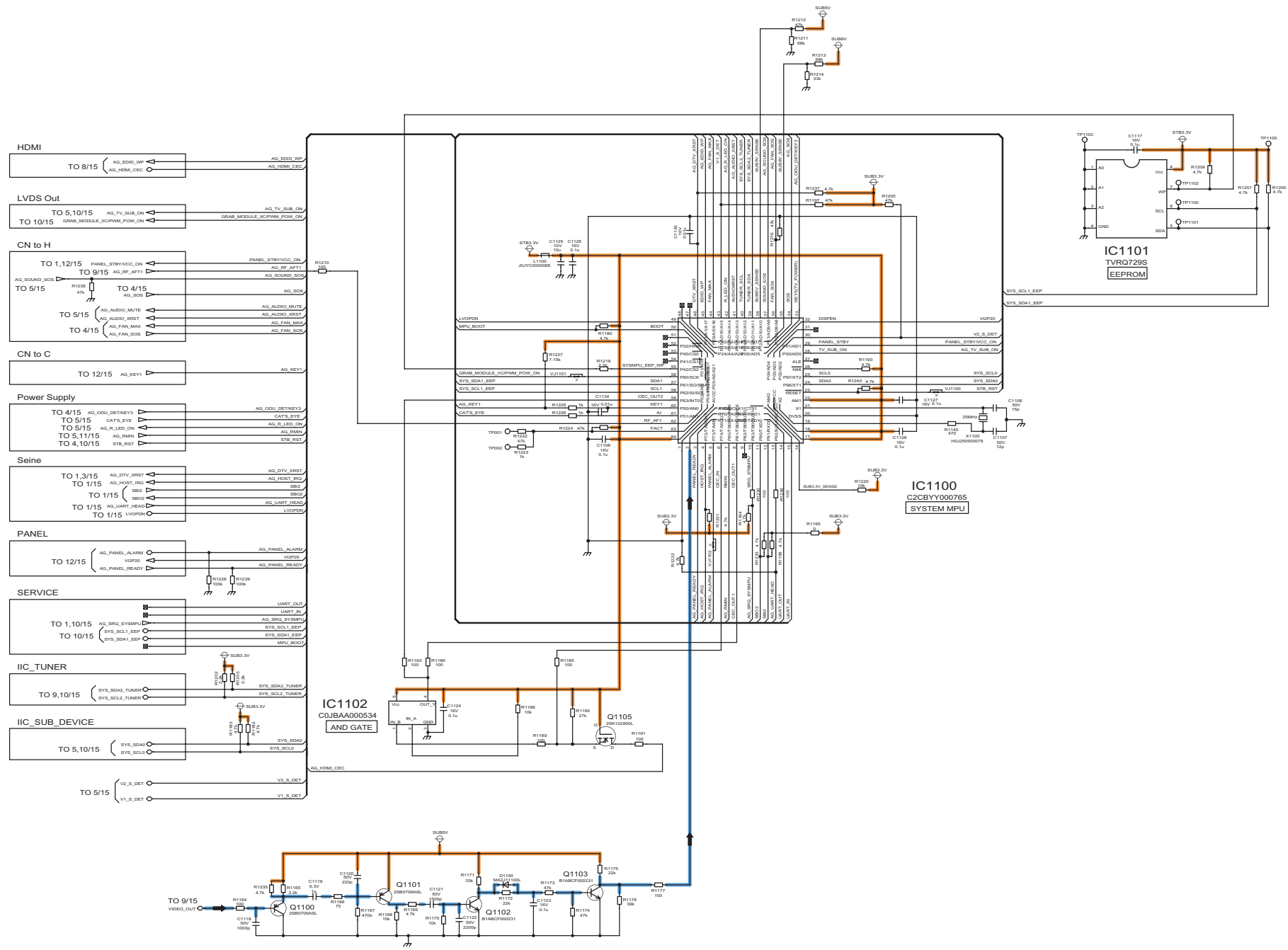


# 11.10. A-Board (6/15) Schematic Diagram



# 11.11. A-Board (7/15) Schematic Diagram

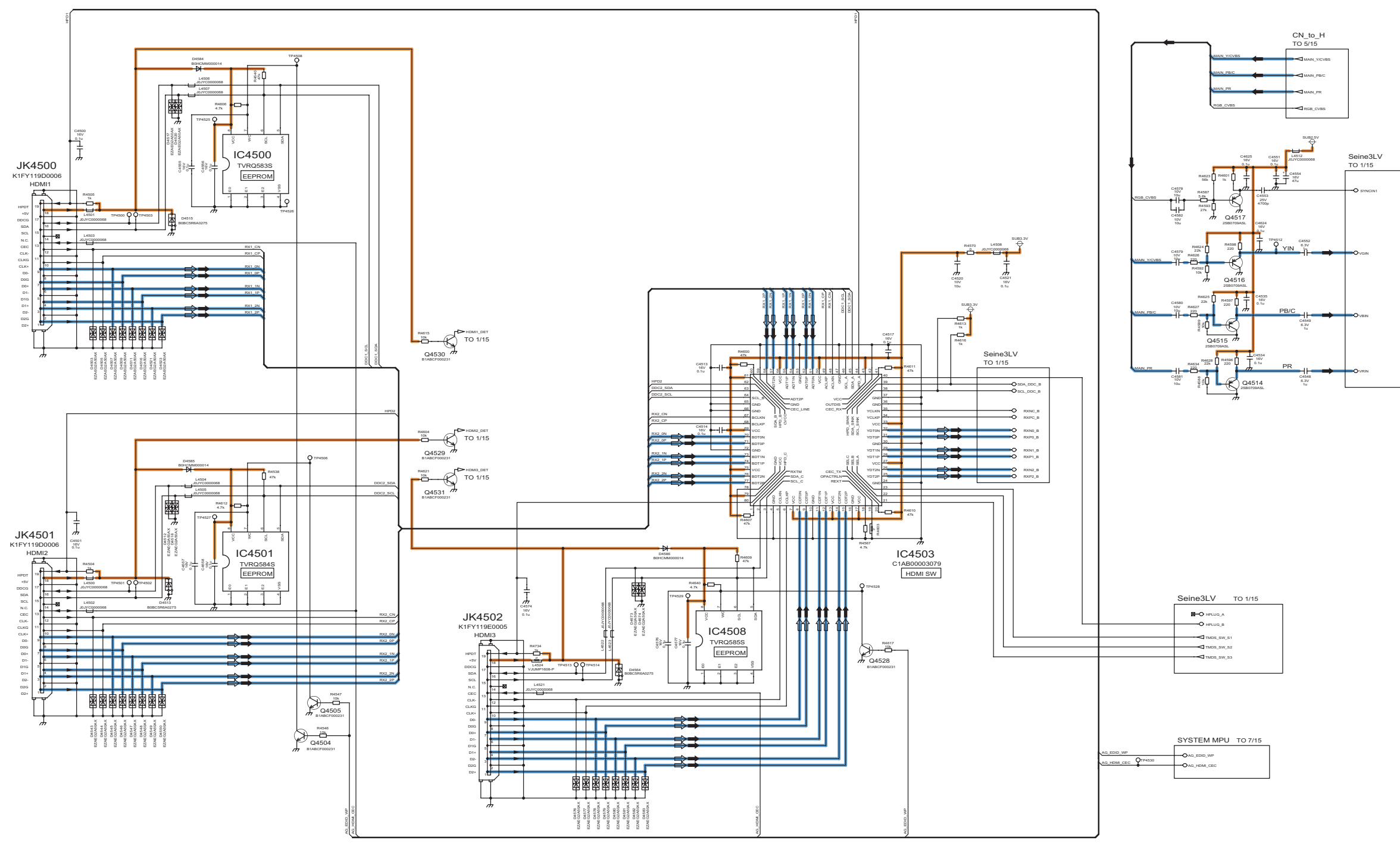
⚠ A-BOARD TXN/A1ENUUS (7/15) SYSTEM MPU,EEPROM



55 56 57 58 59 60 61 62 63

# 11.12. A-Board (8/15) Schematic Diagram

 A-BOARD TXN/A1ENUUS (8/15) HDMI



64

65

66

67

68

69

70

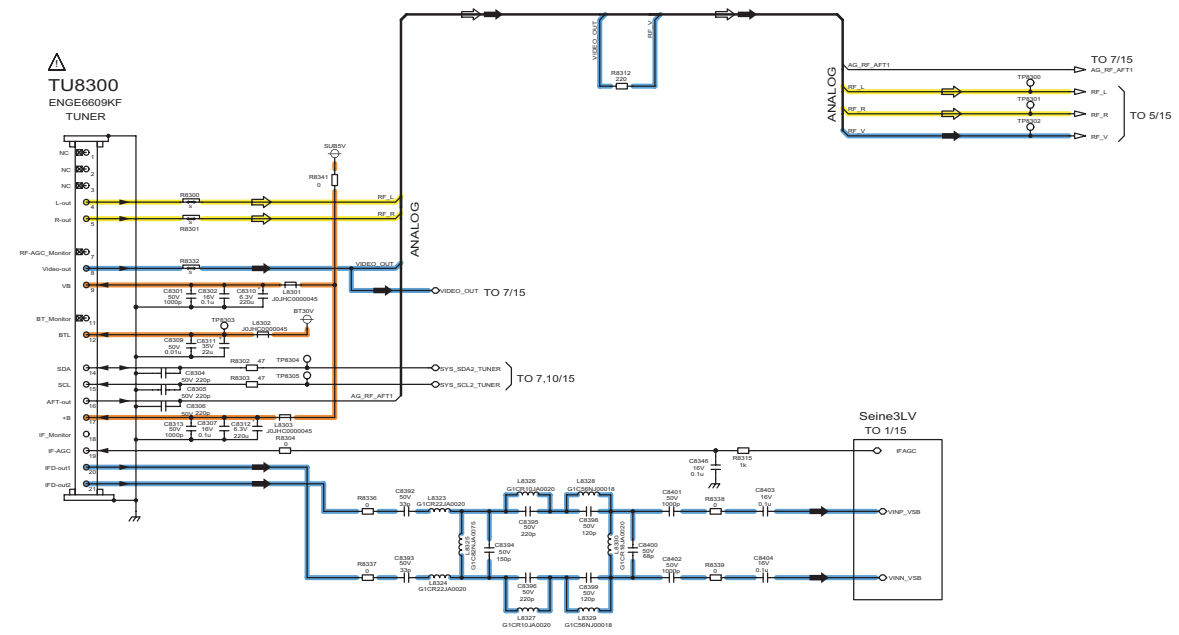
71

72



### 11.13. A-Board (9/15) Schematic Diagram

⚠ A-BOARD TXN/A1ENUUS (9/15) TUNER



73

74

75

76

77

78

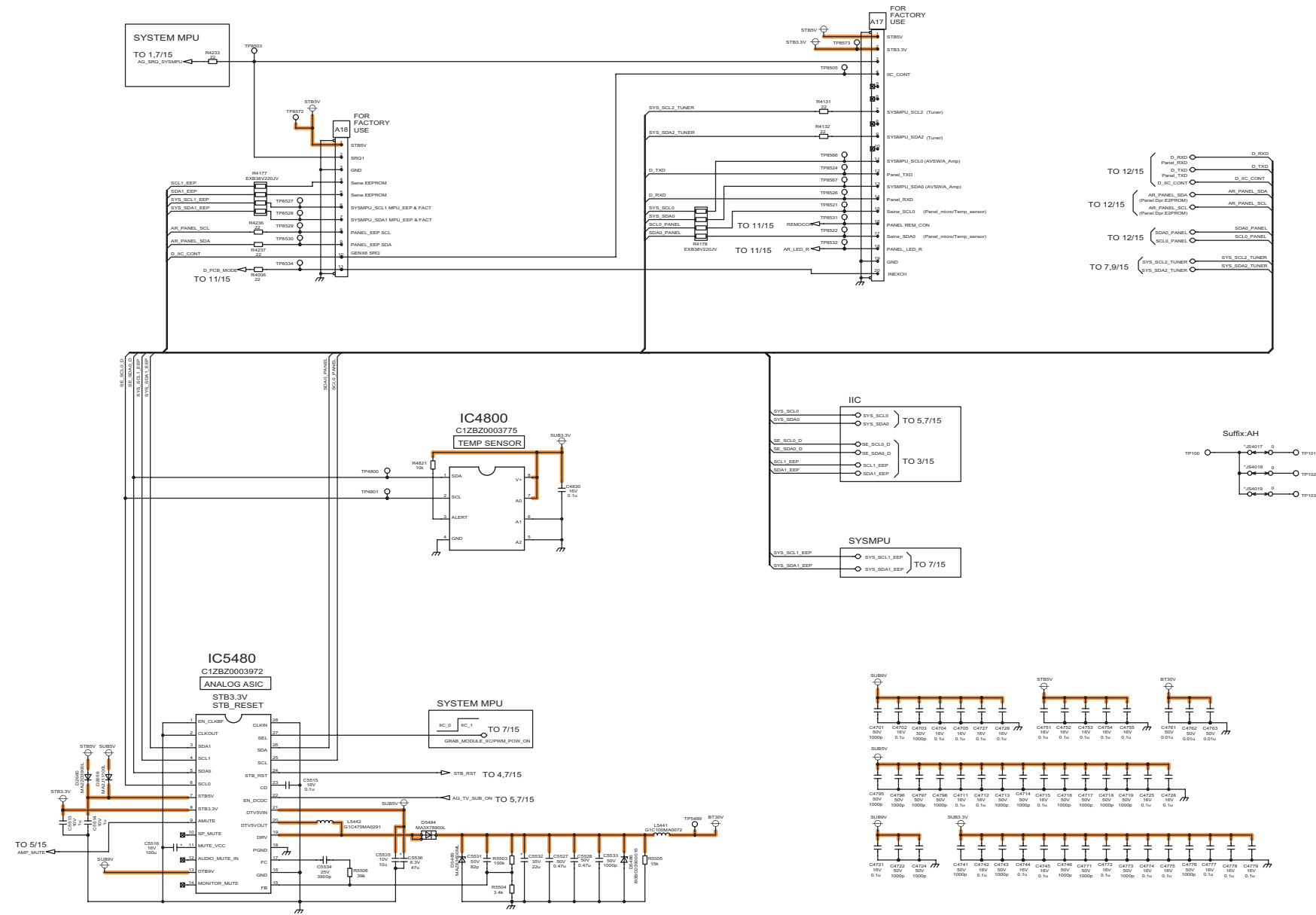
79

80

81

# 11.14. A-Board (10/15) Schematic Diagram

**A-BOARD TXN/A1ENUUS (10/15) CONNECTOR**



82

83

84

85

86

87

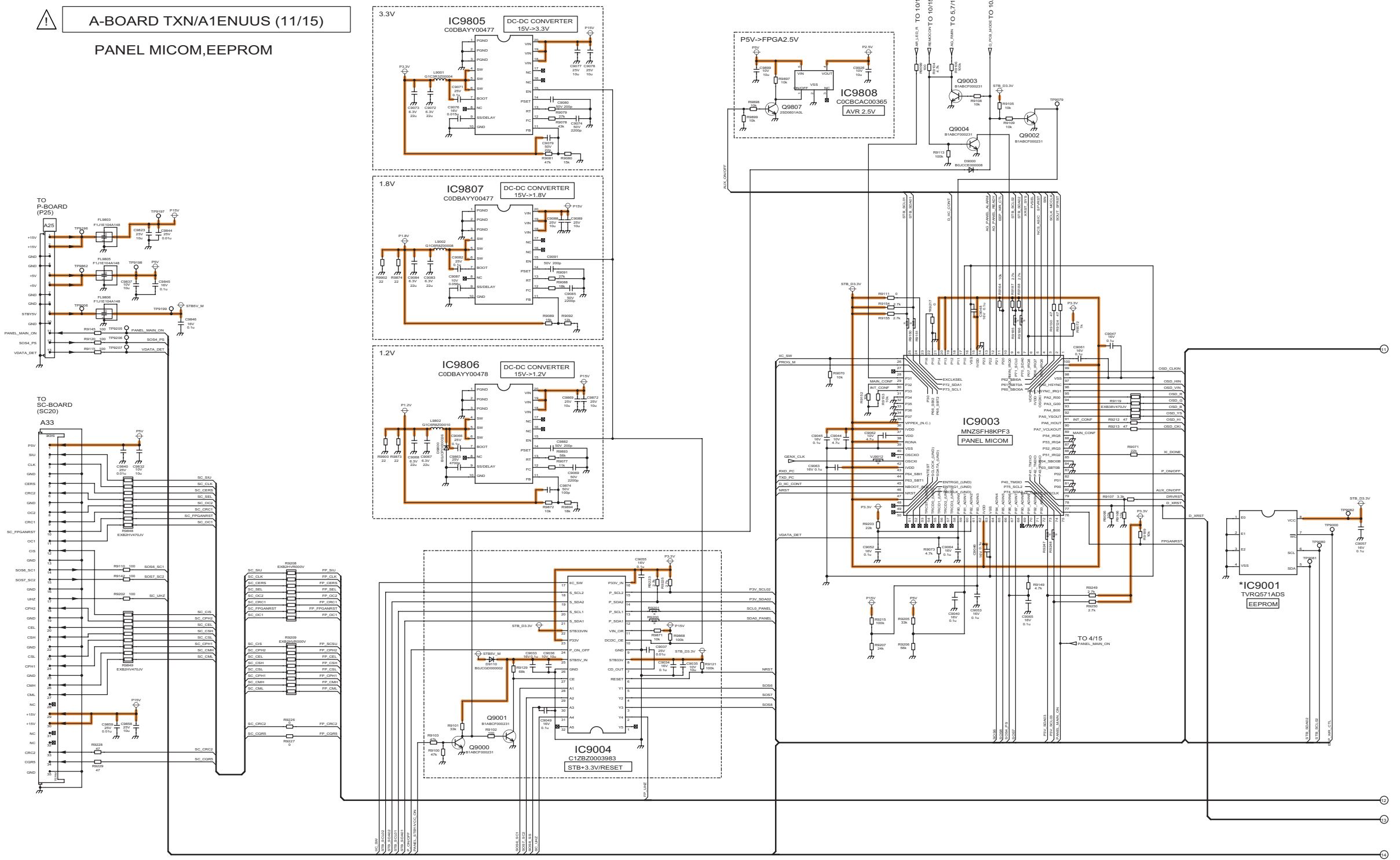
88

89

90

# 11.15. A-Board (11/15) Schematic Diagram

**A-BOARD TXN/A1ENUUS (11/15)**  
PANEL MICOM,EEPROM



91

92

93

94

95


96

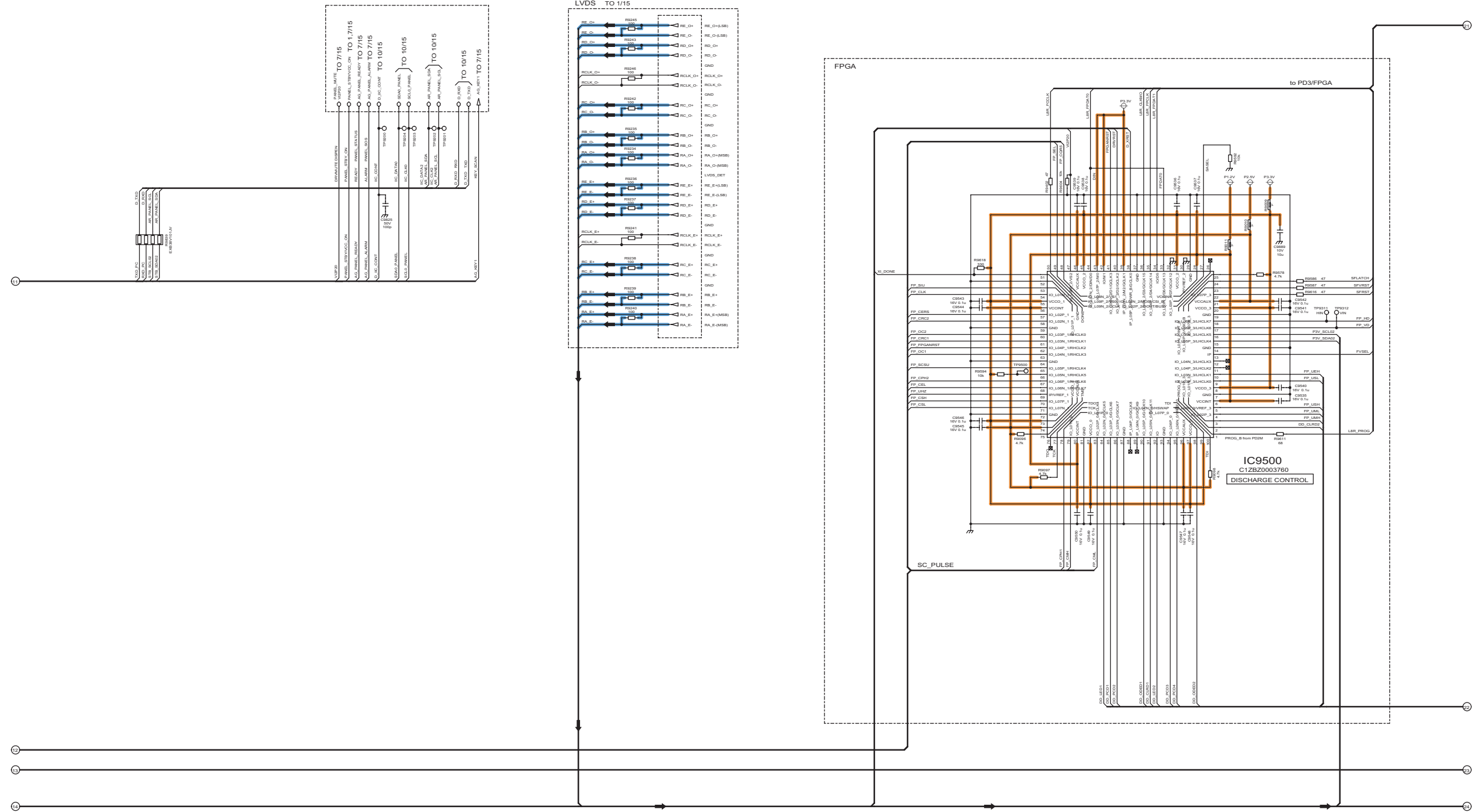
97

98

99

# 11.16. A-Board (12/15) Schematic Diagram

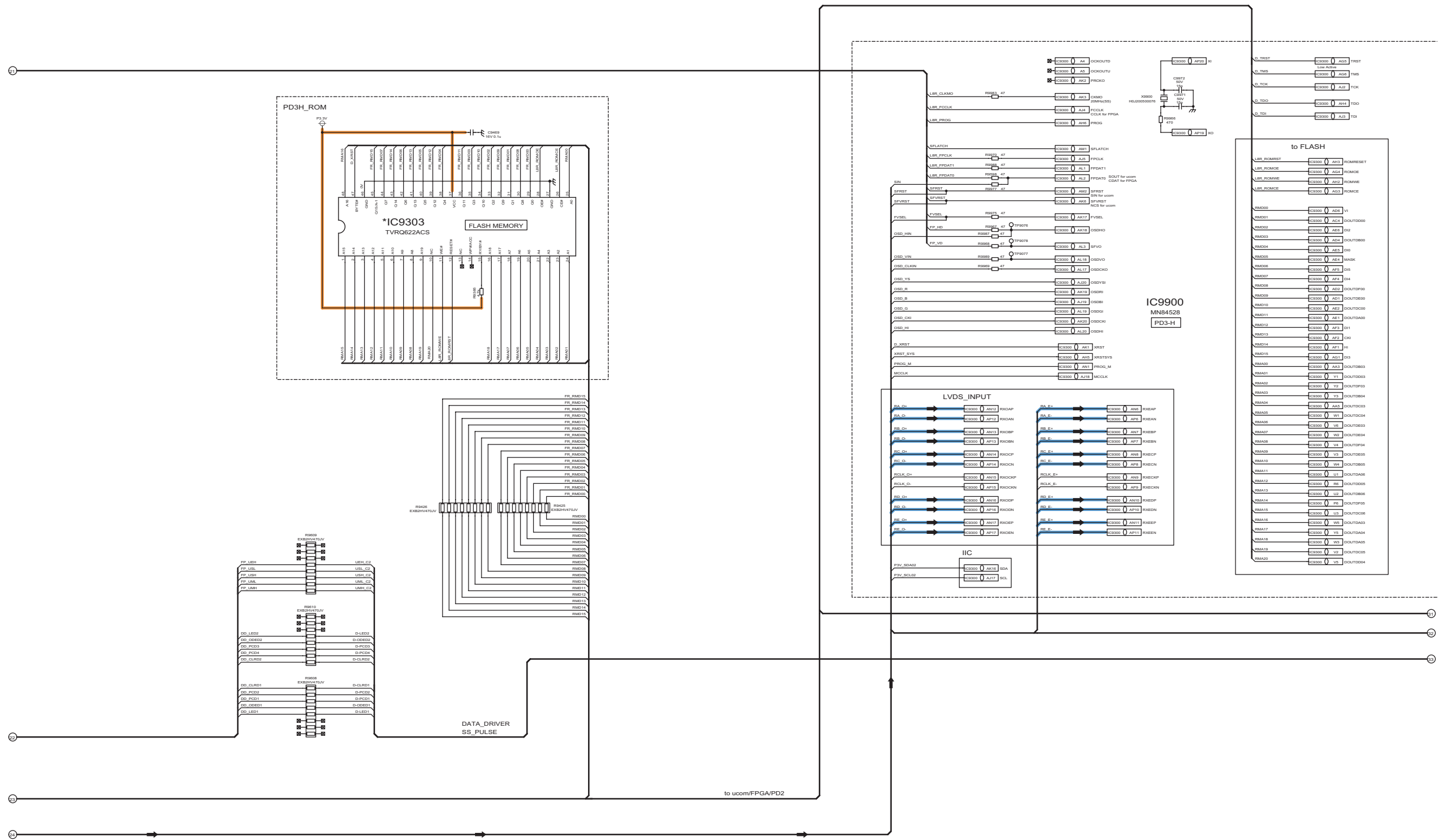
 A-BOARD TXN/A1ENUUS (12/15) DISCHARGE CONTROL



100 101 102 103 104 105 106 107 108

# 11.17. A-Board (13/15) Schematic Diagram

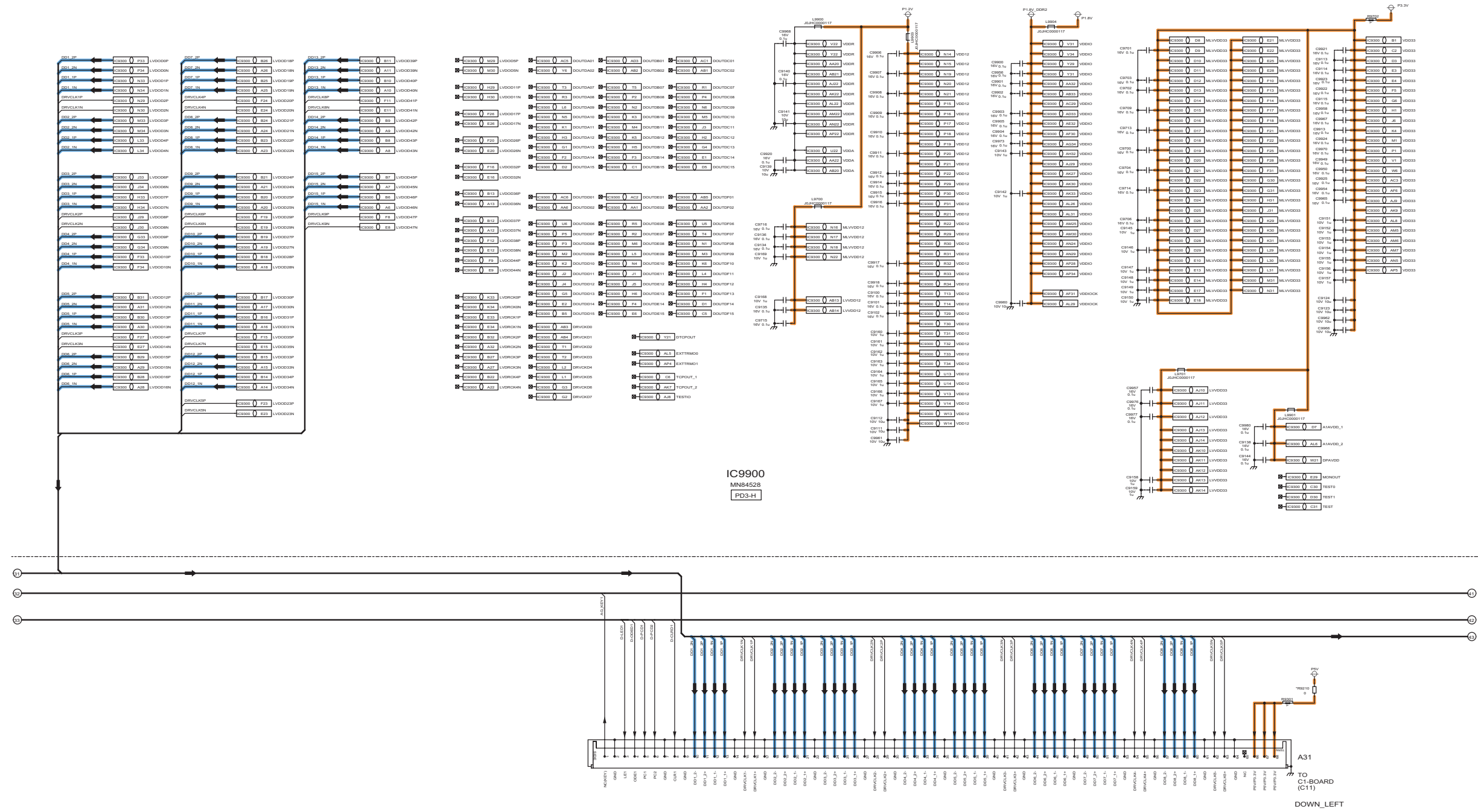
⚠ A-BOARD TXN/A1ENUUS (13/15) PD3-H



109 110 111 112 113 114 115 116 117

# 11.18. A-Board (14/15) Schematic Diagram

A-BOARD TXN/A1ENUUS (14/15) PD3-H



118

119

120

121

122

123

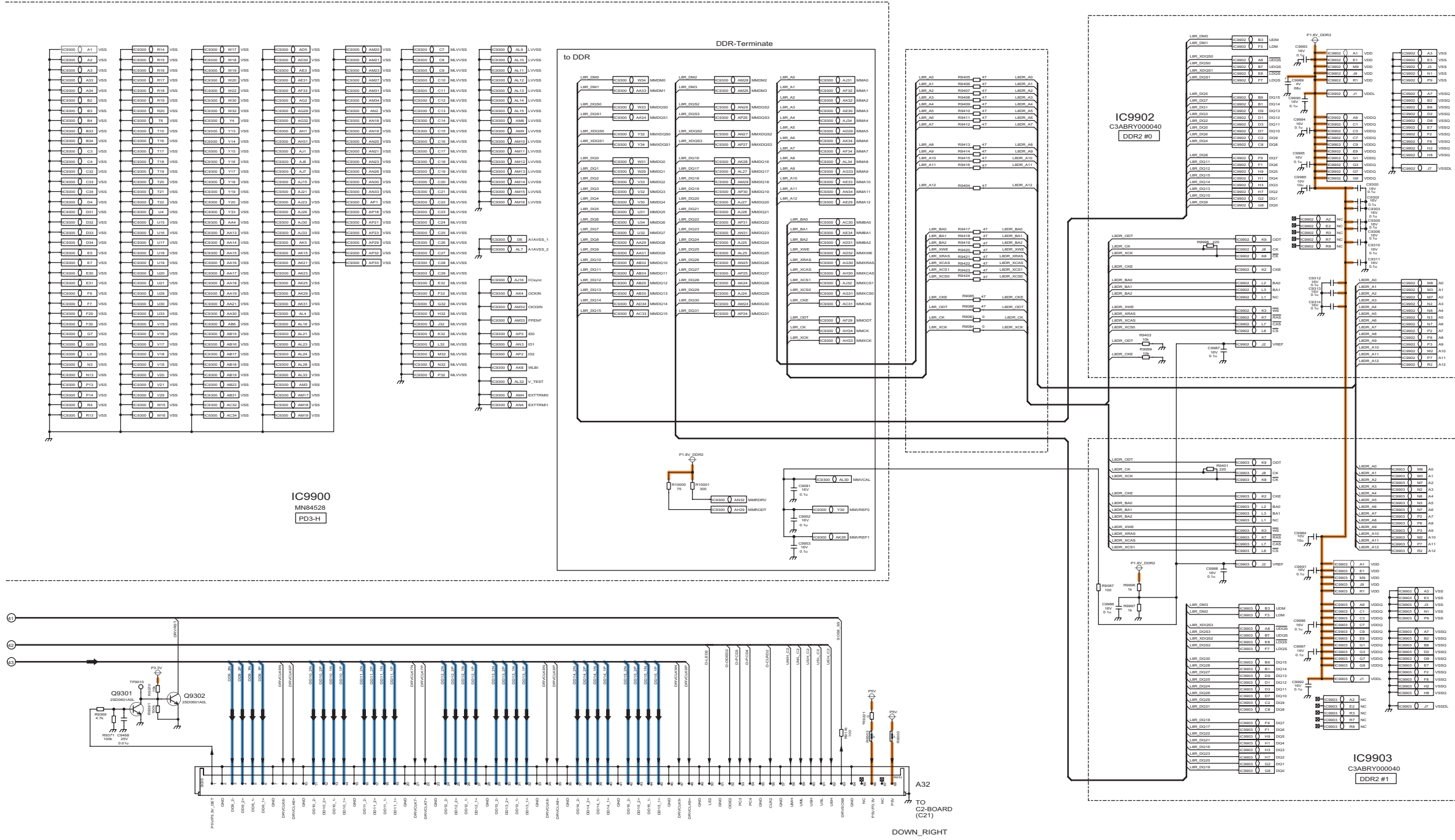
124

125

126

# 11.19. A-Board (15/15) Schematic Diagram

 A-BOARD TXN/A1ENUUS (15/15) PD3-H



127

128

129

130

131

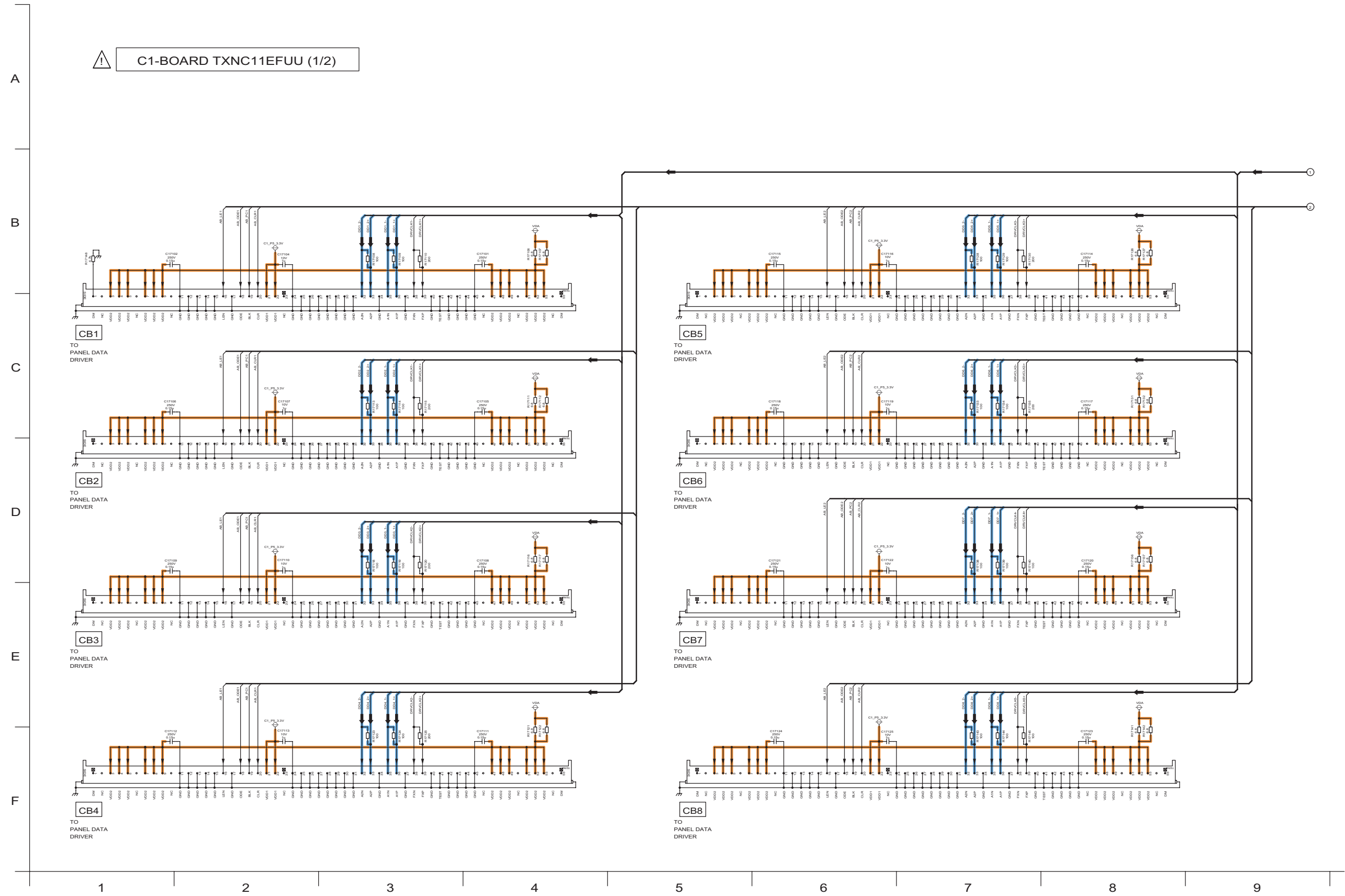
132

133

134

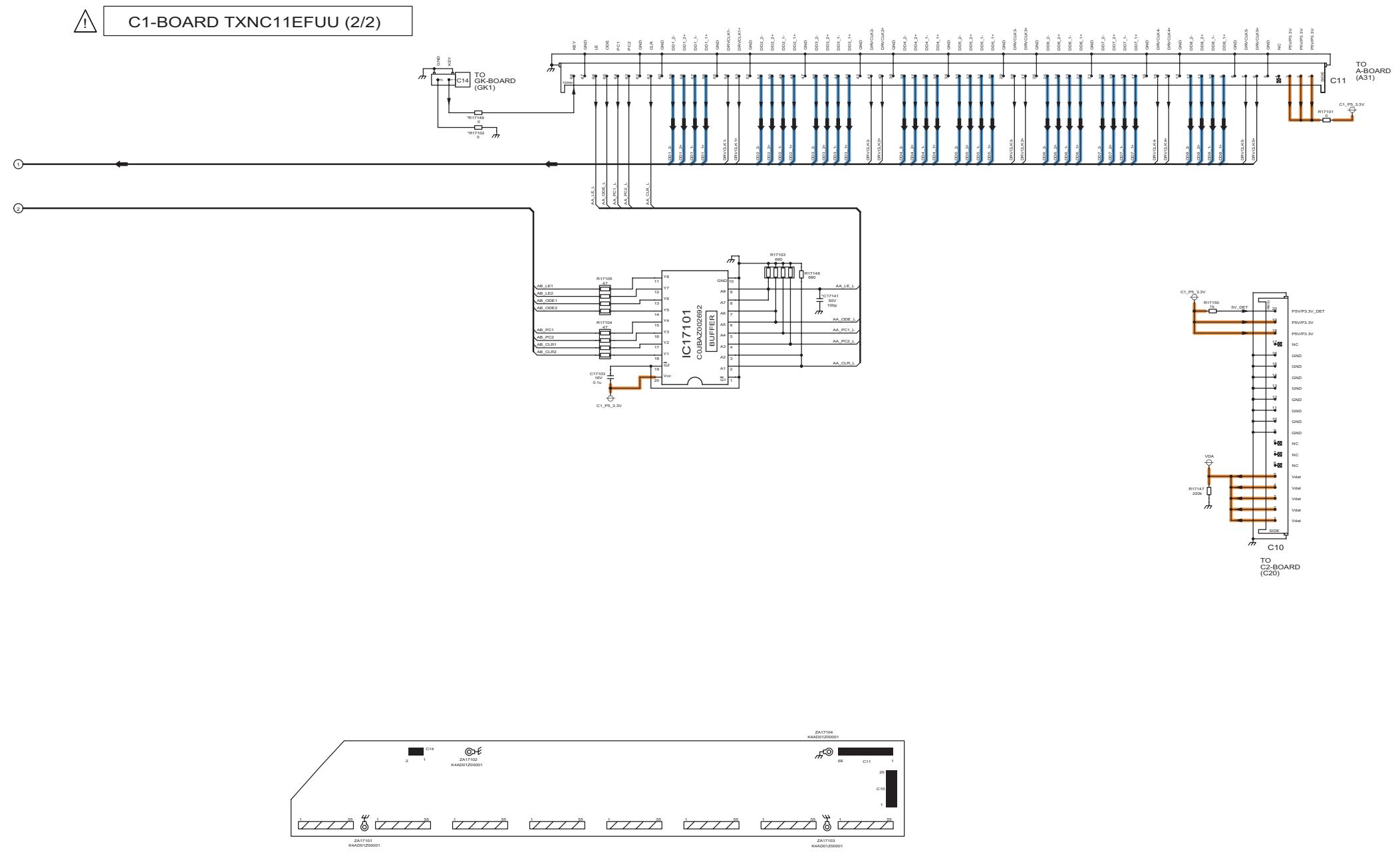
135

# 11.20. C1-Board (1/2) Schematic Diagram





# 11.21. C1-Board (2/2) Schematic Diagram

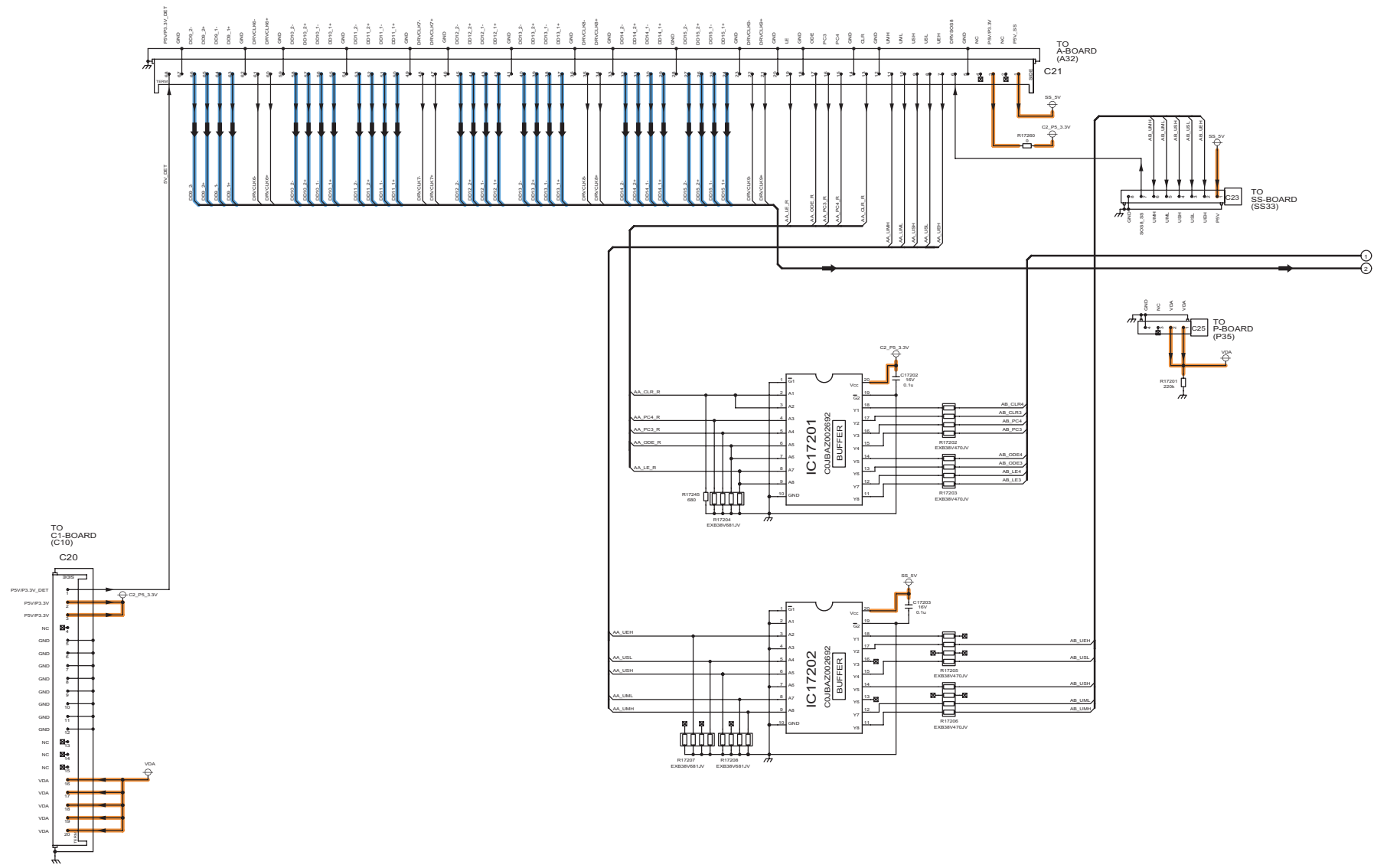


10 11 12 13 14 15 16 17 18

# 11.22. C2-Board (1/2) Schematic Diagram

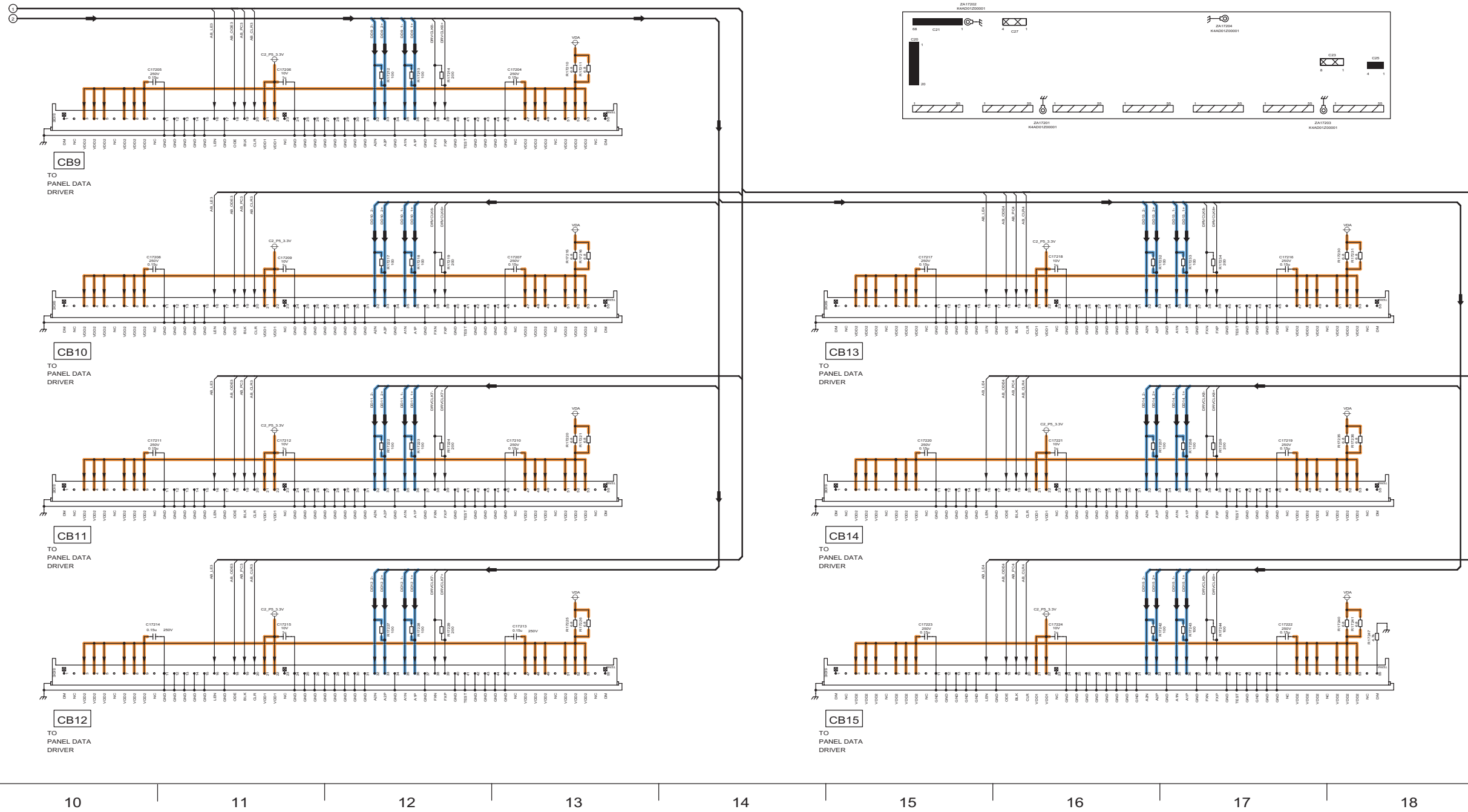
A  
B  
C  
D  
E  
F

⚠ C2-BOARD TXNC21EFUU (1/2)

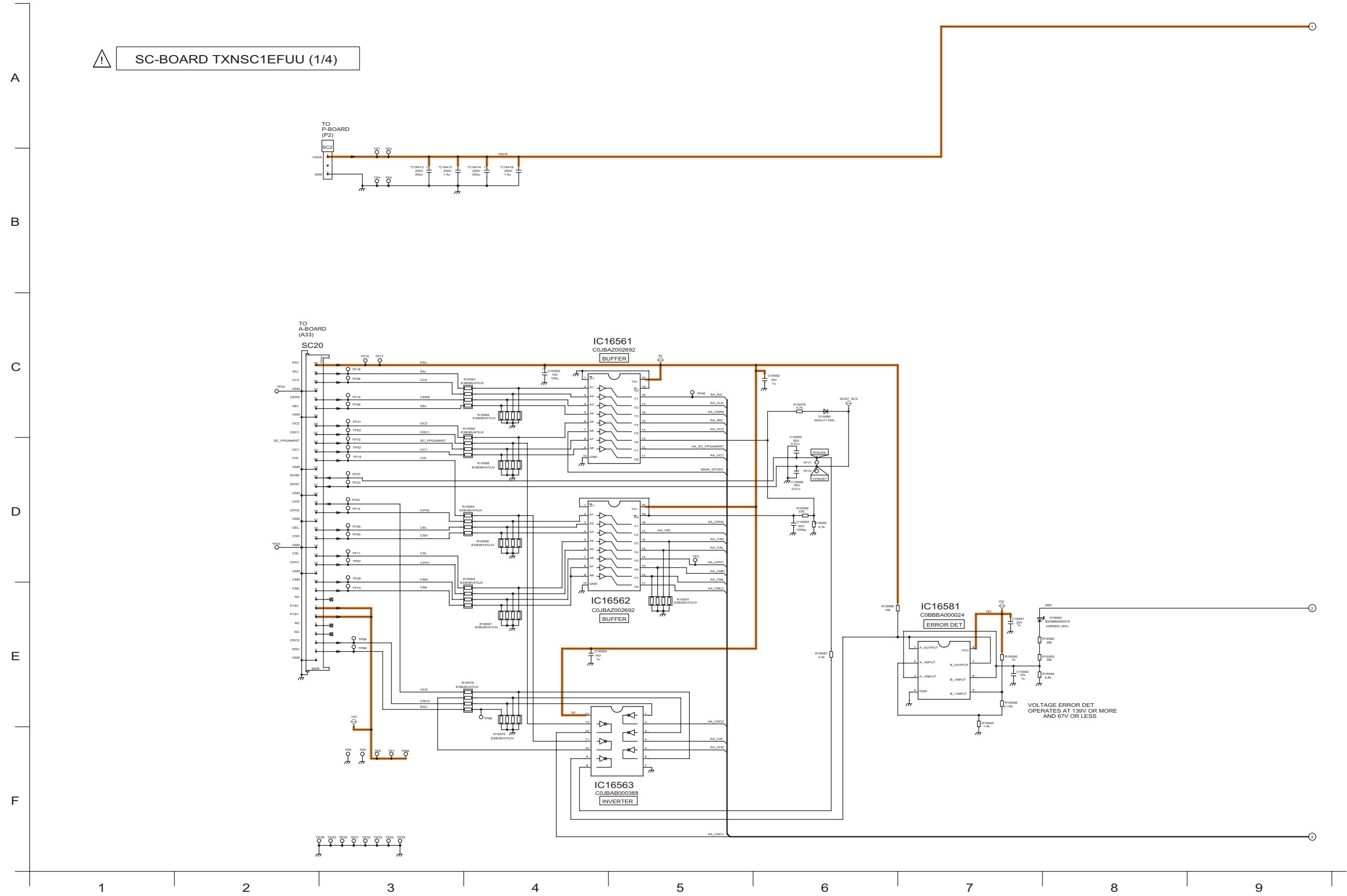


# 11.23. C2-Board (2/2) Schematic Diagram

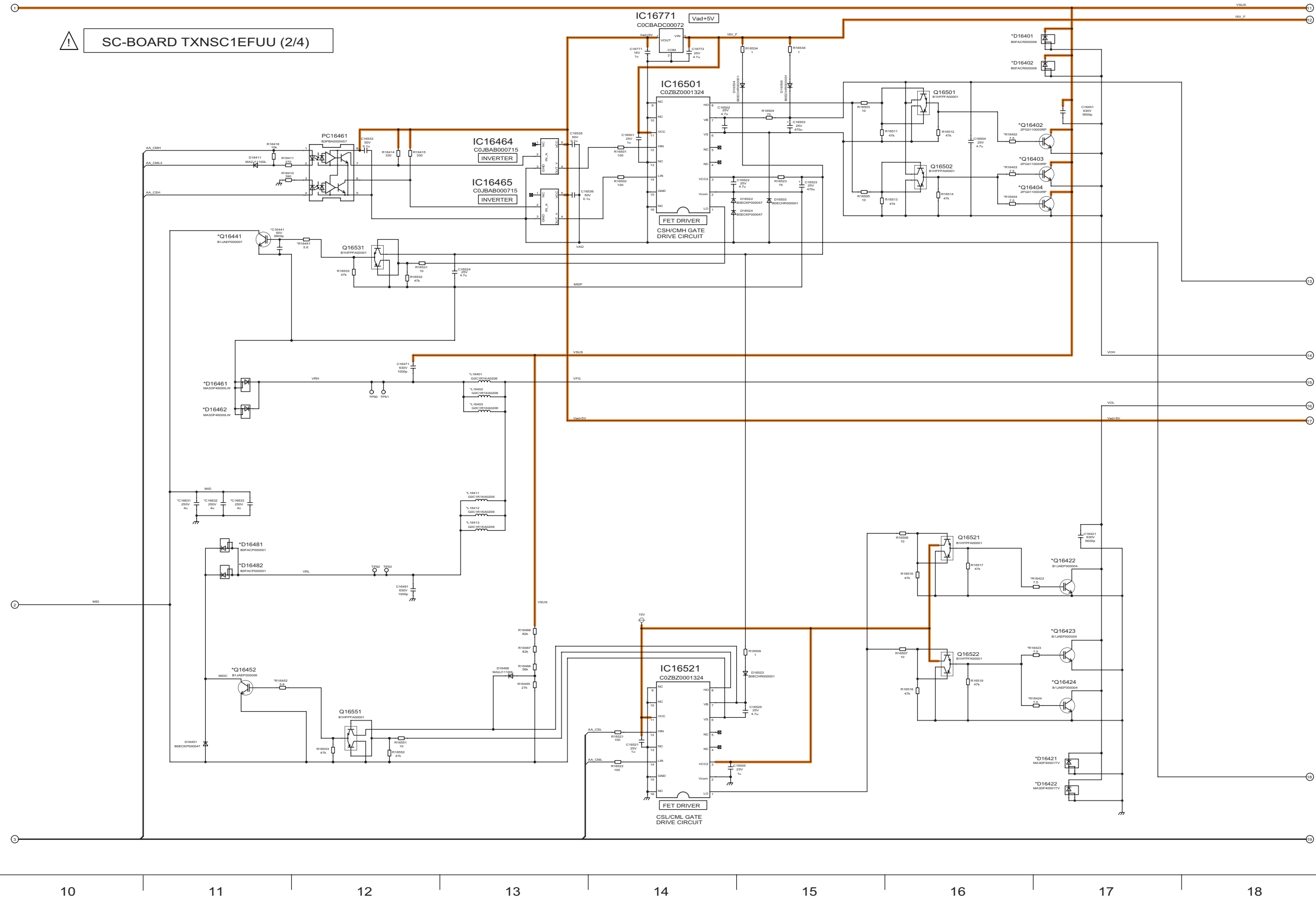
 C2-BOARD TXNC21EFUU (2/2)



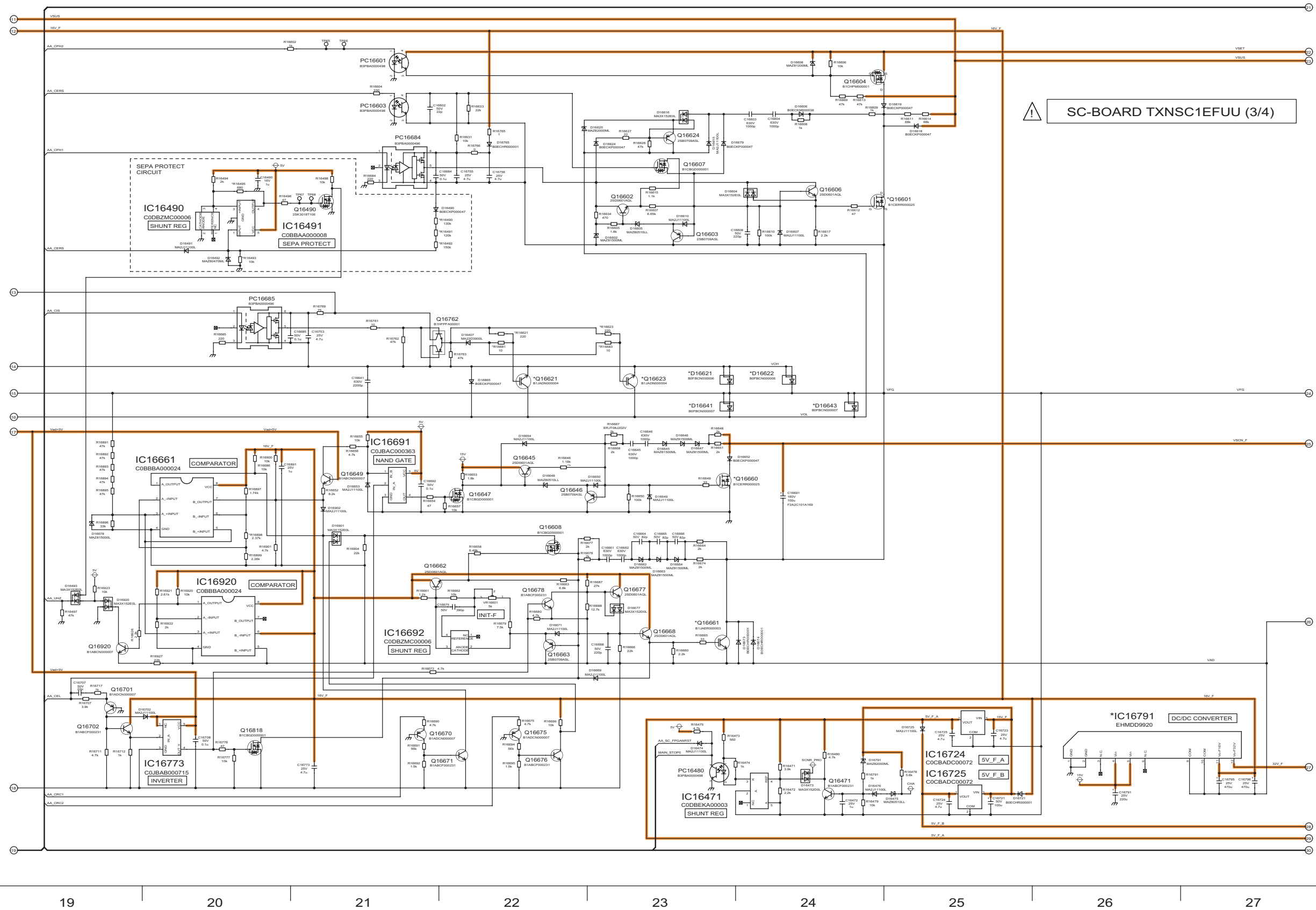
# 11.24. SC-Board (1/4) Schematic Diagram



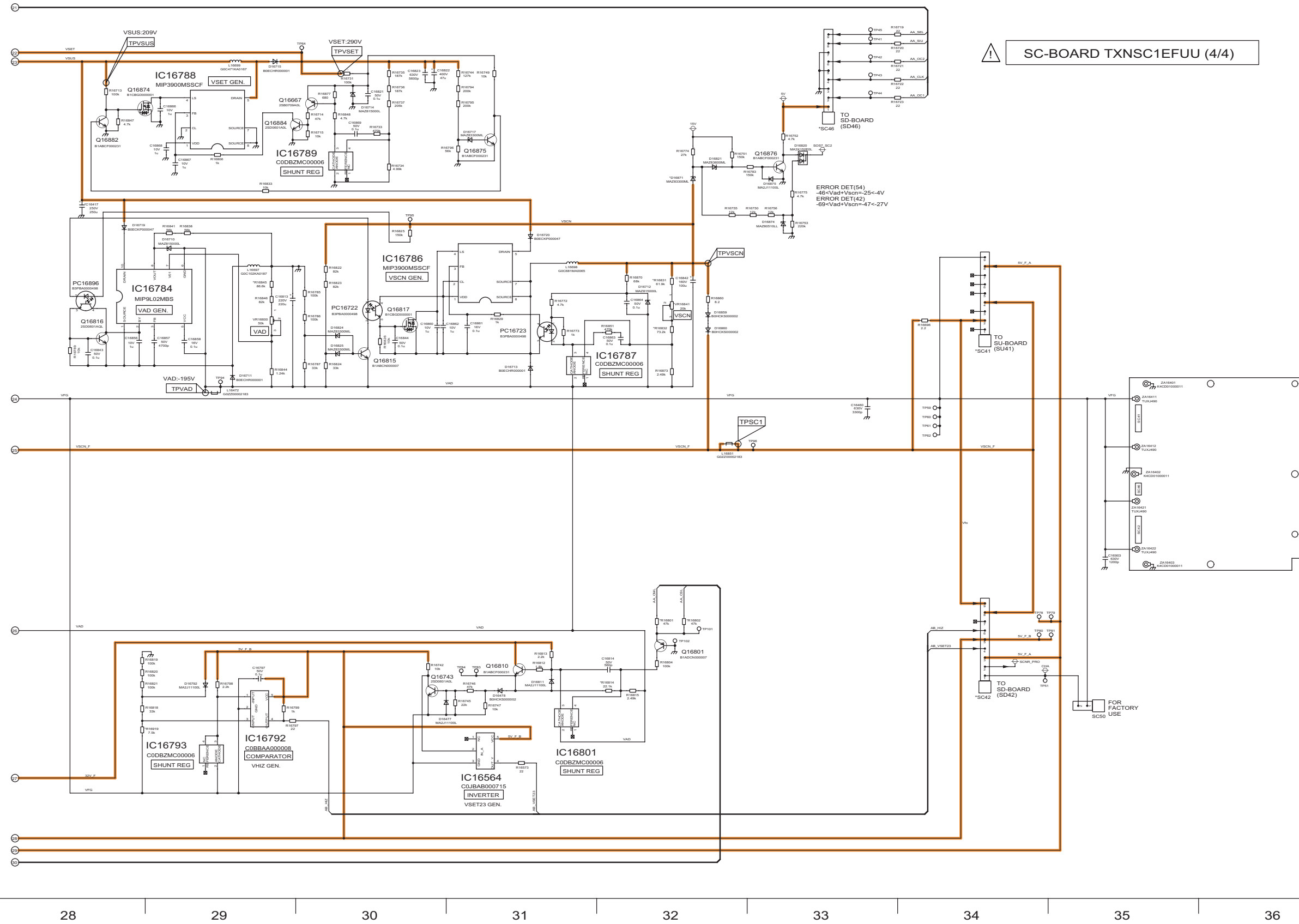
# 11.25. SC-Board (2/4) Schematic Diagram



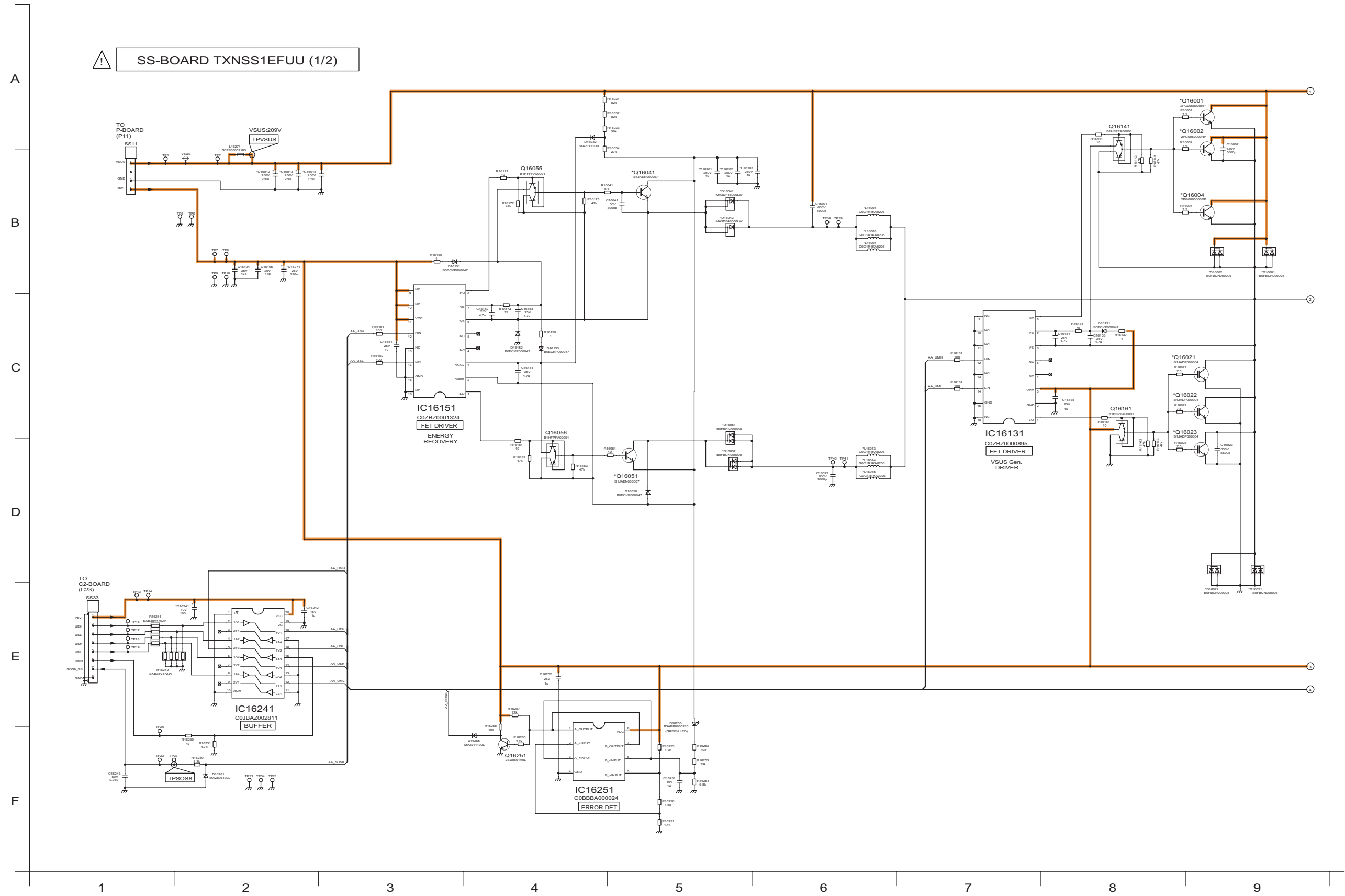
# 11.26. SC-Board (3/4) Schematic Diagram



# 11.27. SC-Board (4/4) Schematic Diagram

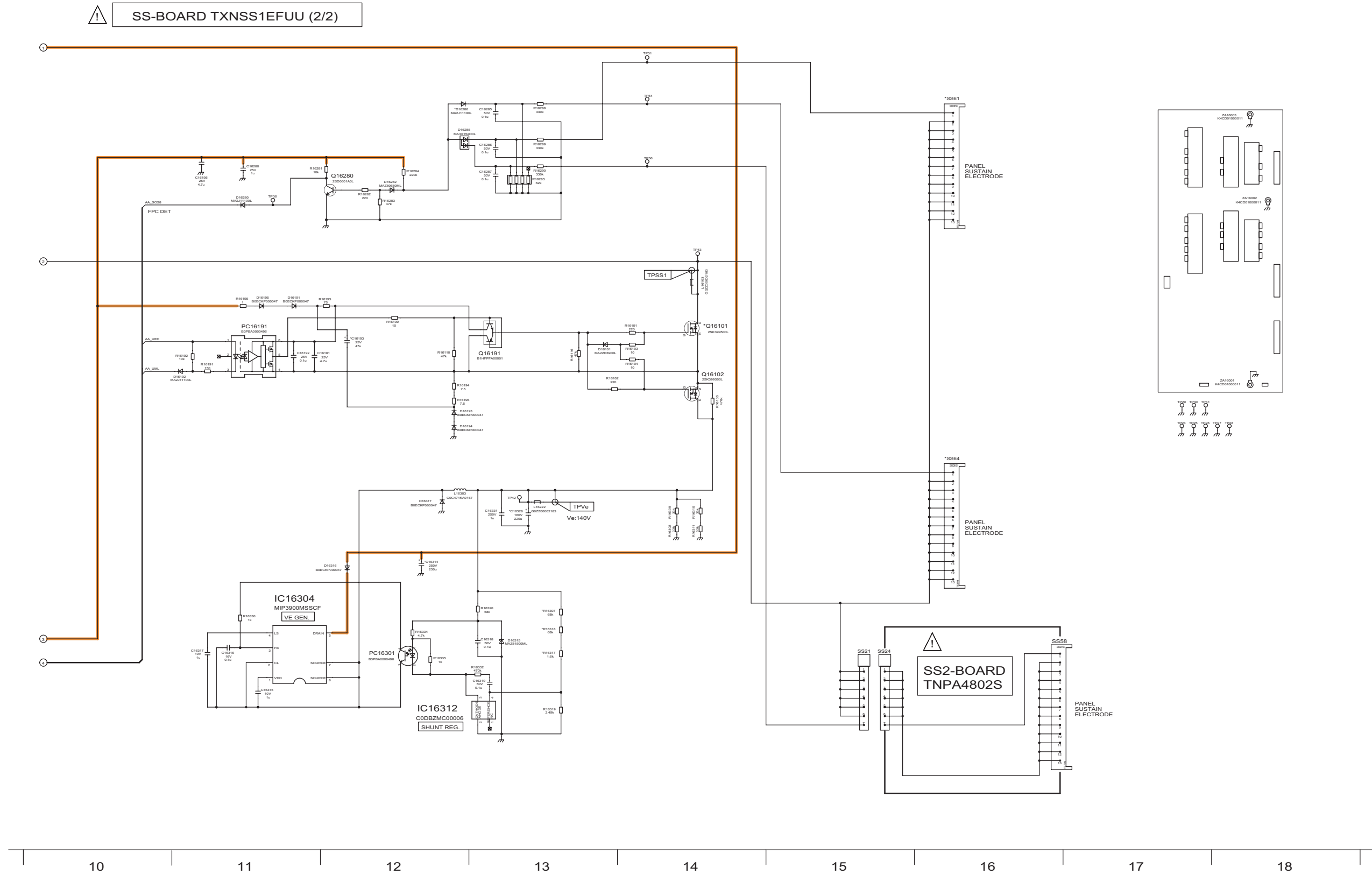


# 11.28. SS-Board (1/2) Schematic Diagram



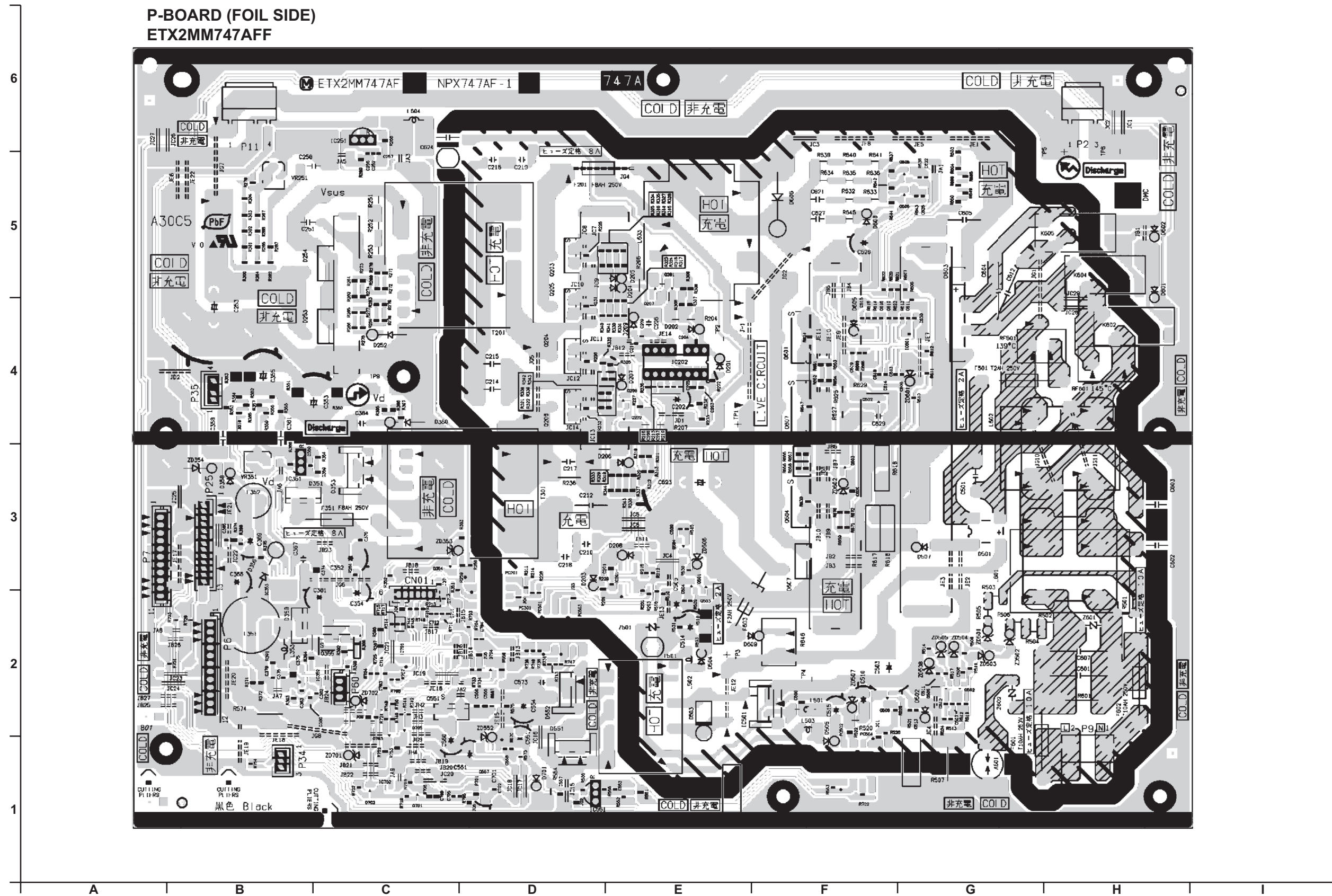


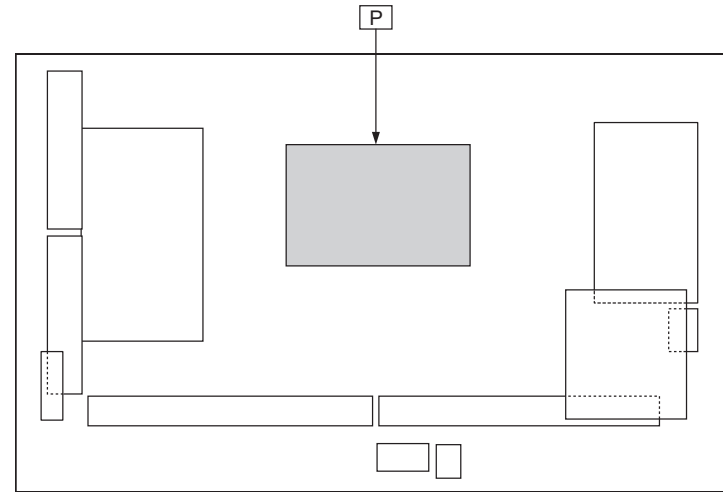
**11.29. SS-Board (2/2) and SS2-Board Schematic Diagram**



# 12 Printed Circuit Board

## 12.1. P-Board





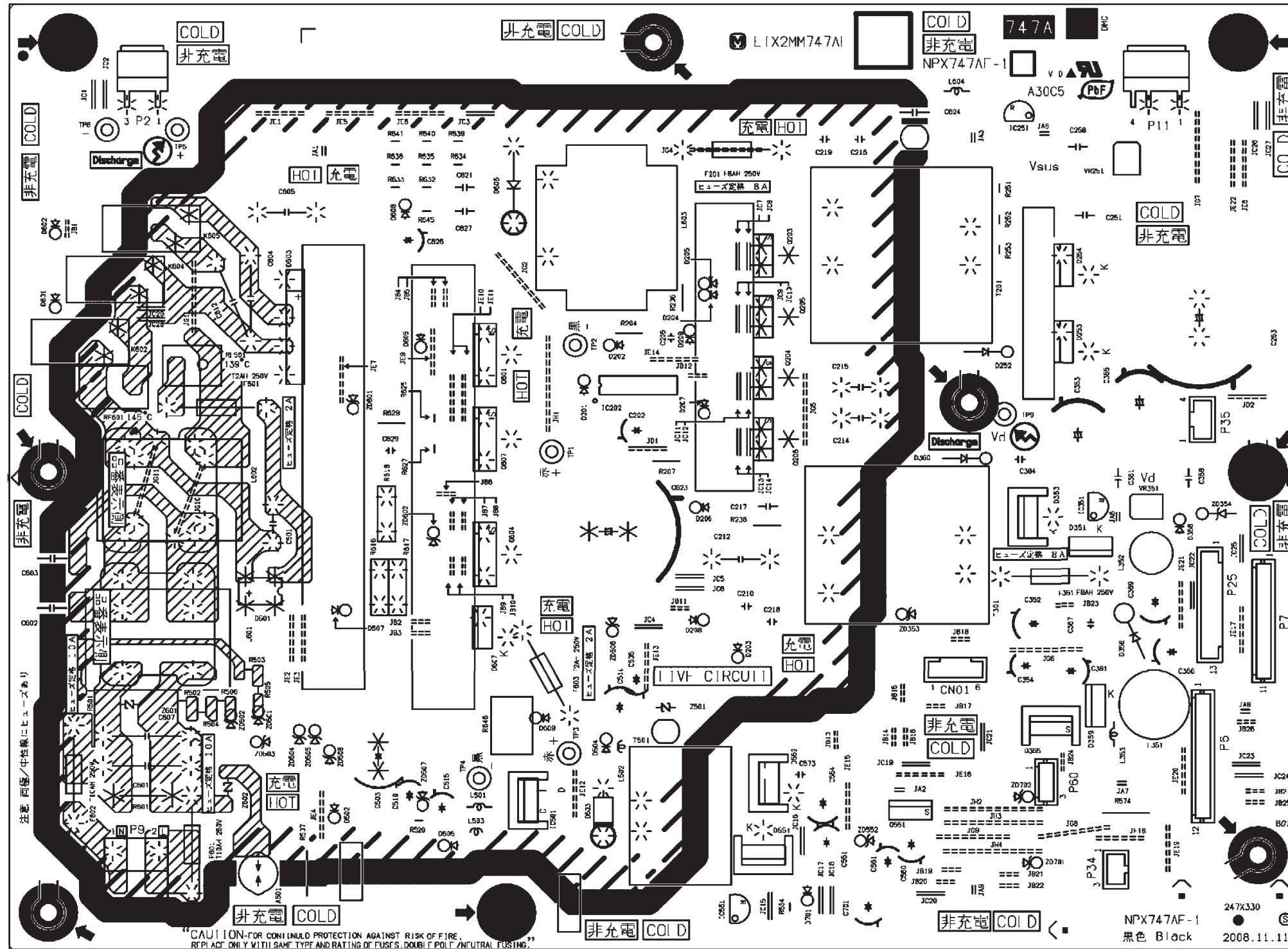
**Parts Location**

P-BOARD (FOIL SIDE)					
IC		TRANSISTOR		TEST POINT	
IC201	E-3	Q201	E-5	TP1	E-4
IC202	E-4	Q202	E-4	TP2	E-4
IC251	C-6	Q203	D-5	TP3	E-2
IC351	B-3	Q204	D-4	TP4	F-2
IC352	C-2	Q205	D-5	TP5	H-6
IC353	B-3	Q206	D-4	TP6	H-6
IC501	E-2	Q207	E-4	TP9	C-4
IC551	D-1	Q208	E-4	<b>VOLUME</b>	
IC601	G-4	Q354	C-3		
IC701	C-2	Q355	C-2	VR251	B-5
IC702	C-1	Q501	F-4	VR351	B-3
<b>PHOTO COUPLER</b>		Q502	G-2		
PC201	D-3	Q503	E-2		
PC301	D-2	Q504	F-3		
PC501	D-2	Q505	G-2		
PC502	F-2	Q506	F-2		
PC503	D-2	Q551	C-2		
PC504	F-2	Q557	D-1		
		Q602	F-4		
		Q603	F-3		
		Q605	G-5		
		Q606	G-5		
		Q701	C-1		
		Q702	C-1		
		Q703	C-1		
		Q704	D-2		
		Q705	C-2		

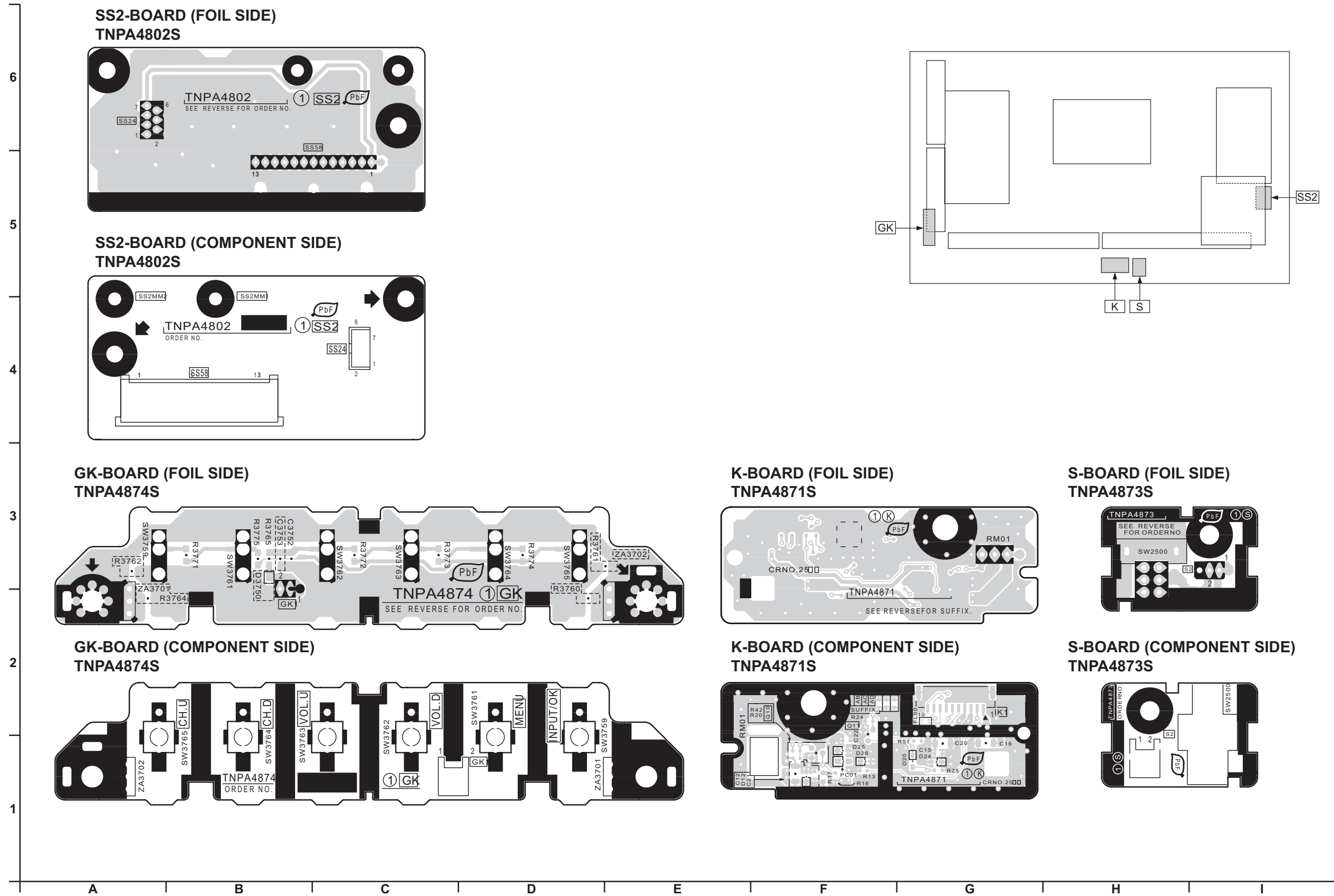
**Parts Location**

P-BOARD (COMPONENT SIDE)					
IC		TRANSISTOR		TEST POINT	
IC202	E-4	Q203	F-5	TP1	D-4
IC251	G-6	Q204	F-4	TP2	E-4
IC351	G-3	Q205	F-5	TP3	D-2
IC501	D-2	Q206	F-4	TP4	D-2
IC551	E-1	Q355	G-2	TP5	B-5
		Q551	F-2	TP6	B-6
		Q501	D-4	TP9	G-4
		Q504	D-3	<b>VOLUME</b>	
				VR251	G-5
				VR351	H-3

**P-BOARD (COMPONENT SIDE)**  
**ETX2MM747AF**

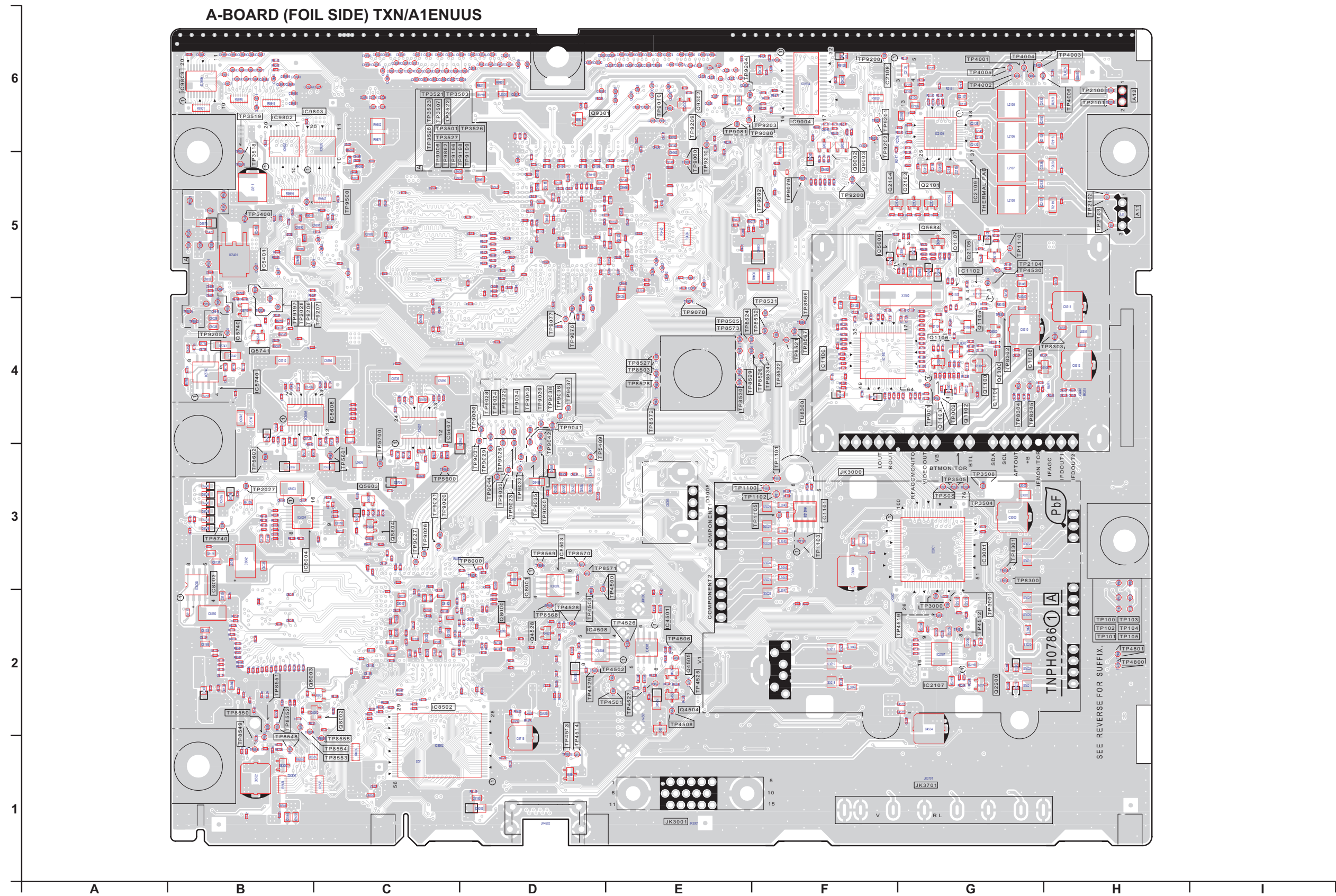


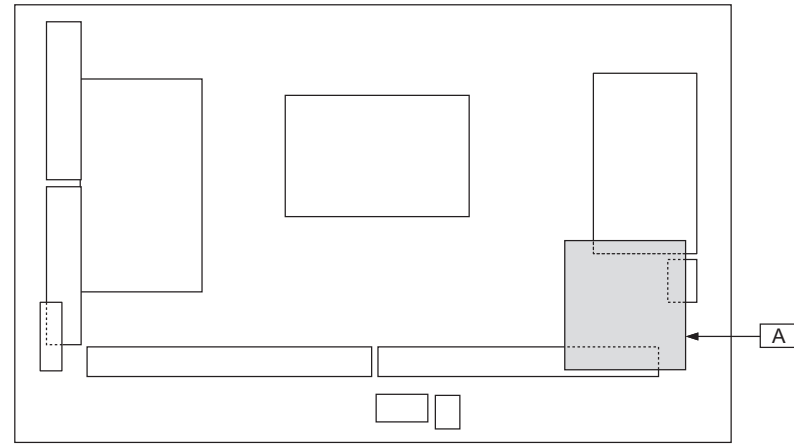
12.2. GK, K, S and SS2-Board





### 12.3. A-Board





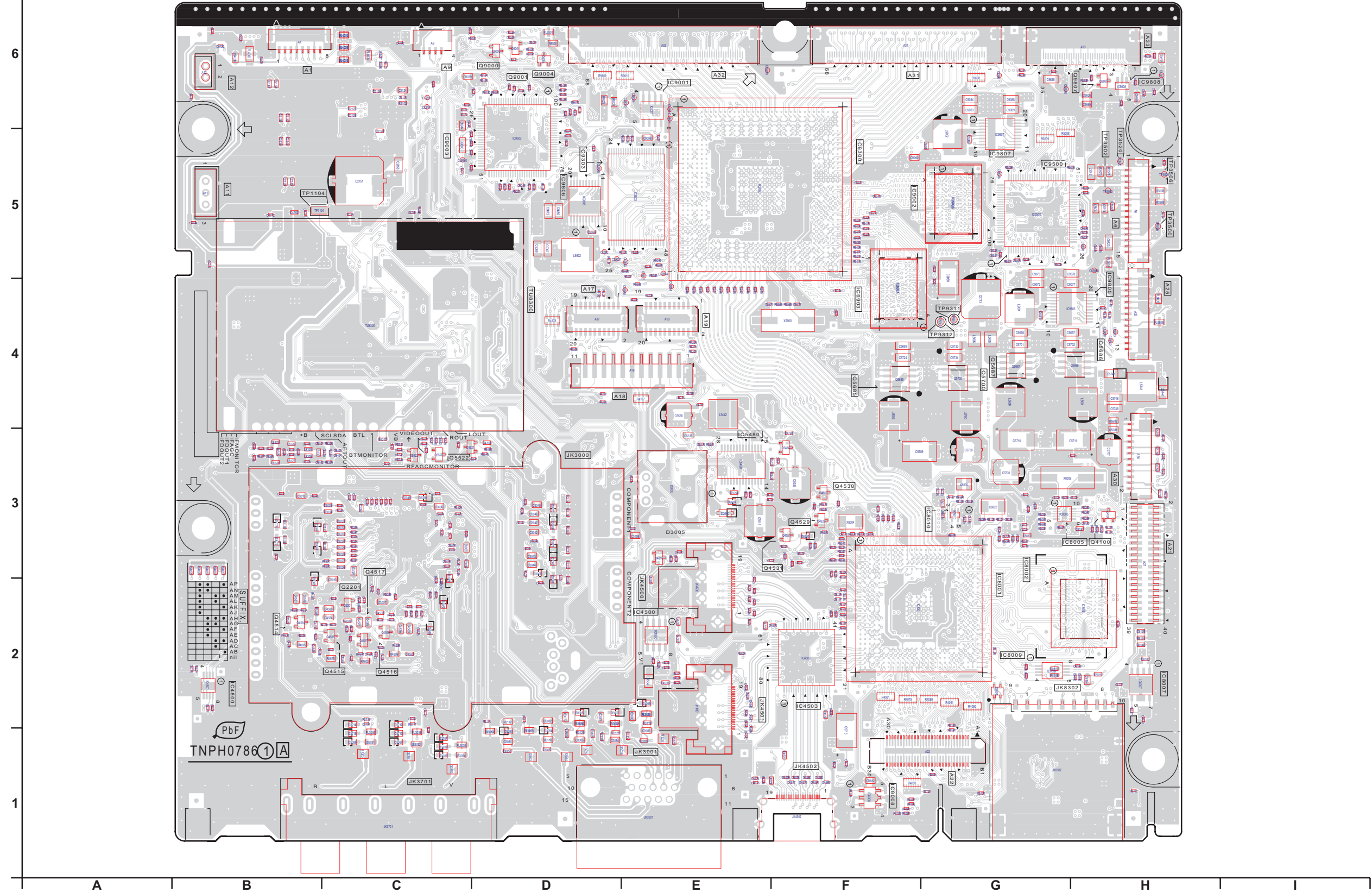
**Parts Location**

A-BOARD (FOIL SIDE)											
IC	TRANSISTOR			TEST POINT		TP4500	E-3	TP8548	B-1	TP9077	D-4
IC1100	F-4	Q1100	G-4	TP001	G-4	TP4501	E-2	TP8549	B-1	TP9078	E-4
IC1101	F-3	Q1101	G-4	TP002	G-4	TP4502	E-2	TP8550	B-2	TP9079	F-5
IC1102	G-5	Q1102	G-4	TP100	H-2	TP4503	D-2	TP8551	B-2	TP9080	F-6
IC2107	G-2	Q1103	G-4	TP101	H-2	TP4506	E-2	TP8552	B-2	TP9081	E-6
IC2108	F-6	Q1105	G-4	TP102	H-2	TP4508	E-2	TP8553	C-1	TP9082	F-5
IC2109	G-5	Q1106	G-4	TP103	H-2	TP4512	G-2	TP8554	C-1	TP9196	C-5
IC3001	G-3	Q1107	G-5	TP104	H-2	TP4513	D-1	TP8555	C-1	TP9197	B-4
IC4501	E-2	Q1108	G-4	TP105	H-2	TP4514	D-1	TP8566	F-4	TP9198	D-5
IC4508	D-2	Q2101	G-5	TP1100	F-3	TP4519	G-2	TP8567	F-4	TP9199	D-5
IC5401	B-5	Q2102	G-5	TP1101	F-3	TP4525	E-2	TP8568	D-2	TP9200	F-5
IC5606	F-5	Q2104	F-5	TP1102	F-3	TP4526	E-2	TP8569	D-3	TP9201	F-6
IC5607	C-4	Q2105	G-5	TP1103	F-3	TP4527	E-2	TP8570	D-3	TP9202	F-6
IC5608	C-4	Q2200	G-2	TP1105	F-3	TP4528	D-2	TP8571	D-3	TP9203	F-6
IC5740	B-4	Q4504	E-2	TP1110	G-5	TP4529	D-2	TP8572	E-4	TP9204	E-6
IC8003	B-3	Q4505	E-2	TP2027	B-3	TP4530	G-5	TP8573	E-4	TP9205	B-4
IC8004	B-3	Q4528	D-2	TP2028	B-4	TP4800	H-2	TP9000	E-5	TP9206	B-4
IC8502	C-2	Q5603	C-3	TP2100	H-6	TP4801	H-2	TP9006	C-5	TP9207	C-4
IC8503	D-3	Q5604	C-3	TP2101	H-6	TP5400	B-5	TP9010	E-6	TP9208	F-6
IC9004	F-6	Q5684	G-5	TP2102	H-5	TP5489	D-3	TP9020	C-3	TP9209	E-6
IC9802	B-6	Q5740	B-4	TP2103	H-5	TP5600	C-3	TP9021	C-3	TP9210	E-5
IC9803	B-6	Q5741	B-4	TP2104	G-5	TP5601	C-3	TP9022	D-4	TP9500	C-5
IC9809	B-6	Q8000	D-2	TP3000	G-2	TP5602	B-3	TP9023	D-3	TP9862	C-5
		Q8001	D-2	TP3001	G-2	TP5700	C-3	TP9024	D-4	TPSOS	G-3
		Q8002	C-2	TP3501	C-6	TP5740	B-3	TP9025	D-3		
		Q8003	B-2	TP3503	C-6	TP8000	D-3	TP9026	C-3		
		Q8300	G-4	TP3504	G-3	TP8300	G-3	TP9027	C-3		
		Q9002	F-5	TP3505	G-3	TP8301	G-3	TP9028	D-4		
		Q9003	F-5	TP3507	C-6	TP8302	G-4	TP9029	D-3		
		Q9301	D-6	TP3508	G-3	TP8303	H-4	TP9030	D-4		
		Q9302	E-6	TP3518	B-5	TP8304	G-4	TP9031	D-3		
				TP3519	B-6	TP8305	G-4	TP9032	D-3		
				TP3521	C-6	TP8503	E-4	TP9033	D-3		
				TP3522	C-6	TP8505	E-4	TP9034	D-4		
				TP3523	C-6	TP8521	F-4	TP9035	D-3		
				TP3526	D-6	TP8522	F-4	TP9036	D-4		
				TP3527	C-6	TP8524	E-4	TP9037	D-4		
				TP3528	C-6	TP8526	F-4	TP9038	D-4		
				TP4001	G-6	TP8527	E-4	TP9039	D-4		
				TP4002	G-6	TP8528	E-4	TP9040	D-3		
				TP4003	H-6	TP8529	E-4	TP9041	D-4		
				TP4004	G-6	TP8530	E-4	TP9042	D-4		
				TP4005	G-6	TP8531	F-4	TP9043	D-4		
				TP4006	H-6	TP8532	F-4	TP9044	D-3		
						TP8534	F-4	TP9076	D-4		

**Parts Location**

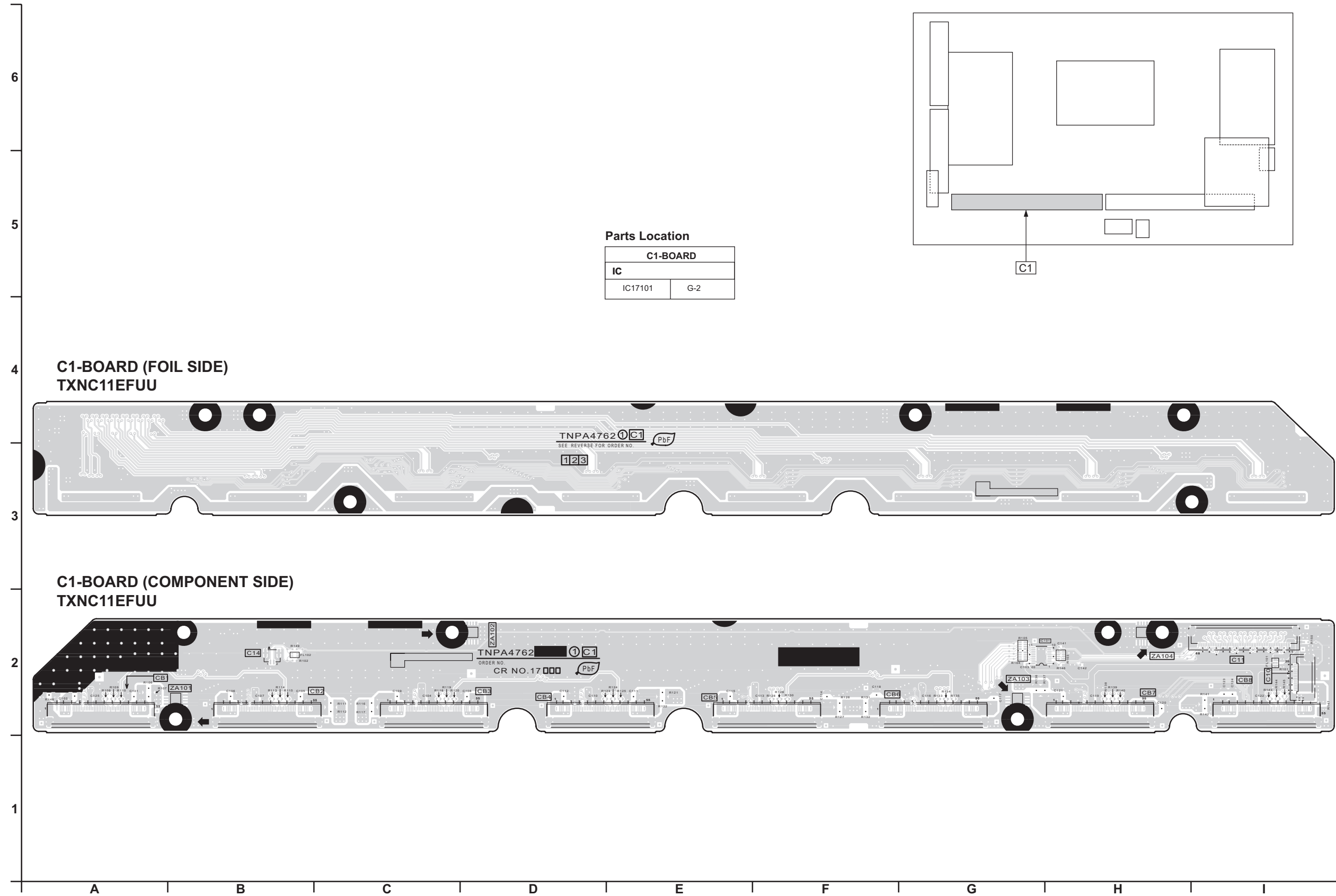
A-BOARD (COMPONENT SIDE)					
IC	TRANSISTOR		TEST POINT		
IC4500	E-2	Q2201	C-2	TP1104	B-5
IC4503	F-2	Q4100	H-3	TP3500	H-5
IC4800	B-2	Q4514	B-2	TP3502	H-5
IC5480	E-3	Q4515	C-2	TP3506	H-5
IC8001	G-2	Q4516	C-2	TP3520	H-5
IC8002	G-3	Q4517	C-3	TP9311	G-4
IC8005	H-3	Q4529	F-3	TP9312	G-4
IC8007	H-2	Q4530	F-3		
IC8008	F-1	Q4531	F-3		
IC8009	G-2	Q5522	C-3		
IC8010	G-3	Q5685	F-4		
IC9001	E-6	Q5686	H-4		
IC9003	C-5	Q5687	G-4		
IC9300	F-5	Q5700	G-4		
IC9303	D-5	Q9000	D-6		
IC9500	G-5	Q9001	D-6		
IC9805	H-4	Q9004	D-6		
IC9806	D-5	Q9807	H-6		
IC9807	G-5				
IC9808	H-6				
IC9902	F-5				
IC9903	F-4				

# A-BOARD (COMPONENT SIDE) TXN/A1ENUUS

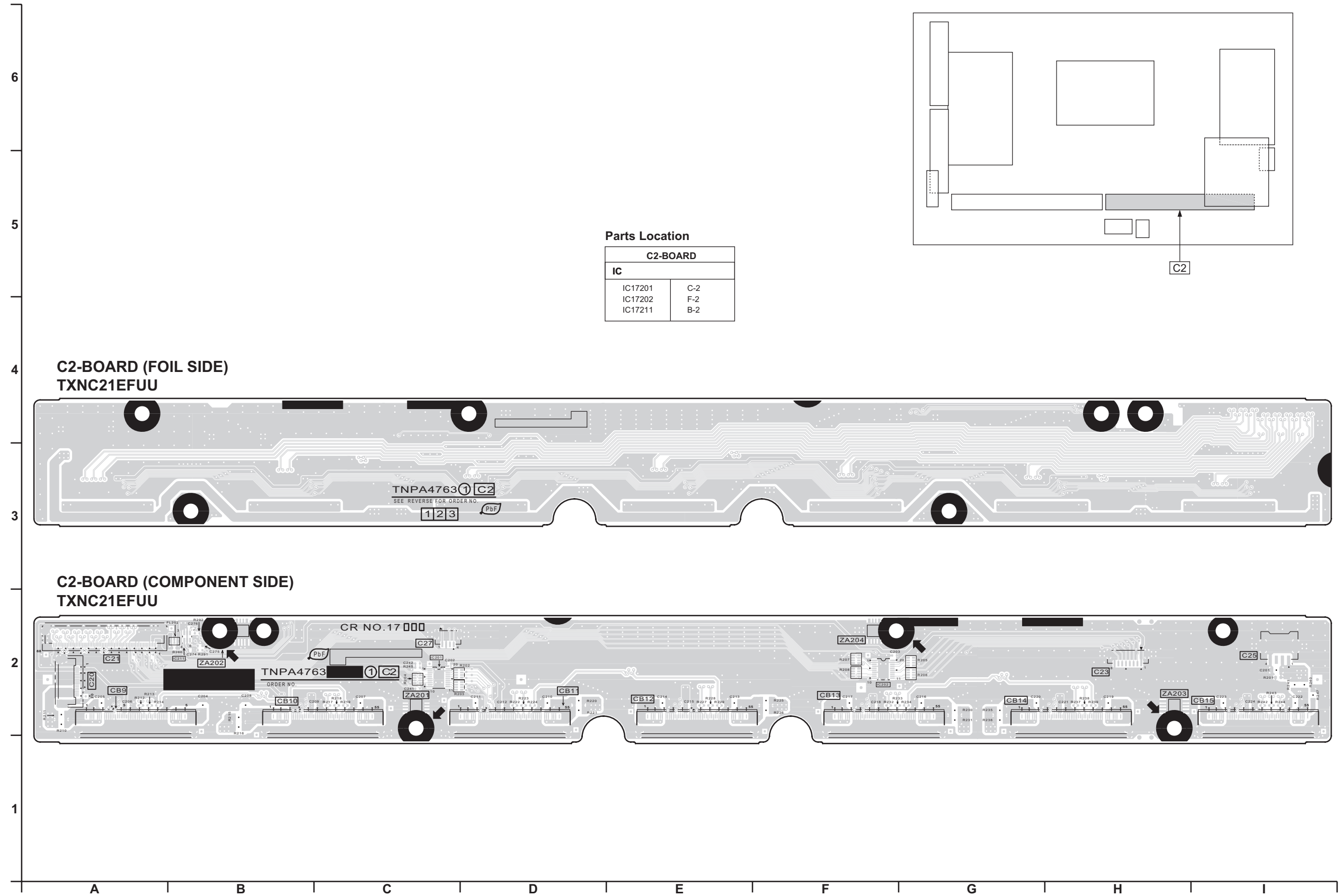




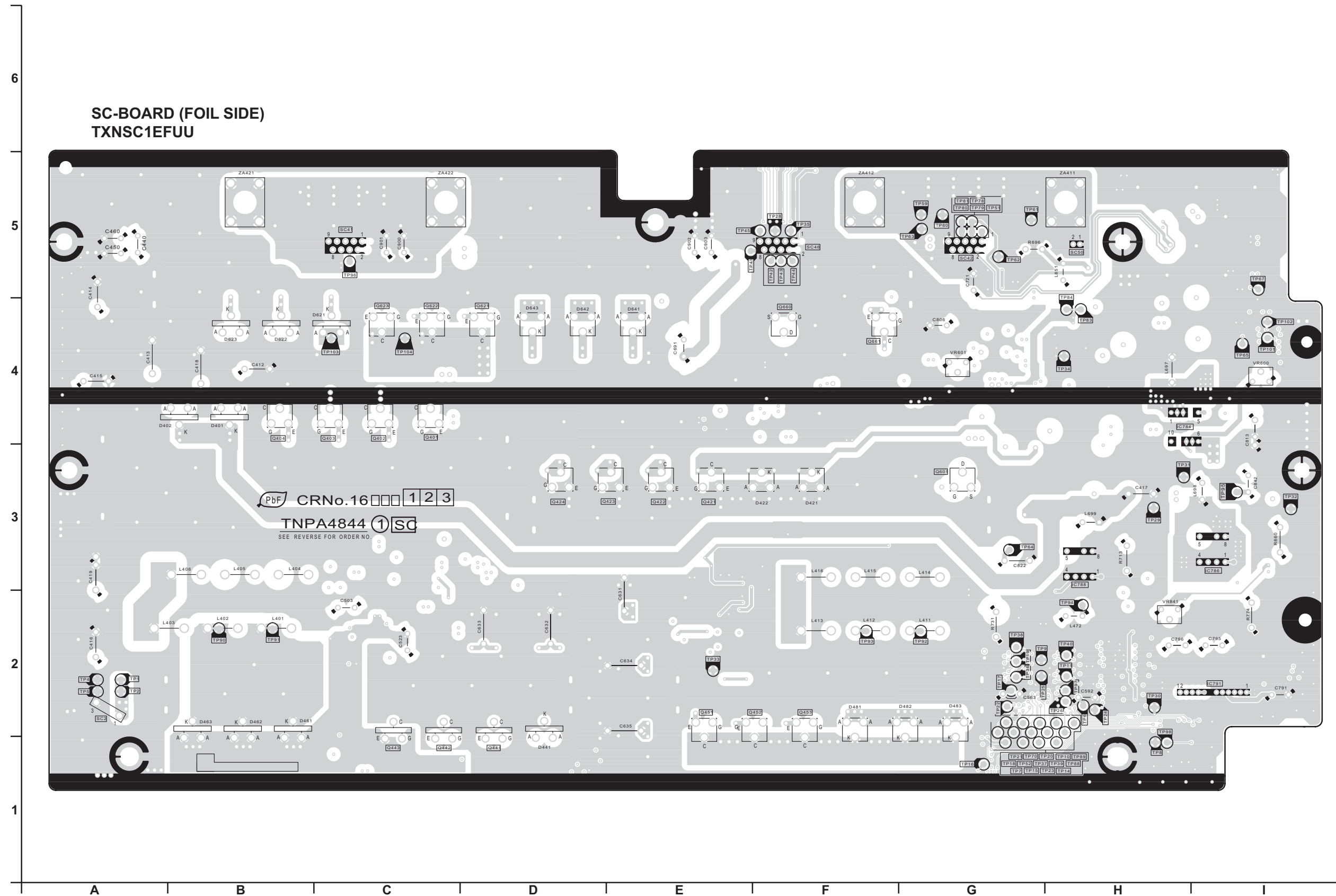
## 12.4. C1-Board

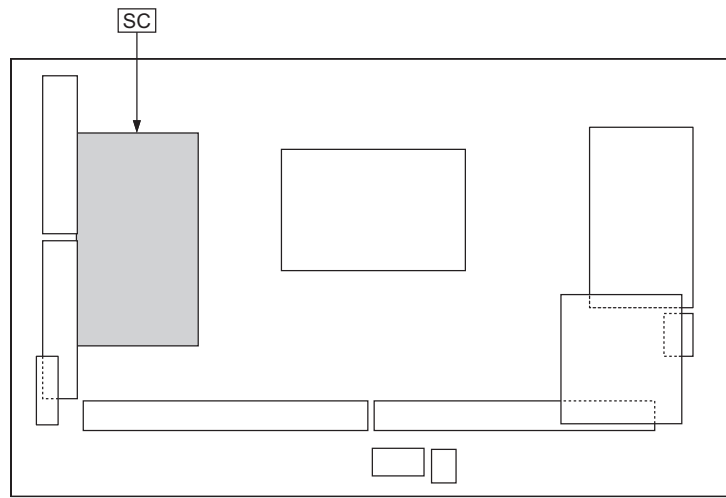


# 12.5. C2-Board



12.6. SC-Board





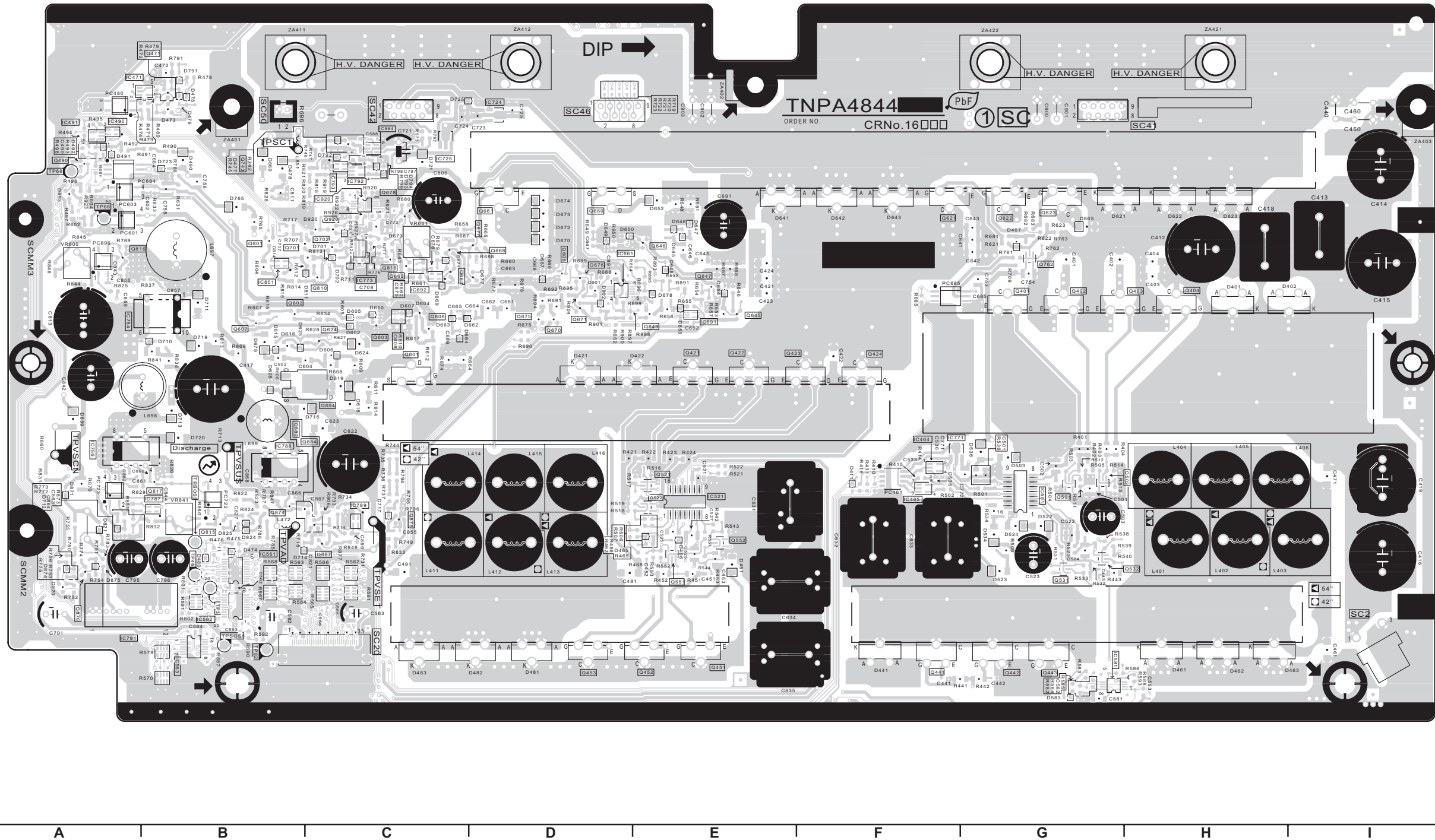
**Parts Location**

SC-BOARD (FOIL SIDE)					
IC		TEST POINT		TP41	E-5
IC16784	H-4	TP1	A-2	TP42	F-5
IC16786	I-3	TP2	A-2	TP43	F-5
IC16788	H-3	TP4	A-2	TP44	F-5
IC16791	I-2	TP5	A-2	TP45	E-5
<b>TRANSISTOR</b>		TP6	H-2	TP51	G-5
Q16401	C-4	TP7	G-1	TP52	G-1
Q16402	C-4	TP8	H-2	TP59	G-5
Q16403	C-4	TP9	G-2	TP60	G-5
Q16404	B-4	TP10	H-1	TP61	G-5
Q16421	E-3	TP11	H-2	TP62	G-5
Q16422	E-3	TP14	H-1	TP63	G-5
Q16423	E-3	TP15	G-1	TP64	G-3
Q16424	D-3	TP16	G-1	TP65	I-4
Q16441	D-1	TP17	G-2	TP67	I-5
Q16442	C-1	TP18	G-1	TP70	G-1
Q16443	C-1	TP19	G-2	TP78	G-5
Q16451	E-2	TP20	G-1	TP79	G-5
Q16452	F-2	TP21	G-1	TP80	G-5
Q16453	F-2	TP22	G-2	TP81	G-5
Q16601	G-3	TP23	G-1	TP83	H-4
Q16621	D-4	TP24	H-2	TP84	H-4
Q16622	C-4	TP25	G-2	TP88	H-1
Q16623	C-4	TP26	H-2	TP89	H-1
Q16660	F-4	TP28	F-5	TP90	B-2
Q16661	F-4	TP29	H-3	TP91	B-2
<b>VOLUME</b>		TP30	H-2	TP92	F-2
VR16600	I-4	TP31	H-3	TP93	G-2
VR16601	G-4	TP32	I-3	TP94	H-2
VR16841	H-2	TP33	E-2	TP95	I-3
		TP34	H-4	TP96	C-5
		TP35	F-5	TP97	H-2
		TP36	G-2	TP98	H-2
		TP37	G-1	TP101	I-4
		TP38	G-2	TP102	I-4
		TP39	H-1	TP103	C-4
		TP40	H-2	TP104	C-4

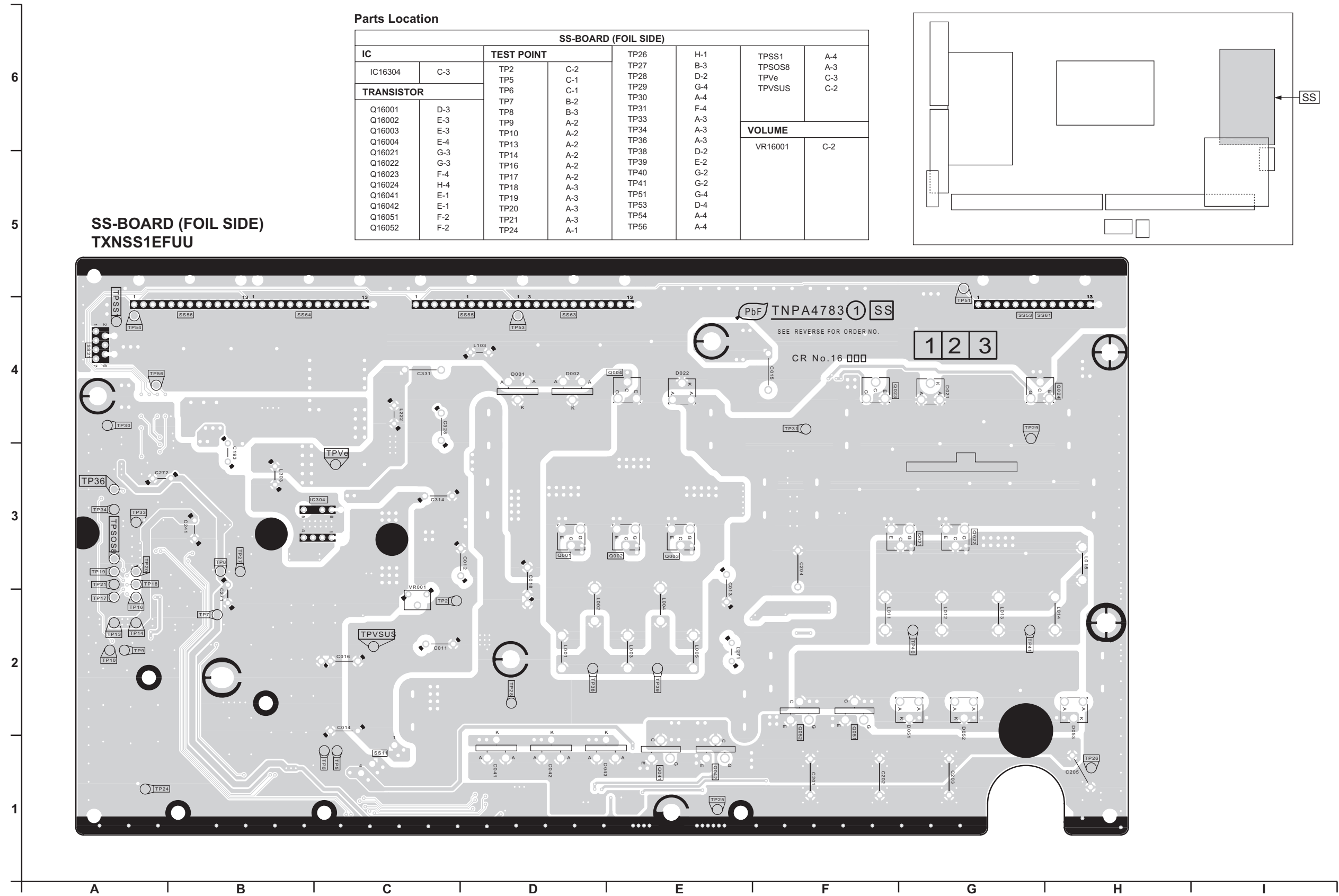
**Parts Location**

SC-BOARD (COMPONENT SIDE)							
IC		PHOTO COUPLER		Q16606	C-4	TEST POINT	
IC16464	F-3	PC16461	F-3	Q16607	B-4	TP3	B-2
IC16465	F-2	PC16480	A-5	Q16608	D-4	TP46	B-2
IC16471	A-5	PC16601	A-4	Q16621	F-4	TP66	A-4
IC16490	A-5	PC16603	A-4	Q16622	G-4	TP68	A-4
IC16491	A-5	PC16684	A-4	Q16623	G-4	TP82	B-2
IC16501	G-3	PC16722	B-2	Q16624	C-4	TPSC1	B-5
IC16521	E-2	PC16723	A-3	Q16645	E-4	TPSOS6	B-2
IC16561	B-2	PC16896	A-4	Q16646	E-4	TPSOS7	B-2
IC16562	B-2			Q16647	E-4	TPVAD	B-2
IC16563	B-1	<b>TRANSISTOR</b>		Q16649	E-4	TPVSCN	A-3
IC16564	C-5	Q16401	G-4	Q16660	D-4	TPVSET	C-2
IC16581	G-1	Q16402	G-4	Q16661	D-4	TPVSUS	B-3
IC16661	D-4	Q16403	H-4	Q16662	C-4	<b>VOLUME</b>	
IC16691	E-4	Q16404	H-4	Q16663	C-4	VR16600	A-4
IC16692	C-4	Q16421	E-3	Q16667	C-2	VR16601	C-4
IC16724	D-5	Q16422	E-3	Q16668	D-4	VR16841	B-2
IC16725	C-5	Q16423	E-3	Q16670	D-4		
IC16771	F-3	Q16424	F-3	Q16671	D-4		
IC16773	C-4	Q16441	F-1	Q16675	D-4		
IC16784	A-4	Q16442	G-1	Q16676	D-4		
IC16786	A-3	Q16443	G-1	Q16677	D-4		
IC16787	B-2	Q16451	E-1	Q16678	C-4		
IC16788	B-3	Q16452	E-1	Q16701	B-4		
IC16789	C-2	Q16453	D-1	Q16702	C-4		
IC16791	A-2	Q16471	B-5	Q16743	B-5		
IC16792	C-4	Q16490	A-5	Q16762	G-4		
IC16793	C-4	Q16501	G-3	Q16801	B-4		
IC16801	B-4	Q16502	G-3	Q16810	C-4		
IC16920	C-4	Q16521	E-3	Q16815	B-2		
		Q16522	E-2	Q16816	A-4		
		Q16531	G-2	Q16817	B-3		
		Q16532	H-2	Q16818	C-4		
		Q16551	E-2	Q16874	B-2		
		Q16552	E-2	Q16875	C-2		
		Q16601	C-3	Q16876	A-2		
		Q16602	B-4	Q16882	B-3		
		Q16603	C-3	Q16884	C-3		
		Q16604	C-4	Q16920	C-4		

SC-BOARD (COMPONENT SIDE)  
TXNSC1EFUU



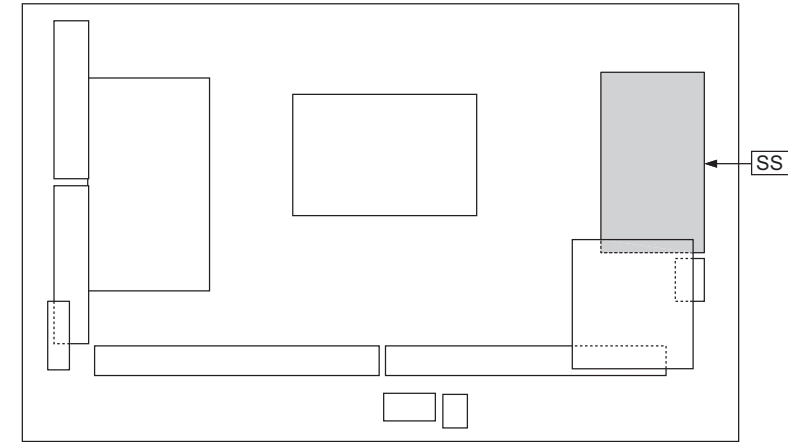
# 12.7. SS-Board



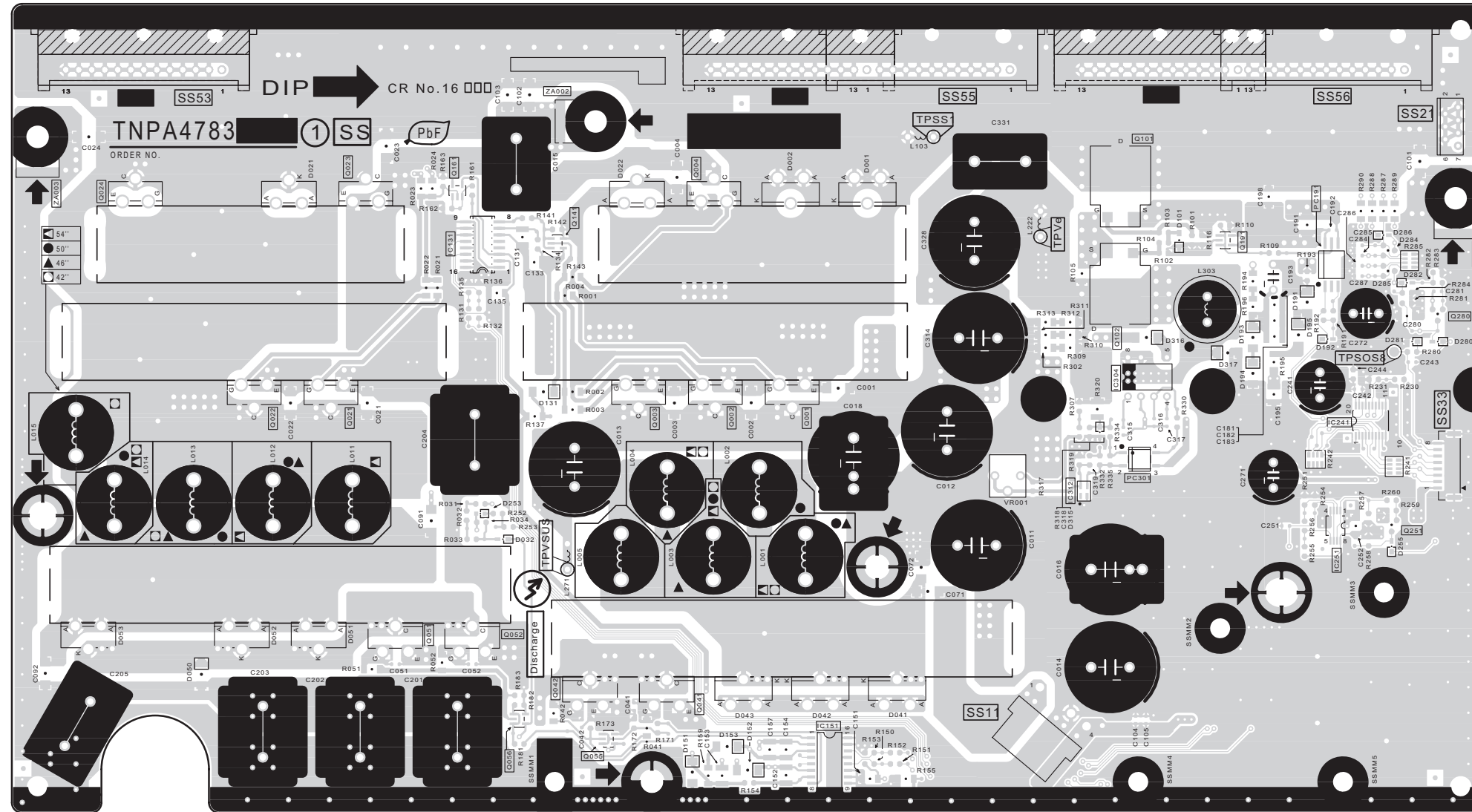


**Parts Location**

SS-BOARD (COMPONENT SIDE)						
IC		TRANSISTOR		Q16051	C-2	TEST POINT
IC16131	C-4	Q16001	E-3	Q16052	C-2	TPSS1
IC16151	E-1	Q16002	D-3	Q16055	D-1	TPSOS8
IC16241	G-3	Q16003	D-3	Q16056	C-1	TPVe
IC16251	G-2	Q16004	D-4	Q16101	F-4	TPVSUS
IC16304	F-3	Q16021	C-3	Q16102	F-3	
IC16312	F-2	Q16022	B-3	Q16141	D-4	
		Q16023	C-4	Q16161	C-4	
		Q16024	A-4	Q16191	G-4	
		Q16041	D-1	Q16251	H-2	
		Q16042	D-1	Q16280	H-3	
PHOTO COUPLER						VOLUME
PC16191	G-4					VR16001
PC16301	F-2					F-2



**SS-BOARD (COMPONENT SIDE)  
TXNSS1EFUU**



6  
5  
4  
3  
2  
1

A B C D E F G H I

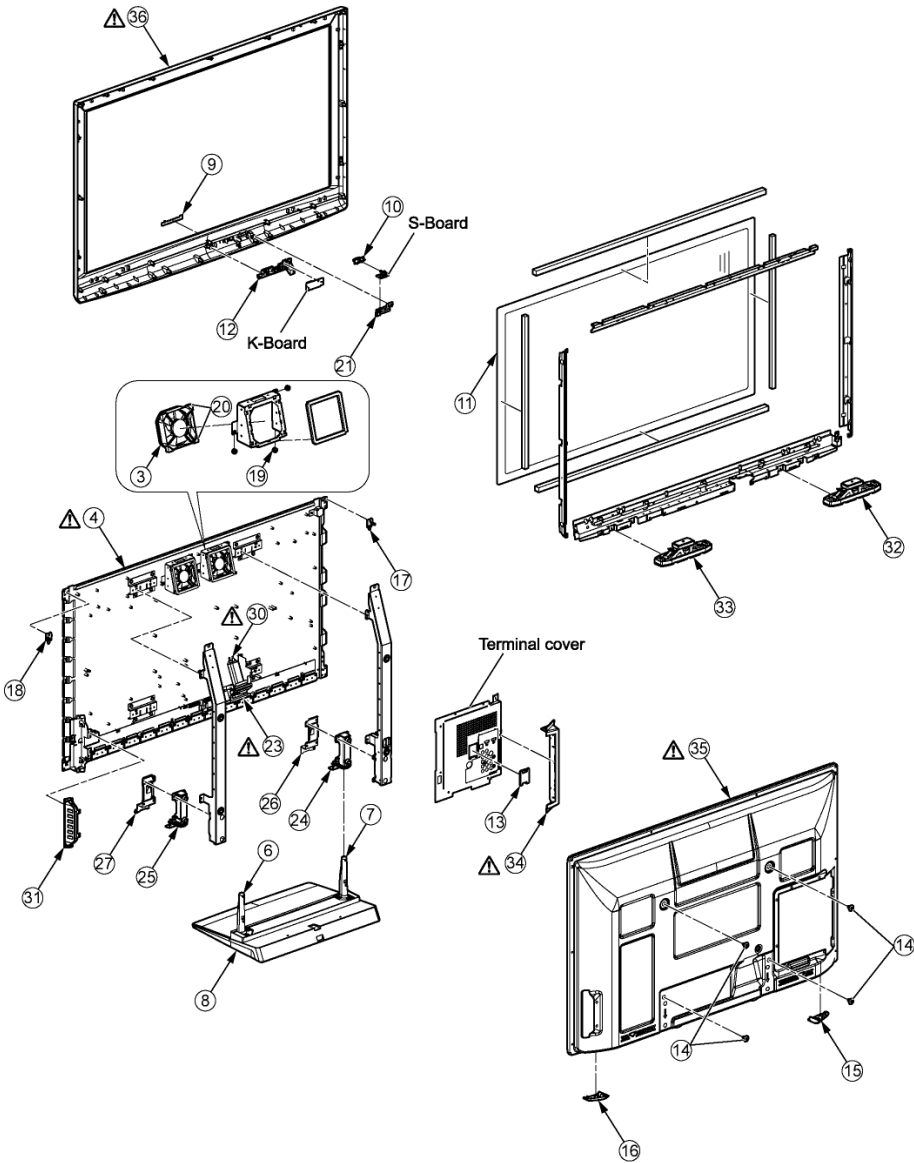




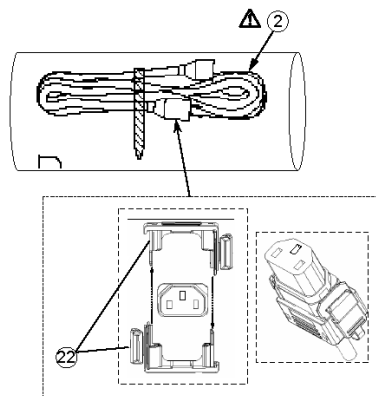
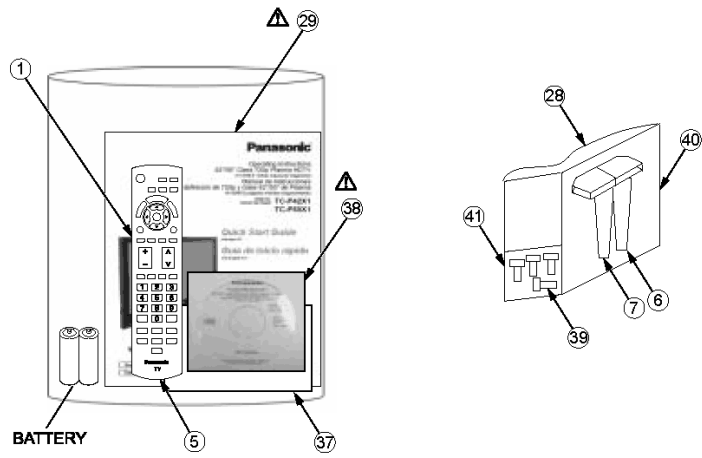
# 13 Exploded View and Replacement Parts List

## 13.1. Exploded View and Mechanical Replacement Parts List

### 13.1.1. Exploded View












### 13.1.2. Accessories



### 13.1.3. Mechanical Replacement Parts List

**Note:** All parts except parts mentioned [PAVCA] in the Remarks column are supplied by AVC-CSPC.  
Parts mentioned [PAVCA] are supplied by PAVCA.

Safety	Ref. No.	Part No.	Part Name & Description	Q'ty	Remarks
	1	10030-0047500	BATTERY COVER	1	PAVCA
	2	K2CG3YY00029	AC CORD	1	PAVCA
	3	L6FAYYYH0094	DC FAN MOTORS	2	PAVCA
	4	MD42F12A1J	PLASMA DISPLAY PANEL	1	
	5	N2QAYB000321	REMOTE CONTROLLER	1	PAVCA
	6	TBLA3679	STAND POLE R	1	
	7	TBLA3680	STAND POLE L	1	
	8	TBLX0088	PEDESTAL STAND	1	PAVCA
	9	TBMA282	PANASONIC BADGE	1	
	10	TBX2AA5301	POWER BUTTON	1	PAVCA
		THEJ016J	SCREW(AC INRET:2)	2	
		THEL0429	SCREW	11	
		THEL052Z	SCREW (BC TOP:4)	2	
		THEL060N	SCREW (STAND-TV)	4	
		THTD013N	SCREW	6	
		THTD020J	SCREW(A-PRINT:4)	4	
		THTF011N	SCREW	74	
		THTF013J	SCREW	2	
	11	TKGA5501S	FRONT GLASS	1	PAVCA
	12	TKK2AA9501	LED PANEL	1	PAVCA
	13	TKK2AA9801	ADJUSTMENT COVER	1	PAVCA
	14	TKKL5472	M8 CAP	4	
	15	TKR2AA00241	REAR COVER HANDLE(L)	1	PAVCA
	16	TKR2AA00251	REAR COVER HANDLE(R)	1	PAVCA
		TMM16473-1	CLAMPER	1	
		TMM23417	CLAMPER	2	
	17	TMM2AD01701A	REAR COVER HOOK L	1	PAVCA
	18	TMM2AD01702A	REAR COVER HOOK R	1	PAVCA
		TMME061	CLAMPER	1	
		TMME224	CLAMPER	4	
		TMME287	CLAMPER	2	
		TMME292	CLAMPER	3	
		TMME332	CLAMPER (HANGER:1)	6	
		TMME332	CLAMPER (SS:1)	1	
		TMME345	SPACER	1	
	19	TMMJ068	RUBBER (FAN)	6	
	20	TMMJ082	SPONGE (FAN CORNER)	8	
	21	TMW2AA011	POWER BUTTON BRACKET	1	PAVCA
	22	TMXX055	AC CORD CLAMPER	2	
	23	TMXX062	AC CODE HOLDER	1	
	24	TMZ2AX0311	STAND BRACKET-L	1	PAVCA
	25	TMZ2AX0321	STAND BRACKET-R	1	PAVCA
	26	TMZ2AX0371	STAND BRACKET METAL-L	1	PAVCA

Safety	Ref. No.	Part No.	Part Name & Description	Q'ty	Remarks
	27	TMZ2AX0372	STAND BRACKET METAL-R	1	PAVCA
		TPD169487	JOINT	4	
	28	TPEB340	BAG (STAND ACCESSORY)	1	
	29	TQB2AA0814	INSTRUCTION BOOK (ENG/FRE/SPA)	1	PAVCA
		TQZJ059	SCREW USE HANDBILL	1	
		TSXL519	CABLE (C10-C20/SU11-SD11)	2	
		TSXL738	CABLE (A20-SC20)	1	PAVCA
		TSXL741	CABLE (C11-A31)	1	PAVCA
		TSXL744	CABLE (C21-A32)	1	PAVCA
		TW-4BS-2L	LUG TERMINAL	1	
	30	TXALK01EFUU	AC INLET COMP	1	PAVCA
	31	TXFBX01WSER	CONTROL BUTTON ASSY	1	PAVCA
	32	TXFEA01WSER	SPEAKER L ASSY	1	PAVCA
	33	TXFEA02WSER	SPEAKER R ASSY	1	PAVCA
	34	TXFKP07WSER	SIDE TERMINAL COVER ASSY	1	PAVCA
	35	TXFKU12WSER	REAR COVER	1	PAVCA
	36	TXPKY01ENUU	CABINET ASSY	1	PAVCA
	37	TXFPE01RLTU	CLEANING CLOTH ASSY	1	
		TXJA11EFUU	SPEAKER LEAD (A11-SPR)	1	PAVCA
		TXJA12EQUU	SPEAKER LEAD (A12-SPR/SPL)	1	PAVCA
	38	VFF2AD008	INSTRUCTION BOOK (CD-ROM)	1	PAVCA
		XSB3+6FJ	SCREW	3	
		XTB4+10JFJ	SCREW (STAND BRACKET)	8	
		XTB4+12GFJ	SCREW	21	
		XTB4+12GFJK	SCREW	15	
		XTB4+12GFN	TAP SCREW	4	
		XTS4+12GFN	SCREW	2	
		XTV3+8JFJ	SCREW	2	
		XTW3+10TFJ	SCREW	1	
		XTWT4+Z15DFJ	SCREW (SP BOX)	4	
		XYN3+F8FJ	SCREW	1	
		XYN3+J12FJ	SCREW	41	
		XYN4+E8FJ	SCREW	1	
		XYN4+F10FJ	SCREW	22	
	39	XYN5+F18FN	SCREW (STAND POLE)	4	
	40	XZB17X19C03	POLY BAG (STAND POLE)	1	
	41	XZB7.5X9D05	POLY BAG (SCREW)	1	

## 13.2. Electrical Replacement Parts List

### 13.2.1. Replacement Parts List Notes

#### RTL (Retention Time Limited)

**Note:** The marking (RTL) indicates that the Retention Time is Limited for this item.

After the discontinuation of this assembly in production, the item will continue to be available for a specific period of time. The retention period of availability is dependant on the type of assembly, and in accordance with the laws governing part and product retention. After the end of this period, the assembly will no longer be available.

Abbreviation of part name and description

#### 1. Resistor

Example:

ERD25TJ104    C 100KOHM, J, 1/4W  
                   Type            Allowance

#### 2. Capacitor

Example:

ECKF1H103ZF    C 0.01UF, Z, 50V  
                   Type            Allowance

Type	Allowance
C : Carbon	F : ±1%
F : Fuse	G : ±2%
M : Metal Oxide Metal Film	J : ±5%
S : Solid	K : ±10%
W : Wire Wound	M : ±20%

Type	Allowance
C : Ceramic	C : ±0.25pF
E : Electrolytic	D : ±0.5pF
P : Polyester	F : ±1pF
Polypropylene	G : ±3pF
Tantalum	J : ±5pF
Tantalum	K : ±10pF
Tantalum	L : ±15pF
Tantalum	M : ±20pF
Tantalum	P : +100%, -0%
Tantalum	Z : +80%, -20%



Safety	Ref. No.	Part No.	Part Name & Description	Pcs	Remarks
	C3049	F2G1A101A019	E 100UF, 10V	1	
	C3050	FIG1C104A116	C 0.10UF, K, 16V	1	
	C3078	F1J1A106A043	C 0.010UF, K, 10V	1	
	C3079	F1J1A106A043	C 0.010UF, K, 10V	1	
	C3080	F1J1A106A043	C 0.010UF, K, 10V	1	
	C3157	FIG1C104A116	C 0.10UF, K, 16V	1	
	C3752	F1J1H102A836	C 1000UF, 50V	1	
	C4075	FIG1C104A116	C 0.10UF, K, 16V	1	
	C4500	FIG1C104A116	C 0.10UF, K, 16V	1	
	C4501	FIG1C104A116	C 0.10UF, K, 16V	1	
	C4513	FIG1C104A116	C 0.10UF, K, 16V	1	
	C4514	FIG1C104A116	C 0.10UF, K, 16V	1	
	C4517	FIG1C104A116	C 0.10UF, K, 16V	1	
	C4520	F1J1A106A043	C 0.010UF, K, 10V	1	
	C4521	FIG1C104A116	C 0.10UF, K, 16V	1	
	C4534	FIG1C104A116	C 0.10UF, K, 16V	1	
	C4535	FIG1C104A116	C 0.10UF, K, 16V	1	
	C4548	F1H0J1050012	C 1UF, K, 16V	1	
	C4549	F1H0J1050012	C 1UF, K, 16V	1	
	C4551	FIG1C104A116	C 0.10UF, K, 16V	1	
	C4552	F1H0J1050012	C 1UF, K, 16V	1	
	C4553	FIG1E472A123	C 4200UF, Z, 25V	1	
	C4554	F2G1C470A022	E 47UF, 16V	1	
	C4555	FIG1C104A116	C 0.10UF, K, 16V	1	
	C4556	FIG1C104A116	C 0.10UF, K, 16V	1	
	C4557	FIG1C104A116	C 0.10UF, K, 16V	1	
	C4558	FIG1C104A116	C 0.10UF, K, 16V	1	
	C4574	FIG1C104A116	C 0.10UF, K, 16V	1	
	C4576	FIG1C104A116	C 0.10UF, K, 16V	1	
	C4577	FIG1C104A116	C 0.10UF, K, 16V	1	
	C4578	F1J1A106A043	C 0.010UF, K, 10V	1	
	C4579	F1J1A106A043	C 0.010UF, K, 10V	1	
	C4580	F1J1A106A043	C 0.010UF, K, 10V	1	
	C4581	F1J1A106A043	C 0.010UF, K, 10V	1	
	C4582	F1J1A106A043	C 0.010UF, K, 10V	1	
	C4624	FIG1C104A116	C 0.10UF, K, 16V	1	
	C4625	FIG1C104A116	C 0.10UF, K, 16V	1	
	C4701	FIG1H102A730	C 1000UF, 50V	1	
	C4702	FIG1C104A116	C 0.10UF, K, 16V	1	
	C4703	FIG1H102A730	C 1000UF, 50V	1	
	C4704	FIG1C104A116	C 0.10UF, K, 16V	1	
	C4705	FIG1C104A116	C 0.10UF, K, 16V	1	
	C4711	FIG1C104A116	C 0.10UF, K, 16V	1	
	C4712	FIG1C104A116	C 0.10UF, K, 16V	1	
	C4713	FIG1H102A730	C 1000UF, 50V	1	
	C4714	FIG1H102A730	C 1000UF, 50V	1	
	C4715	FIG1C104A116	C 0.10UF, K, 16V	1	
	C4716	FIG1H102A730	C 1000UF, 50V	1	
	C4717	FIG1H102A730	C 1000UF, 50V	1	
	C4718	FIG1H102A730	C 1000UF, 50V	1	
	C4719	FIG1H102A730	C 1000UF, 50V	1	
	C4721	FIG1C104A116	C 0.10UF, K, 16V	1	
	C4722	FIG1H102A730	C 1000UF, 50V	1	
	C4724	FIG1H102A730	C 1000UF, 50V	1	
	C4725	FIG1C104A116	C 0.10UF, K, 16V	1	
	C4726	FIG1C104A116	C 0.10UF, K, 16V	1	
	C4727	FIG1C104A116	C 0.10UF, K, 16V	1	
	C4728	FIG1C104A116	C 0.10UF, K, 16V	1	
	C4741	FIG1H102A730	C 1000UF, 50V	1	
	C4742	FIG1C104A116	C 0.10UF, K, 16V	1	
	C4743	FIG1H102A730	C 1000UF, 50V	1	
	C4744	FIG1C104A116	C 0.10UF, K, 16V	1	
	C4745	FIG1C104A116	C 0.10UF, K, 16V	1	
	C4746	FIG1H102A730	C 1000UF, 50V	1	
	C4751	FIG1C104A116	C 0.10UF, K, 16V	1	
	C4752	FIG1C104A116	C 0.10UF, K, 16V	1	

Safety	Ref. No.	Part No.	Part Name & Description	Pcs	Remarks
	C4753	FIG1C104A116	C 0.10UF, K, 16V	1	
	C4754	FIG1C104A116	C 0.10UF, K, 16V	1	
	C4755	FIG1C104A116	C 0.10UF, K, 16V	1	
	C4761	F1H1H103A970	C 0.001UF, K, 50V	1	
	C4762	F1H1H103A970	C 0.001UF, K, 50V	1	
	C4763	F1H1H103A970	C 0.001UF, K, 50V	1	
	C4771	FIG1H102A730	C 1000UF, 50V	1	
	C4772	FIG1C104A116	C 0.10UF, K, 16V	1	
	C4773	FIG1H102A730	C 1000UF, 50V	1	
	C4774	FIG1C104A116	C 0.10UF, K, 16V	1	
	C4775	FIG1C104A116	C 0.10UF, K, 16V	1	
	C4776	FIG1H102A730	C 1000UF, 50V	1	
	C4777	FIG1C104A116	C 0.10UF, K, 16V	1	
	C4778	FIG1C104A116	C 0.10UF, K, 16V	1	
	C4779	FIG1C104A116	C 0.10UF, K, 16V	1	
	C4795	FIG1H102A730	C 1000UF, 50V	1	
	C4796	FIG1H102A730	C 1000UF, 50V	1	
	C4797	FIG1H102A730	C 1000UF, 50V	1	
	C4798	FIG1H102A730	C 1000UF, 50V	1	
	C4830	FIG1C104A116	C 0.10UF, K, 16V	1	
	C5418	F1J1E105A171	C 1 UF 25V	1	
	C5420	F1H1C105A145	C 0.01UF, K, 16V	1	
	C5513	F1H1A1050032	C 10UF, 50V	1	
	C5514	F1H1A1050032	C 10UF, 50V	1	
	C5515	FIG1C104A116	C 0.10UF, K, 16V	1	
	C5516	EEH1C101UP	C 100PF, J, 16V	1	
	C5521	FIG1C104A116	C 0.10UF, K, 16V	1	
	C5522	FIG1C104A116	C 0.10UF, K, 16V	1	
	C5527	F1J1H474A757	C 0.47UF, 50V	1	
	C5528	F1J1H474A757	C 0.47UF, 50V	1	
	C5531	FIG1H820A731	C 82UF, 50V	1	
	C5532	F2G1V220A020	E 22UF, 35V	1	
	C5533	FIG1H102A730	C 1000UF, 50V	1	
	C5534	FIG1E392A123	C 3900UF, Z, 25V	1	
	C5535	F1J1A106A043	C 0.010UF, K, 10V	1	
	C5536	F2G0J470A019	E 47UF 6.3V	1	
	C5644	FIG1C103A116	C 0.010UF, K, 16V	1	
	C5652	FIG1H102A730	C 1000UF, 50V	1	
	C5663	F1J1A106A043	C 0.010UF, K, 10V	1	
	C5664	F1J1A106A043	C 0.010UF, K, 10V	1	
	C5667	FIG1H101A731	C 100PF, K, 50V	1	
	C5688	F1H1A225A051	C 22UF, 50V	1	
	C5689	ECGRLO680ER	C 68UF, J, 4V	1	
	C5690	FIG1C104A116	C 0.10UF, K, 16V	1	
	C5691	FIG1A273A053	C 0.27UF, 10V	1	PAVCA
	C5692	F1J1A475A039	C 4.7UF, K, 10V	1	
	C5693	F1H1C105A145	C 0.01UF, K, 16V	1	
	C5694	FIG1H221A731	C 220UF, 50V	1	
	C5697	F1K1E106A136	C 10UF, Z, 25V	1	
	C5698	F1K1E106A136	C 10UF, Z, 25V	1	
	C5699	F1K1E106A136	C 10UF, Z, 25V	1	
	C5700	FIG1C562A116	C 5600UF, K, 16V	1	PAVCA
	C5701	F1K1E106A136	C 10UF, Z, 25V	1	
	C5702	F1K1E106A136	C 10UF, Z, 25V	1	
	C5703	F1H1E104A129	C 0.1UF, 25V	1	
	C5704	FIG1A473A053	C 0.47UF, 10V	1	
	C5705	F1J1A475A039	C 4.7UF, K, 10V	1	
	C5707	FIG1H471A730	C 470UF, 50V	1	
	C5708	FIG1C104A116	C 0.10UF, K, 16V	1	
	C5709	FIG1C104A116	C 0.10UF, K, 16V	1	
	C5710	ECGRLOE680ER	C 68UF, J, 2.5V	1	
	C5711	ECGRLOE680ER	C 68UF, J, 2.5V	1	
	C5713	F2G1E470A021	C 47PF, J, 25V	1	
	C5714	F1J1E105A171	C 1 UF 25V	1	
	C5718	FIG1C104A116	C 0.10UF, K, 16V	1	
	C5719	FIG1C104A116	C 0.10UF, K, 16V	1	
	C5720	FIG1C104A116	C 0.10UF, K, 16V	1	



Safety	Ref. No.	Part No.	Part Name & Description	Pcs	Remarks
	C5721	FIG1C104A116	C 0.10UF, K, 16V	1	
	C5722	FIG1C104A116	C 0.10UF, K, 16V	1	
	C5723	FIG1C104A116	C 0.10UF, K, 16V	1	
	C5724	FK1E106A136	C 10UF, Z, 25V	1	
	C5725	FIH1E104A129	C 0.1UF, 25V	1	
	C5726	FIH1C105A145	C 0.01UF, K, 16V	1	
	C5727	FIG1C103A116	C 0.010UF, K, 16V	1	
	C5728	FIG1H471A730	C 470UF, 50V	1	
	C5729	FIG1C104A116	C 0.10UF, K, 16V	1	
	C5730	F2H0J1010009	C 100UF, 6.3V	1	
	C5732	FIG1C104A116	C 0.10UF, K, 16V	1	
	C5733	FK1E106A136	C 10UF, Z, 25V	1	
	C5734	FK1E106A136	C 10UF, Z, 25V	1	
	C5736	FIJ1A106A043	C 0.010UF, K, 10V	1	
	C5737	FIJ1A106A043	C 0.010UF, K, 10V	1	
	C5746	FK1A106A021	C 0.010UF, K, 6.3V	1	
	C5747	FK1E106A136	C 10UF, Z, 25V	1	
	C5748	FK1A106A021	C 0.010UF, K, 6.3V	1	
	C5749	FIG1C103A116	C 0.010UF, K, 16V	1	
	C5755	FIH1E104A129	C 0.1UF, 25V	1	
	C5756	FIG1E332A123	C 3300UF, Z, 25V	1	PAVCA
	C5764	FIH1C105A145	C 0.01UF, K, 16V	1	
	C8011	FIG1C104A116	C 0.10UF, K, 16V	1	
	C8012	FIG1C104A116	C 0.10UF, K, 16V	1	
	C8013	FIG1C104A116	C 0.10UF, K, 16V	1	
	C8015	FIH0J1050012	C 1UF, K, 16V	1	
	C8016	FIH0J1050012	C 1UF, K, 16V	1	
	C8017	FIJ1A106A043	C 0.010UF, K, 10V	1	
	C8025	FIG1C104A116	C 0.10UF, K, 16V	1	
	C8031	FIH0J1050012	C 1UF, K, 16V	1	
	C8032	FIJ1A106A043	C 0.010UF, K, 10V	1	
	C8036	FIJ1A106A043	C 0.010UF, K, 10V	1	
	C8040	FIG1H102A730	C 1000UF, 50V	1	
	C8042	ECGRLOG680ER	C 68UF, J, 4V	1	
	C8043	FIG1C104A116	C 0.10UF, K, 16V	1	
	C8046	FIG1C104A116	C 0.10UF, K, 16V	1	
	C8047	FIG1C104A116	C 0.10UF, K, 16V	1	
	C8048	FIG1C104A116	C 0.10UF, K, 16V	1	
	C8081	FIG1H151A731	C 150PF, K, 50V	1	
	C8082	FIG1C103A116	C 0.010UF, K, 16V	1	
	C8083	FIG1C104A116	C 0.10UF, K, 16V	1	
	C8084	FIG1C104A116	C 0.10UF, K, 16V	1	
	C8085	FIG1H152A730	C 1500UF, 50V	1	PAVCA
	C8086	FIG1C104A116	C 0.10UF, K, 16V	1	
	C8087	FIG1H151A731	C 150PF, K, 50V	1	
	C8088	FIG1H100A731	C 10PF, K, 50V	1	
	C8089	FIG1H120A731	C 12UF, 50V	1	
	C8091	FIG1C104A116	C 0.10UF, K, 16V	1	
	C8092	FIG1C104A116	C 0.10UF, K, 16V	1	
	C8093	FIG1H152A730	C 1500UF, 50V	1	PAVCA
	C8094	FIG1H5R0A732	C 5.0PF, K, 50V	1	
	C8095	FIG1C103A116	C 0.010UF, K, 16V	1	
	C8096	FIG1C104A116	C 0.10UF, K, 16V	1	
	C8097	FIG1C104A116	C 0.10UF, K, 16V	1	
	C8098	FIH0J1050012	C 1UF, K, 16V	1	
	C8100	FIG1C104A116	C 0.10UF, K, 16V	1	
	C8101	FIG1C104A116	C 0.10UF, K, 16V	1	
	C8102	FIG1C104A116	C 0.10UF, K, 16V	1	
	C8103	FIG1C104A116	C 0.10UF, K, 16V	1	
	C8104	FIH0J1050012	C 1UF, K, 16V	1	
	C8105	FIG1C103A116	C 0.010UF, K, 16V	1	
	C8106	FIG1H100A731	C 10PF, K, 50V	1	
	C8107	FIG1H1R0A748	C 1UF, 50V	1	

Safety	Ref. No.	Part No.	Part Name & Description	Pcs	Remarks
	C8108	FIG1C104A116	C 0.10UF, K, 16V	1	
	C8109	FIG1C104A116	C 0.10UF, K, 16V	1	
	C8110	FIJ1A106A043	C 0.010UF, K, 10V	1	
	C8115	FIG1H3R0A609	C 3 UF, 50V	1	
	C8116	FIG1H3R0A609	C 3 UF, 50V	1	
	C8117	FIG1C104A116	C 0.10UF, K, 16V	1	
	C8118	FIG1C104A116	C 0.10UF, K, 16V	1	
	C8119	FIG1C104A116	C 0.10UF, K, 16V	1	
	C8120	FIG1C104A116	C 0.10UF, K, 16V	1	
	C8124	FIG1H100A731	C 10PF, K, 50V	1	
	C8126	FIH1A1050032	C 10UF, 50V	1	
	C8127	FIG1C104A116	C 0.10UF, K, 16V	1	
	C8128	FIG1C104A116	C 0.10UF, K, 16V	1	
	C8129	FIH1H471A971	C 470UF, 50V	1	
	C8130	FIH1A1050032	C 10UF, 50V	1	
	C8131	FIJ1A106A043	C 0.010UF, K, 10V	1	
	C8132	FIG1C104A116	C 0.10UF, K, 16V	1	
	C8133	FIJ1A106A043	C 0.010UF, K, 10V	1	
	C8134	FIG1C104A116	C 0.10UF, K, 16V	1	
	C8135	FIJ1A106A043	C 0.010UF, K, 10V	1	
	C8136	FIG1C104A116	C 0.10UF, K, 16V	1	
	C8138	FIG1H102A730	C 1000UF, 50V	1	
	C8139	FIG1C104A116	C 0.10UF, K, 16V	1	
	C8140	FIG1C104A116	C 0.10UF, K, 16V	1	
	C8141	FIG1C104A116	C 0.10UF, K, 16V	1	
	C8142	FIG1C104A116	C 0.10UF, K, 16V	1	
	C8143	FIG1C104A116	C 0.10UF, K, 16V	1	
	C8144	FIG1C104A116	C 0.10UF, K, 16V	1	
	C8145	FIG1C104A116	C 0.10UF, K, 16V	1	
	C8146	FIG1C104A116	C 0.10UF, K, 16V	1	
	C8147	FIG1C104A116	C 0.10UF, K, 16V	1	
	C8148	FIG1C104A116	C 0.10UF, K, 16V	1	
	C8149	FIG1H5R0A732	C 5.0PF, K, 50V	1	
	C8150	ECGMX0E101R	E 100UF, 10V	1	
	C8151	FIG1C104A116	C 0.10UF, K, 16V	1	
	C8152	FIG1C104A116	C 0.10UF, K, 16V	1	
	C8153	FIG1C104A116	C 0.10UF, K, 16V	1	
	C8154	FIH0J1050012	C 1UF, K, 16V	1	
	C8155	FIH0J1050012	C 1UF, K, 16V	1	
	C8156	FIJ1A106A043	C 0.010UF, K, 10V	1	
	C8157	FIG1C104A116	C 0.10UF, K, 16V	1	
	C8158	FIG1C104A116	C 0.10UF, K, 16V	1	
	C8159	FIG1C104A116	C 0.10UF, K, 16V	1	
	C8160	FIH0J1050012	C 1UF, K, 16V	1	
	C8161	FIH0J1050012	C 1UF, K, 16V	1	
	C8162	FIJ1A106A043	C 0.010UF, K, 10V	1	
	C8163	FIG1C104A116	C 0.10UF, K, 16V	1	
	C8164	FIJ1A106A043	C 0.010UF, K, 10V	1	
	C8165	FIJ1A106A043	C 0.010UF, K, 10V	1	
	C8166	FIG1C104A116	C 0.10UF, K, 16V	1	
	C8167	FIG1C104A116	C 0.10UF, K, 16V	1	
	C8168	FIG1C104A116	C 0.10UF, K, 16V	1	
	C8169	FIG1C104A116	C 0.10UF, K, 16V	1	
	C8170	FIG1C104A116	C 0.10UF, K, 16V	1	
	C8171	FIG1C104A116	C 0.10UF, K, 16V	1	
	C8172	FIG1C104A116	C 0.10UF, K, 16V	1	
	C8173	FIG1C103A116	C 0.010UF, K, 16V	1	
	C8174	FIG1C103A116	C 0.010UF, K, 16V	1	
	C8175	FIG1C103A116	C 0.010UF, K, 16V	1	
	C8176	FIG1C103A116	C 0.010UF, K, 16V	1	
	C8177	FIG1C103A116	C 0.010UF, K, 16V	1	
	C8178	FIG1C103A116	C 0.010UF, K, 16V	1	

Safety	Ref. No.	Part No.	Part Name & Description	Pcs	Remarks
	C8179	FIG1C103A116	C 0.010UF, K, 16V	1	
	C8180	FIG1H0J2250008	C 2.2UF, K, 16V	1	
	C8182	FIG1A475A039	C 4.7UF, K, 10V	1	
	C8183	FIG1A475A039	C 4.7UF, K, 10V	1	
	C8184	FIG1A475A039	C 4.7UF, K, 10V	1	
	C8185	FIG1C104A116	C 0.10UF, K, 16V	1	
	C8186	FIG1H222A730	C 2200UF, 50V	1	
	C8189	FIG1C104A116	C 0.10UF, K, 16V	1	
	C8191	FIG1H102A730	C 1000UF, 50V	1	
	C8192	FIG1H102A730	C 1000UF, 50V	1	
	C8193	FIG1H102A730	C 1000UF, 50V	1	
	C8301	FIG1H102A730	C 1000UF, 50V	1	
	C8302	FIG1C104A116	C 0.10UF, K, 16V	1	
	C8304	FIG1H221A731	C 220UF, 50V	1	
	C8305	FIG1H221A731	C 220UF, 50V	1	
	C8306	FIG1H221A731	C 220UF, 50V	1	
	C8307	FIG1C104A116	C 0.10UF, K, 16V	1	
	C8309	FIG1H103A970	C 0.001UF, K, 50V	1	
	C8310	EEHBOJ221UP	C 220PF, J, 6.3V	1	
	C8311	F2G1V220A020	E 22UF, 35V	1	
	C8312	EEHBOJ221UP	C 220PF, J, 6.3V	1	
	C8313	FIG1H102A730	C 1000UF, 50V	1	
	C8346	FIG1C104A116	C 0.10UF, K, 16V	1	
	C8392	FIG1H330A731	C 33UF, 50V	1	
	C8393	FIG1H330A731	C 33UF, 50V	1	
	C8394	FIG1H151A731	C 150PF, K, 50V	1	
	C8395	FIG1H221A731	C 220UF, 50V	1	
	C8396	FIG1H221A731	C 220UF, 50V	1	
	C8398	FIG1H121A731	C 120PF, K, 50V	1	PAVCA
	C8399	FIG1H121A731	C 120PF, K, 50V	1	PAVCA
	C8400	FIG1H680A731	C 68UF, 50V	1	
	C8401	FIG1H102A730	C 1000UF, 50V	1	
	C8402	FIG1H102A730	C 1000UF, 50V	1	
	C8403	FIG1C104A116	C 0.10UF, K, 16V	1	
	C8404	FIG1C104A116	C 0.10UF, K, 16V	1	
	C8501	FIG1C104A116	C 0.10UF, K, 16V	1	
	C8506	FIG1C104A116	C 0.10UF, K, 16V	1	
	C8512	FIG1C104A116	C 0.10UF, K, 16V	1	
	C8513	FIG1C104A116	C 0.10UF, K, 16V	1	
	C8517	FIG1C104A116	C 0.10UF, K, 16V	1	
	C8532	F2G1C470A022	E 47UF, 16V	1	
	C8533	FIG1C104A116	C 0.10UF, K, 16V	1	
	C8536	FIG1C103A116	C 0.010UF, K, 16V	1	
	C8537	FIG1A106A043	C 0.010UF, K, 10V	1	
	C8544	FIG1A106A043	C 0.010UF, K, 10V	1	
	C9033	FIG1C104A116	C 0.10UF, K, 16V	1	
	C9034	FIG1C104A116	C 0.10UF, K, 16V	1	
	C9035	FIG1A106A043	C 0.010UF, K, 10V	1	
	C9036	FIG1A106A043	C 0.010UF, K, 10V	1	
	C9037	FIG1E103A123	C 0.010UF, K, 25V	1	
	C9040	FIG1C104A116	C 0.10UF, K, 16V	1	
	C9044	FIG1A475A039	C 4.7UF, K, 10V	1	
	C9045	FIG1C104A116	C 0.10UF, K, 16V	1	
	C9046	FIG1C104A116	C 0.10UF, K, 16V	1	
	C9047	FIG1C104A116	C 0.10UF, K, 16V	1	
	C9048	FIG1C104A116	C 0.10UF, K, 16V	1	
	C9049	FIG1C104A116	C 0.10UF, K, 16V	1	
	C9052	FIG1C104A116	C 0.10UF, K, 16V	1	
	C9053	FIG1C104A116	C 0.10UF, K, 16V	1	
	C9055	FIG1C104A116	C 0.10UF, K, 16V	1	
	C9057	FIG1C104A116	C 0.10UF, K, 16V	1	
	C9061	FIG1C104A116	C 0.10UF, K, 16V	1	
	C9062	FIG1A475A039	C 4.7UF, K, 10V	1	
	C9063	FIG1C104A116	C 0.10UF, K, 16V	1	
	C9064	FIG1C104A116	C 0.10UF, K, 16V	1	
	C9065	FIG1C104A116	C 0.10UF, K, 16V	1	
	C9066	FIG1H104A129	C 0.1UF, 25V	1	

Safety	Ref. No.	Part No.	Part Name & Description	Pcs	Remarks
	C9067	FIG1K0J226A008	C 22UF, K, 6.3V	1	
	C9068	FIG1K0J226A008	C 22UF, K, 6.3V	1	
	C9069	FIG1H222A730	C 2200UF, 50V	1	
	C9071	FIG1H104A129	C 0.1UF, 25V	1	
	C9072	FIG1K0J226A008	C 22UF, K, 6.3V	1	
	C9073	FIG1K0J226A008	C 22UF, K, 6.3V	1	
	C9074	FIG1H222A730	C 2200UF, 50V	1	
	C9076	FIG1C153A116	C 0.015UF, K, 16V	1	
	C9077	FIG1K1E106A136	C 10UF, Z, 25V	1	
	C9078	FIG1K1E106A136	C 10UF, Z, 25V	1	
	C9079	FIG1H220A731	C 22UF, 50V	1	
	C9080	FIG1H201A731	C 200 UF, K, 50V	1	
	C9081	FIG1C104A116	C 0.10UF, K, 16V	1	
	C9082	FIG1H104A129	C 0.1UF, 25V	1	
	C9083	FIG1K0J226A008	C 22UF, K, 6.3V	1	
	C9084	FIG1K0J226A008	C 22UF, K, 6.3V	1	
	C9085	FIG1H222A730	C 2200UF, 50V	1	
	C9087	FIG1A563A053	C 0.56UF, 10V	1	
	C9088	FIG1K1E106A136	C 10UF, Z, 25V	1	
	C9089	FIG1K1E106A136	C 10UF, Z, 25V	1	
	C9091	FIG1H201A731	C 200 UF, K, 50V	1	
	C9100	FIG1C104A116	C 0.10UF, K, 16V	1	
	C9101	FIG1C104A116	C 0.10UF, K, 16V	1	
	C9102	FIG1C104A116	C 0.10UF, K, 16V	1	
	C9111	FIG1A106A043	C 0.010UF, K, 10V	1	
	C9112	FIG1A106A043	C 0.010UF, K, 10V	1	
	C9113	FIG1C104A116	C 0.10UF, K, 16V	1	
	C9114	FIG1C104A116	C 0.10UF, K, 16V	1	
	C9115	FIG1C104A116	C 0.10UF, K, 16V	1	
	C9123	FIG1A106A043	C 0.010UF, K, 10V	1	
	C9124	FIG1A106A043	C 0.010UF, K, 10V	1	
	C9134	FIG1C104A116	C 0.10UF, K, 16V	1	
	C9135	FIG1C104A116	C 0.10UF, K, 16V	1	
	C9136	FIG1C104A116	C 0.10UF, K, 16V	1	
	C9138	FIG1C104A116	C 0.10UF, K, 16V	1	
	C9139	FIG1A106A043	C 0.010UF, K, 10V	1	
	C9140	FIG1C104A116	C 0.10UF, K, 16V	1	
	C9141	FIG1A106A043	C 0.010UF, K, 10V	1	
	C9142	FIG1H1A1050032	C 10UF, 50V	1	
	C9143	FIG1H1A1050032	C 10UF, 50V	1	
	C9144	FIG1C104A116	C 0.10UF, K, 16V	1	
	C9145	FIG1H1A1050032	C 10UF, 50V	1	
	C9146	FIG1H1A1050032	C 10UF, 50V	1	
	C9147	FIG1H1A1050032	C 10UF, 50V	1	
	C9148	FIG1H1A1050032	C 10UF, 50V	1	
	C9149	FIG1H1A1050032	C 10UF, 50V	1	
	C9150	FIG1H1A1050032	C 10UF, 50V	1	
	C9151	FIG1H1A1050032	C 10UF, 50V	1	
	C9152	FIG1H1A1050032	C 10UF, 50V	1	
	C9153	FIG1H1A1050032	C 10UF, 50V	1	
	C9154	FIG1H1A1050032	C 10UF, 50V	1	
	C9155	FIG1H1A1050032	C 10UF, 50V	1	
	C9156	FIG1H1A1050032	C 10UF, 50V	1	
	C9157	FIG1H1A1050032	C 10UF, 50V	1	
	C9158	FIG1H1A1050032	C 10UF, 50V	1	
	C9159	FIG1H1A1050032	C 10UF, 50V	1	
	C9160	FIG1H1A1050032	C 10UF, 50V	1	
	C9161	FIG1H1A1050032	C 10UF, 50V	1	
	C9162	FIG1H1A1050032	C 10UF, 50V	1	
	C9163	FIG1H1A1050032	C 10UF, 50V	1	
	C9164	FIG1H1A1050032	C 10UF, 50V	1	
	C9165	FIG1H1A1050032	C 10UF, 50V	1	
	C9166	FIG1H1A1050032	C 10UF, 50V	1	
	C9167	FIG1H1A1050032	C 10UF, 50V	1	
	C9168	FIG1H1A1050032	C 10UF, 50V	1	
	C9169	FIG1H1A1050032	C 10UF, 50V	1	
	C9300	FIG1C104A116	C 0.10UF, K, 16V	1	

Safety	Ref. No.	Part No.	Part Name & Description	Pcs	Remarks
	C9302	FIG1C104A116	C 0.10UF, K, 16V	1	
	C9303	FIG1C104A116	C 0.10UF, K, 16V	1	
	C9305	FIG1C104A116	C 0.10UF, K, 16V	1	
	C9306	FIG1C104A116	C 0.10UF, K, 16V	1	
	C9310	FIG1C104A116	C 0.10UF, K, 16V	1	
	C9311	FIG1C104A116	C 0.10UF, K, 16V	1	
	C9312	FIG1C104A116	C 0.10UF, K, 16V	1	
	C9313	FIG1C104A116	C 0.10UF, K, 16V	1	
	C9314	FIG1C104A116	C 0.10UF, K, 16V	1	
	C9468	FIG1E103A123	C 0.010UF, K, 25V	1	
	C9469	FIG1C104A116	C 0.10UF, K, 16V	1	
	C9535	FIG1C104A116	C 0.10UF, K, 16V	1	
	C9536	FIG1C104A116	C 0.10UF, K, 16V	1	
	C9537	FIG1C104A116	C 0.10UF, K, 16V	1	
	C9538	FIG1C104A116	C 0.10UF, K, 16V	1	
	C9539	FIG1C104A116	C 0.10UF, K, 16V	1	
	C9540	FIG1C104A116	C 0.10UF, K, 16V	1	
	C9541	FIG1C104A116	C 0.10UF, K, 16V	1	
	C9542	FIG1C104A116	C 0.10UF, K, 16V	1	
	C9543	FIG1C104A116	C 0.10UF, K, 16V	1	
	C9544	FIG1C104A116	C 0.10UF, K, 16V	1	
	C9545	FIG1C104A116	C 0.10UF, K, 16V	1	
	C9546	FIG1C104A116	C 0.10UF, K, 16V	1	
	C9547	FIG1C104A116	C 0.10UF, K, 16V	1	
	C9548	FIG1C104A116	C 0.10UF, K, 16V	1	
	C9549	FIG1C104A116	C 0.10UF, K, 16V	1	
	C9550	FIG1C104A116	C 0.10UF, K, 16V	1	
	C9700	FIG1C104A116	C 0.10UF, K, 16V	1	
	C9701	FIG1C104A116	C 0.10UF, K, 16V	1	
	C9702	FIG1C104A116	C 0.10UF, K, 16V	1	
	C9703	FIG1C104A116	C 0.10UF, K, 16V	1	
	C9704	FIG1C104A116	C 0.10UF, K, 16V	1	
	C9706	FIG1C104A116	C 0.10UF, K, 16V	1	
	C9709	FIG1C104A116	C 0.10UF, K, 16V	1	
	C9713	FIG1C104A116	C 0.10UF, K, 16V	1	
	C9714	FIG1C104A116	C 0.10UF, K, 16V	1	
	C9715	FIG1C104A116	C 0.10UF, K, 16V	1	
	C9716	FIG1C104A116	C 0.10UF, K, 16V	1	
	C9823	FK1E106A136	C 10UF, Z, 25V	1	
	C9825	FIG1H101A731	C 100PF, K, 50V	1	
	C9832	FIG1A106A043	C 0.010UF, K, 10V	1	
	C9837	FIG1A106A043	C 0.010UF, K, 10V	1	
	C9840	FIG1E103A123	C 0.010UF, K, 25V	1	
	C9844	FIG1E103A123	C 0.010UF, K, 25V	1	
	C9845	FIG1C104A116	C 0.10UF, K, 16V	1	
	C9846	FIG1C104A116	C 0.10UF, K, 16V	1	
	C9858	FK1E106A136	C 10UF, Z, 25V	1	
	C9859	FIG1E103A123	C 0.010UF, K, 25V	1	
	C9863	FIG1E472A123	C 4200UF, Z, 25V	1	
	C9869	FK1E106A136	C 10UF, Z, 25V	1	
	C9872	FK1E106A136	C 10UF, Z, 25V	1	
	C9874	FIG1H101A731	C 100PF, K, 50V	1	
	C9882	FIG1H201A731	C 200 UF, K, 50V	1	
	C9889	FIG1A106A043	C 0.010UF, K, 10V	1	
	C9899	FIG1A106A043	C 0.010UF, K, 10V	1	
	C9900	FIG1C104A116	C 0.10UF, K, 16V	1	
	C9901	FIG1C104A116	C 0.10UF, K, 16V	1	
	C9902	FIG1C104A116	C 0.10UF, K, 16V	1	
	C9903	FIG1C104A116	C 0.10UF, K, 16V	1	
	C9904	FIG1C104A116	C 0.10UF, K, 16V	1	
	C9905	FIG1C104A116	C 0.10UF, K, 16V	1	
	C9906	FIG1C104A116	C 0.10UF, K, 16V	1	
	C9907	FIG1C104A116	C 0.10UF, K, 16V	1	
	C9908	FIG1C104A116	C 0.10UF, K, 16V	1	
	C9909	FIG1C104A116	C 0.10UF, K, 16V	1	
	C9910	FIG1C104A116	C 0.10UF, K, 16V	1	
	C9911	FIG1C104A116	C 0.10UF, K, 16V	1	

Safety	Ref. No.	Part No.	Part Name & Description	Pcs	Remarks
	C9912	FIG1C104A116	C 0.10UF, K, 16V	1	
	C9913	FIG1C104A116	C 0.10UF, K, 16V	1	
	C9914	FIG1C104A116	C 0.10UF, K, 16V	1	
	C9915	FIG1C104A116	C 0.10UF, K, 16V	1	
	C9916	FIG1C104A116	C 0.10UF, K, 16V	1	
	C9917	FIG1C104A116	C 0.10UF, K, 16V	1	
	C9918	FIG1C104A116	C 0.10UF, K, 16V	1	
	C9920	FIG1C104A116	C 0.10UF, K, 16V	1	
	C9921	FIG1C104A116	C 0.10UF, K, 16V	1	
	C9922	FIG1C104A116	C 0.10UF, K, 16V	1	
	C9923	FIG1C104A116	C 0.10UF, K, 16V	1	
	C9924	FIG1C104A116	C 0.10UF, K, 16V	1	
	C9925	FIG1C104A116	C 0.10UF, K, 16V	1	
	C9926	FIG1A106A043	C 0.010UF, K, 10V	1	
	C9949	FIG1C104A116	C 0.10UF, K, 16V	1	
	C9950	FIG1C104A116	C 0.10UF, K, 16V	1	
	C9952	FIG1C104A116	C 0.10UF, K, 16V	1	
	C9953	FIG1C104A116	C 0.10UF, K, 16V	1	
	C9954	FIG1C104A116	C 0.10UF, K, 16V	1	
	C9956	FIG1C104A116	C 0.10UF, K, 16V	1	
	C9957	FIG1C104A116	C 0.10UF, K, 16V	1	
	C9958	FIG1C104A116	C 0.10UF, K, 16V	1	
	C9960	FIG1A106A043	C 0.010UF, K, 10V	1	
	C9961	FIG1A106A043	C 0.010UF, K, 10V	1	
	C9962	FIG1A106A043	C 0.010UF, K, 10V	1	
	C9965	FIG1C104A116	C 0.10UF, K, 16V	1	
	C9966	FIG1A106A043	C 0.010UF, K, 10V	1	
	C9967	FIG1C104A116	C 0.10UF, K, 16V	1	
	C9968	FIG1C104A116	C 0.10UF, K, 16V	1	
	C9970	FIG1C104A116	C 0.10UF, K, 16V	1	
	C9971	FIG1H150A731	C 15UF, 50V	1	
	C9972	FIG1H150A731	C 15UF, 50V	1	
	C9973	FIG1C104A116	C 0.10UF, K, 16V	1	
	C9976	FIG1C104A116	C 0.10UF, K, 16V	1	
	C9977	FIG1C104A116	C 0.10UF, K, 16V	1	
	C9980	FIG1C104A116	C 0.10UF, K, 16V	1	
	C9984	FIG1A106A043	C 0.010UF, K, 10V	1	
	C9985	FIG1A106A043	C 0.010UF, K, 10V	1	
	C9986	FIG1C104A116	C 0.10UF, K, 16V	1	
	C9987	FIG1C104A116	C 0.10UF, K, 16V	1	
	C9988	FIG1C104A116	C 0.10UF, K, 16V	1	
	C9989	ECGRLOG680ER	C 68UF, J, 4V	1	
	C9990	FIG1C104A116	C 0.10UF, K, 16V	1	
	C9991	FIG1C104A116	C 0.10UF, K, 16V	1	
	C9992	FIG1C104A116	C 0.10UF, K, 16V	1	
	C9993	FIG1C104A116	C 0.10UF, K, 16V	1	
	C9994	FIG1C104A116	C 0.10UF, K, 16V	1	
	C9995	FIG1C104A116	C 0.10UF, K, 16V	1	
	C9996	FIG1C104A116	C 0.10UF, K, 16V	1	
	C9997	FIG1C104A116	C 0.10UF, K, 16V	1	
	C16002	FIG1L2J562A022	C 5600UF, K, 6.3V	1	
	C16012	FIG2A2E251A183	E 250UF, 250V	1	
	C16013	FIG2A2E251A183	E 250UF, 250V	1	
	C16018	FIG2E155A252	E 0.015UF, 250V	1	
	C16023	FIG1L2J562A022	C 5600UF, K, 6.3V	1	
	C16041	FIG1H1392A970	C 3900PF, K, 50V	1	
	C16071	FIG1L2J1020001	C 1000UF, K, 6.3V	1	
	C16092	FIG1L2J1020001	C 1000UF, K, 6.3V	1	
	C16104	FIG1H1E470A130	C 47UF, K, 25V	1	
	C16105	FIG1H1E470A130	C 47UF, K, 25V	1	
	C16131	FIG1L1E4750004	C 4.7UF, 25V	1	
	C16133	FIG1L1E4750004	C 4.7UF, 25V	1	
	C16135	FIG1K1E105A029	C 1UF, Z, 25V	1	
	C16151	FIG1K1E105A029	C 1UF, Z, 25V	1	
	C16152	FIG1L1E4750004	C 4.7UF, 25V	1	
	C16153	FIG1L1E4750004	C 4.7UF, 25V	1	
	C16154	FIG1L1E4750004	C 4.7UF, 25V	1	

Safety	Ref. No.	Part No.	Part Name & Description	Pcs	Remarks
	C16191	F1L1E4750004	C 4.7UF, 25V	1	
	C16192	F1H1E104A129	C 0.1UF, 25V	1	
	C16193	EEUFC1E470	E 47UF, 25V	1	
	C16195	F1L1E4750004	C 4.7UF, 25V	1	
	C16201	F0C2E405A230	E 0.040UF, 250V	1	
	C16202	F0C2E405A230	E 0.040UF, 250V	1	
	C16203	F0C2E405A230	E 0.040UF, 250V	1	
	C16241	F2A1A101A106	E 100UF, 10V	1	
	C16242	F1H1C105A008	C 1UF, K, 16V	1	
	C16243	F1H1H103A970	C 0.001UF, K, 50V	1	
	C16251	F1H1C105A008	C 1UF, K, 16V	1	
	C16252	FK1E105A029	C 1UF, Z, 25V	1	
	C16271	EEUFC1E221	E 220UF, 25V	1	
	C16280	FK1E105A029	C 1UF, Z, 25V	1	
	C16285	F1H1H104A970	C 0.1UF, K, 50V	1	
	C16286	F1H1H104A970	C 0.1UF, K, 50V	1	
	C16287	F1H1H104A970	C 0.1UF, K, 50V	1	
	C16314	F2A2E251A183	E 250UF, 250V	1	
	C16315	F1H1A1050032	C 10UF, 50V	1	
	C16316	F1H1C104A143	C 0.1UF, K, 16V	1	
	C16317	F1H1A1050032	C 10UF, 50V	1	
	C16318	F1J1H104A835	C 0.10UF, 50V	1	
	C16319	F1J1H104A835	C 0.10UF, 50V	1	
	C16328	F2A2C221A195	E 2200UF, 160V	1	PAVCA
	C16331	F0C2E105A252	E 0.010UF, 250V	1	PAVCA
	C16401	F1L2J562A022	C 5600UF, K, 6.3V	1	
	C16412	F2A2E251A183	E 250UF, 250V	1	
	C16413	F0C2E155A252	E 0.015UF, 250V	1	
	C16414	F2A2E251A183	E 250UF, 250V	1	
	C16417	F2A2E251A183	E 250UF, 250V	1	
	C16418	F0C2E155A252	E 0.015UF, 250V	1	
	C16421	F1L2J562A022	C 5600UF, K, 6.3V	1	
	C16441	F1H1H392A970	C 3900PF, K, 50V	1	
	C16460	F1E2J152A002	C 1500PF, 600V	1	
	C16471	F1L2J1020001	C 1000UF, K, 6.3V	1	
	C16472	FK1E105A029	C 1UF, Z, 25V	1	
	C16490	F1H1C105A008	C 1UF, K, 16V	1	
	C16491	F1L2J1020001	C 1000UF, K, 6.3V	1	
	C16501	FK1E105A029	C 1UF, Z, 25V	1	
	C16502	F1L1E4750004	C 4.7UF, 25V	1	
	C16503	F2A1E471A102	E 470UF, 25V	1	
	C16504	F1L1E4750004	C 4.7UF, 25V	1	
	C16505	FK1E105A029	C 1UF, Z, 25V	1	
	C16521	FK1E105A029	C 1UF, Z, 25V	1	
	C16522	F1L1E4750004	C 4.7UF, 25V	1	
	C16523	F2A1E471A102	E 470UF, 25V	1	
	C16524	F1L1E4750004	C 4.7UF, 25V	1	
	C16525	F1L1E4750004	C 4.7UF, 25V	1	
	C16533	F1H1H104A970	C 0.1UF, K, 50V	1	
	C16535	F1H1H104A970	C 0.1UF, K, 50V	1	
	C16536	F1H1H104A970	C 0.1UF, K, 50V	1	
	C16562	F1H1C105A008	C 1UF, K, 16V	1	
	C16563	F2A1A101A106	E 100UF, 10V	1	
	C16564	F1H1C105A008	C 1UF, K, 16V	1	
	C16565	F1H1H103A970	C 0.001UF, K, 50V	1	
	C16566	F1H1H103A970	C 0.001UF, K, 50V	1	
	C16581	FK1E105A029	C 1UF, Z, 25V	1	
	C16582	F1H1C105A008	C 1UF, K, 16V	1	
	C16593	F1H1H102A971	C 1000PF, K, 50V	1	
	C16602	F1H1H220A971	C 22PF, K, 50V	1	
	C16603	FK2J102A014	C 1000UF, K, 6.3V	1	
	C16604	FK2J102A014	C 1000UF, K, 6.3V	1	
	C16608	F1H1H221A971	C 220UF, K, 50V	1	
	C16631	F0C2E405A230	E 0.040UF, 250V	1	
	C16632	F0C2E405A230	E 0.040UF, 250V	1	
	C16633	F0C2E405A230	E 0.040UF, 250V	1	
	C16641	FK2J222A014	C 2200UF, K, 6.3V	1	
	C16645	FK2J102A014	C 1000UF, K, 6.3V	1	
	C16646	FK2J102A014	C 1000UF, K, 6.3V	1	
	C16661	FK2J102A014	C 1000UF, K, 6.3V	1	
	C16662	FK2J102A014	C 1000UF, K, 6.3V	1	

Safety	Ref. No.	Part No.	Part Name & Description	Pcs	Remarks
	C16664	F1H1H820A971	C 82UF, 50V	1	
	C16665	F1H1H820A971	C 82UF, 50V	1	
	C16666	F1H1H820A971	C 82UF, 50V	1	
	C16668	F1H1H221A971	C 220UF, K, 50V	1	
	C16675	F1H1H391A971	C 391UF, 50V	1	
	C16684	F1H1H104A970	C 0.1UF, K, 50V	1	
	C16685	F1H1H104A970	C 0.1UF, K, 50V	1	
	C16691	F2A2C101A169	E 1000UF, 160V	1	
	C16692	F1H1H104A970	C 0.1UF, K, 50V	1	
	C16707	F1H1H220A971	C 22PF, K, 50V	1	
	C16708	F1H1H104A970	C 0.1UF, K, 50V	1	
	C16721	F2A1H101A128	E 100UF, 50V	1	
	C16723	F1L1E4750004	C 4.7UF, 25V	1	
	C16724	F1L1E4750004	C 4.7UF, 25V	1	
	C16725	F1L1E4750004	C 4.7UF, 25V	1	
	C16753	F1L1E4750004	C 4.7UF, 25V	1	
	C16755	F1L1E4750004	C 4.7UF, 25V	1	
	C16756	F1L1E4750004	C 4.7UF, 25V	1	
	C16771	F1H1C105A008	C 1UF, K, 16V	1	
	C16772	F1L1E4750004	C 4.7UF, 25V	1	
	C16773	F1L1E4750004	C 4.7UF, 25V	1	
	C16791	EEUFC1E221	E 220UF, 25V	1	
	C16795	F2A1E471A102	E 470UF, 25V	1	
	C16796	F2A1E471A102	E 470UF, 25V	1	
	C16797	F1H1H104A970	C 0.1UF, K, 50V	1	
	C16813	F2A2T221A009	E 220UF, 220V	1	
	C16814	F1H1H561A971	C 560UF, 50V	1	
	C16821	F1J1H104A835	C 0.10UF, 50V	1	
	C16822	F2A2G470A187	E 470UF, 400V	1	
	C16823	F1L2J562A022	C 5600UF, K, 6.3V	1	
	C16842	F2A2C101A169	E 1000UF, 160V	1	
	C16843	F1J1H104A835	C 0.10UF, 50V	1	
	C16844	F1J1H104A835	C 0.10UF, 50V	1	
	C16856	F1H1A1050032	C 10UF, 50V	1	
	C16857	F1H1H472A970	C 4700PF, K, 50V	1	
	C16858	F1H1C104A143	C 0.1UF, K, 16V	1	
	C16860	F1H1A1050032	C 10UF, 50V	1	
	C16861	F1H1C104A143	C 0.1UF, K, 16V	1	
	C16862	F1H1A1050032	C 10UF, 50V	1	
	C16863	F1J1H104A835	C 0.10UF, 50V	1	
	C16864	F1J1H104A835	C 0.10UF, 50V	1	
	C16866	F1H1A1050032	C 10UF, 50V	1	
	C16867	F1H1A1050032	C 10UF, 50V	1	
	C16868	F1H1A1050032	C 10UF, 50V	1	
	C16869	F1J1H104A835	C 0.10UF, 50V	1	
	C16891	FK1E105A029	C 1UF, Z, 25V	1	
	C16903	F1E2J332A002	C 3300PF, 600V	1	
	C17101	F1L2E154A028	E 1500UF, 25V	1	
	C17102	F1L2E154A028	E 1500UF, 25V	1	
	C17103	F1H1C104A143	C 0.1UF, K, 16V	1	
	C17104	F1H1A1050032	C 10UF, 50V	1	
	C17105	F1L2E154A028	E 1500UF, 25V	1	
	C17106	F1L2E154A028	E 1500UF, 25V	1	
	C17107	F1H1A1050032	C 10UF, 50V	1	
	C17108	F1L2E154A028	E 1500UF, 25V	1	
	C17109	F1L2E154A028	E 1500UF, 25V	1	
	C17110	F1H1A1050032	C 10UF, 50V	1	
	C17111	F1L2E154A028	E 1500UF, 25V	1	
	C17112	F1L2E154A028	E 1500UF, 25V	1	
	C17113	F1H1A1050032	C 10UF, 50V	1	
	C17114	F1L2E154A028	E 1500UF, 25V	1	
	C17115	F1L2E154A028	E 1500UF, 25V	1	
	C17116	F1H1A1050032	C 10UF, 50V	1	
	C17117	F1L2E154A028	E 1500UF, 25V	1	
	C17118	F1L2E154A028	E 1500UF, 25V	1	
	C17119	F1H1A1050032	C 10UF, 50V	1	
	C17120	F1L2E154A028	E 1500UF, 25V	1	
	C17121	F1L2E154A028	E 1500UF, 25V	1	
	C17122	F1H1A1050032	C 10UF, 50V	1	
	C17123	F1L2E154A028	E 1500UF, 25V	1	
	C17124	F1L2E154A028	E 1500UF, 25V	1	
	C17125	F1H1A1050032	C 10UF, 50V	1	
	C17141	F1H1H101A971	C 100UF, 50V	1	

Safety	Ref. No.	Part No.	Part Name & Description	Pcs	Remarks
	C17202	FIH1C104A143	C 0.1UF, K, 16V	1	
	C17203	FIH1C104A143	C 0.1UF, K, 16V	1	
	C17204	FIL2E154A028	E 1500UF, 25V	1	
	C17205	FIL2E154A028	E 1500UF, 25V	1	
	C17206	FIH1A1050032	C 10UF, 50V	1	
	C17207	FIL2E154A028	E 1500UF, 25V	1	
	C17208	FIL2E154A028	E 1500UF, 25V	1	
	C17209	FIH1A1050032	C 10UF, 50V	1	
	C17210	FIL2E154A028	E 1500UF, 25V	1	
	C17211	FIL2E154A028	E 1500UF, 25V	1	
	C17212	FIH1A1050032	C 10UF, 50V	1	
	C17213	FIL2E154A028	E 1500UF, 25V	1	
	C17214	FIL2E154A028	E 1500UF, 25V	1	
	C17215	FIH1A1050032	C 10UF, 50V	1	
	C17216	FIL2E154A028	E 1500UF, 25V	1	
	C17217	FIL2E154A028	E 1500UF, 25V	1	
	C17218	FIH1A1050032	C 10UF, 50V	1	
	C17219	FIL2E154A028	E 1500UF, 25V	1	
	C17220	FIL2E154A028	E 1500UF, 25V	1	
	C17221	FIH1A1050032	C 10UF, 50V	1	
	C17222	FIL2E154A028	E 1500UF, 25V	1	
	C17223	FIL2E154A028	E 1500UF, 25V	1	
	C17224	FIH1A1050032	C 10UF, 50V	1	
	C17241	FIH1H101A971	C 100UF, 50V	1	
	CB1	K1MY55B00002	55P CONNECTOR	1	PAVCA
	CB2	K1MY55B00002	55P CONNECTOR	1	PAVCA
	CB3	K1MY55B00002	55P CONNECTOR	1	PAVCA
	CB4	K1MY55B00002	55P CONNECTOR	1	PAVCA
	CB5	K1MY55B00002	55P CONNECTOR	1	PAVCA
	CB6	K1MY55B00002	55P CONNECTOR	1	PAVCA
	CB7	K1MY55B00002	55P CONNECTOR	1	PAVCA
	CB8	K1MY55B00002	55P CONNECTOR	1	PAVCA
	CB9	K1MY55B00002	55P CONNECTOR	1	PAVCA
	CB10	K1MY55B00002	55P CONNECTOR	1	PAVCA
	CB11	K1MY55B00002	55P CONNECTOR	1	PAVCA
	CB12	K1MY55B00002	55P CONNECTOR	1	PAVCA
	CB13	K1MY55B00002	55P CONNECTOR	1	PAVCA
	CB14	K1MY55B00002	55P CONNECTOR	1	PAVCA
	CB15	K1MY55B00002	55P CONNECTOR	1	PAVCA
	D1100	MA2J11100L	DIODE	1	
	D2512	MA8043LTX	ZENER DIODE	1	
	D2520	LN1271RAL-TR	LED	1	
	D2659	MA2J11100L	DIODE	1	
	D2660	MA22D3900L	DIODE	1	
	D3005	K7AAAY000003	PHOTO LINK	1	
	D3048	MAZ81400ML	ZENER DIODE	1	
	D3051	MAZ81400ML	ZENER DIODE	1	
	D3052	MAZ81400ML	ZENER DIODE	1	
	D3063	MAZ81400ML	ZENER DIODE	1	
	D3064	MAZ81400ML	ZENER DIODE	1	
	D3065	MAZ81400ML	ZENER DIODE	1	
	D3066	MAZ81400ML	ZENER DIODE	1	
	D3067	MAZ81400ML	ZENER DIODE	1	
	D3068	MAZ81400ML	ZENER DIODE	1	
	D3069	MAZ81400ML	ZENER DIODE	1	
	D3070	MAZ81400ML	ZENER DIODE	1	
	D3071	MAZ81400ML	ZENER DIODE	1	
	D3072	MAZ81400ML	ZENER DIODE	1	
	D3073	MAZ81400ML	ZENER DIODE	1	
	D3079	MAZ81400ML	ZENER DIODE	1	
	D3080	MAZ81400ML	ZENER DIODE	1	
	D3093	MA2J72800L	ZENER DIODE	1	
	D3094	MA2J72800L	ZENER DIODE	1	
	D4503	EZAEG2A50AX	DIODE	1	
	D4505	EZAEG2A50AX	DIODE	1	
	D4507	EZAEG2A50AX	DIODE	1	
	D4509	EZAEG2A50AX	DIODE	1	
	D4511	EZAEG2A50AX	DIODE	1	
	D4512	EZAEG2A50AX	DIODE	1	
	D4513	B0BC5R6A0275	DIODE	1	
	D4515	B0BC5R6A0275	DIODE	1	

Safety	Ref. No.	Part No.	Part Name & Description	Pcs	Remarks
	D4516	EZAEG2A50AX	DIODE	1	
	D4517	EZAEG2A50AX	DIODE	1	
	D4518	EZAEG2A50AX	DIODE	1	
	D4520	EZAEG2A50AX	DIODE	1	
	D4521	EZAEG2A50AX	DIODE	1	
	D4523	EZAEG2A50AX	DIODE	1	
	D4543	EZAEG2A50AX	DIODE	1	
	D4544	EZAEG2A50AX	DIODE	1	
	D4545	EZAEG2A50AX	DIODE	1	
	D4546	EZAEG2A50AX	DIODE	1	
	D4547	EZAEG2A50AX	DIODE	1	
	D4548	EZAEG2A50AX	DIODE	1	
	D4549	EZAEG2A50AX	DIODE	1	
	D4550	EZAEG2A50AX	DIODE	1	
	D4564	B0BC5R6A0275	DIODE	1	
	D4573	EZAEG2A50AX	DIODE	1	
	D4574	EZAEG2A50AX	DIODE	1	
	D4576	EZAEG2A50AX	DIODE	1	
	D4577	EZAEG2A50AX	DIODE	1	
	D4578	EZAEG2A50AX	DIODE	1	
	D4579	EZAEG2A50AX	DIODE	1	
	D4580	EZAEG2A50AX	DIODE	1	
	D4581	EZAEG2A50AX	DIODE	1	
	D4582	EZAEG2A50AX	DIODE	1	
	D4583	EZAEG2A50AX	DIODE	1	
	D4584	B0HCMM000014	DIODE	1	
	D4585	B0HCMM000014	DIODE	1	
	D4586	B0HCMM000014	DIODE	1	
	D5484	MA3X78900L	ZENER DIODE	1	
	D5485	MAZ83600ML	ZENER DIODE	1	
	D5486	B0BC03900015	ZENER DIODE	1	
	D5521	MA3X152D0L	DIODE	1	
	D5522	MA3X152D0L	DIODE	1	
	D5573	B0BC01100001	ZENER DIODE	1	
	D5613	MA2J11100L	DIODE	1	
	D5614	MA2J11100L	DIODE	1	
	D5615	MA2J11100L	DIODE	1	
	D5616	MA2J72800L	ZENER DIODE	1	
	D5692	MAZ80560LL	ZENER DIODE	1	
	D5693	B0BC6R600005	ZENER DIODE	1	
	D5697	B0BC6R600005	ZENER DIODE	1	
	D5698	B0BC6R600005	ZENER DIODE	1	
	D5706	B0BC6R600005	ZENER DIODE	1	
	D5741	B0JCME000037	DIODE	1	
	D5746	MA2J11100L	DIODE	1	
	D5747	MA2J11100L	DIODE	1	
	D5749	MAZ81100ML	ZENER DIODE	1	
	D5750	MA2J11100L	DIODE	1	
	D5751	MAZ80330HL	ZENER DIODE	1	
	D5752	MA2J11100L	DIODE	1	
	D8000	MA2J11100L	DIODE	1	
	D8002	B0HCMM000014	DIODE	1	
	D9000	B0JCCE000008	DIODE	1	
	D9110	B0JCGD000002	DIODE	1	
	D9800	B0JCPD000026	DIODE	1	
	D16001	B0FBCN000005	DIODE	1	
	D16002	B0FBCN000005	DIODE	1	
	D16021	B0FBCN000008	DIODE	1	
	D16022	B0FBCN000008	DIODE	1	
	D16032	MA2J11100L	DIODE	1	
	D16041	MA3DF46000LW	ZENER DIODE	1	
	D16042	MA3DF46000LW	ZENER DIODE	1	
	D16050	B0ECKP000047	DIODE	1	
	D16051	B0FBCN000008	DIODE	1	
	D16052	B0FBCN000008	DIODE	1	
	D16101	MA22D3900L	DIODE	1	
	D16131	B0ECKP000047	DIODE	1	
	D16151	B0ECKP000047	DIODE	1	
	D16152	B0ECKP000047	DIODE	1	
	D16153	B0ECKP000047	DIODE	1	
	D16191	B0ECKP000047	DIODE	1	
	D16192	MA2J11100L	DIODE	1	
	D16193	B0ECKP000047	DIODE	1	

Safety	Ref. No.	Part No.	Part Name & Description	Pcs	Remarks
	D16194	B0ECKP000047	DIODE	1	
	D16195	B0ECKP000047	DIODE	1	
	D16253	B3ABB0000210	LED	1	
	D16255	MA2J11100L	DIODE	1	
	D16280	MA2J11100L	DIODE	1	
	D16281	MAZ80510LL	ZENER DIODE	1	
	D16282	MAZ80680ML	ZENER DIODE	1	
	D16285	MA3X152D0L	DIODE	1	
	D16286	MA2J11100L	DIODE	1	
	D16315	MAZ81500ML	ZENER DIODE	1	
	D16316	B0ECKP000047	DIODE	1	
	D16317	B0ECKP000047	DIODE	1	
	D16401	B0FACR000006	DIODE	1	
	D16402	B0FACR000006	DIODE	1	
	D16407	MA22D3900L	DIODE	1	
	D16411	MA2J11100L	DIODE	1	
	D16421	MA3DF40001TV	ZENER DIODE	1	
	D16422	MA3DF40001TV	ZENER DIODE	1	
	D16451	B0ECKP000047	DIODE	1	
	D16461	MA3DF46000LW	ZENER DIODE	1	
	D16462	MA3DF46000LW	ZENER DIODE	1	
	D16466	MA2J11100L	DIODE	1	
	D16473	MA3X152D0L	DIODE	1	
	D16474	MA2J11100L	DIODE	1	
	D16475	MAZ80510LL	ZENER DIODE	1	
	D16476	MA2J11100L	DIODE	1	
	D16477	MA2J11100L	DIODE	1	
	D16478	B0HCKS000002	DIODE	1	
	D16480	MA2J11100L	DIODE	1	
	D16481	B0FACP000001	DIODE	1	
	D16482	B0FACP000001	DIODE	1	
	D16490	B0ECKP000047	DIODE	1	
	D16491	MA2J11100L	DIODE	1	
	D16492	MAZ80470ML	ZENER DIODE	1	
	D16493	MA3X152E0L	ZENER DIODE	1	
	D16503	B0ECHR000001	DIODE	1	
	D16522	B0ECKP000047	DIODE	1	
	D16523	B0ECHR000001	DIODE	1	
	D16524	B0ECKP000047	DIODE	1	
	D16534	B0ECHR000001	DIODE	1	
	D16536	B0ECHR000001	DIODE	1	
	D16583	B3ABB0000210	LED	1	
	D16602	MAZ81500ML	ZENER DIODE	1	
	D16604	MA3X152E0L	ZENER DIODE	1	
	D16605	MAZ80510LL	ZENER DIODE	1	
	D16606	B0ECKM000038	DIODE	1	
	D16607	MA2J11100L	DIODE	1	
	D16608	MA8120M	ZENER DIODE	1	
	D16610	MA2J11100L	DIODE	1	
	D16615	MA2J11100L	DIODE	1	
	D16616	MA3X152E0L	ZENER DIODE	1	
	D16618	B0ECKP000047	DIODE	1	
	D16619	B0ECKP000047	DIODE	1	
	D16621	B0FBCN000006	DIODE	1	
	D16622	B0FBCN000006	DIODE	1	
	D16624	B0ECKP000047	DIODE	1	
	D16625	MAZ82000ML	ZENER DIODE	1	
	D16641	B0FBCN000007	DIODE	1	
	D16643	B0FBCN000007	DIODE	1	
	D16645	MAZ81500ML	ZENER DIODE	1	
	D16646	MAZ81500ML	ZENER DIODE	1	
	D16647	MAZ81500ML	ZENER DIODE	1	
	D16648	MAZ80510LL	ZENER DIODE	1	
	D16649	MA2J11100L	DIODE	1	
	D16650	MA2J11100L	DIODE	1	
	D16652	B0ECKP000047	DIODE	1	
	D16653	MA2J11100L	DIODE	1	
	D16654	MA2J11100L	DIODE	1	
	D16662	MAZ81500ML	ZENER DIODE	1	
	D16663	MAZ81500ML	ZENER DIODE	1	
	D16664	MAZ81500ML	ZENER DIODE	1	
	D16669	MA2J11100L	DIODE	1	
	D16671	MA2J11100L	DIODE	1	

Safety	Ref. No.	Part No.	Part Name & Description	Pcs	Remarks
	D16673	B0ECHR000001	DIODE	1	
	D16674	B0ECHR000001	DIODE	1	
	D16677	MA3X152D0L	DIODE	1	
	D16678	MAZ815000L	ZENER DIODE	1	
	D16679	B0ECKP000047	DIODE	1	
	D16702	MA2J11100L	DIODE	1	
	D16710	MAZ815000L	ZENER DIODE	1	
	D16711	B0ECHR000001	DIODE	1	
	D16712	MAZ815000L	ZENER DIODE	1	
	D16713	B0ECHR000001	DIODE	1	
	D16714	MAZ815000L	ZENER DIODE	1	
	D16715	B0ECHR000001	DIODE	1	
	D16717	MAZ83300ML	ZENER DIODE	1	
	D16719	B0ECKP000047	DIODE	1	
	D16720	B0ECKP000047	DIODE	1	
	D16721	B0ECHR000001	DIODE	1	
	D16725	MA2J11100L	DIODE	1	
	D16765	B0ECHR000001	DIODE	1	
	D16791	MAZ82000ML	ZENER DIODE	1	
	D16792	MA2J11100L	DIODE	1	
	D16811	MA2J11100L	DIODE	1	
	D16820	MA3X152E0L	ZENER DIODE	1	
	D16821	MAZ83600ML	ZENER DIODE	1	
	D16824	MAZ83300ML	ZENER DIODE	1	
	D16825	MAZ83300ML	ZENER DIODE	1	
	D16859	B0HCKS000002	DIODE	1	
	D16860	B0HCKS000002	DIODE	1	
	D16865	B0ECKP000047	DIODE	1	
	D16871	MAZ83300ML	ZENER DIODE	1	
	D16874	MAZ80510LL	ZENER DIODE	1	
	D16875	MA2J11100L	DIODE	1	
	D16901	MA3X152E0L	ZENER DIODE	1	
	D16902	MA2J11100L	DIODE	1	
	D16920	MA3X152E0L	ZENER DIODE	1	
	FL2500	JOMAB0000201	LC FILTER	1	
	FL4000	JOHAAB000036	LC FILTER	1	
	FL4003	JOHAAB000036	LC FILTER	1	
	FL4007	JOHAAB000036	LC FILTER	1	
	FL4008	JOHAAB000036	LC FILTER	1	
	FL9803	FLJ1E104A148	C 0.10UF, Z, 25V	1	
	FL9805	FLJ1E104A148	C 0.10UF, Z, 25V	1	
	FL9806	FLJ1E104A148	C 0.10UF, Z, 25V	1	
	GK1	K1KA02BA0061	2P CONNECTOR	1	
	IC1100	C2CBYY000765	IC	1	PAVCA
	IC1101	TVRQ729S	IC	1	PAVCA
	IC1102	C0JBAA000534	IC	1	PAVCA
	IC2107	C0FBAK000026	IC	1	
	IC2109	C1AB00003069	IC	1	PAVCA
	IC3001	C1AB00002855	IC	1	
	IC4500	TVRQ583S	IC	1	PAVCA
	IC4501	TVRQ584S	IC	1	PAVCA
	IC4503	C1AB00003079	IC	1	PAVCA
	IC4508	TVRQ585S	IC	1	PAVCA
	IC4800	C1ZBZ0003775	IC	1	
	IC5401	C0CBZZE00001	IC	1	
	IC5480	C1ZBZ0003972	IC	1	
	IC5606	C0EBF0000354	IC	1	
	IC5607	C0DBAYY00480	IC	1	
	IC5608	C0DBAYY00480	IC	1	
	IC5740	C0DBAYY00462	IC	1	
	IC8001	C1AB00003078	IC	1	PAVCA
	IC8002	C3ABSY000043	IC	1	PAVCA
	IC8003	C0DBEFH00002	IC	1	
	IC8004	C1ZBZ0003992	IC	1	PAVCA
	IC8007	C0DBFFD00005	IC	1	
	IC8008	C0DBGYY00578	IC	1	
	IC8009	C1CB00002678	IC	1	
	IC8502	TVRQ500AHS	IC	1	PAVCA
	IC8503	TVRQ508S	IC	1	PAVCA
	IC9001	TVRQ571ADS	IC	1	PAVCA

Safety	Ref. No.	Part No.	Part Name & Description	Pcs	Remarks
	IC9003	MNZSFH8KPF3	IC	1	
	IC9004	CLZBZ0003983	IC	1	
	IC9300	MN84528	IC	1	
	IC9303	TVRQ622ACS	IC	1	PAVCA
	IC9500	CLZBZ0003760	IC	1	
	IC9805	CODBAYY00477	IC	1	
	IC9806	CODBAYY00478	IC	1	
	IC9807	CODBAYY00477	IC	1	
	IC9808	COCBCAC00365	IC	1	
	IC9902	C3ABRY000040	IC	1	PAVCA
	IC9903	C3ABRY000040	IC	1	PAVCA
	IC16131	COZBZ0000895	IC	1	
	IC16151	COZBZ0001324	IC	1	
	IC16241	COJBAB002811	IC	1	
	IC16251	COBBBA000024	IC	1	
	IC16304	MIP3900MSSCF	IC	1	
	IC16312	CODBZMC00006	IC	1	
	IC16464	COJBAB000715	IC	1	
	IC16465	COJBAB000715	IC	1	
	IC16471	CODBEKA00003	IC	1	
	IC16490	CODBZMC00006	IC	1	
	IC16491	NJM2406F	LINEAR IC	1	
	IC16501	COZBZ0001324	IC	1	
	IC16521	COZBZ0001324	IC	1	
	IC16561	COJBAB001120	IC	1	
	IC16562	COJBAB001120	IC	1	
	IC16563	COJBAB000388	IC	1	
	IC16564	COJBAB000715	IC	1	
	IC16581	COBBBA000024	IC	1	
	IC16661	COBBBA000024	IC	1	
	IC16691	COJBAC000363	IC	1	
	IC16692	CODBZMC00006	IC	1	
	IC16724	COCBADC00072	IC	1	
	IC16725	COCBADC00072	IC	1	
	IC16771	COCBADC00072	IC	1	
	IC16773	COJBAB000715	IC	1	
	IC16784	MIP9L02MBS	IC	1	
	IC16786	MIP3900MSSCF	IC	1	
	IC16787	CODBZMC00006	IC	1	
	IC16788	MIP3900MSSCF	IC	1	
	IC16789	CODBZMC00006	IC	1	
	IC16791	EHMDD9920	LINEAR IC	1	
	IC16792	NJM2406F	LINEAR IC	1	
	IC16793	CODBZMC00006	IC	1	
	IC16801	CODBZMC00006	IC	1	
	IC16920	COBBBA000024	IC	1	
	IC17101	COJBAB001120	IC	1	
	IC17201	COJBAB001120	IC	1	
	IC17202	COJBAB001120	IC	1	
	JK3000	K1U925A00002	TERMINAL BOARD	1	PAVCA
	JK3001	K1FY115B0021	CONNECTOR	1	
	JK3701	K4AK08B00004	TERMINAL BOARD	1	PAVCA
	JK4500	K1FY119D0006	CONNECTOR	1	
	JK4501	K1FY119D0006	CONNECTOR	1	
	JK4502	K1FY119E0005	CONNECTOR	1	
	JK8302	K1NA09E00080	9P CONNECTOR	1	
	JS3051	DOGDR00Z0002	M 0 OHM, 1/10W	1	
	JS3052	DOGDR00Z0002	M 0 OHM, 1/10W	1	
	JS3054	DOGDR00Z0002	M 0 OHM, 1/10W	1	
	JS4010	DOGDR00Z0002	M 0 OHM, 1/10W	1	
	JS4017	DOGBR00Z0002	M 0 OHM J 1/16W	1	
	JS4018	DOGBR00Z0002	M 0 OHM J 1/16W	1	
	JS4019	DOGBR00Z0002	M 0 OHM J 1/16W	1	
	JS4038	DOGDR00Z0002	M 0 OHM, 1/10W	1	
	K1	K1KA10B00218	10P CONNECTOR	1	
	L1100	J0JYC0000068	CHIP INDUCTOR	1	
	L2100	J0JYC0000068	CHIP INDUCTOR	1	
	L2103	J0JYC0000068	CHIP INDUCTOR	1	
	L2104	J0JYC0000068	CHIP INDUCTOR	1	

Safety	Ref. No.	Part No.	Part Name & Description	Pcs	Remarks
	L2105	G1C330MA0291	INDUCTION COIL	1	
	L2106	G1C330MA0291	INDUCTION COIL	1	
	L2107	G1C330MA0291	INDUCTION COIL	1	
	L2108	G1C330MA0291	INDUCTION COIL	1	
	L2109	J0JYC0000068	CHIP INDUCTOR	1	
	L3000	J0JYC0000068	CHIP INDUCTOR	1	
	L3001	J0JYC0000068	CHIP INDUCTOR	1	
	L3004	J0JCC0000269	CHIP INDUCTOR	1	
	L3005	J0JCC0000269	CHIP INDUCTOR	1	
	L3200	J0JCC0000059	CHIP INDUCTOR	1	
	L4500	J0JYC0000068	CHIP INDUCTOR	1	
	L4501	J0JYC0000068	CHIP INDUCTOR	1	
	L4502	J0JYC0000068	CHIP INDUCTOR	1	
	L4503	J0JYC0000068	CHIP INDUCTOR	1	
	L4504	J0JYC0000068	CHIP INDUCTOR	1	
	L4505	J0JYC0000068	CHIP INDUCTOR	1	
	L4506	J0JYC0000068	CHIP INDUCTOR	1	
	L4507	J0JYC0000068	CHIP INDUCTOR	1	
	L4508	J0JYC0000068	CHIP INDUCTOR	1	
	L4512	J0JYC0000068	CHIP INDUCTOR	1	
	L4521	J0JYC0000068	CHIP INDUCTOR	1	
	L4522	J0JYC0000068	CHIP INDUCTOR	1	
	L4523	J0JYC0000068	CHIP INDUCTOR	1	
	L5441	G1C100MA0072	INDUCTION COIL	1	
	L5442	G1C470MA0291	INDUCTION COIL	1	
	L5600	G1C2R2Z00007	INDUCTION COIL	1	
	L5601	G1C3R3Z00004	INDUCTION COIL	1	
	L5602	G1C4R7Z00015	INDUCTION COIL	1	PAVCA
	L5603	G1C100MA0203	INDUCTION COIL	1	
	L5604	J0JHC0000075	CHIP INDUCTOR	1	
	L5605	G1C100MA0203	INDUCTION COIL	1	
	L5606	G1C100MA0203	INDUCTION COIL	1	
	L5700	G1C6R8Z00008	INDUCTION COIL	1	
	L5741	G1C220MA0291	INDUCTION COIL	1	
	L8001	J0JHC0000045	CHIP INDUCTOR	1	
	L8003	J0JHC0000045	CHIP INDUCTOR	1	
	L8012	J0JHC0000045	CHIP INDUCTOR	1	
	L8014	J0JHC0000045	CHIP INDUCTOR	1	
	L8015	J0JHC0000045	CHIP INDUCTOR	1	
	L8016	J0JHC0000045	CHIP INDUCTOR	1	
	L8017	J0JHC0000045	CHIP INDUCTOR	1	
	L8018	J0JHC0000045	CHIP INDUCTOR	1	
	L8019	J0JHC0000045	CHIP INDUCTOR	1	
	L8020	J0JHC0000045	CHIP INDUCTOR	1	
	L8021	J0JCC0000059	CHIP INDUCTOR	1	
	L8022	J0JHC0000045	CHIP INDUCTOR	1	
	L8301	J0JHC0000045	CHIP INDUCTOR	1	
	L8302	J0JHC0000045	CHIP INDUCTOR	1	
	L8303	J0JHC0000045	CHIP INDUCTOR	1	
	L8323	G1CR22JA0020	INDUCTION COIL	1	
	L8324	G1CR22JA0020	INDUCTION COIL	1	
	L8325	G1C82NJA0075	INDUCTION COIL	1	PAVCA
	L8326	G1CR10JA0020	INDUCTION COIL	1	PAVCA
	L8327	G1CR10JA0020	INDUCTION COIL	1	PAVCA
	L8328	G1C56NJ00018	INDUCTION COIL	1	PAVCA
	L8329	G1C56NJ00018	INDUCTION COIL	1	PAVCA
	L8330	G1CR18JA0020	INDUCTION COIL	1	
	L8500	J0JHC0000045	CHIP INDUCTOR	1	
	L8501	J0JHC0000045	CHIP INDUCTOR	1	
	L9001	G1C3R3Z00004	INDUCTION COIL	1	
	L9002	G1C6R8Z00008	INDUCTION COIL	1	
	L9700	J0JHC0000117	CHIP INDUCTOR	1	
	L9701	J0JHC0000117	CHIP INDUCTOR	1	
	L9802	G1C6R8Z00010	INDUCTION COIL	1	
	L9900	J0JHC0000117	CHIP INDUCTOR	1	
	L9901	J0JHC0000117	CHIP INDUCTOR	1	
	L9903	J0JHC0000117	CHIP INDUCTOR	1	
	L9904	J0JHC0000117	CHIP INDUCTOR	1	
	L16001	G0C1R1KA0206	PEAKING COIL	1	
	L16003	G0C1R1KA0206	PEAKING COIL	1	
	L16004	G0C1R1KA0206	PEAKING COIL	1	
	L16013	G0C1R1KA0206	PEAKING COIL	1	
	L16014	G0C1R1KA0206	PEAKING COIL	1	

Safety	Ref. No.	Part No.	Part Name & Description	Pcs	Remarks
	L16015	G0C1R1KA0206	PEAKING COIL	1	
	L16103	GOZZ00002183	PEAKING COIL	1	
	L16222	GOZZ00002183	PEAKING COIL	1	
	L16271	GOZZ00002183	PEAKING COIL	1	
	L16303	G0C471KA0167	PEAKING COIL	1	
	L16401	G0C1R1KA0206	PEAKING COIL	1	
	L16402	G0C1R1KA0206	PEAKING COIL	1	
	L16403	G0C1R1KA0206	PEAKING COIL	1	
	L16411	G0C1R1KA0206	PEAKING COIL	1	
	L16412	G0C1R1KA0206	PEAKING COIL	1	
	L16413	G0C1R1KA0206	PEAKING COIL	1	
	L16472	GOZZ00002183	PEAKING COIL	1	
	L16697	G0C102KA0187	PEAKING COIL	1	
	L16698	G0C681MA0065	PEAKING COIL	1	
	L16699	G0C471KA0167	PEAKING COIL	1	
	L16851	GOZZ00002183	PEAKING COIL	1	
	PA5601	K5H5022A0031	FUSE	1	
	PC2501	B3JB00000046	IC	1	
	PC16191	B3PBA0000496	IC	1	
	PC16301	B3PBA0000498	IC	1	
	PC16461	B3PBA0000457	IC	1	
	PC16480	B3PBA0000498	IC	1	
	PC16601	B3PBA0000498	IC	1	
	PC16603	B3PBA0000498	IC	1	
	PC16684	B3PBA0000496	IC	1	
	PC16685	B3PBA0000496	IC	1	
	PC16722	B3PBA0000498	IC	1	
	PC16723	B3PBA0000498	IC	1	
	PC16896	B3PBA0000498	IC	1	
△	PCB	TNPA4874S	CIRCUIT BOARD GK	1	(RTL) PAVCA
△	PCB	TXN/A1ENUUS	CIRCUIT BOARD A	1	(RTL) PAVCA
△	PCB	ETX2MM747AFF	CIRCUIT BOARD P	1	(RTL) PAVCA
△	PCB	TXNC11EFUU	CIRCUIT BOARD C1	1	(RTL) PAVCA
△	PCB	TXNC21EFUU	CIRCUIT BOARD C2	1	(RTL) PAVCA
△	PCB	TXNSC1EFUU	CIRCUIT BOARD SC	1	(RTL) PAVCA
△	PCB	TNPA4785	CIRCUIT BOARD SD	1	
△	PCB	TXNSS1EFUU	CIRCUIT BOARD SS	1	(RTL) PAVCA
△	PCB	TNPA4802S	CIRCUIT BOARD SS2	1	(RTL) PAVCA
△	PCB	TNPA4784	CIRCUIT BOARD SU	1	
△	PCB	TNPA4873S	CIRCUIT BOARD S	1	(RTL) PAVCA
△	PCB	TNPA4871S	CIRCUIT BOARD K	1	(RTL) PAVCA
	Q1100	2SB0709ASL	TRANSISTOR	1	
	Q1101	2SB0709ASL	TRANSISTOR	1	
	Q1102	B1ABCF000231	TRANSISTOR	1	
	Q1103	B1ABCF000231	TRANSISTOR	1	
	Q1105	2SK1228	FET	1	
	Q2200	B1ADCE000022	TRANSISTOR	1	
	Q2201	B1ADCE000022	TRANSISTOR	1	
	Q2510	2SD0601ARL	TRANSISTOR	1	
	Q2511	2SD0601ARL	TRANSISTOR	1	
	Q4504	B1ABCF000231	TRANSISTOR	1	
	Q4505	B1ABCF000231	TRANSISTOR	1	
	Q4514	2SB0709ASL	TRANSISTOR	1	
	Q4515	2SB0709ASL	TRANSISTOR	1	
	Q4516	2SB0709ASL	TRANSISTOR	1	
	Q4517	2SB0709ASL	TRANSISTOR	1	
	Q4528	B1ABCF000231	TRANSISTOR	1	
	Q4529	B1ABCF000231	TRANSISTOR	1	
	Q4530	B1ABCF000231	TRANSISTOR	1	
	Q4531	B1ABCF000231	TRANSISTOR	1	
	Q5522	B1ADCE000022	TRANSISTOR	1	

Safety	Ref. No.	Part No.	Part Name & Description	Pcs	Remarks
	Q5603	B1ABCF000231	TRANSISTOR	1	
	Q5604	B1ABCF000231	TRANSISTOR	1	
	Q5684	B1ADCE000022	TRANSISTOR	1	
	Q5685	B1MBDDA00003	FET	1	
	Q5686	B1MBDDA00003	FET	1	
	Q5687	B1MBDDA00003	FET	1	
	Q5700	B1MBDDA00003	FET	1	
	Q8000	B1ABCF000231	TRANSISTOR	1	
	Q8001	B1ABCF000231	TRANSISTOR	1	
	Q9000	B1ABCF000231	TRANSISTOR	1	
	Q9001	B1ABCF000231	TRANSISTOR	1	
	Q9002	B1ABCF000231	TRANSISTOR	1	
	Q9003	B1ABCF000231	TRANSISTOR	1	
	Q9004	B1ABCF000231	TRANSISTOR	1	
	Q9301	2SD0601ARL	TRANSISTOR	1	
	Q9302	2SD0601ARL	TRANSISTOR	1	
	Q9807	2SD0601ARL	TRANSISTOR	1	
	Q16001	2PG0060000RP	TRANSISTOR	1	
	Q16002	2PG0060000RP	TRANSISTOR	1	
	Q16004	2PG0060000RP	TRANSISTOR	1	
	Q16021	B1JADP000004	TRANSISTOR	1	
	Q16022	B1JADP000004	TRANSISTOR	1	
	Q16023	B1JADP000004	TRANSISTOR	1	
	Q16041	B1JAEN000007	TRANSISTOR	1	PAVCA
	Q16051	B1JAEN000007	TRANSISTOR	1	PAVCA
	Q16055	B1HFPPA00001	TRANSISTOR	1	
	Q16056	B1HFPPA00001	TRANSISTOR	1	
	Q16101	2SK399500L	FET	1	
	Q16102	2SK399500L	FET	1	
	Q16141	B1HFPPA00001	TRANSISTOR	1	
	Q16161	B1HFPPA00001	TRANSISTOR	1	
	Q16191	B1HFPPA00001	TRANSISTOR	1	
	Q16251	2SD0601ARL	TRANSISTOR	1	
	Q16280	2SD0601ARL	TRANSISTOR	1	
	Q16402	2PG0110000RP	TRANSISTOR	1	
	Q16403	2PG0110000RP	TRANSISTOR	1	
	Q16404	2PG0110000RP	TRANSISTOR	1	
	Q16422	B1JAEP000004	TRANSISTOR	1	
	Q16423	B1JAEP000004	TRANSISTOR	1	
	Q16424	B1JAEP000004	TRANSISTOR	1	
	Q16441	B1JAEP000007	TRANSISTOR	1	
	Q16452	B1JAEP000006	TRANSISTOR	1	
	Q16471	B1ABCF000231	TRANSISTOR	1	
	Q16490	B1CBGD000001	FET	1	
	Q16501	B1HFPPA00001	TRANSISTOR	1	
	Q16502	B1HFPPA00001	TRANSISTOR	1	
	Q16521	B1HFPPA00001	TRANSISTOR	1	
	Q16522	B1HFPPA00001	TRANSISTOR	1	
	Q16531	B1HFPPA00001	TRANSISTOR	1	
	Q16551	B1HFPPA00001	TRANSISTOR	1	
	Q16601	B1CERR000025	FET	1	
	Q16602	2SD0601AQL	TRANSISTOR	1	
	Q16603	2SB0709ASL	TRANSISTOR	1	
	Q16604	B1CHPM000001	FET	1	
	Q16606	2SD0601AQL	TRANSISTOR	1	
	Q16607	B1CBGD000001	FET	1	
	Q16608	B1CBGD000001	FET	1	
	Q16621	B1JADN000004	TRANSISTOR	1	
	Q16623	B1JADN000004	TRANSISTOR	1	
	Q16624	2SB0709ASL	TRANSISTOR	1	
	Q16645	2SD0601AQL	TRANSISTOR	1	
	Q16646	2SB0709ASL	TRANSISTOR	1	
	Q16647	B1CBGD000001	FET	1	
	Q16649	B1ABCN000007	TRANSISTOR	1	
	Q16660	B1CERR000025	FET	1	
	Q16661	B1JAER000003	TRANSISTOR	1	
	Q16662	2SD0601AQL	TRANSISTOR	1	
	Q16663	2SB0709ASL	TRANSISTOR	1	
	Q16667	2SB0709ARL	TRANSISTOR	1	
	Q16668	2SD0601AQL	TRANSISTOR	1	
	Q16670	B1ADCN000007	TRANSISTOR	1	
	Q16671	B1ABCF000231	TRANSISTOR	1	
	Q16675	B1ADCN000007	TRANSISTOR	1	



Safety	Ref. No.	Part No.	Part Name & Description	Pcs	Remarks
	Q16676	B1ABCF000231	TRANSISTOR	1	
	Q16677	2SD0601AQL	TRANSISTOR	1	
	Q16678	B1ABCF000231	TRANSISTOR	1	
	Q16701	B1ADCN000007	TRANSISTOR	1	
	Q16702	B1ABCF000231	TRANSISTOR	1	
	Q16743	2SD0601ARL	TRANSISTOR	1	
	Q16762	B1HFFFA00001	TRANSISTOR	1	
	Q16801	B1ADCN000007	TRANSISTOR	1	
	Q16810	B1ABCF000231	TRANSISTOR	1	
	Q16815	B1ABCN000007	TRANSISTOR	1	
	Q16816	2SD0601AQL	TRANSISTOR	1	
	Q16817	B1CBGD000001	FET	1	
	Q16818	B1CBGD000001	FET	1	
	Q16874	B1CBGD000001	FET	1	
	Q16875	B1ABCF000231	TRANSISTOR	1	
	Q16876	B1ABCF000231	TRANSISTOR	1	
	Q16882	B1ABCF000231	TRANSISTOR	1	
	Q16884	2SD0601ARL	TRANSISTOR	1	
	Q16920	B1ABCN000007	TRANSISTOR	1	
	R1145	ERJ2GEJ471	M 470 OHM, J,0.063W	1	
	R1164	ERJ2GEJ101	M 100 OHM, J,0.063W	1	
	R1165	ERJ2GEJ222	M 2.2KOHM, J,0.063W	1	
	R1166	ERJ2GEJ750	M 75 OHM, J,0.063W	1	
	R1167	ERJ2GEJ474	M 470KOHM, J,0.063W	1	
	R1168	ERJ2GEJ103	M 10KOHM, J,0.063W	1	
	R1169	ERJ2GEJ472	M 4.7KOHM, J,0.063W	1	
	R1170	ERJ2GEJ103	M 10KOHM, J,0.063W	1	
	R1171	ERJ2GEJ333	M 33KOHM, J,0.063W	1	
	R1172	ERJ2GEJ223	M 22KOHM, J,0.063W	1	
	R1173	ERJ2GEJ473	M 47KOHM, J,0.063W	1	
	R1174	ERJ2GEJ473	M 47KOHM, J,0.063W	1	
	R1175	ERJ2GEJ223	M 22KOHM, J,0.063W	1	
	R1176	ERJ2GEJ393	M 39KOHM, J,0.063W	1	
	R1177	ERJ2GEJ101	M 100 OHM, J,0.063W	1	
	R1180	ERJ2GEJ472	M 4.7KOHM, J,0.063W	1	
	R1182	ERJ2GEJ472	M 4.7KOHM, J,0.063W	1	
	R1183	ERJ2GEJ472	M 4.7KOHM, J,0.063W	1	
	R1184	ERJ2GEJ472	M 4.7KOHM, J,0.063W	1	
	R1185	ERJ2GEJ101	M 100 OHM, J,0.063W	1	
	R1186	ERJ2GEJ101	M 100 OHM, J,0.063W	1	
	R1188	ERJ2GEJ103	M 10KOHM, J,0.063W	1	
	R1189	ERJ2GEJ101	M 100 OHM, J,0.063W	1	
	R1190	ERJ2GED273X	M 27KOHM, J,0.063W	1	
	R1191	ERJ2GEJ101	M 100 OHM, J,0.063W	1	
	R1192	ERJ2GEJ101	M 100 OHM, J,0.063W	1	
	R1193	ERJ2GEJ472	M 4.7KOHM, J,0.063W	1	
	R1195	DOYAR0000007	M 0 OHM 1/4W	1	
	R1197	ERJ2GEJ473	M 47KOHM, J,0.063W	1	
	R1198	ERJ2GEJ472	M 4.7KOHM, J,0.063W	1	

Safety	Ref. No.	Part No.	Part Name & Description	Pcs	Remarks
	R1200	ERJ2GEJ472	M 4.7KOHM, J,0.063W	1	
	R1201	ERJ2GEJ472	M 4.7KOHM, J,0.063W	1	
	R1202	ERJ2GEJ222	M 2.2KOHM, J,0.063W	1	
	R1203	ERJ2GEJ222	M 2.2KOHM, J,0.063W	1	
	R1205	ERJ2GEJ473	M 47KOHM, J,0.063W	1	
	R1209	ERJ2GEJ472	M 4.7KOHM, J,0.063W	1	
	R1210	ERJ2GEJ101	M 100 OHM, J,0.063W	1	
	R1211	ERJ2GEJ683	M 68KOHM, J,0.063W	1	
	R1212	ERJ2GEJ473	M 47KOHM, J,0.063W	1	
	R1213	ERJ2GEJ683	M 68KOHM, J,0.063W	1	
	R1214	ERJ2GEJ333	M 33KOHM, J,0.063W	1	
	R1216	ERJ2GEJ473	M 47KOHM, J,0.063W	1	
	R1218	ERJ2GEJ222	M 2.2KOHM, J,0.063W	1	
	R1220	ERJ2GEJ103	M 10KOHM, J,0.063W	1	
	R1222	ERJ2GEJ473	M 47KOHM, J,0.063W	1	
	R1223	ERJ2GEJ102X	M 1K OHM J 1/4W	1	
	R1224	ERJ2GEJ473	M 47KOHM, J,0.063W	1	
	R1225	ERJ2GEJ102X	M 1K OHM J 1/4W	1	
	R1226	ERJ2GEJ102X	M 1K OHM J 1/4W	1	
	R1227	D1BB7151A055	M7.15KOHM, 1/10W	1	
	R1228	ERJ2GEJ104	M 100KOHM, J,0.063W	1	
	R1230	ERJ2GEJ101	M 100 OHM, J,0.063W	1	
	R1231	ERJ2GEJ472	M 4.7KOHM, J,0.063W	1	
	R1232	ERJ2GEJ472	M 4.7KOHM, J,0.063W	1	
	R1233	ERJ2GEJ472	M 4.7KOHM, J,0.063W	1	
	R1235	ERJ2GEJ472	M 4.7KOHM, J,0.063W	1	
	R1236	ERJ2GEJ101	M 100 OHM, J,0.063W	1	
	R1237	ERJ2GEJ222	M 2.2KOHM, J,0.063W	1	
	R1238	ERJ2GEJ473	M 47KOHM, J,0.063W	1	
	R1239	ERJ2GEJ104	M 100KOHM, J,0.063W	1	
	R1240	ERJ2GEJ472	M 4.7KOHM, J,0.063W	1	
	R2061	ERJ2GEJ101	M 100 OHM, J,0.063W	1	
	R2100	ERJ2GEJ471	M 470 OHM, J,0.063W	1	
	R2101	ERJ2GEJ471	M 470 OHM, J,0.063W	1	
	R2102	D1BB2212A055	M22.1KOHM, 1/10W	1	PAVCA
	R2109	DOGBR00Z0002	M 0 OHM J 1/16W	1	
	R2113	D1BA1822A014	M18.2KOHM, 1/10W	1	PAVCA
	R2114	ERJ2GEJ103	M 10KOHM, J,0.063W	1	
	R2118	ERJ8GEYJ3R3V	M 3.3 OHM, J,1/ 8W	1	
	R2119	ERJ8GEYJ3R3V	M 3.3 OHM, J,1/ 8W	1	
	R2120	ERJ8GEYJ3R3V	M 3.3 OHM, J,1/ 8W	1	
	R2121	ERJ8GEYJ3R3V	M 3.3 OHM, J,1/ 8W	1	
	R2125	ERJ2GEJ220	M 22 OHM, J,0.063W	1	

Safety	Ref. No.	Part No.	Part Name & Description	Pcs	Remarks
	R2126	ERJ2GEJ220	M 22 OHM, J,0.063W	1	
	R2127	ERJ2GEJ101	M 100 OHM, J,0.063W	1	
	R2128	ERJ2RKD330	M 33 OHM, J, 2W	1	
	R2129	ERJ2GEJ101	M 100 OHM, J,0.063W	1	
	R2130	D0YAR0000007	M 0 OHM 1/4W	1	
	R2131	ERJ2GEJ101	M 100 OHM, J,0.063W	1	
	R2132	ERJ2GEJ101	M 100 OHM, J,0.063W	1	
	R2136	ERJ2GEJ221	M 220 OHM, J,0.063W	1	
	R2137	ERJ2GEJ331	M 330 OHM, J,0.063W	1	
	R2139	ERJ2GEJ680	M 68 OHM, J,0.063W	1	
	R2140	ERJ2GEJ101	M 100 OHM, J,0.063W	1	
	R2202	ERJ2GEJ153	M 15KOHM, J,0.063W	1	
	R2203	ERJ2GEJ153	M 15KOHM, J,0.063W	1	
	R2204	ERJ2GEJ153	M 15KOHM, J,0.063W	1	
	R2205	ERJ2GEJ153	M 15KOHM, J,0.063W	1	
	R2206	ERJ2GEJ223	M 22KOHM, J,0.063W	1	
	R2207	ERJ2GEJ223	M 22KOHM, J,0.063W	1	
	R2208	ERJ2GEJ102X	M 1K OHM J 1/4W	1	
	R2209	ERJ2GEJ102X	M 1K OHM J 1/4W	1	
	R2513	D1BB5601A055	M 5.6KOHM, 1/10W	1	
	R2516	ERJ3GEYJ223	M 22KOHM, J,1/16W	1	
	R2517	ERJ6GEYJ470V	M 47 OHM, J,1/10W	1	
	R2520	ERJ3GEYJ224	M 220KOHM, J,1/16W	1	
	R2524	ERJ3GEYJ223	M 22KOHM, J,1/16W	1	
	R2525	ERJ3GEYJ821	M820 OHM, J,1/16W	1	
	R2542	D0GB473JA057	M 47KOHM, J,1/16W	1	
	R2557	ERJ3GEYJ562	M 5.6KOHM, J,1/16W	1	
	R3058	ERJ2GEJ221	M 220 OHM, J,0.063W	1	
	R3059	ERJ2GEJ221	M 220 OHM, J,0.063W	1	
	R3062	ERJ2GEJ221	M 220 OHM, J,0.063W	1	
	R3066	D1BB75R0A055	M 75 OHM, 1/10W	1	
	R3067	ERJ2GEJ221	M 220 OHM, J,0.063W	1	
	R3068	ERJ2GEJ221	M 220 OHM, J,0.063W	1	
	R3074	ERJ2GEJ220	M 22 OHM, J,0.063W	1	
	R3075	ERJ2GEJ220	M 22 OHM, J,0.063W	1	
	R3081	ERJ2GEJ221	M 220 OHM, J,0.063W	1	
	R3082	ERJ2GEJ221	M 220 OHM, J,0.063W	1	
	R3083	ERJ2GEJ221	M 220 OHM, J,0.063W	1	
	R3084	ERJ2GEJ221	M 220 OHM, J,0.063W	1	
	R3085	ERJ2GEJ221	M 220 OHM, J,0.063W	1	
	R3086	ERJ2GEJ221	M 220 OHM, J,0.063W	1	
	R3087	ERJ2GEJ221	M 220 OHM, J,0.063W	1	
	R3088	ERJ2GEJ221	M 220 OHM, J,0.063W	1	
	R3089	ERJ2GEJ221	M 220 OHM, J,0.063W	1	
	R3090	ERJ2GEJ221	M 220 OHM, J,0.063W	1	

Safety	Ref. No.	Part No.	Part Name & Description	Pcs	Remarks
	R3095	ERJ2GEJ680	M 68 OHM, J,0.063W	1	
	R3096	ERJ2GEJ680	M 68 OHM, J,0.063W	1	
	R3097	ERJ2GEJ680	M 68 OHM, J,0.063W	1	
	R3098	ERJ2GEJ680	M 68 OHM, J,0.063W	1	
	R3099	ERJ2GEJ680	M 68 OHM, J,0.063W	1	
	R3107	ERJ2GEJ680	M 68 OHM, J,0.063W	1	
	R3113	D0GDR00Z0002	M 0 OHM, 1/10W	1	
	R3114	ERJ2GEJ101	M 100 OHM, J,0.063W	1	
	R3115	D0GDR00Z0002	M 0 OHM, 1/10W	1	
	R3116	ERJ2GEJ101	M 100 OHM, J,0.063W	1	
	R3117	ERJ6GEYJ472V	M 4.7K OHM J 1/10W	1	
	R3118	ERJ6GEYJ472V	M 4.7K OHM J 1/10W	1	
	R3119	D1BB75R0A055	M 75 OHM, 1/10W	1	
	R3120	D0GDR00Z0002	M 0 OHM, 1/10W	1	
	R3121	D1BB75R0A055	M 75 OHM, 1/10W	1	
	R3122	D0GDR00Z0002	M 0 OHM, 1/10W	1	
	R3125	D1BB75R0A055	M 75 OHM, 1/10W	1	
	R3126	D0GDR00Z0002	M 0 OHM, 1/10W	1	
	R3127	ERJ2GEJ680	M 68 OHM, J,0.063W	1	
	R3128	ERJ2GEJ680	M 68 OHM, J,0.063W	1	
	R3129	ERJ2GEJ680	M 68 OHM, J,0.063W	1	
	R3189	D1BB75R0A055	M 75 OHM, 1/10W	1	
	R3190	D0GB393JA041	M 39KOHM, J,1/16W	1	
	R3191	D0GB393JA041	M 39KOHM, J,1/16W	1	
	R3192	D0GB393JA041	M 39KOHM, J,1/16W	1	
	R3193	D0GB393JA041	M 39KOHM, J,1/16W	1	
	R3194	D1BB75R0A055	M 75 OHM, 1/10W	1	
	R3198	D1BB75R0A055	M 75 OHM, 1/10W	1	
	R3199	D1BB75R0A055	M 75 OHM, 1/10W	1	
	R3202	D0GB393JA041	M 39KOHM, J,1/16W	1	
	R3203	D1BB75R0A055	M 75 OHM, 1/10W	1	
	R3204	D0GB393JA041	M 39KOHM, J,1/16W	1	
	R3208	D1BB75R0A055	M 75 OHM, 1/10W	1	
	R3209	D1BB75R0A055	M 75 OHM, 1/10W	1	
	R3211	D1BB75R0A055	M 75 OHM, 1/10W	1	
	R3212	D1BB75R0A055	M 75 OHM, 1/10W	1	
	R3570	D0GDR00Z0002	M 0 OHM, 1/10W	1	
	R3571	D0GDR00Z0002	M 0 OHM, 1/10W	1	
	R3716	ERJ2GEJ393	M 39KOHM, J,0.063W	1	
	R3717	ERJ2GEJ393	M 39KOHM, J,0.063W	1	
	R3765	ERJ6GEY0R00V	M 0 OHM J 1/10W	1	
	R3771	ERJ6ENF2102	M 21KOHM, 1/10W	1	
	R3772	D1BD1741A044	M1.74KOHM, 1/10W	1	
	R3773	D1BD1621A044	M1.62KOHM, 1/10W	1	PAVCA
	R3774	D1BD2321A044	M2.32KOHM, 1/10W	1	PAVCA
	R3775	D1BD3161A044	M3.16KOHM, 1/10W	1	PAVCA
	R4006	ERJ2GEJ220	M 22 OHM, J,0.063W	1	
	R4079	EXB2HV680J	RESISTOR ARRAY	1	
	R4081	EXB2HV680J	RESISTOR ARRAY	1	
	R4089	EXB2HV680J	RESISTOR ARRAY	1	
	R4090	EXB2HV680J	RESISTOR ARRAY	1	
	R4091	EXB2HV680J	RESISTOR ARRAY	1	
	R4092	EXB2HV472JV	RESISTOR ARRAY	1	PAVCA
	R4093	EXB2HV472JV	RESISTOR ARRAY	1	PAVCA
	R4097	ERJ2GEJ472	M 4.7KOHM, J,0.063W	1	
	R4098	ERJ2GEJ472	M 4.7KOHM, J,0.063W	1	
	R4099	ERJ2GEJ472	M 4.7KOHM, J,0.063W	1	

Safety	Ref. No.	Part No.	Part Name & Description	Pcs	Remarks
	R4102	ERJ2GEJ153	M 15KOHM, J, 0.063W	1	
	R4131	ERJ2GEJ220	M 22 OHM, J, 0.063W	1	
	R4132	ERJ2GEJ220	M 22 OHM, J, 0.063W	1	
	R4177	EXB38V220JV	RESISTOR ARRAY	1	
	R4178	EXB38V220JV	RESISTOR ARRAY	1	
	R4233	ERJ2GEJ220	M 22 OHM, J, 0.063W	1	
	R4236	ERJ2GEJ220	M 22 OHM, J, 0.063W	1	
	R4237	ERJ2GEJ220	M 22 OHM, J, 0.063W	1	
	R4504	ERJ2GEJ102X	M 1K OHM J 1/4W	1	
	R4505	ERJ2GEJ102X	M 1K OHM J 1/4W	1	
	R4538	ERJ2GEJ473	M 47KOHM, J, 0.063W	1	
	R4540	ERJ2GEJ473	M 47KOHM, J, 0.063W	1	
	R4546	ERJ2GEJ103	M 10KOHM, J, 0.063W	1	
	R4547	ERJ2GEJ103	M 10KOHM, J, 0.063W	1	
	R4567	D1BB4701A055	M 4.7KOHM, 1/10W	1	
	R4570	DOYAR0000007	M 0 OHM 1/4W	1	
	R4587	ERJ3EKF5601	M 5.6KOHM, 1/16W	1	
	R4588	ERJ2GEJ103	M 10KOHM, J, 0.063W	1	
	R4589	ERJ2GEJ103	M 10KOHM, J, 0.063W	1	
	R4592	ERJ2GEJ103	M 10KOHM, J, 0.063W	1	
	R4593	ERJ2GED273X	M 27KOHM, J, 0.063W	1	
	R4596	ERJ2GEJ221	M 220 OHM, J, 0.063W	1	
	R4597	ERJ2GEJ221	M 220 OHM, J, 0.063W	1	
	R4598	ERJ2GEJ221	M 220 OHM, J, 0.063W	1	
	R4600	ERJ2GEJ473	M 47KOHM, J, 0.063W	1	
	R4601	ERJ2GEJ102X	M 1K OHM J 1/4W	1	
	R4604	ERJ2GEJ103	M 10KOHM, J, 0.063W	1	
	R4606	ERJ2GEJ472	M 4.7KOHM, J, 0.063W	1	
	R4607	ERJ2GEJ473	M 47KOHM, J, 0.063W	1	
	R4609	ERJ2GEJ473	M 47KOHM, J, 0.063W	1	
	R4610	ERJ2GEJ473	M 47KOHM, J, 0.063W	1	
	R4611	ERJ2GEJ473	M 47KOHM, J, 0.063W	1	
	R4612	ERJ2GEJ472	M 4.7KOHM, J, 0.063W	1	
	R4613	ERJ2RKF1001	M 1KOHM, 0.063W	1	
	R4615	ERJ2GEJ103	M 10KOHM, J, 0.063W	1	
	R4616	ERJ2RKF1001	M 1KOHM, 0.063W	1	
	R4617	ERJ2GEJ103	M 10KOHM, J, 0.063W	1	
	R4621	ERJ2GEJ103	M 10KOHM, J, 0.063W	1	
	R4623	ERJ2GED563X	M 56KOHM, J, 0.063W	1	
	R4624	ERJ2GEJ223	M 22KOHM, J, 0.063W	1	
	R4625	ERJ2GEJ223	M 22KOHM, J, 0.063W	1	
	R4626	ERJ2GEJ221	M 220 OHM, J, 0.063W	1	
	R4627	ERJ2GEJ221	M 220 OHM, J, 0.063W	1	
	R4628	ERJ2GEJ223	M 22KOHM, J, 0.063W	1	
	R4634	ERJ2GEJ221	M 220 OHM, J, 0.063W	1	

Safety	Ref. No.	Part No.	Part Name & Description	Pcs	Remarks
	R4640	ERJ2GEJ472	M 4.7KOHM, J, 0.063W	1	
	R4734	ERJ2GEJ102X	M 1K OHM J 1/4W	1	
	R4742	D1BB2001A055	M 2KOHM, 1/10W	1	
	R4743	D1BB2001A055	M 2KOHM, 1/10W	1	
	R4821	ERJ2GEJ103	M 10KOHM, J, 0.063W	1	
	R5070	ERJ2GEJ103	M 10KOHM, J, 0.063W	1	
	R5137	ERJ2GEJ103	M 10KOHM, J, 0.063W	1	
	R5188	ERJ2GEJ471	M 470 OHM, J, 0.063W	1	
	R5503	D1BB1003A055	M 100KOHM, 1/10W	1	
	R5504	D1BB3401A055	M 3.4KOHM, 1/10W	1	
	R5505	ERJ6GEYJ153V	M 15KOHM, J, 1/10W	1	
	R5506	D1BB3902A055	M 39KOHM, 1/10W	1	
	R5535	ERJ2GEJ223	M 22KOHM, J, 0.063W	1	
	R5536	ERJ2GEJ473	M 47KOHM, J, 0.063W	1	
	R5537	ERJ2GEJ152	M 1.5KOHM, J, 0.063W	1	
	R5538	ERJ2GEJ222	M 2.2KOHM, J, 0.063W	1	
	R5540	ERJ2GEJ471	M 470 OHM, J, 0.063W	1	
	R5542	ERJ2GEJ471	M 470 OHM, J, 0.063W	1	
	R5544	ERJ2GEJ471	M 470 OHM, J, 0.063W	1	
	R5635	ERJ2GEJ223	M 22KOHM, J, 0.063W	1	
	R5636	ERJ2GEJ683	M 68KOHM, J, 0.063W	1	
	R5638	ERJ2GEJ103	M 10KOHM, J, 0.063W	1	
	R5641	ERJ2GEJ473	M 47KOHM, J, 0.063W	1	
	R5644	ERJ2GEJ222	M 2.2KOHM, J, 0.063W	1	
	R5646	ERJ2GEJ103	M 10KOHM, J, 0.063W	1	
	R5647	ERJ2GEJ473	M 47KOHM, J, 0.063W	1	
	R5648	ERJ2GEJ103	M 10KOHM, J, 0.063W	1	
	R5650	ERJ2GEJ473	M 47KOHM, J, 0.063W	1	
	R5651	ERJ2GEJ683	M 68KOHM, J, 0.063W	1	
	R5652	ERJ2GEJ104	M 100KOHM, J, 0.063W	1	
	R5662	ERJ2GEJ103	M 10KOHM, J, 0.063W	1	
	R5664	ERJ2GEJ105	M 1MOHM, J, 0.063W	1	
	R5665	ERJ2GEJ101	M 100 OHM, J, 0.063W	1	
	R5666	ERJ2GEJ471	M 470 OHM, J, 0.063W	1	
	R5667	ERJ2GEJ101	M 100 OHM, J, 0.063W	1	
	R5669	D1BB1602A055	M 16KOHM, 1/10W	1	
	R5670	D1BB4752A055	M47.5KOHM, 1/10W	1	
	R5671	D1BB2702A055	M 27KOHM, 1/10W	1	
	R5672	ERJ2GEJ5R6X	M 5.6 OHM, J, 0.063W	1	
	R5673	ERJ2GEJ680	M 68 OHM, J, 0.063W	1	
	R5674	D1BB6981A055	M6.98KOHM, 1/10W	1	PAVCA
	R5675	D1BB4302A055	M 43KOHM, 1/10W	1	
	R5676	D1BB5602A055	M 56KOHM, 1/10W	1	
	R5677	D1BB2702A055	M 27KOHM, 1/10W	1	
	R5678	D1BB1602A055	M 16KOHM, 1/10W	1	
	R5679	D1BB1602A055	M 16KOHM, 1/10W	1	
	R5680	ERJ2GEJ5R6X	M 5.6 OHM, J, 0.063W	1	
	R5681	ERJ6GEYJ102V	M 1K OHM J 1/10W	1	

Safety	Ref. No.	Part No.	Part Name & Description	Pcs	Remarks
	R5682	ERJ6GEYJ102V	M 1K OHM J 1/10W	1	
	R5700	D1BB8202A055	M 82KOHM, 1/10W	1	PAVCA
	R5701	D1BB1332A055	M13.3KOHM, 1/10W	1	PAVCA
	R5702	D1BB1602A055	M 16KOHM, 1/10W	1	
	R5782	ERJ3GEYJ390	M 39 OHM, J, 1/16W	1	
	R5783	D1BB1371A055	M1.37KOHM, 1/10W	1	PAVCA
	R5785	D1BB1432A055	M14.3KOHM, 1/10W	1	PAVCA
	R5786	ERJ2GEJ562	M 5.6KOHM, J, 0.063W	1	
	R5787	D1BB1500A055	M 150 OHM, 1/10W	1	PAVCA
	R5790	DOYAR0000007	M 0 OHM 1/4W	1	
	R5792	ERJ2GEJ472	M 4.7KOHM, J, 0.063W	1	
	R5793	ERJ2GEJ472	M 4.7KOHM, J, 0.063W	1	
	R5796	ERJ2GEJ472	M 4.7KOHM, J, 0.063W	1	
	R5797	ERJ2GEJ471	M 470 OHM, J, 0.063W	1	
	R8026	ERJ2RKF91R0X	M 249 OHM, 0.063W	1	PAVCA
	R8027	ERJ2RKF91R0X	M 249 OHM, 0.063W	1	PAVCA
	R8031	D1BB1002A055	M 10KOHM, 1/10W	1	
	R8032	D1BB1002A055	M 10KOHM, 1/10W	1	
	R8056	ERJ2RKF91R0X	M 249 OHM, 0.063W	1	PAVCA
	R8057	ERJ2RKF91R0X	M 249 OHM, 0.063W	1	PAVCA
	R8058	ERJ2RKF91R0X	M 249 OHM, 0.063W	1	PAVCA
	R8059	ERJ2RKF91R0X	M 249 OHM, 0.063W	1	PAVCA
	R8060	ERJ2RKF91R0X	M 249 OHM, 0.063W	1	PAVCA
	R8061	ERJ2RKF91R0X	M 249 OHM, 0.063W	1	PAVCA
	R8062	ERJ2RKF91R0X	M 249 OHM, 0.063W	1	PAVCA
	R8063	ERJ2RKF91R0X	M 249 OHM, 0.063W	1	PAVCA
	R8064	ERJ2RKF91R0X	M 249 OHM, 0.063W	1	PAVCA
	R8065	ERJ2RKF91R0X	M 249 OHM, 0.063W	1	PAVCA
	R8066	ERJ2RKF91R0X	M 249 OHM, 0.063W	1	PAVCA
	R8067	ERJ2RKF91R0X	M 249 OHM, 0.063W	1	PAVCA
	R8068	ERJ2RKF91R0X	M 249 OHM, 0.063W	1	PAVCA
	R8069	ERJ2RKF91R0X	M 249 OHM, 0.063W	1	PAVCA
	R8070	ERJ2RKF91R0X	M 249 OHM, 0.063W	1	PAVCA
	R8072	ERJ2RKF91R0X	M 249 OHM, 0.063W	1	PAVCA
	R8073	ERJ2RKF91R0X	M 249 OHM, 0.063W	1	PAVCA
	R8075	ERJ2RKF91R0X	M 249 OHM, 0.063W	1	PAVCA
	R8095	ERJ2GEJ473	M 47KOHM, J, 0.063W	1	
	R8096	ERJ2GEJ472	M 4.7KOHM, J, 0.063W	1	
	R8097	ERJ2GEJ472	M 4.7KOHM, J, 0.063W	1	
	R8098	ERJ2GEJ472	M 4.7KOHM, J, 0.063W	1	
	R8099	ERJ2GEJ222	M 2.2KOHM, J, 0.063W	1	
	R8100	ERJ2RKF91R0X	M 249 OHM, 0.063W	1	PAVCA
	R8101	ERJ2RKF91R0X	M 249 OHM, 0.063W	1	PAVCA
	R8102	ERJ2GEJ222	M 2.2KOHM, J, 0.063W	1	
	R8113	ERJ2GEJ470	M 47 OHM, J, 0.063W	1	

Safety	Ref. No.	Part No.	Part Name & Description	Pcs	Remarks
	R8115	D1BB3010A055	M 301 OHM, 1/10W	1	PAVCA
	R8116	ERJ3EKF73R2V	M73.2 OHM, , 0.063W	1	PAVCA
	R8117	ELJRF10NJFB	INDUCTION COIL	1	
	R8118	ERJ2GEJ122	M 1.2KOHM, J, 0.063W	1	
	R8119	ERJ2GEJ222	M 2.2KOHM, J, 0.063W	1	
	R8120	ERJ2GEJ102X	M 1K OHM J 1/4W	1	
	R8121	ERJ2GEJ274	M 270KOHM, J, 0.063W	1	
	R8122	ERJ2GEJ152	M 1.5KOHM, J, 0.063W	1	
	R8123	ERJ2GEJ122	M 1.2KOHM, J, 0.063W	1	
	R8124	ERJ2GEJ472	M 4.7KOHM, J, 0.063W	1	
	R8125	ERJ2GEJ104	M 100KOHM, J, 0.063W	1	
	R8126	ERJ2GEJ103	M 10KOHM, J, 0.063W	1	
	R8129	ERJ2GEJ103	M 10KOHM, J, 0.063W	1	
	R8130	ERJ2GEJ470	M 47 OHM, J, 0.063W	1	
	R8131	ERJ2GEJ470	M 47 OHM, J, 0.063W	1	
	R8134	ERJ2RKF91R0X	M 249 OHM, 0.063W	1	PAVCA
	R8135	ERJ2GEJ470	M 47 OHM, J, 0.063W	1	
	R8137	ERJ2GEJ105	M 1MOHM, J, 0.063W	1	
	R8138	DOYAR0000007	M 0 OHM 1/4W	1	
	R8139	ERJ2RKF6340X	M 634 OHM, 0.063W	1	PAVCA
	R8141	ERJ2RKF1400X	M 140 OHM, 0.063W	1	PAVCA
	R8147	ERJ2GEJ103	M 10KOHM, J, 0.063W	1	
	R8148	ERJ2GEJ103	M 10KOHM, J, 0.063W	1	
	R8149	ERJ2GEJ104	M 100KOHM, J, 0.063W	1	
	R8150	ERJ2RKF1500X	M 150 OHM, 0.063W	1	PAVCA
	R8153	ERJ2GEJ103	M 10KOHM, J, 0.063W	1	
	R8154	ERJ2GEJ220	M 22 OHM, J, 0.063W	1	
	R8167	ERJ2GEJ220	M 22 OHM, J, 0.063W	1	
	R8302	ERJ2GEJ470	M 47 OHM, J, 0.063W	1	
	R8303	ERJ2GEJ470	M 47 OHM, J, 0.063W	1	
	R8304	DOYAR0000007	M 0 OHM 1/4W	1	
	R8312	ERJ2GEJ221	M 220 OHM, J, 0.063W	1	
	R8315	ERJ2GEJ102X	M 1K OHM J 1/4W	1	
	R8336	DOYAR0000007	M 0 OHM 1/4W	1	
	R8337	DOYAR0000007	M 0 OHM 1/4W	1	
	R8338	DOYAR0000007	M 0 OHM 1/4W	1	
	R8339	DOYAR0000007	M 0 OHM 1/4W	1	
	R8341	D0GDR00Z0002	M 0 OHM, 1/10W	1	
	R8512	ERJ2GEJ472	M 4.7KOHM, J, 0.063W	1	
	R8515	EXB28V330J	RESISTOR ARRAY	1	
	R8516	EXB28V330J	RESISTOR ARRAY	1	
	R8517	ERJ2GEJ680	M 68 OHM, J, 0.063W	1	
	R8519	ERJ2GEJ680	M 68 OHM, J, 0.063W	1	
	R8520	ERJ2GEJ680	M 68 OHM, J, 0.063W	1	
	R8529	ERJ2RKD330	M 33 OHM, J, 2W	1	
	R8533	ERJ2GEJ103	M 10KOHM, J, 0.063W	1	

Safety	Ref. No.	Part No.	Part Name & Description	Pcs	Remarks
	R8534	ERJ2GEJ103	M 10KOHM, J,0.063W	1	
	R8552	ERJ2GEJ182	M 1.8KOHM, J,0.063W	1	
	R8553	ERJ2GEJ182	M 1.8KOHM, J,0.063W	1	
	R8556	ERJ2GEJ472	M 4.7KOHM, J,0.063W	1	
	R8557	ERJ2GEJ472	M 4.7KOHM, J,0.063W	1	
	R8558	ERJ2GEJ472	M 4.7KOHM, J,0.063W	1	
	R8573	EXB2HV680J	RESISTOR ARRAY	1	
	R8579	ERJ2GEJ103	M 10KOHM, J,0.063W	1	
	R8580	ERJ2GEJ103	M 10KOHM, J,0.063W	1	
	R8674	EXB2HV103JV	RESISTOR ARRAY	1	
	R8704	ERJ2GEJ101	M 100 OHM, J,0.063W	1	
	R8706	ERJ2GEJ473	M 47KOHM, J,0.063W	1	
	R8707	ERJ2GEJ473	M 47KOHM, J,0.063W	1	
	R9070	ERJ2GEJ103	M 10KOHM, J,0.063W	1	
	R9071	ERJ2GEJ223	M 22KOHM, J,0.063W	1	
	R9072	ERJ2GEJ102X	M 1K OHM J 1/4W	1	
	R9073	ERJ2GEJ472	M 4.7KOHM, J,0.063W	1	
	R9077	D1BB1102A055	M 11KOHM, 1/10W	1	
	R9078	D1BB4302A055	M 43KOHM, 1/10W	1	
	R9079	D1BB2702A055	M 27KOHM, 1/10W	1	
	R9080	D1BB1502A055	M 15KOHM, 1/10W	1	
	R9081	D1BB4702A055	M 47KOHM, 1/10W	1	
	R9083	D0YAR0000007	M 0 OHM 1/4W	1	
	R9084	D0YAR0000007	M 0 OHM 1/4W	1	
	R9085	ERJ2GEJ470	M 47 OHM, J,0.063W	1	
	R9086	ERJ2GEJ470	M 47 OHM, J,0.063W	1	
	R9087	ERJ2GEJ101	M 100 OHM, J,0.063W	1	
	R9088	D1BB1802A055	M 18KOHM, 1/10W	1	
	R9089	D1BB1502A055	M 15KOHM, 1/10W	1	
	R9091	D1BB2702A055	M 27KOHM, 1/10W	1	
	R9092	D1BB1202A055	M 12KOHM, 1/10W	1	
	R9095	ERJ2GEJ103	M 10KOHM, J,0.063W	1	
	R9096	ERJ2GEJ472	M 4.7KOHM, J,0.063W	1	
	R9097	ERJ2GEJ472	M 4.7KOHM, J,0.063W	1	
	R9098	ERJ2GEJ472	M 4.7KOHM, J,0.063W	1	
	R9099	ERJ2GEJ101	M 100 OHM, J,0.063W	1	
	R9100	ERJ2GEJ473	M 47KOHM, J,0.063W	1	
	R9101	ERJ2GEJ333	M 33KOHM, J,0.063W	1	
	R9102	ERJ2GEJ101	M 100 OHM, J,0.063W	1	
	R9103	ERJ2GEJ473	M 47KOHM, J,0.063W	1	
	R9104	ERJ2GEJ472	M 4.7KOHM, J,0.063W	1	
	R9105	ERJ2GEJ103	M 10KOHM, J,0.063W	1	
	R9106	ERJ2GEJ104	M 100KOHM, J,0.063W	1	
	R9107	ERJ2GEJ332	M 3.3KOHM, J,0.063W	1	
	R9108	ERJ2GEJ103	M 10KOHM, J,0.063W	1	
	R9109	ERJ2GEJ103	M 10KOHM, J,0.063W	1	

Safety	Ref. No.	Part No.	Part Name & Description	Pcs	Remarks
	R9110	ERJ2GEJ101	M 100 OHM, J,0.063W	1	
	R9111	D0YAR0000007	M 0 OHM 1/4W	1	
	R9113	ERJ2GEJ104	M 100KOHM, J,0.063W	1	
	R9115	ERJ2GEJ101	M 100 OHM, J,0.063W	1	
	R9116	ERJ2GEJ101	M 100 OHM, J,0.063W	1	
	R9119	EXB38V470J	RESISTOR ARRAY	1	
	R9120	ERJ2GEJ101	M 100 OHM, J,0.063W	1	
	R9121	ERJ2GEJ104	M 100KOHM, J,0.063W	1	
	R9124	ERJ2GEJ470	M 47 OHM, J,0.063W	1	
	R9129	ERJ2GEJ683	M 68KOHM, J,0.063W	1	
	R9130	ERJ2GEJ470	M 47 OHM, J,0.063W	1	
	R9142	ERJ2GEJ101	M 100 OHM, J,0.063W	1	
	R9145	ERJ2GEJ101	M 100 OHM, J,0.063W	1	
	R9149	ERJ2GEJ472	M 4.7KOHM, J,0.063W	1	
	R9152	ERJ2GEJ103	M 10KOHM, J,0.063W	1	
	R9153	ERJ2GEJ103	M 10KOHM, J,0.063W	1	
	R9154	ERJ2RHD272	M 2.7KOHM, J, 2W	1	
	R9155	ERJ2RHD272	M 2.7KOHM, J, 2W	1	
	R9164	ERJ2GEJ103	M 10KOHM, J,0.063W	1	
	R9166	ERJ2GEJ103	M 10KOHM, J,0.063W	1	
	R9187	ERJ2RHD272	M 2.7KOHM, J, 2W	1	
	R9188	ERJ2RHD272	M 2.7KOHM, J, 2W	1	
	R9189	ERJ2GEJ103	M 10KOHM, J,0.063W	1	
	R9202	ERJ2GEJ101	M 100 OHM, J,0.063W	1	
	R9203	ERJ2GEJ223	M 22KOHM, J,0.063W	1	
	R9205	ERJ2GEJ333	M 33KOHM, J,0.063W	1	
	R9206	ERJ2GED563X	M 56KOHM, J,0.063W	1	
	R9207	ERJ2GEJ243	M 24KOHM, J,0.063W	1	
	R9208	EXB2HVR000	RESISTOR ARRAY	1	
	R9209	EXB2HVR000	RESISTOR ARRAY	1	
	R9210	D0GDR00Z0002	M 0 OHM, 1/10W	1	
	R9212	ERJ2GEJ470	M 47 OHM, J,0.063W	1	
	R9213	ERJ2GEJ470	M 47 OHM, J,0.063W	1	
	R9215	ERJ2GEJ104	M 100KOHM, J,0.063W	1	
	R9217	D0YAR0000007	M 0 OHM 1/4W	1	
	R9221	D0GDR00Z0002	M 0 OHM, 1/10W	1	
	R9223	ERJ2RHD272	M 2.7KOHM, J, 2W	1	
	R9225	ERJ2RHD272	M 2.7KOHM, J, 2W	1	
	R9226	D0YAR0000007	M 0 OHM 1/4W	1	
	R9227	D0YAR0000007	M 0 OHM 1/4W	1	
	R9228	ERJ2GEJ470	M 47 OHM, J,0.063W	1	
	R9229	ERJ2GEJ470	M 47 OHM, J,0.063W	1	
	R9234	ERJ2GEJ101	M 100 OHM, J,0.063W	1	
	R9235	ERJ2GEJ101	M 100 OHM, J,0.063W	1	
	R9236	ERJ2GEJ101	M 100 OHM, J,0.063W	1	
	R9237	ERJ2GEJ101	M 100 OHM, J,0.063W	1	
	R9238	ERJ2GEJ101	M 100 OHM, J,0.063W	1	

Safety	Ref. No.	Part No.	Part Name & Description	Pcs	Remarks
	R9239	ERJ2GEJ101	M 100 OHM, J,0.063W	1	
	R9240	ERJ2GEJ101	M 100 OHM, J,0.063W	1	
	R9241	ERJ2GEJ101	M 100 OHM, J,0.063W	1	
	R9242	ERJ2GEJ101	M 100 OHM, J,0.063W	1	
	R9243	ERJ2GEJ101	M 100 OHM, J,0.063W	1	
	R9245	ERJ2GEJ101	M 100 OHM, J,0.063W	1	
	R9246	ERJ2GEJ101	M 100 OHM, J,0.063W	1	
	R9249	ERJ2RHD272	M 2.7KOHM, J, 2W	1	
	R9250	ERJ2RHD272	M 2.7KOHM, J, 2W	1	
	R9369	ERJ2GEJ472	M 4.7KOHM, J,0.063W	1	
	R9370	ERJ2GEJ103	M 10KOHM, J,0.063W	1	
	R9371	ERJ2GEJ104	M 100KOHM, J,0.063W	1	
	R9385	ERJ2GEJ472	M 4.7KOHM, J,0.063W	1	
	R9391	ERJ2GEJ104	M 100KOHM, J,0.063W	1	
	R9401	ERJ2GEJ221	M 220 OHM, J,0.063W	1	
	R9402	ERJ2GEJ470	M 47 OHM, J,0.063W	1	
	R9403	ERJ2GEJ103	M 10KOHM, J,0.063W	1	
	R9404	ERJ2GEJ470	M 47 OHM, J,0.063W	1	
	R9405	ERJ2GEJ470	M 47 OHM, J,0.063W	1	
	R9406	ERJ2GEJ470	M 47 OHM, J,0.063W	1	
	R9407	ERJ2GEJ470	M 47 OHM, J,0.063W	1	
	R9408	ERJ2GEJ470	M 47 OHM, J,0.063W	1	
	R9409	ERJ2GEJ470	M 47 OHM, J,0.063W	1	
	R9410	ERJ2GEJ470	M 47 OHM, J,0.063W	1	
	R9411	ERJ2GEJ470	M 47 OHM, J,0.063W	1	
	R9412	ERJ2GEJ470	M 47 OHM, J,0.063W	1	
	R9413	ERJ2GEJ470	M 47 OHM, J,0.063W	1	
	R9414	ERJ2GEJ470	M 47 OHM, J,0.063W	1	
	R9415	ERJ2GEJ470	M 47 OHM, J,0.063W	1	
	R9416	ERJ2GEJ470	M 47 OHM, J,0.063W	1	
	R9417	ERJ2GEJ470	M 47 OHM, J,0.063W	1	
	R9418	ERJ2GEJ470	M 47 OHM, J,0.063W	1	
	R9419	ERJ2GEJ470	M 47 OHM, J,0.063W	1	
	R9420	ERJ2GEJ470	M 47 OHM, J,0.063W	1	
	R9421	ERJ2GEJ470	M 47 OHM, J,0.063W	1	
	R9422	ERJ2GEJ470	M 47 OHM, J,0.063W	1	
	R9423	ERJ2GEJ470	M 47 OHM, J,0.063W	1	
	R9424	ERJ2GEJ470	M 47 OHM, J,0.063W	1	
	R9425	EXB2HV470JV	RESISTOR ARRAY	1	
	R9426	EXB2HV470JV	RESISTOR ARRAY	1	
	R9578	ERJ2GEJ472	M 4.7KOHM, J,0.063W	1	
	R9586	ERJ2GEJ470	M 47 OHM, J,0.063W	1	

Safety	Ref. No.	Part No.	Part Name & Description	Pcs	Remarks
	R9587	ERJ2GEJ470	M 47 OHM, J,0.063W	1	
	R9592	D0GA103JA015	M 10KOHM, J,1/16W	1	
	R9594	ERJ2GEJ103	M 10KOHM, J,0.063W	1	
	R9598	ERJ2GEJ470	M 47 OHM, J,0.063W	1	
	R9604	ERJ2GEJ103	M 10KOHM, J,0.063W	1	
	R9608	EXB2HV470JV	RESISTOR ARRAY	1	
	R9609	EXB2HV470JV	RESISTOR ARRAY	1	
	R9610	EXB2HV470JV	RESISTOR ARRAY	1	
	R9611	ERJ2GEJ680	M 68 OHM, J,0.063W	1	
	R9616	ERJ2GEJ470	M 47 OHM, J,0.063W	1	
	R9618	ERJ2GEJ331	M 330 OHM, J,0.063W	1	
	R9839	EXB38V101JV	RESISTOR ARRAY	1	
	R9848	EXB2HV470JV	RESISTOR ARRAY	1	
	R9849	EXB2HV470JV	RESISTOR ARRAY	1	
	R9868	ERJ2GEJ104	M 100KOHM, J,0.063W	1	
	R9871	ERJ2GEJ103	M 10KOHM, J,0.063W	1	
	R9872	D1BB1002A055	M 10KOHM, 1/10W	1	
	R9873	ERJ14YJ220U	M 22 OHM, J,1/4W	1	
	R9874	ERJ14YJ220U	M 22 OHM, J,1/4W	1	
	R9893	D1BB5602A055	M 56KOHM, 1/10W	1	
	R9894	D1BB1802A055	M 18KOHM, 1/10W	1	
	R9897	ERJ2GEJ103	M 10KOHM, J,0.063W	1	
	R9898	ERJ2GEJ103	M 10KOHM, J,0.063W	1	
	R9899	ERJ2GEJ103	M 10KOHM, J,0.063W	1	
	R9900	ERJ14YJ220U	M 22 OHM, J,1/4W	1	
	R9902	ERJ14YJ220U	M 22 OHM, J,1/4W	1	
	R9966	ERJ2GEJ471	M 470 OHM, J,0.063W	1	
	R9967	ERJ2GEJ470	M 47 OHM, J,0.063W	1	
	R9968	ERJ2GEJ470	M 47 OHM, J,0.063W	1	
	R9969	ERJ2GEJ470	M 47 OHM, J,0.063W	1	
	R9970	ERJ2GEJ470	M 47 OHM, J,0.063W	1	
	R9975	ERJ2GEJ470	M 47 OHM, J,0.063W	1	
	R9977	ERJ2GEJ470	M 47 OHM, J,0.063W	1	
	R9983	ERJ2GEJ470	M 47 OHM, J,0.063W	1	
	R9987	ERJ2GEJ470	M 47 OHM, J,0.063W	1	
	R9988	ERJ2GEJ470	M 47 OHM, J,0.063W	1	
	R9989	ERJ2GEJ470	M 47 OHM, J,0.063W	1	
	R9996	ERJ2RKF1001	M 1KOHM, 0.063W	1	
	R9997	ERJ2RKF1001	M 1KOHM, 0.063W	1	
	R9998	ERJ2GEJ221	M 220 OHM, J,0.063W	1	
	R9999	ERJ2GEJ103	M 10KOHM, J,0.063W	1	
	R10000	ERJ2RKF75R0	M 75 OHM, , 0.063W	1	
	R10001	ERJ2GEJ301	M 300 OHM, J,0.063W	1	
	R16001	D0GF7R5JA047	M 7.5 OHM, J, 0.33W	1	
	R16002	D0GF7R5JA047	M 7.5 OHM, J, 0.33W	1	
	R16004	D0GF7R5JA047	M 7.5 OHM, J, 0.33W	1	
	R16021	D0GF7R5JA047	M 7.5 OHM, J, 0.33W	1	

Safety	Ref. No.	Part No.	Part Name & Description	Pcs	Remarks
	R16022	D0GF7R5JA047	M 7.5 OHM,J, 0.33W	1	
	R16023	D0GF7R5JA047	M 7.5 OHM,J, 0.33W	1	
	R16031	ERJ6ENF8202	M 82KOHM, 1/10W	1	
	R16032	ERJ6ENF8202	M 82KOHM, 1/10W	1	
	R16033	D1BD5602A044	M 56KOHM, 1/10W	1	
	R16034	D1BD2702A044	M 27KOHM, 1/10W	1	
	R16041	D0GF5R6JA047	M 5.6 OHM,J, 0.33W	1	
	R16051	D0GF5R6JA047	M 5.6 OHM,J, 0.33W	1	
	R16101	D0GD221JA059	M 220 OHM,J,1/10W	1	
	R16102	D0GD221JA059	M 220 OHM,J,1/10W	1	
	R16103	D0GD100JA059	M 10 OHM,J,0.25W	1	
	R16104	D0GD100JA059	M 10 OHM,J,0.25W	1	
	R16105	ERJ8GEYJ474	M 47KOHM, J,1/8W	1	
	R16109	D0GD100JA059	M 10 OHM,J,0.25W	1	
	R16110	ERJ6GEYF473	M 47KOHM,J,1/10W	1	
	R16116	ERJ6GEYF473	M 47KOHM,J,1/10W	1	
	R16131	D0GD101JA036	M 100 OHM,J,0.25W	1	
	R16132	D0GD101JA036	M 100 OHM,J,0.25W	1	
	R16134	D0GD750JA059	M 75 OHM,J,0.25W	1	
	R16137	D0GF1R0JA047	M 1.0 OHM,J, 0.33W	1	
	R16141	D0GD100JA059	M 10 OHM,J,0.25W	1	
	R16142	ERJ6GEYF473	M 47KOHM,J,1/10W	1	
	R16143	ERJ6GEYF473	M 47KOHM,J,1/10W	1	
	R16151	D0GD101JA036	M 100 OHM,J,0.25W	1	
	R16152	D0GD101JA036	M 100 OHM,J,0.25W	1	
	R16154	D0GD750JA059	M 75 OHM,J,0.25W	1	
	R16155	D0GF1R0JA047	M 1.0 OHM,J, 0.33W	1	
	R16159	D0GF1R0JA047	M 1.0 OHM,J, 0.33W	1	
	R16161	D0GD100JA059	M 10 OHM,J,0.25W	1	
	R16162	ERJ6GEYF473	M 47KOHM,J,1/10W	1	
	R16163	ERJ6GEYF473	M 47KOHM,J,1/10W	1	
	R16171	D0GD100JA059	M 10 OHM,J,0.25W	1	
	R16172	ERJ6GEYF473	M 47KOHM,J,1/10W	1	
	R16173	ERJ6GEYF473	M 47KOHM,J,1/10W	1	
	R16181	D0GD100JA059	M 10 OHM,J,0.25W	1	
	R16182	ERJ6GEYF473	M 47KOHM,J,1/10W	1	
	R16183	ERJ6GEYF473	M 47KOHM,J,1/10W	1	
	R16191	ERJ6GEYJ151V	M 150 OHM,J,1/10W	1	
	R16192	ERJ6GEYJ103V	M 10K OHM J 1/10W	1	
	R16193	ERJ6GEYJ750	M 75 OHM,J,1/10W	1	
	R16194	D0GF7R5JA047	M 7.5 OHM,J, 0.33W	1	
	R16195	D0GF1R0JA047	M 1.0 OHM,J, 0.33W	1	
	R16196	D0GF7R5JA047	M 7.5 OHM,J, 0.33W	1	
	R16230	ERJ6GEYJ470V	M 47 OHM,J,1/10W	1	
	R16231	ERJ6GEYJ472V	M 4.7K OHM J 1/10W	1	
	R16241	EXB38V470J	RESISTOR ARRAY	1	
	R16242	EXB38V472JV	RESISTOR ARRAY	1	
	R16251	D1BD1401A044	M 1.4KOHM, 1/10W	1	
	R16252	D1BD3902A044	M 39KOHM, 1/10W	1	
	R16253	D1BD3902A044	M 39KOHM, 1/10W	1	
	R16254	D1BD6801A044	M 6.8KOHM, 1/10W	1	
	R16255	D1BD1201A044	M 1.2KOHM, 1/10W	1	
	R16256	D1BD1501A044	M 1.4KOHM, 1/10W	1	
	R16257	ERJ6GEYJ273	M 27KOHM,J,1/10W	1	
	R16258	ERJ6GEYJ103V	M 10K OHM J 1/10W	1	

Safety	Ref. No.	Part No.	Part Name & Description	Pcs	Remarks
	R16260	ERJ6GEYJ222V	M 2.2K OHM J 1/10W	1	
	R16280	ERJ6GEYJ222V	M 2.2K OHM J 1/10W	1	
	R16281	D0GD103JA036	M 10KOHM,J,0.25W	1	
	R16282	ERJ6GEYJ221V	M 220 OHM,J,1/10W	1	
	R16283	ERJ6GEYF473	M 47KOHM,J,1/10W	1	
	R16284	ERJ6GEYJ224	M 220KOHM,J,1/10W	1	
	R16285	EXB38V623J	RESISTOR ARRAY	1	
	R16288	D0GF334JA047	M 330KOHM,F,0.33W	1	
	R16289	D0GF334JA047	M 330KOHM,F,0.33W	1	
	R16290	D0GF334JA047	M 330KOHM,F,0.33W	1	
	R16302	ERJ8GEYJ333	M 33KOHM, J,1/8W	1	
	R16307	ERJ6RBD683	M 68KOHM,J,1/10W	1	
	R16309	ERJ8GEYJ333	M 33KOHM, J,1/8W	1	
	R16310	ERJ8GEYJ333	M 33KOHM, J,1/8W	1	
	R16311	ERJ8GEYJ333	M 33KOHM, J,1/8W	1	
	R16317	ERJ6RBD162	M 1.6KOHM,J,1/10W	1	
	R16318	ERJ6RBD683	M 68KOHM,J,1/10W	1	
	R16319	ERJ6RBD2491V	M 2.49KOHM, 1/10W	1	PAVCA
	R16320	ERJ14YJ683	M 68KOHM, 1/2W	1	
	R16330	ERJ6GEYJ102V	M 1K OHM J 1/10W	1	
	R16332	ERJ6GEYJ474	M 470KOHM,J,1/10W	1	
	R16334	ERJ6GEYJ472V	M 4.7K OHM J 1/10W	1	
	R16335	ERJ6GEYJ102V	M 1K OHM J 1/10W	1	
	R16402	ERJT08J7R5V	M 7.5OHM,J, 0.33W	1	
	R16403	ERJT08J7R5V	M 7.5OHM,J, 0.33W	1	
	R16404	ERJT08J7R5V	M 7.5OHM,J, 0.33W	1	
	R16410	ERJ6GEYJ391	M 390 OHM,F,1/10W	1	
	R16411	D1BD2700A044	M 270 OHM, 1/10W	1	
	R16414	ERJ6GEYJ331V	M 330 OHM J 1/10W	1	
	R16415	ERJ6GEYJ331V	M 330 OHM J 1/10W	1	
	R16416	D0GD103JA036	M 10KOHM,J,0.25W	1	
	R16422	ERJT08J7R5V	M 7.5OHM,J, 0.33W	1	
	R16423	ERJT08J7R5V	M 7.5OHM,J, 0.33W	1	
	R16424	ERJT08J7R5V	M 7.5OHM,J, 0.33W	1	
	R16441	ERJT08J5R6V	M 5.6 OHM,F,0.33W	1	
	R16452	ERJT08J5R6V	M 5.6 OHM,F,0.33W	1	
	R16465	D1BD2702A044	M 27KOHM, 1/10W	1	
	R16466	D1BD5602A044	M 56KOHM, 1/10W	1	
	R16467	ERJ6ENF8202	M 82KOHM, 1/10W	1	
	R16468	ERJ6ENF8202	M 82KOHM, 1/10W	1	
	R16471	ERJ6GEYJ392	M 3.9KOHM,J,1/10W	1	
	R16472	ERJ6GEYJ222V	M 2.2K OHM J 1/10W	1	
	R16473	ERJ6GEYF561	M 560 OHM,F,1/10W	1	
	R16474	ERJ6GEYJ102V	M 1K OHM J 1/10W	1	
	R16475	ERJ6GEYJ472V	M 4.7K OHM J 1/10W	1	
	R16476	ERJ6GEYJ472V	M 4.7K OHM J 1/10W	1	
	R16478	ERJ6GEYJ562V	M 5.6KOHM,J,1/10W	1	
	R16479	D0GD103JA036	M 10KOHM,J,0.25W	1	
	R16480	ERJ6GEYJ472V	M 4.7K OHM J 1/10W	1	
	R16490	ERJ6RED134V	M 130KOHM, 1/10W	1	

Safety	Ref. No.	Part No.	Part Name & Description	Pcs	Remarks
	R16491	ERJ6RED124	M 120KOHM, 1/10W	1	
	R16492	ERJ6RED154	M 150KOHM, 1/10W	1	
	R16493	ERJ6RBD103V	M 10KOHM, J, 1/10W	1	
	R16494	D1BD2001A044	M 2KOHM, 1/10W	1	
	R16495	D1BD6800A044	M 680 OHM, 1/10W	1	
	R16496	ERJ6GEYJ470V	M 47 OHM, J, 1/10W	1	
	R16497	ERJ6GEYF473	M 47KOHM, J, 1/10W	1	
	R16498	D0GD103JA036	M 10KOHM, J, 0.25W	1	
	R16501	D0GD101JA036	M 100 OHM, J, 0.25W	1	
	R16502	D0GD101JA036	M 100 OHM, J, 0.25W	1	
	R16503	ERJT06J100V	M 10 OHM, F, 0.25W	1	
	R16504	ERJT06J750V	M 75 OHM, F, 0.25W	1	
	R16505	ERJT06J100V	M 10 OHM, F, 0.25W	1	
	R16506	ERJT06J100V	M 10 OHM, F, 0.25W	1	
	R16507	ERJT06J100V	M 10 OHM, F, 0.25W	1	
	R16509	ERJT08J1R0V	M 1.8OHM, J, 0.33W	1	
	R16511	ERJ6GEYF473	M 47KOHM, J, 1/10W	1	
	R16512	ERJ6GEYF473	M 47KOHM, J, 1/10W	1	
	R16513	ERJ6GEYF473	M 47KOHM, J, 1/10W	1	
	R16514	ERJ6GEYF473	M 47KOHM, J, 1/10W	1	
	R16516	ERJ6GEYF473	M 47KOHM, J, 1/10W	1	
	R16517	ERJ6GEYF473	M 47KOHM, J, 1/10W	1	
	R16518	ERJ6GEYF473	M 47KOHM, J, 1/10W	1	
	R16519	ERJ6GEYF473	M 47KOHM, J, 1/10W	1	
	R16521	D0GD101JA036	M 100 OHM, J, 0.25W	1	
	R16522	D0GD101JA036	M 100 OHM, J, 0.25W	1	
	R16523	ERJT06J750V	M 75 OHM, F, 0.25W	1	
	R16531	ERJT06J100V	M 10 OHM, F, 0.25W	1	
	R16532	ERJ6GEYF473	M 47KOHM, J, 1/10W	1	
	R16533	ERJ6GEYF473	M 47KOHM, J, 1/10W	1	
	R16534	ERJT08J1R0V	M 1.8OHM, J, 0.33W	1	
	R16536	ERJT08J1R0V	M 1.8OHM, J, 0.33W	1	
	R16551	ERJT06J100V	M 10 OHM, F, 0.25W	1	
	R16552	ERJ6GEYF473	M 47KOHM, J, 1/10W	1	
	R16553	ERJ6GEYF473	M 47KOHM, J, 1/10W	1	
	R16561	EXB38V470J	RESISTOR ARRAY	1	
	R16562	EXB38V470J	RESISTOR ARRAY	1	
	R16563	EXB38V470J	RESISTOR ARRAY	1	
	R16564	EXB38V470J	RESISTOR ARRAY	1	
	R16565	EXB38V472JV	RESISTOR ARRAY	1	
	R16566	EXB38V472JV	RESISTOR ARRAY	1	
	R16567	EXB38V472JV	RESISTOR ARRAY	1	
	R16568	EXB38V472JV	RESISTOR ARRAY	1	
	R16570	EXB38V472JV	RESISTOR ARRAY	1	
	R16573	ERJ6GEYJ220	M 22 OHM, J, 1/10W	1	
	R16579	EXB38V470J	RESISTOR ARRAY	1	
	R16582	D1BD3902A044	M 39KOHM, 1/10W	1	
	R16583	D1BD3902A044	M 39KOHM, 1/10W	1	
	R16584	D1BD6801A044	M 6.8KOHM, 1/10W	1	
	R16585	D1BD1001A044	M 1KOHM, 1/10W	1	
	R16586	D1BD2151A044	M 2.15KOHM, 1/10W	1	
	R16587	ERJ6GEYJ222V	M 2.2K OHM J 1/10W	1	
	R16588	D0GD103JA036	M 10KOHM, J, 0.25W	1	
	R16590	ERJ6GEYJ221V	M 220 OHM, J, 1/10W	1	
	R16591	EXB38V472JV	RESISTOR ARRAY	1	
	R16592	ERJ6GEYJ472V	M 4.7K OHM J 1/10W	1	
	R16593	D1BD1401A044	M 1.4KOHM, 1/10W	1	
	R16602	ERJ6GEYJ102V	M 1K OHM J 1/10W	1	
	R16604	ERJ6GEYJ331V	M 330 OHM J 1/10W	1	
	R16605	ERJ6GEYJ182	M 1.8KOHM, J, 1/10W	1	
	R16606	D0GD103JA036	M 10KOHM, J, 0.25W	1	
	R16607	D1BD6651A044	M 6.65KOHM, 1/10W	1	
	R16608	ERJT08J102V	M 1KOHM, J, 0.33W	1	

Safety	Ref. No.	Part No.	Part Name & Description	Pcs	Remarks
	R16609	ERJT08J102V	M 1KOHM, J, 0.33W	1	
	R16610	ERJ6GEYJ104V	M 100KOHM, J, 1/10W	1	
	R16611	ERJ8GEYJ683	M 68KOHM, J, 1/8W	1	
	R16612	ERJT06J470V	M 47 OHM, F, 0.25W	1	
	R16613	ERJ8GEYJ473	M 47KOHM, J, 1/8W	1	
	R16614	ERJ8GEYJ683	M 68KOHM, J, 1/8W	1	
	R16615	D1BD1101A044	M 1.41KOHM, 1/10W	1	
	R16617	ERJ6GEYJ222V	M 2.2K OHM J 1/10W	1	
	R16621	ERJ6GEYJ221V	M 220 OHM, J, 1/10W	1	
	R16623	ERJ6GEYJ221V	M 220 OHM, J, 1/10W	1	
	R16627	ERJ6GEYJ220	M 22 OHM, J, 1/10W	1	
	R16628	ERJ6GEYF473	M 47KOHM, J, 1/10W	1	
	R16631	D0GD103JA036	M 10KOHM, J, 0.25W	1	
	R16633	ERJ6GEYJ223	M 22KOHM, J, 1/10W	1	
	R16634	ERJ6GEYJ471	M 470 OHM, J, 1/10W	1	
	R16646	D1BD1181A044	M 1.18KOHM, 1/10W	1	
	R16648	ERJT08J202V	M 2KOHM, J, 0.33W	1	
	R16649	ERJT06J330V	M 33 OHM, F, 0.25W	1	
	R16650	ERJ6GEYJ104V	M 100KOHM, J, 1/10W	1	
	R16651	ERJT08J202V	M 2KOHM, J, 0.33W	1	
	R16652	ERJ6GEYF822	M 8.2KOHM, F, 1/10W	1	
	R16653	ERJ8GEYJ182	M 1.8KOHM, J, 1/8W	1	
	R16654	ERJ6GEYJ470V	M 47 OHM, J, 1/10W	1	
	R16655	ERJ6GEYJ103V	M 10K OHM J 1/10W	1	
	R16656	ERJ8GEYJ472V	M 4.7KOHM, J, 1/8W	1	
	R16657	ERJ6GEYJ103V	M 10K OHM J 1/10W	1	
	R16658	D1BD6491A044	M 6.49KOHM, 1/10W	1	
	R16660	ERJ6GEYJ222V	M 2.2K OHM J 1/10W	1	
	R16661	ERJ6GEYJ122V	M 1.2KOHM, J, 1/10W	1	
	R16662	D1BD1002A044	M 10.0KOHM, 1/10W	1	
	R16663	D1BD6801A044	M 6.8KOHM, 1/10W	1	
	R16664	ERJT08J202V	M 2KOHM, J, 0.33W	1	
	R16665	ERJT06J330V	M 33 OHM, F, 0.25W	1	
	R16666	ERJ6GEYJ223	M 22KOHM, J, 1/10W	1	
	R16667	ERJT08J202V	M 2KOHM, J, 0.33W	1	
	R16668	ERJT08J202V	M 2KOHM, J, 0.33W	1	
	R16673	ERJ6GEYJ472V	M 4.7K OHM J 1/10W	1	
	R16674	ERJT08J202V	M 2KOHM, J, 0.33W	1	
	R16675	ERJ6GEYJ472V	M 4.7K OHM J 1/10W	1	
	R16677	ERJT08J202V	M 2KOHM, J, 0.33W	1	
	R16678	ERJT08J202V	M 2KOHM, J, 0.33W	1	
	R16679	D1BD7501A044	M 7.5KOHM, 1/10W	1	
	R16680	ERJ6GEYJ472V	M 4.7K OHM J 1/10W	1	
	R16681	ERJT06J100V	M 10 OHM, F, 0.25W	1	
	R16683	ERJT06J100V	M 10 OHM, F, 0.25W	1	
	R16684	ERJ6GEYJ221V	M 220 OHM, J, 1/10W	1	
	R16685	ERJ6GEYJ221V	M 220 OHM, J, 1/10W	1	
	R16686	D0GD103JA036	M 10KOHM, J, 0.25W	1	
	R16687	D1BD2702A044	M 27KOHM, 1/10W	1	
	R16688	D1BD1272A044	M 12.7KOHM, 1/10W	1	
	R16690	ERJ6GEYJ472V	M 4.7K OHM J 1/10W	1	
	R16691	ERJ8GEYJ563	M 56KOHM, J, 1/8W	1	
	R16692	ERJ6RBD152	M 1.5KOHM, J, 1/10W	1	
	R16694	ERJ8GEYJ563	M 56KOHM, J, 1/8W	1	
	R16695	ERJ6RBD152	M 1.5KOHM, J, 1/10W	1	
	R16696	ERF5TK2R2	M 2.2 OHM, K, 5W	1	



Safety	Ref. No.	Part No.	Part Name & Description	Pcs	Remarks
	R16699	D0GD103JA036	M 10KOHM, J, 0.25W	1	
	R16707	ERJ6GEYG392	M 3.9KOHM, J, 1/10W	1	
	R16711	ERJ6GEYJ472V	M 4.7K OHM J 1/10W	1	
	R16712	ERJ6GEYJ102V	M 1K OHM J 1/10W	1	
	R16713	ERG1FJS104D	M 100KOHM, J, 1W	1	
	R16714	ERJ6GEYF473	M 47KOHM, J, 1/10W	1	
	R16715	ERJ6GEYJ103V	M 10K OHM J 1/10W	1	
	R16717	ERJ6GEYJ102V	M 1K OHM J 1/10W	1	
	R16719	ERJ3GEYJ220	M 22 OHM, J, 1/16W	1	
	R16720	ERJ3GEYJ220	M 22 OHM, J, 1/16W	1	
	R16721	ERJ3GEYJ220	M 22 OHM, J, 1/16W	1	
	R16722	ERJ3GEYJ220	M 22 OHM, J, 1/16W	1	
	R16723	ERJ3GEYJ220	M 22 OHM, J, 1/16W	1	
	R16731	ERG2FJS104D	M 100KOHM, J, 2W	1	
	R16733	ERJ6GEYJ474	M 470KOHM, J, 1/10W	1	
	R16734	D1BD4991A044	M4.99KOHM, 1/10W	1	
	R16735	D1BD1873A044	M 187KOHM, 1/10W	1	
	R16736	D1BD1873A044	M 187KOHM, 1/10W	1	
	R16737	D1BD2053A044	M 205KOHM, 1/10W	1	
	R16742	D0GD103JA036	M 10KOHM, J, 0.25W	1	
	R16744	D1BD1273A044	M 127KOHM, 1/10W	1	
	R16745	D1BD2202A044	M 2.2KOHM, 1/10W	1	
	R16746	ERJT06J473V	M 47KOHM, F, 0.25W	1	
	R16747	ERJT06J103V	M 10KOHM, F, 0.25W	1	
	R16749	D0GD103JA036	M 10KOHM, J, 0.25W	1	
	R16750	ERJT06J123	M 12KOHM, F, 0.25W	1	
	R16751	ERJT06J154V	M 150KOHM, F, 0.25W	1	
	R16752	ERJ6GEYJ472V	M 4.7K OHM J 1/10W	1	
	R16753	ERJ6GEYJ224	M 220KOHM, J, 1/10W	1	
	R16755	ERJT06J123	M 12KOHM, F, 0.25W	1	
	R16756	ERJT06J123	M 12KOHM, F, 0.25W	1	
	R16761	ERJT06J100V	M 10 OHM, F, 0.25W	1	
	R16762	ERJ6GEYF473	M 47KOHM, J, 1/10W	1	
	R16763	ERJ6GEYF473	M 47KOHM, J, 1/10W	1	
	R16765	ERJT08J1R0V	M 1.8OHM, J, 0.33W	1	
	R16766	D0GDR00Z0002	M 0 OHM, 1/10W	1	
	R16769	ERJT06J750V	M 75 OHM, F, 0.25W	1	
	R16772	ERJ6GEYJ472V	M 4.7K OHM J 1/10W	1	
	R16773	ERJ6GEYJ102V	M 1K OHM J 1/10W	1	
	R16774	ERG1SJ273	M 27KOHM, J, 1W	1	
	R16775	ERJ6GEYJ472V	M 4.7K OHM J 1/10W	1	
	R16776	ERJ6GEYJ470V	M 47 OHM, J, 1/10W	1	
	R16777	ERJ6GEYJ103V	M 10K OHM J 1/10W	1	
	R16783	ERJT06J154V	M 150KOHM, F, 0.25W	1	
	R16785	D1BD1003A044	M 100KOHM, 1/10W	1	
	R16786	D1BD1003A044	M 100KOHM, 1/10W	1	
	R16787	D1BD3302A044	M 33KOHM, 1/10W	1	
	R16789	D0GD103JA036	M 10KOHM, J, 0.25W	1	
	R16791	ERJ6GEYJ102V	M 1K OHM J 1/10W	1	
	R16794	D1BD2003A044	M 200KOHM, 1/10W	1	
	R16795	D1BD2003A044	M 200KOHM, 1/10W	1	
	R16796	D1BD5602A044	M 56KOHM, 1/10W	1	
	R16797	ERJ6GEYJ220	M 22 OHM, J, 1/10W	1	
	R16798	ERJ6GEYJ222V	M 2.2K OHM J 1/10W	1	
	R16799	ERJ6GEYJ102V	M 1K OHM J 1/10W	1	
	R16801	D1BD4702A044	M 47KOHM, 1/10W	1	
	R16802	D1BD4702A044	M 47KOHM, 1/10W	1	
	R16804	ERJ8GEYJ104V	M 100KOHM, J, 1/8W	1	
	R16806	ERJ6GEYJ102V	M 1K OHM J 1/10W	1	
	R16812	ERJ6GEYG182	M 1.8KOHM, J, 1/10W	1	

Safety	Ref. No.	Part No.	Part Name & Description	Pcs	Remarks
	R16813	ERJ8GEYJ222V	M 2.2KOHM, J, 1/8W	1	
	R16814	D1BD2212A044	M 22KOHM, 1/10W	1	
	R16815	D1BD2491A044	M2.49KOHM, 1/10W	1	
	R16818	D1BD3302A044	M 33KOHM, 1/10W	1	
	R16819	D1BD1003A044	M 100KOHM, 1/10W	1	
	R16820	D1BD1003A044	M 100KOHM, 1/10W	1	
	R16821	D1BD1003A044	M 100KOHM, 1/10W	1	
	R16822	ERJ6ENF8202	M 82KOHM, 1/10W	1	
	R16823	ERJ6ENF8202	M 82KOHM, 1/10W	1	
	R16824	D1BD3302A044	M 33KOHM, 1/10W	1	
	R16825	ERJT06J154V	M 150KOHM, F, 0.25W	1	
	R16826	D0GD103JA036	M 10KOHM, J, 0.25W	1	
	R16829	ERJ6GEYJ102V	M 1K OHM J 1/10W	1	
	R16831	D1BD6192A044	M61.9KOHM, 1/10W	1	
	R16832	D1BD7322A044	M73.2KOHM, 1/10W	1	
	R16833	D0GD103JA036	M 10KOHM, J, 0.25W	1	
	R16838	ERJ14YJ563U	M 56KOHM, 1/2W	1	
	R16841	ERJ14YJ563U	M 56KOHM, 1/2W	1	
	R16844	D1BD1241A044	M1.24KOHM, 1/10W	1	
	R16845	D1BD8662A044	M86.6KOHM, 1/10W	1	
	R16846	D1BD8202A044	M 82KOHM, 1/10W	1	
	R16847	ERJ6GEYJ472V	M 4.7K OHM J 1/10W	1	
	R16848	ERJ6GEYJ472V	M 4.7K OHM J 1/10W	1	
	R16851	ERJ6GEYJ474	M 470KOHM, J, 1/10W	1	
	R16860	D0D28R2JA021	M 8.2 OHM, J, 2W	1	
	R16869	ERJ8GEYJ473	M 47KOHM, J, 1/8W	1	
	R16870	ERJ14YJ683	M 68KOHM, 1/2W	1	
	R16873	D1BD2491A044	M2.49KOHM, 1/10W	1	
	R16877	ERJ6GEYG681	M 680 OHM, J, 1/10W	1	
	R16891	D1BD4702A044	M 47KOHM, 1/10W	1	
	R16892	D1BD4702A044	M 47KOHM, 1/10W	1	
	R16893	D1BD4702A044	M 47KOHM, 1/10W	1	
	R16894	D1BD4702A044	M 47KOHM, 1/10W	1	
	R16895	D1BD4702A044	M 47KOHM, 1/10W	1	
	R16896	D1BD3302A044	M 33KOHM, 1/10W	1	
	R16897	D1BD1741A044	M1.74KOHM, 1/10W	1	
	R16898	D1BD2371A044	M2.37KOHM, 1/10W	1	
	R16899	D1BD2261A044	M22.6KOHM, 1/10W	1	
	R16900	D0GD103JA036	M 10KOHM, J, 0.25W	1	
	R16901	ERJ6GEYJ472V	M 4.7K OHM J 1/10W	1	
	R16904	ERJ6GEYJ223	M 22KOHM, J, 1/10W	1	
	R16919	D1BD7501A044	M 7.5KOHM, 1/10W	1	
	R16920	D0GD103JA036	M 10KOHM, J, 0.25W	1	
	R16921	D1BD2611A044	M2.61KOHM, 1/10W	1	
	R16922	D1BD2001A044	M 20KOHM, 1/10W	1	
	R16923	ERJ6GEYJ103V	M 10K OHM J 1/10W	1	
	R16926	ERJ6GEYJ222V	M 2.2K OHM J 1/10W	1	
	R16927	ERJ6GEYJ223	M 22KOHM, J, 1/10W	1	
	R17101	D0GDR00Z0002	M 0 OHM, 1/10W	1	
	R17102	ERJ3GEY0R00	M 0 OHM, 1/16W	1	
	R17103	EXB38V681J	RESISTOR ARRAY	1	
	R17104	EXB38V470J	RESISTOR ARRAY	1	
	R17105	EXB38V470J	RESISTOR ARRAY	1	
	R17106	ERJT14J6R8U	C6.8 OHM, J, 1/4W	1	
	R17107	ERJT14J6R8U	C6.8 OHM, J, 1/4W	1	
	R17108	ERJ3GEYJ101	M 100 OHM, J, 1/16W	1	
	R17109	ERJ3GEYJ101	M 100 OHM, J, 1/16W	1	
	R17110	ERJ3GEYJ201	M 200 OHM, J, 1/16W	1	
	R17111	ERJT14J6R8U	C6.8 OHM, J, 1/4W	1	
	R17112	ERJT14J6R8U	C6.8 OHM, J, 1/4W	1	
	R17113	ERJ3GEYJ101	M 100 OHM, J, 1/16W	1	
	R17114	ERJ3GEYJ101	M 100 OHM, J, 1/16W	1	

Safety	Ref. No.	Part No.	Part Name & Description	Pcs	Remarks
	R17115	ERJ3GEYJ201	M 200 OHM,J,1/16W	1	
	R17116	ERJT14J6R8U	C6.8 OHM, J,1/4W	1	
	R17117	ERJT14J6R8U	C6.8 OHM, J,1/4W	1	
	R17118	ERJ3GEYJ101	M 100 OHM,J,1/16W	1	
	R17119	ERJ3GEYJ101	M 100 OHM,J,1/16W	1	
	R17120	ERJ3GEYJ201	M 200 OHM,J,1/16W	1	
	R17121	ERJT14J6R8U	C6.8 OHM, J,1/4W	1	
	R17122	ERJT14J6R8U	C6.8 OHM, J,1/4W	1	
	R17123	ERJ3GEYJ101	M 100 OHM,J,1/16W	1	
	R17124	ERJ3GEYJ101	M 100 OHM,J,1/16W	1	
	R17125	ERJ3GEYJ201	M 200 OHM,J,1/16W	1	
	R17126	ERJT14J6R8U	C6.8 OHM, J,1/4W	1	
	R17127	ERJT14J6R8U	C6.8 OHM, J,1/4W	1	
	R17128	ERJ3GEYJ101	M 100 OHM,J,1/16W	1	
	R17129	ERJ3GEYJ101	M 100 OHM,J,1/16W	1	
	R17130	ERJ3GEYJ201	M 200 OHM,J,1/16W	1	
	R17131	ERJT14J6R8U	C6.8 OHM, J,1/4W	1	
	R17132	ERJT14J6R8U	C6.8 OHM, J,1/4W	1	
	R17133	ERJ3GEYJ101	M 100 OHM,J,1/16W	1	
	R17134	ERJ3GEYJ101	M 100 OHM,J,1/16W	1	
	R17135	ERJ3GEYJ201	M 200 OHM,J,1/16W	1	
	R17136	ERJT14J6R8U	C6.8 OHM, J,1/4W	1	
	R17137	ERJT14J6R8U	C6.8 OHM, J,1/4W	1	
	R17138	ERJ3GEYJ101	M 100 OHM,J,1/16W	1	
	R17139	ERJ3GEYJ101	M 100 OHM,J,1/16W	1	
	R17140	ERJ3GEYJ101	M 100 OHM,J,1/16W	1	
	R17141	ERJT14J6R8U	C6.8 OHM, J,1/4W	1	
	R17142	ERJT14J6R8U	C6.8 OHM, J,1/4W	1	
	R17143	ERJ3GEYJ101	M 100 OHM,J,1/16W	1	
	R17144	ERJ3GEYJ101	M 100 OHM,J,1/16W	1	
	R17145	ERJ3GEYJ101	M 100 OHM,J,1/16W	1	
	R17146	ERJ3GEYJ681	M 680 OHM,J,1/16W	1	
	R17147	ERJ6GEYJ224	M 220KOHM,J,1/10W	1	
	R17148	D0GF472JA047	M 4.7KOHM,J,0.33W	1	
	R17149	ERJ3GEY0R00	M 0 OHM, 1/16W	1	
	R17150	D0GB102JA057	M 1KOHM,J,1/16W	1	
	R17201	ERJ6GEYJ224	M 220KOHM,J,1/10W	1	
	R17202	EXB38V470J	RESISTOR ARRAY	1	
	R17203	EXB38V470J	RESISTOR ARRAY	1	
	R17204	EXB38V681J	RESISTOR ARRAY	1	
	R17205	EXB38V470J	RESISTOR ARRAY	1	
	R17206	EXB38V470J	RESISTOR ARRAY	1	
	R17207	EXB38V681J	RESISTOR ARRAY	1	
	R17208	EXB38V681J	RESISTOR ARRAY	1	
	R17210	ERJT14J6R8U	C6.8 OHM, J,1/4W	1	
	R17211	ERJT14J6R8U	C6.8 OHM, J,1/4W	1	
	R17212	ERJ3GEYJ101	M 100 OHM,J,1/16W	1	
	R17213	ERJ3GEYJ101	M 100 OHM,J,1/16W	1	
	R17214	ERJ3GEYJ201	M 200 OHM,J,1/16W	1	
	R17215	ERJT14J6R8U	C6.8 OHM, J,1/4W	1	
	R17216	ERJT14J6R8U	C6.8 OHM, J,1/4W	1	

Safety	Ref. No.	Part No.	Part Name & Description	Pcs	Remarks
	R17217	ERJ3GEYJ101	M 100 OHM,J,1/16W	1	
	R17218	ERJ3GEYJ101	M 100 OHM,J,1/16W	1	
	R17219	ERJ3GEYJ201	M 200 OHM,J,1/16W	1	
	R17220	ERJT14J6R8U	C6.8 OHM, J,1/4W	1	
	R17221	ERJT14J6R8U	C6.8 OHM, J,1/4W	1	
	R17222	ERJ3GEYJ101	M 100 OHM,J,1/16W	1	
	R17223	ERJ3GEYJ101	M 100 OHM,J,1/16W	1	
	R17224	ERJ3GEYJ201	M 200 OHM,J,1/16W	1	
	R17225	ERJT14J6R8U	C6.8 OHM, J,1/4W	1	
	R17226	ERJT14J6R8U	C6.8 OHM, J,1/4W	1	
	R17227	ERJ3GEYJ101	M 100 OHM,J,1/16W	1	
	R17228	ERJ3GEYJ101	M 100 OHM,J,1/16W	1	
	R17229	ERJ3GEYJ201	M 200 OHM,J,1/16W	1	
	R17230	ERJT14J6R8U	C6.8 OHM, J,1/4W	1	
	R17231	ERJT14J6R8U	C6.8 OHM, J,1/4W	1	
	R17232	ERJ3GEYJ101	M 100 OHM,J,1/16W	1	
	R17233	ERJ3GEYJ101	M 100 OHM,J,1/16W	1	
	R17234	ERJ3GEYJ201	M 200 OHM,J,1/16W	1	
	R17235	ERJT14J6R8U	C6.8 OHM, J,1/4W	1	
	R17236	ERJT14J6R8U	C6.8 OHM, J,1/4W	1	
	R17237	ERJ3GEYJ101	M 100 OHM,J,1/16W	1	
	R17238	ERJ3GEYJ101	M 100 OHM,J,1/16W	1	
	R17239	ERJ3GEYJ201	M 200 OHM,J,1/16W	1	
	R17240	ERJT14J6R8U	C6.8 OHM, J,1/4W	1	
	R17241	ERJT14J6R8U	C6.8 OHM, J,1/4W	1	
	R17242	ERJ3GEYJ101	M 100 OHM,J,1/16W	1	
	R17243	ERJ3GEYJ101	M 100 OHM,J,1/16W	1	
	R17244	ERJ3GEYJ101	M 100 OHM,J,1/16W	1	
	R17245	ERJ3GEYJ681	M 680 OHM,J,1/16W	1	
	R17247	D0GF472JA047	M 4.7KOHM,J,0.33W	1	
	R17260	D0GDR00Z0002	M 0 OHM, 1/10W	1	
	RM2501	B3RAD0000160	REMOTE SENSOR	1	
	S2	K1KA02BA0061	2P CONNECTOR	1	
	SC2	K1KY02B00012	2P CONNECTOR	1	
	SC20	K1MY35BA0345	35P CONNECTOR	1	
	SC41	K1KA09AA0707	9P CONNECTOR	1	
	SC42	K1KA09AA0707	9P CONNECTOR	1	
	SC46	K1KA09AA0707	9P CONNECTOR	1	
	SC50	K1KA02AA0193	2P CONNECTOR	1	
	SS11	K1KY03B00006	3P CONNECTOR	1	PAVCA
	SS21	K1KA07A00170	7P CONNECTOR	1	
	SS24	K1KB07AA0087	7P CONNECTOR	1	
	SS33	K1KA08B00270	8P CONNECTOR	1	
	SS58	K1MN13B00091	13P CONNECTOR	1	
	SS61	K1MN13B00091	13P CONNECTOR	1	
	SS64	K1MN13B00091	13P CONNECTOR	1	
	SW2500	K0F122A00172	SWITCREMOTE CONTROL	1	
	SW3759A	EVQ23405R	SWITCH	1	
	SW3761A	EVQ23405R	SWITCH	1	
	SW3762A	EVQ23405R	SWITCH	1	
	SW3763A	EVQ23405R	SWITCH	1	

Safety	Ref. No.	Part No.	Part Name & Description	Pcs	Remarks
	SW3764A	EVQ23405R	SWITCH	1	
	SW3765A	EVQ23405R	SWITCH	1	
△	TU8300	ENGE6609KF	TUNER	1	PAVCA
	VR16600	EVMEASA00B54	CONTROL 50KOHMB 0.3W	1	
	VR16601	EVMEASA00B53	CONTROL 5KOHMB 0.3W	1	
	VR16841	EVMEASA00B24	CONTROL 20KOHMB 0.3W	1	
	X1100	H0J250500079	CRYSTAL	1	PAVCA
	X8002	H0J420500006	CRYSTAL	1	PAVCA
	X8003	H0J270500120	CRYSTAL	1	
	X8004	H0J250500094	CRYSTAL	1	PAVCA
	X9900	H0J200500076	CRYSTAL	1	
	ZA16001	K4CD01000011	AV TERMINAL	1	
	ZA16002	K4CD01000011	AV TERMINAL	1	
	ZA16003	K4CD01000011	AV TERMINAL	1	
	ZA16401	K4CD01000011	AV TERMINAL	1	
	ZA16402	K4CD01000011	AV TERMINAL	1	
	ZA16403	K4CD01000011	AV TERMINAL	1	
	ZA17101	K4AD01Z00001	TERMINAL	1	
	ZA17102	K4AD01Z00001	TERMINAL	1	
	ZA17103	K4AD01Z00001	TERMINAL	1	
	ZA17104	K4AD01Z00001	TERMINAL	1	
	ZA17201	K4AD01Z00001	TERMINAL	1	
	ZA17202	K4AD01Z00001	TERMINAL	1	
	ZA17203	K4AD01Z00001	TERMINAL	1	
	ZA17204	K4AD01Z00001	TERMINAL	1	
△	A601	AYRA652MSV8T	ARRESTOR	1	
	C201	ECJ2XB1H104K	C 0.1UF, K, 50V	1	
	C202	ACKZE1H220T	50V 22PF	1	
	C203	ECJ2XB1H104K	C 0.1UF, K, 50V	1	
	C204	ACMBB474K2T	CERAMIC CHIP CAPACITOR	1	
	C205	ACMBB474K2T	CERAMIC CHIP CAPACITOR	1	
	C206	ACCC3AD470JP	CERAMIC CAPACI- TOR	1	
	C207	ECJ1VB1H103K	C 0.001UF, K, 50V	1	
	C208	ACMEB224K1T	CERAMIC CHIP CAPACITOR	1	
	C209	ECJ1VB1H222K	C 2200PF, K, 50V	1	
	C211	ECJ1XC1H101J	C 100PF, J, 50V	1	
	C212	ECWH8333HVB	PLASTIC FILM CAPACITOR (PP)	1	
	C214	ECWF6104JLB	PLASTIC FILM CAPACITOR (PP)	1	
	C215	ECWF6104JLB	PLASTIC FILM CAPACITOR (PP)	1	
	C216	ACDE1SL221JP	CERAMIC CAPACI- TOR	1	
	C217	ACRR3DD122KP	CERAMIC CAPACI- TOR	1	
	C218	ACDE1SL100DP	CERAMIC CAPACI- TOR	1	
	C251	ACDE1R152KT	CERAMIC CAPACI- TOR	1	
	C252	ACMEB474K1T	CERAMIC CHIP CAPACITOR	1	
△	C253	ACCST230102K	Al ELECTROLYTIC CAPACITOR	1	
	C256	ACMEB105K1T	CERAMIC CHIP CAPACITOR	1	
	C257	ECJ1VC1H471J	C 470PF J 50V	1	
	C258	ECQE2224RKF	PLASTIC FILM CAPACITOR	1	
	C352	ACKZE1V561T	ELECTROLYTIC CAPACITOR	1	
△	C353	ACKZE1K821E	Al ELECTROLYTIC CAPACITOR	1	

Safety	Ref. No.	Part No.	Part Name & Description	Pcs	Remarks
	C354	ACKZE1H100T	50V 10PF	1	
△	C355	ACKZE1K681E	Al ELECTROLYTIC CAPACITOR	1	
	C358	ECQE2104SKF	250V 0.1PF	1	
	C359	ACTBB224K5T	CERAMIC CHIP CAPACITOR	1	
	C360	ECJ1VC1H471J	C 470PF J 50V	1	
	C361	ECQE2224RKF	PLASTIC FILM CAPACITOR	1	
	C366	ACKZE1E471LT	25V 470PF	1	
	C367	ECQV1H105JL	50V 1PF	1	
	C369	ACKZE1A102ST	ELECTROLYTIC CAPACITOR	1	
	C370	ACMEB104K5T	CERAMIC CHIP CAPACITOR	1	
	C374	ACMAB105K5T	CERAMIC CHIP CAPACITOR	1	
	C375	ACMAB105K5T	CERAMIC CHIP CAPACITOR	1	
	C376	ACMEB105K1T	CERAMIC CHIP CAPACITOR	1	
	C379	ECJ1VB1H472K	C 4700PF, K, 50V	1	
	C380	ACMEB333K5T	CERAMIC CHIP CAPACITOR	1	
	C381	ACKZE1V271T	ELECTROLYTIC CAPACITOR	1	
	C382	ECJ1VB1H102K	C 1000PF, K, 50V	1	
	C383	ACMEB474K1T	CERAMIC CHIP CAPACITOR	1	
	C384	ACRC2HD222KP	CERAMIC CAPACI- TOR	1	
	C385	ECJ1VB1E223K	C 0.023UF, K, 25V	1	
△	C501	ACLE103KC	PLASTIC FILM CAPACITOR (Xcap)	1	
△	C503	ACKMQ2W330T	Al ELECTROLYTIC CAPACITOR	1	
	C504	ECJ1VB1H103K	C 0.001UF, K, 50V	1	
	C505	ACKZE1H220T	50V 22PF	1	
	C506	ECJ1VB1H102K	C 1000PF, K, 50V	1	
	C507	ECJ1VB1H103K	C 0.001UF, K, 50V	1	
	C508	ACMBB474K2T	CERAMIC CHIP CAPACITOR	1	
	C509	ECJ1VB1H103K	C 0.001UF, K, 50V	1	
	C510	ACKZE1H100T	50V 10PF	1	
	C511	ECJ1VB1H102K	C 1000PF, K, 50V	1	
	C512	ECJ1VB1H103K	C 0.001UF, K, 50V	1	
	C513	ECJ1VB1H102K	C 1000PF, K, 50V	1	
	C514	ACKZE1H221T	50V 220PF	1	
	C515	ACKZE1H220T	50V 22PF	1	
	C551	ACKZE1A471C	10V 470PF	1	
	C553	ACMEB474K1T	CERAMIC CHIP CAPACITOR	1	
	C554	ACKZE1E821LT	ELECTROLYTIC CAPACITOR	1	
	C555	ACMBB225K2T	CERAMIC CHIP CAPACITOR	1	
	C556	ACMBB105K2T	CERAMIC CHIP CAPACITOR	1	
	C557	ECJ2XB1H104K	C 0.1UF, K, 50V	1	
	C558	ECJ1VB1H103K	C 0.001UF, K, 50V	1	
	C560	ACKZE1E221T	ELECTROLYTIC CAPACITOR	1	
	C561	ACKZE1H100T	50V 10PF	1	
	C573	ECKD3A221KRP	CERAMIC CAPACI- TOR	1	
△	C601	ACLEMX474KC	PLASTIC FILM CAPACITOR (Xcap)	1	
△	C602	ECKENA221KBR	C 221P 250V	1	
△	C603	ECKENA221KBR	C 221P 250V	1	
	C605	ECWF2W105KA	PLASTIC FILM CAPACITOR (PP)	1	

Safety	Ref. No.	Part No.	Part Name & Description	Pcs	Remarks
	C606	ACTEB104K5T	CERAMIC CHIP CAPACITOR	1	
△	C607	ACLEMX474KC	PLASTIC FILM CAPACITOR (Xcap)	1	
	C608	ACTEB683K5T	CERAMIC CHIP CAPACITOR	1	
	C609	ACTEB104K5T	CERAMIC CHIP CAPACITOR	1	
	C610	ACTEB223K5T	CERAMIC CHIP CAPACITOR	1	
	C611	ECJ1VC1H471J	C 470PF J 50V	1	
△	C612	ACLEMX474KC	PLASTIC FILM CAPACITOR (Xcap)	1	
	C613	ECJ1VC1H471J	C 470PF J 50V	1	
	C614	ACTEB104K5T	CERAMIC CHIP CAPACITOR	1	
	C615	ACTEB104K5T	CERAMIC CHIP CAPACITOR	1	
	C616	ACTEB104K5T	CERAMIC CHIP CAPACITOR	1	
	C618	ECJ1VB1H472K	C 4700PF, K, 50V	1	
	C620	ACMBB474K2T	CERAMIC CHIP CAPACITOR	1	
	C621	ECQE6472B45	C 4700U 630V	1	
	C622	ECJ1VB1H103K	C 0.001UF, K, 50V	1	
△	C623	ACKMQ2W391KZ	Al ELECTROLYTIC CAPACITOR	1	
△	C624	ECKENA331KBR	CERAMIC CAPACITOR	1	
	C626	ECJ1VB1H102K	C 1000PF, K, 50V	1	
	C627	ECQE6473RKF	P 0.047UF, K, 630V	1	
	C628	ACKZE1H220T	50V 22PF	1	
	C629	ECQV1H334JL	PLASTIC FILM CAPACITOR	1	
	C630	ECJ1XC1H102J	C 1000PF, J, 50V	1	
	C701	ACKZE1A221T	ELECTROLYTIC CAPACITOR	1	
	C702	ACMEB104K5T	CERAMIC CHIP CAPACITOR	1	
	C703	ACMEB104K5T	CERAMIC CHIP CAPACITOR	1	
	C704	ECJ1VB1H103K	C 0.001UF, K, 50V	1	
	C705	ACMEB104K5T	CERAMIC CHIP CAPACITOR	1	
	C706	ECJ2VB1H102K	C 1000PF, J, 50V	1	
	C711	ECJ1VB1H103K	C 0.001UF, K, 50V	1	
	C712	ACMEB224K2T	CERAMIC CHIP CAPACITOR	1	
	C713	ECJ1VB1H103K	C 0.001UF, K, 50V	1	
	C714	ACMEB223K5T	CERAMIC CHIP CAPACITOR	1	
	CN01	AKB6B-PH-KS	CONNECTOR	1	
	D201	VDAG01AT	DIODE	1	
	D202	VDAG01AT	DIODE	1	
	D203	MA165TAKU	DIODE	1	
	D204	VDERA83-004T	DIODE	1	
	D205	VDERA83-004T	DIODE	1	
	D206	VDERA83-004T	DIODE	1	
	D207	VDERA83-004T	DIODE	1	
	D208	MA165TAKU	DIODE	1	
	D209	VDAG01AT	DIODE	1	
	D252	VDSAR02LFA4	DIODE	1	
	D253	VDYG971S8R	DIODE	1	
	D254	VDYG971S8R	DIODE	1	
	D351	VDFCH10A10	DIODE	1	
	D353	MA3DF3000S	DIODE	1	
	D356	VDRK36C4	DIODE	1	
	D358	VD1T7GA1	DIODE	1	
	D359	VDFCHS10A045	DIODE	1	
	D360	VDSAR02LFA4	DIODE	1	

Safety	Ref. No.	Part No.	Part Name & Description	Pcs	Remarks
△	D501	VDS1WBA80	DIODE	1	
	D502	MA165TAKU	DIODE	1	
	D503	VXST3D82BL3	DIODE	1	
	D504	VDAG01AT	DIODE	1	
	D505	VDAG01AT	DIODE	1	
△	D507	VD1T7GA1	DIODE	1	
	D551	VDFCH20B10	DIODE	1	
	D552	MA2DF3100S	DIODE	1	
	D601	MA165TAKU	DIODE	1	
	D602	MA165TAKU	DIODE	1	
△	D603	VDD15XB80	DIODE	1	
	D605	MA165TAKU	DIODE	1	
	D606	VDS3V60L1	DIODE	1	
	D607	VDYG982S6R	DIODE	1	
	D608	VDAG01AT	DIODE	1	
△	D609	VD1T7GA1	DIODE	1	
	D701	VDERA83-004T	DIODE	1	
	F351	HU216008BEP	FUSE	1	
△	F501	HU5013002PRC	CARTRIDGE FUSE	1	
△	F601	HU5013010PRC	CARTRIDGE FUSE	1	
△	F602	HU5013010PRC	CARTRIDGE FUSE	1	
△	F603	HU216002BEP	FUSE	1	
	IC201	VINJM2904ME1	INTEGRATED CIRCUIT	1	
	IC202	VISSC9101M	INTEGRATED CIRCUIT	1	
	IC251	VIKIA431A	INTEGRATED CIRCUIT	1	
	IC351	VIKIA431A	INTEGRATED CIRCUIT	1	
	IC352	VISC2628T	INTEGRATED CIRCUIT	1	
	IC353	VIBD9703FP	POWER INTEGRATED CIRCUIT	1	
△	IC501	MIP3E50MY	POWER INTEGRATED CIRCUIT	1	
	IC551	VIKIA431A	INTEGRATED CIRCUIT	1	
	IC601	VIFA5502MTE1	INTEGRATED CIRCUIT	1	
	IC701	VILC87F2G081	INTEGRATED CIRCUIT	1	
	IC702	VIR3111N40AT	INTEGRATED CIRCUIT	1	
△	K602	ALKT329C93	RELAY	1	
△	K605	ALKT329C93	RELAY	1	
	L351	AYS1615005Y	CHOKE COIL	1	
	L352	ELC10E470L	CHOKE COIL	1	
	L353	EXCELSA24T	FERRITE BEAD INDUCTOR	1	
	L501	EXCELSA35T	BEAD CHOKE	1	
	L502	EXCELDLR35V	CORE	1	
	L503	EXCELDLR35V	CORE	1	
△	L601	AYP2512305Y	FILTER CHOKE	1	
△	L602	AYP2512305Y	FILTER CHOKE	1	
	L603	ETB42AY11GAD	CHOKE COIL	1	
	L604	EXCELSA35T	BEAD CHOKE	1	
	P2	AKB2P3S-VH	CONNECTOR	1	
	P6	AKB12B-EH-A	12P CONNECTOR	1	
	P7	AKB11B-EH-A	11P CONNECTOR	1	
△	P9	AKS02B-VT	CONNECTOR	1	
	P11	AKB3P4S-VH-L	CONNECTOR	1	
	P25	AKB13B-PH-KS	13P CONNECTOR	1	
	P35	AKB4B-PH-KS	CONNECTOR	1	
△	PC201	VPS2581AL2HE	OPTOISOLATOR	1	
△	PC301	VPS2581AL2HE	OPTOISOLATOR	1	
△	PC501	VPS2581AL2HE	OPTOISOLATOR	1	
△	PC502	VPS2581AL2HE	OPTOISOLATOR	1	

Safety	Ref. No.	Part No.	Part Name & Description	Pcs	Remarks
△	PC503	VPS2581AL2HE	OPTOISOLATOR	1	
△	PC504	VPS2581AL2HE	OPTOISOLATOR	1	
	Q201	2SC5866T	TRANSISTOR	1	
	Q202	2SC5866T	TRANSISTOR	1	
△	Q203	VKFMV19N57ES	FET	1	
△	Q204	VKFMV19N57ES	FET	1	
△	Q205	VKFMV19N57ES	FET	1	
△	Q206	VKFMV19N57ES	FET	1	
	Q207	2SA2094T	TRANSISTOR	1	
	Q208	2SA2094T	TRANSISTOR	1	
	Q354	2SD0601ARL	TRANSISTOR	1	
	Q355	2SJ651	FET	1	
	Q501	2SB710A-RTX	TRANSISTOR	1	
	Q502	2SK3018TL	FET	1	
	Q503	2SC5866T	TRANSISTOR	1	
	Q504	2SB709-R-RTX	TRANSISTOR	1	
	Q505	2SK3018TL	FET	1	
	Q506	2SB709-R-RTX	TRANSISTOR	1	
	Q551	2SJ651	FET	1	
	Q557	VKHAT1130R	FET	1	
△	Q601	VKFMR23N57E	FET	1	
	Q602	2SC5866T	TRANSISTOR	1	
	Q603	2SA2094T	TRANSISTOR	1	
△	Q604	VKFMR23N57E	FET	1	
	Q605	2SB709-R-RTX	TRANSISTOR	1	
	Q606	2SD0601ARL	TRANSISTOR	1	
	Q701	2SD0601ARL	TRANSISTOR	1	
	Q702	2SD0601ARL	TRANSISTOR	1	
	Q703	2SB710A-RTX	TRANSISTOR	1	
	Q704	2SD0601ARL	TRANSISTOR	1	
	Q705	2SB710A-RTX	TRANSISTOR	1	
	R201	D0GB103JA057	M 10K OHM J 1/16W	1	
	R202	ERJ6GEYJ100V	M 10 OHM, J, 1/10W	1	
	R203	ERJ3GEYJ223	M 22KOHM, J, 1/16W	1	
	R204	ERQ14AJ100JP	FUSIBLE METAL FILM RESISTOR	1	
	R206	ERQ14ZJ1R0JP	FUSIBLE METAL FILM RESISTOR	1	
	R207	ERQ14AJ100JP	FUSIBLE METAL FILM RESISTOR	1	
	R209	ERJ6GEYJ222V	M 2.2K OHM J 1/10W	1	
	R210	ERJ3GEYJ223	M 22KOHM, J, 1/16W	1	
	R211	ERJ3GEYJ221	M 220 OHM, J, 1/16W	1	
	R212	ERJ3GEYJ333	M 33KOHM, J, 1/16W	1	
	R213	ERJ3GEYJ223	M 22KOHM, J, 1/16W	1	
	R214	ERJ3GEYJ222	M 2.2KOHM, J, 1/16W	1	
	R215	ERJ3GEYD153V	M 15KOHM, J, 1/16W	1	
	R216	D0GB102JA057	M 1KOHM, J, 1/16W	1	
	R225	ERJ6GEYJ104V	M 100KOHM, J, 1/10W	1	
	R226	ERJ6GEYJ104V	M 100KOHM, J, 1/10W	1	
	R227	ERJ6ENF1001	M 1KOHM, 1/10W	1	
	R228	ERJ3GEYJ682	M 6.8KOHM, J, 1/16W	1	
	R229	ERJ3GEYJ472	M 4.7KOHM, J, 1/16W	1	
	R231	ERJ6GEYJ104V	M 100KOHM, J, 1/10W	1	
	R232	ERJ6GEYJ104V	M 100KOHM, J, 1/10W	1	
	R233	ERJ6ENF82R0	M 82 OHM, 1/10W	1	
	R234	ERJ6ENF22R0	M 22 OHM, 1/10W	1	
	R235	ERJ6GEYJ104V	M 100KOHM, J, 1/10W	1	
	R236	ARRCR2F1004T	METAL GLAZE FIXED RESISTOR	1	
	R251	ARRCR1F1503T	METAL GLAZE FIXED RESISTOR	1	

Safety	Ref. No.	Part No.	Part Name & Description	Pcs	Remarks
	R252	ARRCR1F1503T	METAL GLAZE FIXED RESISTOR	1	
	R253	ARRCR1F1503T	METAL GLAZE FIXED RESISTOR	1	
	R258	D0GB102JA057	M 1KOHM, J, 1/16W	1	
	R259	ERJ6GEYJ102V	M 1K OHM J 1/10W	1	
	R260	ERJ6GEYJ101V	M 100 OHM, J, 1/10W	1	
	R261	D0GB1R0JA057	CHIP RESISTOR	1	
	R262	ERJ6GEYJ681	M 680 OHM, J, 1/10W	1	
	R264	ERJ6ENF4702	M 47KOHM, 1/10W	1	
	R265	ERJ6ENF4702	M 47KOHM, 1/10W	1	
	R266	ERJ6ENF4702	M 47KOHM, 1/10W	1	
	R267	ERJ6ENF4702	M 47KOHM, 1/10W	1	
	R268	ERJ6ENF2491	M 2.49KOHM, 1/10W	1	
	R270	ERJ6ENF5492	M 54.9KOHM, 1/10W	1	
	R271	ERJ6GEYJ2R7V	M 2.7 OHM, J, 1/10W	1	
	R272	ERJ6GEYJ2R7V	M 2.7 OHM, J, 1/10W	1	
	R273	ERJ6GEYJ2R7V	M 2.7 OHM, J, 1/10W	1	
	R274	ERJ6GEYJ2R7V	M 2.7 OHM, J, 1/10W	1	
	R275	ERJ6GEYJ2R7V	M 2.7 OHM, J, 1/10W	1	
	R276	ERJ6GEYJ2R7V	M 2.7 OHM, J, 1/10W	1	
	R277	ERJ6GEYJ2R7V	M 2.7 OHM, J, 1/10W	1	
	R278	ERJ6GEYJ2R7V	M 2.7 OHM, J, 1/10W	1	
	R279	ERJ6GEYJ2R7V	M 2.7 OHM, J, 1/10W	1	
	R280	ERJ6GEYJ2R7V	M 2.7 OHM, J, 1/10W	1	
	R281	ERJ6GEYJ2R7V	M 2.7 OHM, J, 1/10W	1	
	R282	ERJ6GEYJ2R7V	M 2.7 OHM, J, 1/10W	1	
	R283	ERJ6GEYJ2R7V	M 2.7 OHM, J, 1/10W	1	
	R284	ERJ6GEYJ2R7V	M 2.7 OHM, J, 1/10W	1	
	R285	ERJ6GEYJ2R7V	M 2.7 OHM, J, 1/10W	1	
	R286	ERJ6GEYJ2R7V	M 2.7 OHM, J, 1/10W	1	
	R287	ERJ6GEYJ511	M 510 OHM, J, 1/10W	1	
	R300	ERJ6ENF4992	M 49.9KOHM, 1/10W	1	
	R301	ERJ6ENF4992	M 49.9KOHM, 1/10W	1	
	R302	ERJ6ENF4992	M 49.9KOHM, 1/10W	1	
	R303	ERJ6ENF4992	M 49.9KOHM, 1/10W	1	
	R304	ERJ6ENF4992	M 49.9KOHM, 1/10W	1	
	R306	ERJ6GEYJ101V	M 100 OHM, J, 1/10W	1	
	R307	ERJ6GEYJ101V	M 100 OHM, J, 1/10W	1	
	R308	ERJ6GEYJ101V	M 100 OHM, J, 1/10W	1	
	R309	ERJ6GEYJ101V	M 100 OHM, J, 1/10W	1	
	R310	ERJ6GEYJ101V	M 100 OHM, J, 1/10W	1	
	R311	ERJ6GEYJ101V	M 100 OHM, J, 1/10W	1	
	R312	ERJ6GEYJ101V	M 100 OHM, J, 1/10W	1	
	R313	ERJ6GEYJ101V	M 100 OHM, J, 1/10W	1	
	R314	ERJ6GEYJ221V	M 220 OHM, J, 1/10W	1	
	R315	ERJ6GEYJ221V	M 220 OHM, J, 1/10W	1	
	R316	ERJ6GEYJ221V	M 220 OHM, J, 1/10W	1	

Safety	Ref. No.	Part No.	Part Name & Description	Pcs	Remarks
	R317	ERJ6GEYJ221V	M 220 OHM,J,1/10W	1	
	R318	ERJ6GEYJ100V	M 10 OHM,J,1/10W	1	
	R319	ERJ6GEYJ221V	M 220 OHM,J,1/10W	1	
	R320	ERJ6GEYJ221V	M 220 OHM,J,1/10W	1	
	R321	ERJ6GEYJ221V	M 220 OHM,J,1/10W	1	
	R322	ERJ6GEYJ221V	M 220 OHM,J,1/10W	1	
	R323	ERJ6GEYJ100V	M 10 OHM,J,1/10W	1	
	R324	ERJ6GEYJ100V	M 10 OHM,J,1/10W	1	
	R325	ERJ6GEYJ100V	M 10 OHM,J,1/10W	1	
	R326	ERJ6GEYJ100V	M 10 OHM,J,1/10W	1	
	R327	ERJ6GEYJ221V	M 220 OHM,J,1/10W	1	
	R328	ERJ6GEYJ221V	M 220 OHM,J,1/10W	1	
	R329	ERJ6GEYJ100V	M 10 OHM,J,1/10W	1	
	R330	ERJ6GEYJ221V	M 220 OHM,J,1/10W	1	
	R331	ERJ6GEYJ221V	M 220 OHM,J,1/10W	1	
	R332	ERJ6GEYJ100V	M 10 OHM,J,1/10W	1	
	R333	ERJ6GEYJ100V	M 10 OHM,J,1/10W	1	
	R334	ERJ6GEYJ100V	M 10 OHM,J,1/10W	1	
	R335	ERJ6GEYJ100V	M 10 OHM,J,1/10W	1	
	R336	ERJ6GEYJ221V	M 220 OHM,J,1/10W	1	
	R337	ERJ6GEYJ221V	M 220 OHM,J,1/10W	1	
	R338	ERJ6GEYJ221V	M 220 OHM,J,1/10W	1	
	R339	ERJ6GEYJ221V	M 220 OHM,J,1/10W	1	
	R340	ERJ6GEYJ100V	M 10 OHM,J,1/10W	1	
	R341	ERJ6GEYJ100V	M 10 OHM,J,1/10W	1	
	R342	ERJ6GEYJ100V	M 10 OHM,J,1/10W	1	
	R343	ERJ6GEYJ100V	M 10 OHM,J,1/10W	1	
	R344	ERJ6GEYJ100V	M 10 OHM,J,1/10W	1	
	R345	ERJ6GEYJ100V	M 10 OHM,J,1/10W	1	
	R351	D0GB102JA057	M 1KOHM,J,1/16W	1	
	R352	D0GB102JA057	M 1KOHM,J,1/16W	1	
	R353	ERJ6GEYJ102V	M 1K OHM J 1/10W	1	
	R354	ERJ6GEYJ102V	M 1K OHM J 1/10W	1	
	R355	ERJ6GEYJ222V	M 2.2K OHM J 1/10W	1	
	R356	ERJ6ENF2672	M26.7KOHM, 1/10W	1	
	R357	ERJ6ENF2612	M26.1KOHM, 1/10W	1	
	R358	ERJ6ENF2491	M2.49KOHM, 1/10W	1	
	R359	ERJ6ENF1102	M 11KOHM, 1/10W	1	
	R360	ERJ12YJ473U	M 47KOHM,J, 1/2W	1	
	R361	ERJ12YJ473U	M 47KOHM,J, 1/2W	1	
	R362	ERJ12YJ473U	M 47KOHM,J, 1/2W	1	
	R363	ERJ12YJ473U	M 47KOHM,J, 1/2W	1	
	R371	ERJ6RND1782	CHIP RESISTOR	1	
	R372	ERJ6RND1001	CHIP RESISTOR	1	
	R374	ERJ6ENF3301	M 3.3KOHM, 1/10W	1	
	R375	ERJ6ENF8200	M 820 OHM, 1/10W	1	
	R383	ERJ6GEYJ223	M 22KOHM,J,1/10W	1	
	R384	ERJ6ENF3402	M 34KOHM, 1/10W	1	
	R385	ERJ6ENF3402	M 34KOHM, 1/10W	1	
	R386	ERJ6ENF1582	M15.8KOHM, 1/10W	1	
	R387	ERJ6ENF1582	M15.8KOHM, 1/10W	1	
	R389	ERJ3GEYJ104	M 100KOHM,J,1/16W	1	
	R390	ERJ3GEY0R00	M 0 OHM, 1/16W	1	
	R391	ERJ6GEYJ183V	M 18KOHM,J,1/10W	1	
	R392	ERJ6ENF3921	M3.92KOHM, 1/10W	1	
	R393	ERJ6GEYJ472V	M 4.7K OHM J 1/10W	1	
	R394	ERJ6ENF1002	M 10KOHM, 1/10W	1	
	R395	ERJ6GEYJ683V	M 68K OHM J 1/10W	1	

Safety	Ref. No.	Part No.	Part Name & Description	Pcs	Remarks
	R396	ERJ6GEYJ683V	M 68K OHM J 1/10W	1	
	R397	ERJ6GEYJ683V	M 68K OHM J 1/10W	1	
	R398	D0GB102JA057	M 1KOHM,J,1/16W	1	
	R501	ARRCR1F8253T	METAL GLAZE FIXED RESISTOR	1	
	R502	ARRCR1F8253T	METAL GLAZE FIXED RESISTOR	1	
	R503	ARRCR1F8253T	METAL GLAZE FIXED RESISTOR	1	
	R504	ARRCR1F8253T	METAL GLAZE FIXED RESISTOR	1	
	R505	ARRCR1F8253T	METAL GLAZE FIXED RESISTOR	1	
	R506	ARRCR1F8253T	METAL GLAZE FIXED RESISTOR	1	
△	R507	ARRCR6J825M	METAL GLAZE FIXED RESISTOR	1	
	R508	ERJ3EKF1303	M 130KOHM, 1/16W	1	
	R509	D0GB103JA057	M 10K OHM J 1/16W	1	
	R510	D0GB183JA057	M 18K OHM J 1/16W	1	
	R511	ERJ3GEY0R00	M 0 OHM, 1/16W	1	
	R512	ERJ3GEYJ224	M 220KOHM,J,1/16W	1	
	R513	ERJ3GEYJ223	M 22KOHM,J,1/16W	1	
	R514	ERJ3EKF1303	M 130KOHM, 1/16W	1	
	R515	D0GB103JA057	M 10K OHM J 1/16W	1	
	R516	D0GB473JA057	M 47KOHM,J,1/16W	1	
	R517	ERJ3GEY0R00	M 0 OHM, 1/16W	1	
	R518	ERJ12YJ120	CHIP RESISTOR	1	
	R519	ERJ3GEYJ224	M 220KOHM,J,1/16W	1	
	R520	ERDS2FJ121	C 120 OHM, J,1/4W	1	
	R521	ERJ3GEYJ223	M 22KOHM,J,1/16W	1	
	R522	ERJ6GEYJ180	M 18 OHM,J,1/10W	1	
	R523	ERJ12YJ120	CHIP RESISTOR	1	
	R524	ERJ3GEYJ223	M 22KOHM,J,1/16W	1	
	R525	D0GB103JA057	M 10K OHM J 1/16W	1	
	R526	ERJ3GEYJ472	M 4.7KOHM,J,1/16W	1	
	R530	ERJ3GEYJ471	M 470 OHM,J,1/16W	1	
	R531	ERJ6ENF3303	M 330KOHM, 1/10W	1	
	R551	ERJ6GEYJ150V	M 15 OHM,J,1/10W	1	
	R552	ERJ3GEYJ472	M 4.7KOHM,J,1/16W	1	
	R553	D0GB102JA057	M 1KOHM,J,1/16W	1	
	R554	ERDS2FJ102	M 1KOHM,J,1/10W	1	
	R555	ERJ3EKF1072	CHIP RESISTOR	1	
	R556	ERJ3EKF1002	M 10KOHM, 1/16W	1	
	R557	ERJ3GEYD153V	M 15KOHM,J,1/16W	1	
	R558	ERJ6GEYF473	M 47KOHM,J,1/10W	1	
	R570	D0GB473JA057	M 47KOHM,J,1/16W	1	
	R573	ERJ3GEYJ332	M 3.3KOHM,J,1/16W	1	
	R574	ERG2SJ561H	M 560 OHM, J, 2W	1	
	R575	ERJ6GEYJ474	M 470KOHM,J,1/10W	1	
△	R601	ARRCR5J624M	METAL GLAZE FIXED RESISTOR	1	
	R603	ERJ6ENF8062	M80.6KOHM, 1/10W	1	
	R604	ERJ6ENF8062	M80.6KOHM, 1/10W	1	
	R605	ERJ6ENF8062	M80.6KOHM, 1/10W	1	
	R606	ERJ6ENF8062	M80.6KOHM, 1/10W	1	
	R607	ERJ3EKF3302	M 33KOHM, 1/16W	1	
	R608	ERJ3EKF2701	M 2.7KOHM, 1/16W	1	
	R609	ERJ3GEYJ104	M 100KOHM,J,1/16W	1	
	R610	ERJ3GEYJ100	M 10 OHM,J,1/16W	1	
	R611	ERJ3GEYJ100	M 10 OHM,J,1/16W	1	
	R612	ERJ3EKF3162	M31.6KOHM, 1/16W	1	

Safety	Ref. No.	Part No.	Part Name & Description	Pcs	Remarks
	R613	D0GB103JA057	M 10K OHM J 1/16W	1	
	R614	ERJ3GEYJ474	M 470KOHM,J,1/16W	1	
	R615	D0GB123JA057	M 12K OHM J 1/16W	1	
	R616	ARRF2EJR15B	METAL PLATE RESISTOR	1	
	R617	ARRF2EJR15B	METAL PLATE RESISTOR	1	
	R618	ARRF2EJR15B	METAL PLATE RESISTOR	1	
	R620	ERJ3EKF3302	M 33KOHM, 1/16W	1	
	R621	ERJ3EKF6041	M6.04KOHM, 1/16W	1	
	R622	ERJ3EKF3242	M32.4KOHM, 1/16W	1	
	R623	ERJ3EKF6191	M6.19KOHM, 1/16W	1	
	R624	ERJ6GEYJ472V	M 4.7K OHM J 1/10W	1	
	R625	ERDS2FJ101	C 100 OHM, J,1/4W	1	
	R627	ERDS2FJ154	C 150KOHM, J,1/4W	1	
	R629	ERG12SJJ150J	METAL OXIDE FILM RESISTOR	1	
	R630	ERJ6GEYJ472V	M 4.7K OHM J 1/10W	1	
	R632	ERDS2FJ273	CARBON FILM RESISTOR	1	
	R633	ERDS2FJ273	CARBON FILM RESISTOR	1	
	R634	ARRCR1F4993T	METAL GLAZE FIXED RESISTOR	1	
	R635	ARRCR1F4993T	METAL GLAZE FIXED RESISTOR	1	
	R636	ARRCR1F4993T	METAL GLAZE FIXED RESISTOR	1	
	R637	ERJ6GEYJ183V	M 18KOHM,J,1/10W	1	
	R638	D0GB103JA057	M 10K OHM J 1/16W	1	
	R639	ARRCR1F5363T	METAL GLAZE FIXED RESISTOR	1	
	R640	ARRCR1F5363T	METAL GLAZE FIXED RESISTOR	1	
	R641	ARRCR1F5363T	METAL GLAZE FIXED RESISTOR	1	
	R642	ERJ6GEYF473	M 47KOHM,J,1/10W	1	
	R643	D0GB103JA057	M 10K OHM J 1/16W	1	
	R644	ERJ6ENF3303	M 330KOHM, 1/10W	1	
	R645	ERDS2FJ334	C 330KOHM, J,1/4W	1	
	R646	ARR5B100JC2	5W 10 OHM	1	
	R649	ERJ6ENF8062	M80.6KOHM, 1/10W	1	
	R650	ERJ6ENF8062	M80.6KOHM, 1/10W	1	
	R651	ERJ6GEYG270	M 27 OHM,J,1/10W	1	
	R652	ERJ6GEYG270	M 27 OHM,J,1/10W	1	
	R653	ERJ6GEYG270	M 27 OHM,J,1/10W	1	
	R654	ERJ6GEYG270	M 27 OHM,J,1/10W	1	
	R659	ERJ6GEYG270	M 27 OHM,J,1/10W	1	
	R670	ERJ6GEYG270	M 27 OHM,J,1/10W	1	
	R671	ERJ6GEYG270	M 27 OHM,J,1/10W	1	
	R672	ERJ6GEYG270	M 27 OHM,J,1/10W	1	
	R701	ERJ6GEYJ102V	M 1K OHM J 1/10W	1	
	R702	ERJ3GEYJ221	M 220 OHM,J,1/16W	1	
	R703	D0GB103JA057	M 10K OHM J 1/16W	1	
	R705	ERJ3GEYJ224	M 220KOHM,J,1/16W	1	
	R706	ERJ6GEYJ104V	M 100KOHM,J,1/10W	1	
	R707	D0GB103JA057	M 10K OHM J 1/16W	1	
	R708	D0GB103JA057	M 10K OHM J 1/16W	1	
	R711	ERJ3EKF4991	M4.99KOHM, 1/16W	1	
	R712	ERJ3EKF4991	M4.99KOHM, 1/16W	1	
	R713	ERJ3EKF4991	M4.99KOHM, 1/16W	1	

Safety	Ref. No.	Part No.	Part Name & Description	Pcs	Remarks
	R714	ERJ3GEYJ101	M 100 OHM,J,1/16W	1	
	R715	ERJ3GEYJ514	M 510KOHM,J,1/16W	1	
	R717	ERJ3GEYJ104	M 100KOHM,J,1/16W	1	
	R718	D0GB103JA057	M 10K OHM J 1/16W	1	
	R719	D0GB103JA057	M 10K OHM J 1/16W	1	
	R720	D0GB103JA057	M 10K OHM J 1/16W	1	
	R721	D0GB103JA057	M 10K OHM J 1/16W	1	
	R722	D0GB103JA057	M 10K OHM J 1/16W	1	
	R723	D0GB103JA057	M 10K OHM J 1/16W	1	
	R724	D0GB152JA057	M 1.5KOHM J 1/16W	1	
	R725	D0GB152JA057	M 1.5KOHM J 1/16W	1	
	R731	ERJ3GEYJ471	M 470 OHM,J,1/16W	1	
	R733	D0GB103JA057	M 10K OHM J 1/16W	1	
	R734	D0GB103JA057	M 10K OHM J 1/16W	1	
	R736	ERJ3GEYJ821	M820 OHM,J,1/16W	1	
	R738	D0GB102JA057	M 1KOHM,J,1/16W	1	
	R740	ERJ3GEYJ821	M820 OHM,J,1/16W	1	
	R741	D0GB103JA057	M 10K OHM J 1/16W	1	
	R742	ERJ3GEYJ821	M820 OHM,J,1/16W	1	
	R743	ERJ3GEYJ471	M 470 OHM,J,1/16W	1	
	R744	ERJ3GEYJ101	M 100 OHM,J,1/16W	1	
	R745	ERJ3GEYJ101	M 100 OHM,J,1/16W	1	
	R746	ERJ3GEYJ101	M 100 OHM,J,1/16W	1	
	R747	D0GB102JA057	M 1KOHM,J,1/16W	1	
	R748	D0GB103JA057	M 10K OHM J 1/16W	1	
	R749	ERJ3GEYJ221	M 220 OHM,J,1/16W	1	
	R750	ERJ3GEYJ221	M 220 OHM,J,1/16W	1	
	R751	D0GB102JA057	M 1KOHM,J,1/16W	1	
	R752	ERJ6GEYJ1R0	M 1 OHM,J,1/10W	1	
	R753	ERJ6GEYJ1R0	M 1 OHM,J,1/10W	1	
	R754	ERJ3GEY0R00	M 0 OHM, 1/16W	1	
	△	RF501	HUA5MC100JP2	THERMAL CUTOFF WITH RESISTOR	1
	△	RF601	HUY5JA200JP	W 20 OHM, J, 5W	1
	△	T201	ETB42BJ16GAD	TRANSFORMER	1
	△	T301	ETB35BC28GAD	TRANSFORMER	1
	△	T501	ETB29AK1L8AD	TRANSFORMER	1
		VR251	EVMEASA01B15	VARIABLE RESISTOR	1
		VR351	EVMEASA01B54	VARIABLE RESISTOR	1
	△	Z601	ERZVGED751	VARISTOR	1
	△	Z602	ERZVGAD471	VARISTOR	1
		ZD353	MA4120NM	ZENER DIODE	1
		ZD354	MA24068NMF	ZENER DIODE	1
		ZD501	MA4300NMTA	ZENER DIODE	1
		ZD502	MA4300NMTA	ZENER DIODE	1
		ZD503	MA4300NMTA	ZENER DIODE	1
		ZD504	MA4150NMTA	ZENER DIODE	1
		ZD505	MA4300NMTA	ZENER DIODE	1

Safety	Ref. No.	Part No.	Part Name & Description	Pcs	Remarks
	ZD506	MA4220NM	ZENER DIODE	1	
	ZD507	MA4082NM	ZENER DIODE	1	
	ZD508	MA4150NMTA	ZENER DIODE	1	
	ZD552	MA4062NM	ZENER DIODE	1	
	ZD601	MA4051NM	ZENER DIODE	1	
	ZD602	MA4047NM	ZENER DIODE	1	
	ZD701	MA4036H	ZENER DIODE	1	
	ZD702	MA4036H	ZENER DIODE	1	