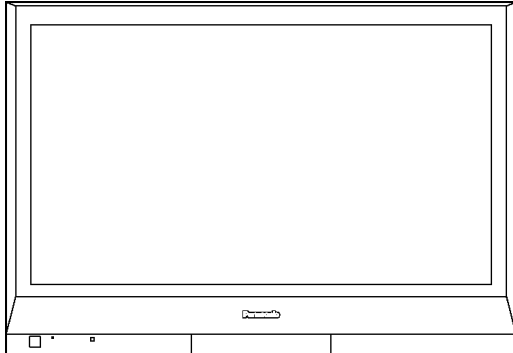


# Service Manual

## Progressive Wide Hospitality Plasma Display



**TH-37PG9W**  
**TH-42PG9W**  
 GP9D Chassis

### Specifications

<b>Power Source</b>	220-240 V AC, 50/60Hz	
<b>Power Consumption</b>		
Power on	250 W (37 inch)	280 W (42 inch)
Stand-by condition	Save OFF 0.8 W, Save ON 0.6 W (37 inch)	Save OFF 0.8 W, Save ON 0.6 W (42 inch)
Power off condition	0.2 W (37 inch)	0.2 W (42 inch)
<b>Plasma Display panel</b>		
	Drive method: AC type 37-inch, 16:9 aspect ratio (37 inch)	Drive method: AC type 42-inch, 16:9 aspect ratio (42 inch)
Contrast Ratio	Max 10000:1	
<b>Screen size</b>	818 mm (W) × 461 mm (H) × 939 mm (diagonal) (37 inch)	
	920 mm (W) × 518 mm (H) × 1,056 mm (diagonal) (42 inch)	
(No. of pixels)	408,960 (852 (W) × 480(H)) [2,556 × 480 dots]	
<b>Operating condition</b>		
Temperature	0 °C - 40 °C	
Humidity	20% - 80%	
<b>Applicable signals</b>		
Scanning format	525 (480) / 60i • 60p, 625 (575) / 50i • 50p, 750 (720) / 60p • 50p, 1125 (1080) / 60i • 50i • 24p • 25p • 30p • 24sF.... SMPTE274M, 1250 (1080) / 50i	
PC signals	VGA SVGA, XGA, SXGA, UXGA..... (compressed) Horizontal scanning frequency 15 - 110 kHz Vertical scanning frequency 48 - 120 Hz	
<b>Connection terminals</b>		
COMPONENT	Y/G(BNC) PB/B(BNC),PR/R(BNC) AUDIO IN (RCA PIN JACK × 2)	Y or G with / sync 1.0 Vp-p (75-ohm) 0.7 Vp-p (75-ohm) 0.5 Vrms
PC	(HIGH-DENSITY Mini-D-SUB 15PIN)	Y or G with / sync 1.0 Vp-p (75-ohm) Y or G without / sync 0.7 Vp-p (75-ohm) B / P <sub>B</sub> / C <sub>B</sub> :0.7 Vp-p (75-ohm)

R / P<sub>R</sub> / C<sub>R</sub>:0.7 Vp-p (75-ohm)  
 HD / VD:1.0 - 5.0 Vp-p (high impedance)  
 with / picture 1.0 Vp-p (high impedance)  
 without / picture 0.3 Vp-p (high impedance)  
 0.5 Vrms  
 RS-232C COMPATIBLE

VBS (use HD port)

AUDIO IN (M3 JACK)

SERIAL

EXTERNAL CONTROL TERMINAL (D-SUB 9PIN)

**Accessories Supplied**

Fixing bands TMME187 × 2

**Dimensions (W × H × D)**

917 mm × 644 mm × 95 mm 1,020 mm × 705 mm × 95 mm  
 (109 mm when including protruding portion of slots) (109 mm when including protruding portion of slots)  
 (37 inch) (42 inch)

**Mass (weight)**

approx. 26.0 kg net (37 inch) approx. 30.0 kg net (42 inch)

**Sound**

Speaker 120 mm × 60 mm × 2 pcs, 8-ohm  
 Audio output 20W [ 10W + 10W ] ( 10% THD )

**Notes:**

· Design and specifications are subject to change without notice. Mass and dimensions shown are approximate.

**⚠ WARNING**

This service information is designed for experienced repair technicians only and is not designed for use by the general public. It does not contain warnings or cautions to advise non-technical individuals of potential dangers in attempting to service a product. Products powered by electricity should be serviced or repaired only by experienced professional technicians. Any attempt to service or repair the product or products dealt with in this service information by anyone else could result in serious injury or death.

**CONTENTS**

	Page		Page
<b>1 Applicable signals</b> .....	4	6.19. Removal of the Escutcheon .....	16
<b>2 Safety Precautions</b> .....	5	6.20. Removal of the Plasma Panel .....	18
2.1. General Guidelines .....	5	<b>7 Location of Lead Wiring</b> .....	<b>20</b>
<b>3 Prevention of Electro Static Discharge (ESD) to</b>		7.1. Location of Lead Wiring (1) .....	20
<b>Electrostatically Sensitive (ES) Devices</b> .....	6	7.2. Location of Lead wiring (2) .....	21
<b>4 About lead free solder (PbF)</b> .....	7	7.3. Location of Lead wiring (3) .....	22
<b>5 Service Hint</b> .....	8	7.4. Location of Lead Wiring (4) .....	23
<b>6 Disassembly</b> .....	9	<b>8 Adjustment Procedure</b> .....	<b>24</b>
6.1. Removal of the Back Cover .....	9	8.1. Driver Set-up .....	24
6.2. Removal of the HA-Board .....	9	8.2. Initialization Pulse Adjust .....	25
6.3. Removal of the Slot Block .....	9	8.3. P.C.B. (Printed Circuit Board) exchange .....	25
6.4. Removal of the J-Board .....	10	8.4. Adjustment Volume Location .....	26
6.5. Removal of the HX-Board .....	10	8.5. Test Point Location .....	27
6.6. Removal of the DA-Board .....	11	<b>9 Service mode</b> .....	<b>28</b>
6.7. Removal of the P-Board .....	11	9.1. CAT (computer Aided Test) mode .....	28
6.8. Removal of the D-Board .....	11	9.2. IIC mode structure (following items value is sample data.)	31
6.9. Removal of the Speaker (L, R) .....	11	.....	31
6.10. Removal of the SU-Board and the SD-Board .....	12	<b>10 Adjustment</b> .....	<b>32</b>
6.11. Removal of the SC-Board .....	12	10.1. RGB white balance adjustment .....	32
6.12. Removal of the SS-Board .....	13	10.2. HD white balance adjustment .....	34
6.13. Removal of the C1, C2-Board .....	13	10.3. Power control adjustment .....	36
6.14. Removal of the S-Board .....	14	<b>11 Troubleshooting guide</b> .....	<b>37</b>
6.15. Removal of the GK-Board .....	14	11.1. Self Check .....	37
6.16. Removal of the K-Board .....	14	11.2. No Power .....	39
6.17. Removal of the Control Panel, the Power SW and the		11.3. No Picture .....	39
Door .....	15	11.4. Local screen failure .....	40
6.18. Removal of the Front Glass .....	15	<b>12 Option Setting</b> .....	<b>41</b>

<b>13 Conduct Views</b> .....	<b>43</b>	14.26. J-Board (5 of 5) Schematic Diagram .....	96
13.1. P-Board (37inch) .....	43	14.27. DA-Board (1 of 2) Block Diagram .....	97
13.2. P-Board (42inch) .....	46	14.28. DA-Board (2 of 2) Block Diagram .....	98
13.3. HA-Board .....	49	14.29. DA-Board (1 of 6) Schematic Diagram .....	99
13.4. HX-Board .....	50	14.30. DA-Board (2 of 6) Schematic Diagram .....	100
13.5. GK, K and S-Board .....	51	14.31. DA-Board (3 of 6) Schematic Diagram .....	101
13.6. J-Board .....	52	14.32. DA-Board (4 of 6) Schematic Diagram .....	102
13.7. DA-Board .....	54	14.33. DA-Board (5 of 6) Schematic Diagram .....	103
13.8. D-Board .....	56	14.34. DA-Board (6 of 6) Schematic Diagram .....	104
13.9. C1-Board (37inch) .....	58	14.35. D-Board Block Diagram .....	105
13.10. C1-Board (42inch) .....	59	14.36. D-Board (1 of 6) Schematic Diagram .....	106
13.11. C2-Board (37inch) .....	60	14.37. D-Board (2 of 6) Schematic Diagram .....	107
13.12. C2-Board (42inch) .....	61	14.38. D-Board (3 of 6) Schematic Diagram .....	108
13.13. SC-Board .....	62	14.39. D-Board (4 of 6) Schematic Diagram .....	109
13.14. SU-Board (37inch) .....	65	14.40. D-Board (5 of 6) Schematic Diagram .....	110
13.15. SU-Board (42inch) .....	66	14.41. D-Board (6 of 6) Schematic Diagram .....	111
13.16. SD-Board (37inch) .....	67	14.42. C1 and C2-Board Block Diagram .....	112
13.17. SD-Board (42inch) .....	68	14.43. C1-Board (1 of 2) Schematic Diagram (37inch) .....	113
13.18. SS-Board .....	69	14.44. C1-Board (2 of 2) Schematic Diagram (37inch) .....	114
<b>14 Block and Schematic Diagram</b> .....	<b>71</b>	14.45. C1-Board (1 of 2) Schematic Diagram (42inch) .....	115
14.1. Schematic Diagram Notes .....	71	14.46. C1-Board (2 of 2) Schematic Diagram (42inch) .....	116
14.2. Main Block Diagram .....	72	14.47. C2-Board (1 of 2) Schematic Diagram (37inch) .....	117
14.3. P-Board Block Diagram (37inch) .....	73	14.48. C2-Board (2 of 2) Schematic Diagram (37inch) .....	118
14.4. P-Board (1 of 6) Schematic Diagram (37inch) .....	74	14.49. C2-Board (1 of 2) Schematic Diagram (42inch) .....	119
14.5. P-Board (2 of 6) Schematic Diagram (37inch) .....	75	14.50. C2-Board (2 of 2) Schematic Diagram (42inch) .....	120
14.6. P-Board (3 of 6) Schematic Diagram (37inch) .....	76	14.51. SC, SU and SD-Board Block Diagram .....	121
14.7. P-Board (4 of 6) Schematic Diagram (37inch) .....	77	14.52. SC-Board (1 of 2) Schematic Diagram .....	122
14.8. P-Board (5 of 6) Schematic Diagram (37inch) .....	78	14.53. SC-Board (2 of 2) Schematic Diagram .....	123
14.9. P-Board (6 of 6) Schematic Diagram (37inch) .....	79	14.54. SU-Board Schematic Diagram (37inch) .....	124
14.10. P-Board Block Diagram (42inch) .....	80	14.55. SU-Board Schematic Diagram (42inch) .....	125
14.11. P-Board (1 of 6) Schematic Diagram (42inch) .....	81	14.56. SD-Board Schematic Diagram (37inch) .....	126
14.12. P-Board (2 of 6) Schematic Diagram (42inch) .....	82	14.57. SD-Board Schematic Diagram (42inch) .....	127
14.13. P-Board (3 of 6) Schematic Diagram (42inch) .....	83	14.58. SS and S-Board Block Diagram .....	128
14.14. P-Board (4 of 6) Schematic Diagram (42inch) .....	84	14.59. SS and S-Board Schematic Diagram .....	129
14.15. P-Board (5 of 6) Schematic Diagram (42inch) .....	85	<b>15 Parts Location</b> .....	<b>131</b>
14.16. P-Board (6 of 6) Schematic Diagram (42inch) .....	86	15.1. Exploded View .....	131
14.17. HA-Board Block and Schematic Diagram .....	87	15.2. Cable relation .....	132
14.18. HX-Board Block and Schematic Diagram .....	88	15.3. Packing summary .....	133
14.19. GK and K-Board Block and Schematic Diagram .....	89	<b>16 Mechanical Replacement Parts List</b> .....	<b>135</b>
14.20. J-Board (1 of 2) Block Diagram .....	90	<b>17 Replacement Parts List</b> .....	<b>136</b>
14.21. J-Board (2 of 2) Block Diagram .....	91	17.1. Replacement Parts List Notes .....	136
14.22. J-Board (1 of 5) Schematic Diagram .....	92	17.2. TH-37PG9W Electrical Replacement Parts List .....	137
14.23. J-Board (2 of 5) Schematic Diagram .....	93	17.3. TH-42PG9W Electrical Replacement Parts List .....	158
14.24. J-Board (3 of 5) Schematic Diagram .....	94	<b>18 Schematic Diagram for printing with A4</b> .....	<b>179</b>
14.25. J-Board (4 of 5) Schematic Diagram .....	95		

# 1 Applicable signals

Applicable input signals for Component / Mini D-sub 15P (Component) / RGB / Mini D-sub 15P (RGB) (\* Mark)

	Signal name	Horizontal frequency (kHz)	Vertical frequency (Hz)	Component / Mini D-sub 15P (Component)	RGB / Mini D-sub 15P (RGB)
1	525 (480) / 60i	15.73	59.94	*	*
2	525 (480) / 60p	31.47	59.94	*	*1
3	625 (575) / 50i	15.63	50.00	*	*
4	625 (575) / 50p	31.25	50.00	*	*
5	750 (720) / 60p	45.00	60.00	*	*
6	750 (720) / 50p	37.50	50.00	*	*
7	1,125 (1,080) / 60i	33.75	60.00	*	*
8	1,125 (1,080) / 50i	28.13	50.00	*	*
9	1,125 (1,080) / 24p	27.00	47.92	*	*
10	1,125 (1,080) / 24sF	33.75	30.00	*	*
11	1,125 (1,080) / 25p	28.13	25.00	*	*
12	1,125 (1,080) / 30p	27.00	24.00	*	*
13	1,250 (1,080) / 50i	31.25	50.00	*	*
14	640 × 400 @70 Hz	31.46	70.07		*
15	640 × 480 @60 Hz	31.47	59.94		*2
16	640 × 480 @72 Hz	37.86	72.81		*
17	640 × 480 @75 Hz	37.50	75.00		*
18	640 × 480 @85 Hz	43.27	85.01		*
19	852 × 480 @60 Hz	31.47	59.94		*2
20	800 × 600 @56 Hz	35.16	56.25		*
21	800 × 600 @60 Hz	37.88	60.32		*
22	800 × 600 @72 Hz	48.08	72.19		*
23	800 × 600 @75 Hz	46.88	75.00		*
24	800 × 600 @85 Hz	53.67	85.06		*
25	1,024 × 768 @60 Hz	48.36	60.00		*
26	1,024 × 768 @70 Hz	56.48	70.07		*
27	1,024 × 768 @75 Hz	60.02	75.03		*
28	1,024 × 768 @85 Hz	68.68	85.00		*
29	1,152 × 864 @75 Hz	67.50	75.00		*
30	1,280 × 960 @60 Hz	60.00	60.00		*
31	1,280 × 960 @85 Hz	85.94	85.00		*
32	1,280 × 1,024 @60 Hz	63.98	60.02		*
33	1,280 × 1,024 @75 Hz	79.98	75.03		*
34	1,280 × 1,024 @85 Hz	91.15	85.02		*
35	1,600 × 1,200 @60 Hz	75.00	60.00		*
36	1,600 × 1,200 @65 Hz	81.25	65.00		*
37	1,066 × 600 @60 Hz	37.88	60.32		*
38	1,366 × 768 @60 Hz	48.36	60.00		*
39	Macintosh13" (640 × 480)	35.00	66.67		*
40	Macintosh16" (832 × 624)	49.72	74.54		*
41	Macintosh21" (1,152 × 870)	68.68	75.06		*

\*1: When selected the RGB format and 525p signal input to the Mini D-sub 15P terminal, it is recognized as VGA 60Hz signal.

\*2: When inputted VGA 60Hz format signal from the other than Mini D-sub 15P terminal, it is recognized as 525p signal.

**Note:** Signals without above specification may not be displayed properly.

## 2 Safety Precautions

### 2.1. General Guidelines

1. When servicing, observe the original lead dress. If a short circuit is found, replace all parts which have been overheated or damaged by the short circuit.
2. After servicing, see to it that all the protective devices such as insulation barriers, insulation papers shields are properly installed.
3. After servicing, make the following leakage current checks to prevent the customer from being exposed to shock hazards.

#### 2.1.1. Leakage Current Cold Check

1. Unplug the AC cord and connect a jumper between the two prongs on the plug.
2. Measure the resistance value, with an ohmmeter, between the jumpered AC plug and each exposed metallic cabinet part on the equipment such as screw heads, connectors, control shafts, etc. When the exposed metallic part has a return path to the chassis, the reading should be between  $1M\Omega$  and  $5.2M\Omega$ .

When the exposed metal does not have a return path to the chassis, the reading must be  $\infty$ .

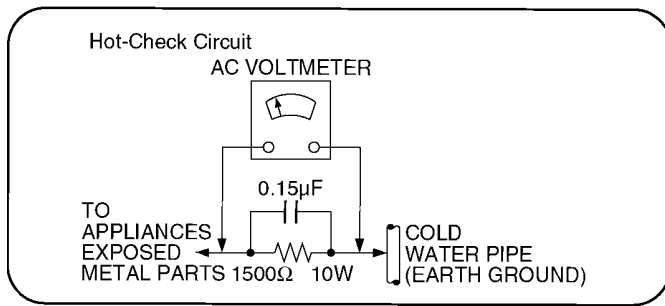


Figure 1

#### 2.1.2. Leakage Current Hot Check (See Figure 1.)

1. Plug the AC cord directly into the AC outlet. Do not use an isolation transformer for this check.
2. Connect a 1.5kΩ, 10 watts resistor, in parallel with a 0.15µF capacitors, between each exposed metallic part on the set and a good earth ground such as a water pipe, as shown in Figure 1.
3. Use an AC voltmeter, with 1000 ohms/volt or more sensitivity, to measure the potential across the resistor.
4. Check each exposed metallic part, and measure the voltage at each point.
5. Reverse the AC plug in the AC outlet and repeat each of the above measurements.
6. The potential at any point should not exceed 0.75 volts RMS. A leakage current tester (Simpson Model 229 or equivalent) may be used to make the hot checks, leakage current must not exceed 1/2 milliamp. In case a measurement is outside of the limits specified, there is a possibility of a shock hazard, and the equipment should be repaired and rechecked before it is returned to the customer.

### 3 Prevention of Electro Static Discharge (ESD) to Electrostatically Sensitive (ES) Devices

Some semiconductor (solid state) devices can be damaged easily by static electricity. Such components commonly are called Electrostatically Sensitive (ES) Devices. Examples of typical ES devices are integrated circuits and some field-effect transistors and semiconductor "chip" components. The following techniques should be used to help reduce the incidence of component damage caused by electro static discharge (ESD).


1. Immediately before handling any semiconductor component or semiconductor-equipped assembly, drain off any ESD on your body by touching a known earth ground. Alternatively, obtain and wear a commercially available discharging ESD wrist strap, which should be removed for potential shock reasons prior to applying power to the unit under test.
2. After removing an electrical assembly equipped with ES devices, place the assembly on a conductive surface such as aluminum foil, to prevent electrostatic charge buildup or exposure of the assembly.
3. Use only a grounded-tip soldering iron to solder or unsolder ES devices.
4. Use only an anti-static solder removal device. Some solder removal devices not classified as "anti-static (ESD protected)" can generate electrical charge sufficient to damage ES devices.
5. Do not use freon-propelled chemicals. These can generate electrical charges sufficient to damage ES devices.
6. Do not remove a replacement ES device from its protective package until immediately before you are ready to install it. (Most replacement ES devices are packaged with leads electrically shorted together by conductive foam, aluminum foil or comparable conductive material).
7. Immediately before removing the protective material from the leads of a replacement ES device, touch the protective material to the chassis or circuit assembly into which the device will be installed.

#### Caution

Be sure no power is applied to the chassis or circuit, and observe all other safety precautions.

8. Minimize bodily motions when handling unpackaged replacement ES devices. (Otherwise harmless motion such as the brushing together of your clothes fabric or the lifting of your foot from a carpeted floor can generate static electricity (ESD) sufficient to damage an ES device).

#### IMPORTANT SAFETY NOTICE

There are special components used in this equipment which are important for safety. These parts are marked by  in the schematic diagrams, Exploded Views and replacement parts list. It is essential that these critical parts should be replaced with manufacturer's specified parts to prevent shock, fire, or other hazards. Do not modify the original design without permission of manufacturer.

## 4 About lead free solder (PbF)

**Note:** Lead is listed as (Pb) in the periodic table of elements.

In the information below, Pb will refer to Lead solder, and PbF will refer to Lead Free Solder.

The Lead Free Solder used in our manufacturing process and discussed below is (Sn+Ag+Cu).

That is Tin (Sn), Silver (Ag) and Copper (Cu) although other types are available.

This model uses Pb Free solder in it's manufacture due to environmental conservation issues. For service and repair work, we'd suggest the use of Pb free solder as well, although Pb solder may be used.

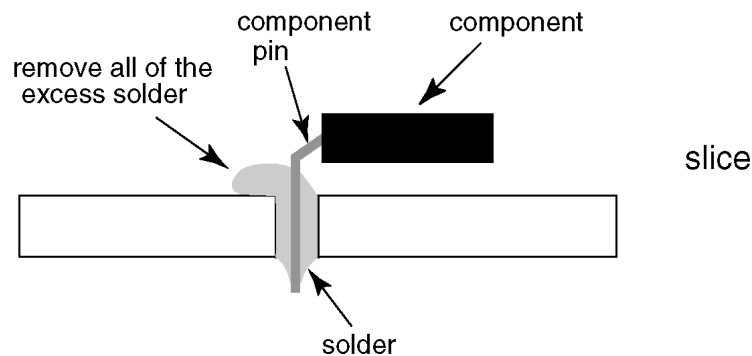
PCBs manufactured using lead free solder will have the PbF within a leaf Symbol  $\overline{\text{PbF}}$  stamped on the back of PCB.

### Caution

- Pb free solder has a higher melting point than standard solder. Typically the melting point is 50 ~ 70 °F (30~40 °C) higher. Please use a high temperature soldering iron and set it to 700 ± 20 °F (370 ± 10 °C).
- Pb free solder will tend to splash when heated too high (about 1100 °F or 600 °C).

If you must use Pb solder, please completely remove all of the Pb free solder on the pins or solder area before applying Pb solder. If this is not practical, be sure to heat the Pb free solder until it melts, before applying Pb solder.

- After applying PbF solder to double layered boards, please check the component side for excess solder which may flow onto the opposite side. (see figure below)



### Suggested Pb free solder

There are several kinds of Pb free solder available for purchase. This product uses Sn+Ag+Cu (tin, silver, copper) solder. However, Sn+Cu (tin, copper), Sn+Zn+Bi (tin, zinc, bismuth) solder can also be used.

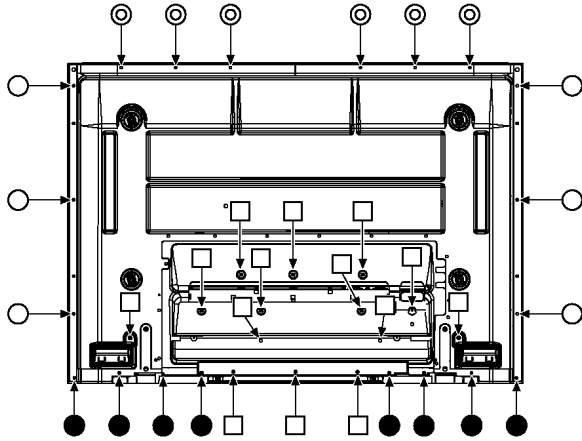
0.3mm X 100g	0.6mm X 100g	1.0mm X 100g

# 5 Service Hint

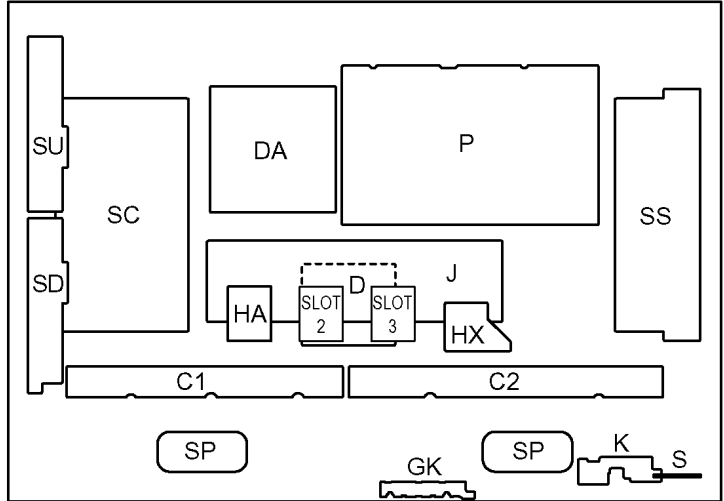
**Note:**

- The remote control transmitter is not included with this set.
- Execute by the following remote control transmitter when repairing.  
product number : EUR7636070R

Remove the Back Cover



- Remove : 14 screws (□) THEL0429  
 6 screws (○) XYN4+F30FJK  
 6 screws (⊙) XYN4+F10FJK  
 8 screws (●) XTB4+12GFJK



Board Name	Function
DA	Digital Signal Processor, Micon
D	Format Converter, Plasma AI Processor Sub-Field Processor
J	Slot Interface (Audio / Video / Sync input Switch), SYNC processor, Sound processor,
SS	Sustain drive
SC	Scan drive
SU	Scan out (Upper)
SD	Scan out (Lower)
C1	Data Drive (Right)
C2	Data Drive (Left)
SP	Speaker
S	Power switch
K	Remote receiver, LED_G,R
GK	Key switch
P	Power supply
HX	PC / RS-232C Input terminal
HA	BNC Component Video

**Note:**

- Extension cable kit Slot Board is supplied as service fixtures and tools.  
(Parts No. TZCS07040)

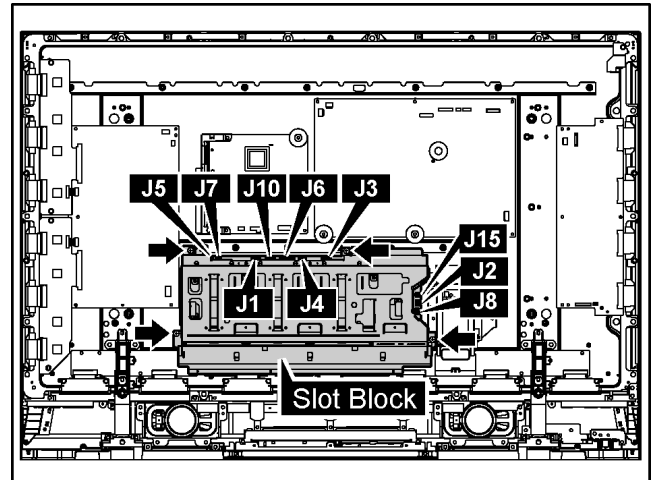
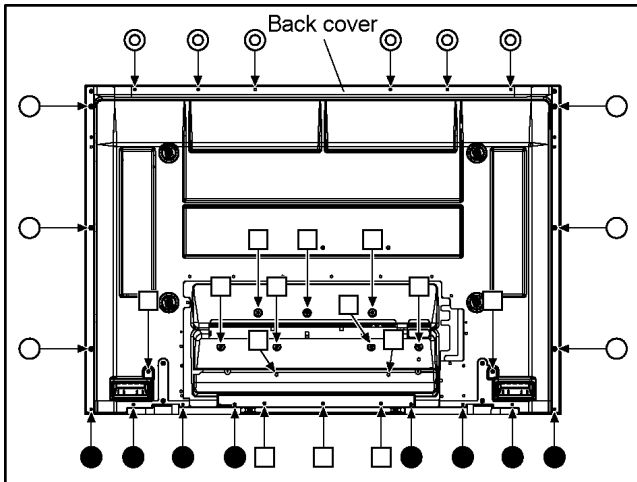


## 6 Disassembly

- To disassemble P.C.B., wait for 1 minute after power was off for discharge from electrolysis capacitors.
- ↑ and ↗ marks indicate screw positions.

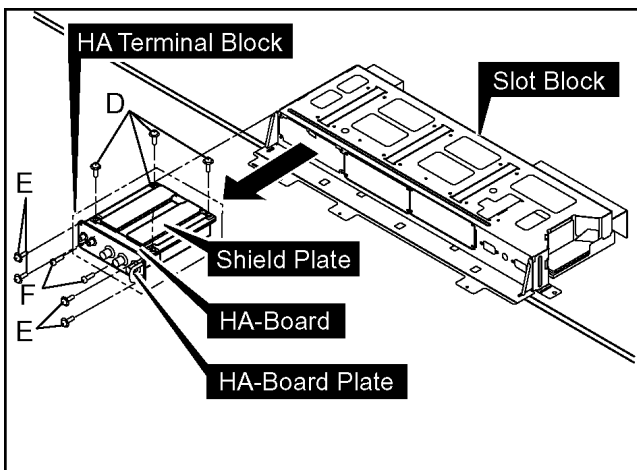
### 6.1. Removal of the Back Cover

1. Remove the screws (×6 ○, ×6 ⊙, ×14 □, ×8 ●) and then remove the Back Cover.



### 6.2. Removal of the HA-Board

1. Remove the 4 screws(D) and then remove the HA Terminal Block.
2. Remove the 4 screws(E).
3. Remove the 2 screws(F) and then remove the HA-Board.

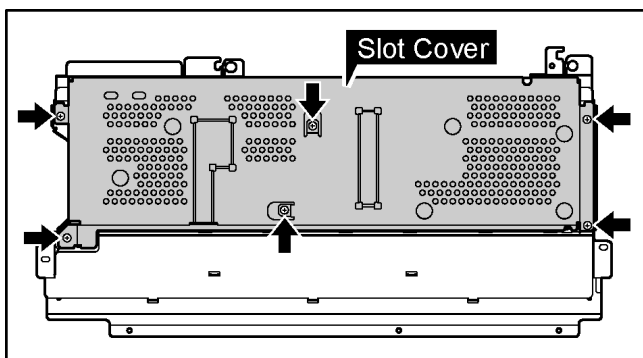


### 6.3. Removal of the Slot Block

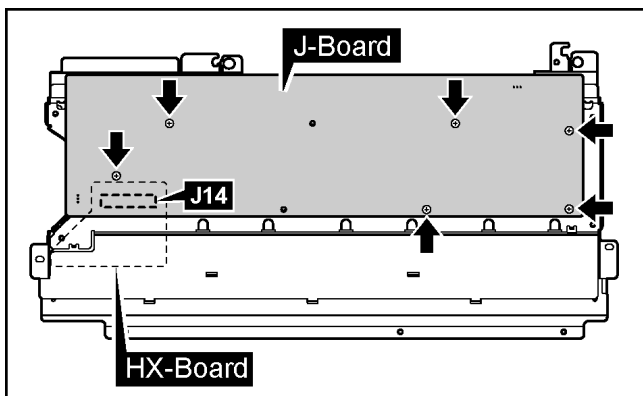
1. Disconnect the couplers (J1, J2, J3, J4, J5, J6, J7, J8, J10, J15).
2. Remove the 4 screws and then remove the Slot Block.

## 6.4. Removal of the J-Board

1. Remove the Slot Block.  
(Reference to Removal of the Slot Block)
2. The slot block is turned inside out.
3. Remove the 6 screws and then remove the Slot cover.

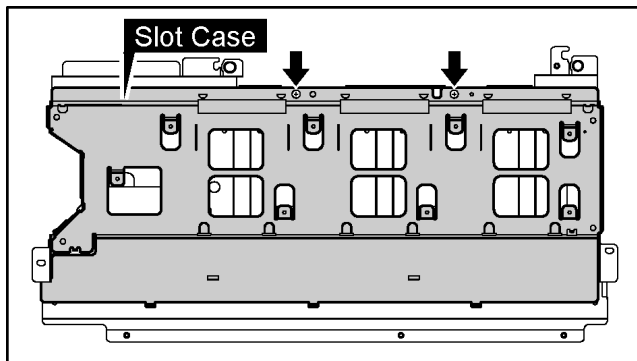


4. Remove the 6 screws, release the coupler(J14) from HX-Board and then remove the J-Board.

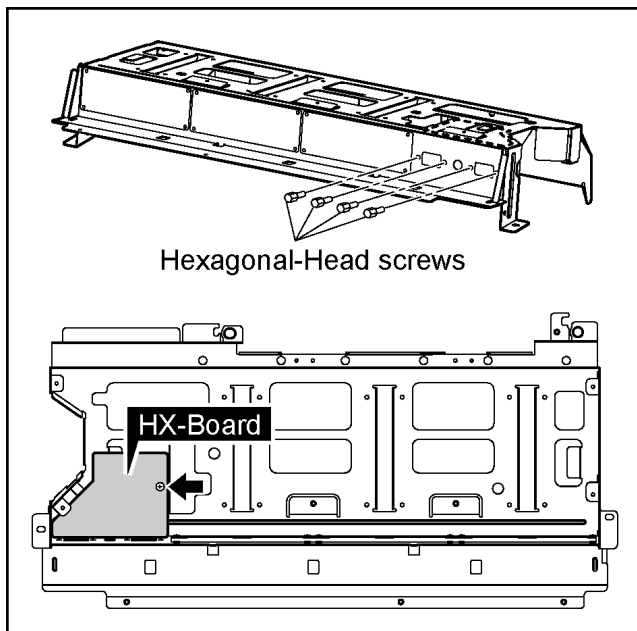


## 6.5. Removal of the HX-Board

1. Remove the Slot Block.  
(Reference to Removal of the Slot Block)
2. Remove the J-Board.  
(Reference to Removal of the J-Board)
3. Remove the 2 screws and then remove the Slot Case.

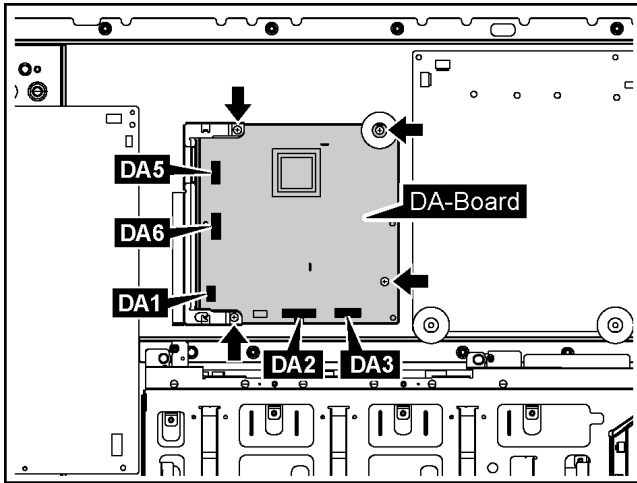


4. Remove the 4 Hexagonal-Head screws and the 1 screw and then remove the HX-Board.



## 6.6. Removal of the DA-Board

1. Disconnect the couplers(DA1, DA3, DA5, DA6).
2. Remove the Flexible Cable from the coupler(DA2).
3. Remove the 4 screws and then remove the DA-Board.

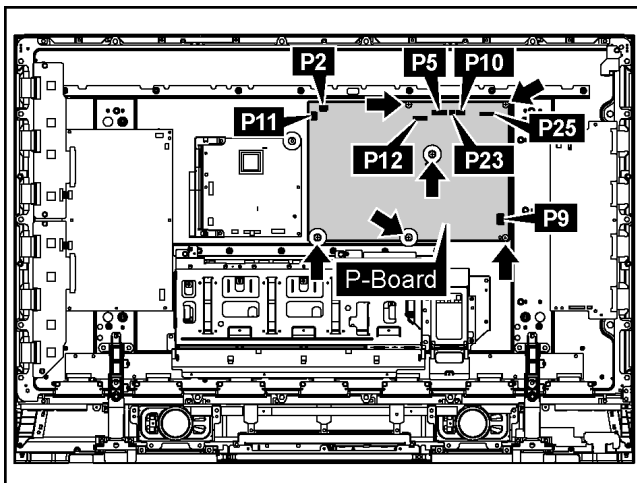


### Note:

A re-setup of the destination is performed by MS mode after DA-Board exchange.

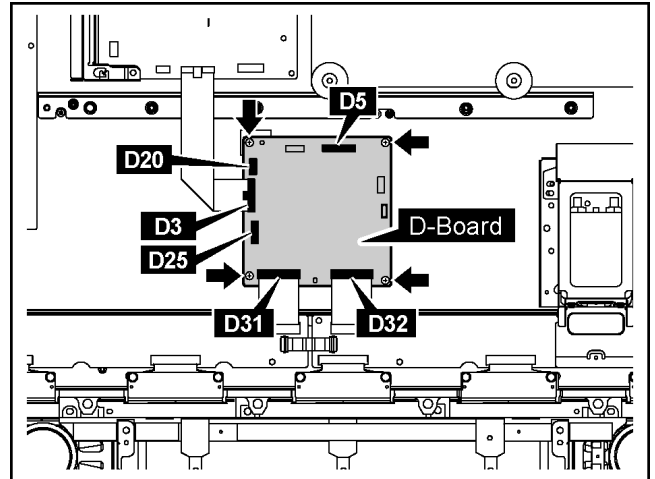
## 6.7. Removal of the P-Board

1. Disconnect the couplers(P2, P5, P9, P10, P11, P12, P23, P25)
2. Remove the 6 screws and then remove the P-Board.



## 6.8. Removal of the D-Board

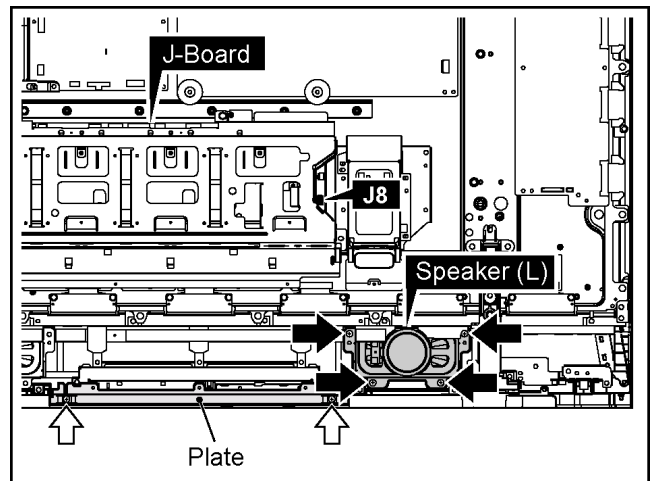
1. Remove the Slot Block.  
(Reference to Removal of the Slot Block)
2. Disconnect the couplers(D5, D20, D25)
3. Remove the Flexible Cable from the couplers (D3, D31, D32).
4. Remove the 4 screws and then remove the D-Board.



## 6.9. Removal of the Speaker (L, R)

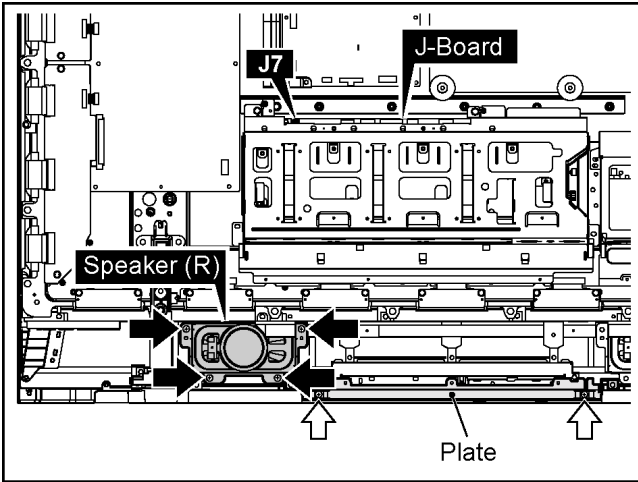
### 6.9.1. Removal of the Speaker (L)

1. Disconnect the coupler (J8).
2. Remove the 2 screws (⇩) and then remove the Plate.
3. Remove the 4 screws (⇩) and then remove the Speaker (L).



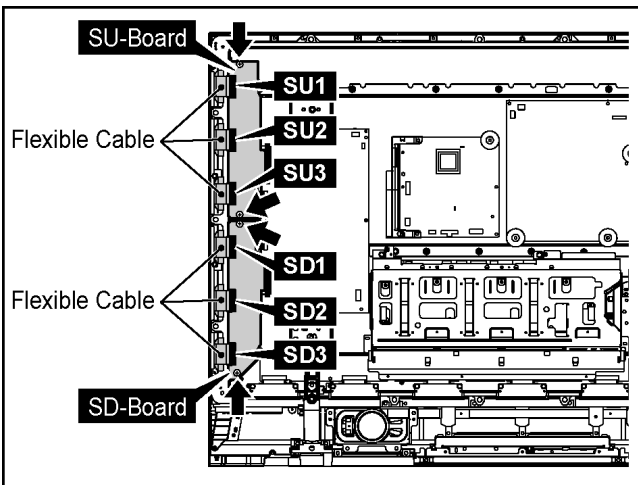
### 6.9.2. Removal of the Speaker (R)

1. Disconnect the coupler (J7).
2. Remove the 2 screws (⇩) and then remove the Plate.
3. Remove the 4 screws (⇩) and then remove the Speaker (R).

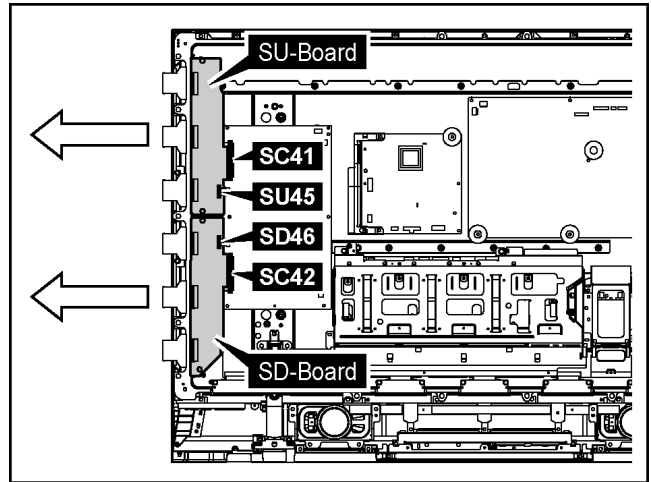


### 6.10. Removal of the SU-Board and the SD-Board

1. Remove the each 2 screws.
2. Remove the Flexible Cable from the couplers(SU1, SU2, SU3).
3. Remove the Flexible Cable from the couplers(SD1, SD2, SD3).

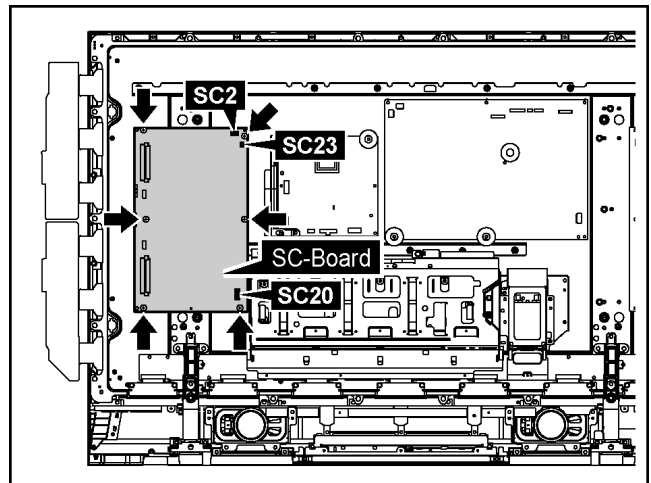


4. Disconnect the couplers(SU45, SD46).
5. Slide the SU-Board and the SD-Board to the left, remove the SU-Board and the SD-Board from the couplers(SC41, SC42).



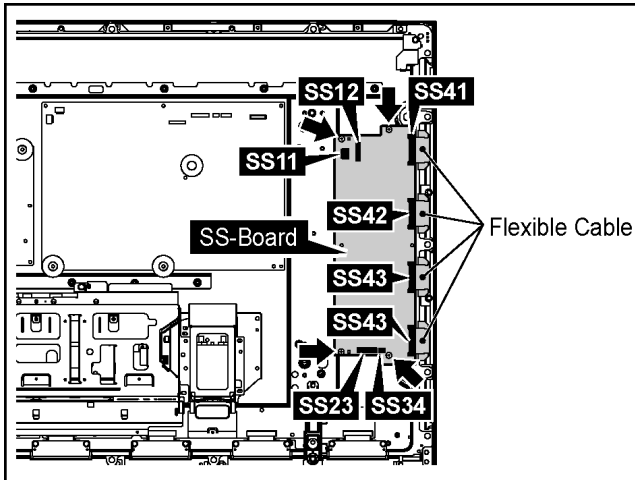
### 6.11. Removal of the SC-Board

1. Slide the SU-Board and the SD-Board to the left.  
(Reference to Removal of the SU-Board and the SD-Board)
2. Disconnect the couplers(SC2, SC20, SC23).
3. Remove the 6 screws and then remove the SC-Board.



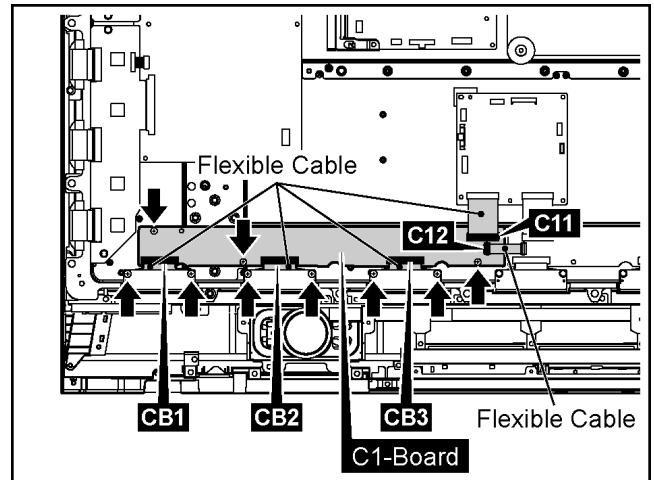
## 6.12. Removal of the SS-Board

1. Disconnect the couplers(SS11, SS12, SS23, SS34).
2. Remove the Flexible Cable from the couplers(SS41, SS42, SS43, SS44)
3. Remove the 6 screws and then remove the SS-Board.



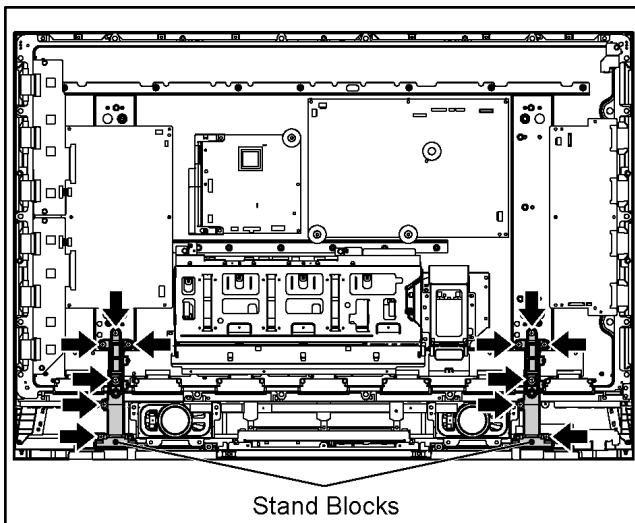
## 6.13.1. Removal of the C1-Board

1. Disconnect the couplers(C11, C12).
2. Remove the 6 screws and then remove the Flexible Cable from the couplers(CB1, CB2, CB3).
3. Remove the 3 screws and then remove the C1-Board.



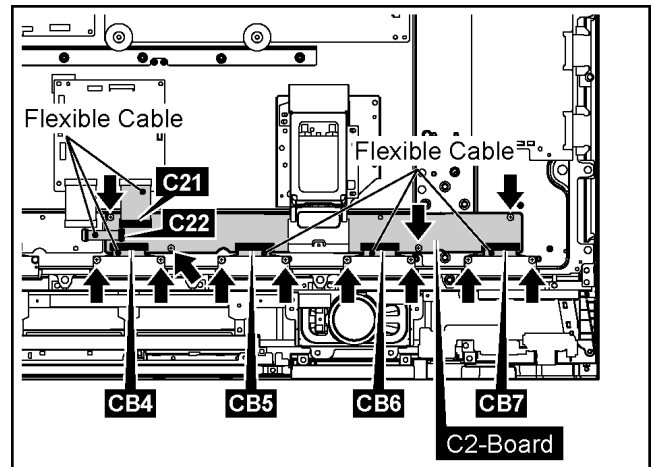
## 6.13. Removal of the C1, C2-Board

1. Remove the Slot Block.  
(Reference to Removal of the Slot Block)
2. Remove the each 6 screws and then remove the Stand Blocks.



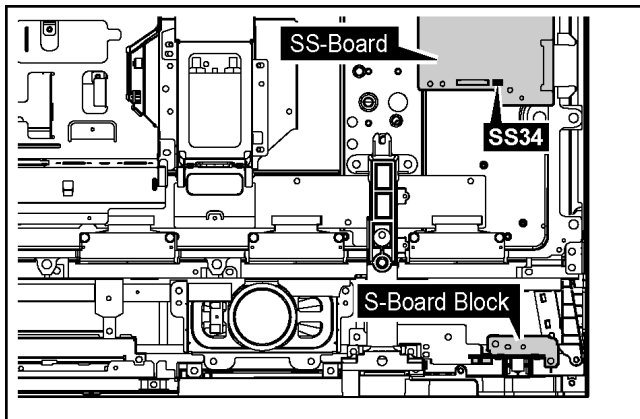
## 6.13.2. Removal of the C2-Board

1. Disconnect the coupler(C21, C22).
2. Remove the 8 screws and then remove the Flexible Cable from the couplers(CB4, CB5, CB6, CB7).
3. Remove the 4 screws and then remove the C2-Board.

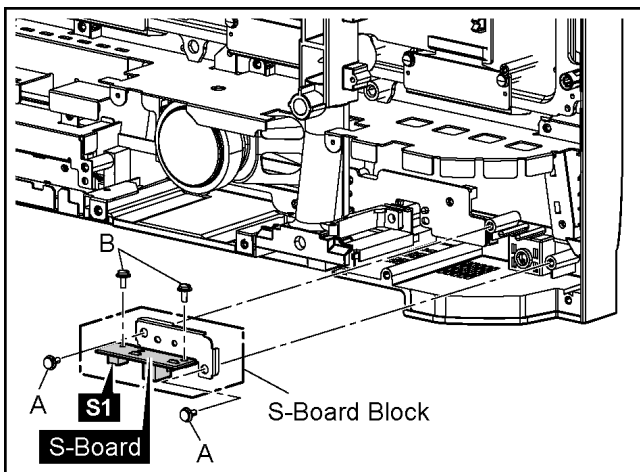


### 6.14. Removal of the S-Board

1. Disconnect the coupler(SS34).

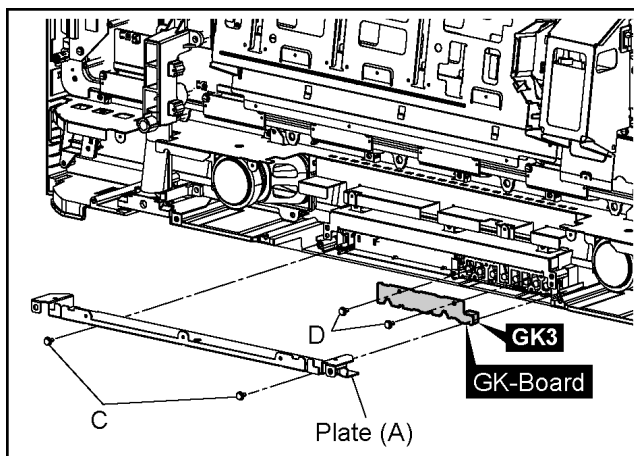


2. Remove the 2 screws(A) and then remove the S-Board Block.
3. Disconnect the coupler(S1).
4. Remove the 2 screw(B) and then remove the S-Board.



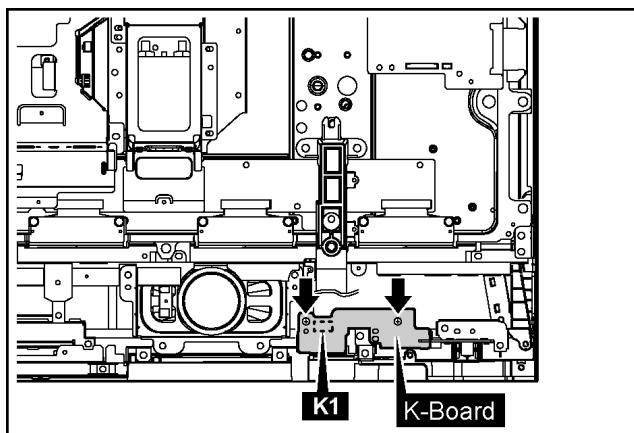
### 6.15. Removal of the GK-Board

1. Remove the 2 screws(C) and then remove the Plate(A).
2. Remove the 2 screws(D).
3. Disconnect the coupler(GK3) and then remove the GK-Board.



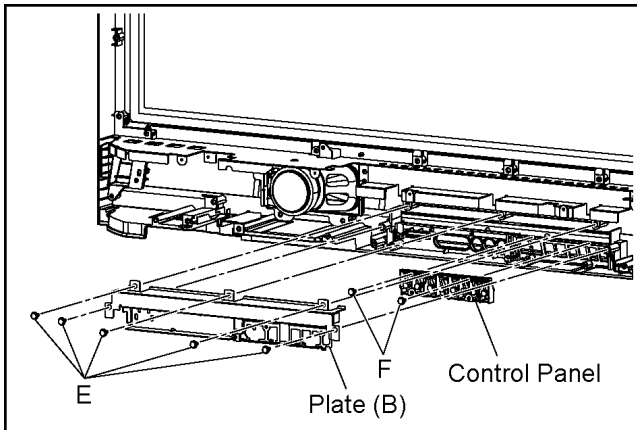
### 6.16. Removal of the K-Board

1. Remove the 2 screws.
2. Disconnect the coupler(K1) and then remove the K-Board.

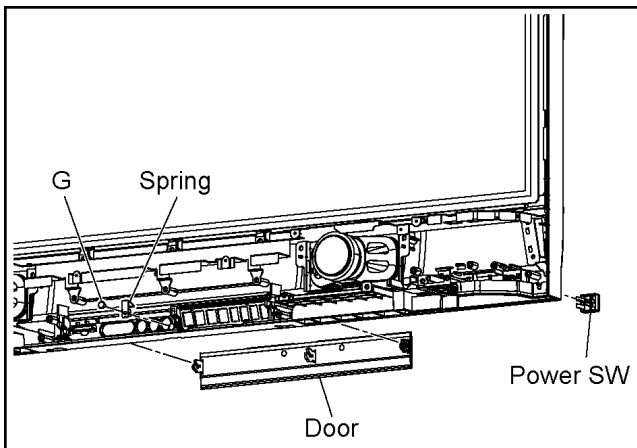


## 6.17. Removal of the Control Panel, the Power SW and the Door

1. Remove the S-Board Block.  
(Remove to the Removal of the S-Board)
2. Remove the K-Board.  
(Remove to the Removal of the K-Board)
3. Remove the GK-Board.  
(Remove to the Removal of the GK-Board)
4. Remove the 5 screws(E) and then remove the Plate(B).
5. Remove the 2 screws(F) and then remove the Control Panel.

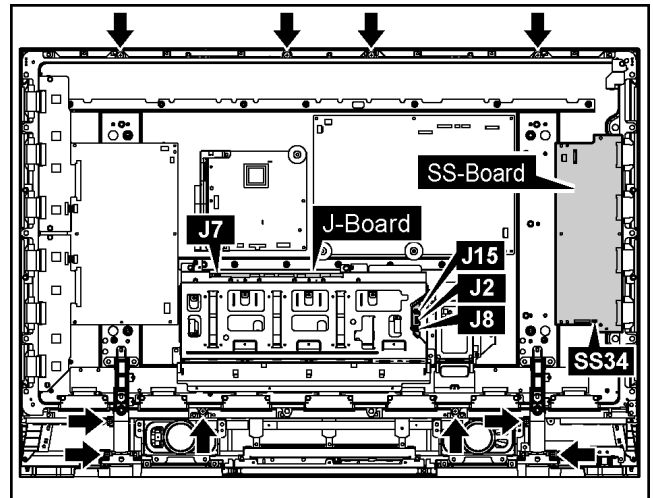


6. Remove the 1 screw(G) and then remove the Spring.
7. Remove the 3 hooks and then remove the Door.
8. Remove the 4 hooks and then remove the Power SW.

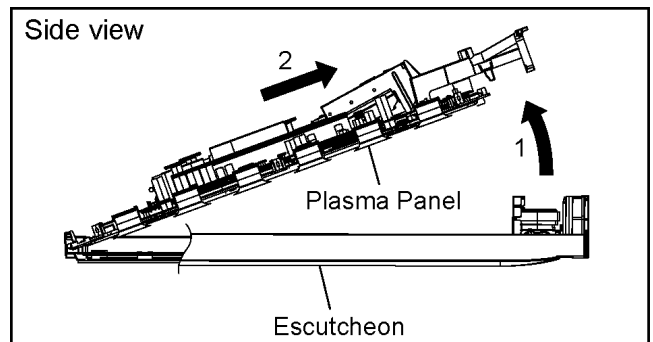


## 6.18. Removal of the Front Glass

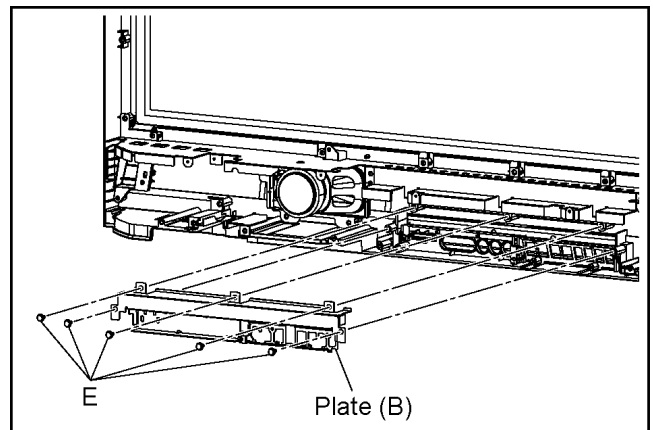
1. Disconnect the couplers(J2, J7, J8, J15, SS34).
2. Remove the 10 screws.



3. Pull the bottom of the Plasma Panel forward (arrow1).
4. Slide the Plasma Panel and then remove the Plasma Panel (arrow2).



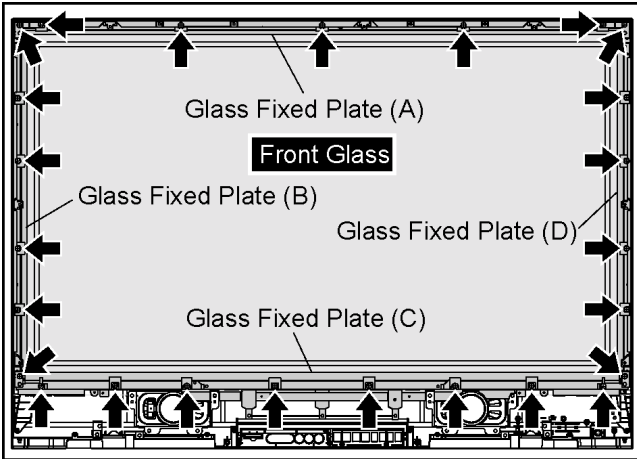
5. Remove the 5 screws (E) and then remove the Plate (B).



6. Remove the each screws and then remove the Glass Fixed Plate (A, B, C, D).
7. Remove the Front Glass.

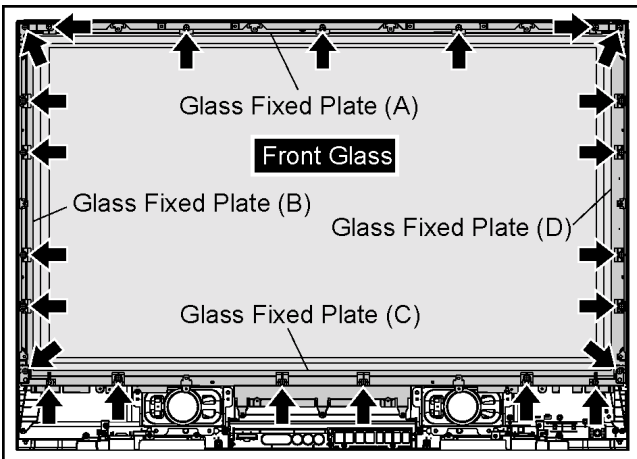
· TH-42PG9W

Removed number of screws: 25



· TH-37PG9W

Removed number of screws: 23

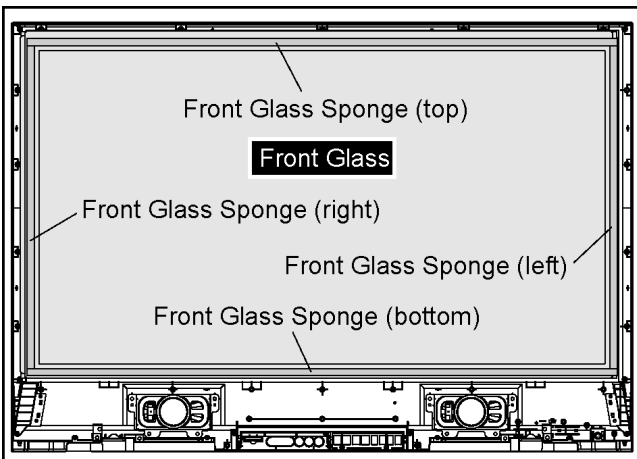


**Note: when Front Glass is exchanged**

- Each Front Glass Sponge must be stuck along the edge of Fixed Angle.

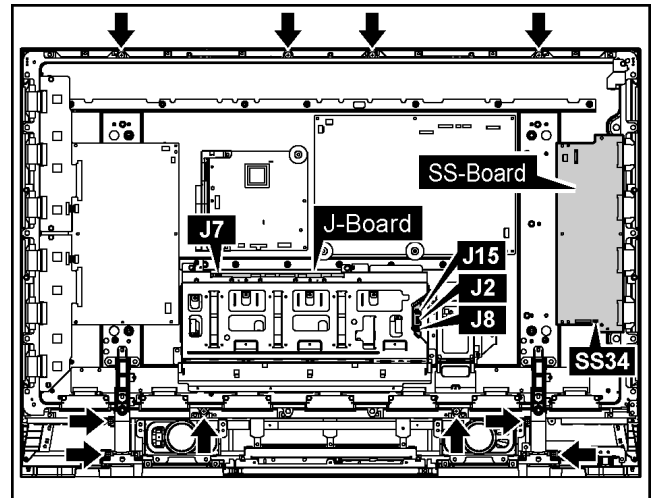
**Note**

- The sponges are parts which cannot be recycled. Please use the new article when you exchange the Front Glass.

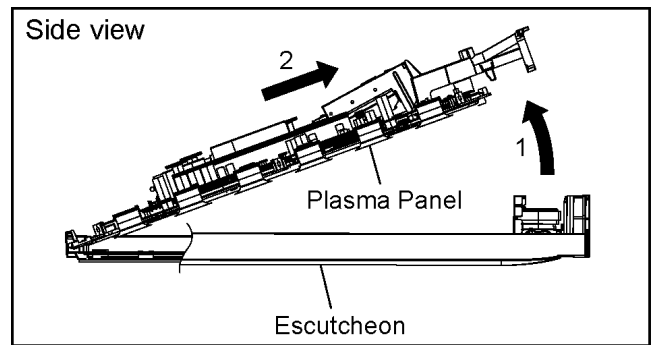


## 6.19. Removal of the Escutcheon

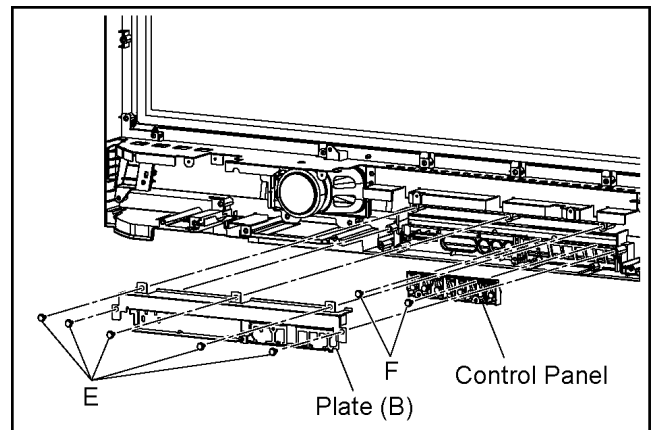
1. Disconnect the couplers(J2, J7, J8, J15, SS34).
2. Remove the 10 screws.



3. Lift up the bottom of the Plasma Panel in the direction of the arrow1 and pull the Plasma Panel in the direction of the arrow2 and then remove the Plasma Panel.

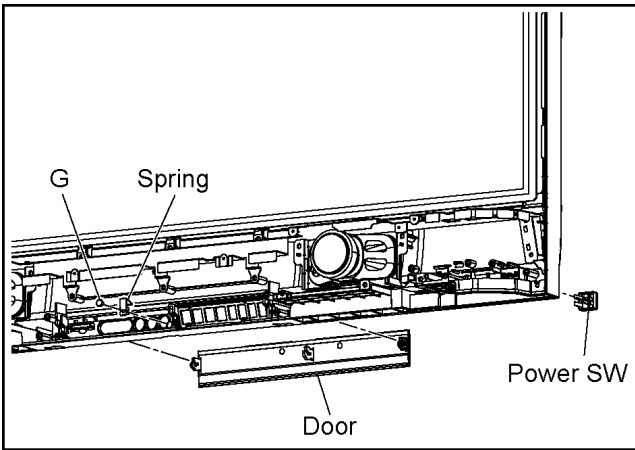


4. Remove the S-Board Block.  
(Remove to the Removal of the S-Board)
5. Remove the K-Board.  
(Remove to the Removal of the K-Board)
6. Remove the GK-Board.  
(Remove to the Removal of the GK-Board)
7. Remove the 5 screws(E) and then remove the Plate(B).
8. Remove the 2 screws(F) and then remove the Control Panel.





9. Remove the 1 screw(G) and then remove the Spring.
10. Remove the 3 hooks and then remove the Door.
11. Remove the 4 hooks and then remove the Power SW.

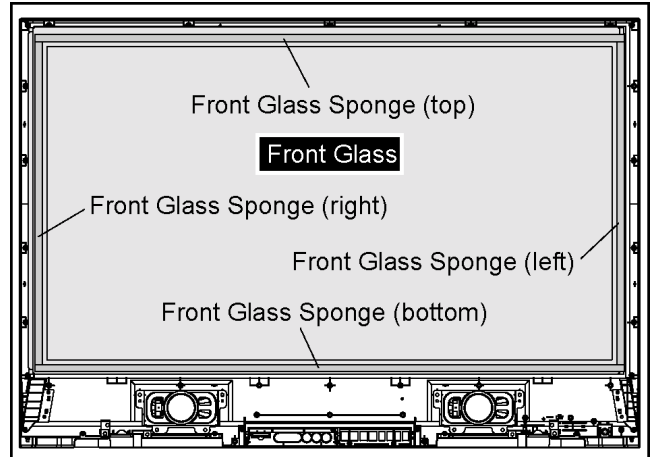


**Note: when Front Glass is removed**

- Each Front Glass Sponge must be stuck along the edge of Fixed Angle.

**Note**

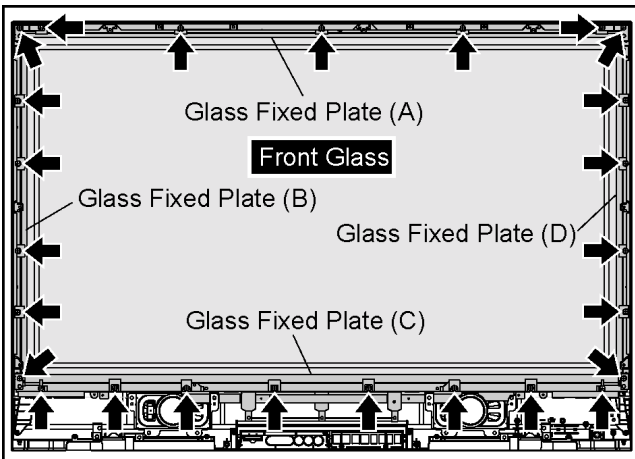
- The sponges are parts which cannot be recycled. Please use the new article when you exchange the Front Glass.



12. Remove the each screws and then remove the Glass Fixed Plate (A, B, C, D).

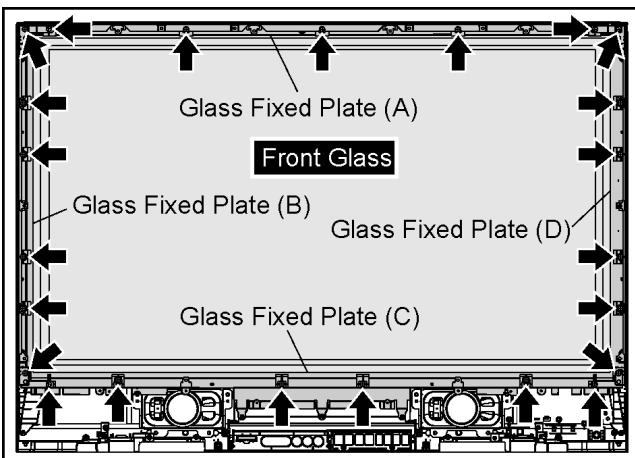
• TH-42PG9W

Removed number of screws: 25



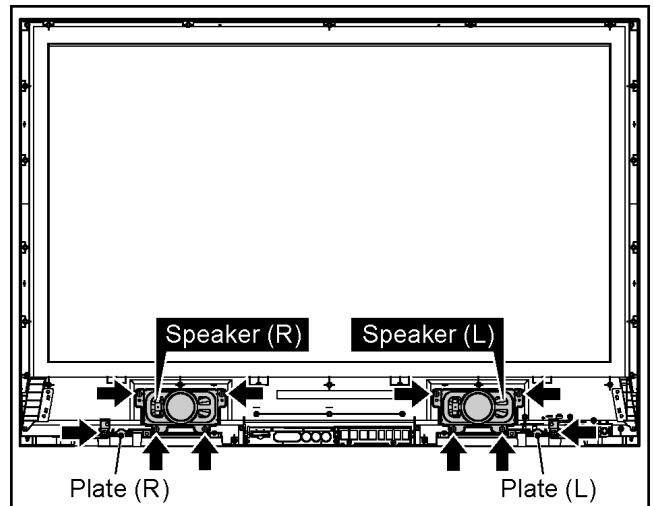
• TH-37PG9W

Removed number of screws: 23



13. Remove the each 1 screw and then remove the Plate(L, R).

14. Remove the each 4 screws and then remove the Speaker (L, R).

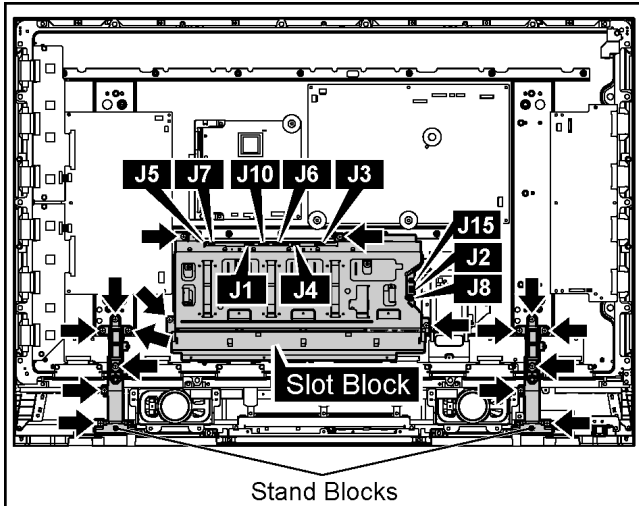


15. Remove the Escutcheon.

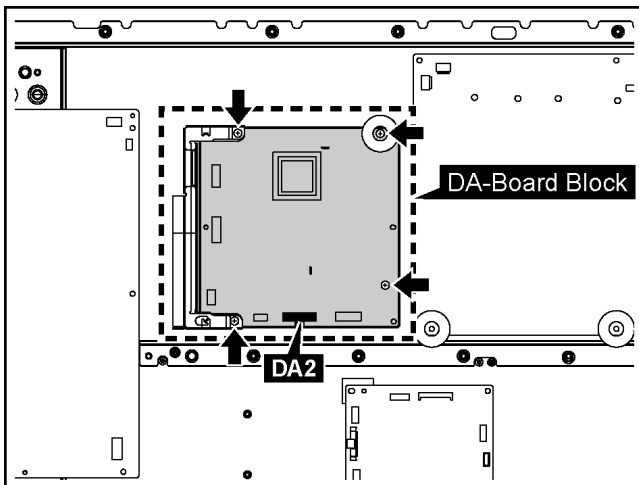
## 6.20. Removal of the Plasma Panel

· The C1,C2 module is connected with the plasma panel for the repair.

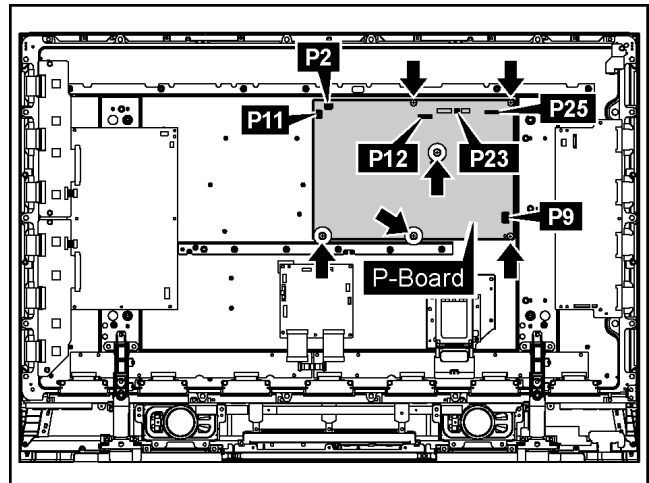
1. Remove the each 6 screws and then remove the Stand Blocks.
2. Disconnect the couplers(J1, J2, J3, J4, J5, J6, J7, J8, J10, J15).
3. Remove the 4 screws and then remove the Slot Block.



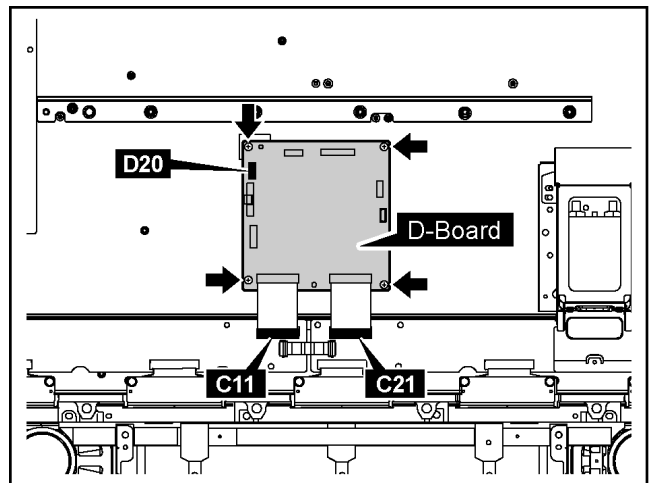
4. Remove the Flexible Cable from the couplers(DA2).
5. Remove the 4 screws and then remove the D-Board Block.



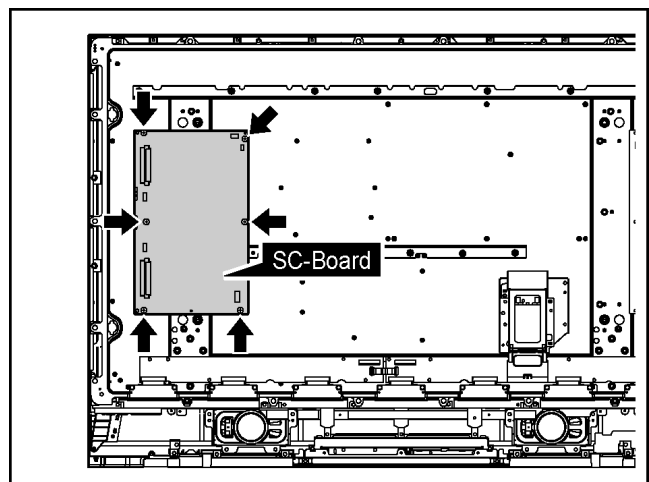
6. Disconnect the couplers(P2, P9, P11, P12, P23, P25).
7. Remove the 6 screws and then remove the P-Board.



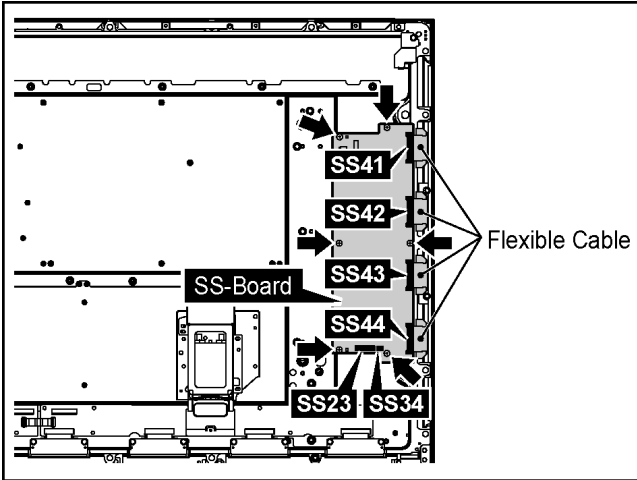
8. Disconnect the coupler(D20).
9. Remove the Flexible Cable from the couplers(C11, C21).
10. Remove the 4 screws and then remove the D-Board.



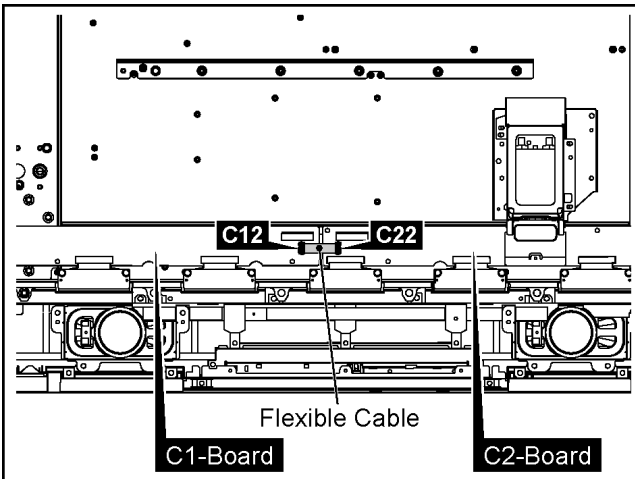
11. Remove the SU-Board and the SD-Board.  
(Reference to Removal of the SU-Board and the SD-Board)
12. Remove the 6 screws and then remove the SC-Board.



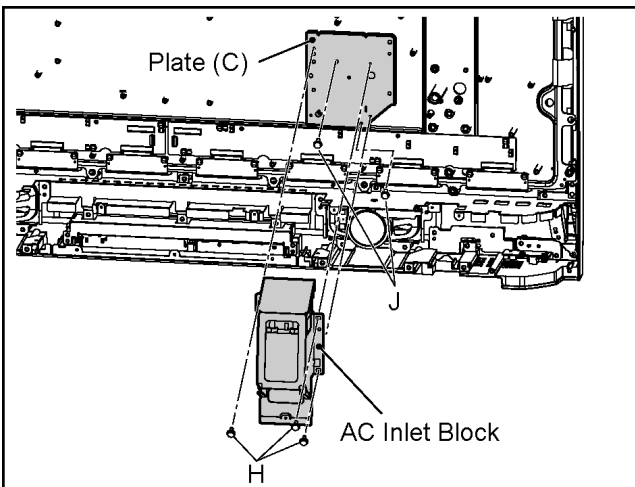
13. Disconnect the couplers(SS23, SS34).
14. Remove the Flexible Cable from the couplers(SS41, SS42, SS43, SS44).
15. Remove the 6 screws and then remove the SS-Board.



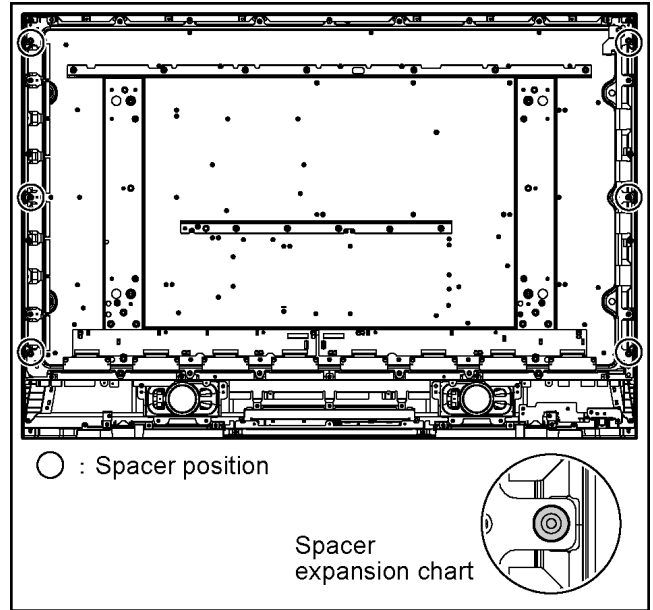
16. Remove the Flexible Cable from the couplers(C12, C22).
17. Remove the 3 screws and then remove the C1-Board.



18. Remove the 3 screws(H) and then remove the AC Inlet Block.
19. Remove the 2 screws(J) and then remove the plate(C).



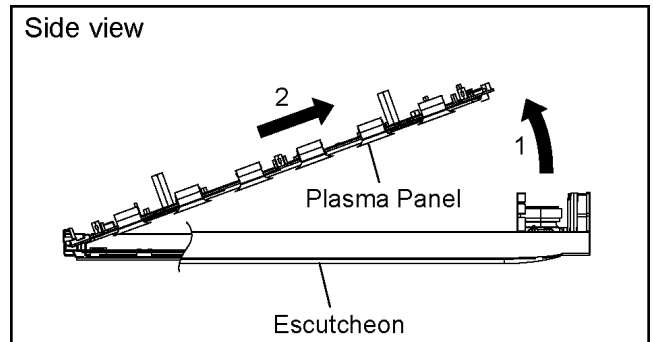
20. Remove the 6 Spacers and Spacer Rings from the Plasma Panel.



**Caution**

- Please confirm the installation place of Spacer and Spacer Ring when you exchange the Plasma Panel, and install Spacer and Spacer Ring in an original installation place after exchanging the Plasma Panel.

21. Lift up the bottom of the Plasma Panel in the direction of the arrow1 and pull the Plasma Panel in the direction of the arrow2 and then remove the Plasma Panel.



# 7 Location of Lead Wiring

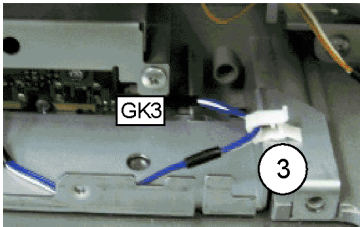
## 7.1. Location of Lead Wiring (1)

The lead wiring is dressed as shown in figure.

The ferrite core is done as shown in figure and the installation and the lead wiring are done.

Note: (1) It is the previous event as for the lead wiring of GK3-RELAY.  
 (2) Then direction of the installation of the ferrite core is noted.

Processing of GK3-RELAY

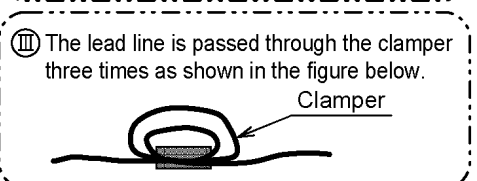
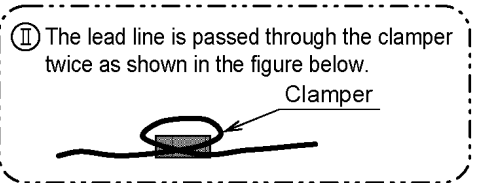


Clamp position (TH-37PG9B/E)

Connector No.	①	②	③
GK3 - RELAY			○
K1 - RELAY	○	Ⓜ	Ⓜ

Clamp position (TH-42PG9B/E)

Connector No.	①	②	③
GK3 - RELAY			○
K1 - RELAY	○	Ⓜ	Ⓜ



Lead wiring and ferrite core installation of K1-RELAY.

The ferrite core of the K1-RELAY lead is installed.

The ferrite core of the Speaker-RELAY lead is installed.

The dividing core is installed.

Note: Thing which does not slacken. Thing not to place line between Stand Bracket and Back Cover.

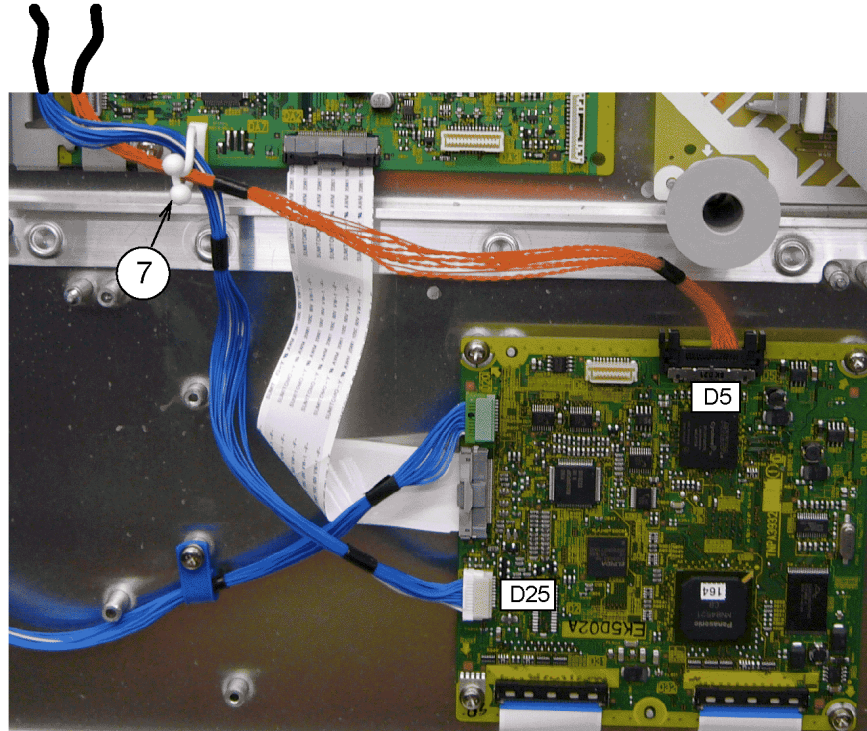
## 7.2. Location of Lead wiring (2)

The lead wiring is dressed as shown in figure.

After the D5-DA5 lead and the D25-P25 lead are connected, passes through the ⑦ clamber, and improves above.  
Connection part: D5 and D25 connector.

Note: The ⑦ clamber is a thing not clamped. (The lead is only passed.)

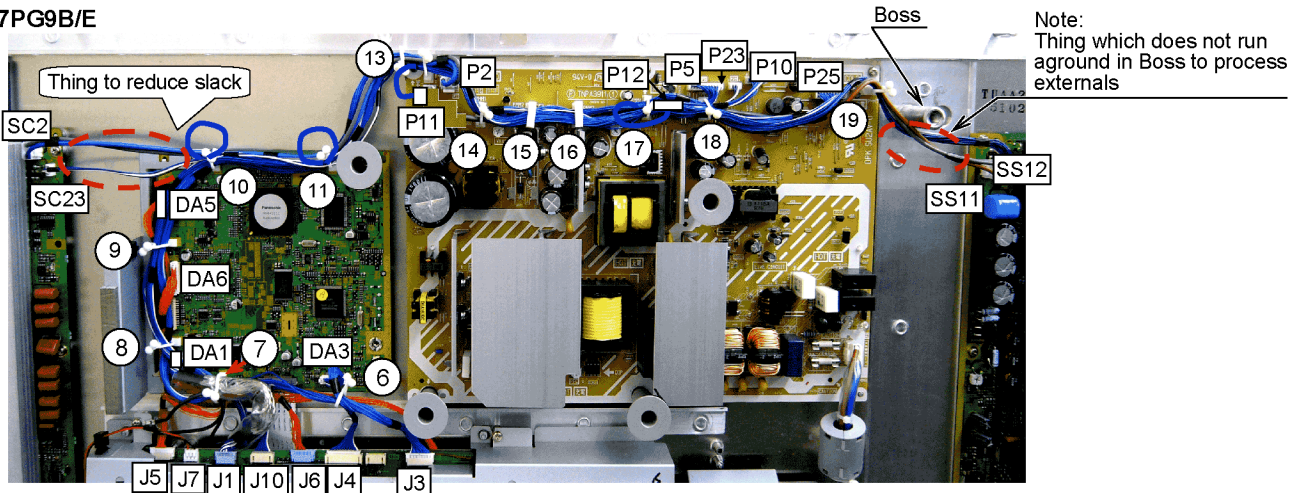
to P25 to DA5



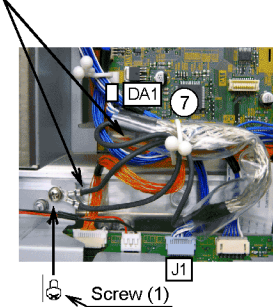
### 7.3. Location of Lead wiring (3)

The lead wiring is dressed as shown in figure.

TH-37PG9B/E



Earth lead



Note: With two earth leads thing to tighten both slot block.

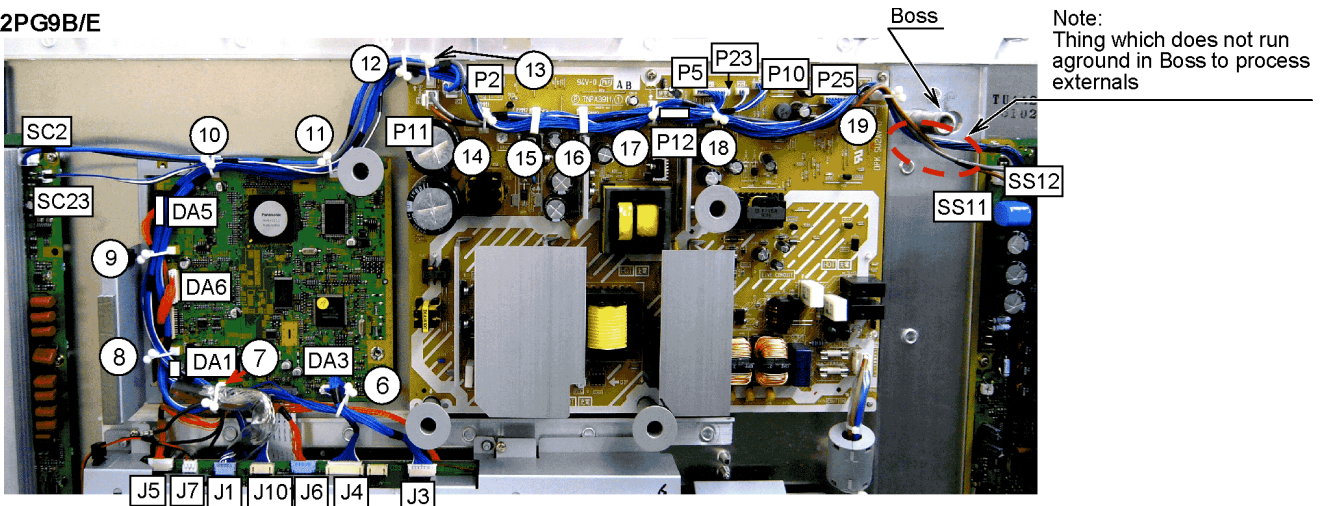
Clamp position

CON:No - CON:No	⑥	⑦	⑧	⑨	⑩	⑪	⑫	⑬	⑭	⑮	⑯	⑰	⑱
SC2 - P2					Ⓜ	○		○					
SC23 - P2					Ⓜ	○		○					
SS12 - P12								○	○	○	○	○	○
SS11 - P11								○	○	○	○	○	○
P25 - D25		○	○	○	○	Ⓜ		○	○	○	○	○	○
P10 - J10		○	○	○	○	○		○	○	○	○	○	○
P5 - J4	○	○	○	○	○	○		○	○	○	○	○	○
DA5 - D5	○	○	○	○				○	○	○	○	○	○
DA6 - J5		○	○										
DA6 - J6		○	○										
DA1 - J1		○											
DA1 - earth wire		○											
J1 - earth wire		○											
DA3 - J3	○												

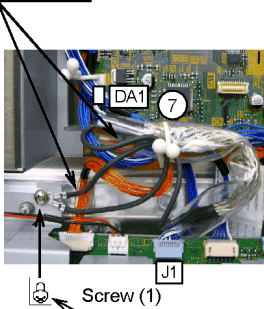
Ⓜ : Wire clamping as follows



TH-42PG9B/E



Earth lead



Note: With two earth leads thing to tighten both slot block.

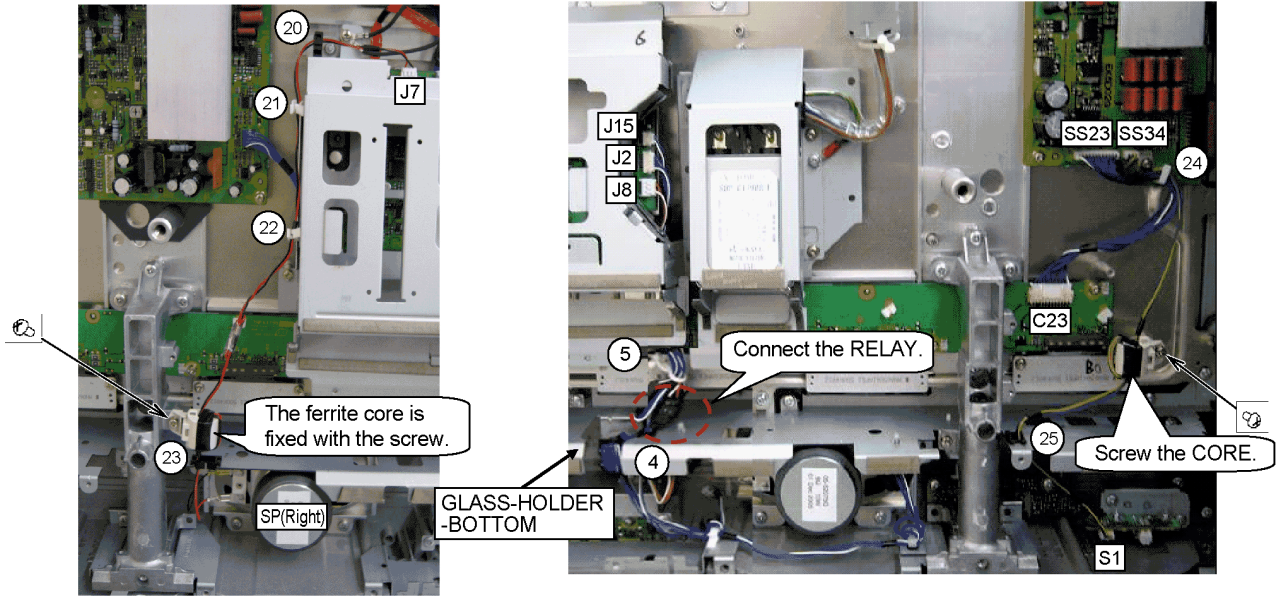
Clamp position

CON:No - CON:No	⑥	⑦	⑧	⑨	⑩	⑪	⑫	⑬	⑭	⑮	⑯	⑰	⑱
SC2 - P2					○	○	○	○					
SC23 - P2					○	○	○	○					
SS12 - P12								○	○	○	○	○	○
SS11 - P11								○	○	○	○	○	○
P25 - D25		○	○	○	○	○	○	○	○	○	○	○	○
P10 - J10		○	○	○	○	○		○	○	○	○	○	○
P5 - J4	○	○	○	○	○	○		○	○	○	○	○	○
DA5 - D5	○	○	○	○				○	○	○	○	○	○
DA6 - J5		○	○										
DA6 - J6		○	○										
DA1 - J1		○											
DA1 - earth wire		○											
J1 - earth wire		○											
DA3 - J3	○												

### 7.4. Location of Lead Wiring (4)

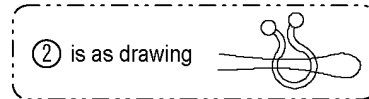
The lead wiring is dressed as shown in figure.

The lead wiring, the ferrite core installation, and the relay connection are done as shown in figure.



Clamp position

CON:No - CON:No	④	⑤	②①	②②	②③	②④	②⑤
J7 - SP(Right)			○	○	○		
J15 · RELAY - GK3 · RELAY	○	○					
J2 · RELAY - K1 · RELAY	○	②					
J8 · RELAY - SP(Light)	○	○					
SS23 - C23						○	
SS34 - S1						○	○



Note: Thing ④ clamped on side near the glass suppression metal fittings (Lower).

## 8 Adjustment Procedure

### 8.1. Driver Set-up

#### 8.1.1. Item / Preparation

1. Input a white signal to plasma video input.
2. Set the picture controls as follows.

Picture menu: Standard

Picture: +25

Aspect: Full

#### Caution

1. First perform Vsus adjustment.
2. Confirmation of Vscn voltage should be performed after confirmation of Vad adjustment.

When Vad=-90V, Voltage of Vscn is 35V  $\pm$ 4V.

#### 8.1.2. Adjustments

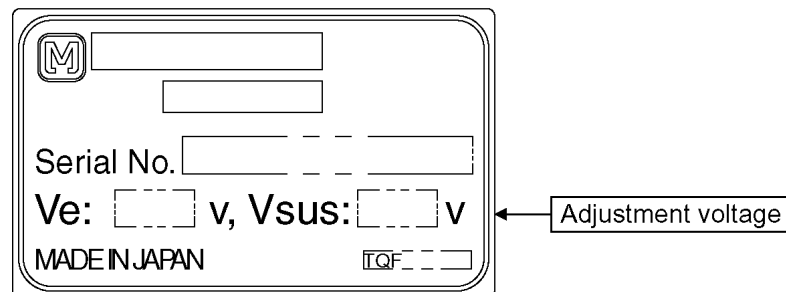
Adjust driver section voltages referring the panel data on the panel data label.

Check or adjust the following voltages with the multimeter.

Name	Test Point	Voltage	Volume	Remarks
Vsus	TPVSUS (SS)	Vsus $\pm$ 1V	R628 (P)	*
Ve	TPVE (SS)	Ve $\pm$ 1V	VR6000 (SS)	*
Vset	TPVSET (SC)	232V $\pm$ 7V	Fixed	
Vad	TPVAD (SC)	-90V $\pm$ 1V	VR6600 (SC)	
Vscn	TPVSCN (SC)	Vad+125V $\pm$ 4V	Fixed	
Vda	TPVDA (SS)	70V $\pm$ 1V	Fixed	
Vdat	P12-1, 5 (P)	70.2V $\pm$ 0.1V	R665 (P)	
PFC	C446 (+)(-)	396V $\pm$ 0.5V	R443 (P)	

\*See the Panel label.

Panel Label information

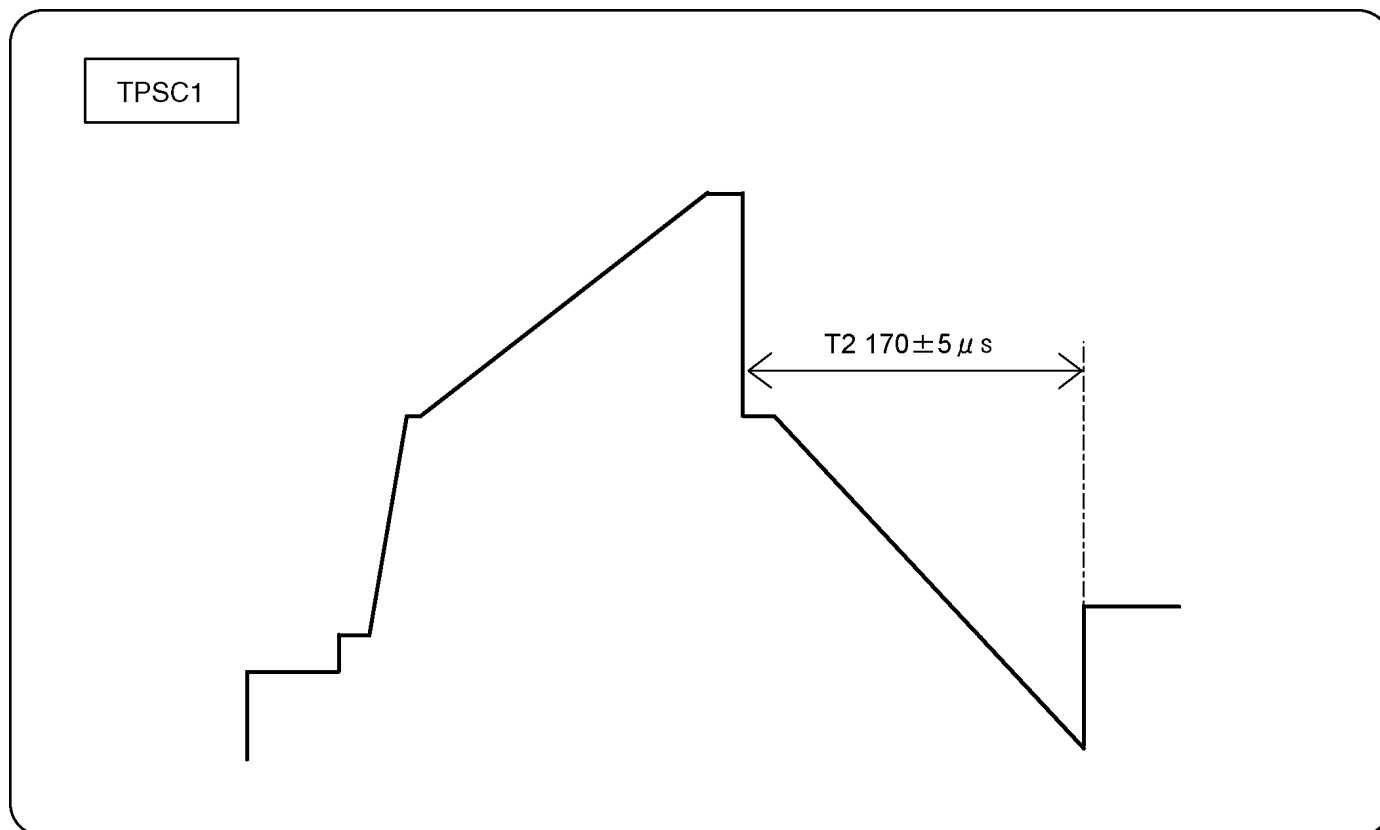




## 8.2. Initialization Pulse Adjust

1. Input the White signal to plasma video input.
2. Set the picture controls as follows.  
Picture menu: Standard  
Picture: +25  
Aspect: Full
3. Connect Oscilloscope to TPSC1 (T2) and adjust VR6602 for  $170 \pm 5 \mu\text{Sec}$ .

	Test point	Volume	Level
T2	TPSC1 (SC)	VR6602 (SC)	$170 \pm 5 \mu\text{Sec}$ .



## 8.3. P.C.B. (Printed Circuit Board) exchange

### 8.3.1. Caution

1. To remove P.C.B., wait 1 minute after power was off for discharge from electrolysis capacitors.

### 8.3.2. Quick adjustment after P.C.B. exchange

Adjust the following voltages with the multimeter.

P.C.B.	Name	Test Point	Voltage	Volume	Remarks
P Board	Vsus	TPVSUS (SS)	$V_{\text{sus}} \pm 1\text{V}$	R628 (P)	*
	Vdat	P12-1, 5 (P)	$70.2\text{V} \pm 0.1\text{V}$	R665 (P)	
	PFC	C446 (+) (-) (P)	$396\text{V} \pm 0.5\text{V}$	R443 (P)	
SC Board	Vad	TPVAD (SC)	$-90\text{V} \pm 1\text{V}$	VR6600 (SC)	
SS Board	Ve	TPVE (SS)	$V_e \pm 2\text{V}$	VR6000 (SS)	*
D, J, DA Board	White balance, Pedestal and Sub brightness for NTSC, PAL, HD, PC and 625i signals				
DA Board	Set Market Select Number to correct destination by MS mode. (See chap. 9.1.4)				

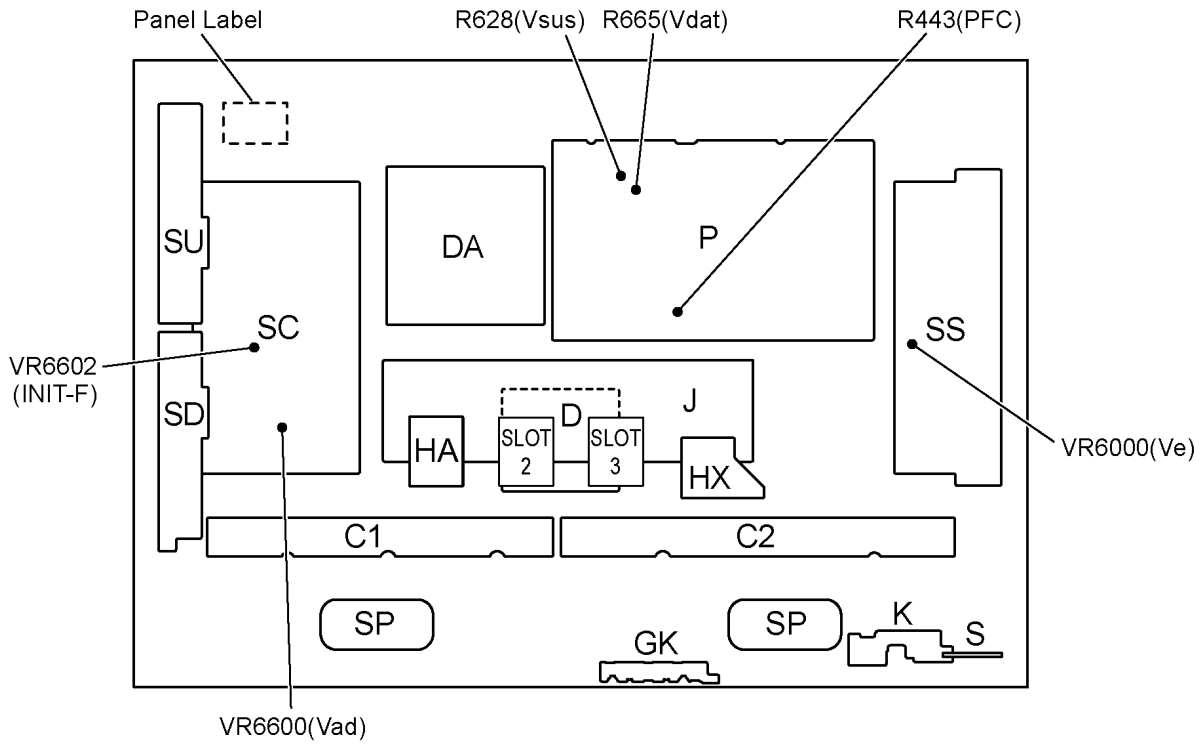
\*See the Panel label.

#### Caution:

Absolutely do not reduce  $V_{\text{sus}}$  below  $V_e$  not to damage the P.C.B.

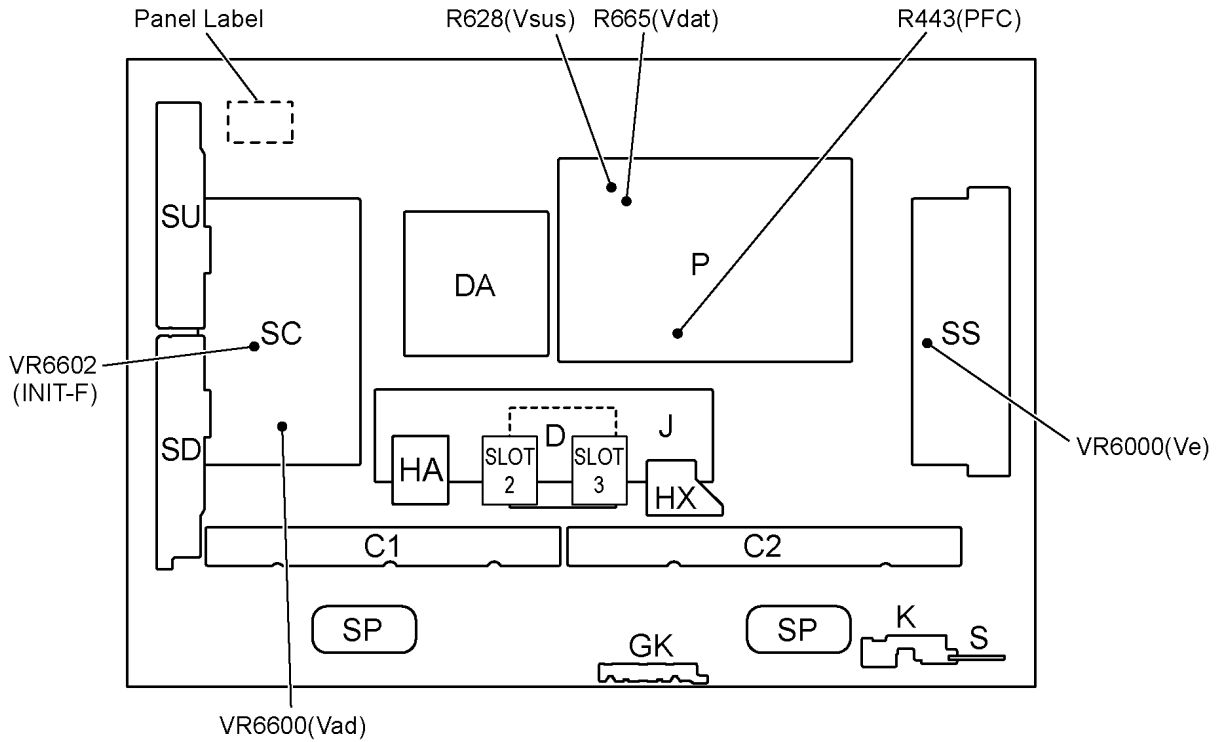
## 8.4. Adjustment Volume Location

### 8.4.1. TH-37PG9W



P.C. Boards Location

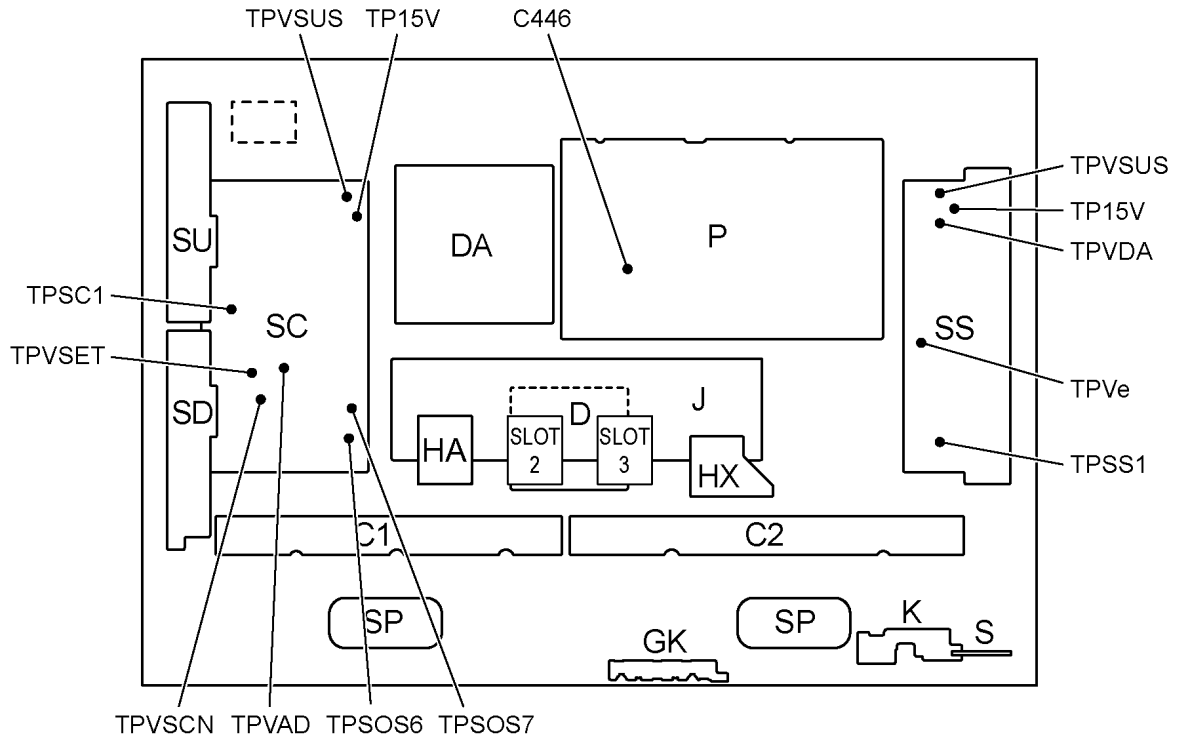
### 8.4.2. TH-42PG9W



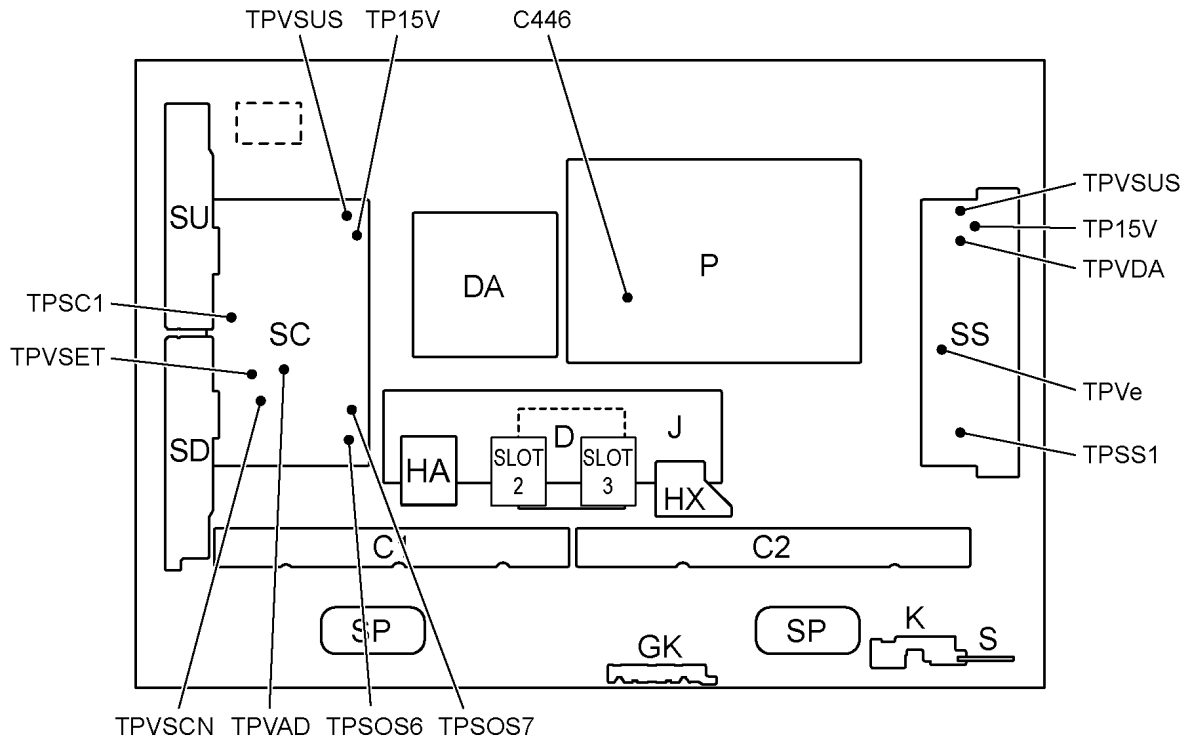
P.C. Boards Location

## 8.5. Test Point Location

### 8.5.1. TH-37PG9W



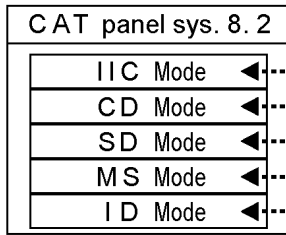
### 8.5.2. TH-42PG9W



# 9 Service mode

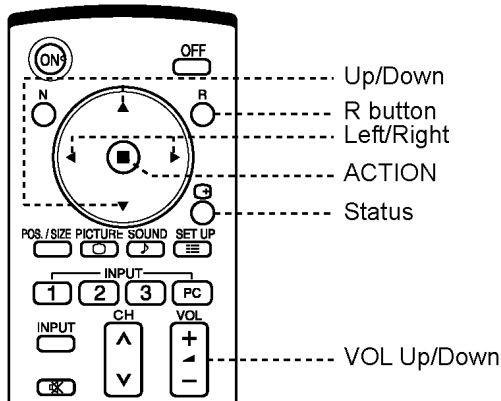
## 9.1. CAT (computer Aided Test) mode

CAT mode menu



Mode	Function	Access button
IIC	Service Alignment	Action
CD(Complete Diagnostics)	Software version information EEPROM edit	Mute more than 5 seconds
SD(Status Display)	MTBF parameter	Action
MS Mode	Market Select	Mute more than 5 seconds
ID Mode	LSI Check	Mute more than 5 seconds

Remote control



How to access the CAT mode.

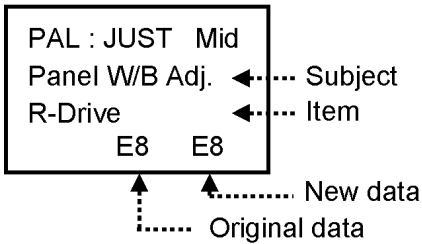
Press and hold the **Volume down / - button** on the front panel of the unit and press the **status button** on the remote control 3 times quickly within 2 seconds, this will place the unit into the CAT mode.

To exit the **CAT mode**, access the **ID mode** and switch off the main power.

### 9.1.1. IIC mode

Select the IIC mode by **Up/Down button** on the remote control at the front page of CAT mode and then press the **Action button** on the remote control.

OSD



How to use the IIC mode.

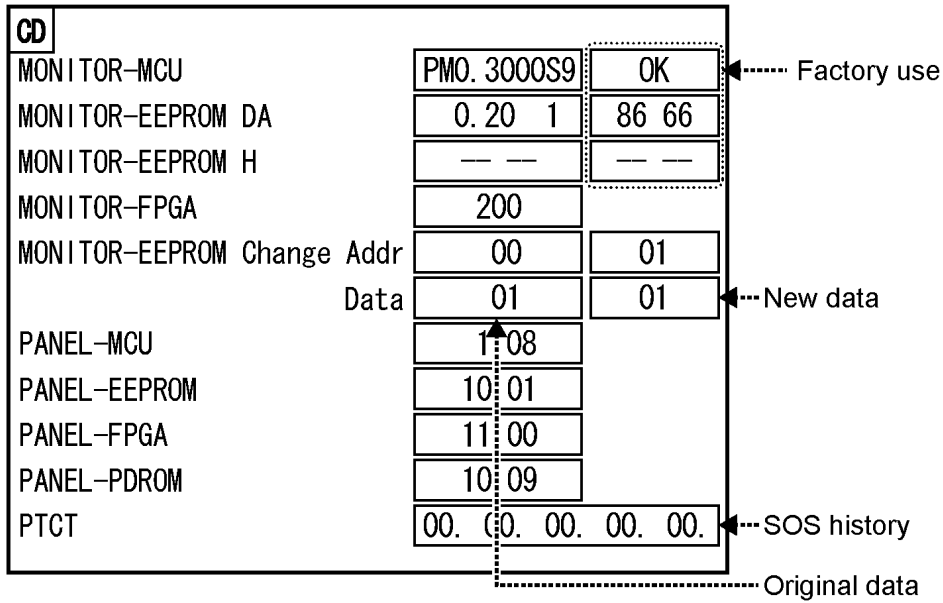
1. Select the alignment **Subject** by **Up/Down buttons** on the remote control.
2. Select the alignment **Item** by **Left/Right buttons** on the remote control.
3. Adjust **optimum setting** by **Volume Up/Down buttons** on the remote control.
4. The **data is memorized** when press the **R button** on the remote control or change the alignment Subject (or Items).

Subject and item are mentioned on "IIC mode structure".

To exit the IIC mode, press the **R button** on the remote control.

### 9.1.2. CD mode

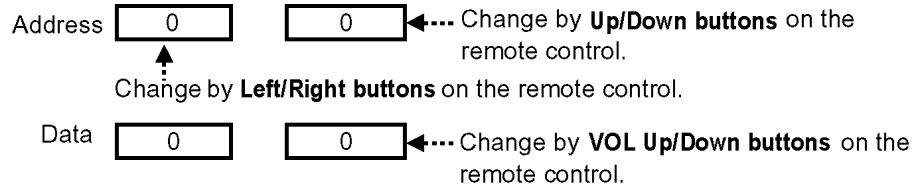
Select the CD mode by **Up/Down button** on the remote control at the front page of CAT mode and then press the **Mute button** on the remote control more than 5 seconds.



Micom software version (IC9702), this version can be upgrade by

1. replace of new version IC
2. Loading the new version software from loader tool, TZSC07036.

Memory data change



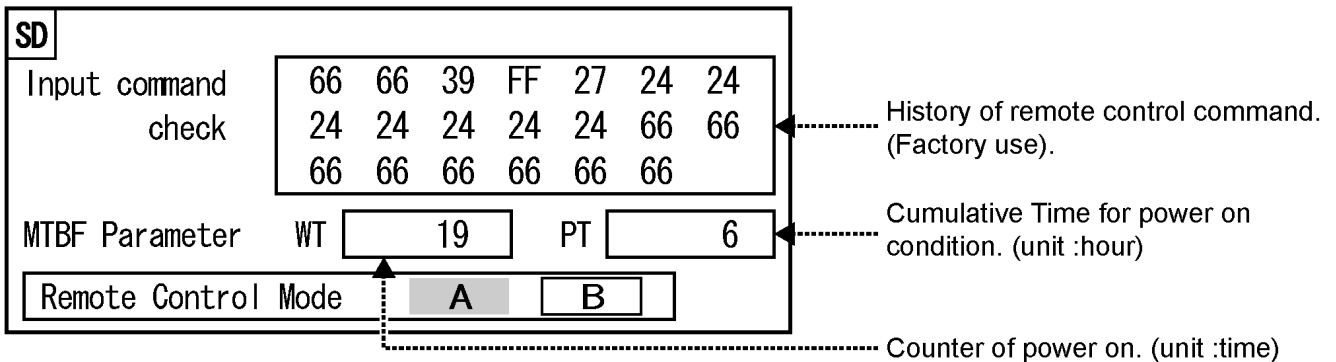
The data is memorized when switch off the main power.

To exit the CD mode, press the **R button** on the remote control.

### 9.1.3. SD mode

Select the SD mode by **Up/Down button** on the remote control at the front page of CAT mode and then press the **Action button** on the remote control.

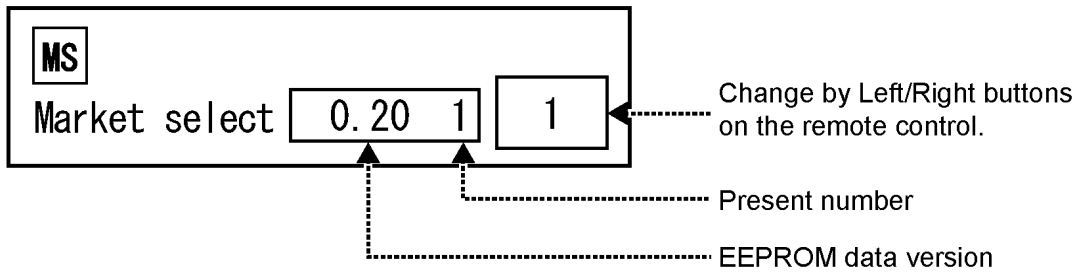
OSD



To exit the SD mode, press the **R button** on the remote control.

### 9.1.4. MS mode

Select the MS mode by **Up/Down button** on the remote control at the front page of CAT mode and then press the **Mute button** on the remote control more than 5 seconds.



To exit the MS mode, press the **R button** on the remote control.

**Caution:**

**Market Select should be set after exchange of DA-Board.**

**Destination number**

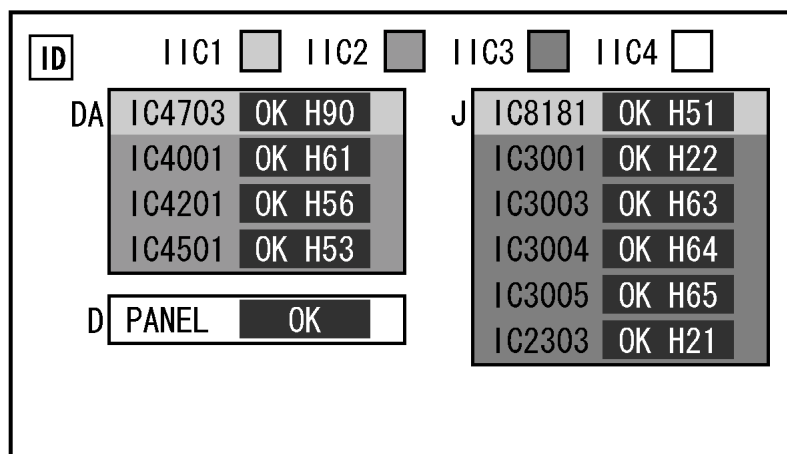
Number	Destination	Number	Destination
0	Japan	14	Thailand (Hotel)
1	North America	15	--
2	Europe	16	Mexico
3	Others	17	Mexico (Hotel)
4	Britain	18	China
5	Taiwan	19	China (Hotel)
6	Thailand	20	--
7	--	21	--
8	Japan (Hotel)	22	--
9	North America (Hotel)	23	--
10	Europe (Hotel)	24	--
11	Others (Hotel)	25	--
12	Britain (Hotel)	26	--

Default setting

Number	Destination
1	North America

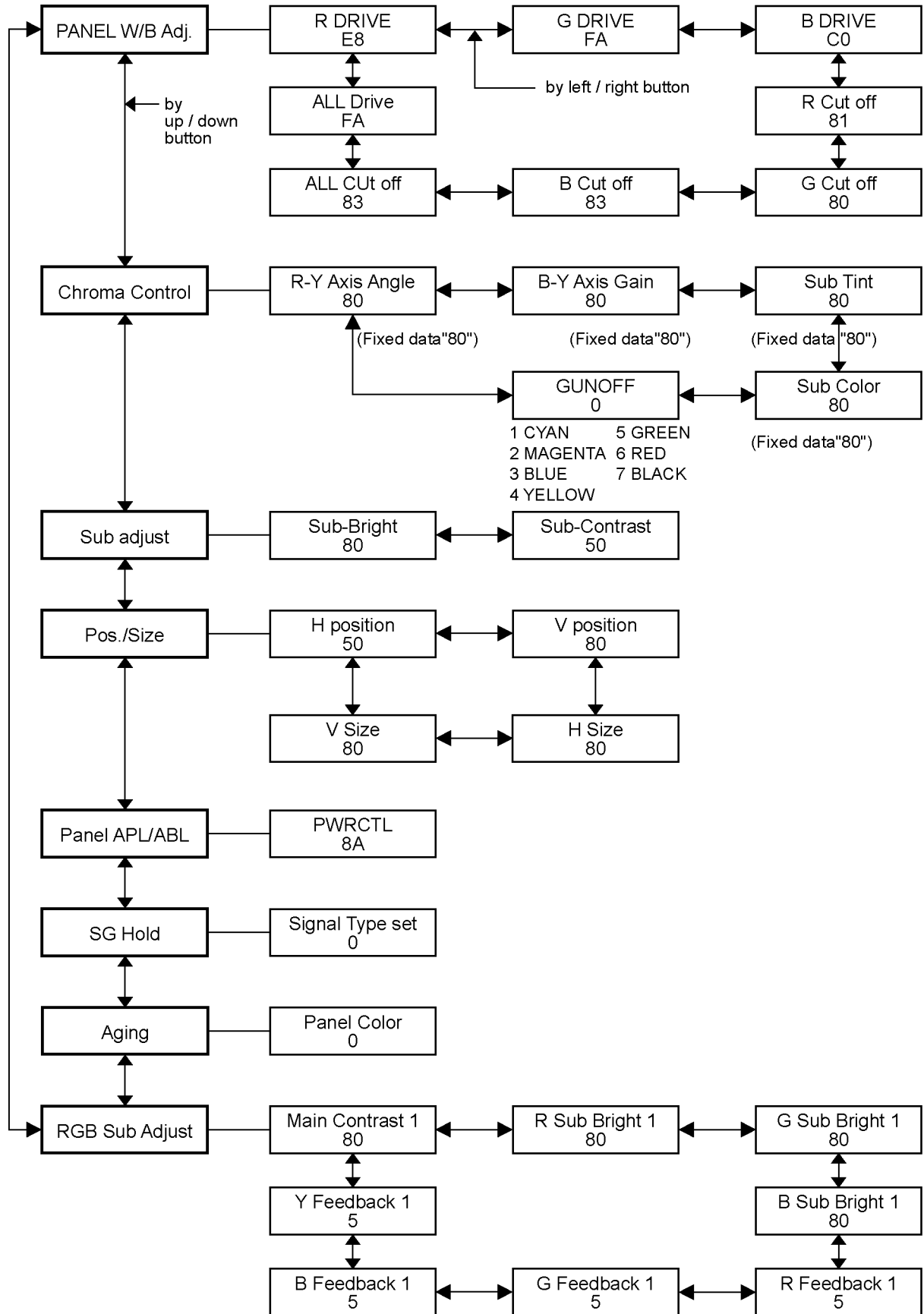
### 9.1.5. ID mode

Select the ID mode by **Up/Down button** on the remote control at the front page of CAT mode and then press the **Mute button** on the remote control more than 5 seconds.



To exit the ID mode, press the **R button** on the remote control.

## 9.2. IIC mode structure (following items value is sample data.)



- 0 Vset ADJUSTMENT PATTERN
- 1 WHITE
- 2 RED
- 3 GREEN
- 4 BLUE
- 6 RAMP\_W
- 7 RAMP\_R
- 8 RAMP\_G
- 9 RAMP\_B
- A 1%WINDOW
- B COLOR BAR
- C A/B ZONE
- D SCROLL BAR
- E BRIGHTNESS MEASUREMENT PATTERN

These are selected by Action button of Remote and press the R button to exit.

# 10 Adjustment

## 10.1. RGB white balance adjustment

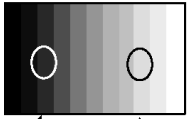
Instrument Name	Connection	Remarks												
<ul style="list-style-type: none"> <li>• RGB VGA W/B pattern</li> <li>• Color analyzer (Minolta CA-100 or equivalent)</li> </ul>	PC input Panel surface	User setting: Normal (Picture menu: Standard)												
Procedure		Remarks												
<ul style="list-style-type: none"> <li>• Ensure aging is adequate.</li> <li>• Make sure the front panel to be used on the final set is fitted.</li> <li>• Make sure a color signal is not being shown before adjustment.</li> <li>• Put the color analyzer where there is little color variation.</li> </ul> <ol style="list-style-type: none"> <li>1. Set COMPONENT/RGB-IN SELECT to RGB.</li> <li>2. Select the IIC mode "PANEL W/B Adj." item.</li> <li>3. Check that the color temperature is "COOL (High)".</li> <li>4. Output a white balance pattern.</li> <li>5. Touch the signal receiver of color analyzer to the highlight window's center.</li> <li>6. Fix G drive at E0h and adjust B drive and R drive so x, y become the "Color temperature High" in the below table.</li> <li>7. Increase R/G/B together so the maximum drive value in R/G/B becomes FCh.</li> <li>8. Set color temperature to "NORMAL (Medium)".</li> <li>9. Fix G drive at E0h and adjust B drive and R drive so the highlight window's x, y becomes the "Color temperature Medium" in the below table.</li> <li>10. Increase R/G/B together so the maximum drive value in R/G/B becomes FCh.</li> <li>11. Set color temperature to "WARM(Low)".</li> <li>12. Set G drive to E0h and adjust B drive and R drive so the highlight window's x, y become the "Color temperature Low" shown in the below table.</li> <li>13. Increase R/G/B together so the maximum drive value in R/G/B becomes FCh.</li> <li>14. Copy the R drive, G drive and B drive data in NTSC, PAL DVI region.</li> </ol> <p style="text-align: center;">Table 1 W/B adjustment values</p> <table border="1" data-bbox="296 1263 790 1563"> <thead> <tr> <th>Color temperature</th> <th>x</th> <th>y</th> </tr> </thead> <tbody> <tr> <td>High</td> <td>0.276</td> <td>0.276</td> </tr> <tr> <td>Medium</td> <td>0.288</td> <td>0.296</td> </tr> <tr> <td>Low</td> <td>0.313</td> <td>0.329</td> </tr> </tbody> </table> <p>Adjustment target                      Hi-light: <math>x \pm 0.003</math> <math>y \pm 0.003</math>                      Hi-light is target of the number at drive adjustment in the hi-light windows.                      Therefore, it is not target of the hi-light number at after adjustment white balance.</p>		Color temperature	x	y	High	0.276	0.276	Medium	0.288	0.296	Low	0.313	0.329	Picture Menu: Standard Picture: 25 Aspect: Full Position and size: Normal
Color temperature	x	y												
High	0.276	0.276												
Medium	0.288	0.296												
Low	0.313	0.329												
		<ul style="list-style-type: none"> <li>• Highlight section Signal amplitude 75%</li> </ul> <p style="text-align: center;">RGB VGA W/B Pattern</p>  <ul style="list-style-type: none"> <li>• Cutoff standard G: 80h</li> <li>• Drive standard G: E0h</li> </ul>												



Table 2 Drive data addresses (PC/RGB)

Color temperature	R	G	B
High	A0-11AD	A0-11AE	A0-11AF
Medium	A0-11B0	A0-11B1	A0-11B2
Low	A0-11B3	A0-11B4	A0-11B5

Table 3 Drive data addresses (NTSC)

Color temperature	R	G	B
High	A0-1180	A0-1181	A0-1182
Medium	A0-1183	A0-1184	A0-1185
Low	A0-1186	A0-1187	A0-1188

Table 4 Drive data addresses (PAL)

Color temperature	R	G	B
High	A0-1189	A0-118A	A0-118B
Medium	A0-118C	A0-118D	A0-118E
Low	A0-118F	A0-1190	A0-1191

Table 5 Drive data addresses (DVI)

Color temperature	R	G	B
High	A0-11B6	A0-11B7	A0-11B8
Medium	A0-11B9	A0-11BA	A0-11BB
Low	A0-11BC	A0-11BD	A0-11BE

## 10.2. HD white balance adjustment

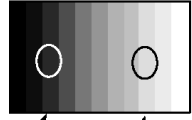
Instrument Name	Connection	Remarks												
<ul style="list-style-type: none"> <li>• HD W/B pattern (COMPONENT Output)</li> <li>• Color analyzer (Minolta CA-100 or equivalent)</li> </ul>	PC input Panel surface	User setting: Normal (Picture menu: Standard)												
Procedure		Remarks												
<ul style="list-style-type: none"> <li>• Ensure aging is adequate.</li> <li>• Make sure the front panel to be used on the final set is fitted.</li> <li>• Make sure a color signal is not being shown before adjustment.</li> <li>• Put the color analyzer where there is little color variation.</li> </ul> <ol style="list-style-type: none"> <li>1. Set COMPONENT/RGB-IN SELECT to COMPONENT</li> <li>2. Select the IIC mode "PANEL W/B Adj." item.</li> <li>3. Check that the color temperature is "COOL (High)".</li> <li>4. Output a white balance pattern.</li> <li>5. Touch the signal receiver of color analyzer to the highlight window's center.</li> <li>6. Fix G drive at E0h and adjust B drive and R drive so x, y become the "Color temperature High" in the below table.</li> <li>7. Increase R/G/B together so the maximum drive value in R/G/B becomes FCh.</li> <li>8. Set color temperature to "NORMAL (Medium)".</li> <li>9. Fix G drive at E0h and adjust B drive and R drive so the highlight window's x, y becomes the "Color temperature Medium" in the below table.</li> <li>10. Increase R/G/B together so the maximum drive value in R/G/B becomes FCh.</li> <li>11. Set color temperature to "WARM (Low)".</li> <li>12. Set G drive to E0h and adjust B drive and R drive so the highlight window's x, y become the "Color temperature Low" shown in the below table.</li> <li>13. Increase R/G/B together so the maximum drive value in R/G/B becomes FCh.</li> <li>14. Copy the R drive, G drive and B drive data in YUV1_525ip, YUV3_625ip region.</li> </ol> <p style="text-align: center;">Table 6 W/B adjustment values</p> <table border="1" data-bbox="296 1176 790 1473"> <thead> <tr> <th>Color temperature</th> <th>x</th> <th>y</th> </tr> </thead> <tbody> <tr> <td>High</td> <td>0.276</td> <td>0.276</td> </tr> <tr> <td>Medium</td> <td>0.288</td> <td>0.296</td> </tr> <tr> <td>Low</td> <td>0.313</td> <td>0.329</td> </tr> </tbody> </table> <p>Adjustment target                      Hi-light: <math>x \pm 0.003</math> <math>y \pm 0.003</math>                      Hi-light is target of the number at drive adjustment in the hi-light windows.                      Therefore, it is not target of the hi-light number at after adjustment white balance.</p>		Color temperature	x	y	High	0.276	0.276	Medium	0.288	0.296	Low	0.313	0.329	Picture Menu: Standard Picture: 25 Aspect: Full Position and size: Normal
Color temperature	x	y												
High	0.276	0.276												
Medium	0.288	0.296												
Low	0.313	0.329												
		<ul style="list-style-type: none"> <li>• Highlight section Signal amplitude 75%</li> </ul> <p style="text-align: center;">HD W/B Pattern (COMPONENT Output)</p>  <ul style="list-style-type: none"> <li>• Cutoff standard G: 80h</li> <li>• Drive standard G: E0h</li> </ul>												

Table 7 Drive data addresses (YUV2\_HD)

Color temperature	R	G	B
High	A0-119B	A0-119C	A0-119D
Medium	A0-119E	A0-119F	A0-11A0
Low	A0-11A1	A0-11A2	A0-11A3

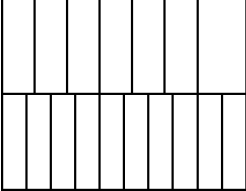
Table 8 Drive data addresses (YUV1\_525ip)

Color temperature	R	G	B
High	A0-1192	A0-1193	A0-1194
Medium	A0-1195	A0-1196	A0-1197
Low	A0-1198	A0-1199	A0-119A

Table 9 Drive data addresses (YUV3\_625ip)

Color temperature	R	G	B
High	A0-11A4	A0-11A5	A0-11A6
Medium	A0-11A7	A0-11A8	A0-11A9
Low	A0-11AA	A0-11AB	A0-11AC

### 10.3. Power control adjustment

Instrument Name	Connection	Remarks
<ul style="list-style-type: none"> <li>· PC (RGB) signal generator (Leader: VGA/No.9 signal)</li> <li>· Wattmeter</li> </ul>	<ul style="list-style-type: none"> <li>· PC input</li> <li>· Connect the AC power of the adjustment set to the wattmeter.</li> </ul>	Set "RGB" at 'COMPONENT/RGB-IN SELECT' in Setup Menu.
Procedure		Remarks
<p>[condition]</p> <ul style="list-style-type: none"> <li>· Make sure the set is aged for 30 minutes or more before adjustment.</li> <li>· Voltage 120V 50/60Hz (variation within 1%)</li> <li>· Volume at minimum and screen size at full</li> <li>· PC input and picture menu at normalized Dynamic</li> </ul> <ol style="list-style-type: none"> <li>1. Connect the set's AC power to the wattmeter.</li> <li>2. Receive the VGA No.9 signal from Leader.</li> <li>3. Select the PWRCTL item in Panel APL/ABL in the IIC mode.</li> <li>4. Adjust PWRCTL so the set's power consumption is description below. Adjust to shift large to small for DAC.</li> </ol> <p>Factory adjustment with OSD</p> <p>42" 240+3/-8W 37" 210+3/-8W</p> <p>BUSCON without OSD</p> <p>42" 238+3/-8W 37" 208+3/-8W</p>		<div style="text-align: center;">  </div> <p>No.9 Signal Top half: Full color bar Bottom half: Horizontal 10 steps bar</p> <p><b>Notes:</b></p> <ol style="list-style-type: none"> <li>1. When passing through factory adjustment mode, the power few watts which goes down is the consideration being completed.</li> <li>2. Adjust the large number for DAC when they have 2 adjustment points.</li> </ol>

# 11 Troubleshooting guide

## 11.1. Self Check

### 11.1.1. Display Indication

1. Self-check is used to automatically check the bus line controlled circuit of the Plasma display.
2. To get into the Self-check mode, press the **volume down** button on the customer controls at the bottom of the set, at the same time pressing the **OFF-TIMER** button on the remote control, and the screen will show:-

If the CCU ports have been checked and found to be incorrect Or not located then " - - " will appear in place of " OK "

" 01 " in the line of the " PTCT " means the number of blinks of the Power LED is 1. (Reference to 12.1.2)

" H09 " in the line of the " PTCT " is the error code.

**Note:**

The line of the " PTCT " displays when you get into the Self-check mode for the first time only after the Power LED blinks.

### 11.1.2. Power LED Blinking timing chart

1. Subject

Information of LED Blinking timing chart.

2. Contents

When an abnormality has occurred the unit, the protection circuit operates and reset to the stand by mode. At this time, the defective block can be identified by the number of blinks of the Power LED on the front panel of the unit.

ID	IIC1	IIC2	IIC3	IIC4	
DA	IC4703	OK H90	J	IC8181	OK H51
	IC4001	OK H61		IC3001	OK H22
	IC4201	OK H56		IC3003	OK H63
	IC4501	OK H53		IC3004	OK H64
D	PANEL	OK		IC3005	OK H65
				IC2303	OK H21
	PTCT	01	H09		

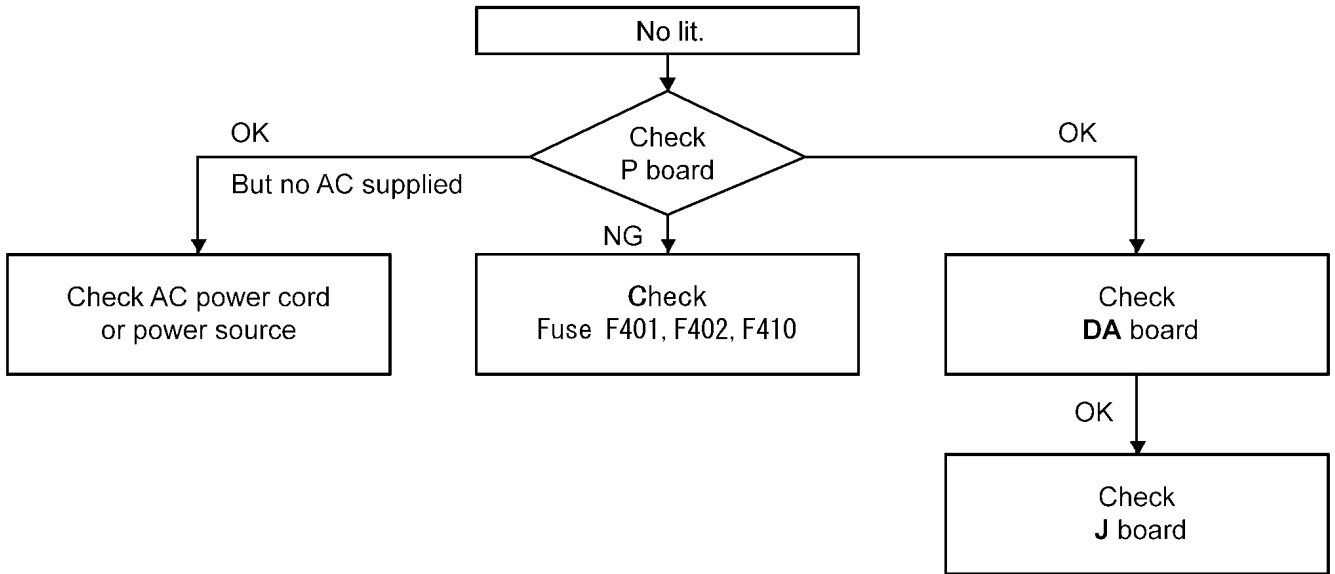
Blinking times	Blinking timing	Contents & Check point	Check point
1		No particular check point	—
2		15V SOS	P-Board
3		3.3V SOS	D-Board DA-Board
4		POWER SOS	P-Board
5		5V SOS	P-Board D-Board DA-Board
6		Driver SOS1	SC-Board
7		Driver SOS2	SC-Board SU-Board SD-Board
8		Driver SOS3	SS-Board
9		Panel Config SOS	D-Board
10		Terminal Board SOS	Terminal Board

## 11.2. No Power

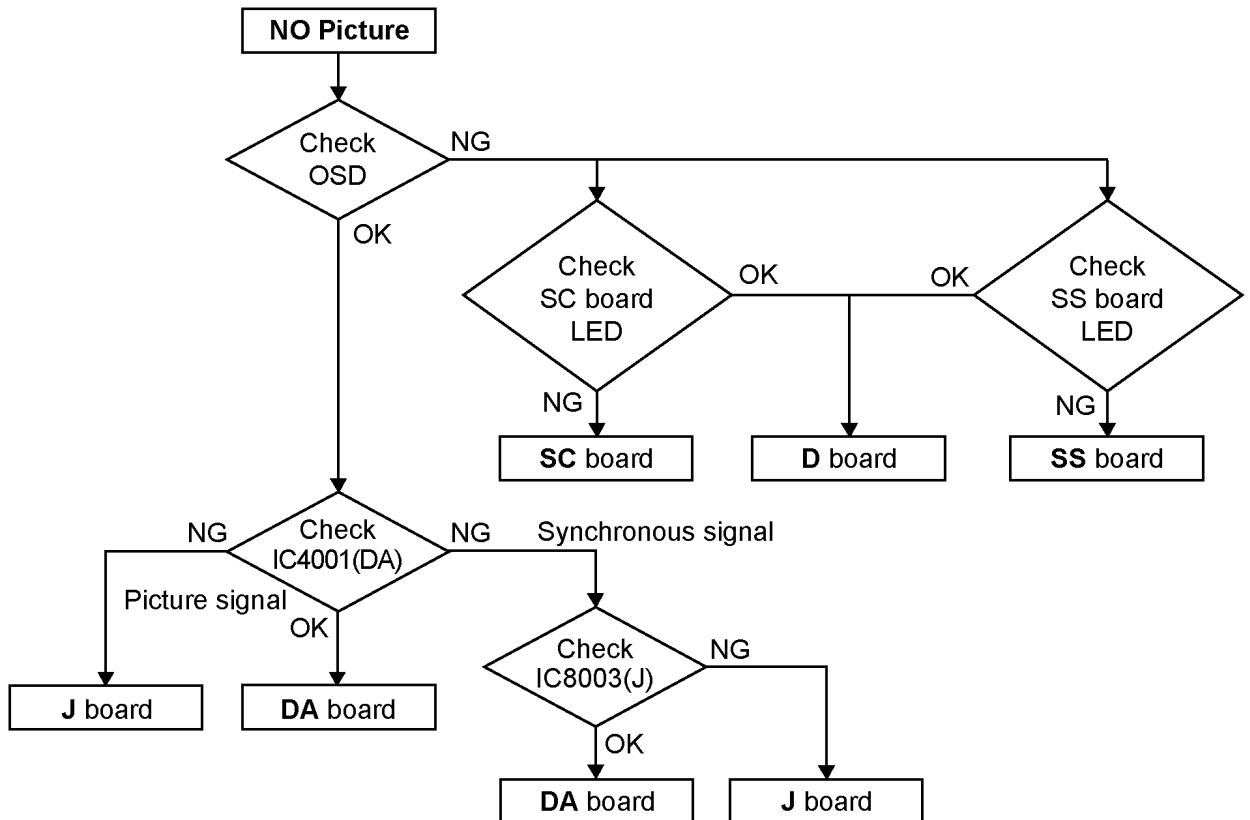
### First check point

There are following 3 states of No Power indication by power LED.

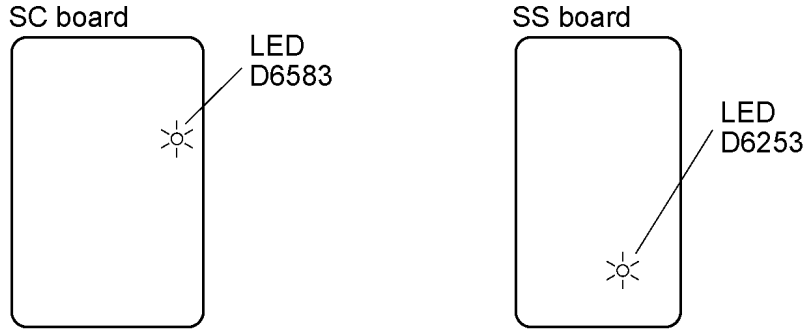
1. No lit.
2. Green is lit then turns red blinking a few seconds later.
3. Only red is lit.



## 11.3. No Picture

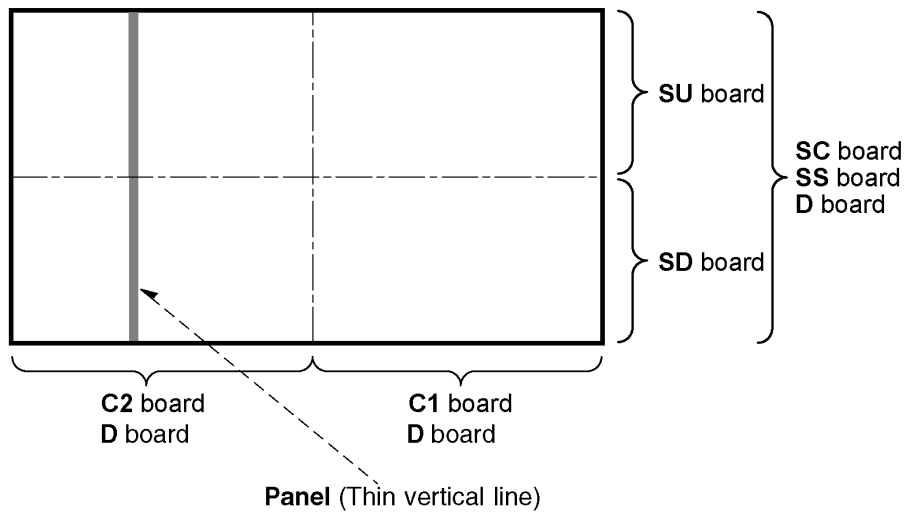


Drive circuits LED indicator



**11.4. Local screen failure**

Plasma display may have local area failure on the screen. Fig - 1 is the possible defect P.C.B. for each local area.




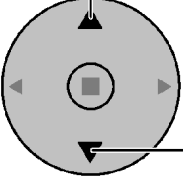
<Local screen failure chart>  
Fig - 1




# 12 Option Setting

## How to access the Option menu

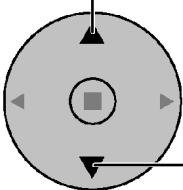
**1**  Press to display the Setup menu.

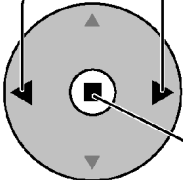

**2**  Press to select "OSD Language".


Setup 1/2	
Signal	
Component/RGB-in select	RGB
Input label	PC
Power save	Off
Standby save	Off
Power management	Off
Auto power off	Off
OSD Language	English (UK)

**3**  Press and hold until the Options menu is displayed.

## Setting the Option menus

**1**  Press to select your preferred menu.

**2**  Press to adjust the menu.  
 Press to confirm.

**3**  Press to exit from Options menu.

Options 1/3	
Off-timer function	Enable
Onscreen display	On
Initial INPUT	Off
Initial VOL level	Off 0
Maximum VOL level	Off 0
INPUT lock	Off
Studio W/B	Off
Advanced PIP	Off
Display size	Off

<b>Option Menu for GP9D series</b>
------------------------------------

GP9D chassis series have special function and operation setting facility called Option Menu. This Option Menu is useful for special function required customers. This should be set at the installation stage.

Option menus	default setting	Contents
Off-timer function	Enable	Off-timer operation Enable/Disable.
Onscreen display	On	Enable/Disable to display input mode indication after power on and no signal indication.
Initial INPUT	Off	Sets the initial input mode when the power is turned on. Allow input mode selection while power is on.
Initial VOL level	Off	Sets the initial volume level when the power is turned on. Allow Volume control while power is on.
Maximum VOL Level	Off	Sets the maximum volume to desired level. Volume cannot exceed this level.
INPUT lock	Off	Fixes the input mode to AV, Component/RGB or PC. Can not change input mode by input selection key.
Studio W/B	Off	Set warm mode color temperature to 3,200 Kelvin.
Advanced PIP	Off	Off: Sets normal two screen display mode. On: Sets Advanced PIP mode.
Display size	Off	Adjusts the image display size on screen. On: Sets the image display size approximately 95% of the normal image display.
Button lock	Off	Enable/Disable bottom operation buttons (Input, Menu, Enter and/or volume up/down)
Remocon User Level	Off	Remote key invalidation. Off: Valid key is all key of remote. User1: Valid key are only Stand-by (ON/OFF), Input, Direct input, Status, Surround, Sound mute On/Off, and volume adjustment. User2: Valid key is only Stand-by (ON/OFF). User3: All keys are null and void
ID select	0	Set ID number from 0 to 100.
Remote ID	Off	Remote ID function On/Off. (While the Remote ID on, standard remote function can not control the unit.)
Serial ID	Off	Serial ID function On/Off
Slot power	Off	Sets the slot power mode while the power is turned on. Allow Optional Terminal Board insert Slots while power is on.
V. Installation	Off	V. Installation function On/Off (Not used)
Rotate	Off	The image rotates 180 degrees (up-down)
Serial Slot Select	Slot1	Selects the slot which communicates serial. <b>Note:</b> The setting of an external command can be set only from the fixed serial terminal.

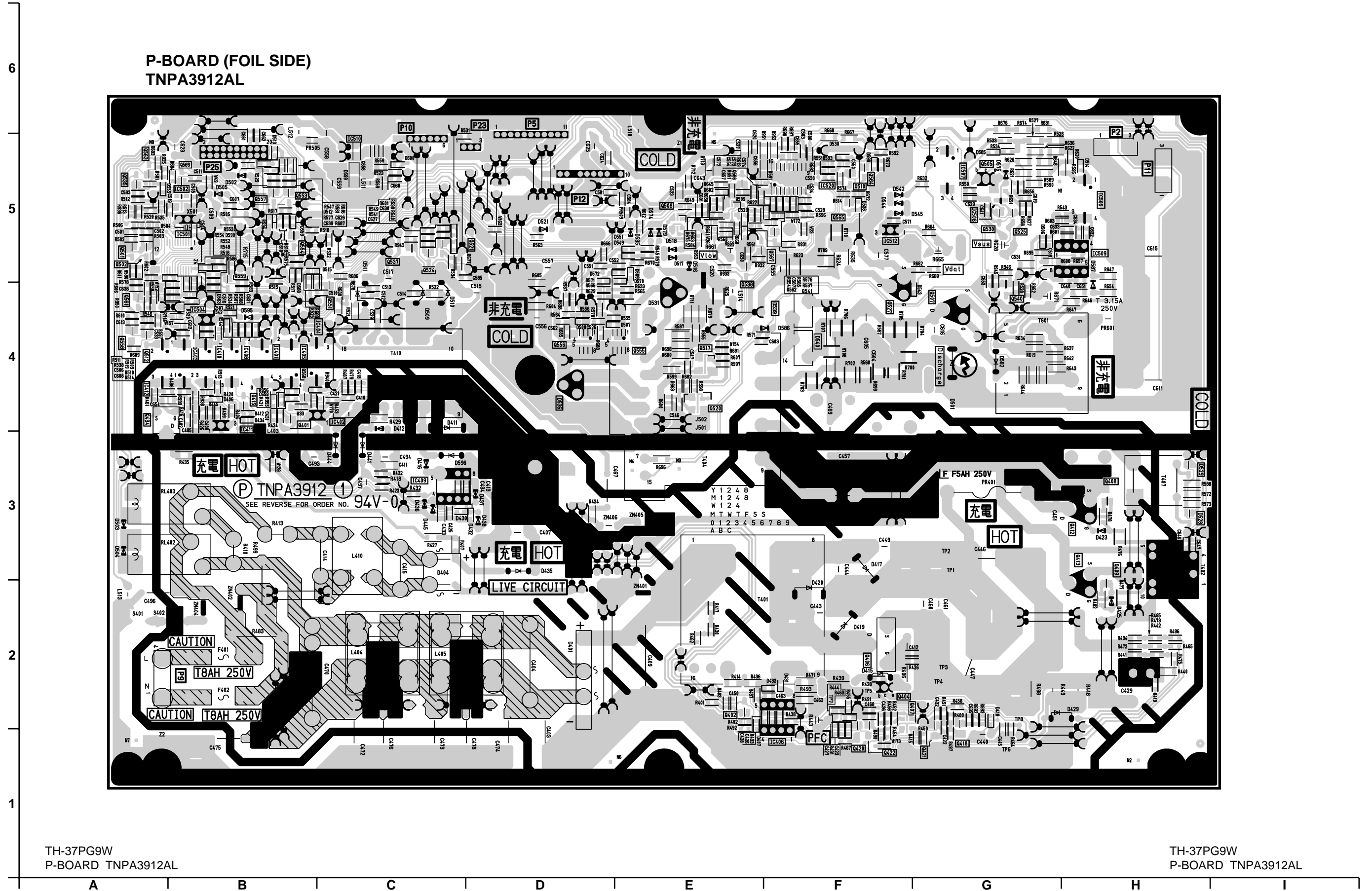
**Note:**

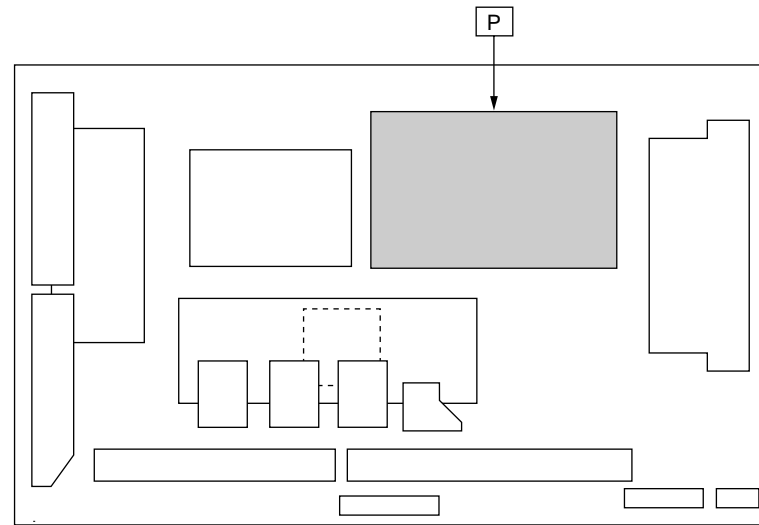
When both main unit buttons and remote control are disabled due to the "Button lock", "Remocon User level" or "RemoteID" adjustments, set all the values "Off" so that all the buttons are enabled again.

Press the "Volume down" button on main unit together with "R" button on the remote control and hold for more than 5 seconds. The "SHIPPING" menu is displayed and the lock is released when it disappears.

# 13 Conduct Views

## 13.1. P-Board (37inch)





**Parts Location**

P-BOARD (FOIL SIDE)					
IC	TRANSISTOR		VOLUME		
IC401	B-4	Q401	B-4	Q535	A-5
IC402	C-4	Q402	E-2	Q537	C-5
IC403	B-4	Q404	F-1	Q538	E-4
IC404	C-4	Q406	F-2	Q540	G-4
IC405	B-4	Q407	F-1	Q541	F-5
IC406	F-1	Q408	H-3	Q551	C-4
IC408	B-4	Q409	H-3	Q553	B-5
IC409	C-3	Q412	H-3	Q554	B-5
IC410	B-4	Q413	H-3	Q555	E-4
IC411	B-4	Q415	B-4	Q556	D-4
IC412	A-4	Q418	G-1	Q557	B-5
IC501	B-5	Q420	F-1	Q558	A-4
IC502	B-5	Q421	G-1	Q559	B-5
IC504	B-4	Q422	F-1	Q561	A-4
IC505	H-5	Q434	A-4	Q563	A-5
IC506	G-5	Q501	A-5	Q564	F-5
IC507	G-5	Q502	A-5	Q565	F-5
IC509	H-5	Q505	G-5	Q566	E-5
IC510	C-5	Q507	G-4	Q567	F-5
IC512	F-5	Q508	E-5	Q568	B-4
IC520	F-5	Q509	E-5	Q569	B-5
		Q510	F-5		
		Q512	A-4		
		Q517	E-4		
		Q520	E-4		
		Q521	D-5		
		Q524	C-5		
		Q525	G-5		
		Q527	F-4		
		Q530	G-5		
				R443	F-2
				R628	G-5
				R661	E-5
				R665	G-5
				R671	G-4

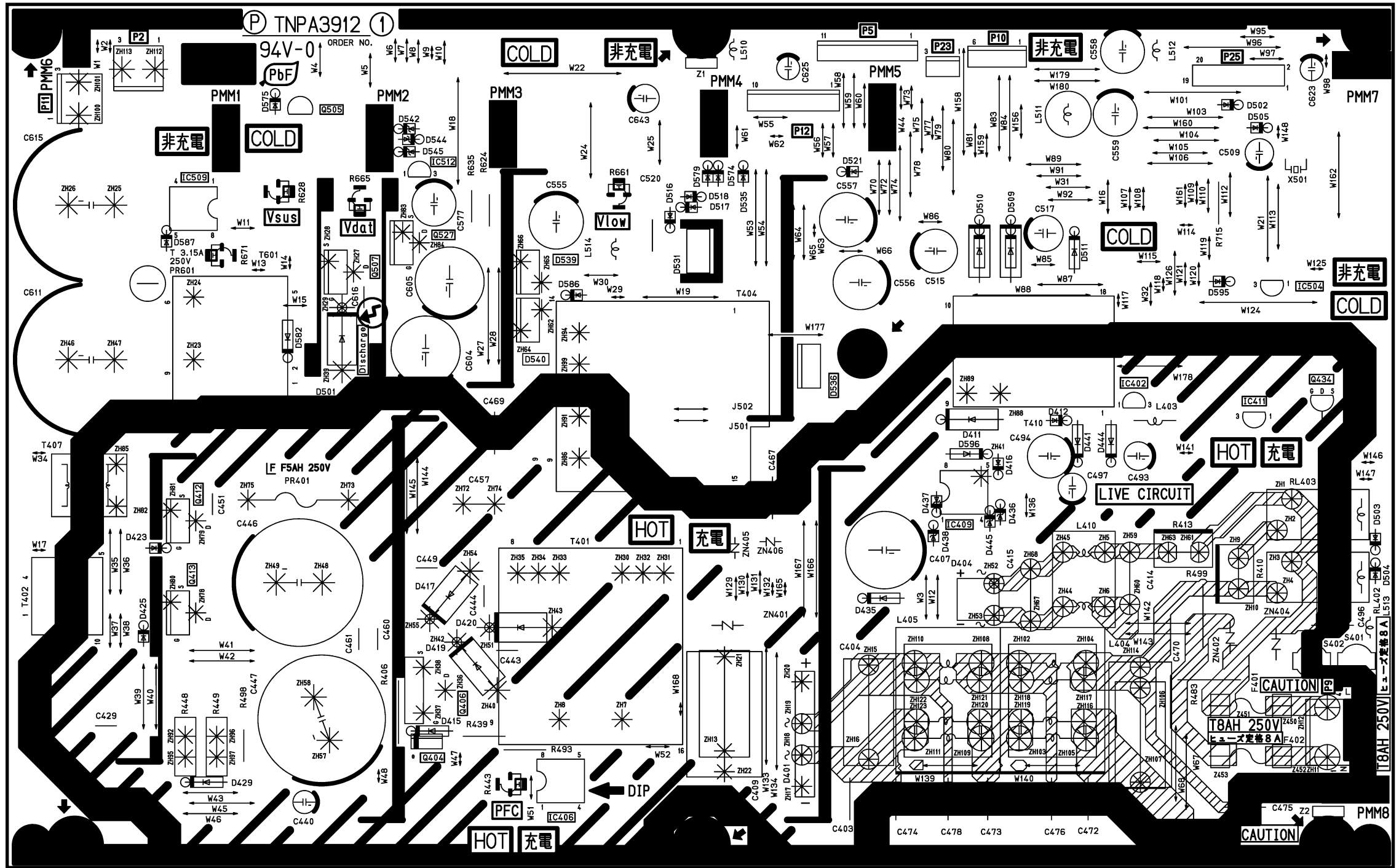
TH-37PG9W  
P-BOARD PARTS LOCATION

**Parts Location**

P-BOARD (COMPONENT SIDE)					
IC	TRANSISTOR		VOLUME		
IC402	G-4	Q404	C-2	R443	D-2
IC406	D-1	Q406	D-2	R628	C-5
IC409	F-3	Q412	B-3	R661	D-5
IC411	H-4	Q413	B-3	R665	C-5
IC504	H-4	Q434	H-4	R671	B-4
IC509	B-5	Q505	C-5		
IC512	C-5	Q507	C-4		
		Q527	C-5		

TH-37PG9W  
P-BOARD PARTS LOCATION

P-BBOARD (COMPONENT SIDE)  
TNPA3912AL



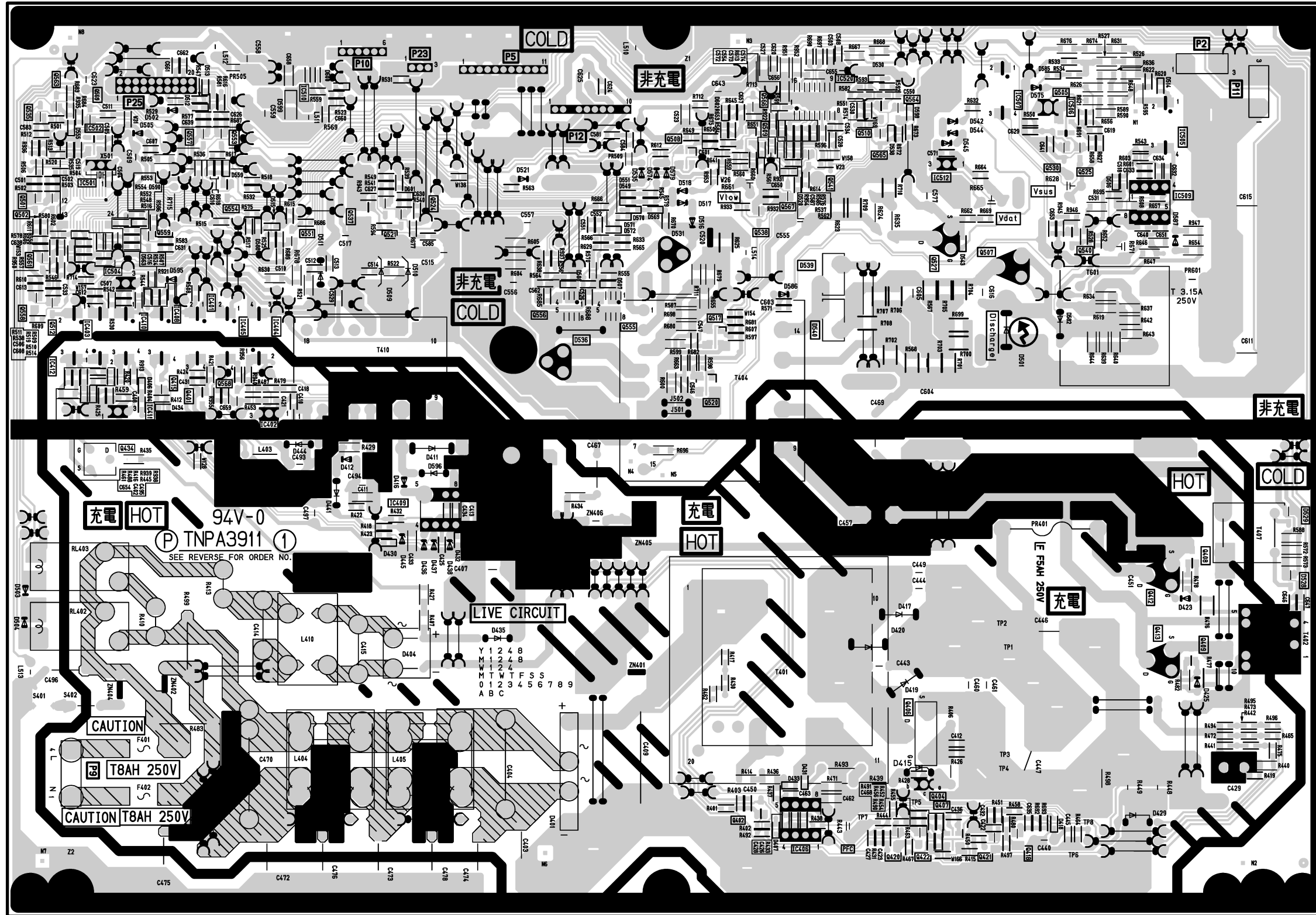
TH-37PG9W  
P-BBOARD TNPA3912AL

TH-37PG9W  
P-BBOARD TNPA3912AL

### 13.2. P-Board (42inch)

P-BOARD (FOIL SIDE)  
TNPA3911AL

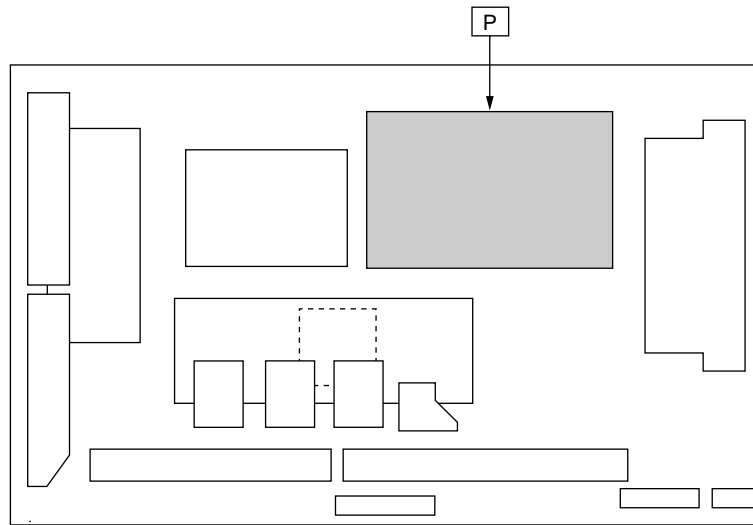
6  
5  
4  
3  
2  
1



TH-42PG9W  
P-BOARD TNPA3911AL

TH-42PG9W  
P-BOARD TNPA3911AL

A B C D E F G H



**Parts Location**

P-BOARD (FOIL SIDE)					
IC	TRANSISTOR		VOLUME		
IC401	B-4	Q401	B-4	Q535	A-5
IC402	C-4	Q402	E-1	Q537	C-5
IC403	B-4	Q404	F-1	Q538	E-5
IC404	C-4	Q406	F-2	Q540	G-5
IC405	C-4	Q407	F-1	Q541	F-5
IC406	F-1	Q408	H-3	Q551	C-5
IC408	B-4	Q409	H-2	Q553	B-5
IC409	C-3	Q412	H-3	Q554	B-5
IC410	B-4	Q413	H-2	Q555	E-4
IC411	B-4	Q415	B-4	Q556	D-4
IC412	A-4	Q418	G-1	Q557	B-5
IC501	B-5	Q420	F-1	Q558	A-4
IC502	B-5	Q421	G-1	Q559	B-5
IC504	B-4	Q422	F-1	Q561	A-5
IC505	H-5	Q434	B-4	Q563	A-6
IC506	G-5	Q501	A-5	Q564	F-6
IC507	G-6	Q502	A-5	Q565	F-5
IC509	H-5	Q505	G-6	Q566	E-6
IC510	C-6	Q507	G-5	Q567	F-5
IC512	F-5	Q508	E-5	Q568	B-4
IC520	F-6	Q509	E-5	Q569	B-6
		Q510	F-5		
		Q512	A-4		
		Q517	E-4		
		Q520	E-4		
		Q521	C-5		
		Q524	D-5		
		Q525	G-5		
		Q527	F-5		
		Q530	G-5		
				R443	F-1
				R628	G-5
				R661	E-5
				R665	G-5
				R671	H-4

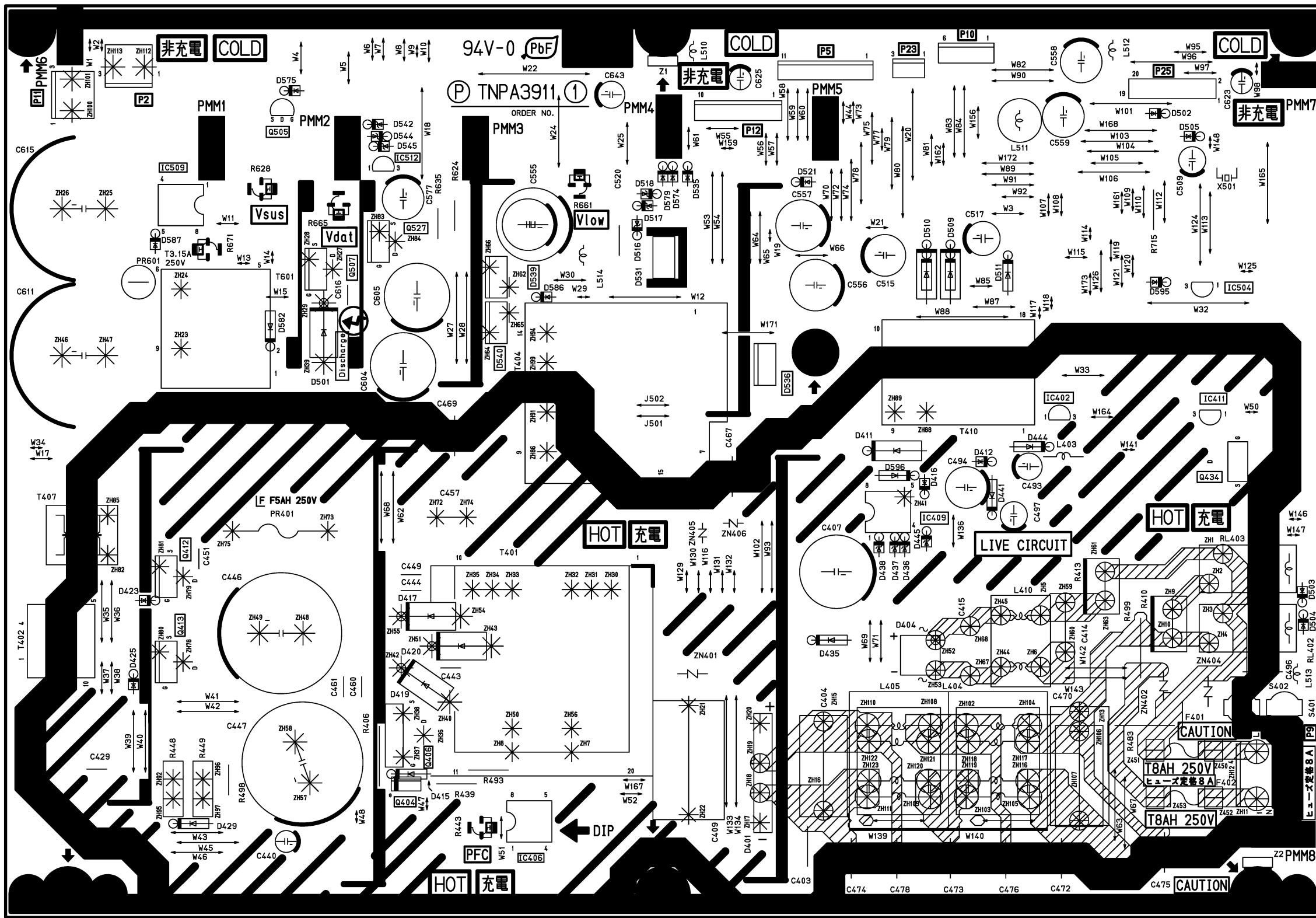
TH-42PG9W  
P-BOARD PARTS LOCATION

**Parts Location**

P-BOARD (COMPONENT SIDE)					
IC	TRANSISTOR		VOLUME		
IC402	G-4	Q404	C-2	R443	D-1
IC406	D-1	Q406	D-2	R628	C-5
IC409	F-3	Q412	B-3	R661	D-5
IC411	H-4	Q413	B-2	R665	C-5
IC504	H-4	Q434	H-3	R671	B-5
IC509	B-5	Q505	C-5		
IC512	C-5	Q507	C-5		
		Q527	C-5		

TH-42PG9W  
P-BOARD PARTS LOCATION

P-BOARD (COMPONENT SIDE)  
TNPA3911AL



6  
5  
4  
3  
2  
1

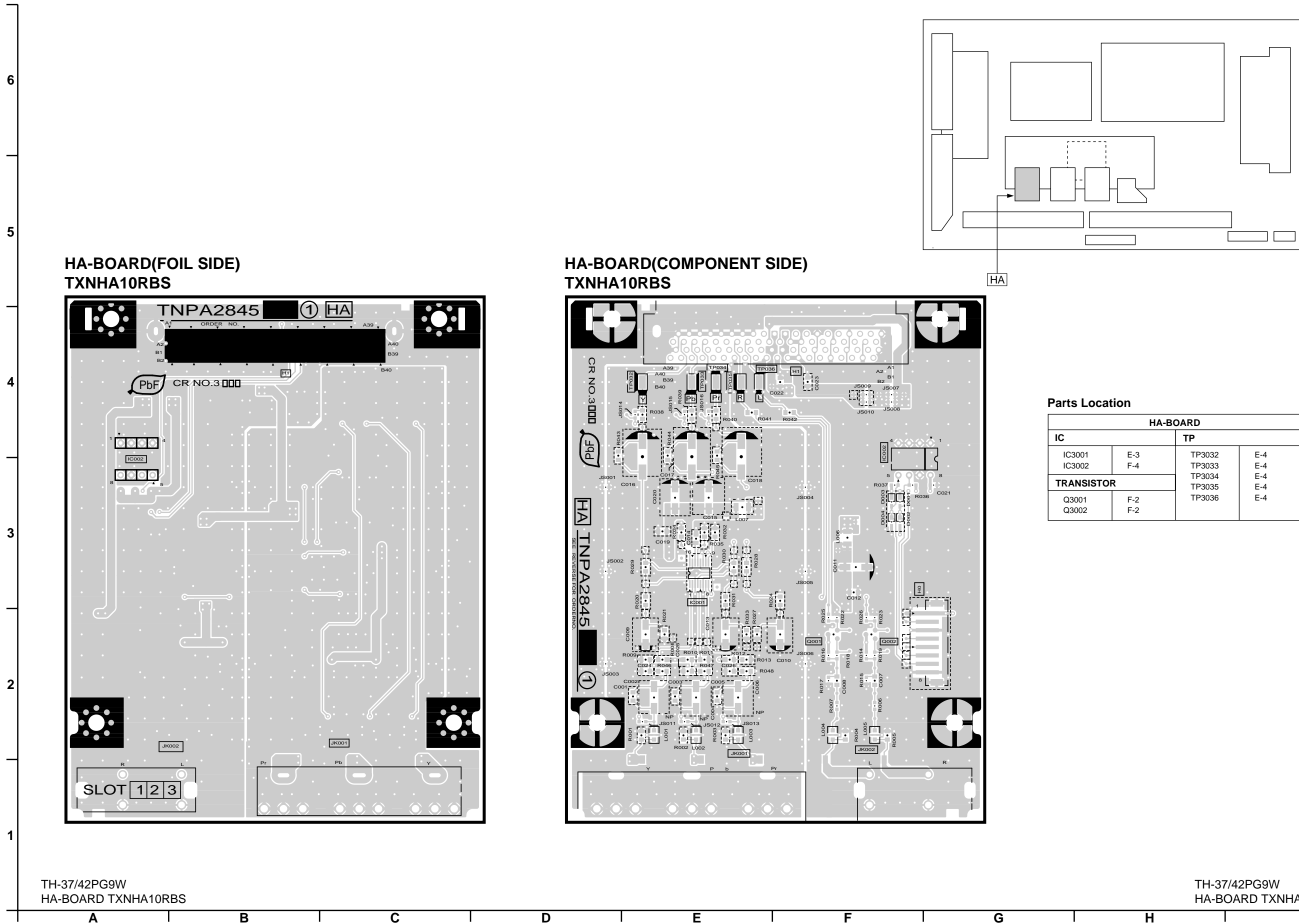
TH-42PG9W  
P-BOARD TNPA3911AL

TH-42PG9W  
P-BOARD TNPA3911AL

A B C D E F G H I



### 13.3. HA-Board



HA-BOARD(FOIL SIDE)  
TXNHA10RBS

HA-BOARD(COMPONENT SIDE)  
TXNHA10RBS

Parts Location

HA-BOARD			
IC			TP
IC3001	E-3		TP3032 E-4
IC3002	F-4		TP3033 E-4
<b>TRANSISTOR</b>			TP3034 E-4
Q3001	F-2		TP3035 E-4
Q3002	F-2		TP3036 E-4

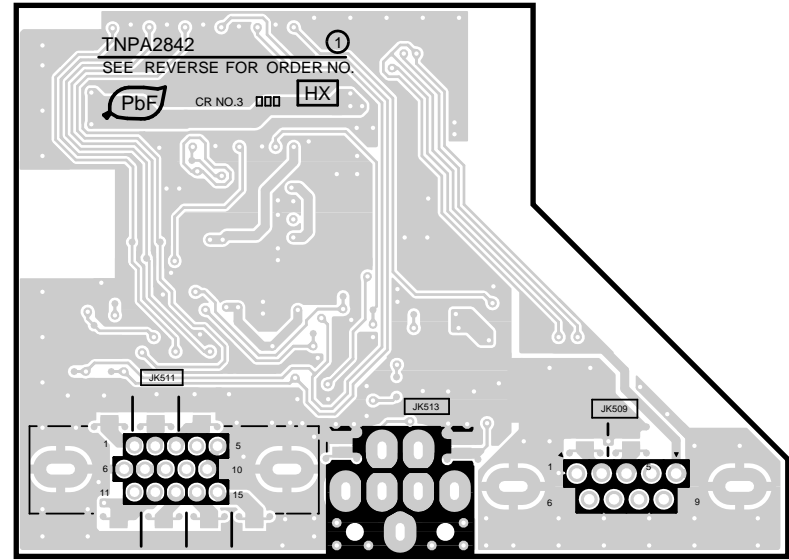
TH-37/42PG9W  
HA-BOARD TXNHA10RBS

TH-37/42PG9W  
HA-BOARD TXNHA10RBS

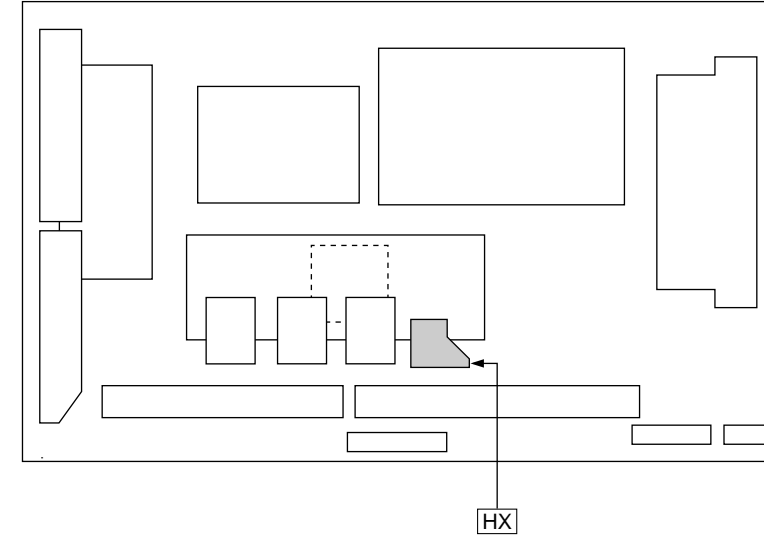
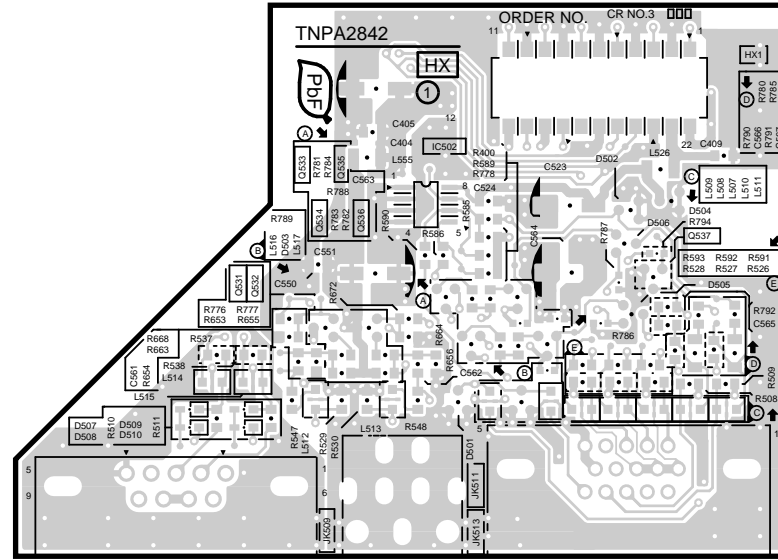
### 13.4. HX-Board

6  
5  
4  
3  
2  
1

**HX-BOARD(FOIL SIDE)  
TZTNP02ZQTU (37inch)  
TZTNP03ZQTU (42inch)**



**HX-BOARD(COMPONENT SIDE)  
TZTNP02ZQTU (37inch)  
TZTNP03ZQTU (42inch)**



**Parts Location**

HX-BOARD			
IC		TRANSISTOR	
IC3502	E-4	Q3531	D-4
		Q3532	D-4
		Q3533	E-4
		Q3534	E-4
		Q3535	E-4
		Q3536	E-4
		Q3537	F-4

TH-37PG9W      TH-42PG9W  
HX-BOARD TZTNP02ZQTU      HX-BOARD TZTNP03ZQTU

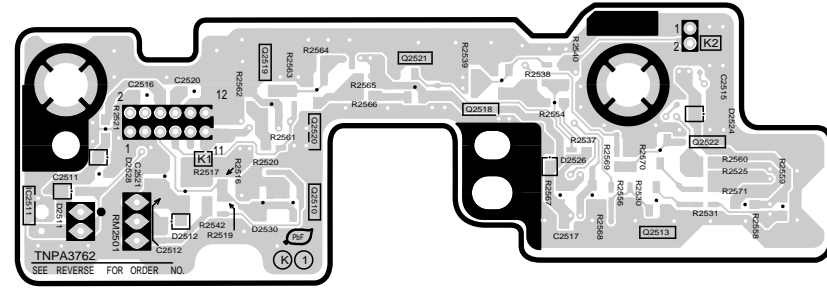
TH-37PG9W      TH-42PG9W  
HX-BOARD TZTNP02ZQTU      HX-BOARD TZTNP03ZQTU

A      B      C      D      E      F      G      H      I

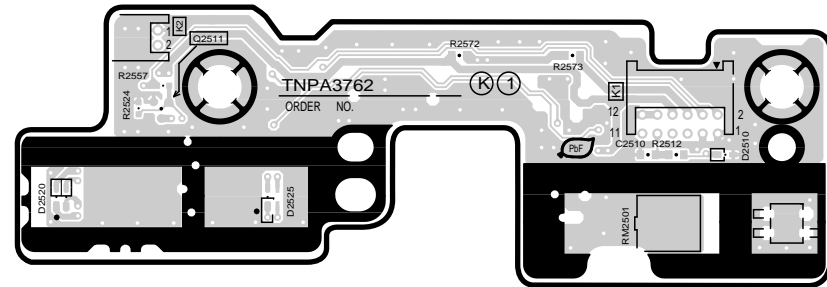
### 13.5. GK, K and S-Board

6  
5  
4  
3  
2  
1

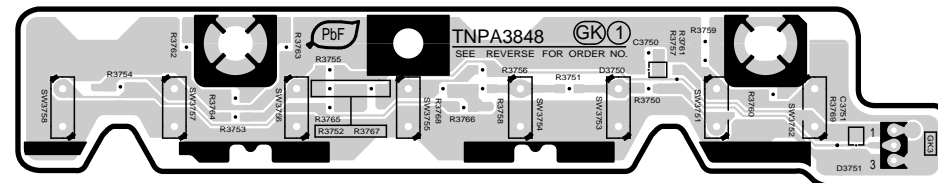
**K-BOARD (FOIL SIDE)  
TNPA3762AH**



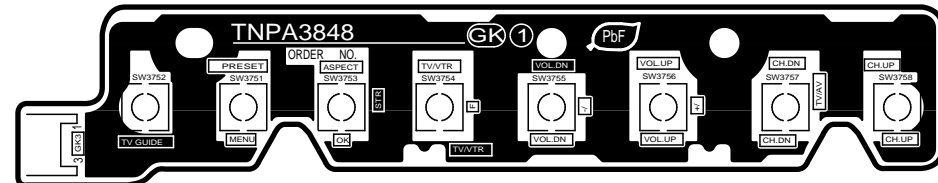
**K-BOARD (COMPONENT SIDE)  
TNPA3762AH**



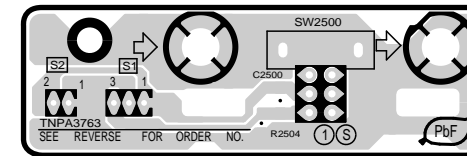
**GK-BOARD (FOIL SIDE)  
TNPA3848AE**



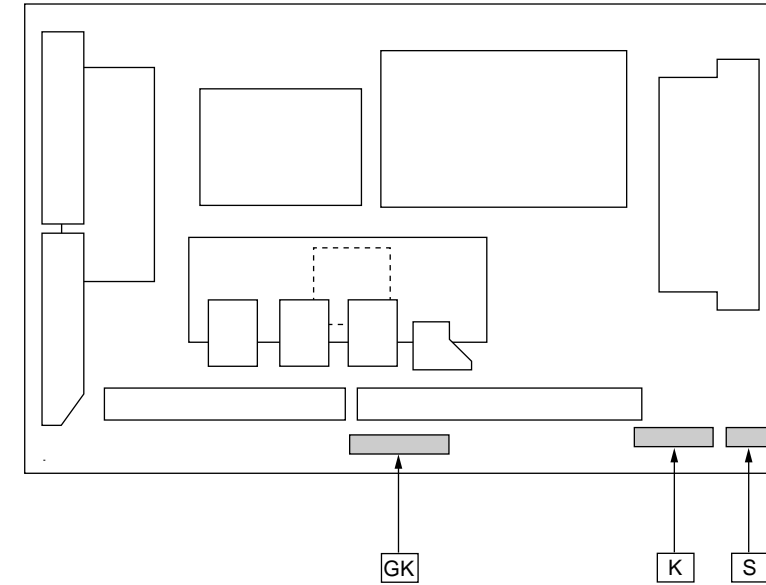
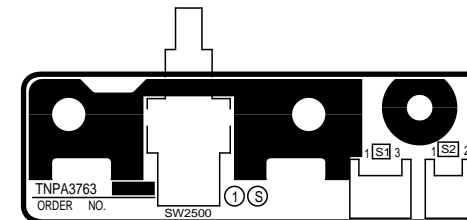
**GK-BOARD (COMPONENT SIDE)  
TNPA3848AE**



**S-BOARD (FOIL SIDE)  
TNPA3763AE**



**S-BOARD (COMPONENT SIDE)  
TNPA3763AE**



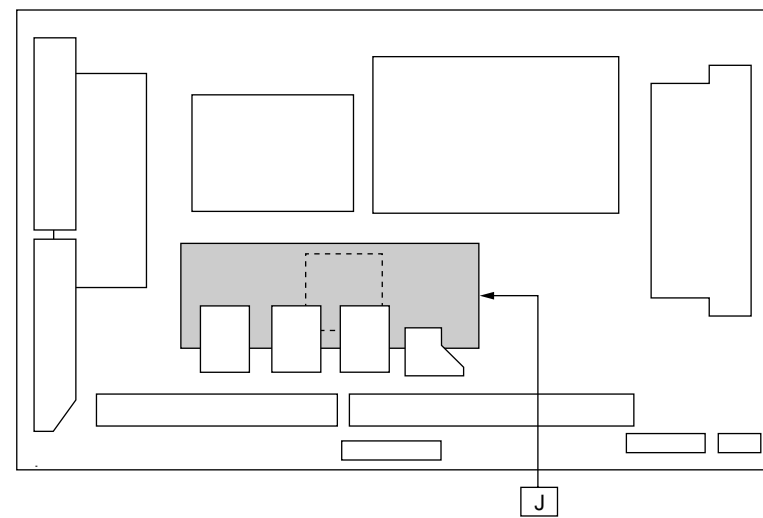
TH-37/42PG9W  
GK-BOARD TNPA3848AE  
K-BOARD TNPA3762AH  
S-BOARD TNPA3763AE

TH-37/42PG9W  
GK-BOARD TNPA3848AE  
K-BOARD TNPA3762AH  
S-BOARD TNPA3763AE

A B C D E F G H I

### 13.6. J-Board

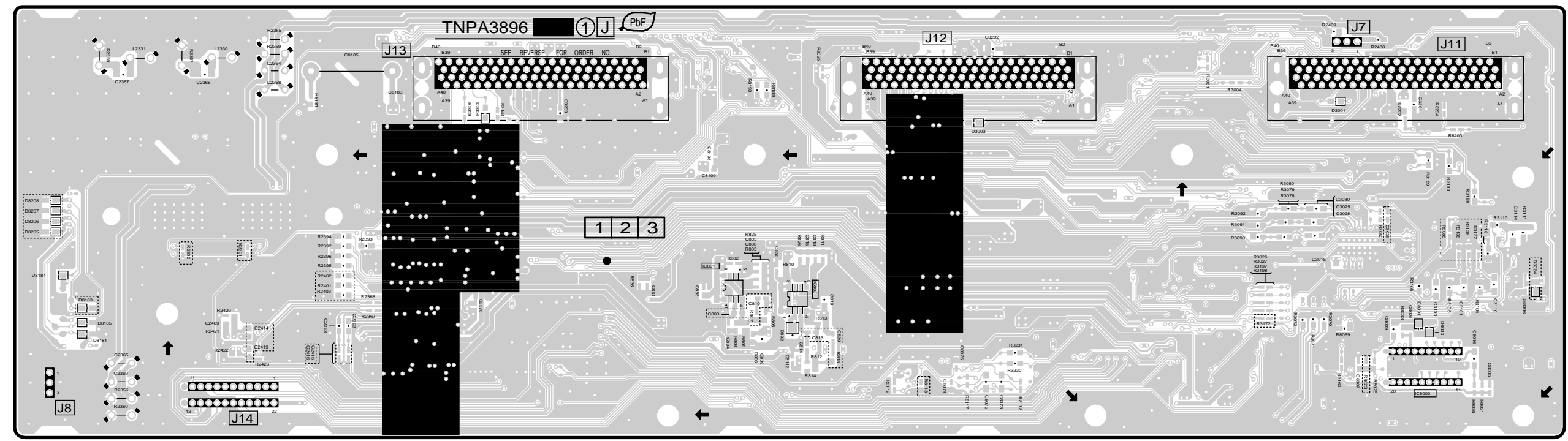
6  
5  
4  
3  
2  
1



**Parts Location**

J-BOARD (FOIL SIDE)	
IC	
IC801	E-2
IC802	E-2
IC8003	I-1

**J-BOARD (FOIL SIDE)  
TNPA3896AB**



TH-37/42PG9W  
J-BOARD TNPA3896AB

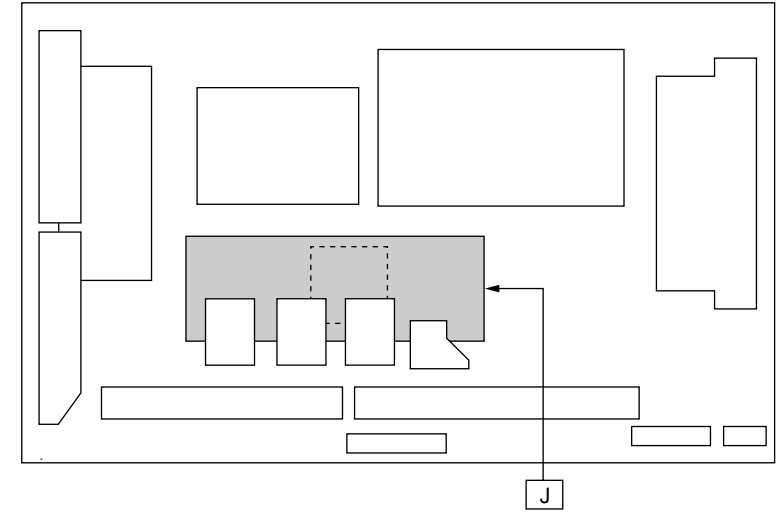
TH-37/42PG9W  
J-BOARD TNPA3896AB

A B C D E F G H I

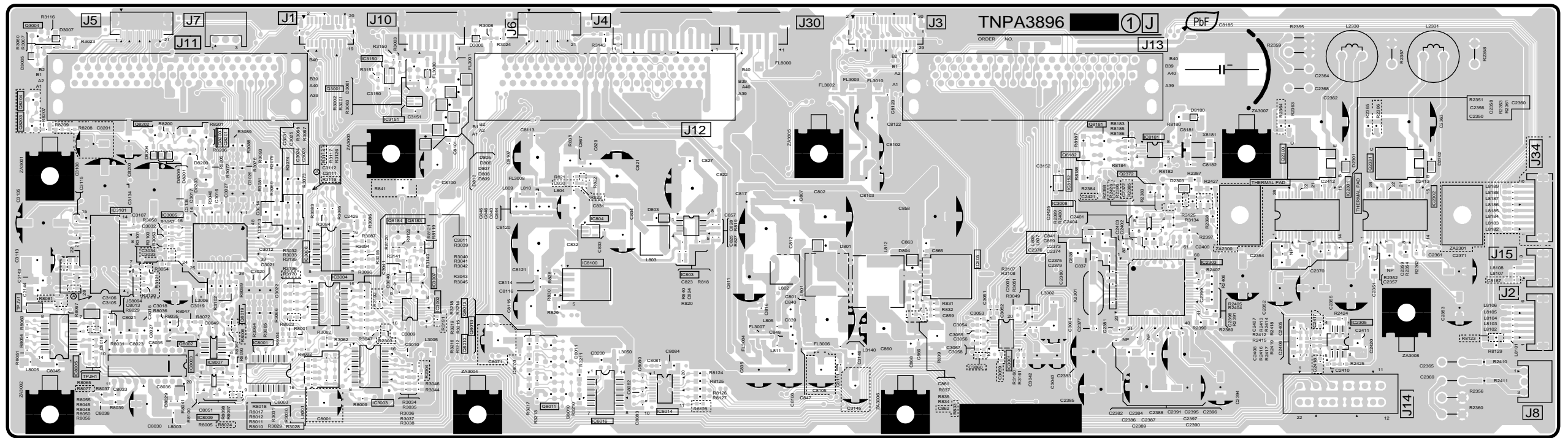
6  
5  
4  
3  
2  
1

Parts Location

J-BOARD (COMPONENT SIDE)					
IC	TRANSISTOR			TP	
IC803	E-2	Q2300	H-2	TPJH1	A-2
IC804	D-2	Q2331	H-2	TPJV1	A-2
IC805	F-2	Q2372	G-2		
IC2301	H-2	Q3001	C-3		
IC2302	H-2	Q3004	A-3		
IC2303	G-2	Q8002	B-2		
IC2305	H-1	Q8010	D-1		
IC3001	F-1	Q8011	D-1		
IC3002	C-2	Q8012	D-1		
IC3003	C-1	Q8013	D-1		
IC3004	C-2	Q8019	B-2		
IC3005	B-2	Q8181	G-3		
IC3006	C-2	Q8182	G-2		
IC3007	C-2	Q8183	C-2		
IC3008	G-2	Q8184	C-2		
IC3101	A-2	Q8200	B-3		
IC3150	C-3	Q8201	B-3		
IC3151	C-3	Q8202	B-3		
IC3152	G-2	Q8203	A-3		
IC8001	B-1	Q8204	A-3		
IC8003	B-1				
IC8005	A-1				
IC8007	B-1				
IC8009	B-1				
IC8014	D-1				
IC8016	D-1				
IC8100	D-2				
IC8181	G-3				



J-BOARD (COMPONENT SIDE)  
TNPA3896AB



TH-37/42PG9W  
J-BOARD TNPA3896AB

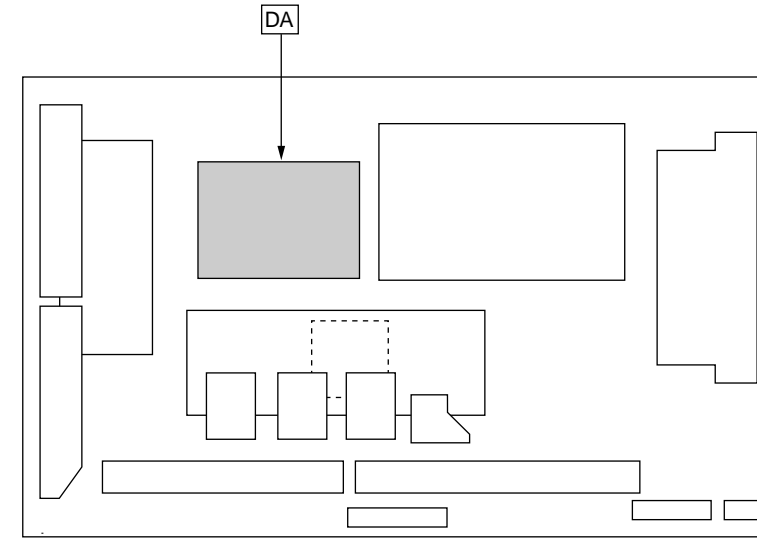
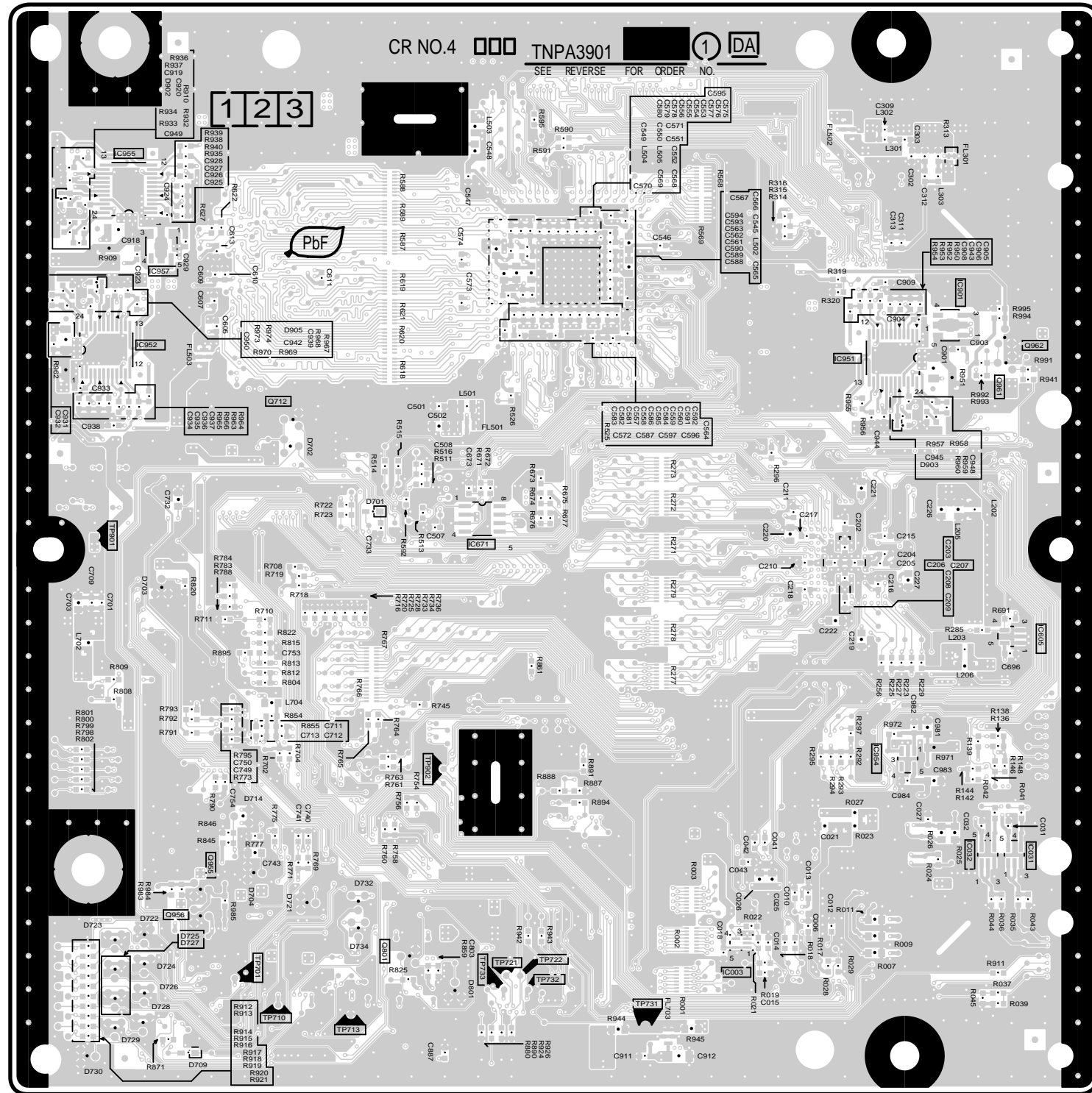
TH-37/42PG9W  
J-BOARD TNPA3896AB

A B C D E F G H I

13.7. DA-Board

DA-BOARD (FOIL SIDE)  
 TZTNP01ZPTU (37inch)  
 TZTNP04ZQTU (42inch)

6  
5  
4  
3  
2  
1



Parts Location

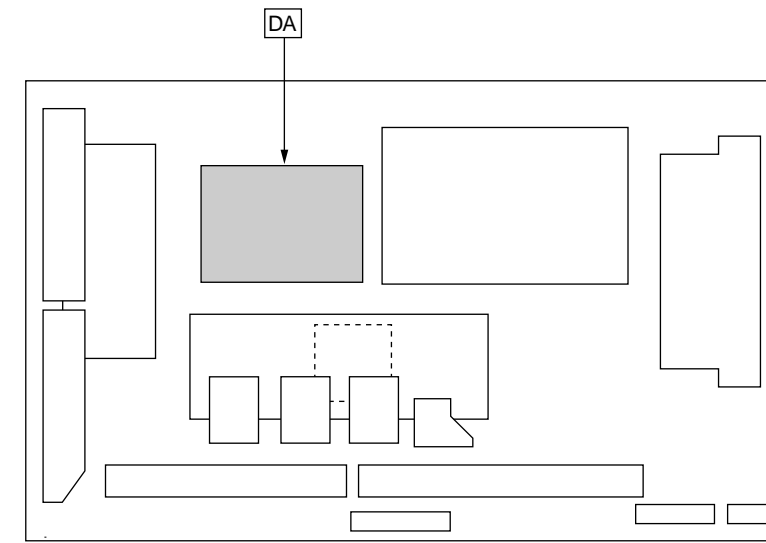
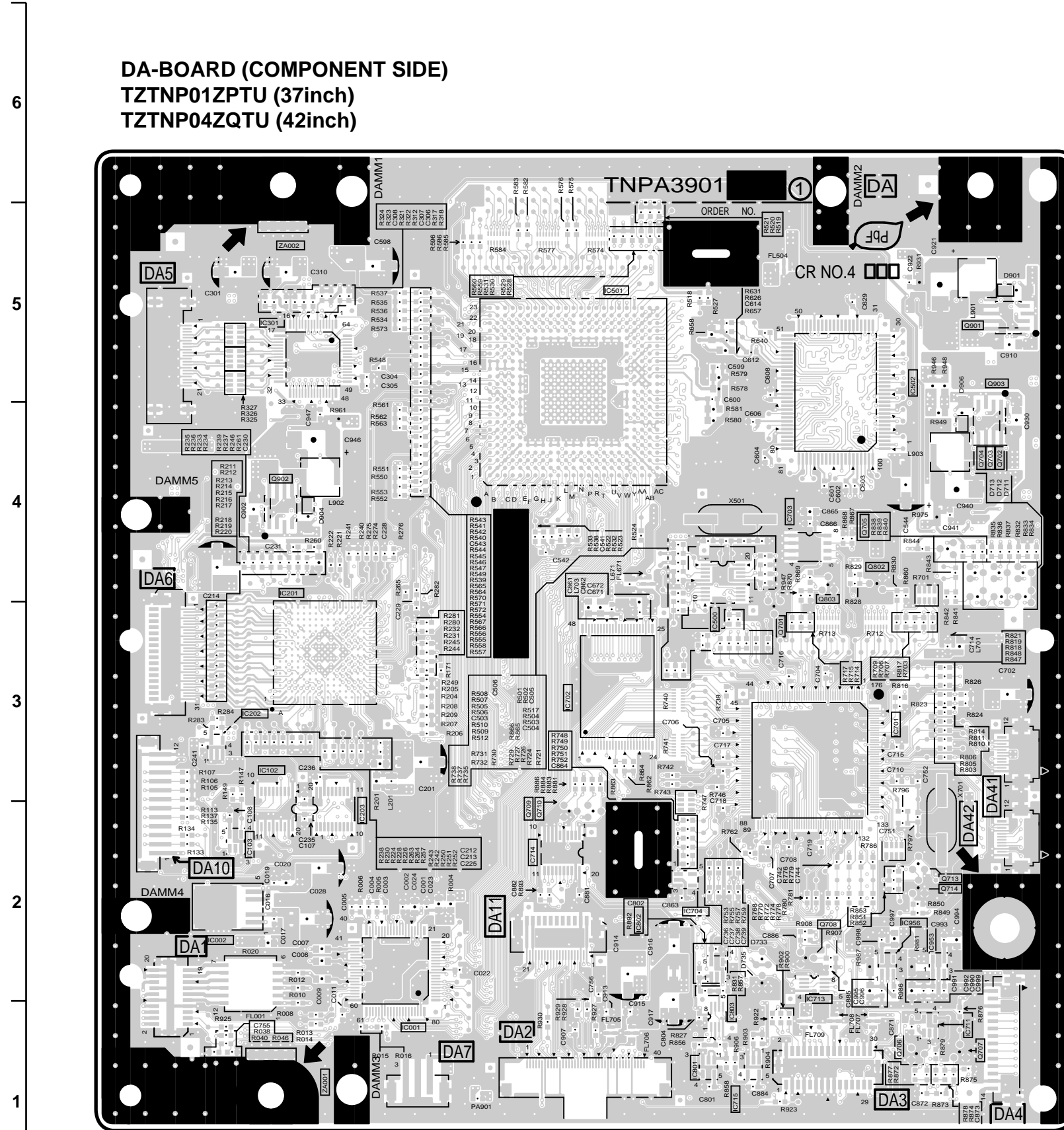
DA-BOARD (FOIL SIDE)					
IC	TRANSISTOR		TP		
IC4003	D-2	Q4712	B-4	TP4701	B-1
IC4031	E-2	Q4801	C-1	TP4710	B-1
IC4032	E-2	Q4955	B-2	TP4713	B-1
IC4605	E-3	Q4956	B-2	TP4721	C-1
IC4671	C-3	Q4961	E-4	TP4722	C-1
IC4901	E-4	Q4962	E-4	TP4731	D-1
IC4951	E-4			TP4732	C-1
IC4952	A-4			TP4733	C-1
IC4954	E-2			TP4901	A-3
IC4955	A-5			TP4902	C-2
IC4957	B-5				

TH-37PG9W TH-42PG9W  
 DA-BOARD TZTNP01ZPTU DA-BOARD TZTNP04ZQTU

TH-37PG9W TH-42PG9W  
 DA-BOARD TZTNP01ZPTU DA-BOARD TZTNP04ZQTU

A B C D E F G H I

**DA-BOARD (COMPONENT SIDE)**  
**TZTNP01ZPTU (37inch)**  
**TZTNP04ZQTU (42inch)**



**Parts Location**

DA-BOARD (COMPONENT SIDE)			
IC		TRANSISTOR	
IC4001	B-1	Q4701	D-3
IC4002	A-2	Q4702	E-4
IC4102	B-2	Q4703	E-4
IC4103	B-2	Q4704	E-4
IC4201	B-3	Q4705	E-4
IC4202	A-3	Q4706	E-1
IC4203	B-2	Q4707	E-1
IC4301	B-5	Q4708	D-2
IC4500	D-4	Q4709	C-2
IC4501	C-5	Q4710	C-2
IC4502	E-5	Q4713	E-2
IC4701	D-3	Q4714	E-2
IC4702	C-3	Q4802	E-4
IC4703	D-4	Q4803	E-4
IC4704	D-2	Q4901	E-5
IC4711	E-1	Q4902	B-4
IC4713	D-2	Q4903	E-5
IC4714	C-2		
IC4715	D-1		
IC4801	D-1		
IC4802	D-2		
IC4803	D-1		
IC4953	E-2		
IC4956	E-2		

TH-37PG9W DA-BOARD TZTNP01ZPTU  
 TH-42PG9W DA-BOARD TZTNP04ZQTU

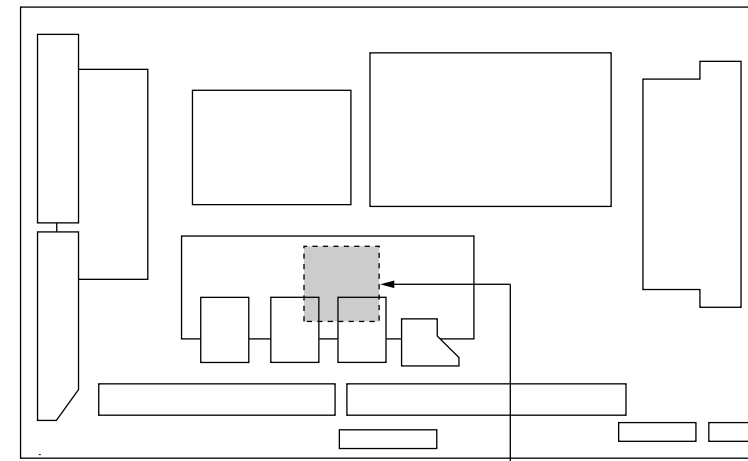
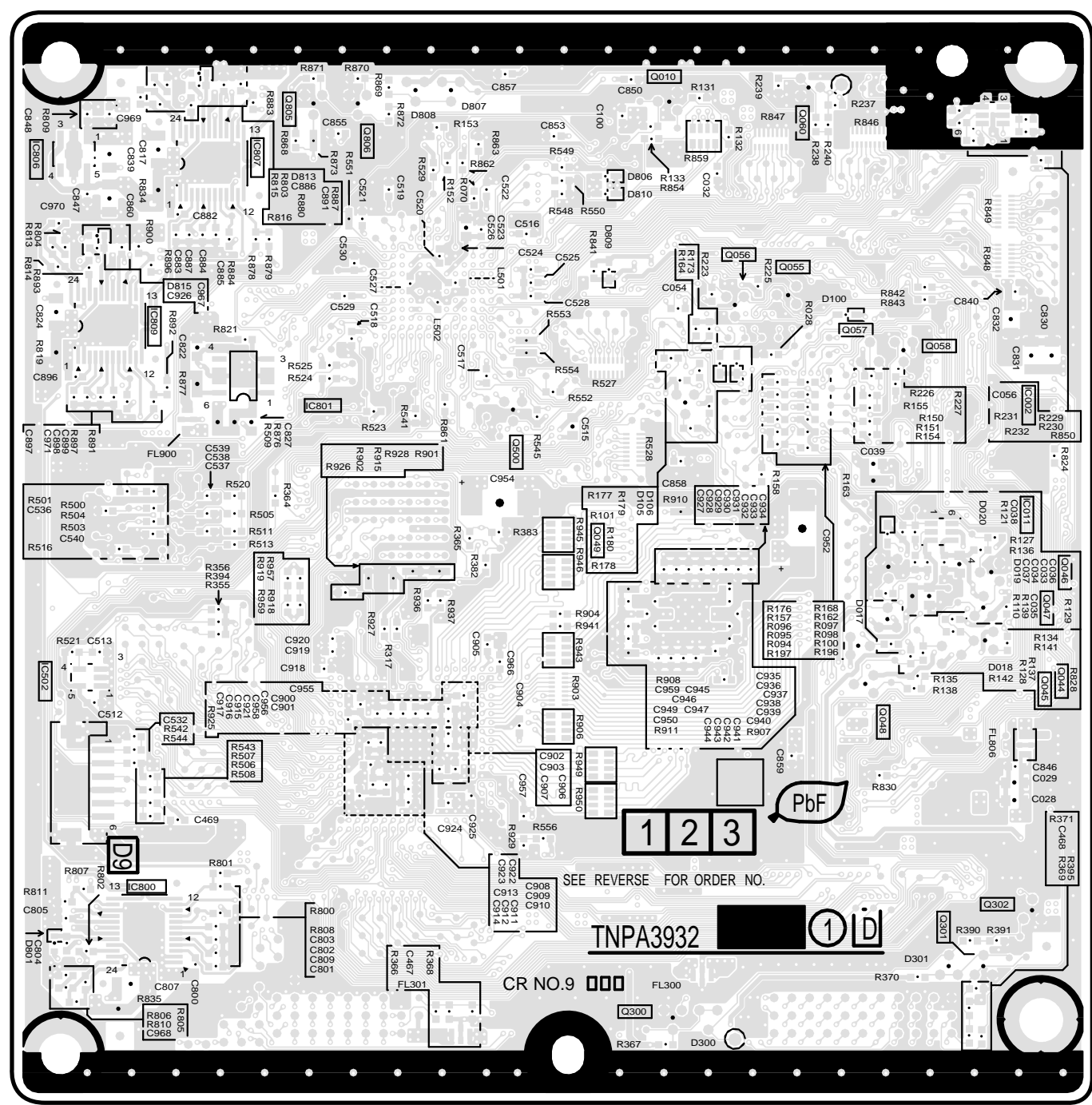
TH-37PG9W DA-BOARD TZTNP01ZPTU  
 TH-42PG9W DA-BOARD TZTNP04ZQTU

A B C D E F G H I

### 13.8. D-Board

6  
5  
4  
3  
2  
1

#### D-BOARD (FOIL SIDE) TZTNP01ZQTJ



D

#### Parts Location

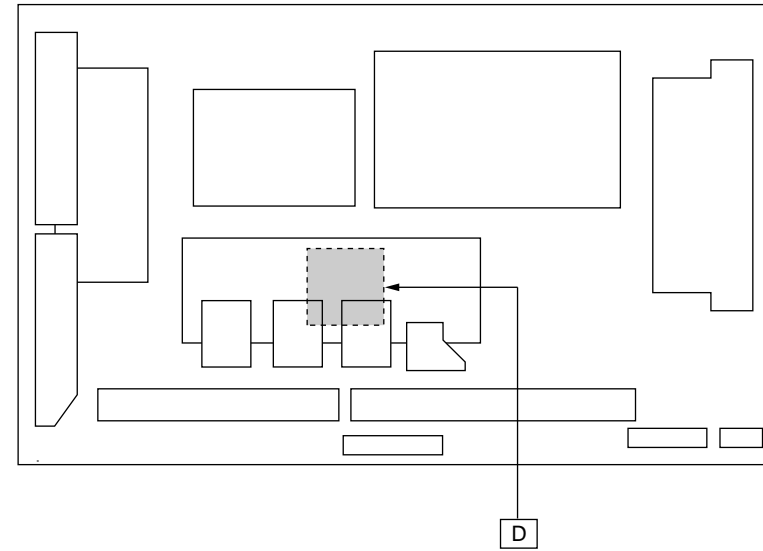
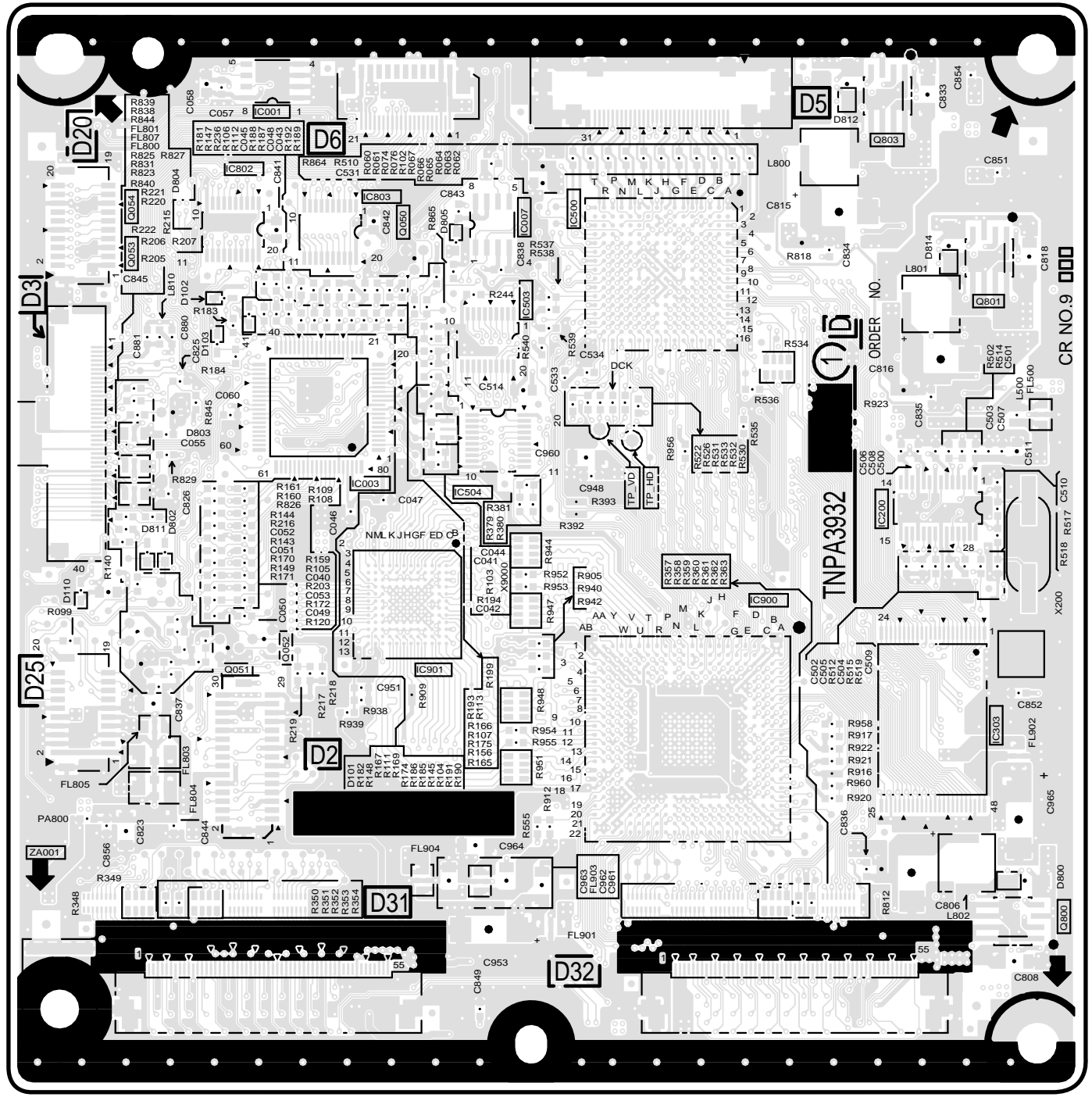
D-BOARD (FOIL SIDE)			
IC			
IC9002	E-4	Q9010	D-5
IC9011	E-3	Q9044	E-3
IC9502	A-3	Q9045	E-3
IC9800	A-2	Q9046	E-3
IC9801	B-1	Q9047	E-3
IC9806	A-5	Q9048	D-2
IC9807	B-5	Q9049	C-3
IC9809	A-4	Q9055	D-4
		Q9056	D-4
		Q9057	D-4
		Q9058	E-4
		Q9060	D-5
		Q9300	C-1
		Q9301	E-2
		Q9302	E-2
		Q9500	C-4
		Q9805	B-5
		Q9806	B-5

A B C D E F G H I



6  
5  
4  
3  
2  
1

### D-BOARD (COMPONENT SIDE) TZTNP01ZQTJ



**Parts Location**

D-BOARD (COMPONENT SIDE)			
IC			
IC9001	B-5	Q9050	B-5
IC9003	B-3	Q9051	B-3
IC9007	C-5	Q9052	B-3
IC9200	D-3	Q9053	A-4
IC9303	E-2	Q9054	A-5
IC9500	C-5	Q9800	E-2
IC9503	C-4	Q9801	E-4
IC9504	C-3	Q9803	D-5
IC9802	B-5		
IC9803	B-5		
IC9900	D-3	TP_HD	C-3
IC9901	C-3	TP_VD	C-3

TH-37/42PG9W  
D-BOARD TZTNP01ZQTJ

TH-37/42PG9W  
D-BOARD TZTNP01ZQTJ

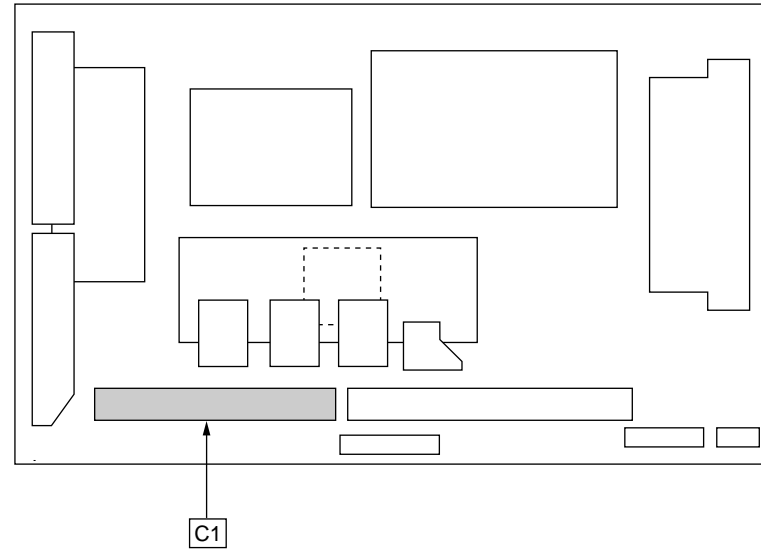
A B C D E F G H I

### 13.9. C1-Board (37inch)

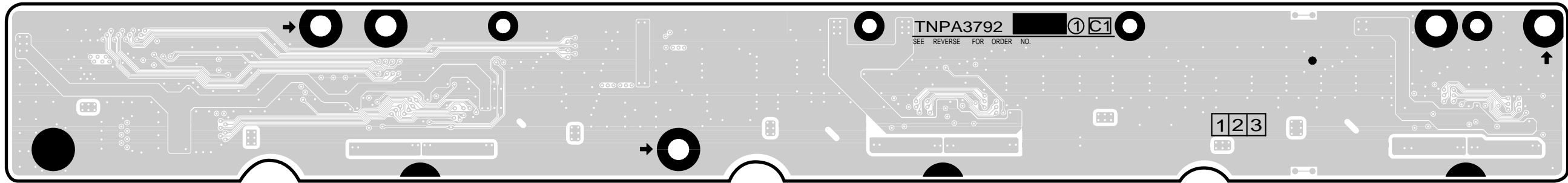
6  
5  
4  
3  
2  
1

**Parts Location**

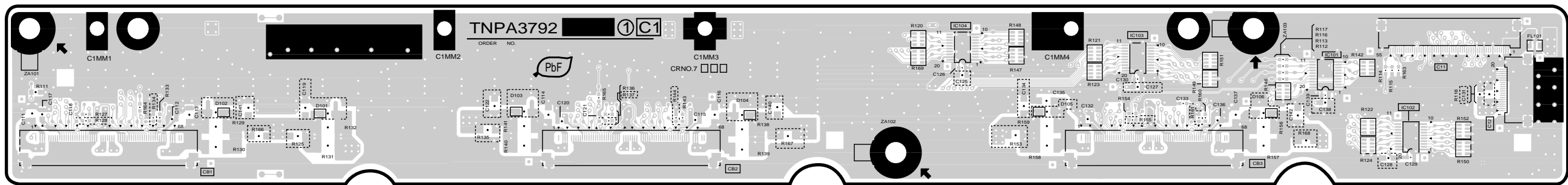
C1-BOARD	
IC	
IC7101	H-2
IC7102	I-1
IC7103	G-2
IC7104	F-2



**C1-BOARD (FOIL SIDE)  
TNPA3792AB**



**C1-BOARD (COMPONENT SIDE)  
TNPA3792AB**



TH-37PG9W  
C1-BOARD TNPA3792AB

TH-37PG9W  
C1-BOARD TNPA3792AB

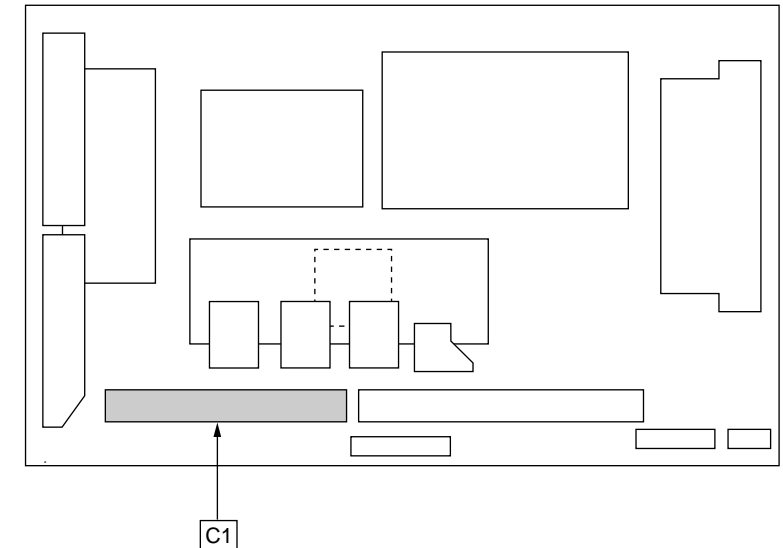
A B C D E F G H I

13.10. C1-Board (42inch)

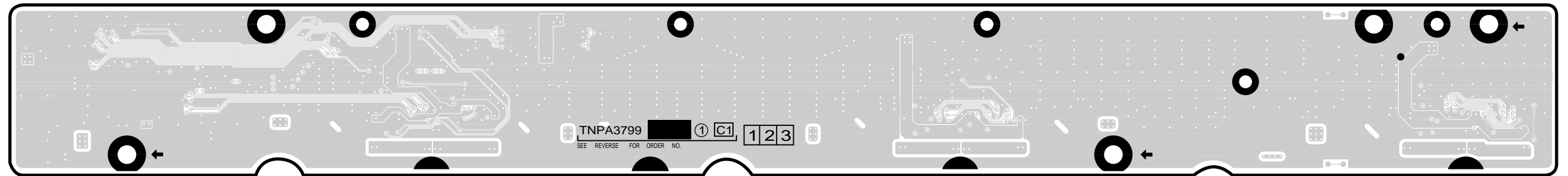
6  
5  
4  
3  
2  
1  
A B C D E F G H I

Parts Location

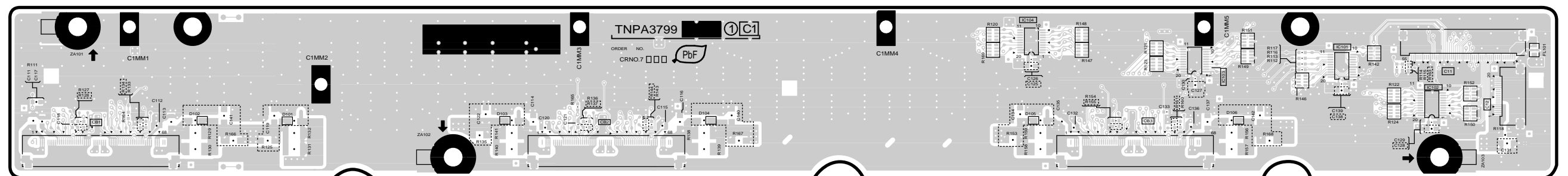
C1-BOARD	
IC	
IC7101	H-2
IC7102	I-1
IC7103	G-2
IC7104	F-2



C1-BOARD (FOIL SIDE)  
TNPA3799AB



C1-BOARD (COMPONENT SIDE)  
TNPA3799AB



TH-42PG9W  
C1-BOARD TNPA3799AB

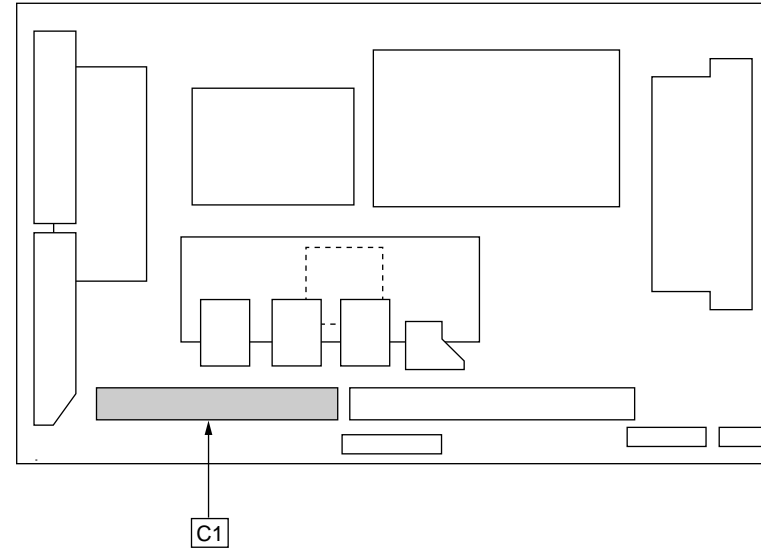
TH-42PG9W  
C1-BOARD TNPA3799AB

### 13.11. C2-Board (37inch)

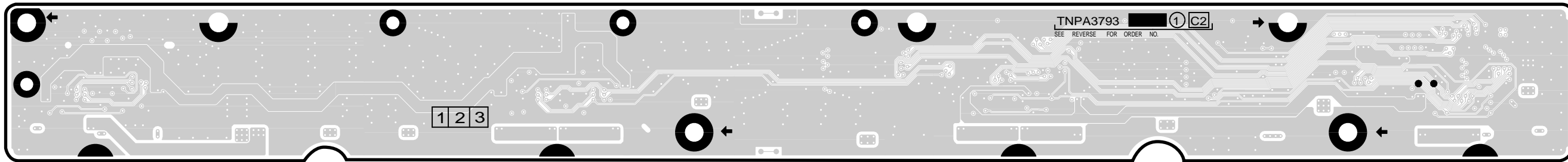
6  
5  
4  
3  
2  
1

**Parts Location**

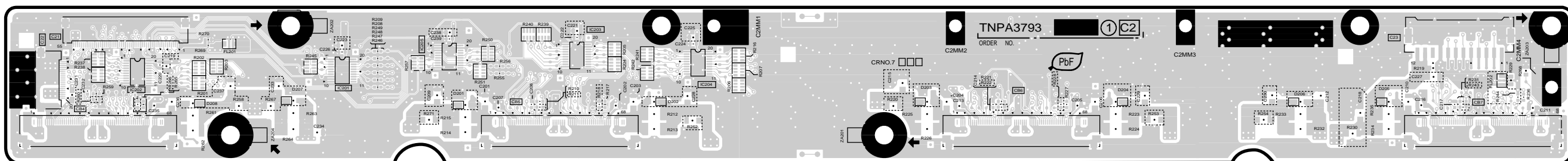
C2-BOARD	
IC	
IC7201	C-2
IC7202	A-2
IC7203	D-2
IC7204	E-2
IC7205	C-2



**C2-BOARD (FOIL SIDE)  
TNPA3793AB**



**C2-BOARD (COMPONENT SIDE)  
TNPA3793AB**



TH-37PG9W  
C2-BOARD TNPA3793AB

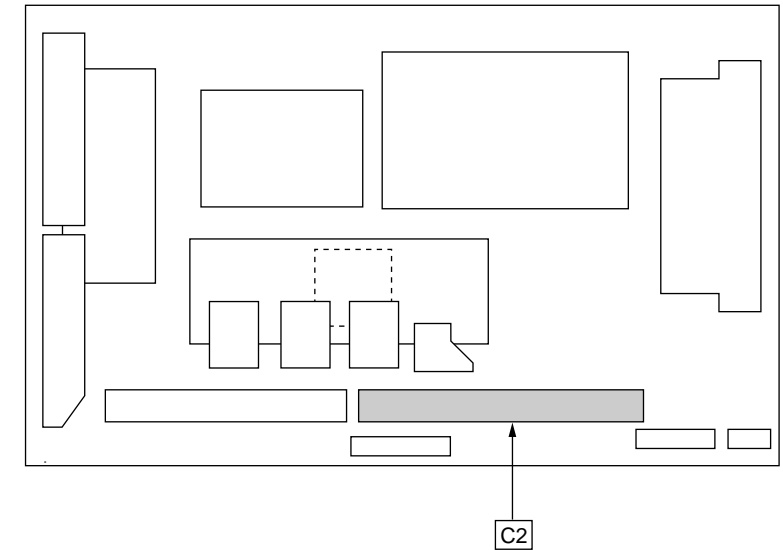
TH-37PG9W  
C2-BOARD TNPA3793AB

A B C D E F G H I

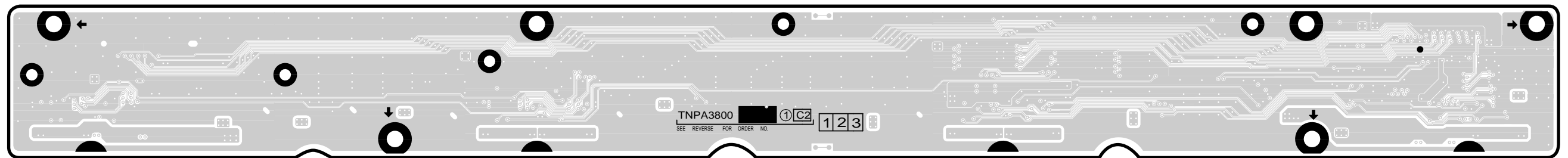
13.12. C2-Board (42inch)

Parts Location

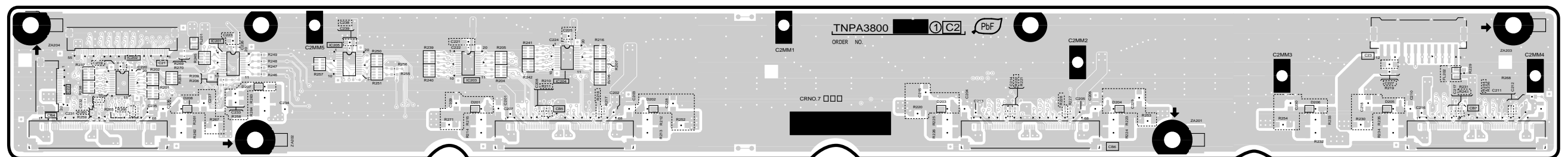
C2-BOARD	
IC	
IC7201	B-2
IC7202	A-2
IC7203	C-2
IC7204	D-2
IC7205	C-2



C2-BOARD (FOIL SIDE)  
TNPA3800AB



C2-BOARD (COMPONENT SIDE)  
TNPA3800AB



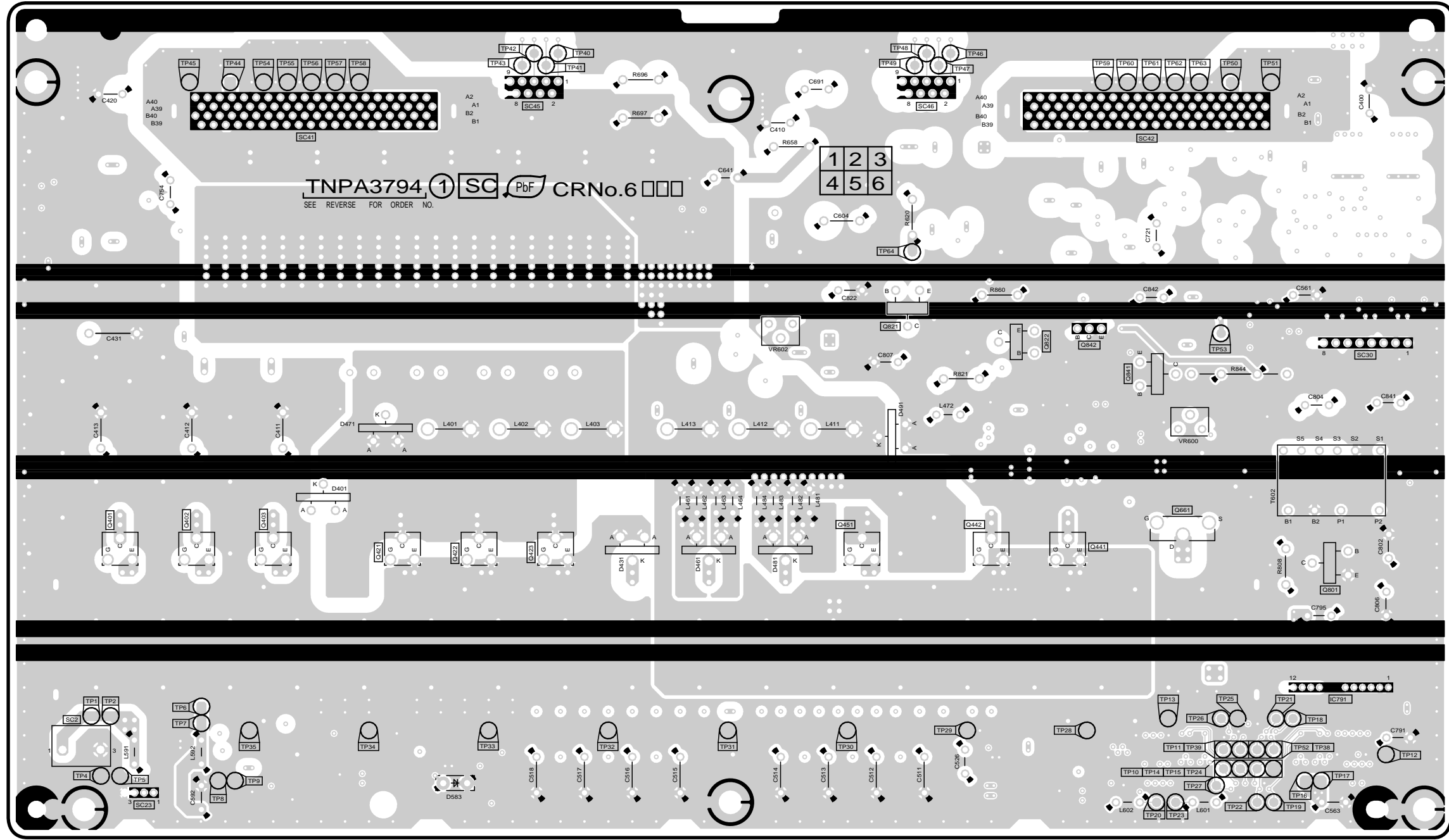
TH-42PG9W  
C2-BOARD TNPA3800AB

TH-42PG9W  
C2-BOARD TNPA3800AB

A B C D E F G H I

### 13.13. SC-Board

**SC-BOARD (FOIL SIDE)**  
**TNPA3794AE (37inch)**  
**TNPA3794AB (42inch)**



6  
5  
4  
3  
2  
1

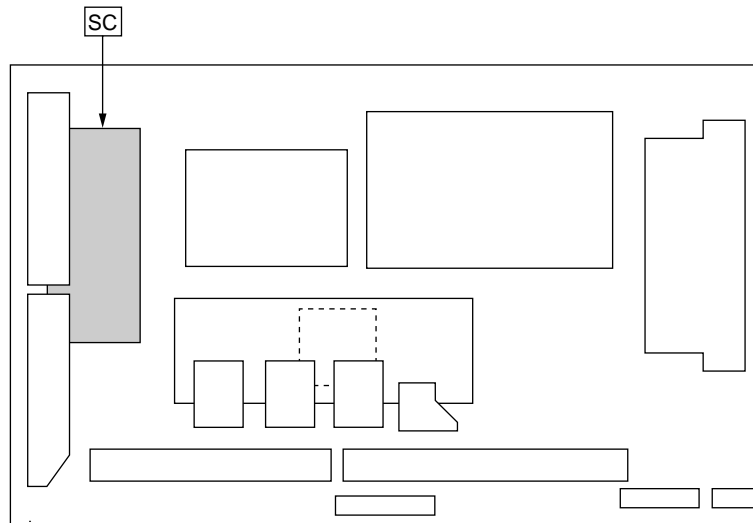
TH-37PG9W  
SC-BOARD TNPA3794AE

TH-42PG9W  
SC-BOARD TNPA3794AB

TH-37PG9W  
SC-BOARD TNPA3794AE

TH-42PG9W  
SC-BOARD TNPA3794AB

A B C D E F G H I



**Parts Location**

SC-BOARD (FOIL SIDE)					
IC		TP		TP40	D-5
IC6791	H-2	TP1	B-2	TP41	D-5
<b>TRANSISTOR</b>		TP2	B-2	TP42	D-5
Q6401	B-3	TP4	B-1	TP43	D-5
Q6402	B-3	TP5	B-1	TP44	B-5
Q6403	C-3	TP6	B-2	TP45	B-5
Q6421	C-2	TP7	B-2	TP46	F-5
Q6422	D-2	TP8	B-1	TP47	F-5
Q6423	D-2	TP9	C-1	TP48	F-5
Q6441	G-3	TP10	G-1	TP49	F-5
Q6442	F-3	TP11	G-1	TP50	H-5
Q6451	F-3	TP12	I-1	TP51	H-5
Q6661	G-3	TP13	G-2	TP52	H-1
Q6801	H-2	TP14	G-1	TP53	H-4
Q6821	F-4	TP15	G-1	TP54	C-5
Q6822	G-4	TP16	H-1	TP55	C-5
Q6841	G-3	TP17	H-1	TP56	C-5
Q6842	G-4	TP18	H-2	TP57	C-5
		TP19	H-1	TP58	C-5
		TP20	G-1	TP59	G-5
		TP21	H-2	TP60	G-5
		TP22	H-1	TP61	G-5
		TP23	G-1	TP62	G-5
		TP24	G-1	TP63	G-5
		TP25	H-2	TP64	F-4
		TP26	G-2	<b>VOLUME</b>	
		TP26	H-2	VR6600	G-3
		TP27	G-1	VR6602	E-4
		TP28	G-2		
		TP29	F-2		
		TP30	F-1		
		TP31	E-2		
		TP32	D-1		
		TP33	D-1		
		TP34	C-1		
		TP35	C-1		
		TP38	H-1		
		TP39	G-1		

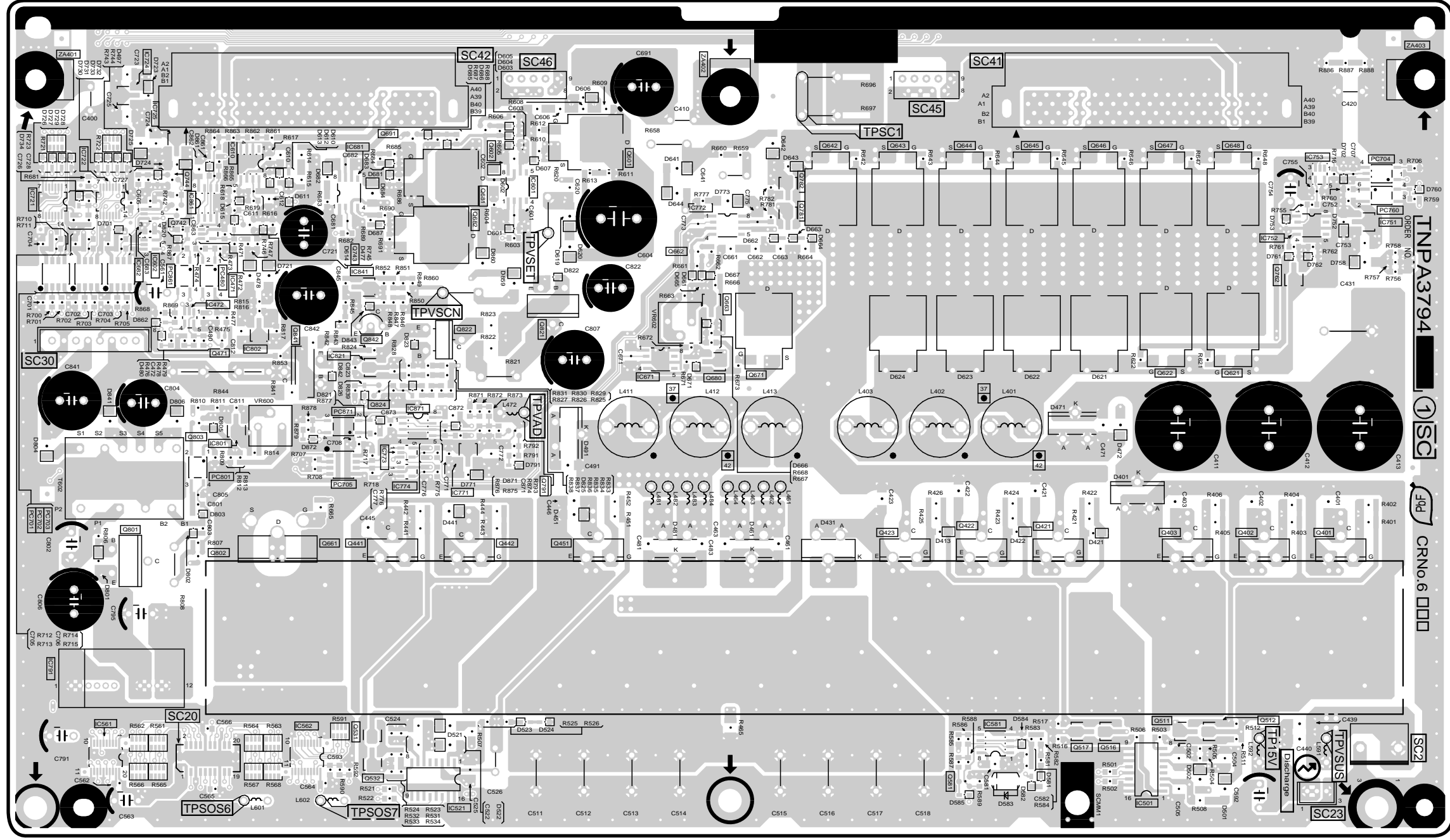
TH-37/42PG9W  
SC-BOARD PARTS LOCATION

**Parts Location**

SC-BOARD (COMPONENT SIDE)							
IC		PHOTO COUPLER		Q6646	G-5	TP	
IC6471	B-4	PC6480	B-4	Q6647	G-5	TP15V	H-1
IC6472	B-4	PC6701	A-3	Q6648	H-5	TPSC1	F-5
IC6501	G-1	PC6702	A-3	Q6661	C-2	TPSOS6	B-1
IC6521	D-1	PC6703	A-3	Q6662	E-4	TPSOS7	C-1
IC6561	B-1	PC6704	H-5	Q6663	E-4	TPVAD	D-3
IC6562	C-2	PC6705	C-3	Q6671	E-3	TPVSCN	D-4
IC6581	F-2	PC6760	H-4	Q6680	E-3	TPVSET	D-4
IC6601	D-4	PC6801	B-3	Q6681	D-4	TPVSUS	H-1
IC6602	B-4	PC6861	B-4	Q6682	D-4		
IC6610	B-5	PC6871	C-3	Q6691	C-5	<b>VOLUME</b>	
IC6671	E-3			Q6742	C-4	VR6600	C-2
IC6681	C-5	<b>TRANSISTOR</b>		Q6743	C-4	VR6602	D-5
IC6682	B-4	Q6401	H-3	Q6744	B-4		
IC6721	A-4	Q6402	H-3	Q6762	H-4		
IC6722	B-5	Q6403	G-3	Q6781	E-4		
IC6724	B-5	Q6421	G-3	Q6782	E-4		
IC6725	B-5	Q6422	F-3	Q6791	D-3		
IC6751	H-4	Q6423	F-3	Q6801	B-3		
IC6752	H-4	Q6441	C-2	Q6802	B-2		
IC6753	H-5	Q6442	D-2	Q6803	B-3		
IC6771	D-3	Q6442	D-2	Q6821	D-4		
IC6772	E-4	Q6451	D-2	Q6822	D-4		
IC6773	C-3	Q6471	B-3	Q6824	C-3		
IC6774	C-3	Q6511	G-2	Q6841	C-4		
IC6791	A-2	Q6512	H-2	Q6842	C-4		
IC6801	B-3	Q6516	G-1				
IC6802	C-4	Q6517	G-1				
IC6821	C-3	Q6531	C-1				
IC6841	C-4	Q6532	C-1				
IC6861	B-4	Q6581	F-1				
IC6871	C-3	Q6601	D-5				
		Q6602	D-5				
		Q6621	H-3				
		Q6622	G-3				
		Q6642	F-5				
		Q6643	F-5				
		Q6644	F-5				
		Q6645	G-5				

TH-37/42PG9W  
SC-BOARD PARTS LOCATION

SC-BEARD (COMPONENT SIDE)  
TNPA3794AE (37inch)  
TNPA3794AB (42inch)



ORDER NO. TNPA3794  
① SC  
CRN.6

TH-37PG9W  
SC-BEARD TNPA3794AE

TH-42PG9W  
SC-BEARD TNPA3794AB

TH-37PG9W  
SC-BEARD TNPA3794AE

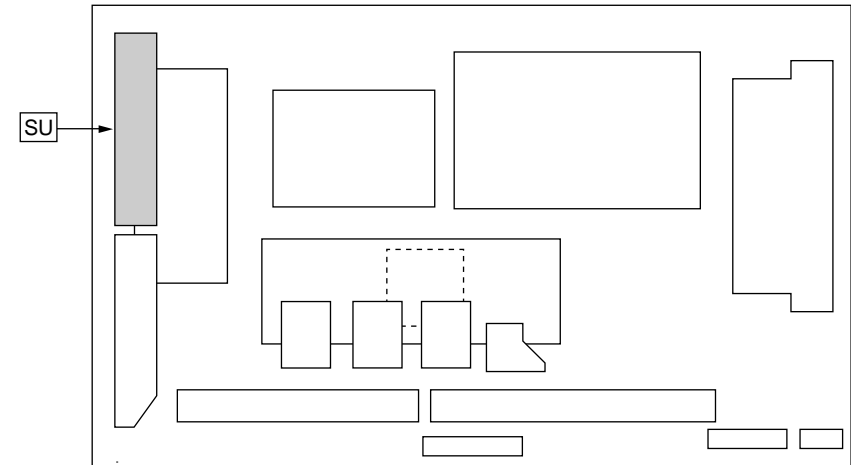
TH-42PG9W  
SC-BEARD TNPA3794AB

A B C D E F G H I

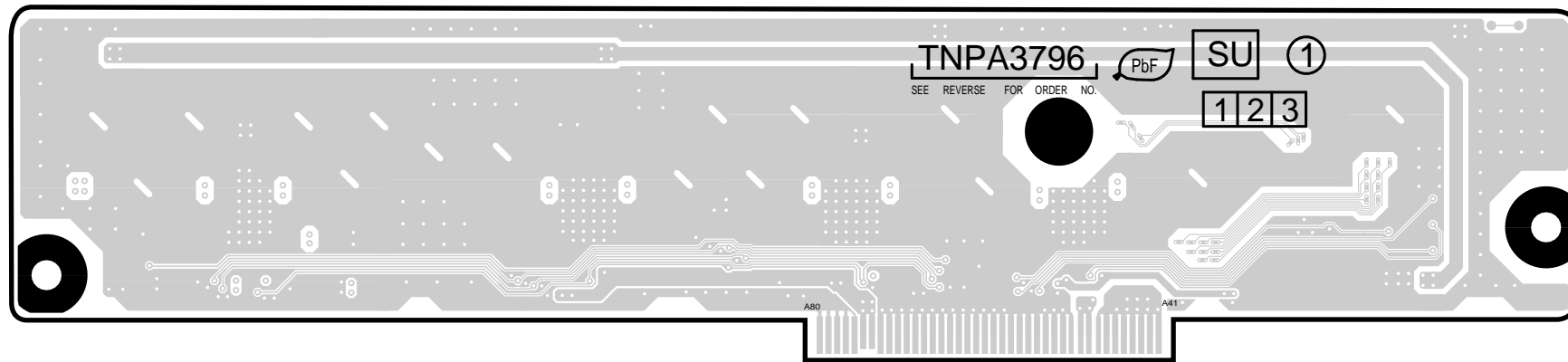


13.14. SU-Board (37inch)

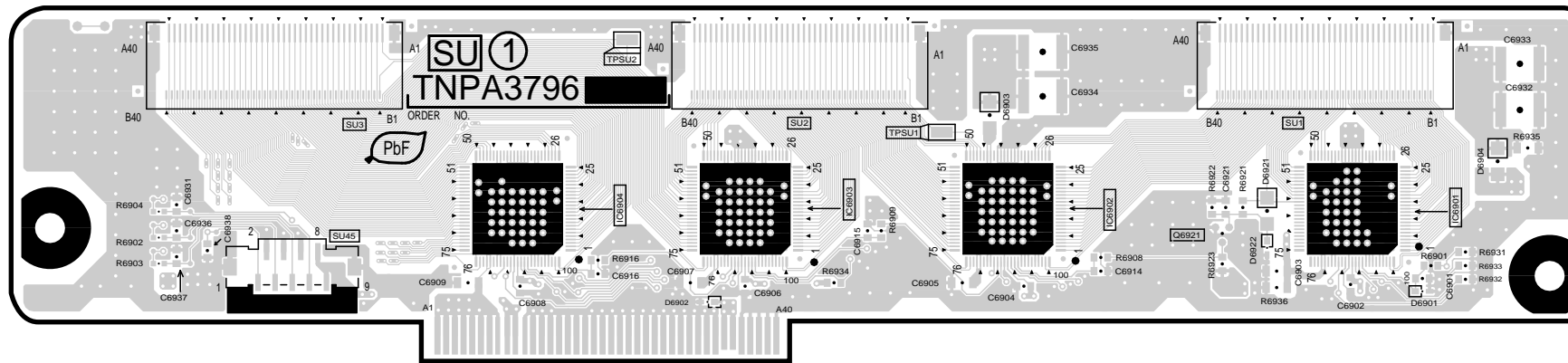
6  
5  
4  
3  
2  
1  
A B C D E F G H I



**SU-BOARD (FOIL SIDE)**  
TNPA3796AB



**SU-BOARD (COMPONENT SIDE)**  
TNPA3796AB



**Parts Location**

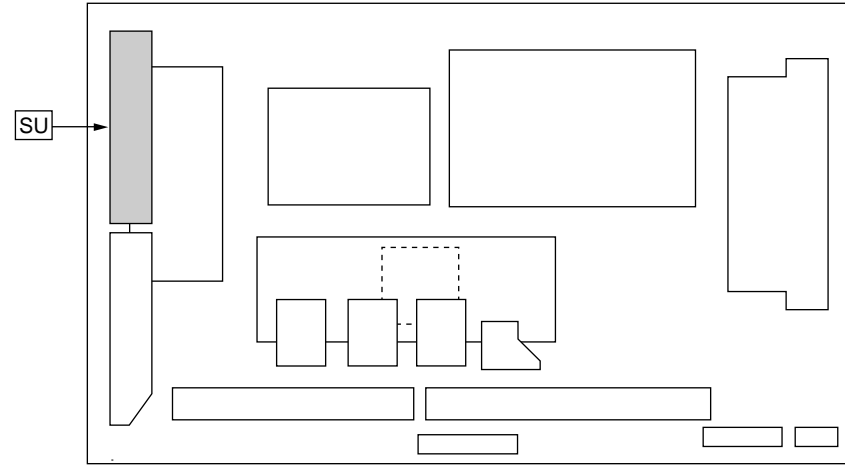
SU-BOARD	
<b>IC</b>	
IC6901	F-2
IC6902	E-2
IC6903	D-2
IC6904	C-2
<b>TRANSISTOR</b>	
Q6921	E-2
<b>TP</b>	
TPSU1	D-2
TPSU2	C-2

TH-37PG9W  
SU-BOARD TNPA3796AB

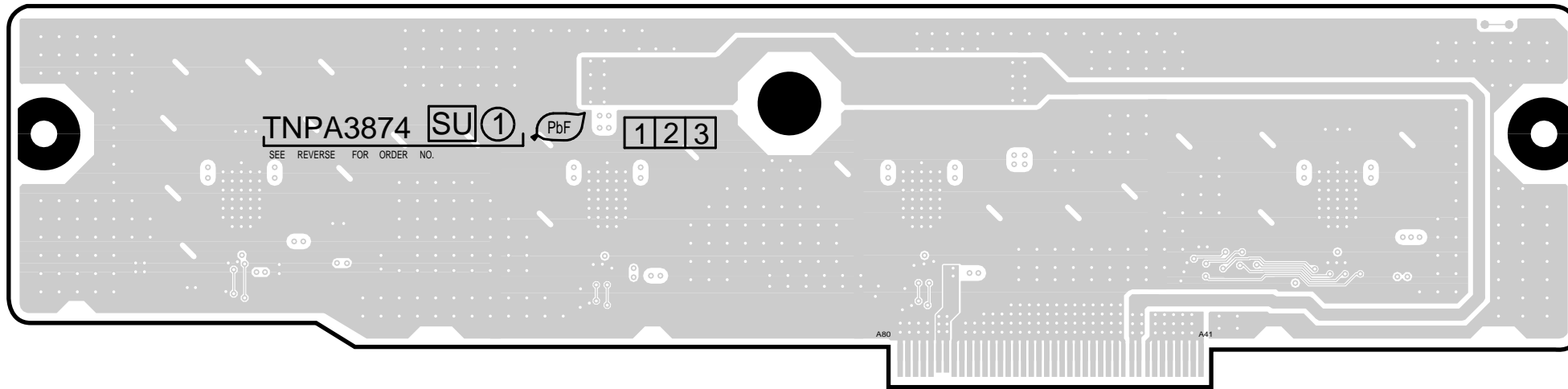
TH-37PG9W  
SU-BOARD TNPA3796AB

### 13.15. SU-Board (42inch)

6  
5  
4  
3  
2  
1



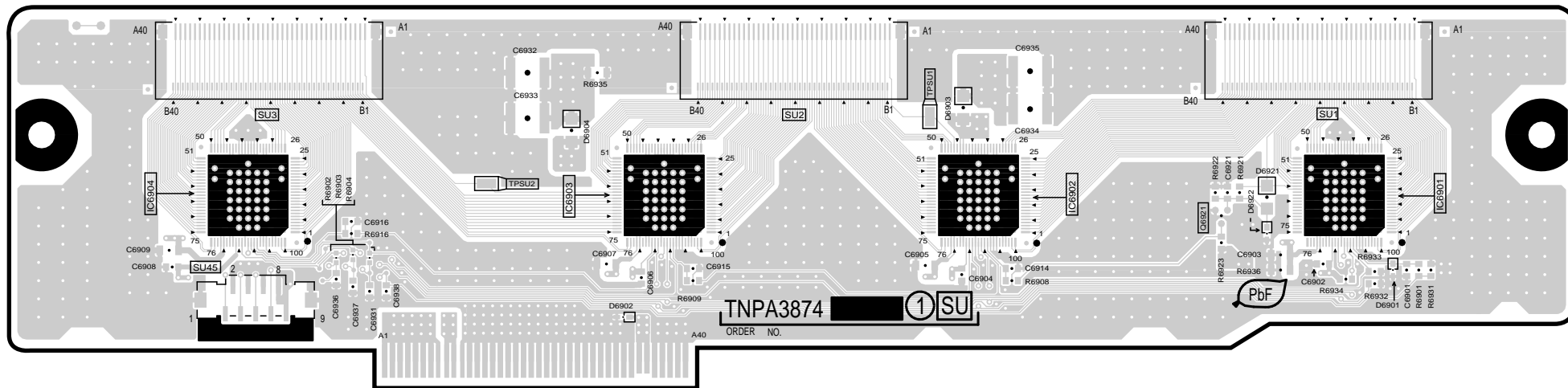
**SU-BOARD (FOIL SIDE)  
TNPA3874AB**



**Parts Location**

SU-BOARD	
<b>IC</b>	
IC6901	G-2
IC6902	E-2
IC6903	C-2
IC6904	B-2
<b>TRANSISTOR</b>	
Q6921	F-1
<b>TP</b>	
TPSU1	E-2
TPSU2	C-2

**SU-BOARD (COMPONENT SIDE)  
TNPA3874AB**



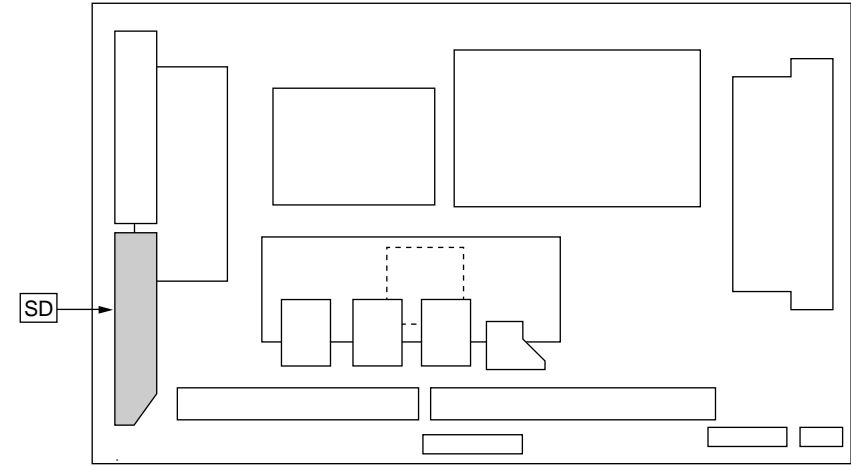
TH-42PG9W  
SU-BOARD TNPA3874AB

TH-42PG9W  
SU-BOARD TNPA3874AB

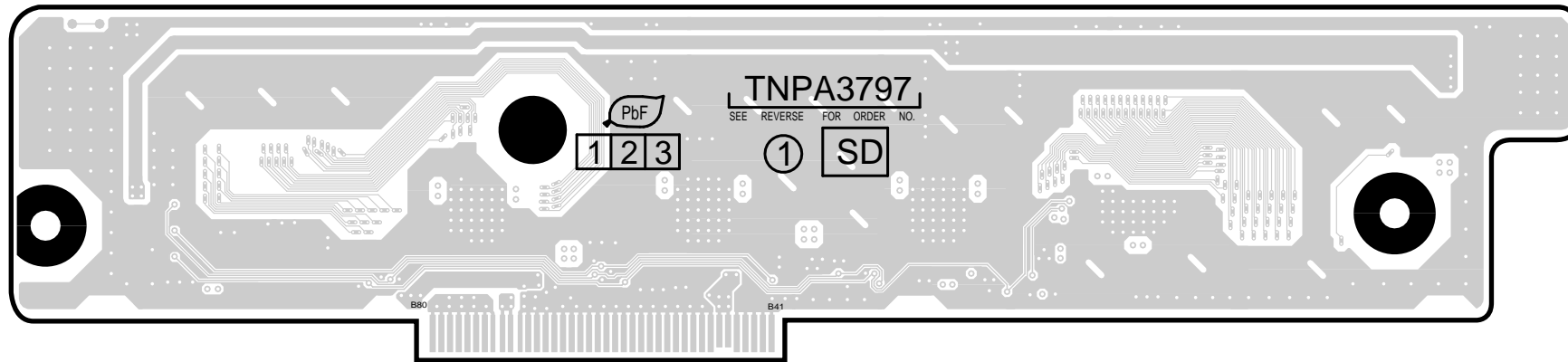
A B C D E F G H I

13.16. SD-Board (37inch)

6  
5  
4  
3  
2  
1



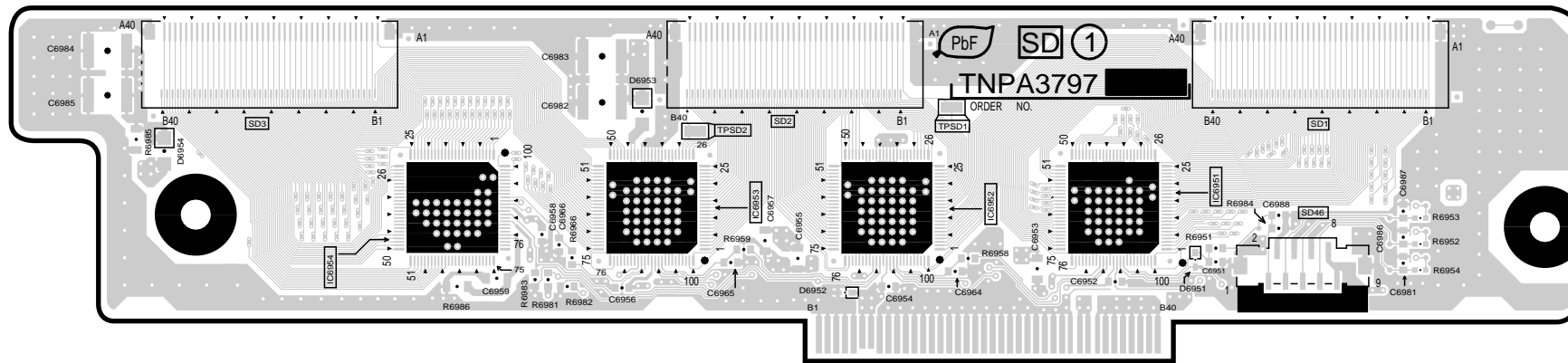
SD-BOARD (FOIL SIDE)  
TNPA3797AB



Parts Location

SD-BOARD	
<b>IC</b>	
IC6951	E-2
IC6952	E-2
IC6953	D-2
IC6954	B-2
<b>TP</b>	
TPSD1	D-2
TPSD2	D-2

SD-BOARD (COMPONENT SIDE)  
TNPA3797AB



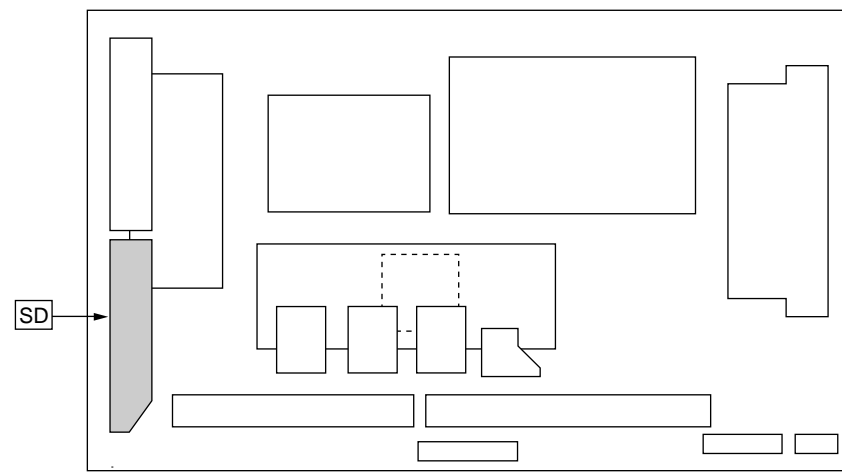
TH-37PG9W  
SD-BOARD TNPA3797AB

TH-37PG9W  
SD-BOARD TNPA3797AB

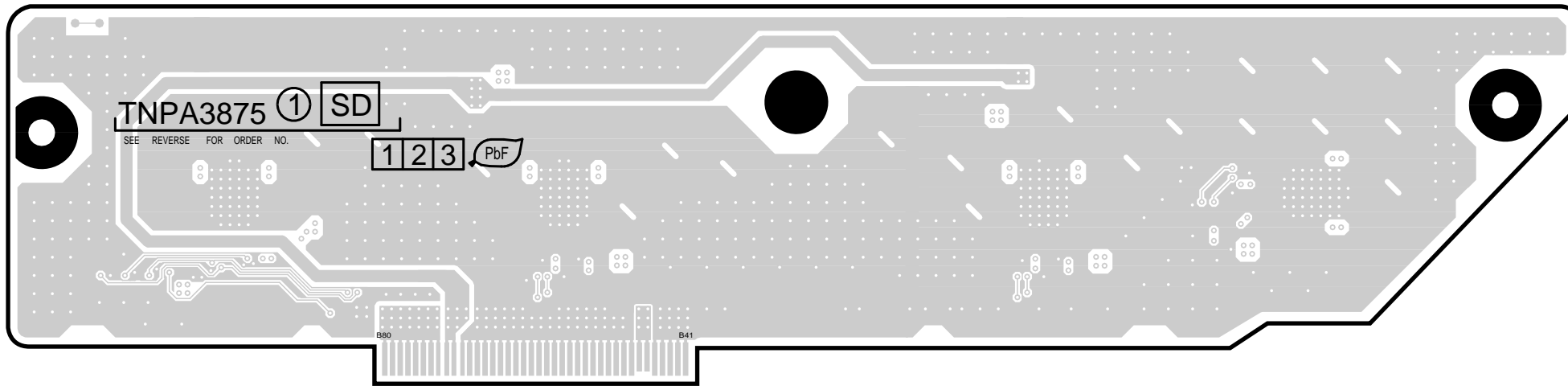
A B C D E F G H I

13.17. SD-Board (42inch)

6  
5  
4  
3  
2  
1



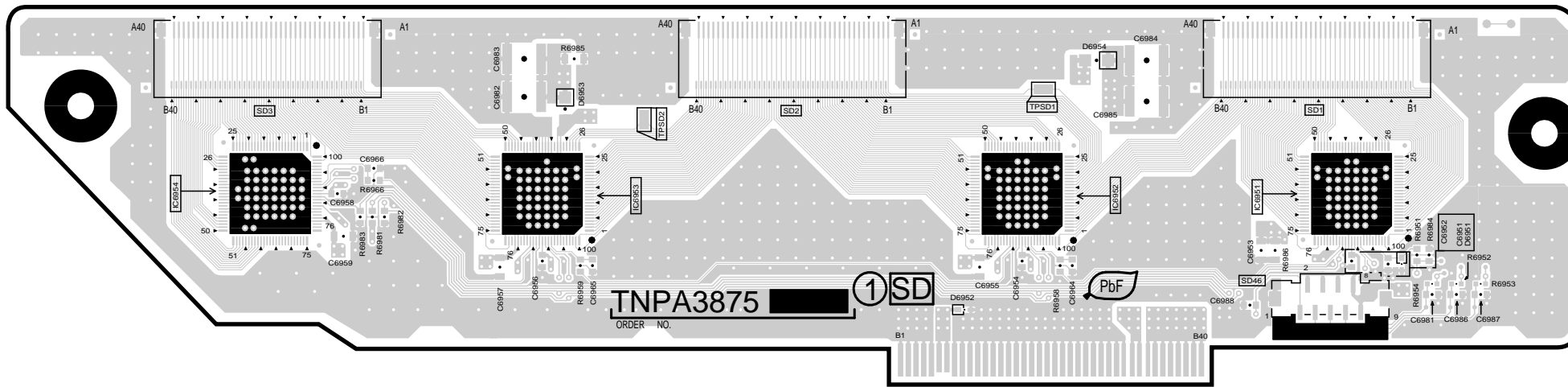
SD-BOARD (FOIL SIDE)  
TNPA3875AB



Parts Location

SD-BOARD	
<b>IC</b>	
IC6951	F-2
IC6952	F-2
IC6953	D-2
IC6954	B-2
<b>TP</b>	
TPSD1	E-2
TPSD2	D-2

SD-BOARD (COMPONENT SIDE)  
TNPA3875AB



TH-42PG9W  
SD-BOARD TNPA3875AB

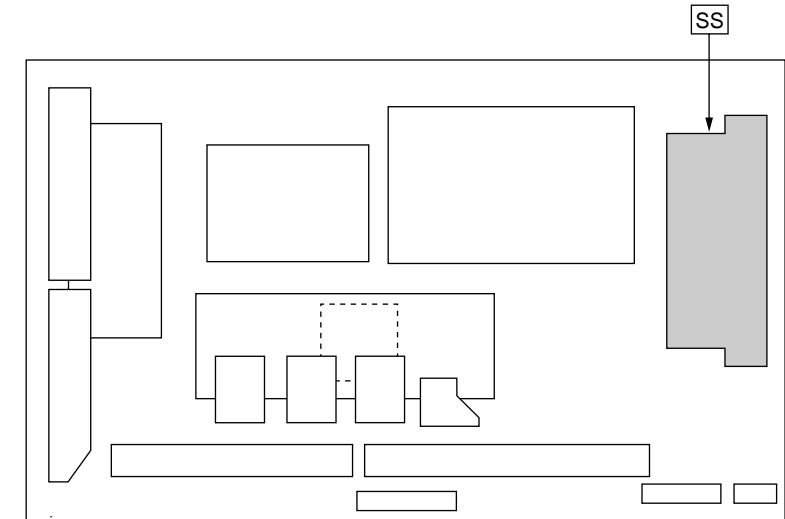
TH-42PG9W  
SD-BOARD TNPA3875AB

A B C D E F G H I

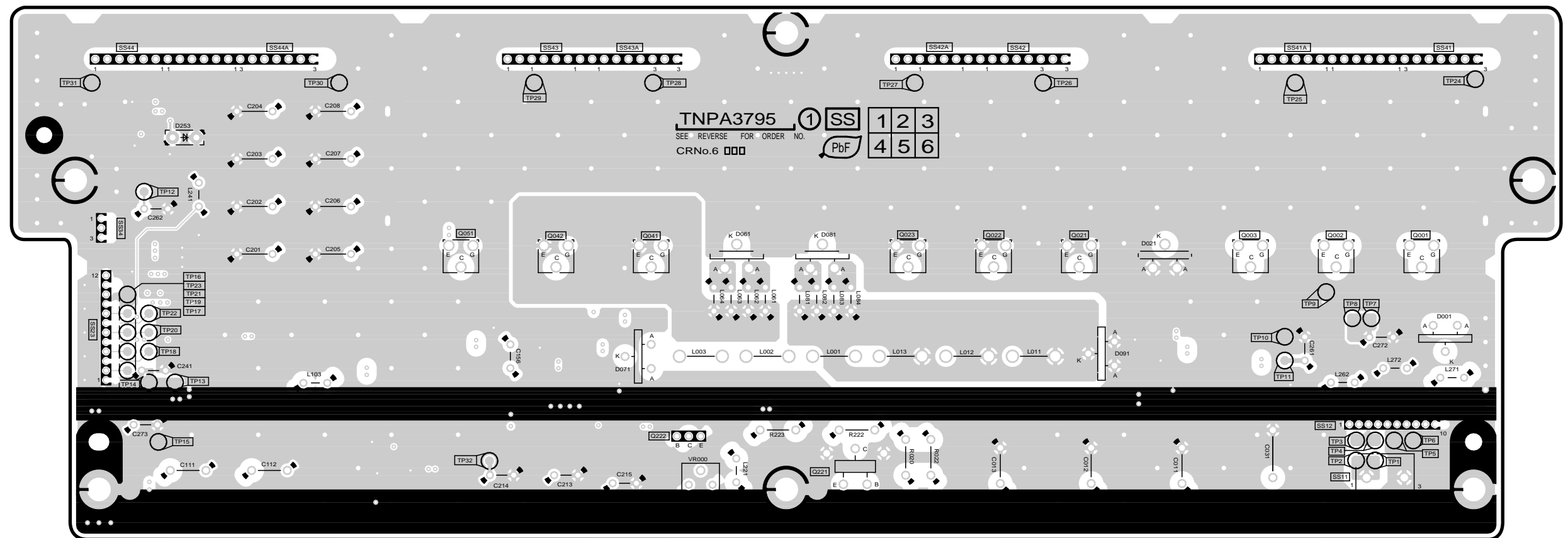
13.18. SS-Board

Parts Location

SS-BOARD (FOIL SIDE)					
TRANSISTOR		TP			
Q6001	H-2	TP1	H-1	TP16	B-2
Q6002	H-2	TP2	H-1	TP17	B-2
Q6003	H-2	TP3	H-1	TP18	B-2
Q6021	G-2	TP4	H-1	TP19	B-2
Q6022	F-2	TP5	H-1	TP20	B-2
Q6023	F-2	TP6	H-1	TP21	B-2
Q6041	D-2	TP7	H-2	TP22	B-2
Q6042	D-2	TP8	H-2	TP23	B-2
Q6051	C-2	TP9	H-2	TP24	H-3
Q6221	E-1	TP10	H-2	TP25	H-3
Q6222	D-1	TP11	H-2	TP26	G-3
		TP12	B-3	TP27	F-3
		TP13	B-2	TP28	D-3
		TP14	B-2	TP29	D-3
		TP15	B-1	TP30	C-3
				TP31	A-3
				TP32	C-1
VOLUME					
VR6000	E-1				



SS-BOARD (FOIL SIDE)  
 TNPA3795AE (37inch)  
 TNPA3795AB (42inch)



TH-37PG9W  
 SS-BOARD TNPA3795AE

TH-42PG9W  
 SS-BOARD TNPA3795AB

TH-37PG9W  
 SS-BOARD TNPA3795AE

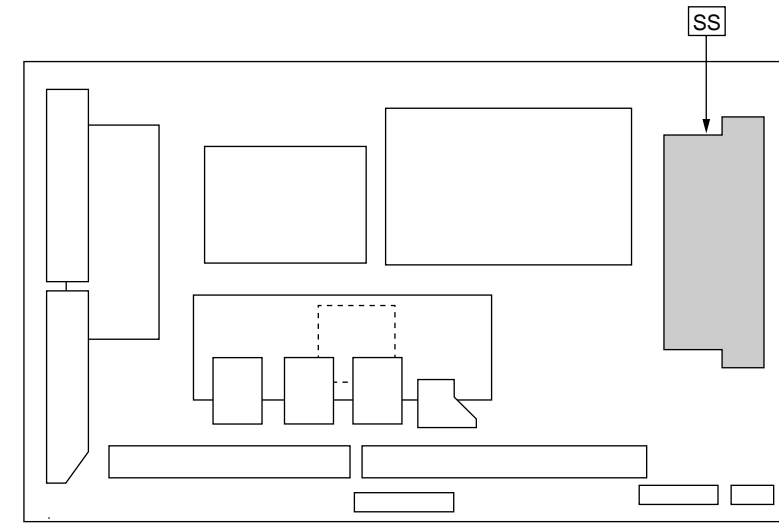
TH-42PG9W  
 SS-BOARD TNPA3795AB

A | B | C | D | E | F | G | H | I

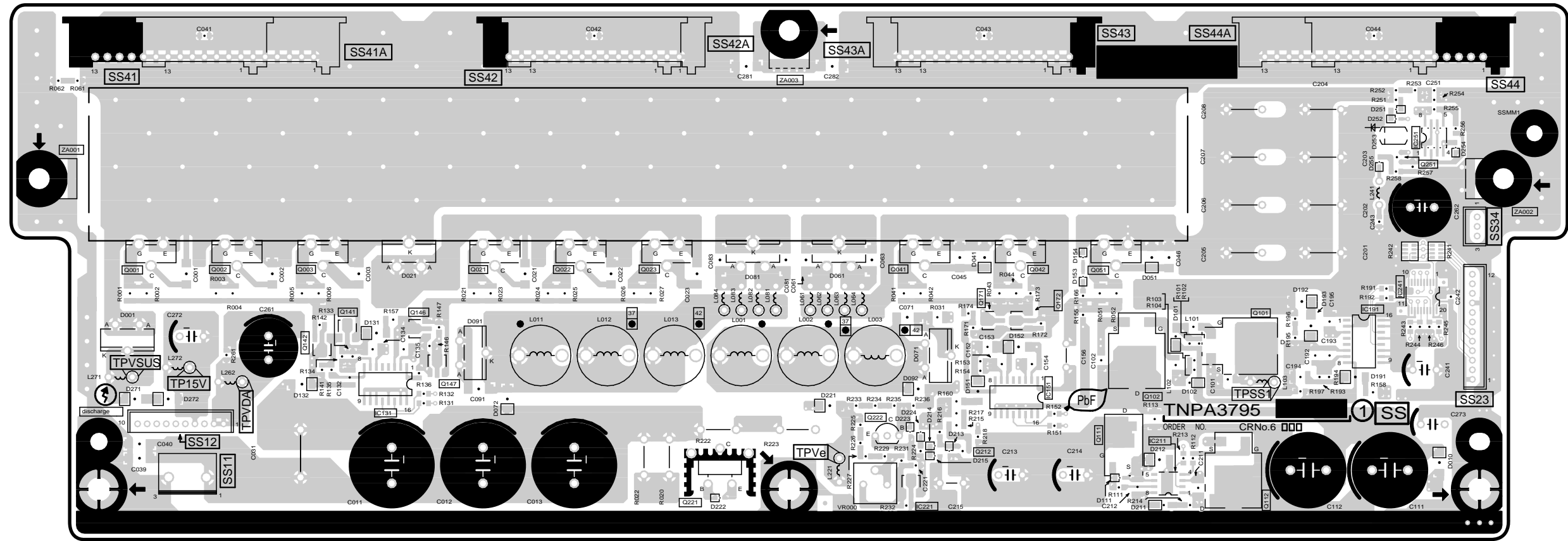
6  
5  
4  
3  
2  
1

**Parts Location**

SS-BOARD (COMPONENT SIDE)							
IC		TRANSISTOR		Q		TP	
IC6131	C-2	Q6001	B-2	Q6111	G-1	TP15V	B-2
IC6151	F-2	Q6002	B-2	Q6112	H-1	TPSS1	H-2
IC6191	H-2	Q6003	C-2	Q6141	C-2	TPVDA	B-2
IC6211	G-1	Q6021	C-3	Q6142	C-2	TPVe	E-1
IC6221	F-1	Q6022	D-3	Q6146	C-2	TPVSUS	B-2
IC6241	H-2	Q6023	D-3	Q6147	C-2	<b>VOLUME</b>	
IC6251	H-3	Q6041	F-2	Q6171	F-2		
		Q6042	F-2	Q6212	F-1	VR6000	E-1
		Q6051	G-2	Q6221	E-1		
		Q6101	H-2	Q6222	F-2		
		Q6102	G-2	Q6251	H-3		



**SS-BOARD (COMPONENT SIDE)**  
**TNPA3795AE (37inch)**  
**TNPA3795AB (42inch)**



TH-37PG9W  
SS-BOARD TNPA3795AE

TH-42PG9W  
SS-BOARD TNPA3795AB

TH-37PG9W  
SS-BOARD TNPA3795AE

TH-42PG9W  
SS-BOARD TNPA3795AB

A B C D E F G H I

# 14 Block and Schematic Diagram

## 14.1. Schematic Diagram Notes

### Important Safety Notice

Components identified by  $\triangle$  mark have special characteristics important for safety. When replacing any of these components, use only manufacture's specified parts.

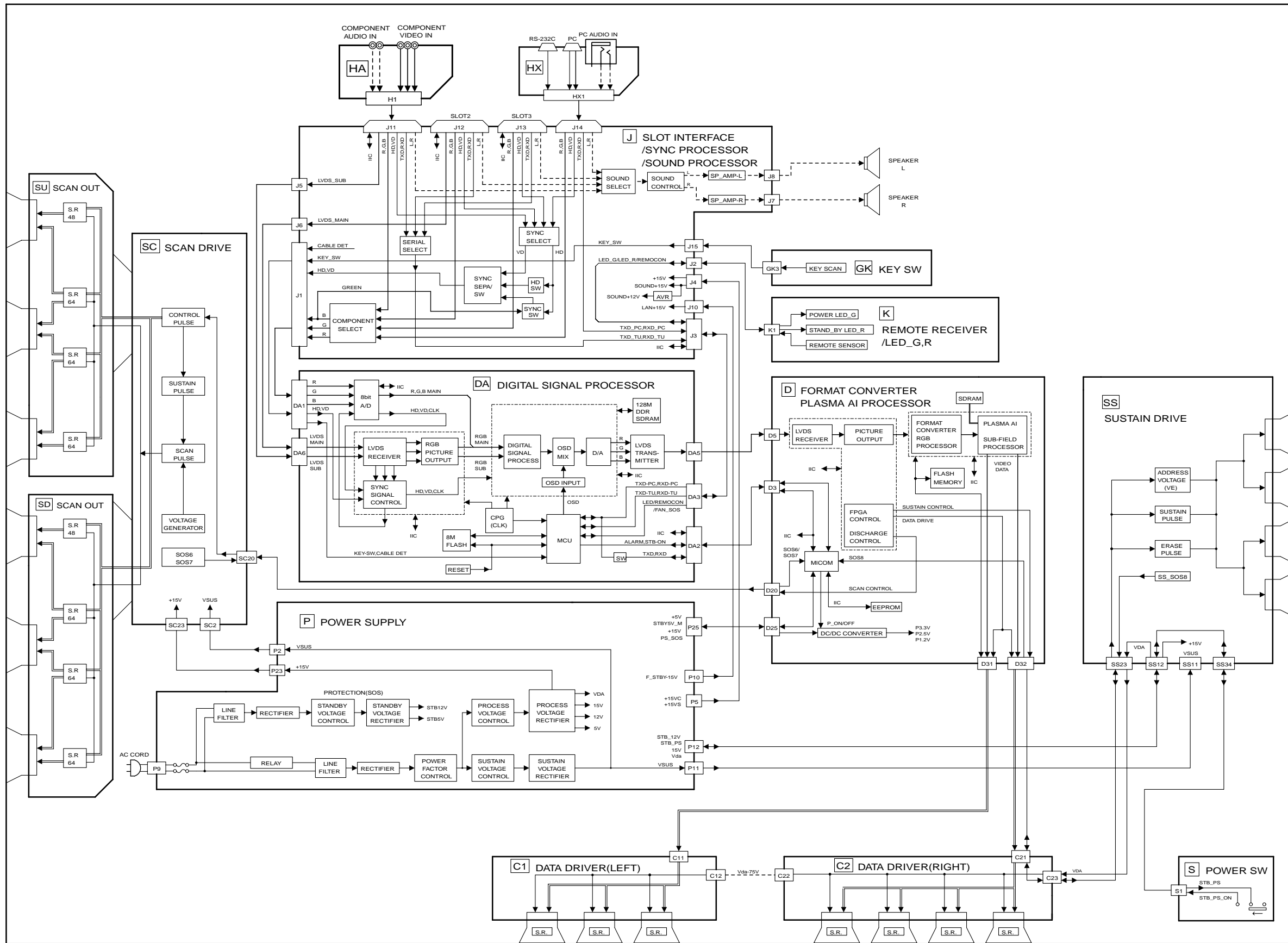
#### Notes:

1. **Resistor**  
Unit of resistance is OHM [ $\Omega$ ] (K=1,000, M=1,000,000).
2. **Capacitor**  
Unit of capacitance is  $\mu$ F, unless otherwise noted.
3. Coil  
Unit of inductance is H, unless otherwise noted.
4. Test Point  
○ : Test Point position
5. Earth Symbol  
⏏ : Chassis Earth (Cold)      ⏚ : Line Earth (Hot)
6. Voltage Measurement  
Voltage is measured by a DC voltmeter.  
Conditions of the measurement are the following:  
Power Source ..... AC220-240V, 50/60Hz  
Receiving Signal ..... Colour Bar signal (RF)  
All customer's controls ..... Maximum positions
7. When arrow mark (↗) is found, connection is easily found from the direction of arrow.
8. Indicates the major signal flow.      : Video ➡      Audio ⇔
9. This schematic diagram is the latest at the time of printing and subject to change without notice.

#### Remarks:

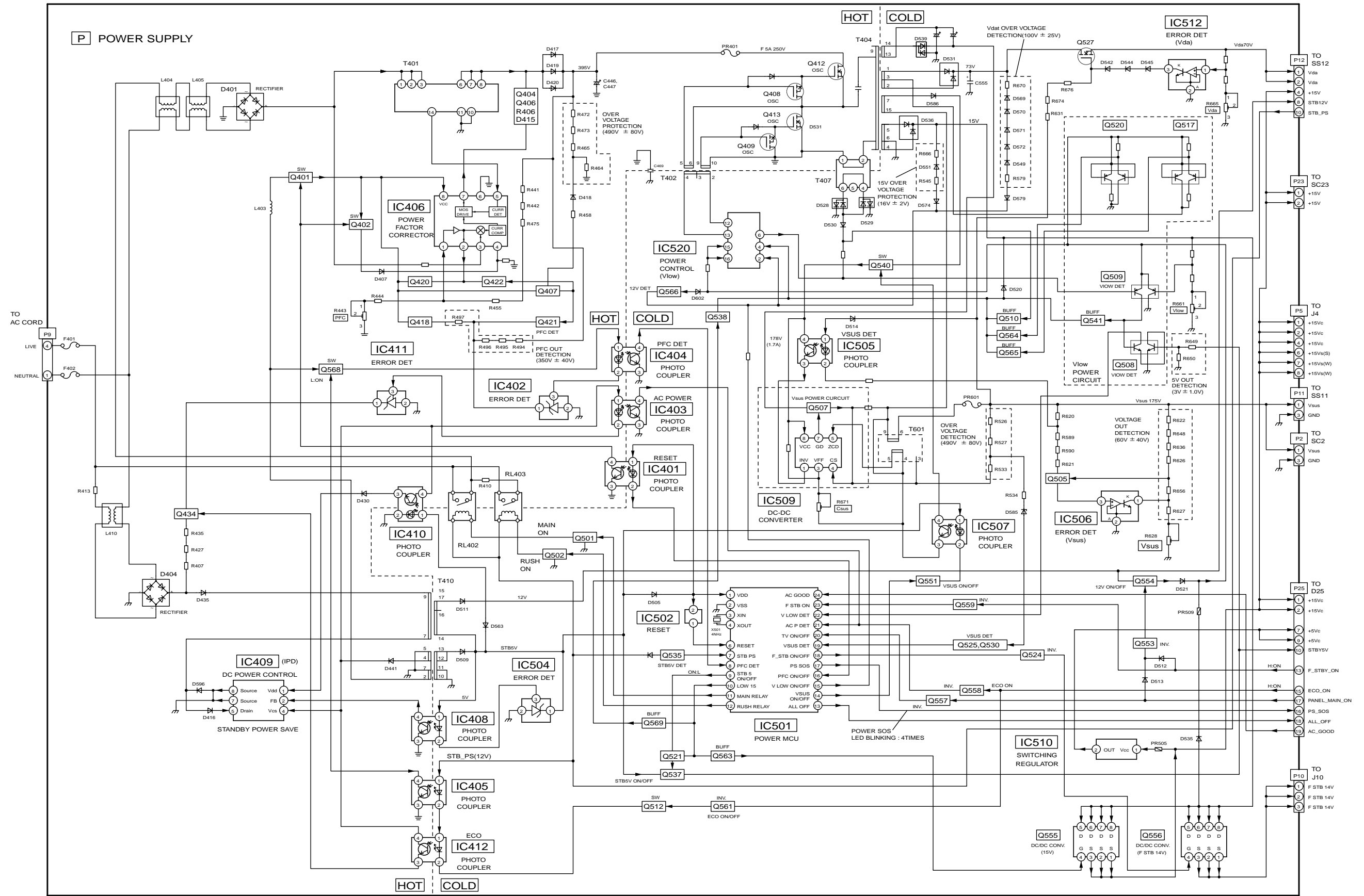
1. The Power Circuit contains a circuit area which uses a separate power supply to isolate the earth connection.  
The circuit is defined by HOT and COLD indications in the schematic diagram. Take the following precautions.  
All circuits, except the Power Circuit, are cold.  
Precautions
  - a. Do not touch the hot part or the hot and cold parts at the same time or you may be shocked.
  - b. Do not short- circuit the hot and cold circuits or a fuse may blow and parts may break.
  - c. Do not connect an instrument, such as an oscilloscope, to the hot and cold circuits simultaneously or a fuse may blow.  
Connect the earth of instruments to the earth connection of the circuit being measured.
  - d. Make sure to disconnect the power plug before removing the chassis.

## 14.2. Main Block Diagram





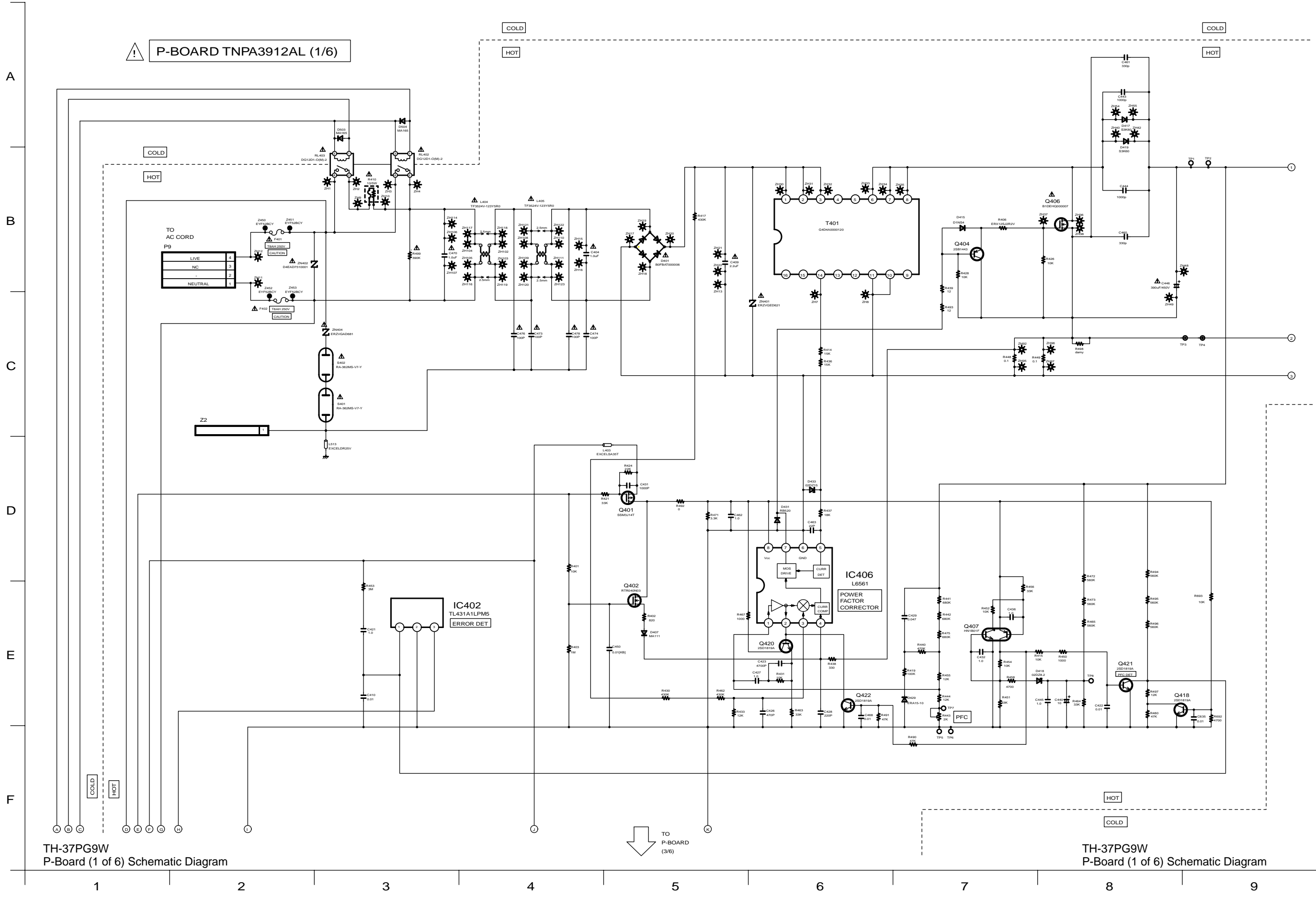
### 14.3. P-Board Block Diagram (37inch)



TH-37PG9W  
P-Board Block Diagram

TH-37PG9W  
P-Board Block Diagram

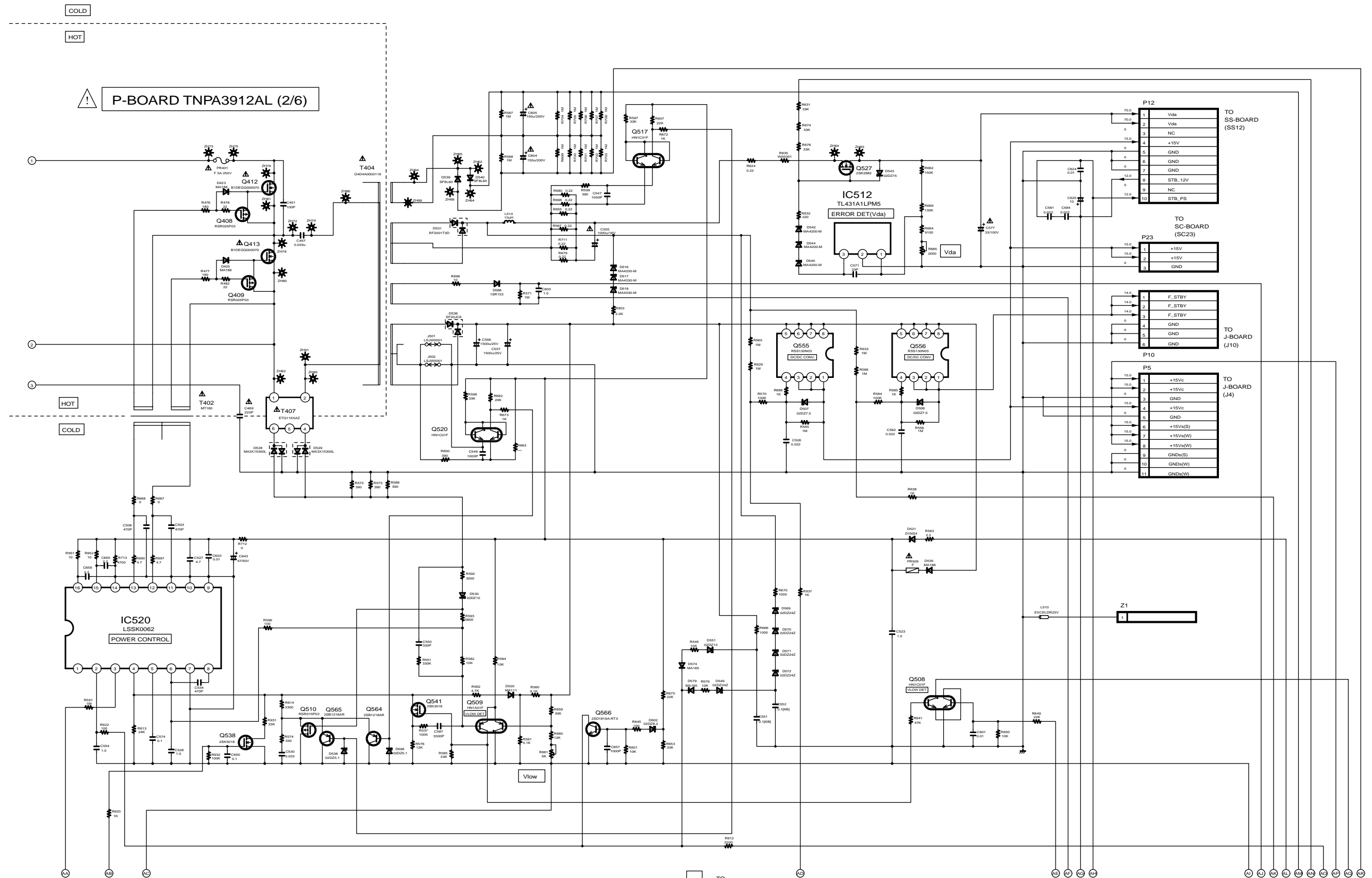
### 14.4. P-Board (1 of 6) Schematic Diagram (37inch)



TH-37PG9W  
P-Board (1 of 6) Schematic Diagram

TH-37PG9W  
P-Board (1 of 6) Schematic Diagram

### 14.5. P-Board (2 of 6) Schematic Diagram (37inch)

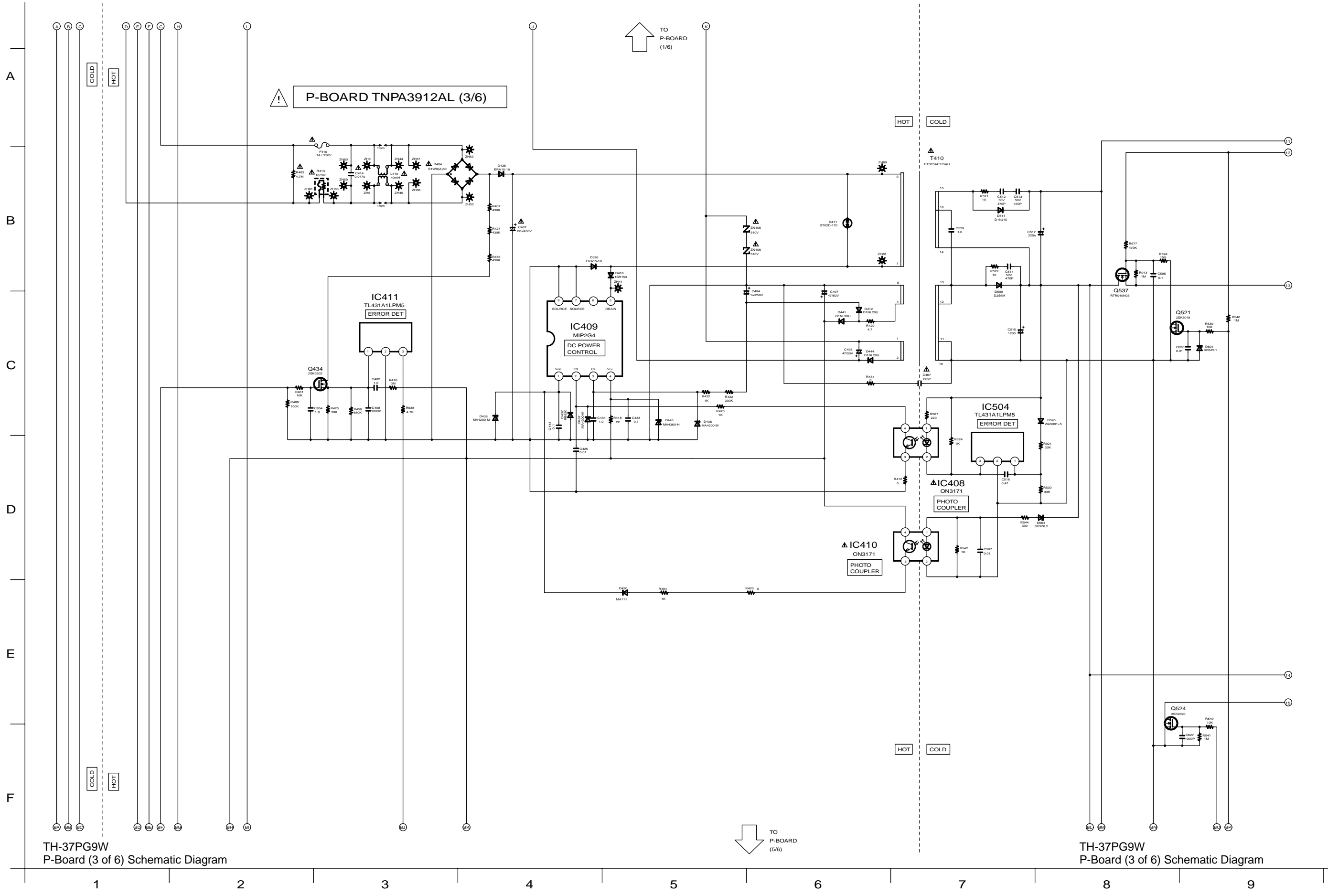


TH-37PG9W  
P-Board (2 of 6) Schematic Diagram

TH-37PG9W  
P-Board (2 of 6) Schematic Diagram

10 11 12 13 14 15 16 17 18

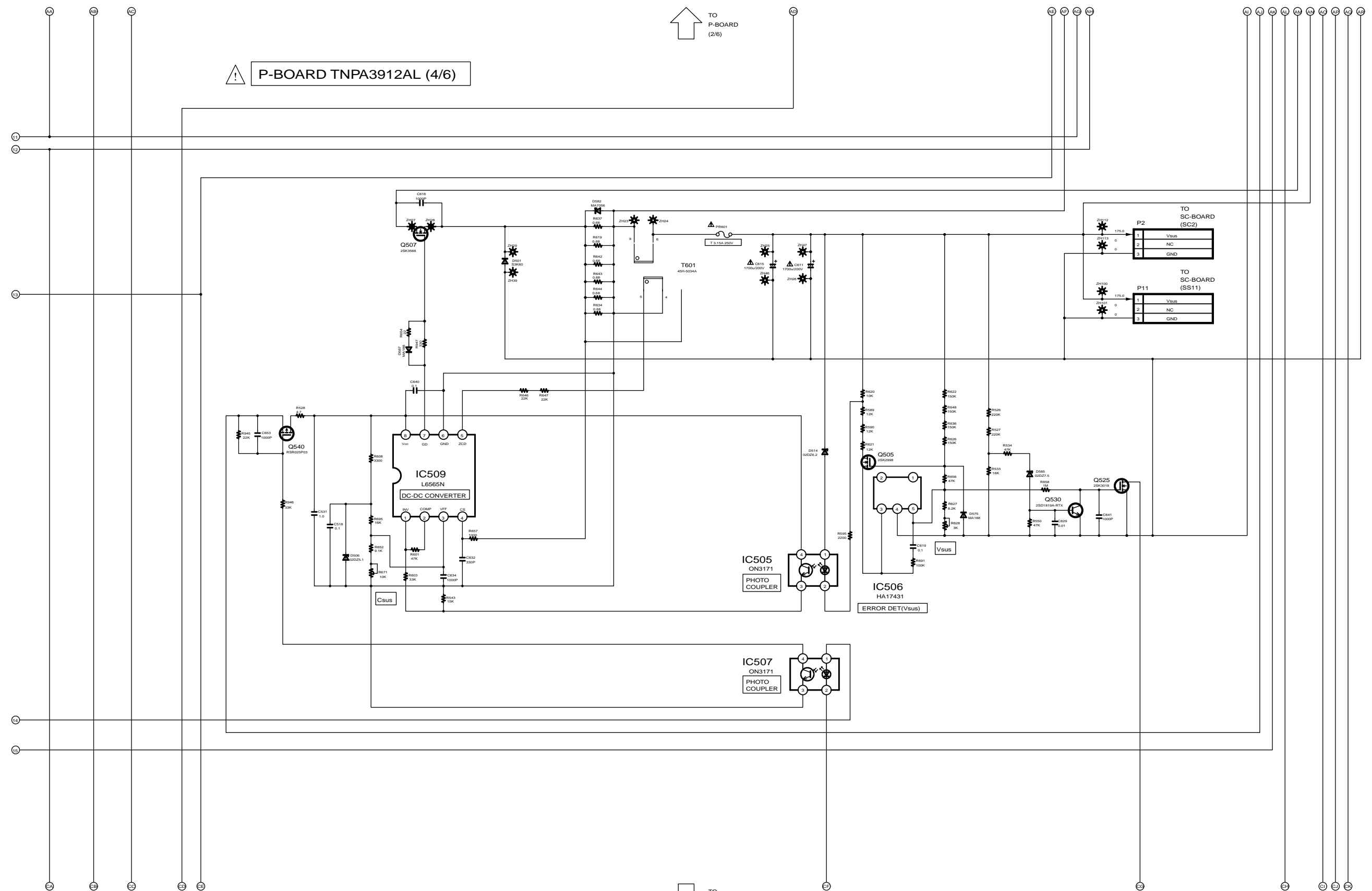
### 14.6. P-Board (3 of 6) Schematic Diagram (37inch)



TH-37PG9W  
P-Board (3 of 6) Schematic Diagram

TH-37PG9W  
P-Board (3 of 6) Schematic Diagram

### 14.7. P-Board (4 of 6) Schematic Diagram (37inch)



TH-37PG9W  
P-Board (4 of 6) Schematic Diagram

TH-37PG9W  
P-Board (4 of 6) Schematic Diagram

10

11

12

13

14

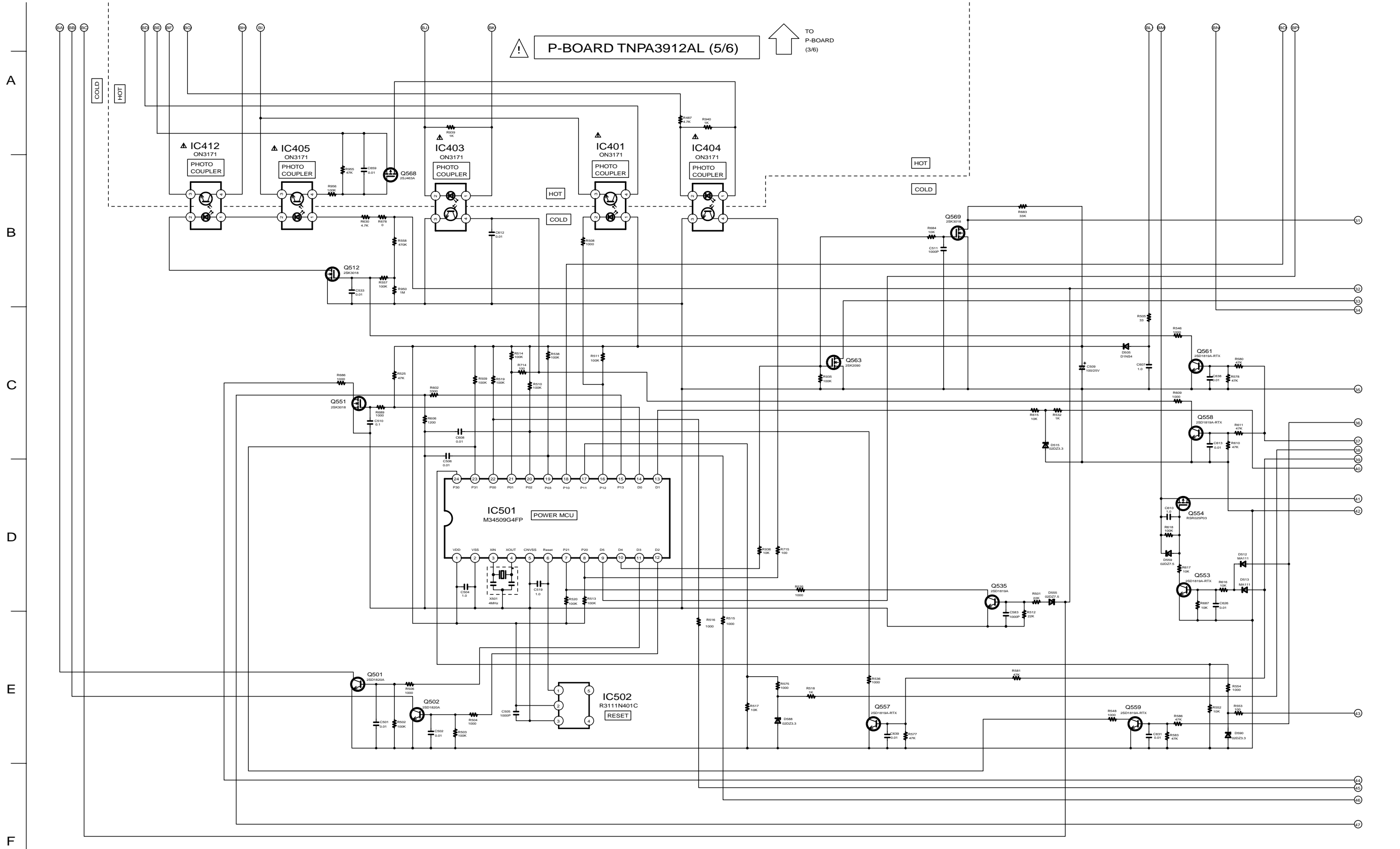
15

16

17

18

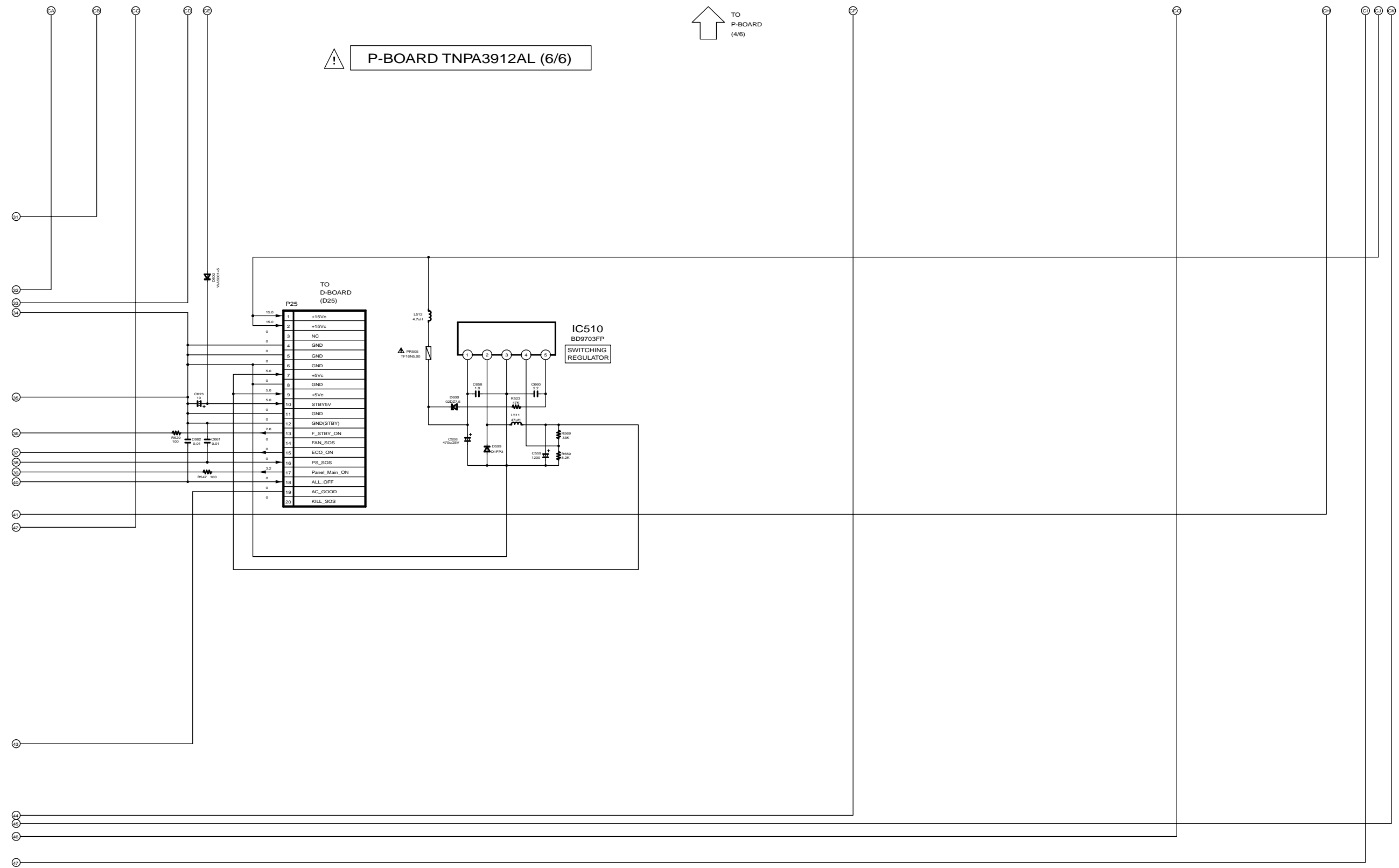
### 14.8. P-Board (5 of 6) Schematic Diagram (37inch)



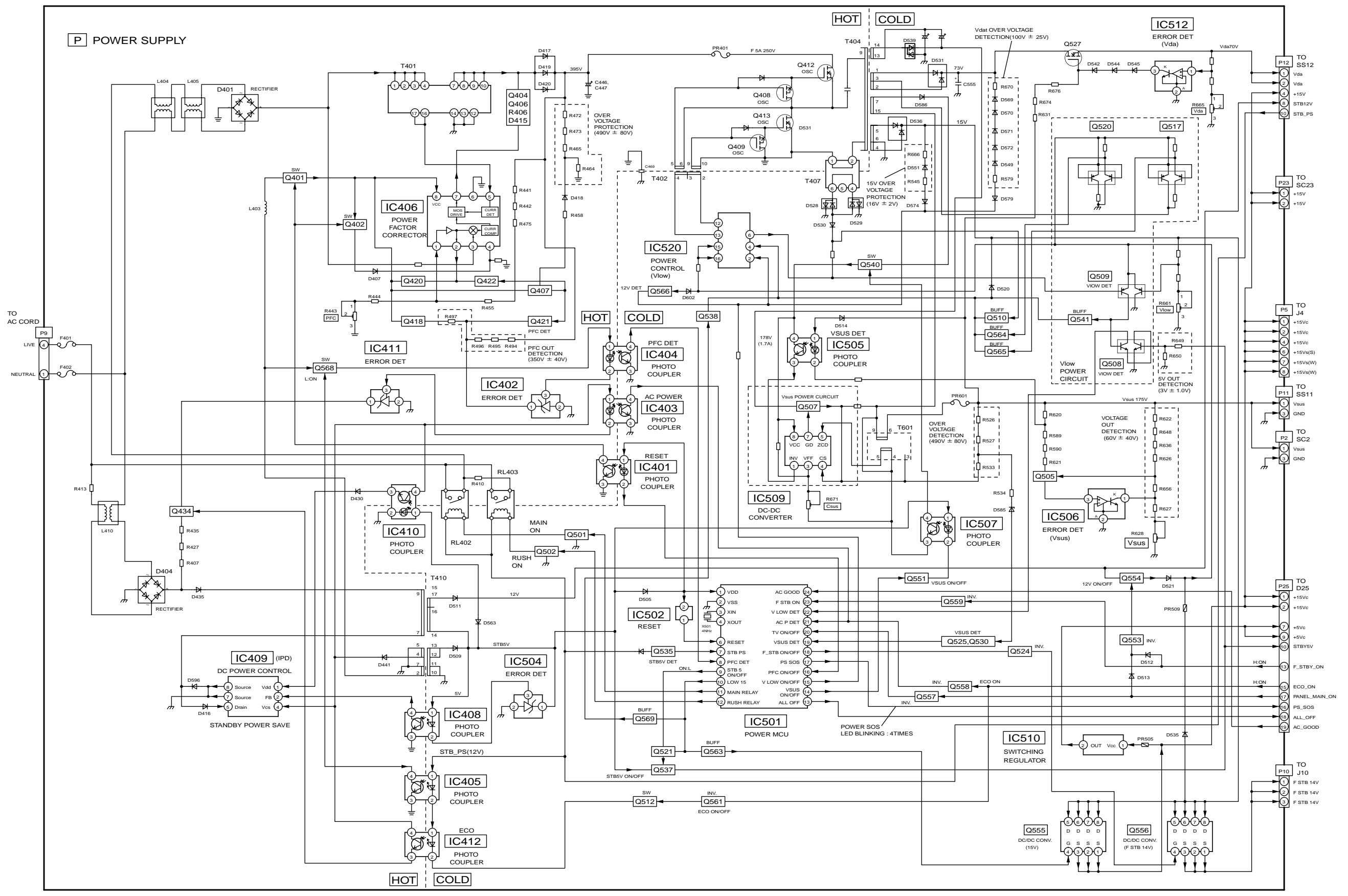
TH-37PG9W  
P-Board (5 of 6) Schematic Diagram

TH-37PG9W  
P-Board (5 of 6) Schematic Diagram

### 14.9. P-Board (6 of 6) Schematic Diagram (37inch)



### 14.10. P-Board Block Diagram (42inch)

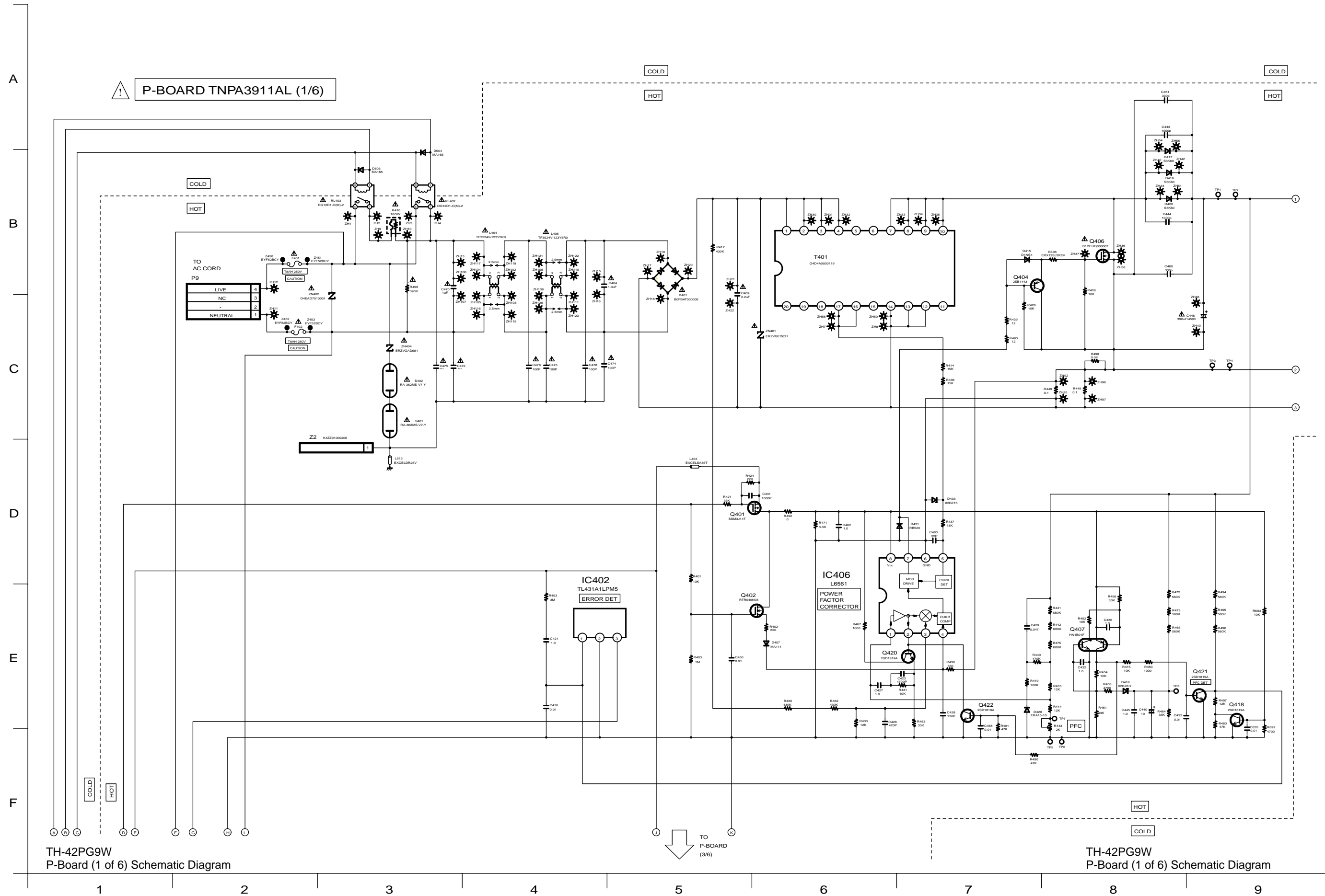


TH-42PG9W  
P-Board Block Diagram

TH-42PG9W  
P-Board Block Diagram



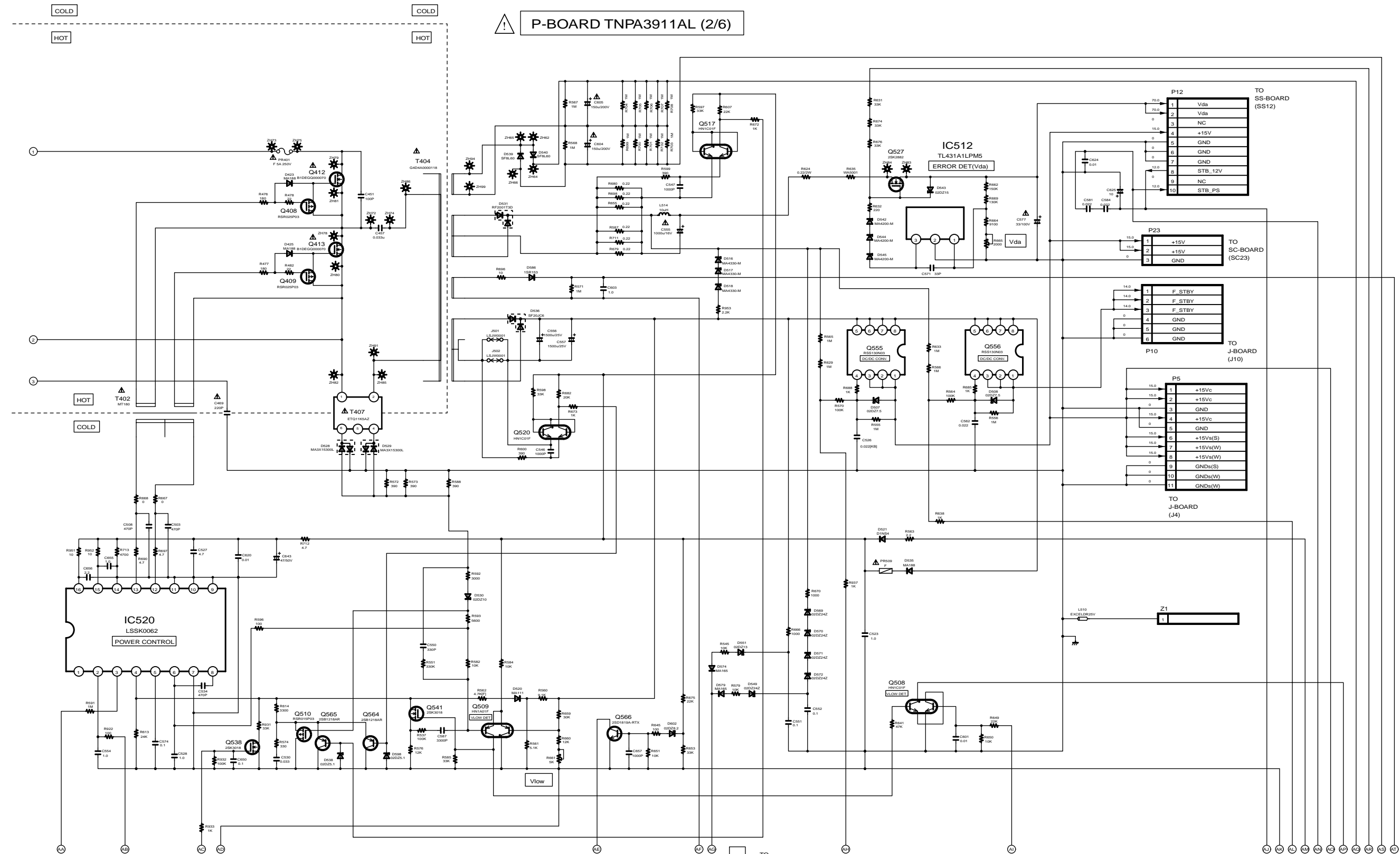
### 14.11. P-Board (1 of 6) Schematic Diagram (42inch)



TH-42PG9W  
P-Board (1 of 6) Schematic Diagram

TH-42PG9W  
P-Board (1 of 6) Schematic Diagram

### 14.12. P-Board (2 of 6) Schematic Diagram (42inch)

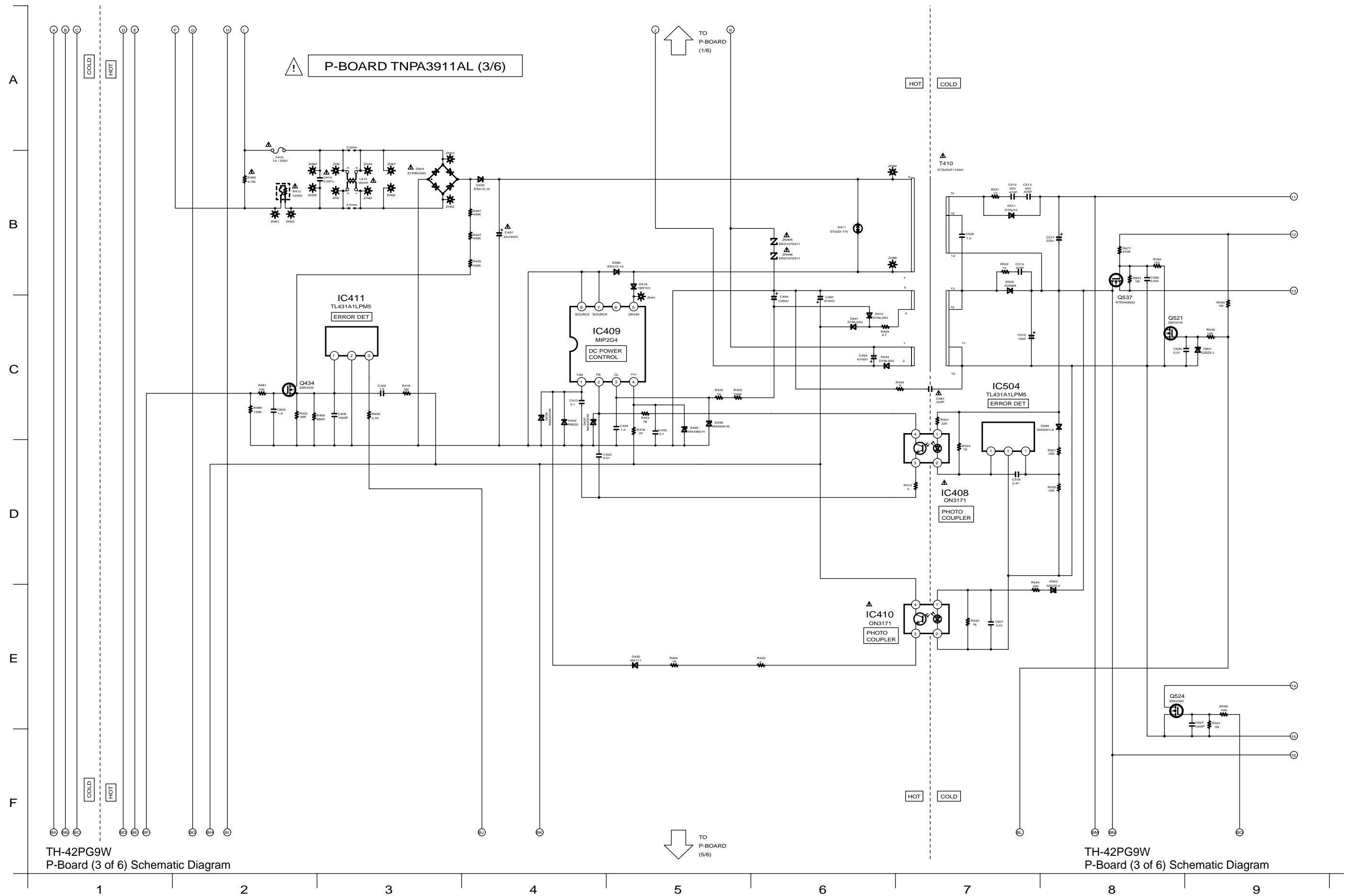


TH-42PG9W P-Board (2 of 6) Schematic Diagram

TH-42PG9W P-Board (2 of 6) Schematic Diagram

10 11 12 13 14 15 16 17 18

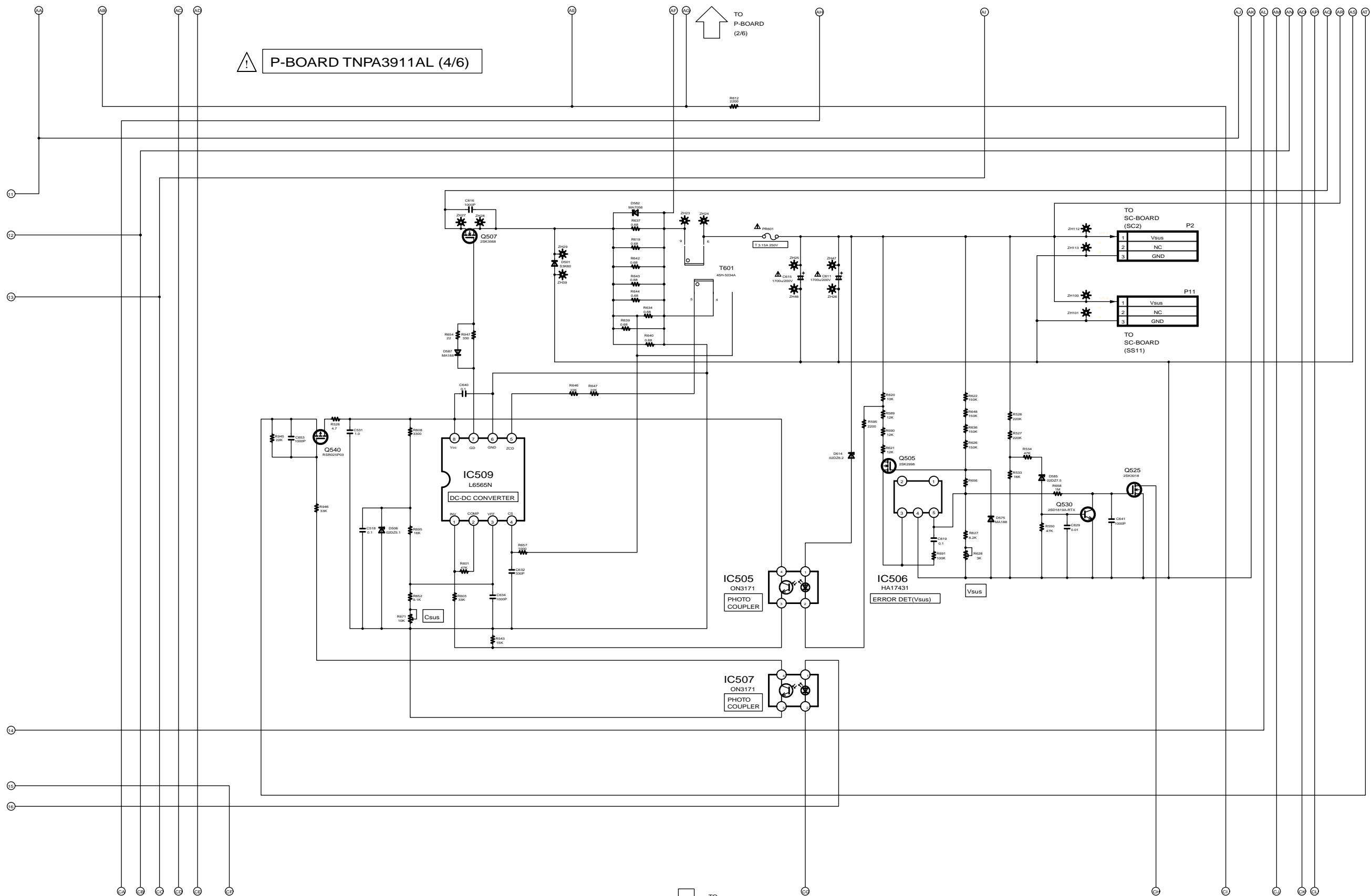
### 14.13. P-Board (3 of 6) Schematic Diagram (42inch)



TH-42PG9W  
P-Board (3 of 6) Schematic Diagram

TH-42PG9W  
P-Board (3 of 6) Schematic Diagram

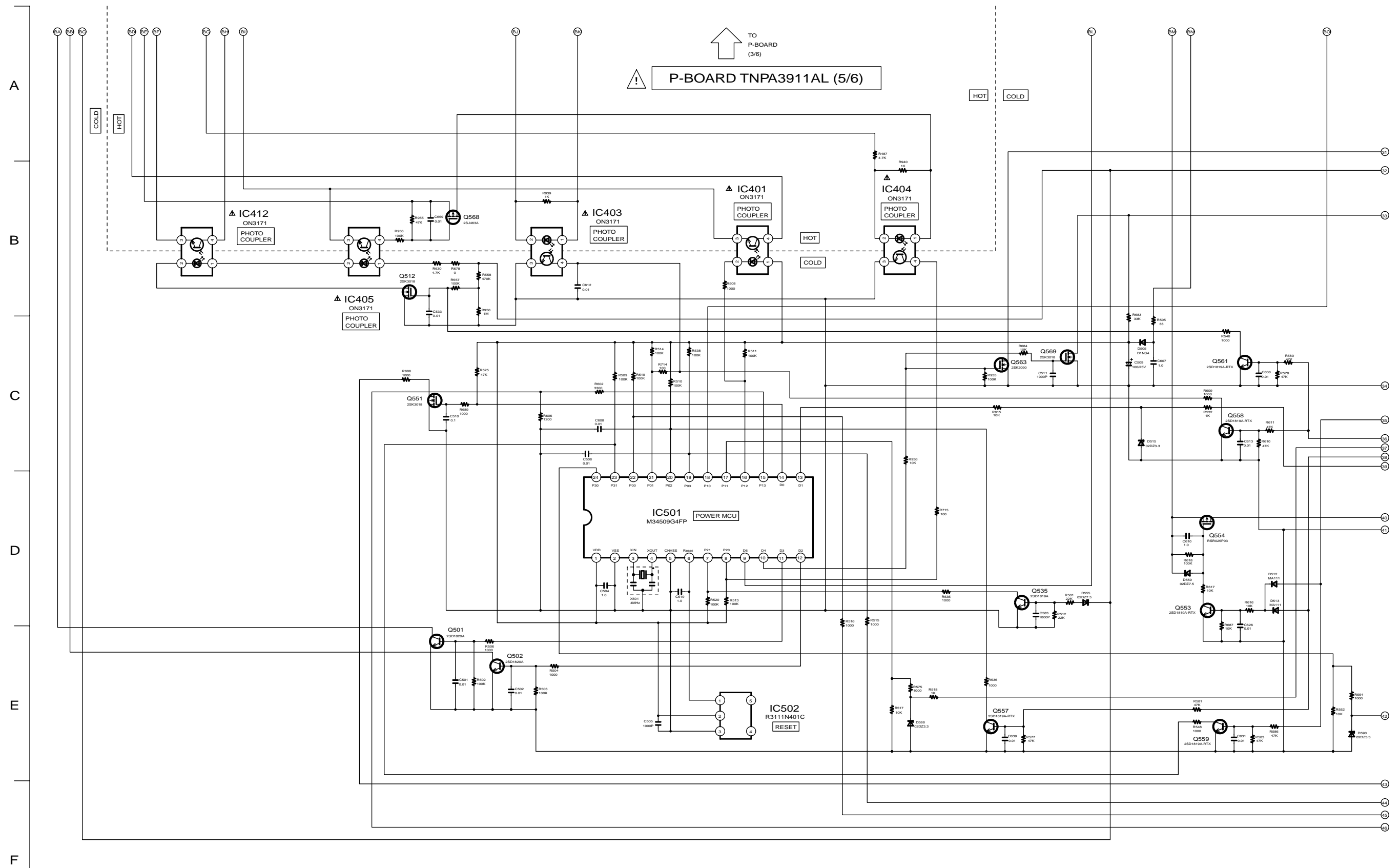
### 14.14. P-Board (4 of 6) Schematic Diagram (42inch)



TH-42PG9W  
P-Board (4 of 6) Schematic Diagram

TH-42PG9W  
P-Board (4 of 6) Schematic Diagram

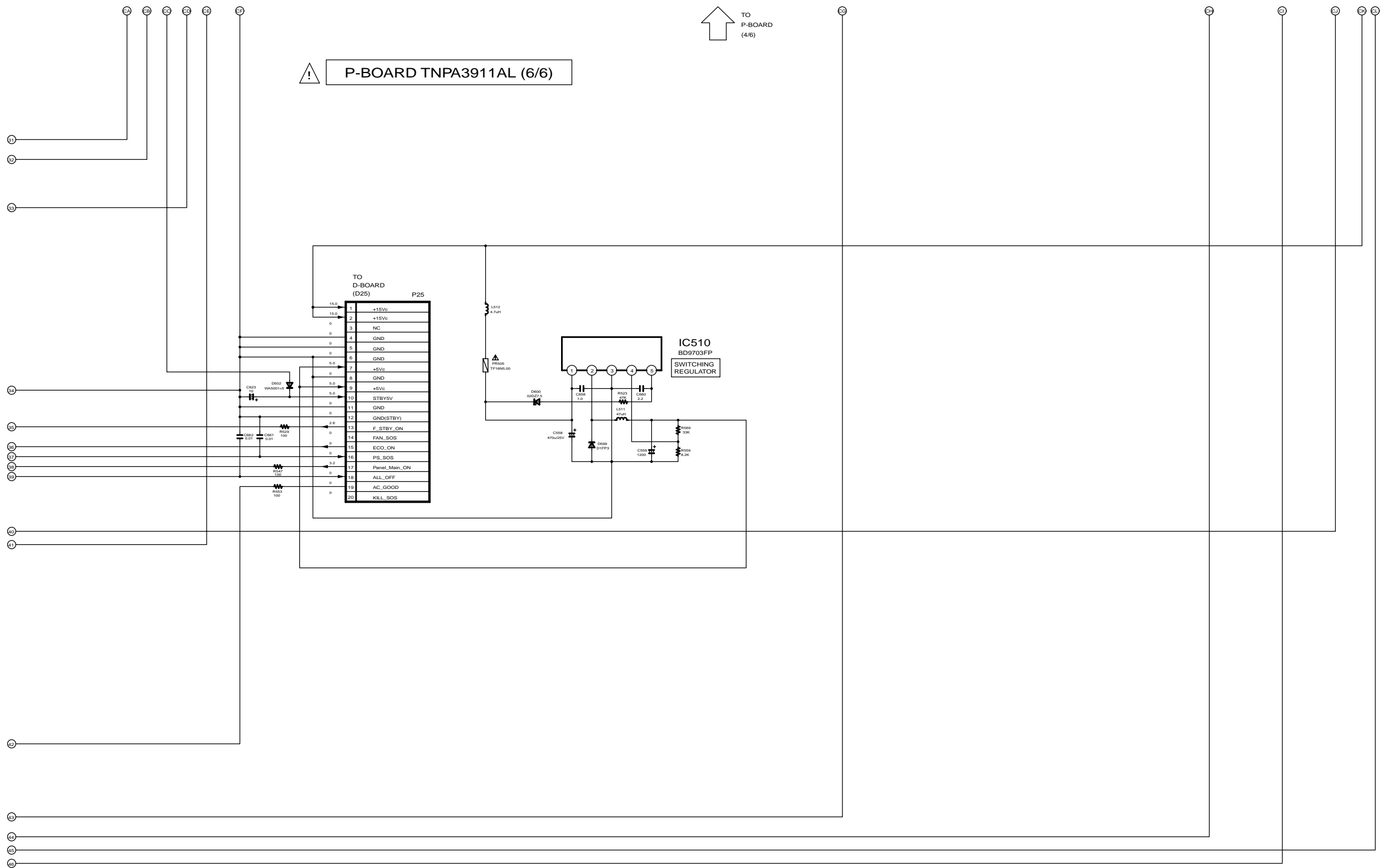
### 14.15. P-Board (5 of 6) Schematic Diagram (42inch)



TH-42PG9W  
P-Board (5 of 6) Schematic Diagram

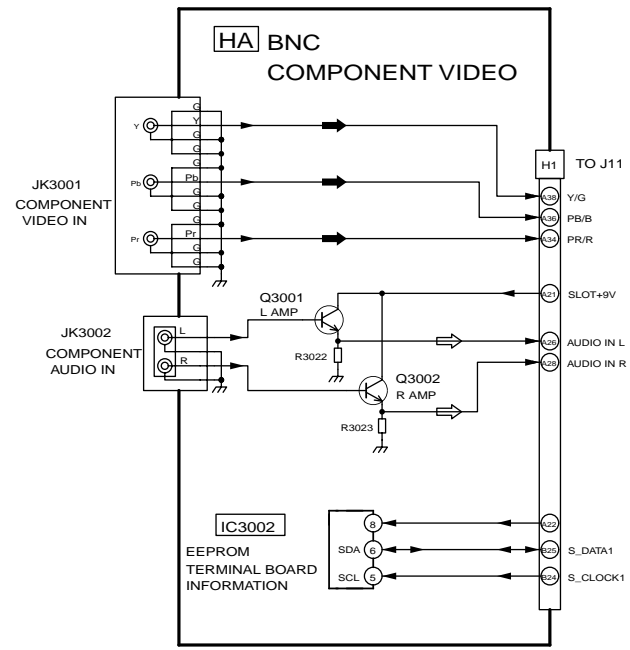
TH-42PG9W  
P-Board (5 of 6) Schematic Diagram

### 14.16. P-Board (6 of 6) Schematic Diagram (42inch)

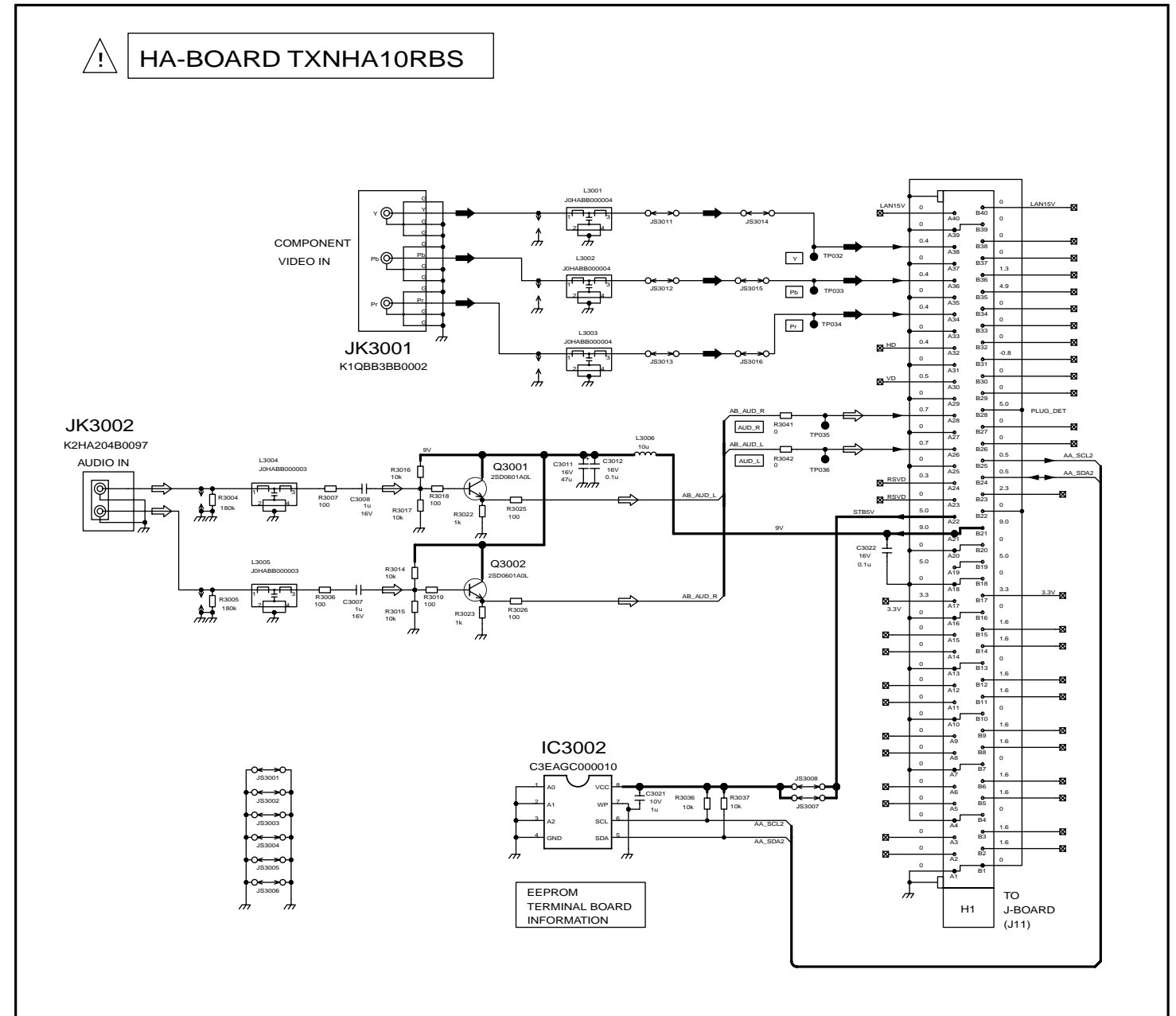


### 14.17. HA-Board Block and Schematic Diagram

A  
B  
C  
D  
E



TH-37/42PG9W  
HA-Board Block and Schematic Diagram



TH-37/42PG9W  
HA-Board Block and Schematic Diagram

1

2

3

4

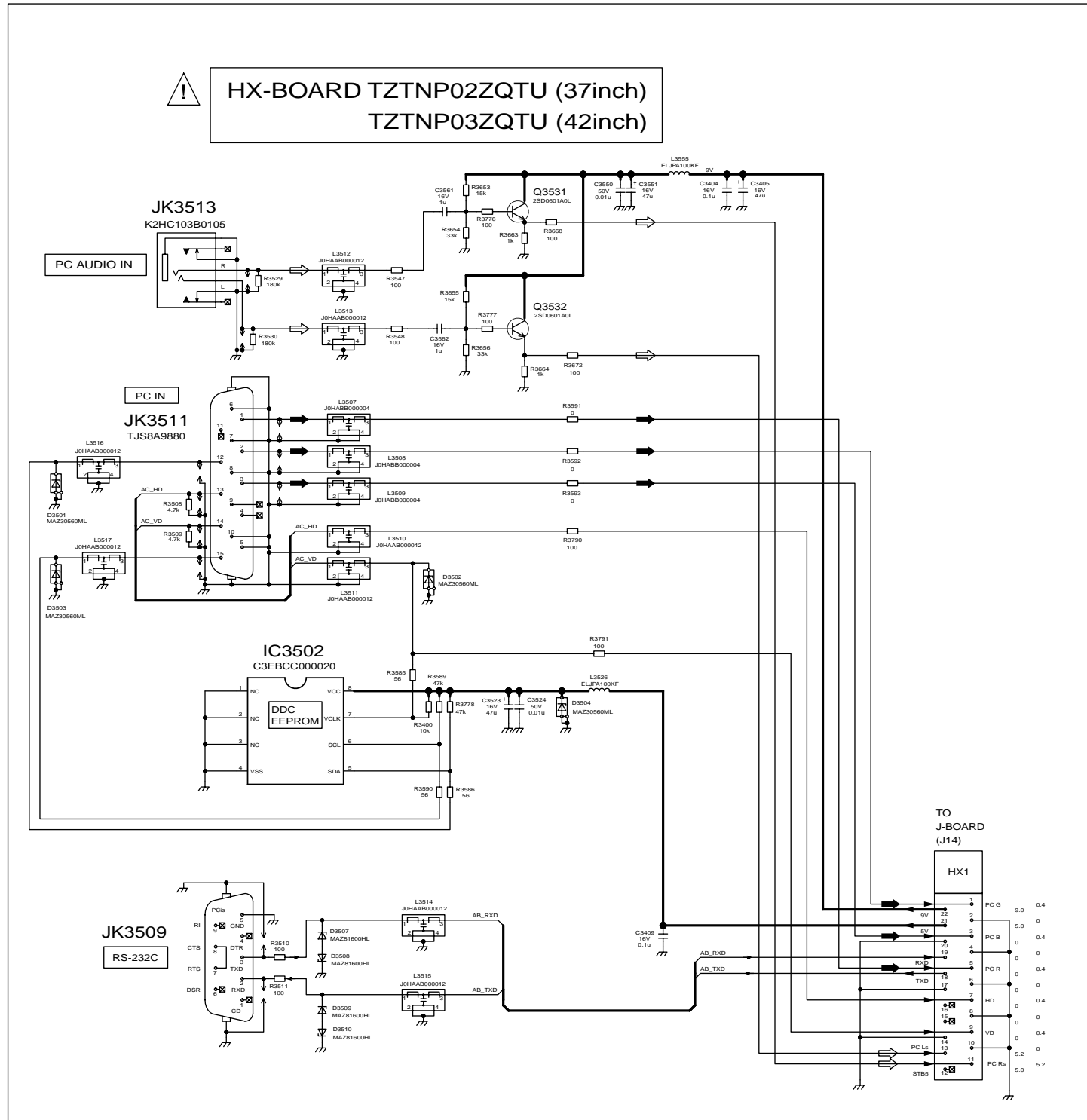
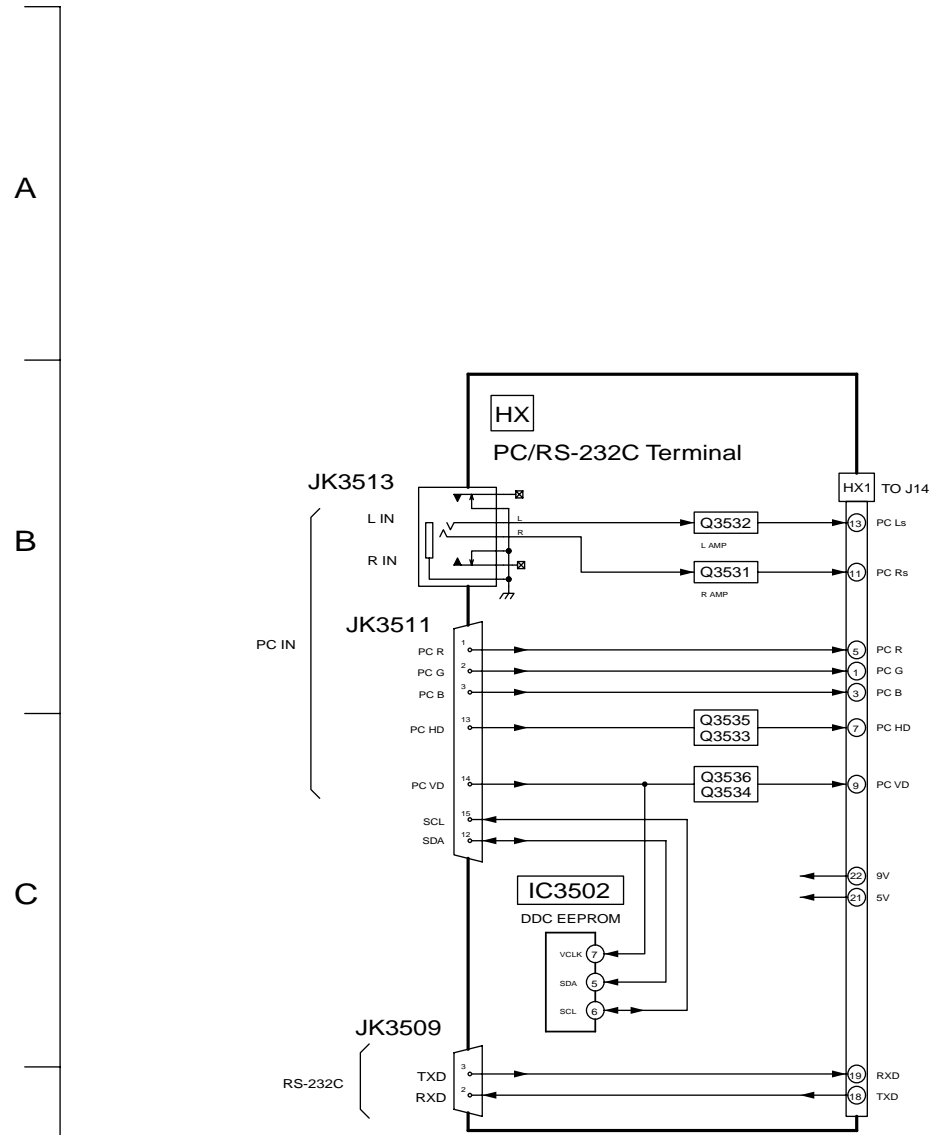
5

6

7

8

### 14.18. HX-Board Block and Schematic Diagram



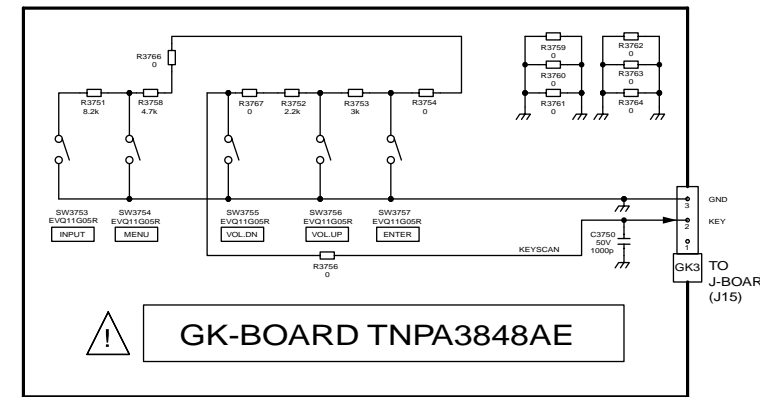
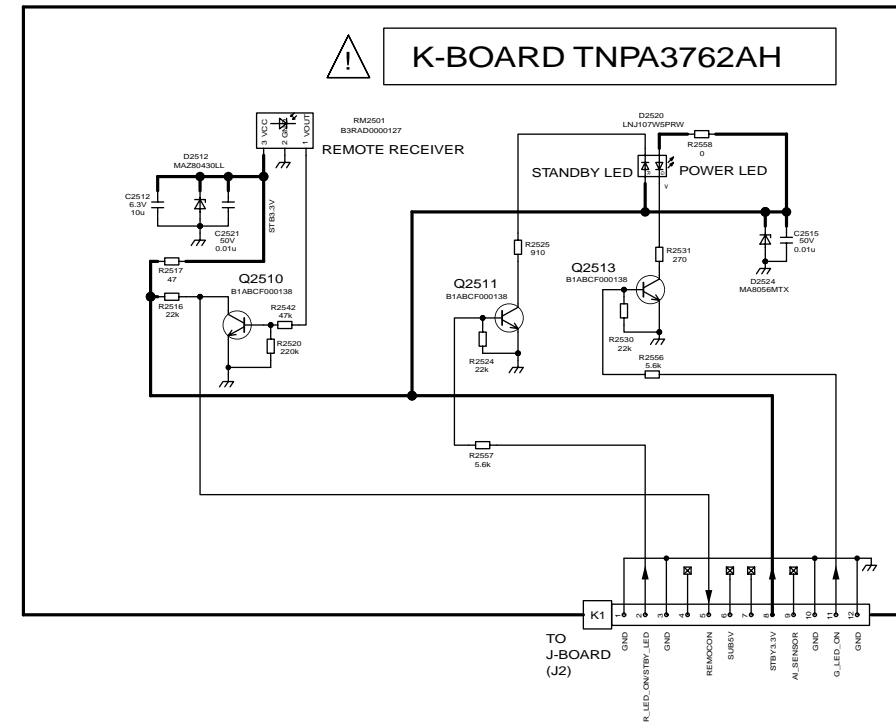
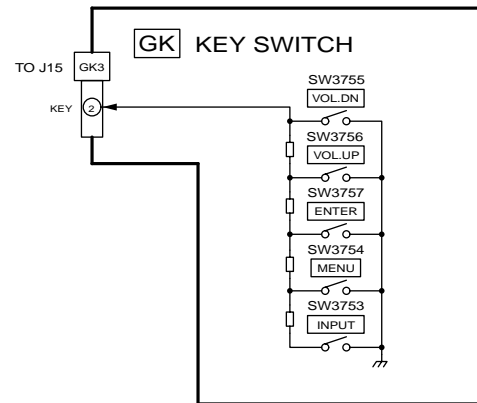
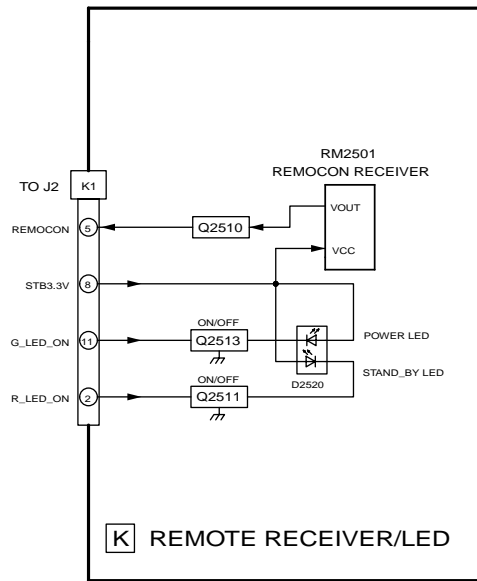
TH-37/42PG9W  
HX-Board Block and Schematic Diagram

TH-37/42PG9W  
HX-Board Block and Schematic Diagram



### 14.19. GK and K-Board Block and Schematic Diagram

A  
B  
C  
D  
E



TH-37/42PG9W  
GK and K-Board Block and Schematic Diagram

TH-37/42PG9W  
GK and K-Board Block and Schematic Diagram

1

2

3

4

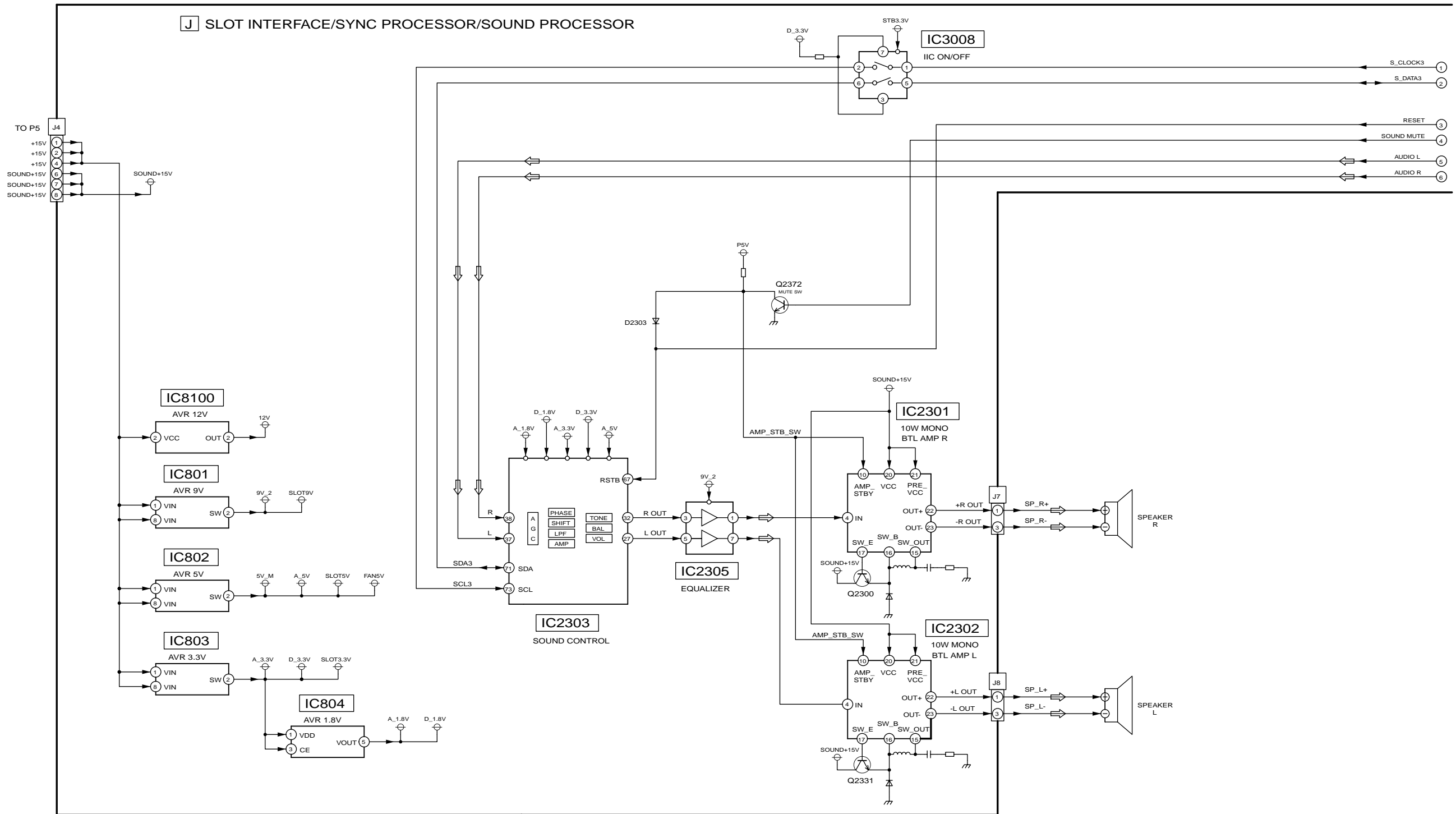
5

6

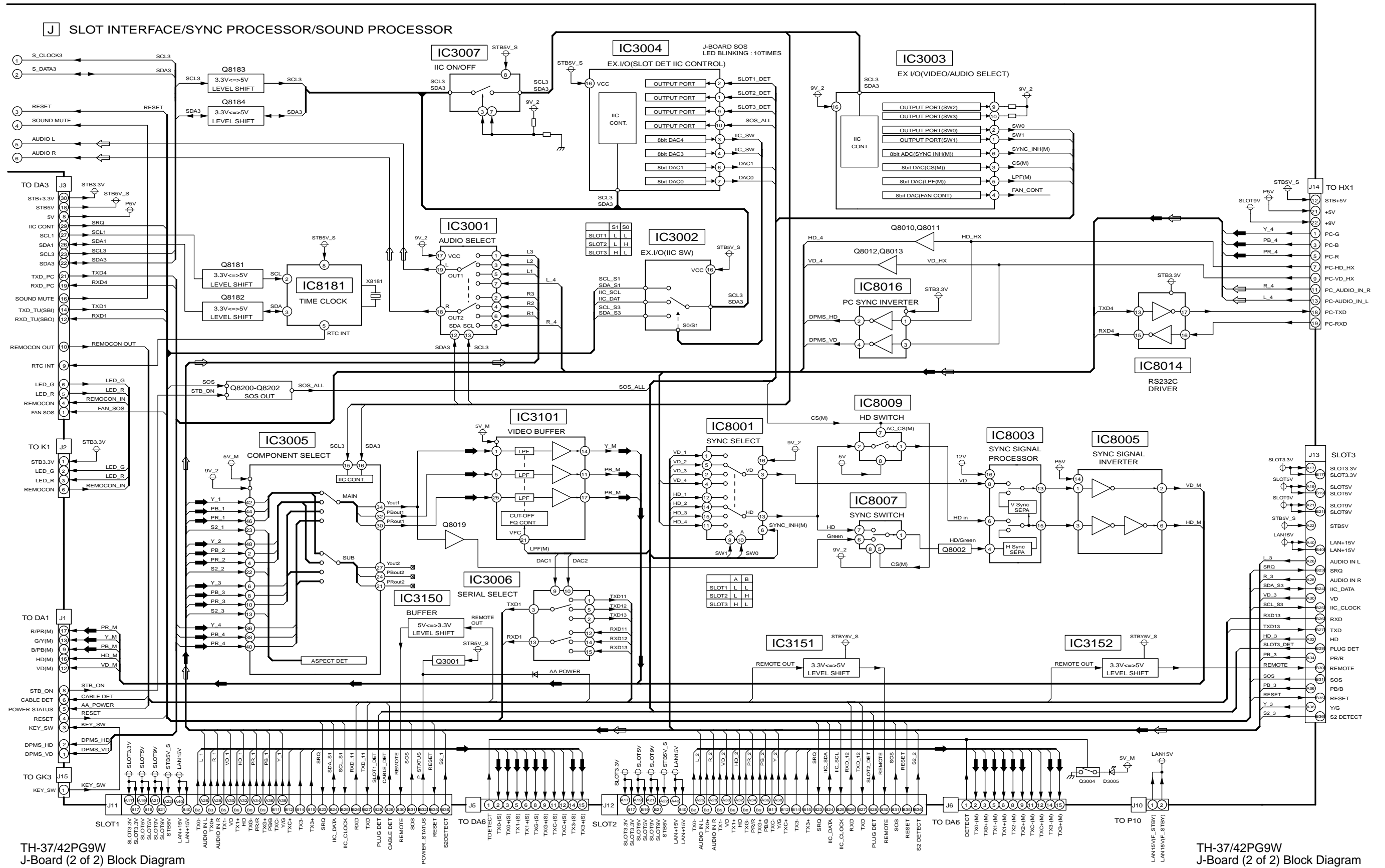
7

8

### 14.20. J-Board (1 of 2) Block Diagram



### 14.21. J-Board (2 of 2) Block Diagram



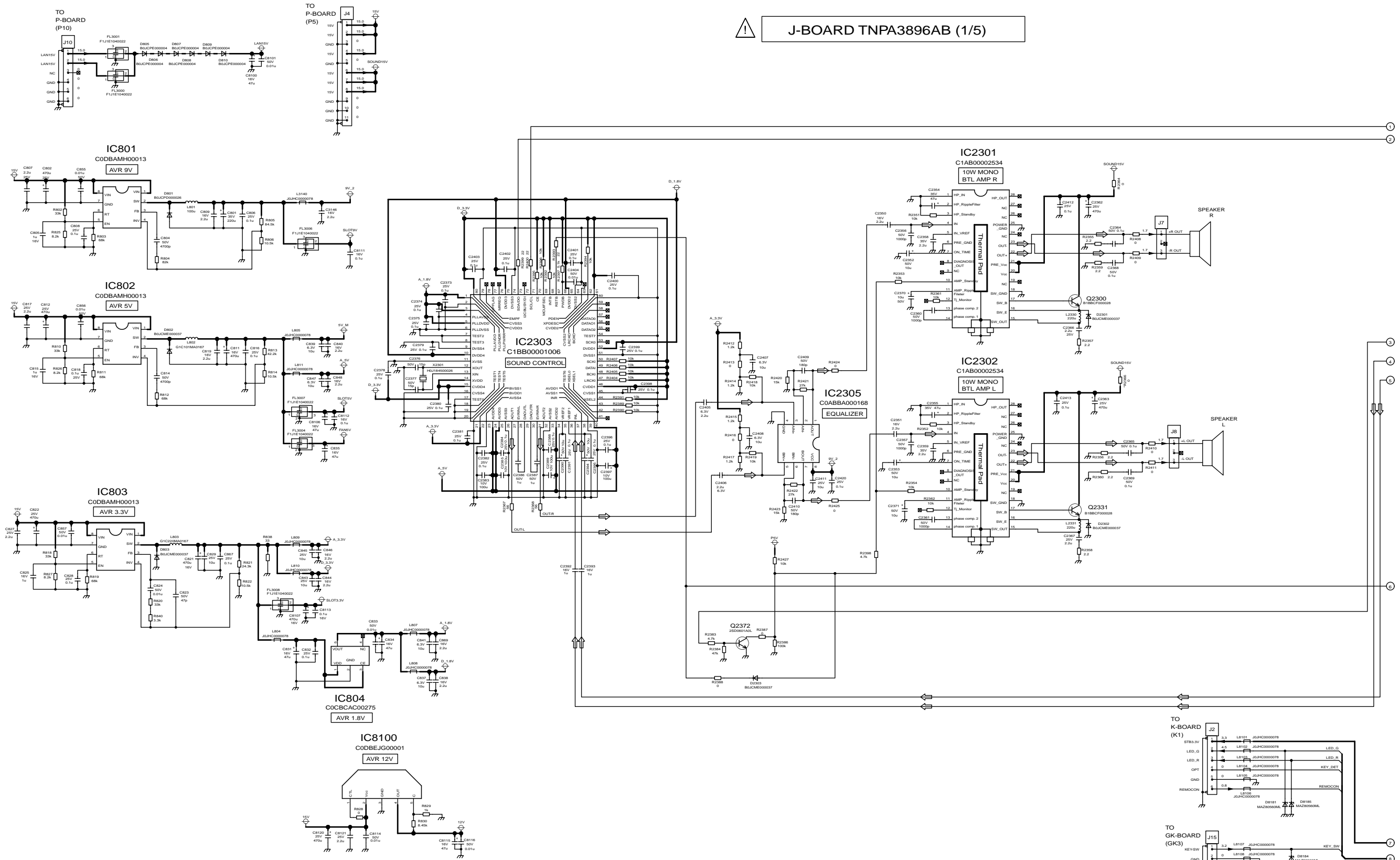
TH-37/42PG9W  
J-Board (2 of 2) Block Diagram

TH-37/42PG9W  
J-Board (2 of 2) Block Diagram

# 14.22. J-Board (1 of 5) Schematic Diagram

A  
B  
C  
D  
E  
F

## J-BOARD TNPA3896AB (1/5)



TH-37/42PG9W  
J-Board (1 of 5) Schematic Diagram

TH-37/42PG9W J-Board (1 of 5) Schematic Diagram

1

2

3

4

5

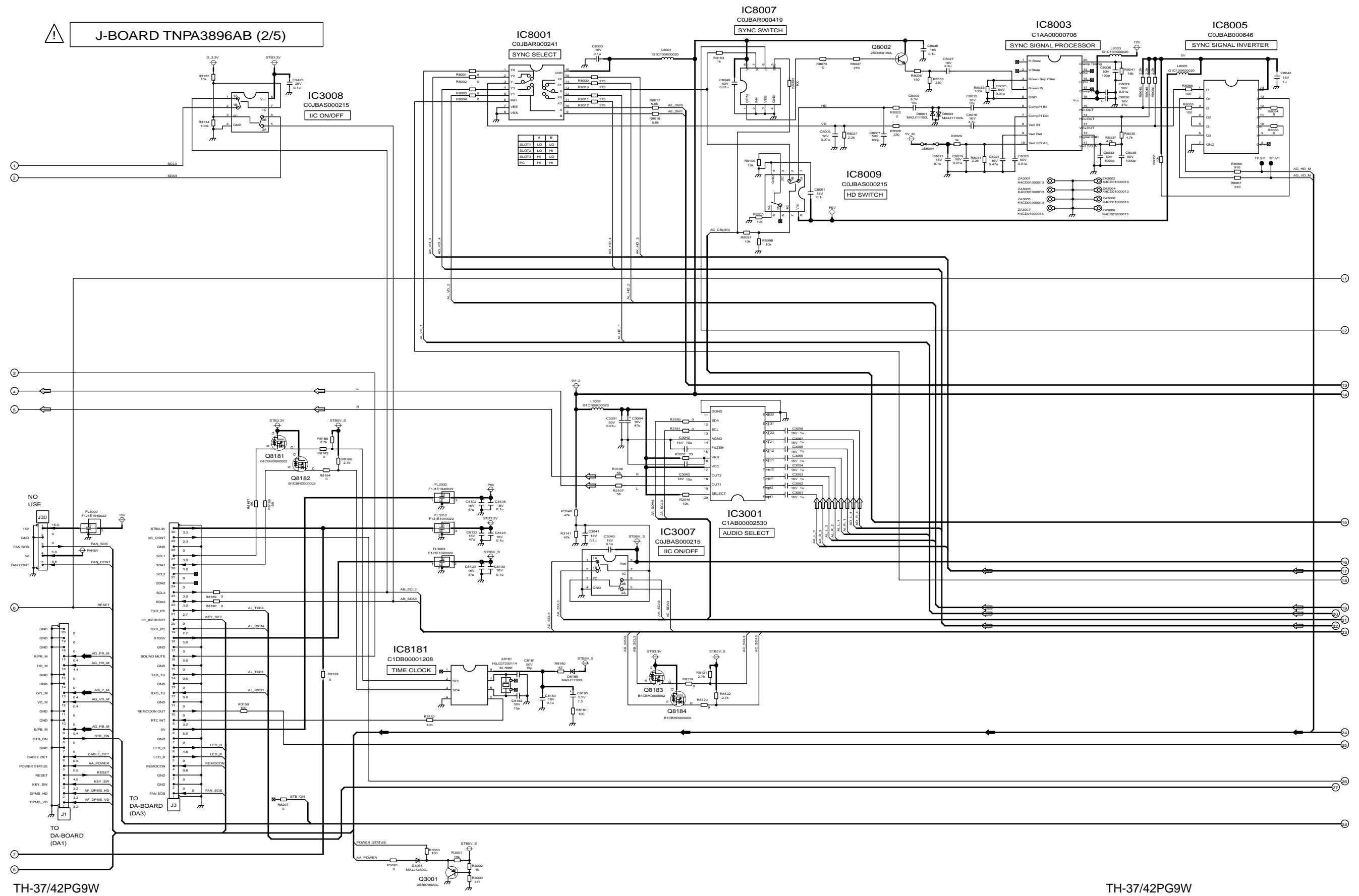
6

7

8

9

### 14.23. J-Board (2 of 5) Schematic Diagram

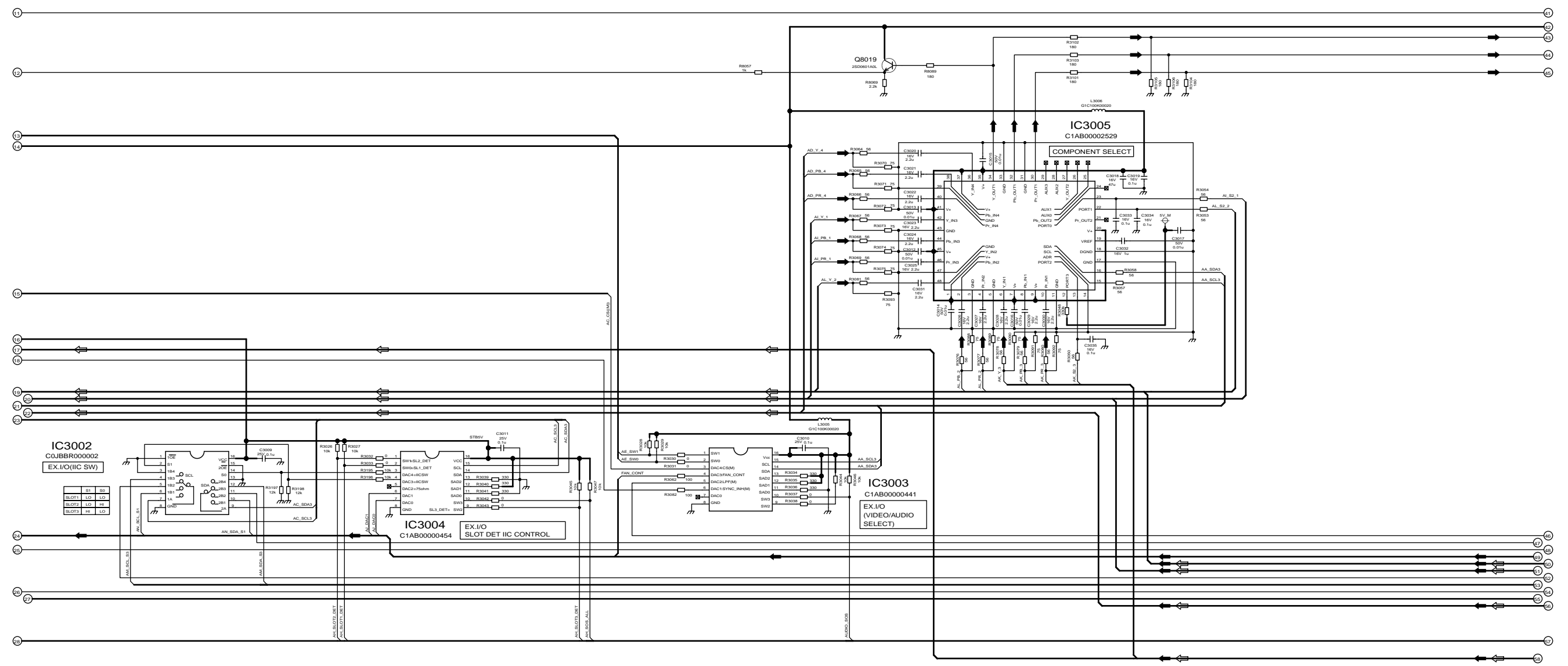


TH-37/42PG9W  
J-Board (2 of 5) Schematic Diagram

TH-37/42PG9W  
J-Board (2 of 5) Schematic Diagram

# 14.24. J-Board (3 of 5) Schematic Diagram

⚠ J-BOARD TNPA3896AB (3/5)

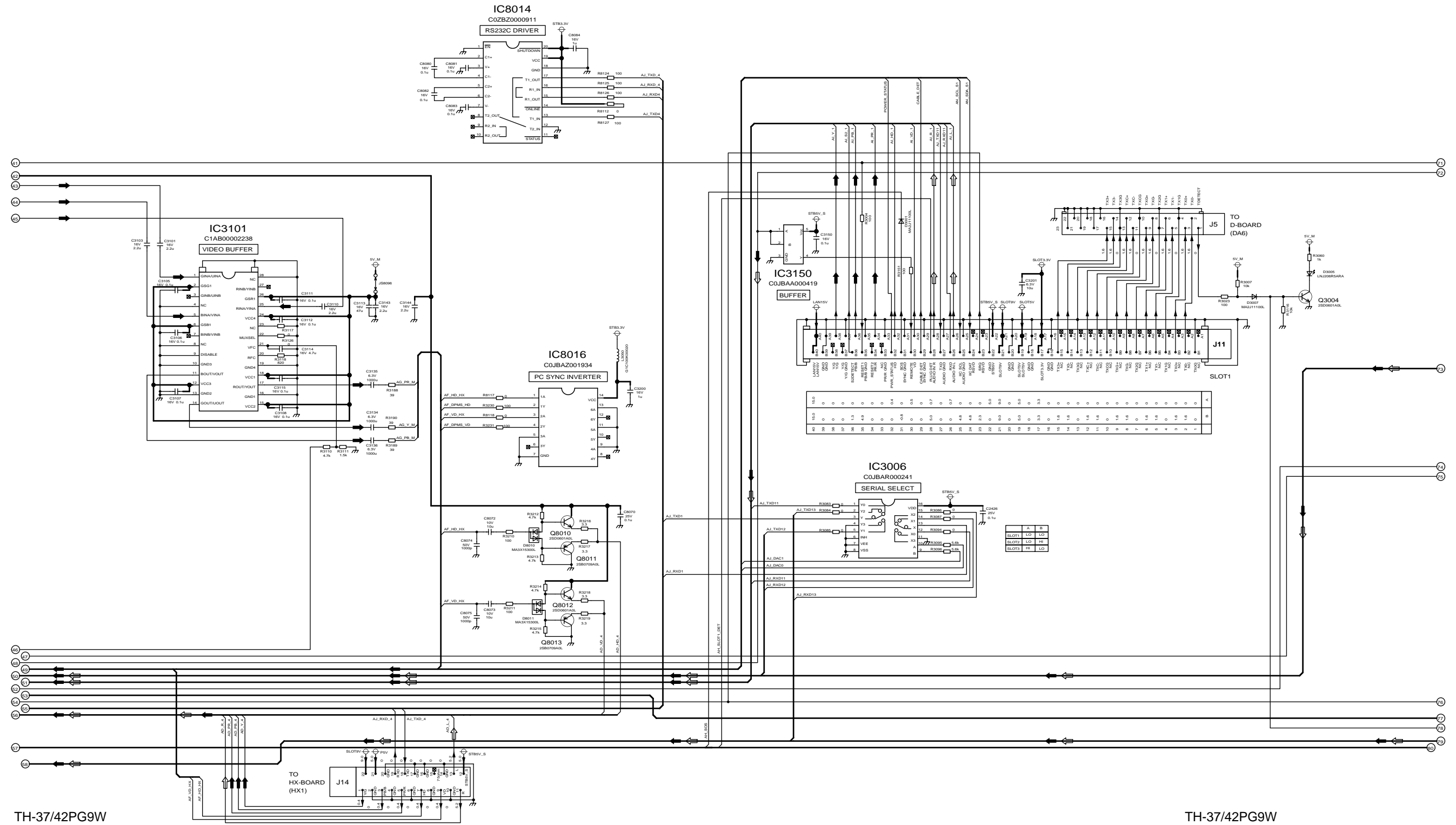


TH-37/42PG9W  
J-Board (3 of 5) Schematic Diagram

TH-37/42PG9W  
J-Board (3 of 5) Schematic Diagram

# 14.25. J-Board (4 of 5) Schematic Diagram

J-BOARD TNPA3896AB (4/5)

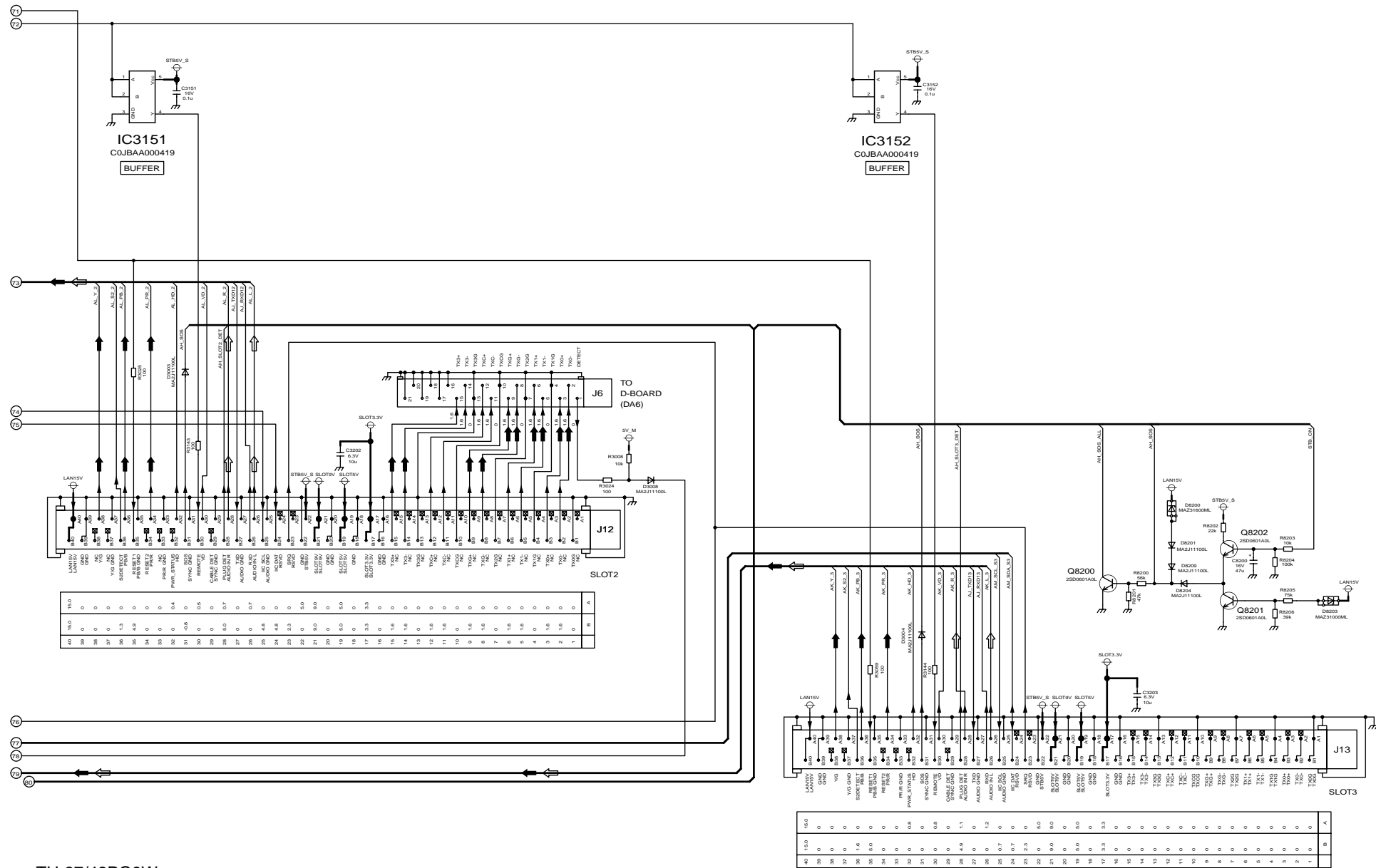


TH-37/42PG9W  
J-Board (4 of 5) Schematic Diagram

TH-37/42PG9W  
J-Board (4 of 5) Schematic Diagram

14.26. J-Board (5 of 5) Schematic Diagram

J-BOARD TNPA3896AB (5/5)

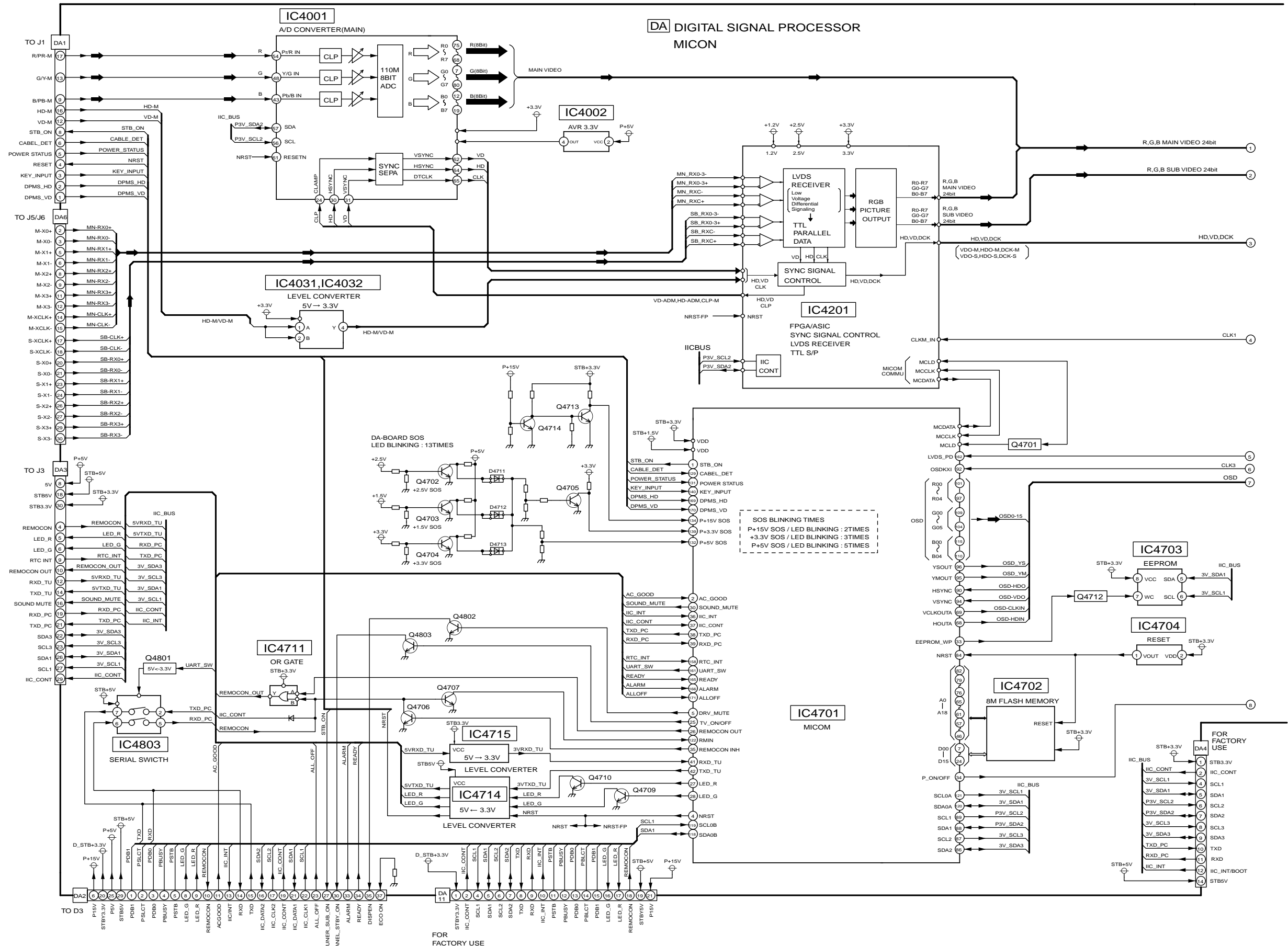


TH-37/42PG9W J-Board (5 of 5) Schematic Diagram

TH-37/42PG9W J-Board (5 of 5) Schematic Diagram



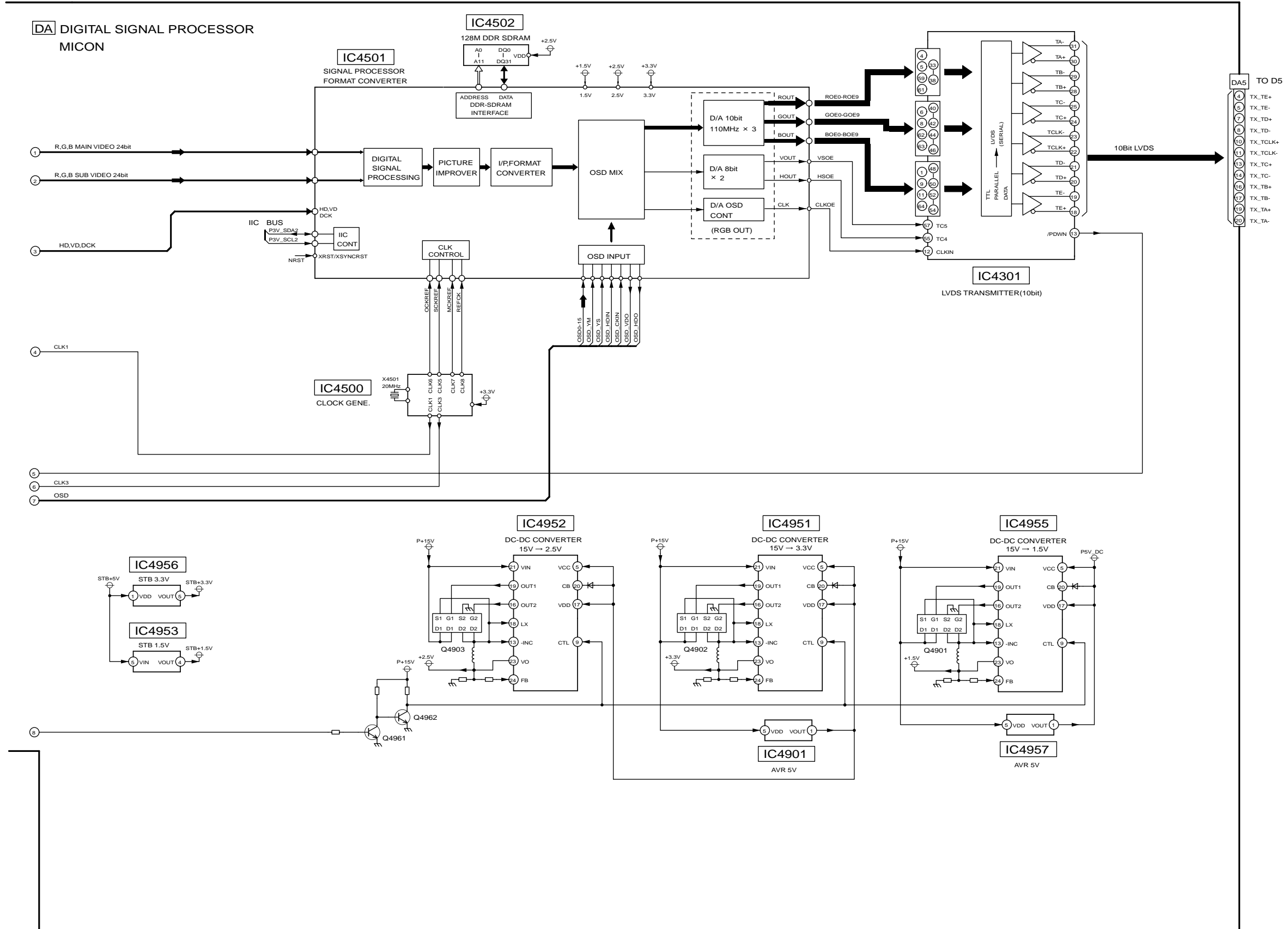
### 14.27. DA-Board (1 of 2) Block Diagram



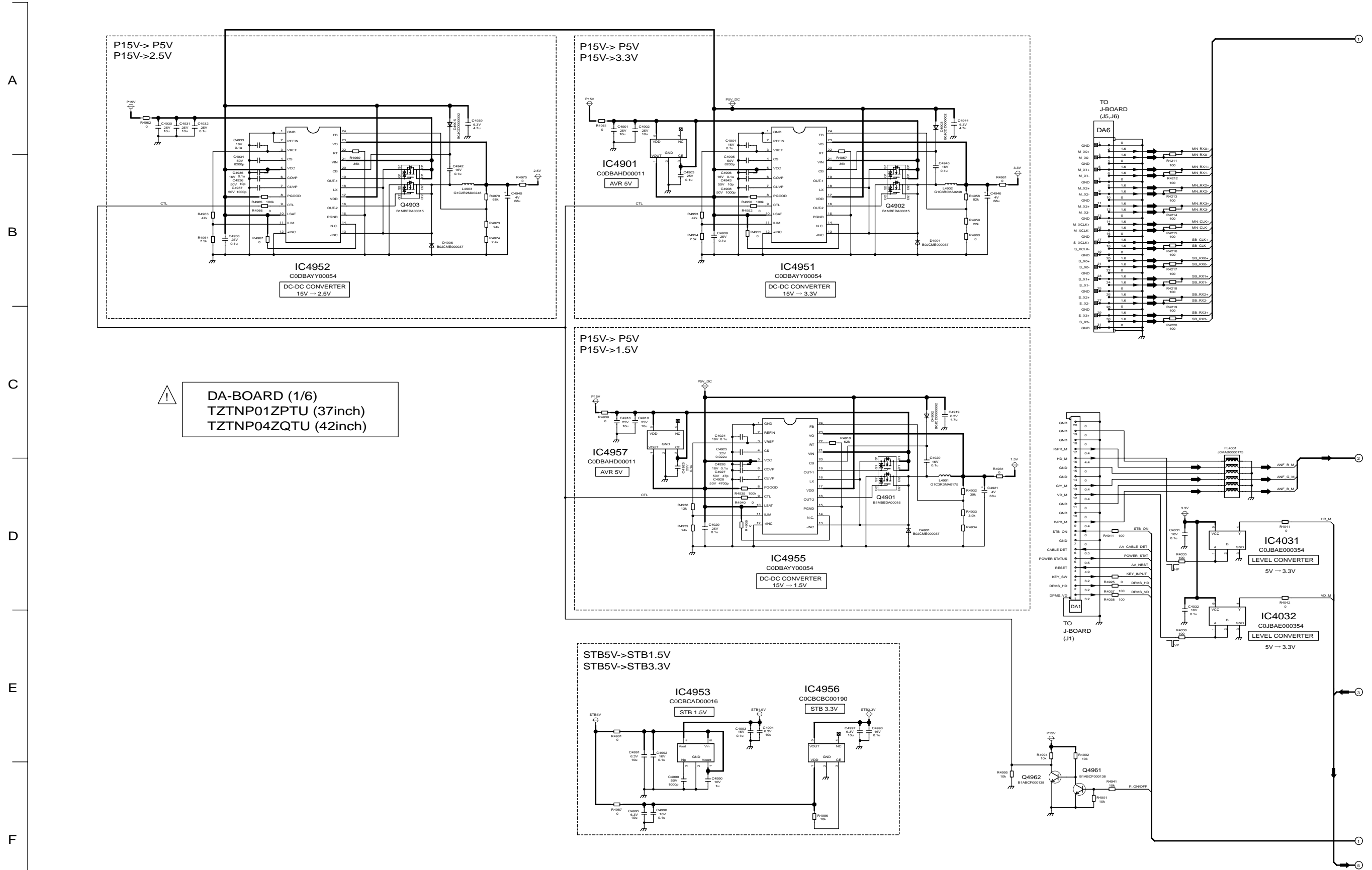
TH-37/42PG9W  
DA-Board (1 of 2) Block Diagram

TH-37/42PG9W  
DA-Board (1 of 2) Block Diagram

### 14.28. DA-Board (2 of 2) Block Diagram



### 14.29. DA-Board (1 of 6) Schematic Diagram



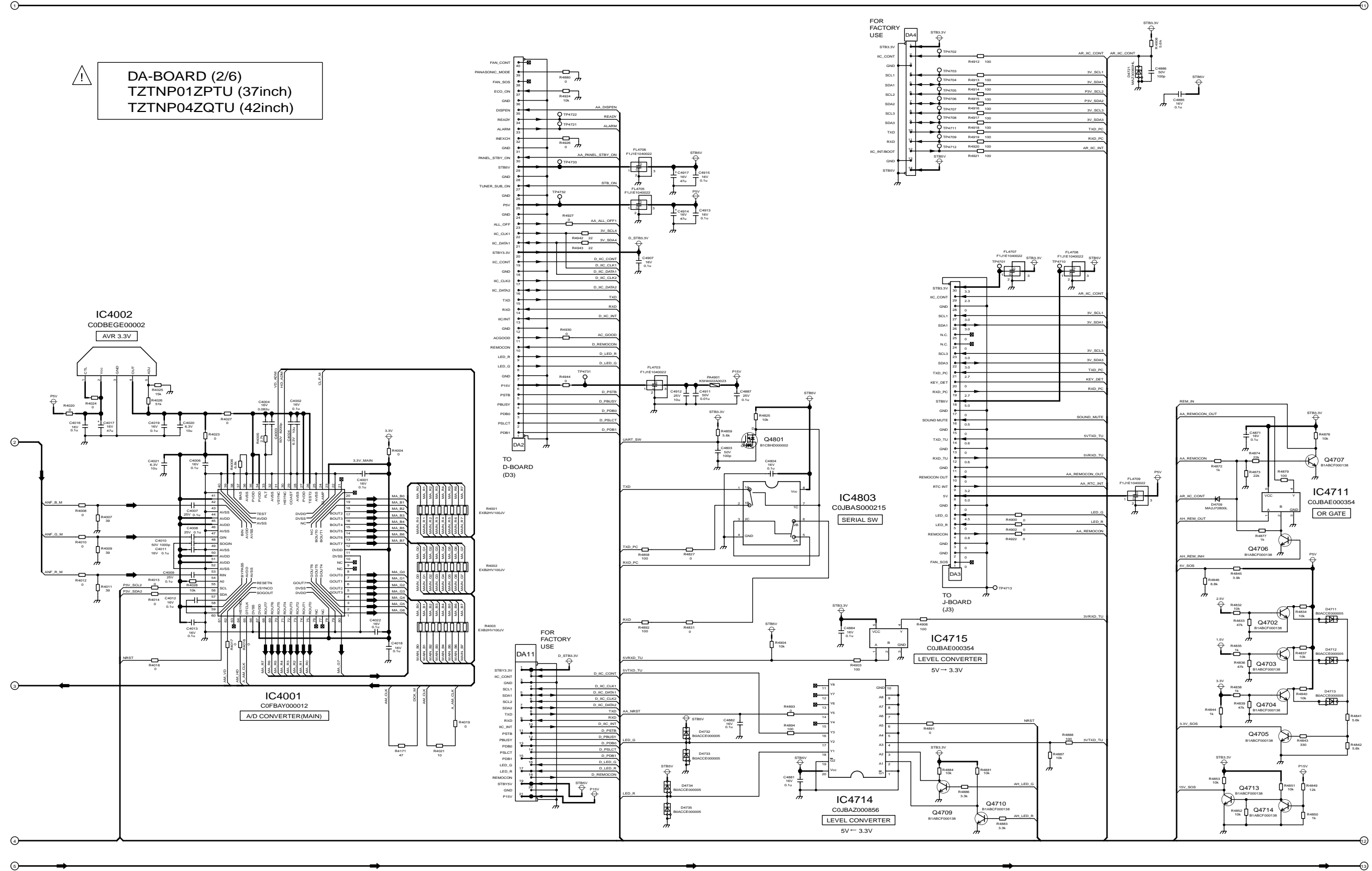
TH-37/42PG9W  
DA-Board (1 of 6) Schematic Diagram

TH-37/42PG9W  
DA-Board (1 of 6) Schematic Diagram

1 2 3 4 5 6 7 8 9

# 14.30. DA-Board (2 of 6) Schematic Diagram

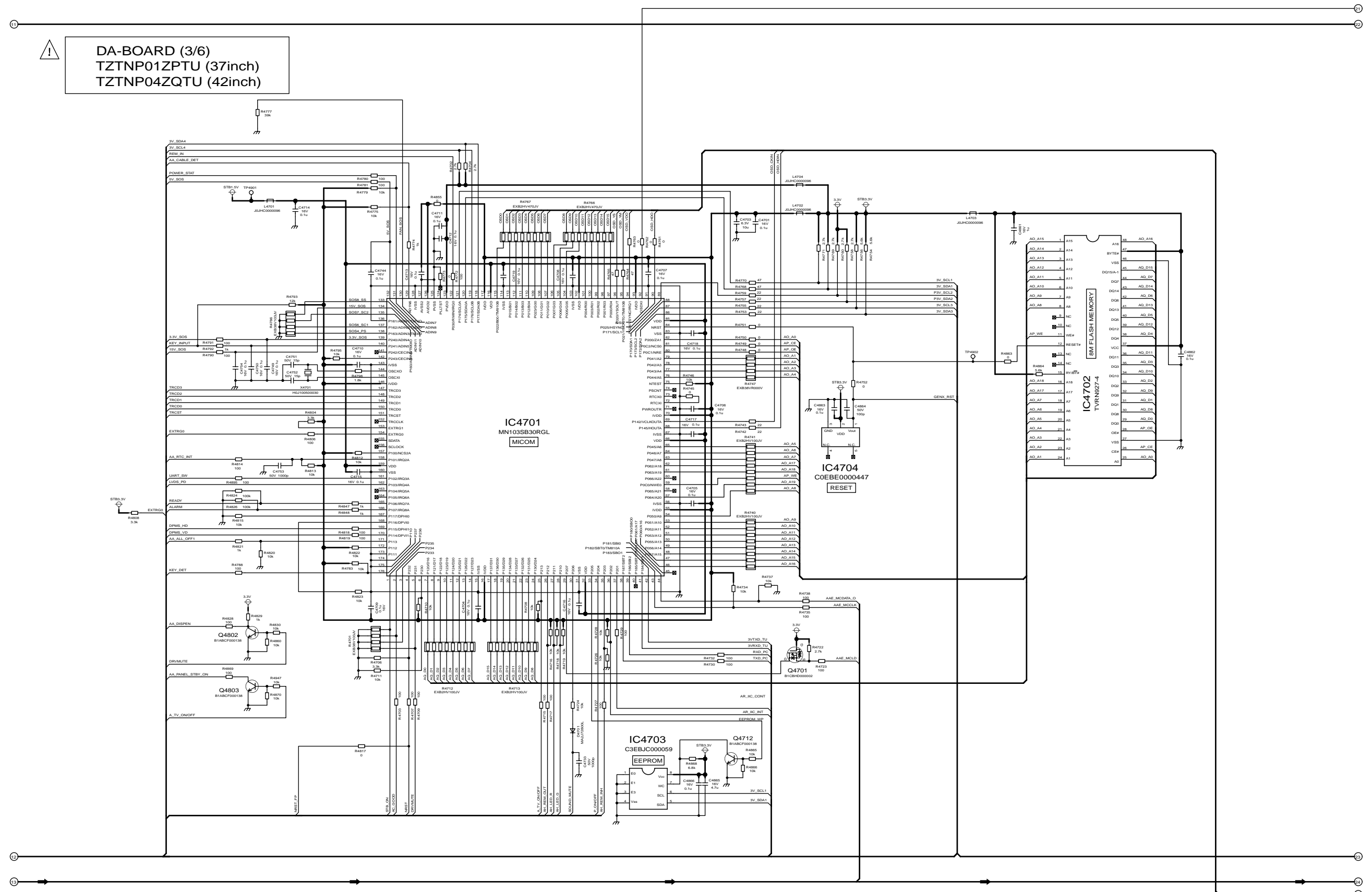
DA-BOARD (2/6)  
TZTNP01ZPTU (37inch)  
TZTNP04ZQTU (42inch)



TH-37/42PG9W  
DA-Board (2 of 6) Schematic Diagram

TH-37/42PG9W  
DA-Board (2 of 6) Schematic Diagram

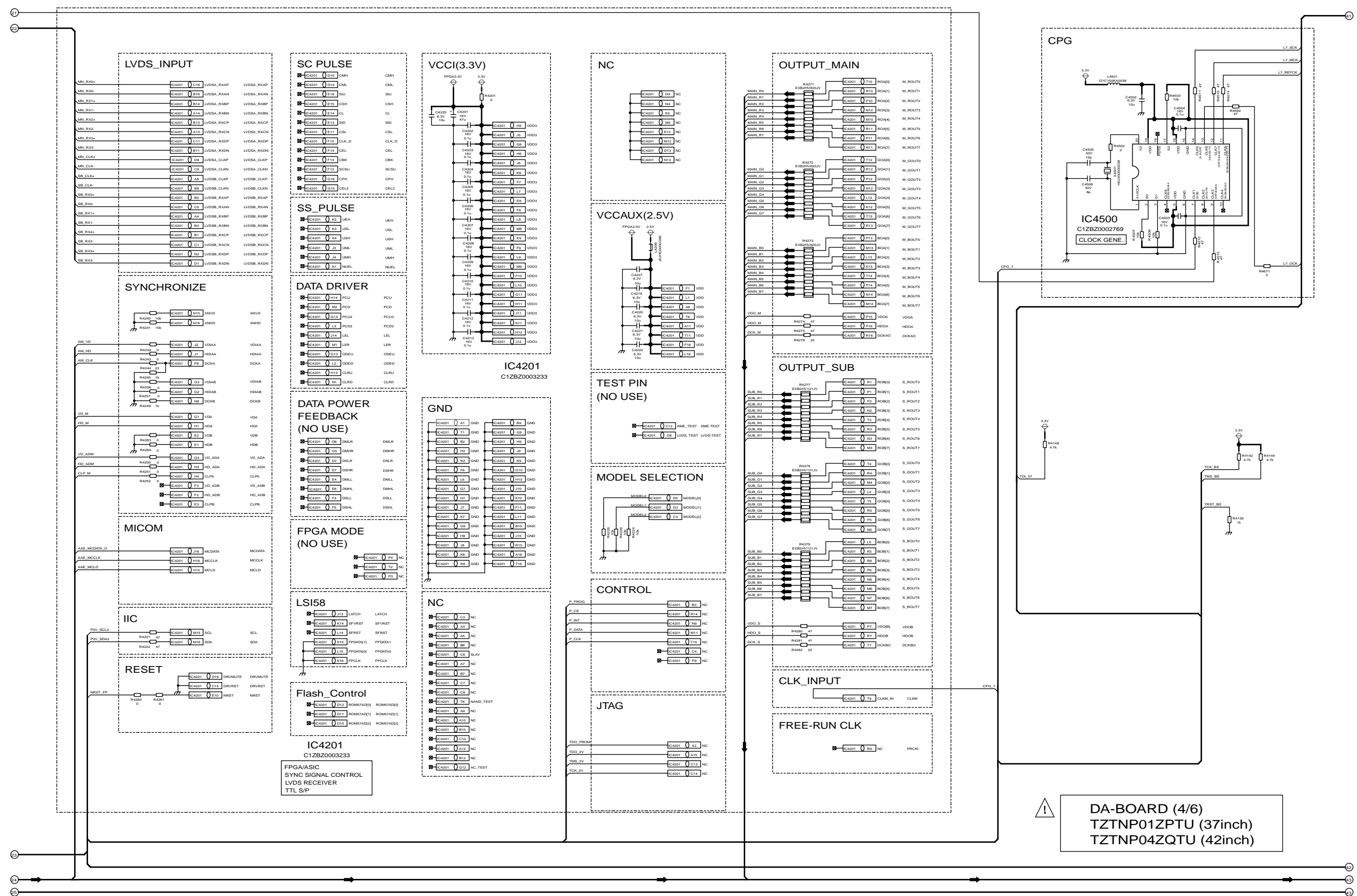
### 14.31. DA-Board (3 of 6) Schematic Diagram



TH-37/42PG9W  
DA-Board (3 of 6) Schematic Diagram

TH-37/42PG9W  
DA-Board (3 of 6) Schematic Diagram

# 14.32. DA-Board (4 of 6) Schematic Diagram

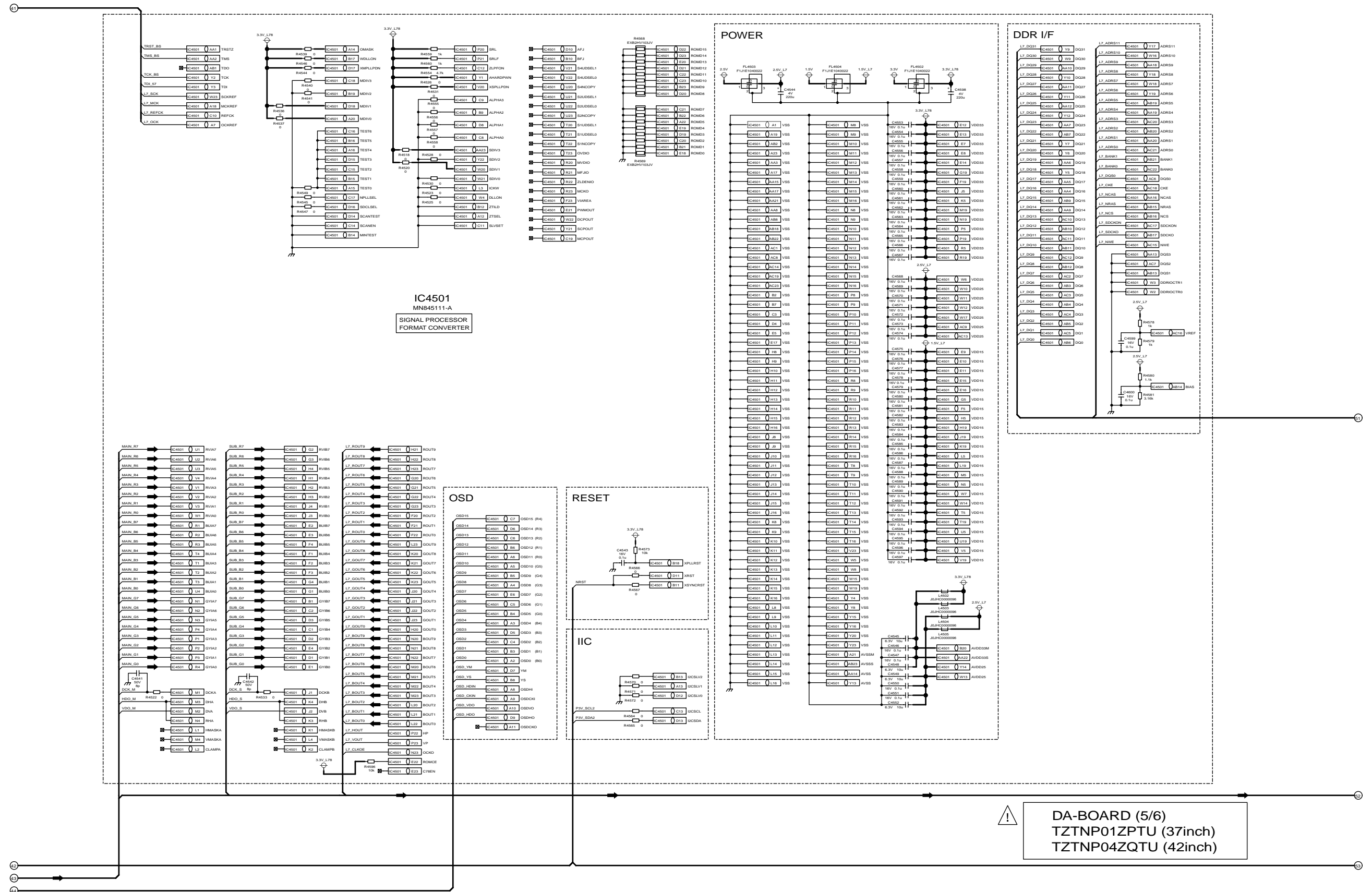


DA-BOARD (4/6)  
 TZTNP01ZPTU (37inch)  
 TZTNP04ZQTU (42inch)

TH-37/42PG9W DA-Board (4 of 6) Schematic Diagram

TH-37/42PG9W DA-Board (4 of 6) Schematic Diagram

### 14.33. DA-Board (5 of 6) Schematic Diagram

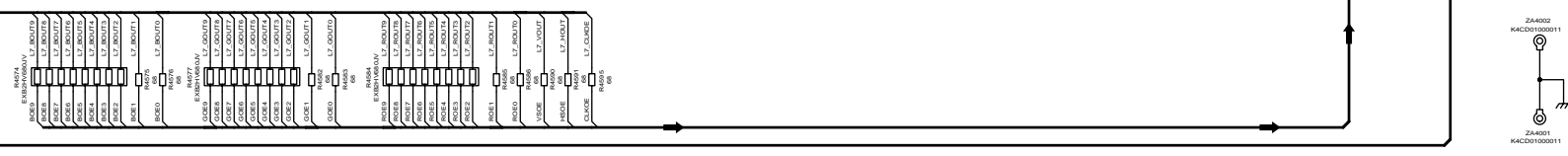
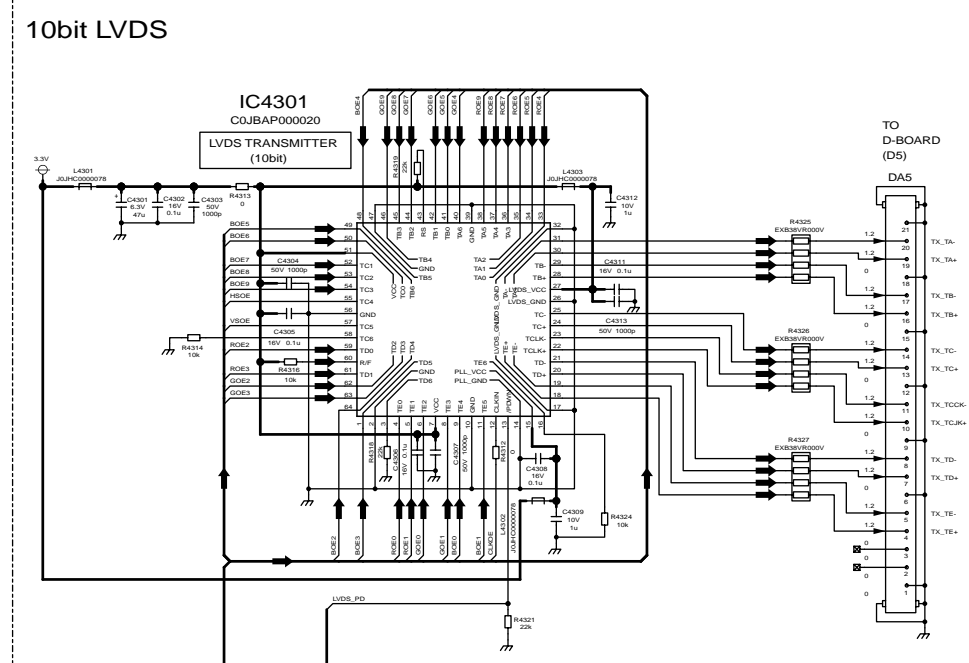
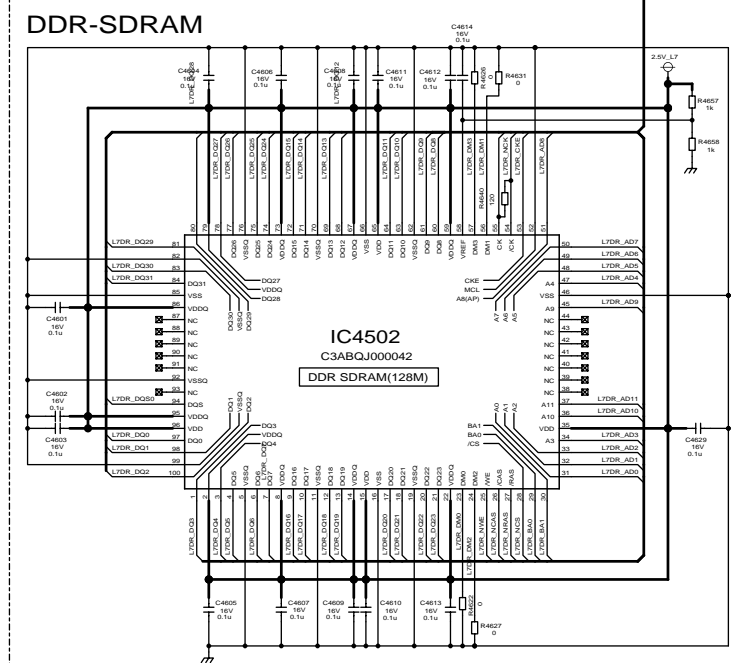
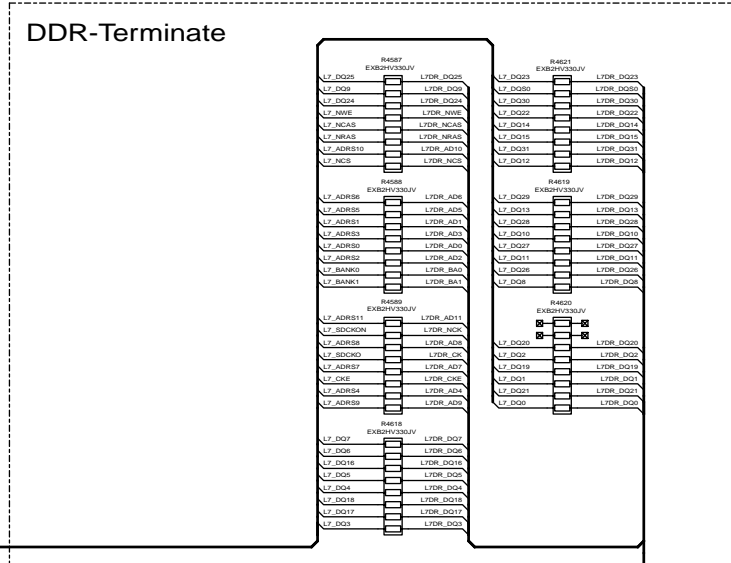


TH-37/42PG9W  
DA-Board (5 of 6) Schematic Diagram

TH-37/42PG9W  
DA-Board (5 of 6) Schematic Diagram

### 14.34. DA-Board (6 of 6) Schematic Diagram

1 DA-BOARD (6/6)  
TZTNP01ZPTU (37inch)  
TZTNP04ZQTU (42inch)



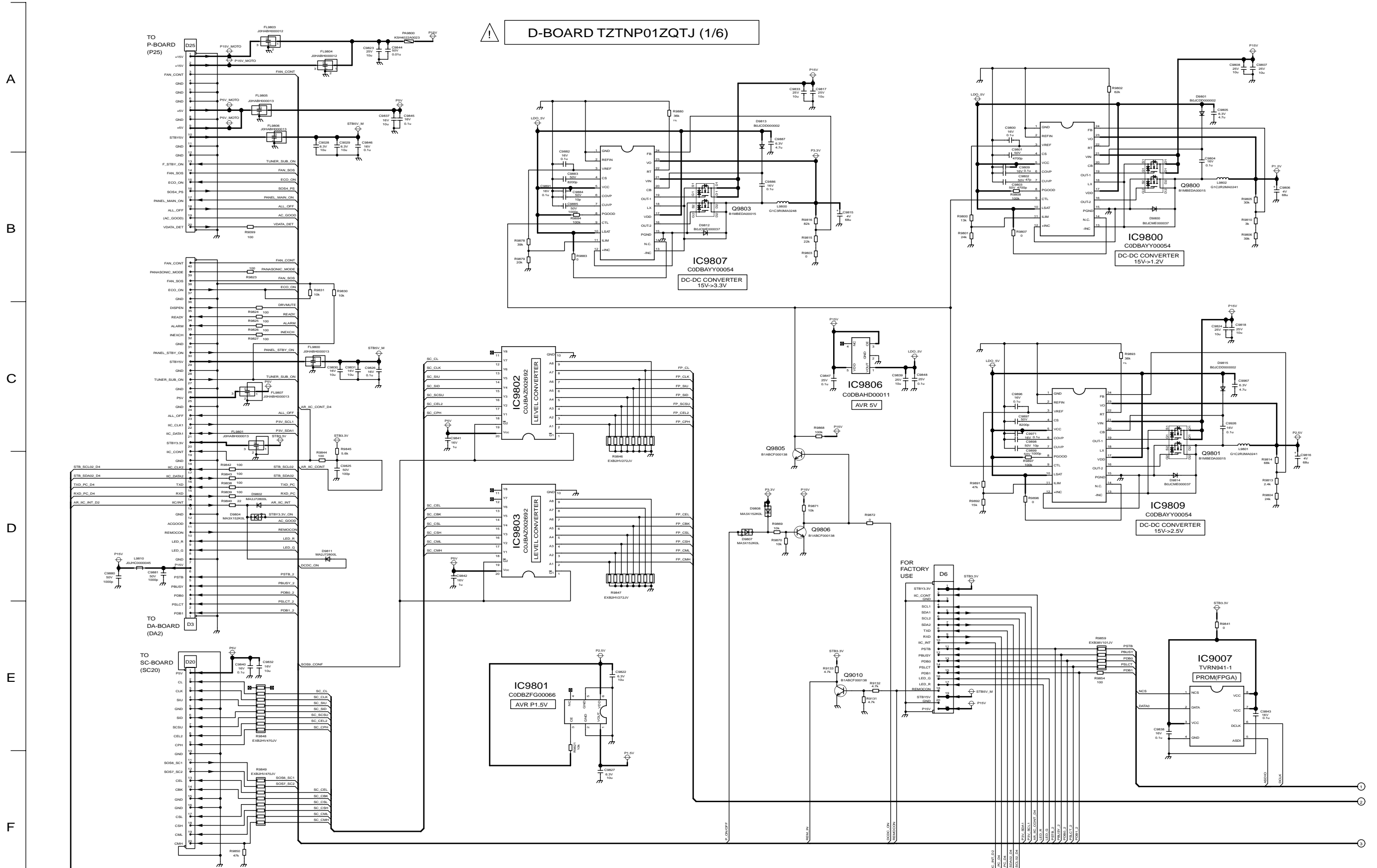
TH-37/42PG9W  
DA-Board (6 of 6) Schematic Diagram

TH-37/42PG9W  
DA-Board (6 of 6) Schematic Diagram





# 14.36. D-Board (1 of 6) Schematic Diagram

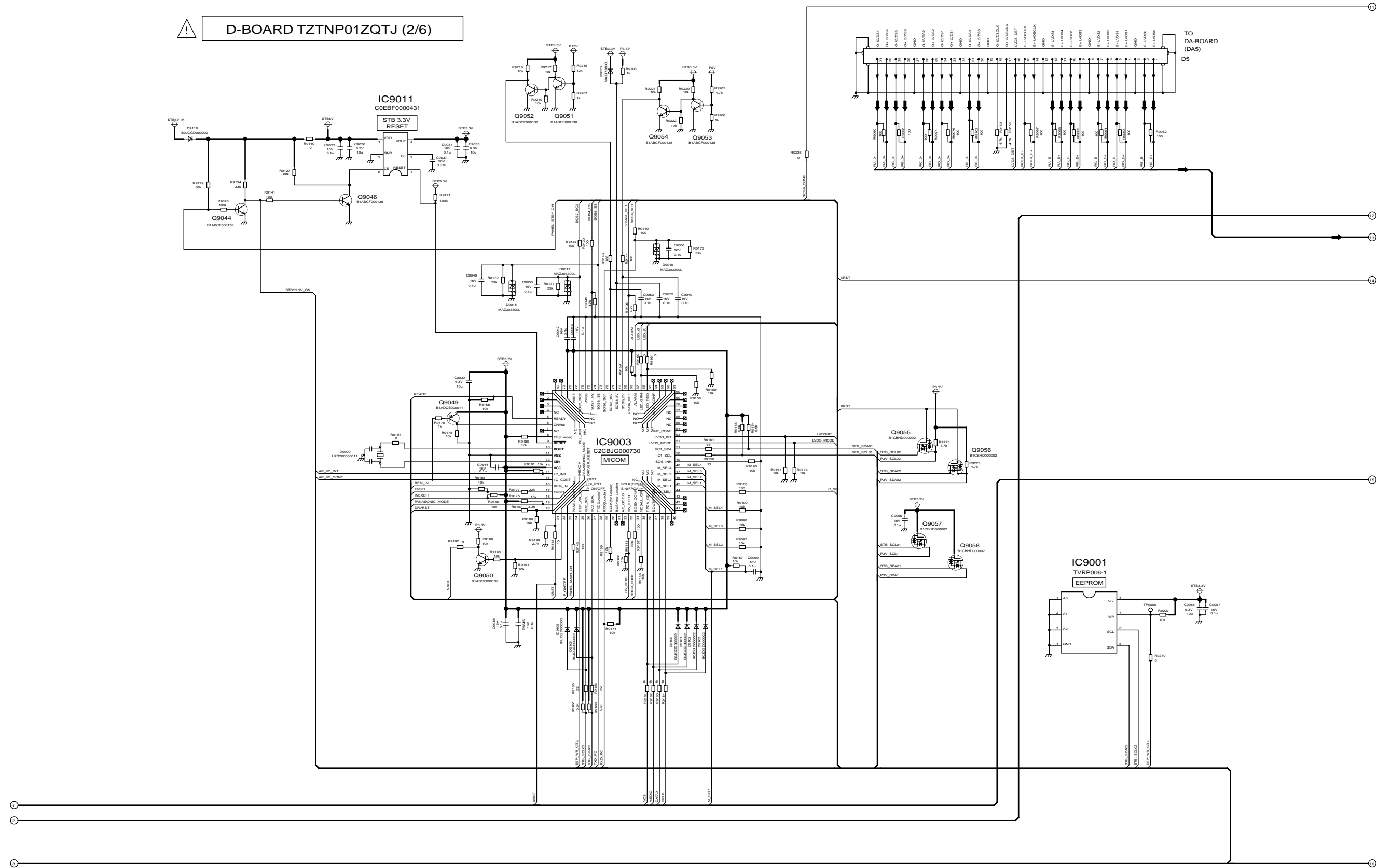


TH-37/42PG9W D-Board (1 of 6) Schematic Diagram

TH-37/42PG9W D-Board (1 of 6) Schematic Diagram

1 2 3 4 5 6 7 8 9

### 14.37. D-Board (2 of 6) Schematic Diagram



TH-37/42PG9W  
D-Board (2 of 6) Schematic Diagram

TH-37/42PG9W  
D-Board (2 of 6) Schematic Diagram

10

11

12

13

14

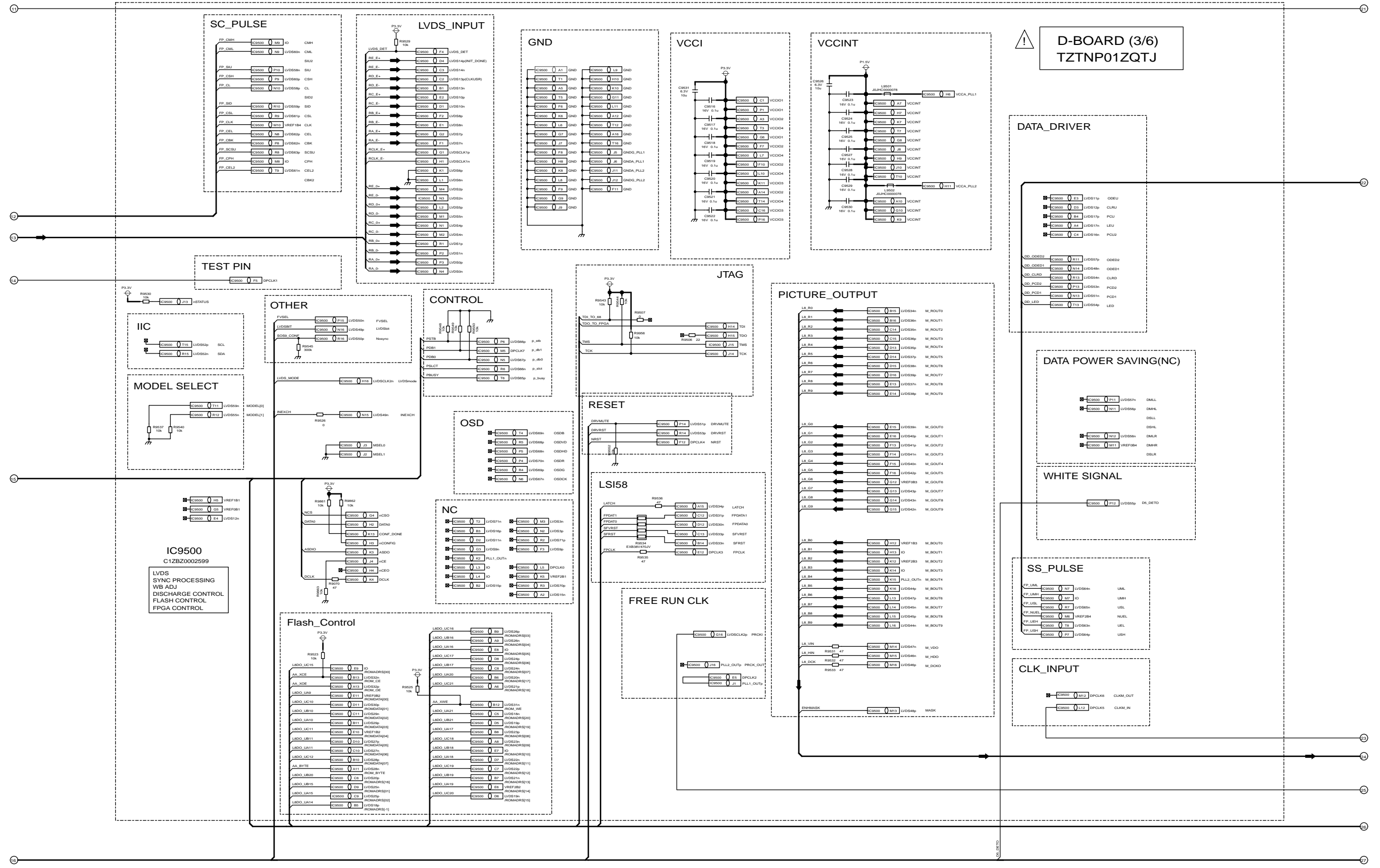
15

16

17

18

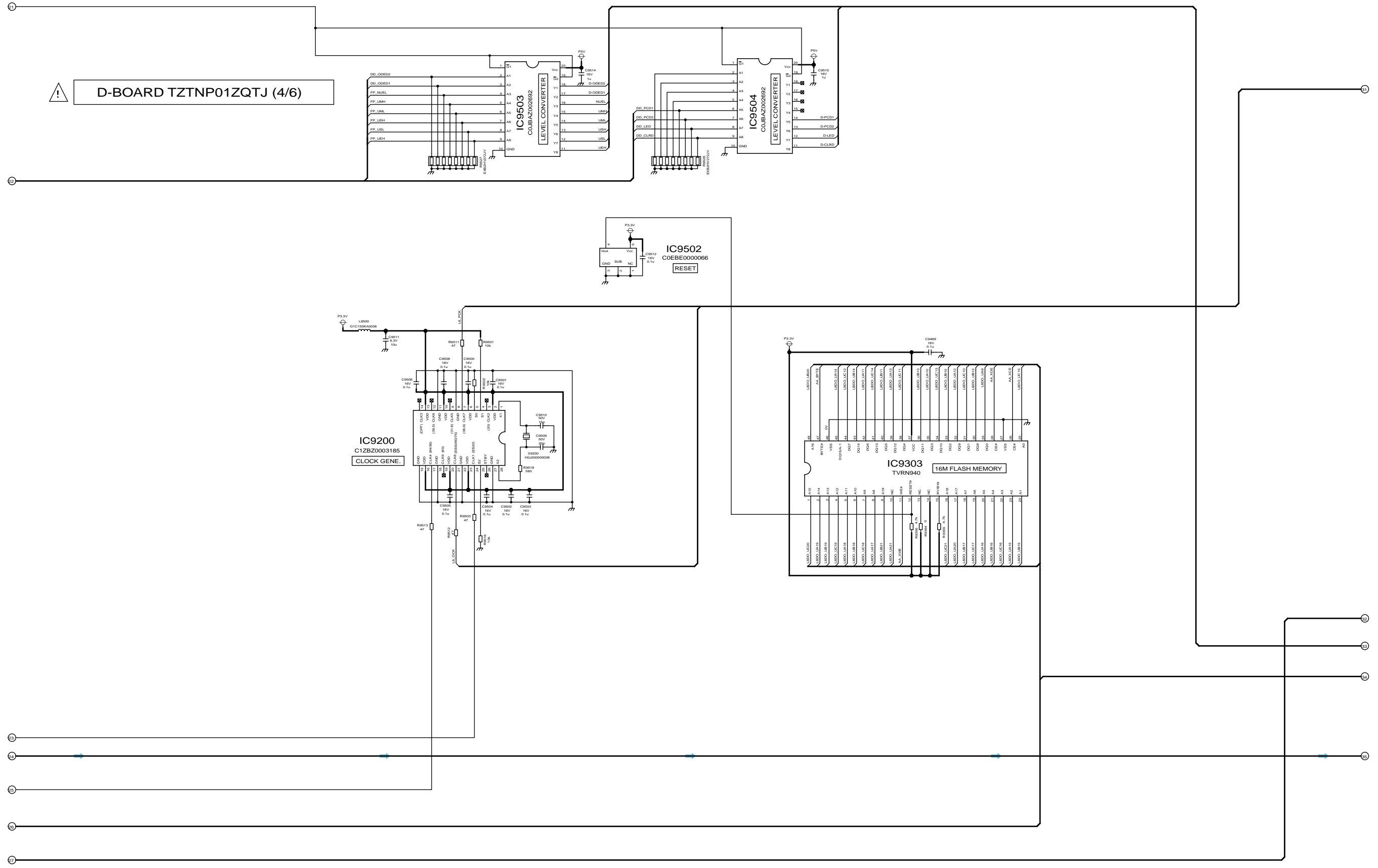
### 14.38. D-Board (3 of 6) Schematic Diagram



TH-37/42PG9W  
D-Board (3 of 6) Schematic Diagram

TH-37/42PG9W  
D-Board (3 of 6) Schematic Diagram

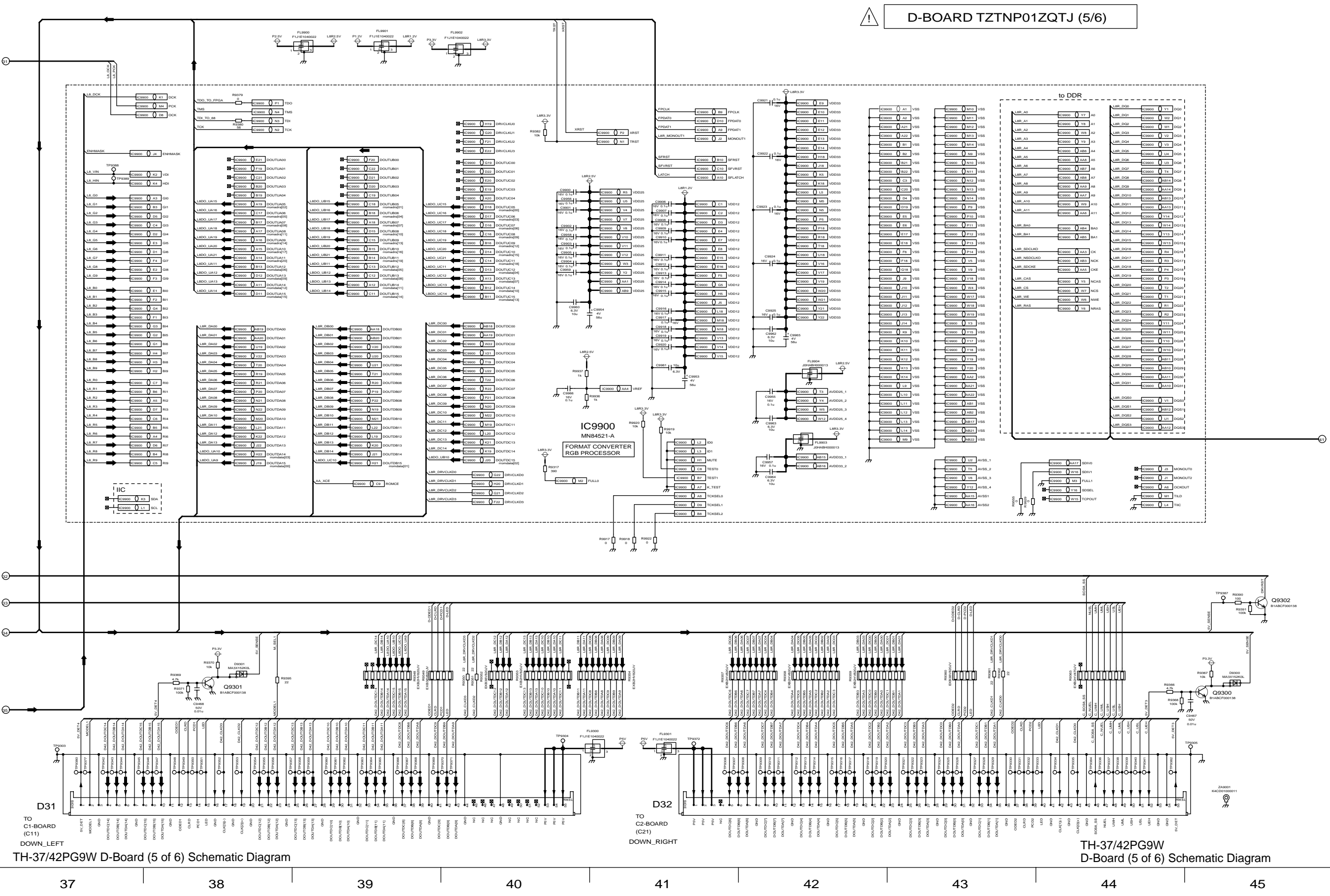
14.39. D-Board (4 of 6) Schematic Diagram



TH-37/42PG9W  
D-Board (4 of 6) Schematic Diagram

TH-37/42PG9W  
D-Board (4 of 6) Schematic Diagram

# 14.40. D-Board (5 of 6) Schematic Diagram



TH-37/42PG9W D-Board (5 of 6) Schematic Diagram

TH-37/42PG9W D-Board (5 of 6) Schematic Diagram

37

38

39

40

41

42

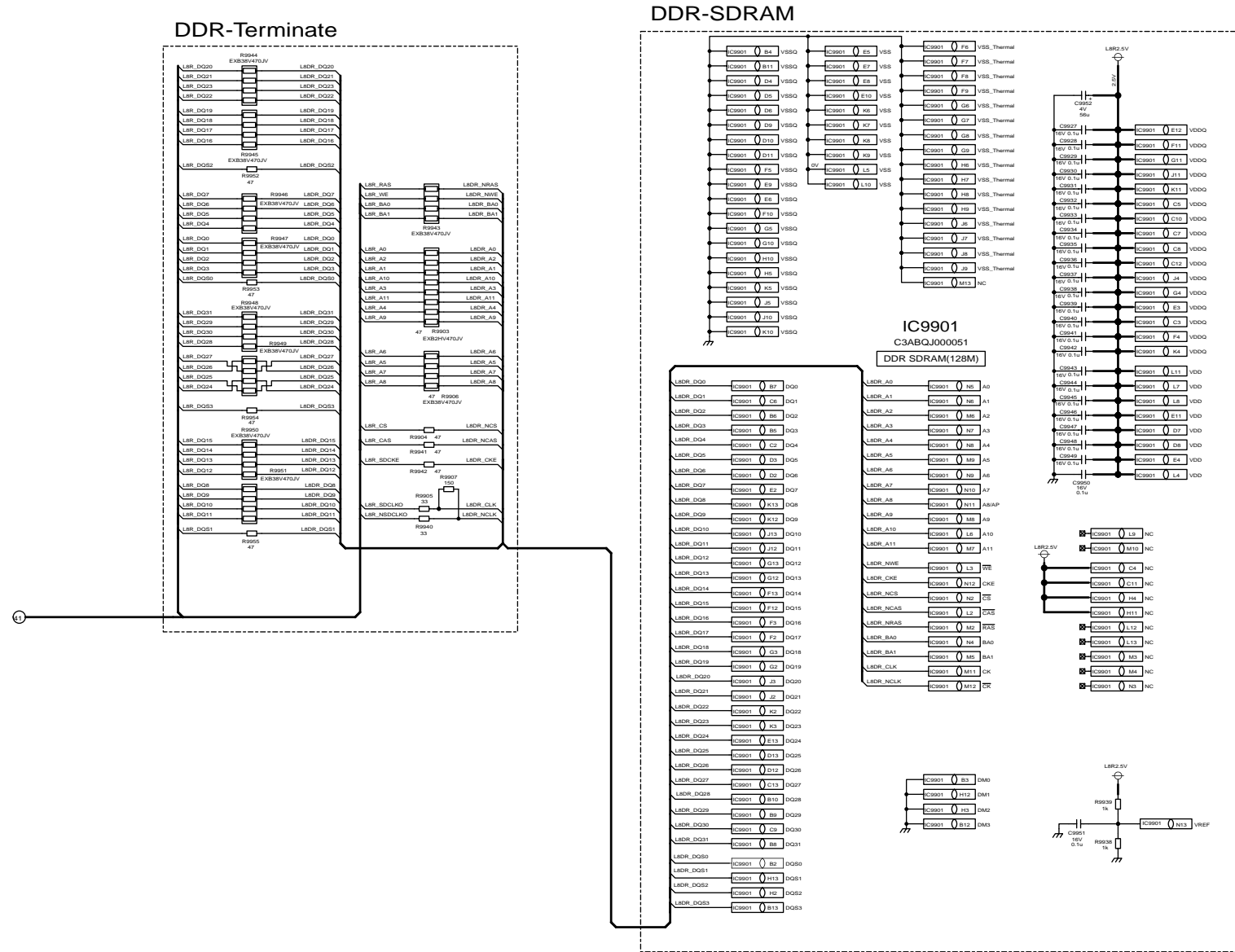
43

44

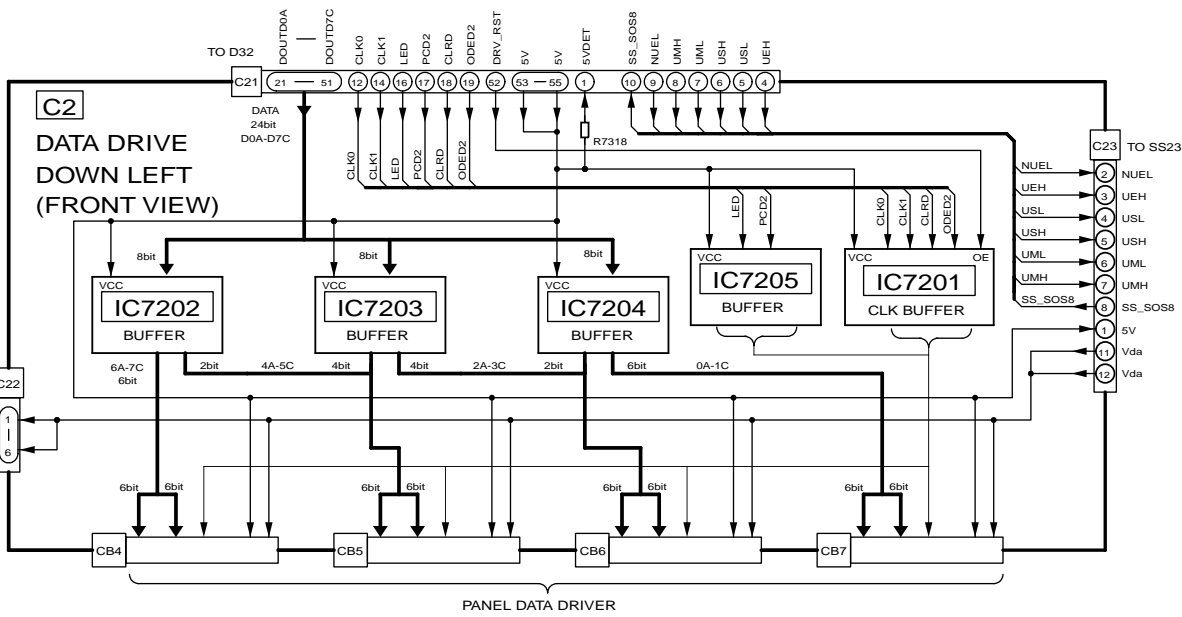
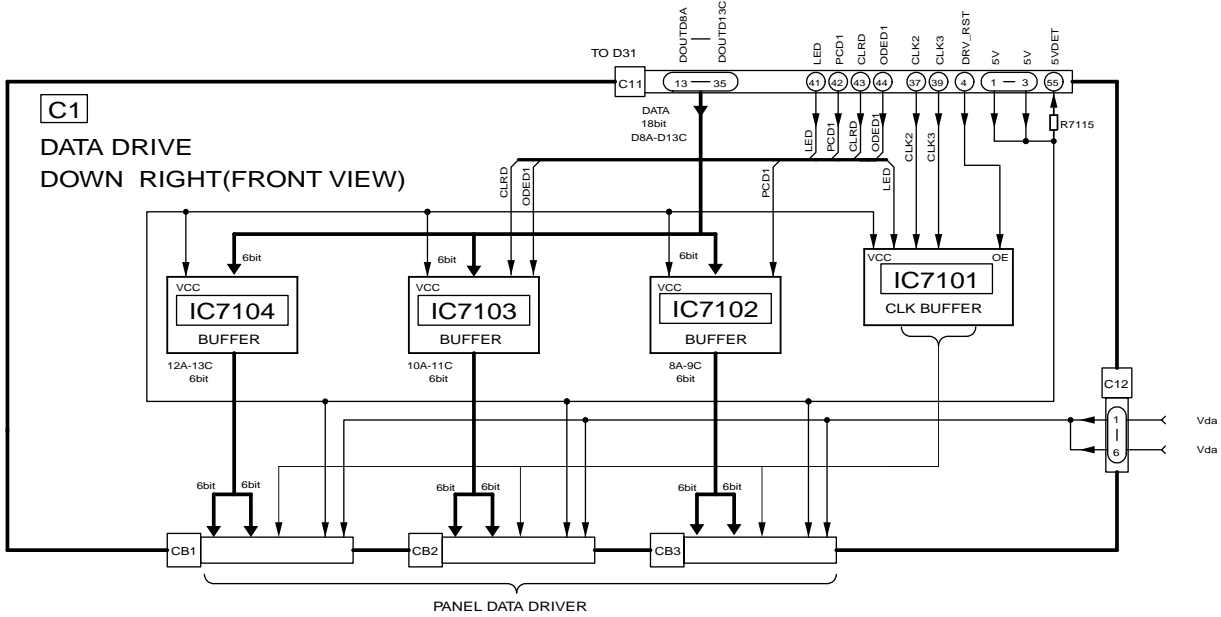
45

### 14.41. D-Board (6 of 6) Schematic Diagram

 D-BOARD TZTNP01ZQTJ (6/6)



14.42. C1 and C2-Board Block Diagram

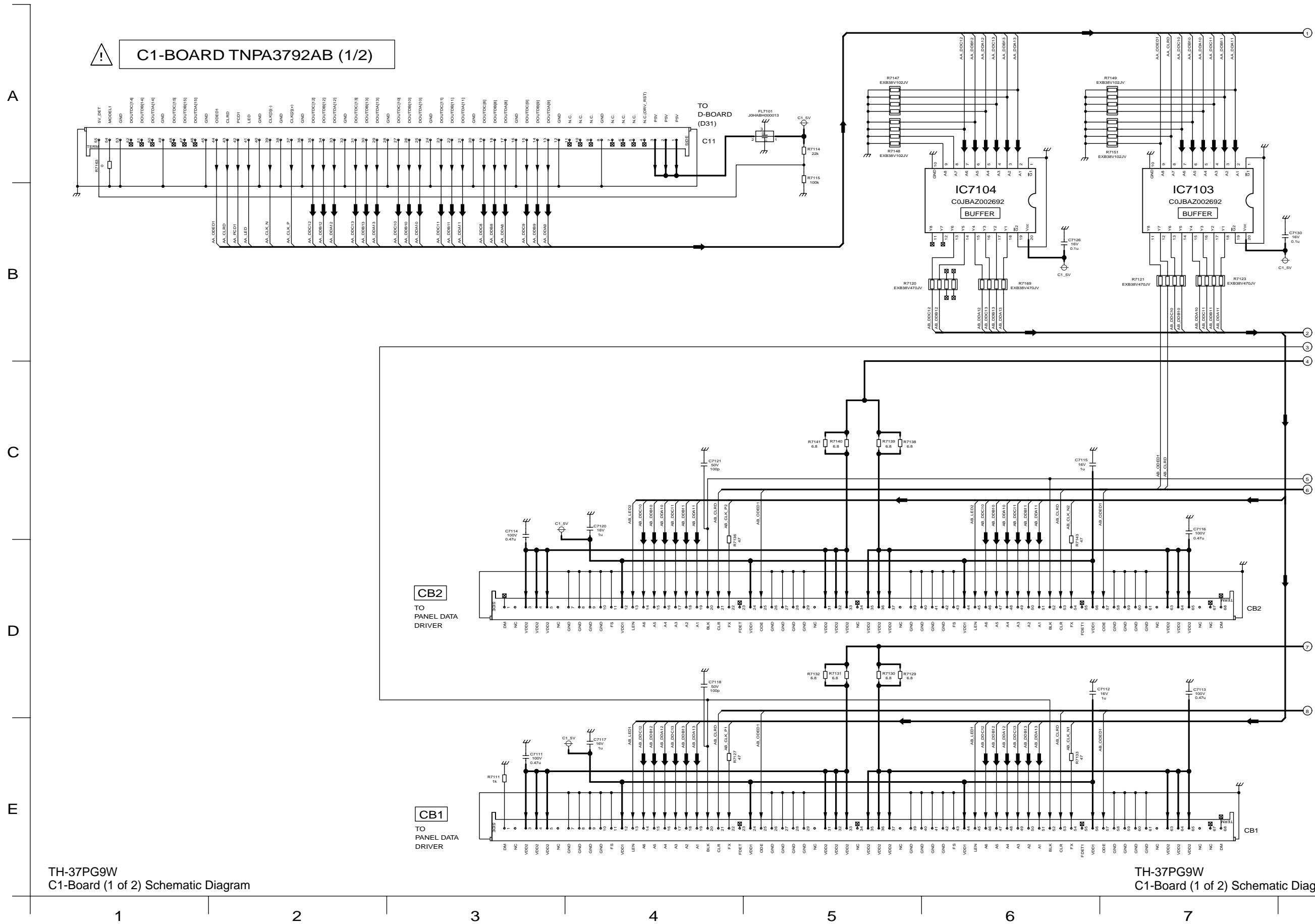


TH-37/42PG9W  
C1 and C2-Board Block Diagram

TH-37/42PG9W  
C1 and C2-Board Block Diagram



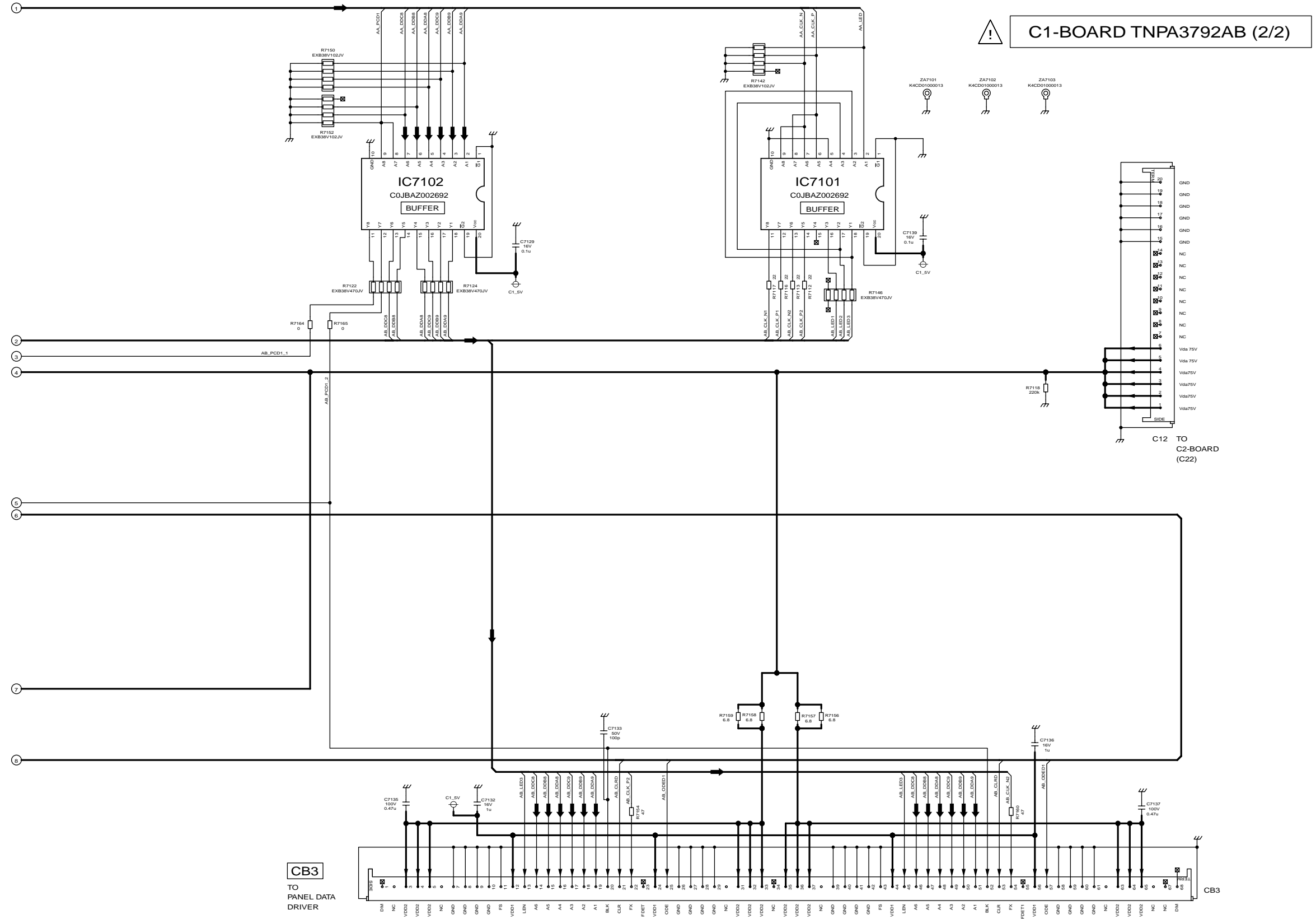
### 14.43. C1-Board (1 of 2) Schematic Diagram (37inch)



TH-37PG9W  
C1-Board (1 of 2) Schematic Diagram

TH-37PG9W  
C1-Board (1 of 2) Schematic Diagram

### 14.44. C1-Board (2 of 2) Schematic Diagram (37inch)

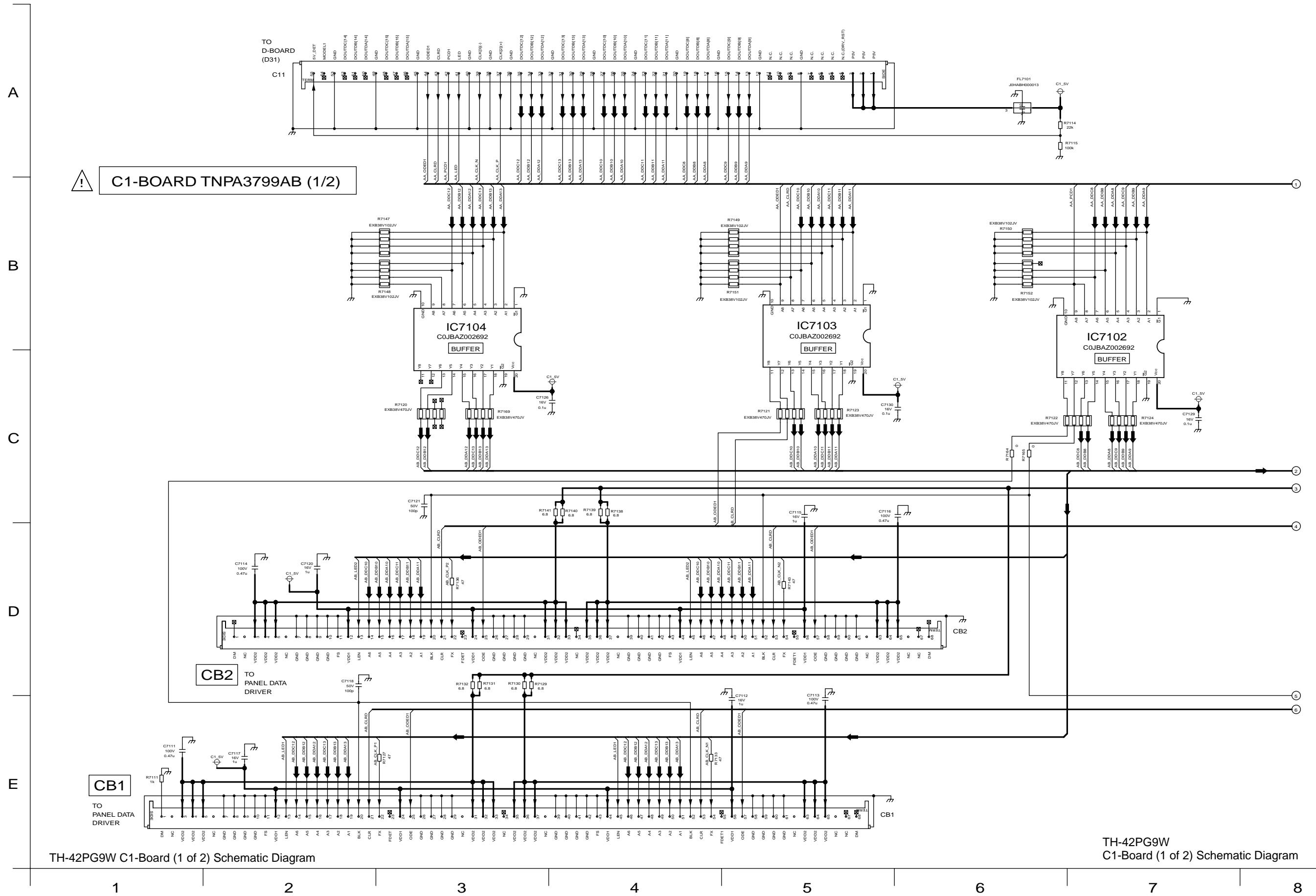


TH-37PG9W  
C1-Board (2 of 2) Schematic Diagram

TH-37PG9W  
C1-Board (2 of 2) Schematic Diagram

8 9 10 11 12 13 14 15

### 14.45. C1-Board (1 of 2) Schematic Diagram (42inch)



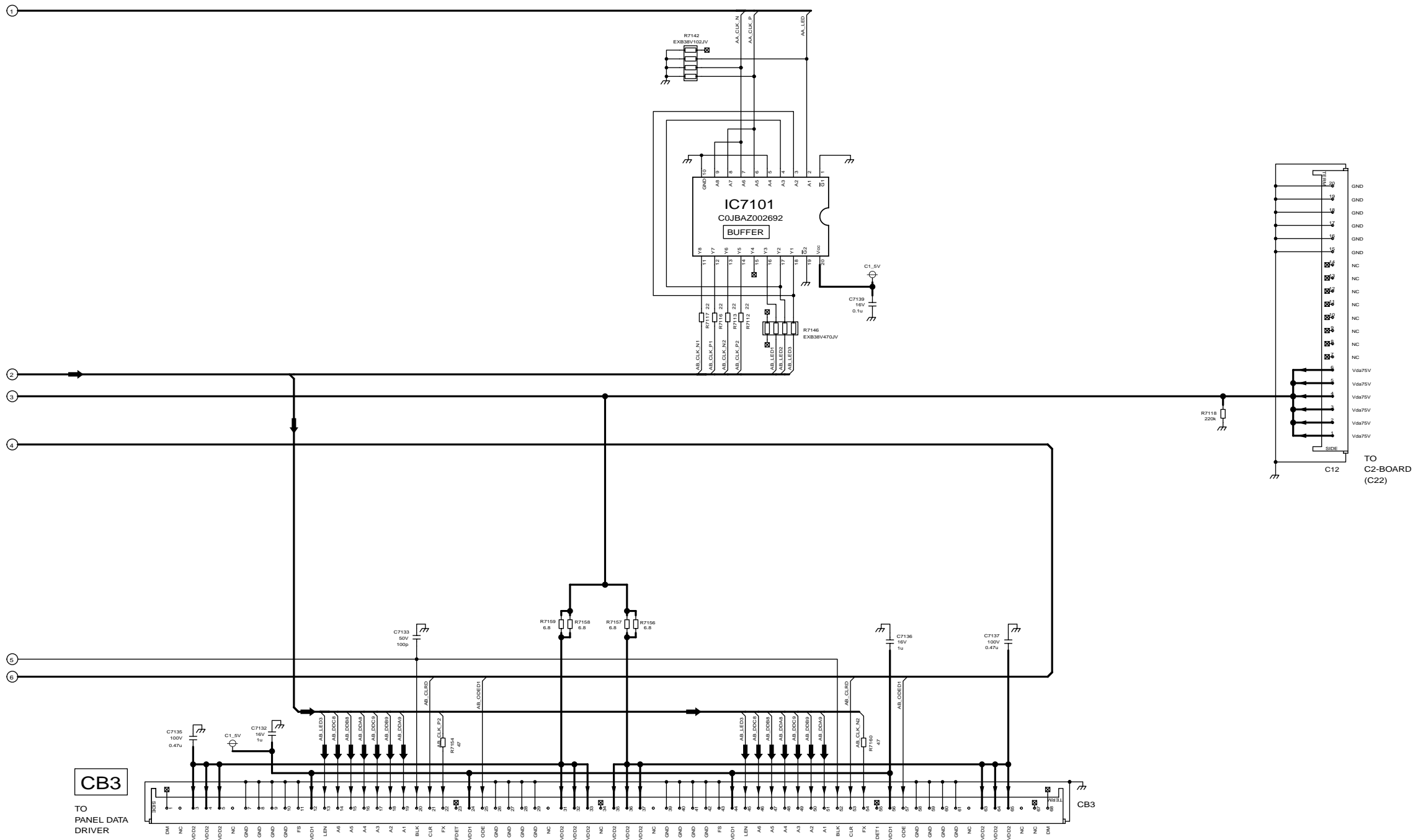
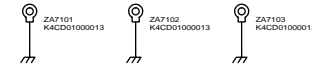
TH-42PG9W C1-Board (1 of 2) Schematic Diagram

TH-42PG9W C1-Board (1 of 2) Schematic Diagram

### 14.46. C1-Board (2 of 2) Schematic Diagram (42inch)



C1-BOARD TNPA3799AB (2/2)



TH-42PG9W C1-Board (2 of 2) Schematic Diagram

TH-42PG9W C1-Board (2 of 2) Schematic Diagram

8

9

10

11

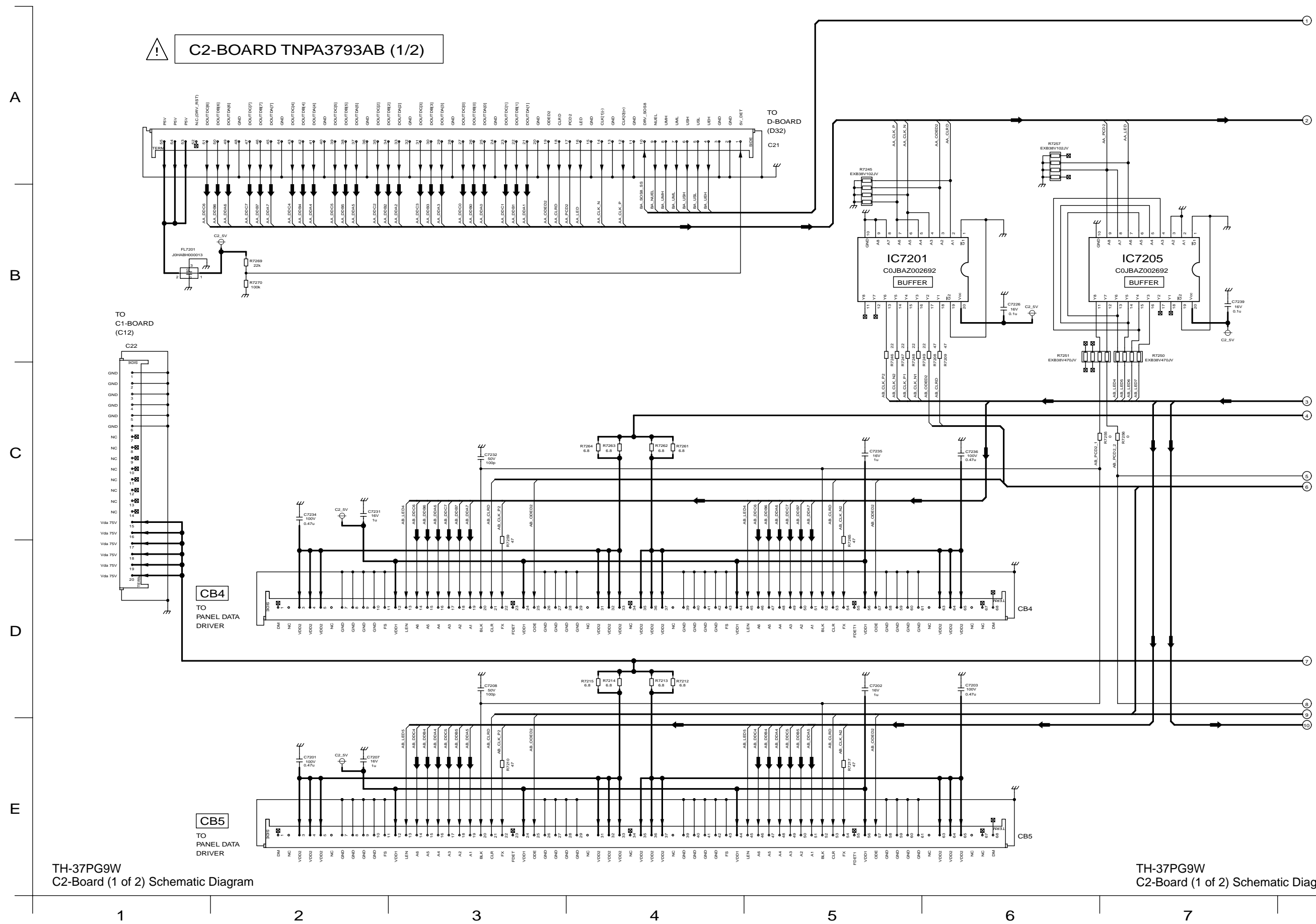
12

13

14

15

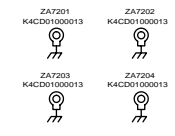
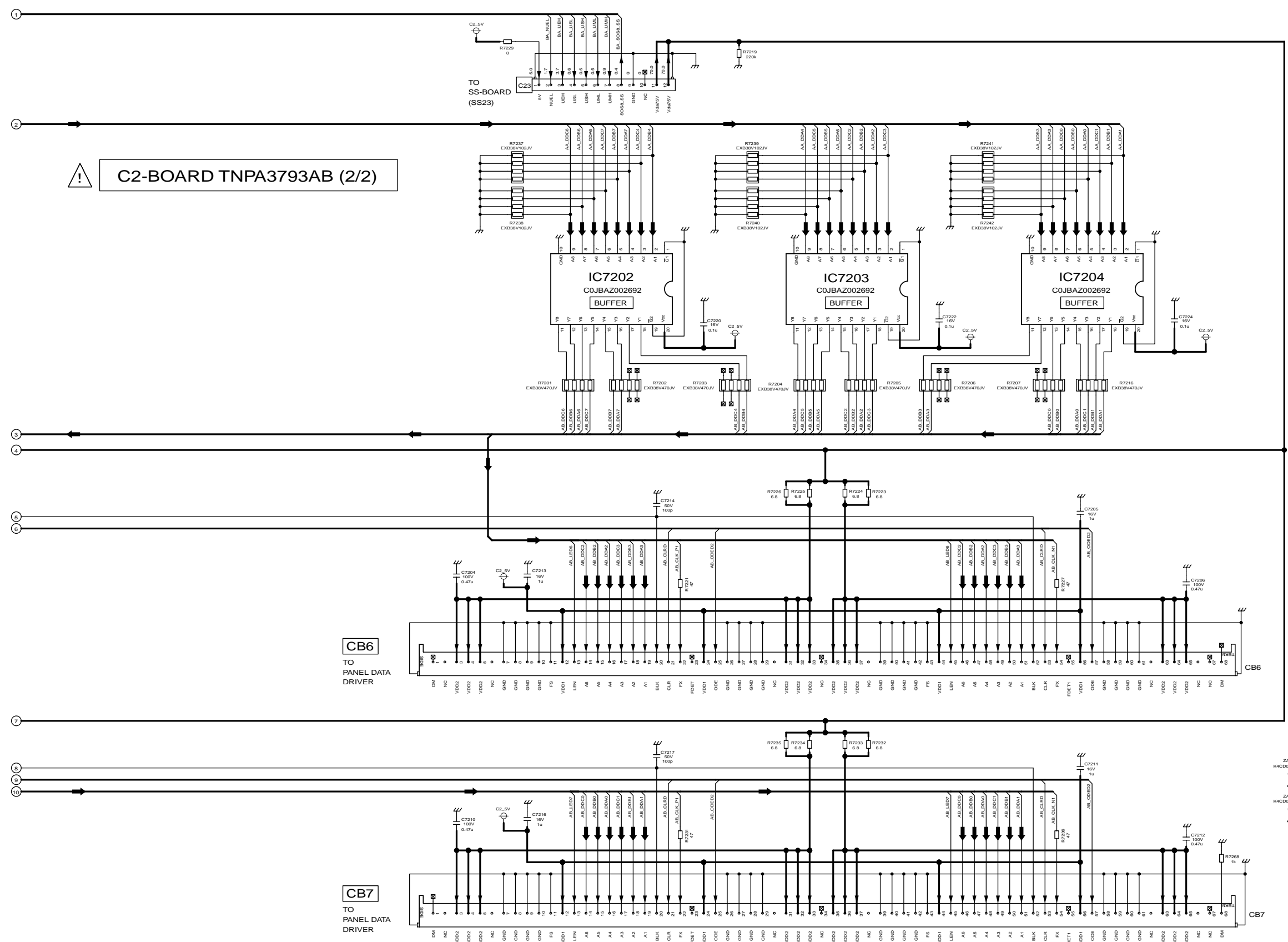
### 14.47. C2-Board (1 of 2) Schematic Diagram (37inch)



TH-37PG9W  
C2-Board (1 of 2) Schematic Diagram

TH-37PG9W  
C2-Board (1 of 2) Schematic Diagram

### 14.48. C2-Board (2 of 2) Schematic Diagram (37inch)

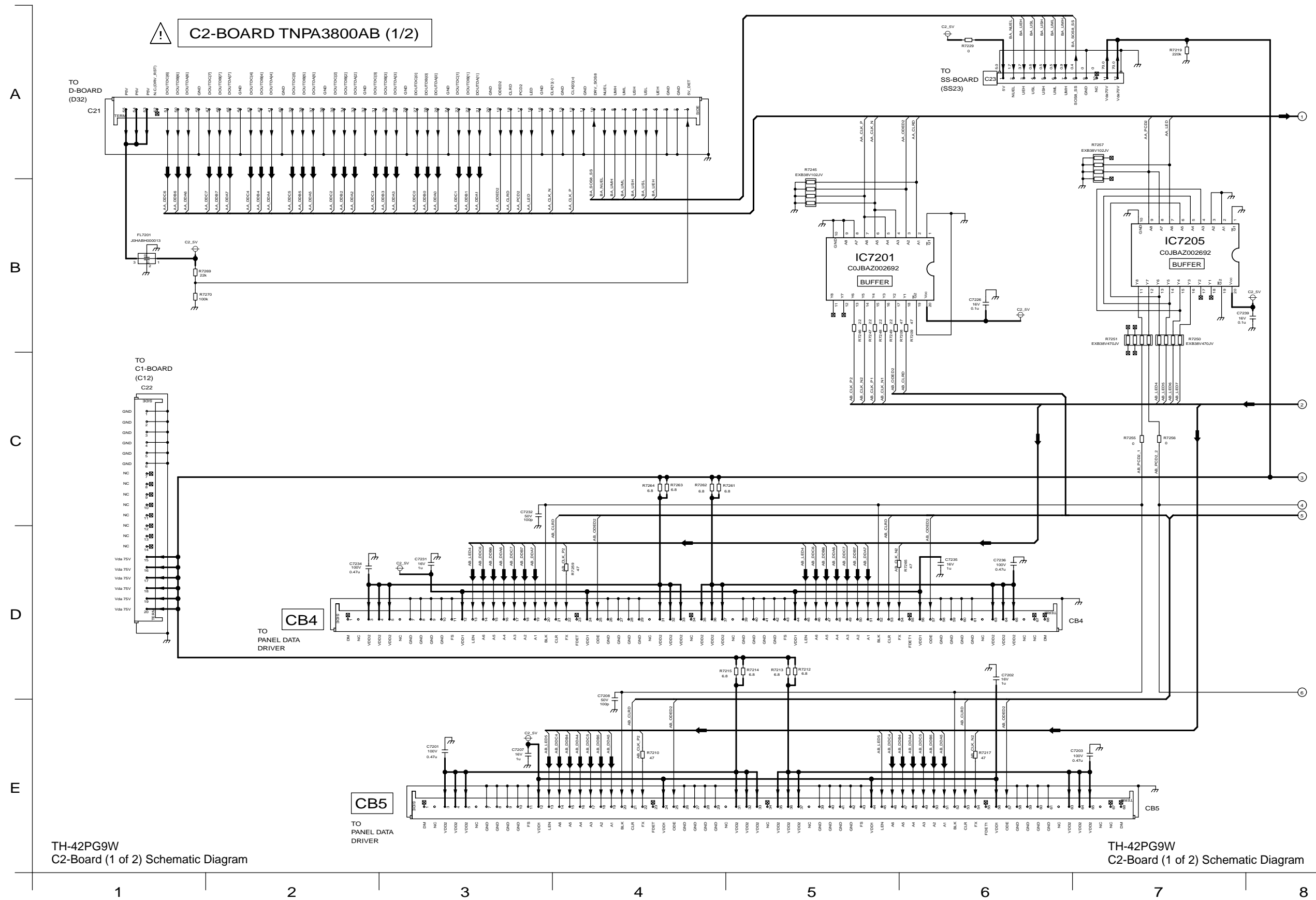


TH-37PG9W C2-Board (2 of 2) Schematic Diagram

TH-37PG9W C2-Board (2 of 2) Schematic Diagram

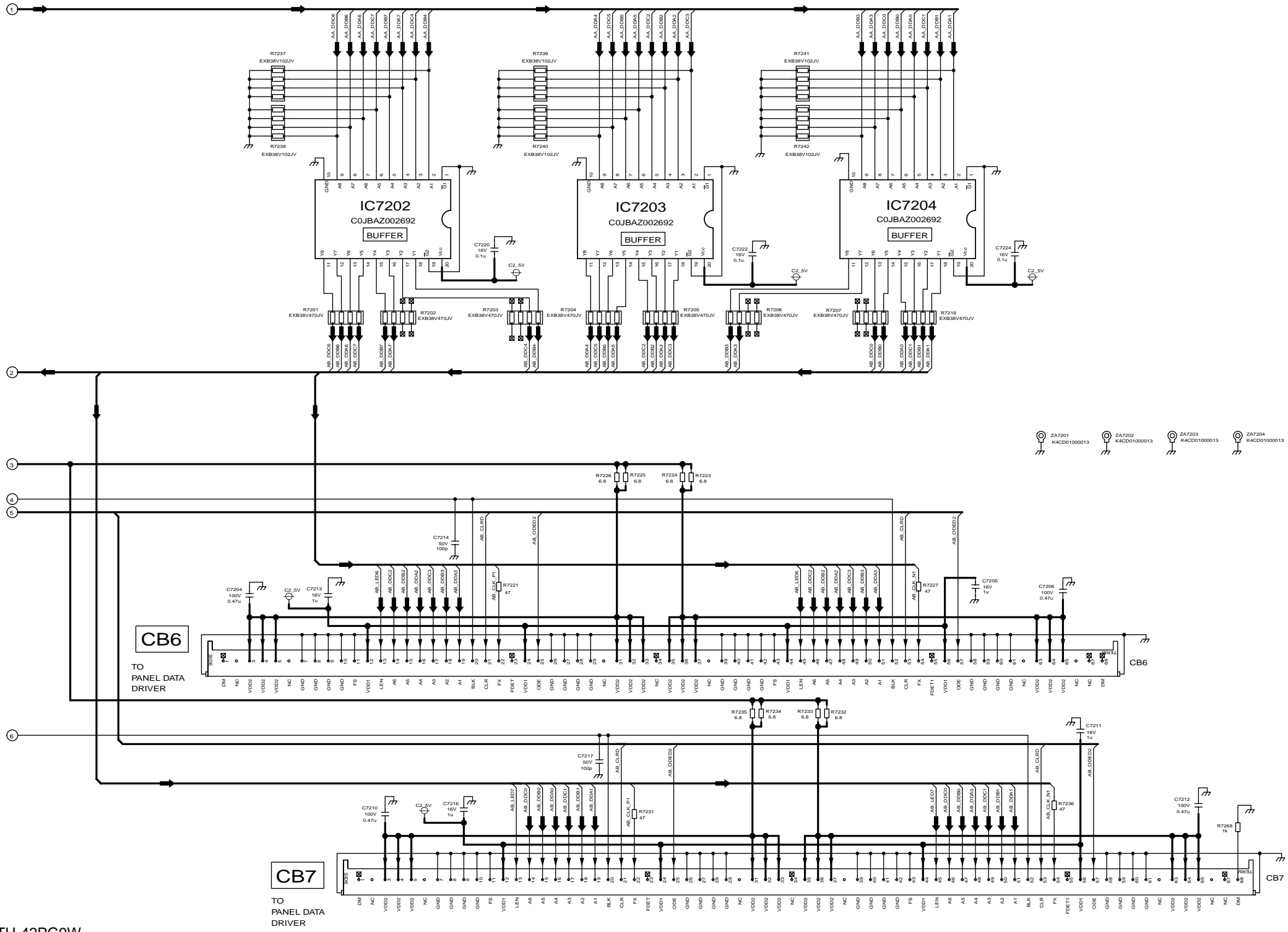
8 9 10 11 12 13 14 15

### 14.49. C2-Board (1 of 2) Schematic Diagram (42inch)



# 14.50. C2-Board (2 of 2) Schematic Diagram (42inch)

! C2-BOARD TNPA3800AB (2/2)



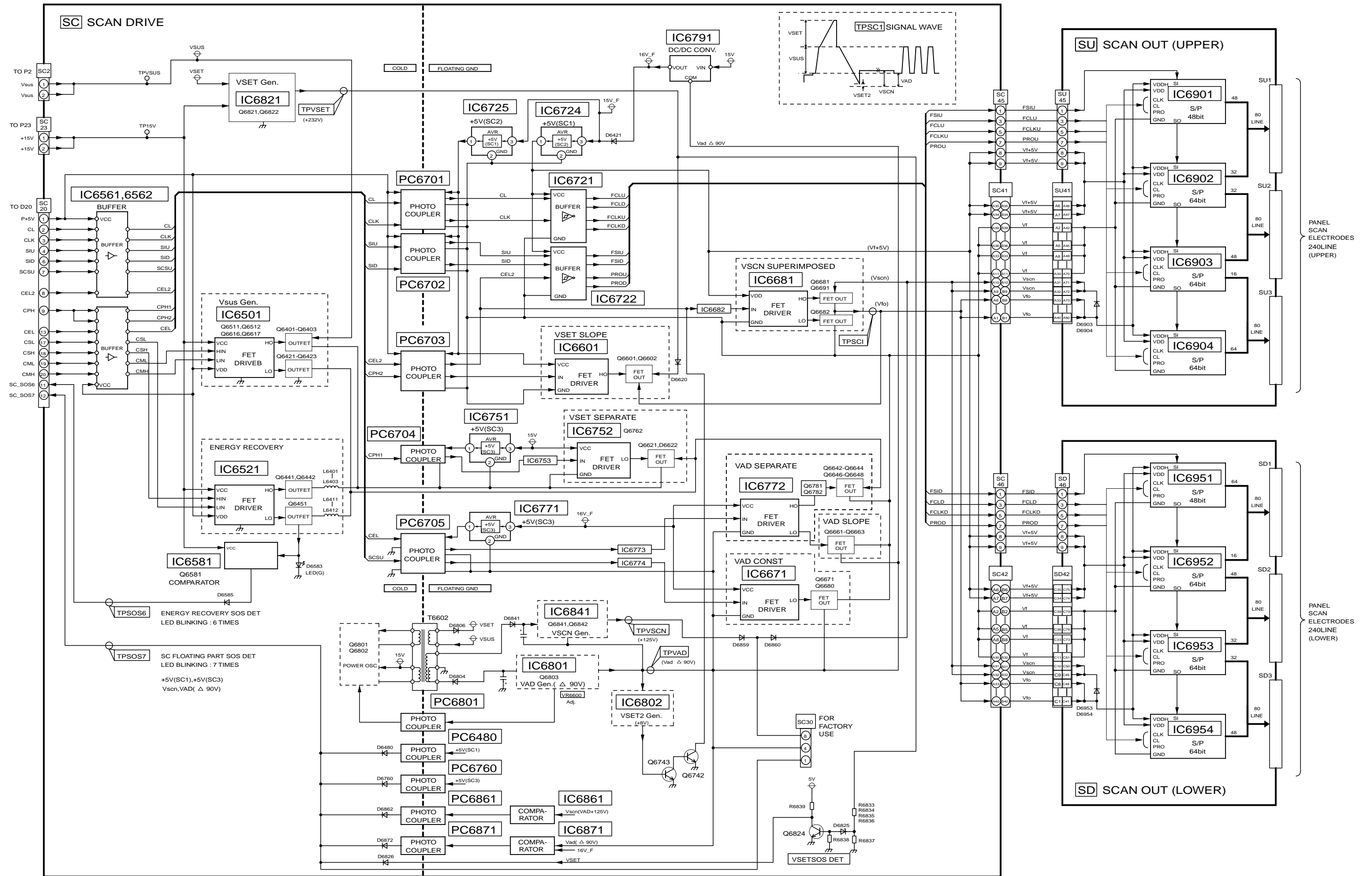
TH-42PG9W C2-Board (2 of 2) Schematic Diagram

TH-42PG9W C2-Board (2 of 2) Schematic Diagram

8 9 10 11 12 13 14 15



### 14.51. SC, SU and SD-Board Block Diagram



TH-37/42PG9W  
SC, SU and SD-Board Block Diagram

TH-37/42PG9W  
SC, SU and SD-Board Block Diagram

# 14.52. SC-Board (1 of 2) Schematic Diagram

! SC-BOARD (1/2)  
 TNPA3794AE (37inch)  
 TNPA3794AB (42inch)

A

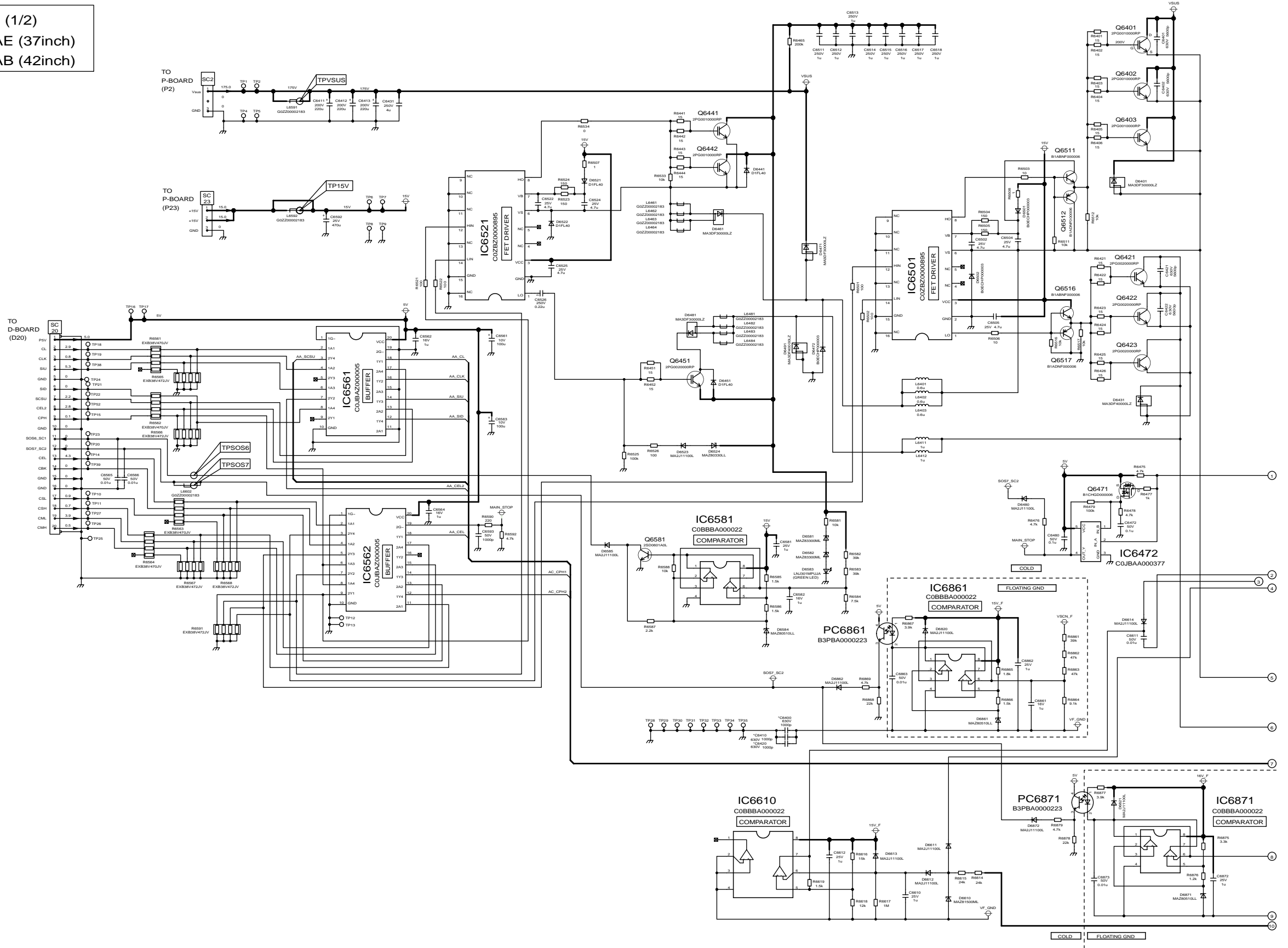
B

C

D

E

F

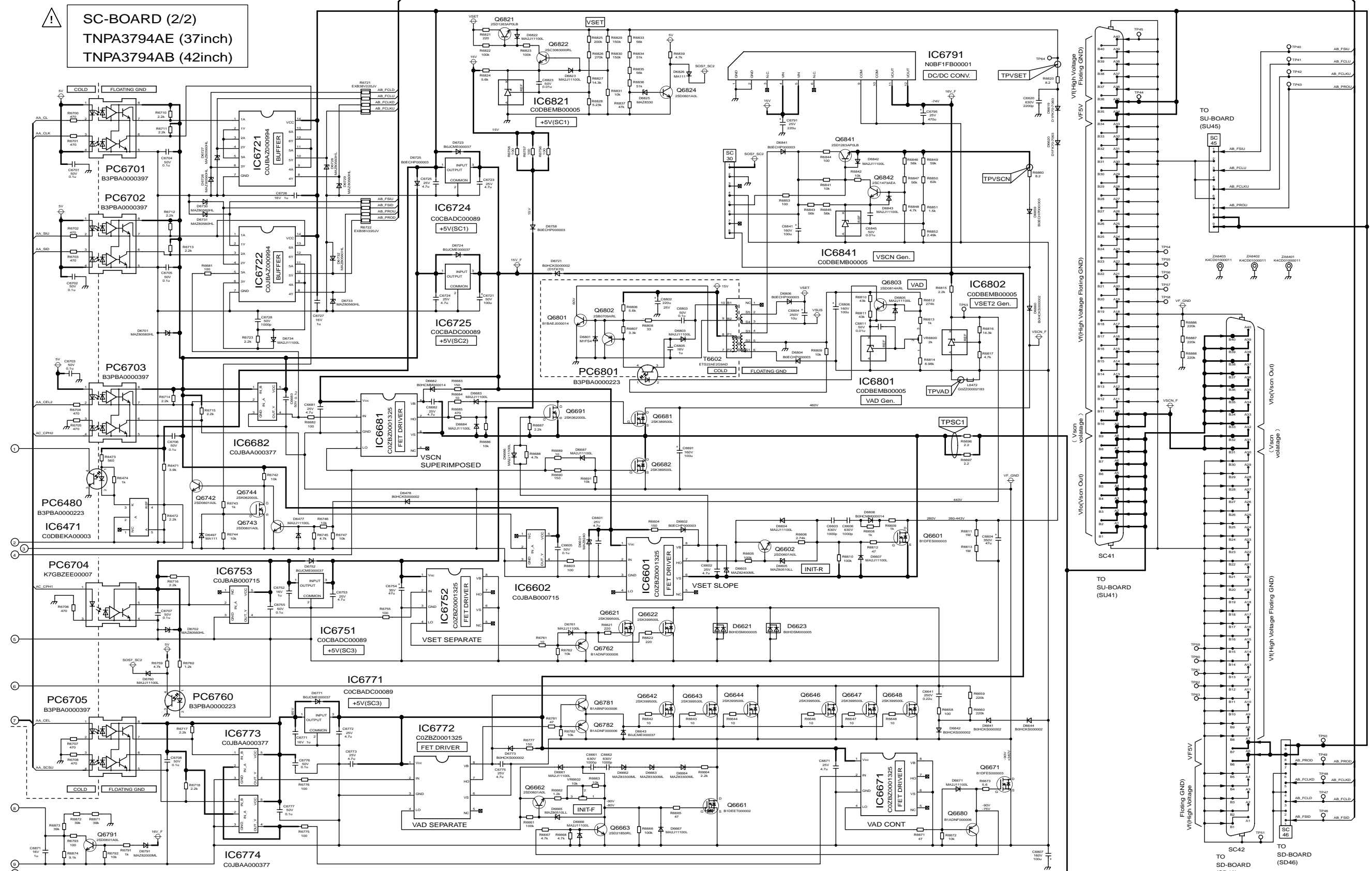


TH-37/42PG9W  
SC-Board (1 of 2) Schematic Diagram

TH-37/42PG9W SC-Board (1 of 2) Schematic Diagram

1 2 3 4 5 6 7 8 9

### 14.53. SC-Board (2 of 2) Schematic Diagram

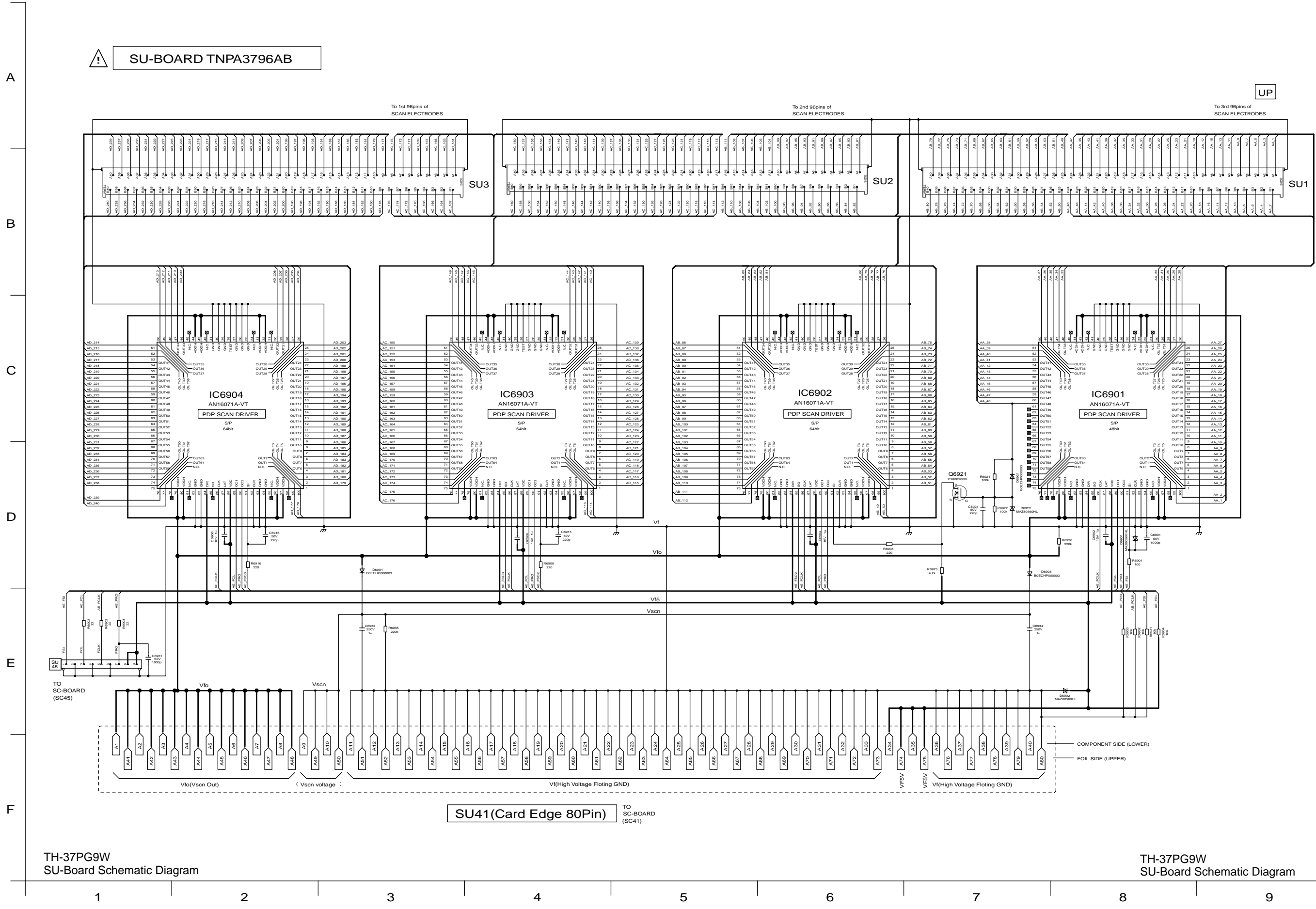


TH-37/42PG9W  
SC-Board (2 of 2) Schematic Diagram

TH-37/42PG9W  
SC-Board (2 of 2) Schematic Diagram

10 11 12 13 14 15 16 17 18

# 14.54. SU-Board Schematic Diagram (37inch)



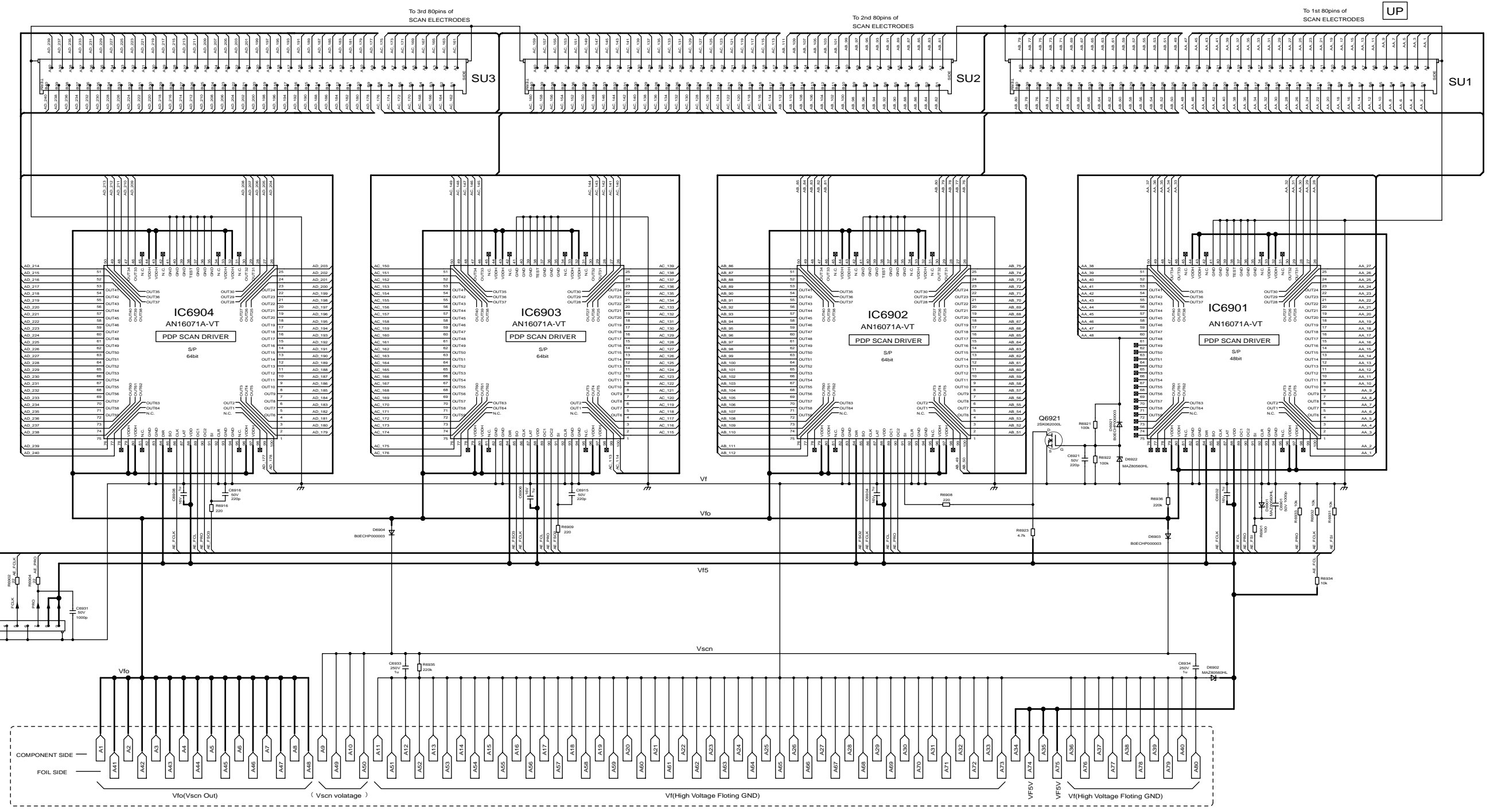
TH-37PG9W  
SU-Board Schematic Diagram

TH-37PG9W  
SU-Board Schematic Diagram

# 14.55. SU-Board Schematic Diagram (42inch)

**SU-BOARD TNPA3874AB**

A  
B  
C  
D  
E  
F



TH-42PG9W  
SU-Board Schematic Diagram

TH-42PG9W  
SU-Board Schematic Diagram

1 2 3 4 5 6 7 8 9

# 14.56. SD-Board Schematic Diagram (37inch)

A

SD-BOARD TNPA3797AB

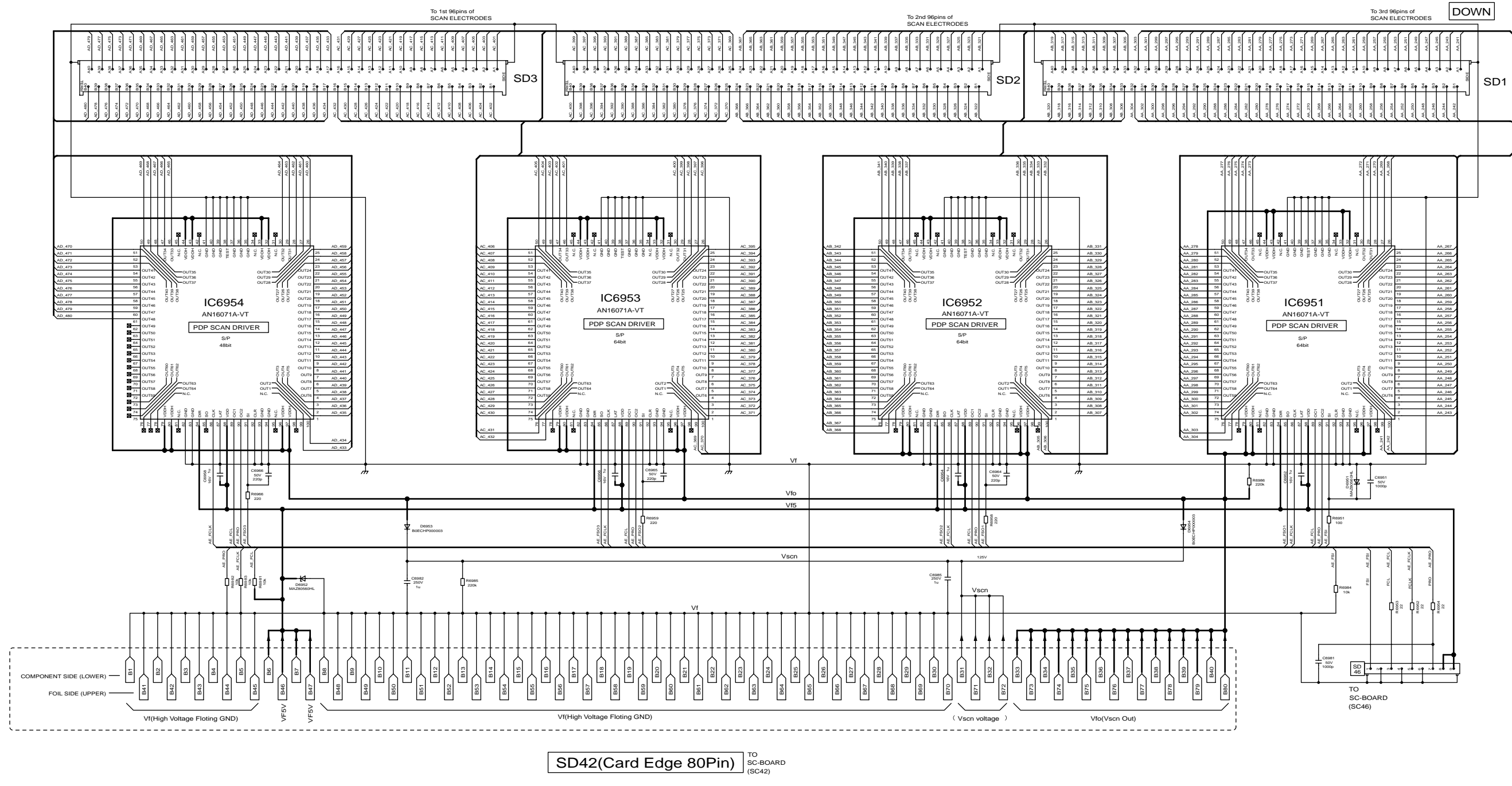
B

C

D

E

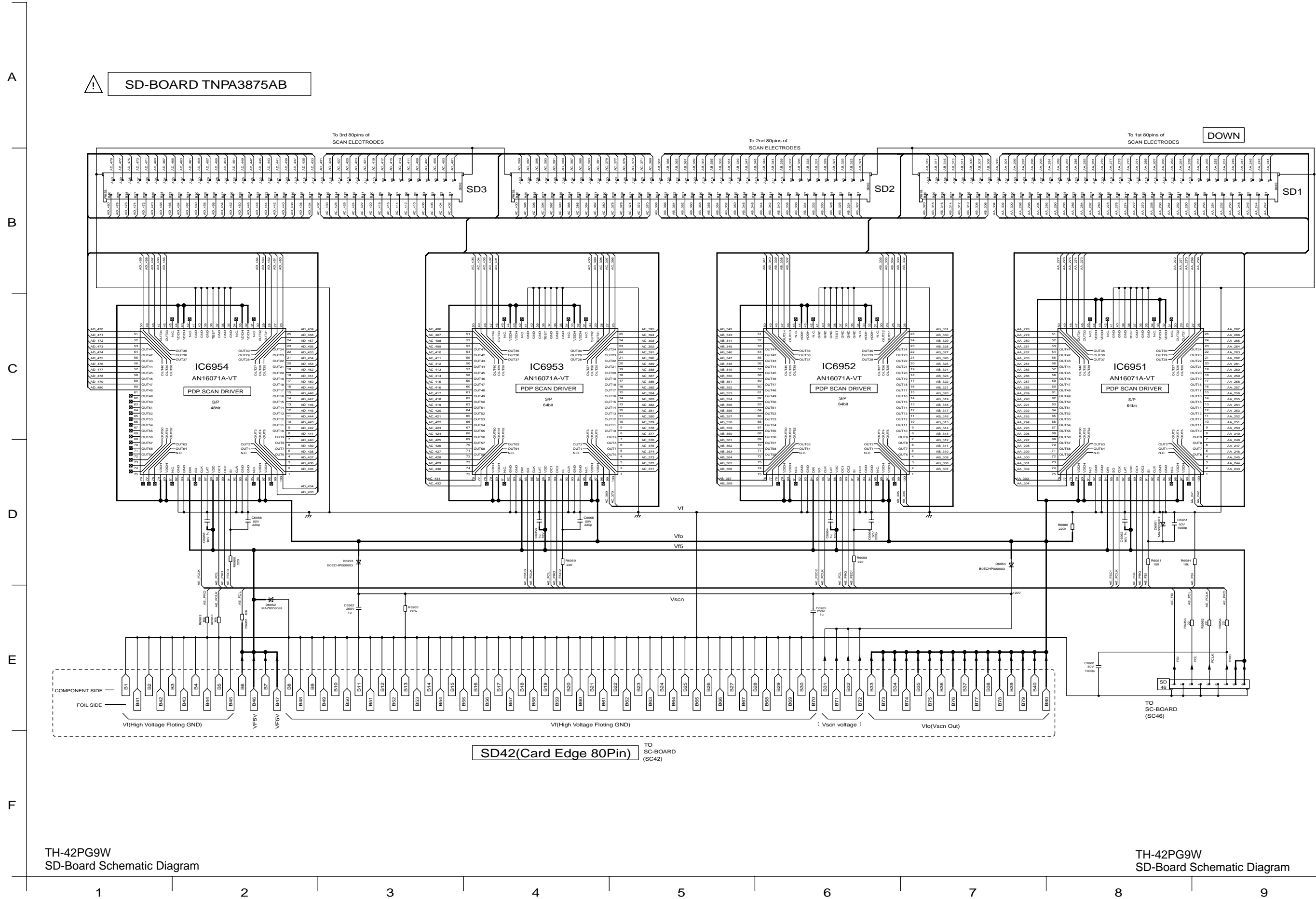
F



TH-37PG9W SD-Board Schematic Diagram

TH-37PG9W SD-Board Schematic Diagram

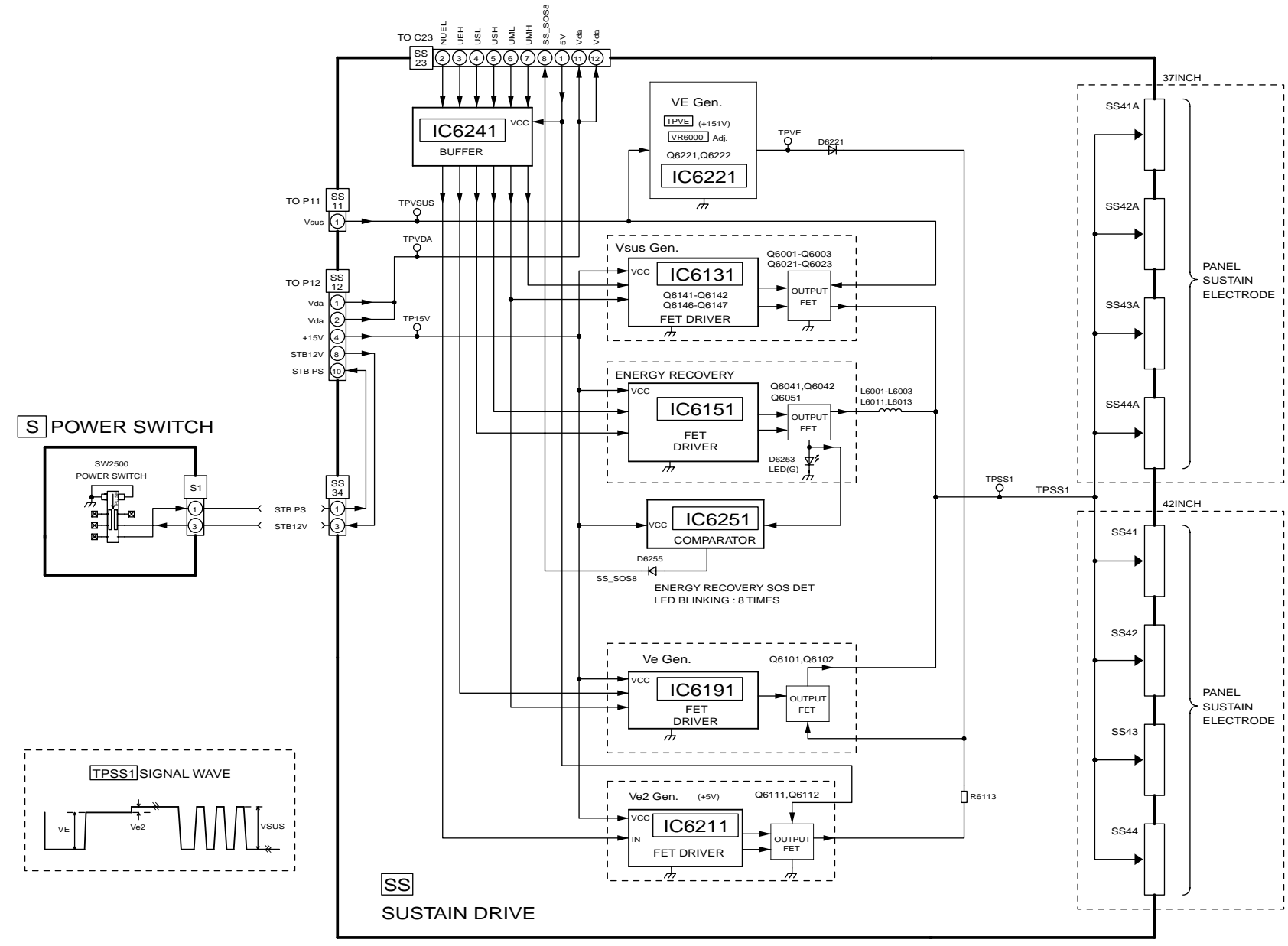
# 14.57. SD-Board Schematic Diagram (42inch)



TH-42PG9W SD-Board Schematic Diagram

TH-42PG9W SD-Board Schematic Diagram

### 14.58. SS and S-Board Block Diagram



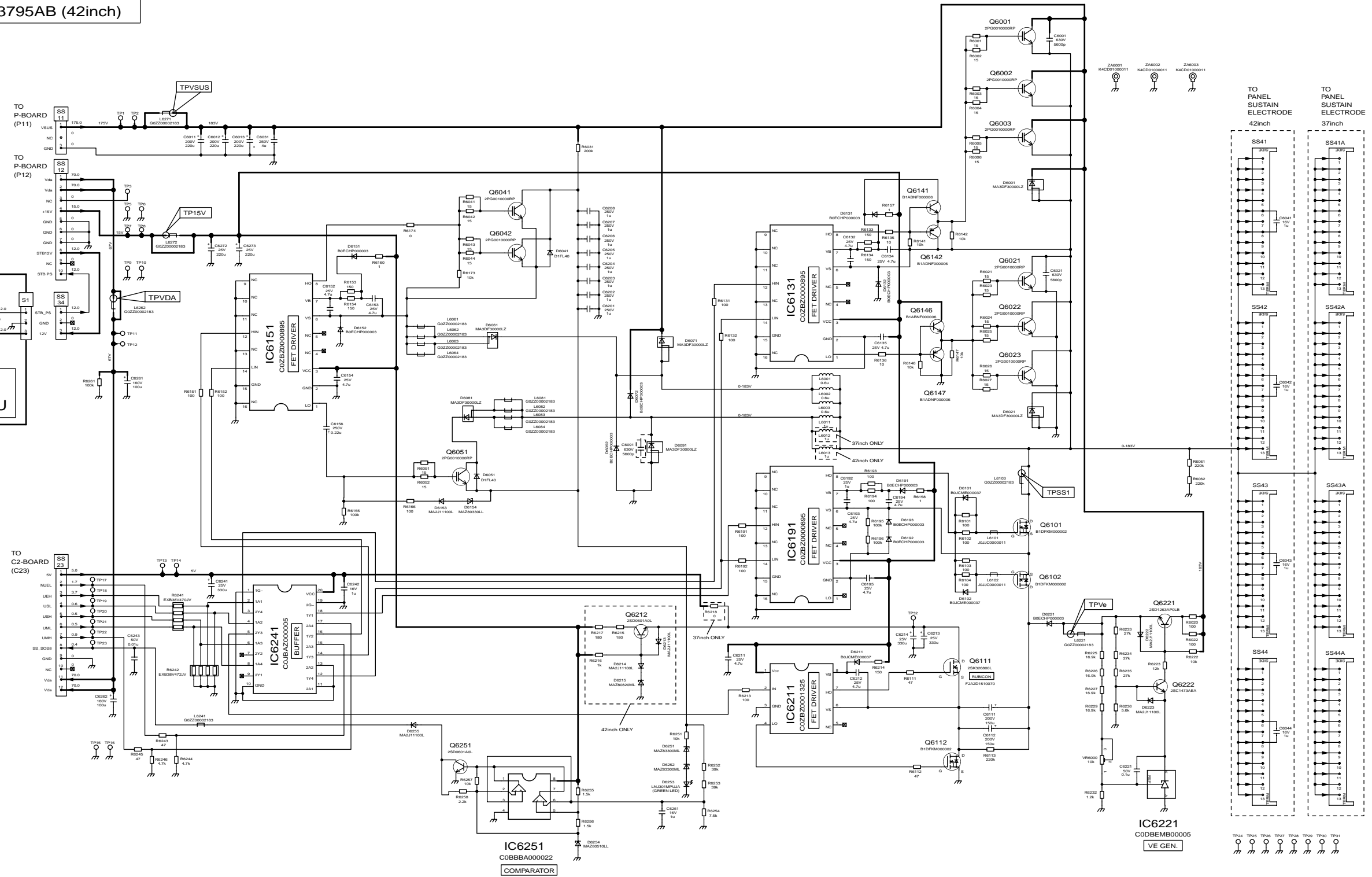


# 14.59. SS and S-Board Schematic Diagram

A  
B  
C  
D  
E  
F

SS-BOARD  
TNPA3795AE (37inch)  
TNPA3795AB (42inch)

S-BOARD  
TXN/S1ZQTU



TH-37/42PG9W  
SS and S-Board Schematic Diagram

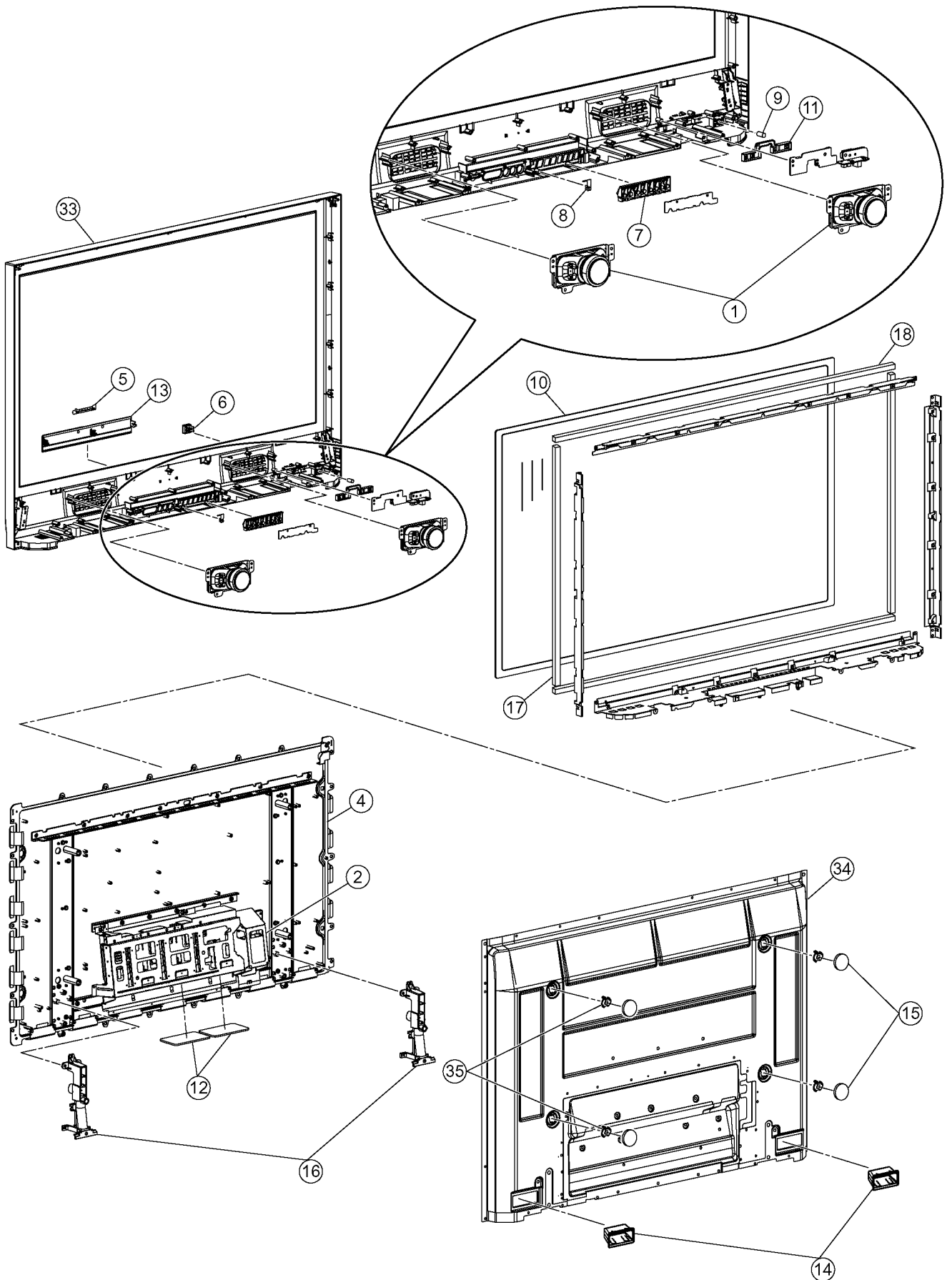
TH-37/42PG9W  
SS and S-Board Schematic Diagram

1 2 3 4 5 6 7 8 9

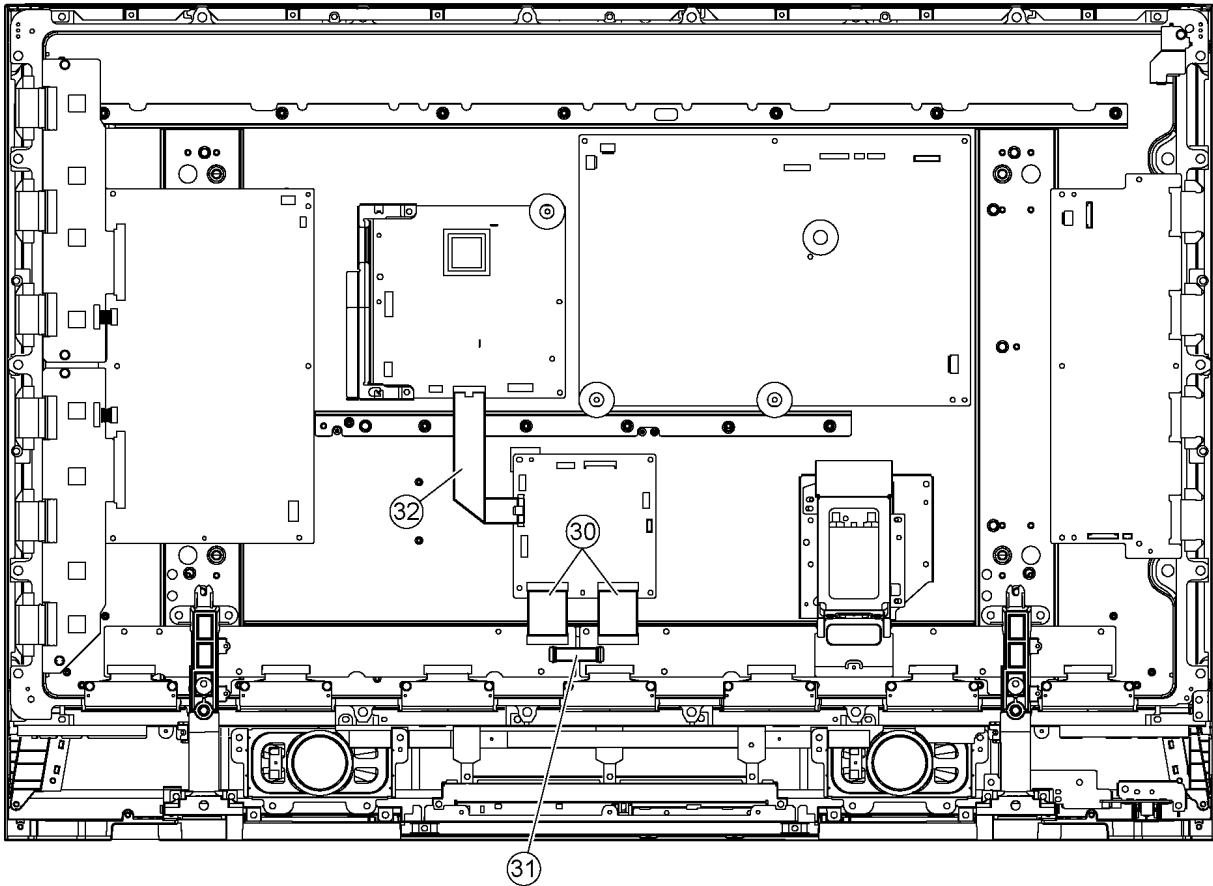


# 15 Parts Location

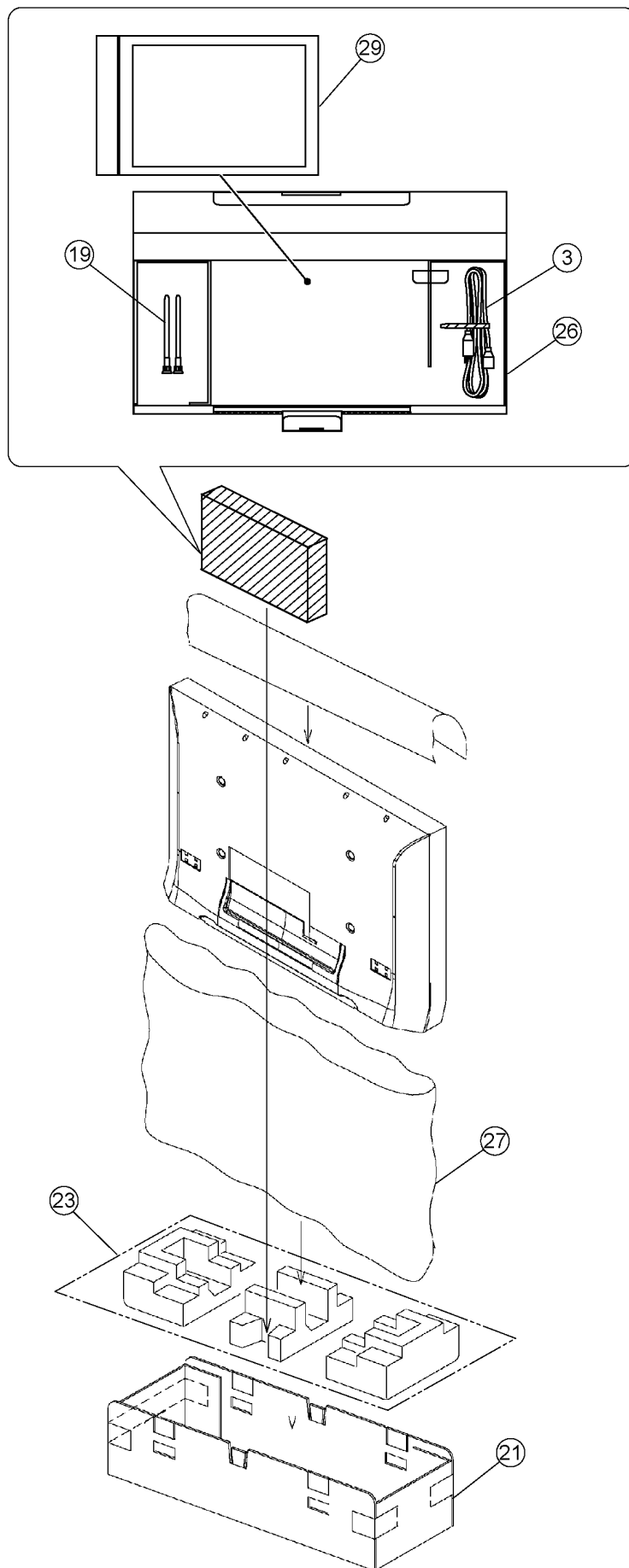
## 15.1. Exploded View

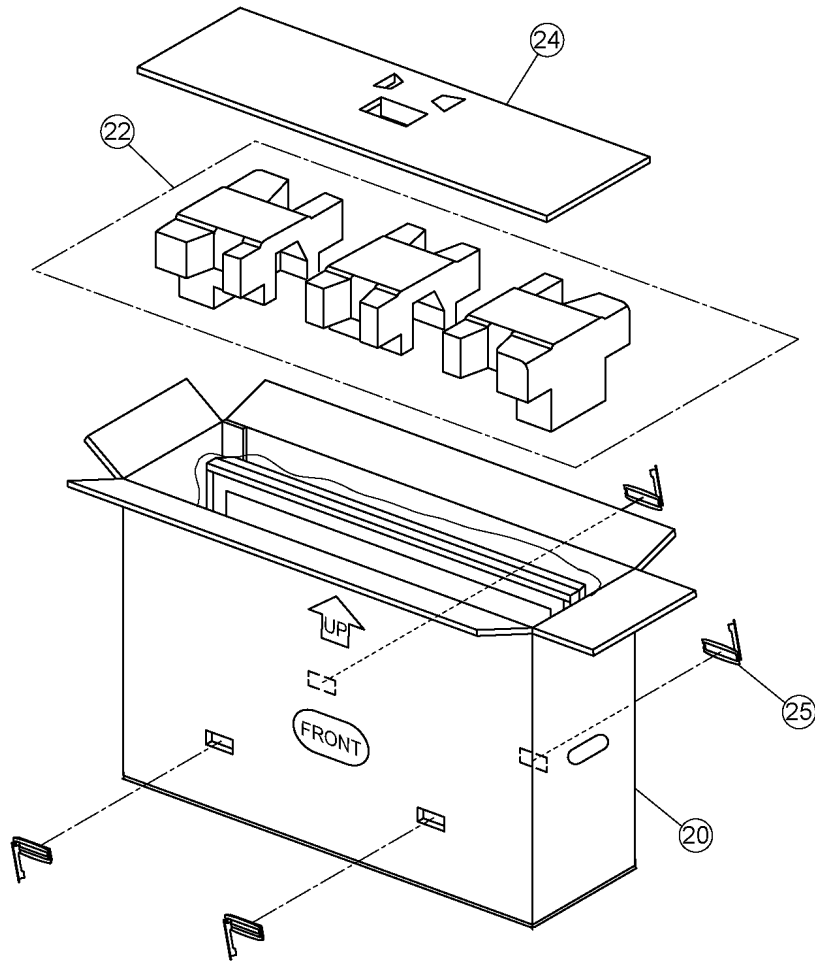


## 15.2. Cable relation



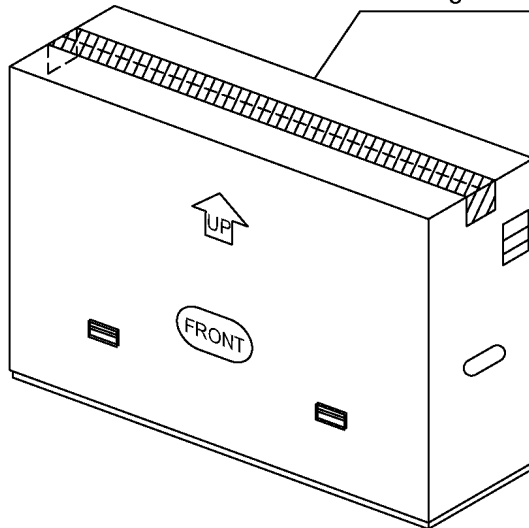
### 15.3. Packing summary





Complete package

Packing Case (Top)



# 16 Mechanical Replacement Parts List

Ref. No.	Part No.	Part Name & Description	Pcs	Remarks
1	EAS12S10A	SPEAKER	1	
1	EAS12S10A	SPEAKER	1	
	JOKF00000038	CORE	1	(TH-42PG9W)
2	K2AHYH000003	AC INLET	1	△
3	K2CK3DH00029	AC CORD(OBLIQUE FLAT BLADE)	1	△
3	K2CN3DH00006	AC CORD(ROUND PIN)	1	△
3	K2CT3DH00018	AC CORD(RECTANGULAR BLADE)	1	△
4	MD37S09A1J	PLASMA DISPLAY PANEL	1	(TH-37PG9W) △
4	MD42S09A1J	PLASMA DISPLAY PANEL	1	(TH-42PG9W) △
5	TBMA185	PANASONIC BADGE	1	
6	TBXA48702	POWER BUTTON	1	
7	TBXA48803	CONTROL BOTTON	1	
8	TESA274	LEAF SPRING	1	
9	TESD078	BUTTON SPRING	1	
	THEA068N	SCREW	4	
	THEL0239	SCREW	2	
	THEL0239	SCREW	12	
	THEL027N	SCREW	4	
	THEL0429	SCREW	14	
	THTD0179	STEP SCREW(P-SPACER)	4	
	THTF011N	SCREW	3	
	THTF011N	SCREW	16	
	THTF011N	SCREW	22	
	THTF011N	SCREW	22	
10	TKGA5275	FRONT GLASS	1	(TH-42PG9W)
10	TKGA5277	FRONT GLASS	1	(TH-37PG9W)
11	TKKC5246	LED PANEL	1	
12	TKKL5266	COVER	2	
13	TKPB01102	DOOR	1	
14	TKRA51701	REAR COVER HANDLE	2	
15	TKKL5231	M8 SPACER CAP	4	
16	TMZX5058	STAND BRACKET	2	
17	TMKG658	SPONGE(TKG/LEFT/RIGHT)	2	(TH-37PG9W)
17	TMKG660	SPONGE(FRONT GLASS V)	2	(TH-42PG9W)
18	TMKG657-1	SPONGE(UPPER/BOTTOM)	2	(TH-37PG9W)
18	TMKG659-1	SPONGE(UPPER/BOTTOM)	2	(TH-42PG9W)
	TMM14490	CLAMPER	2	
	TMM14490	CLAMPER	1	
	TMM15414-2	CLAMPER	1	
	TMM16473-1	CLAMPER	1	
	TMM17434-2	CLAMPER	1	
	TMM17499	CLAMPER	1	
	TMM25401	CLAMPER	1	
	TMM25401	CLAMPER	3	
	TMM25401	CLAMPER	3	
	TMM6496-1	CLAMPER	1	(TH-42PG9W)
	TMM7464-2	CLAMPER	4	
	TMM7468-1	CLAMPER	1	
	TMMD010	CLAMPER	1	
	TMME061	CLAMPER	2	
	TMME061	CLAMPER	2	
	TMME061	CLAMPER	1	
	TMME185	CLAMPER	2	
19	TMME187	CLAMPER	2	
	TMME190	CLAMPER	1	
	TMME217	CLAMPER	1	
	TMME226	AC CORD CLAMPER	2	
	TMME228	CLAMPER	2	
	TMMX037	CLAMPER	1	
20	TPCB97501	CARTON BOX TOP	1	(TH-37PG9W) △
20	TPCB92505	CARTON BOX TOP	1	(TH-42PG9W) △

Ref. No.	Part No.	Part Name & Description	Pcs	Remarks
21	TPCB97601	CARTON BOX BOTTOM	1	(TH-37PG9W)
21	TPCB92601	CARTON BOX BOTTOM	1	(TH-42PG9W)
22	TPDA1379	CUSHION TOP	1	
23	TPDA1360	CUSHION BOTTOM	1	
24	TPDF1671	TOP PAD	1	(TH-37PG9W)
24	TPDF1582	TOP PAD	1	(TH-42PG9W)
25	TPD169487	JOINT	4	
26	TPDF0737	PAPER BOX	1	
27	TPEH210	PROTECT COVER	1	
29	TQBC2112	INSTRUCTION BOOK(ENGLISH)	1	△
29	TQBC2119	INSTRUCTION BOOK(ARABIAN)	1	△
30	TSXL513	CABLE(D31-C11/D32-C21)	2	
31	TSXL519	CABLE(C12-C22)	1	
32	TSXL543	CABLE(DA2-D3)	1	
33	TXFKE01ZPTW	ESCUTCHEON ASSY	1	(TH-37PG9W) △
33	TXFKE01ZQTW	ESCUTCHEON ASSY	1	(TH-42PG9W) △
34	TTUA1406	REAR COVER	1	(TH-37PG9W) △
34	TTUA1405	REAR COVER	1	(TH-42PG9W) △
35	TMMX133	M8-SPACER	4	
	TXJ/J7ZQTU	SPEAKER REED	1	
	TXJ/SPZQTU	SPEAKER LEAD	1	
	XTB4+12GFJ	SCREW	6	
	XTB4+12GFJ	SCREW	45	
	XTB4+12GFJK	SCREW	8	
	XTB4+16GFJ	SCREW	2	
	XTV3+10JFJ	SCREW	2	
	XTW3+10TFJ	SCREW	3	
	XYN3+F8FJ	SCREW	13	
	XYN3+F8FJ	SCREW	2	
	XYN3+F8FJ	SCREW	2	
	XYN3+J12FJ	SCREW	13	
	XYN3+J12FJ	SCREW	12	
	XYN4+E8FJ	SCREW	1	
	XYN4+F10FJ	SCREW	6	
	XYN4+F10FJK	SCREW	6	
	XYN4+F30FJK	SCREW (BC TOP6 SIDE6: AL)	6	
	XYN5+C15FJ	SCREW	8	
	XZBT6506	POLY BAG	1	

# 17 Replacement Parts List

## 17.1. Replacement Parts List Notes

### Important Safety Notice

*Components identified by  $\triangle$  mark have special characteristics important for safety. When replacing any of these components, use only manufacturer's specified parts.*

#### RTL (Retention Time Limited)

**Note:** The marking (RTL) indicates that the Retention Time is Limited for this item.

After the discontinuation of this assembly in production, the item will continue to be available for a specific period of time. The retention period of availability is dependant on the type of assembly, and in accordance with the laws governing part and product retention. After the end of this period, the assembly will no longer be available.

Abbreviation of part name and description

#### 1. Resistor

Example:

ERD25TJ104    C 100KOHM, J, 1/4W  
                   Type            Allowance

#### 2. Capacitor

Example:

ECKF1H103ZF    C 0.01UF, Z, 50V  
                                   Type            Allowance

Type	Allowance
C : Carbon	F : $\pm 1\%$
F : Fuse	G : $\pm 2\%$
M : Metal Oxide Metal Film	J : $\pm 5\%$
S : Solid	K : $\pm 10\%$
W : Wire Wound	M : $\pm 20\%$

Type	Allowance
C : Ceramic	C : $\pm 0.25\text{pF}$
E : Electrolytic	D : $\pm 0.5\text{pF}$
P : Polyester	F : $\pm 1\text{pF}$
Polyprop	G : $\pm 3\text{pF}$
lene	J : $\pm 5\text{pF}$
T : Tantalum	K : $\pm 10\text{pF}$
	L : $\pm 15\text{pF}$
	M : $\pm 20\text{pF}$
	P : +100%, -0%
	Z : +80%, -20%



## 17.2. TH-37PG9W Electrical Replacement Parts List

Ref. No.	Part No.	Part Name & Description	Pcs	Remarks
F401.40 2	K5D802BNA005	TIME LAG FUSE HIGH	2	△
F410	K5G102B00020	FUSE	1	△
C11	K1MN55BA0076	55P CONNECTOR	1	
C12	K1MN20BA0231	20P CONNECTOR	1	
C21	K1MN55BA0076	55P CONNECTOR	1	
C22	K1MN20BA0231	20P CONNECTOR	1	
C23	K1KA12BA0107	12P CONNECTOR	1	
C402	F1J1C1050011	C 1UF, Z, 50V	1	
C404	F0CAF105A021	C 1UF, 250V	1	△
C407	EEUEB2W220B	E 22UF, 450V	1	△
C408	ECJ2XB1H102K	C 1000PF, K, 50V	1	
C409	F0CAF105A021	C 1UF, 250V	1	△
C410	ECJ2XB1H103K	C 0.01UF, K, 50V	1	
C413	ECJ2XB1H104K	C 0.1UF, K, 50V	1	
C414	ECQU2A473ML	P 0.047UF, M, 250V	1	△
C421	F1J1C1050011	C 1UF, Z, 50V	1	
C422	ECJ2XB1H103K	C 0.01UF, K, 50V	1	
C423	ECJ2XB1H472K	C 4700PF, K, 50V	1	
C425	ECJ2XB1H103K	C 0.01UF, K, 50V	1	
C426	ECJ2XC1H471J	C 470PF, J, 50V	1	
C427	F1J1C1050011	C 1UF, Z, 50V	1	
C428	ECJ2XC1H221J	C 220PF, J, 50V	1	
C429	F1E2J4730001	C 0.047PF, , 600V	1	
C431	ECJ2XB1H102K	C 1000PF, K, 50V	1	
C432	F1J1C1050011	C 1UF, Z, 50V	1	
C433	ECJ3XB1E104K	C 0.1UF, K, 25V	1	
C434	F1J1C1050011	C 1UF, Z, 50V	1	
C436	F1J1C1050011	C 1UF, Z, 50V	1	
C440	ECA1HM100	E 10UF, 50V	1	
C440 1	ECA1HM100	E 10UF, 50V	1	
C443,44	F1A3A102A040	C 1000PF, J, 1KV	2	
C445	F1J1C1050011	C 1UF, Z, 50V	1	
C446	F2B2W3910005	C 200UF, 450V	1	△
C450	ECJ2XB1H103K	C 0.01UF, K, 50V	1	
C451	F1A3A101A040	C 100PF, J, 1KV	1	
C457	ECWH12333RHV	P 0.013UF, J, 1.2KV	1	
C460,61	F1A3A331A039	E 330UF, 1KV	2	
C462	ECJ3YB1E105K	C 1UF, K, 25V	1	
C463	ECJ2XC1H220J	C 22UF, J, 50V	1	
C467	ECKCNA221KB7	C 220PF, M,	1	△
C468	ECJ2XB1H103K	C 0.01UF, K, 50V	1	
C469	ECKCNA221KB7	C 220PF, M,	1	△
C470	F0CAF105A021	C 1UF, 250V	1	△
C473,74	ECKCNA101KB7	C 100PF	2	△
C476	ECKCNA101KB7	C 100PF	1	△
C478	ECKCNA101KB7	C 100PF	1	△
C493	ECA1HM470	E 47UF, 50V	1	
C494	F2A2E1R00008	E 1.0UF, 250V	1	
C497	ECA1HM470	E 47UF, 50V	1	
C501,02	ECJ2XB1H103K	C 0.01UF, K, 50V	2	
C503	ECJ2XC1H471J	C 470PF, J, 50V	1	
C504	F1J1C1050011	C 1UF, Z, 50V	1	
C505	ECJ2XB1H102K	C 1000PF, K, 50V	1	
C506,07	ECJ2XB1H103K	C 0.01UF, K, 50V	2	
C508	ECJ2XC1H471J	C 470PF, J, 50V	1	
C509	ECA1EHG101	E 100UF, 25V	1	
C510	ECJ2XB1H104K	C 0.1UF, K, 50V	1	
C511	ECJ2XB1H102K	C 1000PF, K, 50V	1	
C512-14	ECJ2XC1H471J	C 470PF, J, 50V	3	
C515	F2A1A1220011	E 1200UF, 10V	1	
C516	ECJ2XB1C474K	C 0.47UF, Z, 16V	1	
C517	F2A1E221A096	E 220UF, 25V	1	
C518	ECJ2XB1H104K	C 0.1UF, K, 50V	1	
C519	F1J1C1050011	C 1UF, Z, 50V	1	
C523	ECJ3YB1E105K	C 1UF, K, 25V	1	
C526	ECJ2XB1H223K	C 0.022UF, K, 50V	1	
C527	ECJ3YB1E475K	C 4.7UF, K, 25V	1	
C528,29	F1J1C1050011	C 1UF, Z, 50V	2	
C530	ECJ2VB1H333K	C 0.033UF, K, 50V	1	

Ref. No.	Part No.	Part Name & Description	Pcs	Remarks
C531	ECJ3YB1E105K	C 1UF, K, 25V	1	
C533	ECJ2XB1H103K	C 0.01UF, K, 50V	1	
C534	ECJ2XC1H471J	C 470PF, J, 50V	1	
C546,47	ECJ2XB1H102K	C 1000PF, K, 50V	2	
C550	ECJ2XC1H331J	C 330PF, J, 50V	1	
C551,52	ECJ2XB1H104K	C 0.1UF, K, 50V	2	
C554	F1J1C1050011	C 1UF, Z, 50V	1	
C555	F2A2C101A120	E 1000UF, 160V	1	△
C556,57	EEUFC1E152	E 1500UF, 25V	2	
C558	F2A1E471A096	E 470UF, 25V	1	
C559	F2A1A1220011	E 1200UF, 10V	1	
C562	ECJ2XB1H223K	C 0.022UF, K, 50V	1	
C571	ECJ2XC1H330J	C 33PF, J, 50V	1	
C574	ECJ2XB1H104K	C 0.1UF, K, 50V	1	
C577	F2A2A330A022	E 33UF, 100V	1	△
C581	ECJ2XB1H223K	C 0.022UF, K, 50V	1	
C583	ECJ2XB1H102K	C 1000PF, K, 50V	1	
C584,85	ECJ2XB1H223K	C 0.022UF, K, 50V	2	
C587	ECJ2XB1H332K	C 3300PF, K, 50V	1	
C601	ECJ2XB1H103K	C 0.01UF, K, 50V	1	
C603	ECJ2FB1E105K	C 1UF, K, 25V	1	
C604,05	F2A2D1510008	E 150UF, 200V	2	△
C607	F1J1C1050011	C 1UF, Z, 50V	1	
C608	ECJ2XB1H103K	C 0.01UF, K, 50V	1	
C610	F1J1C1050011	C 1UF, Z, 50V	1	
C611	F2B2D1720006	E 1700UF, Å@ 200V	1	△
C612,13	ECJ2XB1H103K	C 0.01UF, K, 50V	2	
C615	F2B2D1720006	E 1700UF, Å@ 200V	1	△
C616	F1A3A102A040	C 1000PF, J, 1KV	1	
C619	ECJ2XB1H104K	C 0.1UF, K, 50V	1	
C620	ECJ2XB1H103K	C 0.01UF, K, 50V	1	
C623	ECA1HM100	E 10UF, 50V	1	
C624	ECJ2XB1H103K	C 0.01UF, K, 50V	1	
C625	ECA1HM100	E 10UF, 50V	1	
C626	ECJ2XB1H103K	C 0.01UF, K, 50V	1	
C627	ECJ2XB1H102K	C 1000PF, K, 50V	1	
C629-31	ECJ2XB1H103K	C 0.01UF, K, 50V	3	
C632	ECJ2XC1H331J	C 330PF, J, 50V	1	
C634	ECJ2XB1H102K	C 1000PF, K, 50V	1	
C635	ECJ2XB1H103K	C 0.01UF, K, 50V	1	
C638,39	ECJ2XB1H103K	C 0.01UF, K, 50V	2	
C640	ECJ2XB1H104K	C 0.1UF, K, 50V	1	
C641	ECJ2XB1H102K	C 1000PF, K, 50V	1	
C643	ECA1HM470	E 47UF, 50V	1	
C650	ECJ2XB1H104K	C 0.1UF, K, 50V	1	
C653	ECJ2XB1H102K	C 1000PF, K, 50V	1	
C654	ECJ3YB1E105K	C 1UF, K, 25V	1	
C655,56	ECJ3YB1E225K	C 2.2UF, K, 25V	2	
C657	ECJ2XB1H102K	C 1000PF, K, 50V	1	
C658	ECJ3YB1E105K	C 1UF, K, 25V	1	
C659	ECJ2XB1H103K	C 0.01UF, K, 50V	1	
C660	ECJ2FB1C225K	C 22UF, K, 16V	1	
C661,62	ECJ2XB1H103K	C 0.01UF, K, 50V	2	
C801	F2H1V221A004	E 220UF, 35V	1	
C802	F2H1E471A010	E 470UF, 25V	1	
C804	ECJ1VB1H472K	C 4700PF, K, 50V	1	
C805	ECJ1VB1C105K	C 0.01UF, K, 16V	1	
C806	ECJ1VB1E104K	C 0.10UF, K, 25V	1	
C807	ECJ3YF1E225Z	C 2.2UF, Z, 25V	1	
C808	ECJ1VB1E104K	C 0.10UF, K, 25V	1	
C809	ECJ3YB1C225K	C 0.022UF, K, 16V	1	
C811	EEVHB1C471	E 470UF, 16V	1	
C812	F2H1E471A010	E 470UF, 25V	1	
C814	ECJ1VB1H472K	C 4700PF, K, 50V	1	
C815	ECJ1VB1C105K	C 0.01UF, K, 16V	1	
C816	ECJ1VB1E104K	C 0.10UF, K, 25V	1	
C817	ECJ3YF1E225Z	C 2.2UF, Z, 25V	1	
C818	ECJ1VB1E104K	C 0.10UF, K, 25V	1	
C819	ECJ3YB1C225K	C 0.022UF, K, 16V	1	
C821	EEVHB1C471	E 470UF, 16V	1	
C822	F2H1E471A010	E 470UF, 25V	1	

Ref. No.	Part No.	Part Name & Description	Pcs	Remarks
C823	ECJ1XC1H470J	C 47PF, J, 50V	1	
C824	ECJ1VB1H103K	C 0.001UF, K, 50V	1	
C825	ECJ1VB1C105K	C 0.01UF, K, 16V	1	
C827	ECJ3YF1E225Z	C 2.2UF, Z, 25V	1	
C828	ECJ1VB1E104K	C 0.10UF, K, 25V	1	
C829	ECJ3YB1E106M	C 10 UF, K, 25V	1	
C831	EEEB1C470P	C 47PF, J, 16V	1	
C832	ECJ1VB1E104K	C 0.10UF, K, 25V	1	
C833	ECJ1VB1H103K	C 0.001UF, K, 50V	1	
C834,35	EEEB1C470P	C 47PF, J, 16V	2	
C837	FLJ0J1060004	C 0.010UF, K, 16V	1	
C838	ECJ3YB1C225K	C 0.022UF, K, 16V	1	
C839	FLJ0J1060004	C 0.010UF, K, 16V	1	
C840	ECJ3YB1C225K	C 0.022UF, K, 16V	1	
C841	FLJ0J1060004	C 0.010UF, K, 16V	1	
C843	ECJ3YB1E106M	C 10 UF, K, 25V	1	
C844	ECJ3YB1C225K	C 0.022UF, K, 16V	1	
C845	ECJ3YB1E106M	C 10 UF, K, 25V	1	
C846	ECJ3YB1C225K	C 0.022UF, K, 16V	1	
C847	FLJ0J1060004	C 0.010UF, K, 16V	1	
C848	ECJ3YB1C225K	C 0.022UF, K, 16V	1	
C855-57	ECJ1VB1H103K	C 0.001UF, K, 50V	3	
C867	ECJ1VB1E104K	C 0.10UF, K, 25V	1	
C869	ECJ3YB1C225K	C 0.022UF, K, 16V	1	
C2350,5	ECJ3YB1C225K	C 0.022UF, K, 16V	2	
C2352,5	EEEB1H100P	C 10PF, J, 50V	2	
C2354,5	EEEB1V470P	E 47UF, 35V	2	
C2356,5	ECJ1XB1H102K	C 1000UF, Z, 50V	2	
C2358,5	EEEB1V2R2R	E 2.2UF, 35V	2	
C2360,6	ECJ1XC1H102J	C 1000PF, J, 50V	2	
C2362,6	EEEB1E471UP	C 470PF, J, 25V	2	
C2364,6	ECQV1H104JM	P 0.1UF, J, 50V	2	
C2366,6	ECJ3YB1E225K	C 2.2UF, K, 25V	2	
C2368,6	ECQV1H104JM	P 0.1UF, J, 50V	2	
C2370,7	EEEB1H100P	C 10PF, J, 50V	2	
C2373-75	ECJ1VB1E104K	C 0.10UF, K, 25V	3	
C2376,7	ECJ1XC1H150J	C 15PF, J, 50V	2	
C2378-82	ECJ1VB1E104K	C 0.10UF, K, 25V	5	
C2383	EEEB1A101P	C 100PF, J, 10V	1	
C2384	ECJ1VB1E104K	C 0.10UF, K, 25V	1	
C2385	EEEB1A101P	C 100PF, J, 10V	1	
C2386,8	EEEB1H1R0R	C 1.0PF, J, 50V	2	
C2388	ECJ1VB1E104K	C 0.10UF, K, 25V	1	
C2389	EEEB1A101P	C 100PF, J, 10V	1	
C2390	EEEB1H100P	C 10PF, J, 50V	1	
C2391	ECJ1VB1E104K	C 0.10UF, K, 25V	1	
C2392,9	ECJ2VF1C105Z	C 1UF, Z, 16V	2	
C2394	EEEB1H100P	C 10PF, J, 50V	1	
C2395,9	ECJ1VB1E104K	C 0.10UF, K, 25V	2	
C2397	EEEB1A101P	C 100PF, J, 10V	1	
C2398-03	ECJ1VB1E104K	C 0.10UF, K, 25V	6	
C2404	ECJ1VB1H103K	C 0.001UF, K, 50V	1	
C2405,0	ECJ1VB0J225K	C 2.2UF, K, 6.3V	2	
C2407,0	FLJ0J1060004	C 0.010UF, K, 16V	2	
C2409,1	ECJ1XC1H181J	C 180PF, J, 50V	2	
C2411	ECJ3YB1E106M	C 10 UF, K, 25V	1	

Ref. No.	Part No.	Part Name & Description	Pcs	Remarks
C2412,1	ECJ1VB1E104K	C 0.10UF, K, 25V	2	
C2420	ECJ1VB1E104K	C 0.10UF, K, 25V	1	
C2425,2	ECJ1VB1E104K	C 0.10UF, K, 25V	2	
C2512	ECJ3XB0J106M	C 10UF, M,6.3V	1	
C2515	ECJ1VB1H103K	C 0.001UF, K, 50V	1	
C2521	ECJ1VB1H103K	C 0.001UF, K, 50V	1	
C3001	ECJ1VF1H103Z	C 0.010UF, Z, 50V	1	
C3004	EEEB1C470P	C 47PF, J, 16V	1	
C3007,0	ECJ2VF1C105Z	C 1UF, Z, 16V	2	
C3009,1	ECJ1VB1E104K	C 0.10UF, K, 25V	2	
C3011	ECJ1VB1E104K	C 0.10UF, K, 25V	1	(J)
C3011	EEEB1C470P	C 47PF, J, 16V	1	(HA)
C3012	ECJ1VF1H103Z	C 0.010UF, Z, 50V	1	(J)
C3012	ECJ2VF1C104Z	C 0.1UF, Z, 16V	1	(HA)
C3013-17	ECJ1VF1H103Z	C 0.010UF, Z, 50V	5	
C3018	EEEB1C470P	C 47PF, J, 16V	1	
C3019	ECJ1XF1C104Z	C 0.1UF, Z, 16V	1	
C3020	ECJ3YB1C225K	C 0.022UF, K, 16V	1	
C3021	ECJ3YB1C225K	C 0.022UF, K, 16V	1	(J)
C3021	ECJ1VF1A105Z	C 1UF, Z, 10V	1	(HA)
C3022	ECJ2VF1C104Z	C 0.1UF, Z, 16V	1	(HA)
C3022	ECJ3YB1C225K	C 0.022UF, K, 16V	1	(J)
C3023-31	ECJ3YB1C225K	C 0.022UF, K, 16V	9	
C3032	ECJ1VB1C105K	C 0.01UF, K, 16V	1	
C3033-35	ECJ1XF1C104Z	C 0.1UF, Z, 16V	3	
C3040,4	ECJ1XF1C104Z	C 0.1UF, Z, 16V	2	
C3042,4	EEEB1C100R	C 10PF, J, 16V	2	
C3051-58	ECJ1VF1C105Z	C 1UF, Z, 16V	8	
C3101	ECJ3YB1C225K	C 0.022UF, K, 16V	1	
C3103	ECJ3YB1C225K	C 0.022UF, K, 16V	1	
C3105-08	ECJ1XF1C104Z	C 0.1UF, Z, 16V	4	
C3110	ECJ3YB1C225K	C 0.022UF, K, 16V	1	
C3111,1	ECJ1XF1C104Z	C 0.1UF, Z, 16V	2	
C3113	EEEB1C470P	C 47PF, J, 16V	1	
C3114	ECJ3XF1C475Z	C 4.7UF, Z, 16V	1	
C3115	ECJ1XF1C104Z	C 0.1UF, Z, 16V	1	
C3134-36	F2H0J102A010	C 1000UF, 6.3V	3	
C3143,4	ECJ3YB1C225K	C 0.022UF, K, 16V	2	
C3146	ECJ3YB1C225K	C 0.022UF, K, 16V	1	
C3150-52	ECJ1XF1C104Z	C 0.1UF, Z, 16V	3	
C3200	ECJ2VF1C105Z	C 1UF, Z, 16V	1	
C3201-03	FLJ0J1060004	C 0.010UF, K, 16V	3	
C3404	ECJ2VF1C104Z	C 0.1UF, Z, 16V	1	
C3405	EEEB1C470P	C 47PF, J, 16V	1	
C3409	ECJ2VF1C104Z	C 0.1UF, Z, 16V	1	
C3523	EEEB1C470P	C 47PF, J, 16V	1	
C3524	ECJ2VF1H103Z	C 0.010UF, Z, 50V	1	
C3550	ECJ2VF1H103Z	C 0.010UF, Z, 50V	1	
C3551	EEEB1C470P	C 47PF, J, 16V	1	
C3561,6	ECJ2VF1C105Z	C 1UF, Z, 16V	2	
C3750	ECJ2XC1H102K	C 1000PF, K, 50V	1	
C4001,0	ECJ1XF1C104Z	C 0.1UF, Z, 16V	2	
C4003	ECJ1VB1H822K	C 8200PF, K, 50V	1	
C4004	ECJ1VB1C823K	C 0.082UF, K, 16V	1	
C4006	ECJ1XF1C104Z	C 0.1UF, Z, 16V	1	
C4007-09	ECJ2XB1E104K	C 0.1UF, K, 25V	3	
C4010	ECJ1XB1H102K	C 1000UF, Z, 50V	1	

Ref. No.	Part No.	Part Name & Description	Pcs	Remarks
C4011-13	ECJ1XF1C104Z	C 0.1UF, Z, 16V	3	
C4016	ECJ1XF1C104Z	C 0.1UF, Z, 16V	1	
C4017	EEEB1C470P	C 47PF, J, 16V	1	
C4018,19	ECJ1XF1C104Z	C 0.1UF, Z, 16V	2	
C4020,21	F1J0J106A013	C 0.010UF, K, 16V	2	
C4022	ECJ1XF1C104Z	C 0.1UF, Z, 16V	1	
C4024	F1J0J106A013	C 0.010UF, K, 16V	1	
C4031,32	ECJ1XF1C104Z	C 0.1UF, Z, 16V	2	
C4201	EEEB1C470P	C 47PF, J, 16V	1	
C4202-13	ECJ1XB1C104K	C 0.1UF, Z, 16V	12	
C4219-22	F1J0J106A013	C 0.010UF, K, 16V	4	
C4225	F1J0J106A013	C 0.010UF, K, 16V	1	
C4227	F1J0J106A013	C 0.010UF, K, 16V	1	
C4301	F2G0J470A019	E 47UF 6.3V	1	
C4302	ECJ1XB1C104K	C 0.1UF, Z, 16V	1	
C4303,04	ECJ1XB1H102K	C 1000UF, Z, 50V	2	
C4305,06	ECJ1XB1C104K	C 0.1UF, Z, 16V	2	
C4307	ECJ1XB1H102K	C 1000UF, Z, 50V	1	
C4308	ECJ1XB1C104K	C 0.1UF, Z, 16V	1	
C4309	ECJ1VB1A105K	C 0.01UF, Z, 50V	1	
C4310	ECJ3YB0J226M	C 22 UF, K, 25V	1	
C4311	ECJ1XB1C104K	C 0.1UF, Z, 16V	1	
C4312	ECJ1VB1A105K	C 0.01UF, Z, 50V	1	
C4313	ECJ1XB1H102K	C 1000UF, Z, 50V	1	
C4502	F1J0J1060004	C 0.010UF, K, 16V	1	
C4503,04	ECJ1XB1C104K	C 0.1UF, Z, 16V	2	
C4505	ECJ1XC1H150J	C 15PF, J, 50V	1	
C4506	ECJ1VC1H080C	C 8PF, C, 50V	1	
C4541,42	ECJ1XC1H080D	C 8PF, D, 50V	2	
C4543	ECJ1XB1C104K	C 0.1UF, Z, 16V	1	
C4544	EEEB0G221P	C 220PF, J, 4V	1	
C4545	F1J0J106A013	C 0.010UF, K, 16V	1	
C4546,47	ECJ1XF1C104Z	C 0.1UF, Z, 16V	2	
C4548,49	F1J0J106A013	C 0.010UF, K, 16V	2	
C4550,51	ECJ1XF1C104Z	C 0.1UF, Z, 16V	2	
C4552	F1J0J106A013	C 0.010UF, K, 16V	1	
C4553-97	ECJ1XF1C104Z	C 0.1UF, Z, 16V	45	
C4598	EEEB0G221P	C 220PF, J, 4V	1	
C4599-14	ECJ1XB1C104K	C 0.1UF, Z, 16V	16	
C4629	ECJ1XB1C104K	C 0.1UF, Z, 16V	1	
C4701	ECJ1XB1C104K	C 0.1UF, Z, 16V	1	
C4703	F1J0J106A013	C 0.010UF, K, 16V	1	
C4704-19	ECJ1XB1C104K	C 0.1UF, Z, 16V	16	
C4733	ECJ1XF1H102Z	C 1000PF, Z, 50V	1	
C4744	ECJ1XF1C104Z	C 0.1UF, Z, 16V	1	
C4749,50	ECJ1XF1C104Z	C 0.1UF, Z, 16V	2	
C4751,52	ECJ1XC1H150J	C 15PF, J, 50V	2	
C4753	ECJ1XF1H102Z	C 1000PF, Z, 50V	1	
C4754	ECJ1XF1C104Z	C 0.1UF, Z, 16V	1	
C4803	ECJ1XC1H101J	C 100PF, J, 50V	1	
C4804	ECJ1XF1C104Z	C 0.1UF, Z, 16V	1	
C4861	TCUY1C105ZFN	C 1UF, 16V	1	
C4862	ECJ1XB1C104K	C 0.1UF, Z, 16V	1	
C4863	ECJ1XF1C104Z	C 0.1UF, Z, 16V	1	
C4864	ECJ1XC1H101J	C 100PF, J, 50V	1	
C4865	ECJ2FF1C475Z	C 0.047UF, Z, 16V	1	
C4866	ECJ1XF1C104Z	C 0.1UF, Z, 16V	1	
C4871	ECJ1XF1C104Z	C 0.1UF, Z, 16V	1	

Ref. No.	Part No.	Part Name & Description	Pcs	Remarks
C4881,82	ECJ1XF1C104Z	C 0.1UF, Z, 16V	2	
C4884,85	ECJ1XF1C104Z	C 0.1UF, Z, 16V	2	
C4886	ECJ1XC1H101J	C 100PF, J, 50V	1	
C4887	ECJ1VB1E104K	C 0.10UF, K, 25V	1	
C4901,02	ECJ3YB1E106M	C 10 UF, K, 25V	2	
C4903	ECJ1VB1E104K	C 0.10UF, K, 25V	1	
C4904	ECJ1XB1C104K	C 0.1UF, Z, 16V	1	
C4905	ECJ1VB1H822K	C 8200PF, K, 50V	1	
C4906	ECJ1XB1C104K	C 0.1UF, Z, 16V	1	
C4907	ECJ1XF1C104Z	C 0.1UF, Z, 16V	1	
C4908	ECJ1XB1H102K	C 1000UF, Z, 50V	1	
C4909	ECJ1VB1E104K	C 0.10UF, K, 25V	1	
C4910	ECJ3YB1E106M	C 10 UF, K, 25V	1	
C4911	ECJ1VF1H103Z	C 0.010UF, Z, 50V	1	
C4912	ECJ3YB1E106M	C 10 UF, K, 25V	1	
C4913	ECJ1XF1C104Z	C 0.1UF, Z, 16V	1	
C4914	EEEB1C470P	C 47PF, J, 16V	1	
C4915	ECJ1XF1C104Z	C 0.1UF, Z, 16V	1	
C4917	EEEB1C470P	C 47PF, J, 16V	1	
C4918	ECJ3YB1E106M	C 10 UF, K, 25V	1	
C4919	ECJ1VB0J475K	C 4.7UF, K, 6.3V	1	
C4920	ECJ1XB1C104K	C 0.1UF, Z, 16V	1	
C4921	ECGRLOG680ER	C 68PF, J, 4V	1	
C4923	ECJ1VB1E104K	C 0.10UF, K, 25V	1	
C4924	ECJ1XB1C104K	C 0.1UF, Z, 16V	1	
C4925	ECJ1VB1E272K	C 2700PF, K, 25V	1	
C4926	ECJ1XB1C104K	C 0.1UF, Z, 16V	1	
C4927	ECJ1XC1H470J	C 47PF, J, 50V	1	
C4928	ECJ1VB1H472K	C 4700PF, K, 50V	1	
C4929	ECJ1VB1E104K	C 0.10UF, K, 25V	1	
C4930,31	ECJ3YB1E106M	C 10 UF, K, 25V	2	
C4932	ECJ1VB1E104K	C 0.10UF, K, 25V	1	
C4933	ECJ1XB1C104K	C 0.1UF, Z, 16V	1	
C4934	ECJ1VB1H822K	C 8200PF, K, 50V	1	
C4935	ECJ1XB1C104K	C 0.1UF, Z, 16V	1	
C4936	ECJ1VC1H100C	C 10PF, C, 50V	1	
C4937	ECJ1XB1H102K	C 1000UF, Z, 50V	1	
C4938	ECJ1VB1E104K	C 0.10UF, K, 25V	1	
C4939	ECJ1VB0J475K	C 4.7UF, K, 6.3V	1	
C4940	ECGRLOG680ER	C 68PF, J, 4V	1	
C4942	ECJ1XB1C104K	C 0.1UF, Z, 16V	1	
C4943	ECJ1VC1H100C	C 10PF, C, 50V	1	
C4944	ECJ1VB0J475K	C 4.7UF, K, 6.3V	1	
C4945	ECJ1XB1C104K	C 0.1UF, Z, 16V	1	
C4946	ECGRLOG680ER	C 68PF, J, 4V	1	
C4990	ECJ1VB1A105K	C 0.01UF, Z, 50V	1	
C4991	F1J0J106A013	C 0.010UF, K, 16V	1	
C4992,93	ECJ1XF1C104Z	C 0.1UF, Z, 16V	2	
C4994,95	F1J0J106A013	C 0.010UF, K, 16V	2	
C4996	ECJ1XF1C104Z	C 0.1UF, Z, 16V	1	
C4997	F1J0J106A013	C 0.010UF, K, 16V	1	
C4998	ECJ1XF1C104Z	C 0.1UF, Z, 16V	1	
C4999	ECJ1XB1H102K	C 1000UF, Z, 50V	1	
C6001	F1L2J562A022	C 5600UF, K, 6.3V	1	
C6011-13	F2A2D221A022	E 220UF, 200V	3	
C6021	F1L2J562A022	C 5600UF, K, 6.3V	1	
C6031	F0C2E405A176	E 0.040UF, 250V	1	
C6041-44	TCUY1C105ZFN	C 1UF, 16V	4	
C6111,12	F2A2D151A070	E 150UF, 200V	2	
C6132	F1L1E4750004	C 4.7UF, 25V	1	
C6134,35	F1L1E4750004	C 4.7UF, 25V	2	
C6152-54	F1L1E4750004	C 4.7UF, 25V	3	
C6156	ECQE2224KF	P 2.2UF, K, 250V	1	
C6192	ECJ3YB1E105K	C 1UF, K, 25V	1	

Ref. No.	Part No.	Part Name & Description	Pcs	Remarks
C6194,95	F1L1E4750004	C 4.7UF, 25V	2	
C6201-08	ECQE2105B667	P 1UF, 250V	8	
C6211,12	F1L1E4750004	C 4.7UF, 25V	2	
C6213,14	F2A1E331A089	E 330UF, 25V	2	
C6221	ECJ2XB1H104K	C 0.1UF, K, 50V	1	
C6241	F2A1E331A089	E 330UF, 25V	1	
C6242	TCUY1C105ZFN	C 1UF, 16V	1	
C6243	ECJ2XB1H103K	C 0.01UF, K, 50V	1	
C6251	TCUY1C105ZFN	C 1UF, 16V	1	
C6261,62	ECA2CM101	E 100UF, 160V	2	
C6272,73	EEUFC1E221	E 220UF, 25V	2	
C6400	F1E2J102A002	C 1000PF, 600V	1	
C6401,02	F1L2J562A022	C 5600UF, K,6.3V	2	
C6410	F1E2J102A002	C 1000PF, 600V	1	
C6411-13	F2A2D221A022	E 220UF, 200V	3	
C6420	F1E2J102A002	C 1000PF, 600V	1	
C6421,22	F1L2J562A022	C 5600UF, K,6.3V	2	
C6431	FOC2E405A176	E 0.040UF, 250V	1	
C6472	ECJ2XB1H104K	C 0.1UF, K, 50V	1	
C6480	ECJ2XB1H104K	C 0.1UF, K, 50V	1	
C6502	F1L1E4750004	C 4.7UF, 25V	1	
C6504,05	F1L1E4750004	C 4.7UF, 25V	2	
C6511-18	ECQE2105B667	P 1UF, 250V	8	
C6522	F1L1E4750004	C 4.7UF, 25V	1	
C6524,25	F1L1E4750004	C 4.7UF, 25V	2	
C6526	ECQE2224KF	P 2.2UF, K,250V	1	
C6561	F2A1A1010074	E 100UF, 10V	1	
C6562	TCUY1C105ZFN	C 1UF, 16V	1	
C6563	F2A1A1010074	E 100UF, 10V	1	
C6564	TCUY1C105ZFN	C 1UF, 16V	1	
C6565,66	ECJ2XB1H103K	C 0.01UF, K, 50V	2	
C6581	ECJ3YB1E105K	C 1UF, K, 25V	1	
C6582	TCUY1C105ZFN	C 1UF, 16V	1	
C6592	ECA1EM471	E 470UF, 25V	1	
C6593	ECJ2XC1H102J	C 1000PF, J, 50V	1	
C6601,02	F1L1E4750004	C 4.7UF, 25V	2	
C6603	F1K2J102A014	C 1000UF, K,6.3V	1	
C6604	F2A2V470A020	E 47UF, 350V	1	
C6605	ECJ2XB1H104K	C 0.1UF, K, 50V	1	
C6606	F1K2J102A014	C 1000UF, K,6.3V	1	
C6610	ECJ3YB1E105K	C 1UF, K, 25V	1	
C6611	ECJ2XB1H103K	C 0.01UF, K, 50V	1	
C6612	ECJ3YB1E105K	C 1UF, K, 25V	1	
C6620	ECJ3XB2J222K	C 2200PF, K,630V	1	
C6641	ECQE2224KF	P 2.2UF, K,250V	1	
C6661,62	F1K2J102A014	C 1000UF, K,6.3V	2	
C6671	F1L1E4750004	C 4.7UF, 25V	1	
C6681,82	F1L1E4750004	C 4.7UF, 25V	2	
C6683	ECJ2XB1H104K	C 0.1UF, K, 50V	1	
C6691	ECA2CM101	E 100UF, 160V	1	
C6701-08	ECJ2XB1H104K	C 0.1UF, K, 50V	8	
C6721	ECA1HM101	E 100UF, 50V	1	
C6723-25	F1L1E4750004	C 4.7UF, 25V	3	
C6726,27	TCUY1C105ZFN	C 1UF, 16V	2	
C6728	ECJ2XC1H102J	C 1000PF, J, 50V	1	
C6752	TCUY1C105ZFN	C 1UF, 16V	1	
C6753	F1L1E4750004	C 4.7UF, 25V	1	
C6754	ECA1VM470	E 47UF, 35V	1	

Ref. No.	Part No.	Part Name & Description	Pcs	Remarks
C6755	ECJ2XB1H104K	C 0.1UF, K, 50V	1	
C6771	TCUY1C105ZFN	C 1UF, 16V	1	
C6772,73	F1L1E4750004	C 4.7UF, 25V	2	
C6775	F1L1E4750004	C 4.7UF, 25V	1	
C6776,77	ECJ2XB1H104K	C 0.1UF, K, 50V	2	
C6791	EEUFC1E221	E 220UF, 25V	1	
C6795	ECA1EM471	E 470UF, 25V	1	
C6802	EEUFC1E221	E 220UF, 25V	1	
C6803	ECJ2XB1H104K	C 0.1UF, K, 50V	1	
C6804	F2A2E100A022	E 10UF, 250V	1	
C6805	TCUY1C105ZFN	C 1UF, 16V	1	
C6806,07	ECA2CM101	E 100UF, 160V	2	
C6811	ECJ2XB1H103K	C 0.01UF, K, 50V	1	
C6823	ECJ2XB1H103K	C 0.01UF, K, 50V	1	
C6841	ECA2CM101	E 100UF, 160V	1	
C6845	ECJ2XB1H103K	C 0.01UF, K, 50V	1	
C6861	TCUY1C105ZFN	C 1UF, 16V	1	
C6862	ECJ3YB1E105K	C 1UF, K, 25V	1	
C6863	ECJ2XB1H103K	C 0.01UF, K, 50V	1	
C6871	TCUY1C105ZFN	C 1UF, 16V	1	
C6872	ECJ3YB1E105K	C 1UF, K, 25V	1	
C6873	ECJ2XB1H103K	C 0.01UF, K, 50V	1	
C6901	ECJ2XB1H102K	C 1000PF, K, 50V	1	
C6902	TCUY1C105ZFN	C 1UF, 16V	1	
C6904	TCUY1C105ZFN	C 1UF, 16V	1	
C6906	TCUY1C105ZFN	C 1UF, 16V	1	
C6908	TCUY1C105ZFN	C 1UF, 16V	1	
C6915,16	ECJ2XB1H221K	C 220PF, K, 50V	2	
C6921	ECJ2XB1H221K	C 220PF, K, 50V	1	
C6931	ECJ2XB1H102K	C 1000PF, K, 50V	1	
C6932	F1L2E105A013	E 0.10UF, 25V	1	
C6934	F1L2E105A013	E 0.10UF, 25V	1	
C6951	ECJ2XB1H102K	C 1000PF, K, 50V	1	
C6952	TCUY1C105ZFN	C 1UF, 16V	1	
C6954	TCUY1C105ZFN	C 1UF, 16V	1	
C6956	TCUY1C105ZFN	C 1UF, 16V	1	
C6958	TCUY1C105ZFN	C 1UF, 16V	1	
C6964-66	ECJ2XB1H221K	C 220PF, K, 50V	3	
C6981	ECJ2XB1H102K	C 1000PF, K, 50V	1	
C6982	F1L2E105A013	E 0.10UF, 25V	1	
C6985	F1L2E105A013	E 0.10UF, 25V	1	
C7111	ECJ3XB2A474K	C 0.47UF, 6.3V	1	
C7112	TCUY1C105ZFN	C 1UF, 16V	1	
C7113,14	ECJ3XB2A474K	C 0.47UF, 6.3V	2	
C7115	TCUY1C105ZFN	C 1UF, 16V	1	
C7116	ECJ3XB2A474K	C 0.47UF, 6.3V	1	
C7117	TCUY1C105ZFN	C 1UF, 16V	1	
C7118	ECJ1XC1H101J	C 100PF, J, 50V	1	
C7120	TCUY1C105ZFN	C 1UF, 16V	1	
C7121	ECJ1XC1H101J	C 100PF, J, 50V	1	
C7126	ECJ1XB1C104K	C 0.1UF, Z, 16V	1	
C7129,30	ECJ1XB1C104K	C 0.1UF, Z, 16V	2	
C7132	TCUY1C105ZFN	C 1UF, 16V	1	
C7133	ECJ1XC1H101J	C 100PF, J, 50V	1	
C7135	ECJ3XB2A474K	C 0.47UF, 6.3V	1	
C7136	TCUY1C105ZFN	C 1UF, 16V	1	
C7137	ECJ3XB2A474K	C 0.47UF, 6.3V	1	
C7139	ECJ1XB1C104K	C 0.1UF, Z, 16V	1	
C7201	ECJ3XB2A474K	C 0.47UF, 6.3V	1	
C7202	TCUY1C105ZFN	C 1UF, 16V	1	
C7203,04	ECJ3XB2A474K	C 0.47UF, 6.3V	2	
C7205	TCUY1C105ZFN	C 1UF, 16V	1	
C7206	ECJ3XB2A474K	C 0.47UF, 6.3V	1	
C7207	TCUY1C105ZFN	C 1UF, 16V	1	
C7208	ECJ1XC1H101J	C 100PF, J, 50V	1	
C7210	ECJ3XB2A474K	C 0.47UF, 6.3V	1	
C7211	TCUY1C105ZFN	C 1UF, 16V	1	

Ref. No.	Part No.	Part Name & Description	Pcs	Remarks
C7212	ECJ3XB2A474K	C 0.47UF, 6.3V	1	
C7213	TCUY1C105ZFN	C 1UF, 16V	1	
C7214	ECJ1XC1H101J	C 100PF, J, 50V	1	
C7216	TCUY1C105ZFN	C 1UF, 16V	1	
C7217	ECJ1XC1H101J	C 100PF, J, 50V	1	
C7220	ECJ1XB1C104K	C 0.1UF, Z, 16V	1	
C7222	ECJ1XB1C104K	C 0.1UF, Z, 16V	1	
C7224	ECJ1XB1C104K	C 0.1UF, Z, 16V	1	
C7226	ECJ1XB1C104K	C 0.1UF, Z, 16V	1	
C7231	TCUY1C105ZFN	C 1UF, 16V	1	
C7232	ECJ1XC1H101J	C 100PF, J, 50V	1	
C7234	ECJ3XB2A474K	C 0.47UF, 6.3V	1	
C7235	TCUY1C105ZFN	C 1UF, 16V	1	
C7236	ECJ3XB2A474K	C 0.47UF, 6.3V	1	
C7239	ECJ1XB1C104K	C 0.1UF, Z, 16V	1	
C8003	ECJ1XF1C104Z	C 0.1UF, Z, 16V	1	
C8005	ECJ1VF1H103Z	C 0.010UF, Z, 50V	1	
C8007	ECJ1XC1H101J	C 100PF, J, 50V	1	
C8009	ECJ3XB0J106M	C 10UF, M, 6.3V	1	
C8013	ECJ1XF1C104Z	C 0.1UF, Z, 16V	1	
C8015	ECJ3YF1A106Z	C 10UF, Z, 10V	1	
C8016	ECJ3YB1A475K	C 0.047UF, K, 10V	1	
C8019	ECJ1VB1H103K	C 0.001UF, K, 50V	1	
C8021	ECJ3VB1C474K	C 0.47UF, K, 16V	1	
C8023	ECJ1VB1H103K	C 0.001UF, K, 50V	1	
C8025	ECJ1VB1H103K	C 0.001UF, K, 50V	1	
C8027	ECJ3YB1C225K	C 0.022UF, K, 16V	1	
C8029	ECJ1VF1H103Z	C 0.010UF, Z, 50V	1	
C8030	EEEB1C470P	C 47PF, J, 16V	1	
C8033	ECJ1XC1H102J	C 1000PF, J, 50V	1	
C8035	ECJ1XF1C104Z	C 0.1UF, Z, 16V	1	
C8036	ECJ1XC1H101J	C 100PF, J, 50V	1	
C8038	ECJ1XC1H102J	C 1000PF, J, 50V	1	
C8045	ECJ2VF1C105Z	C 1UF, Z, 16V	1	
C8049	ECJ1VF1H103Z	C 0.010UF, Z, 50V	1	
C8051	ECJ1XF1C104Z	C 0.1UF, Z, 16V	1	
C8070	ECJ1VB1E104K	C 0.10UF, K, 25V	1	
C8072,7 3	ECJ3YF1A106Z	C 10UF, Z, 10V	2	
C8074,7 5	ECJ1XC1H102J	C 1000PF, J, 50V	2	
C8080- 83	ECJ1XF1C104Z	C 0.1UF, Z, 16V	4	
C8084	TCUY1C105ZFN	C 1UF, 16V	1	
C8100	EEEB1C470P	C 47PF, J, 16V	1	
C8101	ECJ1VF1H103Z	C 0.010UF, Z, 50V	1	
C8102,0 3	EEEB1C470P	C 47PF, J, 16V	2	
C8106	EEEB1C470P	C 47PF, J, 16V	1	
C8107	EEVH1C471	E 470UF, 16V	1	
C8108,0 9	ECJ1XF1C104Z	C 0.1UF, Z, 16V	2	
C8111- 13	ECJ1XF1C104Z	C 0.1UF, Z, 16V	3	
C8114	ECJ1VB1H103K	C 0.001UF, K, 50V	1	
C8115	EEEB1C470P	C 47PF, J, 16V	1	
C8116	ECJ1VF1H103Z	C 0.010UF, Z, 50V	1	
C8120	F2H1E471A010	E 470UF, 25V	1	
C8121	ECJ3YF1E225Z	C 2.2UF, Z, 25V	1	
C8122	EEEB1C470P	C 47PF, J, 16V	1	
C8123	ECJ1XF1C104Z	C 0.1UF, Z, 16V	1	
C8181,8 2	ECJ1XC1H150J	C 15PF, J, 50V	2	
C8183	ECJ1XF1C104Z	C 0.1UF, Z, 16V	1	
C8185	EECS5R5H155	E 1.5UF, 5.5V	1	
C8200	EEEB1C470P	C 47PF, J, 16V	1	
C9028,2 9	F1J0J1060004	C 0.010UF, K, 16V	2	
C9033,3 4	ECJ1XF1C104Z	C 0.1UF, Z, 16V	2	
C9035,3 6	F1J0J1060004	C 0.010UF, K, 16V	2	
C9037	ECJ1VB1H103K	C 0.001UF, K, 50V	1	
C9039	F1J0J1060004	C 0.010UF, K, 16V	1	
C9040	ECJ1XF1C104Z	C 0.1UF, Z, 16V	1	

Ref. No.	Part No.	Part Name & Description	Pcs	Remarks
C9044- 53	ECJ1XF1C104Z	C 0.1UF, Z, 16V	10	
C9055	ECJ1XF1C104Z	C 0.1UF, Z, 16V	1	
C9057	ECJ1XF1C104Z	C 0.1UF, Z, 16V	1	
C9058	F1J0J1060004	C 0.010UF, K, 16V	1	
C9060	ECJ1XF1C104Z	C 0.1UF, Z, 16V	1	
C9467,6 8	ECJ1VF1H103Z	C 0.010UF, Z, 50V	2	
C9469	ECJ1XF1C104Z	C 0.1UF, Z, 16V	1	
C9500- 06	ECJ1XB1C104K	C 0.1UF, Z, 16V	7	
C9508	ECJ1XB1C104K	C 0.1UF, Z, 16V	1	
C9509	ECJ1VC1H200J	C 20PF, C, 50V	1	
C9510	ECJ1XC1H150J	C 15PF, J, 50V	1	
C9511	F1J0J1060004	C 0.010UF, K, 16V	1	
C9512	ECJ1XF1C104Z	C 0.1UF, Z, 16V	1	
C9514,1 5	ECJ2VF1C105Z	C 1UF, Z, 16V	2	
C9516- 25	ECJ1XB1C104K	C 0.1UF, Z, 16V	10	
C9526	F1J0J1060004	C 0.010UF, K, 16V	1	
C9527- 30	ECJ1XB1C104K	C 0.1UF, Z, 16V	4	
C9531	F1J0J1060004	C 0.010UF, K, 16V	1	
C9800	ECJ1XB1C104K	C 0.1UF, Z, 16V	1	
C9801	ECJ1VB1H472K	C 4700PF, K, 50V	1	
C9802	ECJ1XC1H470J	C 47PF, J, 50V	1	
C9803	ECJ1VB1H472K	C 4700PF, K, 50V	1	
C9804	ECJ1XB1C104K	C 0.1UF, Z, 16V	1	
C9805	ECJ1VB0J475K	C 4.7UF, K, 6.3V	1	
C9806	ECGRL0G680ER	C 68PF, J, 4V	1	
C9807,0 8	ECJ3YB1E106M	C 10 UF, K, 25V	2	
C9809	ECJ1XB1C104K	C 0.1UF, Z, 16V	1	
C9815,1 6	ECGRL0G680ER	C 68PF, J, 4V	2	
C9817,1 8	ECJ3YB1E106M	C 10 UF, K, 25V	2	
C9822	F1J0J1060004	C 0.010UF, K, 16V	1	
C9823,2 4	ECJ3YB1E106M	C 10 UF, K, 25V	2	
C9825	ECJ1XC1H101K	C 100PF, K, 50V	1	
C9826	ECJ1XF1C104Z	C 0.1UF, Z, 16V	1	
C9827	F1J0J1060004	C 0.010UF, K, 16V	1	
C9830- 32	ECJ3XB1C106M	C 1.0UF, K, 16V	3	
C9833	ECJ3YB1E106M	C 10 UF, K, 25V	1	
C9837	ECJ3XB1C106M	C 1.0UF, K, 16V	1	
C9838	ECJ1XF1C104Z	C 0.1UF, Z, 16V	1	
C9839	ECJ3YB1E106M	C 10 UF, K, 25V	1	
C9840	ECJ1XF1C104Z	C 0.1UF, Z, 16V	1	
C9841,4 2	ECJ2VF1C105Z	C 1UF, Z, 16V	2	
C9843	ECJ1XF1C104Z	C 0.1UF, Z, 16V	1	
C9844	ECJ1VF1H103Z	C 0.010UF, Z, 50V	1	
C9845,4 6	ECJ1XF1C104Z	C 0.1UF, Z, 16V	2	
C9847,4 8	ECJ1VB1E104K	C 0.10UF, K, 25V	2	
C9880,8 1	ECJ1XB1H102K	C 1000UF, Z, 50V	2	
C9882	ECJ1XB1C104K	C 0.1UF, Z, 16V	1	
C9883	ECJ1VB1H822K	C 8200PF, K, 50V	1	
C9884	ECJ1VC1H100C	C 10PF, C, 50V	1	
C9885	ECJ1XB1H102K	C 1000UF, Z, 50V	1	
C9886	ECJ1XB1C104K	C 0.1UF, Z, 16V	1	
C9887	ECJ1VB0J475K	C 4.7UF, K, 6.3V	1	
C9891	ECJ1XB1C104K	C 0.1UF, Z, 16V	1	
C9896	ECJ1XB1C104K	C 0.1UF, Z, 16V	1	
C9897	ECJ1VB1H822K	C 8200PF, K, 50V	1	
C9898	ECJ1VC1H100C	C 10PF, C, 50V	1	
C9899	ECJ1XB1H102K	C 1000UF, Z, 50V	1	
C9900- 51	ECJ1XB1C104K	C 0.1UF, Z, 16V	52	
C9952- 54	EEFCD0G560ER	56UF,	3	

Ref. No.	Part No.	Part Name & Description	Pcs	Remarks
C9955-59	ECJ1XB1C104K	C 0.1UF, Z, 16V	5	
C9960-64	ECJ3XB0J106M	C 10UF, M, 6.3V	5	
C9965	EEFCD0G560ER	56UF,	1	
C9966	ECJ1XB1C104K	C 0.1UF, Z, 16V	1	
C9967	ECJ1VB0J475K	C 4.7UF, K, 6.3V	1	
C9971	ECJ1XB1C104K	C 0.1UF, Z, 16V	1	
CBI-B7	KLMN68BA0002	68P CONNECTOR	7	
D3	K1KY40B00003	40P CONNECTOR	1	
D5	K1KB31BA0064	31P CONNECTOR	1	
D6	K1KA21A00011	21P CONNECTOR	1	
D20	K1KA20BA0296	20P CONNECTOR	1	
D25	K1KA20B00155	20P CONNECTOR	1	
D31,32	K1MN55BA0094	55P CONNECTOR	2	
D401	BOFBAT000006	DIODE	1	△
D404	BOEBKT000007	DIODE	1	△
D407	MA111	DIODE	1	
D411	BOBB17000009	DIODE	1	
D412	BOHAMM000122	DIODE	1	
D415	BOJAME000099	DIODE	1	
D416	BOHAMP000067	DIODE	1	
D417	BOHAPR000013	DIODE	1	
D418	BOBC8R100013	DIODE	1	
D419	BOHAPR000013	DIODE	1	
D423	MA188	DIODE	1	
D425	MA188	DIODE	1	
D429	ERA15-10	DIODE	1	
D430	MA111	DIODE	1	
D431,32	BOJCDD000002	DIODE	2	
D433	BOBC01400033	DIODE	1	
D435	ERA15-10	DIODE	1	
D436-38	MA4200M	ZENER DIODE	3	
D441	BOHAMM000122	DIODE	1	
D444	BOHAMM000122	DIODE	1	
D445	MA4360H	ZENER DIODE	1	
D501	BOHAPR000012	DIODE	1	
D503,04	MA165	DIODE	2	
D507,08	BOBC7R400023	DIODE	2	
D505	BOJAME000099	DIODE	1	
D506	MAZ80470LL	ZENER DIODE	1	
D509	BOJANG000018	DIODE	1	
D511	BOJAML000011	DIODE	1	
D512,13	MA111	DIODE	2	
D514	BOBC6R100025	DIODE	1	
D515	BOBC3R200008	DIODE	1	
D516-18	MA4330M	ZENER DIODE	3	
D520	MA111	DIODE	1	
D521	BOJAME000099	DIODE	1	
D528,29	MA153	DIODE	2	
D530	BOBC9R900013	DIODE	1	
D531	BOHBSN000013	DIODE	1	
D535	MA188	DIODE	1	
D536	BOJBSG000026	DIODE	1	
D538	BOBC5R100039	DIODE	1	
D539,40	BOAARR000010	DIODE	2	
D542	MA4200M	ZENER DIODE	1	
D543	BOBC01400033	DIODE	1	
D544,45	MA4200M	ZENER DIODE	2	
D549	BOBC02500008	DIODE	1	
D551	BOBC01300033	DIODE	1	
D555	BOBC7R400023	DIODE	1	
D559	BOBC7R400023	DIODE	1	
D563	BOBC6R100025	DIODE	1	
D569-72	BOBC02500008	DIODE	4	
D574	MA165	DIODE	1	
D575	MA188	DIODE	1	
D579	MA165	DIODE	1	
D582	MAZ705600F	ZENER DIODE	1	
D585	BOBC7R400023	DIODE	1	
D586	BOHAMP000067	DIODE	1	

Ref. No.	Part No.	Part Name & Description	Pcs	Remarks
D587	MA188	DIODE	1	
D588	BOBC3R200008	DIODE	1	
D590	BOBC3R200008	DIODE	1	
D596	ERA15-10	DIODE	1	
D598	BOBC5R100039	DIODE	1	
D599	BOJCND000009	DIODE	1	
D600	BOBC7R400023	DIODE	1	
D601	BOBC5R100039	DIODE	1	
D602	BOBC8R100013	DIODE	1	
D801	BOJCPD000026	DIODE	1	
D802,03	BOJCME000037	DIODE	2	
D805-10	BOJCPE000004	DIODE	6	
D2301-03	BOJCME000037	DIODE	3	
D2512	MA8043LTX	ZENER DIODE	1	
D2520	LNJ107W5PRW	LED	1	
D2524	MA8056-M	ZENER DIODE	1	
D3001	MA111	DIODE	1	
D3003,04	MA111	DIODE	2	
D3005	LNJ206R5ARA	LED	1	
D3007,08	MA111	DIODE	2	
D3061	MA728	DIODE	1	
D3501-04	MA3056M	ZENER DIODE	4	
D3507-10	MA8160H	ZENER DIODE	4	
D4701	MA728	DIODE	1	
D4709	MA728	DIODE	1	
D4711-13	MA152K	DIODE	3	
D4721	MA3036H	ZENER DIODE	1	
D4732-35	MA152K	DIODE	4	
D4901	BOJCME000037	DIODE	1	
D4902,03	BOJCDD000002	DIODE	2	
D4904	BOJCME000037	DIODE	1	
D4905	BOJCDD000002	DIODE	1	
D4906	BOJCME000037	DIODE	1	
D6001	BOHBSN000008	DIODE	1	
D6021	BOHBSN000008	DIODE	1	
D6041	BOEHP000003	DIODE	1	
D6051	BOEHP000003	DIODE	1	
D6061	BOHBSN000008	DIODE	1	
D6071	BOHBSN000008	DIODE	1	
D6072	BOEHP000003	DIODE	1	
D6081	BOHBSN000008	DIODE	1	
D6091	BOHBSN000008	DIODE	1	
D6092	BOEHP000003	DIODE	1	
D6101,02	BOJCME000037	DIODE	2	
D6131,32	BOEHP000003	DIODE	2	
D6151,52	BOEHP000003	DIODE	2	
D6153	MA111	DIODE	1	
D6154	MA8033L	ZENER DIODE	1	
D6191-93	BOEHP000003	DIODE	3	
D6211	BOJCME000037	DIODE	1	
D6221	BOEHP000003	DIODE	1	
D6222,23	MA111	DIODE	2	
D6251,52	MA8330M	ZENER DIODE	2	
D6253	LNJ301MPUJA	LED	1	
D6254	MA8051L	ZENER DIODE	1	
D6255	MA111	DIODE	1	
D6401	BOHBSN000008	DIODE	1	
D6431	MA3DF40000LZ	DIODE	1	
D6441	BOEHP000003	DIODE	1	
D6451	BOEHP000003	DIODE	1	
D6461	BOHBSN000008	DIODE	1	
D6471	BOHBSN000008	DIODE	1	

Ref. No.	Part No.	Part Name & Description	Pcs	Remarks
D6472	B0ECHP000003	DIODE	1	
D6477	MA111	DIODE	1	
D6478	B0HCKS000002	DIODE	1	
D6480	MA111	DIODE	1	
D6481	B0HBSN000008	DIODE	1	
D6491	MA3DF40000LZ	DIODE	1	
D6497	MA111	DIODE	1	
D6501,0 2	B0ECHP000003	DIODE	2	
D6521,2 2	B0ECHP000003	DIODE	2	
D6523	MA111	DIODE	1	
D6524	MA8033L	ZENER DIODE	1	
D6581,8 2	MA8330M	ZENER DIODE	2	
D6583	LNJ301MPUJA	LED	1	
D6584	MA8051L	ZENER DIODE	1	
D6585	MA111	DIODE	1	
D6601	MA8240M	ZENER DIODE	1	
D6602	B0ECHP000003	DIODE	1	
D6603	MA8240M	ZENER DIODE	1	
D6604	MA111	DIODE	1	
D6605	MA8051L	ZENER DIODE	1	
D6606	B0HCMM000014	DIODE	1	
D6607	MA111	DIODE	1	
D6610	MAZ81500ML	ZENER DIODE	1	
D6611- 14	MA111	DIODE	4	
D6619,2 0	B0HCKS000002	DIODE	2	
D6621	B0HDSM000005	DIODE	1	
D6623	B0HDSM000005	DIODE	1	
D6641,4 2	B0HCKS000002	DIODE	2	
D6643	B0JCME000037	DIODE	1	
D6644	B0HCKS000002	DIODE	1	
D6661	MA111	DIODE	1	
D6662- 64	MA8330M	ZENER DIODE	3	
D6665	MA8051L	ZENER DIODE	1	
D6666,6 7	MA111	DIODE	2	
D6671	MA111	DIODE	1	
D6682	B0HCMM000014	DIODE	1	
D6683,8 4	MA111	DIODE	2	
D6686,8 7	MA111	DIODE	2	
D6701,0 2	MA8056H	ZENER DIODE	2	
D6721	B0HCKS000002	DIODE	1	
D6723,2 4	B0JCME000037	DIODE	2	
D6725	B0ECHP000003	DIODE	1	
D6726- 33	MA8056H	ZENER DIODE	8	
D6734	MA111	DIODE	1	
D6752	B0JCME000037	DIODE	1	
D6758	B0ECHP000003	DIODE	1	
D6760,6 1	MA111	DIODE	2	
D6771	B0JCME000037	DIODE	1	
D6773	B0HCKS000002	DIODE	1	
D6791	MA8200M	ZENER DIODE	1	
D6801	B0JCME000037	DIODE	1	
D6803	MA111	DIODE	1	
D6804	B0ECHP000003	DIODE	1	
D6805	MA111	DIODE	1	
D6806	B0ECHP000003	DIODE	1	
D6820- 23	MA111	DIODE	4	
D6825	MA8330M	ZENER DIODE	1	
D6826	MA111	DIODE	1	
D6841	B0ECHP000003	DIODE	1	
D6842,4 3	MA111	DIODE	2	

Ref. No.	Part No.	Part Name & Description	Pcs	Remarks
D6859	B0ECHP000003	DIODE	1	
D6860	B0HCKS000002	DIODE	1	
D6861	MA8051L	ZENER DIODE	1	
D6862	MA111	DIODE	1	
D6871	MA8051L	ZENER DIODE	1	
D6872	MA111	DIODE	1	
D6901,0 2	MA8056H	ZENER DIODE	2	
D6903,0 4	B0ECHP000003	DIODE	2	
D6921	B0ECHP000003	DIODE	1	
D6922	MA8056H	ZENER DIODE	1	
D6951,5 2	MA8056H	ZENER DIODE	2	
D6953,5 4	B0ECHP000003	DIODE	2	
D8001	MA111	DIODE	1	
D8003	MA111	DIODE	1	
D8010,1 1	MA153	DIODE	2	
D8180	MA111	DIODE	1	
D8181	MA8056-M	ZENER DIODE	1	
D8184,8 5	MA8056-M	ZENER DIODE	2	
D8200	MAZ31600ML	ZENER DIODE	1	
D8201	MA111	DIODE	1	
D8203	MA3100M	ZENER DIODE	1	
D8204	MA111	DIODE	1	
D8209	MA111	DIODE	1	
D9017- 19	MA3033	ZENER DIODE	3	
D9020	MA728	DIODE	1	
D9100- 03	B0JCGD000002	DIODE	4	
D9105,0 6	B0JCGD000002	DIODE	2	
D9110	B0JCGD000002	DIODE	1	
D9300,0 1	MA152K	DIODE	2	
D9800	B0JCME000037	DIODE	1	
D9801	B0JCDD000002	DIODE	1	
D9802	MA728	DIODE	1	
D9804	MA152K	DIODE	1	
D9807,0 8	MA152K	DIODE	2	
D9811	MA728	DIODE	1	
D9812	B0JCME000037	DIODE	1	
D9813	B0JCDD000002	DIODE	1	
D9814	B0JCME000037	DIODE	1	
D9815	B0JCDD000002	DIODE	1	
DA1	K1KA20AA0335	20P CONNECTOR	1	
DA2	K1KY40B00003	40P CONNECTOR	1	
DA3	K1KA30AA0009	30P CONNECTOR	1	
DA4	K1KA14A00248	14P CONNECTOR	1	
DA5	K1KB21BA0063	21P CONNECTOR	1	
DA6	K1KA31A00007	31P CONNECTOR	1	
DA11	K1KA21A00011	21P CONNECTOR	1	
FL3000- 04	F1J1E1040022	C 0.10UF, Z, 25V	5	
FL3006- 08	F1J1E1040022	C 0.10UF, Z, 25V	3	
FL3010	F1J1E1040022	C 0.10UF, Z, 25V	1	
FL4001	J0MAB0000175	LC FILTER	1	
FL4502- 04	F1J1E1040022	C 0.10UF, Z, 25V	3	
FL4703	F1J1E1040022	C 0.10UF, Z, 25V	1	
FL4705- 09	F1J1E1040022	C 0.10UF, Z, 25V	5	
FL7101	J0HABH000013	LC FILTER	1	
FL7201	J0HABH000013	LC FILTER	1	
FL8000	F1J1E1040022	C 0.10UF, Z, 25V	1	
FL9300, 01	F1J1E1040022	C 0.10UF, Z, 25V	2	

Ref. No.	Part No.	Part Name & Description	Pcs	Remarks
FL9800, 01	JOHABH000013	LC FILTER	2	
FL9803, 04	JOHABH000012	LC FILTER	2	
FL9805-07	JOHABH000013	LC FILTER	3	
FL9900-02	FLJ1E1040022	C 0.10UF, Z, 25V	3	
FL9903, 04	JOHABH000013	LC FILTER	2	
GK3	K1KA03BA0061	3P CONNECTOR	1	
H1	K1KA80B00037	80P CONNECTOR	1	
HX1	K1KB22A00036	22P CONNECTOR	1	
IC401	CNC1S171R	IC	1	△
IC402	C0DAEMB00004	IC	1	
IC403-05	CNC1S171R	IC	3	△
IC406	C0DAZZZ00021	IC	1	
IC408	CNC1S171R	IC	1	△
IC409	MIP2G40MPSCF	IC	1	△
IC410	CNC1S171R	IC	1	△
IC411	C0DAEMB00004	IC	1	
IC412	CNC1S171R	IC	1	△
IC501	C2ABDB000110	IC	1	
IC502	C0EBH0000210	IC	1	
IC504	C0DAEMB00004	IC	1	
IC505	CNC1S171R	IC	1	
IC506	COZBZ0000878	IC	1	
IC507	CNC1S171R	IC	1	
IC509	C0DABZZ00010	IC	1	
IC510	C0DBAZG00034	IC	1	
IC512	C0DAEMB00004	IC	1	
IC520	LSSK0062	IC	1	
IC801-03	C0DBAMH00013	IC	3	
IC804	C0CBCAC00275	IC	1	
IC2301, 02	C1AB00002534	IC	2	
IC2303	C1BB00001006	IC	1	
IC2305	C0ABBA000168	IC	1	
IC3001	C1AB00002530	IC	1	
IC3002	C0JBRR000002	IC	1	(J)
IC3002	C3EAGC000027	IC	1	(HA)
IC3003	CXA1315M	LINEAR IC	1	
IC3004	CXA1875AM	LINEAR IC	1	
IC3005	C1AB00002529	IC	1	
IC3006	MC14052BF	MOS IC (CMOS GATE ARRLY)	1	
IC3007, 08	C0JBAS000215	IC	2	
IC3101	C1AB00002238	IC	1	
IC3150-52	C0JBAA000419	IC	3	
IC3502	TVRP003	IC	1	
IC4001	C0FBAY000012	IC	1	
IC4002	C0DBEGE00002	IC	1	
IC4031, 32	C0JBAE000354	IC	2	
IC4201	C1ZBZ0003233	IC	1	
IC4301	C0JBAP000020	IC	1	
IC4500	C1ZBZ0002769	IC	1	
IC4501	MN845111-A	IC	1	
IC4502	C3ABQJ000031	IC	1	
IC4701	MN103SB30RGL	IC	1	
IC4702	TVRN927-4	IC	1	
IC4703	TVRN997	IC	1	
IC4704	C0EBE0000447	IC	1	
IC4711	C0JBAE000354	IC	1	
IC4714	C0JBAZ000856	IC	1	
IC4715	C0JBAE000354	IC	1	
IC4803	C0JBAS000215	IC	1	

Ref. No.	Part No.	Part Name & Description	Pcs	Remarks
IC4901	C0DBAHD00011	IC	1	
IC4951, 52	C0DBAYY00054	IC	2	
IC4953	C0CBCAD00016	IC	1	
IC4955	C0DBAYY00054	IC	1	
IC4956	C0CBCBC00190	IC	1	
IC4957	C0DBAHD00011	IC	1	
IC6131	COZBZ0000895	IC	1	
IC6151	COZBZ0000895	IC	1	
IC6191	COZBZ0000895	IC	1	
IC6211	COZBZ0001325	IC	1	
IC6221	C0DBEMB00005	IC	1	
IC6241	C0JBAZ000005	IC	1	
IC6251	NJM2903M	INTEGRATED CIRCUIT	1	
IC6471	C0DBEKA00003	IC	1	
IC6472	C0JBAA000377	IC	1	
IC6501	COZBZ0000895	IC	1	
IC6521	COZBZ0000895	IC	1	
IC6561, 62	C0JBAZ000005	IC	2	
IC6581	NJM2903M	INTEGRATED CIRCUIT	1	
IC6601	COZBZ0001325	IC	1	
IC6602	C0JBAB000715	IC	1	
IC6610	NJM2903M	INTEGRATED CIRCUIT	1	
IC6671	COZBZ0001325	IC	1	
IC6681	COZBZ0001325	IC	1	
IC6682	C0JBAA000377	IC	1	
IC6721, 22	C0JBAZ000994	IC	2	
IC6724, 25	C0CBADC00089	IC	2	
IC6751	C0CBADC00089	IC	1	
IC6752	COZBZ0001325	IC	1	
IC6753	C0JBAB000715	IC	1	
IC6771	C0CBADC00089	IC	1	
IC6772	COZBZ0001325	IC	1	
IC6773, 74	C0JBAA000377	IC	2	
IC6791	N0BF1FB00001	IC	1	
IC6801, 02	C0DBEMB00005	IC	2	
IC6821	C0DBEMB00005	IC	1	
IC6841	C0DBEMB00005	IC	1	
IC6861	NJM2903M	INTEGRATED CIRCUIT	1	
IC6871	NJM2903M	INTEGRATED CIRCUIT	1	
IC6901-04	AN16071A-VT	IC	4	
IC6951-54	AN16071A-VT	IC	4	
IC7101-04	C0JBAZ001120	IC	4	
IC7201-05	C0JBAZ001120	IC	5	
IC8001	MC14052BF	MOS IC (CMOS GATE ARRLY)	1	
IC8003	C1AA00000706	IC	1	
IC8005	C0JBAB000646	IC	1	
IC8007	C0JBAR000419	IC	1	
IC8009	C0JBAS000215	IC	1	
IC8014	COZBZ0000911	IC	1	
IC8016	C0JBAZ001934	IC	1	
IC8100	C0DBEJG00001	IC	1	
IC8181	C1DB00001208	IC	1	
IC9001	TVRP006-1	IC	1	
IC9003	C2CBJG000730	IC	1	
IC9007	TVRN941-1	IC	1	
IC9011	C0EBF0000431	IC	1	
IC9200	C1ZBZ0003185	IC	1	
IC9303	TVRN940	IC	1	
IC9500	C1ZBZ0002599	IC	1	
IC9502	PST9128NR	IC (LOGIC)	1	
IC9503, 04	C0JBAZ001120	IC	2	
IC9800	C0DBAYY00054	IC	1	
IC9801	C0DBZFG00066	IC	1	



Ref. No.	Part No.	Part Name & Description	Pcs	Remarks
IC9802,03	C0JBAZ001120	IC	2	
IC9806	C0DBAHD00011	IC	1	
IC9807	C0DBAYY00054	IC	1	
IC9809	C0DBAYY00054	IC	1	
IC9900	MN84521-A	IC	1	
IC9901	C3ABQJ000051	IC	1	
J1	K1KA20B00163	20P CONNECTOR	1	
J2	K1KA06BA0047	6P CONNECTOR	1	
J3	K1KA30B00078	30P CONNECTOR	1	
J4	K1KA11BA0051	11P CONNECTOR	1	
J5	K1KA21B00008	21P CONNECTOR	1	
J6	K1KA21B00009	21P CONNECTOR	1	
J7,J8	K1KA03BA0055	3P CONNECTOR	2	
J10	K1KA06BA0050	6P CONNECTOR	1	
J11-13	K1KB80B00024	80P CONNECTOR	3	
J14	K1KA22A00067	22P CONNECTOR	1	
J15	K1KA03BA0047	3P CONNECTOR	1	
J30	K1KA05BA0050	5P CONNECTOR	1	
JK3001	K1QBB3BB0002	CONNECTOR	1	
JK3002	K2HA204B0097	JACK	1	
JK3509	K1FB109BA018	CONNECTOR	1	
JK3511	K1FB115BA020	CONNECTOR	1	
JK3513	K2HC103B0105	JACK	1	
JS3001-08	ERJ3GEY0R00	M 0 OHM, 1/16W	8	
JS3011-16	ERJ3GEY0R00	M 0 OHM, 1/16W	6	
JS8094	ERJ3GEY0R00	M 0 OHM, 1/16W	1	
JS8096	ERJ3GEY0R00	M 0 OHM, 1/16W	1	
K1	K1KY12B00001	12P CONNECTOR	1	
L403	EXCELSA35	BEAD CHOKE	1	
L404,05	G0B123K00004	CHOKE COIL	2	△
L410	ELF17N004A	LINE FILTER	1	△
L510	EXCELDLDR25C	BEAD CHOKE	1	
L511	G0A470ZA0033	CHOKE COIL	1	
L512	ELESE4R7JA	PEAKING COIL	1	
L513	EXCELDLDR25C	BEAD CHOKE	1	
L801	G1A101ZA0007	CHOKE COIL	1	
L802	G1C101MA0167	INDUCTION COIL	1	
L803	G1C220MA0167	INDUCTION COIL	1	
L804,05	J0JHC0000078	CHIP INDUCTOR	2	
L807-11	J0JHC0000078	CHIP INDUCTOR	5	
L2330,31	G0A221ZA0041	CHOKE COIL	2	
L3001	J0HABB000004	LC FILTER	1	
L3002	G1C100K00020	INDUCTION COIL	1	
L3003	J0HABB000004	LC FILTER	1	
L3004	J0HABB000003	LC FILTER	1	
L3005	G1C100K00020	INDUCTION COIL	1	(J)
L3005	J0HABB000003	LC FILTER	1	(HA)
L3006	G1C100K00020	INDUCTION COIL	1	(J)
L3006	ELJPA100KFB	CHIP INDUCTOR	1	(HA)
L3050	G1C100K00020	INDUCTION COIL	1	
L3140	J0JHC0000078	CHIP INDUCTOR	1	
L3507-09	J0HABB000004	LC FILTER	3	
L3510-17	TLK212T256AL	EMI FILTER	8	
L3526	ELJPA100KFB	CHIP INDUCTOR	1	
L3555	ELJPA100KFB	CHIP INDUCTOR	1	
L4206	J0JHC0000096	CHIP INDUCTOR	1	
L4301-03	J0JHC0000078	CHIP INDUCTOR	3	
L4501	G1C150KA0038	INDUCTION COIL	1	
L4502-05	J0JHC0000096	CHIP INDUCTOR	4	
L4701-04	J0JHC0000096	CHIP INDUCTOR	4	
L4901	G1C3R3MA0175	INDUCTION COIL	1	

Ref. No.	Part No.	Part Name & Description	Pcs	Remarks
L4902	G1C3R0MA0248	INDUCTION COIL	1	
L4903	G1C2R2MA0248	INDUCTION COIL	1	
L6001-03	ELC11P0R6	CHOKE COIL	3	
L6011,12	ELC11P1R0	CHOKE COIL	2	
L6061-64	G0ZZ00002183	PEAKING COIL	4	
L6081-84	G0ZZ00002183	PEAKING COIL	4	
L6101,02	J0JJC0000011	CHIP INDUCTOR	2	
L6103	G0ZZ00002183	PEAKING COIL	1	
L6221	G0ZZ00002183	PEAKING COIL	1	
L6241	G0ZZ00002183	PEAKING COIL	1	
L6262	G0ZZ00002183	PEAKING COIL	1	
L6271	G0ZZ00002183	PEAKING COIL	1	
L6401-03	ELC11P0R6	CHOKE COIL	3	
L6411,12	ELC11P1R0	CHOKE COIL	2	
L6461-64	G0ZZ00002183	PEAKING COIL	4	
L6472	G0ZZ00002183	PEAKING COIL	1	
L6481-84	G0ZZ00002183	PEAKING COIL	4	
L6591,92	G0ZZ00002183	PEAKING COIL	2	
L6602	G0ZZ00002183	PEAKING COIL	1	
L8001	G1C100K00020	INDUCTION COIL	1	
L8003	G1C100K00020	INDUCTION COIL	1	
L8005	G1C100K00020	INDUCTION COIL	1	
L8101-08	J0JHC0000078	CHIP INDUCTOR	8	
L9500	G1C150KA0038	INDUCTION COIL	1	
L9501,02	J0JHC0000078	CHIP INDUCTOR	2	
L9800	G1C3R0MA0248	INDUCTION COIL	1	
L9801,02	G1C2R2MA0241	INDUCTION COIL	2	
L9810	J0JHC0000045	CHIP INDUCTOR	1	
P2	K1KA02A00626	2P CONNECTOR	1	
P5	K1KA11AA0194	11P CONNECTOR	1	
P9	K1KA03A00537	3P CONNECTOR	1	
P10	K1KA06A00452	6P CONNECTOR	1	
P11	K1KA02A00626	2P CONNECTOR	1	
P12	K1KA10AA0194	10P CONNECTOR	1	
P23	K1KA03AA0193	3P CONNECTOR	1	
P25	K1KA20AA0178	20P CONNECTOR	1	
PA4901	K5H4022A0023	FUSE	1	
PA9800	K5H4022A0023	FUSE	1	
PC6480	B3PBA0000223	IC	1	
PC6701-03	B3PBA0000397	IC	3	
PC6704	K7GBZEE00007	PHOTO COUPLER	1	
PC6705	B3PBA0000397	IC	1	
PC6760	B3PBA0000223	IC	1	
PC6801	B3PBA0000223	IC	1	
PC6861	B3PBA0000223	IC	1	
PC6871	B3PBA0000223	IC	1	
PMM1	TMM7464-2	CLAMPER	1	
PMM2,M3	TMME088	CLAMPER	2	
PMM4-M6	TMM7464-2	CLAMPER	3	
PMM7	TMME047	CLAMPER	1	
PR401	K5Y502BA0001	FUSE	1	△
PR505	K5H5022A0023	FUSE	1	△
PR509	ERBSE0R50U	FUSE	1	△
PR601	K5G312B00012	FUSE	1	△
Q401	B1CHND000004	TRANSISTOR	1	
Q402	B1DFDD000019	TRANSISTOR	1	

Ref. No.	Part No.	Part Name & Description	Pcs	Remarks
Q404	B1BCCF000022	TRANSISTOR	1	
Q406	B1DEHQ000007	TRANSISTOR	1	△
Q407	B1HFCFA00021	TRANSISTOR	1	
Q408,09	B1DHCD000034	TRANSISTOR	2	
Q412,13	B1DEGQ000070	TRANSISTOR	2	△
Q418	2SD1819A	TRANSISTOR	1	
Q420-22	2SD1819A	TRANSISTOR	3	
Q434	B1CEJQ000003	ÇeÇdÇs	1	
Q501,02	2SD1820A	TRANSISTOR	2	
Q505	B1CEJQ000002	ÇeÇdÇs	1	
Q507	B1DAGQ000013	TRANSISTOR	1	
Q508	B1HBCFA00033	TRANSISTOR	1	
Q509	B1HDCEA00001	TRANSISTOR	1	
Q510	B1DHBD000005	TRANSISTOR	1	
Q512	B1CBGD000001	FET	1	
Q517	B1HBCFA00033	TRANSISTOR	1	
Q520	B1HBCFA00033	TRANSISTOR	1	
Q521	B1CBGD000001	FET	1	
Q524	B1CFGF000008	TRANSISTOR	1	
Q525	B1CBGD000001	FET	1	
Q527	B1CERL000005	TRANSISTOR	1	
Q530	2SD1819A	TRANSISTOR	1	
Q535	2SD1819A	TRANSISTOR	1	
Q537	B1DFDD000019	TRANSISTOR	1	
Q538	B1CBGD000001	FET	1	
Q540	B1DHCD000034	TRANSISTOR	1	
Q541	B1CBGD000001	FET	1	
Q551	B1CBGD000001	FET	1	
Q553	2SD1819A	TRANSISTOR	1	
Q554	B1DHCD000034	TRANSISTOR	1	
Q555,56	B1DFGD000045	TRANSISTOR	2	
Q557-59	2SD1819A	TRANSISTOR	3	
Q561	2SD1819A	TRANSISTOR	1	
Q563	B1CFGF000008	TRANSISTOR	1	
Q564,65	2SB1218ARL	TRANSISTOR	2	
Q566	2SD1819A	TRANSISTOR	1	
Q568	B1CHGD000006	TRANSISTOR	1	
Q569	B1CBGD000001	FET	1	
Q2300	B1BCCF000028	TRANSISTOR	1	
Q2331	B1BBCF000028	TRANSISTOR	1	
Q2372	2SD601A	TRANSISTOR	1	
Q2510,11	2SD601A	TRANSISTOR	2	
Q2513	2SD601A	TRANSISTOR	1	
Q3001	2SB709A	TRANSISTOR	1	
Q3002	2SD601A	TRANSISTOR	1	
Q3004	2SD601A	TRANSISTOR	1	
Q3531,32	2SD601A	TRANSISTOR	2	
Q4701	B1CBHD000002	FET	1	
Q4702-07	2SD601A	TRANSISTOR	6	
Q4709,10	2SD601A	TRANSISTOR	2	
Q4712-14	2SD601A	TRANSISTOR	3	
Q4801	B1CBHD000002	FET	1	
Q4802,03	2SD601A	TRANSISTOR	2	
Q4901-03	B1MBEDA00015	TRANSISTOR	3	
Q4961,62	2SD601A	TRANSISTOR	2	
Q6001-03	2PG0010000RP	TRANSISTOR	3	
Q6021-23	2PG0010000RP	TRANSISTOR	3	
Q6041,42	2PG0010000RP	TRANSISTOR	2	
Q6051	2PG0010000RP	TRANSISTOR	1	
Q6101,02	B1DFKM000002	TRANSISTOR	2	
Q6111	2SK326800L	FET	1	
Q6112	B1DFKM000002	TRANSISTOR	1	
Q6141	B1ABNF000006	TRANSISTOR	1	

Ref. No.	Part No.	Part Name & Description	Pcs	Remarks
Q6142	B1ADNF000006	TRANSISTOR	1	
Q6146	B1ABNF000006	TRANSISTOR	1	
Q6147	B1ADNF000006	TRANSISTOR	1	
Q6221	2SD1263A	TRANSISTOR	1	
Q6222	2SC1473A	TRANSISTOR	1	
Q6251	2SD601A	TRANSISTOR	1	
Q6401-03	2PG0010000RP	TRANSISTOR	3	
Q6421-23	2PG0020000RP	TRANSISTOR	3	
Q6441,42	2PG0010000RP	TRANSISTOR	2	
Q6451	2PG0020000RP	TRANSISTOR	1	
Q6471	B1CHGD000006	TRANSISTOR	1	
Q6511	B1ABNF000006	TRANSISTOR	1	
Q6512	B1ADNF000006	TRANSISTOR	1	
Q6516	B1ABNF000006	TRANSISTOR	1	
Q6517	B1ADNF000006	TRANSISTOR	1	
Q6581	2SD601A	TRANSISTOR	1	
Q6601	B1DFES000003	TRANSISTOR	1	
Q6602	2SD601A	TRANSISTOR	1	
Q6621,22	2SK399500L	FET	2	
Q6642-44	2SK399500L	FET	3	
Q6646-48	2SK399500L	FET	3	
Q6661	B1DEET000002	TRANSISTOR	1	
Q6662	2SD601A	TRANSISTOR	1	
Q6663	2SD2185	TRANSISTOR	1	
Q6671	B1DFES000003	TRANSISTOR	1	
Q6680	B1ADNF000006	TRANSISTOR	1	
Q6681,82	2SK389500L	FET	2	
Q6691	2SK620	FET	1	
Q6742,43	2SD601A	TRANSISTOR	2	
Q6744	2SK620	FET	1	
Q6762	B1ADNF000006	TRANSISTOR	1	
Q6781	B1ABNF000006	TRANSISTOR	1	
Q6782	B1ADNF000006	TRANSISTOR	1	
Q6791	2SD601A	TRANSISTOR	1	
Q6801	B1BAEJ000014	TRANSISTOR	1	
Q6802	2SB0709A	TRANSISTOR	1	
Q6803	2SD814A	TRANSISTOR	1	
Q6821	2SD1263A	TRANSISTOR	1	
Q6822	2SC3063	TRANSISTOR	1	
Q6824	2SD601A	TRANSISTOR	1	
Q6841	2SD1263A	TRANSISTOR	1	
Q6842	2SC1473A	TRANSISTOR	1	
Q6921	2SK620	FET	1	
Q8002	2SD601A	TRANSISTOR	1	
Q8010	2SD601A	TRANSISTOR	1	
Q8011	2SB709A	TRANSISTOR	1	
Q8012	2SD601A	TRANSISTOR	1	
Q8013	2SB709A	TRANSISTOR	1	
Q8019	2SD601A	TRANSISTOR	1	
Q8181-84	B1CBHD000002	FET	4	
Q8200-02	2SD601A	TRANSISTOR	3	
Q9010	2SD601A	TRANSISTOR	1	
Q9044	2SD601A	TRANSISTOR	1	
Q9046	2SD601A	TRANSISTOR	1	
Q9050-54	2SD601A	TRANSISTOR	5	
Q9055-58	B1CBHD000002	FET	4	
Q9300-02	2SD601A	TRANSISTOR	3	
Q9800,01	B1MBEDA00015	TRANSISTOR	2	
Q9803	B1MBEDA00015	TRANSISTOR	1	
Q9805,06	2SD601A	TRANSISTOR	2	

Ref. No.	Part No.	Part Name & Description	Pcs	Remarks
R401	ERJ6GEYJ103	M 10KOHM,J,1/10W	1	
R402	ERJ6GEYJ821	M 820 OHM,J,1/10W	1	
R403	ERJ6GEYJ105	M 1MOHM,J,1/10W	1	
R404	ERJ6GEYJ102	M 1KOHM,J,1/10W	1	
R406	ERX12SJ2R2V	M 2.2 OHM, J,1/2W	1	
R407	ERJ8ENF4303	M 43KOHM, 1/8W	1	
R410	D1F5100E0003	CHIP RESISTOR	1	△
R412	ERJ6GEY0R00	M 0 OHM, 1/10W	1	
R413	D1F5100E0003	CHIP RESISTOR	1	△
R414	ERJ8GEYJ153	M 15KOHM, J,1/8W	1	
R415	ERJ6GEYJ103	M 10KOHM,J,1/10W	1	
R416	ERJ6GEYJ305	M 3MOHM,J,1/10W	1	
R417	ERJ6ENF4303	M 43KOHM, 1/10W	1	
R418	ERJ6GEYJ220	M 22 OHM,J,1/10W	1	
R419	ERJ6GEYJ104	M 100KOHM,J,1/10W	1	
R420	ERJ6GEY0R00	M 0 OHM, 1/10W	1	
R421	ERJ6GEYJ333	M 33KOHM,J,1/10W	1	
R422	ERJ6GEYJ334	M 330KOHM,J,1/10W	1	
R423	ERJ6GEYJ102	M 1KOHM,J,1/10W	1	
R424	ERJ6GEYJ223	M 22KOHM,J,1/10W	1	
R425	ERJ6ENF3902	M 39KOHM, 1/10W	1	
R426	ERJ6GEYJ103	M 10KOHM,J,1/10W	1	
R427	ERJ8ENF4303	M 43KOHM, 1/8W	1	
R428	ERJ6GEYJ103	M 10KOHM,J,1/10W	1	
R429	ERJ6GEYJ4R7	M 4.7 OHM,J,1/10W	1	
R430	ERJ6ENF4303	M 43KOHM, 1/10W	1	
R431	ERJ6GEYJ103	M 10KOHM,J,1/10W	1	
R432	ERJ6GEYJ102	M 1KOHM,J,1/10W	1	
R433	ERJ6ENF1202	M 12KOHM, 1/10W	1	
R434	ERJ8GEY0R00	M 0 OHM, 1/8W	1	
R435	ERJ8ENF4303	M 43KOHM, 1/8W	1	
R436	ERJ8GEYJ153	M 15KOHM, J,1/8W	1	
R437	ERJ6GEYJ183	M 18KOHM,J,1/10W	1	
R438	ERJ6GEYJ331	M 330 OHM,J,1/10W	1	
R439	ERGL2SJ120	M 12 OHM, J,1/2W	1	
R440	ERJ8GEYJ474	M 470KOHM, J,1/8W	1	
R441,42	ERJ6EKF6803	M 680KOHM, 1/10W	2	
R443	EVMAASA00B23	CONTROL 2KOHMB	1	
R444	ERJ6GEYJ123	M 12KOHM,J,1/10W	1	
R448,49	D0XGR10J0003	M 0.1OHM,J, 5W	2	
R450	ERJ6GEYJ102	M 1KOHM,J,1/10W	1	
R451	ERJ6GEYJ333	M 33KOHM,J,1/10W	1	
R452	ERJ6GEYJ103	M 10KOHM,J,1/10W	1	
R453	ERJ6GEYJ305	M 3MOHM,J,1/10W	1	
R454	ERJ6GEYJ103	M 10KOHM,J,1/10W	1	
R455	ERJ6GEYJ123	M 12KOHM,J,1/10W	1	
R456	ERJ6GEYJ333	M 33KOHM,J,1/10W	1	
R458	ERJ6GEYJ472	M 4.7KOHM,J,1/10W	1	
R459	ERJ6EKF6803	M 680KOHM, 1/10W	1	
R461	ERJ6GEYJ103	M 10KOHM,J,1/10W	1	
R462	ERJ6ENF4303	M 43KOHM, 1/10W	1	
R463	ERJ6GEYJ333	M 33KOHM,J,1/10W	1	
R464	ERJ6ENF3302	M 33KOHM, 1/10W	1	
R465	ERJ6ENF5603	M 560KOHM, 1/10W	1	
R467	ERJ6GEYJ102	M 1KOHM,J,1/10W	1	
R471	ERJ8GEYJ332	M 3.3KOHM, J,1/8W	1	
R472,73	ERJ6ENF5603	M 560KOHM, 1/10W	2	
R475	ERJ6EKF6803	M 680KOHM, 1/10W	1	
R476,77	ERJ14YJ181U	M 181 OHM, J,1/4W	2	
R478	ERJ8GEYJ220	M 22 OHM, J,1/8W	1	
R480	ERJ6ENF4702	M 47KOHM, 1/10W	1	
R482	ERJ8GEYJ220	M 22 OHM, J,1/8W	1	
R483	D0BF225JA030	M 22MOHM,J,0.05W	1	△
R487	ERJ6GEYJ472	M 4.7KOHM,J,1/10W	1	
R488	ERJ6GEYJ104	M 100KOHM,J,1/10W	1	
R490,91	ERJ6GEYJ473	M 47KOHM,J,1/10W	2	
R492	ERJ6GEY0R00	M 0 OHM, 1/10W	1	
R493	ERGL2SJ120	M 12 OHM, J,1/2W	1	
R494-96	ERJ6ENF5603	M 560KOHM, 1/10W	3	
R497	ERJ6ENF1202	M 12KOHM, 1/10W	1	
R498	ERG3SJ101	M 100 OHM, J, 3W	1	
R499	D0BF394JA029	M 390KOHM,J,0.05W	1	△
R501	ERJ6GEYJ223	M 22KOHM,J,1/10W	1	

Ref. No.	Part No.	Part Name & Description	Pcs	Remarks
R502,03	ERJ6GEYJ104	M 100KOHM,J,1/10W	2	
R504	ERJ6GEYJ102	M 1KOHM,J,1/10W	1	
R505	ERJ8GEYJ330	M 33 OHM, J,1/8W	1	
R506	ERJ6GEYJ102	M 1KOHM,J,1/10W	1	
R507	ERJ6GEYJ221	M 220 OHM,J,1/10W	1	
R508	ERJ6GEYJ102	M 1KOHM,J,1/10W	1	
R509-11	ERJ6GEYJ104	M 100KOHM,J,1/10W	3	
R512	ERJ6GEYJ223	M 22KOHM,J,1/10W	1	
R513,14	ERJ6GEYJ104	M 100KOHM,J,1/10W	2	
R515,16	ERJ6GEYJ102	M 1KOHM,J,1/10W	2	
R517	ERJ6GEYJ103	M 10KOHM,J,1/10W	1	
R518	ERJ6GEYJ102	M 1KOHM,J,1/10W	1	
R519,20	ERJ6GEYJ104	M 100KOHM,J,1/10W	2	
R521,22	ERJ8GEYJ100	M 10 OHM, J,1/8W	2	
R523	ERJ6GEYJ473	M 47KOHM,J,1/10W	1	
R524	ERJ6GEYJ102	M 1KOHM,J,1/10W	1	
R525	ERJ6GEYJ473	M 47KOHM,J,1/10W	1	
R526,27	ERJ8GEYJ224	M 220KOHM, J,1/8W	2	
R528	ERJ6GEYJ4R7	M 4.7 OHM,J,1/10W	1	
R529	ERJ6GEYJ101	M 100 OHM,J,1/10W	1	
R530	ERJ6RBD3302	M 33KOHM,F,1/10W	1	
R532	ERJ6GEYJ102	M 1KOHM,J,1/10W	1	
R533	ERJ6GEYJ163	M 16KOHM,J,1/10W	1	
R534	ERJ6GEYJ473	M 47KOHM,J,1/10W	1	
R535,36	ERJ6GEYJ102	M 1KOHM,J,1/10W	2	
R537	ERJ6ENF1003	M 100KOHM, 1/10W	1	
R538	ERJ6GEYJ104	M 100KOHM,J,1/10W	1	
R539	ERJ6GEYJ103	M 10KOHM,J,1/10W	1	
R540,41	ERJ6GEYJ105	M 1MOHM,J,1/10W	2	
R542	ERJ6GEYJ102	M 1KOHM,J,1/10W	1	
R543	ERJ6GEYJ153	M 15KOHM,J,1/10W	1	
R544	ERJ6GEYJ331	M 330 OHM,J,1/10W	1	
R545	ERJ6GEYJ103	M 10KOHM,J,1/10W	1	
R546	ERJ6GEYJ102	M 1KOHM,J,1/10W	1	
R547	ERJ6GEYJ101	M 100 OHM,J,1/10W	1	
R548	ERJ6GEYJ102	M 1KOHM,J,1/10W	1	
R549	ERJ6GEYJ103	M 10KOHM,J,1/10W	1	
R550	ERJ6GEYJ473	M 47KOHM,J,1/10W	1	
R551	ERJ6GEYJ334	M 330KOHM,J,1/10W	1	
R552	ERJ6GEYJ103	M 10KOHM,J,1/10W	1	
R553	ERJ6GEYJ101	M 100 OHM,J,1/10W	1	
R554	ERJ6GEYJ102	M 1KOHM,J,1/10W	1	
R555,56	ERJ6GEYJ105	M 1MOHM,J,1/10W	2	
R557	ERJ6GEYJ104	M 100KOHM,J,1/10W	1	
R558	ERJ6GEYJ474	M 470KOHM,J,1/10W	1	
R559	ERJ6ENF8201	M 8.2KOHM, 1/10W	1	
R560	ERJ6ENF9101	M 9.1KOHM, 1/10W	1	
R561	ERJ6ENF5101	M 5.1KOHM, 1/10W	1	
R562	ERJ6ENF4701	M 4.7KOHM, 1/10W	1	
R563	ERJ6GEYJ2R2	M 2.2 OHM,J,1/10W	1	
R564	ERJ6GEYJ104	M 100KOHM,J,1/10W	1	
R565,66	ERJ6GEYJ105	M 1MOHM,J,1/10W	2	
R567,68	ERJ8ENF1004	M 100KOHM, 1/8W	2	
R569	ERJ6ENF3302	M 33KOHM, 1/10W	1	
R570	ERJ6GEYJ104	M 100KOHM,J,1/10W	1	
R571	ERJ6GEYJ105	M 1MOHM,J,1/10W	1	
R572,73	ERJ8ENF3900	M 390 OHM, 1/8W	2	
R574	ERJ6GEYJ331	M 330 OHM,J,1/10W	1	
R575	ERJ6GEYJ102	M 1KOHM,J,1/10W	1	
R576	ERJ6ENF1202	M 12KOHM, 1/10W	1	
R577,78	ERJ6GEYJ473	M 47KOHM,J,1/10W	2	
R579	ERJ6GEYJ103	M 10KOHM,J,1/10W	1	
R580,81	ERJ6GEYJ473	M 47KOHM,J,1/10W	2	
R582	ERJ6ENF1002	M 10KOHM, 1/10W	1	
R583	ERJ6GEYJ473	M 47KOHM,J,1/10W	1	
R584	ERJ6GEYJ103	M 10KOHM,J,1/10W	1	
R585	ERJ6GEYJ333	M 33KOHM,J,1/10W	1	
R586	ERJ6GEYJ473	M 47KOHM,J,1/10W	1	
R587	ERJ8RQJR22V	M0.22 OHM, 1/8W	1	
R588	ERJ8ENF3900	M 390 OHM, 1/8W	1	
R589,90	ERJ8GEYJ123	M 12KOHM, J,1/8W	2	
R591	ERJ6GEYJ105	M 1MOHM,J,1/10W	1	
R592	ERJ6ENF3001	M 3KOHM, 1/10W	1	

Ref. No.	Part No.	Part Name & Description	Pcs	Remarks
R593	ERJ6ENF5601	M 5.6KOHM, 1/10W	1	
R594	ERJ6GEYJ151	M 150 OHM, J, 1/10W	1	
R595	ERJ8GEYJ222	M 2.2KOHM, J, 1/8W	1	
R596	ERJ6GEYJ101	M 100 OHM, J, 1/10W	1	
R597, 98	ERJ6ENF3302	M 33KOHM, 1/10W	2	
R599, 00	ERJ8ENF3900	M 390 OHM, 1/8W	2	
R601	ERJ6GEYJ473	M 47KOHM, J, 1/10W	1	
R602	ERJ6ENF3301	M 3.3KOHM, 1/10W	1	
R603	ERJ6GEYJ333	M 33KOHM, J, 1/10W	1	
R606	ERJ6ENF1201	M 1.2KOHM, 1/10W	1	
R607	ERJ6ENF2202	M 2.2KOHM, 1/10W	1	
R608	ERJ8GEYJ332	M 3.3KOHM, J, 1/8W	1	
R609	ERJ6GEYJ102	M 1KOHM, J, 1/10W	1	
R610, 11	ERJ6GEYJ473	M 47KOHM, J, 1/10W	2	
R612	ERJ6GEYJ222	M 2.2KOHM, J, 1/10W	1	
R613	ERJ6ENF2402	M 24KOHM, 1/10W	1	
R614	ERJ6ENF3301	M 3.3KOHM, 1/10W	1	
R615	ERJ6GEYJ102	M 1KOHM, J, 1/10W	1	
R616, 17	ERJ6GEYJ103	M 10KOHM, J, 1/10W	2	
R618	ERJ6GEYJ104	M 100KOHM, J, 1/10W	1	
R619	ERJ8RQFR68	M 0.68OHM, J, 1/8W	1	
R620	ERJ6GEYJ103	M 10KOHM, J, 1/10W	1	
R621	ERJ8GEYJ123	M 12KOHM, J, 1/8W	1	
R622	ERJ8ENF1503	M 15KOHM, 1/8W	1	
R624	ERX2SJR22	M0.22 OHM, J, 2W	1	
R626	ERJ8ENF1503	M 15KOHM, 1/8W	1	
R627	ERJ6GEYJ822	M 8.2KOHM, J, 1/10W	1	
R628	EVMAASA00B33	CONTROL 3KOHMB	1	
R629	ERJ6GEYJ105	M 1MOHM, J, 1/10W	1	
R630	ERJ8GEYJ472	M 4.7KOHM, J, 1/8W	1	
R631	ERJ8GEYJ333	M 33KOHM, J, 1/8W	1	
R632	ERJ6GEYJ221	M 220 OHM, J, 1/10W	1	
R633	ERJ6GEYJ105	M 1MOHM, J, 1/10W	1	
R634	ERJ8RQFR68	M 0.68OHM, J, 1/8W	1	
R636	ERJ8ENF1503	M 15KOHM, 1/8W	1	
R637	ERJ8RQFR68	M 0.68OHM, J, 1/8W	1	
R638	ERJ6GEYJ102	M 1KOHM, J, 1/10W	1	
R639, 40	ERJ8RQFR68	M 0.68OHM, J, 1/8W	2	
R641	ERJ6GEYJ473	M 47KOHM, J, 1/10W	1	
R642-44	ERJ8RQFR68	M 0.68OHM, J, 1/8W	3	
R645	ERJ6GEYJ101	M 100 OHM, J, 1/10W	1	
R646, 47	ERJ8GEYJ223	M 22KOHM, J, 1/8W	2	
R648	ERJ8ENF1503	M 15KOHM, 1/8W	1	
R649	ERJ6GEYJ223	M 22KOHM, J, 1/10W	1	
R650	ERJ6GEYJ103	M 10KOHM, J, 1/10W	1	
R651, 52	ERJ6ENF1002	M 10KOHM, 1/10W	2	
R653	ERJ6ENF3302	M 33KOHM, 1/10W	1	
R654	ERJ8GEYJ220	M 22 OHM, J, 1/8W	1	
R655	ERJ8RQJR22V	M0.22 OHM, 1/8W	1	
R656	ERJ6ENF4702	M 47KOHM, 1/10W	1	
R657	ERJ6GEYJ102	M 1KOHM, J, 1/10W	1	
R658	ERJ6GEYJ105	M 1MOHM, J, 1/10W	1	
R659	ERJ6ENF3002	M 30KOHM, 1/10W	1	
R660	ERJ6ENF1202	M 12KOHM, 1/10W	1	
R661	EVMEASA00B53	CONTROL 5KOHMB 0.3W	1	
R662	ERJ6ENF1503	M 150KOHM, 1/10W	1	
R664	ERJ6ENF9101	M 9.1KOHM, 1/10W	1	
R665	EVMEASA00B23	CONTROL 2KOHMB 0.3W	1	
R666	ERJ6GEYJ102	M 1KOHM, J, 1/10W	1	
R667, 68	ERJ8GEYOR00	M 0 OHM, 1/8W	2	
R669	ERJ6ENF1303	M 130KOHM, 1/10W	1	
R670	ERJ6GEYJ102	M 1KOHM, J, 1/10W	1	
R671	EVMEASA00B14	CONTROL 10KOHMB 0.3W	1	
R672, 73	ERJ6GEYJ102	M 1KOHM, J, 1/10W	2	
R674	ERJ8GEYJ333	M 33KOHM, J, 1/8W	1	
R675	ERJ6ENF2202	M 2.2KOHM, 1/10W	1	
R676	ERJ8GEYJ333	M 33KOHM, J, 1/8W	1	
R677	ERJ6GEYJ474	M 470KOHM, J, 1/10W	1	
R678	ERJ8GEYOR00	M 0 OHM, 1/8W	1	
R679, 80	ERJ8RQJR22V	M0.22 OHM, 1/8W	2	
R682	ERJ6ENF2002	M 20KOHM, 1/10W	1	

Ref. No.	Part No.	Part Name & Description	Pcs	Remarks
R683	ERJ6GEYJ333	M 33KOHM, J, 1/10W	1	
R684	ERJ6GEYJ103	M 10KOHM, J, 1/10W	1	
R685, 86	ERJ6GEYJ102	M 1KOHM, J, 1/10W	2	
R687	ERJ6GEYJ103	M 10KOHM, J, 1/10W	1	
R688, 89	ERJ6GEYJ102	M 1KOHM, J, 1/10W	2	
R690	ERJ6GEYJ4R7	M 4.7 OHM, J, 1/10W	1	
R691	ERJ6GEYJ104	M 100KOHM, J, 1/10W	1	
R692	ERJ6GEYJ472	M 4.7KOHM, J, 1/10W	1	
R693	ERJ6GEYJ103	M 10KOHM, J, 1/10W	1	
R695	ERJ6ENF1602	M 16KOHM, 1/10W	1	
R696	ERJ8GEYJ100	M 10 OHM, J, 1/8W	1	
R697	ERJ6GEYJ4R7	M 4.7 OHM, J, 1/10W	1	
R698	ERJ8RQJR22V	M0.22 OHM, 1/8W	1	
R699-08	ERJ8GEYJ105	M 1MOHM, J, 1/8W	10	
R711	ERJ8RQJR22V	M0.22 OHM, 1/8W	1	
R712	ERJ6GEYJ4R7	M 4.7 OHM, J, 1/10W	1	
R713	ERJ8GEYJ472	M 4.7KOHM, J, 1/8W	1	
R714	ERJ6GEYJ101	M 100 OHM, J, 1/10W	1	
R715	ERDS2TJ101	C 100 OHM, J, 1/4W	1	
R802	ERJ3GEYJ333	M 33KOHM, J, 1/16W	1	
R803	ERJ3EKF6802	M 68KOHM, 1/16W	1	
R804	ERJ3GEYJ823	M 82KOHM, J, 1/16W	1	
R805	ERJ3EKF8452	M84.5KOHM, 1/16W	1	
R806	ERJ3EKF1052	M10.5KOHM, 1/16W	1	
R810	ERJ3GEYJ333	M 33KOHM, J, 1/16W	1	
R811	ERJ3EKF6802	M 68KOHM, 1/16W	1	
R812	ERJ3GEYJ683	M 68KOHM, J, 1/16W	1	
R813	ERJ3EKF4222	M42.2KOHM, 1/16W	1	
R814	ERJ3EKF1052	M10.5KOHM, 1/16W	1	
R818	ERJ3GEYJ333	M 33KOHM, J, 1/16W	1	
R819	ERJ3EKF6802	M 68KOHM, 1/16W	1	
R820	ERJ3GEYJ333	M 33KOHM, J, 1/16W	1	
R821	ERJ3EKF2432	M24.3KOHM, 1/16W	1	
R822	ERJ3EKF1052	M10.5KOHM, 1/16W	1	
R825-27	ERJ3GEYJ822	M 8.2KOHM, J, 1/16W	3	
R828	ERJ3GEYOR00	M 0 OHM, 1/16W	1	
R829	ERJ6ENF1001	M 1KOHM, 1/10W	1	
R830	ERJ6ENF8451	M8.45KOHM, 1/10W	1	
R838	ERJ12YJ330	M 33 OHM, J, 1/2W	1	
R840	ERJ3GEYJ332	M 3.3KOHM, J, 1/16W	1	
R921	ERJ6RBD3302	M 33KOHM, F, 1/10W	1	
R922	ERJ6GEYJ101	M 100 OHM, J, 1/10W	1	
R931	ERJ6ENF3302	M 33KOHM, 1/10W	1	
R932	ERJ6GEYJ104	M 100KOHM, J, 1/10W	1	
R933	ERJ6GEYJ102	M 1KOHM, J, 1/10W	1	
R935	ERJ6GEYJ104	M 100KOHM, J, 1/10W	1	
R936	ERJ6GEYJ103	M 10KOHM, J, 1/10W	1	
R937	ERJ6GEYJ102	M 1KOHM, J, 1/10W	1	
R938	ERJ6GEYJ472	M 4.7KOHM, J, 1/10W	1	
R939, 40	ERJ6GEYJ102	M 1KOHM, J, 1/10W	2	
R943	ERJ6GEYJ105	M 1MOHM, J, 1/10W	1	
R945	ERJ6GEYJ223	M 22KOHM, J, 1/10W	1	
R946	ERJ6GEYJ333	M 33KOHM, J, 1/10W	1	
R947	ERJ8GEYJ331	M 330 OHM, J, 1/8W	1	
R950	ERJ6GEYJ105	M 1MOHM, J, 1/10W	1	
R951, 52	ERJ8GEYJ100	M 10 OHM, J, 1/8W	2	
R953	ERJ6GEYJ222	M 2.2KOHM, J, 1/10W	1	
R955	ERJ6GEYJ473	M 47KOHM, J, 1/10W	1	
R956	ERJ6GEYJ104	M 100KOHM, J, 1/10W	1	
R2351-54	ERJ6GEYJ103	M 10KOHM, J, 1/10W	4	
R2355-60	ERDS1FJ2R2	C 2.2 OHM, J, 1/2W	6	
R2361, 62	ERJ3GEYJ103	M 10KOHM, J, 1/16W	2	
R2364	ERJ6GEYOR00	M 0 OHM, 1/10W	1	
R2366	ERJ6GEYOR00	M 0 OHM, 1/10W	1	
R2367, 68	ERJ3GEYJ560	M 56 OHM, J, 1/16W	2	
R2383	ERJ6GEYJ472	M 4.7KOHM, J, 1/10W	1	
R2384	ERJ6GEYJ473	M 47KOHM, J, 1/10W	1	
R2385	ERJ6GEYJ153	M 15KOHM, J, 1/10W	1	
R2386	ERJ6GEYJ104	M 100KOHM, J, 1/10W	1	

Ref. No.	Part No.	Part Name & Description	Pcs	Remarks
R2387,88	ERJ6GEY0R00	M 0 OHM, 1/10W	2	
R2389-92	ERJ6GEYJ103	M 10KOHM,J,1/10W	4	
R2393	ERJ6GEYJ220	M 22 OHM,J,1/10W	1	
R2394-96	ERJ6GEYJ103	M 10KOHM,J,1/10W	3	
R2397	ERJ6GEYJ512	M 5.1KOHM,J,1/10W	1	
R2398	ERJ6GEY0R00	M 0 OHM, 1/10W	1	
R2399,00	ERJ6GEYJ220	M 22 OHM,J,1/10W	2	
R2404-07	ERJ6GEYJ103	M 10KOHM,J,1/10W	4	
R2408-11	ERJ6GEY0R00	M 0 OHM, 1/10W	4	
R2412	ERJ3GEYJ122	M 1.2KOHM,J,1/16W	1	
R2413	ERJ3GEY0R00	M 0 OHM, 1/16W	1	
R2414,15	ERJ3GEYJ122	M 1.2KOHM,J,1/16W	2	
R2416	ERJ3GEY0R00	M 0 OHM, 1/16W	1	
R2417	ERJ3GEYJ122	M 1.2KOHM,J,1/16W	1	
R2418,19	ERJ3GEYJ103	M 10KOHM,J,1/16W	2	
R2420	ERJ3GEYJ153	M 15KOHM,J,1/16W	1	
R2421,22	ERJ3GEYJ273	M 27KOHM,J,1/16W	2	
R2423	ERJ3GEYJ153	M 15KOHM,J,1/16W	1	
R2424,25	ERJ3GEY0R00	M 0 OHM, 1/16W	2	
R2426	ERJ3GEYJ471	M 470 OHM,J,1/16W	1	
R2516	ERJ3GEYJ152	M 1.5KOHM,J,1/16W	1	
R2517	ERJ6GEYJ470	M 47 OHM,J,1/10W	1	
R2520	ERJ3GEYJ224	M 220KOHM,J,1/16W	1	
R2524	ERJ3GEYJ223	M 22KOHM,J,1/16W	1	
R2525	ERJ3EKF9100	M 910 OHM, 1/16W	1	
R2530	ERJ3GEYJ223	M 22KOHM,J,1/16W	1	
R2531	ERJ3EKF2700	M 270 OHM, 1/16W	1	
R2542	ERJ3GEYJ102	M 1KOHM,J,1/16W	1	
R2556,57	ERJ3GEYJ562	M 5.6KOHM,J,1/16W	2	
R2558	ERJ6GEY0R00	M 0 OHM, 1/10W	1	
R3001	ERJ3GEYJ103	M 10KOHM,J,1/16W	1	
R3002	ERJ3GEYJ102	M 1KOHM,J,1/16W	1	
R3003	ERJ3GEYJ473	M 47KOHM,J,1/16W	1	
R3004	ERJ3GEYJ101	M 100 OHM,J,1/16W	1	
R3005	ERJ6GEYJ184	M 180KOHM,J,1/10W	1	
R3006,02	ERJ3GEYJ101	M 100 OHM,J,1/16W	2	
R3007,08	ERJ3GEYJ103	M 10KOHM,J,1/16W	2	
R3014-17	ERJ3GEYJ103	M 10KOHM,J,1/16W	4	
R3018,19	ERJ3GEYJ101	M 100 OHM,J,1/16W	2	
R3022	ERJ3GEYJ102	M 1KOHM,J,1/16W	1	
R3023	ERJ3GEYJ101	M 100 OHM,J,1/16W	1	(J)
R3023	ERJ3GEYJ102	M 1KOHM,J,1/16W	1	(HA)
R3024,25	ERJ3GEYJ101	M 100 OHM,J,1/16W	2	
R3026	ERJ3GEYJ101	M 100 OHM,J,1/16W	1	(HA)
R3026	ERJ3GEYJ103	M 10KOHM,J,1/16W	1	(J)
R3027-29	ERJ3GEYJ103	M 10KOHM,J,1/16W	3	
R3030-33	ERJ3GEY0R00	M 0 OHM, 1/16W	4	
R3034,35	ERJ3GEYJ331	M 330 OHM,J,1/16W	2	
R3036	ERJ3GEYJ331	M 330 OHM,J,1/16W	1	(J)
R3036	ERJ3GEYJ103	M 10KOHM,J,1/16W	1	(HA)
R3037	ERJ3GEY0R00	M 0 OHM, 1/16W	1	(J)
R3037	ERJ3GEYJ103	M 10KOHM,J,1/16W	1	(HA)
R3038	ERJ3GEY0R00	M 0 OHM, 1/16W	1	
R3039,40	ERJ3GEYJ331	M 330 OHM,J,1/16W	2	
R3041	ERJ3GEYJ331	M 330 OHM,J,1/16W	1	(J)
R3041	ERJ6GEY0R00	M 0 OHM, 1/10W	1	(HA)
R3042	ERJ3GEY0R00	M 0 OHM, 1/16W	1	(J)

Ref. No.	Part No.	Part Name & Description	Pcs	Remarks
R3042	ERJ6GEY0R00	M 0 OHM, 1/10W	1	(HA)
R3043	ERJ3GEY0R00	M 0 OHM, 1/16W	1	
R3044-47	ERJ3GEYJ103	M 10KOHM,J,1/16W	4	
R3048	ERJ3GEYJ334	M 330KOHM,J,1/16W	1	
R3049	ERJ3GEYJ103	M 10KOHM,J,1/16W	1	
R3050	ERJ3GEYJ560	M 56 OHM,J,1/16W	1	
R3051	ERJ3GEYJ330	M 33 OHM,J,1/16W	1	
R3053,54	ERJ3GEYJ560	M 56 OHM,J,1/16W	2	
R3057,58	ERJ3GEYJ560	M 56 OHM,J,1/16W	2	
R3059	ERJ3GEYJ101	M 100 OHM,J,1/16W	1	
R3060	ERJ3GEYJ102	M 1KOHM,J,1/16W	1	
R3061	ERJ3GEY0R00	M 0 OHM, 1/16W	1	
R3062	ERJ6GEYJ101	M 100 OHM,J,1/10W	1	
R3063	ERJ3GEYJ101	M 100 OHM,J,1/16W	1	
R3064-69	ERJ6GEYJ560	M 56 OHM,J,1/10W	6	
R3070-75	ERJ6ENF75R0	M 75 OHM, 1/10W	6	
R3076-81	ERJ6GEYJ560	M 56 OHM,J,1/10W	6	
R3082	ERJ3GEYJ101	M 100 OHM,J,1/16W	1	
R3083-87	ERJ3GEY0R00	M 0 OHM, 1/16W	5	
R3088-93	ERJ6ENF75R0	M 75 OHM, 1/10W	6	
R3094	ERJ3GEY0R00	M 0 OHM, 1/16W	1	
R3095,96	ERJ3GEYJ562	M 5.6KOHM,J,1/16W	2	
R3101-06	ERJ6ENF1800	M 180 OHM, 1/10W	6	
R3107,08	ERJ6GEYJ560	M 56 OHM,J,1/10W	2	
R3110	ERJ6ENF4701	M 4.7KOHM, 1/10W	1	
R3111	ERJ6ENF1501	M 1.5KOHM, 1/10W	1	
R3116	ERJ3GEYJ103	M 10KOHM,J,1/16W	1	
R3117	ERJ3GEY0R00	M 0 OHM, 1/16W	1	
R3118	ERJ6ENF8200	M 820 OHM, 1/10W	1	
R3125	ERJ6GEYJ103	M 10KOHM,J,1/10W	1	
R3126	ERJ3GEY0R00	M 0 OHM, 1/16W	1	
R3134	ERJ6GEYJ104	M 100KOHM,J,1/10W	1	
R3140,41	ERJ3GEYJ473	M 47KOHM,J,1/16W	2	
R3143,44	ERJ3GEYJ101	M 100 OHM,J,1/16W	2	
R3150,51	ERJ3GEYJ101	M 100 OHM,J,1/16W	2	
R3160,61	ERJ3GEY0R00	M 0 OHM, 1/16W	2	
R3163	ERJ3GEYJ102	M 1KOHM,J,1/16W	1	
R3188-90	ERJ6ENF39R0	M 39 OHM, 1/10W	3	
R3195,96	ERJ3GEYJ103	M 10KOHM,J,1/16W	2	
R3197,98	ERJ3GEYJ123	M 12KOHM,J,1/16W	2	
R3210,11	ERJ6GEYJ101	M 100 OHM,J,1/10W	2	
R3212-15	ERJ3GEYJ472	M 4.7KOHM,J,1/16W	4	
R3216-19	ERJ6GEYJ3R3	M 3.3KOHM,J,1/10W	4	
R3230,31	ERJ6GEYJ101	M 100 OHM,J,1/10W	2	
R3400	ERJ6GEYJ103	M 10KOHM,J,1/10W	1	
R3508,09	ERJ6GEYJ472	M 4.7KOHM,J,1/10W	2	
R3510,11	ERJ6GEYJ101	M 100 OHM,J,1/10W	2	
R3529,30	ERJ6GEYJ184	M 180KOHM,J,1/10W	2	
R3547,48	ERJ6GEYJ101	M 100 OHM,J,1/10W	2	
R3585,86	ERJ6GEYJ560	M 56 OHM,J,1/10W	2	
R3589	ERJ6GEYJ473	M 47KOHM,J,1/10W	1	

Ref. No.	Part No.	Part Name & Description	Pcs	Remarks
R3590	ERJ6GEYJ560	M 56 OHM,J,1/10W	1	
R3591-93	ERJ6GEY0R00	M 0 OHM, 1/10W	3	
R3653	ERJ6GEYJ153	M 15KOHM,J,1/10W	1	
R3654	ERJ6GEYJ333	M 33KOHM,J,1/10W	1	
R3655	ERJ6GEYJ153	M 15KOHM,J,1/10W	1	
R3656	ERJ6GEYJ333	M 33KOHM,J,1/10W	1	
R3663,64	ERJ6GEYJ102	M 1KOHM,J,1/10W	2	
R3668	ERJ6GEYJ101	M 100 OHM,J,1/10W	1	
R3672	ERJ6GEYJ101	M 100 OHM,J,1/10W	1	
R3751	ERJ6GEYF822	M 8.2KOHM,F,1/10W	1	
R3752	ERJ6GEYF222	M 2.2KOHM,F,1/10W	1	
R3753	ERJ6GEYF302	M 3.0KOHM,F,1/10W	1	
R3754	ERJ6GEY0R00	M 0 OHM, 1/10W	1	
R3756	ERJ6GEY0R00	M 0 OHM, 1/10W	1	
R3758	ERJ6GEYF472	M 4.7KOHM,F,1/10W	1	
R3759-64	ERJ6GEY0R00	M 0 OHM, 1/10W	6	
R3766,67	ERJ6GEY0R00	M 0 OHM, 1/10W	2	
R3776,77	ERJ6GEYJ101	M 100 OHM,J,1/10W	2	
R3778	ERJ6GEYJ473	M 47KOHM,J,1/10W	1	
R3790,91	ERJ6GEYJ101	M 100 OHM,J,1/10W	2	
R4001-03	D1HG1008A002	NETWORK RESISTER	3	
R4004	ERJ6GEY0R00	M 0 OHM, 1/10W	1	
R4005	ERJ3GEYJ272	M 2.7KOHM,J,1/16W	1	
R4006	ERJ3EKF6801	M 6.8KOHM, 1/16W	1	
R4007	ERJ6ENF39R0	M 39 OHM, 1/10W	1	
R4008	ERJ3GEY0R00	M 0 OHM, 1/16W	1	
R4009	ERJ6ENF39R0	M 39 OHM, 1/10W	1	
R4010	ERJ3GEY0R00	M 0 OHM, 1/16W	1	
R4011	ERJ6ENF39R0	M 39 OHM, 1/10W	1	
R4012-14	ERJ3GEY0R00	M 0 OHM, 1/16W	3	
R4016-19	ERJ3GEY0R00	M 0 OHM, 1/16W	4	
R4020	ERJ6GEY0R00	M 0 OHM, 1/10W	1	
R4021	ERJ3GEYJ100	M 10 OHM,J,1/16W	1	
R4023	ERJ6GEY0R00	M 0 OHM, 1/10W	1	
R4024	ERJ3GEY0R00	M 0 OHM, 1/16W	1	
R4025	ERJ6ENF1502	M 15KOHM, 1/10W	1	
R4026	ERJ6ENF5102	M 51KOHM, 1/10W	1	
R4027	ERJ6GEY0R00	M 0 OHM, 1/10W	1	
R4028	ERJ3GEYJ103	M 10KOHM,J,1/16W	1	
R4035-38	ERJ3GEYJ101	M 100 OHM,J,1/16W	4	
R4041,42	ERJ3GEY0R00	M 0 OHM, 1/16W	2	
R4139	ERJ3GEYJ102	M 1KOHM,J,1/16W	1	
R4142	ERJ3GEYJ472	M 4.7KOHM,J,1/16W	1	
R4144	ERJ3GEYJ472	M 4.7KOHM,J,1/16W	1	
R4148	ERJ3GEYJ472	M 4.7KOHM,J,1/16W	1	
R4171	ERJ3GEYJ470	M 47 OHM,J,1/16W	1	
R4201	ERJ6GEY0R00	M 0 OHM, 1/10W	1	
R4211-20	ERJ3GEYJ101	M 100 OHM,J,1/16W	10	
R4221,22	ERJ3GEYJ470	M 47 OHM,J,1/16W	2	
R4224	ERJ3GEYJ103	M 10KOHM,J,1/16W	1	
R4226	ERJ3GEYJ103	M 10KOHM,J,1/16W	1	
R4228	ERJ3GEYJ103	M 10KOHM,J,1/16W	1	
R4240,41	ERJ3GEYJ103	M 10KOHM,J,1/16W	2	
R4242,43	ERJ3GEY0R00	M 0 OHM, 1/16W	2	
R4244	ERJ3GEYJ220	M 22 OHM,J,1/16W	1	
R4245	ERJ3GEYJ102	M 1KOHM,J,1/16W	1	
R4249	ERJ3GEYJ102	M 1KOHM,J,1/16W	1	
R4250-52	ERJ3GEY0R00	M 0 OHM, 1/16W	3	
R4256,57	ERJ3GEY0R00	M 0 OHM, 1/16W	2	

Ref. No.	Part No.	Part Name & Description	Pcs	Remarks
R4260,61	ERJ3GEY0R00	M 0 OHM, 1/16W	2	
R4263,64	ERJ3GEY0R00	M 0 OHM, 1/16W	2	
R4271-73	D1HG8208A002	NETWORK RESISTER	3	
R4274,75	ERJ3GEYJ470	M 47 OHM,J,1/16W	2	
R4276	ERJ3GEYJ220	M 22 OHM,J,1/16W	1	
R4277-79	D1HG1218A002	NETWORK RESISTER	3	
R4280,81	ERJ3GEYJ470	M 47 OHM,J,1/16W	2	
R4282	ERJ3GEYJ220	M 22 OHM,J,1/16W	1	
R4312,13	ERJ3GEY0R00	M 0 OHM, 1/16W	2	
R4314	ERJ3GEYJ103	M 10KOHM,J,1/16W	1	
R4316	ERJ3GEYJ103	M 10KOHM,J,1/16W	1	
R4318,19	ERJ3GEYJ223	M 22KOHM,J,1/16W	2	
R4321	ERJ3GEYJ223	M 22KOHM,J,1/16W	1	
R4324	ERJ3GEYJ103	M 10KOHM,J,1/16W	1	
R4325-27	EXB38VR000	RESISTOR ARRAY	3	
R4502	ERJ3GEY0R00	M 0 OHM, 1/16W	1	
R4503	ERJ3GEYJ103	M 10KOHM,J,1/16W	1	
R4506,07	ERJ3GEYJ103	M 10KOHM,J,1/16W	2	
R4510-12	ERJ3GEYJ470	M 47 OHM,J,1/16W	3	
R4514,15	ERJ3GEYJ470	M 47 OHM,J,1/16W	2	
R4518	ERJ3GEY0R00	M 0 OHM, 1/16W	1	
R4520	ERJ3GEY0R00	M 0 OHM, 1/16W	1	
R4522,23	ERJ3GEY0R00	M 0 OHM, 1/16W	2	
R4525,26	ERJ3GEY0R00	M 0 OHM, 1/16W	2	
R4528	ERJ3GEY0R00	M 0 OHM, 1/16W	1	
R4530,31	ERJ3GEY0R00	M 0 OHM, 1/16W	2	
R4533	ERJ3GEY0R00	M 0 OHM, 1/16W	1	
R4536,37	ERJ3GEY0R00	M 0 OHM, 1/16W	2	
R4539-41	ERJ3GEY0R00	M 0 OHM, 1/16W	3	
R4544-47	ERJ3GEY0R00	M 0 OHM, 1/16W	4	
R4549	ERJ3GEY0R00	M 0 OHM, 1/16W	1	
R4554	ERJ3GEYJ472	M 4.7KOHM,J,1/16W	1	
R4555-58	ERJ3GEY0R00	M 0 OHM, 1/16W	4	
R4559,60	ERJ3GEYJ102	M 1KOHM,J,1/16W	2	
R4564-67	ERJ3GEY0R00	M 0 OHM, 1/16W	4	
R4568,69	D1HG1038A002	NETWORK RESISTER	2	
R4570-72	ERJ3GEY0R00	M 0 OHM, 1/16W	3	
R4573	ERJ3GEYJ103	M 10KOHM,J,1/16W	1	
R4574	EXB2HV680J	RESISTOR ARRAY	1	
R4575,76	ERJ3GEYJ680	M 68 OHM,J,1/16W	2	
R4577	EXB2HV680J	RESISTOR ARRAY	1	
R4578,79	ERJ6ENF1001	M 1KOHM, 1/10W	2	
R4580	ERJ6ENF1101	M 1.1KOHM, 1/10W	1	
R4581	ERJ6ENF3161	M3.16KOHM, 1/10W	1	
R4582,83	ERJ3GEYJ680	M 68 OHM,J,1/16W	2	
R4584	EXB2HV680J	RESISTOR ARRAY	1	
R4585,86	ERJ3GEYJ680	M 68 OHM,J,1/16W	2	
R4587-89	D1HG33080001	NETWORK RESISTER	3	
R4590,91	ERJ3GEYJ680	M 68 OHM,J,1/16W	2	
R4592	ERJ3GEYJ470	M 47 OHM,J,1/16W	1	

Ref. No.	Part No.	Part Name & Description	Pcs	Remarks
R4595	ERJ3GEYJ680	M 68 OHM,J,1/16W	1	
R4596	ERJ3GEYJ103	M 10KOHM,J,1/16W	1	
R4618-21	D1HG33080001	NETWORK RESISTER	4	
R4622	ERJ3GEY0R00	M 0 OHM, 1/16W	1	
R4626,27	ERJ3GEY0R00	M 0 OHM, 1/16W	2	
R4631	ERJ3GEY0R00	M 0 OHM, 1/16W	1	
R4640	ERJ3GEYJ121	M 120 OHM,J,1/16W	1	
R4657,58	ERJ6ENF1001	M 1KOHM, 1/10W	2	
R4671	ERJ3GEY0R00	M 0 OHM, 1/16W	1	
R4701	EXB38V103J	RESISTOR ARRAY	1	
R4702	ERJ3GEYJ272	M 2.7KOHM,J,1/16W	1	
R4703	ERJ3GEYJ101	M 100 OHM,J,1/16W	1	
R4704	ERJ3GEYJ272	M 2.7KOHM,J,1/16W	1	
R4706	ERJ3GEYJ332	M 3.3KOHM,J,1/16W	1	
R4707	ERJ3GEYJ101	M 100 OHM,J,1/16W	1	
R4708	ERJ3GEYJ103	M 10KOHM,J,1/16W	1	
R4709	ERJ3GEYJ101	M 100 OHM,J,1/16W	1	
R4710,11	ERJ3GEYJ103	M 10KOHM,J,1/16W	2	
R4712,13	D1HG1008A002	NETWORK RESISTER	2	
R4715	ERJ3GEYJ101	M 100 OHM,J,1/16W	1	
R4716	ERJ3GEYJ103	M 10KOHM,J,1/16W	1	
R4717	ERJ3GEYJ101	M 100 OHM,J,1/16W	1	
R4718,19	ERJ3GEYJ103	M 10KOHM,J,1/16W	2	
R4722	ERJ3GEYJ272	M 2.7KOHM,J,1/16W	1	
R4723	ERJ3GEYJ101	M 100 OHM,J,1/16W	1	
R4724	ERJ3GEYJ103	M 10KOHM,J,1/16W	1	
R4726	ERJ3GEYJ103	M 10KOHM,J,1/16W	1	
R4727	ERJ3GEYJ101	M 100 OHM,J,1/16W	1	
R4728	ERJ3GEYJ103	M 10KOHM,J,1/16W	1	
R4729,30	ERJ3GEYJ101	M 100 OHM,J,1/16W	2	
R4732	ERJ3GEYJ101	M 100 OHM,J,1/16W	1	
R4734	ERJ3GEYJ103	M 10KOHM,J,1/16W	1	
R4735	ERJ3GEYJ101	M 100 OHM,J,1/16W	1	
R4737	ERJ3GEYJ103	M 10KOHM,J,1/16W	1	
R4738	ERJ3GEYJ101	M 100 OHM,J,1/16W	1	
R4740,41	D1HG1008A002	NETWORK RESISTER	2	
R4742,43	ERJ3GEYJ220	M 22 OHM,J,1/16W	2	
R4745	ERJ3GEY0R00	M 0 OHM, 1/16W	1	
R4746	ERJ3GEYJ103	M 10KOHM,J,1/16W	1	
R4747	EXB38VR000	RESISTOR ARRAY	1	
R4748-52	ERJ3GEY0R00	M 0 OHM, 1/16W	5	
R4753	ERJ3GEYJ220	M 22 OHM,J,1/16W	1	
R4754	ERJ3GEYJ562	M 5.6KOHM,J,1/16W	1	
R4755	ERJ3GEYJ220	M 22 OHM,J,1/16W	1	
R4756	ERJ3GEYJ562	M 5.6KOHM,J,1/16W	1	
R4757	ERJ3GEYJ220	M 22 OHM,J,1/16W	1	
R4758	ERJ3GEYJ272	M 2.7KOHM,J,1/16W	1	
R4759	ERJ3GEYJ220	M 22 OHM,J,1/16W	1	
R4760	ERJ3GEYJ272	M 2.7KOHM,J,1/16W	1	
R4761-63	ERJ3GEY0R00	M 0 OHM, 1/16W	3	
R4764,65	ERJ3GEYJ470	M 47 OHM,J,1/16W	2	
R4766,67	EXB2HV470JV	RESISTOR ARRAY	2	
R4768	ERJ3GEYJ470	M 47 OHM,J,1/16W	1	
R4769	ERJ3GEYJ272	M 2.7KOHM,J,1/16W	1	
R4770	ERJ3GEYJ470	M 47 OHM,J,1/16W	1	
R4771	ERJ3GEYJ272	M 2.7KOHM,J,1/16W	1	
R4772	ERJ3GEYJ101	M 100 OHM,J,1/16W	1	
R4773	ERJ3GEY0R00	M 0 OHM, 1/16W	1	
R4774	ERJ3GEYJ102	M 1KOHM,J,1/16W	1	
R4775	ERJ3GEYJ103	M 10KOHM,J,1/16W	1	
R4777	ERJ3GEYJ393	M 39KOHM,J,1/16W	1	
R4779	ERJ3GEYJ103	M 10KOHM,J,1/16W	1	

Ref. No.	Part No.	Part Name & Description	Pcs	Remarks
R4780,81	ERJ3GEYJ101	M 100 OHM,J,1/16W	2	
R4783	ERJ3GEYJ103	M 10KOHM,J,1/16W	1	
R4786	EXB38V103J	RESISTOR ARRAY	1	
R4788	ERJ3GEYJ101	M 100 OHM,J,1/16W	1	
R4790,91	ERJ3GEYJ101	M 100 OHM,J,1/16W	2	
R4792	ERJ3GEYJ102	M 1KOHM,J,1/16W	1	
R4793	ERJ3GEYJ123	M 12KOHM,J,1/16W	1	
R4795	ERJ3GEYJ103	M 10KOHM,J,1/16W	1	
R4796	ERJ3GEYJ182	M 1.8KOHM,J,1/16W	1	
R4804	ERJ3GEYJ332	M 3.3KOHM,J,1/16W	1	
R4806	ERJ3GEYJ101	M 100 OHM,J,1/16W	1	
R4808	ERJ3GEYJ332	M 3.3KOHM,J,1/16W	1	
R4812,13	ERJ3GEYJ103	M 10KOHM,J,1/16W	2	
R4814	ERJ3GEYJ101	M 100 OHM,J,1/16W	1	
R4815	ERJ3GEYJ103	M 10KOHM,J,1/16W	1	
R4817	ERJ3GEY0R00	M 0 OHM, 1/16W	1	
R4818,19	ERJ3GEYJ101	M 100 OHM,J,1/16W	2	
R4820	ERJ3GEYJ103	M 10KOHM,J,1/16W	1	
R4821	ERJ3GEYJ102	M 1KOHM,J,1/16W	1	
R4822,23	ERJ3GEYJ103	M 10KOHM,J,1/16W	2	
R4824	ERJ3GEYJ104	M 100KOHM,J,1/16W	1	
R4825	ERJ3GEYJ103	M 10KOHM,J,1/16W	1	
R4826	ERJ3GEYJ104	M 100KOHM,J,1/16W	1	
R4827	ERJ3GEY0R00	M 0 OHM, 1/16W	1	
R4828	ERJ3GEYJ101	M 100 OHM,J,1/16W	1	
R4829	ERJ3GEYJ102	M 1KOHM,J,1/16W	1	
R4830	ERJ3GEYJ103	M 10KOHM,J,1/16W	1	
R4831	ERJ3GEY0R00	M 0 OHM, 1/16W	1	
R4832	ERJ3GEYJ103	M 10KOHM,J,1/16W	1	
R4833	ERJ3GEYJ473	M 47KOHM,J,1/16W	1	
R4834	ERJ3GEYJ103	M 10KOHM,J,1/16W	1	
R4835	ERJ3GEYJ102	M 1KOHM,J,1/16W	1	
R4836	ERJ3GEYJ473	M 47KOHM,J,1/16W	1	
R4837	ERJ3GEYJ103	M 10KOHM,J,1/16W	1	
R4838	ERJ3GEYJ102	M 1KOHM,J,1/16W	1	
R4839	ERJ3GEYJ473	M 47KOHM,J,1/16W	1	
R4840	ERJ3GEYJ103	M 10KOHM,J,1/16W	1	
R4841,42	ERJ3GEYJ562	M 5.6KOHM,J,1/16W	2	
R4843	ERJ3GEYJ331	M 330 OHM,J,1/16W	1	
R4844	ERJ3GEYJ102	M 1KOHM,J,1/16W	1	
R4845	ERJ3GEYJ392	M 3.9KOHM,J,1/16W	1	
R4846	ERJ3GEYJ682	M 6.8KOHM,J,1/16W	1	
R4847,48	ERJ3GEYJ102	M 1KOHM,J,1/16W	2	
R4849	ERJ3GEYJ123	M 12KOHM,J,1/16W	1	
R4850	ERJ3GEYJ102	M 1KOHM,J,1/16W	1	
R4851-53	ERJ3GEYJ103	M 10KOHM,J,1/16W	3	
R4855	ERJ3GEY0R00	M 0 OHM, 1/16W	1	
R4858	ERJ3GEYJ101	M 100 OHM,J,1/16W	1	
R4859	ERJ3GEYJ562	M 5.6KOHM,J,1/16W	1	
R4860	ERJ3GEYJ103	M 10KOHM,J,1/16W	1	
R4863	ERJ3GEY0R00	M 0 OHM, 1/16W	1	
R4864	ERJ3GEYJ562	M 5.6KOHM,J,1/16W	1	
R4865,66	ERJ3GEYJ103	M 10KOHM,J,1/16W	2	
R4868	ERJ3GEYJ682	M 6.8KOHM,J,1/16W	1	
R4869	ERJ3GEYJ101	M 100 OHM,J,1/16W	1	
R4870	ERJ3GEYJ103	M 10KOHM,J,1/16W	1	
R4872	ERJ3GEYJ102	M 1KOHM,J,1/16W	1	
R4873,74	ERJ3GEYJ223	M 22KOHM,J,1/16W	2	
R4876	ERJ3GEYJ103	M 10KOHM,J,1/16W	1	
R4877	ERJ3GEYJ102	M 1KOHM,J,1/16W	1	
R4879	ERJ3GEYJ101	M 100 OHM,J,1/16W	1	
R4880	ERJ3GEY0R00	M 0 OHM, 1/16W	1	
R4881	ERJ3GEYJ103	M 10KOHM,J,1/16W	1	
R4883	ERJ3GEYJ332	M 3.3KOHM,J,1/16W	1	
R4884	ERJ3GEYJ103	M 10KOHM,J,1/16W	1	

Ref. No.	Part No.	Part Name & Description	Pcs	Remarks
R4886	ERJ3GEYJ332	M 3.3KOHM,J,1/16W	1	
R4887	ERJ3GEYJ103	M 10KOHM,J,1/16W	1	
R4888	ERJ3GEYJ101	M 100 OHM,J,1/16W	1	
R4891	ERJ3GEY0R00	M 0 OHM, 1/16W	1	
R4892	ERJ3GEYJ101	M 100 OHM,J,1/16W	1	
R4893	ERJ3GEY0R00	M 0 OHM, 1/16W	1	
R4894,95	ERJ3GEYJ101	M 100 OHM,J,1/16W	2	
R4900	ERJ3GEY0R00	M 0 OHM, 1/16W	1	
R4902	ERJ3GEY0R00	M 0 OHM, 1/16W	1	
R4903	ERJ3GEYJ101	M 100 OHM,J,1/16W	1	
R4904	ERJ3GEYJ103	M 10KOHM,J,1/16W	1	
R4906	ERJ3GEYJ101	M 100 OHM,J,1/16W	1	
R4908	ERJ3GEYJ562	M 5.6KOHM,J,1/16W	1	
R4909	ERJ6GEY0R00	M 0 OHM, 1/10W	1	
R4910	ERJ3EKF6202	M 62KOHM, 1/16W	1	
R4911-21	ERJ3GEYJ101	M 100 OHM,J,1/16W	11	
R4922	ERJ3GEY0R00	M 0 OHM, 1/16W	1	
R4924	ERJ3GEYJ103	M 10KOHM,J,1/16W	1	
R4925-27	ERJ3GEY0R00	M 0 OHM, 1/16W	3	
R4930	ERJ3GEY0R00	M 0 OHM, 1/16W	1	
R4931	ERJ6GEY0R00	M 0 OHM, 1/10W	1	
R4932	ERJ3EKF3902	M 39KOHM, 1/16W	1	
R4933	ERJ3EKF3901	M 3.9KOHM, 1/16W	1	
R4934	ERJ3EKF3002	M 30KOHM, 1/16W	1	
R4935	ERJ3GEYJ104	M 100KOHM,J,1/16W	1	
R4936	ERJ3GEY0R00	M 0 OHM, 1/16W	1	
R4938	ERJ3EKF1302	M 13KOHM, 1/16W	1	
R4939	ERJ3EKF2402	M 24KOHM, 1/16W	1	
R4940	ERJ3GEY0R00	M 0 OHM, 1/16W	1	
R4941	ERJ3GEYJ103	M 10KOHM,J,1/16W	1	
R4942,43	ERJ3GEYJ220	M 22 OHM,J,1/16W	2	
R4944	ERJ6GEY0R00	M 0 OHM, 1/10W	1	
R4947	ERJ3GEYJ103	M 10KOHM,J,1/16W	1	
R4950	ERJ3GEYJ104	M 100KOHM,J,1/16W	1	
R4951	ERJ6GEY0R00	M 0 OHM, 1/10W	1	
R4952	ERJ3GEY0R00	M 0 OHM, 1/16W	1	
R4953	ERJ3EKF4702	M 47KOHM, 1/16W	1	
R4954	ERJ3EKF7501	M 7.5KOHM, 1/16W	1	
R4955	ERJ3GEY0R00	M 0 OHM, 1/16W	1	
R4957	ERJ3EKF3602	M 36KOHM, 1/16W	1	
R4958	ERJ3EKF8202	M 82KOHM, 1/16W	1	
R4959	ERJ3EKF2202	M 22KOHM, 1/16W	1	
R4960	ERJ3GEY0R00	M 0 OHM, 1/16W	1	
R4961,62	ERJ6GEY0R00	M 0 OHM, 1/10W	2	
R4963	ERJ3EKF4702	M 47KOHM, 1/16W	1	
R4964	ERJ3EKF7501	M 7.5KOHM, 1/16W	1	
R4965	ERJ3GEYJ104	M 100KOHM,J,1/16W	1	
R4966,67	ERJ3GEY0R00	M 0 OHM, 1/16W	2	
R4969	ERJ3EKF3602	M 36KOHM, 1/16W	1	
R4970	ERJ3EKF6802	M 68KOHM, 1/16W	1	
R4973	ERJ3EKF2402	M 24KOHM, 1/16W	1	
R4974	ERJ3EKF2401	M 2.4KOHM, 1/16W	1	
R4975	ERJ6GEY0R00	M 0 OHM, 1/10W	1	
R4981	ERJ6GEY0R00	M 0 OHM, 1/10W	1	
R4986	ERJ3GEYJ183	M 18KOHM,J,1/16W	1	
R4987	ERJ6GEY0R00	M 0 OHM, 1/10W	1	
R4991,92	ERJ3GEYJ103	M 10KOHM,J,1/16W	2	
R4994,95	ERJ3GEYJ103	M 10KOHM,J,1/16W	2	
R6001-06	ERJ14YJ150U	M 15 OHM, J,1/4W	6	
R6020	ERG2FJS101D	M 100 OHM, J, 2W	1	
R6021	ERJ14YJ150U	M 15 OHM, J,1/4W	1	
R6022	ERG2FJS101D	M 100 OHM, J, 2W	1	
R6023-27	ERJ14YJ150U	M 15 OHM, J,1/4W	5	
R6031	ERJ14YJ204	M 200KOHM, J,1/4W	1	

Ref. No.	Part No.	Part Name & Description	Pcs	Remarks
R6041-44	ERJ14YJ150U	M 15 OHM, J,1/4W	4	
R6051,52	ERJ14YJ150U	M 15 OHM, J,1/4W	2	
R6061,62	ERJ6GEYJ224	M 220KOHM,J,1/10W	2	
R6101-04	ERJ6GEYJ101	M 100 OHM,J,1/10W	4	
R6111,12	DOG470JA036	M 47 OHM,J,0.25W	2	
R6113	ERJ14YJ224	M 220KOHM, J,1/4W	1	
R6131,32	ERJ6GEYJ101	M 100 OHM,J,1/10W	2	
R6133,34	ERJ6GEYJ151	M 150 OHM,J,1/10W	2	
R6135,36	DOG100JA036	M 10 OHM,J,0.25W	2	
R6141,42	ERJ6GEYJ103	M 10KOHM,J,1/10W	2	
R6146,47	ERJ6GEYJ103	M 10KOHM,J,1/10W	2	
R6151,52	ERJ6GEYJ101	M 100 OHM,J,1/10W	2	
R6153,54	ERJ6GEYJ151	M 150 OHM,J,1/10W	2	
R6155	ERJ6GEYJ104	M 100KOHM,J,1/10W	1	
R6157,58	DOGF1R0JA047	M 1.0 OHM,J, 0.33W	2	
R6160	DOGF1R0JA047	M 1.0 OHM,J, 0.33W	1	
R6166	ERJ6GEYJ101	M 100 OHM,J,1/10W	1	
R6173	ERJ6GEYJ103	M 10KOHM,J,1/10W	1	
R6174	ERJ6GEY0R00	M 0 OHM, 1/10W	1	
R6191-94	ERJ6GEYJ101	M 100 OHM,J,1/10W	4	
R6195	DOG104JA036	M 100KOHM,J,0.25W	1	
R6196	ERJ6GEYJ104	M 100KOHM,J,1/10W	1	
R6213	ERJ6GEYJ101	M 100 OHM,J,1/10W	1	
R6214	DOG151JA036	M 150 OHM,J,0.25W	1	
R6218	ERJ6GEY0R00	M 0 OHM, 1/10W	1	
R6222	ERG1FJS103D	M 10KOHM, J, 1W	1	
R6223	ERG2FJS123D	M 12KOHM, J, 2W	1	
R6225-27	ERJ6ENF1692	M16.9KOHM, 1/10W	3	
R6229	ERJ6ENF1692	M16.9KOHM, 1/10W	1	
R6232	ERJ6ENF1201	M 1.2KOHM, 1/10W	1	
R6233-35	ERJ6GEYJ273	M 27KOHM,J,1/10W	3	
R6236	ERJ6GEYJ562	M 5.6KOHM,J,1/10W	1	
R6241	EXB38V470J	RESISTOR ARRAY	1	
R6242	EXB38V472J	RESISTOR ARRAY	1	
R6243	ERJ6GEYJ470	M 47 OHM,J,1/10W	1	
R6244	ERJ6GEYJ472	M 4.7KOHM,J,1/10W	1	
R6245	ERJ6GEYJ470	M 47 OHM,J,1/10W	1	
R6246	ERJ6GEYJ472	M 4.7KOHM,J,1/10W	1	
R6251	DOG103JA036	M 10KOHM,J,0.25W	1	
R6252,53	ERJ6ENF3902	M 39KOHM, 1/10W	2	
R6254	ERJ6ENF7501	M 7.5KOHM, 1/10W	1	
R6255,56	ERJ6GEYJ152	M 1.5KOHM,J,1/10W	2	
R6257	ERJ6GEYJ103	M 10KOHM,J,1/10W	1	
R6258	ERJ6GEYJ222	M 2.2KOHM,J,1/10W	1	
R6261	ERJ6GEYJ104	M 100KOHM,J,1/10W	1	
R6401-06	ERJ14YJ150U	M 15 OHM, J,1/4W	6	
R6421-26	ERJ14YJ150U	M 15 OHM, J,1/4W	6	
R6441-44	ERJ14YJ150U	M 15 OHM, J,1/4W	4	
R6451,52	ERJ14YJ150U	M 15 OHM, J,1/4W	2	
R6465	ERJ14YJ204	M 200KOHM, J,1/4W	1	
R6471	ERJ6GEYJ392	M 3.9KOHM,J,1/10W	1	
R6472	ERJ6GEYJ222	M 2.2KOHM,J,1/10W	1	
R6473	ERJ6GEYJ561	M 560 OHM,J,1/10W	1	
R6474	ERJ6GEYJ102	M 1KOHM,J,1/10W	1	



Ref. No.	Part No.	Part Name & Description	Pcs	Remarks
R6475,76	ERJ6GEYJ472	M 4.7KOHM,J,1/10W	2	
R6477	ERJ6GEYJ102	M 1KOHM,J,1/10W	1	
R6478	ERJ6GEYJ472	M 4.7KOHM,J,1/10W	1	
R6479	ERJ6GEYJ104	M 100KOHM,J,1/10W	1	
R6501,02	ERJ6GEYJ101	M 100 OHM,J,1/10W	2	
R6503	D0GD100JA036	M 10 OHM,J,0.25W	1	
R6504,05	ERJ6GEYJ151	M 150 OHM,J,1/10W	2	
R6506	D0GD100JA036	M 10 OHM,J,0.25W	1	
R6507,08	D0GF1R0JA047	M 1.0 OHM,J, 0.33W	2	
R6511,12	ERJ6GEYJ103	M 10KOHM,J,1/10W	2	
R6516,17	ERJ6GEYJ103	M 10KOHM,J,1/10W	2	
R6521,22	ERJ6GEYJ101	M 100 OHM,J,1/10W	2	
R6523,24	ERJ6GEYJ151	M 150 OHM,J,1/10W	2	
R6525	ERJ6GEYJ104	M 100KOHM,J,1/10W	1	
R6526	ERJ6GEYJ101	M 100 OHM,J,1/10W	1	
R6533	ERJ6GEYJ103	M 10KOHM,J,1/10W	1	
R6534	ERJ6GEY0R00	M 0 OHM, 1/10W	1	
R6561-64	EXB38V470J	RESISTOR ARRAY	4	
R6565-68	EXB38V472J	RESISTOR ARRAY	4	
R6581	D0GD103JA036	M 10KOHM,J,0.25W	1	
R6582,83	ERJ6ENF3902	M 39KOHM, 1/10W	2	
R6584	ERJ6ENF7501	M 7.5KOHM, 1/10W	1	
R6585,86	ERJ6GEYJ152	M 1.5KOHM,J,1/10W	2	
R6587	ERJ6GEYJ222	M 2.2KOHM,J,1/10W	1	
R6588	ERJ6GEYJ103	M 10KOHM,J,1/10W	1	
R6590	ERJ6GEYJ221	M 220 OHM,J,1/10W	1	
R6591	EXB38V472J	RESISTOR ARRAY	1	
R6592	ERJ6GEYJ472	M 4.7KOHM,J,1/10W	1	
R6603	ERJ6GEYJ101	M 100 OHM,J,1/10W	1	
R6604	D0GD151JA036	M 150 OHM,J,0.25W	1	
R6605	ERJ6GEYJ104	M 100KOHM,J,1/10W	1	
R6606	ERJ6ENF2741	M2.74KOHM, 1/10W	1	
R6608,09	D0GF102JA047	M 1.0 KOHM,J,0.33W	2	
R6610	ERJ6GEYJ104	M 100KOHM,J,1/10W	1	
R6611	ERJ6GEYJ105	M 1MOHM,J,1/10W	1	
R6612	ERJ6GEYJ470	M 47 OHM,J,1/10W	1	
R6613	ERJ6GEYJ105	M 1MOHM,J,1/10W	1	
R6614,15	D0GF243JA047	M 24 KOHM,J,0.33W	2	
R6616	ERJ6ENF1502	M 15KOHM, 1/10W	1	
R6617	ERJ6GEYJ105	M 1MOHM,J,1/10W	1	
R6618	ERJ6ENF1202	M 12KOHM, 1/10W	1	
R6619	ERJ6ENF1501	M 1.5KOHM, 1/10W	1	
R6620	D0D28R2JA021	M 8.2 OHM,J,2W	1	
R6621,22	ERJ6GEYJ221	M 220 OHM,J,1/10W	2	
R6642-44	ERJ6GEYJ100	M 10 OHM,J,1/10W	3	
R6646-48	ERJ6GEYJ100	M 10 OHM,J,1/10W	3	
R6658	D0D1101JA009	M 100 OHM,J,1W	1	
R6659,60	ERJ6GEYJ224	M 220KOHM,J,1/10W	2	
R6661	ERJ6GEYJ104	M 100KOHM,J,1/10W	1	
R6662	ERJ6ENF1201	M 1.2KOHM, 1/10W	1	
R6663	ERJ6GEYJ103	M 10KOHM,J,1/10W	1	
R6664	D0GF222JA047	M 2.2 KOHM,J,0.33W	1	
R6665	ERJ14YJ470	M 47 OHM,J, 1/2W	1	
R6666	ERJ6GEYJ104	M 100KOHM,J,1/10W	1	
R6667,68	ERJ6GEYJ472	M 4.7KOHM,J,1/10W	2	
R6671	ERJ6GEYJ470	M 47 OHM,J,1/10W	1	
R6672	ERJ6GEYJ103	M 10KOHM,J,1/10W	1	
R6673	D0GD5R6JA059	M 5.6 OHM,J,0.25W	1	

Ref. No.	Part No.	Part Name & Description	Pcs	Remarks
R6681,82	ERJ6GEYJ101	M 100 OHM,J,1/10W	2	
R6683	D0GD151JA036	M 150 OHM,J,0.25W	1	
R6684	ERJ6GEYJ100	M 10 OHM,J,1/10W	1	
R6685	ERJ6GEYJ471	M 470 OHM,J,1/10W	1	
R6686	ERJ6GEYJ103	M 10KOHM,J,1/10W	1	
R6687	ERJ6GEYJ222	M 2.2KOHM,J,1/10W	1	
R6688	ERJ6GEYJ472	M 4.7KOHM,J,1/10W	1	
R6689	ERJ6GEYJ100	M 10 OHM,J,1/10W	1	
R6690	ERJ6GEYJ151	M 150 OHM,J,1/10W	1	
R6691	ERJ6GEYJ103	M 10KOHM,J,1/10W	1	
R6696,97	D0D32R2JA020	M 2.2 OHM,J,3W	2	
R6700-08	ERJ6GEYJ471	M 470 OHM,J,1/10W	9	
R6710-18	ERJ6GEYJ222	M 2.2KOHM,J,1/10W	9	
R6721,22	EXB38V220J	RESISTOR ARRAY	2	
R6723	ERJ6GEYJ222	M 2.2KOHM,J,1/10W	1	
R6742	ERJ6GEYJ103	M 10KOHM,J,1/10W	1	
R6743	ERJ6GEYJ102	M 1KOHM,J,1/10W	1	
R6744	ERJ6GEYJ103	M 10KOHM,J,1/10W	1	
R6745	ERJ6GEYJ472	M 4.7KOHM,J,1/10W	1	
R6746,47	D0GD103JA036	M 10KOHM,J,0.25W	2	
R6755	ERJ6GEYJ101	M 100 OHM,J,1/10W	1	
R6756-58	D0GD101JA059	M 100 OHM,J,0.25W	3	
R6759	ERJ6GEYJ472	M 4.7KOHM,J,1/10W	1	
R6760	ERJ6GEYJ122	M 1.2KOHM,J,1/10W	1	
R6761	ERJ6GEYJ100	M 10 OHM,J,1/10W	1	
R6762	ERJ6GEYJ103	M 10KOHM,J,1/10W	1	
R6775,76	ERJ6GEYJ101	M 100 OHM,J,1/10W	2	
R6777	D0GD151JA036	M 150 OHM,J,0.25W	1	
R6781	ERJ6GEYJ470	M 47 OHM,J,1/10W	1	
R6782	ERJ6GEYJ103	M 10KOHM,J,1/10W	1	
R6791	ERJ6GEYJ102	M 1KOHM,J,1/10W	1	
R6792	ERJ6GEYJ103	M 10KOHM,J,1/10W	1	
R6793	ERJ6GEYJ101	M 100 OHM,J,1/10W	1	
R6806	ERJ6GEYJ562	M 5.6KOHM,J,1/10W	1	
R6807	ERJ6GEYJ332	M 3.3KOHM,J,1/10W	1	
R6808	ERG2FJS330D	M 33 OHM, J, 2W	1	
R6809	ERJ6GEYJ103	M 10KOHM,J,1/10W	1	
R6810,11	ERJ6GEYJ433	M 43KOHM,J,1/10W	2	
R6812	ERJ6ENF2743	M 274KOHM, 1/10W	1	
R6813	ERJ6ENF1001	M 1KOHM, 1/10W	1	
R6814	ERJ6ENF6981	M6.98KOHM, 1/10W	1	
R6815	ERJ6GEYJ222	M 2.2KOHM,J,1/10W	1	
R6816	ERJ6ENF1432	M14.3KOHM, 1/10W	1	
R6817	ERJ6ENF4701	M 4.7KOHM, 1/10W	1	
R6821	D0D2221JA021	M 220 OHM, J, 2W	1	
R6822,23	ERJ12YJ104U	M 100KOHM, 1/2W	2	
R6824	ERJ6GEYJ562	M 5.6KOHM,J,1/10W	1	
R6825	ERJ6ENF2003	M 200KOHM, 1/10W	1	
R6826	ERJ6ENF2703	M 270KOHM, 1/10W	1	
R6827	ERJ6ENF1432	M14.3KOHM, 1/10W	1	
R6828	ERJ6ENF5231	M5.23KOHM, 1/10W	1	
R6829,30	ERJ6GEYJ154	M 150KOHM,J,1/10W	2	
R6831	ERJ6GEYJ103	M 10KOHM,J,1/10W	1	
R6833	ERJ6ENF5602	M 56KOHM, 1/10W	1	
R6834	ERJ6ENF5102	M 51KOHM, 1/10W	1	
R6835	ERJ6ENF5602	M 56KOHM, 1/10W	1	
R6836	ERJ6ENF5102	M 51KOHM, 1/10W	1	
R6837	ERJ6ENF4702	M 47KOHM, 1/10W	1	
R6839	ERJ6GEYJ472	M 4.7KOHM,J,1/10W	1	
R6841	ERJ12YJ103	M 10KOHM,J, 1/2W	1	
R6842	ERJ14YJ103	M 10KOHM, J,1/4W	1	
R6843	ERJ6GEYJ563	M 56KOHM,J,1/10W	1	
R6844	D0D2101JA021	M 100 OHM,J,2W	1	

Ref. No.	Part No.	Part Name & Description	Pcs	Remarks
R6845-47	ERJ6GEYJ563	M 56KOHM,J,1/10W	3	
R6848	ERJ6GEYJ472	M 4.7KOHM,J,1/10W	1	
R6849	D1BD5902A028	M 59KOHM, 1/10W	1	
R6850	ERJ6ENF6202	M 62KOHM, 1/10W	1	
R6851	ERJ6ENF1501	M 1.5KOHM, 1/10W	1	
R6852	ERJ6ENF2491	M2.49KOHM, 1/10W	1	
R6853	ERJ6GEYJ101	M 100 OHM,J,1/10W	1	
R6860	D0D28R2JA021	M 8.2 OHM,J,2W	1	
R6861	ERJ6ENF3902	M 39KOHM, 1/10W	1	
R6862,63	ERJ6ENF4702	M 47KOHM, 1/10W	2	
R6864	ERJ6ENF9101	M 9.1KOHM, 1/10W	1	
R6865	ERJ6GEYJ182	M 1.8KOHM,J,1/10W	1	
R6866	ERJ6ENF1501	M 1.5KOHM, 1/10W	1	
R6867	ERJ6GEYJ392	M 3.9KOHM,J,1/10W	1	
R6868	ERJ6GEYJ223	M 22KOHM,J,1/10W	1	
R6869	ERJ6GEYJ472	M 4.7KOHM,J,1/10W	1	
R6871-73	ERJ6ENF3902	M 39KOHM, 1/10W	3	
R6874	ERJ6ENF9101	M 9.1KOHM, 1/10W	1	
R6875	ERJ6ENF3301	M 3.3KOHM, 1/10W	1	
R6876	ERJ6ENF1201	M 1.2KOHM, 1/10W	1	
R6877	ERJ6GEYJ392	M 3.9KOHM,J,1/10W	1	
R6878	ERJ6GEYJ223	M 22KOHM,J,1/10W	1	
R6879	ERJ6GEYJ472	M 4.7KOHM,J,1/10W	1	
R6886-88	ERJ6GEYJ224	M 220KOHM,J,1/10W	3	
R6901	ERJ6GEYJ101	M 100 OHM,J,1/10W	1	
R6902-04	ERJ3GEYJ220	M 22 OHM,J,1/16W	3	
R6908,09	ERJ6GEYJ221	M 220 OHM,J,1/10W	2	
R6916	ERJ6GEYJ221	M 220 OHM,J,1/10W	1	
R6921,22	ERJ6GEYJ104	M 100KOHM,J,1/10W	2	
R6923	ERJ6GEYJ472	M 4.7KOHM,J,1/10W	1	
R6931-34	ERJ6GEYJ103	M 10KOHM,J,1/10W	4	
R6935,36	ERJ8GEYJ224	M 220KOHM, J,1/8W	2	
R6951	ERJ6GEYJ101	M 100 OHM,J,1/10W	1	
R6952-54	ERJ3GEYJ220	M 22 OHM,J,1/16W	3	
R6958,59	ERJ6GEYJ221	M 220 OHM,J,1/10W	2	
R6966	ERJ6GEYJ221	M 220 OHM,J,1/10W	1	
R6981-84	ERJ6GEYJ103	M 10KOHM,J,1/10W	4	
R6985,86	ERJ8GEYJ224	M 220KOHM, J,1/8W	2	
R7111	D0GD472JA059	M 4.7KOHM,J,0.25W	1	
R7112,13	ERJ3GEYJ220	M 22 OHM,J,1/16W	2	
R7114	ERJ3GEYJ223	M 22KOHM,J,1/16W	1	
R7115	ERJ3GEYJ104	M 100KOHM,J,1/16W	1	
R7116,17	ERJ3GEYJ220	M 22 OHM,J,1/16W	2	
R7118	ERJ6GEYJ224	M 220KOHM,J,1/10W	1	
R7120-24	EXB38V470J	RESISTOR ARRAY	5	
R7127	ERJ3GEYJ470	M 47 OHM,J,1/16W	1	
R7129-32	ERJ12YJ6R8U	M 6.8 OHM, J,1/2W	4	
R7133	ERJ3GEYJ470	M 47 OHM,J,1/16W	1	
R7136	ERJ3GEYJ470	M 47 OHM,J,1/16W	1	
R7138-41	ERJ12YJ6R8U	M 6.8 OHM, J,1/2W	4	
R7142	EXB38V102J	RESISTOR ARRAY	1	
R7143	ERJ3GEYJ470	M 47 OHM,J,1/16W	1	
R7146	EXB38V470J	RESISTOR ARRAY	1	
R7147-52	EXB38V102J	RESISTOR ARRAY	6	
R7154	ERJ3GEYJ470	M 47 OHM,J,1/16W	1	
R7156-59	ERJ12YJ6R8U	M 6.8 OHM, J,1/2W	4	
R7160	ERJ3GEYJ470	M 47 OHM,J,1/16W	1	

Ref. No.	Part No.	Part Name & Description	Pcs	Remarks
R7163-65	ERJ3GEY0R00	M 0 OHM, 1/16W	3	
R7169	EXB38V470J	RESISTOR ARRAY	1	
R7201-07	EXB38V470J	RESISTOR ARRAY	7	
R7208-10	ERJ3GEYJ470	M 47 OHM,J,1/16W	3	
R7212-15	ERJ12YJ6R8U	M 6.8 OHM, J,1/2W	4	
R7216	EXB38V470J	RESISTOR ARRAY	1	
R7217	ERJ3GEYJ470	M 47 OHM,J,1/16W	1	
R7219	ERJ6GEYJ224	M 220KOHM,J,1/10W	1	
R7221	ERJ3GEYJ470	M 47 OHM,J,1/16W	1	
R7223-26	ERJ12YJ6R8U	M 6.8 OHM, J,1/2W	4	
R7227	ERJ3GEYJ470	M 47 OHM,J,1/16W	1	
R7229	ERJ6GEY0R00	M 0 OHM, 1/10W	1	
R7231	ERJ3GEYJ470	M 47 OHM,J,1/16W	1	
R7232-35	ERJ12YJ6R8U	M 6.8 OHM, J,1/2W	4	
R7236	ERJ3GEYJ470	M 47 OHM,J,1/16W	1	
R7237-42	EXB38V102J	RESISTOR ARRAY	6	
R7245	EXB38V102J	RESISTOR ARRAY	1	
R7246-49	ERJ3GEYJ220	M 22 OHM,J,1/16W	4	
R7250,51	EXB38V470J	RESISTOR ARRAY	2	
R7255,56	ERJ3GEY0R00	M 0 OHM, 1/16W	2	
R7257	EXB38V102J	RESISTOR ARRAY	1	
R7259	ERJ3GEYJ470	M 47 OHM,J,1/16W	1	
R7261-64	ERJ12YJ6R8U	M 6.8 OHM, J,1/2W	4	
R7265	ERJ3GEYJ470	M 47 OHM,J,1/16W	1	
R7268	D0GD472JA059	M 4.7KOHM,J,0.25W	1	
R7269	ERJ3GEYJ223	M 22KOHM,J,1/16W	1	
R7270	ERJ3GEYJ104	M 100KOHM,J,1/16W	1	
R8001-04	ERJ3GEY0R00	M 0 OHM, 1/16W	4	
R8005	ERJ3GEYJ103	M 10KOHM,J,1/16W	1	
R8009-12	ERJ3GEYJ271	M 270 OHM,J,1/16W	4	
R8017,18	ERJ3GEYJ562	M 5.6KOHM,J,1/16W	2	
R8021	ERJ3GEYJ222	M 2.2KOHM,J,1/16W	1	
R8025	ERJ3GEY0R00	M 0 OHM, 1/16W	1	
R8026	ERJ3GEYJ331	M 330 OHM,J,1/16W	1	
R8029	ERJ6ENF3001	M 3KOHM, 1/10W	1	
R8031	ERJ6ENF2201	M 2.2KOHM, 1/10W	1	
R8033	ERJ3GEYJ104	M 100KOHM,J,1/16W	1	
R8035	ERJ6ENF3300	M 330 OHM, 1/10W	1	
R8036	ERJ6ENF1500	M 150 OHM, 1/10W	1	
R8037	ERJ6ENF4701	M 4.7KOHM, 1/10W	1	
R8039	ERJ6ENF4701	M 4.7KOHM, 1/10W	1	
R8041	ERJ3GEYJ183	M 18KOHM,J,1/16W	1	
R8045	ERJ3GEYJ222	M 2.2KOHM,J,1/16W	1	
R8047	ERJ3GEYJ271	M 270 OHM,J,1/16W	1	
R8048	ERJ3GEYJ222	M 2.2KOHM,J,1/16W	1	
R8050	ERJ3GEYJ222	M 2.2KOHM,J,1/16W	1	
R8051	ERJ3GEYJ103	M 10KOHM,J,1/16W	1	
R8054	ERJ3GEY0R00	M 0 OHM, 1/16W	1	
R8055,56	ERJ3GEYJ101	M 100 OHM,J,1/16W	2	
R8057	ERJ3GEYJ102	M 1KOHM,J,1/16W	1	
R8060	ERJ3GEY0R00	M 0 OHM, 1/16W	1	
R8065	D0GB911JA002	M 910 OHM,J,1/16W	1	
R8067	D0GB911JA002	M 910 OHM,J,1/16W	1	
R8069	ERJ6GEYJ222	M 2.2KOHM,J,1/10W	1	
R8072	ERJ3GEY0R00	M 0 OHM, 1/16W	1	
R8089	ERJ3GEYJ181	M 180 OHM,J,1/16W	1	
R8093	ERJ6GEYJ101	M 100 OHM,J,1/10W	1	
R8097,98	ERJ3GEYJ103	M 10KOHM,J,1/16W	2	
R8100	ERJ3GEYJ103	M 10KOHM,J,1/16W	1	
R8112	ERJ3GEY0R00	M 0 OHM, 1/16W	1	

Ref. No.	Part No.	Part Name & Description	Pcs	Remarks
R8117-20	ERJ3GEY0R00	M 0 OHM, 1/16W	4	
R8121,2	ERJ3GEYJ272	M 2.7KOHM,J,1/16W	2	
R8124-27	ERJ6GEYJ101	M 100 OHM,J,1/10W	4	
R8129	ERJ6GEY0R00	M 0 OHM, 1/10W	1	
R8180	ERJ8GEYJ820V	M 82 OHM, J,1/8W	1	
R8181	ERJ3GEYJ101	M 100 OHM,J,1/16W	1	
R8182	ERJ6GEYJ101	M 100 OHM,J,1/10W	1	
R8183,8	ERJ3GEY0R00	M 0 OHM, 1/16W	2	
R8185,8	ERJ3GEYJ272	M 2.7KOHM,J,1/16W	2	
R8187,8	ERJ6GEYJ560	M 56 OHM,J,1/10W	2	
R8189,9	ERJ6GEY0R00	M 0 OHM, 1/10W	2	
R8200	ERJ3GEYJ563	M 56KOHM,J,1/16W	1	
R8201	ERJ3GEYJ473	M 47KOHM,J,1/16W	1	
R8202	ERJ3GEYJ223	M 22KOHM,J,1/16W	1	
R8203	ERJ3GEYJ103	M 10KOHM,J,1/16W	1	
R8204	ERJ3GEYJ104	M 100KOHM,J,1/16W	1	
R8205	ERJ3GEYJ753	M 75KOHM,J,1/16W	1	
R8206	ERJ3GEYJ393	M 39KOHM,J,1/16W	1	
R8207	ERJ3GEY0R00	M 0 OHM, 1/16W	1	
R9060-67	ERJ3GEYJ101	M 100 OHM,J,1/16W	8	
R9070	ERJ3GEYJ470	M 47 OHM,J,1/16W	1	
R9074	ERJ3GEYJ101	M 100 OHM,J,1/16W	1	
R9076	ERJ3GEYJ101	M 100 OHM,J,1/16W	1	
R9097,9	ERJ3GEYJ103	M 10KOHM,J,1/16W	2	
R9099	ERJ3GEYJ101	M 100 OHM,J,1/16W	1	
R9100,0	ERJ3GEYJ103	M 10KOHM,J,1/16W	2	
R9102	ERJ3GEYJ101	M 100 OHM,J,1/16W	1	
R9105	ERJ3GEYJ472	M 4.7KOHM,J,1/16W	1	
R9106	ERJ3GEYJ103	M 10KOHM,J,1/16W	1	
R9107	ERJ3GEYJ332	M 3.3KOHM,J,1/16W	1	
R9108,0	ERJ3GEYJ103	M 10KOHM,J,1/16W	2	
R9110	ERJ3GEYJ101	M 100 OHM,J,1/16W	1	
R9111	ERJ3GEYJ223	M 22KOHM,J,1/16W	1	
R9113	ERJ3GEYJ100	M 10 OHM,J,1/16W	1	
R9120	ERJ3GEYJ101	M 100 OHM,J,1/16W	1	
R9121	ERJ3GEYJ104	M 100KOHM,J,1/16W	1	
R9127	ERJ3GEYJ683	M 68KOHM,J,1/16W	1	
R9129	ERJ3GEYJ683	M 68KOHM,J,1/16W	1	
R9131-33	ERJ3GEYJ472	M 4.7KOHM,J,1/16W	3	
R9134	ERJ3GEYJ333	M 33KOHM,J,1/16W	1	
R9140	ERJ6GEY0R00	M 0 OHM, 1/10W	1	
R9141-45	ERJ3GEYJ101	M 100 OHM,J,1/16W	5	
R9148	ERJ3GEYJ103	M 10KOHM,J,1/16W	1	
R9149	ERJ3GEYJ472	M 4.7KOHM,J,1/16W	1	
R9150,5	ERJ3GEYJ220	M 22 OHM,J,1/16W	2	
R9152,5	ERJ3GEYJ472	M 4.7KOHM,J,1/16W	2	
R9154,5	ERJ3GEYJ562	M 5.6KOHM,J,1/16W	2	
R9156-59	ERJ3GEYJ103	M 10KOHM,J,1/16W	4	
R9160,6	ERJ3GEY0R00	M 0 OHM, 1/16W	2	
R9164-66	ERJ3GEYJ103	M 10KOHM,J,1/16W	3	
R9167,6	ERJ3GEYJ101	M 100 OHM,J,1/16W	2	
R9169	ERJ3GEYJ103	M 10KOHM,J,1/16W	1	
R9170-72	ERJ3GEYJ393	M 39KOHM,J,1/16W	3	
R9173-75	ERJ3GEYJ103	M 10KOHM,J,1/16W	3	
R9177	ERJ3GEYJ223	M 22KOHM,J,1/16W	1	

Ref. No.	Part No.	Part Name & Description	Pcs	Remarks
R9178	ERJ3GEYJ103	M 10KOHM,J,1/16W	1	
R9180	ERJ3GEYJ103	M 10KOHM,J,1/16W	1	
R9181-84	ERJ3GEYJ102	M 1KOHM,J,1/16W	4	
R9185,8	ERJ3GEYJ220	M 22 OHM,J,1/16W	2	
R9187,8	ERJ3GEYJ562	M 5.6KOHM,J,1/16W	2	
R9189,9	ERJ3GEYJ103	M 10KOHM,J,1/16W	2	
R9192	ERJ3GEY0R00	M 0 OHM, 1/16W	1	
R9193	ERJ3GEYJ103	M 10KOHM,J,1/16W	1	
R9194	ERJ3GEY0R00	M 0 OHM, 1/16W	1	
R9196	ERJ3GEYJ103	M 10KOHM,J,1/16W	1	
R9199	ERJ3GEYJ272	M 2.7KOHM,J,1/16W	1	
R9203	ERJ3GEYJ102	M 1KOHM,J,1/16W	1	
R9205	ERJ3GEYJ472	M 4.7KOHM,J,1/16W	1	
R9206,0	ERJ3GEYJ102	M 1KOHM,J,1/16W	2	
R9215	ERJ3GEYJ123	M 12KOHM,J,1/16W	1	
R9217-22	ERJ3GEYJ103	M 10KOHM,J,1/16W	6	
R9223	ERJ3GEYJ472	M 4.7KOHM,J,1/16W	1	
R9225	ERJ3GEYJ472	M 4.7KOHM,J,1/16W	1	
R9236	ERJ3GEY0R00	M 0 OHM, 1/16W	1	
R9237	ERJ3GEYJ103	M 10KOHM,J,1/16W	1	
R9240	ERJ3GEY0R00	M 0 OHM, 1/16W	1	
R9317	ERJ3GEYJ391	M 390 OHM,J,1/16W	1	
R9348	D1HG8208A002	NETWORK RESISTER	1	
R9349	EXB38V820J	RESISTOR ARRAY	1	
R9350,5	ERJ3GEYJ220	M 22 OHM,J,1/16W	2	
R9352	EXB38V820J	RESISTOR ARRAY	1	
R9353,5	D1HG8208A002	NETWORK RESISTER	2	
R9355,5	ERJ3GEYJ472	M 4.7KOHM,J,1/16W	2	
R9357-59	D1HG8208A002	NETWORK RESISTER	3	
R9360	EXB38V820J	RESISTOR ARRAY	1	
R9361,6	ERJ3GEYJ220	M 22 OHM,J,1/16W	2	
R9363	EXB2HV470JV	RESISTOR ARRAY	1	
R9366	ERJ3GEYJ472	M 4.7KOHM,J,1/16W	1	
R9367	ERJ3GEYJ103	M 10KOHM,J,1/16W	1	
R9368	ERJ3GEYJ104	M 100KOHM,J,1/16W	1	
R9369	ERJ3GEYJ472	M 4.7KOHM,J,1/16W	1	
R9370	ERJ3GEYJ103	M 10KOHM,J,1/16W	1	
R9371	ERJ3GEYJ104	M 100KOHM,J,1/16W	1	
R9379	ERJ3GEY0R00	M 0 OHM, 1/16W	1	
R9380	ERJ3GEYJ560	M 56 OHM,J,1/16W	1	
R9382	ERJ3GEYJ103	M 10KOHM,J,1/16W	1	
R9390	ERJ3GEYJ101	M 100 OHM,J,1/16W	1	
R9391	ERJ3GEYJ104	M 100KOHM,J,1/16W	1	
R9394	ERJ3GEY0R00	M 0 OHM, 1/16W	1	
R9395	ERJ3GEYJ220	M 22 OHM,J,1/16W	1	
R9501,0	ERJ3GEYJ103	M 10KOHM,J,1/16W	2	
R9503	ERJ3GEYJ470	M 47 OHM,J,1/16W	1	
R9506	ERJ3GEYJ220	M 22 OHM,J,1/16W	1	
R9507	ERJ3GEY0R00	M 0 OHM, 1/16W	1	
R9511-13	ERJ3GEYJ470	M 47 OHM,J,1/16W	3	
R9516	ERJ3GEYJ103	M 10KOHM,J,1/16W	1	
R9518	ERJ3GEYJ561	M 560 OHM,J,1/16W	1	
R9523	ERJ3GEYJ103	M 10KOHM,J,1/16W	1	
R9525	ERJ3GEYJ103	M 10KOHM,J,1/16W	1	
R9526	ERJ3GEY0R00	M 0 OHM, 1/16W	1	
R9527,2	EXB2HV272JV	RESISTOR ARRAY	2	
R9529,3	ERJ3GEYJ103	M 10KOHM,J,1/16W	2	
R9531-33	ERJ3GEYJ470	M 47 OHM,J,1/16W	3	
R9534	EXB38V470J	RESISTOR ARRAY	1	

Ref. No.	Part No.	Part Name & Description	Pcs	Remarks
R9535,36	ERJ3GEYJ470	M 47 OHM,J,1/16W	2	
R9537	ERJ3GEYJ103	M 10KOHM,J,1/16W	1	
R9540	ERJ3GEYJ103	M 10KOHM,J,1/16W	1	
R9543,44	ERJ3GEYJ103	M 10KOHM,J,1/16W	2	
R9545	ERJ3GEYJ304V	M 300KOHM,J,1/16W	1	
R9548-50	ERJ3GEYJ103	M 10KOHM,J,1/16W	3	
R9552	ERJ3GEYJ103	M 10KOHM,J,1/16W	1	
R9555	ERJ3GEY0R00	M 0 OHM, 1/16W	1	
R9800	ERJ3EKF1302	M 13KOHM, 1/16W	1	
R9801	ERJ3EKF2402	M 24KOHM, 1/16W	1	
R9802	ERJ3EKF6202	M 62KOHM, 1/16W	1	
R9803	ERJ3GEY0R00	M 0 OHM, 1/16W	1	
R9804	ERJ3EKF2402	M 24KOHM, 1/16W	1	
R9805	ERJ3EKF3002	M 30KOHM, 1/16W	1	
R9806	ERJ3EKF3902	M 39KOHM, 1/16W	1	
R9807	ERJ3GEY0R00	M 0 OHM, 1/16W	1	
R9808	ERJ3GEYJ104	M 100KOHM,J,1/16W	1	
R9810	ERJ3EKF3001	M 3KOHM, 1/16W	1	
R9813	ERJ3EKF2401	M 2.4KOHM, 1/16W	1	
R9814	ERJ3EKF6802	M 68KOHM, 1/16W	1	
R9815	ERJ3EKF2202	M 22KOHM, 1/16W	1	
R9816	ERJ3EKF8202	M 82KOHM, 1/16W	1	
R9821	ERJ3GEYJ103	M 10KOHM,J,1/16W	1	
R9823-27	ERJ3GEYJ101	M 100 OHM,J,1/16W	5	
R9828	ERJ3GEYJ104	M 100KOHM,J,1/16W	1	
R9830,31	ERJ3GEYJ103	M 10KOHM,J,1/16W	2	
R9838,39	ERJ3GEYJ101	M 100 OHM,J,1/16W	2	
R9840	ERJ3GEYJ220	M 22 OHM,J,1/16W	1	
R9841	ERJ3GEY0R00	M 0 OHM, 1/16W	1	
R9842-44	ERJ3GEYJ101	M 100 OHM,J,1/16W	3	
R9845	ERJ3GEYJ562	M 5.6KOHM,J,1/16W	1	
R9846,47	EXB2HV272JV	RESISTOR ARRAY	2	
R9848,49	EXB2HV470JV	RESISTOR ARRAY	2	
R9850	ERJ3GEYJ473	M 47KOHM,J,1/16W	1	
R9854	ERJ3GEYJ101	M 100 OHM,J,1/16W	1	
R9859	EXB38V101J	RESISTOR ARRAY	1	
R9861-63	ERJ3GEYJ103	M 10KOHM,J,1/16W	3	
R9868	ERJ3GEYJ104	M 100KOHM,J,1/16W	1	
R9869-71	ERJ3GEYJ103	M 10KOHM,J,1/16W	3	
R9872	ERJ3GEY0R00	M 0 OHM, 1/16W	1	
R9878	ERJ3EKF3902	M 39KOHM, 1/16W	1	
R9879	ERJ3EKF2002	M 20KOHM, 1/16W	1	
R9880	ERJ3EKF3602	M 36KOHM, 1/16W	1	
R9883	ERJ3GEY0R00	M 0 OHM, 1/16W	1	
R9884	ERJ3GEYJ104	M 100KOHM,J,1/16W	1	
R9891	ERJ3EKF4702	M 47KOHM, 1/16W	1	
R9892	ERJ3EKF1502	M 15KOHM, 1/16W	1	
R9893	ERJ3EKF3602	M 36KOHM, 1/16W	1	
R9896	ERJ3GEY0R00	M 0 OHM, 1/16W	1	
R9897	ERJ3GEYJ104	M 100KOHM,J,1/16W	1	
R9903	EXB2HV470JV	RESISTOR ARRAY	1	
R9904	ERJ3GEYJ470	M 47 OHM,J,1/16W	1	
R9905	ERJ3GEYJ330	M 33 OHM,J,1/16W	1	
R9906	EXB38V470J	RESISTOR ARRAY	1	
R9907	ERJ3GEYJ151	M 150 OHM,J,1/16W	1	
R9917,18	ERJ3GEY0R00	M 0 OHM, 1/16W	2	
R9919,20	ERJ3GEYJ272	M 2.7KOHM,J,1/16W	2	
R9922	ERJ3GEY0R00	M 0 OHM, 1/16W	1	
R9929	ERJ3GEY0R00	M 0 OHM, 1/16W	1	
R9936-39	ERJ3EKF1001	M 1KOHM, 1/16W	4	
R9940	ERJ3GEYJ330	M 33 OHM,J,1/16W	1	

Ref. No.	Part No.	Part Name & Description	Pcs	Remarks
R9941,42	ERJ3GEYJ470	M 47 OHM,J,1/16W	2	
R9943-51	EXB38V470J	RESISTOR ARRAY	9	
R9952-55	ERJ3GEYJ470	M 47 OHM,J,1/16W	4	
R9956	ERJ3GEYJ103	M 10KOHM,J,1/16W	1	
RL402,03	TSEH8011	RELAY	2	△
RM2501	PNA4701M05TV	REMOCO RECEIVER	1	
RTL	TNPA3762AH	CIRCUIT BOARD K	1	△
RTL	TNPA3763AE	CIRCUIT BOARD S	1	△
RTL	TNPA3792AB	CIRCUIT BOARD C1	1	△
RTL	TNPA3793AB	CIRCUIT BOARD C2	1	△
RTL	TNPA3794AE	CIRCUIT BOARD SC	1	△
RTL	TNPA3797AB	CIRCUIT BOARD SD	1	△
RTL	TNPA3795AE	CIRCUIT BOARD SS	1	△
RTL	TNPA3796AB	CIRCUIT BOARD SU	1	△
RTL	TNPA3848AE	CIRCUIT BOARD GK	1	△
RTL	TNPA3896AB	CIRCUIT BOARD J	1	△
RTL	TNPA3912AL	CIRCUIT BOARD P	1	△
RTL	TXNHA10RBS	CIRCUIT BOARD HA	1	△
RTL	TZTNP01ZPTU	CIRCUIT BOARD DA	1	△
RTL	TZTNP01ZQTJ	CIRCUIT BOARD D	1	△
RTL	TZTNP02ZQTU	CIRCUIT BOARD HX	1	△
S1	K1KA03BA0061	3P CONNECTOR	1	
S401,02	JOLT00000009	SWITCH	2	△
SC2	K1KA02A00626	2P CONNECTOR	1	
SC20	K1KA20AA0008	20P CONNECTOR	1	
SC23	K1KA03AA0193	3P CONNECTOR	1	
SC30	K1KA08AA0192	8P CONNECTOR	1	
SC41,42	K1ML80B00001	80P CONNECTOR	2	
SC45,46	K1KA09A00239	9P CONNECTOR	2	
SD1-D3	K1MN80B00012	80P CONNECTOR	3	
SD46	K1KB09A00045	9P CONNECTOR	1	
SS11	K1KA02A00626	2P CONNECTOR	1	
SS12	K1KA10AA0194	10P CONNECTOR	1	
SS23	K1KA12AA0194	12P CONNECTOR	1	
SS34	K1KA03AA0193	3P CONNECTOR	1	
SS41A-4A	K1MN13B00020	13P CONNECTOR	4	
SSMM1	TMME260	CLAMPER	1	
SU1-U3	K1MN80B00012	80P CONNECTOR	3	
SU45	K1KB09A00045	9P CONNECTOR	1	
SW2500	K0F162B00002	SWITCH	1	△
SW3753-57	EVQ11G05R	SWITCH	5	
T401	G4D4A0000120	SWITCHING TRANSFORMER	1	
T402	G4D1A0000098	SWITCHING TRANSFORMER	1	△
T404	G4D4A0000118	SWITCHING TRANSFORMER	1	△
T407	ETQ11K5AZ	CHOKE TRANS	1	△
T410	ETS25AF115AH	SWITCHING TRANS	1	△
T601	G4D2A0000264	SWITCHING TRANS	1	
T6602	ETS22AE2G9AD	SWITCHING TRANS	1	
VR6000	EVMEASA00B14	CONTROL 10KOHMB 0.3W	1	
VR6600	EVMEASA00B23	CONTROL 2KOHMB 0.3W	1	
VR6602	EVMEASA00B14	CONTROL 10KOHMB 0.3W	1	

Ref. No.	Part No.	Part Name & Description	Pcs	Remarks
W9,10	J0JKB0000037	FLAT CORE	2	
X501	H2B400400021	CRYSTAL	1	
X2301	H0J184500026	CRYSTAL	1	
X4501	H0J200500038	CRYSTAL	1	
X4701	H0J100500030	CRYSTAL	1	
X8181	H0J327200114	CRYSTAL	1	
X9000	H2D200500011	CRYSTAL	1	
X9200	H0J200500038	CRYSTAL	1	
Z1,Z2	K4ZZ01000206	TERMINAL	2	
Z420	TMM23417	CLAMPER	1	
Z450-53	EYF52BCY	FUSE HOLDER	4	
ZA3001-08	K4CD01000013	TERMINAL	8	
ZA4001,02	K4CD01000011	TERMINAL	2	
ZA6001-03	K4CD01000011	TERMINAL	3	
ZA6401-03	K4CD01000011	TERMINAL	3	
ZA7101-03	K4CD01000013	TERMINAL	3	
ZA7201-04	K4CD01000013	TERMINAL	4	
ZA9001	K4CD01000011	TERMINAL	1	
ZN401	ERZVGED621T2	VARISTOR	1	△
ZN402	D4EAD7510001	VARISTOR	1	△
ZN404	ERZVGAD681T2	VARISTOR	1	△
ZN405,06	ERZVA7D511	VARISTOR	2	△

## 17.3. TH-42PG9W Electrical Replacement Parts List

Ref. No.	Part No.	Part Name & Description	Pcs	Remarks
F401.40 2	K5D802BNA005	TIME LAG FUSE HIGH	2	△
F410	K5G102B00020	FUSE	1	△
C11	K1MN55BA0076	55P CONNECTOR	1	
C12	K1MN20BA0231	20P CONNECTOR	1	
C21	K1MN55BA0076	55P CONNECTOR	1	
C22	K1MN20BA0231	20P CONNECTOR	1	
C23	K1KA12BA0107	12P CONNECTOR	1	
C402	FLJ1C1050011	C 1UF, Z, 50V	1	
C404	FOCAF105A021	C 1UF, 250V	1	△
C407	EEUEB2W220B	E 22UF, 450V	1	△
C408	ECJ2XB1H102K	C 1000PF, K, 50V	1	
C409	FOCAF225A021	C 22UF, 250V	1	△
C410	ECJ2XB1H103K	C 0.01UF, K, 50V	1	
C413	ECJ2XB1H104K	C 0.1UF, K, 50V	1	
C414	ECQU2A473ML	P 0.047UF, M, 250V	1	△
C421	FLJ1C1050011	C 1UF, Z, 50V	1	
C422	ECJ2XB1H103K	C 0.01UF, K, 50V	1	
C423	ECJ2XB1H472K	C 4700PF, K, 50V	1	
C425	ECJ2XB1H103K	C 0.01UF, K, 50V	1	
C426	ECJ2XC1H471J	C 470PF, J, 50V	1	
C427	FLJ1C1050011	C 1UF, Z, 50V	1	
C428	ECJ2XC1H221J	C 220PF, J, 50V	1	
C429	FL1E2J4730001	C 0.047PF, , 600V	1	
C431	ECJ2XB1H102K	C 1000PF, K, 50V	1	
C432	FLJ1C1050011	C 1UF, Z, 50V	1	
C433	ECJ3XB1E104K	C 0.1UF, K, 25V	1	
C434	FLJ1C1050011	C 1UF, Z, 50V	1	
C436	FLJ1C1050011	C 1UF, Z, 50V	1	
C440	ECA1HM100	E 10UF, 50V	1	
C443,44	FLA3A102A040	C 1000PF, J, 1KV	2	
C445	FLJ1C1050011	C 1UF, Z, 50V	1	
C446	F2B2W3910005	C 390UF, 450V	1	△
C450	ECJ2XB1H103K	C 0.01UF, K, 50V	1	
C451	FLA3A101A040	C 100PF, J, 1KV	1	
C457	ECWH12333RHV	P 0.013UF, J, 1.2KV	1	
C460,61	FLA3A331A039	E 330UF, 1KV	2	
C462	ECJ3YB1E105K	C 1UF, K, 25V	1	
C463	ECJ2XC1H220J	C 22UF, J, 50V	1	
C467	ECKCNA221KB7	C 220PF, M,	1	△
C468	ECJ2XB1H103K	C 0.01UF, K, 50V	1	
C469	ECKCNA221KB7	C 220PF, M,	1	△
C470	FOCAF105A021	C 1UF, 250V	1	△
C473,74	ECKCNA101KB7	C 100PF	2	△
C476	ECKCNA101KB7	C 100PF	1	△
C478	ECKCNA101KB7	C 100PF	1	△
C493	ECA1HM470	E 47UF, 50V	1	
C494	F2A2E1R00008	E 1.0UF, 250V	1	
C497	ECA1HM470	E 47UF, 50V	1	
C501,02	ECJ2XB1H103K	C 0.01UF, K, 50V	2	
C503	ECJ2XC1H471J	C 470PF, J, 50V	1	
C504	FLJ1C1050011	C 1UF, Z, 50V	1	
C505	ECJ2XB1H102K	C 1000PF, K, 50V	1	
C506,07	ECJ2XB1H103K	C 0.01UF, K, 50V	2	
C508	ECJ2XC1H471J	C 470PF, J, 50V	1	
C509	ECA1EHG101	E 100UF, 25V	1	
C510	ECJ2XB1H104K	C 0.1UF, K, 50V	1	
C511	ECJ2XB1H102K	C 1000PF, K, 50V	1	
C512-14	ECJ2XC1H471J	C 470PF, J, 50V	3	
C515	F2A1A1220011	E 1200UF, 10V	1	
C516	ECJ2XB1C474K	C 0.47UF, Z, 16V	1	
C517	F2A1E221A096	E 220UF, 25V	1	
C518	ECJ2XB1H104K	C 0.1UF, K, 50V	1	
C519	FLJ1C1050011	C 1UF, Z, 50V	1	
C523	ECJ3YB1E105K	C 1UF, K, 25V	1	
C526	ECJ2XB1H223K	C 0.022UF, K, 50V	1	
C527	ECJ3YB1E475K	C 4.7UF, K, 25V	1	
C528,29	FLJ1C1050011	C 1UF, Z, 50V	2	
C530	ECJ2VB1H333K	C 0.033UF, K, 50V	1	
C531	ECJ3YB1E105K	C 1UF, K, 25V	1	

Ref. No.	Part No.	Part Name & Description	Pcs	Remarks
C533	ECJ2XB1H103K	C 0.01UF, K, 50V	1	
C534	ECJ2XC1H471J	C 470PF, J, 50V	1	
C546,47	ECJ2XB1H102K	C 1000PF, K, 50V	2	
C550	ECJ2XC1H331J	C 330PF, J, 50V	1	
C551,52	ECJ2XB1H104K	C 0.1UF, K, 50V	2	
C554	FLJ1C1050011	C 1UF, Z, 50V	1	
C555	F2A2C101A120	E 1000UF, 160V	1	△
C556,57	EEUFC1E152	E 1500UF, 25V	2	
C558	F2A1E4710065	E 470UF, 25V	1	
C559	F2A1A1220011	E 1200UF, 10V	1	
C562	ECJ2XB1H223K	C 0.022UF, K, 50V	1	
C571	ECJ2XC1H330J	C 33PF, J, 50V	1	
C574	ECJ2XB1H104K	C 0.1UF, K, 50V	1	
C577	F2A2A330A022	E 33UF, 100V	1	△
C581	ECJ2XB1H223K	C 0.022UF, K, 50V	1	
C583	ECJ2XB1H102K	C 1000PF, K, 50V	1	
C584,85	ECJ2XB1H223K	C 0.022UF, K, 50V	2	
C587	ECJ2XB1H332K	C 3300PF, K, 50V	1	
C601	ECJ2XB1H103K	C 0.01UF, K, 50V	1	
C603	ECJ2FB1E105K	C 1UF, K, 25V	1	
C604,05	F2A2D1510008	E 150UF, 200V	2	△
C607	FLJ1C1050011	C 1UF, Z, 50V	1	
C608	ECJ2XB1H103K	C 0.01UF, K, 50V	1	
C610	FLJ1C1050011	C 1UF, Z, 50V	1	
C611	F2B2D1720005	E 1700UF, Δ@ 200V	1	△
C612,13	ECJ2XB1H103K	C 0.01UF, K, 50V	2	
C615	F2B2D1720005	E 1700UF, Δ@ 200V	1	△
C616	FLA3A102A040	C 1000PF, J, 1KV	1	
C619	ECJ2XB1H104K	C 0.1UF, K, 50V	1	
C620	ECJ2XB1H103K	C 0.01UF, K, 50V	1	
C623	ECA1HM100	E 10UF, 50V	1	
C624	ECJ2XB1H103K	C 0.01UF, K, 50V	1	
C625	ECA1HM100	E 10UF, 50V	1	
C626	ECJ2XB1H103K	C 0.01UF, K, 50V	1	
C627	ECJ2XB1H102K	C 1000PF, K, 50V	1	
C629-31	ECJ2XB1H103K	C 0.01UF, K, 50V	3	
C632	ECJ2XC1H331J	C 330PF, J, 50V	1	
C634	ECJ2XB1H102K	C 1000PF, K, 50V	1	
C635	ECJ2XB1H103K	C 0.01UF, K, 50V	1	
C638,39	ECJ2XB1H103K	C 0.01UF, K, 50V	2	
C640	ECJ2XB1H104K	C 0.1UF, K, 50V	1	
C641	ECJ2XB1H102K	C 1000PF, K, 50V	1	
C643	ECA1HM470	E 47UF, 50V	1	
C650	ECJ2XB1H104K	C 0.1UF, K, 50V	1	
C653	ECJ2XB1H102K	C 1000PF, K, 50V	1	
C654	ECJ3YB1E105K	C 1UF, K, 25V	1	
C655,56	ECJ3YB1E225K	C 2.2UF, K, 25V	2	
C657	ECJ2XB1H102K	C 1000PF, K, 50V	1	
C658	ECJ3YB1E105K	C 1UF, K, 25V	1	
C659	ECJ2XB1H103K	C 0.01UF, K, 50V	1	
C660	ECJ2FB1C225K	C 22UF, K, 16V	1	
C661,62	ECJ2XB1H103K	C 0.01UF, K, 50V	2	
C801	F2H1V221A004	E 220UF, 35V	1	
C802	F2H1E471A010	E 470UF, 25V	1	
C804	ECJ1VB1H472K	C 4700PF, K, 50V	1	
C805	ECJ1VB1C105K	C 0.01UF, K, 16V	1	
C806	ECJ1VB1E104K	C 0.10UF, K, 25V	1	
C807	ECJ3YF1E225Z	C 2.2UF, Z, 25V	1	
C808	ECJ1VB1E104K	C 0.10UF, K, 25V	1	
C809	ECJ3YB1C225K	C 0.022UF, K, 16V	1	
C811	EEVH1C471	E 470UF, 16V	1	
C812	F2H1E471A010	E 470UF, 25V	1	
C814	ECJ1VB1H472K	C 4700PF, K, 50V	1	
C815	ECJ1VB1C105K	C 0.01UF, K, 16V	1	
C816	ECJ1VB1E104K	C 0.10UF, K, 25V	1	
C817	ECJ3YF1E225Z	C 2.2UF, Z, 25V	1	
C818	ECJ1VB1E104K	C 0.10UF, K, 25V	1	
C819	ECJ3YB1C225K	C 0.022UF, K, 16V	1	
C821	EEVH1C471	E 470UF, 16V	1	
C822	F2H1E471A010	E 470UF, 25V	1	
C823	ECJ1XC1H470J	C 47PF, J, 50V	1	

Ref. No.	Part No.	Part Name & Description	Pcs	Remarks
C824	ECJ1VB1H103K	C 0.001UF, K, 50V	1	
C825	ECJ1VB1C105K	C 0.01UF, K, 16V	1	
C827	ECJ3YF1E225Z	C 2.2UF, Z, 25V	1	
C828	ECJ1VB1E104K	C 0.10UF, K, 25V	1	
C829	ECJ3YB1E106M	C 10 UF, K, 25V	1	
C831	EEEB1C470P	C 47PF, J, 16V	1	
C832	ECJ1VB1E104K	C 0.10UF, K, 25V	1	
C833	ECJ1VB1H103K	C 0.001UF, K, 50V	1	
C834,35	EEEB1C470P	C 47PF, J, 16V	2	
C837	F1J0J1060004	C 0.010UF, K, 16V	1	
C838	ECJ3YB1C225K	C 0.022UF, K, 16V	1	
C839	F1J0J1060004	C 0.010UF, K, 16V	1	
C840	ECJ3YB1C225K	C 0.022UF, K, 16V	1	
C841	F1J0J1060004	C 0.010UF, K, 16V	1	
C843	ECJ3YB1E106M	C 10 UF, K, 25V	1	
C844	ECJ3YB1C225K	C 0.022UF, K, 16V	1	
C845	ECJ3YB1E106M	C 10 UF, K, 25V	1	
C846	ECJ3YB1C225K	C 0.022UF, K, 16V	1	
C847	F1J0J1060004	C 0.010UF, K, 16V	1	
C848	ECJ3YB1C225K	C 0.022UF, K, 16V	1	
C855-57	ECJ1VB1H103K	C 0.001UF, K, 50V	3	
C867	ECJ1VB1E104K	C 0.10UF, K, 25V	1	
C869	ECJ3YB1C225K	C 0.022UF, K, 16V	1	
C2350,5	ECJ3YB1C225K	C 0.022UF, K, 16V	2	
C2352,5	EEEB1H100P	C 10PF, J, 50V	2	
C2354,5	EEEB1V470P	E 47UF, 35V	2	
C2356,5	ECJ1XB1H102K	C 1000UF, Z, 50V	2	
C2358,5	EEEB1V2R2R	E 2.2UF, 35V	2	
C2360,6	ECJ1XC1H102J	C 1000PF, J, 50V	2	
C2362,6	EEEB1E471UP	C 470PF, J, 25V	2	
C2364,6	ECQV1H104JM	P 0.1UF, J, 50V	2	
C2366,6	ECJ3YB1E225K	C 2.2UF, K, 25V	2	
C2368,6	ECQV1H104JM	P 0.1UF, J, 50V	2	
C2370,7	EEEB1H100P	C 10PF, J, 50V	2	
C2373-	ECJ1VB1E104K	C 0.10UF, K, 25V	3	
C2376,7	ECJ1XC1H150J	C 15PF, J, 50V	2	
C2378-	ECJ1VB1E104K	C 0.10UF, K, 25V	5	
C2383	EEEB1A101P	C 100PF, J, 10V	1	
C2384	ECJ1VB1E104K	C 0.10UF, K, 25V	1	
C2385	EEEB1A101P	C 100PF, J, 10V	1	
C2386,8	EEEB1H1R0R	C 1.0PF, J, 50V	2	
C2388	ECJ1VB1E104K	C 0.10UF, K, 25V	1	
C2389	EEEB1A101P	C 100PF, J, 10V	1	
C2390	EEEB1H100P	C 10PF, J, 50V	1	
C2391	ECJ1VB1E104K	C 0.10UF, K, 25V	1	
C2392,9	ECJ2VF1C105Z	C 1UF, Z, 16V	2	
C2394	EEEB1H100P	C 10PF, J, 50V	1	
C2395,9	ECJ1VB1E104K	C 0.10UF, K, 25V	2	
C2397	EEEB1A101P	C 100PF, J, 10V	1	
C2398-	ECJ1VB1E104K	C 0.10UF, K, 25V	6	
C2404	ECJ1VB1H103K	C 0.001UF, K, 50V	1	
C2405,0	ECJ1VB0J225K	C 2.2UF, K, 6.3V	2	
C2407,0	F1J0J1060004	C 0.010UF, K, 16V	2	
C2409,1	ECJ1XC1H181J	C 180PF, J, 50V	2	
C2411	ECJ3YB1E106M	C 10 UF, K, 25V	1	

Ref. No.	Part No.	Part Name & Description	Pcs	Remarks
C2412,1	ECJ1VB1E104K	C 0.10UF, K, 25V	2	
C2420	ECJ1VB1E104K	C 0.10UF, K, 25V	1	
C2425,2	ECJ1VB1E104K	C 0.10UF, K, 25V	2	
C2512	ECJ3XB0J106M	C 10UF, M, 6.3V	1	
C2515	ECJ1VB1H103K	C 0.001UF, K, 50V	1	
C2521	ECJ1VB1H103K	C 0.001UF, K, 50V	1	
C3001	ECJ1VF1H103Z	C 0.010UF, Z, 50V	1	
C3004	EEEB1C470P	C 47PF, J, 16V	1	
C3007,0	ECJ2VF1C105Z	C 1UF, Z, 16V	2	
C3009,1	ECJ1VB1E104K	C 0.10UF, K, 25V	2	
C3011	ECJ1VB1E104K	C 0.10UF, K, 25V	1	(J)
C3011	EEEB1C470P	C 47PF, J, 16V	1	(HA)
C3012	ECJ1VF1H103Z	C 0.010UF, Z, 50V	1	(J)
C3012	ECJ2VF1C104Z	C 0.1UF, Z, 16V	1	(HA)
C3013-	ECJ1VF1H103Z	C 0.010UF, Z, 50V	5	
C3018	EEEB1C470P	C 47PF, J, 16V	1	
C3019	ECJ1XF1C104Z	C 0.1UF, Z, 16V	1	
C3020	ECJ3YB1C225K	C 0.022UF, K, 16V	1	
C3021	ECJ3YB1C225K	C 0.022UF, K, 16V	1	(J)
C3021	ECJ1VF1A105Z	C 1UF, Z, 10V	1	(HA)
C3022	ECJ2VF1C104Z	C 0.1UF, Z, 16V	1	(HA)
C3022	ECJ3YB1C225K	C 0.022UF, K, 16V	1	(J)
C3023-	ECJ3YB1C225K	C 0.022UF, K, 16V	9	
C3032	ECJ1VB1C105K	C 0.01UF, K, 16V	1	
C3033-	ECJ1XF1C104Z	C 0.1UF, Z, 16V	3	
C3040,4	ECJ1XF1C104Z	C 0.1UF, Z, 16V	2	
C3042,4	EEEB1C100R	C 10PF, J, 16V	2	
C3051-	ECJ1VF1C105Z	C 1UF, Z, 16V	8	
C3101	ECJ3YB1C225K	C 0.022UF, K, 16V	1	
C3103	ECJ3YB1C225K	C 0.022UF, K, 16V	1	
C3105-	ECJ1XF1C104Z	C 0.1UF, Z, 16V	4	
C3110	ECJ3YB1C225K	C 0.022UF, K, 16V	1	
C3111,1	ECJ1XF1C104Z	C 0.1UF, Z, 16V	2	
C3113	EEEB1C470P	C 47PF, J, 16V	1	
C3114	ECJ3XF1C475Z	C 4.7UF, Z, 16V	1	
C3115	ECJ1XF1C104Z	C 0.1UF, Z, 16V	1	
C3134-	F2H0J102A010	C 1000UF, 6.3V	3	
C3143,4	ECJ3YB1C225K	C 0.022UF, K, 16V	2	
C3146	ECJ3YB1C225K	C 0.022UF, K, 16V	1	
C3150-	ECJ1XF1C104Z	C 0.1UF, Z, 16V	3	
C3200	ECJ2VF1C105Z	C 1UF, Z, 16V	1	
C3201-	F1J0J1060004	C 0.010UF, K, 16V	3	
C3404	ECJ2VF1C104Z	C 0.1UF, Z, 16V	1	
C3405	EEEB1C470P	C 47PF, J, 16V	1	
C3409	ECJ2VF1C104Z	C 0.1UF, Z, 16V	1	
C3523	EEEB1C470P	C 47PF, J, 16V	1	
C3524	ECJ2VF1H103Z	C 0.010UF, Z, 50V	1	
C3550	ECJ2VF1H103Z	C 0.010UF, Z, 50V	1	
C3551	EEEB1C470P	C 47PF, J, 16V	1	
C3561,6	ECJ2VF1C105Z	C 1UF, Z, 16V	2	
C3750	ECJ2XC1H102K	C 1000PF, K, 50V	1	
C4001,0	ECJ1XF1C104Z	C 0.1UF, Z, 16V	2	
C4003	ECJ1VB1H822K	C 8200PF, K, 50V	1	
C4004	ECJ1VB1C823K	C 0.082UF, K, 16V	1	
C4006	ECJ1XF1C104Z	C 0.1UF, Z, 16V	1	
C4007-	ECJ2XB1E104K	C 0.1UF, K, 25V	3	
C4010	ECJ1XB1H102K	C 1000UF, Z, 50V	1	

Ref. No.	Part No.	Part Name & Description	Pcs	Remarks
C4011-13	ECJ1XF1C104Z	C 0.1UF, Z, 16V	3	
C4016	ECJ1XF1C104Z	C 0.1UF, Z, 16V	1	
C4017	EEHBC1C470P	C 47PF, J, 16V	1	
C4018,19	ECJ1XF1C104Z	C 0.1UF, Z, 16V	2	
C4020,21	FLJ0J106A013	C 0.010UF, K, 16V	2	
C4022	ECJ1XF1C104Z	C 0.1UF, Z, 16V	1	
C4024	FLJ0J106A013	C 0.010UF, K, 16V	1	
C4031,32	ECJ1XF1C104Z	C 0.1UF, Z, 16V	2	
C4201	EEHBC1C470P	C 47PF, J, 16V	1	
C4202-13	ECJ1XB1C104K	C 0.1UF, Z, 16V	12	
C4219-22	FLJ0J106A013	C 0.010UF, K, 16V	4	
C4225	FLJ0J106A013	C 0.010UF, K, 16V	1	
C4227	FLJ0J106A013	C 0.010UF, K, 16V	1	
C4301	F2G0J470A019	E 47UF 6.3V	1	
C4302	ECJ1XB1C104K	C 0.1UF, Z, 16V	1	
C4303,04	ECJ1XB1H102K	C 1000UF, Z, 50V	2	
C4305,06	ECJ1XB1C104K	C 0.1UF, Z, 16V	2	
C4307	ECJ1XB1H102K	C 1000UF, Z, 50V	1	
C4308	ECJ1XB1C104K	C 0.1UF, Z, 16V	1	
C4309	ECJ1VB1A105K	C 0.01UF, Z, 50V	1	
C4310	ECJ3YB0J226M	C 22 UF, K, 25V	1	
C4311	ECJ1XB1C104K	C 0.1UF, Z, 16V	1	
C4312	ECJ1VB1A105K	C 0.01UF, Z, 50V	1	
C4313	ECJ1XB1H102K	C 1000UF, Z, 50V	1	
C4502	FLJ0J1060004	C 0.010UF, K, 16V	1	
C4503,04	ECJ1XB1C104K	C 0.1UF, Z, 16V	2	
C4505	ECJ1XC1H150J	C 15PF, J, 50V	1	
C4506	ECJ1VC1H080C	C 8PF, C, 50V	1	
C4541,42	ECJ1XC1H080D	C 8PF, D, 50V	2	
C4543	ECJ1XB1C104K	C 0.1UF, Z, 16V	1	
C4544	EEHBOG221P	C 220PF, J, 4V	1	
C4545	FLJ0J106A013	C 0.010UF, K, 16V	1	
C4546,47	ECJ1XF1C104Z	C 0.1UF, Z, 16V	2	
C4548,49	FLJ0J106A013	C 0.010UF, K, 16V	2	
C4550,51	ECJ1XF1C104Z	C 0.1UF, Z, 16V	2	
C4552	FLJ0J106A013	C 0.010UF, K, 16V	1	
C4553-97	ECJ1XF1C104Z	C 0.1UF, Z, 16V	45	
C4598	EEHBOG221P	C 220PF, J, 4V	1	
C4599-14	ECJ1XB1C104K	C 0.1UF, Z, 16V	16	
C4629	ECJ1XB1C104K	C 0.1UF, Z, 16V	1	
C4701	ECJ1XB1C104K	C 0.1UF, Z, 16V	1	
C4703	FLJ0J106A013	C 0.010UF, K, 16V	1	
C4704-19	ECJ1XB1C104K	C 0.1UF, Z, 16V	16	
C4733	ECJ1XF1H102Z	C 1000PF, Z, 50V	1	
C4744	ECJ1XF1C104Z	C 0.1UF, Z, 16V	1	
C4749,50	ECJ1XF1C104Z	C 0.1UF, Z, 16V	2	
C4751,52	ECJ1XC1H150J	C 15PF, J, 50V	2	
C4753	ECJ1XF1H102Z	C 1000PF, Z, 50V	1	
C4754	ECJ1XF1C104Z	C 0.1UF, Z, 16V	1	
C4803	ECJ1XC1H101J	C 100PF, J, 50V	1	
C4804	ECJ1XF1C104Z	C 0.1UF, Z, 16V	1	
C4861	TCUY1C105ZFN	C 1UF, 16V	1	
C4862	ECJ1XB1C104K	C 0.1UF, Z, 16V	1	
C4863	ECJ1XF1C104Z	C 0.1UF, Z, 16V	1	
C4864	ECJ1XC1H101J	C 100PF, J, 50V	1	
C4865	ECJ2FF1C475Z	C 0.047UF, Z, 16V	1	
C4866	ECJ1XF1C104Z	C 0.1UF, Z, 16V	1	
C4871	ECJ1XF1C104Z	C 0.1UF, Z, 16V	1	

Ref. No.	Part No.	Part Name & Description	Pcs	Remarks
C4881,82	ECJ1XF1C104Z	C 0.1UF, Z, 16V	2	
C4884,85	ECJ1XF1C104Z	C 0.1UF, Z, 16V	2	
C4886	ECJ1XC1H101J	C 100PF, J, 50V	1	
C4887	ECJ1VB1E104K	C 0.10UF, K, 25V	1	
C4901,02	ECJ3YB1E106M	C 10 UF, K, 25V	2	
C4903	ECJ1VB1E104K	C 0.10UF, K, 25V	1	
C4904	ECJ1XB1C104K	C 0.1UF, Z, 16V	1	
C4905	ECJ1VB1H822K	C 8200PF, K, 50V	1	
C4906	ECJ1XB1C104K	C 0.1UF, Z, 16V	1	
C4907	ECJ1XF1C104Z	C 0.1UF, Z, 16V	1	
C4908	ECJ1XB1H102K	C 1000UF, Z, 50V	1	
C4909	ECJ1VB1E104K	C 0.10UF, K, 25V	1	
C4910	ECJ3YB1E106M	C 10 UF, K, 25V	1	
C4911	ECJ1VF1H103Z	C 0.010UF, Z, 50V	1	
C4912	ECJ3YB1E106M	C 10 UF, K, 25V	1	
C4913	ECJ1XF1C104Z	C 0.1UF, Z, 16V	1	
C4914	EEHBC1C470P	C 47PF, J, 16V	1	
C4915	ECJ1XF1C104Z	C 0.1UF, Z, 16V	1	
C4917	EEHBC1C470P	C 47PF, J, 16V	1	
C4918	ECJ3YB1E106M	C 10 UF, K, 25V	1	
C4919	ECJ1VB0J475K	C 4.7UF, K, 6.3V	1	
C4920	ECJ1XB1C104K	C 0.1UF, Z, 16V	1	
C4921	ECGRLOG680ER	C 68PF, J, 4V	1	
C4923	ECJ1VB1E104K	C 0.10UF, K, 25V	1	
C4924	ECJ1XB1C104K	C 0.1UF, Z, 16V	1	
C4925	ECJ1VB1E272K	C 2700PF, K, 25V	1	
C4926	ECJ1XB1C104K	C 0.1UF, Z, 16V	1	
C4927	ECJ1XC1H470J	C 47PF, J, 50V	1	
C4928	ECJ1VB1H472K	C 4700PF, K, 50V	1	
C4929	ECJ1VB1E104K	C 0.10UF, K, 25V	1	
C4930,31	ECJ3YB1E106M	C 10 UF, K, 25V	2	
C4932	ECJ1VB1E104K	C 0.10UF, K, 25V	1	
C4933	ECJ1XB1C104K	C 0.1UF, Z, 16V	1	
C4934	ECJ1VB1H822K	C 8200PF, K, 50V	1	
C4935	ECJ1XB1C104K	C 0.1UF, Z, 16V	1	
C4936	ECJ1VC1H100C	C 10PF, C, 50V	1	
C4937	ECJ1XB1H102K	C 1000UF, Z, 50V	1	
C4938	ECJ1VB1E104K	C 0.10UF, K, 25V	1	
C4939	ECJ1VB0J475K	C 4.7UF, K, 6.3V	1	
C4940	ECGRLOG680ER	C 68PF, J, 4V	1	
C4942	ECJ1XB1C104K	C 0.1UF, Z, 16V	1	
C4943	ECJ1VC1H100C	C 10PF, C, 50V	1	
C4944	ECJ1VB0J475K	C 4.7UF, K, 6.3V	1	
C4945	ECJ1XB1C104K	C 0.1UF, Z, 16V	1	
C4946	ECGRLOG680ER	C 68PF, J, 4V	1	
C4990	ECJ1VB1A105K	C 0.01UF, Z, 50V	1	
C4991	FLJ0J106A013	C 0.010UF, K, 16V	1	
C4992,93	ECJ1XF1C104Z	C 0.1UF, Z, 16V	2	
C4994,95	FLJ0J106A013	C 0.010UF, K, 16V	2	
C4996	ECJ1XF1C104Z	C 0.1UF, Z, 16V	1	
C4997	FLJ0J106A013	C 0.010UF, K, 16V	1	
C4998	ECJ1XF1C104Z	C 0.1UF, Z, 16V	1	
C4999	ECJ1XB1H102K	C 1000UF, Z, 50V	1	
C6001	F1L2J562A022	C 5600UF, K, 6.3V	1	
C6011-13	F2A2D221A022	E 220UF, 200V	3	
C6021	F1L2J562A022	C 5600UF, K, 6.3V	1	
C6031	F0C2E405A176	E 0.040UF, 250V	1	
C6041-44	TCUY1C105ZFN	C 1UF, 16V	4	
C6111,12	F2A2D151A070	E 150UF, 200V	2	
C6132	F1L1E4750004	C 4.7UF, 25V	1	
C6134,35	F1L1E4750004	C 4.7UF, 25V	2	
C6152-54	F1L1E4750004	C 4.7UF, 25V	3	
C6156	ECQE2224KF	P 2.2UF, K, 250V	1	
C6192	ECJ3YB1E105K	C 1UF, K, 25V	1	



Ref. No.	Part No.	Part Name & Description	Pcs	Remarks
C6194,95	F1L1E4750004	C 4.7UF, 25V	2	
C6201-08	ECQE2105B667	P 1UF, 250V	8	
C6211,12	F1L1E4750004	C 4.7UF, 25V	2	
C6213,14	F2A1E331A089	E 330UF, 25V	2	
C6221	ECJ2XB1H104K	C 0.1UF, K, 50V	1	
C6241	F2A1E331A089	E 330UF, 25V	1	
C6242	TCUY1C105ZFN	C 1UF, 16V	1	
C6243	ECJ2XB1H103K	C 0.01UF, K, 50V	1	
C6251	TCUY1C105ZFN	C 1UF, 16V	1	
C6261,62	ECA2CM101	E 100UF, 160V	2	
C6272,73	EEUFC1E221	E 220UF, 25V	2	
C6400	F1E2J102A002	C 1000PF, 600V	1	
C6401,02	F1L2J562A022	C 5600UF, K,6.3V	2	
C6410	F1E2J102A002	C 1000PF, 600V	1	
C6411-13	F2A2D221A022	E 220UF, 200V	3	
C6420	F1E2J102A002	C 1000PF, 600V	1	
C6421,22	F1L2J562A022	C 5600UF, K,6.3V	2	
C6431	F0C2E405A176	E 0.040UF, 250V	1	
C6472	ECJ2XB1H104K	C 0.1UF, K, 50V	1	
C6480	ECJ2XB1H104K	C 0.1UF, K, 50V	1	
C6502	F1L1E4750004	C 4.7UF, 25V	1	
C6504,05	F1L1E4750004	C 4.7UF, 25V	2	
C6511-18	ECQE2105B667	P 1UF, 250V	8	
C6522	F1L1E4750004	C 4.7UF, 25V	1	
C6524,25	F1L1E4750004	C 4.7UF, 25V	2	
C6526	ECQE2224KF	P 2.2UF, K,250V	1	
C6561	F2A1A1010074	E 100UF, 10V	1	
C6562	TCUY1C105ZFN	C 1UF, 16V	1	
C6563	F2A1A1010074	E 100UF, 10V	1	
C6564	TCUY1C105ZFN	C 1UF, 16V	1	
C6565,66	ECJ2XB1H103K	C 0.01UF, K, 50V	2	
C6581	ECJ3YB1E105K	C 1UF, K, 25V	1	
C6582	TCUY1C105ZFN	C 1UF, 16V	1	
C6592	ECA1EM471	E 470UF, 25V	1	
C6593	ECJ2XC1H102J	C 1000PF, J, 50V	1	
C6601,02	F1L1E4750004	C 4.7UF, 25V	2	
C6603	F1K2J102A014	C 1000UF, K,6.3V	1	
C6604	F2A2V470A020	E 47UF, 350V	1	
C6605	ECJ2XB1H104K	C 0.1UF, K, 50V	1	
C6606	F1K2J102A014	C 1000UF, K,6.3V	1	
C6610	ECJ3YB1E105K	C 1UF, K, 25V	1	
C6611	ECJ2XB1H103K	C 0.01UF, K, 50V	1	
C6612	ECJ3YB1E105K	C 1UF, K, 25V	1	
C6620	ECJ3XB2J222K	C 2200PF, K,630V	1	
C6641	ECQE2224KF	P 2.2UF, K,250V	1	
C6661,62	F1K2J102A014	C 1000UF, K,6.3V	2	
C6671	F1L1E4750004	C 4.7UF, 25V	1	
C6681,82	F1L1E4750004	C 4.7UF, 25V	2	
C6683	ECJ2XB1H104K	C 0.1UF, K, 50V	1	
C6691	ECA2CM101	E 100UF, 160V	1	
C6701-08	ECJ2XB1H104K	C 0.1UF, K, 50V	8	
C6721	ECA1HM101	E 100UF, 50V	1	
C6723-25	F1L1E4750004	C 4.7UF, 25V	3	
C6726,27	TCUY1C105ZFN	C 1UF, 16V	2	
C6728	ECJ2XC1H102J	C 1000PF, J, 50V	1	
C6752	TCUY1C105ZFN	C 1UF, 16V	1	
C6753	F1L1E4750004	C 4.7UF, 25V	1	
C6754	ECA1VM470	E 47UF, 35V	1	

Ref. No.	Part No.	Part Name & Description	Pcs	Remarks
C6755	ECJ2XB1H104K	C 0.1UF, K, 50V	1	
C6771	TCUY1C105ZFN	C 1UF, 16V	1	
C6772,73	F1L1E4750004	C 4.7UF, 25V	2	
C6775	F1L1E4750004	C 4.7UF, 25V	1	
C6776,77	ECJ2XB1H104K	C 0.1UF, K, 50V	2	
C6791	EEUFC1E221	E 220UF, 25V	1	
C6795	ECA1EM471	E 470UF, 25V	1	
C6802	EEUFC1E221	E 220UF, 25V	1	
C6803	ECJ2XB1H104K	C 0.1UF, K, 50V	1	
C6804	F2A2E100A022	E 10UF, 250V	1	
C6805	TCUY1C105ZFN	C 1UF, 16V	1	
C6806,07	ECA2CM101	E 100UF, 160V	2	
C6811	ECJ2XB1H103K	C 0.01UF, K, 50V	1	
C6823	ECJ2XB1H103K	C 0.01UF, K, 50V	1	
C6841	ECA2CM101	E 100UF, 160V	1	
C6845	ECJ2XB1H103K	C 0.01UF, K, 50V	1	
C6861	TCUY1C105ZFN	C 1UF, 16V	1	
C6862	ECJ3YB1E105K	C 1UF, K, 25V	1	
C6863	ECJ2XB1H103K	C 0.01UF, K, 50V	1	
C6871	TCUY1C105ZFN	C 1UF, 16V	1	
C6872	ECJ3YB1E105K	C 1UF, K, 25V	1	
C6873	ECJ2XB1H103K	C 0.01UF, K, 50V	1	
C6901	ECJ2XB1H102K	C 1000PF, K, 50V	1	
C6902	TCUY1C105ZFN	C 1UF, 16V	1	
C6904	TCUY1C105ZFN	C 1UF, 16V	1	
C6906	TCUY1C105ZFN	C 1UF, 16V	1	
C6908	TCUY1C105ZFN	C 1UF, 16V	1	
C6915,16	ECJ2XB1H221K	C 220PF, K, 50V	2	
C6921	ECJ2XB1H221K	C 220PF, K, 50V	1	
C6931	ECJ2XB1H102K	C 1000PF, K, 50V	1	
C6933,34	F1L2E105A013	E 0.10UF, 25V	2	
C6951	ECJ2XB1H102K	C 1000PF, K, 50V	1	
C6952	TCUY1C105ZFN	C 1UF, 16V	1	
C6954	TCUY1C105ZFN	C 1UF, 16V	1	
C6956	TCUY1C105ZFN	C 1UF, 16V	1	
C6958	TCUY1C105ZFN	C 1UF, 16V	1	
C6964-66	ECJ2XB1H221K	C 220PF, K, 50V	3	
C6981	ECJ2XB1H102K	C 1000PF, K, 50V	1	
C6982	F1L2E105A013	E 0.10UF, 25V	1	
C6985	F1L2E105A013	E 0.10UF, 25V	1	
C7111	ECJ3XB2A474K	C 0.47UF, 6.3V	1	
C7112	TCUY1C105ZFN	C 1UF, 16V	1	
C7113,14	ECJ3XB2A474K	C 0.47UF, 6.3V	2	
C7115	TCUY1C105ZFN	C 1UF, 16V	1	
C7116	ECJ3XB2A474K	C 0.47UF, 6.3V	1	
C7117	TCUY1C105ZFN	C 1UF, 16V	1	
C7118	ECJ1XC1H101J	C 100PF, J, 50V	1	
C7120	TCUY1C105ZFN	C 1UF, 16V	1	
C7121	ECJ1XC1H101J	C 100PF, J, 50V	1	
C7126	ECJ1XB1C104K	C 0.1UF, Z, 16V	1	
C7129,30	ECJ1XB1C104K	C 0.1UF, Z, 16V	2	
C7132	TCUY1C105ZFN	C 1UF, 16V	1	
C7133	ECJ1XC1H101J	C 100PF, J, 50V	1	
C7135	ECJ3XB2A474K	C 0.47UF, 6.3V	1	
C7136	TCUY1C105ZFN	C 1UF, 16V	1	
C7137	ECJ3XB2A474K	C 0.47UF, 6.3V	1	
C7139	ECJ1XB1C104K	C 0.1UF, Z, 16V	1	
C7201	ECJ3XB2A474K	C 0.47UF, 6.3V	1	
C7202	TCUY1C105ZFN	C 1UF, 16V	1	
C7203,04	ECJ3XB2A474K	C 0.47UF, 6.3V	2	
C7205	TCUY1C105ZFN	C 1UF, 16V	1	
C7206	ECJ3XB2A474K	C 0.47UF, 6.3V	1	
C7207	TCUY1C105ZFN	C 1UF, 16V	1	
C7208	ECJ1XC1H101J	C 100PF, J, 50V	1	
C7210	ECJ3XB2A474K	C 0.47UF, 6.3V	1	
C7211	TCUY1C105ZFN	C 1UF, 16V	1	

Ref. No.	Part No.	Part Name & Description	Pcs	Remarks
C7212	ECJ3XB2A474K	C 0.47UF, 6.3V	1	
C7213	TCUY1C105ZFN	C 1UF, 16V	1	
C7214	ECJ1XC1H101J	C 100PF, J, 50V	1	
C7216	TCUY1C105ZFN	C 1UF, 16V	1	
C7217	ECJ1XC1H101J	C 100PF, J, 50V	1	
C7220	ECJ1XB1C104K	C 0.1UF, Z, 16V	1	
C7222	ECJ1XB1C104K	C 0.1UF, Z, 16V	1	
C7224	ECJ1XB1C104K	C 0.1UF, Z, 16V	1	
C7226	ECJ1XB1C104K	C 0.1UF, Z, 16V	1	
C7231	TCUY1C105ZFN	C 1UF, 16V	1	
C7232	ECJ1XC1H101J	C 100PF, J, 50V	1	
C7234	ECJ3XB2A474K	C 0.47UF, 6.3V	1	
C7235	TCUY1C105ZFN	C 1UF, 16V	1	
C7236	ECJ3XB2A474K	C 0.47UF, 6.3V	1	
C7239	ECJ1XB1C104K	C 0.1UF, Z, 16V	1	
C8003	ECJ1XF1C104Z	C 0.1UF, Z, 16V	1	
C8005	ECJ1VF1H103Z	C 0.010UF, Z, 50V	1	
C8007	ECJ1XC1H101J	C 100PF, J, 50V	1	
C8009	ECJ3XB0J106M	C 10UF, M, 6.3V	1	
C8013	ECJ1XF1C104Z	C 0.1UF, Z, 16V	1	
C8015	ECJ3YF1A106Z	C 10UF, Z, 10V	1	
C8016	ECJ3YB1A475K	C 0.047UF, K, 10V	1	
C8019	ECJ1VB1H103K	C 0.001UF, K, 50V	1	
C8021	ECJ3VB1C474K	C 0.47UF, K, 16V	1	
C8023	ECJ1VB1H103K	C 0.001UF, K, 50V	1	
C8025	ECJ1VB1H103K	C 0.001UF, K, 50V	1	
C8027	ECJ3YB1C225K	C 0.022UF, K, 16V	1	
C8029	ECJ1VF1H103Z	C 0.010UF, Z, 50V	1	
C8030	EEEB1C470P	C 47PF, J, 16V	1	
C8033	ECJ1XC1H102J	C 1000PF, J, 50V	1	
C8035	ECJ1XF1C104Z	C 0.1UF, Z, 16V	1	
C8036	ECJ1XC1H101J	C 100PF, J, 50V	1	
C8038	ECJ1XC1H102J	C 1000PF, J, 50V	1	
C8045	ECJ2VF1C105Z	C 1UF, Z, 16V	1	
C8049	ECJ1VF1H103Z	C 0.010UF, Z, 50V	1	
C8051	ECJ1XF1C104Z	C 0.1UF, Z, 16V	1	
C8070	ECJ1VB1E104K	C 0.10UF, K, 25V	1	
C8072,7 3	ECJ3YF1A106Z	C 10UF, Z, 10V	2	
C8074,7 5	ECJ1XC1H102J	C 1000PF, J, 50V	2	
C8080- 83	ECJ1XF1C104Z	C 0.1UF, Z, 16V	4	
C8084	TCUY1C105ZFN	C 1UF, 16V	1	
C8100	EEEB1C470P	C 47PF, J, 16V	1	
C8101	ECJ1VF1H103Z	C 0.010UF, Z, 50V	1	
C8102,0 3	EEEB1C470P	C 47PF, J, 16V	2	
C8106	EEEB1C470P	C 47PF, J, 16V	1	
C8107	EEVB1C471	E 470UF, 16V	1	
C8108,0 9	ECJ1XF1C104Z	C 0.1UF, Z, 16V	2	
C8111- 13	ECJ1XF1C104Z	C 0.1UF, Z, 16V	3	
C8114	ECJ1VB1H103K	C 0.001UF, K, 50V	1	
C8115	EEEB1C470P	C 47PF, J, 16V	1	
C8116	ECJ1VF1H103Z	C 0.010UF, Z, 50V	1	
C8120	F2H1E471A010	E 470UF, 25V	1	
C8121	ECJ3YF1E225Z	C 2.2UF, Z, 25V	1	
C8122	EEEB1C470P	C 47PF, J, 16V	1	
C8123	ECJ1XF1C104Z	C 0.1UF, Z, 16V	1	
C8181,8 2	ECJ1XC1H150J	C 15PF, J, 50V	2	
C8183	ECJ1XF1C104Z	C 0.1UF, Z, 16V	1	
C8185	ECS5R5H155	E 1.5UF, 5.5V	1	
C8200	EEEB1C470P	C 47PF, J, 16V	1	
C9028,2 9	FLJ0J1060004	C 0.010UF, K, 16V	2	
C9033,3 4	ECJ1XF1C104Z	C 0.1UF, Z, 16V	2	
C9035,3 6	FLJ0J1060004	C 0.010UF, K, 16V	2	
C9037	ECJ1VB1H103K	C 0.001UF, K, 50V	1	
C9039	FLJ0J1060004	C 0.010UF, K, 16V	1	
C9040	ECJ1XF1C104Z	C 0.1UF, Z, 16V	1	

Ref. No.	Part No.	Part Name & Description	Pcs	Remarks
C9044- 53	ECJ1XF1C104Z	C 0.1UF, Z, 16V	10	
C9055	ECJ1XF1C104Z	C 0.1UF, Z, 16V	1	
C9057	ECJ1XF1C104Z	C 0.1UF, Z, 16V	1	
C9058	FLJ0J1060004	C 0.010UF, K, 16V	1	
C9060	ECJ1XF1C104Z	C 0.1UF, Z, 16V	1	
C9467,6 8	ECJ1VF1H103Z	C 0.010UF, Z, 50V	2	
C9469	ECJ1XF1C104Z	C 0.1UF, Z, 16V	1	
C9500- 06	ECJ1XB1C104K	C 0.1UF, Z, 16V	7	
C9508	ECJ1XB1C104K	C 0.1UF, Z, 16V	1	
C9509	ECJ1VC1H200J	C 20PF, C, 50V	1	
C9510	ECJ1XC1H150J	C 15PF, J, 50V	1	
C9511	FLJ0J1060004	C 0.010UF, K, 16V	1	
C9512	ECJ1XF1C104Z	C 0.1UF, Z, 16V	1	
C9514,1 5	ECJ2VF1C105Z	C 1UF, Z, 16V	2	
C9516- 25	ECJ1XB1C104K	C 0.1UF, Z, 16V	10	
C9526	FLJ0J1060004	C 0.010UF, K, 16V	1	
C9527- 30	ECJ1XB1C104K	C 0.1UF, Z, 16V	4	
C9531	FLJ0J1060004	C 0.010UF, K, 16V	1	
C9800	ECJ1XB1C104K	C 0.1UF, Z, 16V	1	
C9801	ECJ1VB1H472K	C 4700PF, K, 50V	1	
C9802	ECJ1XC1H470J	C 47PF, J, 50V	1	
C9803	ECJ1VB1H472K	C 4700PF, K, 50V	1	
C9804	ECJ1XB1C104K	C 0.1UF, Z, 16V	1	
C9805	ECJ1VB0J475K	C 4.7UF, K, 6.3V	1	
C9806	ECGRLOG680ER	C 68PF, J, 4V	1	
C9807,0 8	ECJ3YB1E106M	C 10 UF, K, 25V	2	
C9809	ECJ1XB1C104K	C 0.1UF, Z, 16V	1	
C9815,1 6	ECGRLOG680ER	C 68PF, J, 4V	2	
C9817,1 8	ECJ3YB1E106M	C 10 UF, K, 25V	2	
C9822	FLJ0J1060004	C 0.010UF, K, 16V	1	
C9823,2 4	ECJ3YB1E106M	C 10 UF, K, 25V	2	
C9825	ECJ1XC1H101K	C 100PF, K, 50V	1	
C9826	ECJ1XF1C104Z	C 0.1UF, Z, 16V	1	
C9827	FLJ0J1060004	C 0.010UF, K, 16V	1	
C9830- 32	ECJ3XB1C106M	C 1.0UF, K, 16V	3	
C9833	ECJ3YB1E106M	C 10 UF, K, 25V	1	
C9837	ECJ3XB1C106M	C 1.0UF, K, 16V	1	
C9838	ECJ1XF1C104Z	C 0.1UF, Z, 16V	1	
C9839	ECJ3YB1E106M	C 10 UF, K, 25V	1	
C9840	ECJ1XF1C104Z	C 0.1UF, Z, 16V	1	
C9841,4 2	ECJ2VF1C105Z	C 1UF, Z, 16V	2	
C9843	ECJ1XF1C104Z	C 0.1UF, Z, 16V	1	
C9844	ECJ1VF1H103Z	C 0.010UF, Z, 50V	1	
C9845,4 6	ECJ1XF1C104Z	C 0.1UF, Z, 16V	2	
C9847,4 8	ECJ1VB1E104K	C 0.10UF, K, 25V	2	
C9880,8 1	ECJ1XB1H102K	C 1000UF, Z, 50V	2	
C9882	ECJ1XB1C104K	C 0.1UF, Z, 16V	1	
C9883	ECJ1VB1H822K	C 8200PF, K, 50V	1	
C9884	ECJ1VC1H100C	C 10PF, C, 50V	1	
C9885	ECJ1XB1H102K	C 1000UF, Z, 50V	1	
C9886	ECJ1XB1C104K	C 0.1UF, Z, 16V	1	
C9887	ECJ1VB0J475K	C 4.7UF, K, 6.3V	1	
C9891	ECJ1XB1C104K	C 0.1UF, Z, 16V	1	
C9896	ECJ1XB1C104K	C 0.1UF, Z, 16V	1	
C9897	ECJ1VB1H822K	C 8200PF, K, 50V	1	
C9898	ECJ1VC1H100C	C 10PF, C, 50V	1	
C9899	ECJ1XB1H102K	C 1000UF, Z, 50V	1	
C9900- 51	ECJ1XB1C104K	C 0.1UF, Z, 16V	52	
C9952- 54	EEFCDOG560ER	56UF,	3	

Ref. No.	Part No.	Part Name & Description	Pcs	Remarks
C9955-59	ECJ1XB1C104K	C 0.1UF, Z, 16V	5	
C9960-64	ECJ3XB0J106M	C 10UF, M, 6.3V	5	
C9965	EEFCD0G560ER	56UF,	1	
C9966	ECJ1XB1C104K	C 0.1UF, Z, 16V	1	
C9967	ECJ1VB0J475K	C 4.7UF, K, 6.3V	1	
C9971	ECJ1XB1C104K	C 0.1UF, Z, 16V	1	
CB1-B7	K1MN68BA0002	68P CONNECTOR	7	
D3	K1KY40B00003	40P CONNECTOR	1	
D5	K1KB31BA0064	31P CONNECTOR	1	
D6	K1KA21A00011	21P CONNECTOR	1	
D20	K1KA20BA0296	20P CONNECTOR	1	
D25	K1KA20B00155	20P CONNECTOR	1	
D31, 32	K1MN55BA0094	55P CONNECTOR	2	
D401	B0FBAT000006	DIODE	1	△
D404	B0EBKT000007	DIODE	1	△
D407	MA111	DIODE	1	
D411	B0BB17000009	DIODE	1	
D412	B0HAMMO00122	DIODE	1	
D415	B0JAME000099	DIODE	1	
D416	B0HAMP000067	DIODE	1	
D417	B0HAPR000013	DIODE	1	
D418	B0BC8R100013	DIODE	1	
D419, 20	B0HAPR000013	DIODE	2	
D423	MA188	DIODE	1	
D425	MA188	DIODE	1	
D429	ERA15-10	DIODE	1	
D430	MA111	DIODE	1	
D431, 32	B0JCDD000002	DIODE	2	
D433	B0BC01400033	DIODE	1	
D435	ERA15-10	DIODE	1	
D436-38	MA4200M	ZENER DIODE	3	
D441	B0HAMMO00122	DIODE	1	
D444	B0HAMMO00122	DIODE	1	
D445	MA4360H	ZENER DIODE	1	
D501	B0HAPR000012	DIODE	1	
D503, 04	MA165	DIODE	2	
D505	B0JAME000099	DIODE	1	
D506	MAZ80470LL	ZENER DIODE	1	
D507, 08	B0BC7R400023	DIODE	2	
D509	B0JANG000018	DIODE	1	
D511	B0JAML000011	DIODE	1	
D512, 13	MA111	DIODE	2	
D514	B0BC6R100025	DIODE	1	
D515	B0BC3R200008	DIODE	1	
D516-18	MA4330M	ZENER DIODE	3	
D520	MA111	DIODE	1	
D521	B0JAME000099	DIODE	1	
D528, 29	MA153	DIODE	2	
D530	B0BC9R900013	DIODE	1	
D531	B0HBSN000013	DIODE	1	
D535	MA188	DIODE	1	
D536	B0JBSG000026	DIODE	1	
D538	B0BC5R100039	DIODE	1	
D539, 40	B0AARR000010	DIODE	2	
D542	MA4200M	ZENER DIODE	1	
D543	B0BC01400033	DIODE	1	
D544, 45	MA4200M	ZENER DIODE	2	
D549	B0BC02500008	DIODE	1	
D551	B0BC01300033	DIODE	1	
D555	B0BC7R400023	DIODE	1	
D559	B0BC7R400023	DIODE	1	
D563	B0BC6R100025	DIODE	1	
D569-72	B0BC02500008	DIODE	4	
D574	MA165	DIODE	1	
D575	MA188	DIODE	1	
D579	MA165	DIODE	1	
D582	MAZ705600F	ZENER DIODE	1	
D585	B0BC7R400023	DIODE	1	
D586	B0HAMP000067	DIODE	1	

Ref. No.	Part No.	Part Name & Description	Pcs	Remarks
D587	MA188	DIODE	1	
D588	B0BC3R200008	DIODE	1	
D590	B0BC3R200008	DIODE	1	
D596	ERA15-10	DIODE	1	
D598	B0BC5R100039	DIODE	1	
D599	B0JCND000009	DIODE	1	
D600	B0BC7R400023	DIODE	1	
D601	B0BC5R100039	DIODE	1	
D602	B0BC8R100013	DIODE	1	
D801	B0JCPD000026	DIODE	1	
D802, 03	B0JCME000037	DIODE	2	
D805-10	B0JCPE000004	DIODE	6	
D2301-03	B0JCME000037	DIODE	3	
D2512	MA8043LTX	ZENER DIODE	1	
D2520	LNJ107W5PRW	LED	1	
D2524	MA8056-M	ZENER DIODE	1	
D3001	MA111	DIODE	1	
D3003, 04	MA111	DIODE	2	
D3005	LNJ206R5ARA	LED	1	
D3007, 08	MA111	DIODE	2	
D3061	MA728	DIODE	1	
D3501-04	MA3056M	ZENER DIODE	4	
D3507-10	MA8160H	ZENER DIODE	4	
D4701	MA728	DIODE	1	
D4709	MA728	DIODE	1	
D4711-13	MA152K	DIODE	3	
D4721	MA3036H	ZENER DIODE	1	
D4732-35	MA152K	DIODE	4	
D4901	B0JCME000037	DIODE	1	
D4902, 03	B0JCDD000002	DIODE	2	
D4904	B0JCME000037	DIODE	1	
D4905	B0JCDD000002	DIODE	1	
D4906	B0JCME000037	DIODE	1	
D6001	B0HBSN000008	DIODE	1	
D6021	B0HBSN000008	DIODE	1	
D6041	B0EHP000003	DIODE	1	
D6051	B0EHP000003	DIODE	1	
D6061	B0HBSN000008	DIODE	1	
D6071	B0HBSN000008	DIODE	1	
D6072	B0EHP000003	DIODE	1	
D6081	B0HBSN000008	DIODE	1	
D6091	B0HBSN000008	DIODE	1	
D6092	B0EHP000003	DIODE	1	
D6101, 02	B0JCME000037	DIODE	2	
D6131, 32	B0EHP000003	DIODE	2	
D6151, 52	B0EHP000003	DIODE	2	
D6153	MA111	DIODE	1	
D6154	MA8033L	ZENER DIODE	1	
D6191-93	B0EHP000003	DIODE	3	
D6211	B0JCME000037	DIODE	1	
D6213, 14	MA111	DIODE	2	
D6215	MA8082MTX	ZENER DIODE	1	
D6221	B0EHP000003	DIODE	1	
D6222, 23	MA111	DIODE	2	
D6251, 52	MA8330M	ZENER DIODE	2	
D6253	LNJ301MPUJA	LED	1	
D6254	MA8051L	ZENER DIODE	1	
D6255	MA111	DIODE	1	
D6401	B0HBSN000008	DIODE	1	
D6431	MA3DF40000LZ	DIODE	1	
D6441	B0EHP000003	DIODE	1	

Ref. No.	Part No.	Part Name & Description	Pcs	Remarks
D6451	B0EHP000003	DIODE	1	
D6461	BOHBSN000008	DIODE	1	
D6471	BOHBSN000008	DIODE	1	
D6472	B0EHP000003	DIODE	1	
D6477	MA111	DIODE	1	
D6478	BOHCKS000002	DIODE	1	
D6480	MA111	DIODE	1	
D6481	BOHBSN000008	DIODE	1	
D6491	MA3DF40000LZ	DIODE	1	
D6497	MA111	DIODE	1	
D6501,02	B0EHP000003	DIODE	2	
D6521,22	B0EHP000003	DIODE	2	
D6523	MA111	DIODE	1	
D6524	MA8033L	ZENER DIODE	1	
D6581,82	MA8330M	ZENER DIODE	2	
D6583	LNJ301MPUJA	LED	1	
D6584	MA8051L	ZENER DIODE	1	
D6585	MA111	DIODE	1	
D6601	MA8240M	ZENER DIODE	1	
D6602	B0EHP000003	DIODE	1	
D6603	MA8240M	ZENER DIODE	1	
D6604	MA111	DIODE	1	
D6605	MA8051L	ZENER DIODE	1	
D6606	BOHCMM000014	DIODE	1	
D6607	MA111	DIODE	1	
D6610	MAZ81500ML	ZENER DIODE	1	
D6611-14	MA111	DIODE	4	
D6619,20	BOHCKS000002	DIODE	2	
D6621	BOHDSM000005	DIODE	1	
D6623	BOHDSM000005	DIODE	1	
D6641,42	BOHCKS000002	DIODE	2	
D6643	B0JCME000037	DIODE	1	
D6644	BOHCKS000002	DIODE	1	
D6661	MA111	DIODE	1	
D6662-64	MA8330M	ZENER DIODE	3	
D6665	MA8051L	ZENER DIODE	1	
D6666,67	MA111	DIODE	2	
D6671	MA111	DIODE	1	
D6682	BOHCMM000014	DIODE	1	
D6683,84	MA111	DIODE	2	
D6686,87	MA111	DIODE	2	
D6701,02	MA8056H	ZENER DIODE	2	
D6721	BOHCKS000002	DIODE	1	
D6723,24	B0JCME000037	DIODE	2	
D6725	B0EHP000003	DIODE	1	
D6726-33	MA8056H	ZENER DIODE	8	
D6734	MA111	DIODE	1	
D6752	B0JCME000037	DIODE	1	
D6758	B0EHP000003	DIODE	1	
D6760,61	MA111	DIODE	2	
D6771	B0JCME000037	DIODE	1	
D6773	BOHCKS000002	DIODE	1	
D6791	MA8200M	ZENER DIODE	1	
D6801	B0JCME000037	DIODE	1	
D6803	MA111	DIODE	1	
D6804	B0EHP000003	DIODE	1	
D6805	MA111	DIODE	1	
D6806	B0EHP000003	DIODE	1	
D6820-23	MA111	DIODE	4	
D6825	MA8330M	ZENER DIODE	1	
D6826	MA111	DIODE	1	

Ref. No.	Part No.	Part Name & Description	Pcs	Remarks
D6841	B0EHP000003	DIODE	1	
D6842,43	MA111	DIODE	2	
D6859	B0EHP000003	DIODE	1	
D6860	BOHCKS000002	DIODE	1	
D6861	MA8051L	ZENER DIODE	1	
D6862	MA111	DIODE	1	
D6871	MA8051L	ZENER DIODE	1	
D6872	MA111	DIODE	1	
D6901,02	MA8056H	ZENER DIODE	2	
D6903,04	B0EHP000003	DIODE	2	
D6921	B0EHP000003	DIODE	1	
D6922	MA8056H	ZENER DIODE	1	
D6951,52	MA8056H	ZENER DIODE	2	
D6953,54	B0EHP000003	DIODE	2	
D8001	MA111	DIODE	1	
D8003	MA111	DIODE	1	
D8010,11	MA153	DIODE	2	
D8180	MA111	DIODE	1	
D8181	MA8056-M	ZENER DIODE	1	
D8184,85	MA8056-M	ZENER DIODE	2	
D8200	MAZ31600ML	ZENER DIODE	1	
D8201	MA111	DIODE	1	
D8203	MA3100M	ZENER DIODE	1	
D8204	MA111	DIODE	1	
D8209	MA111	DIODE	1	
D9017-19	MA3033	ZENER DIODE	3	
D9020	MA728	DIODE	1	
D9100-03	B0JCGD000002	DIODE	4	
D9105,06	B0JCGD000002	DIODE	2	
D9110	B0JCGD000002	DIODE	1	
D9300,01	MA152K	DIODE	2	
D9800	B0JCME000037	DIODE	1	
D9801	B0JCDD000002	DIODE	1	
D9802	MA728	DIODE	1	
D9804	MA152K	DIODE	1	
D9807,08	MA152K	DIODE	2	
D9811	MA728	DIODE	1	
D9812	B0JCME000037	DIODE	1	
D9813	B0JCDD000002	DIODE	1	
D9814	B0JCME000037	DIODE	1	
D9815	B0JCDD000002	DIODE	1	
DA1	K1KA20AA0335	20P CONNECTOR	1	
DA2	K1KY40B00003	40P CONNECTOR	1	
DA3	K1KA30AA0009	30P CONNECTOR	1	
DA4	K1KA14A00248	14P CONNECTOR	1	
DA5	K1KB21BA0063	21P CONNECTOR	1	
DA6	K1KA31A00007	31P CONNECTOR	1	
DA11	K1KA21A00011	21P CONNECTOR	1	
FL3000-04	FLJ1E1040022	C 0.10UF, Z, 25V	5	
FL3006-08	FLJ1E1040022	C 0.10UF, Z, 25V	3	
FL3010	FLJ1E1040022	C 0.10UF, Z, 25V	1	
FL4001	JOMAB0000175	LC FILTER	1	
FL4502-04	FLJ1E1040022	C 0.10UF, Z, 25V	3	
FL4703	FLJ1E1040022	C 0.10UF, Z, 25V	1	
FL4705-09	FLJ1E1040022	C 0.10UF, Z, 25V	5	
FL7101	JOHABH000013	LC FILTER	1	
FL7201	JOHABH000013	LC FILTER	1	
FL8000	FLJ1E1040022	C 0.10UF, Z, 25V	1	

Ref. No.	Part No.	Part Name & Description	Pcs	Remarks
FL9300, 01	F1J1E1040022	C 0.10UF, Z, 25V	2	
FL9800, 01	J0HABH000013	LC FILTER	2	
FL9803, 04	J0HABH000012	LC FILTER	2	
FL9805-07	J0HABH000013	LC FILTER	3	
FL9900-02	F1J1E1040022	C 0.10UF, Z, 25V	3	
FL9903, 04	J0HABH000013	LC FILTER	2	
GK3	K1KA03BA0061	3P CONNECTOR	1	
H1	K1KA80B00037	80P CONNECTOR	1	
HX1	K1KB22A00036	22P CONNECTOR	1	
IC401	CNC1S171R	IC	1	△
IC402	C0DAEMB00004	IC	1	
IC403-05	CNC1S171R	IC	3	△
IC406	C0DAZZZ00021	IC	1	
IC408	CNC1S171R	IC	1	△
IC409	MIP2G40MPSCF	IC	1	△
IC410	CNC1S171R	IC	1	△
IC411	C0DAEMB00004	IC	1	
IC412	CNC1S171R	IC	1	△
IC501	C2ABDB000110	IC	1	
IC502	C0EBH0000210	IC	1	
IC504	C0DAEMB00004	IC	1	
IC505	CNC1S171R	IC	1	
IC506	C0ZBZ0000878	IC	1	
IC507	CNC1S171R	IC	1	
IC509	C0DABZZ00010	IC	1	
IC510	C0DBAZG00034	IC	1	
IC512	C0DAEMB00004	IC	1	
IC520	LSSK0062	IC	1	
IC801-03	C0DBAMH00013	IC	3	
IC804	C0CBCAC00275	IC	1	
IC2301, 02	C1AB00002534	IC	2	
IC2303	C1BB00001006	IC	1	
IC2305	C0ABBA000168	IC	1	
IC3001	C1AB00002530	IC	1	
IC3002	C0JBBR000002	IC	1	(J)
IC3002	C3EAGC000027	IC	1	(HA)
IC3003	CXA1315M	LINEAR IC	1	
IC3004	CXA1875AM	LINEAR IC	1	
IC3005	C1AB00002529	IC	1	
IC3006	MC14052BF	MOS IC (CMOS GATE ARRLY)	1	
IC3007, 08	C0JBAS000215	IC	2	
IC3101	C1AB00002238	IC	1	
IC3150-52	C0JBAA000419	IC	3	
IC3502	TVRF004	IC	1	
IC4001	C0FBAY000012	IC	1	
IC4002	C0DBEGE00002	IC	1	
IC4031, 32	C0JBAAE000354	IC	2	
IC4201	C1ZBZ0003233	IC	1	
IC4301	C0JBAP000020	IC	1	
IC4500	C1ZBZ0002769	IC	1	
IC4501	MN845111-A	IC	1	
IC4502	C3ABQJ000031	IC	1	
IC4701	MN103SB30RGL	IC	1	
IC4702	TVRN927-4	IC	1	
IC4703	TVRN998	IC	1	
IC4704	C0EBE0000447	IC	1	
IC4711	C0JBAAE000354	IC	1	
IC4714	C0JBZ000856	IC	1	
IC4715	C0JBAAE000354	IC	1	

Ref. No.	Part No.	Part Name & Description	Pcs	Remarks
IC4803	C0JBAS000215	IC	1	
IC4901	C0DBAHD00011	IC	1	
IC4951, 52	C0DBAYY00054	IC	2	
IC4953	C0CBCAD00016	IC	1	
IC4955	C0DBAYY00054	IC	1	
IC4956	C0CBCBC00190	IC	1	
IC4957	C0DBAHD00011	IC	1	
IC6131	C0ZBZ0000895	IC	1	
IC6151	C0ZBZ0000895	IC	1	
IC6191	C0ZBZ0000895	IC	1	
IC6211	C0ZBZ0001325	IC	1	
IC6221	C0DBEMB00005	IC	1	
IC6241	C0JBAZ000005	IC	1	
IC6251	NJM2903M	INTEGRATED CIRCUIT	1	
IC6471	C0DBEKA00003	IC	1	
IC6472	C0JBAA000377	IC	1	
IC6501	C0ZBZ0000895	IC	1	
IC6521	C0ZBZ0000895	IC	1	
IC6561, 62	C0JBAZ000005	IC	2	
IC6581	NJM2903M	INTEGRATED CIRCUIT	1	
IC6601	C0ZBZ0001325	IC	1	
IC6602	C0JBAB000715	IC	1	
IC6610	NJM2903M	INTEGRATED CIRCUIT	1	
IC6671	C0ZBZ0001325	IC	1	
IC6681	C0ZBZ0001325	IC	1	
IC6682	C0JBAA000377	IC	1	
IC6721, 22	C0JBAZ000994	IC	2	
IC6724, 25	C0CBADC00089	IC	2	
IC6751	C0CBADC00089	IC	1	
IC6752	C0ZBZ0001325	IC	1	
IC6753	C0JBAB000715	IC	1	
IC6771	C0CBADC00089	IC	1	
IC6772	C0ZBZ0001325	IC	1	
IC6773, 74	C0JBAA000377	IC	2	
IC6791	N0BF1FB00001	IC	1	
IC6801, 02	C0DBEMB00005	IC	2	
IC6821	C0DBEMB00005	IC	1	
IC6841	C0DBEMB00005	IC	1	
IC6861	NJM2903M	INTEGRATED CIRCUIT	1	
IC6871	NJM2903M	INTEGRATED CIRCUIT	1	
IC6901-04	AN16071A-VT	IC	4	
IC6951-54	AN16071A-VT	IC	4	
IC7101-04	C0JBAZ001120	IC	4	
IC7201-05	C0JBAZ001120	IC	5	
IC8001	MC14052BF	MOS IC (CMOS GATE ARRLY)	1	
IC8003	C1AA00000706	IC	1	
IC8005	C0JBAB000646	IC	1	
IC8007	C0JBAR000419	IC	1	
IC8009	C0JBAS000215	IC	1	
IC8014	C0ZBZ0000911	IC	1	
IC8016	C0JBAZ001934	IC	1	
IC8100	C0DBEJG00001	IC	1	
IC8181	C1DB00001208	IC	1	
IC9001	TVRF006-1	IC	1	
IC9003	C2CBJG000730	IC	1	
IC9007	TVRN941-1	IC	1	
IC9011	C0EBF0000431	IC	1	
IC9200	C1ZBZ0003185	IC	1	
IC9303	TVRN940	IC	1	
IC9500	C1ZBZ0002599	IC	1	
IC9502	PST9128NR	IC (LOGIC)	1	
IC9503, 04	C0JBAZ001120	IC	2	
IC9800	C0DBAYY00054	IC	1	

Ref. No.	Part No.	Part Name & Description	Pcs	Remarks
IC9801	C0DBZFG00066	IC	1	
IC9802, 03	C0JBZ001120	IC	2	
IC9806	C0DBAHD00011	IC	1	
IC9807	C0DBAYY00054	IC	1	
IC9809	C0DBAYY00054	IC	1	
IC9900	MN84521-A	IC	1	
IC9901	C3ABQJ000051	IC	1	
J1	K1KA20B00163	20P CONNECTOR	1	
J2	K1KA06BA0047	6P CONNECTOR	1	
J3	K1KA30B00078	30P CONNECTOR	1	
J4	K1KA11BA0051	11P CONNECTOR	1	
J5	K1KA21B00008	21P CONNECTOR	1	
J6	K1KA21B00009	21P CONNECTOR	1	
J7,J8	K1KA03BA0055	3P CONNECTOR	2	
J10	K1KA06BA0050	6P CONNECTOR	1	
J11-13	K1KB80B00024	80P CONNECTOR	3	
J14	K1KA22A00067	22P CONNECTOR	1	
J15	K1KA03BA0047	3P CONNECTOR	1	
J30	K1KA05BA0050	5P CONNECTOR	1	
JS3001-08	ERJ3GEY0R00	M 0 OHM, 1/16W	8	
JS3011-16	ERJ3GEY0R00	M 0 OHM, 1/16W	6	
JS8094	ERJ3GEY0R00	M 0 OHM, 1/16W	1	
JS8096	ERJ3GEY0R00	M 0 OHM, 1/16W	1	
JK3001	K1QBB3BB0002	CONNECTOR	1	
JK3002	K2HA204B0097	JACK	1	
JK3509	K1FB109BA018	CONNECTOR	1	
JK3511	K1FB115BA020	CONNECTOR	1	
JK3513	K2HC103B0105	JACK	1	
K1	K1KY12B00001	12P CONNECTOR	1	
L403	EXCELSA35	BEAD CHOKE	1	
L404,05	GOB123K00004	CHOKE COIL	2	△
L410	ELF17N004A	LINE FILTER	1	△
L510	EXCELDLR25C	BEAD CHOKE	1	
L511	GOA470ZA0033	CHOKE COIL	1	
L512	ELESE4R7JA	PEAKING COIL	1	
L513	EXCELDLR25C	BEAD CHOKE	1	
L801	G1A101ZA0007	CHOKE COIL	1	
L802	G1C101MA0167	INDUCTION COIL	1	
L803	G1C220MA0167	INDUCTION COIL	1	
L804,05	J0JHC0000078	CHIP INDUCTOR	2	
L807-11	J0JHC0000078	CHIP INDUCTOR	5	
L2330,31	GOA221ZA0041	CHOKE COIL	2	
L3001	JOHABB000004	LC FILTER	1	
L3002	G1C100K00020	INDUCTION COIL	1	
L3003	JOHABB000004	LC FILTER	1	
L3004	JOHABB000003	LC FILTER	1	
L3005	G1C100K00020	INDUCTION COIL	1	(J)
L3005	JOHABB000003	LC FILTER	1	(HA)
L3006	G1C100K00020	INDUCTION COIL	1	(J)
L3006	ELJPA100KFB	CHIP INDUCTOR	1	(HA)
L3050	G1C100K00020	INDUCTION COIL	1	
L3140	J0JHC0000078	CHIP INDUCTOR	1	
L3507-09	JOHABB000004	LC FILTER	3	
L3510-17	TLK212T256AL	EMI FILTER	8	
L3526	ELJPA100KFB	CHIP INDUCTOR	1	
L3555	ELJPA100KFB	CHIP INDUCTOR	1	
L4206	J0JHC0000096	CHIP INDUCTOR	1	
L4301-03	J0JHC0000078	CHIP INDUCTOR	3	
L4501	G1C150KA0038	INDUCTION COIL	1	
L4502-05	J0JHC0000096	CHIP INDUCTOR	4	
L4701-04	J0JHC0000096	CHIP INDUCTOR	4	

Ref. No.	Part No.	Part Name & Description	Pcs	Remarks
L4901	G1C3R3MA0175	INDUCTION COIL	1	
L4902	G1C3R0MA0248	INDUCTION COIL	1	
L4903	G1C2R2MA0248	INDUCTION COIL	1	
L6001-03	ELC11P0R6	CHOKE COIL	3	
L6011	ELC11P1R0	CHOKE COIL	1	
L6013	ELC11P1R0	CHOKE COIL	1	
L6061-64	GOZZ00002183	PEAKING COIL	4	
L6081-84	GOZZ00002183	PEAKING COIL	4	
L6101,02	J0JJC0000011	CHIP INDUCTOR	2	
L6103	GOZZ00002183	PEAKING COIL	1	
L6221	GOZZ00002183	PEAKING COIL	1	
L6241	GOZZ00002183	PEAKING COIL	1	
L6262	GOZZ00002183	PEAKING COIL	1	
L6271	GOZZ00002183	PEAKING COIL	1	
L6401-03	ELC11P0R6	CHOKE COIL	3	
L6411,12	ELC11P1R0	CHOKE COIL	2	
L6461-64	GOZZ00002183	PEAKING COIL	4	
L6472	GOZZ00002183	PEAKING COIL	1	
L6481-84	GOZZ00002183	PEAKING COIL	4	
L6591,92	GOZZ00002183	PEAKING COIL	2	
L6602	GOZZ00002183	PEAKING COIL	1	
L8001	G1C100K00020	INDUCTION COIL	1	
L8003	G1C100K00020	INDUCTION COIL	1	
L8005	G1C100K00020	INDUCTION COIL	1	
L8101-08	J0JHC0000078	CHIP INDUCTOR	8	
L9500	G1C150KA0038	INDUCTION COIL	1	
L9501,02	J0JHC0000078	CHIP INDUCTOR	2	
L9800	G1C3R0MA0248	INDUCTION COIL	1	
L9801,02	G1C2R2MA0241	INDUCTION COIL	2	
L9810	J0JHC0000045	CHIP INDUCTOR	1	
P2	K1KA02A00626	2P CONNECTOR	1	
P5	K1KA11AA0194	11P CONNECTOR	1	
P9	K1KA03AA0537	3P CONNECTOR	1	
P10	K1KA06A00452	6P CONNECTOR	1	
P11	K1KA02A00626	2P CONNECTOR	1	
P12	K1KA10AA0194	10P CONNECTOR	1	
P23	K1KA03AA0193	3P CONNECTOR	1	
P25	K1KA20AA0178	20P CONNECTOR	1	
PA4901	K5H4022A0023	FUSE	1	
PA9800	K5H4022A0023	FUSE	1	
PC6480	B3PBA0000223	IC	1	
PC6701-03	B3PBA0000233	IC	3	
PC6704	K7GBZEE00007	PHOTO COUPLER	1	
PC6705	B3PBA0000233	IC	1	
PC6760	B3PBA0000223	IC	1	
PC6801	B3PBA0000223	IC	1	
PC6861	B3PBA0000223	IC	1	
PC6871	B3PBA0000223	IC	1	
PMM1	TMM7464-2	CLAMPER	1	
PMM2,M3	TMME088	CLAMPER	2	
PMM4-M6	TMM7464-2	CLAMPER	3	
PMM7	TMME047	CLAMPER	1	
PR401	K5Y502BA0001	FUSE	1	△
PR505	K5H5022A0023	FUSE	1	△
PR509	ERBSE0R50U	FUSE	1	△
PR601	K5G312B00012	FUSE	1	△
Q401	B1CHND000004	TRANSISTOR	1	

Ref. No.	Part No.	Part Name & Description	Pcs	Remarks
Q402	B1DFDD000019	TRANSISTOR	1	
Q404	B1BCCF000022	TRANSISTOR	1	
Q406	B1DEHQ000007	TRANSISTOR	1	△
Q407	B1HFCFA00021	TRANSISTOR	1	
Q408,09	B1DHCD000034	TRANSISTOR	2	
Q412,13	B1DEGQ000070	TRANSISTOR	2	△
Q418	2SD1819A	TRANSISTOR	1	
Q420-22	2SD1819A	TRANSISTOR	3	
Q434	B1CEJQ000003	TRANSISTOR	1	
Q501,02	2SD1820A	TRANSISTOR	2	
Q505	B1CEJQ000002	TRANSISTOR	1	
Q507	B1DAGQ000013	TRANSISTOR	1	
Q508	B1HBCFA00033	TRANSISTOR	1	
Q509	B1HDCEA00001	TRANSISTOR	1	
Q510	B1DHBD000005	TRANSISTOR	1	
Q512	B1CBGD000001	FET	1	
Q517	B1HBCFA00033	TRANSISTOR	1	
Q520	B1HBCFA00033	TRANSISTOR	1	
Q521	B1CBGD000001	FET	1	
Q524	B1CFGF000008	TRANSISTOR	1	
Q525	B1CBGD000001	FET	1	
Q527	B1CERL000005	TRANSISTOR	1	
Q530	2SD1819A	TRANSISTOR	1	
Q535	2SD1819A	TRANSISTOR	1	
Q537	B1DFDD000019	TRANSISTOR	1	
Q538	B1CBGD000001	FET	1	
Q540	B1DHCD000034	TRANSISTOR	1	
Q541	B1CBGD000001	FET	1	
Q551	B1CBGD000001	FET	1	
Q553	2SD1819A	TRANSISTOR	1	
Q554	B1DHCD000034	TRANSISTOR	1	
Q555,56	B1DFGD000045	TRANSISTOR	2	
Q557-59	2SD1819A	TRANSISTOR	3	
Q561	2SD1819A	TRANSISTOR	1	
Q563	B1CFGF000008	TRANSISTOR	1	
Q564,65	2SB1218ARL	TRANSISTOR	2	
Q566	2SD1819A	TRANSISTOR	1	
Q568	B1CHGD000006	TRANSISTOR	1	
Q569	B1CBGD000001	FET	1	
Q2300	B1BBCF000028	TRANSISTOR	1	
Q2331	B1BBCF000028	TRANSISTOR	1	
Q2372	2SD601A	TRANSISTOR	1	
Q2510,11	2SD601A	TRANSISTOR	2	
Q2513	2SD601A	TRANSISTOR	1	
Q3001	2SB709A	TRANSISTOR	1	
Q3002	2SD601A	TRANSISTOR	1	
Q3004	2SD601A	TRANSISTOR	1	
Q3531,32	2SD601A	TRANSISTOR	2	
Q4701	B1CBHD000002	FET	1	
Q4702-07	2SD601A	TRANSISTOR	6	
Q4709,10	2SD601A	TRANSISTOR	2	
Q4712-14	2SD601A	TRANSISTOR	3	
Q4801	B1CBHD000002	FET	1	
Q4802,03	2SD601A	TRANSISTOR	2	
Q4901-03	B1MBEDA00015	TRANSISTOR	3	
Q4961,62	2SD601A	TRANSISTOR	2	
Q6001-03	2PG0010000RP	TRANSISTOR	3	
Q6021-23	2PG0010000RP	TRANSISTOR	3	
Q6041,42	2PG0010000RP	TRANSISTOR	2	
Q6051	2PG0010000RP	TRANSISTOR	1	
Q6101,02	B1DFKM000002	TRANSISTOR	2	
Q6111	2SK326800L	FET	1	
Q6112	B1DFKM000002	TRANSISTOR	1	

Ref. No.	Part No.	Part Name & Description	Pcs	Remarks
Q6141	B1ABNF000006	TRANSISTOR	1	
Q6142	B1ADNF000006	TRANSISTOR	1	
Q6146	B1ABNF000006	TRANSISTOR	1	
Q6147	B1ADNF000006	TRANSISTOR	1	
Q6212	2SD601A	TRANSISTOR	1	
Q6221	2SD1263A	TRANSISTOR	1	
Q6222	2SC1473A	TRANSISTOR	1	
Q6251	2SD601A	TRANSISTOR	1	
Q6401-03	2PG0010000RP	TRANSISTOR	3	
Q6421-23	2PG0020000RP	TRANSISTOR	3	
Q6441,42	2PG0010000RP	TRANSISTOR	2	
Q6451	2PG0020000RP	TRANSISTOR	1	
Q6471	B1CHGD000006	TRANSISTOR	1	
Q6511	B1ABNF000006	TRANSISTOR	1	
Q6512	B1ADNF000006	TRANSISTOR	1	
Q6516	B1ABNF000006	TRANSISTOR	1	
Q6517	B1ADNF000006	TRANSISTOR	1	
Q6581	2SD601A	TRANSISTOR	1	
Q6601	B1DFES000003	TRANSISTOR	1	
Q6602	2SD601A	TRANSISTOR	1	
Q6621,22	2SK399500L	FET	2	
Q6642-44	2SK399500L	FET	3	
Q6646-48	2SK399500L	FET	3	
Q6661	B1DEET000002	TRANSISTOR	1	
Q6662	2SD601A	TRANSISTOR	1	
Q6663	2SD2185	TRANSISTOR	1	
Q6671	B1DFES000003	TRANSISTOR	1	
Q6680	B1ADNF000006	TRANSISTOR	1	
Q6681,82	2SK389500L	FET	2	
Q6691	2SK620	FET	1	
Q6742,43	2SD601A	TRANSISTOR	2	
Q6744	2SK620	FET	1	
Q6762	B1ADNF000006	TRANSISTOR	1	
Q6781	B1ABNF000006	TRANSISTOR	1	
Q6782	B1ADNF000006	TRANSISTOR	1	
Q6791	2SD601A	TRANSISTOR	1	
Q6801	B1BAEJ000014	TRANSISTOR	1	
Q6802	2SB0709A	TRANSISTOR	1	
Q6803	2SD814A	TRANSISTOR	1	
Q6821	2SD1263A	TRANSISTOR	1	
Q6822	2SC3063	TRANSISTOR	1	
Q6824	2SD601A	TRANSISTOR	1	
Q6841	2SD1263A	TRANSISTOR	1	
Q6842	2SC1473A	TRANSISTOR	1	
Q6921	2SK620	FET	1	
Q8002	2SD601A	TRANSISTOR	1	
Q8010	2SD601A	TRANSISTOR	1	
Q8011	2SB709A	TRANSISTOR	1	
Q8012	2SD601A	TRANSISTOR	1	
Q8013	2SB709A	TRANSISTOR	1	
Q8019	2SD601A	TRANSISTOR	1	
Q8181-84	B1CBHD000002	FET	4	
Q8200-02	2SD601A	TRANSISTOR	3	
Q9010	2SD601A	TRANSISTOR	1	
Q9044	2SD601A	TRANSISTOR	1	
Q9046	2SD601A	TRANSISTOR	1	
Q9050-54	2SD601A	TRANSISTOR	5	
Q9055-58	B1CBHD000002	FET	4	
Q9300-02	2SD601A	TRANSISTOR	3	
Q9800,01	B1MBEDA00015	TRANSISTOR	2	
Q9803	B1MBEDA00015	TRANSISTOR	1	

Ref. No.	Part No.	Part Name & Description	Pcs	Remarks
Q9805,06	2SD601A	TRANSISTOR	2	
R401	ERJ6GEYJ103	M 10KOHM,J,1/10W	1	
R402	ERJ6GEYJ821	M 820 OHM,J,1/10W	1	
R403	ERJ6GEYJ105	M 1MOHM,J,1/10W	1	
R404	ERJ6GEYJ102	M 1KOHM,J,1/10W	1	
R406	ERX12SJ2R2V	M 2.2 OHM, J,1/2W	1	
R407	ERJ8ENF4303	M 43KOHM, 1/8W	1	
R410	D1F5100E0003	CHIP RESISTOR	1	△
R412	ERJ6GEY0R00	M 0 OHM, 1/10W	1	
R413	D1F5100E0003	CHIP RESISTOR	1	△
R414	ERJ8GEYJ153	M 15KOHM, J,1/8W	1	
R415	ERJ6GEYJ103	M 10KOHM,J,1/10W	1	
R416	ERJ6GEYJ305	M 3MOHM,J,1/10W	1	
R417	ERJ6ENF4303	M 430KOHM, 1/10W	1	
R418	ERJ6GEYJ220	M 22 OHM,J,1/10W	1	
R419	ERJ6GEYJ104	M 100KOHM,J,1/10W	1	
R420	ERJ6GEY0R00	M 0 OHM, 1/10W	1	
R421	ERJ6GEYJ333	M 33KOHM,J,1/10W	1	
R422	ERJ6GEYJ334	M 330KOHM,J,1/10W	1	
R423	ERJ6GEYJ102	M 1KOHM,J,1/10W	1	
R424	ERJ6GEYJ223	M 22KOHM,J,1/10W	1	
R425	ERJ6ENF3902	M 39KOHM, 1/10W	1	
R426	ERJ6GEYJ103	M 10KOHM,J,1/10W	1	
R427	ERJ8ENF4303	M 43KOHM, 1/8W	1	
R428	ERJ6GEYJ103	M 10KOHM,J,1/10W	1	
R429	ERJ6GEYJ4R7	M 4.7 OHM,J,1/10W	1	
R430	ERJ6ENF4303	M 430KOHM, 1/10W	1	
R431	ERJ6GEYJ103	M 10KOHM,J,1/10W	1	
R432	ERJ6GEYJ102	M 1KOHM,J,1/10W	1	
R433	ERJ6ENF1202	M 12KOHM, 1/10W	1	
R434	ERJ8GEY0R00	M 0 OHM, 1/8W	1	
R435	ERJ8ENF4303	M 43KOHM, 1/8W	1	
R436	ERJ8GEYJ153	M 15KOHM, J,1/8W	1	
R437	ERJ6GEYJ183	M 18KOHM,J,1/10W	1	
R438	ERJ6GEYJ331	M 330 OHM,J,1/10W	1	
R439	ERG12SJ120	M 12 OHM, J,1/2W	1	
R440	ERJ8GEYJ474	M 470KOHM, J,1/8W	1	
R441,42	ERJ6EKF6803	M 680KOHM, 1/10W	2	
R443	EVMAASA00B23	CONTROL 2KOHMB	1	
R444	ERJ6GEYJ123	M 12KOHM,J,1/10W	1	
R448,49	DOXGR10J0003	M 0.1OHM,J, 5W	2	
R450	ERJ6GEYJ102	M 1KOHM,J,1/10W	1	
R451	ERJ6GEYJ333	M 33KOHM,J,1/10W	1	
R452	ERJ6GEYJ103	M 10KOHM,J,1/10W	1	
R453	ERJ6GEYJ305	M 3MOHM,J,1/10W	1	
R454	ERJ6GEYJ103	M 10KOHM,J,1/10W	1	
R455	ERJ6GEYJ123	M 12KOHM,J,1/10W	1	
R456	ERJ6GEYJ333	M 33KOHM,J,1/10W	1	
R458	ERJ6GEYJ472	M 4.7KOHM,J,1/10W	1	
R459	ERJ6EKF6803	M 680KOHM, 1/10W	1	
R461	ERJ6GEYJ103	M 10KOHM,J,1/10W	1	
R462	ERJ6ENF4303	M 430KOHM, 1/10W	1	
R463	ERJ6GEYJ333	M 33KOHM,J,1/10W	1	
R464	ERJ6ENF3302	M 33KOHM, 1/10W	1	
R465	ERJ6ENF5603	M 560KOHM, 1/10W	1	
R467	ERJ6GEYJ102	M 1KOHM,J,1/10W	1	
R471	ERJ8GEYJ332	M 3.3KOHM, J,1/8W	1	
R472,73	ERJ6ENF5603	M 560KOHM, 1/10W	2	
R475	ERJ6EKF6803	M 680KOHM, 1/10W	1	
R476,77	ERJ14YJ181U	M 181 OHM, J,1/4W	2	
R478	ERJ8GEYJ220	M 22 OHM, J,1/8W	1	
R480	ERJ6ENF4702	M 47KOHM, 1/10W	1	
R482	ERJ8GEYJ220	M 22 OHM, J,1/8W	1	
R483	DOB225JA030	M 22MOHM,J,0.05W	1	△
R487	ERJ6GEYJ472	M 4.7KOHM,J,1/10W	1	
R488	ERJ6GEYJ104	M 100KOHM,J,1/10W	1	
R490,91	ERJ6GEYJ473	M 47KOHM,J,1/10W	2	
R492	ERJ6GEY0R00	M 0 OHM, 1/10W	1	
R493	ERG12SJ120	M 12 OHM, J,1/2W	1	
R494-96	ERJ6ENF5603	M 560KOHM, 1/10W	3	
R497	ERJ6ENF1202	M 12KOHM, 1/10W	1	

Ref. No.	Part No.	Part Name & Description	Pcs	Remarks
R498	ERG3SJ101	M 100 OHM, J, 3W	1	
R499	DOB394JA029	M 390KOHM,J,0.05W	1	△
R501	ERJ6GEYJ223	M 22KOHM,J,1/10W	1	
R502,03	ERJ6GEYJ104	M 100KOHM,J,1/10W	2	
R504	ERJ6GEYJ102	M 1KOHM,J,1/10W	1	
R505	ERJ8GEYJ330	M 33 OHM, J,1/8W	1	
R506	ERJ6GEYJ102	M 1KOHM,J,1/10W	1	
R507	ERJ6GEYJ221	M 220 OHM,J,1/10W	1	
R508	ERJ6GEYJ102	M 1KOHM,J,1/10W	1	
R509-11	ERJ6GEYJ104	M 100KOHM,J,1/10W	3	
R512	ERJ6GEYJ223	M 22KOHM,J,1/10W	1	
R513,14	ERJ6GEYJ104	M 100KOHM,J,1/10W	2	
R515,16	ERJ6GEYJ102	M 1KOHM,J,1/10W	2	
R517	ERJ6GEYJ103	M 10KOHM,J,1/10W	1	
R518	ERJ6GEYJ102	M 1KOHM,J,1/10W	1	
R519,20	ERJ6GEYJ104	M 100KOHM,J,1/10W	2	
R521,22	ERJ8GEYJ100	M 10 OHM, J,1/8W	2	
R523	ERJ6GEYJ473	M 47KOHM,J,1/10W	1	
R524	ERJ6GEYJ102	M 1KOHM,J,1/10W	1	
R525	ERJ6GEYJ473	M 47KOHM,J,1/10W	1	
R526,27	ERJ8GEYJ224	M 220KOHM, J,1/8W	2	
R528	ERJ6GEYJ4R7	M 4.7 OHM,J,1/10W	1	
R529	ERJ6GEYJ101	M 100 OHM,J,1/10W	1	
R530	ERJ6RBD3302	M 33KOHM,F,1/10W	1	
R532	ERJ6GEYJ102	M 1KOHM,J,1/10W	1	
R533	ERJ6GEYJ163	M 16KOHM,J,1/10W	1	
R534	ERJ6GEYJ473	M 47KOHM,J,1/10W	1	
R535,36	ERJ6GEYJ102	M 1KOHM,J,1/10W	2	
R537	ERJ6ENF1003	M 100KOHM, 1/10W	1	
R538	ERJ6GEYJ104	M 100KOHM,J,1/10W	1	
R539	ERJ6GEYJ103	M 10KOHM,J,1/10W	1	
R540,41	ERJ6GEYJ105	M 1MOHM,J,1/10W	2	
R542	ERJ6GEYJ102	M 1KOHM,J,1/10W	1	
R543	ERJ6GEYJ153	M 15KOHM,J,1/10W	1	
R544	ERJ6GEYJ331	M 330 OHM,J,1/10W	1	
R545	ERJ6GEYJ103	M 10KOHM,J,1/10W	1	
R546	ERJ6GEYJ102	M 1KOHM,J,1/10W	1	
R547	ERJ6GEYJ101	M 100 OHM,J,1/10W	1	
R548	ERJ6GEYJ102	M 1KOHM,J,1/10W	1	
R549	ERJ6GEYJ103	M 10KOHM,J,1/10W	1	
R550	ERJ6GEYJ473	M 47KOHM,J,1/10W	1	
R551	ERJ6GEYJ334	M 330KOHM,J,1/10W	1	
R552	ERJ6GEYJ103	M 10KOHM,J,1/10W	1	
R553	ERJ6GEYJ101	M 100 OHM,J,1/10W	1	
R554	ERJ6GEYJ102	M 1KOHM,J,1/10W	1	
R555,56	ERJ6GEYJ105	M 1MOHM,J,1/10W	2	
R557	ERJ6GEYJ104	M 100KOHM,J,1/10W	1	
R558	ERJ6GEYJ474	M 470KOHM,J,1/10W	1	
R559	ERJ6ENF8201	M 8.2KOHM, 1/10W	1	
R560	ERJ6ENF9101	M 9.1KOHM, 1/10W	1	
R561	ERJ6ENF5101	M 5.1KOHM, 1/10W	1	
R562	ERJ6ENF4701	M 4.7KOHM, 1/10W	1	
R563	ERJ6GEYJ2R2	M 2.2 OHM,J,1/10W	1	
R564	ERJ6GEYJ104	M 100KOHM,J,1/10W	1	
R565,66	ERJ6GEYJ105	M 1MOHM,J,1/10W	2	
R567,68	ERJ8ENF1004	M 100KOHM, 1/8W	2	
R569	ERJ6ENF3302	M 33KOHM, 1/10W	1	
R570	ERJ6GEYJ104	M 100KOHM,J,1/10W	1	
R571	ERJ6GEYJ105	M 1MOHM,J,1/10W	1	
R572,73	ERJ8ENF3900	M 390 OHM, 1/8W	2	
R574	ERJ6GEYJ331	M 330 OHM,J,1/10W	1	
R575	ERJ6GEYJ102	M 1KOHM,J,1/10W	1	
R576	ERJ6ENF1202	M 12KOHM, 1/10W	1	
R577,78	ERJ6GEYJ473	M 47KOHM,J,1/10W	2	
R579	ERJ6GEYJ103	M 10KOHM,J,1/10W	1	
R580,81	ERJ6GEYJ473	M 47KOHM,J,1/10W	2	
R582	ERJ6ENF1002	M 10KOHM, 1/10W	1	
R583	ERJ6GEYJ473	M 47KOHM,J,1/10W	1	
R584	ERJ6GEYJ103	M 10KOHM,J,1/10W	1	
R585	ERJ6GEYJ333	M 33KOHM,J,1/10W	1	
R586	ERJ6GEYJ473	M 47KOHM,J,1/10W	1	
R587	ERJ8RQR22V	M 0.22 OHM, 1/8W	1	
R588	ERJ8ENF3900	M 390 OHM, 1/8W	1	



Ref. No.	Part No.	Part Name & Description	Pcs	Remarks
R589,90	ERJ8GEYJ123	M 12KOHM, J,1/8W	2	
R591	ERJ6GEYJ105	M 1MOHM,J,1/10W	1	
R592	ERJ6ENF3001	M 3KOHM, 1/10W	1	
R593	ERJ6ENF5601	M 5.6KOHM, 1/10W	1	
R594	ERJ6GEYJ151	M 150 OHM,J,1/10W	1	
R595	ERJ8GEYJ222	M 2.2KOHM, J,1/8W	1	
R596	ERJ6GEYJ101	M 100 OHM,J,1/10W	1	
R597,98	ERJ6ENF3302	M 33KOHM, 1/10W	2	
R599,00	ERJ8ENF3900	M 390 OHM, 1/8W	2	
R601	ERJ6GEYJ473	M 47KOHM,J,1/10W	1	
R602	ERJ6ENF3301	M 3.3KOHM, 1/10W	1	
R603	ERJ6GEYJ333	M 33KOHM,J,1/10W	1	
R606	ERJ6ENF1201	M 1.2KOHM, 1/10W	1	
R607	ERJ6ENF2202	M 2.2KOHM, 1/10W	1	
R608	ERJ8GEYJ332	M 3.3KOHM, J,1/8W	1	
R609	ERJ6GEYJ102	M 1KOHM,J,1/10W	1	
R610,11	ERJ6GEYJ473	M 47KOHM,J,1/10W	2	
R612	ERJ6GEYJ222	M 2.2KOHM,J,1/10W	1	
R613	ERJ6ENF2402	M 24KOHM, 1/10W	1	
R614	ERJ6ENF3301	M 3.3KOHM, 1/10W	1	
R615	ERJ6GEYJ102	M 1KOHM,J,1/10W	1	
R616,17	ERJ6GEYJ103	M 10KOHM,J,1/10W	2	
R618	ERJ6GEYJ104	M 100KOHM,J,1/10W	1	
R619	ERJ8RQFR68	M 0.68OHM, J,1/8W	1	
R620	ERJ6GEYJ103	M 10KOHM,J,1/10W	1	
R621	ERJ8GEYJ123	M 12KOHM, J,1/8W	1	
R622	ERJ8ENF1503	M 15KOHM, 1/8W	1	
R624	ERX2SJR22	M0.22 OHM, J, 2W	1	
R626	ERJ8ENF1503	M 15KOHM, 1/8W	1	
R627	ERJ6GEYJ822	M 8.2KOHM,J,1/10W	1	
R628	EVMAASA00B33	CONTROL 3KOHMB	1	
R629	ERJ6GEYJ105	M 1MOHM,J,1/10W	1	
R630	ERJ8GEYJ472	M 4.7KOHM, J,1/8W	1	
R631	ERJ8GEYJ333	M 33KOHM, J,1/8W	1	
R632	ERJ6GEYJ221	M 220 OHM,J,1/10W	1	
R633	ERJ6GEYJ105	M 1MOHM,J,1/10W	1	
R634	ERJ8RQFR68	M 0.68OHM, J,1/8W	1	
R636	ERJ8ENF1503	M 15KOHM, 1/8W	1	
R637	ERJ8RQFR68	M 0.68OHM, J,1/8W	1	
R638	ERJ6GEYJ102	M 1KOHM,J,1/10W	1	
R639,40	ERJ8RQFR68	M 0.68OHM, J,1/8W	2	
R641	ERJ6GEYJ473	M 47KOHM,J,1/10W	1	
R642-44	ERJ8RQFR68	M 0.68OHM, J,1/8W	3	
R645	ERJ6GEYJ101	M 100 OHM,J,1/10W	1	
R646,47	ERJ8GEYJ223	M 22KOHM, J,1/8W	2	
R648	ERJ8ENF1503	M 15KOHM, 1/8W	1	
R649	ERJ6GEYJ223	M 22KOHM,J,1/10W	1	
R650	ERJ6GEYJ103	M 10KOHM,J,1/10W	1	
R651,52	ERJ6ENF1002	M 10KOHM, 1/10W	2	
R653	ERJ6ENF3302	M 33KOHM, 1/10W	1	
R654	ERJ8GEYJ220	M 22 OHM, J,1/8W	1	
R655	ERJ8RQJR22V	M0.22 OHM, 1/8W	1	
R656	ERJ6ENF4702	M 47KOHM, 1/10W	1	
R657	ERJ6GEYJ102	M 1KOHM,J,1/10W	1	
R658	ERJ6GEYJ105	M 1MOHM,J,1/10W	1	
R659	ERJ6ENF3002	M 30KOHM, 1/10W	1	
R660	ERJ6ENF1202	M 12KOHM, 1/10W	1	
R661	EVMEASA00B53	CONTROL 5KOHMB 0.3W	1	
R662	ERJ6ENF1503	M 150KOHM, 1/10W	1	
R664	ERJ6ENF9101	M 9.1KOHM, 1/10W	1	
R665	EVMEASA00B23	CONTROL 2KOHMB 0.3W	1	
R666	ERJ6GEYJ102	M 1KOHM,J,1/10W	1	
R667,68	ERJ8GEYOR00	M 0 OHM, 1/8W	2	
R669	ERJ6ENF1303	M 130KOHM, 1/10W	1	
R670	ERJ6GEYJ102	M 1KOHM,J,1/10W	1	
R671	EVMEASA00B14	CONTROL 10KOHMB 0.3W	1	
R672,73	ERJ6GEYJ102	M 1KOHM,J,1/10W	2	
R674	ERJ8GEYJ333	M 33KOHM, J,1/8W	1	
R675	ERJ6ENF2202	M 2.2KOHM, 1/10W	1	
R676	ERJ8GEYJ333	M 33KOHM, J,1/8W	1	
R677	ERJ6GEYJ474	M 470KOHM,J,1/10W	1	

Ref. No.	Part No.	Part Name & Description	Pcs	Remarks
R678	ERJ8GEYOR00	M 0 OHM, 1/8W	1	
R679,80	ERJ8RQJR22V	M0.22 OHM, 1/8W	2	
R682	ERJ6ENF2002	M 20KOHM, 1/10W	1	
R683	ERJ6GEYJ333	M 33KOHM,J,1/10W	1	
R684	ERJ6GEYJ103	M 10KOHM,J,1/10W	1	
R685,86	ERJ6GEYJ102	M 1KOHM,J,1/10W	2	
R687	ERJ6GEYJ103	M 10KOHM,J,1/10W	1	
R688,89	ERJ6GEYJ102	M 1KOHM,J,1/10W	2	
R690	ERJ6GEYJ4R7	M 4.7 OHM,J,1/10W	1	
R691	ERJ6GEYJ104	M 100KOHM,J,1/10W	1	
R692	ERJ6GEYJ472	M 4.7KOHM,J,1/10W	1	
R693	ERJ6GEYJ103	M 10KOHM,J,1/10W	1	
R695	ERJ6ENF1602	M 16KOHM, 1/10W	1	
R696	ERJ8GEYJ100	M 10 OHM, J,1/8W	1	
R697	ERJ6GEYJ4R7	M 4.7 OHM,J,1/10W	1	
R698	ERJ8RQJR22V	M0.22 OHM, 1/8W	1	
R700-08	ERJ8GEYJ105	M 1MOHM, J,1/8W	9	
R711	ERJ8RQJR22V	M0.22 OHM, 1/8W	1	
R712	ERJ6GEYJ4R7	M 4.7 OHM,J,1/10W	1	
R713	ERJ8GEYJ472	M 4.7KOHM, J,1/8W	1	
R714	ERJ6GEYJ101	M 100 OHM,J,1/10W	1	
R715	ERDS2TJ101	C 100 OHM, J,1/4W	1	
R802	ERJ3GEYJ333	M 33KOHM,J,1/16W	1	
R803	ERJ3EKF6802	M 68KOHM, 1/16W	1	
R804	ERJ3GEYJ823	M 82KOHM,J,1/16W	1	
R805	ERJ3EKF8452	M84.5KOHM, 1/16W	1	
R806	ERJ3EKF1052	M10.5KOHM, 1/16W	1	
R810	ERJ3GEYJ333	M 33KOHM,J,1/16W	1	
R811	ERJ3EKF6802	M 68KOHM, 1/16W	1	
R812	ERJ3GEYJ683	M 68KOHM,J,1/16W	1	
R813	ERJ3EKF4222	M42.2KOHM, 1/16W	1	
R814	ERJ3EKF1052	M10.5KOHM, 1/16W	1	
R818	ERJ3GEYJ333	M 33KOHM,J,1/16W	1	
R819	ERJ3EKF6802	M 68KOHM, 1/16W	1	
R820	ERJ3GEYJ333	M 33KOHM,J,1/16W	1	
R821	ERJ3EKF2432	M24.3KOHM, 1/16W	1	
R822	ERJ3EKF1052	M10.5KOHM, 1/16W	1	
R825-27	ERJ3GEYJ822	M 8.2KOHM,J,1/16W	3	
R828	ERJ3GEYOR00	M 0 OHM, 1/16W	1	
R829	ERJ6ENF1001	M 1KOHM, 1/10W	1	
R830	ERJ6ENF8451	M8.45KOHM, 1/10W	1	
R838	ERJL2YJ330	M 33 OHM,J, 1/2W	1	
R840	ERJ3GEYJ332	M 3.3KOHM,J,1/16W	1	
R921	ERJ6RBD3302	M 33KOHM,F,1/10W	1	
R922	ERJ6GEYJ101	M 100 OHM,J,1/10W	1	
R931	ERJ6ENF3302	M 33KOHM, 1/10W	1	
R932	ERJ6GEYJ104	M 100KOHM,J,1/10W	1	
R933	ERJ6GEYJ102	M 1KOHM,J,1/10W	1	
R935	ERJ6GEYJ104	M 100KOHM,J,1/10W	1	
R936	ERJ6GEYJ103	M 10KOHM,J,1/10W	1	
R937	ERJ6GEYJ102	M 1KOHM,J,1/10W	1	
R938	ERJ6GEYJ472	M 4.7KOHM,J,1/10W	1	
R939,40	ERJ6GEYJ102	M 1KOHM,J,1/10W	2	
R943	ERJ6GEYJ105	M 1MOHM,J,1/10W	1	
R945	ERJ6GEYJ223	M 22KOHM,J,1/10W	1	
R946	ERJ6GEYJ333	M 33KOHM,J,1/10W	1	
R947	ERJ8GEYJ331	M 330 OHM, J,1/8W	1	
R950	ERJ6GEYJ105	M 1MOHM,J,1/10W	1	
R951,52	ERJ8GEYJ100	M 10 OHM, J,1/8W	2	
R953	ERJ6GEYJ222	M 2.2KOHM,J,1/10W	1	
R955	ERJ6GEYJ473	M 47KOHM,J,1/10W	1	
R956	ERJ6GEYJ104	M 100KOHM,J,1/10W	1	
R2351-54	ERJ6GEYJ103	M 10KOHM,J,1/10W	4	
R2355-60	ERDS1FJ2R2	C 2.2 OHM, J,1/2W	6	
R2361,62	ERJ3GEYJ103	M 10KOHM,J,1/16W	2	
R2364	ERJ6GEYOR00	M 0 OHM, 1/10W	1	
R2366	ERJ6GEYOR00	M 0 OHM, 1/10W	1	
R2367,68	ERJ3GEYJ560	M 56 OHM,J,1/16W	2	
R2383	ERJ6GEYJ472	M 4.7KOHM,J,1/10W	1	
R2384	ERJ6GEYJ473	M 47KOHM,J,1/10W	1	

Ref. No.	Part No.	Part Name & Description	Pcs	Remarks
R2385	ERJ6GEYJ153	M 15KOHM,J,1/10W	1	
R2386	ERJ6GEYJ104	M 100KOHM,J,1/10W	1	
R2387,88	ERJ6GEY0R00	M 0 OHM, 1/10W	2	
R2389-92	ERJ6GEYJ103	M 10KOHM,J,1/10W	4	
R2393	ERJ6GEYJ220	M 22 OHM,J,1/10W	1	
R2394-96	ERJ6GEYJ103	M 10KOHM,J,1/10W	3	
R2397	ERJ6GEYJ512	M 5.1KOHM,J,1/10W	1	
R2398	ERJ6GEY0R00	M 0 OHM, 1/10W	1	
R2399,00	ERJ6GEYJ220	M 22 OHM,J,1/10W	2	
R2404-07	ERJ6GEYJ103	M 10KOHM,J,1/10W	4	
R2408-11	ERJ6GEY0R00	M 0 OHM, 1/10W	4	
R2412	ERJ3GEYJ122	M 1.2KOHM,J,1/16W	1	
R2413	ERJ3GEY0R00	M 0 OHM, 1/16W	1	
R2414,15	ERJ3GEYJ122	M 1.2KOHM,J,1/16W	2	
R2416	ERJ3GEY0R00	M 0 OHM, 1/16W	1	
R2417	ERJ3GEYJ122	M 1.2KOHM,J,1/16W	1	
R2418,19	ERJ3GEYJ103	M 10KOHM,J,1/16W	2	
R2420	ERJ3GEYJ153	M 15KOHM,J,1/16W	1	
R2421,22	ERJ3GEYJ273	M 27KOHM,J,1/16W	2	
R2423	ERJ3GEYJ153	M 15KOHM,J,1/16W	1	
R2424,25	ERJ3GEY0R00	M 0 OHM, 1/16W	2	
R2426	ERJ3GEYJ471	M 470 OHM,J,1/16W	1	
R2516	ERJ3GEYJ152	M 1.5KOHM,J,1/16W	1	
R2517	ERJ6GEYJ470	M 47 OHM,J,1/10W	1	
R2520	ERJ3GEYJ224	M 220KOHM,J,1/16W	1	
R2524	ERJ3GEYJ223	M 22KOHM,J,1/16W	1	
R2525	ERJ3EKF9100	M 910 OHM, 1/16W	1	
R2530	ERJ3GEYJ223	M 22KOHM,J,1/16W	1	
R2531	ERJ3EKF2700	M 270 OHM, 1/16W	1	
R2542	ERJ3GEYJ102	M 1KOHM,J,1/16W	1	
R2556,57	ERJ3GEYJ562	M 5.6KOHM,J,1/16W	2	
R2558	ERJ6GEY0R00	M 0 OHM, 1/10W	1	
R3001	ERJ3GEYJ103	M 10KOHM,J,1/16W	1	
R3002	ERJ3GEYJ102	M 1KOHM,J,1/16W	1	
R3003	ERJ3GEYJ473	M 47KOHM,J,1/16W	1	
R3004	ERJ3GEYJ101	M 100 OHM,J,1/16W	1	
R3005	ERJ6GEYJ184	M 180KOHM,J,1/10W	1	
R3006,02	ERJ3GEYJ101	M 100 OHM,J,1/16W	2	
R3007,08	ERJ3GEYJ103	M 10KOHM,J,1/16W	2	
R3014-17	ERJ3GEYJ103	M 10KOHM,J,1/16W	4	
R3018,19	ERJ3GEYJ101	M 100 OHM,J,1/16W	2	
R3022	ERJ3GEYJ102	M 1KOHM,J,1/16W	1	
R3023	ERJ3GEYJ101	M 100 OHM,J,1/16W	1	(J)
R3023	ERJ3GEYJ102	M 1KOHM,J,1/16W	1	(HA)
R3024,25	ERJ3GEYJ101	M 100 OHM,J,1/16W	2	
R3026	ERJ3GEYJ101	M 100 OHM,J,1/16W	1	(HA)
R3026	ERJ3GEYJ103	M 10KOHM,J,1/16W	1	(J)
R3027-29	ERJ3GEYJ103	M 10KOHM,J,1/16W	3	
R3030-33	ERJ3GEY0R00	M 0 OHM, 1/16W	4	
R3034,35	ERJ3GEYJ331	M 330 OHM,J,1/16W	2	
R3036	ERJ3GEYJ331	M 330 OHM,J,1/16W	1	(J)
R3036	ERJ3GEYJ103	M 10KOHM,J,1/16W	1	(HA)
R3037	ERJ3GEY0R00	M 0 OHM, 1/16W	1	(J)
R3037	ERJ3GEYJ103	M 10KOHM,J,1/16W	1	(HA)
R3038	ERJ3GEY0R00	M 0 OHM, 1/16W	1	
R3039,40	ERJ3GEYJ331	M 330 OHM,J,1/16W	2	
R3041	ERJ3GEYJ331	M 330 OHM,J,1/16W	1	(J)

Ref. No.	Part No.	Part Name & Description	Pcs	Remarks
R3041	ERJ6GEY0R00	M 0 OHM, 1/10W	1	(HA)
R3042	ERJ3GEY0R00	M 0 OHM, 1/16W	1	(J)
R3042	ERJ6GEY0R00	M 0 OHM, 1/10W	1	(HA)
R3043	ERJ3GEY0R00	M 0 OHM, 1/16W	1	
R3044-47	ERJ3GEYJ103	M 10KOHM,J,1/16W	4	
R3048	ERJ3GEYJ334	M 330KOHM,J,1/16W	1	
R3049	ERJ3GEYJ103	M 10KOHM,J,1/16W	1	
R3050	ERJ3GEYJ560	M 56 OHM,J,1/16W	1	
R3051	ERJ3GEYJ330	M 33 OHM,J,1/16W	1	
R3053,54	ERJ3GEYJ560	M 56 OHM,J,1/16W	2	
R3057,58	ERJ3GEYJ560	M 56 OHM,J,1/16W	2	
R3059	ERJ3GEYJ101	M 100 OHM,J,1/16W	1	
R3060	ERJ3GEYJ102	M 1KOHM,J,1/16W	1	
R3061	ERJ3GEY0R00	M 0 OHM, 1/16W	1	
R3062	ERJ6GEYJ101	M 100 OHM,J,1/10W	1	
R3063	ERJ3GEYJ101	M 100 OHM,J,1/16W	1	
R3064-69	ERJ6GEYJ560	M 56 OHM,J,1/10W	6	
R3070-75	ERJ6ENF75R0	M 75 OHM, 1/10W	6	
R3076-81	ERJ6GEYJ560	M 56 OHM,J,1/10W	6	
R3082	ERJ3GEYJ101	M 100 OHM,J,1/16W	1	
R3083-87	ERJ3GEY0R00	M 0 OHM, 1/16W	5	
R3088-93	ERJ6ENF75R0	M 75 OHM, 1/10W	6	
R3094	ERJ3GEY0R00	M 0 OHM, 1/16W	1	
R3095,96	ERJ3GEYJ562	M 5.6KOHM,J,1/16W	2	
R3101-06	ERJ6ENF1800	M 180 OHM, 1/10W	6	
R3107,08	ERJ6GEYJ560	M 56 OHM,J,1/10W	2	
R3110	ERJ6ENF4701	M 4.7KOHM, 1/10W	1	
R3111	ERJ6ENF1501	M 1.5KOHM, 1/10W	1	
R3116	ERJ3GEYJ103	M 10KOHM,J,1/16W	1	
R3117	ERJ3GEY0R00	M 0 OHM, 1/16W	1	
R3118	ERJ6ENF8200	M 820 OHM, 1/10W	1	
R3125	ERJ6GEYJ103	M 10KOHM,J,1/10W	1	
R3126	ERJ3GEY0R00	M 0 OHM, 1/16W	1	
R3134	ERJ6GEYJ104	M 100KOHM,J,1/10W	1	
R3140,41	ERJ3GEYJ473	M 47KOHM,J,1/16W	2	
R3143,44	ERJ3GEYJ101	M 100 OHM,J,1/16W	2	
R3150,51	ERJ3GEYJ101	M 100 OHM,J,1/16W	2	
R3160,61	ERJ3GEY0R00	M 0 OHM, 1/16W	2	
R3163	ERJ3GEYJ102	M 1KOHM,J,1/16W	1	
R3188-90	ERJ6ENF39R0	M 39 OHM, 1/10W	3	
R3195,96	ERJ3GEYJ103	M 10KOHM,J,1/16W	2	
R3197,98	ERJ3GEYJ123	M 12KOHM,J,1/16W	2	
R3210,11	ERJ6GEYJ101	M 100 OHM,J,1/10W	2	
R3212-15	ERJ3GEYJ472	M 4.7KOHM,J,1/16W	4	
R3216-19	ERJ6GEYJ3R3	M 3.3KOHM,J,1/10W	4	
R3230,31	ERJ6GEYJ101	M 100 OHM,J,1/10W	2	
R3400	ERJ6GEYJ103	M 10KOHM,J,1/10W	1	
R3508,09	ERJ6GEYJ472	M 4.7KOHM,J,1/10W	2	
R3510,11	ERJ6GEYJ101	M 100 OHM,J,1/10W	2	
R3529,30	ERJ6GEYJ184	M 180KOHM,J,1/10W	2	
R3547,48	ERJ6GEYJ101	M 100 OHM,J,1/10W	2	

Ref. No.	Part No.	Part Name & Description	Pcs	Remarks
R3585,86	ERJ6GEYJ560	M 56 OHM,J,1/10W	2	
R3589	ERJ6GEYJ473	M 47KOHM,J,1/10W	1	
R3590	ERJ6GEYJ560	M 56 OHM,J,1/10W	1	
R3591-93	ERJ6GEY0R00	M 0 OHM, 1/10W	3	
R3653	ERJ6GEYJ153	M 15KOHM,J,1/10W	1	
R3654	ERJ6GEYJ333	M 33KOHM,J,1/10W	1	
R3655	ERJ6GEYJ153	M 15KOHM,J,1/10W	1	
R3656	ERJ6GEYJ333	M 33KOHM,J,1/10W	1	
R3663,64	ERJ6GEYJ102	M 1KOHM,J,1/10W	2	
R3668	ERJ6GEYJ101	M 100 OHM,J,1/10W	1	
R3672	ERJ6GEYJ101	M 100 OHM,J,1/10W	1	
R3751	ERJ6GEYF822	M 8.2KOHM,F,1/10W	1	
R3752	ERJ6GEYF222	M 2.2KOHM,F,1/10W	1	
R3753	ERJ6GEYF302	M 3.0KOHM,F,1/10W	1	
R3754	ERJ6GEY0R00	M 0 OHM, 1/10W	1	
R3756	ERJ6GEY0R00	M 0 OHM, 1/10W	1	
R3758	ERJ6GEYF472	M 4.7KOHM,F,1/10W	1	
R3759-64	ERJ6GEY0R00	M 0 OHM, 1/10W	6	
R3766,67	ERJ6GEY0R00	M 0 OHM, 1/10W	2	
R3776,77	ERJ6GEYJ101	M 100 OHM,J,1/10W	2	
R3778	ERJ6GEYJ473	M 47KOHM,J,1/10W	1	
R3790,91	ERJ6GEYJ101	M 100 OHM,J,1/10W	2	
R4001-03	D1HG1008A002	NETWORK RESISTER	3	
R4004	ERJ6GEY0R00	M 0 OHM, 1/10W	1	
R4005	ERJ3GEYJ272	M 2.7KOHM,J,1/16W	1	
R4006	ERJ3EKF6801	M 6.8KOHM, 1/16W	1	
R4007	ERJ6ENF39R0	M 39 OHM, 1/10W	1	
R4008	ERJ3GEY0R00	M 0 OHM, 1/16W	1	
R4009	ERJ6ENF39R0	M 39 OHM, 1/10W	1	
R4010	ERJ3GEY0R00	M 0 OHM, 1/16W	1	
R4011	ERJ6ENF39R0	M 39 OHM, 1/10W	1	
R4012-14	ERJ3GEY0R00	M 0 OHM, 1/16W	3	
R4016-19	ERJ3GEY0R00	M 0 OHM, 1/16W	4	
R4020	ERJ6GEY0R00	M 0 OHM, 1/10W	1	
R4021	ERJ3GEYJ100	M 10 OHM,J,1/16W	1	
R4023	ERJ6GEY0R00	M 0 OHM, 1/10W	1	
R4024	ERJ3GEY0R00	M 0 OHM, 1/16W	1	
R4025	ERJ6ENF1502	M 15KOHM, 1/10W	1	
R4026	ERJ6ENF5102	M 51KOHM, 1/10W	1	
R4027	ERJ6GEY0R00	M 0 OHM, 1/10W	1	
R4028	ERJ3GEYJ103	M 10KOHM,J,1/16W	1	
R4035-38	ERJ3GEYJ101	M 100 OHM,J,1/16W	4	
R4041,42	ERJ3GEY0R00	M 0 OHM, 1/16W	2	
R4139	ERJ3GEYJ102	M 1KOHM,J,1/16W	1	
R4142	ERJ3GEYJ472	M 4.7KOHM,J,1/16W	1	
R4144	ERJ3GEYJ472	M 4.7KOHM,J,1/16W	1	
R4148	ERJ3GEYJ472	M 4.7KOHM,J,1/16W	1	
R4171	ERJ3GEYJ470	M 47 OHM,J,1/16W	1	
R4201	ERJ6GEY0R00	M 0 OHM, 1/10W	1	
R4211-20	ERJ3GEYJ101	M 100 OHM,J,1/16W	10	
R4221,22	ERJ3GEYJ470	M 47 OHM,J,1/16W	2	
R4224	ERJ3GEYJ103	M 10KOHM,J,1/16W	1	
R4226	ERJ3GEYJ103	M 10KOHM,J,1/16W	1	
R4228	ERJ3GEYJ103	M 10KOHM,J,1/16W	1	
R4240,41	ERJ3GEYJ103	M 10KOHM,J,1/16W	2	
R4242,43	ERJ3GEY0R00	M 0 OHM, 1/16W	2	
R4244	ERJ3GEYJ220	M 22 OHM,J,1/16W	1	
R4245	ERJ3GEYJ102	M 1KOHM,J,1/16W	1	
R4249	ERJ3GEYJ102	M 1KOHM,J,1/16W	1	

Ref. No.	Part No.	Part Name & Description	Pcs	Remarks
R4250-52	ERJ3GEY0R00	M 0 OHM, 1/16W	3	
R4256,57	ERJ3GEY0R00	M 0 OHM, 1/16W	2	
R4260,61	ERJ3GEY0R00	M 0 OHM, 1/16W	2	
R4263,64	ERJ3GEY0R00	M 0 OHM, 1/16W	2	
R4271-73	D1HG8208A002	NETWORK RESISTER	3	
R4274,75	ERJ3GEYJ470	M 47 OHM,J,1/16W	2	
R4276	ERJ3GEYJ220	M 22 OHM,J,1/16W	1	
R4277-79	D1HG1218A002	NETWORK RESISTER	3	
R4280,81	ERJ3GEYJ470	M 47 OHM,J,1/16W	2	
R4282	ERJ3GEYJ220	M 22 OHM,J,1/16W	1	
R4312,13	ERJ3GEY0R00	M 0 OHM, 1/16W	2	
R4314	ERJ3GEYJ103	M 10KOHM,J,1/16W	1	
R4316	ERJ3GEYJ103	M 10KOHM,J,1/16W	1	
R4318,19	ERJ3GEYJ223	M 22KOHM,J,1/16W	2	
R4321	ERJ3GEYJ223	M 22KOHM,J,1/16W	1	
R4324	ERJ3GEYJ103	M 10KOHM,J,1/16W	1	
R4325-27	EXB38VR000	RESISTOR ARRAY	3	
R4502	ERJ3GEY0R00	M 0 OHM, 1/16W	1	
R4503	ERJ3GEYJ103	M 10KOHM,J,1/16W	1	
R4506,07	ERJ3GEYJ103	M 10KOHM,J,1/16W	2	
R4510-12	ERJ3GEYJ470	M 47 OHM,J,1/16W	3	
R4514,15	ERJ3GEYJ470	M 47 OHM,J,1/16W	2	
R4518	ERJ3GEY0R00	M 0 OHM, 1/16W	1	
R4520	ERJ3GEY0R00	M 0 OHM, 1/16W	1	
R4522,23	ERJ3GEY0R00	M 0 OHM, 1/16W	2	
R4525,26	ERJ3GEY0R00	M 0 OHM, 1/16W	2	
R4528	ERJ3GEY0R00	M 0 OHM, 1/16W	1	
R4530,31	ERJ3GEY0R00	M 0 OHM, 1/16W	2	
R4533	ERJ3GEY0R00	M 0 OHM, 1/16W	1	
R4536,37	ERJ3GEY0R00	M 0 OHM, 1/16W	2	
R4539-41	ERJ3GEY0R00	M 0 OHM, 1/16W	3	
R4544-47	ERJ3GEY0R00	M 0 OHM, 1/16W	4	
R4549	ERJ3GEY0R00	M 0 OHM, 1/16W	1	
R4554	ERJ3GEYJ472	M 4.7KOHM,J,1/16W	1	
R4555-58	ERJ3GEY0R00	M 0 OHM, 1/16W	4	
R4559,60	ERJ3GEYJ102	M 1KOHM,J,1/16W	2	
R4564-67	ERJ3GEY0R00	M 0 OHM, 1/16W	4	
R4568,69	D1HG1038A002	NETWORK RESISTER	2	
R4570-72	ERJ3GEY0R00	M 0 OHM, 1/16W	3	
R4573	ERJ3GEYJ103	M 10KOHM,J,1/16W	1	
R4574	EXB2HV680J	RESISTOR ARRAY	1	
R4575,76	ERJ3GEYJ680	M 68 OHM,J,1/16W	2	
R4577	EXB2HV680J	RESISTOR ARRAY	1	
R4578,79	ERJ6ENF1001	M 1KOHM, 1/10W	2	
R4580	ERJ6ENF1101	M 1.1KOHM, 1/10W	1	
R4581	ERJ6ENF3161	M3.16KOHM, 1/10W	1	
R4582,83	ERJ3GEYJ680	M 68 OHM,J,1/16W	2	
R4584	EXB2HV680J	RESISTOR ARRAY	1	
R4585,86	ERJ3GEYJ680	M 68 OHM,J,1/16W	2	

Ref. No.	Part No.	Part Name & Description	Pcs	Remarks
R4587-89	D1HG33080001	NETWORK RESISTER	3	
R4590,91	ERJ3GEYJ680	M 68 OHM,J,1/16W	2	
R4592	ERJ3GEYJ470	M 47 OHM,J,1/16W	1	
R4595	ERJ3GEYJ680	M 68 OHM,J,1/16W	1	
R4596	ERJ3GEYJ103	M 10KOHM,J,1/16W	1	
R4618-21	D1HG33080001	NETWORK RESISTER	4	
R4622	ERJ3GEYOR00	M 0 OHM, 1/16W	1	
R4626,27	ERJ3GEYOR00	M 0 OHM, 1/16W	2	
R4631	ERJ3GEYOR00	M 0 OHM, 1/16W	1	
R4640	ERJ3GEYJ121	M 120 OHM,J,1/16W	1	
R4657,58	ERJ6ENF1001	M 1KOHM, 1/10W	2	
R4671	ERJ3GEYOR00	M 0 OHM, 1/16W	1	
R4701	EXB38V103J	RESISTOR ARRAY	1	
R4702	ERJ3GEYJ272	M 2.7KOHM,J,1/16W	1	
R4703	ERJ3GEYJ101	M 100 OHM,J,1/16W	1	
R4704	ERJ3GEYJ272	M 2.7KOHM,J,1/16W	1	
R4706	ERJ3GEYJ332	M 3.3KOHM,J,1/16W	1	
R4707	ERJ3GEYJ101	M 100 OHM,J,1/16W	1	
R4708	ERJ3GEYJ103	M 10KOHM,J,1/16W	1	
R4709	ERJ3GEYJ101	M 100 OHM,J,1/16W	1	
R4710,11	ERJ3GEYJ103	M 10KOHM,J,1/16W	2	
R4712,13	D1HG1008A002	NETWORK RESISTER	2	
R4715	ERJ3GEYJ101	M 100 OHM,J,1/16W	1	
R4716	ERJ3GEYJ103	M 10KOHM,J,1/16W	1	
R4717	ERJ3GEYJ101	M 100 OHM,J,1/16W	1	
R4718,19	ERJ3GEYJ103	M 10KOHM,J,1/16W	2	
R4722	ERJ3GEYJ272	M 2.7KOHM,J,1/16W	1	
R4723	ERJ3GEYJ101	M 100 OHM,J,1/16W	1	
R4724	ERJ3GEYJ103	M 10KOHM,J,1/16W	1	
R4726	ERJ3GEYJ103	M 10KOHM,J,1/16W	1	
R4727	ERJ3GEYJ101	M 100 OHM,J,1/16W	1	
R4728	ERJ3GEYJ103	M 10KOHM,J,1/16W	1	
R4729,30	ERJ3GEYJ101	M 100 OHM,J,1/16W	2	
R4732	ERJ3GEYJ101	M 100 OHM,J,1/16W	1	
R4734	ERJ3GEYJ103	M 10KOHM,J,1/16W	1	
R4735	ERJ3GEYJ101	M 100 OHM,J,1/16W	1	
R4737	ERJ3GEYJ103	M 10KOHM,J,1/16W	1	
R4738	ERJ3GEYJ101	M 100 OHM,J,1/16W	1	
R4740,41	D1HG1008A002	NETWORK RESISTER	2	
R4742,43	ERJ3GEYJ220	M 22 OHM,J,1/16W	2	
R4745	ERJ3GEYOR00	M 0 OHM, 1/16W	1	
R4746	ERJ3GEYJ103	M 10KOHM,J,1/16W	1	
R4747	EXB38VR000	RESISTOR ARRAY	1	
R4748-52	ERJ3GEYOR00	M 0 OHM, 1/16W	5	
R4753	ERJ3GEYJ220	M 22 OHM,J,1/16W	1	
R4754	ERJ3GEYJ562	M 5.6KOHM,J,1/16W	1	
R4755	ERJ3GEYJ220	M 22 OHM,J,1/16W	1	
R4756	ERJ3GEYJ562	M 5.6KOHM,J,1/16W	1	
R4757	ERJ3GEYJ220	M 22 OHM,J,1/16W	1	
R4758	ERJ3GEYJ272	M 2.7KOHM,J,1/16W	1	
R4759	ERJ3GEYJ220	M 22 OHM,J,1/16W	1	
R4760	ERJ3GEYJ272	M 2.7KOHM,J,1/16W	1	
R4761-63	ERJ3GEYOR00	M 0 OHM, 1/16W	3	
R4764,65	ERJ3GEYJ470	M 47 OHM,J,1/16W	2	
R4766,67	EXB2HV470JV	RESISTOR ARRAY	2	
R4768	ERJ3GEYJ470	M 47 OHM,J,1/16W	1	
R4769	ERJ3GEYJ272	M 2.7KOHM,J,1/16W	1	
R4770	ERJ3GEYJ470	M 47 OHM,J,1/16W	1	
R4771	ERJ3GEYJ272	M 2.7KOHM,J,1/16W	1	
R4772	ERJ3GEYJ101	M 100 OHM,J,1/16W	1	
R4773	ERJ3GEYOR00	M 0 OHM, 1/16W	1	

Ref. No.	Part No.	Part Name & Description	Pcs	Remarks
R4774	ERJ3GEYJ102	M 1KOHM,J,1/16W	1	
R4775	ERJ3GEYJ103	M 10KOHM,J,1/16W	1	
R4777	ERJ3GEYJ393	M 39KOHM,J,1/16W	1	
R4779	ERJ3GEYJ103	M 10KOHM,J,1/16W	1	
R4780,81	ERJ3GEYJ101	M 100 OHM,J,1/16W	2	
R4783	ERJ3GEYJ103	M 10KOHM,J,1/16W	1	
R4786	EXB38V103J	RESISTOR ARRAY	1	
R4788	ERJ3GEYJ101	M 100 OHM,J,1/16W	1	
R4790,91	ERJ3GEYJ101	M 100 OHM,J,1/16W	2	
R4792	ERJ3GEYJ102	M 1KOHM,J,1/16W	1	
R4793	ERJ3GEYJ123	M 12KOHM,J,1/16W	1	
R4795	ERJ3GEYJ103	M 10KOHM,J,1/16W	1	
R4796	ERJ3GEYJ182	M 1.8KOHM,J,1/16W	1	
R4804	ERJ3GEYJ332	M 3.3KOHM,J,1/16W	1	
R4806	ERJ3GEYJ101	M 100 OHM,J,1/16W	1	
R4808	ERJ3GEYJ332	M 3.3KOHM,J,1/16W	1	
R4812,13	ERJ3GEYJ103	M 10KOHM,J,1/16W	2	
R4814	ERJ3GEYJ101	M 100 OHM,J,1/16W	1	
R4815	ERJ3GEYJ103	M 10KOHM,J,1/16W	1	
R4817	ERJ3GEYOR00	M 0 OHM, 1/16W	1	
R4818,19	ERJ3GEYJ101	M 100 OHM,J,1/16W	2	
R4820	ERJ3GEYJ103	M 10KOHM,J,1/16W	1	
R4821	ERJ3GEYJ102	M 1KOHM,J,1/16W	1	
R4822,23	ERJ3GEYJ103	M 10KOHM,J,1/16W	2	
R4824	ERJ3GEYJ104	M 100KOHM,J,1/16W	1	
R4825	ERJ3GEYJ103	M 10KOHM,J,1/16W	1	
R4826	ERJ3GEYJ104	M 100KOHM,J,1/16W	1	
R4827	ERJ3GEYOR00	M 0 OHM, 1/16W	1	
R4828	ERJ3GEYJ101	M 100 OHM,J,1/16W	1	
R4829	ERJ3GEYJ102	M 1KOHM,J,1/16W	1	
R4830	ERJ3GEYJ103	M 10KOHM,J,1/16W	1	
R4831	ERJ3GEYOR00	M 0 OHM, 1/16W	1	
R4832	ERJ3GEYJ103	M 10KOHM,J,1/16W	1	
R4833	ERJ3GEYJ473	M 47KOHM,J,1/16W	1	
R4834	ERJ3GEYJ103	M 10KOHM,J,1/16W	1	
R4835	ERJ3GEYJ102	M 1KOHM,J,1/16W	1	
R4836	ERJ3GEYJ473	M 47KOHM,J,1/16W	1	
R4837	ERJ3GEYJ103	M 10KOHM,J,1/16W	1	
R4838	ERJ3GEYJ102	M 1KOHM,J,1/16W	1	
R4839	ERJ3GEYJ473	M 47KOHM,J,1/16W	1	
R4840	ERJ3GEYJ103	M 10KOHM,J,1/16W	1	
R4841,42	ERJ3GEYJ562	M 5.6KOHM,J,1/16W	2	
R4843	ERJ3GEYJ331	M 330 OHM,J,1/16W	1	
R4844	ERJ3GEYJ102	M 1KOHM,J,1/16W	1	
R4845	ERJ3GEYJ392	M 3.9KOHM,J,1/16W	1	
R4846	ERJ3GEYJ682	M 6.8KOHM,J,1/16W	1	
R4847,48	ERJ3GEYJ102	M 1KOHM,J,1/16W	2	
R4849	ERJ3GEYJ123	M 12KOHM,J,1/16W	1	
R4850	ERJ3GEYJ102	M 1KOHM,J,1/16W	1	
R4851-53	ERJ3GEYJ103	M 10KOHM,J,1/16W	3	
R4855	ERJ3GEYOR00	M 0 OHM, 1/16W	1	
R4858	ERJ3GEYJ101	M 100 OHM,J,1/16W	1	
R4859	ERJ3GEYJ562	M 5.6KOHM,J,1/16W	1	
R4860	ERJ3GEYJ103	M 10KOHM,J,1/16W	1	
R4863	ERJ3GEYOR00	M 0 OHM, 1/16W	1	
R4864	ERJ3GEYJ562	M 5.6KOHM,J,1/16W	1	
R4865,66	ERJ3GEYJ103	M 10KOHM,J,1/16W	2	
R4868	ERJ3GEYJ682	M 6.8KOHM,J,1/16W	1	
R4869	ERJ3GEYJ101	M 100 OHM,J,1/16W	1	
R4870	ERJ3GEYJ103	M 10KOHM,J,1/16W	1	
R4872	ERJ3GEYJ102	M 1KOHM,J,1/16W	1	
R4873,74	ERJ3GEYJ223	M 22KOHM,J,1/16W	2	
R4876	ERJ3GEYJ103	M 10KOHM,J,1/16W	1	
R4877	ERJ3GEYJ102	M 1KOHM,J,1/16W	1	
R4879	ERJ3GEYJ101	M 100 OHM,J,1/16W	1	

Ref. No.	Part No.	Part Name & Description	Pcs	Remarks
R4880	ERJ3GEY0R00	M 0 OHM, 1/16W	1	
R4881	ERJ3GEYJ103	M 10KOHM, J, 1/16W	1	
R4883	ERJ3GEYJ332	M 3.3KOHM, J, 1/16W	1	
R4884	ERJ3GEYJ103	M 10KOHM, J, 1/16W	1	
R4886	ERJ3GEYJ332	M 3.3KOHM, J, 1/16W	1	
R4887	ERJ3GEYJ103	M 10KOHM, J, 1/16W	1	
R4888	ERJ3GEYJ101	M 100 OHM, J, 1/16W	1	
R4891	ERJ3GEY0R00	M 0 OHM, 1/16W	1	
R4892	ERJ3GEYJ101	M 100 OHM, J, 1/16W	1	
R4893	ERJ3GEY0R00	M 0 OHM, 1/16W	1	
R4894, 95	ERJ3GEYJ101	M 100 OHM, J, 1/16W	2	
R4900	ERJ3GEY0R00	M 0 OHM, 1/16W	1	
R4902	ERJ3GEY0R00	M 0 OHM, 1/16W	1	
R4903	ERJ3GEYJ101	M 100 OHM, J, 1/16W	1	
R4904	ERJ3GEYJ103	M 10KOHM, J, 1/16W	1	
R4906	ERJ3GEYJ101	M 100 OHM, J, 1/16W	1	
R4908	ERJ3GEYJ562	M 5.6KOHM, J, 1/16W	1	
R4909	ERJ6GEY0R00	M 0 OHM, 1/10W	1	
R4910	ERJ3EKF6202	M 62KOHM, 1/16W	1	
R4911-21	ERJ3GEYJ101	M 100 OHM, J, 1/16W	11	
R4922	ERJ3GEY0R00	M 0 OHM, 1/16W	1	
R4924	ERJ3GEYJ103	M 10KOHM, J, 1/16W	1	
R4925-27	ERJ3GEY0R00	M 0 OHM, 1/16W	3	
R4930	ERJ3GEY0R00	M 0 OHM, 1/16W	1	
R4931	ERJ6GEY0R00	M 0 OHM, 1/10W	1	
R4932	ERJ3EKF3902	M 39KOHM, 1/16W	1	
R4933	ERJ3EKF3901	M 3.9KOHM, 1/16W	1	
R4934	ERJ3EKF3002	M 30KOHM, 1/16W	1	
R4935	ERJ3GEYJ104	M 100KOHM, J, 1/16W	1	
R4936	ERJ3GEY0R00	M 0 OHM, 1/16W	1	
R4938	ERJ3EKF1302	M 13KOHM, 1/16W	1	
R4939	ERJ3EKF2402	M 24KOHM, 1/16W	1	
R4940	ERJ3GEY0R00	M 0 OHM, 1/16W	1	
R4941	ERJ3GEYJ103	M 10KOHM, J, 1/16W	1	
R4942, 43	ERJ3GEYJ220	M 22 OHM, J, 1/16W	2	
R4944	ERJ6GEY0R00	M 0 OHM, 1/10W	1	
R4947	ERJ3GEYJ103	M 10KOHM, J, 1/16W	1	
R4950	ERJ3GEYJ104	M 100KOHM, J, 1/16W	1	
R4951	ERJ6GEY0R00	M 0 OHM, 1/10W	1	
R4952	ERJ3GEY0R00	M 0 OHM, 1/16W	1	
R4953	ERJ3EKF4702	M 47KOHM, 1/16W	1	
R4954	ERJ3EKF7501	M 7.5KOHM, 1/16W	1	
R4955	ERJ3GEY0R00	M 0 OHM, 1/16W	1	
R4957	ERJ3EKF3602	M 36KOHM, 1/16W	1	
R4958	ERJ3EKF8202	M 82KOHM, 1/16W	1	
R4959	ERJ3EKF2202	M 22KOHM, 1/16W	1	
R4960	ERJ3GEY0R00	M 0 OHM, 1/16W	1	
R4961, 62	ERJ6GEY0R00	M 0 OHM, 1/10W	2	
R4963	ERJ3EKF4702	M 47KOHM, 1/16W	1	
R4964	ERJ3EKF7501	M 7.5KOHM, 1/16W	1	
R4965	ERJ3GEYJ104	M 100KOHM, J, 1/16W	1	
R4966, 67	ERJ3GEY0R00	M 0 OHM, 1/16W	2	
R4969	ERJ3EKF3602	M 36KOHM, 1/16W	1	
R4970	ERJ3EKF6802	M 68KOHM, 1/16W	1	
R4973	ERJ3EKF2402	M 24KOHM, 1/16W	1	
R4974	ERJ3EKF2401	M 2.4KOHM, 1/16W	1	
R4975	ERJ6GEY0R00	M 0 OHM, 1/10W	1	
R4981	ERJ6GEY0R00	M 0 OHM, 1/10W	1	
R4986	ERJ3GEYJ183	M 18KOHM, J, 1/16W	1	
R4987	ERJ6GEY0R00	M 0 OHM, 1/10W	1	
R4991, 92	ERJ3GEYJ103	M 10KOHM, J, 1/16W	2	
R4994, 95	ERJ3GEYJ103	M 10KOHM, J, 1/16W	2	
R6001-06	ERJ14YJ150U	M 15 OHM, J, 1/4W	6	
R6020	ERG2FJS101D	M 100 OHM, J, 2W	1	
R6021	ERJ14YJ150U	M 15 OHM, J, 1/4W	1	
R6022	ERG2FJS101D	M 100 OHM, J, 2W	1	

Ref. No.	Part No.	Part Name & Description	Pcs	Remarks
R6023-27	ERJ14YJ150U	M 15 OHM, J, 1/4W	5	
R6031	ERJ14YJ204	M 200KOHM, J, 1/4W	1	
R6041-44	ERJ14YJ150U	M 15 OHM, J, 1/4W	4	
R6051, 52	ERJ14YJ150U	M 15 OHM, J, 1/4W	2	
R6061, 62	ERJ6GEYJ224	M 220KOHM, J, 1/10W	2	
R6101-04	ERJ6GEYJ101	M 100 OHM, J, 1/10W	4	
R6111, 12	D0GD470JA036	M 47 OHM, J, 0.25W	2	
R6113	ERJ14YJ224	M 220KOHM, J, 1/4W	1	
R6131, 32	ERJ6GEYJ101	M 100 OHM, J, 1/10W	2	
R6133, 34	ERJ6GEYJ151	M 150 OHM, J, 1/10W	2	
R6135, 36	D0GD100JA036	M 10 OHM, J, 0.25W	2	
R6141, 42	ERJ6GEYJ103	M 10KOHM, J, 1/10W	2	
R6146, 47	ERJ6GEYJ103	M 10KOHM, J, 1/10W	2	
R6151, 52	ERJ6GEYJ101	M 100 OHM, J, 1/10W	2	
R6153, 54	ERJ6GEYJ151	M 150 OHM, J, 1/10W	2	
R6155	ERJ6GEYJ104	M 100KOHM, J, 1/10W	1	
R6157, 58	D0GF1R0JA047	M 1.0 OHM, J, 0.33W	2	
R6160	D0GF1R0JA047	M 1.0 OHM, J, 0.33W	1	
R6166	ERJ6GEYJ101	M 100 OHM, J, 1/10W	1	
R6173	ERJ6GEYJ103	M 10KOHM, J, 1/10W	1	
R6174	ERJ6GEY0R00	M 0 OHM, 1/10W	1	
R6191-94	ERJ6GEYJ101	M 100 OHM, J, 1/10W	4	
R6195	D0GD104JA036	M 100KOHM, J, 0.25W	1	
R6196	ERJ6GEYJ104	M 100KOHM, J, 1/10W	1	
R6213	ERJ6GEYJ101	M 100 OHM, J, 1/10W	1	
R6214	D0GD151JA036	M 150 OHM, J, 0.25W	1	
R6215	D0GF910JA047	M 91 OHM, J, 0.33W	1	
R6216	ERJ6GEYJ102	M 1KOHM, J, 1/10W	1	
R6217	D0GF910JA047	M 91 OHM, J, 0.33W	1	
R6222	ERG1FJS103D	M 10KOHM, J, 1W	1	
R6223	ERG2FJS123D	M 12KOHM, J, 2W	1	
R6225-27	ERJ6ENF1692	M 16.9KOHM, 1/10W	3	
R6229	ERJ6ENF1692	M 16.9KOHM, 1/10W	1	
R6232	ERJ6ENF1201	M 1.2KOHM, 1/10W	1	
R6233-35	ERJ6GEYJ273	M 27KOHM, J, 1/10W	3	
R6236	ERJ6GEYJ562	M 5.6KOHM, J, 1/10W	1	
R6241	EXB38V470J	RESISTOR ARRAY	1	
R6242	EXB38V472J	RESISTOR ARRAY	1	
R6243	ERJ6GEYJ470	M 47 OHM, J, 1/10W	1	
R6244	ERJ6GEYJ472	M 4.7KOHM, J, 1/10W	1	
R6245	ERJ6GEYJ470	M 47 OHM, J, 1/10W	1	
R6246	ERJ6GEYJ472	M 4.7KOHM, J, 1/10W	1	
R6251	D0GD103JA036	M 10KOHM, J, 0.25W	1	
R6252, 53	ERJ6ENF3902	M 39KOHM, 1/10W	2	
R6254	ERJ6ENF7501	M 7.5KOHM, 1/10W	1	
R6255, 56	ERJ6GEYJ152	M 1.5KOHM, J, 1/10W	2	
R6257	ERJ6GEYJ103	M 10KOHM, J, 1/10W	1	
R6258	ERJ6GEYJ222	M 2.2KOHM, J, 1/10W	1	
R6261	ERJ6GEYJ104	M 100KOHM, J, 1/10W	1	
R6401-06	ERJ14YJ150U	M 15 OHM, J, 1/4W	6	
R6421-26	ERJ14YJ150U	M 15 OHM, J, 1/4W	6	
R6441-44	ERJ14YJ150U	M 15 OHM, J, 1/4W	4	
R6451, 52	ERJ14YJ150U	M 15 OHM, J, 1/4W	2	
R6465	ERJ14YJ204	M 200KOHM, J, 1/4W	1	

Ref. No.	Part No.	Part Name & Description	Pcs	Remarks
R6471	ERJ6GEYJ392	M 3.9KOHM,J,1/10W	1	
R6472	ERJ6GEYJ222	M 2.2KOHM,J,1/10W	1	
R6473	ERJ6GEYJ561	M 560 OHM,J,1/10W	1	
R6474	ERJ6GEYJ102	M 1KOHM,J,1/10W	1	
R6475,76	ERJ6GEYJ472	M 4.7KOHM,J,1/10W	2	
R6477	ERJ6GEYJ102	M 1KOHM,J,1/10W	1	
R6478	ERJ6GEYJ472	M 4.7KOHM,J,1/10W	1	
R6479	ERJ6GEYJ104	M 100KOHM,J,1/10W	1	
R6501,02	ERJ6GEYJ101	M 100 OHM,J,1/10W	2	
R6503	D0GD100JA036	M 10 OHM,J,0.25W	1	
R6504,05	ERJ6GEYJ151	M 150 OHM,J,1/10W	2	
R6506	D0GD100JA036	M 10 OHM,J,0.25W	1	
R6507,08	D0GFLR0JA047	M 1.0 OHM,J, 0.33W	2	
R6511,12	ERJ6GEYJ103	M 10KOHM,J,1/10W	2	
R6516,17	ERJ6GEYJ103	M 10KOHM,J,1/10W	2	
R6521,22	ERJ6GEYJ101	M 100 OHM,J,1/10W	2	
R6523,24	ERJ6GEYJ151	M 150 OHM,J,1/10W	2	
R6525	ERJ6GEYJ104	M 100KOHM,J,1/10W	1	
R6526	ERJ6GEYJ101	M 100 OHM,J,1/10W	1	
R6533	ERJ6GEYJ103	M 10KOHM,J,1/10W	1	
R6534	ERJ6GEY0R00	M 0 OHM, 1/10W	1	
R6561-64	EXB38V470J	RESISTOR ARRAY	4	
R6565-68	EXB38V472J	RESISTOR ARRAY	4	
R6581	D0GD103JA036	M 10KOHM,J,0.25W	1	
R6582,83	ERJ6ENF3902	M 39KOHM, 1/10W	2	
R6584	ERJ6ENF7501	M 7.5KOHM, 1/10W	1	
R6585,86	ERJ6GEYJ152	M 1.5KOHM,J,1/10W	2	
R6587	ERJ6GEYJ222	M 2.2KOHM,J,1/10W	1	
R6588	ERJ6GEYJ103	M 10KOHM,J,1/10W	1	
R6590	ERJ6GEYJ221	M 220 OHM,J,1/10W	1	
R6591	EXB38V472J	RESISTOR ARRAY	1	
R6592	ERJ6GEYJ472	M 4.7KOHM,J,1/10W	1	
R6603	ERJ6GEYJ101	M 100 OHM,J,1/10W	1	
R6604	D0GD151JA036	M 150 OHM,J,0.25W	1	
R6605	ERJ6GEYJ104	M 100KOHM,J,1/10W	1	
R6606	ERJ6ENF2741	M2.74KOHM, 1/10W	1	
R6608,09	D0GF102JA047	M 1.0 KOHM,J,0.33W	2	
R6610	ERJ6GEYJ104	M 100KOHM,J,1/10W	1	
R6611	ERJ6GEYJ105	M 1MOHM,J,1/10W	1	
R6612	ERJ6GEYJ470	M 47 OHM,J,1/10W	1	
R6613	ERJ6GEYJ105	M 1MOHM,J,1/10W	1	
R6614,15	D0GF243JA047	M 24 KOHM,J,0.33W	2	
R6616	ERJ6ENF1502	M 15KOHM, 1/10W	1	
R6617	ERJ6GEYJ105	M 1MOHM,J,1/10W	1	
R6618	ERJ6ENF1202	M 12KOHM, 1/10W	1	
R6619	ERJ6ENF1501	M 1.5KOHM, 1/10W	1	
R6620	D0D28R2JA021	M 8.2 OHM,J,2W	1	
R6621,22	ERJ6GEYJ221	M 220 OHM,J,1/10W	2	
R6642-44	ERJ6GEYJ100	M 10 OHM,J,1/10W	3	
R6646-48	ERJ6GEYJ100	M 10 OHM,J,1/10W	3	
R6658	D0D1101JA009	M 100 OHM,J,1W	1	
R6659,60	ERJ6GEYJ224	M 220KOHM,J,1/10W	2	
R6661	ERJ6GEYJ104	M 100KOHM,J,1/10W	1	
R6662	ERJ6ENF1201	M 1.2KOHM, 1/10W	1	
R6663	ERJ6GEYJ103	M 10KOHM,J,1/10W	1	
R6664	D0GF222JA047	M 2.2 KOHM,J,0.33W	1	
R6665	ERJ14YJ470	M 47 OHM,J, 1/2W	1	
R6666	ERJ6GEYJ104	M 100KOHM,J,1/10W	1	

Ref. No.	Part No.	Part Name & Description	Pcs	Remarks
R6667,68	ERJ6GEYJ472	M 4.7KOHM,J,1/10W	2	
R6671	ERJ6GEYJ470	M 47 OHM,J,1/10W	1	
R6672	ERJ6GEYJ103	M 10KOHM,J,1/10W	1	
R6673	D0GD5R6JA059	M 5.6 OHM,J,0.25W	1	
R6681,82	ERJ6GEYJ101	M 100 OHM,J,1/10W	2	
R6683	D0GD151JA036	M 150 OHM,J,0.25W	1	
R6684	ERJ6GEYJ100	M 10 OHM,J,1/10W	1	
R6685	ERJ6GEYJ471	M 470 OHM,J,1/10W	1	
R6686	ERJ6GEYJ103	M 10KOHM,J,1/10W	1	
R6687	ERJ6GEYJ222	M 2.2KOHM,J,1/10W	1	
R6688	ERJ6GEYJ472	M 4.7KOHM,J,1/10W	1	
R6689	ERJ6GEYJ100	M 10 OHM,J,1/10W	1	
R6690	ERJ6GEYJ151	M 150 OHM,J,1/10W	1	
R6691	ERJ6GEYJ103	M 10KOHM,J,1/10W	1	
R6696,97	D0D32R2JA020	M 2.2 OHM,J,3W	2	
R6700-08	ERJ6GEYJ471	M 470 OHM,J,1/10W	9	
R6710-18	ERJ6GEYJ222	M 2.2KOHM,J,1/10W	9	
R6721,22	EXB38V220J	RESISTOR ARRAY	2	
R6723	ERJ6GEYJ222	M 2.2KOHM,J,1/10W	1	
R6742	ERJ6GEYJ103	M 10KOHM,J,1/10W	1	
R6743	ERJ6GEYJ102	M 1KOHM,J,1/10W	1	
R6744	ERJ6GEYJ103	M 10KOHM,J,1/10W	1	
R6745	ERJ6GEYJ472	M 4.7KOHM,J,1/10W	1	
R6746,47	D0GD103JA036	M 10KOHM,J,0.25W	2	
R6755	ERJ6GEYJ101	M 100 OHM,J,1/10W	1	
R6756-58	D0GD101JA059	M 100 OHM,J,0.25W	3	
R6759	ERJ6GEYJ472	M 4.7KOHM,J,1/10W	1	
R6760	ERJ6GEYJ122	M 1.2KOHM,J,1/10W	1	
R6761	ERJ6GEYJ100	M 10 OHM,J,1/10W	1	
R6762	ERJ6GEYJ103	M 10KOHM,J,1/10W	1	
R6775,76	ERJ6GEYJ101	M 100 OHM,J,1/10W	2	
R6777	D0GD151JA036	M 150 OHM,J,0.25W	1	
R6781	ERJ6GEYJ470	M 47 OHM,J,1/10W	1	
R6782	ERJ6GEYJ103	M 10KOHM,J,1/10W	1	
R6791	ERJ6GEYJ102	M 1KOHM,J,1/10W	1	
R6792	ERJ6GEYJ103	M 10KOHM,J,1/10W	1	
R6793	ERJ6GEYJ101	M 100 OHM,J,1/10W	1	
R6806	ERJ6GEYJ562	M 5.6KOHM,J,1/10W	1	
R6807	ERJ6GEYJ332	M 3.3KOHM,J,1/10W	1	
R6808	ERG2FJS330D	M 33 OHM, J, 2W	1	
R6809	ERJ6GEYJ103	M 10KOHM,J,1/10W	1	
R6810,11	ERJ6GEYJ433	M 43KOHM,J,1/10W	2	
R6812	ERJ6ENF2743	M 274KOHM, 1/10W	1	
R6813	ERJ6ENF1001	M 1KOHM, 1/10W	1	
R6814	ERJ6ENF6981	M6.98KOHM, 1/10W	1	
R6815	ERJ6GEYJ222	M 2.2KOHM,J,1/10W	1	
R6816	ERJ6ENF1432	M14.3KOHM, 1/10W	1	
R6817	ERJ6ENF4701	M 4.7KOHM, 1/10W	1	
R6821	D0D2221JA021	M 220 OHM,J,2W	1	
R6822,23	ERJ12YJ104U	M 100KOHM, 1/2W	2	
R6824	ERJ6GEYJ562	M 5.6KOHM,J,1/10W	1	
R6825	ERJ6ENF2003	M 200KOHM, 1/10W	1	
R6826	ERJ6ENF2703	M 270KOHM, 1/10W	1	
R6827	ERJ6ENF1432	M14.3KOHM, 1/10W	1	
R6828	ERJ6ENF5231	M5.23KOHM, 1/10W	1	
R6829,30	ERJ6GEYJ154	M 150KOHM,J,1/10W	2	
R6831	ERJ6GEYJ103	M 10KOHM,J,1/10W	1	
R6833	ERJ6ENF5602	M 56KOHM, 1/10W	1	
R6834	ERJ6ENF5102	M 51KOHM, 1/10W	1	
R6835	ERJ6ENF5602	M 56KOHM, 1/10W	1	
R6836	ERJ6ENF5102	M 51KOHM, 1/10W	1	
R6837	ERJ6ENF4702	M 47KOHM, 1/10W	1	
R6839	ERJ6GEYJ472	M 4.7KOHM,J,1/10W	1	

Ref. No.	Part No.	Part Name & Description	Pcs	Remarks
R6841	ERJ12YJ103	M 10KOHM,J, 1/2W	1	
R6842	ERJ14YJ103	M 10KOHM, J,1/4W	1	
R6843	ERJ6GEYJ563	M 56KOHM,J,1/10W	1	
R6844	D0D2101JA021	M 100 OHM,J,2W	1	
R6845-47	ERJ6GEYJ563	M 56KOHM,J,1/10W	3	
R6848	ERJ6GEYJ472	M 4.7KOHM,J,1/10W	1	
R6849	D1BD5902A028	M 59KOHM, 1/10W	1	
R6850	ERJ6GENF6202	M 62KOHM, 1/10W	1	
R6851	ERJ6ENF1501	M 1.5KOHM, 1/10W	1	
R6852	ERJ6ENF2491	M2.49KOHM, 1/10W	1	
R6853	ERJ6GEYJ101	M 100 OHM,J,1/10W	1	
R6860	D0D28R2JA021	M 8.2 OHM,J,2W	1	
R6861	ERJ6ENF3902	M 39KOHM, 1/10W	1	
R6862,63	ERJ6ENF4702	M 47KOHM, 1/10W	2	
R6864	ERJ6ENF9101	M 9.1KOHM, 1/10W	1	
R6865	ERJ6GEYJ182	M 1.8KOHM,J,1/10W	1	
R6866	ERJ6ENF1501	M 1.5KOHM, 1/10W	1	
R6867	ERJ6GEYJ392	M 3.9KOHM,J,1/10W	1	
R6868	ERJ6GEYJ223	M 22KOHM,J,1/10W	1	
R6869	ERJ6GEYJ472	M 4.7KOHM,J,1/10W	1	
R6871-73	ERJ6ENF3902	M 39KOHM, 1/10W	3	
R6874	ERJ6ENF9101	M 9.1KOHM, 1/10W	1	
R6875	ERJ6ENF3301	M 3.3KOHM, 1/10W	1	
R6876	ERJ6ENF1201	M 1.2KOHM, 1/10W	1	
R6877	ERJ6GEYJ392	M 3.9KOHM,J,1/10W	1	
R6878	ERJ6GEYJ223	M 22KOHM,J,1/10W	1	
R6879	ERJ6GEYJ472	M 4.7KOHM,J,1/10W	1	
R6886-88	ERJ6GEYJ224	M 220KOHM,J,1/10W	3	
R6901	ERJ6GEYJ101	M 100 OHM,J,1/10W	1	
R6902-04	ERJ3GEYJ220	M 22 OHM,J,1/16W	3	
R6908,09	ERJ6GEYJ221	M 220 OHM,J,1/10W	2	
R6916	ERJ6GEYJ221	M 220 OHM,J,1/10W	1	
R6921,22	ERJ6GEYJ104	M 100KOHM,J,1/10W	2	
R6923	ERJ6GEYJ472	M 4.7KOHM,J,1/10W	1	
R6931-34	ERJ6GEYJ103	M 10KOHM,J,1/10W	4	
R6935,36	ERJ8GEYJ224	M 220KOHM, J,1/8W	2	
R6951	ERJ6GEYJ101	M 100 OHM,J,1/10W	1	
R6952-54	ERJ3GEYJ220	M 22 OHM,J,1/16W	3	
R6958,59	ERJ6GEYJ221	M 220 OHM,J,1/10W	2	
R6966	ERJ6GEYJ221	M 220 OHM,J,1/10W	1	
R6981-84	ERJ6GEYJ103	M 10KOHM,J,1/10W	4	
R6985,86	ERJ8GEYJ224	M 220KOHM, J,1/8W	2	
R7111	D0GD472JA059	M 4.7KOHM,J,0.25W	1	
R7112,13	ERJ3GEYJ220	M 22 OHM,J,1/16W	2	
R7114	ERJ3GEYJ223	M 22KOHM,J,1/16W	1	
R7115	ERJ3GEYJ104	M 100KOHM,J,1/16W	1	
R7116,17	ERJ3GEYJ220	M 22 OHM,J,1/16W	2	
R7118	ERJ6GEYJ224	M 220KOHM,J,1/10W	1	
R7120-24	EXB38V470J	RESISTOR ARRAY	5	
R7127	ERJ3GEYJ470	M 47 OHM,J,1/16W	1	
R7129-32	ERJ12YJ6R8U	M 6.8 OHM, J,1/2W	4	
R7133	ERJ3GEYJ470	M 47 OHM,J,1/16W	1	
R7136	ERJ3GEYJ470	M 47 OHM,J,1/16W	1	
R7138-41	ERJ12YJ6R8U	M 6.8 OHM, J,1/2W	4	
R7142	EXB38V102J	RESISTOR ARRAY	1	
R7143	ERJ3GEYJ470	M 47 OHM,J,1/16W	1	
R7146	EXB38V470J	RESISTOR ARRAY	1	
R7147-52	EXB38V102J	RESISTOR ARRAY	6	

Ref. No.	Part No.	Part Name & Description	Pcs	Remarks
R7154	ERJ3GEYJ470	M 47 OHM,J,1/16W	1	
R7156-59	ERJ12YJ6R8U	M 6.8 OHM, J,1/2W	4	
R7160	ERJ3GEYJ470	M 47 OHM,J,1/16W	1	
R7164,65	ERJ3GEY0R00	M 0 OHM, 1/16W	2	
R7169	EXB38V470J	RESISTOR ARRAY	1	
R7201-07	EXB38V470J	RESISTOR ARRAY	7	
R7208-10	ERJ3GEYJ470	M 47 OHM,J,1/16W	3	
R7212-15	ERJ12YJ6R8U	M 6.8 OHM, J,1/2W	4	
R7216	EXB38V470J	RESISTOR ARRAY	1	
R7217	ERJ3GEYJ470	M 47 OHM,J,1/16W	1	
R7219	ERJ6GEYJ224	M 220KOHM,J,1/10W	1	
R7221	ERJ3GEYJ470	M 47 OHM,J,1/16W	1	
R7223-26	ERJ12YJ6R8U	M 6.8 OHM, J,1/2W	4	
R7227	ERJ3GEYJ470	M 47 OHM,J,1/16W	1	
R7229	ERJ6GEY0R00	M 0 OHM, 1/10W	1	
R7231	ERJ3GEYJ470	M 47 OHM,J,1/16W	1	
R7232-35	ERJ12YJ6R8U	M 6.8 OHM, J,1/2W	4	
R7236	ERJ3GEYJ470	M 47 OHM,J,1/16W	1	
R7237-42	EXB38V102J	RESISTOR ARRAY	6	
R7245	EXB38V102J	RESISTOR ARRAY	1	
R7246-49	ERJ3GEYJ220	M 22 OHM,J,1/16W	4	
R7250,51	EXB38V470J	RESISTOR ARRAY	2	
R7255,56	ERJ3GEY0R00	M 0 OHM, 1/16W	2	
R7257	EXB38V102J	RESISTOR ARRAY	1	
R7259	ERJ3GEYJ470	M 47 OHM,J,1/16W	1	
R7261-64	ERJ12YJ6R8U	M 6.8 OHM, J,1/2W	4	
R7265	ERJ3GEYJ470	M 47 OHM,J,1/16W	1	
R7268	D0GD472JA059	M 4.7KOHM,J,0.25W	1	
R7269	ERJ3GEYJ223	M 22KOHM,J,1/16W	1	
R7270	ERJ3GEYJ104	M 100KOHM,J,1/16W	1	
R8001-04	ERJ3GEY0R00	M 0 OHM, 1/16W	4	
R8005	ERJ3GEYJ103	M 10KOHM,J,1/16W	1	
R8009-12	ERJ3GEYJ271	M 270 OHM,J,1/16W	4	
R8017,18	ERJ3GEYJ562	M 5.6KOHM,J,1/16W	2	
R8021	ERJ3GEYJ222	M 2.2KOHM,J,1/16W	1	
R8025	ERJ3GEY0R00	M 0 OHM, 1/16W	1	
R8026	ERJ3GEYJ331	M 330 OHM,J,1/16W	1	
R8029	ERJ6ENF3001	M 3KOHM, 1/10W	1	
R8031	ERJ6ENF2201	M 2.2KOHM, 1/10W	1	
R8033	ERJ3GEYJ104	M 100KOHM,J,1/16W	1	
R8035	ERJ6ENF3300	M 330 OHM, 1/10W	1	
R8036	ERJ6ENF1500	M 150 OHM, 1/10W	1	
R8037	ERJ6ENF4701	M 4.7KOHM, 1/10W	1	
R8039	ERJ6ENF4701	M 4.7KOHM, 1/10W	1	
R8041	ERJ3GEYJ183	M 18KOHM,J,1/16W	1	
R8045	ERJ3GEYJ222	M 2.2KOHM,J,1/16W	1	
R8047	ERJ3GEYJ271	M 270 OHM,J,1/16W	1	
R8048	ERJ3GEYJ222	M 2.2KOHM,J,1/16W	1	
R8050	ERJ3GEYJ222	M 2.2KOHM,J,1/16W	1	
R8051	ERJ3GEYJ103	M 10KOHM,J,1/16W	1	
R8054	ERJ3GEY0R00	M 0 OHM, 1/16W	1	
R8055,56	ERJ3GEYJ101	M 100 OHM,J,1/16W	2	
R8057	ERJ3GEYJ102	M 1KOHM,J,1/16W	1	
R8060	ERJ3GEY0R00	M 0 OHM, 1/16W	1	
R8065	D0GB911JA002	M 910 OHM,J,1/16W	1	
R8067	D0GB911JA002	M 910 OHM,J,1/16W	1	
R8069	ERJ6GEYJ222	M 2.2KOHM,J,1/10W	1	
R8072	ERJ3GEY0R00	M 0 OHM, 1/16W	1	
R8089	ERJ3GEYJ181	M 180 OHM,J,1/16W	1	
R8093	ERJ6GEYJ101	M 100 OHM,J,1/10W	1	

Ref. No.	Part No.	Part Name & Description	Pcs	Remarks
R8097,98	ERJ3GEYJ103	M 10KOHM,J,1/16W	2	
R8100	ERJ3GEYJ103	M 10KOHM,J,1/16W	1	
R8112	ERJ3GEY0R00	M 0 OHM, 1/16W	1	
R8117-20	ERJ3GEY0R00	M 0 OHM, 1/16W	4	
R8121,22	ERJ3GEYJ272	M 2.7KOHM,J,1/16W	2	
R8124-27	ERJ6GEYJ101	M 100 OHM,J,1/10W	4	
R8129	ERJ6GEY0R00	M 0 OHM, 1/10W	1	
R8180	ERJ8GEYJ820V	M 82 OHM, J,1/8W	1	
R8181	ERJ3GEYJ101	M 100 OHM,J,1/16W	1	
R8182	ERJ6GEYJ101	M 100 OHM,J,1/10W	1	
R8183,84	ERJ3GEY0R00	M 0 OHM, 1/16W	2	
R8185,86	ERJ3GEYJ272	M 2.7KOHM,J,1/16W	2	
R8187,88	ERJ6GEYJ560	M 56 OHM,J,1/10W	2	
R8189,90	ERJ6GEY0R00	M 0 OHM, 1/10W	2	
R8200	ERJ3GEYJ563	M 56KOHM,J,1/16W	1	
R8201	ERJ3GEYJ473	M 47KOHM,J,1/16W	1	
R8202	ERJ3GEYJ223	M 22KOHM,J,1/16W	1	
R8203	ERJ3GEYJ103	M 10KOHM,J,1/16W	1	
R8204	ERJ3GEYJ104	M 100KOHM,J,1/16W	1	
R8205	ERJ3GEYJ753	M 75KOHM,J,1/16W	1	
R8206	ERJ3GEYJ393	M 39KOHM,J,1/16W	1	
R8207	ERJ3GEY0R00	M 0 OHM, 1/16W	1	
R9060-67	ERJ3GEYJ101	M 100 OHM,J,1/16W	8	
R9070	ERJ3GEYJ470	M 47 OHM,J,1/16W	1	
R9074	ERJ3GEYJ101	M 100 OHM,J,1/16W	1	
R9076	ERJ3GEYJ101	M 100 OHM,J,1/16W	1	
R9097,98	ERJ3GEYJ103	M 10KOHM,J,1/16W	2	
R9099	ERJ3GEYJ101	M 100 OHM,J,1/16W	1	
R9100,01	ERJ3GEYJ103	M 10KOHM,J,1/16W	2	
R9102	ERJ3GEYJ101	M 100 OHM,J,1/16W	1	
R9105	ERJ3GEYJ472	M 4.7KOHM,J,1/16W	1	
R9106	ERJ3GEYJ103	M 10KOHM,J,1/16W	1	
R9107	ERJ3GEYJ332	M 3.3KOHM,J,1/16W	1	
R9108,09	ERJ3GEYJ103	M 10KOHM,J,1/16W	2	
R9110	ERJ3GEYJ101	M 100 OHM,J,1/16W	1	
R9111	ERJ3GEYJ223	M 22KOHM,J,1/16W	1	
R9113	ERJ3GEYJ100	M 10 OHM,J,1/16W	1	
R9120	ERJ3GEYJ101	M 100 OHM,J,1/16W	1	
R9121	ERJ3GEYJ104	M 100KOHM,J,1/16W	1	
R9127	ERJ3GEYJ683	M 68KOHM,J,1/16W	1	
R9129	ERJ3GEYJ683	M 68KOHM,J,1/16W	1	
R9131-33	ERJ3GEYJ472	M 4.7KOHM,J,1/16W	3	
R9134	ERJ3GEYJ333	M 33KOHM,J,1/16W	1	
R9140	ERJ6GEY0R00	M 0 OHM, 1/10W	1	
R9141-45	ERJ3GEYJ101	M 100 OHM,J,1/16W	5	
R9148	ERJ3GEYJ103	M 10KOHM,J,1/16W	1	
R9149	ERJ3GEYJ472	M 4.7KOHM,J,1/16W	1	
R9150,51	ERJ3GEYJ220	M 22 OHM,J,1/16W	2	
R9152,53	ERJ3GEYJ472	M 4.7KOHM,J,1/16W	2	
R9154,55	ERJ3GEYJ562	M 5.6KOHM,J,1/16W	2	
R9156-59	ERJ3GEYJ103	M 10KOHM,J,1/16W	4	
R9160,61	ERJ3GEY0R00	M 0 OHM, 1/16W	2	
R9164-66	ERJ3GEYJ103	M 10KOHM,J,1/16W	3	
R9167,68	ERJ3GEYJ101	M 100 OHM,J,1/16W	2	
R9169	ERJ3GEYJ103	M 10KOHM,J,1/16W	1	

Ref. No.	Part No.	Part Name & Description	Pcs	Remarks
R9170-72	ERJ3GEYJ393	M 39KOHM,J,1/16W	3	
R9173-75	ERJ3GEYJ103	M 10KOHM,J,1/16W	3	
R9177	ERJ3GEYJ223	M 22KOHM,J,1/16W	1	
R9178	ERJ3GEYJ103	M 10KOHM,J,1/16W	1	
R9180	ERJ3GEYJ103	M 10KOHM,J,1/16W	1	
R9181-84	ERJ3GEYJ102	M 1KOHM,J,1/16W	4	
R9185,86	ERJ3GEYJ220	M 22 OHM,J,1/16W	2	
R9187,88	ERJ3GEYJ562	M 5.6KOHM,J,1/16W	2	
R9189,90	ERJ3GEYJ103	M 10KOHM,J,1/16W	2	
R9192	ERJ3GEY0R00	M 0 OHM, 1/16W	1	
R9193	ERJ3GEYJ103	M 10KOHM,J,1/16W	1	
R9194	ERJ3GEY0R00	M 0 OHM, 1/16W	1	
R9196	ERJ3GEYJ103	M 10KOHM,J,1/16W	1	
R9199	ERJ3GEYJ272	M 2.7KOHM,J,1/16W	1	
R9203	ERJ3GEYJ102	M 1KOHM,J,1/16W	1	
R9205	ERJ3GEYJ472	M 4.7KOHM,J,1/16W	1	
R9206,07	ERJ3GEYJ102	M 1KOHM,J,1/16W	2	
R9215	ERJ3GEYJ123	M 12KOHM,J,1/16W	1	
R9217-22	ERJ3GEYJ103	M 10KOHM,J,1/16W	6	
R9223	ERJ3GEYJ472	M 4.7KOHM,J,1/16W	1	
R9225	ERJ3GEYJ472	M 4.7KOHM,J,1/16W	1	
R9236	ERJ3GEY0R00	M 0 OHM, 1/16W	1	
R9237	ERJ3GEYJ103	M 10KOHM,J,1/16W	1	
R9240	ERJ3GEY0R00	M 0 OHM, 1/16W	1	
R9317	ERJ3GEYJ391	M 390 OHM,J,1/16W	1	
R9348	D1HG8208A002	NETWORK RESISTER	1	
R9349	EXB38V820J	RESISTOR ARRAY	1	
R9350,51	ERJ3GEYJ220	M 22 OHM,J,1/16W	2	
R9352	EXB38V820J	RESISTOR ARRAY	1	
R9353,54	D1HG8208A002	NETWORK RESISTER	2	
R9355,56	ERJ3GEYJ472	M 4.7KOHM,J,1/16W	2	
R9357-59	D1HG8208A002	NETWORK RESISTER	3	
R9360	EXB38V820J	RESISTOR ARRAY	1	
R9361,62	ERJ3GEYJ220	M 22 OHM,J,1/16W	2	
R9363	EXB2HV470JV	RESISTOR ARRAY	1	
R9366	ERJ3GEYJ472	M 4.7KOHM,J,1/16W	1	
R9367	ERJ3GEYJ103	M 10KOHM,J,1/16W	1	
R9368	ERJ3GEYJ104	M 100KOHM,J,1/16W	1	
R9369	ERJ3GEYJ472	M 4.7KOHM,J,1/16W	1	
R9370	ERJ3GEYJ103	M 10KOHM,J,1/16W	1	
R9371	ERJ3GEYJ104	M 100KOHM,J,1/16W	1	
R9379	ERJ3GEY0R00	M 0 OHM, 1/16W	1	
R9380	ERJ3GEYJ560	M 56 OHM,J,1/16W	1	
R9382	ERJ3GEYJ103	M 10KOHM,J,1/16W	1	
R9390	ERJ3GEYJ101	M 100 OHM,J,1/16W	1	
R9391	ERJ3GEYJ104	M 100KOHM,J,1/16W	1	
R9394	ERJ3GEY0R00	M 0 OHM, 1/16W	1	
R9395	ERJ3GEYJ220	M 22 OHM,J,1/16W	1	
R9501,02	ERJ3GEYJ103	M 10KOHM,J,1/16W	2	
R9503	ERJ3GEYJ470	M 47 OHM,J,1/16W	1	
R9506	ERJ3GEYJ220	M 22 OHM,J,1/16W	1	
R9507	ERJ3GEY0R00	M 0 OHM, 1/16W	1	
R9511-13	ERJ3GEYJ470	M 47 OHM,J,1/16W	3	
R9516	ERJ3GEYJ103	M 10KOHM,J,1/16W	1	
R9518	ERJ3GEYJ561	M 560 OHM,J,1/16W	1	
R9523	ERJ3GEYJ103	M 10KOHM,J,1/16W	1	
R9525	ERJ3GEYJ103	M 10KOHM,J,1/16W	1	
R9526	ERJ3GEY0R00	M 0 OHM, 1/16W	1	
R9527,28	EXB2HV272JV	RESISTOR ARRAY	2	



Ref. No.	Part No.	Part Name & Description	Pcs	Remarks
R9529,30	ERJ3GEYJ103	M 10KOHM,J,1/16W	2	
R9531-33	ERJ3GEYJ470	M 47 OHM,J,1/16W	3	
R9534	EXB38V470J	RESISTOR ARRAY	1	
R9535,36	ERJ3GEYJ470	M 47 OHM,J,1/16W	2	
R9537	ERJ3GEYJ103	M 10KOHM,J,1/16W	1	
R9540	ERJ3GEYJ103	M 10KOHM,J,1/16W	1	
R9543,44	ERJ3GEYJ103	M 10KOHM,J,1/16W	2	
R9545	ERJ3GEYJ304V	M 300KOHM,J,1/16W	1	
R9548-50	ERJ3GEYJ103	M 10KOHM,J,1/16W	3	
R9552	ERJ3GEYJ103	M 10KOHM,J,1/16W	1	
R9555	ERJ3GEY0R00	M 0 OHM, 1/16W	1	
R9800	ERJ3EKF1302	M 13KOHM, 1/16W	1	
R9801	ERJ3EKF2402	M 24KOHM, 1/16W	1	
R9802	ERJ3EKF6202	M 62KOHM, 1/16W	1	
R9803	ERJ3GEY0R00	M 0 OHM, 1/16W	1	
R9804	ERJ3EKF2402	M 24KOHM, 1/16W	1	
R9805	ERJ3EKF3002	M 30KOHM, 1/16W	1	
R9806	ERJ3EKF3902	M 39KOHM, 1/16W	1	
R9807	ERJ3GEY0R00	M 0 OHM, 1/16W	1	
R9808	ERJ3GEYJ104	M 100KOHM,J,1/16W	1	
R9810	ERJ3EKF3001	M 3KOHM, 1/16W	1	
R9813	ERJ3EKF2401	M 2.4KOHM, 1/16W	1	
R9814	ERJ3EKF6802	M 68KOHM, 1/16W	1	
R9815	ERJ3EKF2202	M 22KOHM, 1/16W	1	
R9816	ERJ3EKF8202	M 82KOHM, 1/16W	1	
R9821	ERJ3GEYJ103	M 10KOHM,J,1/16W	1	
R9823-27	ERJ3GEYJ101	M 100 OHM,J,1/16W	5	
R9828	ERJ3GEYJ104	M 100KOHM,J,1/16W	1	
R9830,31	ERJ3GEYJ103	M 10KOHM,J,1/16W	2	
R9838,39	ERJ3GEYJ101	M 100 OHM,J,1/16W	2	
R9840	ERJ3GEYJ220	M 22 OHM,J,1/16W	1	
R9841	ERJ3GEY0R00	M 0 OHM, 1/16W	1	
R9842-44	ERJ3GEYJ101	M 100 OHM,J,1/16W	3	
R9845	ERJ3GEYJ562	M 5.6KOHM,J,1/16W	1	
R9846,47	EXB2HV272JV	RESISTOR ARRAY	2	
R9848,49	EXB2HV470JV	RESISTOR ARRAY	2	
R9850	ERJ3GEYJ473	M 47KOHM,J,1/16W	1	
R9854	ERJ3GEYJ101	M 100 OHM,J,1/16W	1	
R9859	EXB38V101J	RESISTOR ARRAY	1	
R9861-63	ERJ3GEYJ103	M 10KOHM,J,1/16W	3	
R9868	ERJ3GEYJ104	M 100KOHM,J,1/16W	1	
R9869-71	ERJ3GEYJ103	M 10KOHM,J,1/16W	3	
R9872	ERJ3GEY0R00	M 0 OHM, 1/16W	1	
R9878	ERJ3EKF3902	M 39KOHM, 1/16W	1	
R9879	ERJ3EKF2002	M 20KOHM, 1/16W	1	
R9880	ERJ3EKF3602	M 36KOHM, 1/16W	1	
R9883	ERJ3GEY0R00	M 0 OHM, 1/16W	1	
R9884	ERJ3GEYJ104	M 100KOHM,J,1/16W	1	
R9891	ERJ3EKF4702	M 47KOHM, 1/16W	1	
R9892	ERJ3EKF1502	M 15KOHM, 1/16W	1	
R9893	ERJ3EKF3602	M 36KOHM, 1/16W	1	
R9896	ERJ3GEY0R00	M 0 OHM, 1/16W	1	
R9897	ERJ3GEYJ104	M 100KOHM,J,1/16W	1	
R9903	EXB2HV470JV	RESISTOR ARRAY	1	
R9904	ERJ3GEYJ470	M 47 OHM,J,1/16W	1	
R9905	ERJ3GEYJ330	M 33 OHM,J,1/16W	1	
R9906	EXB38V470J	RESISTOR ARRAY	1	
R9907	ERJ3GEYJ151	M 150 OHM,J,1/16W	1	
R9917,18	ERJ3GEY0R00	M 0 OHM, 1/16W	2	
R9919,20	ERJ3GEYJ272	M 2.7KOHM,J,1/16W	2	
R9922	ERJ3GEY0R00	M 0 OHM, 1/16W	1	

Ref. No.	Part No.	Part Name & Description	Pcs	Remarks
R9929	ERJ3GEY0R00	M 0 OHM, 1/16W	1	
R9936-39	ERJ3EKF1001	M 1KOHM, 1/16W	4	
R9940	ERJ3GEYJ330	M 33 OHM,J,1/16W	1	
R9941,42	ERJ3GEYJ470	M 47 OHM,J,1/16W	2	
R9943-51	EXB38V470J	RESISTOR ARRAY	9	
R9952-55	ERJ3GEYJ470	M 47 OHM,J,1/16W	4	
R9956	ERJ3GEYJ103	M 10KOHM,J,1/16W	1	
RL402,03	TSEH8011	RELAY	2	△
RM2501	PNA4701M05TV	REMOCO RECEIVER	1	
RTL	TNPA3762AH	CIRCUIT BOARD K	1	△
RTL	TNPA3763AE	CIRCUIT BOARD S	1	△
RTL	TNPA3794AB	CIRCUIT BOARD SC	1	△
RTL	TNPA3795AB	CIRCUIT BOARD SS	1	△
RTL	TNPA3799AB	CIRCUIT BOARD C1	1	△
RTL	TNPA3800AB	CIRCUIT BOARD C2	1	△
RTL	TNPA3848AE	CIRCUIT BOARD GK	1	△
RTL	TNPA3874AB	CIRCUIT BOARD SU	1	△
RTL	TNPA3875AB	CIRCUIT BOARD SD	1	△
RTL	TNPA3896AB	CIRCUIT BOARD J	1	△
RTL	TNPA3911AL	CIRCUIT BOARD P	1	△
RTL	TXNHA10RBS	CIRCUIT BOARD HA	1	△
RTL	TZTNP01ZQTJ	CIRCUIT BOARD D	1	△
RTL	TZTNP03ZQTU	CIRCUIT BOARD HX	1	△
RTL	TZTNP04ZQTU	CIRCUIT BOARD DA	1	△
S1	K1KA03BA0061	3P CONNECTOR	1	
S401,02	J0LT00000009	SWITCH	2	△
SC2	K1KA02A00626	2P CONNECTOR	1	
SC20	K1KA20AA0008	20P CONNECTOR	1	
SC23	K1KA03AA0193	3P CONNECTOR	1	
SC30	K1KA08AA0192	8P CONNECTOR	1	
SC41,42	K1ML80B00001	80P CONNECTOR	2	
SC45,46	K1KA09A00239	9P CONNECTOR	2	
SD1-D3	K1MN80B00012	80P CONNECTOR	3	
SD46	K1KB09A00045	9P CONNECTOR	1	
SS11	K1KA02A00626	2P CONNECTOR	1	
SS12	K1KA10AA0194	10P CONNECTOR	1	
SS23	K1KA12AA0194	12P CONNECTOR	1	
SS34	K1KA03AA0193	3P CONNECTOR	1	
SS41-44	K1MN13B00020	13P CONNECTOR	4	
SSMM1	TMME260	CLAMPER	1	
SU1-U3	K1MN80B00012	80P CONNECTOR	3	
SU45	K1KB09A00045	9P CONNECTOR	1	
SW2500	K0F162B00002	SWITCH	1	△
SW3753-57	EVQ11G05R	SWITCH	5	
T401	G4D4A0000119	SWITCHING TRANSFORMER	1	
T402	G4D1A0000098	SWITCHING TRANSFORMER	1	△
T404	G4D4A0000118	SWITCHING TRANSFORMER	1	△
T407	ETQ11K5AZ	CHOKE TRANS	1	△
T410	ETS25AF115AH	SWITCHING TRANS	1	△
T601	G4D2A0000264	SWITCHING TRANS	1	
T6602	ETS22AE2G9AD	SWITCHING TRANS	1	
VR6000	EVMEASA00B14	CONTROL 10KOHMB 0.3W	1	

Ref. No.	Part No.	Part Name & Description	Pcs	Remarks
VR6600	EVMEASA00B23	CONTROL 2KOHMB 0.3W	1	
VR6602	EVMEASA00B14	CONTROL 10KOHMB 0.3W	1	
W9,10	J0JKB0000037	FLAT CORE	2	
X501	H2B400400021	CRYSTAL	1	
X2301	H0J184500026	CRYSTAL	1	
X4501	H0J200500038	CRYSTAL	1	
X4701	H0J100500030	CRYSTAL	1	
X8181	H0J327200114	CRYSTAL	1	
X9000	H2D200500011	CRYSTAL	1	
X9200	H0J200500038	CRYSTAL	1	
Z1, Z2	K4ZZ01000206	TERMINAL	2	
Z420	TMM23417	CLAMPER	2	
Z450-53	EYF52BCY	FUSE HOLDER	4	
ZA3001-08	K4CD01000013	TERMINAL	8	
ZA4001, 02	K4CD01000011	TERMINAL	2	
ZA6001-03	K4CD01000011	TERMINAL	3	
ZA6401-03	K4CD01000011	TERMINAL	3	
ZA7101-03	K4CD01000013	TERMINAL	3	
ZA7201-04	K4CD01000013	TERMINAL	4	
ZA9001	K4CD01000011	TERMINAL	1	
ZN401	ERZVGED621T2	VARISTOR	1	△
ZN402	D4EAD7510001	VARISTOR	1	△
ZN404	ERZVGAD681T2	VARISTOR	1	△
ZN405, 06	ERZVA7D511	VARISTOR	2	△