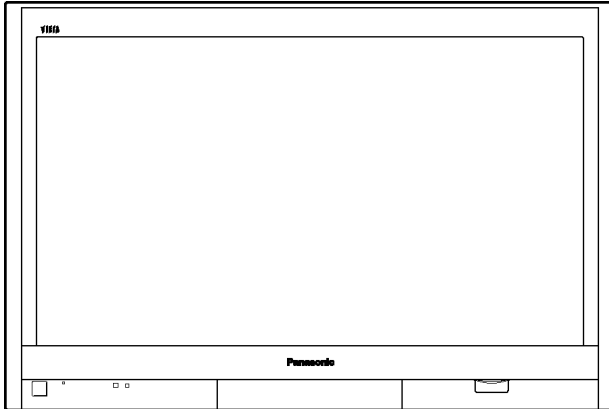


Service Manual

Plasma Television



TH-37PV600E
TH-37PX600B
TH-42PV600E
TH-42PX600B
 GP9DE Chassis

Specifications

Power Source	AC 220-240 V, 50 / 60 Hz
Power Consumption	
Average use	241 W (TH-37PV600E), 261 W (TH-42PV600E) 250 W (TH-37PX600B), 270 W (TH-42PX600B)
Standby condition	0.3 W (PV600E) 0.3 W (PX600B Without DVB recording), 20 W (PX600B With DVB recording)
Plasma Display panel	
Drive method	AC type
Aspect Ratio	16:9
Contrast Ratio	Max 10000:1
Visible screen size (W × H × Diagonal)	94 cmV (37-inch), 106 cmV (42-inch) 818 mm (W) × 461 mm (H) × 939 mm (diagonal) (37-inch) 920 mm (W) × 518 mm (H) × 1,056 mm (diagonal) (42-inch)
(No. of pixels)	737,280 (1,024 (W) × 720 (H)) [3,072 × 720 dots] (37-inch) 786,432 (1,024 (W) × 768 (H)) [3,072 × 768 dots] (42-inch)
Sound	
Speaker	Woofer (φ 80 mm) × 2 pcs, Tweeter (23 mm × 100 mm) × 2 pcs
Audio Output	31 W (15.5 W + 15.5 W), 10% THD
Headphones	φ 3.5 mm stereo mini Jack × 1
PC signals	VGA, SVGA, XGA SXGA (compressed) Horizontal scanning frequency 31 - 69 kHz Vertical scanning frequency 59 - 86 Hz
Receiving Systems / Band name (PV600E)	PAL B, G, H, I, SECAM B, G SECAM L / L' VHF E2 - E12 VHF H1 - H2 (ITALY) VHF A - H (ITALY) UHF E21 - E69 CATV (S01 - S05) CATV S1 - S10 (M1 - M10)

CATV S11 - S20 (U1 - U10) CATV S21 - S41 (Hyperband)

PAL D, K, SECAM D, K

VHF R1 - R2 VHF R3 - R5
VHF R6 - R12 UHF E21 - E69

PAL 525/60

Playback of NTSC tape from some PAL Video recorders (VCR)

M.NTSC

Playback from M. NTSC Video recorders (VCR)

NTSC (AV input only)

Playback from NTSC Video recorders (VCR)

**Receiving Systems /
Band name (PX600B)**

PAL I

UHF E21 - 68.

PAL 525/60

Playback of NTSC tape from some PAL Video recorders (VCR) or NTSC disc playback from DVD player and recorder.

DVB

Digital terrestrial services via UHF aerial input.

M.NTSC

Playback from M.NTSC Video recorders (VCR).

NTSC (AV input only)

Playback from NTSC Video recorders (VCR).

Aerial - Rear

VHF / UHF (PV600E), UHF (PX600B)

Operating Conditions

Temperature : 0 °C - 40 °C

Humidity : 20 % - 80 % RH (non-condensing)

Connection Terminals

AV1 (Scart terminal)	21 Pin terminal (Audio / Video in, Audio / Video out, RGB in)	
AV2 (Scart terminal)	21 Pin terminal (Audio / Video in, Audio / Video out, S-Video in, Q-Link)	
AV3 (Scart terminal)	21 Pin terminal (Audio / Video in, Audio / Video out, RGB in, S-Video in, Q-Link)	
AV4 VIDEO	RCA PIN Type × 1	1.0 V[p-p] (75 Ω)
S-VIDEO	Mini DIN 4-pin	Y:1.0 V[p-p] (75 Ω) C:0.286 V[p-p] (75 Ω)
AUDIO L - R	RCA PIN Type × 2	0.5 V[rms]
Others COMPONENT	Y	1.0 V[p-p] (including synchronization)
	P_B, P_R	±0.35 V[p-p]
HDMI 1/2	TYPE A Connectors	
PC	HIGH-DENSITY D-SUB 15PIN	R,G,B/0.7 V[p-p] (75 Ω) HD, VD/TTL Level 2.0 - 5.0 V[p-p] (high impedance)
AUDIO L - R	RCA PIN Type × 2	0.5 V[rms]
CARD slot	SD CARD slot × 1	0.5 V[rms]
Output AUDIO L - R	RCA PIN Type × 2	0.5 V[rms] (high impedance)

Dimensions (W × H × D)

977 mm × 629 mm × 138 (panel part: 95) mm (37-inch)
1,077 mm × 689 mm × 138 (panel part: 95) mm (42-inch)

Weight

28.5 kg Net (37-inch)
32.5 kg Net (42-inch)

Notes:

- Design and Specifications are subject to change without notice. Weight and Dimensions shown are approximate.
- This equipment complies with the EMC standards listed below.
EN55013, EN61000-3-2, EN61000-3-3, EN55020, EN55022, EN55024.

⚠ WARNING

This service information is designed for experienced repair technicians only and is not designed for use by the general public. It does not contain warnings or cautions to advise non-technical individuals of potential dangers in attempting to service a product. Products powered by electricity should be serviced or repaired only by experienced professional technicians. Any attempt to service or repair the product or products dealt with in this service information by anyone else could result in serious injury or death.

CONTENTS

	Page		Page
1 Applicable signals	5	7.5. Lead of Wiring (2)-4	25
2 Safety Precautions	6	7.6. Lead of Wiring (3)-1	26
2.1. General Guidelines	6	7.7. Lead of Wiring (3)-2	27
2.2. Touch-Current Check	6	7.8. Lead of Wiring (3)-3	28
3 Prevention of Electro Static Discharge (ESD) to Electrostatically Sensitive (ES) Devices	7	7.9. Lead of Wiring (3)-4	29
4 About lead free solder (PbF)	8	7.10. Lead of Wiring (4)-1	30
5 Service Hint	9	7.11. Lead of Wiring (4)-2	31
6 Plasma panel replacement method	10	7.12. Lead of Wiring (4)-3	32
6.1. Remove the Back cover	10	7.13. Lead of Wiring (4)-4	33
6.2. Remove the fan	10	7.14. Lead of Wiring (5)-1	34
6.3. Remove the Speaker box ass'y(left)	10	7.15. Lead of Wiring (5)-2	35
6.4. Remove the Speaker box ass'y(right)	10	8 Self Check	36
6.5. Remove the tuner cover	11	8.1. Power LED Blinking timing chart	37
6.6. Remove the P-Board	11	8.2. No Power	38
6.7. Remove the PA-Board	11	8.3. No Picture	39
6.8. Remove the tuner unit	12	8.4. Local screen failure	40
6.9. Remove the XV-Board (PX600B)	12	9 Service Mode Function	41
6.10. Remove the DG-Board	12	9.1. How to enter SERVICE 1	41
6.11. Remove the TA-Board	13	9.2. How to enter SERVICE 2	41
6.12. Remove the H-Board	13	9.3. Option Description	43
6.13. Remove the HC-Board	13	10 Adjustment Procedure	45
6.14. Remove the D-Board	13	10.1. Driver Set-up	45
6.15. Remove the SU-Board (37inch)	14	10.2. Initialization Pulse Adjust	46
6.16. Remove the SU-Board (42inch)	14	10.3. P.C.B. (Printed Circuit Board) exchange	46
6.17. Remove the SD-Board (37inch)	14	10.4. Adjustment Volume Location	47
6.18. Remove the SD-Board (42inch)	14	10.5. Test Point Location	47
6.19. Remove the SC-Board	15	11 Adjustment	48
6.20. Remove the SS-Board	15	11.1. PAL panel white balance adjustment	48
6.21. Remove the C1-Board	15	11.2. HD white balance adjustment	49
6.22. Remove the C2-Board	16	11.3. Sub bright adjustment	50
6.23. Remove the front bracket	16	11.4. ABL adjustment	51
6.24. Remove the G-Board and GK-Board	16	11.5. Sub-Contrast adjustment	52
6.25. Remove the S-Board	17	11.6. Multi-Window adjustment	53
6.26. Remove the stand brackets	17	12 Hotel mode	54
6.27. Remove the GS-Board and SD-Module	17	13 Conductor Views	55
6.28. Remove the Plasma panel section from the Front frame (glass)	18	13.1. P-Board (37inch)	55
6.29. Remove the squawker speaker	19	13.2. P-Board (42inch)	58
6.30. Remove the K-Board	19	13.3. PA-Board	61
6.31. Replace the plasma panel (finished)	20	13.4. H-Board	63
7 Location of Lead Wiring	21	13.5. G and TA-Board	65
7.1. Lead of Wiring (1)	21	13.6. GK, HC, K and S-Board	66
7.2. Lead of Wiring (2)-1	22	13.7. GS-Board	67
7.3. Lead of Wiring (2)-2	23	13.8. DG-Board	68
7.4. Lead of Wiring (2)-3	24	13.9. XV-Board (PX600B)	70
		13.10. D-Board	72
		13.11. C1-Board (37inch)	74

13.12. C1-Board (42inch)	75	14.39. DG-Board (7 of 8) Schematic Diagram	125
13.13. C2-Board (37inch)	76	14.40. DG-Board (8 of 8) Schematic Diagram	126
13.14. C2-Board (42inch)	77	14.41. XV-Board Block Diagram (PX600B)	127
13.15. SC-Board	78	14.42. XV-Board (1 of 5) Schematic Diagram (PX600B)	128
13.16. SU-Board (37inch)	81	14.43. XV-Board (2 of 5) Schematic Diagram (PX600B)	129
13.17. SU-Board (42inch)	82	14.44. XV-Board (3 of 5) Schematic Diagram (PX600B)	130
13.18. SD-Board (37inch)	83	14.45. XV-Board (4 of 5) Schematic Diagram (PX600B)	131
13.19. SD-Board (42inch)	84	14.46. XV-Board (5 of 5) Schematic Diagram (PX600B)	132
13.20. SS-Board	85	14.47. D-Board Block Diagram	133
14 Schematic and Block Diagram	87	14.48. D-Board (1 of 6) Schematic Diagram	134
14.1. Schematic Diagram Notes	87	14.49. D-Board (2 of 6) Schematic Diagram	135
14.2. Main Block Diagram (37inch)	88	14.50. D-Board (3 of 6) Schematic Diagram	136
14.3. Main Block Diagram (42inch)	89	14.51. D-Board (4 of 6) Schematic Diagram	137
14.4. P-Board Block Diagram (37inch)	90	14.52. D-Board (5 of 6) Schematic Diagram	138
14.5. P-Board (1 of 6) Schematic Diagram (37inch)	91	14.53. D-Board (6 of 6) Schematic Diagram	139
14.6. P-Board (2 of 6) Schematic Diagram (37inch)	92	14.54. C1 and C2-Board Block Diagram	140
14.7. P-Board (3 of 6) Schematic Diagram (37inch)	93	14.55. C1-Board (1 of 2) Schematic Diagram (37inch)	141
14.8. P-Board (4 of 6) Schematic Diagram (37inch)	94	14.56. C1-Board (2 of 2) Schematic Diagram (37inch)	142
14.9. P-Board (5 of 6) Schematic Diagram (37inch)	95	14.57. C1-Board (1 of 2) Schematic Diagram (42inch)	143
14.10. P-Board (6 of 6) Schematic Diagram (37inch)	96	14.58. C1-Board (2 of 2) Schematic Diagram (42inch)	144
14.11. P-Board Block Diagram (42inch)	97	14.59. C2-Board (1 of 2) Schematic Diagram (37inch)	145
14.12. P-Board (1 of 6) Schematic Diagram (42inch)	98	14.60. C2-Board (2 of 2) Schematic Diagram (37inch)	146
14.13. P-Board (2 of 6) Schematic Diagram (42inch)	99	14.61. C2-Board (1 of 2) Schematic Diagram (42inch)	147
14.14. P-Board (3 of 6) Schematic Diagram (42inch)	100	14.62. C2-Board (2 of 2) Schematic Diagram (42inch)	148
14.15. P-Board (4 of 6) Schematic Diagram (42inch)	101	14.63. SC, SU and SD-Board Block Diagram (37inch)	149
14.16. P-Board (5 of 6) Schematic Diagram (42inch)	102	14.64. SC, SU and SD-Board Block Diagram (42inch)	150
14.17. P-Board (6 of 6) Schematic Diagram (42inch)	103	14.65. SC-Board (1 of 2) Schematic Diagram	151
14.18. PA-Board Block Diagram	104	14.66. SC-Board (2 of 2) Schematic Diagram	152
14.19. PA-Board (1 of 3) Schematic Diagram	105	14.67. SU-Board (1 of 2) Schematic Diagram (37inch)	153
14.20. PA-Board (2 of 3) Schematic Diagram	106	14.68. SU-Board (2 of 2) Schematic Diagram (37inch)	154
14.21. PA-Board (3 of 3) Schematic Diagram	107	14.69. SU-Board (1 of 2) Schematic Diagram (42inch)	155
14.22. H and TA-Board Block Diagram	108	14.70. SU-Board (2 of 2) Schematic Diagram (42inch)	156
14.23. G, GK, HC and K-Board Block Diagram	109	14.71. SD-Board (1 of 2) Schematic Diagram (37inch)	157
14.24. H-Board (1 of 3)Schematic Diagram	110	14.72. SD-Board (2 of 2) Schematic Diagram (37inch)	158
14.25. H-Board (2 of 3)Schematic Diagram	111	14.73. SD-Board (1 of 2) Schematic Diagram (42inch)	159
14.26. H-Board (3 of 3)Schematic Diagram	112	14.74. SD-Board (2 of 2) Schematic Diagram (42inch)	160
14.27. G-Board Schematic Diagram	113	14.75. SS and S-Board Block Diagram	161
14.28. GS-Board Schematic Diagram	114	14.76. SS and S-Board Schematic Diagram	162
14.29. GK, K, HC and TA-Board Schematic Diagram	115	15 Parts Location & Mechanical Replacement Parts List	163
14.30. DG-Board (1 of 3) Block Diagram	116	15.1. Parts Location	163
14.31. DG-Board (2 of 3) Block Diagram	117	15.2. Packing Exploded Views (1)	164
14.32. DG-Board (3 of 3) Block Diagram	118	15.3. Packing Exploded Views (2)	165
14.33. DG-Board (1 of 8) Schematic Diagram	119	15.4. Packing Exploded Views (3)	166
14.34. DG-Board (2 of 8) Schematic Diagram	120	15.5. Mechanical Replacement Parts List	167
14.35. DG-Board (3 of 8) Schematic Diagram	121	16 Electrical Replacement Parts List	169
14.36. DG-Board (4 of 8) Schematic Diagram	122	16.1. Replacement Parts List Notes	169
14.37. DG-Board (5 of 8) Schematic Diagram	123	16.2. Electrical Replacement Parts List (37inch)	170
14.38. DG-Board (6 of 8) Schematic Diagram	124	16.3. Electrical Replacement Parts List (42inch)	202

1 Applicable signals

Applicable input signal for Component (Y, Pb, Pr), HDMI and PC (D-sub 15P) (* Mark)

Signal name	Horizontal frequency (kHz)	Vertical frequency (Hz)	Component	HDMI	PC
525 (480) / 60i	15.73	59.94	*	*	
525 (480) / 60p	31.47	59.94	*	*	
625 (576) / 50i	15.63	50.00	*	*	
625 (576) / 50p	31.25	50.00	*	*	
750 (720) / 60p	45.00	60.00	*	*	
750 (720) / 50p	37.50	50.00	*	*	
1,125 (1,080) / 60i	33.75	60.00	*	*	
1,125 (1,080) / 50i	28.13	50.00	*	*	
640 x 400 @70 Hz	31.46	70.07			*
640 x 480 @60 Hz	31.47	59.94			*
640 x 480 @75 Hz	37.50	75.00			*
800 x 600 @60 Hz	37.88	60.32			*
800 x 600 @75 Hz	46.88	75.00			*
800 x 600 @85 Hz	53.67	85.06			*
1,024 x 768 @60 Hz	48.36	60.00			*
1,024 x 768 @70 Hz	56.48	70.07			*
1,024 x 768 @75 Hz	60.02	75.03			*
1,024 x 768 @85 Hz	68.68	85.00			*
1,280 x 1,024 @60 Hz	63.98	60.02			*
Macintosh13" (640 x 480)	35.00	66.67			*
Macintosh16" (832 x 624)	49.72	74.54			*
Macintosh21" (1,152 x 870)	68.68	75.06			*

Note: Signals other than above may not be displayed properly.

The above signals are reformatted for optimal viewing on your display.

2 Safety Precautions

2.1. General Guidelines

1. When servicing, observe the original lead dress. If a short circuit is found, replace all parts which have been overheated or damaged by the short circuit.
2. After servicing, see to it that all the protective devices such as insulation barriers, insulation papers shields are properly installed.
3. After servicing, make the following leakage current checks to prevent the customer from being exposed to shock hazards.

2.2. Touch-Current Check

1. Plug the AC cord directly into the AC outlet. Do not use an isolation transformer for this check.
2. Connect a measuring network for touch currents between each exposed metallic part on the set and a good earth ground such as a water pipe, as shown in Figure 1.
3. Use Leakage Current Tester (Simpson 228 or equivalent) to measure the potential across the measuring network.
4. Check each exposed metallic part, and measure the voltage at each point.
5. Reserve the AC plug in the AC outlet and repeat each of the above measure.
6. The potential at any point (TOUCH CURRENT) expressed as voltage U_1 and U_2 , does not exceed the following values:

For a. c.: $U_1 = 35 \text{ V}$ (peak) and $U_2 = 0.35 \text{ V}$ (peak);

For d. c.: $U_1 = 1.0 \text{ V}$,

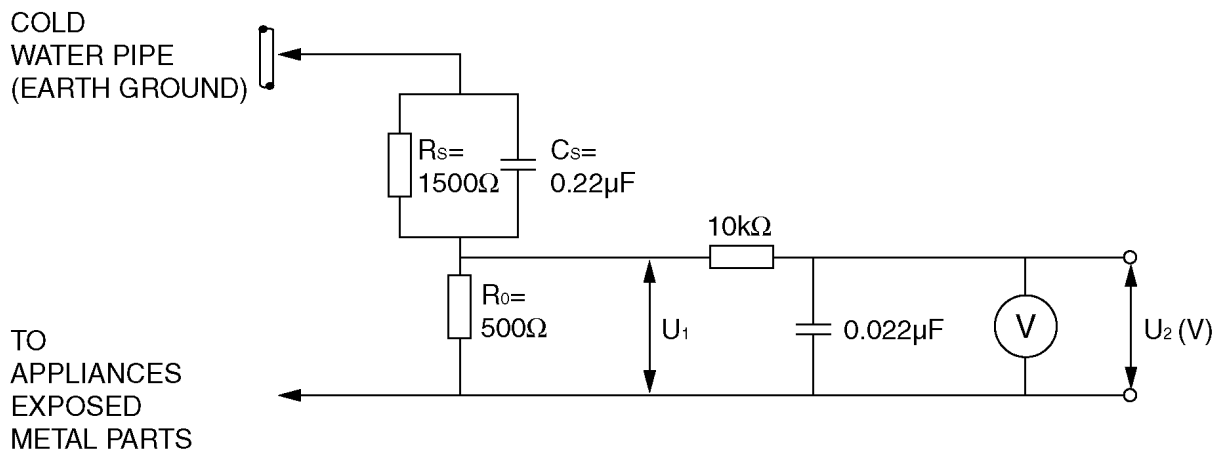
Note:

The limit value of $U_2 = 0.35 \text{ V}$ (peak) for a. c. and $U_1 = 1.0 \text{ V}$ for d. c. correspond to the values 0.7 mA (peak) a. c. and 2.0 mA d. c.

The limit value $U_1 = 35 \text{ V}$ (peak) for a. c. correspond to the value 70 mA (peak) a. c. for frequencies greater than 100 kHz .

7. In case a measurement is out of the limits specified, there is a possibility of a shock hazard, and the equipment should be repaired and rechecked before it is returned to the customer.

Measuring network for TOUCH CURRENTS



Resistance values in ohms (Ω)

V: Voltmeter or oscilloscope
(r.m.s. or peak reading)

Input resistance: $\geq 1 \text{ M}\Omega$

Input capacitance: $\leq 200 \text{ pF}$

Frequency range: 15 Hz to 1 MHz and d.c. respectively

NOTE - Appropriate measures should be taken to obtain the correct value in case of non-sinusoidal waveforms.

Figure 1

3 Prevention of Electro Static Discharge (ESD) to Electrostatically Sensitive (ES) Devices

Some semiconductor (solid state) devices can be damaged easily by static electricity. Such components commonly are called Electrostatically Sensitive (ES) Devices. Examples of typical ES devices are integrated circuits and some field-effect transistors and semiconductor "chip" components. The following techniques should be used to help reduce the incidence of component damage caused by electro static discharge (ESD).


1. Immediately before handling any semiconductor component or semiconductor-equipped assembly, drain off any ESD on your body by touching a known earth ground. Alternatively, obtain and wear a commercially available discharging ESD wrist strap, which should be removed for potential shock reasons prior to applying power to the unit under test.
2. After removing an electrical assembly equipped with ES devices, place the assembly on a conductive surface such as aluminum foil, to prevent electrostatic charge buildup or exposure of the assembly.
3. Use only a grounded-tip soldering iron to solder or unsolder ES devices.
4. Use only an anti-static solder removal device. Some solder removal devices not classified as "anti-static (ESD protected)" can generate electrical charge sufficient to damage ES devices.
5. Do not use freon-propelled chemicals. These can generate electrical charges sufficient to damage ES devices.
6. Do not remove a replacement ES device from its protective package until immediately before you are ready to install it. (Most replacement ES devices are packaged with leads electrically shorted together by conductive foam, aluminum foil or comparable conductive material).
7. Immediately before removing the protective material from the leads of a replacement ES device, touch the protective material to the chassis or circuit assembly into which the device will be installed.

Caution

Be sure no power is applied to the chassis or circuit, and observe all other safety precautions.

8. Minimize bodily motions when handling unpackaged replacement ES devices. (Otherwise harmless motion such as the brushing together of your clothes fabric or the lifting of your foot from a carpeted floor can generate static electricity (ESD) sufficient to damage an ES device).

IMPORTANT SAFETY NOTICE

There are special components used in this equipment which are important for safety. These parts are marked by  in the schematic diagrams, Exploded Views and replacement parts list. It is essential that these critical parts should be replaced with manufacturer's specified parts to prevent shock, fire, or other hazards. Do not modify the original design without permission of manufacturer.

4 About lead free solder (PbF)

Note: Lead is listed as (Pb) in the periodic table of elements.

In the information below, Pb will refer to Lead solder, and PbF will refer to Lead Free Solder.

The Lead Free Solder used in our manufacturing process and discussed below is (Sn+Ag+Cu).

That is Tin (Sn), Silver (Ag) and Copper (Cu) although other types are available.

This model uses Pb Free solder in it's manufacture due to environmental conservation issues. For service and repair work, we'd suggest the use of Pb free solder as well, although Pb solder may be used.

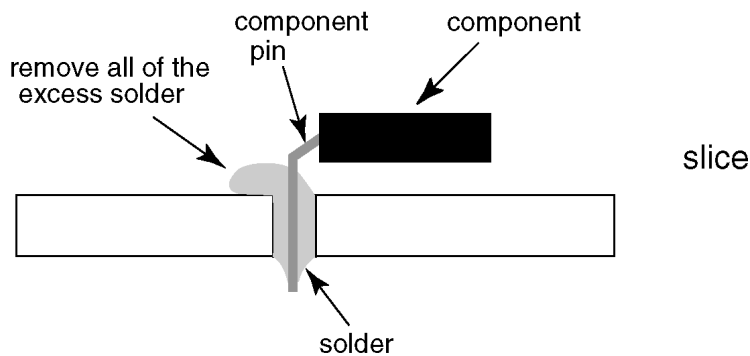
PCBs manufactured using lead free solder will have the PbF within a leaf Symbol  stamped on the back of PCB.

Caution

- Pb free solder has a higher melting point than standard solder. Typically the melting point is 50 ~ 70 °F (30~40 °C) higher. Please use a high temperature soldering iron and set it to 700 ± 20 °F (370 ± 10 °C).
- Pb free solder will tend to splash when heated too high (about 1100 °F or 600 °C).

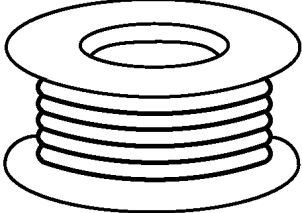
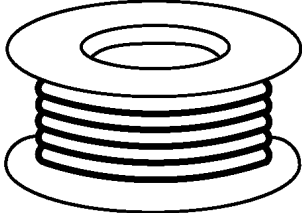
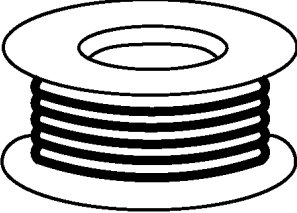
If you must use Pb solder, please completely remove all of the Pb free solder on the pins or solder area before applying Pb solder. If this is not practical, be sure to heat the Pb free solder until it melts, before applying Pb solder.

- After applying PbF solder to double layered boards, please check the component side for excess solder which may flow onto the opposite side. (see figure below)



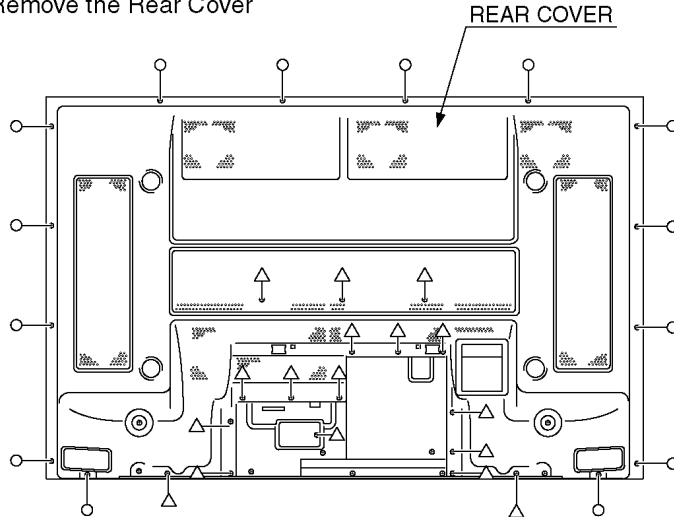
Suggested Pb free solder

There are several kinds of Pb free solder available for purchase. This product uses Sn+Ag+Cu (tin, silver, copper) solder. However, Sn+Cu (tin, copper), Sn+Zn+Bi (tin, zinc, bismuth) solder can also be used.

0.3mm X 100g	0.6mm X 100g	1.0mm X 100g
		

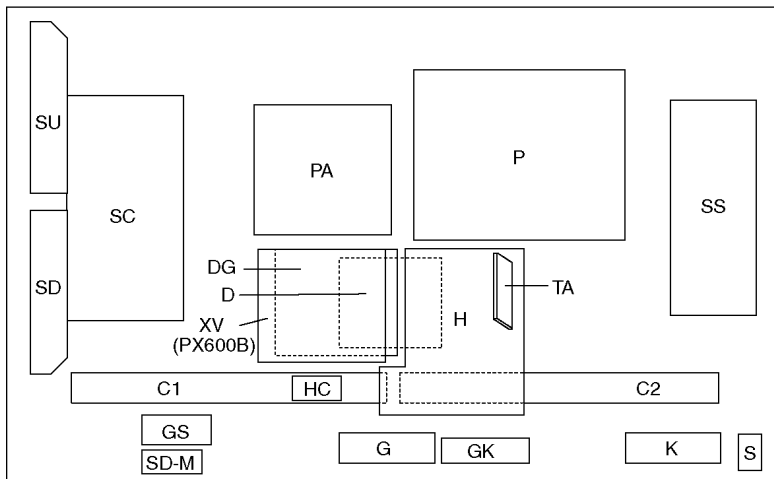
5 Service Hint

Remove the Rear Cover



Remove:
 14 screws (○) XTB4+12GFJK
 17 screws (△) THEL0429

Service Position



Board Name	Function	Board Name	Function
P	Power Supply	SC	Scan Drive
PA	DC-DC Converter, Power SOS, Speaker out, Audio AMP, Fan Control	SU	Scan out (Upper)
H	AV Terminal, AV Switch, MSP	SD	Scan out (Lower)
TA	Tuner	SS	Sustain Drive
DG	Digital Signal Processor, Micom, HDMI Interface	K	Remote receiver, Power LED
XV	D-TV Interface (PX600B only)	S	Power Switch
D	Format Converter, Plasma Ai, Sub-Field Processor	G	Front Terminal
HC	Jig Connection	GK	Key Switch
C1	Data Driver (Lower Right)	GS	SD Card Slot
C2	Data Driver (Lower Left)	SD-M	SD Module (MPEG4/PHOTO view, SD recording) None serviceable. SD Module should be exchanged for service.

6 Plasma panel replacement method

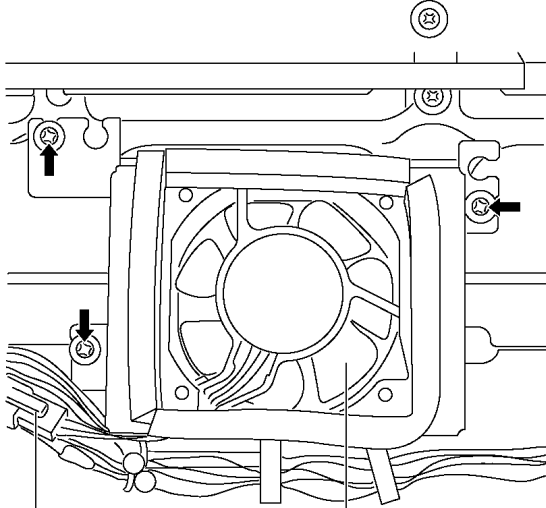
6.1. Remove the Back cover

1. See Service Hint (Section 5)

6.2. Remove the fan

1. Disconnect the relay couplers.
2. Remove the screws (×3 → each) and remove the fans.

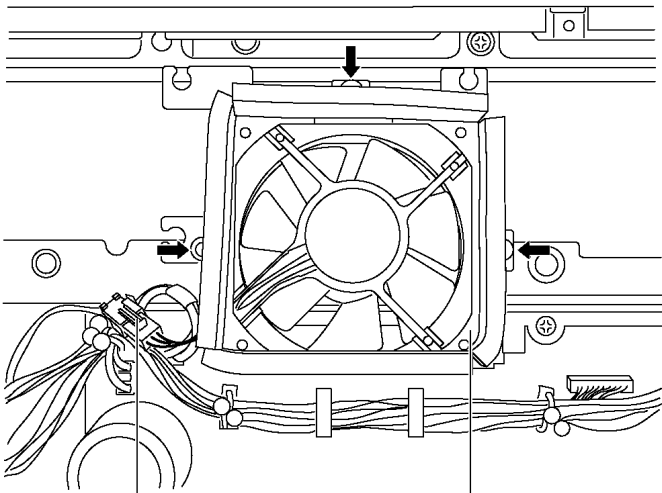
• 37inch



Relay coupler

Fan

• 42inch

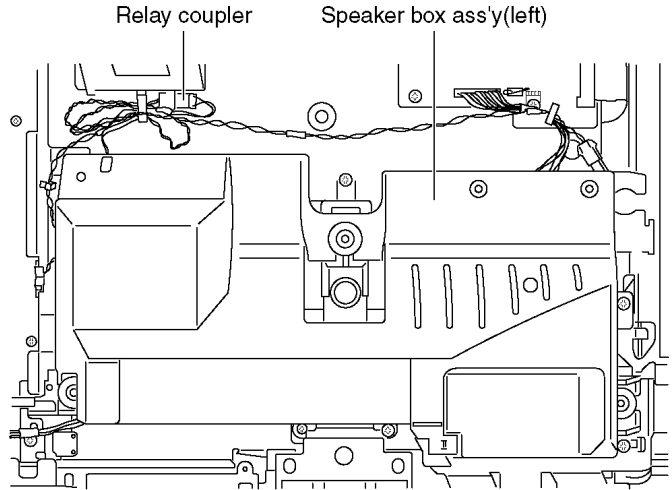


Relay coupler

Fan

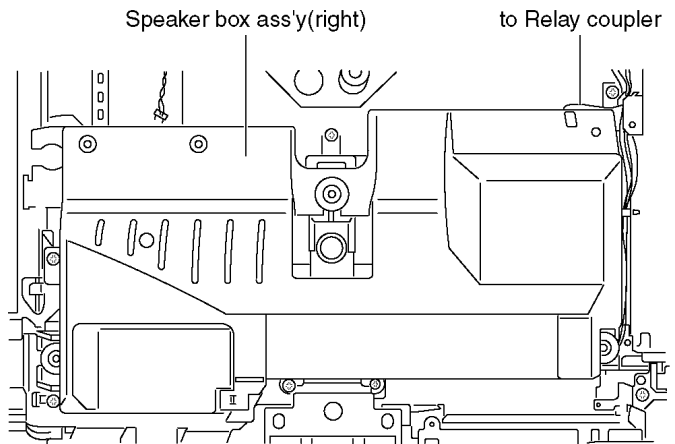
6.3. Remove the Speaker box ass'y (left)

1. Unlock the cable clampers to free the cable.
2. Disconnect the relay coupler.
3. Remove the Speaker box ass'y (left).



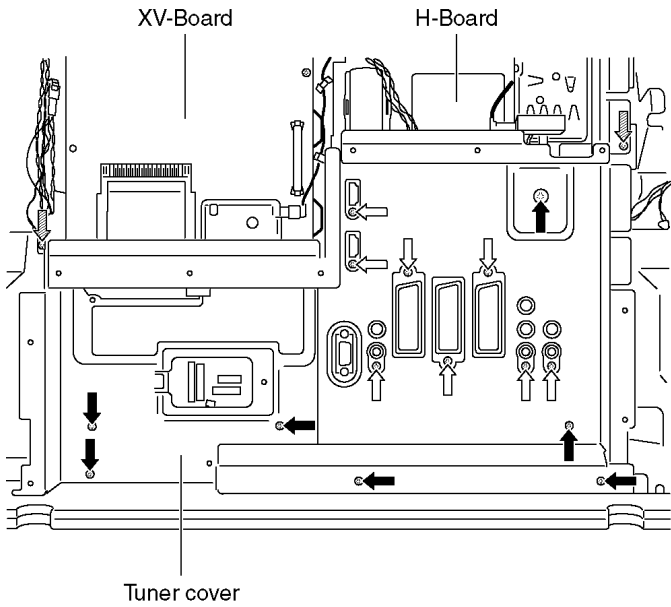
6.4. Remove the Speaker box ass'y (right)

1. Unlock the cable clampers to free the cable.
2. Disconnect the relay coupler.
3. Remove the Speaker box ass'y (right).

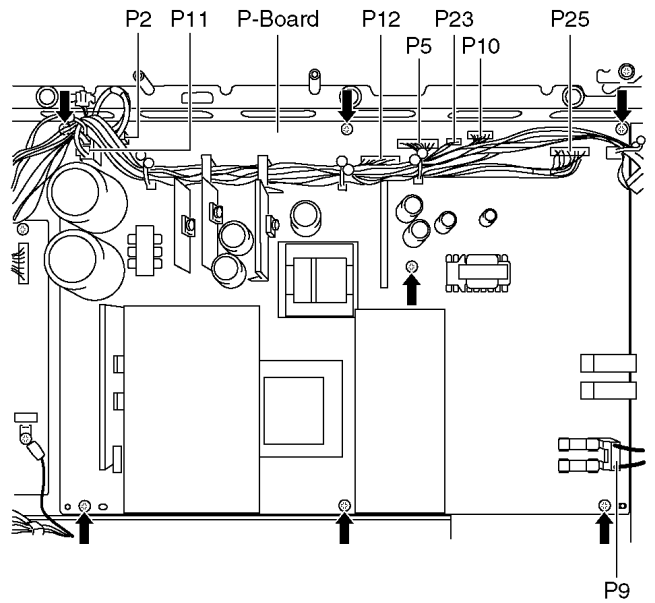


6.5. Remove the tuner cover

1. Remove the screws (×7 ➡, ×8 ⇨, ×2 ↗).
2. Remove the tuner cover.



• 42inch



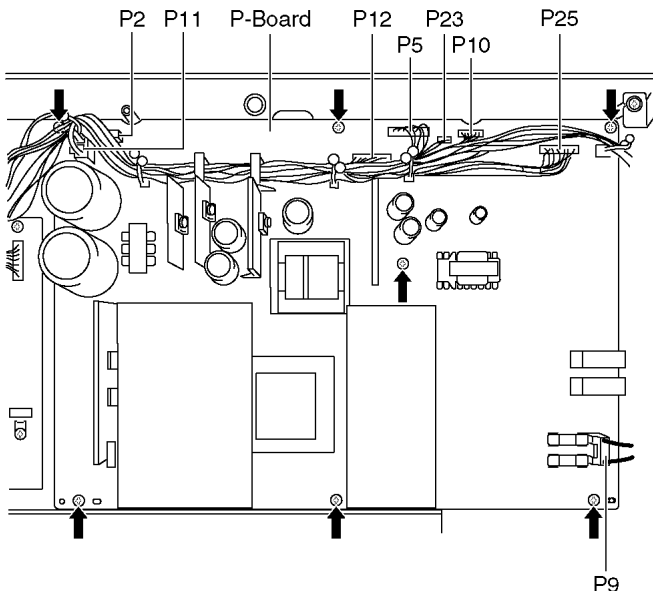
6.6. Remove the P-Board

Caution:

To remove P.C.B. wait 1 minute after power was off for discharge from electrolysis capacitors.

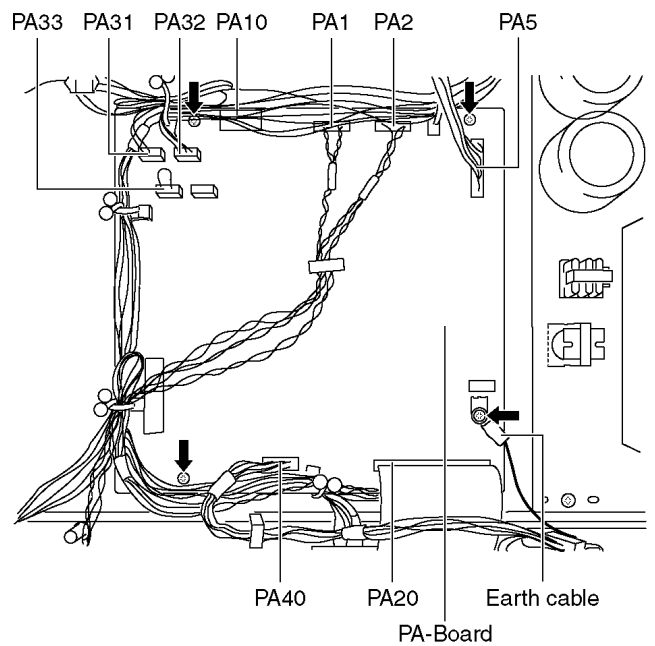
1. Unlock the cable clampers to free the cable.
2. Disconnect the couplers (P2, P5, P9, P10, P11, P12, P23, and P25).
3. Remove the screws (×7 ➡) and remove the P-Board.

• 37inch



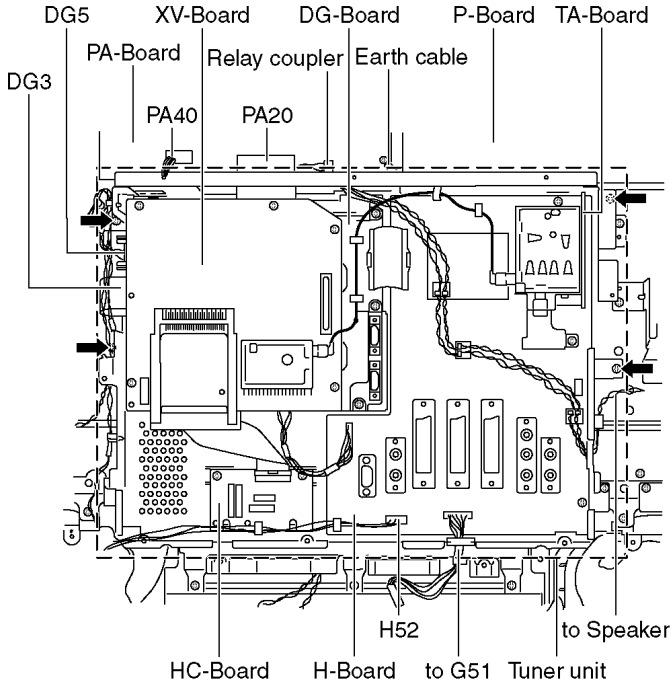
6.7. Remove the PA-Board

1. Unlock the cable clampers to free the cable.
2. Disconnect the couplers (PA1, PA2, PA5, PA10, PA31, PA32, PA33 and PA40).
3. Disconnect the flexible cable (PA20).
4. Remove the screws (×4 ➡) and remove the earth cable.
5. Remove the PA-Board.



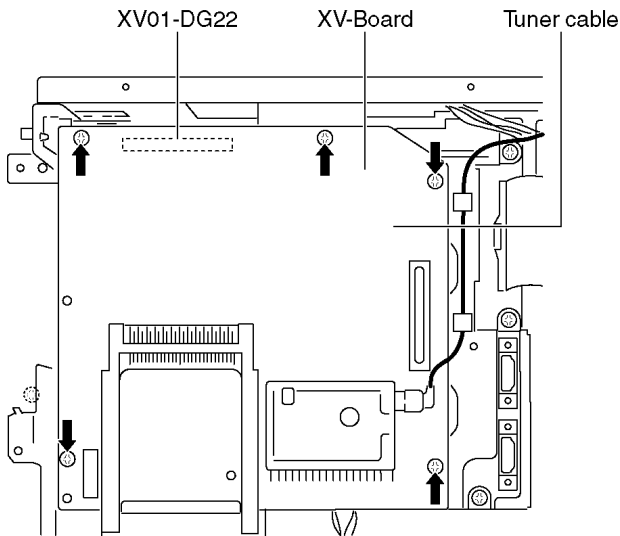
6.8. Remove the tuner unit

1. Unlock the cable clampers to free the cable.
2. Disconnect the couplers (DG5, G51, H52, PA40 and earth cable).
3. Disconnect the flexible cables (DG3 and PA20).
4. Disconnect the relay couplers and remove the speaker cables.
5. Remove the screws (×4 ➡) remove the tuner unit.



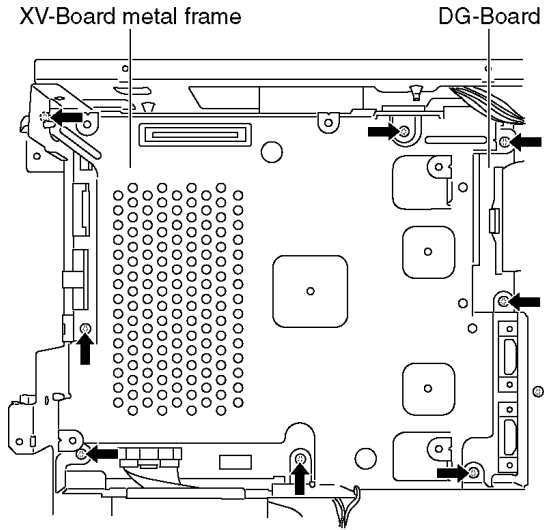
6.9. Remove the XV-Board (PX600B)

1. Unlock the cable clampers to free the cable.
2. Disconnect the tuner cable.
3. Remove the screws (×5 ➡) remove the XV-Board.
(Be careful the coupler (XV01-DG22) when remove the XV-Board.)

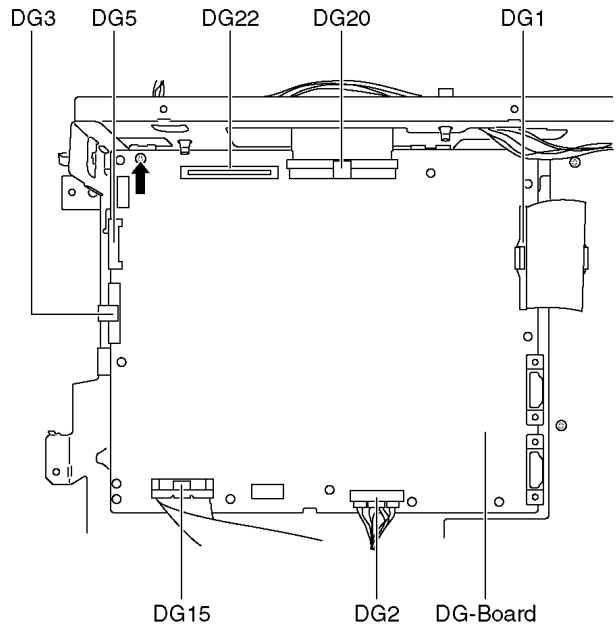


6.10. Remove the DG-Board

1. Remove the XV-Board (PX600B). (See section 6.9.)
2. Remove the screws (×8 ➡) and remove the XV-Board metal frame (PX600B).

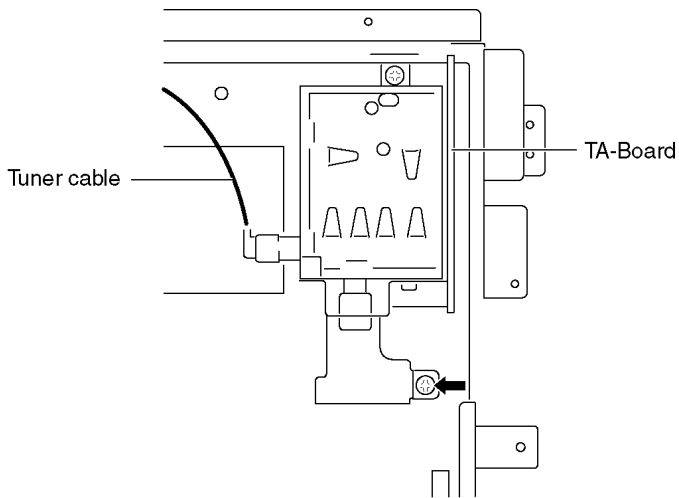


3. Disconnect the coupler (DG2).
4. Disconnect the flexible cables (DG1, DG15 and DG20).
5. Remove the screw (×1 ➡) remove the DG-Board.



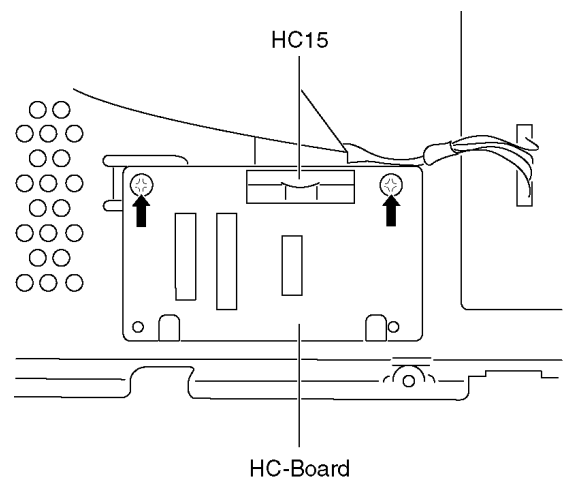
6.11. Remove the TA-Board

1. Disconnect the tuner cable.
2. Remove the screw (×1 ➡) and remove the TA-Board.



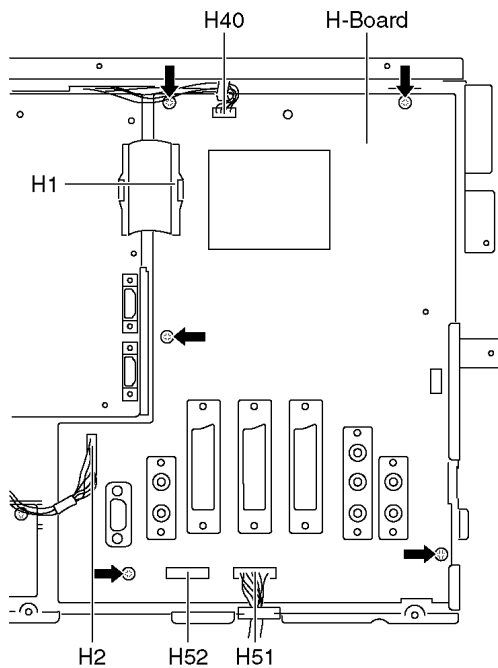
6.13. Remove the HC-Board

1. Disconnect the flexible cable (HC15).
2. Remove the screws (×2 ➡) and remove the HC-Board.



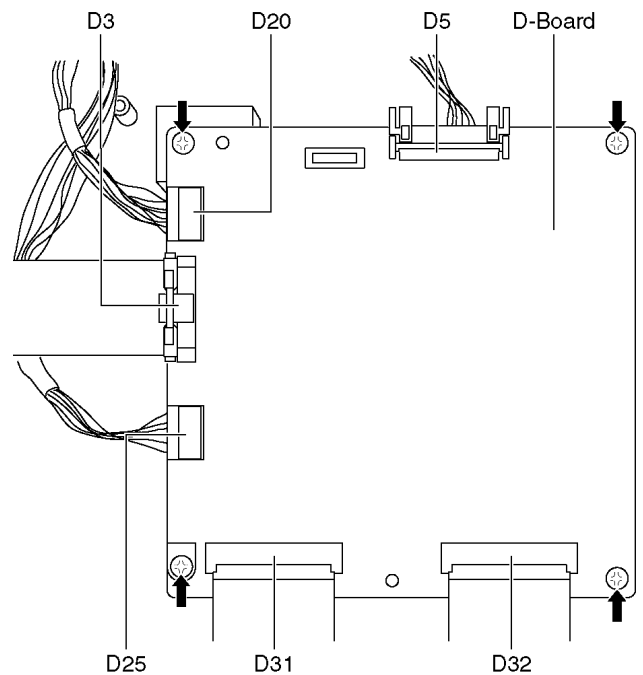
6.12. Remove the H-Board

1. Remove the TA-Board. (See section 6.11.)
2. Unlock the cable claspers to free the cable.
3. Disconnect the couplers (H2, H40 and H51).
4. Disconnect the flexible cable (H1).
5. Remove the screws (×5 ➡) and remove the H-Board.



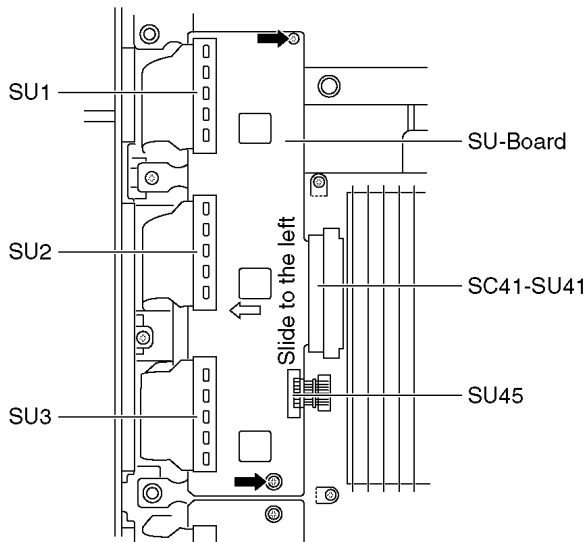
6.14. Remove the D-Board

1. Remove the tuner unit. (See section 6.8.)
2. Disconnect the couplers (D5, D20 and D25).
3. Disconnect the flexible cables (D3, D31 and D32).
4. Remove the screws (×4 ➡) and remove the D-Board.



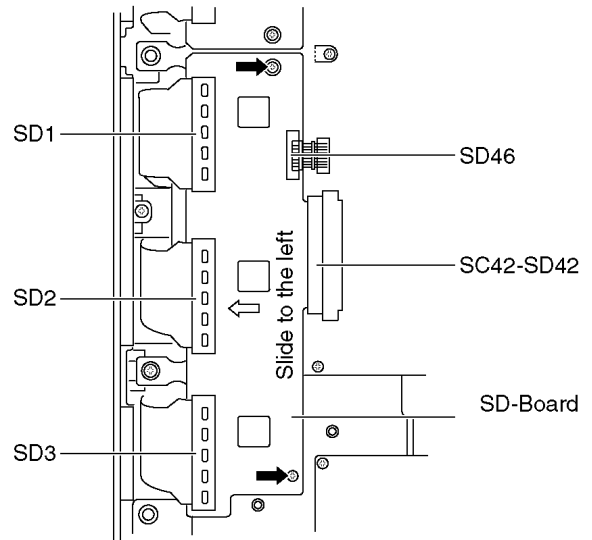
6.15. Remove the SU-Board (37inch)

1. Remove the screws (×2 ➡).
 2. Remove the flexible cables (SU1, SU2 and SU3) and remove the bridge connector (SU45).
 3. Slide the SU-Board to the left to disconnect from a coupler (SC41-SU41) on the SC-Board and remove the SU-Board.
- 37inch



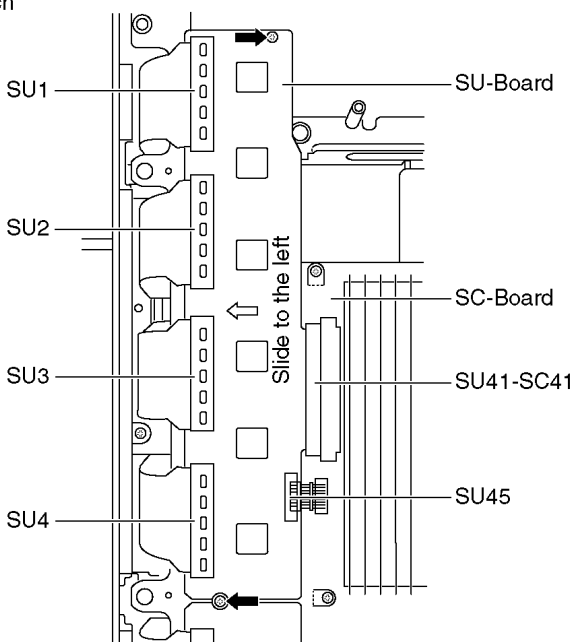
6.17. Remove the SD-Board (37inch)

1. Remove the screws (×2 ➡).
 2. Remove the flexible cables (SD1, SD2 and SD3) and remove the bridge connector (SD46).
 3. Slide the SD-Board to the left to disconnect from a coupler (SC42-SD42) on the SC-Board and remove the SD-Board.
- 37inch



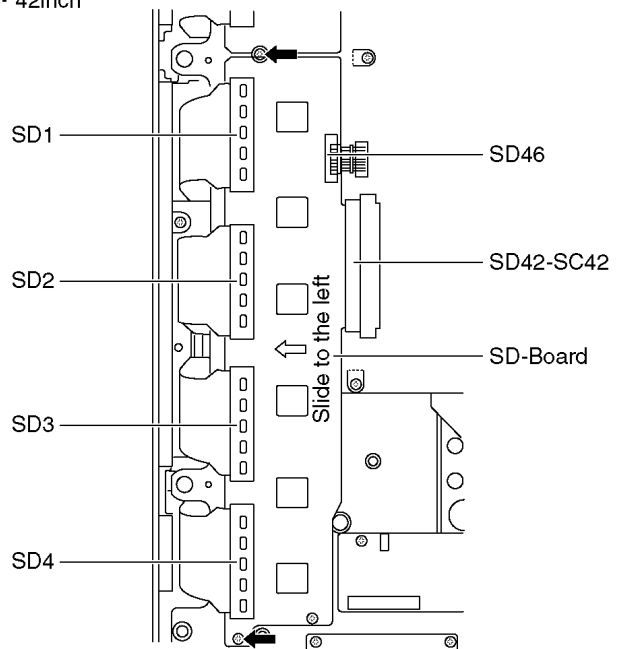
6.16. Remove the SU-Board (42inch)

1. Remove the screws (×2 ➡).
 2. Remove the flexible cables (SU1, SU2, SU3 and SU4) and remove the bridge connector (SU45).
 3. Slide the SU-Board to the left to disconnect from a coupler (SC41-SU41) on the SC-Board and remove the SU-Board.
- 42inch



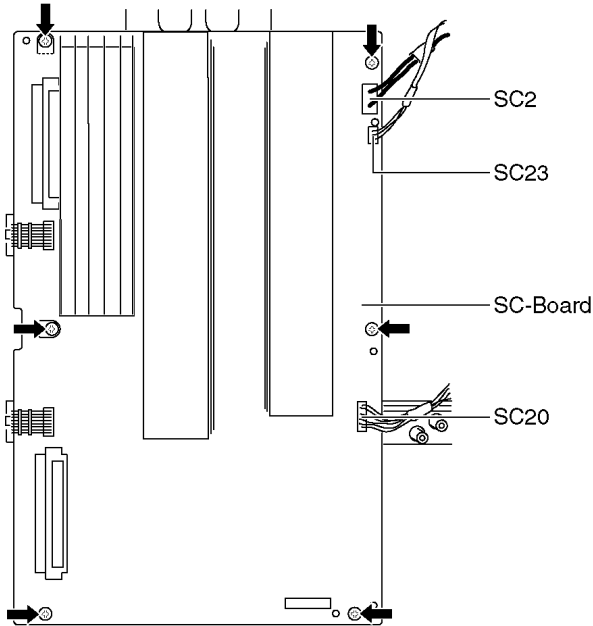
6.18. Remove the SD-Board (42inch)

1. Remove the screws (×2 ➡).
 2. Remove the flexible cables (SD1, SD2, SD3 and SD4) and remove the bridge connector (SD46).
 3. Slide the SD-Board to the left to disconnect from a coupler (SC42-SD42) on the SC-Board and remove the SD-Board.
- 42inch



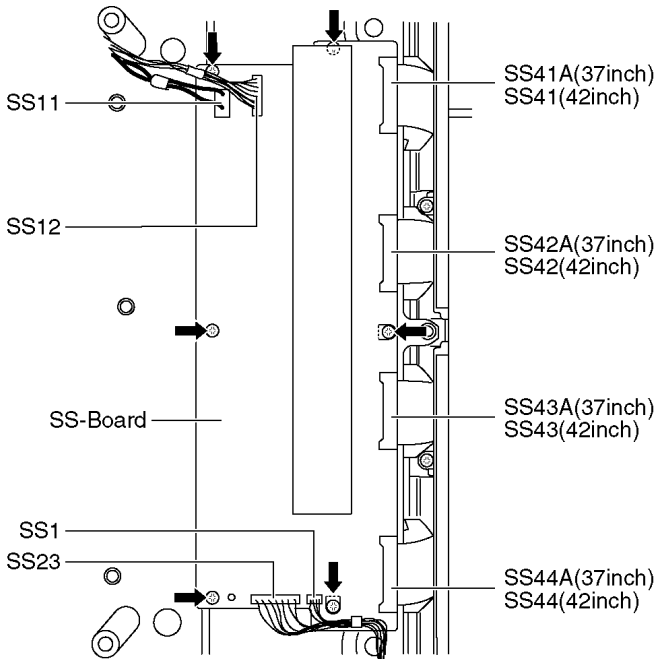
6.19. Remove the SC-Board

1. Unlock the cable claspers to free the cable.
2. Disconnect the couplers (SC2, SC20 and SC23).
3. Remove the screws (×6 ➡) and remove the SC-Board.



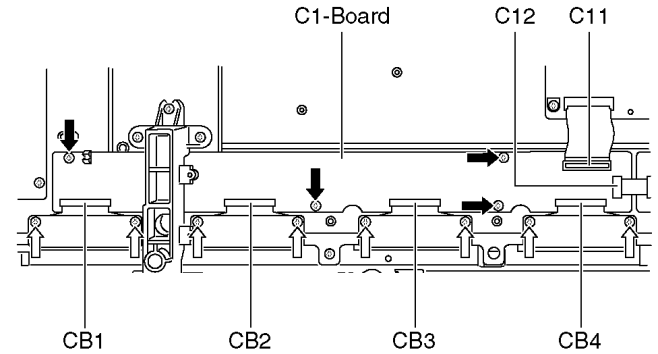
6.20. Remove the SS-Board

1. Disconnect the couplers (SS1, SS11, SS12 and SS23).
2. Disconnect the flexible cables (SS41A, SS42A, SS43A and SS44A) (37inch).
Disconnect the flexible cables (SS41, SS42, SS43 and SS44) (42inch).
3. Remove the screws (×6 ➡) and remove the SS-Board.

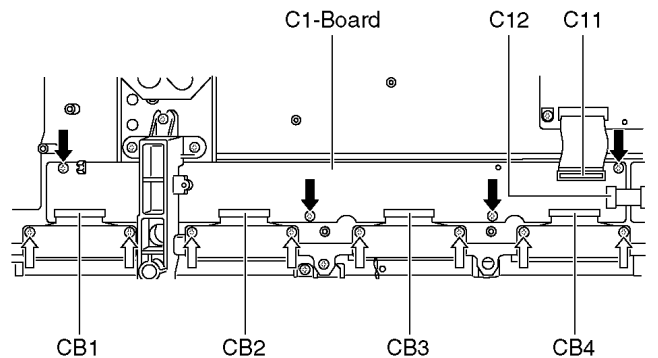


6.21. Remove the C1-Board

1. Remove the tuner unit. (See section 6.8.)
2. Remove the flexible cables holder fastening screws (×8 ➡).
3. Disconnect the flexible cables (CB1, CB2, CB3 and CB4).
4. Disconnect the flexible cables (C11 and C12).
5. Remove the screws (×4 ➡) and remove the C1-Board.



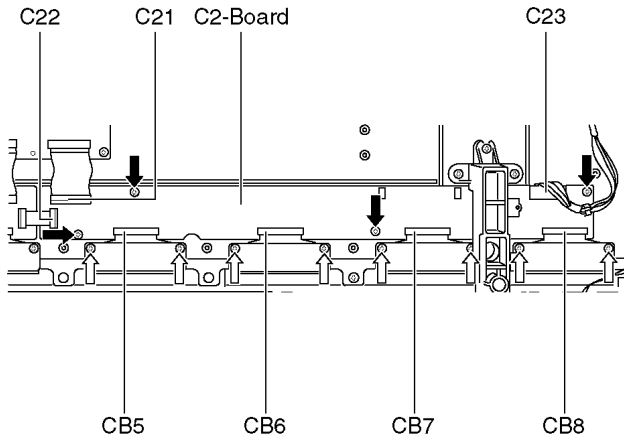
• 42inch



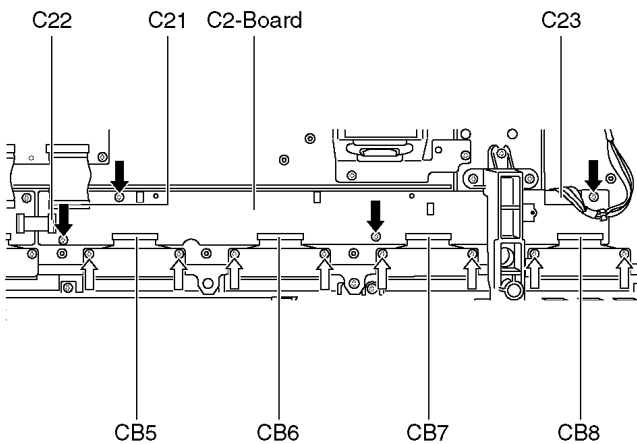
6.22. Remove the C2-Board

1. Remove the tuner unit. (See section 6.8.)
2. Remove the flexible cables holder fastening screws (×8 ⇨).
3. Disconnect the flexible cables (CB5, CB6, CB7 and CB8).
4. Disconnect the flexible cables (C21 and C22).
5. Disconnect the coupler (C23).
6. Remove the screws (×4 ⇨) and remove the C2-Board.

• 37inch

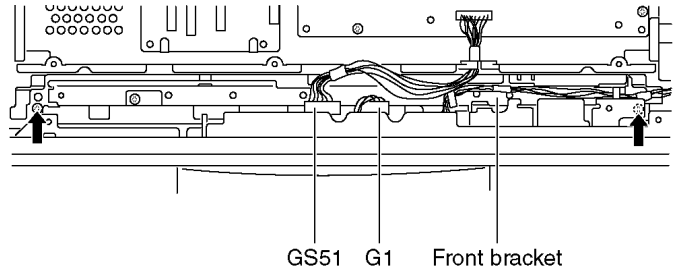


• 42inch



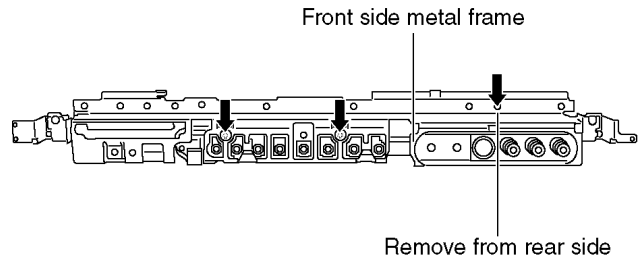
6.23. Remove the front bracket

1. Unlock the cable claspers to free the cable.
2. Disconnect the couplers (G1 and G51).
3. Remove the screws (×2 ⇨) and remove the front bracket.

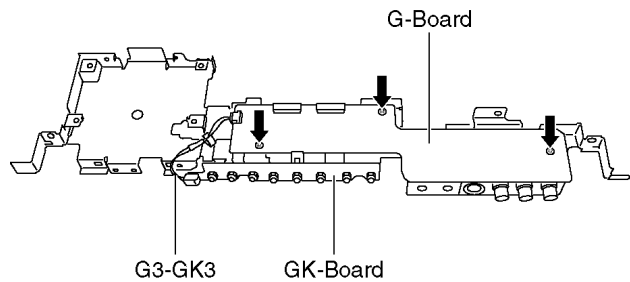


6.24. Remove the G-Board and GK-Board

1. Remove the front bracket. (See section 6.23.)
2. Remove the screws (×3 ⇨) and remove the front side metal frame.

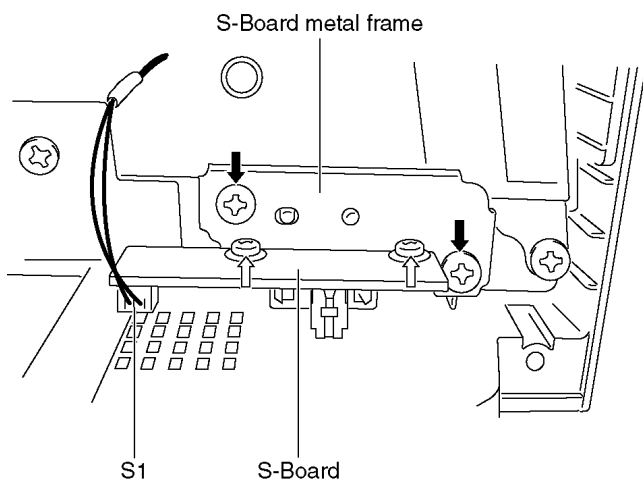


3. Remove the screws (×3 ⇨) and disconnect the couplers (G3-GK3).
4. Remove the G-Board and GK-Board.



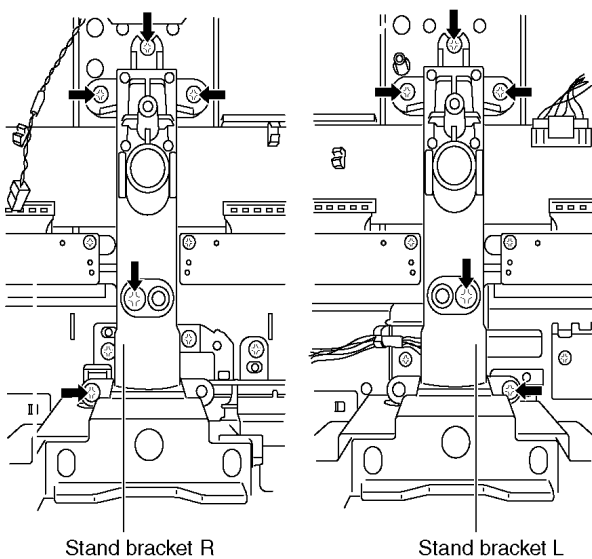
6.25. Remove the S-Board

1. Disconnect the coupler (S1).
2. Remove the screws ($\times 2 \rightarrow$) and remove the S-Board metal frame.
3. Remove the screws ($\times 2 \Rightarrow$) and remove the S-Board.



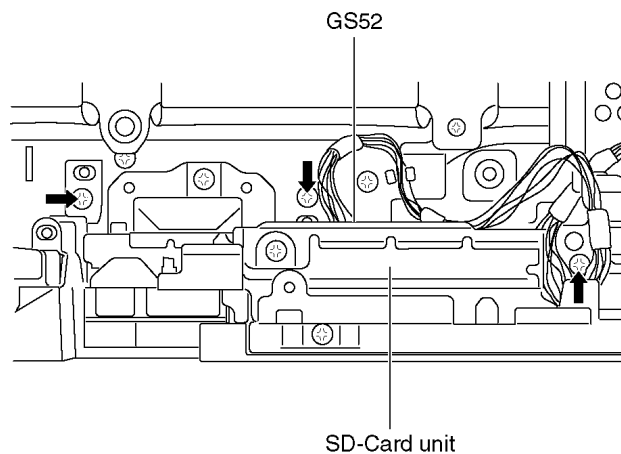
6.26. Remove the stand brackets

1. Remove the plasma panel section from the servicing stand and lay on a flat surface such as a table (covered) with the plasma panel surface facing downward.
2. Remove the stand brackets (left, right) fastening screws ($\times 5 \rightarrow$ each) and remove the stand brackets (left, right).

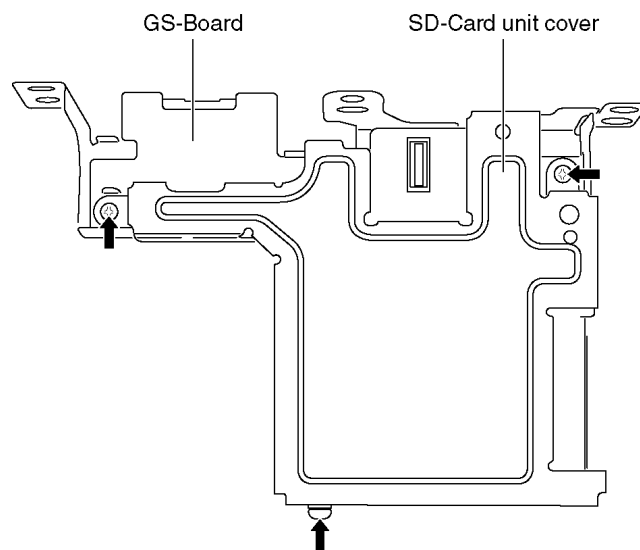


6.27. Remove the GS-Board and SD-Module

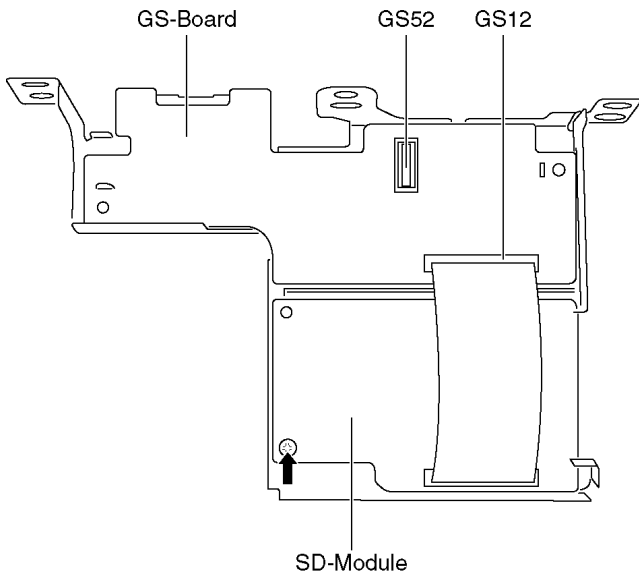
1. Remove the stand bracket R. (See section 6.26.)
2. Unlock the cable clampers to free the cable.
3. Disconnect the coupler (GS2).
4. Remove the screws ($\times 3 \rightarrow$).
5. Remove the SD card unit.



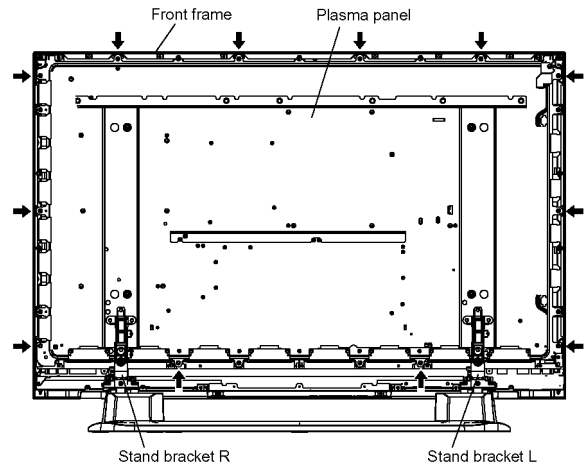
6. Remove the screws ($\times 3 \rightarrow$) and remove the SD card unit cover.



7. Disconnect the flexible cable (GS12).
8. Remove the screw (×1 →).
9. Remove the GS-Board and SD-Module.

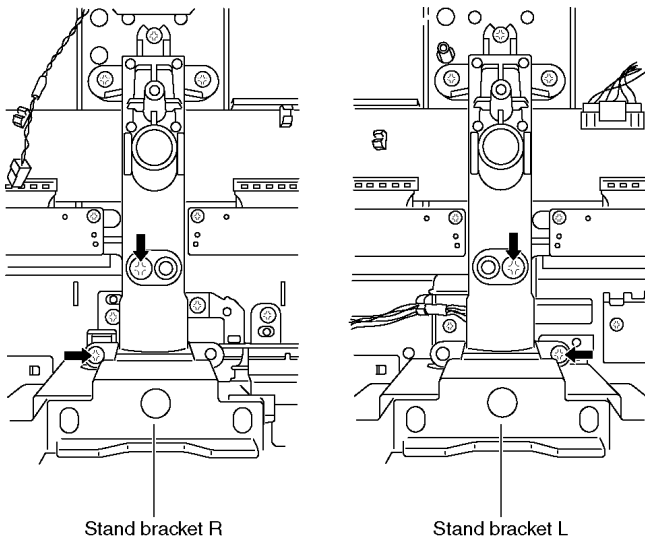


3. Replace the servicing stand and stand the set.
4. Remove the front frame and the plasma panel fastening screws (×12 →).

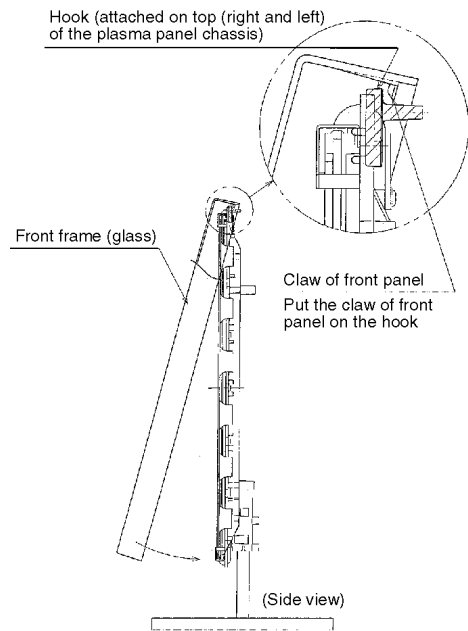


6.28. Remove the Plasma panel section from the Front frame (glass)

1. Remove the plasma panel section from the servicing stand and lay on a flat surface such as a table (covered) with the plasma panel surface facing downward.
2. Remove the stand brackets (left, right) fastening screws (×2 → each).

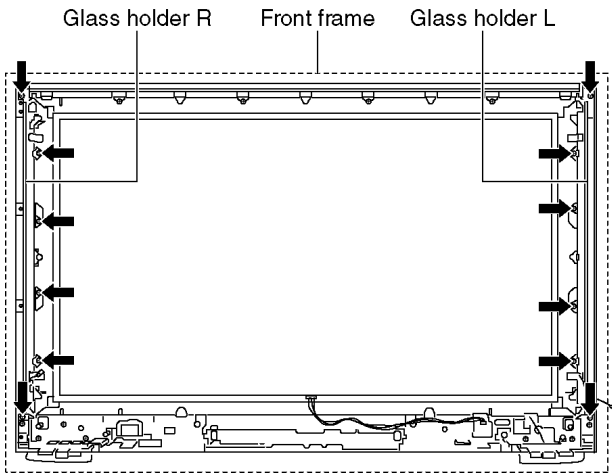


5. For leaving the plasma panel from the front frame, pull the bottom of the front frame forward, lift, and remove.

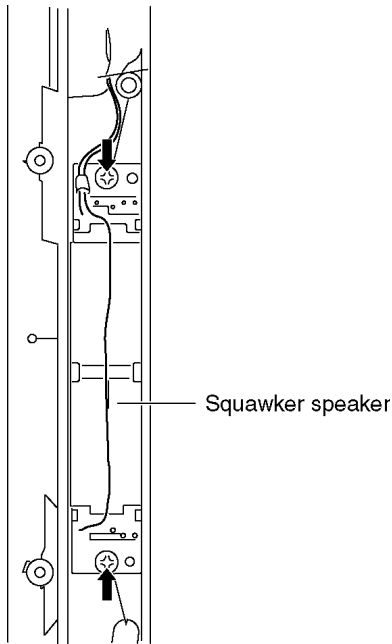


6.29. Remove the squawker speaker

1. Remove the front frame. (See section 6.28.)
2. Remove the screws (×12 ➡).
3. Remove the glass holder R and L.

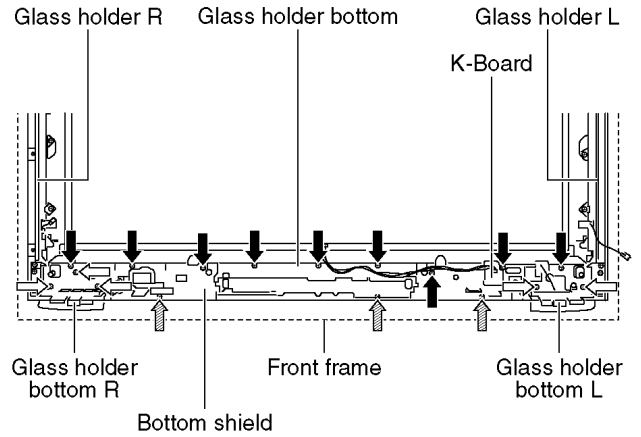


4. Remove the screws (×2 ➡).
5. Remove the squawker speaker.

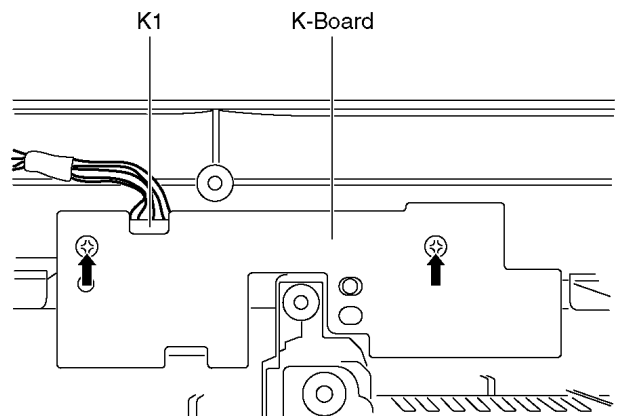


6.30. Remove the K-Board

1. Remove the front frame. (See section 6.28.)
2. Remove the glass holder R and L. (See section 6.29.)
3. Remove the screws (×3 ↗).
4. Remove the bottom shield.
5. Remove the screws (×5 ➡).
6. Remove the glass holder bottom R and L.
7. Remove the screws (×9 ➡).
8. Remove the glass holder bottom.



9. Remove the screws (×2 ➡).
10. Disconnect the couplers (K1).
11. Remove the K-board.



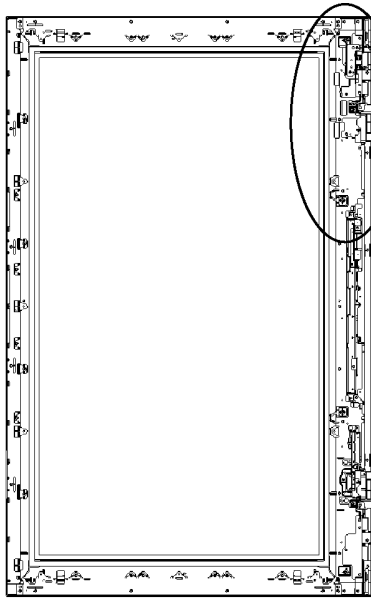
6.31. Replace the plasma panel (finished)

1. Place the new plasma panel (finished) on the flat surface of the table (covered by a soft cloth), with the plasma panel surface facing downward.
2. Attach the C1-Board and the C2-Board, connect the flexible cables (×8) from the Plasma panel to the C1-Board and the C2-Board, and fit the flexible cable holders.
3. Attach the Hooks (left, right) and fit the stand brackets (L, R) to the new plasma panel.
4. Place the plasma panel section on the servicing stand.
5. Attach the front frame and each P.C.Board and so on, to the new plasma panel.

*** When fitting the front frame, be careful to allow any debris, dust or handling residue to remain between the front glass and plasma panel.**

7 Location of Lead Wiring

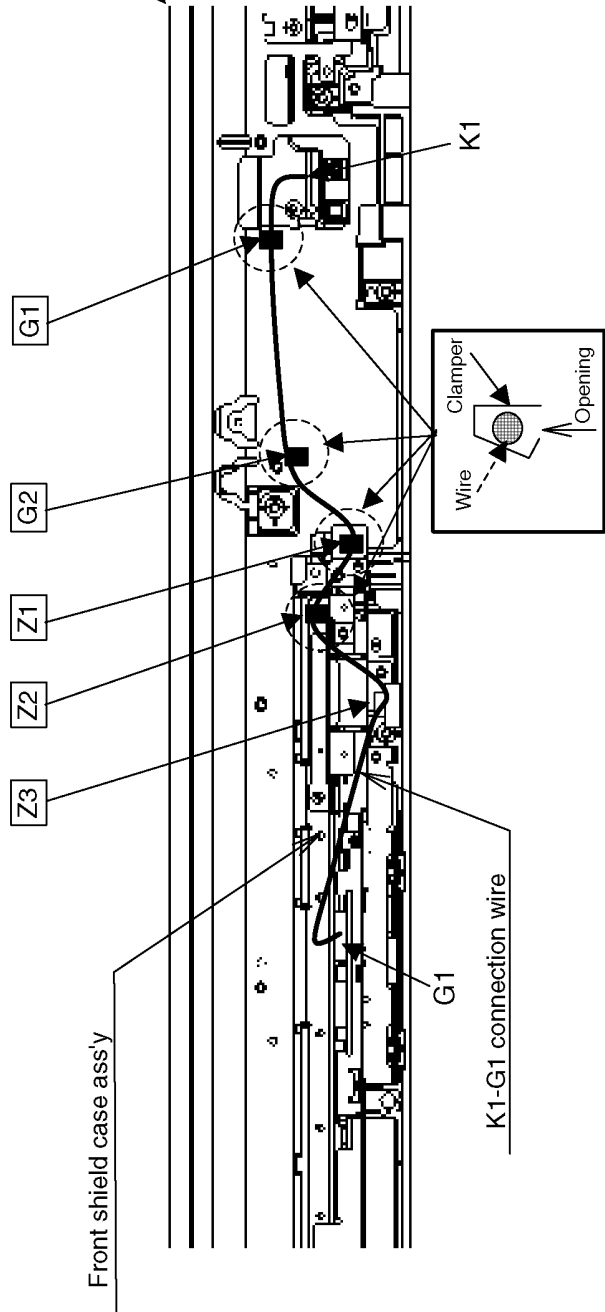
7.1. Lead of Wiring (1)



The wire is dressed as shown in figure.

1. Connect the connector G1.
2. Clamp the K1-G1 connection wires as illustrated below.

Connector No.	Wire clamber No.			
	G1	Z1	Z2	Z3
K1 - G1	○	○	○	○

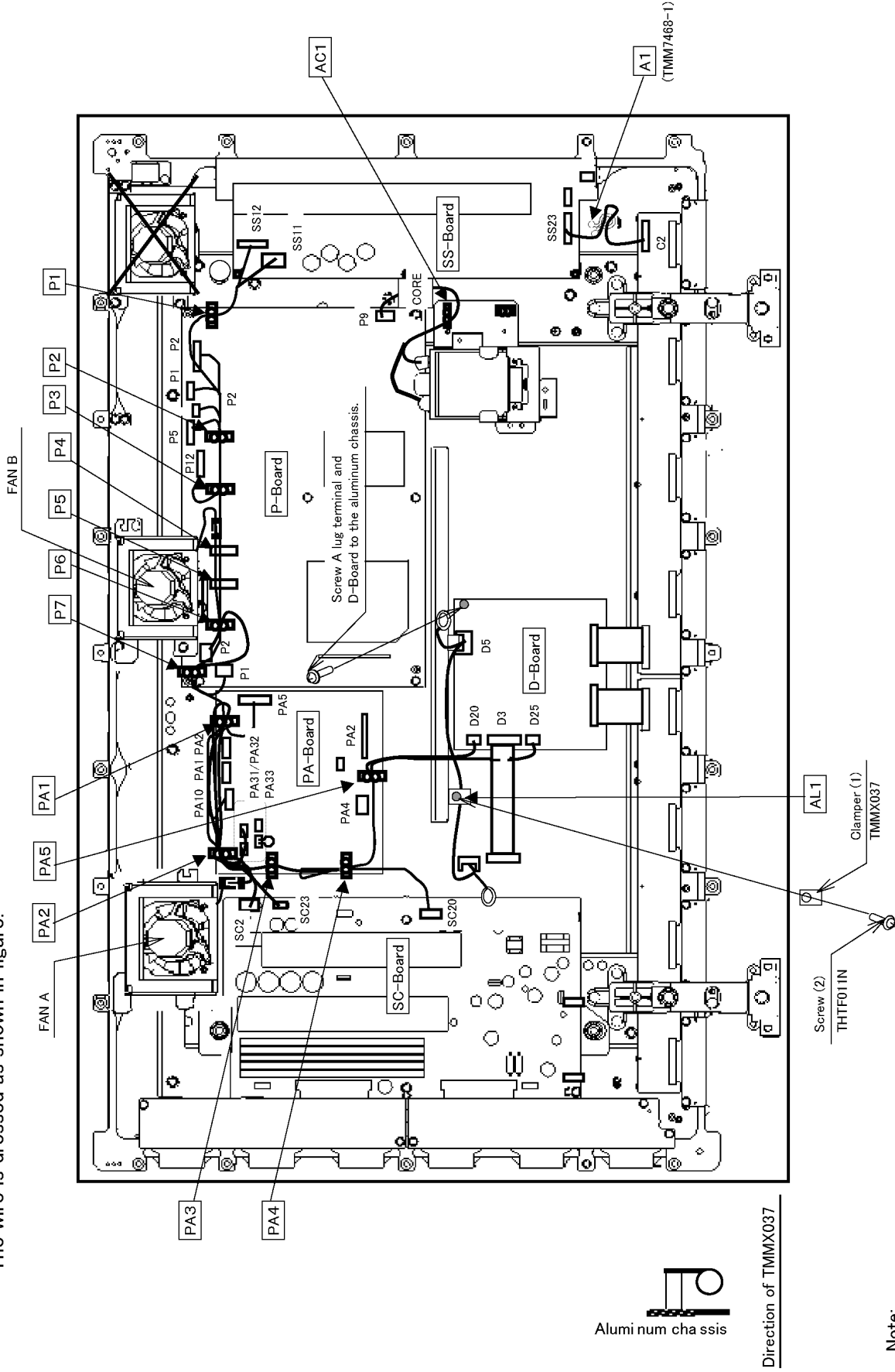


Direction of wire clammers' fixing:
Install wire clammers so their opening turns to down.

7.2. Lead of Wiring (2)-1

TH-37PV600E, TH-37PX600B

The wire is dressed as shown in figure.

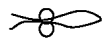


7.3. Lead of Wiring (2)-2

TH-37PV600E, TH-37PX600B

Connector No.		Wire clamber No.															
		P1	P2	P3	P4	P5	P6	P7	PA1	PA2	PA3	PA4	PA5	A1	AC1	AL1	
FAN A	- PA31								②	②							
FAN B	- PA32				○	○	○	○	○	○							
FAN SHORT	- PA33																
P10	- PA10		○	○	○	○	○	○	○								
P5	- PA5		○	○	○	○	○	○	○								
P23	- SC23		○	○	○	○	○	○	○	○							
P2	- SC2						○	○	○	○							
SS11	- P11	○	○	○	○	○	○	○									
SS12	- P12	○	○	○													
D25	- P25		○	○	○	○	○	○	○	○	○	○					
AC-INLET	- P9														○		
SS23	- C23														②		
D20	- SC20											②	○				
DG5(TUNER UNIT)	- D5															○	

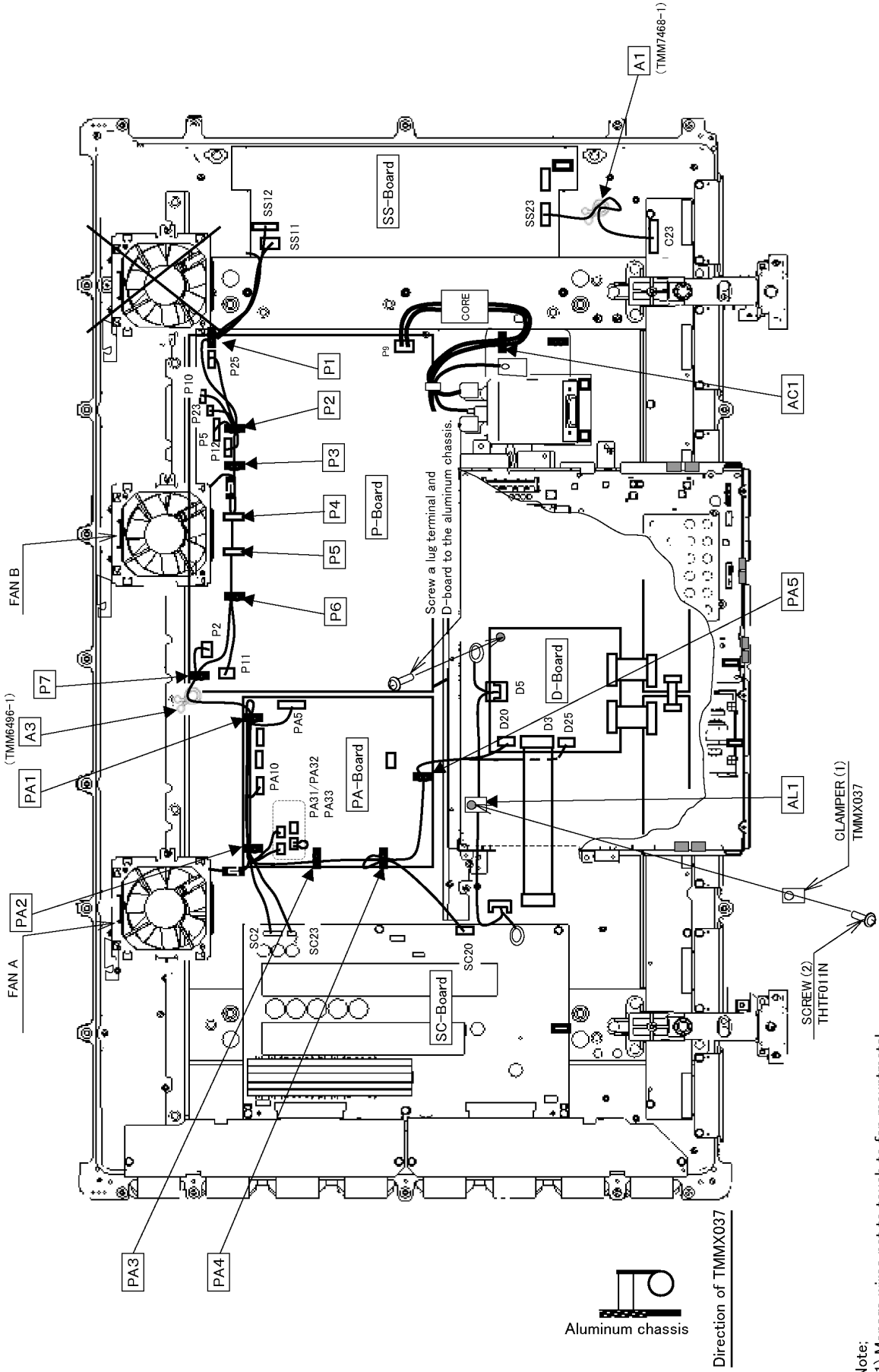
The number in the circle shows the number of times passed a clamber.

②
TWICE 

7.4. Lead of Wiring (2)-3

TH-42PV600E, TH-42PX600B

The wire is dressed as shown in figure.



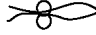
- Note:
- 1) Manage wires not to touch to fan mountmetal.
 - 2) Pass the SS11 wire and the SS12 wire between a M8 boss and P-board, manage them to keep away from a M8 boss.

7.5. Lead of Wiring (2)-4

TH-42PV600E, TH-42PX600B

Connector No.		Wire clamber No.															
		P1	P2	P3	P4	P5	P6	P7	PA1	PA2	PA3	PA4	PA5	A1	A3	AC1	AL1
FAN A	- PA31								②	②							
FAN B	- PA32				○	○	○	○	○	○					○		
FAN SHORT	- PA33																
P10	- PA10		○	○	○	○	○	○	○						○		
P5	- PA5		○	○	○	○	○	○	○						○		
P23	- SC23		○	○	○	○	○	○	○	○					○		
P2	- SC2								○	○	○				○		
SS11	- P11	○	○	○	○	○	○										
SS12	- P12	○	○														
D25	- P25		○	○	○	○	○	○	○	○	○	○	○		○		
AC-INLET	- P9															○	
SS23	- C23														②		
D20	- SC20											②	○				
DG5(TUNER UNIT)	- D5																○

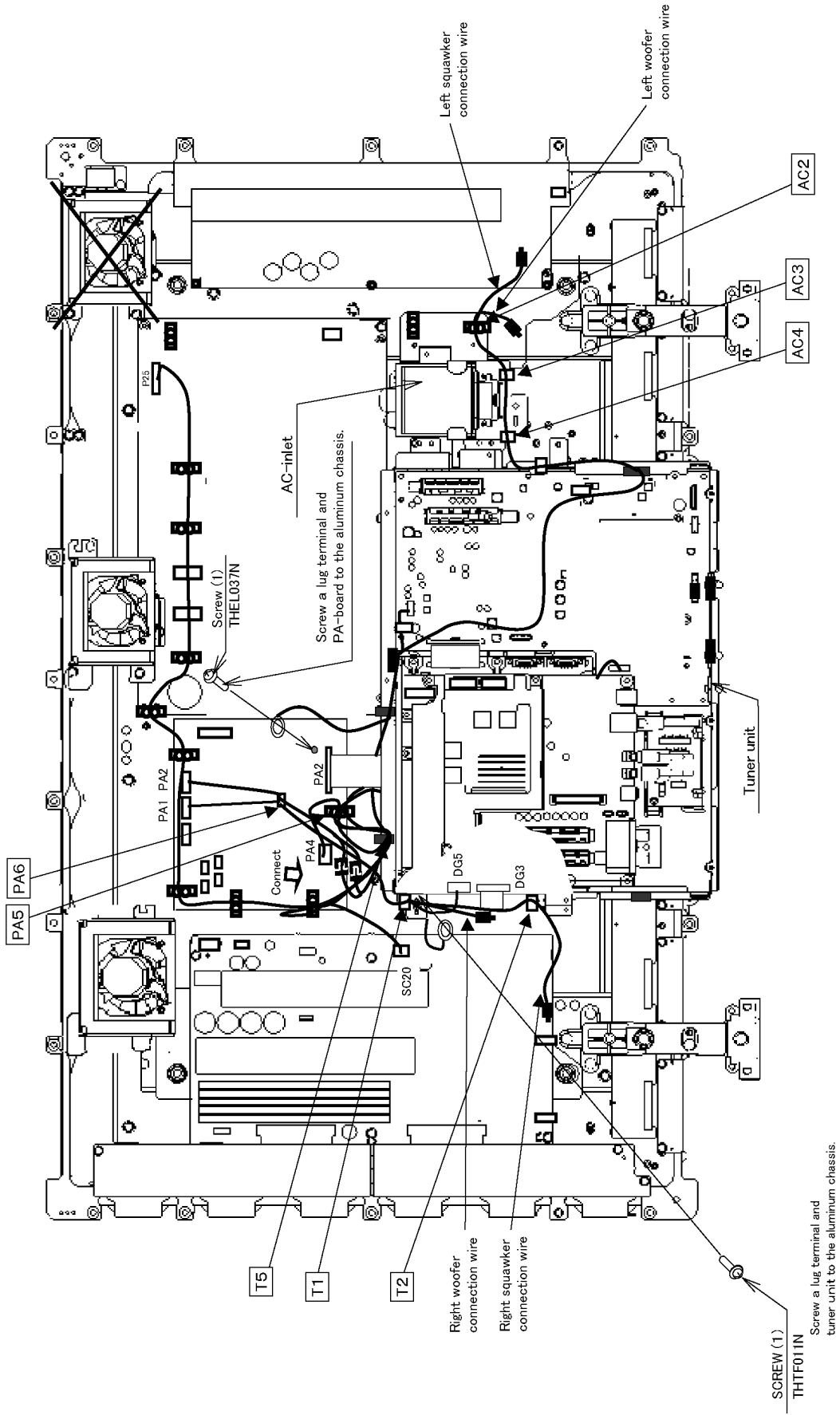
The number in the circle shows the number of times passed a clamber.

② TWICE 

7.6. Lead of Wiring (3)-1

TH-37PV600E, TH-37PX600B

The wire is dressed as shown in figure.



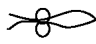
7.7. Lead of Wiring (3)-2

TH-37PV600E, TH-37PX600B

Connector No.		Wire clamber No.							
		PA5	PA6	T1	T2		AC2	AC3	AC4
R-Woofer connection wire	- PA1		○	○					
R-Squawker connection wire	- PA1		○	○	○				
L-Woofer connection wire	- PA2		○				○	○	○
L-Squawker connection wire	- PA2		○				○	○	○
H40 (Tuner unit)	- PA40	②							
D20	- SC20								
D25	- P25								
DG20 (Tuner unit)	- PA20								
DG3 (Tuner unit)	- D3								
DG5 (Tuner unit)	- D5								

Connect WL connectors and SL connectors.

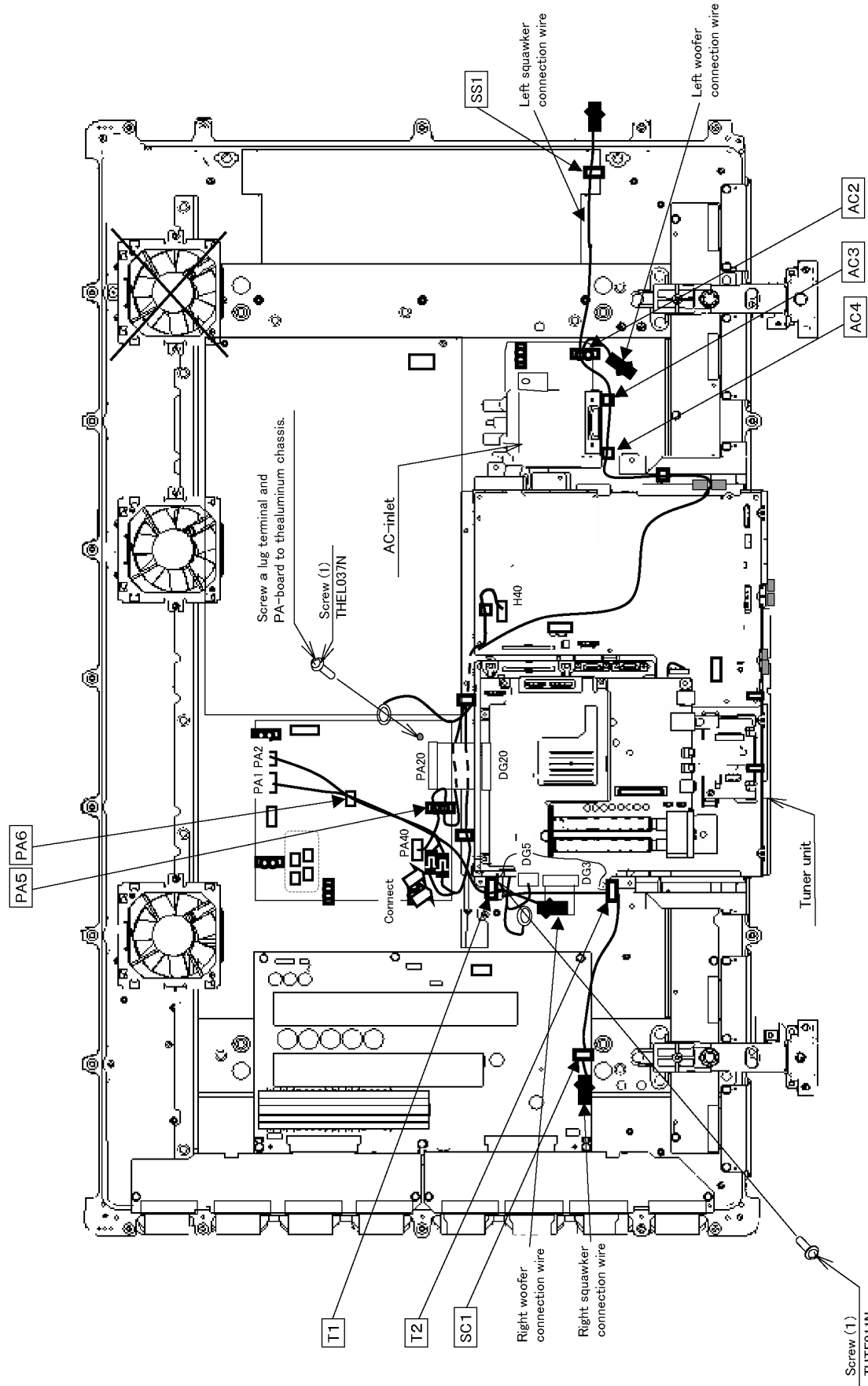
The number in the circle shows the number of times passed a clamber.

②
TWICE 

7.8. Lead of Wiring (3)-3

TH-42PV600E, TH-42PX600B

The wire is dressed as shown in figure.



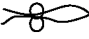
7.9. Lead of Wiring (3)-4

TH-42PV600E, TH-42PX600B

	Wire clamber No.									
	PA5	PA6	T1	T2	SC1	AC2	AC3	AC4	SS1	
R-Woofer connection wire - PA1		○	○							
R-Squawker connection wire - PA1		○	○	○	○					
L-Woofer connection wire - PA2		○				○	○	○		
L-Squawker connection wire - PA2		○				○	○	○	○	
H40 (Tuner unit) - PA40	②									
DG20(TUNER UNIT) - PA20										
DG3(TUNER UNIT) - D3										
DG5(TUNER UNIT) - D5										

Connect WL connectors and SL connectors.

The number in the circle shows the number of times passed a clamber.

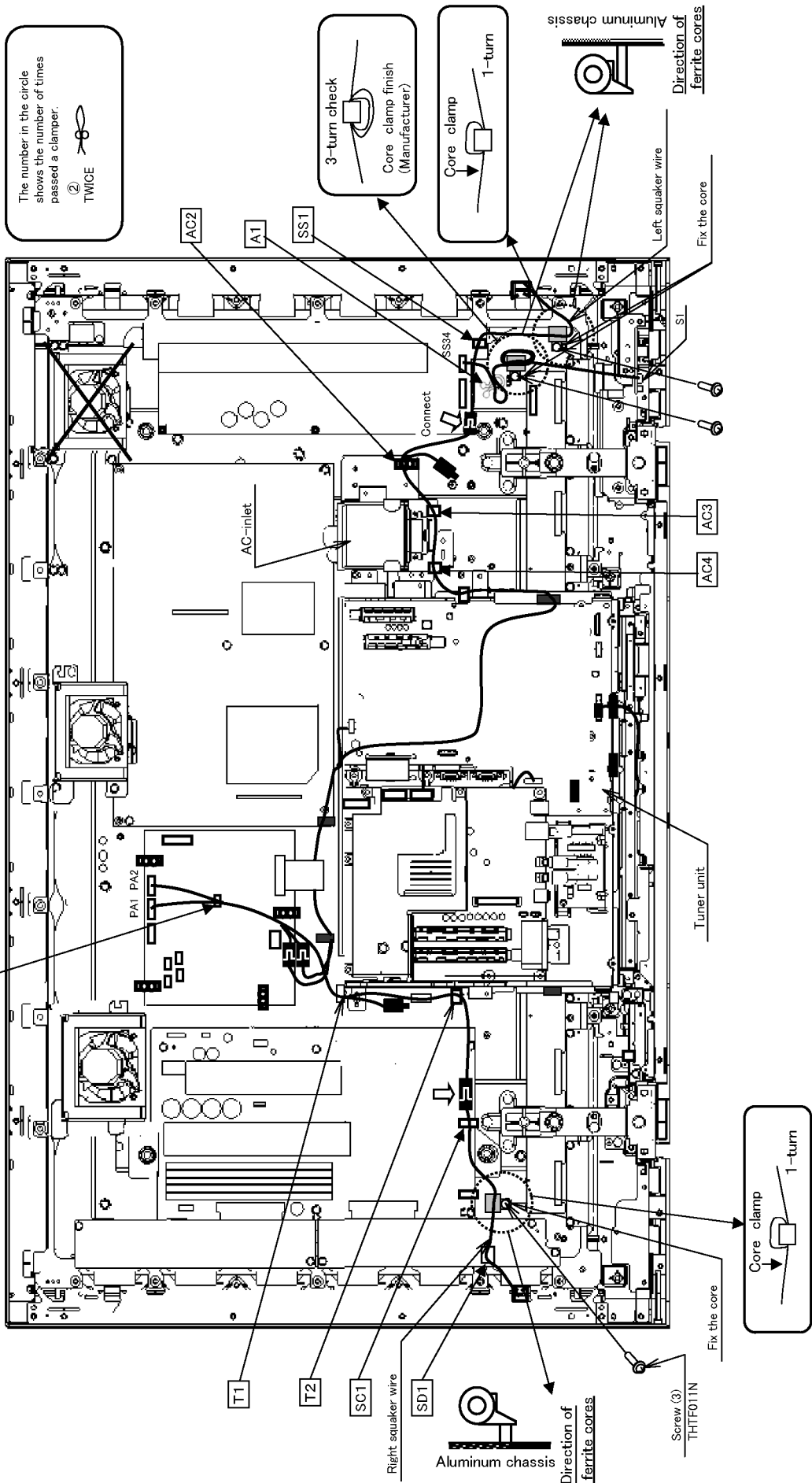
②
TWICE 

7.10. Lead of Wiring (4)-1

TH-37PV600E, TH-37PX600B

The wire is dressed as shown in figure.

Connector No.	Wire clamber No.									
	PA6	T1	T2	SC1	AC2	AC3	AC4	SD1	A1	SS1
R-Squawker connection wire										
- PA1										
R-Squawker wire										
- PA2										
L-Squawker connection wire										
- SS34										
S1										②

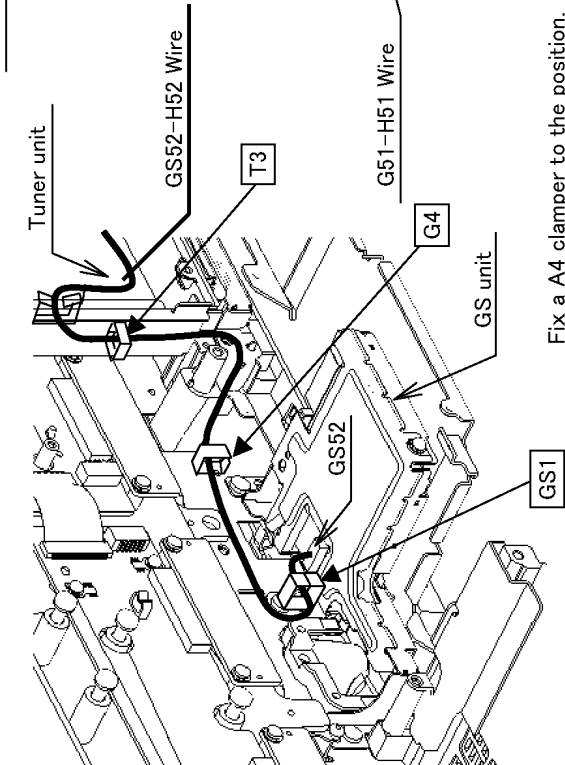


7.11. Lead of Wiring (4)-2

TH-37PV600E, TH-37PX600B

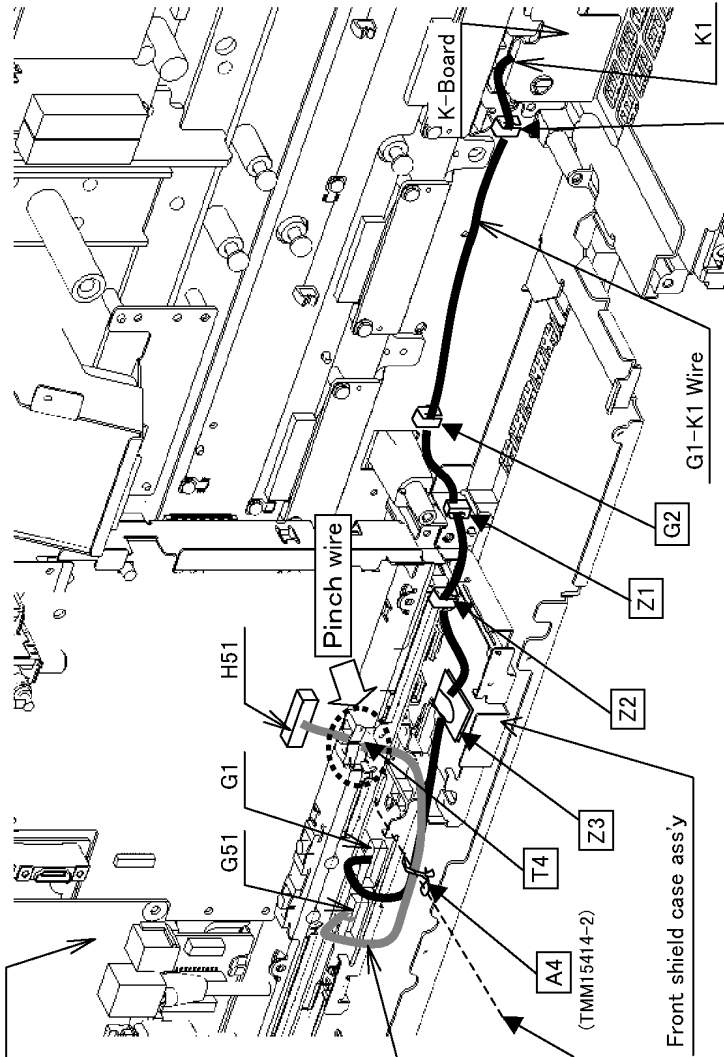
The wire is dressed as shown in figure.

Wire dressing of GS unit



Fix a A4 clammer to the position.

Wire dressing of front shield case



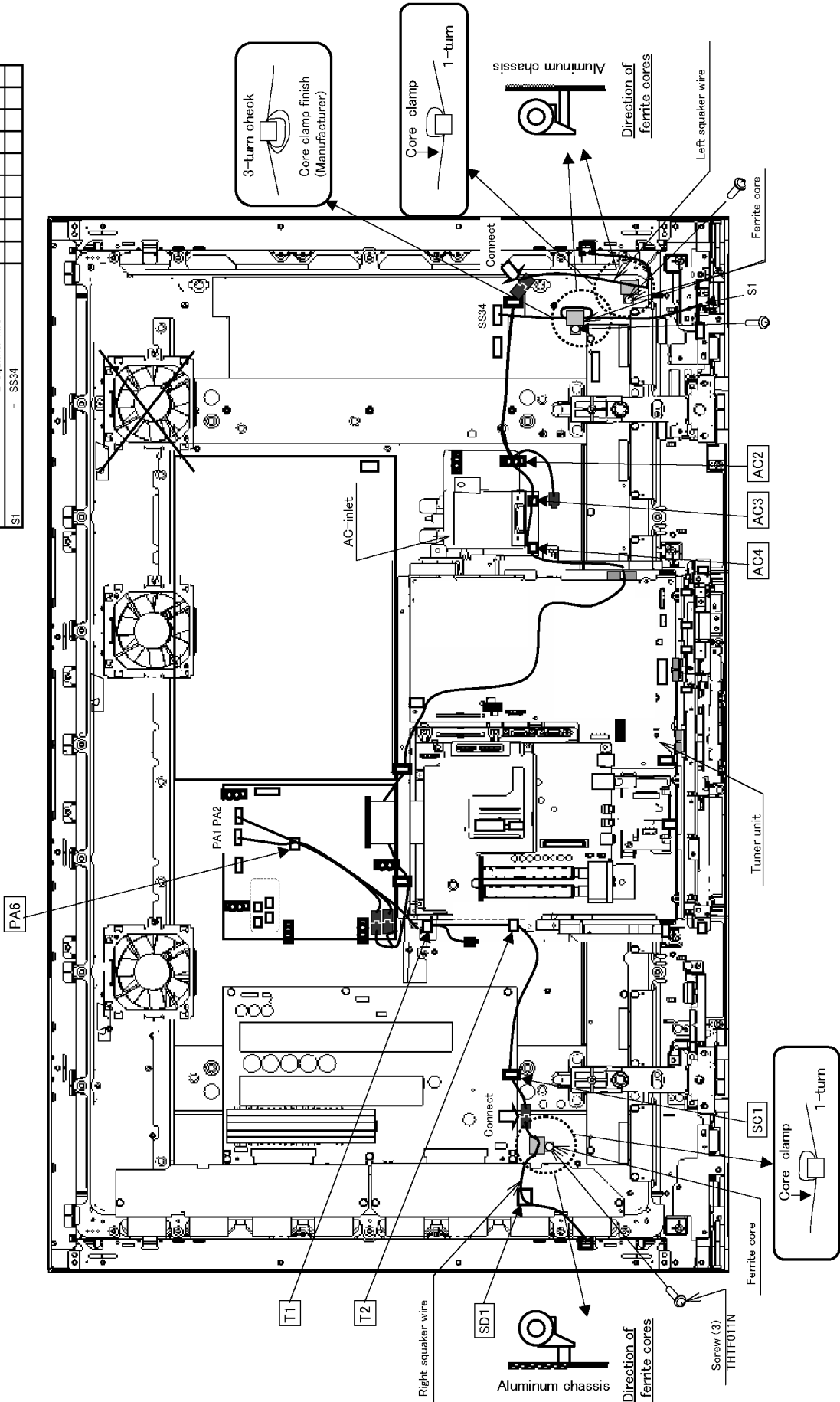
Connector No.	Wire clammer No.									
	G1	G2	Z1	Z2	Z3	GS1	G4	T3	T4	A4
GS52 - H52 (Tuner unit)							○	○	○	
GS51 - H51										○ ○
G1 - K1	○	○	○	○	○					○ ○

7.12. Lead of Wiring (4)-3

Connector No.		Wire jumper No.							
		PA6	T1	T2	SC1	AC2	AC3	AC4	SD1
R-Squawker connection wire	- PA1	○	○	○	○				
L-Squawker connection wire	- PA2	○	○	○	○				
	- SS34								

TH-42PV600E, TH-42PX600B

The wire is dressed as shown in figure.

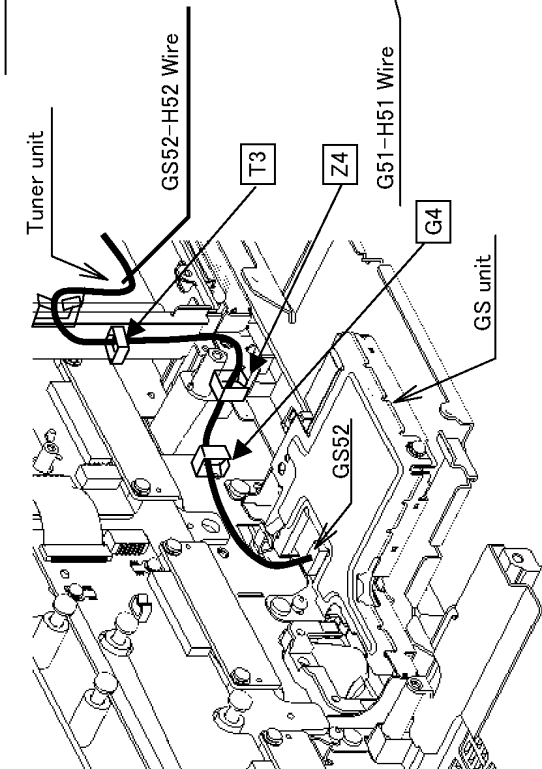


7.13. Lead of Wiring (4)-4

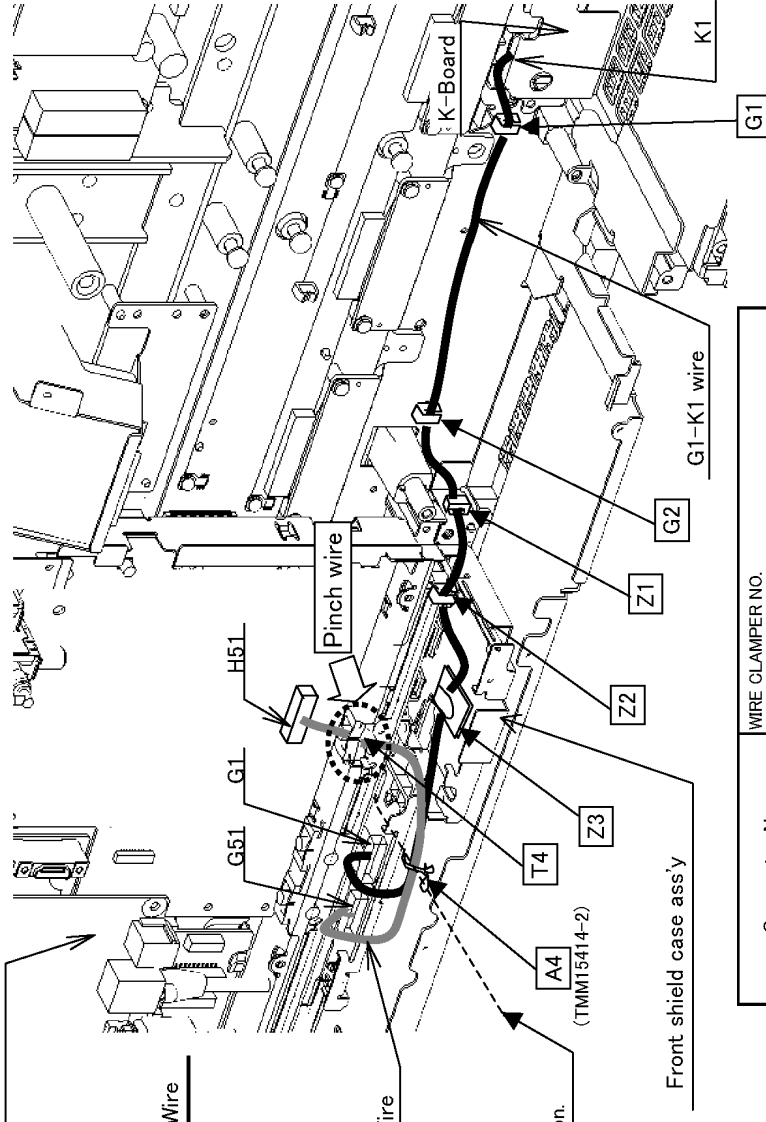
TH-42PV600E, TH-42PX600B

The wire is dressed as shown in figure.

WIRE DRESSING OF GS UNIT



Wire dressing of front shield case



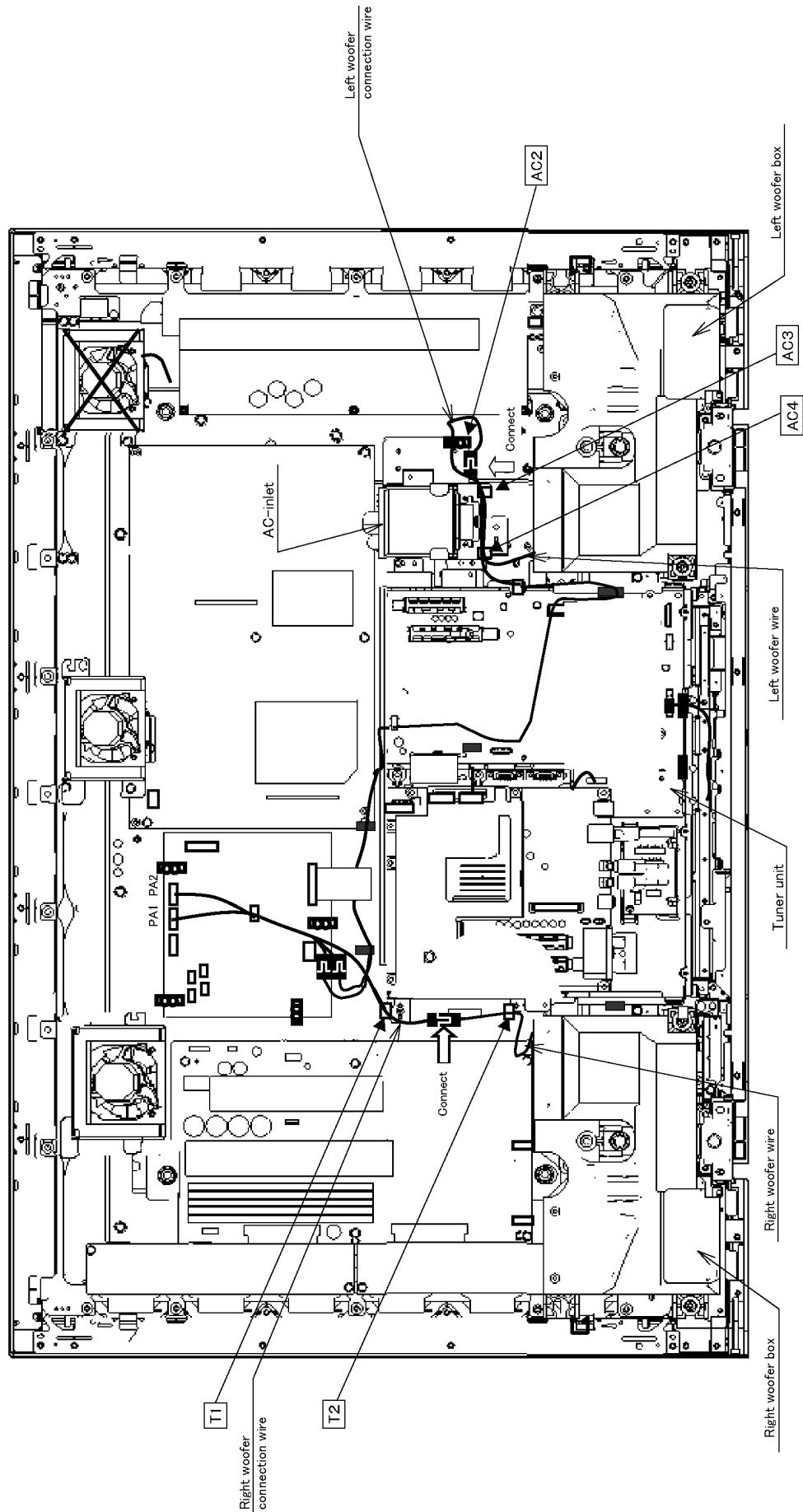
Connector No.	WIRE CLAMPER NO.												
	G1	G2	Z1	Z2	Z3	Z4	G4	T3	T4	A4			
GS52 - H52 (Tuner unit)													
G51 - H51													
G1 - K1													

7.14. Lead of Wiring (5)-1

TH-37PV600E, TH-37PX600B

The wire is dressed as shown in figure.

Connector No.	Wire clamber No.	
	T1	T2
- PA1	AC2	AC3
- R-woofer connection wire	○	
- L-woofer connection wire		○
- PA2		○
- L-woofer wire		○

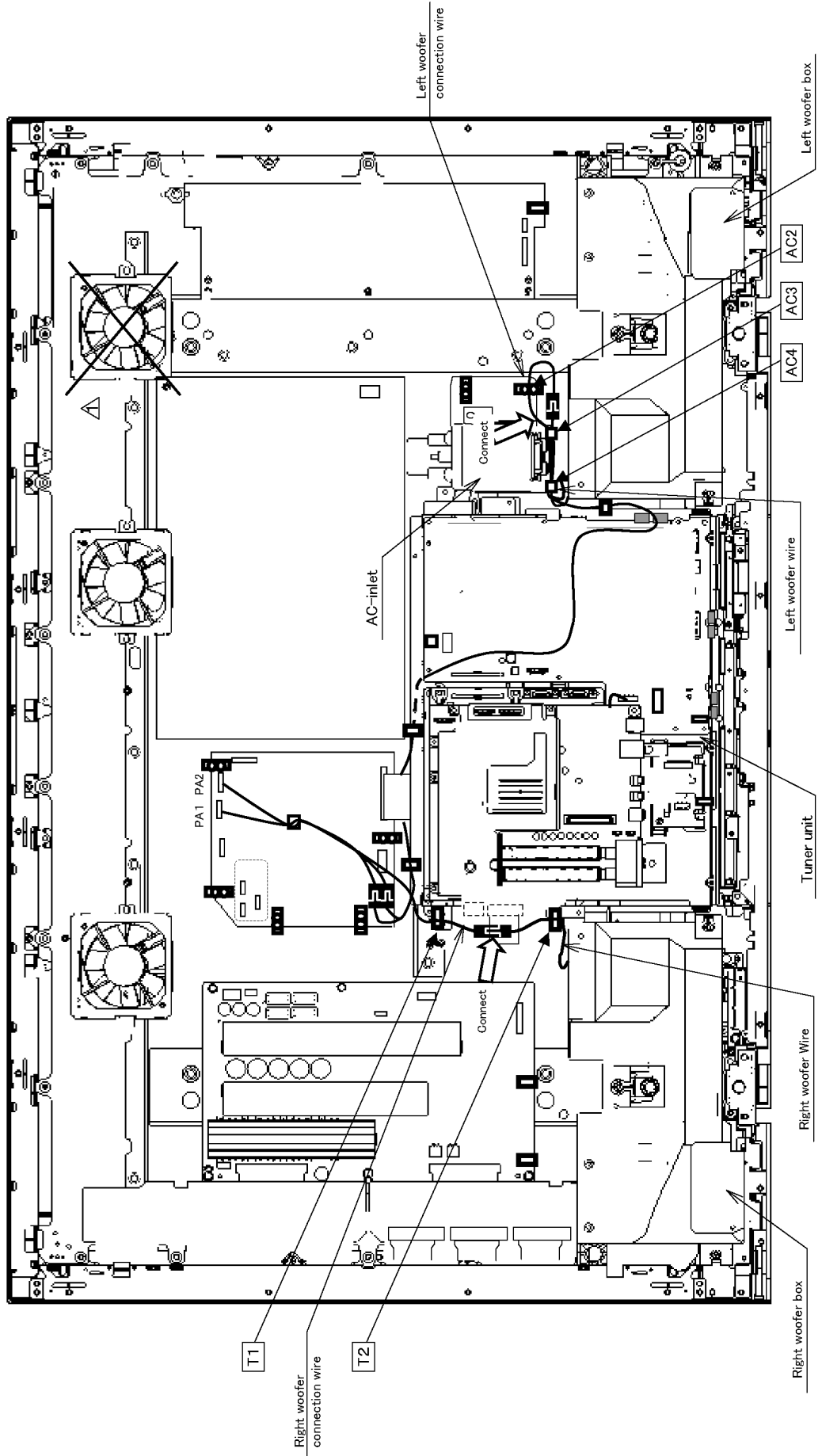


7.15. Lead of Wiring (5)-2

TH-42PV600E, TH-42PX600B

The wire is dressed as shown in figure.

Connector No.		Wire clamber No.	
R-woofer connection wire	- PA1	T1	AC2
L-woofer connection wire	- PA2	T2	AC3
			AC4



8 Self Check

1. Self-Check is used to automatically check the bus lines and hexadecimal code of the TV set.
2. To get into the Self -Check mode press the Down (—/√) button on the customer controls at the front of the set, at the same time pressing the Information button on the remote control, and the screen will show :

Check result of IC
 "OK" → Normal
 "NG" → Abnormal
 (Check IC or its nearby components)

Factory use only

Option Code display
 The numbers are displayed in hexadecimal.
 Note: Option Codes are only examples.
 Please refer the option table for each models.

I : PV600E only
 II : PX600B only

If the CCU ports have been checked and found to be incorrect or not located then "--" will appear in place of "O.K."

Display	Ref.No.	Description	Board
MEM	IC1102	EEPROM	DG-Board
GC5	IC4037	GC5 Processor	DG-Board
GC3FS	IC4020	Global Core for Sub	DG-Board
AVSW1	IC3005	Video SW	H-Board
AVSW2	IC2105	Audio SW	H-Board
Tun1	TU001	Tuner	TA-Board
VIF	-	-	-
MSP	IC2106	Multi Sound Processor	H-Board
PANEL	IC9003	Convert Micon	D-Board
SDM	SD-Module	MPEG4/PHOTO View, SD recording	SD-Board
IPC	IC8013	PEAKS Lite	XV-Board
HDMI	IC4026	HDMI I/F Receiver	DG-Board
ADV	IC4019	10bit A/D	DG-Board

8.1. Power LED Blinking timing chart

1. Subject

Information of LED Flashing timing chart.

2. Contents

When an abnormality has occurred the unit, the protection circuit operates and reset to the stand by mode. At this time, the defective block can be identified by the number of blinks of the Power LED on the front panel of the unit.

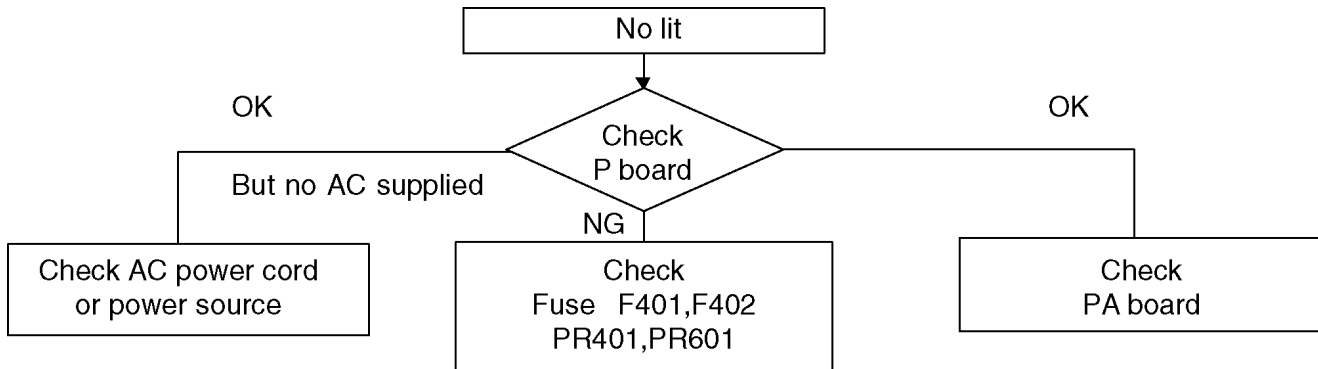
Blinking Times	Blinking timing	Contents	Check point
1		No particular check point	-
2		15V SOS	D-Board
3		3.3V SOS	D-Board
4		Power SOS	P-Board
5		5V SOS	D-Board
6		Driver SOS1 (SC Energy recovery circuit)	SU-Board SD-Board SC-Board
7		Driver SOS2 (SC floating voltage area)	SU-Board SD-Board SS-Board
8		Driver SOS3 (SS Energy recovery circuit)	SS-Board
9		Panel Status	-
10		PA SOS Tuner SOS	PA-Board H-Board
11		Fan SOS	Fan
12		Sound SOS	PA-Board

8.2. No Power

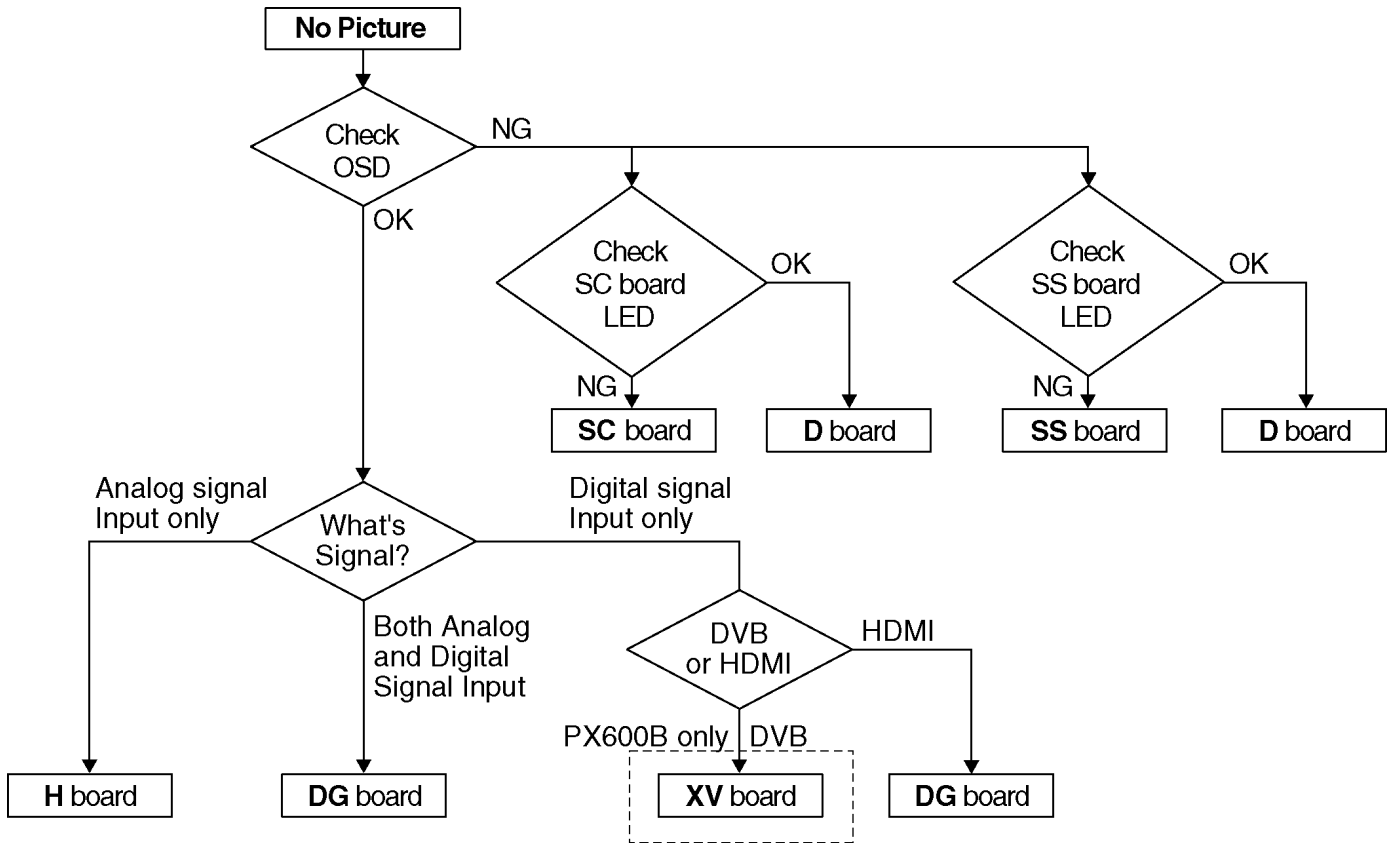
First check point

There are following 3 states of No Power indication by power LED.

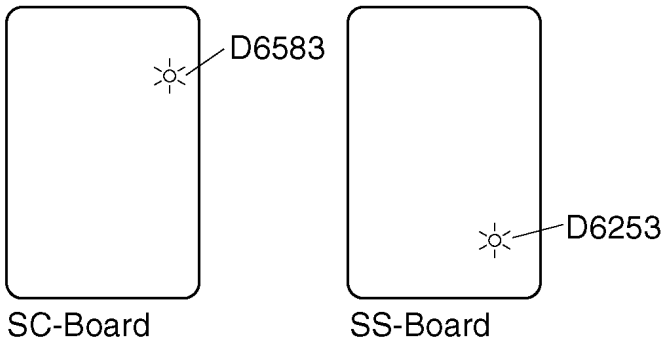
1. No lit
2. Red is lit then turns red blinking a few seconds later. (Sec.8.1)



8.3. No Picture



Drive circuits LED indicator



8.4. Local screen failure

Plasma display may have local area failure on the screen. Fig-1 is the possible defect P.C.B. for each local area.

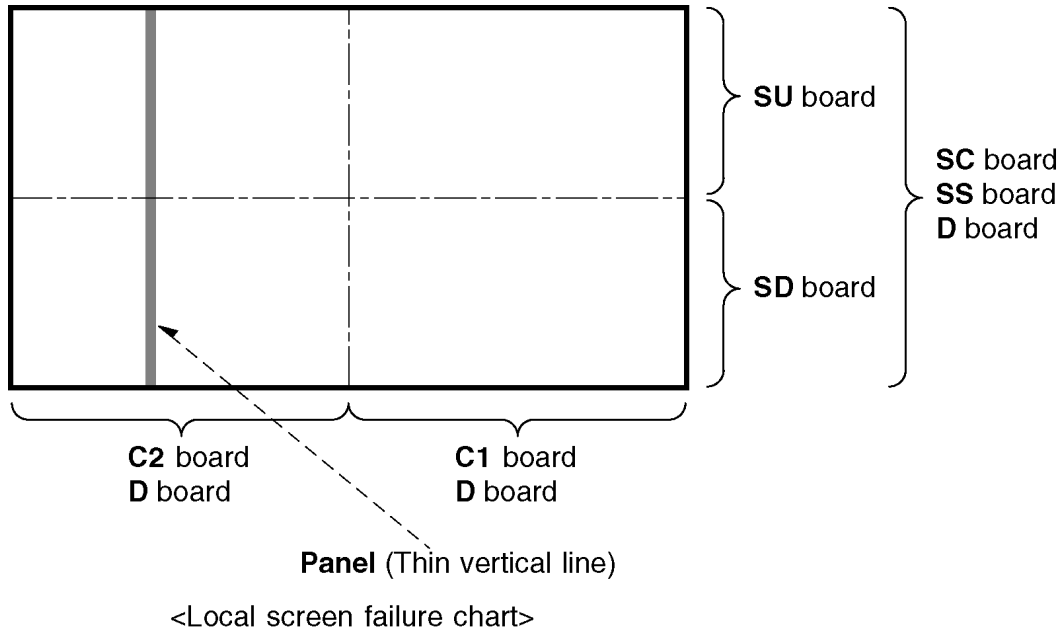


Fig-1

9 Service Mode Function

MPU controls the functions switching for each IICs through IIC bus in this chassis. The following setting and adjustment can be adjusted by remote control in Service Mode.

9.1. How to enter SERVICE 1

1. In sound menu, set BASS to MAXIMUM, and set TREBLE to MINIMUM.
2. Simultaneously press **INDEX** button on remote control and **DOWN** button [$-\sqrt{\quad}$] on the TV set.

9.2. How to enter SERVICE 2

1. Set the channel to CH99.
2. Select the EQ 12kHz.
3. Press HOLD button on remote control.

Note:

To exit to Service mode, press EXIT or Power button on remote control.

SERVICE 1

99

PANASONIC 2006 PDP
V0.490

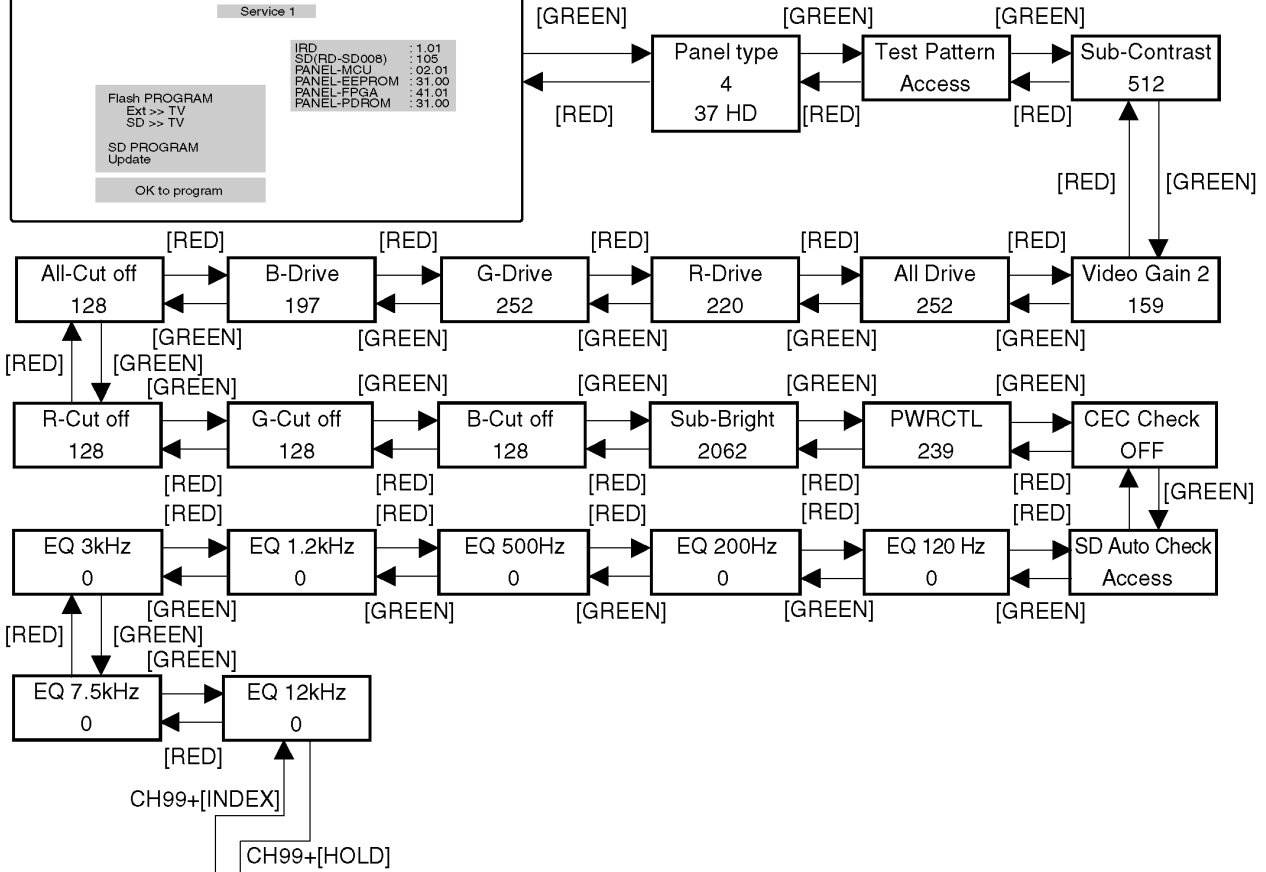
Service 1

IRD	: 1.01
SD(RD-SD008)	: 105
PANEL-MCU	: 02.01
PANEL-EEPROM	: 31.00
PANEL-FPGA	: 41.01
PANEL-PDPROM	: 31.00

Flash PROGRAM
Ext >> TV
SD >> TV

SD PROGRAM
Update

OK to program



SERVICE 2

99

PANASONIC 2006PDP
V0.490

Service 2

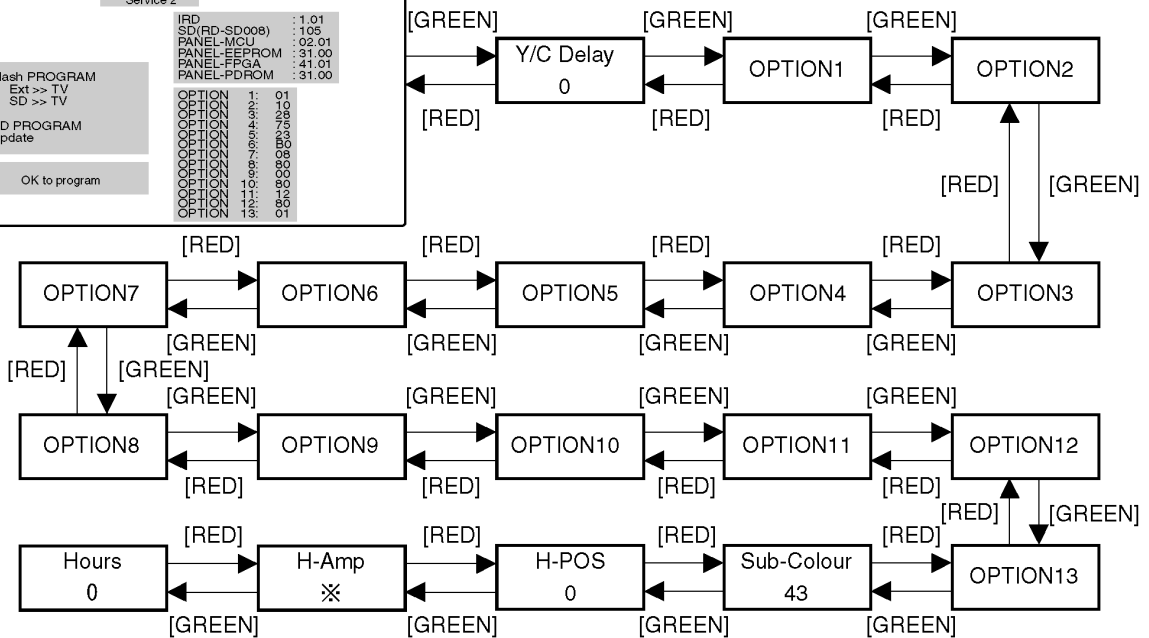
IRD	: 1.01
SD(RD-SD008)	: 105
PANEL-MCU	: 02.01
PANEL-EEPROM	: 31.00
PANEL-FPGA	: 41.01
PANEL-PDPROM	: 31.00

OPTION 1	: 01
OPTION 2	: 10
OPTION 3	: 29
OPTION 4	: 75
OPTION 5	: 23
OPTION 6	: 80
OPTION 7	: 80
OPTION 8	: 80
OPTION 9	: 80
OPTION 10	: 80
OPTION 11	: 12
OPTION 12	: 80
OPTION 13	: 01

Flash PROGRAM
Ext >> TV
SD >> TV

SD PROGRAM
Update

OK to program



※ : This item appears when "component" selecting

Key Command

- Press the **RED/GREEN** button to step up/down through the functions.
- Press the **YELLOW/BLUE** button to change the function values.
- Press the **OK** button after each adjustment has been made to store the required values.

9.3. Option Description

	PV600E	PX600B		
option1	4F	01		
b0	1	1	Colour system	Auto(1)
b1	1	0		SECAM(1)
b2	1	0		NTSC(1)
b3	1	0		M.NTSC(1)
b4	0	0	A2 select 6.5MHz	5.742MHz(0) 6.742MHz(1)
b5	0	0	SIF	I only(0), BG only(1)
b6	1	0		I/BG/DK/L(2), BG/DK(3)
b7	0	0	free	
option2	11	10		
b0	1	0	A2 enable	enable(1)
b1	0	0		not use
b2	0	0		not use
b3	0	0		not use
b4	1	1	NICAM enable	enable(1)
b5	0	0		not use
b6	0	0		not use
b7	0	0		not use
option3	3A	28		
b0	0	0	SASO enable	SASO enable(1)
b1	1	0	Fine tuning	Enable(1)
b2	0	0	Search speed	Slow(1) Fast(0)
b3	1	1	Tuner	MACO tuner (1), Others (0)
b4	1	0	HYPER	UHF only (0), UHF/VHF (1)
b5	1	1	IF I2C	I2C controlled Tuner IF module (1)
b6	0	0	NICAM C4 bit	enable(1)
b7	0	0	Blue Back	BLUE BACK on/off selection in menu(0)
option4	D9	75		
b0	1	1	Aspect AUTO	enable(1)
b1	0	0	S1/S2 enable	enable(1)
b2	0	1	ID-1	enable(1)
b3	1	0	User aspect Just	enable(1)
b4	1	1	User aspect 14:9	enable(1)
b5	0	1	ALBD 14:9	14:9 enable, Zoom3 disable at self wide(1)/ Zoom1, Zoom3 enable at self wide (0)
b6	1	1	TEXT	enable(1)
b7	1	0	TEXT TOP	TOP enable (1)
option5	2B	2B		
b0	1	1	CH Blanking	Blanking enable (1)
b1	1	1	AV Blanking	Blanking enable (1)
b2	0	0	Noise mute	Noise mute enable(0)
b3	1	1	sub picture	without sub-picture(0), with sub-picture(1)
b4	0	0	2tuner	2tuner(1),1tuner(0)
b5	1	1	AV Input	3rotation(1) / 2rotation without front RCA (0)
b6	0	0	Panel (LCD)	Samsung Panel(1)/SHARP Panel(0)
b7	0	0	Large size (LCD)	32(1)/26(0) for LCD
option6	AB	B3		
b0	1	1	SD module	with SD module (1)
b1	1	1	SD module Ext.Rec(PAL)	enable(1)
b2	0	0	SD module Ext.Rec(NTSC)	enable(1)
b3	1	0	SD module Ext.Rec(SECAM)	enable(1)
b4	0	1	IDTV	enable(1)
b5	1	1	HDMI	enable(1)
b6	0	0	Ext. HV input	without HV input(0) / with HV input(1)
b7	1	1	PC	enable(1)
option7	00	08		
b0	0	0	Asia	Asia(1),europe(0)
b1	0	0	Australia	not use
b2	0	0	Ireland/India	Ireland(1)
b3	0	1	UK/Korea	UK(1)
b4	0	0	Lang1	not use
b5	0	0	Lang2	not use
b6	0	0	Lower POS	not use
b7	0	0	Owner ID	not use

	PV600E	PX600B		
option8	78	80	Euro option	
b0	0	0	ACI all country	ACI enable(1), only Netherlands(0)
b1	0	0	ACI auto MP	ACI auto multi package enable (1)
b2	0	0	ACI offset	ACI offset for VCR prog. enable(1)
b3	1	0	Power up EC-Mode	Power on EC enable (1)
b4	1	0	AVLink	Q-Link off selectable in menu (1)
b5	1	0	Volume correction	TV Volume coorrection enable (1)
b6	1	0	MPX/NICAM display	Display NICAM (0), Display MPX (1)
b7	0	1	Albd Reset Off	enable(1)
option9	00	00		
b0	0	0	CH Plan	ASIA / M.E. / HK/UK / CHINA(1)
b1	0	0		NZ/INDNES(1)
b2	0	0		AUSTRALIA(1)
b3	0	0		E.EUROPE(1)
b4	0	0		SPECIAL(1)
b5	0	0		AMERICA(1)
b6	0	0		CATV(1)
b7	0	0		JAPAN(1)
option10	80	80		
b0	0	0	NICAM priority	ASIA/M.E.(1)
b1	0	0		HK/UK(1)
b2	0	0		CHINA(1)
b3	0	0		NZ/INDN(1)
b4	0	0		AUSTRA(1)
b5	0	0		E.EURO(1)
b6	0	0		SPECIAL(1)
b7	1	1	HDMI AVI Aspect	enable(1)
option11	43	43	Additional	
b0	1	1	Remocon Type	Delux(1) / Leader(0)
b1	1	1	Environment AI (PDP)	enable, with viewing mode auto (1) / disable, without viewing mode auto(0)
b2	0	0	WSS14:9 off	WSS 14:9 off (1)
b3	0	0	Child lock	Child Lock on:Tuning Menu skip(1)
b4	0	0		
b5	0	0	Contrast AI	enable(1)
b6	1	1	Service H-POS	enable(1)
b7	0	0	Service V-VOS	enable(1)
option12	20	A0	Additional	
b0	0	0	last memory of aspect	each source(1) / ALL source(0)
b1	0	0	Reserved	
b2	0	0	TEXT Ch Refresh	refresh enable(1) / disenable(0)
b3	0	0	STILL	1:Disable / 0:Enable
b4	0	0	LATIN	Latin:SAP/Fixed SIF4.5MHz/PAL-M,N/CC/Black level/Language
b5	1	1	SRS	enable(1)
b6	0	0	HDMI Quali TV	enable(0)
b7	0	1	HDMI EC function	enable(1)
option13	20	30	Additional	
b0	0	0	DVB ALBD	enable(1)
b1	0	0	HDMI port	enable(0) 2 ports model/(1)1port model (only for TV MCU port setting)
b2	0	0	HDMI format error OSD	display(0)/not display(1)
b3	0	0	CEC control	enable(0)
b4	0	1	Aspect 4:3 FULL	enable(0)
b5	1	1	FTZ	enable(1)
b6	0	0		
b7	0	0		

10 Adjustment Procedure

10.1. Driver Set-up

10.1.1. Item / Preparation

1. Input a white signal to plasma video input.
2. Set the picture controls as follows.

Picture menu: Dynamic
P-NR: OFF
Aspect: 16:9

Caution

1. First perform Vsus adjustment.
2. Confirmation of Vscn voltage should be performed after confirmation of Vad adjustment.

When Vad=-105V, Voltage of Vscn is 35V \pm 4V.

10.1.2. Adjustments

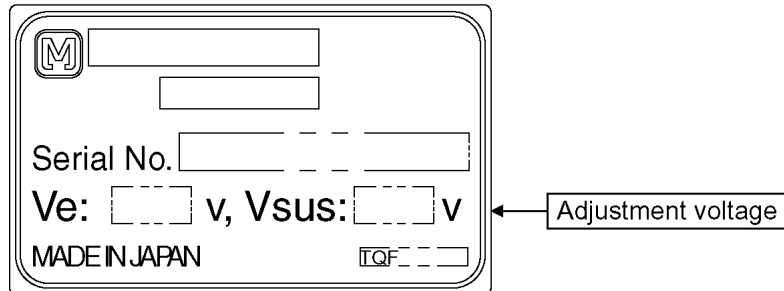
Adjust driver section voltages referring the panel data on the panel data label.

Check or adjust the following voltages with the multimeter.

Name	Test Point	Voltage	Volume	Remarks
Vsus	TPVSUS (SS)	Vsus \pm 2V	R628 (P)	*
Ve	TPVE (SS)	Ve \pm 2V	VR6000 (SS)	*
Vset	TPVSET (SC)	260V \pm 7V	Fixed	
Vad	TPVAD (SC)	-105V \pm 1V	VR6600 (SC)	
Vscn	TPVSCN (SC)	Vad+140V \pm 4V	Fixed	
Vda	TPVDA (SS)	75V \pm 1V	Fixed	
Vdat	P12-1, 5 (P)	75.5V \pm 0.1V	R665 (P)	
PFC	C446 (+)(-)	396V \pm 0.5V	R443 (P)	

*See the Panel label.

Panel Label information



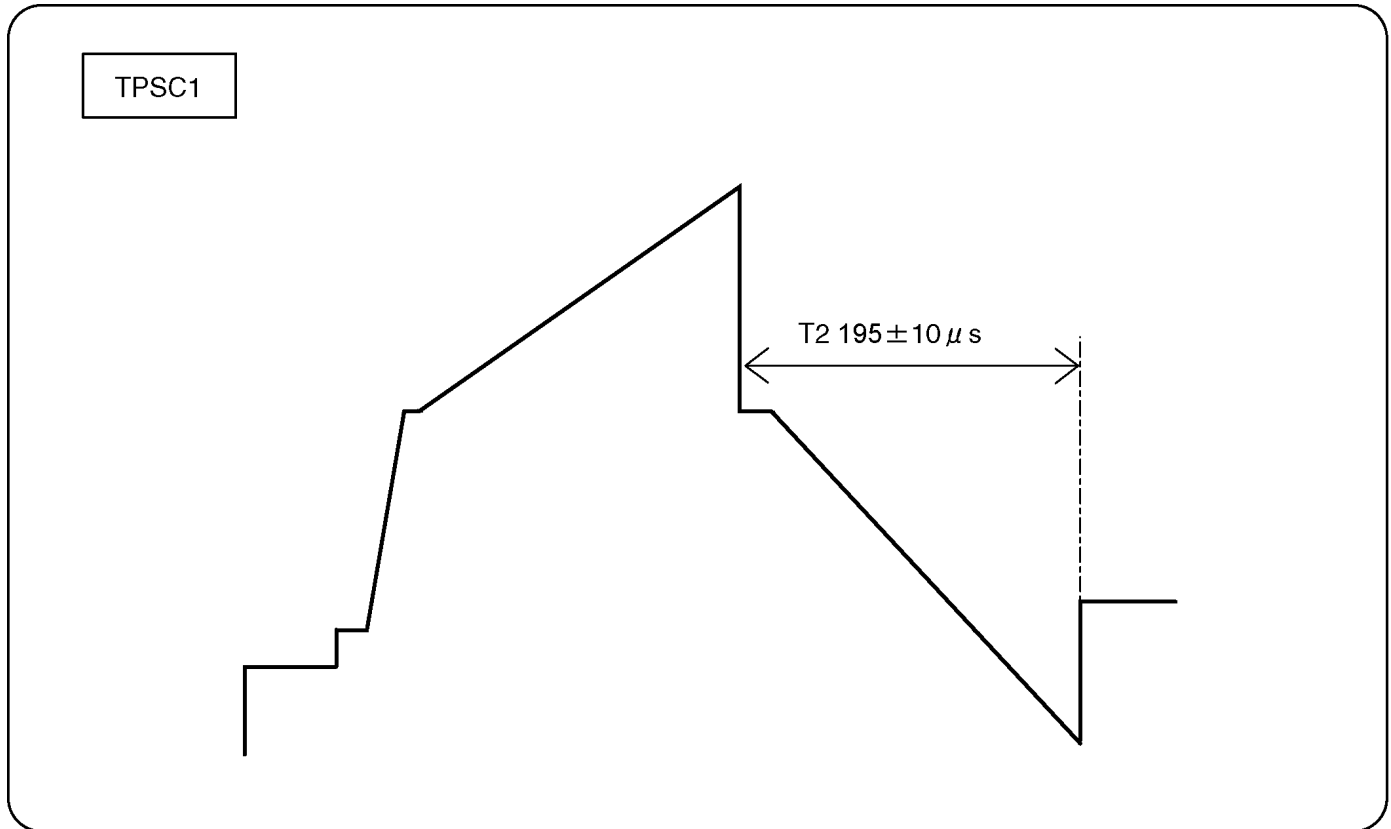
10.2. Initialization Pulse Adjust

1. Input the White signal to plasma video input.
2. Set the picture controls as follows.

Picture menu : Dynamic
 P-NR : OFF
 Aspect : 16:9

3. Connect Oscilloscope to TPSC1 (T2) and adjust VR6602 for $195 \pm 10 \mu\text{Sec}$.

	Test point	Volume	Level
T2	TPSC1 (SC)	VR6602 (SC)	$195 \pm 10 \mu\text{Sec}$



10.3. P.C.B. (Printed Circuit Board) exchange

10.3.1. Caution

1. To remove P.C.B. , wait 1 minute after power was off for discharge from electrolysis capacitors.

10.3.2. Quick adjustment after P.C.B. exchange

Adjust the following voltages with the multimeter.

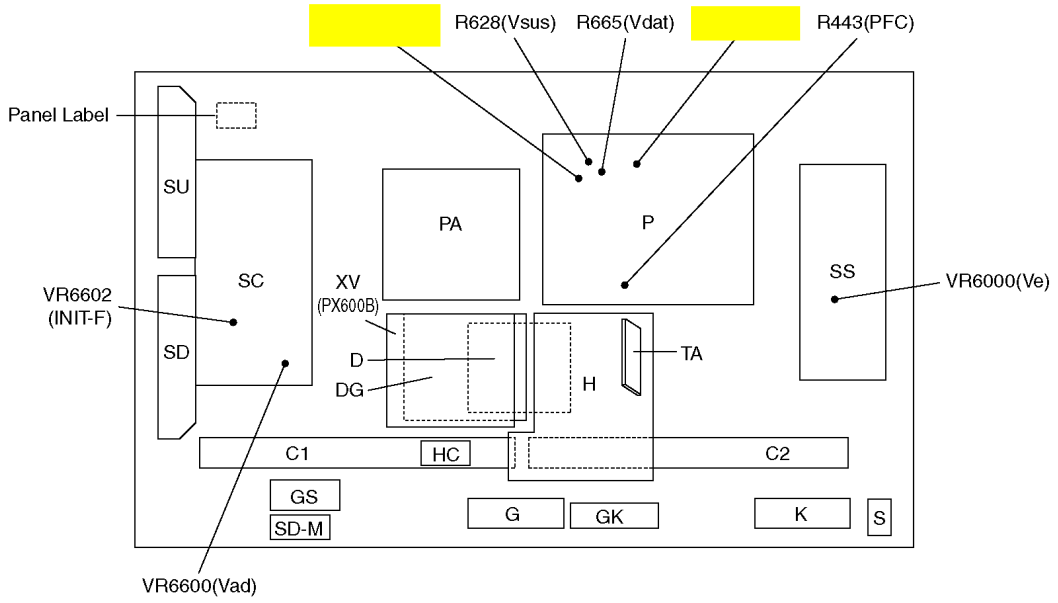
P.C.B.	Name	Test Point	Voltage	Volume	Remarks
P Board	Vsus	TPVSUS (SS)	$V_{\text{sus}} \pm 2\text{V}$	R628 (P)	*
	Vdat	P12-1, 5 (P)	$75.5\text{V} \pm 0.1\text{V}$	R665 (P)	
	PFC	C446 (+) (-) (P)	$396\text{V} \pm 0.5\text{V}$	R443 (P)	
SC Board	Vad	TPVAD (SC)	$-105\text{V} \pm 1\text{V}$	VR6600 (SC)	
SS Board	Ve	TPVE (SS)	$V_e \pm 2\text{V}$	VR6000 (SS)	*
D, DG Board	White blance and Sub brightness for NTSC, PAL, HD, PC and 625i signals				

*See the Panel label.

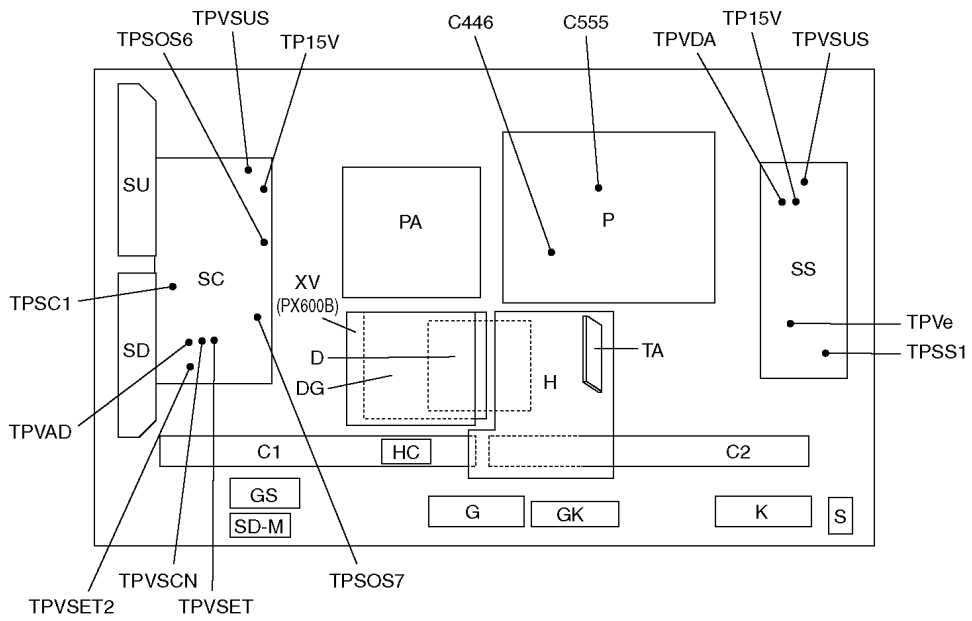
Caution:

Absolutely do not reduce V_{sus} below V_e not to damage the P.C.B.

10.4. Adjustment Volume Location

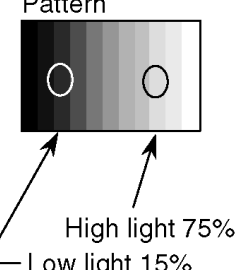


10.5. Test Point Location

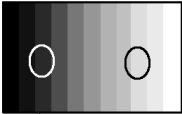


11 Adjustment

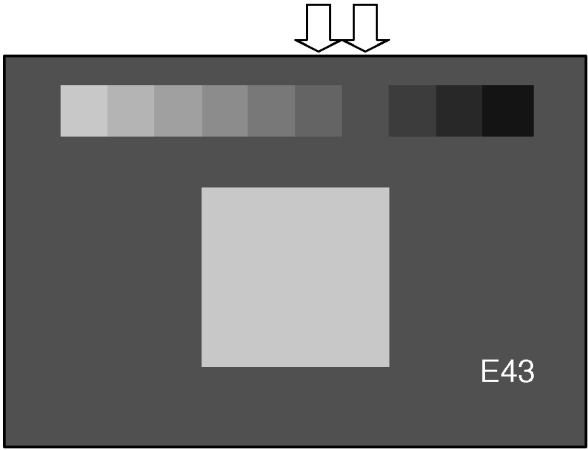
11.1. PAL panel white balance adjustment

Instrument Name	Connection	Remarks																
<ul style="list-style-type: none"> W/B pattern Color analyzer (Minolta CA-100 or equivalent) 	RF input Panel surface	User setting: Normal																
Procedure		Remarks																
<ul style="list-style-type: none"> Asing time is longer than 15min. Make sure the front panel to be used on the final set is fitted. Make sure a color signal is not being shown before adjustment. Put the color analyzer where there is little colour variation. <p>Complete the adjustment within 10 minutes after the turn on electricity. Turn on the power supply again when it is not possible to complete it by aging etc.</p> <ol style="list-style-type: none"> Display the white balance pattern. Check that the color balance is "cool". Enter the <Service1> mode. Select "G-CUTOFF" item, using the color-key "Red" or "Green", and set to "128", using the color-key "Yellow" or "Blue". Also, "B-CUTOFF" and "R-CUTOFF" set to "128". Set "G-DRIVE" at "224". Touch the signal receiver of color analyzer to the highlight window's center, and adjust B drive and R drive so x, y become the "Color balance Cool" in the below table. Set "ALL-DRIVE" to "252". Set colorbalance to "Normal". Fix G cutoff , B cutoff and R cutoff at "128". Fix G drive at "224". Adjust B drive and R drive so the highlight window's x, y become the "Color balance "Normal" in the below table. Set "ALL-DRIVE" to "252". Set color balance to "Warm". Set G cutoff, B cutoff and R cutoff to "128". Set G drive to "224". Adjust B drive and R drive so the highlight window's x, y become the "Color balance Warm" shown in the below table. Set "ALL-DRIVE" to "252". 		<p>Picture menu : Dynamic ASPECT : 16:9</p> <ul style="list-style-type: none"> Highlight section Signal amplitude 75% <div style="text-align: center;"> <p>White Balance Pattern</p>  </div>																
<p>Table 1. Color balance target value</p> <table border="1"> <thead> <tr> <th>ColorTemperature</th> <th>x</th> <th>y</th> </tr> </thead> <tbody> <tr> <td>Cool</td> <td>0.276</td> <td>0.276</td> </tr> <tr> <td>Normal</td> <td>0.288</td> <td>0.296</td> </tr> <tr> <td>Warm</td> <td>0.313</td> <td>0.329</td> </tr> </tbody> </table>			ColorTemperature	x	y	Cool	0.276	0.276	Normal	0.288	0.296	Warm	0.313	0.329				
ColorTemperature	x	y																
Cool	0.276	0.276																
Normal	0.288	0.296																
Warm	0.313	0.329																
<p>Table 2. Cut-off data addresses (PAL)</p> <table border="1"> <thead> <tr> <th>Color Balance</th> <th>R</th> <th>G</th> <th>B</th> </tr> </thead> <tbody> <tr> <td>Cool</td> <td>A0-0136</td> <td>A0-0137</td> <td>A0-0138</td> </tr> <tr> <td>Normal</td> <td>A0-013c</td> <td>A0-013d</td> <td>A0-013e</td> </tr> <tr> <td>Warm</td> <td>A0-0142</td> <td>A02-0143</td> <td>A0-0144</td> </tr> </tbody> </table>			Color Balance	R	G	B	Cool	A0-0136	A0-0137	A0-0138	Normal	A0-013c	A0-013d	A0-013e	Warm	A0-0142	A02-0143	A0-0144
Color Balance	R	G	B															
Cool	A0-0136	A0-0137	A0-0138															
Normal	A0-013c	A0-013d	A0-013e															
Warm	A0-0142	A02-0143	A0-0144															
<p>Table 3. Drive data addresses (PAL)</p> <table border="1"> <thead> <tr> <th>Color Balance</th> <th>R</th> <th>G</th> <th>B</th> </tr> </thead> <tbody> <tr> <td>Cool</td> <td>A0-0139</td> <td>A0-013a</td> <td>A0-013b</td> </tr> <tr> <td>Normal</td> <td>A0-013f</td> <td>A0-0140</td> <td>A0-0141</td> </tr> <tr> <td>Warm</td> <td>A0-0145</td> <td>A0-0146</td> <td>A0-0147</td> </tr> </tbody> </table>			Color Balance	R	G	B	Cool	A0-0139	A0-013a	A0-013b	Normal	A0-013f	A0-0140	A0-0141	Warm	A0-0145	A0-0146	A0-0147
Color Balance	R	G	B															
Cool	A0-0139	A0-013a	A0-013b															
Normal	A0-013f	A0-0140	A0-0141															
Warm	A0-0145	A0-0146	A0-0147															

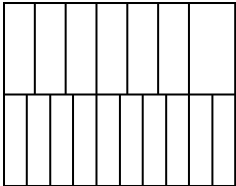
11.2. HD white balance adjustment

Instrument Name	Connection	Remarks																
<ul style="list-style-type: none"> 1080i W/B Pattern Color analyzer(Minolta CA-100 or equivalent) 	<ul style="list-style-type: none"> RF input Panel surface 	User setting: Normal																
Procedure		Remarks																
<p> <ul style="list-style-type: none"> Asing time is longer than 15min. Make sure the front panel to be used on the final set is fitted. Make sure a color signal is not being shown before adjustment. Put the color analyzer where there is little colour variation. </p> <p>Complete the adjustment within 10 minutes after the turn on electricity. Turn on the power supply again when it is not possible to complete it by aging etc.</p> <ol style="list-style-type: none"> Display the white balance pattern. Check that the color balance is "cool". Enter the <Service1> mode. Select "G-CUTOFF" item, using the color-key "Red" or "Green", and set to "128", using the color-key "Yellow" or "Blue". Also, "B-CUTOFF" and "R-CUTOFF" set to "128". Set "G-DRIVE" at "224". Touch the signal receiver of color analyzer to the highlight window's center, and adjust B drive and R drive so x, y become the "Color balance Cool" in the below table. Set "ALL-DRIVE" to "252". Set colorbalance to "Normal". Fix G cutoff , B cutoff and R cutoff at "128". Fix G drive at "224". Adjust B drive and R drive so the highlight window's x, y become the "Color balance Normal" in the below table. Set "ALL-DRIVE" to "252". Set color balance to "Warm". Set G cutoff, B cutoff and R cutoff to "128". Set G drive to "224". Adjust B drive and R drive so the highlight window's x, y become the "Color balance Warm" shown in the below table. Set "ALL-DRIVE" to "252". 		<p>Picture menu: Dynamic ASPECT:16:9</p> <ul style="list-style-type: none"> Highlight section Signal amplitude 75% <p>1080i White Balance Pattern</p>  <p>High light 75% Low light 15%</p> <p>* The Color balance COOL differs from Japanese model values.</p>																
<p>Table 1. Color balance target value</p> <table border="1"> <thead> <tr> <th>Color Temperature</th> <th>x</th> <th>y</th> </tr> </thead> <tbody> <tr> <td>Cool</td> <td>0.276</td> <td>0.276</td> </tr> <tr> <td>Normal</td> <td>0.288</td> <td>0.296</td> </tr> <tr> <td>Warm</td> <td>0.313</td> <td>0.329</td> </tr> </tbody> </table>			Color Temperature	x	y	Cool	0.276	0.276	Normal	0.288	0.296	Warm	0.313	0.329				
Color Temperature	x	y																
Cool	0.276	0.276																
Normal	0.288	0.296																
Warm	0.313	0.329																
<p>Table 2. Cut-off data addresses (HD)</p> <table border="1"> <thead> <tr> <th>Color Balance</th> <th>R</th> <th>G</th> <th>B</th> </tr> </thead> <tbody> <tr> <td>Cool</td> <td>A0-0124</td> <td>A0-0125</td> <td>A0-0126</td> </tr> <tr> <td>Normal</td> <td>A0-012a</td> <td>A0-012b</td> <td>A0-012c</td> </tr> <tr> <td>Warm</td> <td>A0-0130</td> <td>A0-0131</td> <td>A0-0132</td> </tr> </tbody> </table>			Color Balance	R	G	B	Cool	A0-0124	A0-0125	A0-0126	Normal	A0-012a	A0-012b	A0-012c	Warm	A0-0130	A0-0131	A0-0132
Color Balance	R	G	B															
Cool	A0-0124	A0-0125	A0-0126															
Normal	A0-012a	A0-012b	A0-012c															
Warm	A0-0130	A0-0131	A0-0132															
<p>Table 3. Drive data addresses (HD)</p> <table border="1"> <thead> <tr> <th>Color Balance</th> <th>R</th> <th>G</th> <th>B</th> </tr> </thead> <tbody> <tr> <td>Cool</td> <td>A0-0127</td> <td>A0-0128</td> <td>A0-0129</td> </tr> <tr> <td>Normal</td> <td>A0-012d</td> <td>A0-012e</td> <td>A0-012f</td> </tr> <tr> <td>Warm</td> <td>A0-0133</td> <td>A0-0134</td> <td>A0-0135</td> </tr> </tbody> </table>			Color Balance	R	G	B	Cool	A0-0127	A0-0128	A0-0129	Normal	A0-012d	A0-012e	A0-012f	Warm	A0-0133	A0-0134	A0-0135
Color Balance	R	G	B															
Cool	A0-0127	A0-0128	A0-0129															
Normal	A0-012d	A0-012e	A0-012f															
Warm	A0-0133	A0-0134	A0-0135															

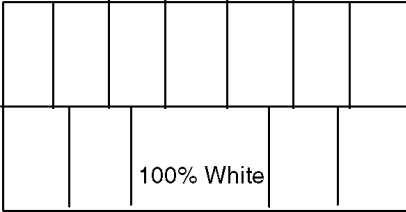
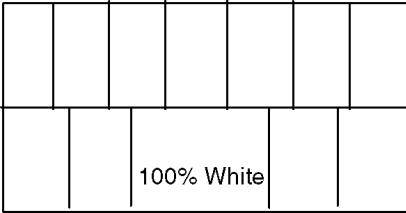
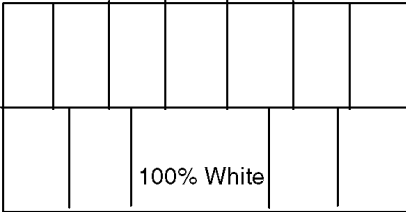
11.3. Sub bright adjustment

Instrument Name	Connection	Remarks
1. PAL signal generator (or RF)	Connect to the input terminal	User setting: Normal
Procedure		Remarks
<ul style="list-style-type: none"> • Color balance adjustment is finished for each signal. • Do adjustments in a dark room. • Complete the adjustment within 10 minutes after the turn on electricity. <p>Turn on the power supply again when it is not possible to complete it by aging etc.</p> <ol style="list-style-type: none"> 1. Display the 10 step gray-scale pattern for adjusting subbright from video input. 2. Use "Sub-Bright" in the <Sevice1> mode to adjust so the 6th section shows up and the 7th fades away. 		Picture menu: Dynamic Color balance: Normal ASPECT: 16:9
Data		
Sub-Bright data address		
		Address
Sub-Bright (upper)	A0-0116	
Sub-Bright (lower)	A0-0117	
		

11.4. ABL adjustment

Instrument Name	Connection	Remarks								
1. HD signal emitter (or Leader : 1080i/No.9 signal) 2. Wattmeter	COMPONENT input terminal Connect the AC power of the set to the wattmeter.									
Procedure		Remarks								
<p> • Make sure the set is aged for 30 minutes or more before adjustment. (Do not switch off during or after aging.) </p> <p> • Voltage 230V 50Hz (variation within 1%) </p> <p> • Volume at minimum and screen size at "16:9" Component input, dynamic, standard </p> <p> 1. Connect the set's AC power to the wattmeter. 2. Input the signal (top half: color bar, Bottom half :Horizontal 10steps bar). 3. Select the "PWRCTL" item in the <Service1> mode. 4. Adjust PWRCTL so the set's power consumption is </p> <table border="0" data-bbox="180 696 456 835"> <tr> <td>TH-37PV600E</td> <td>271 ±10W</td> </tr> <tr> <td>TH-37PX600B</td> <td>280 ±10W</td> </tr> <tr> <td>TH-42PV600E</td> <td>331 ±10W</td> </tr> <tr> <td>TH-42PX600B</td> <td>340 ±10W</td> </tr> </table> <p> Remarks 1. The initial data are Data address: A0-0102 Default data: 0×00 </p> <p> 2. The power and data are in reverse relationship. (Lower the data to raise the power.) </p> <ul style="list-style-type: none"> • Raising direction (↑): 0→255, 254, 253..... • Lowering direction (↓): 0→1, 2, 3..... <p> 3. There is a possibility that the adjustment value can do two places, adjust it in that case, that the value of PWRCTL is large. </p> <div style="display: flex; align-items: center; margin-top: 20px;">  <div style="margin-left: 20px;"> <p>No.9 Signal Top half: Full color bar Bottom half: Horizontal 10 steps bar</p> </div> </div>		TH-37PV600E	271 ±10W	TH-37PX600B	280 ±10W	TH-42PV600E	331 ±10W	TH-42PX600B	340 ±10W	
TH-37PV600E	271 ±10W									
TH-37PX600B	280 ±10W									
TH-42PV600E	331 ±10W									
TH-42PX600B	340 ±10W									

11.5. Sub-Contrast adjustment

Name of measuring instrument	Connection	Remarks
RF generator Base Band generator		
Preparation (AV)		Remarks
1. Receive AV1 (PAL 100% Full White or Split Colour bar shown as below) . 		
2. Goes into service mode, choose Sub-Contrast, and it checks that data value is 512. (It checks that an initial value is a default)		
Adjustment of AV system		Remarks
1. The colour key yellow button of remote control is pushed. 2. The OSD character of sub-contrast becomes red. (Inside under automatic adjustment) 3. The OSD character of sub-contrast returns to white. 4. End.		
Preparation (RF)		Remarks
1. Receive RF (PAL 100% Full White or Split Colour bar shown as below.) 		
2. Goes into service mode, choose Sub-Contrast, and it checks that data value is 512. (It checks that an initial value is a default)		
Adjustment of RF system		Remarks
1. The colour key yellow button of remote control is pushed. 2. The OSD character of sub-contrast becomes red. (Inside under automatic adjustment) 3. The OSD character of sub-contrast returns to white. 4. End.		
Preparation (HD)		Remarks
1. Receive Component (1080i/ 60Hz or 1080i/ 50Hz, 100% Full White or Split colour bar as shown below.) 		
2. Goes into service mode, choose Sub-Contrast, and it checks that data value is 384. (It checks that an initial value is a default)		
Adjustment of HD system		Remarks
1. The colour key yellow button of remote control is pushed. 2. The OSD character of sub-contrast becomes red. (Inside under automatic adjustment) 3. The OSD character of sub-contrast returns to white. 4. End.		

11.6. Multi-Window adjustment

Name of measuring instrument	Connection	Remarks
Base Band generator		
Condition		Remarks
Sub contrast adjustment is finished.		
Preparation		
1. Come out of market mode and input AV1 PAL 100% full white. 2. Go into service mode, choose VIDEO Gain2, and check that data is 255. (Check that initial value is the default)		
Adjustment		Remarks
1. Check the brightness of main screen and sub screen by watching. 2. Go to procedure 3 when the brightness of sub screen is higher than that of main screen. Oppositely, do not adjust and end when the brightness of sub screen is lower than that of main screen. 3. Adjust VIDEO Gain2 so that the borderline of main and sub screen may become unremarkable by watching. The EEPROM address to adjustment data. VIDEO GAIN2: A0-01b1		Press OK button.

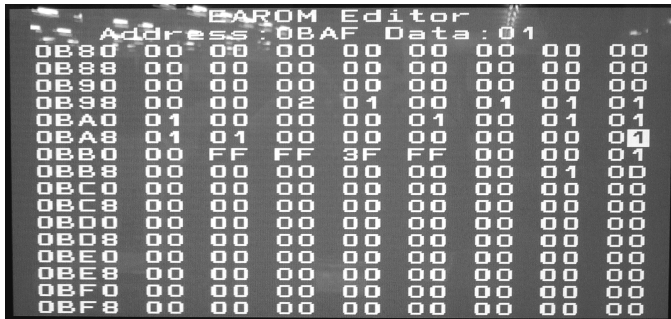
12 Hotel mode

1. Purpose

Restrict a function for hotels.

2. Access command

- Enter to the Service 2 Mode.
- Press Information button on remote control and entry to the EEPROM EDITOR Mode.
- Press the RED/GREEN button to step up/down through the address.
- Press the YELLOW/BLUE button to step left/right through the address.
- Press the PROGRAMME UP/DOWN button to step up/down through the page.
- Press the VOLUME UP/DOWN button to change the function values.
- Set the data of EEPROM(ADDRESS 0BAF) to 01.
- Press the OK button to memorize the data.



Push the Power switch(button) off/on the set(the remote control) to turn the set off/on.

It can be made Hotel mode.

3. Exit command

- First, set the data of EEPROM(ADDRESS 0BAF) to 00.
- Next, Push the Power switch(button) off/on the set(the remote control) to turn the set off/on.
- Then, it is no longer hotel mode.

4. Access command to the Hotel mode setup menu

- Prerequisite : It is conditions that the data of EEPROM(ADDRESS 0BAF) is 01.

In order to display the Hotel mode setup menu, please enter the following command (**within 2 second**).

[TV]:down + [REMOTE]:TV/AV(3 times)

Then, the Hotel mode setup menu is displayed.



5. Explain the Hotel mode setup menu

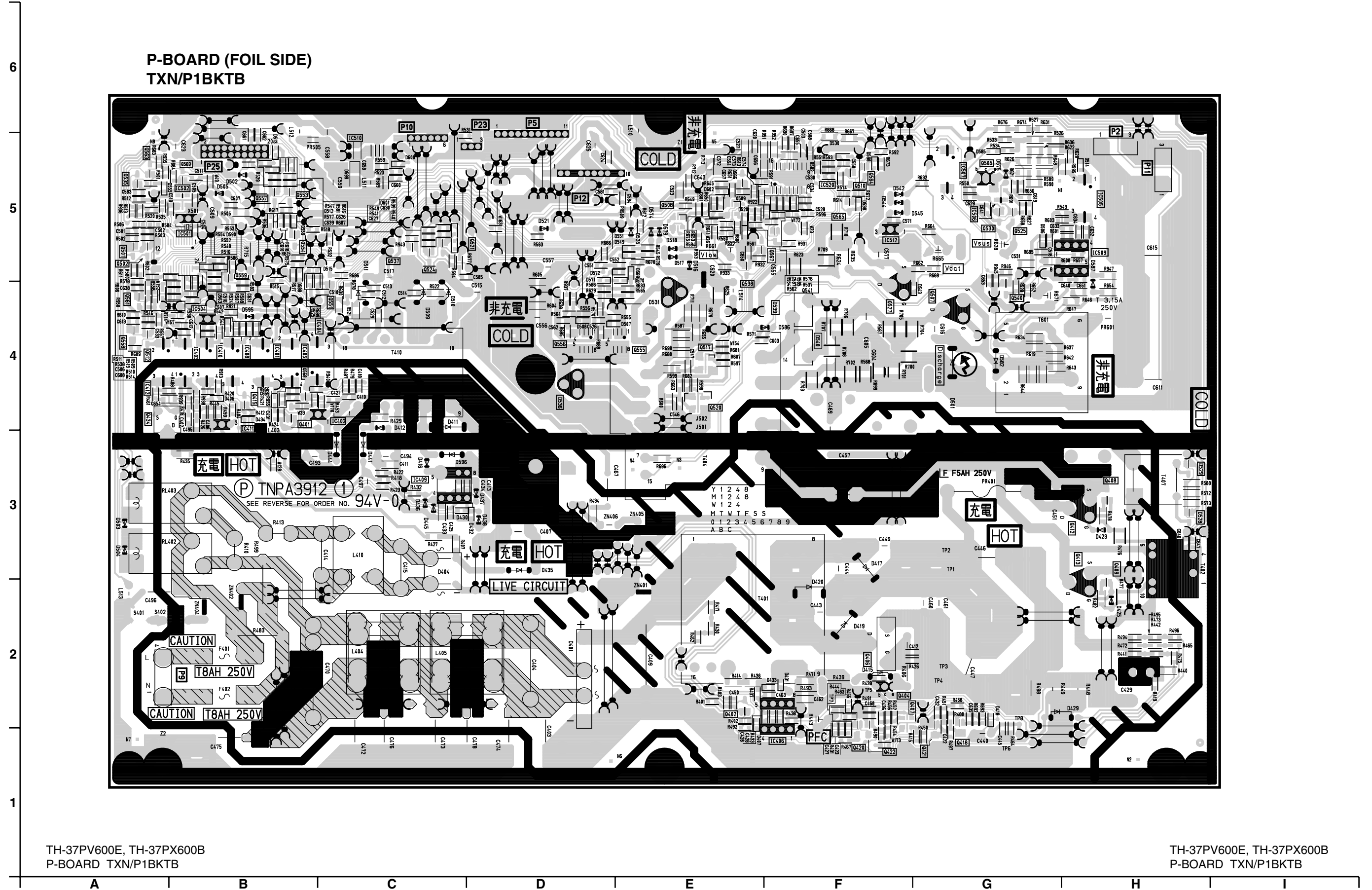
item	Function
Initial INPUT	Select input signal modes. Set the input, when each time power is switched on. Selection : Off/TV/AV1/AV2/AV2S/AV3/Av3S/AV4/Av4S/Component/PC/HDMI1/HDMI2 • Off: give priority to a last memory. However, Euro model is compulsorily set to TV. • AVnS/AVnC: only Euro model selectable • PC: selectable with VGA option
Initial VOL level	Adjust the volume when each time power is switched on. Selection/Range : Off/0 to 63 • Off: give priority to a last memory
Maximum VOL level	Adjust maximum volume. Range : 0 to 63
Initial POS	Select programme number. Selection : Off/0 to 99 • Off: give priority to a last memory
Button lock	Select local key conditions. Selection : Off/SETUP/MENU/All • Off: altogether valid • SETUP: only F-key is invalid (Tuning guide(menu) can not be selected.) • MENU: only F-key is invalid (only Volume/Mute can be selected.) • All: altogether invalid.
Remote lock	Select remote control key conditions. Selection : Off/SETUP/MENU • Off: altogether valid • SETUP: only Setup menu is invalid • MENU: Picture/Sound/Setup menu are invalid

6. To exit the Hotel mode

Disconnect AC power cord from wall outlet

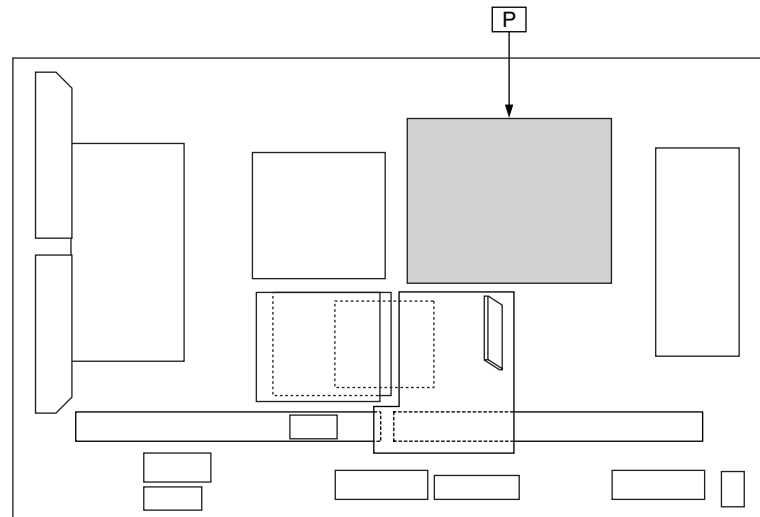
13 Conductor Views

13.1. P-Board (37inch)



TH-37PV600E, TH-37PX600B
P-BOARD TXN/P1BKTB

TH-37PV600E, TH-37PX600B
P-BOARD TXN/P1BKTB

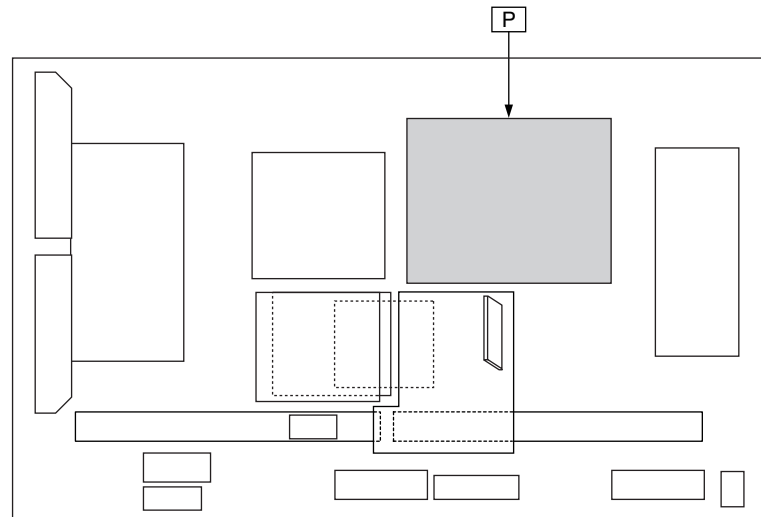


Parts Location

P-BOARD (FOIL SIDE)					
IC		TRANSISTOR			
IC401	B-4	Q401	B-4	Q535	A-5
IC402	C-4	Q402	E-2	Q537	C-5
IC403	B-4	Q404	F-1	Q538	E-4
IC404	C-4	Q406	F-2	Q540	G-4
IC405	B-4	Q407	F-1	Q541	F-5
IC406	F-1	Q408	H-3	Q551	C-4
IC408	B-4	Q409	H-3	Q553	B-5
IC409	C-3	Q412	H-3	Q554	B-5
IC410	B-4	Q413	H-3	Q555	E-4
IC411	B-4	Q415	B-4	Q556	D-4
IC412	A-4	Q418	G-1	Q557	B-5
IC501	B-5	Q420	F-1	Q558	A-4
IC502	B-5	Q421	G-1	Q559	B-5
IC504	B-4	Q422	F-1	Q561	A-4
IC505	H-5	Q434	A-4	Q563	A-5
IC506	G-5	Q501	A-5	Q564	F-5
IC507	G-5	Q502	A-5	Q565	F-5
IC509	H-5	Q505	G-5	Q566	E-5
IC510	C-5	Q507	G-4	Q567	F-5
IC512	F-5	Q508	E-5	Q568	B-4
IC520	F-5	Q509	E-5	Q569	B-5
		Q510	F-5		
		Q512	A-4		
		Q517	E-4		
		Q520	E-4		
		Q521	D-5		
		Q524	C-5		
		Q525	G-5		
		Q527	F-4		
		Q530	G-5		
				VOLUME	
				R443	F-2
				R628	G-5
				R661	E-5
				R665	G-5
				R671	G-4

Parts Location

P-BOARD (COMPONENT SIDE)					
IC		TRANSISTOR		VOLUME	
IC402	G-4	Q404	C-2	R443	D-2
IC406	D-1	Q406	D-2	R628	C-5
IC409	F-3	Q412	B-3	R661	D-5
IC411	H-4	Q413	B-3	R665	C-5
IC504	H-4	Q434	H-4	R671	B-4
IC509	B-5	Q505	C-5		
IC512	C-5	Q507	C-4		
		Q527	C-5		



Parts Location

P-BOARD (FOIL SIDE)					
IC	TRANSISTOR		VOLUME		
IC401	B-4	Q401	B-4	Q535	A-5
IC402	C-4	Q402	E-1	Q537	C-5
IC403	B-4	Q404	F-1	Q538	E-5
IC404	C-4	Q406	F-2	Q540	G-5
IC405	C-4	Q407	F-1	Q541	F-5
IC406	F-1	Q408	H-3	Q551	C-5
IC408	B-4	Q409	H-2	Q553	B-5
IC409	C-3	Q412	H-3	Q554	B-5
IC410	B-4	Q413	H-2	Q555	E-4
IC411	B-4	Q415	B-4	Q556	D-4
IC412	A-4	Q418	G-1	Q557	B-5
IC501	B-5	Q420	F-1	Q558	A-4
IC502	B-5	Q421	G-1	Q559	B-5
IC504	B-4	Q422	F-1	Q561	A-5
IC505	H-5	Q434	B-4	Q563	A-6
IC506	G-5	Q501	A-5	Q564	F-6
IC507	G-6	Q502	A-5	Q565	F-5
IC509	H-5	Q505	G-6	Q566	E-6
IC510	C-6	Q507	G-5	Q567	F-5
IC512	F-5	Q508	E-5	Q568	B-4
IC520	F-6	Q509	E-5	Q569	B-6
		Q510	F-5		
		Q512	A-4	R443	F-1
		Q517	E-4	R628	G-5
		Q520	E-4	R661	E-5
		Q521	C-5	R665	G-5
		Q524	D-5	R671	G-4
		Q525	G-5		
		Q527	F-5		
		Q530	G-5		

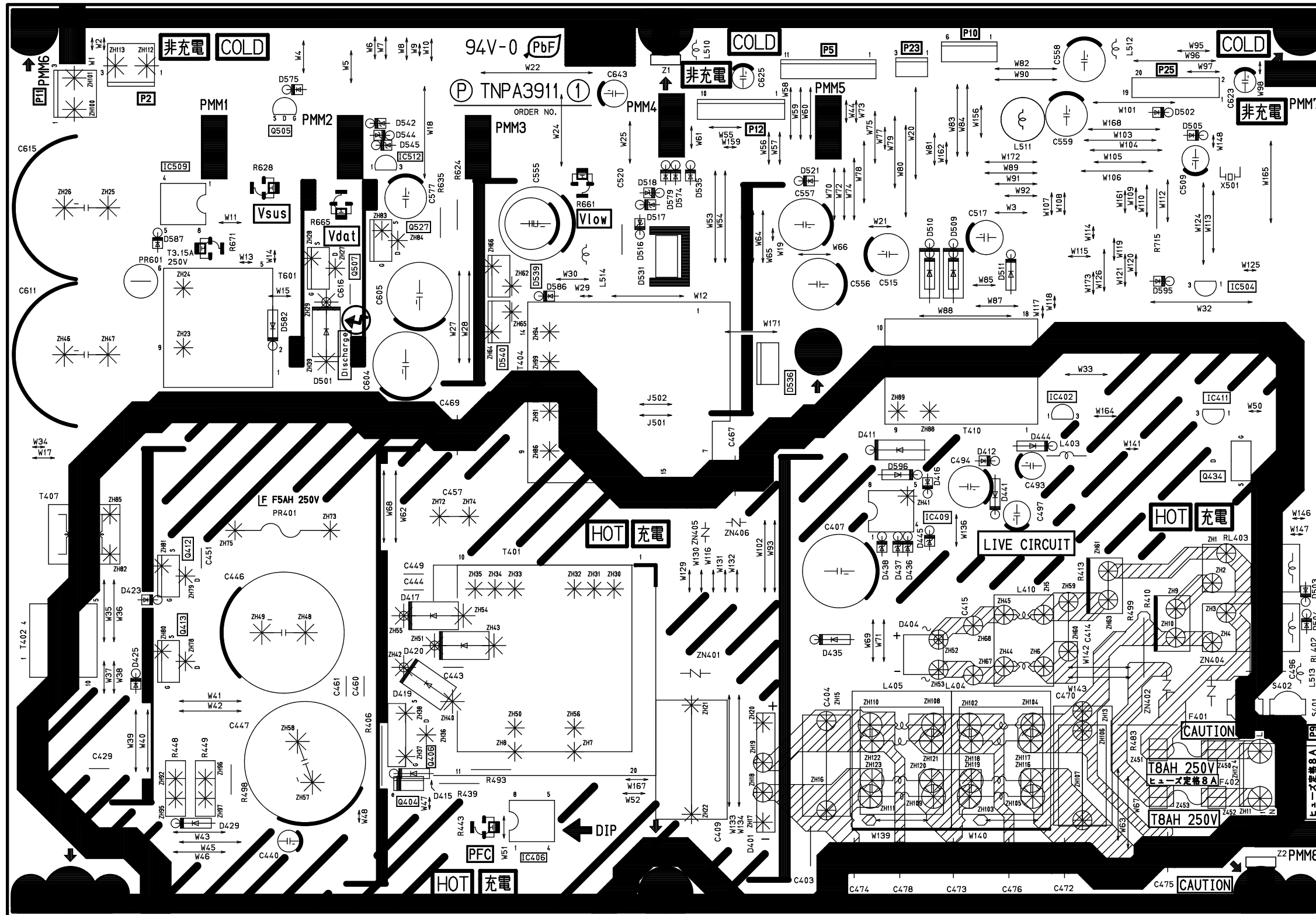
TH-42PV600E, TH-42PX600B
P-BOARD PARTS LOCATION

Parts Location

P-BOARD (COMPONENT SIDE)					
IC	TRANSISTOR		VOLUME		
IC402	G-4	Q404	C-2	R443	D-1
IC406	D-1	Q406	D-2	R628	C-5
IC409	F-3	Q412	B-3	R661	D-5
IC411	H-4	Q413	B-2	R665	C-5
IC504	H-4	Q434	H-3	R671	B-5
IC509	B-5	Q505	C-5		
IC512	C-5	Q507	C-5		
		Q527	C-5		

TH-42PV600E, TH-42PX600B
P-BOARD PARTS LOCATION

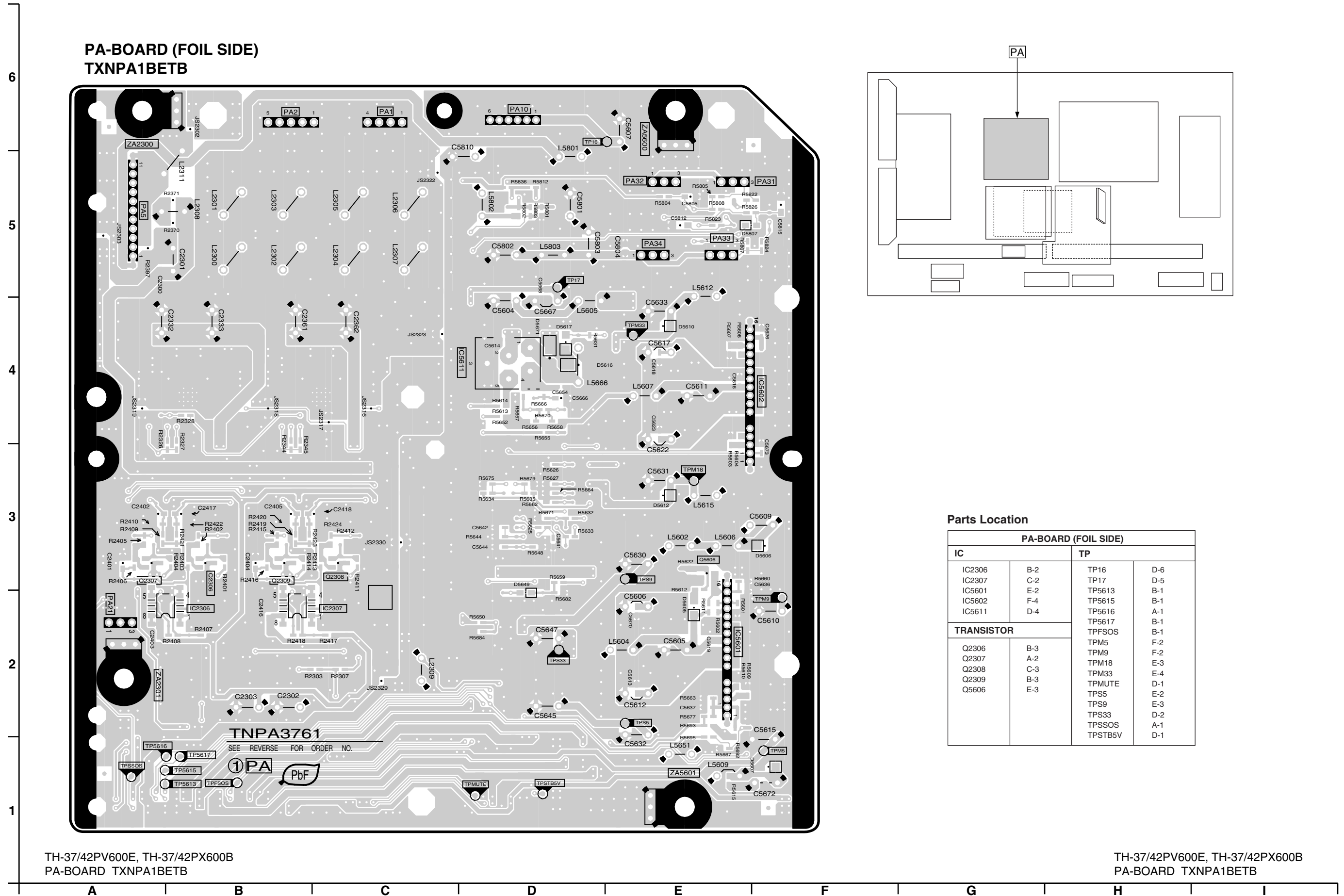
P-BOARD (COMPONENT SIDE)
TXN/P1BJTB



TH-42PV600E, TH-42PX600B
P-BOARD TXN/P1BJTB

TH-42PV600E, TH-42PX600B
P-BOARD TXN/P1BJTB

13.3. PA-Board



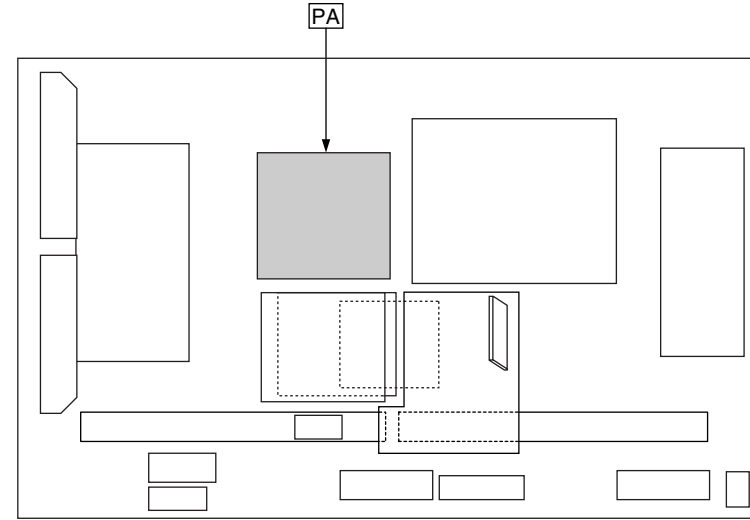
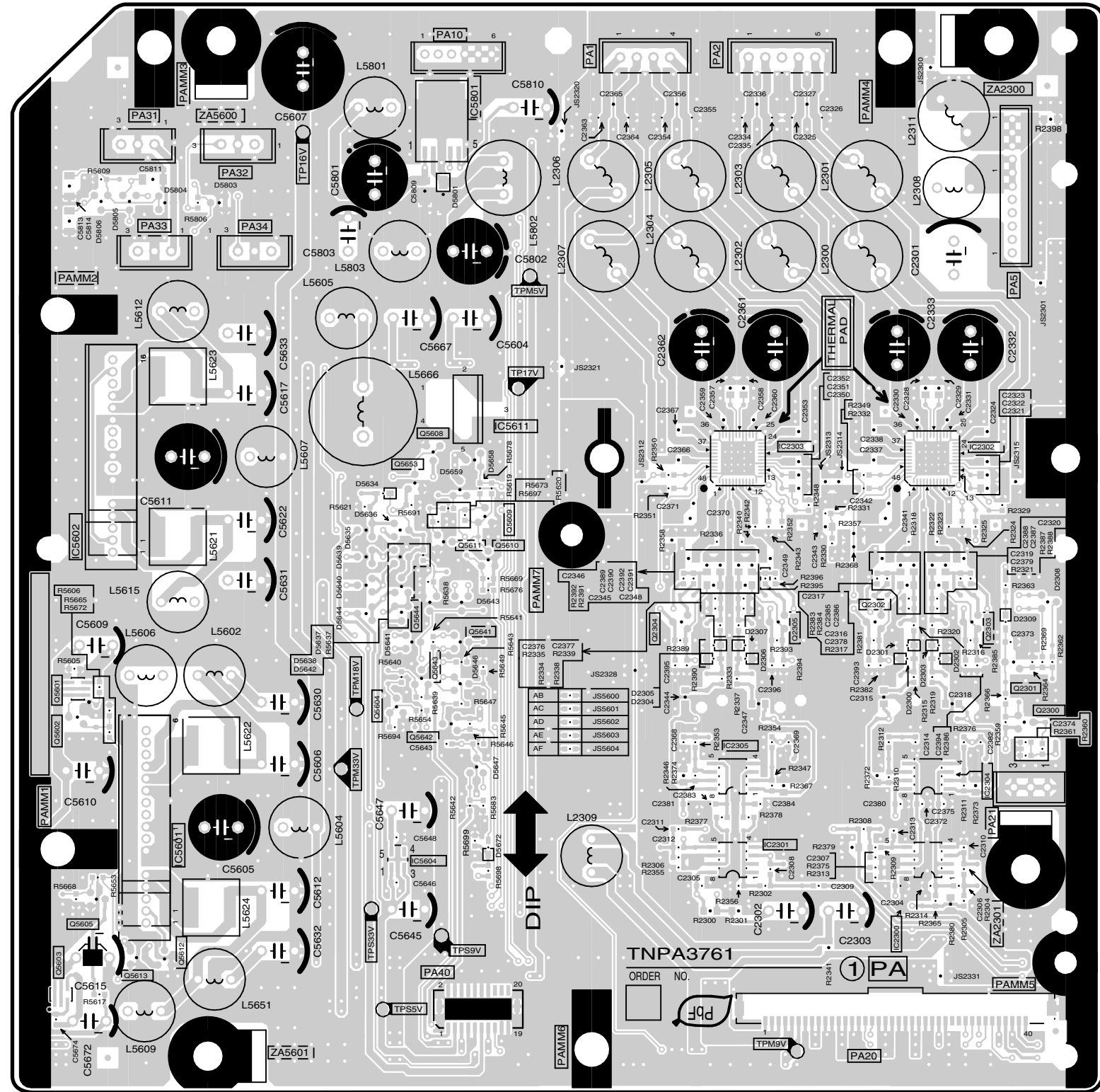
TH-37/42PV600E, TH-37/42PX600B
PA-BOARD TXNPA1BETB

TH-37/42PV600E, TH-37/42PX600B
PA-BOARD TXNPA1BETB

Parts Location

PA-BOARD (FOIL SIDE)			
IC		TP	
IC2306	B-2	TP16	D-6
IC2307	C-2	TP17	D-5
IC5601	E-2	TP5613	B-1
IC5602	F-4	TP5615	B-1
IC5611	D-4	TP5616	A-1
		TP5617	B-1
		TP5618	B-1
		TP5619	F-2
		TP5620	F-2
		TP5621	E-3
		TP5622	D-1
		TP5623	E-2
		TP5624	E-3
		TP5625	D-2
		TP5626	A-1
		TP5627	D-1
		TP5628	
		TP5629	
		TP5630	
		TP5631	
		TP5632	
		TP5633	
		TP5634	
		TP5635	
		TP5636	
		TP5637	
		TP5638	
		TP5639	
		TP5640	
		TP5641	
		TP5642	
		TP5643	
		TP5644	
		TP5645	
		TP5646	
		TP5647	
		TP5648	
		TP5649	
		TP5650	
		TP5651	
		TP5652	
		TP5653	
		TP5654	
		TP5655	
		TP5656	
		TP5657	
		TP5658	
		TP5659	
		TP5660	
		TP5661	
		TP5662	
		TP5663	
		TP5664	
		TP5665	
		TP5666	
		TP5667	
		TP5668	
		TP5669	
		TP5670	
		TP5671	
		TP5672	
		TP5673	
		TP5674	
		TP5675	
		TP5676	
		TP5677	
		TP5678	
		TP5679	
		TP5680	
		TP5681	
		TP5682	
		TP5683	
		TP5684	
		TP5685	
		TP5686	
		TP5687	
		TP5688	
		TP5689	
		TP5690	
		TP5691	
		TP5692	
		TP5693	
		TP5694	
		TP5695	
		TP5696	
		TP5697	
		TP5698	
		TP5699	
		TP5700	
TRANSISTOR		TPFSOS	B-1
Q2306	B-3	TPM5	F-2
Q2307	A-2	TPM9	F-2
Q2308	C-3	TPM18	E-3
Q2309	B-3	TPM33	E-4
Q5606	E-3	TPMUTE	D-1
		TPS5	E-2
		TPS9	E-3
		TPS33	D-2
		TPSSOS	A-1
		TPSTB5V	D-1

**PA-BOARD (COMPONENT SIDE)
TXNPA1BETB**



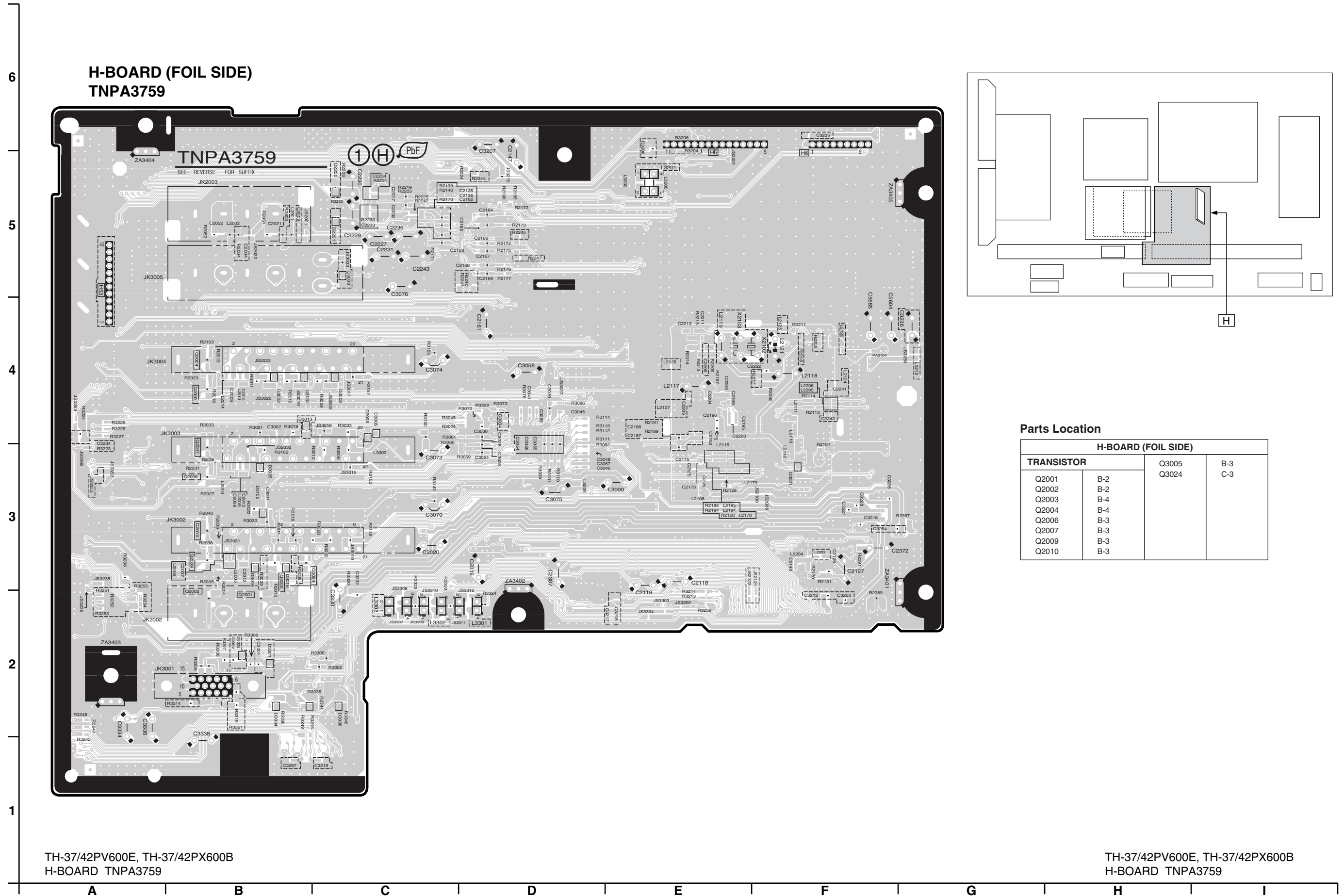
Parts Location

PA-BOARD (COMPONENT SIDE)					
IC	TRANSISTOR		TP		
IC2300	E-2	Q2300	F-3	TP16V	B-5
IC2301	D-2	Q2301	F-3	TP17V	C-4
IC2302	E-4	Q2302	E-2	TPM5V	C-5
IC2303	E-4	Q2303	E-3	TPM18V	B-3
IC2304	E-2	Q2304	D-3	TPM33V	B-2
IC2305	D-3	Q2305	E-3	TPS5V	C-1
IC5601	B-2	Q5601	A-3	TPS9V	C-2
IC5602	A-3	Q5602	A-3	TPS33V	C-2
IC5604	C-2	Q5603	A-1		
IC5611	C-4	Q5604	C-3		
IC5801	C-5	Q5605	A-2		
		Q5608	C-4		
		Q5609	C-4		
		Q5610	C-3		
		Q5611	C-3		
		Q5612	B-1		
		Q5613	A-1		
		Q5641	C-3		
		Q5642	C-3		
		Q5643	C-3		
		Q5644	C-3		
		Q5653	C-4		

TH-37/42PV600E, TH-37/42PX600B
PA-BOARD TXNPA1BETB

TH-37/42PV600E, TH-37/42PX600B
PA-BOARD TXNPA1BETB

13.4. H-Board

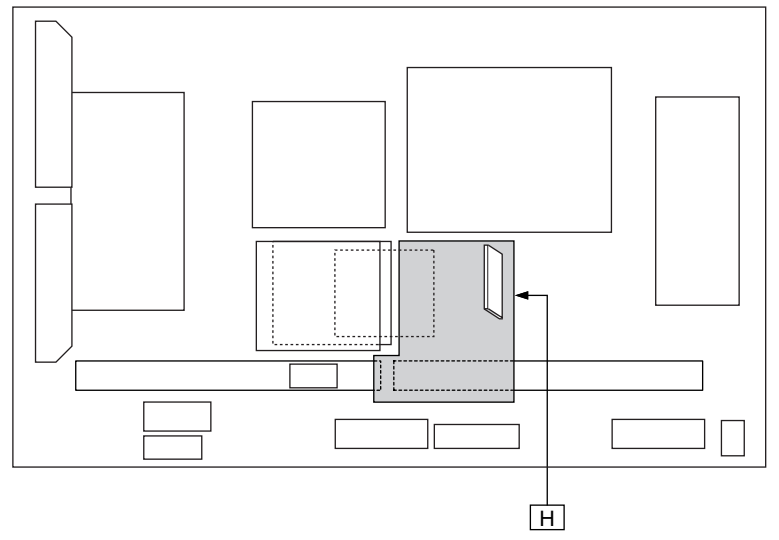
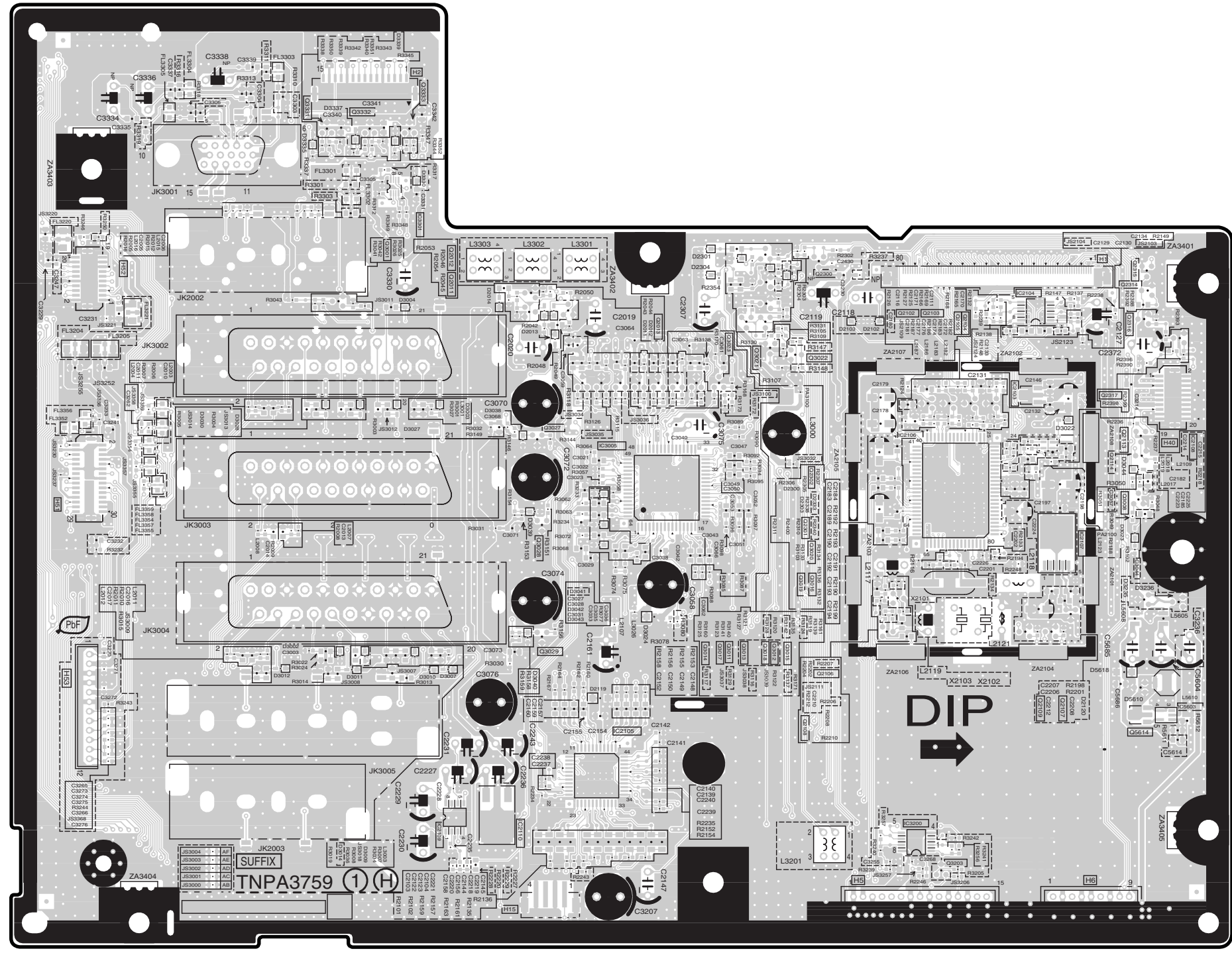


TH-37/42PV600E, TH-37/42PX600B
H-BOARD TNPA3759

TH-37/42PV600E, TH-37/42PX600B
H-BOARD TNPA3759

6
5
4
3
2
1

**H-BOARD (COMPONENT SIDE)
TNPA3759**



Parts Location

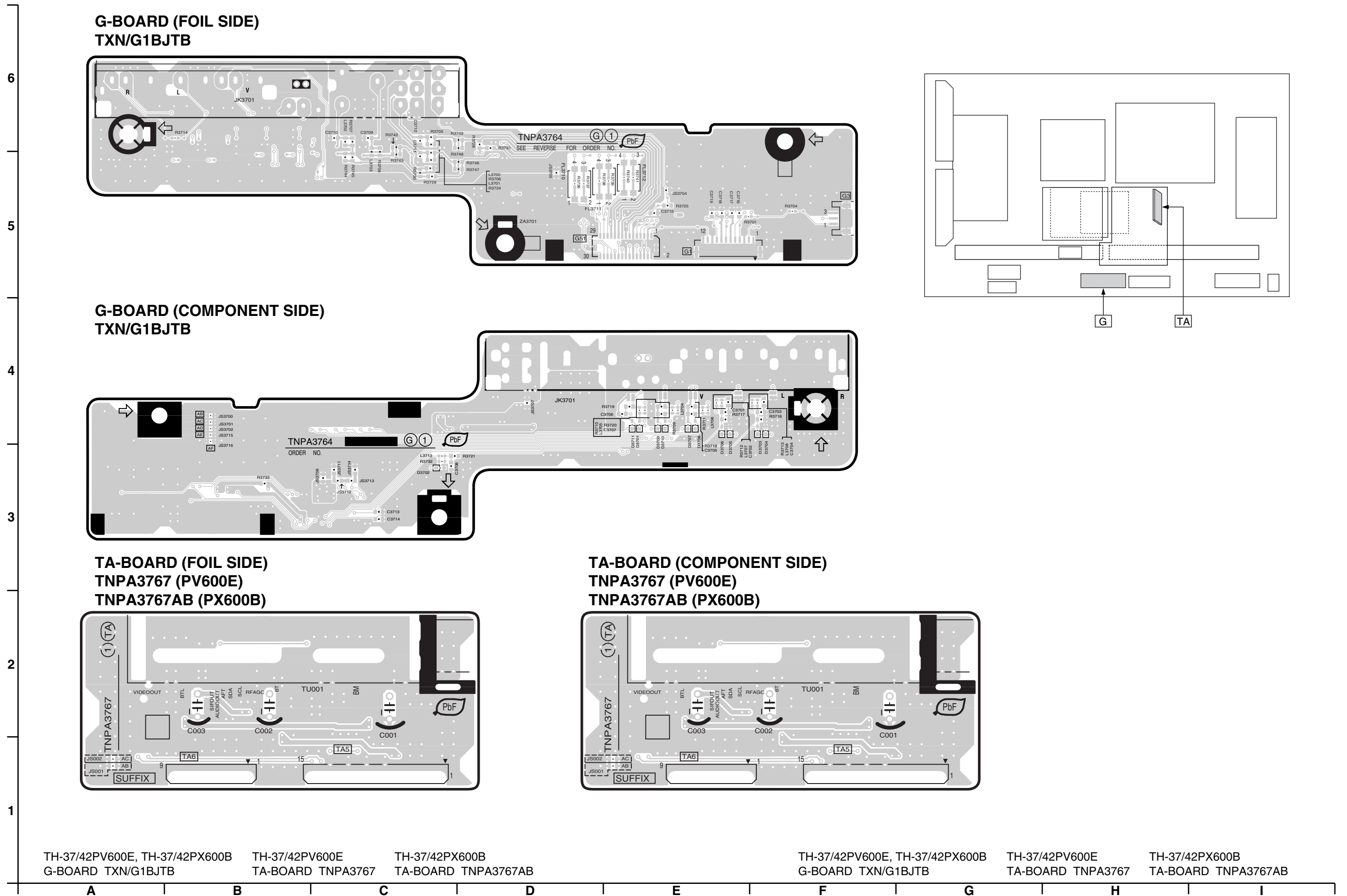
H-BOARD (COMPONENT SIDE)			
IC			
IC2103	F-4	Q2316	F-4
IC2104	F-4	Q2317	F-4
IC2105	D-2	Q3001	F-4
IC2106	E-4	Q3008	F-3
IC2107	F-3	Q3011	D-3
IC2108	G-4	Q3012	E-3
IC2109	C-2	Q3013	D-3
IC2110	C-2	Q3014	D-3
IC3005	D-4	Q3015	E-3
IC3200	E-2	Q3016	E-3
IC3301	C-5	Q3017	D-3
IC5603	G-2	Q3018	E-3
		Q3019	E-3
		Q3020	E-3
		Q3021	D-4
		Q3022	E-4
		Q3023	D-4
		Q3027	C-4
		Q3028	C-3
		Q3029	C-3
		Q3203	E-2
		Q3331	B-5
		Q3332	B-5
		Q3333	C-5
		Q5614	F-2
TRANSISTOR			
Q2011	C-4		
Q2012	C-5		
Q2013	C-4		
Q2102	E-4		
Q2103	E-4		
Q2104	E-4		
Q2105	E-4		
Q2106	E-2		
Q2107	F-2		
Q2108	E-2		
Q2109	F-2		
Q2113	F-4		
Q2114	F-4		
Q2300	E-4		
Q2301	E-3		
Q2302	E-3		
Q2314	F-4		
Q2315	F-5		

TH-37/42PV600E, TH-37/42PX600B
H-BOARD TNPA3759

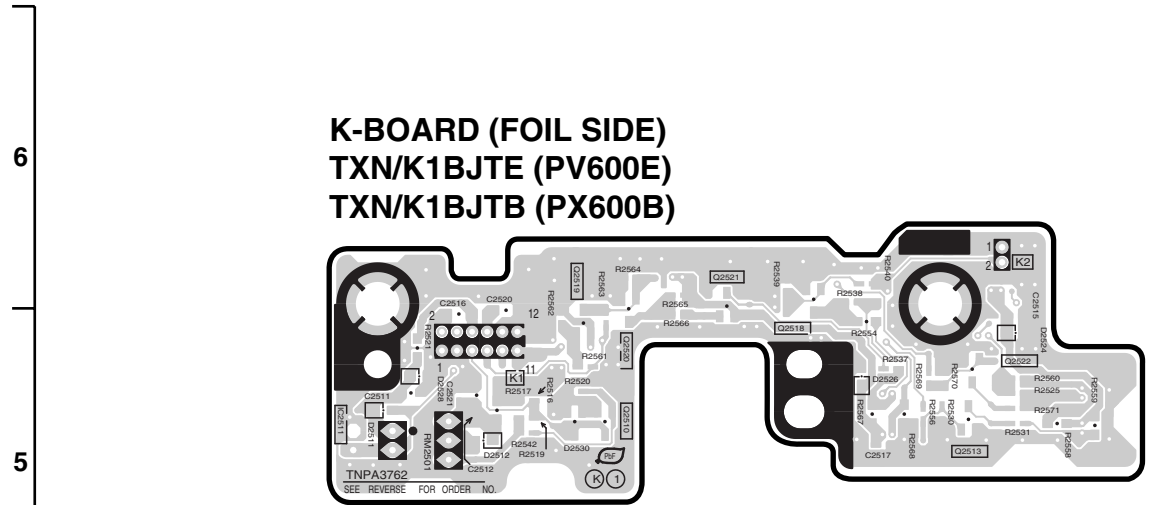
TH-37/42PV600E, TH-37/42PX600B
H-BOARD TNPA3759

A B C D E F G H I

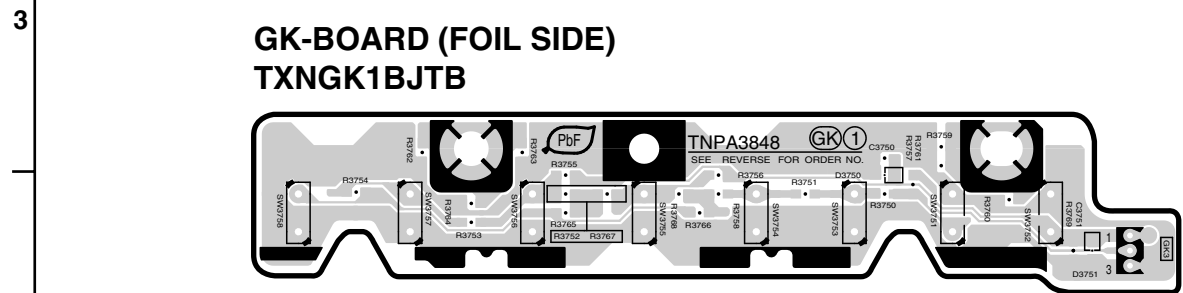
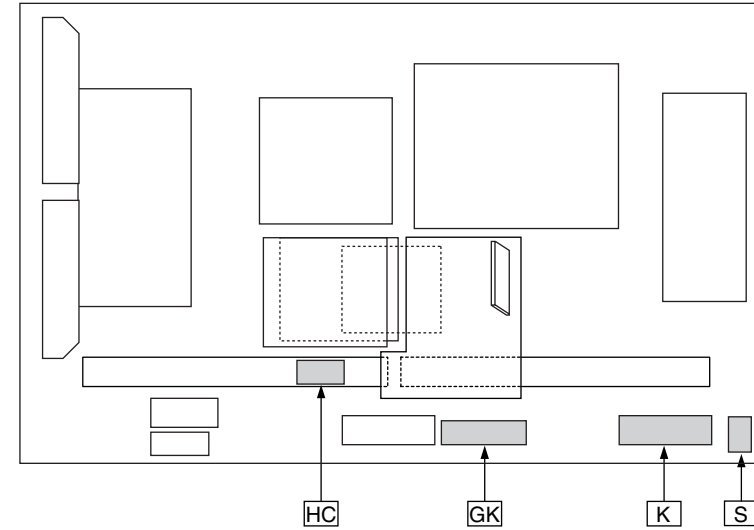
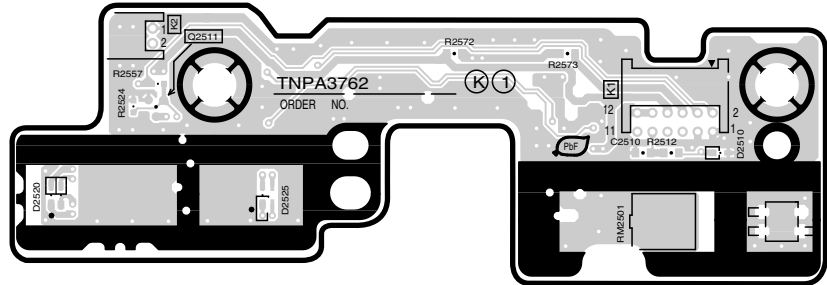
13.5. G and TA-Board



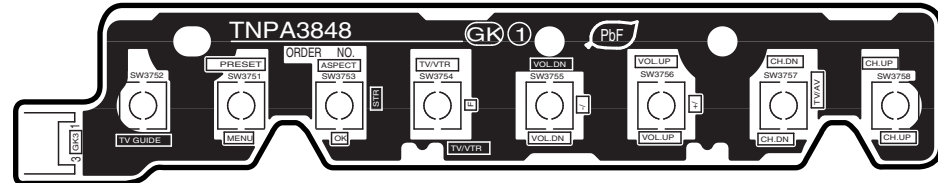
13.6. GK, HC, K and S-Board



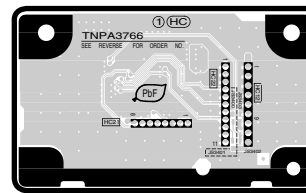
K-BOARD (COMPONENT SIDE)
TXN/K1BJTE (PV600E)
TXN/K1BJTB (PX600B)



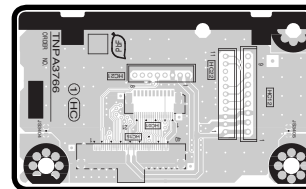
GK-BOARD (COMPONENT SIDE)
TXNGK1BJTB



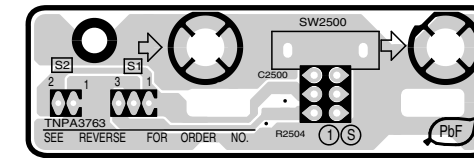
HC-BOARD (FOIL SIDE)
TNPA3766



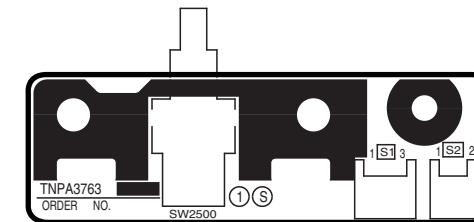
HC-BOARD (COMPONENT SIDE)
TNPA3766



S-BOARD (FOIL SIDE)
TXN/S1BJTB



S-BOARD (COMPONENT SIDE)
TXN/S1BJTB



TH-37/42PV600E, TH-37/42PX600B

GK-BOARD TXNGK1BJTB

HC-BOARD TNPA3766

S-BOARD TXN/S1BJTB

TH-37/42PV600E

K-BOARD TXN/K1BJTE

TH-37/42PX600B

K-BOARD TXN/K1BJTB

TH-37/42PV600E, TH-37/42PX600B

GK-BOARD TXNGK1BJTB

HC-BOARD TNPA3766

S-BOARD TXN/S1BJTB

TH-37/42PV600E

K-BOARD TXN/K1BJTE

TH-37/42PX600B

K-BOARD TXN/K1BJTB

A

B

C

D

E

F

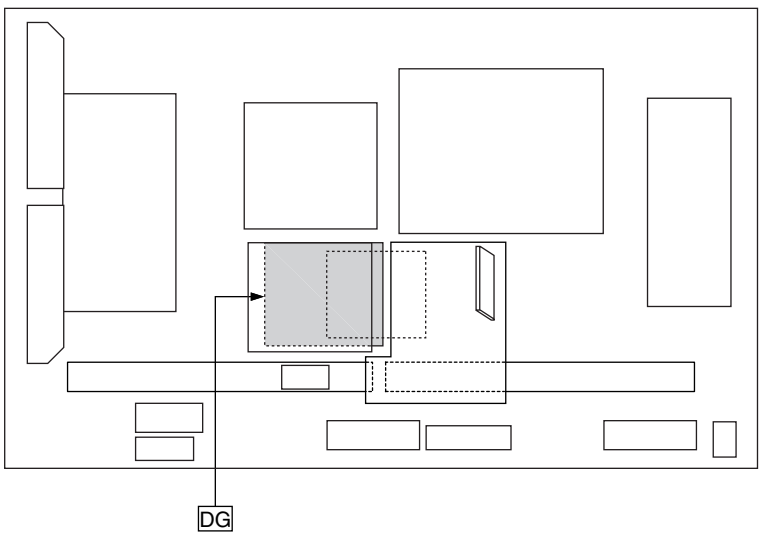
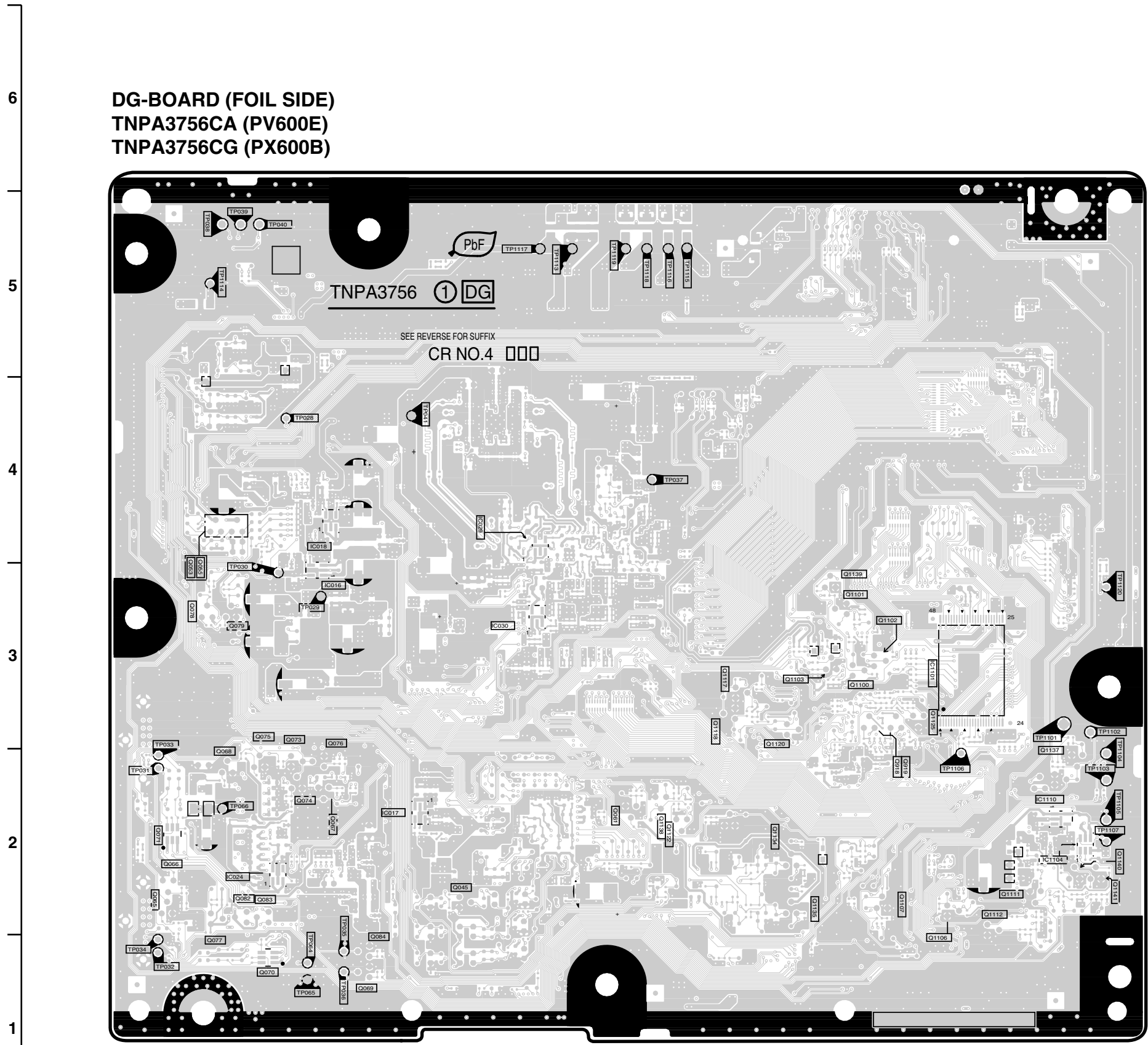
G

H

I

13.8. DG-Board

DG-BOARD (FOIL SIDE)
TNPA3756CA (PV600E)
TNPA3756CG (PX600B)



Parts Location

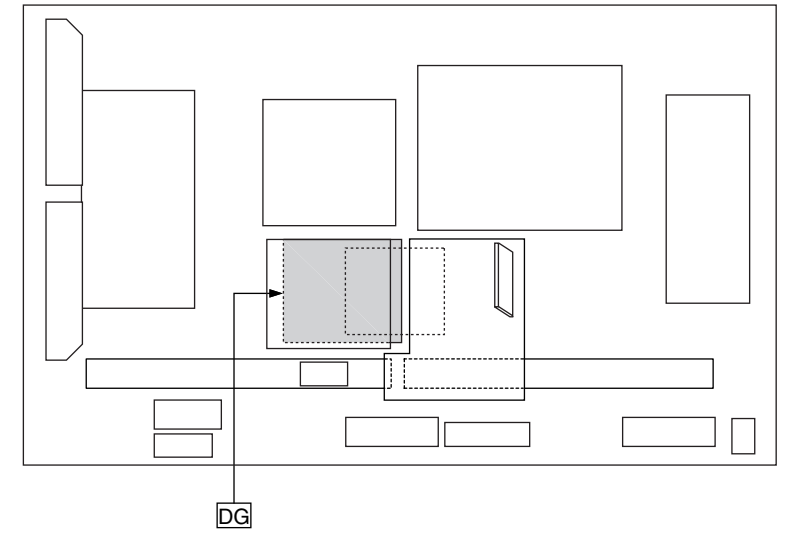
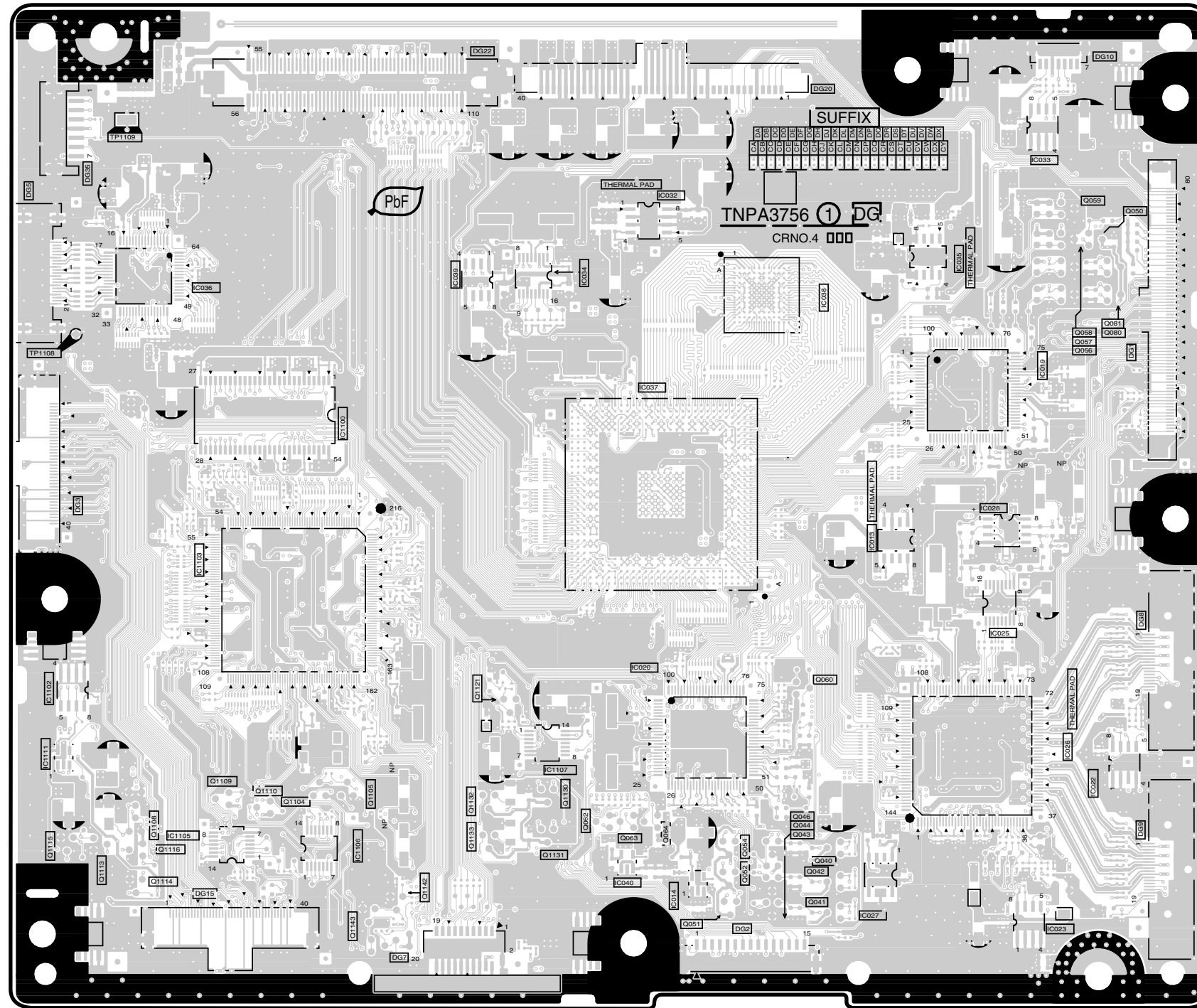
DG-BOARD (FOIL SIDE)					
IC		Q4045		TP	
IC1101	E-3	Q4053	A-3	TP1101	F-3
IC1104	F-2	Q4055	A-3	TP1102	F-3
IC1110	F-2	Q4061	D-2	TP1103	F-2
IC4016	B-3	Q4065	A-2	TP1104	F-2
IC4017	B-2	Q4066	A-2	TP1105	F-2
IC4018	B-4	Q4067	B-2	TP1106	F-2
IC4024	B-2	Q4068	B-2	TP1107	F-2
IC4029	C-4	Q4069	B-1	TP1113	C-5
IC4030	C-3	Q4070	B-1	TP1114	B-5
		Q4071	A-2	TP1115	D-5
		Q4073	B-3	TP1116	D-5
		Q4074	B-2	TP1117	C-5
		Q4075	B-3	TP1118	D-5
		Q4076	B-3	TP1119	D-5
		Q4077	B-1	TP1120	F-3
		Q4078	A-3	TP4028	B-4
		Q4079	B-3	TP4029	B-3
		Q4082	B-2	TP4030	B-3
		Q4083	B-2	TP4031	A-2
		Q4084	B-1	TP4032	A-4
		Q4918	E-2	TP4033	A-3
		Q4919	E-2	TP4034	A-1
				TP4035	B-1
				TP4036	B-1
				TP4037	D-4
				TP4038	B-5
				TP4039	B-5
				TP4040	B-5
				TP4041	C-4
				TP4064	B-1
				TP4065	B-1
				TP4066	B-2

TH-37/42PV600E TH-37/42PX600B
 DG-BOARD TNPA3756CA DG-BOARD TNPA3756CG

TH-37/42PV600E TH-37/42PX600B
 DG-BOARD TNPA3756CA DG-BOARD TNPA3756CG

A B C D E F G H I

DG-BOARD (COMPONENT SIDE)
TNPA3756CA (PV600E)
TNPA3756CG (PX600B)



Parts Location

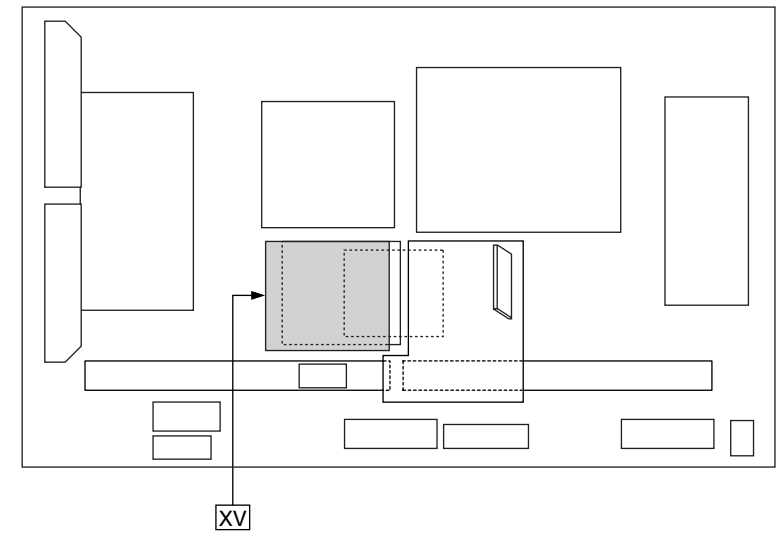
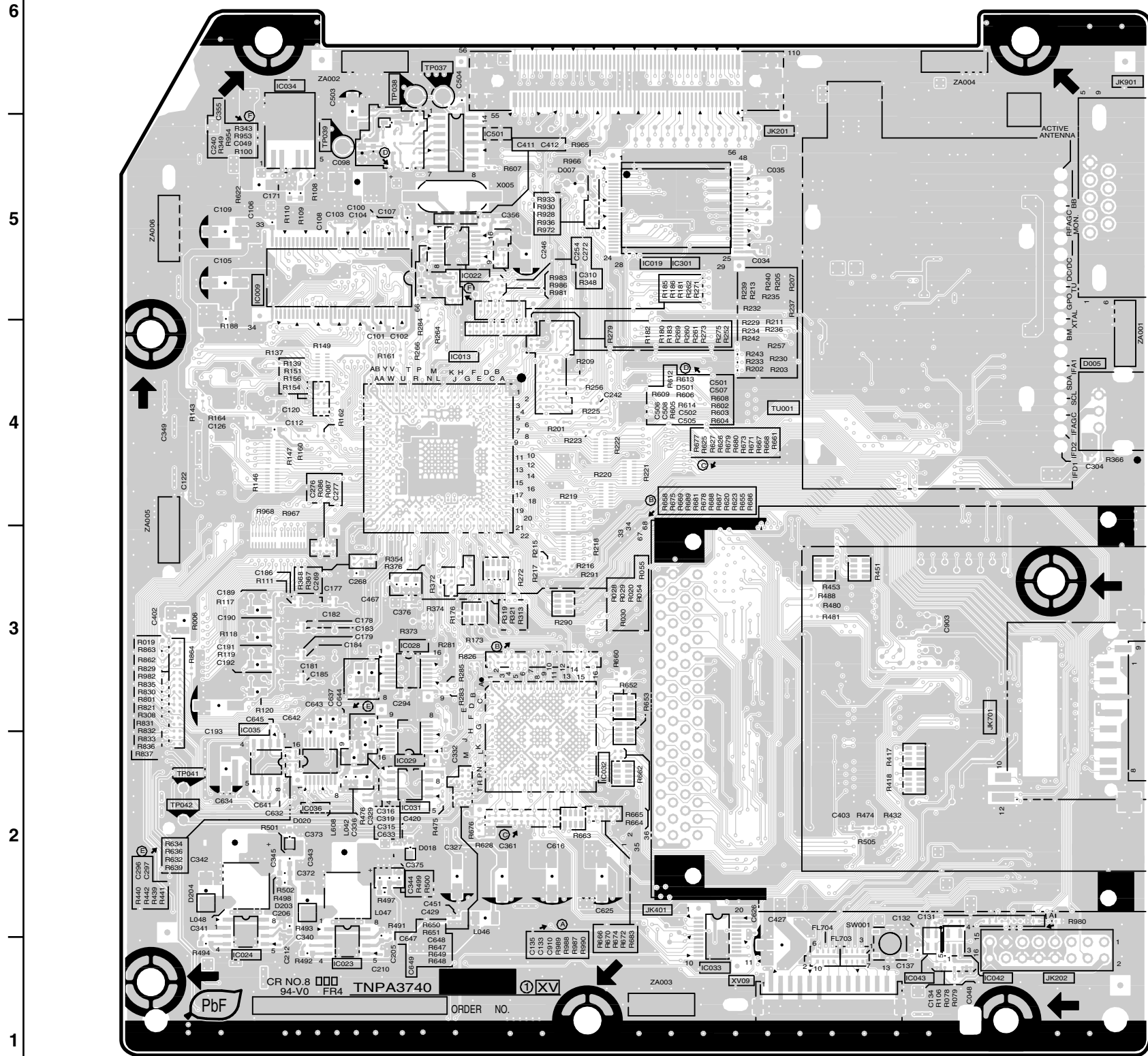
DG-BOARD (COMPONENT SIDE)					
IC		TRANSISTOR		TP	
IC1100	C-4	Q1104	B-2	Q4056	F-4
IC1102	A-2	Q1105	C-2	Q4057	F-4
IC1103	B-3	Q1108	B-2	Q4058	F-4
IC1105	B-2	Q1109	B-2	Q4059	F-5
IC1106	C-2	Q1110	B-2	Q4060	E-2
IC1107	D-2	Q1113	A-2	Q4062	D-2
IC1111	A-2	Q1114	B-2	Q4063	D-2
IC4013	E-3	Q1115	A-2	Q4064	D-2
IC4014	D-1	Q1116	B-2	Q4080	F-4
IC4019	F-4	Q1121	C-2	Q4081	F-4
IC4020	D-3	Q1130	D-2	TP	
IC4022	F-2	Q1131	D-2	TP1108	A-4
IC4023	F-1	Q1132	C-2	TP1109	A-5
IC4025	F-3	Q1133	C-2		
IC4026	F-2	Q1142	C-1		
IC4027	E-1	Q1143	C-1		
IC4028	F-3	Q4040	E-2		
IC4032	D-5	Q4041	E-1		
IC4033	F-5	Q4042	E-2		
IC4034	D-4	Q4043	E-2		
IC4035	E-4	Q4044	E-2		
IC4036	B-4	Q4046	E-2		
IC4037	D-4	Q4050	F-5		
IC4038	E-4	Q4051	D-1		
IC4039	C-4	Q4052	D-2		
IC4040	D-2	Q4054	D-2		

TH-37/42PV600E TH-37/42PX600B
 DG-BOARD TNPA3756CA DG-BOARD TNPA3756CG

TH-37/42PV600E TH-37/42PX600B
 DG-BOARD TNPA3756CA DG-BOARD TNPA3756CG

A B C D E F G H I

**XV-BOARD (COMPONENT SIDE)
TNPA3740AC**



Parts Location

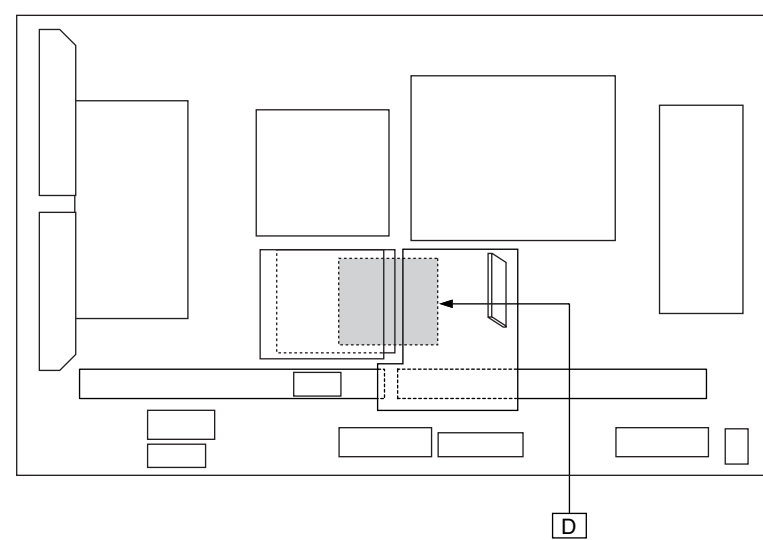
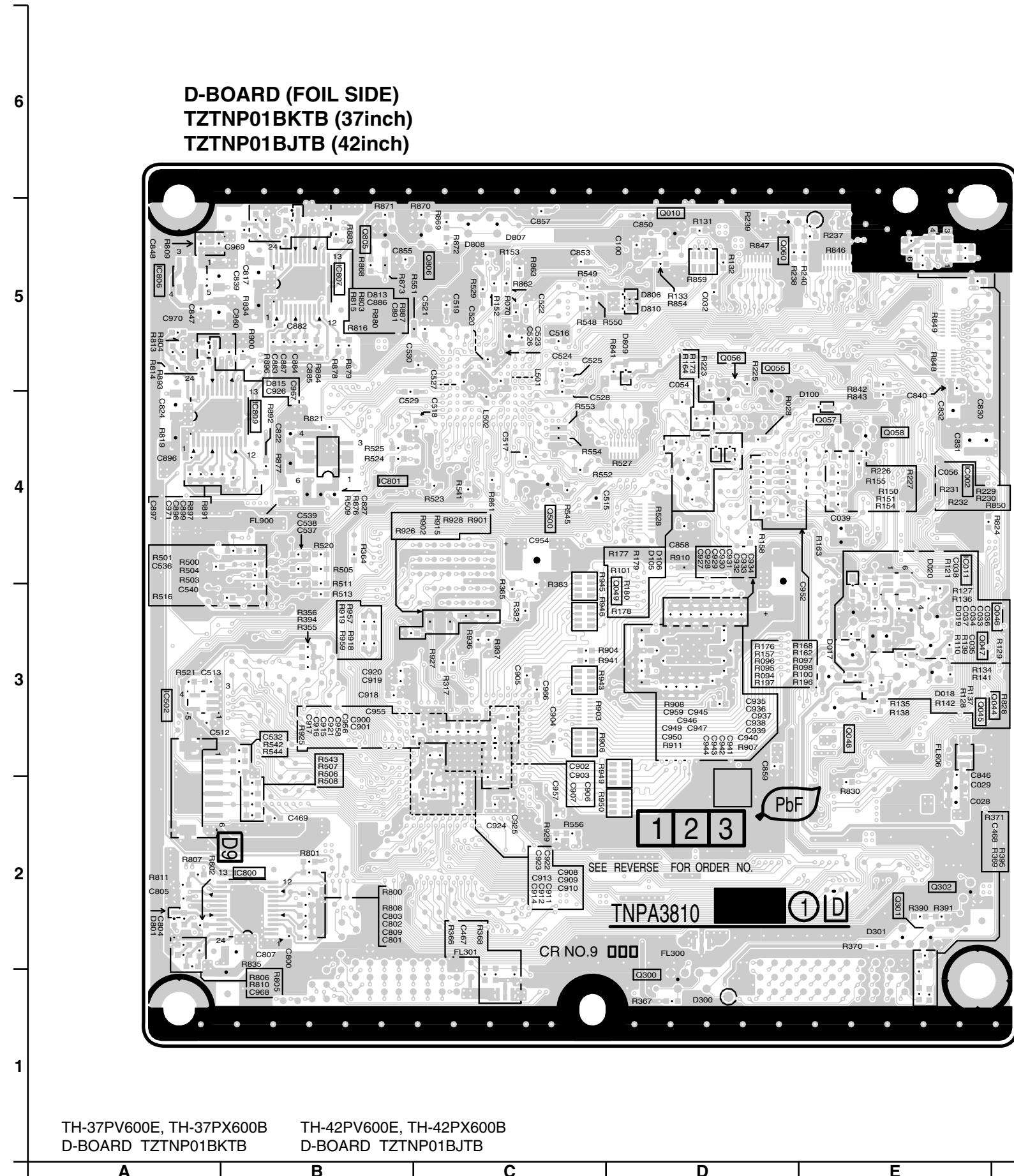
XV-BOARD (COMPONENT SIDE)			
IC		TP	
IC8009	B-5	TP8037	B-6
IC8013	C-4	TP8038	B-6
IC8019	D-5	TP8039	B-5
IC8022	C-5	TP8041	A-2
IC8023	B-1	TP8042	A-2
IC8024	B-1		
IC8028	B-3		
IC8029	B-2		
IC8031	B-2		
IC8032	C-2		
IC8033	D-1		
IC8034	B-6		
IC8035	B-3		
IC8036	B-2		
IC8042	E-1		
IC8043	E-1		
IC8301	D-5		
IC8501	C-5		

TH-37/42PX600B
XV-BOARD TNPA3740AC

TH-37/42PX600B
XV-BOARD TNPA3740AC

A B C D E F G H I

13.10. D-Board



Parts Location

D-BOARD (FOIL SIDE)			
IC		TRANSISTOR	
IC9002	E-4	Q9010	D-5
IC9011	E-4	Q9044	E-3
IC9502	A-3	Q9045	E-3
IC9800	B-2	Q9046	E-3
IC9801	B-4	Q9047	E-3
IC9806	A-5	Q9048	E-3
IC9807	B-5	Q9049	D-3
IC9809	B-4	Q9055	D-5
		Q9056	D-5
		Q9057	E-4
		Q9058	E-4
		Q9060	D-5
		Q9300	D-2
		Q9301	E-2
		Q9302	E-2
		Q9500	C-4
		Q9805	B-5
		Q9806	C-5

TH-37PV600E, TH-37PX600B
 D-BOARD TZTNP01BKTB

TH-42PV600E, TH-42PX600B
 D-BOARD TZTNP01BJTB

TH-37PV600E, TH-37PX600B
 D-BOARD TZTNP01BKTB

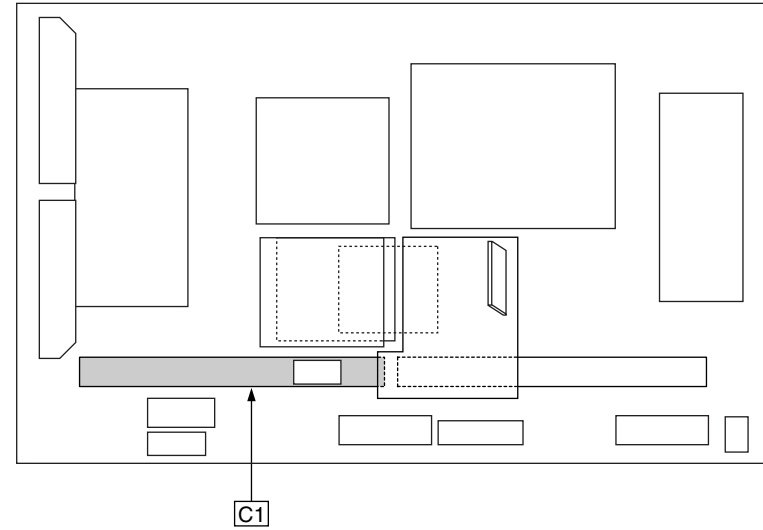
TH-42PV600E, TH-42PX600B
 D-BOARD TZTNP01BJTB

13.11. C1-Board (37inch)

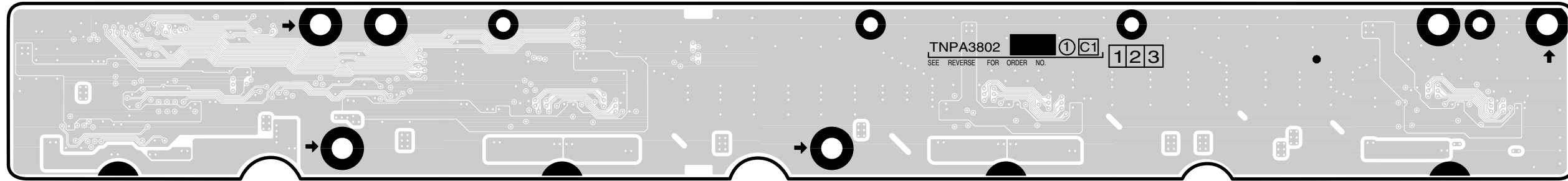
6
5
4
3
2
1

Parts Location

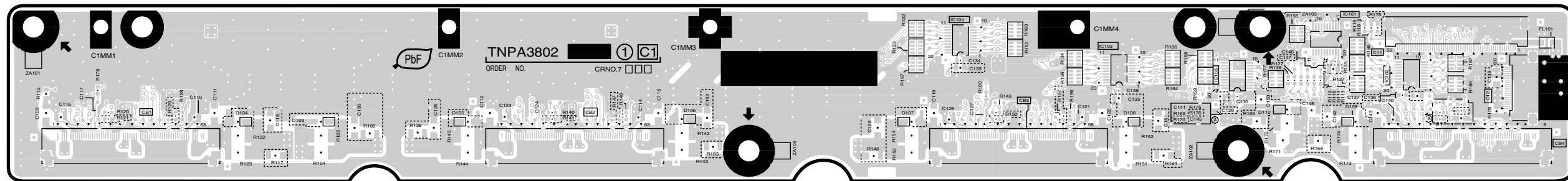
C1-BOARD	
IC	
IC7101	H-2
IC7102	H-2
IC7103	G-2
IC7104	F-2
IC7105	G-2



**C1-BOARD (FOIL SIDE)
TXNC11BKTB**



**C1-BOARD (COMPONENT SIDE)
TXNC11BKTB**



TH-37PV600E, TH-37PX600B
C1-BOARD TXNC11BKTB

TH-37PV600E, TH-37PX600B
C1-BOARD TXNC11BKTB

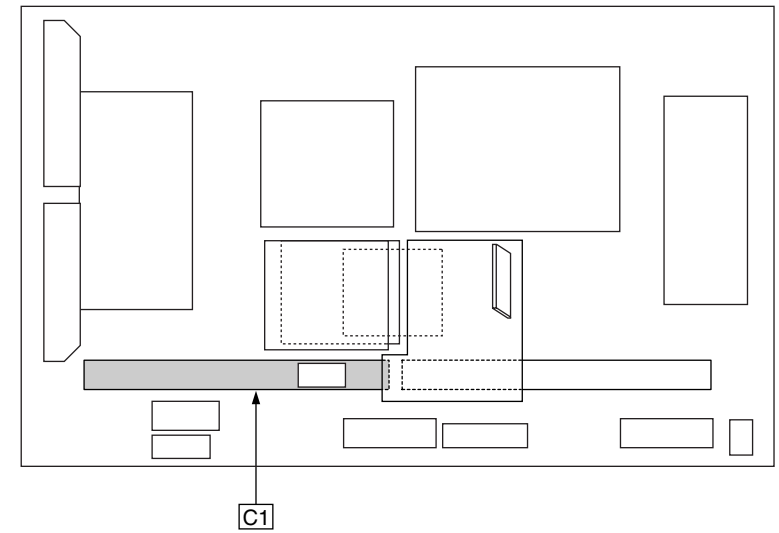
A B C D E F G H I

13.12. C1-Board (42inch)

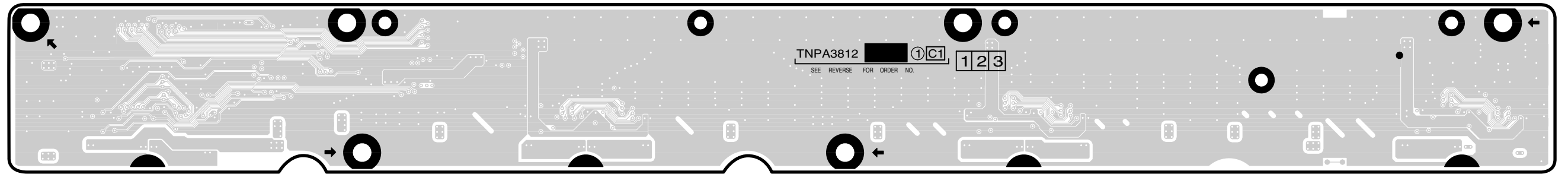
6
5
4
3
2
1
A B C D E F G H I

Parts Location

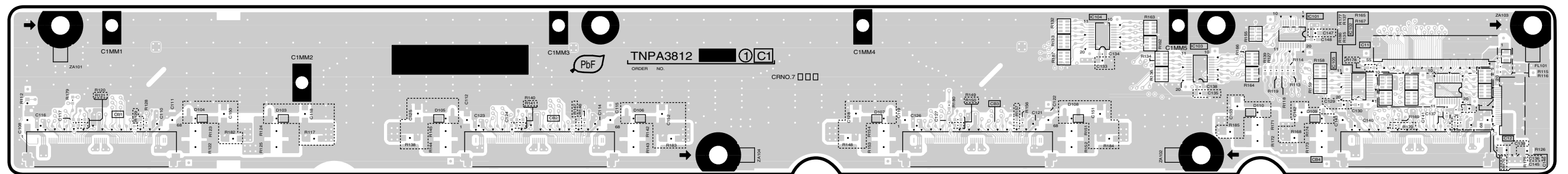
C1-BOARD	
IC	
IC7101	H-2
IC7102	I-2
IC7103	G-2
IC7104	F-1
IC7105	H-2



**C1-BOARD (FOIL SIDE)
TXNC11BJTB**



**C1-BOARD (COMPONENT SIDE)
TXNC11BJTB**



TH-42PV600E, TH-42PX600B
C1-BOARD TXNC11BJTB

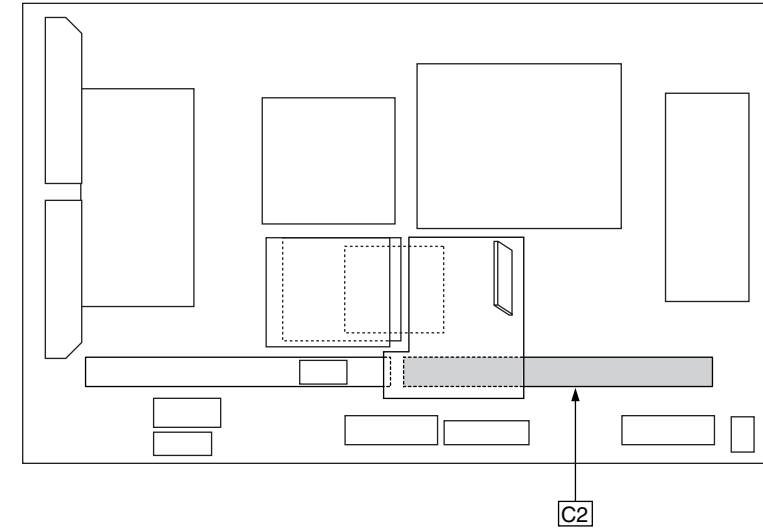
TH-42PV600E, TH-42PX600B
C1-BOARD TXNC11BJTB

13.13. C2-Board (37inch)

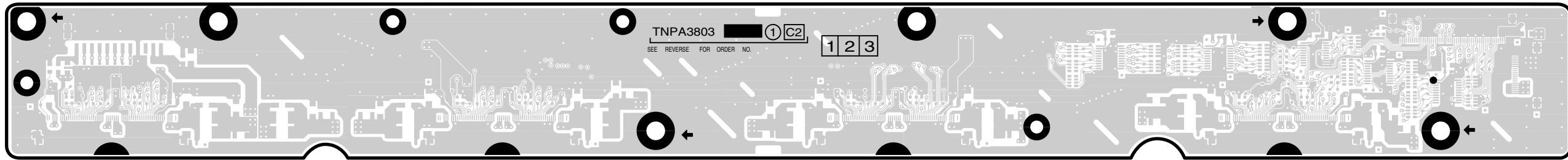
6
5
4
3
2
1

Parts Location

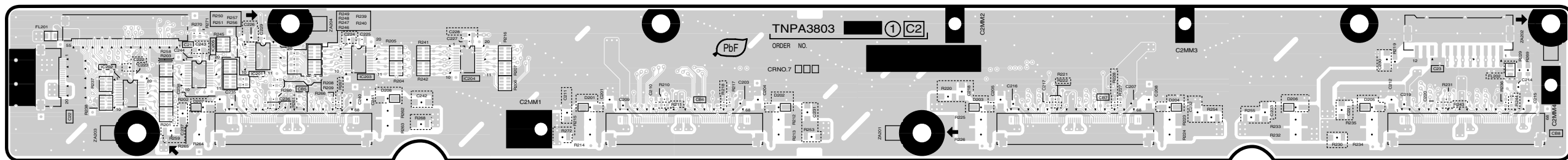
C2-BOARD	
IC	
IC7201	B-2
IC7202	A-1
IC7203	C-2
IC7204	C-2
IC7205	B-2



**C2-BOARD (FOIL SIDE)
TXNC21BKTB**



**C2-BOARD (COMPONENT SIDE)
TXNC21BKTB**



TH-37PV600E, TH-37PX600B
C2-BOARD TXNC21BKTB

TH-37PV600E, TH-37PX600B
C2-BOARD TXNC21BKTB

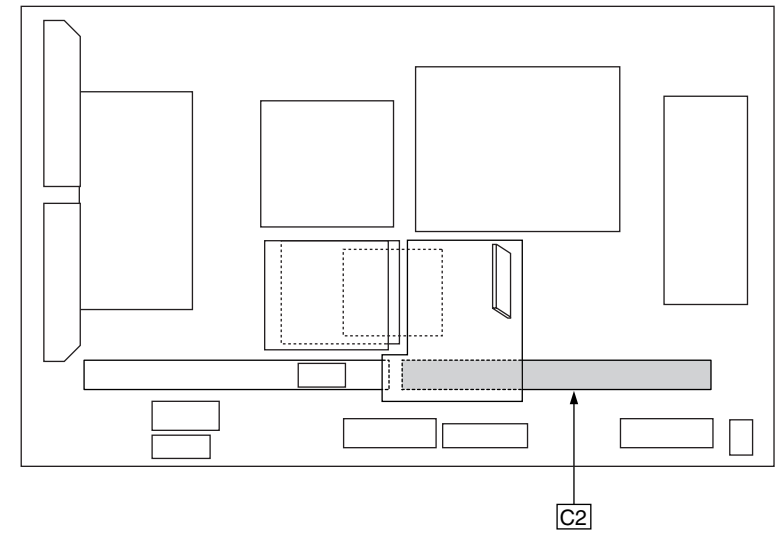
A B C D E F G H I

13.14. C2-Board (42inch)

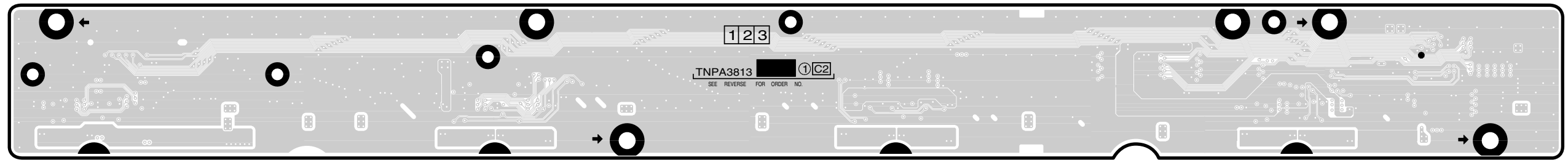
6
5
4
3
2
1

Parts Location

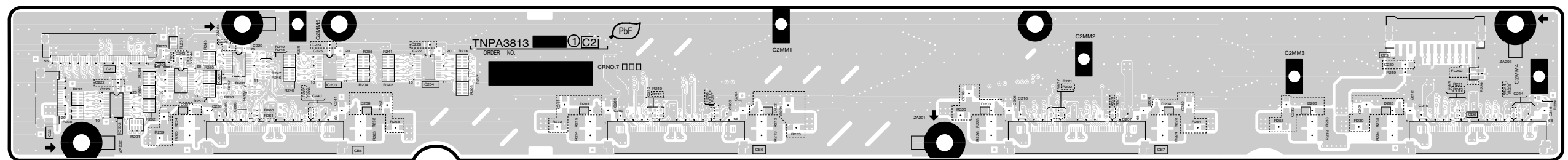
C2-BOARD	
IC	
IC7201	B-2
IC7202	A-1
IC7203	B-2
IC7204	C-2
IC7205	B-1



**C2-BOARD (FOIL SIDE)
TXNC21BJTB**



**C2-BOARD (COMPONENT SIDE)
TXNC21BJTB**



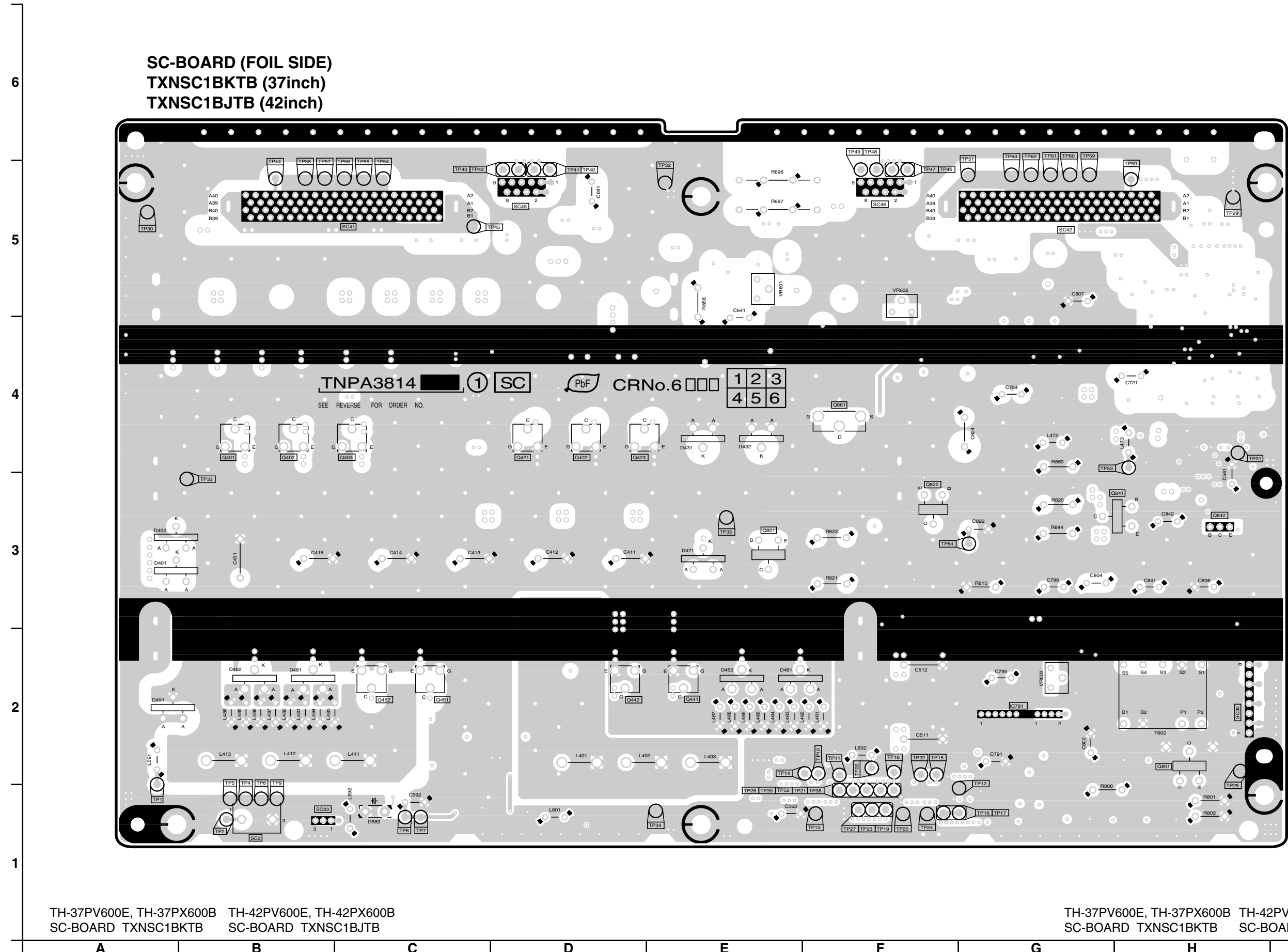
TH-42PV600E, TH-42PX600B
C2-BOARD TXNC21BJTB

TH-42PV600E, TH-42PX600B
C2-BOARD TXNC21BJTB

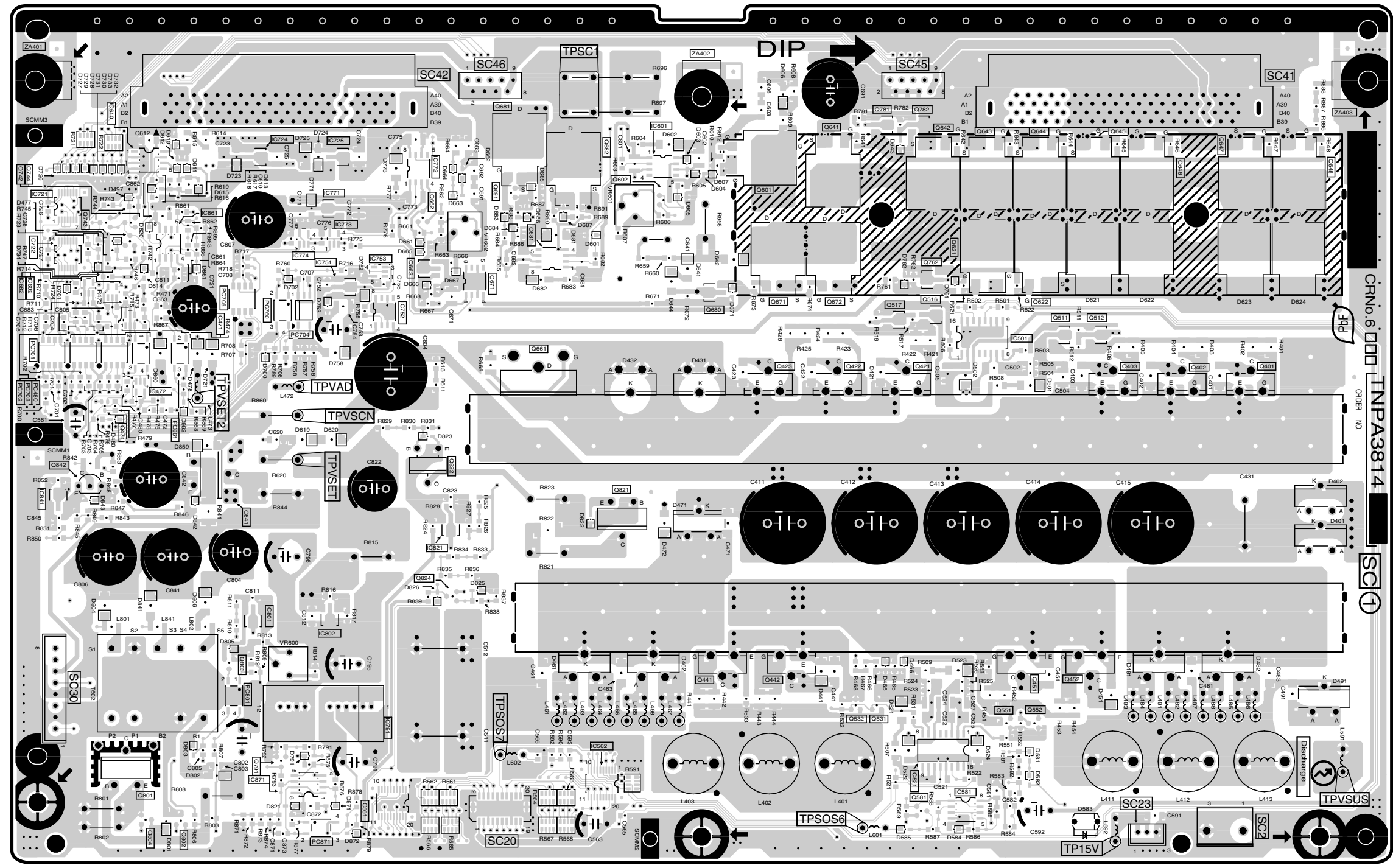
A | B | C | D | E | F | G | H | I

13.15. SC-Board

SC-BOARD (FOIL SIDE)
TXNSC1BKTB (37inch)
TXNSC1BJTB (42inch)



SC-BOARD (COMPONENT SIDE)
TXNSC1BKTB (37inch)
TXNSC1BJTB (42inch)



6
5
4
3
2
1

CR No. 6
TNP A3814
ORDER NO.

TH-37PV600E, TH-37PX600B
SC-BOARD TXNSC1BKTB

TH-42PV600E, TH-42PX600B
SC-BOARD TXNSC1BJTB

TH-37PV600E, TH-37PX600B
SC-BOARD TXNSC1BKTB

TH-42PV600E, TH-42PX600B
SC-BOARD TXNSC1BJTB

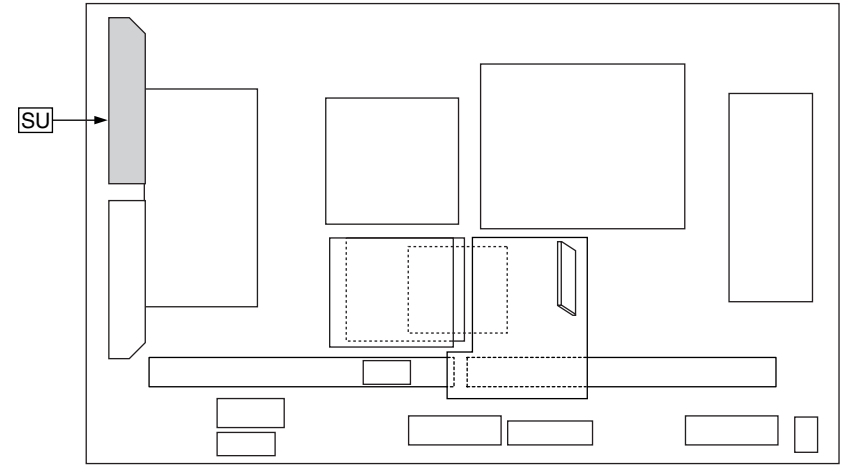
A B C D E F G H I

13.16. SU-Board (37inch)

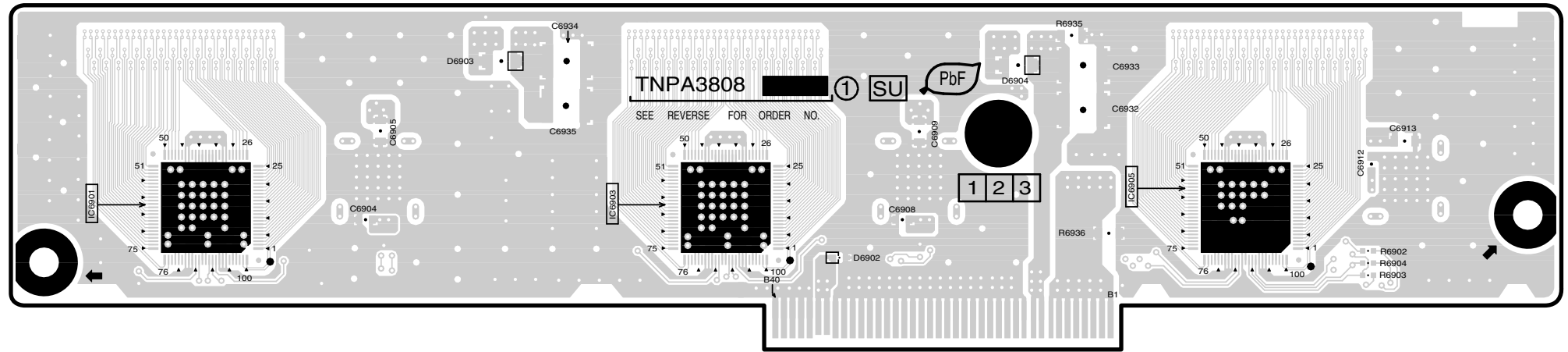
6
5
4
3
2
1
A B C D E F G H I

Parts Location

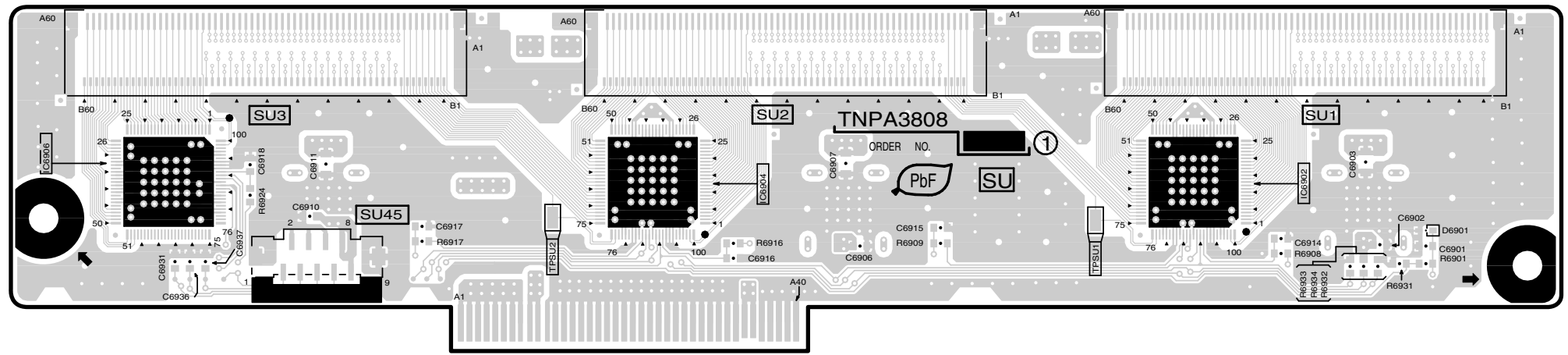
SU-BOARD	
IC	
IC6901	B-3
IC6902	F-2
IC6903	D-3
IC6904	D-2
IC6905	G-3
IC6906	B-2



SU-BOARD (FOIL SIDE)
TXNSU1BKTB



SU-BOARD (COMPONENT SIDE)
TXNSU1BKTB



TH-37PV600E, TH-37PX600B
SU-BOARD TXNSU1BKTB

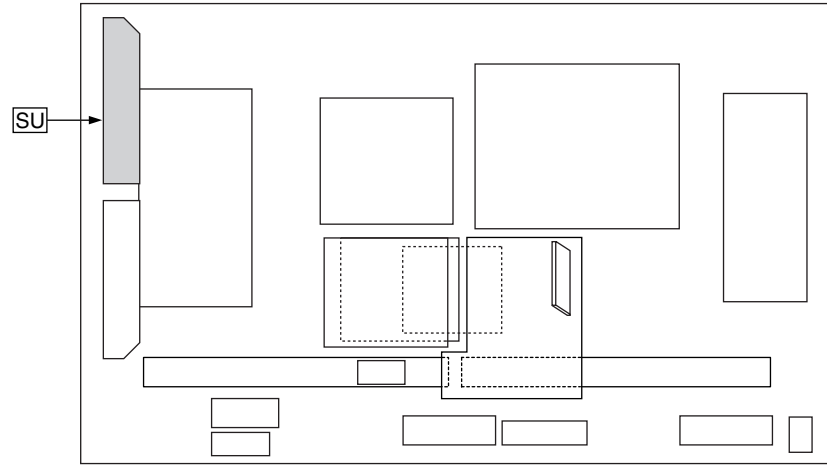
TH-37PV600E, TH-37PX600B
SU-BOARD TXNSU1BKTB

13.17. SU-Board (42inch)

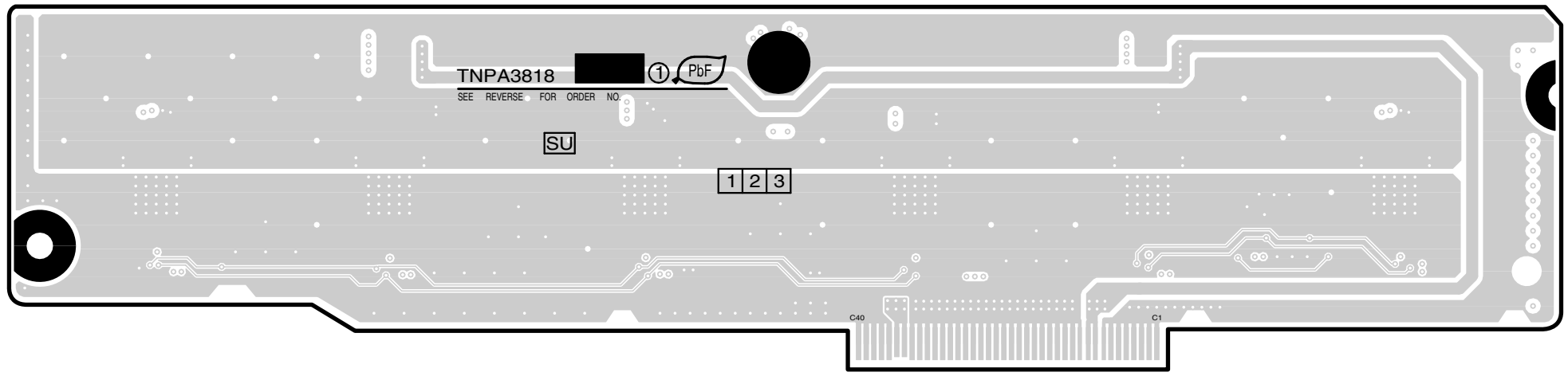
6
5
4
3
2
1

Parts Location

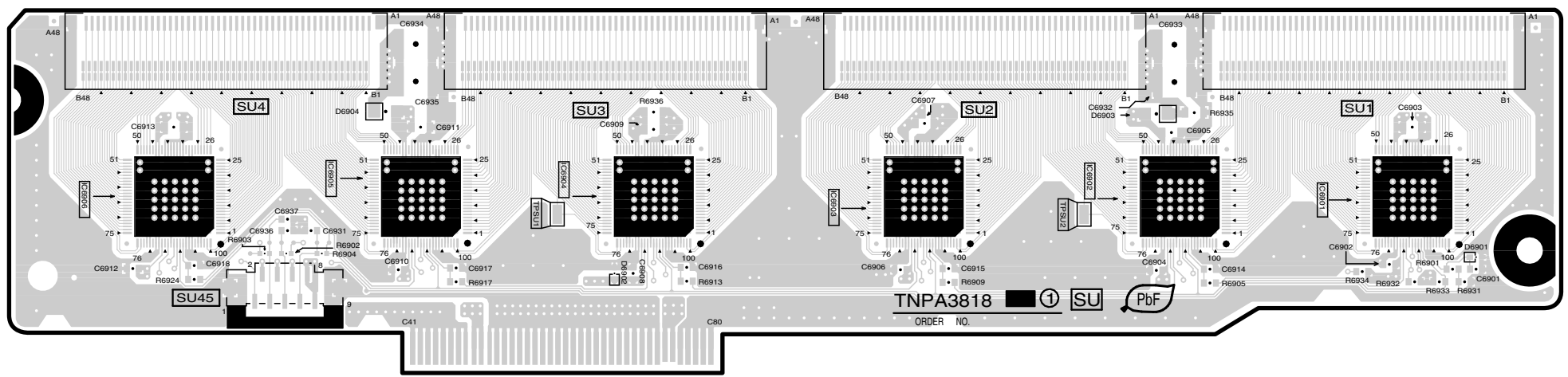
SU-BOARD	
IC	
IC6901	G-2
IC6902	F-2
IC6903	E-2
IC6904	D-1
IC6905	C-2
IC6906	B-2



**SU-BOARD (FOIL SIDE)
TXNSU1BJTB**



**SU-BOARD (COMPONENT SIDE)
TXNSU1BJTB**



TH-42PV600E, TH-42PX600B
SU-BOARD TXNSU1BJTB

TH-42PV600E, TH-42PX600B
SU-BOARD TXNSU1BJTB

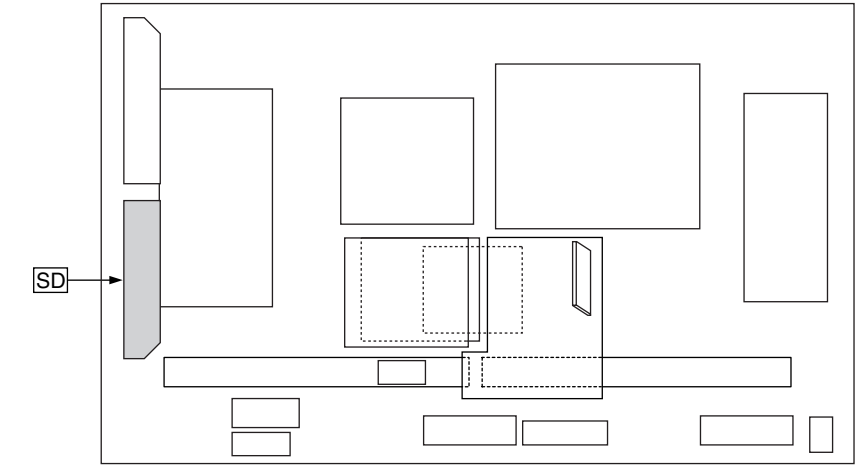
A B C D E F G H I

13.18. SD-Board (37inch)

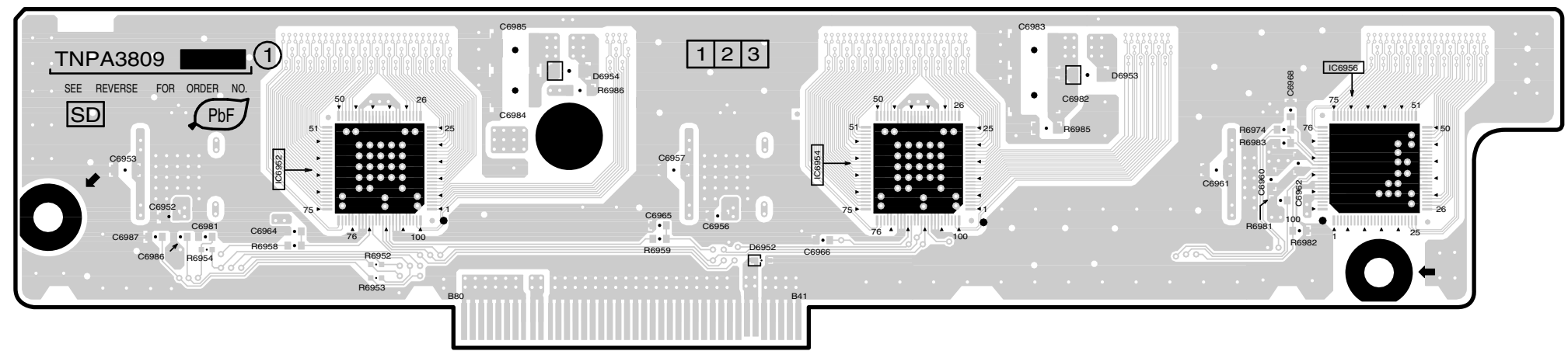
6
5
4
3
2
1
A B C D E F G H I

Parts Location

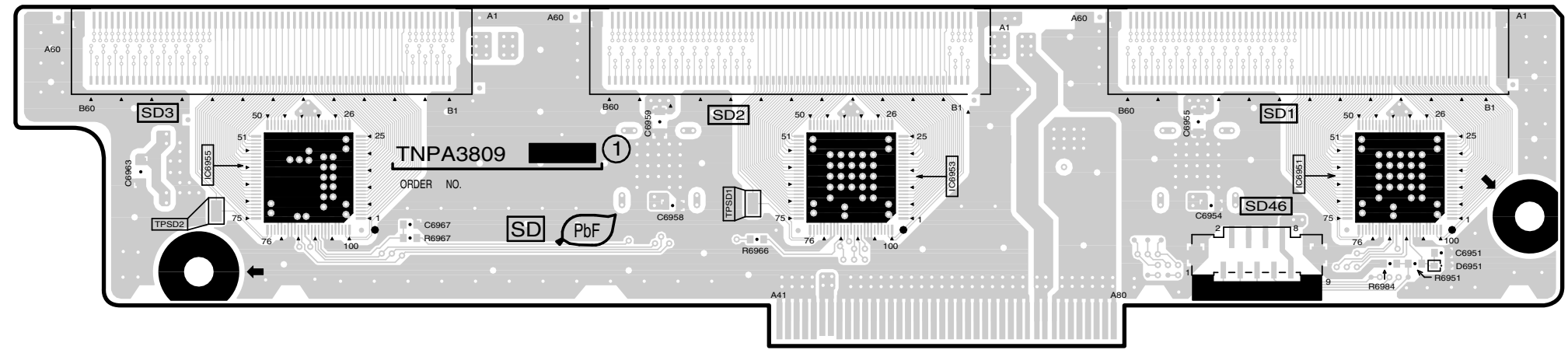
SD-BOARD	
IC	
IC6951	G-2
IC6952	C-4
IC6953	E-2
IC6954	E-4
IC6955	C-2
IC6956	G-4



SD-BOARD (FOIL SIDE)
TXNSD1BKTB



SD-BOARD (COMPONENT SIDE)
TXNSD1BKTB



TH-37PV600E, TH-37PX600B
SD-BOARD TXNSD1BKTB

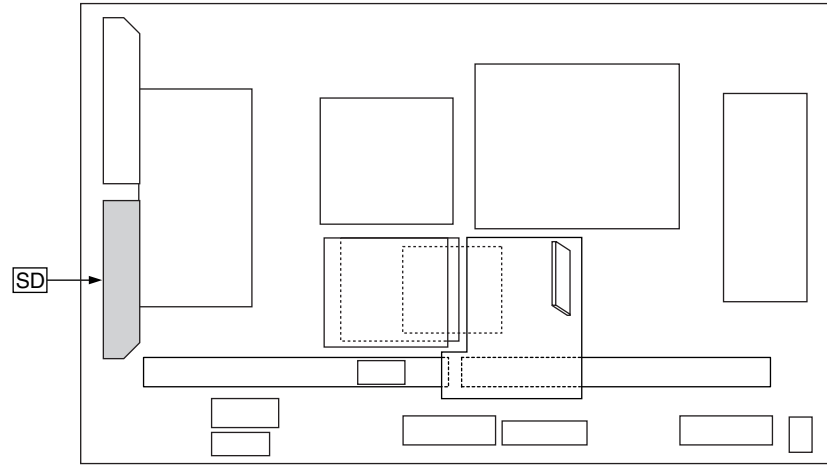
TH-37PV600E, TH-37PX600B
SD-BOARD TXNSD1BKTB

13.19. SD-Board (42inch)

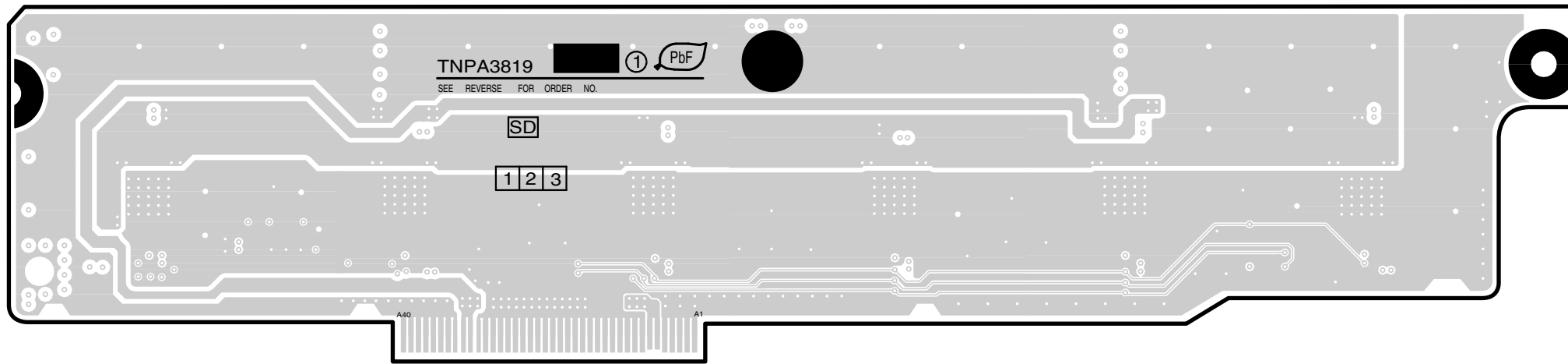
6
5
4
3
2
1

Parts Location

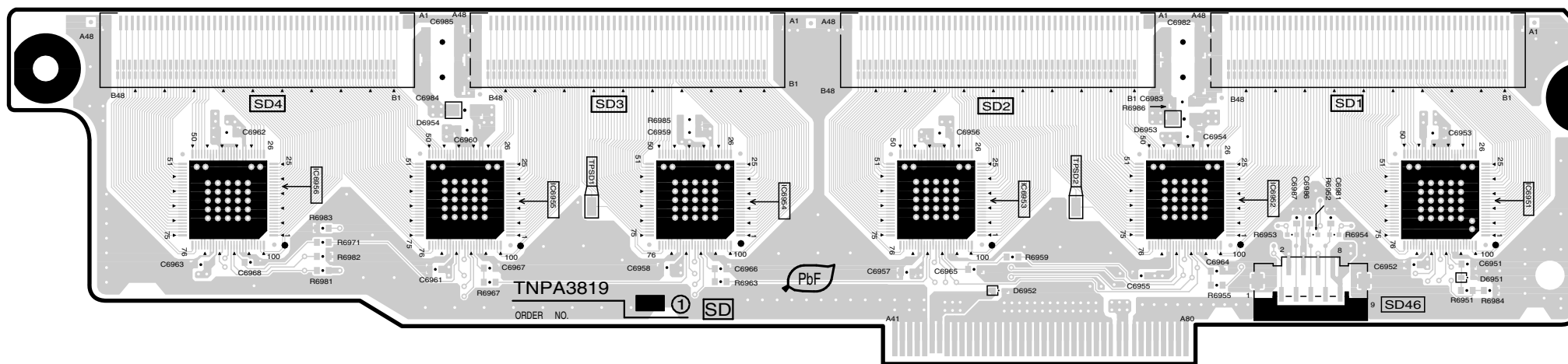
SD-BOARD	
IC	
IC6951	G-2
IC6952	F-2
IC6953	E-2
IC6954	D-1
IC6955	C-2
IC6956	B-2



**SD-BOARD (FOIL SIDE)
TXNSD1BJTB**



**SD-BOARD (COMPONENT SIDE)
TXNSD1BJTB**



TH-42PV600E, TH-42PX600B
SD-BOARD TXNSD1BJTB

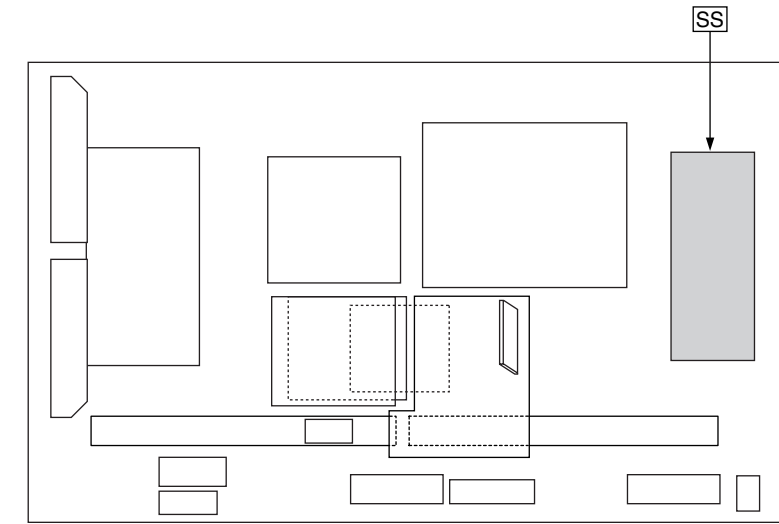
TH-42PV600E, TH-42PX600B
SD-BOARD TXNSD1BJTB

A B C D E F G H I

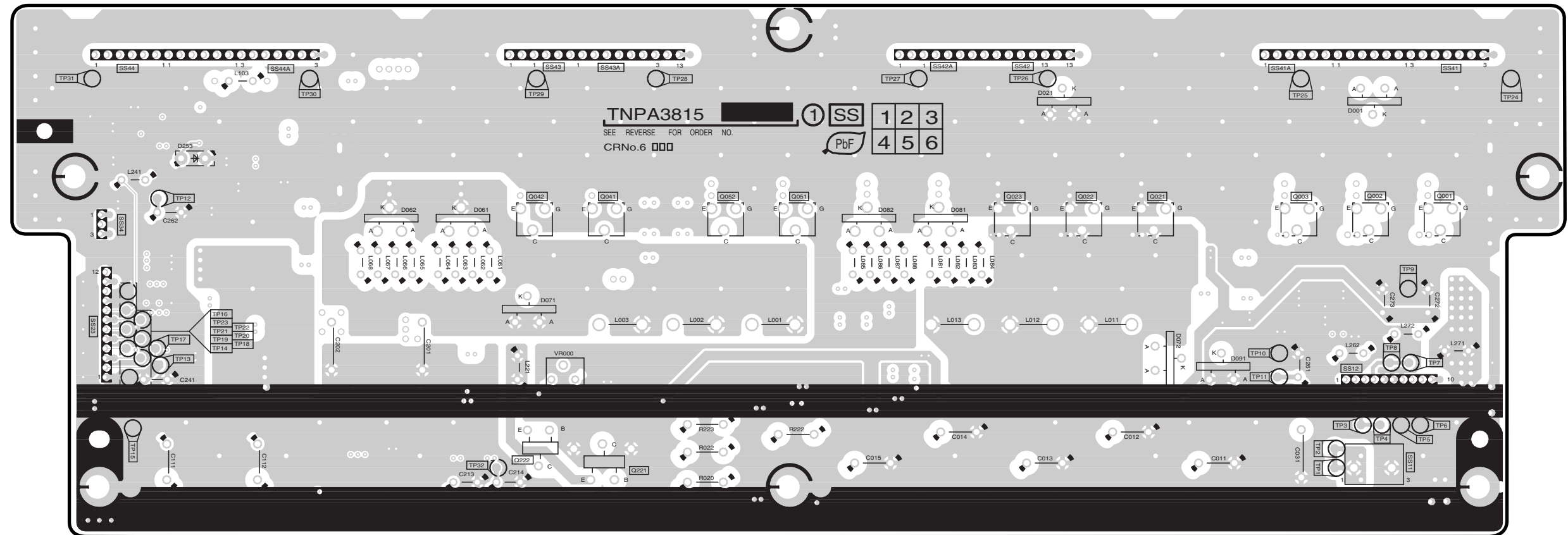
13.20. SS-Board

Parts Location

SS-BOARD (FOIL SIDE)							
TRANSISTOR		TP		TP16	B-2	VOLUME	
Q6001	H-3	TP1	H-1	TP17	B-2	VR6000	D-2
Q6002	H-3	TP2	H-2	TP18	B-2		
Q6003	H-3	TP3	H-2	TP19	B-2		
Q6021	G-3	TP4	H-2	TP20	B-2		
Q6022	F-3	TP5	H-2	TP21	B-2		
Q6023	F-3	TP6	H-2	TP22	B-2		
Q6041	D-3	TP7	H-2	TP23	B-2		
Q6042	D-3	TP8	H-2	TP24	I-3		
Q6051	E-3	TP9	H-2	TP25	H-3		
Q6052	E-3	TP10	G-2	TP26	F-3		
Q6221	D-1	TP11	G-2	TP27	F-3		
Q6222	D-2	TP12	B-3	TP28	D-3		
		TP13	B-2	TP29	D-3		
		TP14	B-2	TP30	B-3		
		TP15	A-2	TP31	A-3		
				TP32	C-1		



SS-BOARD (FOIL SIDE)
TXNSS1BKTB (37inch)
TXNSS1BJTB (42inch)



TH-37PV600E, TH-37PX600B
 SS-BOARD TXNSS1BKTB

TH-42PV600E, TH-42PX600B
 SS-BOARD TXNSS1BJTB

TH-37PV600E, TH-37PX600B
 SS-BOARD TXNSS1BKTB

TH-42PV600E, TH-42PX600B
 SS-BOARD TXNSS1BJTB

A B C D E F G H I

14 Schematic and Block Diagram

14.1. Schematic Diagram Notes

Important Safety Notice

Components identified by \triangle mark have special characteristics important for safety. When replacing any of these components, use only manufacture's specified parts.

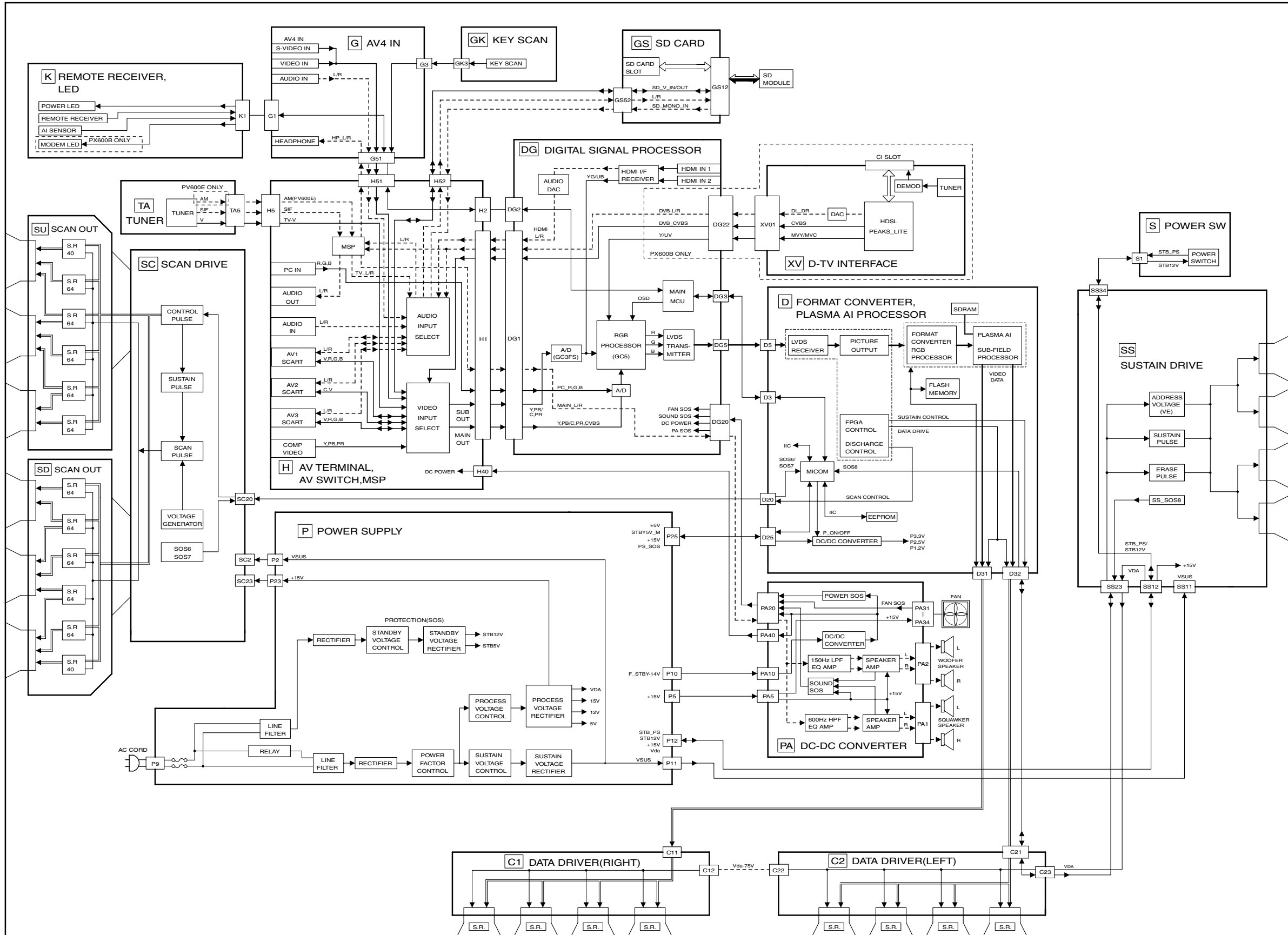
Notes:

1. **Resistor**
Unit of resistance is OHM [Ω] (K=1,000, M=1,000,000).
2. **Capacitor**
Unit of capacitance is μ F, unless otherwise noted.
3. **Coil**
Unit of inductance is H, unless otherwise noted.
4. **Test Point**
○ : Test Point position
5. **Earth Symbol**
⏏ : Chassis Earth (Cold) ⚡ : Line Earth (Hot)
6. **Voltage Measurement**
Voltage is measured by a DC voltmeter.
Conditions of the measurement are the following:
Power Source AC220-240V, 50/60Hz
Receiving Signal Colour Bar signal (RF)
All customer's controls Maximum positions
7. When arrow mark (↗) is found, connection is easily found from the direction of arrow.
8. Indicates the major signal flow. : Video ➡ Audio ⇔
9. This schematic diagram is the latest at the time of printing and subject to change without notice.

Remarks:

1. The Power Circuit contains a circuit area which uses a separate power supply to isolate the earth connection.
The circuit is defined by HOT and COLD indications in the schematic diagram. Take the following precautions.
All circuits, except the Power Circuit, are cold.
Precautions
 - a. Do not touch the hot part or the hot and cold parts at the same time or you may be shocked.
 - b. Do not short- circuit the hot and cold circuits or a fuse may blow and parts may break.
 - c. Do not connect an instrument, such as an oscilloscope, to the hot and cold circuits simultaneously or a fuse may blow.
Connect the earth of instruments to the earth connection of the circuit being measured.
 - d. Make sure to disconnect the power plug before removing the chassis.

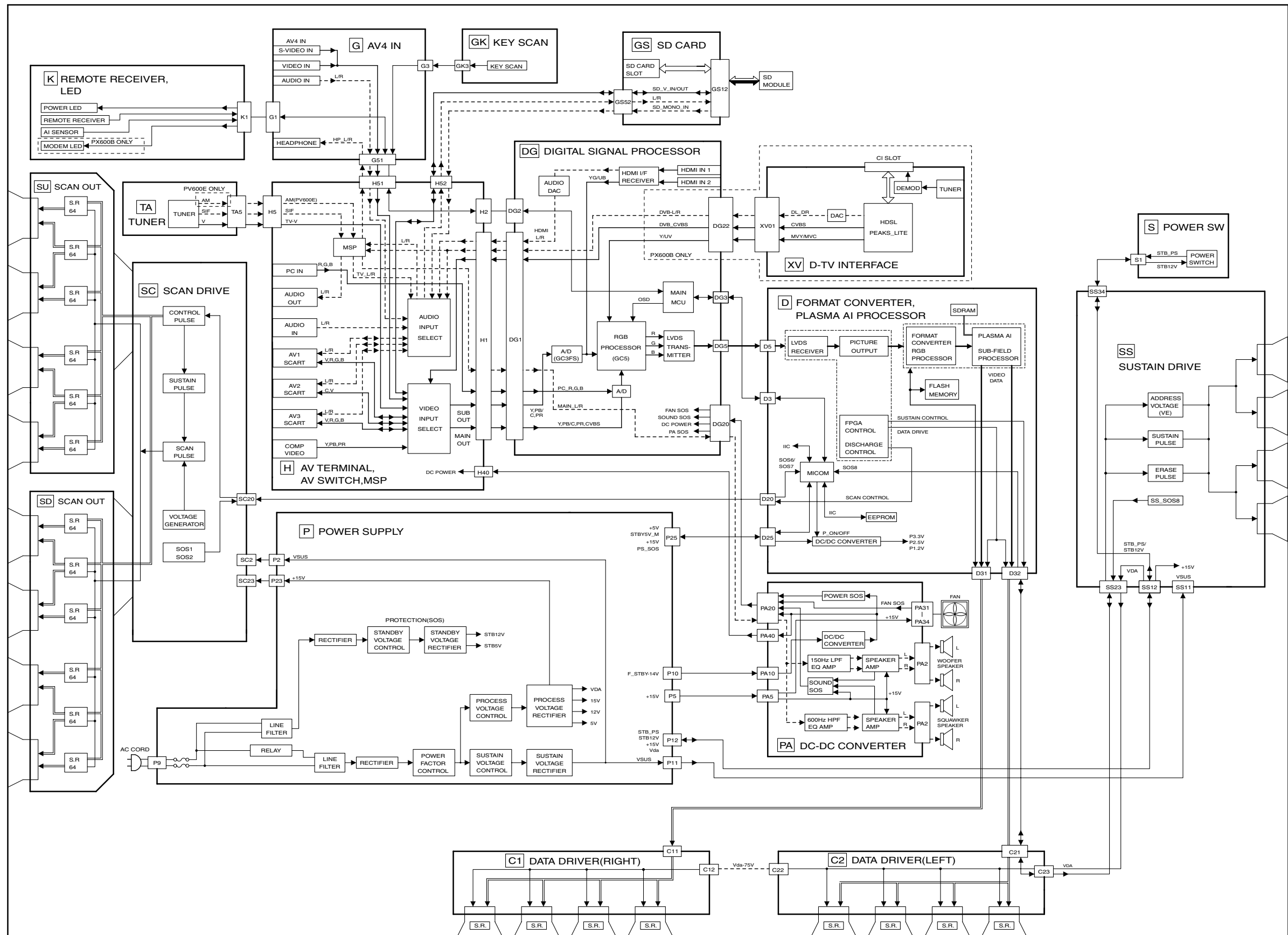
14.2. Main Block Diagram (37inch)



TH-37PV600E, TH-37PX600B
Main Block Diagram

TH-37PV600E, TH-37PX600B
Main Block Diagram

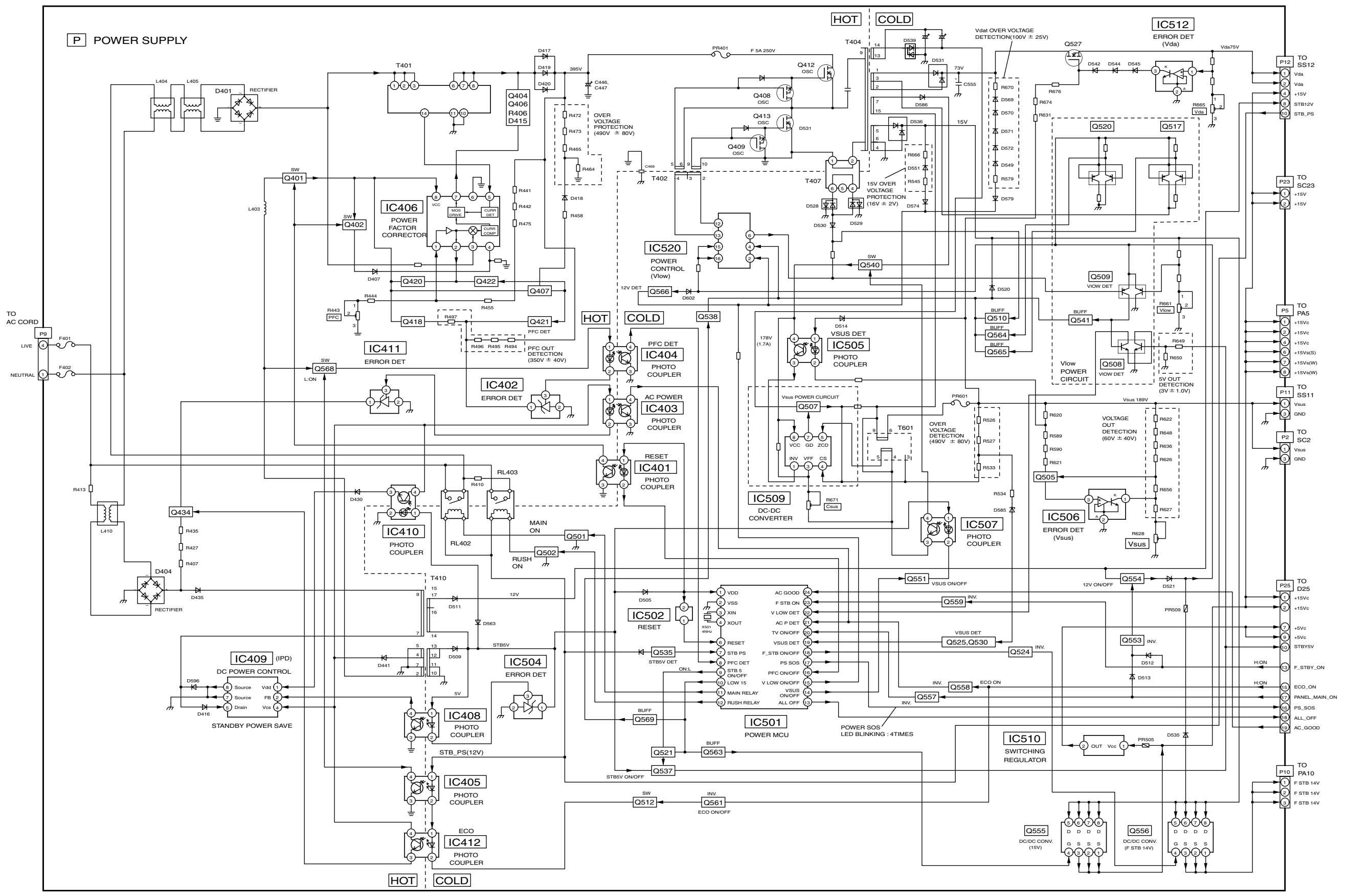
14.3. Main Block Diagram (42inch)



TH-42PV600E, TH-42PX600B
Main Block Diagram

TH-42PV600E, TH-42PX600B
Main Block Diagram

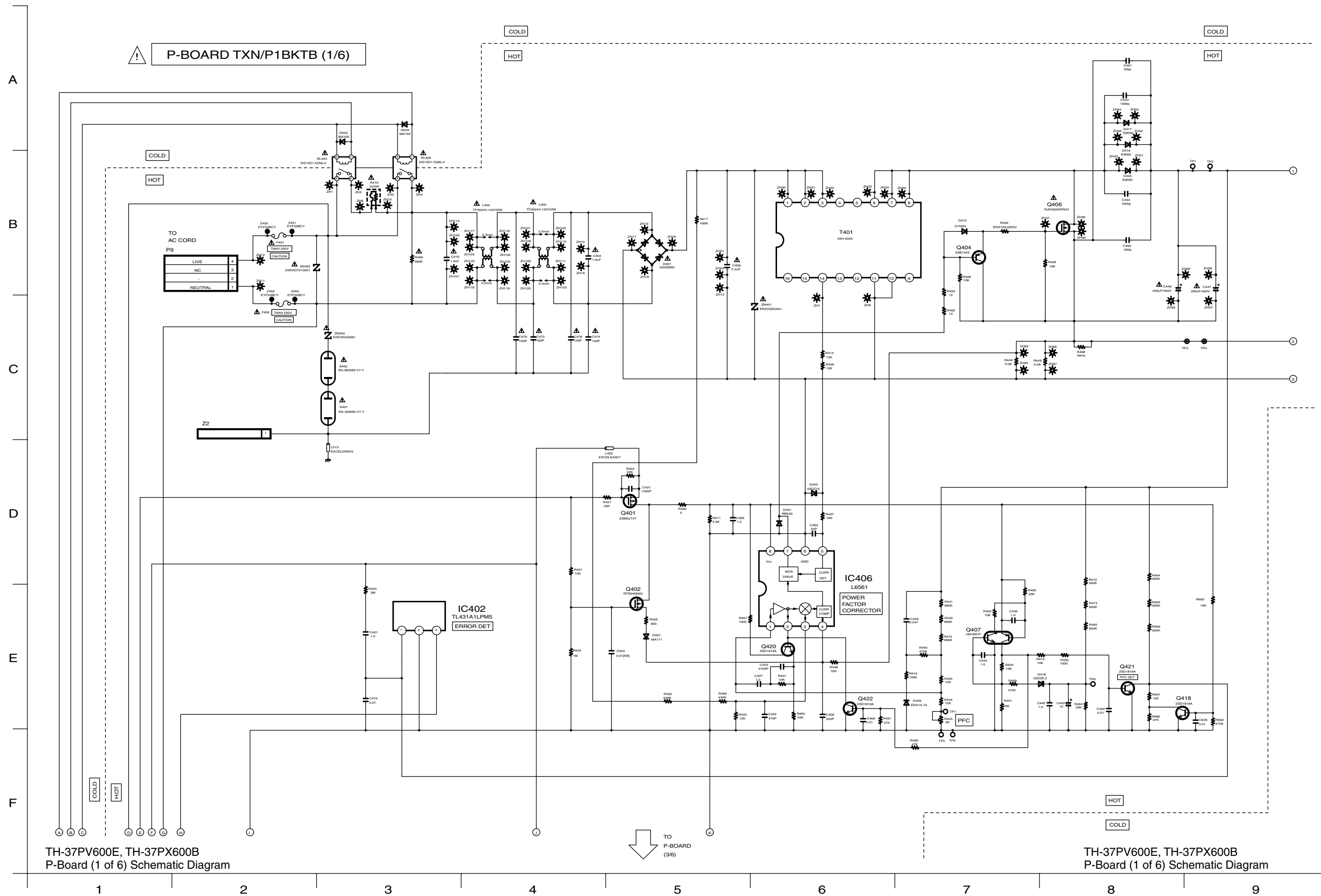
14.4. P-Board Block Diagram (37inch)



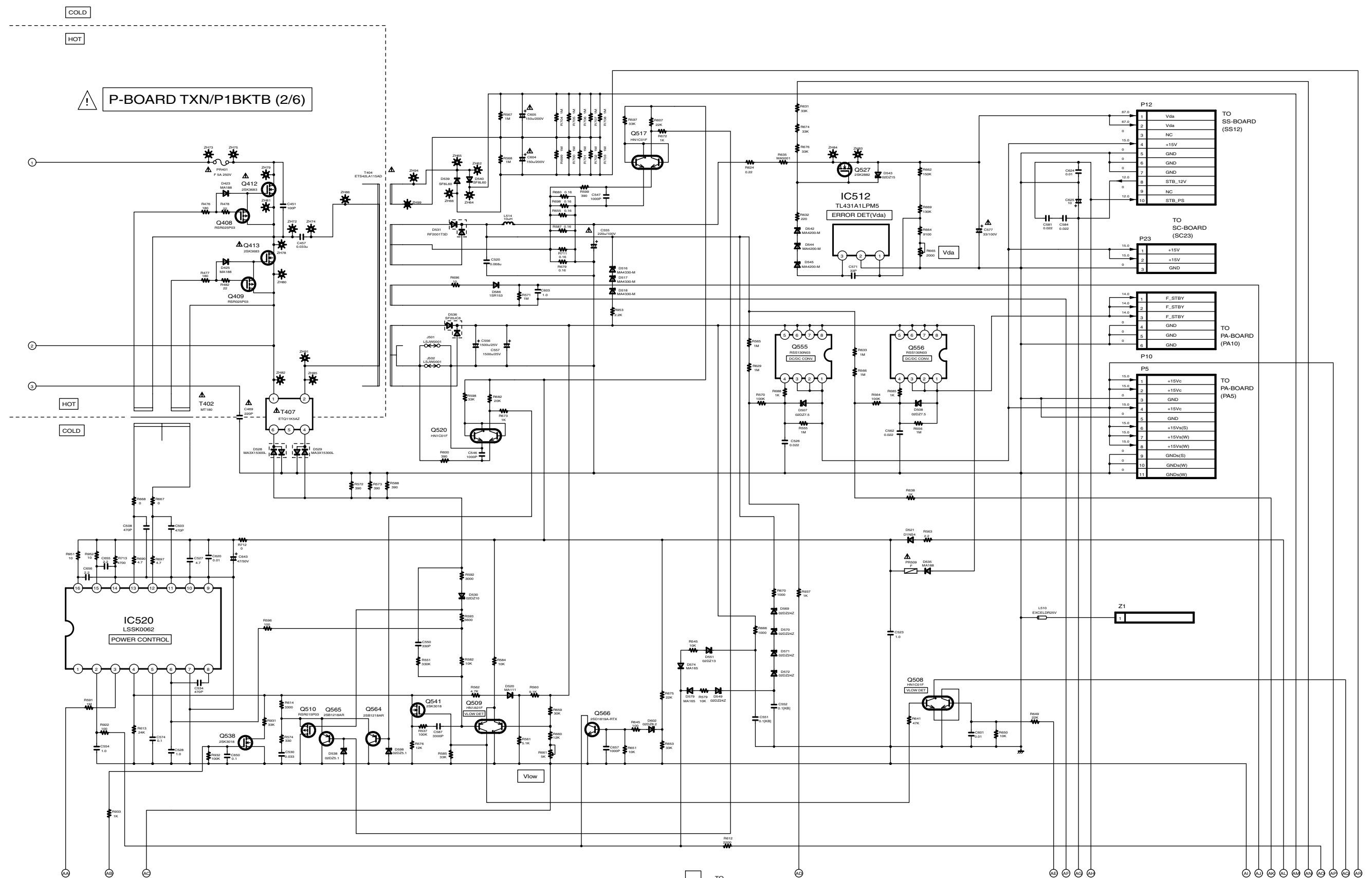
TH-37PV600E, TH-37PX600B
P-Board Block Diagram

TH-37PV600E, TH-37PX600B
P-Board Block Diagram

14.5. P-Board (1 of 6) Schematic Diagram (37inch)



14.6. P-Board (2 of 6) Schematic Diagram (37inch)



TH-37PV600E, TH-37PX600B
P-Board (2 of 6) Schematic Diagram

TH-37PV600E, TH-37PX600B
P-Board (2 of 6) Schematic Diagram

10

11

12

13

14

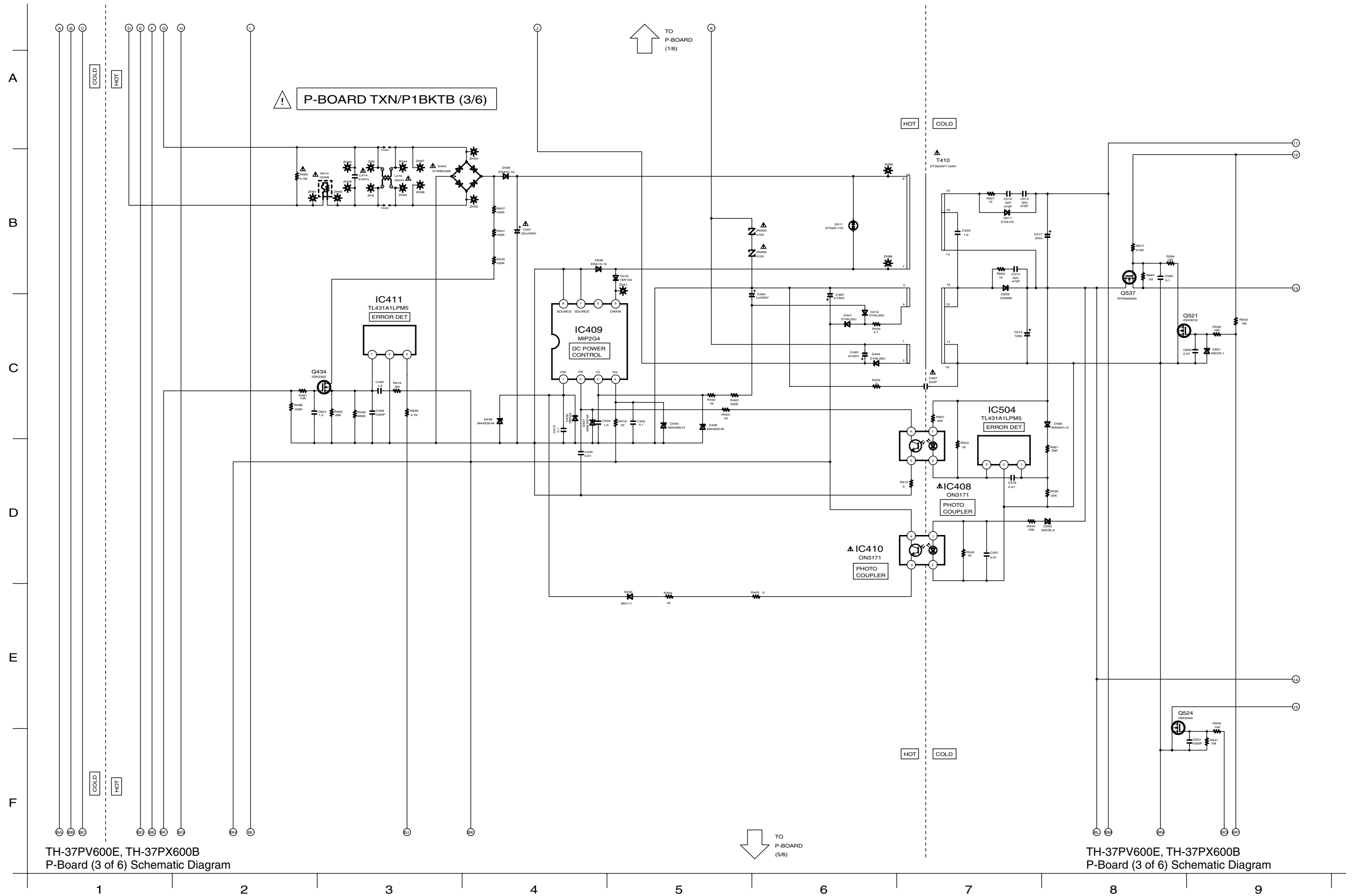
15

16

17

18

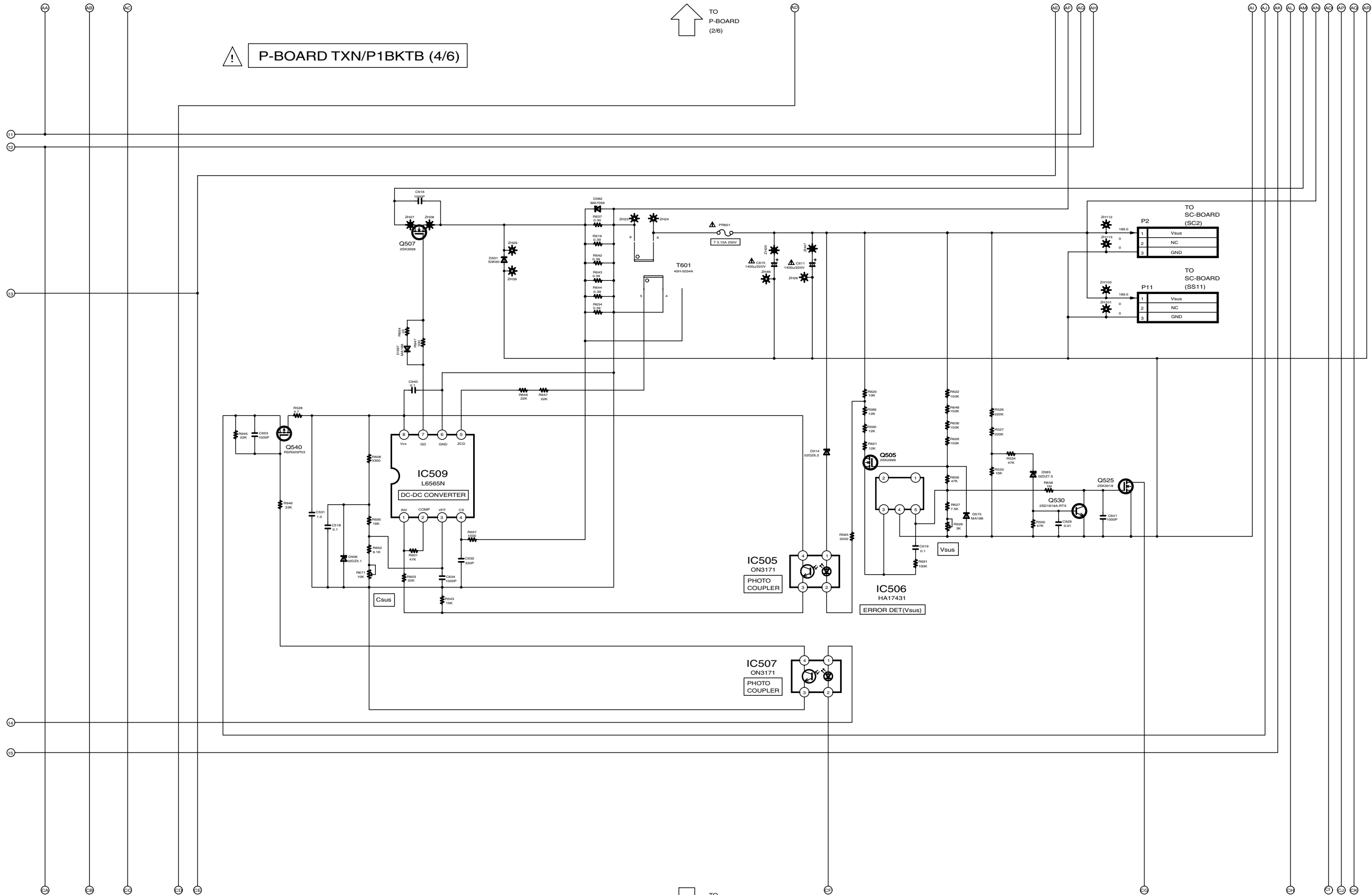
14.7. P-Board (3 of 6) Schematic Diagram (37inch)



TH-37PV600E, TH-37PX600B
P-Board (3 of 6) Schematic Diagram

TH-37PV600E, TH-37PX600B
P-Board (3 of 6) Schematic Diagram

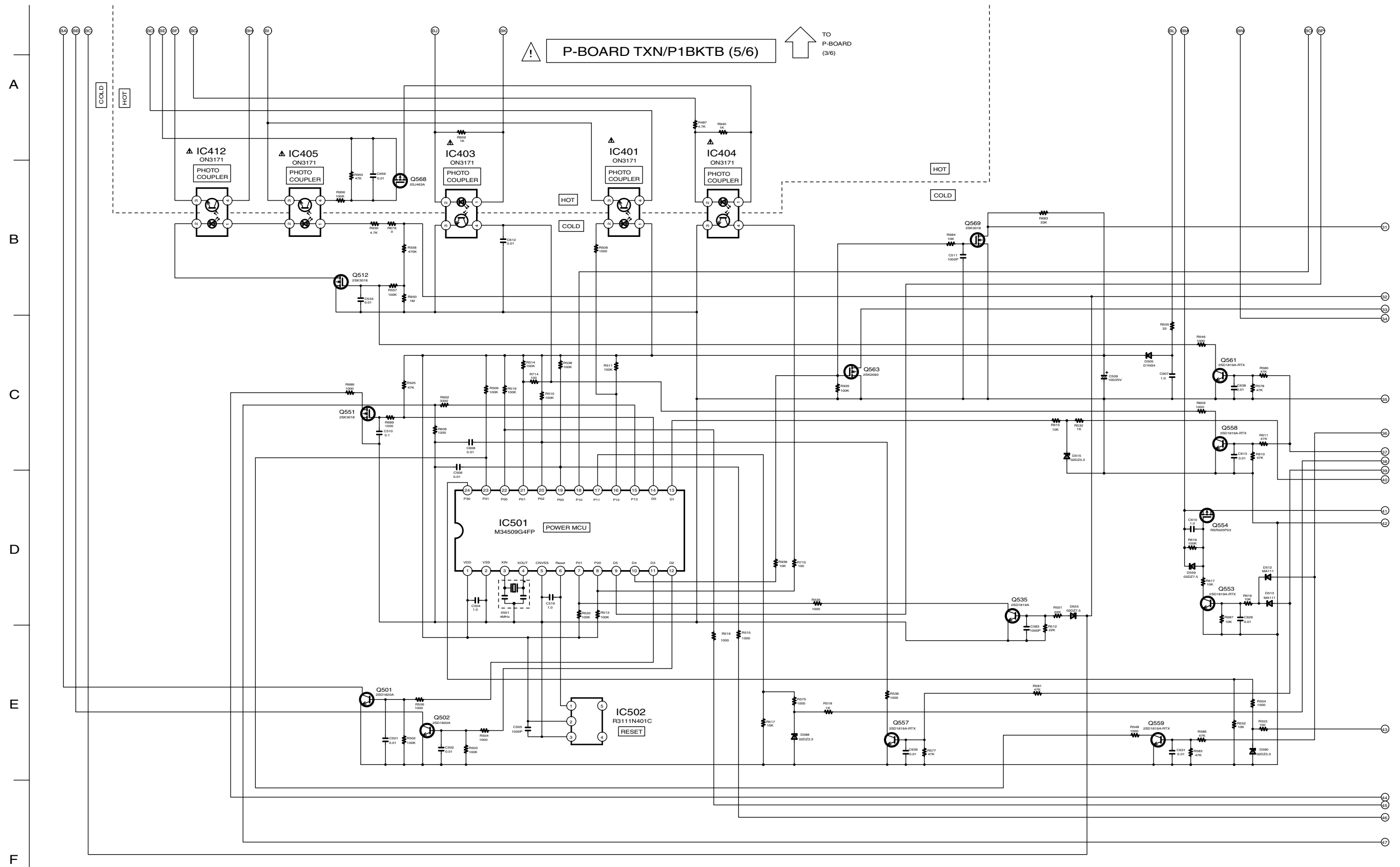
14.8. P-Board (4 of 6) Schematic Diagram (37inch)



TH-37PV600E, TH-37PX600B
P-Board (4 of 6) Schematic Diagram

TH-37PV600E, TH-37PX600B
P-Board (4 of 6) Schematic Diagram

14.9. P-Board (5 of 6) Schematic Diagram (37inch)

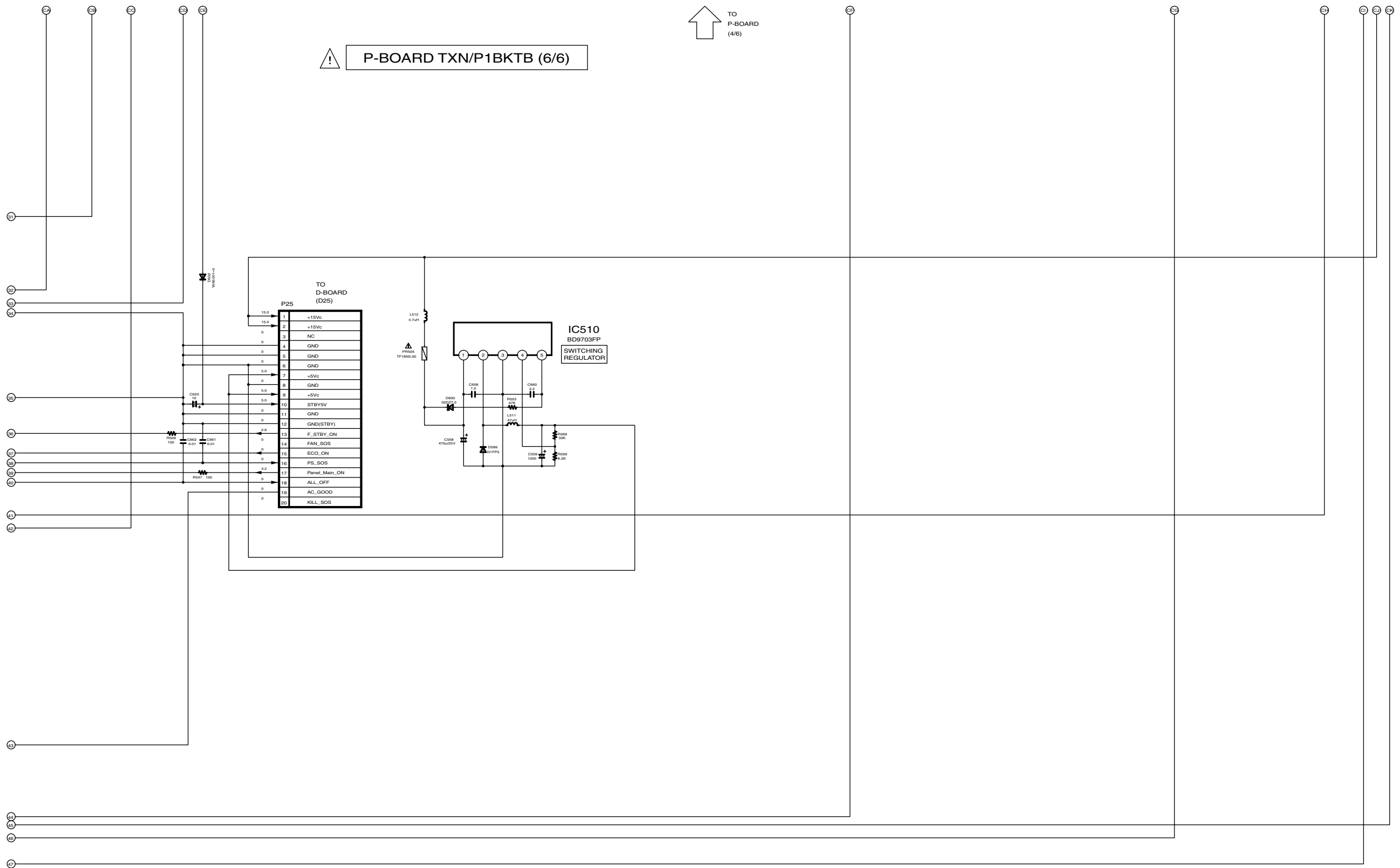


TH-37PV600E, TH-37PX600B
P-Board (5 of 6) Schematic Diagram

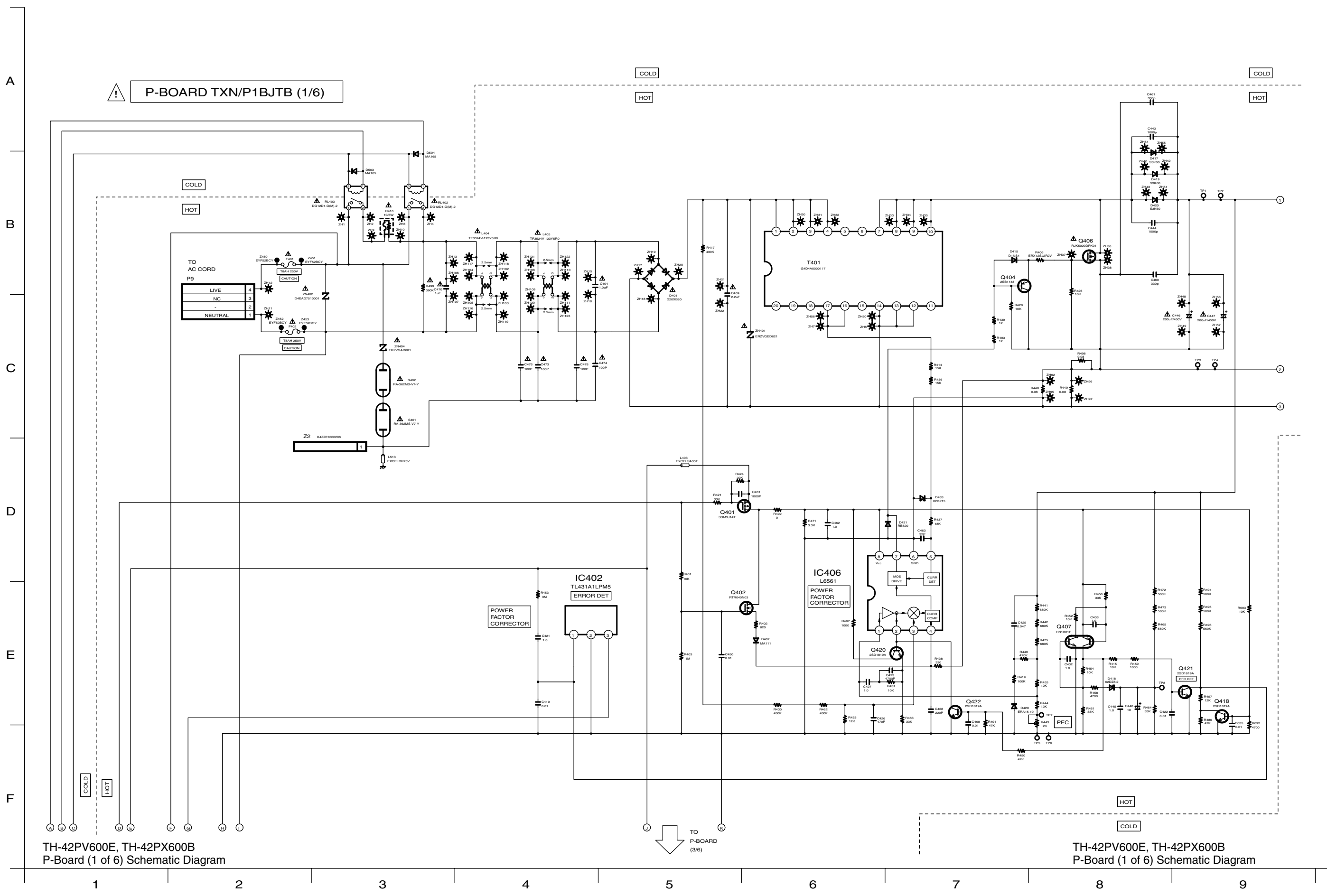
TH-37PV600E, TH-37PX600B
P-Board (5 of 6) Schematic Diagram

1 2 3 4 5 6 7 8 9

14.10. P-Board (6 of 6) Schematic Diagram (37inch)



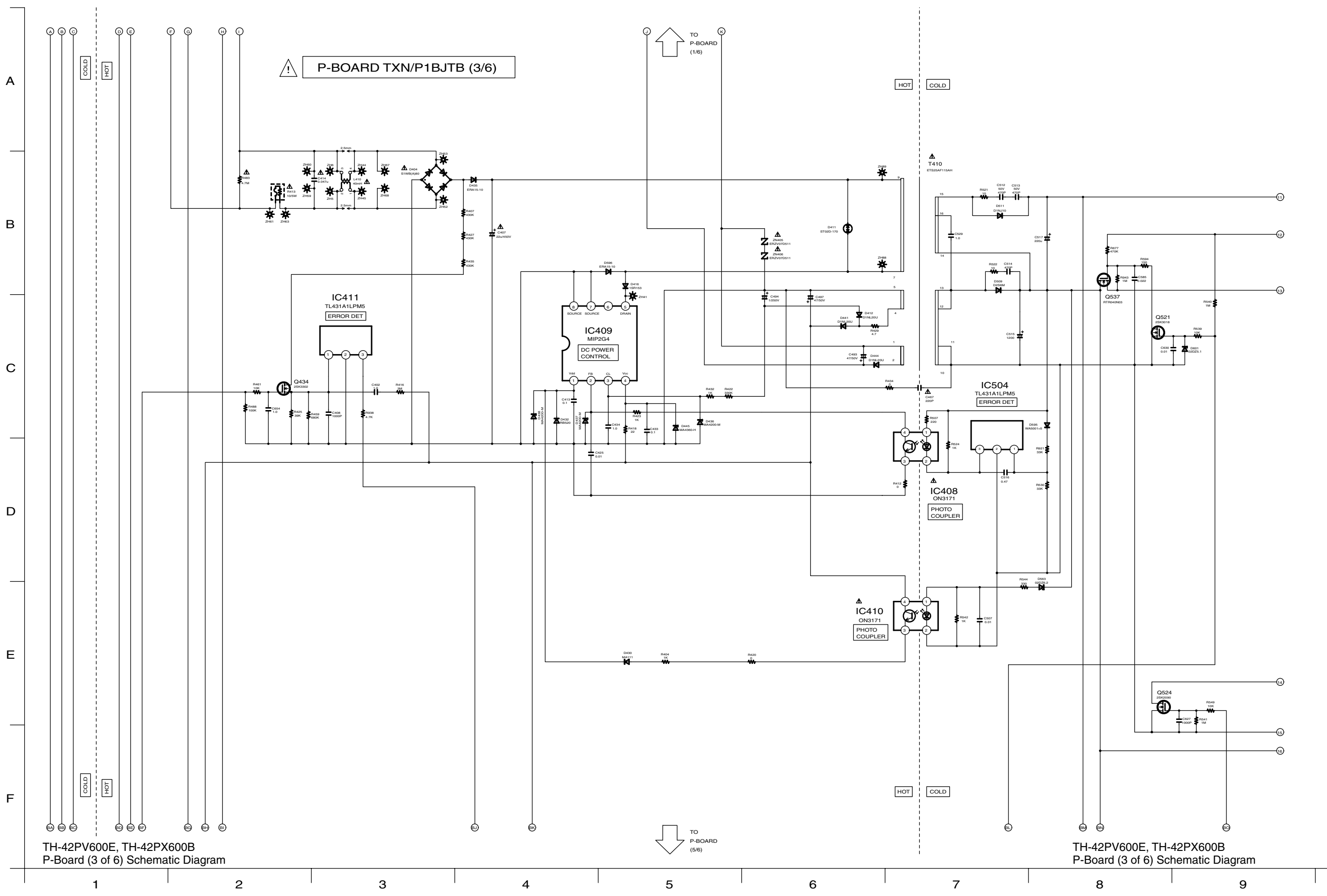
14.12. P-Board (1 of 6) Schematic Diagram (42inch)



TH-42PV600E, TH-42PX600B
P-Board (1 of 6) Schematic Diagram

TH-42PV600E, TH-42PX600B
P-Board (1 of 6) Schematic Diagram

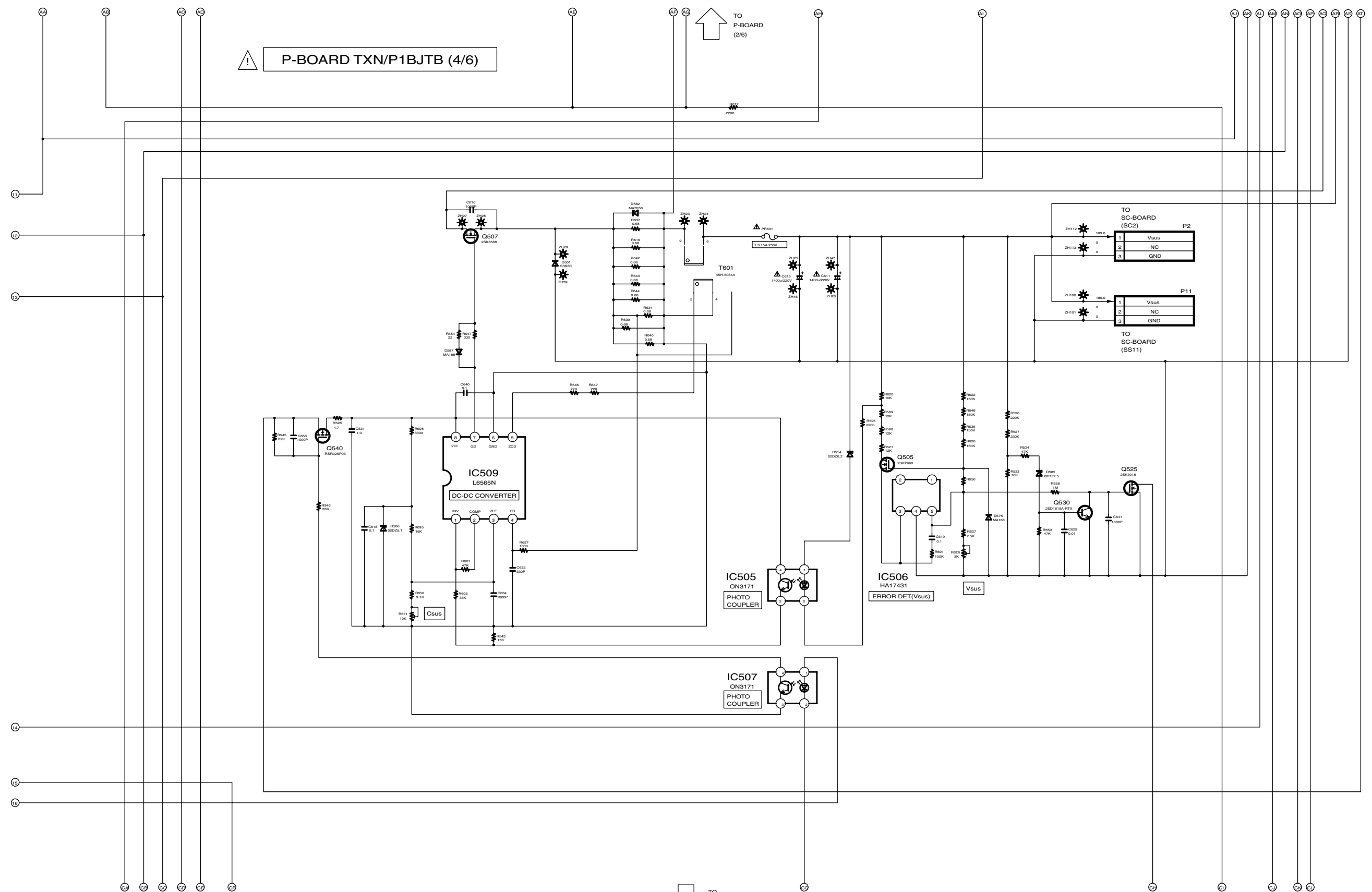
14.14. P-Board (3 of 6) Schematic Diagram (42inch)



TH-42PV600E, TH-42PX600B
P-Board (3 of 6) Schematic Diagram

TH-42PV600E, TH-42PX600B
P-Board (3 of 6) Schematic Diagram

14.15. P-Board (4 of 6) Schematic Diagram (42inch)



TH-42PV600E, TH-42PX600B
P-Board (4 of 6) Schematic Diagram

TH-42PV600E, TH-42PX600B
P-Board (4 of 6) Schematic Diagram

10

11

12

13

14

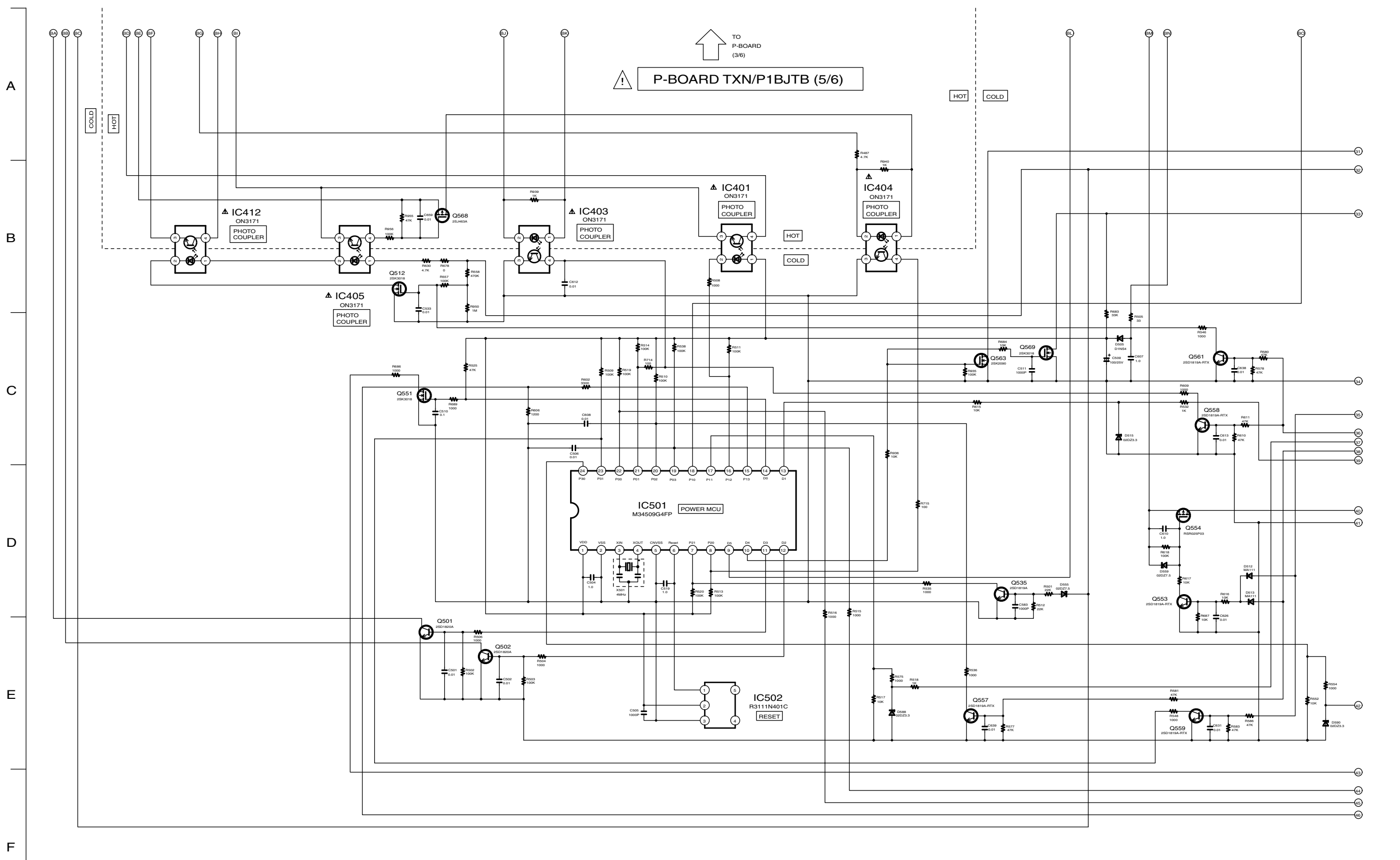
15

16

17

18

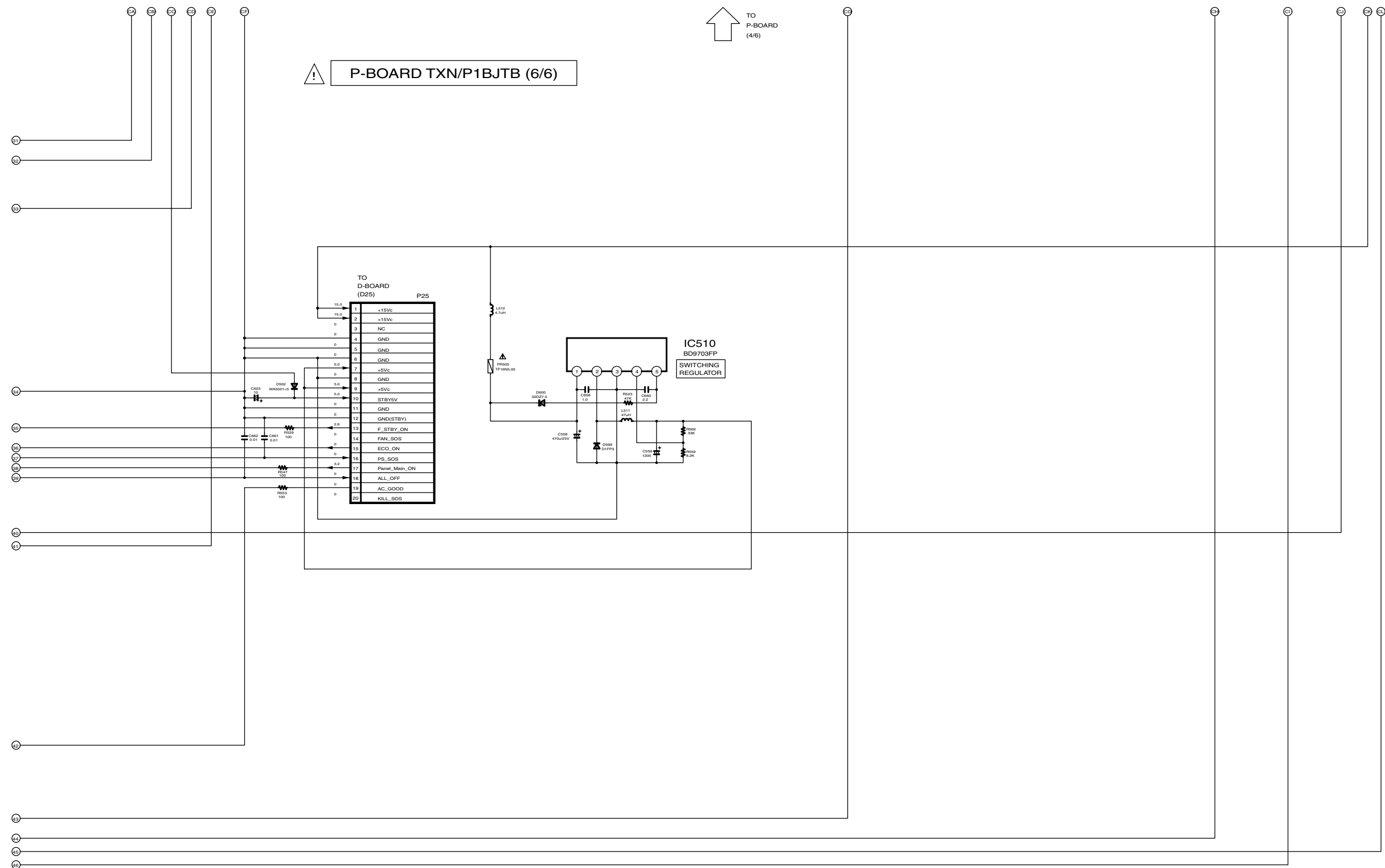
14.16. P-Board (5 of 6) Schematic Diagram (42inch)



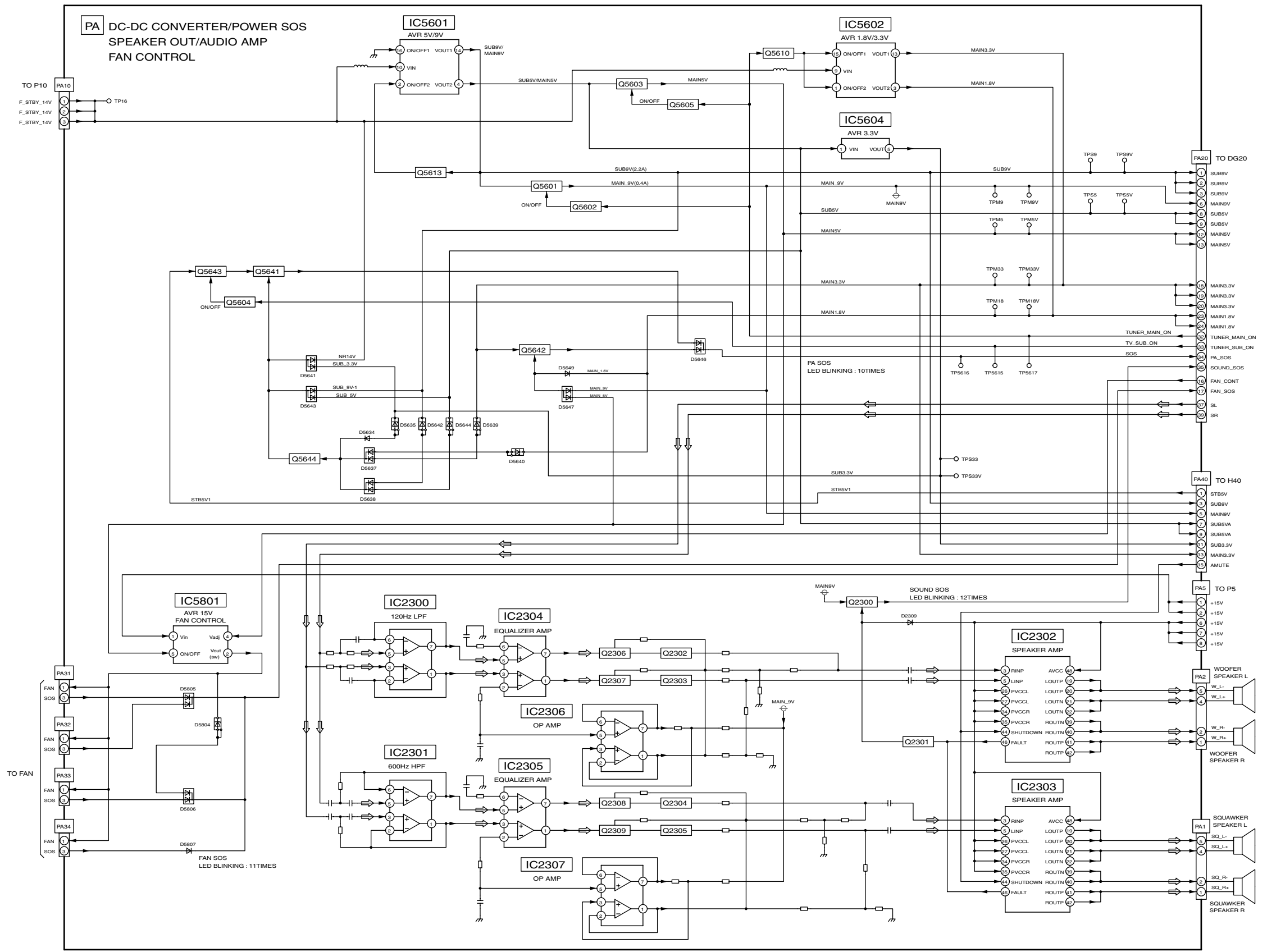
TH-42PV600E, TH-42PX600B
P-Board (5 of 6) Schematic Diagram

TH-42PV600E, TH-42PX600B
P-Board (5 of 6) Schematic Diagram

14.17. P-Board (6 of 6) Schematic Diagram (42inch)



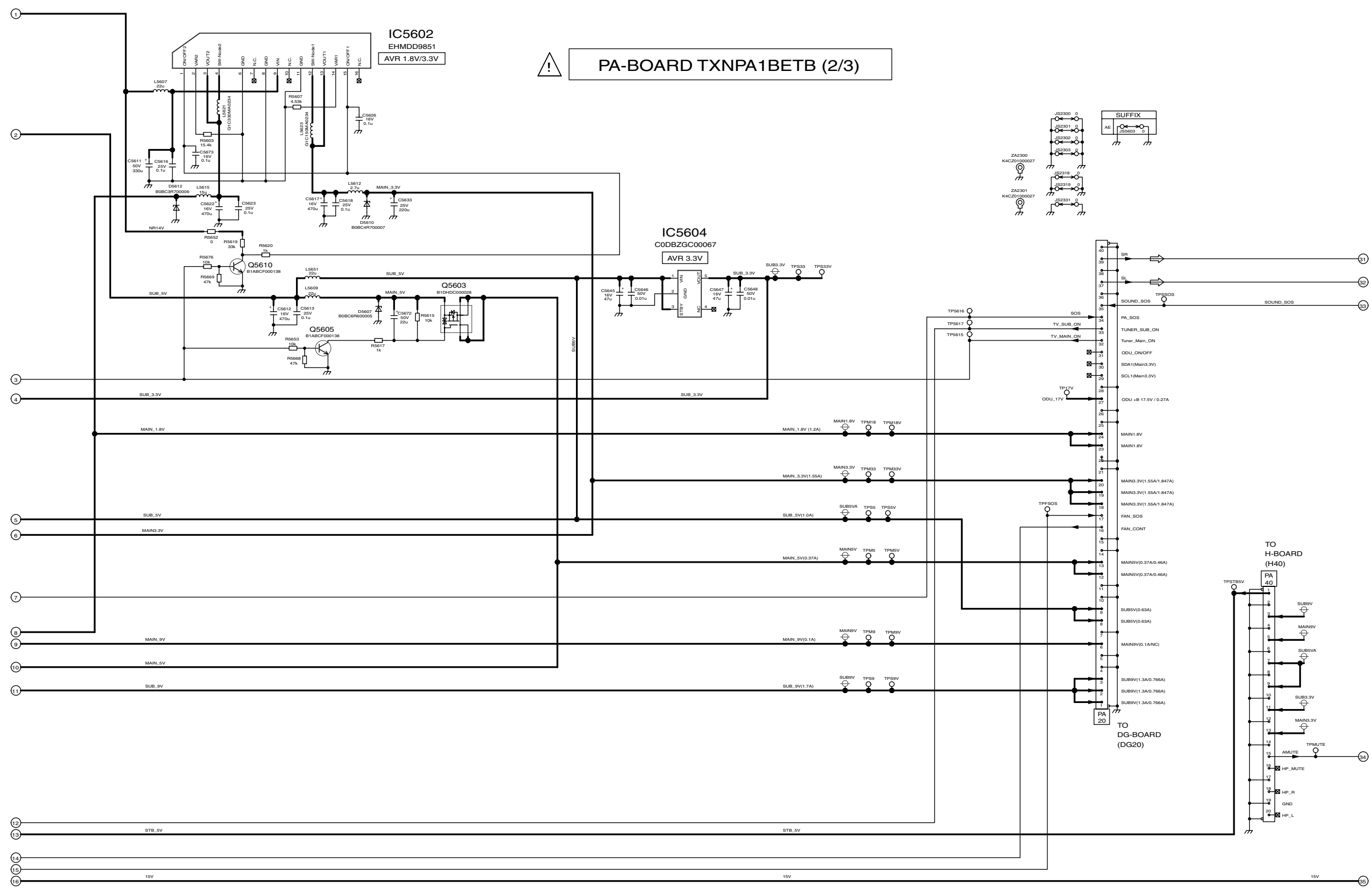
14.18. PA-Board Block Diagram



TH-37/42PV600E, TH-37/42PX600B
PA-Board Block Diagram

TH-37/42PV600E, TH-37/42PX600B
PA-Board Block Diagram

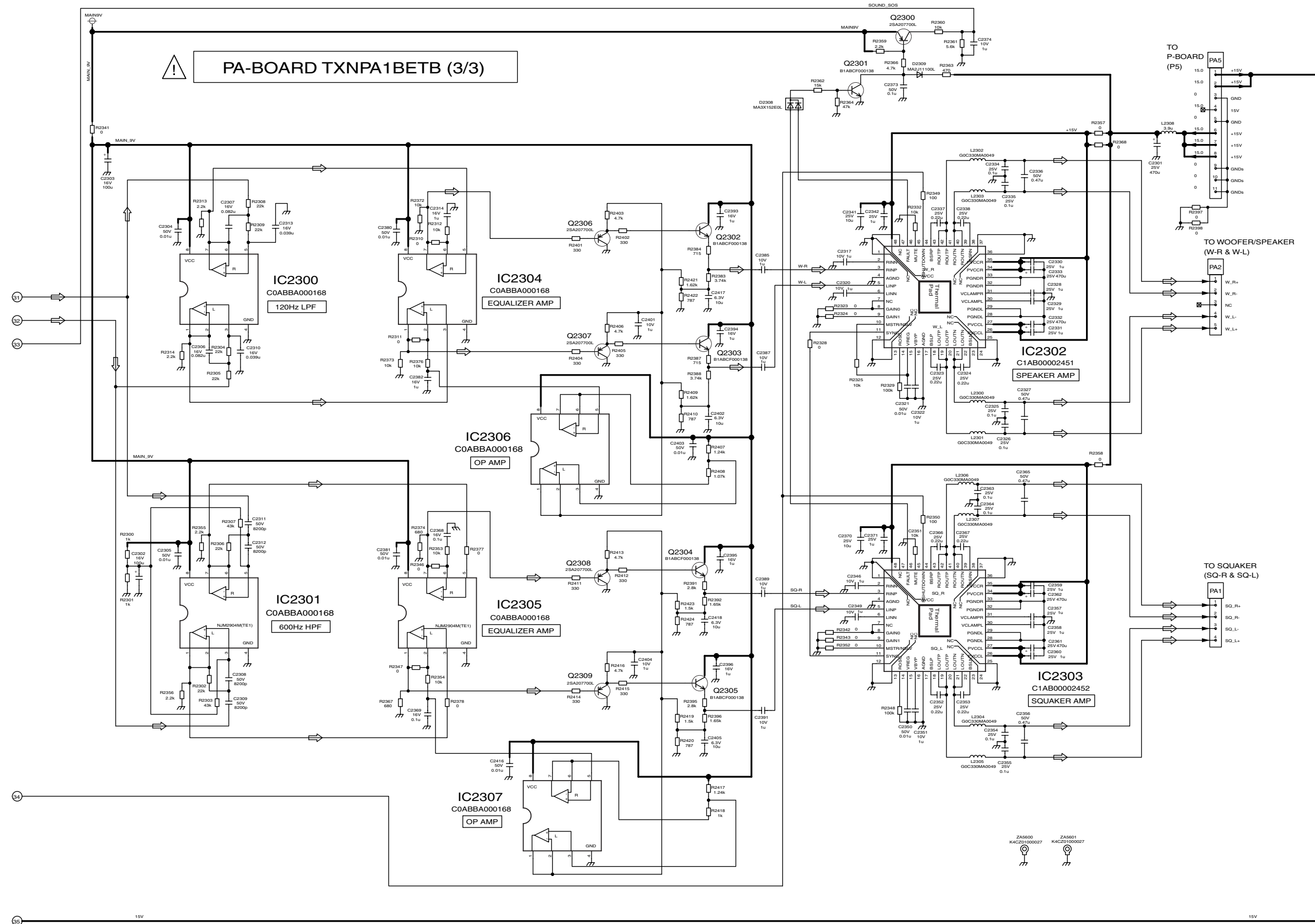
14.20. PA-Board (2 of 3) Schematic Diagram



TH-37/42PV600E, TH-37/42PX600B
PA-Board (2 of 3) Schematic Diagram

TH-37/42PV600E, TH-37/42PX600B
PA-Board (2 of 3) Schematic Diagram

14.21. PA-Board (3 of 3) Schematic Diagram



TH-37/42PV600E, TH-37/42PX600B
PA-Board (3 of 3) Schematic Diagram

TH-37/42PV600E, TH-37/42PX600B
PA-Board (3 of 3) Schematic Diagram

16

17

18

19

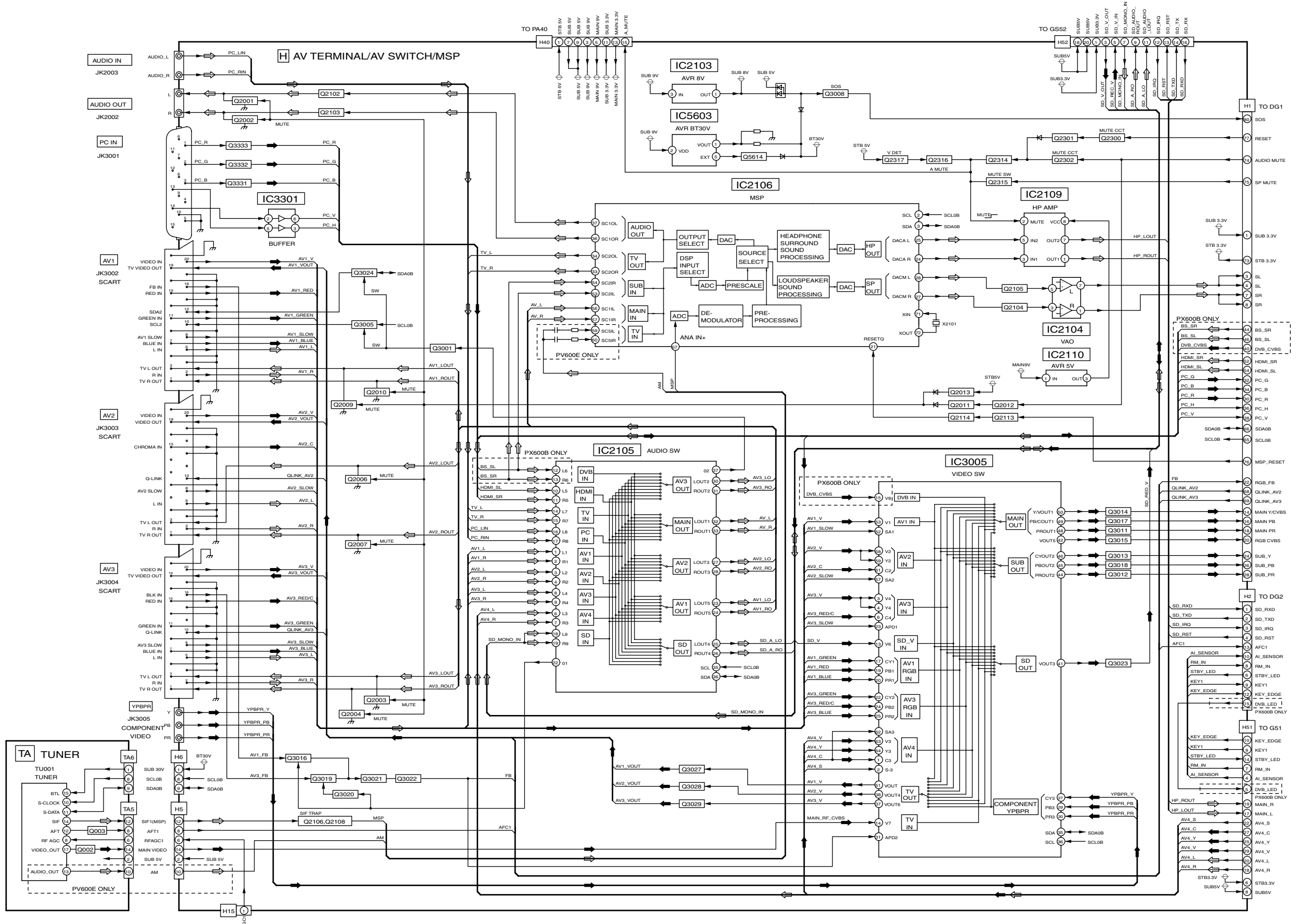
20

21

22

23

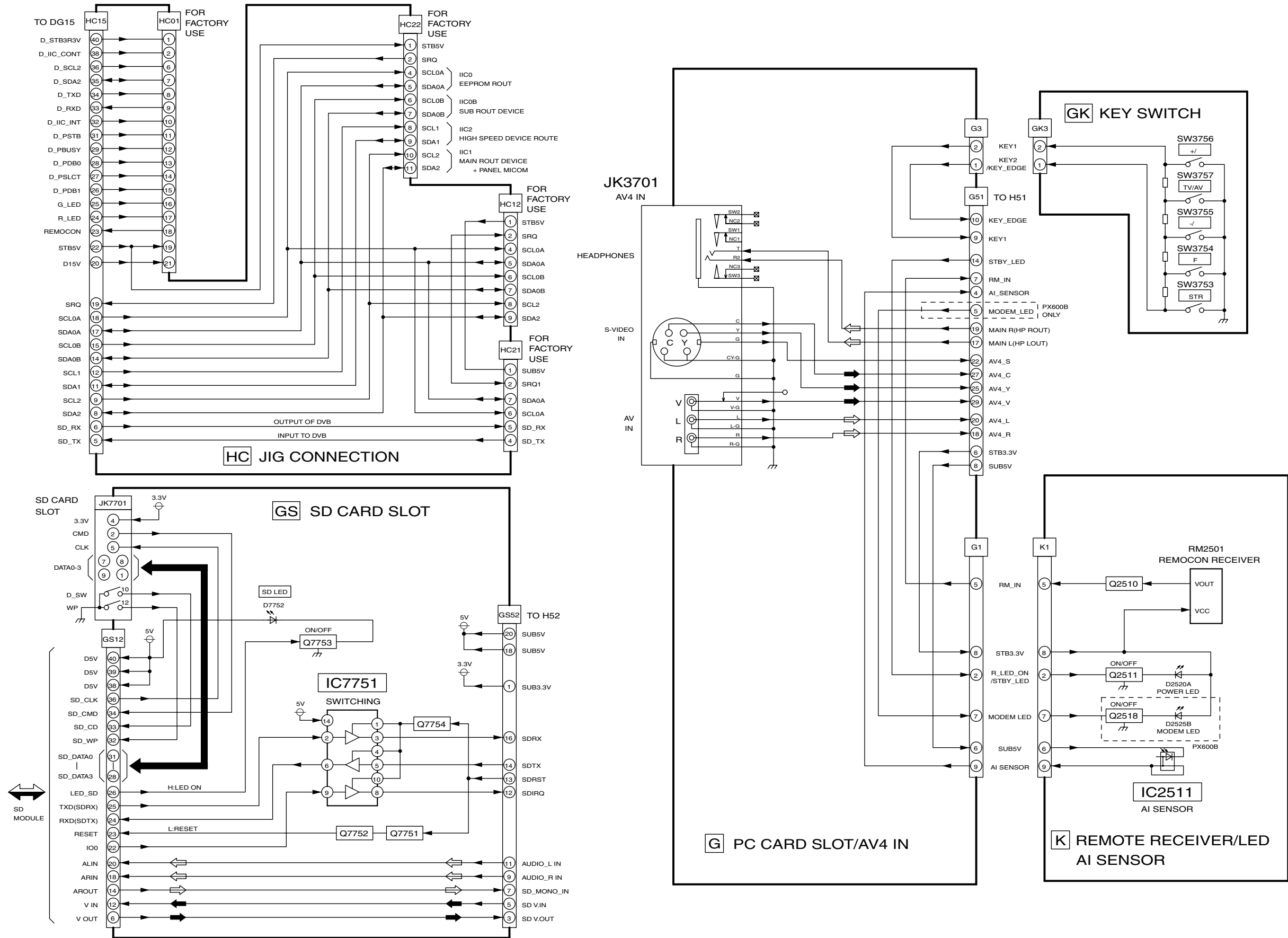
14.22. H and TA-Board Block Diagram



TH-37/42PV600E, TH-37/42PX600B
H and TA-Board Block Diagram

TH-37/42PV600E, TH-37/42PX600B
H and TA-Board Block Diagram

14.23. G, GK, HC and K-Board Block Diagram



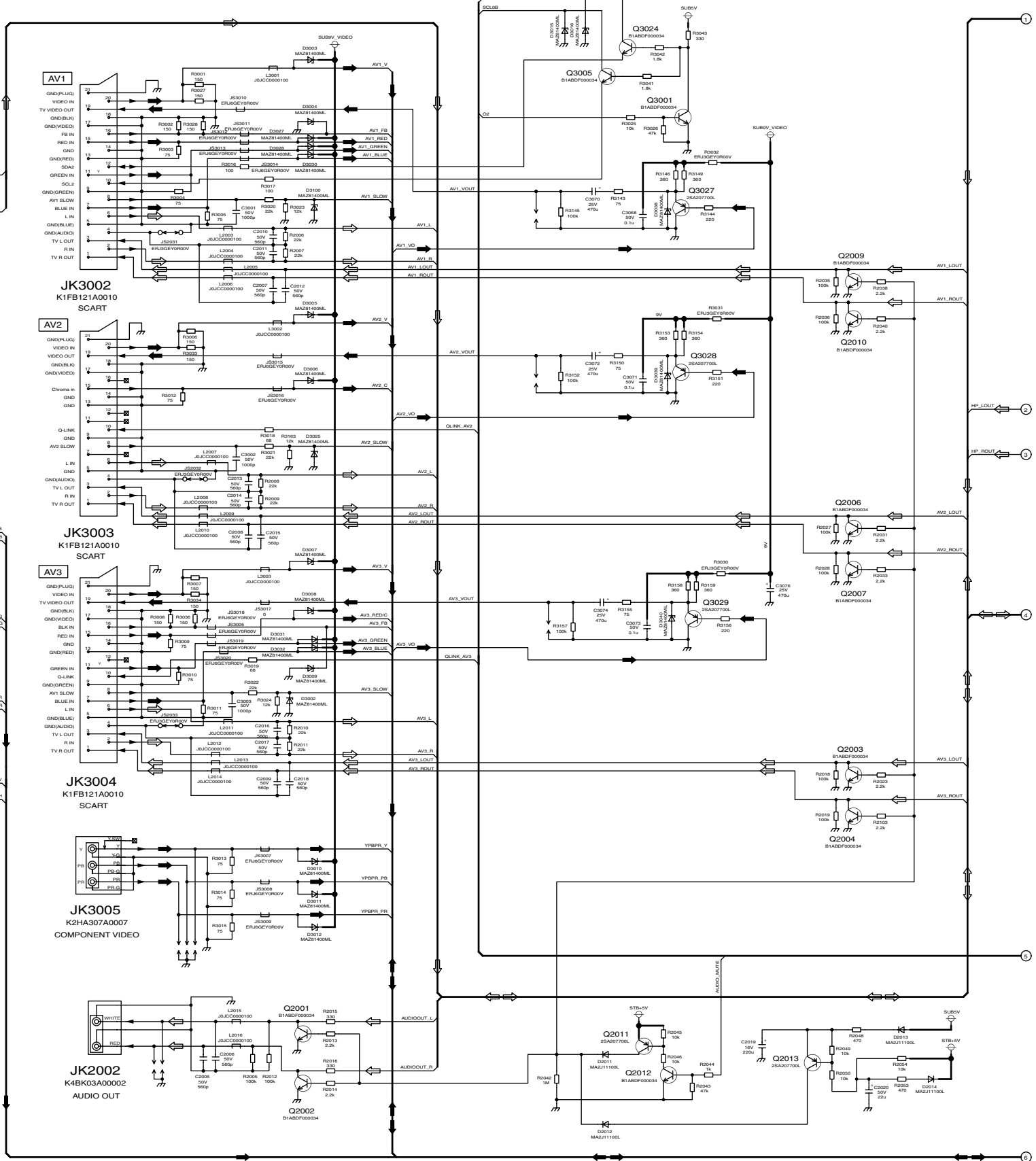
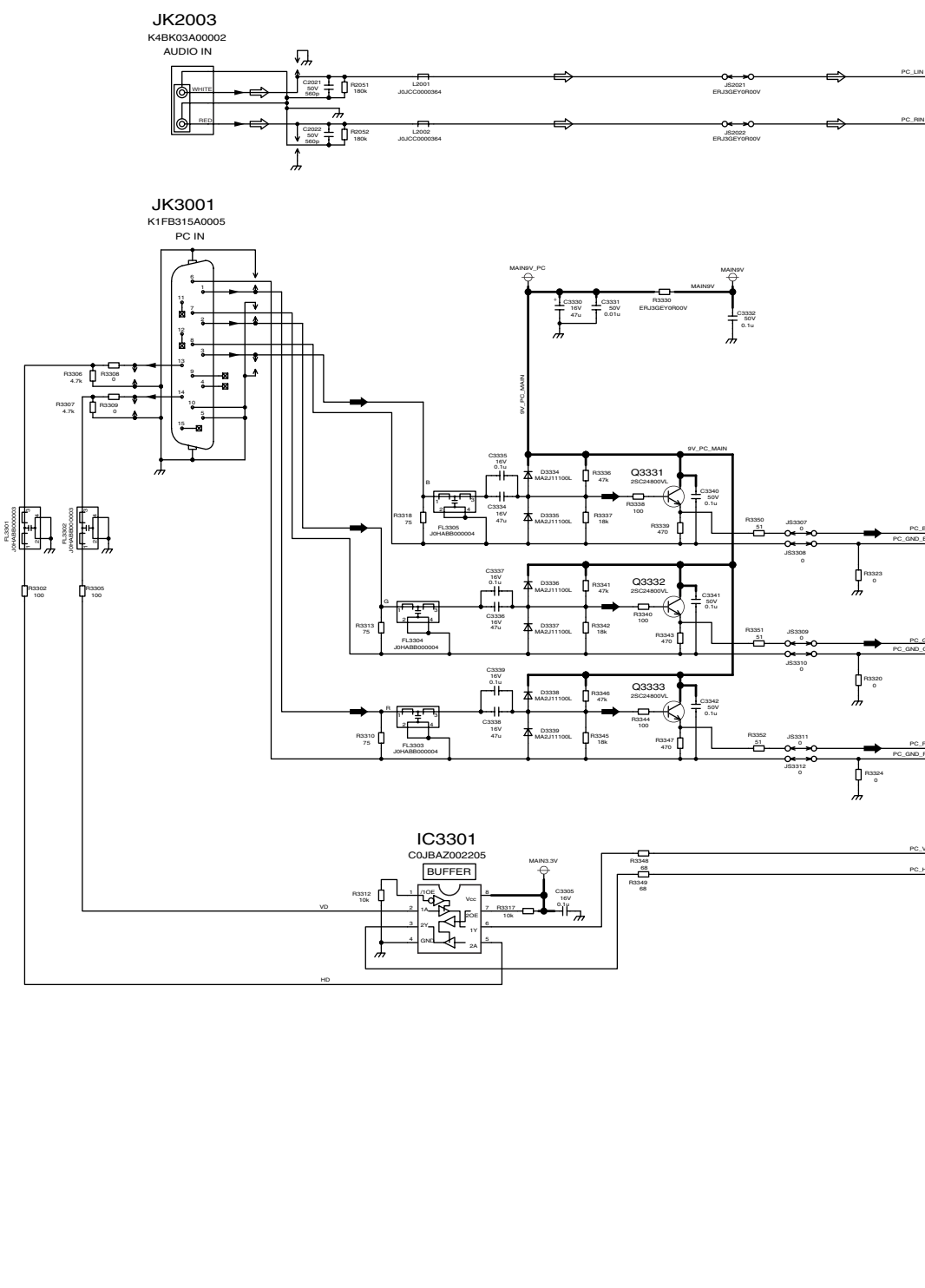
TH-37/42PV600E, TH-37/42PX600B
G, GK, GS, HC and K-Board Block Diagram

TH-37/42PV600E, TH-37/42PX600B
G, GK, GS, HC and K-Board Block Diagram

14.24. H-Board (1 of 3) Schematic Diagram

A
B
C
D
E
F

H-BOARD TNPA3759 (1/3)

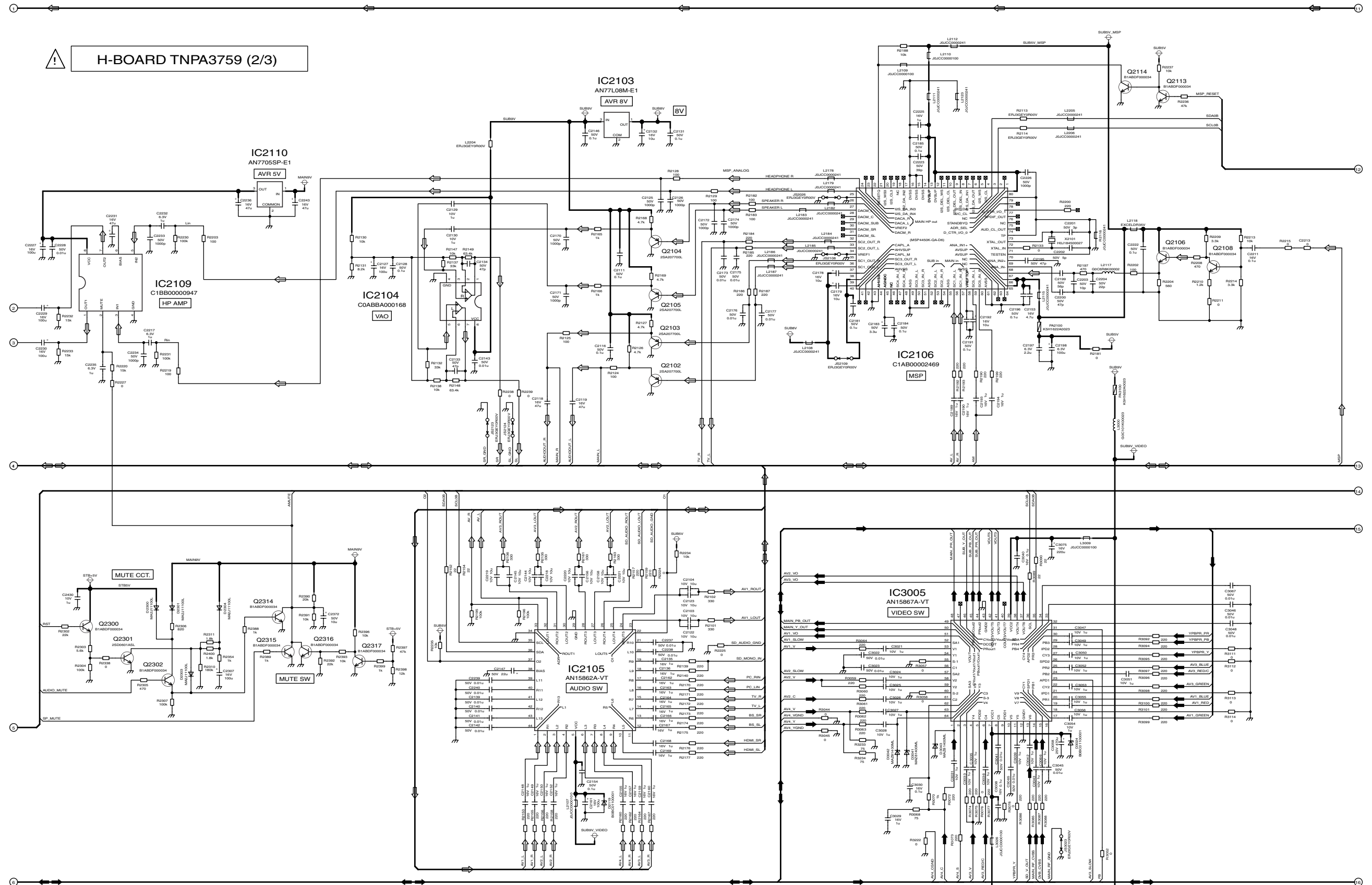


TH-37/42PV600E, TH-37/42PX600B
H-Board (1 of 3) Schematic Diagram

TH-37/42PV600E, TH-37/42PX600B H-Board (1 of 3) Schematic Diagram

1 2 3 4 5 6 7 8 9

14.25. H-Board (2 of 3) Schematic Diagram



TH-37/42PV600E, TH-37/42PX600B H-Board (2 of 3) Schematic Diagram

TH-37/42PV600E, TH-37/42PX600B H-Board (2 of 3) Schematic Diagram

10

11

12

13

14

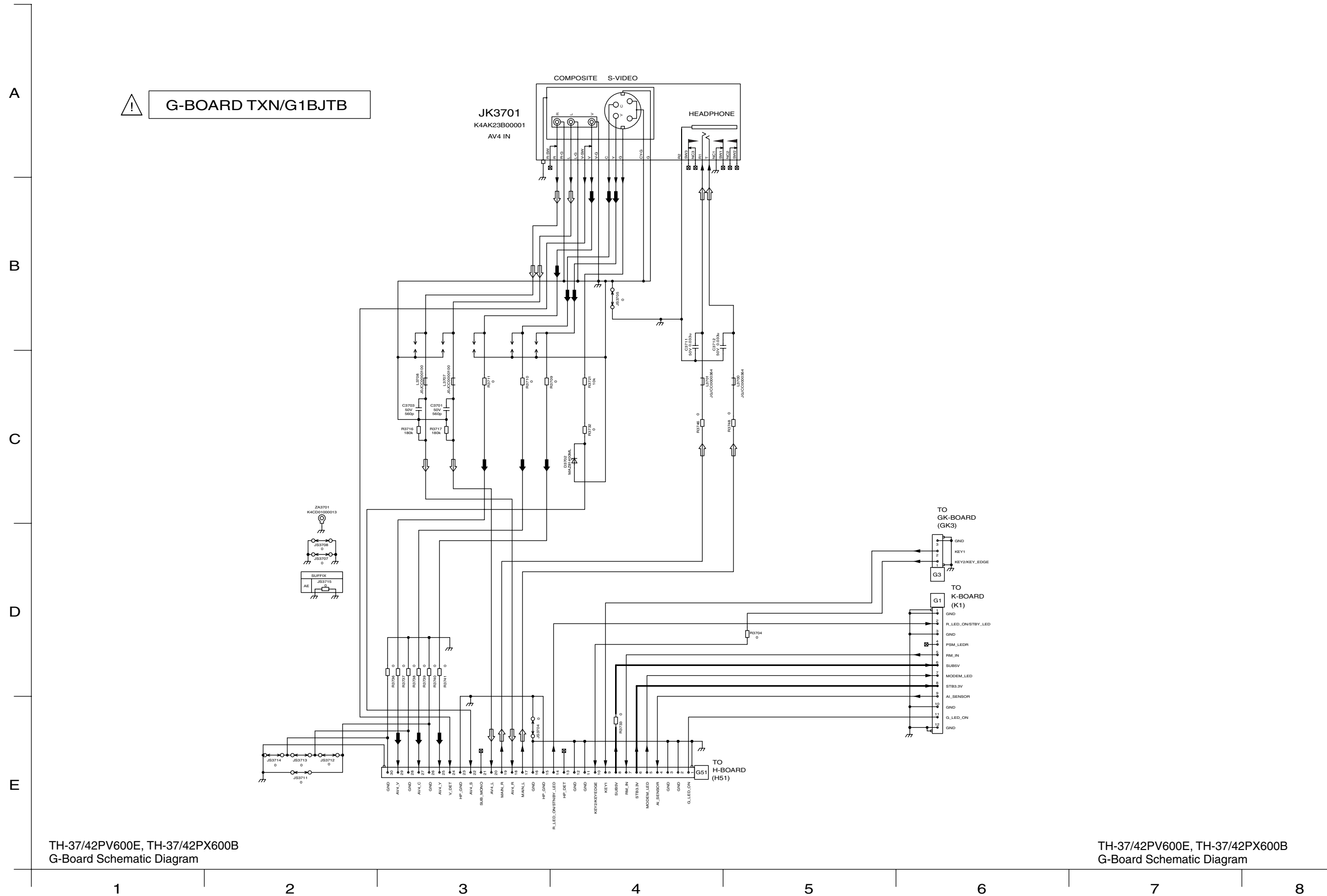
15

16

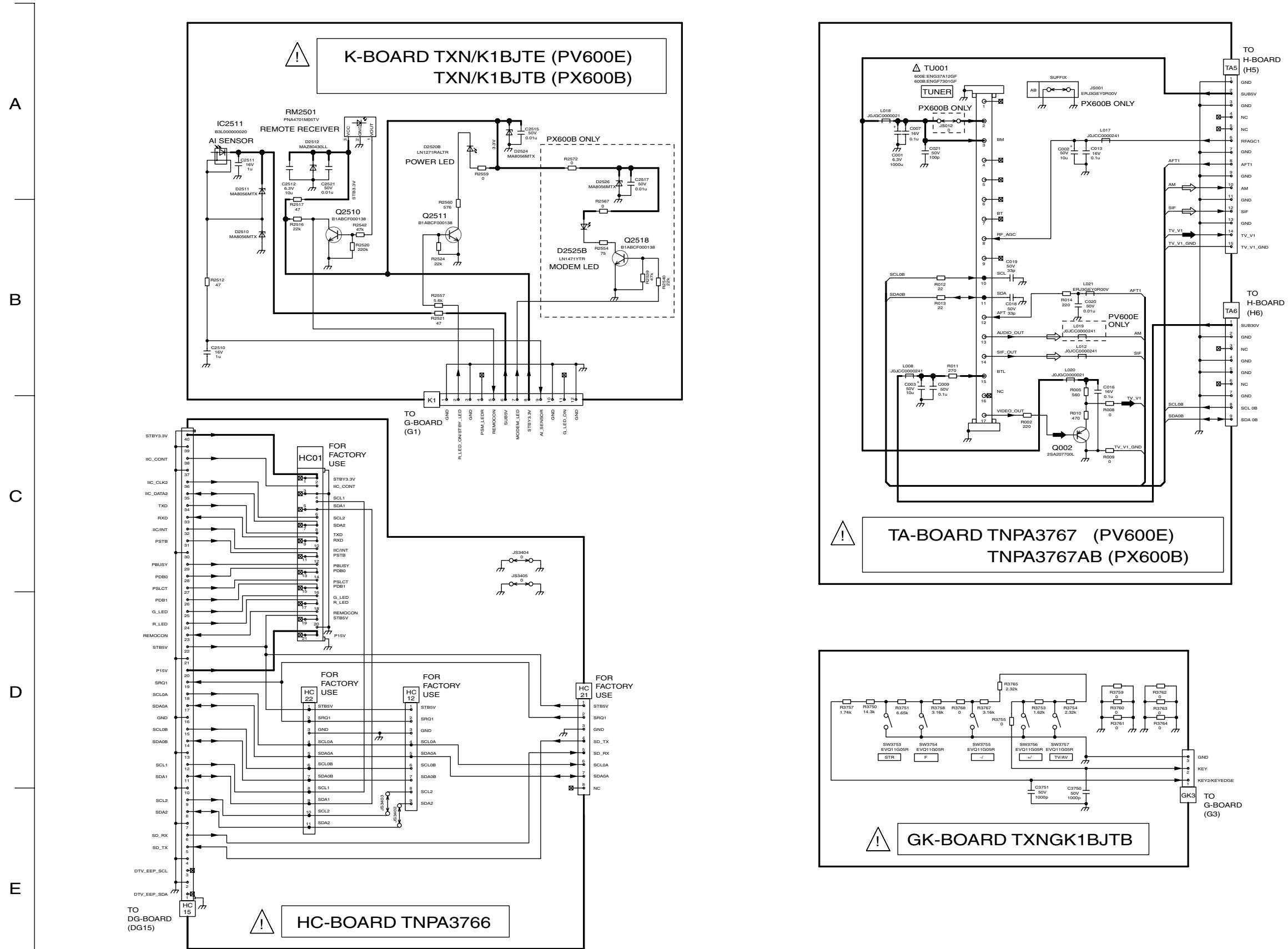
17

18

14.27. G-Board Schematic Diagram



14.29. GK, K, HC and TA-Board Schematic Diagram



TH-37/42PV600E, TH-37/42PX600B GK, HC, K and TA-Board Schematic Diagram

TH-37/42PV600E, TH-37/42PX600B
GK, HC, K and TA-Board Schematic Diagram

1

2

3

4

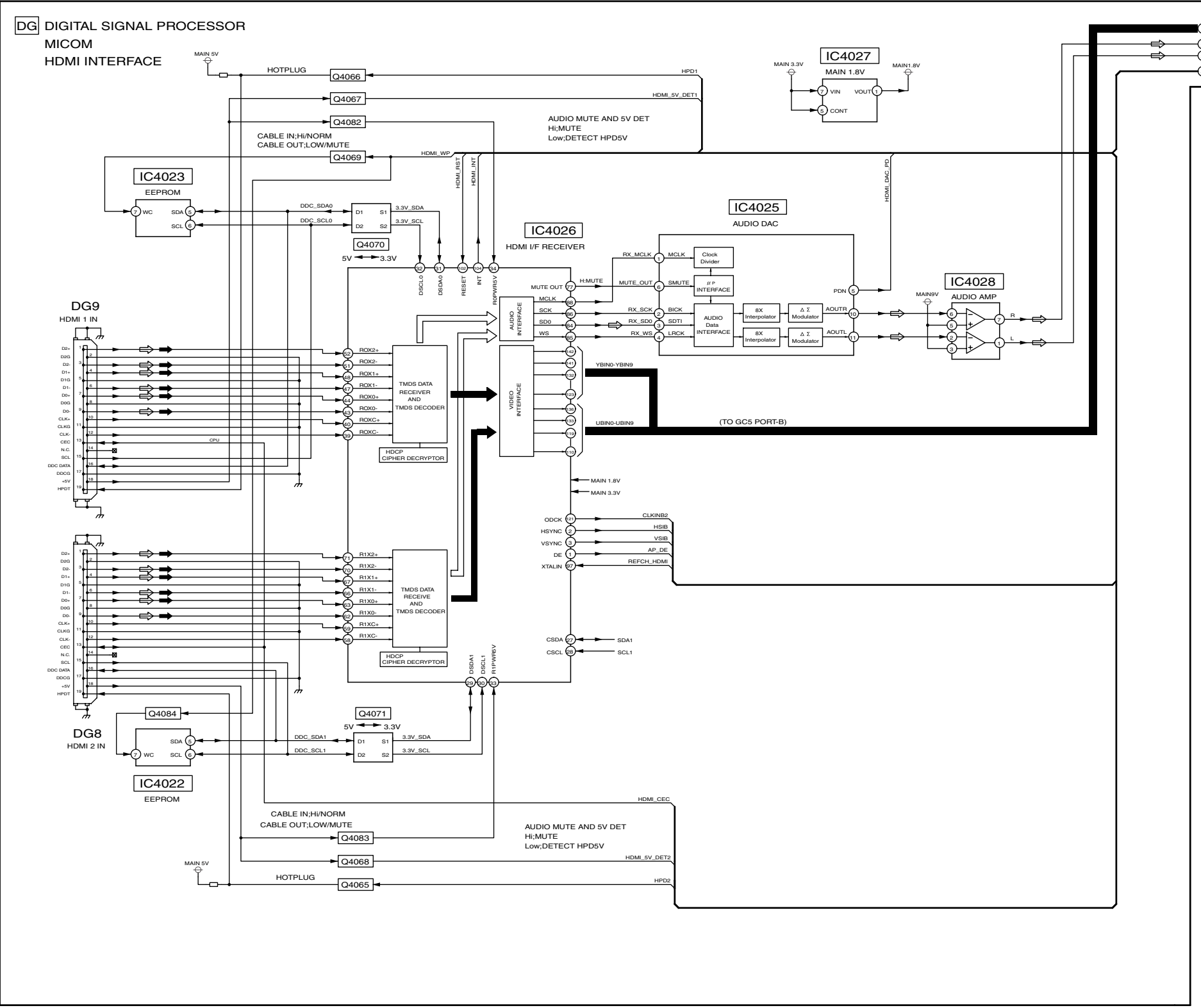
5

6

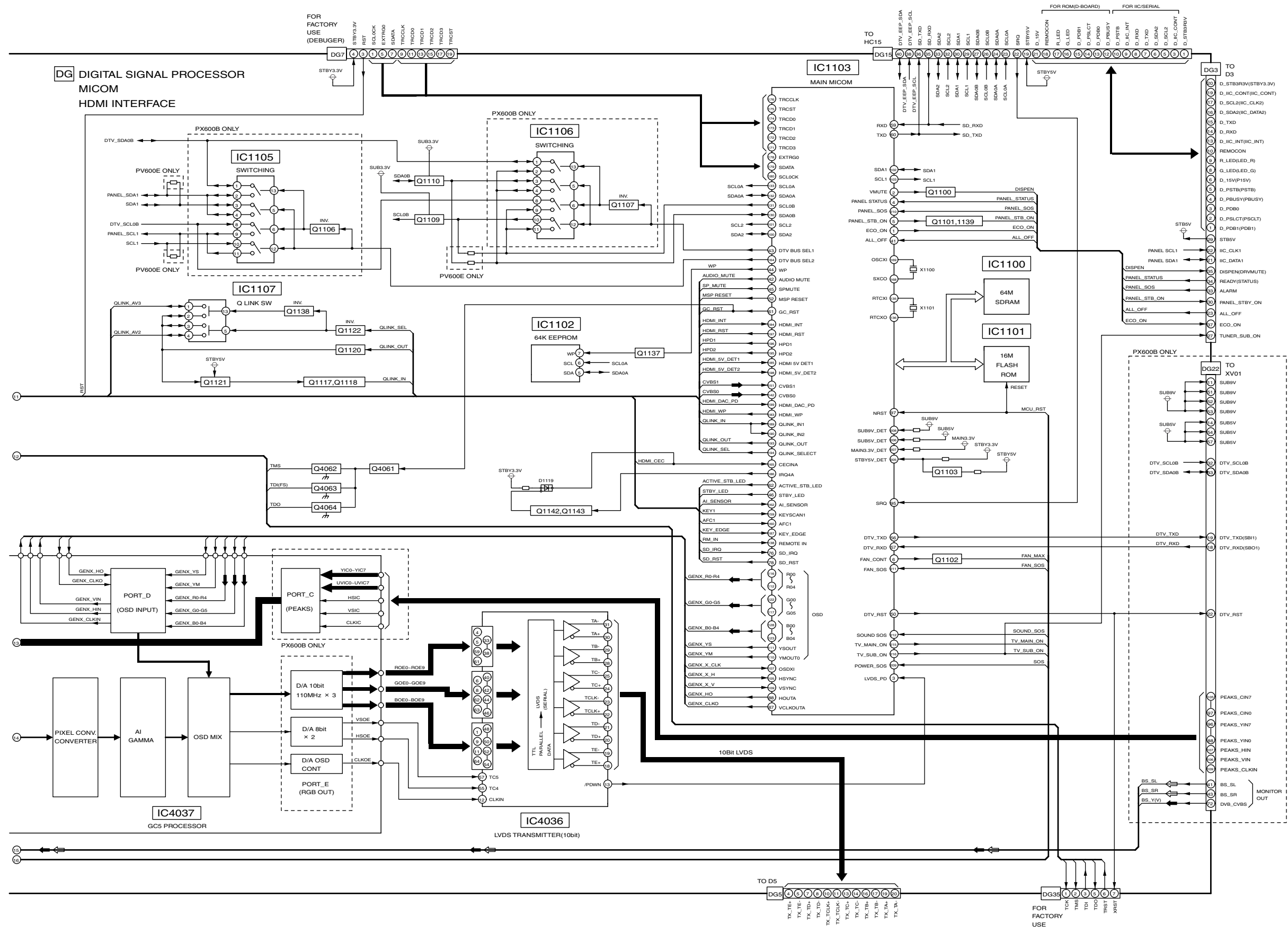
7

8

14.30. DG-Board (1 of 3) Block Diagram



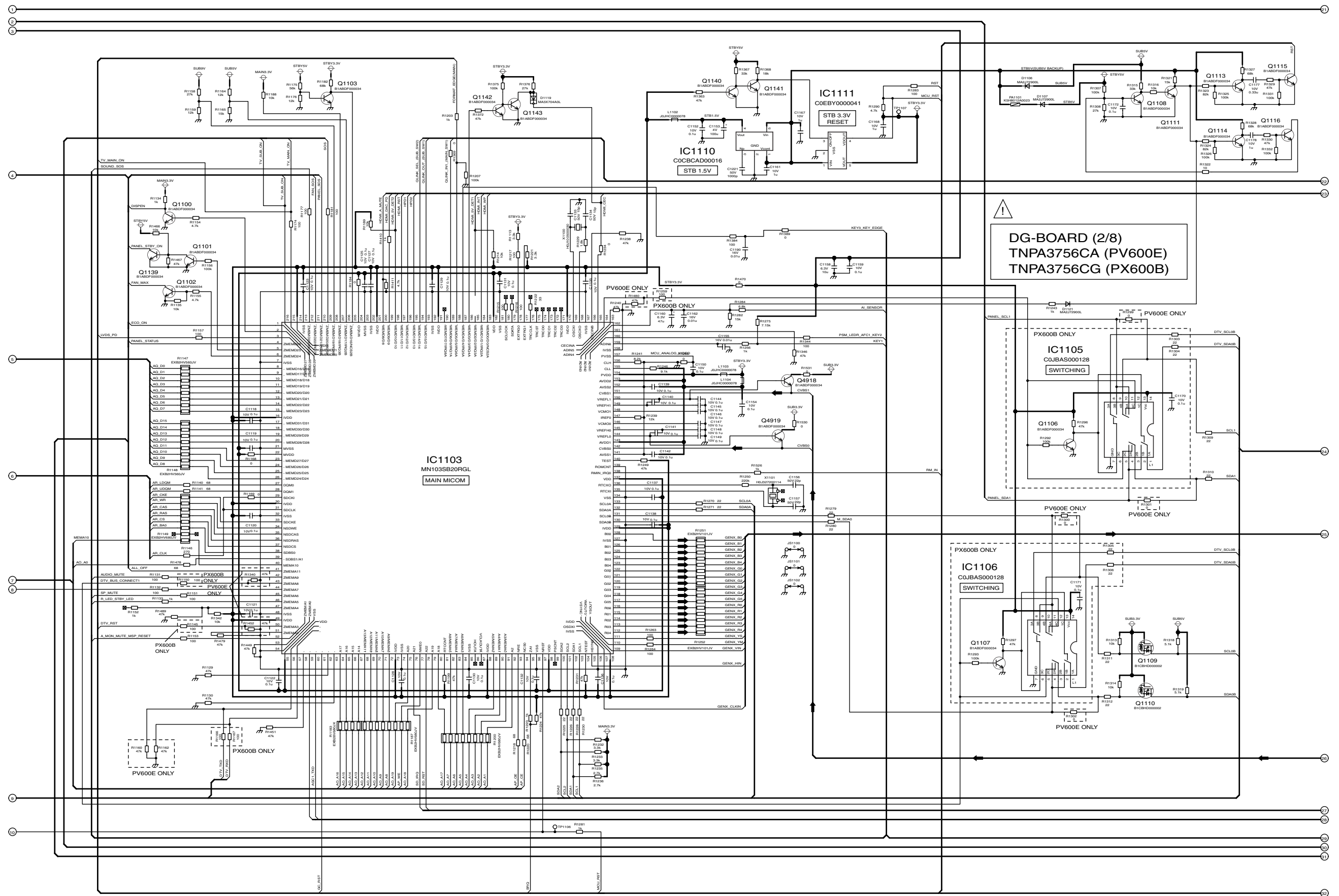
14.32. DG-Board (3 of 3) Block Diagram



TH-37/42PV600E, TH-37/42PX600B
DG-Board (3 of 3) Block Diagram

TH-37/42PV600E, TH-37/42PX600B
DG-Board (3 of 3) Block Diagram

14.34. DG-Board (2 of 8) Schematic Diagram

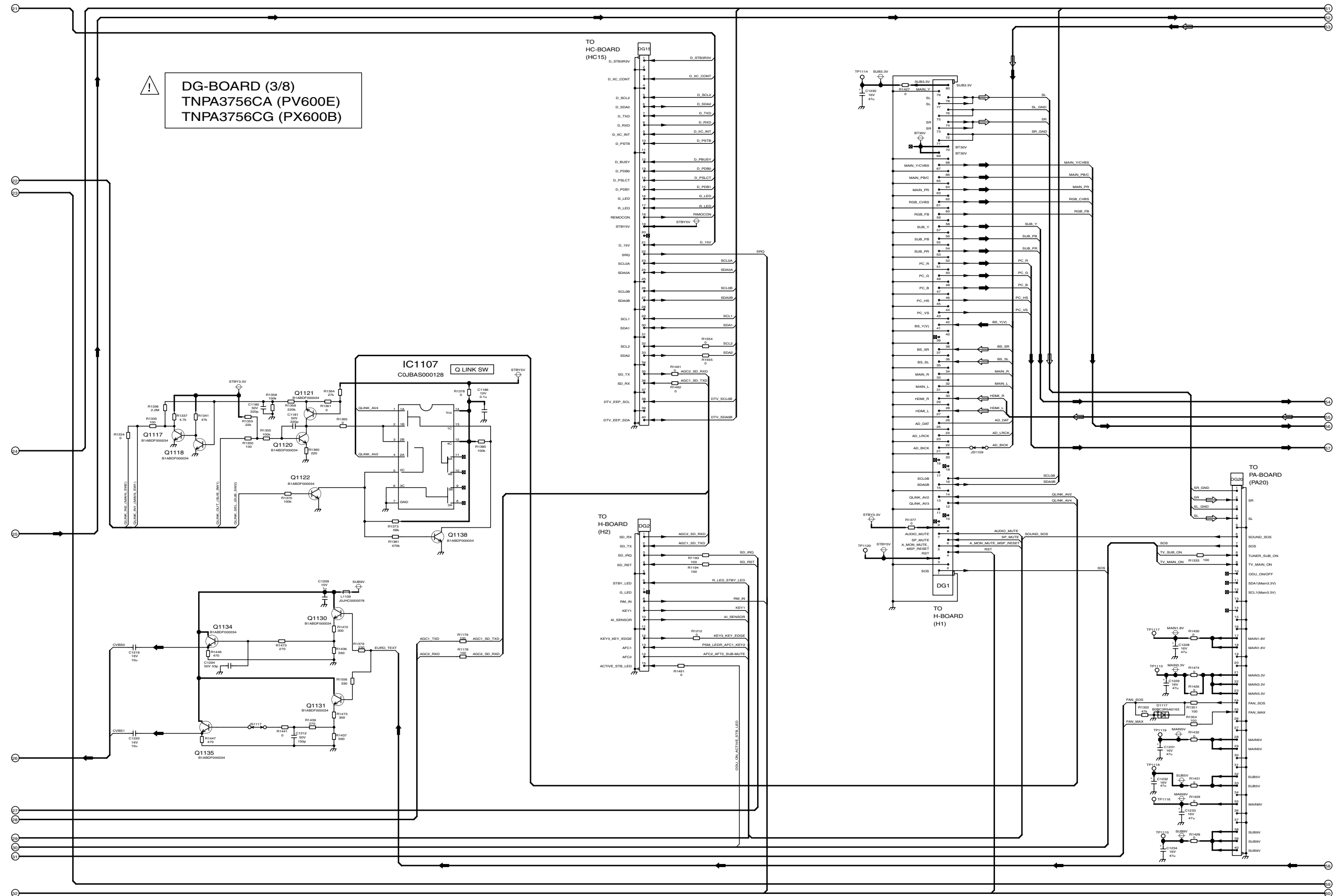


⚠
DG-BOARD (2/8)
TNPA3756CA (PV600E)
TNPA3756CG (PX600B)

TH-37/42PV600E, TH-37/42PX600B DG-Board (2 of 8) Schematic Diagram

TH-37/42PV600E, TH-37/42PX600B DG-Board (2 of 8) Schematic Diagram

14.35. DG-Board (3 of 8) Schematic Diagram



TH-37/42PV600E, TH-37/42PX600B DG-Board (3 of 8) Schematic Diagram

TH-37/42PV600E, TH-37/42PX600B DG-Board (3 of 8) Schematic Diagram

19

20

21

22

23

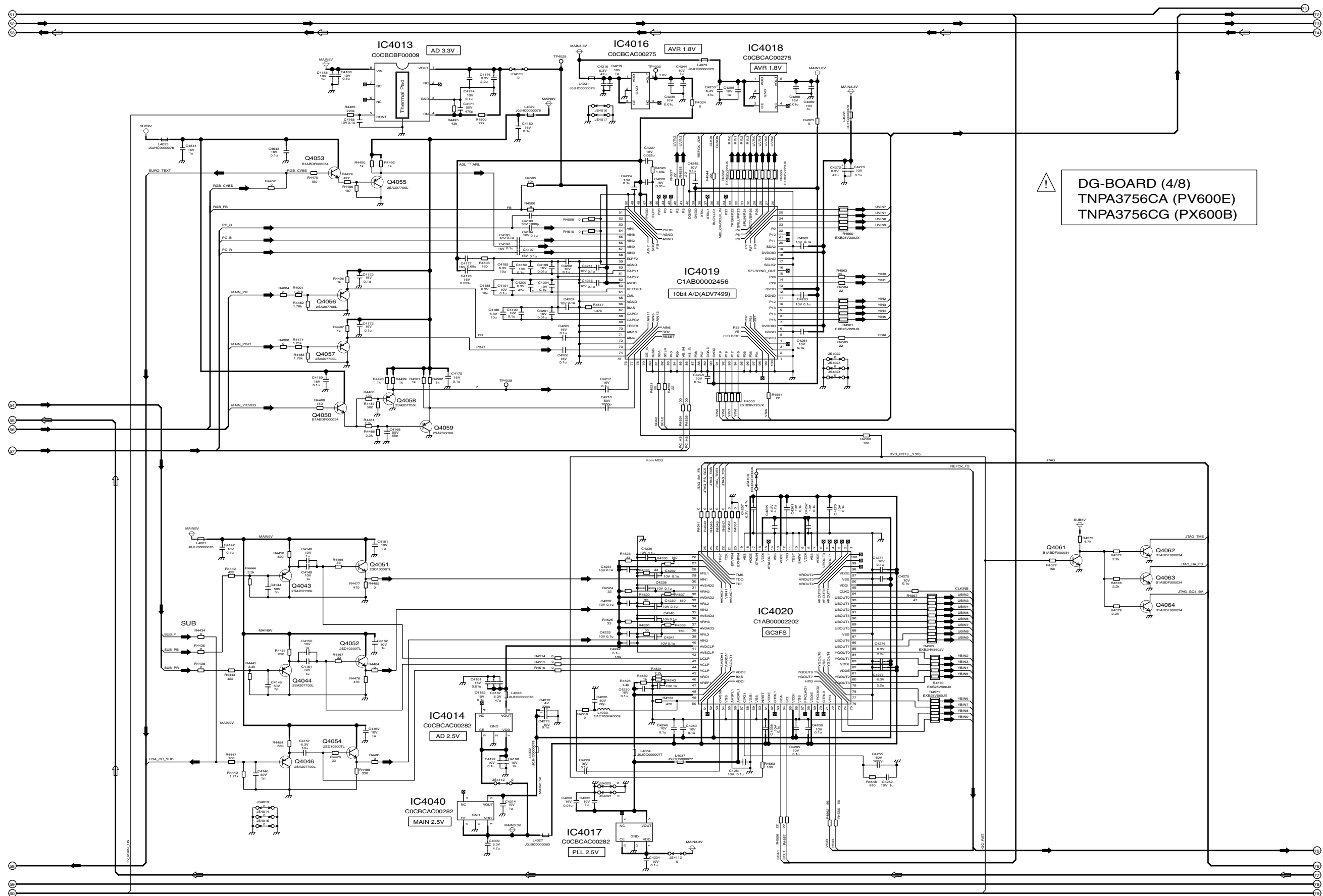
24

25

26

27

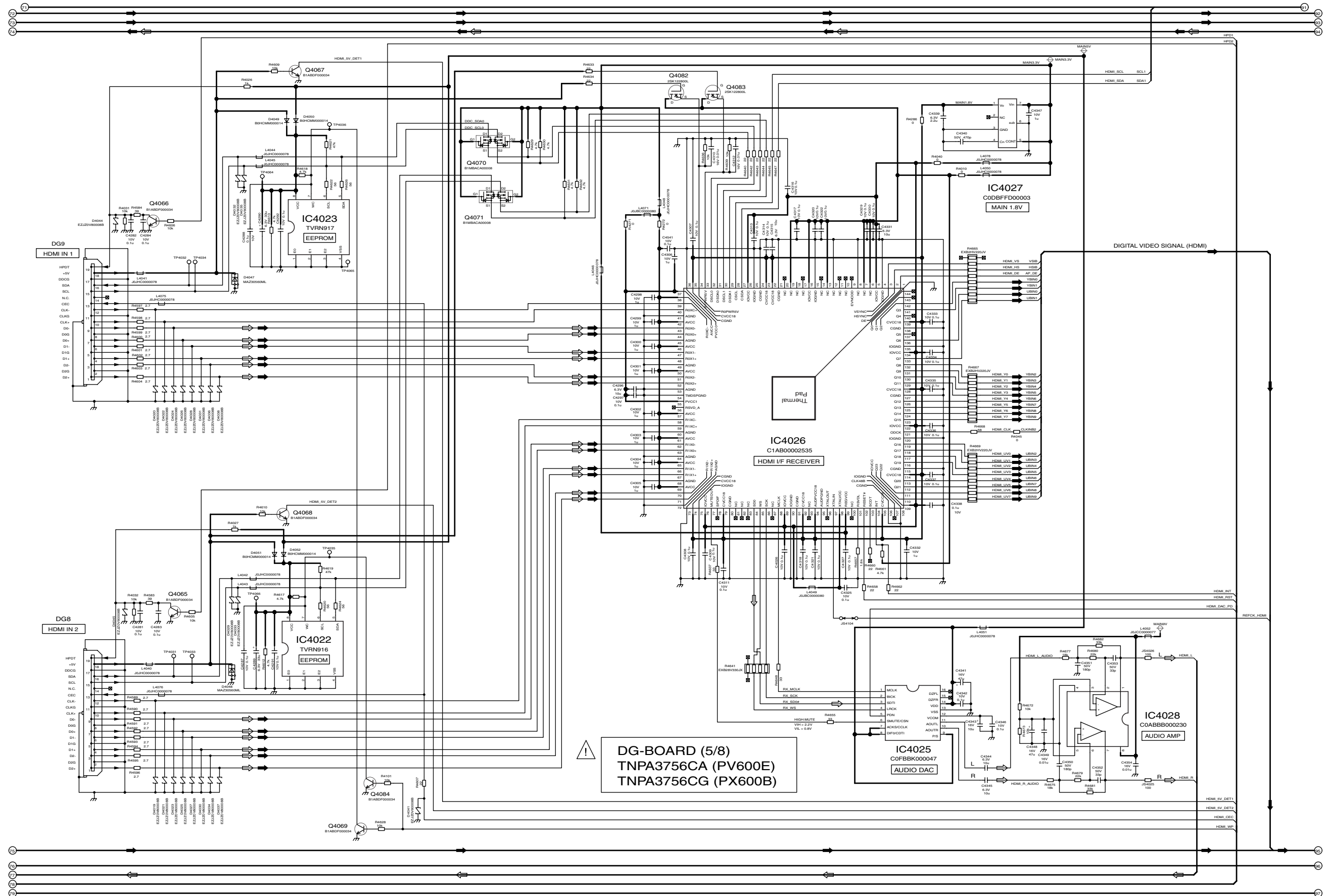
14.36. DG-Board (4 of 8) Schematic Diagram



TH-37/42PV600E, TH-37/42PX600B DG-Board (4 of 8) Schematic Diagram

TH-37/42PV600E, TH-37/42PX600B DG-Board (4 of 8) Schematic Diagram

14.37. DG-Board (5 of 8) Schematic Diagram



TH-37/42PV600E, TH-37/42PX600B DG-Board (5 of 8) Schematic Diagram

TH-37/42PV600E, TH-37/42PX600B DG-Board (5 of 8) Schematic Diagram

37

38

39

40

41

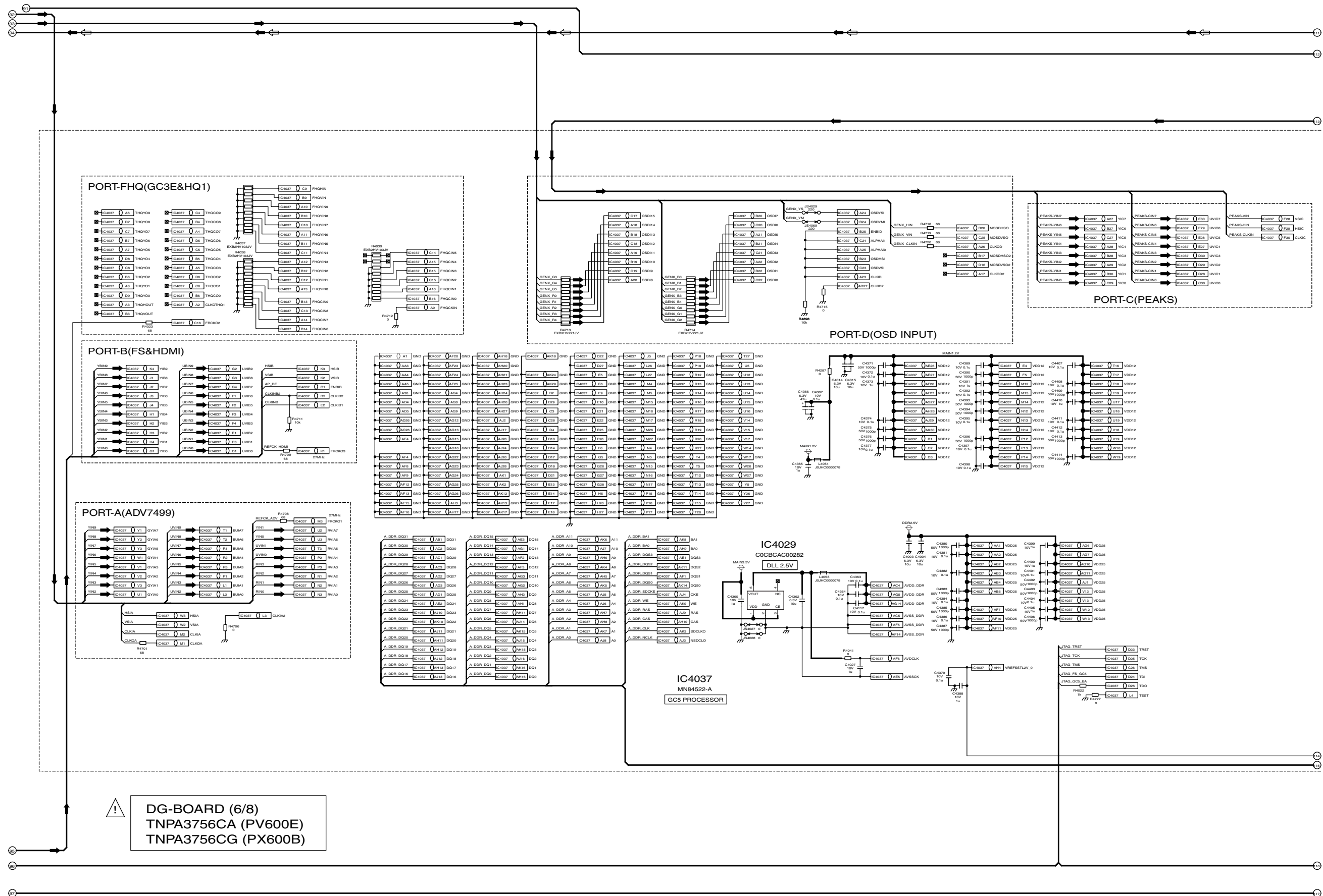
42

43

44

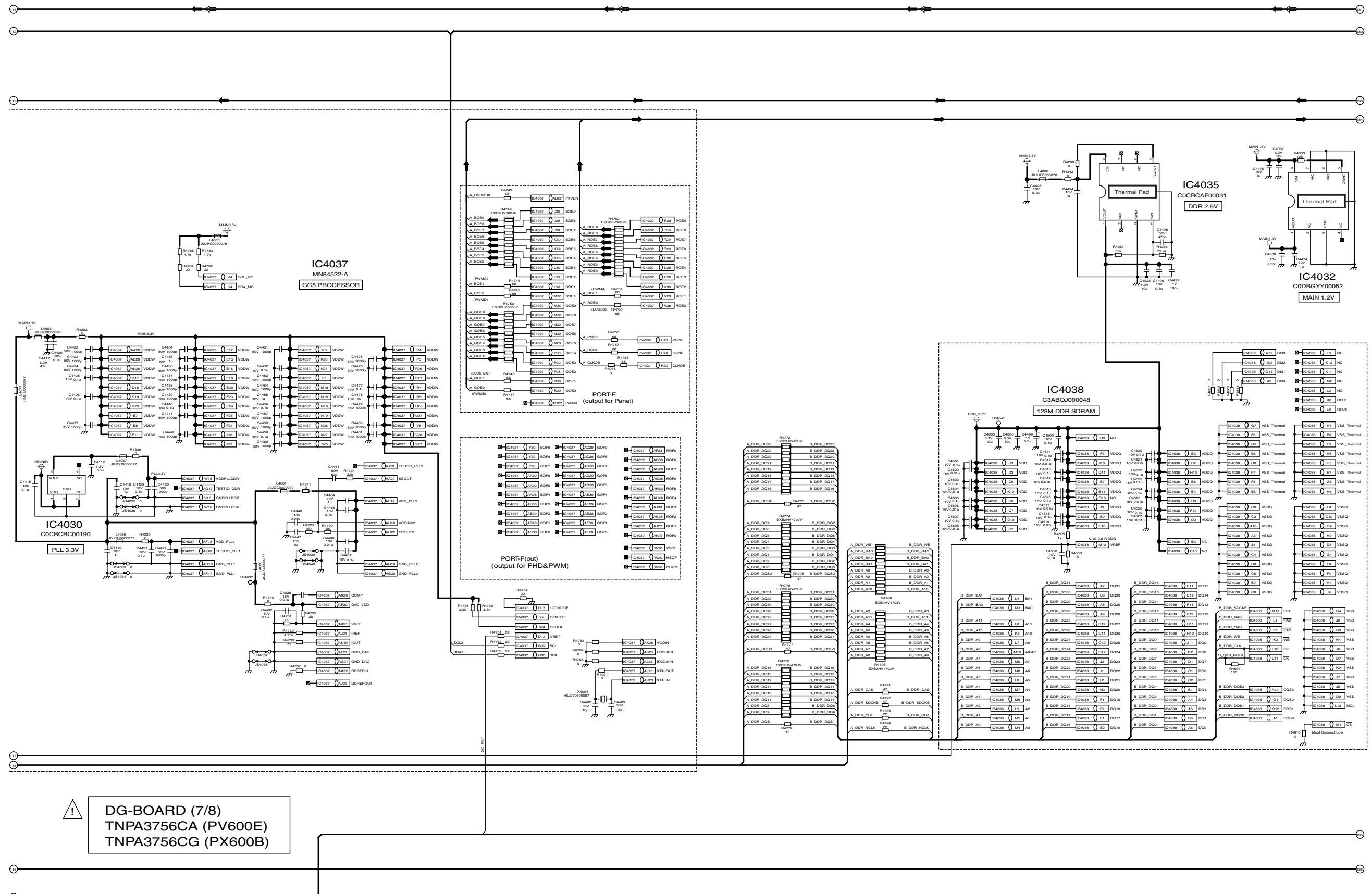
45

14.38. DG-Board (6 of 8) Schematic Diagram



⚠️ **DG-BOARD (6/8)**
TNPA3756CA (PV600E)
TNPA3756CG (PX600B)

14.39. DG-Board (7 of 8) Schematic Diagram

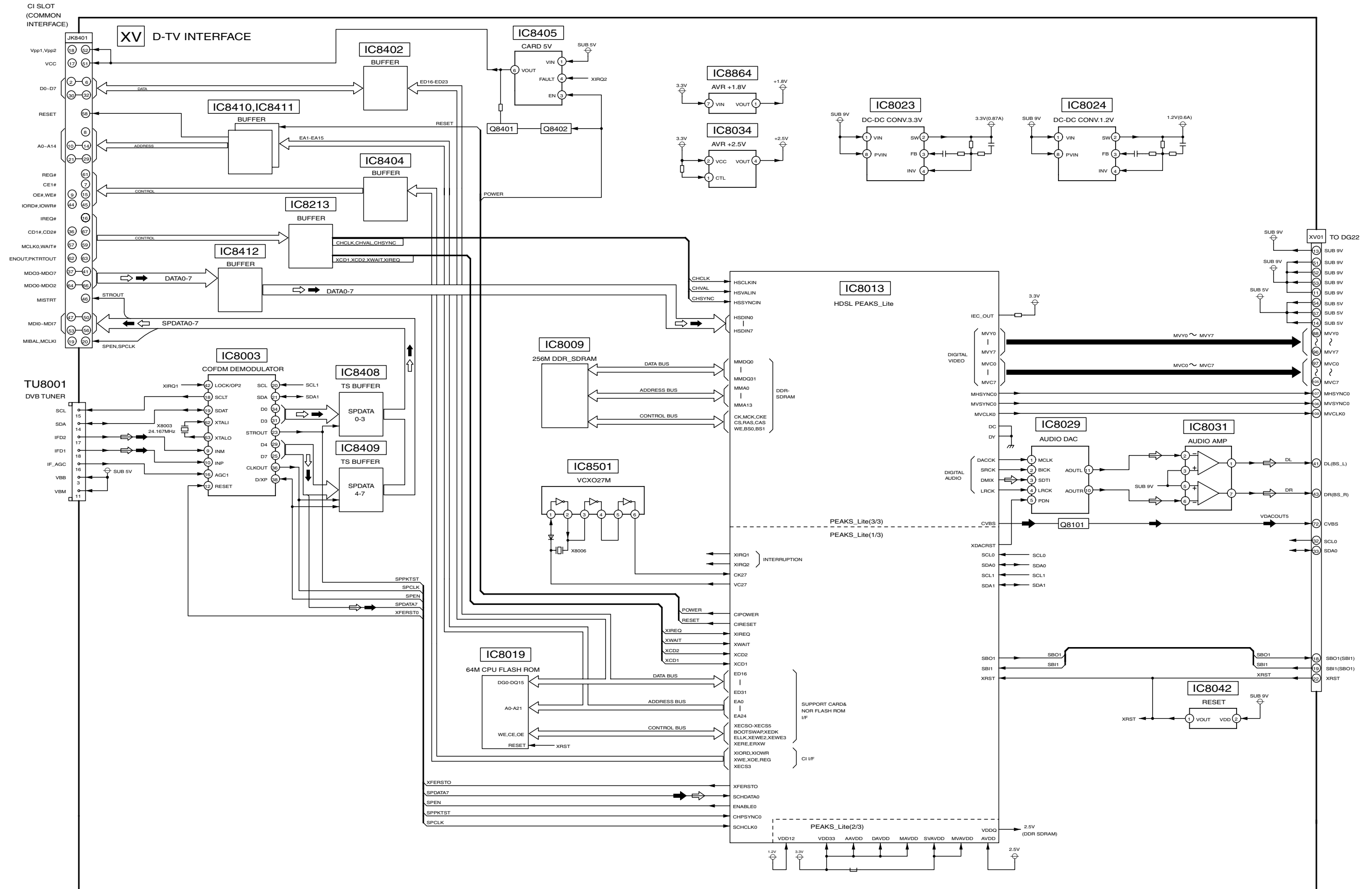


⚠️ **DG-BOARD (7/8)**
TNPA3756CA (PV600E)
TNPA3756CG (PX600B)

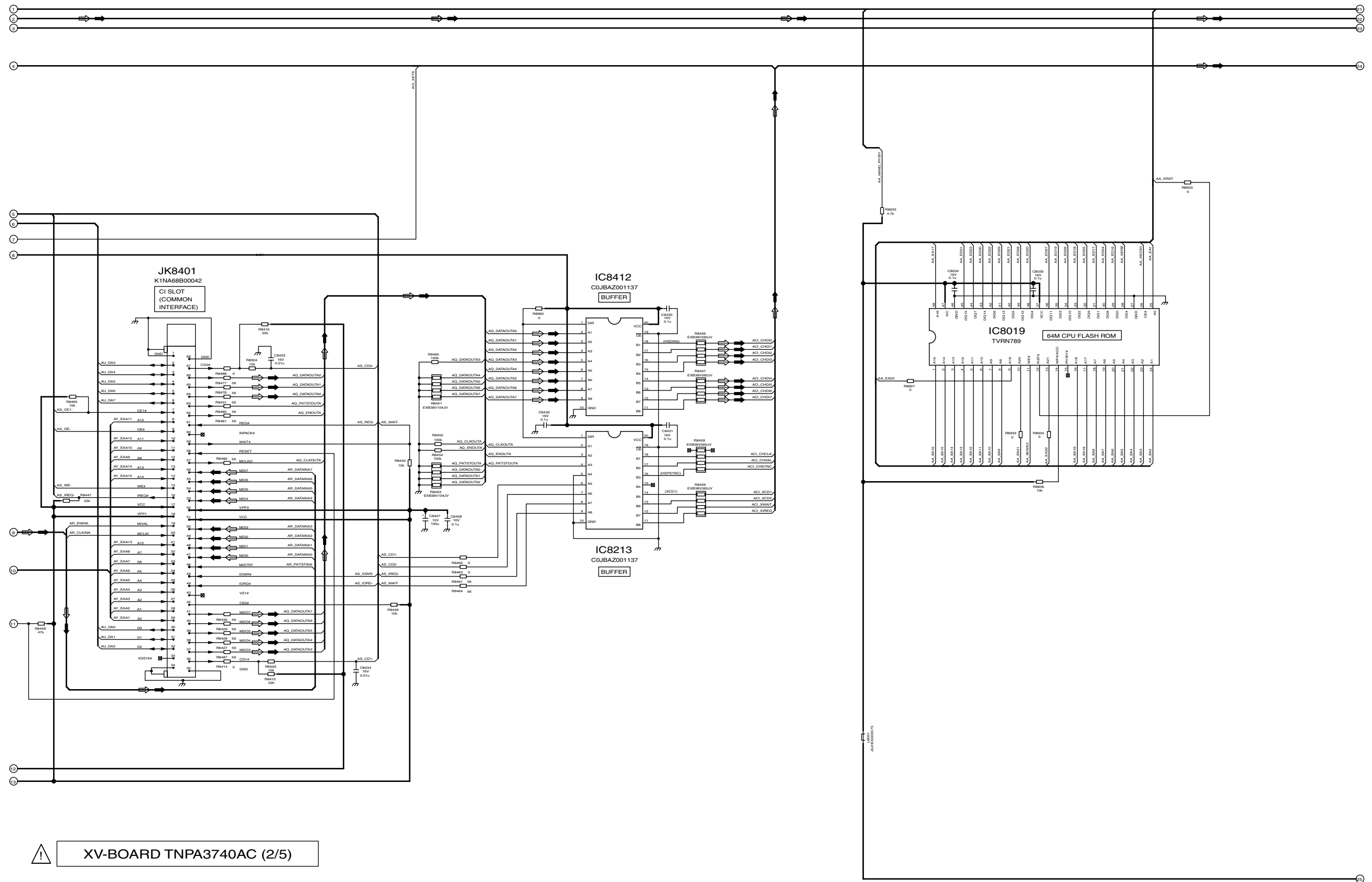
TH-37/42PV600E, TH-37/42PX600B DG-Board (7 of 8) Schematic Diagram

TH-37/42PV600E, TH-37/42PX600B DG-Board (7 of 8) Schematic Diagram

14.41. XV-Board Block Diagram (PX600B)

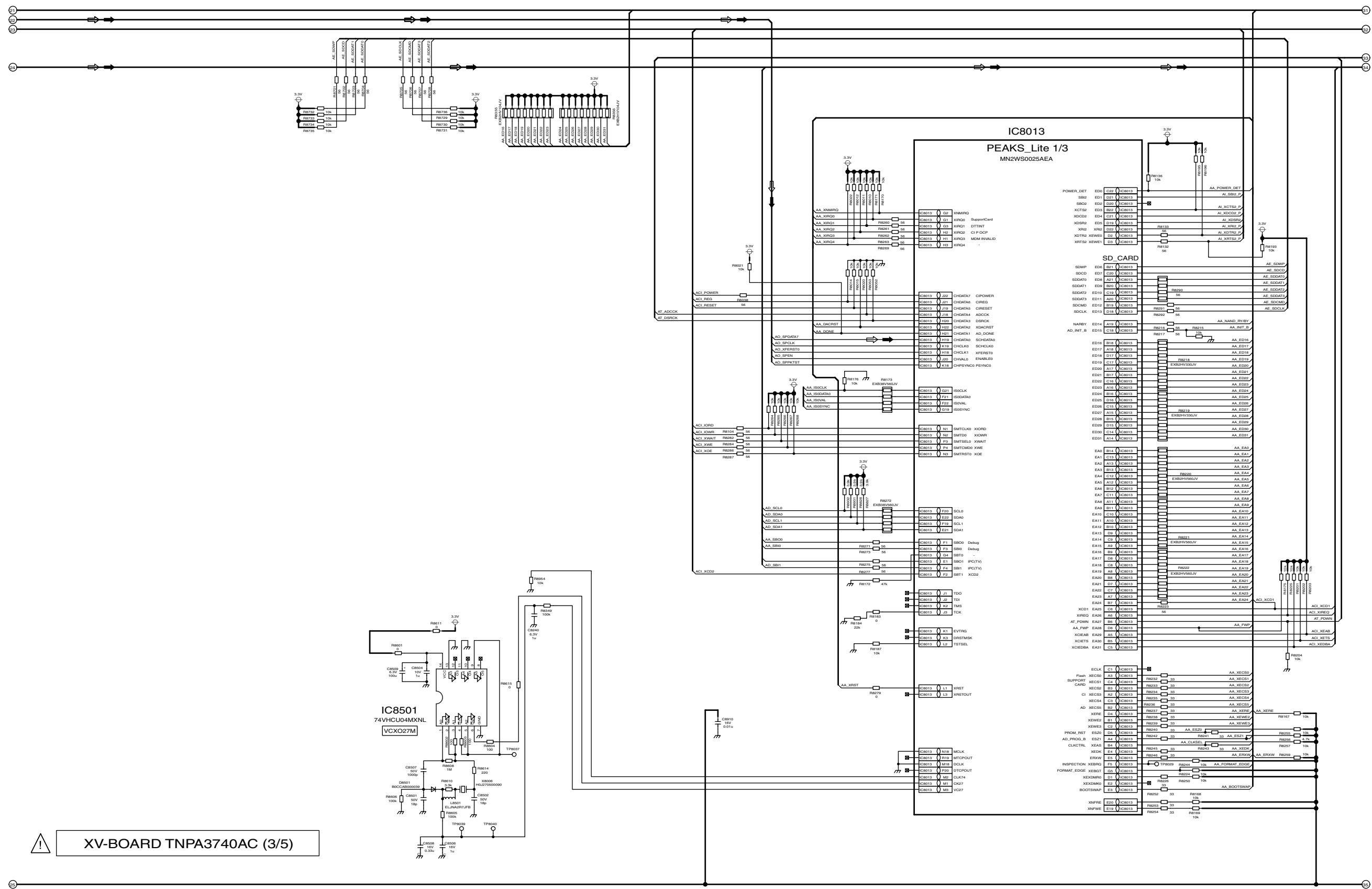


14.43. XV-Board (2 of 5) Schematic Diagram (PX600B)



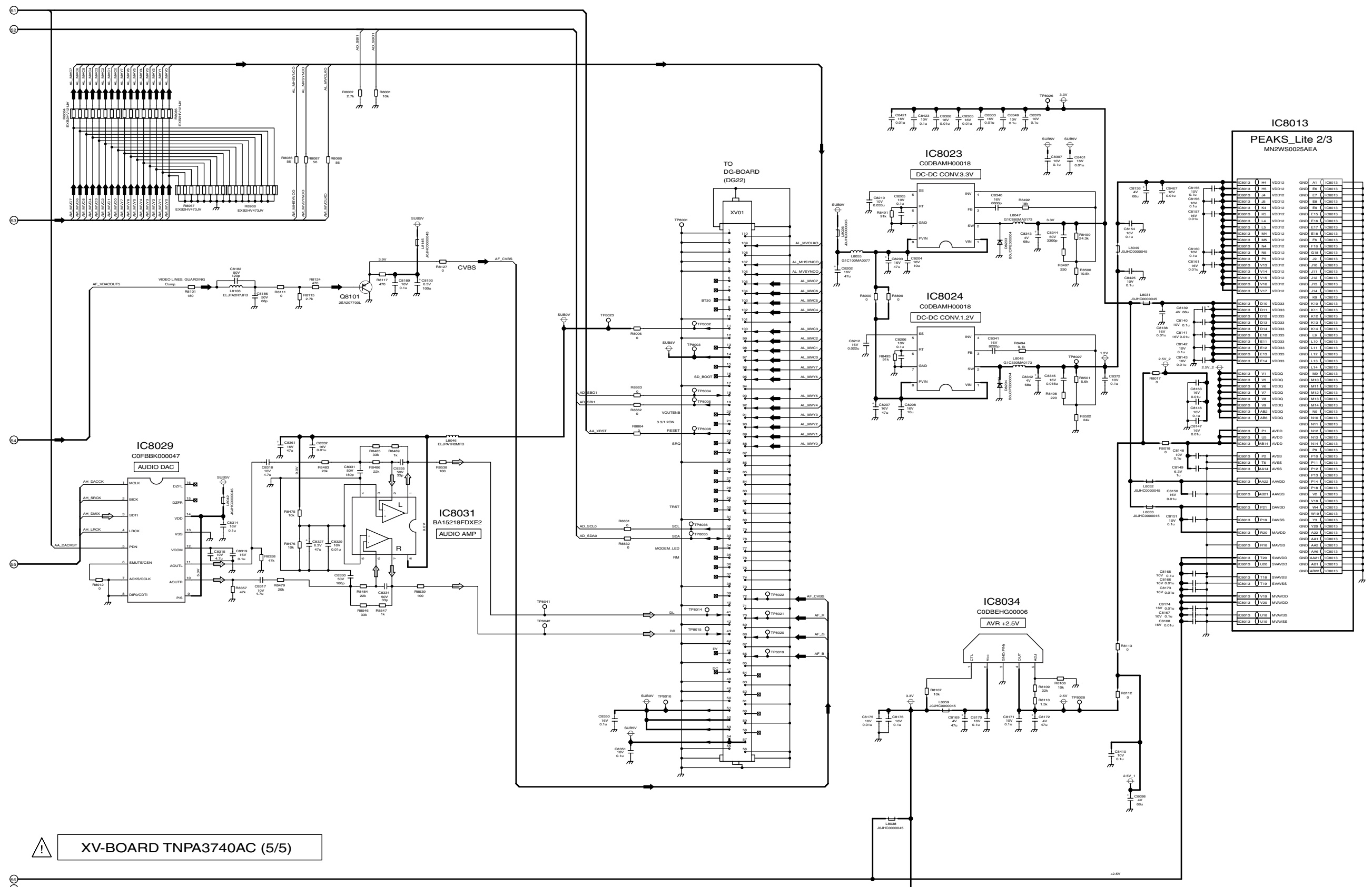
! XV-BOARD TNPA3740AC (2/5)

14.44. XV-Board (3 of 5) Schematic Diagram (PX600B)



XV-BOARD TNPA3740AC (3/5)

14.46. XV-Board (5 of 5) Schematic Diagram (PX600B)



XV-BOARD TNPA3740AC (5/5)

TH-37/42PX600B
XV-Board (5 of 5) Schematic Diagram

TH-37/42PX600B
XV-Board (5 of 5) Schematic Diagram

37

38

39

40

41

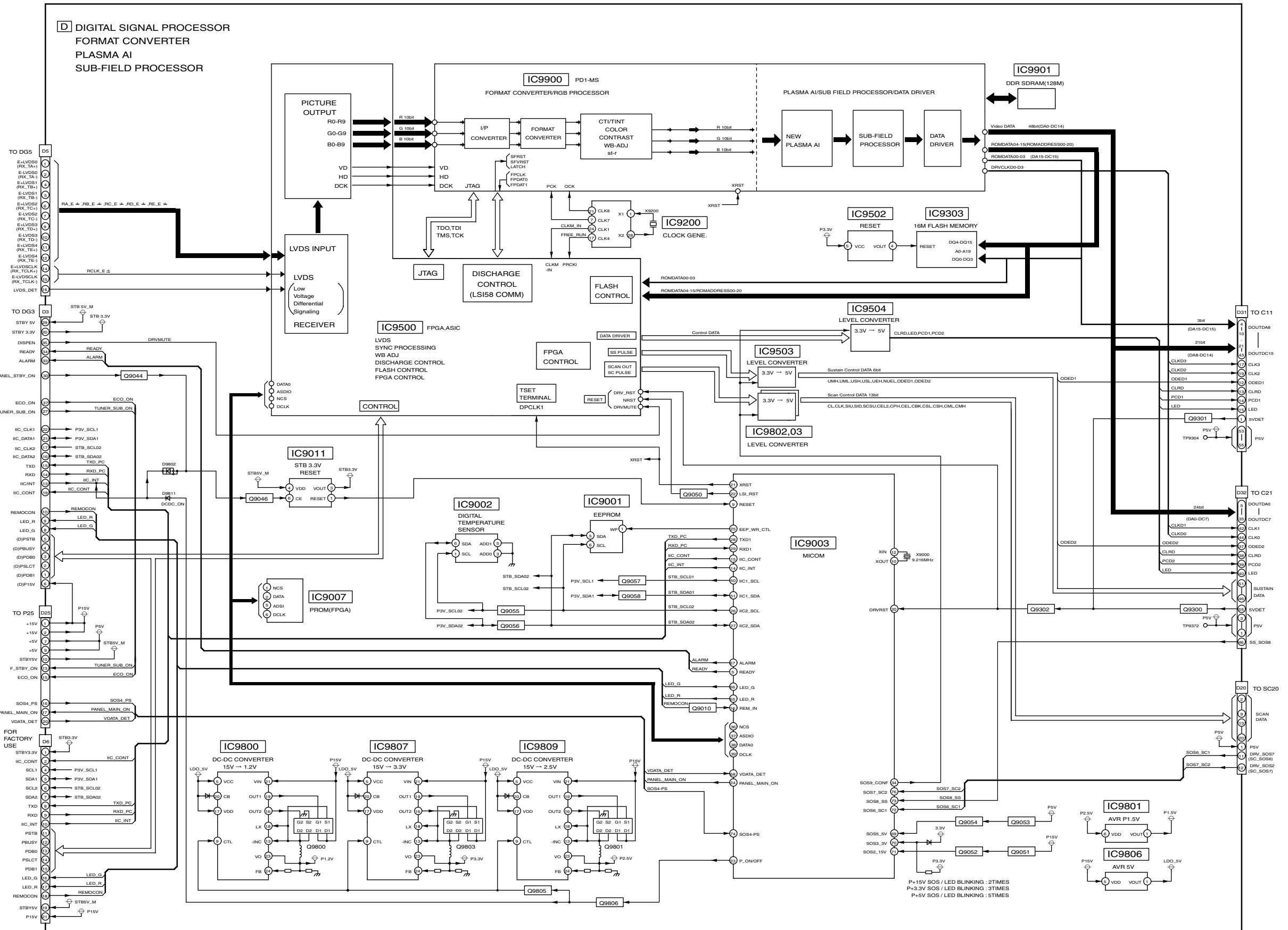
42

43

44

45

14.47. D-Board Block Diagram

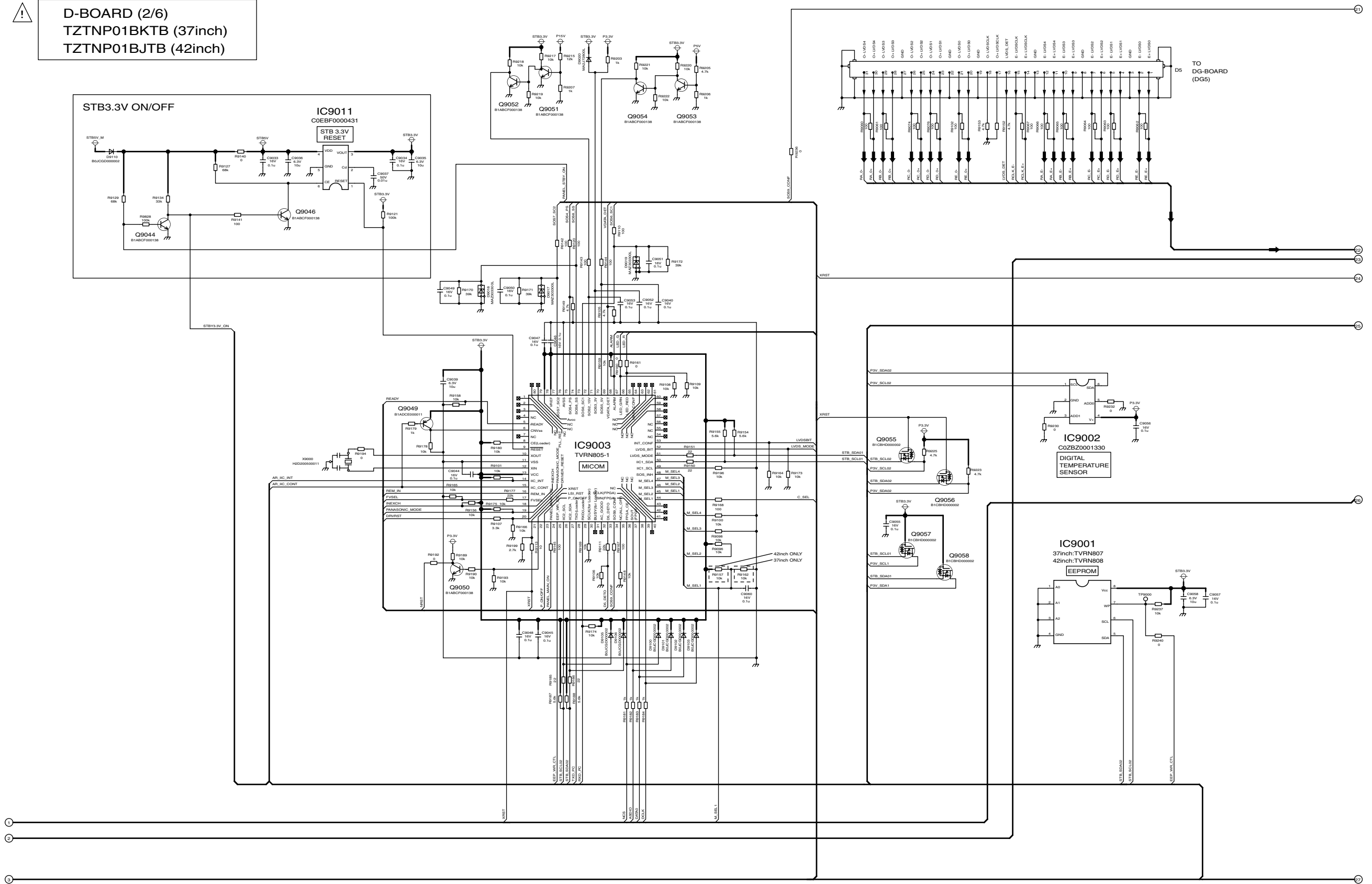


TH-37/42PV600E, TH-37/42PX600B
D-Board Block Diagram

TH-37/42PV600E, TH-37/42PX600B
D-Board Block Diagram

14.49. D-Board (2 of 6) Schematic Diagram

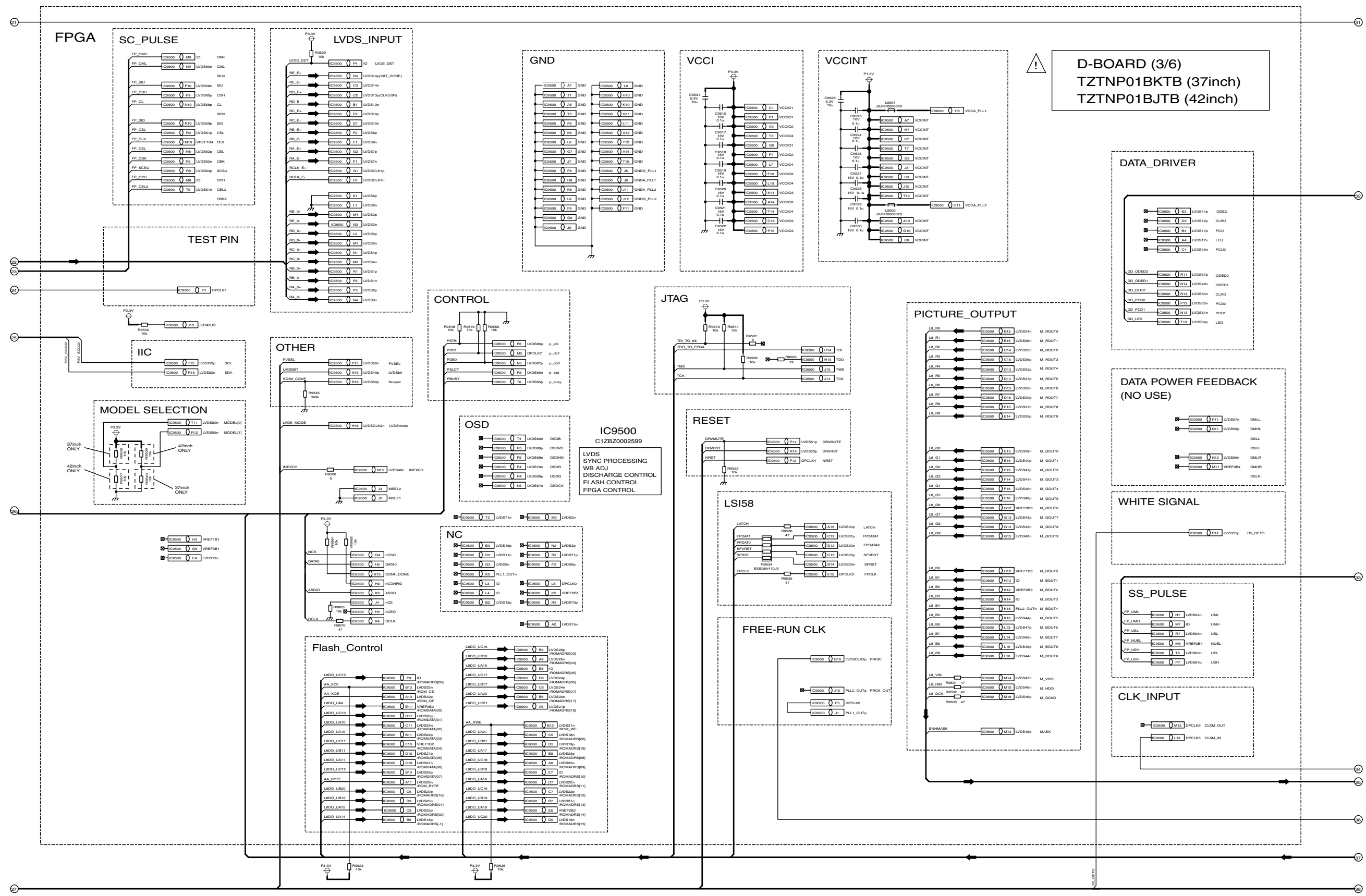
! D-BOARD (2/6)
TZTNP01BKTB (37inch)
TZTNP01BJTB (42inch)



TH-37/42PV600E, TH-37/42PX600B
D-Board (2 of 6) Schematic Diagram

TH-37/42PV600E, TH-37/42PX600B
D-Board (2 of 6) Schematic Diagram

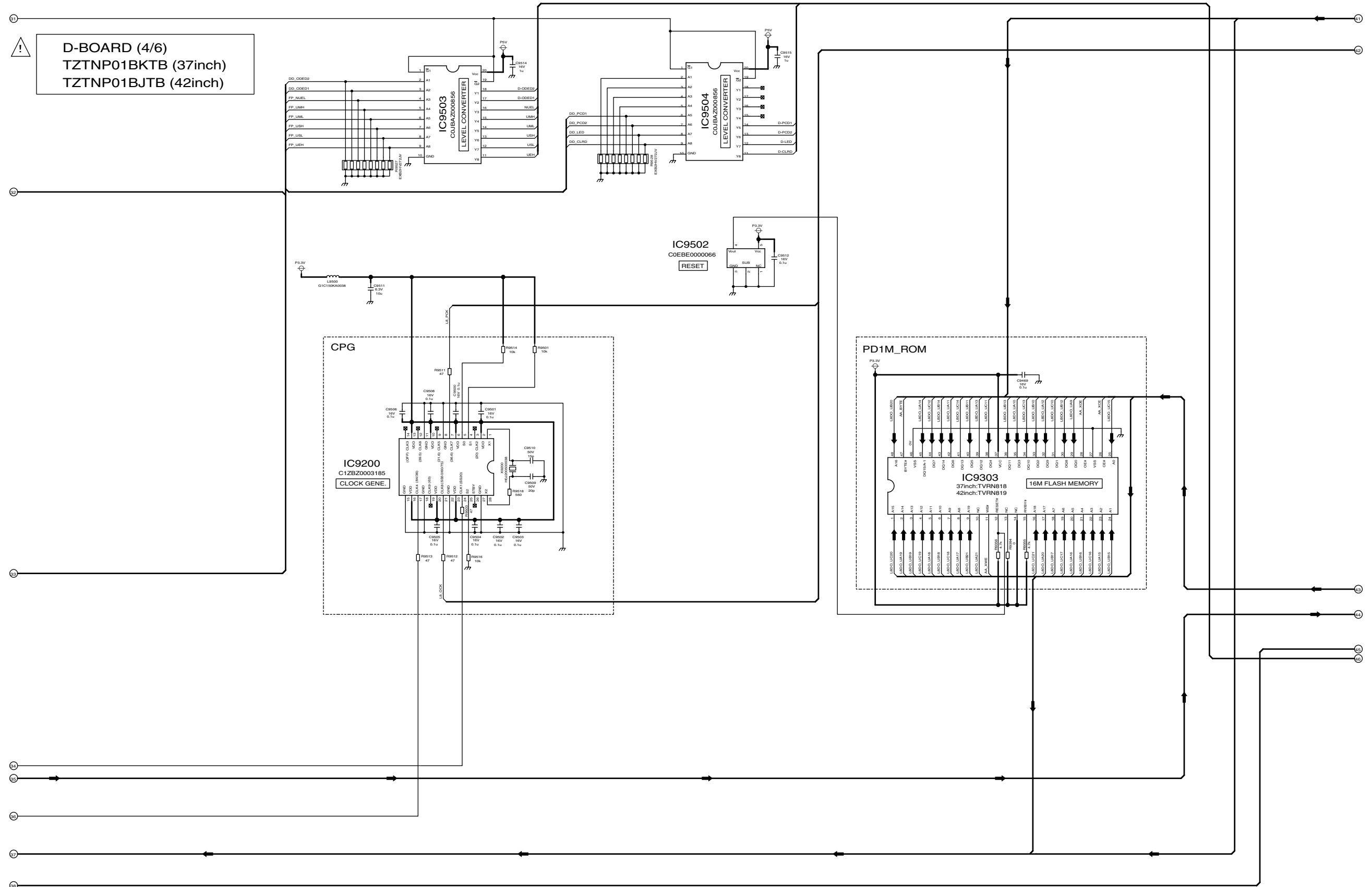
14.50. D-Board (3 of 6) Schematic Diagram



TH-37/42PV600E, TH-37/42PX600B
D-Board (3 of 6) Schematic Diagram

TH-37/42PV600E, TH-37/42PX600B
D-Board (3 of 6) Schematic Diagram

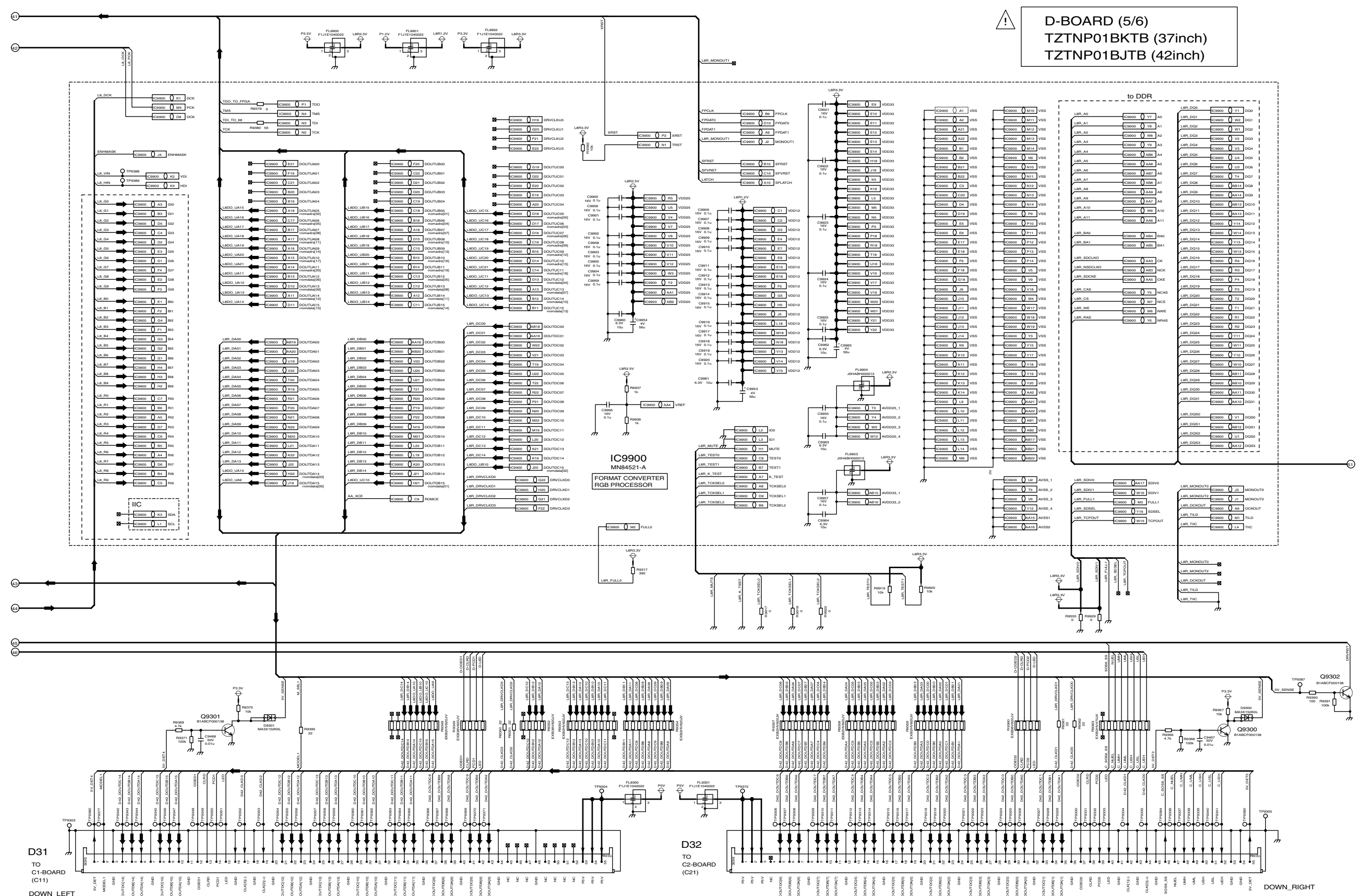
14.51. D-Board (4 of 6) Schematic Diagram



TH-37/42PV600E, TH-37/42PX600B
D-Board (4 of 6) Schematic Diagram

TH-37/42PV600E, TH-37/42PX600B
D-Board (4 of 6) Schematic Diagram

14.52. D-Board (5 of 6) Schematic Diagram

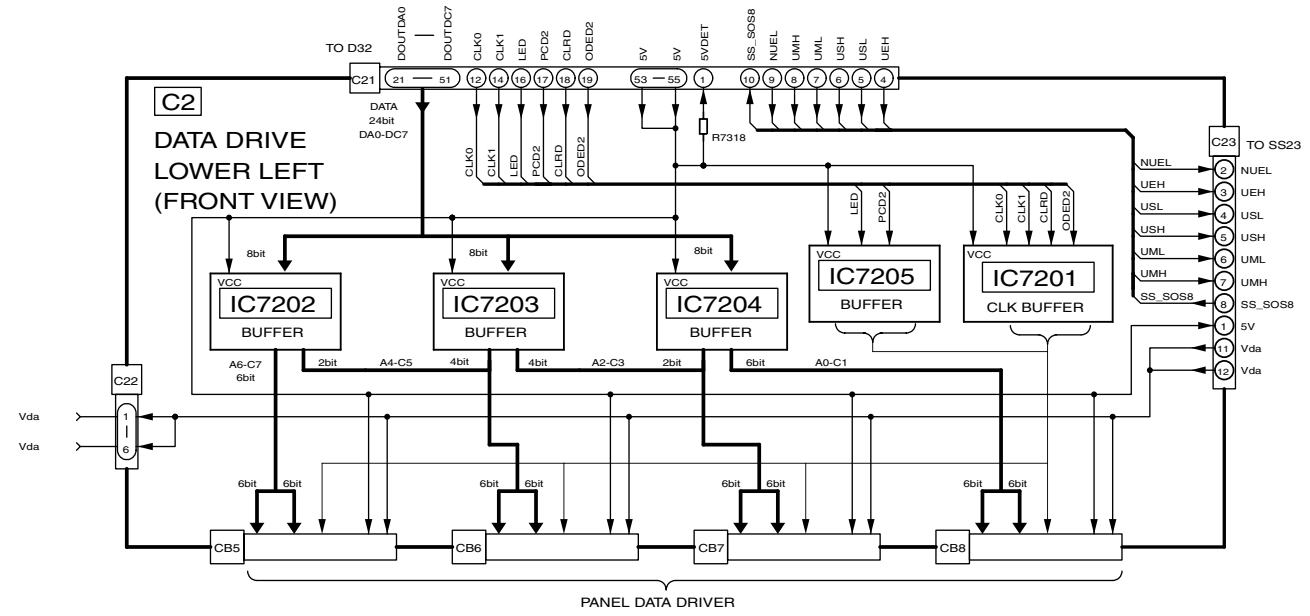
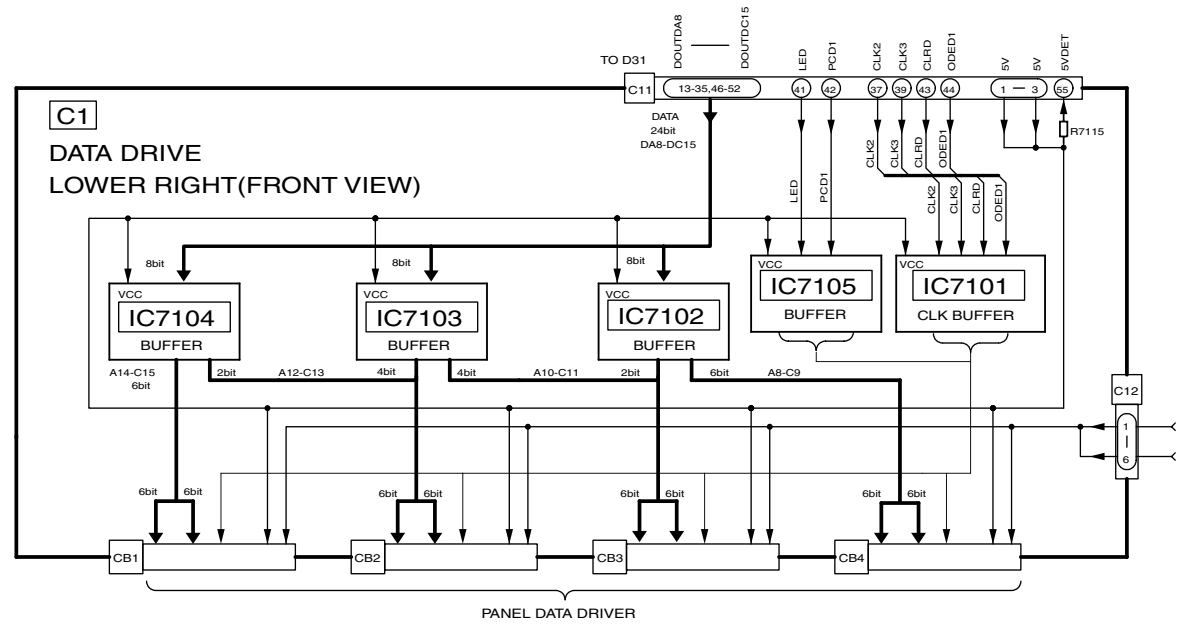


D-BOARD (5/6)
TZTNP01BKTB (37inch)
TZTNP01BJTB (42inch)

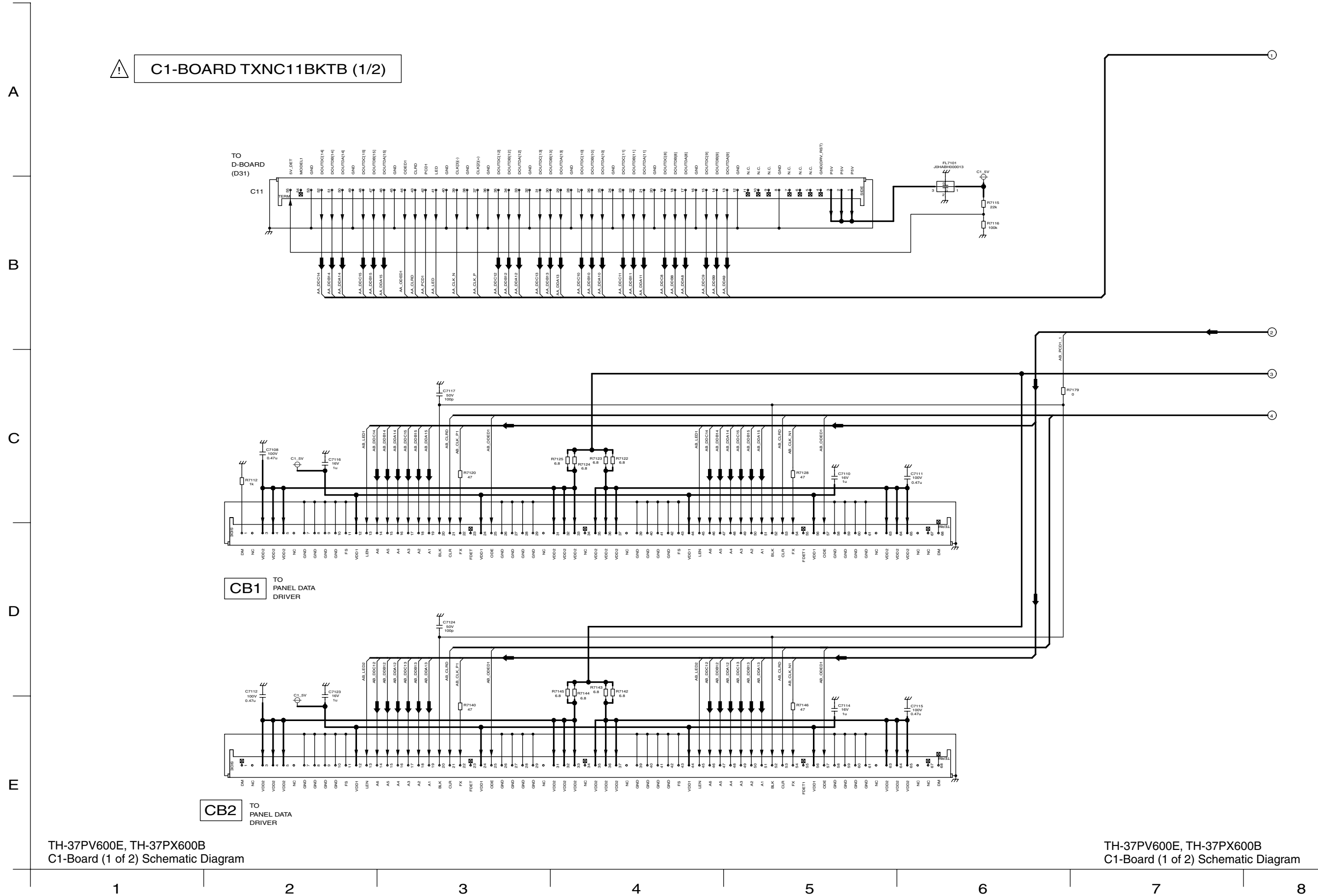
TH-37/42PV600E, TH-37/42PX600B D-Board (5 of 6) Schematic Diagram

TH-37/42PV600E, TH-37/42PX600B D-Board (5 of 6) Schematic Diagram

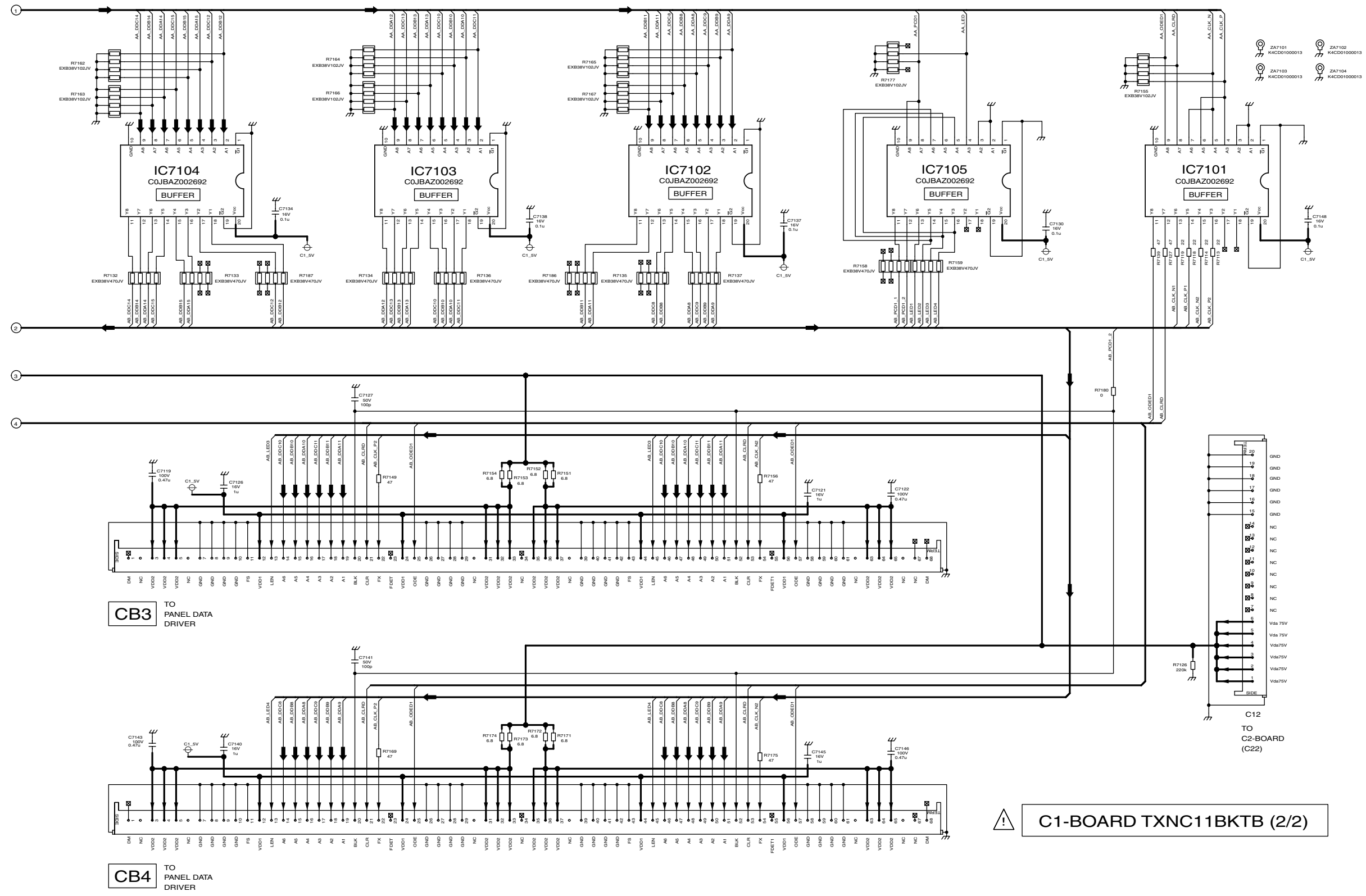
14.54. C1 and C2-Board Block Diagram



14.55. C1-Board (1 of 2) Schematic Diagram (37inch)



14.56. C1-Board (2 of 2) Schematic Diagram (37inch)

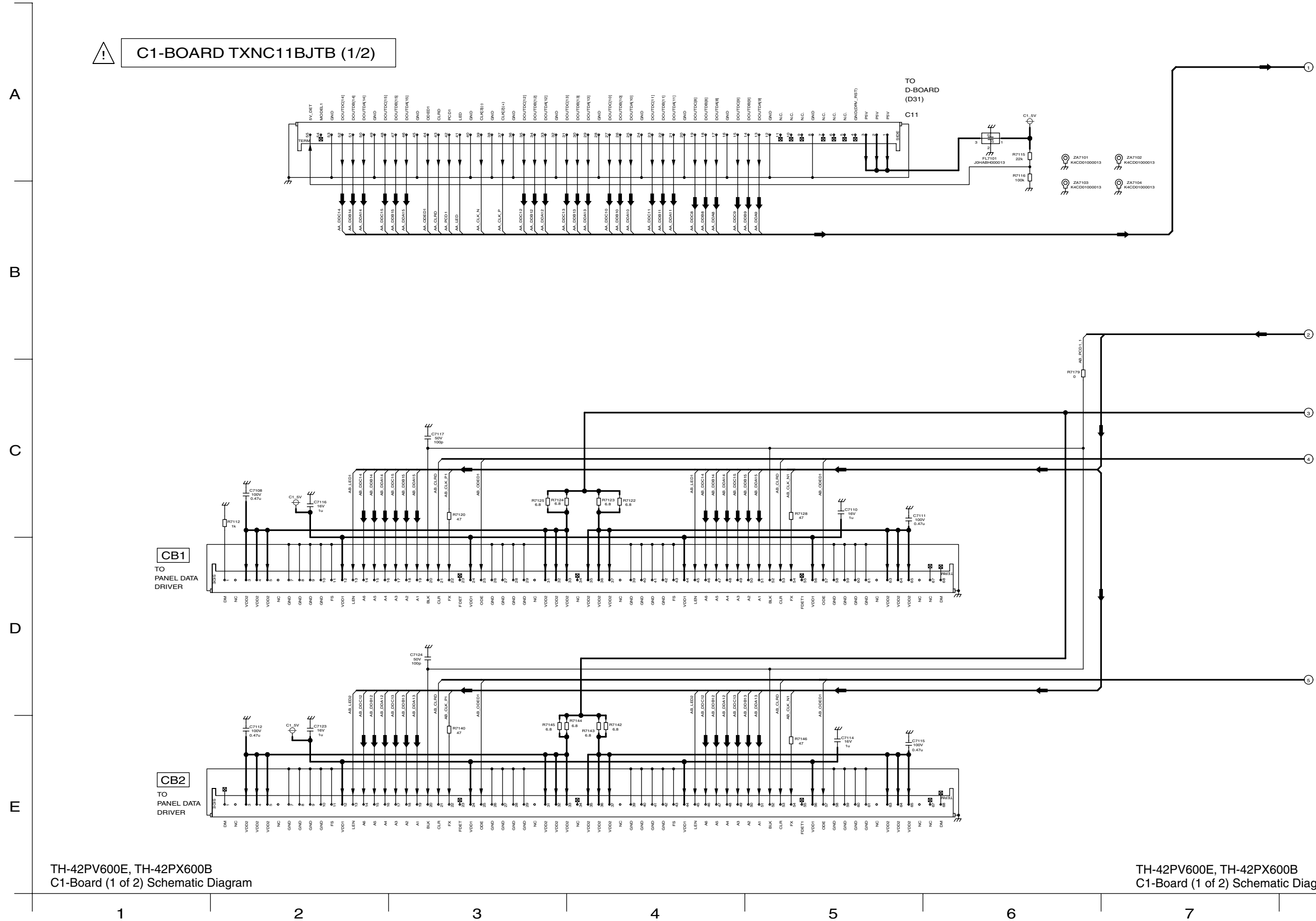


TH-37PV600E, TH-37PX600B
C1-Board (2 of 2) Schematic Diagram

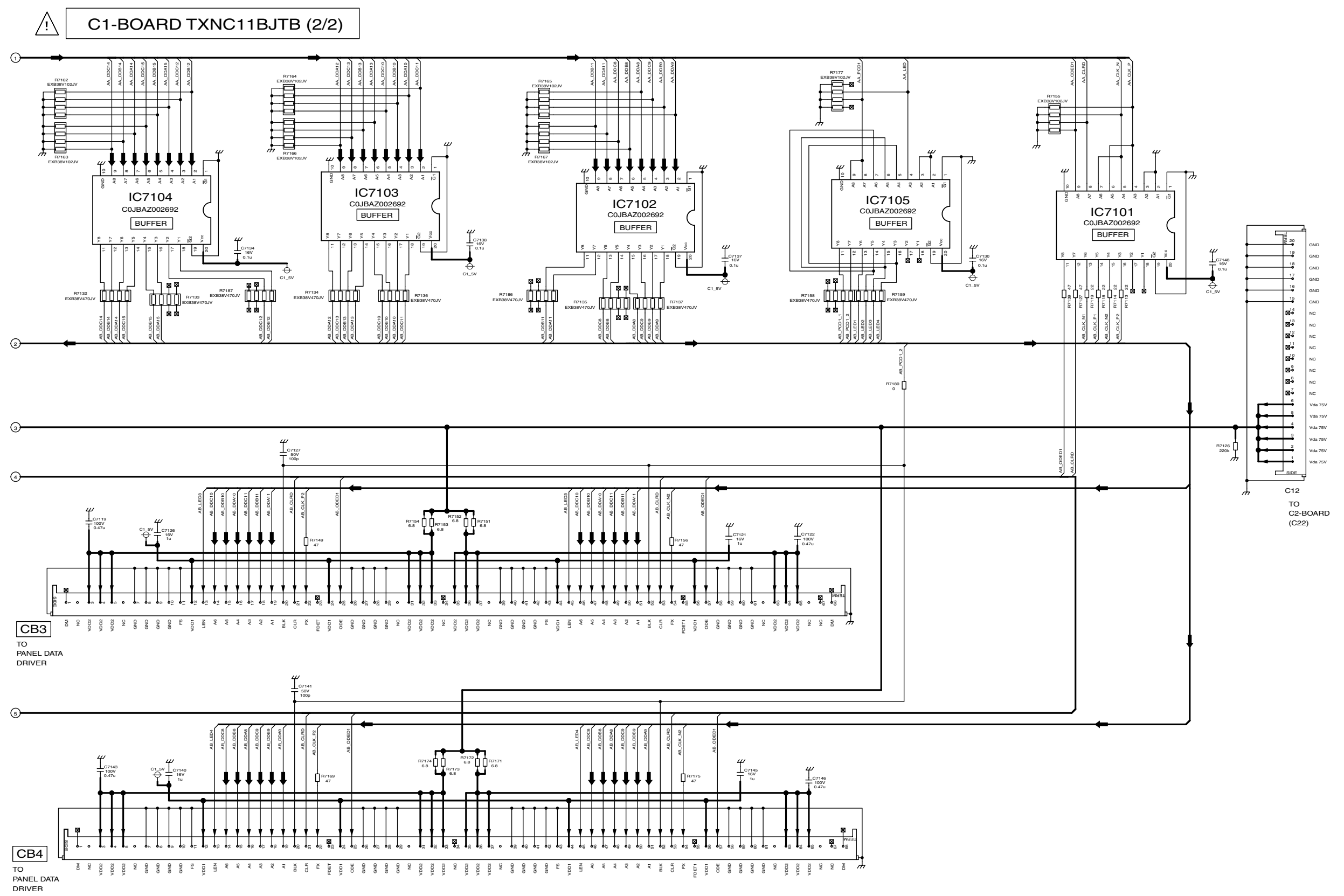
TH-37PV600E, TH-37PX600B
C1-Board (2 of 2) Schematic Diagram

8 9 10 11 12 13 14 15

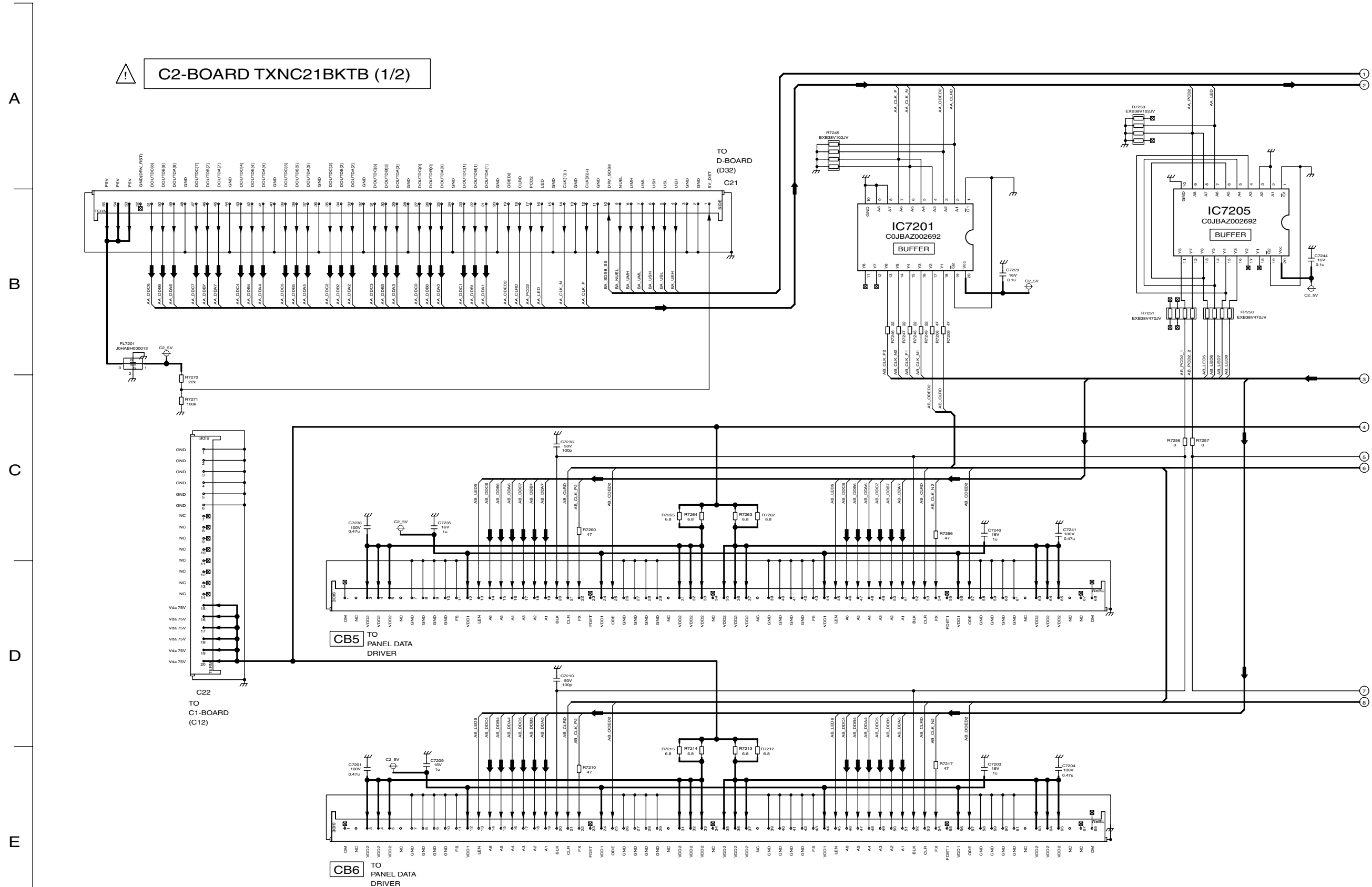
14.57. C1-Board (1 of 2) Schematic Diagram (42inch)



14.58. C1-Board (2 of 2) Schematic Diagram (42inch)



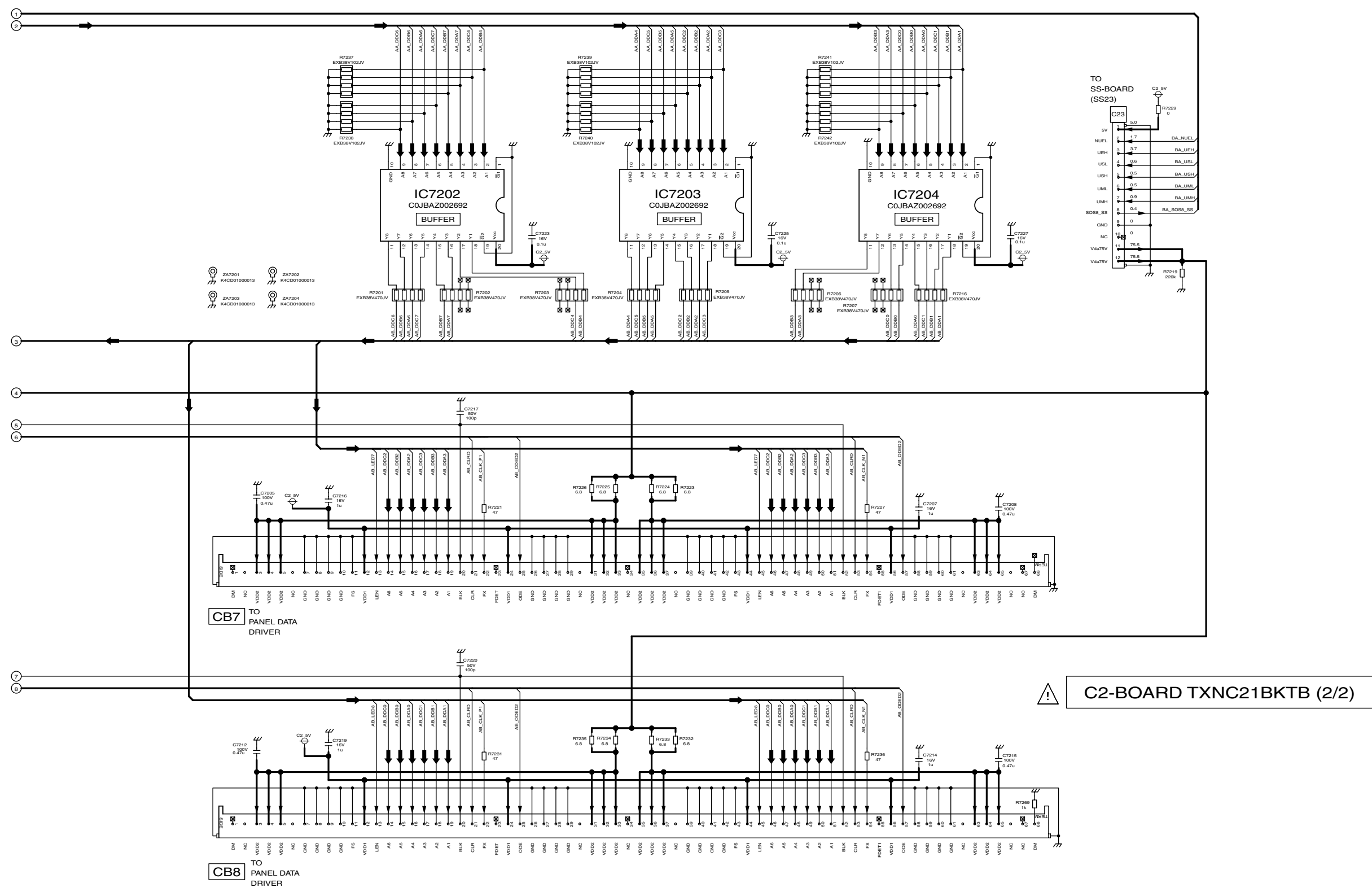
14.59. C2-Board (1 of 2) Schematic Diagram (37inch)



TH-37PV600E, TH-37PX600B
C2-Board (1 of 2) Schematic Diagram

TH-37PV600E, TH-37PX600B
C2-Board (1 of 2) Schematic Diagram

14.60. C2-Board (2 of 2) Schematic Diagram (37inch)



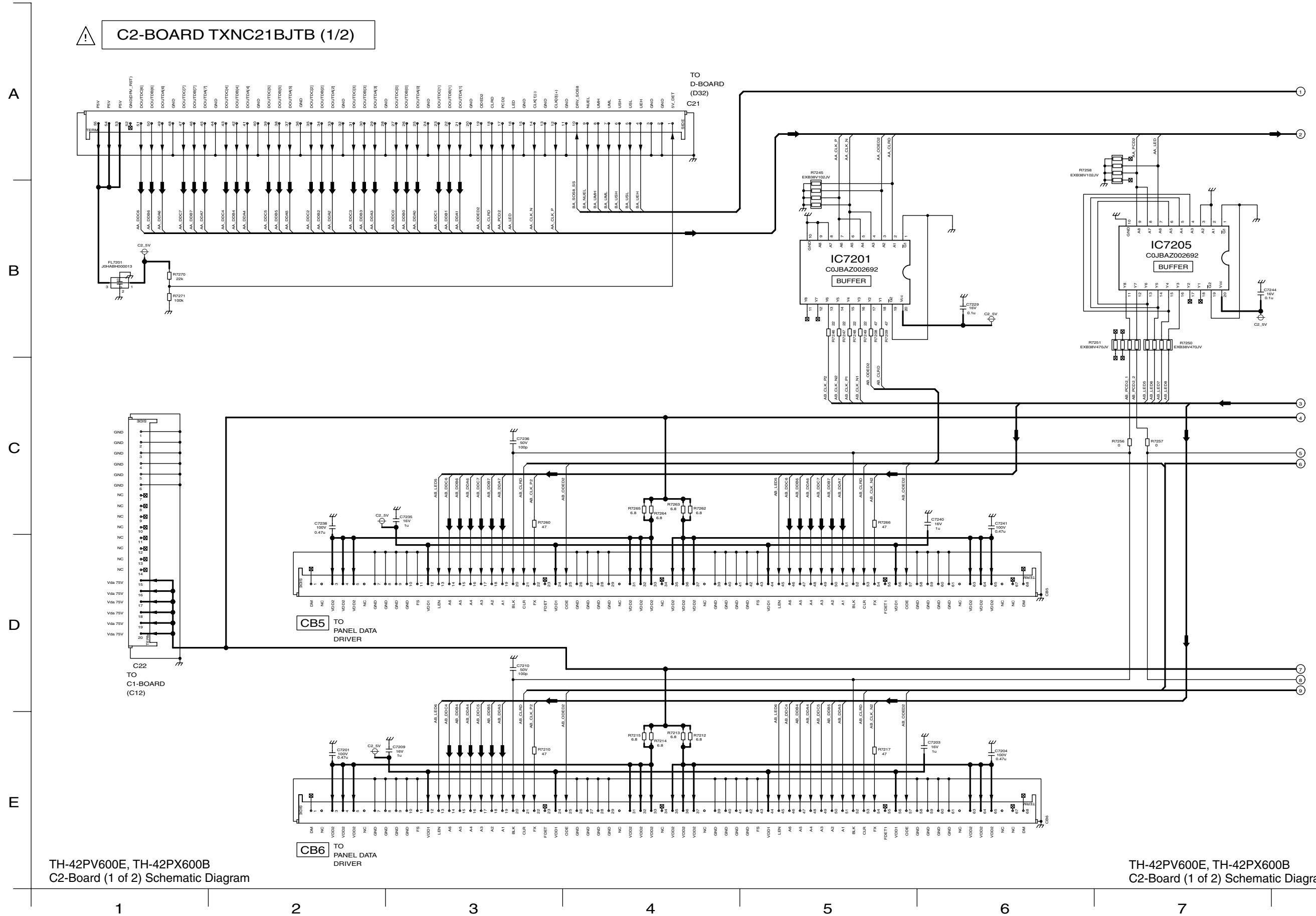
⚠ C2-BOARD TXNC21BKTB (2/2)

TH-37PV600E, TH-37PX600B
C2-Board (2 of 2) Schematic Diagram

TH-37PV600E, TH-37PX600B
C2-Board (2 of 2) Schematic Diagram

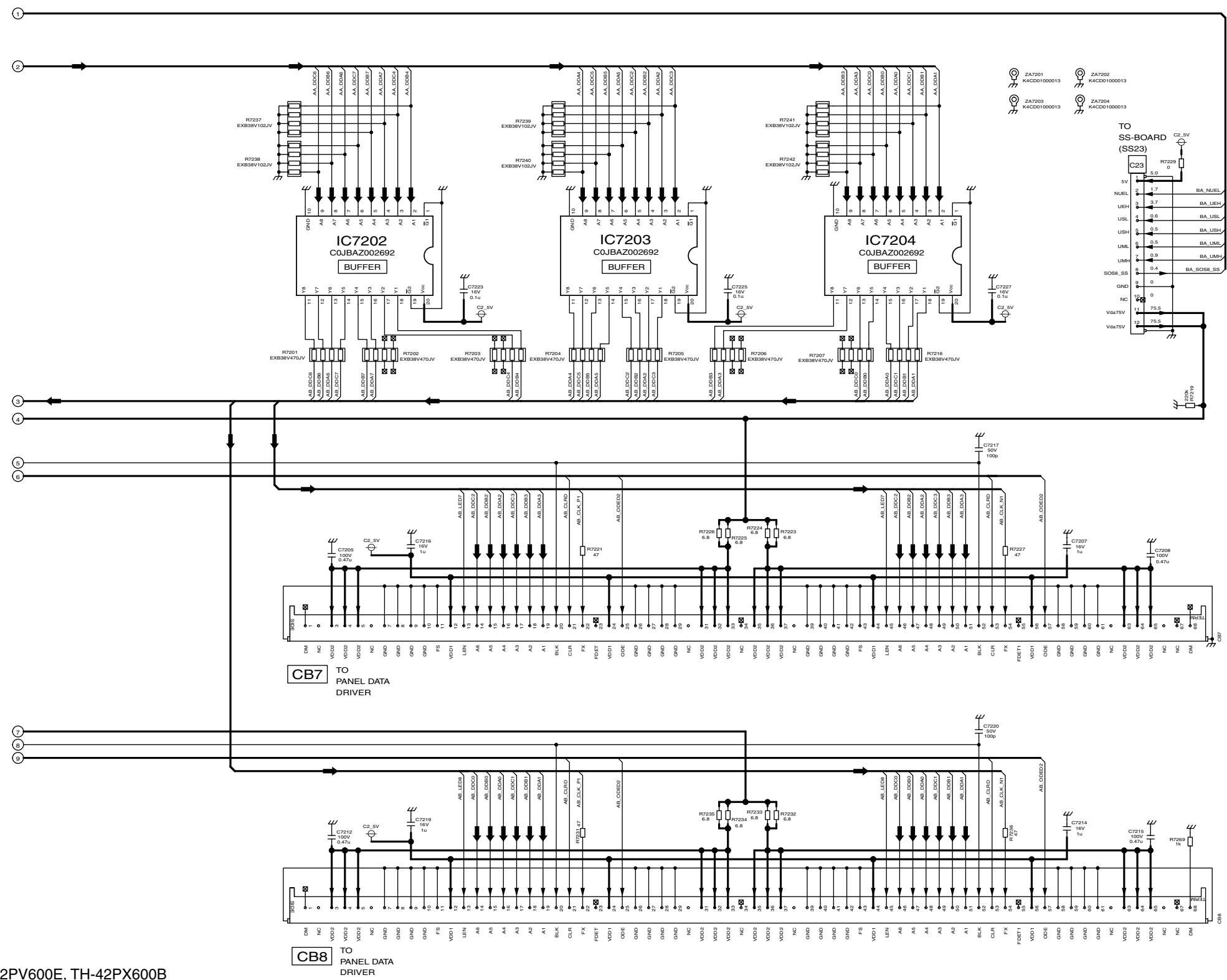
8 9 10 11 12 13 14 15

14.61. C2-Board (1 of 2) Schematic Diagram (42inch)



14.62. C2-Board (2 of 2) Schematic Diagram (42inch)

⚠ C2-BOARD TXNC21BJTB (2/2)

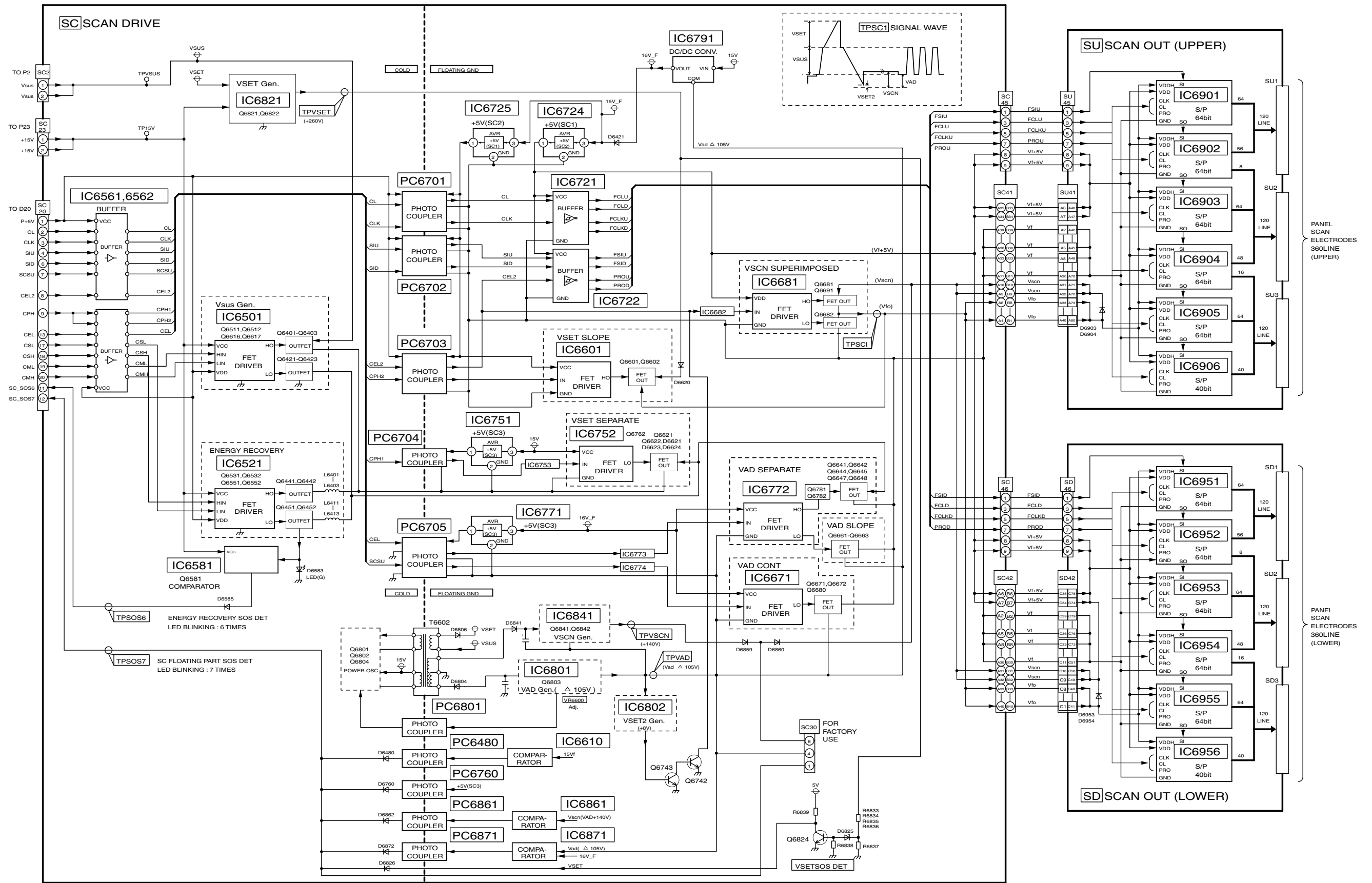


TH-42PV600E, TH-42PX600B
C2-Board (2 of 2) Schematic Diagram

TH-42PV600E, TH-42PX600B
C2-Board (2 of 2) Schematic Diagram

8 9 10 11 12 13 14 15

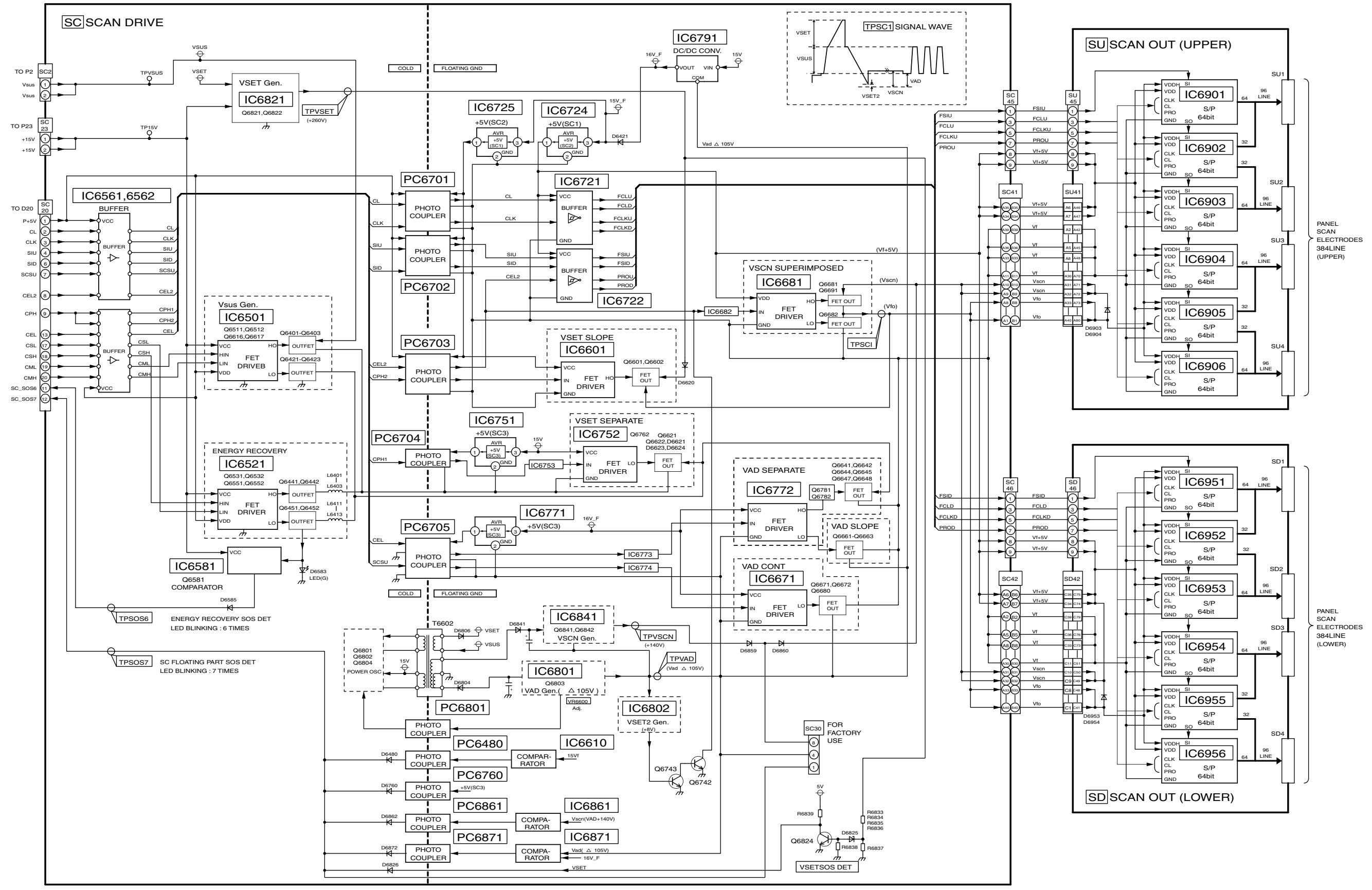
14.63. SC, SU and SD-Board Block Diagram (37inch)



TH-37PV600E, TH-37PX600B
SC, SU and SD-Board Block Diagram

TH-37PV600E, TH-37PX600B
SC, SU and SD-Board Block Diagram

14.64. SC, SU and SD-Board Block Diagram (42inch)

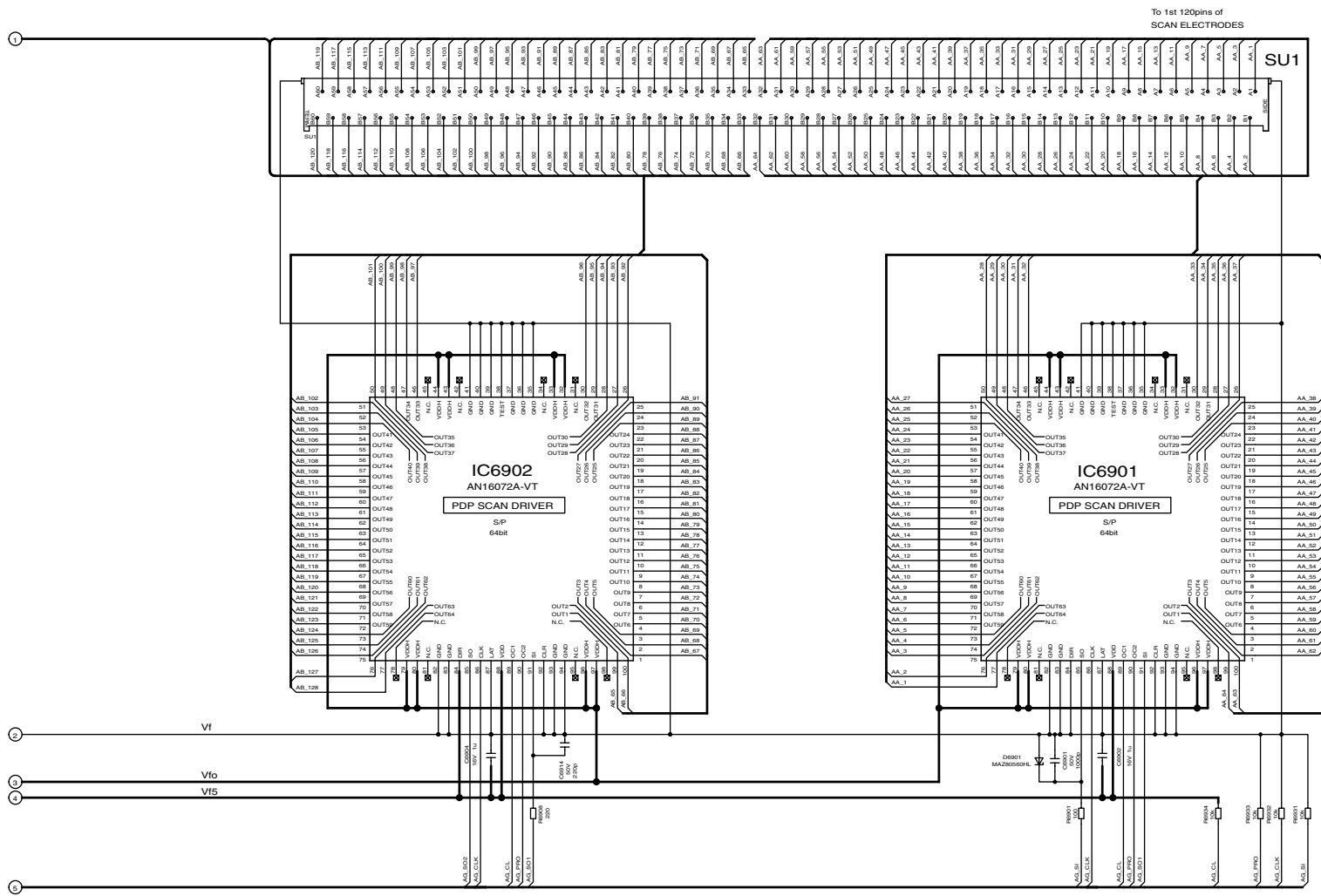


TH-42PV600E, TH-42PX600B
SC, SU and SD-Board Block Diagram

TH-42PV600E, TH-42PX600B
SC, SU and SD-Board Block Diagram

14.68. SU-Board (2 of 2) Schematic Diagram (37inch)

! SU-BOARD TXNSU1BKTB (2/2)



TH-37PV600E, TH-37PX600B
SU-Board (2 of 2) Schematic Diagram

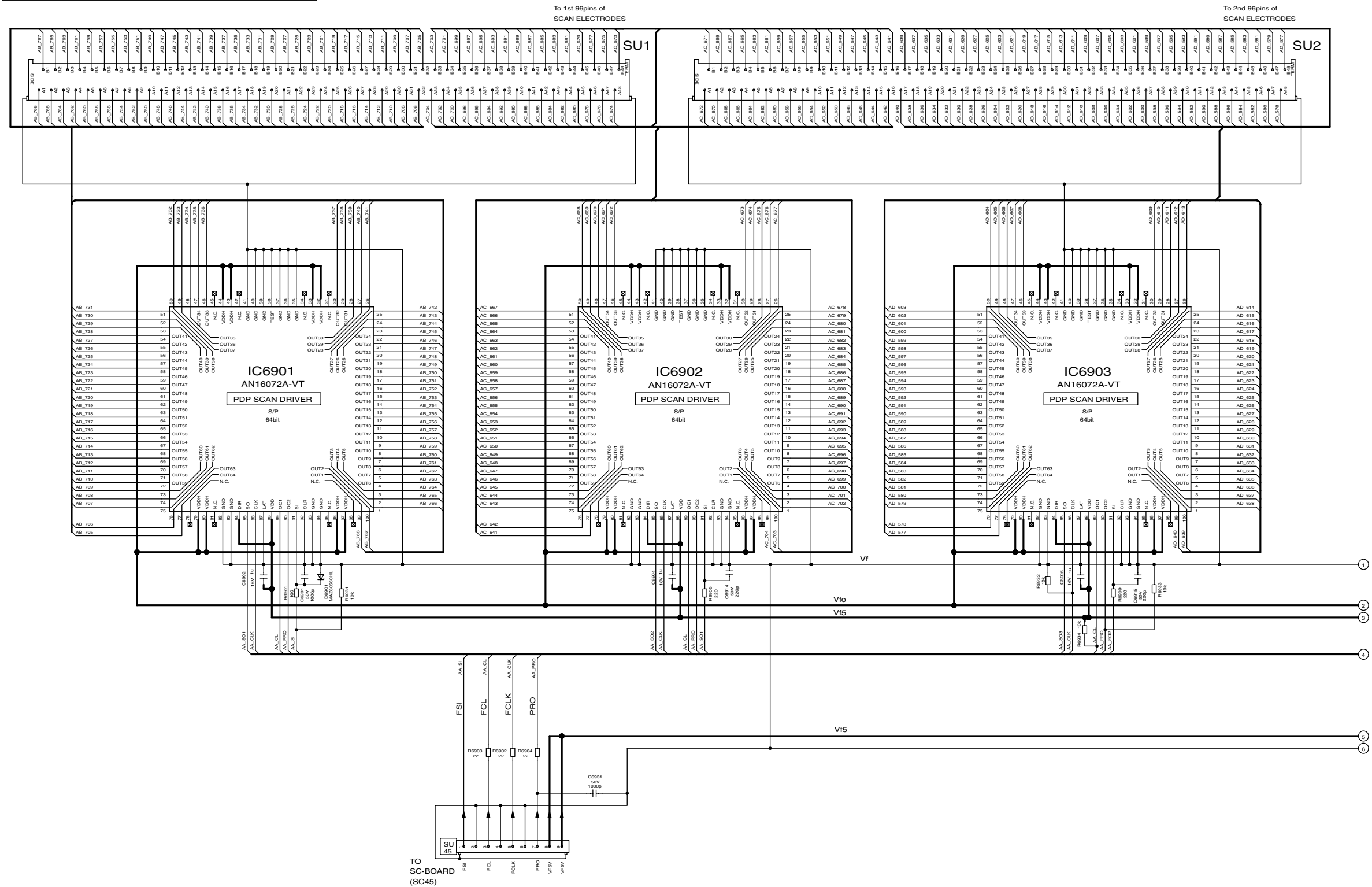
TH-37PV600E, TH-37PX600B
SU-Board (2 of 2) Schematic Diagram

14.69. SU-Board (1 of 2) Schematic Diagram (42inch)

A
B
C
D
E

! SU-BOARD TXNSU1BJTB (1/2)

UP



TH-42PV600E, TH-42PX600B
SU-Board (1 of 2) Schematic Diagram

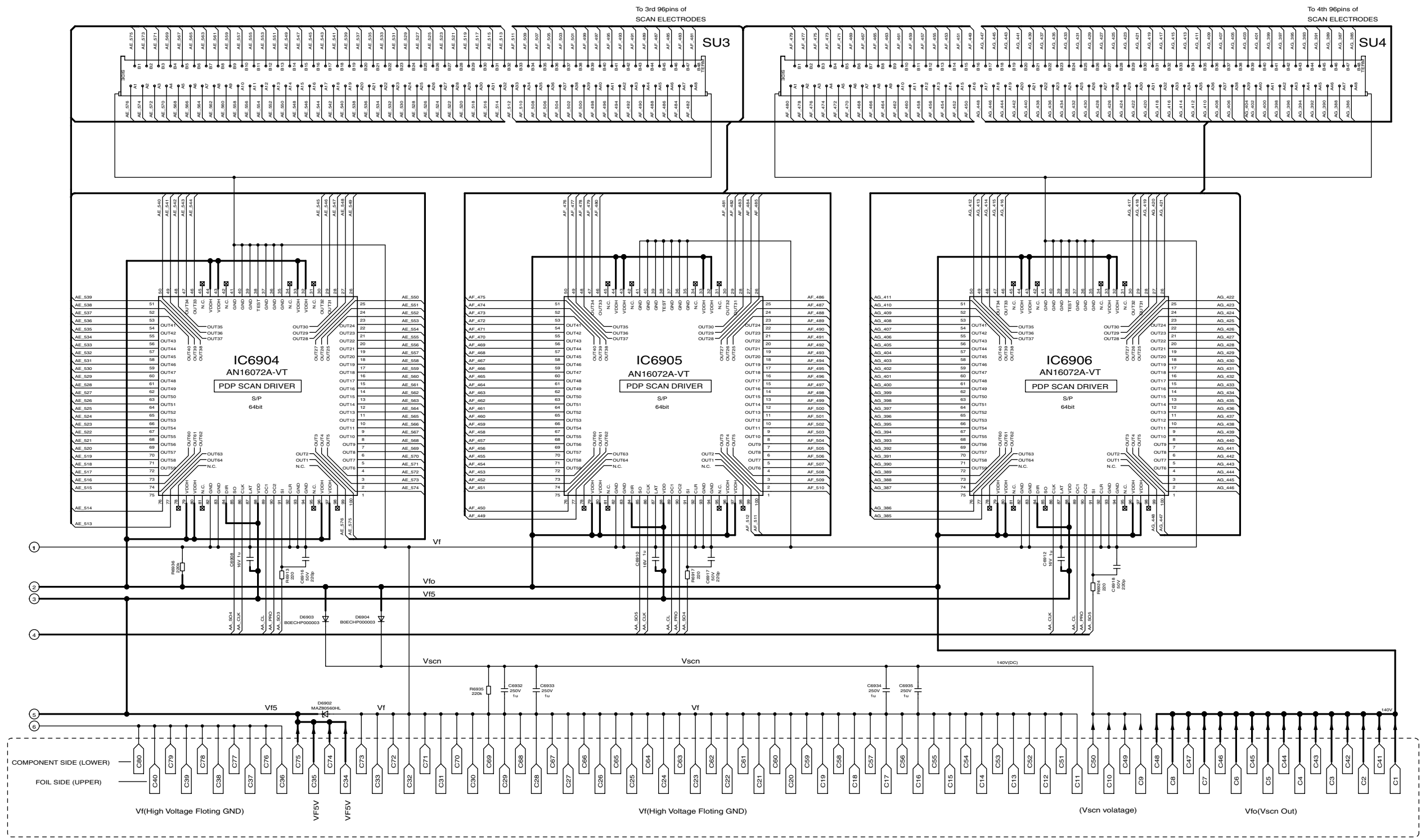
TH-42PV600E, TH-42PX600B
SU-Board (1 of 2) Schematic Diagram

1 2 3 4 5 6 7 8

14.70. SU-Board (2 of 2) Schematic Diagram (42inch)

SU-BOARD TXNSU1BJTB (2/2)

UP



SU41(Card Edge 80Pin) TO SC-BOARD (SC41)

TH-42PV600E, TH-42PX600B
SU-Board (2 of 2) Schematic Diagram

TH-42PV600E, TH-42PX600B
SU-Board (2 of 2) Schematic Diagram

8 9 10 11 12 13 14 15

14.71. SD-Board (1 of 2) Schematic Diagram (37inch)

A

SD-BOARD TXNSD1BKTB (1/2)

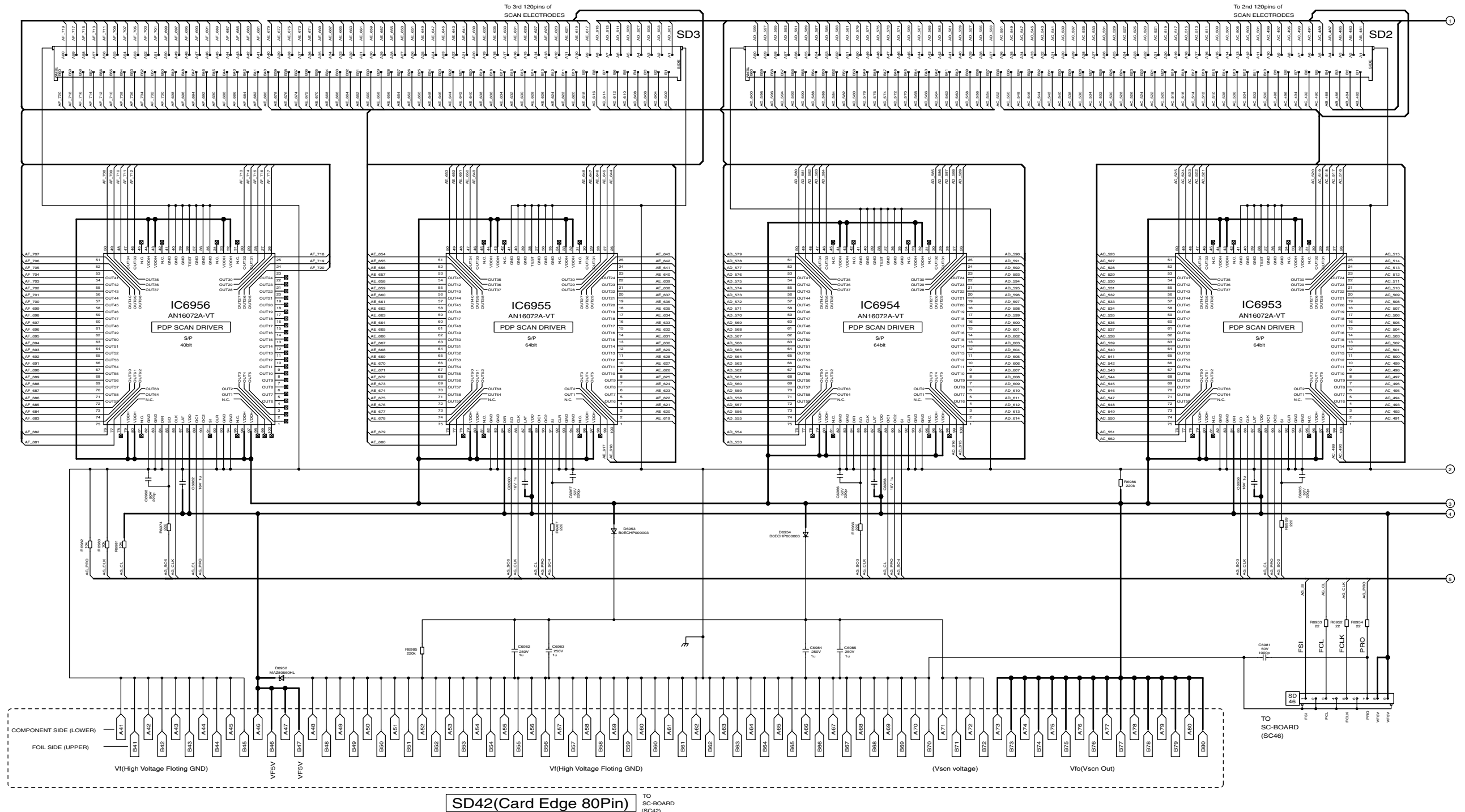
B

C

D

E

F



TH-37PV600E, TH-37PX600B
SD-Board (1 of 2) Schematic Diagram

TH-37PV600E, TH-37PX600B
SD-Board (1 of 2) Schematic Diagram

1

2

3

4

5

6

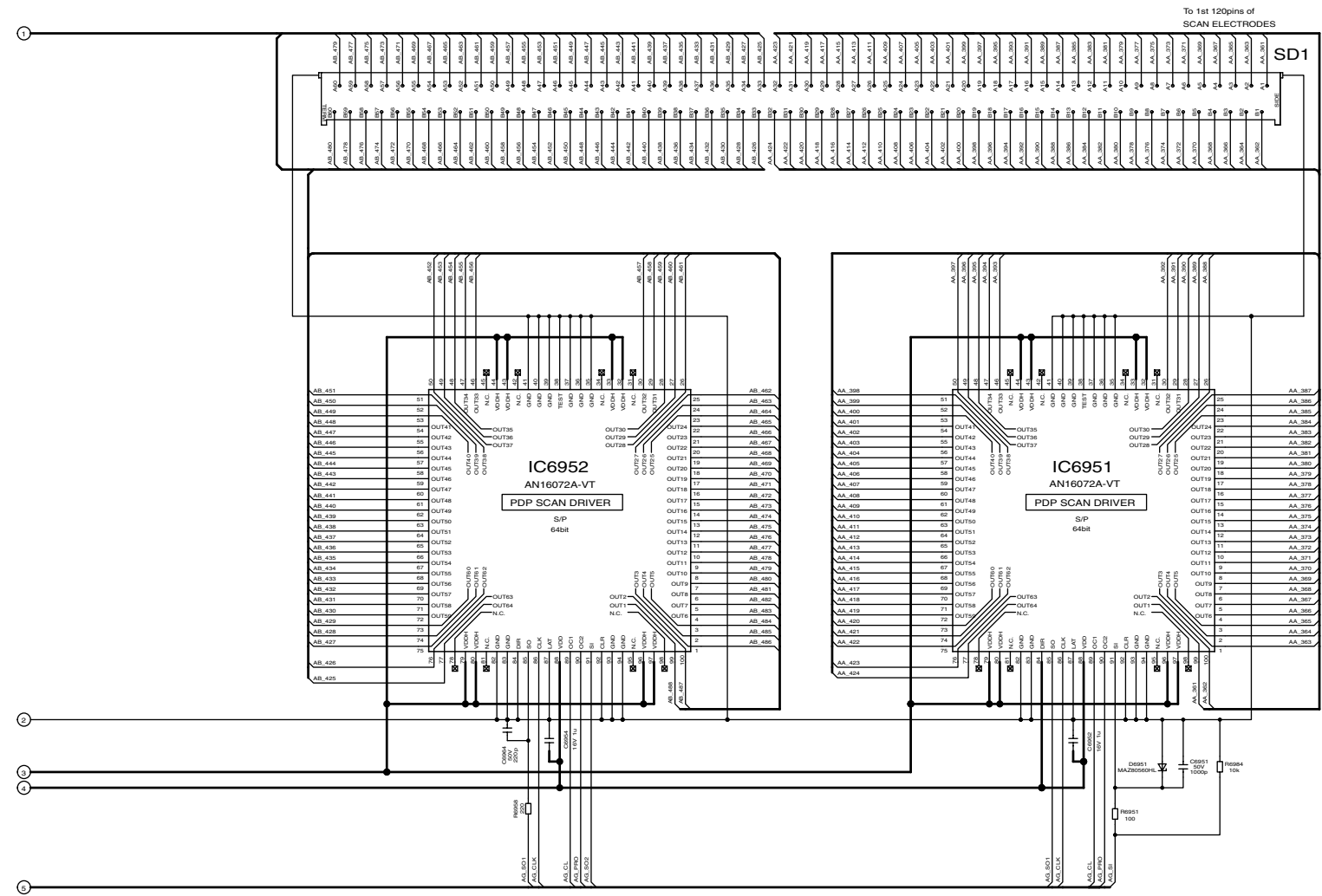
7

8

9

14.72. SD-Board (2 of 2) Schematic Diagram (37inch)

⚠ SD-BOARD TXNSD1BKTB (2/2)

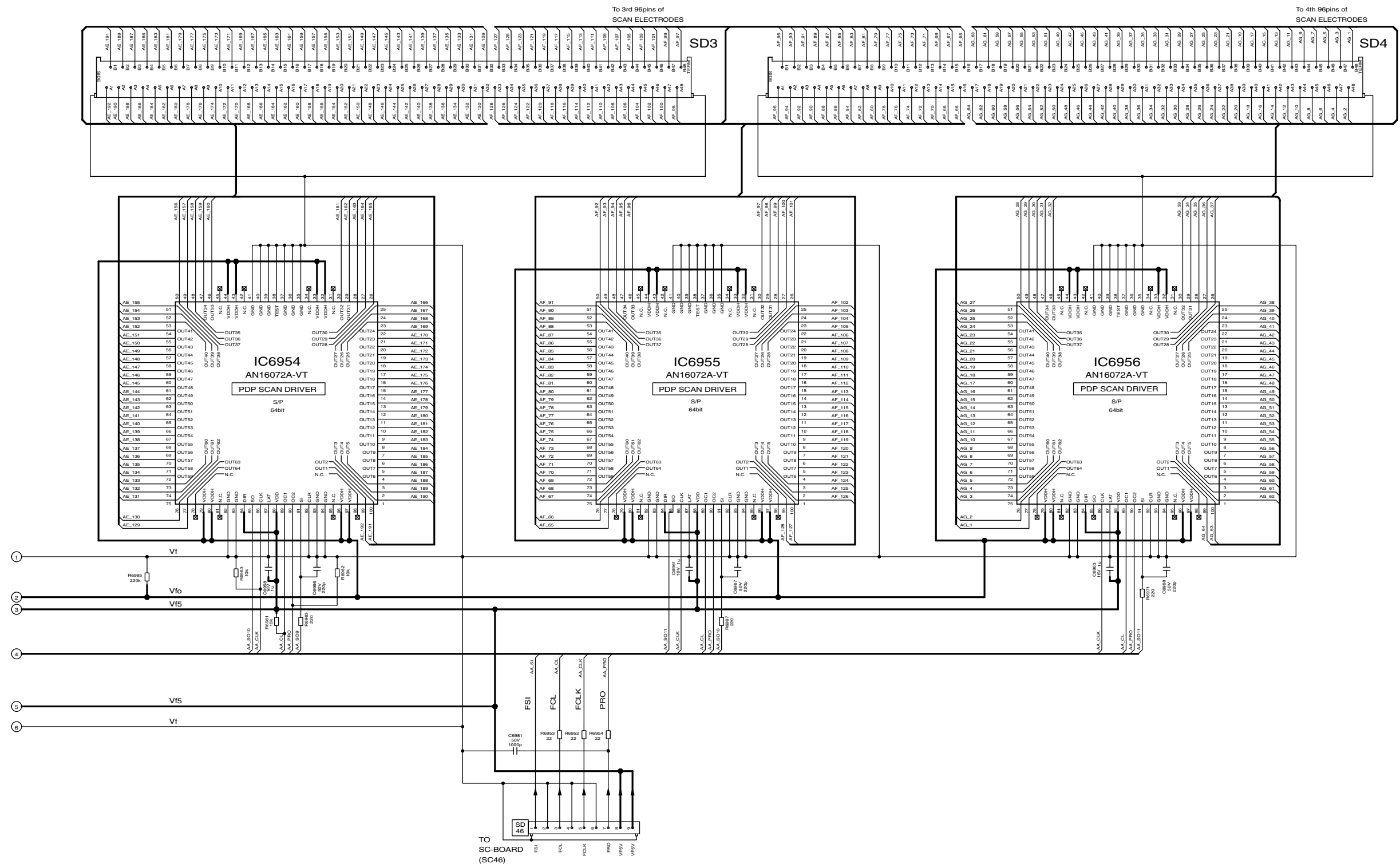


14.74. SD-Board (2 of 2) Schematic Diagram (42inch)



SD-BOARD TXNSD1BJTB (2/2)

DOWN

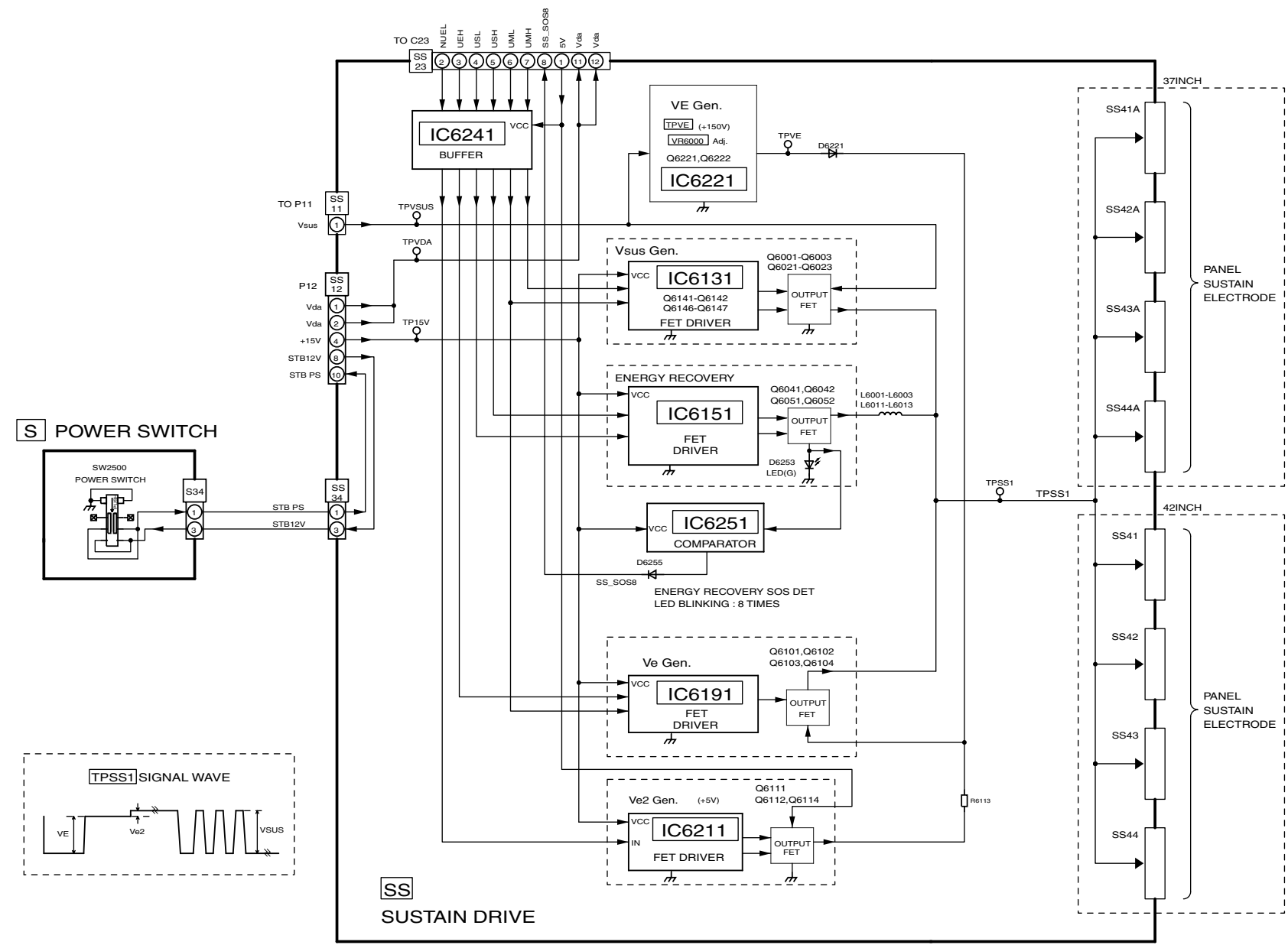


TH-42PV600E, TH-42PX600B
SD-Board (2 of 2) Schematic Diagram

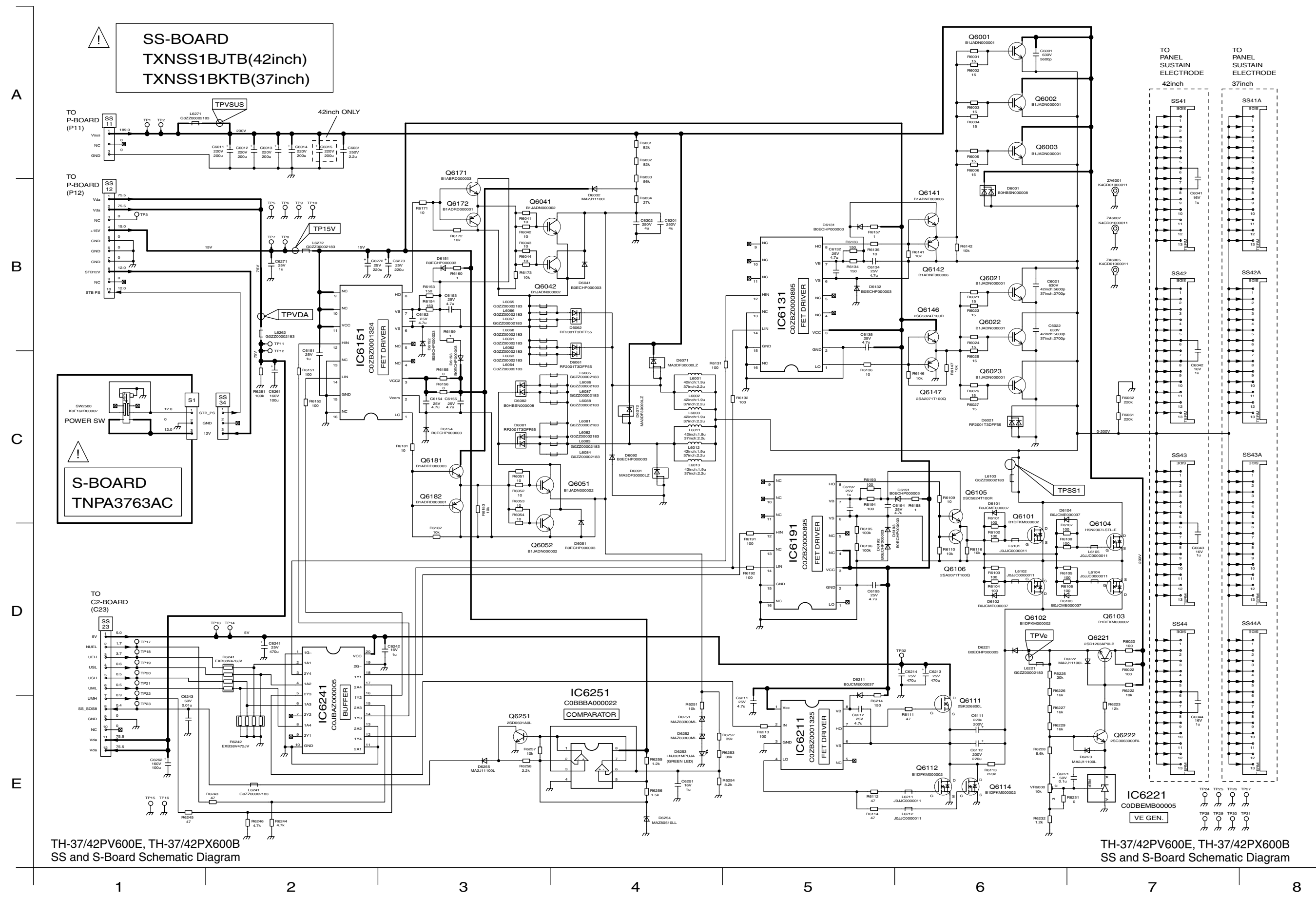
TH-42PV600E, TH-42PX600B
SD-Board (2 of 2) Schematic Diagram

8 9 10 11 12 13 14 15

14.75. SS and S-Board Block Diagram



14.76. SS and S-Board Schematic Diagram

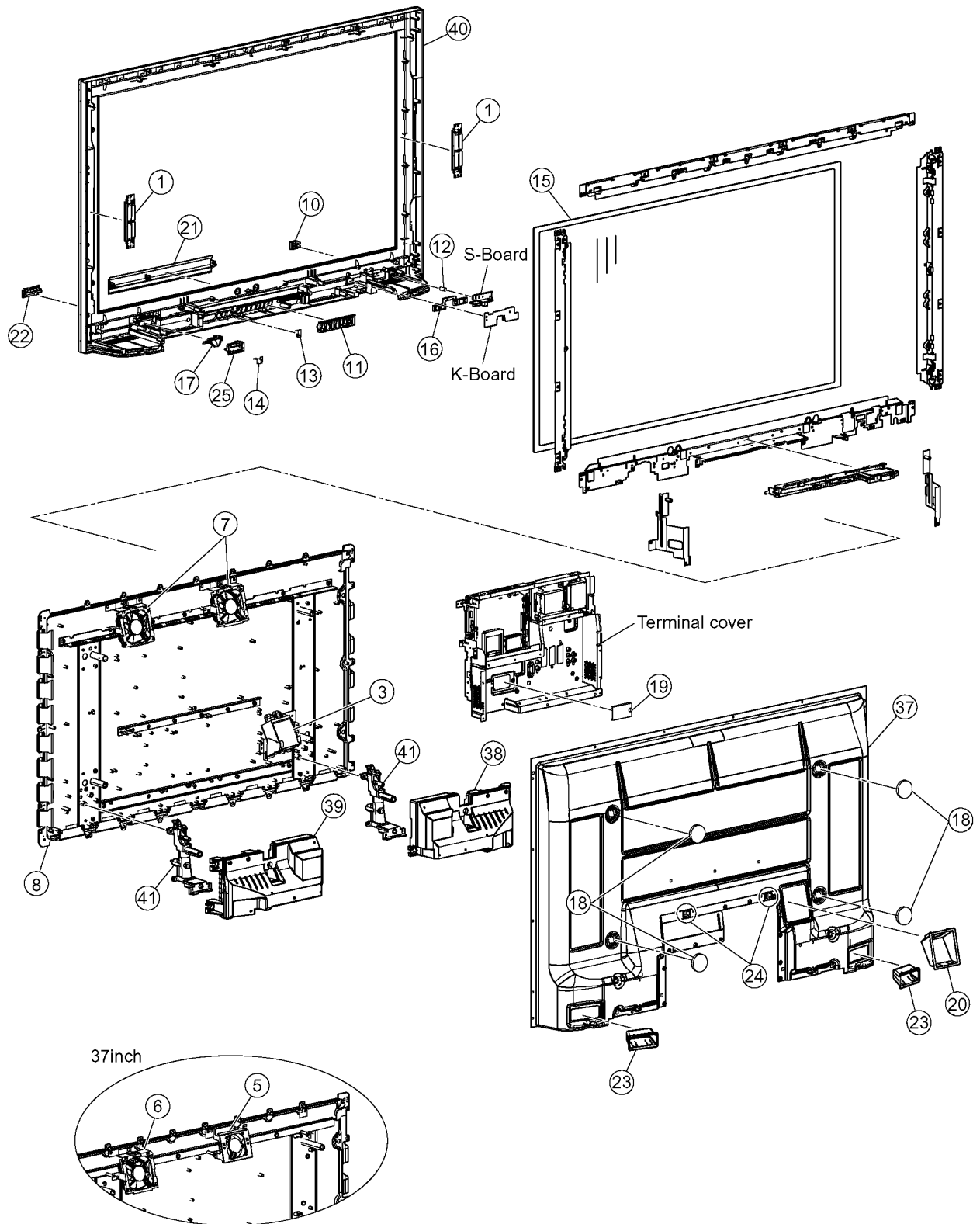


TH-37/42PV600E, TH-37/42PX600B
SS and S-Board Schematic Diagram

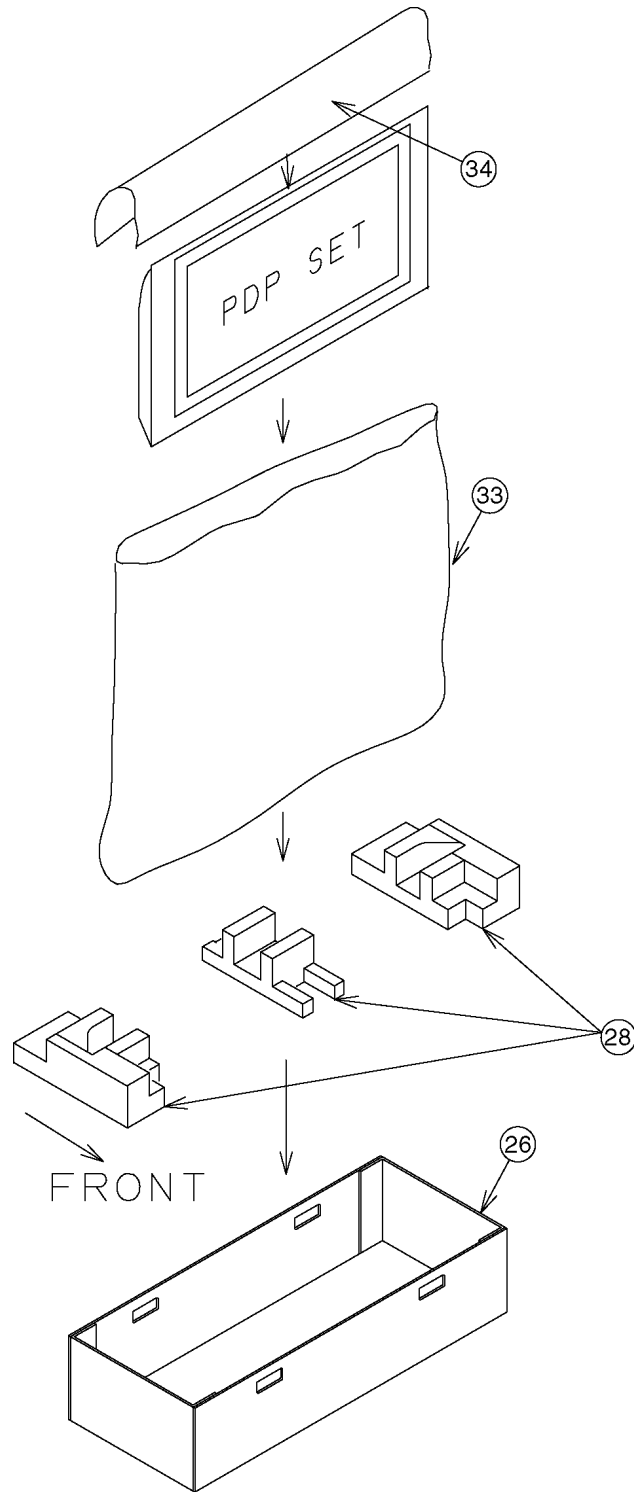
TH-37/42PV600E, TH-37/42PX600B
SS and S-Board Schematic Diagram

15 Parts Location & Mechanical Replacement Parts List

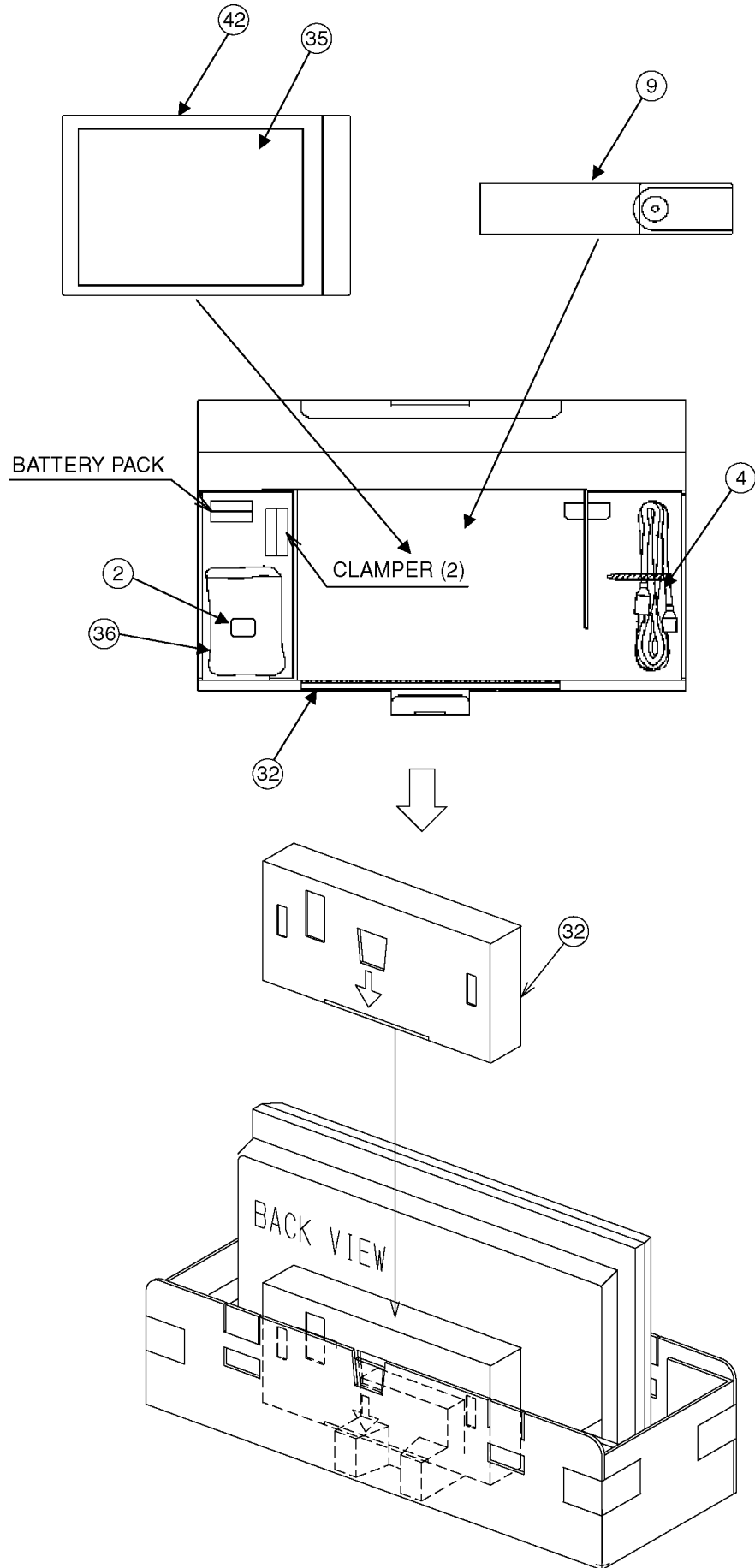
15.1. Parts Location



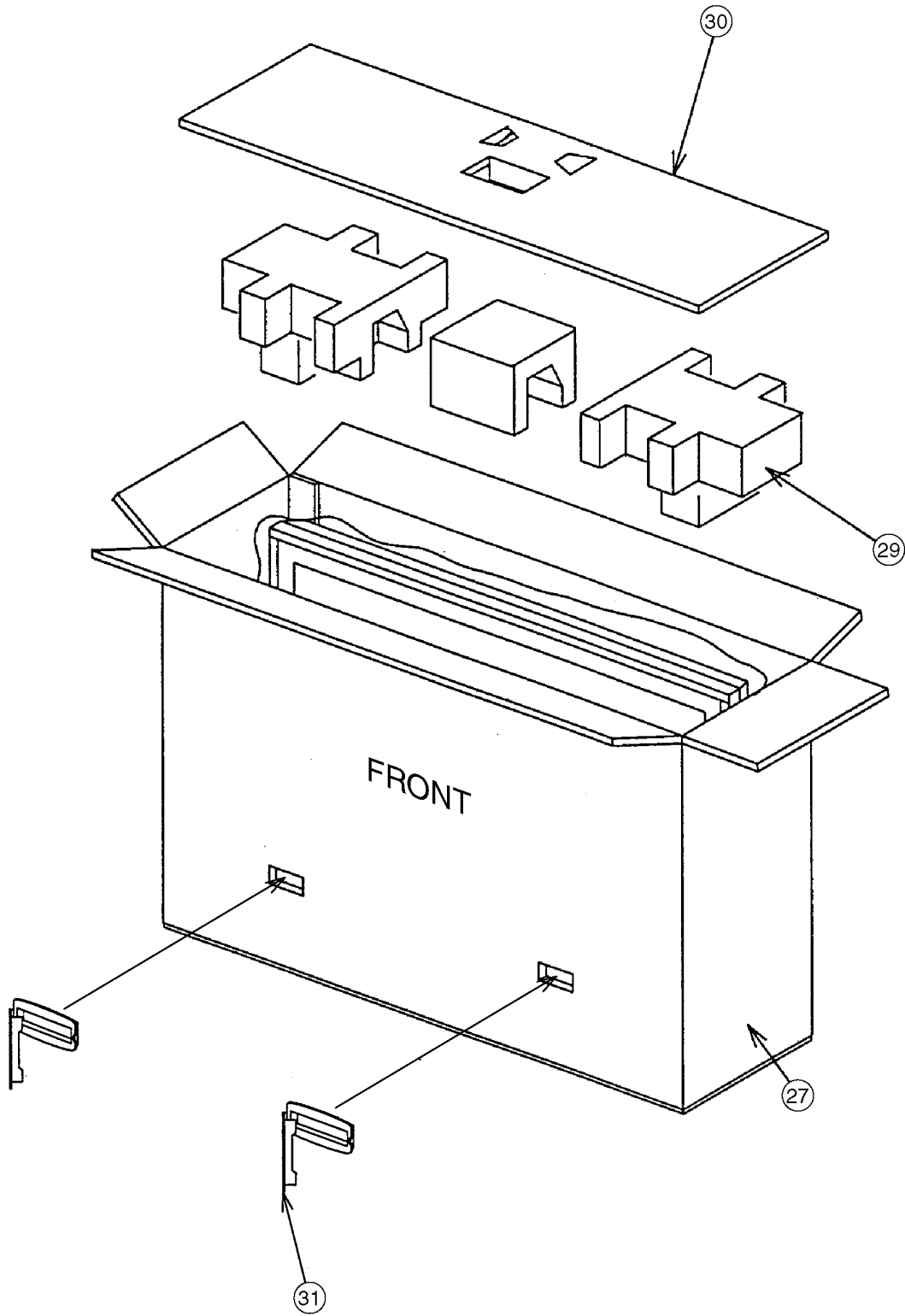
15.2. Packing Exploded Views (1)



15.3. Packing Exploded Views (2)



15.4. Packing Exploded Views (3)



15.5. Mechanical Replacement Parts List

Note:

All parts except parts mentioned [PAVCCZ] in the Remarks column are supplied by PAVC-CSG.

Parts mentioned [PAVCCZ] are supplied by PAVCCZ.

Ref. No.	Part No.	Part Name & Description	Pcs	Remarks
1	EAS10D85A	SQUAWKER SPEAKER (L/R)	2	
2	J0KF00000018	FILTER	1	
	J0KF00000038	CORE (FOR SPEAKER LEAD WIRE)	2	
	J2ZZ00000054	RF-CABLE	1	TH-37/42PX600B PAVCCZ
3	K2AHYH000005	AC INLET	1	△
4	K2CN3DH00006	AC CORD (CONTINENTAL)	1	TH-37/42PV600E △
4	K2CT3DH00018	AC CORD	1	TH-37/42PX600B △
5	L6FAKEDH0013	FAN (60MM)	1	37inch
6	L6FALEFH0041	FAN (80MM)	1	37inch
7	L6FALEFH0041	FAN (80MM)	2	42inch
8	MD37H09A1J	PLASMA DISPLAY PANEL	1	37inch △
8	MD42H09A1J	PLASMA DISPLAY PANEL	1	42inch △
9	N2QAYB000025	REMOTE CONTROL	1	TH-37/42PV600E PAVCCZ
9	N2QAKB000059	REMOTE CONTROL	1	TH-37/42PX600B PAVCCZ
10	TBXA48602	POWER BUTTON	1	
11	TBXA48803	CONTROL BOTTON	1	
12	TES4G204	SPRING	1	
13	TESA274	LEAF SPRING	1	
14	TESA275	SD DOOR SPRING	1	
	THEL0429	SCREW	26	
	THEL044N	SCREW	1	
	THEL047J	SCREW (HDMI:2)	2	PAVCCZ
	THTA0419	HOOK SCREW	2	
	THTD011J	SCREW	2	
	THTD013N	SCREW	9	
	THTF011N	SCREW	51	
15	TKGA5292	FRONT GLASS	1	37inch PAVCCZ
15	TKGA5280	FRONT GLASS	1	42inch PAVCCZ
16	TKKC5237	LED PANEL	1	TH-37/42PX600B
16	TKKC5244	LED PANEL	1	TH-37/42PV600E
17	TKKC5238	SD LIGHT PANEL	1	
18	TKKL5231	M8 SPACER CAP	4	
19	TKKL5269	COVER	1	
20	TKPA94301	INLET COVER	1	
21	TKPB00605	BOTTOM DOOR	1	
22	TKPB02902	SD DOOR	1	
23	TKRA51701	REAR COVER HANDLE	2	
24	TKRA52101	HOLE CAP	2	
	TMK0E726	SPONGE (TKG/LEFT/RIGHT)	2	42inch PAVCCZ
	TMK0E732	SPONGE (TKG/UPPER/BOTTOM)	2	42inch PAVCCZ
	TMK0E733	SPONGE (TKG/UPPER/BOTTOM)	2	37inch PAVCCZ
	TMK0E734	SPONGE (TKG/LEFT/RIGHT)	2	37inch PAVCCZ
	TMKG668	FAN SPONGE	2	37inch
	TMKG669	FAN SPONGE	1	37inch
	TMKG669	FAN SPONGE	3	42inch
	TMM14490	CABLE CLAMPER	1	
	TMM15414-2	CLAMPER	1	37inch
	TMM15414-2	CLAMPER	2	42inch
	TMM15481	CLAMPER	1	

Ref. No.	Part No.	Part Name & Description	Pcs	Remarks
	TMM17499	CLAMPER	1	
	TMM25401	CLAMPER	6	37inch
	TMM25401	CLAMPER	8	42inch
	TMM6428-1	CLAMPER	1	TH-37/42PV600E
	TMM6496-1	CLAMPER	1	
	TMM7464-2	CLAMPER	2	
	TMM7468-1	CLAMPER	1	
	TMME047	CLAMPER	4	
	TMME061	CLAMPER	2	TH-37/42PX600B
	TMME084	CLAMPER	1	
	TMME190	CLAMPER	3	
	TMME226	CLAMPER	1	
	TMME258	CLAMPER	2	
	TMME260	CLAMPER	18	37inch
	TMME260	CLAMPER	19	42inch
	TMME261	CLAMPER	3	PAVCCZ
	TMME268	CLAMPER	1	PAVCCZ
	TMMJ068	RUBBER (FAN)	9	
	TMMX037	CLAMPER	1	TH-37/42PX600B
	TMMX133	M8-SPACER	4	
25	TMWX040	SD LIGHT PANEL BRACKET	1	
26	TPC0E65501	CARTON BOX BOTTOM	1	37inch PAVCCZ
26	TPC0E65701	CARTON BOX BOTTOM	1	42inch PAVCCZ
27	TPC0E65601	CARTON BOX TOP	1	37inch PAVCCZ △
27	TPC0E65801	CARTON BOX TOP	1	42inch PAVCCZ △
28	TPD0E0113	CUSHION BOTTOM	1	PAVCCZ
29	TPD0E0114	CUSHION TOP	1	PAVCCZ
30	TPD0E9034	PAD TOP	1	37inch PAVCCZ
30	TPD0E9035	PAD TOP	1	42inch PAVCCZ
31	TPD169487	JOINT	4	
32	TPDF1197	ACCESSORIES BOX	1	
33	TPE0E4010	PROTECT COVER	1	PAVCCZ
34	TPE0E4013	TOP PROTECT SHEET	1	PAVCCZ
35	TQB0E0262	INSTRUCTION BOOK (ENGLISH)	1	PAVCCZ △ TH-37/42PV600B
35	TQB0E0263A	INSTRUCTION BOOK (GERMAN)	1	TH-37/42PV600E PAVCCZ △
35	TQB0E0263B	INSTRUCTION BOOK (DUTCH)	1	TH-37/42PV600E PAVCCZ △
35	TQB0E0263C	INSTRUCTION BOOK (ITALIAN)	1	TH-37/42PV600E PAVCCZ △
35	TQB0E0263D	INSTRUCTION BOOK (FRENCH)	1	TH-37/42PV600E PAVCCZ △
35	TQB0E0263E	INSTRUCTION BOOK (SPANISH)	1	TH-37/42PV600E PAVCCZ △
35	TQB0E0263F	INSTRUCTION BOOK (SWEDISH)	1	TH-37/42PV600E PAVCCZ △
35	TQB0E0263K	INSTRUCTION BOOK (DANISH)	1	TH-37/42PV600E PAVCCZ △
35	TQB0E0263M	INSTRUCTION BOOK (BULGALIA)	1	TH-37/42PV600E PAVCCZ △
35	TQB0E0263N	INSTRUCTION BOOK (RUMANIA)	1	TH-37/42PV600E PAVCCZ △
35	TQB0E0263P	INSTRUCTION BOOK (POLAND)	1	TH-37/42PV600E PAVCCZ △
35	TQB0E0263Q	INSTRUCTION BOOK (HUNGALY)	1	TH-37/42PV600E PAVCCZ △

Ref. No.	Part No.	Part Name & Description	Pcs	Remarks
35	TQB0E0263R	INSTRUCTION BOOK (CZECHO)	1	TH-37/42PV600E PAVCCZ ▲
35	TQB0E0263U	INSTRUCTION BOOK (ENGLISH)	1	TH-37/42PV600E PAVCCZ ▲
36	TQEF035	POLY BAG (FILTER)	1	
	TSXL513	CABLE (D31-C11/D32-C21)	2	
	TSXL519	CABLE (C12-C22)	1	
	TSXL520	CABLE (DG1-H1)	1	
	TSXL521	CABLE (DG15-HC15)	1	
	TSXL522	CABLE (DG20-PA20)	1	
	TSXL523	CABLE (D3-DG3)	1	
	TSXL545	CABLE (GS12-SD)	1	
37	TTUA1396	REAR COVER	1	TH-42PV600E PAVCCZ ▲
37	TTUA1397	REAR COVER	1	TH-42PX600B PAVCCZ ▲
37	TTUA1398	REAR COVER	1	TH-37PX600B PAVCCZ ▲
37	TTUA1399	REAR COVER	1	TH-37PV600E PAVCCZ ▲
38	TXFAB01BGTB	SPEAKER BOX ASS'Y (LEFT)	1	PAVCCZ
39	TXFAB02BGTB	SPEAKER BOX ASS'Y (RIGHT)	1	PAVCCZ
40	TXFKE01BFTE	ESCUTCHEON ASS'Y	1	TH-42PV600E PAVCCZ ▲
40	TXFKE01BGTE	ESCUTCHEON ASS'Y	1	TH-37PV600E PAVCCZ ▲
40	TXFKE01BFTB	ESCUTCHEON ASS'Y	1	TH-42PX600B PAVCCZ ▲
40	TXFKE01BGTB	ESCUTCHEON ASS'Y	1	TH-37PX600B PAVCCZ ▲
41	TXFMZ01BFTJ	STAND BLOCK ASS'Y	2	
	XTB4+12GFJ	SCREW	1	
	XTB4+12GFJK	SCREW	67	37inch
	XTB4+12GFJK	SCREW	58	42inch
	XTV3+10GFJ	SCREW	4	
	XTV3+10JFJK	SCREW	6	
	XTW3+10TFJ	SCREW	2	
	XYN2+F5FJ	SCREW (TOP-BOT)	1	
	XYN3+F10FJ	SCREW	2	
	XYN3+F6FJ	SCREW	1	
	XYN3+F8FJ	SCREW	29	TH-37/42PV600E
	XYN3+F8FJ	SCREW	23	TH-37/42PX600B
	XYN3+J12FJ	SCREW	39	37inch
	XYN3+J12FJ	SCREW	31	42inch
	XYN3+J8FJ	SCREW ROHS	12	
	XYN4+E8FJ	SCREW	1	
	XYN4+F10FJK	SCREW	11	
	XYN5+C15FJ	SCREW	8	
42	XZBT6530	POLY BAG (INST BOOK)	1	

16 Electrical Replacement Parts List

16.1. Replacement Parts List Notes

Important Safety Notice

Components identified by Δ mark have special characteristics important for safety. When replacing any of these components, use only manufacturer's specified parts.

RTL (Retention Time Limited)

Note: The marking (RTL) indicates that the Retention Time is Limited for this item. After the discontinuation of this assembly in production, the item will continue to be available for a specific period of time. The retention period of availability is dependant on the type of assembly, and in accordance with the laws governing part and product retention. After the end of this period, the assembly will no longer be available.

Abbreviation of part name and description

1. Resistor

Example:

ERD25TJ104 C 100KOHM, J, 1/4W
 Type Allowance

2. Capacitor

Example:

ECKF1H103ZF C 0.01UF, Z, 50V
 Type Allowance

Type	Allowance
C : Carbon	F : $\pm 1\%$
F : Fuse	G : $\pm 2\%$
M : Metal Oxide Metal Film	J : $\pm 5\%$
S : Solid	K : $\pm 10\%$
W : Wire Wound	M : $\pm 20\%$

Type	Allowance
C : Ceramic	C : $\pm 0.25\text{pF}$
E : Electrolytic	D : $\pm 0.5\text{pF}$
P : Polyester	F : $\pm 1\text{pF}$
Polypropylene	G : $\pm 3\text{pF}$
Tantalum	J : $\pm 5\text{pF}$
	K : $\pm 10\text{pF}$
	L : $\pm 15\text{pF}$
	M : $\pm 20\text{pF}$
	P : +100%, -0%
	Z : +80%, -20%

16.2. Electrical Replacement Parts List (37inch)

Note:

All parts except parts mentioned [PAVCCZ] in the Remarks column are supplied by PAVC-CSG.

Parts mentioned [PAVCCZ] are supplied by PAVCCZ.

Ref. No.	Part No.	Part Name & Description	Pcs	Remarks
F401.402	K5D802BNA005	TIME LAG FUSE HIGH	2	△
C001	ECA0JM102	E 1000UF, 6.3V	1	
C002,03	ECA1HM100	E 10UF, 50V	2	
C007	ECJ1XF1C104Z	C 0.1UF, Z, 16V	1	
C009	ECJ1VF1H104Z	C 0.1UF, Z, 50V	1	
C11	K1MN55BA0076	55P CONNECTOR	1	
C12	K1MN20BA0231	20P CONNECTOR	1	
C013	ECJ1XF1C104Z	C 0.1UF, Z, 16V	1	
C016	ECJ1XF1C104Z	C 0.1UF, Z, 16V	1	
C018,19	ECJ1VC1H330J	C 33PF, J, 50V	2	
C020	ECJ1VF1H103Z	C 0.010UF, Z, 50V	1	
C021	ECJ1XC1H101J	C 100PF, J, 50V	1	
C21	K1MN55BA0076	55P CONNECTOR	1	
C22	K1MN20BA0231	20P CONNECTOR	1	
C23	K1KA12BA0107	12P CONNECTOR	1	
C1100	ECJ0EB1A104K	C 0.1UF, K, 10V	1	
C1102	ECJ0EB1A104K	C 0.1UF, K, 10V	1	
C1103	ECJ0EB1E271K	C 270PF, K, 25V	1	
C1105	ECJ0EB1E271K	C 270PF, K, 25V	1	
C1106	ECJ1VB1A105K	C 0.01UF, Z, 50V	1	
C1107	EEHBOG101R	C 100PF, J, 4V	1	
C1109-11	ECJ0EB1A104K	C 0.1UF, K, 10V	3	
C1112	ECJ0EB1E271K	C 270PF, K, 25V	1	
C1114	ECJ0EB1A104K	C 0.1UF, K, 10V	1	
C1116	ECJ0EB1A104K	C 0.1UF, K, 10V	1	
C1118-23	ECJ0EB1A104K	C 0.1UF, K, 10V	6	
C1125	ECJ0EB1A104K	C 0.1UF, K, 10V	1	
C1127-32	ECJ0EB1A104K	C 0.1UF, K, 10V	6	
C1133,34	ECJ1XC1H150J	C 15PF, J, 50V	2	
C1135-42	ECJ0EB1A104K	C 0.1UF, K, 10V	8	
C1144-50	ECJ0EB1A104K	C 0.1UF, K, 10V	7	
C1152	ECJ0EB1A104K	C 0.1UF, K, 10V	1	
C1153	EEHBOG101R	C 100PF, J, 4V	1	
C1154	ECJ0EB1A104K	C 0.1UF, K, 10V	1	
C1155	ECJ0EB1C103K	C0.010UF, K, 16V	1	
C1156,57	ECJ1XC1H220J	C 22PF, J, 50V	2	
C1158	FLJ0J1060004	C 0.010UF, K, 16V	1	
C1159	ECJ0EB1A104K	C 0.1UF, K, 10V	1	
C1160	F2G0J470A019	E 47UF 6.3V	1	
C1161	ECJ1VB1A105K	C 0.01UF, Z, 50V	1	
C1162	ECJ0EB1C103K	C0.010UF, K, 16V	1	
C1167,68	ECJ1VB1A105K	C 0.01UF, Z, 50V	2	
C1170,71	ECJ0EB1A104K	C 0.1UF, K, 10V	2	TH-37PX600B
C1172	ECJ0EB1A104K	C 0.1UF, K, 10V	1	
C1177	ECJ1VB1A334K	C 0.1UF, K, 16V	1	
C1178	ECJ1VB1A105K	C 0.01UF, Z, 50V	1	
C1180,81	ECJ1VB1H221K	C 220UF, K, 50V	2	
C1186	ECJ0EB1A104K	C 0.1UF, K, 10V	1	
C1190	ECJ0EB1C103K	C0.010UF, K, 16V	1	
C1209	ECJ1VB1A105K	C 0.01UF, Z, 50V	1	
C1212	ECJ1XC1H151J	C 150PF, J, 50V	1	
C1219,20	EEHBP1C100R	C 10PF, J, 16V	2	

Ref. No.	Part No.	Part Name & Description	Pcs	Remarks
C1221	ECJ0EB1H102K	C 1000PF, K, 50V	1	
C1222,23	FLJ0J1060004	C 0.010UF, K, 16V	2	
C1226	FLJ0J1060004	C 0.010UF, K, 16V	1	
C1227	ECJ0EB1H101K	C 100PF, K, 50V	1	
C1228-34	EEHBC1C470P	C 47PF, J, 16V	7	
C1294	ECJ1XC1H330J	C 33PF, J, 50V	1	
C2005-18	ECJ1XC1H561J	C 560PF, J, 50V	14	
C2019	ECA1CM221	E 220UF, 16V	1	
C2020	ECA1HM220	E 22UF, 50V	1	
C2021,22	ECJ1XC1H561J	C 560PF, J, 50V	2	
C2103,04	ECJ3YB1A106M	C 10UF, M,6.3V	2	
C2111	ECJ2VF1C104Z	C 0.1UF, Z, 16V	1	
C2116	ECJ2VF1C104Z	C 0.1UF, Z, 16V	1	
C2118,19	ECEA1CN470U	E 47UF, 16V	2	
C2122,23	ECJ3YB1A106M	C 10UF, M,6.3V	2	
C2125,26	ECJ1VB1H102K	C 1000PF, K, 50V	2	
C2127	ECA1CMH101	E 100UF, 16V	1	
C2128	ECJ2VF1C104Z	C 0.1UF, Z, 16V	1	
C2129,30	FLJ1A1050002	C 1UF, Z, 50V	2	
C2131	ECJ2VF1C104Z	C 0.1UF, Z, 16V	1	
C2132	EEHBC1C100R	C 10PF, J, 16V	1	
C2133,34	ECJ1XC1H470J	C 47PF, J, 50V	2	
C2135,36	ECJ2FB1C105K	C 1UF, K, 16V	2	
C2139-43	ECJ1VB1H103K	C 0.001UF, K, 50V	5	
C2144,45	ECJ3YB1A106M	C 10UF, M,6.3V	2	
C2146	ECJ2VF1C104Z	C 0.1UF, Z, 16V	1	
C2147	ECA1HM220	E 22UF, 50V	1	
C2148-50	ECJ2FB1C105K	C 1UF, K, 16V	3	
C2152	ECJ2FB1C105K	C 1UF, K, 16V	1	
C2153	ECJ2FF1C475Z	C 0.047UF, Z, 16V	1	
C2154	ECJ2VF1C104Z	C 0.1UF, Z, 16V	1	
C2155	ECJ2FB1C105K	C 1UF, K, 16V	1	
C2156	ECJ3YB1A106M	C 10UF, M,6.3V	1	
C2157	ECJ2FB1C105K	C 1UF, K, 16V	1	
C2158	ECJ3YB1A106M	C 10UF, M,6.3V	1	
C2159,60	ECJ2FB1C105K	C 1UF, K, 16V	2	
C2161	ECA1CMH101	E 100UF, 16V	1	
C2162-69	ECJ2FB1C105K	C 1UF, K, 16V	8	
C2170-72	ECJ1VB1H102K	C 1000PF, K, 50V	3	
C2173	ECJ1VB1H103K	C 0.001UF, K, 50V	1	
C2174	ECJ1VB1H102K	C 1000PF, K, 50V	1	
C2175-77	ECJ1VB1H103K	C 0.001UF, K, 50V	3	
C2178,79	EEHBC1C100R	C 10PF, J, 16V	2	
C2181	ECJ2VF1C104Z	C 0.1UF, Z, 16V	1	
C2183	EEHBC1H3R3R	C 3.3PF, J, 50V	1	
C2184,85	ECJ2VF1C104Z	C 0.1UF, Z, 16V	2	
C2189,90	ECJ2FB1C105K	C 1UF, K, 16V	2	
C2191	ECJ2VF1C104Z	C 0.1UF, Z, 16V	1	
C2192	EEHBC1C100R	C 10PF, J, 16V	1	
C2193,94	ECJ2FB1C105K	C 1UF, K, 16V	2	
C2195	ECJ1XC1H470J	C 47PF, J, 50V	1	
C2196	ECJ2VF1C104Z	C 0.1UF, Z, 16V	1	
C2197	ECJ2FB0J225K	C 2.2UF, Z, 16V	1	
C2198	EEHBOJ101P	C 100PF, J, 6.3V	1	
C2199	ECJ1VC1H560J	C 56PF, J, 50V	1	

Ref. No.	Part No.	Part Name & Description	Pcs	Remarks
C2200	ECJ1XC1H470J	C 47PF, J, 50V	1	
C2201	ECJ1XC1H030C	C 3PF, C, 50V	1	
C2202	ECJ1XC1H050C	C 5PF, C, 50V	1	
C2203	ECJ1VC1H100C	C 10PF, C, 50V	1	
C2204	ECJ1XC1H220J	C 22PF, J, 50V	1	
C2211	ECJ1VB1C104K	C 0.1UF, K, 16V	1	
C2213	ERJ3GEY0R00	M 0 OHM, 1/16W	1	
C2217	F1H0J1050012	C 1UF, K, 16V	1	
C2218-21	ECJ3YB1A106M	C 10UF, M, 6.3V	4	
C2222	ECJ2VF1C104Z	C 0.1UF, Z, 16V	1	
C2223	ECJ1XC1H390J	C 39PF, J, 50V	1	
C2225	ECJ2FB1C105K	C 1UF, K, 16V	1	
C2226	ECJ1VB1H102K	C 1000PF, K, 50V	1	
C2227	ECA1CMH101	E 100UF, 16V	1	
C2228	ECJ1VB1H103K	C 0.001UF, K, 50V	1	
C2229,30	ECA1CMH101	E 100UF, 16V	2	
C2231	ECA1CHG470	E 47UF, 16V	1	
C2232	F1H0J1050012	C 1UF, K, 16V	1	
C2233,34	ECJ1VB1H102K	C 1000PF, K, 50V	2	
C2235	F1H0J1050012	C 1UF, K, 16V	1	
C2236	ECA1CHG470	E 47UF, 16V	1	
C2237-40	ECJ1VB1H103K	C 0.001UF, K, 50V	4	
C2243	ECA1CHG470	E 47UF, 16V	1	
C2301	ECA1EHG471	E 470UF, 25V	1	
C2302,03	ECA1CMH101	E 100UF, 16V	2	
C2304,05	ECJ1VB1H103K	C 0.001UF, K, 50V	2	
C2306	ECJ1XB1C393K	C 0.039UF, K, 16V	1	
C2307	ECA1CMH101	E 100UF, 16V	1	(H)
C2307	ECJ1XB1C393K	C 0.039UF, K, 16V	1	(PA)
C2308-13	ECJ1VB1E183K	C 0.018UF, K, 25V	6	
C2314	ECJ1VB1C105K	C 0.01UF, K, 16V	1	
C2317	ECJ2FB1A105K	C 1UF, K, 10V	1	
C2320	ECJ2FB1A105K	C 1UF, K, 10V	1	
C2321	ECJ2XB1H103K	C 0.01UF, K, 50V	1	
C2322	ECJ2FB1A105K	C 1UF, K, 10V	1	
C2323,24	ECJ2FB1E224K	C 22UF, K, 25V	2	
C2325,26	ECJ1VB1E104K	C 0.10UF, K, 25V	2	
C2327	F1J1H474A757	C 0.47UF, 50V	1	
C2328-31	ECJ2FB1E105K	C 1UF, K, 25V	4	
C2332,33	ECA1EHG471	E 470UF, 25V	2	
C2334,35	ECJ1VB1E104K	C 0.10UF, K, 25V	2	
C2336	F1J1H474A757	C 0.47UF, 50V	1	
C2337,38	ECJ2FB1E224K	C 22UF, K, 25V	2	
C2341	ECJ3YB1E106M	C 10 UF, K, 25V	1	
C2342	ECJ2FB1E105K	C 1UF, K, 25V	1	
C2346	ECJ2FB1A105K	C 1UF, K, 10V	1	
C2349	ECJ2FB1A105K	C 1UF, K, 10V	1	
C2350	ECJ2XB1H103K	C 0.01UF, K, 50V	1	
C2351	ECJ2FB1A105K	C 1UF, K, 10V	1	
C2352,53	ECJ2FB1E224K	C 22UF, K, 25V	2	
C2354,55	ECJ1VB1E104K	C 0.10UF, K, 25V	2	
C2356	F1J1H474A757	C 0.47UF, 50V	1	
C2357-60	ECJ2FB1E105K	C 1UF, K, 25V	4	
C2361,62	ECA1EHG471	E 470UF, 25V	2	
C2363,64	ECJ1VB1E104K	C 0.10UF, K, 25V	2	
C2365	F1J1H474A757	C 0.47UF, 50V	1	
C2366,67	ECJ2FB1E224K	C 22UF, K, 25V	2	

Ref. No.	Part No.	Part Name & Description	Pcs	Remarks
C2368,69	ECJ1VB1C105K	C 0.01UF, K, 16V	2	
C2370	ECJ3YB1E106M	C 10 UF, K, 25V	1	
C2371	ECJ2FB1E105K	C 1UF, K, 25V	1	
C2372	ECA1HHG100	E 100UF, 50V	1	
C2373	ECJ1VF1H104Z	C 0.1UF, Z, 50V	1	
C2374	ECJ1VF1A105Z	C 1UF, Z, 10V	1	
C2380,81	ECJ1VB1H103K	C 0.001UF, K, 50V	2	
C2382	ECJ1VB1C105K	C 0.01UF, K, 16V	1	
C2385	ECJ2FB1A105K	C 1UF, K, 10V	1	
C2387	ECJ2FB1A105K	C 1UF, K, 10V	1	
C2389	ECJ2FB1A105K	C 1UF, K, 10V	1	
C2391	ECJ2FB1A105K	C 1UF, K, 10V	1	
C2393-96	ECJ1VB1C105K	C 0.01UF, K, 16V	4	
C2401	ECJ2FB1A105K	C 1UF, K, 10V	1	
C2402	ECJ2FB0J106M	C 10UF, Z, 6.3V	1	
C2403	ECJ1VB1H103K	C 0.001UF, K, 50V	1	
C2404	ECJ2FB1A105K	C 1UF, K, 10V	1	
C2405	ECJ2FB0J106M	C 10UF, Z, 6.3V	1	
C2416	ECJ1VB1H103K	C 0.001UF, K, 50V	1	
C2417,18	ECJ2FB0J106M	C 10UF, Z, 6.3V	2	
C2430	ECJ1VF1A105Z	C 1UF, Z, 10V	1	
C2510,11	ECJ2VF1C105Z	C 1UF, Z, 16V	2	
C2512	ECJ3XB0J106M	C 10UF, M, 6.3V	1	
C2515	ECJ1VB1H103K	C 0.001UF, K, 50V	1	
C2517	ECJ1VB1H103K	C 0.001UF, K, 50V	1	TH-37PX600B
C2521	ECJ1VB1H103K	C 0.001UF, K, 50V	1	
C3001-03	ECJ1VB1H102K	C 1000PF, K, 50V	3	
C3021	F1J1A1050002	C 1UF, Z, 50V	1	
C3022,23	ECJ1VB1H103K	C 0.001UF, K, 50V	2	
C3024-28	F1J1A1050002	C 1UF, Z, 50V	5	
C3029	ECJ2VF1C105Z	C 1UF, Z, 16V	1	
C3030	ECJ2VF1C104Z	C 0.1UF, Z, 16V	1	
C3031	F1J1A1050002	C 1UF, Z, 50V	1	
C3033	F1J1A1050002	C 1UF, Z, 50V	1	
C3035,36	F1J1A1050002	C 1UF, Z, 50V	2	
C3038	ECJ2VF1C104Z	C 0.1UF, Z, 16V	1	
C3039	F1J1A1050002	C 1UF, Z, 50V	1	
C3040	ECJ2VF1C104Z	C 0.1UF, Z, 16V	1	
C3041	ECJ1VB1H103K	C 0.001UF, K, 50V	1	
C3042,43	F1J1A1050002	C 1UF, Z, 50V	2	
C3045,46	ECJ1VB1H103K	C 0.001UF, K, 50V	2	
C3047	F1J1A1050002	C 1UF, Z, 50V	1	
C3048	ECJ1VB1H103K	C 0.001UF, K, 50V	1	
C3049-56	F1J1A1050002	C 1UF, Z, 50V	8	
C3058	ECA1EM471	E 470UF, 25V	1	
C3059	ECJ2VF1C105Z	C 1UF, Z, 16V	1	
C3061-64	ECJ2VF1C104Z	C 0.1UF, Z, 16V	4	
C3065	ECJ1VB1H103K	C 0.001UF, K, 50V	1	
C3066	F1J1A1050002	C 1UF, Z, 50V	1	
C3067	ECJ1VB1H103K	C 0.001UF, K, 50V	1	
C3068	ECJ2VF1C104Z	C 0.1UF, Z, 16V	1	
C3070	ECA1EM471	E 470UF, 25V	1	
C3071	ECJ2VF1C104Z	C 0.1UF, Z, 16V	1	
C3072	ECA1EM471	E 470UF, 25V	1	
C3073	ECJ2VF1C104Z	C 0.1UF, Z, 16V	1	
C3074	ECA1EM471	E 470UF, 25V	1	
C3075	ECA1CM221	E 220UF, 16V	1	
C3076	ECA1EM471	E 470UF, 25V	1	
C3207	ECA1AM102	E 1000UF, 10V	1	
C3214	ECJ2VF1C104Z	C 0.1UF, Z, 16V	1	
C3216	ECJ2VF1C104Z	C 0.1UF, Z, 16V	1	
C3226-28	ECJ2VF1C104Z	C 0.1UF, Z, 16V	3	

Ref. No.	Part No.	Part Name & Description	Pcs	Remarks
C3229	ECJ2FF1A106Z	C 0.001UF, Z, 10V	1	
C3230	ECJ2VF1C104Z	C 0.1UF, Z, 16V	1	
C3231	ECJ1XF1C104Z	C 0.1UF, Z, 16V	1	
C3233	ECJ2VF1C104Z	C 0.1UF, Z, 16V	1	
C3241	ECJ2VF1C104Z	C 0.1UF, Z, 16V	1	
C3262	ECJ1VB1H472K	C 4700PF, K, 50V	1	
C3268	ECJ1VB1H103K	C 0.001UF, K, 50V	1	
C3305	ECJ1XF1C104Z	C 0.1UF, Z, 16V	1	
C3330	ECA1CM470	E 47UF, 16V	1	
C3331	ECJ2XB1H103K	C 0.01UF, K, 50V	1	
C3332	ECJ2VF1C104Z	C 0.1UF, Z, 16V	1	
C3334	ECEA1CN470U	E 47UF, 16V	1	
C3335	ECJ2VB1C104K	C 0.1UF, K, 16V	1	
C3336	ECEA1CN470U	E 47UF, 16V	1	
C3337	ECJ2VB1C104K	C 0.1UF, K, 16V	1	
C3338	ECEA1CN470U	E 47UF, 16V	1	
C3339	ECJ2VB1C104K	C 0.1UF, K, 16V	1	
C3340-42	ECJ2VF1C104Z	C 0.1UF, Z, 16V	3	
C3701	ECJ2XC1H561K	C 560PF, K, 50V	1	
C3703	ECJ2XC1H561K	C 560PF, K, 50V	1	
C3711,12	ECJ2VF1H333Z	C 0.033UF, Z, 50V	2	
C3750,51	ECJ2XC1H102K	C 1000PF, K, 50V	2	
C4003-08	FLJ0J1060004	C 0.010UF, K, 16V	6	
C4009	ECJ1VB0J475K	C 4.7UF, K, 6.3V	1	
C4014,15	FLJ0J1060004	C 0.010UF, K, 16V	2	
C4023	FLJ0J1060004	C 0.010UF, K, 16V	1	
C4026	ECJ0EB1A104K	C 0.1UF, K, 10V	1	
C4027	ECJ1VB1A105K	C 0.01UF, Z, 50V	1	
C4028	ECJ0EB1C103K	C0.010UF, K, 16V	1	
C4112	FLJ0J1060004	C 0.010UF, K, 16V	1	
C4117	ECJ0EB1A104K	C 0.1UF, K, 10V	1	
C4142	FLH1C104A065	C 0.1UF, K, 16V	1	
C4144-46	ECJ1XC1H050C	C 5PF, C, 50V	3	
C4148-51	ECJ1VB0J475K	C 4.7UF, K, 6.3V	4	
C4152,53	FLJ0J1060004	C 0.010UF, K, 16V	2	
C4157	FLJ0J1060004	C 0.010UF, K, 16V	1	
C4158	ECJ1VB1A105K	C 0.01UF, Z, 50V	1	
C4159	FLH1C104A065	C 0.1UF, K, 16V	1	
C4160	ECJ0EB1A104K	C 0.1UF, K, 10V	1	
C4161,62	ECJ1VB1A105K	C 0.01UF, Z, 50V	2	
C4165	ECJ0EB1A104K	C 0.1UF, K, 10V	1	
C4168	ECJ1XC1H680J	C 68PF, J, 50V	1	
C4169	ECJ1VB1A105K	C 0.01UF, Z, 50V	1	
C4171	ECJ1XC1H471J	C 470PF, J, 50V	1	
C4172,73	FLH1C104A065	C 0.1UF, K, 16V	2	
C4174	ECJ0EB1A104K	C 0.1UF, K, 10V	1	
C4175	FLH1C104A065	C 0.1UF, K, 16V	1	
C4176	ECJ1VB0J225K	C 2.2UF, K, 6.3V	1	
C4177	ECJ2FB1C684K	C 68UF, Z, 16V	1	
C4178	ECJ1XB1C393K	C 0.039UF, K, 16V	1	
C4180	FLH1C104A065	C 0.1UF, K, 16V	1	
C4181	ECJ0EB1C103K	C0.010UF, K, 16V	1	
C4182	ECJ0EB1A104K	C 0.1UF, K, 10V	1	
C4185,86	ECJ3XB0J106M	C 10UF, M, 6.3V	2	
C4187	F2G0J470A019	E 47UF 6.3V	1	
C4188	FLJ0J1060004	C 0.010UF, K, 16V	1	
C4189-92	ECJ0EB1A104K	C 0.1UF, K, 10V	4	
C4193	ECJ0EB1H102K	C 1000PF, K, 50V	1	
C4194-97	FLH1C104A065	C 0.1UF, K, 16V	4	
C4198	ECJ1VB1A105K	C 0.01UF, Z, 50V	1	
C4199	ECJ0EB1C103K	C0.010UF, K, 16V	1	
C4200	F2G0J470A019	E 47UF 6.3V	1	
C4201	ECJ0EB1C103K	C0.010UF, K, 16V	1	

Ref. No.	Part No.	Part Name & Description	Pcs	Remarks
C4204	ECJ0EB1A104K	C 0.1UF, K, 10V	1	
C4205,06	FLH1C104A065	C 0.1UF, K, 16V	2	
C4208,09	ECJ0EB1A104K	C 0.1UF, K, 10V	2	
C4211	ECJ0EB1A104K	C 0.1UF, K, 10V	1	
C4212	EEHBOG221P	C 220PF, J, 4V	1	
C4213	ECJ0EB1A104K	C 0.1UF, K, 10V	1	
C4214	ECJ1VB1A105K	C 0.01UF, Z, 50V	1	
C4215	ECJ0EB1A104K	C 0.1UF, K, 10V	1	
C4216	F2G0J470A019	E 47UF 6.3V	1	
C4217	FLH1C104A065	C 0.1UF, K, 16V	1	
C4218	ECJ0EB1H102K	C 1000PF, K, 50V	1	
C4219	ECJ1VB1A105K	C 0.01UF, Z, 50V	1	
C4220	ECJ0EB1C103K	C0.010UF, K, 16V	1	
C4224	ECJ0EB1A104K	C 0.1UF, K, 10V	1	
C4225	ECJ1VB1A105K	C 0.01UF, Z, 50V	1	
C4226	ECJ1XC1H680J	C 68PF, J, 50V	1	
C4227	ECJ1VB1C823K	C 0.082UF, K, 16V	1	
C4228	ECJ0EB1C103K	C0.010UF, K, 16V	1	
C4229	FLH1C104A065	C 0.1UF, K, 16V	1	
C4230-34	ECJ0EB1A104K	C 0.1UF, K, 10V	5	
C4235	ECJ0EB1C103K	C0.010UF, K, 16V	1	
C4236-42	ECJ0EB1A104K	C 0.1UF, K, 10V	7	
C4243,44	ECJ1VB1A105K	C 0.01UF, Z, 50V	2	
C4245,46	ECJ0EB1A104K	C 0.1UF, K, 10V	2	
C4248	ECJ0EB1A104K	C 0.1UF, K, 10V	1	
C4250,51	ECJ0EB1A104K	C 0.1UF, K, 10V	2	
C4252	ECJ1VB1A105K	C 0.01UF, Z, 50V	1	
C4253	F2G0J470A019	E 47UF 6.3V	1	
C4255	ECJ1VB1H562K	C 5600PF, K, 50V	1	
C4256	ECJ1VB1A105K	C 0.01UF, Z, 50V	1	
C4257	ECJ1VB0J475K	C 4.7UF, K, 6.3V	1	
C4258	ECJ0EB1A104K	C 0.1UF, K, 10V	1	
C4259	ECJ1VB0J225K	C 2.2UF, K, 6.3V	1	
C4261-65	ECJ0EB1A104K	C 0.1UF, K, 10V	5	
C4266	ECJ0EB1C103K	C0.010UF, K, 16V	1	
C4267,68	ECJ0EB1A104K	C 0.1UF, K, 10V	2	
C4269	ECJ1VB1A105K	C 0.01UF, Z, 50V	1	
C4270	ECJ0EB1A104K	C 0.1UF, K, 10V	1	
C4272	F2G0J470A019	E 47UF 6.3V	1	
C4273-75	ECJ0EB1A104K	C 0.1UF, K, 10V	3	
C4276	ECJ1VB0J225K	C 2.2UF, K, 6.3V	1	
C4277	ECJ1VB0J475K	C 4.7UF, K, 6.3V	1	
C4281-84	ECJ0EB1A104K	C 0.1UF, K, 10V	4	
C4287,88	ECJ0EB1A104K	C 0.1UF, K, 10V	2	
C4289,90	EEHBOJ330R	C 33PF, J, 6.3V	2	
C4291,92	ECJ0EB1A104K	C 0.1UF, K, 10V	2	
C4296	FLJ0J1060004	C 0.010UF, K, 16V	1	
C4297	ECJ0EB1A104K	C 0.1UF, K, 10V	1	
C4298-06	ECJ1VB1A105K	C 0.01UF, Z, 50V	9	
C4307-09	ECJ0EB1A104K	C 0.1UF, K, 10V	3	
C4310	ECJ0EB1C103K	C0.010UF, K, 16V	1	
C4311	ECJ0EB1A104K	C 0.1UF, K, 10V	1	
C4312	ECJ0EB1C103K	C0.010UF, K, 16V	1	
C4313,14	ECJ0EB1A104K	C 0.1UF, K, 10V	2	
C4315	FLJ0J1060004	C 0.010UF, K, 16V	1	
C4316-18	ECJ0EB1A104K	C 0.1UF, K, 10V	3	
C4320-22	ECJ0EB1A104K	C 0.1UF, K, 10V	3	
C4325	ECJ0EB1A104K	C 0.1UF, K, 10V	1	

Ref. No.	Part No.	Part Name & Description	Pcs	Remarks
C4327	ECJ0EB1A104K	C 0.1UF, K, 10V	1	
C4329,30	ECJ0EB1A104K	C 0.1UF, K, 10V	2	
C4331	F1J0J1060004	C 0.010UF, K, 16V	1	
C4332	ECJ1VB1A105K	C 0.01UF, Z, 50V	1	
C4333-38	ECJ0EB1A104K	C 0.1UF, K, 10V	6	
C4339	ECJ1VB0J225K	C 2.2UF, K, 6.3V	1	
C4340	ECJ1XC1H471J	C 470PF, J, 50V	1	
C4341	EEH1C470P	C 47PF, J, 16V	1	
C4342	ECJ0EB1A104K	C 0.1UF, K, 10V	1	
C4343	EEH1C100R	C 10PF, J, 16V	1	
C4344,45	F1J0J1060004	C 0.010UF, K, 16V	2	
C4346	ECJ0EB1A104K	C 0.1UF, K, 10V	1	
C4347	ECJ1VB1A105K	C 0.01UF, Z, 50V	1	
C4348	EEH1C470P	C 47PF, J, 16V	1	
C4349	ECJ0EB1C103K	C0.010UF, K, 16V	1	
C4350,51	ECJ1XC1H181J	C 180PF, J, 50V	2	
C4352,53	ECJ1XC1H330J	C 33PF, J, 50V	2	
C4354	ECJ0EB1C103K	C0.010UF, K, 16V	1	
C4360	ECJ1VB1A105K	C 0.01UF, Z, 50V	1	
C4362	F1J0J1060004	C 0.010UF, K, 16V	1	
C4363,64	ECJ0EB1A104K	C 0.1UF, K, 10V	2	
C4365	ECJ1VB1A105K	C 0.01UF, Z, 50V	1	
C4366	F2G0J470A019	E 47UF 6.3V	1	
C4367	ECJ0EB1A104K	C 0.1UF, K, 10V	1	
C4371	ECJ0EB1H102K	C 1000PF, K, 50V	1	
C4372	ECJ0EB1A104K	C 0.1UF, K, 10V	1	
C4373	ECJ1VB1A105K	C 0.01UF, Z, 50V	1	
C4374	ECJ0EB1A104K	C 0.1UF, K, 10V	1	
C4375,76	ECJ0EB1H102K	C 1000PF, K, 50V	2	
C4377	ECJ0EB1A104K	C 0.1UF, K, 10V	1	
C4379	ECJ0EB1A104K	C 0.1UF, K, 10V	1	
C4380	ECJ0EB1H102K	C 1000PF, K, 50V	1	
C4381,82	ECJ0EB1A104K	C 0.1UF, K, 10V	2	
C4383	ECJ0EB1H102K	C 1000PF, K, 50V	1	
C4384	ECJ0EB1A104K	C 0.1UF, K, 10V	1	
C4385	ECJ0EB1H102K	C 1000PF, K, 50V	1	
C4386	ECJ0EB1A104K	C 0.1UF, K, 10V	1	
C4387	ECJ0EB1H102K	C 1000PF, K, 50V	1	
C4388	ECJ1VB1A105K	C 0.01UF, Z, 50V	1	
C4389	ECJ0EB1A104K	C 0.1UF, K, 10V	1	
C4390	ECJ0EB1H102K	C 1000PF, K, 50V	1	
C4391	ECJ1VB1A105K	C 0.01UF, Z, 50V	1	
C4392	ECJ0EB1A104K	C 0.1UF, K, 10V	1	
C4393,94	ECJ0EB1H102K	C 1000PF, K, 50V	2	
C4395	ECJ0EB1A104K	C 0.1UF, K, 10V	1	
C4396	ECJ0EB1H102K	C 1000PF, K, 50V	1	
C4397,98	ECJ0EB1A104K	C 0.1UF, K, 10V	2	
C4399,00	ECJ1VB1A105K	C 0.01UF, Z, 50V	2	
C4401	ECJ0EB1A104K	C 0.1UF, K, 10V	1	
C4402,03	ECJ0EB1H102K	C 1000PF, K, 50V	2	
C4404	ECJ0EB1A104K	C 0.1UF, K, 10V	1	
C4405	ECJ1VB1A105K	C 0.01UF, Z, 50V	1	
C4406	ECJ0EB1H102K	C 1000PF, K, 50V	1	
C4407,08	ECJ0EB1A104K	C 0.1UF, K, 10V	2	
C4409	ECJ0EB1H102K	C 1000PF, K, 50V	1	
C4410	ECJ1VB1A105K	C 0.01UF, Z, 50V	1	
C4411,12	ECJ0EB1A104K	C 0.1UF, K, 10V	2	
C4413,14	ECJ0EB1H102K	C 1000PF, K, 50V	2	
C4415	ECJ0EB1A104K	C 0.1UF, K, 10V	1	
C4417	F2G0J470A019	E 47UF 6.3V	1	

Ref. No.	Part No.	Part Name & Description	Pcs	Remarks
C4418,19	ECJ1VB1A105K	C 0.01UF, Z, 50V	2	
C4420,21	ECJ0EB1A104K	C 0.1UF, K, 10V	2	
C4422-24	ECJ0EB1H102K	C 1000PF, K, 50V	3	
C4425,26	ECJ0EB1A104K	C 0.1UF, K, 10V	2	
C4427	ECJ0EB1H102K	C 1000PF, K, 50V	1	
C4428	ECJ0EB1A104K	C 0.1UF, K, 10V	1	
C4429,30	ECJ0EB1H102K	C 1000PF, K, 50V	2	
C4434	ECJ0EB1H102K	C 1000PF, K, 50V	1	
C4435	ECJ1VB1A105K	C 0.01UF, Z, 50V	1	
C4436-39	ECJ0EB1H102K	C 1000PF, K, 50V	4	
C4440	ECJ0EB1A104K	C 0.1UF, K, 10V	1	
C4441,42	ECJ0EB1H102K	C 1000PF, K, 50V	2	
C4447	ECJ1VB1A105K	C 0.01UF, Z, 50V	1	
C4448	ECJ0EB1C103K	C0.010UF, K, 16V	1	
C4451	ECJ0EB1H102K	C 1000PF, K, 50V	1	
C4452	ECJ0EB1A104K	C 0.1UF, K, 10V	1	
C4453,54	ECJ0EB1H102K	C 1000PF, K, 50V	2	
C4455	ECJ1VB1A105K	C 0.01UF, Z, 50V	1	
C4456	ECJ0EB1A104K	C 0.1UF, K, 10V	1	
C4457,58	ECJ0EB1H102K	C 1000PF, K, 50V	2	
C4459	ECJ0EB1A104K	C 0.1UF, K, 10V	1	
C4460	ECJ0EB1H102K	C 1000PF, K, 50V	1	
C4461	ECJ1XC1H820J	C 82PF, J, 50V	1	
C4462	ECJ0EB1A104K	C 0.1UF, K, 10V	1	
C4464	ECJ1VB1A105K	C 0.01UF, Z, 50V	1	
C4465	ECJ0EB1A104K	C 0.1UF, K, 10V	1	
C4466	ECJ0EB1C103K	C0.010UF, K, 16V	1	
C4467	ECJ0EB1A104K	C 0.1UF, K, 10V	1	
C4470	ECJ1VB1A105K	C 0.01UF, Z, 50V	1	
C4474	ECJ1VB1A105K	C 0.01UF, Z, 50V	1	
C4475,76	ECJ0EB1H102K	C 1000PF, K, 50V	2	
C4477	ECJ0EB1A104K	C 0.1UF, K, 10V	1	
C4478	ECJ1VB1A105K	C 0.01UF, Z, 50V	1	
C4479-81	ECJ0EB1H102K	C 1000PF, K, 50V	3	
C4482	ECJ1XC1H180J	C 18PF, J, 50V	1	
C4483	ECJ1XC1H150J	C 15PF, J, 50V	1	
C4493	ECJ0EB1A104K	C 0.1UF, K, 10V	1	
C4494	ECJ1VB1A105K	C 0.01UF, Z, 50V	1	
C4496	ECJ0EB1A104K	C 0.1UF, K, 10V	1	
C4497	EEH0G101R	C 100PF, J, 4V	1	
C4498	ECJ1XC1H471J	C 470PF, J, 50V	1	
C4499	EEFCD0G560ER	56UF,	1	
C4501	ECJ0EB1A104K	C 0.1UF, K, 10V	1	
C4502	ECJ0EB1C103K	C0.010UF, K, 16V	1	
C4503	ECJ0EB1A104K	C 0.1UF, K, 10V	1	
C4504	ECJ0EB1C103K	C0.010UF, K, 16V	1	
C4505	ECJ0EB1A104K	C 0.1UF, K, 10V	1	
C4506	ECJ0EB1C103K	C0.010UF, K, 16V	1	
C4507	ECJ0EB1A104K	C 0.1UF, K, 10V	1	
C4508	ECJ0EB1C103K	C0.010UF, K, 16V	1	
C4509-11	ECJ0EB1A104K	C 0.1UF, K, 10V	3	
C4512	ECJ0EB1C103K	C0.010UF, K, 16V	1	
C4513	ECJ0EB1A104K	C 0.1UF, K, 10V	1	
C4514	ECJ0EB1C103K	C0.010UF, K, 16V	1	
C4515,16	ECJ0EB1A104K	C 0.1UF, K, 10V	2	
C4517	ECJ0EB1C103K	C0.010UF, K, 16V	1	
C4518	ECJ0EB1A104K	C 0.1UF, K, 10V	1	
C4519	ECJ0EB1C103K	C0.010UF, K, 16V	1	
C4520	ECJ0EB1A104K	C 0.1UF, K, 10V	1	
C4521	ECJ0EB1C103K	C0.010UF, K, 16V	1	
C4522	ECJ0EB1A104K	C 0.1UF, K, 10V	1	
C4523	ECJ0EB1C103K	C0.010UF, K, 16V	1	
C4524	ECJ0EB1A104K	C 0.1UF, K, 10V	1	

Ref. No.	Part No.	Part Name & Description	Pcs	Remarks
C4525	ECJ0EB1C103K	C 0.010UF, K, 16V	1	
C4526	ECJ0EB1A104K	C 0.1UF, K, 10V	1	
C4527	ECJ0EB1C103K	C 0.010UF, K, 16V	1	
C4528	F2G0J470A019	E 47UF 6.3V	1	
C4529	ECJ0EB1A104K	C 0.1UF, K, 10V	1	
C4530,3	ECJ0EB1H102K	C 1000PF, K, 50V	2	
C4532,3	ECJ0EB1A104K	C 0.1UF, K, 10V	2	
C4534	ECJ0EB1H102K	C 1000PF, K, 50V	1	
C4535	ECJ0EB1A104K	C 0.1UF, K, 10V	1	
C4536	ECJ1VB1A105K	C 0.01UF, Z, 50V	1	
C4537	EEHBOG101R	C 100PF, J, 4V	1	
C4538	ECJ0EB1A104K	C 0.1UF, K, 10V	1	
C4539	ECJ1VB1A105K	C 0.01UF, Z, 50V	1	
C4540	ECJ0EB1H102K	C 1000PF, K, 50V	1	
C4541	ECJ0EB1A104K	C 0.1UF, K, 10V	1	
C4543	FLH1C104A065	C 0.1UF, K, 16V	1	
C4544	ECJ1VB1C105K	C 0.01UF, K, 16V	1	
C5604	ECA1HHG100	E 10UF, 50V	1	
C5605	EEUFC1E471	E 470UF, 25V	1	
C5606	ECA1CM471	E 470UF, 16V	1	
C5609	ECA1HM220	E 22UF, 50V	1	
C5611	F2A1H331A257	E 330UF, 50V	1	
C5612	ECA1CM471	E 470UF, 16V	1	
C5613	ECJ1VB1E104K	C 0.10UF, K, 25V	1	
C5616	ECJ1VB1E104K	C 0.10UF, K, 25V	1	
C5617	ECA1CM471	E 470UF, 16V	1	
C5618,1	ECJ1VB1E104K	C 0.10UF, K, 25V	2	
C5622	ECA1CM471	E 470UF, 16V	1	
C5623	ECJ1VB1E104K	C 0.10UF, K, 25V	1	
C5626	ECJ1XF1C104Z	C 0.1UF, Z, 16V	1	
C5633	ECA1EM221	E 220UF, 25V	1	
C5637	ECJ1XF1C104Z	C 0.1UF, Z, 16V	1	
C5641-44	ECJ1XF1C104Z	C 0.1UF, Z, 16V	4	
C5645	ECA1CHG470	E 47UF, 16V	1	
C5646	ECJ1VB1H103K	C 0.001UF, K, 50V	1	
C5647	ECA1CHG470	E 47UF, 16V	1	
C5648	ECJ1VB1H103K	C 0.001UF, K, 50V	1	
C5670	ECJ1VB1E104K	C 0.10UF, K, 25V	1	
C5672	ECA1HHG100	E 10UF, 50V	1	
C5673	ECJ1XF1C104Z	C 0.1UF, Z, 16V	1	
C5685	ECA1HHG100	E 10UF, 50V	1	
C5686	ECJ2XB1H103K	C 0.01UF, K, 50V	1	
C5801,0	EEUFC1E471	E 470UF, 25V	2	
C5804	ECJ1XF1C104Z	C 0.1UF, Z, 16V	1	
C5805	ECJ2VF1C105Z	C 1UF, Z, 16V	1	
C5809	ECJ3XF1E105Z	C 1UF, Z, 25V	1	
C5810	ECA1EHG470	E 47UF, 25V	1	
C6001	F1L2J562A022	C 5600UF, K,6.3V	1	
C6011-14	F2A2T201A001	E 200UF,	4	
C6021	F1L2J562A022	C 5600UF, K,6.3V	1	
C6031	ECQE2255JF	P 2.5UF, K,250V	1	
C6041-44	TCUY1C105ZFN	C 1UF, 16V	4	
C6111,1	F2A2D221A022	E 220UF, 200V	2	
C6132	F1L1E4750004	C 4.7UF, 25V	1	
C6134,3	F1L1E4750004	C 4.7UF, 25V	2	
C6151	F1K1E1050001	C 1UF, Z, 25V	1	
C6152-55	F1L1E4750004	C 4.7UF, 25V	4	
C6192	F1K1E1050001	C 1UF, Z, 25V	1	
C6194,9	F1L1E4750004	C 4.7UF, 25V	2	
C6201,0	FOC2E405A176	E 0.040UF, 250V	2	
C6211,1	F1L1E4750004	C 4.7UF, 25V	2	
C6213,1	ECA1EM471	E 470UF, 25V	2	

Ref. No.	Part No.	Part Name & Description	Pcs	Remarks
C6221	ECJ2XB1H104K	C 0.1UF, K, 50V	1	
C6241	ECA1EM471	E 470UF, 25V	1	
C6242	TCUY1C105ZFN	C 1UF, 16V	1	
C6243	ECJ2XB1H103K	C 0.01UF, K, 50V	1	
C6251	TCUY1C105ZFN	C 1UF, 16V	1	
C6261,6	ECA2CM101	E 100UF, 160V	2	
C6271	F1K1E1050001	C 1UF, Z, 25V	1	
C6272,7	EEUFC1E221	E 220UF, 25V	2	
C6401	F1L2J562A022	C 5600UF, K,6.3V	1	
C6411-14	F2A2T201A001	E 200UF,	4	
C6421	F1L2J562A022	C 5600UF, K,6.3V	1	
C6431	FOC2E405A176	E 0.040UF, 250V	1	
C6472	ECJ2XB1H104K	C 0.1UF, K, 50V	1	
C6480	ECJ2XB1H104K	C 0.1UF, K, 50V	1	
C6502	F1L1E4750004	C 4.7UF, 25V	1	
C6504,0	F1L1E4750004	C 4.7UF, 25V	2	
C6511,1	FOC2E405A176	E 0.040UF, 250V	2	
C6521	ECJ3YB1E105K	C 1UF, K, 25V	1	
C6522	F1L1E4750004	C 4.7UF, 25V	1	
C6524,2	F1L1E4750004	C 4.7UF, 25V	2	
C6527	F1L1E4750004	C 4.7UF, 25V	1	
C6561	F2A1A1010074	E 100UF, 10V	1	
C6563	F2A1A1010074	E 100UF, 10V	1	
C6565,6	ECJ2XB1H103K	C 0.01UF, K, 50V	2	
C6581	ECJ3YB1E105K	C 1UF, K, 25V	1	
C6582	TCUY1C105ZFN	C 1UF, 16V	1	
C6591	ECJ3YB1E105K	C 1UF, K, 25V	1	
C6592	ECA1EM471	E 470UF, 25V	1	
C6593	ECJ2XC1H102J	C 1000PF, J, 50V	1	
C6601,0	F1L1E4750004	C 4.7UF, 25V	2	
C6603	F1K2J102A014	C 1000UF, K,6.3V	1	
C6604	F2A2V470A020	E 47UF, 350V	1	
C6605	ECJ2XB1H104K	C 0.1UF, K, 50V	1	
C6606	F1K2J102A014	C 1000UF, K,6.3V	1	
C6610	ECJ3YB1E105K	C 1UF, K, 25V	1	
C6611	ECJ2XB1H103K	C 0.01UF, K, 50V	1	
C6612	ECJ3YB1E105K	C 1UF, K, 25V	1	
C6620	ECJ3XB2J222K	C 2200PF, K,630V	1	
C6641	ECQE2224KF	P 2.2UF, K,250V	1	
C6661,6	F1K2J102A014	C 1000UF, K,6.3V	2	
C6671	F1L1E4750004	C 4.7UF, 25V	1	
C6681,8	F1L1E4750004	C 4.7UF, 25V	2	
C6683	ECJ2XB1H104K	C 0.1UF, K, 50V	1	
C6691	ECA2CM101	E 100UF, 160V	1	
C6701-08	ECJ2XB1H104K	C 0.1UF, K, 50V	8	
C6721	ECA1HM101	E 100UF, 50V	1	
C6723-25	F1L1E4750004	C 4.7UF, 25V	3	
C6726,2	TCUY1C105ZFN	C 1UF, 16V	2	
C6728	ECJ2XC1H102J	C 1000PF, J, 50V	1	
C6752	TCUY1C105ZFN	C 1UF, 16V	1	
C6753	F1L1E4750004	C 4.7UF, 25V	1	
C6754	ECA1VM470	E 47UF, 35V	1	
C6755	ECJ2XB1H104K	C 0.1UF, K, 50V	1	
C6771	TCUY1C105ZFN	C 1UF, 16V	1	
C6772,7	F1L1E4750004	C 4.7UF, 25V	2	
C6775	F1L1E4750004	C 4.7UF, 25V	1	
C6776,7	ECJ2XB1H104K	C 0.1UF, K, 50V	2	
C6791	EEUFC1E221	E 220UF, 25V	1	
C6795,9	EEUFC1E221	E 220UF, 25V	2	
C6802	EEUFC1E221	E 220UF, 25V	1	

Ref. No.	Part No.	Part Name & Description	Pcs	Remarks
C6803	ECJ2XB1H104K	C 0.1UF, K, 50V	1	
C6804	F2A2E100A022	E 10UF, 250V	1	
C6805	TCUY1C105ZFN	C 1UF, 16V	1	
C6806,07	ECA2CM101	E 100UF, 160V	2	
C6811	ECJ2XB1H103K	C 0.01UF, K, 50V	1	
C6812	ECJ3YB1E105K	C 1UF, K, 25V	1	
C6822	F2A2V100A019	E 10UF, 350V	1	
C6823	ECJ2XB1H103K	C 0.01UF, K, 50V	1	
C6841,42	ECA2CM101	E 100UF, 160V	2	
C6845	ECJ2XB1H103K	C 0.01UF, K, 50V	1	
C6861	TCUY1C105ZFN	C 1UF, 16V	1	
C6862	ECJ3YB1E105K	C 1UF, K, 25V	1	
C6863	ECJ2XB1H103K	C 0.01UF, K, 50V	1	
C6871	TCUY1C105ZFN	C 1UF, 16V	1	
C6872	ECJ3YB1E105K	C 1UF, K, 25V	1	
C6873	ECJ2XB1H103K	C 0.01UF, K, 50V	1	
C6901	ECJ2XB1H102K	C 1000PF, K, 50V	1	
C6902	TCUY1C105ZFN	C 1UF, 16V	1	
C6904	TCUY1C105ZFN	C 1UF, 16V	1	
C6906	TCUY1C105ZFN	C 1UF, 16V	1	
C6908	TCUY1C105ZFN	C 1UF, 16V	1	
C6910	TCUY1C105ZFN	C 1UF, 16V	1	
C6912	TCUY1C105ZFN	C 1UF, 16V	1	
C6914-18	ECJ2XB1H221K	C 220PF, K, 50V	5	
C6931	ECJ2XB1H102K	C 1000PF, K, 50V	1	
C6932-35	F1L2E105A013	E 0.10UF, 25V	4	
C6951	ECJ2XB1H102K	C 1000PF, K, 50V	1	
C6952	TCUY1C105ZFN	C 1UF, 16V	1	
C6954	TCUY1C105ZFN	C 1UF, 16V	1	
C6956	TCUY1C105ZFN	C 1UF, 16V	1	
C6958	TCUY1C105ZFN	C 1UF, 16V	1	
C6960	TCUY1C105ZFN	C 1UF, 16V	1	
C6962	TCUY1C105ZFN	C 1UF, 16V	1	
C6964-68	ECJ2XB1H221K	C 220PF, K, 50V	5	
C6981	ECJ2XB1H102K	C 1000PF, K, 50V	1	
C6982-85	F1L2E105A013	E 0.10UF, 25V	4	
C7108	ECJ3XB2A474K	C 0.47UF, 6.3V	1	
C7110	TCUY1C105ZFN	C 1UF, 16V	1	
C7111,12	ECJ3XB2A474K	C 0.47UF, 6.3V	2	
C7114	TCUY1C105ZFN	C 1UF, 16V	1	
C7115	ECJ3XB2A474K	C 0.47UF, 6.3V	1	
C7116	TCUY1C105ZFN	C 1UF, 16V	1	
C7117	ECJ1XC1H101J	C 100PF, J, 50V	1	
C7119	ECJ3XB2A474K	C 0.47UF, 6.3V	1	
C7121	TCUY1C105ZFN	C 1UF, 16V	1	
C7122	ECJ3XB2A474K	C 0.47UF, 6.3V	1	
C7123	TCUY1C105ZFN	C 1UF, 16V	1	
C7124	ECJ1XC1H101J	C 100PF, J, 50V	1	
C7126	TCUY1C105ZFN	C 1UF, 16V	1	
C7127	ECJ1XC1H101J	C 100PF, J, 50V	1	
C7130	ECJ1XB1C104K	C 0.1UF, Z, 16V	1	
C7134	ECJ1XB1C104K	C 0.1UF, Z, 16V	1	
C7137,38	ECJ1XB1C104K	C 0.1UF, Z, 16V	2	
C7140	TCUY1C105ZFN	C 1UF, 16V	1	
C7141	ECJ1XC1H101J	C 100PF, J, 50V	1	
C7143	ECJ3XB2A474K	C 0.47UF, 6.3V	1	
C7145	TCUY1C105ZFN	C 1UF, 16V	1	
C7146	ECJ3XB2A474K	C 0.47UF, 6.3V	1	
C7148	ECJ1XB1C104K	C 0.1UF, Z, 16V	1	
C7201	ECJ3XB2A474K	C 0.47UF, 6.3V	1	
C7203	TCUY1C105ZFN	C 1UF, 16V	1	
C7204,05	ECJ3XB2A474K	C 0.47UF, 6.3V	2	
C7207	TCUY1C105ZFN	C 1UF, 16V	1	
C7208	ECJ3XB2A474K	C 0.47UF, 6.3V	1	
C7209	TCUY1C105ZFN	C 1UF, 16V	1	
C7210	ECJ1XC1H101J	C 100PF, J, 50V	1	

Ref. No.	Part No.	Part Name & Description	Pcs	Remarks
C7212	ECJ3XB2A474K	C 0.47UF, 6.3V	1	
C7214	TCUY1C105ZFN	C 1UF, 16V	1	
C7215	ECJ3XB2A474K	C 0.47UF, 6.3V	1	
C7216	TCUY1C105ZFN	C 1UF, 16V	1	
C7217	ECJ1XC1H101J	C 100PF, J, 50V	1	
C7219	TCUY1C105ZFN	C 1UF, 16V	1	
C7220	ECJ1XC1H101J	C 100PF, J, 50V	1	
C7223	ECJ1XB1C104K	C 0.1UF, Z, 16V	1	
C7225	ECJ1XB1C104K	C 0.1UF, Z, 16V	1	
C7227	ECJ1XB1C104K	C 0.1UF, Z, 16V	1	
C7229	ECJ1XB1C104K	C 0.1UF, Z, 16V	1	
C7235	TCUY1C105ZFN	C 1UF, 16V	1	
C7236	ECJ1XC1H101J	C 100PF, J, 50V	1	
C7238	ECJ3XB2A474K	C 0.47UF, 6.3V	1	
C7240	TCUY1C105ZFN	C 1UF, 16V	1	
C7241	ECJ3XB2A474K	C 0.47UF, 6.3V	1	
C7244	ECJ1XB1C104K	C 0.1UF, Z, 16V	1	
C7701	ECJ1XC1H330J	C 33PF, J, 50V	1	
C7702	EEEB0G470R	C 47PF, J, 4V	1	
C7703,04	ECJ1XC1H330J	C 33PF, J, 50V	2	
C7705	ECJ1XF1C104Z	C 0.1UF, Z, 16V	1	
C7707	ECJ1XF1C104Z	C 0.1UF, Z, 16V	1	
C7708	ECJ1VB1H103K	C 0.001UF, K, 50V	1	
C7709	ECJ1XF1C104Z	C 0.1UF, Z, 16V	1	
C7711	ECJ1XC1H330J	C 33PF, J, 50V	1	
C7721,2	ECJ1XF1C104Z	C 0.1UF, Z, 16V	2	
C7723	ECJ1XC1H101J	C 100PF, J, 50V	1	
C7751	EEVH0G221P	E 220UF, 4V	1	
C7755	ECJ1XF1C104Z	C 0.1UF, Z, 16V	1	
C7756	ECJ2FB1A105K	C 1UF, K, 10V	1	
C7758	ECJ1XF1C104Z	C 0.1UF, Z, 16V	1	
C7760	ECJ2FB1A105K	C 1UF, K, 10V	1	
C7761-64	ECJ1XC1H330J	C 33PF, J, 50V	4	
C8001	ECJ0EB1C103K	C0.010UF, K, 16V	1	TH-37PX600B
C8002	ECJ0EB1A104K	C 0.1UF, K, 10V	1	TH-37PX600B
C8003	ECJ0EB1C103K	C0.010UF, K, 16V	1	TH-37PX600B
C8004	ECJ0EB1A104K	C 0.1UF, K, 10V	1	TH-37PX600B
C8005	EEEB1C100R	C 10PF, J, 16V	1	TH-37PX600B
C8007	ECJ0EB1H102K	C 1000PF, K, 50V	1	TH-37PX600B
C8015	ECJ1VC1H080C	C 8PF, C, 50V	1	TH-37PX600B
C8019,20	ECJ0EB1C103K	C0.010UF, K, 16V	2	TH-37PX600B
C8021	ECJ0EB1H102K	C 1000PF, K, 50V	1	TH-37PX600B
C8030	ECJ0EB1C103K	C0.010UF, K, 16V	1	TH-37PX600B
C8034,35	ECJ0EF1C104Z	C 0.10UF, Z, 16V	2	TH-37PX600B
C8037	ECJ0EB1C103K	C0.010UF, K, 16V	1	TH-37PX600B
C8039,40	ECJ0EB1C103K	C0.010UF, K, 16V	2	TH-37PX600B
C8041	EEEB0G101R	C 100PF, J, 4V	1	TH-37PX600B
C8042,43	ECJ1VC1H100C	C 10PF, C, 50V	2	TH-37PX600B
C8046-48	ECJ0EB1C103K	C0.010UF, K, 16V	3	TH-37PX600B
C8051,52	ECJ0EB1C103K	C0.010UF, K, 16V	2	TH-37PX600B
C8055	F2G0J470A019	E 47UF 6.3V	1	TH-37PX600B
C8056	ECJ0EB1C103K	C0.010UF, K, 16V	1	TH-37PX600B
C8058-61	ECJ0EB1C103K	C0.010UF, K, 16V	4	TH-37PX600B
C8062	F1G1A1540001	C 0.15UF, K, 10V	1	TH-37PX600B PAVCCZ
C8071	ECJ0EC1H270J	C 270PF, K, 50V	1	TH-37PX600B
C8073	ECJ0EC1H270J	C 270PF, K, 50V	1	TH-37PX600B
C8098	ECGRLOG680ER	C 68PF, J, 4V	1	TH-37PX600B
C8099,00	ECJ0EB1A104K	C 0.1UF, K, 10V	2	TH-37PX600B
C8101,02	ECJ1VB0J105K	C 1UF, K, 6.3V	2	TH-37PX600B
C8103,04	ECJ0EB1A104K	C 0.1UF, K, 10V	2	TH-37PX600B
C8105	EEEB0G101R	C 100PF, J, 4V	1	TH-37PX600B

Ref. No.	Part No.	Part Name & Description	Pcs	Remarks
C8106,07	ECJ1VB0J105K	C 1UF, K, 6.3V	2	TH-37PX600B
C8108	ECJ0EB1A104K	C 0.1UF, K, 10V	1	TH-37PX600B
C8109	EEHBOG101R	C 100PF, J, 4V	1	TH-37PX600B
C8110	ECJ0EB1A104K	C 0.1UF, K, 10V	1	TH-37PX600B
C8121	ECJ0EB1A104K	C 0.1UF, K, 10V	1	TH-37PX600B
C8128,29	ECJ0EB1C103K	C0.010UF, K, 16V	2	TH-37PX600B
C8134	ECJ0EB1C103K	C0.010UF, K, 16V	1	TH-37PX600B
C8135	ECJ0EB1A473K	C 0.047UF, K, 10V	1	TH-37PX600B
C8136	ECGRLOG680ER	C 68PF, J, 4V	1	TH-37PX600B
C8138	ECJ0EB1C103K	C0.010UF, K, 16V	1	TH-37PX600B
C8139	ECGRLOG680ER	C 68PF, J, 4V	1	TH-37PX600B
C8140	ECJ0EB1A104K	C 0.1UF, K, 10V	1	TH-37PX600B
C8141	ECJ0EB1C103K	C0.010UF, K, 16V	1	TH-37PX600B
C8142	ECJ0EB1A104K	C 0.1UF, K, 10V	1	TH-37PX600B
C8143	ECJ0EB1C103K	C0.010UF, K, 16V	1	TH-37PX600B
C8144	ECJ0EB1A104K	C 0.1UF, K, 10V	1	TH-37PX600B
C8145	ECJ0EB1C103K	C0.010UF, K, 16V	1	TH-37PX600B
C8146	ECJ0EB1A104K	C 0.1UF, K, 10V	1	TH-37PX600B
C8147	ECJ0EB1C103K	C0.010UF, K, 16V	1	TH-37PX600B
C8148	ECJ0EB1A104K	C 0.1UF, K, 10V	1	TH-37PX600B
C8149	ECJ1VB0J105K	C 1UF, K, 6.3V	1	TH-37PX600B
C8150	ECJ0EB1C103K	C0.010UF, K, 16V	1	TH-37PX600B
C8151	ECJ0EB1A104K	C 0.1UF, K, 10V	1	TH-37PX600B
C8154-56	ECJ0EB1A104K	C 0.1UF, K, 10V	3	TH-37PX600B
C8157	ECJ0EB1C103K	C0.010UF, K, 16V	1	TH-37PX600B
C8160	ECJ0EB1A104K	C 0.1UF, K, 10V	1	TH-37PX600B
C8161-64	ECJ0EB1C103K	C0.010UF, K, 16V	4	TH-37PX600B
C8165	ECJ0EB1A104K	C 0.1UF, K, 10V	1	TH-37PX600B
C8166	ECJ0EB1C103K	C0.010UF, K, 16V	1	TH-37PX600B
C8167	ECJ0EB1A104K	C 0.1UF, K, 10V	1	TH-37PX600B
C8168	ECJ0EB1C103K	C0.010UF, K, 16V	1	TH-37PX600B
C8169	EEHBOG470R	C 47PF, J, 4V	1	TH-37PX600B
C8170	ECJ0EF1C104Z	C 0.10UF, Z, 16V	1	TH-37PX600B
C8171	ECJ0EB1A104K	C 0.1UF, K, 10V	1	TH-37PX600B
C8172	EEHBOG470R	C 47PF, J, 4V	1	TH-37PX600B
C8173-75	ECJ0EB1C103K	C0.010UF, K, 16V	3	TH-37PX600B
C8176	ECJ0EF1C104Z	C 0.10UF, Z, 16V	1	TH-37PX600B
C8182	ECJ0ECLH121J	C 120PF, K, 50V	1	TH-37PX600B
C8186	ECJ0ECLH680J	C 680PF, K, 50V	1	TH-37PX600B
C8189	ECJ0EF1C104Z	C 0.10UF, Z, 16V	1	TH-37PX600B
C8193	EEHBOJ101P	C 100PF, J, 6.3V	1	TH-37PX600B
C8202,03	EEHBC470P	C 47PF, J, 16V	2	TH-37PX600B
C8204	ECJ3XB1C106M	C 1.0UF, K, 16V	1	TH-37PX600B
C8205,06	ECJ0EB1A104K	C 0.1UF, K, 10V	2	TH-37PX600B
C8207	EEHBC470P	C 47PF, J, 16V	1	TH-37PX600B
C8208	ECJ3XB1C106M	C 1.0UF, K, 16V	1	TH-37PX600B
C8210	ECJ0EB1A333K	C 0.033UF, K, 10V	1	TH-37PX600B
C8212	ECJ0EB1C223K	C 0.022UF, K, 16V	1	TH-37PX600B
C8240	ECJ1VB0J105K	C 1UF, K, 6.3V	1	TH-37PX600B
C8268	ECJ1VB0J105K	C 1UF, K, 6.3V	1	TH-37PX600B
C8269	ECJ0EB1A104K	C 0.1UF, K, 10V	1	TH-37PX600B
C8303	ECJ0EB1C103K	C0.010UF, K, 16V	1	TH-37PX600B
C8305,06	ECJ0EB1C103K	C0.010UF, K, 16V	2	TH-37PX600B
C8314	ECJ0EF1C104Z	C 0.10UF, Z, 16V	1	TH-37PX600B
C8315	ECJ2FF1A475Z	C 4.7UF, Z, 10V	1	TH-37PX600B
C8317,18	ECJ2FF1A475Z	C 4.7UF, Z, 10V	2	TH-37PX600B
C8319	ECJ0EF1C104Z	C 0.10UF, Z, 16V	1	TH-37PX600B
C8320-23	ECJ1VB0J105K	C 1UF, K, 6.3V	4	TH-37PX600B
C8327	F2G0J470A019	E 47UF 6.3V	1	TH-37PX600B
C8329	ECJ0EB1C103K	C0.010UF, K, 16V	1	TH-37PX600B
C8330,31	ECJ0ECLH181J	C 180PF, K, 50V	2	TH-37PX600B
C8332	ECJ0EB1C103K	C0.010UF, K, 16V	1	TH-37PX600B
C8334,35	ECJ0ECLH330J	C 330PF, K, 50V	2	TH-37PX600B

Ref. No.	Part No.	Part Name & Description	Pcs	Remarks
C8340	ECJ0EB1C682K	C 6800UF, K, 16V	1	TH-37PX600B
C8341	ECJ0EB1C822K	C 8200UF, K, 16V	1	TH-37PX600B
C8342,43	ECGRLOG680ER	C 68PF, J, 4V	2	TH-37PX600B
C8344	ECJ1VB1H332K	C 3300PF, K, 50V	1	TH-37PX600B
C8345	ECJ0EB1C153K	C 0.015UF, K, 16V	1	TH-37PX600B
C8349	ECJ0EB1A104K	C 0.1UF, K, 10V	1	TH-37PX600B
C8350,51	ECJ0EF1C104Z	C 0.10UF, Z, 16V	2	TH-37PX600B
C8361	EEHBC470P	C 47PF, J, 16V	1	TH-37PX600B
C8372	ECJ0EB1A104K	C 0.1UF, K, 10V	1	TH-37PX600B
C8376	ECJ0EB1A104K	C 0.1UF, K, 10V	1	TH-37PX600B
C8397	ECJ0EB1A104K	C 0.1UF, K, 10V	1	TH-37PX600B
C8401	ECJ0EB1C103K	C0.010UF, K, 16V	1	TH-37PX600B
C8403,04	ECJ0EF1C104Z	C 0.10UF, Z, 16V	2	TH-37PX600B
C8406	ECJ0EF1C104Z	C 0.10UF, Z, 16V	1	TH-37PX600B
C8409	ECJ0EF1C104Z	C 0.10UF, Z, 16V	1	TH-37PX600B
C8410	ECJ0EB1A104K	C 0.1UF, K, 10V	1	TH-37PX600B
C8413,14	ECJ0EF1C104Z	C 0.10UF, Z, 16V	2	TH-37PX600B
C8416,17	ECJ0EF1C104Z	C 0.10UF, Z, 16V	2	TH-37PX600B
C8419	ECJ0EF1C104Z	C 0.10UF, Z, 16V	1	TH-37PX600B
C8421	ECJ0EB1C103K	C0.010UF, K, 16V	1	TH-37PX600B
C8423	ECJ0EB1A104K	C 0.1UF, K, 10V	1	TH-37PX600B
C8424	ECJ0EF1C104Z	C 0.10UF, Z, 16V	1	TH-37PX600B
C8425	ECJ0EB1A104K	C 0.1UF, K, 10V	1	TH-37PX600B
C8427	F2G1A101A019	E 100UF, 10V	1	TH-37PX600B
C8428	ECJ0EF1C104Z	C 0.10UF, Z, 16V	1	TH-37PX600B
C8430-32	ECJ0EF1C104Z	C 0.10UF, Z, 16V	3	TH-37PX600B
C8433,34	ECJ0EB1C103K	C0.010UF, K, 16V	2	TH-37PX600B
C8467	ECJ0EB1C103K	C0.010UF, K, 16V	1	TH-37PX600B
C8501,02	ECJ0ECLH180J	C 180PF, K, 50V	2	TH-37PX600B
C8504	ECJ1VF1A105Z	C 1UF, Z, 10V	1	TH-37PX600B
C8506	ECJ2VF1C105Z	C 1UF, Z, 16V	1	TH-37PX600B
C8507	ECJ1XC1H102J	C 1000PF, J, 50V	1	TH-37PX600B
C8508	ECJ1XF1C334Z	C 0.33UF, Z, 16V	1	TH-37PX600B
C8509	EEHBOJ101P	C 100PF, J, 6.3V	1	TH-37PX600B
C8870	ECJ1XC1H471J	C 470PF, J, 50V	1	TH-37PX600B
C8872	ECJ2FB0J225K	C 2.2UF, Z, 16V	1	TH-37PX600B
C8910	ECJ0EB1C103K	C0.010UF, K, 16V	1	TH-37PX600B
C9028,29	FLJ0J1060004	C 0.010UF, K, 16V	2	
C9033,34	ECJ1XF1C104Z	C 0.1UF, Z, 16V	2	
C9035,36	FLJ0J1060004	C 0.010UF, K, 16V	2	
C9037	ECJ1VB1H103K	C 0.001UF, K, 50V	1	
C9039	FLJ0J1060004	C 0.010UF, K, 16V	1	
C9040	ECJ1XF1C104Z	C 0.1UF, Z, 16V	1	
C9044-53	ECJ1XF1C104Z	C 0.1UF, Z, 16V	10	
C9055-57	ECJ1XF1C104Z	C 0.1UF, Z, 16V	3	
C9058	FLJ0J1060004	C 0.010UF, K, 16V	1	
C9467,68	ECJ1VF1H103Z	C 0.010UF, Z, 50V	2	
C9469	ECJ1XF1C104Z	C 0.1UF, Z, 16V	1	
C9500-06	ECJ1XB1C104K	C 0.1UF, Z, 16V	7	
C9508	ECJ1XB1C104K	C 0.1UF, Z, 16V	1	
C9509	ECJ1VC1H200J	C 20PF, C, 50V	1	
C9510	ECJ1XC1H150J	C 15PF, J, 50V	1	
C9511	FLJ0J1060004	C 0.010UF, K, 16V	1	
C9512	ECJ1XF1C104Z	C 0.1UF, Z, 16V	1	
C9514,15	ECJ2VF1C105Z	C 1UF, Z, 16V	2	
C9516-25	ECJ1XB1C104K	C 0.1UF, Z, 16V	10	
C9526	FLJ0J1060004	C 0.010UF, K, 16V	1	
C9527-30	ECJ1XB1C104K	C 0.1UF, Z, 16V	4	

Ref. No.	Part No.	Part Name & Description	Pcs	Remarks
C9531	F1J0J1060004	C 0.010UF, K, 16V	1	
C9800	ECJ1XB1C104K	C 0.1UF, Z, 16V	1	
C9801	ECJ1VB1H472K	C 4700PF, K, 50V	1	
C9802	ECJ1XC1H470J	C 47PF, J, 50V	1	
C9803	ECJ1VB1H472K	C 4700PF, K, 50V	1	
C9804	ECJ1XB1C104K	C 0.1UF, Z, 16V	1	
C9805	ECJ1VB0J475K	C 4.7UF, K, 6.3V	1	
C9806	ECGRL0G680ER	C 68PF, J, 4V	1	
C9807,08	ECJ3YB1E106M	C 10 UF, K, 25V	2	
C9809	ECJ1XB1C104K	C 0.1UF, Z, 16V	1	
C9815,16	ECGRL0G680ER	C 68PF, J, 4V	2	
C9817,18	ECJ3YB1E106M	C 10 UF, K, 25V	2	
C9822	F1J0J1060004	C 0.010UF, K, 16V	1	
C9823,24	ECJ3YB1E106M	C 10 UF, K, 25V	2	
C9825	ECJ1XC1H101K	C 100PF, K, 50V	1	
C9826	ECJ1XF1C104Z	C 0.1UF, Z, 16V	1	
C9827	F1J0J1060004	C 0.010UF, K, 16V	1	
C9830-32	ECJ3XB1C106M	C 1.0UF, K, 16V	3	
C9833	ECJ3YB1E106M	C 10 UF, K, 25V	1	
C9837	ECJ3XB1C106M	C 1.0UF, K, 16V	1	
C9838	ECJ1XF1C104Z	C 0.1UF, Z, 16V	1	
C9839	ECJ3YB1E106M	C 10 UF, K, 25V	1	
C9840	ECJ1XF1C104Z	C 0.1UF, Z, 16V	1	
C9841,42	ECJ2VF1C105Z	C 1UF, Z, 16V	2	
C9843	ECJ1XF1C104Z	C 0.1UF, Z, 16V	1	
C9844	ECJ1VF1H103Z	C 0.010UF, Z, 50V	1	
C9845,46	ECJ1XF1C104Z	C 0.1UF, Z, 16V	2	
C9847,48	ECJ1VB1E104K	C 0.10UF, K, 25V	2	
C9880,81	ECJ1XB1H102K	C 1000UF, Z, 50V	2	
C9882	ECJ1XB1C104K	C 0.1UF, Z, 16V	1	
C9883	ECJ1VB1H822K	C 8200PF, K, 50V	1	
C9884	ECJ1VC1H100C	C 10PF, C, 50V	1	
C9885	ECJ1XB1H102K	C 1000UF, Z, 50V	1	
C9886	ECJ1XB1C104K	C 0.1UF, Z, 16V	1	
C9887	ECJ1VB0J475K	C 4.7UF, K, 6.3V	1	
C9891	ECJ1XB1C104K	C 0.1UF, Z, 16V	1	
C9896	ECJ1XB1C104K	C 0.1UF, Z, 16V	1	
C9897	ECJ1VB1H822K	C 8200PF, K, 50V	1	
C9898	ECJ1VC1H100C	C 10PF, C, 50V	1	
C9899	ECJ1XB1H102K	C 1000UF, Z, 50V	1	
C9900-51	ECJ1XB1C104K	C 0.1UF, Z, 16V	52	
C9952-54	EEFCD0G560ER	56UF,	3	
C9955-59	ECJ1XB1C104K	C 0.1UF, Z, 16V	5	
C9960-64	ECJ3XB0J106M	C 10UF, M,6.3V	5	
C9965	EEFCD0G560ER	56UF,	1	
C9966	ECJ1XB1C104K	C 0.1UF, Z, 16V	1	
C9967	ECJ1VB0J475K	C 4.7UF, K, 6.3V	1	
C9971	ECJ1XB1C104K	C 0.1UF, Z, 16V	1	
CB1-B8	K1MN68BA0002	68P CONNECTOR	8	
D3	K1KY40B00003	40P CONNECTOR	1	
D5	K1KB31BA0064	31P CONNECTOR	1	
D6	K1KA21A00011	21P CONNECTOR	1	
D20	K1KA20BA0296	20P CONNECTOR	1	
D25	K1KA20B00155	20P CONNECTOR	1	
D31,32	K1MN55BA0094	55P CONNECTOR	2	
D1106,07	MA729	DIODE	2	
D1117	MA3036L	ZENER DIODE	1	
D1119	MA704A	DIODE	1	
D1121	MA729	DIODE	1	

Ref. No.	Part No.	Part Name & Description	Pcs	Remarks
D2011-14	MA111	DIODE	4	
D2119	B0BC01100001	ZENER DIODE	1	
D2300,01	MA111	DIODE	2	
D2303,04	MA111	DIODE	2	
D2308	MA152	DIODE	1	
D2309	MA111	DIODE	1	
D2510,11	MA8056-M	ZENER DIODE	2	
D2512	MA8043LTX	ZENER DIODE	1	
D2520B	LN1271RALTR	LED	1	
D2524	MA8056-M	ZENER DIODE	1	
D2525B	LN1471YTR	LED	1	TH-37PX600B
D2526	MA8056-M	ZENER DIODE	1	TH-37PX600B
D3002-12	MA8140M	ZENER DIODE	11	
D3015,16	MA8140M	ZENER DIODE	2	
D3021-23	MA111	DIODE	3	
D3024	B0BC01100001	ZENER DIODE	1	
D3025	MA8140M	ZENER DIODE	1	
D3027,28	MA8140M	ZENER DIODE	2	
D3030-32	MA8140M	ZENER DIODE	3	
D3038-43	MA8140M	ZENER DIODE	6	
D3044	MA111	DIODE	1	
D3100	MA8140M	ZENER DIODE	1	
D3334-39	MA111	DIODE	6	
D3702	MA8140M	ZENER DIODE	1	
D4019-38	EZJZ0V800008B	VARISTOR	20	
D4041	EZJZ0V800008B	VARISTOR	1	
D4044,45	EZJZ0V800008B	VARISTOR	2	
D4047,48	MA3056M	ZENER DIODE	2	
D4049-52	B0HCMM000014	DIODE	4	
D5606	B0BC01100001	ZENER DIODE	1	
D5607	B0BC6R600005	ZENER DIODE	1	
D5610	B0BC4R700007	ZENER DIODE	1	(PA)
D5610	MA3X78900L	ZENER DIODE	1	(H)
D5612	B0BC3R700006	ZENER DIODE	1	
D5618	B0BC03900015	ZENER DIODE	1	
D5634	MA111	DIODE	1	
D5635	MA3047H	ZENER DIODE	1	
D5637,38	MA152	DIODE	2	
D5639	MA3047H	ZENER DIODE	1	
D5640	MA3039H	ZENER DIODE	1	
D5641	MA152	DIODE	1	
D5642	MA3120M	ZENER DIODE	1	
D5643	MA152	DIODE	1	
D5644	MA3068M	ZENER DIODE	1	
D5646,47	MA152	DIODE	2	
D5649	MA111	DIODE	1	
D5801	B0JCME000037	DIODE	1	
D5804	MA3120M	ZENER DIODE	1	
D5805,06	MA152	DIODE	2	
D6001	B0HBSN000008	DIODE	1	
D6021	B0HBSN000008	DIODE	1	
D6032	MA111	DIODE	1	
D6041	B0ECHP000003	DIODE	1	
D6051	B0ECHP000003	DIODE	1	
D6061,62	B0HBSN000008	DIODE	2	
D6071,72	B0HBSN000008	DIODE	2	

Ref. No.	Part No.	Part Name & Description	Pcs	Remarks
D6081,82	BOHBSN000008	DIODE	2	
D6091	BOHBSN000008	DIODE	1	
D6092	BOECHP000003	DIODE	1	
D6101-04	BOJCM0000037	DIODE	4	
D6131,32	BOECHP000003	DIODE	2	
D6151-54	BOECHP000003	DIODE	4	
D6191-93	BOECHP000003	DIODE	3	
D6211	BOJCM0000037	DIODE	1	
D6221	BOECHP000003	DIODE	1	
D6222,23	MA111	DIODE	2	
D6251,52	MA8330M	ZENER DIODE	2	
D6253	LNJ301MPUJA	LED	1	
D6254	MA8051L	ZENER DIODE	1	
D6255	MA111	DIODE	1	
D6401	BOHBSN000008	DIODE	1	
D6431,32	BOHBSN000019	DIODE	2	
D6441	BOECHP000003	DIODE	1	
D6451	BOECHP000003	DIODE	1	
D6461,62	BOHBSN000008	DIODE	2	
D6466	MA111	DIODE	1	
D6471	BOHBSN000008	DIODE	1	
D6472	BOECHP000003	DIODE	1	
D6477	MA111	DIODE	1	
D6478	BOHCKS000002	DIODE	1	
D6480	MA111	DIODE	1	
D6481,82	BOHBSN000008	DIODE	2	
D6491	BOHBSN000019	DIODE	1	
D6497	MA111	DIODE	1	
D6501,02	BOECHP000003	DIODE	2	
D6521-24	BOECHP000003	DIODE	4	
D6581,82	MA8330M	ZENER DIODE	2	
D6583	LNJ301MPUJA	LED	1	
D6584	MA8051L	ZENER DIODE	1	
D6585	MA111	DIODE	1	
D6601	MA8240M	ZENER DIODE	1	
D6602	BOECHP000003	DIODE	1	
D6603	MA8240M	ZENER DIODE	1	
D6604	MA111	DIODE	1	
D6605	MA8051L	ZENER DIODE	1	
D6606	BOHCHM000014	DIODE	1	
D6607	MA111	DIODE	1	
D6610	MAZ81500ML	ZENER DIODE	1	
D6611-14	MA111	DIODE	4	
D6619,20	BOHCKS000002	DIODE	2	
D6621	BOHDSM000005	DIODE	1	
D6623,24	BOHDSM000005	DIODE	2	
D6641,42	BOHCKS000002	DIODE	2	
D6643	MA111	DIODE	1	
D6644	BOHCKS000002	DIODE	1	
D6661	MA111	DIODE	1	
D6662-64	MA8330M	ZENER DIODE	3	
D6665	MA8051L	ZENER DIODE	1	
D6666,67	MA111	DIODE	2	
D6671	MA111	DIODE	1	
D6682	BOHCHM000014	DIODE	1	
D6683,84	MA111	DIODE	2	

Ref. No.	Part No.	Part Name & Description	Pcs	Remarks
D6686,87	MA111	DIODE	2	
D6701,02	MA8056H	ZENER DIODE	2	
D6721	BOHCKS000002	DIODE	1	
D6723,24	BOJCM0000037	DIODE	2	
D6725	BOECHP000003	DIODE	1	
D6726-33	MA8056H	ZENER DIODE	8	
D6734	MA111	DIODE	1	
D6752	BOJCM0000037	DIODE	1	
D6758	BOECHP000003	DIODE	1	
D6760,61	MA111	DIODE	2	
D6771	BOJCM0000037	DIODE	1	
D6773	BOHCKS000002	DIODE	1	
D6791	MA8200M	ZENER DIODE	1	
D6801,02	BOJCM0000037	DIODE	2	
D6803	MA111	DIODE	1	
D6804	BOECHP000003	DIODE	1	
D6805	MA111	DIODE	1	
D6806	BOECHP000003	DIODE	1	
D6820-23	MA111	DIODE	4	
D6825	MA8330M	ZENER DIODE	1	
D6826	MA111	DIODE	1	
D6841	BOECHP000003	DIODE	1	
D6842,43	MA111	DIODE	2	
D6859	BOECHP000003	DIODE	1	
D6860	BOHCKS000002	DIODE	1	
D6861	MA8051L	ZENER DIODE	1	
D6862	MA111	DIODE	1	
D6871	MA8051L	ZENER DIODE	1	
D6872	MA111	DIODE	1	
D6901,02	MA8056H	ZENER DIODE	2	
D6903,04	BOECHP000003	DIODE	2	
D6951,52	MA8056H	ZENER DIODE	2	
D6953,54	BOECHP000003	DIODE	2	
D7752	B3AEB0000065	DIODE	1	
D8002	MA728	DIODE	1	TH-37PX600B
D8203,04	BOJCP0000004	DIODE	2	TH-37PX600B
D8501	BOCCAB0000039	DIODE	1	TH-37PX600B
D9017-19	MA3033	ZENER DIODE	3	
D9020	MA728	DIODE	1	
D9100-03	BOJCGD000002	DIODE	4	
D9105,06	BOJCGD000002	DIODE	2	
D9110	BOJCGD000002	DIODE	1	
D9300,01	MA152K	DIODE	2	
D9800	BOJCM0000037	DIODE	1	
D9801	BOJCDD000002	DIODE	1	
D9802	MA728	DIODE	1	
D9804	MA152K	DIODE	1	
D9807,08	MA152K	DIODE	2	
D9811	MA728	DIODE	1	
D9812	BOJCM0000037	DIODE	1	
D9813	BOJCDD000002	DIODE	1	
D9814	BOJCM0000037	DIODE	1	
D9815	BOJCDD000002	DIODE	1	
DG1	K1KY80A00011	80P CONNECTOR	1	
DG2	K1KA15B00074	15P CONNECTOR	1	
DG3	K1KY40B00003	40P CONNECTOR	1	
DG5	K1KB21BA0063	21P CONNECTOR	1	

Ref. No.	Part No.	Part Name & Description	Pcs	Remarks
DG8,G9	K1FY119D0001	CONNECTOR	2	
DG15	K1KY40B00003	40P CONNECTOR	1	
DG20	K1MN40B00045	40P CONNECTOR	1	
DG22	K1KBB0A00009	CONNECTOR	1	TH-37PX600B
DG35	K1KA07BA0047	7P CONNECTOR	1	
FL3301,02	J0HABB000003	LC FILTER	2	
FL3303-05	J0HABB000004	LC FILTER	3	
FL4010,11	J0HABH000012	LC FILTER	2	TH-37PX600B
FL4015	J0HABH000012	LC FILTER	1	TH-37PX600B
FL7101	J0HABH000013	LC FILTER	1	
FL7201	J0HABH000013	LC FILTER	1	
FL9300,01	FL1J1E1040022	C 0.10UF, Z, 25V	2	
FL9800,01	J0HABH000013	LC FILTER	2	
FL9803,04	J0HABH000012	LC FILTER	2	
FL9805-07	J0HABH000013	LC FILTER	3	
FL9900-02	FL1J1E1040022	C 0.10UF, Z, 25V	3	
FL9903,04	J0HABH000013	LC FILTER	2	
G1	K1KA12A00317	12P CONNECTOR	1	
G3	K1KA03BA0047	3P CONNECTOR	1	
G51	K1KA30AA0009	30P CONNECTOR	1	
GK3	K1KA03BA0061	3P CONNECTOR	1	
GS12	K1MN40A00025	40P CONNECTOR	1	
GS52	K1KA20AA0009	20P CONNECTOR	1	
H1	K1KY80A00011	80P CONNECTOR	1	
H2	K1KA15A00148	15P CONNECTOR	1	
H5	K1KA15AA0288	15P CONNECTOR	1	
H6	K1KA09A00230	9P CONNECTOR	1	
H15	K1KA04AA0150	4P CONNECTOR	1	
H40	K1KA20AA0009	20P CONNECTOR	1	
H51	K1KA30AA0009	30P CONNECTOR	1	
H52	K1KA20AA0009	20P CONNECTOR	1	
HC01	K1KA21A00011	21P CONNECTOR	1	
HC12	K1KA09AA0190	9P CONNECTOR	1	
HC15	K1KY40B00003	40P CONNECTOR	1	
HC21	K1KA08AA0193	8P CONNECTOR	1	
HC22	K1KA11AA0194	11P CONNECTOR	1	
IC1100	C3ABPG000145	IC	1	
IC1101	TVRN990	IC	1	PAVCCZ
IC1102	TVRN751	IC	1	TH-37PV600E PAVCCZ
IC1102	TVRN757	IC	1	TH-37PX600B PAVCCZ
IC1103	MN103SB20RGL	IC	1	
IC1105,06	C0JBAS000128	IC	2	TH-37PX600B
IC1107	C0JBAS000128	IC	1	
IC1110	C0CBCAD00016	IC	1	
IC1111	C0EBY0000041	IC	1	
IC2103	AN77L08M	IC	1	
IC2104	C0ABBA000168	IC	1	
IC2105	AN15862A-VT	IC	1	
IC2106	C1AB00002469	IC	1	
IC2109	C1BB00000947	IC	1	
IC2110	AN7705SP	IC	1	
IC2300,01	C0ABBA000168	IC	2	
IC2302	C1AB00002451	IC	1	
IC2303	C1AB00002452	IC	1	
IC2304-07	C0ABBA000168	IC	4	

Ref. No.	Part No.	Part Name & Description	Pcs	Remarks
IC2511	B3L000000020	IC	1	
IC3005	AN15867A-VT	IC	1	
IC3301	C0JBAZ002205	IC	1	
IC4013	C0CBCBF00009	IC	1	
IC4014	C0CBCAC00282	IC	1	
IC4016	C0CBCAC00275	IC	1	
IC4017	C0CBCAC00282	IC	1	
IC4018	C0CBCAC00275	IC	1	
IC4019	C1AB00002456	IC	1	
IC4020	C1AB00002202	IC	1	
IC4022	TVRN916	IC	1	
IC4023	TVRN917	IC	1	
IC4025	C0FBBK000038	IC	1	
IC4026	C1AB00002535	IC	1	
IC4027	C0DBFFD00003	IC	1	
IC4028	C0ABBB000230	IC	1	
IC4029	C0CBCAC00282	IC	1	
IC4030	C0CBCBC00190	IC	1	
IC4032	C0DBGY000052	IC	1	
IC4035	C0CBCAF00031	IC	1	
IC4036	C0JBAP000020	IC	1	
IC4037	MN84522-A	IC	1	
IC4038	C3ABQJ000048	IC	1	
IC4040	C0CBCAC00282	IC	1	
IC5601	N0BG2DE00001	IC	1	
IC5602	EHMDD9851	LINEAR IC	1	
IC5603	C0DBAJB00004	IC	1	
IC5604	C0DBZGC00067	IC	1	
IC5801	C0DBAZF00003	IC	1	
IC6131	C0ZBZ0000895	IC	1	
IC6151	C0ZBZ0001324	IC	1	
IC6191	C0ZBZ0000895	IC	1	
IC6211	C0ZBZ0001325	IC	1	
IC6221	C0DBEMB00005	IC	1	
IC6241	C0JBAZ000005	IC	1	
IC6251	NJM2903M	INTEGRATED CIRCUIT	1	
IC6471	C0DBEKA00003	IC	1	
IC6472	C0JBAA000377	IC	1	
IC6501	C0ZBZ0000895	IC	1	
IC6521	C0ZBZ0001324	IC	1	
IC6561,62	C0JBAZ000005	IC	2	
IC6581	NJM2903M	INTEGRATED CIRCUIT	1	
IC6601	C0ZBZ0001325	IC	1	
IC6602	C0JBAB000715	IC	1	
IC6610	NJM2903M	INTEGRATED CIRCUIT	1	
IC6671	C0ZBZ0001325	IC	1	
IC6681	C0ZBZ0001325	IC	1	
IC6682	C0JBAA000377	IC	1	
IC6721,22	C0JBAZ000994	IC	2	
IC6724,25	C0CBADC00089	IC	2	
IC6751	C0CBADC00089	IC	1	
IC6752	C0ZBZ0001325	IC	1	
IC6753	C0JBAB000715	IC	1	
IC6771	C0CBADC00089	IC	1	
IC6772	C0ZBZ0001325	IC	1	
IC6773,74	C0JBAA000377	IC	2	
IC6791	N0BF1FB00001	IC	1	
IC6801,02	C0DBEMB00005	IC	2	
IC6821	C0DBEMB00005	IC	1	
IC6841	C0DBEMB00005	IC	1	
IC6861	NJM2903M	INTEGRATED CIRCUIT	1	
IC6871	NJM2903M	INTEGRATED CIRCUIT	1	
IC6901-06	AN16072A-VT	IC	6	
IC6951-56	AN16072A-VT	IC	6	
IC7101-05	C0JBAZ001120	IC	5	
IC7201-05	C0JBAZ001120	IC	5	

Ref. No.	Part No.	Part Name & Description	Pcs	Remarks
IC7751	C0JBAZ000851	IC	1	
IC8003	STV0360CT	IC	1	TH-37PX600B PAVCCZ
IC8009	C3ABQ000095	IC	1	TH-37PX600B PAVCCZ
IC8013	MN2WS0025BEA	IC	1	TH-37PX600B PAVCCZ
IC8019	TVRN789	IC	1	TH-37PX600B PAVCCZ
IC8023, 24	C0DBAMH00018	IC	2	TH-37PX600B
IC8029	C0FBBK000038	IC	1	TH-37PX600B
IC8031	BA15218FDX	IC	1	TH-37PX600B
IC8034	C0DBEHG00006	IC	1	TH-37PX600B
IC8042	C0EBM0000026	IC	1	TH-37PX600B
IC8213	C0JBAZ001137	IC	1	TH-37PX600B
IC8402	74LVC4245AD	IC	1	TH-37PX600B PAVCCZ
IC8404	C0JBAZ002691	IC	1	TH-37PX600B PAVCCZ
IC8405	C0ZBZ0001333	IC	1	TH-37PX600B PAVCCZ
IC8408-11	C0JBAZ002691	IC	4	TH-37PX600B PAVCCZ
IC8412	C0JBAZ001137	IC	1	TH-37PX600B
IC8501	74VHCU04MXNL	IC	1	TH-37PX600B PAVCCZ
IC8864	C0DBFFD00003	IC	1	TH-37PX600B
IC9001	TVRN807-1	IC	1	
IC9002	C0ZBZ0001330	IC	1	
IC9003	TVRN805-1	IC	1	PAVCCZ
IC9007	TVRN813	IC	1	
IC9011	C0EBF0000431	IC	1	
IC9200	C1ZBZ0003185	IC	1	
IC9303	TVRN818	IC	1	PAVCCZ
IC9500	C1ZBZ0002599	IC	1	
IC9502	PST9128NR	IC (LOGIC)	1	
IC9503, 04	C0JBAZ001120	IC	2	
IC9800	C0DBAYY00054	IC	1	
IC9801	C0DBZFG00066	IC	1	
IC9802, 03	C0JBAZ001120	IC	2	
IC9806	C0DBAHD00011	IC	1	
IC9807	C0DBAYY00054	IC	1	
IC9809	C0DBAYY00054	IC	1	
IC9900	MN84521-A	IC	1	
IC9901	C3ABQJ000051	IC	1	
JK2002, 03	K4BK03A00002	AV TERMINAL	2	
JK3001	K1FB315A0005	JACK	1	
JK3002-04	K1FB121A0010	CONNECTOR	3	PAVCCZ
JK3005	K2HA307A0007	JACK	1	PAVCCZ
JK3701	K4AK23B00001	TERMINAL BOARD	1	PAVCCZ
JK7701	K1NA09E00080	9P CONNECTOR	1	
JK8401	K1NA68B00042	68P CONNECTOR	1	TH-37PX600B PAVCCZ
JS001	ERJ3GEY0R00	M 0 OHM, 1/16W	1	TH-37PX600B
JS012	ERJ3GEY0R00	M 0 OHM, 1/16W	1	TH-37PX600B
JS1100-02	ERJ2GE0R00	M 0.0 OHM, J,0.063W	3	
JS1109	ERJ2GE0R00	M 0.0 OHM, J,0.063W	1	
JS1117	ERJ2GE0R00	M 0.0 OHM, J,0.063W	1	
JS2021, 22	ERJ3GEY0R00	M 0 OHM, 1/16W	2	
JS2026	ERJ3GEY0R00	M 0 OHM, 1/16W	1	
JS2031-33	ERJ3GEY0R00	M 0 OHM, 1/16W	3	
JS2108, 09	ERJ3GEY0R00	M 0 OHM, 1/16W	2	
JS2123, 24	ERJ3GEY0R00	M 0 OHM, 1/16W	2	

Ref. No.	Part No.	Part Name & Description	Pcs	Remarks
JS2300-03	ERJ6GEY0R00	M 0 OHM, 1/10W	4	
JS2318, 19	ERJ6GEY0R00	M 0 OHM, 1/10W	2	
JS2331	ERJ6GEY0R00	M 0 OHM, 1/10W	1	
JS3005	ERJ6GEY0R00	M 0 OHM, 1/10W	1	
JS3007-20	ERJ6GEY0R00	M 0 OHM, 1/10W	14	
JS3023	ERJ3GEY0R00	M 0 OHM, 1/16W	1	
JS3037-39	ERJ3GEY0R00	M 0 OHM, 1/16W	3	
JS3201	ERJ3GEY0R00	M 0 OHM, 1/16W	1	
JS3206	ERJ3GEY0R00	M 0 OHM, 1/16W	1	
JS3215	ERJ6GEY0R00	M 0 OHM, 1/10W	1	
JS3220, 21	ERJ6GEY0R00	M 0 OHM, 1/10W	2	
JS3230	ERJ3GEY0R00	M 0 OHM, 1/16W	1	
JS3237-39	ERJ3GEY0R00	M 0 OHM, 1/16W	3	
JS3252	ERJ6GEY0R00	M 0 OHM, 1/10W	1	
JS3255	ERJ6GEY0R00	M 0 OHM, 1/10W	1	
JS3256, 57	ERJ3GEY0R00	M 0 OHM, 1/16W	2	
JS3302-04	ERJ3GEY0R00	M 0 OHM, 1/16W	3	
JS3307-12	ERJ3GEY0R00	M 0 OHM, 1/16W	6	
JS3352	J0JCC0000241	CHIP INDUCTOR	1	
JS3354-59	J0JCC0000241	CHIP INDUCTOR	6	
JS3362, 63	ERJ3GEY0R00	M 0 OHM, 1/16W	2	
JS3402, 03	ERJ3GEY0R00	M 0 OHM, 1/16W	2	
JS3404, 05	ERJ6GEY0R00	M 0 OHM, 1/10W	2	
JS3704, 05	ERJ6GEY0R00	M 0 OHM, 1/10W	2	
JS3707, 08	ERJ6GEY0R00	M 0 OHM, 1/10W	2	
JS3711-14	ERJ6GEY0R00	M 0 OHM, 1/10W	4	
JS3715	ERJ3GEY0R00	M 0 OHM, 1/16W	1	
JS4013-17	ERJ2GE0R00	M 0.0 OHM, J,0.063W	5	
JS4020-24	ERJ2GE0R00	M 0.0 OHM, J,0.063W	5	
JS4025, 26	ERJ2GEJ101	M 100 OHM, J,0.063W	2	
JS4027, 28	ERJ2GE0R00	M 0.0 OHM, J,0.063W	2	
JS4029	ERJ2GEJ221	M 220 OHM, J,0.063W	1	
JS4033-40	ERJ2GE0R00	M 0.0 OHM, J,0.063W	8	
JS4042, 43	ERJ2GE0R00	M 0.0 OHM, J,0.063W	2	TH-37PX600B
JS4046	ERJ2GE0R00	M 0.0 OHM, J,0.063W	1	TH-37PV600E
JS4047, 48	ERJ2GE0R00	M 0.0 OHM, J,0.063W	2	TH-37PX600B
JS4069	ERJ2GEJ221	M 220 OHM, J,0.063W	1	
JS4075	ERJ2GE0R00	M 0.0 OHM, J,0.063W	1	TH-37PX600B
JS4077	ERJ2GE0R00	M 0.0 OHM, J,0.063W	1	TH-37PX600B
JS4079	ERJ2GE0R00	M 0.0 OHM, J,0.063W	1	TH-37PX600B
JS4093	ERJ2GE0R00	M 0.0 OHM, J,0.063W	1	TH-37PV600E
JS4099	ERJ2GE0R00	M 0.0 OHM, J,0.063W	1	TH-37PX600B
JS4103	ERJ2GE0R00	M 0.0 OHM, J,0.063W	1	TH-37PV600E
JS4104	ERJ2GE0R00	M 0.0 OHM, J,0.063W	1	
JS4108	ERJ2GE0R00	M 0.0 OHM, J,0.063W	1	

Ref. No.	Part No.	Part Name & Description	Pcs	Remarks
JS4111-13	ERJ3GEY0R00	M 0 OHM, 1/16W	3	
JS5603	ERJ3GEY0R00	M 0 OHM, 1/16W	1	
JS7702	ERJ3GEY0R00	M 0 OHM, 1/16W	1	
JS7711	ERJ3GEY0R00	M 0 OHM, 1/16W	1	
JS7721-23	ERJ6GEY0R00	M 0 OHM, 1/10W	3	
K1	K1KY12B00001	12P CONNECTOR	1	
L008	J0JCC0000241	CHIP INDUCTOR	1	
L012	J0JCC0000241	CHIP INDUCTOR	1	
L017	J0JCC0000241	CHIP INDUCTOR	1	
L018	J0JGC0000021	CHIP INDUCTOR COIL	1	
L019	J0JCC0000241	CHIP INDUCTOR	1	TH-37PV600E
L020	J0JGC0000021	CHIP INDUCTOR COIL	1	
L021	ERJ3GEY0R00	M 0 OHM, 1/16W	1	
L1101-04	J0JHC0000078	CHIP INDUCTOR	4	
L1109	J0JHC0000078	CHIP INDUCTOR	1	
L2001,02	J0JCC0000364	CHIP INDUCTOR	2	
L2003-16	TSK1032	BEAD CHOKE	14	
L2107	TSK1032	BEAD CHOKE	1	
L2108	J0JCC0000241	CHIP INDUCTOR	1	
L2109,10	TSK1032	BEAD CHOKE	2	
L2111,12	J0JCC0000241	CHIP INDUCTOR	2	
L2115	J0JCC0000241	CHIP INDUCTOR	1	
L2117	ELESE6R8KA	PEAKING COIL	1	
L2118	EXCELDR35C	BEAD CHOKE	1	
L2123	J0JCC0000241	CHIP INDUCTOR	1	
L2178,79	J0JCC0000241	CHIP INDUCTOR	2	
L2182-87	J0JCC0000241	CHIP INDUCTOR	6	
L2204	ERJ3GEY0R00	M 0 OHM, 1/16W	1	
L2205,06	J0JCC0000241	CHIP INDUCTOR	2	
L2300-07	G0C330MA0049	PEAKING COIL	8	
L2308	TALL08N3R9MA	INDUCTION COIL	1	
L3000	G0C101K00023	PEAKING COIL	1	
L3001-03	TSK1032	BEAD CHOKE	3	
L3009	TSK1032	BEAD CHOKE	1	
L3026	TSK1032	BEAD CHOKE	1	
L3202	J0JCC0000241	CHIP INDUCTOR	1	
L3205	J0JCC0000241	CHIP INDUCTOR	1	
L3700,01	J0JCC0000364	CHIP INDUCTOR	2	
L3707,08	TSK1032	BEAD CHOKE	2	
L4021	J0JHC0000078	CHIP INDUCTOR	1	
L4023	J0JHC0000078	CHIP INDUCTOR	1	
L4027	J0JBC0000080	CHIP INDUCTOR	1	
L4028,29	J0JHC0000078	CHIP INDUCTOR	2	
L4031,32	J0JHC0000078	CHIP INDUCTOR	2	
L4033	TALC168T100K	CHIP INDUCTOR COIL	1	
L4034	J0JCC0000077	CHIP INDUCTOR	1	
L4037	J0JCC0000077	CHIP INDUCTOR	1	
L4038	J0JHC0000078	CHIP INDUCTOR	1	
L4040-46	J0JHC0000078	CHIP INDUCTOR	7	
L4048	J0JHC0000078	CHIP INDUCTOR	1	
L4049	J0JBC0000080	CHIP INDUCTOR	1	
L4050,51	J0JHC0000078	CHIP INDUCTOR	2	
L4052	J0JCC0000077	CHIP INDUCTOR	1	
L4053-55	J0JHC0000078	CHIP INDUCTOR	3	
L4056,57	J0JCC0000077	CHIP INDUCTOR	2	

Ref. No.	Part No.	Part Name & Description	Pcs	Remarks
L4060,61	J0JCC0000077	CHIP INDUCTOR	2	
L4065,66	J0JHC0000078	CHIP INDUCTOR	2	
L4068-70	J0JHC0000078	CHIP INDUCTOR	3	
L4071	J0JBC0000080	CHIP INDUCTOR	1	
L4073	J0JHC0000078	CHIP INDUCTOR	1	
L4075,76	J0JHC0000078	CHIP INDUCTOR	2	
L4077	J0JCC0000077	CHIP INDUCTOR	1	
L4078	J0JHC0000078	CHIP INDUCTOR	1	
L5602	TALL08N2R7MA	INDUCTION COIL	1	
L5604	TALL08N2R7MA	INDUCTION COIL	1	
L5605	G0A2R7ZA0021	CHOKE COIL	1	
L5606,07	G0A220GA0002	CHOKE COIL	2	
L5608	G1C100MA0072	INDUCTION COIL	1	
L5609	G0A220GA0002	CHOKE COIL	1	
L5610	G1C470MA0077	INDUCTION COIL	1	
L5612	TALL08N2R7MA	INDUCTION COIL	1	
L5615	TALL08N150KA	INDUCTION COIL	1	
L5621	G1C330MA0234	INDUCTION COIL	1	
L5622,23	G1C150MA0234	INDUCTION COIL	2	
L5624	G1C330MA0234	INDUCTION COIL	1	
L5651	G0A220GA0002	CHOKE COIL	1	
L5801	G0C101K00023	PEAKING COIL	1	
L5802	TALL08N101KA	INDUCTION COIL	1	
L6001-03	G0C2R2ZA0024	PEAKING COIL	3	PAVCCZ
L6011-13	G0C2R2KA0151	PEAKING COIL	3	PAVCCZ
L6061-68	G0ZZ00002183	PEAKING COIL	8	
L6081-88	G0ZZ00002183	PEAKING COIL	8	
L6101,02	J0JJC0000011	CHIP INDUCTOR	2	
L6103	G0ZZ00002183	PEAKING COIL	1	
L6104,05	J0JJC0000011	CHIP INDUCTOR	2	
L6211,12	J0JJC0000011	CHIP INDUCTOR	2	
L6221	G0ZZ00002183	PEAKING COIL	1	
L6241	G0ZZ00002183	PEAKING COIL	1	
L6262	G0ZZ00002183	PEAKING COIL	1	
L6271,72	G0ZZ00002183	PEAKING COIL	2	
L6401-03	G0C2R2ZA0024	PEAKING COIL	3	PAVCCZ
L6411-13	G0C2R2KA0151	PEAKING COIL	3	PAVCCZ
L6461-68	G0ZZ00002183	PEAKING COIL	8	
L6472,73	G0ZZ00002183	PEAKING COIL	2	
L6481-88	G0ZZ00002183	PEAKING COIL	8	
L6591,92	G0ZZ00002183	PEAKING COIL	2	
L6601,02	G0ZZ00002183	PEAKING COIL	2	
L6801,02	J0JJC0000011	CHIP INDUCTOR	2	
L6841	J0JJC0000011	CHIP INDUCTOR	1	
L8004	J0JHC0000045	CHIP INDUCTOR	1	TH-37PX600B
L8008	J0JHC0000045	CHIP INDUCTOR	1	TH-37PX600B
L8026	J0JHC0000035	CHIP INDUCTOR	1	TH-37PX600B
L8031-33	J0JHC0000045	CHIP INDUCTOR	3	TH-37PX600B
L8037	J0JCC0000078	CHIP INDUCTOR	1	TH-37PX600B
L8038	J0JHC0000045	CHIP INDUCTOR	1	TH-37PX600B
L8042	J0JHC0000045	CHIP INDUCTOR	1	TH-37PX600B
L8046	ELJPA1R0MPB	INDUCTION COIL	1	TH-37PX600B
L8047	G1C680MA0173	INDUCTION COIL	1	TH-37PX600B PAVCCZ

Ref. No.	Part No.	Part Name & Description	Pcs	Remarks
L8048	G1C330MA0173	INDUCTION COIL	1	TH-37PX600B PAVCCZ
L8049	J0JHC0000045	CHIP INDUCTOR	1	TH-37PX600B
L8051	J0JCC0000241	CHIP INDUCTOR	1	TH-37PX600B
L8055	G1C100MA0077	INDUCTION COIL	1	TH-37PX600B
L8059	J0JHC0000045	CHIP INDUCTOR	1	TH-37PX600B
L8106	ELJFA2R7JBB	CHIP INDUCTOR	1	TH-37PX600B PAVCCZ
L8145	J0JHC0000045	CHIP INDUCTOR	1	TH-37PX600B
L8501	ELJNA2R7JFB	CHIP INDUCTOR	1	TH-37PX600B
L9500	G1C150KA0038	INDUCTION COIL	1	
L9501,02	J0JHC0000078	CHIP INDUCTOR	2	
L9800	G1C3R0MA0248	INDUCTION COIL	1	
L9801,02	G1C2R2MA0241	INDUCTION COIL	2	
L9810	J0JHC0000045	CHIP INDUCTOR	1	
NPM	RD-SD0010P	SD MODULE	1	
PA1	K1KA04AA0192	4P CONNECTOR	1	
PA2	K1KA05AA0192	5P CONNECTOR	1	
PA5	K1KA11AA0194	11P CONNECTOR	1	
PA10	K1KA06A00452	6P CONNECTOR	1	
PA20	K1MN40A00024	40P CONNECTOR	1	
PA31-33	K1KA03AA0192	3P CONNECTOR	3	
PA40	K1KA20AA0009	20P CONNECTOR	1	
PA1101	K5H8012A0023	FUSE	1	
PA2100	K5H1622A0023	FUSE	1	
PA3100	K5H1622A0023	FUSE	1	
PA3104	ERJ3GEYOR00	M 0 OHM, 1/16W	1	
PA7751	K5H1622A0023	FUSE	1	
PA9800	K5H4022A0023	FUSE	1	
PC6480	B3PBA0000223	IC	1	
PC6701-03	B3PBA0000233	IC	3	
PC6704	B3PBA0000234	IC	1	
PC6705	B3PBA0000233	IC	1	
PC6760	B3PBA0000223	IC	1	
PC6801	B3PBA0000223	IC	1	
PC6861	B3PBA0000223	IC	1	
PC6871	B3PBA0000223	IC	1	
Q002	2SA207700L	TRANSISTOR	1	
Q1100-03	2SC584500L	TRANSISTOR	4	
Q1106,07	2SC584500L	TRANSISTOR	2	TH-37PX600B
Q1108	2SC584500L	TRANSISTOR	1	
Q1109,10	B1CBHD000002	FET	2	
Q1111	2SC584500L	TRANSISTOR	1	
Q1113-18	2SC584500L	TRANSISTOR	6	
Q1120-22	2SC584500L	TRANSISTOR	3	
Q1130	2SC584500L	TRANSISTOR	1	
Q1131	B1ABDF000034	TRANSISTOR	1	
Q1134	2SC584500L	TRANSISTOR	1	
Q1135	B1ABDF000034	TRANSISTOR	1	
Q1137-43	2SC584500L	TRANSISTOR	7	
Q2001-04	2SC584500L	TRANSISTOR	4	
Q2006,07	2SC584500L	TRANSISTOR	2	
Q2009,10	2SC584500L	TRANSISTOR	2	
Q2011	2SA207700L	TRANSISTOR	1	
Q2012	2SC584500L	TRANSISTOR	1	
Q2013	2SA207700L	TRANSISTOR	1	
Q2102-05	2SA207700L	TRANSISTOR	4	
Q2106	2SC584500L	TRANSISTOR	1	
Q2108	2SC584500L	TRANSISTOR	1	

Ref. No.	Part No.	Part Name & Description	Pcs	Remarks
Q2113,14	2SC584500L	TRANSISTOR	2	
Q2300	2SA207700L	TRANSISTOR	1	(PA)
Q2300	2SC584500L	TRANSISTOR	1	(H)
Q2301	2SD601A	TRANSISTOR	1	(H)
Q2301	2SD601A	TRANSISTOR	1	(PA)
Q2302	2SC584500L	TRANSISTOR	1	
Q2305	2SD601A	TRANSISTOR	1	
Q2306-09	2SA207700L	TRANSISTOR	4	
Q2314-17	2SC584500L	TRANSISTOR	4	
Q2510,11	2SD601A	TRANSISTOR	2	
Q2518	2SD601A	TRANSISTOR	1	TH-37PX600B
Q3001	2SC584500L	TRANSISTOR	1	
Q3005	2SC584500L	TRANSISTOR	1	
Q3008	2SA207700L	TRANSISTOR	1	
Q3011	2SA207700L	TRANSISTOR	1	
Q3014,15	2SA207700L	TRANSISTOR	2	
Q3016	2SC584500L	TRANSISTOR	1	
Q3017	2SA207700L	TRANSISTOR	1	
Q3019-24	2SC584500L	TRANSISTOR	6	
Q3027-29	2SA207700L	TRANSISTOR	3	
Q3331-33	2SC2480	TRANSISTOR	3	
Q4043,44	2SA207700L	TRANSISTOR	2	
Q4046	2SA207700L	TRANSISTOR	1	
Q4050	2SC584500L	TRANSISTOR	1	
Q4051,52	2SD1030	TRANSISTOR	2	
Q4053	2SC584500L	TRANSISTOR	1	
Q4054	2SD1030	TRANSISTOR	1	
Q4055-59	2SA207700L	TRANSISTOR	5	
Q4061-69	2SC584500L	TRANSISTOR	9	
Q4070,71	B1MBACA00008	TRANSISTOR	2	
Q4082,83	2SK1228	FET	2	
Q4084	B1ABDF000034	TRANSISTOR	1	
Q4918	B1ABDF000034	TRANSISTOR	1	
Q4919	2SC584500L	TRANSISTOR	1	
Q5601	B1DHDC000028	TRANSISTOR	1	
Q5602	2SD601A	TRANSISTOR	1	
Q5603	B1DHDC000028	TRANSISTOR	1	
Q5604,05	2SD601A	TRANSISTOR	2	
Q5610	2SD601A	TRANSISTOR	1	
Q5613	2SD601A	TRANSISTOR	1	
Q5614	2SK3065T100	FET	1	
Q5641-43	2SA207700L	TRANSISTOR	3	
Q5644	2SD601A	TRANSISTOR	1	
Q6001-03	B1JADN000001	TRANSISTOR	3	
Q6021-23	B1JADN000001	TRANSISTOR	3	
Q6041,42	B1JADN000002	TRANSISTOR	2	
Q6051,52	B1JADN000002	TRANSISTOR	2	
Q6101-04	B1DFKM000002	TRANSISTOR	4	
Q6105	B1ABNF000006	TRANSISTOR	1	
Q6106	B1ADNF000006	TRANSISTOR	1	
Q6111	2SK326800L	FET	1	
Q6112	B1DFKM000002	TRANSISTOR	1	
Q6114	B1DFKM000002	TRANSISTOR	1	
Q6141	B1ABNF000006	TRANSISTOR	1	
Q6142	B1ADNF000006	TRANSISTOR	1	
Q6146	B1ABNF000006	TRANSISTOR	1	

Ref. No.	Part No.	Part Name & Description	Pcs	Remarks
Q6147	B1ADNF000006	TRANSISTOR	1	
Q6171	2SD2185	TRANSISTOR	1	
Q6172	B1ADRD000001	TRANSISTOR	1	
Q6181	2SD2185	TRANSISTOR	1	
Q6182	B1ADRD000001	TRANSISTOR	1	
Q6221	2SD1263A	TRANSISTOR	1	
Q6222	2SC3063	TRANSISTOR	1	
Q6251	2SD601A	TRANSISTOR	1	
Q6401-03	B1JADN000001	TRANSISTOR	3	
Q6421-23	B1JAEP000001	TRANSISTOR	3	
Q6441,42	B1JADN000002	TRANSISTOR	2	
Q6451,52	B1JADP000002	TRANSISTOR	2	
Q6471	B1CHGD000006	TRANSISTOR	1	
Q6511	B1ABNF000006	TRANSISTOR	1	
Q6512	B1ADNF000006	TRANSISTOR	1	
Q6516	B1ABNF000006	TRANSISTOR	1	
Q6517	B1ADNF000006	TRANSISTOR	1	
Q6531	2SD2185	TRANSISTOR	1	
Q6532	B1ADRD000001	TRANSISTOR	1	
Q6551	2SD2185	TRANSISTOR	1	
Q6552	B1ADRD000001	TRANSISTOR	1	
Q6581	2SD601A	TRANSISTOR	1	
Q6601	B1DFES000003	TRANSISTOR	1	
Q6602	2SD601A	TRANSISTOR	1	
Q6621	B1DFKM000001	TRANSISTOR	1	
Q6641,42	B1DFKM000001	TRANSISTOR	2	
Q6644,45	B1DFKM000001	TRANSISTOR	2	
Q6647,48	B1DFKM000001	TRANSISTOR	2	
Q6661	B1DEET000002	TRANSISTOR	1	
Q6662	2SD601A	TRANSISTOR	1	
Q6663	2SD2185	TRANSISTOR	1	
Q6671,72	B1DFET000001	TRANSISTOR	2	
Q6680	B1ADNF000006	TRANSISTOR	1	
Q6681,82	2SK389500L	FET	2	
Q6691	2SK620	FET	1	
Q6742,43	2SD601A	TRANSISTOR	2	
Q6744	2SK620	FET	1	
Q6762	B1ADNF000006	TRANSISTOR	1	
Q6781	B1ABNF000006	TRANSISTOR	1	
Q6782	B1ADNF000006	TRANSISTOR	1	
Q6791	2SD601A	TRANSISTOR	1	
Q6801	B1BAEJ000014	TRANSISTOR	1	
Q6802	2SB0709A	TRANSISTOR	1	
Q6803	2SD814A	TRANSISTOR	1	
Q6804	2SD601A	TRANSISTOR	1	
Q6821	2SD1263A	TRANSISTOR	1	
Q6822	2SC3063	TRANSISTOR	1	
Q6824	2SD601A	TRANSISTOR	1	
Q6841	2SD1263A	TRANSISTOR	1	
Q6842	2SC1473A	TRANSISTOR	1	
Q7751,52	2SD601A	TRANSISTOR	2	
Q7753	2SC584500L	TRANSISTOR	1	
Q7754	2SD601A	TRANSISTOR	1	
Q8101	2SA207700L	TRANSISTOR	1	TH-37PX600B
Q8401,02	2SD601A	TRANSISTOR	2	TH-37PX600B
Q9010	2SD601A	TRANSISTOR	1	
Q9044	2SD601A	TRANSISTOR	1	
Q9046	2SD601A	TRANSISTOR	1	
Q9049	2SB709A	TRANSISTOR	1	
Q9050-54	2SD601A	TRANSISTOR	5	
Q9055-58	B1CBHD000002	FET	4	

Ref. No.	Part No.	Part Name & Description	Pcs	Remarks
Q9300-02	2SD601A	TRANSISTOR	3	
Q9800,01	B1MBEDA00015	TRANSISTOR	2	
Q9803	B1MBEDA00015	TRANSISTOR	1	
Q9805,06	2SD601A	TRANSISTOR	2	
R002	ERJ3GEYJ221	M 220 OHM, J, 1/16W	1	
R005	ERJ3EKF5600	M 560 OHM, 1/16W	1	
R008,09	ERJ3GEY0R00	M 0 OHM, 1/16W	2	
R010	ERJ3EKF4700	M 470 OHM, 1/16W	1	
R011	ERJ6GEYJ271	M 270 OHM, J, 1/10W	1	
R012,13	ERJ3GEYJ220	M 22 OHM, J, 1/16W	2	
R014	ERJ3GEYJ221	M 220 OHM, J, 1/16W	1	
R1101	ERJ2GEJ101	M 100 OHM, J, 0.063W	1	
R1102,03	ERJ2GEJ102	M 1KOHM, J, 0.063W	2	
R1105,06	ERJ2GEJ102	M 1KOHM, J, 0.063W	2	
R1113	ERJ2GEJ332	M 3.3KOHM, J, 0.063W	1	
R1116	ERJ2GEJ562	M 5.6KOHM, J, 0.063W	1	
R1117	ERJ2GE0R00	M 0.0 OHM, J, 0.063W	1	
R1118,19	EXB2HV680J	RESISTOR ARRAY	2	
R1121,22	ERJ2GEJ220	M 22 OHM, J, 0.063W	2	
R1123	ERJ2GEJ473	M 47KOHM, J, 0.063W	1	
R1124,25	ERJ2GEJ332	M 3.3KOHM, J, 0.063W	2	
R1128	ERJ2GEJ103	M 10KOHM, J, 0.063W	1	
R1130	ERJ2GEJ473	M 47KOHM, J, 0.063W	1	
R1131,32	ERJ2GEJ101	M 100 OHM, J, 0.063W	2	
R1133,34	ERJ2GEJ102	M 1KOHM, J, 0.063W	2	
R1135	ERJ2GEJ103	M 10KOHM, J, 0.063W	1	
R1140,41	ERJ2GEJ680	M 68 OHM, J, 0.063W	2	
R1145	ERJ2GEJ101	M 100 OHM, J, 0.063W	1	TH-37PX600B
R1146	ERJ2GEJ271	M 270 OHM, J, 0.063W	1	
R1147,48	D1HG5608A002	NETWORK RESISTER	2	
R1149	EXB2HV680J	RESISTOR ARRAY	1	
R1150	ERJ2GEJ101	M 100 OHM, J, 0.063W	1	TH-37PX600B
R1151	ERJ2GEJ101	M 100 OHM, J, 0.063W	1	
R1153	ERJ2GEJ101	M 100 OHM, J, 0.063W	1	
R1154,55	ERJ2GEJ472	M 4.7KOHM, J, 0.063W	2	
R1156	ERJ2GEJ104	M 100KOHM, J, 0.063W	1	
R1157	ERJ2GEJ101	M 100 OHM, J, 0.063W	1	
R1158	ERJ2GEJ273	M 27KOHM, J, 0.063W	1	
R1159	ERJ2GEJ123X	M 12KOHM, J, 0.063W	1	
R1160	ERJ2GEJ473	M 47KOHM, J, 0.063W	1	TH-37PV600E
R1162	ERJ2GEJ473	M 47KOHM, J, 0.063W	1	TH-37PV600E
R1164	ERJ2GEJ123X	M 12KOHM, J, 0.063W	1	
R1165	ERJ2GEJ153	M 15KOHM, J, 0.063W	1	
R1166,67	ERJ2GEJ101	M 100 OHM, J, 0.063W	2	TH-37PX600B
R1168,69	ERJ2GE0R00	M 0.0 OHM, J, 0.063W	2	
R1174	ERJ2GEJ101	M 100 OHM, J, 0.063W	1	
R1175	ERJ2GEJ563	M 56KOHM, J, 0.063W	1	
R1176	ERJ2GEJ123X	M 12KOHM, J, 0.063W	1	
R1177-79	ERJ2GEJ101	M 100 OHM, J, 0.063W	3	

Ref. No.	Part No.	Part Name & Description	Pcs	Remarks
R1181	ERJ2GEJ101	M 100 OHM, J,0.063W	1	
R1182	ERJ2GEJ683	M 68KOHM, J,0.063W	1	
R1183	EXB28V680JX	RESISTOR ARRAY	1	
R1184	ERJ2GE0R00	M 0.0 OHM, J,0.063W	1	
R1187	EXB2HV680J	RESISTOR ARRAY	1	
R1188,89	ERJ2GEJ103	M 10KOHM, J,0.063W	2	
R1193,94	ERJ2GEJ101	M 100 OHM, J,0.063W	2	
R1199	ERJ2GEJ473	M 47KOHM, J,0.063W	1	
R1200	EXB2HV680J	RESISTOR ARRAY	1	
R1203	ERJ2GEJ102	M 1KOHM, J,0.063W	1	
R1207	ERJ2GEJ104	M 100KOHM, J,0.063W	1	
R1212	ERJ2GE0R00	M 0.0 OHM, J,0.063W	1	
R1214	ERJ2GEJ103	M 10KOHM, J,0.063W	1	
R1215-17	ERJ2GEJ101	M 100 OHM, J,0.063W	3	
R1218	ERJ2GEJ680	M 68 OHM, J,0.063W	1	
R1220	ERJ2GEJ680	M 68 OHM, J,0.063W	1	
R1221	ERJ2GEJ332	M 3.3KOHM, J,0.063W	1	
R1222	ERJ2GEJ330	M 33 OHM, J,0.063W	1	
R1223	ERJ2GEJ102	M 1KOHM, J,0.063W	1	
R1224	ERJ2GEJ473	M 47KOHM, J,0.063W	1	
R1225,26	ERJ2GEJ220	M 22 OHM, J,0.063W	2	
R1228	ERJ2GEJ220	M 22 OHM, J,0.063W	1	
R1229	ERJ2GEJ182	M 1.8KOHM, J,0.063W	1	
R1230	ERJ2GEJ220	M 22 OHM, J,0.063W	1	
R1231	ERJ2GEJ473	M 47KOHM, J,0.063W	1	
R1232,33	ERJ2GEJ332	M 3.3KOHM, J,0.063W	2	
R1234	ERJ2GE0R00	M 0.0 OHM, J,0.063W	1	
R1235,36	ERJ2GEJ272	M 2.7KOHM, J,0.063W	2	
R1238	ERJ2GEJ473	M 47KOHM, J,0.063W	1	
R1239	ERJ3EKF1202	M 12KOHM, 1/16W	1	
R1240	ERJ2GEJ473	M 47KOHM, J,0.063W	1	
R1241	ERJ2GEJ822	M 8.2KOHM, J,0.063W	1	
R1243	ERJ2GEJ102	M 1KOHM, J,0.063W	1	
R1246	ERJ2GEJ912	M 9.1KOHM, J,0.063W	1	
R1249	ERJ2GEJ473	M 47KOHM, J,0.063W	1	
R1250	ERJ2GEJ224	M 220KOHM, J,0.063W	1	
R1251,52	EXB2HV101J	RESISTOR ARRAY	2	
R1256	ERJ2GEJ102	M 1KOHM, J,0.063W	1	
R1259	ERJ2GEJ101	M 100 OHM, J,0.063W	1	TH-37PX600B
R1263,64	ERJ2GEJ101	M 100 OHM, J,0.063W	2	
R1269	ERJ2GE0R00	M 0.0 OHM, J,0.063W	1	
R1270,71	ERJ2GEJ220	M 22 OHM, J,0.063W	2	
R1275	ERJ3EKF7151	M7.15KOHM, 1/16W	1	
R1279,80	ERJ2GEJ220	M 22 OHM, J,0.063W	2	
R1281	ERJ2GEJ102	M 1KOHM, J,0.063W	1	
R1282	ERJ2GEJ153	M 15KOHM, J,0.063W	1	
R1283	ERJ2GEJ101	M 100 OHM, J,0.063W	1	
R1284	ERJ2GEJ682	M 6.8KOHM, J,0.063W	1	
R1290	ERJ2GEJ472	M 4.7KOHM, J,0.063W	1	
R1292,93	ERJ2GEJ104	M 100KOHM, J,0.063W	2	TH-37PX600B
R1296,97	ERJ2GEJ473	M 47KOHM, J,0.063W	2	TH-37PX600B

Ref. No.	Part No.	Part Name & Description	Pcs	Remarks
R1299-02	ERJ2GE0R00	M 0.0 OHM, J,0.063W	4	TH-37PV600E
R1303-06	ERJ2GEJ220	M 22 OHM, J,0.063W	4	TH-37PX600B
R1307	ERJ2GEJ104	M 100KOHM, J,0.063W	1	
R1308	ERJ2GEJ273	M 27KOHM, J,0.063W	1	
R1309-12	ERJ2GEJ220	M 22 OHM, J,0.063W	4	
R1313,14	ERJ2GEJ103	M 10KOHM, J,0.063W	2	
R1315	ERJ2GEJ333	M 33KOHM, J,0.063W	1	
R1316	ERJ2GEJ103	M 10KOHM, J,0.063W	1	
R1318,19	ERJ2GEJ512X	M5.12KOHM, J,0.063W	2	
R1321	ERJ2GEJ153	M 15KOHM, J,0.063W	1	
R1322	ERJ2GEJ100	M 10 OHM, J,0.063W	1	
R1323,24	ERJ2GEJ823	M 82KOHM, J,0.063W	2	
R1325,26	ERJ2GEJ104	M 100KOHM, J,0.063W	2	
R1327,28	ERJ2GEJ683	M 68KOHM, J,0.063W	2	
R1329,30	ERJ2GEJ473	M 47KOHM, J,0.063W	2	
R1331,32	ERJ2GEJ104	M 100KOHM, J,0.063W	2	
R1333	ERJ2GEJ101	M 100 OHM, J,0.063W	1	
R1334	ERJ2GE0R00	M 0.0 OHM, J,0.063W	1	
R1335	ERJ2GEJ101	M 100 OHM, J,0.063W	1	
R1336	ERJ2GEJ225	M 1MOHM, J,0.063W	1	
R1337	ERJ2GEJ472	M 4.7KOHM, J,0.063W	1	
R1340	ERJ2GEJ473	M 47KOHM, J,0.063W	1	TH-37PV600E
R1341	ERJ2GEJ473	M 47KOHM, J,0.063W	1	
R1344	ERJ2GEJ101	M 100 OHM, J,0.063W	1	
R1346	ERJ2GEJ473	M 47KOHM, J,0.063W	1	
R1350,51	ERJ2GEJ101	M 100 OHM, J,0.063W	2	
R1352	ERJ2GEJ473	M 47KOHM, J,0.063W	1	
R1353	ERJ2GEJ223	M 22KOHM, J,0.063W	1	
R1354	ERJ2GEJ101	M 100 OHM, J,0.063W	1	
R1355	ERJ2GEJ104	M 100KOHM, J,0.063W	1	
R1358	ERJ2GEJ104	M 100KOHM, J,0.063W	1	
R1359	ERJ2GEJ224	M 220KOHM, J,0.063W	1	
R1360	ERJ2GEJ221	M 220 OHM, J,0.063W	1	
R1361	ERJ2GE0R00	M 0.0 OHM, J,0.063W	1	
R1363	ERJ2GEJ473	M 47KOHM, J,0.063W	1	
R1364	ERJ2GEJ273	M 27KOHM, J,0.063W	1	
R1365	ERJ2GE0R00	M 0.0 OHM, J,0.063W	1	
R1367	ERJ2GEJ333	M 33KOHM, J,0.063W	1	
R1368	ERJ2GEJ183	M 18KOHM, J,0.063W	1	
R1369	ERJ2GE0R00	M 0.0 OHM, J,0.063W	1	
R1370	ERJ2GEJ104	M 100KOHM, J,0.063W	1	
R1372	ERJ2GEJ473	M 47KOHM, J,0.063W	1	
R1373	ERJ2GEJ683	M 68KOHM, J,0.063W	1	
R1375	ERJ2GEJ104	M 100KOHM, J,0.063W	1	
R1376	ERJ2GEJ273	M 27KOHM, J,0.063W	1	
R1377	ERJ8GEY0R00	M 0 OHM, 1/8W	1	
R1378	ERJ3GEY0R00	M 0 OHM, 1/16W	1	
R1379	ERJ2GEJ331	M 330 OHM, J,0.063W	1	
R1380	ERJ2GEJ104	M 100KOHM, J,0.063W	1	

Ref. No.	Part No.	Part Name & Description	Pcs	Remarks
R1381	ERJ2GEJ474	M 470KOHM, J,0.063W	1	
R1384	ERJ2GEJ101	M 100 OHM, J,0.063W	1	
R1389	ERJ2GE0R00	M 0.0 OHM, J,0.063W	1	
R1408	ERJ2GEJ104	M 100KOHM, J,0.063W	1	
R1410	ERJ2GEJ102	M 1KOHM, J,0.063W	1	
R1411	ERJ2GEJ472	M 4.7KOHM, J,0.063W	1	
R1412,13	ERJ2GEJ104	M 100KOHM, J,0.063W	2	
R1414	ERJ2GE0R00	M 0.0 OHM, J,0.063W	1	
R1426-32	ERJ8GEY0R00	M 0 OHM, 1/8W	7	
R1436,37	ERJ2GEJ561	M 60 OHM, J,0.063W	2	
R1439	ERJ2GEJ271	M 270 OHM, J,0.063W	1	
R1441	ERJ2GE0R00	M 0.0 OHM, J,0.063W	1	
R1446,47	ERJ2GEJ471	M 470 OHM, J,0.063W	2	
R1449	ERJ2GEJ473	M 47KOHM, J,0.063W	1	
R1451	ERJ2GEJ473	M 47KOHM, J,0.063W	1	
R1452	ERJ2GEJ473	M 47KOHM, J,0.063W	1	TH-37PV600E
R1454	ERJ2GE0R00	M 0.0 OHM, J,0.063W	1	
R1458,59	ERJ2GEJ101	M 100 OHM, J,0.063W	2	
R1461,62	ERJ2GE0R00	M 0.0 OHM, J,0.063W	2	
R1466	ERJ2GEJ103	M 10KOHM, J,0.063W	1	
R1467	ERJ2GEJ473	M 47KOHM, J,0.063W	1	
R1470	ERJ2GE0R00	M 0.0 OHM, J,0.063W	1	
R1472,73	ERJ2GEJ301	M 300 OHM, J,0.063W	2	
R1474	ERJ8GEY0R00	M 0 OHM, 1/8W	1	
R1475	ERJ2GEJ271	M 270 OHM, J,0.063W	1	
R1478	ERJ2GEJ680	M 68 OHM, J,0.063W	1	
R1479	ERJ2GEJ473	M 47KOHM, J,0.063W	1	
R1480	ERJ2GEJ473	M 47KOHM, J,0.063W	1	TH-37PV600E
R1489	ERJ2GEJ473	M 47KOHM, J,0.063W	1	
R1491	ERJ2GE0R00	M 0.0 OHM, J,0.063W	1	
R1526	ERJ2GEJ102	M 1KOHM, J,0.063W	1	
R1530,31	ERJ2GE0R00	M 0.0 OHM, J,0.063W	2	
R1554,55	ERJ3GEY0R00	M 0 OHM, 1/16W	2	
R1556	ERJ2GEJ331	M 330 OHM, J,0.063W	1	
R2005	ERJ3GEYJ104	M 100KOHM, J,1/16W	1	
R2006-11	ERJ6GEYJ223	M 22KOHM, J,1/10W	6	
R2012	ERJ3GEYJ104	M 100KOHM, J,1/16W	1	
R2013,14	ERJ3GEYJ222	M 2.2KOHM, J,1/16W	2	
R2015,16	ERJ3GEYJ331	M 330 OHM, J,1/16W	2	
R2018,19	ERJ3GEYJ104	M 100KOHM, J,1/16W	2	
R2023	ERJ3GEYJ222	M 2.2KOHM, J,1/16W	1	
R2027,28	ERJ3GEYJ104	M 100KOHM, J,1/16W	2	
R2031	ERJ3GEYJ222	M 2.2KOHM, J,1/16W	1	
R2033	ERJ3GEYJ222	M 2.2KOHM, J,1/16W	1	
R2035,36	ERJ3GEYJ104	M 100KOHM, J,1/16W	2	
R2038	ERJ3GEYJ222	M 2.2KOHM, J,1/16W	1	
R2040	ERJ3GEYJ222	M 2.2KOHM, J,1/16W	1	
R2042	ERJ3GEYJ105	M 1MOHM, J,1/16W	1	
R2043	ERJ3GEYJ473	M 47KOHM, J,1/16W	1	
R2044	ERJ3GEYJ102	M 1KOHM, J,1/16W	1	

Ref. No.	Part No.	Part Name & Description	Pcs	Remarks
R2045,46	ERJ3GEYJ103	M 10KOHM, J,1/16W	2	
R2048	ERJ6GEYJ471	M 470 OHM, J,1/10W	1	
R2049,50	ERJ3GEYJ103	M 10KOHM, J,1/16W	2	
R2051,52	ERJ6GEYJ184	M 180KOHM, J,1/10W	2	
R2053	ERJ6GEYJ471	M 470 OHM, J,1/10W	1	
R2054	ERJ3GEYJ103	M 10KOHM, J,1/16W	1	
R2101,02	ERJ3GEYJ331	M 330 OHM, J,1/16W	2	
R2103	ERJ3GEYJ222	M 2.2KOHM, J,1/16W	1	
R2113,14	ERJ3GEY0R00	M 0 OHM, 1/16W	2	
R2116	J0JCC0000241	CHIP INDUCTOR	1	
R2124,25	ERJ3GEYJ101	M 100 OHM, J,1/16W	2	
R2126,27	ERJ3GEYJ472	M 4.7KOHM, J,1/16W	2	
R2128,29	ERJ3GEYJ101	M 100 OHM, J,1/16W	2	
R2130	ERJ3EKF1002	M 10KOHM, 1/16W	1	
R2131	ERJ3EKF8201	M 8.2KOHM, 1/16W	1	
R2132	ERJ3GEYJ333	M 33KOHM, J,1/16W	1	
R2133	ERJ3GEY0R00	M 0 OHM, 1/16W	1	
R2135,36	ERJ3GEYJ331	M 330 OHM, J,1/16W	2	
R2137	ERJ3GEYJ333	M 33KOHM, J,1/16W	1	
R2138	ERJ3EKF1002	M 10KOHM, 1/16W	1	
R2139,40	ERJ3GEYJ221	M 220 OHM, J,1/16W	2	
R2147	ERJ3EKF1002	M 10KOHM, 1/16W	1	
R2148,49	ERJ3EKF6342	M6.34KOHM, 1/16W	2	
R2152	ERJ3GEYJ220	M 22 OHM, J,1/16W	1	
R2153	ERJ3GEYJ221	M 220 OHM, J,1/16W	1	
R2154	ERJ3GEYJ220	M 22 OHM, J,1/16W	1	
R2155-60	ERJ3GEYJ221	M 220 OHM, J,1/16W	6	
R2161	ERJ3GEYJ331	M 330 OHM, J,1/16W	1	
R2162	ERJ3GEYJ221	M 220 OHM, J,1/16W	1	
R2163	ERJ3GEYJ331	M 330 OHM, J,1/16W	1	
R2164	ERJ3GEYJ221	M 220 OHM, J,1/16W	1	
R2165,66	ERJ3GEYJ102	M 1KOHM, J,1/16W	2	
R2167	ERJ3GEYJ221	M 220 OHM, J,1/16W	1	
R2168,69	ERJ3GEYJ472	M 4.7KOHM, J,1/16W	2	
R2170-77	ERJ3GEYJ221	M 220 OHM, J,1/16W	8	
R2181	ERJ3GEY0R00	M 0 OHM, 1/16W	1	
R2182,83	ERJ3GEYJ101	M 100 OHM, J,1/16W	2	
R2184-87	ERJ3GEYJ221	M 220 OHM, J,1/16W	4	
R2188	ERJ3GEYJ103	M 10KOHM, J,1/16W	1	
R2190	ERJ3GEYJ221	M 220 OHM, J,1/16W	1	
R2192,93	ERJ3GEYJ221	M 220 OHM, J,1/16W	2	
R2195,96	ERJ3GEYJ104	M 100KOHM, J,1/16W	2	
R2197	ERJ3GEYJ471	M 470 OHM, J,1/16W	1	
R2199,00	ERJ3GEYJ221	M 220 OHM, J,1/16W	2	
R2202	ERJ3GEYJ101	M 100 OHM, J,1/16W	1	
R2203	ERJ6GEYJ101	M 100 OHM, J,1/10W	1	
R2204	ERJ6GEYJ561	M 560 OHM, J,1/10W	1	
R2208	ERJ6GEYJ471	M 470 OHM, J,1/10W	1	
R2209	ERJ3GEYJ332	M 3.3KOHM, J,1/16W	1	
R2210	ERJ6GEYJ122	M 1.2KOHM, J,1/10W	1	
R2211	ERJ3GEY0R00	M 0 OHM, 1/16W	1	
R2213	ERJ3GEYJ103	M 10KOHM, J,1/16W	1	
R2214	ERJ3GEYJ332	M 3.3KOHM, J,1/16W	1	
R2215	ERJ3GEY0R00	M 0 OHM, 1/16W	1	
R2219	ERJ6GEYJ101	M 100 OHM, J,1/10W	1	
R2220	ERJ3GEYJ153	M 15KOHM, J,1/16W	1	

Ref. No.	Part No.	Part Name & Description	Pcs	Remarks
R2224,25	ERJ3GEY0R00	M 0 OHM, 1/16W	2	
R2227	ERJ6GEY0R00	M 0 OHM, 1/10W	1	
R2230,31	ERJ3GEYJ104	M 100KOHM, J, 1/16W	2	
R2232,33	ERJ3GEYJ153	M 15KOHM, J, 1/16W	2	
R2234,35	ERJ3GEYJ103	M 10KOHM, J, 1/16W	2	
R2236	ERJ3GEYJ473	M 47KOHM, J, 1/16W	1	
R2237	ERJ3GEYJ103	M 10KOHM, J, 1/16W	1	
R2238,39	ERJ3GEY0R00	M 0 OHM, 1/16W	2	
R2246	ERJ3EKF3602	M 36KOHM, 1/16W	1	
R2300	ERJ6GEYJ102	M 1KOHM, J, 1/10W	1	
R2301	ERJ6GEYJ821	M 820 OHM, J, 1/10W	1	
R2302	ERJ3GEYJ223	M 22KOHM, J, 1/16W	1	(H)
R2302	ERJ3GEYJ223	M 22KOHM, J, 1/16W	1	(PA)
R2303	ERJ3GEYJ433	M 43KOHM, J, 1/16W	1	(PA)
R2303	ERJ3GEYJ562	M 5.6KOHM, J, 1/16W	1	(H)
R2304	ERJ3GEYJ104	M 100KOHM, J, 1/16W	1	
R2305	ERJ3GEYJ223	M 22KOHM, J, 1/16W	1	(PA)
R2305	ERJ3GEYJ471	M 470 OHM, J, 1/16W	1	(H)
R2306	ERJ3GEYJ223	M 22KOHM, J, 1/16W	1	(PA)
R2306	ERJ6GEYJ821	M 820 OHM, J, 1/10W	1	(H)
R2307	ERJ3GEYJ104	M 100KOHM, J, 1/16W	1	(H)
R2307	ERJ3GEYJ433	M 43KOHM, J, 1/16W	1	(PA)
R2308,09	ERJ3GEYJ223	M 22KOHM, J, 1/16W	2	
R2310	ERJ3GEY0R00	M 0 OHM, 1/16W	1	(PA)
R2310	ERJ3GEYJ184	M 180KOHM, J, 1/16W	1	(H)
R2311	ERJ3GEY0R00	M 0 OHM, 1/16W	1	(PA)
R2311	ERJ6GEYJ182	M 1.8KOHM, J, 1/10W	1	(H)
R2312	ERJ3EKF1002	M 10KOHM, 1/16W	1	
R2313,14	ERJ3GEYJ222	M 2.2KOHM, J, 1/16W	2	
R2323,24	ERJ3GEY0R00	M 0 OHM, 1/16W	2	
R2325	ERJ3GEYJ103	M 10KOHM, J, 1/16W	1	
R2328	ERJ3GEY0R00	M 0 OHM, 1/16W	1	
R2329	ERJ3EKF1003	M 100KOHM, 1/16W	1	
R2332	ERJ3GEYJ103	M 10KOHM, J, 1/16W	1	
R2338	ERJ3GEY0R00	M 0 OHM, 1/16W	1	
R2341	ERJ6GEY0R00	M 0 OHM, 1/10W	1	
R2342,43	ERJ3GEY0R00	M 0 OHM, 1/16W	2	
R2346,47	ERJ3GEY0R00	M 0 OHM, 1/16W	2	
R2348	ERJ3EKF1003	M 100KOHM, 1/16W	1	
R2349,50	ERJ3GEYJ101	M 100 OHM, J, 1/16W	2	
R2351	ERJ3GEYJ103	M 10KOHM, J, 1/16W	1	
R2352	ERJ3GEY0R00	M 0 OHM, 1/16W	1	
R2353,02	ERJ3EKF1002	M 10KOHM, 1/16W	2	
R2354	ERJ3GEYJ102	M 1KOHM, J, 1/16W	1	
R2355,56	ERJ3GEYJ222	M 2.2KOHM, J, 1/16W	2	
R2357,58	ERJ6GEY0R00	M 0 OHM, 1/10W	2	
R2359	ERJ3GEYJ222	M 2.2KOHM, J, 1/16W	1	
R2360	ERJ3GEYJ103	M 10KOHM, J, 1/16W	1	
R2361	ERJ3GEYJ562	M 5.6KOHM, J, 1/16W	1	
R2362	ERJ3GEYJ153	M 15KOHM, J, 1/16W	1	
R2363	ERJ3GEYJ471	M 470 OHM, J, 1/16W	1	
R2364	ERJ3GEYJ473	M 47KOHM, J, 1/16W	1	
R2366	ERJ3GEYJ472	M 4.7KOHM, J, 1/16W	1	
R2367	ERJ6GEYJ681	M 680 OHM, J, 1/10W	1	
R2368	ERJ6GEY0R00	M 0 OHM, 1/10W	1	
R2372-74	ERJ6GEYJ681	M 680 OHM, J, 1/10W	3	
R2376	ERJ3EKF1002	M 10KOHM, 1/16W	1	
R2377,78	ERJ3GEY0R00	M 0 OHM, 1/16W	2	
R2379,80	ERJ6ENF2201	M 2.2KOHM, 1/10W	2	

Ref. No.	Part No.	Part Name & Description	Pcs	Remarks
R2383	ERJ3EKF3741	M3.74KOHM, 1/16W	1	
R2384	ERJ3EKF7150	M 715 OHM, 1/16W	1	
R2387	ERJ3EKF7150	M 715 OHM, 1/16W	1	
R2388	ERJ3EKF3741	M3.74KOHM, 1/16W	1	(PA)
R2388	ERJ6GEYJ102	M 1KOHM, J, 1/10W	1	(H)
R2389	ERJ6GEYJ102	M 1KOHM, J, 1/10W	1	
R2390	ERJ3GEYJ203	M 20KOHM, J, 1/16W	1	
R2391	ERJ3EKF2801	M 2.8KOHM, 1/16W	1	(PA)
R2391	ERJ3GEYJ103	M 10KOHM, J, 1/16W	1	(H)
R2392	ERJ3EKF1651	M1.65KOHM, 1/16W	1	(PA)
R2392	ERJ3GEYJ223	M 22KOHM, J, 1/16W	1	(H)
R2393	ERJ3GEYJ103	M 10KOHM, J, 1/16W	1	
R2395	ERJ3EKF2801	M 2.8KOHM, 1/16W	1	
R2396	ERJ3EKF1651	M1.65KOHM, 1/16W	1	(PA)
R2396	ERJ3GEYJ103	M 10KOHM, J, 1/16W	1	(H)
R2397	ERJ3GEYJ473	M 47KOHM, J, 1/16W	1	(H)
R2397	ERJ6GEY0R00	M 0 OHM, 1/10W	1	(PA)
R2398	ERJ3GEYJ123	M 12KOHM, J, 1/16W	1	(H)
R2398	ERJ6GEY0R00	M 0 OHM, 1/10W	1	(PA)
R2399	ERJ3GEYJ102	M 1KOHM, J, 1/16W	1	
R2400	ERJ6GEYJ182	M 1.8KOHM, J, 1/10W	1	
R2401,02	ERJ3GEYJ331	M 330 OHM, J, 1/16W	2	
R2403	ERJ3GEYJ472	M 4.7KOHM, J, 1/16W	1	
R2404,05	ERJ3GEYJ331	M 330 OHM, J, 1/16W	2	
R2406	ERJ3GEYJ472	M 4.7KOHM, J, 1/16W	1	
R2407	ERJ3EKF1241	M1.24KOHM, 1/16W	1	
R2408	ERJ3EKF1001	M 1KOHM, 1/16W	1	
R2409	ERJ3EKF1501	M 1.5KOHM, 1/16W	1	
R2410	ERJ3EKF7870	M 787 OHM, 1/16W	1	
R2411,12	ERJ3GEYJ331	M 330 OHM, J, 1/16W	2	
R2413	ERJ3GEYJ472	M 4.7KOHM, J, 1/16W	1	
R2414,15	ERJ3GEYJ331	M 330 OHM, J, 1/16W	2	
R2416	ERJ3GEYJ472	M 4.7KOHM, J, 1/16W	1	
R2417	ERJ3EKF1241	M1.24KOHM, 1/16W	1	
R2418	ERJ3EKF1001	M 1KOHM, 1/16W	1	
R2419	ERJ3EKF1501	M 1.5KOHM, 1/16W	1	
R2420	ERJ3EKF7870	M 787 OHM, 1/16W	1	
R2421	ERJ3EKF1501	M 1.5KOHM, 1/16W	1	
R2422	ERJ3EKF7870	M 787 OHM, 1/16W	1	
R2423	ERJ3EKF1501	M 1.5KOHM, 1/16W	1	
R2424	ERJ3EKF7870	M 787 OHM, 1/16W	1	
R2512	ERJ6GEYJ470	M 47 OHM, J, 1/10W	1	
R2516	ERJ3GEYJ223	M 22KOHM, J, 1/16W	1	
R2517	ERJ6GEYJ470	M 47 OHM, J, 1/10W	1	
R2520	ERJ3GEYJ224	M 220KOHM, J, 1/16W	1	
R2521	ERJ6GEYJ470	M 47 OHM, J, 1/10W	1	
R2524	ERJ3GEYJ223	M 22KOHM, J, 1/16W	1	
R2539	ERJ3GEYJ473	M 47KOHM, J, 1/16W	1	TH-37PX600B
R2540	ERJ3GEYJ223	M 22KOHM, J, 1/16W	1	TH-37PX600B
R2542	ERJ3GEYJ473	M 47KOHM, J, 1/16W	1	
R2554	ERJ6ENF75R0	M 75 OHM, 1/10W	1	TH-37PX600B
R2557	ERJ3GEYJ562	M 5.6KOHM, J, 1/16W	1	
R2559	ERJ6GEY0R00	M 0 OHM, 1/10W	1	
R2560	ERJ3EKF5760	M 576 OHM, 1/16W	1	
R2567	ERJ6GEY0R00	M 0 OHM, 1/10W	1	TH-37PX600B
R2572	ERJ6GEY0R00	M 0 OHM, 1/10W	1	TH-37PX600B
R3001,02	ERJ6ENF1500	M 150 OHM, 1/10W	2	
R3003-05	ERJ6ENF75R0	M 75 OHM, 1/10W	3	
R3006-08	ERJ6ENF1500	M 150 OHM, 1/10W	3	
R3009-15	ERJ6ENF75R0	M 75 OHM, 1/10W	7	
R3016,17	ERJ6GEYJ101	M 100 OHM, J, 1/10W	2	
R3018,19	ERJ6GEYJ680	M 68 OHM, J, 1/10W	2	
R3020-22	ERJ6ENF2202	M 2.2KOHM, 1/10W	3	

Ref. No.	Part No.	Part Name & Description	Pcs	Remarks
R3023,24	ERJ6ENF1202	M 12KOHM, 1/10W	2	
R3025	ERJ3GEYJ103	M 10KOHM, J, 1/16W	1	
R3026	ERJ3GEYJ473	M 47KOHM, J, 1/16W	1	
R3027,28	ERJ6ENF1500	M 150 OHM, 1/10W	2	
R3030-32	ERJ3GEY0R00	M 0 OHM, 1/16W	3	
R3033,34	ERJ6ENF1500	M 150 OHM, 1/10W	2	
R3036	ERJ6ENF1500	M 150 OHM, 1/10W	1	
R3041,42	ERJ3GEYJ182	M 1.8KOHM, J, 1/16W	2	
R3043	ERJ3GEYJ331	M 330 OHM, J, 1/16W	1	
R3044,45	ERJ3GEY0R00	M 0 OHM, 1/16W	2	
R3048	ERJ3GEYJ223	M 22KOHM, J, 1/16W	1	
R3049	ERJ3GEYJ221	M 220 OHM, J, 1/16W	1	
R3050	ERJ3GEYJ242	M 2.4KOHM, J, 1/16W	1	
R3051	ERJ3GEYJ682	M 6.8KOHM, J, 1/16W	1	
R3052	ERJ3GEY0R00	M 0 OHM, 1/16W	1	
R3057,58	ERJ3GEY0R00	M 0 OHM, 1/16W	2	
R3059-64	ERJ3GEYJ221	M 220 OHM, J, 1/16W	6	
R3068	ERJ6ENF75R0	M 75 OHM, 1/10W	1	
R3070	ERJ3GEYJ102	M 1KOHM, J, 1/16W	1	
R3072-75	ERJ3GEYJ221	M 220 OHM, J, 1/16W	4	
R3076	ERJ3GEY0R00	M 0 OHM, 1/16W	1	
R3077	ERJ3GEYJ221	M 220 OHM, J, 1/16W	1	
R3078	ERJ3GEY0R00	M 0 OHM, 1/16W	1	
R3085-88	ERJ3GEYJ221	M 220 OHM, J, 1/16W	4	
R3089,90	ERJ3GEYJ220	M 22 OHM, J, 1/16W	2	
R3092	ERJ3GEYJ221	M 220 OHM, J, 1/16W	1	
R3094-01	ERJ3GEYJ221	M 220 OHM, J, 1/16W	8	
R3102	ERJ3GEYJ682	M 6.8KOHM, J, 1/16W	1	
R3103	ERJ3GEYJ222	M 2.2KOHM, J, 1/16W	1	
R3105	ERJ3GEYJ332	M 3.3KOHM, J, 1/16W	1	
R3107	ERJ3GEYJ103	M 10KOHM, J, 1/16W	1	
R3109	ERJ3GEYJ331	M 330 OHM, J, 1/16W	1	
R3111-14	ERJ3GEY0R00	M 0 OHM, 1/16W	4	
R3115	ERJ3GEYJ101	M 100 OHM, J, 1/16W	1	
R3118	ERJ3GEYJ101	M 100 OHM, J, 1/16W	1	
R3119,20	ERJ3EKF91R0	M 91 OHM, 1/16W	2	
R3121	ERJ3EKF1300V	M 130 OHM, 1/16W	1	
R3122	ERJ3GEYJ101	M 100 OHM, J, 1/16W	1	
R3123	ERJ3EKF1000	M 100 OHM, 1/16W	1	
R3125	ERJ6GEYJ102	M 1KOHM, J, 1/10W	1	
R3126	ERJ3GEYJ101	M 100 OHM, J, 1/16W	1	
R3127	ERJ6GEYJ102	M 1KOHM, J, 1/10W	1	
R3130,31	ERJ3GEYJ101	M 100 OHM, J, 1/16W	2	
R3132,33	ERJ3GEYJ103	M 10KOHM, J, 1/16W	2	
R3134	ERJ3GEYJ333	M 33KOHM, J, 1/16W	1	
R3135	ERJ3EKF91R0	M 91 OHM, 1/16W	1	
R3136	ERJ3GEYJ333	M 33KOHM, J, 1/16W	1	
R3138	ERJ3EKF1000	M 100 OHM, 1/16W	1	
R3139	ERJ6GEYJ102	M 1KOHM, J, 1/10W	1	
R3140	ERJ3EKF1300V	M 130 OHM, 1/16W	1	
R3141	ERJ6GEYJ102	M 1KOHM, J, 1/10W	1	
R3143	ERJ6ENF75R0	M 75 OHM, 1/10W	1	
R3144	ERJ3GEYJ221	M 220 OHM, J, 1/16W	1	
R3145	ERJ3GEYJ104	M 100KOHM, J, 1/16W	1	
R3146	ERJ3GEYJ361	M 360 OHM, J, 1/16W	1	
R3149	ERJ3GEYJ361	M 360 OHM, J, 1/16W	1	
R3150	ERJ6ENF75R0	M 75 OHM, 1/10W	1	
R3151	ERJ3GEYJ221	M 220 OHM, J, 1/16W	1	
R3152	ERJ3GEYJ104	M 100KOHM, J, 1/16W	1	

Ref. No.	Part No.	Part Name & Description	Pcs	Remarks
R3153,54	ERJ3GEYJ361	M 360 OHM, J, 1/16W	2	
R3155	ERJ6ENF75R0	M 75 OHM, 1/10W	1	
R3156	ERJ3GEYJ221	M 220 OHM, J, 1/16W	1	
R3157	ERJ3GEYJ104	M 100KOHM, J, 1/16W	1	
R3158,59	ERJ3GEYJ361	M 360 OHM, J, 1/16W	2	
R3160,61	ERJ6GEYJ102	M 1KOHM, J, 1/10W	2	
R3163	ERJ6ENF1202	M 12KOHM, 1/10W	1	
R3168	ERJ3GEYJ750	M 75 OHM, J, 1/16W	1	
R3170	ERJ3GEY0R00	M 0 OHM, 1/16W	1	
R3171	ERJ3GEYJ471	M 470 OHM, J, 1/16W	1	
R3173	ERJ3GEYJ271	M 270 OHM, J, 1/16W	1	
R3206	ERJ3GEYJ101	M 100 OHM, J, 1/16W	1	
R3213,14	ERJ3GEY0R00	M 0 OHM, 1/16W	2	
R3215	J0JCC0000241	CHIP INDUCTOR	1	
R3222	ERJ3GEY0R00	M 0 OHM, 1/16W	1	
R3224	ERJ3GEY0R00	M 0 OHM, 1/16W	1	
R3227-29	ERJ3GEY0R00	M 0 OHM, 1/16W	3	
R3233,34	ERJ6ENF75R0	M 75 OHM, 1/10W	2	
R3236	ERJ6ENF75R0	M 75 OHM, 1/10W	1	
R3238	ERJ3GEY0R00	M 0 OHM, 1/16W	1	
R3239	ERJ3GEYJ683	M 68KOHM, J, 1/16W	1	
R3245-48	ERJ3GEY0R00	M 0 OHM, 1/16W	4	
R3249	J0JCC0000241	CHIP INDUCTOR	1	
R3302	ERJ6GEYJ101	M 100 OHM, J, 1/10W	1	
R3305	ERJ6GEYJ101	M 100 OHM, J, 1/10W	1	
R3306,07	ERJ6GEYJ472	M 4.7KOHM, J, 1/10W	2	
R3308,09	ERJ6GEY0R00	M 0 OHM, 1/10W	2	
R3310	ERJ6ENF75R0	M 75 OHM, 1/10W	1	
R3312	ERJ3GEYJ103	M 10KOHM, J, 1/16W	1	
R3313	ERJ6ENF75R0	M 75 OHM, 1/10W	1	
R3317	ERJ3GEYJ103	M 10KOHM, J, 1/16W	1	
R3318	ERJ6ENF75R0	M 75 OHM, 1/10W	1	
R3320	ERJ6GEY0R00	M 0 OHM, 1/10W	1	
R3323,24	ERJ6GEY0R00	M 0 OHM, 1/10W	2	
R3330	ERJ3GEY0R00	M 0 OHM, 1/16W	1	
R3336	ERJ3GEYJ473	M 47KOHM, J, 1/16W	1	
R3337	ERJ3GEYJ183	M 18KOHM, J, 1/16W	1	
R3338	ERJ3GEYJ101	M 100 OHM, J, 1/16W	1	
R3339	ERJ3GEYJ471	M 470 OHM, J, 1/16W	1	
R3340	ERJ3GEYJ101	M 100 OHM, J, 1/16W	1	
R3341	ERJ3GEYJ473	M 47KOHM, J, 1/16W	1	
R3342	ERJ3GEYJ183	M 18KOHM, J, 1/16W	1	
R3343	ERJ3GEYJ471	M 470 OHM, J, 1/16W	1	
R3344	ERJ3GEYJ101	M 100 OHM, J, 1/16W	1	
R3345	ERJ3GEYJ183	M 18KOHM, J, 1/16W	1	
R3346	ERJ3GEYJ473	M 47KOHM, J, 1/16W	1	
R3347	ERJ3GEYJ471	M 470 OHM, J, 1/16W	1	
R3348,49	ERJ3GEYJ680	M 68 OHM, J, 1/16W	2	
R3350-52	ERJ3GEYJ510	M 51 OHM, J, 1/16W	3	
R3704	ERJ3GEY0R00	M 0 OHM, 1/16W	1	
R3709-11	ERJ3GEY0R00	M 0 OHM, 1/16W	3	
R3716,17	ERJ6GEYJ184	M 180KOHM, J, 1/10W	2	
R3721	ERJ6GEYJ103	M 10KOHM, J, 1/10W	1	
R3732	ERJ3GEY0R00	M 0 OHM, 1/16W	1	
R3733	ERJ6GEY0R00	M 0 OHM, 1/10W	1	
R3736-41	ERJ3GEY0R00	M 0 OHM, 1/16W	6	
R3746	ERJ6GEY0R00	M 0 OHM, 1/10W	1	
R3748	ERJ6GEY0R00	M 0 OHM, 1/10W	1	
R3750	ERJ6GEY0R00	M 0 OHM, 1/10W	1	
R3751	ERJ6ENF1432	M14.3KOHM, 1/10W	1	
R3753	ERJ6ENF1741	M1.74KOHM, 1/10W	1	

Ref. No.	Part No.	Part Name & Description	Pcs	Remarks
R3754	ERJ6ENF1621	M1.62KOHM, 1/10W	1	
R3755	ERJ6GEY0R00	M 0 OHM, 1/10W	1	
R3757	ERJ6GEY0R00	M 0 OHM, 1/10W	1	
R3758	ERJ6ENF6651	M6.65KOHM, 1/10W	1	
R3759-64	ERJ6GEY0R00	M 0 OHM, 1/10W	6	
R3765	ERJ6ENF2321	M2.32KOHM, 1/10W	1	
R3767	ERJ6ENF3161	M3.16KOHM, 1/10W	1	
R3768	ERJ6GEY0R00	M 0 OHM, 1/10W	1	
R4001	ERJ3EKF1211	M1.21KOHM, 1/16W	1	
R4004	ERJ2GE0R00	M 0.0 OHM, J,0.063W	1	
R4008	ERJ2GE0R00	M 0.0 OHM, J,0.063W	1	
R4010	ERJ2GE0R00	M 0.0 OHM, J,0.063W	1	
R4018	ERJ2GEJ103	M 10KOHM, J,0.063W	1	TH-37PV600E
R4021	ERJ2GE0R00	M 0.0 OHM, J,0.063W	1	
R4022	ERJ2GEJ102	M 1KOHM, J,0.063W	1	
R4023	ERJ2GEJ680	M 68 OHM, J,0.063W	1	
R4024, 25	ERJ2GE0R00	M 0.0 OHM, J,0.063W	2	
R4026, 27	ERJ2GEJ102	M 1KOHM, J,0.063W	2	
R4029	ERJ2GEJ220	M 22 OHM, J,0.063W	1	
R4031-33	ERJ2GEJ103	M 10KOHM, J,0.063W	3	
R4037-39	D1HG1038A002	NETWORK RESISTER	3	
R4040, 41	ERJ2GE0R00	M 0.0 OHM, J,0.063W	2	
R4045, 46	ERJ3GEY0R00	M 0 OHM, 1/16W	2	
R4101	ERJ2GEJ103	M 10KOHM, J,0.063W	1	
R4257	ERJ3EKF3302	M 33KOHM, 1/16W	1	
R4265	ERJ3EKF3242	M32.4KOHM, 1/16W	1	
R4269	ERJ2GE0R00	M 0.0 OHM, J,0.063W	1	
R4271, 72	ERJ2GE0R00	M 0.0 OHM, J,0.063W	2	
R4286, 87	ERJ2GE0R00	M 0.0 OHM, J,0.063W	2	
R4293	ERJ2GE0R00	M 0.0 OHM, J,0.063W	1	
R4338-43	ERJ2GE0R00	M 0.0 OHM, J,0.063W	6	
R4434	ERJ2GE0R00	M 0.0 OHM, J,0.063W	1	
R4436	ERJ2GE0R00	M 0.0 OHM, J,0.063W	1	
R4438	ERJ2GE0R00	M 0.0 OHM, J,0.063W	1	
R4442, 43	ERJ3EKF4220	M 422 OHM, 1/10W	2	
R4444, 45	ERJ3EKF3301	M 3.3KOHM, 1/16W	2	
R4447	ERJ3EKF7680	M 768 OHM, 1/16W	1	
R4449	ERJ3EKF1211	M1.21KOHM, 1/16W	1	
R4450, 51	ERJ6GEYJ821	M 820 OHM, J,1/10W	2	
R4454	ERJ6GEYJ681	M 680 OHM, J,1/10W	1	
R4457	ERJ2GE0R00	M 0.0 OHM, J,0.063W	1	
R4465	ERJ2GEJ224	M 220KOHM, J,0.063W	1	
R4466, 67	ERJ2GEJ330	M 33 OHM, J,0.063W	2	
R4469, 70	ERJ3EKF1500	M 150 OHM, 1/16W	2	
R4472	ERJ2GE0R00	M 0.0 OHM, J,0.063W	1	TH-37PX600B
R4474	ERJ3EKF1211	M1.21KOHM, 1/16W	1	
R4476	ERJ2GEJ330	M 33 OHM, J,0.063W	1	
R4477, 78	ERJ6GEYJ471	M 470 OHM, J,1/10W	2	
R4479, 80	ERJ3EKF4220	M 422 OHM, 1/10W	2	
R4481	ERJ3EKF2201	M 2.2KOHM, 1/16W	1	

Ref. No.	Part No.	Part Name & Description	Pcs	Remarks
R4482, 83	ERJ3EKF1781	M1.78KOHM, 1/16W	2	
R4484, 85	ERJ2GE0R00	M 0.0 OHM, J,0.063W	2	
R4486	ERJ3EKF4870	M 487 OHM, 1/16W	1	
R4487	ERJ3EKF5600	M 560 OHM, 1/16W	1	
R4488	ERJ3EKF2201	M 2.2KOHM, 1/16W	1	
R4489	ERJ6GEYJ331	M 330 OHM, J,1/10W	1	
R4490	ERJ6GEYJ102	M 1KOHM, J,1/10W	1	
R4491	ERJ2GE0R00	M 0.0 OHM, J,0.063W	1	
R4492	ERJ6GEYJ102	M 1KOHM, J,1/10W	1	
R4495	ERJ3EKF4302	M 43KOHM, 1/16W	1	
R4496-99	ERJ6GEYJ102	M 1KOHM, J,1/10W	4	
R4500	ERJ3EKF2702V	M27.0KOHM, 1/16W	1	
R4501, 02	ERJ6GEYJ102	M 1KOHM, J,1/10W	2	
R4503	ERJ3EKF1600	M 160 OHM, 1/16W	1	
R4505	ERJ2GEJ103	M 10KOHM, J,0.063W	1	
R4506	ERJ2GE0R00	M 0.0 OHM, J,0.063W	1	
R4508	ERJ2GE0R00	M 0.0 OHM, J,0.063W	1	
R4510	ERJ2GE0R00	M 0.0 OHM, J,0.063W	1	
R4514-16	ERJ2GE0R00	M 0.0 OHM, J,0.063W	3	
R4517	ERJ3EKF1371	M 13.7 OHM, 1/16W	1	
R4519	ERJ2GE0R00	M 0.0 OHM, J,0.063W	1	
R4520	ERJ3EKF1691	M1.69KOHM, 1/16W	1	
R4521, 22	ERJ2GEJ220	M 22 OHM, J,0.063W	2	
R4523-25	ERJ3EKF33R0	M 33 OHM, 1/16W	3	
R4526	ERJ3EKF1401	M 1.4KOHM, 1/16W	1	
R4527	ERJ2GEJ220	M 22 OHM, J,0.063W	1	
R4528-30	ERJ3EKF33R0	M 33 OHM, 1/16W	3	
R4531	ERJ3EKF2701	M 2.7KOHM, 1/16W	1	
R4532	ERJ3EKF4700	M 470 OHM, 1/16W	1	
R4533	ERJ2GEJ220	M 22 OHM, J,0.063W	1	
R4534, 35	ERJ2GEJ101	M 100 OHM, J,0.063W	2	
R4536-38	ERJ3EKF1500	M 150 OHM, 1/16W	3	
R4539	ERJ3EKF1001	M 1KOHM, 1/16W	1	
R4541	ERJ2GE0R00	M 0.0 OHM, J,0.063W	1	
R4543	ERJ2GE0R00	M 0.0 OHM, J,0.063W	1	
R4544	ERJ2GEJ220	M 22 OHM, J,0.063W	1	
R4545-47	ERJ2GE0R00	M 0.0 OHM, J,0.063W	3	
R4548	ERJ2GEJ911X	M 910 OHM, J,0.063W	1	
R4549	ERJ2GE0R00	M 0.0 OHM, J,0.063W	1	
R4550	EXB28V220J	RESISTOR ARRAY	1	
R4551	ERJ2GE0R00	M 0.0 OHM, J,0.063W	1	
R4552	EXB28V220J	RESISTOR ARRAY	1	
R4553	ERJ2GEJ101	M 100 OHM, J,0.063W	1	
R4554	ERJ2GEJ220	M 22 OHM, J,0.063W	1	
R4555	EXB28V220J	RESISTOR ARRAY	1	
R4556, 57	ERJ2GEJ220	M 22 OHM, J,0.063W	2	
R4560, 61	EXB28V220J	RESISTOR ARRAY	2	
R4562	ERJ2GEJ560	M 56 OHM, J,0.063W	1	
R4563-65	ERJ2GEJ220	M 22 OHM, J,0.063W	3	
R4566	ERJ2GEJ560	M 56 OHM, J,0.063W	1	
R4567	ERJ2GEJ470	M 47 OHM, J,0.063W	1	
R4568	ERJ2GEJ101	M 100 OHM, J,0.063W	1	

Ref. No.	Part No.	Part Name & Description	Pcs	Remarks
R4569	D1HG5608A002	NETWORK RESISTER	1	
R4570,71	EXB28V560JX	RESISTOR ARRAY	2	
R4572	ERJ2GEJ103	M 10KOHM, J,0.063W	1	
R4575	ERJ2GEJ472	M 4.7KOHM, J,0.063W	1	
R4577-79	ERJ2GEJ222	M 2.2KOHM, J,0.063W	3	
R4583,84	ERJ2GEJ390	M 39 OHM, J,0.063W	2	
R4589-04	ERJ2GEJ2R7X	M 2.7OHM, J,0.063W	16	
R4605,06	ERJ2GEJ103	M 10KOHM, J,0.063W	2	
R4607	ERJ2GEJ220	M 22 OHM, J,0.063W	1	
R4609,10	ERJ2GEJ103	M 10KOHM, J,0.063W	2	
R4612,13	ERJ2GEJ472	M 4.7KOHM, J,0.063W	2	
R4617,18	ERJ2GEJ472	M 4.7KOHM, J,0.063W	2	
R4619	ERJ2GEJ473	M 47KOHM, J,0.063W	1	
R4620	ERJ2GEJ560	M 56 OHM, J,0.063W	1	
R4621	ERJ2GEJ473	M 47KOHM, J,0.063W	1	
R4622	ERJ2GEJ560	M 56 OHM, J,0.063W	1	
R4624	ERJ2GEJ560	M 56 OHM, J,0.063W	1	
R4626	ERJ2GEJ560	M 56 OHM, J,0.063W	1	
R4628	ERJ2GEJ103	M 10KOHM, J,0.063W	1	
R4629-32	ERJ2GEJ472	M 4.7KOHM, J,0.063W	4	
R4633,34	ERJ2GEJ220	M 22 OHM, J,0.063W	2	
R4636	ERJ2GEJ103	M 10KOHM, J,0.063W	1	
R4637	ERJ2GEJ330	M 33 OHM, J,0.063W	1	
R4639	ERJ2GEJ103	M 10KOHM, J,0.063W	1	
R4640	ERJ2GEJ220	M 22 OHM, J,0.063W	1	
R4641	EXB28V330J	RESISTOR ARRAY	1	
R4642-45	ERJ2GEJ220	M 22 OHM, J,0.063W	4	
R4647	ERJ2GEJ220	M 22 OHM, J,0.063W	1	
R4648	ERJ2GEJ330	M 33 OHM, J,0.063W	1	
R4655	ERJ2GEJ330	M 33 OHM, J,0.063W	1	
R4657	ERJ2GEJ182	M 1.8KOHM, J,0.063W	1	
R4658	ERJ2GEJ220	M 22 OHM, J,0.063W	1	
R4660	ERJ2GEJ220	M 22 OHM, J,0.063W	1	
R4661	ERJ2GEJ472	M 4.7KOHM, J,0.063W	1	
R4662	ERJ2GEJ220	M 22 OHM, J,0.063W	1	
R4665	EXB2HV220JV	RESISTOR ARRAY	1	
R4667	EXB2HV220JV	RESISTOR ARRAY	1	
R4668	ERJ2GEJ680	M 68 OHM, J,0.063W	1	
R4669	EXB2HV220JV	RESISTOR ARRAY	1	
R4672,73	ERJ2GEJ103	M 10KOHM, J,0.063W	2	
R4675	ERJ3EKF1802	M 18KOHM, 1/16W	1	
R4677	ERJ3EKF1802	M 18KOHM, 1/16W	1	
R4679,80	ERJ3EKF2202	M 22KOHM, 1/16W	2	
R4681,82	ERJ3EKF3302	M 33KOHM, 1/16W	2	
R4701	ERJ2GEJ680	M 68 OHM, J,0.063W	1	
R4706	ERJ2GEOR00	M 0.0 OHM, J,0.063W	1	
R4708,09	ERJ2GEJ680	M 68 OHM, J,0.063W	2	
R4711	ERJ2GEJ103	M 10KOHM, J,0.063W	1	
R4712	ERJ2GEOR00	M 0.0 OHM, J,0.063W	1	
R4713,14	EXB2HV221JV	RESISTOR ARRAY	2	
R4715	ERJ2GEOR00	M 0.0 OHM, J,0.063W	1	
R4718-20	ERJ2GEJ680	M 68 OHM, J,0.063W	3	
R4727	ERJ2GEOR00	M 0.0 OHM, J,0.063W	1	

Ref. No.	Part No.	Part Name & Description	Pcs	Remarks
R4729,30	ERJ3EKF1000	M 100 OHM, 1/16W	2	
R4731	ERJ3EKF1001	M 1KOHM, 1/16W	1	
R4732	ERJ3EKF4751	M 4.75KOHM, 1/16W	1	
R4733	ERJ3EKF75R0	M 0.75HM, 1/16W	1	
R4734	ERJ2GEJ223	M 22KOHM, J,0.063W	1	
R4735	ERJ3EKF2001	M 2KOHM, 1/16W	1	
R4737	ERJ2GEOR00	M 0.0 OHM, J,0.063W	1	
R4738,39	ERJ2GEJ332	M 3.3KOHM, J,0.063W	2	
R4743-47	ERJ2GEJ680	M 68 OHM, J,0.063W	5	
R4749,50	EXB2HV680J	RESISTOR ARRAY	2	
R4751-54	ERJ2GEJ220	M 22 OHM, J,0.063W	4	
R4756-60	ERJ2GEJ680	M 68 OHM, J,0.063W	5	
R4762	EXB2HV680J	RESISTOR ARRAY	1	
R4763-65	ERJ2GEOR00	M 0.0 OHM, J,0.063W	3	
R4772	EXB2HV470JV	RESISTOR ARRAY	1	
R4773	ERJ2GEJ470	M 47 OHM, J,0.063W	1	
R4774	EXB2HV470JV	RESISTOR ARRAY	1	
R4775	ERJ2GEJ470	M 47 OHM, J,0.063W	1	
R4776	EXB2HV470JV	RESISTOR ARRAY	1	
R4777	ERJ2GEJ470	M 47 OHM, J,0.063W	1	
R4778	EXB2HV470JV	RESISTOR ARRAY	1	
R4779	ERJ2GEJ470	M 47 OHM, J,0.063W	1	
R4782	ERJ2GEJ220	M 22 OHM, J,0.063W	1	
R4783	ERJ2GEJ472	M 4.7KOHM, J,0.063W	1	
R4784	ERJ2GEJ220	M 22 OHM, J,0.063W	1	
R4785	ERJ2GEJ472	M 4.7KOHM, J,0.063W	1	
R4788	EXB2HV470JV	RESISTOR ARRAY	1	
R4791,92	ERJ2GEJ470	M 47 OHM, J,0.063W	2	
R4793,94	ERJ2GEJ220	M 22 OHM, J,0.063W	2	
R4796	EXB2HV470JV	RESISTOR ARRAY	1	
R4804	ERJ2GEJ101	M 100 OHM, J,0.063W	1	
R4805,06	ERJ3EKF1001	M 1KOHM, 1/16W	2	
R4807-11	ERJ2GEOR00	M 0.0 OHM, J,0.063W	5	
R4814	ERJ2GEJ103	M 10KOHM, J,0.063W	1	
R4816,17	ERJ2GEJ223	M 22KOHM, J,0.063W	2	
R4819	ERJ2GEJ223	M 22KOHM, J,0.063W	1	
R4822	ERJ2GEJ103	M 10KOHM, J,0.063W	1	
R4823-25	J0JAD0000025	CHIP INDUCTOR	3	
R4826,27	EXB2HVR000	RESISTOR ARRAY	2	TH-37PX600B
R4830,31	ERJ2GEOR00	M 0.0 OHM, J,0.063W	2	TH-37PX600B
R4837	ERJ2GEJ220	M 22 OHM, J,0.063W	1	
R4838	ERJ2GEJ112	M 1.1KOHM, J,0.063W	1	
R4840	ERJ2GEOR00	M 0.0 OHM, J,0.063W	1	TH-37PX600B
R4891	ERJ2GEOR00	M 0.0 OHM, J,0.063W	1	
R4898	ERJ2GEJ103	M 10KOHM, J,0.063W	1	
R4960	EXB2HV680J	RESISTOR ARRAY	1	
R4961-63	ERJ2GEJ680	M 68 OHM, J,0.063W	3	
R4964	EXB2HV680J	RESISTOR ARRAY	1	
R4965,66	ERJ2GEJ680	M 68 OHM, J,0.063W	2	
R4967	EXB2HV680J	RESISTOR ARRAY	1	
R4968-72	ERJ2GEJ680	M 68 OHM, J,0.063W	5	
R5601	ERJ3EKF1800	M 180 OHM, 1/16W	1	
R5603	ERJ3EKF1542	M15.4KOHM, 1/16W	1	

Ref. No.	Part No.	Part Name & Description	Pcs	Remarks
R5605	ERJ3GEYJ472	M 4.7KOHM, J, 1/16W	1	
R5606	ERJ3GEYJ222	M 2.2KOHM, J, 1/16W	1	
R5607	ERJ3EKF4531	M4.53KOHM, 1/16W	1	
R5609	ERJ3EKF2000	M 200 OHM, 1/16W	1	
R5611	ERJ6ENF8202	M 82KOHM, 1/10W	1	
R5612	ERJ6ENF1602	M 16KOHM, 1/10W	1	
R5615	ERJ3GEYJ103	M 10KOHM, J, 1/16W	1	
R5617	ERJ3GEYJ102	M 1KOHM, J, 1/16W	1	
R5619	ERJ3GEYJ333	M 33KOHM, J, 1/16W	1	
R5620	ERJ3GEYJ102	M 1KOHM, J, 1/16W	1	
R5621	ERJ3GEYJ472	M 4.7KOHM, J, 1/16W	1	
R5625-27	ERJ3GEYJ472	M 4.7KOHM, J, 1/16W	3	
R5632	ERJ3GEYJ471	M 470 OHM, J, 1/16W	1	
R5633	ERJ3GEYJ102	M 1KOHM, J, 1/16W	1	
R5634	ERJ3GEYJ471	M 470 OHM, J, 1/16W	1	
R5635	ERJ3GEYJ221	M 220 OHM, J, 1/16W	1	
R5637, 38	ERJ3GEYJ103	M 10KOHM, J, 1/16W	2	
R5639	ERJ3GEYJ222	M 2.2KOHM, J, 1/16W	1	
R5640	ERJ3GEYJ472	M 4.7KOHM, J, 1/16W	1	
R5641	ERJ3GEYJ222	M 2.2KOHM, J, 1/16W	1	
R5642	ERJ3GEYJ471	M 470 OHM, J, 1/16W	1	
R5643	ERJ3GEYJ102	M 1KOHM, J, 1/16W	1	
R5644	ERJ3GEYJ222	M 2.2KOHM, J, 1/16W	1	
R5645	ERJ3EKF2201	M 2.2KOHM, 1/16W	1	
R5646	ERJ3EKF4701	M 4.7KOHM, 1/16W	1	
R5647	ERJ3GEYJ221	M 220 OHM, J, 1/16W	1	
R5648	ERJ3GEYJ392	M 3.9KOHM, J, 1/16W	1	
R5649	ERJ3GEYJ104	M 100KOHM, J, 1/16W	1	
R5650	ERJ3GEYJ221	M 220 OHM, J, 1/16W	1	
R5652	ERJ3GEY0R00	M 0 OHM, 1/16W	1	
R5653, 54	ERJ3GEYJ103	M 10KOHM, J, 1/16W	2	
R5659	ERJ3EKF4700	M 470 OHM, 1/16W	1	
R5660	ERJ3GEY0R00	M 0 OHM, 1/16W	1	
R5662	ERJ3GEYJ472	M 4.7KOHM, J, 1/16W	1	
R5664	ERJ3GEYJ472	M 4.7KOHM, J, 1/16W	1	
R5665	ERJ3GEYJ473	M 47KOHM, J, 1/16W	1	
R5667-69	ERJ3GEYJ473	M 47KOHM, J, 1/16W	3	
R5672	ERJ3GEYJ103	M 10KOHM, J, 1/16W	1	
R5676	ERJ3GEYJ103	M 10KOHM, J, 1/16W	1	
R5692	ERJ3GEYJ102	M 1KOHM, J, 1/16W	1	
R5693	ERJ3GEYJ333	M 33KOHM, J, 1/16W	1	
R5694	ERJ3GEYJ473	M 47KOHM, J, 1/16W	1	
R5695	ERJ3GEYJ103	M 10KOHM, J, 1/16W	1	
R5801	ERJ3EKF8450	M 845 OHM, 1/16W	1	
R5802	ERJ3EKF1302	M 23KOHM, 1/16W	1	
R5803	ERJ3EKF2001	M 2KOHM, 1/16W	1	
R5804	ERJ3GEY0R00	M 0 OHM, 1/16W	1	
R5805-07	ERJ3GEYJ222	M 2.2KOHM, J, 1/16W	3	
R5809	ERJ3GEYJ472	M 4.7KOHM, J, 1/16W	1	
R5822-24	ERJ3GEYJ101	M 100 OHM, J, 1/16W	3	
R5836	ERJ3GEYJ102	M 1KOHM, J, 1/16W	1	
R6001-06	ERJ14YJ150U	M 15 OHM, J, 1/4W	6	
R6020	ERG3FJS101D	M 100 OHM, J, 3W	1	
R6021	ERJ14YJ150U	M 15 OHM, J, 1/4W	1	
R6022	ERG3FJS101D	M 100 OHM, J, 3W	1	
R6023-27	ERJ14YJ150U	M 15 OHM, J, 1/4W	5	
R6031, 32	ERJ6ENF8202	M 82KOHM, 1/10W	2	
R6033	ERJ6ENF5602	M 56KOHM, 1/10W	1	
R6034	ERJ6ENF2702	M 27KOHM, 1/10W	1	
R6041-44	ERJ14YJ100	M 10 OHM, J, 1/4W	4	
R6051-54	ERJ14YJ100	M 10 OHM, J, 1/4W	4	
R6061, 62	ERJ6GEYJ224	M 220KOHM, J, 1/10W	2	
R6101-08	ERJ6GEYJ101	M 100 OHM, J, 1/10W	8	

Ref. No.	Part No.	Part Name & Description	Pcs	Remarks
R6109	DOGD100JA036	M 10 OHM, J, 0.25W	1	
R6110	ERJ6GEYJ103	M 10KOHM, J, 1/10W	1	
R6111, 12	DOGD470JA036	M 47 OHM, J, 0.25W	2	
R6113	ERJ14YJ224	M 220KOHM, J, 1/4W	1	
R6114	DOGD470JA036	M 47 OHM, J, 0.25W	1	
R6116	ERJ6GEYJ103	M 10KOHM, J, 1/10W	1	
R6131, 32	ERJ6GEYJ101	M 100 OHM, J, 1/10W	2	
R6133, 34	ERJ6GEYJ151	M 150 OHM, J, 1/10W	2	
R6135, 36	DOGD100JA036	M 10 OHM, J, 0.25W	2	
R6141, 42	ERJ6GEYJ103	M 10KOHM, J, 1/10W	2	
R6146, 47	ERJ6GEYJ103	M 10KOHM, J, 1/10W	2	
R6151, 52	ERJ6GEYJ101	M 100 OHM, J, 1/10W	2	
R6153, 54	ERJ6GEYJ151	M 150 OHM, J, 1/10W	2	
R6155, 56	ERJ6GEY0R00	M 0 OHM, 1/10W	2	
R6157-60	DOGFLR0JA047	M 1.0 OHM, J, 0.33W	4	
R6171	DOGD100JA036	M 10 OHM, J, 0.25W	1	
R6172, 73	ERJ6GEYJ103	M 10KOHM, J, 1/10W	2	
R6181	DOGD100JA036	M 10 OHM, J, 0.25W	1	
R6182, 83	ERJ6GEYJ103	M 10KOHM, J, 1/10W	2	
R6191-94	ERJ6GEYJ101	M 100 OHM, J, 1/10W	4	
R6195	DOGD104JA036	M 100KOHM, J, 0.25W	1	
R6196	ERJ6GEYJ104	M 100KOHM, J, 1/10W	1	
R6213	ERJ6GEYJ101	M 100 OHM, J, 1/10W	1	
R6214	DOGD151JA036	M 150 OHM, J, 0.25W	1	
R6222	ERG1FJS103D	M 10KOHM, J, 1W	1	
R6223	ERG2FJS123D	M 12KOHM, J, 2W	1	
R6225	DOGD203JA036	M 20KOHM, J, 0.25W	1	
R6226, 27	ERJ6GEYJ163	M 16KOHM, J, 1/10W	2	
R6228	ERJ6GEYJ562	M 5.6KOHM, J, 1/10W	1	
R6229	ERJ6GEYJ163	M 16KOHM, J, 1/10W	1	
R6231	ERJ6GEY0R00	M 0 OHM, 1/10W	1	
R6232	ERJ6ENF1201	M 1.2KOHM, 1/10W	1	
R6241	EXB38V470J	RESISTOR ARRAY	1	
R6242	EXB38V472J	RESISTOR ARRAY	1	
R6243	ERJ6GEYJ470	M 47 OHM, J, 1/10W	1	
R6244	ERJ6GEYJ472	M 4.7KOHM, J, 1/10W	1	
R6245	ERJ6GEYJ470	M 47 OHM, J, 1/10W	1	
R6246	ERJ6GEYJ472	M 4.7KOHM, J, 1/10W	1	
R6251	DOGD103JA036	M 10KOHM, J, 0.25W	1	
R6252, 53	ERJ6ENF3902	M 39KOHM, 1/10W	2	
R6254	ERJ6ENF8201	M 8.2KOHM, 1/10W	1	
R6255	ERJ6ENF1201	M 1.2KOHM, 1/10W	1	
R6256	ERJ6ENF1501	M 1.5KOHM, 1/10W	1	
R6257	ERJ6GEYJ103	M 10KOHM, J, 1/10W	1	
R6258	ERJ6GEYJ222	M 2.2KOHM, J, 1/10W	1	
R6261	ERJ6GEYJ104	M 100KOHM, J, 1/10W	1	
R6401-06	ERJ14YJ150U	M 15 OHM, J, 1/4W	6	
R6421-26	ERJ14YJ150U	M 15 OHM, J, 1/4W	6	
R6441-44	ERJ14YJ100	M 10 OHM, J, 1/4W	4	
R6451-54	ERJ14YJ100	M 10 OHM, J, 1/4W	4	
R6465	ERJ6ENF2702	M 27KOHM, 1/10W	1	
R6466	ERJ6ENF5602	M 56KOHM, 1/10W	1	
R6467, 68	ERJ6ENF8202	M 82KOHM, 1/10W	2	
R6471	ERJ6GEYJ392	M 3.9KOHM, J, 1/10W	1	
R6472	ERJ6GEYJ222	M 2.2KOHM, J, 1/10W	1	
R6473	ERJ6GEYJ561	M 560 OHM, J, 1/10W	1	
R6474	ERJ6GEYJ102	M 1KOHM, J, 1/10W	1	

Ref. No.	Part No.	Part Name & Description	Pcs	Remarks
R6475,76	ERJ6GEYJ472	M 4.7KOHM,J,1/10W	2	
R6477	ERJ6GEYJ102	M 1KOHM,J,1/10W	1	
R6478	ERJ6GEYJ472	M 4.7KOHM,J,1/10W	1	
R6479	ERJ6GEYJ104	M 100KOHM,J,1/10W	1	
R6501,02	ERJ6GEYJ101	M 100 OHM,J,1/10W	2	
R6503	D0GD100JA036	M 10 OHM,J,0.25W	1	
R6504,05	ERJ6GEYJ151	M 150 OHM,J,1/10W	2	
R6506	D0GD100JA036	M 10 OHM,J,0.25W	1	
R6507-09	D0GF1R0JA047	M 1.0 OHM,J,0.33W	3	
R6511,12	ERJ6GEYJ103	M 10KOHM,J,1/10W	2	
R6516,17	ERJ6GEYJ103	M 10KOHM,J,1/10W	2	
R6521,22	ERJ6GEYJ101	M 100 OHM,J,1/10W	2	
R6523,24	ERJ6GEYJ151	M 150 OHM,J,1/10W	2	
R6525,26	ERJ6GEY0R00	M 0 OHM,1/10W	2	
R6531	D0GD100JA036	M 10 OHM,J,0.25W	1	
R6532,33	ERJ6GEYJ103	M 10KOHM,J,1/10W	2	
R6551	D0GD100JA036	M 10 OHM,J,0.25W	1	
R6552,53	ERJ6GEYJ103	M 10KOHM,J,1/10W	2	
R6561-64	EXB38V470J	RESISTOR ARRAY	4	
R6565-68	EXB38V472J	RESISTOR ARRAY	4	
R6581	D0GD103JA036	M 10KOHM,J,0.25W	1	
R6582,83	ERJ6ENF3902	M 39KOHM,1/10W	2	
R6584	ERJ6ENF1002	M 10KOHM,1/10W	1	
R6585	ERJ6ENF1201	M 1.2KOHM,1/10W	1	
R6586	ERJ6ENF1801	M 1.8KOHM,1/10W	1	
R6587	ERJ6GEYJ222	M 2.2KOHM,J,1/10W	1	
R6588	ERJ6GEYJ103	M 10KOHM,J,1/10W	1	
R6590	ERJ6GEYJ221	M 220 OHM,J,1/10W	1	
R6591	EXB38V472J	RESISTOR ARRAY	1	
R6592	ERJ6GEYJ472	M 4.7KOHM,J,1/10W	1	
R6603	ERJ6GEYJ101	M 100 OHM,J,1/10W	1	
R6604	D0GD151JA036	M 150 OHM,J,0.25W	1	
R6605	ERJ6GEYJ104	M 100KOHM,J,1/10W	1	
R6606	ERJ6GEY0R00	M 0 OHM,1/10W	1	
R6607	ERJ6ENF5601	M 5.6KOHM,1/10W	1	
R6608,09	D0GF102JA047	M 1.0 KOHM,J,0.33W	2	
R6610	ERJ6GEYJ104	M 100KOHM,J,1/10W	1	
R6611	ERJ6GEYJ105	M 1MOHM,J,1/10W	1	
R6612	ERJ6GEYJ470	M 47 OHM,J,1/10W	1	
R6613	ERJ6GEYJ105	M 1MOHM,J,1/10W	1	
R6614,15	D0GF243JA047	M 24 KOHM,J,0.33W	2	
R6616	ERJ6ENF1502	M 15KOHM,1/10W	1	
R6617	ERJ6GEYJ105	M 1MOHM,J,1/10W	1	
R6618	ERJ6ENF1202	M 12KOHM,1/10W	1	
R6619	ERJ6ENF1501	M 1.5KOHM,1/10W	1	
R6620	D0D28R2JA021	M 8.2 OHM,J,5W	1	
R6621	ERJ6GEYJ221	M 220 OHM,J,1/10W	1	
R6641,42	ERJ6GEYJ100	M 10 OHM,J,1/10W	2	
R6644,45	ERJ6GEYJ100	M 10 OHM,J,1/10W	2	
R6647,48	ERJ6GEYJ100	M 10 OHM,J,1/10W	2	
R6658	D0D1101JA009	M 100 OHM,J,1W	1	
R6659,60	ERJ6GEYJ224	M 220KOHM,J,1/10W	2	
R6661	ERJ6GEYJ104	M 100KOHM,J,1/10W	1	
R6662	ERJ6ENF3001	M 3KOHM,1/10W	1	
R6663	ERJ6GEYJ103	M 10KOHM,J,1/10W	1	
R6664	D0GF222JA047	M 2.2 KOHM,J,0.33W	1	
R6665	ERJ14YJ470	M 47 OHM,J,1/2W	1	

Ref. No.	Part No.	Part Name & Description	Pcs	Remarks
R6666	ERJ6GEYJ104	M 100KOHM,J,1/10W	1	
R6667,68	ERJ6GEYJ472	M 4.7KOHM,J,1/10W	2	
R6671	ERJ6GEYJ470	M 47 OHM,J,1/10W	1	
R6672	ERJ6GEYJ103	M 10KOHM,J,1/10W	1	
R6673,74	D0GD5R6JA059	M 5.6 OHM,J,0.25W	2	
R6682	ERJ6GEYJ101	M 100 OHM,J,1/10W	1	
R6683	D0GD151JA036	M 150 OHM,J,0.25W	1	
R6684	ERJ6GEYJ100	M 10 OHM,J,1/10W	1	
R6685	ERJ6GEYJ471	M 470 OHM,J,1/10W	1	
R6686	ERJ6GEYJ103	M 10KOHM,J,1/10W	1	
R6687	ERJ6GEYJ222	M 2.2KOHM,J,1/10W	1	
R6688	ERJ6GEYJ472	M 4.7KOHM,J,1/10W	1	
R6689	ERJ6GEYJ100	M 10 OHM,J,1/10W	1	
R6690	ERJ6GEYJ151	M 150 OHM,J,1/10W	1	
R6691	ERJ6GEYJ103	M 10KOHM,J,1/10W	1	
R6696,97	D0D32R2JA020	M 2.2 OHM,J,5W	2	
R6700-08	ERJ6GEYJ471	M 470 OHM,J,1/10W	9	
R6710-18	ERJ6GEYJ222	M 2.2KOHM,J,1/10W	9	
R6721,22	EXB38V220J	RESISTOR ARRAY	2	
R6723	ERJ6GEYJ222	M 2.2KOHM,J,1/10W	1	
R6724	ERJ6GEYJ101	M 100 OHM,J,1/10W	1	
R6742	ERJ6GEYJ103	M 10KOHM,J,1/10W	1	
R6743	ERJ6GEYJ102	M 1KOHM,J,1/10W	1	
R6744	ERJ6GEYJ103	M 10KOHM,J,1/10W	1	
R6745	ERJ6GEYJ472	M 4.7KOHM,J,1/10W	1	
R6746,47	D0GD103JA036	M 10KOHM,J,0.25W	2	
R6755	ERJ6GEYJ101	M 100 OHM,J,1/10W	1	
R6756-58	D0GD101JA059	M 100 OHM,J,0.25W	3	
R6759	ERJ6GEYJ472	M 4.7KOHM,J,1/10W	1	
R6760	ERJ6GEYJ122	M 1.2KOHM,J,1/10W	1	
R6761	ERJ6GEYJ100	M 10 OHM,J,1/10W	1	
R6762	ERJ6GEYJ103	M 10KOHM,J,1/10W	1	
R6775,76	ERJ6GEYJ101	M 100 OHM,J,1/10W	2	
R6777	D0GD151JA036	M 150 OHM,J,0.25W	1	
R6781	ERJ6GEYJ470	M 47 OHM,J,1/10W	1	
R6782	ERJ6GEYJ103	M 10KOHM,J,1/10W	1	
R6791	ERJ6GEYJ102	M 1KOHM,J,1/10W	1	
R6792	ERJ6GEYJ103	M 10KOHM,J,1/10W	1	
R6793	ERJ6GEYJ101	M 100 OHM,J,1/10W	1	
R6801,02	ERX1FJSR22D	M0.22 OHM, J, 1W	2	
R6806	ERJ6GEYJ103	M 10KOHM,J,1/10W	1	
R6807	ERJ6GEYJ332	M 3.3KOHM,J,1/10W	1	
R6808	ERG3FJS560D	M 5.6 OHM, J, 3W	1	
R6809	ERJ6GEYJ103	M 10KOHM,J,1/10W	1	
R6810,11	ERJ6GEYJ473	M 47KOHM,J,1/10W	2	
R6812	ERJ6ENF2403	M 240KOHM,1/10W	1	
R6813	ERJ6ENF1002	M 10KOHM,1/10W	1	
R6814	ERJ6ENF5601	M 5.6KOHM,1/10W	1	
R6815	ERG2FJS183D	M 18KOHM, J, 2W	1	
R6816	ERJ6ENF1582	M15.8KOHM,1/10W	1	
R6817	ERJ6ENF2701	M 2.7KOHM,1/10W	1	
R6821	ERG2FJS221D	M 220 OHM, J, 2W	1	
R6822	ERJ12YJ104U	M 100KOHM,1/2W	1	
R6823	ERGLFJS104D	M 100KOHM, J, 1W	1	
R6824	ERJ6GEYJ562	M 5.6KOHM,J,1/10W	1	
R6825,26	ERJ6ENF2703	M 270KOHM,1/10W	2	
R6827	ERJ6GEY0R00	M 0 OHM,1/10W	1	
R6828	ERJ6ENF5231	M5.23KOHM,1/10W	1	
R6829,30	ERJ6GEYJ224	M 220KOHM,J,1/10W	2	
R6831	ERJ6GEYJ153	M 15KOHM,J,1/10W	1	
R6833-35	ERJ6ENF5602	M 56KOHM,1/10W	3	
R6836	ERJ6ENF6802	M 68KOHM,1/10W	1	

Ref. No.	Part No.	Part Name & Description	Pcs	Remarks
R6837	ERJ6ENF4702	M 47KOHM, 1/10W	1	
R6839	ERJ6GEYJ472	M 4.7KOHM, J, 1/10W	1	
R6841	ERJ12YJ153U	M 15KOHM, 1/2W	1	
R6842	ERJ14YJ433U	M 43KOHM, 1/2W	1	
R6843	ERJ6GEYJ623	M 62KOHM, J, 1/10W	1	
R6844	ERG2FJS101D	M 100 OHM, J, 2W	1	
R6845	ERJ6GEYJ623	M 62KOHM, J, 1/10W	1	
R6846, 47	ERJ6GEYJ563	M 56KOHM, J, 1/10W	2	
R6848	ERJ6GEYJ103	M 10KOHM, J, 1/10W	1	
R6849, 50	ERJ6ENF6802	M 68KOHM, 1/10W	2	
R6851	ERJ6ENF1201	M 1.2KOHM, 1/10W	1	
R6852	ERJ6ENF2491	M 2.49KOHM, 1/10W	1	
R6853	ERJ6GEYJ101	M 100 OHM, J, 1/10W	1	
R6860	DOD28R2JA021	M 8.2 OHM, J, 5W	1	
R6861	ERJ6ENF3902	M 39KOHM, 1/10W	1	
R6862, 63	ERJ6ENF4702	M 47KOHM, 1/10W	2	
R6864	ERJ6ENF9101	M 9.1KOHM, 1/10W	1	
R6865, 66	ERJ6ENF2201	M 2.2KOHM, 1/10W	2	
R6867	ERJ6GEYJ392	M 3.9KOHM, J, 1/10W	1	
R6868	ERJ6GEYJ223	M 22KOHM, J, 1/10W	1	
R6869	ERJ6GEYJ472	M 4.7KOHM, J, 1/10W	1	
R6871-73	ERJ6ENF3902	M 39KOHM, 1/10W	3	
R6874	ERJ6ENF8201	M 8.2KOHM, 1/10W	1	
R6875	ERJ6ENF3301	M 3.3KOHM, 1/10W	1	
R6876	ERJ6ENF1201	M 1.2KOHM, 1/10W	1	
R6877	ERJ6GEYJ392	M 3.9KOHM, J, 1/10W	1	
R6878	ERJ6GEYJ223	M 22KOHM, J, 1/10W	1	
R6879	ERJ6GEYJ472	M 4.7KOHM, J, 1/10W	1	
R6886-88	ERJ6GEYJ224	M 220KOHM, J, 1/10W	3	
R6901	ERJ6GEYJ101	M 100 OHM, J, 1/10W	1	
R6902-04	ERJ3GEYJ220	M 22 OHM, J, 1/16W	3	
R6908, 09	ERJ6GEYJ221	M 220 OHM, J, 1/10W	2	
R6916, 17	ERJ6GEYJ221	M 220 OHM, J, 1/10W	2	
R6924	ERJ6GEYJ221	M 220 OHM, J, 1/10W	1	
R6931-34	ERJ6GEYJ103	M 10KOHM, J, 1/10W	4	
R6935, 36	ERJ8GEYJ224	M 220KOHM, J, 1/8W	2	
R6951	ERJ6GEYJ101	M 100 OHM, J, 1/10W	1	
R6952-54	ERJ3GEYJ220	M 22 OHM, J, 1/16W	3	
R6958, 59	ERJ6GEYJ221	M 220 OHM, J, 1/10W	2	
R6966, 67	ERJ6GEYJ221	M 220 OHM, J, 1/10W	2	
R6974	ERJ6GEYJ221	M 220 OHM, J, 1/10W	1	
R6981-84	ERJ6GEYJ103	M 10KOHM, J, 1/10W	4	
R6985, 86	ERJ8GEYJ224	M 220KOHM, J, 1/8W	2	
R7112	ERJ6GEYJ102	M 1KOHM, J, 1/10W	1	
R7113, 14	ERJ3GEYJ220	M 22 OHM, J, 1/16W	2	
R7115	ERJ3GEYJ223	M 22KOHM, J, 1/16W	1	
R7116	ERJ3GEYJ104	M 100KOHM, J, 1/16W	1	
R7118, 19	ERJ3GEYJ220	M 22 OHM, J, 1/16W	2	
R7120	ERJ3GEYJ470	M 47 OHM, J, 1/16W	1	
R7122-25	ERJ12YJ6R8U	M 6.8 OHM, J, 1/2W	4	
R7126	ERJ6GEYJ224	M 220KOHM, J, 1/10W	1	
R7127, 28	ERJ3GEYJ470	M 47 OHM, J, 1/16W	2	
R7132-37	EXB38V470J	RESISTOR ARRAY	6	
R7139, 40	ERJ3GEYJ470	M 47 OHM, J, 1/16W	2	

Ref. No.	Part No.	Part Name & Description	Pcs	Remarks
R7142-45	ERJ12YJ6R8U	M 6.8 OHM, J, 1/2W	4	
R7146	ERJ3GEYJ470	M 47 OHM, J, 1/16W	1	
R7149	ERJ3GEYJ470	M 47 OHM, J, 1/16W	1	
R7151-54	ERJ12YJ6R8U	M 6.8 OHM, J, 1/2W	4	
R7155	EXB38V102J	RESISTOR ARRAY	1	
R7156	ERJ3GEYJ470	M 47 OHM, J, 1/16W	1	
R7158, 59	EXB38V470J	RESISTOR ARRAY	2	
R7162-67	EXB38V102J	RESISTOR ARRAY	6	
R7169	ERJ3GEYJ470	M 47 OHM, J, 1/16W	1	
R7171-74	ERJ12YJ6R8U	M 6.8 OHM, J, 1/2W	4	
R7175	ERJ3GEYJ470	M 47 OHM, J, 1/16W	1	
R7177	EXB38V102J	RESISTOR ARRAY	1	
R7179, 80	ERJ3GEY0R00	M 0 OHM, 1/16W	2	
R7186, 87	EXB38V470J	RESISTOR ARRAY	2	
R7201-07	EXB38V470J	RESISTOR ARRAY	7	
R7208-10	ERJ3GEYJ470	M 47 OHM, J, 1/16W	3	
R7212-15	ERJ12YJ6R8U	M 6.8 OHM, J, 1/2W	4	
R7216	EXB38V470J	RESISTOR ARRAY	1	
R7217	ERJ3GEYJ470	M 47 OHM, J, 1/16W	1	
R7219	ERJ6GEYJ224	M 220KOHM, J, 1/10W	1	
R7221	ERJ3GEYJ470	M 47 OHM, J, 1/16W	1	
R7223-26	ERJ12YJ6R8U	M 6.8 OHM, J, 1/2W	4	
R7227	ERJ3GEYJ470	M 47 OHM, J, 1/16W	1	
R7229	ERJ6GEY0R00	M 0 OHM, 1/10W	1	
R7231	ERJ3GEYJ470	M 47 OHM, J, 1/16W	1	
R7232-35	ERJ12YJ6R8U	M 6.8 OHM, J, 1/2W	4	
R7236	ERJ3GEYJ470	M 47 OHM, J, 1/16W	1	
R7237-42	EXB38V102J	RESISTOR ARRAY	6	
R7245	EXB38V102J	RESISTOR ARRAY	1	
R7246-49	ERJ3GEYJ220	M 22 OHM, J, 1/16W	4	
R7250, 51	EXB38V470J	RESISTOR ARRAY	2	
R7256, 57	ERJ3GEY0R00	M 0 OHM, 1/16W	2	
R7258	EXB38V102J	RESISTOR ARRAY	1	
R7260	ERJ3GEYJ470	M 47 OHM, J, 1/16W	1	
R7262-65	ERJ12YJ6R8U	M 6.8 OHM, J, 1/2W	4	
R7266	ERJ3GEYJ470	M 47 OHM, J, 1/16W	1	
R7269	ERJ6GEYJ102	M 1KOHM, J, 1/10W	1	
R7270	ERJ3GEYJ223	M 22KOHM, J, 1/16W	1	
R7271	ERJ3GEYJ104	M 100KOHM, J, 1/16W	1	
R7701	ERJ3GEYJ470	M 47 OHM, J, 1/16W	1	
R7702	ERJ3GEY0R00	M 0 OHM, 1/16W	1	
R7703-05	ERJ3GEYJ470	M 47 OHM, J, 1/16W	3	
R7706	ERJ6GEY0R00	M 0 OHM, 1/10W	1	
R7707	ERJ3GEYJ562	M 5.6KOHM, J, 1/16W	1	
R7708	ERJ3GEY0R00	M 0 OHM, 1/16W	1	
R7709	ERJ3GEYJ470	M 47 OHM, J, 1/16W	1	
R7710	ERJ3GEYJ101	M 100 OHM, J, 1/16W	1	
R7713	ERJ3GEYJ220	M 22 OHM, J, 1/16W	1	
R7714	ERJ3GEYJ473	M 47KOHM, J, 1/16W	1	
R7716	ERJ3GEY0R00	M 0 OHM, 1/16W	1	
R7721-29	ERJ3GEY0R00	M 0 OHM, 1/16W	9	
R7751-55	ERJ3GEYJ103	M 10KOHM, J, 1/16W	5	
R7757	ERJ3GEY0R00	M 0 OHM, 1/16W	1	
R7759	ERJ6GEY0R00	M 0 OHM, 1/10W	1	
R7760-62	ERJ3GEYJ103	M 10KOHM, J, 1/16W	3	

Ref. No.	Part No.	Part Name & Description	Pcs	Remarks
R7764-71	ERJ3GEY0R00	M 0 OHM, 1/16W	8	
R7773-76	ERJ3GEYJ470	M 47 OHM, J, 1/16W	4	
R7777	ERJ3GEYJ473	M 47KOHM, J, 1/16W	1	
R7779	ERJ6GEYJ101	M 100 OHM, J, 1/10W	1	
R7780	ERJ3GEYJ223	M 22KOHM, J, 1/16W	1	
R7781	ERJ3GEYJ562	M 5.6KOHM, J, 1/16W	1	
R7783	ERJ3GEYJ103	M 10KOHM, J, 1/16W	1	
R7798-03	ERJ3GEY0R00	M 0 OHM, 1/16W	6	
R8001	ERJ2GEJ103	M 10KOHM, J, 0.063W	1	TH-37PX600B
R8002	ERJ2GEJ272	M 2.7KOHM, J, 0.063W	1	TH-37PX600B
R8003,04	ERJ2GEJ181	M 180 OHM, J, 0.063W	2	TH-37PX600B
R8006	ERJ8GEY0R00	M 0 OHM, 1/8W	1	TH-37PX600B
R8008	ERJ2GEJ102	M 1KOHM, J, 0.063W	1	TH-37PX600B
R8010-12	ERJ2GEJ103	M 10KOHM, J, 0.063W	3	TH-37PX600B
R8014,15	ERJ2GEJ103	M 10KOHM, J, 0.063W	2	TH-37PX600B
R8017,18	ERJ3GEY0R00	M 0 OHM, 1/16W	2	TH-37PX600B
R8020-22	ERJ2GEJ103	M 10KOHM, J, 0.063W	3	TH-37PX600B
R8027	D1HG5608A002	NETWORK RESISTER	1	TH-37PX600B
R8028-30	ERJ2GEJ560	M 56 OHM, J, 0.063W	3	TH-37PX600B
R8033	ERJ2GEJ472	M 4.7KOHM, J, 0.063W	1	TH-37PX600B
R8034,35	ERJ3GEY0R00	M 0 OHM, 1/16W	2	TH-37PX600B
R8036	ERJ3GEYJ163	M 16KOHM, J, 1/16W	1	TH-37PX600B
R8038	ERJ2GEJ560	M 56 OHM, J, 0.063W	1	TH-37PX600B
R8039,40	ERJ2GEJ472	M 4.7KOHM, J, 0.063W	2	TH-37PX600B
R8041	ERJ2GEJ154	M 150KOHM, J, 0.063W	1	TH-37PX600B
R8046	ERJ2GEJ330	M 33 OHM, J, 0.063W	1	TH-37PX600B
R8047-50	ERJ2GEJ101	M 100 OHM, J, 0.063W	4	TH-37PX600B
R8051	EXB38V330J	RESISTOR ARRAY	1	TH-37PX600B
R8052-55	ERJ2GEJ103	M 10KOHM, J, 0.063W	4	TH-37PX600B
R8056	ERJ2GEJ330	M 33 OHM, J, 0.063W	1	TH-37PX600B
R8057	ERJ2GEJ680	M 68 OHM, J, 0.063W	1	TH-37PX600B
R8058	EXB38V330J	RESISTOR ARRAY	1	TH-37PX600B
R8059	ERJ2GEJ103	M 10KOHM, J, 0.063W	1	TH-37PX600B
R8073	ERJ2GEJ105	M 1MOHM, J, 0.063W	1	TH-37PX600B
R8074,75	ERJ2GEJ181	M 180 OHM, J, 0.063W	2	TH-37PX600B
R8076	ERJ2GEJ103	M 10KOHM, J, 0.063W	1	TH-37PX600B
R8078	ERJ2GEJ562	M 5.6KOHM, J, 0.063W	1	TH-37PX600B
R8079	ERJ2GEJ473	M 47KOHM, J, 0.063W	1	TH-37PX600B
R8084,85	D1HG1218A002	NETWORK RESISTER	2	TH-37PX600B
R8086-88	ERJ2GEJ560	M 56 OHM, J, 0.063W	3	TH-37PX600B
R8101	ERJ3GEYF181	M 180 OHM, J, 1/16W	1	TH-37PX600B PAVCCZ
R8104	ERJ2GEJ560	M 56 OHM, J, 0.063W	1	TH-37PX600B
R8106,07	ERJ2GEJ103	M 10KOHM, J, 0.063W	2	TH-37PX600B
R8108	ERJ3EKF1002	M 10KOHM, 1/16W	1	TH-37PX600B
R8109	ERJ3EKF2202	M 22KOHM, 1/16W	1	TH-37PX600B
R8110	ERJ3EKF1501	M 1.5KOHM, 1/16W	1	TH-37PX600B
R8111	ERJ2GE0R00	M 0.0 OHM, J, 0.063W	1	TH-37PX600B
R8112,13	ERJ3GEY0R00	M 0 OHM, 1/16W	2	TH-37PX600B
R8115	ERJ3GEYF272	M 2.7KOHM, 1/16W	1	TH-37PX600B
R8117	ERJ6GEYJ471	M 470 OHM, J, 1/10W	1	TH-37PX600B
R8123	ERJ3GEY0R00	M 0 OHM, 1/16W	1	TH-37PX600B
R8124	ERJ2GEJ471	M 470 OHM, J, 0.063W	1	TH-37PX600B
R8127	ERJ2GE0R00	M 0.0 OHM, J, 0.063W	1	TH-37PX600B

Ref. No.	Part No.	Part Name & Description	Pcs	Remarks
R8132,33	ERJ2GEJ560	M 56 OHM, J, 0.063W	2	TH-37PX600B
R8136	ERJ2GEJ103	M 10KOHM, J, 0.063W	1	TH-37PX600B
R8137	ERJ2GEJ121	M 120 OHM, J, 0.063W	1	TH-37PX600B
R8140,41	ERJ3EKF1001	M 1KOHM, 1/16W	2	TH-37PX600B
R8144,45	D1HG5608A002	NETWORK RESISTER	2	TH-37PX600B
R8148,49	D1HG3908A002	NETWORK RESISTER	2	TH-37PX600B
R8150-59	ERJ2GEJ390	M 39 OHM, J, 0.063W	10	TH-37PX600B
R8161,62	ERJ2GEJ390	M 39 OHM, J, 0.063W	2	TH-37PX600B
R8163	ERJ2GEJ560	M 56 OHM, J, 0.063W	1	TH-37PX600B
R8165	ERJ2GEJ560	M 56 OHM, J, 0.063W	1	TH-37PX600B
R8167-71	ERJ2GEJ103	M 10KOHM, J, 0.063W	5	TH-37PX600B
R8172	ERJ2GEJ473	M 47KOHM, J, 0.063W	1	TH-37PX600B
R8173	EXB38V560J	RESISTOR ARRAY	1	TH-37PX600B
R8175,76	ERJ2GEJ103	M 10KOHM, J, 0.063W	2	TH-37PX600B
R8183	ERJ2GE0R00	M 0.0 OHM, J, 0.063W	1	TH-37PX600B
R8184	ERJ2GEJ223	M 22KOHM, J, 0.063W	1	TH-37PX600B
R8187	ERJ2GEJ103	M 10KOHM, J, 0.063W	1	TH-37PX600B
R8188	ERJ3GEY0R00	M 0 OHM, 1/16W	1	TH-37PX600B
R8193	ERJ2GEJ103	M 10KOHM, J, 0.063W	1	TH-37PX600B
R8195,96	ERJ2GEJ103	M 10KOHM, J, 0.063W	2	TH-37PX600B
R8201-04	ERJ2GEJ103	M 10KOHM, J, 0.063W	4	TH-37PX600B
R8215	ERJ2GEJ103	M 10KOHM, J, 0.063W	1	TH-37PX600B
R8216,17	ERJ2GEJ560	M 56 OHM, J, 0.063W	2	TH-37PX600B
R8218,19	D1HG33080001	NETWORK RESISTER	2	TH-37PX600B
R8220-22	D1HG5608A002	NETWORK RESISTER	3	TH-37PX600B
R8223	ERJ2GEJ560	M 56 OHM, J, 0.063W	1	TH-37PX600B
R8224,25	ERJ2GEJ103	M 10KOHM, J, 0.063W	2	TH-37PX600B
R8226	ERJ2GEJ330	M 33 OHM, J, 0.063W	1	TH-37PX600B
R8232-43	ERJ2GEJ330	M 33 OHM, J, 0.063W	12	TH-37PX600B
R8244	ERJ2GEJ103	M 10KOHM, J, 0.063W	1	TH-37PX600B
R8245,46	ERJ2GEJ330	M 33 OHM, J, 0.063W	2	TH-37PX600B
R8250	ERJ2GEJ103	M 10KOHM, J, 0.063W	1	TH-37PX600B
R8252-54	ERJ2GEJ330	M 33 OHM, J, 0.063W	3	TH-37PX600B
R8255	ERJ2GEJ103	M 10KOHM, J, 0.063W	1	TH-37PX600B
R8256	ERJ2GEJ472	M 4.7KOHM, J, 0.063W	1	TH-37PX600B
R8257	ERJ2GEJ103	M 10KOHM, J, 0.063W	1	TH-37PX600B
R8259	ERJ2GEJ103	M 10KOHM, J, 0.063W	1	TH-37PX600B
R8260-63	ERJ2GEJ560	M 56 OHM, J, 0.063W	4	TH-37PX600B
R8264-68	ERJ2GEJ103	M 10KOHM, J, 0.063W	5	TH-37PX600B
R8269	ERJ2GEJ560	M 56 OHM, J, 0.063W	1	TH-37PX600B
R8271	ERJ2GEJ560	M 56 OHM, J, 0.063W	1	TH-37PX600B
R8272	EXB38V560J	RESISTOR ARRAY	1	TH-37PX600B
R8273	ERJ2GEJ560	M 56 OHM, J, 0.063W	1	TH-37PX600B
R8275	ERJ2GEJ560	M 56 OHM, J, 0.063W	1	TH-37PX600B
R8277	ERJ2GEJ560	M 56 OHM, J, 0.063W	1	TH-37PX600B
R8279	ERJ2GE0R00	M 0.0 OHM, J, 0.063W	1	TH-37PX600B
R8282	ERJ2GEJ560	M 56 OHM, J, 0.063W	1	TH-37PX600B
R8284	ERJ2GEJ560	M 56 OHM, J, 0.063W	1	TH-37PX600B
R8286,87	ERJ2GEJ560	M 56 OHM, J, 0.063W	2	TH-37PX600B
R8290	EXB38V560J	RESISTOR ARRAY	1	TH-37PX600B
R8291,92	ERJ2GEJ560	M 56 OHM, J, 0.063W	2	TH-37PX600B
R8310-15	ERJ3EKF75R0	M 0.75HM, 1/16W	6	TH-37PX600B

Ref. No.	Part No.	Part Name & Description	Pcs	Remarks
R8319	ERJ3EKF2702V	M27.0KOHM, 1/16W	1	TH-37PX600B
R8320	ERJ3EKF1002	M 10KOHM, 1/16W	1	TH-37PX600B
R8321	ERJ3EKF8201	M 8.2KOHM, 1/16W	1	TH-37PX600B
R8349	ERJ2GEJ104	M 100KOHM, J,0.063W	1	TH-37PX600B
R8350	ERJ3EKF8201	M 8.2KOHM, 1/16W	1	TH-37PX600B
R8351	ERJ3EKF1002	M 10KOHM, 1/16W	1	TH-37PX600B
R8352	ERJ3EKF2702V	M27.0KOHM, 1/16W	1	TH-37PX600B
R8353	ERJ2GEJ332	M 3.3KOHM, J,0.063W	1	TH-37PX600B
R8354	ERJ2GEJ272	M 2.7KOHM, J,0.063W	1	TH-37PX600B
R8355,56	EXB2HV104JV	RESISTOR ARRAY	2	TH-37PX600B
R8357,58	ERJ2GEJ473	M 47KOHM, J,0.063W	2	TH-37PX600B
R8366	ERJ2GEJ103	M 10KOHM, J,0.063W	1	TH-37PX600B
R8367,68	ERJ2GEJ560	M 56 OHM, J,0.063W	2	TH-37PX600B
R8372-76	ERJ2GEJ560	M 56 OHM, J,0.063W	5	TH-37PX600B
R8401	ERJ8GEY0R00	M 0 OHM, 1/8W	1	TH-37PX600B
R8402	ERJ6GEY0R00	M 0 OHM, 1/10W	1	TH-37PX600B
R8403	ERJ2GE0R00	M 0.0 OHM, J,0.063W	1	TH-37PX600B
R8404,05	ERJ2GEJ103	M 10KOHM, J,0.063W	2	TH-37PX600B
R8406	ERJ8RSJR10	M 1 OHM, 1/8W	1	TH-37PX600B
R8407	ERJ2GEJ333	M 33KOHM, J,0.063W	1	TH-37PX600B
R8414	ERJ2GE0R00	M 0.0 OHM, J,0.063W	1	TH-37PX600B
R8415,16	ERJ2GEJ223	M 22KOHM, J,0.063W	2	TH-37PX600B
R8417,18	EXB38V473J	RESISTOR ARRAY	2	TH-37PX600B
R8419,20	EXB38V101J	RESISTOR ARRAY	2	TH-37PX600B
R8421	ERJ2GEJ223	M 22KOHM, J,0.063W	1	TH-37PX600B
R8422	ERJ2GEJ104	M 100KOHM, J,0.063W	1	TH-37PX600B
R8423	ERJ2GEJ821	M 820 OHM, J,0.063W	1	TH-37PX600B
R8425,26	EXB38V101J	RESISTOR ARRAY	2	TH-37PX600B
R8427-31	ERJ2GEJ560	M 56 OHM, J,0.063W	5	TH-37PX600B
R8433,34	EXB38V560J	RESISTOR ARRAY	2	TH-37PX600B
R8443	EXB38V560J	RESISTOR ARRAY	1	TH-37PX600B
R8444	ERJ2GEJ101	M 100 OHM, J,0.063W	1	TH-37PX600B
R8445,46	ERJ2GEJ151	M 150 OHM, J,0.063W	2	TH-37PX600B
R8447	ERJ2GEJ223	M 22KOHM, J,0.063W	1	TH-37PX600B
R8448	ERJ2GEJ473	M 47KOHM, J,0.063W	1	TH-37PX600B
R8449,50	ERJ2GEJ103	M 10KOHM, J,0.063W	2	TH-37PX600B
R8451	EXB38V104J	RESISTOR ARRAY	1	TH-37PX600B
R8452	ERJ2GEJ104	M 100KOHM, J,0.063W	1	TH-37PX600B
R8453	EXB38V104J	RESISTOR ARRAY	1	TH-37PX600B
R8454	ERJ2GEJ104	M 100KOHM, J,0.063W	1	TH-37PX600B
R8456-59	EXB38V560J	RESISTOR ARRAY	4	TH-37PX600B
R8460	ERJ2GEJ104	M 100KOHM, J,0.063W	1	TH-37PX600B
R8461	ERJ2GEJ560	M 56 OHM, J,0.063W	1	TH-37PX600B
R8462,63	ERJ2GE0R00	M 0.0 OHM, J,0.063W	2	TH-37PX600B
R8464	ERJ2GEJ560	M 56 OHM, J,0.063W	1	TH-37PX600B
R8465	ERJ2GEJ103	M 10KOHM, J,0.063W	1	TH-37PX600B
R8466	EXB38V560J	RESISTOR ARRAY	1	TH-37PX600B
R8467,68	ERJ2GEJ560	M 56 OHM, J,0.063W	2	TH-37PX600B
R8469	EXB38V151J	RESISTOR ARRAY	1	TH-37PX600B
R8474	ERJ2GE0R00	M 0.0 OHM, J,0.063W	1	TH-37PX600B

Ref. No.	Part No.	Part Name & Description	Pcs	Remarks
R8475,76	ERJ2GEJ103	M 10KOHM, J,0.063W	2	TH-37PX600B
R8477,78	ERJ2GEJ560	M 56 OHM, J,0.063W	2	TH-37PX600B
R8479	ERJ2GEJ203	M 20KOHM, J,0.063W	1	TH-37PX600B
R8480-82	ERJ2GEJ560	M 56 OHM, J,0.063W	3	TH-37PX600B
R8483	ERJ2GEJ203	M 20KOHM, J,0.063W	1	TH-37PX600B
R8484	ERJ2GEJ223	M 22KOHM, J,0.063W	1	TH-37PX600B
R8485	ERJ2GEJ333	M 33KOHM, J,0.063W	1	TH-37PX600B
R8486	ERJ2GEJ223	M 22KOHM, J,0.063W	1	TH-37PX600B
R8487	ERJ2GEJ560	M 56 OHM, J,0.063W	1	TH-37PX600B
R8488	ERJ2GE0R00	M 0.0 OHM, J,0.063W	1	TH-37PX600B
R8489	ERJ2GEJ102	M 1KOHM, J,0.063W	1	TH-37PX600B
R8491	ERJ3EKF9102	M91.0KOHM, 1/16W	1	TH-37PX600B
R8492	ERJ3EKF1802	M 18KOHM, 1/16W	1	TH-37PX600B
R8493	ERJ3EKF9102	M91.0KOHM, 1/16W	1	TH-37PX600B
R8494	ERJ3EKF9101	M 9.1KOHM, 1/16W	1	TH-37PX600B
R8495	EXB38V151J	RESISTOR ARRAY	1	TH-37PX600B
R8496	EXB38V560J	RESISTOR ARRAY	1	TH-37PX600B
R8497	ERJ3EKF3300	M 330 OHM, 1/16W	1	TH-37PX600B
R8498	ERJ3EKF2200	M 220 OHM, 1/16W	1	TH-37PX600B
R8499	ERJ3EKF2432	M24.3KOHM, 1/16W	1	TH-37PX600B
R8500	ERJ3EKF1052	M10.5KOHM, 1/16W	1	TH-37PX600B
R8501	ERJ3EKF5601	M 5.6KOHM, 1/16W	1	TH-37PX600B
R8502	ERJ3EKF2402	M 24KOHM, 1/16W	1	TH-37PX600B
R8503,04	ERJ2GEJ103	M 10KOHM, J,0.063W	2	TH-37PX600B
R8505	ERJ2GEJ101	M 100 OHM, J,0.063W	1	TH-37PX600B
R8538,39	ERJ2GEJ101	M 100 OHM, J,0.063W	2	TH-37PX600B
R8546	ERJ2GEJ333	M 33KOHM, J,0.063W	1	TH-37PX600B
R8547	ERJ2GEJ102	M 1KOHM, J,0.063W	1	TH-37PX600B
R8601	ERJ3GEY0R00	M 0 OHM, 1/16W	1	TH-37PX600B
R8602-04	ERJ2GEJ101	M 100 OHM, J,0.063W	3	TH-37PX600B
R8605,06	ERJ2GEJ104	M 100KOHM, J,0.063W	2	TH-37PX600B
R8608	ERJ2GEJ105	M 1MOHM, J,0.063W	1	TH-37PX600B
R8610	ERJ2GEJ332	M 3.3KOHM, J,0.063W	1	TH-37PX600B
R8611	ERJ6GEY0R00	M 0 OHM, 1/10W	1	TH-37PX600B
R8614	ERJ2GEJ221	M 220 OHM, J,0.063W	1	TH-37PX600B
R8615	ERJ2GE0R00	M 0.0 OHM, J,0.063W	1	TH-37PX600B
R8701-08	ERJ2GEJ560	M 56 OHM, J,0.063W	8	TH-37PX600B
R8729-36	ERJ2GEJ103	M 10KOHM, J,0.063W	8	TH-37PX600B
R8827,28	ERJ2GEJ392	M 3.9KOHM, J,0.063W	2	TH-37PX600B
R8831,32	ERJ2GE0R00	M 0.0 OHM, J,0.063W	2	TH-37PX600B
R8862-64	ERJ2GE0R00	M 0.0 OHM, J,0.063W	3	TH-37PX600B
R8899,00	ERJ2GE0R00	M 0.0 OHM, J,0.063W	2	TH-37PX600B
R8912	ERJ2GE0R00	M 0.0 OHM, J,0.063W	1	TH-37PX600B
R8927	ERJ2GE0R00	M 0.0 OHM, J,0.063W	1	TH-37PX600B
R8930	ERJ2GE0R00	M 0.0 OHM, J,0.063W	1	TH-37PX600B
R8931,32	ERJ2GEJ392	M 3.9KOHM, J,0.063W	2	TH-37PX600B
R8933,34	ERJ2GE0R00	M 0.0 OHM, J,0.063W	2	TH-37PX600B
R8936	ERJ2GEJ103	M 10KOHM, J,0.063W	1	TH-37PX600B
R8954	ERJ2GEJ103	M 10KOHM, J,0.063W	1	TH-37PX600B
R8960	ERJ2GE0R00	M 0.0 OHM, J,0.063W	1	TH-37PX600B
R8962-64	ERJ2GEJ101	M 100 OHM, J,0.063W	3	TH-37PX600B
R8967,68	EXB2HV473JV	RESISTOR ARRAY	2	TH-37PX600B PAVCCZ

Ref. No.	Part No.	Part Name & Description	Pcs	Remarks
R8969-71	ERJ2GEJ473	M 47KOHM,J,0.063W	3	TH-37PX600B
R9060-67	ERJ3GEYJ101	M 100 OHM,J,1/16W	8	
R9070	ERJ3GEYJ470	M 47 OHM,J,1/16W	1	
R9074	ERJ3GEYJ101	M 100 OHM,J,1/16W	1	
R9076	ERJ3GEYJ101	M 100 OHM,J,1/16W	1	
R9096	ERJ3GEYJ103	M 10KOHM,J,1/16W	1	
R9098	ERJ3GEYJ103	M 10KOHM,J,1/16W	1	
R9099	ERJ3GEYJ101	M 100 OHM,J,1/16W	1	
R9100,01	ERJ3GEYJ103	M 10KOHM,J,1/16W	2	
R9102	ERJ3GEYJ101	M 100 OHM,J,1/16W	1	
R9105	ERJ3GEYJ472	M 4.7KOHM,J,1/16W	1	
R9106	ERJ3GEYJ103	M 10KOHM,J,1/16W	1	
R9107	ERJ3GEYJ332	M 3.3KOHM,J,1/16W	1	
R9108,09	ERJ3GEYJ103	M 10KOHM,J,1/16W	2	
R9110	ERJ3GEYJ101	M 100 OHM,J,1/16W	1	
R9111	ERJ3GEYJ223	M 22KOHM,J,1/16W	1	
R9113	ERJ3GEYJ100	M 10 OHM,J,1/16W	1	
R9120	ERJ3GEYJ101	M 100 OHM,J,1/16W	1	
R9121	ERJ3GEYJ104	M 100KOHM,J,1/16W	1	
R9127	ERJ3GEYJ683	M 68KOHM,J,1/16W	1	
R9129	ERJ3GEYJ683	M 68KOHM,J,1/16W	1	
R9131-33	ERJ3GEYJ472	M 4.7KOHM,J,1/16W	3	
R9134	ERJ3GEYJ333	M 33KOHM,J,1/16W	1	
R9140	ERJ6GEY0R00	M 0 OHM, 1/10W	1	
R9141-45	ERJ3GEYJ101	M 100 OHM,J,1/16W	5	
R9148	ERJ3GEYJ103	M 10KOHM,J,1/16W	1	
R9149	ERJ3GEYJ472	M 4.7KOHM,J,1/16W	1	
R9150,51	ERJ3GEYJ220	M 22 OHM,J,1/16W	2	
R9152,53	ERJ3GEYJ472	M 4.7KOHM,J,1/16W	2	
R9154,55	ERJ3GEYJ562	M 5.6KOHM,J,1/16W	2	
R9156	ERJ3GEYJ103	M 10KOHM,J,1/16W	1	
R9158,59	ERJ3GEYJ103	M 10KOHM,J,1/16W	2	
R9160,61	ERJ3GEY0R00	M 0 OHM, 1/16W	2	
R9162	ERJ3GEYJ103	M 10KOHM,J,1/16W	1	
R9164-66	ERJ3GEYJ103	M 10KOHM,J,1/16W	3	
R9167,68	ERJ3GEYJ101	M 100 OHM,J,1/16W	2	
R9169	ERJ3GEYJ103	M 10KOHM,J,1/16W	1	
R9170-72	ERJ3GEYJ393	M 39KOHM,J,1/16W	3	
R9173-75	ERJ3GEYJ103	M 10KOHM,J,1/16W	3	
R9177	ERJ3GEYJ223	M 22KOHM,J,1/16W	1	
R9178	ERJ3GEYJ103	M 10KOHM,J,1/16W	1	
R9179	ERJ3GEYJ102	M 1KOHM,J,1/16W	1	
R9180	ERJ3GEYJ103	M 10KOHM,J,1/16W	1	
R9181-84	ERJ3GEYJ102	M 1KOHM,J,1/16W	4	
R9185,86	ERJ3GEYJ220	M 22 OHM,J,1/16W	2	
R9187,88	ERJ3GEYJ562	M 5.6KOHM,J,1/16W	2	
R9189,90	ERJ3GEYJ103	M 10KOHM,J,1/16W	2	
R9192	ERJ3GEY0R00	M 0 OHM, 1/16W	1	
R9193	ERJ3GEYJ103	M 10KOHM,J,1/16W	1	
R9194	ERJ3GEY0R00	M 0 OHM, 1/16W	1	
R9196	ERJ3GEYJ103	M 10KOHM,J,1/16W	1	
R9199	ERJ3GEYJ272	M 2.7KOHM,J,1/16W	1	
R9203	ERJ3GEYJ102	M 1KOHM,J,1/16W	1	
R9205	ERJ3GEYJ472	M 4.7KOHM,J,1/16W	1	
R9206,07	ERJ3GEYJ102	M 1KOHM,J,1/16W	2	
R9215	ERJ3GEYJ123	M 12KOHM,J,1/16W	1	

Ref. No.	Part No.	Part Name & Description	Pcs	Remarks
R9217-22	ERJ3GEYJ103	M 10KOHM,J,1/16W	6	
R9223	ERJ3GEYJ472	M 4.7KOHM,J,1/16W	1	
R9225	ERJ3GEYJ472	M 4.7KOHM,J,1/16W	1	
R9230	ERJ3GEY0R00	M 0 OHM, 1/16W	1	
R9232	ERJ3GEY0R00	M 0 OHM, 1/16W	1	
R9236	ERJ3GEY0R00	M 0 OHM, 1/16W	1	
R9237	ERJ3GEYJ103	M 10KOHM,J,1/16W	1	
R9240	ERJ3GEY0R00	M 0 OHM, 1/16W	1	
R9317	ERJ3GEYJ391	M 390 OHM,J,1/16W	1	
R9348	D1HG8208A002	NETWORK RESISTOR	1	
R9349	EXB38V820J	RESISTOR ARRAY	1	
R9350,51	ERJ3GEYJ220	M 22 OHM,J,1/16W	2	
R9352	EXB38V820J	RESISTOR ARRAY	1	
R9353,54	D1HG8208A002	NETWORK RESISTOR	2	
R9355,56	ERJ3GEYJ472	M 4.7KOHM,J,1/16W	2	
R9357-59	D1HG8208A002	NETWORK RESISTOR	3	
R9360	EXB38V820J	RESISTOR ARRAY	1	
R9361,62	ERJ3GEYJ220	M 22 OHM,J,1/16W	2	
R9363	EXB2HV470JV	RESISTOR ARRAY	1	
R9366	ERJ3GEYJ472	M 4.7KOHM,J,1/16W	1	
R9367	ERJ3GEYJ103	M 10KOHM,J,1/16W	1	
R9368	ERJ3GEYJ104	M 100KOHM,J,1/16W	1	
R9369	ERJ3GEYJ472	M 4.7KOHM,J,1/16W	1	
R9370	ERJ3GEYJ103	M 10KOHM,J,1/16W	1	
R9371	ERJ3GEYJ104	M 100KOHM,J,1/16W	1	
R9379	ERJ3GEY0R00	M 0 OHM, 1/16W	1	
R9380	ERJ3GEYJ560	M 56 OHM,J,1/16W	1	
R9382	ERJ3GEYJ103	M 10KOHM,J,1/16W	1	
R9390	ERJ3GEYJ101	M 100 OHM,J,1/16W	1	
R9391	ERJ3GEYJ104	M 100KOHM,J,1/16W	1	
R9394	ERJ3GEY0R00	M 0 OHM, 1/16W	1	
R9395	ERJ3GEYJ220	M 22 OHM,J,1/16W	1	
R9501	ERJ3GEYJ103	M 10KOHM,J,1/16W	1	
R9503	ERJ3GEYJ470	M 47 OHM,J,1/16W	1	
R9506	ERJ3GEYJ220	M 22 OHM,J,1/16W	1	
R9507	ERJ3GEY0R00	M 0 OHM, 1/16W	1	
R9511-13	ERJ3GEYJ470	M 47 OHM,J,1/16W	3	
R9514	ERJ3GEYJ103	M 10KOHM,J,1/16W	1	
R9516	ERJ3GEYJ103	M 10KOHM,J,1/16W	1	
R9518	ERJ3GEYJ561	M 560 OHM,J,1/16W	1	
R9523	ERJ3GEYJ103	M 10KOHM,J,1/16W	1	
R9525	ERJ3GEYJ103	M 10KOHM,J,1/16W	1	
R9526	ERJ3GEY0R00	M 0 OHM, 1/16W	1	
R9527,28	EXB2HV272JV	RESISTOR ARRAY	2	
R9529,30	ERJ3GEYJ103	M 10KOHM,J,1/16W	2	
R9531-33	ERJ3GEYJ470	M 47 OHM,J,1/16W	3	
R9534	EXB38V470J	RESISTOR ARRAY	1	
R9535,36	ERJ3GEYJ470	M 47 OHM,J,1/16W	2	
R9538	ERJ3GEYJ103	M 10KOHM,J,1/16W	1	
R9540	ERJ3GEYJ103	M 10KOHM,J,1/16W	1	
R9543,44	ERJ3GEYJ103	M 10KOHM,J,1/16W	2	
R9545	ERJ3GEYJ304V	M 300KOHM,J,1/16W	1	
R9548-50	ERJ3GEYJ103	M 10KOHM,J,1/16W	3	
R9552	ERJ3GEYJ103	M 10KOHM,J,1/16W	1	
R9555	ERJ3GEY0R00	M 0 OHM, 1/16W	1	
R9800	ERJ3EKF1302	M 23KOHM, 1/16W	1	
R9801	ERJ3EKF2402	M 24KOHM, 1/16W	1	
R9802	ERJ3EKF6202	M 62KOHM, 1/16W	1	
R9803	ERJ3GEY0R00	M 0 OHM, 1/16W	1	
R9804	ERJ3EKF2402	M 24KOHM, 1/16W	1	
R9805	ERJ3EKF3002	M 30KOHM, 1/16W	1	
R9806	ERJ3EKF3902	M 39KOHM, 1/16W	1	
R9807	ERJ3GEY0R00	M 0 OHM, 1/16W	1	

Ref. No.	Part No.	Part Name & Description	Pcs	Remarks
R9808	ERJ3GEYJ104	M 100KOHM, J, 1/16W	1	
R9810	ERJ3EKF3001	M 3KOHM, 1/16W	1	
R9813	ERJ3EKF2401	M 2.4KOHM, 1/16W	1	
R9814	ERJ3EKF6802	M 68KOHM, 1/16W	1	
R9815	ERJ3EKF2202	M 22KOHM, 1/16W	1	
R9816	ERJ3EKF8202	M 82KOHM, 1/16W	1	
R9821	ERJ3GEYJ103	M 10KOHM, J, 1/16W	1	
R9823-27	ERJ3GEYJ101	M 100 OHM, J, 1/16W	5	
R9828	ERJ3GEYJ104	M 100KOHM, J, 1/16W	1	
R9830,31	ERJ3GEYJ103	M 10KOHM, J, 1/16W	2	
R9838,39	ERJ3GEYJ101	M 100 OHM, J, 1/16W	2	
R9840	ERJ3GEYJ220	M 22 OHM, J, 1/16W	1	
R9841	ERJ3GEY0R00	M 0 OHM, 1/16W	1	
R9842-44	ERJ3GEYJ101	M 100 OHM, J, 1/16W	3	
R9845	ERJ3GEYJ562	M 5.6KOHM, J, 1/16W	1	
R9846,47	EXB2HV272JV	RESISTOR ARRAY	2	
R9848,49	EXB2HV470JV	RESISTOR ARRAY	2	
R9850	ERJ3GEYJ473	M 47KOHM, J, 1/16W	1	
R9854	ERJ3GEYJ101	M 100 OHM, J, 1/16W	1	
R9859	EXB38V101J	RESISTOR ARRAY	1	
R9861-63	ERJ3GEYJ103	M 10KOHM, J, 1/16W	3	
R9868	ERJ3GEYJ104	M 100KOHM, J, 1/16W	1	
R9869-71	ERJ3GEYJ103	M 10KOHM, J, 1/16W	3	
R9872	ERJ3GEY0R00	M 0 OHM, 1/16W	1	
R9878	ERJ3EKF3902	M 39KOHM, 1/16W	1	
R9879	ERJ3EKF2002	M 20KOHM, 1/16W	1	
R9880	ERJ3EKF3602	M 36KOHM, 1/16W	1	
R9883	ERJ3GEY0R00	M 0 OHM, 1/16W	1	
R9884	ERJ3GEYJ104	M 100KOHM, J, 1/16W	1	
R9891	ERJ3EKF4702	M 47KOHM, 1/16W	1	
R9892	ERJ3EKF1502	M 15KOHM, 1/16W	1	
R9893	ERJ3EKF3602	M 36KOHM, 1/16W	1	
R9896	ERJ3GEY0R00	M 0 OHM, 1/16W	1	
R9897	ERJ3GEYJ104	M 100KOHM, J, 1/16W	1	
R9903	EXB2HV470JV	RESISTOR ARRAY	1	
R9904	ERJ3GEYJ470	M 47 OHM, J, 1/16W	1	
R9905	ERJ3GEYJ330	M 33 OHM, J, 1/16W	1	
R9906	EXB38V470J	RESISTOR ARRAY	1	
R9907	ERJ3GEYJ151	M 150 OHM, J, 1/16W	1	
R9917,18	ERJ3GEY0R00	M 0 OHM, 1/16W	2	
R9919,20	ERJ3GEYJ103	M 10KOHM, J, 1/16W	2	
R9922	ERJ3GEY0R00	M 0 OHM, 1/16W	1	
R9929	ERJ3GEY0R00	M 0 OHM, 1/16W	1	
R9936-39	ERJ3EKF1001	M 1KOHM, 1/16W	4	
R9940	ERJ3GEYJ330	M 33 OHM, J, 1/16W	1	
R9941,42	ERJ3GEYJ470	M 47 OHM, J, 1/16W	2	
R9943-51	EXB38V470J	RESISTOR ARRAY	9	
R9952-55	ERJ3GEYJ470	M 47 OHM, J, 1/16W	4	
R9956	ERJ3GEYJ103	M 10KOHM, J, 1/16W	1	
RM2501	PNA4701M05TV	REMOTE RECEIVER	1	
RTL	TNPA3740AC	CIRCUIT BOARD XV	1	TH-37PX600B PAVCCZ ▲
RTL	TNPA3756CA	CIRCUIT BOARD DG	1	TH-37PV600E PAVCCZ ▲
RTL	TNPA3756CG	CIRCUIT BOARD DG	1	TH-37PX600B PAVCCZ ▲
RTL	TNPA3759	CIRCUIT BOARD H	1	PAVCCZ ▲
RTL	TNPA3766	CIRCUIT BOARD HC	1	PAVCCZ ▲
RTL	TNPA3767	CIRCUIT BOARD TA	1	TH-37PV600E PAVCCZ ▲

Ref. No.	Part No.	Part Name & Description	Pcs	Remarks
RTL	TNPA3767AB	CIRCUIT BOARD TA	1	TH-37PX600B PAVCCZ ▲
RTL	TXNPA1BETB	CIRCUIT BOARD PA	1	PAVCCZ ▲
RTL	TXNC11BKTB	CIRCUIT BOARD C1	1	PAVCCZ ▲
RTL	TXNC21BKTB	CIRCUIT BOARD C2	1	PAVCCZ ▲
RTL	TZTNP01BKTB	CIRCUIT BOARD D	1	PAVCCZ ▲
RTL	TXN/P1BKTB	CIRCUIT BOARD P	1	PAVCCZ ▲
RTL	TXNSC1BKTB	CIRCUIT BOARD SC	1	PAVCCZ ▲
RTL	TXNSD1BKTB	CIRCUIT BOARD SD	1	PAVCCZ ▲
RTL	TXNSS1BKTB	CIRCUIT BOARD SS	1	PAVCCZ ▲
RTL	TXNSUIBKTB	CIRCUIT BOARD SU	1	PAVCCZ ▲
RTL	TXN/G1BJTB	CIRCUIT BOARD G	1	PAVCCZ ▲
RTL	TXNGK1BJTB	CIRCUIT BOARD GK	1	PAVCCZ ▲
RTL	TXN/K1BJTB	CIRCUIT BOARD K	1	TH-37PX600B PAVCCZ ▲
RTL	TXN/K1BJTE	CIRCUIT BOARD K	1	TH-37PV600E PAVCCZ ▲
RTL	TXN/S1BJTB	CIRCUIT BOARD S	1	PAVCCZ ▲
RTL	TXNGS1BETB	CIRCUIT BOARD GS	1	PAVCCZ ▲
S1	K1KA03BA0061	3P CONNECTOR	1	
SC2	K1KA02A00626	2P CONNECTOR	1	
SC20	K1KA20AA0008	20P CONNECTOR	1	
SC23	K1KA03AA0193	3P CONNECTOR	1	
SC30	K1KA08AA0192	8P CONNECTOR	1	
SC41,42	K1ML80B00001	80P CONNECTOR	2	
SC45,46	K1KA09A00239	9P CONNECTOR	2	
SCMM1	TMME260	CLAMPER	1	
SCMM3	TMME260	CLAMPER	1	
SD1-D3	K1MNC0B00002	CONNECTOR	3	PAVCCZ
SD46	K1KB09A00045	9P CONNECTOR	1	
SS11	K1KA02A00626	2P CONNECTOR	1	
SS12	K1KA10AA0194	10P CONNECTOR	1	
SS23	K1KA12AA0194	12P CONNECTOR	1	
SS34	K1KA03AA0193	3P CONNECTOR	1	
SS41A-4A	K1MN13B00020	13P CONNECTOR	4	
SU1-U3	K1MNC0B00002	CONNECTOR	3	PAVCCZ
SU45	K1KB09A00045	9P CONNECTOR	1	
SW2500	KOF162B00002	SWITCH	1	
SW3753-57	EVQ11G05R	SWITCH	5	
T6602	ETS25AZ139AD	SWITCHING TRANS	1	
TA5	K1KB15B00013	15P CONNECTOR	1	
TA6	K1KB09B00019	9P CONNECTOR	1	
TU001	ENG37A12GF	TUNER	1	TH-37PV600E ▲
TU001	ENGF7301GF	TUNER	1	TH-37PX600B PAVCCZ ▲
TU8001	ENV57M01D8F	TUNER	1	TH-37PX600B PAVCCZ ▲
VR6000	EVMEASA00B14	CONTROL 10KOHMB 0.3W	1	
VR6600	EVMEASA00B13	CONTROL 1KOHMB 0.3W	1	
VR6602	EVMEASA00B53	CONTROL 5KOHMB 0.3W	1	
X1100	H0J100500030	CRYSTAL	1	
X1101	H0J327200114	CRYSTAL	1	
X2101	H0J184500027	CRYSTAL	1	
X4004	H0J270500087	CRYSTAL	1	
X8003	H0J241500003	CRYSTAL	1	TH-37PX600B PAVCCZ
X8006	H0J270500090	CRYSTAL	1	TH-37PX600B PAVCCZ

Ref. No.	Part No.	Part Name & Description	Pcs	Remarks
X9000	H2D200500011	CRYSTAL	1	
X9200	H0J200500038	CRYSTAL	1	
XV01	K1KAB0A00011	CONNECTOR	1	TH-37PX600B
ZA2101-08	TESA169	SHIELD CLIP	8	
ZA2300,01	K4CZ01000027	COMPATIBLE WITH JALCO K9	2	
ZA3401-05	K4CZ01000027	COMPATIBLE WITH JALCO K9	5	
ZA3701	K4CD01000013	TERMINAL	1	
ZA4001,02	K4CD08000002	TERMINAL	2	
ZA6001,02	K4CD01000011	TERMINAL	2	
ZA6005	K4CD01000011	TERMINAL	1	
ZA6401-03	K4CD01000011	TERMINAL	3	
ZA7101-04	K4CD01000013	TERMINAL	4	
ZA7201-04	K4CD01000013	TERMINAL	4	
ZA9001	K4CD01000011	TERMINAL	1	
C402	F1J1C1050011	C 1UF, Z, 50V	1	
C404	F0CAF105A021	C 1UF, 250V	1	△
C407	EEUEB2W220B	E 22UF, 450V	1	△
C408	ECJ2XB1H102K	C 1000PF, K, 50V	1	
C409	F0CAF225A021	C 22UF, 250V	1	△
C410	ECJ2XB1H103K	C 0.01UF, K, 50V	1	
C413	ECJ2XB1H104K	C 0.1UF, K, 50V	1	
C414	ECQU2A473ML	P 0.047UF, M, 250V	1	△
C421	F1J1C1050011	C 1UF, Z, 50V	1	
C422	ECJ2XB1H103K	C 0.01UF, K, 50V	1	
C423	ECJ2XB1H472K	C 4700PF, K, 50V	1	
C425	ECJ2XB1H103K	C 0.01UF, K, 50V	1	
C426	ECJ2XC1H471J	C 470PF, J, 50V	1	
C427	F1J1C1050011	C 1UF, Z, 50V	1	
C428	ECJ2XC1H221J	C 220PF, J, 50V	1	
C429	F1E2J4730001	C 0.047PF, , 600V	1	
C431	ECJ2XB1H102K	C 1000PF, K, 50V	1	
C432	F1J1C1050011	C 1UF, Z, 50V	1	
C433	ECJ3YB1E104K	C 0.1UF, K, 25V	1	
C434	F1J1C1050011	C 1UF, Z, 50V	1	
C436	F1J1C1050011	C 1UF, Z, 50V	1	
C440	ECA1HM100	E 10UF, 50V	1	
C443,44	F1A3A102A040	C 1000PF, J, 1KV	2	
C445	F1J1C1050011	C 1UF, Z, 50V	1	
C446,47	F2B2W2010001	C 200UF, 450V	2	△
C450	ECJ2XB1H103K	C 0.01UF, K, 50V	1	
C451	F1A3A101A040	C 100PF, J, 1KV	1	
C457	ECWH12333RHV	P 0.013UF, J, 1.2KV	1	
C460,61	F1A3A331A039	E 330UF, 1KV	2	
C462	ECJ3YB1E105K	C 1UF, K, 25V	1	
C463	ECJ2XC1H220J	C 22UF, J, 50V	1	
C467	ECKCNA221KB7	C 220PF, M,	1	△
C468	ECJ2XB1H103K	C 0.01UF, K, 50V	1	
C469	ECKCNA221KB7	C 220PF, M,	1	△
C470	F0CAF105A021	C 1UF, 250V	1	△
C473,74	ECKCNA101KB7	C 100PF	2	△
C476	ECKCNA101KB7	C 100PF	1	△
C478	ECKCNA101KB7	C 100PF	1	△
C493	ECA1HM470	E 47UF, 50V	1	
C494	F2A2E1R00008	E 1.0UF, 250V	1	
C497	ECA1HM470	E 47UF, 50V	1	
C501,02	ECJ2XB1H103K	C 0.01UF, K, 50V	2	
C503	ECJ2XC1H471J	C 470PF, J, 50V	1	
C504	F1J1C1050011	C 1UF, Z, 50V	1	
C505	ECJ2XB1H102K	C 1000PF, K, 50V	1	
C506,07	ECJ2XB1H103K	C 0.01UF, K, 50V	2	
C508	ECJ2XC1H471J	C 470PF, J, 50V	1	
C509	ECA1EHG101	E 100UF, 25V	1	
C510	ECJ2XB1H104K	C 0.1UF, K, 50V	1	
C511	ECJ2XB1H102K	C 1000PF, K, 50V	1	

Ref. No.	Part No.	Part Name & Description	Pcs	Remarks
C512-14	ECJ2XC1H471J	C 470PF, J, 50V	3	
C515	F2A1A1220011	E 1200UF, 10V	1	
C516	ECJ2XB1C474K	C 0.47UF, Z, 16V	1	
C517	F2A1E221A096	E 220UF, 25V	1	
C518	ECJ2XB1H104K	C 0.1UF, K, 50V	1	
C519	F1J1C1050011	C 1UF, Z, 50V	1	
C520	ECWH8683RHV	P 0.068PF, J, 8KV	1	
C523	ECJ3YB1E105K	C 1UF, K, 25V	1	
C526	ECJ2XB1H223K	C 0.022UF, K, 50V	1	
C527	ECJ3YB1E475K	C 4.7UF, K, 25V	1	
C528,29	F1J1C1050011	C 1UF, Z, 50V	2	
C530	ECJ2VB1H333K	C 0.033UF, K, 50V	1	
C531	ECJ3YB1E105K	C 1UF, K, 25V	1	
C533	ECJ2XB1H103K	C 0.01UF, K, 50V	1	
C534	ECJ2XC1H471J	C 470PF, J, 50V	1	
C546,47	ECJ2XB1H102K	C 1000PF, K, 50V	2	
C550	ECJ2XC1H331J	C 330PF, J, 50V	1	
C551,52	ECJ2XB1H104K	C 0.1UF, K, 50V	2	
C554	F1J1C1050011	C 1UF, Z, 50V	1	
C555	F2A2C101A120	E 1000UF, 160V	1	△
C556,57	EEUFC1E152	E 1500UF, 25V	2	
C558	F2A1E471A096	E 470UF, 25V	1	
C559	F2A1A1220011	E 1200UF, 10V	1	
C562	ECJ2XB1H223K	C 0.022UF, K, 50V	1	
C571	ECJ2XC1H330J	C 33PF, J, 50V	1	
C574	ECJ2XB1H104K	C 0.1UF, K, 50V	1	
C577	F2A2A330A022	E 33UF, 100V	1	△
C581	ECJ2XB1H223K	C 0.022UF, K, 50V	1	
C583	ECJ2XB1H102K	C 1000PF, K, 50V	1	
C584,85	ECJ2XB1H223K	C 0.022UF, K, 50V	2	
C587	ECJ2XB1H332K	C 3300PF, K, 50V	1	
C601	ECJ2XB1H103K	C 0.01UF, K, 50V	1	
C603	ECJ2FB1E105K	C 1UF, K, 25V	1	
C604,05	F2A2D1510008	E 150UF, 200V	2	△
C607	F1J1C1050011	C 1UF, Z, 50V	1	
C608	ECJ2XB1H103K	C 0.01UF, K, 50V	1	
C610	F1J1C1050011	C 1UF, Z, 50V	1	
C611	F2B2T1420003	E 142UF, 220V	1	△
C612,13	ECJ2XB1H103K	C 0.01UF, K, 50V	2	
C615	F2B2T1420003	E 142UF, 220V	1	△
C616	F1A3A102A040	C 1000PF, J, 1KV	1	
C619	ECJ2XB1H104K	C 0.1UF, K, 50V	1	
C620	ECJ2XB1H103K	C 0.01UF, K, 50V	1	
C623	ECA1HM100	E 10UF, 50V	1	
C624	ECJ2XB1H103K	C 0.01UF, K, 50V	1	
C625	ECA1HM100	E 10UF, 50V	1	
C626	ECJ2XB1H103K	C 0.01UF, K, 50V	1	
C627	ECJ2XB1H102K	C 1000PF, K, 50V	1	
C629-31	ECJ2XB1H103K	C 0.01UF, K, 50V	3	
C632	ECJ2XC1H331J	C 330PF, J, 50V	1	
C634	ECJ2XB1H102K	C 1000PF, K, 50V	1	
C635	ECJ2XB1H103K	C 0.01UF, K, 50V	1	
C638,39	ECJ2XB1H103K	C 0.01UF, K, 50V	2	
C640	ECJ2XB1H104K	C 0.1UF, K, 50V	1	
C641	ECJ2XB1H102K	C 1000PF, K, 50V	1	
C643	ECA1HM470	E 47UF, 50V	1	
C650	ECJ2XB1H104K	C 0.1UF, K, 50V	1	
C653	ECJ2XB1H102K	C 1000PF, K, 50V	1	
C654	ECJ3YB1E105K	C 1UF, K, 25V	1	
C655,56	ECJ3YB1E225K	C 2.2UF, K, 25V	2	
C657	ECJ2XB1H102K	C 1000PF, K, 50V	1	
C658	ECJ3YB1E105K	C 1UF, K, 25V	1	
C659	ECJ2XB1H103K	C 0.01UF, K, 50V	1	
C660	ECJ2FB1C225K	C 22UF, K, 16V	1	
C661,62	ECJ2XB1H103K	C 0.01UF, K, 50V	2	
D401	B0FBAT000006	DIODE	1	△
D404	B0EBKT000007	DIODE	1	△
D407	MA111	DIODE	1	
D411	B0BB17000009	DIODE	1	
D412	B0HAMM000122	DIODE	1	
D415	B0JAME000099	DIODE	1	
D416	B0HAMP000067	DIODE	1	

Ref. No.	Part No.	Part Name & Description	Pcs	Remarks
D417	BOHAPR000013	DIODE	1	
D418	BOBC8R100013	DIODE	1	
D419, 20	BOHAPR000013	DIODE	2	
D423	MA188	DIODE	1	
D425	MA188	DIODE	1	
D429	ERA15-10	DIODE	1	
D430	MA111	DIODE	1	
D431, 32	B0JCDD000002	DIODE	2	
D433	BOBC01400033	DIODE	1	
D435	ERA15-10	DIODE	1	
D436-38	MA4200M	ZENER DIODE	3	
D441	BOHAMM000122	DIODE	1	
D444	BOHAMM000122	DIODE	1	
D445	MA4360H	ZENER DIODE	1	
D501	BOHAPR000012	DIODE	1	
D503, 04	MA165	DIODE	2	
D505	B0JAME000099	DIODE	1	
D506	MAZ80470LL	ZENER DIODE	1	
D507, 08	BOBC7R400023	DIODE	2	
D509	B0JANG000018	DIODE	1	
D511	B0JAML000011	DIODE	1	
D512, 13	MA111	DIODE	2	
D514	BOBC6R100025	DIODE	1	
D515	BOBC3R200008	DIODE	1	
D516-18	MA4330M	ZENER DIODE	3	
D520	MA111	DIODE	1	
D521	B0JAME000099	DIODE	1	
D528, 29	MA153	DIODE	2	
D530	BOBC9R900013	DIODE	1	
D531	BOHBSN000013	DIODE	1	
D535	MA188	DIODE	1	
D536	B0JBSG000026	DIODE	1	
D538	BOBC5R100039	DIODE	1	
D539, 40	B0AARR000010	DIODE	2	
D542	MA4200M	ZENER DIODE	1	
D543	BOBC01400033	DIODE	1	
D544, 45	MA4200M	ZENER DIODE	2	
D549	BOBC02500008	DIODE	1	
D551	BOBC01300033	DIODE	1	
D555	BOBC7R400023	DIODE	1	
D559	BOBC7R400023	DIODE	1	
D563	BOBC6R100025	DIODE	1	
D569-72	BOBC02500008	DIODE	4	
D574	MA165	DIODE	1	
D575	MA188	DIODE	1	
D579	MA165	DIODE	1	
D582	MAZ705600F	ZENER DIODE	1	
D585	BOBC7R400023	DIODE	1	
D586	BOHAMP000067	DIODE	1	
D587	MA188	DIODE	1	
D588	BOBC3R200008	DIODE	1	
D590	BOBC3R200008	DIODE	1	
D596	ERA15-10	DIODE	1	
D598	BOBC5R100039	DIODE	1	
D599	B0JCND000009	DIODE	1	
D600	BOBC7R400023	DIODE	1	
D601	BOBC5R100039	DIODE	1	
D602	BOBC8R100013	DIODE	1	
F410	K5G102B00020	FUSE	1	△
IC401	CNC1S171R	IC	1	△
IC402	CODAEMB00004	IC	1	
IC403-05	CNC1S171R	IC	3	△
IC406	C0DAZZZ00021	IC	1	
IC408	CNC1S171R	IC	1	△
IC409	MIP2G40MPSCF	IC	1	△
IC410	CNC1S171R	IC	1	△
IC411	CODAEMB00004	IC	1	
IC412	CNC1S171R	IC	1	△
IC501	C2ABDB000110	IC	1	
IC502	C0EBH0000210	IC	1	

Ref. No.	Part No.	Part Name & Description	Pcs	Remarks
IC504	CODAEMB00004	IC	1	
IC505	CNC1S171R	IC	1	
IC506	C0ZBZ0000878	IC	1	
IC507	CNC1S171R	IC	1	
IC509	C0DABZZ00010	IC	1	
IC510	C0DBAZG00034	IC	1	
IC512	CODAEMB00004	IC	1	
IC520	LSSK0062	IC	1	
L403	EXCELSA35	BEAD CHOKE	1	
L404, 05	G0B123K00004	CHOKE COIL	2	△
L410	ELF17N004A	LINE FILTER	1	△
L510	EXCELDLDR25C	BEAD CHOKE	1	
L511	G0A470ZA0033	CHOKE COIL	1	
L512	ELSE4R7JA	PEAKING COIL	1	
L513	EXCELDLDR25C	BEAD CHOKE	1	
L514	G0A100GA0013	CHOKE COIL	1	
P2	K1KA02A00626	2P CONNECTOR	1	
P5	K1KA11AA0194	11P CONNECTOR	1	
P9	K1KA03A00537	3P CONNECTOR	1	
P10	K1KA06A00452	6P CONNECTOR	1	
P11	K1KA02A00626	2P CONNECTOR	1	
P12	K1KA10AA0194	10P CONNECTOR	1	
P23	K1KA03AA0193	3P CONNECTOR	1	
P25	K1KA20AA0178	20P CONNECTOR	1	
PMM1	TMM7464-2	CLAMPER	1	
PMM2, M3	TMME088	CLAMPER	2	
PMM4-M6	TMM7464-2	CLAMPER	3	
PMM7	TMME047	CLAMPER	1	
PR401	K5Y502BA0001	FUSE	1	△
PR505	K5H5022A0023	FUSE	1	△
PR509	ERBSE0R50U	FUSE	1	△
PR601	K5G312B00012	FUSE	1	△
Q401	B1CHND000004	TRANSISTOR	1	
Q402	B1DFDD000019	TRANSISTOR	1	
Q404	B1BCCF000022	TRANSISTOR	1	
Q406	B1DEKQ000003	TRANSISTOR	1	△
Q407	B1HFCA000021	TRANSISTOR	1	
Q408, 09	B1DHCD000034	TRANSISTOR	2	
Q412, 13	B1DEGQ000070	TRANSISTOR	2	△
Q418	2SD1819A	TRANSISTOR	1	
Q420-22	2SD1819A	TRANSISTOR	3	
Q434	B1CEJQ000003	TRANSISTOR	1	
Q501, 02	2SD1820A	TRANSISTOR	2	
Q505	B1CEJQ000002	TRANSISTOR	1	
Q507	B1DAGQ000013	TRANSISTOR	1	
Q508	B1HBCFA00033	TRANSISTOR	1	
Q509	B1HDCEA00001	TRANSISTOR	1	
Q510	B1DHBDD000005	TRANSISTOR	1	
Q512	B1CBGD000001	FET	1	
Q517	B1HBCFA00033	TRANSISTOR	1	
Q520	B1HBCFA00033	TRANSISTOR	1	
Q521	B1CBGD000001	FET	1	
Q524	B1CFGF000008	TRANSISTOR	1	
Q525	B1CBGD000001	FET	1	
Q527	B1CERL000005	TRANSISTOR	1	
Q530	2SD1819A	TRANSISTOR	1	
Q535	2SD1819A	TRANSISTOR	1	
Q537	B1DFDD000019	TRANSISTOR	1	
Q538	B1CBGD000001	FET	1	
Q540	B1DHCD000034	TRANSISTOR	1	
Q541	B1CBGD000001	FET	1	
Q551	B1CBGD000001	FET	1	
Q553	2SD1819A	TRANSISTOR	1	
Q554	B1DHCD000034	TRANSISTOR	1	
Q555, 56	B1DFGD000045	TRANSISTOR	2	
Q557-59	2SD1819A	TRANSISTOR	3	
Q561	2SD1819A	TRANSISTOR	1	
Q563	B1CFGF000008	TRANSISTOR	1	

Ref. No.	Part No.	Part Name & Description	Pcs	Remarks
Q564,65	2SB1218ARL	TRANSISTOR	2	
Q566	2SD1819A	TRANSISTOR	1	
Q568	B1CHGD000006	TRANSISTOR	1	
Q569	B1CBGD000001	FET	1	
R401	ERJ6GEYJ103	M 10KOHM, J, 1/10W	1	
R402	ERJ6GEYJ821	M 820 OHM, J, 1/10W	1	
R403	ERJ6GEYJ105	M 1MOHM, J, 1/10W	1	
R404	ERJ6GEYJ102	M 1KOHM, J, 1/10W	1	
R406	ERX128J2R2V	M 2.2 OHM, J, 1/2W	1	
R407	ERJ8ENF4303	M 43KOHM, 1/8W	1	
R410	D1F5100E0003	CHIP RESISTOR	1	△
R412	ERJ6GEY0R00	M 0 OHM, 1/10W	1	
R413	D1F5100E0003	CHIP RESISTOR	1	△
R414	ERJ8GEYJ153	M 15KOHM, J, 1/8W	1	
R415	ERJ6GEYJ103	M 10KOHM, J, 1/10W	1	
R416	ERJ6GEYJ305	M 3MOHM, J, 1/10W	1	
R417	ERJ6ENF4303	M 43KOHM, 1/10W	1	
R418	ERJ6GEYJ220	M 22 OHM, J, 1/10W	1	
R419	ERJ6GEYJ104	M 100KOHM, J, 1/10W	1	
R420	ERJ6GEY0R00	M 0 OHM, 1/10W	1	
R421	ERJ6GEYJ333	M 33KOHM, J, 1/10W	1	
R422	ERJ6GEYJ334	M 330KOHM, J, 1/10W	1	
R423	ERJ6GEYJ102	M 1KOHM, J, 1/10W	1	
R424	ERJ6GEYJ223	M 22KOHM, J, 1/10W	1	
R425	ERJ6ENF3902	M 39KOHM, 1/10W	1	
R426	ERJ6GEYJ103	M 10KOHM, J, 1/10W	1	
R427	ERJ8ENF4303	M 43KOHM, 1/8W	1	
R428	ERJ6GEYJ103	M 10KOHM, J, 1/10W	1	
R429	ERJ6GEYJ4R7	M 4.7 OHM, J, 1/10W	1	
R430	ERJ6ENF4303	M 43KOHM, 1/10W	1	
R431	ERJ6GEYJ103	M 10KOHM, J, 1/10W	1	
R432	ERJ6GEYJ102	M 1KOHM, J, 1/10W	1	
R433	ERJ6ENF1202	M 12KOHM, 1/10W	1	
R434	ERJ8GEY0R00	M 0 OHM, 1/8W	1	
R435	ERJ8ENF4303	M 43KOHM, 1/8W	1	
R436	ERJ8GEYJ153	M 15KOHM, J, 1/8W	1	
R437	ERJ6GEYJ183	M 18KOHM, J, 1/10W	1	
R438	ERJ6GEYJ331	M 330 OHM, J, 1/10W	1	
R439	ERG128J120	M 12 OHM, J, 1/2W	1	
R440	ERJ8GEYJ474	M 470KOHM, J, 1/8W	1	
R441,42	ERJ6EKF6803	M 680KOHM, 1/10W	2	
R443	EVMAASA00B23	CONTROL 2KOHMB	1	
R444	ERJ6GEYJ123	M 12KOHM, J, 1/10W	1	
R448,49	DOXGR08J0001	M 0.08OHM, J, 5W	2	
R450	ERJ6GEYJ102	M 1KOHM, J, 1/10W	1	
R451	ERJ6GEYJ333	M 33KOHM, J, 1/10W	1	
R452	ERJ6GEYJ103	M 10KOHM, J, 1/10W	1	
R453	ERJ6GEYJ305	M 3MOHM, J, 1/10W	1	
R454	ERJ6GEYJ103	M 10KOHM, J, 1/10W	1	
R455	ERJ6GEYJ123	M 12KOHM, J, 1/10W	1	
R456	ERJ6GEYJ333	M 33KOHM, J, 1/10W	1	
R458	ERJ6GEYJ472	M 4.7KOHM, J, 1/10W	1	
R459	ERJ6EKF6803	M 680KOHM, 1/10W	1	
R461	ERJ6GEYJ103	M 10KOHM, J, 1/10W	1	
R462	ERJ6ENF4303	M 430KOHM, 1/10W	1	
R463	ERJ6GEYJ333	M 33KOHM, J, 1/10W	1	
R464	ERJ6ENF3302	M 33KOHM, 1/10W	1	
R465	ERJ6ENF5603	M 560KOHM, 1/10W	1	
R467	ERJ6GEYJ102	M 1KOHM, J, 1/10W	1	
R471	ERJ8GEYJ332	M 3.3KOHM, J, 1/8W	1	
R472,73	ERJ6ENF5603	M 560KOHM, 1/10W	2	
R475	ERJ6EKF6803	M 680KOHM, 1/10W	1	
R476,77	ERJ14YJ181U	M 181 OHM, J, 1/4W	2	
R478	ERJ8GEYJ220	M 22 OHM, J, 1/8W	1	
R480	ERJ6ENF4702	M 47KOHM, 1/10W	1	
R482	ERJ8GEYJ220	M 22 OHM, J, 1/8W	1	
R483	DOB225JA030	M 22MOHM, J, 0.05W	1	△
R487	ERJ6GEYJ472	M 4.7KOHM, J, 1/10W	1	
R488	ERJ6GEYJ104	M 100KOHM, J, 1/10W	1	
R490,91	ERJ6GEYJ473	M 47KOHM, J, 1/10W	2	
R492	ERJ6GEY0R00	M 0 OHM, 1/10W	1	
R493	ERG128J120	M 12 OHM, J, 1/2W	1	

Ref. No.	Part No.	Part Name & Description	Pcs	Remarks
R494-96	ERJ6ENF5603	M 560KOHM, 1/10W	3	
R497	ERJ6ENF1202	M 12KOHM, 1/10W	1	
R498	ERG3SJ101	M 100 OHM, J, 3W	1	
R499	DOB394JA029	M 390KOHM, J, 0.05W	1	△
R501	ERJ6GEYJ223	M 22KOHM, J, 1/10W	1	
R502,03	ERJ6GEYJ104	M 100KOHM, J, 1/10W	2	
R504	ERJ6GEYJ102	M 1KOHM, J, 1/10W	1	
R505	ERJ8GEYJ330	M 33 OHM, J, 1/8W	1	
R506	ERJ6GEYJ102	M 1KOHM, J, 1/10W	1	
R507	ERJ6GEYJ221	M 220 OHM, J, 1/10W	1	
R508	ERJ6GEYJ102	M 1KOHM, J, 1/10W	1	
R509-11	ERJ6GEYJ104	M 100KOHM, J, 1/10W	3	
R512	ERJ6GEYJ223	M 22KOHM, J, 1/10W	1	
R513,14	ERJ6GEYJ104	M 100KOHM, J, 1/10W	2	
R515,16	ERJ6GEYJ102	M 1KOHM, J, 1/10W	2	
R517	ERJ6GEYJ103	M 10KOHM, J, 1/10W	1	
R518	ERJ6GEYJ102	M 1KOHM, J, 1/10W	1	
R519,20	ERJ6GEYJ104	M 100KOHM, J, 1/10W	2	
R521,22	ERJ8GEYJ100	M 10 OHM, J, 1/8W	2	
R523	ERJ6GEYJ473	M 47KOHM, J, 1/10W	1	
R524	ERJ6GEYJ102	M 1KOHM, J, 1/10W	1	
R525	ERJ6GEYJ473	M 47KOHM, J, 1/10W	1	
R526,27	ERJ8GEYJ224	M 220KOHM, J, 1/8W	2	
R528	ERJ6GEYJ4R7	M 4.7 OHM, J, 1/10W	1	
R529	ERJ6GEYJ101	M 100 OHM, J, 1/10W	1	
R530	ERJ6RBD3302	M 33KOHM, F, 1/10W	1	
R532	ERJ6GEYJ102	M 1KOHM, J, 1/10W	1	
R533	ERJ6GEYJ163	M 16KOHM, J, 1/10W	1	
R534	ERJ6GEYJ473	M 47KOHM, J, 1/10W	1	
R535,36	ERJ6GEYJ102	M 1KOHM, J, 1/10W	2	
R537	ERJ6ENF1003	M 100KOHM, 1/10W	1	
R538	ERJ6GEYJ104	M 100KOHM, J, 1/10W	1	
R539	ERJ6GEYJ103	M 10KOHM, J, 1/10W	1	
R540,41	ERJ6GEYJ105	M 1MOHM, J, 1/10W	2	
R542	ERJ6GEYJ102	M 1KOHM, J, 1/10W	1	
R543	ERJ6GEYJ153	M 15KOHM, J, 1/10W	1	
R544	ERJ6GEYJ331	M 330 OHM, J, 1/10W	1	
R545	ERJ6GEYJ103	M 10KOHM, J, 1/10W	1	
R546	ERJ6GEYJ102	M 1KOHM, J, 1/10W	1	
R547	ERJ6GEYJ101	M 100 OHM, J, 1/10W	1	
R548	ERJ6GEYJ102	M 1KOHM, J, 1/10W	1	
R549	ERJ6GEYJ103	M 10KOHM, J, 1/10W	1	
R550	ERJ6GEYJ473	M 47KOHM, J, 1/10W	1	
R551	ERJ6GEYJ334	M 330KOHM, J, 1/10W	1	
R552	ERJ6GEYJ103	M 10KOHM, J, 1/10W	1	
R553	ERJ6GEYJ101	M 100 OHM, J, 1/10W	1	
R554	ERJ6GEYJ102	M 1KOHM, J, 1/10W	1	
R555,56	ERJ6GEYJ105	M 1MOHM, J, 1/10W	2	
R557	ERJ6GEYJ104	M 100KOHM, J, 1/10W	1	
R558	ERJ6GEYJ474	M 470KOHM, J, 1/10W	1	
R559	ERJ6ENF8201	M 8.2KOHM, 1/10W	1	
R560	ERJ6ENF9101	M 9.1KOHM, 1/10W	1	
R561	ERJ6ENF5101	M 5.1KOHM, 1/10W	1	
R562	ERJ6ENF4701	M 4.7KOHM, 1/10W	1	
R563	ERJ6GEYJ2R2	M 2.2 OHM, J, 1/10W	1	
R564	ERJ6GEYJ104	M 100KOHM, J, 1/10W	1	
R565,66	ERJ6GEYJ105	M 1MOHM, J, 1/10W	2	
R567,68	ERJ8ENF1004	M 100KOHM, 1/8W	2	
R569	ERJ6ENF3302	M 33KOHM, 1/10W	1	
R570	ERJ6GEYJ104	M 100KOHM, J, 1/10W	1	
R571	ERJ6GEYJ105	M 1MOHM, J, 1/10W	1	
R572,73	ERJ8ENF3900	M 390 OHM, 1/8W	2	
R574	ERJ6GEYJ331	M 330 OHM, J, 1/10W	1	
R575	ERJ6GEYJ102	M 1KOHM, J, 1/10W	1	
R576	ERJ6ENF1202	M 12KOHM, 1/10W	1	
R577,78	ERJ6GEYJ473	M 47KOHM, J, 1/10W	2	
R579	ERJ6GEYJ103	M 10KOHM, J, 1/10W	1	
R580,81	ERJ6GEYJ473	M 47KOHM, J, 1/10W	2	
R582	ERJ6ENF1002	M 10KOHM, 1/10W	1	
R583	ERJ6GEYJ473	M 47KOHM, J, 1/10W	1	
R584	ERJ6GEYJ103	M 10KOHM, J, 1/10W	1	
R585	ERJ6GEYJ333	M 33KOHM, J, 1/10W	1	
R586	ERJ6GEYJ473	M 47KOHM, J, 1/10W	1	

Ref. No.	Part No.	Part Name & Description	Pcs	Remarks
R587	ERJ8RSJR16V	M 16 OHM, 1/8W	1	
R588	ERJ8ENF3900	M 390 OHM, 1/8W	1	
R589, 90	ERJ8GEYJ123	M 12KOHM, J, 1/8W	2	
R591	ERJ6GEYJ105	M 1MOHM, J, 1/10W	1	
R592	ERJ6ENF3001	M 3KOHM, 1/10W	1	
R593	ERJ6ENF5601	M 5.6KOHM, 1/10W	1	
R594	ERJ6GEYJ151	M 150 OHM, J, 1/10W	1	
R595	ERJ8GEYJ222	M 2.2KOHM, J, 1/8W	1	
R596	ERJ6GEYJ101	M 100 OHM, J, 1/10W	1	
R597, 98	ERJ6ENF3302	M 33KOHM, 1/10W	2	
R599, 00	ERJ8ENF3900	M 390 OHM, 1/8W	2	
R601	ERJ6GEYJ473	M 47KOHM, J, 1/10W	1	
R602	ERJ6ENF3301	M 3.3KOHM, 1/10W	1	
R603	ERJ6GEYJ333	M 33KOHM, J, 1/10W	1	
R606	ERJ6ENF1201	M 1.2KOHM, 1/10W	1	
R607	ERJ6ENF2202	M 2.2KOHM, 1/10W	1	
R608	ERJ8GEYJ332	M 3.3KOHM, J, 1/8W	1	
R609	ERJ6GEYJ102	M 1KOHM, J, 1/10W	1	
R610, 11	ERJ6GEYJ473	M 47KOHM, J, 1/10W	2	
R612	ERJ6GEYJ222	M 2.2KOHM, J, 1/10W	1	
R613	ERJ6ENF2702	M 27KOHM, 1/10W	1	
R614	ERJ6ENF3301	M 3.3KOHM, 1/10W	1	
R615	ERJ6GEYJ102	M 1KOHM, J, 1/10W	1	
R616, 17	ERJ6GEYJ103	M 10KOHM, J, 1/10W	2	
R618	ERJ6GEYJ104	M 100KOHM, J, 1/10W	1	
R619	ERJ8RQJR39	M0.39 OHM, 1/8W	1	
R620	ERJ6GEYJ103	M 10KOHM, J, 1/10W	1	
R621	ERJ8GEYJ123	M 12KOHM, J, 1/8W	1	
R622	ERJ8ENF1503	M 15KOHM, 1/8W	1	
R624	ERX2SJR22	M0.22 OHM, J, 2W	1	
R626	ERJ8ENF1503	M 15KOHM, 1/8W	1	
R627	ERJ6GEYJ752	M 7.5KOHM, J, 1/10W	1	
R628	EVMAASA00B33	CONTROL 3KOHMB	1	
R629	ERJ6GEYJ105	M 1MOHM, J, 1/10W	1	
R630	ERJ8GEYJ472	M 4.7KOHM, J, 1/8W	1	
R631	ERJ8GEYJ333	M 33KOHM, J, 1/8W	1	
R632	ERJ6GEYJ221	M 220 OHM, J, 1/10W	1	
R633	ERJ6GEYJ105	M 1MOHM, J, 1/10W	1	
R634	ERJ8RQJR39	M0.39 OHM, 1/8W	1	
R636	ERJ8ENF1503	M 15KOHM, 1/8W	1	
R637	ERJ8RQJR39	M0.39 OHM, 1/8W	1	
R638	ERJ6GEYJ102	M 1KOHM, J, 1/10W	1	
R641	ERJ6GEYJ473	M 47KOHM, J, 1/10W	1	
R642-44	ERJ8RQJR39	M0.39 OHM, 1/8W	3	
R645	ERJ6GEYJ101	M 100 OHM, J, 1/10W	1	
R646, 47	ERJ8GEYJ223	M 22KOHM, J, 1/8W	2	
R648	ERJ8ENF1503	M 15KOHM, 1/8W	1	
R649	ERJ6GEYJ223	M 22KOHM, J, 1/10W	1	
R650	ERJ6GEYJ103	M 10KOHM, J, 1/10W	1	
R651, 52	ERJ6ENF1002	M 10KOHM, 1/10W	2	
R653	ERJ6ENF3302	M 33KOHM, 1/10W	1	
R654	ERJ8GEYJ220	M 22 OHM, J, 1/8W	1	
R655	ERJ8RSJR16V	M 16 OHM, 1/8W	1	
R656	ERJ6ENF4702	M 47KOHM, 1/10W	1	
R657	ERJ6GEYJ102	M 1KOHM, J, 1/10W	1	
R658	ERJ6GEYJ105	M 1MOHM, J, 1/10W	1	
R659	ERJ6ENF3002	M 30KOHM, 1/10W	1	
R660	ERJ6ENF1202	M 12KOHM, 1/10W	1	
R661	EVMEASA00B53	CONTROL 5KOHMB 0.3W	1	
R662	ERJ6ENF1503	M 150KOHM, 1/10W	1	
R664	ERJ6ENF9101	M 9.1KOHM, 1/10W	1	
R665	EVMEASA00B23	CONTROL 2KOHMB 0.3W	1	
R666	ERJ6GEYJ102	M 1KOHM, J, 1/10W	1	
R667, 68	ERJ8GEY0R00	M 0 OHM, 1/8W	2	
R669	ERJ6ENF1303	M 130KOHM, 1/10W	1	
R670	ERJ6GEYJ102	M 1KOHM, J, 1/10W	1	
R671	EVMEASA00B14	CONTROL 10KOHMB 0.3W	1	
R672, 73	ERJ6GEYJ102	M 1KOHM, J, 1/10W	2	
R674	ERJ8GEYJ333	M 33KOHM, J, 1/8W	1	
R675	ERJ6ENF2202	M 2.2KOHM, 1/10W	1	
R676	ERJ8GEYJ333	M 33KOHM, J, 1/8W	1	

Ref. No.	Part No.	Part Name & Description	Pcs	Remarks
R677	ERJ6GEYJ474	M 47KOHM, J, 1/10W	1	
R678	ERJ8GEY0R00	M 0 OHM, 1/8W	1	
R679, 80	ERJ8RSJR16V	M 16 OHM, 1/8W	2	
R682	ERJ6ENF2002	M 20KOHM, 1/10W	1	
R683	ERJ6GEYJ333	M 33KOHM, J, 1/10W	1	
R684	ERJ6GEYJ103	M 10KOHM, J, 1/10W	1	
R685, 86	ERJ6GEYJ102	M 1KOHM, J, 1/10W	2	
R687	ERJ6GEYJ103	M 10KOHM, J, 1/10W	1	
R688, 89	ERJ6GEYJ102	M 1KOHM, J, 1/10W	2	
R690	ERJ6GEYJ4R7	M 4.7 OHM, J, 1/10W	1	
R691	ERJ6GEYJ104	M 100KOHM, J, 1/10W	1	
R692	ERJ6GEYJ472	M 4.7KOHM, J, 1/10W	1	
R693	ERJ6GEYJ103	M 10KOHM, J, 1/10W	1	
R695	ERJ6ENF1202	M 12KOHM, 1/10W	1	
R696	ERJ8GEYJ100	M 10 OHM, J, 1/8W	1	
R697	ERJ6GEYJ4R7	M 4.7 OHM, J, 1/10W	1	
R698	ERJ8RSJR16V	M 16 OHM, 1/8W	1	
R699-08	ERJ8GEYJ105	M 1MOHM, J, 1/8W	10	
R711	ERJ8RSJR16V	M 16 OHM, 1/8W	1	
R712	ERJ6GEYJ4R7	M 4.7 OHM, J, 1/10W	1	
R713	ERJ8GEYJ472	M 4.7KOHM, J, 1/8W	1	
R714	ERJ6GEYJ101	M 100 OHM, J, 1/10W	1	
R715	ERDS2TJ101	C 100 OHM, J, 1/4W	1	
R921	ERJ6RBD3302	M 33KOHM, F, 1/10W	1	
R922	ERJ6GEYJ101	M 100 OHM, J, 1/10W	1	
R931	ERJ6ENF3002	M 30KOHM, 1/10W	1	
R932	ERJ6GEYJ104	M 100KOHM, J, 1/10W	1	
R933	ERJ6GEYJ102	M 1KOHM, J, 1/10W	1	
R935	ERJ6GEYJ104	M 100KOHM, J, 1/10W	1	
R936	ERJ6GEYJ103	M 10KOHM, J, 1/10W	1	
R937	ERJ6GEYJ102	M 1KOHM, J, 1/10W	1	
R938	ERJ6GEYJ472	M 4.7KOHM, J, 1/10W	1	
R939, 40	ERJ6GEYJ102	M 1KOHM, J, 1/10W	2	
R943	ERJ6GEYJ105	M 1MOHM, J, 1/10W	1	
R945	ERJ6GEYJ223	M 22KOHM, J, 1/10W	1	
R946	ERJ6GEYJ333	M 33KOHM, J, 1/10W	1	
R947	ERJ8GEYJ331	M 330 OHM, J, 1/8W	1	
R950	ERJ6GEYJ105	M 1MOHM, J, 1/10W	1	
R951, 52	ERJ8GEYJ100	M 10 OHM, J, 1/8W	2	
R953	ERJ6GEYJ222	M 2.2KOHM, J, 1/10W	1	
R955	ERJ6GEYJ473	M 47KOHM, J, 1/10W	1	
R956	ERJ6GEYJ104	M 100KOHM, J, 1/10W	1	
RL402, 03	TSEH8011	RELAY	2	△
S401, 02	JOLT00000009	SWITCH	2	△
T401	G4D4A0000119	SWITCHING TRANSFORMER	1	
T402	G4D1A0000098	SWITCHING TRANSFORMER	1	△
T404	ETS42LA12GAD	SWITCHING TRANS	1	△
T407	ETQ11K5AZ	CHOKE TRANS	1	△
T410	ETS25AF115AH	SWITCHING TRANS	1	△
T601	G4D2A0000264	SWITCHING TRANS	1	
W9, 10	JOJKB0000037	FLAT CORE	2	
X501	H2B400400021	CRYSTAL	1	
Z1, Z2	K4ZZ01000206	TERMINAL	2	
Z420	TMM23417	CLAMPER	1	
Z450-53	EYF52BCY	FUSE HOLDER	4	
ZN401	ERZVGED621T2	VARISTOR	1	△
ZN402	D4EAD7510001	VARISTOR	1	△
ZN404	ERZVGD681T2	VARISTOR	1	△
ZN405-06	ERZVA7D511	VARISTOR	2	△

Ref. No.	Part No.	Part Name & Description	Pcs	Remarks

16.3. Electrical Replacement Parts List (42inch)

Note:

All parts except parts mentioned [PAVCCZ] in the Remarks column are supplied by PAVC-CSG.

Parts mentioned [PAVCCZ] are supplied by PAVCCZ.

Ref. No.	Part No.	Part Name & Description	Pcs	Remarks
F401.402	K5D802BNA005	TIME LAG FUSE HIGH	2	△
C001	ECA0JM102	E 1000UF, 6.3V	1	
C002,03	ECA1HM100	E 10UF, 50V	2	
C007	ECJ1XF1C104Z	C 0.1UF, Z, 16V	1	
C009	ECJ1VF1H104Z	C 0.1UF, Z, 50V	1	
C11	K1MN55BA0076	55P CONNECTOR	1	
C12	K1MN20BA0231	20P CONNECTOR	1	
C013	ECJ1XF1C104Z	C 0.1UF, Z, 16V	1	
C016	ECJ1XF1C104Z	C 0.1UF, Z, 16V	1	
C018,19	ECJ1VC1H330J	C 33PF, J, 50V	2	
C020	ECJ1VF1H103Z	C 0.010UF, Z, 50V	1	
C021	ECJ1XC1H101J	C 100PF, J, 50V	1	
C21	K1MN55BA0076	55P CONNECTOR	1	
C22	K1MN20BA0231	20P CONNECTOR	1	
C23	K1KA12BA0107	12P CONNECTOR	1	
C1100	ECJ0EB1A104K	C 0.1UF, K, 10V	1	
C1102	ECJ0EB1A104K	C 0.1UF, K, 10V	1	
C1103	ECJ0EB1E271K	C 270PF, K, 25V	1	
C1105	ECJ0EB1E271K	C 270PF, K, 25V	1	
C1106	ECJ1VB1A105K	C 0.01UF, Z, 50V	1	
C1107	EEHBOG101R	C 100PF, J, 4V	1	
C1109-11	ECJ0EB1A104K	C 0.1UF, K, 10V	3	
C1112	ECJ0EB1E271K	C 270PF, K, 25V	1	
C1114	ECJ0EB1A104K	C 0.1UF, K, 10V	1	
C1116	ECJ0EB1A104K	C 0.1UF, K, 10V	1	
C1118-23	ECJ0EB1A104K	C 0.1UF, K, 10V	6	
C1125	ECJ0EB1A104K	C 0.1UF, K, 10V	1	
C1127-32	ECJ0EB1A104K	C 0.1UF, K, 10V	6	
C1133,34	ECJ1XC1H150J	C 15PF, J, 50V	2	
C1135-42	ECJ0EB1A104K	C 0.1UF, K, 10V	8	
C1144-50	ECJ0EB1A104K	C 0.1UF, K, 10V	7	
C1152	ECJ0EB1A104K	C 0.1UF, K, 10V	1	
C1153	EEHBOG101R	C 100PF, J, 4V	1	
C1154	ECJ0EB1A104K	C 0.1UF, K, 10V	1	
C1155	ECJ0EB1C103K	C0.010UF, K, 16V	1	
C1156,57	ECJ1XC1H220J	C 22PF, J, 50V	2	
C1158	FLJ0J1060004	C 0.010UF, K, 16V	1	
C1159	ECJ0EB1A104K	C 0.1UF, K, 10V	1	
C1160	F2G0J470A019	E 47UF 6.3V	1	
C1161	ECJ1VB1A105K	C 0.01UF, Z, 50V	1	
C1162	ECJ0EB1C103K	C0.010UF, K, 16V	1	
C1167,68	ECJ1VB1A105K	C 0.01UF, Z, 50V	2	
C1170,71	ECJ0EB1A104K	C 0.1UF, K, 10V	2	TH-42PX600B
C1172	ECJ0EB1A104K	C 0.1UF, K, 10V	1	
C1177	ECJ1VB1A334K	C 0.1UF, K, 16V	1	
C1178	ECJ1VB1A105K	C 0.01UF, Z, 50V	1	
C1180,81	ECJ1VB1H221K	C 220UF, K, 50V	2	
C1186	ECJ0EB1A104K	C 0.1UF, K, 10V	1	
C1190	ECJ0EB1C103K	C0.010UF, K, 16V	1	
C1209	ECJ1VB1A105K	C 0.01UF, Z, 50V	1	
C1212	ECJ1XC1H151J	C 150PF, J, 50V	1	
C1219,20	EEHBP1C100R	C 10PF, J, 16V	2	

Ref. No.	Part No.	Part Name & Description	Pcs	Remarks
C1221	ECJ0EB1H102K	C 1000PF, K, 50V	1	
C1222,23	FLJ0J1060004	C 0.010UF, K, 16V	2	
C1226	FLJ0J1060004	C 0.010UF, K, 16V	1	
C1227	ECJ0EB1H101K	C 100PF, K, 50V	1	
C1228-34	EEHBC1C470P	C 47PF, J, 16V	7	
C1294	ECJ1XC1H330J	C 33PF, J, 50V	1	
C2005-18	ECJ1XC1H561J	C 560PF, J, 50V	14	
C2019	ECA1CM221	E 220UF, 16V	1	
C2020	ECA1HM220	E 22UF, 50V	1	
C2021,22	ECJ1XC1H561J	C 560PF, J, 50V	2	
C2103,04	ECJ3YB1A106M	C 10UF, M,6.3V	2	
C2111	ECJ2VF1C104Z	C 0.1UF, Z, 16V	1	
C2116	ECJ2VF1C104Z	C 0.1UF, Z, 16V	1	
C2118,19	ECEA1CN470U	E 47UF, 16V	2	
C2122,23	ECJ3YB1A106M	C 10UF, M,6.3V	2	
C2125,26	ECJ1VB1H102K	C 1000PF, K, 50V	2	
C2127	ECA1CMH101	E 100UF, 16V	1	
C2128	ECJ2VF1C104Z	C 0.1UF, Z, 16V	1	
C2129,30	FLJ1A1050002	C 1UF, Z, 50V	2	
C2131	ECJ2VF1C104Z	C 0.1UF, Z, 16V	1	
C2132	EEHBC1C100R	C 10PF, J, 16V	1	
C2133,34	ECJ1XC1H470J	C 47PF, J, 50V	2	
C2135,36	ECJ2FB1C105K	C 1UF, K, 16V	2	
C2139-43	ECJ1VB1H103K	C 0.001UF, K, 50V	5	
C2144,45	ECJ3YB1A106M	C 10UF, M,6.3V	2	
C2146	ECJ2VF1C104Z	C 0.1UF, Z, 16V	1	
C2147	ECA1HM220	E 22UF, 50V	1	
C2148-50	ECJ2FB1C105K	C 1UF, K, 16V	3	
C2152	ECJ2FB1C105K	C 1UF, K, 16V	1	
C2153	ECJ2FF1C475Z	C 0.047UF, Z, 16V	1	
C2154	ECJ2VF1C104Z	C 0.1UF, Z, 16V	1	
C2155	ECJ2FB1C105K	C 1UF, K, 16V	1	
C2156	ECJ3YB1A106M	C 10UF, M,6.3V	1	
C2157	ECJ2FB1C105K	C 1UF, K, 16V	1	
C2158	ECJ3YB1A106M	C 10UF, M,6.3V	1	
C2159,60	ECJ2FB1C105K	C 1UF, K, 16V	2	
C2161	ECA1CMH101	E 100UF, 16V	1	
C2162-69	ECJ2FB1C105K	C 1UF, K, 16V	8	
C2170-72	ECJ1VB1H102K	C 1000PF, K, 50V	3	
C2173	ECJ1VB1H103K	C 0.001UF, K, 50V	1	
C2174	ECJ1VB1H102K	C 1000PF, K, 50V	1	
C2175-77	ECJ1VB1H103K	C 0.001UF, K, 50V	3	
C2178,79	EEHBC1C100R	C 10PF, J, 16V	2	
C2181	ECJ2VF1C104Z	C 0.1UF, Z, 16V	1	
C2183	EEHBC1H3R3R	C 3.3PF, J, 50V	1	
C2184,85	ECJ2VF1C104Z	C 0.1UF, Z, 16V	2	
C2189,90	ECJ2FB1C105K	C 1UF, K, 16V	2	
C2191	ECJ2VF1C104Z	C 0.1UF, Z, 16V	1	
C2192	EEHBC1C100R	C 10PF, J, 16V	1	
C2193,94	ECJ2FB1C105K	C 1UF, K, 16V	2	
C2195	ECJ1XC1H470J	C 47PF, J, 50V	1	
C2196	ECJ2VF1C104Z	C 0.1UF, Z, 16V	1	
C2197	ECJ2FB0J225K	C 2.2UF, Z, 16V	1	
C2198	EEHBOJ101P	C 100PF, J, 6.3V	1	
C2199	ECJ1VC1H560J	C 56PF, J, 50V	1	

Ref. No.	Part No.	Part Name & Description	Pcs	Remarks
C2200	ECJ1XC1H470J	C 47PF, J, 50V	1	
C2201	ECJ1XC1H030C	C 3PF, C, 50V	1	
C2202	ECJ1XC1H050C	C 5PF, C, 50V	1	
C2203	ECJ1VC1H100C	C 10PF, C, 50V	1	
C2204	ECJ1XC1H220J	C 22PF, J, 50V	1	
C2211	ECJ1VB1C104K	C 0.1UF, K, 16V	1	
C2213	ERJ3GEY0R00	M 0 OHM, 1/16W	1	
C2217	F1H0J1050012	C 1UF, K, 16V	1	
C2218-21	ECJ3YB1A106M	C 10UF, M, 6.3V	4	
C2222	ECJ2VF1C104Z	C 0.1UF, Z, 16V	1	
C2223	ECJ1XC1H390J	C 39PF, J, 50V	1	
C2225	ECJ2FB1C105K	C 1UF, K, 16V	1	
C2226	ECJ1VB1H102K	C 1000PF, K, 50V	1	
C2227	ECA1CMH101	E 100UF, 16V	1	
C2228	ECJ1VB1H103K	C 0.001UF, K, 50V	1	
C2229,30	ECA1CMH101	E 100UF, 16V	2	
C2231	ECA1CHG470	E 47UF, 16V	1	
C2232	F1H0J1050012	C 1UF, K, 16V	1	
C2233,34	ECJ1VB1H102K	C 1000PF, K, 50V	2	
C2235	F1H0J1050012	C 1UF, K, 16V	1	
C2236	ECA1CHG470	E 47UF, 16V	1	
C2237-40	ECJ1VB1H103K	C 0.001UF, K, 50V	4	
C2243	ECA1CHG470	E 47UF, 16V	1	
C2301	ECA1EHG471	E 470UF, 25V	1	
C2302,03	ECA1CMH101	E 100UF, 16V	2	
C2304,05	ECJ1VB1H103K	C 0.001UF, K, 50V	2	
C2306	ECJ1XBC1393K	C 0.039UF, K, 16V	1	
C2307	ECA1CMH101	E 100UF, 16V	1	(H)
C2307	ECJ1XBC1393K	C 0.039UF, K, 16V	1	(PA)
C2308-13	ECJ1VB1E183K	C 0.018UF, K, 25V	6	
C2314	ECJ1VB1C105K	C 0.01UF, K, 16V	1	
C2317	ECJ2FB1A105K	C 1UF, K, 10V	1	
C2320	ECJ2FB1A105K	C 1UF, K, 10V	1	
C2321	ECJ2XB1H103K	C 0.01UF, K, 50V	1	
C2322	ECJ2FB1A105K	C 1UF, K, 10V	1	
C2323,24	ECJ2FB1E224K	C 22UF, K, 25V	2	
C2325,26	ECJ1VB1E104K	C 0.10UF, K, 25V	2	
C2327	F1J1H474A757	C 0.47UF, 50V	1	
C2328-31	ECJ2FB1E105K	C 1UF, K, 25V	4	
C2332,33	ECA1EHG471	E 470UF, 25V	2	
C2334,35	ECJ1VB1E104K	C 0.10UF, K, 25V	2	
C2336	F1J1H474A757	C 0.47UF, 50V	1	
C2337,38	ECJ2FB1E224K	C 22UF, K, 25V	2	
C2341	ECJ3YB1E106M	C 10 UF, K, 25V	1	
C2342	ECJ2FB1E105K	C 1UF, K, 25V	1	
C2346	ECJ2FB1A105K	C 1UF, K, 10V	1	
C2349	ECJ2FB1A105K	C 1UF, K, 10V	1	
C2350	ECJ2XB1H103K	C 0.01UF, K, 50V	1	
C2351	ECJ2FB1A105K	C 1UF, K, 10V	1	
C2352,53	ECJ2FB1E224K	C 22UF, K, 25V	2	
C2354,55	ECJ1VB1E104K	C 0.10UF, K, 25V	2	
C2356	F1J1H474A757	C 0.47UF, 50V	1	
C2357-60	ECJ2FB1E105K	C 1UF, K, 25V	4	
C2361,62	ECA1EHG471	E 470UF, 25V	2	
C2363,64	ECJ1VB1E104K	C 0.10UF, K, 25V	2	
C2365	F1J1H474A757	C 0.47UF, 50V	1	
C2366,67	ECJ2FB1E224K	C 22UF, K, 25V	2	

Ref. No.	Part No.	Part Name & Description	Pcs	Remarks
C2368,69	ECJ1VB1C105K	C 0.01UF, K, 16V	2	
C2370	ECJ3YB1E106M	C 10 UF, K, 25V	1	
C2371	ECJ2FB1E105K	C 1UF, K, 25V	1	
C2372	ECA1HHG100	E 100UF, 50V	1	
C2373	ECJ1VF1H104Z	C 0.1UF, Z, 50V	1	
C2374	ECJ1VF1A105Z	C 1UF, Z, 10V	1	
C2380,81	ECJ1VB1H103K	C 0.001UF, K, 50V	2	
C2382	ECJ1VB1C105K	C 0.01UF, K, 16V	1	
C2385	ECJ2FB1A105K	C 1UF, K, 10V	1	
C2387	ECJ2FB1A105K	C 1UF, K, 10V	1	
C2389	ECJ2FB1A105K	C 1UF, K, 10V	1	
C2391	ECJ2FB1A105K	C 1UF, K, 10V	1	
C2393-96	ECJ1VB1C105K	C 0.01UF, K, 16V	4	
C2401	ECJ2FB1A105K	C 1UF, K, 10V	1	
C2402	ECJ2FB0J106M	C 10UF, Z, 6.3V	1	
C2403	ECJ1VB1H103K	C 0.001UF, K, 50V	1	
C2404	ECJ2FB1A105K	C 1UF, K, 10V	1	
C2405	ECJ2FB0J106M	C 10UF, Z, 6.3V	1	
C2416	ECJ1VB1H103K	C 0.001UF, K, 50V	1	
C2417,18	ECJ2FB0J106M	C 10UF, Z, 6.3V	2	
C2430	ECJ1VF1A105Z	C 1UF, Z, 10V	1	
C2510,11	ECJ2VF1C105Z	C 1UF, Z, 16V	2	
C2512	ECJ3XB0J106M	C 10UF, M, 6.3V	1	
C2515	ECJ1VB1H103K	C 0.001UF, K, 50V	1	
C2517	ECJ1VB1H103K	C 0.001UF, K, 50V	1	TH-42PX600B
C2521	ECJ1VB1H103K	C 0.001UF, K, 50V	1	
C3001-03	ECJ1VB1H102K	C 1000PF, K, 50V	3	
C3021	F1J1A1050002	C 1UF, Z, 50V	1	
C3022,23	ECJ1VB1H103K	C 0.001UF, K, 50V	2	
C3024-28	F1J1A1050002	C 1UF, Z, 50V	5	
C3029	ECJ2VF1C105Z	C 1UF, Z, 16V	1	
C3030	ECJ2VF1C104Z	C 0.1UF, Z, 16V	1	
C3031	F1J1A1050002	C 1UF, Z, 50V	1	
C3033	F1J1A1050002	C 1UF, Z, 50V	1	
C3035,36	F1J1A1050002	C 1UF, Z, 50V	2	
C3038	ECJ2VF1C104Z	C 0.1UF, Z, 16V	1	
C3039	F1J1A1050002	C 1UF, Z, 50V	1	
C3040	ECJ2VF1C104Z	C 0.1UF, Z, 16V	1	
C3041	ECJ1VB1H103K	C 0.001UF, K, 50V	1	
C3042,43	F1J1A1050002	C 1UF, Z, 50V	2	
C3045,46	ECJ1VB1H103K	C 0.001UF, K, 50V	2	
C3047	F1J1A1050002	C 1UF, Z, 50V	1	
C3048	ECJ1VB1H103K	C 0.001UF, K, 50V	1	
C3049-56	F1J1A1050002	C 1UF, Z, 50V	8	
C3058	ECA1EM471	E 470UF, 25V	1	
C3059	ECJ2VF1C105Z	C 1UF, Z, 16V	1	
C3061-64	ECJ2VF1C104Z	C 0.1UF, Z, 16V	4	
C3065	ECJ1VB1H103K	C 0.001UF, K, 50V	1	
C3066	F1J1A1050002	C 1UF, Z, 50V	1	
C3067	ECJ1VB1H103K	C 0.001UF, K, 50V	1	
C3068	ECJ2VF1C104Z	C 0.1UF, Z, 16V	1	
C3070	ECA1EM471	E 470UF, 25V	1	
C3071	ECJ2VF1C104Z	C 0.1UF, Z, 16V	1	
C3072	ECA1EM471	E 470UF, 25V	1	
C3073	ECJ2VF1C104Z	C 0.1UF, Z, 16V	1	
C3074	ECA1EM471	E 470UF, 25V	1	
C3075	ECA1CM221	E 220UF, 16V	1	
C3076	ECA1EM471	E 470UF, 25V	1	
C3207	ECA1AM102	E 1000UF, 10V	1	
C3214	ECJ2VF1C104Z	C 0.1UF, Z, 16V	1	
C3216	ECJ2VF1C104Z	C 0.1UF, Z, 16V	1	
C3226-28	ECJ2VF1C104Z	C 0.1UF, Z, 16V	3	

Ref. No.	Part No.	Part Name & Description	Pcs	Remarks
C3229	ECJ2FF1A106Z	C 0.001UF, Z, 10V	1	
C3230	ECJ2VF1C104Z	C 0.1UF, Z, 16V	1	
C3231	ECJ1XF1C104Z	C 0.1UF, Z, 16V	1	
C3233	ECJ2VF1C104Z	C 0.1UF, Z, 16V	1	
C3241	ECJ2VF1C104Z	C 0.1UF, Z, 16V	1	
C3262	ECJ1VB1H472K	C 4700PF, K, 50V	1	
C3268	ECJ1VB1H103K	C 0.001UF, K, 50V	1	
C3305	ECJ1XF1C104Z	C 0.1UF, Z, 16V	1	
C3330	ECA1CM470	E 47UF, 16V	1	
C3331	ECJ2XB1H103K	C 0.01UF, K, 50V	1	
C3332	ECJ2VF1C104Z	C 0.1UF, Z, 16V	1	
C3334	ECEA1CN470U	E 47UF, 16V	1	
C3335	ECJ2VB1C104K	C 0.1UF, K, 16V	1	
C3336	ECEA1CN470U	E 47UF, 16V	1	
C3337	ECJ2VB1C104K	C 0.1UF, K, 16V	1	
C3338	ECEA1CN470U	E 47UF, 16V	1	
C3339	ECJ2VB1C104K	C 0.1UF, K, 16V	1	
C3340-42	ECJ2VF1C104Z	C 0.1UF, Z, 16V	3	
C3701	ECJ2XC1H561K	C 560PF, K, 50V	1	
C3703	ECJ2XC1H561K	C 560PF, K, 50V	1	
C3711,12	ECJ2VF1H333Z	C 0.033UF, Z, 50V	2	
C3750,51	ECJ2XC1H102K	C 1000PF, K, 50V	2	
C4003-08	FLJ0J1060004	C 0.010UF, K, 16V	6	
C4009	ECJ1VB0J475K	C 4.7UF, K, 6.3V	1	
C4014,15	FLJ0J1060004	C 0.010UF, K, 16V	2	
C4023	FLJ0J1060004	C 0.010UF, K, 16V	1	
C4026	ECJ0EB1A104K	C 0.1UF, K, 10V	1	
C4027	ECJ1VB1A105K	C 0.01UF, Z, 50V	1	
C4028	ECJ0EB1C103K	C0.010UF, K, 16V	1	
C4112	FLJ0J1060004	C 0.010UF, K, 16V	1	
C4117	ECJ0EB1A104K	C 0.1UF, K, 10V	1	
C4142	FLH1C104A065	C 0.1UF, K, 16V	1	
C4144-46	ECJ1XC1H050C	C 5PF, C, 50V	3	
C4148-51	ECJ1VB0J475K	C 4.7UF, K, 6.3V	4	
C4152,53	FLJ0J1060004	C 0.010UF, K, 16V	2	
C4157	FLJ0J1060004	C 0.010UF, K, 16V	1	
C4158	ECJ1VB1A105K	C 0.01UF, Z, 50V	1	
C4159	FLH1C104A065	C 0.1UF, K, 16V	1	
C4160	ECJ0EB1A104K	C 0.1UF, K, 10V	1	
C4161,62	ECJ1VB1A105K	C 0.01UF, Z, 50V	2	
C4165	ECJ0EB1A104K	C 0.1UF, K, 10V	1	
C4168	ECJ1XC1H680J	C 68PF, J, 50V	1	
C4169	ECJ1VB1A105K	C 0.01UF, Z, 50V	1	
C4171	ECJ1XC1H471J	C 470PF, J, 50V	1	
C4172,73	FLH1C104A065	C 0.1UF, K, 16V	2	
C4174	ECJ0EB1A104K	C 0.1UF, K, 10V	1	
C4175	FLH1C104A065	C 0.1UF, K, 16V	1	
C4176	ECJ1VB0J225K	C 2.2UF, K, 6.3V	1	
C4177	ECJ2FB1C684K	C 68UF, Z, 16V	1	
C4178	ECJ1XB1C393K	C 0.039UF, K, 16V	1	
C4180	FLH1C104A065	C 0.1UF, K, 16V	1	
C4181	ECJ0EB1C103K	C0.010UF, K, 16V	1	
C4182	ECJ0EB1A104K	C 0.1UF, K, 10V	1	
C4185,86	ECJ3XB0J106M	C 10UF, M, 6.3V	2	
C4187	F2G0J470A019	E 47UF 6.3V	1	
C4188	FLJ0J1060004	C 0.010UF, K, 16V	1	
C4189-92	ECJ0EB1A104K	C 0.1UF, K, 10V	4	
C4193	ECJ0EB1H102K	C 1000PF, K, 50V	1	
C4194-97	FLH1C104A065	C 0.1UF, K, 16V	4	
C4198	ECJ1VB1A105K	C 0.01UF, Z, 50V	1	
C4199	ECJ0EB1C103K	C0.010UF, K, 16V	1	
C4200	F2G0J470A019	E 47UF 6.3V	1	
C4201	ECJ0EB1C103K	C0.010UF, K, 16V	1	

Ref. No.	Part No.	Part Name & Description	Pcs	Remarks
C4204	ECJ0EB1A104K	C 0.1UF, K, 10V	1	
C4205,06	FLH1C104A065	C 0.1UF, K, 16V	2	
C4208,09	ECJ0EB1A104K	C 0.1UF, K, 10V	2	
C4211	ECJ0EB1A104K	C 0.1UF, K, 10V	1	
C4212	EEHBOG221P	C 220PF, J, 4V	1	
C4213	ECJ0EB1A104K	C 0.1UF, K, 10V	1	
C4214	ECJ1VB1A105K	C 0.01UF, Z, 50V	1	
C4215	ECJ0EB1A104K	C 0.1UF, K, 10V	1	
C4216	F2G0J470A019	E 47UF 6.3V	1	
C4217	FLH1C104A065	C 0.1UF, K, 16V	1	
C4218	ECJ0EB1H102K	C 1000PF, K, 50V	1	
C4219	ECJ1VB1A105K	C 0.01UF, Z, 50V	1	
C4220	ECJ0EB1C103K	C0.010UF, K, 16V	1	
C4224	ECJ0EB1A104K	C 0.1UF, K, 10V	1	
C4225	ECJ1VB1A105K	C 0.01UF, Z, 50V	1	
C4226	ECJ1XC1H680J	C 68PF, J, 50V	1	
C4227	ECJ1VB1C823K	C 0.082UF, K, 16V	1	
C4228	ECJ0EB1C103K	C0.010UF, K, 16V	1	
C4229	FLH1C104A065	C 0.1UF, K, 16V	1	
C4230-34	ECJ0EB1A104K	C 0.1UF, K, 10V	5	
C4235	ECJ0EB1C103K	C0.010UF, K, 16V	1	
C4236-42	ECJ0EB1A104K	C 0.1UF, K, 10V	7	
C4243,44	ECJ1VB1A105K	C 0.01UF, Z, 50V	2	
C4245,46	ECJ0EB1A104K	C 0.1UF, K, 10V	2	
C4248	ECJ0EB1A104K	C 0.1UF, K, 10V	1	
C4250,51	ECJ0EB1A104K	C 0.1UF, K, 10V	2	
C4252	ECJ1VB1A105K	C 0.01UF, Z, 50V	1	
C4253	F2G0J470A019	E 47UF 6.3V	1	
C4255	ECJ1VB1H562K	C 5600PF, K, 50V	1	
C4256	ECJ1VB1A105K	C 0.01UF, Z, 50V	1	
C4257	ECJ1VB0J475K	C 4.7UF, K, 6.3V	1	
C4258	ECJ0EB1A104K	C 0.1UF, K, 10V	1	
C4259	ECJ1VB0J225K	C 2.2UF, K, 6.3V	1	
C4261-65	ECJ0EB1A104K	C 0.1UF, K, 10V	5	
C4266	ECJ0EB1C103K	C0.010UF, K, 16V	1	
C4267,68	ECJ0EB1A104K	C 0.1UF, K, 10V	2	
C4269	ECJ1VB1A105K	C 0.01UF, Z, 50V	1	
C4270	ECJ0EB1A104K	C 0.1UF, K, 10V	1	
C4272	F2G0J470A019	E 47UF 6.3V	1	
C4273-75	ECJ0EB1A104K	C 0.1UF, K, 10V	3	
C4276	ECJ1VB0J225K	C 2.2UF, K, 6.3V	1	
C4277	ECJ1VB0J475K	C 4.7UF, K, 6.3V	1	
C4281-84	ECJ0EB1A104K	C 0.1UF, K, 10V	4	
C4287,88	ECJ0EB1A104K	C 0.1UF, K, 10V	2	
C4289,90	EEHBOJ330R	C 33PF, J, 6.3V	2	
C4291,92	ECJ0EB1A104K	C 0.1UF, K, 10V	2	
C4296	FLJ0J1060004	C 0.010UF, K, 16V	1	
C4297	ECJ0EB1A104K	C 0.1UF, K, 10V	1	
C4298-06	ECJ1VB1A105K	C 0.01UF, Z, 50V	9	
C4307-09	ECJ0EB1A104K	C 0.1UF, K, 10V	3	
C4310	ECJ0EB1C103K	C0.010UF, K, 16V	1	
C4311	ECJ0EB1A104K	C 0.1UF, K, 10V	1	
C4312	ECJ0EB1C103K	C0.010UF, K, 16V	1	
C4313,14	ECJ0EB1A104K	C 0.1UF, K, 10V	2	
C4315	FLJ0J1060004	C 0.010UF, K, 16V	1	
C4316-18	ECJ0EB1A104K	C 0.1UF, K, 10V	3	
C4320-22	ECJ0EB1A104K	C 0.1UF, K, 10V	3	
C4325	ECJ0EB1A104K	C 0.1UF, K, 10V	1	

Ref. No.	Part No.	Part Name & Description	Pcs	Remarks
C4327	ECJ0EB1A104K	C 0.1UF, K, 10V	1	
C4329,30	ECJ0EB1A104K	C 0.1UF, K, 10V	2	
C4331	F1J0J1060004	C 0.010UF, K, 16V	1	
C4332	ECJ1VB1A105K	C 0.01UF, Z, 50V	1	
C4333-38	ECJ0EB1A104K	C 0.1UF, K, 10V	6	
C4339	ECJ1VB0J225K	C 2.2UF, K, 6.3V	1	
C4340	ECJ1XC1H471J	C 470PF, J, 50V	1	
C4341	EEH1C470P	C 47PF, J, 16V	1	
C4342	ECJ0EB1A104K	C 0.1UF, K, 10V	1	
C4343	EEH1C100R	C 10PF, J, 16V	1	
C4344,45	F1J0J1060004	C 0.010UF, K, 16V	2	
C4346	ECJ0EB1A104K	C 0.1UF, K, 10V	1	
C4347	ECJ1VB1A105K	C 0.01UF, Z, 50V	1	
C4348	EEH1C470P	C 47PF, J, 16V	1	
C4349	ECJ0EB1C103K	C0.010UF, K, 16V	1	
C4350,51	ECJ1XC1H181J	C 180PF, J, 50V	2	
C4352,53	ECJ1XC1H330J	C 33PF, J, 50V	2	
C4354	ECJ0EB1C103K	C0.010UF, K, 16V	1	
C4360	ECJ1VB1A105K	C 0.01UF, Z, 50V	1	
C4362	F1J0J1060004	C 0.010UF, K, 16V	1	
C4363,64	ECJ0EB1A104K	C 0.1UF, K, 10V	2	
C4365	ECJ1VB1A105K	C 0.01UF, Z, 50V	1	
C4366	F2G0J470A019	E 47UF 6.3V	1	
C4367	ECJ0EB1A104K	C 0.1UF, K, 10V	1	
C4371	ECJ0EB1H102K	C 1000PF, K, 50V	1	
C4372	ECJ0EB1A104K	C 0.1UF, K, 10V	1	
C4373	ECJ1VB1A105K	C 0.01UF, Z, 50V	1	
C4374	ECJ0EB1A104K	C 0.1UF, K, 10V	1	
C4375,76	ECJ0EB1H102K	C 1000PF, K, 50V	2	
C4377	ECJ0EB1A104K	C 0.1UF, K, 10V	1	
C4379	ECJ0EB1A104K	C 0.1UF, K, 10V	1	
C4380	ECJ0EB1H102K	C 1000PF, K, 50V	1	
C4381,82	ECJ0EB1A104K	C 0.1UF, K, 10V	2	
C4383	ECJ0EB1H102K	C 1000PF, K, 50V	1	
C4384	ECJ0EB1A104K	C 0.1UF, K, 10V	1	
C4385	ECJ0EB1H102K	C 1000PF, K, 50V	1	
C4386	ECJ0EB1A104K	C 0.1UF, K, 10V	1	
C4387	ECJ0EB1H102K	C 1000PF, K, 50V	1	
C4388	ECJ1VB1A105K	C 0.01UF, Z, 50V	1	
C4389	ECJ0EB1A104K	C 0.1UF, K, 10V	1	
C4390	ECJ0EB1H102K	C 1000PF, K, 50V	1	
C4391	ECJ1VB1A105K	C 0.01UF, Z, 50V	1	
C4392	ECJ0EB1A104K	C 0.1UF, K, 10V	1	
C4393,94	ECJ0EB1H102K	C 1000PF, K, 50V	2	
C4395	ECJ0EB1A104K	C 0.1UF, K, 10V	1	
C4396	ECJ0EB1H102K	C 1000PF, K, 50V	1	
C4397,98	ECJ0EB1A104K	C 0.1UF, K, 10V	2	
C4399,00	ECJ1VB1A105K	C 0.01UF, Z, 50V	2	
C4401	ECJ0EB1A104K	C 0.1UF, K, 10V	1	
C4402,03	ECJ0EB1H102K	C 1000PF, K, 50V	2	
C4404	ECJ0EB1A104K	C 0.1UF, K, 10V	1	
C4405	ECJ1VB1A105K	C 0.01UF, Z, 50V	1	
C4406	ECJ0EB1H102K	C 1000PF, K, 50V	1	
C4407,08	ECJ0EB1A104K	C 0.1UF, K, 10V	2	
C4409	ECJ0EB1H102K	C 1000PF, K, 50V	1	
C4410	ECJ1VB1A105K	C 0.01UF, Z, 50V	1	
C4411,12	ECJ0EB1A104K	C 0.1UF, K, 10V	2	
C4413,14	ECJ0EB1H102K	C 1000PF, K, 50V	2	
C4415	ECJ0EB1A104K	C 0.1UF, K, 10V	1	
C4417	F2G0J470A019	E 47UF 6.3V	1	

Ref. No.	Part No.	Part Name & Description	Pcs	Remarks
C4418,19	ECJ1VB1A105K	C 0.01UF, Z, 50V	2	
C4420,21	ECJ0EB1A104K	C 0.1UF, K, 10V	2	
C4422-24	ECJ0EB1H102K	C 1000PF, K, 50V	3	
C4425,26	ECJ0EB1A104K	C 0.1UF, K, 10V	2	
C4427	ECJ0EB1H102K	C 1000PF, K, 50V	1	
C4428	ECJ0EB1A104K	C 0.1UF, K, 10V	1	
C4429,30	ECJ0EB1H102K	C 1000PF, K, 50V	2	
C4434	ECJ0EB1H102K	C 1000PF, K, 50V	1	
C4435	ECJ1VB1A105K	C 0.01UF, Z, 50V	1	
C4436-39	ECJ0EB1H102K	C 1000PF, K, 50V	4	
C4440	ECJ0EB1A104K	C 0.1UF, K, 10V	1	
C4441,42	ECJ0EB1H102K	C 1000PF, K, 50V	2	
C4447	ECJ1VB1A105K	C 0.01UF, Z, 50V	1	
C4448	ECJ0EB1C103K	C0.010UF, K, 16V	1	
C4451	ECJ0EB1H102K	C 1000PF, K, 50V	1	
C4452	ECJ0EB1A104K	C 0.1UF, K, 10V	1	
C4453,54	ECJ0EB1H102K	C 1000PF, K, 50V	2	
C4455	ECJ1VB1A105K	C 0.01UF, Z, 50V	1	
C4456	ECJ0EB1A104K	C 0.1UF, K, 10V	1	
C4457,58	ECJ0EB1H102K	C 1000PF, K, 50V	2	
C4459	ECJ0EB1A104K	C 0.1UF, K, 10V	1	
C4460	ECJ0EB1H102K	C 1000PF, K, 50V	1	
C4461	ECJ1XC1H820J	C 82PF, J, 50V	1	
C4462	ECJ0EB1A104K	C 0.1UF, K, 10V	1	
C4464	ECJ1VB1A105K	C 0.01UF, Z, 50V	1	
C4465	ECJ0EB1A104K	C 0.1UF, K, 10V	1	
C4466	ECJ0EB1C103K	C0.010UF, K, 16V	1	
C4467	ECJ0EB1A104K	C 0.1UF, K, 10V	1	
C4470	ECJ1VB1A105K	C 0.01UF, Z, 50V	1	
C4474	ECJ1VB1A105K	C 0.01UF, Z, 50V	1	
C4475,76	ECJ0EB1H102K	C 1000PF, K, 50V	2	
C4477	ECJ0EB1A104K	C 0.1UF, K, 10V	1	
C4478	ECJ1VB1A105K	C 0.01UF, Z, 50V	1	
C4479-81	ECJ0EB1H102K	C 1000PF, K, 50V	3	
C4482	ECJ1XC1H180J	C 18PF, J, 50V	1	
C4483	ECJ1XC1H150J	C 15PF, J, 50V	1	
C4493	ECJ0EB1A104K	C 0.1UF, K, 10V	1	
C4494	ECJ1VB1A105K	C 0.01UF, Z, 50V	1	
C4496	ECJ0EB1A104K	C 0.1UF, K, 10V	1	
C4497	EEH1C101R	C 100PF, J, 4V	1	
C4498	ECJ1XC1H471J	C 470PF, J, 50V	1	
C4499	EEFCD0G560ER	56UF,	1	
C4501	ECJ0EB1A104K	C 0.1UF, K, 10V	1	
C4502	ECJ0EB1C103K	C0.010UF, K, 16V	1	
C4503	ECJ0EB1A104K	C 0.1UF, K, 10V	1	
C4504	ECJ0EB1C103K	C0.010UF, K, 16V	1	
C4505	ECJ0EB1A104K	C 0.1UF, K, 10V	1	
C4506	ECJ0EB1C103K	C0.010UF, K, 16V	1	
C4507	ECJ0EB1A104K	C 0.1UF, K, 10V	1	
C4508	ECJ0EB1C103K	C0.010UF, K, 16V	1	
C4509-11	ECJ0EB1A104K	C 0.1UF, K, 10V	3	
C4512	ECJ0EB1C103K	C0.010UF, K, 16V	1	
C4513	ECJ0EB1A104K	C 0.1UF, K, 10V	1	
C4514	ECJ0EB1C103K	C0.010UF, K, 16V	1	
C4515,16	ECJ0EB1A104K	C 0.1UF, K, 10V	2	
C4517	ECJ0EB1C103K	C0.010UF, K, 16V	1	
C4518	ECJ0EB1A104K	C 0.1UF, K, 10V	1	
C4519	ECJ0EB1C103K	C0.010UF, K, 16V	1	
C4520	ECJ0EB1A104K	C 0.1UF, K, 10V	1	
C4521	ECJ0EB1C103K	C0.010UF, K, 16V	1	
C4522	ECJ0EB1A104K	C 0.1UF, K, 10V	1	
C4523	ECJ0EB1C103K	C0.010UF, K, 16V	1	
C4524	ECJ0EB1A104K	C 0.1UF, K, 10V	1	

Ref. No.	Part No.	Part Name & Description	Pcs	Remarks
C4525	ECJ0EB1C103K	C0.010UF, K, 16V	1	
C4526	ECJ0EB1A104K	C 0.1UF, K, 10V	1	
C4527	ECJ0EB1C103K	C0.010UF, K, 16V	1	
C4528	F2G0J470A019	E 47UF 6.3V	1	
C4529	ECJ0EB1A104K	C 0.1UF, K, 10V	1	
C4530,3	ECJ0EB1H102K	C 1000PF, K, 50V	2	
C4532,3	ECJ0EB1A104K	C 0.1UF, K, 10V	2	
C4534	ECJ0EB1H102K	C 1000PF, K, 50V	1	
C4535	ECJ0EB1A104K	C 0.1UF, K, 10V	1	
C4536	ECJ1VB1A105K	C 0.01UF, Z, 50V	1	
C4537	EEHBOG101R	C 100PF, J, 4V	1	
C4538	ECJ0EB1A104K	C 0.1UF, K, 10V	1	
C4539	ECJ1VB1A105K	C 0.01UF, Z, 50V	1	
C4540	ECJ0EB1H102K	C 1000PF, K, 50V	1	
C4541	ECJ0EB1A104K	C 0.1UF, K, 10V	1	
C4543	F1H1C104A065	C 0.1UF, K, 16V	1	
C4544	ECJ1VB1C105K	C 0.01UF, K, 16V	1	
C5604	ECA1HHG100	E 10UF, 50V	1	
C5605	EEUFC1E471	E 470UF, 25V	1	
C5606	ECA1CM471	E 470UF, 16V	1	
C5609	ECA1HM220	E 22UF, 50V	1	
C5611	F2A1H331A257	E 330UF, 50V	1	
C5612	ECA1CM471	E 470UF, 16V	1	
C5613	ECJ1VB1E104K	C 0.10UF, K, 25V	1	
C5616	ECJ1VB1E104K	C 0.10UF, K, 25V	1	
C5617	ECA1CM471	E 470UF, 16V	1	
C5618,1	ECJ1VB1E104K	C 0.10UF, K, 25V	2	
C5622	ECA1CM471	E 470UF, 16V	1	
C5623	ECJ1VB1E104K	C 0.10UF, K, 25V	1	
C5626	ECJ1XF1C104Z	C 0.1UF, Z, 16V	1	
C5633	ECA1EM221	E 220UF, 25V	1	
C5637	ECJ1XF1C104Z	C 0.1UF, Z, 16V	1	
C5641-44	ECJ1XF1C104Z	C 0.1UF, Z, 16V	4	
C5645	ECA1CHG470	E 47UF, 16V	1	
C5646	ECJ1VB1H103K	C 0.001UF, K, 50V	1	
C5647	ECA1CHG470	E 47UF, 16V	1	
C5648	ECJ1VB1H103K	C 0.001UF, K, 50V	1	
C5670	ECJ1VB1E104K	C 0.10UF, K, 25V	1	
C5672	ECA1HHG100	E 10UF, 50V	1	
C5673	ECJ1XF1C104Z	C 0.1UF, Z, 16V	1	
C5685	ECA1HHG100	E 10UF, 50V	1	
C5686	ECJ2XB1H103K	C 0.01UF, K, 50V	1	
C5801,0	EEUFC1E471	E 470UF, 25V	2	
C5804	ECJ1XF1C104Z	C 0.1UF, Z, 16V	1	
C5805	ECJ2VF1C105Z	C 1UF, Z, 16V	1	
C5809	ECJ3XF1E105Z	C 1UF, Z, 25V	1	
C5810	ECA1EHG470	E 47UF, 25V	1	
C6001	F1L2J332A022	C 3300UF, K,6.3V	1	
C6002	F1L2J222A022	C 2200UF, K,6.3V	1	
C6011-15	F2A2T201A001	E 200UF,	5	
C6021,2	F1L2J272A022	C 2700UF, K,6.3V	2	
C6031	ECQE2255JF	P 2.5UF, K,250V	1	
C6041-44	TCUY1C105ZFN	C 1UF, 16V	4	
C6091	F1L2J1020001	C 1000UF, K,6.3V	1	
C6111,1	F2A2D221A022	E 220UF, 200V	2	
C6132	F1L1E4750004	C 4.7UF, 25V	1	
C6134,3	F1L1E4750004	C 4.7UF, 25V	2	
C6151	F1K1E1050001	C 1UF, Z, 25V	1	
C6152-55	F1L1E4750004	C 4.7UF, 25V	4	
C6192	F1K1E1050001	C 1UF, Z, 25V	1	
C6194,9	F1L1E4750004	C 4.7UF, 25V	2	
C6201,0	F0C2E405A176	E 0.040UF, 250V	2	

Ref. No.	Part No.	Part Name & Description	Pcs	Remarks
C6211,1	F1L1E4750004	C 4.7UF, 25V	2	
C6213,1	ECA1EM471	E 470UF, 25V	2	
C6221	ECJ2XB1H104K	C 0.1UF, K, 50V	1	
C6241	ECA1EM471	E 470UF, 25V	1	
C6242	TCUY1C105ZFN	C 1UF, 16V	1	
C6243	ECJ2XB1H103K	C 0.01UF, K, 50V	1	
C6251	TCUY1C105ZFN	C 1UF, 16V	1	
C6261,6	ECA2CM101	E 100UF, 160V	2	
C6271	F1K1E1050001	C 1UF, Z, 25V	1	
C6272,7	EEUFC1E221	E 220UF, 25V	2	
C6401	F1L2J332A022	C 3300UF, K,6.3V	1	
C6402	F1L2J222A022	C 2200UF, K,6.3V	1	
C6411-15	F2A2T201A001	E 200UF,	5	
C6421,2	F1L2J272A022	C 2700UF, K,6.3V	2	
C6431	F0C2E405A176	E 0.040UF, 250V	1	
C6472	ECJ2XB1H104K	C 0.1UF, K, 50V	1	
C6480	ECJ2XB1H104K	C 0.1UF, K, 50V	1	
C6502	F1L1E4750004	C 4.7UF, 25V	1	
C6504,0	F1L1E4750004	C 4.7UF, 25V	2	
C6511,1	F0C2E405A176	E 0.040UF, 250V	2	
C6521	ECJ3YB1E105K	C 1UF, K, 25V	1	
C6522	F1L1E4750004	C 4.7UF, 25V	1	
C6524,2	F1L1E4750004	C 4.7UF, 25V	2	
C6527	F1L1E4750004	C 4.7UF, 25V	1	
C6561	F2A1A1010074	E 100UF, 10V	1	
C6563	F2A1A1010074	E 100UF, 10V	1	
C6565,6	ECJ2XB1H103K	C 0.01UF, K, 50V	2	
C6581	ECJ3YB1E105K	C 1UF, K, 25V	1	
C6582	TCUY1C105ZFN	C 1UF, 16V	1	
C6591	ECJ3YB1E105K	C 1UF, K, 25V	1	
C6592	ECA1EM471	E 470UF, 25V	1	
C6593	ECJ2XC1H102J	C 1000PF, J, 50V	1	
C6601,0	F1L1E4750004	C 4.7UF, 25V	2	
C6603	F1K2J102A014	C 1000UF, K,6.3V	1	
C6604	F2A2V470A020	E 47UF, 350V	1	
C6605	ECJ2XB1H104K	C 0.1UF, K, 50V	1	
C6606	F1K2J102A014	C 1000UF, K,6.3V	1	
C6610	ECJ3YB1E105K	C 1UF, K, 25V	1	
C6611	ECJ2XB1H103K	C 0.01UF, K, 50V	1	
C6612	ECJ3YB1E105K	C 1UF, K, 25V	1	
C6620	ECJ3XB2J222K	C 2200PF, K,630V	1	
C6641	ECQE2224KF	P 2.2UF, K,250V	1	
C6661,6	F1K2J102A014	C 1000UF, K,6.3V	2	
C6671	F1L1E4750004	C 4.7UF, 25V	1	
C6681,8	F1L1E4750004	C 4.7UF, 25V	2	
C6683	ECJ2XB1H104K	C 0.1UF, K, 50V	1	
C6691	ECA2CM101	E 100UF, 160V	1	
C6701-08	ECJ2XB1H104K	C 0.1UF, K, 50V	8	
C6721	ECA1HM101	E 100UF, 50V	1	
C6723-25	F1L1E4750004	C 4.7UF, 25V	3	
C6726,2	TCUY1C105ZFN	C 1UF, 16V	2	
C6728	ECJ2XC1H102J	C 1000PF, J, 50V	1	
C6752	TCUY1C105ZFN	C 1UF, 16V	1	
C6753	F1L1E4750004	C 4.7UF, 25V	1	
C6754	ECA1VM470	E 47UF, 35V	1	
C6755	ECJ2XB1H104K	C 0.1UF, K, 50V	1	
C6771	TCUY1C105ZFN	C 1UF, 16V	1	
C6772,7	F1L1E4750004	C 4.7UF, 25V	2	
C6775	F1L1E4750004	C 4.7UF, 25V	1	

Ref. No.	Part No.	Part Name & Description	Pcs	Remarks
C6776,77	ECJ2XB1H104K	C 0.1UF, K, 50V	2	
C6791	EEUFCL1E221	E 220UF, 25V	1	
C6795,96	EEUFCL1E221	E 220UF, 25V	2	
C6802	EEUFCL1E221	E 220UF, 25V	1	
C6803	ECJ2XB1H104K	C 0.1UF, K, 50V	1	
C6804	F2A2E100A022	E 10UF, 250V	1	
C6805	TCUY1C105ZFN	C 1UF, 16V	1	
C6806,07	ECA2CM101	E 100UF, 160V	2	
C6811	ECJ2XB1H103K	C 0.01UF, K, 50V	1	
C6812	ECJ3YB1E105K	C 1UF, K, 25V	1	
C6822	F2A2V100A019	E 10UF, 350V	1	
C6823	ECJ2XB1H103K	C 0.01UF, K, 50V	1	
C6841,42	ECA2CM101	E 100UF, 160V	2	
C6845	ECJ2XB1H103K	C 0.01UF, K, 50V	1	
C6861	TCUY1C105ZFN	C 1UF, 16V	1	
C6862	ECJ3YB1E105K	C 1UF, K, 25V	1	
C6863	ECJ2XB1H103K	C 0.01UF, K, 50V	1	
C6871	TCUY1C105ZFN	C 1UF, 16V	1	
C6872	ECJ3YB1E105K	C 1UF, K, 25V	1	
C6873	ECJ2XB1H103K	C 0.01UF, K, 50V	1	
C6901	ECJ2XB1H102K	C 1000PF, K, 50V	1	
C6902	TCUY1C105ZFN	C 1UF, 16V	1	
C6904	TCUY1C105ZFN	C 1UF, 16V	1	
C6906	TCUY1C105ZFN	C 1UF, 16V	1	
C6908	TCUY1C105ZFN	C 1UF, 16V	1	
C6910	TCUY1C105ZFN	C 1UF, 16V	1	
C6912	TCUY1C105ZFN	C 1UF, 16V	1	
C6914-18	ECJ2XB1H221K	C 220PF, K, 50V	5	
C6931	ECJ2XB1H102K	C 1000PF, K, 50V	1	
C6932-35	F1L2E105A013	E 0.10UF, 25V	4	
C6951	ECJ2XB1H102K	C 1000PF, K, 50V	1	
C6952	TCUY1C105ZFN	C 1UF, 16V	1	
C6955	TCUY1C105ZFN	C 1UF, 16V	1	
C6957,58	TCUY1C105ZFN	C 1UF, 16V	2	
C6961	TCUY1C105ZFN	C 1UF, 16V	1	
C6963	TCUY1C105ZFN	C 1UF, 16V	1	
C6964-68	ECJ2XB1H221K	C 220PF, K, 50V	5	
C6981	ECJ2XB1H102K	C 1000PF, K, 50V	1	
C6982-85	F1L2E105A013	E 0.10UF, 25V	4	
C7108	ECJ3XB2A474K	C 0.47UF, 6.3V	1	
C7110	TCUY1C105ZFN	C 1UF, 16V	1	
C7111,12	ECJ3XB2A474K	C 0.47UF, 6.3V	2	
C7114	TCUY1C105ZFN	C 1UF, 16V	1	
C7115	ECJ3XB2A474K	C 0.47UF, 6.3V	1	
C7116	TCUY1C105ZFN	C 1UF, 16V	1	
C7117	ECJ1XC1H101J	C 100PF, J, 50V	1	
C7119	ECJ3XB2A474K	C 0.47UF, 6.3V	1	
C7121	TCUY1C105ZFN	C 1UF, 16V	1	
C7122	ECJ3XB2A474K	C 0.47UF, 6.3V	1	
C7123	TCUY1C105ZFN	C 1UF, 16V	1	
C7124	ECJ1XC1H101J	C 100PF, J, 50V	1	
C7126	TCUY1C105ZFN	C 1UF, 16V	1	
C7127	ECJ1XC1H101J	C 100PF, J, 50V	1	
C7130	ECJ1XB1C104K	C 0.1UF, Z, 16V	1	
C7134	ECJ1XB1C104K	C 0.1UF, Z, 16V	1	
C7137,38	ECJ1XB1C104K	C 0.1UF, Z, 16V	2	
C7140	TCUY1C105ZFN	C 1UF, 16V	1	
C7141	ECJ1XC1H101J	C 100PF, J, 50V	1	
C7143	ECJ3XB2A474K	C 0.47UF, 6.3V	1	
C7145	TCUY1C105ZFN	C 1UF, 16V	1	
C7146	ECJ3XB2A474K	C 0.47UF, 6.3V	1	
C7148	ECJ1XB1C104K	C 0.1UF, Z, 16V	1	
C7201	ECJ3XB2A474K	C 0.47UF, 6.3V	1	
C7203	TCUY1C105ZFN	C 1UF, 16V	1	

Ref. No.	Part No.	Part Name & Description	Pcs	Remarks
C7204,05	ECJ3XB2A474K	C 0.47UF, 6.3V	2	
C7207	TCUY1C105ZFN	C 1UF, 16V	1	
C7208	ECJ3XB2A474K	C 0.47UF, 6.3V	1	
C7209	TCUY1C105ZFN	C 1UF, 16V	1	
C7210	ECJ1XC1H101J	C 100PF, J, 50V	1	
C7212	ECJ3XB2A474K	C 0.47UF, 6.3V	1	
C7214	TCUY1C105ZFN	C 1UF, 16V	1	
C7215	ECJ3XB2A474K	C 0.47UF, 6.3V	1	
C7216	TCUY1C105ZFN	C 1UF, 16V	1	
C7217	ECJ1XC1H101J	C 100PF, J, 50V	1	
C7219	TCUY1C105ZFN	C 1UF, 16V	1	
C7220	ECJ1XC1H101J	C 100PF, J, 50V	1	
C7223	ECJ1XB1C104K	C 0.1UF, Z, 16V	1	
C7225	ECJ1XB1C104K	C 0.1UF, Z, 16V	1	
C7227	ECJ1XB1C104K	C 0.1UF, Z, 16V	1	
C7229	ECJ1XB1C104K	C 0.1UF, Z, 16V	1	
C7235	TCUY1C105ZFN	C 1UF, 16V	1	
C7236	ECJ1XC1H101J	C 100PF, J, 50V	1	
C7238	ECJ3XB2A474K	C 0.47UF, 6.3V	1	
C7240	TCUY1C105ZFN	C 1UF, 16V	1	
C7241	ECJ3XB2A474K	C 0.47UF, 6.3V	1	
C7244	ECJ1XB1C104K	C 0.1UF, Z, 16V	1	
C7701	ECJ1XC1H330J	C 33PF, J, 50V	1	
C7702	EEHBOG470R	C 47PF, J, 4V	1	
C7703,04	ECJ1XC1H330J	C 33PF, J, 50V	2	
C7705	ECJ1XF1C104Z	C 0.1UF, Z, 16V	1	
C7707	ECJ1XF1C104Z	C 0.1UF, Z, 16V	1	
C7708	ECJ1VB1H103K	C 0.001UF, K, 50V	1	
C7709	ECJ1XF1C104Z	C 0.1UF, Z, 16V	1	
C7711	ECJ1XC1H330J	C 33PF, J, 50V	1	
C7721,22	ECJ1XF1C104Z	C 0.1UF, Z, 16V	2	
C7723	ECJ1XC1H101J	C 100PF, J, 50V	1	
C7751	EEVHBOG221P	E 220UF, 4V	1	
C7755	ECJ1XF1C104Z	C 0.1UF, Z, 16V	1	
C7756	ECJ2FB1A105K	C 1UF, K, 10V	1	
C7758	ECJ1XF1C104Z	C 0.1UF, Z, 16V	1	
C7760	ECJ2FB1A105K	C 1UF, K, 10V	1	
C7761-64	ECJ1XC1H330J	C 33PF, J, 50V	4	
C8001	ECJ0EB1C103K	C0.010UF, K, 16V	1	TH-42PX600B
C8002	ECJ0EB1A104K	C 0.1UF, K, 10V	1	TH-42PX600B
C8003	ECJ0EB1C103K	C0.010UF, K, 16V	1	TH-42PX600B
C8004	ECJ0EB1A104K	C 0.1UF, K, 10V	1	TH-42PX600B
C8005	EEHBC1C100R	C 10PF, J, 16V	1	TH-42PX600B
C8007	ECJ0EB1H102K	C 1000PF, K, 50V	1	TH-42PX600B
C8015	ECJ1VC1H080C	C 8PF, C, 50V	1	TH-42PX600B
C8019,20	ECJ0EB1C103K	C0.010UF, K, 16V	2	TH-42PX600B
C8021	ECJ0EB1H102K	C 1000PF, K, 50V	1	TH-42PX600B
C8030	ECJ0EB1C103K	C0.010UF, K, 16V	1	TH-42PX600B
C8034,35	ECJ0EF1C104Z	C 0.10UF, Z, 16V	2	TH-42PX600B
C8037	ECJ0EB1C103K	C0.010UF, K, 16V	1	TH-42PX600B
C8039,40	ECJ0EB1C103K	C0.010UF, K, 16V	2	TH-42PX600B
C8041	EEHBOG101R	C 100PF, J, 4V	1	TH-42PX600B
C8042,43	ECJ1VC1H100C	C 10PF, C, 50V	2	TH-42PX600B
C8046-48	ECJ0EB1C103K	C0.010UF, K, 16V	3	TH-42PX600B
C8051,52	ECJ0EB1C103K	C0.010UF, K, 16V	2	TH-42PX600B
C8055	F2G0J470A019	E 47UF 6.3V	1	TH-42PX600B
C8056	ECJ0EB1C103K	C0.010UF, K, 16V	1	TH-42PX600B
C8058-61	ECJ0EB1C103K	C0.010UF, K, 16V	4	TH-42PX600B
C8062	F1G1A1540001	C 0.15UF, K, 10V	1	TH-42PX600B PAVCCZ
C8071	ECJ0EC1H270J	C 270PF, K, 50V	1	TH-42PX600B
C8073	ECJ0EC1H270J	C 270PF, K, 50V	1	TH-42PX600B
C8098	ECGRLOG680ER	C 68PF, J, 4V	1	TH-42PX600B
C8099,00	ECJ0EB1A104K	C 0.1UF, K, 10V	2	TH-42PX600B

Ref. No.	Part No.	Part Name & Description	Pcs	Remarks
C8101,02	ECJ1VB0J105K	C 1UF, K, 6.3V	2	TH-42PX600B
C8103,04	ECJ0EB1A104K	C 0.1UF, K, 10V	2	TH-42PX600B
C8105	EEHBOG101R	C 100PF, J, 4V	1	TH-42PX600B
C8106,07	ECJ1VB0J105K	C 1UF, K, 6.3V	2	TH-42PX600B
C8108	ECJ0EB1A104K	C 0.1UF, K, 10V	1	TH-42PX600B
C8109	EEHBOG101R	C 100PF, J, 4V	1	TH-42PX600B
C8110	ECJ0EB1A104K	C 0.1UF, K, 10V	1	TH-42PX600B
C8121	ECJ0EB1A104K	C 0.1UF, K, 10V	1	TH-42PX600B
C8128,29	ECJ0EB1C103K	C0.010UF, K, 16V	2	TH-42PX600B
C8134	ECJ0EB1C103K	C0.010UF, K, 16V	1	TH-42PX600B
C8135	ECJ0EB1A473K	C 0.047UF, K, 10V	1	TH-42PX600B
C8136	ECGRLOG680ER	C 68PF, J, 4V	1	TH-42PX600B
C8138	ECJ0EB1C103K	C0.010UF, K, 16V	1	TH-42PX600B
C8139	ECGRLOG680ER	C 68PF, J, 4V	1	TH-42PX600B
C8140	ECJ0EB1A104K	C 0.1UF, K, 10V	1	TH-42PX600B
C8141	ECJ0EB1C103K	C0.010UF, K, 16V	1	TH-42PX600B
C8142	ECJ0EB1A104K	C 0.1UF, K, 10V	1	TH-42PX600B
C8143	ECJ0EB1C103K	C0.010UF, K, 16V	1	TH-42PX600B
C8144	ECJ0EB1A104K	C 0.1UF, K, 10V	1	TH-42PX600B
C8145	ECJ0EB1C103K	C0.010UF, K, 16V	1	TH-42PX600B
C8146	ECJ0EB1A104K	C 0.1UF, K, 10V	1	TH-42PX600B
C8147	ECJ0EB1C103K	C0.010UF, K, 16V	1	TH-42PX600B
C8148	ECJ0EB1A104K	C 0.1UF, K, 10V	1	TH-42PX600B
C8149	ECJ1VB0J105K	C 1UF, K, 6.3V	1	TH-42PX600B
C8150	ECJ0EB1C103K	C0.010UF, K, 16V	1	TH-42PX600B
C8151	ECJ0EB1A104K	C 0.1UF, K, 10V	1	TH-42PX600B
C8154-56	ECJ0EB1A104K	C 0.1UF, K, 10V	3	TH-42PX600B
C8157	ECJ0EB1C103K	C0.010UF, K, 16V	1	TH-42PX600B
C8160	ECJ0EB1A104K	C 0.1UF, K, 10V	1	TH-42PX600B
C8161-64	ECJ0EB1C103K	C0.010UF, K, 16V	4	TH-42PX600B
C8165	ECJ0EB1A104K	C 0.1UF, K, 10V	1	TH-42PX600B
C8166	ECJ0EB1C103K	C0.010UF, K, 16V	1	TH-42PX600B
C8167	ECJ0EB1A104K	C 0.1UF, K, 10V	1	TH-42PX600B
C8168	ECJ0EB1C103K	C0.010UF, K, 16V	1	TH-42PX600B
C8169	EEHBOG470R	C 47PF, J, 4V	1	TH-42PX600B
C8170	ECJ0EF1C104Z	C 0.10UF, Z, 16V	1	TH-42PX600B
C8171	ECJ0EB1A104K	C 0.1UF, K, 10V	1	TH-42PX600B
C8172	EEHBOG470R	C 47PF, J, 4V	1	TH-42PX600B
C8173-75	ECJ0EB1C103K	C0.010UF, K, 16V	3	TH-42PX600B
C8176	ECJ0EF1C104Z	C 0.10UF, Z, 16V	1	TH-42PX600B
C8182	ECJ0EC1H121J	C 120PF, K, 50V	1	TH-42PX600B
C8186	ECJ0EC1H680J	C 680PF, K, 50V	1	TH-42PX600B
C8189	ECJ0EF1C104Z	C 0.10UF, Z, 16V	1	TH-42PX600B
C8193	EEHBOJ101P	C 100PF, J, 6.3V	1	TH-42PX600B
C8202,03	EEHBC1470P	C 47PF, J, 16V	2	TH-42PX600B
C8204	ECJ3XB1C106M	C 1.0UF, K, 16V	1	TH-42PX600B
C8205,06	ECJ0EB1A104K	C 0.1UF, K, 10V	2	TH-42PX600B
C8207	EEHBC1470P	C 47PF, J, 16V	1	TH-42PX600B
C8208	ECJ3XB1C106M	C 1.0UF, K, 16V	1	TH-42PX600B
C8210	ECJ0EB1A333K	C 0.033UF, K, 10V	1	TH-42PX600B
C8212	ECJ0EB1C223K	C 0.022UF, K, 16V	1	TH-42PX600B
C8240	ECJ1VB0J105K	C 1UF, K, 6.3V	1	TH-42PX600B
C8268	ECJ1VB0J105K	C 1UF, K, 6.3V	1	TH-42PX600B
C8269	ECJ0EB1A104K	C 0.1UF, K, 10V	1	TH-42PX600B
C8303	ECJ0EB1C103K	C0.010UF, K, 16V	1	TH-42PX600B
C8305,06	ECJ0EB1C103K	C0.010UF, K, 16V	2	TH-42PX600B
C8314	ECJ0EF1C104Z	C 0.10UF, Z, 16V	1	TH-42PX600B
C8315	ECJ2FF1A475Z	C 4.7UF, Z, 10V	1	TH-42PX600B
C8317,18	ECJ2FF1A475Z	C 4.7UF, Z, 10V	2	TH-42PX600B
C8319	ECJ0EF1C104Z	C 0.10UF, Z, 16V	1	TH-42PX600B
C8320-23	ECJ1VB0J105K	C 1UF, K, 6.3V	4	TH-42PX600B
C8327	F2G0J470A019	E 47UF 6.3V	1	TH-42PX600B
C8329	ECJ0EB1C103K	C0.010UF, K, 16V	1	TH-42PX600B

Ref. No.	Part No.	Part Name & Description	Pcs	Remarks
C8330,31	ECJ0EC1H181J	C 180PF, K, 50V	2	TH-42PX600B
C8332	ECJ0EB1C103K	C0.010UF, K, 16V	1	TH-42PX600B
C8334,35	ECJ0EC1H330J	C 330PF, K, 50V	2	TH-42PX600B
C8340	ECJ0EB1C682K	C 6800UF, K, 16V	1	TH-42PX600B
C8341	ECJ0EB1C822K	C 8200UF, K, 16V	1	TH-42PX600B
C8342,43	ECGRLOG680ER	C 68PF, J, 4V	2	TH-42PX600B
C8344	ECJ1VB1H332K	C 3300PF, K, 50V	1	TH-42PX600B
C8345	ECJ0EB1C153K	C 0.015UF, K, 16V	1	TH-42PX600B
C8349	ECJ0EB1A104K	C 0.1UF, K, 10V	1	TH-42PX600B
C8350,51	ECJ0EF1C104Z	C 0.10UF, Z, 16V	2	TH-42PX600B
C8361	EEHBC1470P	C 47PF, J, 16V	1	TH-42PX600B
C8372	ECJ0EB1A104K	C 0.1UF, K, 10V	1	TH-42PX600B
C8376	ECJ0EB1A104K	C 0.1UF, K, 10V	1	TH-42PX600B
C8397	ECJ0EB1A104K	C 0.1UF, K, 10V	1	TH-42PX600B
C8401	ECJ0EB1C103K	C0.010UF, K, 16V	1	TH-42PX600B
C8403,04	ECJ0EF1C104Z	C 0.10UF, Z, 16V	2	TH-42PX600B
C8406	ECJ0EF1C104Z	C 0.10UF, Z, 16V	1	TH-42PX600B
C8409	ECJ0EF1C104Z	C 0.10UF, Z, 16V	1	TH-42PX600B
C8410	ECJ0EB1A104K	C 0.1UF, K, 10V	1	TH-42PX600B
C8413,14	ECJ0EF1C104Z	C 0.10UF, Z, 16V	2	TH-42PX600B
C8416,17	ECJ0EF1C104Z	C 0.10UF, Z, 16V	2	TH-42PX600B
C8419	ECJ0EF1C104Z	C 0.10UF, Z, 16V	1	TH-42PX600B
C8421	ECJ0EB1C103K	C0.010UF, K, 16V	1	TH-42PX600B
C8423	ECJ0EB1A104K	C 0.1UF, K, 10V	1	TH-42PX600B
C8424	ECJ0EF1C104Z	C 0.10UF, Z, 16V	1	TH-42PX600B
C8425	ECJ0EB1A104K	C 0.1UF, K, 10V	1	TH-42PX600B
C8427	F2G1A101A019	E 100UF, 10V	1	TH-42PX600B
C8428	ECJ0EF1C104Z	C 0.10UF, Z, 16V	1	TH-42PX600B
C8430-32	ECJ0EF1C104Z	C 0.10UF, Z, 16V	3	TH-42PX600B
C8433,34	ECJ0EB1C103K	C0.010UF, K, 16V	2	TH-42PX600B
C8467	ECJ0EB1C103K	C0.010UF, K, 16V	1	TH-42PX600B
C8501,02	ECJ0EC1H180J	C 180PF, K, 50V	2	TH-42PX600B
C8504	ECJ1VF1A105Z	C 1UF, Z, 10V	1	TH-42PX600B
C8506	ECJ2VF1C105Z	C 1UF, Z, 16V	1	TH-42PX600B
C8507	ECJ1XC1H102J	C 1000PF, J, 50V	1	TH-42PX600B
C8508	ECJ1XF1C334Z	C 0.33UF, Z, 16V	1	TH-42PX600B
C8509	EEHBOJ101P	C 100PF, J, 6.3V	1	TH-42PX600B
C8870	ECJ1XC1H471J	C 470PF, J, 50V	1	TH-42PX600B
C8872	ECJ2FB0J225K	C 2.2UF, Z, 16V	1	TH-42PX600B
C8910	ECJ0EB1C103K	C0.010UF, K, 16V	1	TH-42PX600B
C9028,29	FLJ0J1060004	C 0.010UF, K, 16V	2	
C9033,34	ECJ1XF1C104Z	C 0.1UF, Z, 16V	2	
C9035,36	FLJ0J1060004	C 0.010UF, K, 16V	2	
C9037	ECJ1VB1H103K	C 0.001UF, K, 50V	1	
C9039	FLJ0J1060004	C 0.010UF, K, 16V	1	
C9040	ECJ1XF1C104Z	C 0.1UF, Z, 16V	1	
C9044-53	ECJ1XF1C104Z	C 0.1UF, Z, 16V	10	
C9055-57	ECJ1XF1C104Z	C 0.1UF, Z, 16V	3	
C9058	FLJ0J1060004	C 0.010UF, K, 16V	1	
C9467,68	ECJ1VF1H103Z	C 0.010UF, Z, 50V	2	
C9469	ECJ1XF1C104Z	C 0.1UF, Z, 16V	1	
C9500-06	ECJ1XB1C104K	C 0.1UF, Z, 16V	7	
C9508	ECJ1XB1C104K	C 0.1UF, Z, 16V	1	
C9509	ECJ1VC1H200J	C 20PF, C, 50V	1	
C9510	ECJ1XC1H150J	C 15PF, J, 50V	1	
C9511	FLJ0J1060004	C 0.010UF, K, 16V	1	
C9512	ECJ1XF1C104Z	C 0.1UF, Z, 16V	1	
C9514,15	ECJ2VF1C105Z	C 1UF, Z, 16V	2	

Ref. No.	Part No.	Part Name & Description	Pcs	Remarks
C9516-25	ECJ1XB1C104K	C 0.1UF, Z, 16V	10	
C9526	F1J0J1060004	C 0.010UF, K, 16V	1	
C9527-30	ECJ1XB1C104K	C 0.1UF, Z, 16V	4	
C9531	F1J0J1060004	C 0.010UF, K, 16V	1	
C9800	ECJ1XB1C104K	C 0.1UF, Z, 16V	1	
C9801	ECJ1VB1H472K	C 4700PF, K, 50V	1	
C9802	ECJ1XC1H470J	C 47PF, J, 50V	1	
C9803	ECJ1VB1H472K	C 4700PF, K, 50V	1	
C9804	ECJ1XB1C104K	C 0.1UF, Z, 16V	1	
C9805	ECJ1VB0J475K	C 4.7UF, K, 6.3V	1	
C9806	ECGRLOG680ER	C 68PF, J, 4V	1	
C9807,08	ECJ3YB1E106M	C 10 UF, K, 25V	2	
C9809	ECJ1XB1C104K	C 0.1UF, Z, 16V	1	
C9815,16	ECGRLOG680ER	C 68PF, J, 4V	2	
C9817,18	ECJ3YB1E106M	C 10 UF, K, 25V	2	
C9822	F1J0J1060004	C 0.010UF, K, 16V	1	
C9823,24	ECJ3YB1E106M	C 10 UF, K, 25V	2	
C9825	ECJ1XC1H101K	C 100PF, K, 50V	1	
C9826	ECJ1XF1C104Z	C 0.1UF, Z, 16V	1	
C9827	F1J0J1060004	C 0.010UF, K, 16V	1	
C9830-32	ECJ3XB1C106M	C 1.0UF, K, 16V	3	
C9833	ECJ3YB1E106M	C 10 UF, K, 25V	1	
C9837	ECJ3XB1C106M	C 1.0UF, K, 16V	1	
C9838	ECJ1XF1C104Z	C 0.1UF, Z, 16V	1	
C9839	ECJ3YB1E106M	C 10 UF, K, 25V	1	
C9840	ECJ1XF1C104Z	C 0.1UF, Z, 16V	1	
C9841,42	ECJ2VF1C105Z	C 1UF, Z, 16V	2	
C9843	ECJ1XF1C104Z	C 0.1UF, Z, 16V	1	
C9844	ECJ1VF1H103Z	C 0.010UF, Z, 50V	1	
C9845,46	ECJ1XF1C104Z	C 0.1UF, Z, 16V	2	
C9847,48	ECJ1VB1E104K	C 0.10UF, K, 25V	2	
C9880,81	ECJ1XB1H102K	C 1000UF, Z, 50V	2	
C9882	ECJ1XB1C104K	C 0.1UF, Z, 16V	1	
C9883	ECJ1VB1H822K	C 8200PF, K, 50V	1	
C9884	ECJ1VC1H100C	C 10PF, C, 50V	1	
C9885	ECJ1XB1H102K	C 1000UF, Z, 50V	1	
C9886	ECJ1XB1C104K	C 0.1UF, Z, 16V	1	
C9887	ECJ1VB0J475K	C 4.7UF, K, 6.3V	1	
C9891	ECJ1XB1C104K	C 0.1UF, Z, 16V	1	
C9896	ECJ1XB1C104K	C 0.1UF, Z, 16V	1	
C9897	ECJ1VB1H822K	C 8200PF, K, 50V	1	
C9898	ECJ1VC1H100C	C 10PF, C, 50V	1	
C9899	ECJ1XB1H102K	C 1000UF, Z, 50V	1	
C9900-51	ECJ1XB1C104K	C 0.1UF, Z, 16V	52	
C9952-54	EEFCD0G560ER	56UF,	3	
C9955-59	ECJ1XB1C104K	C 0.1UF, Z, 16V	5	
C9960-64	ECJ3XB0J106M	C 10UF, M, 6.3V	5	
C9965	EEFCD0G560ER	56UF,	1	
C9966	ECJ1XB1C104K	C 0.1UF, Z, 16V	1	
C9967	ECJ1VB0J475K	C 4.7UF, K, 6.3V	1	
C9971	ECJ1XB1C104K	C 0.1UF, Z, 16V	1	
CB1-B8	K1MN68BA0002	68P CONNECTOR	8	
D3	K1KY40B00003	40P CONNECTOR	1	
D5	K1KB31BA00064	31P CONNECTOR	1	
D6	K1KA21A00011	21P CONNECTOR	1	
D20	K1KA20BA0296	20P CONNECTOR	1	
D25	K1KA20B00155	20P CONNECTOR	1	
D31,32	K1MN55BA0094	55P CONNECTOR	2	

Ref. No.	Part No.	Part Name & Description	Pcs	Remarks
D1106,07	MA729	DIODE	2	
D1117	MA3036L	ZENER DIODE	1	
D1119	MA704A	DIODE	1	
D1121	MA729	DIODE	1	
D2011-14	MA111	DIODE	4	
D2119	B0BC01100001	ZENER DIODE	1	
D2300,01	MA111	DIODE	2	
D2303,04	MA111	DIODE	2	
D2308	MA152	DIODE	1	
D2309	MA111	DIODE	1	
D2510,11	MA8056-M	ZENER DIODE	2	
D2512	MA8043LTX	ZENER DIODE	1	
D2520B	LN1271RALTR	LED	1	
D2524	MA8056-M	ZENER DIODE	1	
D2525B	LN1471YTR	LED	1	TH-42PX600B
D2526	MA8056-M	ZENER DIODE	1	TH-42PX600B
D3002-12	MA8140M	ZENER DIODE	11	
D3015,16	MA8140M	ZENER DIODE	2	
D3021-23	MA111	DIODE	3	
D3024	B0BC01100001	ZENER DIODE	1	
D3025	MA8140M	ZENER DIODE	1	
D3027,28	MA8140M	ZENER DIODE	2	
D3030-32	MA8140M	ZENER DIODE	3	
D3038-43	MA8140M	ZENER DIODE	6	
D3044	MA111	DIODE	1	
D3100	MA8140M	ZENER DIODE	1	
D3334-39	MA111	DIODE	6	
D3702	MA8140M	ZENER DIODE	1	
D4019-38	EZJZ0V800008B	VARISTOR	20	
D4041	EZJZ0V800008B	VARISTOR	1	
D4044,45	EZJZ0V800008B	VARISTOR	2	
D4047,48	MA3056M	ZENER DIODE	2	
D4049-52	B0HCMM000014	DIODE	4	
D5606	B0BC01100001	ZENER DIODE	1	
D5607	B0BC6R600005	ZENER DIODE	1	
D5610	B0BC4R700007	ZENER DIODE	1	(PA)
D5610	MA3X78900L	ZENER DIODE	1	(H)
D5612	B0BC3R700006	ZENER DIODE	1	
D5618	B0BC03900015	ZENER DIODE	1	
D5634	MA111	DIODE	1	
D5635	MA3047H	ZENER DIODE	1	
D5637,38	MA152	DIODE	2	
D5639	MA3047H	ZENER DIODE	1	
D5640	MA3039H	ZENER DIODE	1	
D5641	MA152	DIODE	1	
D5642	MA3120M	ZENER DIODE	1	
D5643	MA152	DIODE	1	
D5644	MA3068M	ZENER DIODE	1	
D5646,47	MA152	DIODE	2	
D5649	MA111	DIODE	1	
D5801	B0JCME000037	DIODE	1	
D5804	MA3120M	ZENER DIODE	1	
D5805,06	MA152	DIODE	2	
D6001	B0HBSN000008	DIODE	1	
D6021	B0HBSN000008	DIODE	1	
D6032	MA111	DIODE	1	
D6041	B0EHP000003	DIODE	1	
D6051	B0EHP000003	DIODE	1	

Ref. No.	Part No.	Part Name & Description	Pcs	Remarks
D6061,62	BOHBSN000008	DIODE	2	
D6071,72	BOHBSN000008	DIODE	2	
D6081,82	BOHBSN000008	DIODE	2	
D6091	BOHBSN000008	DIODE	1	
D6092	BOEHP000003	DIODE	1	
D6101-04	BOJCME000037	DIODE	4	
D6131,32	BOEHP000003	DIODE	2	
D6151-54	BOEHP000003	DIODE	4	
D6191-93	BOEHP000003	DIODE	3	
D6211	BOJCME000037	DIODE	1	
D6221	BOEHP000003	DIODE	1	
D6222,23	MA111	DIODE	2	
D6251,52	MA8330M	ZENER DIODE	2	
D6253	LNJ301MPUJA	LED	1	
D6254	MA8051L	ZENER DIODE	1	
D6255	MA111	DIODE	1	
D6401,02	BOHBSN000008	DIODE	2	
D6431,32	BOHBSN000019	DIODE	2	
D6441	BOEHP000003	DIODE	1	
D6451	BOEHP000003	DIODE	1	
D6461,62	BOHBSN000008	DIODE	2	
D6466	MA111	DIODE	1	
D6471	BOHBSN000008	DIODE	1	
D6472	BOEHP000003	DIODE	1	
D6477	MA111	DIODE	1	
D6478	BOHCKS000002	DIODE	1	
D6480	MA111	DIODE	1	
D6481,82	BOHBSN000008	DIODE	2	
D6491	BOHBSN000019	DIODE	1	
D6497	MA111	DIODE	1	
D6501,02	BOEHP000003	DIODE	2	
D6521-24	BOEHP000003	DIODE	4	
D6581,82	MA8330M	ZENER DIODE	2	
D6583	LNJ301MPUJA	LED	1	
D6584	MA8051L	ZENER DIODE	1	
D6585	MA111	DIODE	1	
D6601	MA8240M	ZENER DIODE	1	
D6602	BOEHP000003	DIODE	1	
D6603	MA8240M	ZENER DIODE	1	
D6604	MA111	DIODE	1	
D6605	MA8051L	ZENER DIODE	1	
D6606	BOHCMM000014	DIODE	1	
D6607	MA111	DIODE	1	
D6610	MAZ81500ML	ZENER DIODE	1	
D6611-14	MA111	DIODE	4	
D6619,20	BOHCKS000002	DIODE	2	
D6621	BOHDSM000005	DIODE	1	
D6623,24	BOHDSM000005	DIODE	2	
D6641,42	BOHCKS000002	DIODE	2	
D6643	MA111	DIODE	1	
D6644	BOHCKS000002	DIODE	1	
D6661	MA111	DIODE	1	
D6662-64	MA8330M	ZENER DIODE	3	
D6665	MA8051L	ZENER DIODE	1	
D6666,67	MA111	DIODE	2	

Ref. No.	Part No.	Part Name & Description	Pcs	Remarks
D6671	MA111	DIODE	1	
D6682	BOHCMM000014	DIODE	1	
D6683,84	MA111	DIODE	2	
D6686,87	MA111	DIODE	2	
D6701,02	MA8056H	ZENER DIODE	2	
D6721	BOHCKS000002	DIODE	1	
D6723,24	BOJCME000037	DIODE	2	
D6725	BOEHP000003	DIODE	1	
D6726-33	MA8056H	ZENER DIODE	8	
D6734	MA111	DIODE	1	
D6752	BOJCME000037	DIODE	1	
D6758	BOEHP000003	DIODE	1	
D6760,61	MA111	DIODE	2	
D6771	BOJCME000037	DIODE	1	
D6773	BOHCKS000002	DIODE	1	
D6791	MA8200M	ZENER DIODE	1	
D6801,02	BOJCME000037	DIODE	2	
D6803	MA111	DIODE	1	
D6804	BOEHP000003	DIODE	1	
D6805	MA111	DIODE	1	
D6806	BOEHP000003	DIODE	1	
D6820-23	MA111	DIODE	4	
D6825	MA8330M	ZENER DIODE	1	
D6826	MA111	DIODE	1	
D6841	BOEHP000003	DIODE	1	
D6842,43	MA111	DIODE	2	MA2J111
D6859	BOEHP000003	DIODE	1	
D6860	BOHCKS000002	DIODE	1	
D6861	MA8051L	ZENER DIODE	1	
D6862	MA111	DIODE	1	
D6871	MA8051L	ZENER DIODE	1	
D6872	MA111	DIODE	1	
D6901,02	MA8056H	ZENER DIODE	2	
D6903,04	BOEHP000003	DIODE	2	
D6951,52	MA8056H	ZENER DIODE	2	
D6953,54	BOEHP000003	DIODE	2	
D7752	B3AEB0000065	DIODE	1	
D8002	MA728	DIODE	1	TH-42PX600B
D8203,04	BOJCPE000004	DIODE	2	TH-42PX600B
D8501	BOCCAB000039	DIODE	1	TH-42PX600B
D9017-19	MA3033	ZENER DIODE	3	
D9020	MA728	DIODE	1	
D9100-03	BOJCGD000002	DIODE	4	
D9105,06	BOJCGD000002	DIODE	2	
D9110	BOJCGD000002	DIODE	1	
D9300,01	MA152K	DIODE	2	
D9800	BOJCME000037	DIODE	1	
D9801	BOJCDD000002	DIODE	1	
D9802	MA728	DIODE	1	
D9804	MA152K	DIODE	1	
D9807,08	MA152K	DIODE	2	
D9811	MA728	DIODE	1	
D9812	BOJCME000037	DIODE	1	
D9813	BOJCDD000002	DIODE	1	
D9814	BOJCME000037	DIODE	1	
D9815	BOJCDD000002	DIODE	1	
DG1	K1KY80A00011	80P CONNECTOR	1	

Ref. No.	Part No.	Part Name & Description	Pcs	Remarks
DG2	K1KA15B00074	15P CONNECTOR	1	
DG3	K1KY40B00003	40P CONNECTOR	1	
DG5	K1KB21BA0063	21P CONNECTOR	1	
DG8,G9	K1FY119D0001	CONNECTOR	2	
DG15	K1KY40B00003	40P CONNECTOR	1	
DG20	K1MN40B00045	40P CONNECTOR	1	
DG22	K1KBB0A00009	CONNECTOR	1	TH-42PX600B
DG35	K1KA07BA0047	7P CONNECTOR	1	
FL3301,02	J0HABB000003	LC FILTER	2	
FL3303-05	J0HABB000004	LC FILTER	3	
FL4010,11	J0HABH000012	LC FILTER	2	TH-42PX600B
FL4015	J0HABH000012	LC FILTER	1	TH-42PX600B
FL7101	J0HABH000013	LC FILTER	1	
FL7201	J0HABH000013	LC FILTER	1	
FL9300,01	F1J1E1040022	C 0.10UF, Z, 25V	2	
FL9800,01	J0HABH000013	LC FILTER	2	
FL9803,04	J0HABH000012	LC FILTER	2	
FL9805-07	J0HABH000013	LC FILTER	3	
FL9900-02	F1J1E1040022	C 0.10UF, Z, 25V	3	
FL9903,04	J0HABH000013	LC FILTER	2	
G1	K1KA12A00317	12P CONNECTOR	1	
G3	K1KA03BA0047	3P CONNECTOR	1	
G51	K1KA30AA0009	30P CONNECTOR	1	
GK3	K1KA03BA0061	3P CONNECTOR	1	
GS12	K1MN40A00025	40P CONNECTOR	1	
GS52	K1KA20AA0009	20P CONNECTOR	1	
H1	K1KY80A00011	80P CONNECTOR	1	
H2	K1KA15A00148	15P CONNECTOR	1	
H5	K1KA15AA0288	15P CONNECTOR	1	
H6	K1KA09A00230	9P CONNECTOR	1	
H15	K1KA04AA0150	4P CONNECTOR	1	
H40	K1KA20AA0009	20P CONNECTOR	1	
H51	K1KA30AA0009	30P CONNECTOR	1	
H52	K1KA20AA0009	20P CONNECTOR	1	
HC01	K1KA21A00011	21P CONNECTOR	1	
HC12	K1KA09AA0190	9P CONNECTOR	1	
HC15	K1KY40B00003	40P CONNECTOR	1	
HC21	K1KA08AA0193	8P CONNECTOR	1	
HC22	K1KA11AA0194	11P CONNECTOR	1	
IC1100	C3ABPG000145	IC	1	
IC1101	TVRN990	IC	1	PAVCCZ
IC1102	TVRN751	IC	1	TH-42PV600E PAVCCZ
IC1102	TVRN757	IC	1	TH-42PX600B PAVCCZ
IC1103	MN103SB20RGL	IC	1	
IC1105,06	C0JBAS000128	IC	2	TH-42PX600B
IC1107	C0JBAS000128	IC	1	
IC1110	C0CBCAD00016	IC	1	
IC1111	C0EBY0000041	IC	1	
IC2103	AN77L08M	IC	1	
IC2104	C0ABBA000168	IC	1	
IC2105	AN15862A-VT	IC	1	
IC2106	C1AB00002469	IC	1	
IC2109	C1BB00000947	IC	1	
IC2110	AN7705SP	IC	1	
IC2300,01	C0ABBA000168	IC	2	
IC2302	C1AB00002451	IC	1	

Ref. No.	Part No.	Part Name & Description	Pcs	Remarks
IC2303	C1AB00002452	IC	1	
IC2304-07	C0ABBA000168	IC	4	
IC2511	B3L000000020	IC	1	
IC3005	AN15867A-VT	IC	1	
IC3301	C0JBAZ002205	IC	1	
IC4013	C0CBCBF00009	IC	1	
IC4014	C0CBCAC00282	IC	1	
IC4016	C0CBCAC00275	IC	1	
IC4017	C0CBCAC00282	IC	1	
IC4018	C0CBCAC00275	IC	1	
IC4019	C1AB00002456	IC	1	
IC4020	C1AB00002202	IC	1	
IC4022	TVRN916	IC	1	
IC4023	TVRN917	IC	1	
IC4025	C0FBBK000038	IC	1	
IC4026	C1AB00002535	IC	1	
IC4027	C0DBFFD00003	IC	1	
IC4028	C0ABBB000230	IC	1	
IC4029	C0CBCAC00282	IC	1	
IC4030	C0CBCBC00190	IC	1	
IC4032	C0DBGY00052	IC	1	
IC4035	C0CBCAF00031	IC	1	
IC4036	C0JBAP000020	IC	1	
IC4037	MN84522-A	IC	1	
IC4038	C3ABQJ000048	IC	1	
IC4040	C0CBCAC00282	IC	1	
IC5601	N0BG2DE00001	IC	1	
IC5602	EHMDD9851	LINEAR IC	1	
IC5603	C0DBAJB00004	IC	1	
IC5604	C0DBZGC00067	IC	1	
IC5801	C0DBAZF00003	IC	1	
IC6131	C0ZBZ0000895	IC	1	
IC6151	C0ZBZ0001324	IC	1	
IC6191	C0ZBZ0000895	IC	1	
IC6211	C0ZBZ0001325	IC	1	
IC6221	C0DBEMB00005	IC	1	
IC6241	C0JBAZ000005	IC	1	
IC6251	NJM2903M	INTEGRATED CIRCUIT	1	
IC6471	C0DBEKA00003	IC	1	
IC6472	C0JBAA000377	IC	1	
IC6501	C0ZBZ0000895	IC	1	
IC6521	C0ZBZ0001324	IC	1	
IC6561,62	C0JBAZ000005	IC	2	
IC6581	NJM2903M	INTEGRATED CIRCUIT	1	
IC6601	C0ZBZ0001325	IC	1	
IC6602	C0JBAB000715	IC	1	
IC6610	NJM2903M	INTEGRATED CIRCUIT	1	
IC6671	C0ZBZ0001325	IC	1	
IC6681	C0ZBZ0001325	IC	1	
IC6682	C0JBAA000377	IC	1	
IC6721,22	C0JBAZ000994	IC	2	
IC6724,25	C0CBADC00089	IC	2	
IC6751	C0CBADC00089	IC	1	
IC6752	C0ZBZ0001325	IC	1	
IC6753	C0JBAB000715	IC	1	
IC6771	C0CBADC00089	IC	1	
IC6772	C0ZBZ0001325	IC	1	
IC6773,74	C0JBAA000377	IC	2	
IC6791	N0BF1FB00001	IC	1	
IC6801,02	C0DBEMB00005	IC	2	
IC6821	C0DBEMB00005	IC	1	
IC6841	C0DBEMB00005	IC	1	
IC6861	NJM2903M	INTEGRATED CIRCUIT	1	
IC6871	NJM2903M	INTEGRATED CIRCUIT	1	
IC6901-06	AN16072A-VT	IC	6	
IC6951-56	AN16072A-VT	IC	6	

Ref. No.	Part No.	Part Name & Description	Pcs	Remarks
IC7101-05	C0JBAZ001120	IC	5	
IC7201-05	C0JBAZ001120	IC	5	
IC7751	C0JBAZ000851	IC	1	
IC8003	STV0360CT	IC	1	TH-42PX600B PAVCCZ
IC8009	C3ABQ0000095	IC	1	TH-42PX600B PAVCCZ
IC8013	MN2WS0025BEA	IC	1	TH-42PX600B PAVCCZ
IC8019	TVRN789	IC	1	TH-42PX600B PAVCCZ
IC8023, 24	C0DBAMH00018	IC	2	TH-42PX600B
IC8029	C0FBBK000038	IC	1	TH-42PX600B
IC8031	BA15218FDX	IC	1	TH-42PX600B
IC8034	C0DBEHG00006	IC	1	TH-42PX600B
IC8042	C0EBM0000026	IC	1	TH-42PX600B
IC8213	C0JBAZ001137	IC	1	TH-42PX600B
IC8402	74LVC4245AD	IC	1	TH-42PX600B PAVCCZ
IC8404	C0JBAZ002691	IC	1	TH-42PX600B PAVCCZ
IC8405	C0ZBZ0001333	IC	1	TH-42PX600B PAVCCZ
IC8408-11	C0JBAZ002691	IC	4	TH-42PX600B PAVCCZ
IC8412	C0JBAZ001137	IC	1	TH-42PX600B
IC8501	74VHCU04MXNL	IC	1	TH-42PX600B PAVCCZ
IC8864	C0DBFFD00003	IC	1	TH-42PX600B
IC9001	TVRN808-1	IC	1	
IC9002	COZBZ0001330	IC	1	
IC9003	TVRN805-1	IC	1	PAVCCZ
IC9007	TVRN813	IC	1	
IC9011	C0EBF0000431	IC	1	
IC9200	C1ZBZ0003185	IC	1	
IC9303	TVRN819	IC	1	PAVCCZ
IC9500	C1ZBZ0002599	IC	1	
IC9502	PST9128NR	IC (LOGIC)	1	
IC9503, 04	C0JBAZ001120	IC	2	
IC9800	C0DBAYY00054	IC	1	
IC9801	C0DBZFG00066	IC	1	
IC9802, 03	C0JBAZ001120	IC	2	
IC9806	C0DBAHD00011	IC	1	
IC9807	C0DBAYY00054	IC	1	
IC9809	C0DBAYY00054	IC	1	
IC9900	MN84521-A	IC	1	
IC9901	C3ABQ0000051	IC	1	
JK2002, 03	K4BK03A00002	AV TERMINAL	2	
JK3001	K1FB315A0005	JACK	1	
JK3002-04	K1FB121A0010	CONNECTOR	3	PAVCCZ
JK3005	K2HA307A0007	JACK	1	PAVCCZ
JK3701	K4AK23B00001	TERMINAL BOARD	1	PAVCCZ
JK7701	K1NA09E00080	9P CONNECTOR	1	
JK8401	K1NA68B00042	68P CONNECTOR	1	TH-42PX600B PAVCCZ
JS001	ERJ3GEY0R00	M 0 OHM, 1/16W	1	TH-42PX600B
JS012	ERJ3GEY0R00	M 0 OHM, 1/16W	1	TH-42PX600B
JS1100-02	ERJ2GE0R00	M 0.0 OHM, J,0.063W	3	
JS1109	ERJ2GE0R00	M 0.0 OHM, J,0.063W	1	
JS1117	ERJ2GE0R00	M 0.0 OHM, J,0.063W	1	
JS2021, 22	ERJ3GEY0R00	M 0 OHM, 1/16W	2	
JS2026	ERJ3GEY0R00	M 0 OHM, 1/16W	1	
JS2031-33	ERJ3GEY0R00	M 0 OHM, 1/16W	3	

Ref. No.	Part No.	Part Name & Description	Pcs	Remarks
JS2108, 09	ERJ3GEY0R00	M 0 OHM, 1/16W	2	
JS2123, 24	ERJ3GEY0R00	M 0 OHM, 1/16W	2	
JS2300-03	ERJ6GEY0R00	M 0 OHM, 1/10W	4	
JS2318, 19	ERJ6GEY0R00	M 0 OHM, 1/10W	2	
JS2331	ERJ6GEY0R00	M 0 OHM, 1/10W	1	
JS3005	ERJ6GEY0R00	M 0 OHM, 1/10W	1	
JS3007-20	ERJ6GEY0R00	M 0 OHM, 1/10W	14	
JS3023	ERJ3GEY0R00	M 0 OHM, 1/16W	1	
JS3037-39	ERJ3GEY0R00	M 0 OHM, 1/16W	3	
JS3201	ERJ3GEY0R00	M 0 OHM, 1/16W	1	
JS3206	ERJ3GEY0R00	M 0 OHM, 1/16W	1	
JS3215	ERJ6GEY0R00	M 0 OHM, 1/10W	1	
JS3220, 21	ERJ6GEY0R00	M 0 OHM, 1/10W	2	
JS3230	ERJ3GEY0R00	M 0 OHM, 1/16W	1	
JS3237-39	ERJ3GEY0R00	M 0 OHM, 1/16W	3	
JS3252	ERJ6GEY0R00	M 0 OHM, 1/10W	1	
JS3255	ERJ6GEY0R00	M 0 OHM, 1/10W	1	
JS3256, 57	ERJ3GEY0R00	M 0 OHM, 1/16W	2	
JS3302-04	ERJ3GEY0R00	M 0 OHM, 1/16W	3	
JS3307-12	ERJ3GEY0R00	M 0 OHM, 1/16W	6	
JS3352	JOJCC0000241	CHIP INDUCTOR	1	
JS3354-59	JOJCC0000241	CHIP INDUCTOR	6	
JS3362, 63	ERJ3GEY0R00	M 0 OHM, 1/16W	2	
JS3402, 03	ERJ3GEY0R00	M 0 OHM, 1/16W	2	
JS3404, 05	ERJ6GEY0R00	M 0 OHM, 1/10W	2	
JS3704, 05	ERJ6GEY0R00	M 0 OHM, 1/10W	2	
JS3707, 08	ERJ6GEY0R00	M 0 OHM, 1/10W	2	
JS3711-14	ERJ6GEY0R00	M 0 OHM, 1/10W	4	
JS3715	ERJ3GEY0R00	M 0 OHM, 1/16W	1	
JS4013-17	ERJ2GE0R00	M 0.0 OHM, J,0.063W	5	
JS4020-24	ERJ2GE0R00	M 0.0 OHM, J,0.063W	5	
JS4025, 26	ERJ2GEJ101	M 100 OHM, J,0.063W	2	
JS4027, 28	ERJ2GE0R00	M 0.0 OHM, J,0.063W	2	
JS4029	ERJ2GEJ221	M 220 OHM, J,0.063W	1	
JS4033-40	ERJ2GE0R00	M 0.0 OHM, J,0.063W	8	
JS4042, 43	ERJ2GE0R00	M 0.0 OHM, J,0.063W	2	TH-42PX600B
JS4046	ERJ2GE0R00	M 0.0 OHM, J,0.063W	1	TH-42PV600E
JS4047, 48	ERJ2GE0R00	M 0.0 OHM, J,0.063W	2	TH-42PX600B
JS4069	ERJ2GEJ221	M 220 OHM, J,0.063W	1	
JS4075	ERJ2GE0R00	M 0.0 OHM, J,0.063W	1	TH-42PX600B
JS4077	ERJ2GE0R00	M 0.0 OHM, J,0.063W	1	TH-42PX600B
JS4079	ERJ2GE0R00	M 0.0 OHM, J,0.063W	1	TH-42PX600B
JS4093	ERJ2GE0R00	M 0.0 OHM, J,0.063W	1	TH-42PV600E
JS4099	ERJ2GE0R00	M 0.0 OHM, J,0.063W	1	TH-42PX600B
JS4103	ERJ2GE0R00	M 0.0 OHM, J,0.063W	1	TH-42PV600E

Ref. No.	Part No.	Part Name & Description	Pcs	Remarks
JS4104	ERJ2GE0R00	M 0.0 OHM, J,0.063W	1	
JS4108	ERJ2GE0R00	M 0.0 OHM, J,0.063W	1	
JS4111-13	ERJ3GEY0R00	M 0 OHM, 1/16W	3	
JS5603	ERJ3GEY0R00	M 0 OHM, 1/16W	1	
JS7702	ERJ3GEY0R00	M 0 OHM, 1/16W	1	
JS7711	ERJ3GEY0R00	M 0 OHM, 1/16W	1	
JS7721-23	ERJ6GEY0R00	M 0 OHM, 1/10W	3	
K1	K1KY12B00001	12P CONNECTOR	1	
L008	J0JCC0000241	CHIP INDUCTOR	1	
L012	J0JCC0000241	CHIP INDUCTOR	1	
L017	J0JCC0000241	CHIP INDUCTOR	1	
L018	J0JGC0000021	CHIP INDUCTOR COIL	1	
L019	J0JCC0000241	CHIP INDUCTOR	1	TH-42PV600E
L020	J0JGC0000021	CHIP INDUCTOR COIL	1	
L021	ERJ3GEY0R00	M 0 OHM, 1/16W	1	
L1101-04	J0JHC0000078	CHIP INDUCTOR	4	
L1109	J0JHC0000078	CHIP INDUCTOR	1	
L2001,02	J0JCC0000364	CHIP INDUCTOR	2	
L2003-16	TSK1032	BEAD CHOKE	14	
L2107	TSK1032	BEAD CHOKE	1	
L2108	J0JCC0000241	CHIP INDUCTOR	1	
L2109,10	TSK1032	BEAD CHOKE	2	
L2111,12	J0JCC0000241	CHIP INDUCTOR	2	
L2115	J0JCC0000241	CHIP INDUCTOR	1	
L2117	ELESE6R8KA	PEAKING COIL	1	
L2118	EXCELD35C	BEAD CHOKE	1	
L2123	J0JCC0000241	CHIP INDUCTOR	1	
L2178,79	J0JCC0000241	CHIP INDUCTOR	2	
L2182-87	J0JCC0000241	CHIP INDUCTOR	6	
L2204	ERJ3GEY0R00	M 0 OHM, 1/16W	1	
L2205,06	J0JCC0000241	CHIP INDUCTOR	2	
L2300-07	G0C330MA0049	PEAKING COIL	8	
L2308	TALL08N3R9MA	INDUCTION COIL	1	
L3000	G0C101K00023	PEAKING COIL	1	
L3001-03	TSK1032	BEAD CHOKE	3	
L3009	TSK1032	BEAD CHOKE	1	
L3026	TSK1032	BEAD CHOKE	1	
L3202	J0JCC0000241	CHIP INDUCTOR	1	
L3205	J0JCC0000241	CHIP INDUCTOR	1	
L3700,01	J0JCC0000364	CHIP INDUCTOR	2	
L3707,08	TSK1032	BEAD CHOKE	2	
L4021	J0JHC0000078	CHIP INDUCTOR	1	
L4023	J0JHC0000078	CHIP INDUCTOR	1	
L4027	J0JBC0000080	CHIP INDUCTOR	1	
L4028,29	J0JHC0000078	CHIP INDUCTOR	2	
L4031,32	J0JHC0000078	CHIP INDUCTOR	2	
L4033	TALC168T100K	CHIP INDUCTOR COIL	1	
L4034	J0JCC0000077	CHIP INDUCTOR	1	
L4037	J0JCC0000077	CHIP INDUCTOR	1	
L4038	J0JHC0000078	CHIP INDUCTOR	1	
L4040-46	J0JHC0000078	CHIP INDUCTOR	7	
L4048	J0JHC0000078	CHIP INDUCTOR	1	
L4049	J0JBC0000080	CHIP INDUCTOR	1	
L4050,51	J0JHC0000078	CHIP INDUCTOR	2	
L4052	J0JCC0000077	CHIP INDUCTOR	1	

Ref. No.	Part No.	Part Name & Description	Pcs	Remarks
L4053-55	J0JHC0000078	CHIP INDUCTOR	3	
L4056,57	J0JCC0000077	CHIP INDUCTOR	2	
L4060,61	J0JCC0000077	CHIP INDUCTOR	2	
L4065,66	J0JHC0000078	CHIP INDUCTOR	2	
L4068-70	J0JHC0000078	CHIP INDUCTOR	3	
L4071	J0JBC0000080	CHIP INDUCTOR	1	
L4073	J0JHC0000078	CHIP INDUCTOR	1	
L4075,76	J0JHC0000078	CHIP INDUCTOR	2	
L4077	J0JCC0000077	CHIP INDUCTOR	1	
L4078	J0JHC0000078	CHIP INDUCTOR	1	
L5602	TALL08N2R7MA	INDUCTION COIL	1	
L5604	TALL08N2R7MA	INDUCTION COIL	1	
L5605	G0A2R7ZA0021	CHOKE COIL	1	
L5606,07	G0A220GA0002	CHOKE COIL	2	
L5608	G1C100MA0072	INDUCTION COIL	1	
L5609	G0A220GA0002	CHOKE COIL	1	
L5610	G1C470MA0077	INDUCTION COIL	1	
L5612	TALL08N2R7MA	INDUCTION COIL	1	
L5615	TALL08N150KA	INDUCTION COIL	1	
L5621	G1C330MA0234	INDUCTION COIL	1	
L5622,23	G1C150MA0234	INDUCTION COIL	2	
L5624	G1C330MA0234	INDUCTION COIL	1	
L5651	G0A220GA0002	CHOKE COIL	1	
L5801	G0C101K00023	PEAKING COIL	1	
L5802	TALL08N101KA	INDUCTION COIL	1	
L6001-03	G0C1R9KA0147	PEAKING COIL	3	
L6011-13	G0C1R9KA0147	PEAKING COIL	3	
L6061-68	G0ZZ00002183	PEAKING COIL	8	
L6081-88	G0ZZ00002183	PEAKING COIL	8	
L6101,02	J0JJC0000011	CHIP INDUCTOR	2	
L6103	G0ZZ00002183	PEAKING COIL	1	
L6104,05	J0JJC0000011	CHIP INDUCTOR	2	
L6211,12	J0JJC0000011	CHIP INDUCTOR	2	
L6221	G0ZZ00002183	PEAKING COIL	1	
L6241	G0ZZ00002183	PEAKING COIL	1	
L6262	G0ZZ00002183	PEAKING COIL	1	
L6271,72	G0ZZ00002183	PEAKING COIL	2	
L6401-03	G0C1R9KA0147	PEAKING COIL	3	
L6411-13	G0C1R9KA0147	PEAKING COIL	3	
L6461-68	G0ZZ00002183	PEAKING COIL	8	
L6472,73	G0ZZ00002183	PEAKING COIL	2	
L6481-88	G0ZZ00002183	PEAKING COIL	8	
L6591,92	G0ZZ00002183	PEAKING COIL	2	
L6601,02	G0ZZ00002183	PEAKING COIL	2	
L6801,02	J0JJC0000011	CHIP INDUCTOR	2	
L6841	J0JJC0000011	CHIP INDUCTOR	1	
L8004	J0JHC0000045	CHIP INDUCTOR	1	TH-42PX600B
L8008	J0JHC0000045	CHIP INDUCTOR	1	TH-42PX600B
L8026	J0JHC0000035	CHIP INDUCTOR	1	TH-42PX600B
L8031-33	J0JHC0000045	CHIP INDUCTOR	3	TH-42PX600B
L8037	J0JCC0000078	CHIP INDUCTOR	1	TH-42PX600B
L8038	J0JHC0000045	CHIP INDUCTOR	1	TH-42PX600B
L8042	J0JHC0000045	CHIP INDUCTOR	1	TH-42PX600B

Ref. No.	Part No.	Part Name & Description	Pcs	Remarks
L8046	ELJPA1R0MFB	INDUCTION COIL	1	TH-42PX600B
L8047	G1C680MA0173	INDUCTION COIL	1	TH-42PX600B PAVCCZ
L8048	G1C330MA0173	INDUCTION COIL	1	TH-42PX600B PAVCCZ
L8049	J0JHC0000045	CHIP INDUCTOR	1	TH-42PX600B
L8051	J0JCC0000241	CHIP INDUCTOR	1	TH-42PX600B
L8055	G1C100MA0077	INDUCTION COIL	1	TH-42PX600B
L8059	J0JHC0000045	CHIP INDUCTOR	1	TH-42PX600B
L8106	ELJFA2R7JBB	CHIP INDUCTOR	1	TH-42PX600B PAVCCZ
L8145	J0JHC0000045	CHIP INDUCTOR	1	TH-42PX600B
L8501	ELJNA2R7JFB	CHIP INDUCTOR	1	TH-42PX600B
L9500	G1C150KA0038	INDUCTION COIL	1	
L9501,0 2	J0JHC0000078	CHIP INDUCTOR	2	
L9800	G1C3R0MA0248	INDUCTION COIL	1	
L9801,0 2	G1C2R2MA0241	INDUCTION COIL	2	
L9810	J0JHC0000045	CHIP INDUCTOR	1	
NPM	RD-SD0010P	SD MODULE	1	
PA1	K1KA04AA0192	4P CONNECTOR	1	
PA2	K1KA05AA0192	5P CONNECTOR	1	
PA5	K1KA11AA0194	11P CONNECTOR	1	
PA10	K1KA06A00452	6P CONNECTOR	1	
PA20	K1MN40A00024	40P CONNECTOR	1	
PA31-33	K1KA03AA0192	3P CONNECTOR	3	
PA40	K1KA20AA0009	20P CONNECTOR	1	
PA1101	K5H8012A0023	FUSE	1	
PA2100	K5H1622A0023	FUSE	1	
PA3100	K5H1622A0023	FUSE	1	
PA3104	ERJ3GEY0R00	M 0 OHM, 1/16W	1	
PA7751	K5H1622A0023	FUSE	1	
PA9800	K5H4022A0023	FUSE	1	
PC6480	B3PBA0000223	IC	1	
PC6701- 03	B3PBA0000233	IC	3	
PC6704	B3PBA0000234	IC	1	
PC6705	B3PBA0000233	IC	1	
PC6760	B3PBA0000223	IC	1	
PC6801	B3PBA0000223	IC	1	
PC6861	B3PBA0000223	IC	1	
PC6871	B3PBA0000223	IC	1	
Q002	2SA207700L	TRANSISTOR	1	
Q1100- 03	2SC584500L	TRANSISTOR	4	
Q1106,0 7	2SC584500L	TRANSISTOR	2	TH-42PX600B
Q1108	2SC584500L	TRANSISTOR	1	
Q1109,1 0	B1CBHD000002	FET	2	
Q1111	2SC584500L	TRANSISTOR	1	
Q1113- 18	2SC584500L	TRANSISTOR	6	
Q1120- 22	2SC584500L	TRANSISTOR	3	
Q1130	2SC584500L	TRANSISTOR	1	
Q1131	B1ABDF000034	TRANSISTOR	1	
Q1134	2SC584500L	TRANSISTOR	1	
Q1135	B1ABDF000034	TRANSISTOR	1	
Q1137- 43	2SC584500L	TRANSISTOR	7	
Q2001- 04	2SC584500L	TRANSISTOR	4	
Q2006,0 7	2SC584500L	TRANSISTOR	2	
Q2009,1 0	2SC584500L	TRANSISTOR	2	
Q2011	2SA207700L	TRANSISTOR	1	
Q2012	2SC584500L	TRANSISTOR	1	
Q2013	2SA207700L	TRANSISTOR	1	

Ref. No.	Part No.	Part Name & Description	Pcs	Remarks
Q2102- 05	2SA207700L	TRANSISTOR	4	
Q2106	2SC584500L	TRANSISTOR	1	
Q2108	2SC584500L	TRANSISTOR	1	
Q2113,1 4	2SC584500L	TRANSISTOR	2	
Q2300	2SA207700L	TRANSISTOR	1	(PA)
Q2300	2SC584500L	TRANSISTOR	1	(H)
Q2301	2SD601A	TRANSISTOR	1	(H)
Q2301	2SD601A	TRANSISTOR	1	(PA)
Q2302	2SC584500L	TRANSISTOR	1	
Q2305	2SD601A	TRANSISTOR	1	
Q2306- 09	2SA207700L	TRANSISTOR	4	
Q2314- 17	2SC584500L	TRANSISTOR	4	
Q2510,1 1	2SD601A	TRANSISTOR	2	
Q2518	2SD601A	TRANSISTOR	1	TH-42PX600B
Q3001	2SC584500L	TRANSISTOR	1	
Q3005	2SC584500L	TRANSISTOR	1	
Q3008	2SA207700L	TRANSISTOR	1	
Q3011	2SA207700L	TRANSISTOR	1	
Q3014,1 5	2SA207700L	TRANSISTOR	2	
Q3016	2SC584500L	TRANSISTOR	1	
Q3017	2SA207700L	TRANSISTOR	1	
Q3019- 24	2SC584500L	TRANSISTOR	6	
Q3027- 29	2SA207700L	TRANSISTOR	3	
Q3331- 33	2SC2480	TRANSISTOR	3	
Q4043,4 4	2SA207700L	TRANSISTOR	2	
Q4046	2SA207700L	TRANSISTOR	1	
Q4050	2SC584500L	TRANSISTOR	1	
Q4051,5 2	2SD1030	TRANSISTOR	2	
Q4053	2SC584500L	TRANSISTOR	1	
Q4054	2SD1030	TRANSISTOR	1	
Q4055- 59	2SA207700L	TRANSISTOR	5	
Q4061- 69	2SC584500L	TRANSISTOR	9	
Q4070,7 1	B1MBACA00008	TRANSISTOR	2	
Q4082,8 3	2SK1228	FET	2	
Q4084	B1ABDF000034	TRANSISTOR	1	
Q4918	B1ABDF000034	TRANSISTOR	1	
Q4919	2SC584500L	TRANSISTOR	1	
Q5601	B1DHDC000028	TRANSISTOR	1	
Q5602	2SD601A	TRANSISTOR	1	
Q5603	B1DHDC000028	TRANSISTOR	1	
Q5604,0 5	2SD601A	TRANSISTOR	2	
Q5610	2SD601A	TRANSISTOR	1	
Q5613	2SD601A	TRANSISTOR	1	
Q5614	2SK3065T100	FET	1	
Q5641- 43	2SA207700L	TRANSISTOR	3	
Q5644	2SD601A	TRANSISTOR	1	
Q6001- 03	B1JADN000001	TRANSISTOR	3	
Q6021- 23	B1JADN000001	TRANSISTOR	3	
Q6041,4 2	B1JADN000002	TRANSISTOR	2	
Q6051,5 2	B1JADN000002	TRANSISTOR	2	
Q6101- 04	B1DFKM000002	TRANSISTOR	4	
Q6105	B1ABNF000006	TRANSISTOR	1	
Q6106	B1ADNF000006	TRANSISTOR	1	
Q6111	2SK326800L	FET	1	
Q6112	B1DFKM000002	TRANSISTOR	1	

Ref. No.	Part No.	Part Name & Description	Pcs	Remarks
Q6114	B1DFKM000002	TRANSISTOR	1	
Q6141	B1ABNF000006	TRANSISTOR	1	
Q6142	B1ADNF000006	TRANSISTOR	1	
Q6146	B1ABNF000006	TRANSISTOR	1	
Q6147	B1ADNF000006	TRANSISTOR	1	
Q6171	2SD2185	TRANSISTOR	1	
Q6172	B1ADDR000001	TRANSISTOR	1	
Q6181	2SD2185	TRANSISTOR	1	
Q6182	B1ADDR000001	TRANSISTOR	1	
Q6221	2SD1263A	TRANSISTOR	1	
Q6222	2SC3063	TRANSISTOR	1	
Q6251	2SD601A	TRANSISTOR	1	
Q6401-03	B1JADN000001	TRANSISTOR	3	
Q6421-23	B1JAEP000001	TRANSISTOR	3	
Q6441,42	B1JADN000002	TRANSISTOR	2	
Q6451,52	B1JADP000002	TRANSISTOR	2	
Q6471	B1CHGD000006	TRANSISTOR	1	
Q6511	B1ABNF000006	TRANSISTOR	1	
Q6512	B1ADNF000006	TRANSISTOR	1	
Q6516	B1ABNF000006	TRANSISTOR	1	
Q6517	B1ADNF000006	TRANSISTOR	1	
Q6531	2SD2185	TRANSISTOR	1	
Q6532	B1ADDR000001	TRANSISTOR	1	
Q6551	2SD2185	TRANSISTOR	1	
Q6552	B1ADDR000001	TRANSISTOR	1	
Q6581	2SD601A	TRANSISTOR	1	
Q6601	B1DFES000003	TRANSISTOR	1	
Q6602	2SD601A	TRANSISTOR	1	
Q6621,22	B1DFKM000001	TRANSISTOR	2	
Q6641,42	B1DFKM000001	TRANSISTOR	2	
Q6644,45	B1DFKM000001	TRANSISTOR	2	
Q6647,48	B1DFKM000001	TRANSISTOR	2	
Q6661	B1DEET000002	TRANSISTOR	1	
Q6662	2SD601A	TRANSISTOR	1	
Q6663	2SD2185	TRANSISTOR	1	
Q6671,72	B1DFET000001	TRANSISTOR	2	
Q6680	B1ADNF000006	TRANSISTOR	1	
Q6681,82	2SK389500L	FET	2	
Q6691	2SK620	FET	1	
Q6742,43	2SD601A	TRANSISTOR	2	
Q6744	2SK620	FET	1	
Q6762	B1ADNF000006	TRANSISTOR	1	
Q6781	B1ABNF000006	TRANSISTOR	1	
Q6782	B1ADNF000006	TRANSISTOR	1	
Q6791	2SD601A	TRANSISTOR	1	
Q6801	B1BAEJ000014	TRANSISTOR	1	
Q6802	2SB0709A	TRANSISTOR	1	
Q6803	2SD814A	TRANSISTOR	1	
Q6804	2SD601A	TRANSISTOR	1	
Q6821	2SD1263A	TRANSISTOR	1	
Q6822	2SC3063	TRANSISTOR	1	
Q6824	2SD601A	TRANSISTOR	1	
Q6841	2SD1263A	TRANSISTOR	1	
Q6842	2SC1473A	TRANSISTOR	1	
Q7751,52	2SD601A	TRANSISTOR	2	
Q7753	2SC584500L	TRANSISTOR	1	
Q7754	2SD601A	TRANSISTOR	1	
Q8101	2SA207700L	TRANSISTOR	1	TH-42PX600B
Q8401,02	2SD601A	TRANSISTOR	2	TH-42PX600B
Q9010	2SD601A	TRANSISTOR	1	
Q9044	2SD601A	TRANSISTOR	1	
Q9046	2SD601A	TRANSISTOR	1	
Q9049	2SB709A	TRANSISTOR	1	

Ref. No.	Part No.	Part Name & Description	Pcs	Remarks
Q9050-54	2SD601A	TRANSISTOR	5	
Q9055-58	B1CBHD000002	FET	4	
Q9300-02	2SD601A	TRANSISTOR	3	
Q9800,01	B1MBEDA00015	TRANSISTOR	2	
Q9803	B1MBEDA00015	TRANSISTOR	1	
Q9805,06	2SD601A	TRANSISTOR	2	
R002	ERJ3GEYJ221	M 220 OHM, J, 1/16W	1	
R005	ERJ3EKF5600	M 560 OHM, 1/16W	1	
R008,09	ERJ3GEY0R00	M 0 OHM, 1/16W	2	
R010	ERJ3EKF4700	M 470 OHM, 1/16W	1	
R011	ERJ6GEYJ271	M 270 OHM, J, 1/10W	1	
R012,13	ERJ3GEYJ220	M 22 OHM, J, 1/16W	2	
R014	ERJ3GEYJ221	M 220 OHM, J, 1/16W	1	
R1101	ERJ2GEJ101	M 100 OHM, J, 0.063W	1	
R1102,03	ERJ2GEJ102	M 1KOHM, J, 0.063W	2	
R1105,06	ERJ2GEJ102	M 1KOHM, J, 0.063W	2	
R1113	ERJ2GEJ332	M 3.3KOHM, J, 0.063W	1	
R1116	ERJ2GEJ562	M 5.6KOHM, J, 0.063W	1	
R1117	ERJ2GE0R00	M 0.0 OHM, J, 0.063W	1	
R1118,19	EXB2HV680J	RESISTOR ARRAY	2	
R1121,22	ERJ2GEJ220	M 22 OHM, J, 0.063W	2	
R1123	ERJ2GEJ473	M 47KOHM, J, 0.063W	1	
R1124,25	ERJ2GEJ332	M 3.3KOHM, J, 0.063W	2	
R1128	ERJ2GEJ103	M 10KOHM, J, 0.063W	1	
R1130	ERJ2GEJ473	M 47KOHM, J, 0.063W	1	
R1131,32	ERJ2GEJ101	M 100 OHM, J, 0.063W	2	
R1133,34	ERJ2GEJ102	M 1KOHM, J, 0.063W	2	
R1135	ERJ2GEJ103	M 10KOHM, J, 0.063W	1	
R1140,41	ERJ2GEJ680	M 68 OHM, J, 0.063W	2	
R1145	ERJ2GEJ101	M 100 OHM, J, 0.063W	1	TH-42PX600B
R1146	ERJ2GEJ271	M 270 OHM, J, 0.063W	1	
R1147,48	D1HG5608A002	NETWORK RESISTER	2	
R1149	EXB2HV680J	RESISTOR ARRAY	1	
R1150	ERJ2GEJ101	M 100 OHM, J, 0.063W	1	TH-42PX600B
R1151	ERJ2GEJ101	M 100 OHM, J, 0.063W	1	
R1153	ERJ2GEJ101	M 100 OHM, J, 0.063W	1	
R1154,55	ERJ2GEJ472	M 4.7KOHM, J, 0.063W	2	
R1156	ERJ2GEJ104	M 100KOHM, J, 0.063W	1	
R1157	ERJ2GEJ101	M 100 OHM, J, 0.063W	1	
R1158	ERJ2GEJ273	M 27KOHM, J, 0.063W	1	
R1159	ERJ2GEJ123X	M 12KOHM, J, 0.063W	1	
R1160	ERJ2GEJ473	M 47KOHM, J, 0.063W	1	TH-42PV600E
R1162	ERJ2GEJ473	M 47KOHM, J, 0.063W	1	TH-42PV600E
R1164	ERJ2GEJ123X	M 12KOHM, J, 0.063W	1	
R1165	ERJ2GEJ153	M 15KOHM, J, 0.063W	1	
R1166,67	ERJ2GEJ101	M 100 OHM, J, 0.063W	2	TH-42PX600B
R1168,69	ERJ2GE0R00	M 0.0 OHM, J, 0.063W	2	
R1174	ERJ2GEJ101	M 100 OHM, J, 0.063W	1	
R1175	ERJ2GEJ563	M 56KOHM, J, 0.063W	1	

Ref. No.	Part No.	Part Name & Description	Pcs	Remarks
R1176	ERJ2GEJ123X	M 12KOHM ,J,0.063W	1	
R1177-79	ERJ2GEJ101	M 100 OHM, J,0.063W	3	
R1181	ERJ2GEJ101	M 100 OHM, J,0.063W	1	
R1182	ERJ2GEJ683	M 68KOHM, J,0.063W	1	
R1183	EXB28V680JX	RESISTOR ARRAY	1	
R1184	ERJ2GE0R00	M 0.0 OHM, J,0.063W	1	
R1187	EXB2HV680J	RESISTOR ARRAY	1	
R1188,89	ERJ2GEJ103	M 10KOHM, J,0.063W	2	
R1193,94	ERJ2GEJ101	M 100 OHM, J,0.063W	2	
R1199	ERJ2GEJ473	M 47KOHM, J,0.063W	1	
R1200	EXB2HV680J	RESISTOR ARRAY	1	
R1203	ERJ2GEJ102	M 1KOHM, J,0.063W	1	
R1207	ERJ2GEJ104	M 100KOHM, J,0.063W	1	
R1212	ERJ2GE0R00	M 0.0 OHM, J,0.063W	1	
R1214	ERJ2GEJ103	M 10KOHM, J,0.063W	1	
R1215-17	ERJ2GEJ101	M 100 OHM, J,0.063W	3	
R1218	ERJ2GEJ680	M 68 OHM, J,0.063W	1	
R1220	ERJ2GEJ680	M 68 OHM, J,0.063W	1	
R1221	ERJ2GEJ332	M 3.3KOHM, J,0.063W	1	
R1222	ERJ2GEJ330	M 33 OHM, J,0.063W	1	
R1223	ERJ2GEJ102	M 1KOHM, J,0.063W	1	
R1224	ERJ2GEJ473	M 47KOHM, J,0.063W	1	
R1225,26	ERJ2GEJ220	M 22 OHM, J,0.063W	2	
R1228	ERJ2GEJ220	M 22 OHM, J,0.063W	1	
R1229	ERJ2GEJ182	M 1.8KOHM, J,0.063W	1	
R1230	ERJ2GEJ220	M 22 OHM, J,0.063W	1	
R1231	ERJ2GEJ473	M 47KOHM, J,0.063W	1	
R1232,33	ERJ2GEJ332	M 3.3KOHM, J,0.063W	2	
R1234	ERJ2GE0R00	M 0.0 OHM, J,0.063W	1	
R1235,36	ERJ2GEJ272	M 2.7KOHM, J,0.063W	2	
R1238	ERJ2GEJ473	M 47KOHM, J,0.063W	1	
R1239	ERJ3EKF1202	M 12KOHM, 1/16W	1	
R1240	ERJ2GEJ473	M 47KOHM, J,0.063W	1	
R1241	ERJ2GEJ822	M 8.2KOHM, J,0.063W	1	
R1243	ERJ2GEJ102	M 1KOHM, J,0.063W	1	
R1246	ERJ2GEJ912	M 9.1KOHM, J,0.063W	1	
R1249	ERJ2GEJ473	M 47KOHM, J,0.063W	1	
R1250	ERJ2GEJ224	M 220KOHM, J,0.063W	1	
R1251,52	EXB2HV101J	RESISTOR ARRAY	2	
R1256	ERJ2GEJ102	M 1KOHM, J,0.063W	1	
R1259	ERJ2GEJ101	M 100 OHM, J,0.063W	1	TH-42PX600B
R1263,64	ERJ2GEJ101	M 100 OHM, J,0.063W	2	
R1269	ERJ2GE0R00	M 0.0 OHM, J,0.063W	1	
R1270,71	ERJ2GEJ220	M 22 OHM, J,0.063W	2	
R1275	ERJ3EKF7151	M7.15KOHM, 1/16W	1	
R1279,80	ERJ2GEJ220	M 22 OHM, J,0.063W	2	
R1281	ERJ2GEJ102	M 1KOHM, J,0.063W	1	
R1282	ERJ2GEJ153	M 15KOHM, J,0.063W	1	
R1283	ERJ2GEJ101	M 100 OHM, J,0.063W	1	
R1284	ERJ2GEJ682	M 6.8KOHM, J,0.063W	1	
R1290	ERJ2GEJ472	M 4.7KOHM, J,0.063W	1	

Ref. No.	Part No.	Part Name & Description	Pcs	Remarks
R1292,93	ERJ2GEJ104	M 100KOHM, J,0.063W	2	TH-42PX600B
R1296,97	ERJ2GEJ473	M 47KOHM, J,0.063W	2	TH-42PX600B
R1299-02	ERJ2GE0R00	M 0.0 OHM, J,0.063W	4	TH-42PV600E
R1303-06	ERJ2GEJ220	M 22 OHM, J,0.063W	4	TH-42PX600B
R1307	ERJ2GEJ104	M 100KOHM, J,0.063W	1	
R1308	ERJ2GEJ273	M 27KOHM, J,0.063W	1	
R1309-12	ERJ2GEJ220	M 22 OHM, J,0.063W	4	
R1313,14	ERJ2GEJ103	M 10KOHM, J,0.063W	2	
R1315	ERJ2GEJ333	M 33KOHM, J,0.063W	1	
R1316	ERJ2GEJ103	M 10KOHM, J,0.063W	1	
R1318,19	ERJ2GEJ512X	M5.12KOHM, J,0.063W	2	
R1321	ERJ2GEJ153	M 15KOHM, J,0.063W	1	
R1322	ERJ2GEJ100	M 10 OHM, J,0.063W	1	
R1323,24	ERJ2GEJ823	M 82KOHM, J,0.063W	2	
R1325,26	ERJ2GEJ104	M 100KOHM, J,0.063W	2	
R1327,28	ERJ2GEJ683	M 68KOHM, J,0.063W	2	
R1329,30	ERJ2GEJ473	M 47KOHM, J,0.063W	2	
R1331,32	ERJ2GEJ104	M 100KOHM, J,0.063W	2	
R1333	ERJ2GEJ101	M 100 OHM, J,0.063W	1	
R1334	ERJ2GE0R00	M 0.0 OHM, J,0.063W	1	
R1335	ERJ2GEJ101	M 100 OHM, J,0.063W	1	
R1336	ERJ2GEJ225	M 1MOHM, J,0.063W	1	
R1337	ERJ2GEJ472	M 4.7KOHM, J,0.063W	1	
R1340	ERJ2GEJ473	M 47KOHM, J,0.063W	2	TH-42PV600E
R1341	ERJ2GEJ473	M 47KOHM, J,0.063W	1	
R1344	ERJ2GEJ101	M 100 OHM, J,0.063W	1	
R1346	ERJ2GEJ473	M 47KOHM, J,0.063W	1	
R1350,51	ERJ2GEJ101	M 100 OHM, J,0.063W	2	
R1352	ERJ2GEJ473	M 47KOHM, J,0.063W	1	
R1353	ERJ2GEJ223	M 22KOHM, J,0.063W	1	
R1354	ERJ2GEJ101	M 100 OHM, J,0.063W	1	
R1355	ERJ2GEJ104	M 100KOHM, J,0.063W	1	
R1358	ERJ2GEJ104	M 100KOHM, J,0.063W	1	
R1359	ERJ2GEJ224	M 220KOHM, J,0.063W	1	
R1360	ERJ2GEJ221	M 220 OHM, J,0.063W	1	
R1361	ERJ2GE0R00	M 0.0 OHM, J,0.063W	1	
R1363	ERJ2GEJ473	M 47KOHM, J,0.063W	1	
R1364	ERJ2GEJ273	M 27KOHM, J,0.063W	1	
R1365	ERJ2GE0R00	M 0.0 OHM, J,0.063W	1	
R1367	ERJ2GEJ333	M 33KOHM, J,0.063W	1	
R1368	ERJ2GEJ183	M 18KOHM, J,0.063W	1	
R1369	ERJ2GE0R00	M 0.0 OHM, J,0.063W	1	
R1370	ERJ2GEJ104	M 100KOHM, J,0.063W	1	
R1372	ERJ2GEJ473	M 47KOHM, J,0.063W	1	
R1373	ERJ2GEJ683	M 68KOHM, J,0.063W	1	
R1375	ERJ2GEJ104	M 100KOHM, J,0.063W	1	
R1376	ERJ2GEJ273	M 27KOHM, J,0.063W	1	
R1377	ERJ8GEY0R00	M 0 OHM, 1/8W	1	
R1378	ERJ3GEY0R00	M 0 OHM, 1/16W	1	

Ref. No.	Part No.	Part Name & Description	Pcs	Remarks
R1379	ERJ2GEJ331	M 330 OHM, J,0.063W	1	
R1380	ERJ2GEJ104	M 100KOHM, J,0.063W	1	
R1381	ERJ2GEJ474	M 470KOHM, J,0.063W	1	
R1384	ERJ2GEJ101	M 100 OHM, J,0.063W	1	
R1389	ERJ2GE0R00	M 0.0 OHM, J,0.063W	1	
R1408	ERJ2GEJ104	M 100KOHM, J,0.063W	1	
R1410	ERJ2GEJ102	M 1KOHM, J,0.063W	1	
R1411	ERJ2GEJ472	M 4.7KOHM, J,0.063W	1	
R1412,13	ERJ2GEJ104	M 100KOHM, J,0.063W	2	
R1414	ERJ2GE0R00	M 0.0 OHM, J,0.063W	1	
R1426-32	ERJ8GEY0R00	M 0 OHM, 1/8W	7	
R1436,37	ERJ2GEJ561	M 60 OHM, J,0.063W	2	
R1439	ERJ2GEJ271	M 270 OHM, J,0.063W	1	
R1441	ERJ2GE0R00	M 0.0 OHM, J,0.063W	1	
R1446,47	ERJ2GEJ471	M 470 OHM, J,0.063W	2	
R1449	ERJ2GEJ473	M 47KOHM, J,0.063W	1	
R1451	ERJ2GEJ473	M 47KOHM, J,0.063W	1	
R1452	ERJ2GEJ473	M 47KOHM, J,0.063W	1	TH-42PV600E
R1454	ERJ2GE0R00	M 0.0 OHM, J,0.063W	1	
R1458,59	ERJ2GEJ101	M 100 OHM, J,0.063W	2	
R1461,62	ERJ2GE0R00	M 0.0 OHM, J,0.063W	2	
R1466	ERJ2GEJ103	M 10KOHM, J,0.063W	1	
R1467	ERJ2GEJ473	M 47KOHM, J,0.063W	1	
R1470	ERJ2GE0R00	M 0.0 OHM, J,0.063W	1	
R1472,73	ERJ2GEJ301	M 300 OHM, J,0.063W	2	
R1474	ERJ8GEY0R00	M 0 OHM, 1/8W	1	
R1475	ERJ2GEJ271	M 270 OHM, J,0.063W	1	
R1478	ERJ2GEJ680	M 68 OHM, J,0.063W	1	
R1479	ERJ2GEJ473	M 47KOHM, J,0.063W	1	
R1480	ERJ2GEJ473	M 47KOHM, J,0.063W	1	TH-42PV600E
R1489	ERJ2GEJ473	M 47KOHM, J,0.063W	1	
R1491	ERJ2GE0R00	M 0.0 OHM, J,0.063W	1	
R1526	ERJ2GEJ102	M 1KOHM, J,0.063W	1	
R1530,31	ERJ2GE0R00	M 0.0 OHM, J,0.063W	2	
R1554,55	ERJ3GEY0R00	M 0 OHM, 1/16W	2	
R1556	ERJ2GEJ331	M 330 OHM, J,0.063W	1	
R2005	ERJ3GEYJ104	M 100KOHM, J,1/16W	1	
R2006-11	ERJ6GEYJ223	M 22KOHM, J,1/10W	6	
R2012	ERJ3GEYJ104	M 100KOHM, J,1/16W	1	
R2013,14	ERJ3GEYJ222	M 2.2KOHM, J,1/16W	2	
R2015,16	ERJ3GEYJ331	M 330 OHM, J,1/16W	2	
R2018,19	ERJ3GEYJ104	M 100KOHM, J,1/16W	2	
R2023	ERJ3GEYJ222	M 2.2KOHM, J,1/16W	1	
R2027,28	ERJ3GEYJ104	M 100KOHM, J,1/16W	2	
R2031	ERJ3GEYJ222	M 2.2KOHM, J,1/16W	1	
R2033	ERJ3GEYJ222	M 2.2KOHM, J,1/16W	1	
R2035,36	ERJ3GEYJ104	M 100KOHM, J,1/16W	2	
R2038	ERJ3GEYJ222	M 2.2KOHM, J,1/16W	1	
R2040	ERJ3GEYJ222	M 2.2KOHM, J,1/16W	1	

Ref. No.	Part No.	Part Name & Description	Pcs	Remarks
R2042	ERJ3GEYJ105	M 1MOHM, J,1/16W	1	
R2043	ERJ3GEYJ473	M 47KOHM, J,1/16W	1	
R2044	ERJ3GEYJ102	M 1KOHM, J,1/16W	1	
R2045,46	ERJ3GEYJ103	M 10KOHM, J,1/16W	2	
R2048	ERJ6GEYJ471	M 470 OHM, J,1/10W	1	
R2049,50	ERJ3GEYJ103	M 10KOHM, J,1/16W	2	
R2051,52	ERJ6GEYJ184	M 180KOHM, J,1/10W	2	
R2053	ERJ6GEYJ471	M 470 OHM, J,1/10W	1	
R2054	ERJ3GEYJ103	M 10KOHM, J,1/16W	1	
R2101,02	ERJ3GEYJ331	M 330 OHM, J,1/16W	2	
R2103	ERJ3GEYJ222	M 2.2KOHM, J,1/16W	1	
R2113,14	ERJ3GEY0R00	M 0 OHM, 1/16W	2	
R2116	J0JCC0000241	CHIP INDUCTOR	1	
R2124,25	ERJ3GEYJ101	M 100 OHM, J,1/16W	2	D0GB101JA002
R2126,27	ERJ3GEYJ472	M 4.7KOHM, J,1/16W	2	
R2128,29	ERJ3GEYJ101	M 100 OHM, J,1/16W	2	
R2130	ERJ3EKF1002	M 10KOHM, 1/16W	1	
R2131	ERJ3EKF8201	M 8.2KOHM, 1/16W	1	
R2132	ERJ3GEYJ333	M 33KOHM, J,1/16W	1	
R2133	ERJ3GEY0R00	M 0 OHM, 1/16W	1	
R2135,36	ERJ3GEYJ331	M 330 OHM, J,1/16W	2	
R2137	ERJ3GEYJ333	M 33KOHM, J,1/16W	1	
R2138	ERJ3EKF1002	M 10KOHM, 1/16W	1	
R2139,40	ERJ3GEYJ221	M 220 OHM, J,1/16W	2	
R2147	ERJ3EKF1002	M 10KOHM, 1/16W	1	
R2148,49	ERJ3EKF6342	M6.34KOHM, 1/16W	2	
R2152	ERJ3GEYJ220	M 22 OHM, J,1/16W	1	
R2153	ERJ3GEYJ221	M 220 OHM, J,1/16W	1	
R2154	ERJ3GEYJ220	M 22 OHM, J,1/16W	1	
R2155-60	ERJ3GEYJ221	M 220 OHM, J,1/16W	6	
R2161	ERJ3GEYJ331	M 330 OHM, J,1/16W	1	
R2162	ERJ3GEYJ221	M 220 OHM, J,1/16W	1	
R2163	ERJ3GEYJ331	M 330 OHM, J,1/16W	1	
R2164	ERJ3GEYJ221	M 220 OHM, J,1/16W	1	
R2165,66	ERJ3GEYJ102	M 1KOHM, J,1/16W	2	
R2167	ERJ3GEYJ221	M 220 OHM, J,1/16W	1	
R2168,69	ERJ3GEYJ472	M 4.7KOHM, J,1/16W	2	
R2170-77	ERJ3GEYJ221	M 220 OHM, J,1/16W	8	
R2181	ERJ3GEY0R00	M 0 OHM, 1/16W	1	
R2182,83	ERJ3GEYJ101	M 100 OHM, J,1/16W	2	
R2184-87	ERJ3GEYJ221	M 220 OHM, J,1/16W	4	
R2188	ERJ3GEYJ103	M 10KOHM, J,1/16W	1	
R2190	ERJ3GEYJ221	M 220 OHM, J,1/16W	1	
R2192,93	ERJ3GEYJ221	M 220 OHM, J,1/16W	2	
R2195,96	ERJ3GEYJ104	M 100KOHM, J,1/16W	2	
R2197	ERJ3GEYJ471	M 470 OHM, J,1/16W	1	
R2199,00	ERJ3GEYJ221	M 220 OHM, J,1/16W	2	
R2202	ERJ3GEYJ101	M 100 OHM, J,1/16W	1	
R2203	ERJ6GEYJ101	M 100 OHM, J,1/10W	1	
R2204	ERJ6GEYJ561	M 560 OHM, J,1/10W	1	
R2208	ERJ6GEYJ471	M 470 OHM, J,1/10W	1	
R2209	ERJ3GEYJ332	M 3.3KOHM, J,1/16W	1	
R2210	ERJ6GEYJ122	M 1.2KOHM, J,1/10W	1	
R2211	ERJ3GEY0R00	M 0 OHM, 1/16W	1	
R2213	ERJ3GEYJ103	M 10KOHM, J,1/16W	1	
R2214	ERJ3GEYJ332	M 3.3KOHM, J,1/16W	1	
R2215	ERJ3GEY0R00	M 0 OHM, 1/16W	1	

Ref. No.	Part No.	Part Name & Description	Pcs	Remarks
R2219	ERJ6GEYJ101	M 100 OHM, J, 1/10W	1	
R2220	ERJ3GEYJ153	M 15KOHM, J, 1/16W	1	
R2224, 25	ERJ3GEY0R00	M 0 OHM, 1/16W	2	
R2227	ERJ6GEY0R00	M 0 OHM, 1/10W	1	
R2230, 31	ERJ3GEYJ104	M 100KOHM, J, 1/16W	2	
R2232, 33	ERJ3GEYJ153	M 15KOHM, J, 1/16W	2	
R2234, 35	ERJ3GEYJ103	M 10KOHM, J, 1/16W	2	
R2236	ERJ3GEYJ473	M 47KOHM, J, 1/16W	1	
R2237	ERJ3GEYJ103	M 10KOHM, J, 1/16W	1	
R2238, 39	ERJ3GEY0R00	M 0 OHM, 1/16W	2	
R2246	ERJ3EKF3602	M 36KOHM, 1/16W	1	
R2300	ERJ6GEYJ102	M 1KOHM, J, 1/10W	1	
R2301	ERJ6GEYJ821	M 820 OHM, J, 1/10W	1	
R2302	ERJ3GEYJ223	M 22KOHM, J, 1/16W	1 (H)	
R2302	ERJ3GEYJ223	M 22KOHM, J, 1/16W	1 (PA)	
R2303	ERJ3GEYJ433	M 43KOHM, J, 1/16W	1 (PA)	
R2303	ERJ3GEYJ562	M 5.6KOHM, J, 1/16W	1 (H)	
R2304	ERJ3GEYJ104	M 100KOHM, J, 1/16W	1	
R2305	ERJ3GEYJ223	M 22KOHM, J, 1/16W	1 (PA)	
R2305	ERJ3GEYJ471	M 470 OHM, J, 1/16W	1 (H)	
R2306	ERJ3GEYJ223	M 22KOHM, J, 1/16W	1 (PA)	
R2306	ERJ6GEYJ821	M 820 OHM, J, 1/10W	1 (H)	
R2307	ERJ3GEYJ104	M 100KOHM, J, 1/16W	1 (H)	
R2307	ERJ3GEYJ433	M 43KOHM, J, 1/16W	1 (PA)	
R2308, 09	ERJ3GEYJ223	M 22KOHM, J, 1/16W	2	
R2310	ERJ3GEY0R00	M 0 OHM, 1/16W	1 (PA)	
R2310	ERJ3GEYJ184	M 180KOHM, J, 1/16W	1 (H)	
R2311	ERJ3GEY0R00	M 0 OHM, 1/16W	1 (PA)	
R2311	ERJ6GEYJ182	M 1.8KOHM, J, 1/10W	1 (H)	
R2312	ERJ3EKF1002	M 10KOHM, 1/16W	1	
R2313, 14	ERJ3GEYJ222	M 2.2KOHM, J, 1/16W	2	
R2323, 24	ERJ3GEY0R00	M 0 OHM, 1/16W	2	
R2325	ERJ3GEYJ103	M 10KOHM, J, 1/16W	1	
R2328	ERJ3GEY0R00	M 0 OHM, 1/16W	1	
R2329	ERJ3EKF1003	M 100KOHM, 1/16W	1	
R2332	ERJ3GEYJ103	M 10KOHM, J, 1/16W	1	
R2338	ERJ3GEY0R00	M 0 OHM, 1/16W	1	
R2341	ERJ6GEY0R00	M 0 OHM, 1/10W	1	
R2342, 43	ERJ3GEY0R00	M 0 OHM, 1/16W	2	
R2346, 47	ERJ3GEY0R00	M 0 OHM, 1/16W	2	
R2348	ERJ3EKF1003	M 100KOHM, 1/16W	1	
R2349, 50	ERJ3GEYJ101	M 100 OHM, J, 1/16W	2	
R2351	ERJ3GEYJ103	M 10KOHM, J, 1/16W	1	
R2352	ERJ3GEY0R00	M 0 OHM, 1/16W	1	
R2353, 02	ERJ3EKF1002	M 10KOHM, 1/16W	2	
R2354	ERJ3GEYJ102	M 1KOHM, J, 1/16W	1	
R2355, 56	ERJ3GEYJ222	M 2.2KOHM, J, 1/16W	2	
R2357, 58	ERJ6GEY0R00	M 0 OHM, 1/10W	2	
R2359	ERJ3GEYJ222	M 2.2KOHM, J, 1/16W	1	
R2360	ERJ3GEYJ103	M 10KOHM, J, 1/16W	1	
R2361	ERJ3GEYJ562	M 5.6KOHM, J, 1/16W	1	
R2362	ERJ3GEYJ153	M 15KOHM, J, 1/16W	1	
R2363	ERJ3GEYJ471	M 470 OHM, J, 1/16W	1	
R2364	ERJ3GEYJ473	M 47KOHM, J, 1/16W	1	
R2366	ERJ3GEYJ472	M 4.7KOHM, J, 1/16W	1	
R2367	ERJ6GEYJ681	M 680 OHM, J, 1/10W	1	
R2368	ERJ6GEY0R00	M 0 OHM, 1/10W	1	
R2372-74	ERJ6GEYJ681	M 680 OHM, J, 1/10W	3	
R2376	ERJ3EKF1002	M 10KOHM, 1/16W	1	
R2377, 78	ERJ3GEY0R00	M 0 OHM, 1/16W	2	

Ref. No.	Part No.	Part Name & Description	Pcs	Remarks
R2379, 80	ERJ6ENF2201	M 2.2KOHM, 1/10W	2	
R2383	ERJ3EKF3741	M3.74KOHM, 1/16W	1	
R2384	ERJ3EKF7150	M 715 OHM, 1/16W	1	
R2387	ERJ3EKF7150	M 715 OHM, 1/16W	1	
R2388	ERJ3EKF3741	M3.74KOHM, 1/16W	1 (PA)	
R2388	ERJ6GEYJ102	M 1KOHM, J, 1/10W	1 (H)	
R2389	ERJ6GEYJ102	M 1KOHM, J, 1/10W	1	
R2390	ERJ3GEYJ203	M 20KOHM, J, 1/16W	1	
R2391	ERJ3EKF2801	M 2.8KOHM, 1/16W	1 (PA)	
R2391	ERJ3GEYJ103	M 10KOHM, J, 1/16W	1 (H)	
R2392	ERJ3EKF1651	M1.65KOHM, 1/16W	1 (PA)	
R2392	ERJ3GEYJ223	M 22KOHM, J, 1/16W	1 (H)	
R2393	ERJ3GEYJ103	M 10KOHM, J, 1/16W	1	
R2395	ERJ3EKF2801	M 2.8KOHM, 1/16W	1	
R2396	ERJ3EKF1651	M1.65KOHM, 1/16W	1 (PA)	
R2396	ERJ3GEYJ103	M 10KOHM, J, 1/16W	1 (H)	
R2397	ERJ3GEYJ473	M 47KOHM, J, 1/16W	1 (H)	
R2397	ERJ6GEY0R00	M 0 OHM, 1/10W	1 (PA)	
R2398	ERJ3GEYJ123	M 12KOHM, J, 1/16W	1 (H)	
R2398	ERJ6GEY0R00	M 0 OHM, 1/10W	1 (PA)	
R2399	ERJ3GEYJ102	M 1KOHM, J, 1/16W	1	
R2400	ERJ6GEYJ182	M 1.8KOHM, J, 1/10W	1	
R2401, 02	ERJ3GEYJ331	M 330 OHM, J, 1/16W	2	
R2403	ERJ3GEYJ472	M 4.7KOHM, J, 1/16W	1	
R2404, 05	ERJ3GEYJ331	M 330 OHM, J, 1/16W	2	
R2406	ERJ3GEYJ472	M 4.7KOHM, J, 1/16W	1	
R2407	ERJ3EKF1241	M1.24KOHM, 1/16W	1	
R2408	ERJ3EKF1001	M 1KOHM, 1/16W	1	
R2409	ERJ3EKF1501	M 1.5KOHM, 1/16W	1	
R2410	ERJ3EKF7870	M 787 OHM, 1/16W	1	
R2411, 12	ERJ3GEYJ331	M 330 OHM, J, 1/16W	2	
R2413	ERJ3GEYJ472	M 4.7KOHM, J, 1/16W	1	
R2414, 15	ERJ3GEYJ331	M 330 OHM, J, 1/16W	2	
R2416	ERJ3GEYJ472	M 4.7KOHM, J, 1/16W	1	
R2417	ERJ3EKF1241	M1.24KOHM, 1/16W	1	
R2418	ERJ3EKF1001	M 1KOHM, 1/16W	1	
R2419	ERJ3EKF1501	M 1.5KOHM, 1/16W	1	
R2420	ERJ3EKF7870	M 787 OHM, 1/16W	1	
R2421	ERJ3EKF1501	M 1.5KOHM, 1/16W	1	
R2422	ERJ3EKF7870	M 787 OHM, 1/16W	1	
R2423	ERJ3EKF1501	M 1.5KOHM, 1/16W	1	
R2424	ERJ3EKF7870	M 787 OHM, 1/16W	1	
R2512	ERJ6GEYJ470	M 47 OHM, J, 1/10W	1	
R2516	ERJ3GEYJ223	M 22KOHM, J, 1/16W	1	
R2517	ERJ6GEYJ470	M 47 OHM, J, 1/10W	1	
R2520	ERJ3GEYJ224	M 220KOHM, J, 1/16W	1	
R2521	ERJ6GEYJ470	M 47 OHM, J, 1/10W	1	
R2524	ERJ3GEYJ223	M 22KOHM, J, 1/16W	1	
R2539	ERJ3GEYJ473	M 47KOHM, J, 1/16W	1 TH-42PX600B	
R2540	ERJ3GEYJ223	M 22KOHM, J, 1/16W	1 TH-42PX600B	
R2542	ERJ3GEYJ473	M 47KOHM, J, 1/16W	1	
R2554	ERJ6ENF75R0	M 75 OHM, 1/10W	1 TH-42PX600B	
R2557	ERJ3GEYJ562	M 5.6KOHM, J, 1/16W	1	
R2559	ERJ6GEY0R00	M 0 OHM, 1/10W	1	
R2560	ERJ3EKF5760	M 576 OHM, 1/16W	1	
R2567	ERJ6GEY0R00	M 0 OHM, 1/10W	1 TH-42PX600B	
R2572	ERJ6GEY0R00	M 0 OHM, 1/10W	1 TH-42PX600B	
R3001, 02	ERJ6ENF1500	M 150 OHM, 1/10W	2	
R3003-05	ERJ6ENF75R0	M 75 OHM, 1/10W	3	
R3006-08	ERJ6ENF1500	M 150 OHM, 1/10W	3	
R3009-15	ERJ6ENF75R0	M 75 OHM, 1/10W	7	
R3016, 17	ERJ6GEYJ101	M 100 OHM, J, 1/10W	2	
R3018, 19	ERJ6GEYJ680	M 68 OHM, J, 1/10W	2	

Ref. No.	Part No.	Part Name & Description	Pcs	Remarks
R3020-22	ERJ6ENF2202	M 2.2KOHM, 1/10W	3	
R3023,24	ERJ6ENF1202	M 12KOHM, 1/10W	2	
R3025	ERJ3GEYJ103	M 10KOHM,J,1/16W	1	
R3026	ERJ3GEYJ473	M 47KOHM,J,1/16W	1	
R3027,28	ERJ6ENF1500	M 150 OHM, 1/10W	2	
R3030-32	ERJ3GEY0R00	M 0 OHM, 1/16W	3	
R3033,34	ERJ6ENF1500	M 150 OHM, 1/10W	2	
R3036	ERJ6ENF1500	M 150 OHM, 1/10W	1	
R3041,42	ERJ3GEYJ182	M 1.8KOHM,J,1/16W	2	
R3043	ERJ3GEYJ331	M 330 OHM,J,1/16W	1	
R3044,45	ERJ3GEY0R00	M 0 OHM, 1/16W	2	
R3048	ERJ3GEYJ223	M 22KOHM,J,1/16W	1	
R3049	ERJ3GEYJ221	M 220 OHM,J,1/16W	1	
R3050	ERJ3GEYJ242	M 2.4KOHM,J,1/16W	1	
R3051	ERJ3GEYJ682	M 6.8KOHM,J,1/16W	1	
R3052	ERJ3GEY0R00	M 0 OHM, 1/16W	1	
R3057,58	ERJ3GEY0R00	M 0 OHM, 1/16W	2	
R3059-64	ERJ3GEYJ221	M 220 OHM,J,1/16W	6	
R3068	ERJ6ENF75R0	M 75 OHM, 1/10W	1	
R3070	ERJ3GEYJ102	M 1KOHM,J,1/16W	1	
R3072-75	ERJ3GEYJ221	M 220 OHM,J,1/16W	4	
R3076	ERJ3GEY0R00	M 0 OHM, 1/16W	1	
R3077	ERJ3GEYJ221	M 220 OHM,J,1/16W	1	
R3078	ERJ3GEY0R00	M 0 OHM, 1/16W	1	
R3085-88	ERJ3GEYJ221	M 220 OHM,J,1/16W	4	
R3089,90	ERJ3GEYJ220	M 22 OHM,J,1/16W	2	
R3092	ERJ3GEYJ221	M 220 OHM,J,1/16W	1	
R3094-01	ERJ3GEYJ221	M 220 OHM,J,1/16W	8	
R3102	ERJ3GEYJ682	M 6.8KOHM,J,1/16W	1	
R3103	ERJ3GEYJ222	M 2.2KOHM,J,1/16W	1	
R3105	ERJ3GEYJ332	M 3.3KOHM,J,1/16W	1	
R3107	ERJ3GEYJ103	M 10KOHM,J,1/16W	1	
R3109	ERJ3GEYJ331	M 330 OHM,J,1/16W	1	
R3111-14	ERJ3GEY0R00	M 0 OHM, 1/16W	4	
R3115	ERJ3GEYJ101	M 100 OHM,J,1/16W	1	
R3118	ERJ3GEYJ101	M 100 OHM,J,1/16W	1	
R3119,20	ERJ3EKF91R0	M 91 OHM, 1/16W	2	
R3121	ERJ3EKF1300V	M 130 OHM, 1/16W	1	
R3122	ERJ3GEYJ101	M 100 OHM,J,1/16W	1	
R3123	ERJ3EKF1000	M 100 OHM, 1/16W	1	
R3125	ERJ6GEYJ102	M 1KOHM,J,1/10W	1	
R3126	ERJ3GEYJ101	M 100 OHM,J,1/16W	1	
R3127	ERJ6GEYJ102	M 1KOHM,J,1/10W	1	
R3130,31	ERJ3GEYJ101	M 100 OHM,J,1/16W	2	
R3132,33	ERJ3GEYJ103	M 10KOHM,J,1/16W	2	
R3134	ERJ3GEYJ333	M 33KOHM,J,1/16W	1	
R3135	ERJ3EKF91R0	M 91 OHM, 1/16W	1	
R3136	ERJ3GEYJ333	M 33KOHM,J,1/16W	1	
R3138	ERJ3EKF1000	M 100 OHM, 1/16W	1	
R3139	ERJ6GEYJ102	M 1KOHM,J,1/10W	1	
R3140	ERJ3EKF1300V	M 130 OHM, 1/16W	1	
R3141	ERJ6GEYJ102	M 1KOHM,J,1/10W	1	
R3143	ERJ6ENF75R0	M 75 OHM, 1/10W	1	
R3144	ERJ3GEYJ221	M 220 OHM,J,1/16W	1	
R3145	ERJ3GEYJ104	M 100KOHM,J,1/16W	1	
R3146	ERJ3GEYJ361	M 360 OHM,J,1/16W	1	
R3149	ERJ3GEYJ361	M 360 OHM,J,1/16W	1	
R3150	ERJ6ENF75R0	M 75 OHM, 1/10W	1	
R3151	ERJ3GEYJ221	M 220 OHM,J,1/16W	1	

Ref. No.	Part No.	Part Name & Description	Pcs	Remarks
R3152	ERJ3GEYJ104	M 100KOHM,J,1/16W	1	
R3153,54	ERJ3GEYJ361	M 360 OHM,J,1/16W	2	
R3155	ERJ6ENF75R0	M 75 OHM, 1/10W	1	
R3156	ERJ3GEYJ221	M 220 OHM,J,1/16W	1	
R3157	ERJ3GEYJ104	M 100KOHM,J,1/16W	1	
R3158,59	ERJ3GEYJ361	M 360 OHM,J,1/16W	2	
R3160,61	ERJ6GEYJ102	M 1KOHM,J,1/10W	2	
R3163	ERJ6ENF1202	M 12KOHM, 1/10W	1	
R3168	ERJ3GEYJ750	M 75 OHM,J,1/16W	1	
R3170	ERJ3GEY0R00	M 0 OHM, 1/16W	1	
R3171	ERJ3GEYJ471	M 470 OHM,J,1/16W	1	
R3173	ERJ3GEYJ271	M 270 OHM,J,1/16W	1	
R3206	ERJ3GEYJ101	M 100 OHM,J,1/16W	1	
R3213,14	ERJ3GEY0R00	M 0 OHM, 1/16W	2	
R3215	J0JCC0000241	CHIP INDUCTOR	1	
R3222	ERJ3GEY0R00	M 0 OHM, 1/16W	1	
R3224	ERJ3GEY0R00	M 0 OHM, 1/16W	1	
R3227-29	ERJ3GEY0R00	M 0 OHM, 1/16W	3	
R3233,34	ERJ6ENF75R0	M 75 OHM, 1/10W	2	
R3236	ERJ6ENF75R0	M 75 OHM, 1/10W	1	
R3238	ERJ3GEY0R00	M 0 OHM, 1/16W	1	
R3239	ERJ3GEYJ683	M 68KOHM,J,1/16W	1	
R3245-48	ERJ3GEY0R00	M 0 OHM, 1/16W	4	
R3249	J0JCC0000241	CHIP INDUCTOR	1	
R3302	ERJ6GEYJ101	M 100 OHM,J,1/10W	1	
R3305	ERJ6GEYJ101	M 100 OHM,J,1/10W	1	
R3306,07	ERJ6GEYJ472	M 4.7KOHM,J,1/10W	2	
R3308,09	ERJ6GEY0R00	M 0 OHM, 1/10W	2	
R3310	ERJ6ENF75R0	M 75 OHM, 1/10W	1	
R3312	ERJ3GEYJ103	M 10KOHM,J,1/16W	1	
R3313	ERJ6ENF75R0	M 75 OHM, 1/10W	1	
R3317	ERJ3GEYJ103	M 10KOHM,J,1/16W	1	
R3318	ERJ6ENF75R0	M 75 OHM, 1/10W	1	
R3320	ERJ6GEY0R00	M 0 OHM, 1/10W	1	
R3323,24	ERJ6GEY0R00	M 0 OHM, 1/10W	2	
R3330	ERJ3GEY0R00	M 0 OHM, 1/16W	1	
R3336	ERJ3GEYJ473	M 47KOHM,J,1/16W	1	
R3337	ERJ3GEYJ183	M 18KOHM,J,1/16W	1	
R3338	ERJ3GEYJ101	M 100 OHM,J,1/16W	1	
R3339	ERJ3GEYJ471	M 470 OHM,J,1/16W	1	
R3340	ERJ3GEYJ101	M 100 OHM,J,1/16W	1	
R3341	ERJ3GEYJ473	M 47KOHM,J,1/16W	1	
R3342	ERJ3GEYJ183	M 18KOHM,J,1/16W	1	
R3343	ERJ3GEYJ471	M 470 OHM,J,1/16W	1	
R3344	ERJ3GEYJ101	M 100 OHM,J,1/16W	1	
R3345	ERJ3GEYJ183	M 18KOHM,J,1/16W	1	
R3346	ERJ3GEYJ473	M 47KOHM,J,1/16W	1	
R3347	ERJ3GEYJ471	M 470 OHM,J,1/16W	1	
R3348,49	ERJ3GEYJ680	M 68 OHM,J,1/16W	2	
R3350-52	ERJ3GEYJ510	M 51 OHM,J,1/16W	3	
R3704	ERJ3GEY0R00	M 0 OHM, 1/16W	1	
R3709-11	ERJ3GEY0R00	M 0 OHM, 1/16W	3	
R3716,17	ERJ6GEYJ184	M 180KOHM,J,1/10W	2	
R3721	ERJ6GEYJ103	M 10KOHM,J,1/10W	1	
R3732	ERJ3GEY0R00	M 0 OHM, 1/16W	1	
R3733	ERJ6GEY0R00	M 0 OHM, 1/10W	1	
R3736-41	ERJ3GEY0R00	M 0 OHM, 1/16W	6	
R3746	ERJ6GEY0R00	M 0 OHM, 1/10W	1	
R3748	ERJ6GEY0R00	M 0 OHM, 1/10W	1	
R3750	ERJ6GEY0R00	M 0 OHM, 1/10W	1	
R3751	ERJ6ENF1432	M14.3KOHM, 1/10W	1	

Ref. No.	Part No.	Part Name & Description	Pcs	Remarks
R3753	ERJ6ENF1741	M1.74KOHM, 1/10W	1	
R3754	ERJ6ENF1621	M1.62KOHM, 1/10W	1	
R3755	ERJ6GEY0R00	M 0 OHM, 1/10W	1	
R3757	ERJ6GEY0R00	M 0 OHM, 1/10W	1	
R3758	ERJ6ENF6651	M6.65KOHM, 1/10W	1	
R3759-64	ERJ6GEY0R00	M 0 OHM, 1/10W	6	
R3765	ERJ6ENF2321	M2.32KOHM, 1/10W	1	
R3767	ERJ6ENF3161	M3.16KOHM, 1/10W	1	
R3768	ERJ6GEY0R00	M 0 OHM, 1/10W	1	
R4001	ERJ3EKF1211	M1.21KOHM, 1/16W	1	
R4004	ERJ2GE0R00	M 0.0 OHM, J,0.063W	1	
R4008	ERJ2GE0R00	M 0.0 OHM, J,0.063W	1	
R4010	ERJ2GE0R00	M 0.0 OHM, J,0.063W	1	
R4018	ERJ2GEJ103	M 10KOHM, J,0.063W	1	TH-42PV600E
R4021	ERJ2GE0R00	M 0.0 OHM, J,0.063W	1	
R4022	ERJ2GEJ102	M 1KOHM, J,0.063W	1	
R4023	ERJ2GEJ680	M 68 OHM, J,0.063W	1	
R4024,25	ERJ2GE0R00	M 0.0 OHM, J,0.063W	2	
R4026,27	ERJ2GEJ102	M 1KOHM, J,0.063W	2	
R4029	ERJ2GEJ220	M 22 OHM, J,0.063W	1	
R4031-33	ERJ2GEJ103	M 10KOHM, J,0.063W	3	
R4037-39	D1HG1038A002	NETWORK RESISTER	3	
R4040,41	ERJ2GE0R00	M 0.0 OHM, J,0.063W	2	
R4045,46	ERJ3GEY0R00	M 0 OHM, 1/16W	2	
R4101	ERJ2GEJ103	M 10KOHM, J,0.063W	1	
R4257	ERJ3EKF3302	M 33KOHM, 1/16W	1	
R4265	ERJ3EKF3242	M32.4KOHM, 1/16W	1	
R4269	ERJ2GE0R00	M 0.0 OHM, J,0.063W	1	
R4271,72	ERJ2GE0R00	M 0.0 OHM, J,0.063W	2	
R4286,87	ERJ2GE0R00	M 0.0 OHM, J,0.063W	2	
R4293	ERJ2GE0R00	M 0.0 OHM, J,0.063W	1	
R4338-43	ERJ2GE0R00	M 0.0 OHM, J,0.063W	6	
R4434	ERJ2GE0R00	M 0.0 OHM, J,0.063W	1	
R4436	ERJ2GE0R00	M 0.0 OHM, J,0.063W	1	
R4438	ERJ2GE0R00	M 0.0 OHM, J,0.063W	1	
R4442,43	ERJ3EKF4220	M 422 OHM, 1/10W	2	
R4444,45	ERJ3EKF3301	M 3.3KOHM, 1/16W	2	
R4447	ERJ3EKF7680	M 768 OHM, 1/16W	1	
R4449	ERJ3EKF1211	M1.21KOHM, 1/16W	1	
R4450,51	ERJ6GEYJ821	M 820 OHM, J,1/10W	2	
R4454	ERJ6GEYJ681	M 680 OHM, J,1/10W	1	
R4457	ERJ2GE0R00	M 0.0 OHM, J,0.063W	1	
R4465	ERJ2GEJ224	M 220KOHM, J,0.063W	1	
R4466,67	ERJ2GEJ330	M 33 OHM, J,0.063W	2	
R4469,70	ERJ3EKF1500	M 150 OHM, 1/16W	2	
R4472	ERJ2GE0R00	M 0.0 OHM, J,0.063W	1	TH-42PX600B
R4474	ERJ3EKF1211	M1.21KOHM, 1/16W	1	
R4476	ERJ2GEJ330	M 33 OHM, J,0.063W	1	
R4477,78	ERJ6GEYJ471	M 470 OHM, J,1/10W	2	
R4479,80	ERJ3EKF4220	M 422 OHM, 1/10W	2	

Ref. No.	Part No.	Part Name & Description	Pcs	Remarks
R4481	ERJ3EKF2201	M 2.2KOHM, 1/16W	1	
R4482,83	ERJ3EKF1781	M1.78KOHM, 1/16W	2	
R4484,85	ERJ2GE0R00	M 0.0 OHM, J,0.063W	2	
R4486	ERJ3EKF4870	M 487 OHM, 1/16W	1	
R4487	ERJ3EKF5600	M 560 OHM, 1/16W	1	
R4488	ERJ3EKF2201	M 2.2KOHM, 1/16W	1	
R4489	ERJ6GEYJ331	M 330 OHM, J,1/10W	1	
R4490	ERJ6GEYJ102	M 1KOHM, J,1/10W	1	
R4491	ERJ2GE0R00	M 0.0 OHM, J,0.063W	1	
R4492	ERJ6GEYJ102	M 1KOHM, J,1/10W	1	
R4495	ERJ3EKF4302	M 43KOHM, 1/16W	1	
R4496-99	ERJ6GEYJ102	M 1KOHM, J,1/10W	4	
R4500	ERJ3EKF2702V	M27.0KOHM, 1/16W	1	
R4501,02	ERJ6GEYJ102	M 1KOHM, J,1/10W	2	
R4503	ERJ3EKF1600	M 160 OHM, 1/16W	1	
R4505	ERJ2GEJ103	M 10KOHM, J,0.063W	1	
R4506	ERJ2GE0R00	M 0.0 OHM, J,0.063W	1	
R4508	ERJ2GE0R00	M 0.0 OHM, J,0.063W	1	
R4510	ERJ2GE0R00	M 0.0 OHM, J,0.063W	1	
R4514-16	ERJ2GE0R00	M 0.0 OHM, J,0.063W	3	
R4517	ERJ3EKF1371	M 13.7 OHM, 1/16W	1	
R4519	ERJ2GE0R00	M 0.0 OHM, J,0.063W	1	
R4520	ERJ3EKF1691	M1.69KOHM, 1/16W	1	
R4521,22	ERJ2GEJ220	M 22 OHM, J,0.063W	2	
R4523-25	ERJ3EKF33R0	M 33 OHM, 1/16W	3	
R4526	ERJ3EKF1401	M 1.4KOHM, 1/16W	1	
R4527	ERJ2GEJ220	M 22 OHM, J,0.063W	1	
R4528-30	ERJ3EKF33R0	M 33 OHM, 1/16W	3	
R4531	ERJ3EKF2701	M 2.7KOHM, 1/16W	1	
R4532	ERJ3EKF4700	M 470 OHM, 1/16W	1	
R4533	ERJ2GEJ220	M 22 OHM, J,0.063W	1	
R4534,35	ERJ2GEJ101	M 100 OHM, J,0.063W	2	
R4536-38	ERJ3EKF1500	M 150 OHM, 1/16W	3	
R4539	ERJ3EKF1001	M 1KOHM, 1/16W	1	
R4541	ERJ2GE0R00	M 0.0 OHM, J,0.063W	1	
R4543	ERJ2GE0R00	M 0.0 OHM, J,0.063W	1	
R4544	ERJ2GEJ220	M 22 OHM, J,0.063W	1	
R4545-47	ERJ2GE0R00	M 0.0 OHM, J,0.063W	3	
R4548	ERJ2GEJ911X	M 910 OHM, J,0.063W	1	
R4549	ERJ2GE0R00	M 0.0 OHM, J,0.063W	1	
R4550	EXB28V220J	RESISTOR ARRAY	1	
R4551	ERJ2GE0R00	M 0.0 OHM, J,0.063W	1	
R4552	EXB28V220J	RESISTOR ARRAY	1	
R4553	ERJ2GEJ101	M 100 OHM, J,0.063W	1	
R4554	ERJ2GEJ220	M 22 OHM, J,0.063W	1	
R4555	EXB28V220J	RESISTOR ARRAY	1	
R4556,57	ERJ2GEJ220	M 22 OHM, J,0.063W	2	
R4560,61	EXB28V220J	RESISTOR ARRAY	2	
R4562	ERJ2GEJ560	M 56 OHM, J,0.063W	1	
R4563-65	ERJ2GEJ220	M 22 OHM, J,0.063W	3	
R4566	ERJ2GEJ560	M 56 OHM, J,0.063W	1	
R4567	ERJ2GEJ470	M 47 OHM, J,0.063W	1	

Ref. No.	Part No.	Part Name & Description	Pcs	Remarks
R4568	ERJ2GEJ101	M 100 OHM, J,0.063W	1	
R4569	D1HG5608A002	NETWORK RESISTER	1	
R4570,71	EXB28V560JX	RESISTOR ARRAY	2	
R4572	ERJ2GEJ103	M 10KOHM, J,0.063W	1	
R4575	ERJ2GEJ472	M 4.7KOHM, J,0.063W	1	
R4577-79	ERJ2GEJ222	M 2.2KOHM, J,0.063W	3	
R4583,84	ERJ2GEJ390	M 39 OHM, J,0.063W	2	
R4589-04	ERJ2GEJ2R7X	M 2.7OHM, J,0.063W	16	
R4605,06	ERJ2GEJ103	M 10KOHM, J,0.063W	2	
R4607	ERJ2GEJ220	M 22 OHM, J,0.063W	1	
R4609,10	ERJ2GEJ103	M 10KOHM, J,0.063W	2	
R4612,13	ERJ2GEJ472	M 4.7KOHM, J,0.063W	2	
R4617,18	ERJ2GEJ472	M 4.7KOHM, J,0.063W	2	
R4619	ERJ2GEJ473	M 47KOHM, J,0.063W	1	
R4620	ERJ2GEJ560	M 56 OHM, J,0.063W	1	
R4621	ERJ2GEJ473	M 47KOHM, J,0.063W	1	
R4622	ERJ2GEJ560	M 56 OHM, J,0.063W	1	
R4624	ERJ2GEJ560	M 56 OHM, J,0.063W	1	
R4626	ERJ2GEJ560	M 56 OHM, J,0.063W	1	
R4628	ERJ2GEJ103	M 10KOHM, J,0.063W	1	
R4629-32	ERJ2GEJ472	M 4.7KOHM, J,0.063W	4	
R4633,34	ERJ2GEJ220	M 22 OHM, J,0.063W	2	
R4636	ERJ2GEJ103	M 10KOHM, J,0.063W	1	
R4637	ERJ2GEJ330	M 33 OHM, J,0.063W	1	
R4639	ERJ2GEJ103	M 10KOHM, J,0.063W	1	
R4640	ERJ2GEJ220	M 22 OHM, J,0.063W	1	
R4641	EXB28V330J	RESISTOR ARRAY	1	
R4642-45	ERJ2GEJ220	M 22 OHM, J,0.063W	4	
R4647	ERJ2GEJ220	M 22 OHM, J,0.063W	1	
R4648	ERJ2GEJ330	M 33 OHM, J,0.063W	1	
R4655	ERJ2GEJ330	M 33 OHM, J,0.063W	1	
R4657	ERJ2GEJ182	M 1.8KOHM, J,0.063W	1	
R4658	ERJ2GEJ220	M 22 OHM, J,0.063W	1	
R4660	ERJ2GEJ220	M 22 OHM, J,0.063W	1	
R4661	ERJ2GEJ472	M 4.7KOHM, J,0.063W	1	
R4662	ERJ2GEJ220	M 22 OHM, J,0.063W	1	
R4665	EXB2HV220JV	RESISTOR ARRAY	1	
R4667	EXB2HV220JV	RESISTOR ARRAY	1	
R4668	ERJ2GEJ680	M 68 OHM, J,0.063W	1	
R4669	EXB2HV220JV	RESISTOR ARRAY	1	
R4672,73	ERJ2GEJ103	M 10KOHM, J,0.063W	2	
R4675	ERJ3EKF1802	M 18KOHM, 1/16W	1	
R4677	ERJ3EKF1802	M 18KOHM, 1/16W	1	
R4679,80	ERJ3EKF2202	M 22KOHM, 1/16W	2	
R4681,82	ERJ3EKF3302	M 33KOHM, 1/16W	2	
R4701	ERJ2GEJ680	M 68 OHM, J,0.063W	1	
R4706	ERJ2GE0R00	M 0.0 OHM, J,0.063W	1	
R4708,09	ERJ2GEJ680	M 68 OHM, J,0.063W	2	
R4711	ERJ2GEJ103	M 10KOHM, J,0.063W	1	
R4712	ERJ2GE0R00	M 0.0 OHM, J,0.063W	1	
R4713,14	EXB2HV221JV	RESISTOR ARRAY	2	
R4715	ERJ2GE0R00	M 0.0 OHM, J,0.063W	1	
R4718-20	ERJ2GEJ680	M 68 OHM, J,0.063W	3	

Ref. No.	Part No.	Part Name & Description	Pcs	Remarks
R4727	ERJ2GE0R00	M 0.0 OHM, J,0.063W	1	
R4729,30	ERJ3EKF1000	M 100 OHM, 1/16W	2	
R4731	ERJ3EKF1001	M 1KOHM, 1/16W	1	
R4732	ERJ3EKF4751	M 4.75KOHM, 1/16W	1	
R4733	ERJ3EKF75R0	M 0.75HM, 1/16W	1	
R4734	ERJ2GEJ223	M 22KOHM, J,0.063W	1	
R4735	ERJ3EKF2001	M 2KOHM, 1/16W	1	
R4737	ERJ2GE0R00	M 0.0 OHM, J,0.063W	1	
R4738,39	ERJ2GEJ332	M 3.3KOHM, J,0.063W	2	
R4743-47	ERJ2GEJ680	M 68 OHM, J,0.063W	5	
R4749,50	EXB2HV680J	RESISTOR ARRAY	2	
R4751-54	ERJ2GEJ220	M 22 OHM, J,0.063W	4	
R4756-60	ERJ2GEJ680	M 68 OHM, J,0.063W	5	
R4762	EXB2HV680J	RESISTOR ARRAY	1	
R4763-65	ERJ2GE0R00	M 0.0 OHM, J,0.063W	3	
R4772	EXB2HV470JV	RESISTOR ARRAY	1	
R4773	ERJ2GEJ470	M 47 OHM, J,0.063W	1	
R4774	EXB2HV470JV	RESISTOR ARRAY	1	
R4775	ERJ2GEJ470	M 47 OHM, J,0.063W	1	
R4776	EXB2HV470JV	RESISTOR ARRAY	1	
R4777	ERJ2GEJ470	M 47 OHM, J,0.063W	1	
R4778	EXB2HV470JV	RESISTOR ARRAY	1	
R4779	ERJ2GEJ470	M 47 OHM, J,0.063W	1	
R4782	ERJ2GEJ220	M 22 OHM, J,0.063W	1	
R4783	ERJ2GEJ472	M 4.7KOHM, J,0.063W	1	
R4784	ERJ2GEJ220	M 22 OHM, J,0.063W	1	
R4785	ERJ2GEJ472	M 4.7KOHM, J,0.063W	1	
R4788	EXB2HV470JV	RESISTOR ARRAY	1	
R4791,92	ERJ2GEJ470	M 47 OHM, J,0.063W	2	
R4793,94	ERJ2GEJ220	M 22 OHM, J,0.063W	2	
R4796	EXB2HV470JV	RESISTOR ARRAY	1	
R4804	ERJ2GEJ101	M 100 OHM, J,0.063W	1	
R4805,06	ERJ3EKF1001	M 1KOHM, 1/16W	2	
R4807-11	ERJ2GE0R00	M 0.0 OHM, J,0.063W	5	
R4814	ERJ2GEJ103	M 10KOHM, J,0.063W	1	
R4816,17	ERJ2GEJ223	M 22KOHM, J,0.063W	2	
R4819	ERJ2GEJ223	M 22KOHM, J,0.063W	1	
R4822	ERJ2GEJ103	M 10KOHM, J,0.063W	1	
R4823-25	J0JAD0000025	CHIP INDUCTOR	3	
R4826,27	EXB2HVR000	RESISTOR ARRAY	2	TH-42PX600B
R4830,31	ERJ2GE0R00	M 0.0 OHM, J,0.063W	2	TH-42PX600B
R4837	ERJ2GEJ220	M 22 OHM, J,0.063W	1	
R4838	ERJ2GEJ112	M 1.1KOHM, J,0.063W	1	
R4840	ERJ2GE0R00	M 0.0 OHM, J,0.063W	1	TH-42PX600B
R4891	ERJ2GE0R00	M 0.0 OHM, J,0.063W	1	
R4898	ERJ2GEJ103	M 10KOHM, J,0.063W	1	
R4960	EXB2HV680J	RESISTOR ARRAY	1	
R4961-63	ERJ2GEJ680	M 68 OHM, J,0.063W	3	
R4964	EXB2HV680J	RESISTOR ARRAY	1	
R4965,66	ERJ2GEJ680	M 68 OHM, J,0.063W	2	
R4967	EXB2HV680J	RESISTOR ARRAY	1	
R4968-72	ERJ2GEJ680	M 68 OHM, J,0.063W	5	

Ref. No.	Part No.	Part Name & Description	Pcs	Remarks
R5601	ERJ3EKF1800	M 180 OHM, 1/16W	1	
R5603	ERJ3EKF1542	M15.4KOHM, 1/16W	1	
R5605	ERJ3GEYJ472	M 4.7KOHM, J, 1/16W	1	
R5606	ERJ3GEYJ222	M 2.2KOHM, J, 1/16W	1	
R5607	ERJ3EKF4531	M4.53KOHM, 1/16W	1	
R5609	ERJ3EKF2000	M 200 OHM, 1/16W	1	
R5611	ERJ6ENF8202	M 82KOHM, 1/10W	1	
R5612	ERJ6ENF1602	M 16KOHM, 1/10W	1	
R5615	ERJ3GEYJ103	M 10KOHM, J, 1/16W	1	
R5617	ERJ3GEYJ102	M 1KOHM, J, 1/16W	1	
R5619	ERJ3GEYJ333	M 33KOHM, J, 1/16W	1	
R5620	ERJ3GEYJ102	M 1KOHM, J, 1/16W	1	
R5621	ERJ3GEYJ472	M 4.7KOHM, J, 1/16W	1	
R5625-27	ERJ3GEYJ472	M 4.7KOHM, J, 1/16W	3	
R5632	ERJ3GEYJ471	M 470 OHM, J, 1/16W	1	
R5633	ERJ3GEYJ102	M 1KOHM, J, 1/16W	1	
R5634	ERJ3GEYJ471	M 470 OHM, J, 1/16W	1	
R5635	ERJ3GEYJ221	M 220 OHM, J, 1/16W	1	
R5637, 38	ERJ3GEYJ103	M 10KOHM, J, 1/16W	2	
R5639	ERJ3GEYJ222	M 2.2KOHM, J, 1/16W	1	
R5640	ERJ3GEYJ472	M 4.7KOHM, J, 1/16W	1	
R5641	ERJ3GEYJ222	M 2.2KOHM, J, 1/16W	1	
R5642	ERJ3GEYJ471	M 470 OHM, J, 1/16W	1	
R5643	ERJ3GEYJ102	M 1KOHM, J, 1/16W	1	
R5644	ERJ3GEYJ222	M 2.2KOHM, J, 1/16W	1	
R5645	ERJ3EKF2201	M 2.2KOHM, 1/16W	1	
R5646	ERJ3EKF4701	M 4.7KOHM, 1/16W	1	
R5647	ERJ3GEYJ221	M 220 OHM, J, 1/16W	1	
R5648	ERJ3GEYJ392	M 3.9KOHM, J, 1/16W	1	
R5649	ERJ3GEYJ104	M 100KOHM, J, 1/16W	1	
R5650	ERJ3GEYJ221	M 220 OHM, J, 1/16W	1	
R5652	ERJ3GEY0R00	M 0 OHM, 1/16W	1	
R5653, 54	ERJ3GEYJ103	M 10KOHM, J, 1/16W	2	
R5659	ERJ3EKF4700	M 470 OHM, 1/16W	1	
R5660	ERJ3GEY0R00	M 0 OHM, 1/16W	1	
R5662	ERJ3GEYJ472	M 4.7KOHM, J, 1/16W	1	
R5664	ERJ3GEYJ472	M 4.7KOHM, J, 1/16W	1	
R5665	ERJ3GEYJ473	M 47KOHM, J, 1/16W	1	
R5667-69	ERJ3GEYJ473	M 47KOHM, J, 1/16W	3	
R5672	ERJ3GEYJ103	M 10KOHM, J, 1/16W	1	
R5676	ERJ3GEYJ103	M 10KOHM, J, 1/16W	1	
R5692	ERJ3GEYJ102	M 1KOHM, J, 1/16W	1	
R5693	ERJ3GEYJ333	M 33KOHM, J, 1/16W	1	
R5694	ERJ3GEYJ473	M 47KOHM, J, 1/16W	1	
R5695	ERJ3GEYJ103	M 10KOHM, J, 1/16W	1	
R5801	ERJ3EKF8450	M 845 OHM, 1/16W	1	
R5802	ERJ3EKF1302	M 23KOHM, 1/16W	1	
R5803	ERJ3EKF2001	M 2KOHM, 1/16W	1	
R5804	ERJ3GEY0R00	M 0 OHM, 1/16W	1	
R5805-07	ERJ3GEYJ222	M 2.2KOHM, J, 1/16W	3	
R5809	ERJ3GEYJ472	M 4.7KOHM, J, 1/16W	1	
R5822-24	ERJ3GEYJ101	M 100 OHM, J, 1/16W	3	
R5836	ERJ3GEYJ102	M 1KOHM, J, 1/16W	1	
R6001-06	ERJ14YJ150U	M 15 OHM, J, 1/4W	6	
R6020	ERG3FJS101D	M 100 OHM, J, 3W	1	
R6021	ERJ14YJ150U	M 15 OHM, J, 1/4W	1	
R6022	ERG3FJS101D	M 100 OHM, J, 3W	1	
R6023-27	ERJ14YJ150U	M 15 OHM, J, 1/4W	5	
R6031, 32	ERJ6ENF8202	M 82KOHM, 1/10W	2	
R6033	ERJ6ENF5602	M 56KOHM, 1/10W	1	
R6034	ERJ6ENF2702	M 27KOHM, 1/10W	1	
R6041-44	ERJ14YJ100	M 10 OHM, J, 1/4W	4	
R6051-54	ERJ14YJ100	M 10 OHM, J, 1/4W	4	

Ref. No.	Part No.	Part Name & Description	Pcs	Remarks
R6061, 62	ERJ6GEYJ224	M 220KOHM, J, 1/10W	2	
R6101-08	ERJ6GEYJ101	M 100 OHM, J, 1/10W	8	
R6109	DOG100JA036	M 10 OHM, J, 0.25W	1	
R6110	ERJ6GEYJ103	M 10KOHM, J, 1/10W	1	
R6111, 12	DOG1470JA036	M 47 OHM, J, 0.25W	2	
R6113	ERJ14YJ224	M 220KOHM, J, 1/4W	1	
R6114	DOG1470JA036	M 47 OHM, J, 0.25W	1	
R6116	ERJ6GEYJ103	M 10KOHM, J, 1/10W	1	
R6131, 32	ERJ6GEYJ101	M 100 OHM, J, 1/10W	2	
R6133, 34	ERJ6GEYJ151	M 150 OHM, J, 1/10W	2	
R6135, 36	DOG100JA036	M 10 OHM, J, 0.25W	2	
R6141, 42	ERJ6GEYJ103	M 10KOHM, J, 1/10W	2	
R6146, 47	ERJ6GEYJ103	M 10KOHM, J, 1/10W	2	
R6151, 52	ERJ6GEYJ101	M 100 OHM, J, 1/10W	2	
R6153, 54	ERJ6GEYJ151	M 150 OHM, J, 1/10W	2	
R6155, 56	ERJ6GEY0R00	M 0 OHM, 1/10W	2	
R6157-60	DOGF1R0JA047	M 1.0 OHM, J, 0.33W	4	
R6171	DOG100JA036	M 10 OHM, J, 0.25W	1	
R6172, 73	ERJ6GEYJ103	M 10KOHM, J, 1/10W	2	
R6181	DOG100JA036	M 10 OHM, J, 0.25W	1	
R6182, 83	ERJ6GEYJ103	M 10KOHM, J, 1/10W	2	
R6191-94	ERJ6GEYJ101	M 100 OHM, J, 1/10W	4	
R6195	DOG104JA036	M 100KOHM, J, 0.25W	1	
R6196	ERJ6GEYJ104	M 100KOHM, J, 1/10W	1	
R6213	ERJ6GEYJ101	M 100 OHM, J, 1/10W	1	
R6214	DOG151JA036	M 150 OHM, J, 0.25W	1	
R6222	ERG1FJS103D	M 10KOHM, J, 1W	1	
R6223	ERG2FJS123D	M 12KOHM, J, 2W	1	
R6225	DOG203JA036	M 20KOHM, J, 0.25W	1	
R6226, 27	ERJ6GEYJ163	M 16KOHM, J, 1/10W	2	
R6228	ERJ6GEYJ562	M 5.6KOHM, J, 1/10W	1	
R6229	ERJ6GEYJ163	M 16KOHM, J, 1/10W	1	
R6231	ERJ6GEY0R00	M 0 OHM, 1/10W	1	
R6232	ERJ6ENF1201	M 1.2KOHM, 1/10W	1	
R6241	EXB38V470J	RESISTOR ARRAY	1	
R6242	EXB38V472J	RESISTOR ARRAY	1	
R6243	ERJ6GEYJ470	M 47 OHM, J, 1/10W	1	
R6244	ERJ6GEYJ472	M 4.7KOHM, J, 1/10W	1	
R6245	ERJ6GEYJ470	M 47 OHM, J, 1/10W	1	
R6246	ERJ6GEYJ472	M 4.7KOHM, J, 1/10W	1	
R6251	DOG103JA036	M 10KOHM, J, 0.25W	1	
R6252, 53	ERJ6ENF3902	M 39KOHM, 1/10W	2	
R6254	ERJ6ENF8201	M 8.2KOHM, 1/10W	1	
R6255	ERJ6ENF1201	M 1.2KOHM, 1/10W	1	
R6256	ERJ6ENF1501	M 1.5KOHM, 1/10W	1	
R6257	ERJ6GEYJ103	M 10KOHM, J, 1/10W	1	
R6258	ERJ6GEYJ222	M 2.2KOHM, J, 1/10W	1	
R6261	ERJ6GEYJ104	M 100KOHM, J, 1/10W	1	
R6401-06	ERJ14YJ150U	M 15 OHM, J, 1/4W	6	
R6421-26	ERJ14YJ150U	M 15 OHM, J, 1/4W	6	
R6441-44	ERJ14YJ100	M 10 OHM, J, 1/4W	4	
R6451-54	ERJ14YJ100	M 10 OHM, J, 1/4W	4	
R6465	ERJ6ENF2702	M 27KOHM, 1/10W	1	
R6466	ERJ6ENF5602	M 56KOHM, 1/10W	1	
R6467, 68	ERJ6ENF8202	M 82KOHM, 1/10W	2	

Ref. No.	Part No.	Part Name & Description	Pcs	Remarks
R6471	ERJ6GEYJ392	M 3.9KOHM, J, 1/10W	1	
R6472	ERJ6GEYJ222	M 2.2KOHM, J, 1/10W	1	
R6473	ERJ6GEYJ561	M 560 OHM, J, 1/10W	1	
R6474	ERJ6GEYJ102	M 1KOHM, J, 1/10W	1	
R6475, 7 6	ERJ6GEYJ472	M 4.7KOHM, J, 1/10W	2	
R6477	ERJ6GEYJ102	M 1KOHM, J, 1/10W	1	
R6478	ERJ6GEYJ472	M 4.7KOHM, J, 1/10W	1	
R6479	ERJ6GEYJ104	M 100KOHM, J, 1/10W	1	
R6501, 0 2	ERJ6GEYJ101	M 100 OHM, J, 1/10W	2	
R6503	D0GD100JA036	M 10 OHM, J, 0.25W	1	
R6504, 0 5	ERJ6GEYJ151	M 150 OHM, J, 1/10W	2	
R6506	D0GD100JA036	M 10 OHM, J, 0.25W	1	
R6507- 09	D0GF1R0JA047	M 1.0 OHM, J, 0.33W	3	
R6511, 1 2	ERJ6GEYJ103	M 10KOHM, J, 1/10W	2	
R6516, 1 7	ERJ6GEYJ103	M 10KOHM, J, 1/10W	2	
R6521, 2 2	ERJ6GEYJ101	M 100 OHM, J, 1/10W	2	
R6523, 2 4	ERJ6GEYJ151	M 150 OHM, J, 1/10W	2	
R6525, 2 6	ERJ6GEY0R00	M 0 OHM, 1/10W	2	
R6531	D0GD100JA036	M 10 OHM, J, 0.25W	1	
R6532, 3 3	ERJ6GEYJ103	M 10KOHM, J, 1/10W	2	
R6551	D0GD100JA036	M 10 OHM, J, 0.25W	1	
R6552, 5 3	ERJ6GEYJ103	M 10KOHM, J, 1/10W	2	
R6561- 64	EXB38V470J	RESISTOR ARRAY	4	
R6565- 68	EXB38V472J	RESISTOR ARRAY	4	
R6581	D0GD103JA036	M 10KOHM, J, 0.25W	1	
R6582, 8 3	ERJ6ENF3902	M 39KOHM, 1/10W	2	
R6584	ERJ6ENF1002	M 10KOHM, 1/10W	1	
R6585	ERJ6ENF1201	M 1.2KOHM, 1/10W	1	
R6586	ERJ6ENF1801	M 1.8KOHM, 1/10W	1	
R6587	ERJ6GEYJ222	M 2.2KOHM, J, 1/10W	1	
R6588	ERJ6GEYJ103	M 10KOHM, J, 1/10W	1	
R6590	ERJ6GEYJ221	M 220 OHM, J, 1/10W	1	
R6591	EXB38V472J	RESISTOR ARRAY	1	
R6592	ERJ6GEYJ472	M 4.7KOHM, J, 1/10W	1	
R6603	ERJ6GEYJ101	M 100 OHM, J, 1/10W	1	
R6604	D0GD151JA036	M 150 OHM, J, 0.25W	1	
R6605	ERJ6GEYJ104	M 100KOHM, J, 1/10W	1	
R6606	ERJ6GEY0R00	M 0 OHM, 1/10W	1	
R6607	ERJ6ENF5601	M 5.6KOHM, 1/10W	1	
R6608, 0 9	D0GF102JA047	M 1.0 KOHM, J, 0.33W	2	
R6610	ERJ6GEYJ104	M 100KOHM, J, 1/10W	1	
R6611	ERJ6GEYJ105	M 1MOHM, J, 1/10W	1	
R6612	ERJ6GEYJ470	M 47 OHM, J, 1/10W	1	
R6613	ERJ6GEYJ105	M 1MOHM, J, 1/10W	1	
R6614, 1 5	D0GF243JA047	M 24 KOHM, J, 0.33W	2	
R6616	ERJ6ENF1502	M 15KOHM, 1/10W	1	
R6617	ERJ6GEYJ105	M 1MOHM, J, 1/10W	1	
R6618	ERJ6ENF1202	M 12KOHM, 1/10W	1	
R6619	ERJ6ENF1501	M 1.5KOHM, 1/10W	1	
R6620	D0D28R2JA021	M 8.2 OHM, J, 5W	1	
R6621, 2 2	ERJ6GEYJ221	M 220 OHM, J, 1/10W	2	
R6641, 4 2	ERJ6GEYJ100	M 10 OHM, J, 1/10W	2	
R6644, 4 5	ERJ6GEYJ100	M 10 OHM, J, 1/10W	2	
R6647, 4 8	ERJ6GEYJ100	M 10 OHM, J, 1/10W	2	
R6658	D0D1101JA009	M 100 OHM, J, 1W	1	
R6659, 6 0	ERJ6GEYJ224	M 220KOHM, J, 1/10W	2	

Ref. No.	Part No.	Part Name & Description	Pcs	Remarks
R6661	ERJ6GEYJ104	M 100KOHM, J, 1/10W	1	
R6662	ERJ6ENF3001	M 3KOHM, 1/10W	1	
R6663	ERJ6GEYJ103	M 10KOHM, J, 1/10W	1	
R6664	D0GF222JA047	M 2.2 KOHM, J, 0.33W	1	
R6665	ERJ14YJ470	M 47 OHM, J, 1/2W	1	
R6666	ERJ6GEYJ104	M 100KOHM, J, 1/10W	1	
R6667, 6 8	ERJ6GEYJ472	M 4.7KOHM, J, 1/10W	2	
R6671	ERJ6GEYJ470	M 47 OHM, J, 1/10W	1	
R6672	ERJ6GEYJ103	M 10KOHM, J, 1/10W	1	
R6673, 7 4	D0GD5R6JA059	M 5.6 OHM, J, 0.25W	2	
R6682	ERJ6GEYJ101	M 100 OHM, J, 1/10W	1	
R6683	D0GD151JA036	M 150 OHM, J, 0.25W	1	
R6684	ERJ6GEYJ100	M 10 OHM, J, 1/10W	1	
R6685	ERJ6GEYJ471	M 470 OHM, J, 1/10W	1	
R6686	ERJ6GEYJ103	M 10KOHM, J, 1/10W	1	
R6687	ERJ6GEYJ222	M 2.2KOHM, J, 1/10W	1	
R6688	ERJ6GEYJ472	M 4.7KOHM, J, 1/10W	1	
R6689	ERJ6GEYJ100	M 10 OHM, J, 1/10W	1	
R6690	ERJ6GEYJ151	M 150 OHM, J, 1/10W	1	
R6691	ERJ6GEYJ103	M 10KOHM, J, 1/10W	1	
R6696, 9 7	D0D32R2JA020	M 2.2 OHM, J, 5W	2	
R6700- 08	ERJ6GEYJ471	M 470 OHM, J, 1/10W	9	
R6710- 18	ERJ6GEYJ222	M 2.2KOHM, J, 1/10W	9	
R6721, 2 2	EXB38V220J	RESISTOR ARRAY	2	
R6723	ERJ6GEYJ222	M 2.2KOHM, J, 1/10W	1	
R6724	ERJ6GEYJ101	M 100 OHM, J, 1/10W	1	
R6742	ERJ6GEYJ103	M 10KOHM, J, 1/10W	1	
R6743	ERJ6GEYJ102	M 1KOHM, J, 1/10W	1	
R6744	ERJ6GEYJ103	M 10KOHM, J, 1/10W	1	
R6745	ERJ6GEYJ472	M 4.7KOHM, J, 1/10W	1	
R6746, 4 7	D0GD103JA036	M 10KOHM, J, 0.25W	2	
R6755	ERJ6GEYJ101	M 100 OHM, J, 1/10W	1	
R6756- 58	D0GD101JA059	M 100 OHM, J, 0.25W	3	
R6759	ERJ6GEYJ472	M 4.7KOHM, J, 1/10W	1	
R6760	ERJ6GEYJ122	M 1.2KOHM, J, 1/10W	1	
R6761	ERJ6GEYJ100	M 10 OHM, J, 1/10W	1	
R6762	ERJ6GEYJ103	M 10KOHM, J, 1/10W	1	
R6775, 7 6	ERJ6GEYJ101	M 100 OHM, J, 1/10W	2	
R6777	D0GD151JA036	M 150 OHM, J, 0.25W	1	
R6781	ERJ6GEYJ470	M 47 OHM, J, 1/10W	1	
R6782	ERJ6GEYJ103	M 10KOHM, J, 1/10W	1	
R6791	ERJ6GEYJ102	M 1KOHM, J, 1/10W	1	
R6792	ERJ6GEYJ103	M 10KOHM, J, 1/10W	1	
R6793	ERJ6GEYJ101	M 100 OHM, J, 1/10W	1	
R6801, 0 2	ERX1FJSR22D	M0.22 OHM, J, 1W	2	
R6806	ERJ6GEYJ103	M 10KOHM, J, 1/10W	1	
R6807	ERJ6GEYJ332	M 3.3KOHM, J, 1/10W	1	
R6808	ERG3FJS560D	M 56 OHM, J, 3W	1	
R6809	ERJ6GEYJ103	M 10KOHM, J, 1/10W	1	
R6810, 1 1	ERJ6GEYJ473	M 47KOHM, J, 1/10W	2	
R6812	ERJ6ENF2403	M 240KOHM, 1/10W	1	
R6813	ERJ6ENF1002	M 10KOHM, 1/10W	1	
R6814	ERJ6ENF5601	M 5.6KOHM, 1/10W	1	
R6815	ERG2FJS183D	M 18KOHM, J, 2W	1	
R6816	ERJ6ENF1582	M15.8KOHM, 1/10W	1	
R6817	ERJ6ENF2701	M 2.7KOHM, 1/10W	1	
R6821	ERG2FJS221D	M 220 OHM, J, 2W	1	
R6822	ERJ12YJ104U	M 100KOHM, 1/2W	1	
R6823	ERG1FJS104D	M 100KOHM, J, 1W	1	
R6824	ERJ6GEYJ562	M 5.6KOHM, J, 1/10W	1	
R6825, 2 6	ERJ6ENF2703	M 270KOHM, 1/10W	2	
R6827	ERJ6GEY0R00	M 0 OHM, 1/10W	1	
R6828	ERJ6ENF5231	M5.23KOHM, 1/10W	1	

Ref. No.	Part No.	Part Name & Description	Pcs	Remarks
R6829,30	ERJ6GEYJ224	M 220KOHM, J, 1/10W	2	
R6831	ERJ6GEYJ153	M 15KOHM, J, 1/10W	1	
R6833-35	ERJ6ENF5602	M 56KOHM, 1/10W	3	
R6836	ERJ6ENF6802	M 68KOHM, 1/10W	1	
R6837	ERJ6ENF4702	M 47KOHM, 1/10W	1	
R6839	ERJ6GEYJ472	M 4.7KOHM, J, 1/10W	1	
R6841	ERJ12YJ153U	M 15KOHM, 1/2W	1	
R6842	ERJ14YJ433U	M 43KOHM, 1/2W	1	
R6843	ERJ6GEYJ623	M 62KOHM, J, 1/10W	1	
R6844	ERG2FJS101D	M 100 OHM, J, 2W	1	
R6845	ERJ6GEYJ623	M 62KOHM, J, 1/10W	1	
R6846,47	ERJ6GEYJ563	M 56KOHM, J, 1/10W	2	
R6848	ERJ6GEYJ103	M 10KOHM, J, 1/10W	1	
R6849,50	ERJ6ENF6802	M 68KOHM, 1/10W	2	
R6851	ERJ6ENF1201	M 1.2KOHM, 1/10W	1	
R6852	ERJ6ENF2491	M 2.49KOHM, 1/10W	1	
R6853	ERJ6GEYJ101	M 100 OHM, J, 1/10W	1	
R6860	DOD28R2JA021	M 8.2 OHM, J, 5W	1	
R6861	ERJ6ENF3902	M 39KOHM, 1/10W	1	
R6862,63	ERJ6ENF4702	M 47KOHM, 1/10W	2	
R6864	ERJ6ENF9101	M 9.1KOHM, 1/10W	1	
R6865,66	ERJ6ENF2201	M 2.2KOHM, 1/10W	2	
R6867	ERJ6GEYJ392	M 3.9KOHM, J, 1/10W	1	
R6868	ERJ6GEYJ223	M 22KOHM, J, 1/10W	1	
R6869	ERJ6GEYJ472	M 4.7KOHM, J, 1/10W	1	
R6871-73	ERJ6ENF3902	M 39KOHM, 1/10W	3	
R6874	ERJ6ENF8201	M 8.2KOHM, 1/10W	1	
R6875	ERJ6ENF3301	M 3.3KOHM, 1/10W	1	
R6876	ERJ6ENF1201	M 1.2KOHM, 1/10W	1	
R6877	ERJ6GEYJ392	M 3.9KOHM, J, 1/10W	1	
R6878	ERJ6GEYJ223	M 22KOHM, J, 1/10W	1	
R6879	ERJ6GEYJ472	M 4.7KOHM, J, 1/10W	1	
R6886-88	ERJ6GEYJ224	M 220KOHM, J, 1/10W	3	
R6901	ERJ6GEYJ101	M 100 OHM, J, 1/10W	1	
R6902-04	ERJ3GEYJ220	M 22 OHM, J, 1/16W	3	
R6905	ERJ6GEYJ221	M 220 OHM, J, 1/10W	1	
R6909	ERJ6GEYJ221	M 220 OHM, J, 1/10W	1	
R6913	ERJ6GEYJ221	M 220 OHM, J, 1/10W	1	
R6917	ERJ6GEYJ221	M 220 OHM, J, 1/10W	1	
R6924	ERJ6GEYJ221	M 220 OHM, J, 1/10W	1	
R6931-34	ERJ6GEYJ103	M 10KOHM, J, 1/10W	4	
R6935,36	ERJ8GEYJ224	M 220KOHM, J, 1/8W	2	
R6951	ERJ6GEYJ101	M 100 OHM, J, 1/10W	1	
R6952-54	ERJ3GEYJ220	M 22 OHM, J, 1/16W	3	
R6955	ERJ6GEYJ221	M 220 OHM, J, 1/10W	1	
R6959	ERJ6GEYJ221	M 220 OHM, J, 1/10W	1	
R6963	ERJ6GEYJ221	M 220 OHM, J, 1/10W	1	
R6967	ERJ6GEYJ221	M 220 OHM, J, 1/10W	1	
R6971	ERJ6GEYJ221	M 220 OHM, J, 1/10W	1	
R6981-84	ERJ6GEYJ103	M 10KOHM, J, 1/10W	4	
R6985,86	ERJ8GEYJ224	M 220KOHM, J, 1/8W	2	
R7112	ERJ6GEYJ102	M 1KOHM, J, 1/10W	1	
R7113,14	ERJ3GEYJ220	M 22 OHM, J, 1/16W	2	
R7115	ERJ3GEYJ223	M 22KOHM, J, 1/16W	1	
R7116	ERJ3GEYJ104	M 100KOHM, J, 1/16W	1	
R7118,19	ERJ3GEYJ220	M 22 OHM, J, 1/16W	2	
R7120	ERJ3GEYJ470	M 47 OHM, J, 1/16W	1	
R7122-25	ERJ12YJ6R8U	M 6.8 OHM, J, 1/2W	4	
R7126	ERJ6GEYJ224	M 220KOHM, J, 1/10W	1	

Ref. No.	Part No.	Part Name & Description	Pcs	Remarks
R7127,28	ERJ3GEYJ470	M 47 OHM, J, 1/16W	2	
R7132-37	EXB38V470J	RESISTOR ARRAY	6	
R7139,40	ERJ3GEYJ470	M 47 OHM, J, 1/16W	2	
R7142-45	ERJ12YJ6R8U	M 6.8 OHM, J, 1/2W	4	
R7146	ERJ3GEYJ470	M 47 OHM, J, 1/16W	1	
R7149	ERJ3GEYJ470	M 47 OHM, J, 1/16W	1	
R7151-54	ERJ12YJ6R8U	M 6.8 OHM, J, 1/2W	4	
R7155	EXB38V102J	RESISTOR ARRAY	1	
R7156	ERJ3GEYJ470	M 47 OHM, J, 1/16W	1	
R7158,59	EXB38V470J	RESISTOR ARRAY	2	
R7162-67	EXB38V102J	RESISTOR ARRAY	6	
R7169	ERJ3GEYJ470	M 47 OHM, J, 1/16W	1	
R7171-74	ERJ12YJ6R8U	M 6.8 OHM, J, 1/2W	4	
R7175	ERJ3GEYJ470	M 47 OHM, J, 1/16W	1	
R7177	EXB38V102J	RESISTOR ARRAY	1	
R7179,80	ERJ3GEY0R00	M 0 OHM, 1/16W	2	
R7186,87	EXB38V470J	RESISTOR ARRAY	2	
R7201-07	EXB38V470J	RESISTOR ARRAY	7	
R7208-10	ERJ3GEYJ470	M 47 OHM, J, 1/16W	3	
R7212-15	ERJ12YJ6R8U	M 6.8 OHM, J, 1/2W	4	
R7216	EXB38V470J	RESISTOR ARRAY	1	
R7217	ERJ3GEYJ470	M 47 OHM, J, 1/16W	1	
R7219	ERJ6GEYJ224	M 220KOHM, J, 1/10W	1	
R7221	ERJ3GEYJ470	M 47 OHM, J, 1/16W	1	
R7223-26	ERJ12YJ6R8U	M 6.8 OHM, J, 1/2W	4	
R7227	ERJ3GEYJ470	M 47 OHM, J, 1/16W	1	
R7229	ERJ6GEY0R00	M 0 OHM, 1/10W	1	
R7231	ERJ3GEYJ470	M 47 OHM, J, 1/16W	1	
R7232-35	ERJ12YJ6R8U	M 6.8 OHM, J, 1/2W	4	
R7236	ERJ3GEYJ470	M 47 OHM, J, 1/16W	1	
R7237-42	EXB38V102J	RESISTOR ARRAY	6	
R7245	EXB38V102J	RESISTOR ARRAY	1	
R7246-49	ERJ3GEYJ220	M 22 OHM, J, 1/16W	4	
R7250,51	EXB38V470J	RESISTOR ARRAY	2	
R7256,57	ERJ3GEY0R00	M 0 OHM, 1/16W	2	
R7258	EXB38V102J	RESISTOR ARRAY	1	
R7260	ERJ3GEYJ470	M 47 OHM, J, 1/16W	1	
R7262-65	ERJ12YJ6R8U	M 6.8 OHM, J, 1/2W	4	
R7266	ERJ3GEYJ470	M 47 OHM, J, 1/16W	1	
R7269	ERJ6GEYJ102	M 1KOHM, J, 1/10W	1	
R7270	ERJ3GEYJ223	M 22KOHM, J, 1/16W	1	
R7271	ERJ3GEYJ104	M 100KOHM, J, 1/16W	1	
R7701	ERJ3GEYJ470	M 47 OHM, J, 1/16W	1	
R7702	ERJ3GEY0R00	M 0 OHM, 1/16W	1	
R7703-05	ERJ3GEYJ470	M 47 OHM, J, 1/16W	3	
R7706	ERJ6GEY0R00	M 0 OHM, 1/10W	1	
R7707	ERJ3GEYJ562	M 5.6KOHM, J, 1/16W	1	
R7708	ERJ3GEY0R00	M 0 OHM, 1/16W	1	
R7709	ERJ3GEYJ470	M 47 OHM, J, 1/16W	1	
R7710	ERJ3GEYJ101	M 100 OHM, J, 1/16W	1	
R7713	ERJ3GEYJ220	M 22 OHM, J, 1/16W	1	
R7714	ERJ3GEYJ473	M 47KOHM, J, 1/16W	1	
R7716	ERJ3GEY0R00	M 0 OHM, 1/16W	1	
R7721-29	ERJ3GEY0R00	M 0 OHM, 1/16W	9	

Ref. No.	Part No.	Part Name & Description	Pcs	Remarks
R7751-55	ERJ3GEYJ103	M 10KOHM, J, 1/16W	5	
R7757	ERJ3GEY0R00	M 0 OHM, 1/16W	1	
R7759	ERJ6GEY0R00	M 0 OHM, 1/10W	1	
R7760-62	ERJ3GEYJ103	M 10KOHM, J, 1/16W	3	
R7764-71	ERJ3GEY0R00	M 0 OHM, 1/16W	8	
R7773-76	ERJ3GEYJ470	M 47 OHM, J, 1/16W	4	
R7777	ERJ3GEYJ473	M 47KOHM, J, 1/16W	1	
R7779	ERJ6GEYJ101	M 100 OHM, J, 1/10W	1	
R7780	ERJ3GEYJ223	M 22KOHM, J, 1/16W	1	
R7781	ERJ3GEYJ562	M 5.6KOHM, J, 1/16W	1	
R7783	ERJ3GEYJ103	M 10KOHM, J, 1/16W	1	
R7798-03	ERJ3GEY0R00	M 0 OHM, 1/16W	6	
R8001	ERJ2GEJ103	M 10KOHM, J, 0.063W	1	TH-42PX600B
R8002	ERJ2GEJ272	M 2.7KOHM, J, 0.063W	1	TH-42PX600B
R8003, 04	ERJ2GEJ181	M 180 OHM, J, 0.063W	2	TH-42PX600B
R8006	ERJ8GEY0R00	M 0 OHM, 1/8W	1	TH-42PX600B
R8008	ERJ2GEJ102	M 1KOHM, J, 0.063W	1	TH-42PX600B
R8010-12	ERJ2GEJ103	M 10KOHM, J, 0.063W	3	TH-42PX600B
R8014, 15	ERJ2GEJ103	M 10KOHM, J, 0.063W	2	TH-42PX600B
R8017, 18	ERJ3GEY0R00	M 0 OHM, 1/16W	2	TH-42PX600B
R8020-22	ERJ2GEJ103	M 10KOHM, J, 0.063W	3	TH-42PX600B
R8027	D1HG5608A002	NETWORK RESISTER	1	TH-42PX600B
R8028-30	ERJ2GEJ560	M 56 OHM, J, 0.063W	3	TH-42PX600B
R8033	ERJ2GEJ472	M 4.7KOHM, J, 0.063W	1	TH-42PX600B
R8034, 35	ERJ3GEY0R00	M 0 OHM, 1/16W	2	TH-42PX600B
R8036	ERJ3GEYJ163	M 16KOHM, J, 1/16W	1	TH-42PX600B
R8038	ERJ2GEJ560	M 56 OHM, J, 0.063W	1	TH-42PX600B
R8039, 40	ERJ2GEJ472	M 4.7KOHM, J, 0.063W	2	TH-42PX600B
R8041	ERJ2GEJ154	M 150KOHM, J, 0.063W	1	TH-42PX600B
R8046	ERJ2GEJ330	M 33 OHM, J, 0.063W	1	TH-42PX600B
R8047-50	ERJ2GEJ101	M 100 OHM, J, 0.063W	4	TH-42PX600B
R8051	EXB38V330J	RESISTOR ARRAY	1	TH-42PX600B
R8052-55	ERJ2GEJ103	M 10KOHM, J, 0.063W	4	TH-42PX600B
R8056	ERJ2GEJ330	M 33 OHM, J, 0.063W	1	TH-42PX600B
R8057	ERJ2GEJ680	M 68 OHM, J, 0.063W	1	TH-42PX600B
R8058	EXB38V330J	RESISTOR ARRAY	1	TH-42PX600B
R8059	ERJ2GEJ103	M 10KOHM, J, 0.063W	1	TH-42PX600B
R8073	ERJ2GEJ105	M 1MOHM, J, 0.063W	1	TH-42PX600B
R8074, 75	ERJ2GEJ181	M 180 OHM, J, 0.063W	2	TH-42PX600B
R8076	ERJ2GEJ103	M 10KOHM, J, 0.063W	1	TH-42PX600B
R8078	ERJ2GEJ562	M 5.6KOHM, J, 0.063W	1	TH-42PX600B
R8079	ERJ2GEJ473	M 47KOHM, J, 0.063W	1	TH-42PX600B
R8084, 85	D1HG1218A002	NETWORK RESISTER	2	TH-42PX600B
R8086-88	ERJ2GEJ560	M 56 OHM, J, 0.063W	3	TH-42PX600B
R8101	ERJ3GEYF181	M 180 OHM, J, 1/16W	1	TH-42PX600B PAVCCZ
R8104	ERJ2GEJ560	M 56 OHM, J, 0.063W	1	TH-42PX600B
R8106, 07	ERJ2GEJ103	M 10KOHM, J, 0.063W	2	TH-42PX600B
R8108	ERJ3EKF1002	M 10KOHM, 1/16W	1	TH-42PX600B
R8109	ERJ3EKF2202	M 22KOHM, 1/16W	1	TH-42PX600B
R8110	ERJ3EKF1501	M 1.5KOHM, 1/16W	1	TH-42PX600B
R8111	ERJ2GE0R00	M 0.0 OHM, J, 0.063W	1	TH-42PX600B
R8112, 13	ERJ3GEY0R00	M 0 OHM, 1/16W	2	TH-42PX600B
R8115	ERJ3GEYF272	M 2.7KOHM, 1/16W	1	TH-42PX600B

Ref. No.	Part No.	Part Name & Description	Pcs	Remarks
R8117	ERJ6GEYJ471	M 470 OHM, J, 1/10W	1	TH-42PX600B
R8123	ERJ3GEY0R00	M 0 OHM, 1/16W	1	TH-42PX600B
R8124	ERJ2GEJ471	M 470 OHM, J, 0.063W	1	TH-42PX600B
R8127	ERJ2GE0R00	M 0.0 OHM, J, 0.063W	1	TH-42PX600B
R8132, 33	ERJ2GEJ560	M 56 OHM, J, 0.063W	2	TH-42PX600B
R8136	ERJ2GEJ103	M 10KOHM, J, 0.063W	1	TH-42PX600B
R8137	ERJ2GEJ121	M 120 OHM, J, 0.063W	1	TH-42PX600B
R8140, 41	ERJ3EKF1001	M 1KOHM, 1/16W	2	TH-42PX600B
R8144, 45	D1HG5608A002	NETWORK RESISTER	2	TH-42PX600B
R8148, 49	D1HG3908A002	NETWORK RESISTER	2	TH-42PX600B
R8150-59	ERJ2GEJ390	M 39 OHM, J, 0.063W	10	TH-42PX600B
R8161, 62	ERJ2GEJ390	M 39 OHM, J, 0.063W	2	TH-42PX600B
R8163	ERJ2GEJ560	M 56 OHM, J, 0.063W	1	TH-42PX600B
R8165	ERJ2GEJ560	M 56 OHM, J, 0.063W	1	TH-42PX600B
R8167-71	ERJ2GEJ103	M 10KOHM, J, 0.063W	5	TH-42PX600B
R8172	ERJ2GEJ473	M 47KOHM, J, 0.063W	1	TH-42PX600B
R8173	EXB38V560J	RESISTOR ARRAY	1	TH-42PX600B
R8175, 76	ERJ2GEJ103	M 10KOHM, J, 0.063W	2	TH-42PX600B
R8183	ERJ2GE0R00	M 0.0 OHM, J, 0.063W	1	TH-42PX600B
R8184	ERJ2GEJ223	M 22KOHM, J, 0.063W	1	TH-42PX600B
R8187	ERJ2GEJ103	M 10KOHM, J, 0.063W	1	TH-42PX600B
R8188	ERJ3GEY0R00	M 0 OHM, 1/16W	1	TH-42PX600B
R8193	ERJ2GEJ103	M 10KOHM, J, 0.063W	1	TH-42PX600B
R8195, 96	ERJ2GEJ103	M 10KOHM, J, 0.063W	2	TH-42PX600B
R8201-04	ERJ2GEJ103	M 10KOHM, J, 0.063W	4	TH-42PX600B
R8215	ERJ2GEJ103	M 10KOHM, J, 0.063W	1	TH-42PX600B
R8216, 17	ERJ2GEJ560	M 56 OHM, J, 0.063W	2	TH-42PX600B
R8218, 19	D1HG33080001	NETWORK RESISTER	2	TH-42PX600B
R8220-22	D1HG5608A002	NETWORK RESISTER	3	TH-42PX600B
R8223	ERJ2GEJ560	M 56 OHM, J, 0.063W	1	TH-42PX600B
R8224, 25	ERJ2GEJ103	M 10KOHM, J, 0.063W	2	TH-42PX600B
R8226	ERJ2GEJ330	M 33 OHM, J, 0.063W	1	TH-42PX600B
R8232-43	ERJ2GEJ330	M 33 OHM, J, 0.063W	12	TH-42PX600B
R8244	ERJ2GEJ103	M 10KOHM, J, 0.063W	1	TH-42PX600B
R8245, 46	ERJ2GEJ330	M 33 OHM, J, 0.063W	2	TH-42PX600B
R8250	ERJ2GEJ103	M 10KOHM, J, 0.063W	1	TH-42PX600B
R8252-54	ERJ2GEJ330	M 33 OHM, J, 0.063W	3	TH-42PX600B
R8255	ERJ2GEJ103	M 10KOHM, J, 0.063W	1	TH-42PX600B
R8256	ERJ2GEJ472	M 4.7KOHM, J, 0.063W	1	TH-42PX600B
R8257	ERJ2GEJ103	M 10KOHM, J, 0.063W	1	TH-42PX600B
R8259	ERJ2GEJ103	M 10KOHM, J, 0.063W	1	TH-42PX600B
R8260-63	ERJ2GEJ560	M 56 OHM, J, 0.063W	4	TH-42PX600B
R8264-68	ERJ2GEJ103	M 10KOHM, J, 0.063W	5	TH-42PX600B
R8269	ERJ2GEJ560	M 56 OHM, J, 0.063W	1	TH-42PX600B
R8271	ERJ2GEJ560	M 56 OHM, J, 0.063W	1	TH-42PX600B
R8272	EXB38V560J	RESISTOR ARRAY	1	TH-42PX600B
R8273	ERJ2GEJ560	M 56 OHM, J, 0.063W	1	TH-42PX600B
R8275	ERJ2GEJ560	M 56 OHM, J, 0.063W	1	TH-42PX600B
R8277	ERJ2GEJ560	M 56 OHM, J, 0.063W	1	TH-42PX600B
R8279	ERJ2GE0R00	M 0.0 OHM, J, 0.063W	1	TH-42PX600B
R8282	ERJ2GEJ560	M 56 OHM, J, 0.063W	1	TH-42PX600B
R8284	ERJ2GEJ560	M 56 OHM, J, 0.063W	1	TH-42PX600B

Ref. No.	Part No.	Part Name & Description	Pcs	Remarks
R8286,87	ERJ2GEJ560	M 56 OHM, J,0.063W	2	TH-42PX600B
R8290	EXB38V560J	RESISTOR ARRAY	1	TH-42PX600B
R8291,92	ERJ2GEJ560	M 56 OHM, J,0.063W	2	TH-42PX600B
R8310-15	ERJ3EKF75R0	M 0.75HM, 1/16W	6	TH-42PX600B
R8319	ERJ3EKF2702V	M27.0KOHM, 1/16W	1	TH-42PX600B
R8320	ERJ3EKF1002	M 10KOHM, 1/16W	1	TH-42PX600B
R8321	ERJ3EKF8201	M 8.2KOHM, 1/16W	1	TH-42PX600B
R8349	ERJ2GEJ104	M 100KOHM, J,0.063W	1	TH-42PX600B
R8350	ERJ3EKF8201	M 8.2KOHM, 1/16W	1	TH-42PX600B
R8351	ERJ3EKF1002	M 10KOHM, 1/16W	1	TH-42PX600B
R8352	ERJ3EKF2702V	M27.0KOHM, 1/16W	1	TH-42PX600B
R8353	ERJ2GEJ332	M 3.3KOHM, J,0.063W	1	TH-42PX600B
R8354	ERJ2GEJ272	M 2.7KOHM, J,0.063W	1	TH-42PX600B
R8355,56	EXB2HV104JV	RESISTOR ARRAY	2	TH-42PX600B
R8357,58	ERJ2GEJ473	M 47KOHM, J,0.063W	2	TH-42PX600B
R8366	ERJ2GEJ103	M 10KOHM, J,0.063W	1	TH-42PX600B
R8367,68	ERJ2GEJ560	M 56 OHM, J,0.063W	2	TH-42PX600B
R8372-76	ERJ2GEJ560	M 56 OHM, J,0.063W	5	TH-42PX600B
R8401	ERJ8GEY0R00	M 0 OHM, 1/8W	1	TH-42PX600B
R8402	ERJ6GEY0R00	M 0 OHM, 1/10W	1	TH-42PX600B
R8403	ERJ2GE0R00	M 0.0 OHM, J,0.063W	1	TH-42PX600B
R8404,05	ERJ2GEJ103	M 10KOHM, J,0.063W	2	TH-42PX600B
R8406	ERJ8RSJR10	M 1 OHM, 1/8W	1	TH-42PX600B
R8407	ERJ2GEJ333	M 33KOHM, J,0.063W	1	TH-42PX600B
R8414	ERJ2GE0R00	M 0.0 OHM, J,0.063W	1	TH-42PX600B
R8415,16	ERJ2GEJ223	M 22KOHM, J,0.063W	2	TH-42PX600B
R8417,18	EXB38V473J	RESISTOR ARRAY	2	TH-42PX600B
R8419,20	EXB38V101J	RESISTOR ARRAY	2	TH-42PX600B
R8421	ERJ2GEJ223	M 22KOHM, J,0.063W	1	TH-42PX600B
R8422	ERJ2GEJ104	M 100KOHM, J,0.063W	1	TH-42PX600B
R8423	ERJ2GEJ821	M 820 OHM, J,0.063W	1	TH-42PX600B
R8425,26	EXB38V101J	RESISTOR ARRAY	2	TH-42PX600B
R8427-31	ERJ2GEJ560	M 56 OHM, J,0.063W	5	TH-42PX600B
R8433,34	EXB38V560J	RESISTOR ARRAY	2	TH-42PX600B
R8443	EXB38V560J	RESISTOR ARRAY	1	TH-42PX600B
R8444	ERJ2GEJ101	M 100 OHM, J,0.063W	1	TH-42PX600B
R8445,46	ERJ2GEJ151	M 150 OHM, J,0.063W	2	TH-42PX600B
R8447	ERJ2GEJ223	M 22KOHM, J,0.063W	1	TH-42PX600B
R8448	ERJ2GEJ473	M 47KOHM, J,0.063W	1	TH-42PX600B
R8449,50	ERJ2GEJ103	M 10KOHM, J,0.063W	2	TH-42PX600B
R8451	EXB38V104J	RESISTOR ARRAY	1	TH-42PX600B
R8452	ERJ2GEJ104	M 100KOHM, J,0.063W	1	TH-42PX600B
R8453	EXB38V104J	RESISTOR ARRAY	1	TH-42PX600B
R8454	ERJ2GEJ104	M 100KOHM, J,0.063W	1	TH-42PX600B
R8456-59	EXB38V560J	RESISTOR ARRAY	4	TH-42PX600B
R8460	ERJ2GEJ104	M 100KOHM, J,0.063W	1	TH-42PX600B
R8461	ERJ2GEJ560	M 56 OHM, J,0.063W	1	TH-42PX600B
R8462,63	ERJ2GE0R00	M 0.0 OHM, J,0.063W	2	TH-42PX600B
R8464	ERJ2GEJ560	M 56 OHM, J,0.063W	1	TH-42PX600B
R8465	ERJ2GEJ103	M 10KOHM, J,0.063W	1	TH-42PX600B

Ref. No.	Part No.	Part Name & Description	Pcs	Remarks
R8466	EXB38V560J	RESISTOR ARRAY	1	TH-42PX600B
R8467,68	ERJ2GEJ560	M 56 OHM, J,0.063W	2	TH-42PX600B
R8469	EXB38V151J	RESISTOR ARRAY	1	TH-42PX600B
R8474	ERJ2GE0R00	M 0.0 OHM, J,0.063W	1	TH-42PX600B
R8475,76	ERJ2GEJ103	M 10KOHM, J,0.063W	2	TH-42PX600B
R8477,78	ERJ2GEJ560	M 56 OHM, J,0.063W	2	TH-42PX600B
R8479	ERJ2GEJ203	M 20KOHM, J,0.063W	1	TH-42PX600B
R8480-82	ERJ2GEJ560	M 56 OHM, J,0.063W	3	TH-42PX600B
R8483	ERJ2GEJ203	M 20KOHM, J,0.063W	1	TH-42PX600B
R8484	ERJ2GEJ223	M 22KOHM, J,0.063W	1	TH-42PX600B
R8485	ERJ2GEJ333	M 33KOHM, J,0.063W	1	TH-42PX600B
R8486	ERJ2GEJ223	M 22KOHM, J,0.063W	1	TH-42PX600B
R8487	ERJ2GEJ560	M 56 OHM, J,0.063W	1	TH-42PX600B
R8488	ERJ2GE0R00	M 0.0 OHM, J,0.063W	1	TH-42PX600B
R8489	ERJ2GEJ102	M 1KOHM, J,0.063W	1	TH-42PX600B
R8491	ERJ3EKF9102	M91.0KOHM, 1/16W	1	TH-42PX600B
R8492	ERJ3EKF1802	M 18KOHM, 1/16W	1	TH-42PX600B
R8493	ERJ3EKF9102	M91.0KOHM, 1/16W	1	TH-42PX600B
R8494	ERJ3EKF9101	M 9.1KOHM, 1/16W	1	TH-42PX600B
R8495	EXB38V151J	RESISTOR ARRAY	1	TH-42PX600B
R8496	EXB38V560J	RESISTOR ARRAY	1	TH-42PX600B
R8497	ERJ3EKF3300	M 330 OHM, 1/16W	1	TH-42PX600B
R8498	ERJ3EKF2200	M 220 OHM, 1/16W	1	TH-42PX600B
R8499	ERJ3EKF2432	M24.3KOHM, 1/16W	1	TH-42PX600B
R8500	ERJ3EKF1052	M10.5KOHM, 1/16W	1	TH-42PX600B
R8501	ERJ3EKF5601	M 5.6KOHM, 1/16W	1	TH-42PX600B
R8502	ERJ3EKF2402	M 24KOHM, 1/16W	1	TH-42PX600B
R8503,04	ERJ2GEJ103	M 10KOHM, J,0.063W	2	TH-42PX600B
R8505	ERJ2GEJ101	M 100 OHM, J,0.063W	1	TH-42PX600B
R8538,39	ERJ2GEJ101	M 100 OHM, J,0.063W	2	TH-42PX600B
R8546	ERJ2GEJ333	M 33KOHM, J,0.063W	1	TH-42PX600B
R8547	ERJ2GEJ102	M 1KOHM, J,0.063W	1	TH-42PX600B
R8601	ERJ3GEY0R00	M 0 OHM, 1/16W	1	TH-42PX600B
R8602-04	ERJ2GEJ101	M 100 OHM, J,0.063W	3	TH-42PX600B
R8605,06	ERJ2GEJ104	M 100KOHM, J,0.063W	2	TH-42PX600B
R8608	ERJ2GEJ105	M 1MOHM, J,0.063W	1	TH-42PX600B
R8610	ERJ2GEJ332	M 3.3KOHM, J,0.063W	1	TH-42PX600B
R8611	ERJ6GEY0R00	M 0 OHM, 1/10W	1	TH-42PX600B
R8614	ERJ2GEJ221	M 220 OHM, J,0.063W	1	TH-42PX600B
R8615	ERJ2GE0R00	M 0.0 OHM, J,0.063W	1	TH-42PX600B
R8701-08	ERJ2GEJ560	M 56 OHM, J,0.063W	8	TH-42PX600B
R8729-36	ERJ2GEJ103	M 10KOHM, J,0.063W	8	TH-42PX600B
R8827,28	ERJ2GEJ392	M 3.9KOHM, J,0.063W	2	TH-42PX600B
R8831,32	ERJ2GE0R00	M 0.0 OHM, J,0.063W	2	TH-42PX600B
R8862-64	ERJ2GE0R00	M 0.0 OHM, J,0.063W	3	TH-42PX600B
R8899,00	ERJ2GE0R00	M 0.0 OHM, J,0.063W	2	TH-42PX600B
R8912	ERJ2GE0R00	M 0.0 OHM, J,0.063W	1	TH-42PX600B
R8927	ERJ2GE0R00	M 0.0 OHM, J,0.063W	1	TH-42PX600B
R8930	ERJ2GE0R00	M 0.0 OHM, J,0.063W	1	TH-42PX600B
R8931,32	ERJ2GEJ392	M 3.9KOHM, J,0.063W	2	TH-42PX600B
R8933,34	ERJ2GE0R00	M 0.0 OHM, J,0.063W	2	TH-42PX600B
R8936	ERJ2GEJ103	M 10KOHM, J,0.063W	1	TH-42PX600B
R8954	ERJ2GEJ103	M 10KOHM, J,0.063W	1	TH-42PX600B

Ref. No.	Part No.	Part Name & Description	Pcs	Remarks
R8960	ERJ2GE0R00	M 0.0 OHM, J, 0.063W	1	TH-42PX600B
R8962-64	ERJ2GEJ101	M 100 OHM, J, 0.063W	3	TH-42PX600B
R8967,68	EXB2HV473JV	RESISTOR ARRAY	2	TH-42PX600B PAVCCZ
R8969-71	ERJ2GEJ473	M 47KOHM, J, 0.063W	3	TH-42PX600B
R9060-67	ERJ3GEYJ101	M 100 OHM, J, 1/16W	8	
R9070	ERJ3GEYJ470	M 47 OHM, J, 1/16W	1	
R9074	ERJ3GEYJ101	M 100 OHM, J, 1/16W	1	
R9076	ERJ3GEYJ101	M 100 OHM, J, 1/16W	1	
R9096	ERJ3GEYJ103	M 10KOHM, J, 1/16W	1	
R9098	ERJ3GEYJ103	M 10KOHM, J, 1/16W	1	
R9099	ERJ3GEYJ101	M 100 OHM, J, 1/16W	1	
R9100,01	ERJ3GEYJ103	M 10KOHM, J, 1/16W	2	
R9102	ERJ3GEYJ101	M 100 OHM, J, 1/16W	1	
R9105	ERJ3GEYJ472	M 4.7KOHM, J, 1/16W	1	
R9106	ERJ3GEYJ103	M 10KOHM, J, 1/16W	1	
R9107	ERJ3GEYJ332	M 3.3KOHM, J, 1/16W	1	
R9108,09	ERJ3GEYJ103	M 10KOHM, J, 1/16W	2	
R9110	ERJ3GEYJ101	M 100 OHM, J, 1/16W	1	
R9111	ERJ3GEYJ223	M 22KOHM, J, 1/16W	1	
R9113	ERJ3GEYJ100	M 10 OHM, J, 1/16W	1	
R9120	ERJ3GEYJ101	M 100 OHM, J, 1/16W	1	
R9121	ERJ3GEYJ104	M 100KOHM, J, 1/16W	1	
R9127	ERJ3GEYJ683	M 68KOHM, J, 1/16W	1	
R9129	ERJ3GEYJ683	M 68KOHM, J, 1/16W	1	
R9131-33	ERJ3GEYJ472	M 4.7KOHM, J, 1/16W	3	
R9134	ERJ3GEYJ333	M 33KOHM, J, 1/16W	1	
R9140	ERJ6GEY0R00	M 0 OHM, 1/10W	1	
R9141-45	ERJ3GEYJ101	M 100 OHM, J, 1/16W	5	
R9148	ERJ3GEYJ103	M 10KOHM, J, 1/16W	1	
R9149	ERJ3GEYJ472	M 4.7KOHM, J, 1/16W	1	
R9150,51	ERJ3GEYJ220	M 22 OHM, J, 1/16W	2	
R9152,53	ERJ3GEYJ472	M 4.7KOHM, J, 1/16W	2	
R9154,55	ERJ3GEYJ562	M 5.6KOHM, J, 1/16W	2	
R9156-59	ERJ3GEYJ103	M 10KOHM, J, 1/16W	4	
R9160,61	ERJ3GEY0R00	M 0 OHM, 1/16W	2	
R9164-66	ERJ3GEYJ103	M 10KOHM, J, 1/16W	3	
R9167,68	ERJ3GEYJ101	M 100 OHM, J, 1/16W	2	
R9169	ERJ3GEYJ103	M 10KOHM, J, 1/16W	1	
R9170-72	ERJ3GEYJ393	M 39KOHM, J, 1/16W	3	
R9173-75	ERJ3GEYJ103	M 10KOHM, J, 1/16W	3	
R9177	ERJ3GEYJ223	M 22KOHM, J, 1/16W	1	
R9178	ERJ3GEYJ103	M 10KOHM, J, 1/16W	1	
R9179	ERJ3GEYJ102	M 1KOHM, J, 1/16W	1	
R9180	ERJ3GEYJ103	M 10KOHM, J, 1/16W	1	
R9181-84	ERJ3GEYJ102	M 1KOHM, J, 1/16W	4	
R9185,86	ERJ3GEYJ220	M 22 OHM, J, 1/16W	2	
R9187,88	ERJ3GEYJ562	M 5.6KOHM, J, 1/16W	2	
R9189,90	ERJ3GEYJ103	M 10KOHM, J, 1/16W	2	
R9192	ERJ3GEY0R00	M 0 OHM, 1/16W	1	
R9193	ERJ3GEYJ103	M 10KOHM, J, 1/16W	1	
R9194	ERJ3GEY0R00	M 0 OHM, 1/16W	1	
R9196	ERJ3GEYJ103	M 10KOHM, J, 1/16W	1	
R9199	ERJ3GEYJ272	M 2.7KOHM, J, 1/16W	1	
R9203	ERJ3GEYJ102	M 1KOHM, J, 1/16W	1	
R9205	ERJ3GEYJ472	M 4.7KOHM, J, 1/16W	1	

Ref. No.	Part No.	Part Name & Description	Pcs	Remarks
R9206,07	ERJ3GEYJ102	M 1KOHM, J, 1/16W	2	
R9215	ERJ3GEYJ123	M 12KOHM, J, 1/16W	1	
R9217-22	ERJ3GEYJ103	M 10KOHM, J, 1/16W	6	
R9223	ERJ3GEYJ472	M 4.7KOHM, J, 1/16W	1	
R9225	ERJ3GEYJ472	M 4.7KOHM, J, 1/16W	1	
R9230	ERJ3GEY0R00	M 0 OHM, 1/16W	1	
R9232	ERJ3GEY0R00	M 0 OHM, 1/16W	1	
R9236	ERJ3GEY0R00	M 0 OHM, 1/16W	1	
R9237	ERJ3GEYJ103	M 10KOHM, J, 1/16W	1	
R9240	ERJ3GEY0R00	M 0 OHM, 1/16W	1	
R9317	ERJ3GEYJ391	M 390 OHM, J, 1/16W	1	
R9348	D1HG8208A002	NETWORK RESISTER	1	
R9349	EXB38V820J	RESISTOR ARRAY	1	
R9350,51	ERJ3GEYJ220	M 22 OHM, J, 1/16W	2	
R9352	EXB38V820J	RESISTOR ARRAY	1	
R9353,54	D1HG8208A002	NETWORK RESISTER	2	
R9355,56	ERJ3GEYJ472	M 4.7KOHM, J, 1/16W	2	
R9357-59	D1HG8208A002	NETWORK RESISTER	3	
R9360	EXB38V820J	RESISTOR ARRAY	1	
R9361,62	ERJ3GEYJ220	M 22 OHM, J, 1/16W	2	
R9363	EXB2HV470JV	RESISTOR ARRAY	1	
R9366	ERJ3GEYJ472	M 4.7KOHM, J, 1/16W	1	
R9367	ERJ3GEYJ103	M 10KOHM, J, 1/16W	1	
R9368	ERJ3GEYJ104	M 100KOHM, J, 1/16W	1	
R9369	ERJ3GEYJ472	M 4.7KOHM, J, 1/16W	1	
R9370	ERJ3GEYJ103	M 10KOHM, J, 1/16W	1	
R9371	ERJ3GEYJ104	M 100KOHM, J, 1/16W	1	
R9379	ERJ3GEY0R00	M 0 OHM, 1/16W	1	
R9380	ERJ3GEYJ560	M 56 OHM, J, 1/16W	1	
R9382	ERJ3GEYJ103	M 10KOHM, J, 1/16W	1	
R9390	ERJ3GEYJ101	M 100 OHM, J, 1/16W	1	
R9391	ERJ3GEYJ104	M 100KOHM, J, 1/16W	1	
R9394	ERJ3GEY0R00	M 0 OHM, 1/16W	1	
R9395	ERJ3GEYJ220	M 22 OHM, J, 1/16W	1	
R9501	ERJ3GEYJ103	M 10KOHM, J, 1/16W	1	
R9503	ERJ3GEYJ470	M 47 OHM, J, 1/16W	1	
R9506	ERJ3GEYJ220	M 22 OHM, J, 1/16W	1	
R9507	ERJ3GEY0R00	M 0 OHM, 1/16W	1	
R9511-13	ERJ3GEYJ470	M 47 OHM, J, 1/16W	3	
R9514	ERJ3GEYJ103	M 10KOHM, J, 1/16W	1	
R9516	ERJ3GEYJ103	M 10KOHM, J, 1/16W	1	
R9518	ERJ3GEYJ561	M 560 OHM, J, 1/16W	1	
R9523	ERJ3GEYJ103	M 10KOHM, J, 1/16W	1	
R9525	ERJ3GEYJ103	M 10KOHM, J, 1/16W	1	
R9526	ERJ3GEY0R00	M 0 OHM, 1/16W	1	
R9527,28	EXB2HV272JV	RESISTOR ARRAY	2	
R9529,30	ERJ3GEYJ103	M 10KOHM, J, 1/16W	2	
R9531-33	ERJ3GEYJ470	M 47 OHM, J, 1/16W	3	
R9534	EXB38V470J	RESISTOR ARRAY	1	
R9535,36	ERJ3GEYJ470	M 47 OHM, J, 1/16W	2	
R9537	ERJ3GEYJ103	M 10KOHM, J, 1/16W	1	
R9539	ERJ3GEYJ103	M 10KOHM, J, 1/16W	1	
R9543,44	ERJ3GEYJ103	M 10KOHM, J, 1/16W	2	
R9545	ERJ3GEYJ304V	M 300KOHM, J, 1/16W	1	
R9548-50	ERJ3GEYJ103	M 10KOHM, J, 1/16W	3	
R9552	ERJ3GEYJ103	M 10KOHM, J, 1/16W	1	
R9555	ERJ3GEY0R00	M 0 OHM, 1/16W	1	
R9800	ERJ3EKF1302	M 23KOHM, 1/16W	1	
R9801	ERJ3EKF2402	M 24KOHM, 1/16W	1	
R9802	ERJ3EKF6202	M 62KOHM, 1/16W	1	
R9803	ERJ3GEY0R00	M 0 OHM, 1/16W	1	
R9804	ERJ3EKF2402	M 24KOHM, 1/16W	1	

Ref. No.	Part No.	Part Name & Description	Pcs	Remarks
R9805	ERJ3EKF3002	M 30KOHM, 1/16W	1	
R9806	ERJ3EKF3902	M 39KOHM, 1/16W	1	
R9807	ERJ3GEY0R00	M 0 OHM, 1/16W	1	
R9808	ERJ3GEYJ104	M 100KOHM, J, 1/16W	1	
R9810	ERJ3EKF3001	M 30KOHM, 1/16W	1	
R9813	ERJ3EKF2401	M 2.4KOHM, 1/16W	1	
R9814	ERJ3EKF6802	M 68KOHM, 1/16W	1	
R9815	ERJ3EKF2202	M 22KOHM, 1/16W	1	
R9816	ERJ3EKF8202	M 82KOHM, 1/16W	1	
R9821	ERJ3GEYJ103	M 10KOHM, J, 1/16W	1	
R9823-27	ERJ3GEYJ101	M 100 OHM, J, 1/16W	5	
R9828	ERJ3GEYJ104	M 100KOHM, J, 1/16W	1	
R9830, 31	ERJ3GEYJ103	M 10KOHM, J, 1/16W	2	
R9838, 39	ERJ3GEYJ101	M 100 OHM, J, 1/16W	2	
R9840	ERJ3GEYJ220	M 22 OHM, J, 1/16W	1	
R9841	ERJ3GEY0R00	M 0 OHM, 1/16W	1	
R9842-44	ERJ3GEYJ101	M 100 OHM, J, 1/16W	3	
R9845	ERJ3GEYJ562	M 5.6KOHM, J, 1/16W	1	
R9846, 47	EXB2HV272JV	RESISTOR ARRAY	2	
R9848, 49	EXB2HV470JV	RESISTOR ARRAY	2	
R9850	ERJ3GEYJ473	M 47KOHM, J, 1/16W	1	
R9854	ERJ3GEYJ101	M 100 OHM, J, 1/16W	1	
R9859	EXB38V101J	RESISTOR ARRAY	1	
R9861-63	ERJ3GEYJ103	M 10KOHM, J, 1/16W	3	
R9868	ERJ3GEYJ104	M 100KOHM, J, 1/16W	1	
R9869-71	ERJ3GEYJ103	M 10KOHM, J, 1/16W	3	
R9872	ERJ3GEY0R00	M 0 OHM, 1/16W	1	
R9878	ERJ3EKF3902	M 39KOHM, 1/16W	1	
R9879	ERJ3EKF2002	M 20KOHM, 1/16W	1	
R9880	ERJ3EKF3602	M 36KOHM, 1/16W	1	
R9883	ERJ3GEY0R00	M 0 OHM, 1/16W	1	
R9884	ERJ3GEYJ104	M 100KOHM, J, 1/16W	1	
R9891	ERJ3EKF4702	M 47KOHM, 1/16W	1	
R9892	ERJ3EKF1502	M 15KOHM, 1/16W	1	
R9893	ERJ3EKF3602	M 36KOHM, 1/16W	1	
R9896	ERJ3GEY0R00	M 0 OHM, 1/16W	1	
R9897	ERJ3GEYJ104	M 100KOHM, J, 1/16W	1	
R9903	EXB2HV470JV	RESISTOR ARRAY	1	
R9904	ERJ3GEYJ470	M 47 OHM, J, 1/16W	1	
R9905	ERJ3GEYJ330	M 33 OHM, J, 1/16W	1	
R9906	EXB38V470J	RESISTOR ARRAY	1	
R9907	ERJ3GEYJ151	M 150 OHM, J, 1/16W	1	
R9917, 18	ERJ3GEY0R00	M 0 OHM, 1/16W	2	
R9919, 20	ERJ3GEYJ103	M 10KOHM, J, 1/16W	2	
R9922	ERJ3GEY0R00	M 0 OHM, 1/16W	1	
R9929	ERJ3GEY0R00	M 0 OHM, 1/16W	1	
R9936-39	ERJ3EKF1001	M 1KOHM, 1/16W	4	
R9940	ERJ3GEYJ330	M 33 OHM, J, 1/16W	1	
R9941, 42	ERJ3GEYJ470	M 47 OHM, J, 1/16W	2	
R9943-51	EXB38V470J	RESISTOR ARRAY	9	
R9952-55	ERJ3GEYJ470	M 47 OHM, J, 1/16W	4	
R9956	ERJ3GEYJ103	M 10KOHM, J, 1/16W	1	
RM2501	PNA4701M05TV	REMOTE RECEIVER	1	
RTL	TNPA3740AC	CIRCUIT BOARD XV	1	TH-42PX600B PAVCCZ ▲
RTL	TNPA3756CA	CIRCUIT BOARD DG	1	TH-42PV600E PAVCCZ ▲
RTL	TNPA3756CG	CIRCUIT BOARD DG	1	TH-42PX600B PAVCCZ ▲
RTL	TNPA3759	CIRCUIT BOARD H	1	PAVCCZ ▲

Ref. No.	Part No.	Part Name & Description	Pcs	Remarks
RTL	TNPA3766	CIRCUIT BOARD HC	1	PAVCCZ ▲
RTL	TNPA3767	CIRCUIT BOARD TA	1	TH-42PV600E PAVCCZ ▲
RTL	TNPA3767AB	CIRCUIT BOARD TA	1	TH-42PX600B PAVCCZ ▲
RTL	TXNPA1BETB	CIRCUIT BOARD PA	1	PAVCCZ ▲
RTL	TXNC11BJTB	CIRCUIT BOARD C1	1	PAVCCZ ▲
RTL	TXNC21BJTB	CIRCUIT BOARD C2	1	PAVCCZ ▲
RTL	TZTNP01BJTB	CIRCUIT BOARD D	1	PAVCCZ ▲
RTL	TXN/P1BJTB	CIRCUIT BOARD P	1	PAVCCZ ▲
RTL	TXNSC1BJTB	CIRCUIT BOARD SC	1	PAVCCZ ▲
RTL	TXNSD1BJTB	CIRCUIT BOARD SD	1	PAVCCZ ▲
RTL	TXNSS1BJTB	CIRCUIT BOARD SS	1	PAVCCZ ▲
RTL	TXNSU1BJTB	CIRCUIT BOARD SU	1	PAVCCZ ▲
RTL	TXN/G1BJTB	CIRCUIT BOARD G	1	PAVCCZ ▲
RTL	TXNGK1BJTB	CIRCUIT BOARD GK	1	PAVCCZ ▲
RTL	TXN/K1BJTB	CIRCUIT BOARD K	1	TH-42PX600B PAVCCZ ▲
RTL	TXN/K1BJTE	CIRCUIT BOARD K	1	TH-42PV600E PAVCCZ ▲
RTL	TXN/S1BJTB	CIRCUIT BOARD S	1	PAVCCZ ▲
RTL	TXNGS1BETB	CIRCUIT BOARD GS	1	PAVCCZ ▲
S1	K1KA03BA0061	3P CONNECTOR	1	
SC2	K1KA02A00626	2P CONNECTOR	1	
SC20	K1KA20AA0008	20P CONNECTOR	1	
SC23	K1KA03AA0193	3P CONNECTOR	1	
SC30	K1KA08AA0192	8P CONNECTOR	1	
SC41, 42	K1ML80B00001	80P CONNECTOR	2	
SC45, 46	K1KA09A00239	9P CONNECTOR	2	
SCMM1	TMME260	CLAMPER	1	
SCMM3	TMME260	CLAMPER	1	
SD1-D4	K1MN96B00005	96P CONNECTOR	4	
SD46	K1KB09A00045	9P CONNECTOR	1	
SS11	K1KA02A00626	2P CONNECTOR	1	
SS12	K1KA10AA0194	10P CONNECTOR	1	
SS23	K1KA12AA0194	12P CONNECTOR	1	
SS34	K1KA03AA0193	3P CONNECTOR	1	
SS41-44	K1MN13B00020	13P CONNECTOR	4	
SU1-U4	K1MN96B00005	96P CONNECTOR	4	
SU45	K1KB09A00045	9P CONNECTOR	1	
SW2500	K0F162B00002	SWITCH	1	
SW3753-57	EVQ11G05R	SWITCH	5	
T6602	ETS25AZ139AD	SWITCHING TRANS	1	
TA5	K1KB15B00013	15P CONNECTOR	1	
TA6	K1KB09B00019	9P CONNECTOR	1	
TU001	ENG37A12GF	TUNER	1	TH-42PV600E ▲
TU001	ENGF7301GF	TUNER	1	TH-42PX600B PAVCCZ ▲
TU8001	ENV57M01D8F	TUNER	1	TH-42PX600B PAVCCZ ▲
VR6000	EVMEASA00B14	CONTROL 10KOHMB 0.3W	1	
VR6600	EVMEASA00B13	CONTROL 1KOHMB 0.3W	1	
VR6602	EVMEASA00B53	CONTROL 5KOHMB 0.3W	1	
X1100	H0J100500030	CRYSTAL	1	
X1101	H0J327200114	CRYSTAL	1	
X2101	H0J184500027	CRYSTAL	1	
X4004	H0J270500087	CRYSTAL	1	

Ref. No.	Part No.	Part Name & Description	Pcs	Remarks
X8003	H0J241500003	CRYSTAL	1	TH-42PX600B PAVCCZ
X8006	H0J270500090	CRYSTAL	1	TH-42PX600B PAVCCZ
X9000	H2D200500011	CRYSTAL	1	
X9200	H0J200500038	CRYSTAL	1	
XV01	K1KAB0A00011	CONNECTOR	1	TH-42PX600B
ZA2101-08	TESA169	SHIELD CLIP	8	
ZA2300,01	K4CZ01000027	COMPATIBLE WITH JALCO K9	2	
ZA3401-05	K4CZ01000027	COMPATIBLE WITH JALCO K9	5	
ZA3701	K4CD01000013	TERMINAL	1	
ZA4001,02	K4CD08000002	TERMINAL	2	
ZA6001,02	K4CD01000011	TERMINAL	2	
ZA6005	K4CD01000011	TERMINAL	1	
ZA6401-03	K4CD01000011	TERMINAL	3	
ZA7101-04	K4CD01000013	TERMINAL	4	
ZA7201-04	K4CD01000013	TERMINAL	4	
ZA9001	K4CD01000011	TERMINAL	1	
C402	F1J1C1050011	C 1UF, Z, 50V	1	
C404	F0CAF105A021	C 1UF, 250V	1	△
C407	EEUEB2W220B	E 22UF, 450V	1	△
C408	ECJ2XB1H102K	C 1000PF, K, 50V	1	
C409	F0CAF225A021	C 22UF, 250V	1	△
C410	ECJ2XB1H103K	C 0.01UF, K, 50V	1	
C413	ECJ2XB1H104K	C 0.1UF, K, 50V	1	
C414	ECQU2A473ML	P 0.047UF, M,250V	1	△
C421	F1J1C1050011	C 1UF, Z, 50V	1	
C422	ECJ2XB1H103K	C 0.01UF, K, 50V	1	
C423	ECJ2XB1H472K	C 4700PF, K, 50V	1	
C425	ECJ2XB1H103K	C 0.01UF, K, 50V	1	
C426	ECJ2XC1H471J	C 470PF, J, 50V	1	
C427	F1J1C1050011	C 1UF, Z, 50V	1	
C428	ECJ2XC1H221J	C 220PF, J, 50V	1	
C429	F1E2J4730001	C 0.047PF, , 600V	1	
C431	ECJ2XB1H102K	C 1000PF, K, 50V	1	
C432	F1J1C1050011	C 1UF, Z, 50V	1	
C433	ECJ3YB1E104K	C 0.1UF, K, 25V	1	
C434	F1J1C1050011	C 1UF, Z, 50V	1	
C436	F1J1C1050011	C 1UF, Z, 50V	1	
C440	ECA1HM100	E 10UF, 50V	1	
C443,44	F1A3A102A040	C 1000PF, J, 1KV	2	
C445	F1J1C1050011	C 1UF, Z, 50V	1	
C446,47	F2B2W2010001	C 200UF, 450V	2	△
C450	ECJ2XB1H103K	C 0.01UF, K, 50V	1	
C451	F1A3A101A040	C 100PF, J, 1KV	1	
C457	ECWH12333RHV	P 0.013UF,J,1.2KV	1	
C460,61	F1A3A331A039	E 330UF, 1KV	2	
C462	ECJ3YB1E105K	C 1UF, K, 25V	1	
C463	ECJ2XC1H220J	C 22UF, J, 50V	1	
C467	ECKCNA221KB7	C 220PF, M,	1	△
C468	ECJ2XB1H103K	C 0.01UF, K, 50V	1	
C469	ECKCNA221KB7	C 220PF, M,	1	△
C470	F0CAF105A021	C 1UF, 250V	1	△
C473,74	ECKCNA101KB7	C 100PF	2	△
C476	ECKCNA101KB7	C 100PF	1	△
C478	ECKCNA101KB7	C 100PF	1	△
C493	ECA1HM470	E 47UF, 50V	1	
C494	F2A2E1R00008	E 1.0UF, 250V	1	
C497	ECA1HM470	E 47UF, 50V	1	
C501,02	ECJ2XB1H103K	C 0.01UF, K, 50V	2	
C503	ECJ2XC1H471J	C 470PF, J, 50V	1	
C504	F1J1C1050011	C 1UF, Z, 50V	1	
C505	ECJ2XB1H102K	C 1000PF, K, 50V	1	
C506,07	ECJ2XB1H103K	C 0.01UF, K, 50V	2	

Ref. No.	Part No.	Part Name & Description	Pcs	Remarks
C508	ECJ2XC1H471J	C 470PF, J, 50V	1	
C509	ECA1EHG101	E 100UF, 25V	1	
C510	ECJ2XB1H104K	C 0.1UF, K, 50V	1	
C511	ECJ2XB1H102K	C 1000PF, K, 50V	1	
C512-14	ECJ2XC1H471J	C 470PF, J, 50V	3	
C515	F2A1A1220011	E 1200UF, 10V	1	
C516	ECJ2XB1C474K	C 0.47UF, Z, 16V	1	
C517	F2A1E221A096	E 220UF, 25V	1	
C518	ECJ2XB1H104K	C 0.1UF, K, 50V	1	
C519	F1J1C1050011	C 1UF, Z, 50V	1	
C520	ECWH8683RHV	P 0.068PF, J, 8KV	1	
C523	ECJ3YB1E105K	C 1UF, K, 25V	1	
C526	ECJ2XB1H223K	C 0.022UF, K, 50V	1	
C527	ECJ3YB1E475K	C 4.7UF, K, 25V	1	
C528,29	F1J1C1050011	C 1UF, Z, 50V	2	
C530	ECJ2VB1H333K	C 0.033UF, K, 50V	1	
C531	ECJ3YB1E105K	C 1UF, K, 25V	1	
C533	ECJ2XB1H103K	C 0.01UF, K, 50V	1	
C534	ECJ2XC1H471J	C 470PF, J, 50V	1	
C546,47	ECJ2XB1H102K	C 1000PF, K, 50V	2	
C550	ECJ2XC1H331J	C 330PF, J, 50V	1	
C551,52	ECJ2XB1H104K	C 0.1UF, K, 50V	2	
C554	F1J1C1050011	C 1UF, Z, 50V	1	
C555	F2A2C471A119	E 470UF, 160V	1	△
C556,57	EEUFC1E152	E 1500UF, 25V	2	
C558	F2A1E471A096	E 470UF, 25V	1	
C559	F2A1A1220011	E 1200UF, 10V	1	
C562	ECJ2XB1H223K	C 0.022UF, K, 50V	1	
C571	ECJ2XC1H330J	C 33PF, J, 50V	1	
C574	ECJ2XB1H104K	C 0.1UF, K, 50V	1	
C577	F2A2A330A022	E 33UF, 100V	1	△
C581	ECJ2XB1H223K	C 0.022UF, K, 50V	1	
C583	ECJ2XB1H102K	C 1000PF, K, 50V	1	
C584,85	ECJ2XB1H223K	C 0.022UF, K, 50V	2	
C587	ECJ2XB1H332K	C 3300PF, K, 50V	1	
C601	ECJ2XB1H103K	C 0.01UF, K, 50V	1	
C603	ECJ2FB1E105K	C 1UF, K, 25V	1	
C604,05	F2A2D1510008	E 150UF, 200V	2	△
C607	F1J1C1050011	C 1UF, Z, 50V	1	
C608	ECJ2XB1H103K	C 0.01UF, K, 50V	1	
C610	F1J1C1050011	C 1UF, Z, 50V	1	
C611	F2B2T1420003	E 142UF, 220V	1	△
C612,13	ECJ2XB1H103K	C 0.01UF, K, 50V	2	
C615	F2B2T1420003	E 142UF, 220V	1	△
C616	F1A3A102A040	C 1000PF, J, 1KV	1	
C619	ECJ2XB1H104K	C 0.1UF, K, 50V	1	
C620	ECJ2XB1H103K	C 0.01UF, K, 50V	1	
C623	ECA1HM100	E 10UF, 50V	1	
C624	ECJ2XB1H103K	C 0.01UF, K, 50V	1	
C625	ECA1HM100	E 10UF, 50V	1	
C626	ECJ2XB1H103K	C 0.01UF, K, 50V	1	
C627	ECJ2XB1H102K	C 1000PF, K, 50V	1	
C629-31	ECJ2XB1H103K	C 0.01UF, K, 50V	3	
C632	ECJ2XC1H331J	C 330PF, J, 50V	1	
C634	ECJ2XB1H102K	C 1000PF, K, 50V	1	
C635	ECJ2XB1H103K	C 0.01UF, K, 50V	1	
C638,39	ECJ2XB1H103K	C 0.01UF, K, 50V	2	
C640	ECJ2XB1H104K	C 0.1UF, K, 50V	1	
C641	ECJ2XB1H102K	C 1000PF, K, 50V	1	
C643	ECA1HM470	E 47UF, 50V	1	
C650	ECJ2XB1H104K	C 0.1UF, K, 50V	1	
C653	ECJ2XB1H102K	C 1000PF, K, 50V	1	
C654	ECJ3YB1E105K	C 1UF, K, 25V	1	
C655,56	ECJ3YB1E225K	C 2.2UF, K, 25V	2	
C657	ECJ2XB1H102K	C 1000PF, K, 50V	1	
C658	ECJ3YB1E105K	C 1UF, K, 25V	1	
C659	ECJ2XB1H103K	C 0.01UF, K, 50V	1	
C660	ECJ2FB1C225K	C 22UF, K, 16V	1	
C661,62	ECJ2XB1H103K	C 0.01UF, K, 50V	2	
D401	B0FBCT000004	DIODE	1	△
D404	B0EBKT000007	DIODE	1	△
D407	MA111	DIODE	1	

Ref. No.	Part No.	Part Name & Description	Pcs	Remarks
D411	BOBB1700009	DIODE	1	
D412	BOHAMM000122	DIODE	1	
D415	BOJAME000099	DIODE	1	
D416	BOHAMP000067	DIODE	1	
D417	BOHAPR000013	DIODE	1	
D418	BOBC8R100013	DIODE	1	
D419,20	BOHAPR000013	DIODE	2	
D423	MA188	DIODE	1	
D425	MA188	DIODE	1	
D429	ERA15-10	DIODE	1	
D430	MA111	DIODE	1	
D431,32	BOJCDD000002	DIODE	2	
D433	BOBC01400033	DIODE	1	
D435	ERA15-10	DIODE	1	
D436-38	MA4200M	ZENER DIODE	3	
D441	BOHAMM000122	DIODE	1	
D444	BOHAMM000122	DIODE	1	
D445	MA4360H	ZENER DIODE	1	
D501	BOHAPR000012	DIODE	1	
D503,04	MA165	DIODE	2	
D505	BOJAME000099	DIODE	1	
D506	MAZ80470LL	ZENER DIODE	1	
D507,08	BOBC7R400023	DIODE	2	
D509	BOJANG000018	DIODE	1	
D511	BOJAML000011	DIODE	1	
D512,13	MA111	DIODE	2	
D514	BOBC6R100025	DIODE	1	
D515	BOBC3R200008	DIODE	1	
D516-18	MA4330M	ZENER DIODE	3	
D520	MA111	DIODE	1	
D521	BOJAME000099	DIODE	1	
D528,29	MA153	DIODE	2	
D530	BOBC9R900013	DIODE	1	
D531	BOHBSN000013	DIODE	1	
D535	MA188	DIODE	1	
D536	BOJBSG000026	DIODE	1	
D538	BOBC5R100039	DIODE	1	
D539,40	BOAARR000010	DIODE	2	
D542	MA4200M	ZENER DIODE	1	
D543	BOBC01400033	DIODE	1	
D544,45	MA4200M	ZENER DIODE	2	
D549	BOBC02500008	DIODE	1	
D551	BOBC01300033	DIODE	1	
D555	BOBC7R400023	DIODE	1	
D559	BOBC7R400023	DIODE	1	
D563	BOBC6R100025	DIODE	1	
D569-72	BOBC02500008	DIODE	4	
D574	MA165	DIODE	1	
D575	MA188	DIODE	1	
D579	MA165	DIODE	1	
D582	MAZ705600F	ZENER DIODE	1	
D585	BOBC7R400023	DIODE	1	
D586	BOHAMP000067	DIODE	1	
D587	MA188	DIODE	1	
D588	BOBC3R200008	DIODE	1	
D590	BOBC3R200008	DIODE	1	
D596	ERA15-10	DIODE	1	
D598	BOBC5R100039	DIODE	1	
D599	BOJCND000009	DIODE	1	
D600	BOBC7R400023	DIODE	1	
D601	BOBC5R100039	DIODE	1	
D602	BOBC8R100013	DIODE	1	
F410	K5G102B00020	FUSE	1	△
IC401	CNC1S171R	IC	1	△
IC402	CODAEMB00004	IC	1	
IC403-05	CNC1S171R	IC	3	△
IC406	CODAZZZ00021	IC	1	
IC408	CNC1S171R	IC	1	△
IC409	MIP2G40MPSCF	IC	1	△
IC410	CNC1S171R	IC	1	△

Ref. No.	Part No.	Part Name & Description	Pcs	Remarks
IC411	CODAEMB00004	IC	1	
IC412	CNC1S171R	IC	1	△
IC501	C2ABDB000110	IC	1	
IC502	C0EBH0000210	IC	1	
IC504	CODAEMB00004	IC	1	
IC505	CNC1S171R	IC	1	
IC506	C0ZBZ0000878	IC	1	
IC507	CNC1S171R	IC	1	
IC509	CODABZZ00010	IC	1	
IC510	CODBAZG00034	IC	1	
IC512	CODAEMB00004	IC	1	
IC520	LSSK0062	IC	1	
L403	EXCELSA35	BEAD CHOKE	1	
L404,05	G0B123K00004	CHOKE COIL	2	△
L410	ELF17N004A	LINE FILTER	1	△
L510	EXCELDR25C	BEAD CHOKE	1	
L511	G0A470ZA0033	CHOKE COIL	1	
L512	ELESE4R7JA	PEAKING COIL	1	
L513	EXCELDR25C	BEAD CHOKE	1	
L514	G0A100GA0013	CHOKE COIL	1	
P2	K1KA02A00626	2P CONNECTOR	1	
P5	K1KA11AA0194	11P CONNECTOR	1	
P9	K1KA03A00537	3P CONNECTOR	1	
P10	K1KA06A00452	6P CONNECTOR	1	
P11	K1KA02A00626	2P CONNECTOR	1	
P12	K1KA10AA0194	10P CONNECTOR	1	
P23	K1KA03AA0193	3P CONNECTOR	1	
P25	K1KA20AA0178	20P CONNECTOR	1	
PMM1	TMM7464-2	CLAMPER	1	
PMM2,M3	TMME088	CLAMPER	2	
PMM4-M6	TMM7464-2	CLAMPER	3	
PMM7	TMME047	CLAMPER	1	
PR401	K5Y502BA0001	FUSE	1	△
PR505	K5H5022A0023	FUSE	1	△
PR509	ERBSE0R50U	FUSE	1	△
PR601	K5G312B00012	FUSE	1	△
Q401	B1CHND000004	TRANSISTOR	1	
Q402	B1DFDD000019	TRANSISTOR	1	
Q404	B1BCCF000022	TRANSISTOR	1	
Q406	B1DEKQ000003	TRANSISTOR	1	△
Q407	B1HFCFA00021	TRANSISTOR	1	
Q408,09	B1DHCD000034	TRANSISTOR	2	
Q412,13	B1DEGQ000070	TRANSISTOR	2	△
Q418	2SD1819A	TRANSISTOR	1	
Q420-22	2SD1819A	TRANSISTOR	3	
Q434	B1CEJQ000003	TRANSISTOR	1	
Q501,02	2SD1820A	TRANSISTOR	2	
Q505	B1CEJQ000002	TRANSISTOR	1	
Q507	B1DAQQ000013	TRANSISTOR	1	
Q508	B1HBCFA00033	TRANSISTOR	1	
Q509	B1HDCEA00001	TRANSISTOR	1	
Q510	B1DHBD000005	TRANSISTOR	1	
Q512	B1CBGD000001	FET	1	
Q517	B1HBCFA00033	TRANSISTOR	1	
Q520	B1HBCFA00033	TRANSISTOR	1	
Q521	B1CBGD000001	FET	1	
Q524	B1CFGF000008	TRANSISTOR	1	
Q525	B1CBGD000001	FET	1	
Q527	B1CERL000005	TRANSISTOR	1	
Q530	2SD1819A	TRANSISTOR	1	
Q535	2SD1819A	TRANSISTOR	1	
Q537	B1DFDD000019	TRANSISTOR	1	
Q538	B1CBGD000001	FET	1	
Q540	B1DHCD000034	TRANSISTOR	1	
Q541	B1CBGD000001	FET	1	
Q551	B1CBGD000001	FET	1	
Q553	2SD1819A	TRANSISTOR	1	
Q554	B1DHCD000034	TRANSISTOR	1	

Ref. No.	Part No.	Part Name & Description	Pcs	Remarks
Q555,56	B1DFGD000045	TRANSISTOR	2	
Q557-59	2SD1819A	TRANSISTOR	3	
Q561	2SD1819A	TRANSISTOR	1	
Q563	B1CFGF000008	TRANSISTOR	1	
Q564,65	2SB1218ARL	TRANSISTOR	2	
Q566	2SD1819A	TRANSISTOR	1	
Q568	B1CHGD000006	TRANSISTOR	1	
Q569	B1CBGD000001	FET	1	
R401	ERJ6GEYJ103	M 10KOHM, J, 1/10W	1	
R402	ERJ6GEYJ821	M 820 OHM, J, 1/10W	1	
R403	ERJ6GEYJ105	M 1MOHM, J, 1/10W	1	
R404	ERJ6GEYJ102	M 1KOHM, J, 1/10W	1	
R406	ERX12SJ2R2V	M 2.2 OHM, J, 1/2W	1	
R407	ERJ8ENF4303	M 43KOHM, 1/8W	1	
R410	D1F5100E0003	CHIP RESISTOR	1	△
R412	ERJ6GEY0R00	M 0 OHM, 1/10W	1	
R413	D1F5100E0003	CHIP RESISTOR	1	△
R414	ERJ8GEYJ153	M 15KOHM, J, 1/8W	1	
R415	ERJ6GEYJ103	M 10KOHM, J, 1/10W	1	
R416	ERJ6GEYJ305	M 3MOHM, J, 1/10W	1	
R417	ERJ6ENF4303	M 430KOHM, 1/10W	1	
R418	ERJ6GEYJ220	M 22 OHM, J, 1/10W	1	
R419	ERJ6GEYJ104	M 100KOHM, J, 1/10W	1	
R420	ERJ6GEY0R00	M 0 OHM, 1/10W	1	
R421	ERJ6GEYJ333	M 33KOHM, J, 1/10W	1	
R422	ERJ6GEYJ334	M 330KOHM, J, 1/10W	1	
R423	ERJ6GEYJ102	M 1KOHM, J, 1/10W	1	
R424	ERJ6GEYJ223	M 22KOHM, J, 1/10W	1	
R425	ERJ6ENF3902	M 39KOHM, 1/10W	1	
R426	ERJ6GEYJ103	M 10KOHM, J, 1/10W	1	
R427	ERJ8ENF4303	M 43KOHM, 1/8W	1	
R428	ERJ6GEYJ103	M 10KOHM, J, 1/10W	1	
R429	ERJ6GEYJ47M	M 4.7 OHM, J, 1/10W	1	
R430	ERJ6ENF4303	M 430KOHM, 1/10W	1	
R431	ERJ6GEYJ103	M 10KOHM, J, 1/10W	1	
R432	ERJ6GEYJ102	M 1KOHM, J, 1/10W	1	
R433	ERJ6ENF1202	M 12KOHM, 1/10W	1	
R434	ERJ8GEY0R00	M 0 OHM, 1/8W	1	
R435	ERJ8ENF4303	M 43KOHM, 1/8W	1	
R436	ERJ8GEYJ153	M 15KOHM, J, 1/8W	1	
R437	ERJ6GEYJ183	M 18KOHM, J, 1/10W	1	
R438	ERJ6GEYJ331	M 330 OHM, J, 1/10W	1	
R439	ERGL2SJ120	M 12 OHM, J, 1/2W	1	
R440	ERJ8GEYJ474	M 470KOHM, J, 1/8W	1	
R441,42	ERJ6EKF6803	M 680KOHM, 1/10W	2	
R443	EVMAASA00B23	CONTROL 2KOHMB	1	
R444	ERJ6GEYJ123	M 12KOHM, J, 1/10W	1	
R448,49	DOXGR08J0001	M 0.08OHM, J, 5W	2	
R450	ERJ6GEYJ102	M 1KOHM, J, 1/10W	1	
R451	ERJ6GEYJ333	M 33KOHM, J, 1/10W	1	
R452	ERJ6GEYJ103	M 10KOHM, J, 1/10W	1	
R453	ERJ6GEYJ305	M 3MOHM, J, 1/10W	1	
R454	ERJ6GEYJ103	M 10KOHM, J, 1/10W	1	
R455	ERJ6GEYJ123	M 12KOHM, J, 1/10W	1	
R456	ERJ6GEYJ333	M 33KOHM, J, 1/10W	1	
R458	ERJ6GEYJ472	M 4.7KOHM, J, 1/10W	1	
R459	ERJ6EKF6803	M 680KOHM, 1/10W	1	
R461	ERJ6GEYJ103	M 10KOHM, J, 1/10W	1	
R462	ERJ6ENF4303	M 430KOHM, 1/10W	1	
R463	ERJ6GEYJ333	M 33KOHM, J, 1/10W	1	
R464	ERJ6ENF3302	M 33KOHM, 1/10W	1	
R465	ERJ6ENF5603	M 560KOHM, 1/10W	1	
R467	ERJ6GEYJ102	M 1KOHM, J, 1/10W	1	
R471	ERJ8GEYJ332	M 3.3KOHM, J, 1/8W	1	
R472,73	ERJ6ENF5603	M 560KOHM, 1/10W	2	
R475	ERJ6EKF6803	M 680KOHM, 1/10W	1	
R476,77	ERJ14YJ181U	M 181 OHM, J, 1/4W	2	
R478	ERJ8GEYJ220	M 22 OHM, J, 1/8W	1	
R480	ERJ6ENF4702	M 47KOHM, 1/10W	1	
R482	ERJ8GEYJ220	M 22 OHM, J, 1/8W	1	
R483	DOBFB225JA030	M 22MOHM, J, 0.05W	1	△
R487	ERJ6GEYJ472	M 4.7KOHM, J, 1/10W	1	

Ref. No.	Part No.	Part Name & Description	Pcs	Remarks
R488	ERJ6GEYJ104	M 100KOHM, J, 1/10W	1	
R490,91	ERJ6GEYJ473	M 47KOHM, J, 1/10W	2	
R492	ERJ6GEY0R00	M 0 OHM, 1/10W	1	
R493	ERGL2SJ120	M 12 OHM, J, 1/2W	1	
R494-96	ERJ6ENF5603	M 560KOHM, 1/10W	3	
R497	ERJ6ENF1202	M 12KOHM, 1/10W	1	
R498	ERG3SJ101	M 100 OHM, J, 3W	1	
R499	DOBFB394JA029	M 390KOHM, J, 0.05W	1	△
R501	ERJ6GEYJ223	M 22KOHM, J, 1/10W	1	
R502,03	ERJ6GEYJ104	M 100KOHM, J, 1/10W	2	
R504	ERJ6GEYJ102	M 1KOHM, J, 1/10W	1	
R505	ERJ8GEYJ330	M 33 OHM, J, 1/8W	1	
R506	ERJ6GEYJ102	M 1KOHM, J, 1/10W	1	
R507	ERJ6GEYJ221	M 220 OHM, J, 1/10W	1	
R508	ERJ6GEYJ102	M 1KOHM, J, 1/10W	1	
R509-11	ERJ6GEYJ104	M 100KOHM, J, 1/10W	3	
R512	ERJ6GEYJ223	M 22KOHM, J, 1/10W	1	
R513,14	ERJ6GEYJ104	M 100KOHM, J, 1/10W	2	
R515,16	ERJ6GEYJ102	M 1KOHM, J, 1/10W	2	
R517	ERJ6GEYJ103	M 10KOHM, J, 1/10W	1	
R518	ERJ6GEYJ102	M 1KOHM, J, 1/10W	1	
R519,20	ERJ6GEYJ104	M 100KOHM, J, 1/10W	2	
R521,22	ERJ8GEYJ100	M 10 OHM, J, 1/8W	2	
R523	ERJ6GEYJ473	M 47KOHM, J, 1/10W	1	
R524	ERJ6GEYJ102	M 1KOHM, J, 1/10W	1	
R525	ERJ6GEYJ473	M 47KOHM, J, 1/10W	1	
R526,27	ERJ8GEYJ224	M 220KOHM, J, 1/8W	2	
R528	ERJ6GEYJ47M	M 4.7 OHM, J, 1/10W	1	
R529	ERJ6GEYJ101	M 100 OHM, J, 1/10W	1	
R530	ERJ6RBD3302	M 33KOHM, F, 1/10W	1	
R532	ERJ6GEYJ102	M 1KOHM, J, 1/10W	1	
R533	ERJ6GEYJ163	M 16KOHM, J, 1/10W	1	
R534	ERJ6GEYJ473	M 47KOHM, J, 1/10W	1	
R535,36	ERJ6GEYJ102	M 1KOHM, J, 1/10W	2	
R537	ERJ6ENF1003	M 100KOHM, 1/10W	1	
R538	ERJ6GEYJ104	M 100KOHM, J, 1/10W	1	
R539	ERJ6GEYJ103	M 10KOHM, J, 1/10W	1	
R540,41	ERJ6GEYJ105	M 1MOHM, J, 1/10W	2	
R542	ERJ6GEYJ102	M 1KOHM, J, 1/10W	1	
R543	ERJ6GEYJ153	M 15KOHM, J, 1/10W	1	
R544	ERJ6GEYJ331	M 330 OHM, J, 1/10W	1	
R545	ERJ6GEYJ103	M 10KOHM, J, 1/10W	1	
R546	ERJ6GEYJ102	M 1KOHM, J, 1/10W	1	
R547	ERJ6GEYJ101	M 100 OHM, J, 1/10W	1	
R548	ERJ6GEYJ102	M 1KOHM, J, 1/10W	1	
R549	ERJ6GEYJ103	M 10KOHM, J, 1/10W	1	
R550	ERJ6GEYJ473	M 47KOHM, J, 1/10W	1	
R551	ERJ6GEYJ334	M 330KOHM, J, 1/10W	1	
R552	ERJ6GEYJ103	M 10KOHM, J, 1/10W	1	
R553	ERJ6GEYJ101	M 100 OHM, J, 1/10W	1	
R554	ERJ6GEYJ102	M 1KOHM, J, 1/10W	1	
R555,56	ERJ6GEYJ105	M 1MOHM, J, 1/10W	2	
R557	ERJ6GEYJ104	M 100KOHM, J, 1/10W	1	
R558	ERJ6GEYJ474	M 470KOHM, J, 1/10W	1	
R559	ERJ6ENF8201	M 8.2KOHM, 1/10W	1	
R560	ERJ6ENF9101	M 9.1KOHM, 1/10W	1	
R561	ERJ6ENF5101	M 5.1KOHM, 1/10W	1	
R562	ERJ6ENF4701	M 4.7KOHM, 1/10W	1	
R563	ERJ6GEYJ2R2	M 2.2 OHM, J, 1/10W	1	
R564	ERJ6GEYJ104	M 100KOHM, J, 1/10W	1	
R565,66	ERJ6GEYJ105	M 1MOHM, J, 1/10W	2	
R567,68	ERJ8ENF1004	M 100KOHM, 1/8W	2	
R569	ERJ6ENF3302	M 33KOHM, 1/10W	1	
R570	ERJ6GEYJ104	M 100KOHM, J, 1/10W	1	
R571	ERJ6GEYJ105	M 1MOHM, J, 1/10W	1	
R572,73	ERJ8ENF3900	M 390 OHM, 1/8W	2	
R574	ERJ6GEYJ331	M 330 OHM, J, 1/10W	1	
R575	ERJ6GEYJ102	M 1KOHM, J, 1/10W	1	
R576	ERJ6ENF1202	M 12KOHM, 1/10W	1	
R577,78	ERJ6GEYJ473	M 47KOHM, J, 1/10W	2	
R579	ERJ6GEYJ103	M 10KOHM, J, 1/10W	1	
R580,81	ERJ6GEYJ473	M 47KOHM, J, 1/10W	2	
R582	ERJ6ENF1002	M 10KOHM, 1/10W	1	

Ref. No.	Part No.	Part Name & Description	Pcs	Remarks
R583	ERJ6GEYJ473	M 47KOHM, J, 1/10W	1	
R584	ERJ6GEYJ103	M 10KOHM, J, 1/10W	1	
R585	ERJ6GEYJ333	M 33KOHM, J, 1/10W	1	
R586	ERJ6GEYJ473	M 47KOHM, J, 1/10W	1	
R587	ERJ8RSJR16V	M 16 OHM, 1/8W	1	
R588	ERJ8ENF3900	M 390 OHM, 1/8W	1	
R589,90	ERJ8GEYJ123	M 12KOHM, J, 1/8W	2	
R591	ERJ6GEYJ105	M 1MOHM, J, 1/10W	1	
R592	ERJ6ENF3001	M 3KOHM, 1/10W	1	
R593	ERJ6ENF5601	M 5.6KOHM, 1/10W	1	
R594	ERJ6GEYJ151	M 150 OHM, J, 1/10W	1	
R595	ERJ8GEYJ222	M 2.2KOHM, J, 1/8W	1	
R596	ERJ6GEYJ101	M 100 OHM, J, 1/10W	1	
R597,98	ERJ6ENF3302	M 33KOHM, 1/10W	2	
R599,00	ERJ8ENF3900	M 390 OHM, 1/8W	2	
R601	ERJ6GEYJ473	M 47KOHM, J, 1/10W	1	
R602	ERJ6ENF3301	M 3.3KOHM, 1/10W	1	
R603	ERJ6GEYJ333	M 33KOHM, J, 1/10W	1	
R606	ERJ6ENF1201	M 1.2KOHM, 1/10W	1	
R607	ERJ6ENF2202	M 2.2KOHM, 1/10W	1	
R608	ERJ8GEYJ332	M 3.3KOHM, J, 1/8W	1	
R609	ERJ6GEYJ102	M 1KOHM, J, 1/10W	1	
R610,11	ERJ6GEYJ473	M 47KOHM, J, 1/10W	2	
R612	ERJ6GEYJ222	M 2.2KOHM, J, 1/10W	1	
R613	ERJ6ENF2702	M 27KOHM, 1/10W	1	
R614	ERJ6ENF3301	M 3.3KOHM, 1/10W	1	
R615	ERJ6GEYJ102	M 1KOHM, J, 1/10W	1	
R616,17	ERJ6GEYJ103	M 10KOHM, J, 1/10W	2	
R618	ERJ6GEYJ104	M 100KOHM, J, 1/10W	1	
R619	ERJ8RQJR39	M0.39 OHM, 1/8W	1	
R620	ERJ6GEYJ103	M 10KOHM, J, 1/10W	1	
R621	ERJ8GEYJ123	M 12KOHM, J, 1/8W	1	
R622	ERJ8ENF1503	M 15KOHM, 1/8W	1	
R624	ERX2SJR22	M0.22 OHM, J, 2W	1	
R626	ERJ8ENF1503	M 15KOHM, 1/8W	1	
R627	ERJ6GEYJ752	M 7.5KOHM, J, 1/10W	1	
R628	EVMAASA00B33	CONTROL 3KOHMB	1	
R629	ERJ6GEYJ105	M 1MOHM, J, 1/10W	1	
R630	ERJ8GEYJ472	M 4.7KOHM, J, 1/8W	1	
R631	ERJ8GEYJ333	M 33KOHM, J, 1/8W	1	
R632	ERJ6GEYJ221	M 220 OHM, J, 1/10W	1	
R633	ERJ6GEYJ105	M 1MOHM, J, 1/10W	1	
R634	ERJ8RQJR39	M0.39 OHM, 1/8W	1	
R636	ERJ8ENF1503	M 15KOHM, 1/8W	1	
R637	ERJ8RQJR39	M0.39 OHM, 1/8W	1	
R638	ERJ6GEYJ102	M 1KOHM, J, 1/10W	1	
R639,40	ERJ8RQJR39	M0.39 OHM, 1/8W	2	
R641	ERJ6GEYJ473	M 47KOHM, J, 1/10W	1	
R642-44	ERJ8RQJR39	M0.39 OHM, 1/8W	3	
R645	ERJ6GEYJ101	M 100 OHM, J, 1/10W	1	
R646,47	ERJ8GEYJ223	M 22KOHM, J, 1/8W	2	
R648	ERJ8ENF1503	M 15KOHM, 1/8W	1	
R649	ERJ6GEYJ223	M 22KOHM, J, 1/10W	1	
R650	ERJ6GEYJ103	M 10KOHM, J, 1/10W	1	
R651,52	ERJ6ENF1002	M 10KOHM, 1/10W	2	
R653	ERJ6ENF3302	M 33KOHM, 1/10W	1	
R654	ERJ8GEYJ220	M 22 OHM, J, 1/8W	1	
R655	ERJ8RSJR16V	M 16 OHM, 1/8W	1	
R656	ERJ6ENF4702	M 47KOHM, 1/10W	1	
R657	ERJ6GEYJ102	M 1KOHM, J, 1/10W	1	
R658	ERJ6GEYJ105	M 1MOHM, J, 1/10W	1	
R659	ERJ6ENF3002	M 30KOHM, 1/10W	1	
R660	ERJ6ENF1202	M 12KOHM, 1/10W	1	
R661	EVMEASA00B53	CONTROL 5KOHMB 0.3W	1	
R662	ERJ6ENF1503	M 150KOHM, 1/10W	1	
R664	ERJ6ENF9101	M 9.1KOHM, 1/10W	1	
R665	EVMEASA00B23	CONTROL 2KOHMB 0.3W	1	
R666	ERJ6GEYJ102	M 1KOHM, J, 1/10W	1	
R667,68	ERJ8GEY0R00	M 0 OHM, 1/8W	2	
R669	ERJ6ENF1303	M 130KOHM, 1/10W	1	
R670	ERJ6GEYJ102	M 1KOHM, J, 1/10W	1	

Ref. No.	Part No.	Part Name & Description	Pcs	Remarks
R671	EVMEASA00B14	CONTROL 10KOHMB 0.3W	1	
R672,73	ERJ6GEYJ102	M 1KOHM, J, 1/10W	2	
R674	ERJ8GEYJ333	M 33KOHM, J, 1/8W	1	
R675	ERJ6ENF2202	M 2.2KOHM, 1/10W	1	
R676	ERJ8GEYJ333	M 33KOHM, J, 1/8W	1	
R677	ERJ6GEYJ474	M 470KOHM, J, 1/10W	1	
R678	ERJ8GEY0R00	M 0 OHM, 1/8W	1	
R679,80	ERJ8RSJR16V	M 16 OHM, 1/8W	2	
R682	ERJ6ENF2002	M 20KOHM, 1/10W	1	
R683	ERJ6GEYJ333	M 33KOHM, J, 1/10W	1	
R684	ERJ6GEYJ103	M 10KOHM, J, 1/10W	1	
R685,86	ERJ6GEYJ102	M 1KOHM, J, 1/10W	2	
R687	ERJ6GEYJ103	M 10KOHM, J, 1/10W	1	
R688,89	ERJ6GEYJ102	M 1KOHM, J, 1/10W	2	
R690	ERJ6GEYJ4R7	M 4.7 OHM, J, 1/10W	1	
R691	ERJ6GEYJ104	M 100KOHM, J, 1/10W	1	
R692	ERJ6GEYJ472	M 4.7KOHM, J, 1/10W	1	
R693	ERJ6GEYJ103	M 10KOHM, J, 1/10W	1	
R695	ERJ6ENF1202	M 12KOHM, 1/10W	1	
R696	ERJ8GEYJ100	M 10 OHM, J, 1/8W	1	
R697	ERJ6GEYJ4R7	M 4.7 OHM, J, 1/10W	1	
R698	ERJ8RSJR16V	M 16 OHM, 1/8W	1	
R699-08	ERJ8GEYJ105	M 1MOHM, J, 1/8W	10	
R711	ERJ8RSJR16V	M 16 OHM, 1/8W	1	
R712	ERJ6GEYJ4R7	M 4.7 OHM, J, 1/10W	1	
R713	ERJ8GEYJ472	M 4.7KOHM, J, 1/8W	1	
R714	ERJ6GEYJ101	M 100 OHM, J, 1/10W	1	
R715	ERDS2TJ101	C 100 OHM, J, 1/4W	1	
R921	ERJ6RBD3302	M 33KOHM, F, 1/10W	1	
R922	ERJ6GEYJ101	M 100 OHM, J, 1/10W	1	
R931	ERJ6ENF3002	M 30KOHM, 1/10W	1	
R932	ERJ6GEYJ104	M 100KOHM, J, 1/10W	1	
R933	ERJ6GEYJ102	M 1KOHM, J, 1/10W	1	
R935	ERJ6GEYJ104	M 100KOHM, J, 1/10W	1	
R936	ERJ6GEYJ103	M 10KOHM, J, 1/10W	1	
R937	ERJ6GEYJ102	M 1KOHM, J, 1/10W	1	
R938	ERJ6GEYJ472	M 4.7KOHM, J, 1/10W	1	
R939,40	ERJ6GEYJ102	M 1KOHM, J, 1/10W	2	
R943	ERJ6GEYJ105	M 1MOHM, J, 1/10W	1	
R945	ERJ6GEYJ223	M 22KOHM, J, 1/10W	1	
R946	ERJ6GEYJ333	M 33KOHM, J, 1/10W	1	
R947	ERJ8GEYJ331	M 330 OHM, J, 1/8W	1	
R950	ERJ6GEYJ105	M 1MOHM, J, 1/10W	1	
R951,52	ERJ8GEYJ100	M 10 OHM, J, 1/8W	2	
R953	ERJ6GEYJ222	M 2.2KOHM, J, 1/10W	1	
R955	ERJ6GEYJ473	M 47KOHM, J, 1/10W	1	
R956	ERJ6GEYJ104	M 100KOHM, J, 1/10W	1	
RL402,03	TSEH8011	RELAY	2	△
S401,02	JOLT00000009	SWITCH	2	△
T401	G4D4A0000117	SWITCHING TRANSFORMER	1	
T402	G4D1A0000098	SWITCHING TRANSFORMER	1	△
T404	ETS42LA12GAD	SWITCHING TRANS	1	△
T407	ETQ11K5AZ	CHOKES TRANS	1	△
T410	ETS25AF115AH	SWITCHING TRANS	1	△
T601	G4D2A0000264	SWITCHING TRANS	1	
W9,10	J0JKB0000037	FLAT CORE	2	
X501	H2B400400021	CRYSTAL	1	
Z1,Z2	K4ZZ01000206	TERMINAL	2	
Z420	TMM23417	CLAMPER	2	
Z450-53	EYF52BCY	FUSE HOLDER	4	
ZN401	ERZVGED21T2	VARIATOR	1	△
ZN402	D4EAD7510001	VARIATOR	1	△
ZN404	ERZVGAD681T2	VARIATOR	1	△

Ref. No.	Part No.	Part Name & Description	Pcs	Remarks
ZN405-06	ERZVA7D511	VARISTOR	2	△