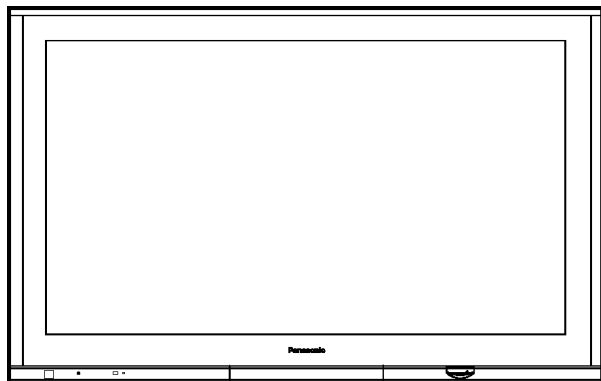


Service Manual

High Definition Plasma Television

TH-42PZ700U

GP10DHU Chassis



Specifications

Power Source	AC 120 V, 60 Hz
Power Consumption	
Maximum	580 W
Standby condition	0.2 W
Plasma Display panel	
Drive method	AC type
Aspect Ratio	16 : 9
Visible screen size (W × H × Diagonal)	42" (Diagonal) 36.2" × 20.4" × 41.6" (922 mm × 518 mm × 1,057 mm)
(No. of pixels)	2,073,600 (1,920 (W) × 1,080 (H)) [5,760 × 1,080 dots]
Sound	
Audio Output	Super Slim SP (2.5 W) × 2 Woofer (13 W) × 2
PC signals	VGA, SVGA, XGA, WXGA, SXGA Horizontal scanning frequency 31 - 69 kHz Vertical scanning frequency 59 - 86 Hz
Channel Capability (Digital/Analog)	VHF/UHF: 2 - 69, CATV: 1 - 135
Operating Conditions	Temperature: 32 °F - 104 °F (0 °C - 40 °C) Humidity: 20 % - 80 % RH (non-condensing)
Connection Terminals	
INPUT 1-3	VIDEO: RCA PIN Type × 1 1.0 V [p-p] (75 ohm) S-VIDEO: Mini DIN 4-pin Y: 1.0 V [p-p] (75 ohm) C: 0.286 V [p-p] (75 ohm) AUDIO L-R: RCA PIN Type × 2 0.5 V [rms]
COMPONENT VIDEO INPUT 1-2	Y: 1.0 V [p-p] (including synchronization) P _B , P _R : ± 0.35 V [p-p] AUDIO L-R: RCA PIN Type × 2 0.5 V [rms]
HDMI 1-2 AUDIO IN	TYPE A Connector × 2
	●This TV supports "HDAVI Control 2" function.

PC	AUDIO L-R: RCA PIN Type × 2 0.5 V [rms]
	D-SUB 15PIN: R,G,B / 0.7 V [p-p] (75 ohm)
	HD,VD / 1.0 - 5.0 V [p-p] (high impedance)
Card slot	AUDIO L-R: Stereo Mini Jack (ϕ 3.5 mm) × 1
AV PROG. OUT	SD CARD slot × 1
	VIDEO: RCA PIN Type × 1 1.0 V [p-p] (75 ohm)
DIGITAL AUDIO OUT	AUDIO L-R: RCA PIN Type × 2 0.5 V [rms]
FEATURES	PCM/Dolby Digital, Fiber Optic
	3D Y/C FILTER CLOSED CAPTION
	V-Chip BBE VIVA 3D
	Photo Viewer HDAVI Control 2
Dimensions (W × H × D)	
Including pedestal	42.5 " × 29.8 " × 14.6 " (1,077 mm × 755 mm × 369 mm)
TV Set only	42.5 " × 27.2 " × 5.5 " (1,077 mm × 689 mm × 138 mm)
Mass	
Including pedestal	99.3 lb. (45 kg)
TV Set only	83.8 lb. (38 kg)

Note:

- Design and Specifications are subject to change without notice. Mass and Dimensions shown are approximate.

⚠ WARNING

This service information is designed for experienced repair technicians only and is not designed for use by the general public. It does not contain warnings or cautions to advise non-technical individuals of potential dangers in attempting to service a product. Products powered by electricity should be serviced or repaired only by experienced professional technicians. Any attempt to service or repair the product or products dealt with in this service information by anyone else could result in serious injury or death.

CONTENTS

	Page	Page
1 Applicable signals	4	6.19. Remove the C3-Board
2 Safety Precautions	5	6.20. Remove the C4-Board
2.1. General Guidelines	5	6.21. Remove the front bracket
3 Prevention of Electrostatic Discharge (ESD) to Electrostatically Sensitive (ES) Devices	6	6.22. Remove the G-Board
4 About lead free solder (PbF)	7	6.23. Remove the GS-Board
5 Service Hint	8	6.24. Remove the S-Board
6 Plasma panel replacement method	9	6.25. Remove the K-Board
6.1. Remove the Back cover	9	6.26. Remove the Plasma panel section from the Cabinet assy (glass)
6.2. Remove the fan	9	6.27. Remove the squawker speaker
6.3. Remove the rear terminal cover	9	6.28. Replace the plasma panel (finished)
6.4. Remove the tuner unit	9	7 Caution statement
6.5. Remove the DG-Board	9	7.1. Caution statement.
6.6. Remove the H-Board	10	8 Location of Lead Wiring
6.7. Remove the P-Board	10	8.1. Lead of Wiring (1)
6.8. Remove the speaker box assy (left, right)	11	8.2. Lead of Wiring (2)
6.9. Remove the PB-Board	12	8.3. Lead of Wiring (3)
6.10. Remove the D-Board	12	8.4. Lead of Wiring (4)
6.11. Remove the SU-Board	12	8.5. Lead of Wiring (5)
6.12. Remove the SD-Board	12	8.6. Lead of Wiring (6)
6.13. Remove the SC-Board	13	8.7. Lead of Wiring (7)
6.14. Remove the SS-Board	13	9 Self-check Function
6.15. Remove the stand brackets	13	9.1. Check of the IIC bus lines
6.16. Remove the cabinet assy mounting metal.	14	9.2. Power LED Blinking timing chart
6.17. Remove the C1-Board	14	9.3. No Power
6.18. Remove the C2-Board	15	9.4. No Picture

9.5. Local screen failure	30	15.25. DG-Board (9 of 14) Schematic Diagram	91
10 Service Mode	31	15.26. DG-Board (10 of 14) Schematic Diagram	92
10.1. How to enter into Service Mode	31	15.27. DG-Board (11 of 14) Schematic Diagram	93
10.2. Service tool mode	33	15.28. DG-Board (12 of 14) Schematic Diagram	94
11 Adjustment Procedure	34	15.29. DG-Board (13 of 14) Schematic Diagram	95
11.1. Driver Set-up	34	15.30. DG-Board (14 of 14) Schematic Diagram	96
11.2. Initialization Pulse Adjust	35	15.31. D-Board (1 of 2) Block Diagram	97
11.3. P.C.B. (Printed Circuit Board) exchange	35	15.32. D-Board (2 of 2) Block Diagram	98
11.4. Adjustment Volume Location	36	15.33. D-Board (1 of 8) Schematic Diagram	99
11.5. Test Point Location	36	15.34. D-Board (2 of 8) Schematic Diagram	100
12 White Balance Adjustment	37	15.35. D-Board (3 of 8) Schematic Diagram	101
12.1. White balance adjustment	37	15.36. D-Board (4 of 8) Schematic Diagram	102
13 Hotel mode	39	15.37. D-Board (5 of 8) Schematic Diagram	103
14 Conductor Views	41	15.38. D-Board (6 of 8) Schematic Diagram	104
14.1. P-Board	41	15.39. D-Board (7 of 8) Schematic Diagram	105
14.2. G and GS-Board	44	15.40. D-Board (8 of 8) Schematic Diagram	106
14.3. K, PB and S-Board	45	15.41. C1 and C4 Block Diagram	107
14.4. H-Board	46	15.42. C2 and C3-Board Block Diagram	108
14.5. DG-Board	49	15.43. C1-Board (1 of 3) Schematic Diagram	109
14.6. D-Board	52	15.44. C1-Board (2 of 3) Schematic Diagram	110
14.7. C1-Board	55	15.45. C1-Board (3 of 3) Schematic Diagram	111
14.8. C2-Board	56	15.46. C2-Board (1 of 3) Schematic Diagram	112
14.9. C3-Board	57	15.47. C2-Board (2 of 3) Schematic Diagram	113
14.10. C4-Board	58	15.48. C2-Board (3 of 3) Schematic Diagram	114
14.11. SC-Board	59	15.49. C3-Board (1 of 3) Schematic Diagram	115
14.12. SU-Board	62	15.50. C3-Board (2 of 3) Schematic Diagram	116
14.13. SD-Board	63	15.51. C3-Board (3 of 3) Schematic Diagram	117
14.14. SS-Board	64	15.52. C4-Board (1 of 3) Schematic Diagram	118
15 Schematic and Block Diagram	67	15.53. C4-Board (2 of 3) Schematic Diagram	119
15.1. Schematic Diagram Note	67	15.54. C4-Board (3 of 3) Schematic Diagram	120
15.2. Main Block Diagram	68	15.55. SC-Board (1 of 2) Block Diagram	121
15.3. P-Board Block Diagram	69	15.56. SC-Board (2 of 2) Block Diagram	122
15.4. P-Board (1 of 2) Schematic Diagram	70	15.57. SC-Board (1 of 5) Schematic Diagram	123
15.5. P-Board (2 of 2) Schematic Diagram	71	15.58. SC-Board (2 of 5) Schematic Diagram	124
15.6. PB-Board Block and Schematic Diagram	72	15.59. SC-Board (3 of 5) Schematic Diagram	125
15.7. G, GS, K and S-Board Block and Schematic Diagram	73	15.60. SC-Board (4 of 5) Schematic Diagram	126
15.8. H-Board (1 of 2) Block Diagram	74	15.61. SC-Board (5 of 5) Schematic Diagram	127
15.9. H-Board (2 of 2) Block Diagram	75	15.62. SU and SD-Board Block Diagram	128
15.10. H-Board (1 of 3) Schematic Diagram	76	15.63. SU-Board (1 of 2) Schematic Diagram	129
15.11. H-Board (2 of 3) Schematic Diagram	77	15.64. SU-Board (2 of 2) Schematic Diagram	130
15.12. H-Board (3 of 3) Schematic Diagram	78	15.65. SD-Board (1 of 2) Schematic Diagram	131
15.13. DG-Board (1 of 4) Block Diagram	79	15.66. SD-Board (2 of 2) Schematic Diagram	132
15.14. DG-Board (2 of 4) Block Diagram	80	15.67. SS-Board Block Diagram	133
15.15. DG-Board (3 of 4) Block Diagram	81	15.68. SS-Board (1 of 2) Schematic Diagram	134
15.16. DG-Board (4 of 4) Block Diagram	82	15.69. SS-Board (2 of 2) Schematic Diagram	135
15.17. DG-Board (1 of 14) Schematic Diagram	83	16 Exploded Views & Replacement Parts List	137
15.18. DG-Board (2 of 14) Schematic Diagram	84	16.1. Exploded Views	137
15.19. DG-Board (3 of 14) Schematic Diagram	85	16.2. Packing Exploded Views (Accessories)	138
15.20. DG-Board (4 of 14) Schematic Diagram	86	16.3. Packing Exploded Views (Stand)	139
15.21. DG-Board (5 of 14) Schematic Diagram	87	16.4. Replacement Parts List Notes	140
15.22. DG-Board (6 of 14) Schematic Diagram	88	16.5. Mechanical Replacement Parts List (PDP TV)	141
15.23. DG-Board (7 of 14) Schematic Diagram	89	16.6. Mechanical Replacement Parts List (Stand)	142
15.24. DG-Board (8 of 14) Schematic Diagram	90	16.7. Electrical Replacement Parts List	143

1 Applicable signals

* Mark: Applicable input signal for Component (Y, P_B, P_R), HDMI and PC

	horizontal frequency (kHz)	vertical frequency (Hz)	COMPONENT	HDMI	PC
525 (480) / 60i	15.73	59.94	*	*	
525 (480) /60p	31.47	59.94	*	*	
750 (720) /60p	45.00	59.94	*	*	
1,125 (1,080) /60i	33.75	59.94	*	*	
1,125 (1,080) /60p	67.43	59.94		*	
1,125 (1,080) /60p	67.50	60.00		*	
640 × 400 @70	31.47	70.08			*
640 × 480 @60	31.47	59.94			*
Macintosh13" (640 × 480)	35.00	66.67			*
640 × 480 @75	37.50	75.00			*
852 × 480 @60	31.47	59.94			*
800 × 600 @60	37.88	60.32			*
800 × 600 @75	46.88	75.00			*
800 × 600 @85	53.67	85.08			*
Macintosh16" (832 × 624)	49.73	74.55			*
1,024 × 768 @60	48.36	60.00			*
1,024 × 768 @70	56.48	70.07			*
1,024 × 768 @75	60.02	75.03			*
1,024 × 768 @85	68.68	85.00			*
Macintosh 21" (1,152 × 870)	68.68	75.06			*
1,280 × 1,024 @60	63.98	60.02			*
1,366 × 768 @60	48.36	60.00			*

Note

- Signals other than above may not be displayed properly.
- The above signals are reformatted for optimal viewing on your display.

2 Safety Precautions

2.1. General Guidelines

1. When conducting repairs and servicing, do not attempt to modify the equipment, its parts or its materials.
2. When wiring units (with cables, flexible cables or lead wires) are supplied as repair parts and only one wire or some of the wires have been broken or disconnected, do not attempt to repair or re-wire the units. Replace the entire wiring unit instead.
3. When conducting repairs and servicing, do not twist the Faston connectors but plug them straight in or unplug them straight out.
4. When servicing, observe the original lead dress. If a short circuit is found, replace all parts which have been overheated or damaged by the short circuit.
5. After servicing, see to it that all the protective devices such as insulation barriers, insulation papers shields are properly installed.
6. After servicing, make the following leakage current checks to prevent the customer from being exposed to shock hazards.

2.1.1. Leakage Current Cold Check

1. Unplug the AC cord and connect a jumper between the two prongs on the plug.
2. Measure the resistance value, with an ohmmeter, between the jumpered AC plug and each exposed metallic cabinet part on the equipment such as screwheads, connectors, control shafts, etc. When the exposed metallic part has a return path to the chassis, the reading should be between 1Mohm and 5.2Mohm.
When the exposed metal does not have a return path to the chassis, the reading must be ∞ .

2.1.2. Leakage Current Hot Check (See Figure 1.)

1. Plug the AC cord directly into the AC outlet. Do not use an isolation transformer for this check.
2. Connect a 1.5kohm, 10 watts resistor, in parallel with a 0.15 μ F capacitors, between each exposed metallic part on the set and a good earth ground such as a water pipe, as shown in Figure 1.
3. Use an AC voltmeter, with 1000 ohms/volt or more sensitivity, to measure the potential across the resistor.
4. Check each exposed metallic part, and measure the voltage at each point.
5. Reverse the AC plug in the AC outlet and repeat each of the above measurements.
6. The potential at any point should not exceed 0.75 volts RMS. A leakage current tester (Simpson Model 229 or equivalent) may be used to make the hot checks, leakage current must not exceed 1/2 milliamp. In case a measurement is outside of the limits specified, there is a possibility of a shock hazard, and the equipment should be repaired and rechecked before it is returned to the customer.

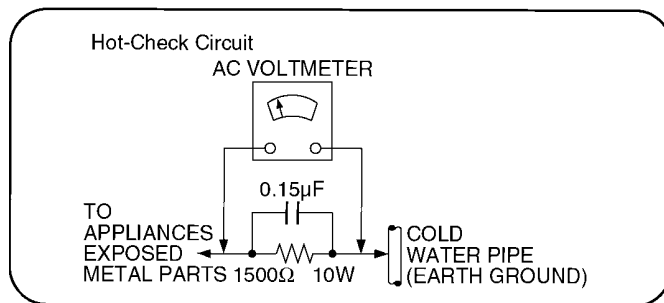


Figure 1

3 Prevention of Electrostatic Discharge (ESD) to Electrostatically Sensitive (ES) Devices

Some semiconductor (solid state) devices can be damaged easily by static electricity. Such components commonly are called Electrostatically Sensitive (ES) Devices. Examples of typical ES devices are integrated circuits and some field-effect transistors and semiconductor "chip" components. The following techniques should be used to help reduce the incidence of component damage caused by electrostatic discharge (ESD).


1. Immediately before handling any semiconductor component or semiconductor-equipped assembly, drain off any ESD on your body by touching a known earth ground. Alternatively, obtain and wear a commercially available discharging ESD wrist strap, which should be removed for potential shock reasons prior to applying power to the unit under test.
2. After removing an electrical assembly equipped with ES devices, place the assembly on a conductive surface such as aluminum foil, to prevent electrostatic charge buildup or exposure of the assembly.
3. Use only a grounded-tip soldering iron to solder or unsolder ES devices.
4. Use only an anti-static solder removal device. Some solder removal devices not classified as "anti-static (ESD protected)" can generate electrical charge sufficient to damage ES devices.
5. Do not use freon-propelled chemicals. These can generate electrical charges sufficient to damage ES devices.
6. Do not remove a replacement ES device from its protective package until immediately before you are ready to install it. (Most replacement ES devices are packaged with leads electrically shorted together by conductive foam, aluminum foil or comparable conductive material).
7. Immediately before removing the protective material from the leads of a replacement ES device, touch the protective material to the chassis or circuit assembly into which the device will be installed.

Caution

Be sure no power is applied to the chassis or circuit, and observe all other safety precautions.

8. Minimize bodily motions when handling unpackaged replacement ES devices. (Otherwise ham less motion such as the brushing together of your clothes fabric or the lifting of your foot from a carpeted floor can generate static electricity (ESD) sufficient to damage an ES device).

IMPORTANT SAFETY NOTICE

There are special components used in this equipment which are important for safety. These parts are marked by  in the schematic diagrams, Exploded Views and replacement parts list. It is essential that these critical parts should be replaced with manufacturer's specified parts to prevent shock, fire, or other hazards. Do not modify the original design without permission of manufacturer.

4 About lead free solder (PbF)

Note: Lead is listed as (Pb) in the periodic table of elements.

In the information below, Pb will refer to Lead solder, and PbF will refer to Lead Free Solder.

The Lead Free Solder used in our manufacturing process and discussed below is (Sn+Ag+Cu).

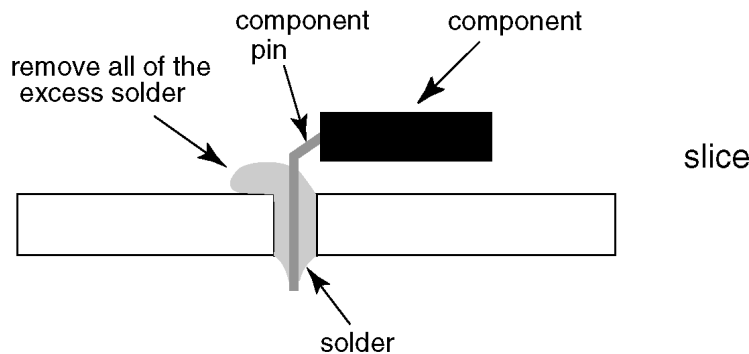
That is Tin (Sn), Silver (Ag) and Copper (Cu) although other types are available.

This model uses Pb Free solder in it's manufacture due to environmental conservation issues. For service and repair work, we'd suggest the use of Pb free solder as well, although Pb solder may be used.

PCBs manufactured using lead free solder will have the PbF within a leaf Symbol **PbF** stamped on the back of PCB.

Caution

- Pb free solder has a higher melting point than standard solder. Typically the melting point is 50 ~ 70 °F (30~40 °C) higher. Please use a high temperature soldering iron and set it to 700 ± 20 °F (370 ± 10 °C).
- Pb free solder will tend to splash when heated too high (about 1100 °F or 600 °C).
If you must use Pb solder, please completely remove all of the Pb free solder on the pins or solder area before applying Pb solder. If this is not practical, be sure to heat the Pb free solder until it melts, before applying Pb solder.
- After applying PbF solder to double layered boards, please check the component side for excess solder which may flow onto the opposite side. (see figure below)



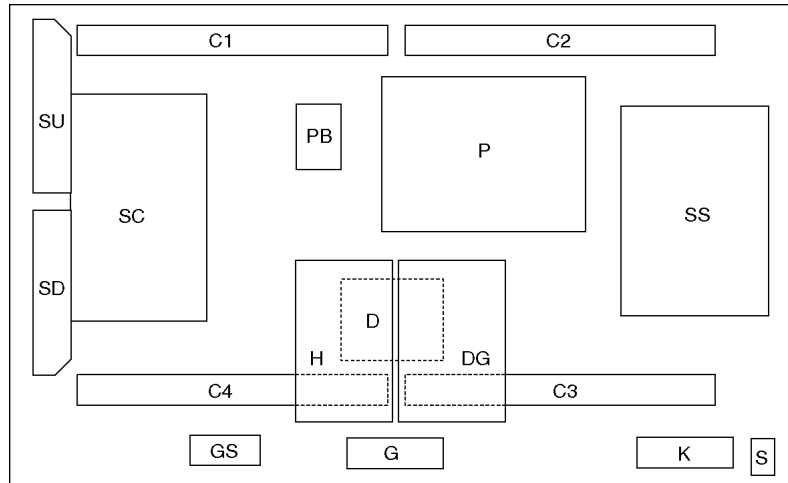
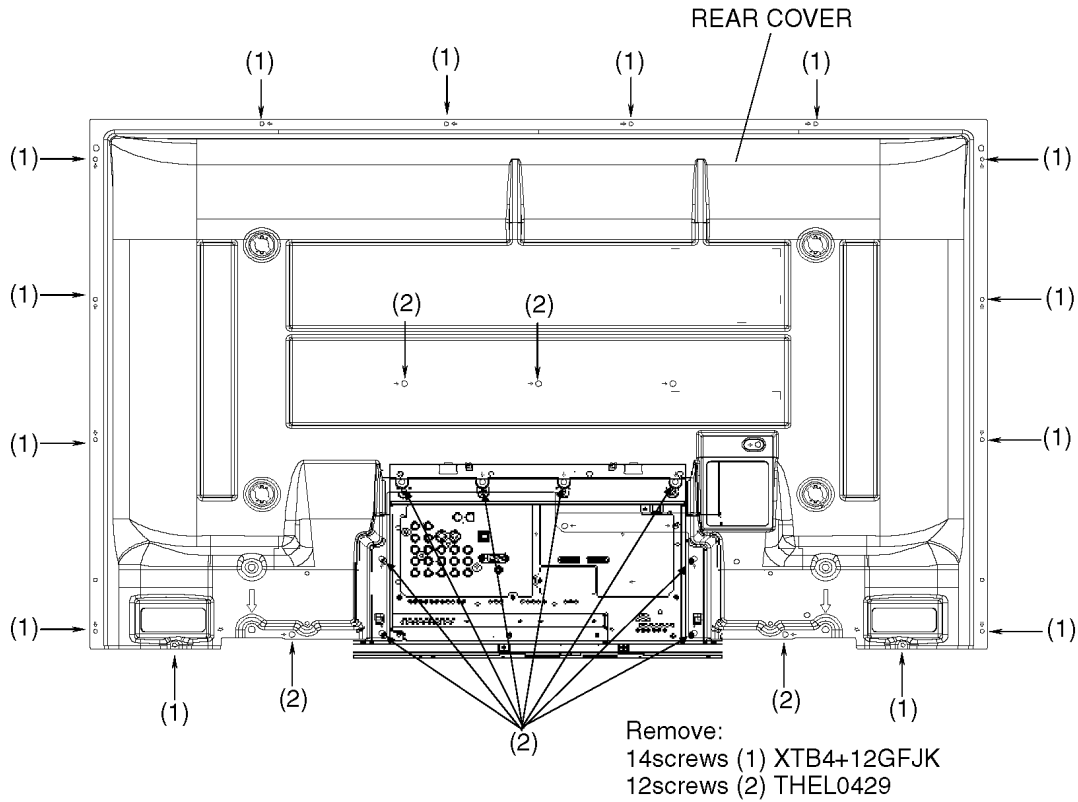
Suggested Pb free solder

There are several kinds of Pb free solder available for purchase. This product uses Sn+Ag+Cu (tin, silver, copper) solder. However, Sn+Cu (tin, copper), Sn+Zn+Bi (tin, zinc, bismuth) solder can also be used.

0.3mm X 100g	0.6mm X 100g	1.0mm X 100g

5 Service Hint

Remove the Rear Cover



Board Name	Function	Board Name	Function
P	Power Supply	D	Format Converter, Plasma AI, Sub-Field Processor
PB	Fan control	C1	Data Driver (Upper Right)
H	Speaker out, Sound Processor AV Terminal, AV Switch	C2	Data Driver (Upper Left)
DG	DC-DC Converter Digital Signal Processor, Microcomputer HDMI Interface, Peaks Lite 2, Full HD	C3	Data Driver (Lower Left)
G	Front terminal, Key Switch	C4	Data Driver (Lower Right)
K	Remote receiver, Power LED	SC	Scan Drive
S	Power Switch	SU	Scan out (Upper)
GS	SD Card Slot	SD	Scan out (Lower)
		SS	Sustain Drive

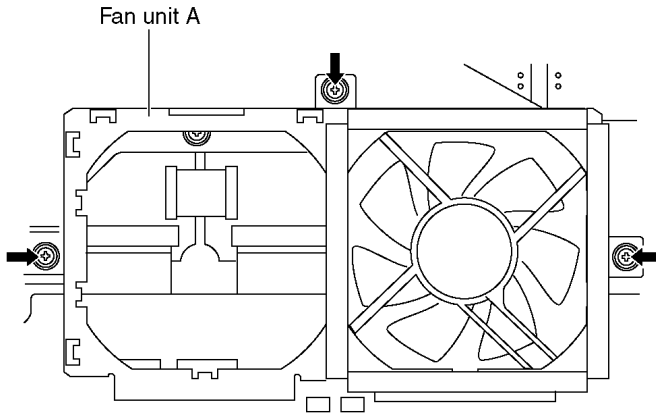
6 Plasma panel replacement method

6.1. Remove the Back cover

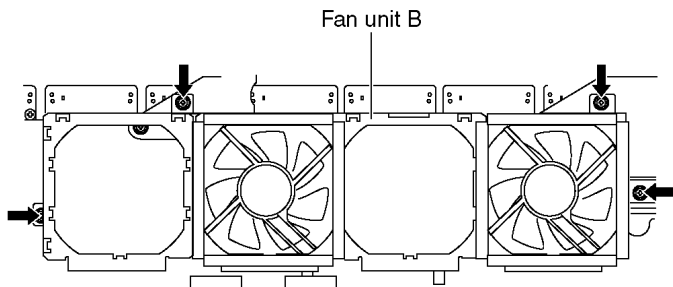
1. See Service Hint. (Section 5)

6.2. Remove the fan

1. Disconnect the relay connectors.
2. Remove the screws (×3 →) and remove the fan unit A.

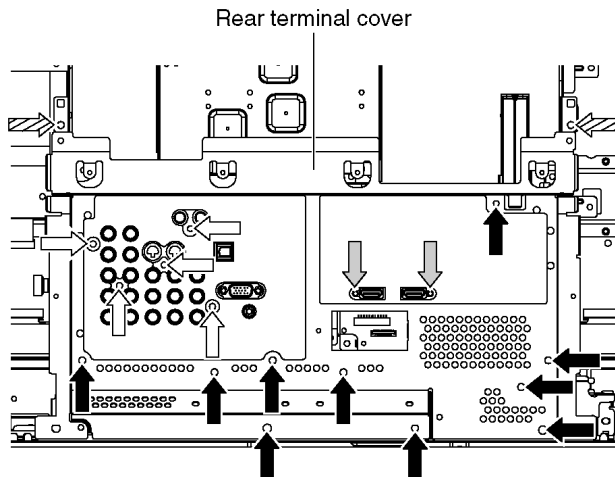


3. Disconnect the relay connectors.
4. Remove the screws (×4 →) and remove the fan unit B.



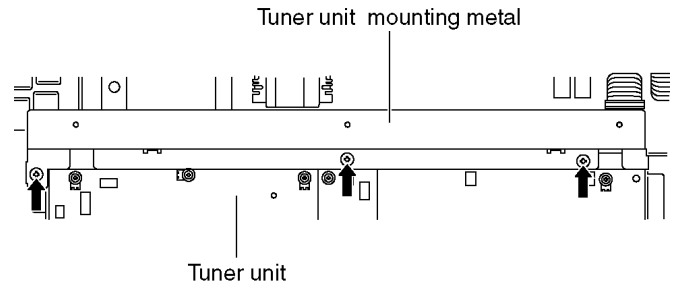
6.3. Remove the rear terminal cover

1. Remove the screws (×10 →, ×5 ⇨, ×2 ⇨, ×2 ⇨).
2. Remove the rear terminal cover.

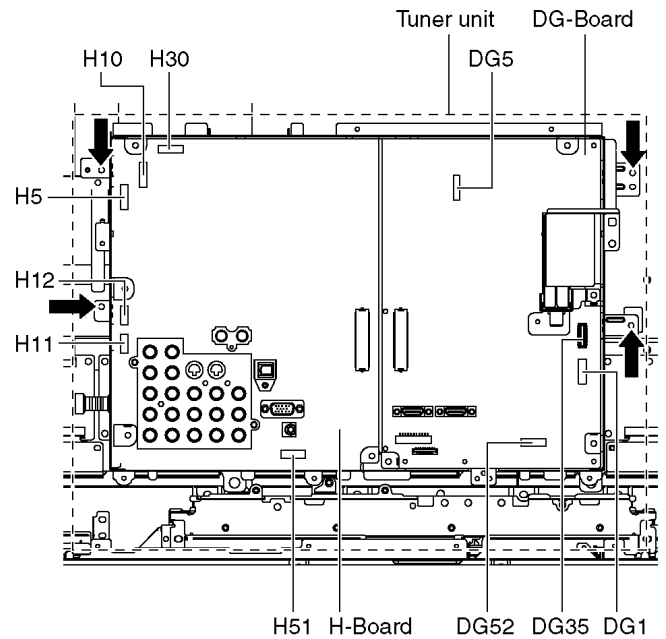


6.4. Remove the tuner unit

1. Remove the screws (×3 →).
2. Remove the tuner unit mounting metal.

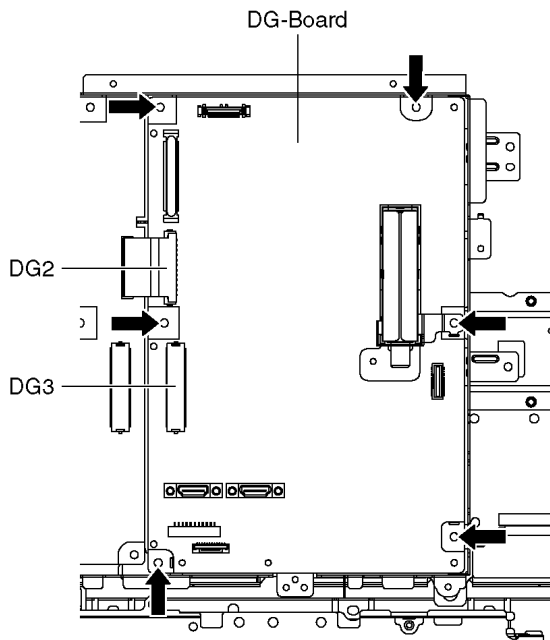


3. Unlock the cable clampers to free the cable.
4. Disconnect the connectors (DG1, DG5, DG35, DG52, H5, H8, H10, H11, H12, H30 and H51).
5. Remove the screws (×4 →) and remove the tuner unit.

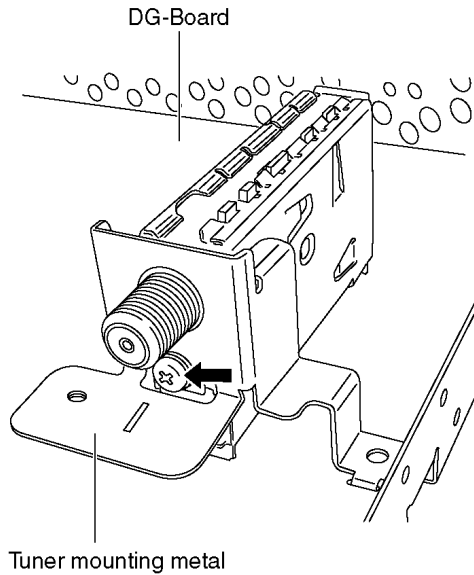


6.5. Remove the DG-Board

1. Remove the tuner unit. (See section 6.4.)
2. Disconnect the flexible cable (DG3).
3. Disconnect the connector (DG2).
4. Remove the screws (×6 →) and remove the DG-Board.

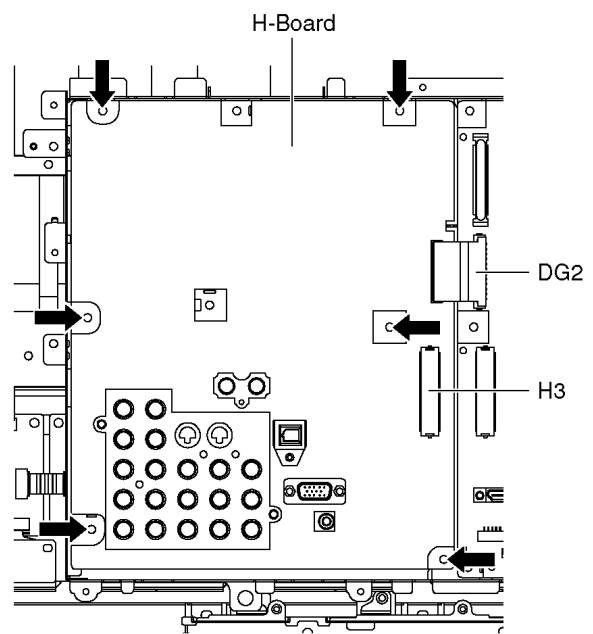


5. Remove the screw (×1 ➡) and remove the tuner mounting metal.



6.6. Remove the H-Board

1. Remove the tuner unit. (See section 6.4.)
2. Disconnect the flexible cable (H3).
3. Disconnect the connector (DG2).
4. Remove the screws (×6 ➡) and remove the H-Board.

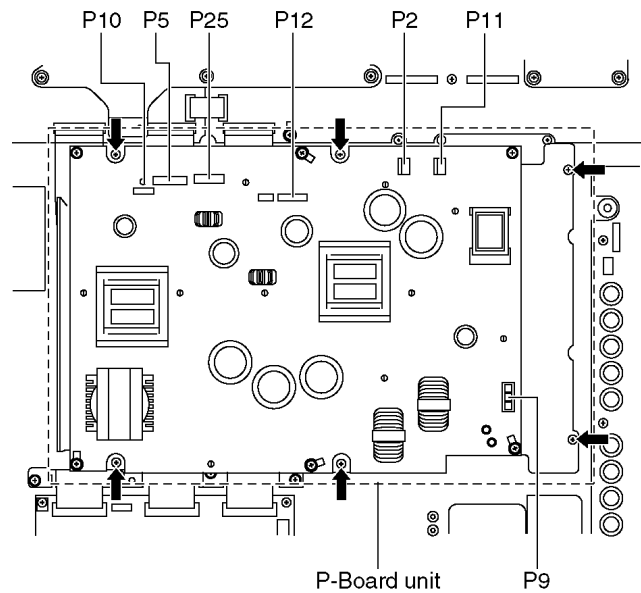


6.7. Remove the P-Board

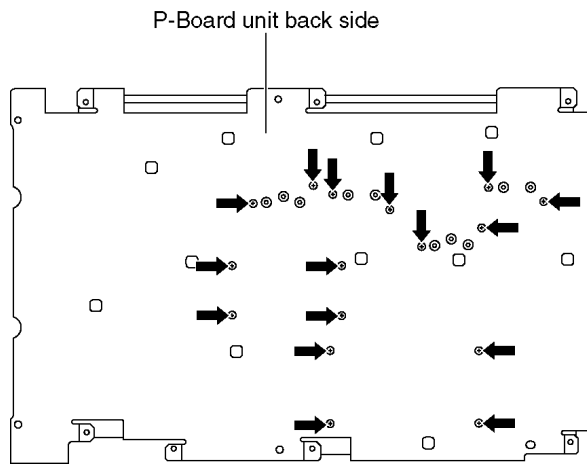
Caution:

To remove P.C.B. wait 1 minute after power was off for discharge from electrolysis capacitors.

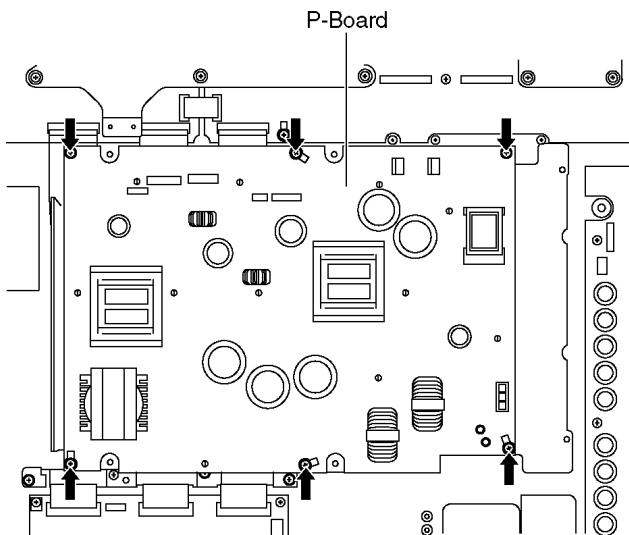
1. Unlock the cable clampers to free the cable.
2. Disconnect the connectors (P2, P5, P9, P10, P11, P12 and P25).
3. Remove the screws (×6 ➡) and remove the P-Board unit.



4. Remove the screws (×16 ➡) on the back side.

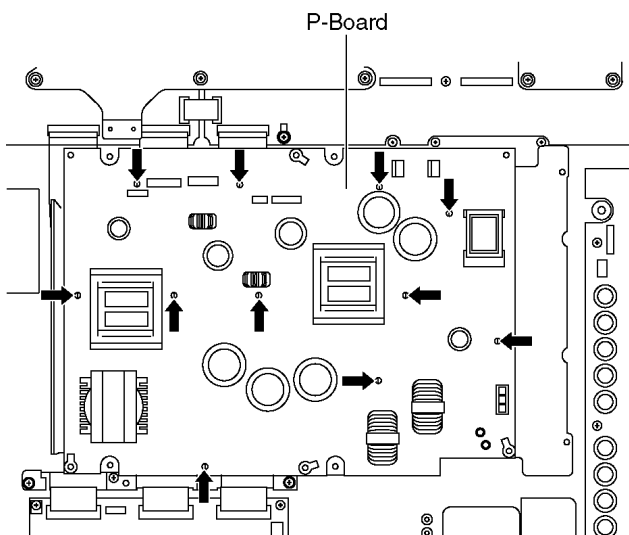


5. Remove the screws (×6 ➡).



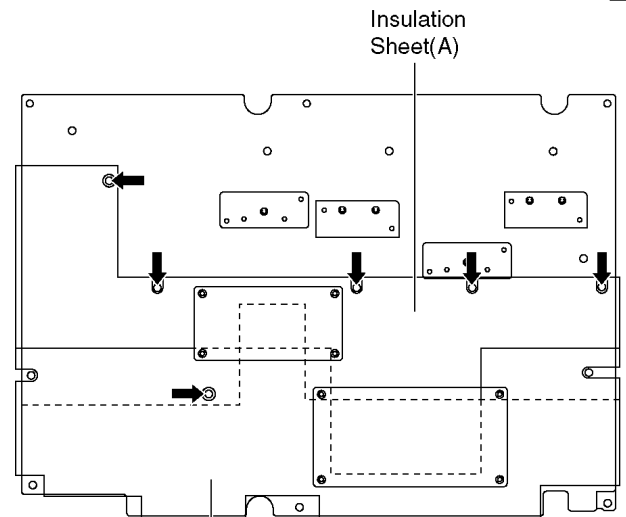
6. Remove the molding props (×11 ➡).

7. Remove the P-Board.



Note:

When assembling the P-Board, the position of each hole of the insulation sheets(A, B) is set to the position of each hole of the P-Board and then assemble them. (➡ marks indicate setting positions.)

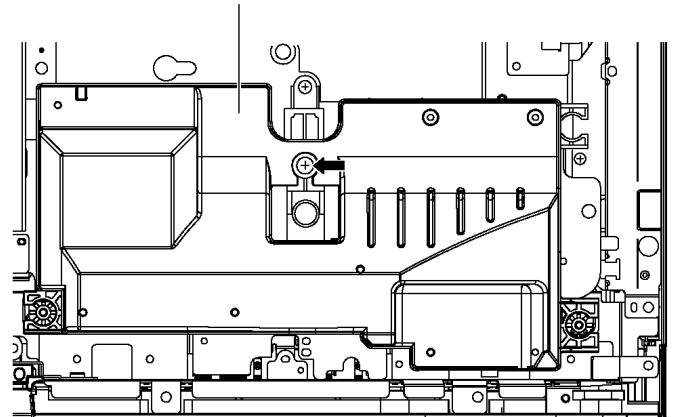


Insulation Sheet(B)

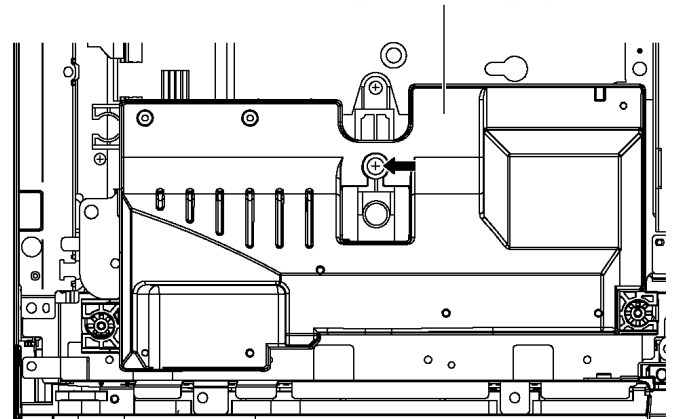
6.8. Remove the speaker box assy (left, right)

1. Unlock the cable clampers to free the cable.
2. Disconnect the relay connectors.
3. Remove the screw (×1 ➡) and remove the speaker box assy (left, right).

Speaker box assy left

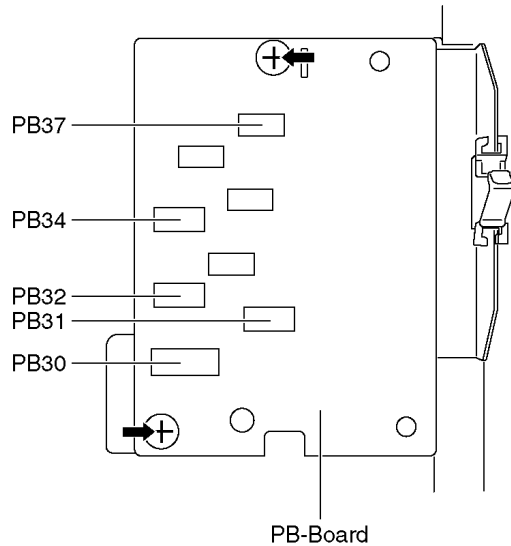


Speaker box assy right



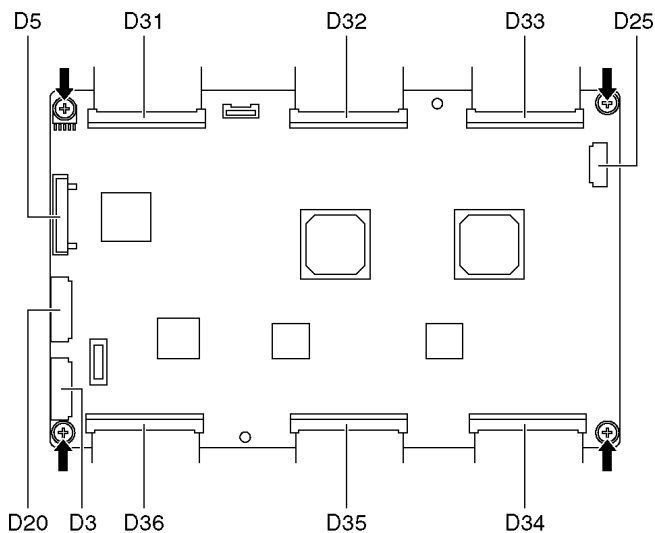
6.9. Remove the PB-Board

1. Unlock the cable claspers to free the cable.
2. Disconnect the connectors (PB30, PB31, PB32, PB34 and PB37).
3. Remove the screw (×2 →) and remove the PB-Board.



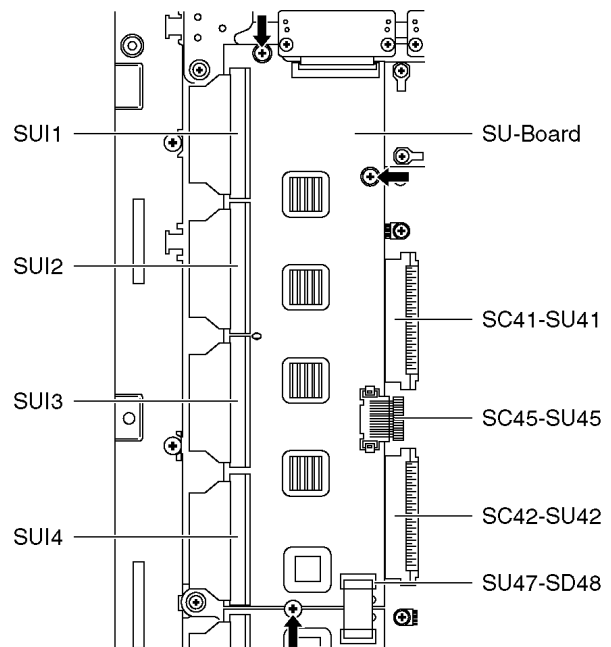
6.10. Remove the D-Board

1. Remove the tuner unit. (See section 6.4.)
2. Disconnect the connectors (D3, D5, D20 and D25).
3. Disconnect the flexible cables (D31, D32, D33, D34, D35 and D36).
4. Remove the screws (×4 →) and remove the D-Board.



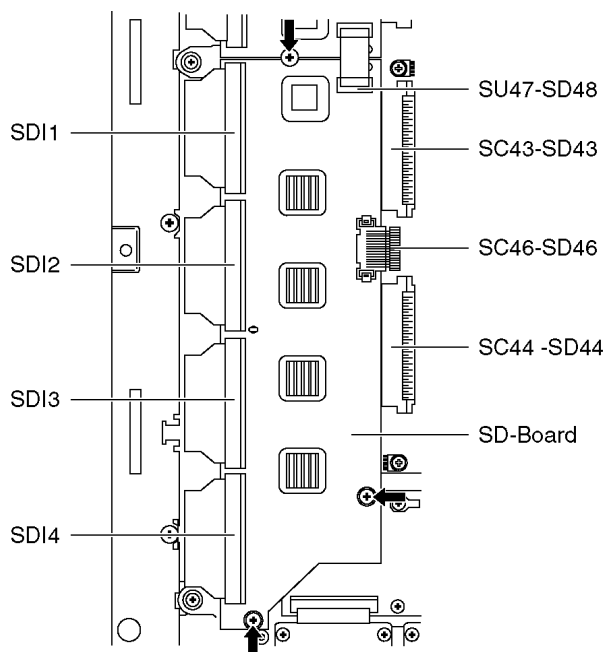
6.11. Remove the SU-Board

1. Remove the screws (×3 →).
2. Disconnect the flexible cables (SUI1, SUI2, SUI3 and SUI4) connected to the SU-Board and remove the connectors (SC45-SU45).
3. Disconnect the flexible cable (SU47-SD48).
4. Slide the SU-Board to the left to disconnect from connectors (SC41-SU41 and SC42-SU42) on the SC-Board and remove the SU-Board.



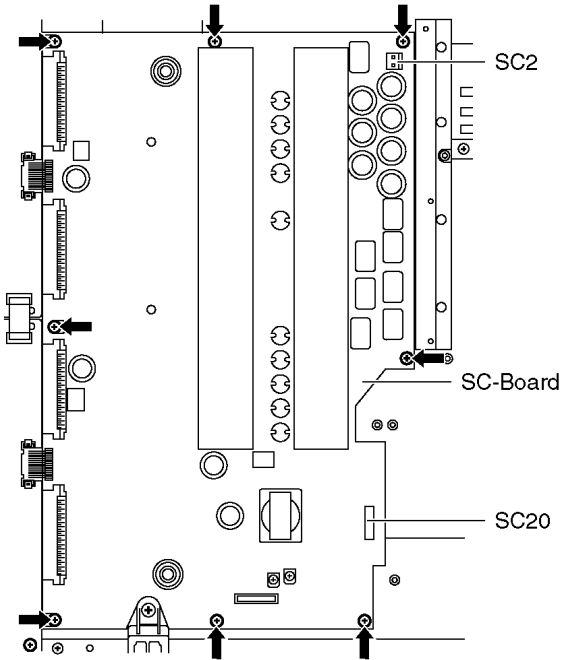
6.12. Remove the SD-Board

1. Remove the speaker box assy right. (See section 6.8.)
2. Remove the screws (×2 →).
3. Disconnect the flexible cables (SDI1, SDI2, SDI3 and SDI4) connected to the SD-Board and remove the connector (SC46-SD46).
4. Disconnect the flexible cable (SU47-SD48).
5. Slide the SD-Board to the left to disconnect from connectors (SC43-SD43 and SC44-SD44) on the SC-Board and remove the SD-Board.



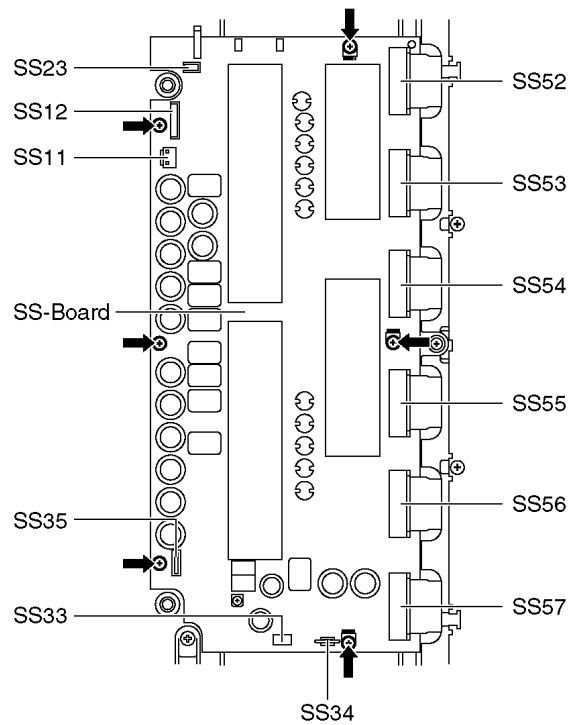
6.13. Remove the SC-Board

1. Remove the speaker box assy right. (See section 6.8.)
2. Remove the SU-Board and SD-Board. (See section 6.11. and 6.12.)
3. Unlock the cable claspers to free the cable.
4. Disconnect the connectors (SC2 and SC20).
5. Remove the screws (×8 →) and remove the SC-Board.



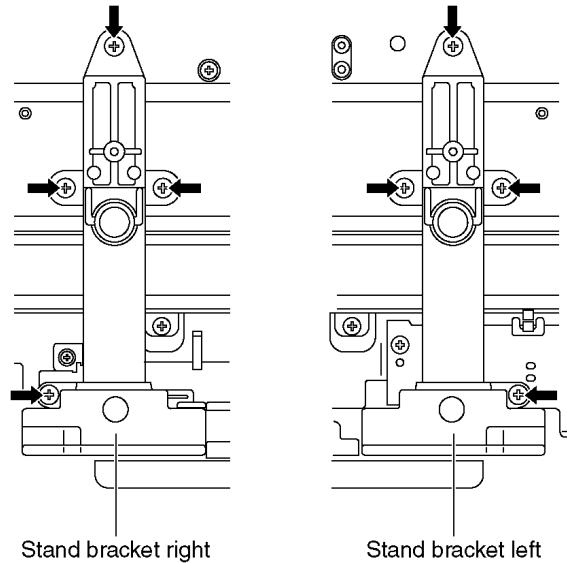
6.14. Remove the SS-Board

1. Disconnect the connectors (SS11, SS12, SS23, SS33 and SS35).
2. Remove a short-jumper connector SS34 and re-use for new SS-Board.
3. Disconnect the flexible cables (SS52, SS53, SS54, SS55, SS56 and SS57).
4. Remove the screws (×6 →) and remove the SS-Board.



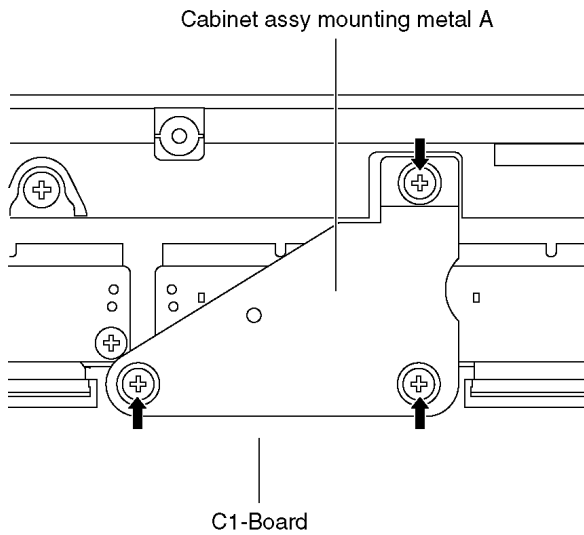
6.15. Remove the stand brackets

1. Remove the plasma panel section from the servicing stand and lay on a flat surface such as a table (covered) with the plasma panel surface facing downward.
2. Remove the stand brackets (left, right) fastening screws (×4 → each) and remove the stand brackets (left, right).

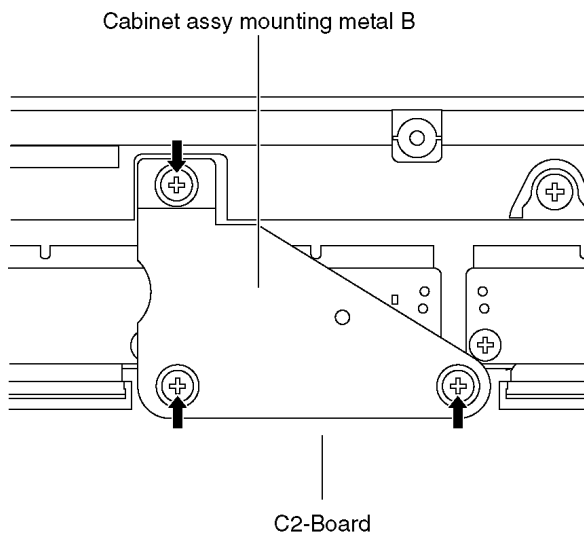


6.16. Remove the cabinet assy mounting metal.

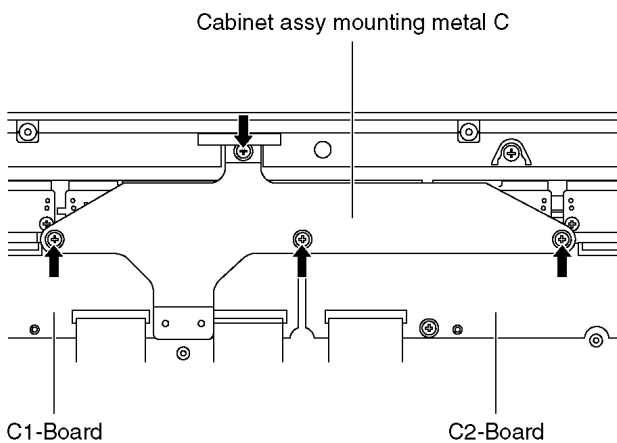
1. Remove the screws (×3 →).
2. Remove the cabinet assy mounting metal A.



3. Remove the screws (×3 →).
4. Remove the cabinet assy mounting metal B.

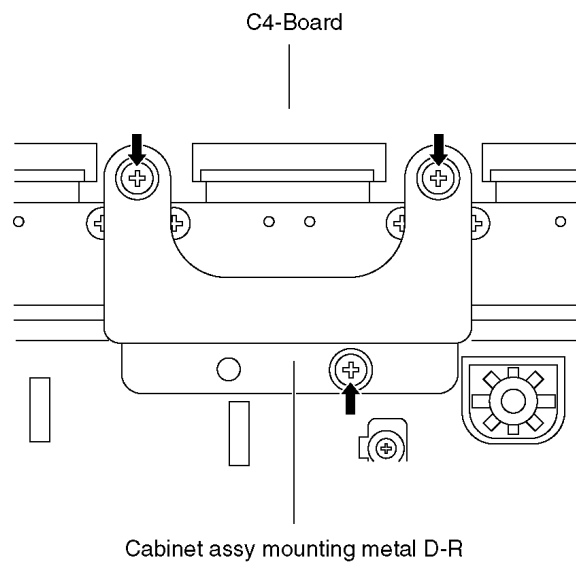
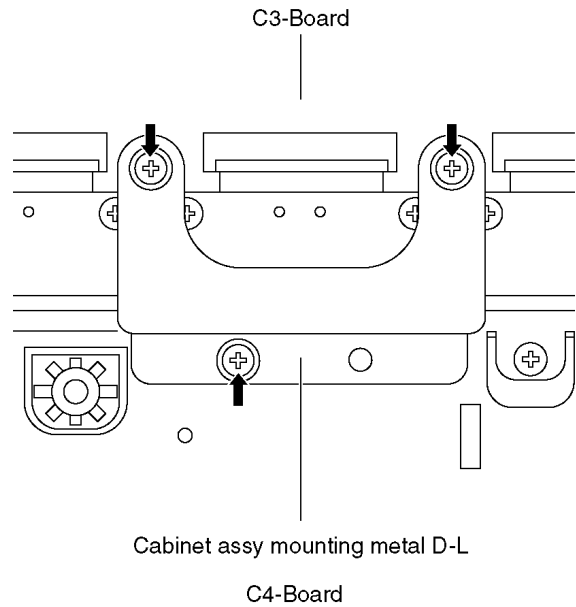


5. Remove the screws (×4 →).
6. Remove the cabinet assy mounting metal C.



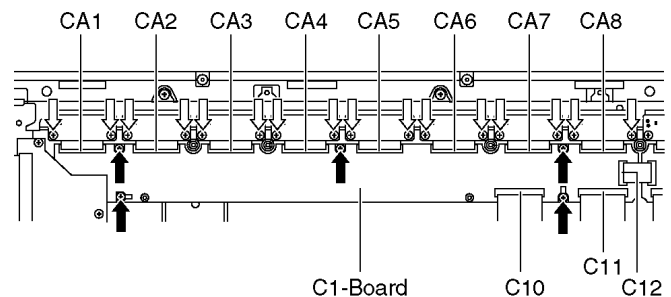
7. Remove the screws (×3 → each).

8. Remove the cabinet assy mounting metal D-L and D-R.



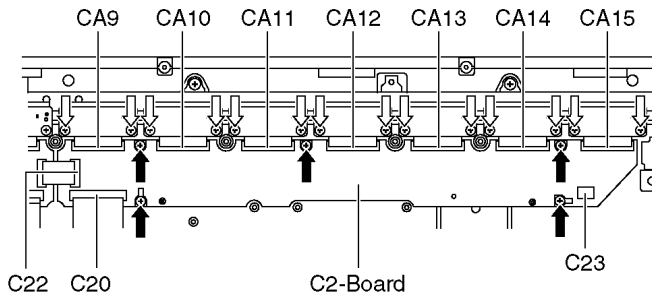
6.17. Remove the C1-Board

1. Remove the fans. (See section 6.2.)
2. Remove the cabinet assy mounting metal A and C. (See section 6.16.)
3. Remove the flexible cables holder fastening screws (×16 ⇄).
4. Disconnect the flexible cables (CA1, CA2, CA3, CA4, CA5, CA6, CA7 and CA8).
5. Disconnect the flexible cables (C10, C11 and C12).
6. Remove the screws (×5 →) and remove the C1-Board.



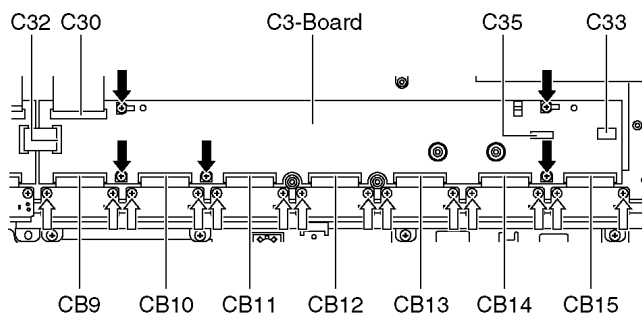
6.18. Remove the C2-Board

1. Remove the fans. (See section 6.2.)
2. Remove the cabinet assy mouting metal B and C. (See section 6.16.)
3. Remove the flexible cables holder fastening screws ($\times 14$ \Rightarrow).
4. Disconnect the flexible cables (CA9, CA10, CA11, CA12, CA13, CA14 and CA15).
5. Disconnect the flexible cables (C20 and C22).
6. Disconnect the connector (C23).
7. Remove the screws ($\times 5$ \Rightarrow) and remove the C2-Board.



6.19. Remove the C3-Board

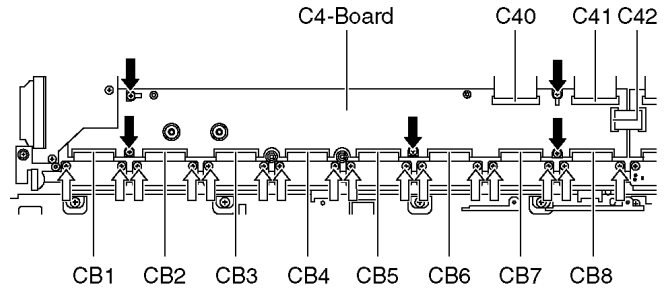
1. Remove the speaker box assy left. (See section 6.8.)
2. Remove the stand bracket left. (See section 6.15.)
3. Remove the cabinet assy mouting metal D-L. (See section 6.16.)
4. Remove the flexible cables holder fastening screws ($\times 14$ \Rightarrow).
5. Disconnect the flexible cables (CB9, CB10, CB11, CB12, CB13, CB14 and CB15).
6. Disconnect the flexible cables (C30 and C32).
7. Disconnect the connectors (C33 and C35).
8. Remove the screws ($\times 5$ \Rightarrow) and remove the C3-Board.



6.20. Remove the C4-Board

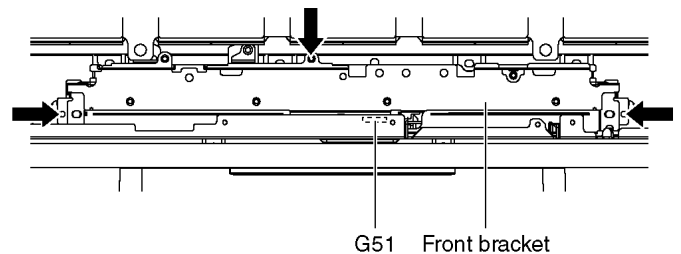
1. Remove the speaker box assy right. (See section 6.8.)
2. Remove the stand bracket right. (See section 6.15.)
3. Remove the cabinet assy mouting metal D-R. (See section 6.16.)
4. Remove the flexible cables holder fastening screws ($\times 16$ \Rightarrow).
5. Disconnect the flexible cables (CB1, CB2, CB3, CB4, CB5, CB6, CB7 and CB8).
6. Disconnect the flexible cables (C40, C41 and C42).

7. Remove the screws ($\times 5$ \Rightarrow) and remove the C4-Board.



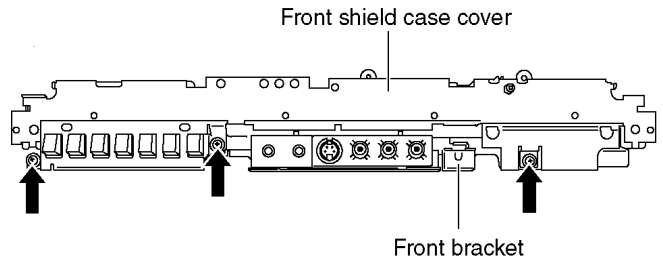
6.21. Remove the front bracket

1. Unlock the cable clampers to free the cable.
2. Disconnect the connector (G51).
3. Remove the screws ($\times 3$ \Rightarrow) and remove the front bracket.

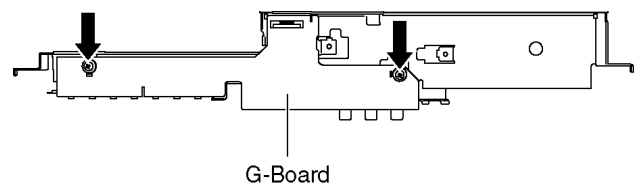


6.22. Remove the G-Board

1. Remove the front bracket. (See section 6.21.)
2. Remove the screws ($\times 3$ \Rightarrow).
3. Remove the front shield case cover.

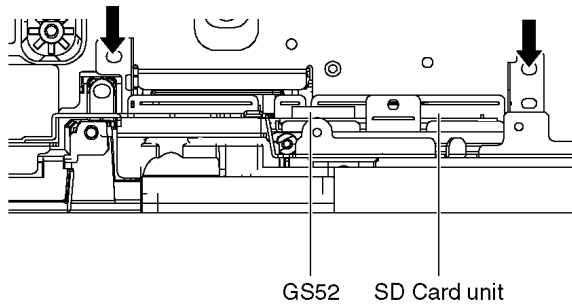


4. Remove the screws ($\times 2$ \Rightarrow).
5. Remove the G-Board.

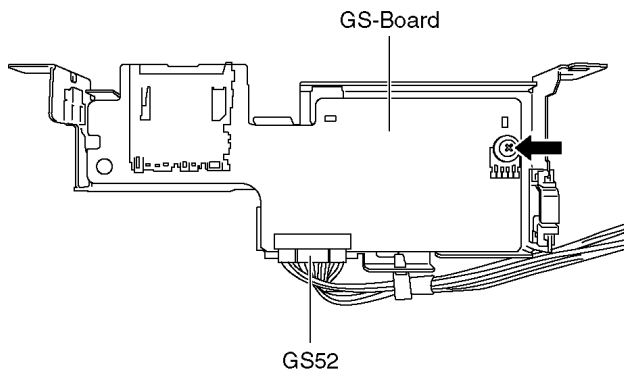


6.23. Remove the GS-Board

1. Remove the stand bracket right. (See section 6.15.)
2. Unlock the cable clampers to free the cable.
3. Remove the screws (×2 ➡).
4. Remove the SD card unit.

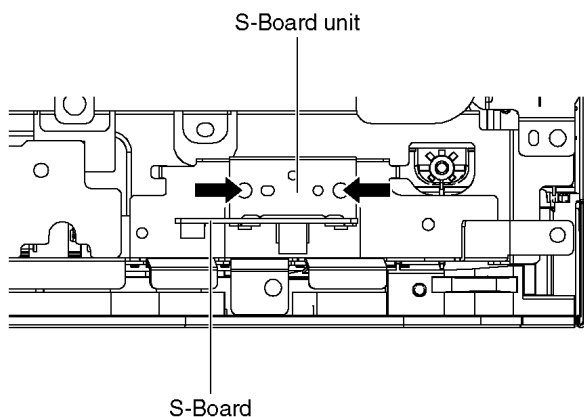


5. Disconnect the connector (GS52).
6. Remove the screw (×1 ➡).
7. Remove the GS-Board.

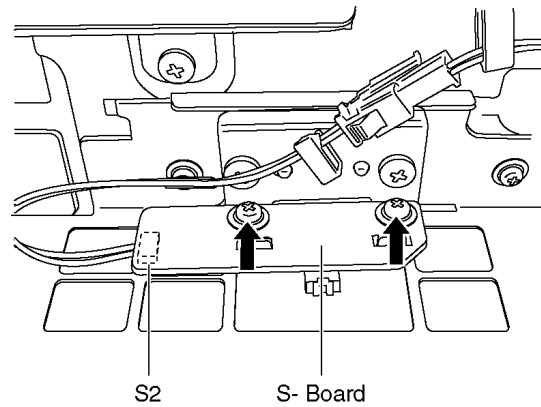


6.24. Remove the S-Board

1. Remove the speaker box assy left. (See section 6.8.)
2. Remove the screws (×2 ➡) and remove the S-Board unit.

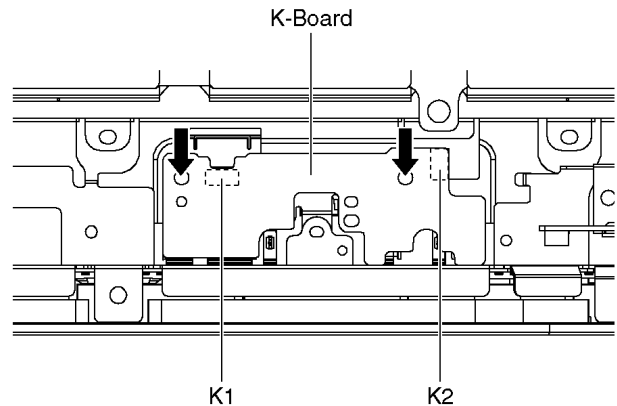


3. Disconnect the connector (S2).
4. Remove the screws (×2 ➡) and remove the S-Board.



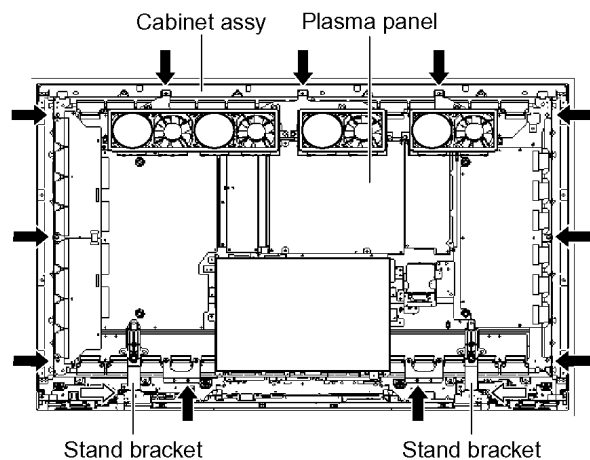
6.25. Remove the K-Board

1. Remove the speaker box assy left. (See section 6.8.)
2. Remove the S-Board. (See section 6.24.)
3. Unlock the cable clampers to free the cable.
4. Remove the screws (×2 ➡).
5. Disconnect the connectors (K1 and K2) and remove the K-Board.

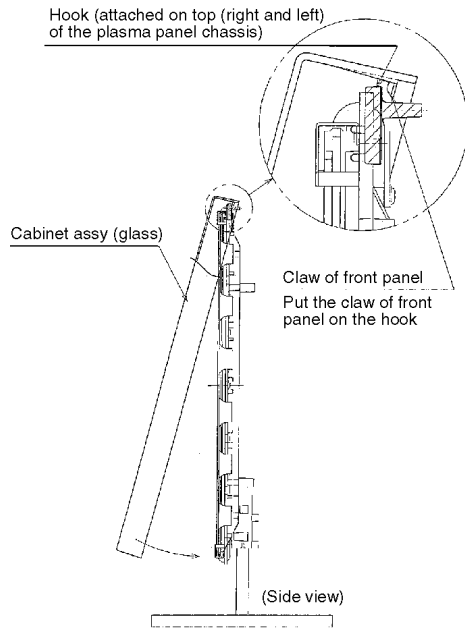


6.26. Remove the Plasma panel section from the Cabinet assy (glass)

1. Remove the stand brackets (left, right) fastening screw (×1 ⇨ each).
2. Remove the cabinet assy and the plasma panel fastening screws (×11 ➡).

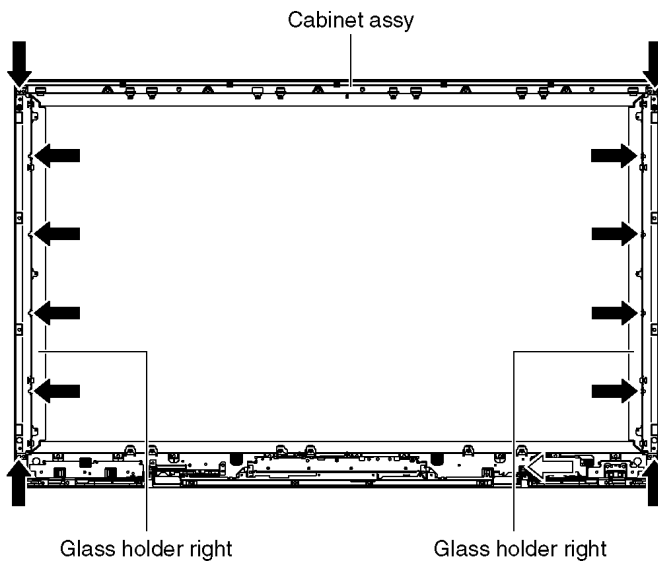


3. For leaving the plasma panel from the cabinet assy, pull the bottom of the front frame forward, lift, and remove.

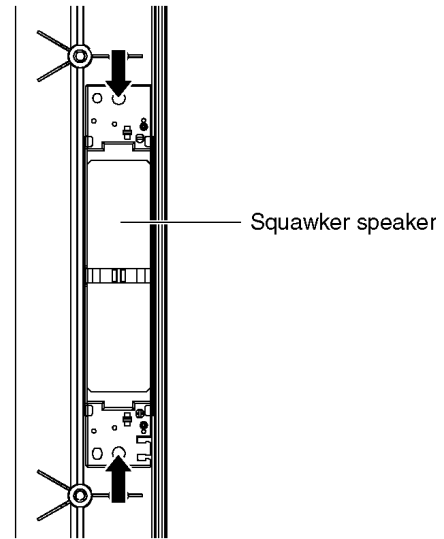


6.27. Remove the squawker speaker

1. Remove the cabinet assy. (See section 6.26.)
2. Disconnect the relay connectors.
3. Remove the screws ($\times 12 \rightarrow$).
4. Remove the glass holders (left, right).



5. Remove the screws ($\times 2 \rightarrow$).
6. Remove the squawker speaker.



6.28. Replace the plasma panel (finished)

1. Place the new plasma panel (finished) on the flat surface of the table (covered by a soft cloth), with the plasma panel surface facing downward.
2. Attach the C1, C2, C3-Board and the C4-Board, connect the flexible cables ($\times 30$) from the Plasma panel to the C1, C2, C3-Board and the C4-Board, and fit the flexible cable holders.
3. Attach the Hooks (left, right) and fit the stand brackets (L, R) to the new plasma panel.
4. Place the plasma panel section on the servicing stand.
5. Attach the cabinet assy and each P.C.Board and so on, to the new plasma panel.

*** When fitting the cabinet assy, be careful not to allow any debris, dust or handling residue to remain between the front glass and plasma panel.**

7 Caution statement

7.1. Caution statement.

Caution:

Please confirm that all flexible cables are assembled correctly.

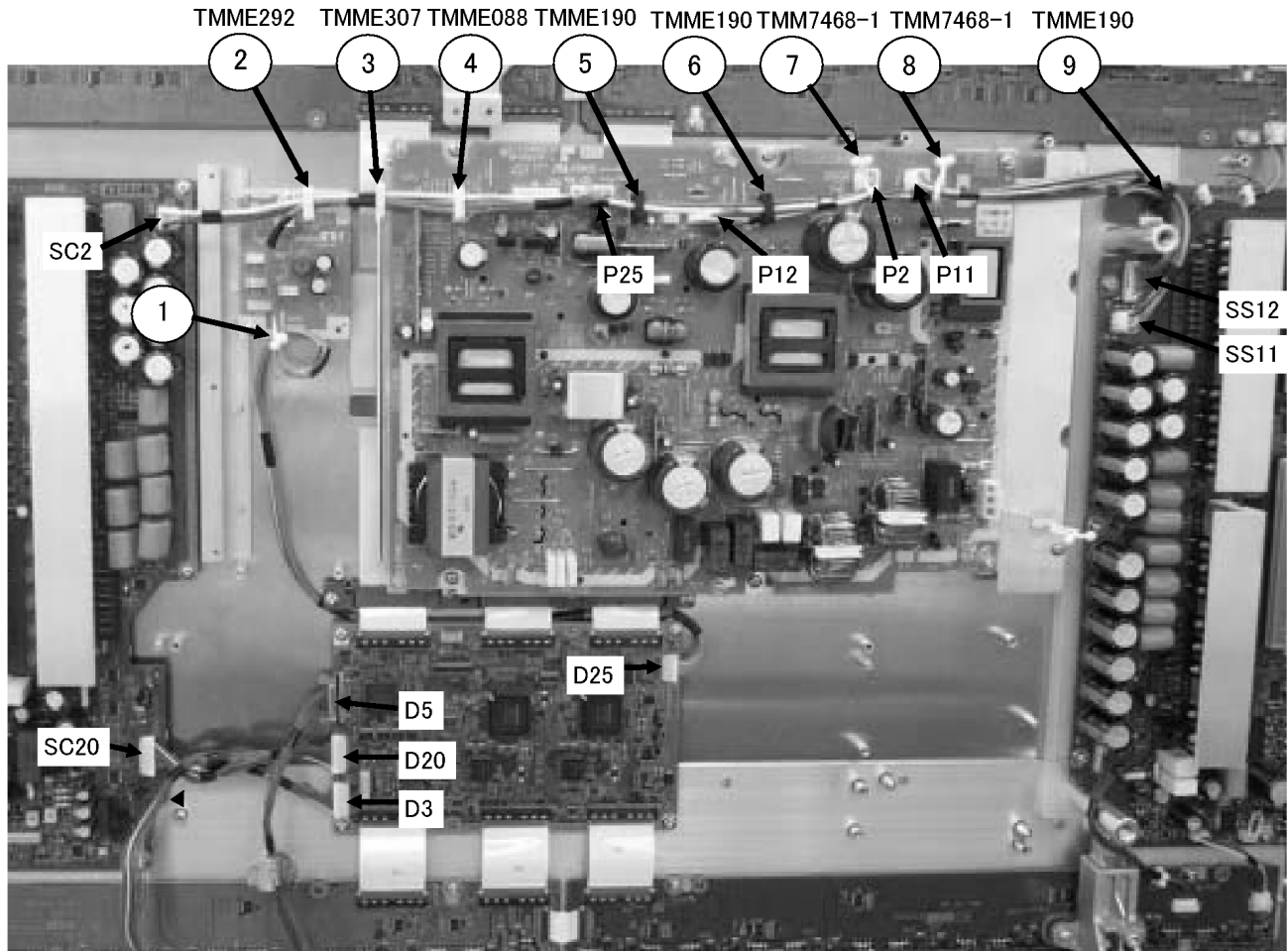
Also make sure that they are locked in the connectors.

Verify by giving the flexible cables a very slight pull.

8 Location of Lead Wiring

8.1. Lead of Wiring (1)

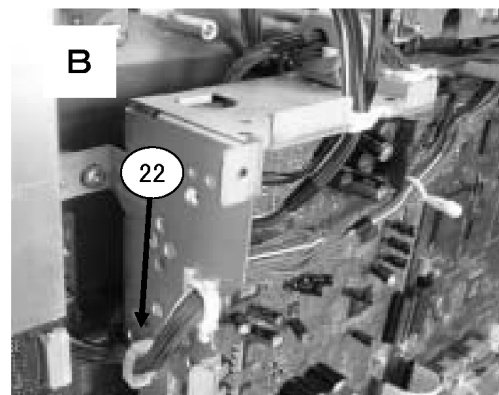
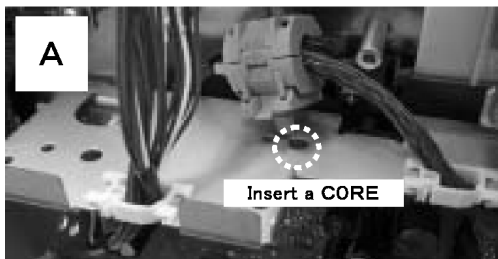
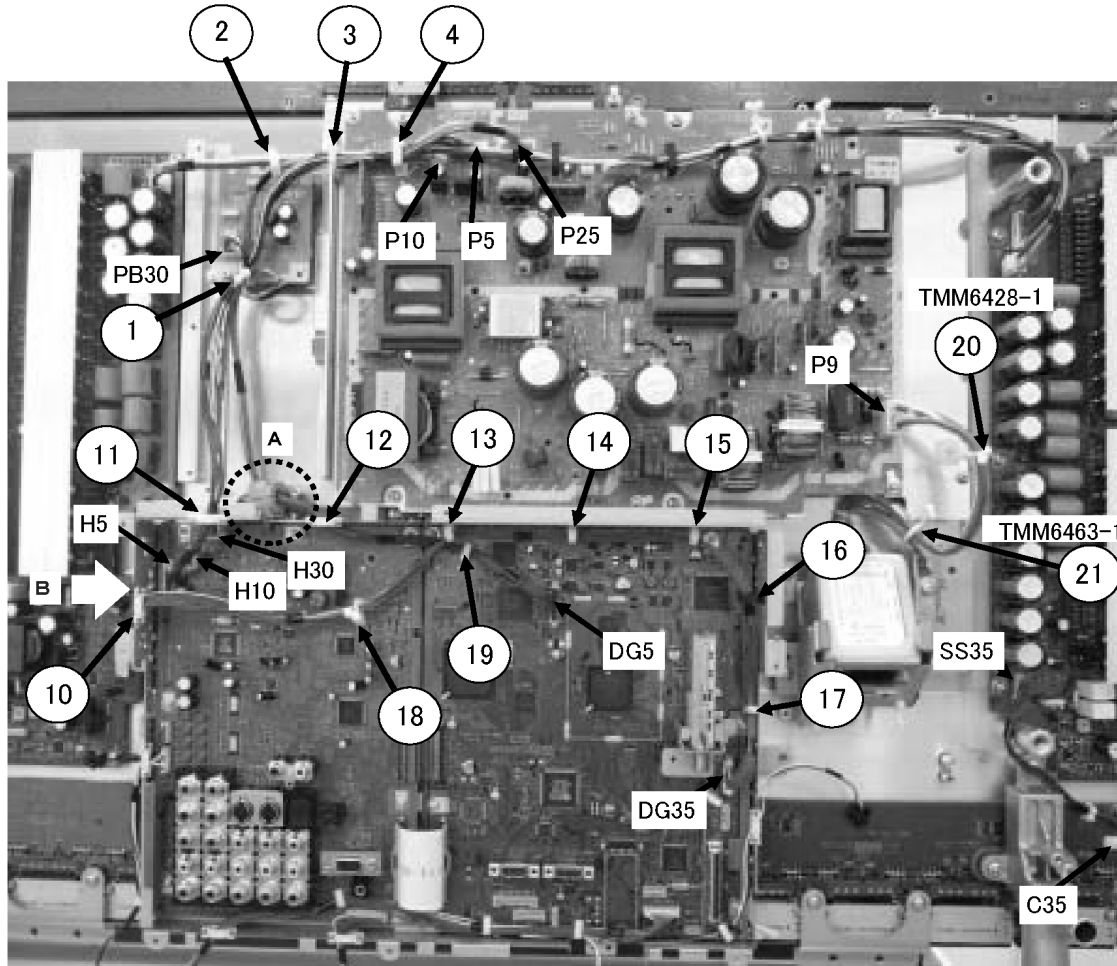
The wire is dressed as shown in figure.



CONNECTOR	CLAMPER								
	①	②	③	④	⑤	⑥	⑦	⑧	⑨
SC2-P2		○	○	○	○	○	○		
D25-P25	○	○	○	○					
P12-SS12						○	○	○	○
P11-SS11								○	○

8.2. Lead of Wiring (2)

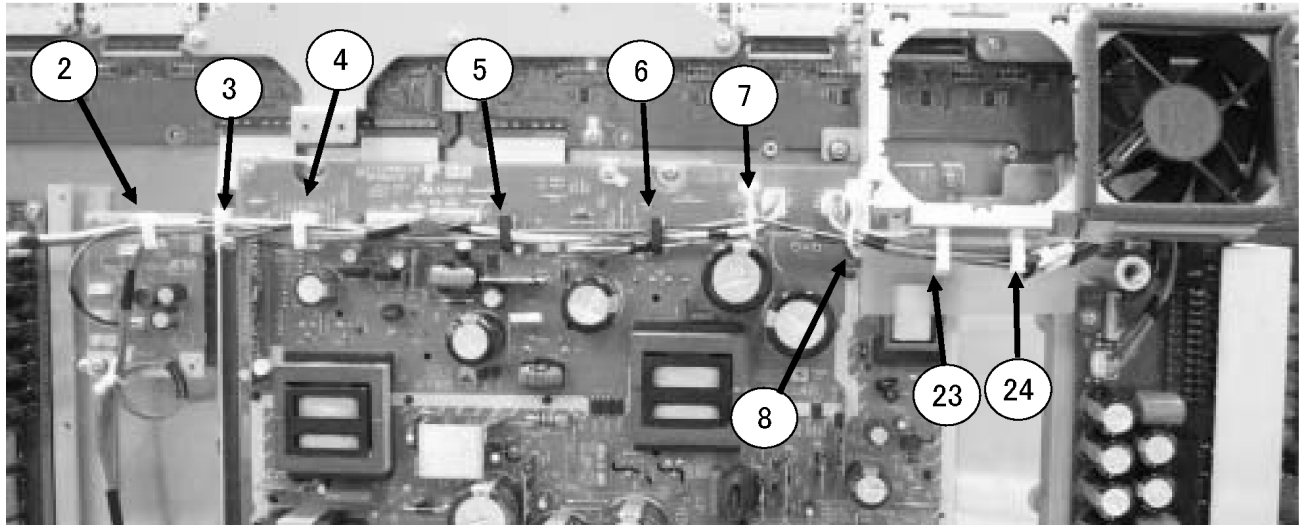
The wire is dressed as shown in figure.



CONNECTOR	CLAMPER																					
	①	②	③	④	⑩	⑪	⑫	⑬	⑭	⑮	⑯	⑰	⑱	⑲	⑳	㉑	㉒					
D5-DG5							○										○					
D3-DG35					○			○	○	○	○	○	○									○
H5-P5	○		○	○		○																
H10-P10	○		○	○		○																
H30-PB30	○					○																
AC INLET-P9																		○	○			

8.3. Lead of Wiring (3)

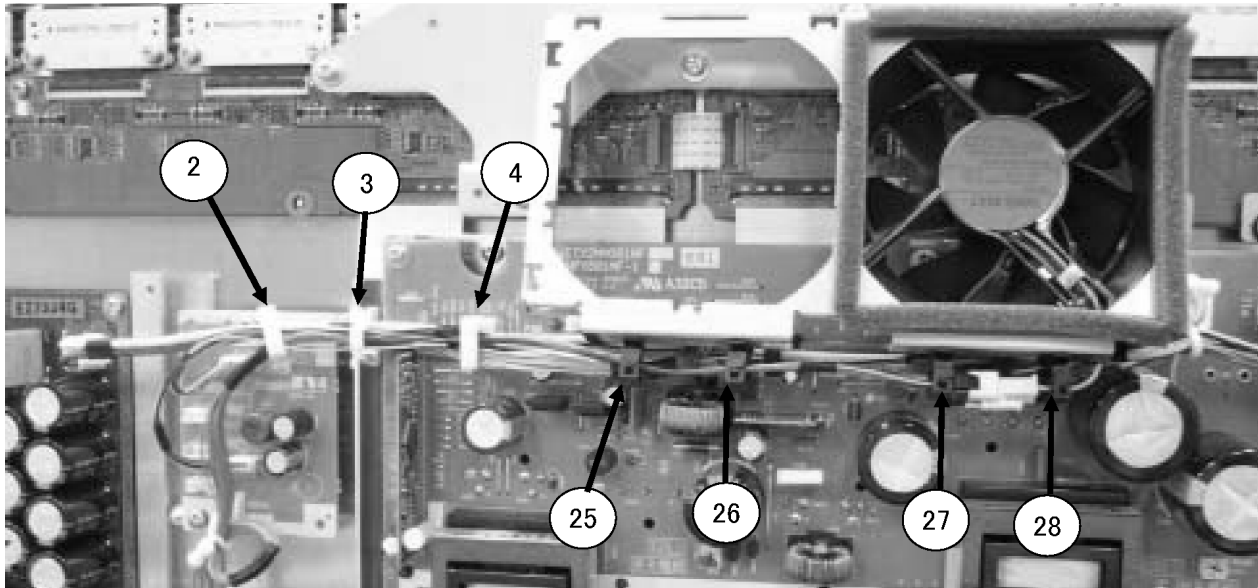
The wire is dressed as shown in figure.



CONNECTOR	CLAMPER									
	②	③	④	⑤	⑥	⑦	⑧	⑳	㉑	
FAN 1-PB31	○	○	○	○	○	○	○	○	○	○
P11-SS11								○	○	○
P12-SS12					○	○	○	○	○	○

8.4. Lead of Wiring (4)

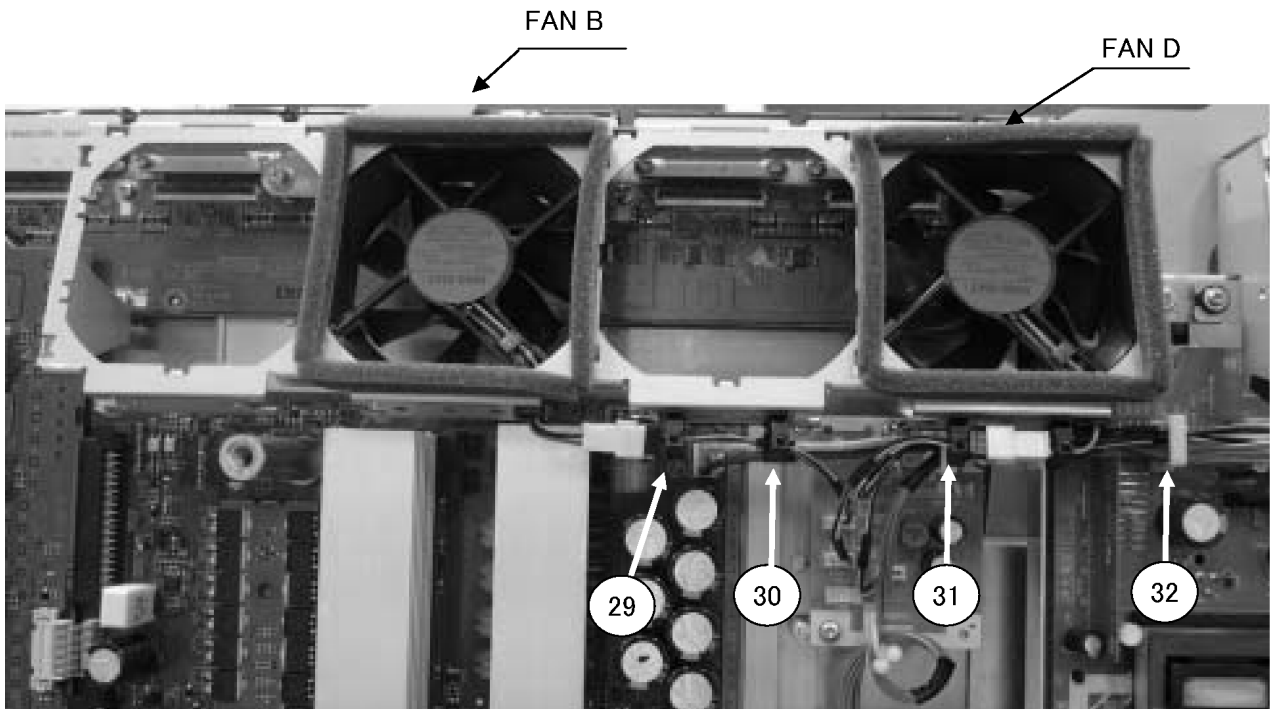
The wire is dressed as shown in figure.



CONECTOR	CLAMPER						
	②	③	④	⑫⑤	⑫⑥	⑫⑦	⑫⑧
FAN 2-PB37	○	○	○	○	○	○	○
D25-P25	○	○	○	○			

8.5. Lead of Wiring (5)

The wire is dressed as shown in figure.



CONECTOR	CLAMPER			
	29	30	31	32
FAN D-PB32			○	○
FAN B-PB34	○	○		

8.6. Lead of Wiring (6)

The wire is dressed as shown in figure.

SCREW (1)
THTF011N

AL

SPONGE (1)
TMK2AG04701

35 ± 3

SCREW (1)
THTF011N

AL

35 ± 3

CONNECTOR	33	34	35	36	37	38	39	40	41	42	43	44	45	46	47	48	49	50	51	52	53
H12 - SQUAWKER (R)	○	○	○	○	○	○	○	○	○	○	○	○	○	○	○	○	○	○	○	○	○
DG52 - GS52										○	○										
H51 - G51											○	○									
H11 - SQUAWKER (L)																					
DG1 - K1																					
CLAMPER	33	34	35	36	37	38	39	40	41	42	43	44	45	46	47	48	49	50	51	52	53

<Attention>
Wind up one lap of wire to a core

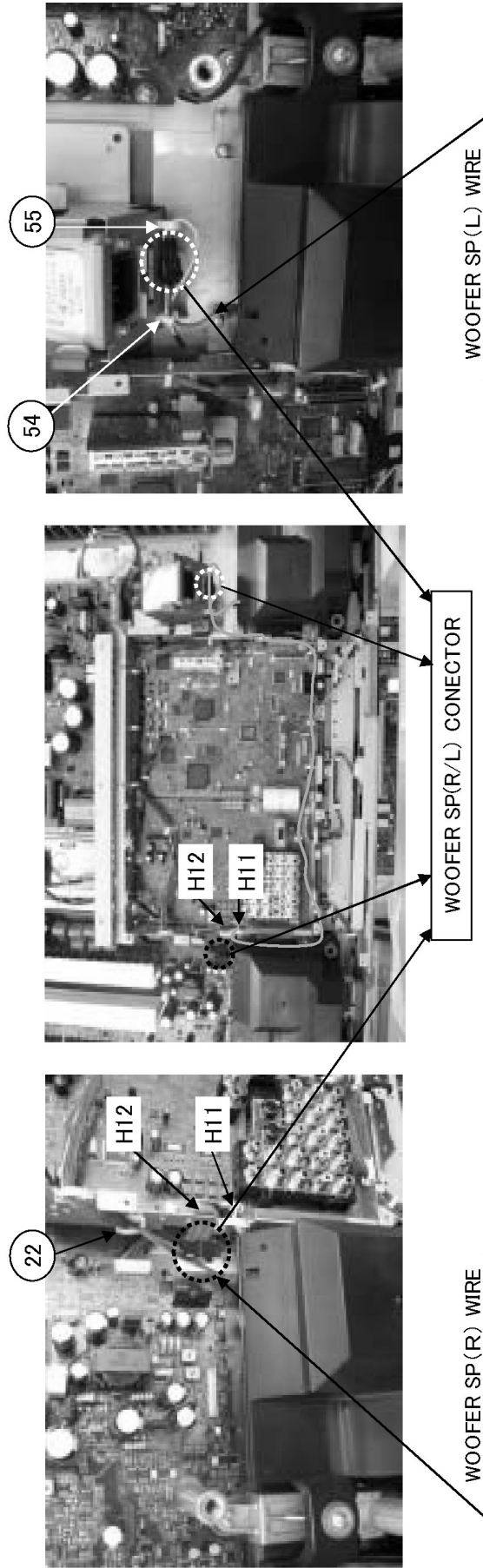
CORE

<Attention>
Wind up one lap of wire to a core

CORE

8.7. Lead of Wiring (7)

The wire is dressed as shown in figure.



CONNECTOR	CLAMPER		
	22	54	55
H12 - WOOFER SP(R) CONNECTOR			
WOOFER SP(R) WIRE	○		
H11 - WOOFER SP(L) CONNECTOR			○
WOOFER SP(L) WIRE			○

9 Self-check Function

Use the self-check function to test the unit.

1. Checking the IIC bus lines
2. Power LED Blinking timing

9.1. Check of the IIC bus lines

9.1.1. How to access

Self-check indication only:

Produce TV reception screen, and while pressing [VOLUME (-)] button on the main unit, press [OK] button on the remote control for more than 3 seconds.

Self-check indication and forced to factory shipment setting:

Produce TV reception screen, and while pressing [VOLUME (-)] button on the main unit, press [MENU] button on the remote control for more than 3 seconds.

9.1.2. Exit

Disconnect the AC cord from wall outlet.

9.1.3. Screen display

SELF CHECK				0.470- 00.16			
DT	OK	MEM2	OK				
ADV	OK	PANEL	OK				
VSW	OK	TEMP	OK				
ADAV	OK	GC5P	OK				
ASW	OK	FPGA	OK				
TUN1	OK						
TUN2	OK						
FE	OK						
GenX4	OK	ROMCORR.CHECKSUM : 93					
MEM1	OK						
Copyright 2007 Matsushita Electric Industrial Co., Ltd.							

9.1.4. Check Point

Confirm the following parts if NG was displayed.

DISPLAY	Ref. No.	Description	P.C.B.
DT	IC8001	Peaks Lite2	DG-Board
ADV	IC4510	A/D CONV. , HDMI RX	DG-Board
VSW	IC3001	VIDEO SW	H-Board
ADAV	IC2106	SOUND PROCESSOR	H-Board
ASW	IC3101	AUDIO SW	H-Board
TUN1	TU8300	TUNER (PLL block)	DG-Board
TUN2	TU8300	TUNER (MTS block)	DG-Board
FE	IC8302	Digital demodulator	DG-Board
GenX4	IC1100	GenX4 (STB MCU)	DG-Board
MEM1	IC1101	EEPROM (GenX4)	DG-Board
MEM2	IC8503	EEPROM (Peaks)	DG-Board
PANEL	IC9003	MICON	D-Board
TEMP	IC4054	TEMP SENSOR	DG-Board
GC5P	IC5100	GC5P	DG-Board
FPGA	IC5105	FPGA	DG-Board

9.2. Power LED Blinking timing chart

1. Subject

Information of LED Flashing timing chart.

2. Contents

When an abnormality has occurred the unit, the protection circuit operates and reset to the stand by mode. At this time, the defective block can be identified by the number of blinks of the Power LED on the front panel of the unit.

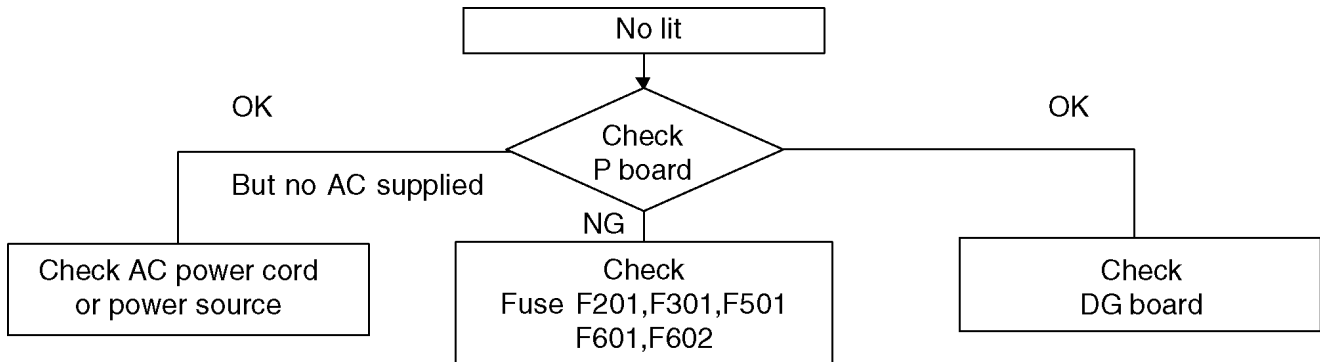
Blinking Times	Blinking timing	Contents	Check point
1		No particular check point	-
		Panel Status	-
		STB 5V SENSE Time out	DG-Board
2		15V SOS	D-Board
3		3.3V SOS	D-Board
4		Power SOS	P-Board
5		5V SOS	D-Board
6		Driver SOS1 (SC Energy recovery circuit)	SU-Board SD-Board SC-Board
7		Driver SOS2 (SC floating voltage area)	SU-Board SD-Board SC-Board
8		Driver SOS3 (SS Energy recovery circuit)	SS-Board
9		Panel Config SOS	-
10 (0a)		Sub 5V SOS Main 3.3V SOS DTV 9V SOS Tuner Power SOS	DG-Board
11 (0b)		Fan SOS	PB-Board
12 (0c)		Sound SOS	H-Board
13 (0d)		Communication Error with IC8001 (Pesks Lite 2)	DG-Board

9.3. No Power

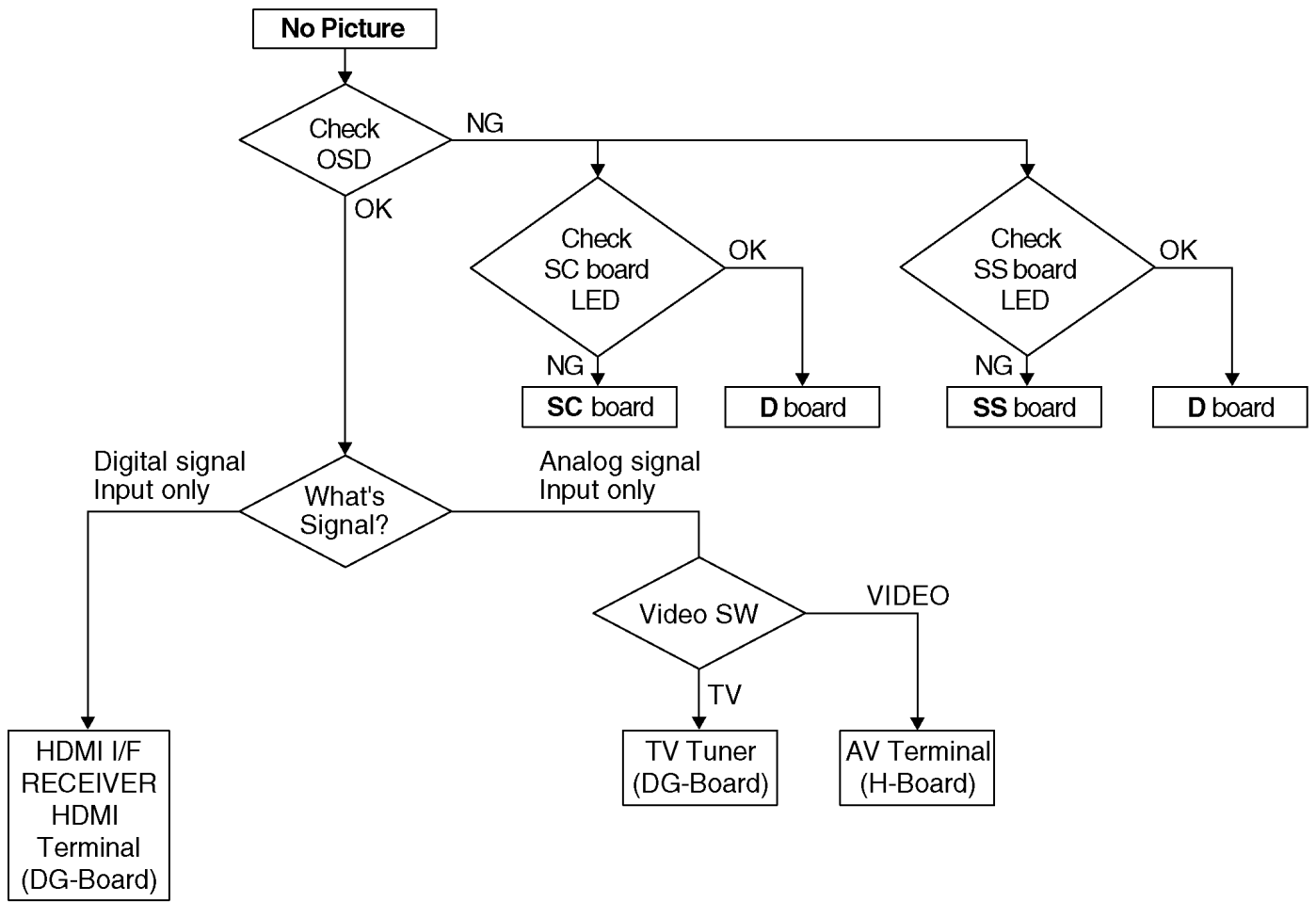
First check point

There are following 2 states of No Power indication by power LED.

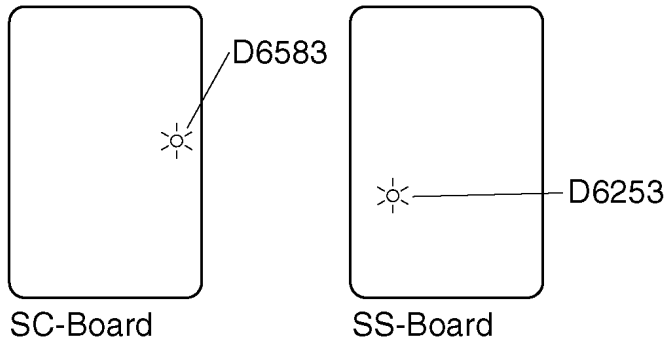
1. No lit
2. Red is lit then turns red blinking a few seconds later. (See 9.2.)



9.4. No Picture



Drive circuits LED indicator



9.5. Local screen failure

Plasma display may have local area failure on the screen. Fig-1 is the possible defect P.C.B. for each local area.

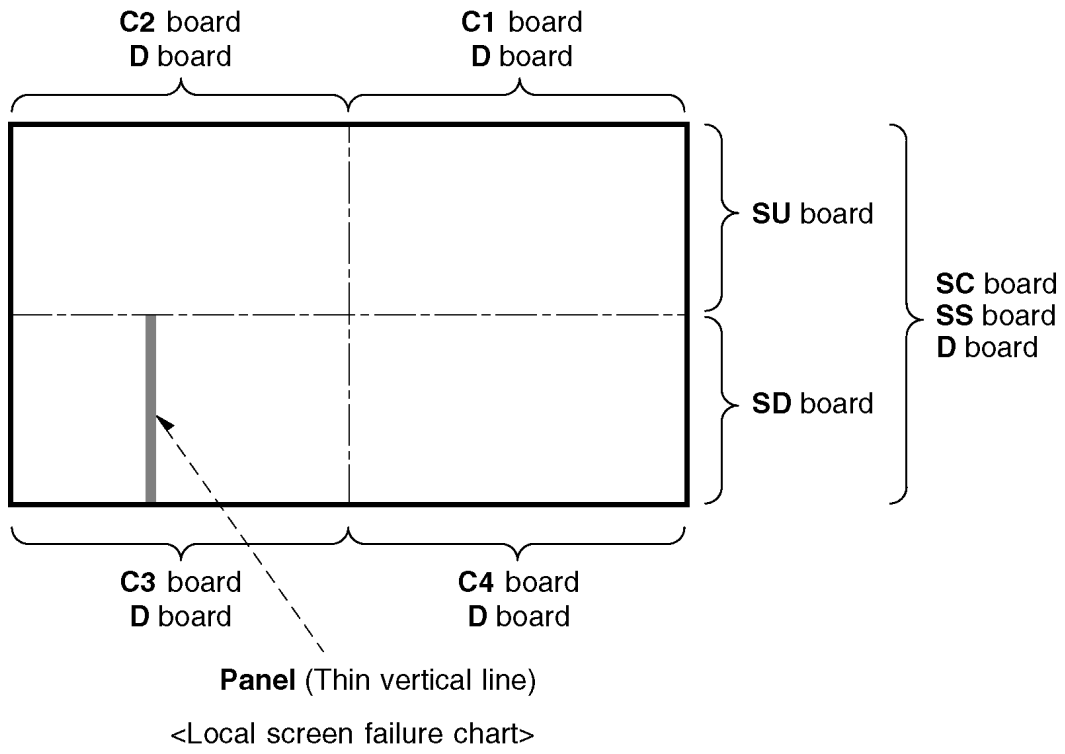
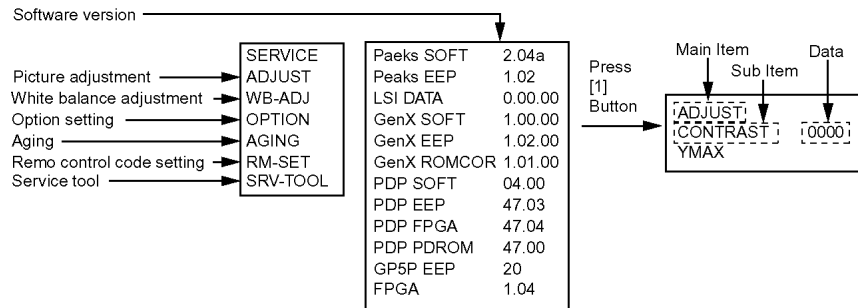


Fig-1

10 Service Mode

10.1. How to enter into Service Mode

While pressing [VOLUME (-)] button of the main unit, press [RECALL] button of the remote control three times within 2 seconds.



10.1.1. Key command

"1" button...Main items Selection in forward direction

"2" button...Main items Selection in reverse direction

"3" button...Sub items Selection in forward direction

"4" button...Sub items Selection in reverse direction

"VOL" button...Value of sub items change in forward direction (+), in reverse direction (-)

10.1.2. Contents of adjustment mode

- Value is shown as a hexadecimal number.
- Preset value differs depending on models.
- After entering the adjustment mode, take note of the value in each item before starting adjustment.

Main item	Sub item	Sample Data	Remark
ADJUST	CONTRAST	000	
	COLOR	3F	
	TINT	03	
	SUB-BRT	800	
WB-ADJ	R-CUT	80	
	G-CUT	80	
	B-CUT	80	
	R-DRV	F2	
	G-DRV	ED	
	B-DRV	FC	
	ALL-CUT	80	
	ALL-DRV	FC	
OPTION	BOOT	ROM	Factory Preset
	STBY-SET	00	
	Emergency	OFF	
	CLK MODE	00	
	CLOCK	000	
AGING	RGBW		
	COUNT		
	ALL WHITE		
	ALL RED		
	ALL GREEN		
	ALL BLUE		
	ON/OFF		
	RAMP WHITE		
	RAMP RED		
	RAMP GREEN		
	RAMP BLUE		
	1% WINDOW		
	COLOR BAR		
	A-ZONE B-ZONE/4 TRIO		
	SCROLL		
WHITE FLAME			
RM-SET	CODE	A	Fixed
SRV-TOOL	-		See next

10.1.3. How to exit

Switch off the power with the [POWER] button on the main unit or the [POWER] button on the remote control.

10.2. Service tool mode

10.2.1. How to access

1. Select "SRV-TOOL" in Service Mode.
2. Press [OK] button on the remote control.

	SRV-TOOL		
Display of TD2Microcode version →	TD2Microcode:81c0000e		
Display of Flash ROM maker code →	Flash ROM : 1 - 227E		
Display of SOS History →	PTCT : 00 .00 .00 .00 .00	Time 00000:40	Count 0000022 ← POWER ON TIME/COUNT Press [MUTE] buton (3sec)

10.2.2. Display of SOS History

SOS History (Number of LED blinking) indication.

From left side; Last SOS, before Last, three occurrence before, 2nd occurrence after shipment, 1st occurrence after shipment.

This indication except 2nd and 1st occurrence after shipment will be cleared by "Self-check indication and forced to factory shipment setting".

10.2.3. POWER ON TIME/COUNT

Note: To display TIME/COUNT menu, highlight position, then press MUTE for (3sec).

Time : Cumulative power on time, indicated hour : minute by decimal

Count : Number of ON times by decimal

Note : This indication will not be cleared by either of the self-check or any other command.

10.2.4. Exit

1. Disconnect the AC cord from wall outlet.

11 Adjustment Procedure

11.1. Driver Set-up

11.1.1. Item / Preparation

1. Input a white signal to plasma video input.
2. Set the picture controls as follows.

Picture menu: Vivid

Normal: Set

Aspect: Full

Caution

1. First perform Vsus adjustment.
2. Confirmation of Vscn voltage should be performed after confirmation of Vad adjustment.

When Vad=-140V, Voltage of Vscn is 8V ±1V.

11.1.2. Adjustments

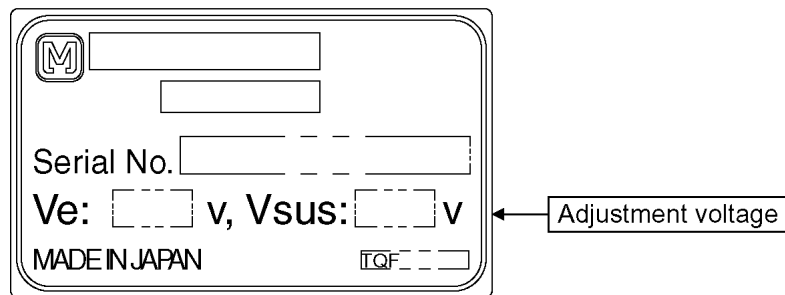
Adjust driver section voltages referring the panel data on the panel data label.

Check or adjust the following voltages with the multimeter.

Name	Test Point	Voltage	Volume	Remarks
Vsus	TPVSUS (SS)	Vsus ± 2V	VR251 (P)	*
Ve	TPVE (SS)	Ve ± 1V	VR6000 (SS)	*
Vset	TPVSET (SC)	365V ± 7V	Fixed	
Vad	TPVAD (SC)	-140V ± 1V	VR6600 (SC)	
Vscn	TPVSCN (SC)	Vad+148V ± 1V	VR6841 (SC)	
Vda	TPVDA (SS)	75V + 1V, -2V	Fixed	

*See the Panel label.

Panel Label information



11.2. Initialization Pulse Adjust

1. Input the White signal to plasma video input.

2. Set the picture controls as follows.

Picture menu : Vivid

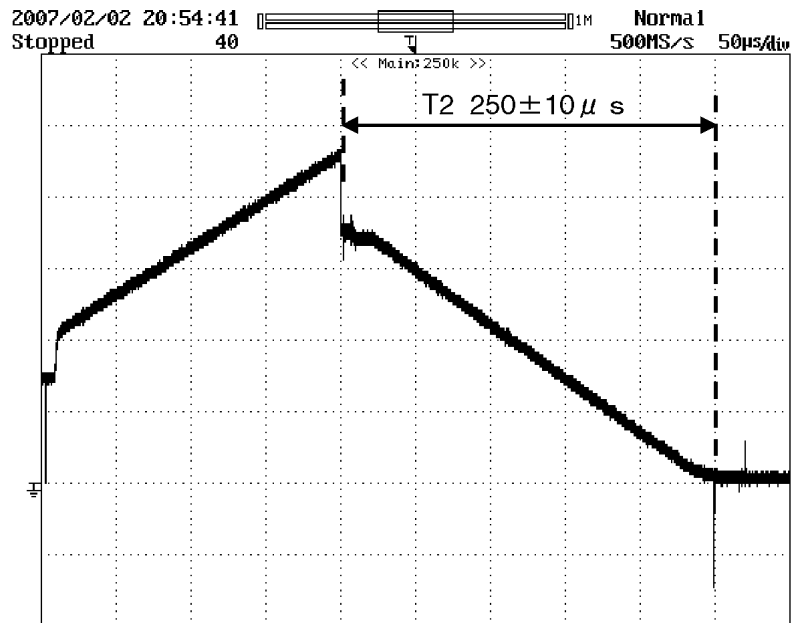
Normal : Set

Aspect : Full

3. Connect Oscilloscope to TPSC1 (SC).

Check and adjust that the stand down pulse(T2) period are each within specification.

	Test point	Volume	Level
T2	TPSC1 (SC)	VR6602 (SC)	250 ± 10µ Sec



11.3. P.C.B. (Printed Circuit Board) exchange

11.3.1. Caution

1. To remove P.C.B. , wait 1 minute after power was off for discharge from electrolysis capacitors.

11.3.2. Quick adjustment after P.C.B. exchange

Adjust the following voltages with the multimeter.

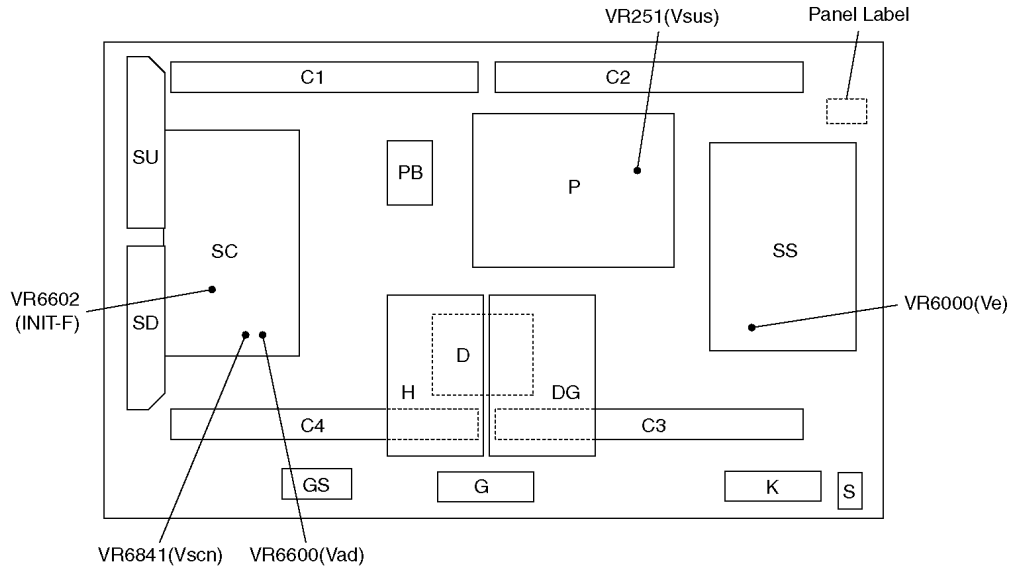
P.C.B.	Name	Test Point	Voltage	Volume	Remarks
P Board	Vsus	TPVSUS (SS)	Vsus ± 2V	VR251 (P)	*
SC Board	Vad	TPVAD (SC)	-140V ± 1V	VR6600 (SC)	
	Vscn	TPVSCN (SC)	Vad + 148V ± 1V	VR6841 (SC)	
SS Board	Ve	TPVE (SS)	Ve ± 1V	VR6000 (SS)	*
D, DG Board	White balance and Sub brightness for NTSC, PAL, HD, PC and 625i signals				

*See the Panel label.

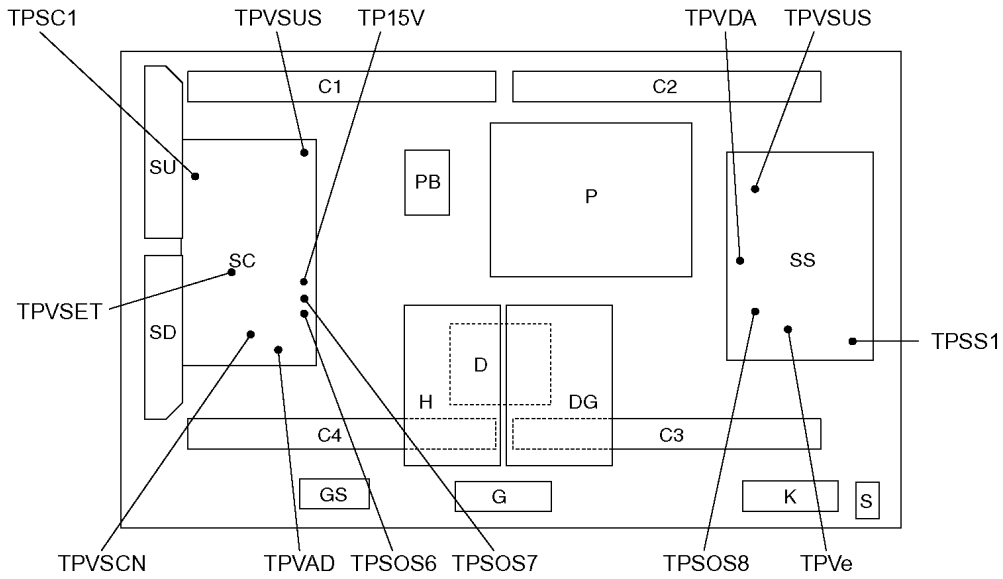
Caution:

Absolutely do not reduce V_{sus} below V_e not to damage the P.C.B.

11.4. Adjustment Volume Location



11.5. Test Point Location



12 White Balance Adjustment

12.1. White balance adjustment

Name of measuring instrument	Connection	Remarks								
<ul style="list-style-type: none"> • W/B pattern • Color analyzer (Minolta CA-100 or equivalent) 	Component input Panel surface									
Procedure		Remarks								
<ul style="list-style-type: none"> • Ensure aging is adequate. • Make sure the front panel to be used on the final set is fitted. • Make sure a color signal is not being shown before adjustment. • Put the color analyzer where there is little color variation. <ol style="list-style-type: none"> 1. Output a white balance pattern. 2. Check that the color temperature is "Cool". 3. Set to serviceman mode, WB-ADJ. 4. Set "R-CUT" "G-CUT" "B-CUT" the values written in table 1. 5. Attach the sensor of color analyzer to the center of highlight window. 6. Fix G drive at C0h and adjust "B-DRV" and "R-DRV" so x, y value of color analyzer become the "Color temperature High" in table 2. 7. Increase RGB together so the maximum drive value in RGB becomes FCh. That is, set "ALL DRIVE" to FCh. 8. Set color temperature to "Normal". 9. Set "R-CUT" "G-CUT" "B-CUT" the values written in table 1. 10. Attach the sensor of color analyzer to the center of highlight window. 11. Fix G drive at C0h and adjust "B-DRV" and "R-DRV" so x, y value of color analyzer become the "Color temperature Mid" in table 2. 12. Increase RGB together so the maximum drive value in RGB becomes FCh. That is, set "ALL DRIVE" to FCh. 13. Set color temperature to "Warm". 14. Set "R-CUT" "G-CUT" "B-CUT" the values written in table 1. 15. Attach the sensor of color analyzer to the center of highlight window. 16. Fix G drive at C0h and adjust "B-DRV" and "R-DRV" so x, y value of color analyzer become the "Color temperature Low" in table 2. 17. Increase RGB together so the maximum drive value in RGB becomes FCh. That is, set "ALL DRIVE" to FCh. 18. Set color temperature to "Cool". <p>[adjustment of "Normal" "Warm" by data shift from "Cool" adjust.] For "Normal" "Warm" adjustment, set values that the adjusted value of "Cool" plus the figures wrote below.</p> <ol style="list-style-type: none"> 19. Copy values adjusted by HD pattern to the NTSC data area of EEPROM. <table style="margin-left: 40px; border: none;"> <tr> <td style="padding-right: 20px;">Normal :</td> <td style="padding-right: 20px;">R-DRV : 0h</td> <td style="padding-right: 20px;">G-DRV : -2h</td> <td>B-DRV : -22h</td> </tr> <tr> <td>Warm :</td> <td>R-DRV : 0h</td> <td>G-DRV : -Ah</td> <td>B-DRV : -62h</td> </tr> </table>		Normal :	R-DRV : 0h	G-DRV : -2h	B-DRV : -22h	Warm :	R-DRV : 0h	G-DRV : -Ah	B-DRV : -62h	
Normal :	R-DRV : 0h	G-DRV : -2h	B-DRV : -22h							
Warm :	R-DRV : 0h	G-DRV : -Ah	B-DRV : -62h							

Table 1: R-CUT,G-CUT,B-CUT setting data

Color temperature	R-CUT	G-CUT	B-CUT
High(Cool)	80	80	80
Mid	80	80	80
Low(Warm)	80	80	80

Table 2: W/B adjustment values

Color temperature	x	y
High(Cool)	0.276	0.276
Mid	0.288	0.296
Low(Warm)	0.313	0.329

Table 3: EEPROM data addresses

SD/ Color temperature High	R-CUTOFF	0240
	G-CUTOFF	0241
	B-CUTOFF	0242
	R-DRIVE	0243
	G-DRIVE	0244
	B-DRIVE	0245
SD/ Color temperature Mid	R-CUTOFF	0246
	G-CUTOFF	0247
	B-CUTOFF	0248
	R-DRIVE	0249
	G-DRIVE	024A
	B-DRIVE	024B
SD/ Color temperature Low	R-CUTOFF	024C
	G-CUTOFF	024D
	B-CUTOFF	024E
	R-DRIVE	024F
	G-DRIVE	0250
	B-DRIVE	0251
HD/ Color temperature High	R-CUTOFF	0252
	G-CUTOFF	0253
	B-CUTOFF	0254
	R-DRIVE	0255
	G-DRIVE	0256
	B-DRIVE	0257
HD/ Color temperature Mid	R-CUTOFF	0258
	G-CUTOFF	0259
	B-CUTOFF	025A
	R-DRIVE	025B
	G-DRIVE	025C
	B-DRIVE	025D
HD/ Color temperature Low	R-CUTOFF	025E
	G-CUTOFF	025F
	B-CUTOFF	0260
	R-DRIVE	0261
	G-DRIVE	0262
	B-DRIVE	0263

13 Hotel mode

1. Purpose

Restrict a function for hotels.


2. Access command to the Hotel mode setup menu

In order to display the Hotel mode setup menu, please enter the following command (**within 2 second**).

[TV] : Vol. "Down" + [REMOTE] : TV/VIDEO (3 times)

Then, the Hotel mode setup menu is displayed.

Hotel Mode	
Mode	Off
Input	-
Channel	-
Volume	+ 16
Vol. Max	+ 63
OSD Ctrl	Off
FP Ctrl	Off
Pow Ctrl	Off

Select Change  RETURN

3. To exit the Hotel mode setup menu

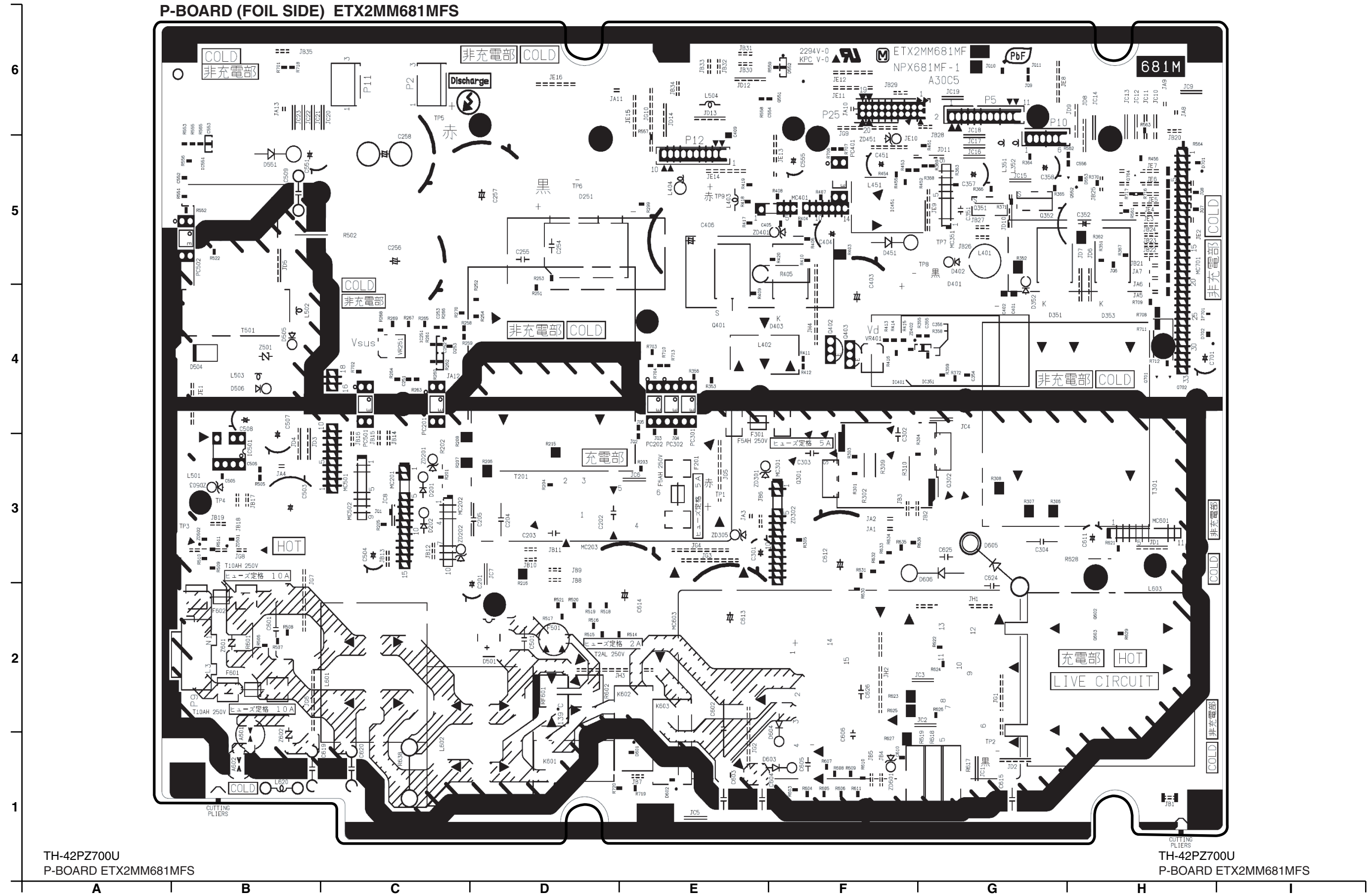
Disconnect AC power cord from wall outlet.

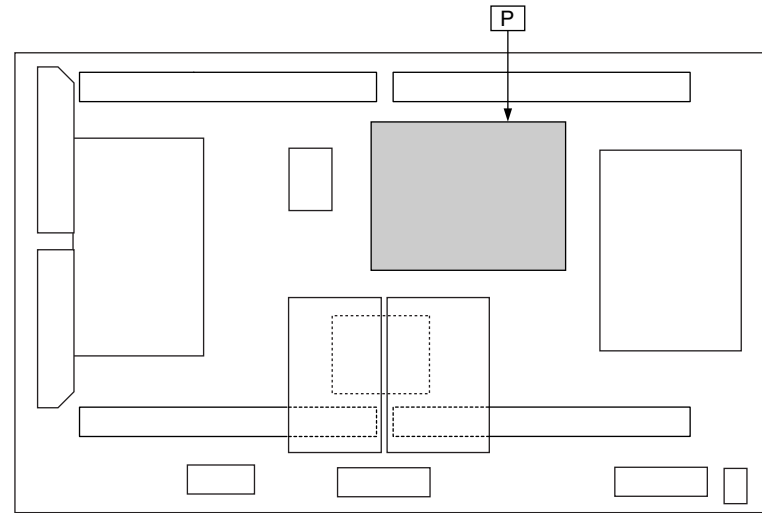
4. Explain the Hotel mode setup menu

item	Function
Mode	Select hotel mode ON/OFF
Input	Select input signal modes. Set the input, when each time power is switched on. Selection: -/RF/COMP1/COMP2/HDMI1/HDMI2/VIDEO1/VIDEO2/VIDEO3/PC • Off: give priority to a last memory.
Channel	Select channel when input signal is RF. Set the channel, each time power is switched on. Selection: Any channel number or "-". "-" means the channel when turns off.
Volume	Adjust the volume when each time power is switched on. Range: 0 to 63
Vol. Max	Adjust maximum volume. Range: 0 to 63
OSD Ctrl	Restrict the OSD. Selection: OFF/PATTERN1 • OFF: No restriction • PATTERN1: restriction
FP Ctrl	Select front key conditions. Selection: Off/Pattern1/All • Off: altogether valid. • Pattern: only input key is valid. • All: altogether invalid.
Pow Ctrl	Select POWER-ON/OFF condition when AC power cord is disconnected and then connected. OFF: The same condition when AC power cord is disconnected. ON: Forced power ON condition.

14 Conductor Views

14.1. P-Board





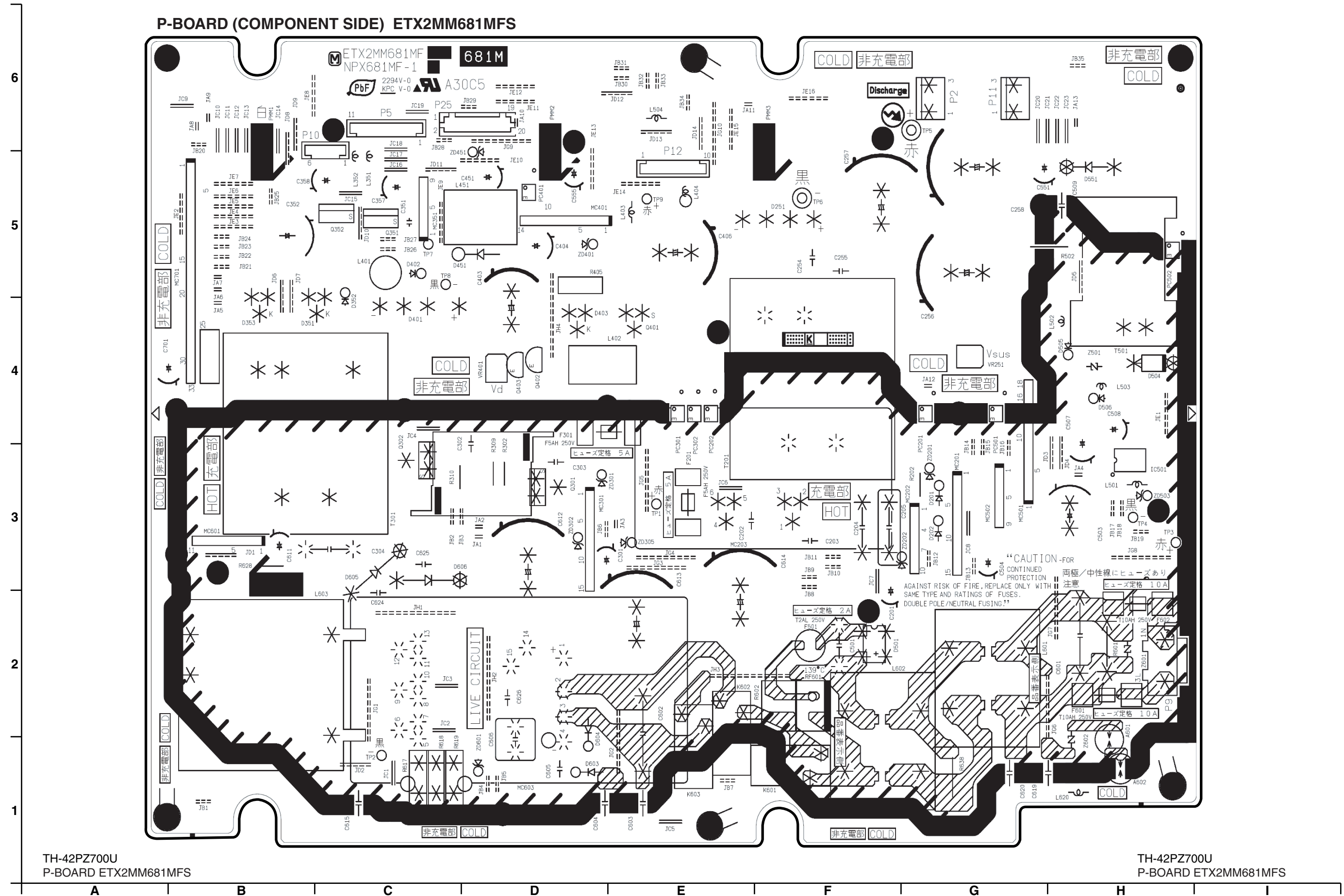
Parts Location

P-BOARD (FOIL SIDE)					
IC		TRANSISTOR		PHOTO COUPLER	
IC251	C-4	Q301	F-3	PC201	C-4
IC351	G-4	Q302	G-3	PC202	E-4
IC401	F-4	Q351	G-5	PC301	E-4
IC451	F-5	Q352	G-5	PC302	E-4
IC501	B-3	Q401	E-4	PC401	F-5
IC551	B-5	Q402	F-4	PC501	C-4
MODULE		Q403	F-4	PC502	B-5
		Q551	F-6	VOLUME	
MC201	C-3	Q552	H-5		
MC202	C-3	Q602	H-2	VR401	F-4
MC203	D-3	Q603	H-2		
MC301	F-3	Q701	H-4		
MC351	G-5	Q702	H-4		
MC401	F-5	Q704	H-5		
MC501	C-3				
MC502	C-3				
MC601	H-3				
MC603	E-2				
MC701	H-5				

Parts Location

P-BOARD (COMPONENT SIDE)					
IC		TRANSISTOR		PHOTO COUPLER	
IC501	H-3	Q301	D-3	PC201	G-4
MODULE		Q302	C-3	PC202	E-4
		Q351	C-5	PC301	E-4
MC201	G-3	Q352	C-5	PC302	E-4
MC202	G-3	Q402	D-4	PC401	D-5
MC203	E-3	Q403	D-4	PC501	G-4
MC301	D-3			PC502	H-5
MC351	C-5	VOLUME		VR251	G-4
MC401	D-5			VR401	D-4
MC501	G-3				
MC502	G-3				
MC601	B-3				
MC603	D-1				
MC701	B-5				

P-BOARD (COMPONENT SIDE) ETX2MM681MFS



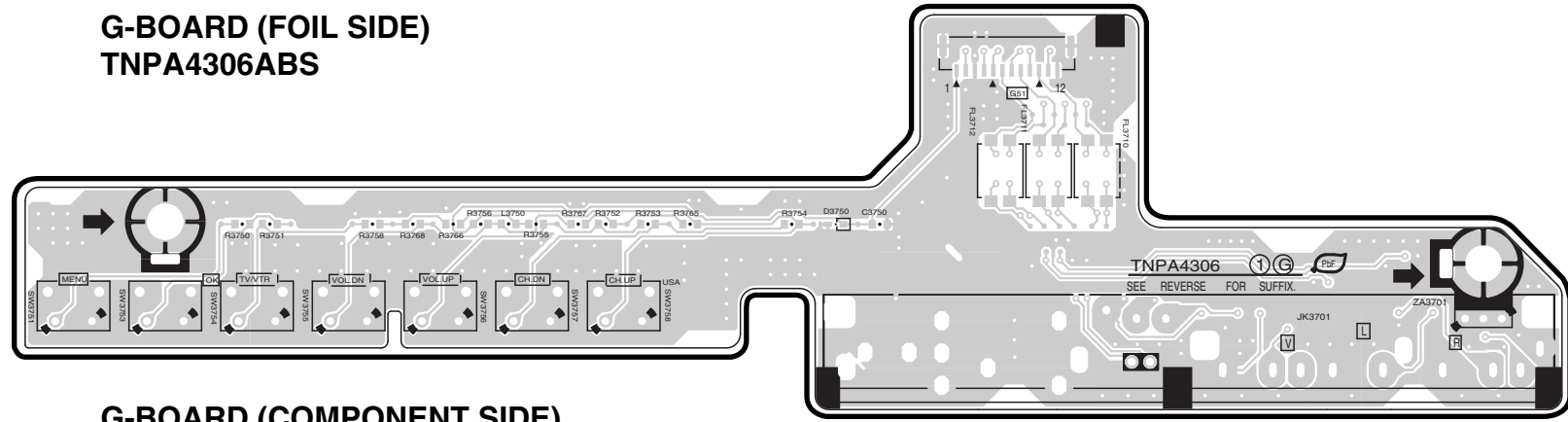
TH-42PZ700U
P-BOARD ETX2MM681MFS

TH-42PZ700U
P-BOARD ETX2MM681MFS

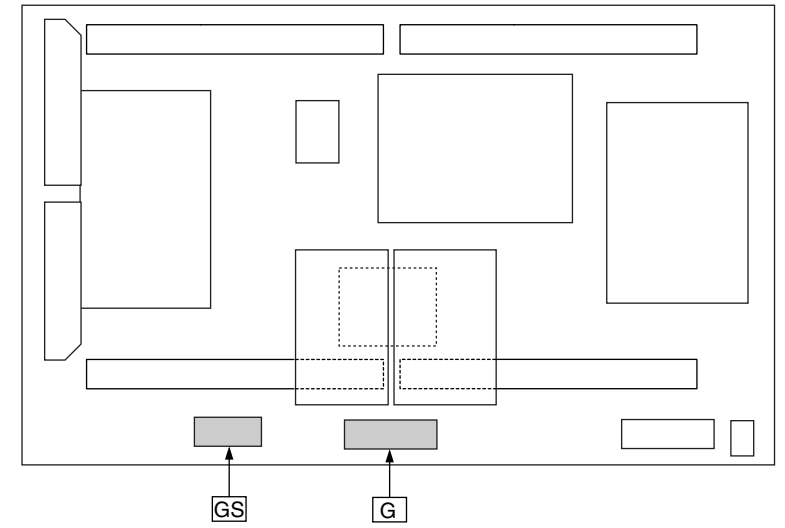
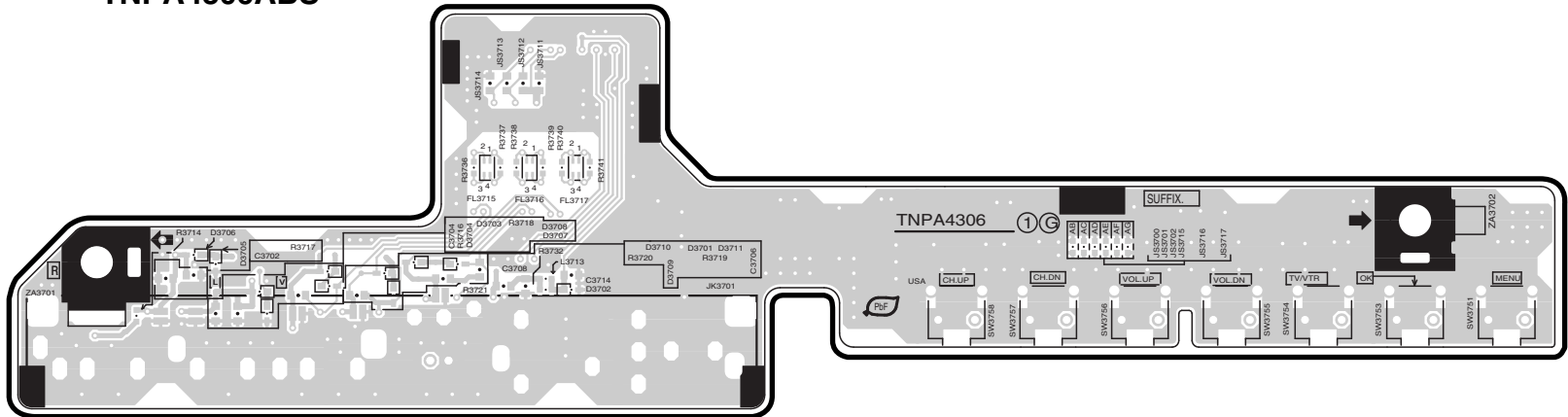
14.2. G and GS-Board

6
5
4
3
2
1

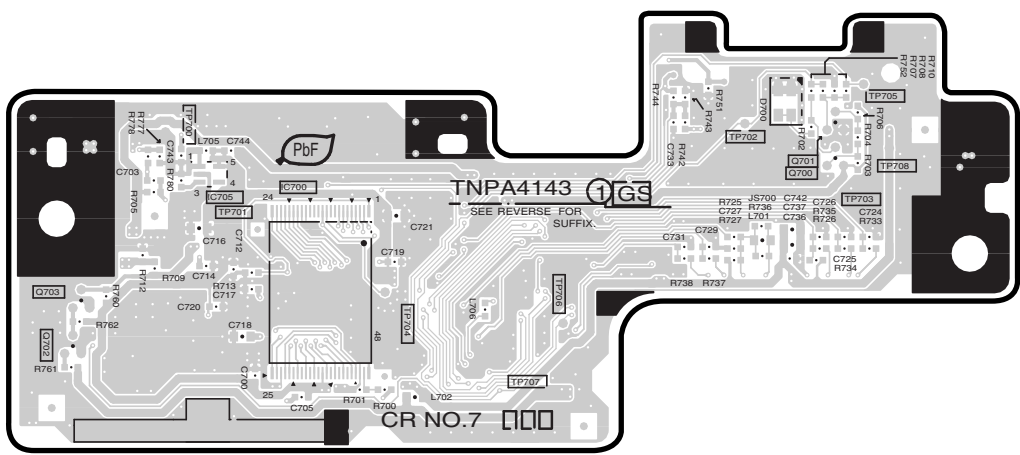
**G-BOARD (FOIL SIDE)
TNPA4306ABS**



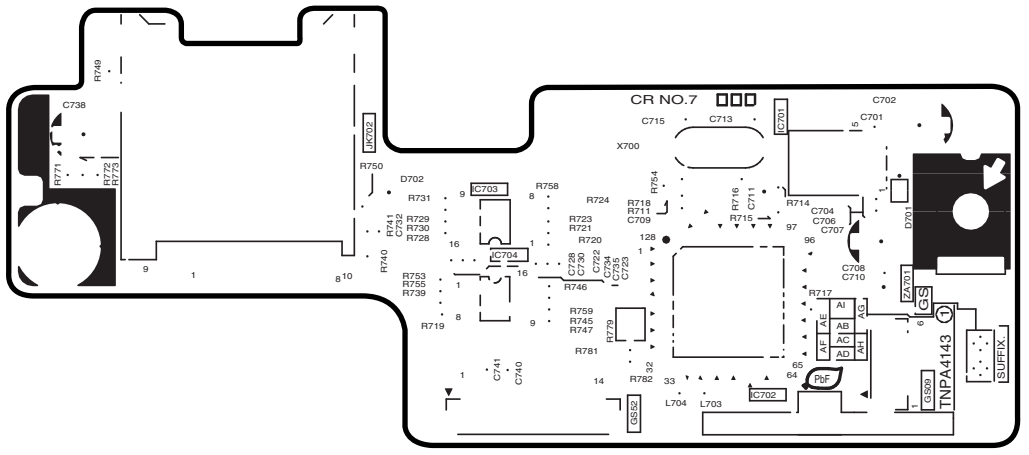
**G-BOARD (COMPONENT SIDE)
TNPA4306ABS**



**GS-BOARD (FOIL SIDE)
TNPA4143AES**



**GS-BOARD (COMPONENT SIDE)
TNPA4143AES**



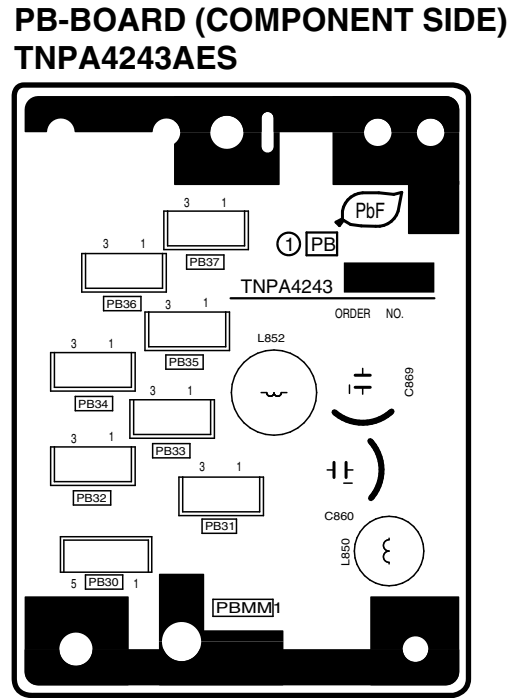
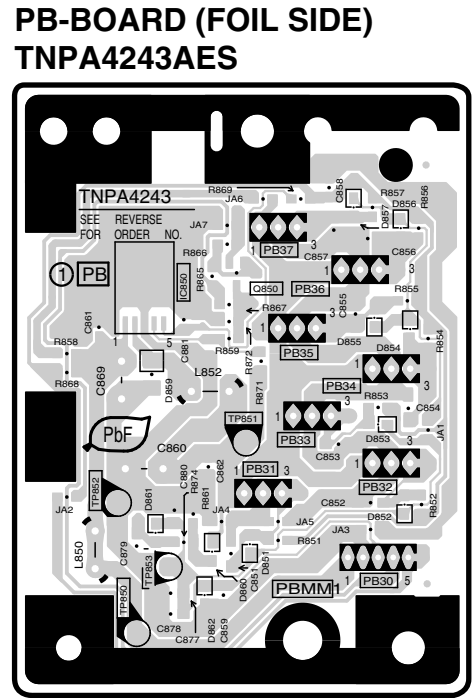
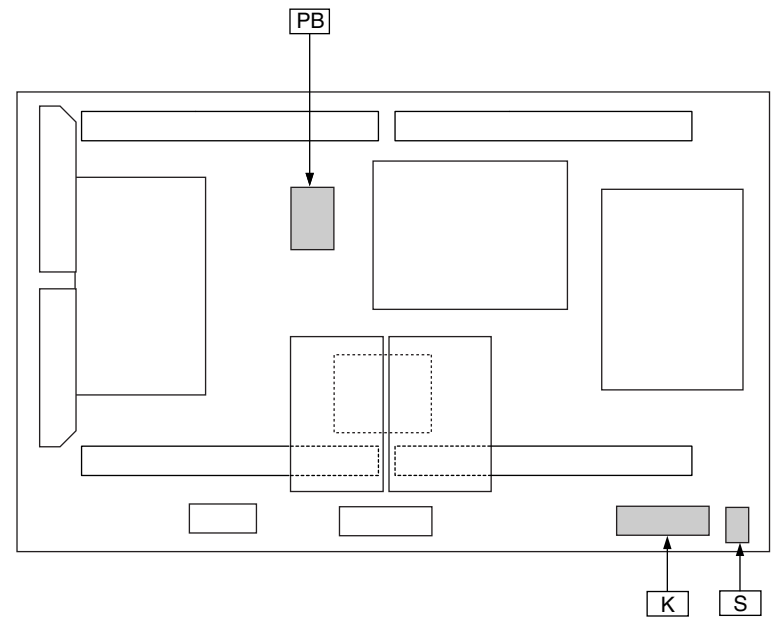
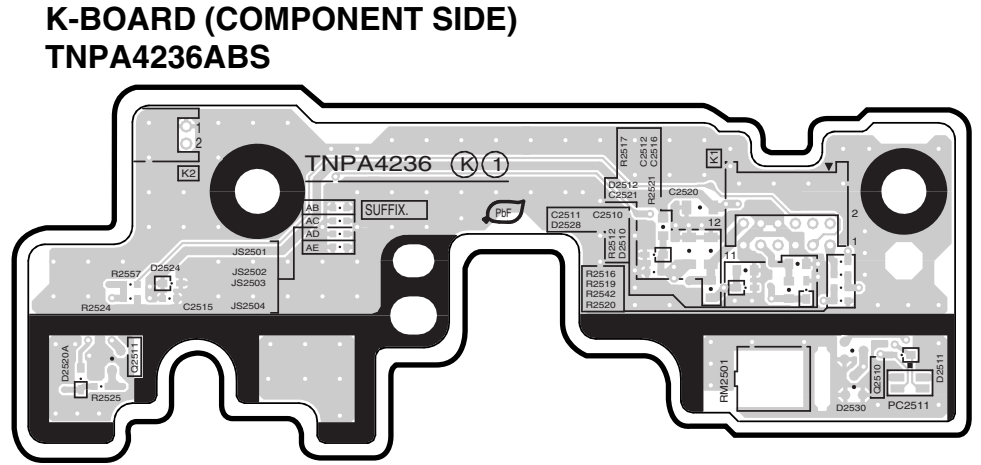
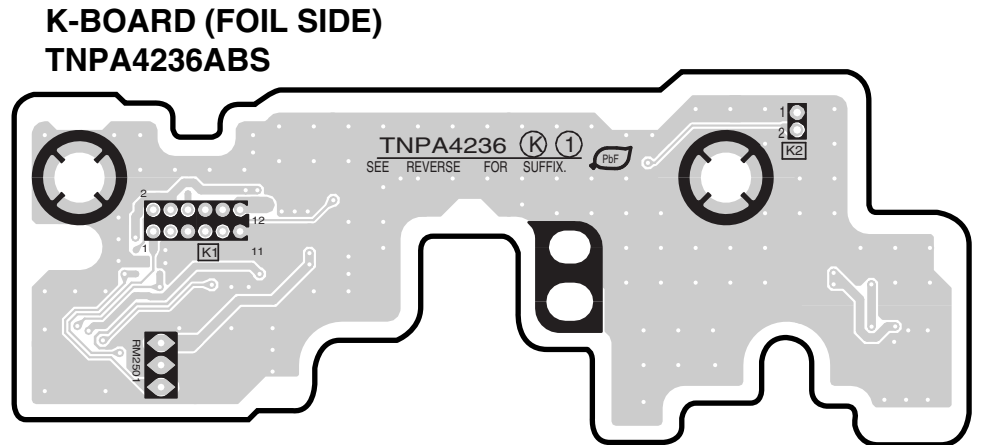
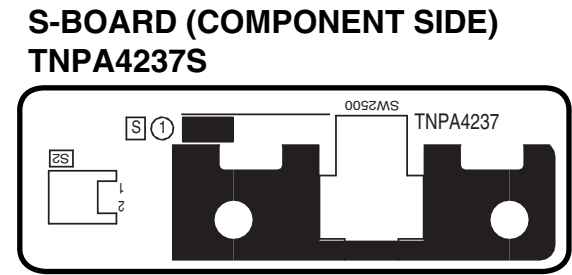
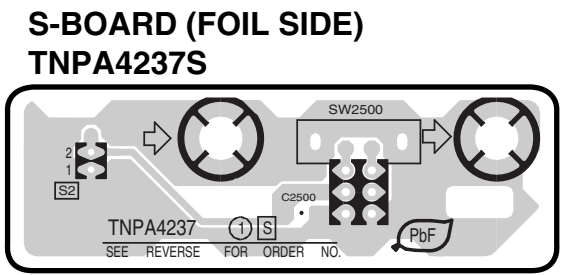
TH-42PZ700U
G-BOARD TNPA4306ABS
GS-BOARD TNPA4143AES

TH-42PZ700U
G-BOARD TNPA4306ABS
GS-BOARD TNPA4143AES

A B C D E F G H

14.3. K, PB and S-Board

6
5
4
3
2
1



TH-42PZ700U
S-BOARD TNPA4237S
K-BOARD TNPA4236ABS
PB-BOARD TNPA4243AES

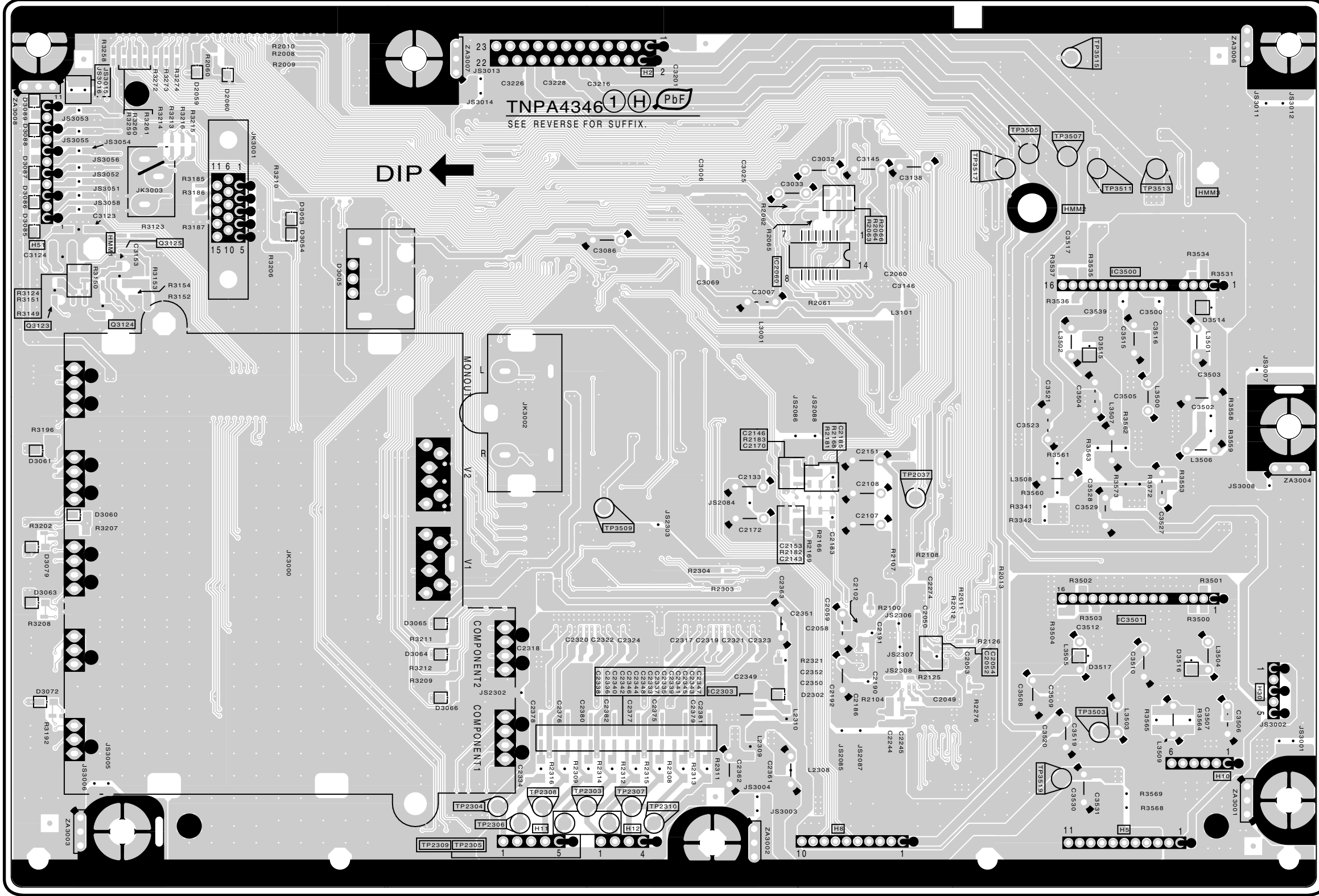
TH-42PZ700U
S-BOARD TNPA4237S
K-BOARD TNPA4236ABS
PB-BOARD TNPA4243AES

A | B | C | D | E | F | G | H | I

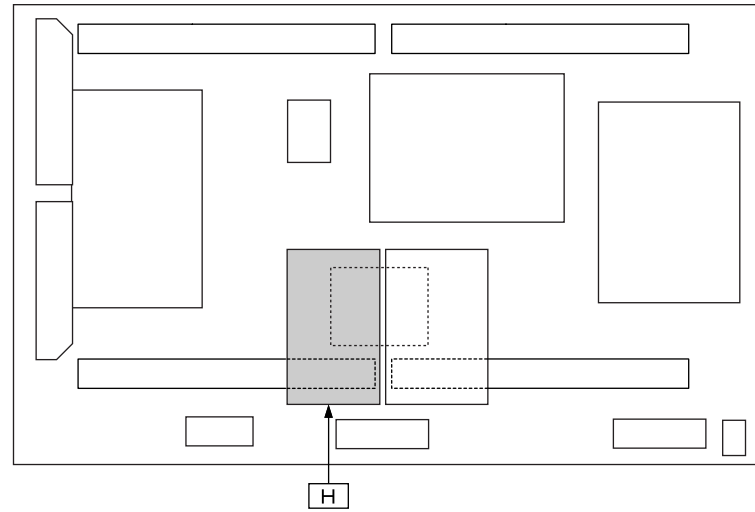
14.4. H-Board

H-BOARD (FOIL SIDE) TNPA4346ABS

6
5
4
3
2
1



A B C D E F G H



Parts Location

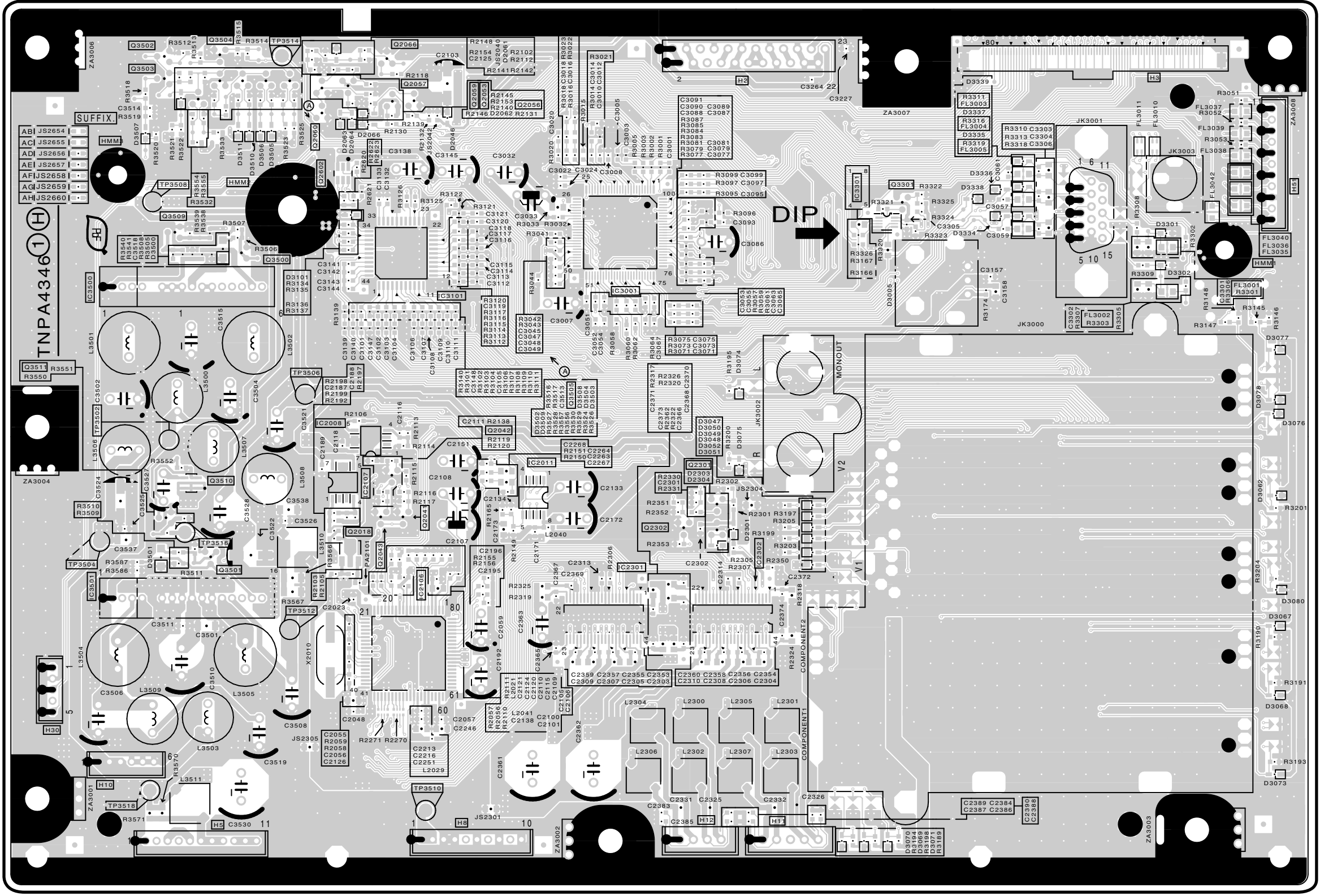
H-BOARD (FOIL SIDE)					
IC	TRANSISTOR		TP		
IC2060	E-5	Q3123	A-4	TP2037	F-3
IC2303	E-2	Q3124	A-4	TP2303	D-1
IC3500	G-4	Q3125	B-5	TP2304	D-1
IC3501	G-2			TP2305	D-1
				TP2306	D-1
				TP2307	D-1
				TP2308	D-1
				TP2309	C-1
				TP2310	E-1
				TP3503	G-2
				TP3505	G-5
				TP3507	G-5
				TP3509	D-3
				TP3511	G-5
				TP3513	H-5
				TP3515	G-6
				TP3517	G-5
				TP3519	G-2

Parts Location

H-BOARD (COMPONENT SIDE)					
IC	TRANSISTOR		TP		
IC2008	C-4	Q2018	C-3	TP3502	A-4
IC2011	D-3	Q2041	C-3	TP3504	A-2
IC2106	C-2	Q2042	D-4	TP3506	C-4
IC2107	C-3	Q2043	C-3	TP3508	B-5
IC2301	D-3	Q2053	D-6	TP3510	C-1
IC2302	E-3	Q2056	D-5	TP3512	C-2
IC3001	D-4	Q2057	C-6	TP3514	B-6
IC3101	C-4	Q2059	D-6	TP3516	B-3
IC3301	F-5	Q2060	C-5	TP3518	B-1
IC3500	A-4	Q2066	C-6		
IC3501	A-3	Q2301	E-3		
		Q2302	E-3		
		Q2602	C-5		
		Q3301	F-5		
		Q3500	B-5		
		Q3501	B-3		
		Q3502	B-6		
		Q3503	B-6		
		Q3504	B-6		
		Q3505	D-4		
		Q3509	B-5		
		Q3510	B-3		
		Q3511	A-4		

H-BOARD (COMPONENT SIDE) TNPA4346ABS

6
5
4
3
2
1



A B C D E F G H

14.5. DG-Board

DG-BOARD (FOIL SIDE) TNPA4347ACS

6
5
4
3
2
1



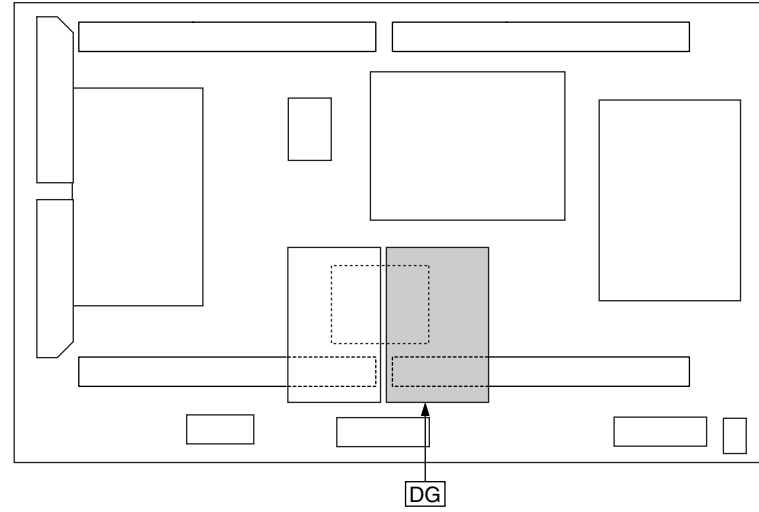
TNPA4347(1) DG
SEE REVERSE FOR SUFFIX

PbF

TH-42PZ700U
DG-BOARD TNPA4347ACS

TH-42PZ700U
DG-BOARD TNPA4347ACS

A B C D E F G H



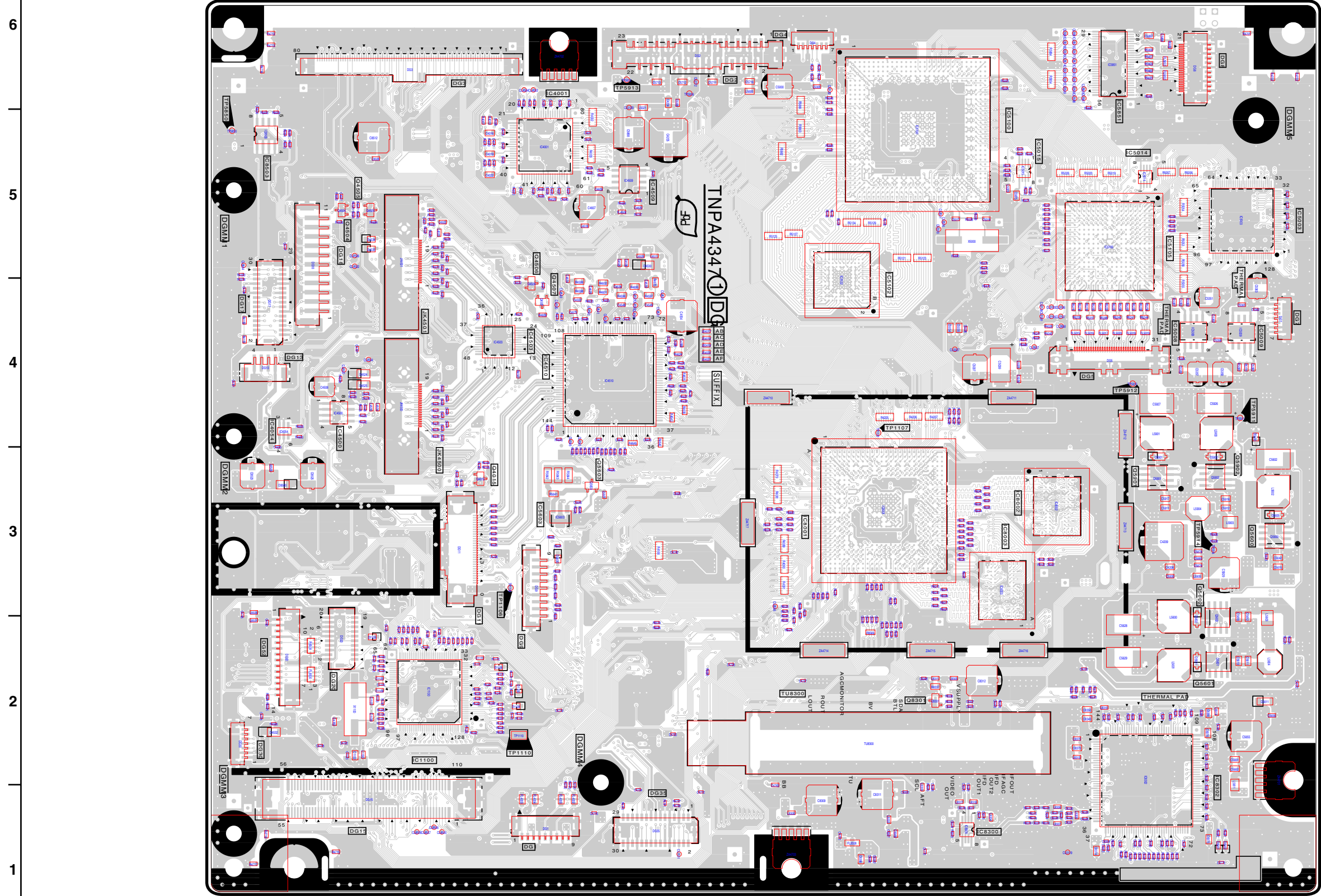
Parts Location

DG-BOARD (FOIL SIDE)					
IC		TRANSISTOR		TP	
IC1101	G-3	Q1107	G-3	TP1100	G-3
IC1108	G-3	Q1108	F-2	TP1101	G-3
IC4000	G-6	Q1114	H-3	TP1102	G-3
IC4002	F-5	Q4000	F-5	TP1103	G-3
IC4003	F-6	Q4001	F-5	TP1104	G-2
IC4004	E-4	Q4002	F-5	TP1105	G-2
IC4005	G-5	Q4010	G-3	TP4200	C-4
IC4051	F-2	Q4011	G-3	TP4201	C-4
IC4053	F-3	Q4012	G-3	TP4500	G-4
IC4501	H-5	Q4013	G-3	TP4501	G-5
IC4504	H-2	Q4014	G-3	TP4502	G-4
IC4506	F-4	Q4500	G-4	TP4503	G-5
IC4507	F-4	Q4501	G-5	TP4504	G-4
IC4508	F-5	Q4502	G-4	TP4505	G-4
IC4513	H-4	Q4503	G-4	TP4506	H-5
IC4514	G-4	Q4509	H-2	TP4507	H-4
IC4515	H-4	Q4510	H-2	TP4508	G-5
IC5000	E-6	Q4511	F-5	TP4509	H-2
IC5001	D-6	Q4512	F-5	TP4510	H-2
IC5002	D-5	Q4513	F-5	TP4511	H-2
IC5006	E-5	Q4514	F-4	TP4512	F-4
IC5010	B-5	Q4515	E-4	TP4513	F-4
IC5011	D-5	Q4516	F-4	TP4514	F-5
IC5012	D-4	Q4517	F-4	TP4515	F-4
IC5013	C-5	Q4520	H-4	TP4516	H-2
IC5600	B-3	Q5000	C-5	TP4517	H-2
IC5601	C-3	Q5001	C-5	TP5000	E-6
IC5602	H-3	Q5002	B-5	TP5001	E-6
IC5604	F-3	Q5604	G-3	TP5002	E-6
IC5605	B-2	Q5605	B-2	TP5003	E-5
IC5704	H-5	Q5606	B-3	TP5005	C-4
IC5901	C-4	Q5607	B-3	TP5006	C-4
IC8004	C-3	Q5608	H-2	TP5007	C-4
IC8502	F-3	Q8300	D-1	TP5008	C-4
IC8505	H-3	Q8302	D-1	TP5009	C-4
		Q8303	D-1	TP5010	C-4
		Q8502	G-5	TP5011	C-4
		Q8597	G-2	TP5012	C-4
		Q8598	H-2	TP5013	C-4
				TP5014	C-4
				TP5015	C-4
				TP5016	C-4
				TP5017	C-4
				TP5018	C-4
				TP5019	C-4
				TP5020	C-4
				TP5021	C-4
				TP5022	C-4
				TP5023	C-4
				TP5024	C-4
				TP5025	C-4
				TP5026	C-4
				TP5027	C-6
				TP5028	C-6
				TP5600	B-4
				TP5601	C-2
				TP5602	C-2
				TP5603	G-3
				TP5604	F-3
				TP5605	E-6
				TP5606	F-6
				TP5851	C-6
				TP5852	C-6
				TP5853	C-6
				TP5901	B-4
				TP5902	C-4
				TP5903	B-6
				TP5904	B-3
				TP5905	C-4
				TP5906	E-5
				TP5907	B-1
				TP5908	B-3
				TP5909	D-6
				TP8313	E-2
				TP8314	E-2
				TP8315	D-1
				TP8500	H-5
				TP8501	H-4
				TP8502	G-5
				TP8503	H-4
				TP8544	H-2
				TP8545	H-1
				TP8546	H-1
				TP8547	H-1
				TP8548	H-1
				TP8551	H-5
				TP8552	H-5
				TP8553	H-5
				TP8554	D-2
				TP8555	D-2
				TP8556	D-1
				TP8557	D-2
				TP8558	D-2
				TP8559	D-1
				TP8560	D-2
				TP8561	D-2
				TP8562	D-2
				TP8563	D-2
				TP8565	H-2
				TP8566	H-2
				TP8567	H-2
				TP8568	H-2
				TP8569	H-2
				TP8570	H-2
				TP8571	H-2
				TP8572	H-2
				TP8573	H-2
				TP8574	H-2

Parts Location

DG-BOARD (COMPONENT SIDE)					
IC		TRANSISTOR		TP	
IC1100	C-2	Q4015	C-3	TP1106	C-3
IC4001	D-6	Q4504	B-5	TP1107	F-4
IC4054	B-4	Q4505	B-5	TP5850	B-5
IC4500	B-4	Q4506	D-5	TP5911	H-4
IC4503	C-4	Q4507	D-4	TP5912	G-4
IC4509	D-5	Q5600	H-3	TP5913	D-6
IC4510	D-4	Q5601	G-2	TP5914	H-3
IC5003	H-5	Q5602	G-3	TP5916	D-6
IC5008	G-4	Q5603	D-3		
IC5009	H-4	Q5901	G-3		
IC5014	G-5	Q5902	H-3		
IC5015	F-5	Q8301	F-2		
IC5100	F-5				
IC5102	F-4				
IC5105	G-5				
IC5603	D-3				
IC5851	G-6				
IC8001	E-3				
IC8002	F-3				
IC8003	F-3				
IC8300	F-1				
IC8302	H-2				
IC8503	B-5				

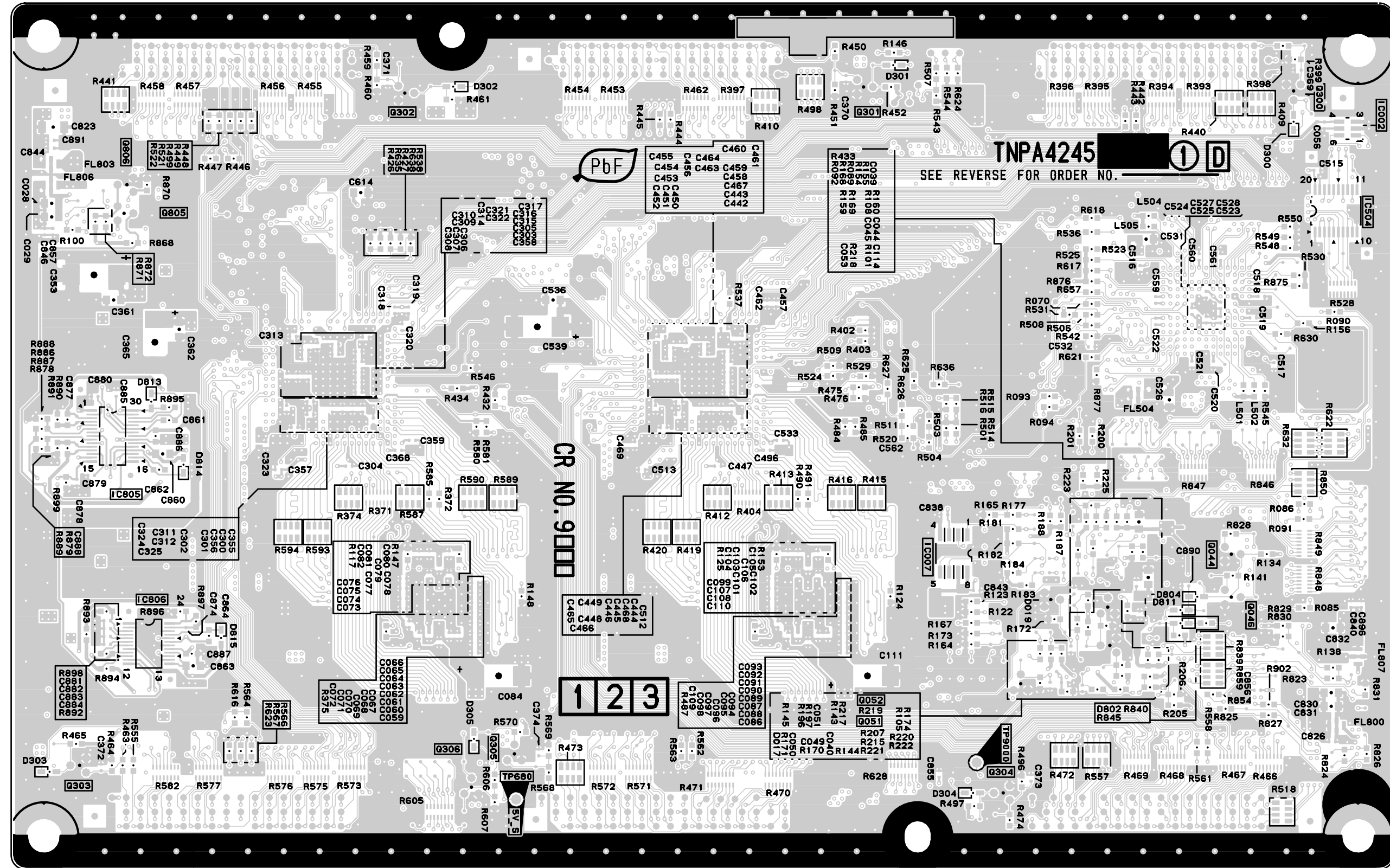
DG-BOARD (COMPONENT SIDE)
TNPA4347ACS



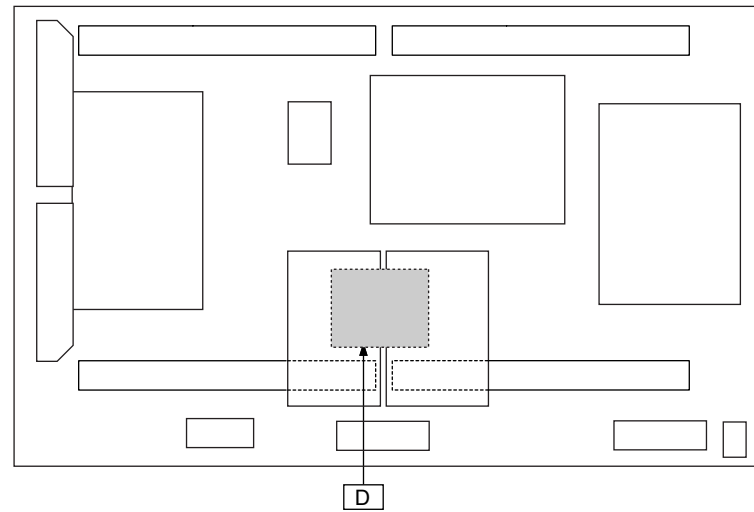
14.6. D-Board

D-BOARD (FOIL SIDE)
TZTNP01HJTU

6
5
4
3
2
1



A B C D E F G H I



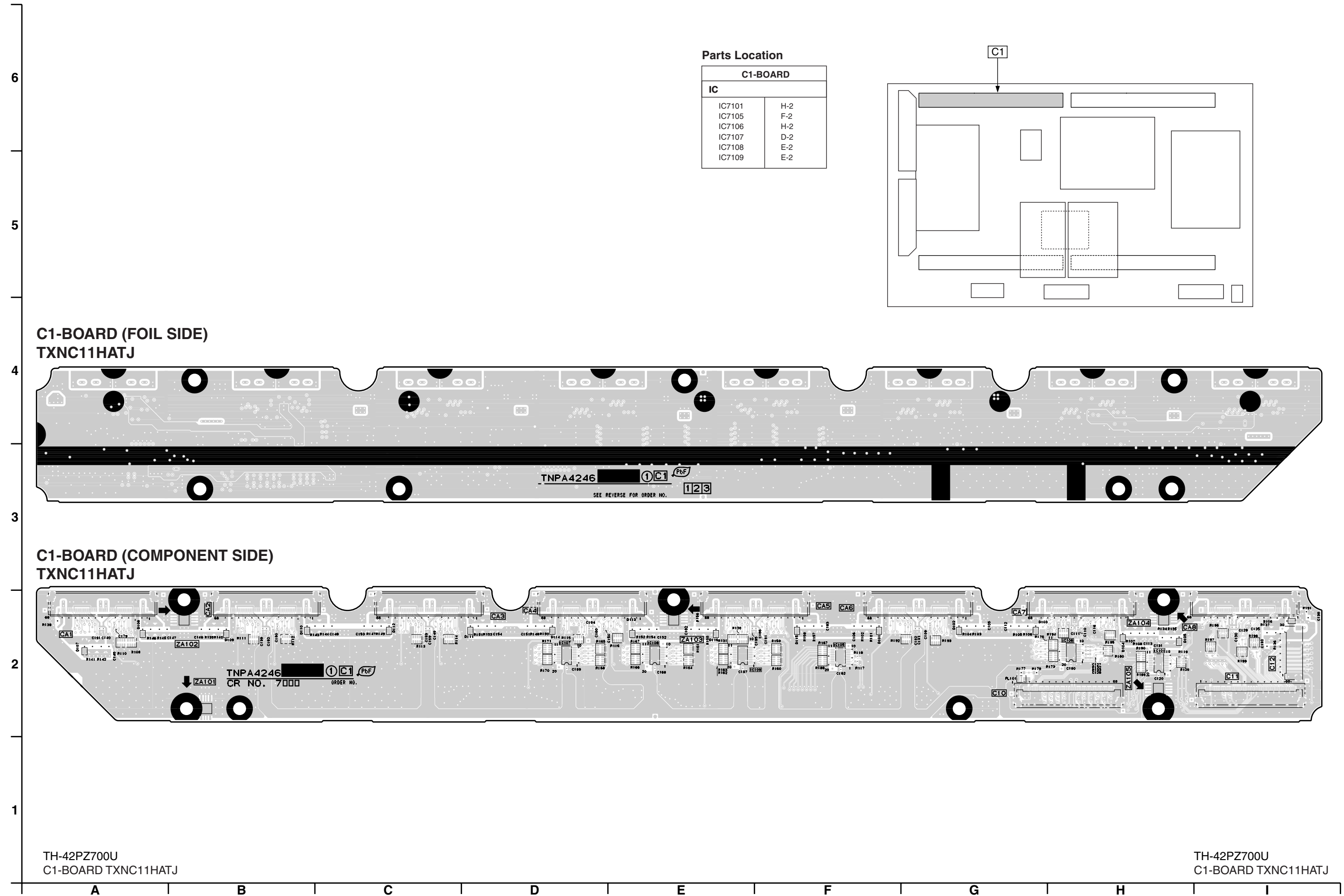
Parts Location

D-BOARD (FOIL SIDE)					
IC		TRANSISTOR		TP	
IC9002	I-5	Q9044	H-3	TP9000	G-2
IC9007	F-3	Q9046	H-2	TP9680	D-1
IC9504	I-5	Q9051	F-2		
IC9805	B-3	Q9052	F-2		
IC9806	B-2	Q9300	I-6		
		Q9301	F-6		
		Q9302	C-5		
		Q9303	A-1		
		Q9304	G-1		
		Q9305	D-2		
		Q9306	C-2		
		Q9805	B-5		
		Q9806	B-5		

Parts Location

D-BOARD (COMPONENT SIDE)					
IC		TRANSISTOR		TP	
IC9001	C-1	Q9010	E-2	TP9443	F-4
IC9003	C-2	Q9050	E-2	TP9444	G-4
IC9011	D-3	Q9053	E-2	TP9464	D-4
IC9013	C-4	Q9054	E-2	TP9465	D-4
IC9200	D-3	Q9807	I-4		
IC9300	G-3	Q9808	I-3		
IC9301	G-3	Q9809	H-2		
IC9304	H-5				
IC9400	F-4				
IC9401	D-2				
IC9402	D-5				
IC9500	B-5				
IC9503	G-2				
IC9505	D-2				
IC9602	G-5				
IC9603	F-5				
IC9802	B-4				
IC9803	B-3				
IC9807	C-4				

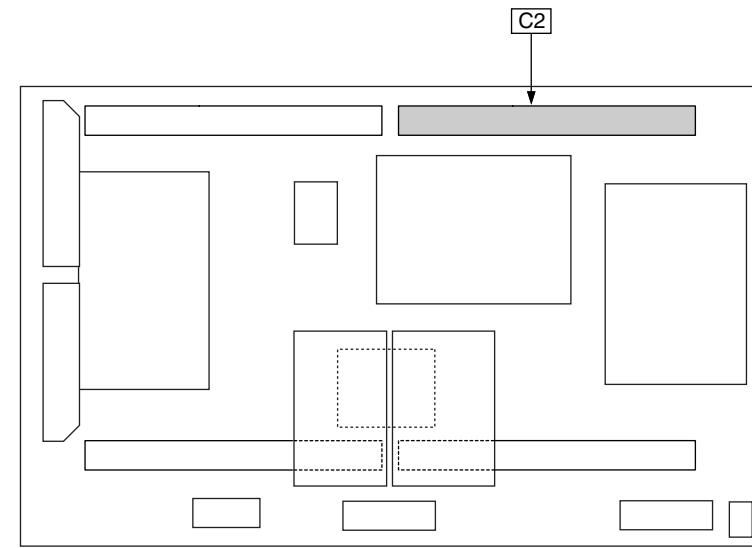
14.7. C1-Board



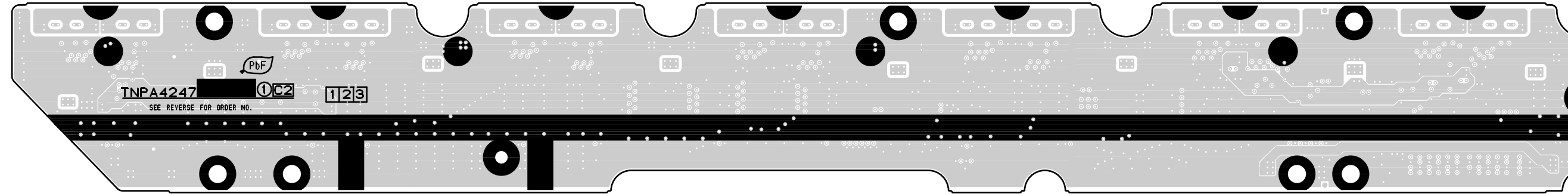
14.8. C2-Board

Parts Location

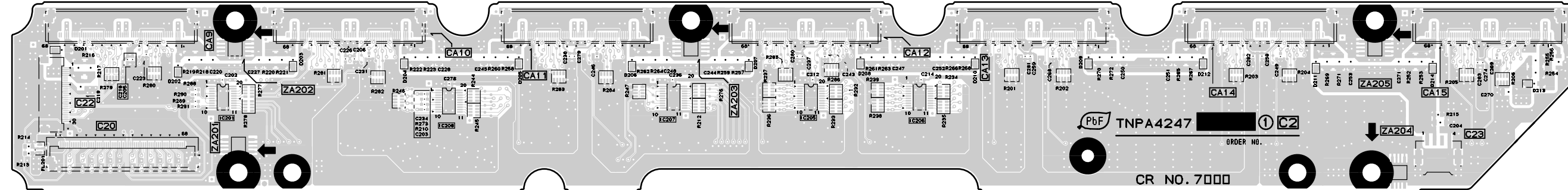
C2-BOARD	
IC	
IC7201	B-2
IC7205	E-2
IC7206	F-2
IC7207	D-2
IC7208	C-2



**C2-BOARD (FOIL SIDE)
TXNC21HATJ**



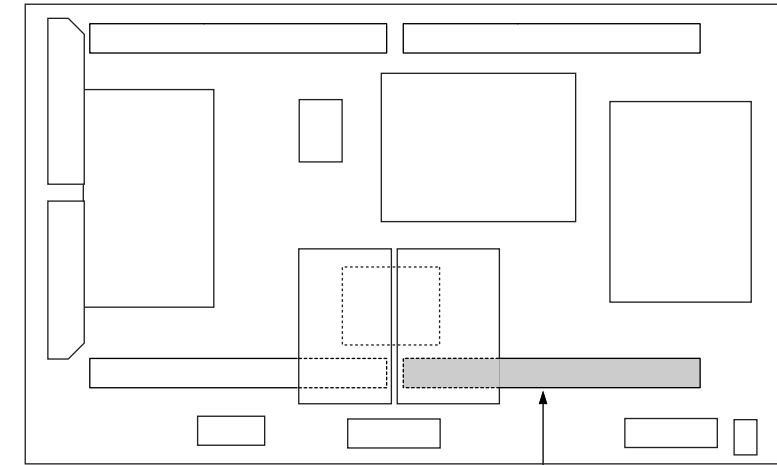
**C2-BOARD (COMPONENT SIDE)
TXNC21HATJ**



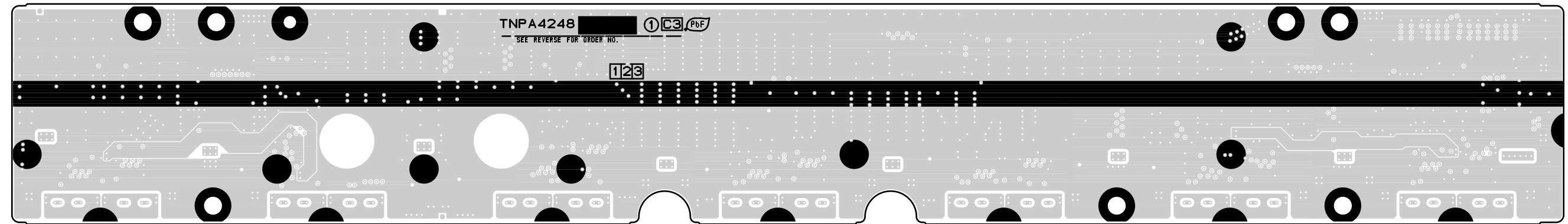
14.9. C3-Board

Parts Location

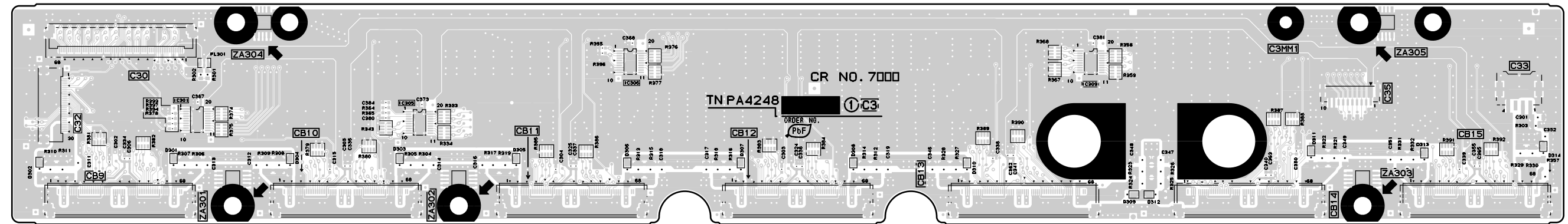
C3-BOARD	
IC	
IC7301	B-2
IC7305	C-2
IC7306	D-2
IC7309	G-2



C3-BOARD (FOIL SIDE)
TXNC31HATJ



C3-BOARD (COMPONENT SIDE)
TXNC31HATJ



TH-42PZ700U
C3-BOARD TXNC31HATJ

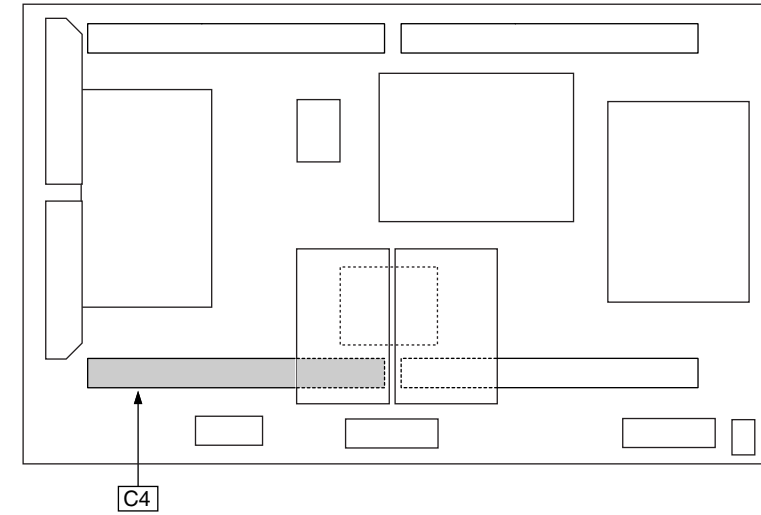
TH-42PZ700U
C3-BOARD TXNC31HATJ

A B C D E F G H I

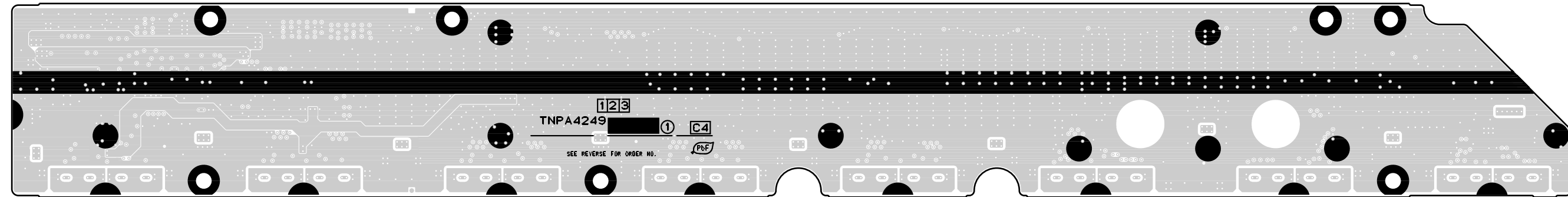
14.10. C4-Board

Parts Location

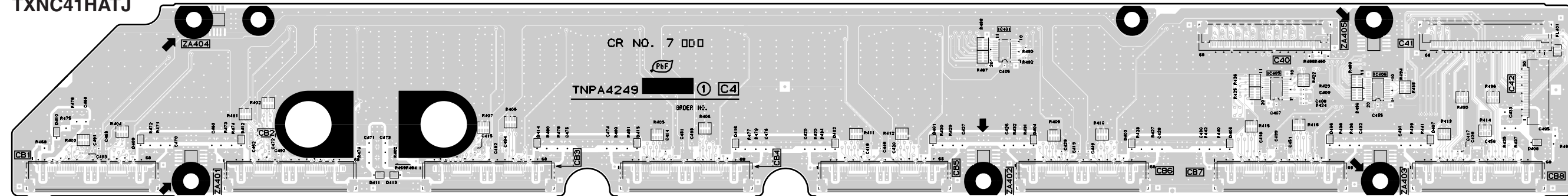
C4-BOARD	
IC	
IC7401	F-2
IC7405	H-2
IC7406	H-2



C4-BOARD (FOIL SIDE)
TXNC41HATJ



C4-BOARD (COMPONENT SIDE)
TXNC41HATJ



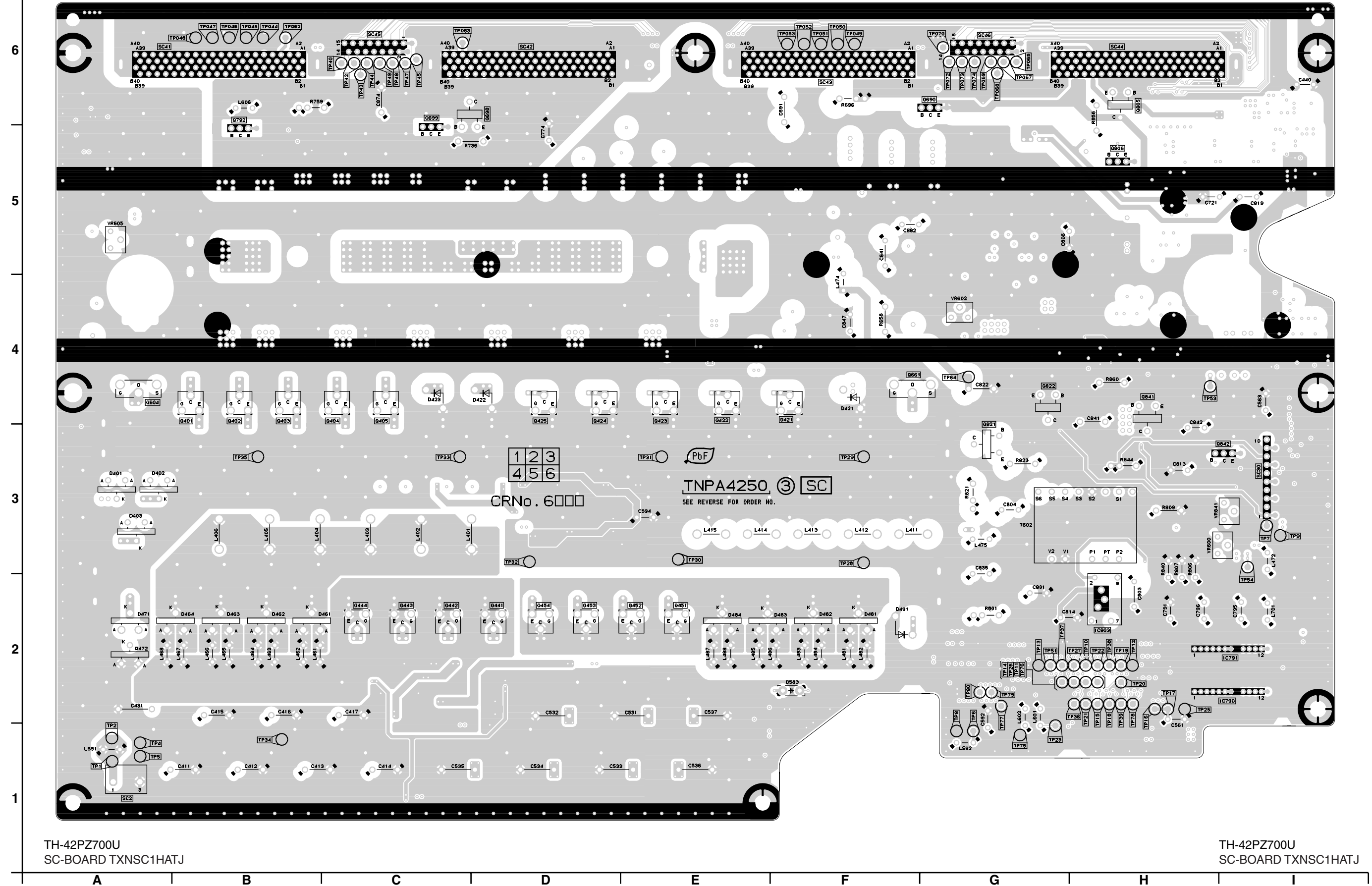
TH-42PZ700U
C4-BOARD TXNC41HATJ

TH-42PZ700U
C4-BOARD TXNC41HATJ

A B C D E F G H I

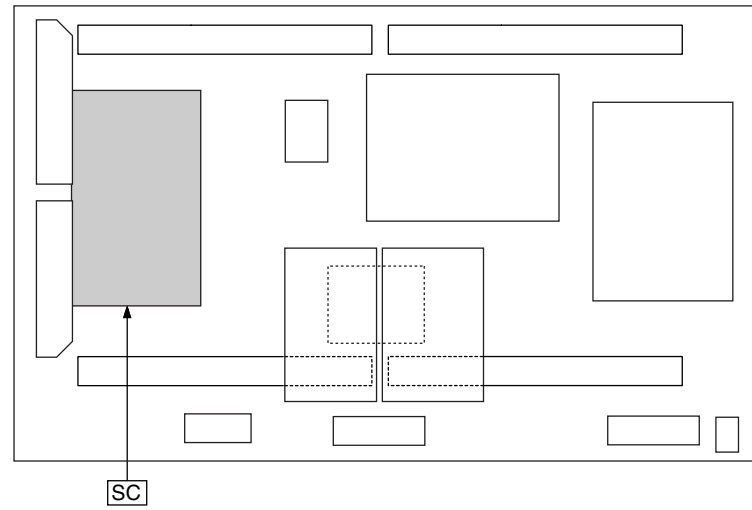
14.11. SC-Board

SC-BOARD (FOIL SIDE) TXNSC1HATJ



TH-42PZ700U
SC-BOARD TXNSC1HATJ

TH-42PZ700U
SC-BOARD TXNSC1HATJ



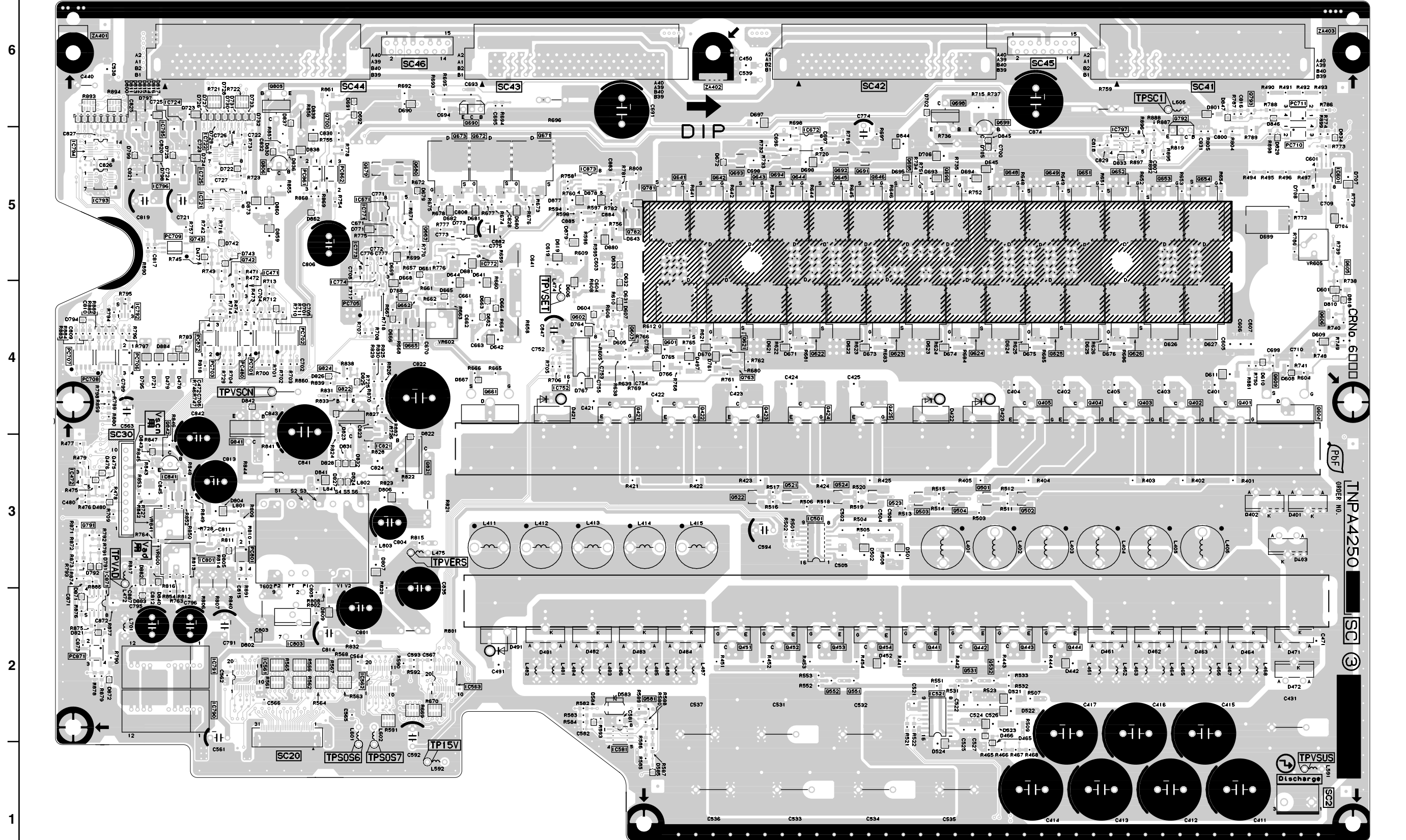
Parts Location

SC-BOARD (FOIL SIDE)					
IC		TP		TP044	B-6
IC6790	I-2	TP1	A-1	TP44	C-6
IC6791	I-2	TP2	A-1	TP045	B-6
IC6803	H-2	TP4	A-1	TP45	C-6
TRANSISTOR		TP5	A-1	TP046	B-6
Q6401	B-4	TP6	G-1	TP047	B-6
Q6402	B-4	TP7	I-3	TP47	C-6
Q6403	B-4	TP8	G-1	TP048	B-6
Q6404	C-4	TP9	I-3	TP48	C-6
Q6405	C-4	TP10	H-2	TP49	C-6
Q6421	F-4	TP11	G-2	TP049	F-6
Q6422	E-4	TP12	H-2	TP050	F-6
Q6423	E-4	TP13	G-2	TP051	F-6
Q6424	D-4	TP14	G-2	TP51	G-2
Q6425	D-4	TP15	H-2	TP052	F-6
Q6441	D-2	TP16	H-2	TP053	F-6
Q6442	C-2	TP17	H-2	TP53	H-4
Q6443	C-2	TP18	H-2	TP54	I-3
Q6444	C-2	TP19	H-2	TP62	B-6
Q6451	E-2	TP20	H-2	TP63	C-6
Q6452	E-2	TP21	H-2	TP64	G-4
Q6453	D-2	TP22	H-2	TP65	G-6
Q6454	D-2	TP23	G-1	TP67	G-6
Q6604	A-4	TP25	H-2	TP68	G-6
Q6661	F-4	TP26	G-2	TP69	G-6
Q6690	G-6	TP27	H-2	TP70	G-6
Q6698	D-6	TP28	F-3	TP72	G-6
Q6699	C-6	TP29	F-3	TP73	G-6
Q6792	B-6	TP30	E-3	TP74	G-6
Q6805	H-6	TP31	E-3	TP75	G-1
Q6806	H-5	TP32	D-3	TP76	G-2
Q6821	G-3	TP33	C-3	TP77	G-2
Q6822	G-4	TP34	B-1	TP78	H-2
Q6841	H-4	TP35	B-3	TP79	G-2
Q6842	I-3	TP36	H-2	TP80	G-2
		TP37	G-2	VOLUME	
		TP38	H-2	VR6600	I-3
		TP39	H-2	VR6602	G-4
		TP40	C-6	VR6605	A-5
		TP42	C-6	VR6641	I-3
		TP43	C-6		

Parts Location

SC-BOARD (COMPONENT SIDE)							
IC		TRANSISTOR		Q6624	G-4	Q6805	B-6
IC6471	B-5	Q6401	H-4	Q6625	G-4	Q6806	B-5
IC6472	A-3	Q6402	H-4	Q6626	H-4	Q6821	C-3
IC6501	F-3	Q6403	H-4	Q6641	E-5	Q6822	C-4
IC6521	F-2	Q6404	G-4	Q6642	E-5	Q6824	B-4
IC6561	B-2	Q6405	G-4	Q6643	E-5	Q6841	B-3
IC6562	C-2	Q6421	E-4	Q6644	F-5	Q6842	A-4
IC6563	C-2	Q6422	E-4	Q6645	F-5		
IC6581	D-1	Q6423	E-4	Q6646	F-5		
IC6601	I-5	Q6424	F-4	Q6648	G-5		
IC6671	C-5	Q6425	F-4	Q6649	G-5	TP	
IC6672	F-5	Q6441	F-2	Q6651	G-5	TP15V	C-1
IC6721	B-5	Q6442	G-2	Q6652	H-5	TPSC1	H-6
IC6722	B-5	Q6443	G-2	Q6653	H-5	TPSOS6	C-1
IC6724	A-6	Q6444	G-2	Q6654	H-5	TPSOS7	C-1
IC6725	B-5	Q6451	E-2	Q6661	D-4	TPVAD	A-3
IC6752	D-4	Q6452	F-2	Q6662	C-4	TPVERS	C-3
IC6771	C-5	Q6453	F-2	Q6663	C-5	TPVSCN	B-4
IC6772	D-5	Q6454	F-2	Q6665	C-4	TPVSET	D-4
IC6773	C-5	Q6501	G-3	Q6671	D-5	TPVSUS	I-1
IC6774	C-4	Q6502	G-3	Q6672	C-5	VOLUME	
IC6790	B-2	Q6503	F-3	Q6673	C-5	VR6600	A-3
IC6791	B-2	Q6504	G-3	Q6679	C-5	VR6602	C-4
IC6792	A-4	Q6521	F-3	Q6680	C-5	VR6841	A-3
IC6793	A-5	Q6522	E-3	Q6690	C-5		
IC6794	A-5	Q6523	F-3	Q6691	F-5		
IC6795	A-5	Q6524	F-3	Q6692	F-5		
IC6796	A-5	Q6531	G-2	Q6693	E-5		
IC6797	H-5	Q6532	G-2	Q6694	E-5		
IC6801	B-3	Q6551	F-2	Q6695	F-5		
IC6803	B-2	Q6552	F-2	Q6696	G-5		
IC6821	C-3	Q6581	E-2	Q6698	G-6		
IC6841	A-3	Q6601	E-4	Q6699	G-6		
IC6871	A-3	Q6602	D-4	Q6700	B-6		
IC6873	D-5	Q6603	D-4	Q6742	B-5		
		Q6604	I-4	Q6743	B-5		
		Q6605	I-5	Q6763	E-4		
		Q6606	I-4	Q6781	E-5		
		Q6609	I-4	Q6782	D-5		
		Q6621	E-4	Q6791	A-3		
		Q6622	F-4	Q6792	H-6		
		Q6623	F-4	Q6793	H-6		

SC-BOARD (COMPONENT SIDE) TXNSC1HATJ

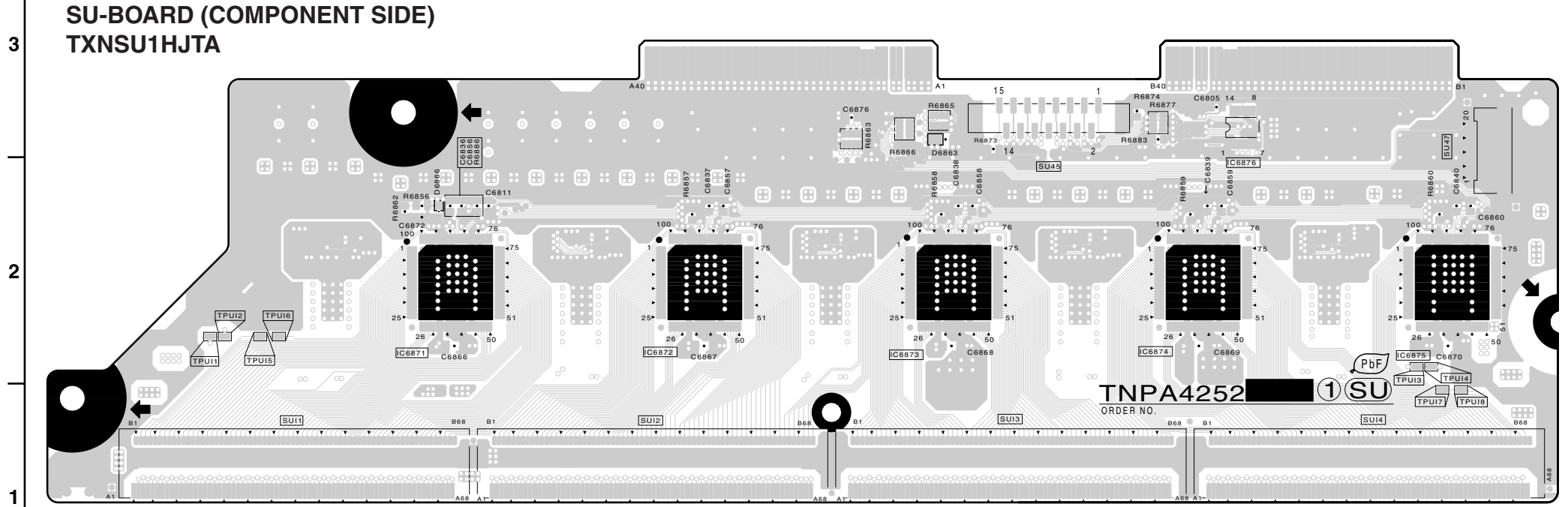
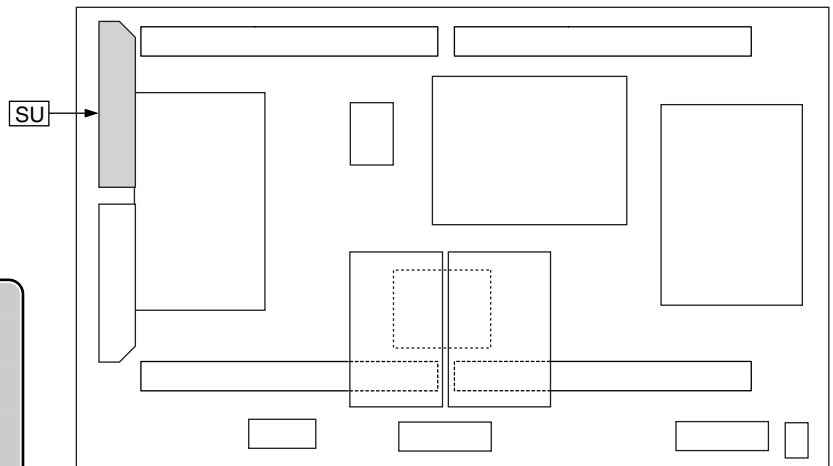
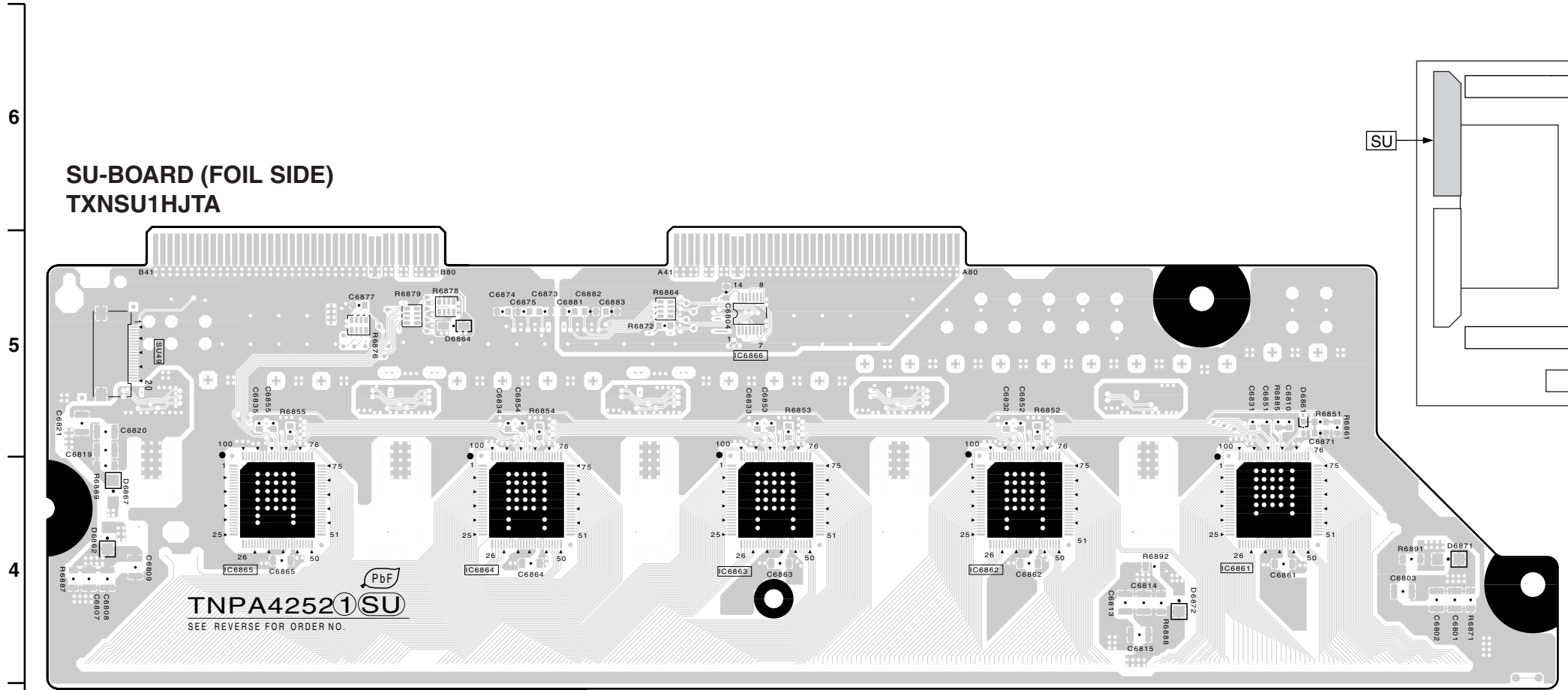


TH-42PZ700U
SC-BOARD TXNSC1HATJ

TH-42PZ700U
SC-BOARD TXNSC1HATJ

A B C D E F G H I

14.12. SU-Board



Parts Location

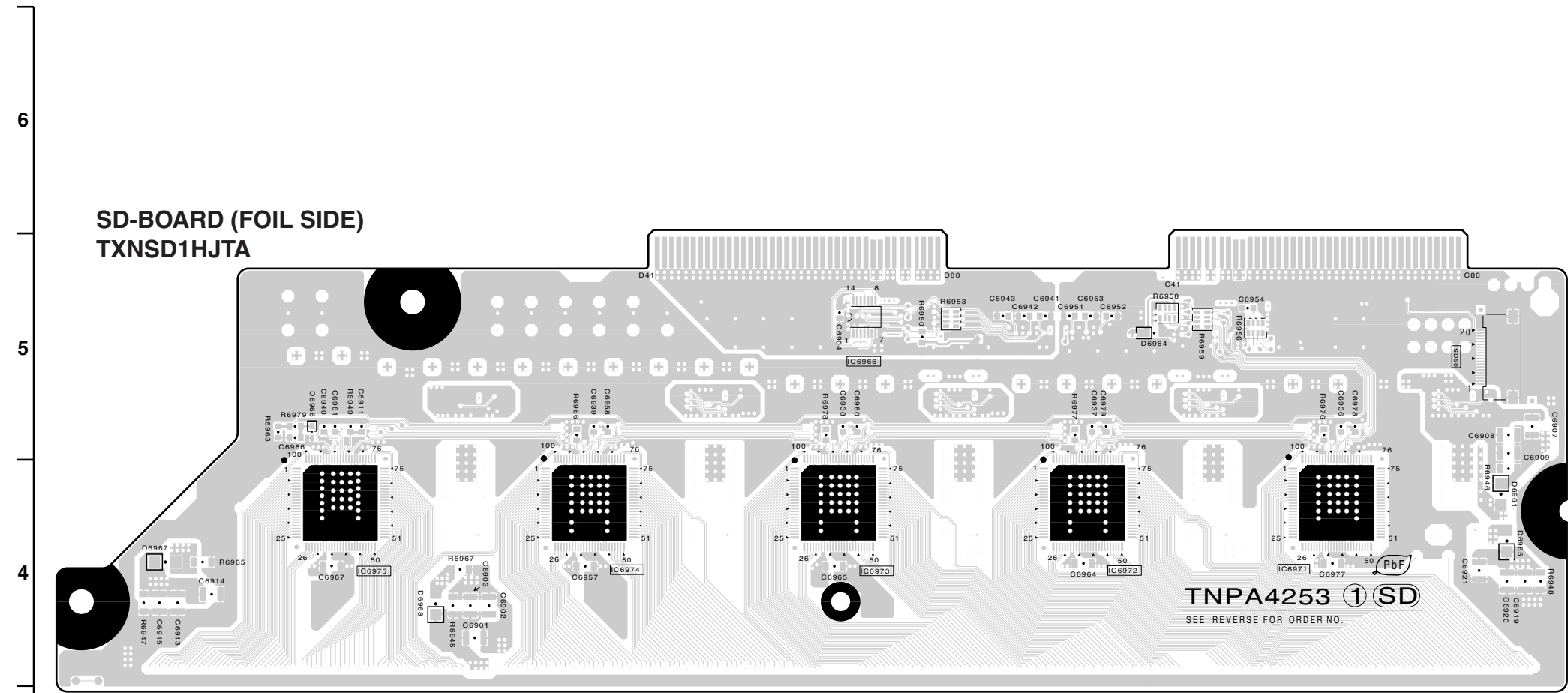
SU-BOARD	
IC	
IC6861	F-4
IC6862	E-4
IC6863	D-4
IC6864	C-4
IC6865	A-4
IC6866	D-5
IC6871	B-2
IC6872	C-2
IC6873	D-2
IC6874	E-2
IC6875	G-2
TP	
TPUI1	A-2
TPUI2	A-2
TPUI3	G-1
TPUI4	G-1
TPUI5	B-2
TPUI6	B-2
TPUI7	G-1
TPUI8	G-1

TH-42PZ700U
SU-BOARD TXNSU1HJTA

TH-42PZ700U
SU-BOARD TXNSU1HJTA

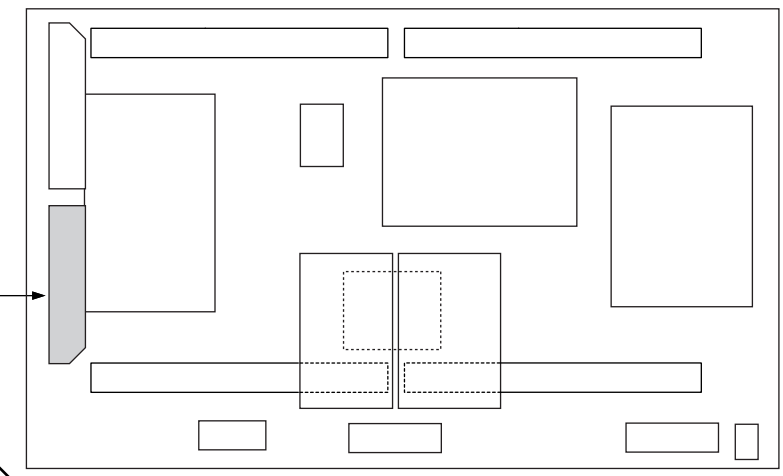
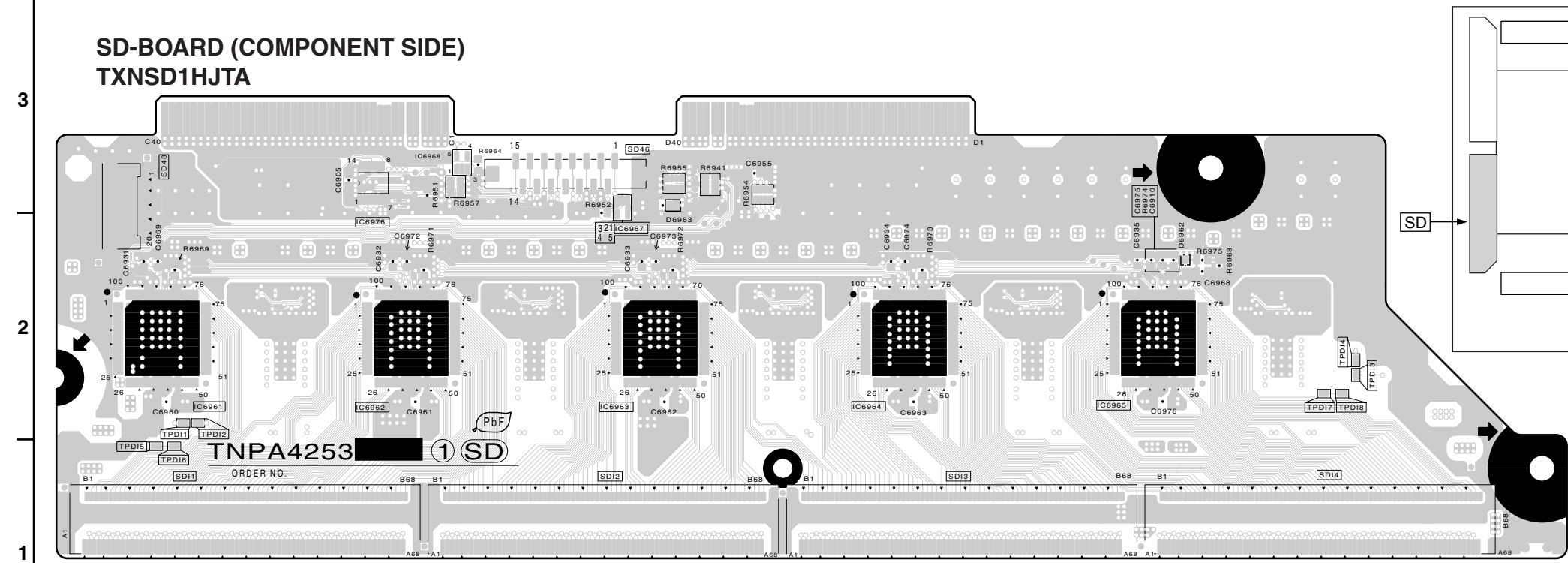
A B C D E F G H I

14.13. SD-Board



Parts Location

SD-BOARD	
IC	
IC6961	A-2
IC6962	B-2
IC6963	C-2
IC6964	D-2
IC6965	E-2
IC6966	D-5
IC6967	C-2
IC6968	B-3
IC6971	F-4
IC6972	E-4
IC6973	D-4
IC6974	C-4
IC6975	B-4
IC6976	B-2
TP	
TPD11	A-2
TPD12	A-2
TPD13	F-2
TPD14	F-2
TPD15	A-1
TPD16	A-1
TPD17	F-2
TPD18	F-2



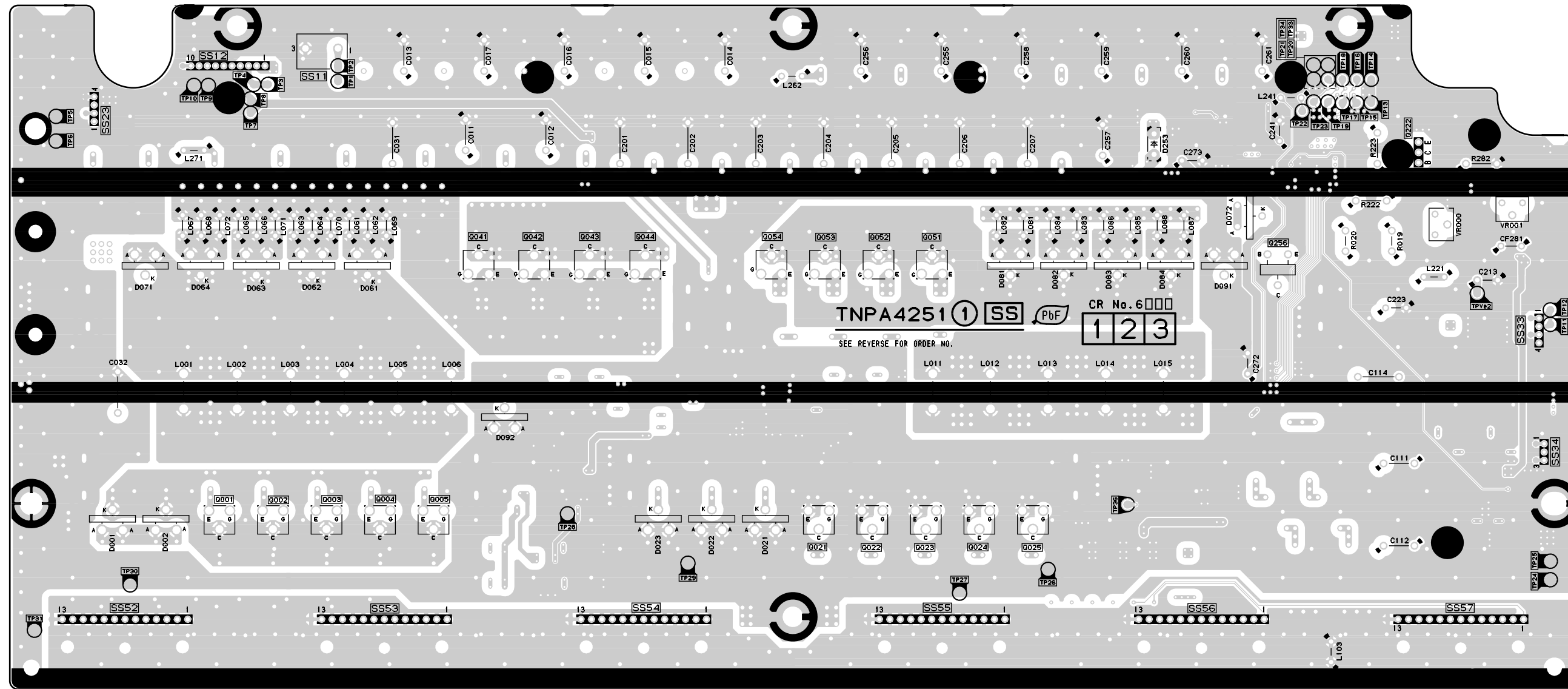
TH-42PZ700U
SD-BOARD TXNSD1HJTA

TH-42PZ700U
SD-BOARD TXNSD1HJTA

14.14. SS-Board

6
5
4
3
2
1

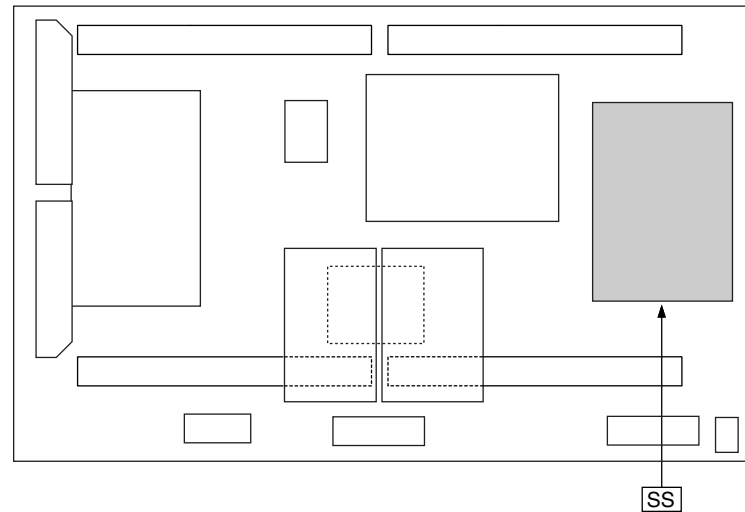
SS-BOARD (FOIL SIDE) TXNSS1HATJ



TH-42PZ700U
SS-BOARD TXNSS1HATJ

TH-42PZ700U
SS-BOARD TXNSS1HATJ

A B C D E F G H



Parts Location

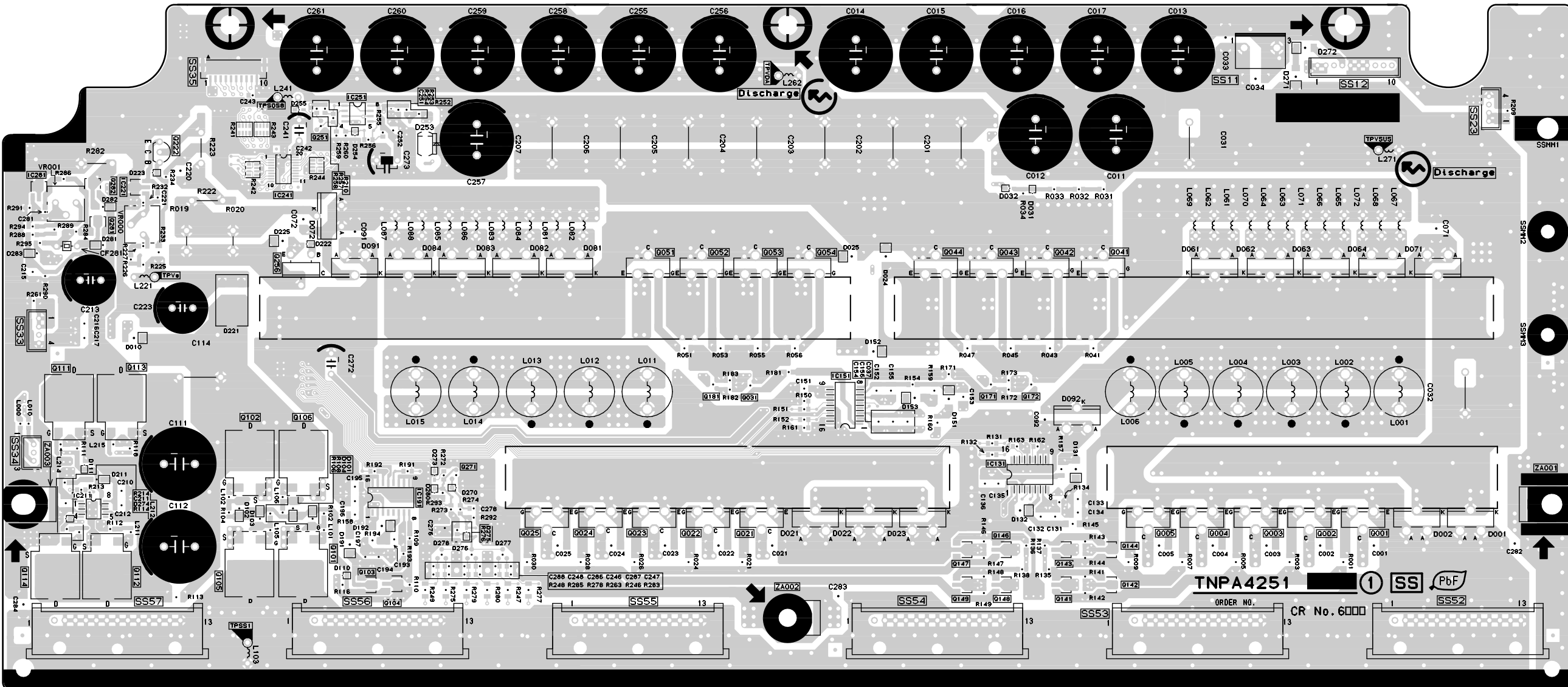
SS-BOARD (FOIL SIDE)					
TRANSISTOR		TP		TP21	H-4
Q6001	B-2	TP1	C-4	TP22	H-4
Q6002	B-2	TP2	C-4	TP23	H-4
Q6003	B-2	TP3	B-4	TP24	I-1
Q6004	C-2	TP4	B-4	TP25	I-2
Q6005	C-2	TP5	A-4	TP26	F-1
Q6021	E-2	TP6	A-4	TP27	F-1
Q6022	E-2	TP7	B-4	TP28	D-2
Q6023	F-2	TP8	B-4	TP29	D-2
Q6024	F-2	TP9	B-4	TP30	A-1
Q6025	F-2	TP10	B-4	TP31	A-1
Q6041	C-3	TP11	I-3	TP33	H-4
Q6042	D-3	TP12	I-3	TP34	H-4
Q6043	D-3	TP13	H-4	TP36	G-2
Q6044	D-3	TP14	H-4	TPVe2	I-3
Q6051	F-3	TP15	H-4	VOLUME	
Q6052	E-3	TP16	H-4	VR6000 I-3	
Q6053	E-3	TP17	H-4	VR6001 I-4	
Q6054	E-3	TP18	H-4		
Q6222	H-4	TP19	H-4		
Q6256	H-3	TP20	H-4		

Parts Location

SS-BOARD (COMPONENT SIDE)							
IC	TRANSISTOR		Q6111	A-3	TP		
IC6131	F-2	Q6001	H-2	Q6112	A-1	TPSOS8	B-4
IC6151	E-3	Q6002	H-2	Q6113	A-2	TPSS1	B-1
IC6191	C-2	Q6003	H-2	Q6114	A-1	TPVDA	E-4
IC6211	A-2	Q6004	G-2	Q6141	G-1	TPVe	B-3
IC6221	A-4	Q6005	G-2	Q6142	G-1	TPVSUS	H-4
IC6241	B-4	Q6021	E-2	Q6143	G-2		
IC6251	C-4	Q6022	D-2	Q6144	G-2		
IC6281	A-4	Q6023	D-2	Q6146	F-2		
		Q6024	D-2	Q6147	F-2		
		Q6025	D-2	Q6148	F-1		
		Q6031	E-2	Q6149	F-1		
		Q6041	G-3	Q6171	F-2	VOLUME	
		Q6042	G-3	Q6172	F-2	VR6000	A-3
		Q6043	F-3	Q6181	E-2	VR6001	A-4
		Q6044	F-3	Q6222	B-4		
		Q6051	D-3	Q6251	B-4		
		Q6052	E-3	Q6256	B-3		
		Q6053	E-3	Q6271	C-2		
		Q6054	E-3	Q6281	A-3		
		Q6101	C-2	Q6282	A-4		
		Q6102	B-2				
		Q6103	C-2				
		Q6104	C-1				
		Q6105	B-1				
		Q6106	B-2				

6
5
4
3
2
1

SS-BOARD (COMPONER SIDE)
TXNSS1HATJ



TH-42PZ700U
SS-BOARD TXNSS1HATJ

TH-42PZ700U
SS-BOARD TXNSS1HATJ

A B C D E F G H I







15 Schematic and Block Diagram

15.1. Schematic Diagram Note

Important Safety Notice

Components identified by \triangle mark have special characteristics important for safety.
When replacing any of these components, use only manufacturer's specified parts.

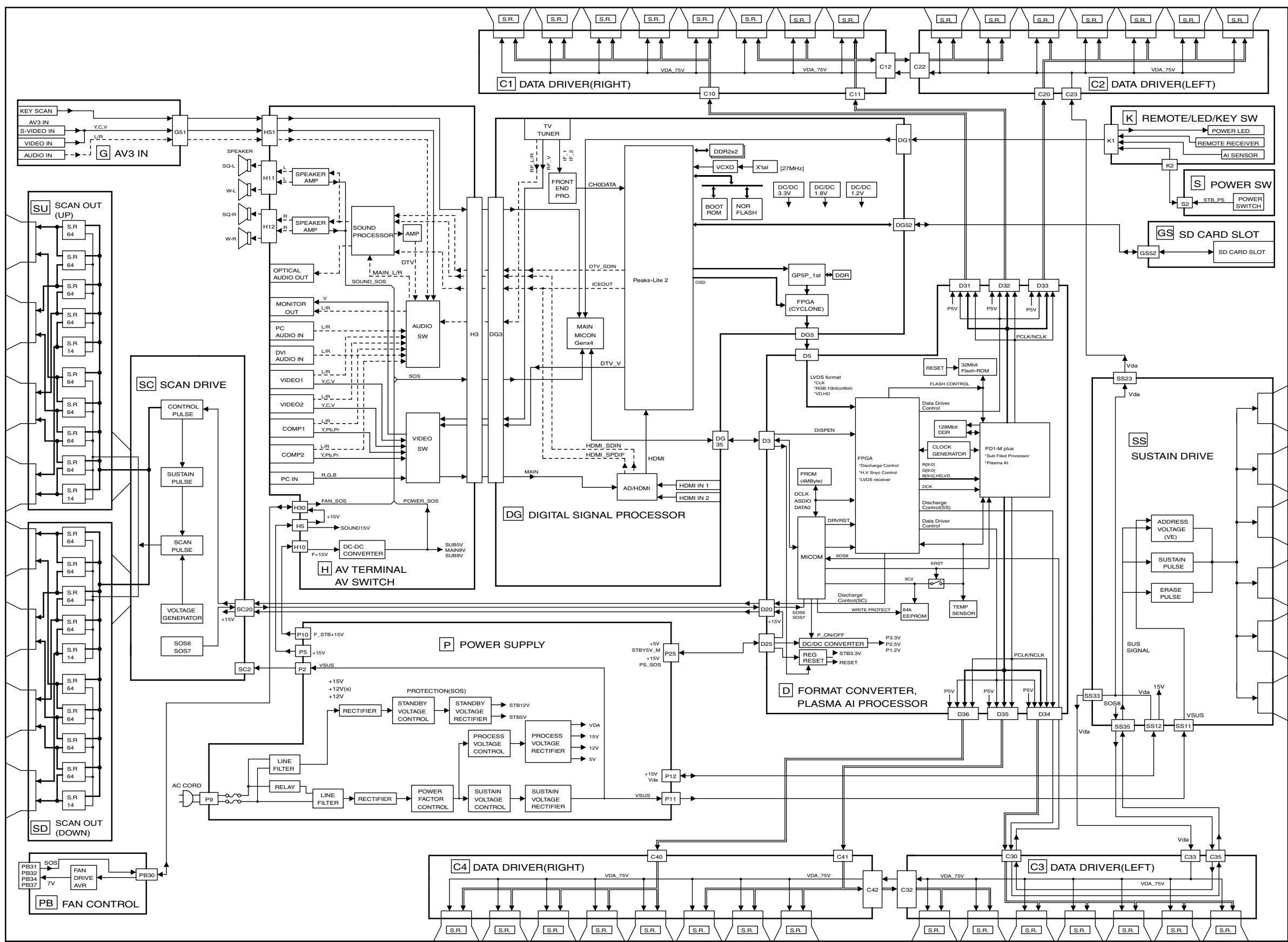
Notes:

1. **Resistor**
Unit of resistance is OHM [Ω] (K=1,000, M=1,000,000).
2. **Capacitor**
Unit of capacitance is μ F, unless otherwise noted.
3. **Coil**
Unit of inductance is H, unless otherwise noted.
4. **Test Point**
 : Test Point position
5. **Earth Symbol**
 : Chassis Earth (Cold)  : Line Earth (Hot)
6. **Voltage Measurement**
Voltage is measured by a DC voltmeter.
Conditions of the measurement are the following:
Power Source AC120V, 50/60Hz
Receiving Signal Colour Bar signal (RF)
All customer's controls Maximum positions
7. When arrow mark () is found, connection is easily found from the direction of arrow.
8. Indicates the major signal flow. : Video  Audio 
9. This schematic diagram is the latest at the time of printing and subject to change without notice.

Remarks:

1. The Power Circuit contains a circuit area which uses a separate power supply to isolate the earth connection.
The circuit is defined by HOT and COLD indications in the schematic diagram. Take the following precautions.
All circuits, except the Power Circuit, are cold.
Precautions
 - a. Do not touch the hot part or the hot and cold parts at the same time or you may be shocked.
 - b. Do not short-circuit the hot and cold circuits or a fuse may blow and parts may break.
 - c. Do not connect an instrument, such as an oscilloscope, to the hot and cold circuits simultaneously or a fuse may blow.
Connect the earth of instruments to the earth connection of the circuit being measured.
 - d. Make sure to disconnect the power plug before removing the chassis.

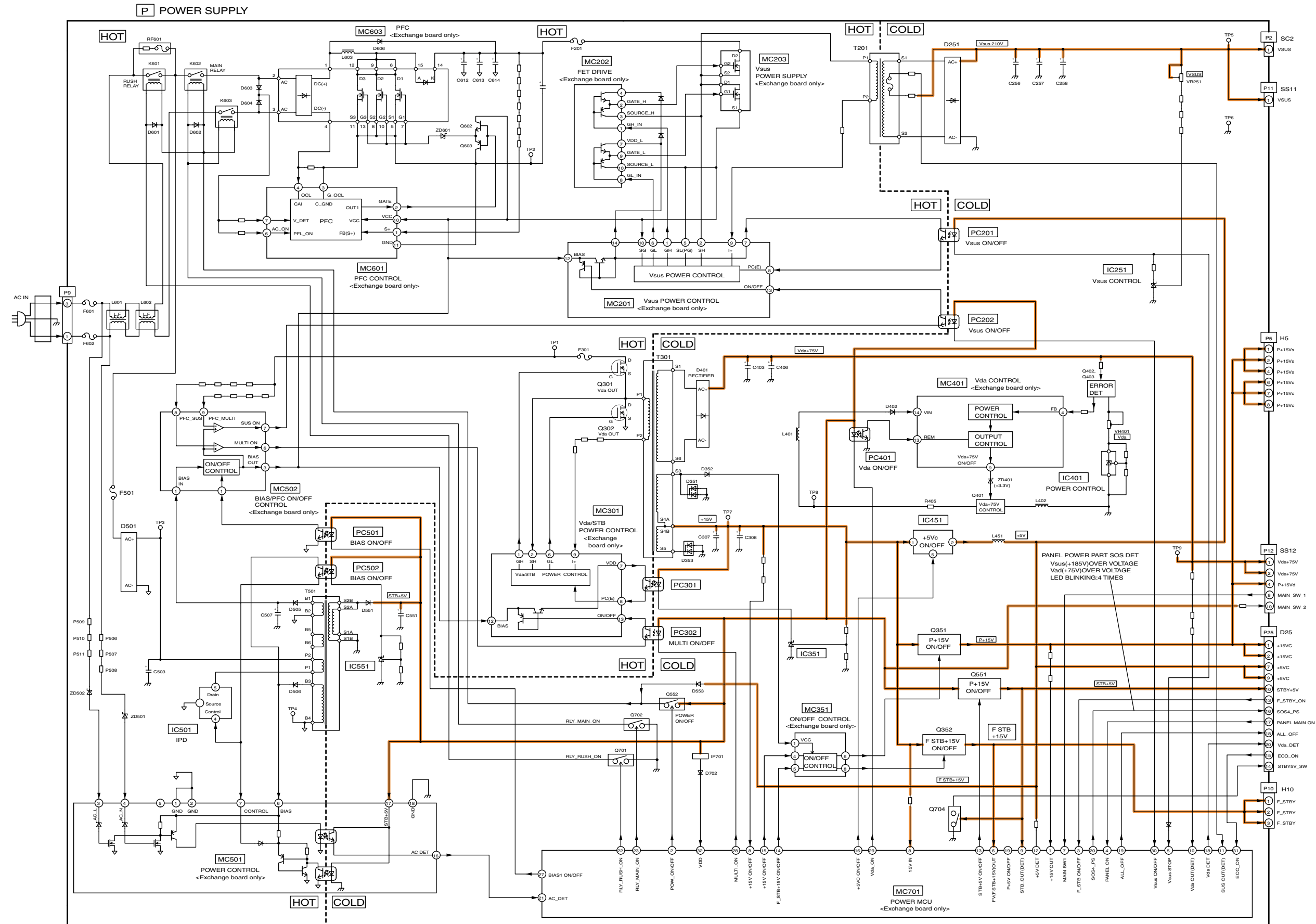
15.2. Main Block Diagram



TH-42PZ700U Main Block Diagram

TH-42PZ700U Main Block Diagram

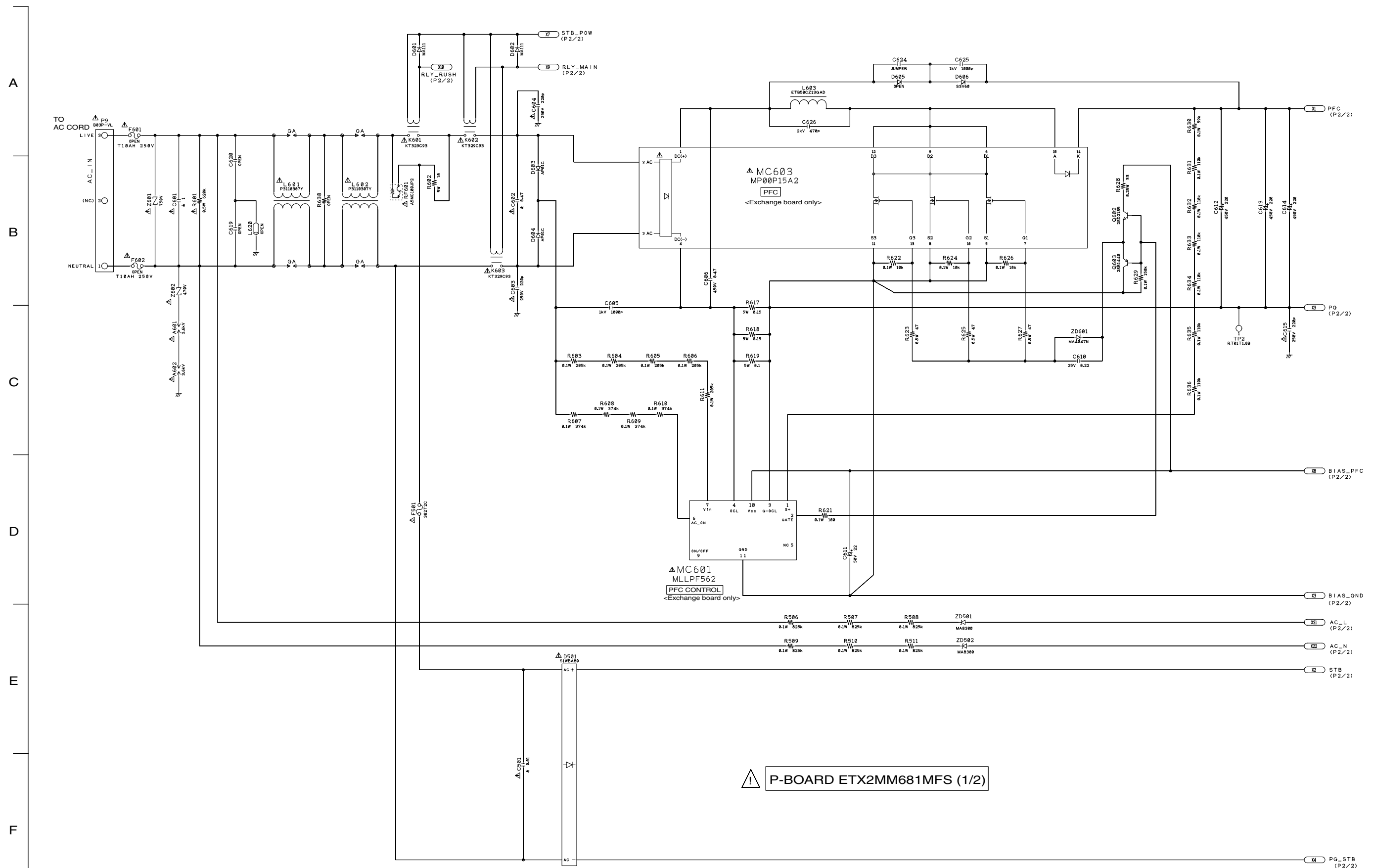
15.3. P-Board Block Diagram



TH-42PZ700U
P-Board Block Diagram

TH-42PZ700U
P-Board Block Diagram

15.4. P-Board (1 of 2) Schematic Diagram



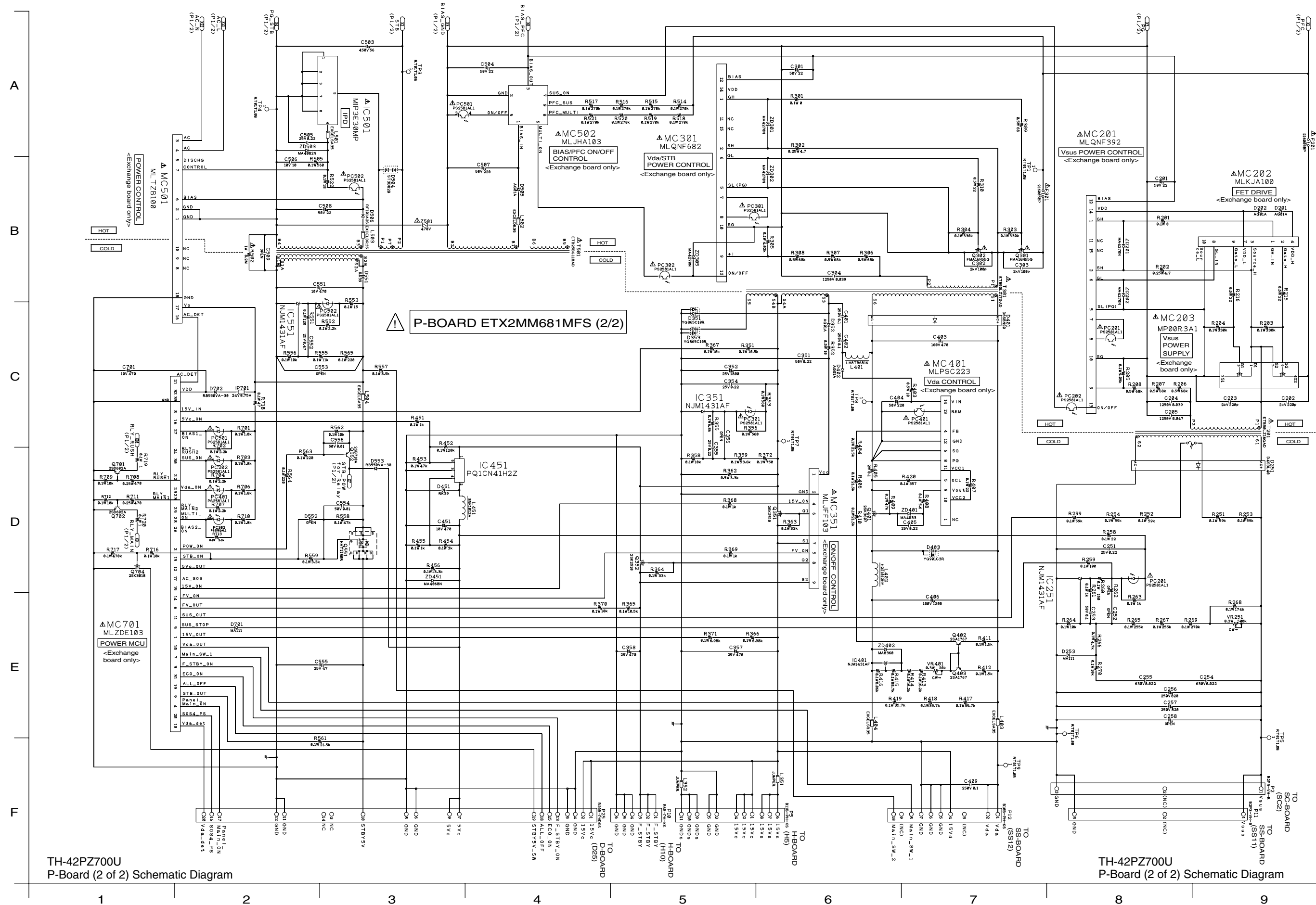
⚠ P-BBOARD ETX2MM681MFS (1/2)

TH-42PZ700U
P-Board (1 of 2) Schematic Diagram

TH-42PZ700U
P-Board (1 of 2) Schematic Diagram

1 2 3 4 5 6 7 8 9

15.5. P-Board (2 of 2) Schematic Diagram



TH-42PZ700U
P-Board (2 of 2) Schematic Diagram

TH-42PZ700U
P-Board (2 of 2) Schematic Diagram

15.6. PB-Board Block and Schematic Diagram

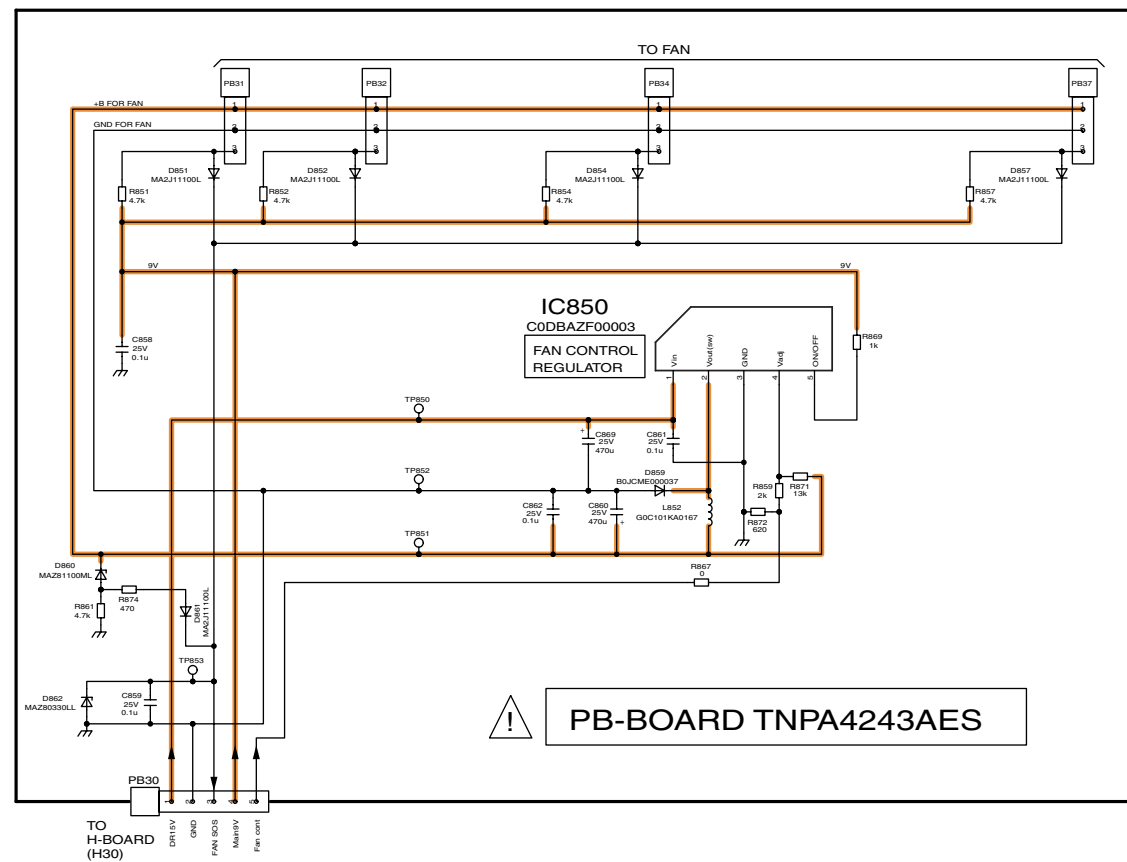
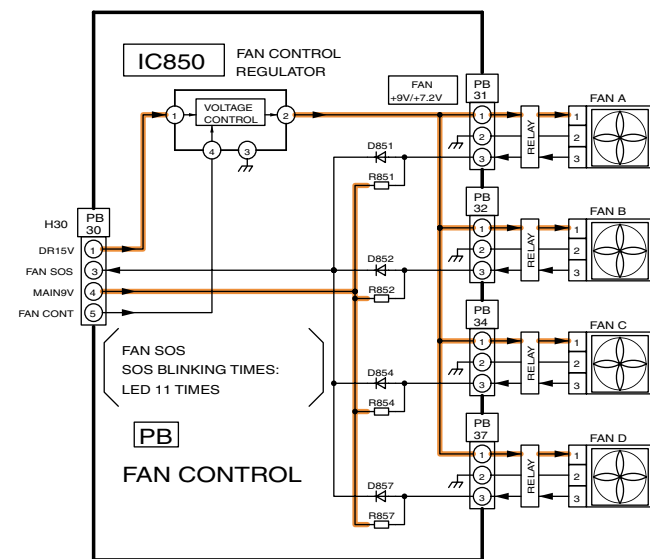
A

B

C

D

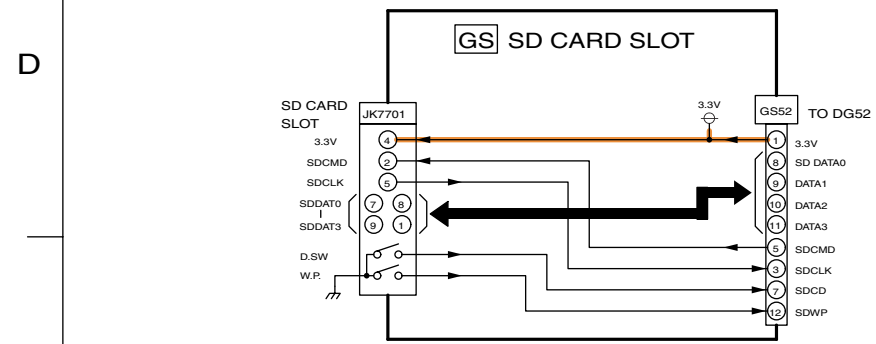
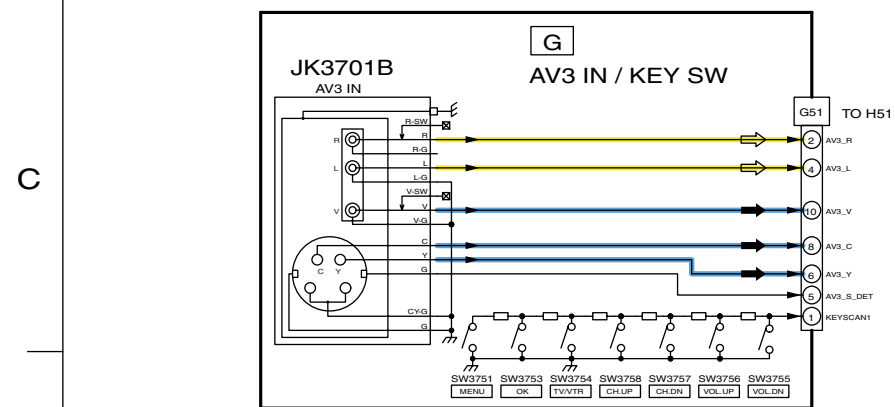
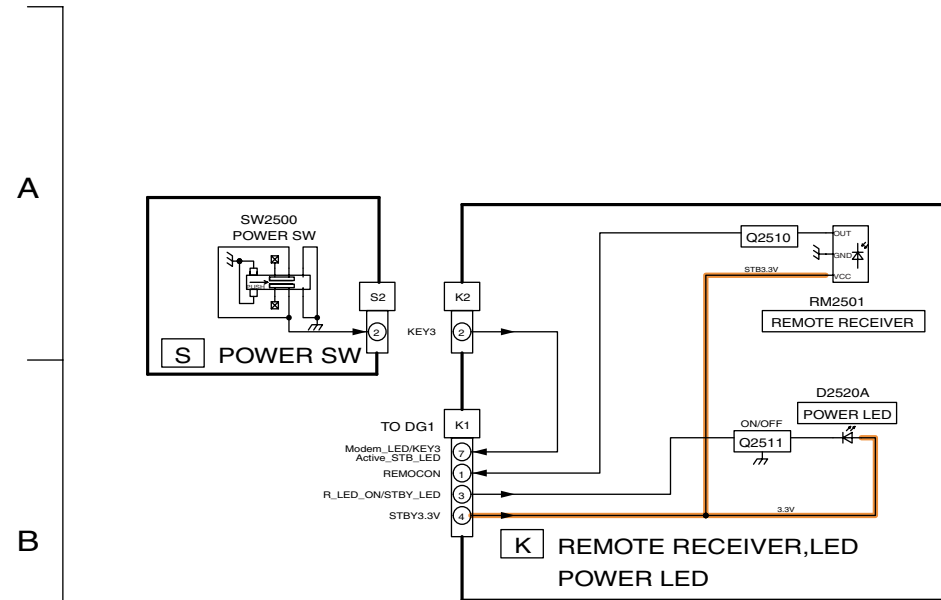
E



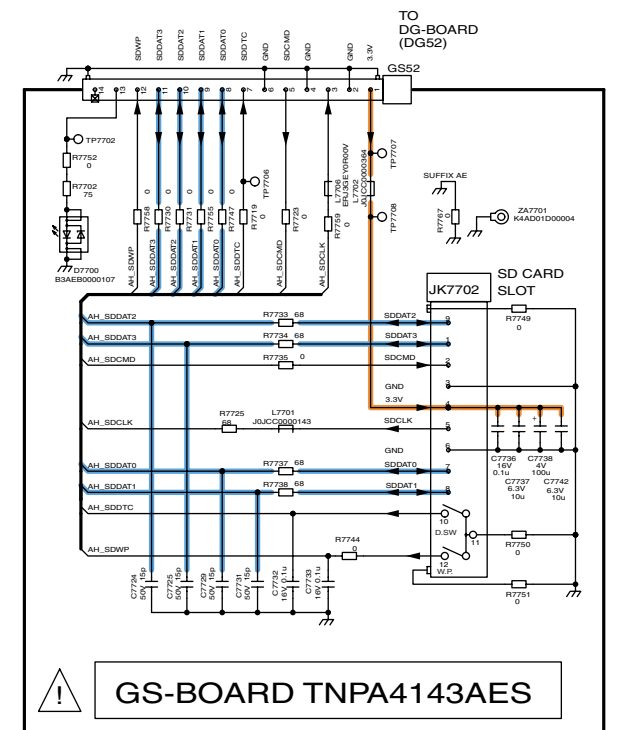
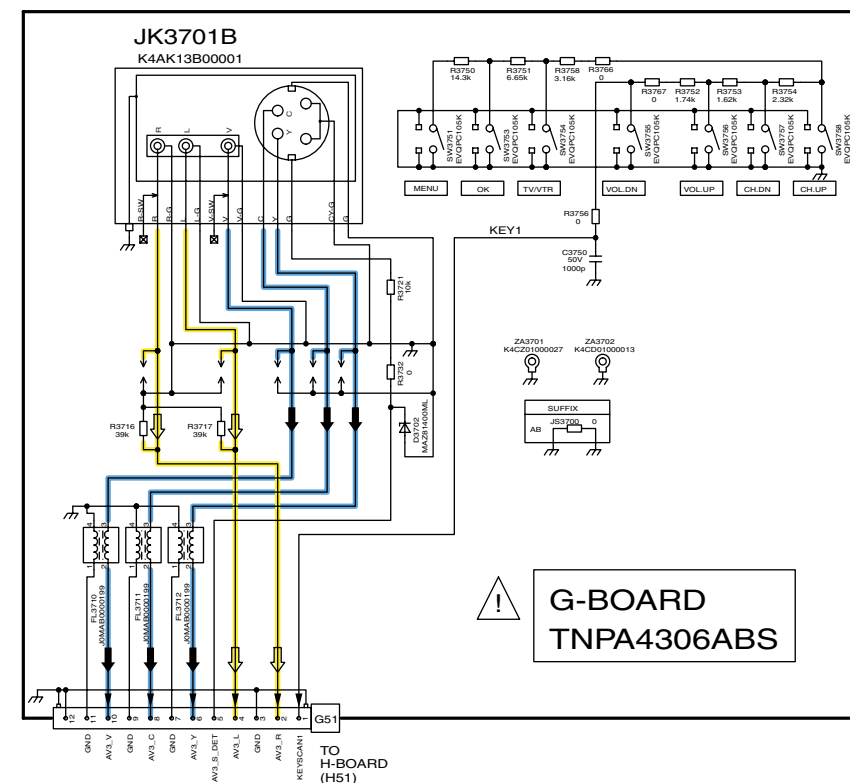
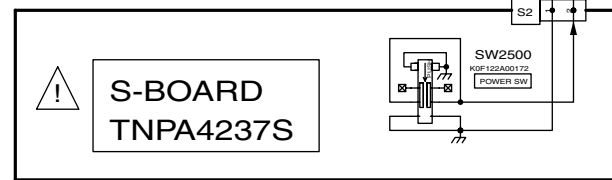
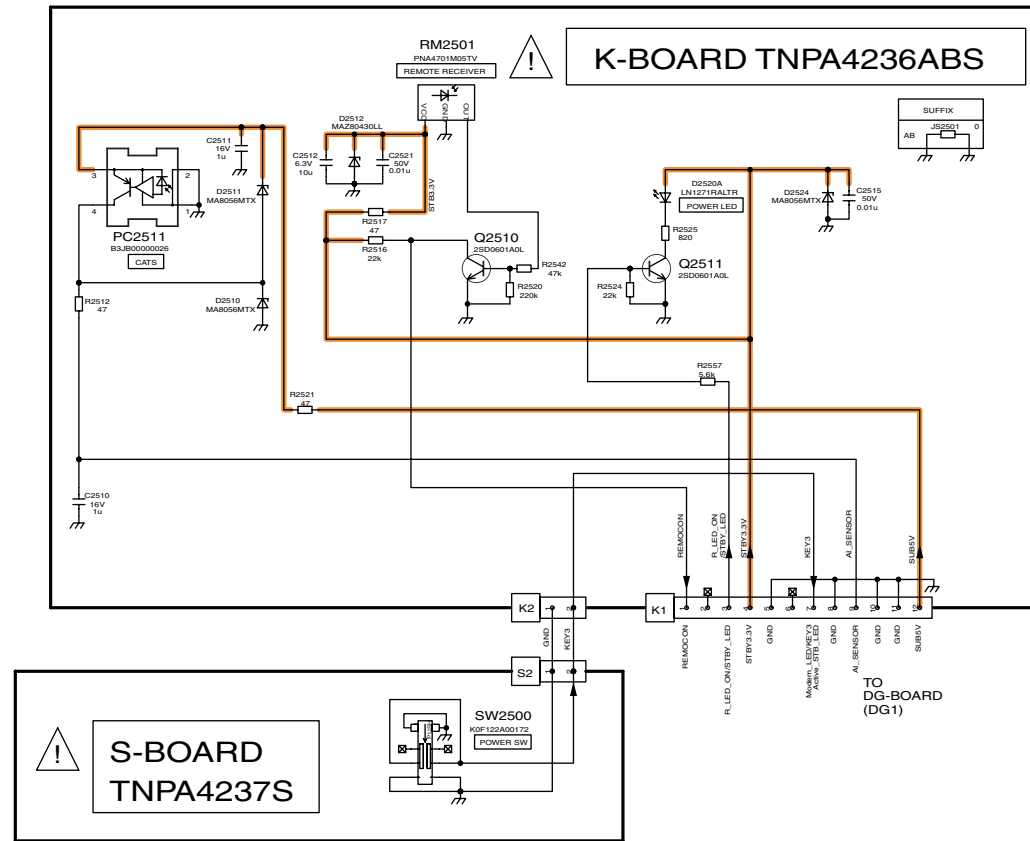
TH-42PZ700U
PB-Board Schematic Diagram

TH-42PZ700U
PB-Board Schematic Diagram

15.7. G, GS, K and S-Board Block and Schematic Diagram

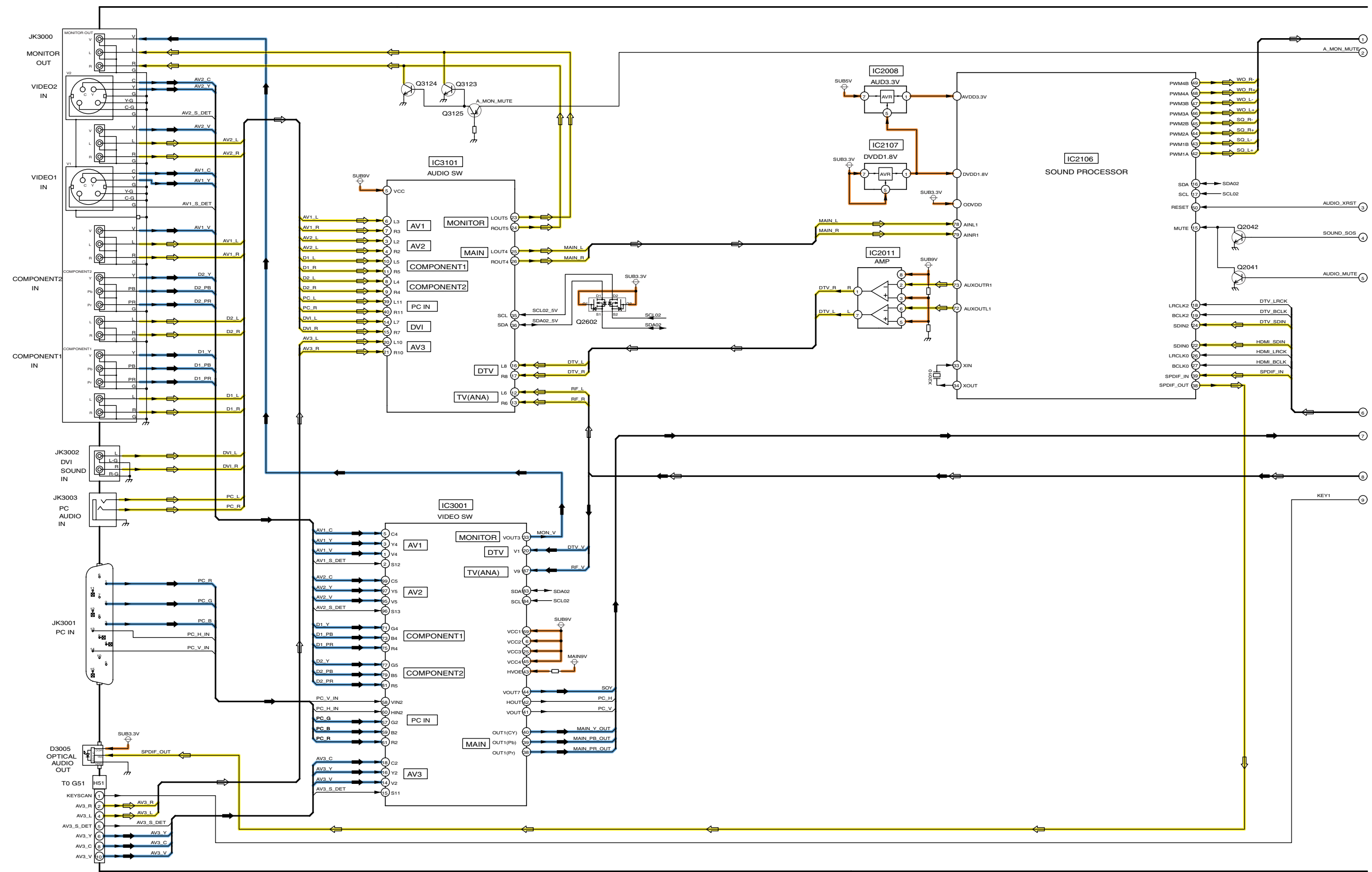


TH-42PZ700U
G, GS, K and S-Board Schematic Diagram



TH-42PZ700U
G, GS, K and S-Board Schematic Diagram

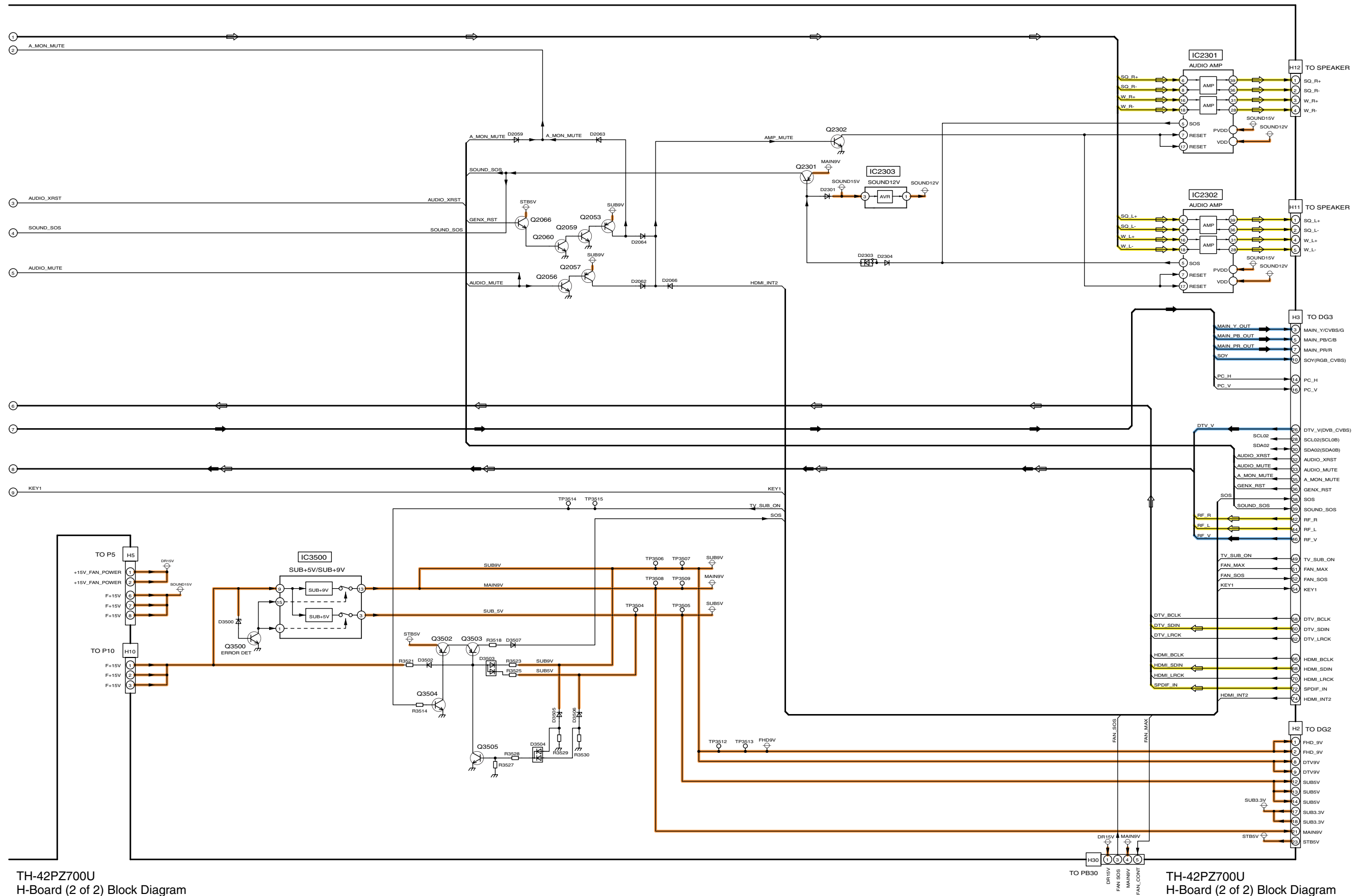
15.8. H-Board (1 of 2) Block Diagram



TH-42PZ700U
H-Board (1 of 2) Block Diagram

TH-42PZ700U
H-Board (1 of 2) Block Diagram

15.9. H-Board (2 of 2) Block Diagram



TH-42PZ700U
H-Board (2 of 2) Block Diagram

TH-42PZ700U
H-Board (2 of 2) Block Diagram

15.10. H-Board (1 of 3) Schematic Diagram

A

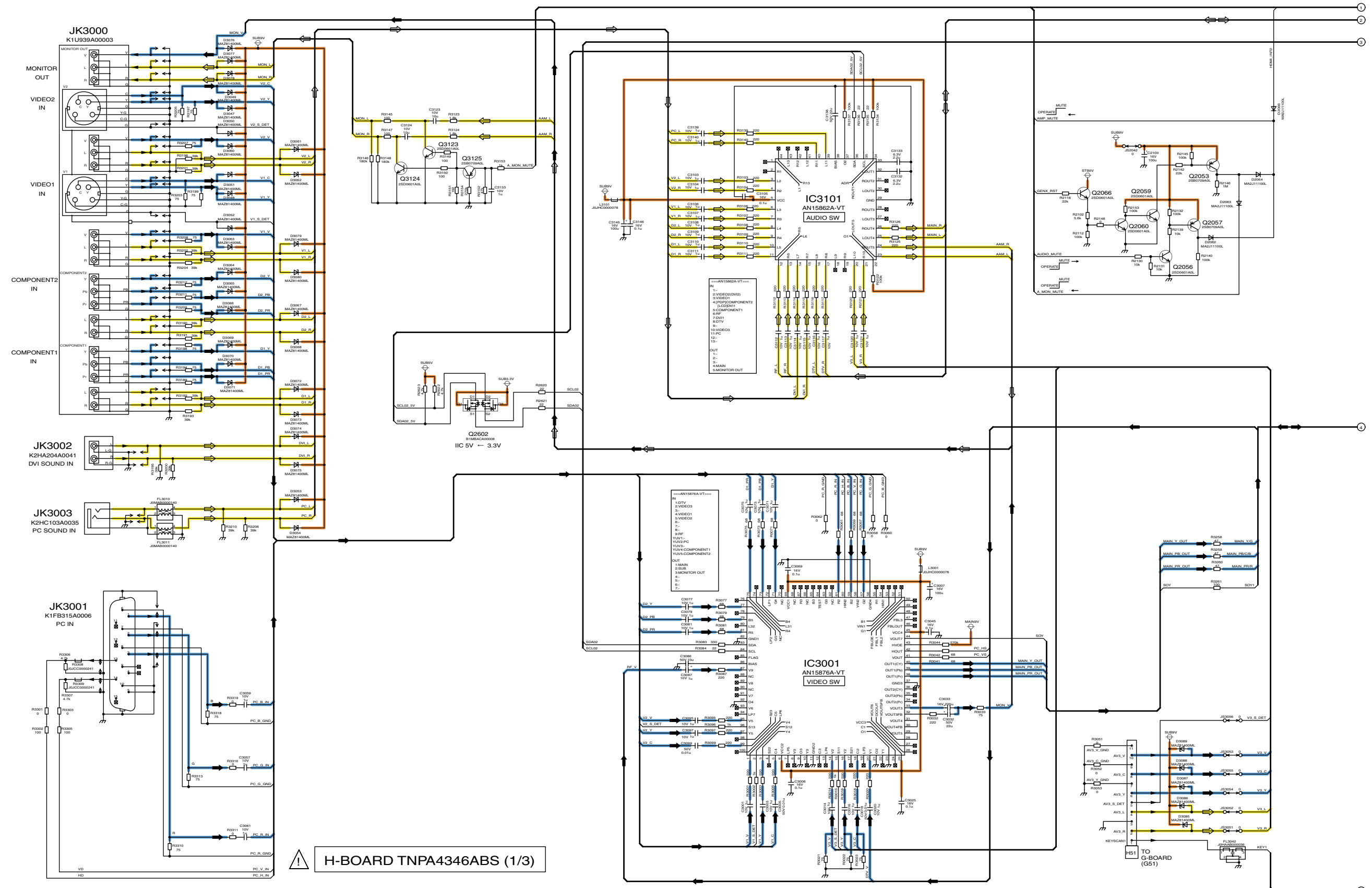
B

C

D

E

F

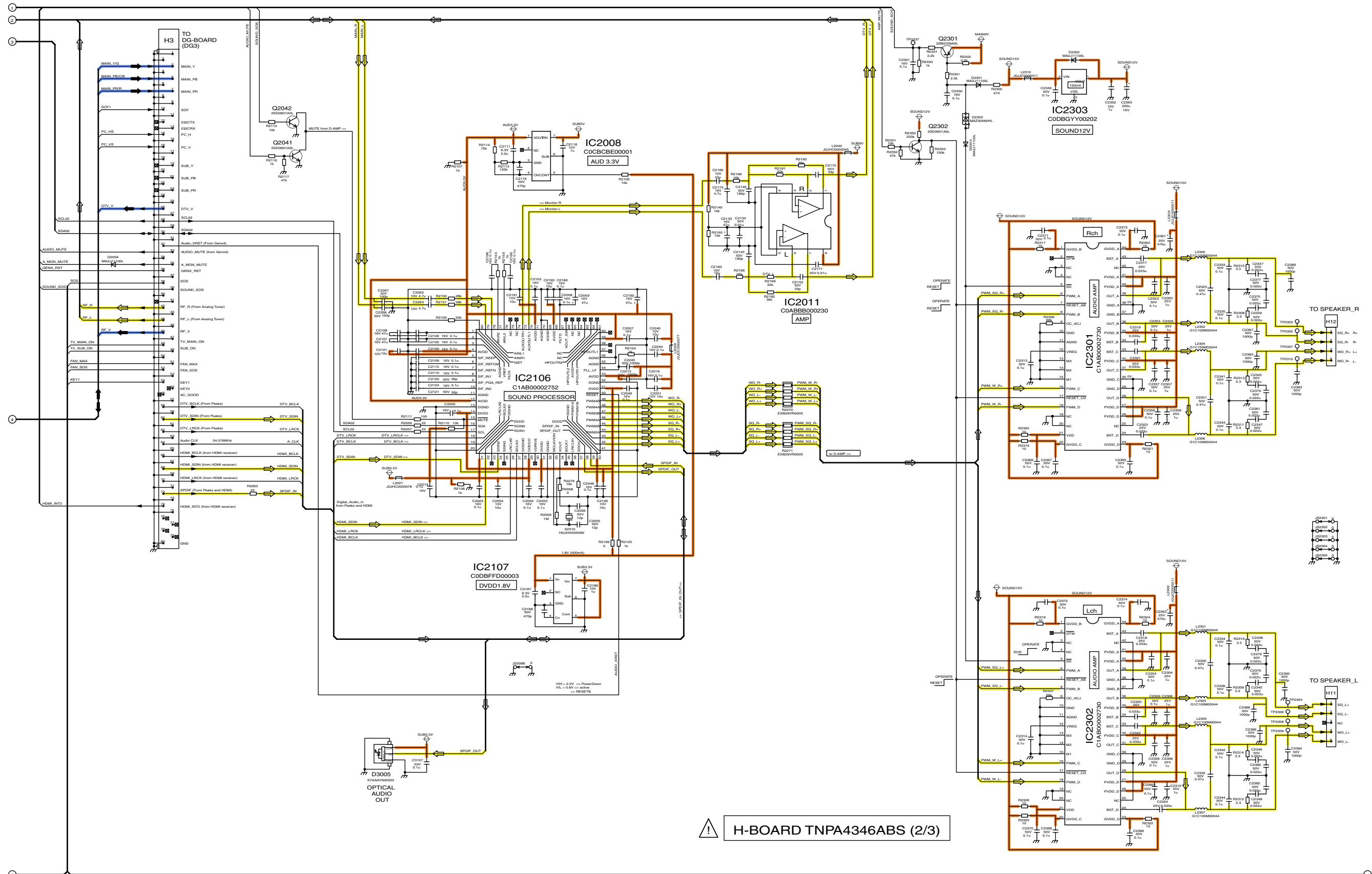


TH-42PZ700U
H-Board (1 of 3) Schematic Diagram

TH-42PZ700U
H-Board (1 of 3) Schematic Diagram

1 2 3 4 5 6 7 8 9

15.11. H-Board (2 of 3) Schematic Diagram



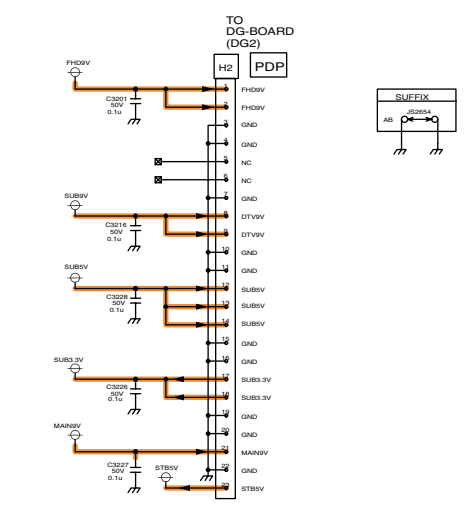
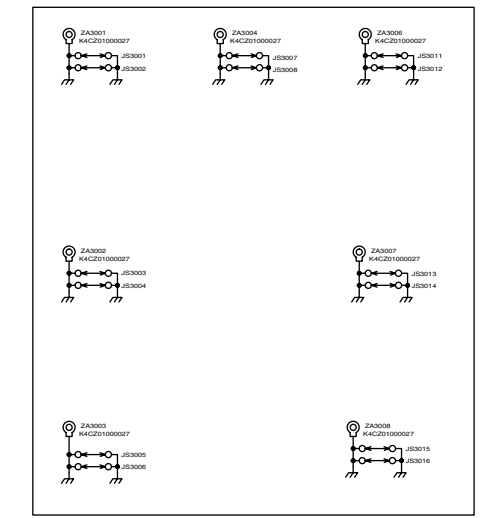
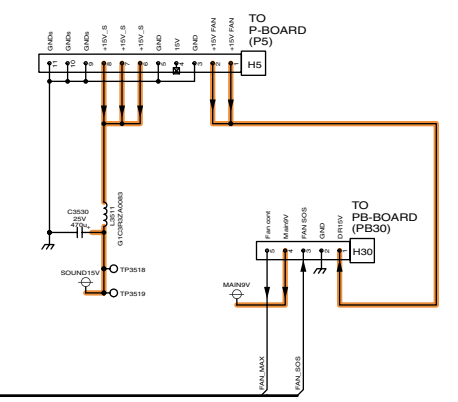
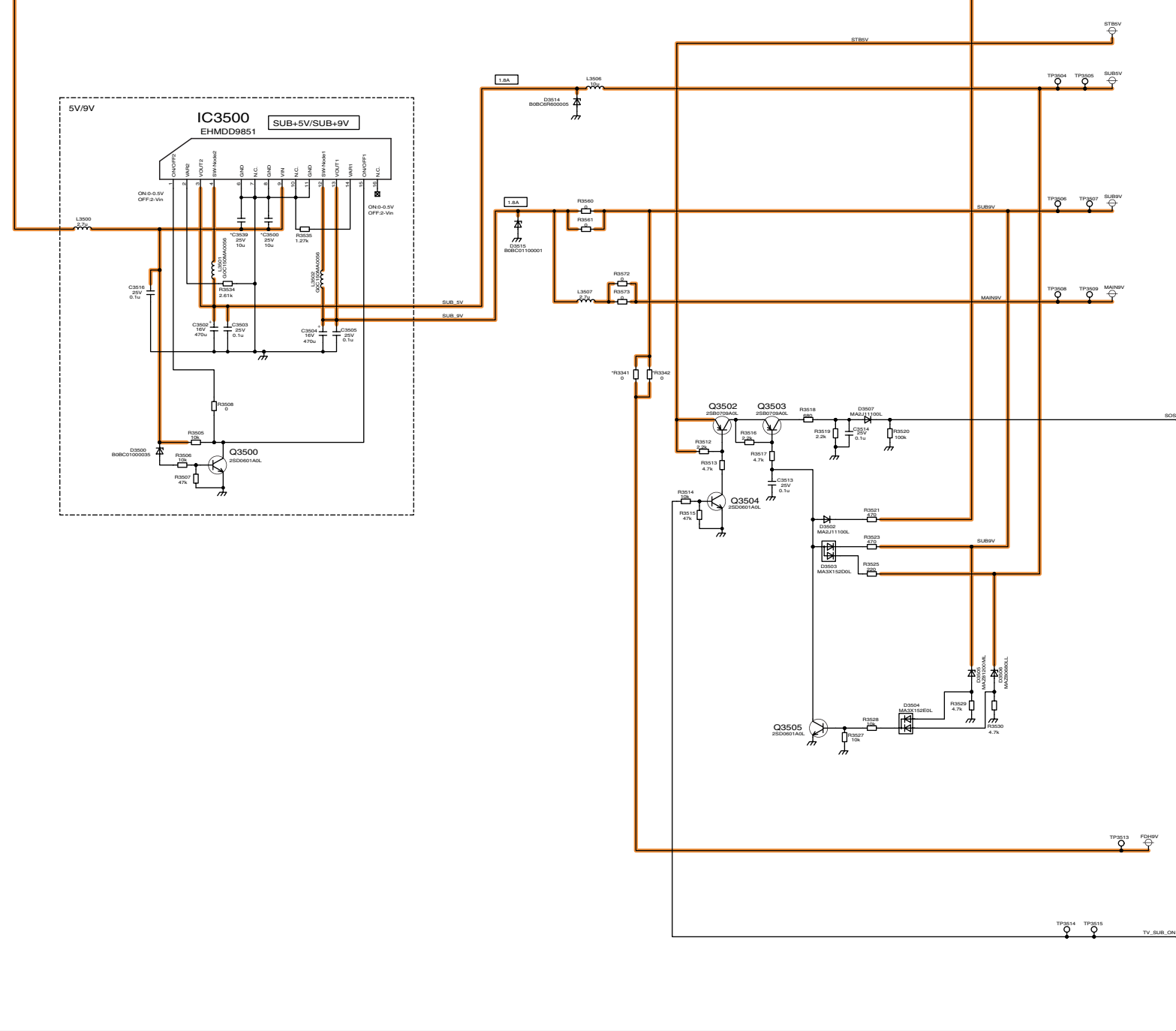
TH-42PZ700U
H-Board (2 of 3) Schematic Diagram

TH-42PZ700U
H-Board (2 of 3) Schematic Diagram

15.12. H-Board (3 of 3) Schematic Diagram

H-BOARD TNPA4346ABS (3/3)

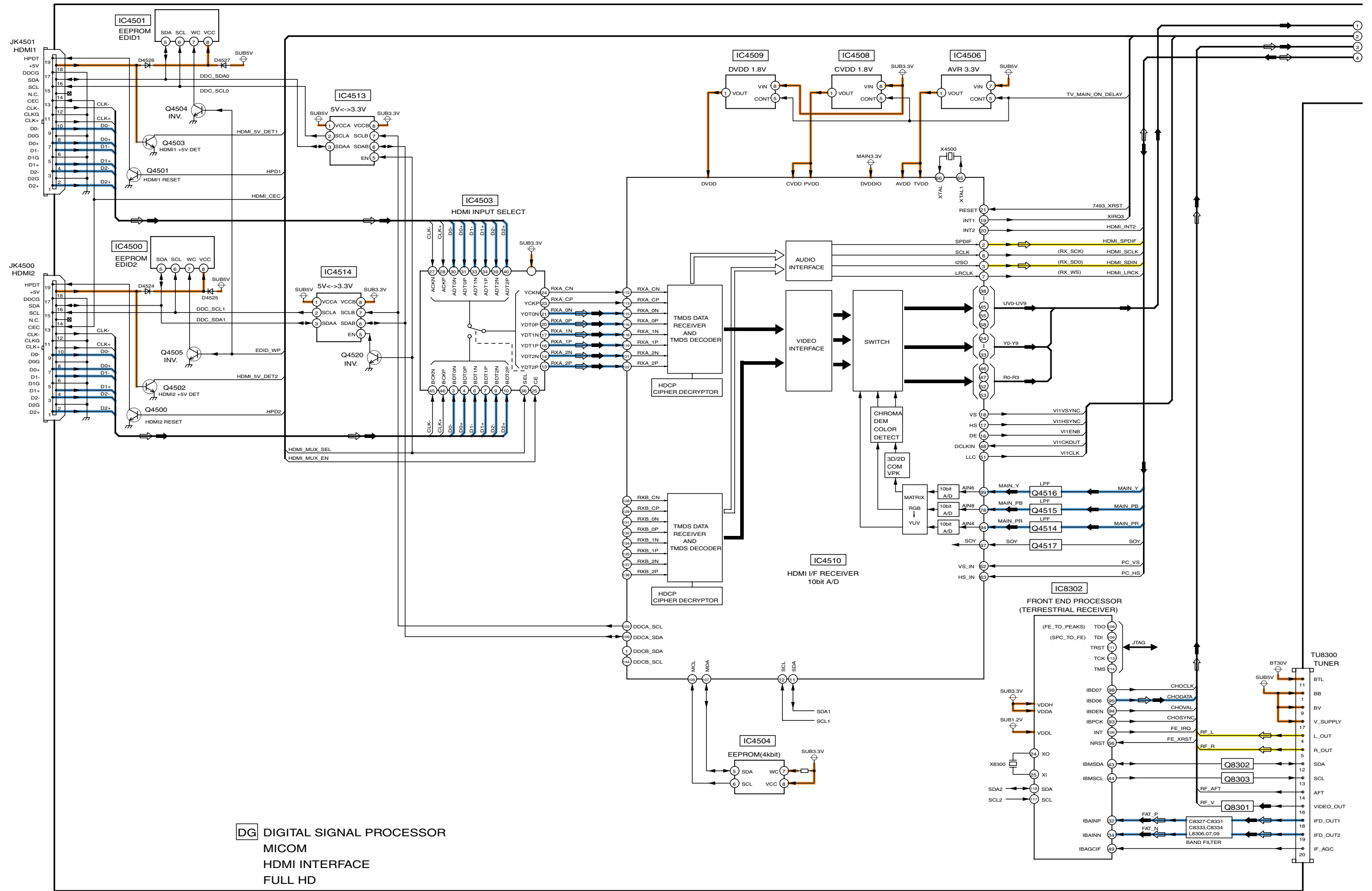
DC/DC CIRCUIT



TH-42PZ700U
H-Board (3 of 3) Schematic Diagram

TH-42PZ700U
H-Board (3 of 3) Schematic Diagram

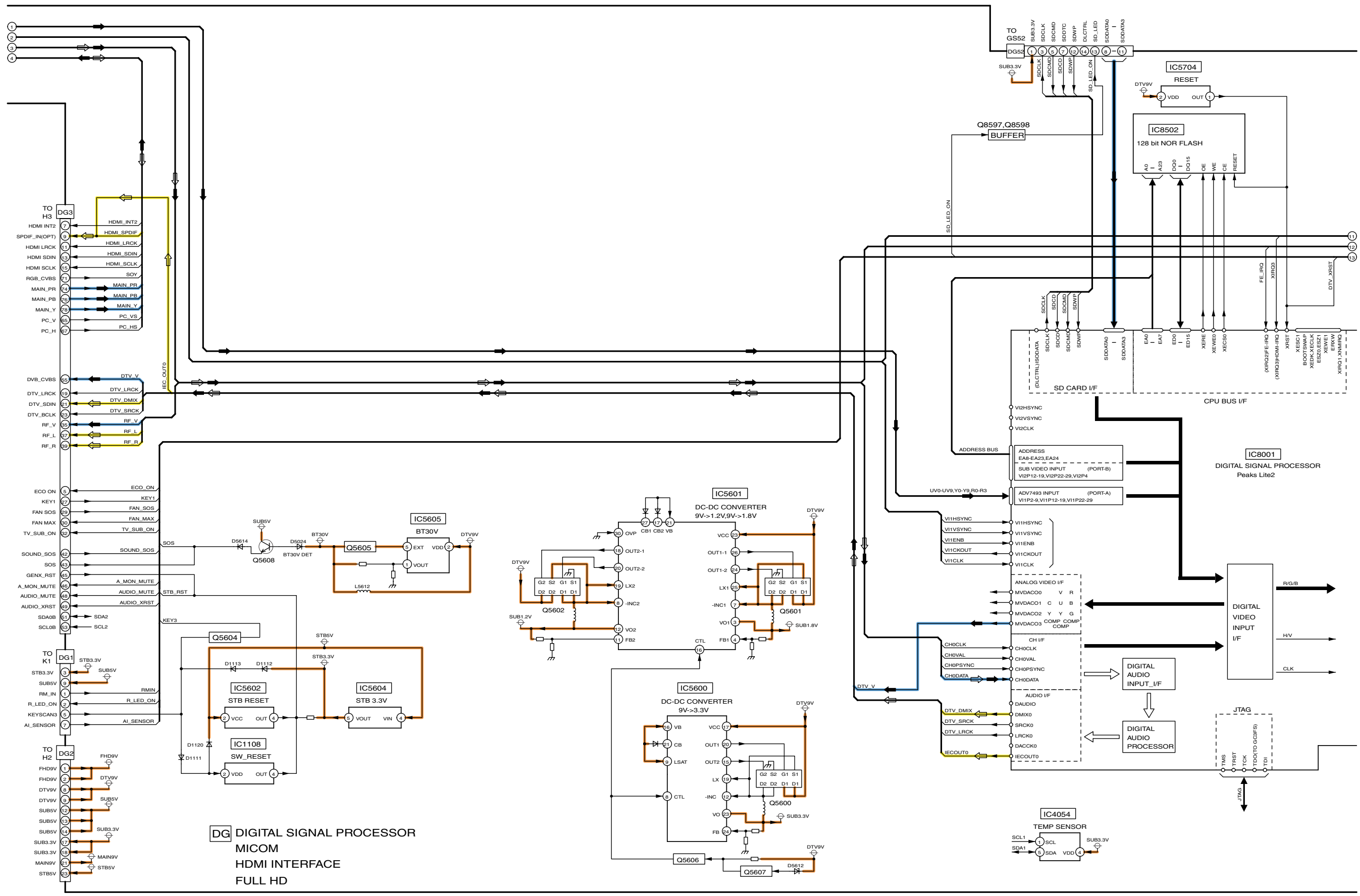
15.13. DG-Board (1 of 4) Block Diagram



TH-42PZ700U
DG-Board (1 of 4) Block Diagram

TH-42PZ700U
DG-Board (1 of 4) Block Diagram

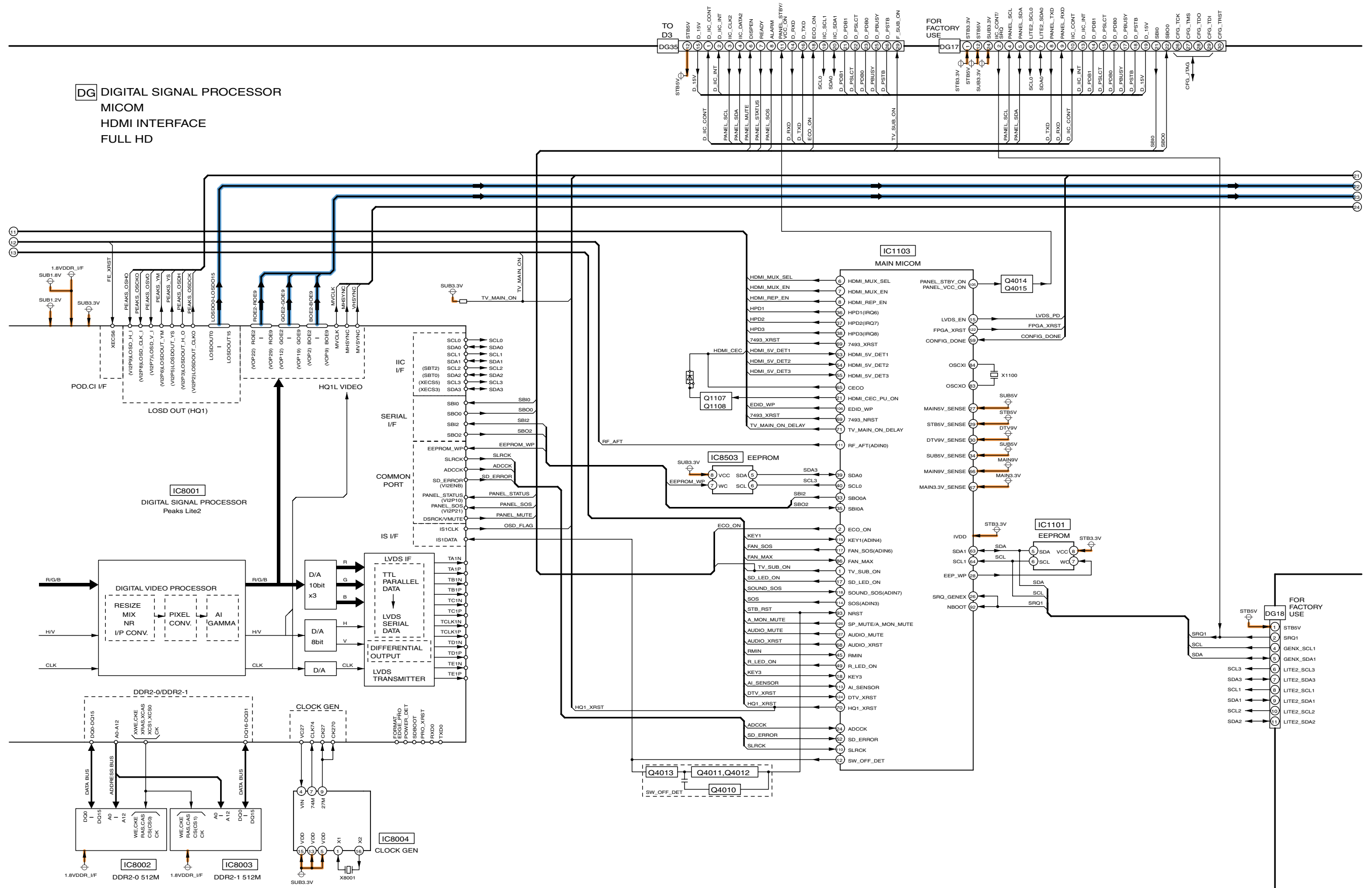
15.14. DG-Board (2 of 4) Block Diagram



TH-42PZ700U
DG-Board (2 of 4) Block Diagram

TH-42PZ700U
DG-Board (2 of 4) Block Diagram

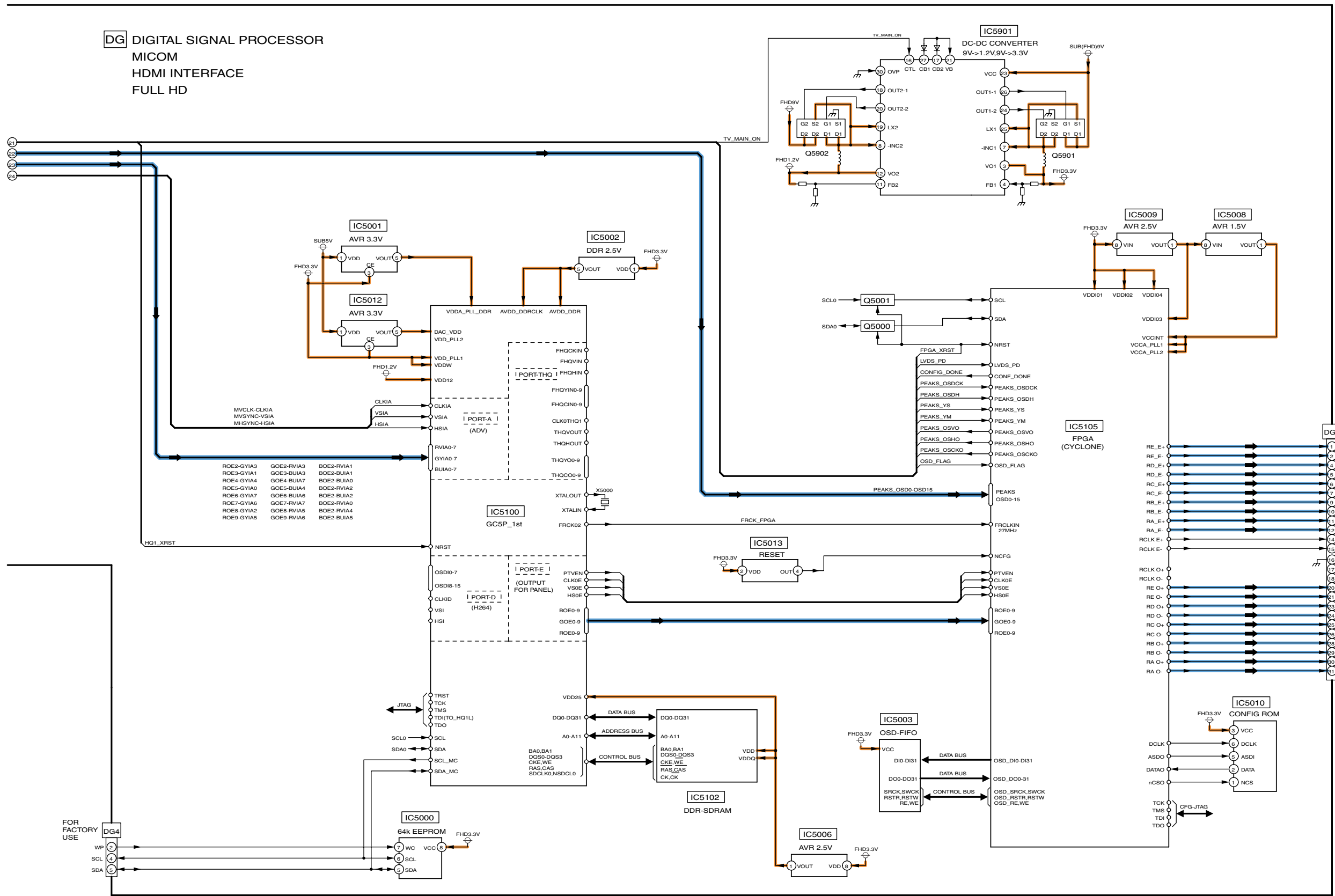
15.15. DG-Board (3 of 4) Block Diagram



TH-42PZ700U
DG-Board (3 of 4) Block Diagram

TH-42PZ700U
DG-Board (3 of 4) Block Diagram

15.16. DG-Board (4 of 4) Block Diagram



TH-42PZ700U
DG-Board (4 of 4) Block Diagram

TH-42PZ700U
DG-Board (4 of 4) Block Diagram

15.17. DG-Board (1 of 14) Schematic Diagram

DG-BOARD TNPA4347ACS (1/14) Peaks-Lite2,DDR

A

B

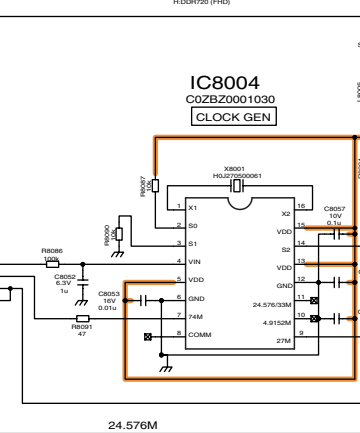
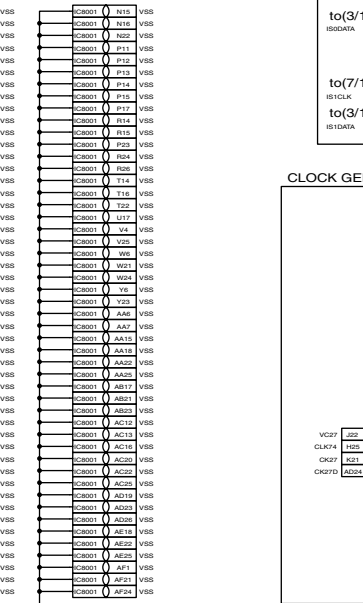
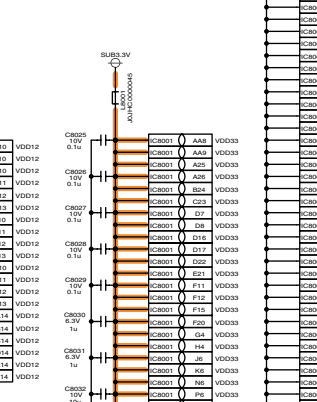
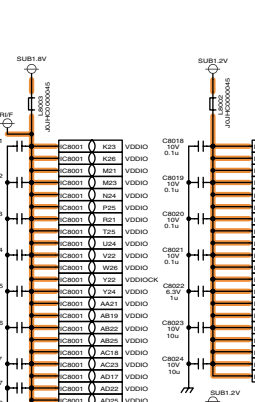
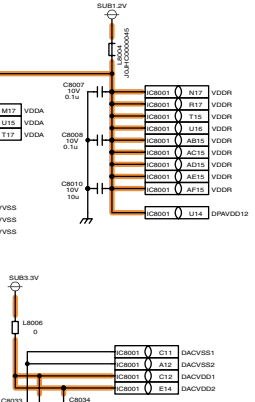
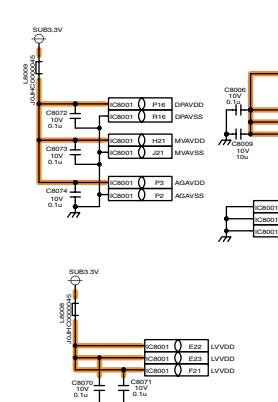
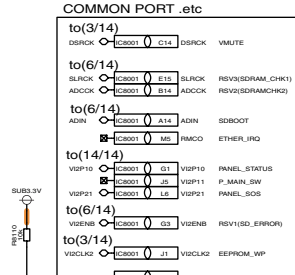
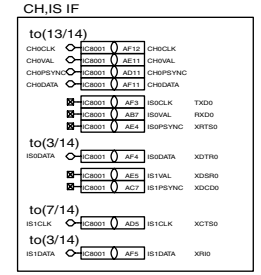
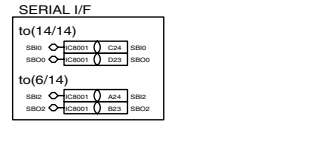
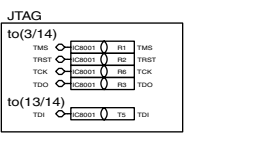
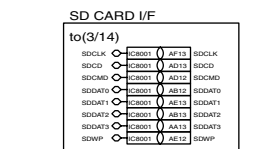
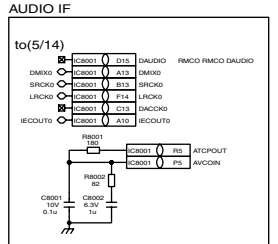
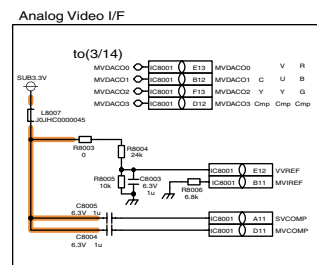
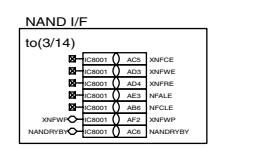
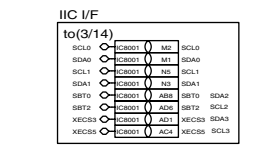
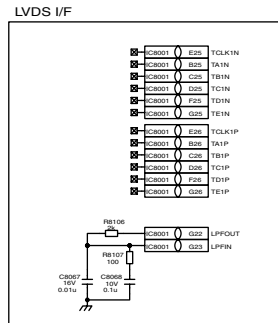
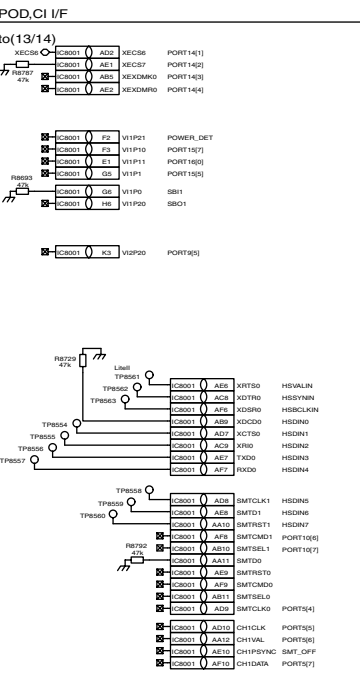
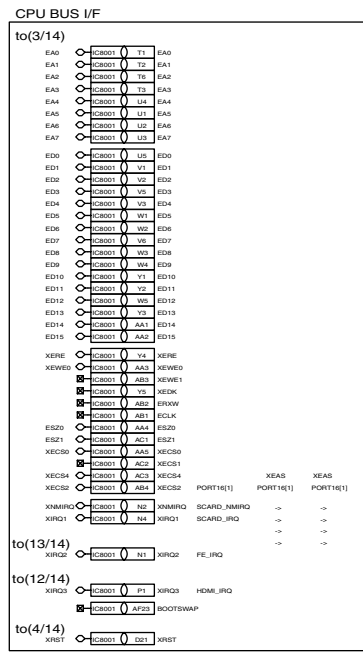
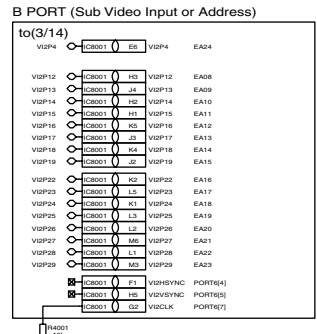
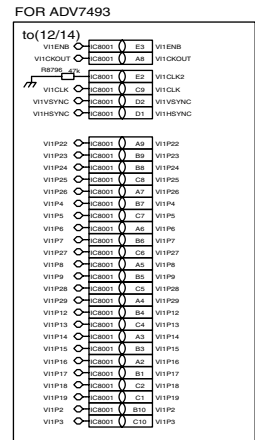
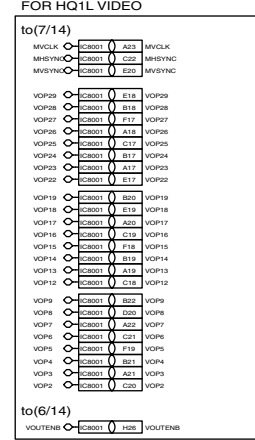
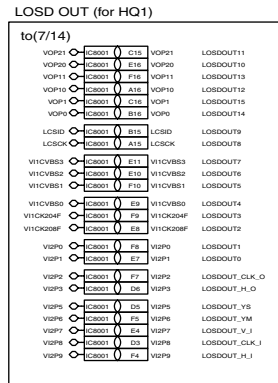
C

D

E

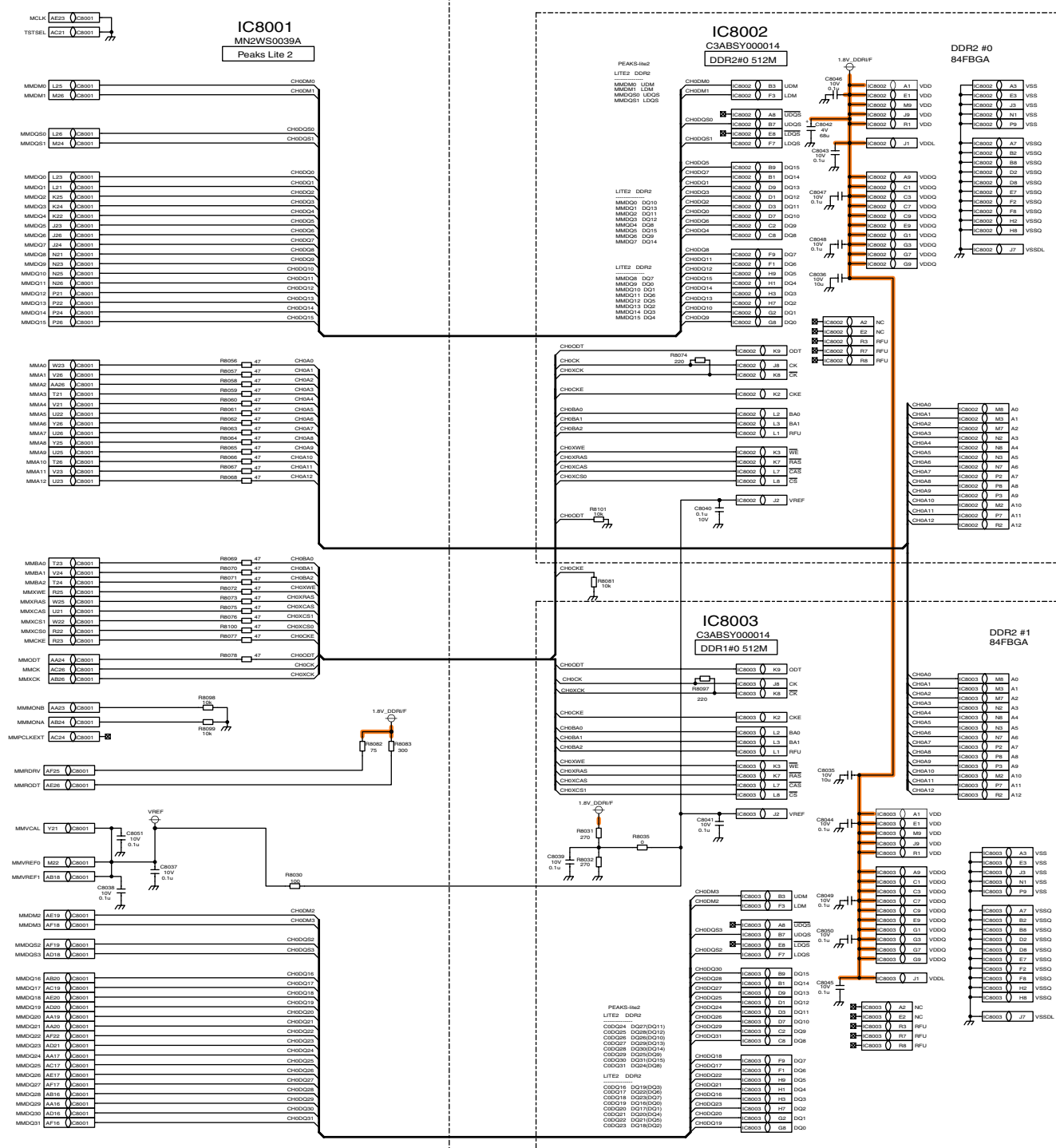
F

IC8001
MN2WS0039A
Peaks Lite 2



15.18. DG-Board (2 of 14) Schematic Diagram

⚠ DG-BOARD TNPA4347ACS (2/14) Peaks-Lite2,DDR



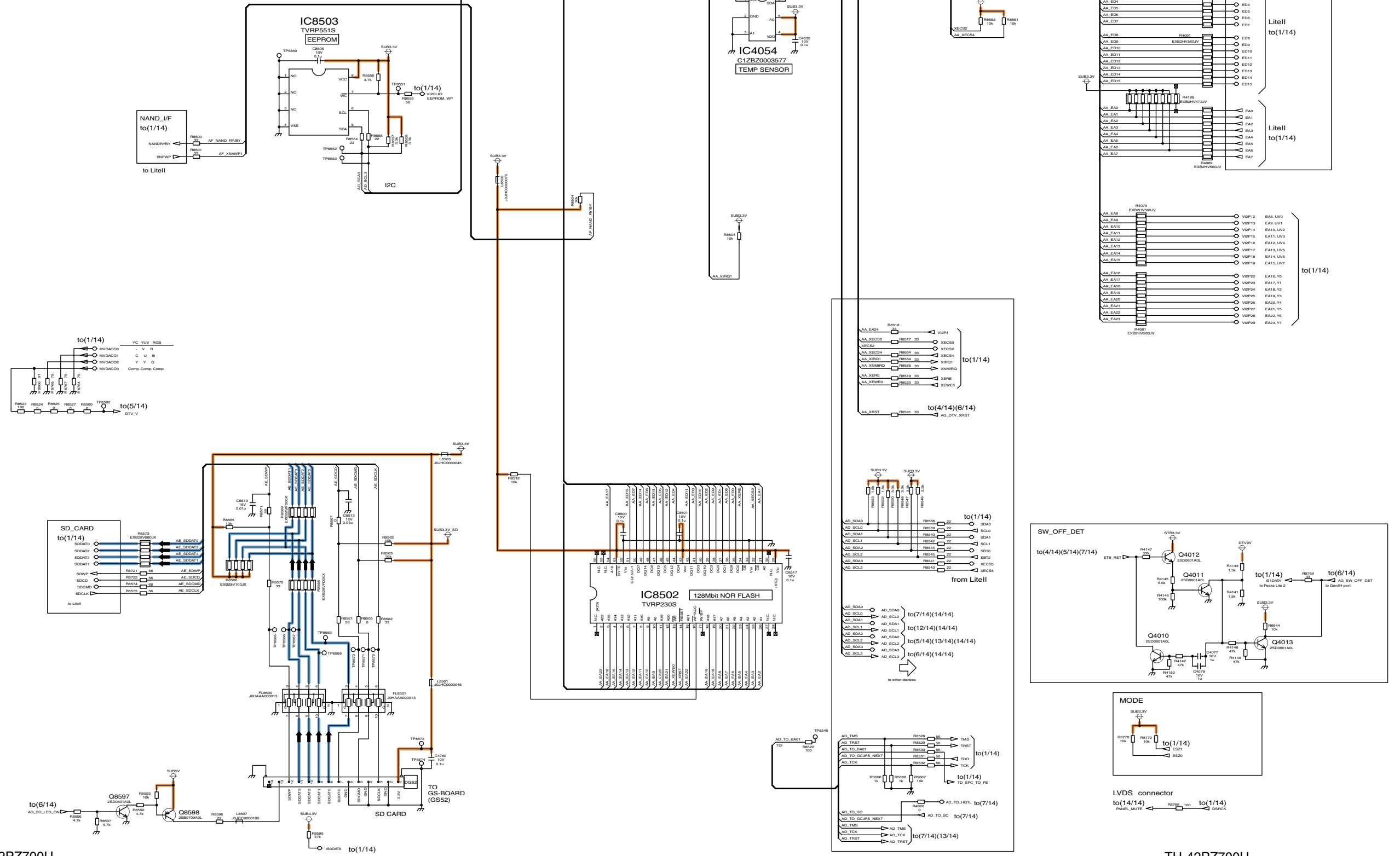
TH-42PZ700U
DG-Board (2 of 14) Schematic Diagram

TH-42PZ700U
DG-Board (2 of 14) Schematic Diagram

15.19. DG-Board (3 of 14) Schematic Diagram

⚠️ DG-BOARD TNPA4347ACS (3/14)

DIGITAL(NAND,BOOT,ETC)



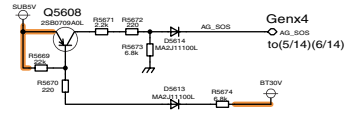
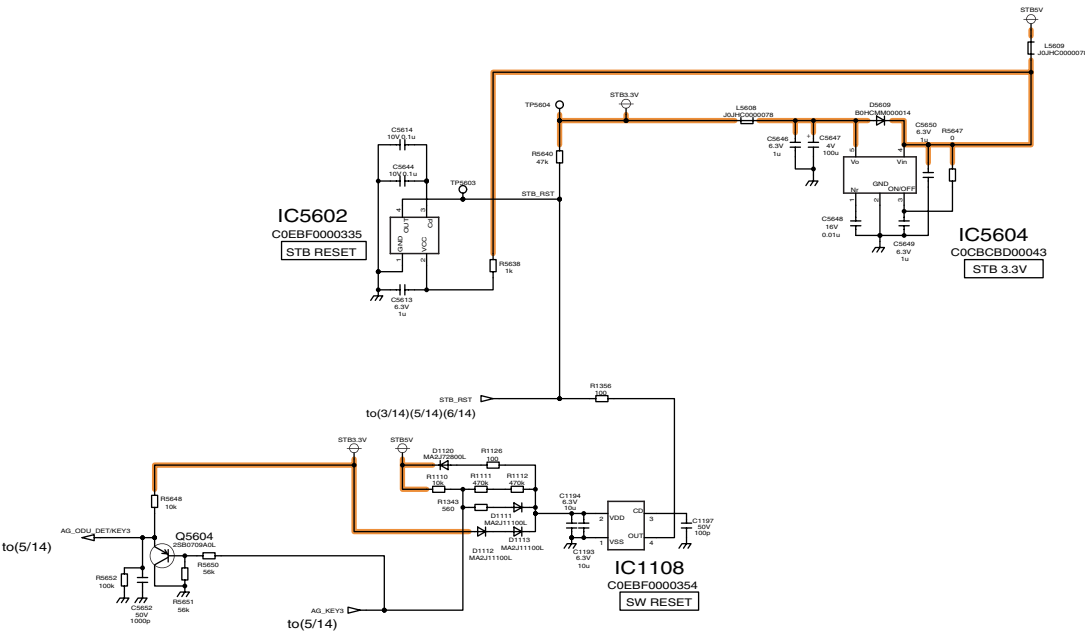
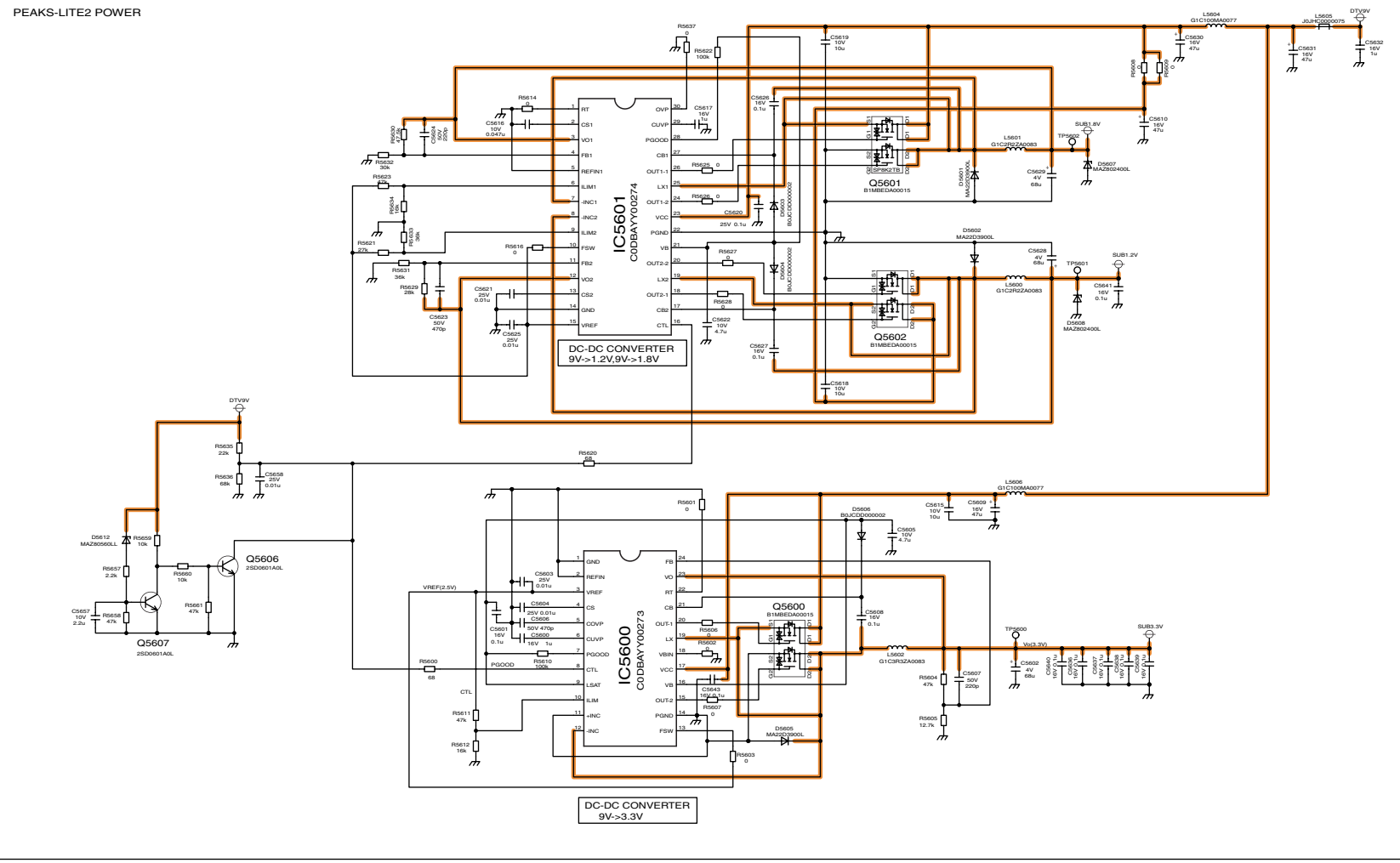
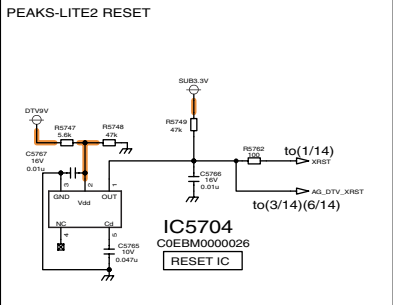
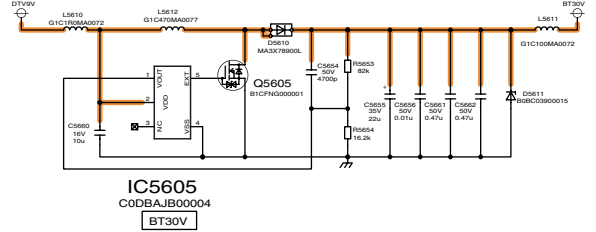
TH-42PZ700U
DG-Board (3 of 14) Schematic Diagram

TH-42PZ700U
DG-Board (3 of 14) Schematic Diagram

15.20. DG-Board (4 of 14) Schematic Diagram

⚠ DG-BOARD TNPA4347ACS (4/14)

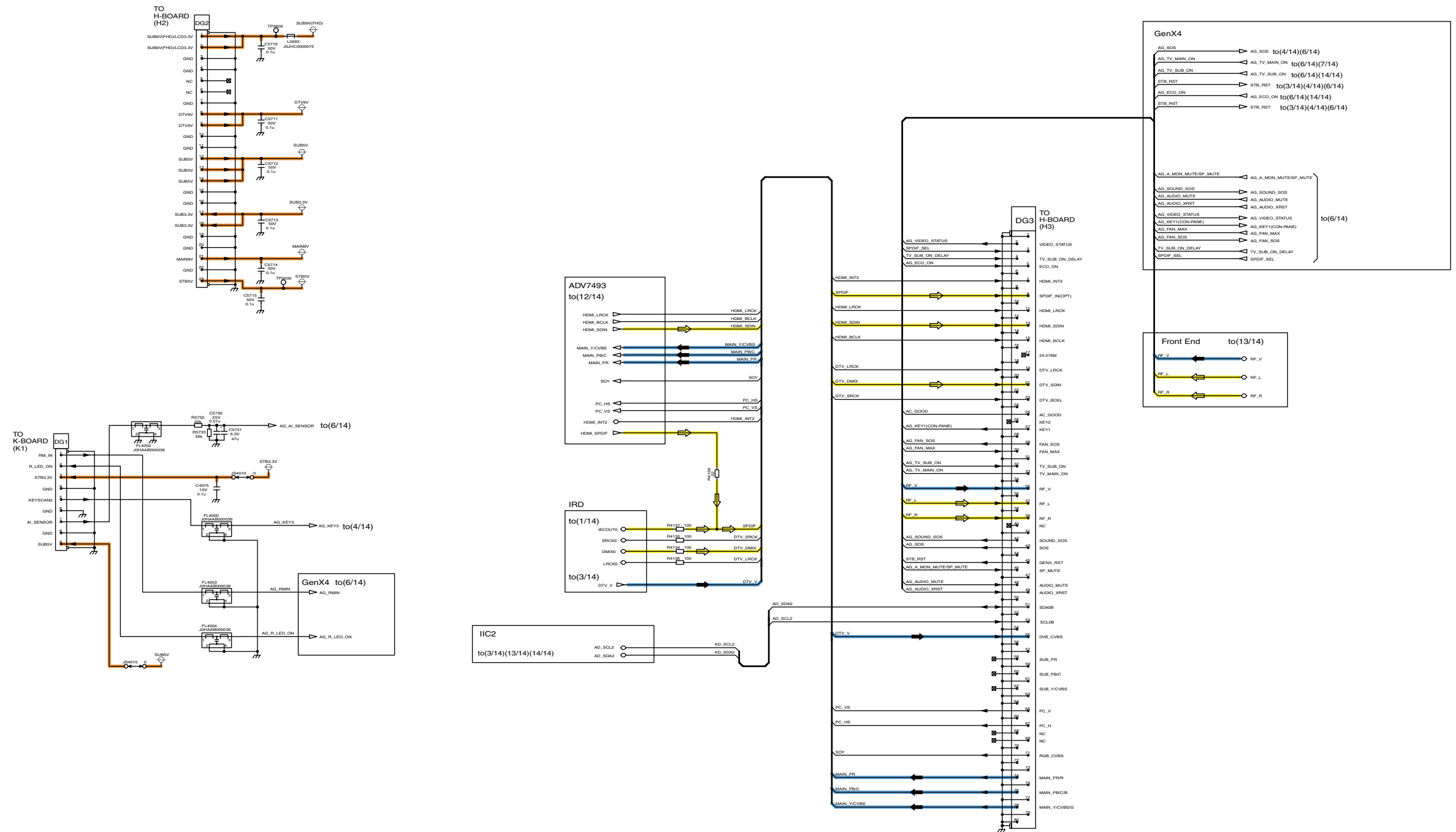
POWER SUPPLY



15.21. DG-Board (5 of 14) Schematic Diagram

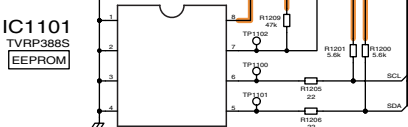
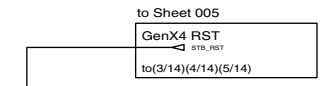
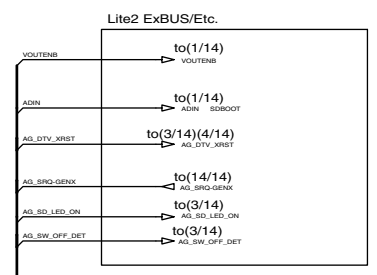
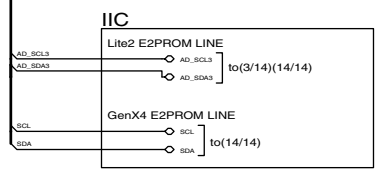
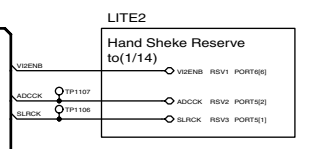
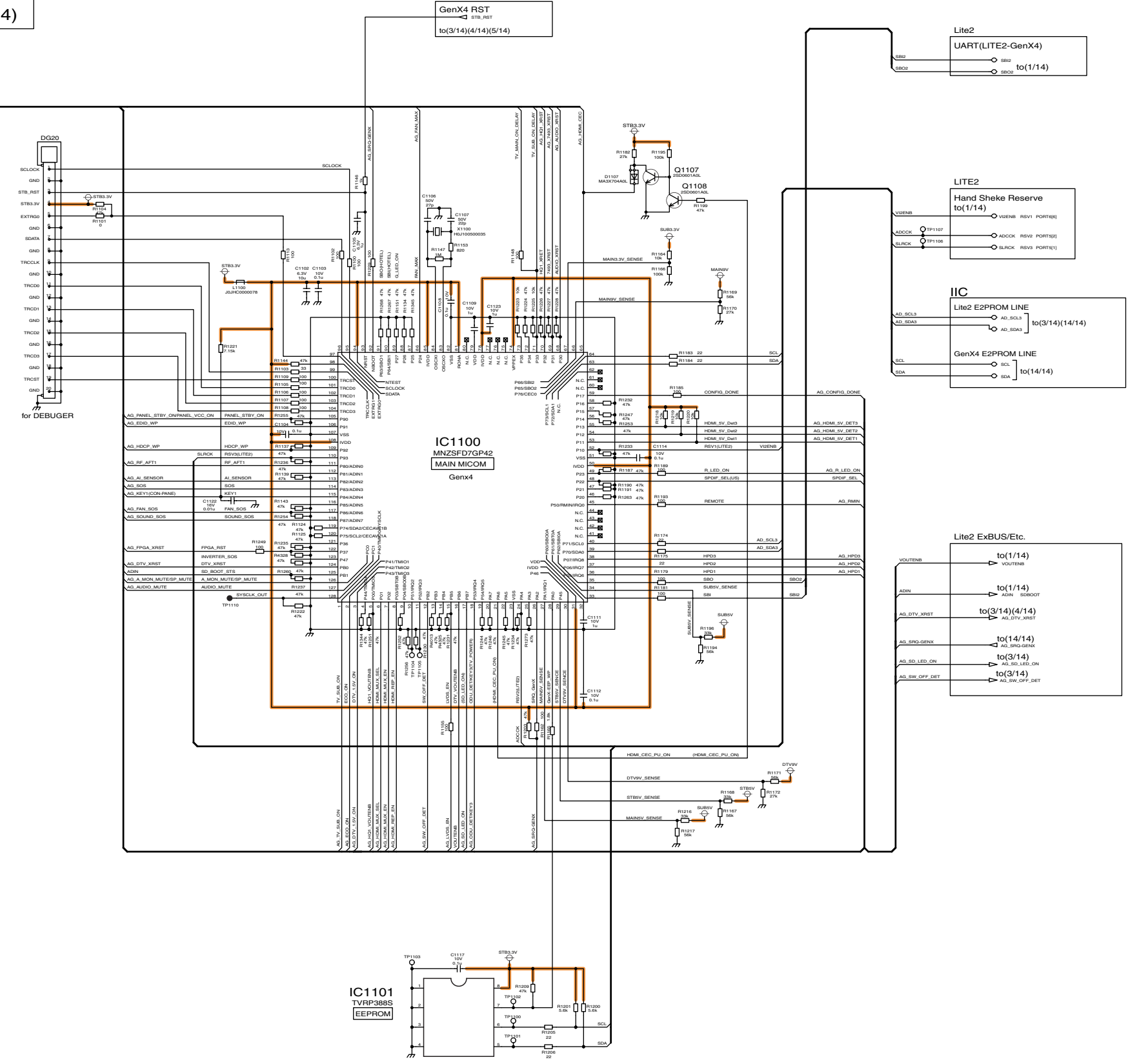
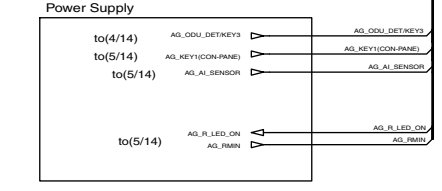
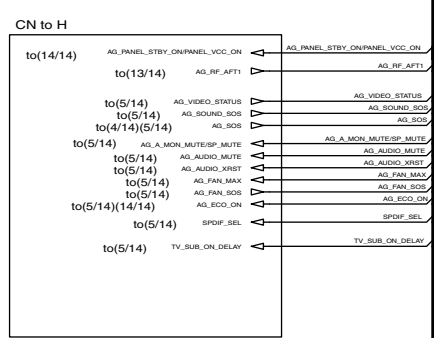
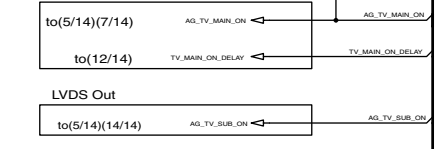
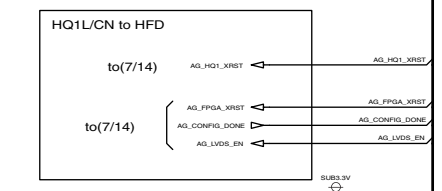
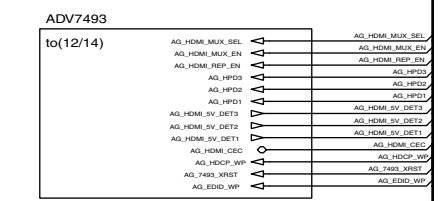
⚠ DG-BOARD TNPA4347ACS (5/14)

DG-H Connector



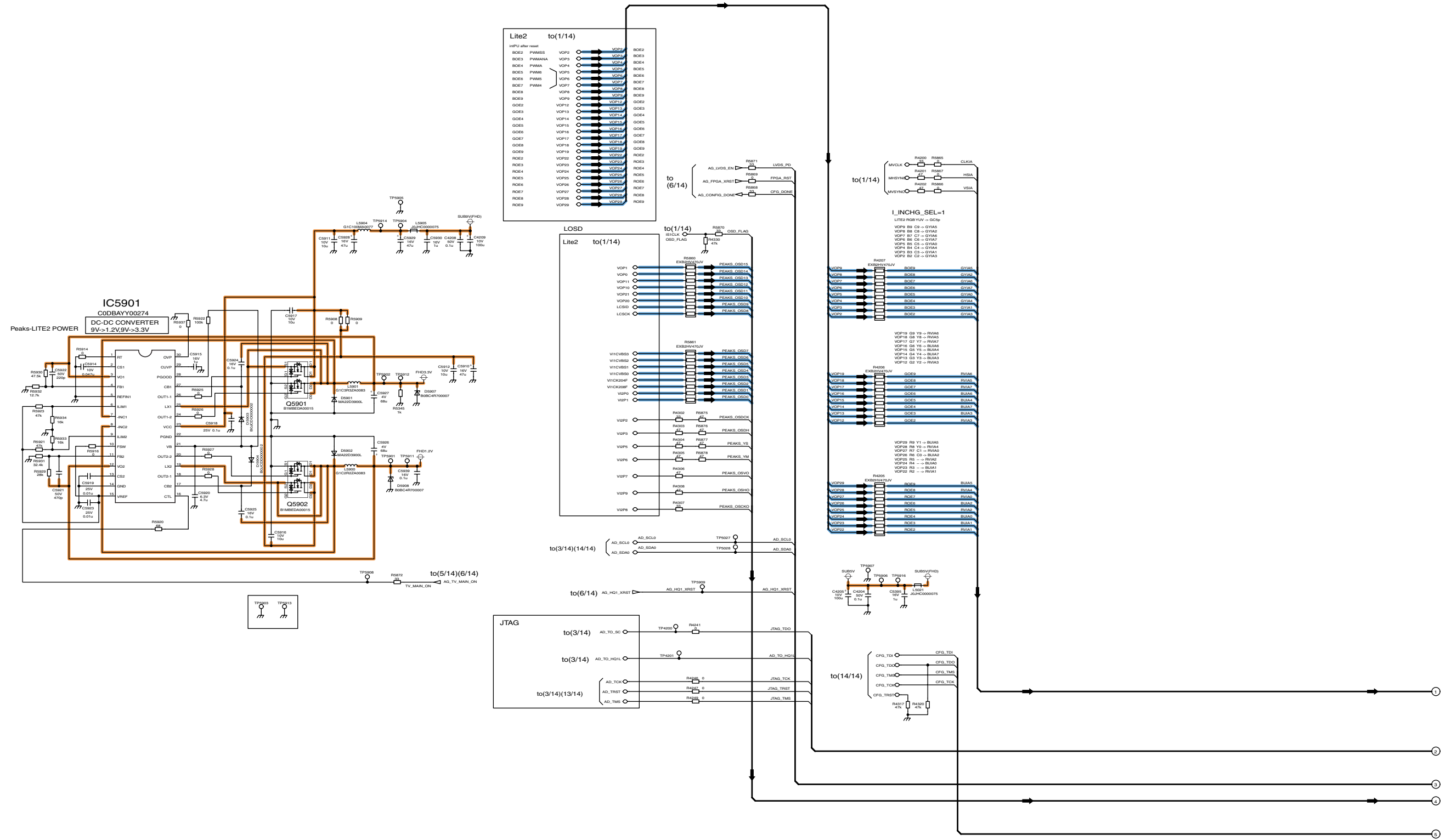
15.22. DG-Board (6 of 14) Schematic Diagram

DG-BOARD TNPA4347ACS (6/14) GenX4,EEPROM



15.23. DG-Board (7 of 14) Schematic Diagram

⚠️ DG-BOARD TNPA4347ACS (7/14)
FULL HD



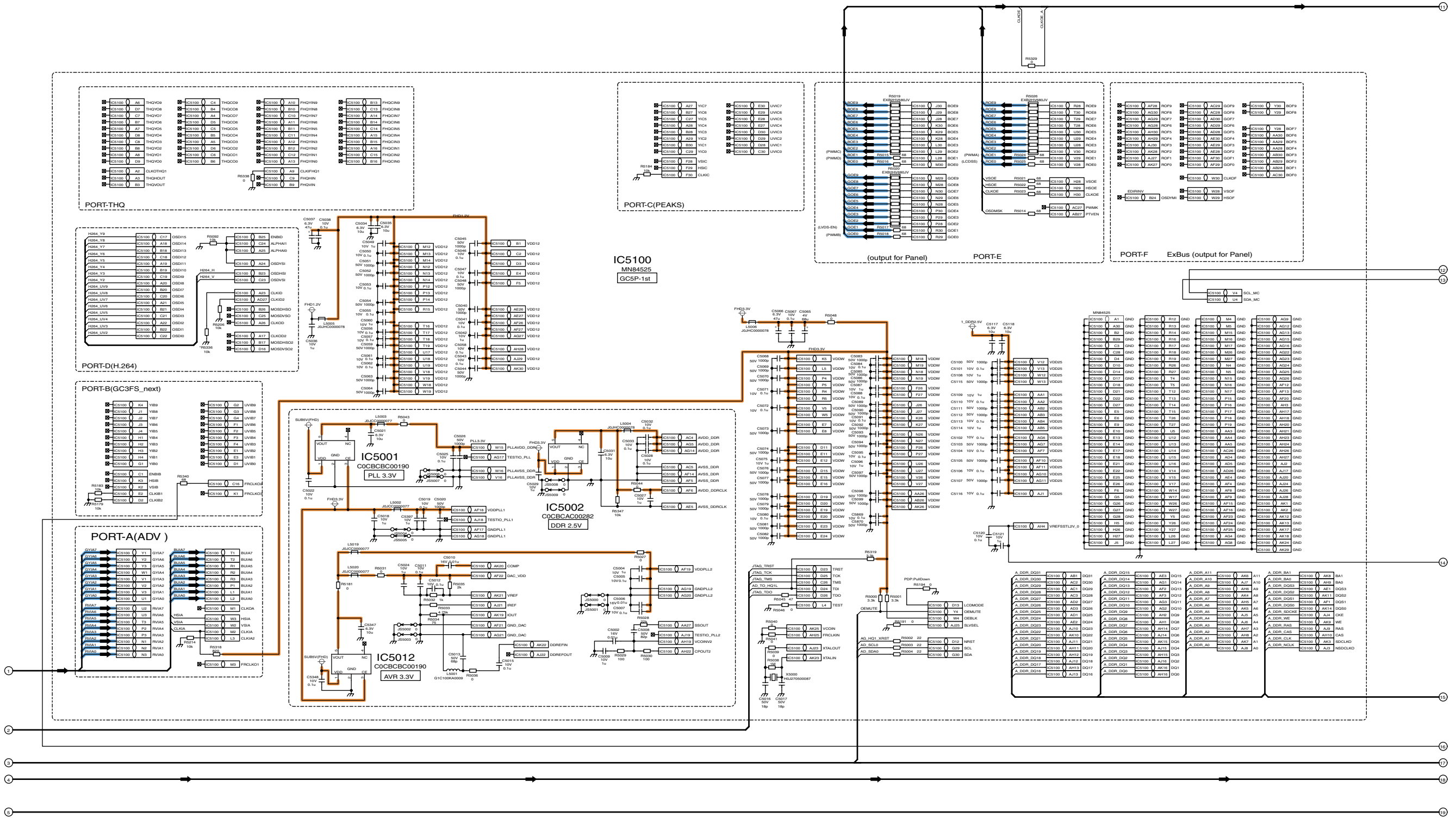
TH-42PZ700U
DG-Board (7 of 14) Schematic Diagram

TH-42PZ700U
DG-Board (7 of 14) Schematic Diagram

15.24. DG-Board (8 of 14) Schematic Diagram

⚠ DG-BOARD TNPA4347ACS (8/14)

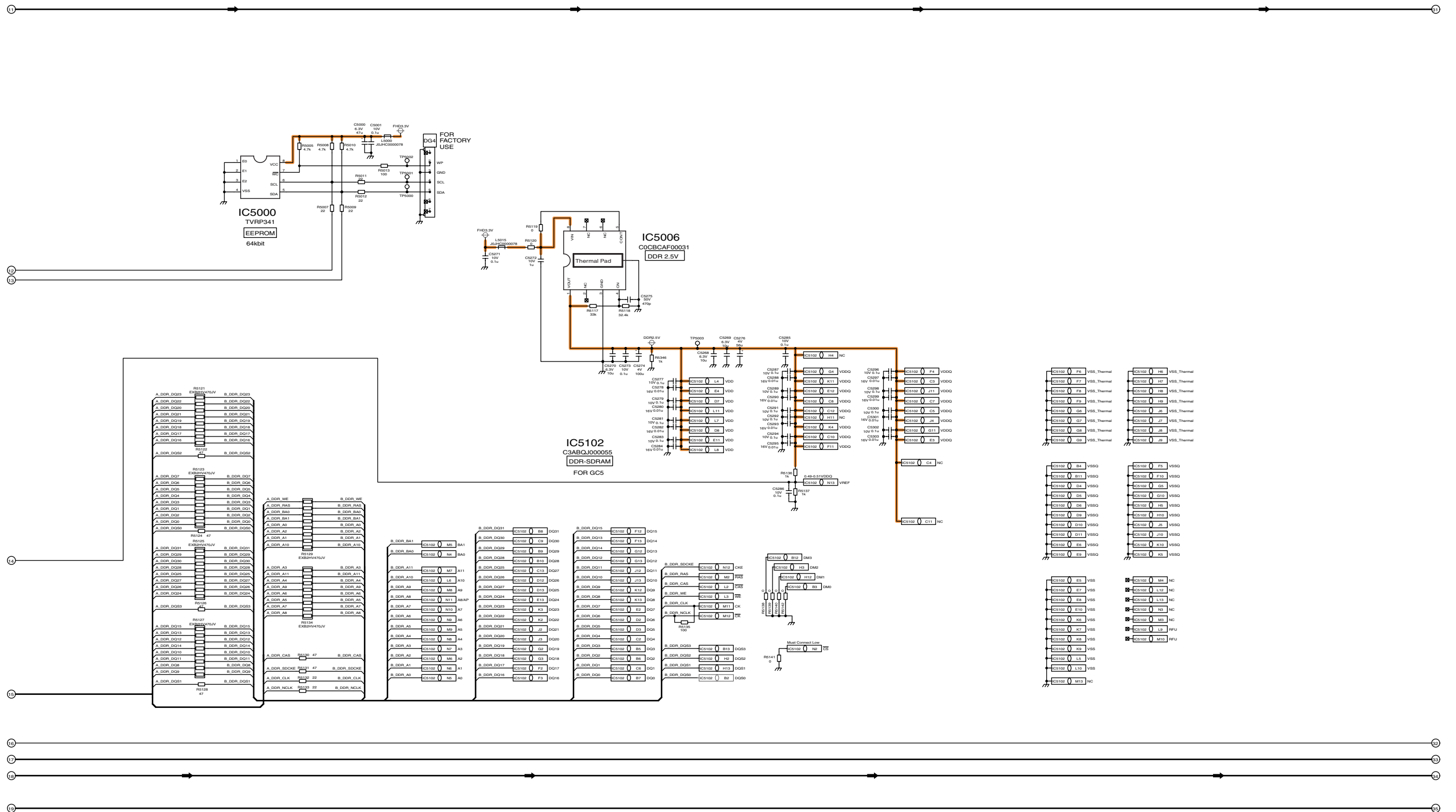
FULL HD



15.25. DG-Board (9 of 14) Schematic Diagram

⚠️ DG-BOARD TNPA4347ACS (9/14)

FULL HD



TH-42PZ700U
DG-Board (9 of 14) Schematic Diagram

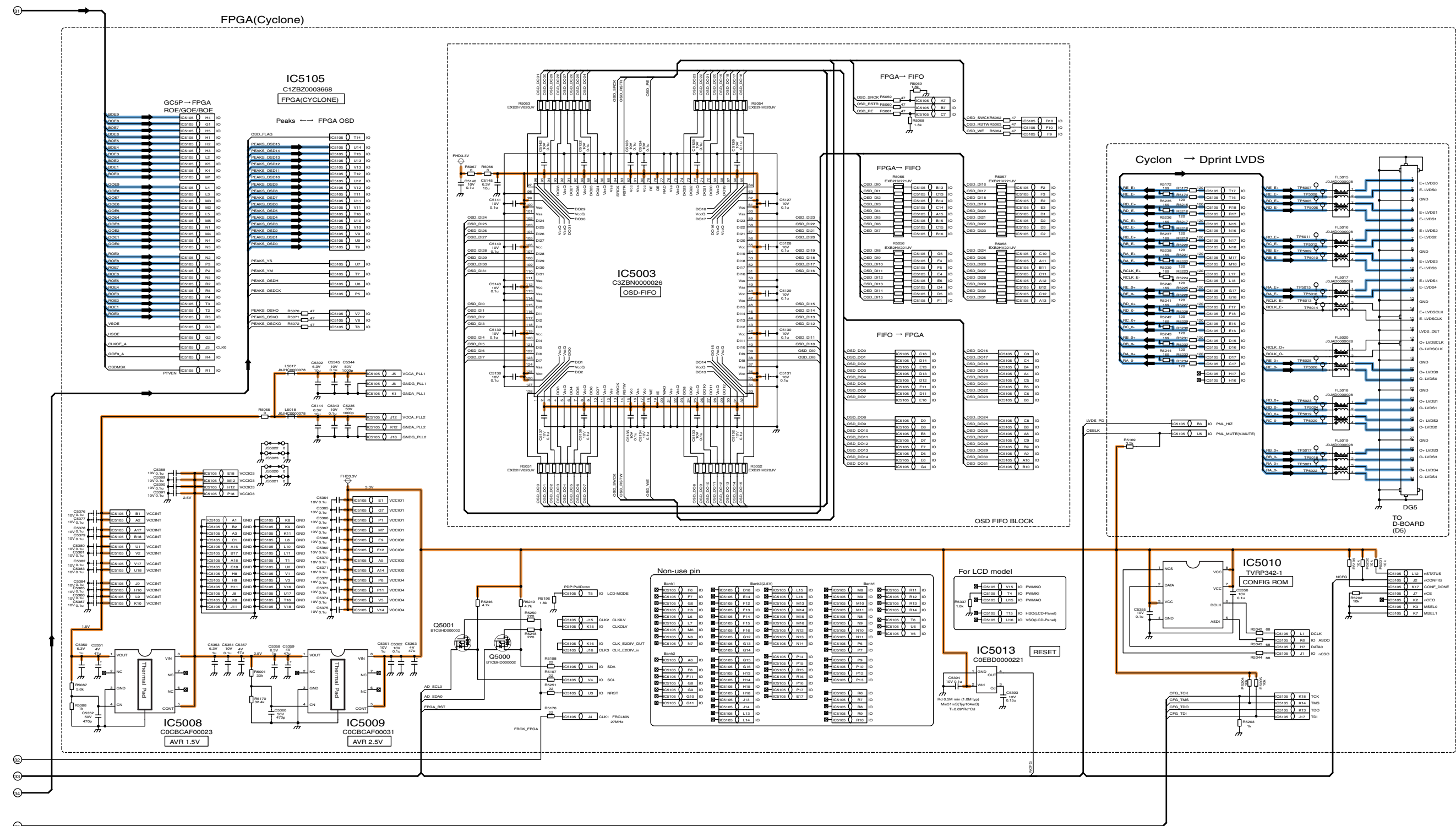
TH-42PZ700U
DG-Board (9 of 14) Schematic Diagram

15.26. DG-Board (10 of 14) Schematic Diagram

⚠ DG-BOARD TNPA4347ACS (10/14)

FULL HD

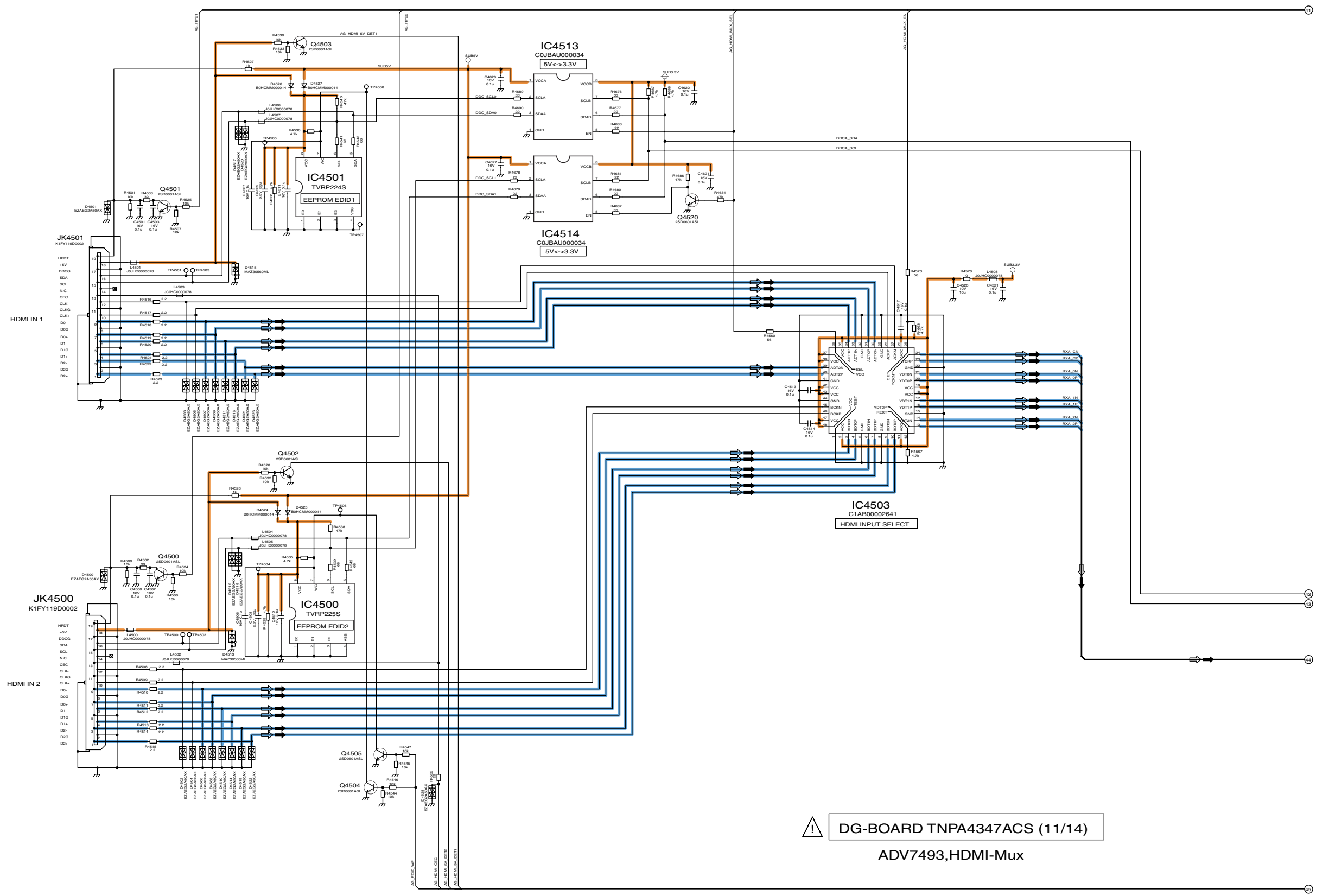
FPGA(Cyclone)



TH-42PZ700U
DG-Board (10 of 14) Schematic Diagram

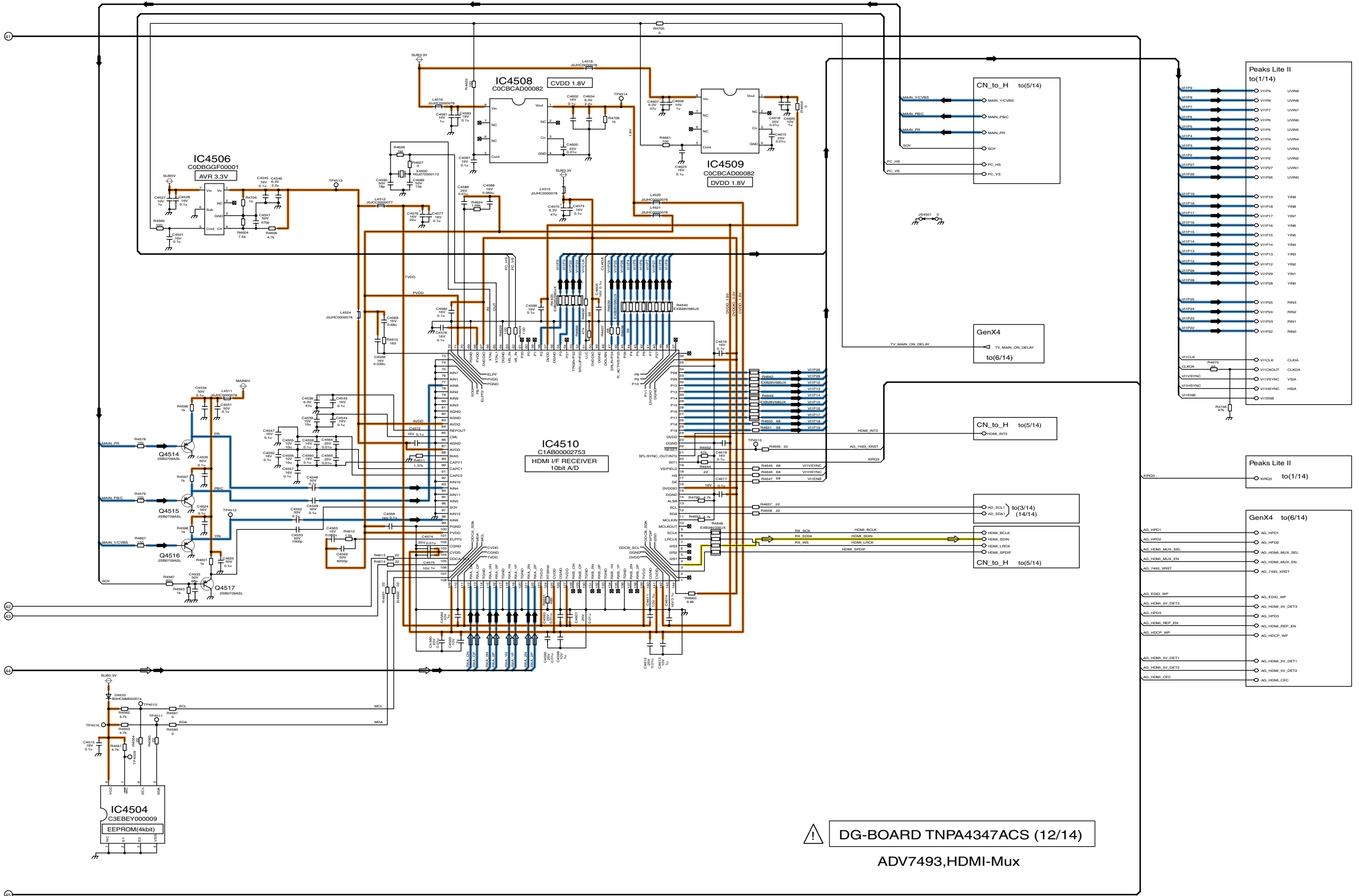
TH-42PZ700U
DG-Board (10 of 14) Schematic Diagram

15.27. DG-Board (11 of 14) Schematic Diagram



⚠ DG-BOARD TNPA4347ACS (11/14)
ADV7493,HDMI-Mux

15.28. DG-Board (12 of 14) Schematic Diagram

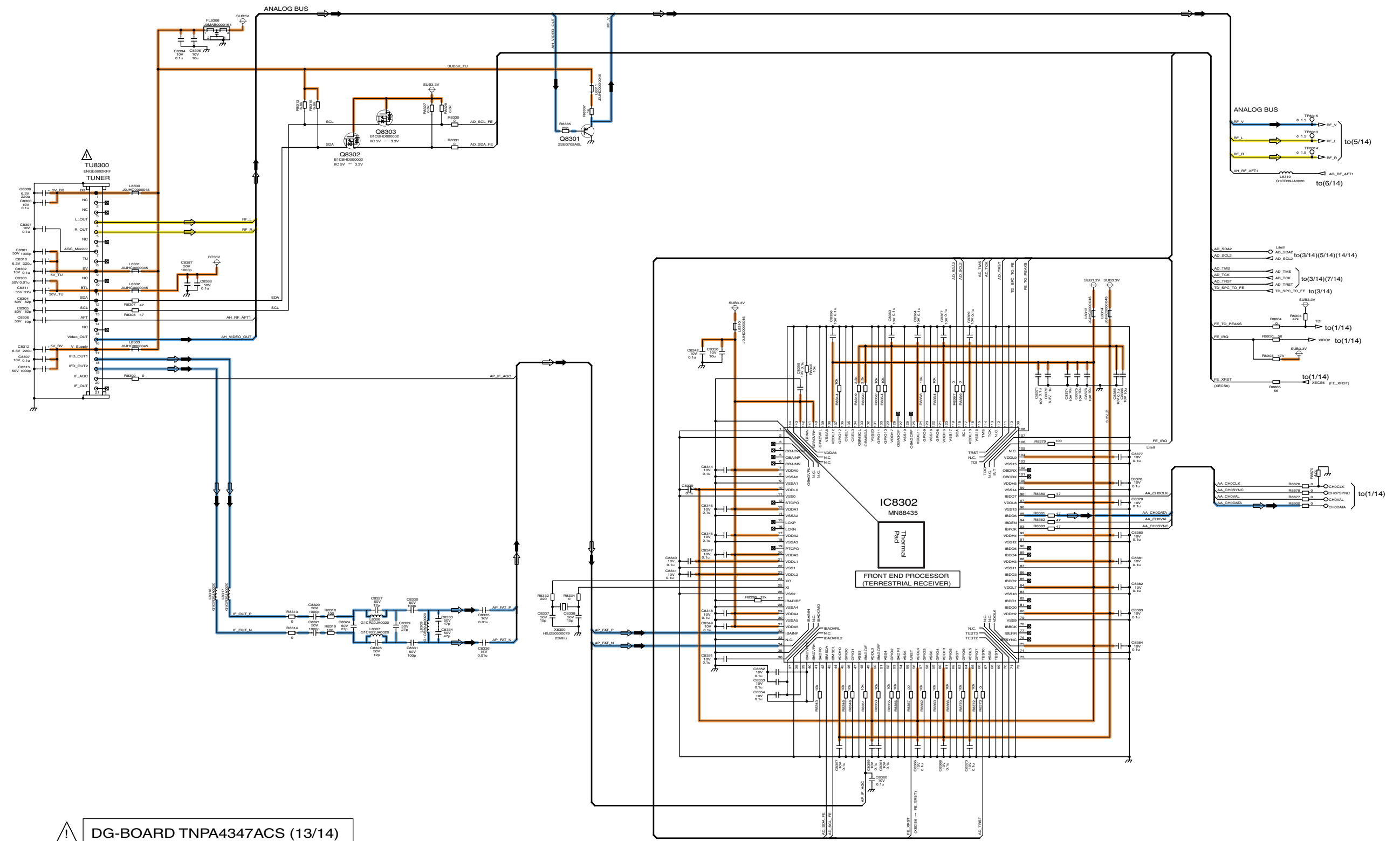


⚠️ DG-BOARD TNPA437ACS (12/14)
ADV7493,HDMI-Mux

TH-42PZ700U
DG-Board (12 of 14) Schematic Diagram

TH-42PZ700U
DG-Board (12 of 14) Schematic Diagram

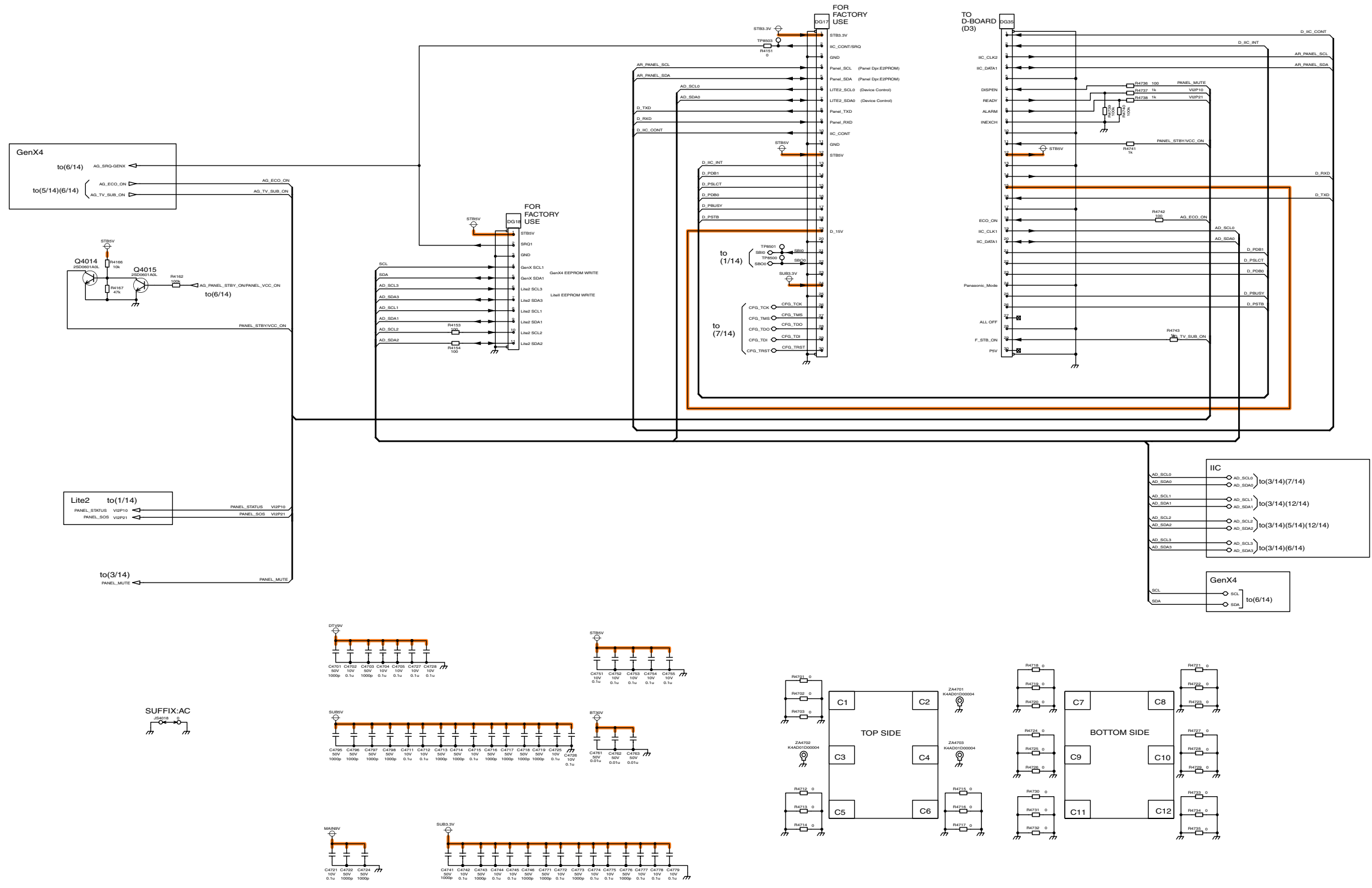
15.29. DG-Board (13 of 14) Schematic Diagram



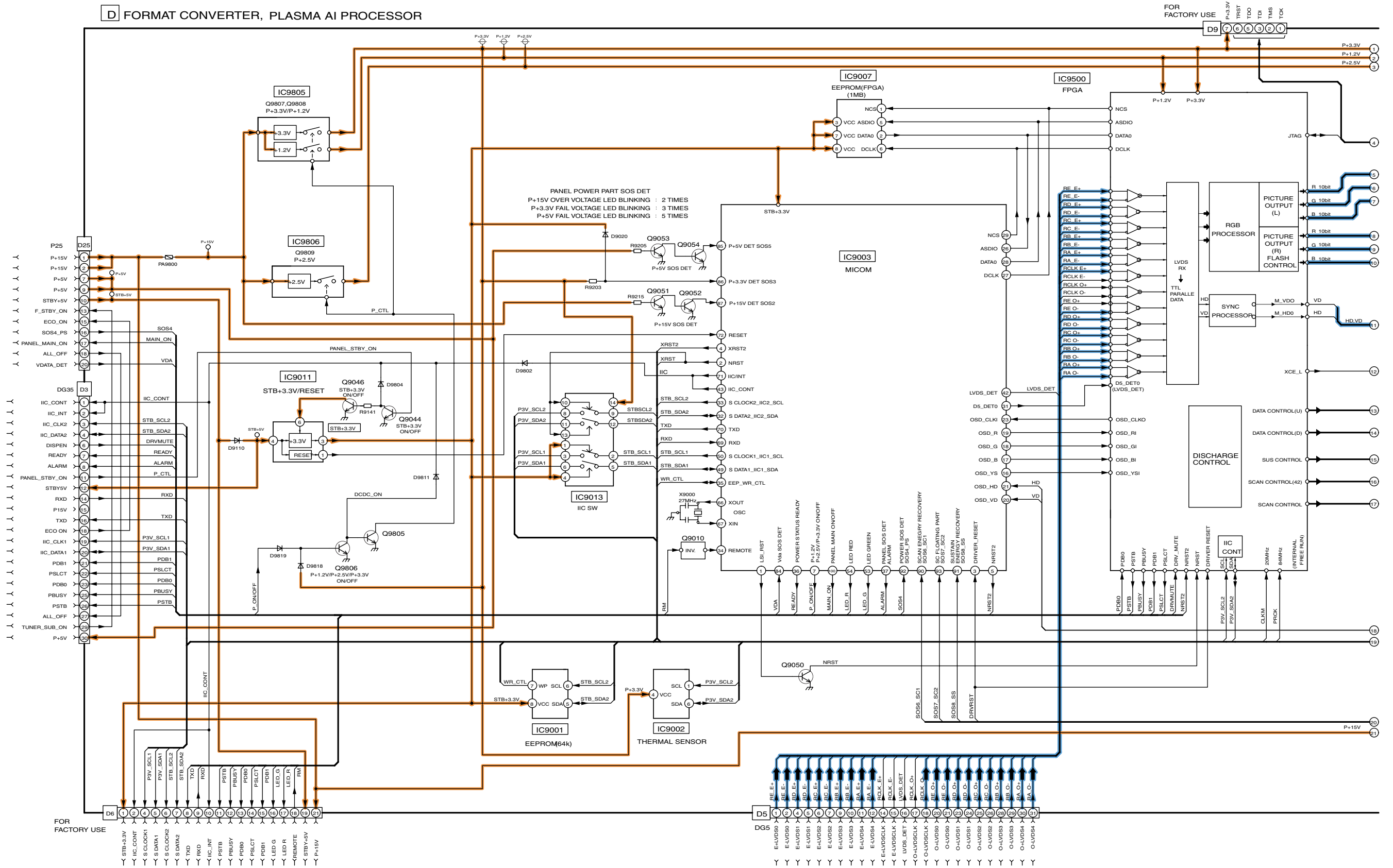
15.30. DG-Board (14 of 14) Schematic Diagram

⚠ DG-BOARD TNPA4347ACS (14/14)

LVDS etc



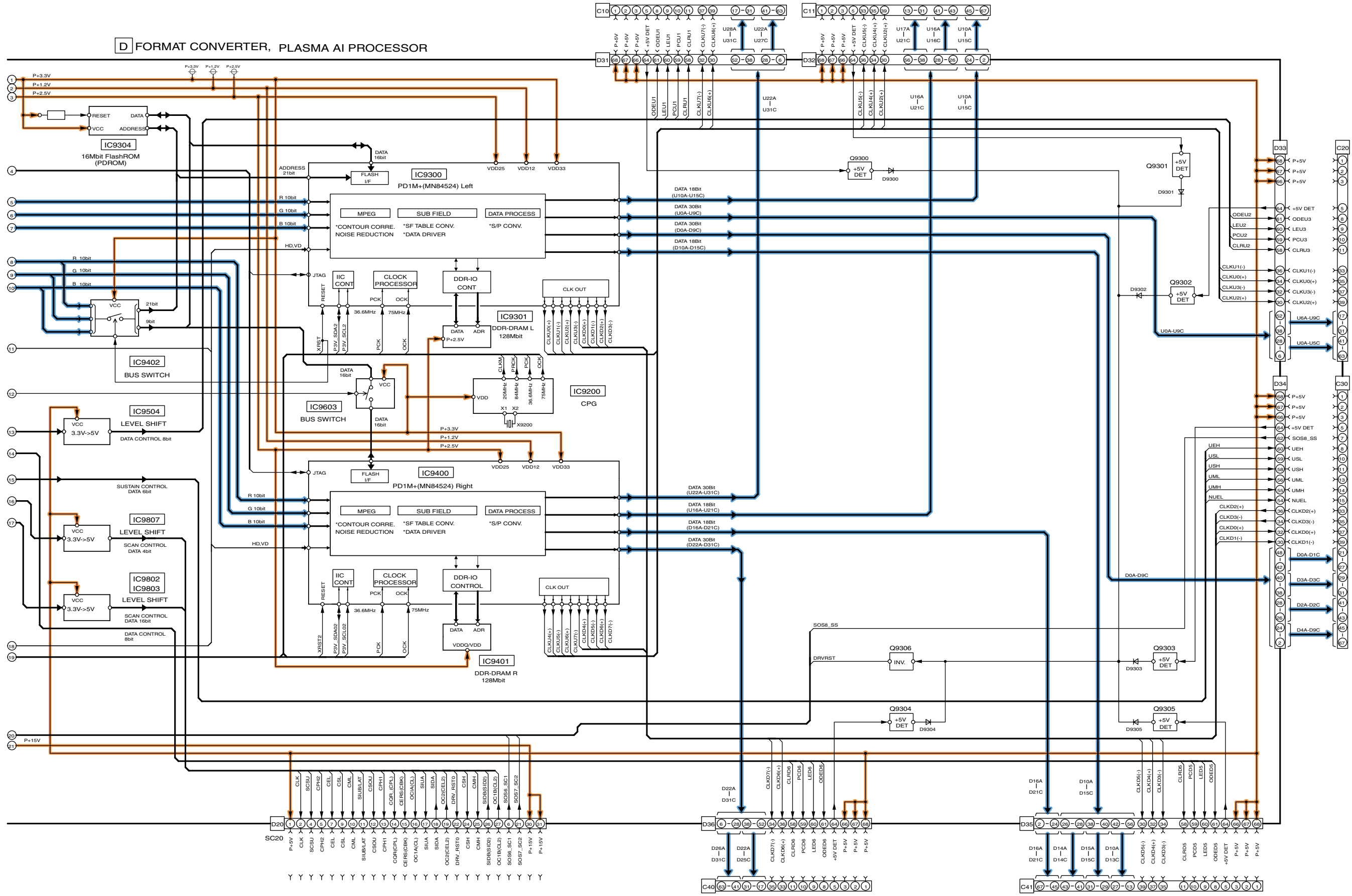
15.31. D-Board (1 of 2) Block Diagram



TH-42PZ700U
D-Board (1 of 2) Block Diagram

TH-42PZ700U
D-Board (1 of 2) Block Diagram

15.32. D-Board (2 of 2) Block Diagram



TH-42PZ700U
D-Board (2 of 2) Block Diagram

TH-42PZ700U
D-Board (2 of 2) Block Diagram

15.33. D-Board (1 of 8) Schematic Diagram

A

B

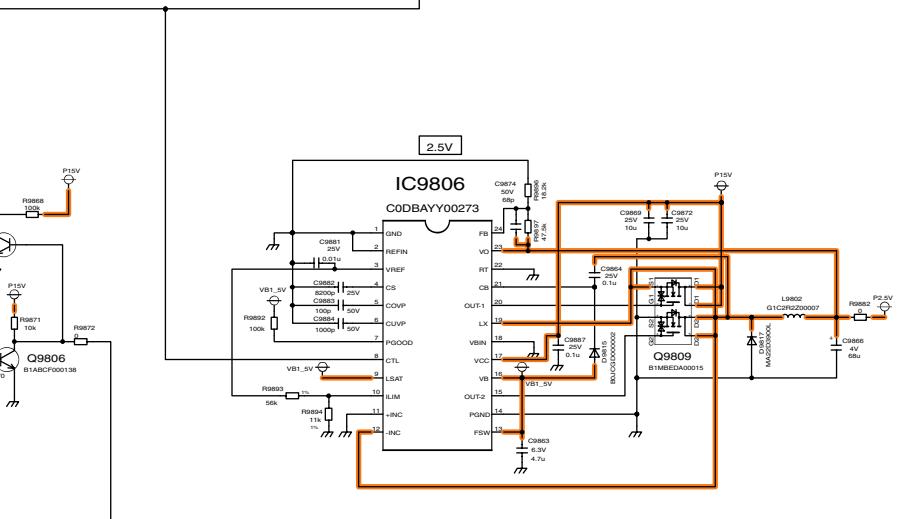
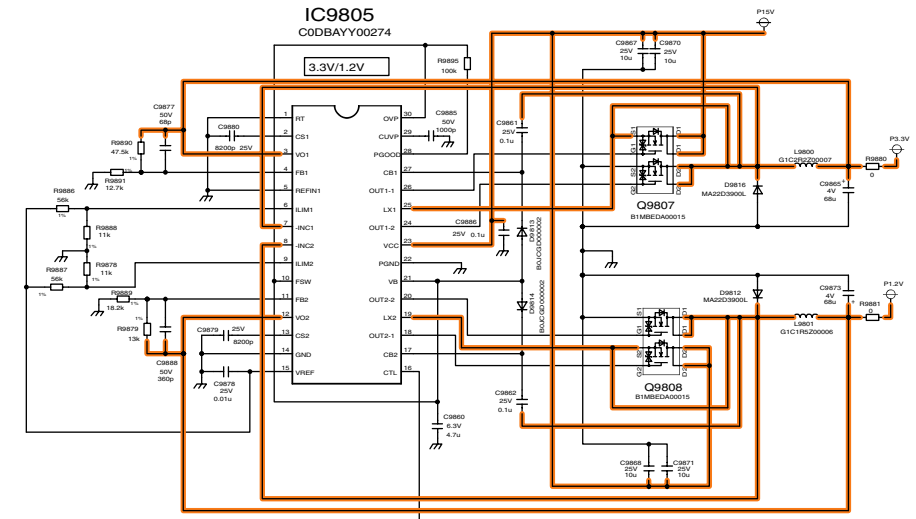
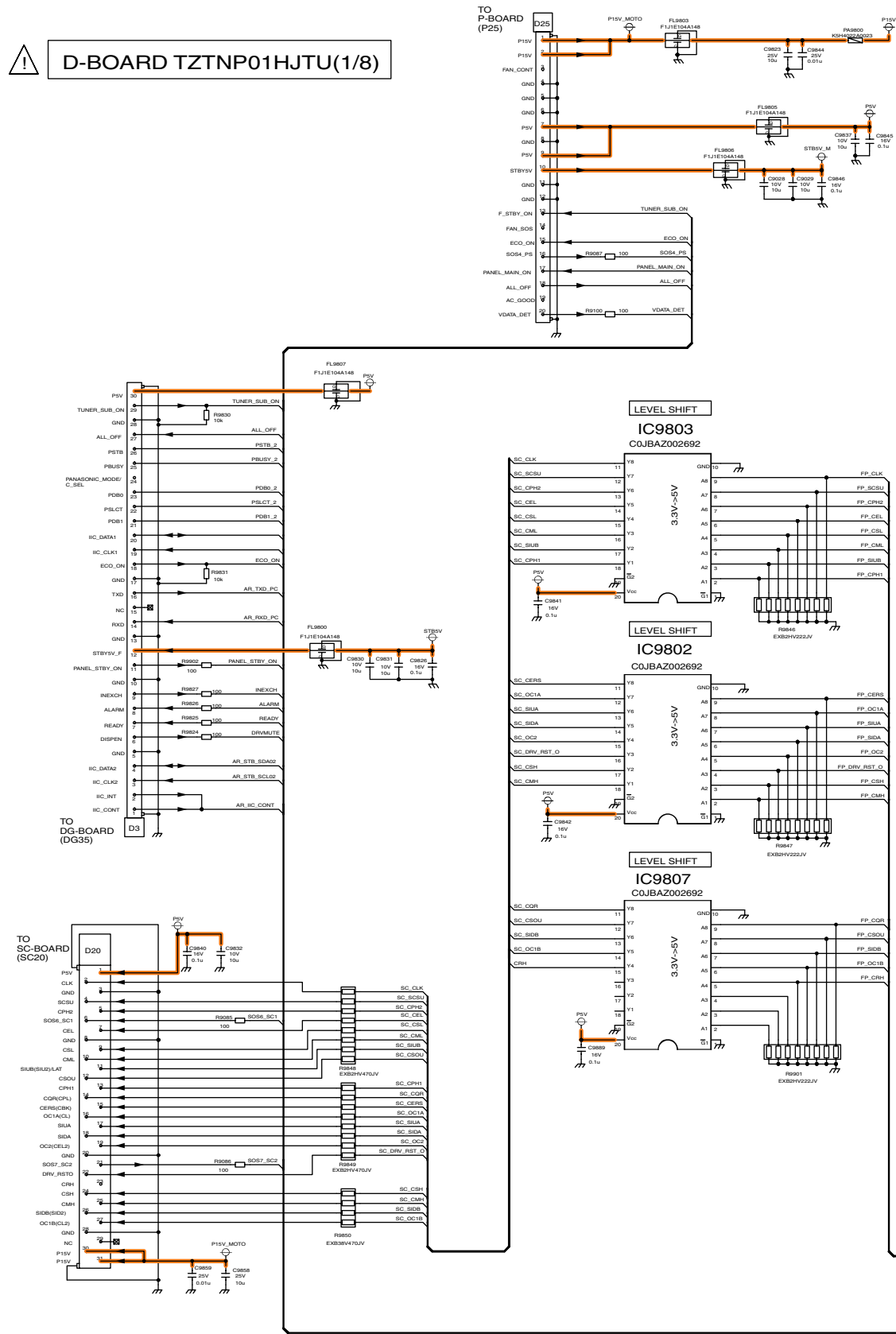
C

D

E

F

⚠ D-BOARD TZTNP01HJTU(1/8)



TH-42PZ700U
D-Board (1 of 8) Schematic Diagram

TH-42PZ700U
D-Board (1 of 8) Schematic Diagram

1

2

3

4

5

6

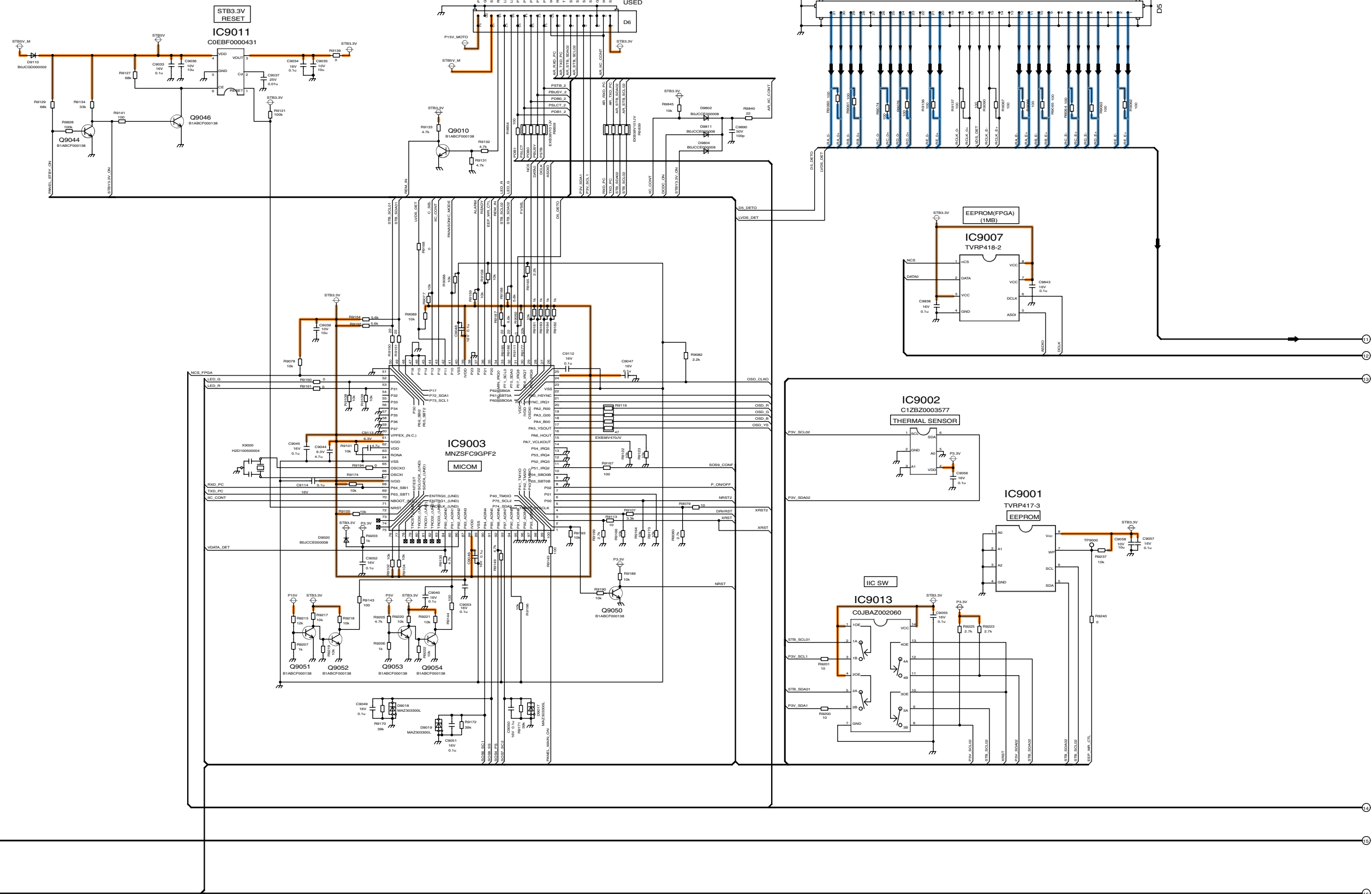
7

8

9

15.34. D-Board (2 of 8) Schematic Diagram

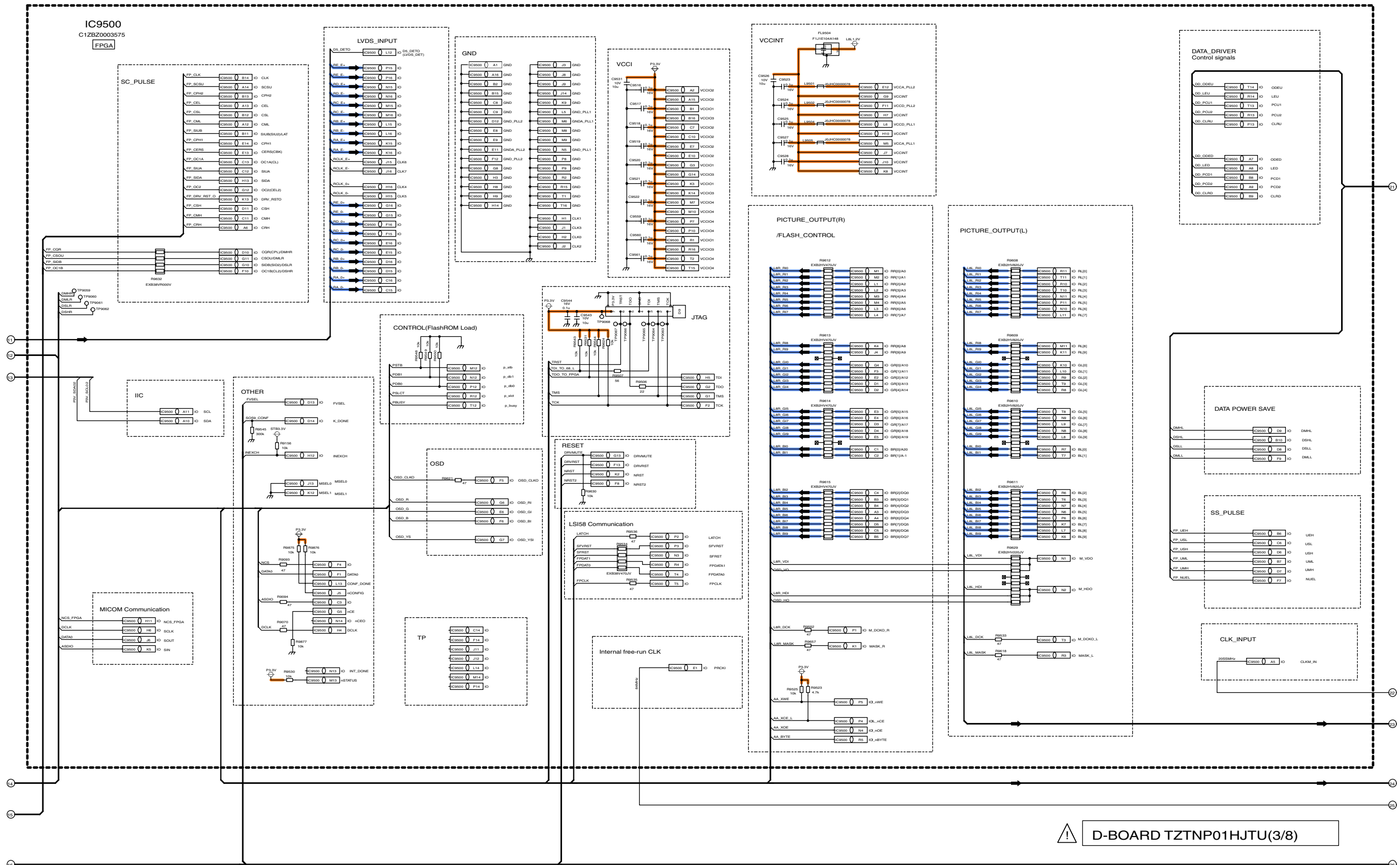
D-BOARD TZTNP01HJTU(2/8)



TH-42PZ700U
D-Board (2 of 8) Schematic Diagram

TH-42PZ700U
D-Board (2 of 8) Schematic Diagram

15.35. D-Board (3 of 8) Schematic Diagram

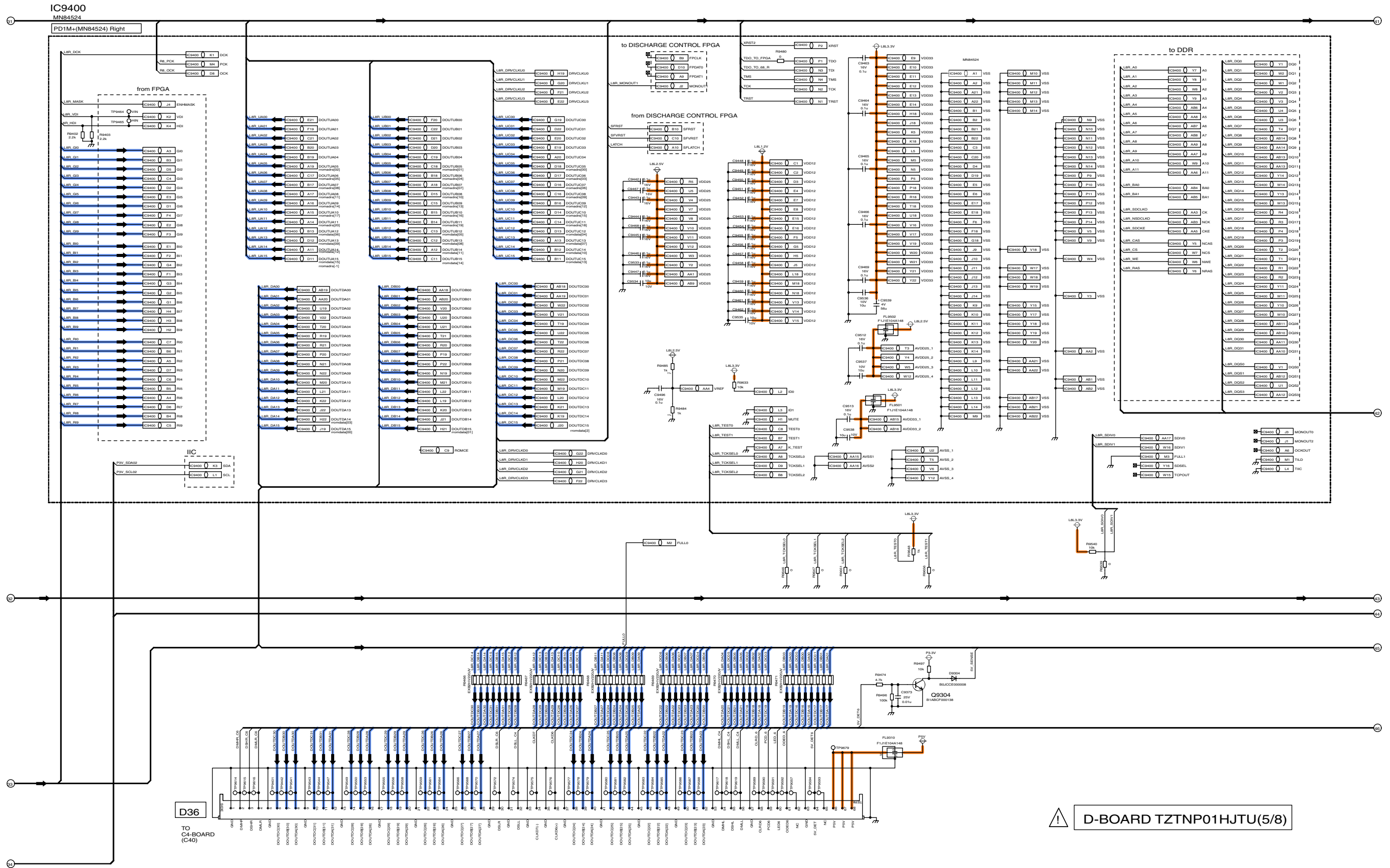


D-BOARD TZTNP01HJTU(3/8)

TH-42PZ700U
D-Board (3 of 8) Schematic Diagram

TH-42PZ700U
D-Board (3 of 8) Schematic Diagram

15.37. D-Board (5 of 8) Schematic Diagram

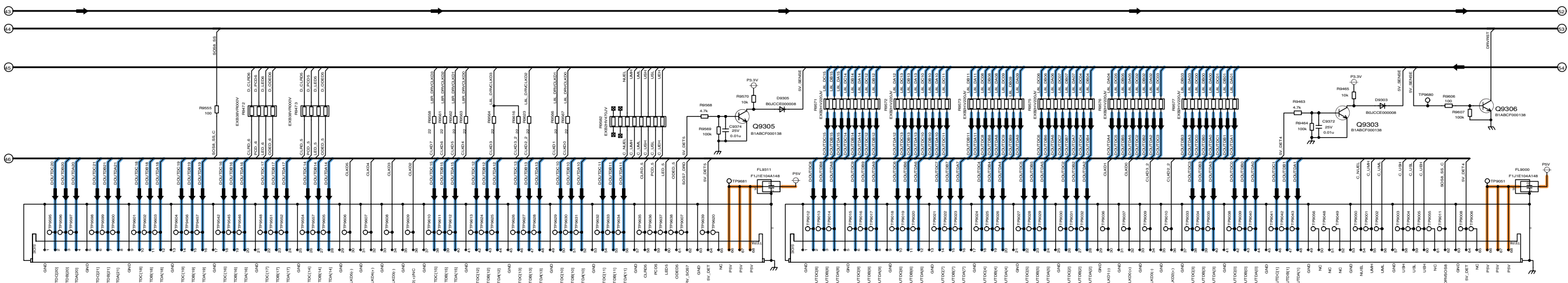
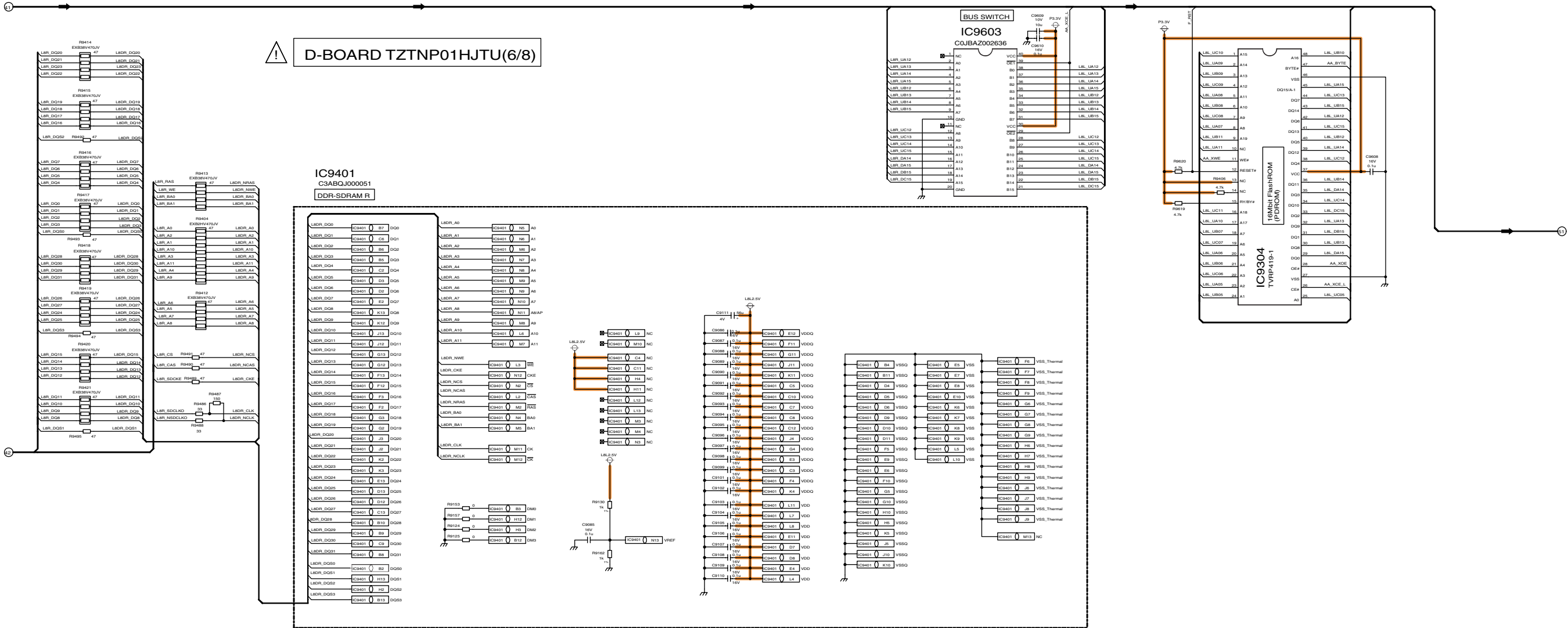


D-BOARD TZTNP01HJTU(5/8)

TH-42PZ700U
D-Board (5 of 8) Schematic Diagram

TH-42PZ700U
D-Board (5 of 8) Schematic Diagram

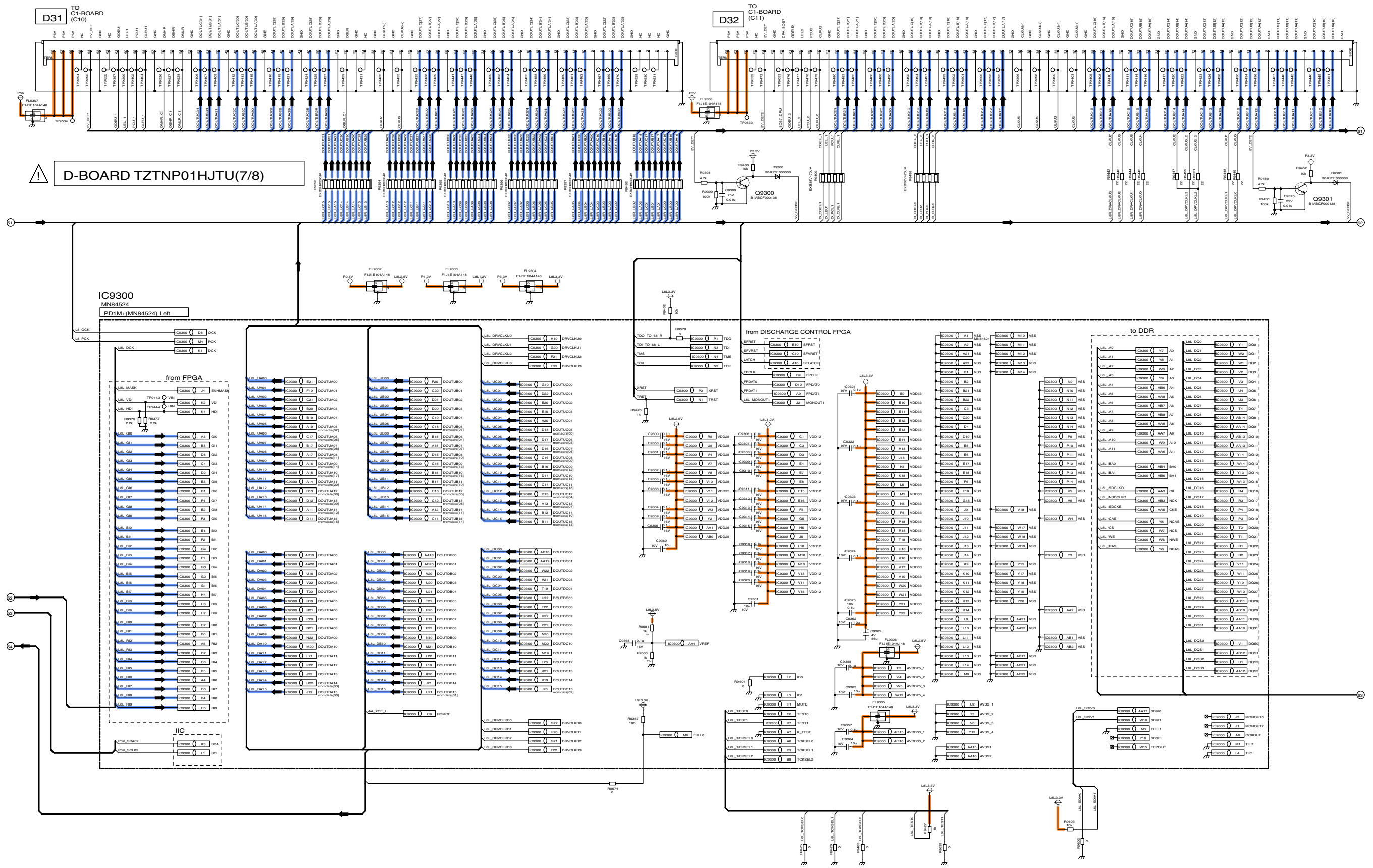
15.38. D-Board (6 of 8) Schematic Diagram



TH-42PZ700U D-Board (6 of 8) Schematic Diagram

TH-42PZ700U D-Board (6 of 8) Schematic Diagram

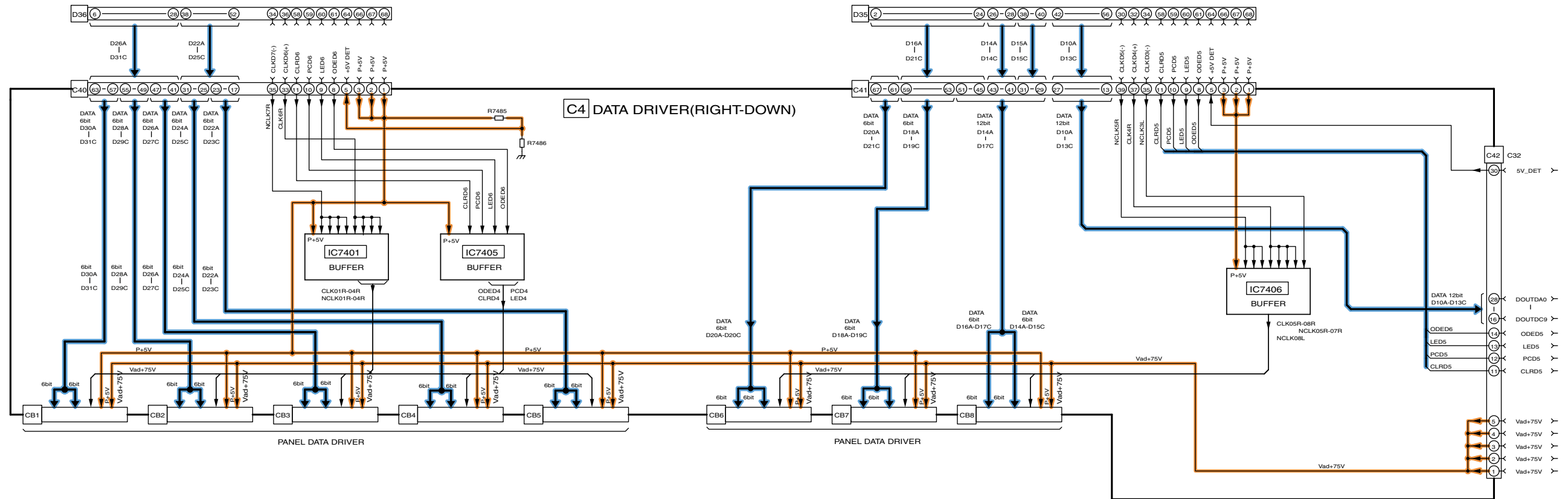
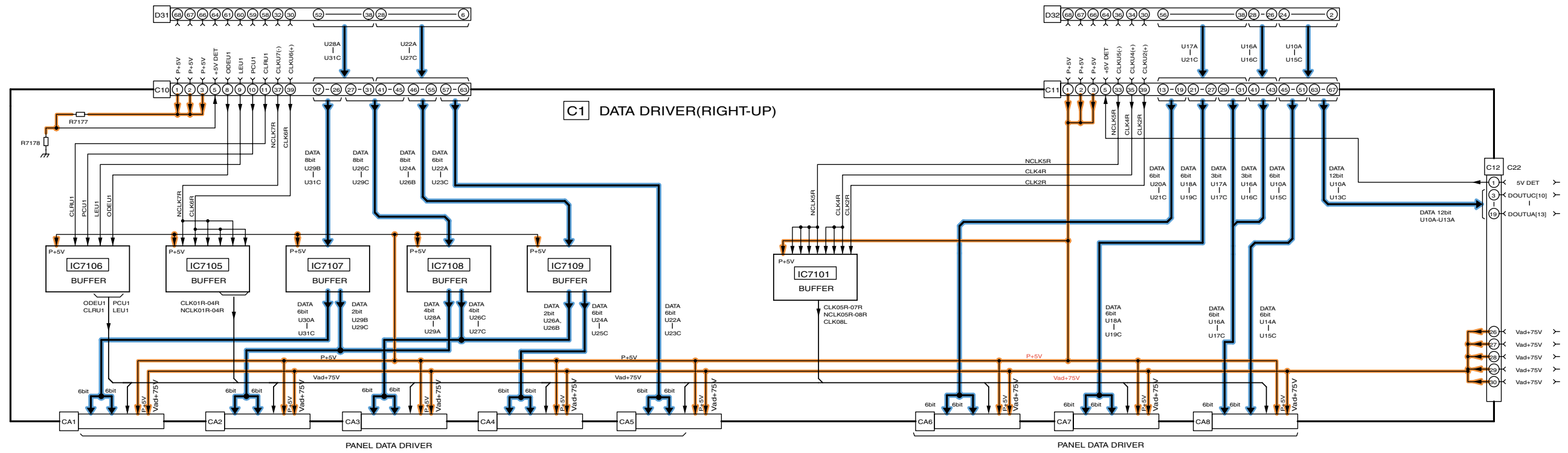
15.39. D-Board (7 of 8) Schematic Diagram



TH-42PZ700U
D-Board (7 of 8) Schematic Diagram

TH-42PZ700U
D-Board (7 of 8) Schematic Diagram

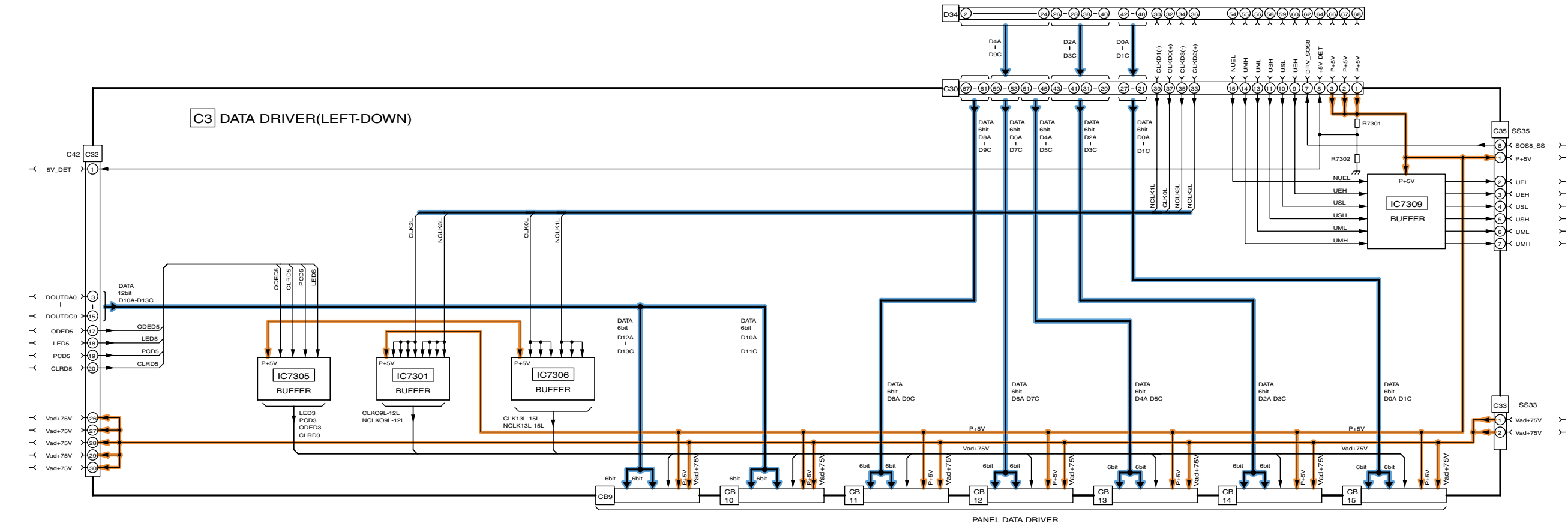
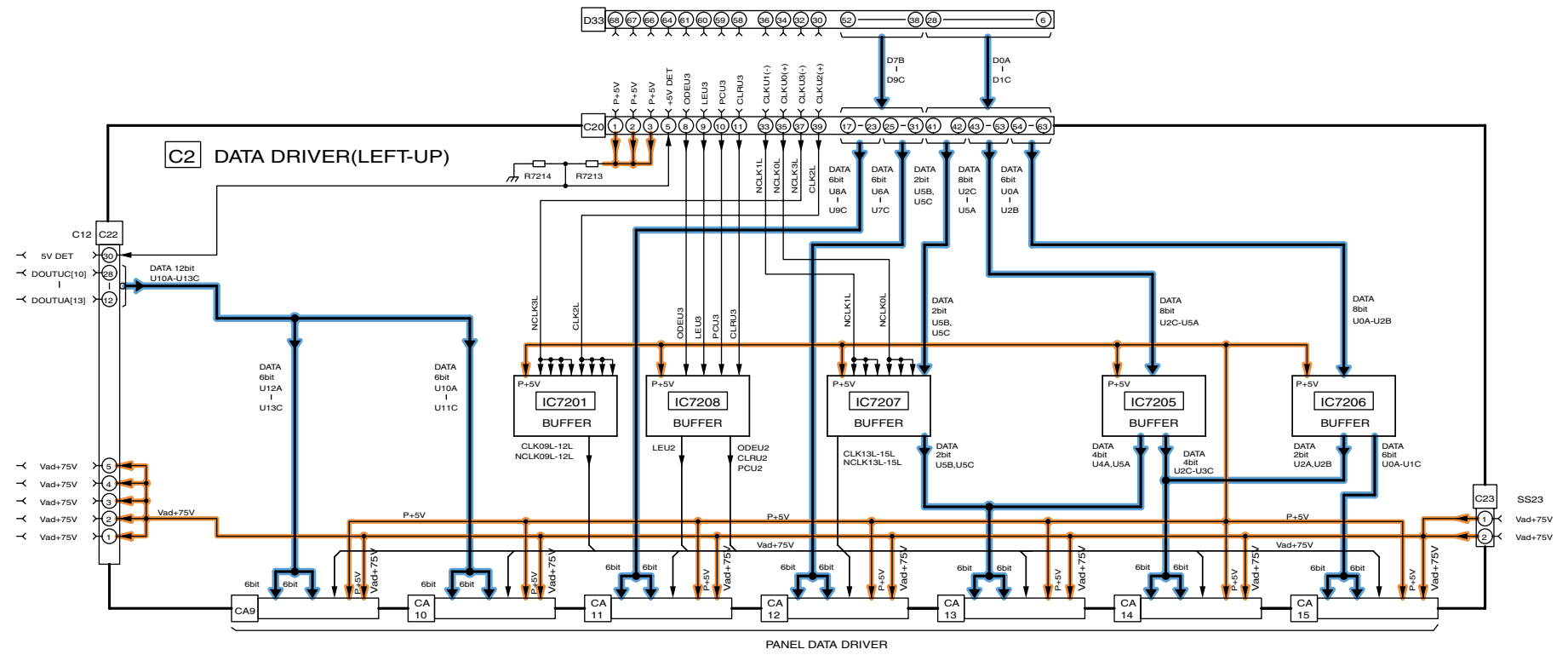
15.41. C1 and C4 Block Diagram



TH-42PZ700U
C1 and C4-Board Diagram

TH-42PZ700U
C1 and C4-Board Diagram

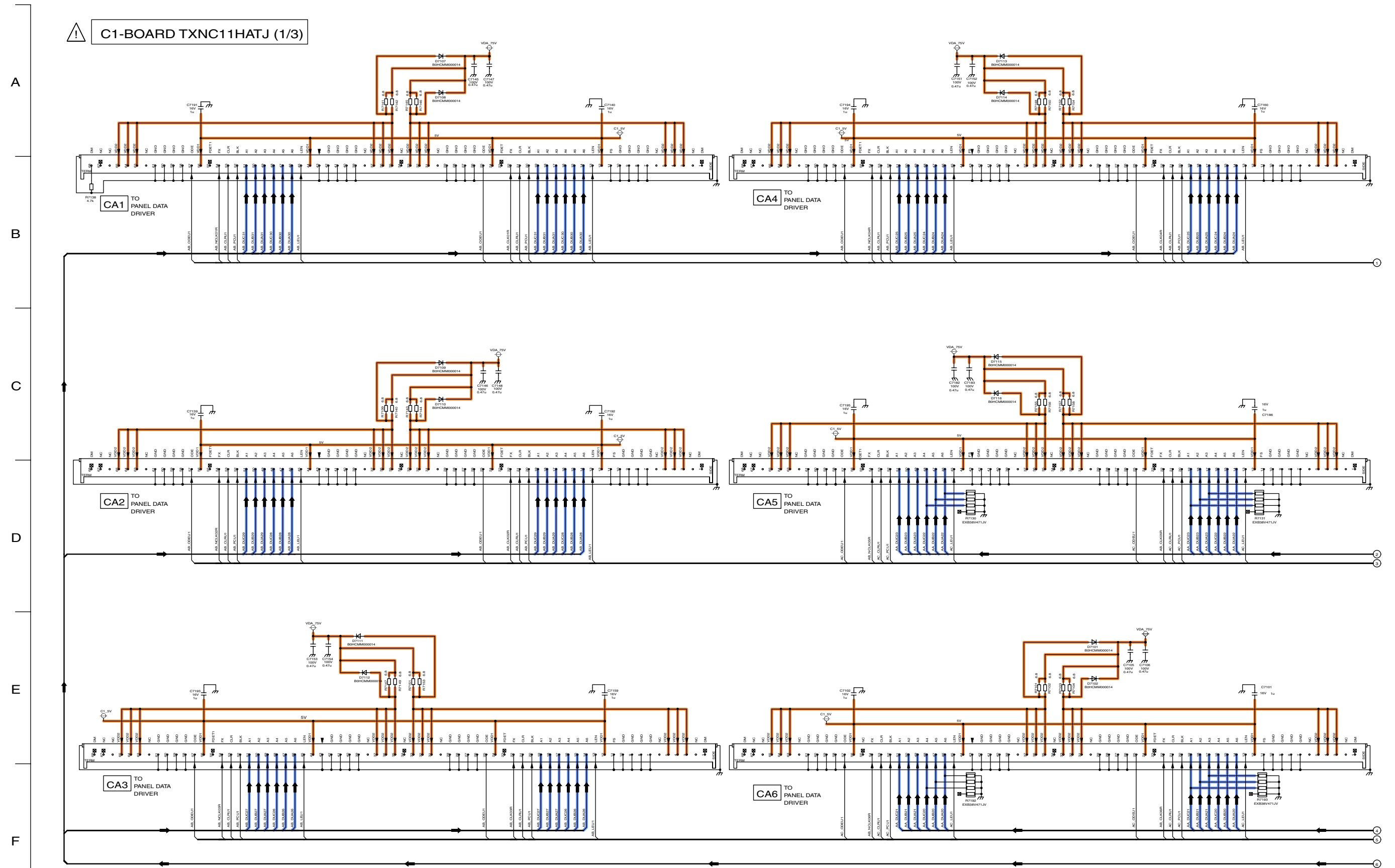
15.42. C2 and C3-Board Block Diagram



TH-42PZ700U
C2 and C3-Board Block Diagram

TH-42PZ700U
C2 and C3-Board Block Diagram

15.43. C1-Board (1 of 3) Schematic Diagram

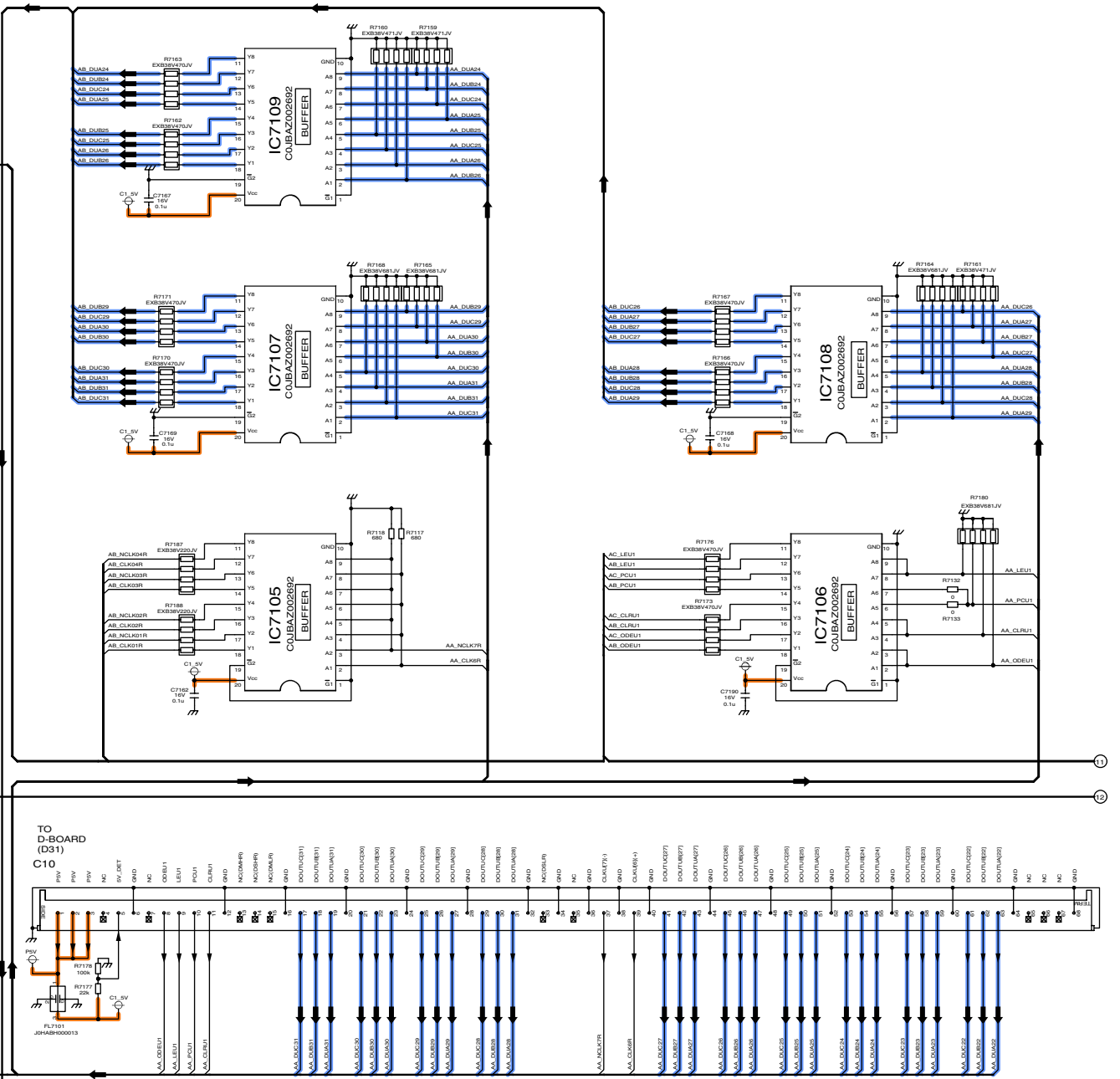
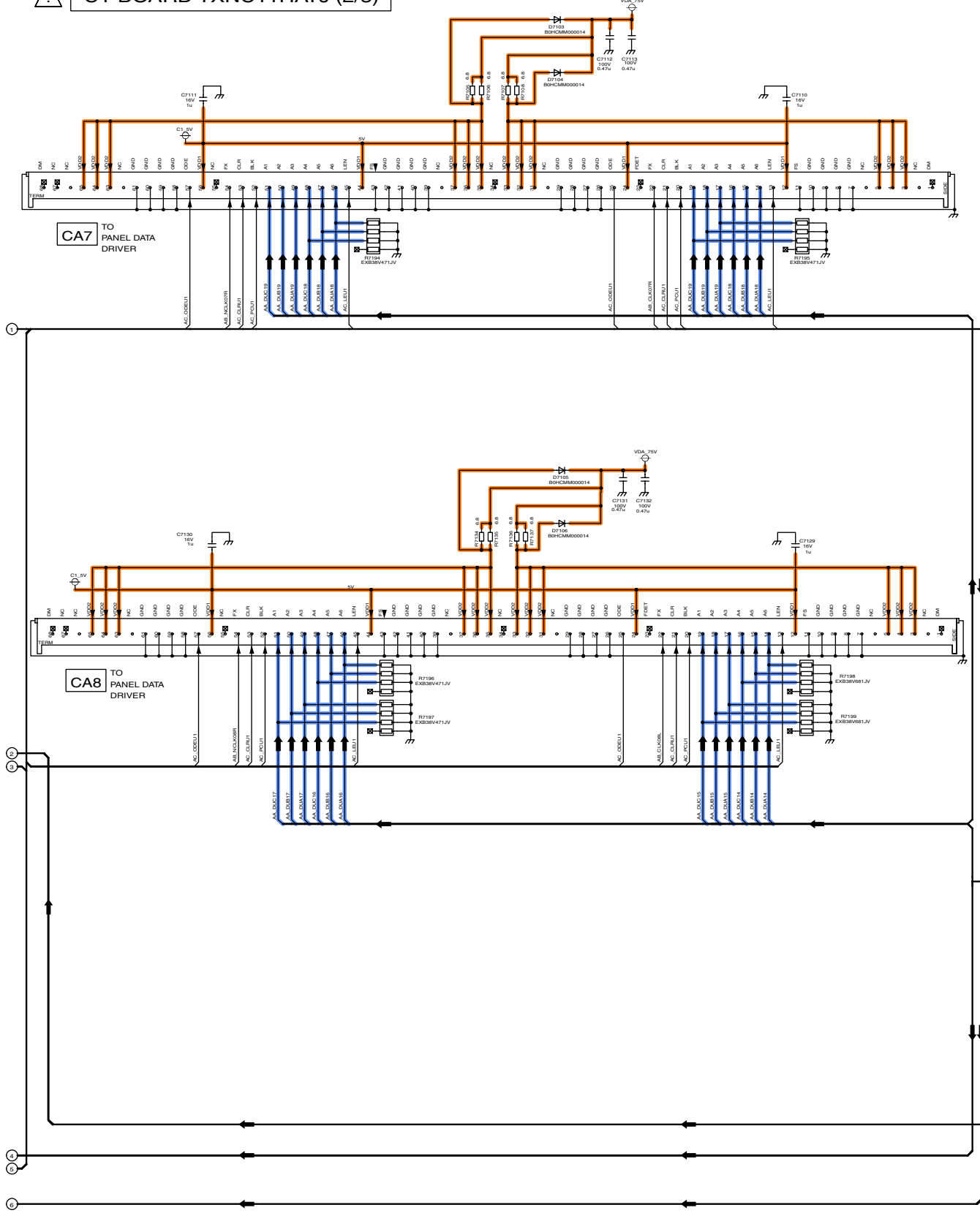


TH-42PZ700U
C1-Board (1 of 3) Schematic Diagram

TH-42PZ700U
C1-Board (1 of 3) Schematic Diagram

15.44. C1-Board (2 of 3) Schematic Diagram

C1-BOARD TXNC11HATJ (2/3)

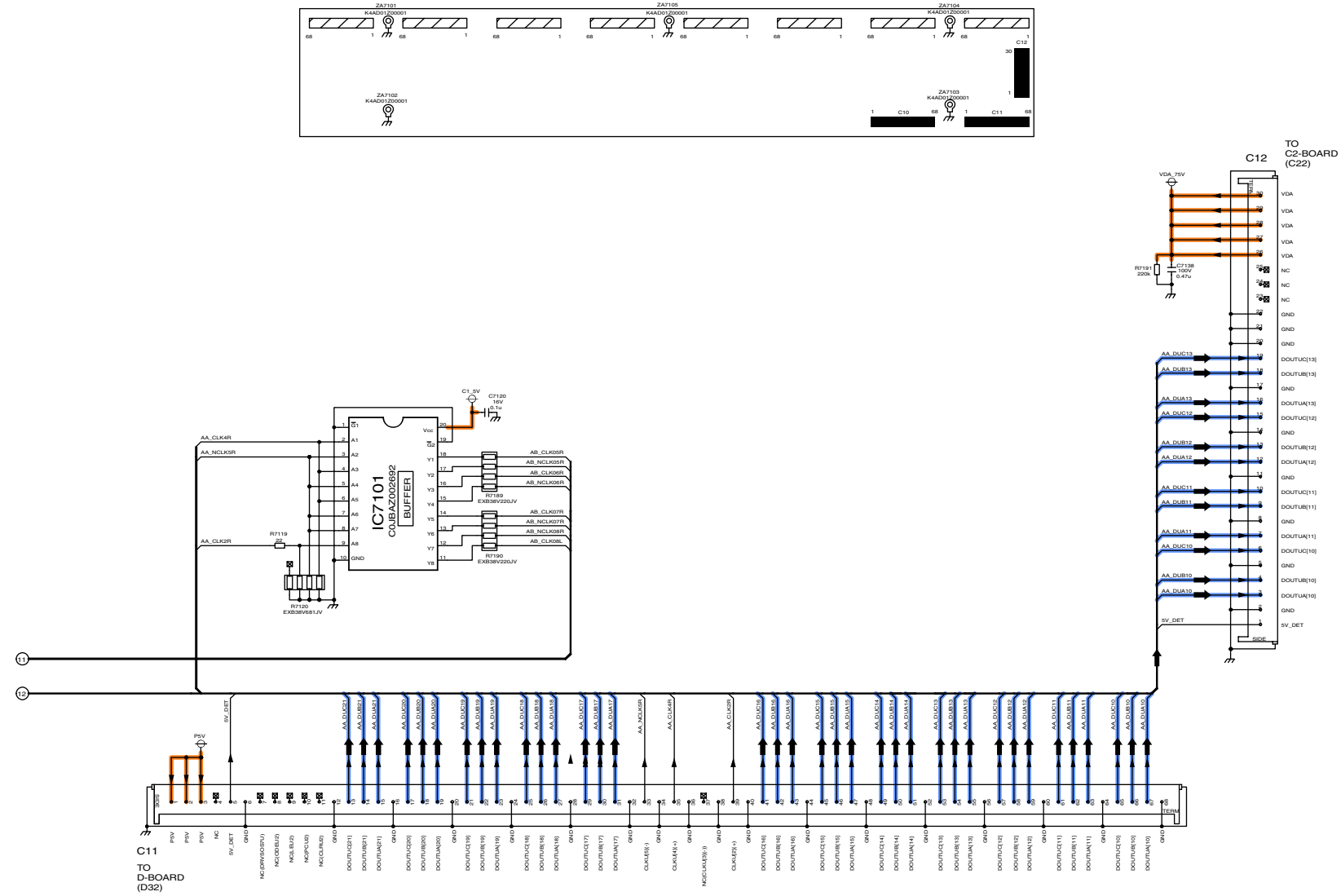


TH-42PZ700U C1-Board (2 of 3) Schematic Diagram

TH-42PZ700U C1-Board (2 of 3) Schematic Diagram

15.45. C1-Board (3 of 3) Schematic Diagram

 C1-BOARD TXNC11HATJ (3/3)



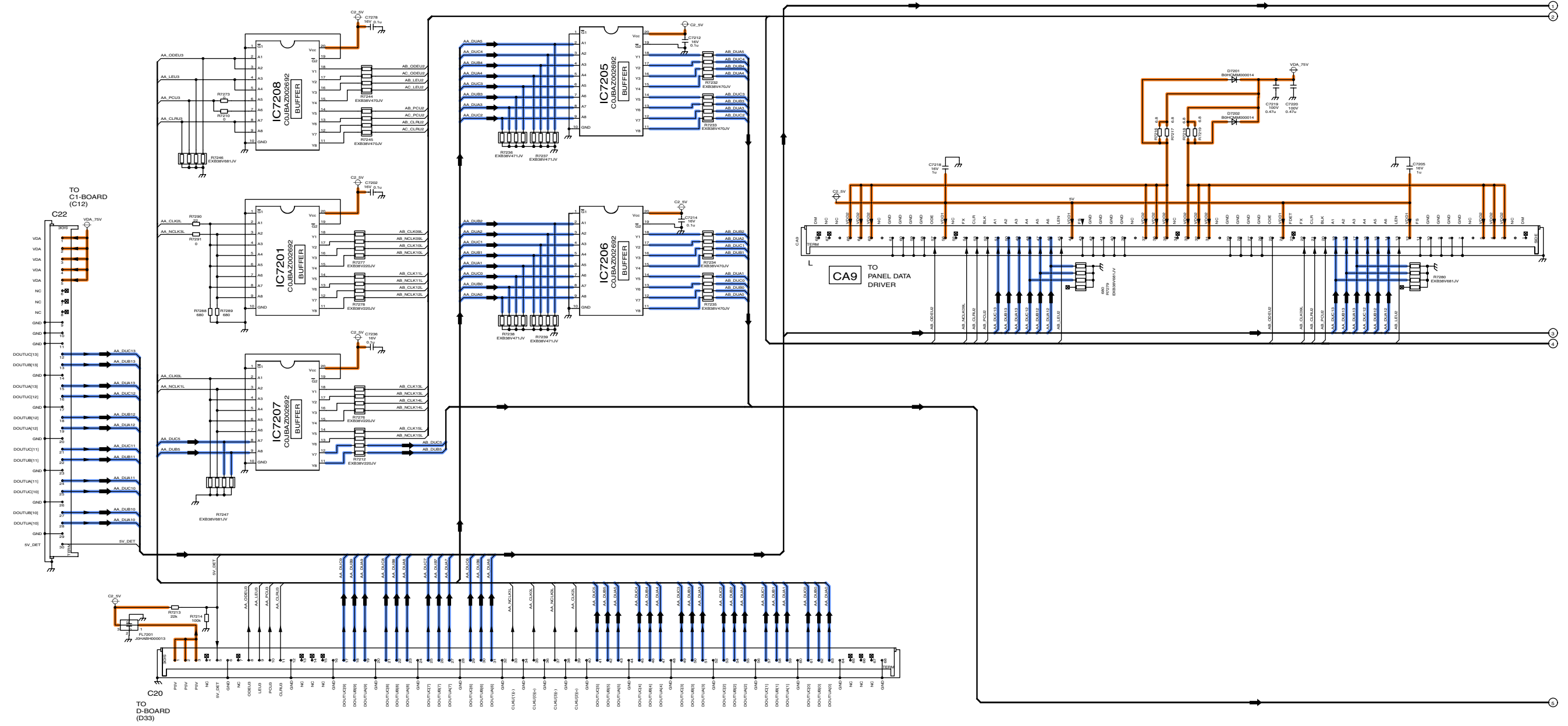
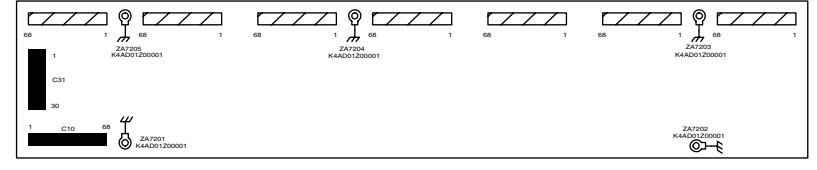
TH-42PZ700U
C1-Board (3 of 3) Schematic Diagram

TH-42PZ700U
C1-Board (3 of 3) Schematic Diagram

15.46. C2-Board (1 of 3) Schematic Diagram

⚠ C2-BOARD TXNC21HATJ (1/3)

A
B
C
D
E
F



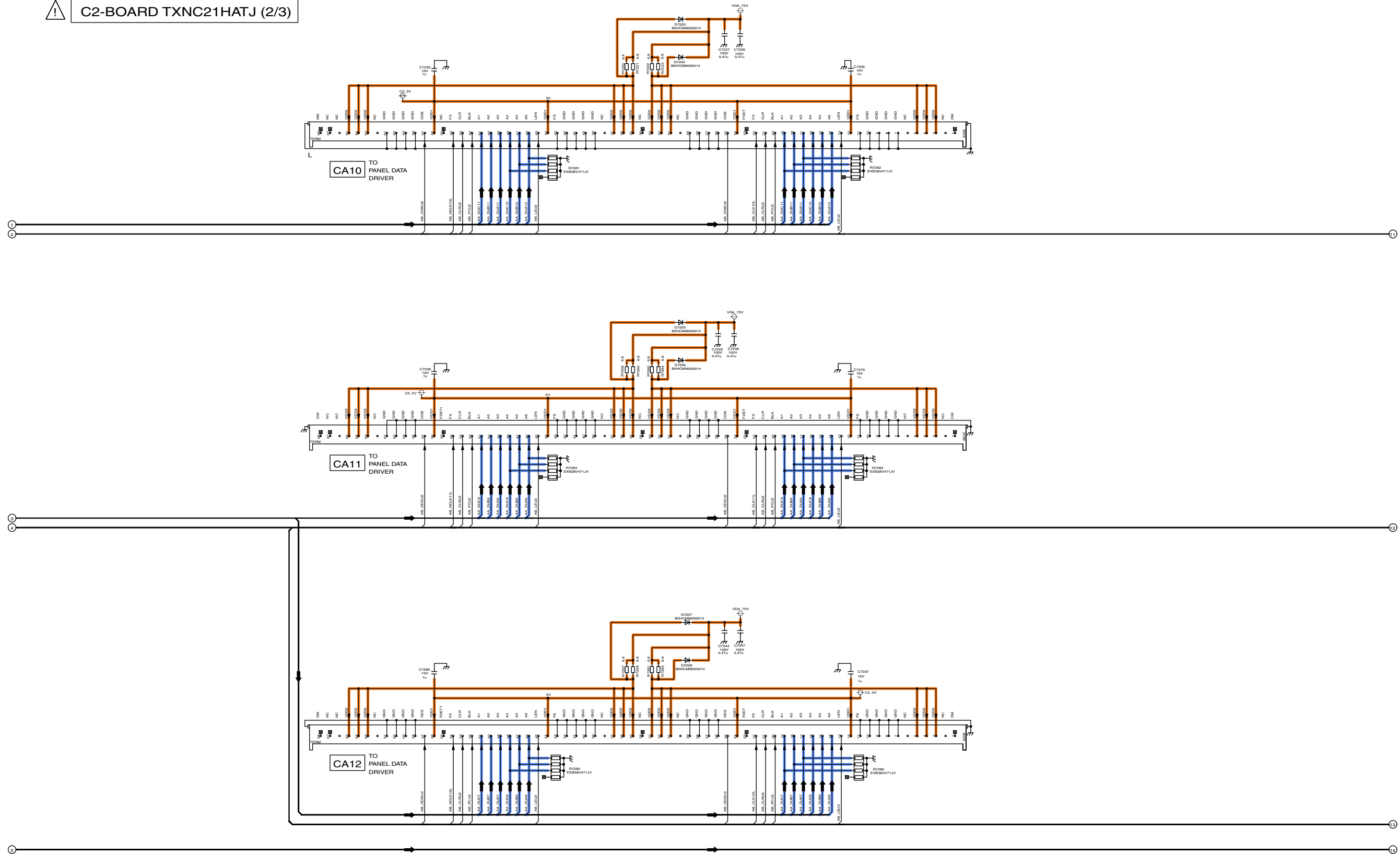
TH-42PZ700U
C2-Board (1 of 3) Schematic Diagram

TH-42PZ700U
C2-Board (1 of 3) Schematic Diagram

1 2 3 4 5 6 7 8 9

15.47. C2-Board (2 of 3) Schematic Diagram

! C2-BOARD TXNC21HATJ (2/3)



TH-42PZ700U
C2-Board (2 of 3) Schematic Diagram

TH-42PZ700U
C2-Board (2 of 3) Schematic Diagram

10

11

12

13

14

15

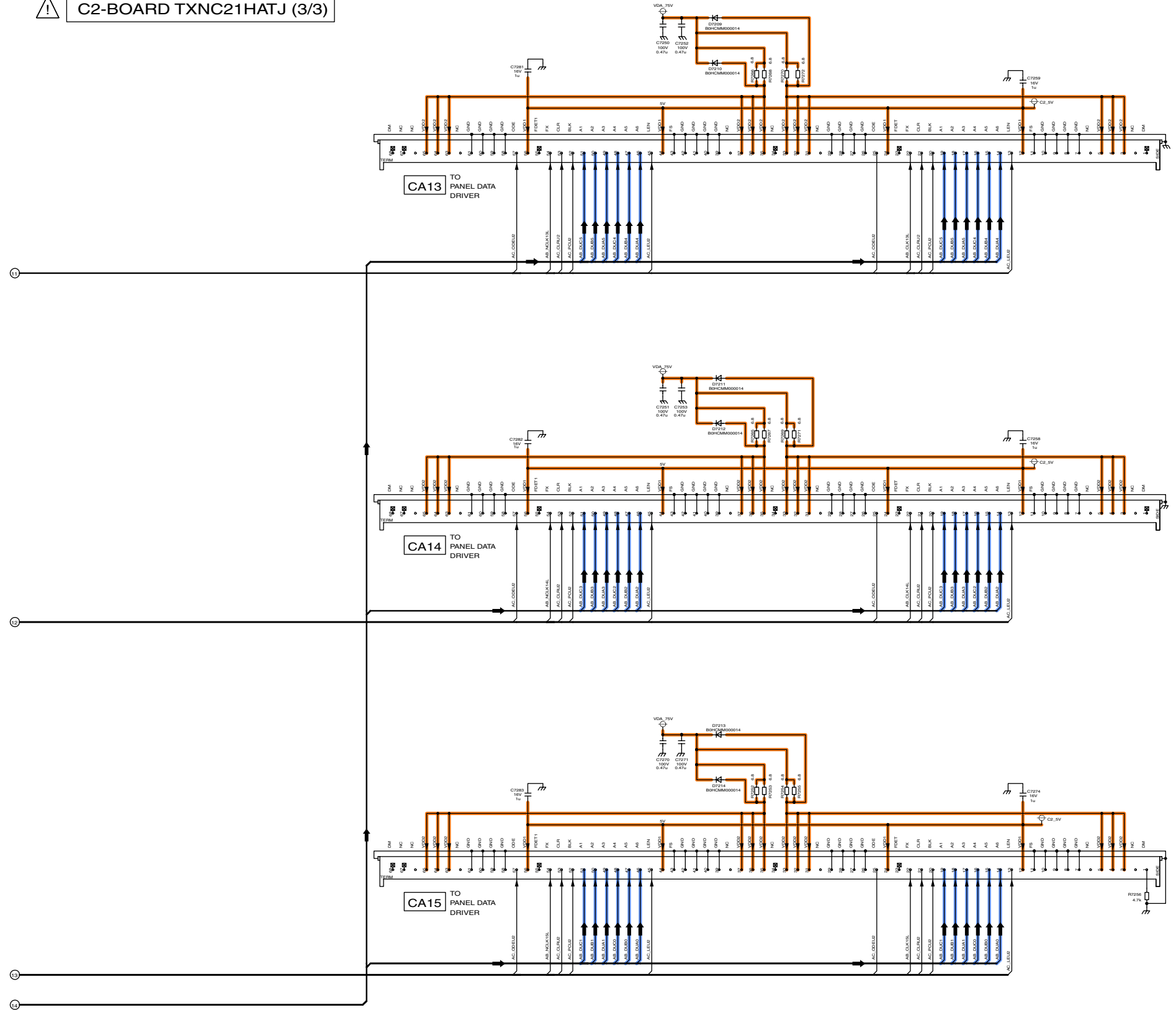
16

17

18

15.48. C2-Board (3 of 3) Schematic Diagram

C2-BOARD TXNC21HATJ (3/3)

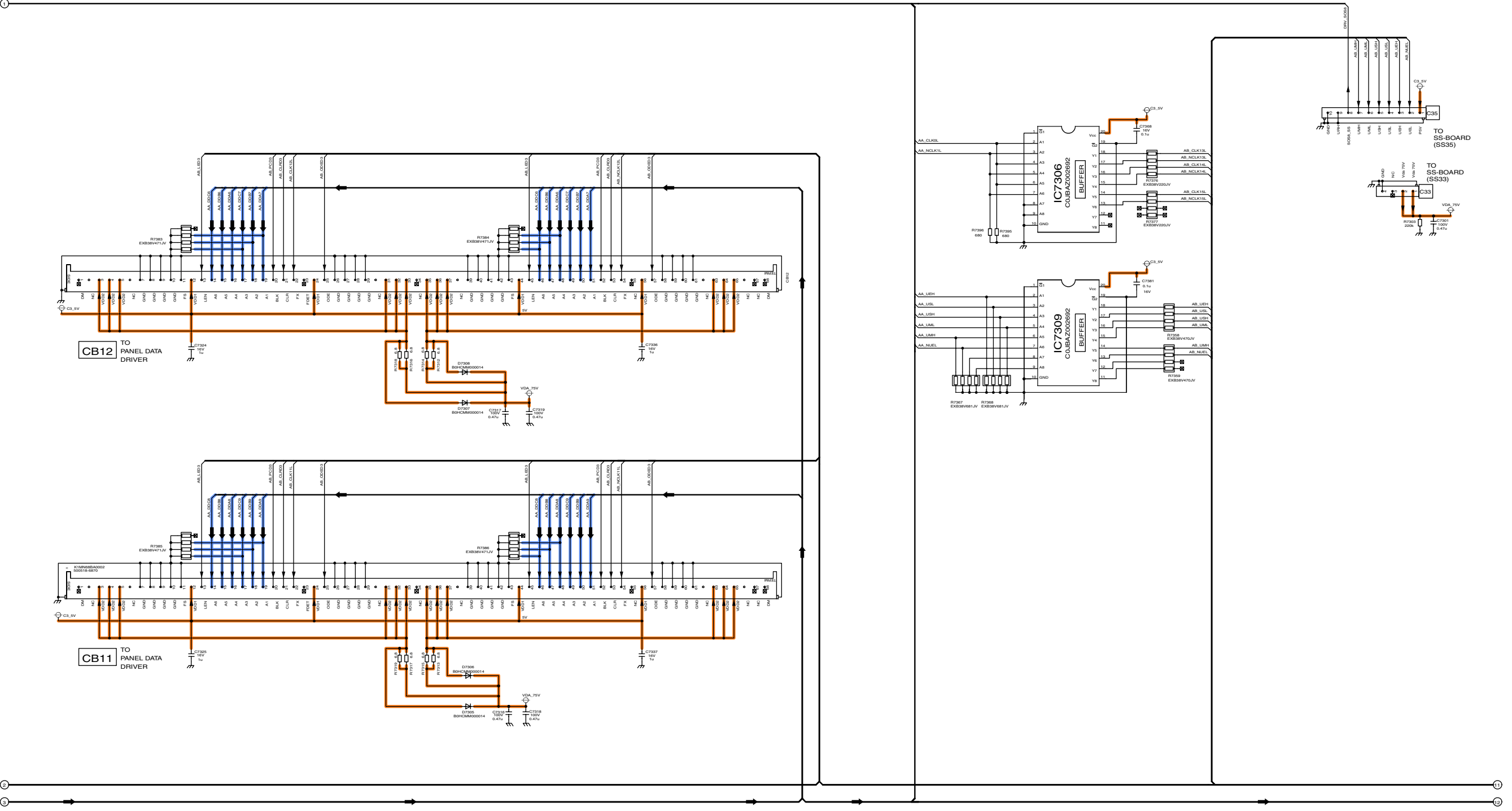


TH-42PZ700U
C2-Board (3 of 3) Schematic Diagram

TH-42PZ700U
C2-Board (3 of 3) Schematic Diagram

15.50. C3-Board (2 of 3) Schematic Diagram

! C3-BOARD TXNC31HATJ (2/3)



TH-42PZ700U
C3-Board (2 of 3) Schematic Diagram

TH-42PZ700U
C3-Board (2 of 3) Schematic Diagram

10

11

12

13

14

15

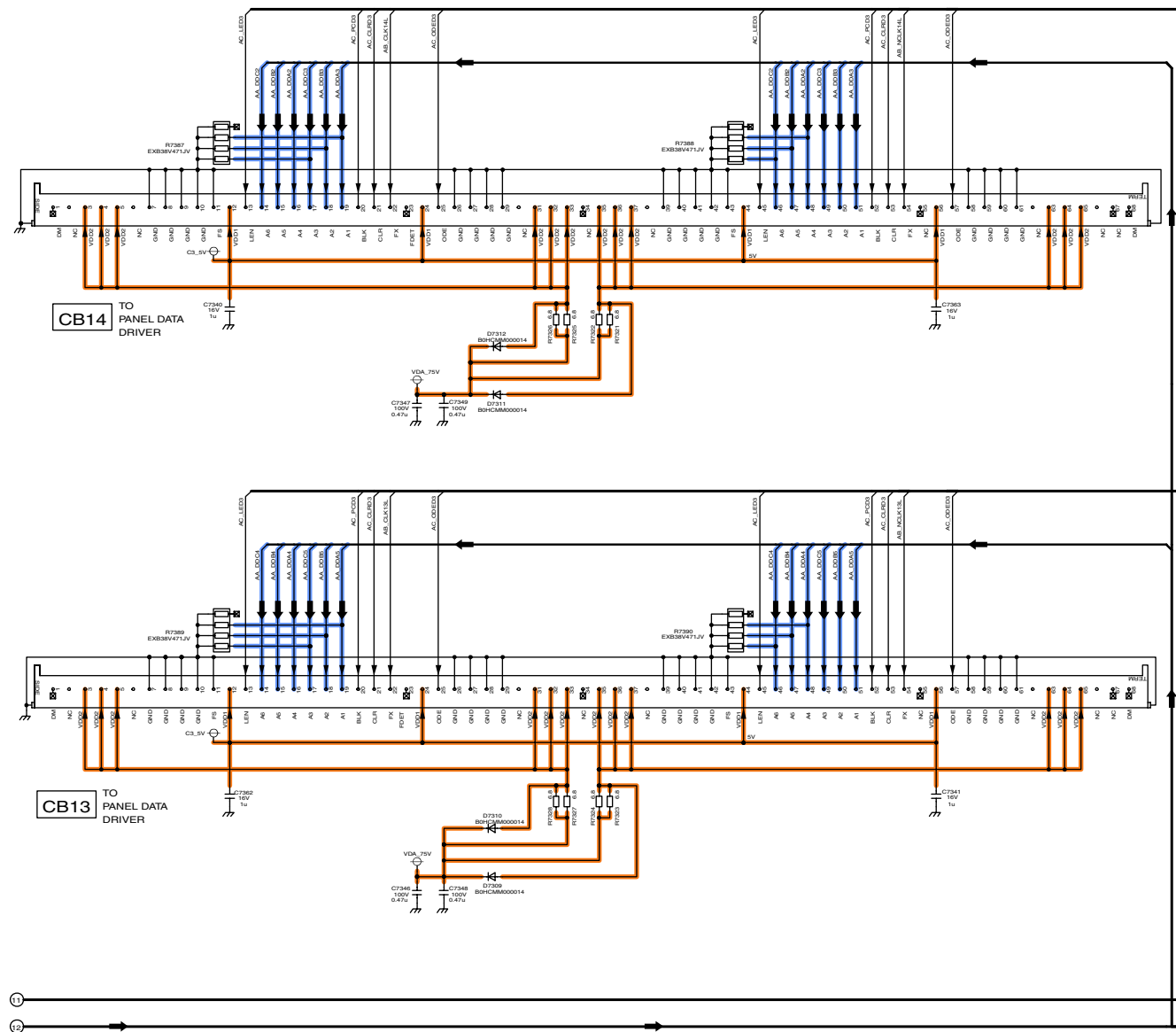
16

17

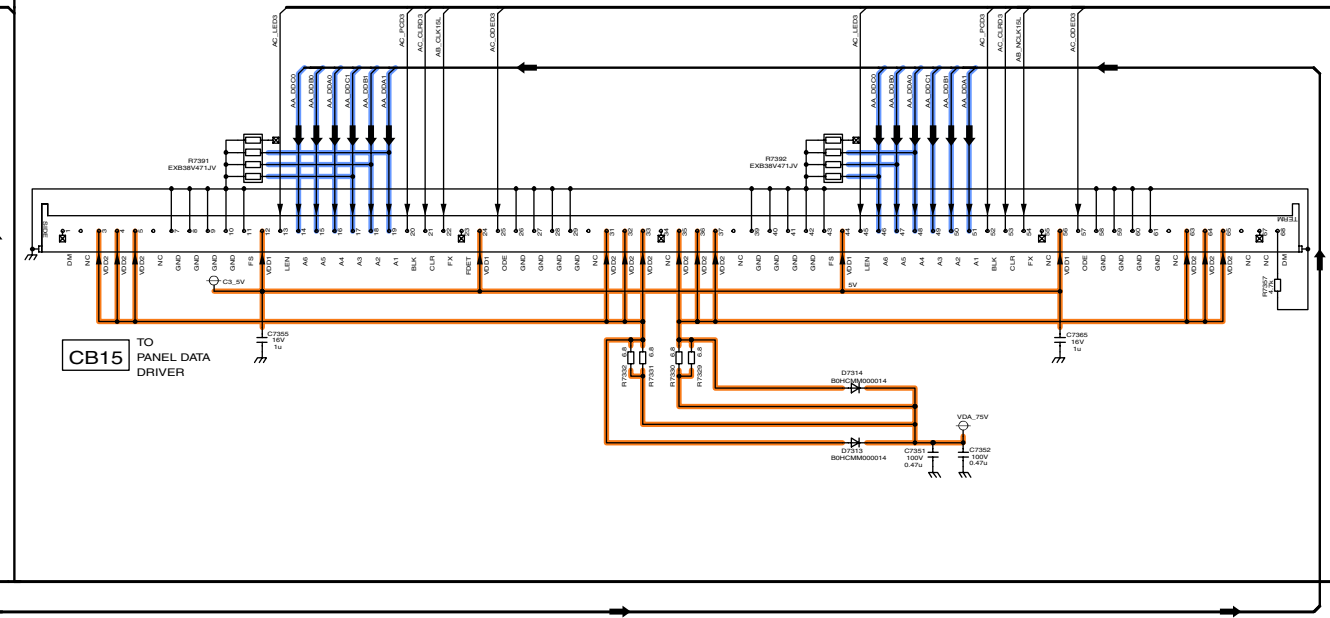
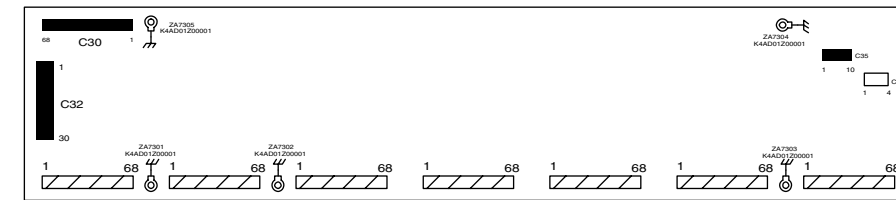
18

15.51. C3-Board (3 of 3) Schematic Diagram

⚠ C3-BOARD TXNC31HATJ (3/3)



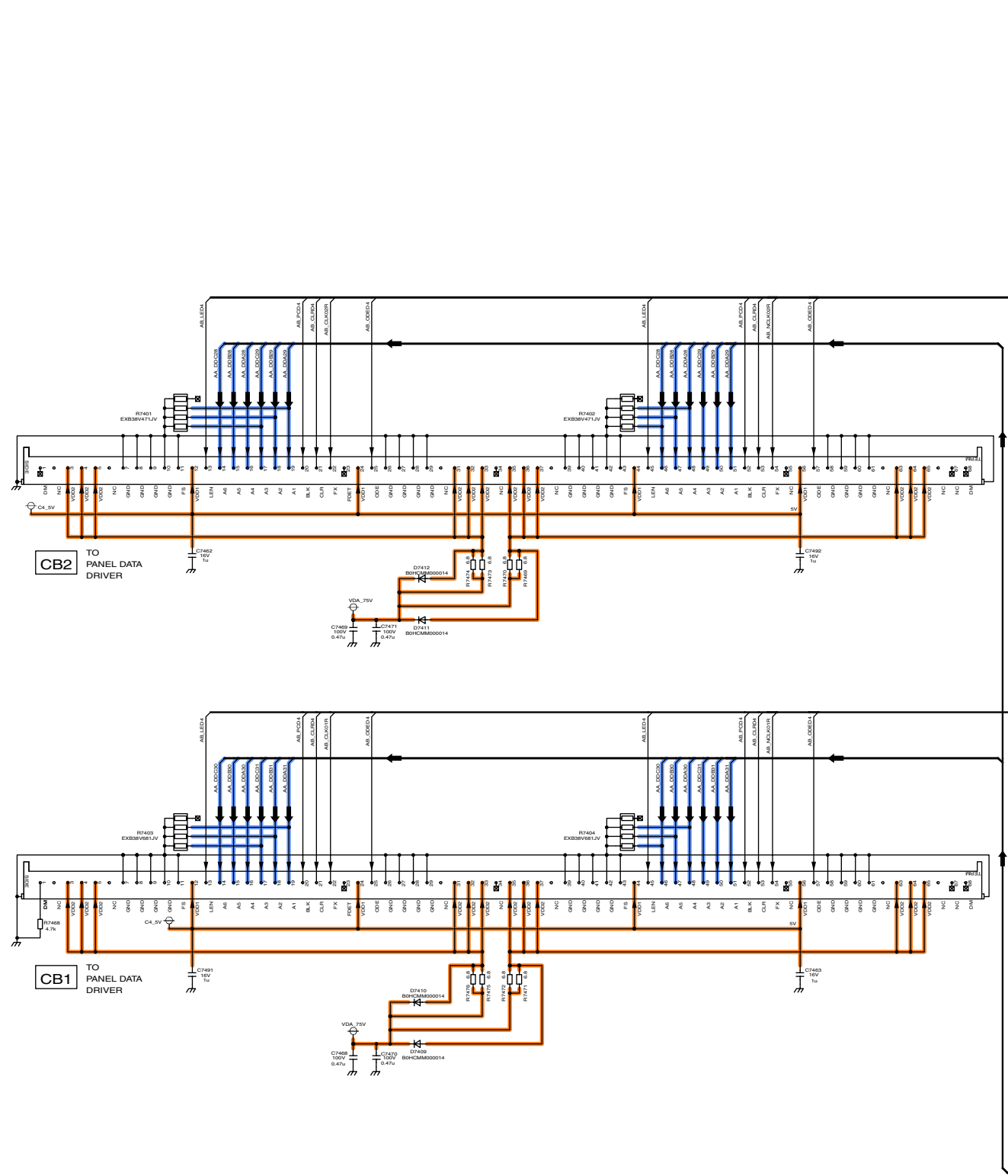
TH-42PZ700U
C3-Board (3 of 3) Schematic Diagram



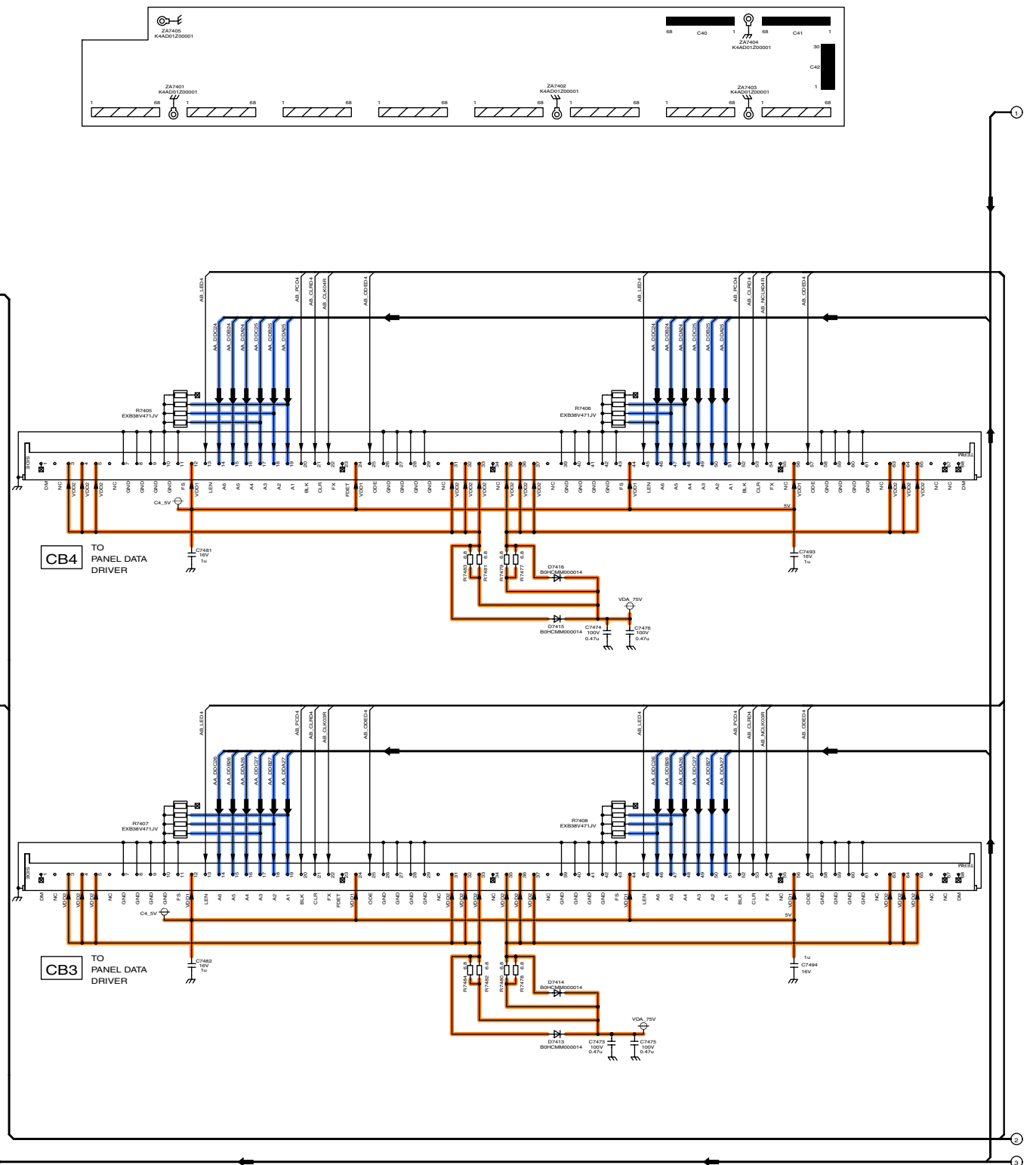
15.52. C4-Board (1 of 3) Schematic Diagram

⚠ C4-BOARD TXNC41HATJ (1/3)

A
B
C
D
E
F



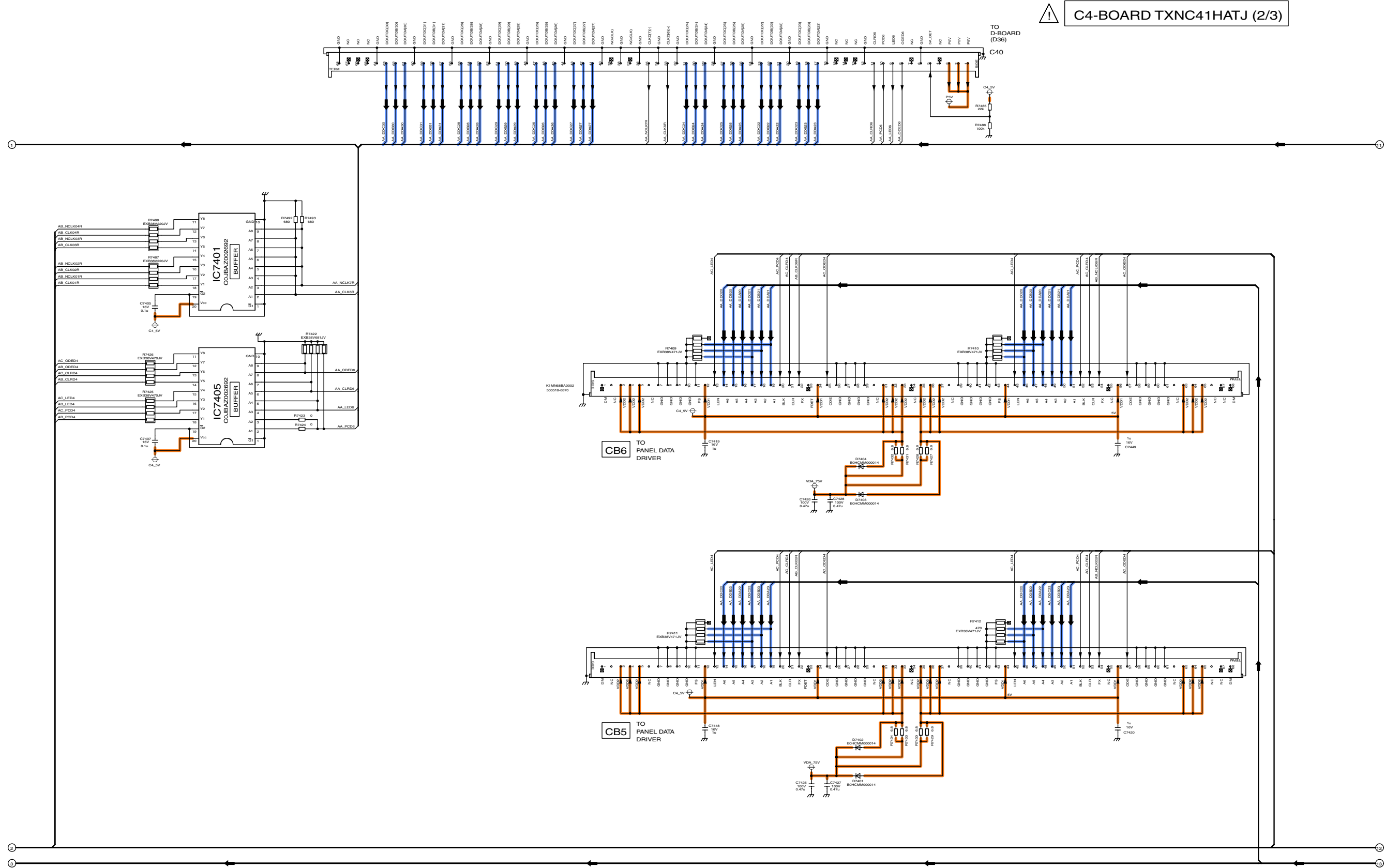
TH-42PZ700U
C4-Board (1 of 3) Schematic Diagram



TH-42PZ700U
C4-Board (1 of 3) Schematic Diagram

1 2 3 4 5 6 7 8 9

15.53. C4-Board (2 of 3) Schematic Diagram

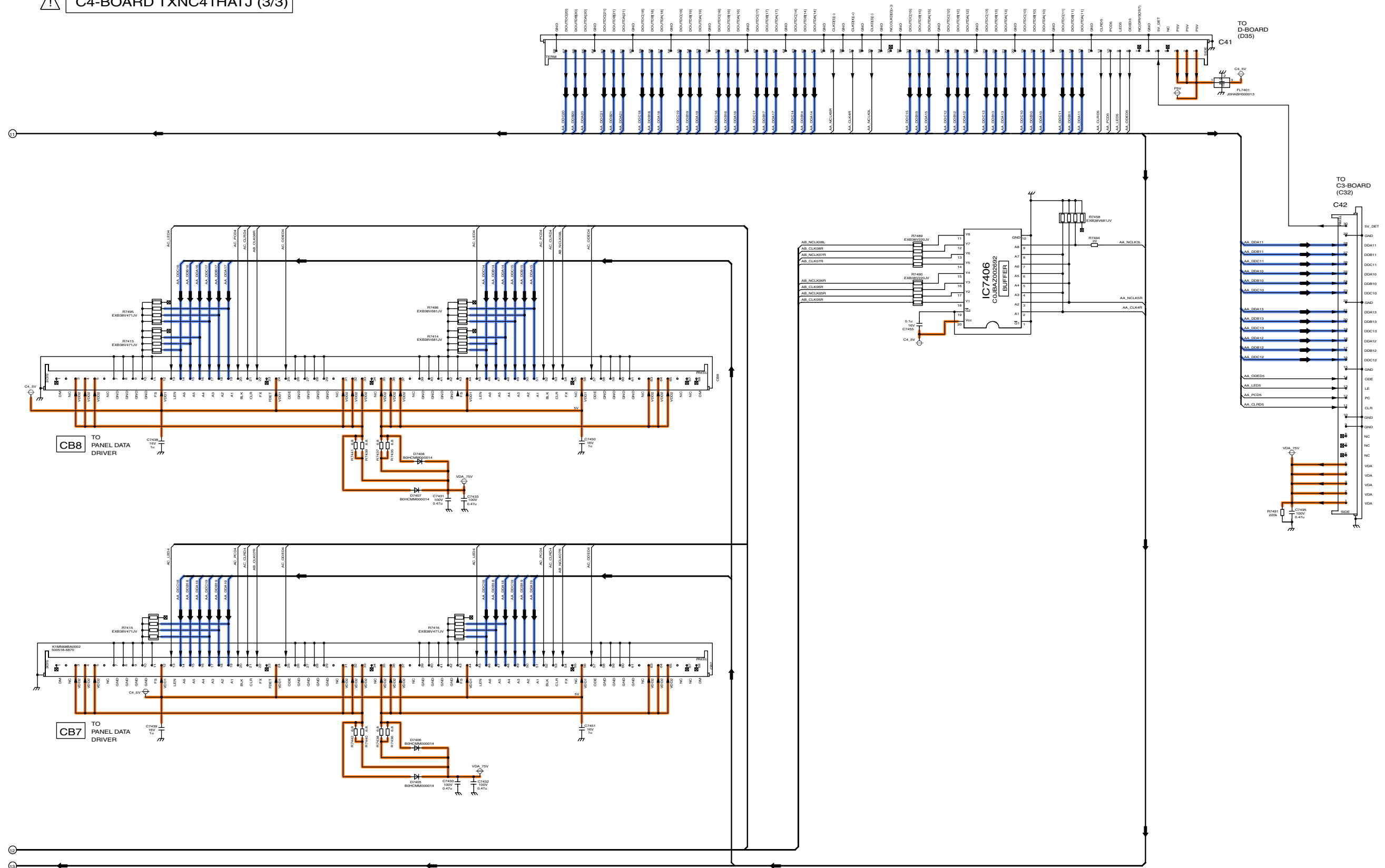


TH-42PZ700U
C4-Board (2 of 3) Schematic Diagram

TH-42PZ700U
C4-Board (2 of 3) Schematic Diagram

15.54. C4-Board (3 of 3) Schematic Diagram

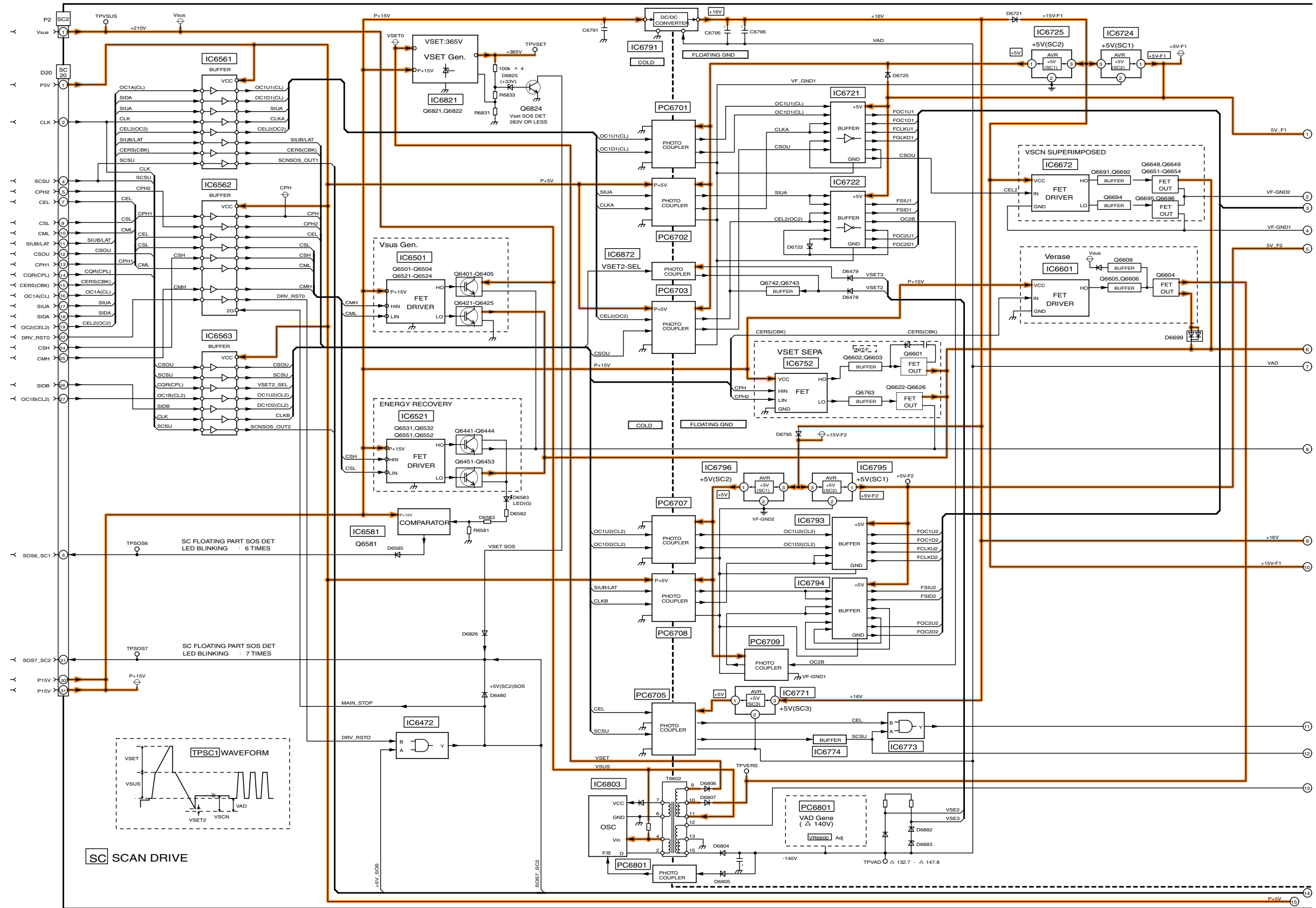
C4-BOARD TXNC41HATJ (3/3)



TH-42PZ700U
C4-Board (3 of 3) Schematic Diagram

TH-42PZ700U
C4-Board (3 of 3) Schematic Diagram

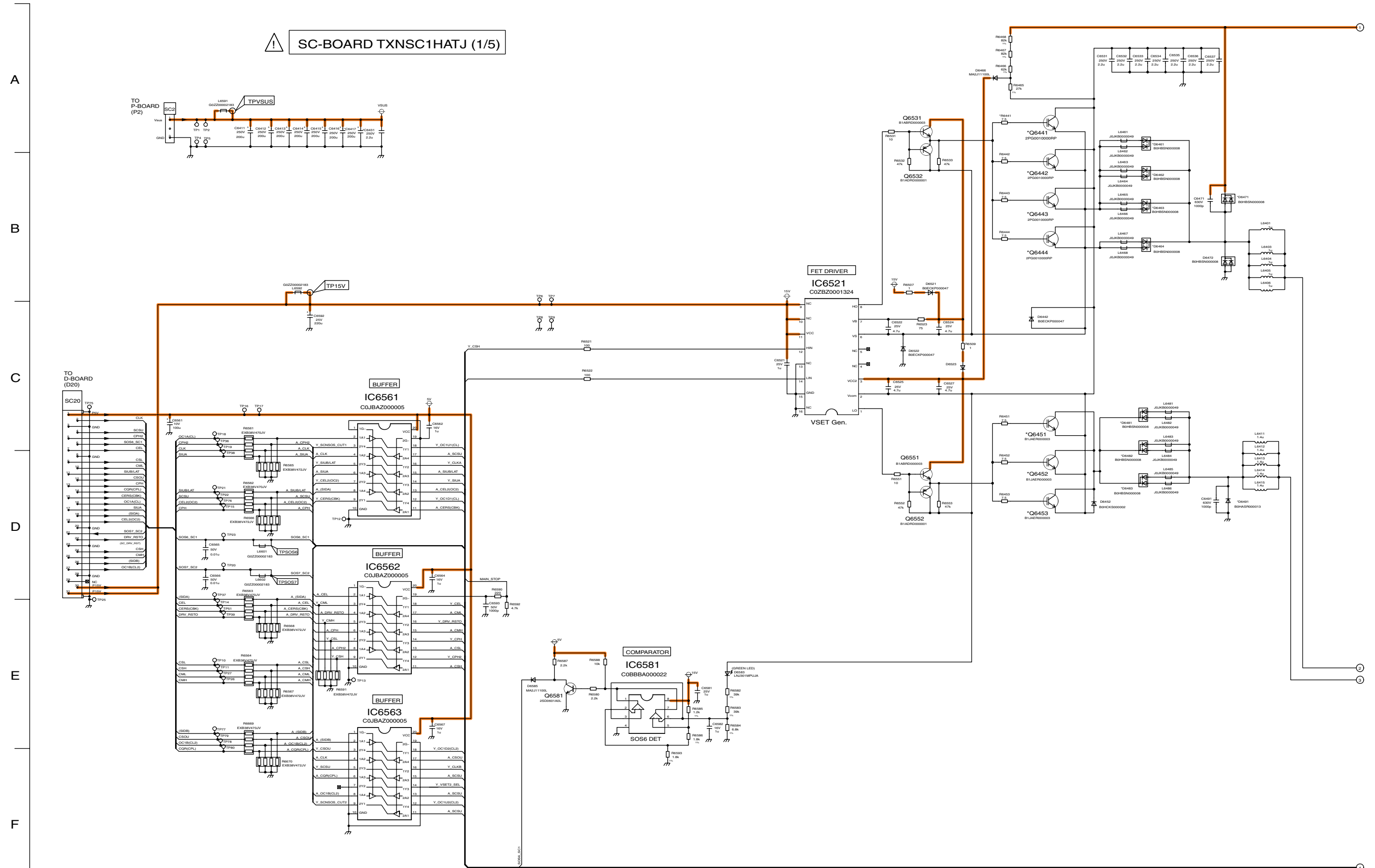
15.55. SC-Board (1 of 2) Block Diagram



TH-42PZ700U
SC-Board (1 of 2) Block Diagram

TH-42PZ700U
SC-Board (1 of 2) Block Diagram

15.57. SC-Board (1 of 5) Schematic Diagram



TH-42PZ700U
SC-Board (1 of 5) Schematic Diagram

TH-42PZ700U
SC-Board (1 of 5) Schematic Diagram

1

2

3

4

5

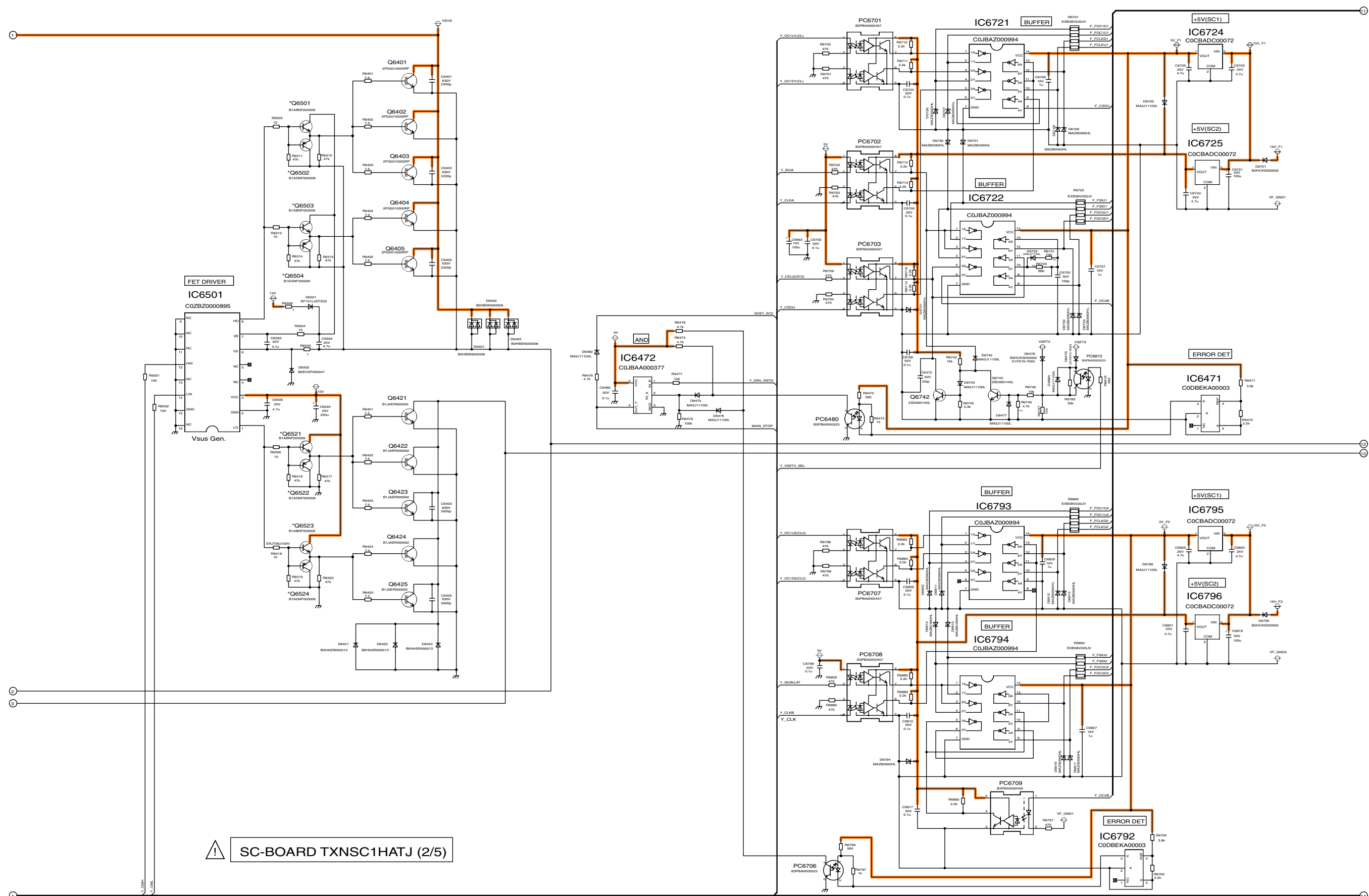
6

7

8

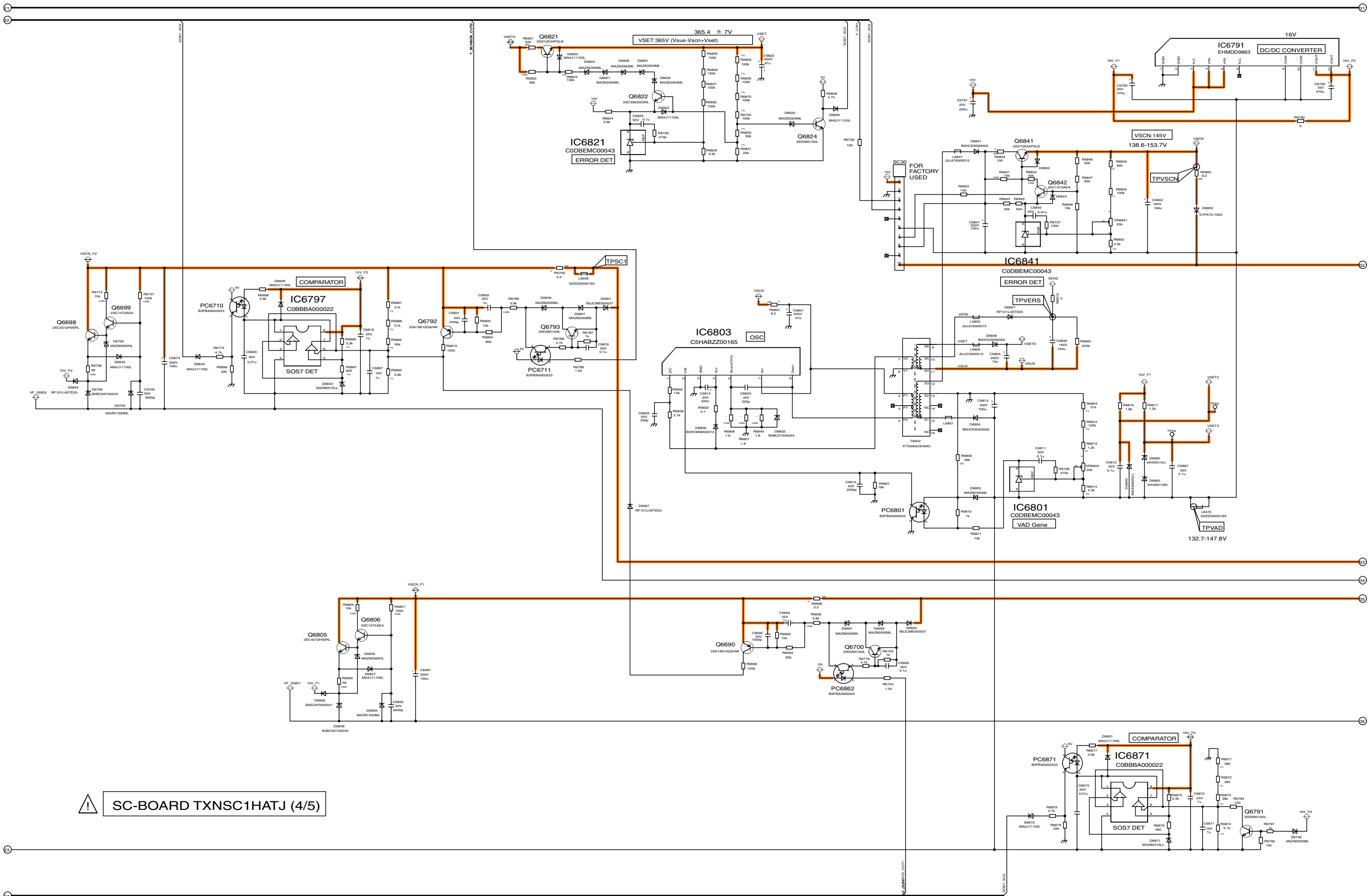
9

15.58. SC-Board (2 of 5) Schematic Diagram



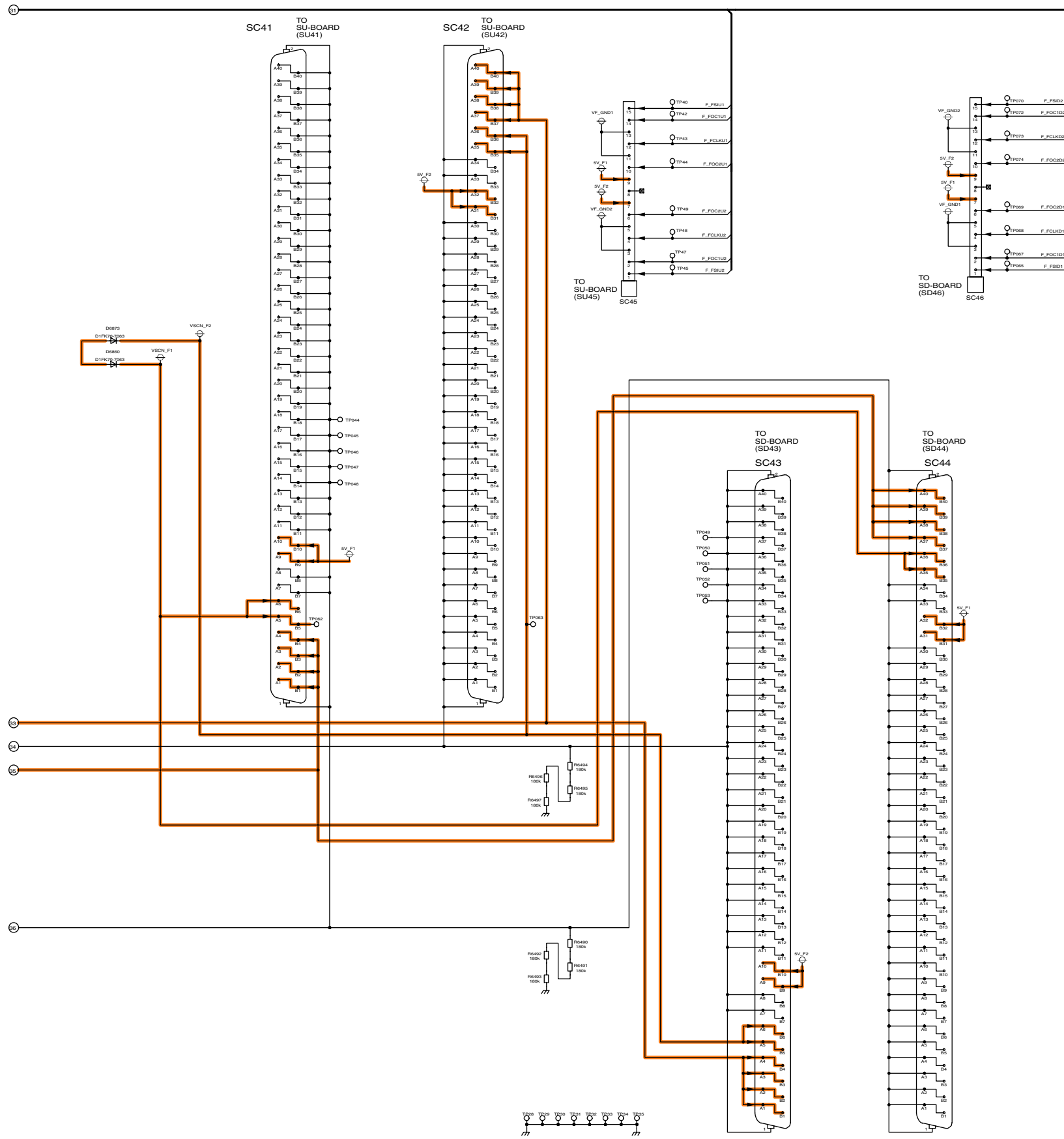
⚠ SC-BOARD TXNSC1HATJ (2/5)

15.60. SC-Board (4 of 5) Schematic Diagram

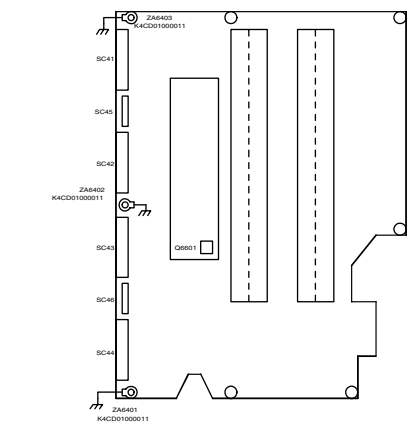


SC-BOARD TXNSC1HATJ (4/5)

15.61. SC-Board (5 of 5) Schematic Diagram



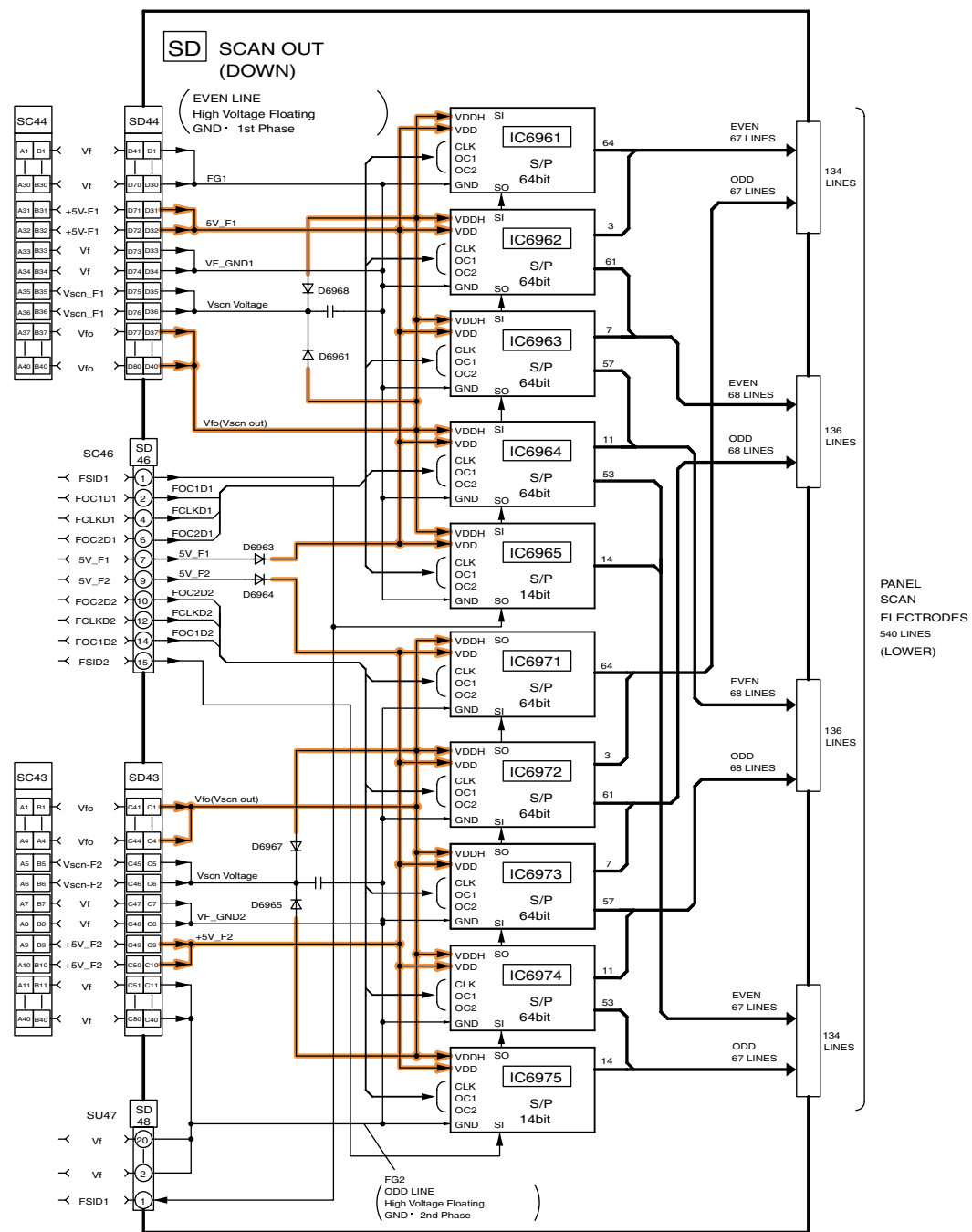
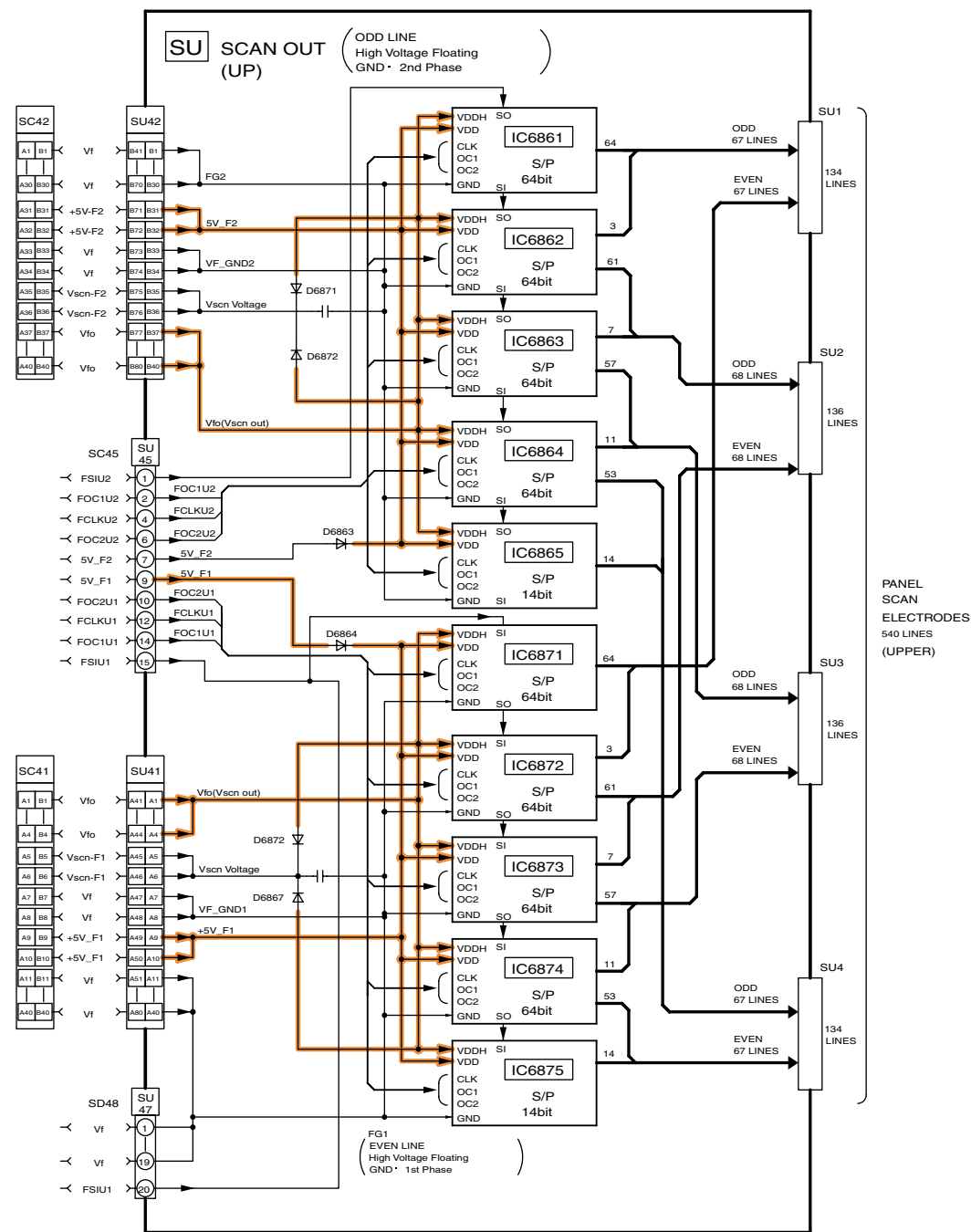
SC-BOARD TXNSC1HATJ (5/5)



TH-42PZ700U
SC-Board (5 of 5) Schematic Diagram

TH-42PZ700U
SC-Board (5 of 5) Schematic Diagram

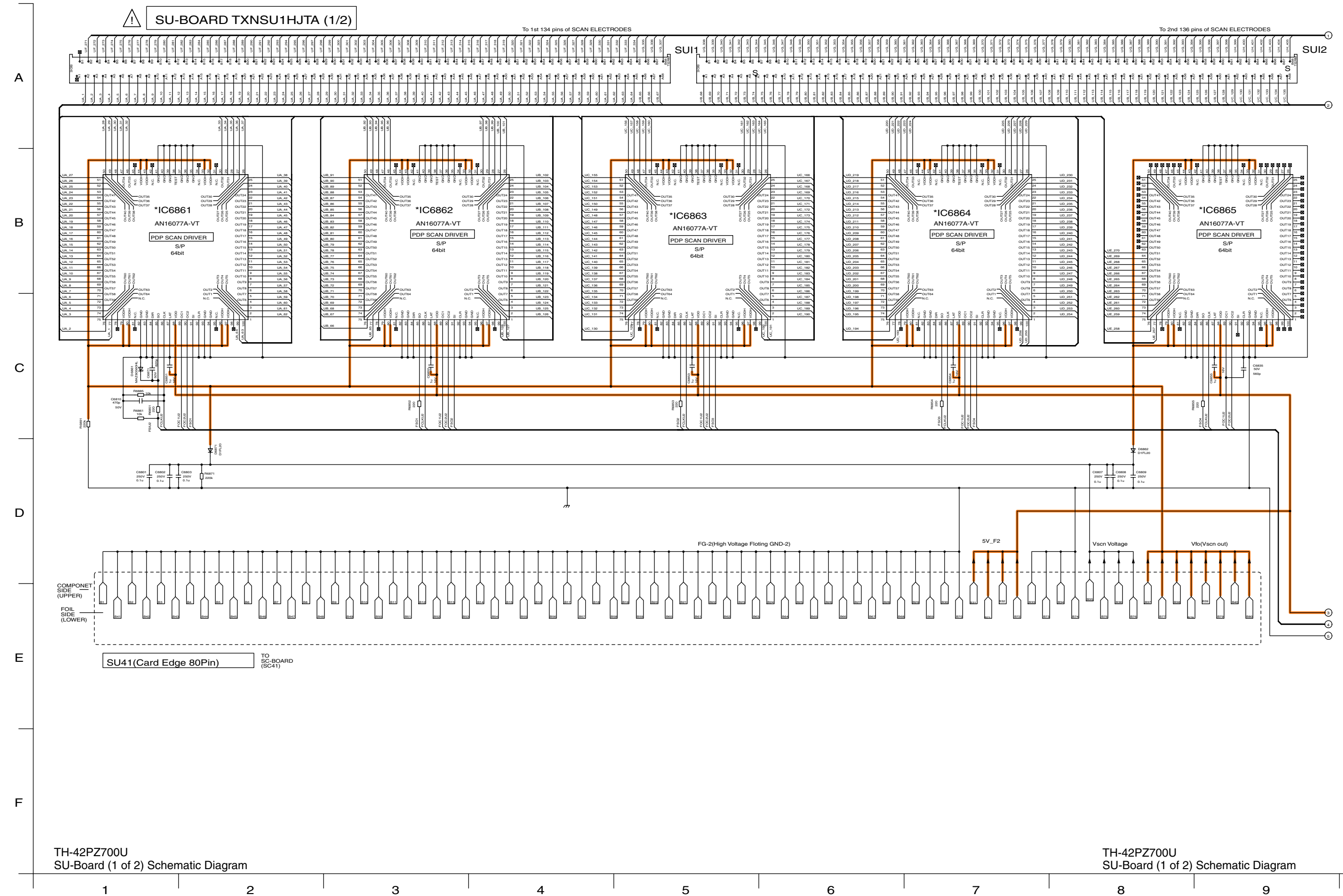
15.62. SU and SD-Board Block Diagram



TH-42PZ700U
SU and SD-Board Block Diagram

TH-42PZ700U
SU and SD-Board Block Diagram

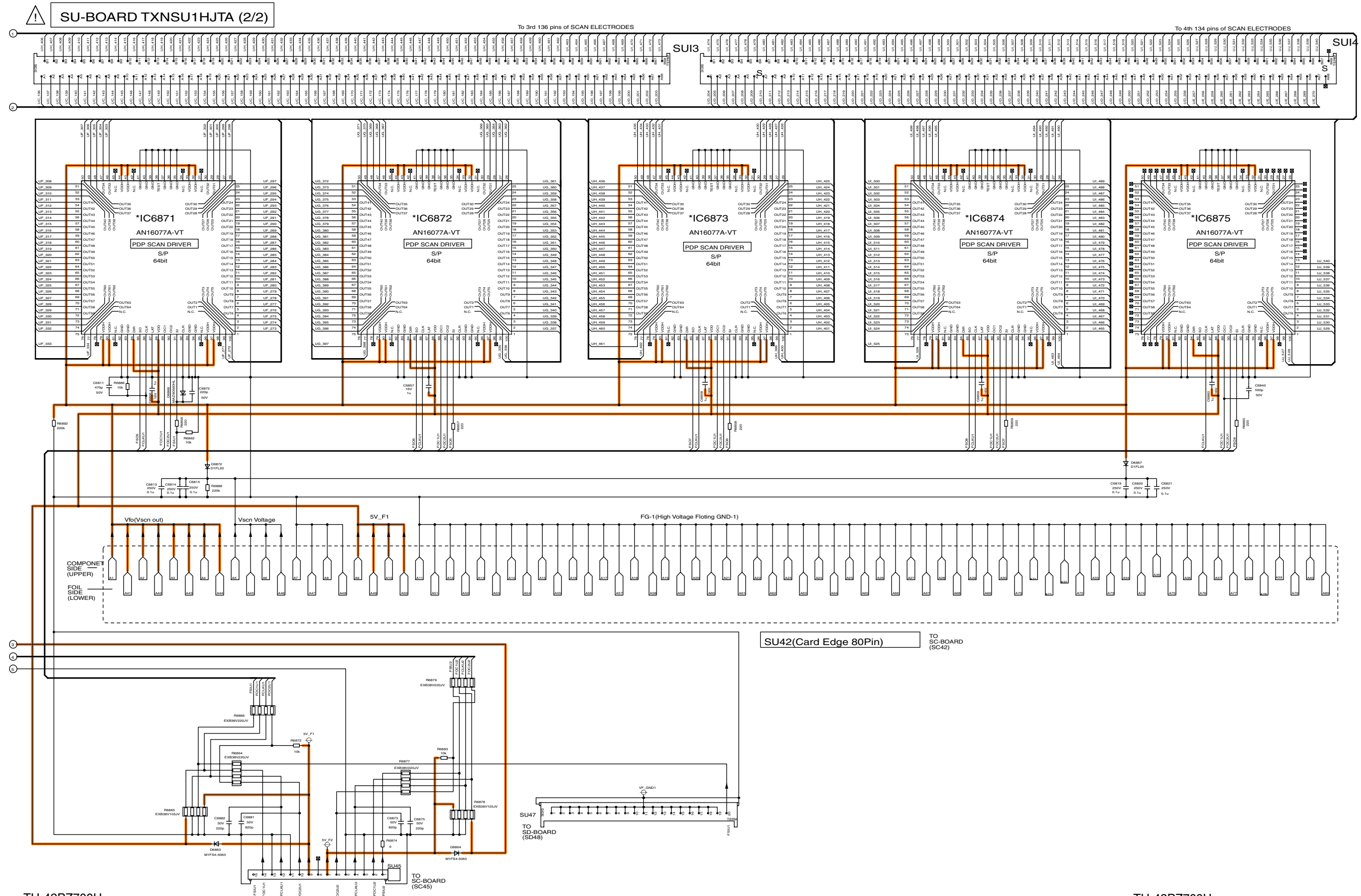
15.63. SU-Board (1 of 2) Schematic Diagram



TH-42PZ700U
SU-Board (1 of 2) Schematic Diagram

TH-42PZ700U
SU-Board (1 of 2) Schematic Diagram

15.64. SU-Board (2 of 2) Schematic Diagram



TH-42PZ700U
SU-Board (2 of 2) Schematic Diagram

TH-42PZ700U
SU-Board (2 of 2) Schematic Diagram

10

11

12

13

14

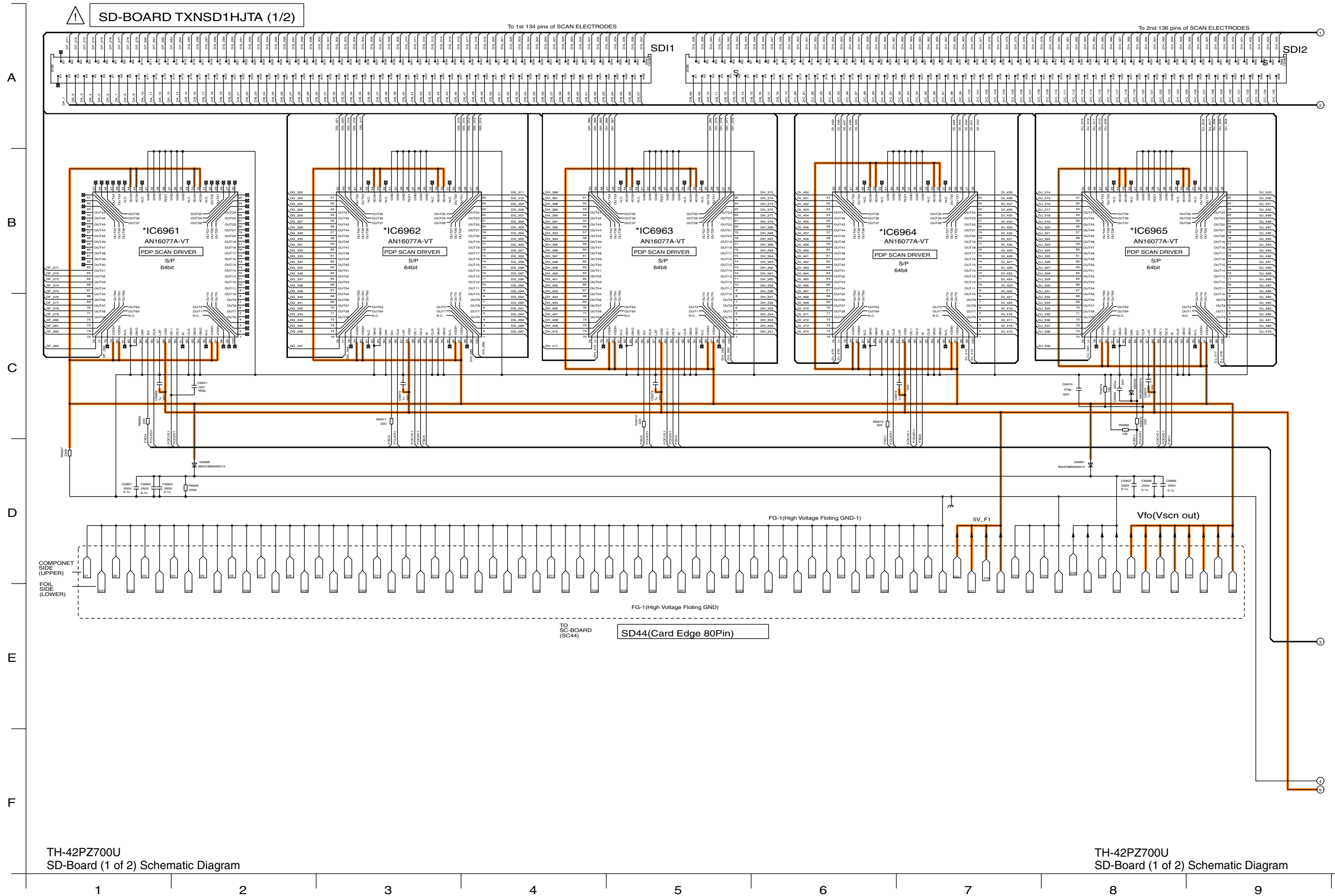
15

16

17

18

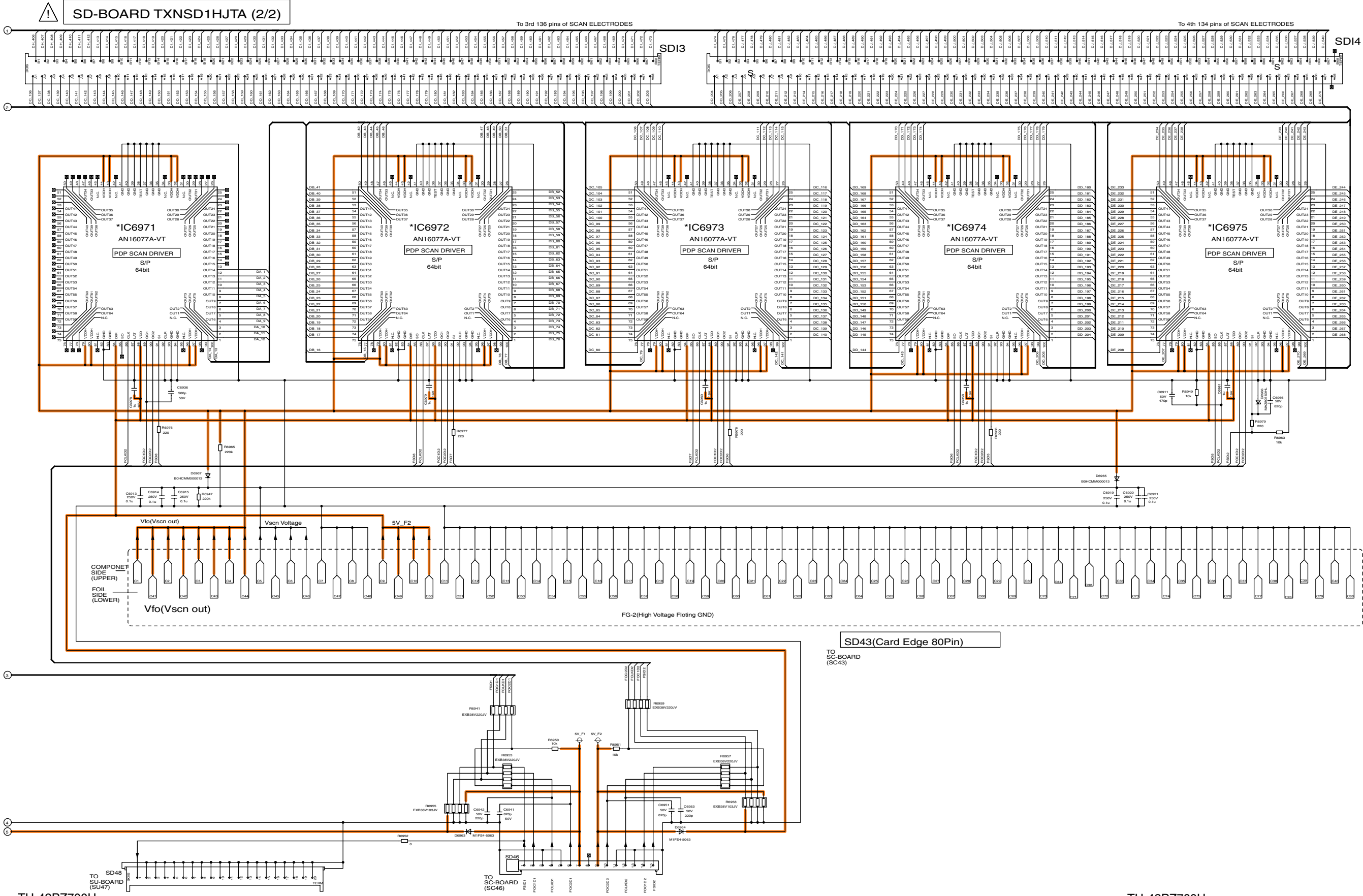
15.65. SD-Board (1 of 2) Schematic Diagram



TH-42PZ700U
SD-Board (1 of 2) Schematic Diagram

TH-42PZ700U
SD-Board (1 of 2) Schematic Diagram

15.66. SD-Board (2 of 2) Schematic Diagram



TH-42PZ700U SD-Board (2 of 2) Schematic Diagram

TH-42PZ700U SD-Board (2 of 2) Schematic Diagram

10

11

12

13

14

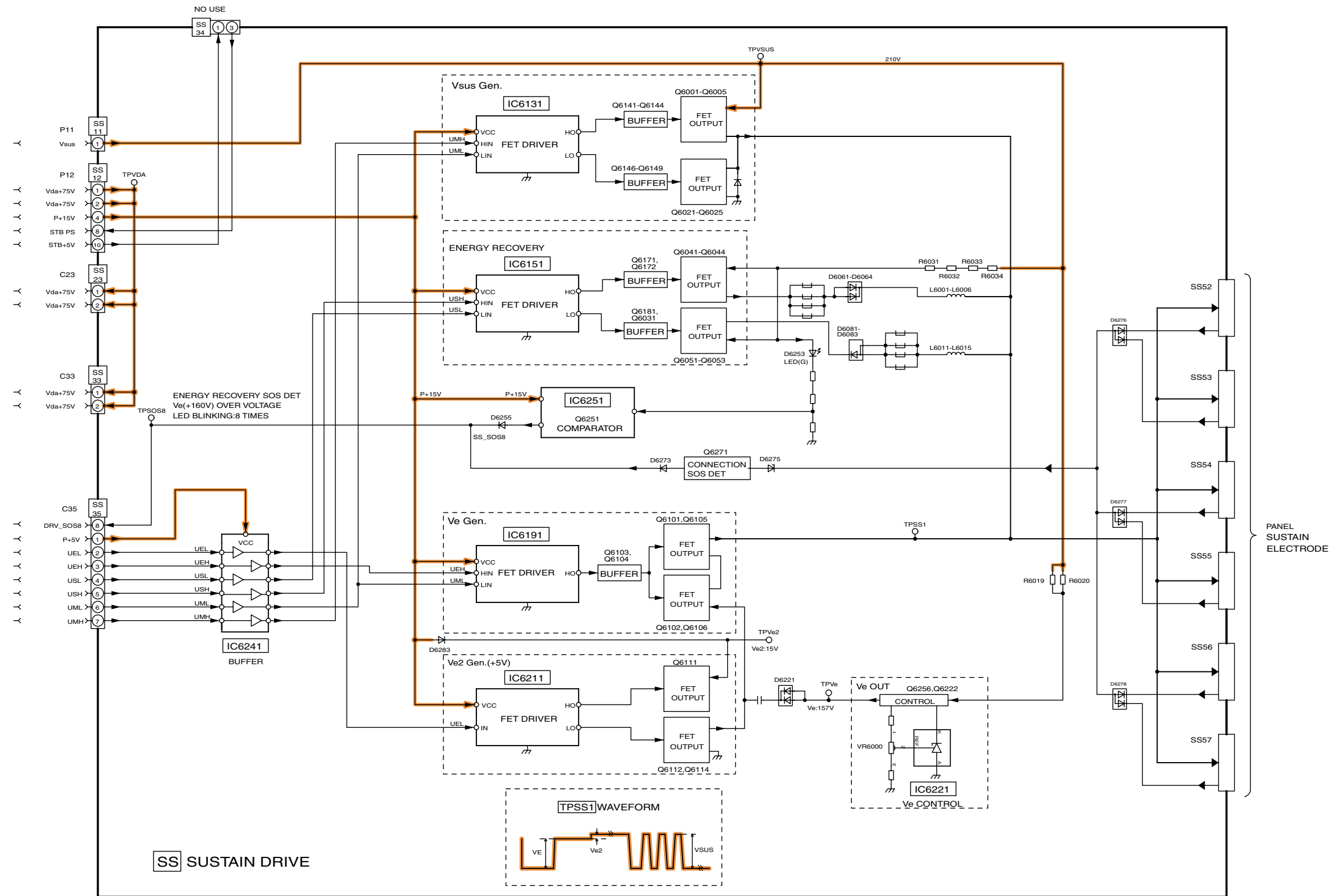
15

16

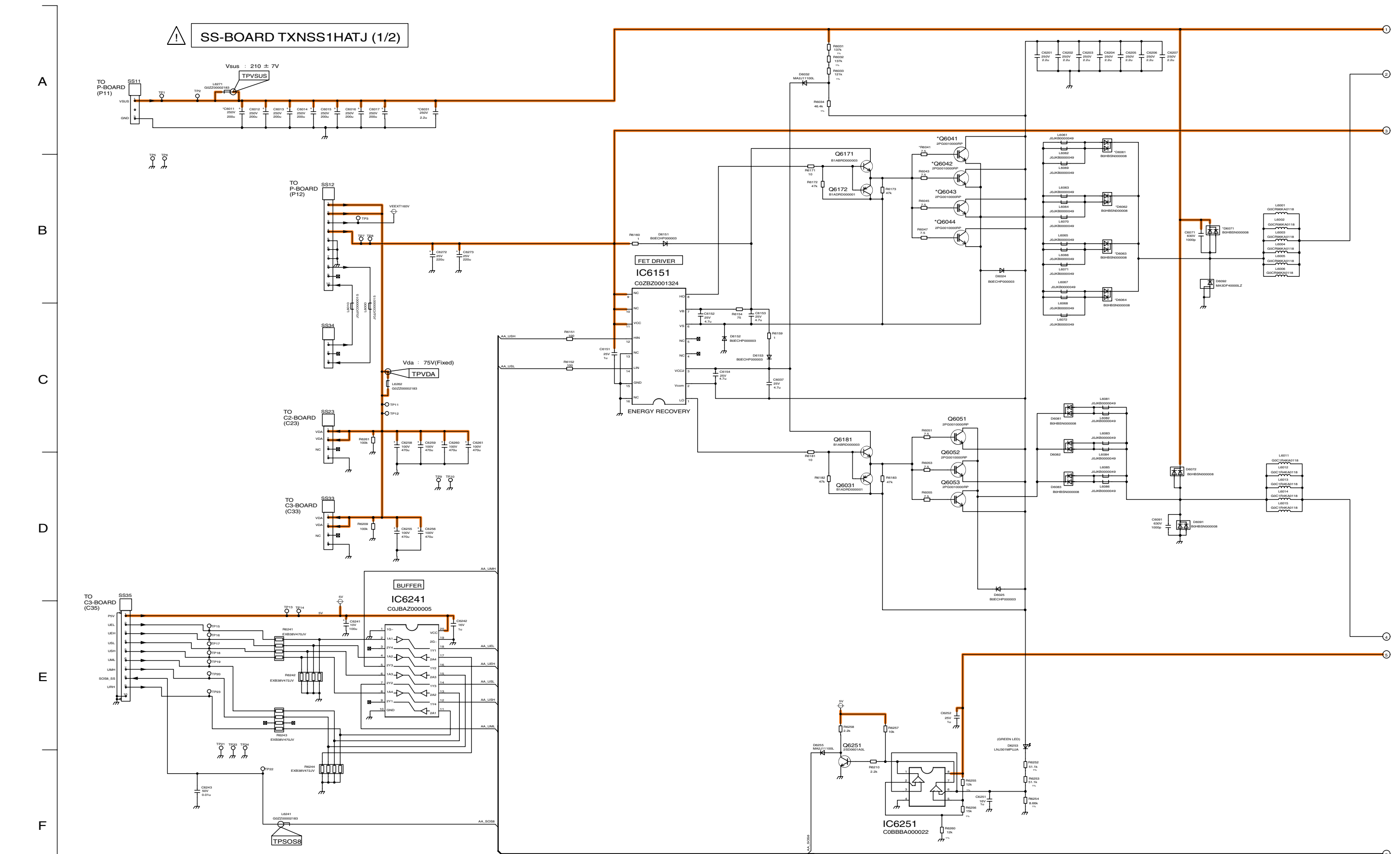
17

18

15.67. SS-Board Block Diagram



15.68. SS-Board (1 of 2) Schematic Diagram

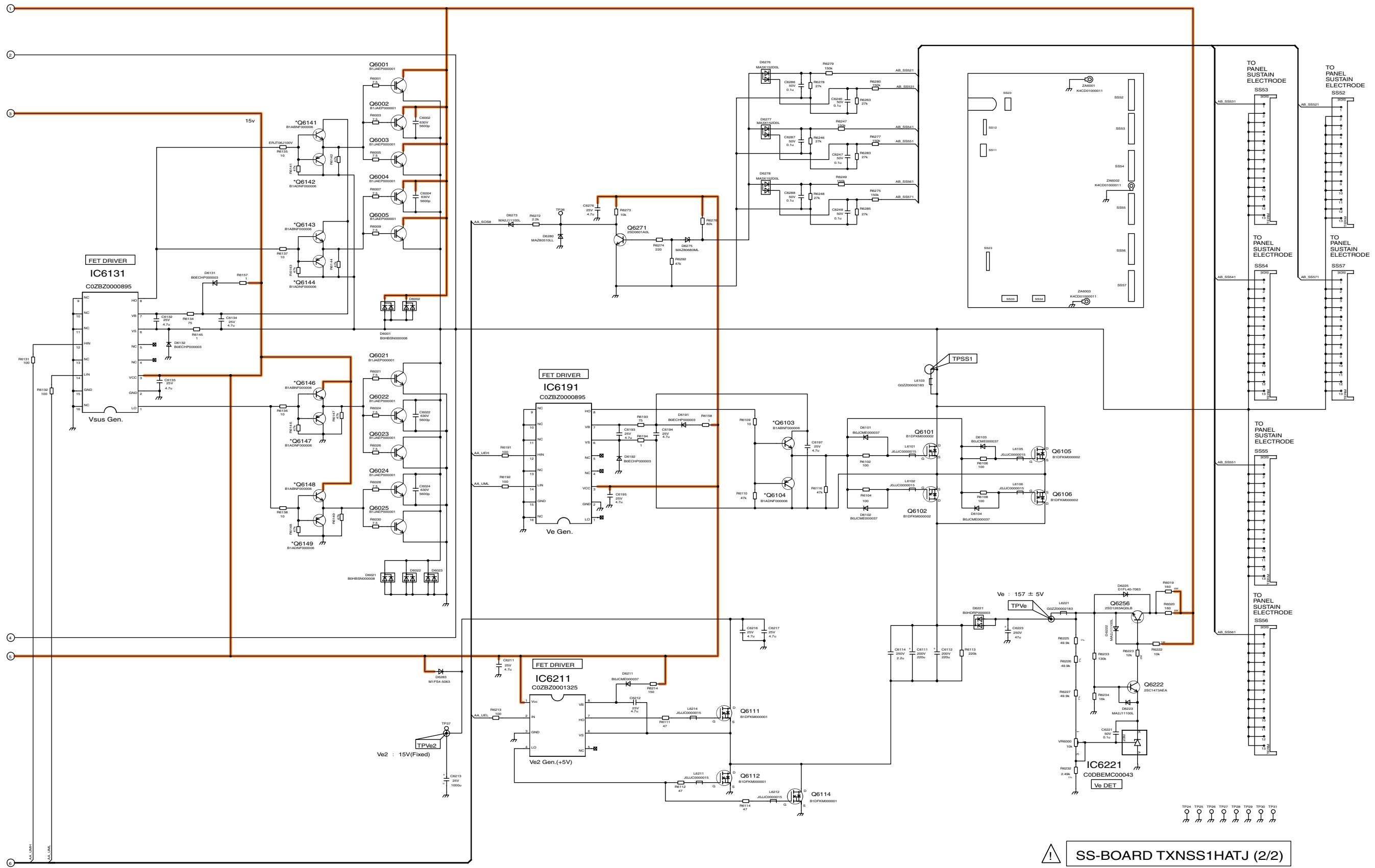


TH-42PZ700U
SS-Board (1 of 2) Schematic Diagram

TH-42PZ700U
SS-Board (1 of 2) Schematic Diagram

1 2 3 4 5 6 7 8 9

15.69. SS-Board (2 of 2) Schematic Diagram



SS-BOARD TXNSS1HATJ (2/2)

TH-42PZ700U
SS-Board (2 of 2) Schematic Diagram

TH-42PZ700U
SS-Board (2 of 2) Schematic Diagram

10

11

12

13

14

15

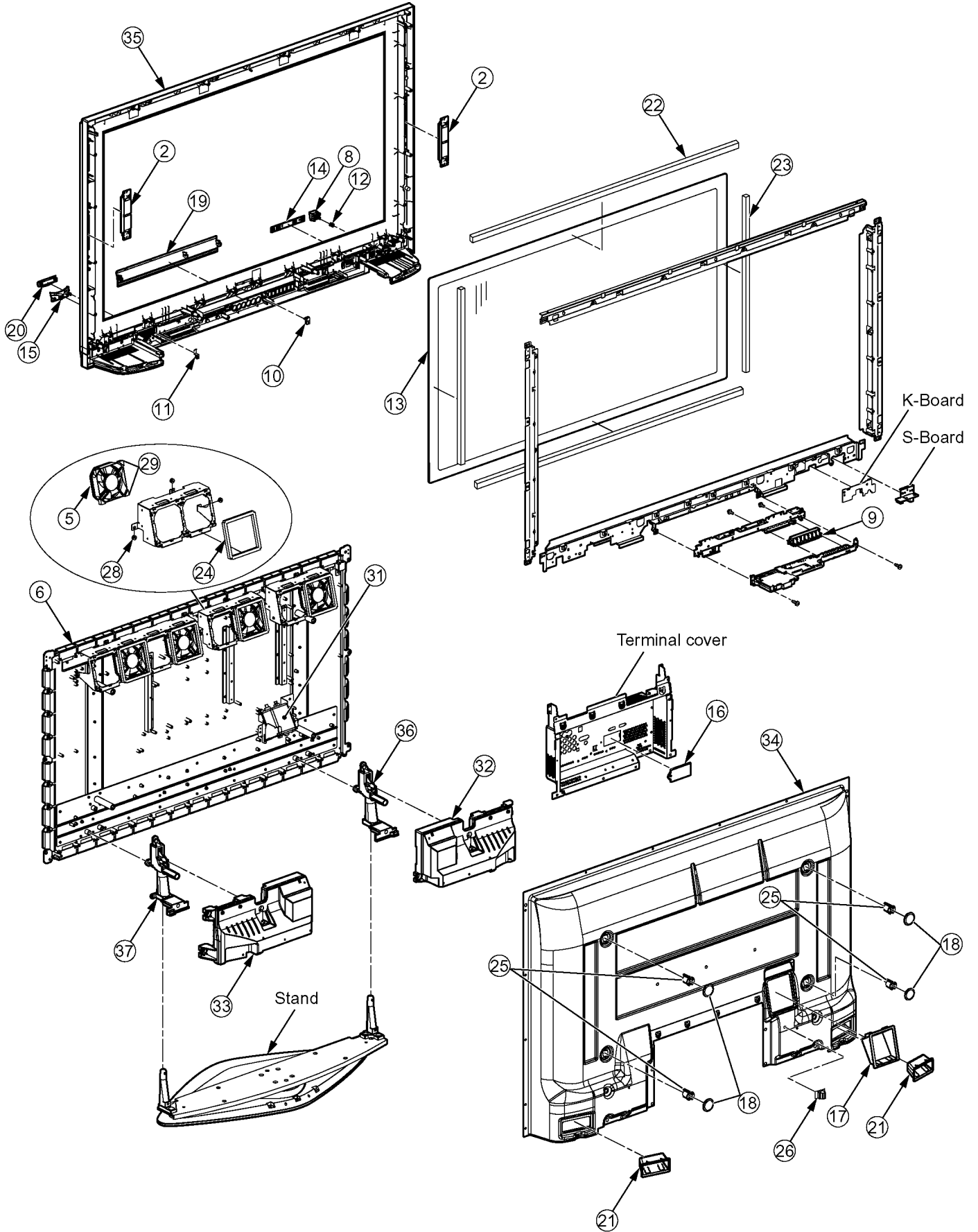
16

17

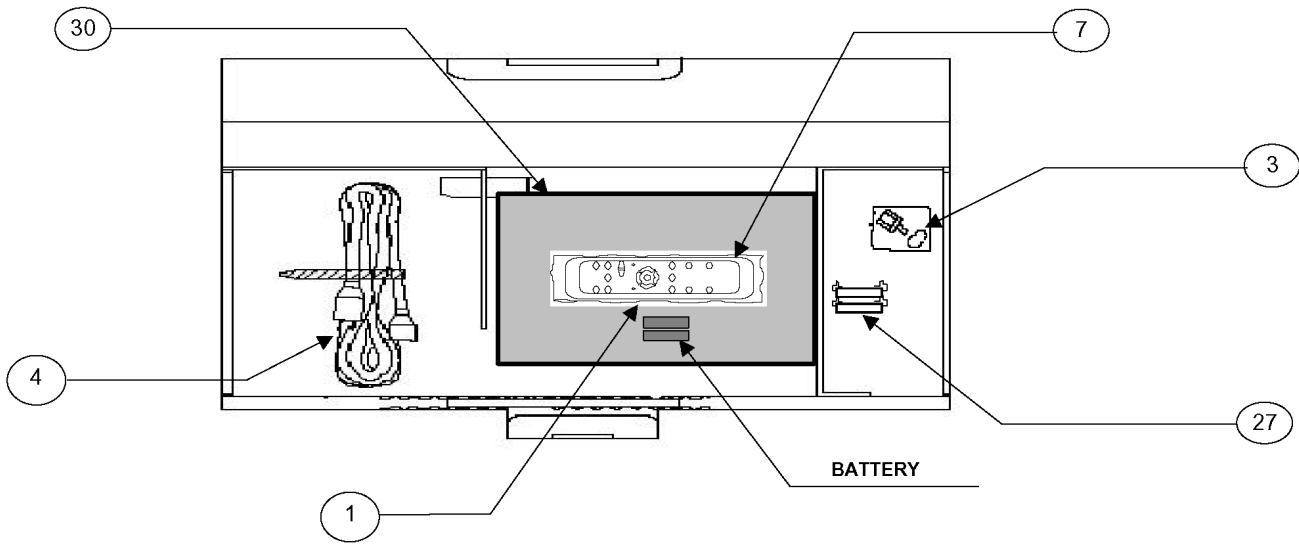
18

16 Exploded Views & Replacement Parts List

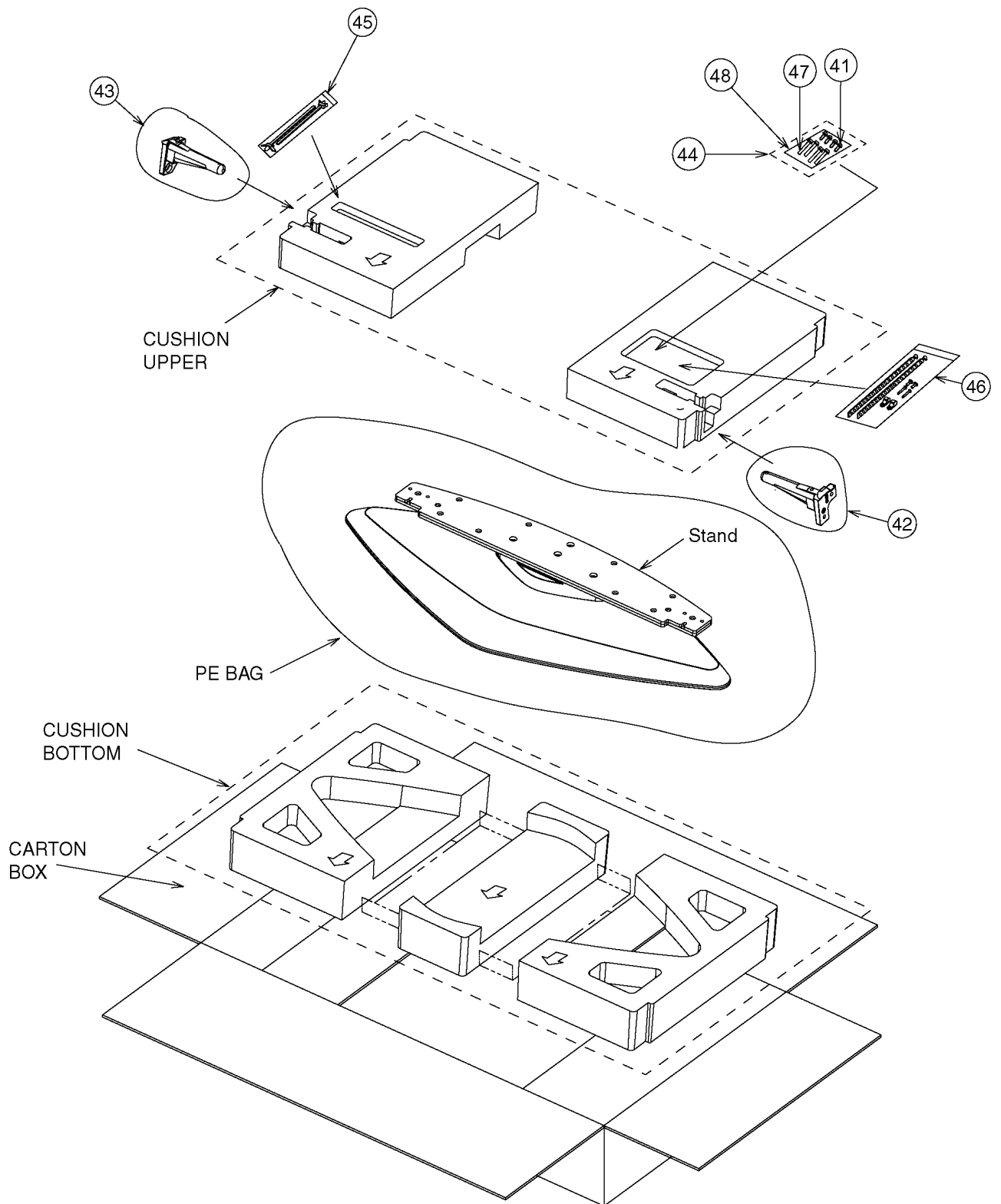
16.1. Exploded Views



16.2. Packing Exploded Views (Accessories)



16.3. Packing Exploded Views (Stand)



16.4. Replacement Parts List Notes

Important Safety Notice

Components identified by Δ mark have special characteristics important for safety. When replacing any of these components, use only manufacturer's specified parts.

RTL (Retention Time Limited)

Note: The marking (RTL) indicates that the Retention Time is Limited for this item. After the discontinuation of this assembly in production, the item will continue to be available for a specific period of time. The retention period of availability is dependant on the type of assembly, and in accordance with the laws governing part and product retention. After the end of this period, the assembly will no longer be available.

Abbreviation of part name and description

1. Resistor

Example:

ERD25TJ104 C 100KOHM, J, 1/4W
 Type Allowance

2. Capacitor

Example:

ECKF1H103ZF C 0.01UF, Z, 50V
 Type Allowance

Type	Allowance
C : Carbon	F : $\pm 1\%$
F : Fuse	G : $\pm 2\%$
M : Metal Oxide Metal Film	J : $\pm 5\%$
S : Solid	K : $\pm 10\%$
W : Wire Wound	M : $\pm 20\%$

Type	Allowance
C : Ceramic	C : $\pm 0.25\text{pF}$
E : Electrolytic	D : $\pm 0.5\text{pF}$
P : Polyester	F : $\pm 1\text{pF}$
Polyprop	G : $\pm 3\text{pF}$
lene	J : $\pm 5\text{pF}$
T : Tantalum	K : $\pm 10\text{pF}$
	L : $\pm 15\text{pF}$
	M : $\pm 20\text{pF}$
	P : +100%, -0%
	Z : +80%, -20%

16.5. Mechanical Replacement Parts List (PDP TV)

Note:

All parts except parts mentioned [PAVCA] in the Remarks column are supplied by PAVC-CSG.

Parts mentioned [PAVCA] are supplied by PAVCA.

Ref. No.	Part No.	Part Name & Description	Pcs	Remarks
1	10030-0035400	BATTERY COVER	1	PAVCA
2	EAS10D85E	SQUAWKER SP(L&R)	2	
	J0KF00000038	CORE	2	
3	K1RGZBA00001	F TERMINAL (5C TYPE)	1	
4	K2CG3YY00023	AC CORD (U/L)	1	△
5	L6FAYYYH0050	FAN UNIT(80MM MMMC)	4	
6	MD42F10A1J	PLASMA DISPLAY PANEL	1	△
7	N2QAYB000100	REMOTE CONTROL	1	PAVCA
8	TBX2AA3901	POWER BUTTON (FINISHTED)	1	PAVCA
9	TBX2AA4002	CONTROL BOTTON	1	PAVCA
10	TES2AA0161	LEAF SPRING	1	PAVCA
11	TES2AA0171	SD DOOR SPRING	1	PAVCA
12	TES2AA0191	POWER BUTTON SPRING	1	PAVCA
	THEL0429	SCREW	26	
	THEL047J	SCREW (HDMI:2)	2	
	THEL049	SCREW (WOOPER SP)	2	
	THTA0419	HOOK SCREW	1	
	THTD013N	SCREW	10	
	THTF011N	SCREW	136	
13	TKGA5398S	FRONT GLASS	1	PAVCA
14	TKK2AA7401	LED PANEL	1	PAVCA
15	TKK2AA7501	SD LIGHT PANEL	1	PAVCA
16	TKK2AA7701	ADJUSTMENT COVER	1	PAVCA
17	TKP2AA1912	INLET COVER	1	PAVCA △
18	TKP2AA1932	M8 SPACER CAP	4	PAVCA
19	TKP2AA2041	DOOR	1	PAVCA
20	TKP2AA2071	SD DOOR	1	PAVCA
21	TKR2AA00122	REAR COVER HANDLE	2	PAVCA △
22	TMKG659-1	SPONGE (TKG/UPPER /BOTTOM)	2	
23	TMKG660	SPONGE (TKG/LEFT/ RIGHT)	2	
24	TMKG666	SPONGE (FAN)	4	
	TMM17499	CLAMPER	1	
	TMM25401	CLAMPER	1	
25	TMM2AE0481	M8 SPACER	4	PAVCA
	TMM6463-1	CLAMPER	1	
	TMM7464-2	CLAMPER	1	
	TMM7468-1	CLAMPER	2	
	TMME088	CLAMPER	2	
	TMME190	CLAMPER	10	
26	TMME226	AC CORD CLAMPER	1	
27	TMME258	CABLE CLAMPER	2	
	TMME260	CLAMPER	10	
	TMME287	CLAMPER	1	
	TMME292	CLAMPER	9	
	TMME300	CLAMPER	2	
	TMME305	CLAMPER	1	
28	TMMJ068	RUBBER (FAN)	10	
29	TMMJ082	SPONGE (FAN CORNER)	16	
	TPD169487	JOINT	4	
30	TQB2AA0761-1	INSTRUCTION BOOK (ENG/FRE/SPA)	1	PAVCA △
	TSXL449	CABLE (D31-C10/D32-C11/D33-C20)	3	
	TSXL519	CABLE (SD48-SU47)	1	
	TSXL520-1	CABLE (DG3-H3)	1	
	TSXL597	CABLE (C12-C22/C42-C32)	2	

Ref. No.	Part No.	Part Name & Description	Pcs	Remarks
	TSXL632	CABLE (D34-C30/D35-C41/D36-C40)	3	
31	TXAUX02HJTUO	AC INLET ASSY	1	PAVCA △
32	TXFEAB01RSER	SPEAKER BOX ASSY (LEFT)	1	PAVCA
33	TXFEAB02RSER	SPEAKER BOX ASSY (RIGHT)	1	PAVCA
34	TXFKU17RSER	REAR COVER	1	PAVCA △
35	TXFKY01HJTU	CABINET ASSY	1	PAVCA △
36	TXFMZ01HATJ	STAND BLOCK L ASSY	1	
37	TXFMZ02HATJ	STAND BLOCK R ASSY	1	
	TXJH11HJTU	SPEAKER LEAD (H11-SQL/WL)	1	PAVCA
	TXJH12HJTU	SPEAKER LEAD (H12-SQR/WR)	1	PAVCA
	XTB4+12GFJ	SCREW	40	
	XTB4+12GFJK	SCREW	24	
	XTB4+15JFJ	SCREW	5	
	XTV3+10JFJK	SCREW	1	
	XTW3+10TFJ	SCREW	2	
	XYN3+F10FJ	SCREW	1	
	XYN3+F8FJ	SCREW	30	
	XYN3+J12FJ	SCREW	62	
	XYN3+J6FJ	SCREW	1	
	XYN3+J8FJ	SCREW	4	
	XYN4+E8FJ	SCREW	1	
	XYN4+F10FJ	SCREW	22	
	XYN5+C15FJ	SCREW	6	

16.6. Mechanical Replacement Parts List (Stand)

Note:

All parts except parts mentioned [PAVCA] in the Remarks column are supplied by PAVC-CSG.

Parts mentioned [PAVCA] are supplied by PAVCA.

Ref. No.	Part No.	Part Name & Description	Pcs	Remarks
41	THEL051N	SCREW (FOR STAND POLE)	4	
42	TXFBL010ZDS	STAND POLE A ASSY	1	PAVCA
43	TXFBL020ZDS	STAND POLE B ASSY	1	PAVCA
44	TXFBL02KLTA	SCREW ASSY	1	PAVCA
	TXFBL03LPTU	SUPPORT METAL ASSY	1	PAVCA
45	TXFMM010ZCS	BAND ASSY	1	PAVCA
46	TXFMM01LPTU	TIP PREVENTION PARTS	1	
47	XYN5+F65FJK	SCREW (BLACK)	4	
48	XZB9X16A04	POLY BAG	1	

16.7. Electrical Replacement Parts List

Note:

All parts except parts mentioned [PAVCA] in the Remarks column are supplied by PAVC-CSG.

Parts mentioned [PAVCA] are supplied by PAVCA.

Ref. No.	Part No.	Part Name & Description	Pcs	Remarks
F601.602	K5D103BMA001	TIME LAG FUSE HIGH	2	△
C10,11	K1MN68BA0251	68P CONNECTOR	2	
C12	K1MN30BA0255	30P CONNECTOR	1	PAVCA
C20	K1MN68BA0251	68P CONNECTOR	1	
C22	K1MN30BA0255	30P CONNECTOR	1	PAVCA
C23	K1KA04BA0107	4P CONNECTOR	1	
C30	K1MN68BA0251	68P CONNECTOR	1	
C32	K1MN30BA0255	30P CONNECTOR	1	PAVCA
C33	K1KA04BA0107	4P CONNECTOR	1	
C35	K1KA10B00218	10P CONNECTOR	1	
C40,41	K1MN68BA0251	68P CONNECTOR	2	
C42	K1MN30BA0255	30P CONNECTOR	1	PAVCA
C858,59	ECJ2VB1E104K	C 0.1UF, K, 25V	2	
C860	ECA1EHG471	E 470UF, 25V	1	
C861,62	ECJ2VB1E104K	C 0.1UF, K, 25V	2	
C869	ECA1EHG471	E 470UF, 25V	1	
C1102	FLJ0J1060004	C 0.010UF, K, 16V	1	
C1103,04	FLG1A104A012	C 0.1UF, K, 10V	2	
C1105	F1H0J1050012	C 1UF, K, 16V	1	
C1106	F1H1H2700008	E 27UF, 50V	1	
C1107	F1H1H2200008	E 22UF, 50V	1	
C1108	FLG1A104A012	C 0.1UF, K, 10V	1	
C1109	ECJ1VB1A105K	C 0.01UF, Z, 50V	1	
C1111	ECJ1VB1A105K	C 0.01UF, Z, 50V	1	
C1112	FLG1A104A012	C 0.1UF, K, 10V	1	
C1114	FLG1A104A012	C 0.1UF, K, 10V	1	
C1117	FLG1A104A012	C 0.1UF, K, 10V	1	
C1122	ECJ0EB1C103K	C 0.010UF, K, 16V	1	
C1123	ECJ1VB1A105K	C 0.01UF, Z, 50V	1	
C1193,94	FLJ0J1060004	C 0.010UF, K, 16V	2	
C1197	FLG1H101A565	C 100PF, K, 50V	1	
C2023	ECJ1XB1C104K	C 0.1UF, Z, 16V	1	
C2048-50	ECJ1XB1C104K	C 0.1UF, Z, 16V	3	
C2052,53	ECJ1XB1C104K	C 0.1UF, Z, 16V	2	
C2054	FLJ1A106A043	C 0.010UF, K, 10V	1	
C2055,56	ECJ1VC1H120J	C 12PF, J, 50V	2	
C2057,58	ECJ1XB1C104K	C 0.1UF, Z, 16V	2	
C2059	ECA1CM470	E 47UF, 16V	1	
C2100	ECJ1XB1C104K	C 0.1UF, Z, 16V	1	
C2101	FLJ1A106A043	C 0.010UF, K, 10V	1	
C2102	ECJ1XB1C104K	C 0.1UF, Z, 16V	1	
C2103	EEH1B1C101UP	C 100PF, J, 16V	1	
C2105,06	ECJ1XB1C104K	C 0.1UF, Z, 16V	2	
C2107,08	ECA1CM470	E 47UF, 16V	2	
C2109,10	ECJ1XB1C104K	C 0.1UF, Z, 16V	2	
C2111	F1H0J2250008	C 2.2UF, K, 16V	1	
C2115	ECJ1XB1C104K	C 0.1UF, Z, 16V	1	
C2116	F1H1H471A792	E 470UF, 50V	1	
C2118	ECJ1VB1A105K	C 0.01UF, Z, 50V	1	
C2120,21	F1H1H5600007	E 56UF, 50V	2	
C2124	ECJ1XB1C104K	C 0.1UF, Z, 16V	1	
C2126	FLJ1A106A043	C 0.010UF, K, 10V	1	
C2133	ECA1CM470	E 47UF, 16V	1	
C2134	ECJ1VB1H103K	C 0.001UF, K, 50V	1	
C2143	F1H1H181A792	E 180UF, 50V	1	
C2146	F1H1H181A792	E 180UF, 50V	1	
C2153	ECJ1VC1H330J	C 33PF, J, 50V	1	
C2170	ECJ1VC1H330J	C 33PF, J, 50V	1	

Ref. No.	Part No.	Part Name & Description	Pcs	Remarks
C2171	ECJ1VB1H103K	C 0.001UF, K, 50V	1	
C2173	ECJ2FF1C475Z	C 0.047UF, Z, 16V	1	
C2183	FLJ1A106A043	C 0.010UF, K, 10V	1	
C2185	FLJ1A106A043	C 0.010UF, K, 10V	1	
C2186	ECJ1XB1C104K	C 0.1UF, Z, 16V	1	
C2187	F1H0J2250008	C 2.2UF, K, 16V	1	
C2188	F1H1H471A792	E 470UF, 50V	1	
C2189	ECJ1VB1A105K	C 0.01UF, Z, 50V	1	
C2190,91	FLJ1A106A043	C 0.010UF, K, 10V	2	
C2192	ECA1CM470	E 47UF, 16V	1	
C2195,96	ECJ1XB1C104K	C 0.1UF, Z, 16V	2	
C2213	ECJ1VB1H102K	C 1000UF, Z, 50V	1	
C2216	ECJ1XB1C104K	C 0.1UF, Z, 16V	1	
C2244	ECJ1XB1C104K	C 0.1UF, Z, 16V	1	
C2245	ECJ1VB1H102K	C 1000UF, Z, 50V	1	
C2246	FLJ1A106A043	C 0.010UF, K, 10V	1	
C2251	FLJ1A106A043	C 0.010UF, K, 10V	1	
C2263,64	ECJ2FB1A475K	C 4.7UF, K, 10V	2	
C2267,68	ECJ1XC1H101J	C 100PF, J, 50V	2	
C2274	ECJ1XB1C104K	C 0.1UF, Z, 16V	1	
C2301,02	ECJ1XB1C104K	C 0.1UF, Z, 16V	2	
C2303-10	FLJ1E105A171	E 1 UF 25V	8	
C2313,14	ECJ1XB1H104K	C 10PF, J, 50V	2	
C2317-24	ECJ1VB1C333K	C 0.033UF, K, 16V	8	
C2325,26	FLJ1H474A757	C 0.47UF, 50V	2	
C2331,32	FLJ1H474A757	C 0.47UF, 50V	2	
C2333-36	ECJ1XB1H104K	C 10PF, J, 50V	4	
C2337-40	F1H1H223A219	E 0.022UF, 50V	4	
C2341-44	ECJ1XB1H104K	C 10PF, J, 50V	4	
C2345-48	F1H1H223A219	E 0.022UF, 50V	4	
C2349	ECJ1XB1H104K	C 10PF, J, 50V	1	
C2352	ECJ1VB1C105K	C 0.01UF, K, 16V	1	
C2353-60	ECJ1XB1H104K	C 10PF, J, 50V	8	
C2361,62	ECA1EM471	E 470UF, 25V	2	
C2363	ECA1CM221	E 220UF, 16V	1	
C2365-74	ECJ1XB1H104K	C 10PF, J, 50V	10	
C2375-82	F1H1H223A219	E 0.022UF, 50V	8	
C2383-90	ECJ1VB1H102K	C 1000UF, Z, 50V	8	
C2510,11	ECJ2XF1C105Z	C 1UF, Z, 16V	2	
C2512	ECJ3XB0J106M	C 10UF, M, 6.3V	1	
C2515	ECJ1VB1H103K	C 0.001UF, K, 50V	1	
C2521	ECJ1VB1H103K	C 0.001UF, K, 50V	1	
C3001	ECJ1VB1A105K	C 0.01UF, Z, 50V	1	
C3003	ECJ1VB1A105K	C 0.01UF, Z, 50V	1	
C3005	ECJ1VB1H103K	C 0.001UF, K, 50V	1	
C3006	ECJ1XB1C104K	C 0.1UF, Z, 16V	1	
C3007	ECA1CM101	E 100UF, 16V	1	
C3014	ECJ1VB1A105K	C 0.01UF, Z, 50V	1	
C3016	ECJ1VB1A105K	C 0.01UF, Z, 50V	1	
C3018	ECJ1VB1H103K	C 0.001UF, K, 50V	1	
C3020	ECJ1VB1A105K	C 0.01UF, Z, 50V	1	
C3025	ECJ1XB1C104K	C 0.1UF, Z, 16V	1	
C3032	ECA1HM220	E 22UF, 50V	1	
C3033	ECA1CM221	E 220UF, 16V	1	
C3045	ECJ1XB1C104K	C 0.1UF, Z, 16V	1	
C3057	ECJ1VB1A105K	C 0.01UF, Z, 50V	1	
C3059	ECJ1VB1A105K	C 0.01UF, Z, 50V	1	
C3061	ECJ1VB1A105K	C 0.01UF, Z, 50V	1	
C3069	ECJ1XB1C104K	C 0.1UF, Z, 16V	1	
C3071	ECJ1VB1A105K	C 0.01UF, Z, 50V	1	
C3073	ECJ1VB1A105K	C 0.01UF, Z, 50V	1	

Ref. No.	Part No.	Part Name & Description	Pcs	Remarks
C3075	ECJ1VB1A105K	C 0.01UF, Z, 50V	1	
C3077	ECJ1VB1A105K	C 0.01UF, Z, 50V	1	
C3079	ECJ1VB1A105K	C 0.01UF, Z, 50V	1	
C3081	ECJ1VB1A105K	C 0.01UF, Z, 50V	1	
C3086	ECA1HM100	E 10UF, 50V	1	
C3087	ECJ1VB1A105K	C 0.01UF, Z, 50V	1	
C3095	ECJ1VB1A105K	C 0.01UF, Z, 50V	1	
C3097	ECJ1VB1A105K	C 0.01UF, Z, 50V	1	
C3099	ECJ1VB1H103K	C 0.001UF, K, 50V	1	
C3103,04	ECJ1VB1A105K	C 0.01UF, Z, 50V	2	
C3105	ECJ1XB1C104K	C 0.1UF, Z, 16V	1	
C3106-17	ECJ1VB1A105K	C 0.01UF, Z, 50V	12	
C3120,21	ECJ1VB1A105K	C 0.01UF, Z, 50V	2	
C3123,24	F1K1A106A021	C 0.010UF, K, 6.3V	2	PAVCA
C3132,33	F1H0J2250008	C 2.2UF, K, 16V	2	
C3138	ECA1HM220	E 22UF, 50V	1	
C3139,40	ECJ1VB1A105K	C 0.01UF, Z, 50V	2	
C3145	ECA1CM101	E 100UF, 16V	1	
C3146	ECJ1XB1C104K	C 0.1UF, Z, 16V	1	
C3153	ECJ1VB1A105K	C 0.01UF, Z, 50V	1	
C3157	ECJ1XB1H104K	C 10PF, J, 50V	1	
C3201	ECJ1XB1H104K	C 10PF, J, 50V	1	
C3216	ECJ1XB1H104K	C 10PF, J, 50V	1	
C3226-28	ECJ1XB1H104K	C 10PF, J, 50V	3	
C3500	ECJ3YB1E106M	C 10 UF, K, 25V	1	
C3502	F2A1C471A537	E 470UF, 16V	1	
C3503	ECJ1VB1E104K	C 0.10UF, K, 25V	1	
C3504	F2A1C471A537	E 470UF, 16V	1	
C3505	ECJ1VB1E104K	C 0.10UF, K, 25V	1	
C3513,14	ECJ1VB1E104K	C 0.10UF, K, 25V	2	
C3516	ECJ1VB1E104K	C 0.10UF, K, 25V	1	
C3530	ECA1EM471	E 470UF, 25V	1	
C3539	ECJ3YB1E106M	C 10 UF, K, 25V	1	
C3750	F1J1H102A721	E 1000UF, 50V	1	
C4075	F1G1A104A012	C 0.1UF, K, 10V	1	
C4077,78	ECJ1VB1C105K	C 0.01UF, K, 16V	2	
C4204	F1J1H104A717	C 0.10UF, 50V	1	
C4205	EEEB1A101P	C 100PF, J, 10V	1	
C4208	F1J1H104A717	C 0.10UF, 50V	1	
C4209	EEEB1A101P	C 100PF, J, 10V	1	
C4500-03	F1G1C104A081	C 0.10UF, K, 16V	4	
C4506,07	F1G1C104A081	C 0.10UF, K, 16V	2	
C4508,09	EEEB0J330R	C 33PF, J, 6.3V	2	
C4510,11	F1G1C104A081	C 0.10UF, K, 16V	2	
C4513-15	F1G1C104A081	C 0.10UF, K, 16V	3	
C4517	F1G1C104A081	C 0.10UF, K, 16V	1	
C4520	F1J1A106A043	C 0.010UF, K, 10V	1	
C4521	F1G1C104A081	C 0.10UF, K, 16V	1	
C4527	ECJ1VB1A105K	C 0.01UF, Z, 50V	1	
C4528	F1G1C104A081	C 0.10UF, K, 16V	1	
C4531	F1G1C104A081	C 0.10UF, K, 16V	1	
C4533	ECJ0EC1H680J	C 680PF, K, 50V	1	
C4534,35	ECJ1XB1H104K	C 10PF, J, 50V	2	
C4538	F2G0J470A019	E 47UF 6.3V	1	
C4539	F1J1A106A043	C 0.010UF, K, 10V	1	
C4541	F1H1H471A219	E 470UF, 50V	1	
C4543-45	F1G1C104A081	C 0.10UF, K, 16V	3	
C4546	F1H0J2250008	C 2.2UF, K, 16V	1	
C4547	F1G1C104A081	C 0.10UF, K, 16V	1	
C4548,49	ECJ1XB1H104K	C 10PF, J, 50V	2	
C4550	F1G1C104A081	C 0.10UF, K, 16V	1	
C4551,52	ECJ1XB1H104K	C 10PF, J, 50V	2	
C4553	F1G1H1020008	E 1000UF, 50V	1	
C4555,56	F1J1A106A043	C 0.010UF, K, 10V	2	
C4557	F1G1C104A081	C 0.10UF, K, 16V	1	
C4559,60	F1G1C104A081	C 0.10UF, K, 16V	2	
C4562	F1H1H822A219	E 8200UF, 50V	1	
C4563	ECJ1VB1C823K	C 0.082UF, K, 16V	1	

Ref. No.	Part No.	Part Name & Description	Pcs	Remarks
C4564,65	F1G1E1030005	C 0.01UF, Z, 25V	2	
C4566	ECJ1XB1C393K	C 0.039UF, K, 16V	1	
C4568	F1G1C104A081	C 0.10UF, K, 16V	1	
C4569	F1J1C684A097	C 0.68UF, Z, 16V	1	
C4570	F2G0J470A019	E 47UF 6.3V	1	
C4572,73	F1G1C104A081	C 0.10UF, K, 16V	2	
C4574	F1G1E1030005	C 0.01UF, Z, 25V	1	
C4575	ECJ1VB1A105K	C 0.01UF, Z, 50V	1	
C4576	EEEB1C220R	C 22PF, J, 16V	1	
C4577,78	F1G1C104A081	C 0.10UF, K, 16V	2	
C4580	F1G1E1030005	C 0.01UF, Z, 25V	1	
C4581	ECJ1VB1A105K	C 0.01UF, Z, 50V	1	
C4582,83	F1G1C104A081	C 0.10UF, K, 16V	2	
C4584,85	ECJ1VB1A105K	C 0.01UF, Z, 50V	2	
C4586	F1G1E1030005	C 0.01UF, Z, 25V	1	
C4587	F1G1C104A081	C 0.10UF, K, 16V	1	
C4588	ECJ1VB1C823K	C 0.082UF, K, 16V	1	
C4589	F1G1H150A565	E 15UF, 50V	1	
C4590	ECJ0EC1H180J	C 180PF, K, 50V	1	
C4593	F1G1E1030005	C 0.01UF, Z, 25V	1	
C4595	F1G1E1030005	C 0.01UF, Z, 25V	1	
C4596	F1G1C104A081	C 0.10UF, K, 16V	1	
C4598	ECJ1VB1A105K	C 0.01UF, Z, 50V	1	
C4600,01	F1G1E1030005	C 0.01UF, Z, 25V	2	
C4602	F1G1C104A081	C 0.10UF, K, 16V	1	
C4604	F1H0J2250008	C 2.2UF, K, 16V	1	
C4605	F1G1C104A081	C 0.10UF, K, 16V	1	
C4607	F2G0J470A019	E 47UF 6.3V	1	
C4609	ECJ1VB1A105K	C 0.01UF, Z, 50V	1	
C4611	ECJ1VB1A105K	C 0.01UF, Z, 50V	1	
C4612	F1G1E1030005	C 0.01UF, Z, 25V	1	
C4613	ECJ1VB1A105K	C 0.01UF, Z, 50V	1	
C4614	F1G1C104A081	C 0.10UF, K, 16V	1	
C4615	F1G1E1030005	C 0.01UF, Z, 25V	1	
C4616,17	F1G1C104A081	C 0.10UF, K, 16V	2	
C4618	F1G1E1030005	C 0.01UF, Z, 25V	1	
C4619	F1G1C104A081	C 0.10UF, K, 16V	1	
C4620	ECJ1VB1A105K	C 0.01UF, Z, 50V	1	
C4621,22	ECJ1XB1C104K	C 0.1UF, Z, 16V	2	
C4623	F1G1C104A081	C 0.10UF, K, 16V	1	
C4624,25	ECJ1XB1H104K	C 10PF, J, 50V	2	
C4626,27	F1G1C104A081	C 0.10UF, K, 16V	2	
C4630	F1G1A104A012	C 0.1UF, K, 10V	1	
C4701	F1G1H1020008	E 1000UF, 50V	1	
C4702	F1G1A104A012	C 0.1UF, K, 10V	1	
C4703	F1G1H1020008	E 1000UF, 50V	1	
C4704,05	F1G1A104A012	C 0.1UF, K, 10V	2	
C4711,12	F1G1A104A012	C 0.1UF, K, 10V	2	
C4713,14	F1G1H1020008	E 1000UF, 50V	2	
C4715	F1G1A104A012	C 0.1UF, K, 10V	1	
C4716-19	F1G1H1020008	E 1000UF, 50V	4	
C4721	F1G1A104A012	C 0.1UF, K, 10V	1	
C4722	F1G1H1020008	E 1000UF, 50V	1	
C4724	F1G1H1020008	E 1000UF, 50V	1	
C4725-28	F1G1A104A012	C 0.1UF, K, 10V	4	
C4741	F1G1H1020008	E 1000UF, 50V	1	
C4742	F1G1A104A012	C 0.1UF, K, 10V	1	
C4743	F1G1H1020008	E 1000UF, 50V	1	
C4744,45	F1G1A104A012	C 0.1UF, K, 10V	2	
C4746	F1G1H1020008	E 1000UF, 50V	1	
C4751-55	F1G1A104A012	C 0.1UF, K, 10V	5	
C4761-63	ECJ1VB1H103K	C 0.001UF, K, 50V	3	
C4771	F1G1H1020008	E 1000UF, 50V	1	
C4772	F1G1A104A012	C 0.1UF, K, 10V	1	
C4773	F1G1H1020008	E 1000UF, 50V	1	
C4774,75	F1G1A104A012	C 0.1UF, K, 10V	2	
C4776	F1G1H1020008	E 1000UF, 50V	1	
C4777-80	F1G1A104A012	C 0.1UF, K, 10V	4	
C4795-98	F1G1H1020008	E 1000UF, 50V	4	
C5000	F2G0J470A019	E 47UF 6.3V	1	
C5001	F1G1A104A012	C 0.01UF, K, 10V	1	

Ref. No.	Part No.	Part Name & Description	Pcs	Remarks
C5002	ECJOEB1C103K	C 0.010UF, K, 16V	1	
C5004	ECJ1VB1A105K	C 0.01UF, Z, 50V	1	
C5005	F1G1A104A012	C 0.01UF, K, 10V	1	
C5006	ECJOEB1C103K	C 0.010UF, K, 16V	1	
C5007	F1G1A104A012	C 0.01UF, K, 10V	1	
C5008	ECJ1XC1H820J	C 82PF, J, 50V	1	
C5009	ECJ1VB1A105K	C 0.01UF, Z, 50V	1	
C5010	ECJOEB1C103K	C 0.010UF, K, 16V	1	
C5011,12	F1G1A104A012	C 0.01UF, K, 10V	2	
C5013	ECJ1VC1H680J	C 68PF, J, 50V	1	
C5015	F1G1A104A012	C 0.01UF, K, 10V	1	
C5016,17	ECJ1VC1H180J	C 18PF, J, 50V	2	
C5018	ECJ1VB1A105K	C 0.01UF, Z, 50V	1	
C5019	F1G1A104A012	C 0.01UF, K, 10V	1	
C5020	F1G1H1020008	C 1000PF, K, 50V	1	
C5021	F1J0J1060004	C 0.010UF, K, 16V	1	
C5022	F1G1A104A012	C 0.01UF, K, 10V	1	
C5024	ECJ1VB1A105K	C 0.01UF, Z, 50V	1	
C5025	F1G1A104A012	C 0.01UF, K, 10V	1	
C5026	F1G1H1020008	C 1000PF, K, 50V	1	
C5027	ECJ1VB1A105K	C 0.01UF, Z, 50V	1	
C5028	F1G1A104A012	C 0.01UF, K, 10V	1	
C5029	ECJ1VB1A105K	C 0.01UF, Z, 50V	1	
C5031	F1J0J1060004	C 0.010UF, K, 16V	1	
C5032,33	F1G1A104A012	C 0.01UF, K, 10V	2	
C5034,35	F1J0J1060004	C 0.010UF, K, 16V	2	
C5036	ECJ1VB1A105K	C 0.01UF, Z, 50V	1	
C5037	F2G0J470A019	E 47UF 6.3V	1	
C5038	F1G1A104A012	C 0.01UF, K, 10V	1	
C5040	F1G1H1020008	C 1000PF, K, 50V	1	
C5041	F1G1A104A012	C 0.01UF, K, 10V	1	
C5042	ECJ1VB1A105K	C 0.01UF, Z, 50V	1	
C5043	F1G1A104A012	C 0.01UF, K, 10V	1	
C5044,45	F1G1H1020008	C 1000PF, K, 50V	2	
C5046,47	F1G1A104A012	C 0.01UF, K, 10V	2	
C5048	F1G1H1020008	C 1000PF, K, 50V	1	
C5049	ECJ1VB1A105K	C 0.01UF, Z, 50V	1	
C5050	F1G1A104A012	C 0.01UF, K, 10V	1	
C5051,52	F1G1H1020008	C 1000PF, K, 50V	2	
C5053	F1G1A104A012	C 0.01UF, K, 10V	1	
C5054	F1G1H1020008	C 1000PF, K, 50V	1	
C5055-58	F1G1A104A012	C 0.01UF, K, 10V	4	
C5059	F1G1H1020008	C 1000PF, K, 50V	1	
C5060	ECJ1VB1A105K	C 0.01UF, Z, 50V	1	
C5061,62	F1G1A104A012	C 0.01UF, K, 10V	2	
C5063,64	F1G1H1020008	C 1000PF, K, 50V	2	
C5065	ECGRL0G680ER	C 68PF, J, 4V	1	
C5066	F2G0J470A019	E 47UF 6.3V	1	
C5067	F1G1A104A012	C 0.01UF, K, 10V	1	
C5068-70	F1G1H1020008	C 1000PF, K, 50V	3	
C5071,72	F1G1A104A012	C 0.01UF, K, 10V	2	
C5073,74	F1G1H1020008	C 1000PF, K, 50V	2	
C5075	ECJ1VB1A105K	C 0.01UF, Z, 50V	1	
C5076-79	F1G1H1020008	C 1000PF, K, 50V	4	
C5080	F1G1A104A012	C 0.01UF, K, 10V	1	
C5081-83	F1G1H1020008	C 1000PF, K, 50V	3	
C5084	F1G1A104A012	C 0.01UF, K, 10V	1	
C5085,86	F1G1H1020008	C 1000PF, K, 50V	2	
C5087	ECJ1VB1A105K	C 0.01UF, Z, 50V	1	
C5088	F1G1A104A012	C 0.01UF, K, 10V	1	
C5089,90	F1G1H1020008	C 1000PF, K, 50V	2	
C5091	F1G1A104A012	C 0.01UF, K, 10V	1	
C5092-94	F1G1H1020008	C 1000PF, K, 50V	3	
C5095	F1G1A104A012	C 0.01UF, K, 10V	1	
C5096	ECJ1VB1A105K	C 0.01UF, Z, 50V	1	
C5097-00	F1G1H1020008	C 1000PF, K, 50V	4	
C5101,02	F1G1A104A012	C 0.01UF, K, 10V	2	
C5103	F1G1H1020008	C 1000PF, K, 50V	1	

Ref. No.	Part No.	Part Name & Description	Pcs	Remarks
C5104	F1G1A104A012	C 0.01UF, K, 10V	1	
C5105	F1G1H1020008	C 1000PF, K, 50V	1	
C5106	F1G1A104A012	C 0.01UF, K, 10V	1	
C5107	F1G1H1020008	C 1000PF, K, 50V	1	
C5108,09	ECJ1VB1A105K	C 0.01UF, Z, 50V	2	
C5110	F1G1A104A012	C 0.01UF, K, 10V	1	
C5111,12	F1G1H1020008	C 1000PF, K, 50V	2	
C5113	F1G1A104A012	C 0.01UF, K, 10V	1	
C5114	ECJ1VB1A105K	C 0.01UF, Z, 50V	1	
C5115	F1G1H1020008	C 1000PF, K, 50V	1	
C5116	F1G1A104A012	C 0.01UF, K, 10V	1	
C5117,18	F1J0J1060004	C 0.010UF, K, 16V	2	
C5120	F1G1A104A012	C 0.01UF, K, 10V	1	
C5121	ECJ1VB1A105K	C 0.01UF, Z, 50V	1	
C5122-43	F1G1A104A012	C 0.01UF, K, 10V	22	
C5144,45	F1J0J1060004	C 0.010UF, K, 16V	2	
C5146	F1G1A104A012	C 0.01UF, K, 10V	1	
C5235	F1G1H1020008	C 1000PF, K, 50V	1	
C5268-70	F1J0J1060004	C 0.010UF, K, 16V	3	
C5271	F1G1A104A012	C 0.01UF, K, 10V	1	
C5272	ECJ1VB1A105K	C 0.01UF, Z, 50V	1	
C5273	F1G1A104A012	C 0.01UF, K, 10V	1	
C5274	EEEB0G101R	C 100PF, J, 4V	1	
C5275	F1H1H471A792	E 470UF, 50V	1	
C5276	EEFCD0G560ER	56UF,	1	
C5277	F1G1A104A012	C 0.01UF, K, 10V	1	
C5278	ECJOEB1C103K	C 0.010UF, K, 16V	1	
C5279	F1G1A104A012	C 0.01UF, K, 10V	1	
C5280	ECJOEB1C103K	C 0.010UF, K, 16V	1	
C5281	F1G1A104A012	C 0.01UF, K, 10V	1	
C5282	ECJOEB1C103K	C 0.010UF, K, 16V	1	
C5283	F1G1A104A012	C 0.01UF, K, 10V	1	
C5284	ECJOEB1C103K	C 0.010UF, K, 16V	1	
C5285-87	F1G1A104A012	C 0.01UF, K, 10V	3	
C5288	ECJOEB1C103K	C 0.010UF, K, 16V	1	
C5289	F1G1A104A012	C 0.01UF, K, 10V	1	
C5290	ECJOEB1C103K	C 0.010UF, K, 16V	1	
C5291,92	F1G1A104A012	C 0.01UF, K, 10V	2	
C5293	ECJOEB1C103K	C 0.010UF, K, 16V	1	
C5294	F1G1A104A012	C 0.01UF, K, 10V	1	
C5295	ECJOEB1C103K	C 0.010UF, K, 16V	1	
C5296	F1G1A104A012	C 0.01UF, K, 10V	1	
C5297	ECJOEB1C103K	C 0.010UF, K, 16V	1	
C5298	F1G1A104A012	C 0.01UF, K, 10V	1	
C5299	ECJOEB1C103K	C 0.010UF, K, 16V	1	
C5300	F1G1A104A012	C 0.01UF, K, 10V	1	
C5301	ECJOEB1C103K	C 0.010UF, K, 16V	1	
C5302	F1G1A104A012	C 0.01UF, K, 10V	1	
C5303	ECJOEB1C103K	C 0.010UF, K, 16V	1	
C5343	F1G1A104A012	C 0.01UF, K, 10V	1	
C5344	F1G1H1020008	C 1000PF, K, 50V	1	
C5345	F1G1A104A012	C 0.01UF, K, 10V	1	
C5347	F1J0J1060004	C 0.010UF, K, 16V	1	
C5348	F1G1A104A012	C 0.01UF, K, 10V	1	
C5350	F1H0J1050012	C 1UF, K, 16V	1	
C5351	EEEB0G470R	C 47PF, J, 4V	1	
C5352	F1H1H471A792	E 470UF, 50V	1	
C5353	F1H0J1050012	C 1UF, K, 16V	1	
C5354-56	F1G1A104A012	C 0.01UF, K, 10V	3	
C5357	EEEB0G470R	C 47PF, J, 4V	1	

Ref. No.	Part No.	Part Name & Description	Pcs	Remarks
C5358	F1H0J1050012	C 1UF, K, 16V	1	
C5359	EEEB0G470R	C 47PF, J, 4V	1	
C5360	F1H1H471A792	E 470UF, 50V	1	
C5361	ECJ1VB1A105K	C 0.01UF, Z, 50V	1	
C5362	F1G1A104A012	C 0.01UF, K, 10V	1	
C5363	EEEB0G470R	C 47PF, J, 4V	1	
C5364-91	F1G1A104A012	C 0.01UF, K, 10V	28	
C5392	F1J0J1060004	C 0.010UF, K, 16V	1	
C5393	F1H1A154A012	C 0.15UF, K, 50V	1	
C5394	F1G1A104A012	C 0.01UF, K, 10V	1	
C5395	ECJ1VB1C105K	C 0.01UF, K, 16V	1	
C5397	ECJ1VB1A105K	C 0.01UF, Z, 50V	1	
C5600	ECJ1VB1C105K	C 0.01UF, K, 16V	1	
C5601	F1G1C104A081	C 0.10UF, K, 16V	1	
C5602	ECGRL0G680ER	C 68PF, J, 4V	1	
C5603,04	F1G1E1030005	C 0.01UF, Z, 25V	2	
C5605	F1J1A475A039	C 4.7UF, K, 10V	1	
C5606	F1H1H471A219	E 470UF, 50V	1	
C5607	F1G1H221A459	E 220UF, 50V	1	
C5608	F1G1C104A081	C 0.10UF, K, 16V	1	
C5609,10	EEEB1C470P	C 47PF, J, 16V	2	
C5613	F1H0J1050012	C 1UF, K, 16V	1	
C5614	F1G1A104A012	C 0.1UF, K, 10V	1	
C5615	F1J1A106A043	C 0.010UF, K, 10V	1	
C5616	ECJ0EB1A473K	C 0.047UF, K, 10V	1	
C5617	ECJ1VB1C105K	C 0.01UF, K, 16V	1	
C5618,19	F1J1A106A043	C 0.010UF, K, 10V	2	
C5620	ECJ1VB1E104K	C 0.10UF, K, 25V	1	
C5621	F1G1E1030005	C 0.01UF, Z, 25V	1	
C5622	F1J1A475A039	C 4.7UF, K, 10V	1	
C5623	ECJ0EB1H471K	C 470PF, K, 50V	1	
C5624	F1G1H221A459	E 220UF, 50V	1	
C5625	F1G1E1030005	C 0.01UF, Z, 25V	1	
C5626,27	F1G1C104A081	C 0.10UF, K, 16V	2	
C5628,29	ECGRL0G680ER	C 68PF, J, 4V	2	
C5630,31	EEEB1C470P	C 47PF, J, 16V	2	
C5632	ECJ1VB1C105K	C 0.01UF, K, 16V	1	
C5636-41	F1G1C104A081	C 0.10UF, K, 16V	6	
C5643	F1G1C104A081	C 0.10UF, K, 16V	1	
C5644	F1G1A104A012	C 0.1UF, K, 10V	1	
C5646	F1H0J1050012	C 1UF, K, 16V	1	
C5647	EEEB0G101R	C 100PF, J, 4V	1	
C5648	ECJ0EB1C103K	C 0.010UF, K, 16V	1	
C5649,50	F1H0J1050012	C 1UF, K, 16V	2	
C5652	ECJ1XC1H102J	C 1000PF, J, 50V	1	
C5654	ECJ1VB1H472K	C 4700PF, K, 50V	1	
C5655	EEEB1V220P	E 22UF, 35V	1	
C5656	ECJ1VB1H103K	C 0.001UF, K, 50V	1	
C5657	F1H1A225A051	E 22UF, 50V	1	
C5658	F1G1E1030005	C 0.01UF, Z, 25V	1	
C5660	ECJ3XB1C106M	C 1.0UF, K, 16V	1	
C5661,62	F1J1H474A757	C 0.47UF, 50V	2	
C5711-16	ECJ2VF1C104Z	C 0.1UF, Z, 16V	6	
C5730	F1G1E103A059	C 0.010UF, K, 16V	1	PAVCA
C5731	F2G0J470A019	E 47UF 6.3V	1	
C5765	ECJ0EB1A473K	C 0.047UF, K, 10V	1	
C5766,67	ECJ0EB1C103K	C 0.010UF, K, 16V	2	
C5869	F1G1A104A012	C 0.01UF, K, 10V	1	
C5870	F1G1H1020008	C 1000PF, K, 50V	1	
C5910	EEEB1C470P	C 47PF, J, 16V	1	
C5911,12	F1J1A106A043	C 0.010UF, K, 10V	2	
C5914	ECJ0EB1A473K	C 0.047UF, K, 10V	1	
C5915	ECJ1VB1C105K	C 0.01UF, K, 16V	1	

Ref. No.	Part No.	Part Name & Description	Pcs	Remarks
C5916,17	F1J1A106A043	C 0.010UF, K, 10V	2	
C5918	ECJ1VB1E104K	C 0.10UF, K, 25V	1	
C5919	F1G1E1030005	C 0.01UF, Z, 25V	1	
C5920	F1H0J4750004	C 4.7UF, K, 16V	1	
C5921	ECJ0EB1H471K	C 470PF, K, 50V	1	
C5922	F1G1H221A459	E 220UF, 50V	1	
C5923	F1G1E1030005	C 0.01UF, Z, 25V	1	
C5924,25	F1G1C104A081	C 0.10UF, K, 16V	2	
C5926,27	ECGRL0G680ER	C 68PF, J, 4V	2	
C5928,29	EEEB1C470P	C 47PF, J, 16V	2	
C5930	ECJ1VB1C105K	C 0.01UF, K, 16V	1	
C5939	F1G1C104A081	C 0.10UF, K, 16V	1	
C6002	F1L2J562A022	C 5600UF, K,6.3V	1	
C6004	F1L2J562A022	C 5600UF, K,6.3V	1	
C6011-17	F2A2E201A183	E 210UF, 250V	7	
C6022	F1L2J562A022	C 5600UF, K,6.3V	1	
C6024	F1L2J562A022	C 5600UF, K,6.3V	1	
C6031	F0C2E225A218	E 0.022UF, 250V	1	
C6037	F1L1E4750004	C 4.7UF, 25V	1	
C6091	F1L2J1020001	C 1000UF, K,6.3V	1	
C6111,12	F2A2D221A022	E 220UF, 200V	2	
C6114	F0C2E225A218	E 0.022UF, 250V	1	
C6132	F1L1E4750004	C 4.7UF, 25V	1	
C6134,35	F1L1E4750004	C 4.7UF, 25V	2	
C6151	ECJ3YB1E105K	C 1UF, K, 25V	1	
C6152-54	F1L1E4750004	C 4.7UF, 25V	3	
C6193-95	F1L1E4750004	C 4.7UF, 25V	3	
C6197	F1L1E4750004	C 4.7UF, 25V	1	
C6201-07	F0C2E225A218	E 0.022UF, 250V	7	
C6211,12	F1L1E4750004	C 4.7UF, 25V	2	
C6213	F2A1E102A220	E 1000UF, 25V	1	
C6216,17	F1L1E4750004	C 4.7UF, 25V	2	
C6221	ECJ2XB1H104K	C 0.1UF, K, 50V	1	
C6223	F2A2E470A022	E 47UF, 250V	1	
C6241	F2A1A101A439	E 100UF, 10V	1	
C6242	F1H1C105A072	C 1UF, K, 16V	1	
C6243	ECJ2VB1H103K	C 0.01UF, K, 50V	1	
C6246-48	ECJ2XB1H104K	C 0.1UF, K, 50V	3	
C6251	F1H1C105A072	C 1UF, K, 16V	1	
C6252	ECJ3YB1E105K	C 1UF, K, 25V	1	
C6255,56	F2A2A471A072	E 470UF, 100V	2	
C6258-61	F2A2A471A072	E 470UF, 100V	4	
C6272,73	F2A1E221A487	E 220UF, 25V	2	
C6276	F1L1E4750004	C 4.7UF, 25V	1	
C6286-88	ECJ2XB1H104K	C 0.1UF, K, 50V	3	
C6401	F1L2J222A022	C 2200UF, K,6.3V	1	
C6403	F1L2J222A022	C 2200UF, K,6.3V	1	
C6405	F1L2J222A022	C 2200UF, K,6.3V	1	
C6411-17	F2A2E201A183	E 210UF, 250V	7	
C6423	F1L2J562A022	C 5600UF, K,6.3V	1	
C6425	F1L2J562A022	C 5600UF, K,6.3V	1	
C6431	F0C2E225A218	E 0.022UF, 250V	1	
C6471	F1L2J1020001	C 1000UF, K,6.3V	1	
C6472	ECJ2XC1H101J	C 100PF, J, 50V	1	
C6480	ECJ2XB1H104K	C 0.1UF, K, 50V	1	
C6491	F1L2J1020001	C 1000UF, K,6.3V	1	
C6502	F1L1E4750004	C 4.7UF, 25V	1	
C6504,05	F1L1E4750004	C 4.7UF, 25V	2	
C6521	ECJ3YB1E105K	C 1UF, K, 25V	1	
C6522	F1L1E4750004	C 4.7UF, 25V	1	
C6524,25	F1L1E4750004	C 4.7UF, 25V	2	
C6527	F1L1E4750004	C 4.7UF, 25V	1	
C6531-37	F0C2E225A218	E 0.022UF, 250V	7	
C6561	F2A1A101A439	E 100UF, 10V	1	
C6562	TCUY1C105ZFN	C 1UF, 16V	1	
C6563	F2A1A101A439	E 100UF, 10V	1	
C6564	TCUY1C105ZFN	C 1UF, 16V	1	
C6565,66	ECJ2VB1H103K	C 0.01UF, K, 50V	2	
C6567	TCUY1C105ZFN	C 1UF, 16V	1	
C6581	ECJ3YB1E105K	C 1UF, K, 25V	1	
C6582	F1H1C105A072	C 1UF, K, 16V	1	
C6592	F2A1E221A487	E 220UF, 25V	1	

Ref. No.	Part No.	Part Name & Description	Pcs	Remarks
C6593	ECJ2XC1H102J	C 1000PF, J, 50V	1	
C6594	F2A1E221A487	E 220UF, 25V	1	
C6601	ECJ3YB1E105K	C 1UF, K, 25V	1	
C6603,04	F1K2J102A014	C 1000UF, K, 6.3V	2	
C6605,06	F1L2J562A022	C 5600UF, K, 6.3V	2	
C6641	ECQE2105RKB	P 1UF, 250V	1	
C6661,62	F1K2J102A014	C 1000UF, K, 6.3V	2	
C6691	ECA2DHG101	E 100UF, 200V	1	
C6694	ECJ3YB1E105K	C 1UF, K, 25V	1	
C6695	ECJ2XC1H102J	C 1000PF, J, 50V	1	
C6696-98	F1L1E4750004	C 4.7UF, 25V	3	
C6700	ECJ2XB1H392K	C 3900PF, K, 50V	1	
C6702	ECJ2XB1H104K	C 0.1UF, K, 50V	1	
C6704-06	ECJ2XB1H104K	C 0.1UF, K, 50V	3	
C6708	ECJ2XB1H104K	C 0.1UF, K, 50V	1	
C6709	F1L1E4750004	C 4.7UF, 25V	1	
C6710	F1K2J471A014	C 470UF, K, 6.3V	1	
C6721	F2A1H101A493	E 100UF, 50V	1	
C6722	ECJ2XC1H101J	C 100PF, J, 50V	1	
C6723-25	F1L1E4750004	C 4.7UF, 25V	3	
C6726,27	F1H1C105A072	C 1UF, K, 16V	2	
C6752	ECJ3YB1E105K	C 1UF, K, 25V	1	
C6753	F1L1E4750004	C 4.7UF, 25V	1	
C6755	F1L1E4750004	C 4.7UF, 25V	1	
C6771	F1H1C105A072	C 1UF, K, 16V	1	
C6772,73	F1L1E4750004	C 4.7UF, 25V	2	
C6775	F1L1E4750004	C 4.7UF, 25V	1	
C6777	ECJ2XB1H104K	C 0.1UF, K, 50V	1	
C6791	F2A1E221A487	E 220UF, 25V	1	
C6795,96	EEUFC1E471	E 470UF, 25V	2	
C6799	ECJ2XB1H104K	C 0.1UF, K, 50V	1	
C6800	ECJ3YB1E105K	C 1UF, K, 25V	1	
C6801	F1L2E1040002	E 1000UF, 25V	1	(SU)
C6801	F2A2E470A022	E 47UF, 250V	1	(SC)
C6802	F1L2E1040002	E 1000UF, 25V	1	
C6803	ECKD3D221KBP	C 220PF, K, 2KV	1	(SC)
C6803	F1L2E1040002	E 1000UF, 25V	1	(SU)
C6804	F2A2E100A022	E 10UF, 250V	1	
C6805	ECJ2XC1H331J	C 330PF, K, 50V	1	
C6806	ECA2CM101	E 100UF, 160V	1	
C6807	F1H1C105A072	C 1UF, K, 16V	1	
C6808	F1L2E1040002	E 1000UF, 25V	1	(SC)
C6808	F1L2E1040002	E 1000UF, 25V	1	(SU)
C6809	ECJ2XB1H104K	C 0.1UF, K, 50V	1	(SC)
C6809	F1L2E1040002	E 1000UF, 25V	1	(SU)
C6810	ECJ2VB1H221K	C 220PF, K, 50V	1	(SU)
C6810	ECJ2XB1H104K	C 0.1UF, K, 50V	1	(SC)
C6811	ECJ2VB1H221K	C 220PF, K, 50V	1	(SU)
C6811,12	ECJ2XB1H104K	C 0.1UF, K, 50V	2	(SC)
C6813	ECA2CM101	E 100UF, 160V	1	
C6814	F1L2E1040002	E 1000UF, 25V	1	(SU)
C6814	F2A1E221A487	E 220UF, 25V	1	(SC)
C6815	ECJ2XC1H222J	C 2200PF, J, 50V	1	(SC)
C6815	F1L2E1040002	E 1000UF, 25V	1	(SU)
C6816,17	ECJ2XB1H104K	C 0.1UF, K, 50V	2	
C6818	ECJ3YB1E105K	C 1UF, K, 25V	1	
C6819	F1L2E1040002	E 1000UF, 25V	1	(SU)
C6819	F2A1H101A493	E 100UF, 50V	1	(SC)
C6820	F1L1E4750004	C 4.7UF, 25V	1	(SC)
C6820	F1L2E1040002	E 1000UF, 25V	1	(SU)
C6821	F1L1E4750004	C 4.7UF, 25V	1	(SC)
C6821	F1L2E1040002	E 1000UF, 25V	1	(SU)
C6822	F2A2W470A017	E 47UF, 450V	1	
C6823	ECJ2XB1H104K	C 0.1UF, K, 50V	1	
C6825	F1L1E4750004	C 4.7UF, 25V	1	
C6826,27	F1H1C105A072	C 1UF, K, 16V	2	
C6829	ECJ2VB1H103K	C 0.01UF, K, 50V	1	
C6830	ECJ2XB1H104K	C 0.1UF, K, 50V	1	
C6831	ECJ2VB1H221K	C 220PF, K, 50V	1	(SU)
C6831	ECJ2XC1H102J	C 1000PF, J, 50V	1	(SC)
C6832	ECJ2XB1H392K	C 3900PF, K, 50V	1	
C6835	ECA2CM101	E 100UF, 160V	1	
C6836	ECJ2VB1H221K	C 220PF, K, 50V	1	

Ref. No.	Part No.	Part Name & Description	Pcs	Remarks
C6841	ECA2DHG101	E 100UF, 200V	1	
C6842	ECA2CM101	E 100UF, 160V	1	
C6845	ECJ2VB1H103K	C 0.01UF, K, 50V	1	
C6851-60	TCUY1C105ZFN	C 1UF, 16V	10	
C6871	ECJ2VB1H221K	C 220PF, K, 50V	1	(SU)
C6871	F1H1C105A072	C 1UF, K, 16V	1	(SC)
C6872	ECJ2VB1H221K	C 220PF, K, 50V	1	(SU)
C6872	ECJ3YB1E105K	C 1UF, K, 25V	1	(SC)
C6873	ECJ2VB1H103K	C 0.01UF, K, 50V	1	(SC)
C6873	ECJ2VB1H821K	C 820PF, K, 50V	1	(SU)
C6874	ECA2DHG101	E 100UF, 200V	1	
C6875	ECJ2VB1H221K	C 220PF, K, 50V	1	
C6881	ECJ2VB1H821K	C 820PF, K, 50V	1	
C6882	ECJ2VB1H221K	C 220PF, K, 50V	1	(SU)
C6882	F2A1E470A454	E 47UF, 25V	1	(SC)
C6883	F1L1E4750004	C 4.7UF, 25V	1	
C6884,85	F1K2J102A014	C 1000UF, K, 6.3V	2	
C6887	ECJ2XB1H104K	C 0.1UF, K, 50V	1	
C6901-03	F1L2E1040002	E 1000UF, 25V	3	
C6907-09	F1L2E1040002	E 1000UF, 25V	3	
C6910,11	ECJ2VB1H221K	C 220PF, K, 50V	2	
C6913-15	F1L2E1040002	E 1000UF, 25V	3	
C6919-21	F1L2E1040002	E 1000UF, 25V	3	
C6935	ECJ2VB1H221K	C 220PF, K, 50V	1	
C6940	ECJ2VB1H221K	C 220PF, K, 50V	1	
C6941	ECJ2VB1H821K	C 820PF, K, 50V	1	
C6942	ECJ2VB1H221K	C 220PF, K, 50V	1	
C6951	ECJ2VB1H821K	C 820PF, K, 50V	1	
C6953	ECJ2VB1H221K	C 220PF, K, 50V	1	
C6958	TCUY1C105ZFN	C 1UF, 16V	1	
C6966	ECJ2VB1H221K	C 220PF, K, 50V	1	
C6968	ECJ2VB1H221K	C 220PF, K, 50V	1	
C6969	TCUY1C105ZFN	C 1UF, 16V	1	
C6972-75	TCUY1C105ZFN	C 1UF, 16V	4	
C6978-81	TCUY1C105ZFN	C 1UF, 16V	4	
C7101,02	F1H1C105A072	C 1UF, K, 16V	2	
C7105,06	F1K2A474A006	C 0.47UF, 6.3V	2	
C7110,11	F1H1C105A072	C 1UF, K, 16V	2	
C7112,13	F1K2A474A006	C 0.47UF, 6.3V	2	
C7120	ECJ1XB1C104K	C 0.1UF, Z, 16V	1	
C7129,30	F1H1C105A072	C 1UF, K, 16V	2	
C7131,32	F1K2A474A006	C 0.47UF, 6.3V	2	
C7138	F1K2A474A006	C 0.47UF, 6.3V	1	
C7139,40	F1H1C105A072	C 1UF, K, 16V	2	
C7145-48	F1K2A474A006	C 0.47UF, 6.3V	4	
C7151-54	F1K2A474A006	C 0.47UF, 6.3V	4	
C7159,60	F1H1C105A072	C 1UF, K, 16V	2	
C7162	ECJ1XB1C104K	C 0.1UF, Z, 16V	1	
C7167-69	ECJ1XB1C104K	C 0.1UF, Z, 16V	3	
C7182,83	F1K2A474A006	C 0.47UF, 6.3V	2	
C7186	F1H1C105A072	C 1UF, K, 16V	1	
C7190	ECJ1XB1C104K	C 0.1UF, Z, 16V	1	
C7191-95	F1H1C105A072	C 1UF, K, 16V	5	
C7202	ECJ1XB1C104K	C 0.1UF, Z, 16V	1	
C7204	F1K2A474A006	C 0.47UF, 6.3V	1	
C7205,06	F1H1C105A072	C 1UF, K, 16V	2	
C7212	ECJ1XB1C104K	C 0.1UF, Z, 16V	1	
C7214	ECJ1XB1C104K	C 0.1UF, Z, 16V	1	
C7218	F1H1C105A072	C 1UF, K, 16V	1	
C7219,20	F1K2A474A006	C 0.47UF, 6.3V	2	
C7226	F1H1C105A072	C 1UF, K, 16V	1	
C7227,28	F1K2A474A006	C 0.47UF, 6.3V	2	
C7236	ECJ1XB1C104K	C 0.1UF, Z, 16V	1	
C7237,38	F1H1C105A072	C 1UF, K, 16V	2	
C7244,45	F1K2A474A006	C 0.47UF, 6.3V	2	
C7247,48	F1K2A474A006	C 0.47UF, 6.3V	2	
C7250-53	F1K2A474A006	C 0.47UF, 6.3V	4	
C7258,59	F1H1C105A072	C 1UF, K, 16V	2	
C7270,71	F1K2A474A006	C 0.47UF, 6.3V	2	
C7274	F1H1C105A072	C 1UF, K, 16V	1	
C7278	ECJ1XB1C104K	C 0.1UF, Z, 16V	1	
C7279-83	F1H1C105A072	C 1UF, K, 16V	5	
C7301	F1K2A474A006	C 0.47UF, 6.3V	1	

Ref. No.	Part No.	Part Name & Description	Pcs	Remarks
C7305,06	F1H1C105A072	C 1UF, K, 16V	2	
C7311-14	F1K2A474A006	C 0.47UF, 6.3V	4	
C7316-19	F1K2A474A006	C 0.47UF, 6.3V	4	
C7324,25	F1H1C105A072	C 1UF, K, 16V	2	
C7334-37	F1H1C105A072	C 1UF, K, 16V	4	
C7340,41	F1H1C105A072	C 1UF, K, 16V	2	
C7346-49	F1K2A474A006	C 0.47UF, 6.3V	4	
C7351,52	F1K2A474A006	C 0.47UF, 6.3V	2	
C7355	F1H1C105A072	C 1UF, K, 16V	1	
C7362,63	F1H1C105A072	C 1UF, K, 16V	2	
C7365	F1H1C105A072	C 1UF, K, 16V	1	
C7367,68	ECJ1XB1C104K	C 0.1UF, Z, 16V	2	
C7373	ECJ1XB1C104K	C 0.1UF, Z, 16V	1	
C7381	ECJ1XB1C104K	C 0.1UF, Z, 16V	1	
C7405	ECJ1XB1C104K	C 0.1UF, Z, 16V	1	
C7407	ECJ1XB1C104K	C 0.1UF, Z, 16V	1	
C7419,20	F1H1C105A072	C 1UF, K, 16V	2	
C7425-28	F1K2A474A006	C 0.47UF, 6.3V	4	
C7430-33	F1K2A474A006	C 0.47UF, 6.3V	4	
C7438,39	F1H1C105A072	C 1UF, K, 16V	2	
C7448-51	F1H1C105A072	C 1UF, K, 16V	4	
C7455	ECJ1XB1C104K	C 0.1UF, Z, 16V	1	
C7462,63	F1H1C105A072	C 1UF, K, 16V	2	
C7468-71	F1K2A474A006	C 0.47UF, 6.3V	4	
C7473-76	F1K2A474A006	C 0.47UF, 6.3V	4	
C7481,82	F1H1C105A072	C 1UF, K, 16V	2	
C7491-94	F1H1C105A072	C 1UF, K, 16V	4	
C7495	F1K2A474A006	C 0.47UF, 6.3V	1	
C7724,25	ECJ1VC1H330J	C 33PF, J, 50V	2	
C7729	ECJ1VC1H330J	C 33PF, J, 50V	1	
C7731	ECJ1VC1H330J	C 33PF, J, 50V	1	
C7732,33	ECJ1VF1C104Z	C 0.1UF, Z, 16V	2	
C7736	ECJ1VF1C104Z	C 0.1UF, Z, 16V	1	
C7737	F1J0J106A020	C 0.010UF, K, 16V	1	
C7738	EEEB0G101R	C 100PF, J, 4V	1	
C7742	F1J0J106A020	C 0.010UF, K, 16V	1	
C8001	F1G1A104A012	C 0.1UF, K, 10V	1	
C8002-05	ECJ1VB0J105K	C 1UF, K, 16V	4	
C8006-08	F1G1A104A012	C 0.1UF, K, 10V	3	
C8009,10	F1J1A106A043	C 0.010UF, K, 10V	2	
C8011-14	F1G1A104A012	C 0.1UF, K, 10V	4	
C8015,16	ECJ1VB0J105K	C 1UF, K, 16V	2	
C8017	F1J1A106A043	C 0.010UF, K, 10V	1	
C8018-21	F1G1A104A012	C 0.1UF, K, 10V	4	
C8022	ECJ1VB0J105K	C 1UF, K, 16V	1	
C8023,24	F1J1A106A043	C 0.010UF, K, 10V	2	
C8025-29	F1G1A104A012	C 0.1UF, K, 10V	5	
C8030,31	ECJ1VB0J105K	C 1UF, K, 16V	2	
C8032	F1J1A106A043	C 0.010UF, K, 10V	1	
C8033,34	F1G1A104A012	C 0.1UF, K, 10V	2	
C8035,36	F1J1A106A043	C 0.010UF, K, 10V	2	
C8037-41	F1G1A104A012	C 0.1UF, K, 10V	5	
C8042	ECGRLOG680ER	C 68PF, J, 4V	1	
C8043-51	F1G1A104A012	C 0.1UF, K, 10V	9	
C8052	ECJ1VB0J105K	C 1UF, K, 16V	1	
C8053	ECJ0EB1C103K	C 0.010UF, K, 16V	1	
C8056,57	F1G1A104A012	C 0.1UF, K, 10V	2	
C8058	F1J1A106A043	C 0.010UF, K, 10V	1	
C8067	ECJ0EB1C103K	C 0.010UF, K, 16V	1	
C8068	F1G1A104A012	C 0.1UF, K, 10V	1	
C8070-74	F1G1A104A012	C 0.1UF, K, 10V	5	
C8075	F1J0G2260001	C 0.001UF, 6.3V	1	
C8076-80	F1G1C104A081	C 0.10UF, K, 16V	5	
C8300	F1G1A104A012	C 0.1UF, K, 10V	1	
C8301	F1G1H1020008	E 1000UF, 50V	1	

Ref. No.	Part No.	Part Name & Description	Pcs	Remarks
C8302	F1G1A104A012	C 0.1UF, K, 10V	1	
C8303	F1G1H103A573	E 0.01UF, 50V	1	
C8304,05	F1G1H820A565	E 82UF, 50V	2	
C8306	F1G1H100A565	C 100PF, K, 50V	1	
C8307	F1G1A104A012	C 0.1UF, K, 10V	1	
C8309,10	EEEB0J221UP	C 220PF, J, 6.3V	2	
C8311	F2G1V220A020	E 22UF, 35V	1	
C8312	EEEB0J221UP	C 220PF, J, 6.3V	1	
C8313	F1G1H1020008	E 1000UF, 50V	1	
C8320,21	F1G1H1020008	E 1000UF, 50V	2	
C8324	F1G1H270A565	E 27UF, 50V	1	PAVCA
C8327,28	F1G1H120A565	E 12UF, 50V	2	
C8329	F1G1H270A565	E 27UF, 50V	1	PAVCA
C8330,31	F1G1H101A565	C 100PF, K, 50V	2	
C8333,34	F1G1H470A565	E 47UF, 50V	2	
C8335,36	ECJ0EB1C103K	C 0.010UF, K, 16V	2	
C8337,38	F1G1H150A565	E 15UF, 50V	2	
C8339-42	F1G1A104A012	C 0.1UF, K, 10V	4	
C8344-49	F1G1A104A012	C 0.1UF, K, 10V	6	
C8350	F1J1A106A043	C 0.010UF, K, 10V	1	
C8351-57	F1G1A104A012	C 0.1UF, K, 10V	7	
C8359-61	F1G1A104A012	C 0.1UF, K, 10V	3	
C8363-65	F1G1A104A012	C 0.1UF, K, 10V	3	
C8367-71	F1G1A104A012	C 0.1UF, K, 10V	5	
C8372	ECJ1VB0J105K	C 1UF, K, 16V	1	
C8374-76	F1J1A106A043	C 0.010UF, K, 10V	3	
C8377-85	F1G1A104A012	C 0.1UF, K, 10V	9	
C8386	F1J1A106A043	C 0.010UF, K, 10V	1	
C8387	F1G1H1020008	E 1000UF, 50V	1	
C8388	ECJ1XB1H104K	C 10PF, J, 50V	1	
C8394	F1G1A104A012	C 0.1UF, K, 10V	1	
C8396	F1J1A106A043	C 0.010UF, K, 10V	1	
C8397	F1G1A104A012	C 0.1UF, K, 10V	1	
C8500,01	F1G1A104A012	C 0.1UF, K, 10V	2	
C8506	F1G1A104A012	C 0.1UF, K, 10V	1	
C8513	ECJ0EB1C103K	C 0.010UF, K, 16V	1	
C8517	F1G1A104A012	C 0.1UF, K, 10V	1	
C8519	ECJ0EB1C103K	C 0.010UF, K, 16V	1	
C9028,29	F1J1A106A043	C 0.010UF, K, 10V	2	
C9033,34	F1G1C104A083	C 0.10UF, K, 16V	2	
C9035,36	F1J1A106A043	C 0.010UF, K, 10V	2	
C9037	F1G1E1030005	C 0.01UF, Z, 25V	1	
C9039	F1J1A106A043	C 0.010UF, K, 10V	1	
C9040	F1G1C104A083	C 0.10UF, K, 16V	1	
C9044	ECJ2YB0J475K	C 3.3UF, Z, 4.7V	1	
C9045-53	F1G1C104A083	C 0.10UF, K, 16V	9	
C9055-57	F1G1C104A083	C 0.10UF, K, 16V	3	
C9058	F1J1A106A043	C 0.010UF, K, 10V	1	
C9059-83	F1G1C104A077	C 0.10UF, K, 16V	25	
C9084	EEFCD0G560ER	56UF,	1	
C9085-99	F1G1C104A077	C 0.10UF, K, 16V	15	
C9101-10	F1G1C104A077	C 0.10UF, K, 16V	10	
C9111	EEFCD0G560ER	56UF,	1	
C9112	F1G1C104A077	C 0.10UF, K, 16V	1	
C9113	ECJ2YB0J475K	C 3.3UF, Z, 4.7V	1	
C9114	F1G1C104A083	C 0.10UF, K, 16V	1	
C9300-25	F1G1C104A077	C 0.10UF, K, 16V	26	
C9355-59	F1G1C104A077	C 0.10UF, K, 16V	5	
C9360-64	F1J1A106A043	C 0.010UF, K, 10V	5	
C9365	EEFCD0G560ER	56UF,	1	
C9368	F1G1C104A077	C 0.10UF, K, 16V	1	
C9369-74	F1G1E1030005	C 0.01UF, Z, 25V	6	
C9442-69	F1G1C104A077	C 0.10UF, K, 16V	28	

Ref. No.	Part No.	Part Name & Description	Pcs	Remarks
C9496	F1G1C104A077	C 0.10UF, K, 16V	1	
C9500	F1G1C104A077	C 0.10UF, K, 16V	1	
C9501	F1J1A106A043	C 0.010UF, K, 10V	1	
C9505	F1G1C104A077	C 0.10UF, K, 16V	1	
C9508	F1G1C104A077	C 0.10UF, K, 16V	1	
C9509,10	F1G1H120A565	E 12UF, 50V	2	
C9511	F1J1A106A043	C 0.010UF, K, 10V	1	
C9512,13	F1G1C104A077	C 0.10UF, K, 16V	2	
C9515	F1G1C104A083	C 0.10UF, K, 16V	1	
C9516-25	F1G1C104A077	C 0.10UF, K, 16V	10	
C9526	F1J1A106A043	C 0.010UF, K, 10V	1	
C9527,28	F1G1C104A077	C 0.10UF, K, 16V	2	
C9531	F1J1A106A043	C 0.010UF, K, 10V	1	
C9533	F1G1C104A077	C 0.10UF, K, 16V	1	
C9534-38	F1J1A106A043	C 0.010UF, K, 10V	5	
C9539	EEFCD0G560ER	56UF,	1	
C9542	F1G1C104A077	C 0.10UF, K, 16V	1	
C9543	F1J1A106A043	C 0.010UF, K, 10V	1	
C9544	F1G1C104A083	C 0.10UF, K, 16V	1	
C9559-61	F1G1C104A077	C 0.10UF, K, 16V	3	
C9608	F1G1C104A083	C 0.10UF, K, 16V	1	
C9609	F1J1A106A043	C 0.010UF, K, 10V	1	
C9610	F1G1C104A083	C 0.10UF, K, 16V	1	
C9823	ECJ3YB1E106M	C 10 UF, K, 25V	1	
C9826	F1G1C104A083	C 0.10UF, K, 16V	1	
C9830-32	F1J1A106A043	C 0.010UF, K, 10V	3	
C9837	F1J1A106A043	C 0.010UF, K, 10V	1	
C9838	F1G1C104A083	C 0.10UF, K, 16V	1	
C9840-43	F1G1C104A083	C 0.10UF, K, 16V	4	
C9844	F1G1E1030005	C 0.01UF, Z, 25V	1	
C9845,46	F1G1C104A083	C 0.10UF, K, 16V	2	
C9858	ECJ3YB1E106M	C 10 UF, K, 25V	1	
C9859	F1G1E1030005	C 0.01UF, Z, 25V	1	
C9860	ECJ2YB0J475K	C 3.3UF, Z, 4.7V	1	
C9861,62	ECJ1VB1E104K	C 0.10UF, K, 25V	2	
C9863	ECJ2YB0J475K	C 3.3UF, Z, 4.7V	1	
C9864	ECJ1VB1E104K	C 0.10UF, K, 25V	1	
C9865,66	ECGRL0G680ER	C 68PF, J, 4V	2	
C9867-72	ECJ3YB1E106M	C 10 UF, K, 25V	6	
C9873	ECGRL0G680ER	C 68PF, J, 4V	1	
C9874	F1G1H680A565	E 68UF, 50V	1	
C9877	F1G1H680A565	E 68UF, 50V	1	
C9878	F1G1E1030005	C 0.01UF, Z, 25V	1	
C9879,80	F1G1E822A086	C 8200UF, Z, 25V	2	
C9881	F1G1E1030005	C 0.01UF, Z, 25V	1	
C9882	F1G1E822A086	C 8200UF, Z, 25V	1	
C9883	F1G1H101A565	C 100PF, K, 50V	1	
C9884,85	F1G1H1020008	E 1000UF, 50V	2	
C9886,87	ECJ1VB1E104K	C 0.10UF, K, 25V	2	
C9888	F1G1H361A565	E 360UF, 50V	1	
C9889	F1G1C104A083	C 0.10UF, K, 16V	1	
C9890	F1G1H101A565	C 100PF, K, 50V	1	
CA1-15	K1MN68BA0138	68P CONNECTOR	15	
CB1-15	K1MN68BA0052	68P CONNECTOR	15	
D3	K1KA30B00078	30P CONNECTOR	1	
D5	K1KB31BA0064	31P CONNECTOR	1	
D6	K1KA21A00011	21P CONNECTOR	1	
D9	K1KA07A00292	7P CONNECTOR	1	
D20	K1KA31B00005	31P CONNECTOR	1	
D25	K1KA20B00155	20P CONNECTOR	1	
D31-36	K1MN68BA0251	68P CONNECTOR	6	
D851,52	MA2J11100L	DIODE	2	
D854	MA2J11100L	DIODE	1	

Ref. No.	Part No.	Part Name & Description	Pcs	Remarks
D857	MA2J11100L	DIODE	1	
D859	B0JCME000037	DIODE	1	
D860	MAZ81100ML	ZENER DIODE	1	
D861	MA2J11100L	DIODE	1	
D862	MA8033L	ZENER DIODE	1	
D1107	MA704A	DIODE	1	
D1111-13	MA2J11100L	DIODE	3	
D1120	MA2J72800L	DIODE	1	
D2059	MA2J11100L	DIODE	1	
D2062-64	MA2J11100L	DIODE	3	
D2066	MA2J11100L	DIODE	1	
D2301,02	MA2J11100L	DIODE	2	
D2303	MA3056H	ZENER DIODE	1	
D2304	MA2J11100L	DIODE	1	
D2510,11	MAZ80560ML	ZENER DIODE	2	
D2512	MA8043LTX	ZENER DIODE	1	
D2520A	LN1271RAL-TR	LED	1	
D2524	MAZ80560ML	ZENER DIODE	1	
D3005	K7AAAY000003	PHOTO LINK	1	
D3047-54	MA8140M	ZENER DIODE	8	
D3060-80	MA8140M	ZENER DIODE	21	
D3085-89	MA8140M	ZENER DIODE	5	
D3500	B0BC01000035	ZENER DIODE	1	PAVCA
D3502	MA2J11100L	DIODE	1	
D3503,04	MA3X152A0L	DIODE	2	
D3505	MA8120M	ZENER DIODE	1	
D3506	MAZ80680LL	ZENER DIODE	1	
D3507	MA2J11100L	DIODE	1	
D3514	B0BC6R600005	ZENER DIODE	1	
D3515	B0BC01100001	ZENER DIODE	1	
D3702	MA8140M	ZENER DIODE	1	
D4500-12	EZAEG2A50AX	DIODE	13	
D4513	MA3056MTX	ZENER DIODE	1	
D4514	EZAEG2A50AX	DIODE	1	
D4515	MA3056MTX	ZENER DIODE	1	
D4516-23	EZAEG2A50AX	DIODE	8	
D4524-27	B0HCMM000014	DIODE	4	
D4528	EZAEG2A50AX	DIODE	1	
D4532	B0HCMM000014	DIODE	1	
D5601,02	MA22D3900L	DIODE	2	
D5603,04	B0JCDD000002	DIODE	2	
D5605	MA22D3900L	DIODE	1	
D5606	B0JCDD000002	DIODE	1	
D5607,08	MA8024LTX	ZENER DIODE	2	
D5609	B0HCMM000014	DIODE	1	
D5610	MA3X78900L	ZENER DIODE	1	
D5611	B0BC03900015	ZENER DIODE	1	
D5612	MA8056LTX	ZENER DIODE	1	
D5613,14	MA2J11100L	DIODE	2	
D5901,02	MA22D3900L	DIODE	2	
D5903,04	B0JCDD000002	DIODE	2	
D5907,08	B0BC4R700007	ZENER DIODE	2	
D6001,02	B0HBSN000008	DIODE	2	
D6021-23	B0HBSN000008	DIODE	3	
D6024,25	B0ECHP000003	DIODE	2	
D6032	MA2J11100L	DIODE	1	
D6061-64	B0HBSN000008	DIODE	4	
D6071,72	B0HBSN000008	DIODE	2	
D6081-83	B0HBSN000008	DIODE	3	
D6091	B0HBSN000008	DIODE	1	
D6092	MA3DF40000LZ	ZENER DIODE	1	
D6101-04	B0JCME000037	DIODE	4	
D6131,32	B0ECHP000003	DIODE	2	
D6151-53	B0ECHP000003	DIODE	3	
D6191,92	B0ECHP000003	DIODE	2	
D6211	B0JCME000037	DIODE	1	
D6221	B0HDRP000003	DIODE	1	
D6222,23	MA2J11100L	DIODE	2	
D6225	B0ECHP000003	DIODE	1	
D6253	LNJ301MPUJA	LED	1	
D6255	MA2J11100L	DIODE	1	
D6273	MA2J11100L	DIODE	1	
D6275	MA8068M	ZENER DIODE	1	

Ref. No.	Part No.	Part Name & Description	Pcs	Remarks
D6276-78	MA3X152A0L	DIODE	3	
D6280	MAZ80510LL	ZENER DIODE	1	
D6283	B0JCME000037	DIODE	1	
D6401-03	B0HBSN000008	DIODE	3	
D6421-23	B0HASR000013	DIODE	3	
D6442	B0ECKP000047	DIODE	1	
D6452	B0HCKS000002	DIODE	1	
D6461-64	B0HBSN000008	DIODE	4	
D6466	MA2J11100L	DIODE	1	
D6471,72	B0HBSN000008	DIODE	2	
D6475-77	MA2J11100L	DIODE	3	
D6478,79	B0HCKS000002	DIODE	2	
D6480	MA2J11100L	DIODE	1	
D6481-83	B0HBSN000008	DIODE	3	
D6491	B0HASR000013	DIODE	1	
D6497	B0HCKS000002	DIODE	1	
D6501,02	B0ECKP000047	DIODE	2	
D6521-23	B0ECKP000047	DIODE	3	
D6583	LNJ301MPUJA	LED	1	
D6585	MA2J11100L	DIODE	1	
D6601	B0JCME000037	DIODE	1	
D6604	MA2J11100L	DIODE	1	
D6605	MAZ80510LL	ZENER DIODE	1	
D6606	B0HCMM000014	DIODE	1	
D6607,08	MA2J11100L	DIODE	2	
D6609	B0HCMM000014	DIODE	1	
D6610	MA2J11100L	DIODE	1	
D6611	B0ECKP000047	DIODE	1	
D6622-27	B0HDSN000003	DIODE	6	
D6631-33	MA8240MTX	ZENER DIODE	3	
D6641	B0HCKS000002	DIODE	1	
D6642	B0ECKP000047	DIODE	1	
D6643	B0JCME000037	DIODE	1	
D6644	B0HCKS000002	DIODE	1	
D6645	B0JCME000037	DIODE	1	
D6661	MA2J11100L	DIODE	1	
D6662-64	MA8330M	ZENER DIODE	3	
D6665	MAZ80510LL	ZENER DIODE	1	
D6666,67	MA2J11100L	DIODE	2	
D6671	B0JCME000037	DIODE	1	
D6672	MA2J11100L	DIODE	1	
D6673-76	B0JCME000037	DIODE	4	
D6680,81	B0JCME000037	DIODE	2	
D6690	B0JCME000037	DIODE	1	
D6691,92	MA8200M	ZENER DIODE	2	
D6693,94	B0JCME000037	DIODE	2	
D6695	MA2J11100L	DIODE	1	
D6697	B0ECKP000047	DIODE	1	
D6698	B0HCKS000002	DIODE	1	
D6699	B0HDRP000003	DIODE	1	
D6701,02	MA8056H	ZENER DIODE	2	
D6704	B0ECKP000047	DIODE	1	
D6705	MAZ81500ML	ZENER DIODE	1	
D6706	B0BC027A0234	ZENER DIODE	1	
D6707,08	B0ECKP000047	DIODE	2	
D6721	B0HCKS000002	DIODE	1	
D6722	MA2J11100L	DIODE	1	
D6725	MA2J11100L	DIODE	1	
D6726-33	MA8056H	ZENER DIODE	8	
D6742,43	MA2J11100L	DIODE	2	
D6761	B0JCME000037	DIODE	1	
D6764-66	B0HCKS000002	DIODE	3	
D6767	B0ECKP000047	DIODE	1	
D6773	B0HCKS000002	DIODE	1	
D6792	MA8200M	ZENER DIODE	1	
D6794	MA8056H	ZENER DIODE	1	
D6795	B0HCKS000002	DIODE	1	
D6799	MA2J11100L	DIODE	1	
D6800	MA8056H	ZENER DIODE	1	
D6801	B0JCME000037	DIODE	1	
D6802	B0BC01000044	ZENER DIODE	1	
D6804	B0HCKS000002	DIODE	1	
D6805	MA8240MTX	ZENER DIODE	1	

Ref. No.	Part No.	Part Name & Description	Pcs	Remarks
D6806	B0HCKS000002	DIODE	1	
D6807	B0ECKP000047	DIODE	1	
D6809	B0HCMM000014	DIODE	1	
D6810	MA2J11100L	DIODE	1	
D6811-17	MA8056H	ZENER DIODE	7	
D6818	MAZ80510LL	ZENER DIODE	1	
D6821-23	MA2J11100L	DIODE	3	
D6824,25	MA8330M	ZENER DIODE	2	
D6826	MA2J11100L	DIODE	1	
D6827,28	MA8330M	ZENER DIODE	2	
D6829	MA2J11100L	DIODE	1	
D6830	MA8056H	ZENER DIODE	1	
D6831,32	MA8330M	ZENER DIODE	2	
D6833	MAZ80510LL	ZENER DIODE	1	
D6834	MA2J11100L	DIODE	1	
D6836	MAZ81500ML	ZENER DIODE	1	
D6837	MA2J11100L	DIODE	1	
D6838	B0BC027A0234	ZENER DIODE	1	
D6839	B0ECKP000047	DIODE	1	
D6840	MA8062L	ZENER DIODE	1	
D6841	B0HCKS000002	DIODE	1	
D6842,43	MA2J11100L	DIODE	2	
D6844	B0ECKP000047	DIODE	1	
D6845	MA2J11100L	DIODE	1	
D6846,47	MA8200M	ZENER DIODE	2	
D6859,60	B0HCKS000002	DIODE	2	
D6861	MA8056H	ZENER DIODE	1	
D6862	B0HCMM000013	DIODE	1	
D6863,64	B0JCME000037	DIODE	2	
D6866	MA8056H	ZENER DIODE	1	
D6867	B0HCMM000013	DIODE	1	
D6871	B0HCMM000013	DIODE	1	(SU)
D6871	MAZ80510LL	ZENER DIODE	1	(SC)
D6872	B0HCMM000013	DIODE	1	(SU)
D6872	MA2J11100L	DIODE	1	(SC)
D6873	B0HCKS000002	DIODE	1	
D6878-80	B0ECKP000047	DIODE	3	
D6881	B0HCKS000002	DIODE	1	
D6882	MAZ80510LL	ZENER DIODE	1	
D6883	MAZ80510ML	ZENER DIODE	1	
D6884	MA2J11100L	DIODE	1	
D6961	B0HCMM000013	DIODE	1	
D6962	MA8056H	ZENER DIODE	1	
D6963,64	B0JCME000037	DIODE	2	
D6965	B0HCMM000013	DIODE	1	
D6966	MA8056H	ZENER DIODE	1	
D6967,68	B0HCMM000013	DIODE	2	
D7101-16	B0HCMM000014	DIODE	16	
D7201-14	B0HCMM000014	DIODE	14	
D7301-14	B0HCMM000014	DIODE	14	
D7401-16	B0HCMM000014	DIODE	16	
D7700	B3AEB0000107	LED	1	
D9017-19	MA3033	ZENER DIODE	3	
D9020	B0JCCE000008	DIODE	1	
D9110	B0JCGD000002	DIODE	1	
D9300-05	B0JCCE000008	DIODE	6	
D9802	B0JCCE000008	DIODE	1	
D9804	B0JCCE000008	DIODE	1	
D9811	B0JCCE000008	DIODE	1	
D9812	MA22D3900L	DIODE	1	
D9813-15	B0JCGD000002	DIODE	3	
D9816,17	MA22D3900L	DIODE	2	
D9818,19	B0JCCE000008	DIODE	2	
DG1	K1KA09A00220	9P CONNECTOR	1	
DG2	K1KB23A00003	23P CONNECTOR	1	
DG3	K1KY80A00011	80P CONNECTOR	1	
DG4	K1KA07AA0266	7P CONNECTOR	1	
DG5	K1KB31AA0140	31P CONNECTOR	1	
DG17	K1KA30AA0009	30P CONNECTOR	1	
DG18	K1KA11AA0715	11P CONNECTOR	1	
DG20	K1KA20AA0009	20P CONNECTOR	1	
DG35	K1KA30AA0009	30P CONNECTOR	1	

Ref. No.	Part No.	Part Name & Description	Pcs	Remarks
DG52	K1KA14A00248	14P CONNECTOR	1	
FL3010,11	JOMAB0000140	LC FILTER	2	
FL3042	JOHAAB000036	LC FILTER	1	
FL3710-12	JOMAB0000199	LC FILTER	3	
FL4000	JOHAAB000036	LC FILTER	1	
FL4002-04	JOHAAB000036	LC FILTER	3	
FL5015-20	J0JAD0000028	CHIP INDUCTOR	6	
FL7101	JOHABH000013	LC FILTER	1	
FL7201	JOHABH000013	LC FILTER	1	
FL7301	JOHABH000013	LC FILTER	1	
FL7401	JOHABH000013	LC FILTER	1	
FL8308	JOMAB0000164	LC FILTER	1	
FL8500,01	JOHAAA000013	LC FILTER	2	
FL9000	F1J1E104A148	C 0.10UF, Z, 25V	1	
FL9302-11	F1J1E104A148	C 0.10UF, Z, 25V	10	
FL9501,02	F1J1E104A148	C 0.10UF, Z, 25V	2	
FL9504	F1J1E104A148	C 0.10UF, Z, 25V	1	
FL9800	F1J1E104A148	C 0.10UF, Z, 25V	1	
FL9803	F1J1E104A148	C 0.10UF, Z, 25V	1	
FL9805-07	F1J1E104A148	C 0.10UF, Z, 25V	3	
G51	K1KA12A00317	12P CONNECTOR	1	
GS52	K1KA14B00129	14P CONNECTOR	1	
H2	K1KA23A00003	23P CONNECTOR	1	
H3	K1KY80A00011	80P CONNECTOR	1	
H5	K1KA11A0194	11P CONNECTOR	1	
H10	K1KA06A00452	6P CONNECTOR	1	
H11	K1KA05AA0192	5P CONNECTOR	1	
H12	K1KA04AA0192	4P CONNECTOR	1	
H30	K1KA05AA0193	5P CONNECTOR	1	
H51	K1KA11A0194	11P CONNECTOR	1	
IC850	C0DBAZF00003	IC	1	
IC1100	MNZSFD7GP42	IC	1	
IC1101	TVRP388S	IC	1	PAVCA
IC1108	C0EBF0000354	IC	1	
IC2008	C0CBCBE00001	IC	1	
IC2011	C0ABBB000230	IC	1	
IC2106	CLAB00002752	IC	1	
IC2107	C0DBFFD00003	IC	1	
IC2301,02	CLAB00002730	IC	2	
IC2303	C0DBGYY00202	IC	1	
IC3001	AN15876A-VT	IC	1	
IC3101	AN15862A-VT	IC	1	
IC3500	EHMDD9851	LINEAR IC	1	
IC4054	C1ZBZ0003577	IC	1	
IC4500	TVRP225S	IC	1	PAVCA
IC4501	TVRP224S	IC	1	PAVCA
IC4503	CLAB00002641	IC	1	
IC4504	C3EBEY000009	IC	1	
IC4506	C0DBGGF00001	IC	1	
IC4508,09	C0CBCAD00082	IC	2	
IC4510	CLAB00002753	IC	1	
IC4513,14	C0JBAU000034	IC	2	
IC5000	TVRP341	IC	1	
IC5001	C0CBCBC00190	IC	1	
IC5002	C0CBCAC00282	IC	1	
IC5003	C3ZBN0000026	IC	1	
IC5006	C0CBCAF00031	IC	1	
IC5008	C0CBCAF00023	IC	1	
IC5009	C0CBCAF00031	IC	1	
IC5010	TVRP342-1	IC	1	
IC5012	C0CBCBC00190	IC	1	
IC5013	C0EBD0000221	IC	1	
IC5100	MN84525	IC	1	
IC5102	C3ABQJ000055	IC	1	
IC5105	C1ZBZ0003668	IC	1	
IC5600	C0DBAYY00273	IC	1	
IC5601	C0DBAYY00274	IC	1	
IC5602	C0EBF0000335	IC	1	

Ref. No.	Part No.	Part Name & Description	Pcs	Remarks
IC5604	C0CBCBD00043	IC	1	
IC5605	C0DBAJB00004	IC	1	
IC5704	C0EBM0000026	IC	1	
IC5901	C0DBAYY00274	IC	1	
IC6131	C0ZBZ0000895	IC	1	
IC6151	C0ZBZ0001324	IC	1	
IC6191	C0ZBZ0000895	IC	1	
IC6211	C0ZBZ0001325	IC	1	
IC6221	C0DBEMC00043	IC	1	
IC6241	C0JBAZ000005	IC	1	
IC6251	NJM2903M	INTEGRATED CIRCUIT	1	
IC6471	C0DBEKA00003	IC	1	
IC6472	C0JBAA000377	IC	1	
IC6501	C0ZBZ0000895	IC	1	
IC6521	C0ZBZ0001324	IC	1	
IC6561-63	C0JBAZ000005	IC	3	
IC6581	NJM2903M	INTEGRATED CIRCUIT	1	
IC6601	C0ZBZ0001325	IC	1	
IC6671,72	C0ZBZ0001325	IC	2	
IC6721,22	C0JBAZ000994	IC	2	
IC6724,25	C0CBADC00072	IC	2	
IC6752	C0ZBZ0001324	IC	1	
IC6771	C0CBADC00072	IC	1	
IC6772	C0ZBZ0001325	IC	1	
IC6773,74	C0JBAA000377	IC	2	
IC6791	EHMDD9863	LINEAR IC	1	
IC6792	C0DBEKA00003	IC	1	
IC6793,94	C0JBAZ000994	IC	2	
IC6795,96	C0CBADC00072	IC	2	
IC6797	NJM2903M	INTEGRATED CIRCUIT	1	
IC6801	C0DBEMC00043	IC	1	
IC6803	C5HABZZ00165	IC	1	
IC6821	C0DBEMC00043	IC	1	
IC6841	C0DBEMC00043	IC	1	
IC6861-65	AN16077A-VT	IC	5	
IC6871	AN16077A-VT	IC	1	(SU)
IC6871	NJM2903M	INTEGRATED CIRCUIT	1	(SC)
IC6872,02	AN16077A-VT	IC	2	
IC6873	C0ZBZ0001325	IC	1	
IC6874,75	AN16077A-VT	IC	2	
IC6961-65	AN16077A-VT	IC	5	
IC6971-75	AN16077A-VT	IC	5	
IC7101	C0JBAZ001120	IC	1	
IC7105-09	C0JBAZ001120	IC	5	
IC7201	C0JBAZ001120	IC	1	
IC7205-08	C0JBAZ001120	IC	4	
IC7301	C0JBAZ001120	IC	1	
IC7305,06	C0JBAZ001120	IC	2	
IC7309	C0JBAZ001120	IC	1	
IC7401	C0JBAZ001120	IC	1	
IC7405,06	C0JBAZ001120	IC	2	
IC8001	MN2WS0039A	IC	1	
IC8002,03	C3ABS000014	IC	2	
IC8004	C0ZBZ0001030	IC	1	
IC8302	MN88435	IC	1	PAVCA
IC8502	TVRP230S	IC	1	PAVCA
IC8503	TVRP551S	IC	1	PAVCA
IC9001	TVRP417-3	IC	1	
IC9002	C1ZBZ0003577	IC	1	
IC9003	MNZSFC9GPF1	IC	1	
IC9007	TVRP418-2	IC	1	
IC9011	C0EBF0000431	IC	1	
IC9013	C0JBAZ002060	IC	1	
IC9200	C1ZBZ0003566	IC	1	
IC9300	MN84524	IC	1	
IC9301	C3ABQJ000051	IC	1	
IC9304	TVRP419-1	IC	1	
IC9400	MN84524	IC	1	
IC9401	C3ABQJ000051	IC	1	
IC9402	C0JBAZ002614	IC	1	

Ref. No.	Part No.	Part Name & Description	Pcs	Remarks
IC9500	C1ZBZ0003575	IC	1	
IC9504	C0JBAZ001120	IC	1	
IC9603	C0JBAZ002636	IC	1	
IC9802,03	C0JBAZ001120	IC	2	
IC9805	C0DBAYY00274	IC	1	
IC9806	C0DBAYY00273	IC	1	
IC9807	C0JBAZ001120	IC	1	
JA1-A5	ERJ6GEY0R00V	M 0 OHM, 1/10W	5	
JK3000	K1U939A00003	TERMINAL BOARD	1	PAVCA
JK3001	K1FB315A0006	CONNECTOR	1	
JK3002	K2HA204A0041	JACK	1	
JK3003	K2HC103A0035	JACK	1	
JK3701B	K4AK13B00002	JACK	1	PAVCA
JK4500,01	K1FY119D0002	CONNECTOR	2	
JK7702	K1NA09E00088	9P CONNECTOR	1	
JS2042	J0JCC0000100	CHIP INDUCTOR	1	
JS2088	ERJ6GEY0R00V	M 0 OHM, 1/10W	1	
JS2301-05	ERJ6GEY0R00V	M 0 OHM, 1/10W	5	
JS2501	J0JCC0000100	CHIP INDUCTOR	1	
JS2654	J0JCC0000100	CHIP INDUCTOR	1	
JS3001-08	ERJ6GEY0R00V	M 0 OHM, 1/10W	8	
JS3011-16	ERJ6GEY0R00V	M 0 OHM, 1/10W	6	
JS3051-56	ERJ6GEY0R00V	M 0 OHM, 1/10W	6	
JS3700	J0JCC0000100	CHIP INDUCTOR	1	
JS4010	ERJ6GEY0R00V	M 0 OHM, 1/10W	1	
JS4015	ERJ6GEY0R00V	M 0 OHM, 1/10W	1	
JS4018	J0JCC0000100	CHIP INDUCTOR	1	
JS4501	D0YAR0000007	M 0.0 OHM, J,0.063W	1	
JS5000-09	D0YAR0000007	M 0.0 OHM, J,0.063W	10	
JS5020-23	D0YAR0000007	M 0.0 OHM, J,0.063W	4	
K1	K1KY12B00001	12P CONNECTOR	1	
K2	K1KA02BA0061	2P CONNECTOR	1	
L852	G0C101KA0167	PEAKING COIL	1	PAVCA
L1100	J0JHC0000078	CHIP INDUCTOR	1	
L2021	J0JHC0000078	CHIP INDUCTOR	1	
L2029	J0JCC0000077	CHIP INDUCTOR	1	
L2040	J0JHC0000045	CHIP INDUCTOR	1	
L2300-07	G1C100M00044	INDUCTION COIL	8	
L2308-10	J0JCC0000011	CHIP INDUCTOR	3	
L3001	J0JHC0000078	CHIP INDUCTOR	1	
L3101	J0JHC0000078	CHIP INDUCTOR	1	
L3500	TALL08N2R7MA	INDUCTION COIL	1	
L3501,02	G0C150MA0056	PEAKING COIL	2	
L3506	G0A100GA0013	CHOKE COIL	1	
L3507	TALL08N2R7MA	INDUCTION COIL	1	
L3511	G1C3R3ZA0083	INDUCTION COIL	1	
L4500-08	J0JHC0000078	CHIP INDUCTOR	9	
L4511	J0JHC0000078	CHIP INDUCTOR	1	
L4512	J0JCC0000077	CHIP INDUCTOR	1	
L4515,16	J0JHC0000078	CHIP INDUCTOR	2	
L4518	J0JHC0000078	CHIP INDUCTOR	1	
L4520,21	J0JHC0000078	CHIP INDUCTOR	2	
L4524	J0JHC0000078	CHIP INDUCTOR	1	
L5000	J0JHC0000078	CHIP INDUCTOR	1	
L5001	TALC168T100K	CHIP INDUCTOR COIL	1	
L5002,03	J0JCC0000077	CHIP INDUCTOR	2	
L5004-06	J0JHC0000078	CHIP INDUCTOR	3	
L5015	J0JHC0000078	CHIP INDUCTOR	1	
L5017,18	J0JHC0000078	CHIP INDUCTOR	2	
L5019,20	J0JCC0000077	CHIP INDUCTOR	2	
L5021	J0JCC0000241	CHIP INDUCTOR	1	
L5600,01	G1C2R2ZA0083	INDUCTION COIL	2	
L5602	G1C3R3ZA0083	INDUCTION COIL	1	
L5604	G1C100MA0077	INDUCTION COIL	1	
L5605	J0JCC0000241	CHIP INDUCTOR	1	

Ref. No.	Part No.	Part Name & Description	Pcs	Remarks
L5606	G1C100MA0077	INDUCTION COIL	1	
L5608,09	J0JHC0000078	CHIP INDUCTOR	2	
L5610	G0A2R7ZA0021	CHOKE COIL	1	
L5611	G1C100MA0072	INDUCTION COIL	1	
L5612	G1C470MA0077	INDUCTION COIL	1	
L5693	J0JCC0000241	CHIP INDUCTOR	1	
L5900	G1C2R2ZA0083	INDUCTION COIL	1	
L5901	G1C3R3ZA0083	INDUCTION COIL	1	
L5904	G1C100MA0077	INDUCTION COIL	1	
L5905	J0JCC0000241	CHIP INDUCTOR	1	
L6000	J0JCC0000015	CHIP INDUCTOR	1	
L6001-06	G0CR96KA0118	PEAKING COIL	6	
L6010	J0JCC0000015	CHIP INDUCTOR	1	
L6011-15	G0C1R4KA0118	PEAKING COIL	5	
L6061-72	J0JKB0000049	FLAT CORE	12	
L6081-86	J0JKB0000049	FLAT CORE	6	
L6101,02	J0JCC0000015	CHIP INDUCTOR	2	
L6103	GOZZ00002183	PEAKING COIL	1	
L6105,06	J0JCC0000015	CHIP INDUCTOR	2	
L6211,12	J0JCC0000015	CHIP INDUCTOR	2	
L6214	J0JCC0000015	CHIP INDUCTOR	1	
L6221	GOZZ00002183	PEAKING COIL	1	
L6241	GOZZ00002183	PEAKING COIL	1	
L6262	GOZZ00002183	PEAKING COIL	1	
L6271	GOZZ00002183	PEAKING COIL	1	
L6401	ELC11P1R0	CHOKE COIL	1	
L6403-06	ELC11P1R0	CHOKE COIL	4	
L6411-15	G0A1R4MA0003	CHOKE COIL	5	
L6461-68	J0JKB0000049	FLAT CORE	8	
L6472	GOZZ00002183	PEAKING COIL	1	
L6474	AU02A	DIODE	1	
L6481-86	J0JKB0000049	FLAT CORE	6	
L6591,92	GOZZ00002183	PEAKING COIL	2	
L6601,02	GOZZ00002183	PEAKING COIL	2	
L6606	GOZZ00002183	PEAKING COIL	1	
L6801-03	J0JCC0000015	CHIP INDUCTOR	3	
L6841	J0JCC0000015	CHIP INDUCTOR	1	
L7701	J0JCC0000143	CHIP INDUCTOR	1	
L7702	ERJ6GEY0R00V	M 0 OHM, 1/10W	1	
L7706	J0JCC0000100	CHIP INDUCTOR	1	
L8001-05	J0JHC0000045	CHIP INDUCTOR	5	
L8006	J0JCC0000100	CHIP INDUCTOR	1	
L8007-10	J0JHC0000045	CHIP INDUCTOR	4	
L8300-03	J0JHC0000045	CHIP INDUCTOR	4	
L8306,07	G1C2R2JA0020	INDUCTION COIL	2	
L8309	G1C3R3JA0020	INDUCTION COIL	1	PAVCA
L8310,11	J0JHC0000045	CHIP INDUCTOR	2	
L8313,14	J0JHC0000045	CHIP INDUCTOR	2	
L8317-19	G1C3R3JA0020	INDUCTION COIL	3	PAVCA
L8500	J0JCC0000241	CHIP INDUCTOR	1	
L8501	J0JHC0000045	CHIP INDUCTOR	1	
L8503	J0JHC0000045	CHIP INDUCTOR	1	
L8507	J0JCC0000100	BEAD CHOKE	1	
L9500	G1C150KA0038	INDUCTION COIL	1	
L9501,02	J0JHC0000078	CHIP INDUCTOR	2	
L9504,05	J0JHC0000078	CHIP INDUCTOR	2	
L9800	G1C2R2Z00007	INDUCTION COIL	1	
L9801	G1C1R5Z00006	INDUCTION COIL	1	
L9802	G1C2R2Z00007	INDUCTION COIL	1	
PA9800	K5H4022A0023	FUSE	1	
PB30	K1KA05AA0193	5P CONNECTOR	1	
PB31,32	K1KA03AA0192	3P CONNECTOR	2	
PB34	K1KA03AA0192	3P CONNECTOR	1	
PB37	K1KA03AA0192	3P CONNECTOR	1	
PC2511	B3JB00000026	IC	1	
PC6480	B3PBA0000223	IC	1	
PC6701-03	B3PBA0000457	IC	3	
PC6705	B3PBA0000397	IC	1	
PC6706	B3PBA0000223	IC	1	
PC6707,08	B3PBA0000457	IC	2	

Ref. No.	Part No.	Part Name & Description	Pcs	Remarks
PC6709	B3PBA0000456	IC	1	
PC6710,11	B3PBA0000223	IC	2	
PC6801	B3PBA0000223	IC	1	
PC6862	B3PBA0000223	IC	1	
PC6871,72	B3PBA0000223	IC	2	
PCB	TXNC11HATJ	CIRCUIT BOARD C1	1	PAVCA ▲
PCB	TXNC21HATJ	CIRCUIT BOARD C2	1	PAVCA ▲
PCB	TXNC31HATJ	CIRCUIT BOARD C3	1	PAVCA ▲
PCB	TXNC41HATJ	CIRCUIT BOARD C4	1	PAVCA ▲
PCB	TXNSC1HATJ	CIRCUIT BOARD SC	1	PAVCA ▲
PCB	ETX2MM681MFS	CIRCUIT BOARD P	1	PAVCA ▲
PCB	TXNSD1HJTA	CIRCUIT BOARD SD	1	PAVCA ▲
PCB	TXNSS1HATJ	CIRCUIT BOARD SS	1	PAVCA ▲
PCB	TNPA4346ABS	CIRCUIT BOARD H	1	PAVCA ▲
PCB	TXNSU1HJTA	CIRCUIT BOARD SU	1	PAVCA ▲
PCB	TNPA4347ACS	CIRCUIT BOARD DG	1	PAVCA ▲
PCB	TZTNP01HJTU	CIRCUIT BOARD D	1	PAVCA ▲
PCB	TNPA4243AES	CIRCUIT BOARD PB	1	PAVCA ▲
PCB	TNPA4306ABS	CIRCUIT BOARD G	1	PAVCA ▲
PCB	TNPA4236ABS	CIRCUIT BOARD K	1	PAVCA ▲
PCB	TNPA4237S	CIRCUIT BOARD S	1	PAVCA ▲
PCB	TNPA4143AES	CIRCUIT BOARD GS	1	PAVCA ▲
Q1107,08	2SD0601ARL	TRANSISTOR	2	
Q2041,42	2SD0601ARL	TRANSISTOR	2	
Q2053	2SB0709ARL	TRANSISTOR	1	
Q2056	2SD0601ARL	TRANSISTOR	1	
Q2057	2SB0709ARL	TRANSISTOR	1	
Q2059,60	2SD0601ARL	TRANSISTOR	2	
Q2066	2SD0601ARL	TRANSISTOR	1	
Q2301	2SB0709ARL	TRANSISTOR	1	
Q2302	2SD0601ARL	TRANSISTOR	1	
Q2510,11	2SD0601ARL	TRANSISTOR	2	
Q2602	B1MBACA00008	TRANSISTOR	1	
Q3123,24	2SD0601ARL	TRANSISTOR	2	
Q3125	2SB0709ARL	TRANSISTOR	1	
Q3500	2SD0601ARL	TRANSISTOR	1	
Q3502,03	2SB0709ARL	TRANSISTOR	2	
Q3504,05	2SD0601ARL	TRANSISTOR	2	
Q4010-15	2SD0601ARL	TRANSISTOR	6	
Q4500-05	2SD0601ARL	TRANSISTOR	6	
Q4514-17	2SB0709ARL	TRANSISTOR	4	
Q4520	2SD0601ARL	TRANSISTOR	1	
Q5000,01	B1CBHD000002	FET	2	
Q5600-02	B1MBEDA00015	TRANSISTOR	3	
Q5604	2SB0709ARL	TRANSISTOR	1	
Q5605	2SK3065T100	FET	1	
Q5606,07	2SD0601ARL	TRANSISTOR	2	
Q5608	2SB0709ARL	TRANSISTOR	1	
Q5901,02	B1MBEDA00015	TRANSISTOR	2	
Q6001-05	B1JAEP000001	TRANSISTOR	5	
Q6021-25	B1JAEP000001	TRANSISTOR	5	
Q6031	B1ADRD000001	TRANSISTOR	1	
Q6041-44	2PG0010000RP	TRANSISTOR	4	
Q6051-53	2PG0010000RP	TRANSISTOR	3	
Q6101,02	B1DFKM000002	TRANSISTOR	2	
Q6103	B1ABNF000006	TRANSISTOR	1	
Q6104	B1ADNF000006	TRANSISTOR	1	
Q6105,06	B1DFKM000002	TRANSISTOR	2	
Q6111,12	B1DFKM000001	TRANSISTOR	2	
Q6114	B1DFKM000001	TRANSISTOR	1	
Q6141	B1ABNF000006	TRANSISTOR	1	
Q6142	B1ADNF000006	TRANSISTOR	1	
Q6143	B1ABNF000006	TRANSISTOR	1	
Q6144	B1ADNF000006	TRANSISTOR	1	
Q6146	B1ABNF000006	TRANSISTOR	1	
Q6147	B1ADNF000006	TRANSISTOR	1	
Q6148	B1ABNF000006	TRANSISTOR	1	
Q6149	B1ADNF000006	TRANSISTOR	1	
Q6171	B1ABRD000003	TRANSISTOR	1	
Q6172	B1ADRD000001	TRANSISTOR	1	
Q6181	B1ABRD000003	TRANSISTOR	1	

Ref. No.	Part No.	Part Name & Description	Pcs	Remarks
Q6222	2SC1473AEA	TRANSISTOR	1	
Q6251	2SD0601ARL	TRANSISTOR	1	
Q6256	2SD1263A	TRANSISTOR	1	
Q6271	2SD0601ARL	TRANSISTOR	1	
Q6401-05	2PG0010000RP	TRANSISTOR	5	
Q6421-25	B1JAER000002	TRANSISTOR	5	
Q6441-44	2PG0010000RP	TRANSISTOR	4	
Q6451-53	B1JAER000003	TRANSISTOR	3	
Q6501	B1ABNF000006	TRANSISTOR	1	
Q6502	B1ADNF000006	TRANSISTOR	1	
Q6503	B1ABNF000006	TRANSISTOR	1	
Q6504	B1ADNF000006	TRANSISTOR	1	
Q6521	B1ABNF000006	TRANSISTOR	1	
Q6522	B1ADNF000006	TRANSISTOR	1	
Q6523	B1ABNF000006	TRANSISTOR	1	
Q6524	B1ADNF000006	TRANSISTOR	1	
Q6531	B1ABRD000003	TRANSISTOR	1	
Q6532	B1ADRD000001	TRANSISTOR	1	
Q6551	B1ABRD000003	TRANSISTOR	1	
Q6552	B1ADRD000001	TRANSISTOR	1	
Q6581	2SD0601ARL	TRANSISTOR	1	
Q6601	B1DFES000003	TRANSISTOR	1	
Q6602	2SD0601ARL	TRANSISTOR	1	
Q6603	2SB0709ARL	TRANSISTOR	1	
Q6604	B1DEET000002	TRANSISTOR	1	
Q6605	2SD0601ARL	TRANSISTOR	1	
Q6606	2SB0709ARL	TRANSISTOR	1	
Q6609	2SD0601ARL	TRANSISTOR	1	
Q6622-26	B1DFKM000002	TRANSISTOR	5	
Q6641-46	B1DFKM000002	TRANSISTOR	6	
Q6648,49	B1DFKM000002	TRANSISTOR	2	
Q6651-54	B1DFKM000002	TRANSISTOR	4	
Q6661	B1DEET000002	TRANSISTOR	1	
Q6662	2SD0601ARL	TRANSISTOR	1	
Q6665	B1ABNF000006	TRANSISTOR	1	
Q6671,72	B1DFET000001	TRANSISTOR	2	
Q6679	B1ABNF000006	TRANSISTOR	1	
Q6680	B1ADNF000006	TRANSISTOR	1	
Q6690	2SA19610Q0HW	TRANSISTOR	1	
Q6691	B1ABNF000006	TRANSISTOR	1	
Q6692	B1ADNF000006	TRANSISTOR	1	
Q6694	B1ADNF000006	TRANSISTOR	1	
Q6695,96	B1DFKM000002	TRANSISTOR	2	
Q6698	2SC4212H00RL	TRANSISTOR	1	
Q6699	2SC1473AEA	TRANSISTOR	1	
Q6700	2SD0601ARL	TRANSISTOR	1	
Q6742,43	2SD0601ARL	TRANSISTOR	2	
Q6763	B1ADNF000006	TRANSISTOR	1	
Q6781	B1ABNF000006	TRANSISTOR	1	
Q6782	B1ADNF000006	TRANSISTOR	1	
Q6791	2SD0601ARL	TRANSISTOR	1	
Q6792	2SA19610Q0HW	TRANSISTOR	1	
Q6793	2SD0601ARL	TRANSISTOR	1	
Q6805	2SC4212H00RL	TRANSISTOR	1	
Q6806	2SC1473AEA	TRANSISTOR	1	
Q6821	2SD1263A	TRANSISTOR	1	
Q6822	2SC3063	TRANSISTOR	1	
Q6824	2SD0601ARL	TRANSISTOR	1	
Q6841	2SD1263A	TRANSISTOR	1	
Q6842	2SC1473AEA	TRANSISTOR	1	
Q8301	2SB0709ARL	TRANSISTOR	1	
Q8302,03	B1CBHD000002	FET	2	
Q8597	2SD0601ARL	TRANSISTOR	1	
Q8598	2SB0709ARL	TRANSISTOR	1	
Q9010	2SD0601ARL	TRANSISTOR	1	
Q9044	2SD0601ARL	TRANSISTOR	1	
Q9046	2SD0601ARL	TRANSISTOR	1	
Q9050-54	2SD0601ARL	TRANSISTOR	5	
Q9300-06	2SD0601ARL	TRANSISTOR	7	
Q9805,06	2SD0601ARL	TRANSISTOR	2	
Q9807-09	B1MBEDA00015	TRANSISTOR	3	

Ref. No.	Part No.	Part Name & Description	Pcs	Remarks
R851, 52	ERJ6GEYF472	M 4.7KOHM, J, 1/10W	2	
R854	ERJ6GEYF472	M 4.7KOHM, J, 1/10W	1	
R857	ERJ6GEYF472	M 4.7KOHM, J, 1/10W	1	
R859	ERJ6ENF2001	M 2KOHM, 1/10W	1	
R861	ERJ6GEYF472	M 4.7KOHM, J, 1/10W	1	
R867	ERJ6GEY0R00V	M 0 OHM, 1/10W	1	
R869	ERJ6GEYG102	M 1KOHM, J, 1/10W	1	
R871	ERJ6ENF1302	M 13KOHM, 1/10W	1	
R872	ERJ6ENF6200	M 620 OHM, 1/10W	1	
R874	ERJ6GEYJ471	M 470 OHM, J, 1/10W	1	
R1100	ERJ2GEJ101	M 100 OHM, J, 0.063W	1	
R1101	D0YAR0000007	M 0.0 OHM, J, 0.063W	1	
R1102	ERJ2GEJ101	M 100 OHM, J, 0.063W	1	
R1103	ERJ2RKD330	M 33 OHM, J, 0.063W	1	
R1104	ERJ2GEJ473	M 47KOHM, J, 0.063W	1	
R1105-09	ERJ2GEJ101	M 100 OHM, J, 0.063W	5	
R1110	ERJ2GEJ103	M 10KOHM, J, 0.063W	1	
R1111, 12	ERJ2GEJ474	M 470KOHM, J, 0.063W	2	
R1113	ERJ2GEJ101	M 100 OHM, J, 0.063W	1	
R1124, 25	ERJ2GEJ473	M 47KOHM, J, 0.063W	2	
R1126	ERJ2GEJ101	M 100 OHM, J, 0.063W	1	
R1134	ERJ2GEJ473	M 47KOHM, J, 0.063W	1	
R1137	ERJ2GEJ473	M 47KOHM, J, 0.063W	1	
R1139	ERJ2GEJ473	M 47KOHM, J, 0.063W	1	
R1143, 44	ERJ2GEJ473	M 47KOHM, J, 0.063W	2	
R1146	ERJ2GEJ102X	M 1KOHM, J, 0.063W	1	
R1147	ERJ2GEJ105	M 1MOHM, J, 0.063W	1	
R1148	ERJ2GEJ101	M 100 OHM, J, 0.063W	1	
R1151	ERJ2GEJ473	M 47KOHM, J, 0.063W	1	
R1153	ERJ2GEJ821	M 820 OHM, J, 0.063W	1	
R1155	ERJ2GEJ101	M 100 OHM, J, 0.063W	1	
R1162	ERJ2GEJ101	M 100 OHM, J, 0.063W	1	
R1164	ERJ2GEJ103	M 10KOHM, J, 0.063W	1	
R1165	ERJ2GEJ182	M 1.8KOHM, J, 0.063W	1	
R1166	ERJ2GEJ104	M 100KOHM, J, 0.063W	1	
R1167	ERJ2GED563X	M 56KOHM, J, 0.063W	1	
R1168	ERJ2GEJ333	M 33KOHM, J, 0.063W	1	
R1169	ERJ2GED563X	M 56KOHM, J, 0.063W	1	
R1170	ERJ2GEJ273	M 27KOHM, J, 0.063W	1	
R1171	ERJ2GED563X	M 56KOHM, J, 0.063W	1	
R1172	ERJ2GEJ273	M 27KOHM, J, 0.063W	1	
R1174, 75	ERJ2GEJ220	M 22 OHM, J, 0.063W	2	

Ref. No.	Part No.	Part Name & Description	Pcs	Remarks
R1179	ERJ2GEJ101	M 100 OHM, J, 0.063W	1	
R1181	ERJ2GEJ101	M 100 OHM, J, 0.063W	1	
R1182	ERJ2GEJ273	M 27KOHM, J, 0.063W	1	
R1183, 84	ERJ2GEJ220	M 22 OHM, J, 0.063W	2	
R1185	ERJ2GEJ101	M 100 OHM, J, 0.063W	1	
R1187	ERJ2GEJ473	M 47KOHM, J, 0.063W	1	
R1189	ERJ2GEJ101	M 100 OHM, J, 0.063W	1	
R1190, 91	ERJ2GEJ473	M 47KOHM, J, 0.063W	2	
R1193	ERJ2GEJ101	M 100 OHM, J, 0.063W	1	
R1194	ERJ2GED563X	M 56KOHM, J, 0.063W	1	
R1195	ERJ2GEJ104	M 100KOHM, J, 0.063W	1	
R1196	ERJ2GEJ333	M 33KOHM, J, 0.063W	1	
R1199	ERJ2GEJ473	M 47KOHM, J, 0.063W	1	
R1200, 01	ERJ2GEJ562	M 5.6KOHM, J, 0.063W	2	
R1203	ERJ2GEJ473	M 47KOHM, J, 0.063W	1	
R1205, 06	ERJ2GEJ220	M 22 OHM, J, 0.063W	2	
R1209	ERJ2GEJ473	M 47KOHM, J, 0.063W	1	
R1216	ERJ2GEJ333	M 33KOHM, J, 0.063W	1	
R1217	ERJ2GED563X	M 56KOHM, J, 0.063W	1	
R1218-20	ERJ2GEJ103	M 10KOHM, J, 0.063W	3	
R1221	ERJ3EKF7151	M 7.15KOHM, 1/16W	1	
R1222	ERJ2GEJ473	M 47KOHM, J, 0.063W	1	
R1223	ERJ2GEJ103	M 10KOHM, J, 0.063W	1	
R1224	ERJ2GEJ473	M 47KOHM, J, 0.063W	1	
R1225	ERJ2GEJ103	M 10KOHM, J, 0.063W	1	
R1226-28	ERJ2GEJ473	M 47KOHM, J, 0.063W	3	
R1229	ERJ2GEJ101	M 100 OHM, J, 0.063W	1	
R1230-37	ERJ2GEJ473	M 47KOHM, J, 0.063W	8	
R1244-47	ERJ2GEJ473	M 47KOHM, J, 0.063W	4	
R1249	ERJ2GEJ101	M 100 OHM, J, 0.063W	1	
R1251-56	ERJ2GEJ473	M 47KOHM, J, 0.063W	6	
R1260	ERJ2GEJ473	M 47KOHM, J, 0.063W	1	
R1263	ERJ2GEJ473	M 47KOHM, J, 0.063W	1	
R1265	ERJ2GEJ102X	M 1KOHM, J, 0.063W	1	
R1267, 68	ERJ2GEJ473	M 47KOHM, J, 0.063W	2	
R1273	ERJ2GEJ473	M 47KOHM, J, 0.063W	1	
R1343	ERJ2GEJ561	M 60 OHM, J, 0.063W	1	
R1344, 45	ERJ2GEJ473	M 47KOHM, J, 0.063W	2	
R1356	ERJ2GEJ101	M 100 OHM, J, 0.063W	1	
R2056, 57	ERJ3GEYJ220	M 22 OHM, J, 1/16W	2	
R2058	JOJCC0000100	CHIP INDUCTOR	1	

Ref. No.	Part No.	Part Name & Description	Pcs	Remarks
R2059	D0GB105JA057	M 1MOHM, J, 1/16W	1	
R2063	ERJ3GEYJ220	M 22 OHM, J, 1/16W	1	
R2100	ERJ3EKF2002	M 20KOHM, 1/16W	1	
R2102	ERJ3GEYJ562	M 5.6KOHM, J, 1/16W	1	
R2104	ERJ3EKF2001	M 2KOHM, 1/16W	1	
R2106	D0GB103JA057	M 10KOHM, J, 1/16W	1	
R2107, 08	D0GB102JA057	M 1KOHM, J, 1/16W	2	
R2110	D0GB103JA057	M 10KOHM, J, 1/16W	1	
R2111	ERJ3GEYJ101	M 100 OHM, J, 1/16W	1	
R2112	ERJ3GEYJ104	M 100KOHM, J, 1/16W	1	
R2113	ERJ3EKF1203	M 120KOHM, 1/16W	1	
R2114	ERJ3EKF7502	M 75KOHM, 1/16W	1	
R2115	D0GB103JA057	M 10KOHM, J, 1/16W	1	
R2116	D0GB102JA057	M 1KOHM, J, 1/16W	1	
R2117	D0GB473JA057	M 47KOHM, J, 1/16W	1	
R2118	ERJ3GEYJ223	M 22KOHM, J, 1/16W	1	
R2125	D0GB102JA057	M 1KOHM, J, 1/16W	1	
R2130, 31	D0GB103JA057	M 10KOHM, J, 1/16W	2	
R2132	ERJ3GEYJ104	M 100KOHM, J, 1/16W	1	
R2139	D0GB103JA057	M 10KOHM, J, 1/16W	1	
R2140	ERJ3GEYJ104	M 100KOHM, J, 1/16W	1	
R2142	ERJ3GEYJ223	M 22KOHM, J, 1/16W	1	
R2145	ERJ3GEYJ104	M 100KOHM, J, 1/16W	1	
R2146	D0GB105JA057	M 1MOHM, J, 1/16W	1	
R2148	J0JCC0000100	CHIP INDUCTOR	1	
R2149	D0GB103JA057	M 10KOHM, J, 1/16W	1	
R2150, 51	ERJ3EKF2802	M 28KOHM, 1/16W	2	
R2153	ERJ3GEYJ104	M 100KOHM, J, 1/16W	1	
R2155, 56	D0GB102JA057	M 1KOHM, J, 1/16W	2	
R2165	D0GB103JA057	M 10KOHM, J, 1/16W	1	
R2166	ERJ3EKF1602	M16.0KOHM, 1/16W	1	
R2168	ERJ3EKF1602	M16.0KOHM, 1/16W	1	
R2169	ERJ3EKF2202	M 22KOHM, 1/16W	1	
R2181	ERJ3EKF2202	M 22KOHM, 1/16W	1	
R2182, 83	ERJ3EKF3602	M 36KOHM, 1/16W	2	
R2199	J0JCC0000100	CHIP INDUCTOR	1	
R2270, 71	EXB28VR000X	RESISTOR ARRAY	2	
R2276	D0GB103JA057	M 10KOHM, J, 1/16W	1	
R2301, 02	ERJ3GEYJ222	M 2.2KOHM, J, 1/16W	2	
R2305	ERJ3GEYJ471	M 470 OHM, J, 1/16W	1	
R2306, 07	ERJ3GEYJ683	M 68KOHM, J, 1/16W	2	
R2308, 09	ERJ8GEYJ3R3V	M 3.3 OHM, J, 1/8W	2	
R2311-16	ERJ8GEYJ3R3V	M 3.3 OHM, J, 1/8W	6	
R2317-22	ERJ6GEYJ100V	M 10 OHM, J, 1/10W	6	
R2324-26	ERJ6GEYJ100V	M 10 OHM, J, 1/10W	3	
R2330	D0GB102JA057	M 1KOHM, J, 1/16W	1	
R2331	ERJ3GEYJ222	M 2.2KOHM, J, 1/16W	1	
R2350	ERJ3GEYJ224	M 220KOHM, J, 1/16W	1	
R2351	D0GB103JA057	M 10KOHM, J, 1/16W	1	
R2352	D0GB473JA057	M 47KOHM, J, 1/16W	1	
R2353	ERJ3GEYJ104	M 100KOHM, J, 1/16W	1	
R2362	ERJ6GEYJ100V	M 10 OHM, J, 1/10W	1	
R2512	ERJ6GEYG470V	M 47 OHM, J, 1/10W	1	
R2516	ERJ3GEYJ223	M 22KOHM, J, 1/16W	1	
R2517	ERJ6GEYG470V	M 47 OHM, J, 1/10W	1	
R2520	ERJ3GEYJ224	M 220KOHM, J, 1/16W	1	
R2521	ERJ6GEYG470V	M 47 OHM, J, 1/10W	1	
R2524	ERJ3GEYJ223	M 22KOHM, J, 1/16W	1	
R2525	ERJ3GEYF821	M 820 OHM, 1/16W	1	
R2542	D0GB473JA057	M 47KOHM, J, 1/16W	1	

Ref. No.	Part No.	Part Name & Description	Pcs	Remarks
R2557	ERJ3GEYJ562	M 5.6KOHM, J, 1/16W	1	
R2620, 21	ERJ3GEYJ220	M 22 OHM, J, 1/16W	2	
R2622, 23	ERJ3GEYJ472	M 4.7KOHM, J, 1/16W	2	
R3001	ERJ3GEYJ221	M 220 OHM, J, 1/16W	1	
R3002	D0GB102JA057	M 1KOHM, J, 1/16W	1	
R3003	ERJ3GEYJ221	M 220 OHM, J, 1/16W	1	
R3005	ERJ3GEYJ221	M 220 OHM, J, 1/16W	1	
R3014	ERJ3GEYJ221	M 220 OHM, J, 1/16W	1	
R3015	D0GB102JA057	M 1KOHM, J, 1/16W	1	
R3016	ERJ3GEYJ221	M 220 OHM, J, 1/16W	1	
R3018	ERJ3GEYJ221	M 220 OHM, J, 1/16W	1	
R3020	ERJ3GEYJ221	M 220 OHM, J, 1/16W	1	
R3021-23	ERJ3EKF75R0	M 0.75HM, 1/16W	3	
R3032	ERJ3GEYJ221	M 220 OHM, J, 1/16W	1	
R3033	ERJ6RED750	M 75 OHM, 1/10W	1	
R3041, 42	ERJ3GEYJ680	M 68 OHM, J, 1/16W	2	
R3044	ERJ3GEYD274V	M 270KOHM, J, 1/16W	1	
R3051-53	J0JCC0000100	CHIP INDUCTOR	3	
R3057	ERJ3GEYJ680	M 68 OHM, J, 1/16W	1	
R3058	J0JCC0000100	CHIP INDUCTOR	1	
R3059	ERJ3GEYJ680	M 68 OHM, J, 1/16W	1	
R3060	J0JCC0000100	CHIP INDUCTOR	1	
R3061	ERJ3GEYJ680	M 68 OHM, J, 1/16W	1	
R3062	J0JCC0000100	CHIP INDUCTOR	1	
R3071	ERJ3GEYJ680	M 68 OHM, J, 1/16W	1	
R3073	ERJ3GEYJ680	M 68 OHM, J, 1/16W	1	
R3075	ERJ3GEYJ680	M 68 OHM, J, 1/16W	1	
R3077	ERJ3GEYJ680	M 68 OHM, J, 1/16W	1	
R3079	ERJ3GEYJ680	M 68 OHM, J, 1/16W	1	
R3081	ERJ3GEYJ680	M 68 OHM, J, 1/16W	1	
R3083	ERJ3GEYJ331	M 330 OHM, J, 1/16W	1	
R3084	ERJ3GEYJ220	M 22 OHM, J, 1/16W	1	
R3087	ERJ3GEYJ221	M 220 OHM, J, 1/16W	1	
R3095	ERJ3GEYJ221	M 220 OHM, J, 1/16W	1	
R3096	D0GB102JA057	M 1KOHM, J, 1/16W	1	
R3097	ERJ3GEYJ221	M 220 OHM, J, 1/16W	1	
R3099	ERJ3GEYJ221	M 220 OHM, J, 1/16W	1	
R3103, 04	ERJ3GEYJ221	M 220 OHM, J, 1/16W	2	
R3106-17	ERJ3GEYJ221	M 220 OHM, J, 1/16W	12	
R3120, 21	ERJ3GEYJ221	M 220 OHM, J, 1/16W	2	
R3122	ERJ3GEYJ104	M 100KOHM, J, 1/16W	1	
R3123, 24	D0GB182JA057	M 1.8KOHM, J, 1/16W	2	
R3125, 26	ERJ3GEYJ221	M 220 OHM, J, 1/16W	2	
R3134	ERJ3GEYJ104	M 100KOHM, J, 1/16W	1	
R3135, 36	ERJ3GEYJ220	M 22 OHM, J, 1/16W	2	
R3137	ERJ3GEYJ104	M 100KOHM, J, 1/16W	1	
R3139, 40	ERJ3GEYJ221	M 220 OHM, J, 1/16W	2	
R3145	ERJ3GEYJ101	M 100 OHM, J, 1/16W	1	
R3146	D0GB184JA057	M 180KOHM, J, 1/16W	1	
R3147	ERJ3GEYJ101	M 100 OHM, J, 1/16W	1	

Ref. No.	Part No.	Part Name & Description	Pcs	Remarks
R3148	D0GB184JA057	M 180KOHM, J, 1/16W	1	
R3149, 50	ERJ3GEYJ101	M 100 OHM, J, 1/16W	2	
R3151	D0GB105JA057	M 1MOHM, J, 1/16W	1	
R3152	D0GB473JA057	M 47KOHM, J, 1/16W	1	
R3153	D0GB102JA057	M 1KOHM, J, 1/16W	1	
R3154	ERJ3GEYD274V	M 270KOHM, J, 1/16W	1	
R3189	ERJ3EKF75R0	M 0.75HM, 1/16W	1	
R3190-93	D0GB393JA041	M 39KOHM, J, 1/16W	4	
R3194	ERJ3EKF75R0	M 0.75HM, 1/16W	1	
R3195, 96	D0GB393JA041	M 39KOHM, J, 1/16W	2	
R3197-99	ERJ3EKF75R0	M 0.75HM, 1/16W	3	
R3200-02	D0GB393JA041	M 39KOHM, J, 1/16W	3	
R3203	ERJ3EKF75R0	M 0.75HM, 1/16W	1	
R3204	D0GB393JA041	M 39KOHM, J, 1/16W	1	
R3205	ERJ3EKF75R0	M 0.75HM, 1/16W	1	
R3206	D0GB393JA041	M 39KOHM, J, 1/16W	1	
R3207-09	ERJ3EKF75R0	M 0.75HM, 1/16W	3	
R3210	D0GB393JA041	M 39KOHM, J, 1/16W	1	
R3211, 12	ERJ3EKF75R0	M 0.75HM, 1/16W	2	
R3258-60	ERJ3GEYJ470	M 47 OHM, J, 1/16W	3	
R3261	ERJ3EKF1000	M 100 OHM, 1/16W	1	
R3301	ERJ6GEY0R00V	M 0 OHM, 1/10W	1	
R3302	ERJ3GEYJ101	M 100 OHM, J, 1/16W	1	
R3303	ERJ6GEY0R00V	M 0 OHM, 1/10W	1	
R3305	ERJ3GEYJ101	M 100 OHM, J, 1/16W	1	
R3306, 07	ERJ6GEYF472	M 4.7KOHM, J, 1/10W	2	
R3308, 09	J0JCC0000241	CHIP INDUCTOR	2	
R3310	ERJ3EKF75R0	M 0.75HM, 1/16W	1	
R3311	ERJ6GEY0R00V	M 0 OHM, 1/10W	1	
R3313	ERJ3EKF75R0	M 0.75HM, 1/16W	1	
R3316	ERJ6GEY0R00V	M 0 OHM, 1/10W	1	
R3318	ERJ3EKF75R0	M 0.75HM, 1/16W	1	
R3319	ERJ6GEY0R00V	M 0 OHM, 1/10W	1	
R3341, 42	ERJ6GEY0R00V	M 0 OHM, 1/10W	2	
R3505, 06	D0GB103JA057	M 10KOHM, J, 1/16W	2	
R3507	D0GB473JA057	M 47KOHM, J, 1/16W	1	
R3508	J0JCC0000100	CHIP INDUCTOR	1	
R3512	ERJ3GEYJ222	M 2.2KOHM, J, 1/16W	1	
R3513	ERJ3GEYJ472	M 4.7KOHM, J, 1/16W	1	
R3514	D0GB103JA057	M 10KOHM, J, 1/16W	1	
R3515	D0GB473JA057	M 47KOHM, J, 1/16W	1	
R3516	ERJ3GEYJ222	M 2.2KOHM, J, 1/16W	1	
R3517	ERJ3GEYJ472	M 4.7KOHM, J, 1/16W	1	
R3518	ERJ3GEYJ681	M 680 OHM, J, 1/16W	1	
R3519	ERJ3GEYJ222	M 2.2KOHM, J, 1/16W	1	
R3520	ERJ3GEYJ104	M 100KOHM, J, 1/16W	1	
R3521	ERJ3GEYJ471	M 470 OHM, J, 1/16W	1	
R3523	ERJ3GEYJ471	M 470 OHM, J, 1/16W	1	
R3525	ERJ3GEYJ221	M 220 OHM, J, 1/16W	1	
R3527, 28	D0GB103JA057	M 10KOHM, J, 1/16W	2	
R3529, 30	ERJ3GEYJ472	M 4.7KOHM, J, 1/16W	2	
R3534	ERJ3EKF2611	M 2.61KOHM, 1/16W	1	
R3535	ERJ3EKF1271V	M 1.27KOHM, 1/16W	1	PAVCA
R3560, 61	ERJ6GEY0R00V	M 0 OHM, 1/10W	2	
R3572, 73	ERJ6GEY0R00V	M 0 OHM, 1/10W	2	
R3716, 17	ERJ6ENF3902	M 39KOHM, J, 1/10W	2	
R3721	ERJ6GEY103	M 10KOHM, J, 1/10W	1	
R3732	J0JCC0000100	CHIP INDUCTOR	1	
R3750	ERJ6ENF1432	M 14.3KOHM, 1/10W	1	

Ref. No.	Part No.	Part Name & Description	Pcs	Remarks
R3751	ERJ6ENF6651	M 6.65KOHM, 1/10W	1	
R3752	ERJ6ENF1741	M 1.74KOHM, 1/10W	1	
R3753	ERJ6ENF1621	M 1.62KOHM, 1/10W	1	
R3754	ERJ6ENF2321	M 2.32KOHM, 1/10W	1	
R3756	ERJ6GEY0R00V	M 0 OHM, 1/10W	1	
R3758	ERJ6ENF3161	M 3.16KOHM, 1/10W	1	
R3766, 67	ERJ6GEY0R00V	M 0 OHM, 1/10W	2	
R4001	ERJ2GEJ103	M 10KOHM, J, 0.063W	1	
R4013	ERJ2GEJ473	M 47KOHM, J, 0.063W	1	
R4026	J0JCC0000100	CHIP INDUCTOR	1	
R4079	D1HG5608A002	NETWORK RESISTER	1	
R4081	D1HG5608A002	NETWORK RESISTER	1	
R4089-91	D1HG5608A002	NETWORK RESISTER	3	
R4134-37	ERJ2GEJ101	M 100 OHM, J, 0.063W	4	
R4141	ERJ2GEJ152	M 1.5KOHM, J, 0.063W	1	
R4142	ERJ2GEJ473	M 47KOHM, J, 0.063W	1	
R4143	ERJ2GEJ152	M 1.5KOHM, J, 0.063W	1	
R4145	ERJ2GEJ562	M 5.6KOHM, J, 0.063W	1	
R4146	ERJ2GEJ104	M 100KOHM, J, 0.063W	1	
R4147	ERJ2GEJ223	M 22KOHM, J, 0.063W	1	
R4148-50	ERJ2GEJ473	M 47KOHM, J, 0.063W	3	
R4151	J0JCC0000100	CHIP INDUCTOR	1	
R4153, 54	ERJ2GEJ101	M 100 OHM, J, 0.063W	2	
R4156	ERJ2GEJ220	M 22 OHM, J, 0.063W	1	
R4162	ERJ2GEJ104	M 100KOHM, J, 0.063W	1	
R4166	ERJ2GEJ103	M 10KOHM, J, 0.063W	1	
R4167	ERJ2GEJ473	M 47KOHM, J, 0.063W	1	
R4168	EXB2HV473JV	RESISTOR ARRAY	1	
R4200	ERJ2RKD330	M 33 OHM, J, 0.063W	1	
R4201, 02	ERJ2GEJ470	M 47 OHM, J, 0.063W	2	
R4205-07	EXB2HV470JV	RESISTOR ARRAY	3	
R4241	DOYAR0000007	M 0.0 OHM, J, 0.063W	1	
R4246, 47	DOYAR0000007	M 0.0 OHM, J, 0.063W	2	
R4249	DOYAR0000007	M 0.0 OHM, J, 0.063W	1	
R4302	ERJ2RKD330	M 33 OHM, J, 0.063W	1	
R4303-06	ERJ2GEJ470	M 47 OHM, J, 0.063W	4	
R4307	ERJ2RKD330	M 33 OHM, J, 0.063W	1	
R4308	ERJ2GEJ470	M 47 OHM, J, 0.063W	1	
R4317	ERJ2GEJ473	M 47KOHM, J, 0.063W	1	
R4320	ERJ2GEJ473	M 47KOHM, J, 0.063W	1	
R4325	ERJ2GEJ473	M 47KOHM, J, 0.063W	1	
R4328	ERJ2GEJ473	M 47KOHM, J, 0.063W	1	
R4330	ERJ2GEJ473	M 47KOHM, J, 0.063W	1	
R4500, 01	ERJ2GEJ103	M 10KOHM, J, 0.063W	2	
R4502, 03	ERJ2GEJ390	M 39 OHM, J, 0.063W	2	
R4506, 07	ERJ2GEJ103	M 10KOHM, J, 0.063W	2	

Ref. No.	Part No.	Part Name & Description	Pcs	Remarks
R4508-23	ERJ2GEJ2R2X	M 2.20HM, J,0.063W	16	
R4524,25	ERJ2GEJ103	M 10KOHM, J,0.063W	2	
R4526,27	ERJ2GEJ102X	M 1KOHM, J,0.063W	2	
R4528	ERJ2GEJ103	M 10KOHM, J,0.063W	1	
R4529	ERJ2GEJ472	M 4.7KOHM, J,0.063W	1	
R4530	ERJ2GEJ103	M 10KOHM, J,0.063W	1	
R4531	ERJ2GEJ472	M 4.7KOHM, J,0.063W	1	
R4532,33	ERJ2GEJ103	M 10KOHM, J,0.063W	2	
R4535,36	ERJ2GEJ472	M 4.7KOHM, J,0.063W	2	
R4538	ERJ2GEJ473	M 47KOHM, J,0.063W	1	
R4539	ERJ2GEJ680	M 68 OHM, J,0.063W	1	
R4540	ERJ2GEJ473	M 47KOHM, J,0.063W	1	
R4541-43	ERJ2GEJ680	M 68 OHM, J,0.063W	3	
R4544-47	ERJ2GEJ103	M 10KOHM, J,0.063W	4	
R4552	ERJ2GEJ220	M 22 OHM, J,0.063W	1	
R4560	ERJ2GEJ560	M 56 OHM, J,0.063W	1	
R4561-63	ERJ2GEJ472	M 4.7KOHM, J,0.063W	3	
R4564,65	ERJ2GEJ220	M 22 OHM, J,0.063W	2	
R4567	ERJ3EKF4701	M 4.7KOHM, 1/16W	1	
R4570	D0YAR0000007	M 0.0 OHM, J,0.063W	1	
R4573	ERJ2GEJ560	M 56 OHM, J,0.063W	1	
R4578,79	ERJ2GEJ151	M 150 OHM, J,0.063W	2	
R4585	ERJ2GEJ101	M 100 OHM, J,0.063W	1	
R4587	ERJ3GEYF821	M 820 OHM, 1/16W	1	
R4590,91	D0YAR0000007	M 0.0 OHM, J,0.063W	2	
R4593	ERJ3EKF1001	M 1KOHM, 1/16W	1	
R4596-98	ERJ6GEYG102	M 1KOHM, J,1/10W	3	
R4600	ERJ2GEJ220	M 22 OHM, J,0.063W	1	
R4601	ERJ6GEYG102	M 1KOHM, J,1/10W	1	
R4603	ERJ2GEJ220	M 22 OHM, J,0.063W	1	
R4604	ERJ3EKF7501	M 7.5KOHM, 1/16W	1	
R4606	ERJ3EKF4701	M 4.7KOHM, 1/16W	1	
R4611	ERJ3EKF1371	M 1.37KOHM, 1/16W	1	
R4612	ERJ3EKF1501	M 1.5KOHM, 1/16W	1	
R4613,14	ERJ2GEJ220	M 22 OHM, J,0.063W	2	
R4615	ERJ3EKF1600	M 160 OHM, 1/16W	1	
R4622	ERJ2GEJ101	M 100 OHM, J,0.063W	1	
R4624	ERJ3EKF1691	M 1.69KOHM, 1/16W	1	
R4626	ERJ2GEJ105	M 1MOHM, J,0.063W	1	
R4627	D0YAR0000007	M 0.0 OHM, J,0.063W	1	
R4628,29	ERJ2GEJ101	M 100 OHM, J,0.063W	2	
R4631	ERJ3EKF4990	M 499 OHM, 1/16W	1	
R4634	ERJ2GEJ473	M 47KOHM, J,0.063W	1	
R4635	EXB28V680JX	RESISTOR ARRAY	1	
R4636-38	ERJ2GEJ680	M 68 OHM, J,0.063W	3	
R4639,40	EXB28V680JX	RESISTOR ARRAY	2	

Ref. No.	Part No.	Part Name & Description	Pcs	Remarks
R4642	EXB28V680JX	RESISTOR ARRAY	1	
R4644	ERJ2GEJ220	M 22 OHM, J,0.063W	1	
R4645-47	ERJ2GEJ680	M 68 OHM, J,0.063W	3	
R4648	EXB28V330J	RESISTOR ARRAY	1	
R4649	EXB28V680JX	RESISTOR ARRAY	1	
R4650,51	ERJ2GEJ680	M 68 OHM, J,0.063W	2	
R4652	ERJ2GEJ473	M 47KOHM, J,0.063W	1	
R4653	ERJ2GEJ472	M 4.7KOHM, J,0.063W	1	
R4654	D0YAR0000007	M 0.0 OHM, J,0.063W	1	
R4656-58	ERJ2GEJ220	M 22 OHM, J,0.063W	3	
R4660	ERJ2RHD682X	M 22KOHM, J, 2W	1	
R4661	ERJ2GEJ101	M 100 OHM, J,0.063W	1	
R4663	ERJ2GEJ472	M 4.7KOHM, J,0.063W	1	
R4666	ERJ2GEJ473	M 47KOHM, J,0.063W	1	
R4667	ERJ2GEJ151	M 150 OHM, J,0.063W	1	
R4670	ERJ2GEJ680	M 68 OHM, J,0.063W	1	
R4676-83	ERJ2GEJ220	M 22 OHM, J,0.063W	8	
R4686	ERJ2GEJ473	M 47KOHM, J,0.063W	1	
R4687,88	ERJ2GEJ472	M 4.7KOHM, J,0.063W	2	
R4689-92	ERJ2GEJ220	M 22 OHM, J,0.063W	4	
R4701-03	J0JCC0000100	CHIP INDUCTOR	3	
R4705	D0YAR0000007	M 0.0 OHM, J,0.063W	1	
R4706	ERJ2GEJ102X	M 1KOHM, J,0.063W	1	
R4708	ERJ2GEJ102X	M 1KOHM, J,0.063W	1	
R4712-35	J0JCC0000100	CHIP INDUCTOR	24	
R4736	ERJ2GEJ101	M 100 OHM, J,0.063W	1	
R4737,38	ERJ2GEJ102X	M 1KOHM, J,0.063W	2	
R4739,40	ERJ2GEJ104	M 100KOHM, J,0.063W	2	
R4741	ERJ2GEJ102X	M 1KOHM, J,0.063W	1	
R4742	ERJ2GEJ101	M 100 OHM, J,0.063W	1	
R4743	ERJ2GEJ102X	M 1KOHM, J,0.063W	1	
R4746	ERJ2GEJ473	M 47KOHM, J,0.063W	1	
R4790	ERJ2GEJ472	M 4.7KOHM, J,0.063W	1	
R5000,01	ERJ2GEJ332	M 3.3KOHM, J,0.063W	2	
R5002-04	ERJ2GEJ220	M 22 OHM, J,0.063W	3	
R5005	ERJ2GEJ472	M 4.7KOHM, J,0.063W	1	
R5007	ERJ2GEJ220	M 22 OHM, J,0.063W	1	
R5008	ERJ2GEJ472	M 4.7KOHM, J,0.063W	1	
R5009	ERJ2GEJ220	M 22 OHM, J,0.063W	1	
R5010	ERJ2GEJ472	M 4.7KOHM, J,0.063W	1	
R5011,12	ERJ2GEJ220	M 22 OHM, J,0.063W	2	
R5013	ERJ2GEJ101	M 100 OHM, J,0.063W	1	
R5014-18	ERJ2GEJ680	M 68 OHM, J,0.063W	5	

Ref. No.	Part No.	Part Name & Description	Pcs	Remarks
R5019,20	EXB2HV680J	RESISTOR ARRAY	2	
R5021-25	ERJ2GEJ680	M 68 OHM, J,0.063W	5	
R5026	EXB2HV680J	RESISTOR ARRAY	1	
R5027	D0YAR0000007	M 0.0 OHM, J,0.063W	1	
R5028	ERJ2GEJ223	M 22KOHM, J,0.063W	1	
R5029,30	ERJ3EKF1000	M 100 OHM, 1/16W	2	
R5031	D0YAR0000007	M 0.0 OHM, J,0.063W	1	
R5032	ERJ3EKF1001	M 1KOHM, 1/16W	1	
R5033	ERJ3EKF4751	M 4.75KOHM, 1/16W	1	
R5034	ERJ3EKF75R0	M 0.75HM, 1/16W	1	
R5035	ERJ3EKF2001	M 2KOHM, 1/16W	1	
R5036	D0YAR0000007	M 0.0 OHM, J,0.063W	1	
R5038	ERJ2GEJ105	M 1MOHM, J,0.063W	1	
R5039-41	D0YAR0000007	M 0.0 OHM, J,0.063W	3	
R5043,44	D0YAR0000007	M 0.0 OHM, J,0.063W	2	
R5045	ERJ2GEJ470	M 47 OHM, J,0.063W	1	
R5046	D0YAR0000007	M 0.0 OHM, J,0.063W	1	
R5048	D0YAR0000007	M 0.0 OHM, J,0.063W	1	
R5051-54	D1HG8208A002	NETWORK RESISTER	4	
R5055-58	EXB2HV221JV	RESISTOR ARRAY	4	
R5059-64	ERJ2GEJ470	M 47 OHM, J,0.063W	6	
R5065,66	D0YAR0000007	M 0.0 OHM, J,0.063W	2	
R5067	J0JCC0000100	CHIP INDUCTOR	1	
R5068,69	ERJ2GEJ182	M 1.8KOHM, J,0.063W	2	
R5070-72	ERJ2GEJ470	M 47 OHM, J,0.063W	3	
R5087	ERJ3EKF5601	M 5.6KOHM, 1/16W	1	
R5088	ERJ3EKF1001	M 1KOHM, 1/16W	1	
R5091	ERJ3EKF3302	M 33KOHM, 1/16W	1	
R5092	ERJ2GEJ103	M 10KOHM, J,0.063W	1	
R5117	ERJ3EKF3302	M 33KOHM, 1/16W	1	
R5118	ERJ3EKF3242	M32.4KOHM, 1/16W	1	
R5119,20	D0YAR0000007	M 0.0 OHM, J,0.063W	2	
R5121	EXB2HV470JV	RESISTOR ARRAY	1	
R5122	ERJ2GEJ470	M 47 OHM, J,0.063W	1	
R5123	EXB2HV470JV	RESISTOR ARRAY	1	
R5124	ERJ2GEJ470	M 47 OHM, J,0.063W	1	
R5125	EXB2HV470JV	RESISTOR ARRAY	1	
R5126	ERJ2GEJ470	M 47 OHM, J,0.063W	1	
R5127	EXB2HV470JV	RESISTOR ARRAY	1	
R5128	ERJ2GEJ470	M 47 OHM, J,0.063W	1	
R5129	EXB2HV470JV	RESISTOR ARRAY	1	
R5130,31	ERJ2GEJ470	M 47 OHM, J,0.063W	2	
R5132,33	ERJ2GEJ220	M 22 OHM, J,0.063W	2	
R5134	EXB2HV470JV	RESISTOR ARRAY	1	
R5135	ERJ2GEJ101	M 100 OHM, J,0.063W	1	
R5136,37	ERJ3EKF1001	M 1KOHM, 1/16W	2	
R5138-42	D0YAR0000007	M 0.0 OHM, J,0.063W	5	
R5169	ERJ2GEJ332	M 3.3KOHM, J,0.063W	1	
R5170	ERJ3EKF3242	M32.4KOHM, 1/16W	1	
R5172	ERJ3EKF1690	M 169 OHM, 1/16W	1	

Ref. No.	Part No.	Part Name & Description	Pcs	Remarks
R5173,74	ERJ3GEYJ121	M 120 OHM,J,1/16W	2	
R5176	ERJ2GEJ220	M 22 OHM, J,0.063W	1	
R5179	ERJ2GEJ103	M 10KOHM, J,0.063W	1	
R5181	D0YAR0000007	M 0.0 OHM, J,0.063W	1	
R5183,84	ERJ2GEJ103	M 10KOHM, J,0.063W	2	
R5191	D0YAR0000007	M 0.0 OHM, J,0.063W	1	
R5194	D0YAR0000007	M 0.0 OHM, J,0.063W	1	
R5196	ERJ2GEJ182	M 1.8KOHM, J,0.063W	1	
R5197,98	ERJ2GEJ220	M 22 OHM, J,0.063W	2	
R5199-02	ERJ2GEJ103	M 10KOHM, J,0.063W	4	
R5203	ERJ2GEJ102X	M 1KOHM, J,0.063W	1	
R5204	D0GB103JA057	M 10KOHM,J,1/16W	1	
R5205,06	ERJ2GEJ103	M 10KOHM, J,0.063W	2	
R5214	ERJ2GEJ103	M 10KOHM, J,0.063W	1	
R5215-34	ERJ3GEYJ121	M 120 OHM,J,1/16W	20	
R5235-44	ERJ3EKF1690	M 169 OHM, 1/16W	10	
R5246	ERJ2GEJ472	M 4.7KOHM, J,0.063W	1	
R5248	ERJ2GEJ221	M 220 OHM, J,0.063W	1	
R5249	ERJ2GEJ472	M 4.7KOHM, J,0.063W	1	
R5250	ERJ2GEJ221	M 220 OHM, J,0.063W	1	
R5251	ERJ2GEJ220	M 22 OHM, J,0.063W	1	
R5318	ERJ2GEJ821	M 820 OHM, J,0.063W	1	
R5319	ERJ2GEJ332	M 3.3KOHM, J,0.063W	1	
R5329	D0YAR0000007	M 0.0 OHM, J,0.063W	1	
R5336	ERJ2GEJ103	M 10KOHM, J,0.063W	1	
R5337	ERJ2GEJ182	M 1.8KOHM, J,0.063W	1	
R5338	D0YAR0000007	M 0.0 OHM, J,0.063W	1	
R5340	ERJ2GEJ680	M 68 OHM, J,0.063W	1	
R5342-44	ERJ2GEJ680	M 68 OHM, J,0.063W	3	
R5345,46	ERJ2GEJ102X	M 1KOHM, J,0.063W	2	
R5347	ERJ2GEJ103	M 10KOHM, J,0.063W	1	
R5600	ERJ2GEJ680	M 68 OHM, J,0.063W	1	
R5601	J0JCC0000100	CHIP INDUCTOR	1	
R5602,03	D0YAR0000007	M 0.0 OHM, J,0.063W	2	
R5604	ERJ3GEYF473	M 47KOHM, 1/16W	1	
R5605	ERJ3EKF1272	M12.7KOHM, 1/16W	1	
R5606-09	D0YAR0000007	M 0.0 OHM, J,0.063W	4	
R5610	ERJ2GEJ104	M 100KOHM, J,0.063W	1	
R5611	ERJ3GEYF473	M 47KOHM, 1/16W	1	
R5612	ERJ3EKF1602	M16.0KOHM, 1/16W	1	
R5614	J0JCC0000100	CHIP INDUCTOR	1	
R5616	D0YAR0000007	M 0.0 OHM, J,0.063W	1	
R5620	ERJ2GEJ680	M 68 OHM, J,0.063W	1	
R5621	ERJ3EKF2702V	M27.0KOHM, 1/16W	1	

Ref. No.	Part No.	Part Name & Description	Pcs	Remarks
R5622	ERJ2GEJ104	M 100KOHM, J, 0.063W	1	
R5623	ERJ3GEYF473	M 47KOHM, 1/16W	1	
R5625-28	D0YAR0000007	M 0.0 OHM, J, 0.063W	4	
R5629	ERJ3EKF2802	M 28KOHM, 1/16W	1	
R5630	ERJ3EKF4752	M47.5KOHM, 1/16W	1	
R5631	ERJ3EKF3602	M 36KOHM, 1/16W	1	
R5632	ERJ3EKF3002	M 30KOHM, 1/16W	1	
R5633	ERJ3EKF3602	M 36KOHM, 1/16W	1	
R5634	ERJ3EKF1602	M16.0KOHM, 1/16W	1	
R5635	ERJ2GEJ223	M 22KOHM, J, 0.063W	1	
R5636	ERJ2GEJ683	M 68KOHM, J, 0.063W	1	
R5637	D0YAR0000007	M 0.0 OHM, J, 0.063W	1	
R5638	ERJ2GEJ102X	M 1KOHM, J, 0.063W	1	
R5640	ERJ2GEJ473	M 47KOHM, J, 0.063W	1	
R5647	D0YAR0000007	M 0.0 OHM, J, 0.063W	1	
R5648	ERJ2GEJ103	M 10KOHM, J, 0.063W	1	
R5650, 51	ERJ2GED563X	M 56KOHM, J, 0.063W	2	
R5652	ERJ2GEJ104	M 100KOHM, J, 0.063W	1	
R5653	ERJ3EKF8202	M 82KOHM, 1/16W	1	
R5654	ERJ3EKF1622V	M16.2KOHM, 1/16W	1	PAVCA
R5657	ERJ2GEJ222	M 2.2KOHM, J, 0.063W	1	
R5658	ERJ2GEJ473	M 47KOHM, J, 0.063W	1	
R5659, 60	ERJ2GEJ103	M 10KOHM, J, 0.063W	2	
R5661	ERJ2GEJ473	M 47KOHM, J, 0.063W	1	
R5666	ERJ2GEJ102X	M 1KOHM, J, 0.063W	1	
R5667	ERJ2GEJ103	M 10KOHM, J, 0.063W	1	
R5668	ERJ2GEJ102X	M 1KOHM, J, 0.063W	1	
R5669	ERJ2GEJ223	M 22KOHM, J, 0.063W	1	
R5670	ERJ2GEJ221	M 220 OHM, J, 0.063W	1	
R5671	ERJ2GEJ222	M 2.2KOHM, J, 0.063W	1	
R5672	ERJ2GEJ221	M 220 OHM, J, 0.063W	1	
R5673, 74	ERJ2RHD682X	M 22KOHM, J, 2W	2	
R5732	ERJ2GEJ223	M 22KOHM, J, 0.063W	1	
R5733	ERJ2GED563X	M 56KOHM, J, 0.063W	1	
R5747	ERJ2GEJ562	M 5.6KOHM, J, 0.063W	1	
R5748, 49	ERJ2GEJ473	M 47KOHM, J, 0.063W	2	
R5762	ERJ2GEJ101	M 100 OHM, J, 0.063W	1	
R5860, 61	EXB2HV470JV	RESISTOR ARRAY	2	
R5865-67	D0YAR0000007	M 0.0 OHM, J, 0.063W	3	
R5868	ERJ2RKD330	M 33 OHM, J, 0.063W	1	
R5869	D0YAR0000007	M 0.0 OHM, J, 0.063W	1	
R5870-72	ERJ2RKD330	M 33 OHM, J, 0.063W	3	
R5875-78	ERJ2GEJ470	M 47 OHM, J, 0.063W	4	
R5908, 09	D0YAR0000007	M 0.0 OHM, J, 0.063W	2	
R5914	J0JCC0000100	CHIP INDUCTOR	1	

Ref. No.	Part No.	Part Name & Description	Pcs	Remarks
R5916	D0YAR0000007	M 0.0 OHM, J, 0.063W	1	
R5920	ERJ2GEJ680	M 68 OHM, J, 0.063W	1	
R5921	ERJ3GEYF473	M 47KOHM, 1/16W	1	
R5922	ERJ2GEJ104	M 100KOHM, J, 0.063W	1	
R5923	ERJ3GEYF473	M 47KOHM, 1/16W	1	
R5925-28	D0YAR0000007	M 0.0 OHM, J, 0.063W	4	
R5929	ERJ3EKF2802	M 28KOHM, 1/16W	1	
R5930	ERJ3EKF4752	M47.5KOHM, 1/16W	1	
R5931	ERJ3EKF3242	M32.4KOHM, 1/16W	1	
R5932	ERJ3EKF1272	M12.7KOHM, 1/16W	1	
R5933, 34	ERJ3EKF1602	M16.0KOHM, 1/16W	2	
R5937	D0YAR0000007	M 0.0 OHM, J, 0.063W	1	
R6001	ERJT08J7R5V	M 7.5OHM, J, 0.33W	1	
R6003	ERJT08J7R5V	M 7.5OHM, J, 0.33W	1	
R6005	ERJT08J7R5V	M 7.5OHM, J, 0.33W	1	
R6007	ERJT08J7R5V	M 7.5OHM, J, 0.33W	1	
R6009	ERJT08J7R5V	M 7.5OHM, J, 0.33W	1	
R6019, 20	ERF5TJ161	W 160 OHM, J, 5W	2	
R6021	ERJT08J7R5V	M 7.5OHM, J, 0.33W	1	
R6024	ERJT08J7R5V	M 7.5OHM, J, 0.33W	1	
R6026	ERJT08J7R5V	M 7.5OHM, J, 0.33W	1	
R6028	ERJT08J7R5V	M 7.5OHM, J, 0.33W	1	
R6030	ERJT08J7R5V	M 7.5OHM, J, 0.33W	1	
R6031, 32	D1BD1373A029	M 137KOHM, 1/10W	2	PAVCA
R6033	ERJ6ENF1213	M 121KOHM, 1/10W	1	
R6034	ERJ6ENF4642	M46.4KOHM, 1/10W	1	
R6041	ERJT08J7R5V	M 7.5OHM, J, 0.33W	1	
R6043	ERJT08J7R5V	M 7.5OHM, J, 0.33W	1	
R6045	ERJT08J7R5V	M 7.5OHM, J, 0.33W	1	
R6047	ERJT08J7R5V	M 7.5OHM, J, 0.33W	1	
R6051	ERJT08J7R5V	M 7.5OHM, J, 0.33W	1	
R6053	ERJT08J7R5V	M 7.5OHM, J, 0.33W	1	
R6055	ERJT08J7R5V	M 7.5OHM, J, 0.33W	1	
R6102	ERJT06J101V	M 100 OHM, F, 0.25W	1	
R6104	ERJT06J101V	M 100 OHM, F, 0.25W	1	
R6106	ERJT06J101V	M 100 OHM, F, 0.25W	1	
R6108	ERJT06J101V	M 100 OHM, F, 0.25W	1	
R6109	ERJT06J100V	M 10 OHM, F, 0.25W	1	
R6110	ERJ6GEYF473	M 47KOHM, J, 1/10W	1	
R6111, 12	ERJT06J470V	M 47 OHM, F, 0.25W	2	
R6113	ERJ14YJ224	M 220KOHM, J, 1/4W	1	
R6114	ERJT06J470V	M 47 OHM, F, 0.25W	1	
R6116	ERJ6GEYF473	M 47KOHM, J, 1/10W	1	
R6131, 32	ERJ6GEYJ101V	M 100 OHM, J, 1/10W	2	
R6134	ERJT06J750V	M 75 OHM, F, 0.25W	1	
R6135-38	ERJT06J100V	M 10 OHM, F, 0.25W	4	
R6141-44	ERJ6GEYF473	M 47KOHM, J, 1/10W	4	
R6145	ERJT08J1R0V	M 1.8OHM, J, 0.33W	1	
R6146-49	ERJ6GEYF473	M 47KOHM, J, 1/10W	4	

Ref. No.	Part No.	Part Name & Description	Pcs	Remarks
R6151,52	ERJ6GEYJ101V	M 100 OHM,J,1/10W	2	
R6154	ERJT06J750V	M 75 OHM,F,0.25W	1	
R6157-60	ERJT08J1R0V	M 1.8OHM,J,0.33W	4	
R6171	ERJT06J100V	M 10 OHM,F,0.25W	1	
R6172,73	ERJ6GEYF473	M 47KOHM,J,1/10W	2	
R6181	ERJT06J100V	M 10 OHM,F,0.25W	1	
R6182,83	ERJ6GEYF473	M 47KOHM,J,1/10W	2	
R6191,92	ERJ6GEYJ101V	M 100 OHM,J,1/10W	2	
R6193	ERJT06J750V	M 75 OHM,F,0.25W	1	
R6194	ERJT08J1R0V	M 1.8OHM,J,0.33W	1	
R6209	ERJ6GEYG104	M 100KOHM,J,1/10W	1	
R6210	ERJ6GEYG222	M 2.2KOHM,J,1/10W	1	
R6213	ERJ6GEYJ101V	M 100 OHM,J,1/10W	1	
R6214	ERJT06J151V	M 150 OHM,F,0.25W	1	
R6222	ERG1FJS103D	M 10KOHM, J, 1W	1	
R6223	ERG2FJS123D	M 12KOHM, J, 2W	1	
R6225-27	ERJ6ENF4992	M49.9KOHM, 1/10W	3	
R6232	ERJ6ENF2491	M2.49KOHM, 1/10W	1	
R6233	ERJT08J134V	M130KOHM,J,0.33W	1	
R6234	ERJ6GEYJ163V	M 16KOHM,J,1/10W	1	
R6241	EXB38V470J	RESISTOR ARRAY	1	
R6242	EXB38V472JV	RESISTOR ARRAY	1	
R6243	EXB38V470J	RESISTOR ARRAY	1	
R6244	EXB38V472JV	RESISTOR ARRAY	1	
R6246	ERJ6GEYJ273	M 27KOHM,J,1/10W	1	
R6247	ERJT08J154V	M150KOHM,J,0.33W	1	
R6248	ERJ6GEYJ273	M 27KOHM,J,1/10W	1	
R6249	ERJT08J154V	M150KOHM,J,0.33W	1	
R6252,53	D1BD5112A028	M51.1KOHM, 1/10W	2	PAVCA
R6254	ERJ6ENF8661	M8.66KOHM, 1/10W	1	
R6255	ERJ6RBD123V	M 12KOHM, 1/10W	1	
R6256	ERJ6ENF1502	M 15KOHM, 1/10W	1	
R6257	ERJ6GEYG103	M 10KOHM,J,1/10W	1	
R6258	ERJ6GEYG222	M 2.2KOHM,J,1/10W	1	
R6260	ERJ6RBD123V	M 12KOHM, 1/10W	1	
R6261	ERJ6GEYG104	M 100KOHM,J,1/10W	1	
R6263	ERJ6GEYJ273	M 27KOHM,J,1/10W	1	
R6272	ERJ6GEYG222	M 2.2KOHM,J,1/10W	1	
R6273	ERJ6GEYG103	M 10KOHM,J,1/10W	1	
R6274	ERJ6GEYG221	M 220 OHM,J,1/10W	1	
R6275	ERJT08J154V	M150KOHM,J,0.33W	1	
R6276	ERJ6GEYG823	M 82KOHM,J,1/10W	1	
R6277	ERJT08J154V	M150KOHM,J,0.33W	1	
R6278	ERJ6GEYJ273	M 27KOHM,J,1/10W	1	
R6279,80	ERJT08J154V	M150KOHM,J,0.33W	2	
R6283	ERJ6GEYJ273	M 27KOHM,J,1/10W	1	
R6285	ERJ6GEYJ273	M 27KOHM,J,1/10W	1	
R6292	ERJ6GEYF473	M 47KOHM,J,1/10W	1	
R6401-05	ERJT08J7R5V	M 7.5OHM,J,0.33W	5	
R6421-25	ERJT08J7R5V	M 7.5OHM,J,0.33W	5	
R6441-44	ERJT08J7R5V	M 7.5OHM,J,0.33W	4	
R6451-53	ERJT08J7R5V	M 7.5OHM,J,0.33W	3	
R6465	ERJ6ENF2702	M 27KOHM, 1/10W	1	
R6466	ERJ6ENF6202	M 62KOHM, 1/10W	1	
R6467,68	ERJ6ENF8202	M 82KOHM, 1/10W	2	

Ref. No.	Part No.	Part Name & Description	Pcs	Remarks
R6471	ERJ6GEYG392	M 3.9KOHM,J,1/10W	1	
R6472	ERJ6GEYG222	M 2.2KOHM,J,1/10W	1	
R6473	ERJ6GEYF561	M 560 OHM,J,1/10W	1	
R6474	ERJ6GEYG102	M 1KOHM,J,1/10W	1	
R6475,76	ERJ6GEYF472	M 4.7KOHM,J,1/10W	2	
R6477	ERJ6GEYJ101V	M 100 OHM,J,1/10W	1	
R6478	ERJ6GEYF472	M 4.7KOHM,J,1/10W	1	
R6479	ERJ6GEYG104	M 100KOHM,J,1/10W	1	
R6490-97	ERJ6GEYJ184	M 180KOHM,J,1/10W	8	
R6501,02	ERJ6GEYJ101V	M 100 OHM,J,1/10W	2	
R6503	ERJT06J100V	M 10 OHM,F,0.25W	1	
R6504	ERJT06J750V	M 75 OHM,F,0.25W	1	
R6505	D0GF1R0JA047	M 1.0 OHM,J,0.33W	1	
R6506	ERJT06J100V	M 10 OHM,F,0.25W	1	
R6507-09	ERJT08J1R0V	M 1.8OHM,J,0.33W	3	
R6511,12	ERJ6GEYF473	M 47KOHM,J,1/10W	2	
R6513	ERJT06J100V	M 10 OHM,F,0.25W	1	
R6514-17	ERJ6GEYF473	M 47KOHM,J,1/10W	4	
R6518	ERJT06J100V	M 10 OHM,F,0.25W	1	
R6519,20	ERJ6GEYF473	M 47KOHM,J,1/10W	2	
R6521,22	ERJ6GEYJ101V	M 100 OHM,J,1/10W	2	
R6523	ERJT06J750V	M 75 OHM,F,0.25W	1	
R6531	ERJT06J100V	M 10 OHM,F,0.25W	1	
R6532,33	ERJ6GEYF473	M 47KOHM,J,1/10W	2	
R6551	ERJT06J100V	M 10 OHM,F,0.25W	1	
R6552,53	ERJ6GEYF473	M 47KOHM,J,1/10W	2	
R6561-64	EXB38V470J	RESISTOR ARRAY	4	
R6565-68	EXB38V472JV	RESISTOR ARRAY	4	
R6580	ERJ6GEYG222	M 2.2KOHM,J,1/10W	1	
R6582,83	ERJ6ENF3902	M 39KOHM, 1/10W	2	
R6584	ERJ6ENF6801	M 6.8KOHM, 1/10W	1	
R6585	ERJ6ENF1201	M 1.2KOHM, 1/10W	1	
R6586	ERJ6ENF1801	M 1.8KOHM, 1/10W	1	
R6587	ERJ6GEYG222	M 2.2KOHM,J,1/10W	1	
R6588	ERJ6GEYG103	M 10KOHM,J,1/10W	1	
R6590	ERJ6GEYG221	M 220 OHM,J,1/10W	1	
R6591	EXB38V472JV	RESISTOR ARRAY	1	
R6592	ERJ6GEYF472	M 4.7KOHM,J,1/10W	1	
R6593	ERJ6ENF1801	M 1.8KOHM, 1/10W	1	
R6594	ERJ6GEYOR00V	M 0 OHM, 1/10W	1	
R6595-98	ERJ6GEYG104	M 100KOHM,J,1/10W	4	
R6604	ERJT06J470V	M 47 OHM,F,0.25W	1	
R6605	ERJ6GEYG182	M 1.8KOHM,J,1/10W	1	
R6606	ERJ6ENF7681	M7.68KOHM, 1/10W	1	
R6608,09	ERJT08J102V	M 1KOHM,J,0.33W	2	
R6612	ERJT06J470V	M 47 OHM,F,0.25W	1	
R6622-26	ERJ6GEYG221	M 220 OHM,J,1/10W	5	
R6638,39	ERJT08J1R0V	M 1.8OHM,J,0.33W	2	
R6641-46	ERJ6GEYG330	M 33 OHM,J,1/10W	6	
R6648,49	ERJ6GEYG330	M 33 OHM,J,1/10W	2	
R6651-54	ERJ6GEYG330	M 33 OHM,J,1/10W	4	
R6658	D0D1101JA009	M 100 OHM,J,1W	1	
R6659,60	ERJ6GEYJ224	M 220KOHM,J,1/10W	2	
R6661	ERJ6GEYG104	M 100KOHM,J,1/10W	1	
R6662	ERJ6ENF3001	M 3KOHM, 1/10W	1	

Ref. No.	Part No.	Part Name & Description	Pcs	Remarks
R6663	ERJ6GEYG103	M 10KOHM, J, 1/10W	1	
R6664	ERJT08J222V	M2.2KOHM, J, 0.33W	1	
R6665	ERJT06J470V	M 47 OHM, F, 0.25W	1	
R6666	ERJ6GEYG104	M 100KOHM, J, 1/10W	1	
R6667, 68	ERJ6GEYF472	M 4.7KOHM, J, 1/10W	2	
R6669	EXB38V470J	RESISTOR ARRAY	1	
R6670	EXB38V472JV	RESISTOR ARRAY	1	
R6671	ERJT06J470V	M 47 OHM, F, 0.25W	1	
R6672	ERJ6GEYF473	M 47KOHM, J, 1/10W	1	
R6673, 74	ERJ6GEYJ471	M 470 OHM, J, 1/10W	2	
R6676, 77	ERJT06J470V	M 47 OHM, F, 0.25W	2	
R6681	ERJT06J100V	M 10 OHM, F, 0.25W	1	
R6683-86	ERJT06J100V	M 10 OHM, F, 0.25W	4	
R6692	D0GZ392JA020	M 3.9 OHM, J, 0.5W	1	
R6693	ERJ6GEYG823	M 82KOHM, J, 1/10W	1	
R6694	ERJ6GEYG153	M 15KOHM, J, 1/10W	1	
R6695	ERJ8GEYJ124	M 120KOHM, J, 1/8W	1	
R6696	ERF5TK2R2	W 2.2 OHM, K, 5W	1	
R6697	ERJT06J151V	M 150 OHM, F, 0.25W	1	
R6698	ERJ6GEYJ101V	M 100 OHM, J, 1/10W	1	
R6700-04	ERJ6GEYJ471	M 470 OHM, J, 1/10W	5	
R6705, 06	ERJ6GEYJ101V	M 100 OHM, J, 1/10W	2	
R6707, 08	ERJ6GEYJ471	M 470 OHM, J, 1/10W	2	
R6709	ERJ6GEYJ101V	M 100 OHM, J, 1/10W	1	
R6710-14	ERJ6GEYG222	M 2.2KOHM, J, 1/10W	5	
R6715	ERJ12YJ103	M 10KOHM, J, 1/2W	1	
R6716-18	ERJ6GEYG222	M 2.2KOHM, J, 1/10W	3	
R6719	ERJ6GEYG470V	M 47 OHM, J, 1/10W	1	
R6720	ERJ6GEYF473	M 47KOHM, J, 1/10W	1	
R6721, 22	EXB38V220JV	RESISTOR ARRAY	2	
R6723	ERJ6ENF6800	M 680 OHM, 1/10W	1	
R6725	ERJ6ENF1003	M 100KOHM, 1/10W	1	
R6726	ERJ6GEYJ474	M 470KOHM, J, 1/10W	1	
R6727	ERJ6GEYG104	M 100KOHM, J, 1/10W	1	
R6728	ERJ6GEYJ474	M 470KOHM, J, 1/10W	1	
R6729	ERJ6GEYJ471	M 470 OHM, J, 1/10W	1	
R6731	ERJ6ENF7500	M 750 OHM, 1/10W	1	
R6732	ERJ6GEYG470V	M 47 OHM, J, 1/10W	1	
R6733	ERJ6GEYF473	M 47KOHM, J, 1/10W	1	
R6734, 35	ERJ6GEYJ471	M 470 OHM, J, 1/10W	2	
R6736	ERQ12AJW560E	F 56 OHM, J, 1/2W	1	
R6737	ERJ12YJ124U	M 120KOHM, 1/2W	1	
R6738	ERJ6GEYG182	M 1.8KOHM, J, 1/10W	1	
R6739	ERJ6ENF1001	M 1KOHM, 1/10W	1	
R6742	ERJ6GEYG103	M 10KOHM, J, 1/10W	1	
R6743	ERJ6GEYG332	M 3.3KOHM, J, 1/10W	1	
R6745	ERJ6ENF4701	M 4.7KOHM, 1/10W	1	
R6746, 47	ERJT06J103V	M 10KOHM, F, 0.25W	2	
R6748, 49	ERJT08J102V	M 1KOHM, J, 0.33W	2	
R6750	ERJ6GEYG102	M 1KOHM, J, 1/10W	1	
R6751, 52	ERJT06J100V	M 10 OHM, F, 0.25W	2	
R6754	ERJ6GEYG152	M 1.5KOHM, J, 1/10W	1	
R6755	ERJ6GEYG102	M 1KOHM, J, 1/10W	1	
R6756	ERJ6GEYG222	M 2.2KOHM, J, 1/10W	1	

Ref. No.	Part No.	Part Name & Description	Pcs	Remarks
R6757	ERJ6GEYJ471	M 470 OHM, J, 1/10W	1	
R6758	ERJ6GEYJ101V	M 100 OHM, J, 1/10W	1	
R6759	ERF5TK2R2	W 2.2 OHM, K, 5W	1	
R6760	ERJ6GEYG103	M 10KOHM, J, 1/10W	1	
R6761	ERJT06J100V	M 10 OHM, F, 0.25W	1	
R6762	ERJ6GEYF473	M 47KOHM, J, 1/10W	1	
R6765	ERJT08J1ROV	M 1.8OHM, J, 0.33W	1	
R6766	ERJT06J750V	M 75 OHM, F, 0.25W	1	
R6768	ERJT08J1ROV	M 1.8OHM, J, 0.33W	1	
R6769	ERJT06J750V	M 75 OHM, F, 0.25W	1	
R6772	ERJT08J2R2V	M 2.2OHM, J, 0.33W	1	
R6773	ERJ6GEYJ101V	M 100 OHM, J, 1/10W	1	
R6774	ERJ6GEYF472	M 4.7KOHM, J, 1/10W	1	
R6775, 76	ERJ6GEYJ101V	M 100 OHM, J, 1/10W	2	
R6777	ERJT06J151V	M 150 OHM, F, 0.25W	1	
R6778	ERJ6GEYF472	M 4.7KOHM, J, 1/10W	1	
R6779	ERJT06J151V	M 150 OHM, F, 0.25W	1	
R6780	ERJ6GEYOR00V	M 0 OHM, 1/10W	1	
R6781	ERJT06J470V	M 47 OHM, F, 0.25W	1	
R6782	ERJ6GEYF473	M 47KOHM, J, 1/10W	1	
R6783	ERJT06J333V	M 33KOHM, F, 0.25W	1	
R6786	ERJ6GEYG152	M 1.5KOHM, J, 1/10W	1	
R6787	ERJ6GEYG102	M 1KOHM, J, 1/10W	1	
R6788	ERJ6GEYF472	M 4.7KOHM, J, 1/10W	1	
R6789	D0GZ392JA020	M 3.9 OHM, J, 0.5W	1	
R6790	ERJ8GEYOR00	M 0 OHM, 1/8W	1	
R6791	ERJ6GEYG102	M 1KOHM, J, 1/10W	1	
R6792	ERJ6GEYG103	M 10KOHM, J, 1/10W	1	
R6793	ERJ6GEYJ101V	M 100 OHM, J, 1/10W	1	
R6794	ERJ6GEYG392	M 3.9KOHM, J, 1/10W	1	
R6795	ERJ6GEYG222	M 2.2KOHM, J, 1/10W	1	
R6796	ERJ6GEYF561	M 560 OHM, J, 1/10W	1	
R6797	ERJ6GEYG102	M 1KOHM, J, 1/10W	1	
R6798, 99	ERJ6GEYJ471	M 470 OHM, J, 1/10W	2	
R6800	ERJT06J151V	M 150 OHM, F, 0.25W	1	
R6801	ERG2FNJS8R2E	M 8.2 OHM, J, 2W	1	
R6802	ERJ6GEYG103	M 10KOHM, J, 1/10W	1	
R6804	ERJ6GEYG823	M 82KOHM, J, 1/10W	1	
R6805	ERJ6GEYG153	M 15KOHM, J, 1/10W	1	
R6806, 07	ERX12SJ1R8	M 1.8 OHM, J, 1/2W	2	
R6808	D0GF272JA047	M 2.7 KOHM, J, 0.33W	1	
R6809	ERGLFJS393D	M 39KOHM, J, 3W	1	
R6810	ERJ6GEYG102	M 1KOHM, J, 1/10W	1	
R6811	ERJ6GEYG103	M 10KOHM, J, 1/10W	1	
R6812	ERJ6ENF1203	M 120KOHM, 1/10W	1	
R6813	ERJ6ENF1201	M 1.2KOHM, 1/10W	1	
R6814	ERJ6ENF3301	M 3.3KOHM, 1/10W	1	
R6815	ERJ6GEYOR00V	M 0 OHM, 1/10W	1	
R6816	ERJ6GEYG182	M 1.8KOHM, J, 1/10W	1	
R6817	ERJ6GEYG122	M 1.2KOHM, J, 1/10W	1	
R6818	ERJ6GEYF561	M 560 OHM, J, 1/10W	1	
R6819	ERJ8GEYJ124	M 120KOHM, J, 1/8W	1	

Ref. No.	Part No.	Part Name & Description	Pcs	Remarks
R6820	ERJ6GEYJ224	M 220KOHM, J, 1/10W	1	
R6821	ERF5TJ221	W 220 OHM, J, 5W	1	
R6822	ERJ12YJ563U	M 56KOHM, 1/2W	1	
R6823	ERG1FJS104D	M 100KOHM, J, 1W	1	
R6824	ERJ6GEYG392	M 3.9KOHM, J, 1/10W	1	
R6825-27	ERJ6RED124	M 120KOHM, 1/10W	3	
R6828	ERJ6RBD332	M 3.3KOHM, J, 1/10W	1	
R6829, 30	ERJ6ENF1003	M 100KOHM, 1/10W	2	
R6831	ERJ6ENF2002	M 20KOHM, 1/10W	1	
R6832	ERJT08J4R7V	M 4.7OHM, J, 0.33W	1	
R6833	ERJ6RBD303	M 30KOHM, 1/10W	1	
R6839	ERJ6GEYF472	M 4.7KOHM, J, 1/10W	1	
R6840	ERX12SJ1R8	M 1.8 OHM, J, 1/2W	1	
R6841	ERJ12YJ103	M 10KOHM, J, 1/2W	1	
R6842	ERJ12YJ433U	M 43KOHM, 1/2W	1	
R6843	ERJ6GEYJ623	M 62KOHM, J, 1/10W	1	
R6844	D0D2101JA021	M 100 OHM, J, 2W	1	
R6845-47	ERJ6GEYJ623	M 62KOHM, J, 1/10W	3	
R6848	ERJ6GEYJ103	M 10KOHM, J, 1/10W	1	
R6849	ERJ6ENF8202	M 82KOHM, 1/10W	1	
R6850	ERJ6ENF1003	M 100KOHM, 1/10W	1	
R6851	ERJ6GEYG221	M 220 OHM, J, 1/10W	1	
R6852	ERJ6ENF3301	M 3.3KOHM, 1/10W	1	
R6853	ERJ6GEYG221	M 220 OHM, J, 1/10W	1	(SU)
R6853	ERJ6GEYJ101V	M 100 OHM, J, 1/10W	1	(SC)
R6854	ERJ6ENF5102	M 51KOHM, 1/10W	1	(SC)
R6854	ERJ6GEYG221	M 220 OHM, J, 1/10W	1	(SU)
R6855	ERJ12YJ103	M 10KOHM, J, 1/2W	1	(SC)
R6856	ERJ6GEYG221	M 220 OHM, J, 1/10W	1	(SU)
R6856	ERQ12AJW560E	F 56 OHM, J, 1/2W	1	
R6857	ERJ12YJ124U	M 120KOHM, 1/2W	1	
R6859	ERJ6GEYG221	M 220 OHM, J, 1/10W	1	(SU)
R6859	ERJ6GEYJ471	M 470 OHM, J, 1/10W	1	(SC)
R6860	D0D28R2JA021	M 8.2 OHM, J, 2W	1	(SC)
R6860	ERJ6GEYG221	M 220 OHM, J, 1/10W	1	(SU)
R6861, 62	ERJ6GEYG103	M 10KOHM, J, 1/10W	2	
R6864	EXB38V220JV	RESISTOR ARRAY	1	
R6865	EXB38V103JV	RESISTOR ARRAY	1	
R6866	EXB38V220JV	RESISTOR ARRAY	1	
R6870	ERJ6ENF1003	M 100KOHM, 1/10W	1	
R6871	ERJ6ENF3902	M 39KOHM, 1/10W	1	(SC)
R6871	ERJ8GEYJ224	M 220KOHM, J, 1/8W	1	(SU)
R6872	ERJ6ENF3902	M 39KOHM, 1/10W	1	(SC)
R6872	ERJ6GEYG103	M 10KOHM, J, 1/10W	1	(SU)
R6873	ERJ6ENF3902	M 39KOHM, 1/10W	1	
R6874	ERJ6ENF5101	M 5.1KOHM, 1/10W	1	(SC)
R6874	ERJ6GEY0R00V	M 0 OHM, 1/10W	1	(SU)
R6875	ERJ6ENF3301	M 3.3KOHM, 1/10W	1	
R6876	ERJ6RBD561	M 560 OHM, 1/10W	1	
R6877	ERJ6GEYG392	M 3.9KOHM, J, 1/10W	1	(SC)
R6877	EXB38V220JV	RESISTOR ARRAY	1	(SU)
R6878	ERJ6GEYJ223	M 22KOHM, J, 1/10W	1	(SC)
R6878	EXB38V103JV	RESISTOR ARRAY	1	(SU)
R6879	ERJ6GEYF472	M 4.7KOHM, J, 1/10W	1	(SC)
R6879	EXB38V220JV	RESISTOR ARRAY	1	(SU)
R6880	ERJ6GEYJ471	M 470 OHM, J, 1/10W	1	
R6881	ERJT06J101V	M 100 OHM, F, 0.25W	1	
R6882	ERJ6RED124	M 120KOHM, 1/10W	1	

Ref. No.	Part No.	Part Name & Description	Pcs	Remarks
R6883	ERJ6GEYG103	M 10KOHM, J, 1/10W	1	(SU)
R6883, 84	ERJ6GEYG222	M 2.2KOHM, J, 1/10W	2	(SC)
R6885	ERJ6GEYG103	M 10KOHM, J, 1/10W	1	(SU)
R6885	ERJ6GEYG222	M 2.2KOHM, J, 1/10W	1	(SC)
R6886	ERJ6GEYG103	M 10KOHM, J, 1/10W	1	
R6887, 88	ERJ6ENF5102	M 51KOHM, 1/10W	2	(SC)
R6888	ERJ8GEYJ224	M 220KOHM, J, 1/8W	1	(SU)
R6889, 90	ERJ6GEYG222	M 2.2KOHM, J, 1/10W	2	
R6891	ERJ6GEYG183	M 18KOHM, J, 1/10W	1	(SC)
R6891	ERJ8GEYJ224	M 220KOHM, J, 1/8W	1	(SU)
R6892	ERJ6ENF5602	M 56KOHM, 1/10W	1	(SC)
R6892	ERJ8GEYJ224	M 220KOHM, J, 1/8W	1	(SU)
R6893, 94	EXB38V220JV	RESISTOR ARRAY	2	
R6895	ERJ6ENF6801	M 6.8KOHM, 1/10W	1	
R6896	ERJ6ENF3301	M 3.3KOHM, 1/10W	1	
R6897	ERJ6ENF6200	M 620 OHM, 1/10W	1	
R6898	ERJ6GEYG392	M 3.9KOHM, J, 1/10W	1	
R6899	ERJ6GEYJ223	M 22KOHM, J, 1/10W	1	
R6941	EXB38V220JV	RESISTOR ARRAY	1	
R6945	ERJ8GEYJ224	M 220KOHM, J, 1/8W	1	
R6947	ERJ8GEYJ224	M 220KOHM, J, 1/8W	1	
R6949-51	ERJ6GEYG103	M 10KOHM, J, 1/10W	3	
R6952	ERJ6GEY0R00V	M 0 OHM, 1/10W	1	
R6953	EXB38V220JV	RESISTOR ARRAY	1	
R6955	EXB38V103JV	RESISTOR ARRAY	1	
R6957	EXB38V220JV	RESISTOR ARRAY	1	
R6958	EXB38V103JV	RESISTOR ARRAY	1	
R6959	EXB38V220JV	RESISTOR ARRAY	1	
R6963	ERJ6GEYG103	M 10KOHM, J, 1/10W	1	
R6965	ERJ8GEYJ224	M 220KOHM, J, 1/8W	1	
R6966	ERJ6GEYG221	M 220 OHM, J, 1/10W	1	
R6967	ERJ8GEYJ224	M 220KOHM, J, 1/8W	1	
R6968	ERJ6GEYG103	M 10KOHM, J, 1/10W	1	
R6969	ERJ6GEYG221	M 220 OHM, J, 1/10W	1	
R6971-73	ERJ6GEYG221	M 220 OHM, J, 1/10W	3	
R6974	ERJ6GEYG103	M 10KOHM, J, 1/10W	1	
R6975-79	ERJ6GEYG221	M 220 OHM, J, 1/10W	5	
R7101-08	DOGZ6R8JA020	M 6.8 OHM, J, 0.5W	8	
R7117, 18	ERJ3GEYJ681	M 680 OHM, J, 1/16W	2	
R7119	ERJ3GEYJ220	M 22 OHM, J, 1/16W	1	
R7120	EXB38V681J	RESISTOR ARRAY	1	
R7130, 31	EXB38V471J	RESISTOR ARRAY	2	
R7132, 33	JOJCC0000100	CHIP INDUCTOR	2	
R7134-37	DOGZ6R8JA020	M 6.8 OHM, J, 0.5W	4	
R7138	DOGF472JA047	M 4.7KOHM, J, 0.33W	1	
R7139-58	DOGZ6R8JA020	M 6.8 OHM, J, 0.5W	20	
R7159-61	EXB38V471J	RESISTOR ARRAY	3	
R7162, 63	EXB38V470J	RESISTOR ARRAY	2	
R7164, 65	EXB38V681J	RESISTOR ARRAY	2	
R7166, 67	EXB38V470J	RESISTOR ARRAY	2	
R7168	EXB38V681J	RESISTOR ARRAY	1	
R7170, 71	EXB38V470J	RESISTOR ARRAY	2	
R7173	EXB38V470J	RESISTOR ARRAY	1	
R7176	EXB38V470J	RESISTOR ARRAY	1	
R7177	ERJ6GEYJ223	M 22KOHM, J, 1/10W	1	
R7178	ERJ6GEYG104	M 100KOHM, J, 1/10W	1	

Ref. No.	Part No.	Part Name & Description	Pcs	Remarks
R7180	EXB38V681J	RESISTOR ARRAY	1	
R7187-90	EXB38V220JV	RESISTOR ARRAY	4	
R7191	ERJ6GEYJ224	M 220KOHM, J, 1/10W	1	
R7192-97	EXB38V471J	RESISTOR ARRAY	6	
R7198,99	EXB38V681J	RESISTOR ARRAY	2	
R7210	J0JCC0000100	CHIP INDUCTOR	1	
R7212	EXB38V220JV	RESISTOR ARRAY	1	
R7213	ERJ6GEYJ223	M 22KOHM, J, 1/10W	1	
R7214	ERJ6GEYJ104	M 100KOHM, J, 1/10W	1	
R7215	ERJ6GEYJ224	M 220KOHM, J, 1/10W	1	
R7216-23	DOGZ6R8JA020	M 6.8 OHM, J, 0.5W	8	
R7232-35	EXB38V470J	RESISTOR ARRAY	4	
R7236-39	EXB38V471J	RESISTOR ARRAY	4	
R7244,45	EXB38V470J	RESISTOR ARRAY	2	
R7246,47	EXB38V681J	RESISTOR ARRAY	2	
R7252-55	DOGZ6R8JA020	M 6.8 OHM, J, 0.5W	4	
R7256	DOGZ6R8JA047	M 4.7KOHM, J, 0.33W	1	
R7257-72	DOGZ6R8JA020	M 6.8 OHM, J, 0.5W	16	
R7273	J0JCC0000100	CHIP INDUCTOR	1	
R7276-78	EXB38V220JV	RESISTOR ARRAY	3	
R7279,80	EXB38V681J	RESISTOR ARRAY	2	
R7281-86	EXB38V471J	RESISTOR ARRAY	6	
R7288,89	ERJ3GEYJ681	M 680 OHM, J, 1/16W	2	
R7290	ERJ3GEYJ220	M 22 OHM, J, 1/16W	1	
R7291	J0JCC0000100	CHIP INDUCTOR	1	
R7301	ERJ6GEYJ223	M 22KOHM, J, 1/10W	1	
R7302	ERJ6GEYJ104	M 100KOHM, J, 1/10W	1	
R7303	ERJ6GEYJ224	M 220KOHM, J, 1/10W	1	
R7304-19	DOGZ6R8JA020	M 6.8 OHM, J, 0.5W	16	
R7321-32	DOGZ6R8JA020	M 6.8 OHM, J, 0.5W	12	
R7333,34	EXB38V470J	RESISTOR ARRAY	2	
R7343	EXB38V681J	RESISTOR ARRAY	1	
R7357	DOGZ6R8JA047	M 4.7KOHM, J, 0.33W	1	
R7358,59	EXB38V470J	RESISTOR ARRAY	2	
R7364,65	J0JCC0000100	CHIP INDUCTOR	2	
R7367,68	EXB38V681J	RESISTOR ARRAY	2	
R7374-77	EXB38V220JV	RESISTOR ARRAY	4	
R7378	ERJ3GEYJ220	M 22 OHM, J, 1/16W	1	
R7379-92	EXB38V471J	RESISTOR ARRAY	14	
R7393-96	ERJ3GEYJ681	M 680 OHM, J, 1/16W	4	
R7397	J0JCC0000100	CHIP INDUCTOR	1	
R7401,02	EXB38V471J	RESISTOR ARRAY	2	
R7403,04	EXB38V681J	RESISTOR ARRAY	2	
R7405-13	EXB38V471J	RESISTOR ARRAY	9	
R7414	EXB38V681J	RESISTOR ARRAY	1	
R7415,16	EXB38V471J	RESISTOR ARRAY	2	
R7422	EXB38V681J	RESISTOR ARRAY	1	
R7423,24	J0JCC0000100	CHIP INDUCTOR	2	
R7425,26	EXB38V470J	RESISTOR ARRAY	2	
R7427-42	DOGZ6R8JA020	M 6.8 OHM, J, 0.5W	16	
R7458	EXB38V681J	RESISTOR ARRAY	1	
R7468	DOGZ6R8JA047	M 4.7KOHM, J, 0.33W	1	
R7469-84	DOGZ6R8JA020	M 6.8 OHM, J, 0.5W	16	
R7485	ERJ6GEYJ223	M 22KOHM, J, 1/10W	1	
R7486	ERJ6GEYJ104	M 100KOHM, J, 1/10W	1	
R7487-90	EXB38V220JV	RESISTOR ARRAY	4	
R7491	ERJ6GEYJ224	M 220KOHM, J, 1/10W	1	

Ref. No.	Part No.	Part Name & Description	Pcs	Remarks
R7492,93	ERJ3GEYJ681	M 680 OHM, J, 1/16W	2	
R7494	ERJ3GEYJ220	M 22 OHM, J, 1/16W	1	
R7495	EXB38V471J	RESISTOR ARRAY	1	
R7496	EXB38V681J	RESISTOR ARRAY	1	
R7702	ERJ3GEYJ560	M 56 OHM, J, 1/16W	1	
R7719	J0JCC0000100	CHIP INDUCTOR	1	
R7723	J0JCC0000100	CHIP INDUCTOR	1	
R7725	J0JCC0000100	CHIP INDUCTOR	1	
R7730,31	J0JCC0000100	CHIP INDUCTOR	2	
R7733-35	ERJ3GEYJ680	M 68 OHM, J, 1/16W	3	
R7737,38	ERJ3GEYJ680	M 68 OHM, J, 1/16W	2	
R7744	ERJ3GEYJ101	M 100 OHM, J, 1/16W	1	
R7747	J0JCC0000100	CHIP INDUCTOR	1	
R7749-52	J0JCC0000100	CHIP INDUCTOR	4	
R7755	J0JCC0000100	CHIP INDUCTOR	1	
R7758,59	J0JCC0000100	CHIP INDUCTOR	2	
R7767	J0JCC0000100	CHIP INDUCTOR	1	
R8001	ERJ2GEJ181	M 180 OHM, J, 0.063W	1	
R8002	ERJ2GEJ820	M 82 OHM, J, 0.063W	1	
R8003	J0JCC0000100	CHIP INDUCTOR	1	
R8004	ERJ3EKF2402	M 24KOHM, 1/16W	1	
R8005	ERJ3EKF1002	M 10KOHM, 1/16W	1	
R8006	ERJ3EKF6801	M 6.8KOHM, 1/16W	1	
R8030	ERJ2GEJ101	M 100 OHM, J, 0.063W	1	
R8031,32	ERJ3EKF2700	M 270 OHM, 1/16W	2	
R8035	D0YAR0000007	M 0.0 OHM, J, 0.063W	1	
R8056-73	ERJ2GEJ470	M 47 OHM, J, 0.063W	18	
R8074	ERJ2GEJ221	M 220 OHM, J, 0.063W	1	
R8075-78	ERJ2GEJ470	M 47 OHM, J, 0.063W	4	
R8081	ERJ2GEJ103	M 10KOHM, J, 0.063W	1	
R8082	D1BA75R0A026	M 0.75KOHM, 1/10W	1	
R8083	ERJ2GEJ301	M 300 OHM, J, 0.063W	1	
R8086	ERJ2GEJ104	M 100KOHM, J, 0.063W	1	
R8087	ERJ2GEJ103	M 10KOHM, J, 0.063W	1	
R8090	ERJ2GEJ103	M 10KOHM, J, 0.063W	1	
R8091	ERJ2GEJ470	M 47 OHM, J, 0.063W	1	
R8093	ERJ2GEJ470	M 47 OHM, J, 0.063W	1	
R8094	ERJ2GEJ103	M 10KOHM, J, 0.063W	1	
R8097	ERJ2GEJ221	M 220 OHM, J, 0.063W	1	
R8098,99	ERJ2GEJ103	M 10KOHM, J, 0.063W	2	
R8100	ERJ2GEJ470	M 47 OHM, J, 0.063W	1	
R8101	ERJ2GEJ103	M 10KOHM, J, 0.063W	1	
R8106	ERJ2GEJ202	M 2KOHM, J, 0.063W	1	
R8107	ERJ2GEJ101	M 100 OHM, J, 0.063W	1	
R8110	ERJ2GEJ103	M 10KOHM, J, 0.063W	1	
R8307,08	ERJ2GEJ470	M 47 OHM, J, 0.063W	2	
R8309	D0YAR0000007	M 0.0 OHM, J, 0.063W	1	
R8312	ERJ2RHD682X	M 22KOHM, J, 2W	1	
R8313,14	D0YAR0000007	M 0.0 OHM, J, 0.063W	2	
R8315	ERJ2RHD682X	M 22KOHM, J, 2W	1	

Ref. No.	Part No.	Part Name & Description	Pcs	Remarks
R8318, 19	ERJ2GEJ101	M 100 OHM, J, 0.063W	2	
R8327, 28	ERJ2RHD682X	M 22KOHM, J, 2W	2	
R8330, 31	DOYAR0000007	M 0.0 OHM, J, 0.063W	2	
R8332	ERJ2GEJ221	M 220 OHM, J, 0.063W	1	
R8334	DOYAR0000007	M 0.0 OHM, J, 0.063W	1	
R8335	ERJ2GEJ221	M 220 OHM, J, 0.063W	1	
R8337	ERJ6GEYG102	M 1KOHM, J, 1/10W	1	
R8338	ERJ3EKF1202	M 12KOHM, 1/16W	1	
R8340	ERJ2GEJ103	M 10KOHM, J, 0.063W	1	
R8343, 44	ERJ2GEJ103	M 10KOHM, J, 0.063W	2	
R8346	ERJ2GEJ103	M 10KOHM, J, 0.063W	1	
R8348	ERJ2GEJ103	M 10KOHM, J, 0.063W	1	
R8349, 50	ERJ2GEJ332	M 3.3KOHM, J, 0.063W	2	
R8351-56	ERJ2GEJ103	M 10KOHM, J, 0.063W	6	
R8357	ERJ2GEJ220	M 22 OHM, J, 0.063W	1	
R8358	ERJ2GEJ103	M 10KOHM, J, 0.063W	1	
R8362-64	ERJ2GEJ103	M 10KOHM, J, 0.063W	3	
R8366	ERJ2GEJ103	M 10KOHM, J, 0.063W	1	
R8367	DOYAR0000007	M 0.0 OHM, J, 0.063W	1	
R8369	DOYAR0000007	M 0.0 OHM, J, 0.063W	1	
R8370	ERJ2GEJ103	M 10KOHM, J, 0.063W	1	
R8372	ERJ2GEJ103	M 10KOHM, J, 0.063W	1	
R8373	DOYAR0000007	M 0.0 OHM, J, 0.063W	1	
R8379	ERJ2GEJ101	M 100 OHM, J, 0.063W	1	
R8380-83	ERJ2GEJ470	M 47 OHM, J, 0.063W	4	
R8500-02	ERJ2RKD330	M 33 OHM, J, 0.063W	3	
R8504	ERJ2GEJ103	M 10KOHM, J, 0.063W	1	
R8505	DOYAR0000007	M 0.0 OHM, J, 0.063W	1	
R8506, 07	ERJ2GEJ472	M 4.7KOHM, J, 0.063W	2	
R8512	ERJ2GEJ103	M 10KOHM, J, 0.063W	1	
R8517-20	ERJ2RKD330	M 33 OHM, J, 0.063W	4	
R8522	ERJ2GEJ101	M 100 OHM, J, 0.063W	1	
R8523	ERJ3EKF1800	M 180 OHM, 1/16W	1	
R8524, 25	DOYAR0000007	M 0.0 OHM, J, 0.063W	2	
R8527	DOYAR0000007	M 0.0 OHM, J, 0.063W	1	
R8528-32	ERJ2GEJ560	M 56 OHM, J, 0.063W	5	
R8538-45	ERJ2GEJ220	M 22 OHM, J, 0.063W	8	
R8546-48	ERJ2GEJ332	M 3.3KOHM, J, 0.063W	3	
R8550	ERJ2GEJ332	M 3.3KOHM, J, 0.063W	1	
R8552, 53	ERJ2GEJ182	M 1.8KOHM, J, 0.063W	2	
R8554, 55	ERJ2GEJ220	M 22 OHM, J, 0.063W	2	
R8556	ERJ2GEJ472	M 4.7KOHM, J, 0.063W	1	

Ref. No.	Part No.	Part Name & Description	Pcs	Remarks
R8557, 58	ERJ2GEJ332	M 3.3KOHM, J, 0.063W	2	
R8559	ERJ2GEJ560	M 56 OHM, J, 0.063W	1	
R8560	DOYAR0000007	M 0.0 OHM, J, 0.063W	1	
R8561	ERJ2RKD330	M 33 OHM, J, 0.063W	1	
R8562, 63	ERJ2GEJ103	M 10KOHM, J, 0.063W	2	
R8565	ERJ2GEJ103	M 10KOHM, J, 0.063W	1	
R8566	EXB28V103JX	RESISTOR ARRAY	1	
R8567	DOYAR0000007	M 0.0 OHM, J, 0.063W	1	
R8568, 69	EXB28VR000X	RESISTOR ARRAY	2	
R8570	ERJ2RKD330	M 33 OHM, J, 0.063W	1	
R8571	ERJ2GEJ560	M 56 OHM, J, 0.063W	1	
R8573	EXB28V680JX	RESISTOR ARRAY	1	
R8574	ERJ2GEJ680	M 68 OHM, J, 0.063W	1	
R8575	ERJ2GEJ560	M 56 OHM, J, 0.063W	1	
R8584, 85	ERJ2RKD330	M 33 OHM, J, 0.063W	2	
R8591	ERJ2RKD330	M 33 OHM, J, 0.063W	1	
R8592	ERJ2GEJ472	M 4.7KOHM, J, 0.063W	1	
R8593	ERJ2GEJ103	M 10KOHM, J, 0.063W	1	
R8595	ERJ2GEJ473	M 47KOHM, J, 0.063W	1	
R8596	ERJ2GEJ220	M 22 OHM, J, 0.063W	1	
R8604	ERJ2GEJ103	M 10KOHM, J, 0.063W	1	
R8661	ERJ2GEJ103	M 10KOHM, J, 0.063W	1	
R8663	ERJ2GEJ103	M 10KOHM, J, 0.063W	1	
R8664	ERJ2RKD330	M 33 OHM, J, 0.063W	1	
R8693	ERJ2GEJ473	M 47KOHM, J, 0.063W	1	
R8721, 22	ERJ2GEJ560	M 56 OHM, J, 0.063W	2	
R8729	ERJ2GEJ473	M 47KOHM, J, 0.063W	1	
R8764, 65	ERJ3EKF75R0	M 0.75HM, 1/16W	2	
R8766	ERJ2GEJ101	M 100 OHM, J, 0.063W	1	
R8767	ERJ3EKF75R0	M 0.75HM, 1/16W	1	
R8769	ERJ2RKD330	M 33 OHM, J, 0.063W	1	
R8770	ERJ2GEJ103	M 10KOHM, J, 0.063W	1	
R8772	ERJ2GEJ103	M 10KOHM, J, 0.063W	1	
R8787	ERJ2GEJ473	M 47KOHM, J, 0.063W	1	
R8792	ERJ2GEJ473	M 47KOHM, J, 0.063W	1	
R8796	ERJ2GEJ473	M 47KOHM, J, 0.063W	1	
R8844	ERJ2GEJ103	M 10KOHM, J, 0.063W	1	
R8850	ERJ2GEJ560	M 56 OHM, J, 0.063W	1	
R8864	DOYAR0000007	M 0.0 OHM, J, 0.063W	1	
R8865	ERJ2GEJ560	M 56 OHM, J, 0.063W	1	
R8866	ERJ3EKF91R0	M 91 OHM, 1/16W	1	
R8875	ERJ2GEJ473	M 47KOHM, J, 0.063W	1	
R8876-78	DOYAR0000007	M 0.0 OHM, J, 0.063W	3	

Ref. No.	Part No.	Part Name & Description	Pcs	Remarks
R8900	D0YAR0000007	M 0.0 OHM, J, 0.063W	1	
R8903, 04	ERJ2GEJ473	M 47KOHM, J, 0.063W	2	
R9060-67	ERJ3GEYJ101	M 100 OHM, J, 1/16W	8	
R9070	ERJ3GEYJ470	M 47 OHM, J, 1/16W	1	
R9074	ERJ3GEYJ101	M 100 OHM, J, 1/16W	1	
R9076	ERJ3GEYJ101	M 100 OHM, J, 1/16W	1	
R9077, 78	D0GB103JA057	M 10KOHM, J, 1/16W	2	
R9079	ERJ3GEYJ100	M 10 OHM, J, 1/16W	1	
R9080	ERJ3GEYJ272	M 2.7KOHM, J, 1/16W	1	
R9082	ERJ3GEYJ222	M 2.2KOHM, J, 1/16W	1	
R9085-87	ERJ3GEYJ101	M 100 OHM, J, 1/16W	3	
R9088, 89	D0GB103JA057	M 10KOHM, J, 1/16W	2	
R9090	ERJ3GEYJ101	M 100 OHM, J, 1/16W	1	
R9092	D0GB103JA057	M 10KOHM, J, 1/16W	1	
R9093, 94	ERJ3GEYJ470	M 47 OHM, J, 1/16W	2	
R9100	ERJ3GEYJ101	M 100 OHM, J, 1/16W	1	
R9101, 02	D0GB103JA057	M 10KOHM, J, 1/16W	2	
R9104, 05	D0GB103JA057	M 10KOHM, J, 1/16W	2	
R9107	ERJ3GEYJ332	M 3.3KOHM, J, 1/16W	1	
R9108, 09	D0GB103JA057	M 10KOHM, J, 1/16W	2	
R9111	J0JCC0000100	CHIP INDUCTOR	1	
R9113	ERJ3GEYJ100	M 10 OHM, J, 1/16W	1	
R9115	J0JCC0000100	CHIP INDUCTOR	1	
R9117	J0JCC0000100	CHIP INDUCTOR	1	
R9118	ERJ3EKF1001	M 1KOHM, 1/16W	1	
R9119	EXB38V470J	RESISTOR ARRAY	1	
R9121	ERJ3GEYJ104	M 100KOHM, J, 1/16W	1	
R9122, 23	D0GB103JA057	M 10KOHM, J, 1/16W	2	
R9124, 25	J0JCC0000100	CHIP INDUCTOR	2	
R9127	ERJ3GEYJ683	M 68KOHM, J, 1/16W	1	
R9129	ERJ3GEYJ683	M 68KOHM, J, 1/16W	1	
R9130	ERJ3EKF1001	M 1KOHM, 1/16W	1	
R9131-33	ERJ3GEYJ472	M 4.7KOHM, J, 1/16W	3	
R9134	ERJ3GEYJ333	M 33KOHM, J, 1/16W	1	
R9135	ERJ3GEYJ472	M 4.7KOHM, J, 1/16W	1	
R9136, 37	ERJ3GEYJ101	M 100 OHM, J, 1/16W	2	
R9139	ERJ6GEYOR00V	M 0 OHM, 1/10W	1	
R9141	ERJ3GEYJ101	M 100 OHM, J, 1/16W	1	
R9143-45	ERJ3GEYJ101	M 100 OHM, J, 1/16W	3	
R9147, 48	J0JCC0000100	CHIP INDUCTOR	2	
R9149	ERJ3GEYJ472	M 4.7KOHM, J, 1/16W	1	
R9150, 51	ERJ3GEYJ220	M 22 OHM, J, 1/16W	2	
R9152	ERJ3EKF1001	M 1KOHM, 1/16W	1	
R9153	J0JCC0000100	CHIP INDUCTOR	1	
R9154, 55	ERJ3GEYJ562	M 5.6KOHM, J, 1/16W	2	
R9156	D0GB103JA057	M 10KOHM, J, 1/16W	1	
R9157	J0JCC0000100	CHIP INDUCTOR	1	
R9158, 59	D0GB103JA057	M 10KOHM, J, 1/16W	2	
R9160, 61	J0JCC0000100	CHIP INDUCTOR	2	
R9162	ERJ3EKF1001	M 1KOHM, 1/16W	1	
R9164	D0GB103JA057	M 10KOHM, J, 1/16W	1	
R9165	ERJ3GEYJ222	M 2.2KOHM, J, 1/16W	1	
R9166	D0GB103JA057	M 10KOHM, J, 1/16W	1	
R9167	ERJ3GEYJ101	M 100 OHM, J, 1/16W	1	
R9168	J0JCC0000100	CHIP INDUCTOR	1	
R9170-72	D0GB393JA041	M 39KOHM, J, 1/16W	3	

Ref. No.	Part No.	Part Name & Description	Pcs	Remarks
R9173, 74	D0GB103JA057	M 10KOHM, J, 1/16W	2	
R9177	ERJ3GEYJ223	M 22KOHM, J, 1/16W	1	
R9181-84	D0GB102JA057	M 1KOHM, J, 1/16W	4	
R9185, 86	ERJ3GEYJ220	M 22 OHM, J, 1/16W	2	
R9187, 88	ERJ3GEYJ562	M 5.6KOHM, J, 1/16W	2	
R9189, 90	D0GB103JA057	M 10KOHM, J, 1/16W	2	
R9193	D0GB103JA057	M 10KOHM, J, 1/16W	1	
R9194	J0JCC0000100	CHIP INDUCTOR	1	
R9196	D0GB103JA057	M 10KOHM, J, 1/16W	1	
R9199	ERJ3GEYJ272	M 2.7KOHM, J, 1/16W	1	
R9200, 01	ERJ3GEYJ100	M 10 OHM, J, 1/16W	2	
R9203	D0GB102JA057	M 1KOHM, J, 1/16W	1	
R9205	ERJ3GEYJ472	M 4.7KOHM, J, 1/16W	1	
R9206, 07	D0GB102JA057	M 1KOHM, J, 1/16W	2	
R9215	D0GB123JA057	M 12KOHM, J, 1/16W	1	
R9217-22	D0GB103JA057	M 10KOHM, J, 1/16W	6	
R9223	ERJ3GEYJ272	M 2.7KOHM, J, 1/16W	1	
R9225	ERJ3GEYJ272	M 2.7KOHM, J, 1/16W	1	
R9237	D0GB103JA057	M 10KOHM, J, 1/16W	1	
R9240	J0JCC0000100	CHIP INDUCTOR	1	
R9367	ERJ6GEYJ181	M 180 OHM, J, 1/10W	1	
R9371	EXB2HV470JV	RESISTOR ARRAY	1	
R9372	ERJ3GEYJ470	M 47 OHM, J, 1/16W	1	
R9373	ERJ3GEYJ330	M 33 OHM, J, 1/16W	1	
R9374	EXB38V470J	RESISTOR ARRAY	1	
R9375	D0GB151JA057	M 150 OHM, J, 1/16W	1	
R9376, 77	ERJ3GEYJ222	M 2.2KOHM, J, 1/16W	2	
R9393-97	EXB2HV220JV	RESISTOR ARRAY	5	
R9398	ERJ3GEYJ472	M 4.7KOHM, J, 1/16W	1	
R9399	ERJ3GEYJ104	M 100KOHM, J, 1/16W	1	
R9400	D0GB103JA057	M 10KOHM, J, 1/16W	1	
R9402, 03	ERJ3GEYJ222	M 2.2KOHM, J, 1/16W	2	
R9404	EXB2HV470JV	RESISTOR ARRAY	1	
R9406	ERJ3GEYJ472	M 4.7KOHM, J, 1/16W	1	
R9409	EXB38V470J	RESISTOR ARRAY	1	
R9412-21	EXB38V470J	RESISTOR ARRAY	10	
R9425, 26	J0JCC0000100	CHIP INDUCTOR	2	
R9427	D0GB102JA057	M 1KOHM, J, 1/16W	1	
R9428	EXB38V103JV	RESISTOR ARRAY	1	
R9432	D0GB103JA057	M 10KOHM, J, 1/16W	1	
R9442-45	ERJ3GEYJ220	M 22 OHM, J, 1/16W	4	
R9447-49	ERJ3GEYJ220	M 22 OHM, J, 1/16W	3	
R9450	ERJ3GEYJ472	M 4.7KOHM, J, 1/16W	1	
R9451	ERJ3GEYJ104	M 100KOHM, J, 1/16W	1	
R9452	D0GB103JA057	M 10KOHM, J, 1/16W	1	
R9453-58	EXB2HV220JV	RESISTOR ARRAY	6	
R9459	ERJ3GEYJ472	M 4.7KOHM, J, 1/16W	1	
R9460	ERJ3GEYJ104	M 100KOHM, J, 1/16W	1	
R9461	D0GB103JA057	M 10KOHM, J, 1/16W	1	
R9462	EXB2HV220JV	RESISTOR ARRAY	1	
R9463	ERJ3GEYJ472	M 4.7KOHM, J, 1/16W	1	
R9464	ERJ3GEYJ104	M 100KOHM, J, 1/16W	1	
R9465	D0GB103JA057	M 10KOHM, J, 1/16W	1	
R9466-71	EXB2HV220JV	RESISTOR ARRAY	6	
R9472, 73	EXB38VR000V	RESISTOR ARRAY	2	
R9474	ERJ3GEYJ472	M 4.7KOHM, J, 1/16W	1	
R9476	D0GB102JA057	M 1KOHM, J, 1/16W	1	
R9480	J0JCC0000100	CHIP INDUCTOR	1	

Ref. No.	Part No.	Part Name & Description	Pcs	Remarks
R9483	J0JCC0000100	CHIP INDUCTOR	1	
R9484, 85	ERJ3EKF1001	M 1KOHM, 1/16W	2	
R9486	ERJ3GEYJ330	M 33 OHM, J, 1/16W	1	
R9487	D0GB151JA057	M 150 OHM, J, 1/16W	1	
R9488	ERJ3GEYJ330	M 33 OHM, J, 1/16W	1	
R9489-95	ERJ3GEYJ470	M 47 OHM, J, 1/16W	7	
R9496	ERJ3GEYJ104	M 100KOHM, J, 1/16W	1	
R9497	D0GB103JA057	M 10KOHM, J, 1/16W	1	
R9498	EXB38V470J	RESISTOR ARRAY	1	
R9499	ERJ3GEYJ220	M 22 OHM, J, 1/16W	1	
R9501	D0GB103JA057	M 10KOHM, J, 1/16W	1	
R9503	ERJ3GEYJ470	M 47 OHM, J, 1/16W	1	
R9506	ERJ3GEYJ220	M 22 OHM, J, 1/16W	1	
R9507	ERJ3GEYJ560	M 56 OHM, J, 1/16W	1	
R9513	ERJ3GEYJ470	M 47 OHM, J, 1/16W	1	
R9514	D0GB103JA057	M 10KOHM, J, 1/16W	1	
R9516	D0GB103JA057	M 10KOHM, J, 1/16W	1	
R9520	J0JCC0000100	CHIP INDUCTOR	1	
R9521	ERJ3GEYJ220	M 22 OHM, J, 1/16W	1	
R9523	ERJ3GEYJ472	M 4.7KOHM, J, 1/16W	1	
R9525	D0GB103JA057	M 10KOHM, J, 1/16W	1	
R9528	EXB2HV222JV	RESISTOR ARRAY	1	
R9530, 31	D0GB103JA057	M 10KOHM, J, 1/16W	2	
R9533	ERJ3GEYJ470	M 47 OHM, J, 1/16W	1	
R9534	EXB38V470J	RESISTOR ARRAY	1	
R9535, 36	ERJ3GEYJ470	M 47 OHM, J, 1/16W	2	
R9539	J0JCC0000100	CHIP INDUCTOR	1	
R9540	D0GB103JA057	M 10KOHM, J, 1/16W	1	
R9543, 44	D0GB103JA057	M 10KOHM, J, 1/16W	2	
R9545	ERJ3GEYJ304	M 300KOHM, J, 1/16W	1	
R9548-50	D0GB103JA057	M 10KOHM, J, 1/16W	3	
R9551, 52	ERJ3GEYJ470	M 47 OHM, J, 1/16W	2	
R9555	ERJ3GEYJ101	M 100 OHM, J, 1/16W	1	
R9558	ERJ3GEYJ220	M 22 OHM, J, 1/16W	1	
R9561-64	ERJ3GEYJ220	M 22 OHM, J, 1/16W	4	
R9566, 67	ERJ3GEYJ220	M 22 OHM, J, 1/16W	2	
R9568	ERJ3GEYJ472	M 4.7KOHM, J, 1/16W	1	
R9569	ERJ3GEYJ104	M 100KOHM, J, 1/16W	1	
R9570	D0GB103JA057	M 10KOHM, J, 1/16W	1	
R9571-73	EXB2HV220JV	RESISTOR ARRAY	3	
R9574	J0JCC0000100	CHIP INDUCTOR	1	
R9575-77	EXB2HV220JV	RESISTOR ARRAY	3	
R9578	J0JCC0000100	CHIP INDUCTOR	1	
R9580, 81	ERJ3EKF1001	M 1KOHM, 1/16W	2	
R9582	EXB2HV470JV	RESISTOR ARRAY	1	
R9583	J0JCC0000100	CHIP INDUCTOR	1	
R9584	ERJ3GEYJ330	M 33 OHM, J, 1/16W	1	
R9585, 86	ERJ3GEYJ470	M 47 OHM, J, 1/16W	2	
R9587-95	EXB38V470J	RESISTOR ARRAY	9	
R9596-99	ERJ3GEYJ470	M 47 OHM, J, 1/16W	4	
R9602	J0JCC0000100	CHIP INDUCTOR	1	
R9603	D0GB103JA057	M 10KOHM, J, 1/16W	1	
R9604	J0JCC0000100	CHIP INDUCTOR	1	
R9605	EXB2HVR000	RESISTOR ARRAY	1	
R9606	ERJ3GEYJ101	M 100 OHM, J, 1/16W	1	
R9607	ERJ3GEYJ104	M 100KOHM, J, 1/16W	1	
R9608-11	DLHG8208A002	NETWORK RESISTER	4	
R9612-15	EXB2HV470JV	RESISTOR ARRAY	4	
R9616	ERJ3GEYJ220	M 22 OHM, J, 1/16W	1	
R9618	ERJ3GEYJ470	M 47 OHM, J, 1/16W	1	
R9619, 20	ERJ3GEYJ472	M 4.7KOHM, J, 1/16W	2	
R9621	ERJ3GEYJ470	M 47 OHM, J, 1/16W	1	
R9623	ERJ3GEYJ220	M 22 OHM, J, 1/16W	1	
R9624	D0GB103JA057	M 10KOHM, J, 1/16W	1	
R9625-27	ERJ3GEYJ470	M 47 OHM, J, 1/16W	3	

Ref. No.	Part No.	Part Name & Description	Pcs	Remarks
R9628	EXB2HV470JV	RESISTOR ARRAY	1	
R9629	EXB2HV220JV	RESISTOR ARRAY	1	
R9630	D0GB103JA057	M 10KOHM, J, 1/16W	1	
R9632	EXB38V000V	RESISTOR ARRAY	1	
R9633	D0GB103JA057	M 10KOHM, J, 1/16W	1	
R9639	J0JCC0000100	CHIP INDUCTOR	1	
R9646, 47	J0JCC0000100	CHIP INDUCTOR	2	
R9648	D0GB102JA057	M 1KOHM, J, 1/16W	1	
R9651	J0JCC0000100	CHIP INDUCTOR	1	
R9656	J0JCC0000100	CHIP INDUCTOR	1	
R9657	ERJ3GEYJ470	M 47 OHM, J, 1/16W	1	
R9824-27	ERJ3GEYJ101	M 100 OHM, J, 1/16W	4	
R9828	ERJ3GEYJ104	M 100KOHM, J, 1/16W	1	
R9830, 31	D0GB103JA057	M 10KOHM, J, 1/16W	2	
R9839	EXB38V101JV	RESISTOR ARRAY	1	
R9840	ERJ3GEYJ220	M 22 OHM, J, 1/16W	1	
R9845	D0GB103JA057	M 10KOHM, J, 1/16W	1	
R9846, 47	EXB2HV222JV	RESISTOR ARRAY	2	
R9848, 49	EXB2HV470JV	RESISTOR ARRAY	2	
R9850	EXB38V470J	RESISTOR ARRAY	1	
R9854	ERJ3GEYJ101	M 100 OHM, J, 1/16W	1	
R9859	EXB38V101JV	RESISTOR ARRAY	1	
R9868	ERJ3GEYJ104	M 100KOHM, J, 1/16W	1	
R9869-71	D0GB103JA057	M 10KOHM, J, 1/16W	3	
R9872	J0JCC0000100	CHIP INDUCTOR	1	
R9875-77	D0GB103JA057	M 10KOHM, J, 1/16W	3	
R9878	ERJ3EKF1102	M 11KOHM, 1/16W	1	
R9879	ERJ3EKF1302	M 13KOHM, 1/16W	1	
R9880-82	ERJ6GEYOR00V	M 0 OHM, 1/10W	3	
R9886, 87	ERJ3EKF5602	M 56KOHM, 1/16W	2	
R9888	ERJ3EKF1102	M 11KOHM, 1/16W	1	
R9889	ERJ3EKF1822	M18.2KOHM, 1/16W	1	
R9890	ERJ3EKF4752	M47.5KOHM, 1/16W	1	
R9891	ERJ3EKF1272	M12.7KOHM, 1/16W	1	
R9892	ERJ3GEYJ104	M 100KOHM, J, 1/16W	1	
R9893	ERJ3EKF5602	M 56KOHM, 1/16W	1	
R9894	ERJ3EKF1102	M 11KOHM, 1/16W	1	
R9895	ERJ3GEYJ104	M 100KOHM, J, 1/16W	1	
R9896	ERJ3EKF1822	M18.2KOHM, 1/16W	1	
R9897	ERJ3EKF4752	M47.5KOHM, 1/16W	1	
R9901	EXB2HV222JV	RESISTOR ARRAY	1	
R9902	ERJ3GEYJ101	M 100 OHM, J, 1/16W	1	
RM2501	PNA4701M05TV	REMOCON RECEIVER	1	
S2	K1KA02BA0061	2P CONNECTOR	1	
SC2	K1KA02A00676	2P CONNECTOR	1	
SC20	K1KA31B00005	31P CONNECTOR	1	
SC30	K1KA10AA0191	10P CONNECTOR	1	
SC41-44	K1ML80B00001	80P CONNECTOR	4	
SC45, 46	K1KA15AA0717	15P CONNECTOR	2	
SD46	K1KB15AA0227	15P CONNECTOR	1	PAVCA
SD48	K1MN20BA0231	20P CONNECTOR	1	
SDI1-I4	K1MND6BA0264	6P CONNECTOR	4	PAVCA
SS11	K1KA02A00676	2P CONNECTOR	1	
SS12	K1KA10AA0194	10P CONNECTOR	1	
SS23	K1KA04AA0193	4P CONNECTOR	1	
SS33	K1KA04AA0193	4P CONNECTOR	1	
SS34	K1KA03AA0193	3P CONNECTOR	1	
SS35	K1KA10A00416	10P CONNECTOR	1	
SS52-57	K1MN13BA0258	13P CONNECTOR	6	
SSMM1	TMME190	CLAMPER	1	

Ref. No.	Part No.	Part Name & Description	Pcs	Remarks
SSMM2,M3	TMME260	CLAMPER	2	
SU45	K1KB15AA0227	15P CONNECTOR	1	PAVCA
SU47	K1MN20BA0231	20P CONNECTOR	1	
SUI1-I4	K1MND6BA0264	6P CONNECTOR	4	PAVCA
SW2500	K0F122A00172	SWITCREMOTE CONTROLH	1	
SW3751	EVQPC105K	SWITCH	1	
SW3753-58	EVQPC105K	SWITCH	6	
T6602	ETS28AU3H9AC	SWITCHING TRANS	1	
TU8300	ENGE6602KRF	TUNER	1	PAVCA Δ
VR6000	EVMEASA00B14	CONTROL 10KOHMB 0.3W	1	
VR6600	EVMEASA00B24	CONTROL 20KOHMB 0.3W	1	
VR6602	EVMEASA00B53	CONTROL 5KOHMB 0.3W	1	
VR6841	EVMEASA00B24	CONTROL 20KOHMB 0.3W	1	
X1100	H0J100500035	CRYSTAL	1	
X2010	H0J245500082	CRYSTAL	1	
X4500	H0J270500113	CRYSTAL	1	
X5000	H0J270500087	CRYSTAL	1	
X8001	H0J270500061	CRYSTAL	1	
X8300	H0J250500079	CRYSTAL	1	PAVCA
X9000	H2D100500004	CRYSTAL	1	
X9200	H0J200500038	CRYSTAL	1	
ZA3001-04	K4CZ01000027	COMPATIBLE WITH JALCO K9	4	
ZA3006-08	K4CZ01000027	COMPATIBLE WITH JALCO K9	3	
ZA3701	K4CZ01000027	COMPATIBLE WITH JALCO K9	1	
ZA3702	K4CD01000013	AV TERMINAL	1	
ZA4701-03	K4AD01D00004	TERMINAL	3	
ZA6001-03	K4CD01000011	AV TERMINAL	3	
ZA6401-03	K4CD01000011	AV TERMINAL	3	
ZA7101-05	K4AD01Z00001	TERMINAL	5	
ZA7201-05	K4AD01Z00001	TERMINAL	5	
ZA7301-05	K4AD01Z00001	TERMINAL	5	
ZA7401-05	K4AD01Z00001	TERMINAL	5	
ZA7701	K4AD01D00004	TERMINAL	1	
ZA9000	K4CD01000011	AV TERMINAL	1	
A601,02	RA362MSV7	ARRESTOR	2	Δ
C201	KZE1H220	ELECTROLYTIC CAPACITOR	1	
C202,03	DE2R221K	CERAMIC CAPACITOR	2	
C204	MPEF12393H	PLASTIC FILM CAPACITOR	1	
C205	MPEF12473H	PLASTIC FILM CAPACITOR	1	
C251	MBB224K2	CERAMIC CHIP CAPACITOR	1	
C253	MBB104K5	CERAMIC CHIP CAPACITOR	1	
C254,55	ECQE6223KF	P 0.022UF, K,400V	2	
C256,57	EETHC2E821KH	ELECTROLYTIC CAPACITOR	2	
C301	KZE1H220	ELECTROLYTIC CAPACITOR	1	
C302,03	RR3DD101K	CERAMIC CAPACITOR	2	
C304	MPEF12393H	PLASTIC FILM CAPACITOR	1	
C351	ECQV1H224JL	PLASTIC FILM CAPACITOR	1	

Ref. No.	Part No.	Part Name & Description	Pcs	Remarks
C352	KZE1E182S	C 1800UF 25V	1	
C354,55	MBB224K2	CERAMIC CHIP CAPACITOR	2	
C357,58	KZE1E471L	ELECTROLYTIC CAPACITOR	2	
C401,02	TAB104K2E	CERAMIC CHIP CAPACITOR	2	
C403	EETHC2C471HX	ELECTROLYTIC CAPACITOR	1	
C404	KZE1H221	ELECTROLYTIC CAPACITOR	1	
C405	MBB224K2	CERAMIC CHIP CAPACITOR	1	
C406	EETHC2A122JJ	ELECTROLYTIC CAPACITOR	1	
C409	TAB104K2E	CERAMIC CHIP CAPACITOR	1	
C451	KZE1A471	ELECTROLYTIC CAPACITOR	1	
C501	ECQU2A103ML	PLASTIC FILM CAPACITOR	1	Δ
C503	KMQ2W560	ELECTROLYTIC CAPACITOR	1	
C504	KZE1H220	ELECTROLYTIC CAPACITOR	1	
C505	MBB224K2	CERAMIC CHIP CAPACITOR	1	
C506	MBB106K1A	CERAMIC CHIP CAPACITOR	1	
C507	KZE1H221	ELECTROLYTIC CAPACITOR	1	
C508	KZE1H220	ELECTROLYTIC CAPACITOR	1	
C551	KZE1A471	ELECTROLYTIC CAPACITOR	1	
C552	TBB474K2	CERAMIC CHIP CAPACITOR	1	
C554	MBB103K5	CERAMIC CHIP CAPACITOR	1	
C555	KZE1E470	C 470U 25V	1	
C556	MBB103K5	CERAMIC CHIP CAPACITOR	1	
C601	ECQU2A105ML	P 1UF, 250V	1	Δ
C602	ECQU2A474ML	PLASTIC FILM CAPACITOR	1	Δ
C603,04	ECKENA221KBR	C 221P 250V	2	Δ
C605	DE1R102K	CERAMIC CAPACITOR	1	
C606	4MPH474K	PLASTIC FILM CAPACITOR	1	
C610	MBB224K2	CERAMIC CHIP CAPACITOR	1	
C611	KZE1H220	ELECTROLYTIC CAPACITOR	1	
C612-14	KMQ2W221KZ	ELECTROLYTIC CAPACITOR	3	
C615	ECKENA221KBR	C 221P 250V	1	Δ
C625	DE1R102K	CERAMIC CAPACITOR	1	
C626	DE2R471K	CERAMIC CAPACITOR	1	
C701	KZE1A471	ELECTROLYTIC CAPACITOR	1	
D201,02	AG01A	DIODE	2	
D251	D4SBL40	DIODE	1	
D253	MA2J11100L	DIODE	1	
D351	G865C10R	DIODE	1	
D352	AG01A	DIODE	1	
D353	G865C10R	DIODE	1	
D401	D6SBN20	DIODE	1	
D402	AG01A	DIODE	1	
D403	YG901C3R	DIODE	1	
D451	RK39	DIODE	1	
D501	B0EBKT000007	DIODE	1	Δ
D504	ST3D82	DIODE	1	
D505	AG01A	DIODE	1	
D506	RF101A2S	DIODE	1	
D551	RK39	DIODE	1	

Ref. No.	Part No.	Part Name & Description	Pcs	Remarks
D553	B0JCMD000024	DIODE	1	
D601,02	MA2J11100L	DIODE	2	
D603,04	AP01C	DIODE	2	
D606	B0EAKR000059	DIODE	1	
D701	MA2J11100L	DIODE	1	
D702	B0JCMD000024	DIODE	1	
F201	216005BP	FUSE 250V 5A	1	△
F301	216005BP	FUSE 250V 5A	1	△
F501	382T2C	MICRO FUSE	1	△
IC251	NJM1431AF	INTEGRATED CIRCUIT	1	
IC351	NJM1431AF	INTEGRATED CIRCUIT	1	
IC401	NJM1431AF	INTEGRATED CIRCUIT	1	
IC451	PQ1CN41H2Z	VOLTAGE REGULATOR	1	
IC501	MIP3E30MP	IC	1	△
IC551	NJM1431AF	INTEGRATED CIRCUIT	1	
IP701	ERBSE0R75U	MICRO FUSE	1	
K601-03	KT329C93	RELAY	3	△
L401	LH8TB681K	CHOKE	1	
L402	H221012HY	CHOKE	1	
L403	EXCELSA35	BEAD CHOKE	1	
L404	EXCELSR35	BEAD CHOKE	1	
L451	SNK1012A	CHOKE	1	
L501	EXCELSA35	BEAD CHOKE	1	
L502,03	EXCELD35	BEAD CHOKE	2	
L504	EXCELSA35	BEAD CHOKE	1	
L601,02	P3110307Y	FILTER CHOKE	2	△
L603	ETB50CZ13GAD	CHOKE TRANS	1	
MC201	MLQNF392	MODULE	1	△
MC202	MLKJA100	MODULE	1	△
MC203	MP00R3A1	MODULE	1	△
MC301	MLQNF682	MODULE	1	△
MC351	MLJFF103	MODULE	1	△
MC401	MLPSC223	MODULE	1	△
MC501	MLTZB100	MODULE	1	△
MC502	MLJHA103	MODULE	1	△
MC601	MLLPF562	MODULE	1	△
MC603	MP00P15A2	MODULE	1	△
MC701	MLZDE103	MODULE	1	△
P2	B2P3-VH-B	CONNECTOR	1	
P5	B11B-PH-KS	CONNECTOR	1	
P9	B03P-VL	CONNECTOR	1	△
P10	B6B-PH-KS	CONNECTOR	1	
P11	B2P3-VH-B	CONNECTOR	1	
P12	B10B-PH-KS	CONNECTOR	1	
P25	B20B-PHDSS	CONNECTOR	1	
PC201,02	TLP421F	OPTOISOLATOR	2	△
PC301,02	TLP421F	OPTOISOLATOR	2	△
PC401	TLP421F	OPTOISOLATOR	1	△
PC501,02	TLP421F	OPTOISOLATOR	2	△
Q301,02	FMA16N55G	FIELD EFFECT TRANSISTOR	2	△
Q351,52	2SK2510	FIELD EFFECT TRANSISTOR	2	
Q401	2SK3607	FIELD EFFECT TRANSISTOR	1	
Q402,03	2SA17670Q1TV	TRANSISTOR	2	
Q551	HAT1130R	FET	1	
Q552	2SB710AQRSTX	TRANSISTOR	1	
Q602	2SD2185	TRANSISTOR	1	
Q603	2SB14400RL	TRANSISTOR	1	
Q701,02	2SD602A-R	TRANSISTOR	2	

Ref. No.	Part No.	Part Name & Description	Pcs	Remarks
Q704	2SK3018	FIELD EFFECT TRANSISTOR	1	
R201	ERJ6GEY0R00V	M 0 OHM, 1/10W	1	
R202	ERQ14AJ4R7J	FUSIBLE METAL FILM RESISTOR	1	
R203,04	ERJ6GEYJ334	M 330KOHM,J,1/10W	2	
R205	ERJ6ENF9091	M9.09KOHM, 1/10W	1	
R206-08	ERJ12YJ683	M 68KOHM, 1/2W	3	
R215,16	SG732K220	CHIP RESISTOR	2	
R251-54	ERJ6ENF5902	M 59KOHM, 1/10W	4	
R258	ERJ6GEYJ220	M 22 OHM,J,1/10W	1	
R259	ERJ6GEYJ101V	M 100 OHM,J,1/10W	1	
R260	ERJ6GEYF151	M 150 OHM,F,1/10W	1	
R261	ERJ6GEYG102	M 1KOHM,J,1/10W	1	
R263	ERJ6GEYG102	M 1KOHM,J,1/10W	1	
R264	ERJ6ENF1002	M 10KOHM, 1/10W	1	
R265	ERJ6ENF2553	M 255KOHM, 1/10W	1	
R266	ERJ6GEYF472	M 4.7KOHM,F,1/10W	1	
R267	ERJ6ENF2553	M 255KOHM, 1/10W	1	
R268	ERJ6ENF1743	M 174KOHM, 1/10W	1	
R269	ERJ6ENF2703	M 270KOHM, 1/10W	1	
R270	ERJ6GEYG103	M 10KOHM,J,1/10W	1	
R299	ERJ6ENF5902	M 59KOHM, 1/10W	1	
R301	ERJ6GEY0R00V	M 0 OHM, 1/10W	1	
R302	ERQ14AJ4R7J	FUSIBLE METAL FILM RESISTOR	1	
R303,04	ERJ6GEYJ334	M 330KOHM,J,1/10W	2	
R305	ERJ6ENF4021	M4.02KOHM, 1/10W	1	
R306-08	ERJ12YJ683	M 68KOHM, 1/2W	3	
R309	ERG1SJ680	METAL OXIDE RESISTOR	1	
R310	ERG12SJ220	METAL OXIDE FILM RESISTOR	1	
R351	ERJ6ENF1052	M10.5KOHM, 1/10W	1	
R352	ERJ12YJ100	M 10 OHM,J, 1/2W	1	
R353	ERJ6GEYF561	M 560 OHM,F,1/10W	1	
R355	ERJ6GEYG682	CHIP RESISTOR	1	
R356	ERJ6GEYF561	M 560 OHM,F,1/10W	1	
R358	ERJ6RND1002	CHIP RESISTOR	1	
R359	ERJ6RND5362	CHIP RESISTOR	1	
R362	ERJ12YJ332	M 3.3KOHM,J, 1/2W	1	
R363,64	ERJ6GEYF333	M 33KOHM,J,1/10W	2	
R365	ERJ6ENF1052	M10.5KOHM, 1/10W	1	
R366	ERJ6ENF6981	M6.98KOHM, 1/10W	1	
R367	ERJ6ENF1002	M 10KOHM, 1/10W	1	
R368,69	ERJ6GEYG102	M 1KOHM,J,1/10W	2	
R370	ERJ6ENF1002	M 10KOHM, 1/10W	1	
R371	ERJ6ENF6981	M6.98KOHM, 1/10W	1	
R372	ERJ6ENF7500	M 750 OHM, 1/10W	1	
R403	ERJ12YJ100	M 10 OHM,J, 1/2W	1	
R404	ERJ6ENF2152	M21.5KOHM, 1/10W	1	
R405	MPC2WR10J	METAL PLATE RESISTOR	1	
R406	ERJ6ENF2152	M21.5KOHM, 1/10W	1	
R407	ERJ6GEYJ220	M 22 OHM,J,1/10W	1	
R408	ERJ6GEYJ5R6	M 5.6 OHM,J,1/10W	1	
R409	ERJ6GEYF473	M 47KOHM,J,1/10W	1	
R410	ERJ6ENF2152	M21.5KOHM, 1/10W	1	
R411,12	ERJ6GEYG152	CHIP RESISTOR	2	
R413,14	ERJ6ENF1622	M16.2KOHM, 1/10W	2	
R415	ERJ6ENF8872	CHIP RESISTOR	1	
R416	ERJ6ENF8061	M8.06KOHM, 1/10W	1	
R417-19	ERJ6ENF3572	M35.7KOHM, 1/10W	3	
R420	ERJ6ENF3570	CHIP RESISTOR	1	
R451	ERJ6GEYG102	M 1KOHM,J,1/10W	1	
R452	ERJ6GEYF124	CHIP RESISTOR	1	

Ref. No.	Part No.	Part Name & Description	Pcs	Remarks
R453	ERJ6GEYF473	M 47KOHM, J, 1/10W	1	
R454	ERJ6ENF3001	M 3KOHM, 1/10W	1	
R455	ERJ6ENF1001	M 1KOHM, 1/10W	1	
R456	ERJ6ENF1332	M 1.3KOHM, 1/10W	1	
R502	RCR6J825	METAL GLAZE FIXED RESISTOR	1	△
R505	ERJ6GEYF561	M 560 OHM, F, 1/10W	1	
R506-11	ERJ6ENF8253	M 825KOHM, 1/10W	6	
R514-21	ERJ6ENF2703	M 270KOHM, 1/10W	8	
R522	ERJ6GEYJ180	M 18 OHM, J, 1/10W	1	
R551	ERJ6GEYG121	CHIP RESISTOR	1	
R552	ERJ6GEYG222	M 2.2KOHM, J, 1/10W	1	
R553	ERJ6GEYJ150	M 15 OHM, J, 1/10W	1	
R555	ERJ6RND1102	CHIP RESISTOR	1	
R556	ERJ6RND1002	CHIP RESISTOR	1	
R557	ERJ6GEYG392	M 3.9KOHM, J, 1/10W	1	
R558	ERJ6GEYF473	M 47KOHM, J, 1/10W	1	
R559	ERJ6GEYG332	M 3.3KOHM, J, 1/10W	1	
R561	ERJ6ENF2152	M 21.5KOHM, 1/10W	1	
R562	ERJ6GEYG103	M 10KOHM, J, 1/10W	1	
R563, 64	ERJ6GEYG221	M 220 OHM, J, 1/10W	2	
R565	ERJ6ENF2200	M 220 OHM, 1/10W	1	
R601	RCR5J624	METAL GLAZE FIXED RESISTOR	1	△
R602	R5B100J	W 10 OHM, J, 5W	1	
R603-06	ERJ6ENF2053	CHIP RESISTOR	4	
R607-10	ERJ6ENF3743	CHIP RESISTOR	4	
R611	ERJ6ENF2053	CHIP RESISTOR	1	
R617, 18	RF5EJR15B	METAL PLATE RESISTOR	2	
R619	RF5EJR10B	METAL PLATE RESISTOR	1	
R621	ERJ6GEYJ101V	M 100 OHM, J, 1/10W	1	
R622	ERJ6GEYG103	M 10KOHM, J, 1/10W	1	
R623	ERJ12YJ470	M 47 OHM, J, 1/2W	1	
R624	ERJ6GEYG103	M 10KOHM, J, 1/10W	1	
R625	ERJ12YJ470	M 47 OHM, J, 1/2W	1	
R626	ERJ6GEYG103	M 10KOHM, J, 1/10W	1	
R627	ERJ12YJ470	M 47 OHM, J, 1/2W	1	
R628	ERQ14AJ330J	FUSIBLE METAL FILM RESISTOR	1	
R629	ERJ6GEYG154	CHIP RESISTOR	1	
R630	ERJ6ENF5902	M 59KOHM, 1/10W	1	
R631-36	ERJ6ENF1103	M 110KOHM, 1/10W	6	
R701	ERJ6GEYG182	M 1.8KOHM, J, 1/10W	1	
R702	ERJ6GEYG222	M 2.2KOHM, J, 1/10W	1	
R703	ERJ6GEYG182	M 1.8KOHM, J, 1/10W	1	
R704	ERJ6GEYG222	M 2.2KOHM, J, 1/10W	1	
R706	ERJ6GEYG182	M 1.8KOHM, J, 1/10W	1	
R707	ERJ6GEYG222	M 2.2KOHM, J, 1/10W	1	
R708	ERJ14YJ471	CHIP RESISTOR	1	
R709	ERJ6GEYG103	M 10KOHM, J, 1/10W	1	
R710	ERJ6GEYG182	M 1.8KOHM, J, 1/10W	1	
R711	ERJ14YJ471	CHIP RESISTOR	1	
R712	ERJ6GEYG103	M 10KOHM, J, 1/10W	1	
R713	ERJ6GEYG222	M 2.2KOHM, J, 1/10W	1	
R716	ERJ6GEYG103	M 10KOHM, J, 1/10W	1	
R717	ERJ6GEYJ474	M 470KOHM, J, 1/10W	1	
R718	ERJ6GEYG470V	M 47 OHM, J, 1/10W	1	
R719, 20	ERJ6GEYJ1R0	M 1 OHM, J, 1/10W	2	
RF601	A5MC100JP2	139C 10	1	△

Ref. No.	Part No.	Part Name & Description	Pcs	Remarks
T201	ETB50LZ16GAD	TRANSFORMER	1	△
T301	ETB50LZ17GAD	TRANSFORMER	1	△
T501	ETB25BG118AD	TRANSFORMER	1	△
VR251	EVMEASA01B55	VARIABLE RESISTOR	1	
VR401	EVMEASA01B24	VARIABLE RESISTOR	1	
Z501	ERZVGAD471	VARISTOR	1	△
Z601	ERZVGED751	VARISTOR	1	△
Z602	ERZVGAD471	VARISTOR	1	△
ZD201, 02	MAZ4270NMF	ZENER DIODE	2	
ZD301, 02	MAZ4270NMF	ZENER DIODE	2	
ZD305	MAZ4270NMF	ZENER DIODE	1	
ZD401	MA4033	ZENER DIODE	1	
ZD402	MA8360	ZENER DIODE	1	
ZD451	MAZ4068NMF	ZENER DIODE	1	
ZD501, 02	MAZ83000ML	ZENER DIODE	2	
ZD503	MA4082N	ZENER DIODE	1	
ZD601	MA4047N	ZENER DIODE	1	