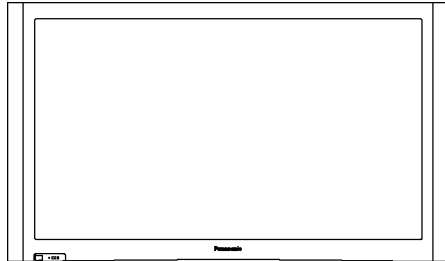


# Service Manual

46 inch Class 1080p Plasma HDTV

Model No. **TH-46PZ85U**

GPF11DU Chassis



**⚠ WARNING**

This service information is designed for experienced repair technicians only and is not designed for use by the general public. It does not contain warnings or cautions to advise non-technical individuals of potential dangers in attempting to service a product. Products powered by electricity should be serviced or repaired only by experienced professional technicians. Any attempt to service or repair the product or products dealt with in this service information by anyone else could result in serious injury or death.

# 1 Safety Precautions

## 1.1. General Guidelines

1. When conducting repairs and servicing, do not attempt to modify the equipment, its parts or its materials.
2. When wiring units (with cables, flexible cables or lead wires) are supplied as repair parts and only one wire or some of the wires have been broken or disconnected, do not attempt to repair or re-wire the units. Replace the entire wiring unit instead.
3. When conducting repairs and servicing, do not twist the Faston connectors but plug them straight in or unplug them straight out.
4. When servicing, observe the original lead dress. If a short circuit is found, replace all parts which have been overheated or damaged by the short circuit.
5. After servicing, see to it that all the protective devices such as insulation barriers, insulation papers shields are properly installed.
6. After servicing, make the following leakage current checks to prevent the customer from being exposed to shock hazards.

### 1.1.1. Leakage Current Cold Check

1. Unplug the AC cord and connect a jumper between the two prongs on the plug.
2. Measure the resistance value, with an ohmmeter, between the jumpered AC plug and each exposed metallic cabinet part on the equipment such as screwheads, connectors, control shafts, etc. When the exposed metallic part has a return path to the chassis, the reading should be between 1Mohm and 5.2Mohm. When the exposed metal does not have a return path to the chassis, the reading must be  $\infty$ .

### 1.1.2. Leakage Current Hot Check (See Figure 1.)

1. Plug the AC cord directly into the AC outlet. Do not use an isolation transformer for this check.
2. Connect a 1.5kohm, 10 watts resistor, in parallel with a 0.15 $\mu$ F capacitors, between each exposed metallic part on the set and a good earth ground such as a water pipe, as shown in Figure 1.
3. Use an AC voltmeter, with 1000 ohms/volt or more sensitivity, to measure the potential across the resistor.
4. Check each exposed metallic part, and measure the voltage at each point.
5. Reverse the AC plug in the AC outlet and repeat each of the above measurements.
6. The potential at any point should not exceed 0.75 volts RMS. A leakage current tester (Simpson Model 229 or equivalent) may be used to make the hot checks, leakage current must not exceed 1/2 milliamp. In case a measurement is outside of the limits specified, there is a possibility of a shock hazard, and the equipment should be repaired and rechecked before it is returned to the customer.

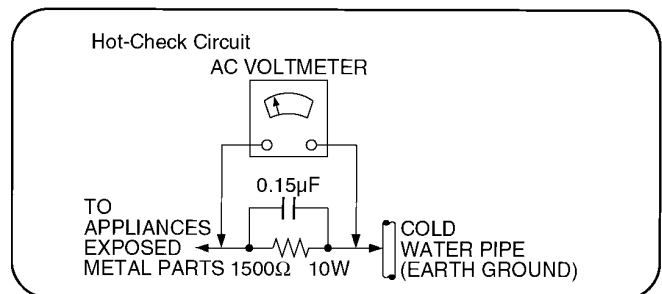


Figure 1



## 2 Warning

### 2.1. Prevention of Electrostatic Discharge (ESD) to Electrostatically Sensitive (ES) Devices

Some semiconductor (solid state) devices can be damaged easily by static electricity. Such components commonly are called Electrostatically Sensitive (ES) Devices. Examples of typical ES devices are integrated circuits and some field-effect transistors and semiconductor [chip] components. The following techniques should be used to help reduce the incidence of component damage caused by electrostatic discharge (ESD).

1. Immediately before handling any semiconductor component or semiconductor-equipped assembly, drain off any ESD on your body by touching a known earth ground. Alternatively, obtain and wear a commercially available discharging ESD wrist strap, which should be removed for potential shock reasons prior to applying power to the unit under test.
2. After removing an electrical assembly equipped with ES devices, place the assembly on a conductive surface such as aluminum foil, to prevent electrostatic charge buildup or exposure of the assembly.
3. Use only a grounded-tip soldering iron to solder or unsolder ES devices.
4. Use only an anti-static solder removal device. Some solder removal devices not classified as [anti-static (ESD protected)] can generate electrical charge sufficient to damage ES devices.
5. Do not use freon-propelled chemicals. These can generate electrical charges sufficient to damage ES devices.
6. Do not remove a replacement ES device from its protective package until immediately before you are ready to install it. (Most replacement ES devices are packaged with leads electrically shorted together by conductive foam, aluminum foil or comparable conductive material).
7. Immediately before removing the protective material from the leads of a replacement ES device, touch the protective material to the chassis or circuit assembly into which the device will be installed.

#### Caution

Be sure no power is applied to the chassis or circuit, and observe all other safety precautions.

8. Minimize bodily motions when handling unpackaged replacement ES devices. (Otherwise ham less motion such as the brushing together of your clothes fabric or the lifting of your foot from a carpeted floor can generate static electricity (ESD) sufficient to damage an ES device).

#### IMPORTANT SAFETY NOTICE

There are special components used in this equipment which are important for safety. These parts are marked by  $\Delta$  in the schematic diagrams, Exploded Views and replacement parts list. It is essential that these critical parts should be replaced with manufacturer's specified parts to prevent shock, fire, or other hazards. Do not modify the original design without permission of manufacturer.

## 2.2. About lead free solder (PbF)

Note: Lead is listed as (Pb) in the periodic table of elements.

In the information below, Pb will refer to Lead solder, and PbF will refer to Lead Free Solder.

The Lead Free Solder used in our manufacturing process and discussed below is (Sn+Ag+Cu).

That is Tin (Sn), Silver (Ag) and Copper (Cu) although other types are available.

This model uses Pb Free solder in it's manufacture due to environmental conservation issues. For service and repair work, we'd suggest the use of Pb free solder as well, although Pb solder may be used.

PCBs manufactured using lead free solder will have the PbF within a leaf Symbol **PbF** stamped on the back of PCB.

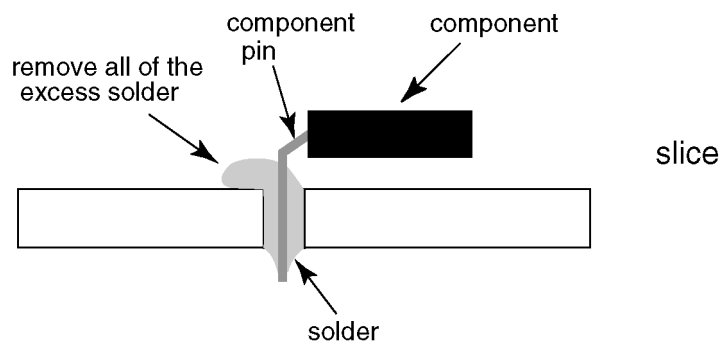
### Caution

- Pb free solder has a higher melting point than standard solder. Typically the melting point is 50 ~ 70 °F (30~40 °C) higher. Please use a high temperature soldering iron and set it to 700 ± 20 °F (370 ± 10 °C).

- Pb free solder will tend to splash when heated too high (about 1100 °F or 600 °C).

If you must use Pb solder, please completely remove all of the Pb free solder on the pins or solder area before applying Pb solder. If this is not practical, be sure to heat the Pb free solder until it melts, before applying Pb solder.

- After applying PbF solder to double layered boards, please check the component side for excess solder which may flow onto the opposite side. (see figure below)



### Suggested Pb free solder

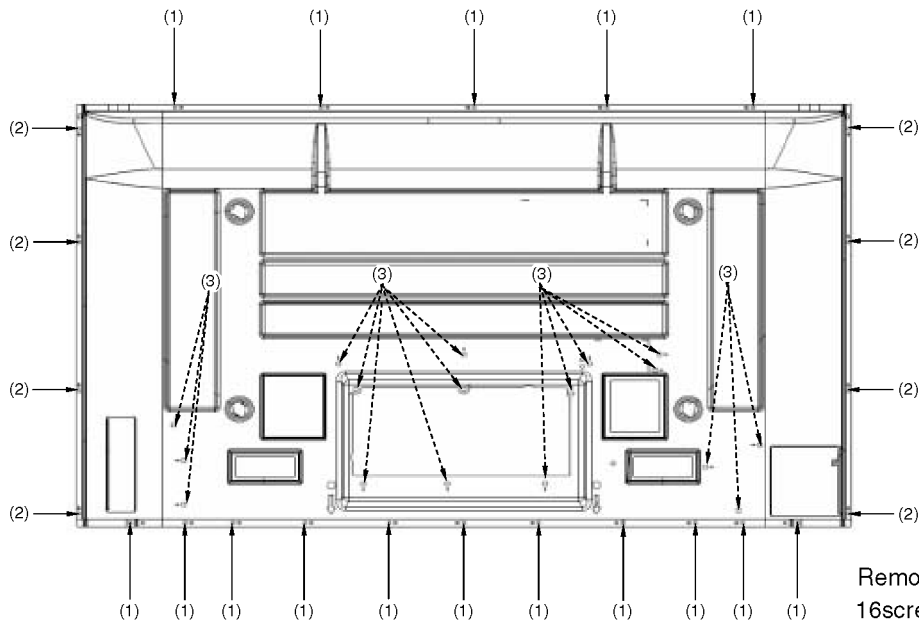
There are several kinds of Pb free solder available for purchase. This product uses Sn+Ag+Cu (tin, silver, copper) solder. However, Sn+Cu (tin, copper), Sn+Zn+Bi (tin, zinc, bismuth) solder can also be used.

0.3mm X 100g	0.6mm X 100g	1.0mm X 100g

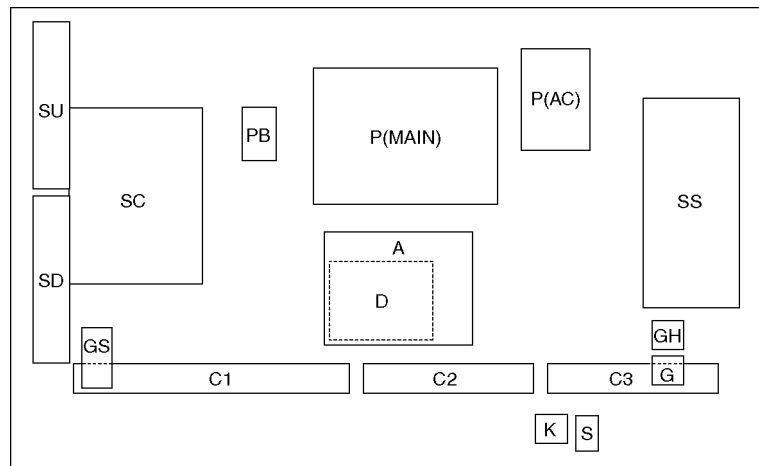
# 3 Service Navigation

## 3.1. Service Hint

Remove the Rear cover



- Remove:  
 16screws (1) THEL052Z  
 8screws (2) XTB4+12GFJK  
 17screws (3) THEL0429



Board Name	Function	Board Name	Function
P	Power Supply	C1	Data Driver (Lower Right)
A	DC-DC Converter Speaker out, Sound Processor AV Terminal, AV Switch Digital Signal Processor, Micon, HDMI Interface Peaks Lite 2p	C2	Data Driver (Lower Center)
		C3	Data Driver (Lower Left)
		SC	Scan Drive
		SU	Scan out (Upper)
		SD	Scan out (Lower)
D	Format Converter, Plasma AI, Sub-Field Processor	SS	Sustain Drive
K	Remote receiver, Power LED	GH	HDMI3 in
S	Power Switch	G	Side Terminal
GS	SD Card Slot, Key Switch	PB	Fan control

## 3.2. Applicable signals

\* Mark: Applicable input signal for Component (Y, PB, PR) and HDMI

	horizontal frequency (kHz)	vertical frequency (Hz)	COMPONENT	HDMI	PC
525 (480) / 60i	15.73	59.94	*	*	
525 (480) /60p	31.47	59.94	*	*	
750 (720) /60p	45.00	59.94	*	*	
1,125 (1,080) /60i	33.75	59.94	*	*	
1,125 (1,080) /60p	67.43	59.94		*	
1,125 (1,080) /60p	67.50	60.00		*	
1,125 (1,080) /24p	26.97	23.98		*	
1,125 (1,080) /24p	27.00	24.00		*	
640 × 400 @70	31.47	70.08			*
640 × 480 @60	31.47	59.94			*
Macintosh13 inch (640 × 480)	35.00	66.67			*
640 × 480 @75	37.50	75.00			*
852 × 480 @60	31.47	59.94			*
800 × 600 @60	37.88	60.32			*
800 × 600 @75	46.88	75.00			*
800 × 600 @85	53.67	85.08			*
Macintosh16 inch (832 × 624)	49.73	74.55			*
1,024 × 768 @60	48.36	60.00			*
1,024 × 768 @70	56.48	70.07			*
1,024 × 768 @75	60.02	75.03			*
1,024 × 768 @85	68.68	85.00			*
Macintosh 21 inch (1,152 × 870)	68.68	75.06			*
1,280 × 1,024 @60	63.98	60.02			*
1,366 × 768 @60	48.36	60.00			*

### Note

- Signals other than those shown above may not be displayed properly.
- The above signals are reformatted for optimal viewing on your display.

# 4 Specifications

<b>Power Source</b>	AC 120 V, 60 Hz	
<b>Power Consumption</b>		
<b>Maximum</b>	628 W	
<b>Standby condition</b>	0.2 W	
<b>Plasma Display panel</b>		
<b>Drive method</b>	AC type	
<b>Aspect Ratio</b>	16:9	
<b>Visible screen size</b>	46 inch class (46.0 inches measured diagonally)	
<b>(W × H × Diagonal)</b>	40.1 inch × 22.5 inch × 46.0 inch (1,019 mm × 573 mm × 1,169 mm)	
<b>(No. of pixels)</b>	2,073,600 (1,920 (W) × 1,080 (H))[5,760 × 1,080 dots]	
<b>Sound</b>		
<b>Audio Output</b>	20 W [ 10 W + 10 W ] ( 10 % THD )	
<b>PC signals</b>	VGA, SVGA, XGA, WXGA, SXGA	
	Horizontal scanning frequency 31 - 69 kHz	
	Vertical scanning frequency 59 - 86 Hz	
<b>Channel Capability (Digital/Analog)</b>	VHF/ UHF: 2 - 69, CATV: 1 - 135	
<b>Operating Conditions</b>		
	Temperature:	32 °F - 104 °F (0 °C - 40 °C)
	Humidity:	20 % - 80 % RH (non-condensing)
<b>Connection Terminals</b>		
<b>VIDEO IN 1-2</b>	VIDEO:	RCA PIN Type × 1 1.0 V [p-p] (75 Ω)
	S-VIDEO:	Mini DIN 4-pin Y: 1.0 V [p-p] (75 Ω) C: 0.286 V [p-p] (75 Ω)
	AUDIO L-R:	RCA PIN Type × 2 0.5 V [rms]
<b>COMPONENT INPUT 1-2</b>	Y:	1.0 V [p-p] (including synchronization)
	P <sub>B</sub> , P <sub>R</sub> :	±0.35 V [p-p]
	AUDIO L-R:	RCA PIN Type × 2 0.5 V [rms]
<b>HDMI 1-3</b>	TYPE A Connector × 3	
	This TV supports [HDAVI Control 3] function.	
<b>PC</b>	D-SUB 15PIN:	R,G,B / 0.7 V [p-p] (75 Ω)
		HD, VD / 1.0 - 5.0 V [p-p] (high impedance)
	AUDIO L-R:	Stereo Mini Jack (ϕ 3.5 mm) × 1
<b>Card slot</b>	SD CARD slot × 1	
<b>AV PROG OUT</b>	VIDEO:	RCA PIN Type × 1 1.0 V [p-p] (75 Ω)
	AUDIO L-R:	RCA PIN Type × 2 0.5 V [rms]
<b>DIGITAL AUDIO OUT</b>	PCM / Dolby Digital, Fiber Optic	
<b>FEATURES</b>	3D Y/C FILTER	
	CLOSED CAPTION	V-Chip
	Photo Viewer	HDAVI Control 3
<b>Dimensions (W × H × D)</b>		
<b>Including pedestal</b>	46.0 inch × 31.0 inch × 15.3 inch (1,168 mm × 786 mm × 387 mm)	
<b>TV Set only</b>	46.0 inch × 28.9 inch × 3.7 inch (1,168 mm × 734 mm × 93 mm)	
<b>Mass</b>		
<b>Including pedestal</b>	81.6 lb. (37 kg)	
<b>TV Set only</b>	77.2 lb. (35 kg)	

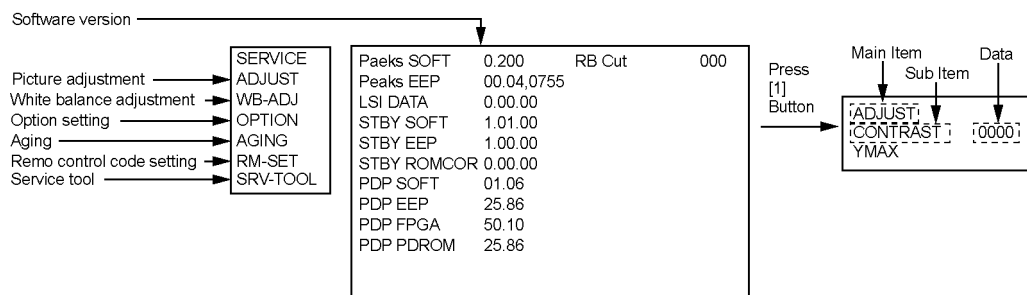
**Note**

- Design and Specifications are subject to change without notice. Mass and Dimensions shown are approximate.

# 5 Service Mode

## 5.1. How to enter into Service Mode

While pressing [VOLUME (-)] button of the main unit, press [INFO] button of the remote control three times within 2 seconds.



### 5.1.1. Key command

[1] button...Main items Selection in forward direction

[2] button...Main items Selection in reverse direction

[3] button...Sub items Selection in forward direction

[4] button...Sub items Selection in reverse direction

[VOL] button...Value of sub items change in forward direction ( + ), in reverse direction ( - )

### 5.1.2. Contents of adjustment mode

- Value is shown as a hexadecimal number.
- Preset value differs depending on models.
- After entering the adjustment mode, take note of the value in each item before starting adjustment.

Main item	Sub item	Sample Data	Remark
ADJUST	CONTRAST	000	
	COLOR	3C	
	TINT	03	
	SUB-BRT	800	
WB-ADJ	R-CUT	80	
	G-CUT	80	
	B-CUT	80	
	R-DRV	FC	
	G-DRV	F8	
	B-DRV	D9	
	ALL-CUT	80	
	ALL-DRV	FC	
OPTION	BOOT	ROM	Factory Preset
	STBY-SET	00	
	EMERGENCY	ON	
	CLK MODE	00	
	CLOCK	000	
AGING	RGBW		
	COUNT		
	ALL WHITE		
	ALL RED		
	ALL GREEN		
	ALL BLUE		
	ON/OFF		
	RAMP WHITE		
	RAMP RED		
	RAMP GREEN		
	RAMP BLUE		
	1% WINDOW		
	COLOR BAR		
	A-ZONE B-ZONE/4 TRIO		
	SCROLL		
WHITE FLAME			
RM-SET	CODE	A	Fixed
SRV-TOOL	-		See next

### 5.1.3. How to exit

Switch off the power with the [POWER] button on the main unit or the [POWER] button on the remote control.

## 5.2. Service tool mode

### 5.2.1. How to access

1. Select [SRV-TOOL] in Service Mode.
2. Press [OK] button on the remote control.

	SRV-TOOL		
Display of TD2Microcode version →	TD2Microcode:81c0000e		
Display of Flash ROM maker code →	Flash ROM : 1 - 227E		
Display of SOS History →	PTCT : 00 . 00 . 00 . 00 . 00	Time 00000:40	Count 0000022 ← POWER ON TIME/COUNT Press [MUTE] button (3sec)

### 5.2.2. Display of SOS History

SOS History (Number of LED blinking) indication.

From left side; Last SOS, before Last, three occurrence before, 2nd occurrence after shipment, 1st occurrence after shipment. This indication except 2nd and 1st occurrence after shipment will be cleared by [Self-check indication and forced to factory shipment setting].

### 5.2.3. POWER ON TIME/COUNT

Note : To display TIME/COUNT menu, highlight position, then press MUTE for (3sec).

Time : Cumulative power on time, indicated hour : minute by decimal

Count : Number of ON times by decimal

Note : This indication will not be cleared by either of the self-checks or any other command.

### 5.2.4. Exit

1. Disconnect the AC cord from wall outlet.



### 5.3. Hotel mode

1. Purpose

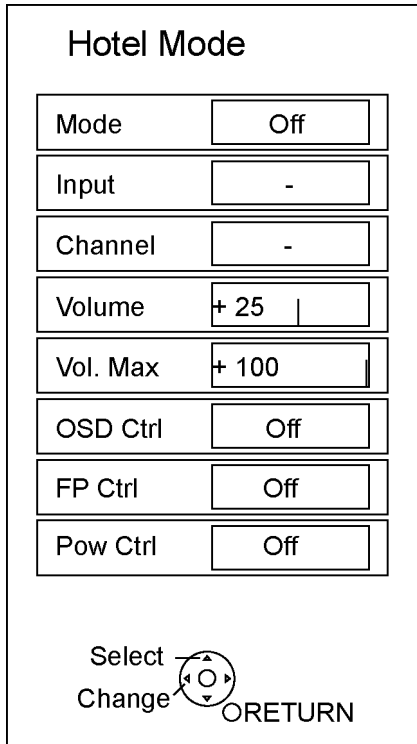
Restrict a function for hotels.

2. Access command to the Hotel mode setup menu

In order to display the Hotel mode setup menu, please enter the following command (**within 2 second**).

[TV] : Vol. [Down] + [REMOTE] : TV/VIDEO (3 times)

Then, the Hotel mode setup menu is displayed.



3. To exit the Hotel mode setup menu

Disconnect AC power cord from wall outlet.

4. Explain the Hotel mode setup menu

item	Function
Mode	Select hotel mode ON/OFF
Input	Select input signal modes. Set the input, when each time power is switched on. Selection: -/RF/COMP1/COMP2/HDMI1/HDMI2/HDMI3/VIDEO1/VIDEO2/PC • Off: give priority to a last memory.
Channel	Select channel when input signal is RF. Set the channel, each time power is switched on. Selection: Any channel number or [-]. [-] means the channel when turns off.
Volume	Adjust the volume when each time power is switched on. Range: 0 to 100
Vol. Max	Adjust maximum volume. Range: 0 to 100
OSD Ctrl	Restrict the OSD. Selection: OFF/PATTERN1 • OFF: No restriction • PATTERN1: restriction
FP Ctrl	Select front key conditions. Selection: Off/Pattern1/All • Off: altogether valid. • Pattern: only input key is valid. • All: altogether invalid.
Pow Ctrl	Select POWER-ON/OFF condition when AC power cord is disconnected and then connected. OFF: The same condition when AC power cord is disconnected. ON: Forced power ON condition.

## 6 Troubleshooting Guide

Use the self-check function to test the unit.

1. Checking the IIC bus lines
2. Power LED Blinking timing

### 6.1. Check of the IIC bus lines

#### 6.1.1. How to access

Self-check indication only:

Produce TV reception screen, and while pressing [VOLUME (-)] button on the main unit, press [OK] button on the remote control for more than 3 seconds.

Self-check indication and forced to factory shipment setting:

Produce TV reception screen, and while pressing [VOLUME (-)] button on the main unit, press [MENU] button on the remote control for more than 3 seconds.

#### 6.1.2. Exit

Disconnect the AC cord from wall outlet.

#### 6.1.3. Screen display

SELF CHECK		0.200- 00.04.0755	
PEAKS	OK	TEMP	OK
TUN1	OK	PANEL	OK
TUN2	OK		
FE	OK		
AVSW	OK		
ADV	OK		
ADAV	OK		
GenX	OK		
MEM1	OK		
MEM2	OK		
Copyright 2008 Matsushita Electric Industrial Co., Ltd.			

#### 6.1.4. Check Point

Confirm the following parts if NG was displayed.

DISPLAY	Ref. No.	Description	P.C.B.
PEAKS	IC8001	Peaks Lite2p	A-Board
TUN1	TU8300	TUNER (PLL block)	A-Board
TUN2	TU8300	TUNER (MTS block)	A-Board
FE	IC8300	FRONT END PROCESSOR	A-Board
AVSW	IC3001	AUDIO/VIDEO SW	A-Board
ADV	IC4510	A/D CONV. , HDMI RX	A-Board
ADAV	IC2106	SOUND PROCESSOR	A-Board
GenX	IC1100	GenX5 (STB MCU)	A-Board
MEM1	IC1101	EEPROM (GenX5)	A-Board
MEM2	IC8503	EEPROM (Peaks)	A-Board
TEMP	IC9002	TEMP SENSOR	A-Board
PANEL	IC9003	PANEL MICON	A-Board

## 6.2. Power LED Blinking timing chart

### 1. Subject

Information of LED Flashing timing chart.

### 2. Contents

When an abnormality has occurred the unit, the protection circuit operates and reset to the stand by mode. At this time, the defective block can be identified by the number of blinks of the Power LED on the front panel of the unit.

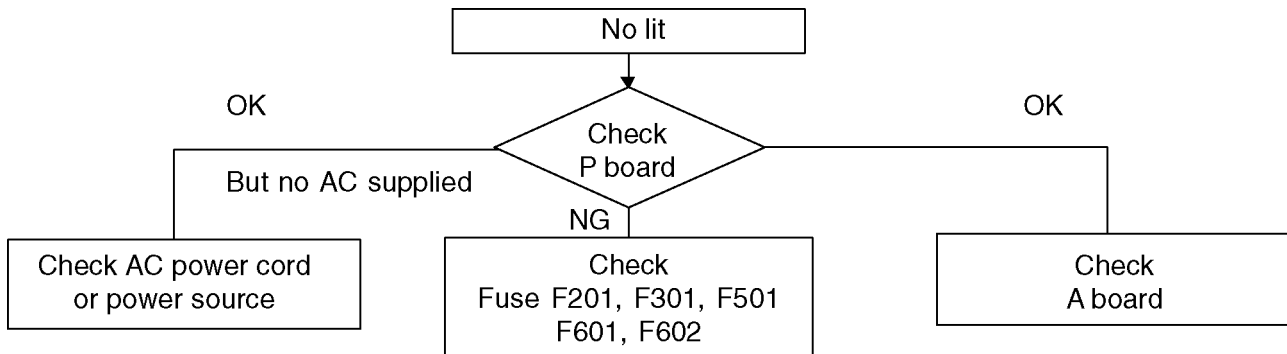
Blinking Times	Blinking timing	Contents	Check point
1		No particular check point	-
		Panel Status	-
		STB 5V SENSE Time out	A-Board
2		15V SOS	D-Board
3		3.3V SOS	A-Board
4		Power SOS	P-Board
5		5V SOS	D-Board
6		Driver SOS1 (SC Energy recovery circuit)	SU-Board SD-Board SC-Board
7		Driver SOS2 (SC floating voltage area)	SU-Board SD-Board SC-Board
8		Driver SOS3 (SS Energy recovery circuit)	SS-Board
9		Panel Config SOS	-
10		Sub 5V SOS Main 3.3V SOS DTV 9V SOS Tuner Power SOS	A-Board
11		Fan SOS	PB-Board
12		Sound SOS	A-Board
13		Communication Error with IC8001 (Pesks Lite 2)	A-Board

### 6.3. No Power

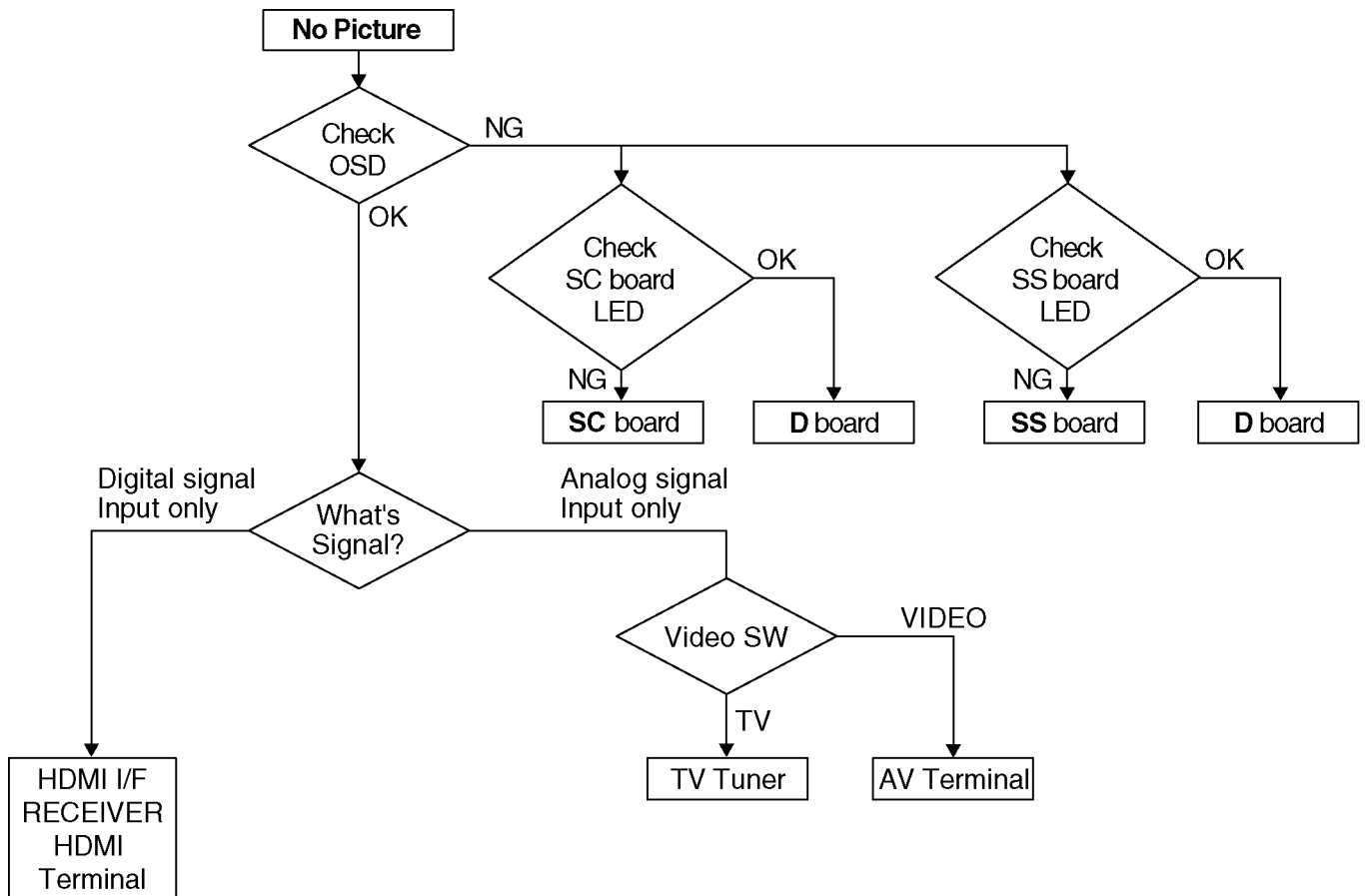
#### First check point

There are following 2 states of No Power indication by power LED.

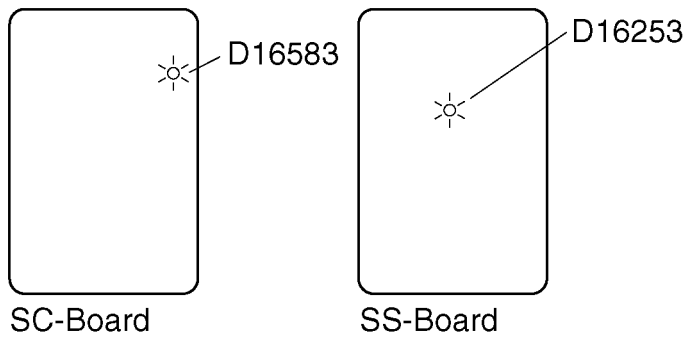
1. No lit
2. Red is lit then turns red blinking a few seconds later. (See 6.2.)



## 6.4. No Picture



Drive circuits LED indicator



## 6.5. Local screen failure

Plasma display may have local area failure on the screen. Fig-1 is the possible defect P.C.B. for each local area.

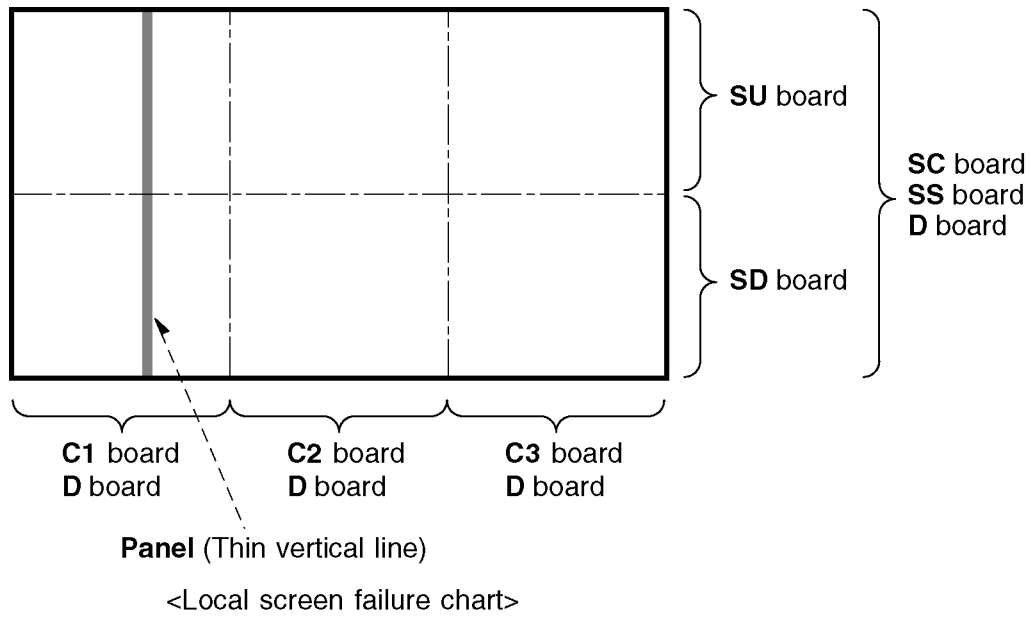


Fig-1

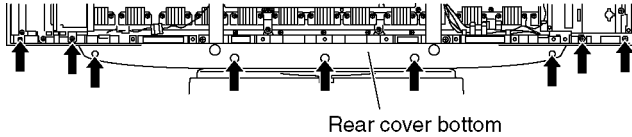
# 7 Disassembly and Assembly Instructions

## 7.1. Remove the Rear cover

1. See Service Hint (Section 3)

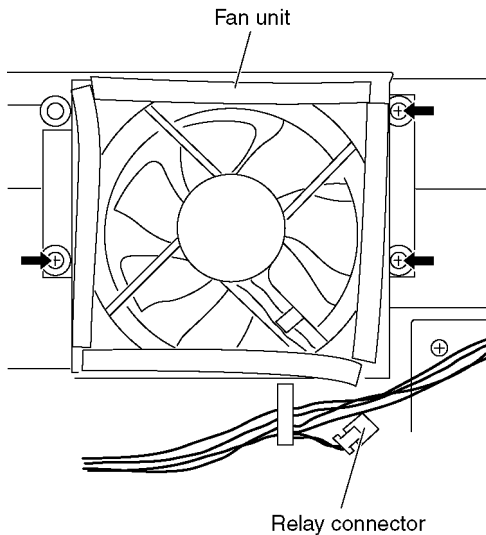
## 7.2. Remove the Rear cover bottom

1. Remove the screws (×9 ➡).
2. Remove the Rear cover bottom.

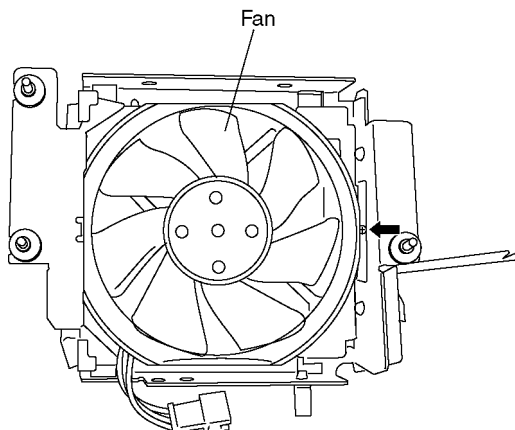


## 7.3. Remove the Fan unit

1. Unlock the cable clampers to free the cable.
2. Remove the screws (×3 ➡).
3. Remove the relay connectors and remove the Fan unit.



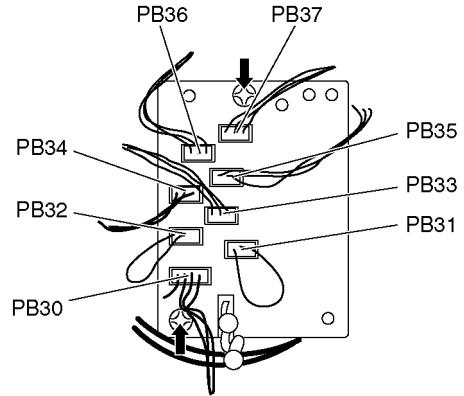
4. Remove the screw (×1 ➡) on the back side.
5. Remove the Fan.



Fan unit back side

## 7.4. Remove the PB-Board

1. Unlock the cable clampers to free the cable.
2. Remove the screws (×2 ➡).
3. Remove a short-jumper connectors (PB31 and PB32) and re-use for new PB-Board.
4. Disconnect the connectors (PB30, PB33, PB34, PB35, PB36 and PB37)
5. Remove the PB-Board.

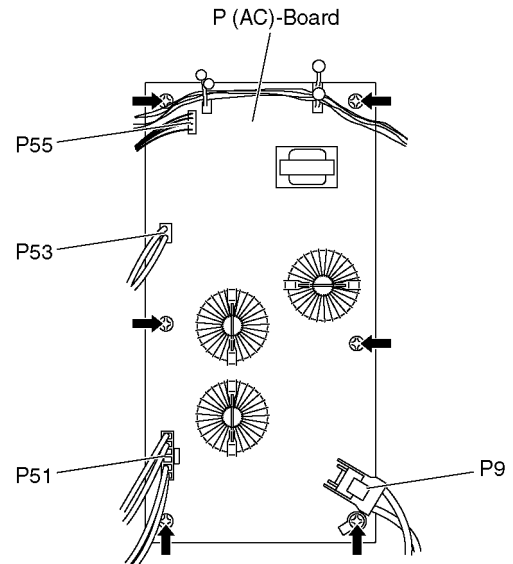


## 7.5. Remove the P(AC)-Board

### Caution:

To remove P.C.B. wait 1 minute after power was off for discharge from electrolysis capacitors.

1. Unlock the cable clampers to free the cable.
2. Disconnect the connectors (P9, P51, P53 and P55).
3. Remove the screws (×6 ➡) and remove the P(AC)-Board.

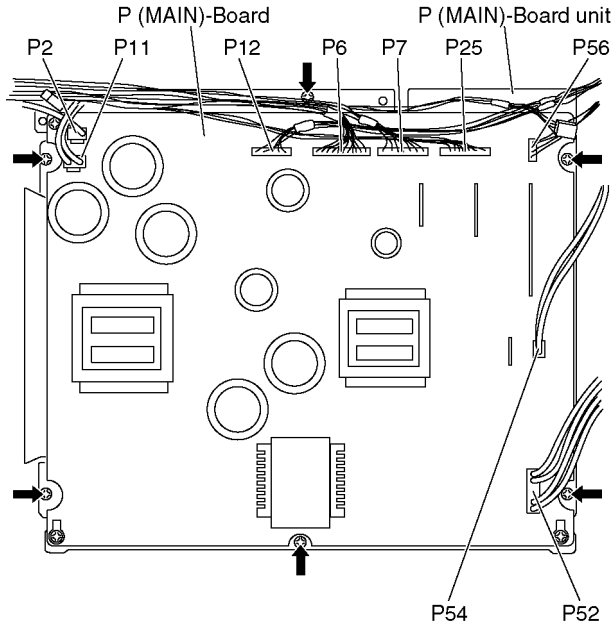


## 7.6. Remove the P(MAIN)-Board

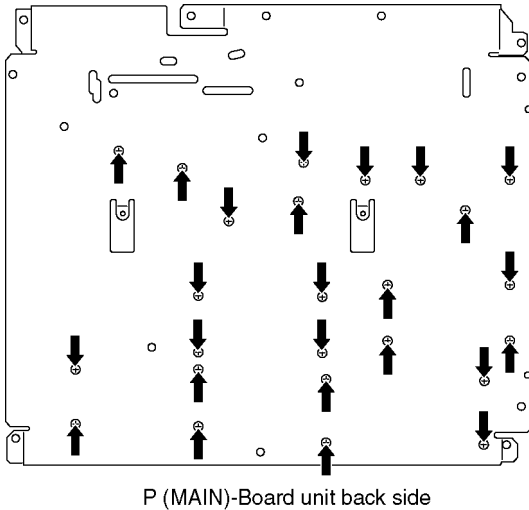
### Caution:

To remove P.C.B. wait 1 minute after power was off for discharge from electrolysis capacitors.

1. Unlock the cable clampers to free the cable.
2. Disconnect the couplers (P2, P6, P7, P11, P12, P25, P52, P54 and P56).
3. Remove the screws (×6 ➡) and remove the P(MAIN)-Board unit.



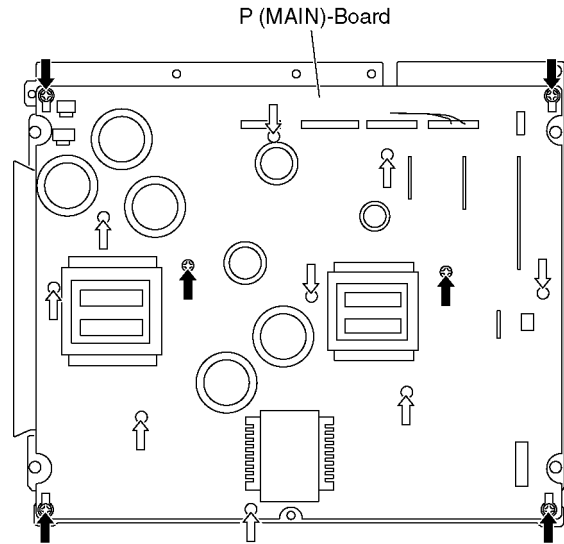
4. Remove the screws (×25 ➡) on the back side.



5. Remove the screws (×6 ➡).

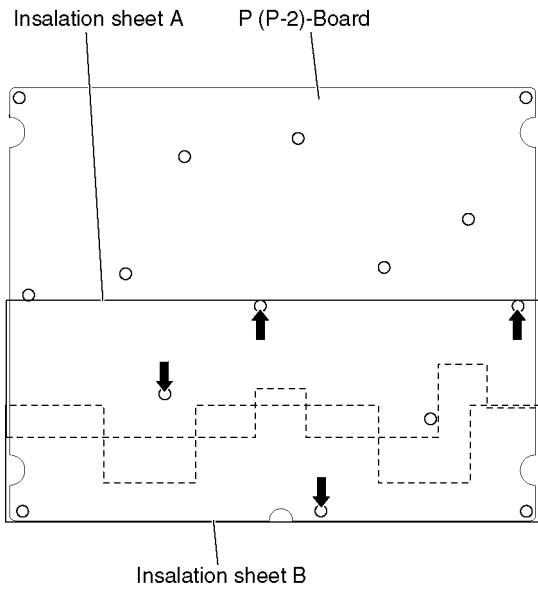
6. Remove the molding props (×9 ⇨).

7. Remove the P(MAIN)-Board.



### Note:

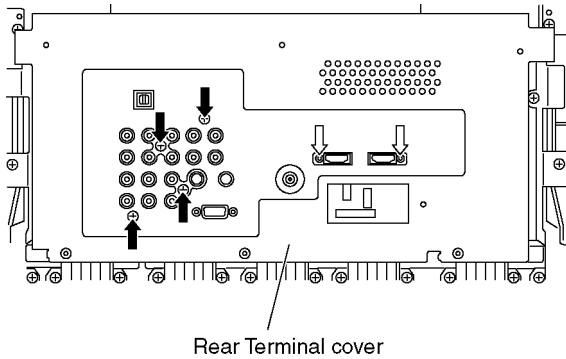
When assembling the P-Board, the position of each hole of the insulation sheets (A and B) is set to the position of each hole of the P-Board, then assemble them. (➡ marks indicating setting positions.)





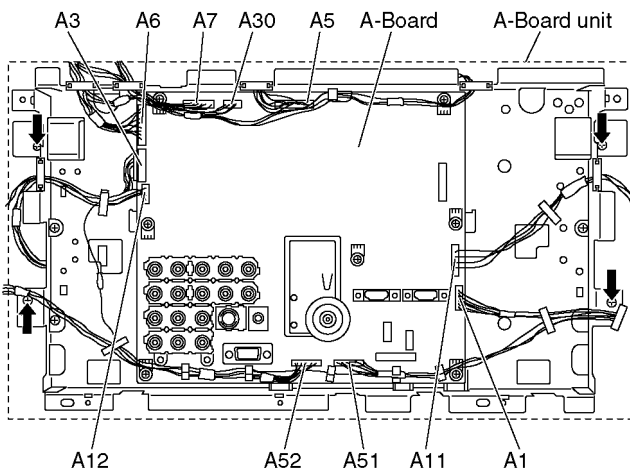
## 7.7. Remove the Rear Terminal cover

1. Remove the screws (×4 ➡, ×2 ⇨).
2. Remove the Rear Terminal cover.



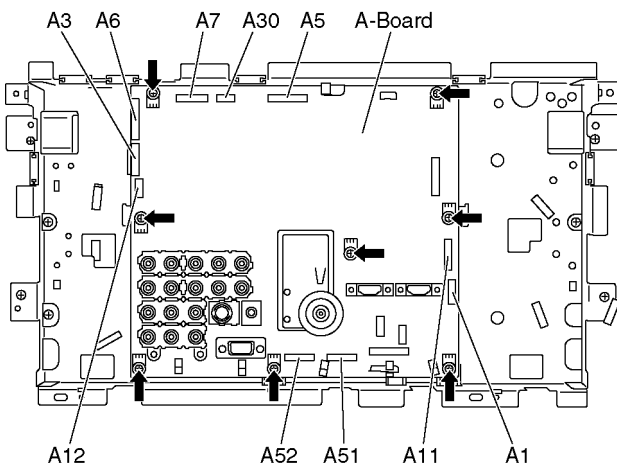
## 7.8. Remove the A-Board unit

1. Unlock the cable clampers to free the cable.
2. Disconnect the connectors (A1, A3, A5, A6, A7, A11, A12, A30, A51 and A52).
3. Remove the screws (×4 ➡) and remove the A-Board unit.



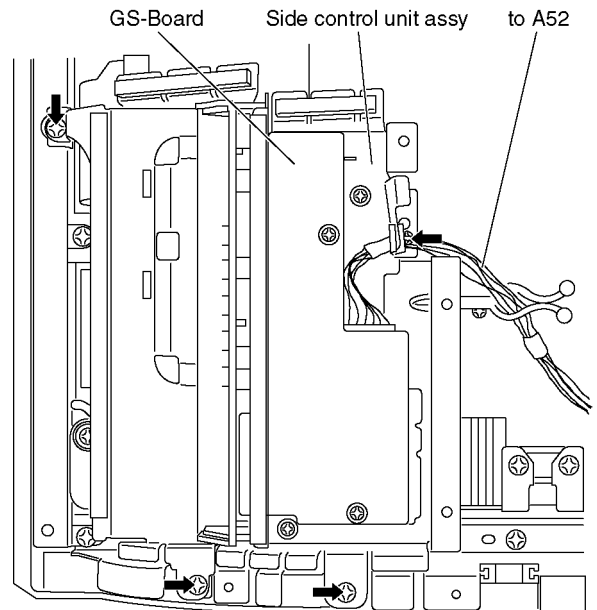
## 7.9. Remove the A-Board

1. Remove the A-Board unit. (See section 7.8.)
2. Remove the screws (×8 ➡) and remove the A-Board.



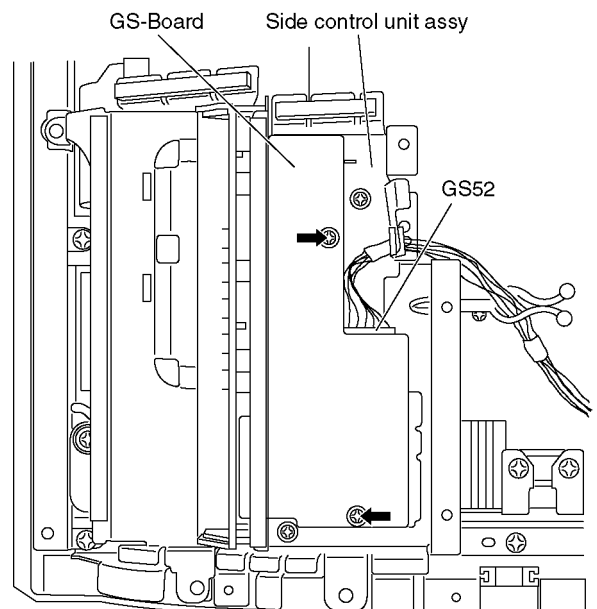
## 7.10. Remove the Side control unit assy

1. Disconnect the connectors (A52). (See section 7.8.)
2. Remove the screws (×4 ➡) and remove the Side control unit assy.



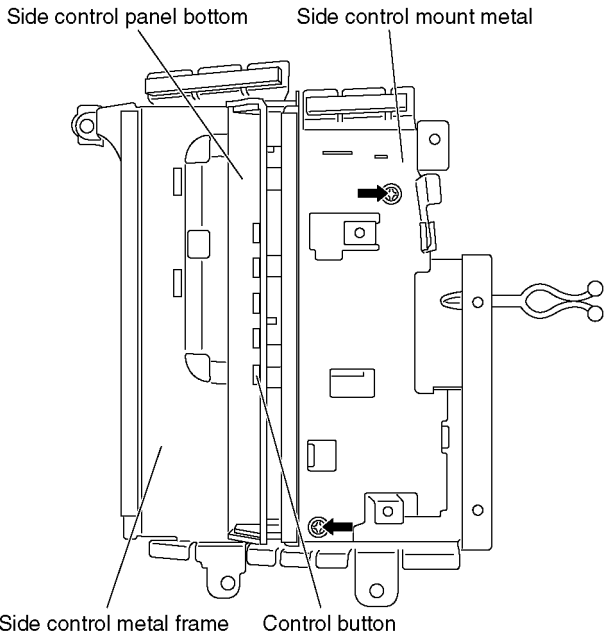
## 7.11. Remove the GS-Board and the Control button

1. Remove the Side control unit assy. (See section 7.10.)
2. Remove the screws (×2 ➡).
3. Disconnect the connectors (GS52) and remove the GS-Board.

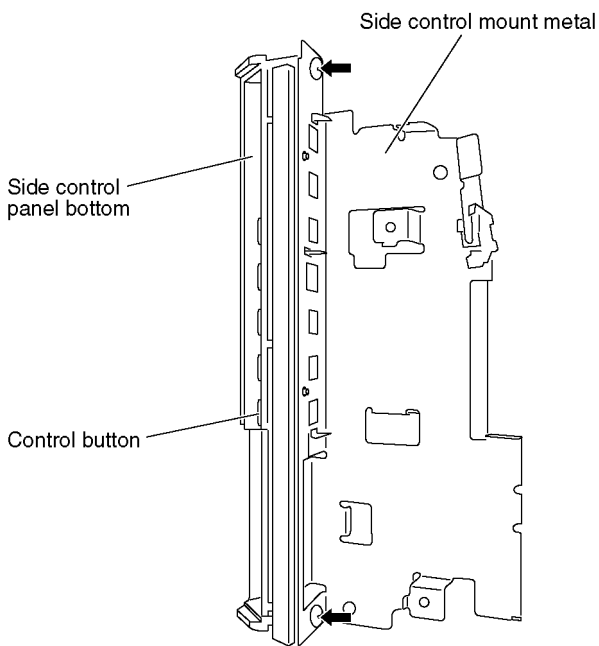


4. Remove the screws (×2 ➡)
5. Remove the Side control mount metal from Side control

metal frame.

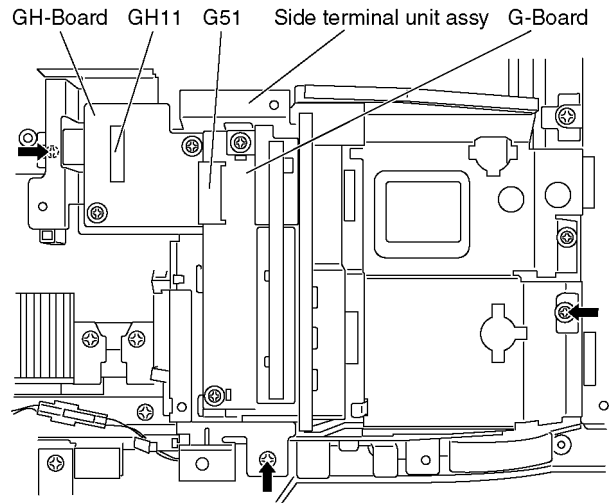


6. Remove the screws (×2 ➡) and remove the Side control panel bottom and the Control button.



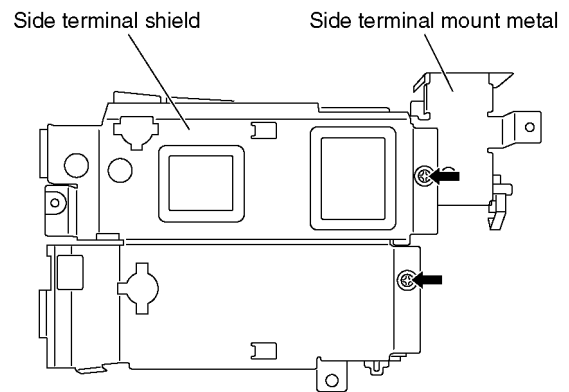
## 7.12. Remove the Side terminal unit assy

1. Unlock the cable clampers to free the cable.
2. Disconnect the connectors (GH11 and G51).
3. Remove the screws (×3 ➡) and remove the Side terminal unit assy.



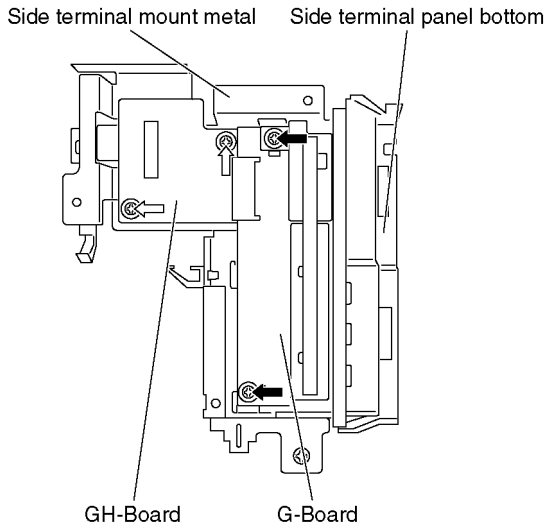
## 7.13. Remove the G-Board and the GH-board

1. Remove the Side terminal unit assy. (See section 7.12.)
2. Remove the screws (×2 ➡) from back side.
3. Remove the Side terminal shield.



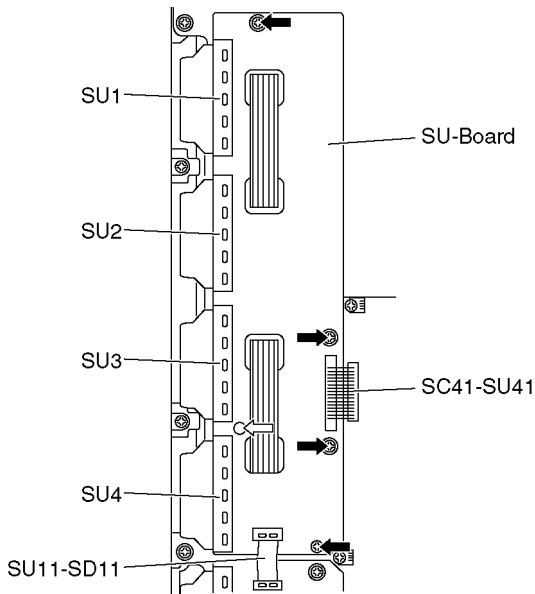
4. Remove the Side terminal panel bottom.
5. Remove the screws (×2 ➡, ×2 ⇨).

6. Remove the G-Board and the GH-board.



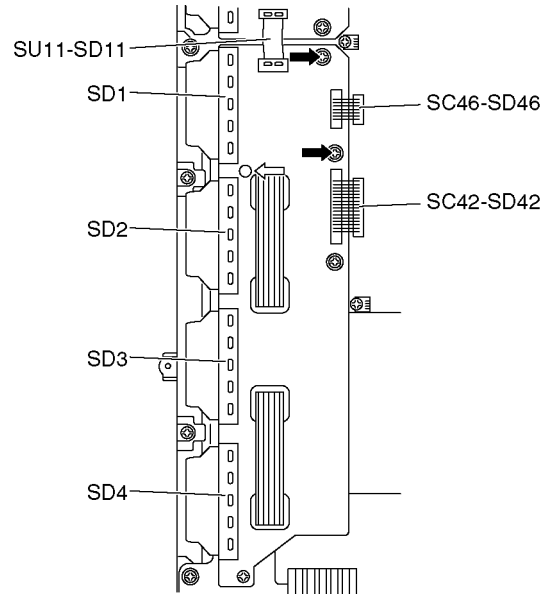
### 7.14. Remove the SU-Board

1. Remove the flexible cables (SU1, SU2, SU3 and SU4) connected to the SU-Board.
2. Remove the flexible cable (SU11-SD11) and the bridge connector (SC41-SU41).
3. Remove the molding prop (×1 ⇨).
4. Remove the screws (×4 ⇨) and remove the SU-Board.



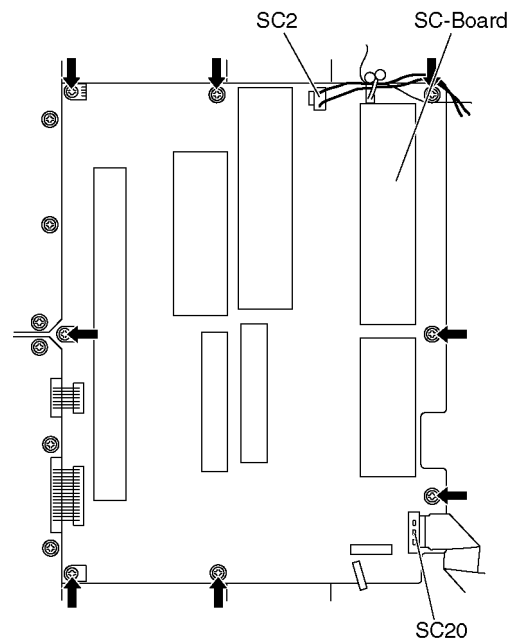
### 7.15. Remove the SD-Board

1. Remove the flexible cables (SD1, SD2, SD3 and SD4) connected to the SD-Board.
2. Remove the flexible cable (SU11-SD11) and the bridge connectors (SC42-SD42 and SC46-SD46).
3. Remove the molding prop (×1 ⇨).
4. Remove the screws (×4 ⇨) and remove the SD-Board.



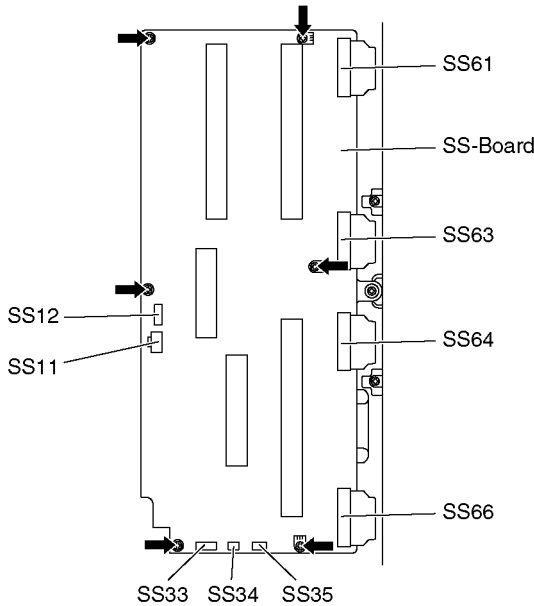
### 7.16. Remove the SC-Board

1. Remove the SU-Board and SD-Board. (See section 7.14. and 7.15.)
2. Unlock the cable clammers to free the cable.
3. Disconnect the connector (SC2).
4. Disconnect the flexible cable (SC20).
5. Remove the screws (×8 ⇨) and remove the SC-Board.



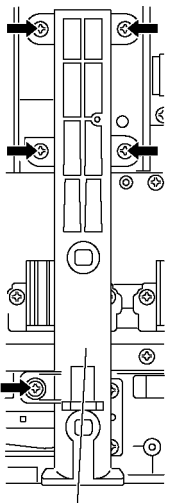
## 7.17. Remove the SS-Board

1. Unlock the cable clampers to free the cable.
2. Disconnect the connectors (SS11, SS12, SS33 and SS35).
3. Remove a short-jumper connector SS34 and re-use for new SS-Board.
4. Disconnect the flexible cables (SS61, SS63, SS64 and SS66).
5. Remove the screws (×6 ➡) and remove the SS-Board.

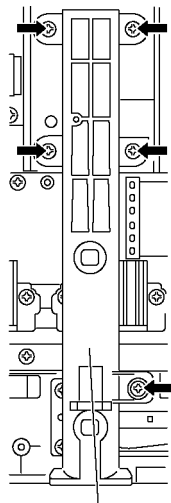


## 7.18. Remove the Stand brackets

1. Remove the Plasma panel section from the servicing stand and lay on a flat surface such as a table (covered) with the Plasma panel surface facing downward.
2. Remove the Stand brackets (L, R) fastening screws (×5 each) and remove the Stand brackets (L, R).



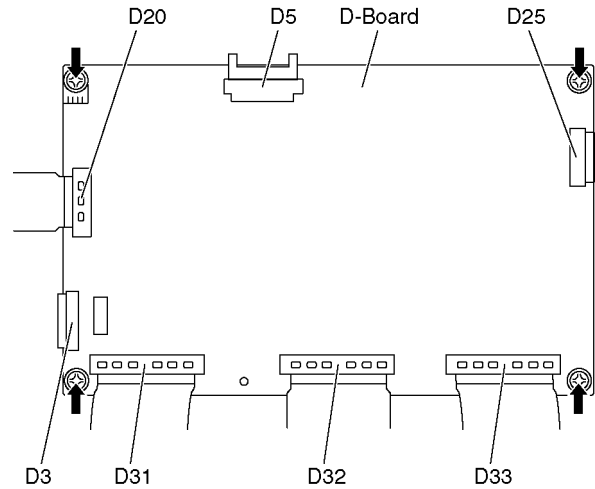
Stand bracket L



Stand bracket R

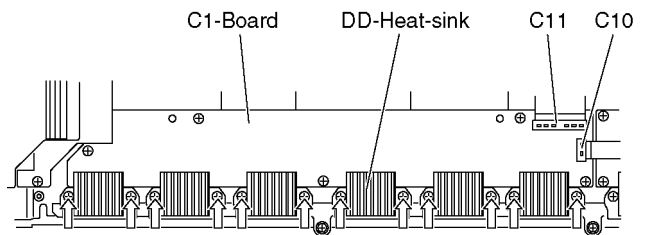
## 7.19. Remove the D-Board

1. Remove the A-Board unit. (See section 7.8.)
2. Disconnect the connectors (D3, D5 and D25).
3. Disconnect the flexible cables (D20, D31, D32 and D33).
4. Remove the screws (×4 ➡) and remove the D-Board.

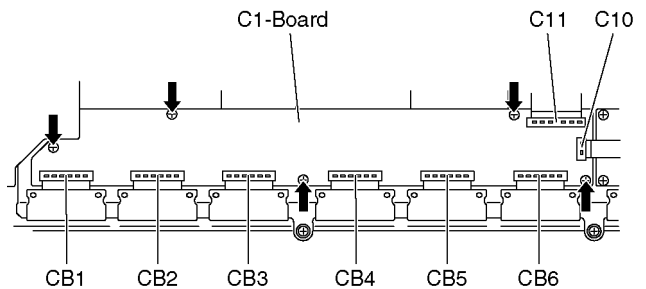


## 7.20. Remove the C1-Board

1. Remove the A-Board unit. (See section 7.8.)
2. Remove the Side control unit assy. (See section 7.10.)
3. Remove the Stand bracket L. (See section 7.18.)
4. Remove the DD-Heat-sink fastening screws (×12 ⇄).
5. Remove the DD-Heat-sink (×6).

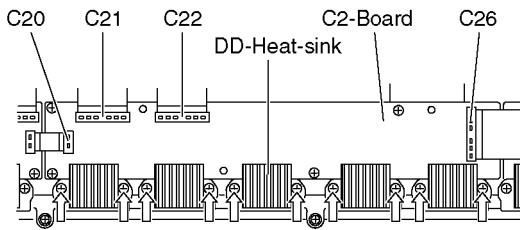


6. Disconnect the flexible cables (CB1, CB2, CB3, CB4, CB5 and CB6).
7. Disconnect the flexible cables (C10 and C11).
8. Remove the screws (×5 ➡) and remove the C1-Board.

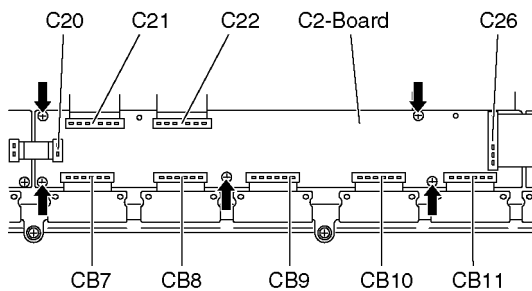


## 7.21. Remove the C2-Board

1. Remove the A-Board unit. (See section 7.8.)
2. Remove the stand bracket R. (See section 7.18.)
3. Remove the DD-Heat-sink fastening screws (×10 ⇐).
4. Remove the DD-Heat-sink (×5).

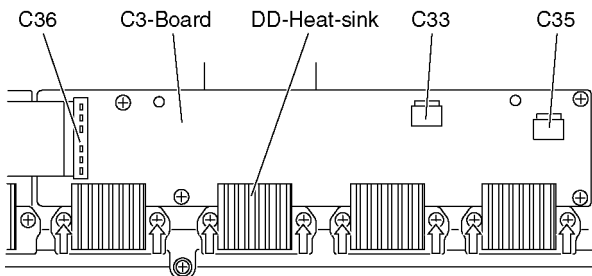


5. Disconnect the flexible cables (CB7, CB8, CB9, CB10 and CB11).
6. Disconnect the flexible cables (C20, C21, C22 and C26).
7. Remove the screws (×5 →) and remove the C2-Board.

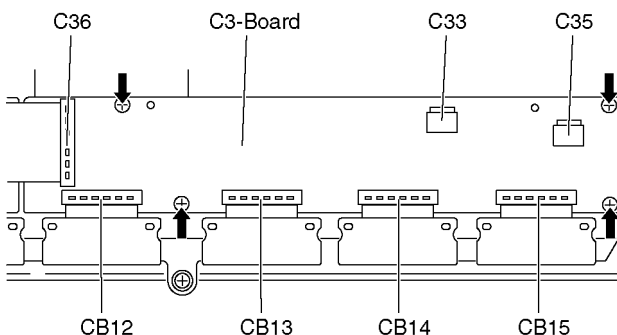


## 7.22. Remove the C3-Board

1. Remove the Side terminal unit assy. (See section 7.12.)
2. Remove the DD-Heat-sink fastening screws (×8 ⇐).
3. Remove the DD-Heat-sink (×4).

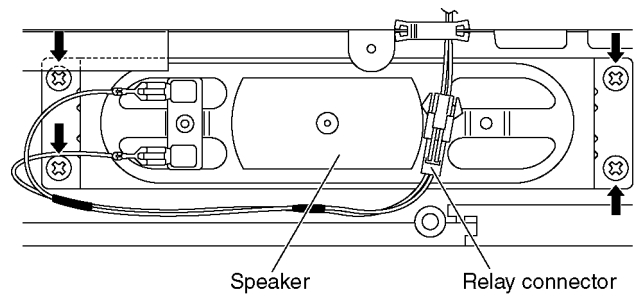


4. Disconnect the flexible cables (CB12, CB13, CB14 and CB15).
5. Disconnect the flexible cable (C36).
6. Disconnect the connectors (C33 and C35).
7. Remove the screws (×4 →) and remove the C3-Board.



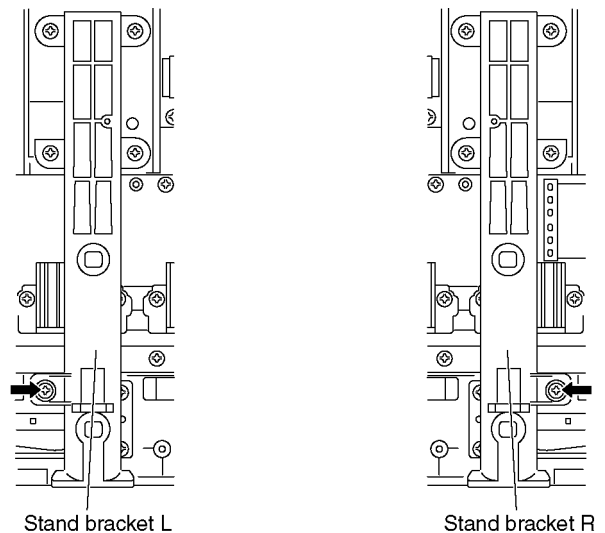
## 7.23. Remove the Speakers

1. Disconnect the relay connectors
2. Remove the screws (×4 → each) and remove the Speaker (L, R).

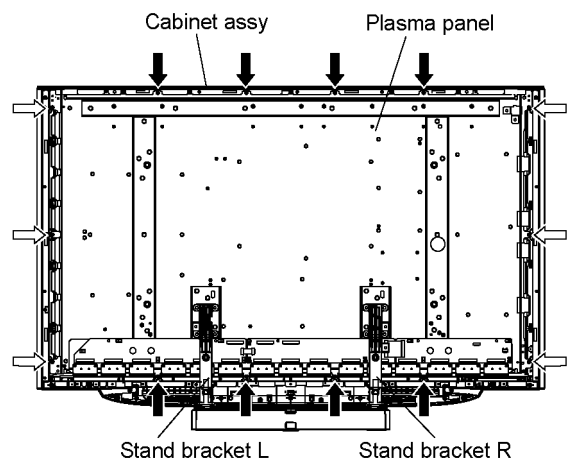


## 7.24. Remove the Plasma panel section from the Cabinet assy (glass)

1. Remove the stand brackets (left, right) fastening screw (×1 → each).

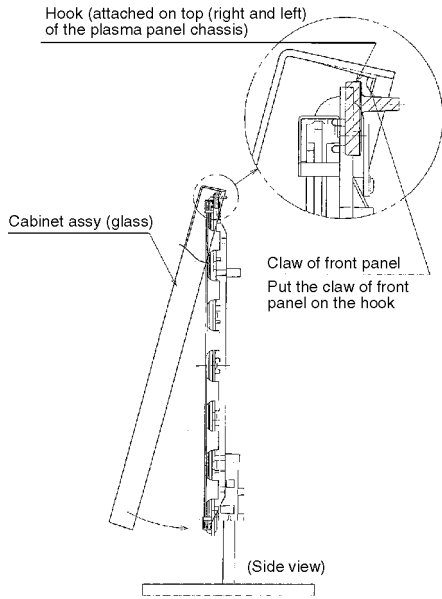


2. Remove the cabinet assy and the plasma panel fastening screws (×8 →, ×6 ⇐).

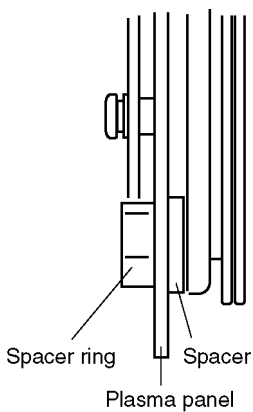
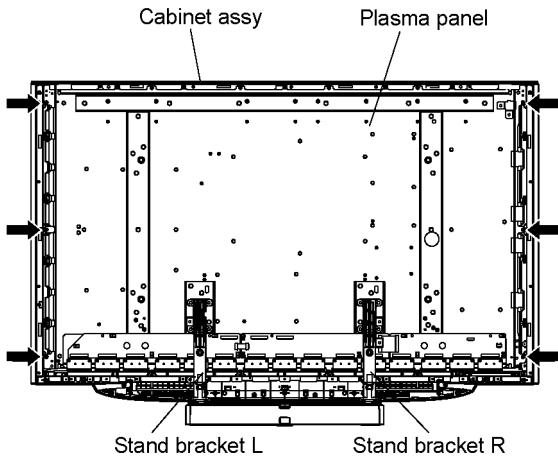


3. For leaving the plasma panel from the front frame, pull the

bottom of the cabinet assy forward, lift, and remove.

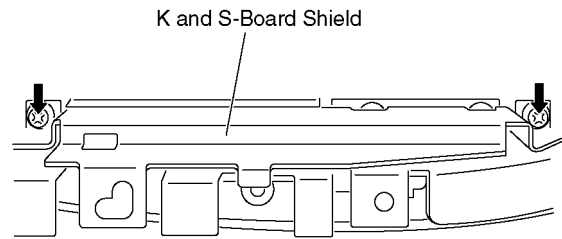


4. Remove the spacers and spacer rings (×6 ➡).

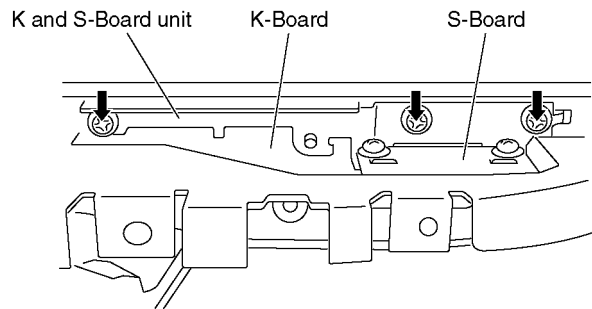


## 7.25. Remove the K-Board and S-Board

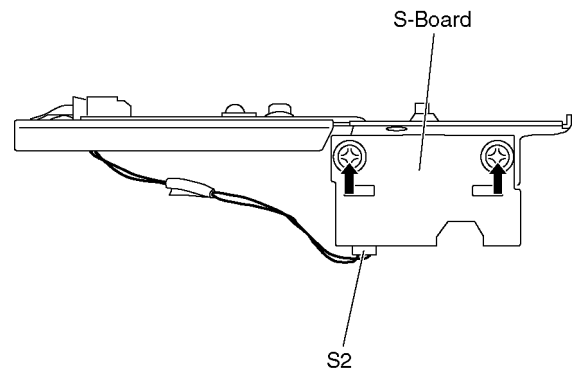
1. Remove the Cabinet assy. (See section 7.24.)
2. Remove the screws (×2 ➡) and remove the K and S-Board shield.



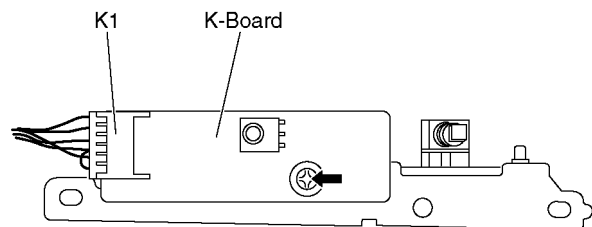
3. Remove the screws (×3 ➡) and remove the K and S-Board unit.



4. Disconnect the connector (S2).
5. Remove the screws (×2 ➡) and remove the S-Board.



6. Disconnect the connector (K1).
7. Remove the screws (×1 ➡) and remove the K-Board.



## 7.26. Remove the plasma panel (finished)

1. Place the new plasma panel (finished) on the flat surface of the table (covered by a soft cloth), with the plasma panel surface facing downward.
2. Attach the C1-Board, C2-Board and the C3-Board, connect the flexible cables (×15) from the plasma panel to the C1-Board, C2-Board and the C3-Board, and fit the flexible cable holders.
3. Attach the Hooks (left, right) and fit the stand brackets (L, R) to the new plasma panel.
4. Place the plasma panel section on the servicing stand.
5. Attach the cabinet assy and each P.C.Board and so on, to the new plasma panel.

**\*When fitting the cabinet assy, be careful not to allow any debris, dust or handling residue to remain between the front glass and plasma panel.**

# 8 Measurements and Adjustments

## 8.1. Adjustment Procedure

### 8.1.1. Driver Set-up

#### 8.1.1.1. Item / Preparation

1. Input a white signal to plasma video input.
2. Set the picture controls as follows.  
Picture menu: Vivid  
Normal: Set  
Aspect: Full

#### Caution

1. First perform Vsus adjustment.
2. Confirmation of Vscn voltage should be performed after confirmation of Vad adjustment.  
When Vad= -140V, Voltage of Vscn is 5V ±4V.

### 8.1.1.2. Adjustments

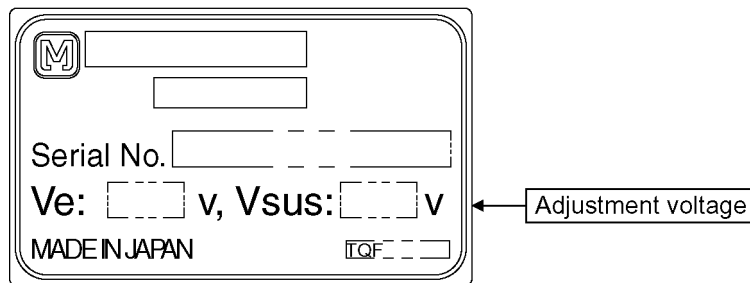
Adjust driver section voltages referring the panel data on the panel data label.

Check or adjust the following voltages with the multimeter.

Name	Test Point	Voltage	Volume	Remarks
Vsus	TPVSUS (SS)	Vsus ± 2V	VR251 (P)	*
Ve	TPVE (SS)	Ve ± 1V	VR16000 (SS)	*
Vset	TPVSET (SC)	330V ± 7V	Fixed	
Vad	TPVAD (SC)	-140V ± 1V	VR16600 (SC)	
Vscn	TPVSCN (SC)	Vad+145V ± 4V	Fixed	
Vda	TPVDA (SS)	75V + 1V, -2V	Fixed	

\*See the Panel label.

Panel Label information

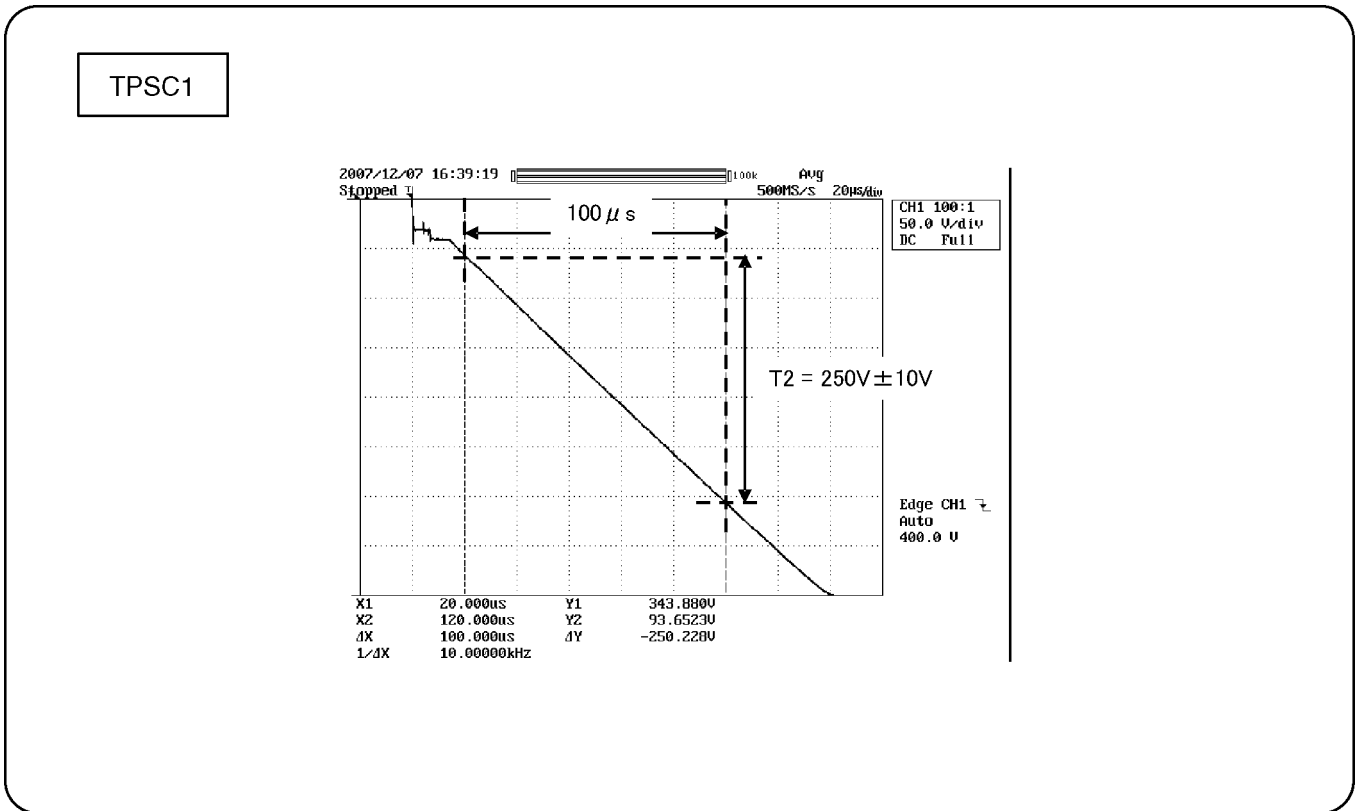




### 8.1.2. Initialization Pulse Adjust

1. Input the White signal to plasma video input.
2. Set the picture controls as follows.  
 Picture menu : Vivid  
 Normal : Set  
 Aspect : Full
3. Connect Oscilloscope to TPSC1 (SC).  
 Check the voltage (T2) at 100µs period on the down slope.

	Test point	Volume	Level
T2	TPSC1 (SC)	VR16602 (SC)	250 V ± 10 V



### 8.1.3. P.C.B. (Printed Circuit Board) exchange

#### 8.1.3.1. Caution

1. To remove P.C.B. , wait 1 minute after power was off for discharge from electrolysis capacitors.

#### 8.1.3.2. Quick adjustment after P.C.B. exchange

Adjust the following voltages with the multimeter.

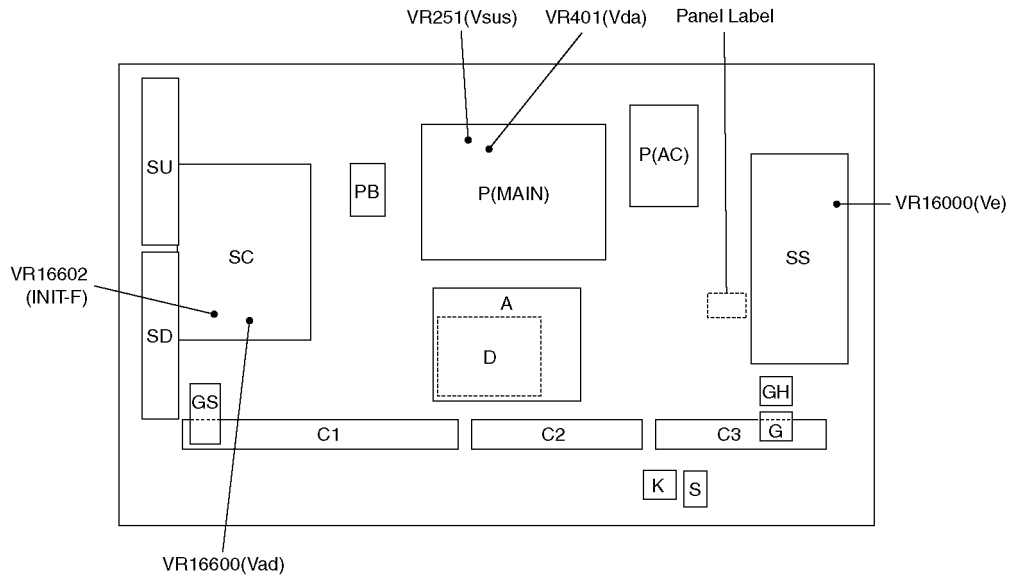
P.C.B.	Name	Test Point	Voltage	Volume	Remarks
P Board	Vsus	TPVSUS (SS)	Vsus ± 2V	VR251 (P)	*
SC Board	Vad	TPVAD (SC)	-140V ± 1V	VR16600 (SC)	
SS Board	Ve	TPVE (SS)	Ve ± 1V	VR16000 (SS)	*
A, D Board	White balance and Sub brightness for NTSC, PAL, HD, PC and 625i signals				

\*See the Panel label.

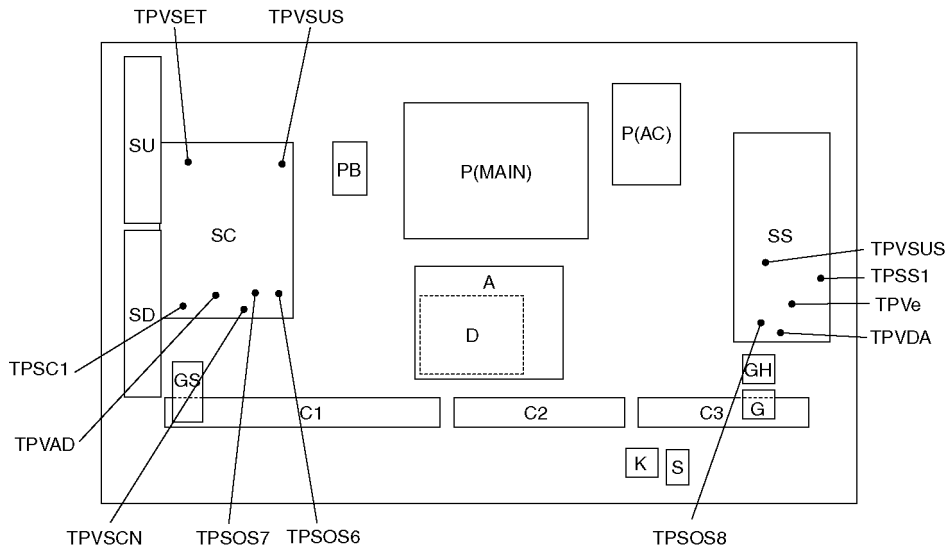
#### Caution:

Absolutely do not reduce V<sub>vsus</sub> below V<sub>e</sub> not to damage the P.C.B.

### 8.1.4. Adjustment Volume Location



### 8.1.5. Test Point Location



## 8.2. Adjustment

### 8.2.1. White balance adjustment

Name of measuring instrument	Connection	Remarks								
<ul style="list-style-type: none"> <li>• W/B pattern</li> <li>• Color analyzer (Minolta CA-100 or equivalent)</li> </ul>	Component input Panel surface									
Procedure		Remarks								
<ul style="list-style-type: none"> <li>• Ensure aging is adequate.</li> <li>• Make sure the front panel to be used on the final set is fitted.</li> <li>• Make sure a color signal is not being shown before adjustment.</li> <li>• Put the color analyzer where there is little color variation.</li> </ul> <ol style="list-style-type: none"> <li>1. Output a white balance pattern.</li> <li>2. Check that the color temperature is [Cool].</li> <li>3. Set to serviceman mode, WB-ADJ.</li> <li>4. Set [R-CUT] [G-CUT] [B-CUT] the values written in table 1.</li> <li>5. Attach the sensor of color analyzer to the center of highlight window.</li> <li>6. Fix G drive at C0h and adjust [B-DRV] and [R-DRV] so x, y value of color analyzer become the [Color temperature High] in table 2.</li> <li>7. Increase RGB together so the maximum drive value in RGB becomes FC. That is, set [ALL DRIVE] to FC. Execute adjustment again. When that, the maximum value of R/G/B DRV should be FC, and either R/G/B DRV should be FC.</li> <li>8. Set color temperature to [Normal].</li> <li>9. Set [R-CUT] [G-CUT] [B-CUT] the values written in table 1.</li> <li>10. Attach the sensor of color analyzer to the center of highlight window.</li> <li>11. Fix G drive at C0h and adjust [B-DRV] and [R-DRV] so x, y value of color analyzer become the [Color temperature Mid] in table 2.</li> <li>12. Increase RGB together so the maximum drive value in RGB becomes FC. That is, set [ALL DRIVE] to FC. Execute adjustment again. When that, the maximum value of R/G/B DRV should be FC, and either R/G/B DRV should be FC.</li> <li>13. Set color temperature to [Warm].</li> <li>14. Set [R-CUT] [G-CUT] [B-CUT] the values written in table 1.</li> <li>15. Attach the sensor of color analyzer to the center of highlight window.</li> <li>16. Fix G drive at C0h and adjust [B-DRV] and [R-DRV] so x, y value of color analyzer become the [Color temperature Low] in table 2.</li> <li>17. Increase RGB together so the maximum drive value in RGB becomes FC. That is, set [ALL DRIVE] to FC. Execute adjustment again. When that, the maximum value of R/G/B DRV should be FC, and either R/G/B DRV should be FC.</li> <li>18. Set color temperature to [Cool].</li> </ol> <p style="margin-left: 20px;">- adjustment of [Normal] [Warm] by data shift from [Cool] adjust. - For [Normal] [Warm] adjustment, set values that the adjusted value of [Cool] plus the figures wrote below.</p> <table style="margin-left: 40px; border: none;"> <tr> <td style="padding-right: 20px;">Normal :</td> <td style="padding-right: 20px;">R-DRV : 0h</td> <td style="padding-right: 20px;">G-DRV : 4h</td> <td>B-DRV : -1Ah</td> </tr> <tr> <td>Warm :</td> <td>R-DRV : 0h</td> <td>G-DRV : -4h</td> <td>B-DRV : -50h</td> </tr> </table> <ol style="list-style-type: none"> <li>19. Copy values adjusted by HD pattern to the NTSC data area of EEPROM.</li> </ol>		Normal :	R-DRV : 0h	G-DRV : 4h	B-DRV : -1Ah	Warm :	R-DRV : 0h	G-DRV : -4h	B-DRV : -50h	
Normal :	R-DRV : 0h	G-DRV : 4h	B-DRV : -1Ah							
Warm :	R-DRV : 0h	G-DRV : -4h	B-DRV : -50h							

Table 1: R-CUT,G-CUT,B-CUT setting data

Color temperature	R-CUT	G-CUT	B-CUT
High(Cool)	80	80	80
Mid	80	80	80
Low(Warm)	80	80	80

Table 2: W/B adjustment values

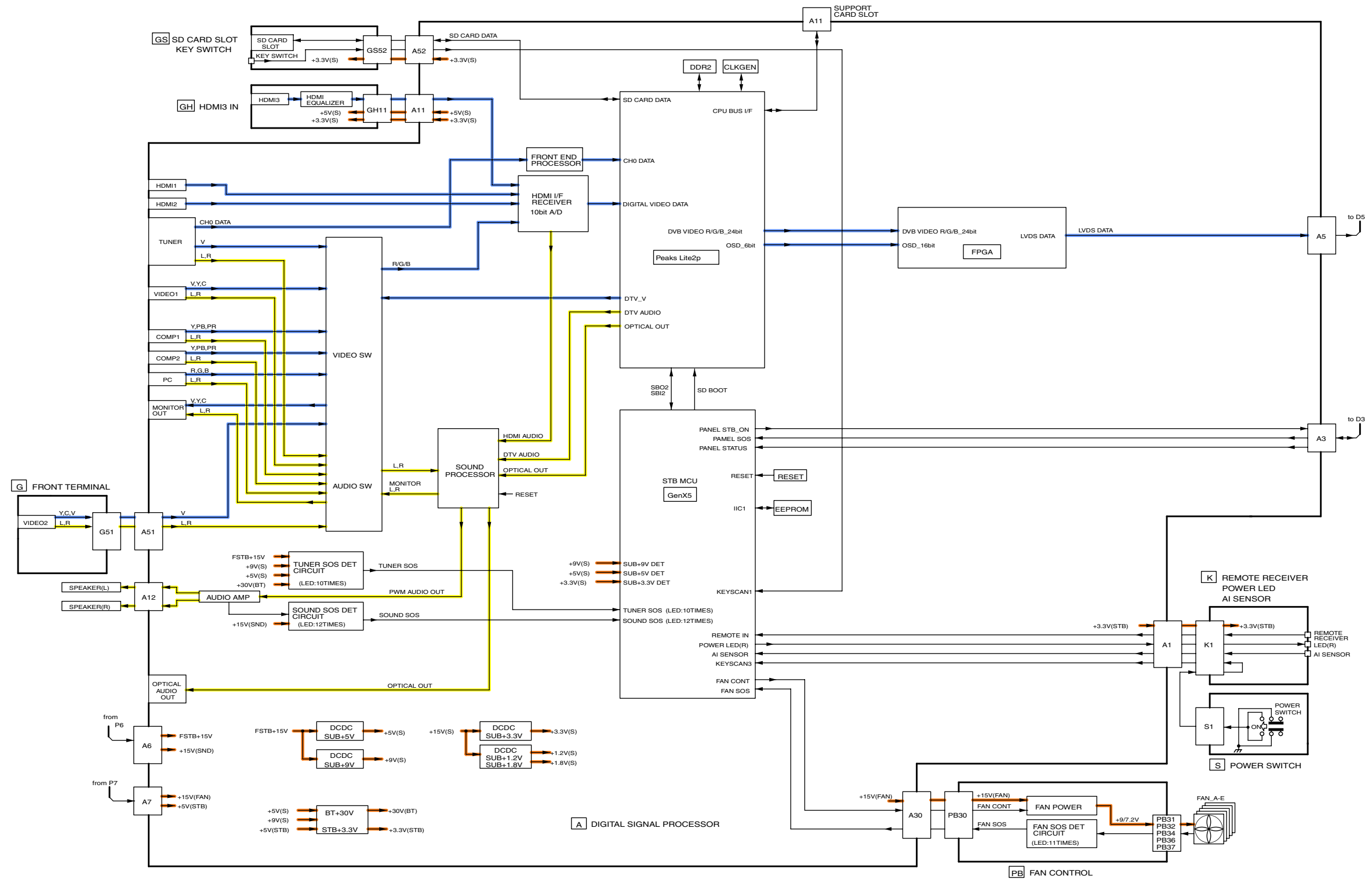
Color temperature	x	y
High(Cool)	0.276	0.276
Mid	0.288	0.296
Low(Warm)	0.313	0.329

Table 3: EEPROM data addresses

SD/ Color temperature High	R-CUTOFF	022C
	G-CUTOFF	022D
	B-CUTOFF	022E
	R-DRIVE	032F
	G-DRIVE	0230
	B-DRIVE	0231
SD/ Color temperature Mid	R-CUTOFF	0232
	G-CUTOFF	0233
	B-CUTOFF	0234
	R-DRIVE	0235
	G-DRIVE	0236
	B-DRIVE	0237
SD/ Color temperature Low	R-CUTOFF	0238
	G-CUTOFF	0239
	B-CUTOFF	023A
	R-DRIVE	023B
	G-DRIVE	023C
	B-DRIVE	023D
HD/ Color temperature High	R-CUTOFF	023E
	G-CUTOFF	023F
	B-CUTOFF	0240
	R-DRIVE	0241
	G-DRIVE	0242
	B-DRIVE	0243
HD/ Color temperature Mid	R-CUTOFF	0244
	G-CUTOFF	0245
	B-CUTOFF	0246
	R-DRIVE	0247
	G-DRIVE	0248
	B-DRIVE	0249
HD/ Color temperature Low	R-CUTOFF	024A
	G-CUTOFF	024B
	B-CUTOFF	024C
	R-DRIVE	024D
	G-DRIVE	024E
	B-DRIVE	024F

# 9 Block Diagram

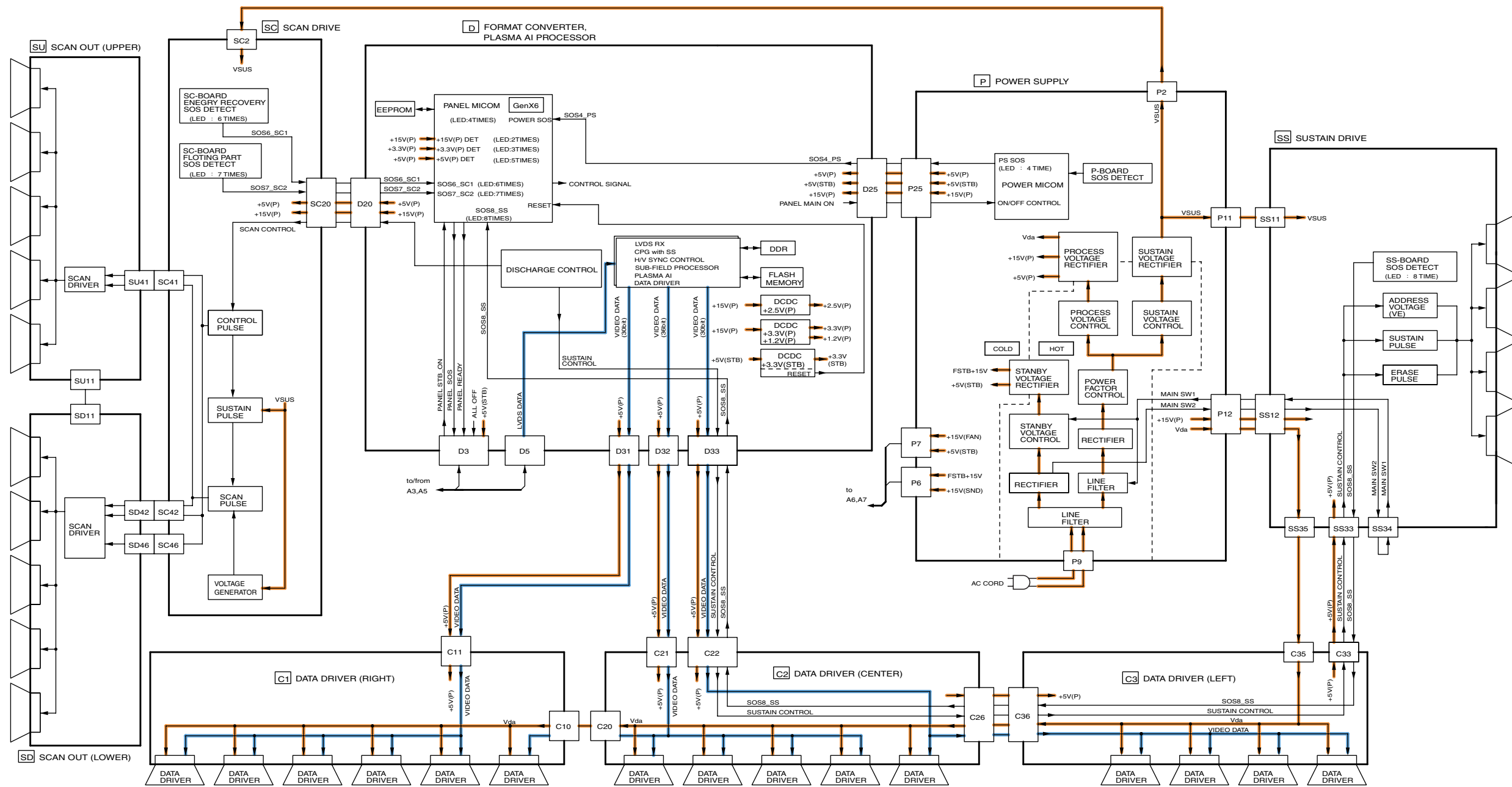
## 9.1. Block Diagram (1/6)



TH-46PZ85U  
Block (1/6) Diagram

TH-46PZ85U  
Block (1/6) Diagram

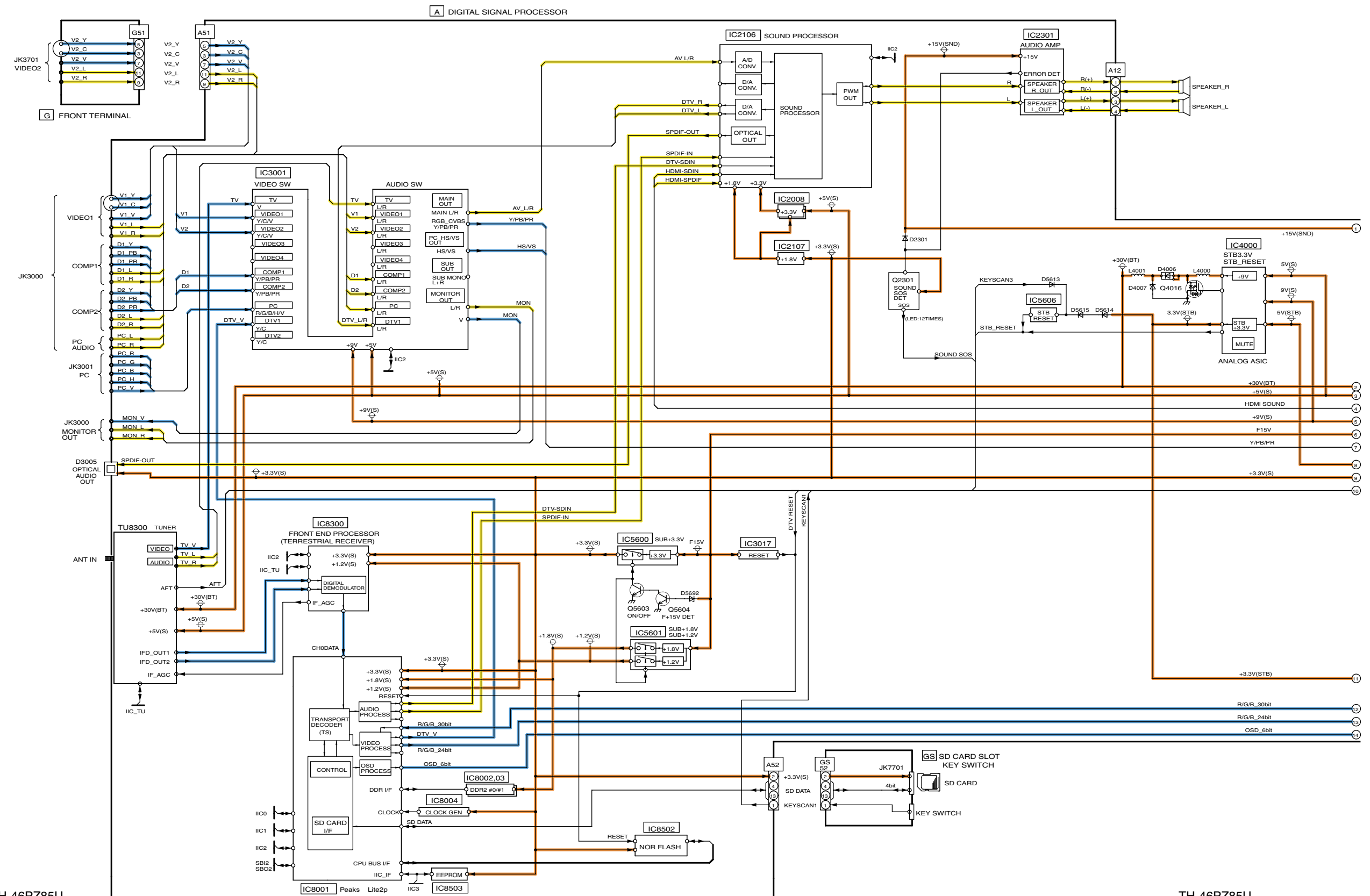
## 9.2. Block Diagram (2/6)



TH-46PZ85U  
Block (2/6) Diagram

TH-46PZ85U  
Block (2/6) Diagram

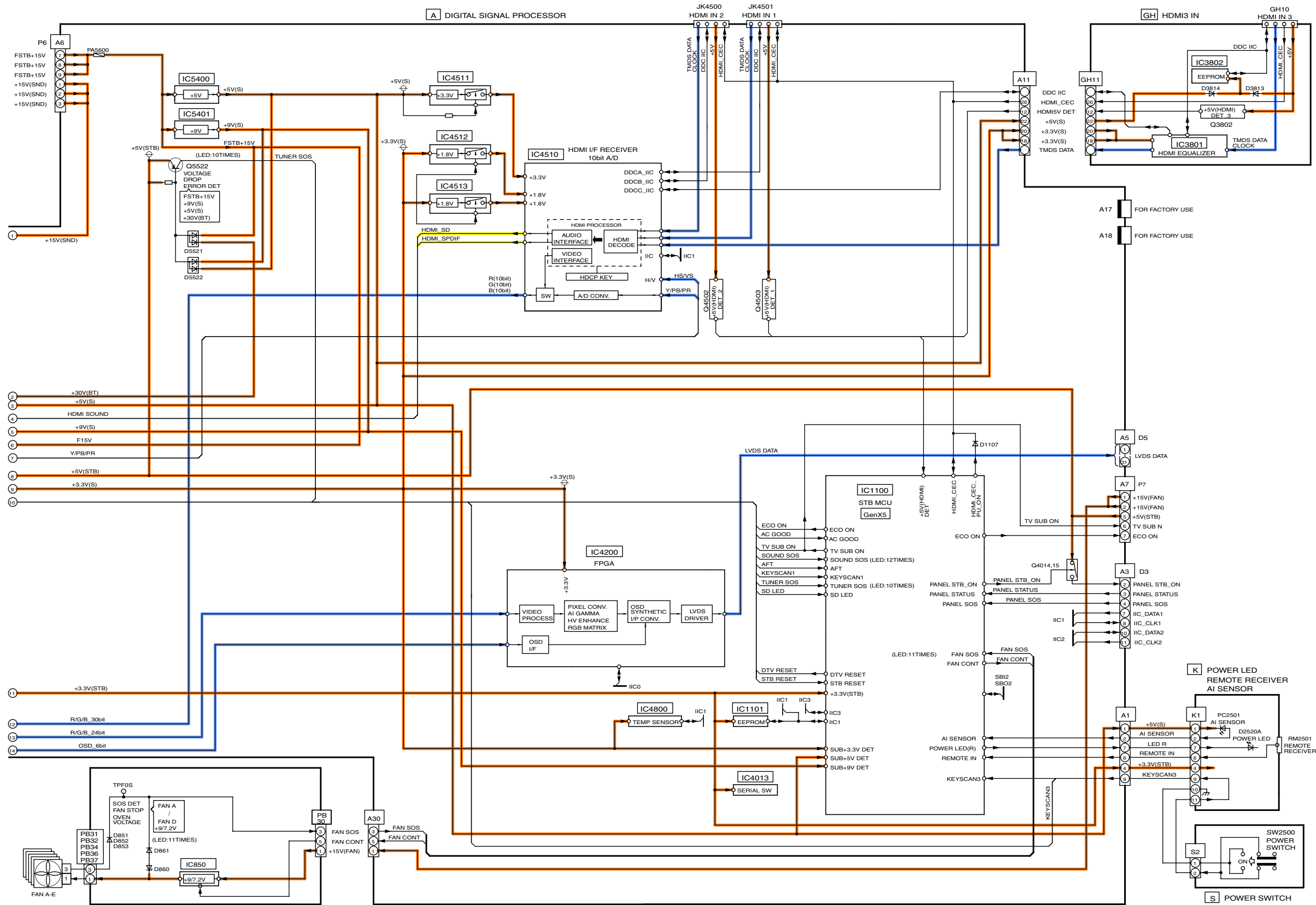
### 9.3. Block Diagram (3/6)



TH-46PZ85U  
Block (3/6) Diagram

TH-46PZ85U  
Block (3/6) Diagram

### 9.4. Block Diagram (4/6)

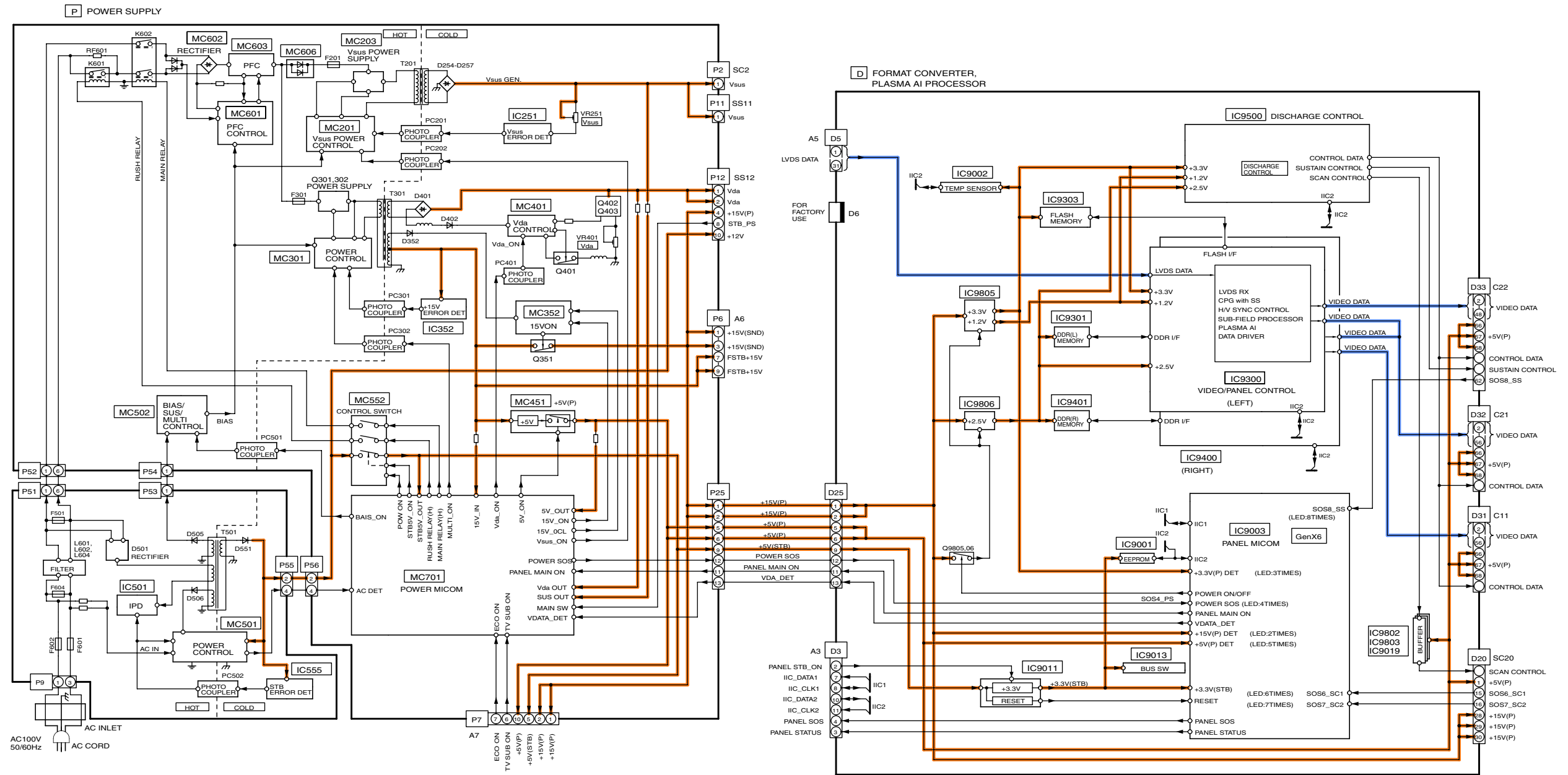


TH-46PZ85U [PB] FAN CONTROL  
Block (4/6) Diagram

[K] POWER LED  
REMOTE RECEIVER  
AI SENSOR  
[S] POWER SWITCH  
TH-46PZ85U  
Block (4/6) Diagram



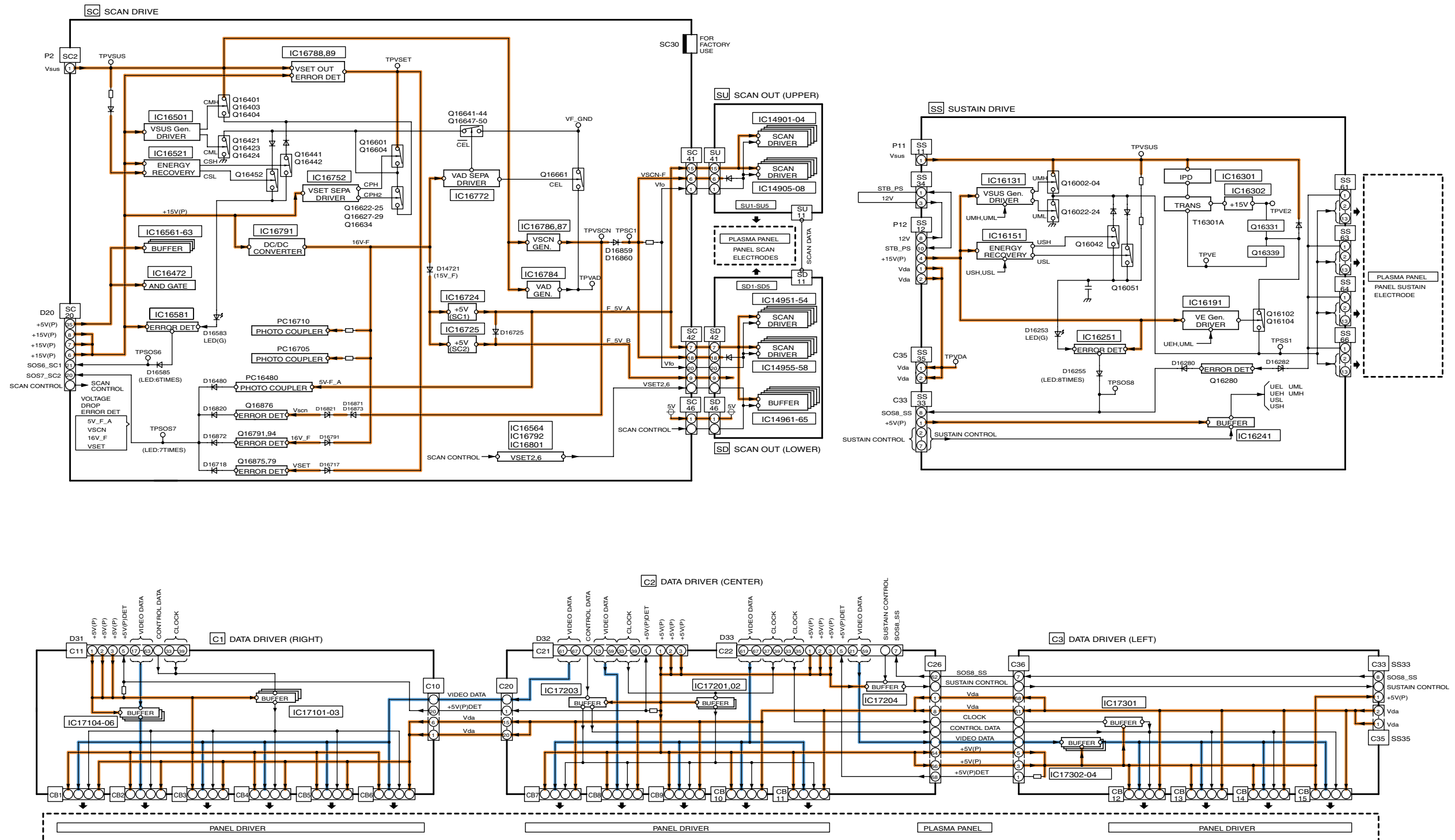
## 9.5. Block Diagram (5/6)



TH-46PZ85U  
Block (5/6) Diagram

TH-46PZ85U  
Block (5/6) Diagram

## 9.6. Block Diagram (6/6)



TH-46PZ85U  
Block (6/6) Diagram

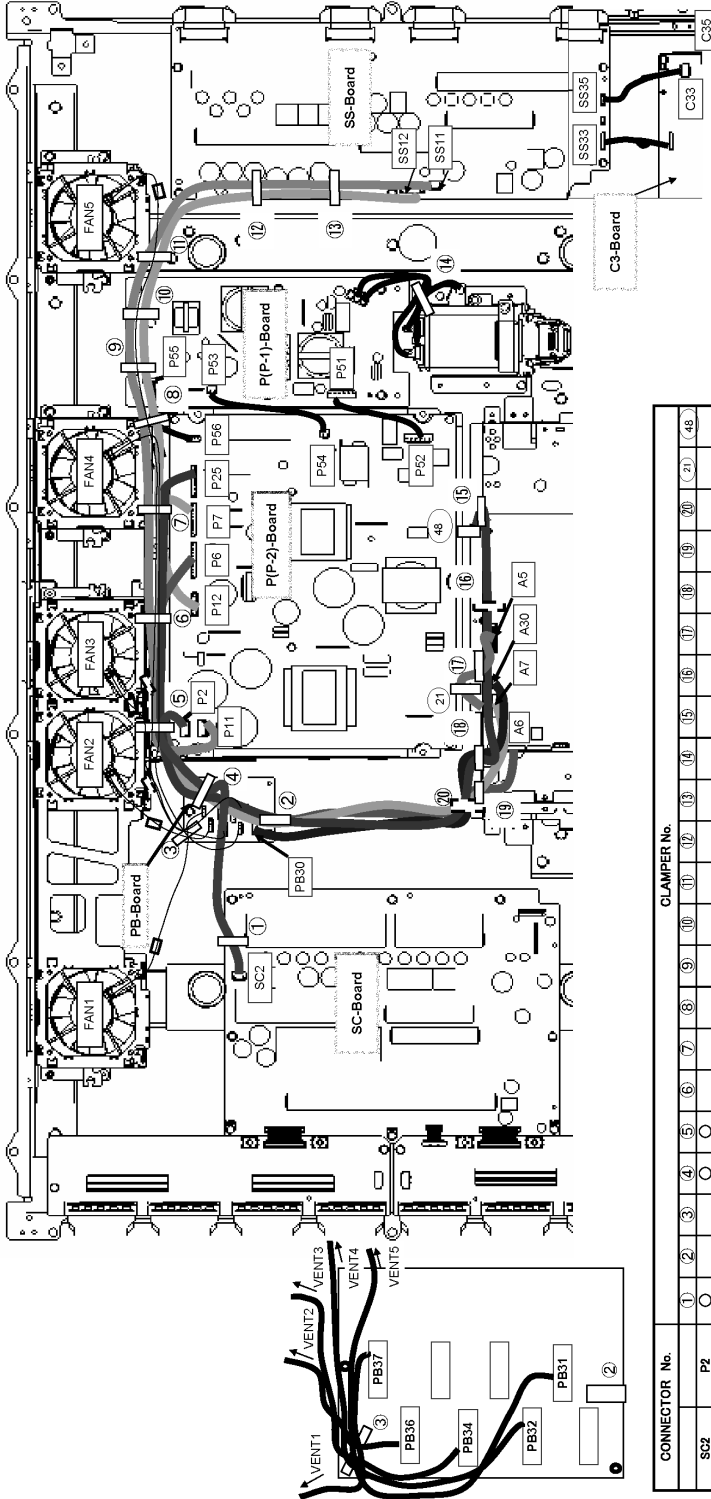
TH-46PZ85U  
Block (6/6) Diagram

# 10 Wiring Connection Diagram

## 10.1. Caution statement.

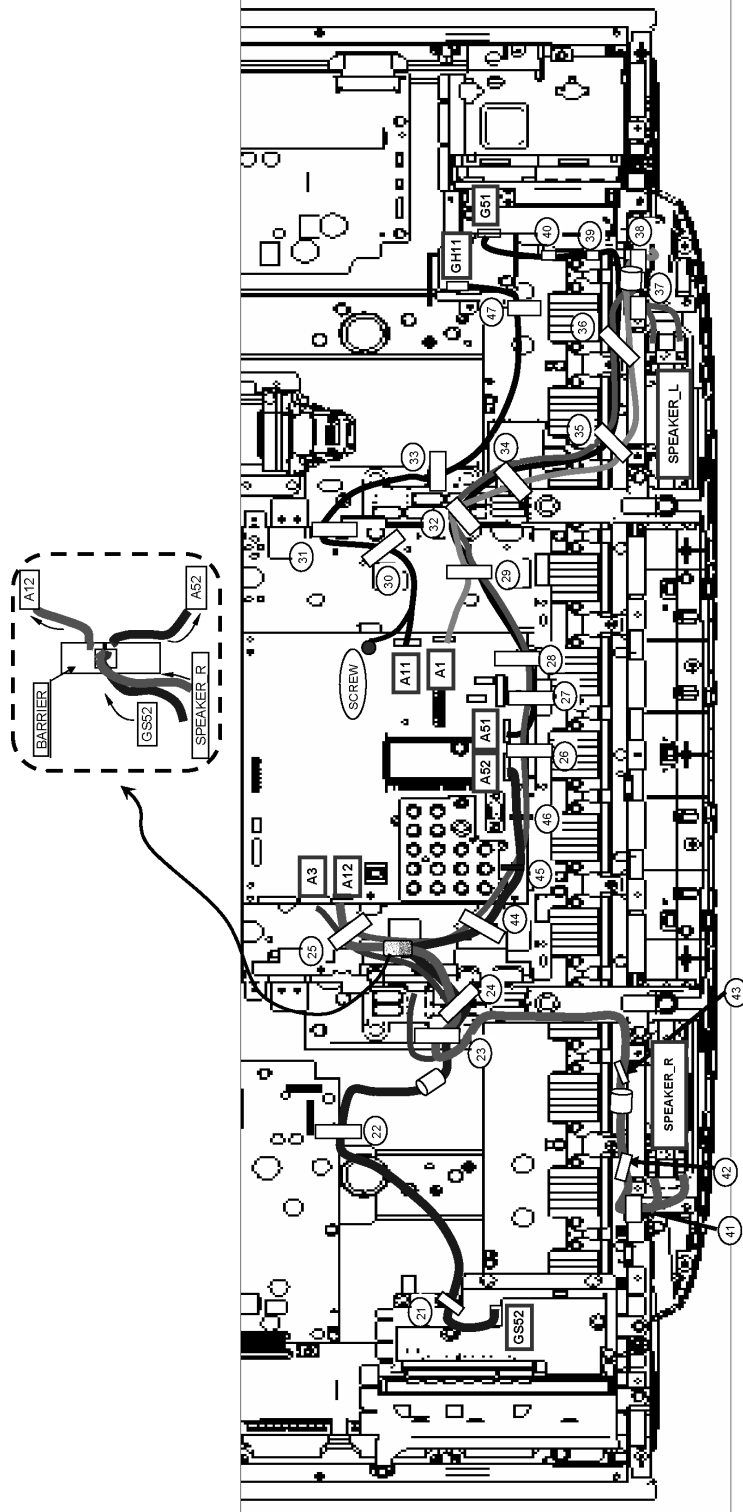
**Caution:**  
Please confirm that all flexible cables are assembled correctly.  
Also make sure that they are locked in the connectors.  
Verify by giving the flexible cables a very slight pull.

## 10.2. Wiring (1)



CONNECTOR No.	CLAMPER No.																																																						
	(1)	(2)	(3)	(4)	(5)	(6)	(7)	(8)	(9)	(10)	(11)	(12)	(13)	(14)	(15)	(16)	(17)	(18)	(19)	(20)	(21)	(48)																																	
SC2	○																																																						
P12																																																							
SS12																																																							
SS11																																																							
P11																																																							
A6																																																							
P6																																																							
A7																																																							
D5																																																							
A5																																																							
PB30																																																							
A30																																																							
P25																																																							
D25																																																							
P85																																																							
P86																																																							
P83																																																							
P54																																																							
P51																																																							
P52																																																							
SS33																																																							
C35																																																							
SS35																																																							
C33																																																							
FAN1																																																							
PB37																																																							
FAN2																																																							
PB38																																																							
FAN3																																																							
PB34																																																							
FAN4																																																							
PB32																																																							
FAN5																																																							
PB31																																																							

### 10.3. Wiring (2)



CONNECTOR No.	CLAMPER No.																																																							
	(21)	(22)	(23)	(24)	(25)	(26)	(27)	(28)	(29)	(30)	(31)	(32)	(33)	(34)	(35)	(36)	(37)	(38)	(39)	(40)	(41)	(42)	(43)	(44)	(45)	(46)	(47)																													
GS52																																																								
GS1																																																								
A11																																																								
A3																																																								
A1																																																								
K1																																																								
SPEAKER_R																																																								
SPEAKER_L																																																								







# 11 Schematic Diagram

## 11.1. Schematic Diagram Note

### Important Safety Notice

Components identified by  $\triangle$  mark have special characteristics important for safety. When replacing any of these components, use only manufacturer's specified parts.

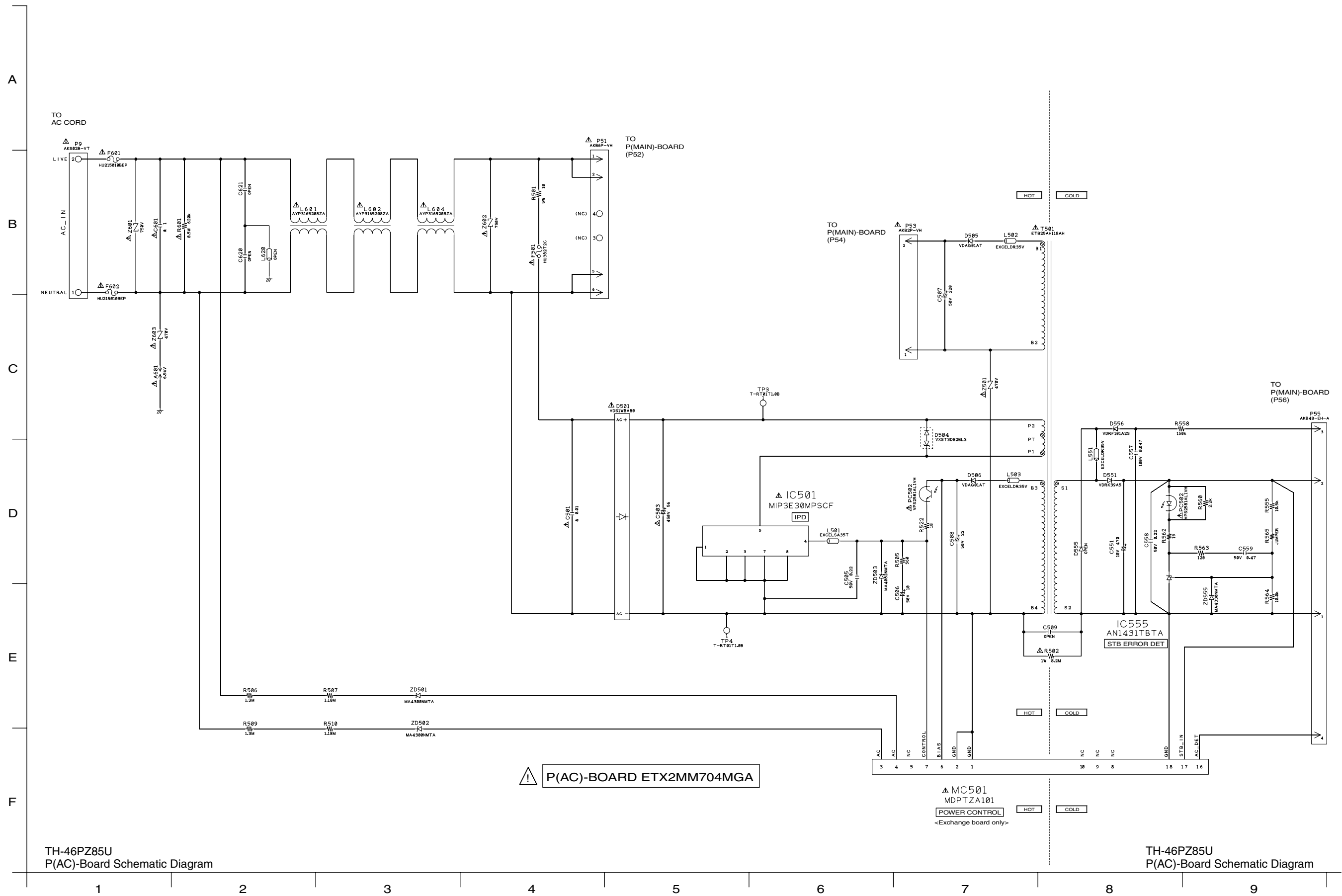
#### Notes:

- Resistor**  
Unit of resistance is OHM [ $\Omega$ ] (K=1,000, M=1,000,000).
- Capacitor**  
Unit of capacitance is  $\mu$ F, unless otherwise noted.
- Coil**  
Unit of inductance is H, unless otherwise noted.
- Test Point**  
 : Test Point position
- Earth Symbol**  
 : Chassis Earth (Cold)       : Line Earth (Hot)
- Voltage Measurement**  
Voltage is measured by a DC voltmeter.  
Conditions of the measurement are the following:  
Power Source ..... AC120V, 50/60Hz  
Receiving Signal ..... Colour Bar signal (RF)  
All customer's controls ..... Maximum positions
- When arrow mark () is found, connection is easily found from the direction of arrow.
- Indicates the major signal flow.      : Video       Audio 
- This schematic diagram is the latest at the time of printing and subject to change without notice.

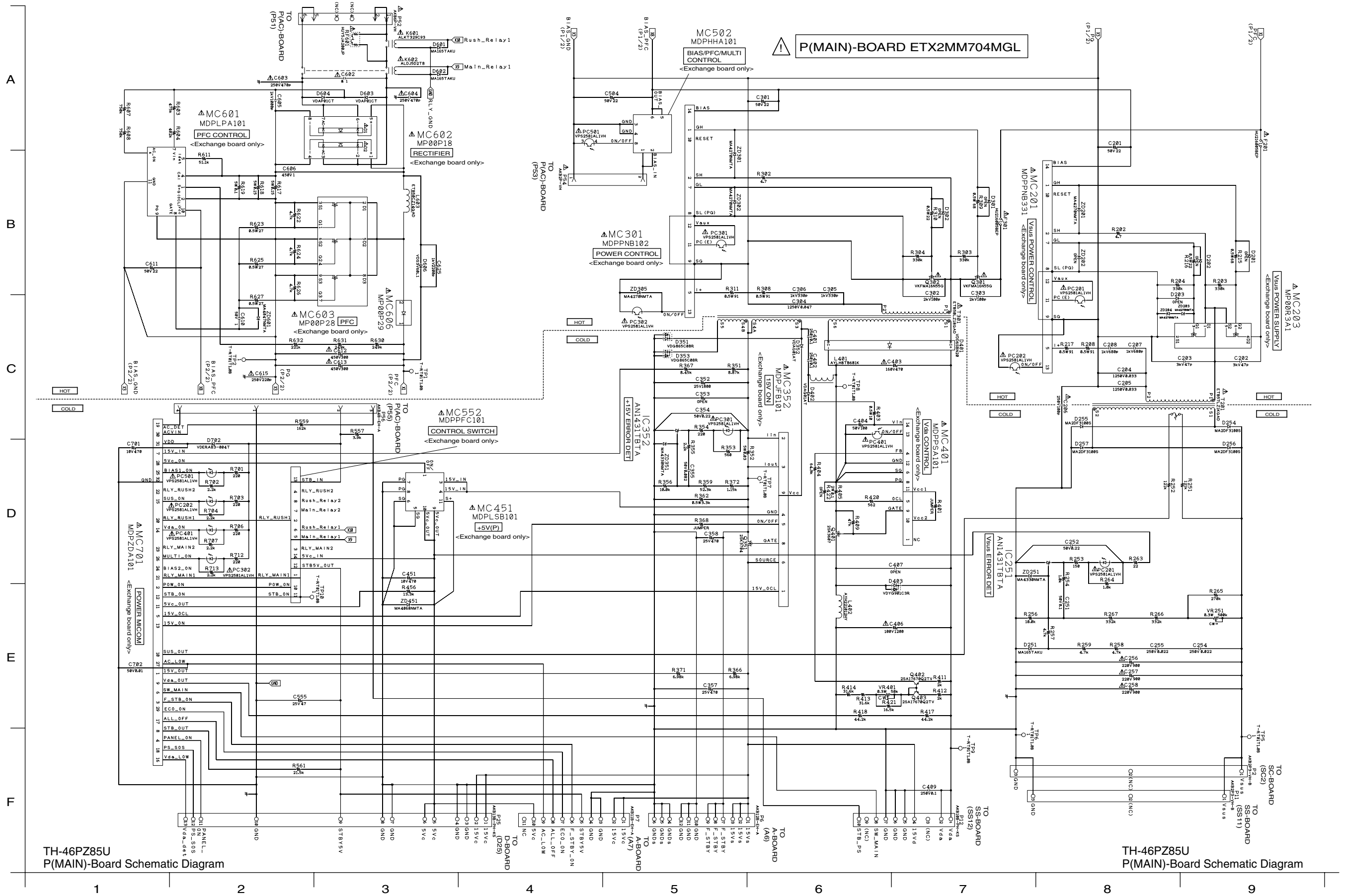
#### Remarks:

- The Power Circuit contains a circuit area which uses a separate power supply to isolate the earth connection.  
The circuit is defined by HOT and COLD indications in the schematic diagram. Take the following precautions.  
All circuits, except the Power Circuit, are cold.  
Precautions
  - Do not touch the hot part or the hot and cold parts at the same time or you may be shocked.
  - Do not short-circuit the hot and cold circuits or a fuse may blow and parts may break.
  - Do not connect an instrument, such as an oscilloscope, to the hot and cold circuits simultaneously or a fuse may blow.  
Connect the earth of instruments to the earth connection of the circuit being measured.
  - Make sure to disconnect the power plug before removing the chassis.

# 11.2. P(AC)-Board Schematic Diagram



# 11.3. P(MAIN)-Board Schematic Diagram



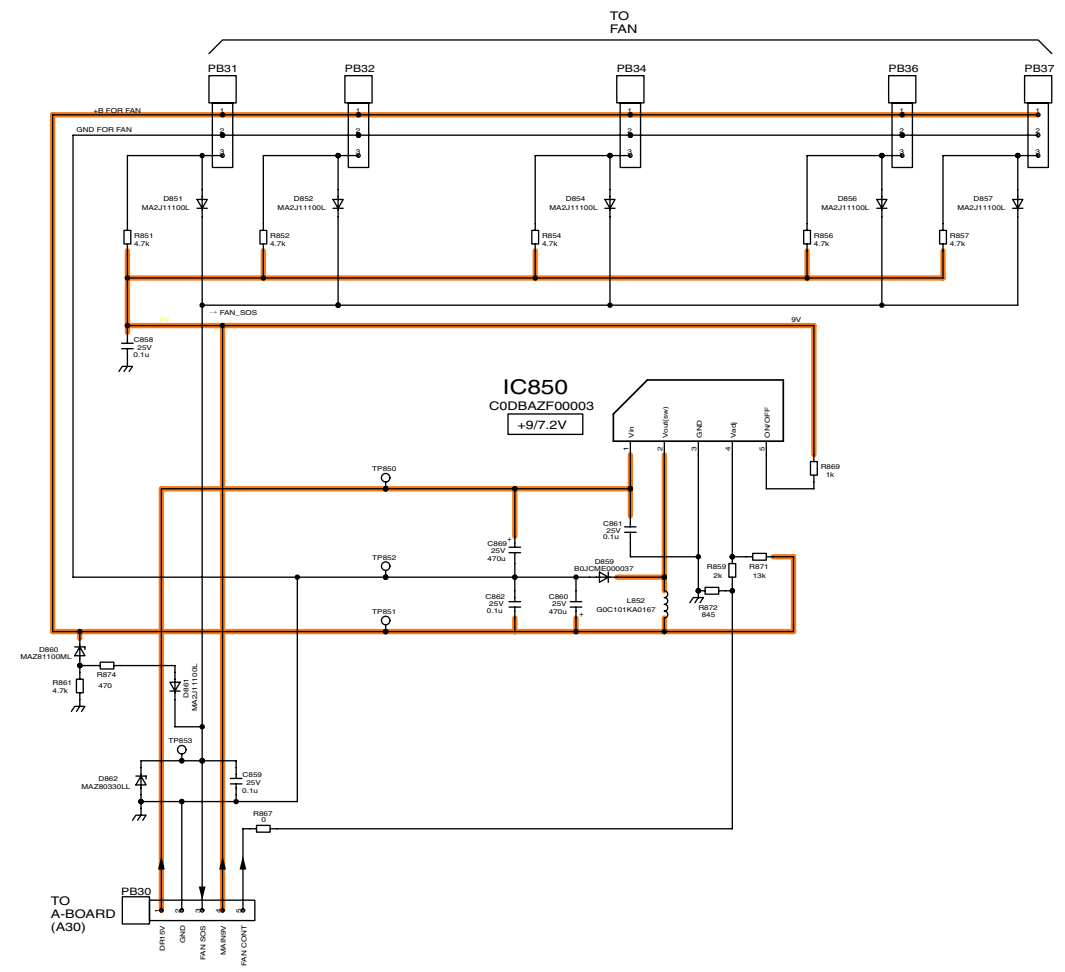
TH-46PZ85U  
P(MAIN)-Board Schematic Diagram

TH-46PZ85U  
P(MAIN)-Board Schematic Diagram

# 11.4. PB-Board Schematic Diagram

A  
B  
C  
D  
E

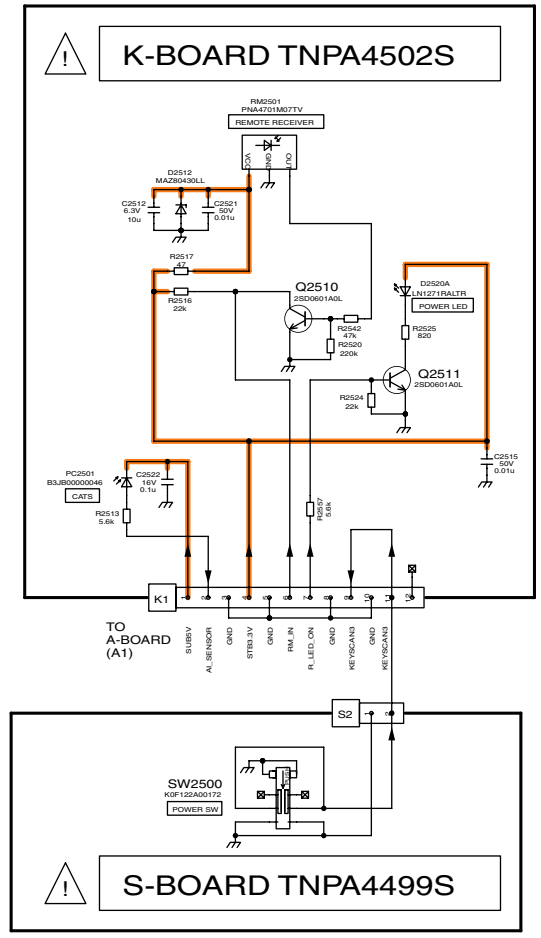
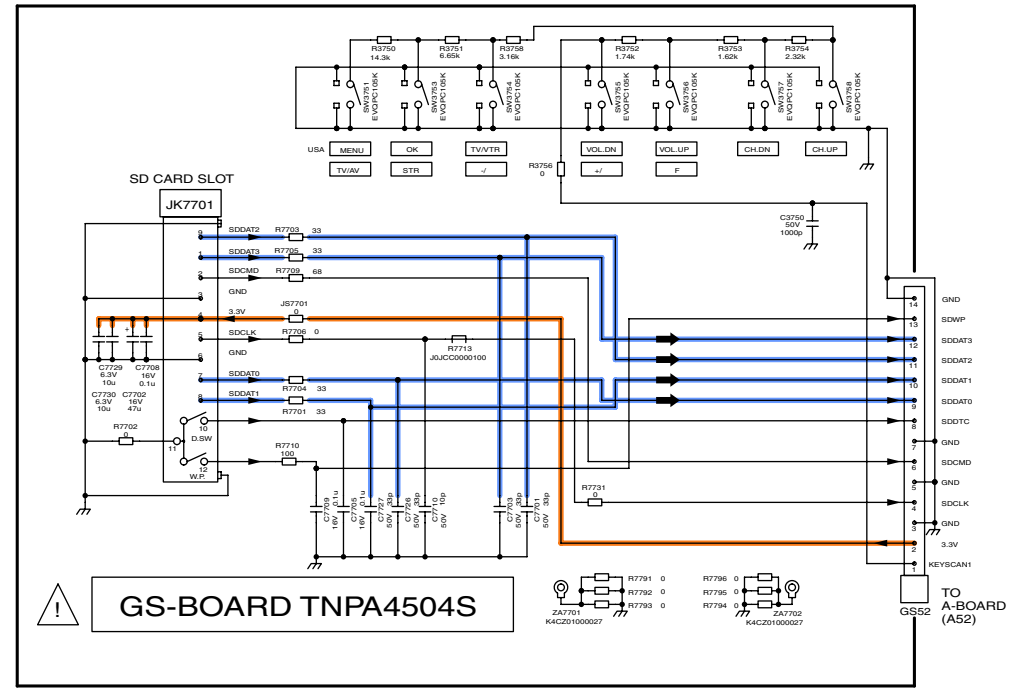
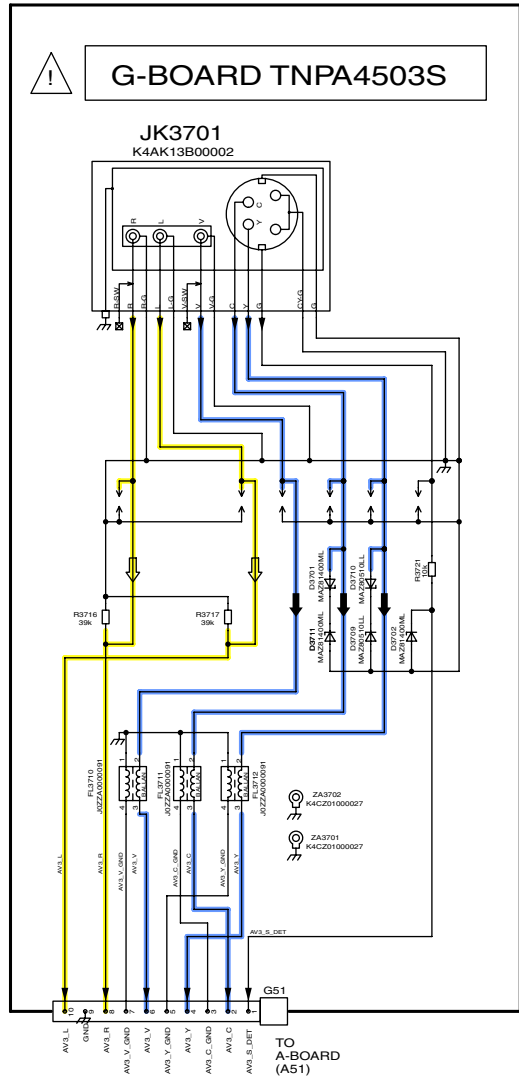
! PB-BOARD TNPA4243AHS





# 11.5. G, GS, K and S-Board Schematic Diagram

A  
B  
C  
D  
E

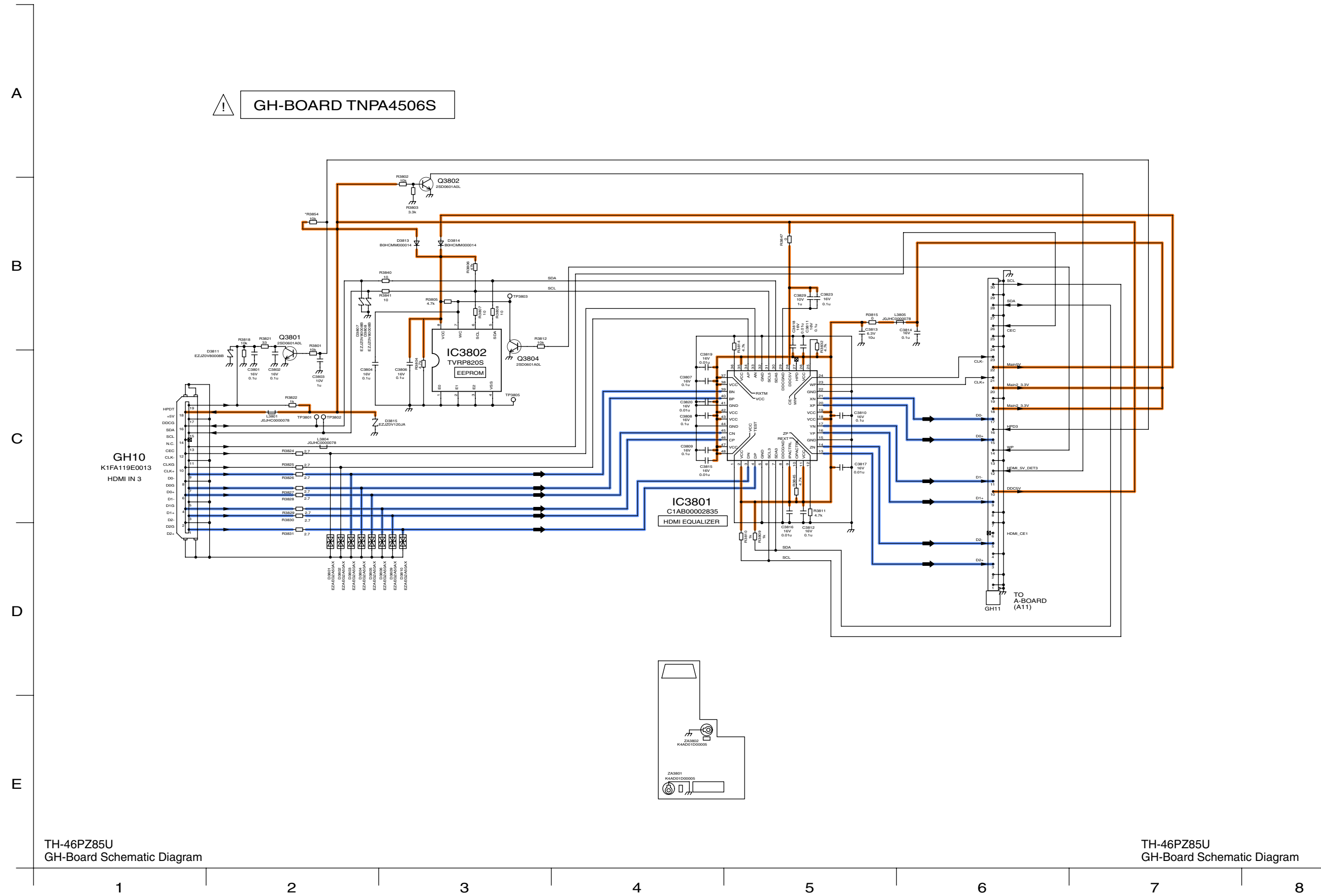


TH-46PZ85U  
G, GS, K and S-Board Schematic Diagram

TH-46PZ85U  
G, GS, K and S-Board Schematic Diagram

1 2 3 4 5 6 7 8

# 11.6. GH-Board Schematic Diagram



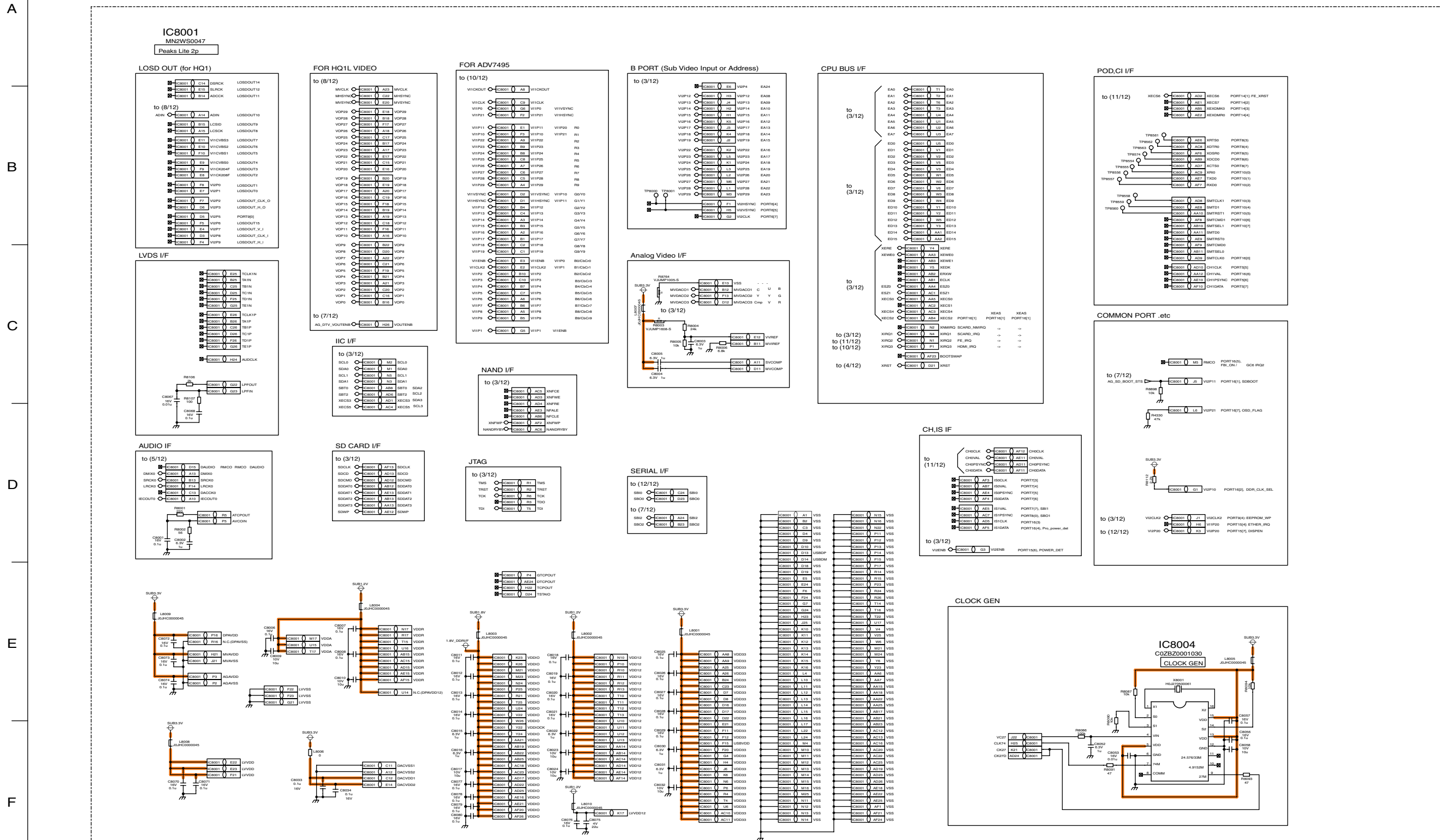
TH-46PZ85U  
GH-Board Schematic Diagram

TH-46PZ85U  
GH-Board Schematic Diagram

# 11.7. A-Board (1/12) Schematic Diagram

A-BOARD TNPH0721ABS (1/12)

Peaks-Lite2p,DDR



TH-46PZ85U  
A-Board (1/12) Schematic Diagram

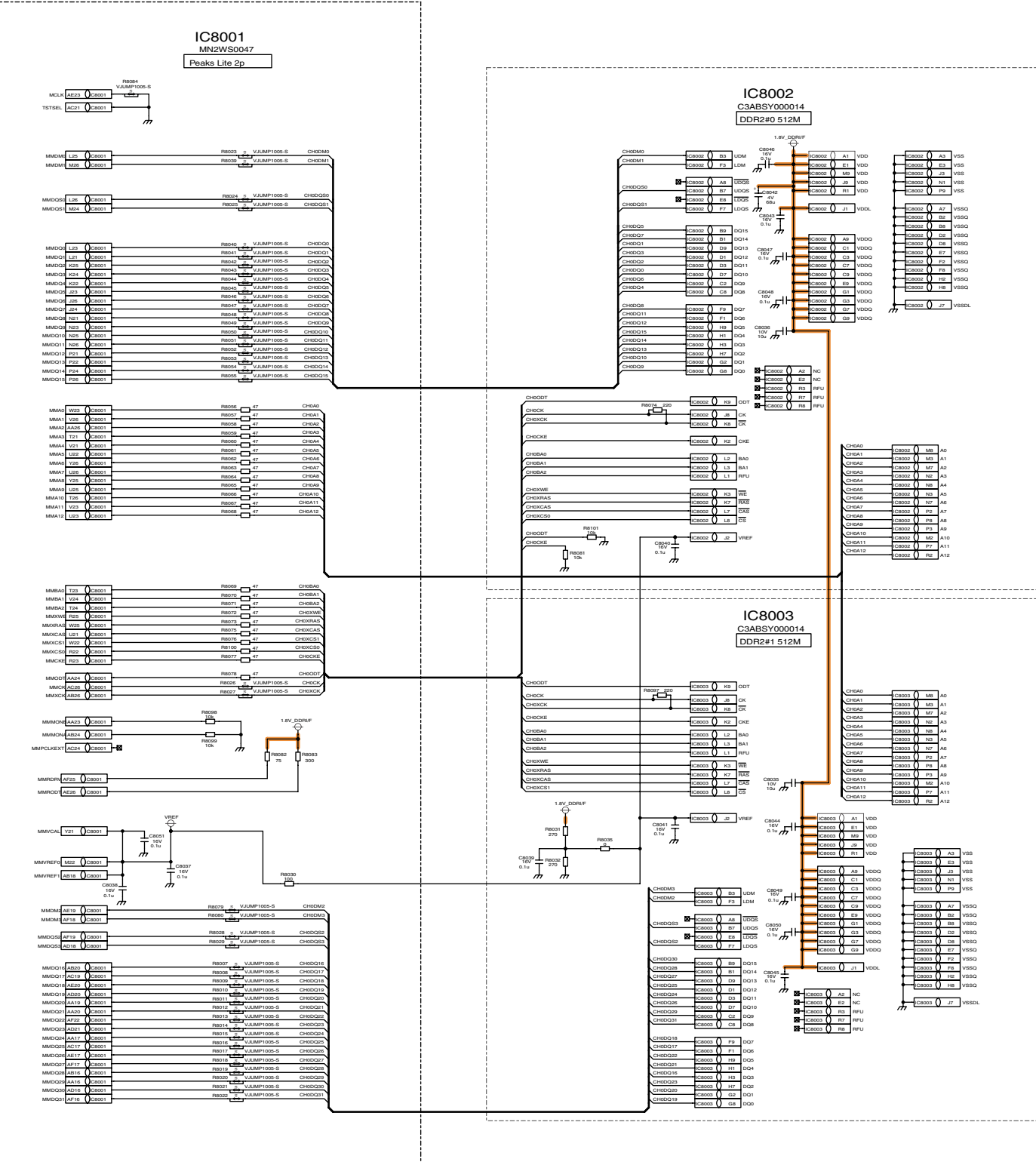
TH-46PZ85U  
A-Board (1/12) Schematic Diagram

1 2 3 4 5 6 7 8 9

# 11.8. A-Board (2/12) Schematic Diagram

A-BOARD TNPH0721ABS (2/12)

Peaks-Lite2p,DDR



TH-46PZ85U  
A-Board (2/12) Schematic Diagram

TH-46PZ85U  
A-Board (2/12) Schematic Diagram

10

11

12

13

14

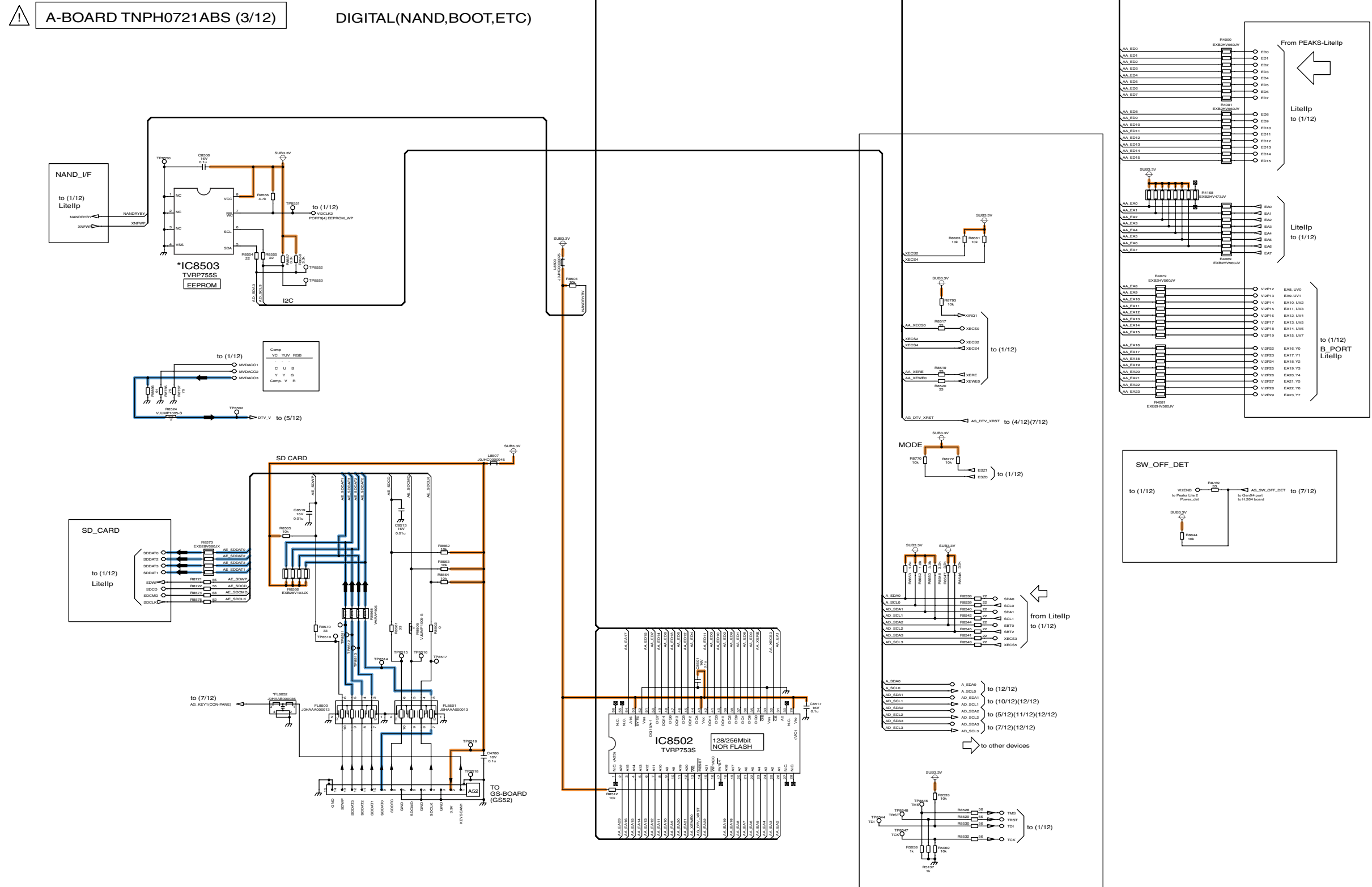
15

16

17

18

# 11.9. A-Board (3/12) Schematic Diagram



TH-46PZ85U  
A-Board (3/12) Schematic Diagram

TH-46PZ85U  
A-Board (3/12) Schematic Diagram

19

20

21

22

23

24

25

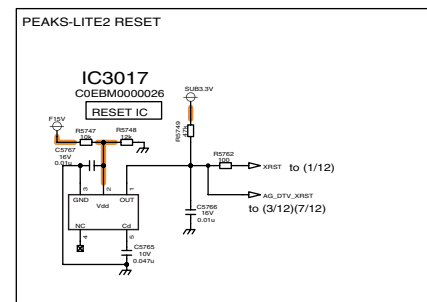
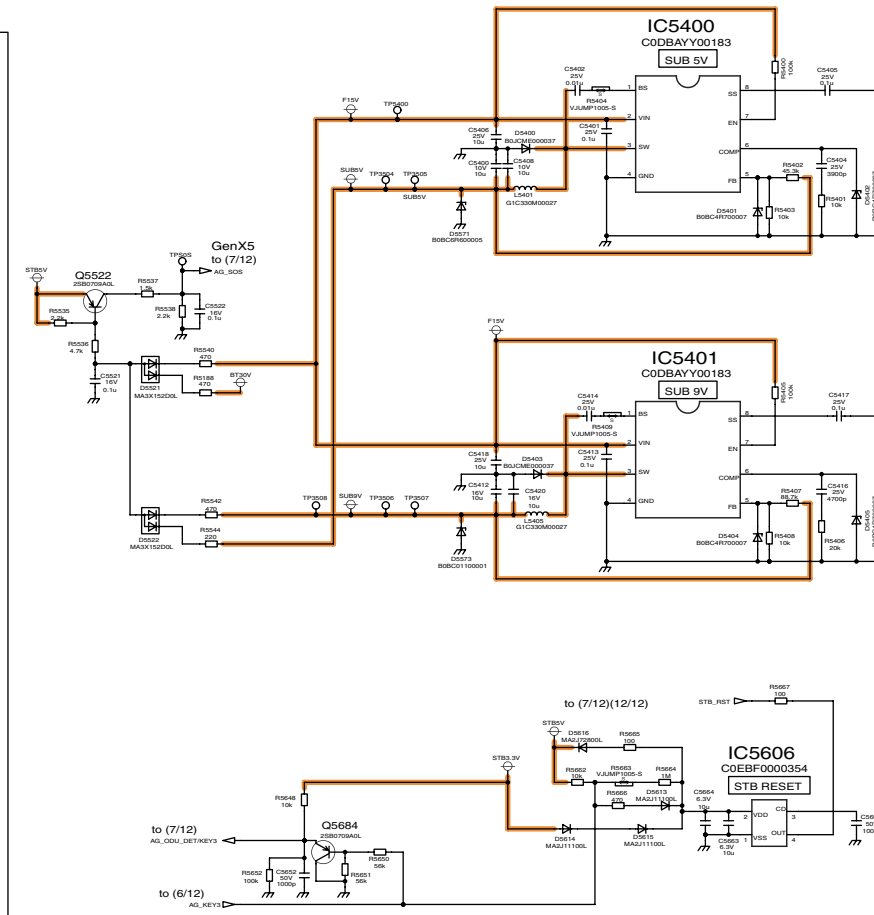
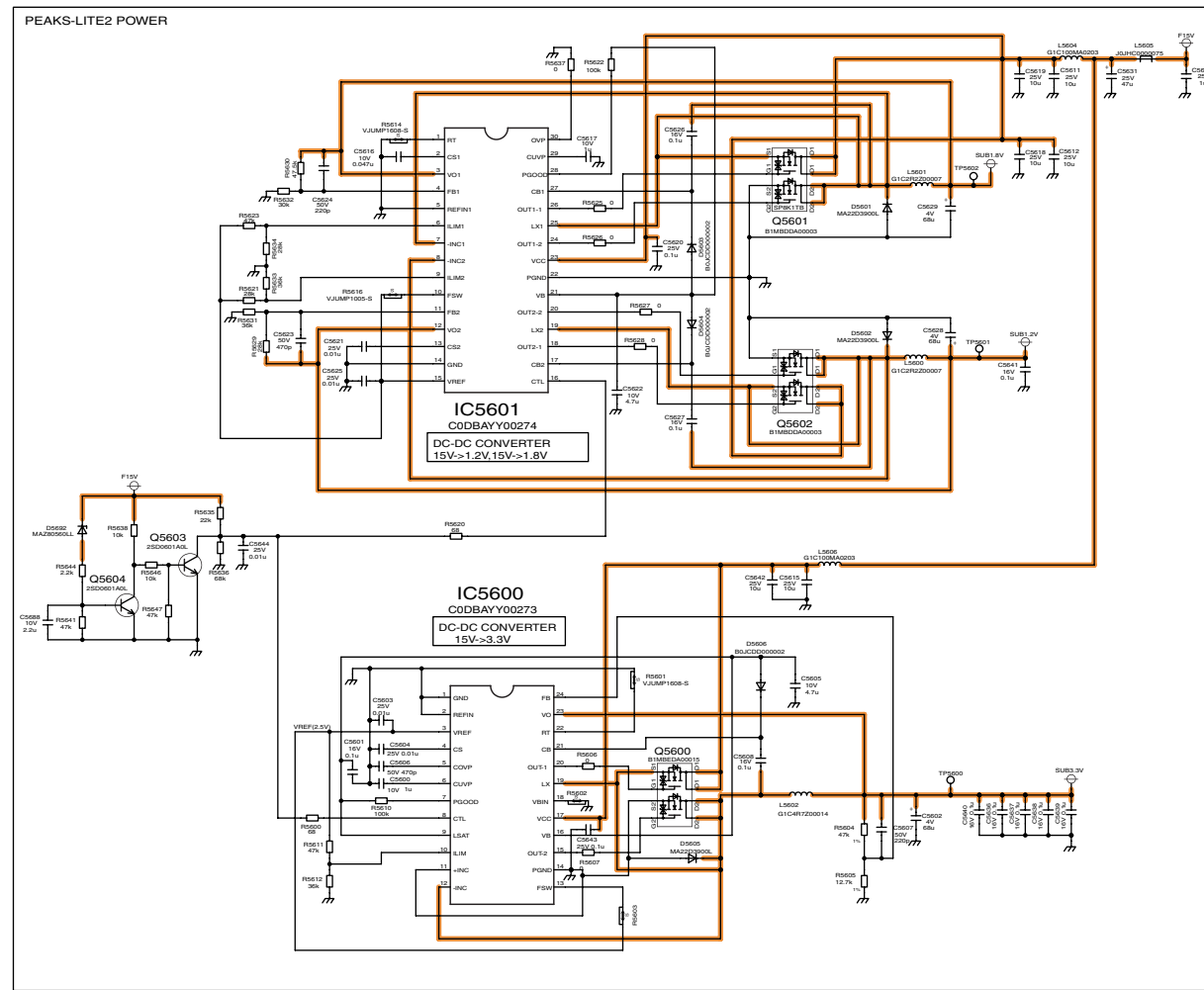
26

27

# 11.10. A-Board (4/12) Schematic Diagram

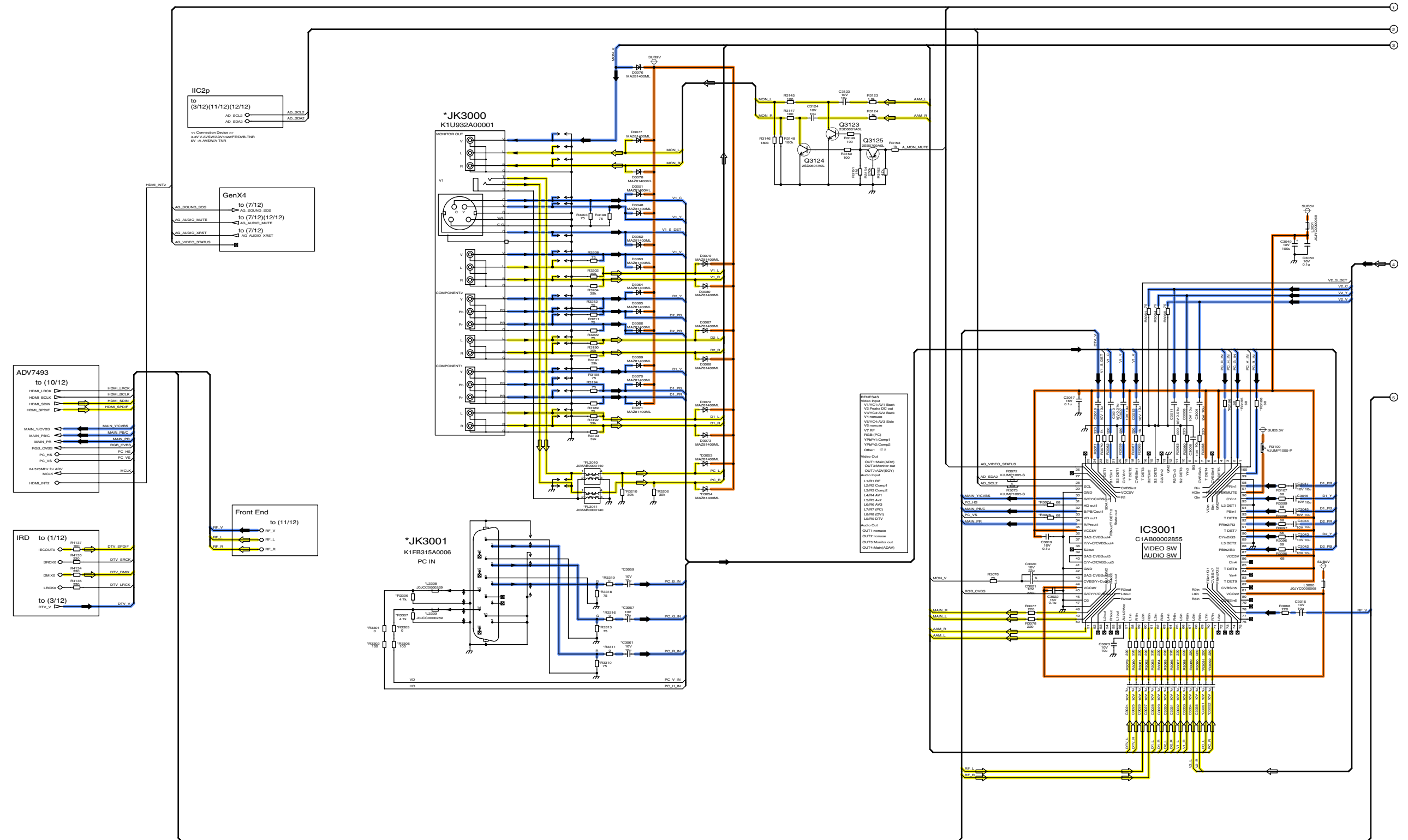
 A-BOARD TNP0721ABS (4/12)

POWER SUPPLY



# 11.11. A-Board (5/12) Schematic Diagram

⚠ A-BOARD TNPH0721ABS (5/12) CONNECTOR, AVSW



TH-46PZ85U  
A-Board (5/12) Schematic Diagram

TH-46PZ85U  
A-Board (5/12) Schematic Diagram

37

38

39

40

41

42

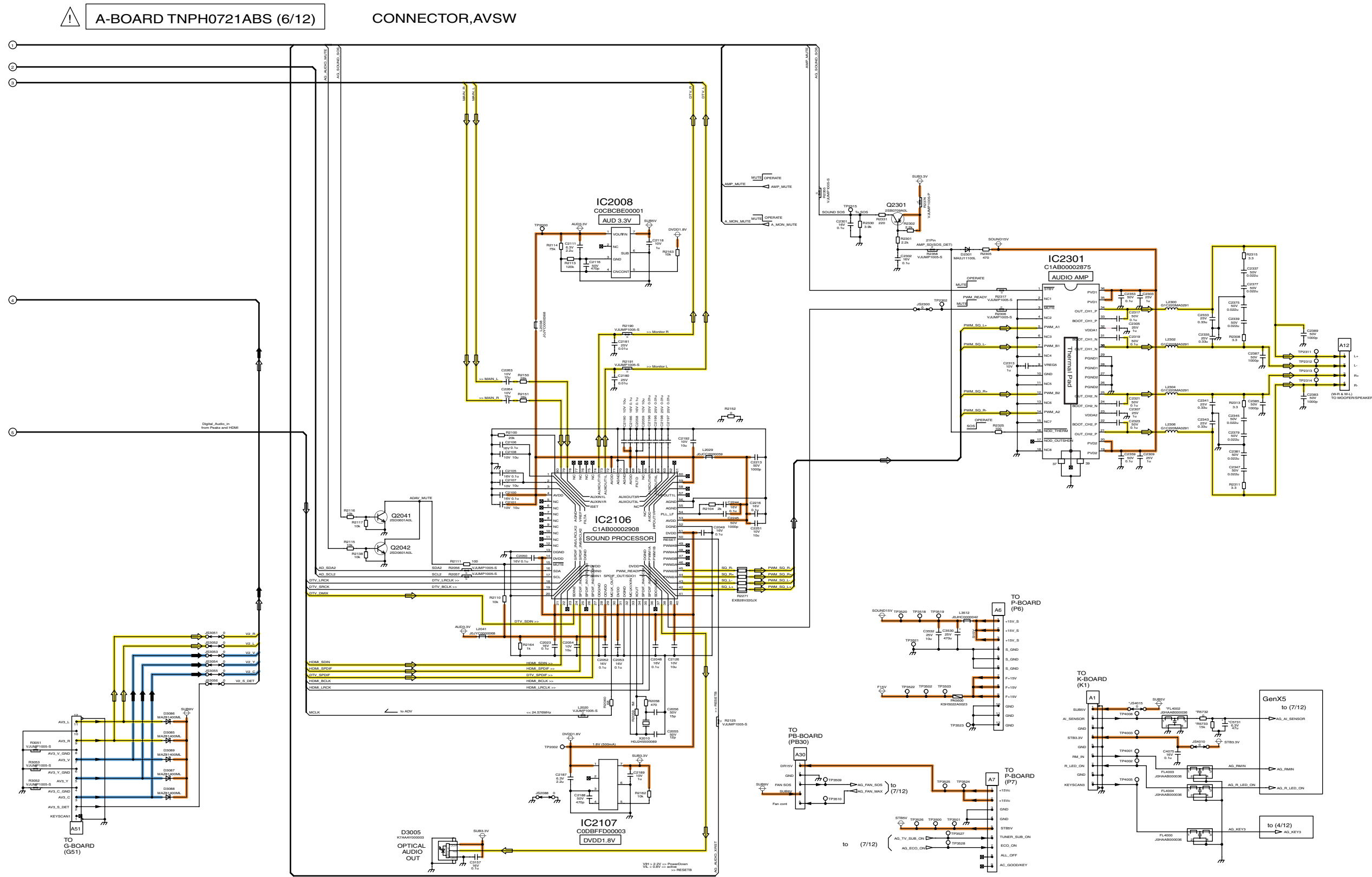
43

44

45



# 11.12. A-Board (6/12) Schematic Diagram



TH-46PZ85U  
A-Board (6/12) Schematic Diagram

TH-46PZ85U  
A-Board (6/12) Schematic Diagram

46

47

48

49

50

51

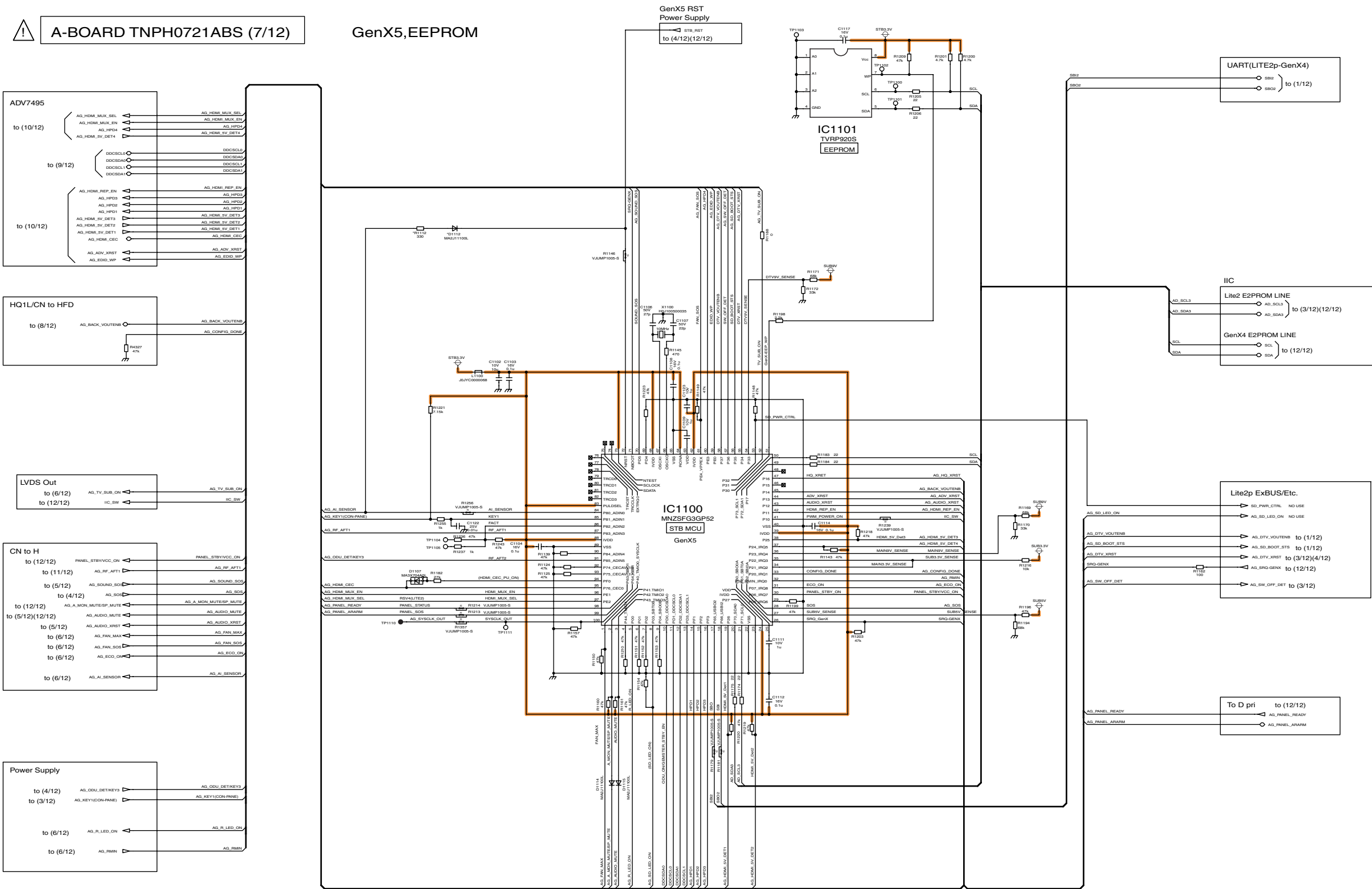
52

53

54



# 11.13. A-Board (7/12) Schematic Diagram



TH-46PZ85U  
A-Board (7/12) Schematic Diagram

TH-46PZ85U  
A-Board (7/12) Schematic Diagram

55

56

57

58

59

60

61

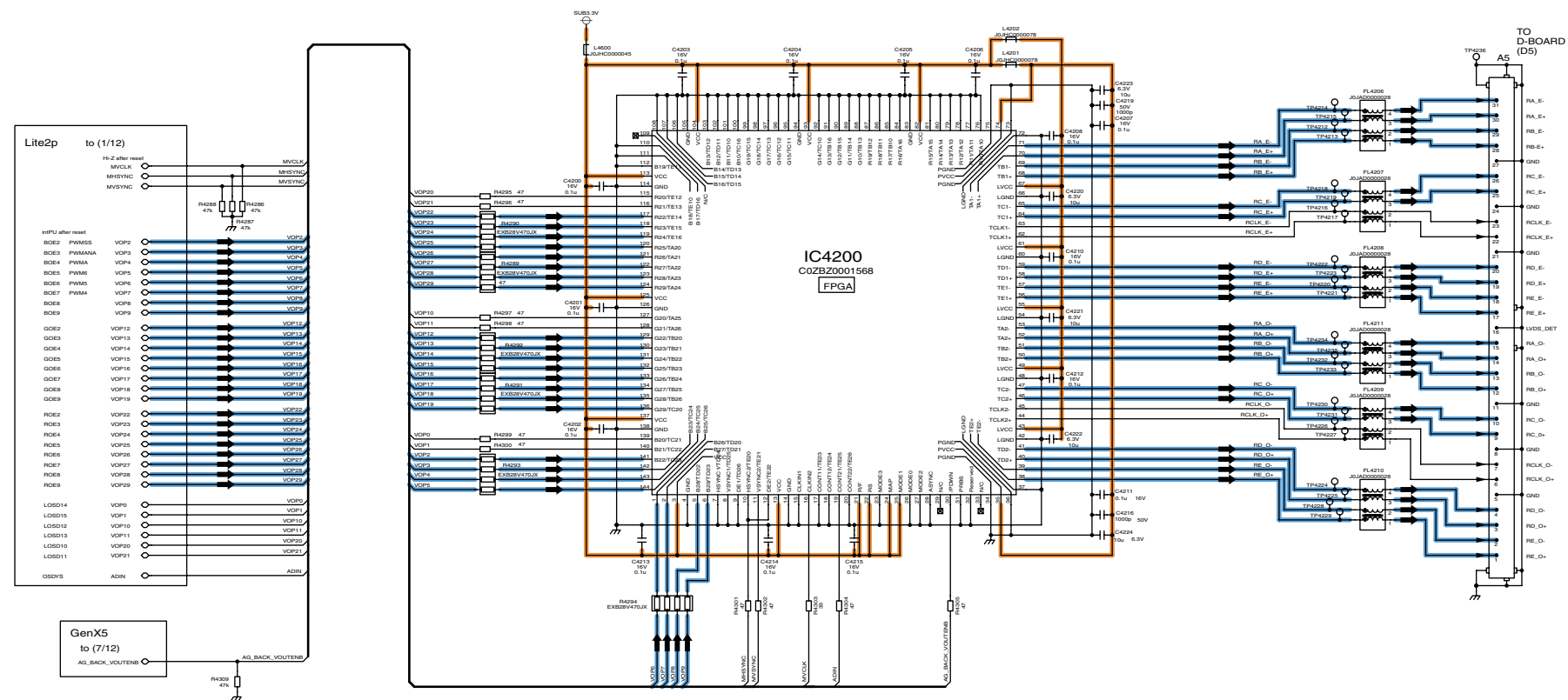
62

63

# 11.14. A-Board (8/12) Schematic Diagram

⚠ A-BOARD TNP0721ABS (8/12)

LVDS-Tx



TH-46PZ85U  
A-Board (8/12) Schematic Diagram

TH-46PZ85U  
A-Board (8/12) Schematic Diagram

64

65

66

67

68

69

70

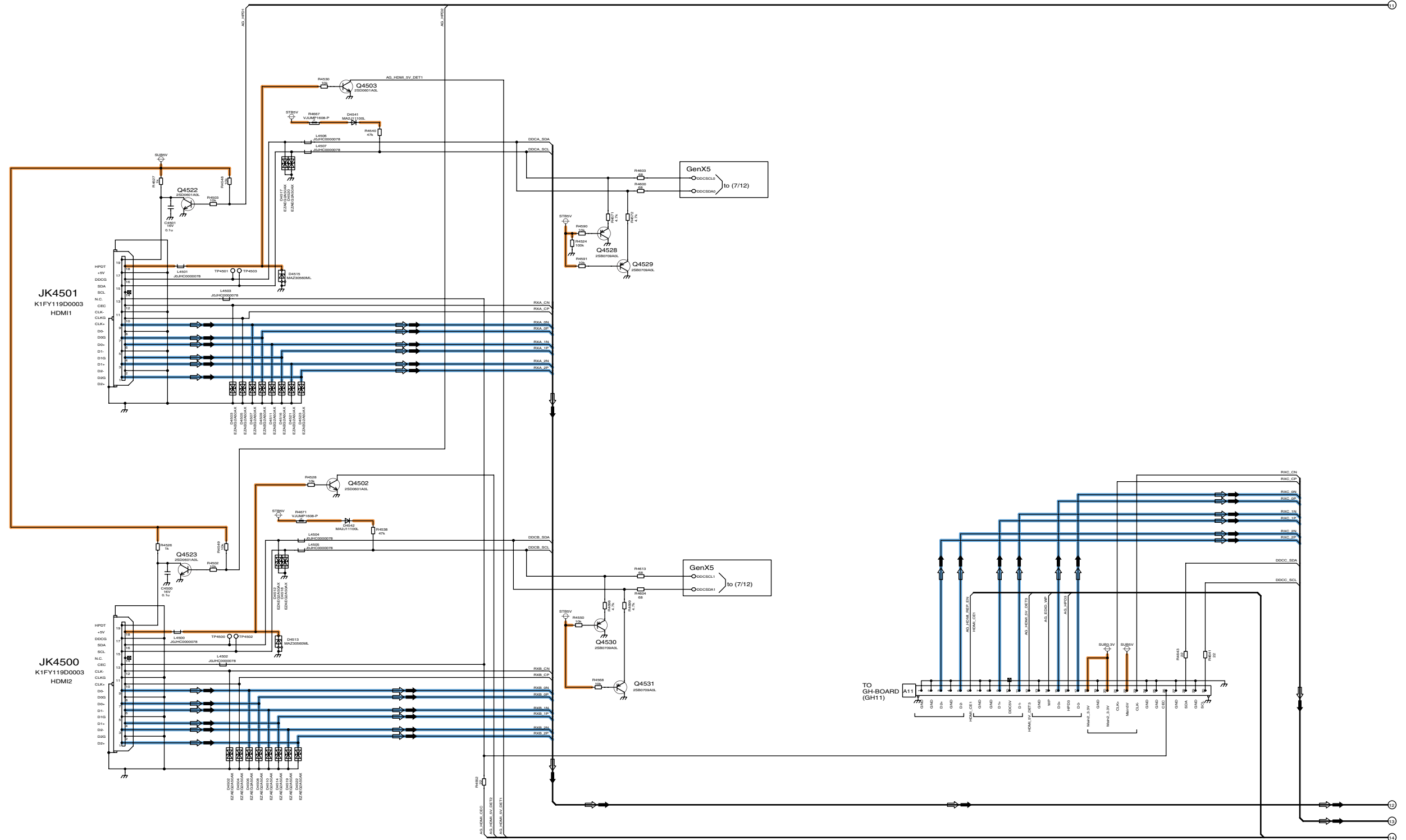
71

72

# 11.15. A-Board (9/12) Schematic Diagram

! A-BOARD TNPH0721ABS (9/12)

ADV7495,HDMI-Mux



TH-46PZ85U  
A-Board (9/12) Schematic Diagram

TH-46PZ85U  
A-Board (9/12) Schematic Diagram

73

74

75

76

77

78

79

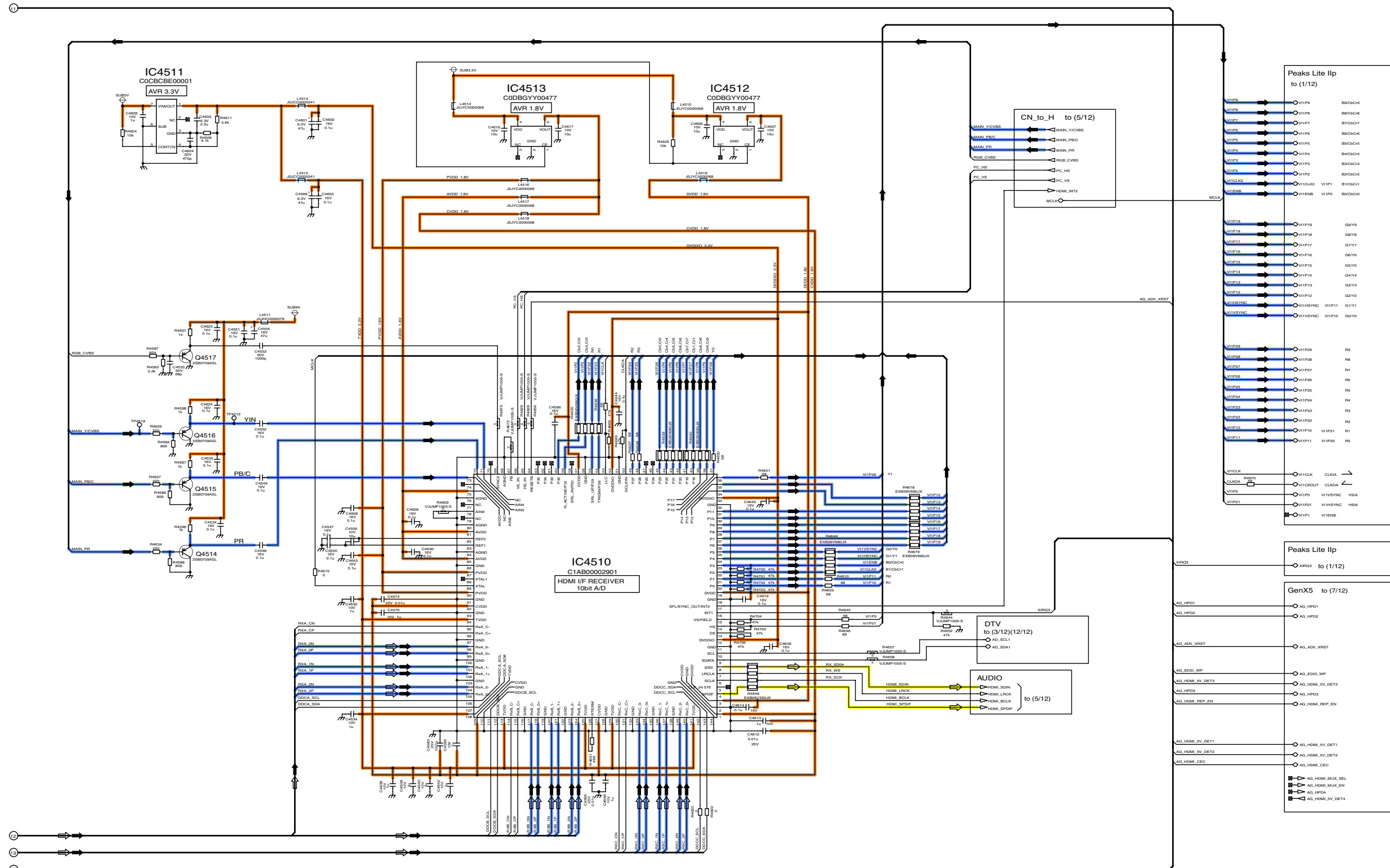
80

81

# 11.16. A-Board (10/12) Schematic Diagram

A-BOARD TNPH0721ABS (10/12)

ADV7495,HDMI-Mux



TH-46PZ85U  
A-Board (10/12) Schematic Diagram

TH-46PZ85U  
A-Board (10/12) Schematic Diagram

82

83

84

85

86

87

88

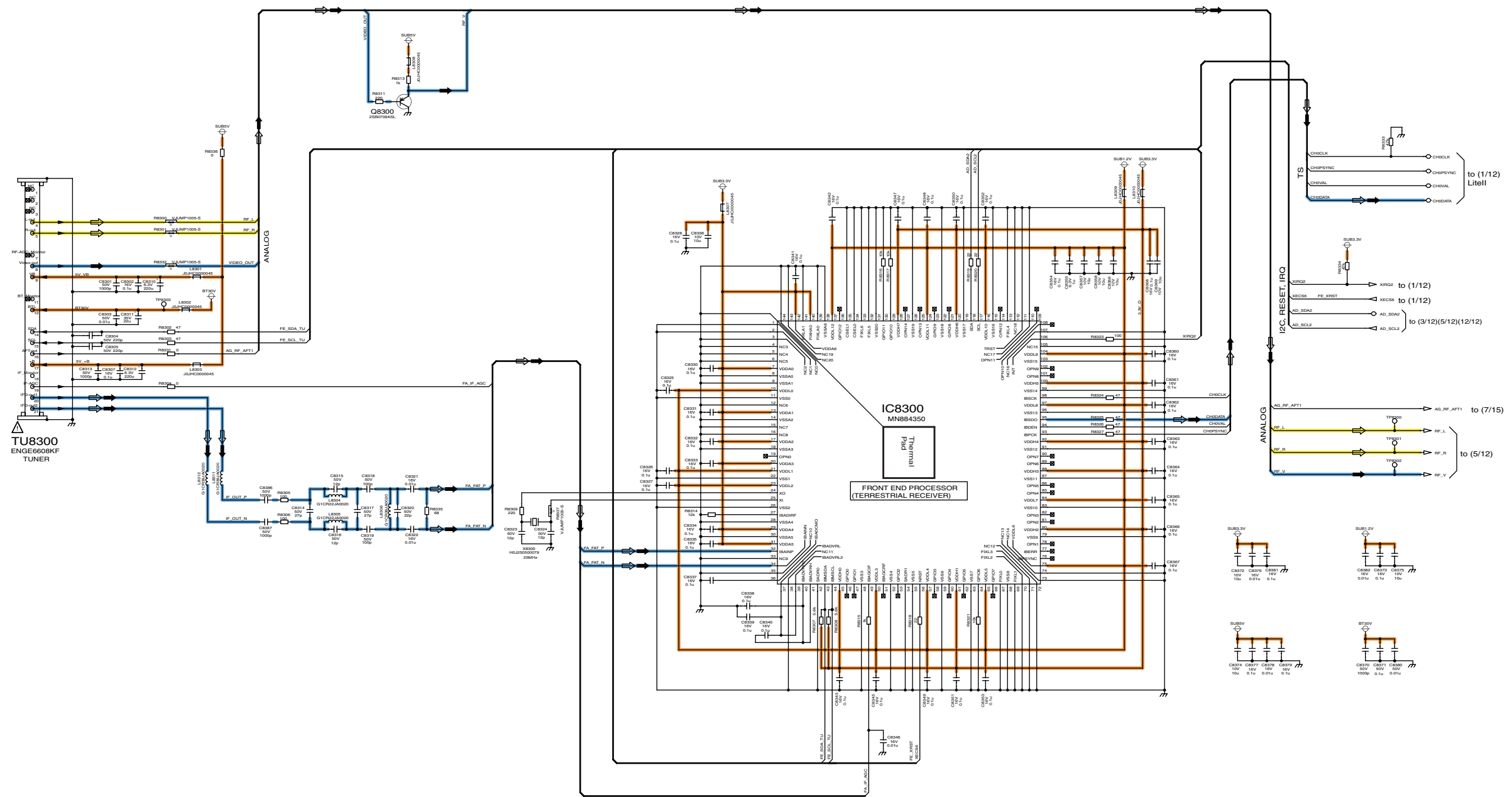
89

90

# 11.17. A-Board (11/12) Schematic Diagram

A-BOARD TNPH0721ABS (11/12)

FrontEnd



TH-46PZ85U  
A-Board (11/12) Schematic Diagram

TH-46PZ85U  
A-Board (11/12) Schematic Diagram

91

92

93

94

95

96

97

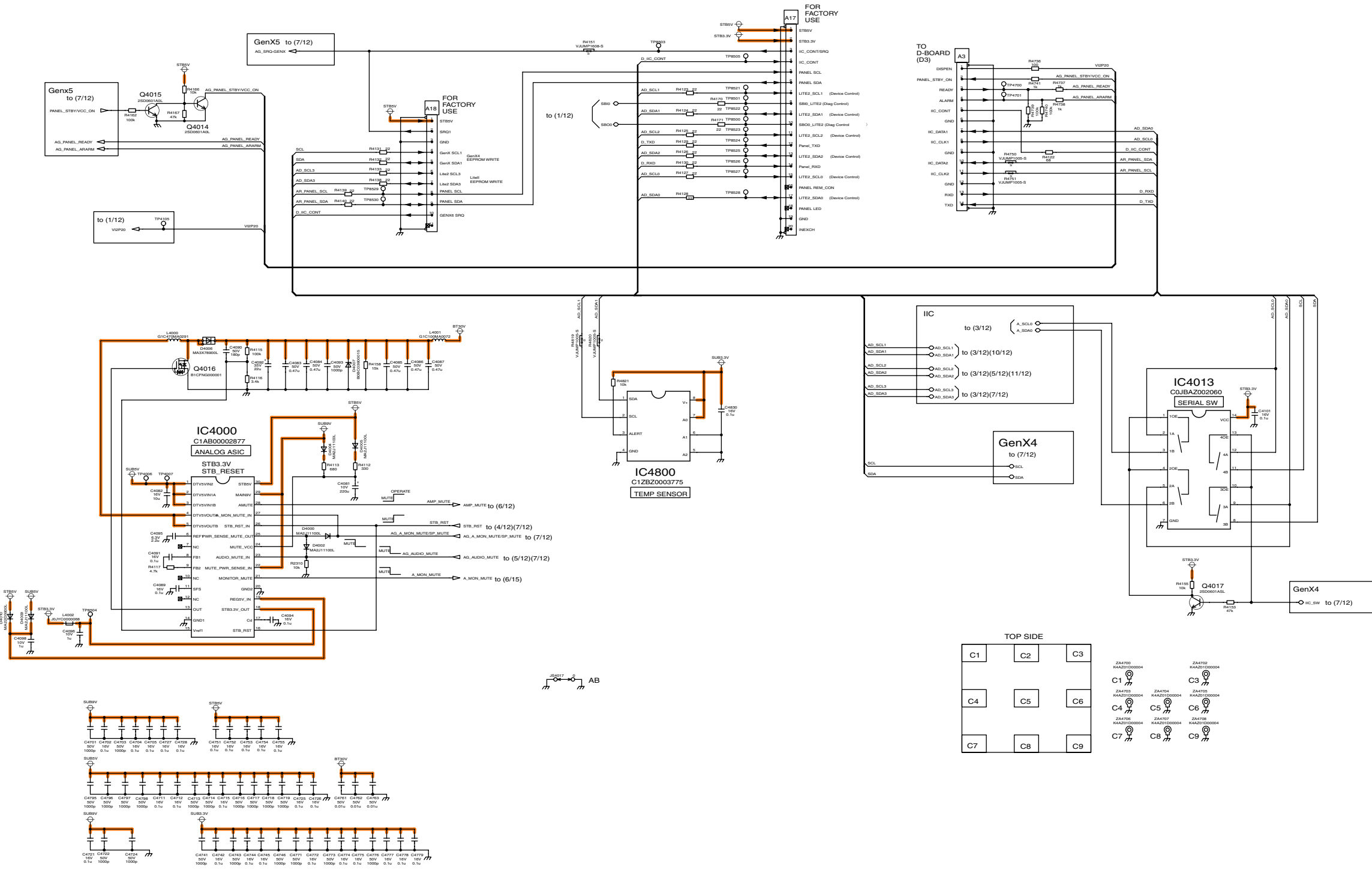
98

99

# 11.18. A-Board (12/12) Schematic Diagram

**A-BOARD TNPH0721ABS (12/12)**

**CONNECTOR**



TH-46PZ85U  
A-Board (12/12) Schematic Diagram

TH-46PZ85U  
A-Board (12/12) Schematic Diagram

100

101

102

103

104

105

106

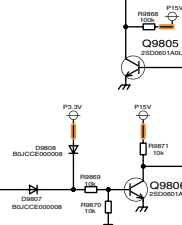
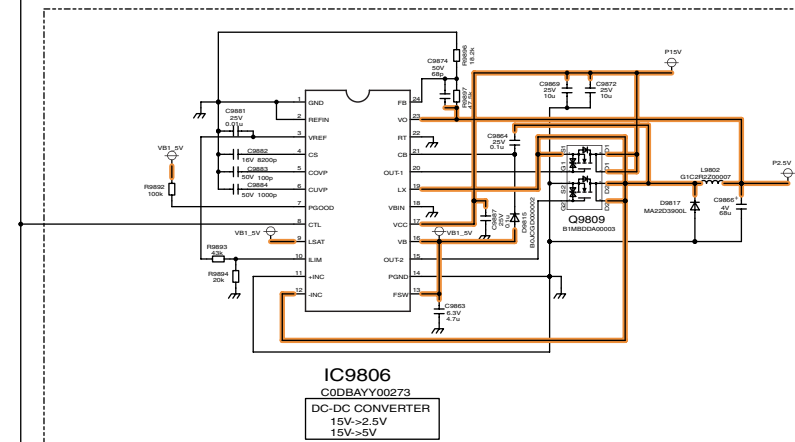
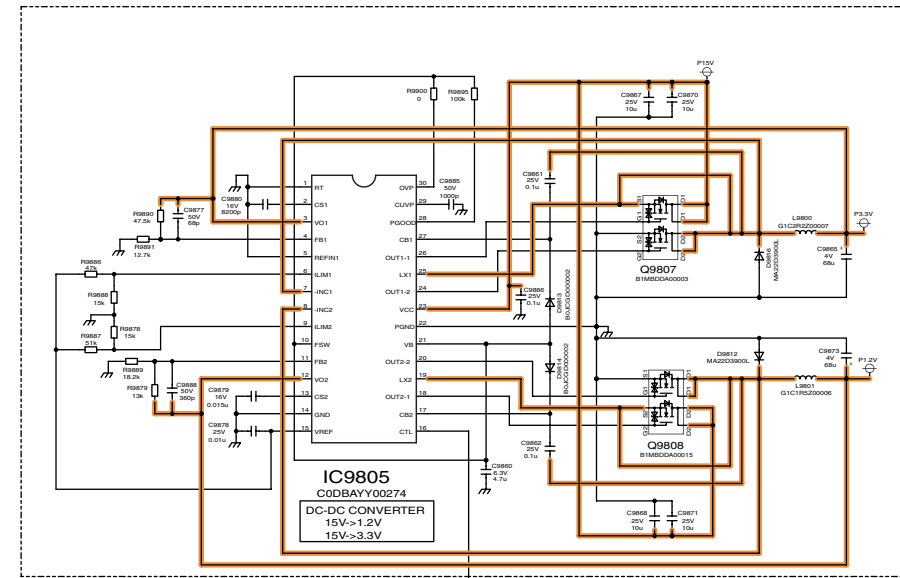
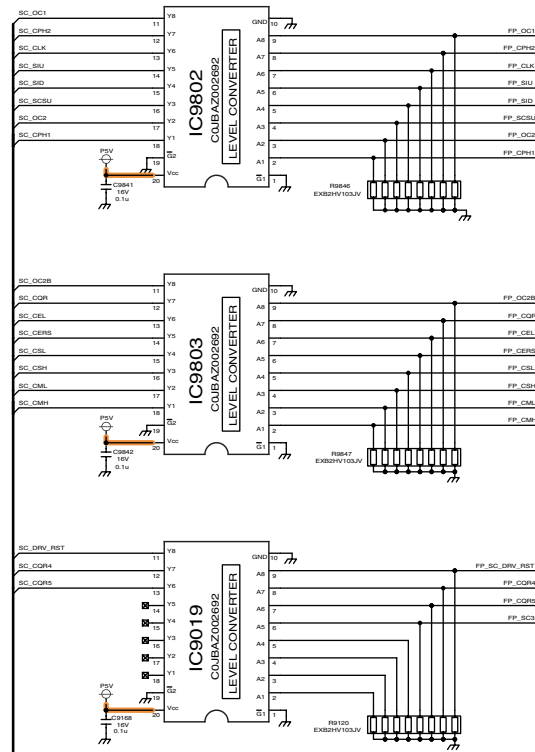
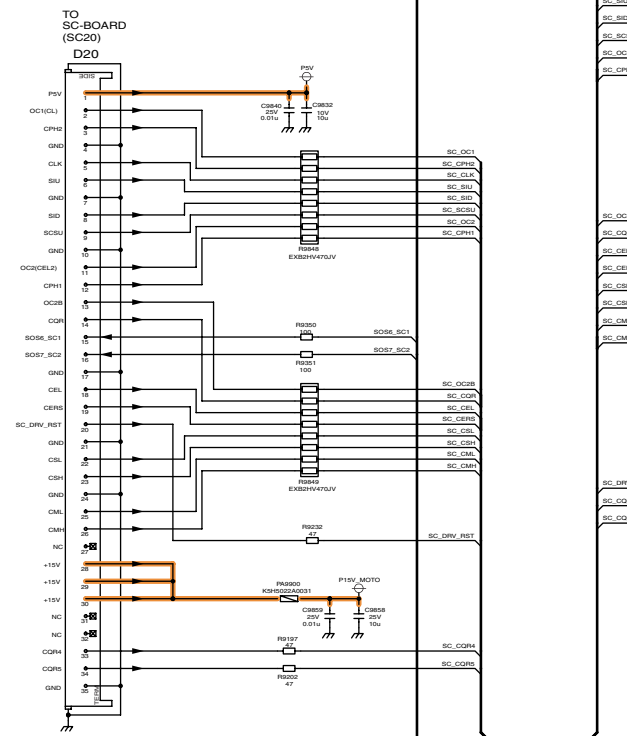
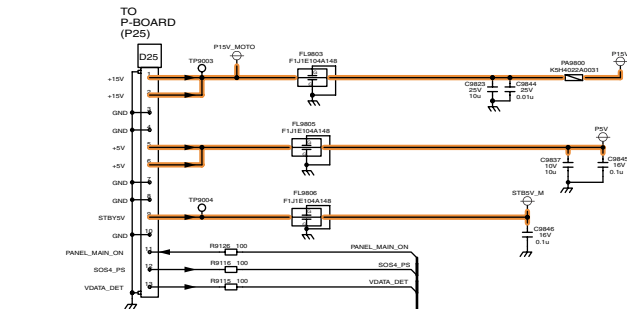
107

108

# 11.19. D-Board (1/6) Schematic Diagram

A  
B  
C  
D  
E  
F

⚠ D-BOARD TNPA4439AKS (1/6)



TH-46PZ85U  
D-Board (1/6) Schematic Diagram

TH-46PZ85U  
D-Board (1/6) Schematic Diagram

1

2

3

4

5

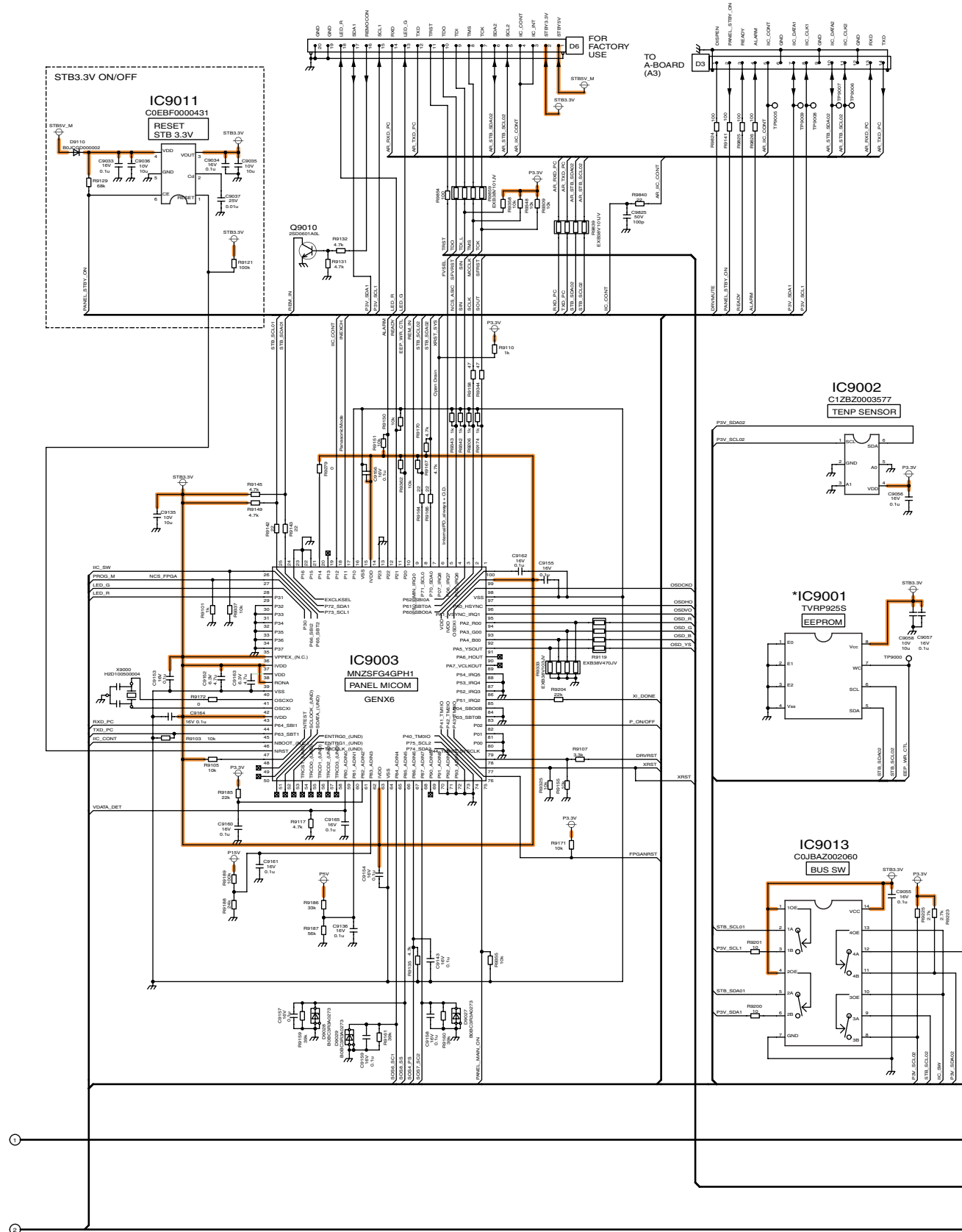
6

7

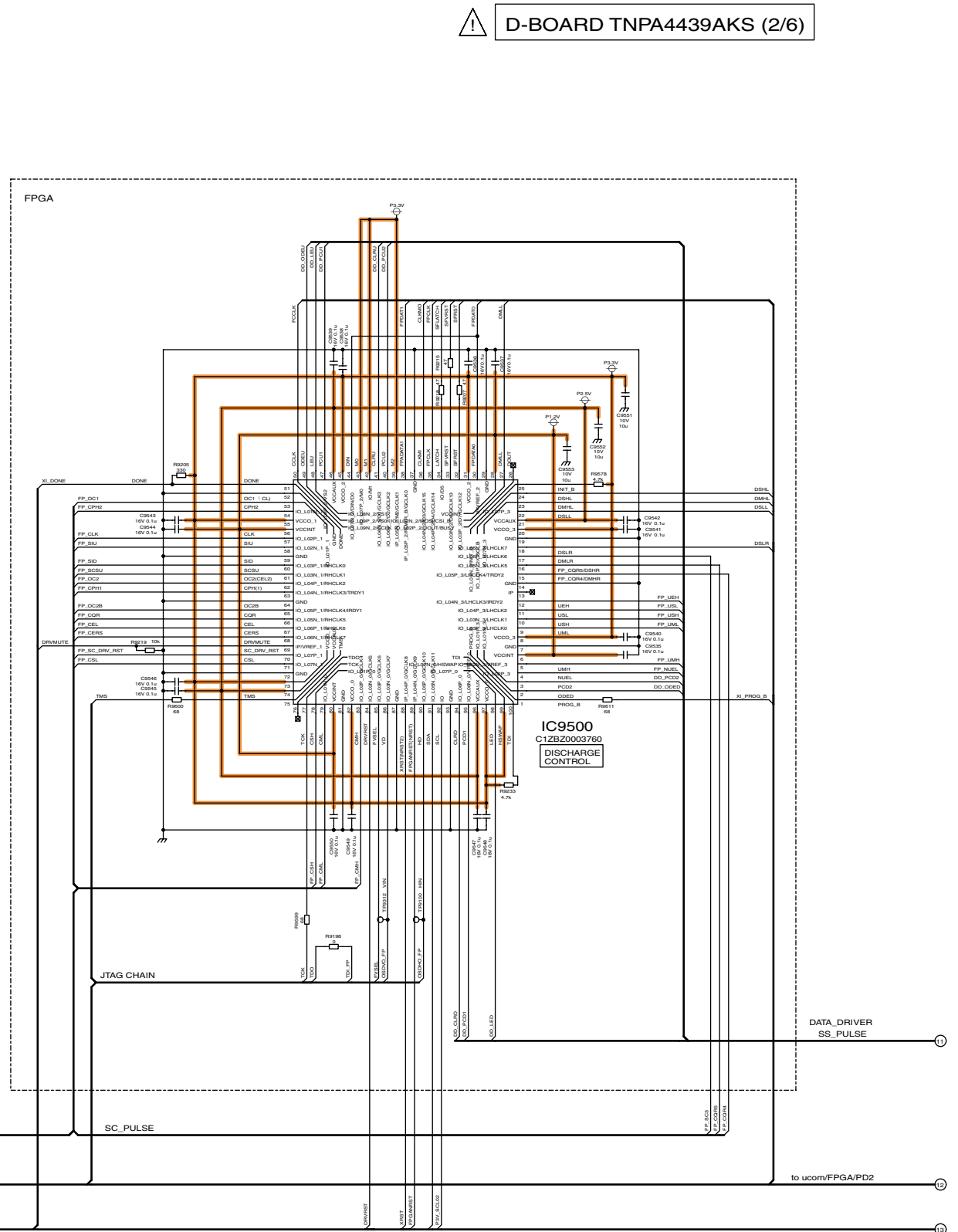
8

9

# 11.20. D-Board (2/6) Schematic Diagram



TH-46PZ85U  
D-Board (2/6) Schematic Diagram



TH-46PZ85U  
D-Board (2/6) Schematic Diagram

⚠ D-BOARD TNPA4439AKS (2/6)

10

11

12

13

14

15

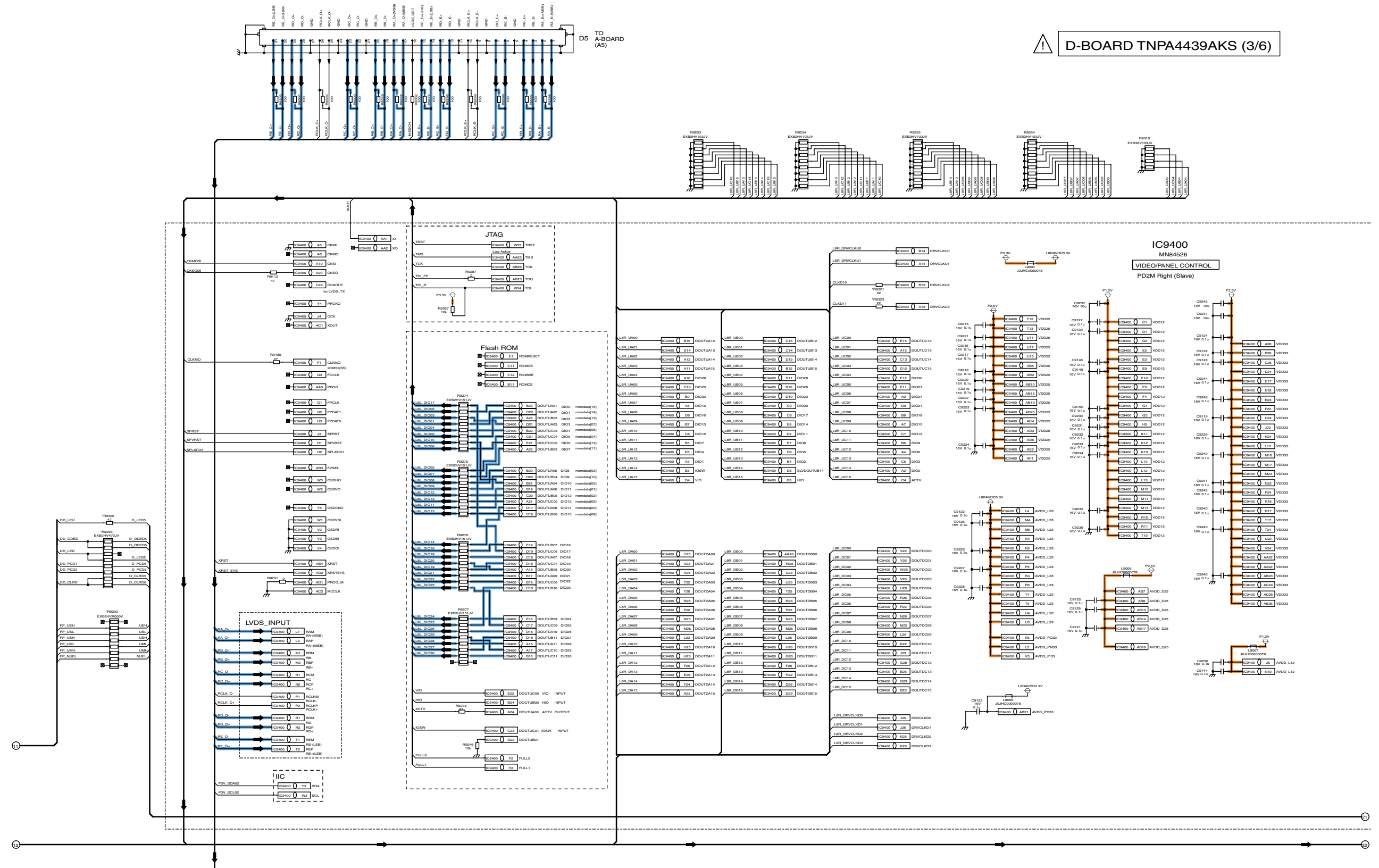
16

17

18



# 11.21. D-Board (3/6) Schematic Diagram



TH-46PZ85U  
D-Board (3/6) Schematic Diagram

TH-46PZ85U  
D-Board (3/6) Schematic Diagram

19

20

21

22

23

24

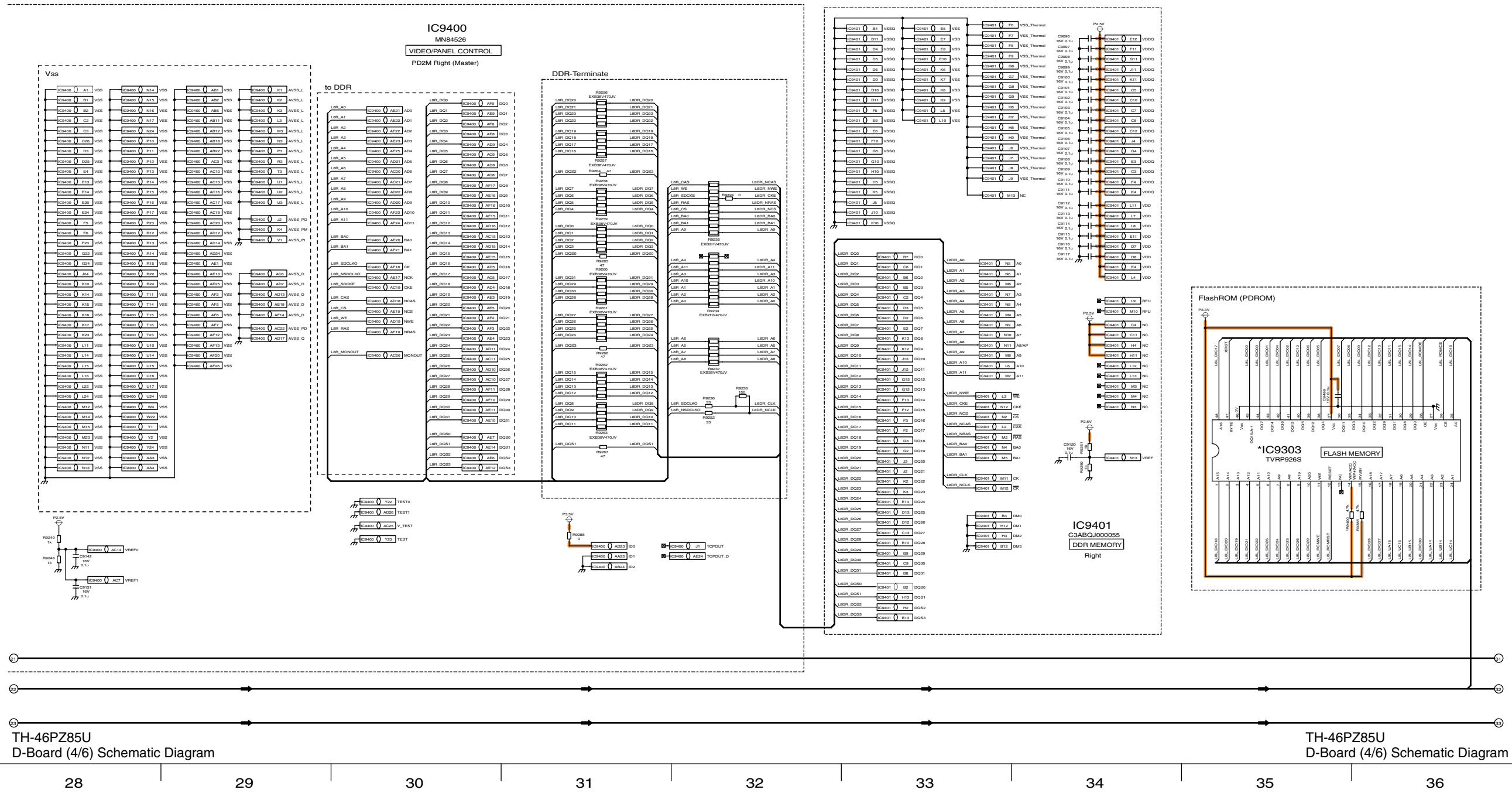
25

26

27

# 11.22. D-Board (4/6) Schematic Diagram

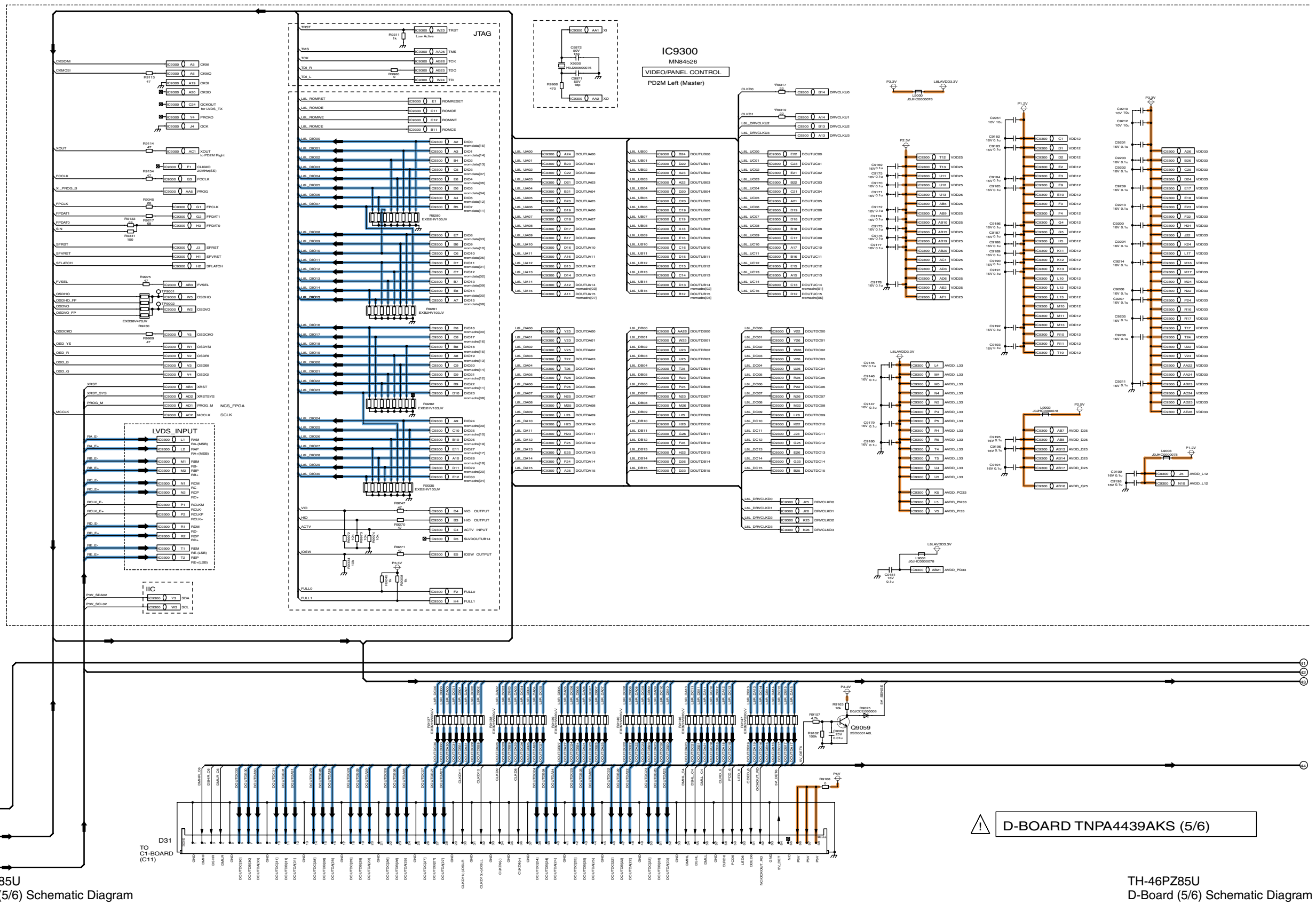
⚠ D-BOARD TNPA4439AKS (4/6)



TH-46PZ85U  
D-Board (4/6) Schematic Diagram

TH-46PZ85U  
D-Board (4/6) Schematic Diagram

# 11.23. D-Board (5/6) Schematic Diagram



D-BOARD TNPA4439AKS (5/6)

TH-46PZ85U  
D-Board (5/6) Schematic Diagram

TH-46PZ85U  
D-Board (5/6) Schematic Diagram

37

38

39

40

41

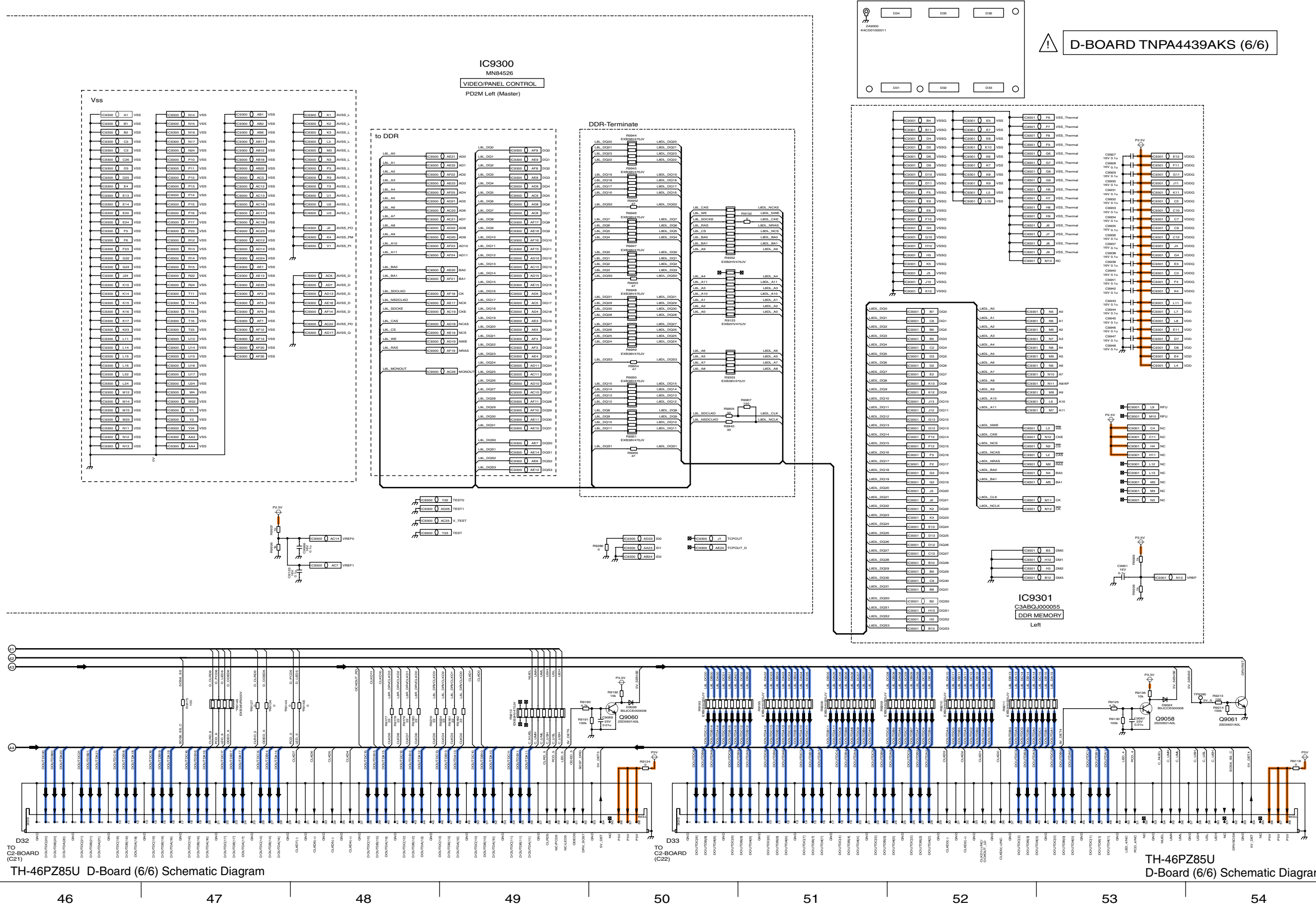
42

43

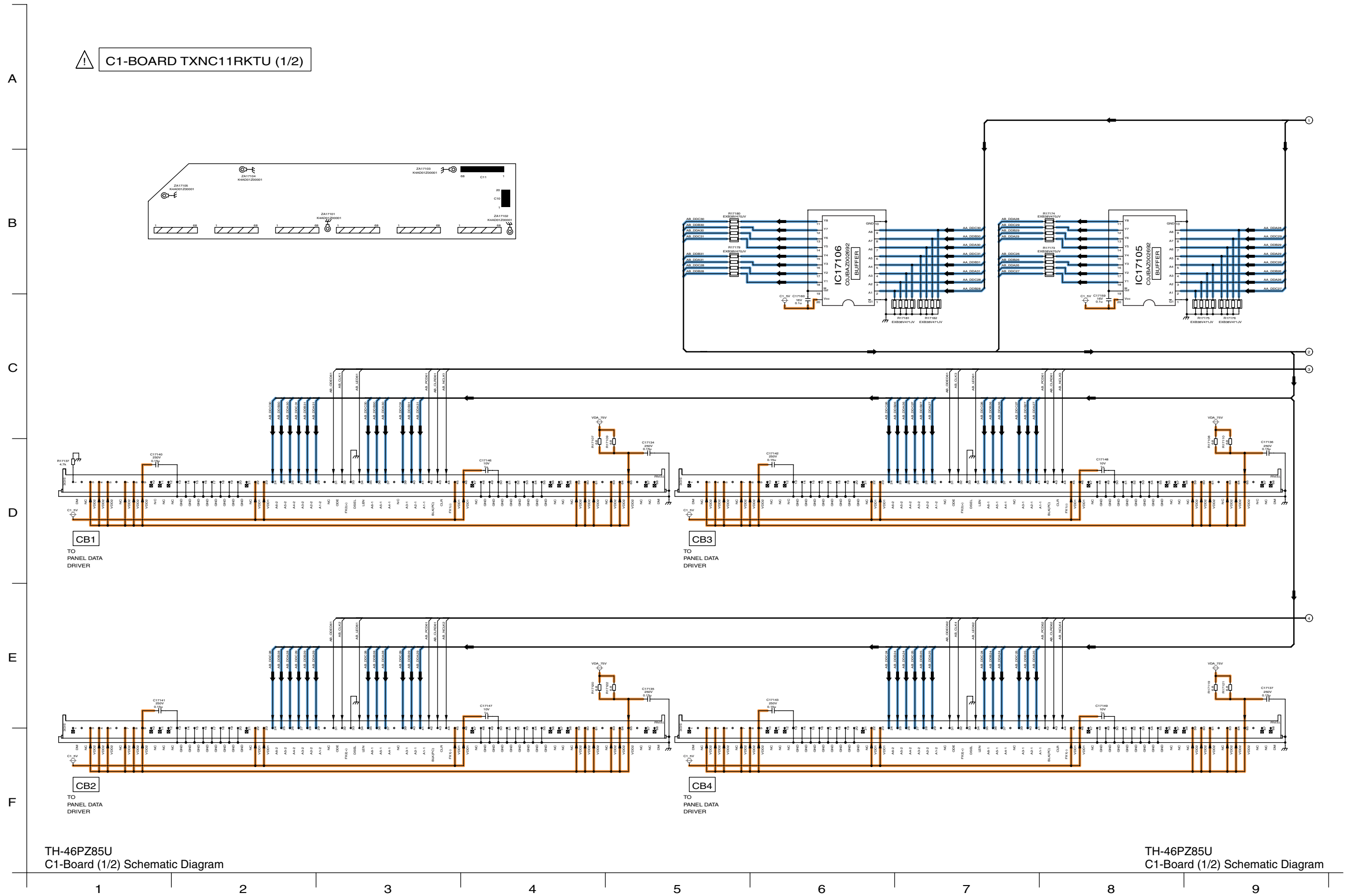
44

45

# 11.24. D-Board (6/6) Schematic Diagram



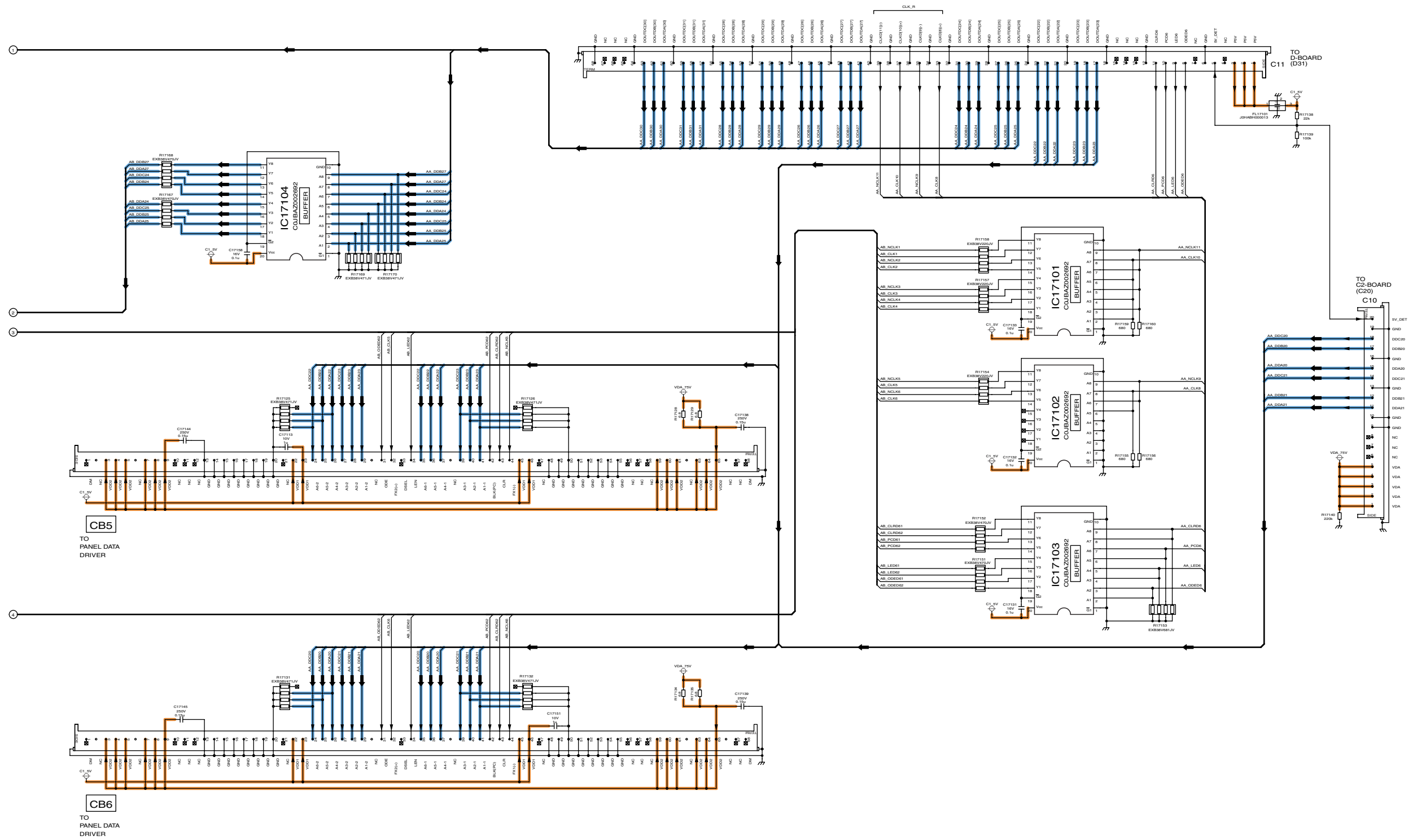
# 11.25. C1-Board (1/2) Schematic Diagram





# 11.26. C1-Board (2/2) Schematic Diagram

⚠ C1-BOARD TXNC11RKTU (2/2)



TH-46PZ85U  
C1-Board (2/2) Schematic Diagram

TH-46PZ85U  
C1-Board (2/2) Schematic Diagram

10

11

12

13

14

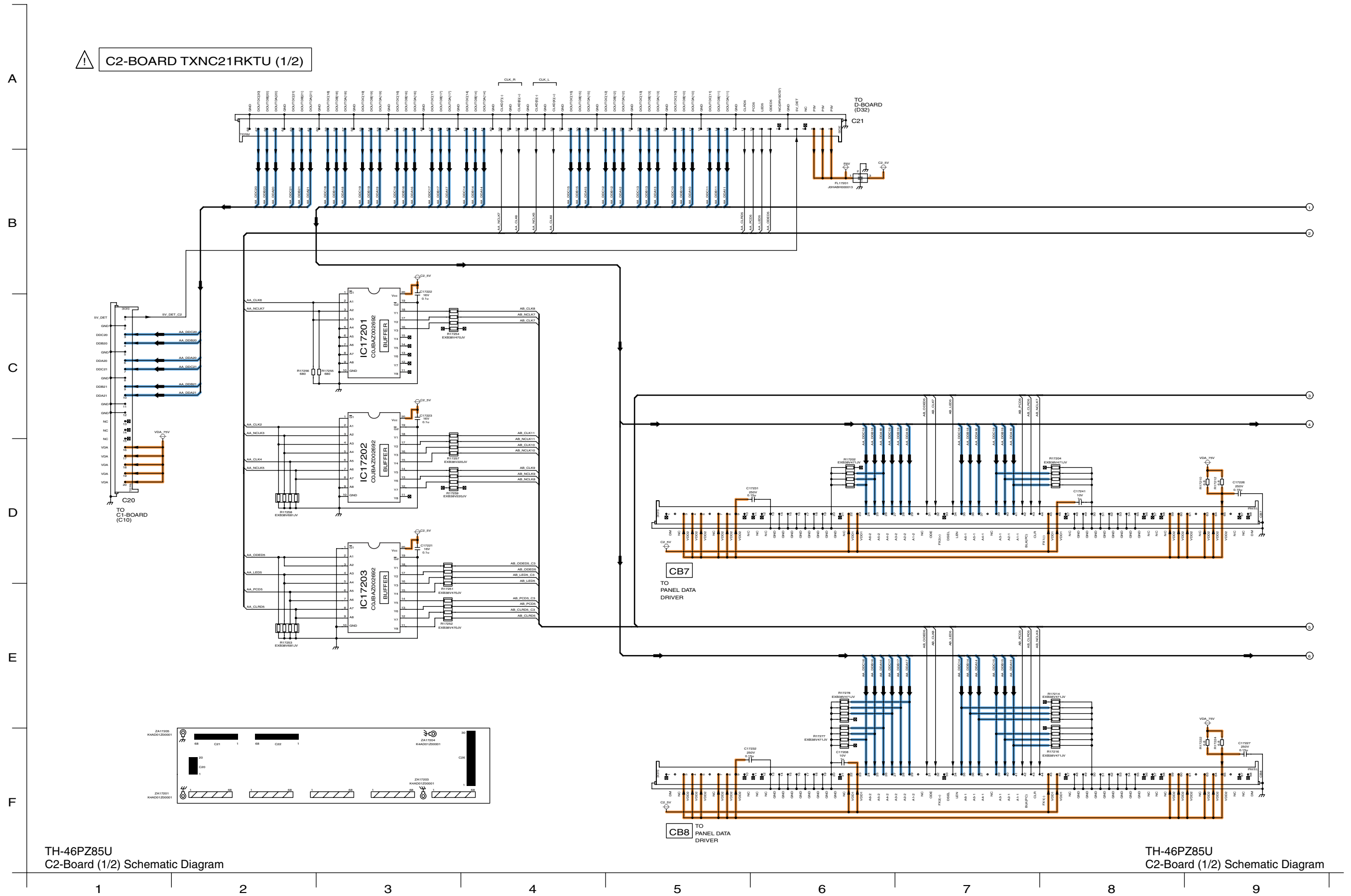
15

16

17

18

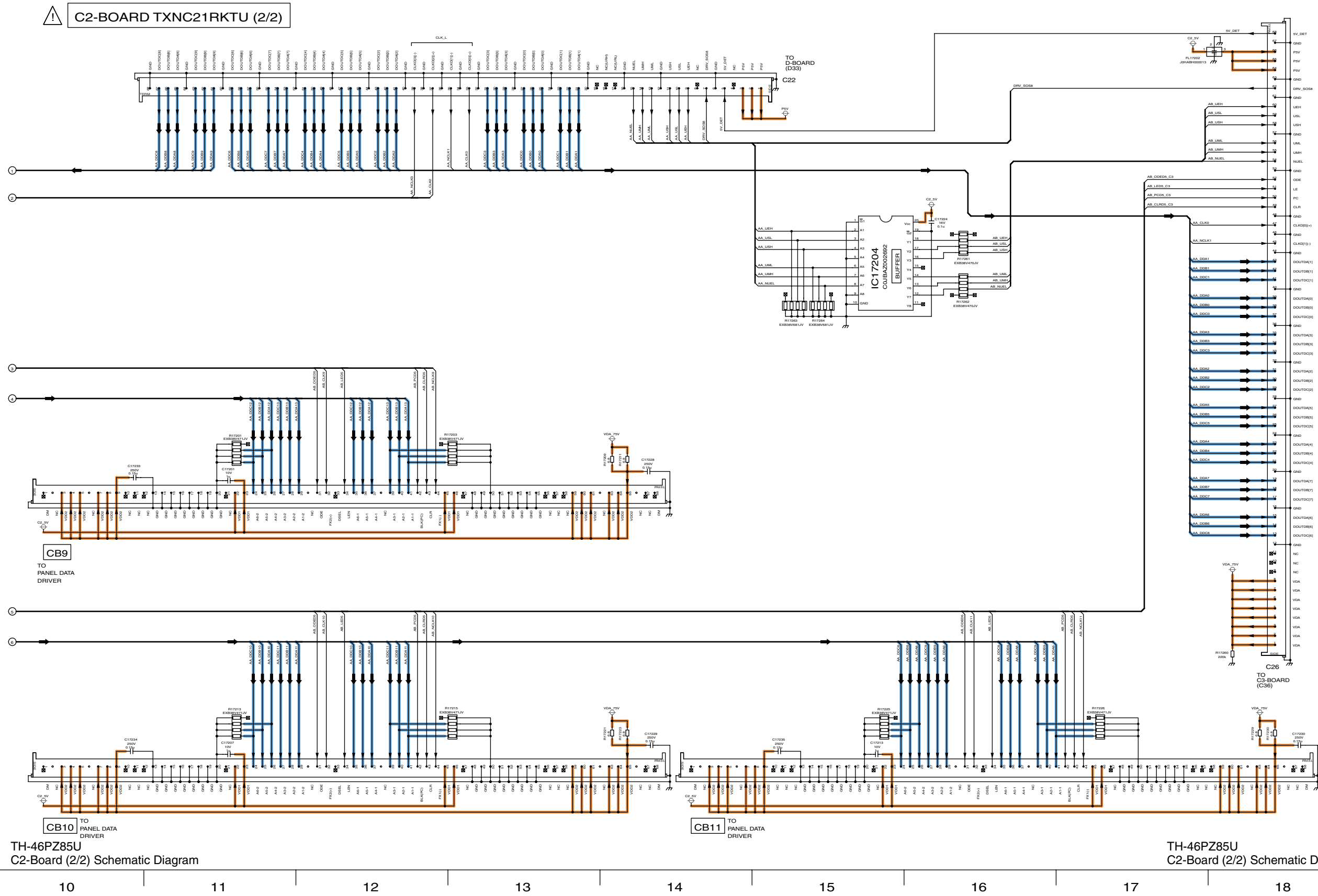
# 11.27. C2-Board (1/2) Schematic Diagram



TH-46PZ85U  
C2-Board (1/2) Schematic Diagram

TH-46PZ85U  
C2-Board (1/2) Schematic Diagram

# 11.28. C2-Board (2/2) Schematic Diagram

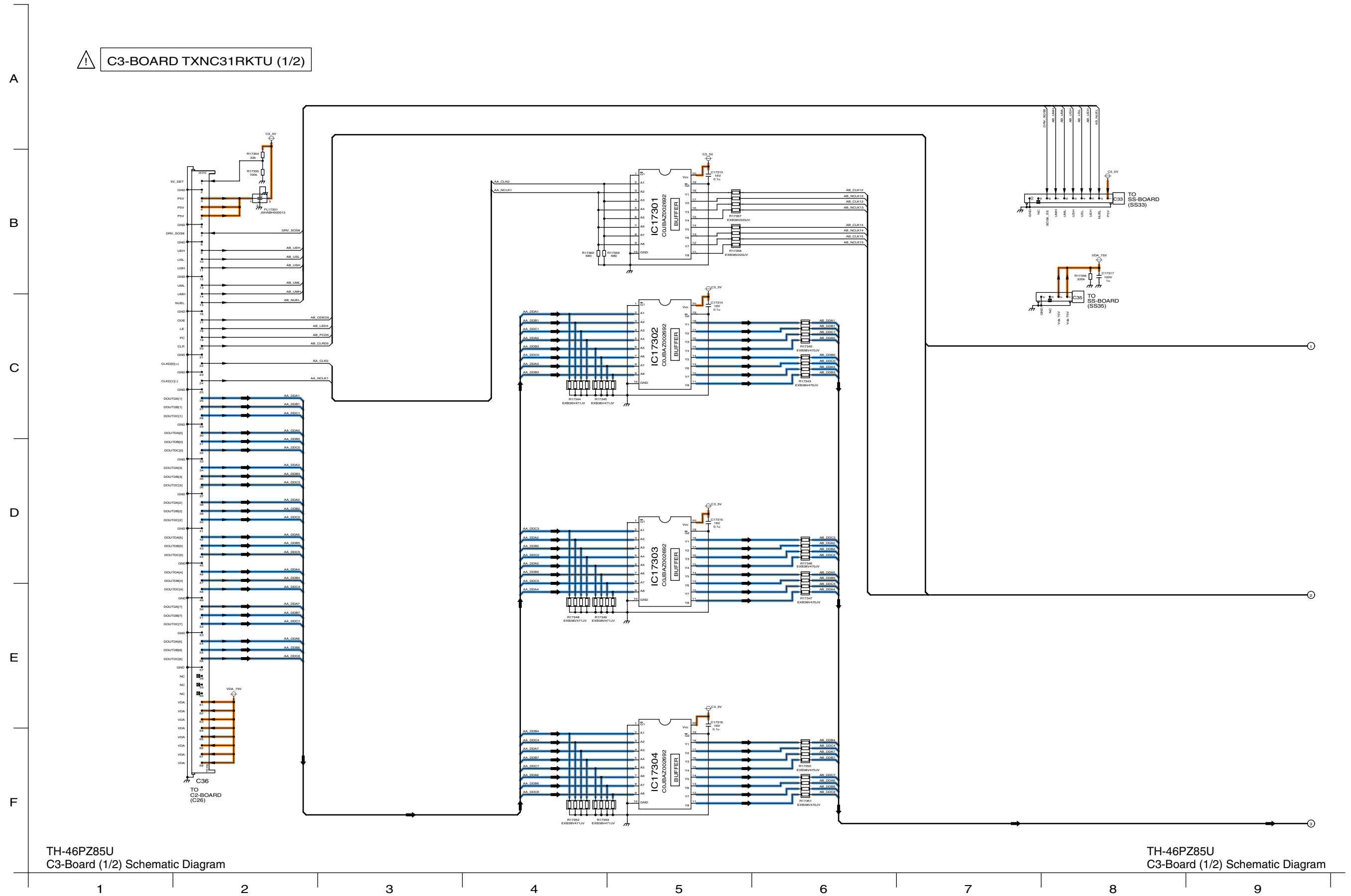


TH-46PZ85U  
C2-Board (2/2) Schematic Diagram

TH-46PZ85U  
C2-Board (2/2) Schematic Diagram

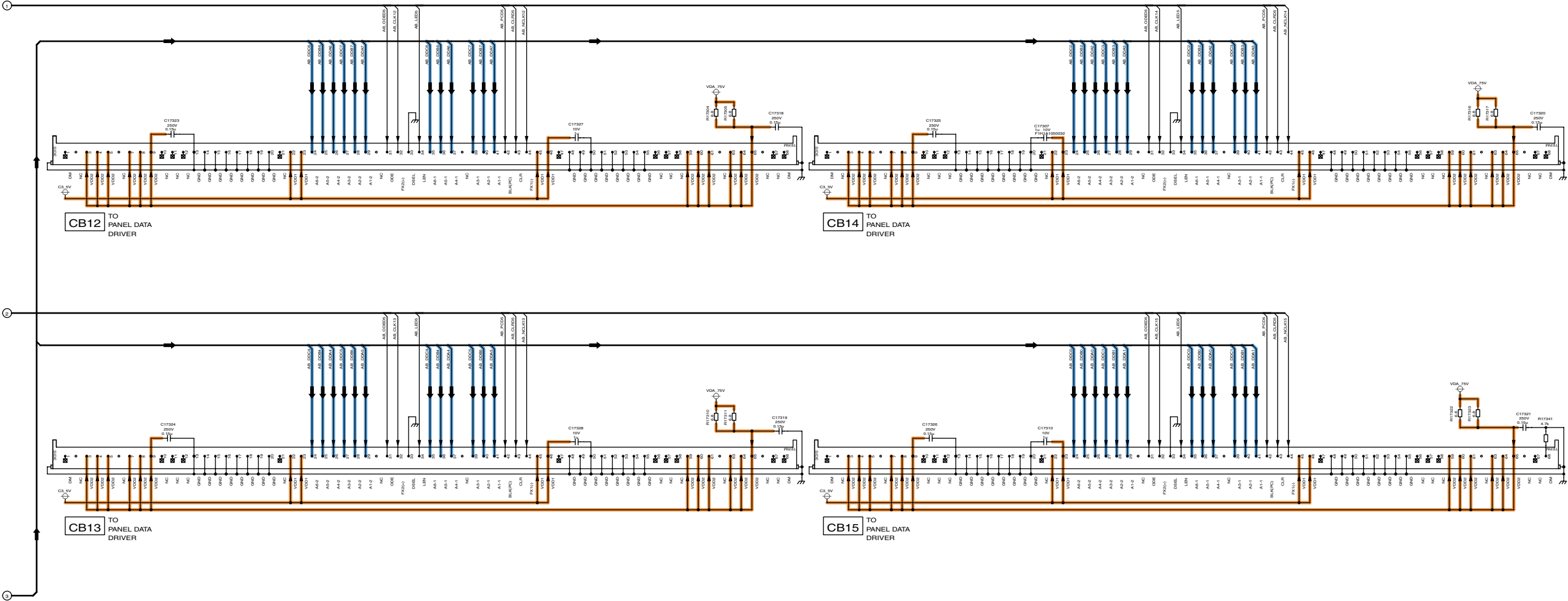
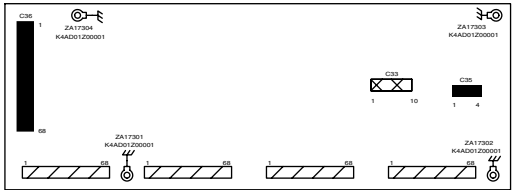


# 11.29. C3-Board (1/2) Schematic Diagram



# 11.30. C3-Board (2/2) Schematic Diagram

⚠ C3-BOARD TXNC31RKTU (2/2)

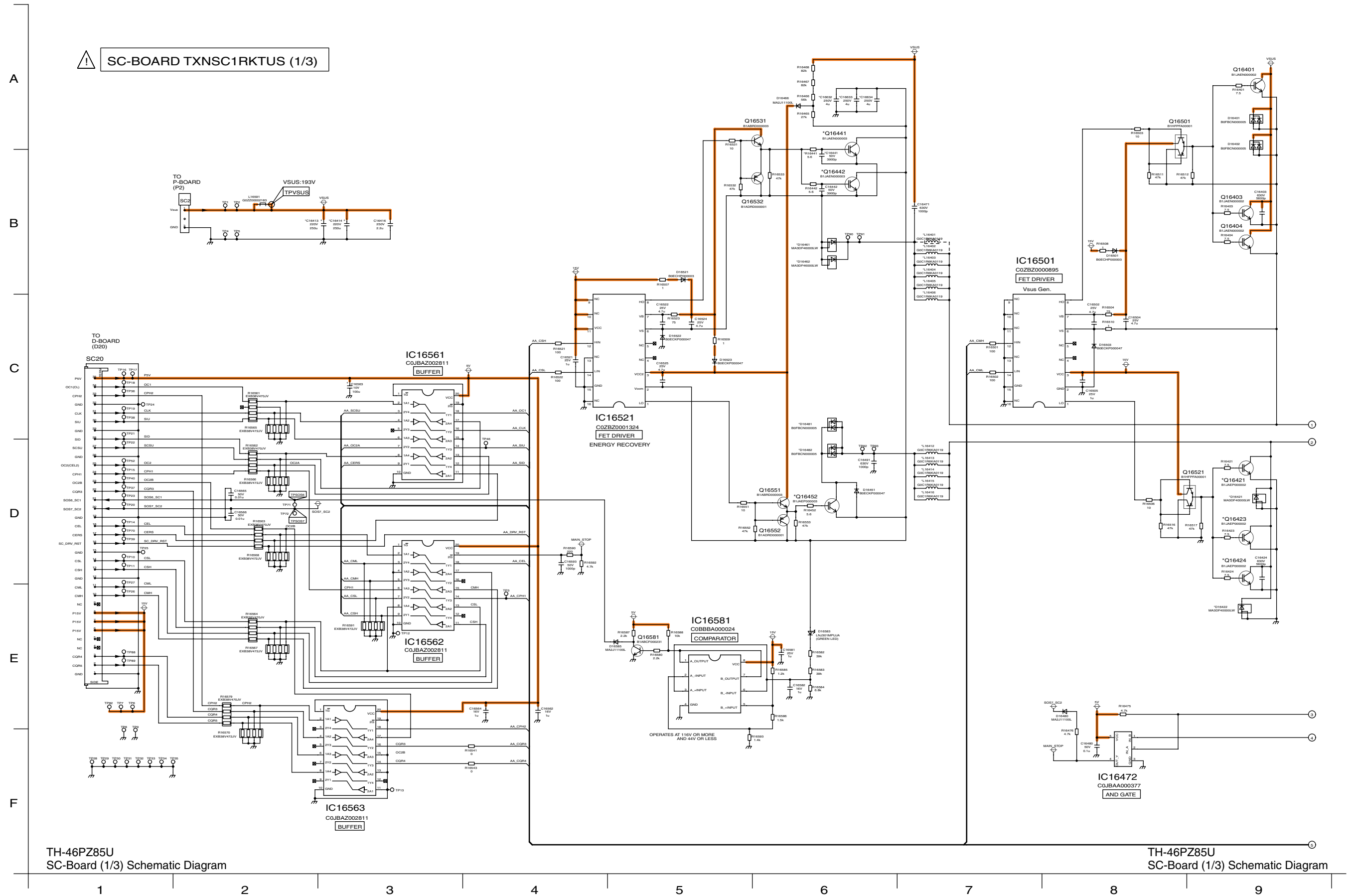


TH-46PZ85U  
C3-Board (2/2) Schematic Diagram

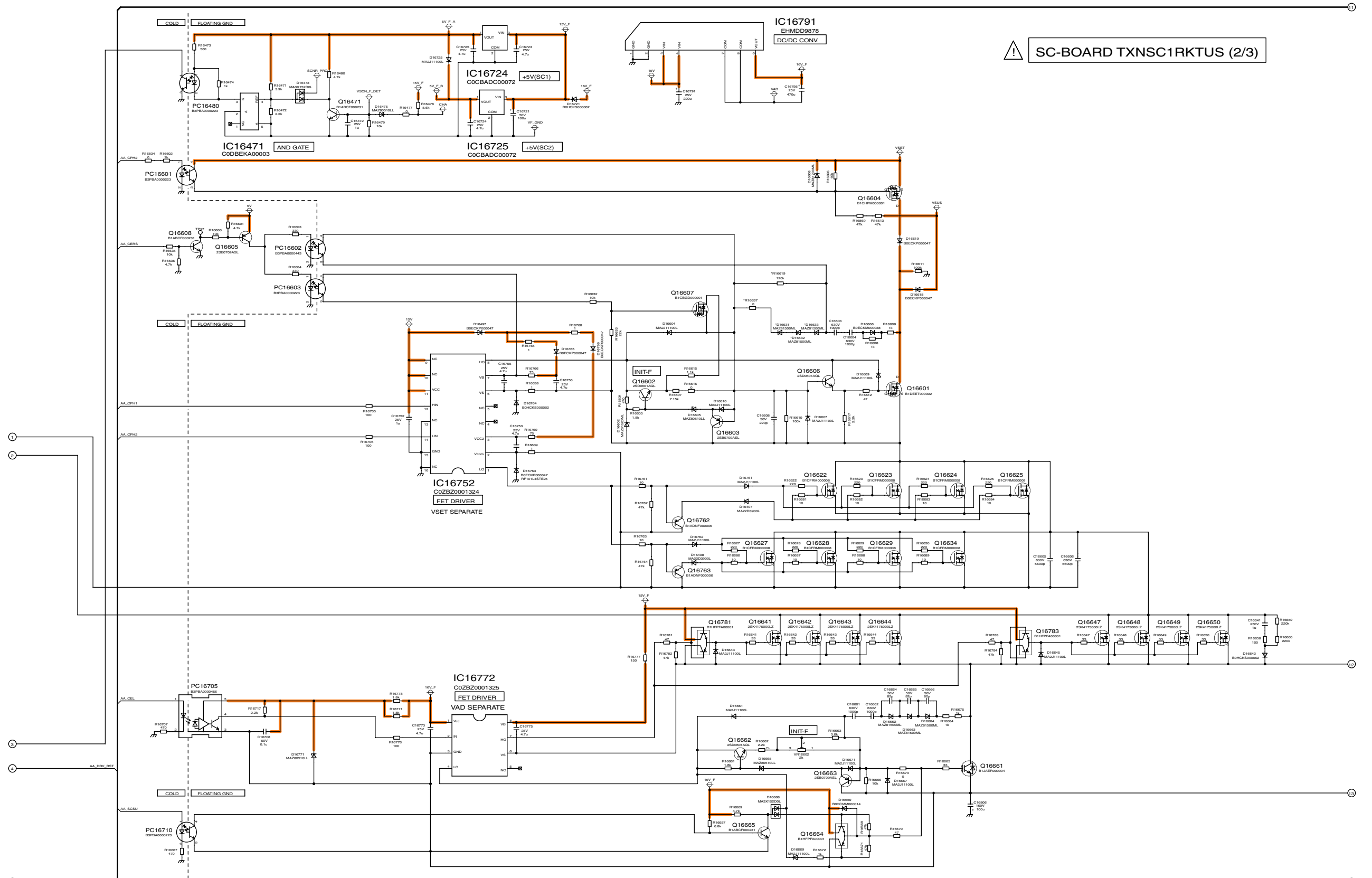
TH-46PZ85U  
C3-Board (2/2) Schematic Diagram

10 11 12 13 14 15 16 17 18

# 11.31. SC-Board (1/3) Schematic Diagram



# 11.32. SC-Board (2/3) Schematic Diagram



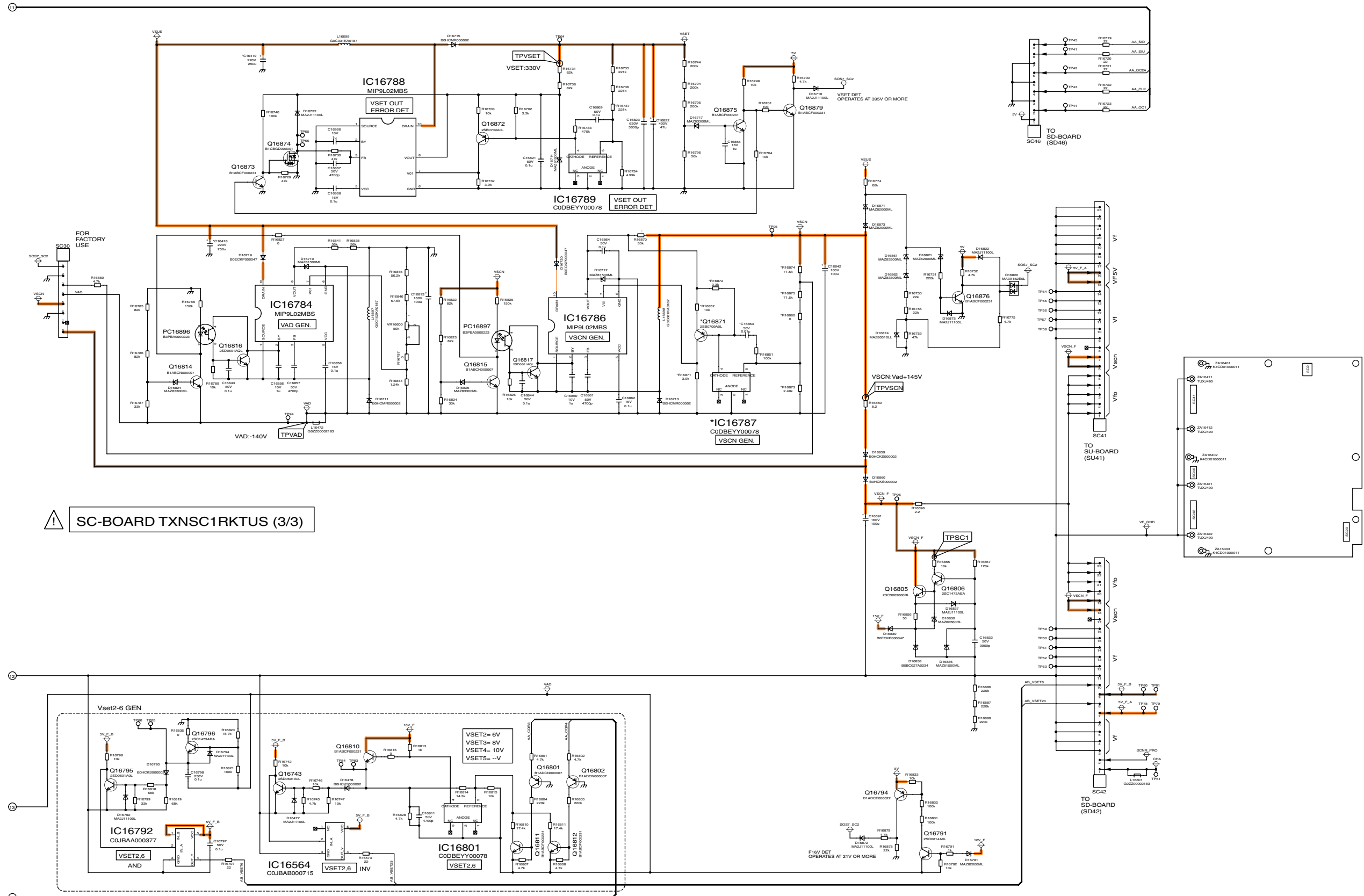
SC-BOARD TXNSC1RKTUS (2/3)

TH-46PZ85U  
SC-Board (2/3) Schematic Diagram

TH-46PZ85U  
SC-Board (2/3) Schematic Diagram

10 11 12 13 14 15 16 17 18

# 11.33. SC-Board (3/3) Schematic Diagram



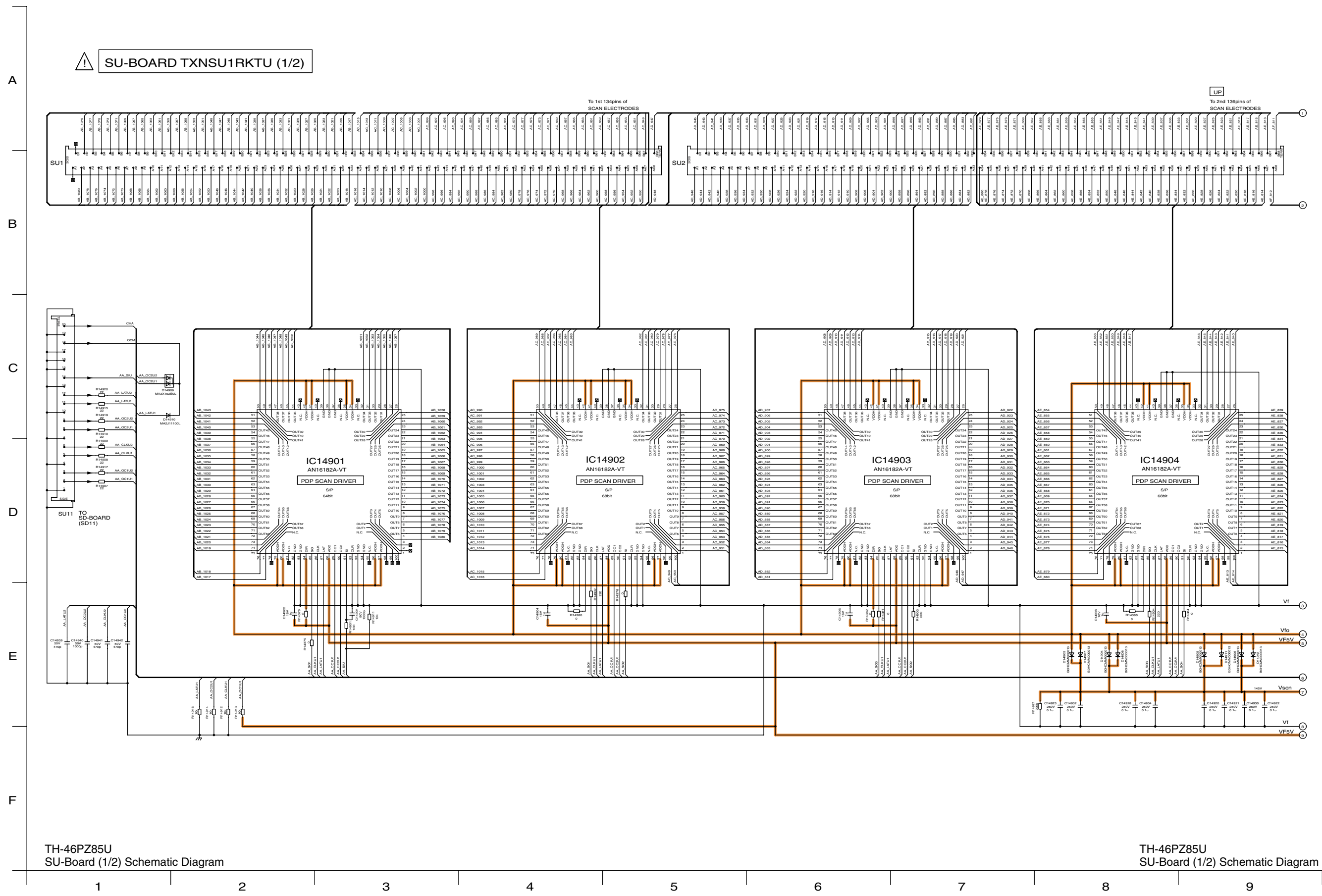
SC-BOARD TXNSC1RKTUS (3/3)

TH-46PZ85U SC-Board (3/3) Schematic Diagram

TH-46PZ85U SC-Board (3/3) Schematic Diagram

19 20 21 22 23 24 25 26 27

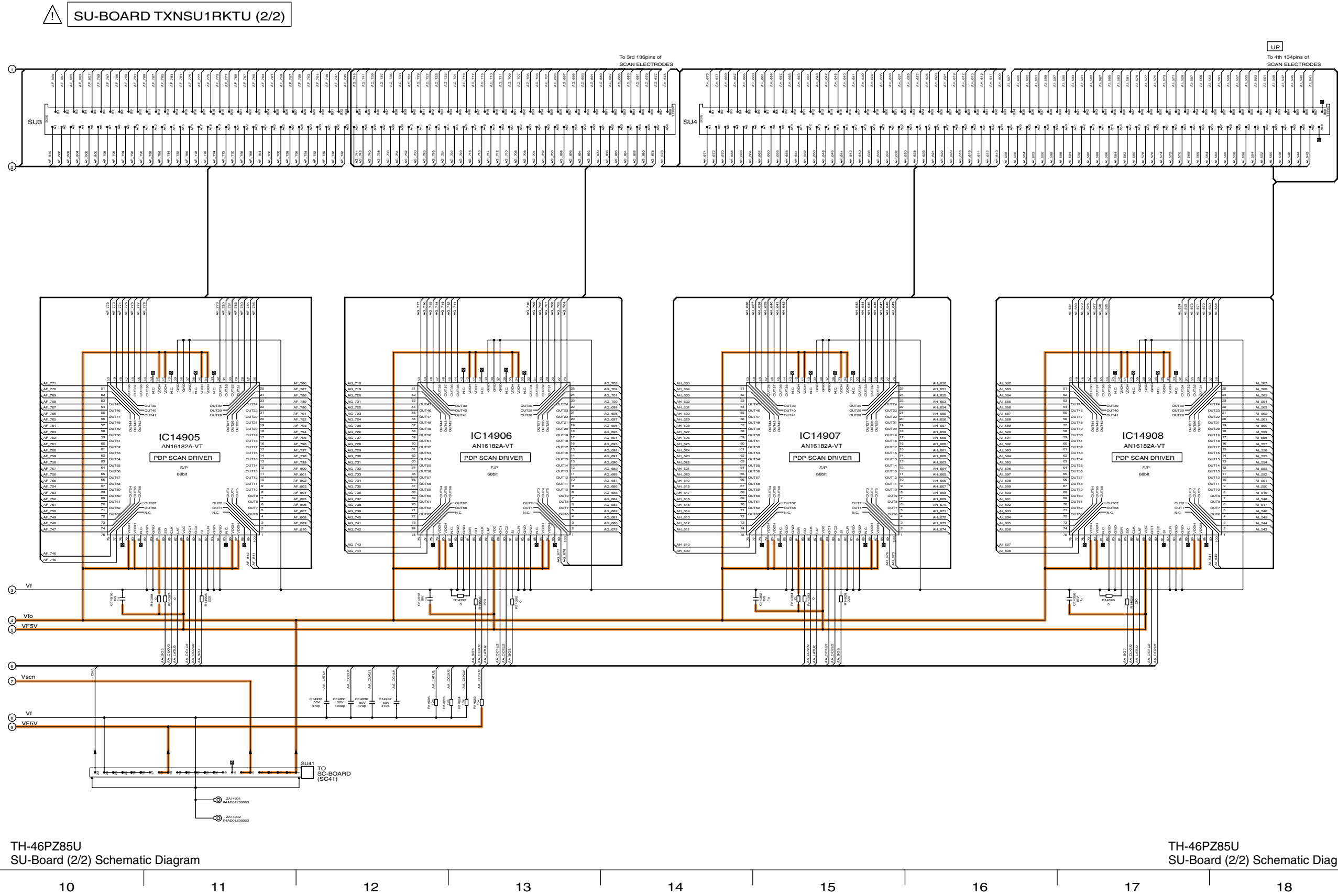
# 11.34. SU-Board (1/2) Schematic Diagram



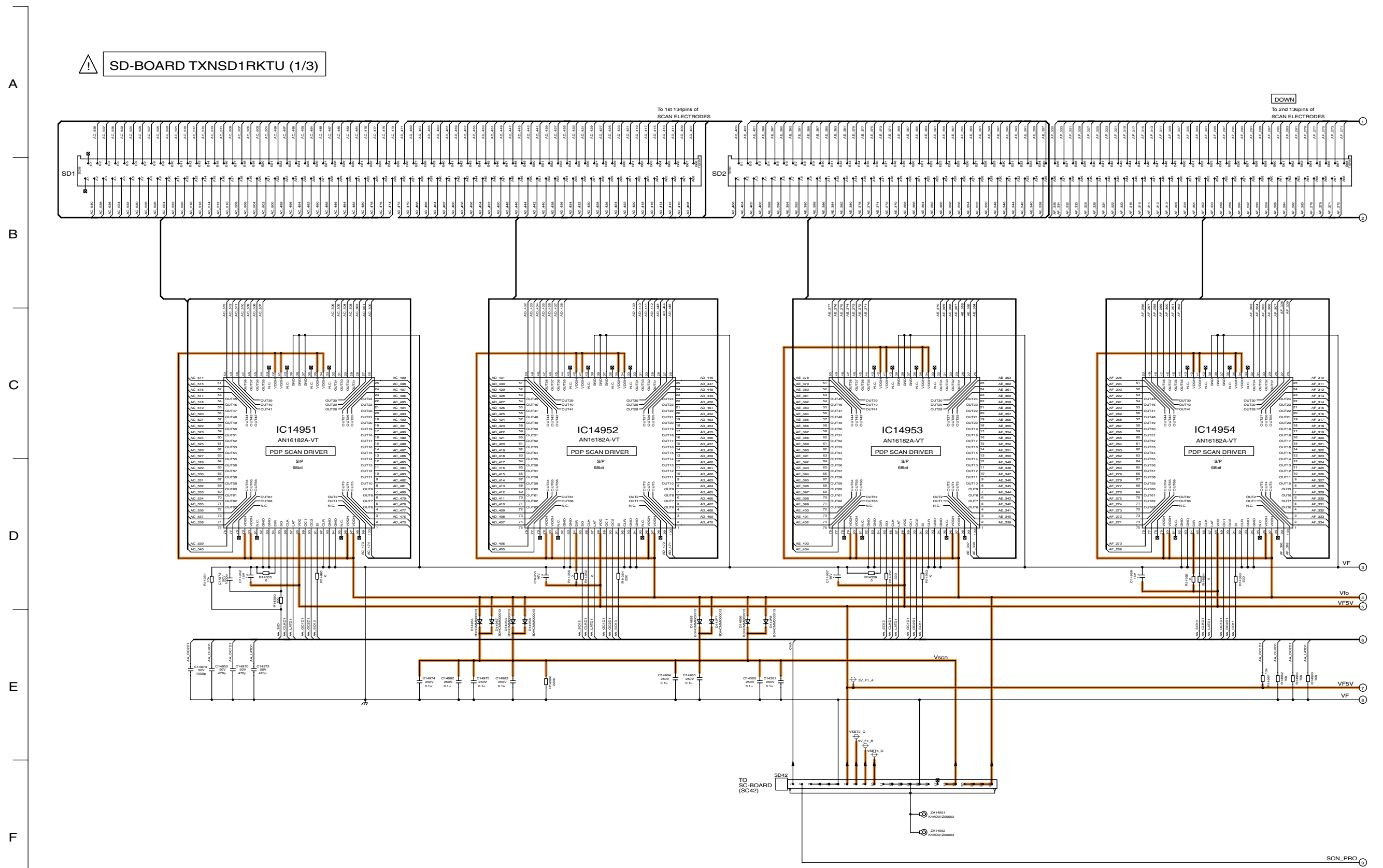
TH-46PZ85U  
SU-Board (1/2) Schematic Diagram

TH-46PZ85U  
SU-Board (1/2) Schematic Diagram

# 11.35. SU-Board (2/2) Schematic Diagram



# 11.36. SD-Board (1/3) Schematic Diagram



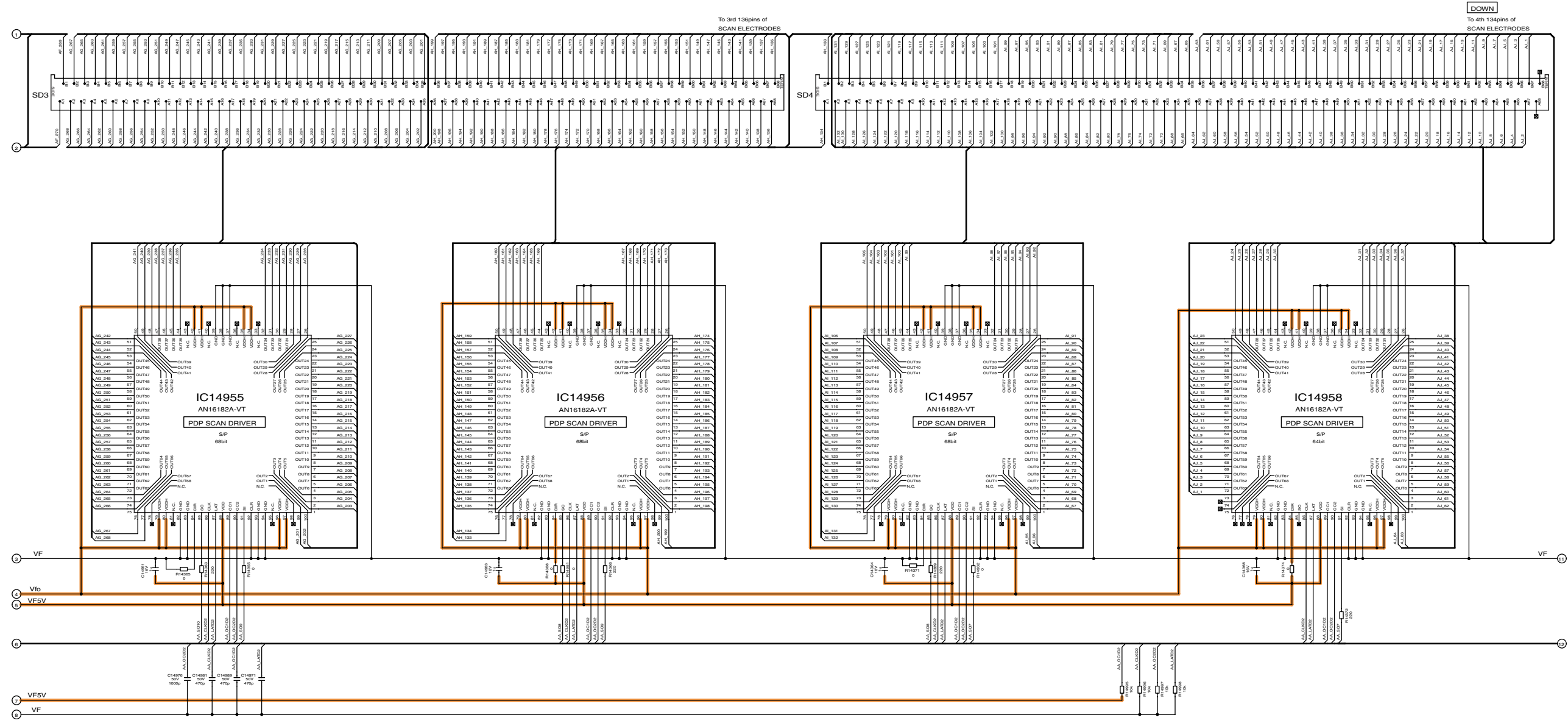
TH-46PZ85U  
SD-Board (1/3) Schematic Diagram

TH-46PZ85U  
SD-Board (1/3) Schematic Diagram



# 11.37. SD-BOARD (2/3) Schematic Diagram

SD-BOARD TXNSD1RKTU (2/3)



SCN\_PRO

SCN\_PRO

TH-46PZ85U  
SD-Board (2/3) Schematic Diagram

TH-46PZ85U  
SD-Board (2/3) Schematic Diagram

10

11

12

13

14

15

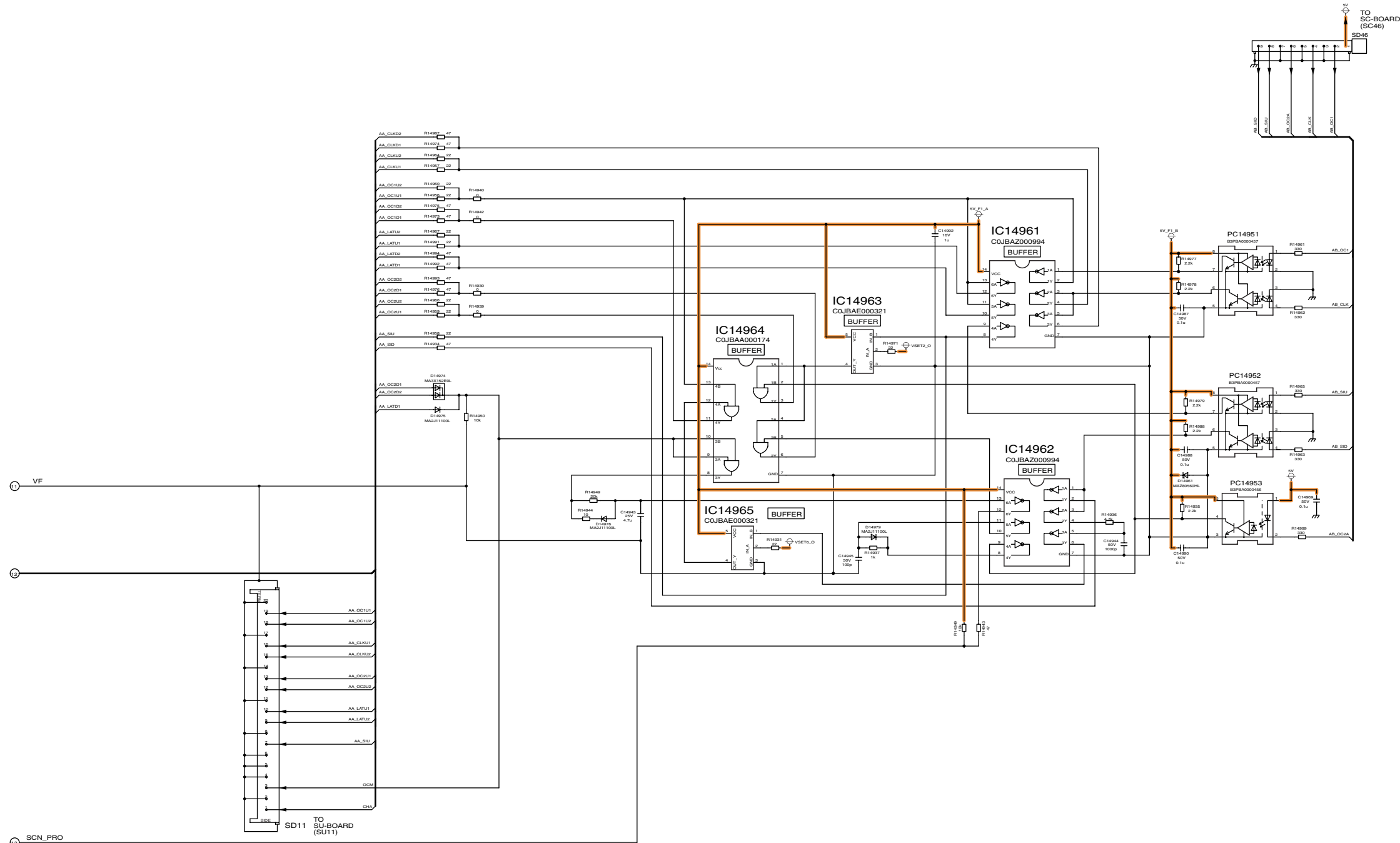
16

17

18

# 11.38. SD-Board (3/3) Schematic Diagram

SD-BOARD TXNSD1RKTU (3/3)



TH-46PZ85U  
SD-Board (3/3) Schematic Diagram

TH-46PZ85U  
SD-Board (3/3) Schematic Diagram

19

20

21

22

23

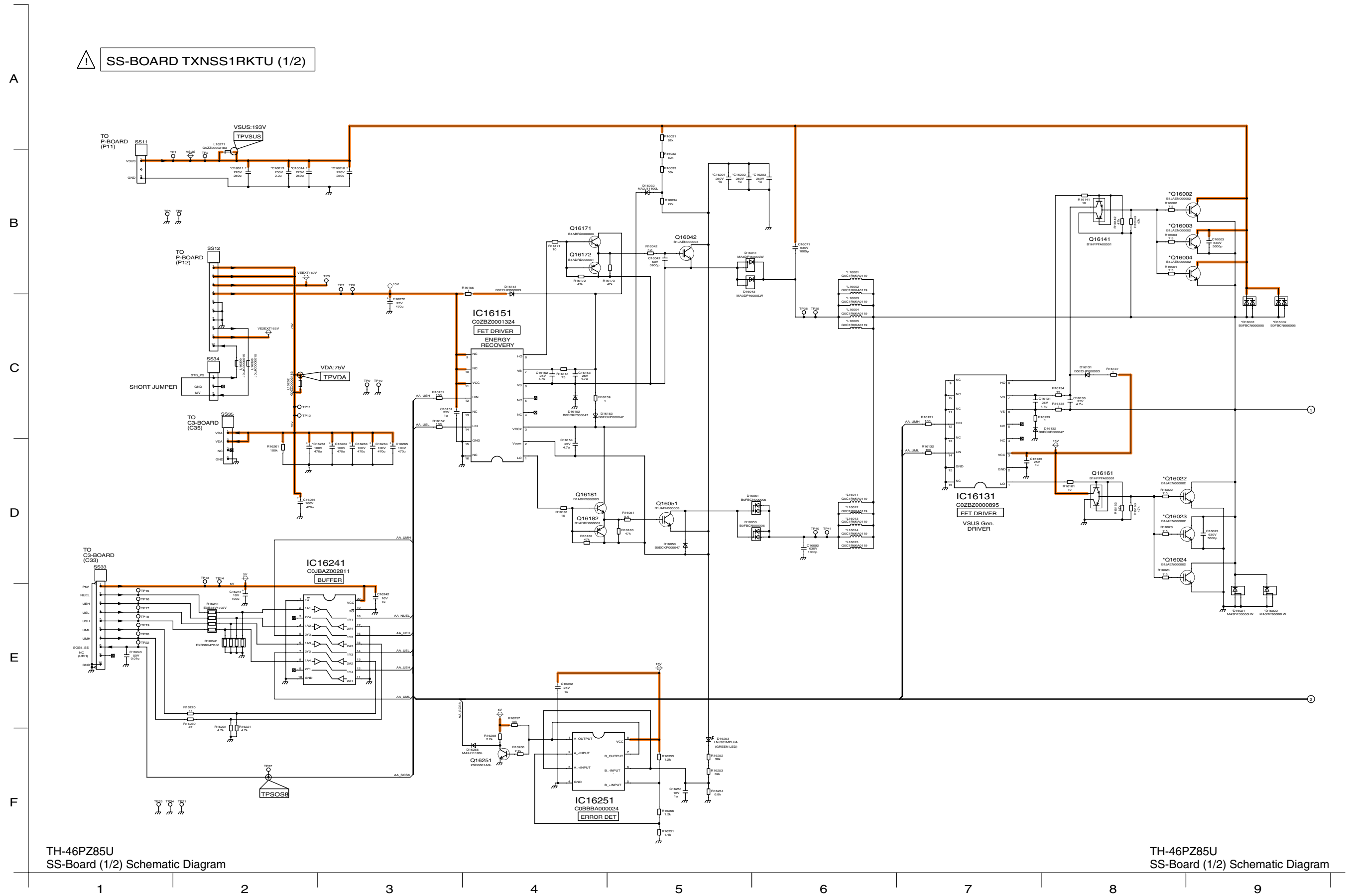
24

25

26

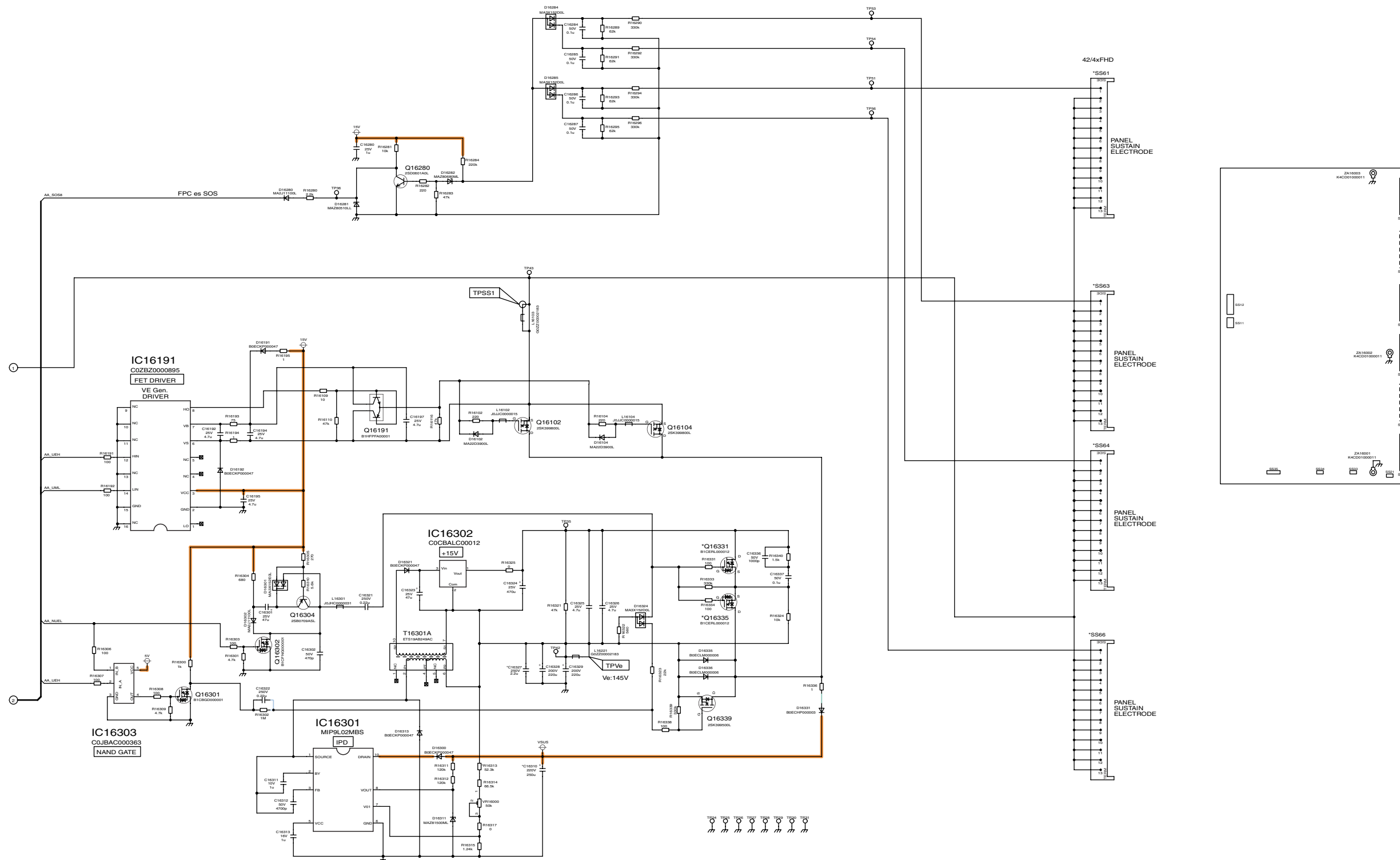
27

# 11.39. SS-Board (1/2) Schematic Diagram



# 11.40. SS-Board (2/2) Schematic Diagram

⚠ SS-BOARD TXNSS1RKTU (2/2)



TH-46PZ85U  
SS-Board (2/2) Schematic Diagram

TH-46PZ85U  
SS-Board (2/2) Schematic Diagram

10

11

12

13

14

15

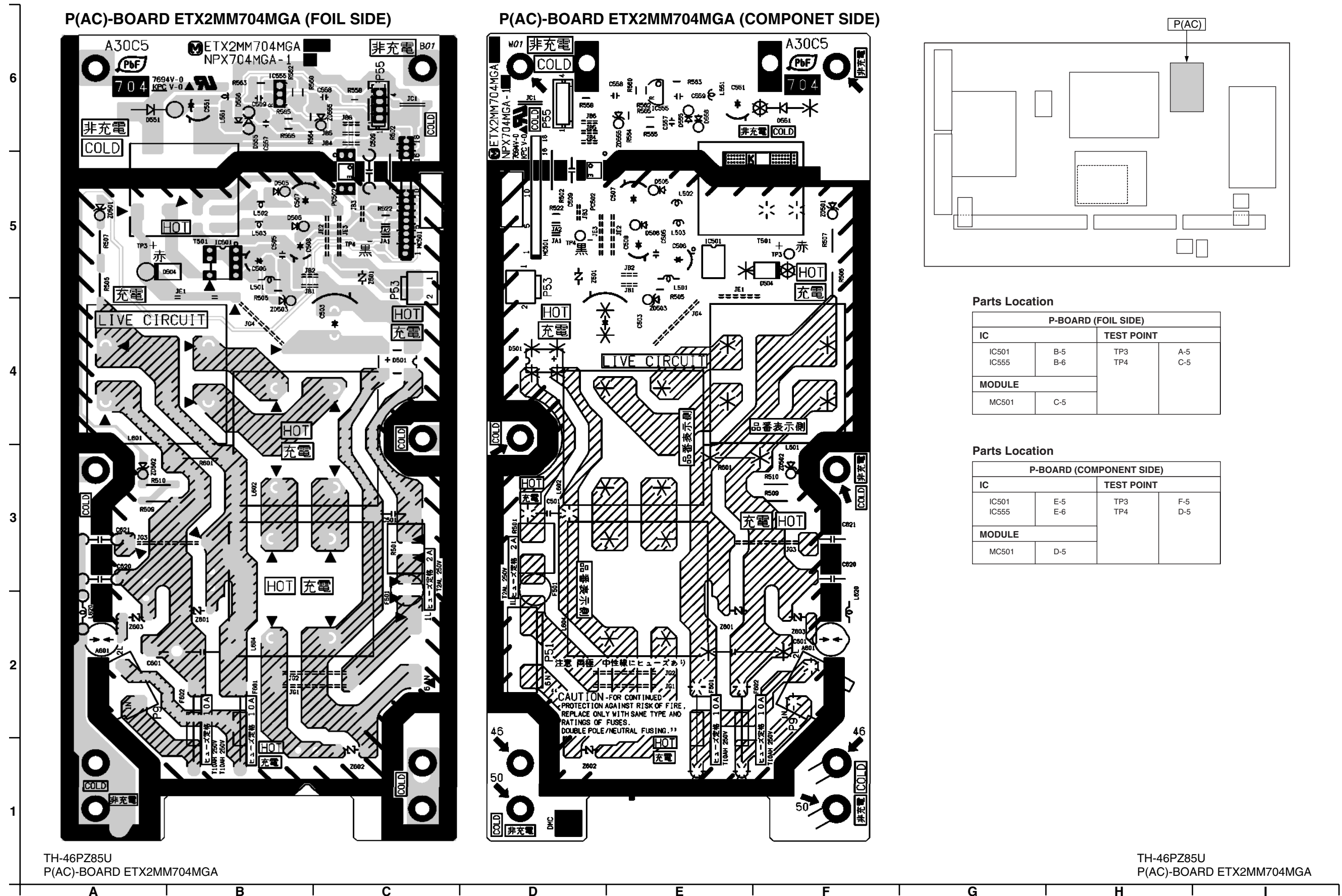
16

17

18

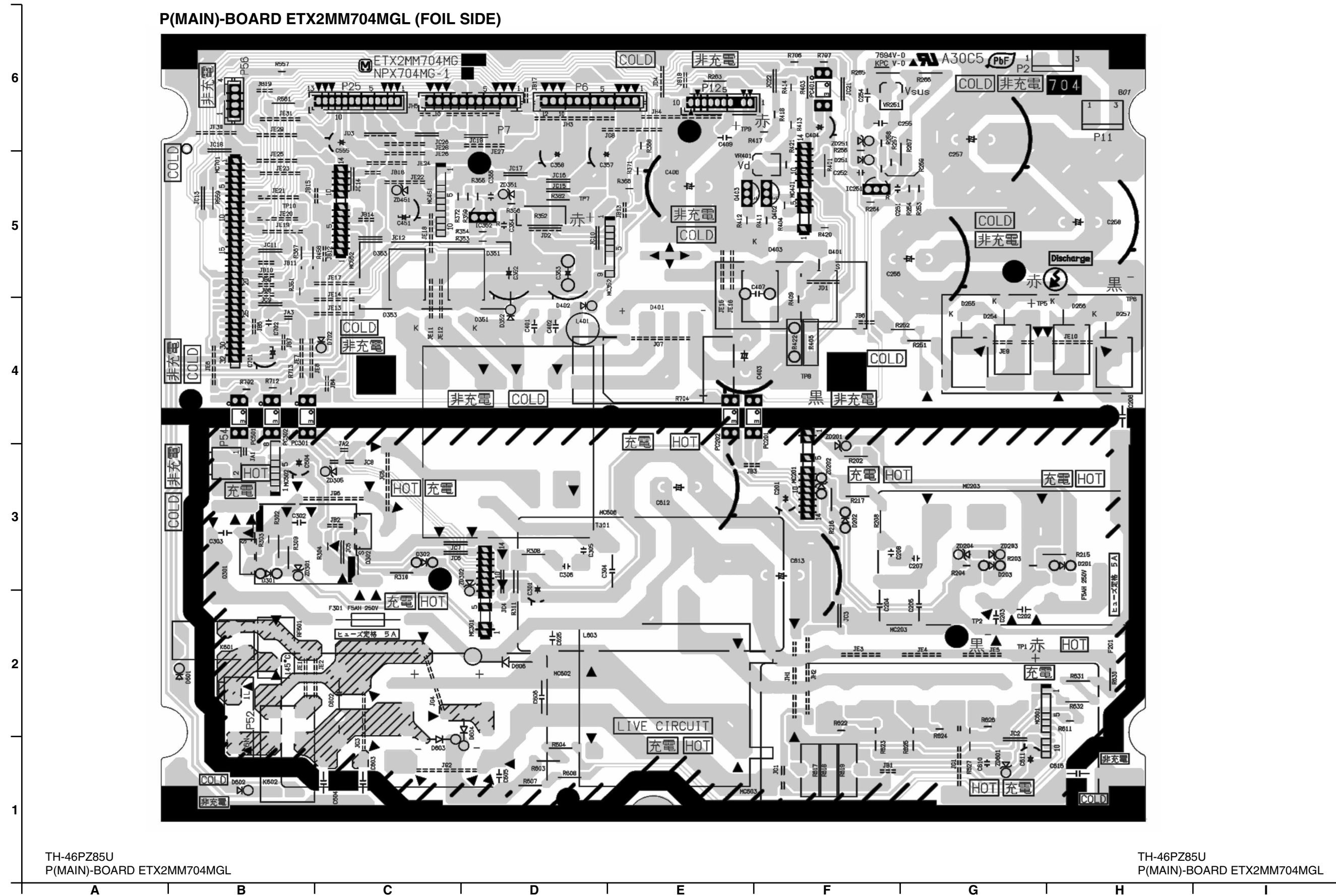
# 12 Printed Circuit Board

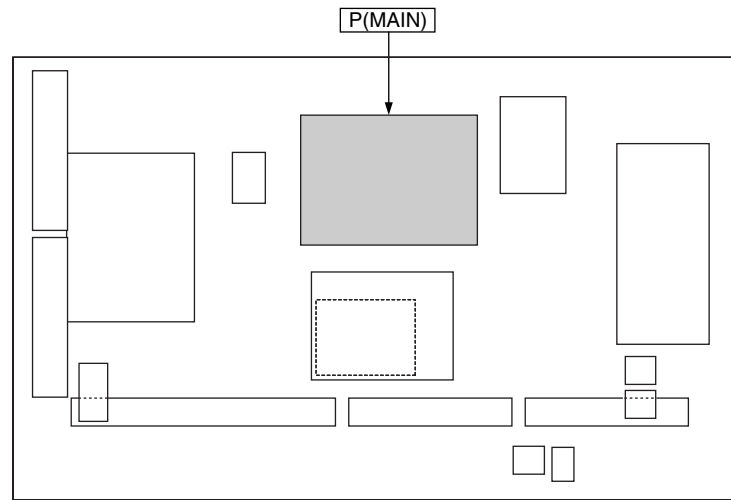
## 12.1. P(AC)-Board



## 12.2. P(MAIN)-Board

P(MAIN)-BOARD ETX2MM704MGL (FOIL SIDE)





Parts Location

P-BOARD (FOIL SIDE)					
IC		TRANSISTOR		VOLUME	
IC251	F-5	Q301	B-3	VR251	F-6
IC352	D-5	Q302	C-3	VR401	F-5
<b>MODULE</b>		Q401	F-5		
MC201	F-3	Q402	E-5		
MC203	G-3	Q403	F-5		
MC301	D-2	<b>TEST POINT</b>			
MC352	E-5	TP1	G-2		
MC401	F-5	TP2	G-2		
MC451	C-5	TP5	G-4		
MC502	B-3	TP6	H-5		
MC552	C-5	TP7	D-5		
MC601	G-1	TP8	F-4		
MC602	D-2	TP9	E-6		
MC603	E-1	TP10	B-5		
MC606	E-3				
MC701	B-5				

TH-46PZ85U  
P(MAIN)-BOARD PARTS LOCATION

Parts Location

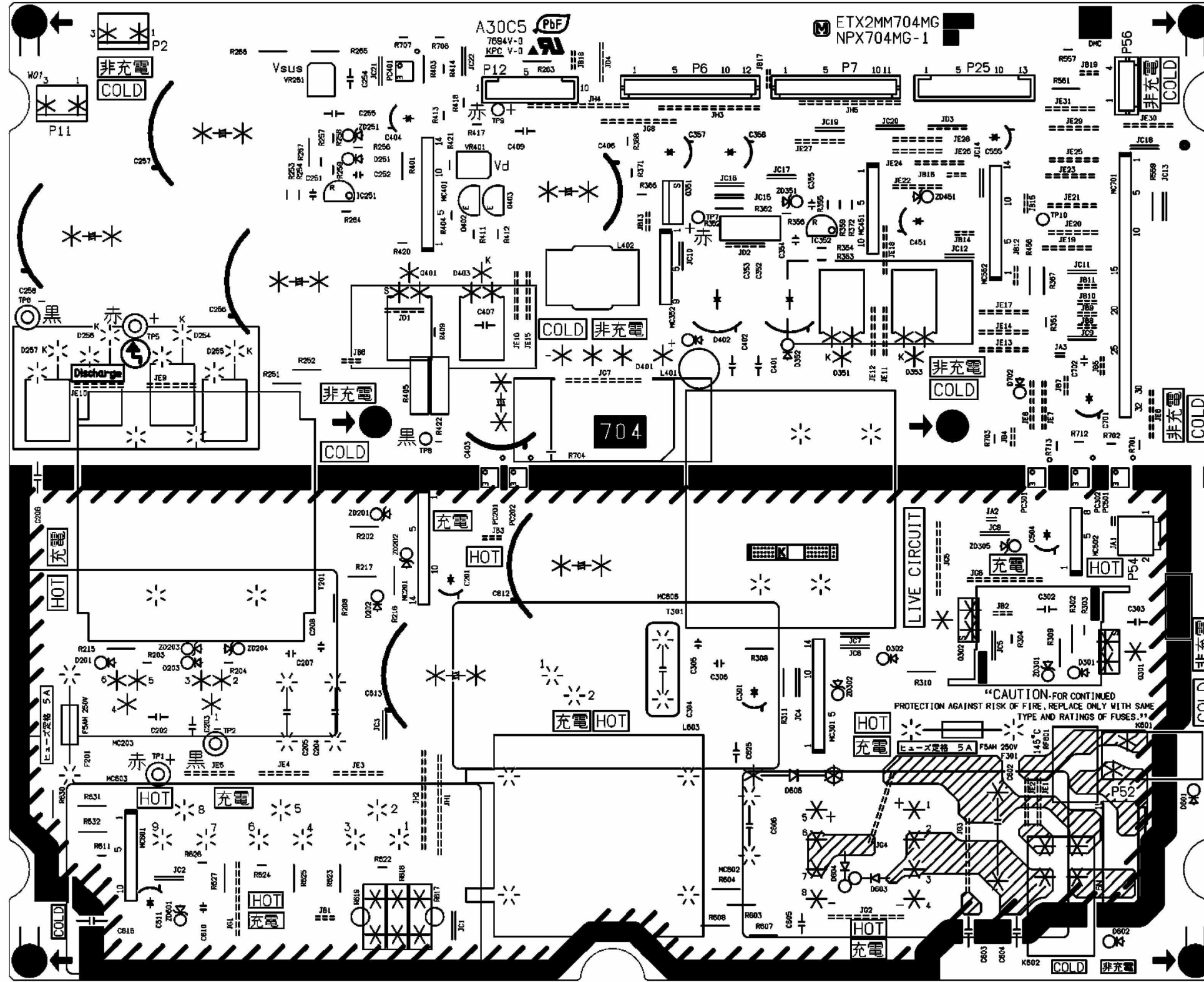
P-BOARD (COMPONENT SIDE)					
IC		TRANSISTOR		VOLUME	
IC251	C-5	Q301	H-3	VR251	C-6
IC352	F-5	Q302	G-3	VR401	D-5
<b>MODULE</b>		Q351	E-5		
MC201	D-3	Q401	D-5		
MC203	B-2	Q402	D-5		
MC301	F-2	Q403	D-5		
MC352	E-5	<b>TEST POINT</b>			
MC401	D-5	TP1	B-2		
MC451	F-5	TP2	C-2		
MC502	G-3	TP5	B-4		
MC552	G-5	TP6	B-5		
MC601	B-2	TP7	E-5		
MC602	E-2	TP8	D-4		
MC603	B-2	TP9	D-6		
MC606	E-3	TP10	G-5		
MC701	H-5				

TH-46PZ85U  
P(MAIN)-BOARD PARTS LOCATION



P(MAIN)-BOARD ETX2MM704MGL (COMPONENT SIDE)

6  
5  
4  
3  
2  
1  
A B C D E F G H I

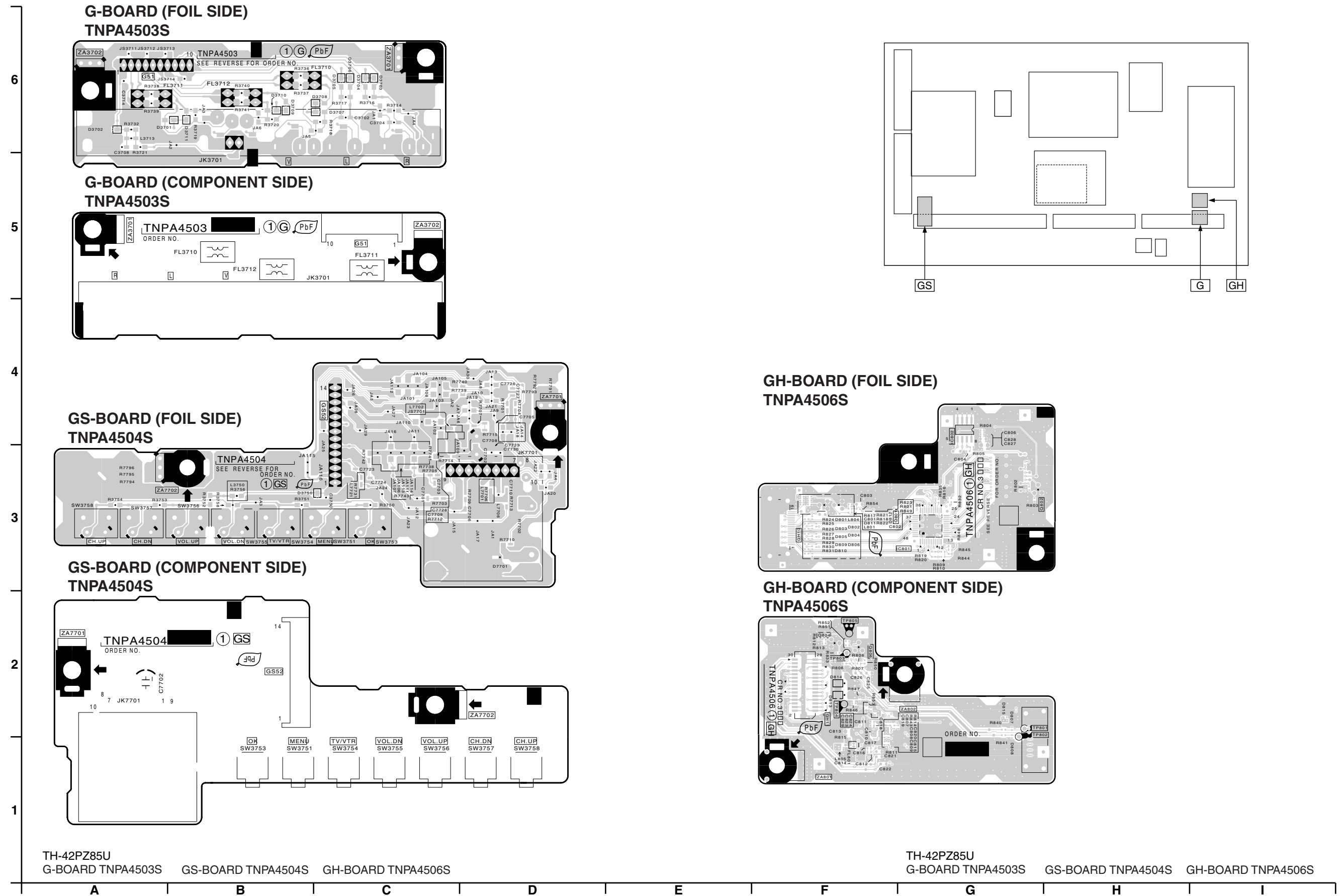


TH-46PZ85U  
P(MAIN)-BOARD ETX2MM704MGL

TH-46PZ85U  
P(MAIN)-BOARD ETX2MM704MGL



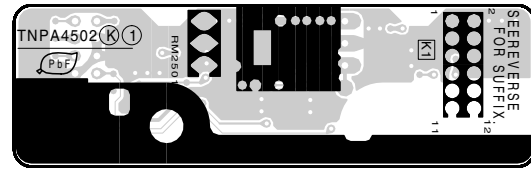
### 12.3. G, GH and GS-Board



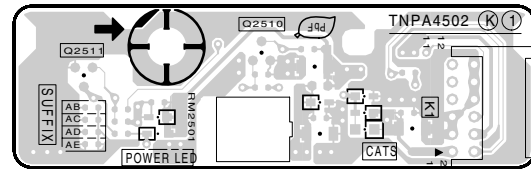
# 12.4. K, PB and S-Board

6  
5  
4  
3  
2  
1

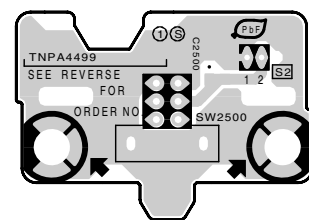
**K-BOARD (FOIL SIDE)  
TNPA4502S**



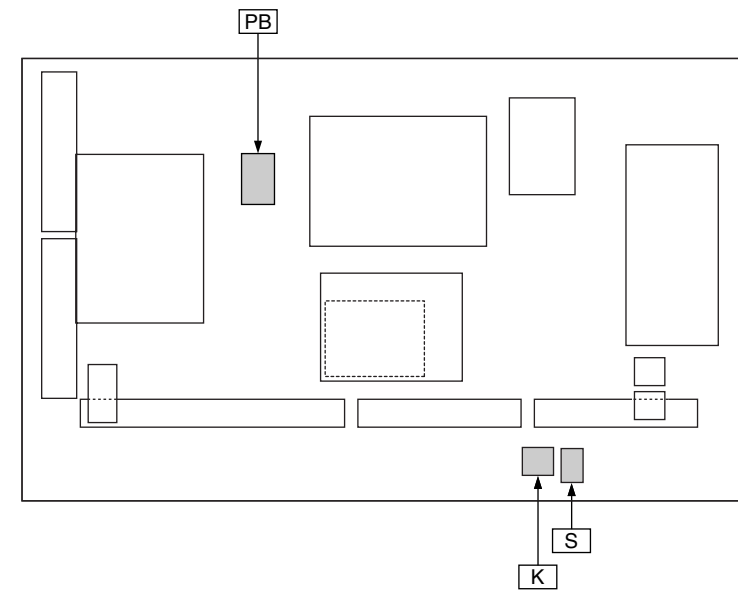
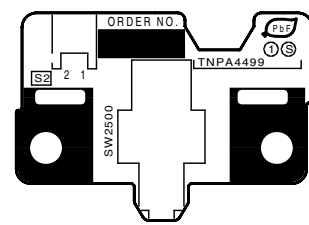
**K-BOARD (COMPONENT SIDE)  
TNPA4502S**



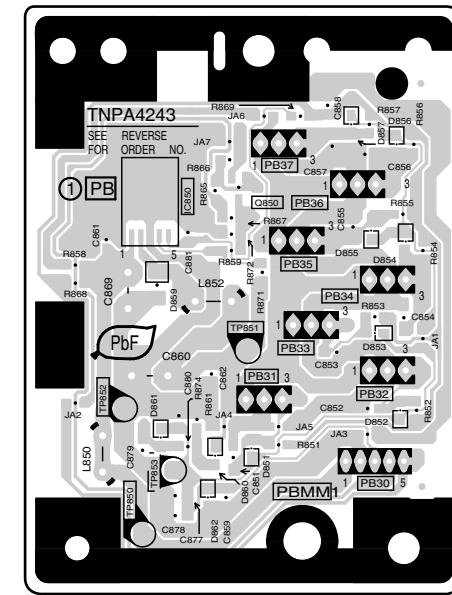
**S-BOARD (FOIL SIDE)  
TNPA4499S**



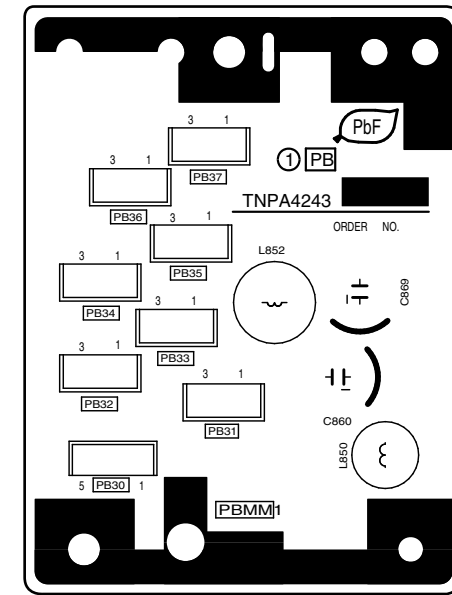
**S-BOARD (COMPONENT SIDE)  
TNPA4499S**



**PB-BOARD (FOIL SIDE)  
TNPA4243AHS**



**PB-BOARD (COMPONENT SIDE)  
TNPA4243AHS**



TH-42PZ85U  
K-BOARD TNPA4502S    S-BOARD TNPA4499S    PB-BOARD TNPA4243AHS

TH-42PZ85U  
K-BOARD TNPA4502S    S-BOARD TNPA4499S    PB-BOARD TNPA4243AHS

A

B

C

D

E

F

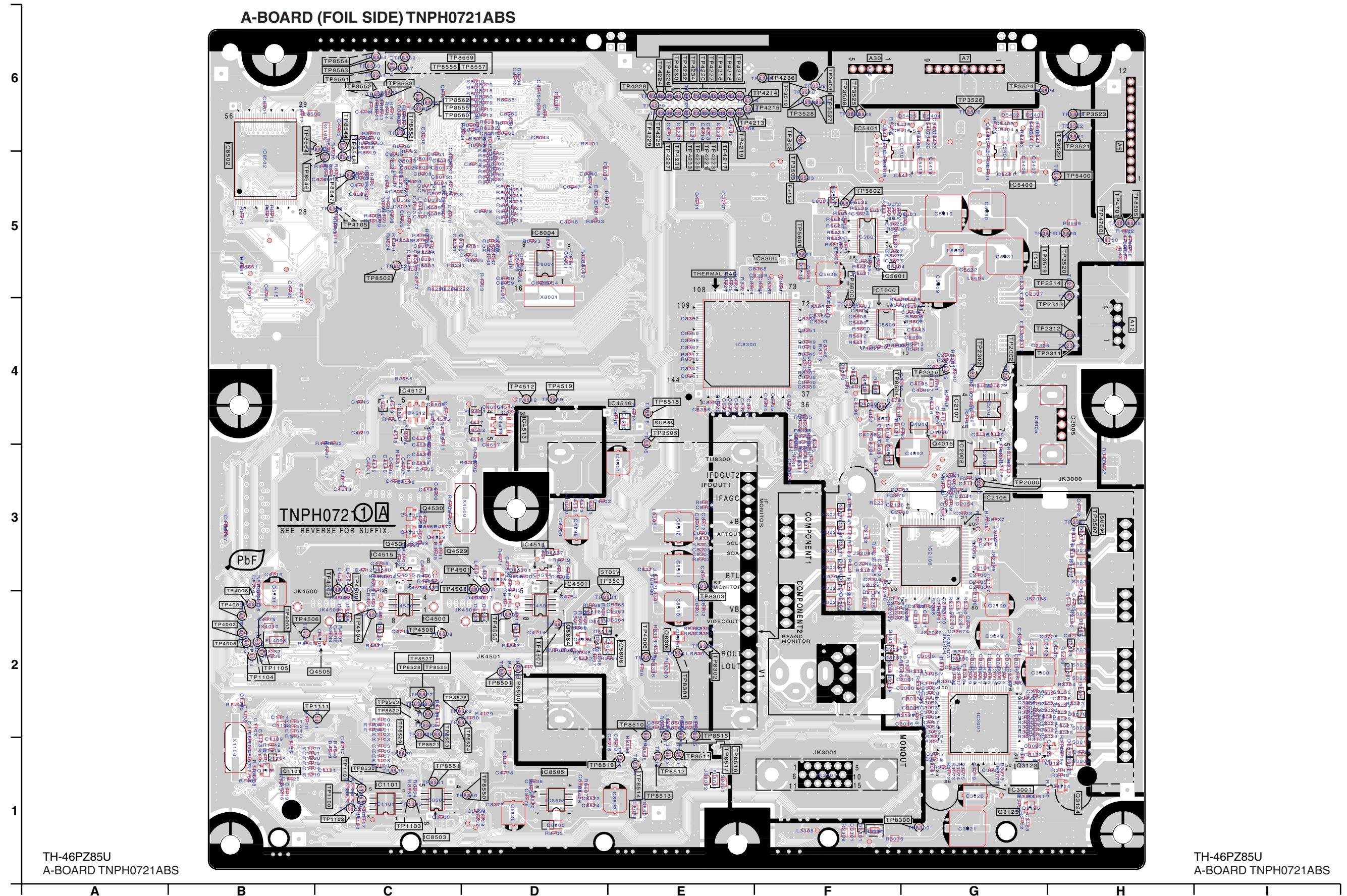
G

H

I

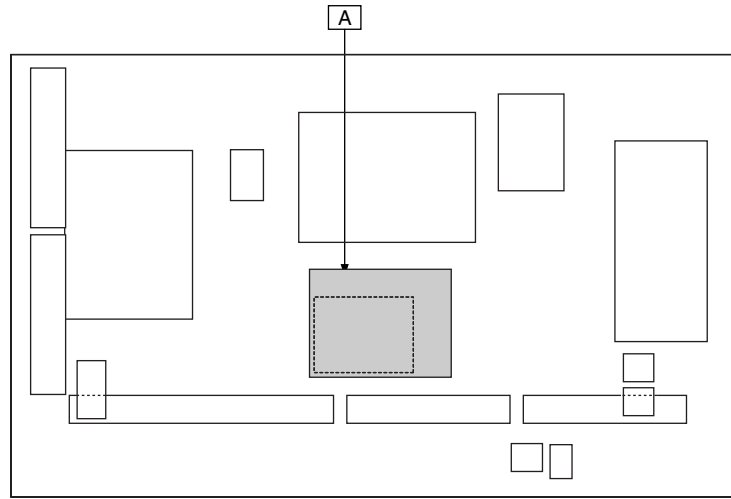
# 12.5. A-Board

A-BOARD (FOIL SIDE) TNPH0721ABS



TH-46PZ85U  
A-BOARD TNPH0721ABS

TH-46PZ85U  
A-BOARD TNPH0721ABS



**Parts Location**

A-BOARD (FOIL SIDE)					
IC		TRANSISTOR		TEST POINT	
IC1101	C-1	Q1101	B-1	TP1100	C-1
IC2008	G-3	Q3123	G-1	TP1101	C-1
IC2106	G-3	Q3124	H-1	TP1102	C-1
IC2107	G-4	Q3125	G-1	TP1103	C-1
IC3001	G-1	Q4016	G-4	TP1104	B-2
IC4500	C-2	Q4505	C-2	TP1105	B-2
IC4501	D-3	Q4529	C-3	TP1111	B-2
IC4512	C-4	Q4530	C-3	TP2000	G-3
IC4513	D-4	Q4531	C-3	TP2002	G-4
IC4514	D-3	Q5684	D-2	TP2302	G-4
IC4515	C-3	Q8300	E-2	TP2311	H-4
IC4516	E-4			TP2312	H-4
IC5400	G-5			TP2313	H-4
IC5401	F-6			TP2314	H-5
IC5600	F-4			TP2315	G-4
IC5601	F-5			TP3501	E-3
IC5606	E-2			TP3503	F-5
IC8004	D-5			TP3505	E-4
IC8300	F-5			TP3507	H-3
IC8502	B-5			TP3508	F-6
IC8503	C-1			TP3509	F-6
IC8505	D-1			TP3510	F-6
				TP3519	G-5
				TP3520	H-5
				TP3521	H-6
				TP3522	H-6
				TP3523	H-6
				TP3524	G-6
				TP3525	F-6
				TP3526	G-6
				TP3527	F-6
				TP3528	F-6
				TP4001	B-2
				TP4002	B-2
				TP4003	B-2
				TP4005	B-2
				TP4006	E-2
				TP4008	B-2
				TP4105	C-5
				TP4212	E-6
				TP4213	E-6
				TP4214	E-6
				TP4215	E-6
				TP4216	E-6
				TP4217	E-6
				TP4218	E-6
				TP4219	E-6
				TP4220	E-6
				TP4221	E-6
				TP4222	E-6
				TP4223	E-6
				TP4224	E-6
				TP4225	E-6
				TP4226	E-6
				TP4227	E-6
				TP4228	E-6
				TP4229	E-6
				TP4230	E-6
				TP4231	E-6
				TP4232	E-6
				TP4233	E-6
				TP4234	E-6
				TP4235	E-6
				TP4236	F-6
				TP4500	C-3
				TP4501	D-3
				TP4502	C-3
				TP4503	C-3
				TP4504	C-2
				TP4505	D-2
				TP4506	B-2
				TP4507	D-2
				TP4508	C-2
				TP4512	D-4
				TP4519	D-4
				TP4700	H-5
				TP4701	H-5
				TP5400	H-5
				TP5600	F-5
				TP5601	F-5
				TP5602	F-5
				TP8300	G-1
				TP8301	E-2
				TP8302	E-2
				TP8303	E-2
				TP8500	D-2
				TP8501	D-2
				TP8502	C-5
				TP8503	C-1
				TP8504	F-4
				TP8505	H-5
				TP8510	E-2
				TP8511	E-1
				TP8512	E-1
				TP8513	E-1
				TP8514	E-1
				TP8515	E-1
				TP8516	E-1
				TP8517	E-1
				TP8518	E-4
				TP8519	E-1
				TP8521	C-1
				TP8522	C-2
				TP8523	C-2
				TP8524	D-1
				TP8525	C-2
				TP8526	C-2
				TP8527	C-2
				TP8528	C-2
				TP8529	C-1
				TP8530	C-1
				TP8544	C-6
				TP8546	B-5
				TP8547	C-5
				TP8548	C-5
				TP8550	D-1
				TP8551	C-1
				TP8552	C-6
				TP8553	C-6
				TP8554	C-6
				TP8555	C-6
				TP8556	C-6
				TP8557	D-6
				TP8558	C-6
				TP8559	C-6
				TP8560	C-6
				TP8561	C-6
				TP8562	C-6
				TP8563	C-6
				TP8564	B-6
				TPSOS	F-6

TH-46PZ85U  
A-BOARD PARTS LOCATION

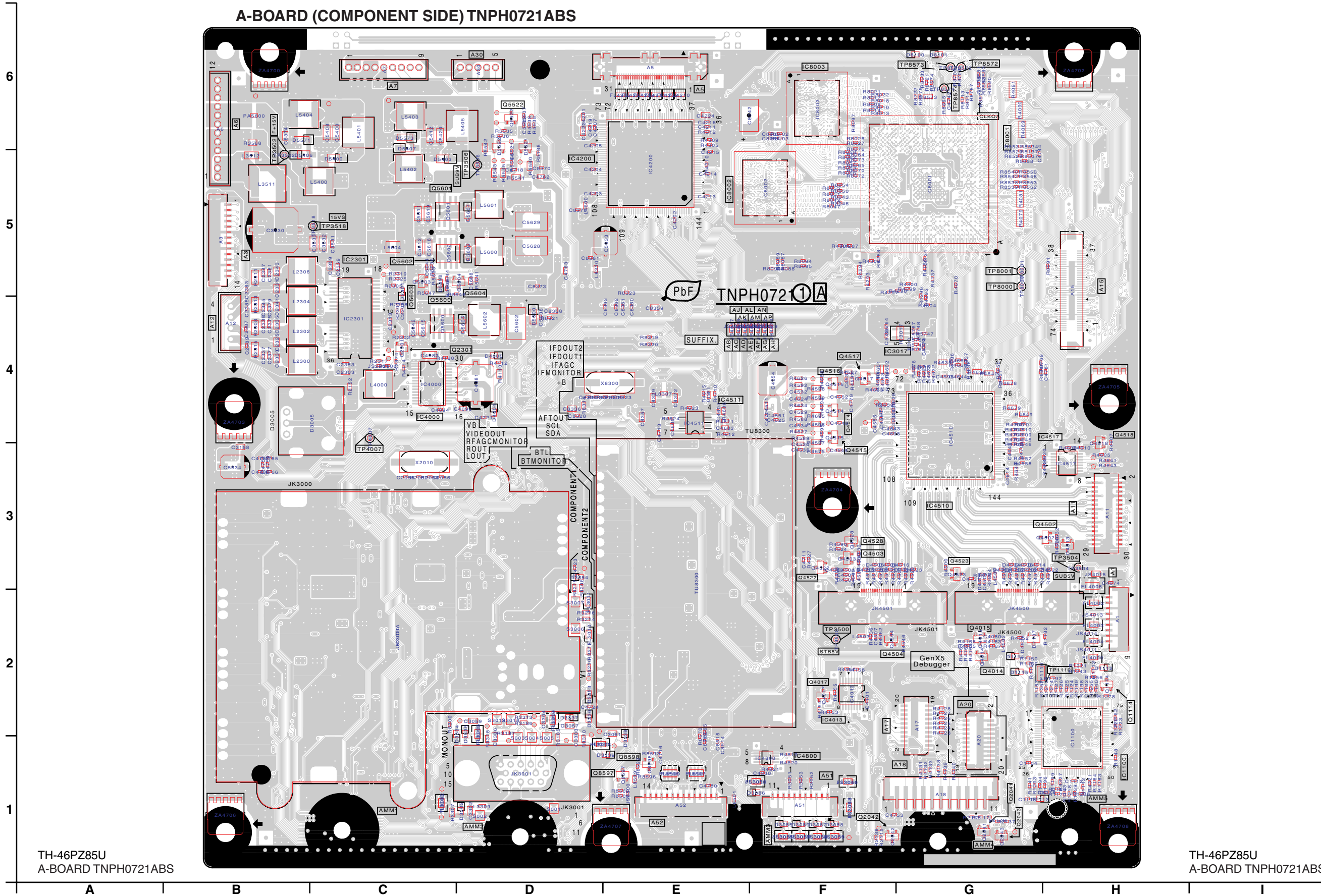
**Parts Location**

A-BOARD (COMPONENT SIDE)							
IC		TRANSISTOR				TP	
IC1100	H-1	Q1114	H-2	Q5522	D-6	TP1110	H-2
IC2301	C-5	Q2041	G-1	Q5600	C-5	TP3500	F-2
IC3017	G-4	Q2042	F-1	Q5601	C-5	TP3502	B-5
IC4000	C-4	Q2043	G-1	Q5602	C-5	TP3504	H-3
IC4013	F-2	Q2301	C-4	Q5603	C-4	TP3506	D-5
IC4200	E-5	Q4014	G-2	Q5604	D-5	TP3518	C-5
IC4510	G-3	Q4015	G-2	Q8597	E-1	TP4007	C-3
IC4511	E-4	Q4017	F-2	Q8598	E-1	TP8000	G-5
IC4517	H-3	Q4502	H-3			TP8001	G-5
IC4800	F-1	Q4503	F-3			TP8572	G-6
IC8001	G-5	Q4504	F-2			TP8573	G-6
IC8002	E-5	Q4514	F-4			TP8574	G-6
IC8003	F-6	Q4515	F-3				
		Q4516	F-4				
		Q4517	F-4				
		Q4518	H-4				
		Q4522	F-3				
		Q4523	G-3				
		Q4528	F-3				

TH-46PZ85U  
A-BOARD PARTS LOCATION



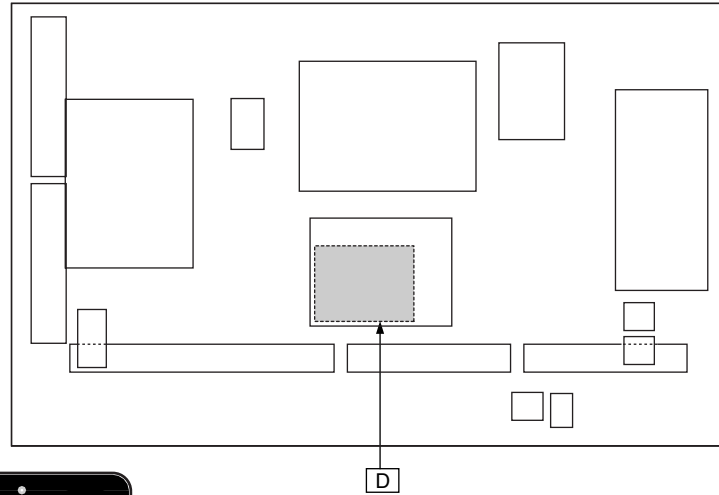
A-BOARD (COMPONENT SIDE) TNPH0721ABS



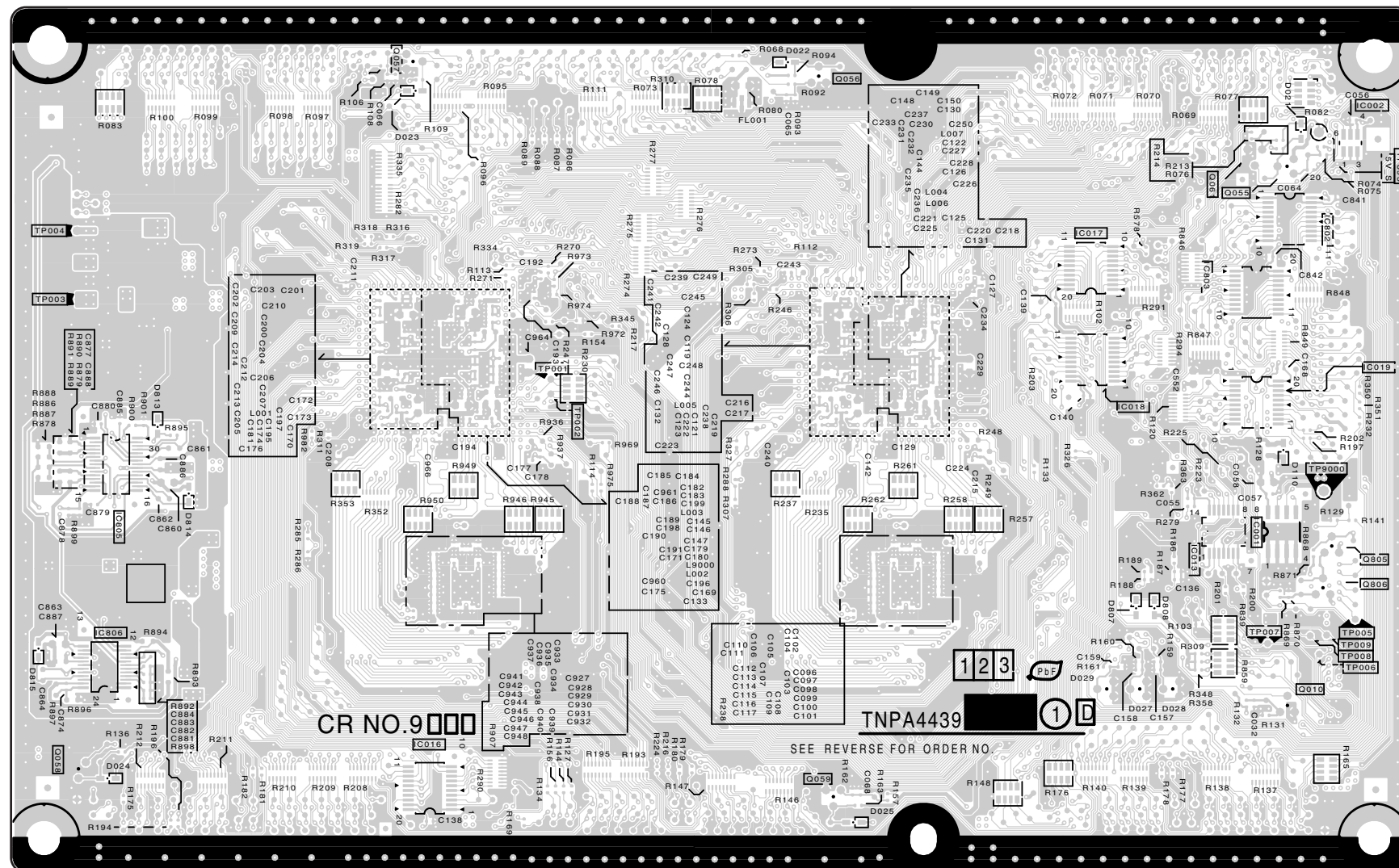
TH-46PZ85U  
A-BOARD TNPH0721ABS

TH-46PZ85U  
A-BOARD TNPH0721ABS

# 12.6. D-Board



**D-BOARD (FOIL SIDE)  
TNPA4439AKS**



**Parts Location**

D-BOARD (FOIL SIDE)			
IC		TEST POINT	
IC9001	F-2	TP9000	F-3
IC9002	F-4	TP9001	C-3
IC9013	F-2	TP9002	C-3
IC9016	C-2	TP9003	A-3
IC9017	E-3	TP9004	A-4
IC9018	E-3	TP9005	F-2
IC9019	F-3	TP9006	F-2
IC9802	F-4	TP9007	F-2
IC9803	F-3	TP9008	F-2
IC9805	A-2	TP9009	F-2
IC9806	A-2	TP9395	G-4
TRANSISTOR			
Q9010	F-2		
Q9055	F-4		
Q9056	D-4		
Q9057	B-4		
Q9058	A-1		
Q9059	D-1		
Q9061	F-4		
Q9805	F-2		
Q9806	F-2		

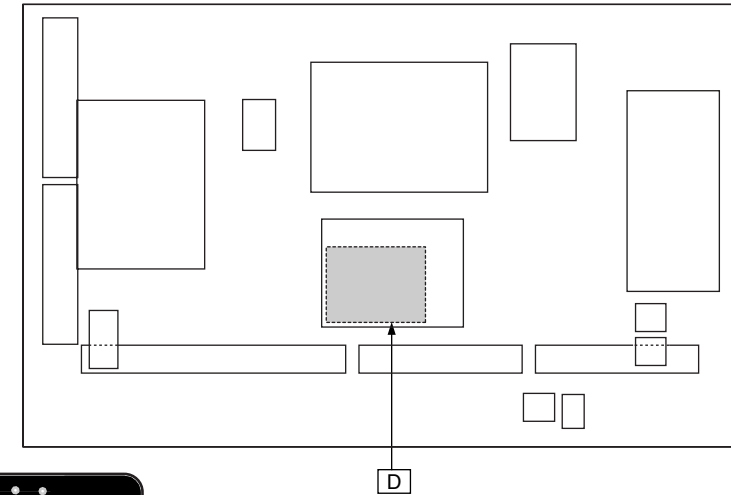
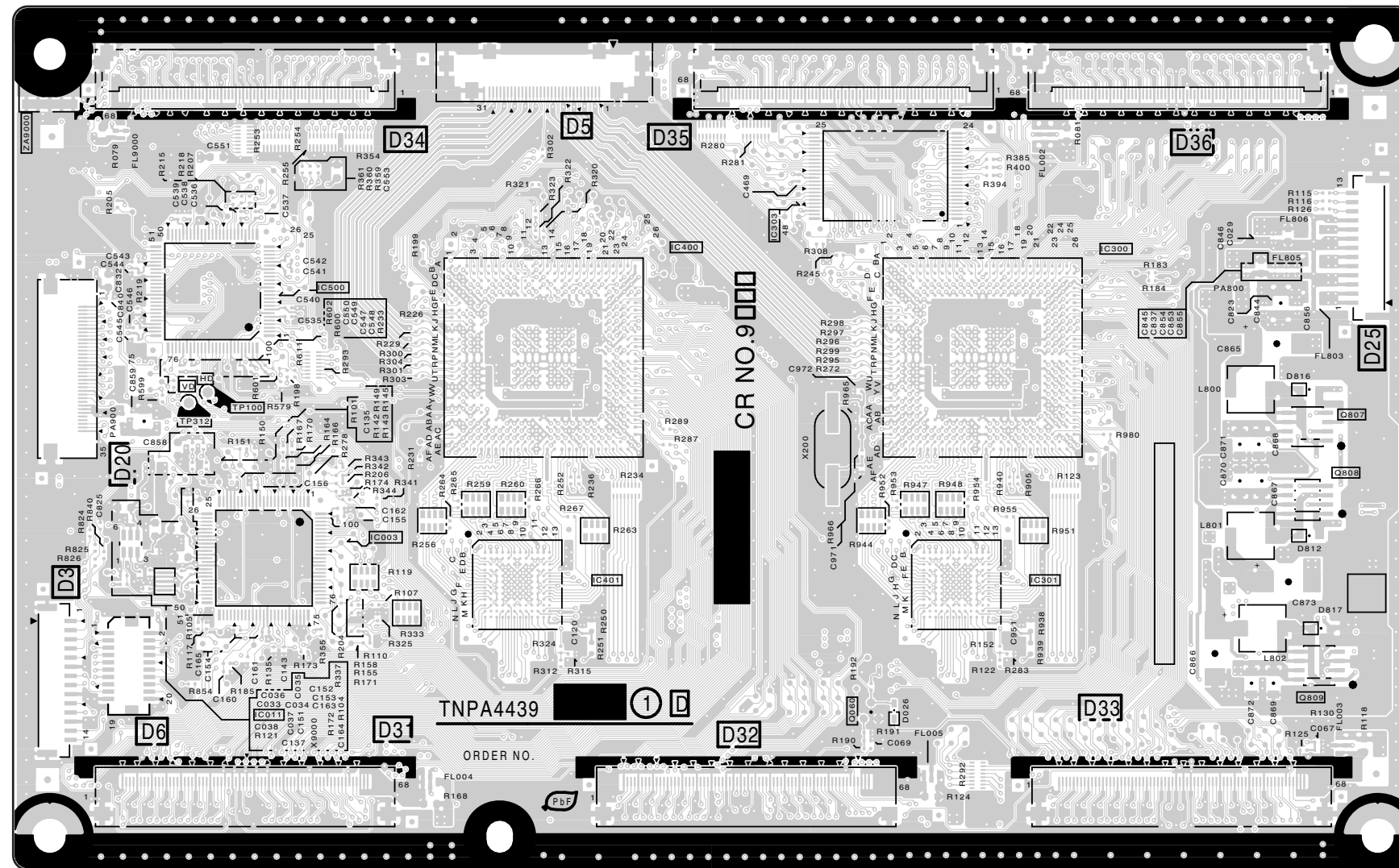
TH-46PZ85U  
D-BOARD TNPA4439AKS

TH-46PZ85U  
D-BOARD TNPA4439AKS



6  
5  
4  
3  
2  
1  
A B C D E F G H I

**D-BOARD (COMPONENT SIDE)  
TNPA4439AKS**



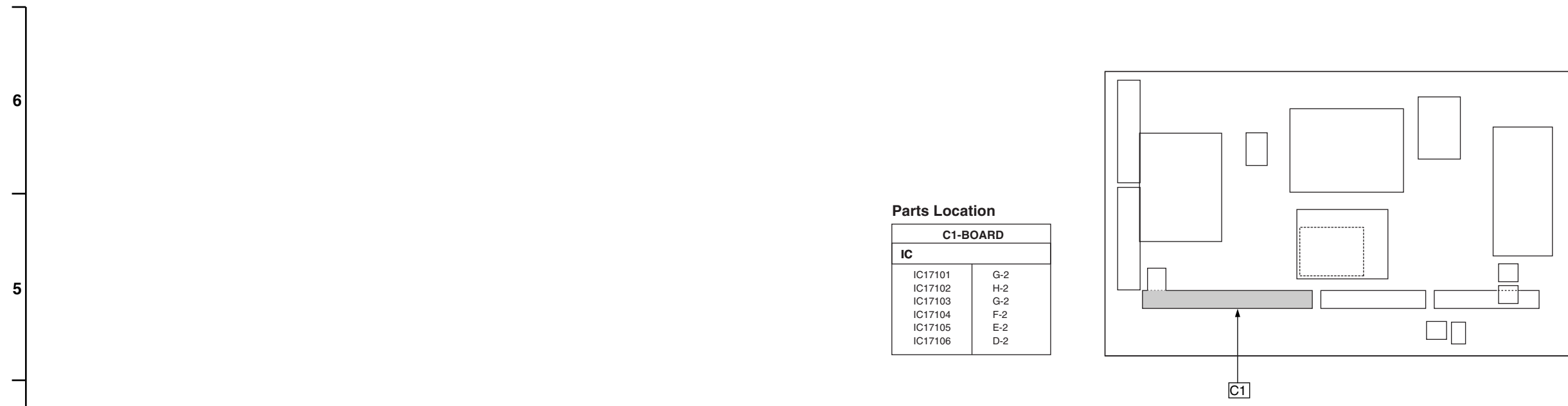
**Parts Location**

D-BOARD (COMPONENT SIDE)			
IC		TRANSISTOR	
IC9003	B-2	Q9060	D-2
IC9011	B-2	Q9807	F-3
IC9300	E-3	Q9808	F-3
IC9301	E-2	Q9809	F-2
IC9303	D-4		
IC9400	C-3	<b>TEST POINT</b>	
IC9401	C-2	TP9100	B-3
IC9500	B-3	TP9312	A-3

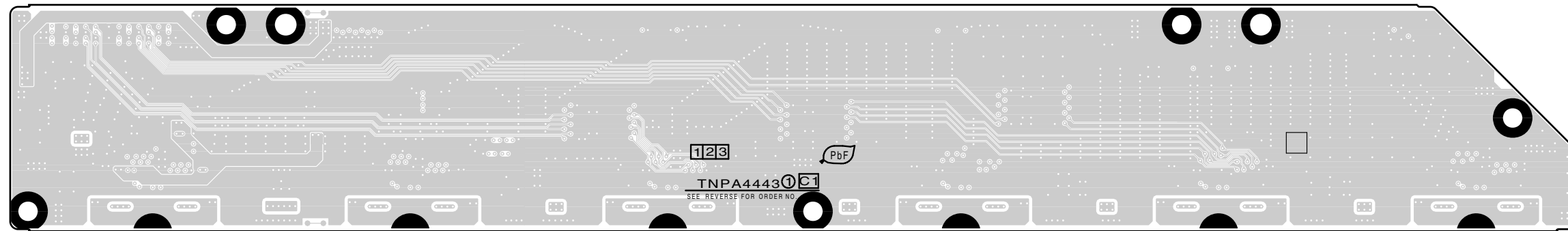
TH-46PZ85U  
D-BOARD TNPA4439AKS

TH-46PZ85U  
D-BOARD TNPA4439AKS

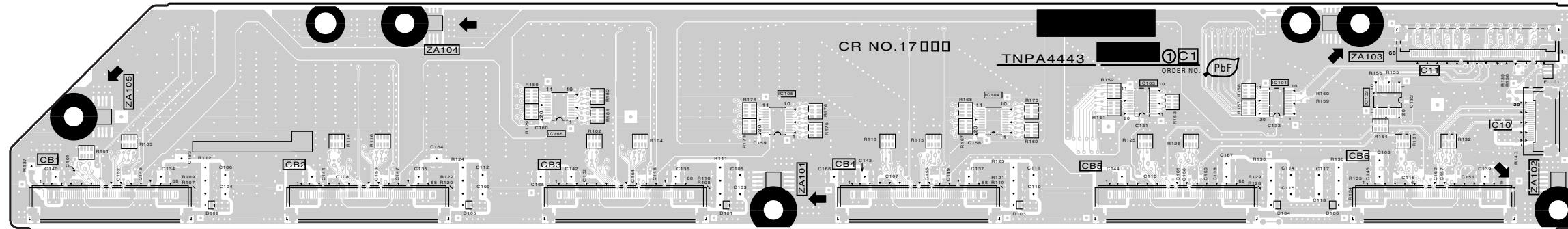
# 12.7. C1-Board



**C1-BOARD (FOIL SIDE)  
TXNC11RKTU**



**C1-BOARD (COMPONENT SIDE)  
TXNC11RKTU**

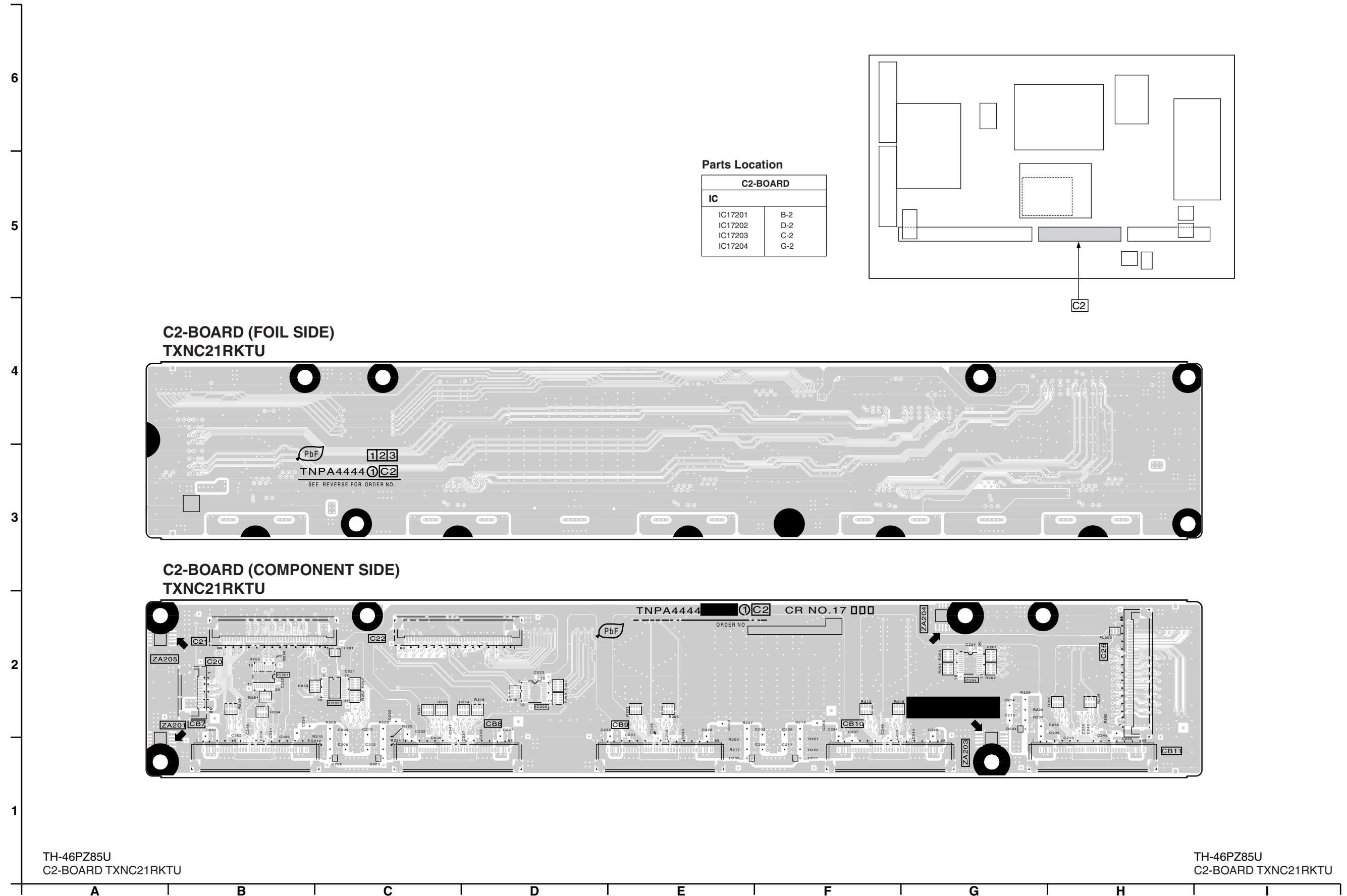


TH-46PZ85U  
C1-BOARD TXNC11RKTU

TH-46PZ85U  
C1-BOARD -TXNC11RKTU

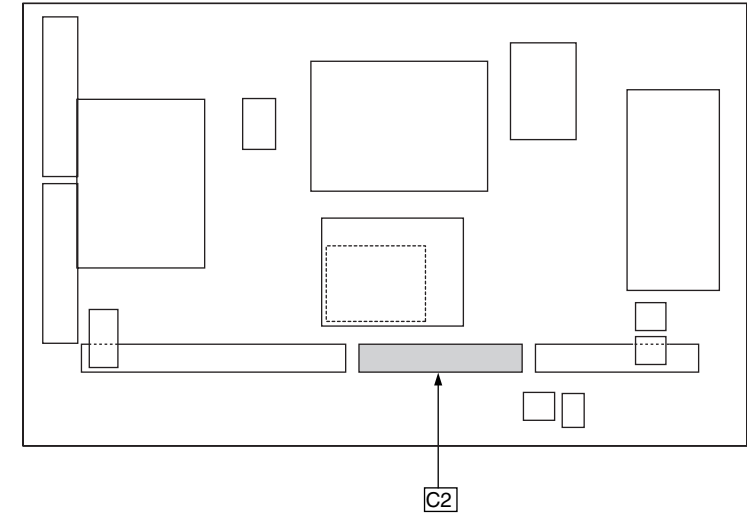


# 12.8. C2-Board



### Parts Location

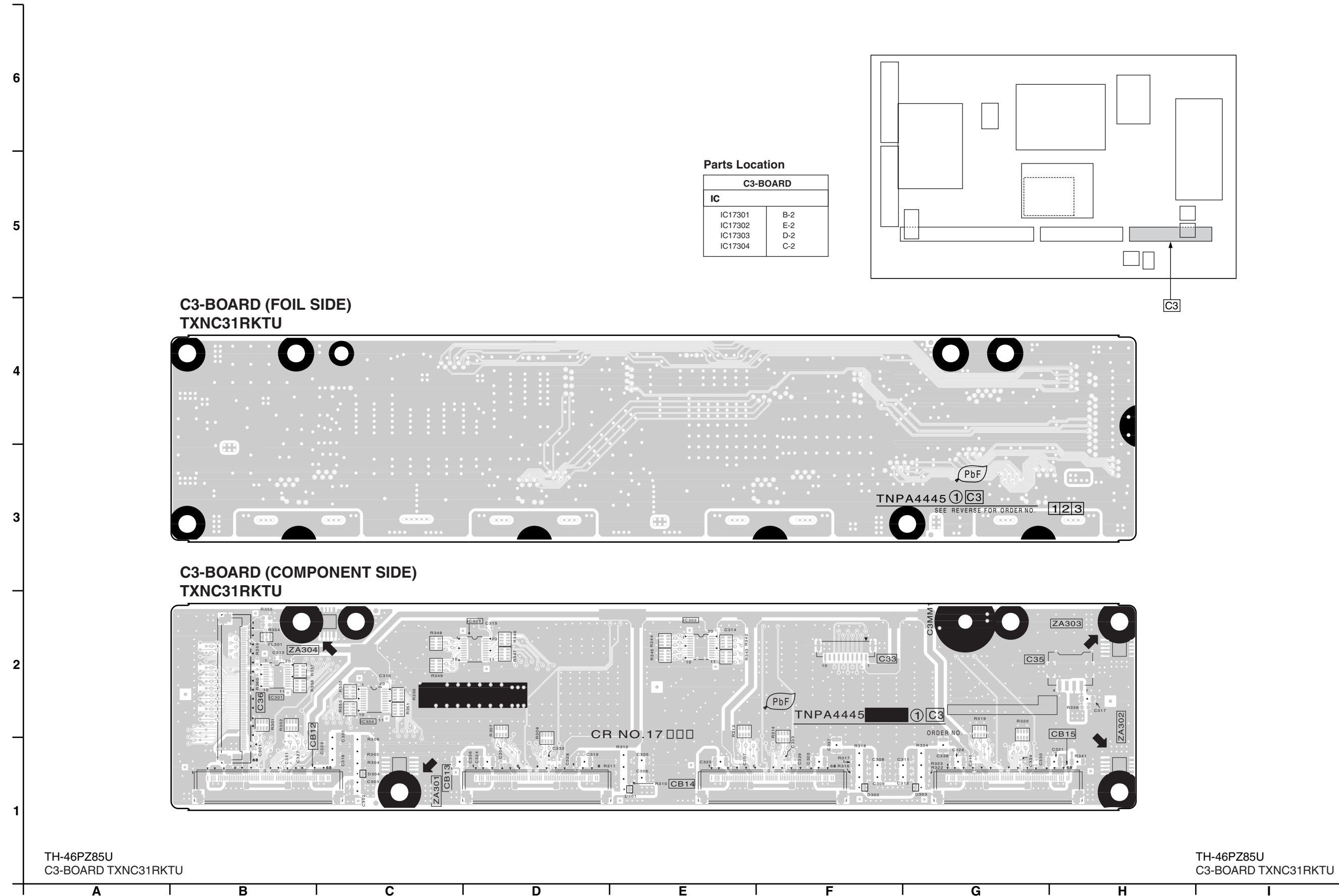
C2-BOARD	
IC	
IC17201	B-2
IC17202	D-2
IC17203	C-2
IC17204	G-2



TH-46PZ85U  
C2-BOARD TXNC21RKTU

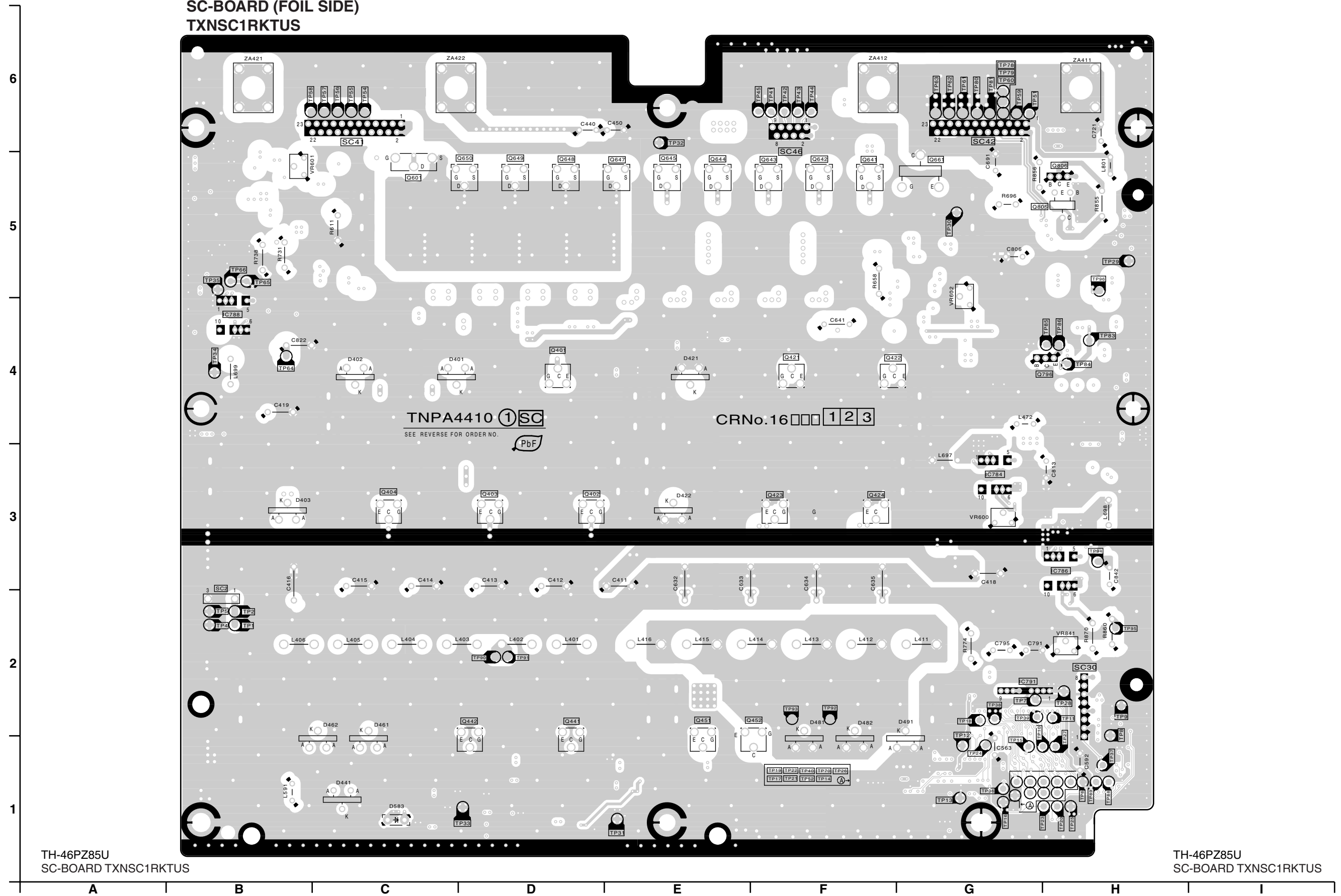
TH-46PZ85U  
C2-BOARD TXNC21RKTU

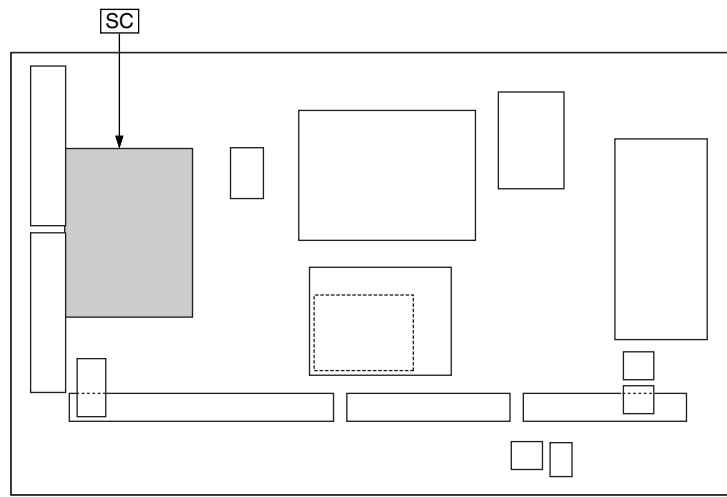
# 12.9. C3-Board



12.10. SC-Board

SC-BOARD (FOIL SIDE)  
TXNSC1RKTUS





Parts Location

SC-BOARD (FOIL SIDE)						
IC		TEST POINT		TP40	F-1	
IC16784	G-3	TP1	B-2	TP41	F-6	
IC16786	H-3	TP2	B-2	TP42	F-6	
IC16788	B-4	TP4	B-2	TP43	F-6	
IC16791	G-2	TP5	B-2	TP44	F-6	
		TP6	H-1	TP45	F-6	
		TP7	G-2	TP51	G-6	
		TP8	H-1	TP52	F-1	
		TP9	H-2	TP54	C-6	
		TP10	G-1	TP55	C-6	
		TP11	H-2	TP56	C-6	
		TP12	G-1	TP57	C-6	
		TP13	G-1	TP58	C-6	
		TP14	F-1	TP59	G-6	
		TP15	G-1	TP60	G-6	
		TP16	G-1	TP61	G-6	
		TP17	F-1	TP62	G-6	
		TP18	G-2	TP63	G-6	
		TP19	F-1	TP64	B-4	
		TP20	H-1	TP65	B-5	
		TP21	F-1	TP66	B-5	
		TP22	F-1	TP70	F-1	
		TP23	H-1	TP78	G-6	
		TP24	G-1	TP79	G-6	
		TP25	H-1	TP80	G-6	
		TP26	F-1	TP81	G-6	
		TP27	H-1	TP83	H-4	
		TP28	H-2	TP84	H-4	
		TP29	H-5	TP85	H-4	
		TP30	G-5	TP86	H-4	
		TP31	E-1	TP88	H-1	
		TP32	E-6	TP89	H-1	
		TP33	D-1	TP90	D-2	
		TP34	B-4	TP91	D-2	
		TP35	B-5	TP92	F-2	
		TP36	G-1	TP93	F-2	
		TP37	H-1	TP94	H-3	
		TP38	G-2	TP95	H-2	
		TP39	G-2	TP96	H-5	
VOLUME						
VR16600	G-3					
VR16601	B-5					
VR16602	G-5					
VR16841	H-2					

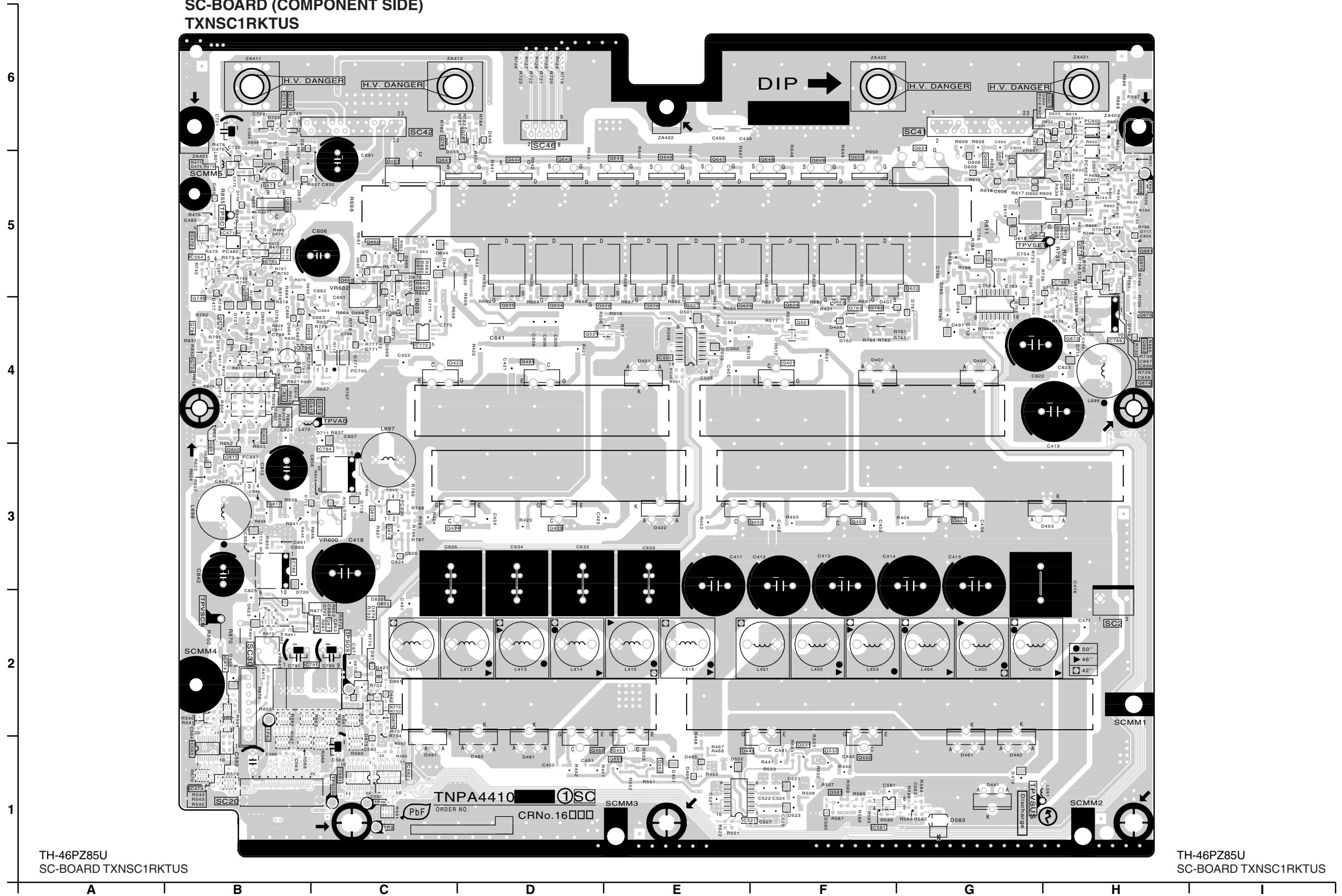
TH-46PZ85U  
SC-BOARD PARTS LOCATION

Parts Location

SC-BOARD (COMPONENT SIDE)						
IC		TRANSISTOR		Q16647	E-5	TEST POINT
IC16471	B-5	Q16401	F-4	Q16648	F-5	TP3
IC16472	B-5	Q16402	F-3	Q16649	F-5	TP46
IC16473	A-1	Q16403	F-3	Q16650	F-5	TP82
IC16474	B-2	Q16404	G-3	Q16661	C-5	TP97
IC16501	E-4	Q16421	D-4	Q16662	C-5	TPSC1
IC16521	E-1	Q16422	C-4	Q16663	C-5	TPSOS6
IC16561	C-1	Q16423	D-3	Q16664	C-4	TPSOS7
IC16562	C-1	Q16424	C-3	Q16665	B-4	TPVDA
IC16563	B-1	Q16441	E-1	Q16666	C-5	TPVSCN
IC16564	B-5	Q16442	F-1	Q16743	B-4	TPVSET
IC16581	F-1	Q16451	E-1	Q16762	F-4	TPVSUS
IC16724	B-6	Q16452	D-1	Q16763	F-4	
IC16725	B-6	Q16471	B-5	Q16781	C-6	
IC16752	G-5	Q16501	F-4	Q16783	D-6	
IC16772	C-4	Q16521	D-4	Q16791	B-4	
IC16784	C-3	Q16531	F-1	Q16794	B-4	
IC16786	B-3	Q16532	F-1	Q16795	B-5	
IC16787	C-2	Q16551	E-1	Q16796	B-4	
IC16788	H-4	Q16552	E-1	Q16801	B-3	
IC16789	H-5	Q16581	F-1	Q16802	B-3	
IC16791	B-2	Q16601	G-5	Q16803	C-3	
IC16792	B-5	Q16602	H-5	Q16805	B-5	
IC16801	B-4	Q16603	G-5	Q16806	B-5	
		Q16604	G-5	Q16810	B-4	
PHOTO COUPLER		Q16605	H-5	Q16811	B-4	
PC16480	B-5	Q16606	G-5	Q16812	B-4	
PC16601	H-5	Q16607	H-6	Q16813	C-4	
PC16602	H-6	Q16608	H-5	Q16814	C-3	
PC16603	H-5	Q16622	G-4	Q16815	B-3	
PC16705	C-4	Q16623	F-4	Q16816	C-3	
PC16710	C-4	Q16624	F-4	Q16817	B-3	
PC16896	C-3	Q16625	E-4	Q16871	C-2	
PC16897	C-3	Q16627	E-4	Q16872	H-4	
		Q16628	E-4	Q16873	H-5	
		Q16629	E-4	Q16874	H-4	
		Q16634	D-4	Q16875	H-5	
		Q16635	D-4	Q16876	C-2	
		Q16641	C-5	Q16879	H-4	
		Q16642	D-5	Q16881	H-5	
		Q16643	D-5	Q16882	H-4	
		Q16644	E-5			
		Q16645	E-5			
VOLUME						
VR16600	G-3					
VR16601	B-5					
VR16602	G-5					
VR16841	H-2					

TH-46PZ85U  
SC-BOARD PARTS LOCATION

SC-BOARD (COMPONENT SIDE)  
TXNSC1RKTUS

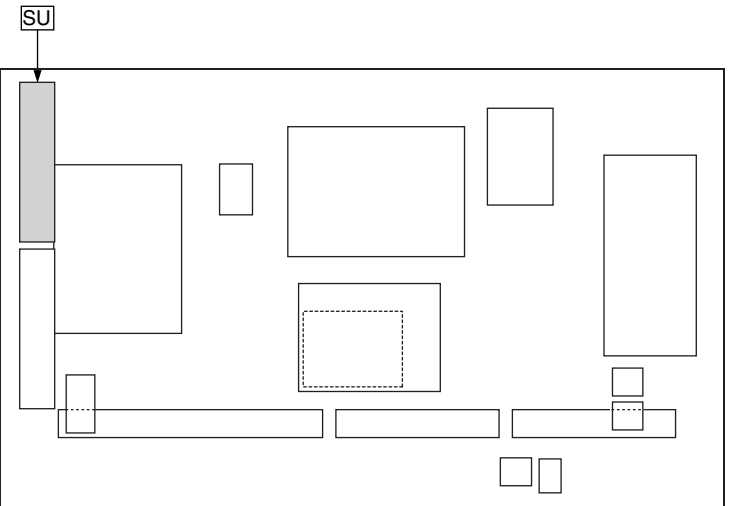
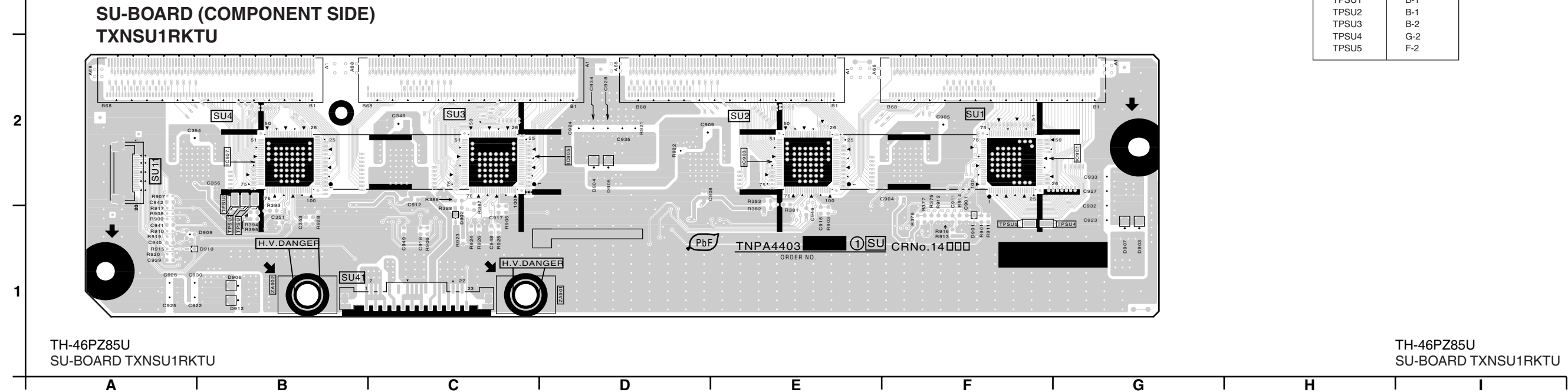
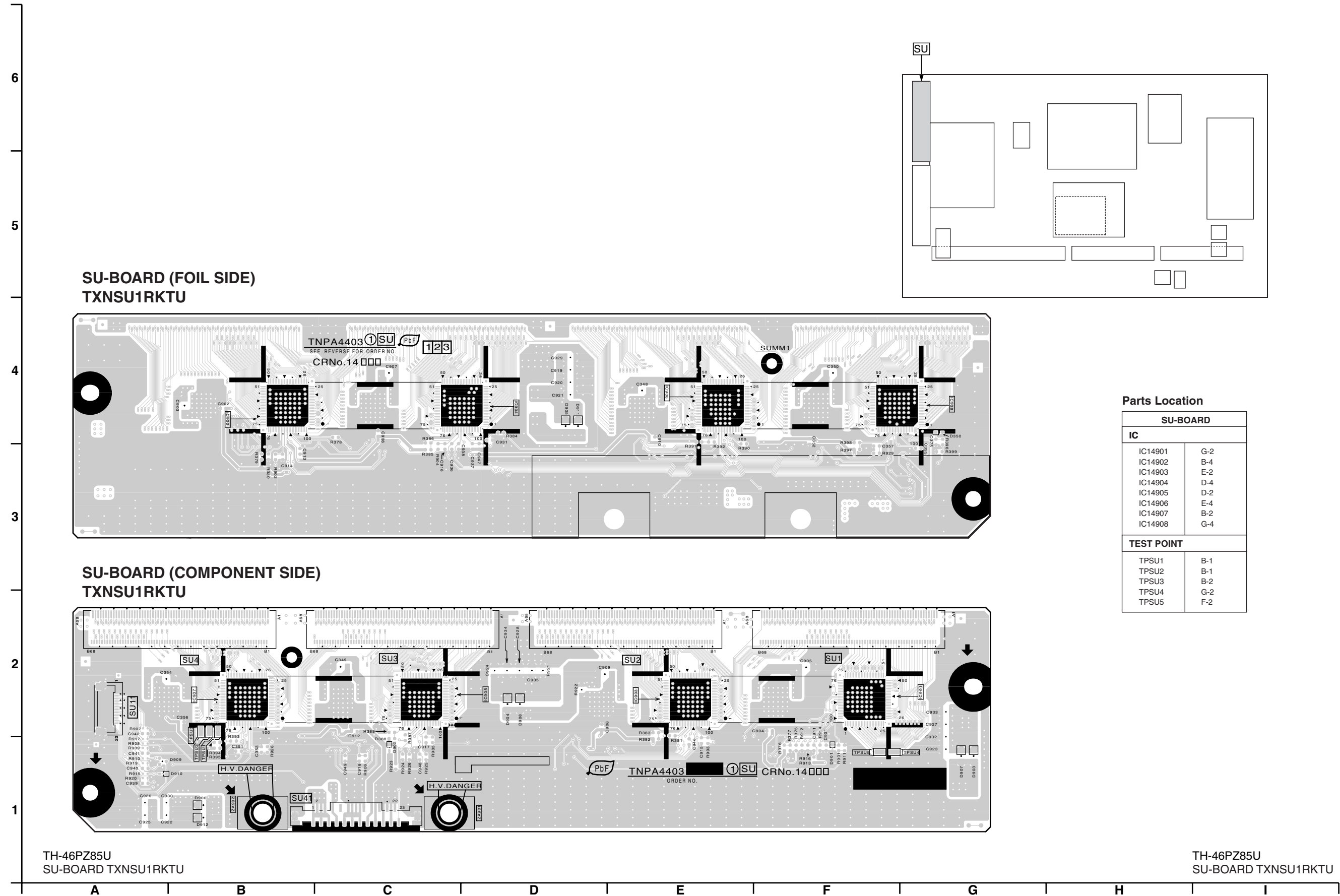


TH-46PZ85U  
SC-BOARD TXNSC1RKTUS

TH-46PZ85U  
SC-BOARD TXNSC1RKTUS



# 12.11. SU-Board



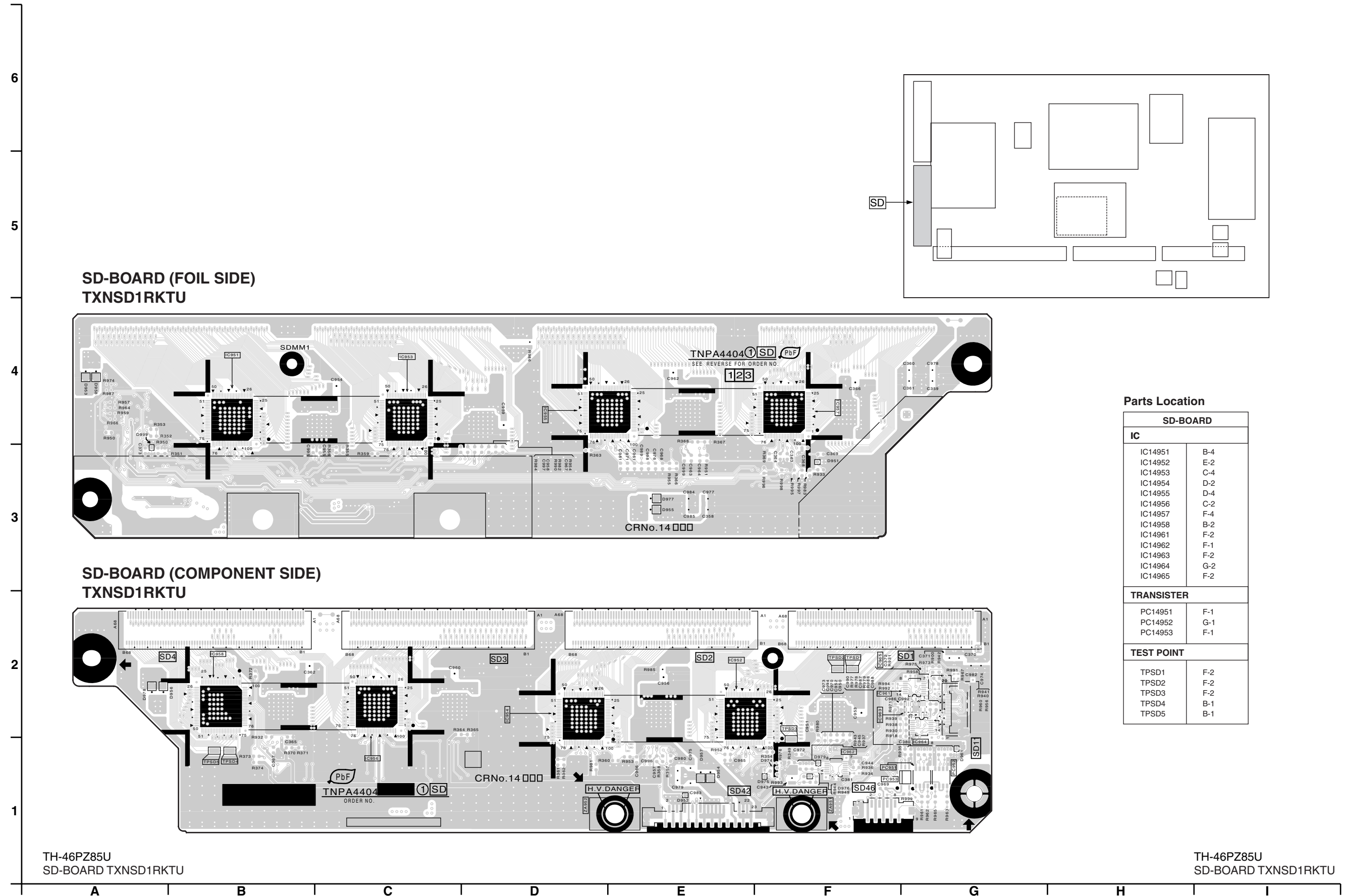
**Parts Location**

SU-BOARD	
<b>IC</b>	
IC14901	G-2
IC14902	B-4
IC14903	E-2
IC14904	D-4
IC14905	D-2
IC14906	E-4
IC14907	B-2
IC14908	G-4
<b>TEST POINT</b>	
TPSU1	B-1
TPSU2	B-1
TPSU3	B-2
TPSU4	G-2
TPSU5	F-2

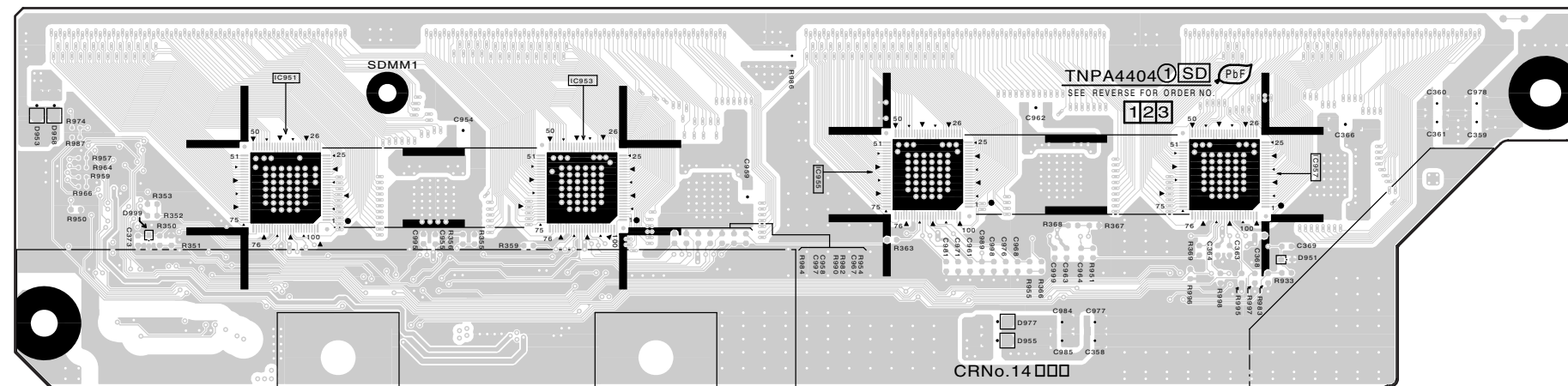
TH-46PZ85U  
SU-BOARD TXNSU1RKTU

TH-46PZ85U  
SU-BOARD TXNSU1RKTU

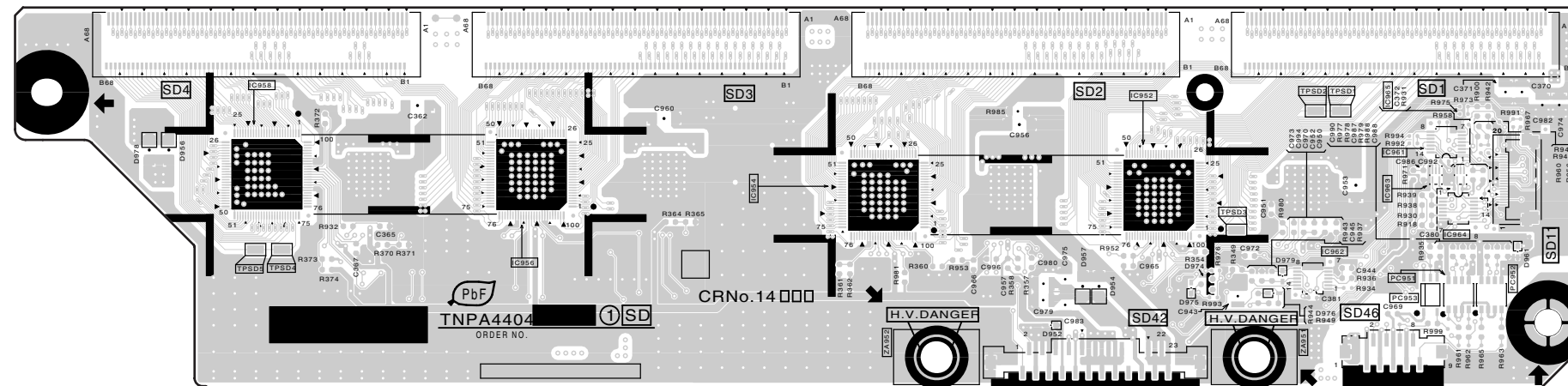
# 12.12. SD-Board



**SD-BOARD (FOIL SIDE)  
TXNSD1RKTU**



**SD-BOARD (COMPONENT SIDE)  
TXNSD1RKTU**



**Parts Location**

SD-BOARD	
<b>IC</b>	
IC14951	B-4
IC14952	E-2
IC14953	C-4
IC14954	D-2
IC14955	D-4
IC14956	C-2
IC14957	F-4
IC14958	B-2
IC14961	F-2
IC14962	F-1
IC14963	F-2
IC14964	G-2
IC14965	F-2
<b>TRANSISTER</b>	
PC14951	F-1
PC14952	G-1
PC14953	F-1
<b>TEST POINT</b>	
TPSD1	F-2
TPSD2	F-2
TPSD3	F-2
TPSD4	B-1
TPSD5	B-1

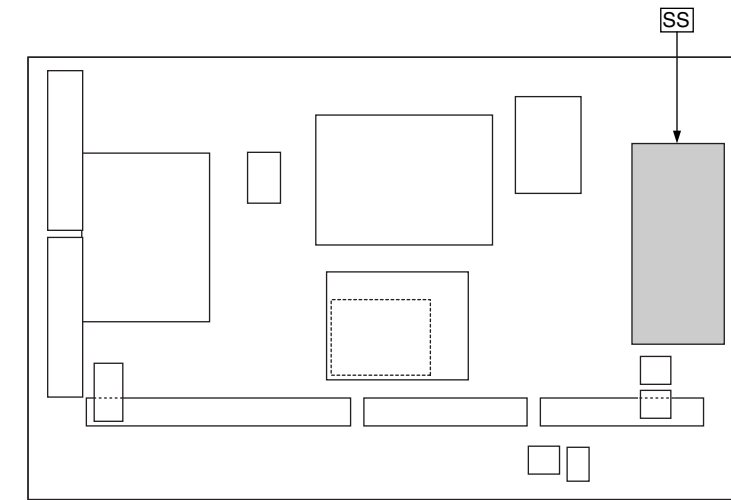
TH-46PZ85U  
SD-BOARD TXNSD1RKTU

TH-46PZ85U  
SD-BOARD TXNSD1RKTU

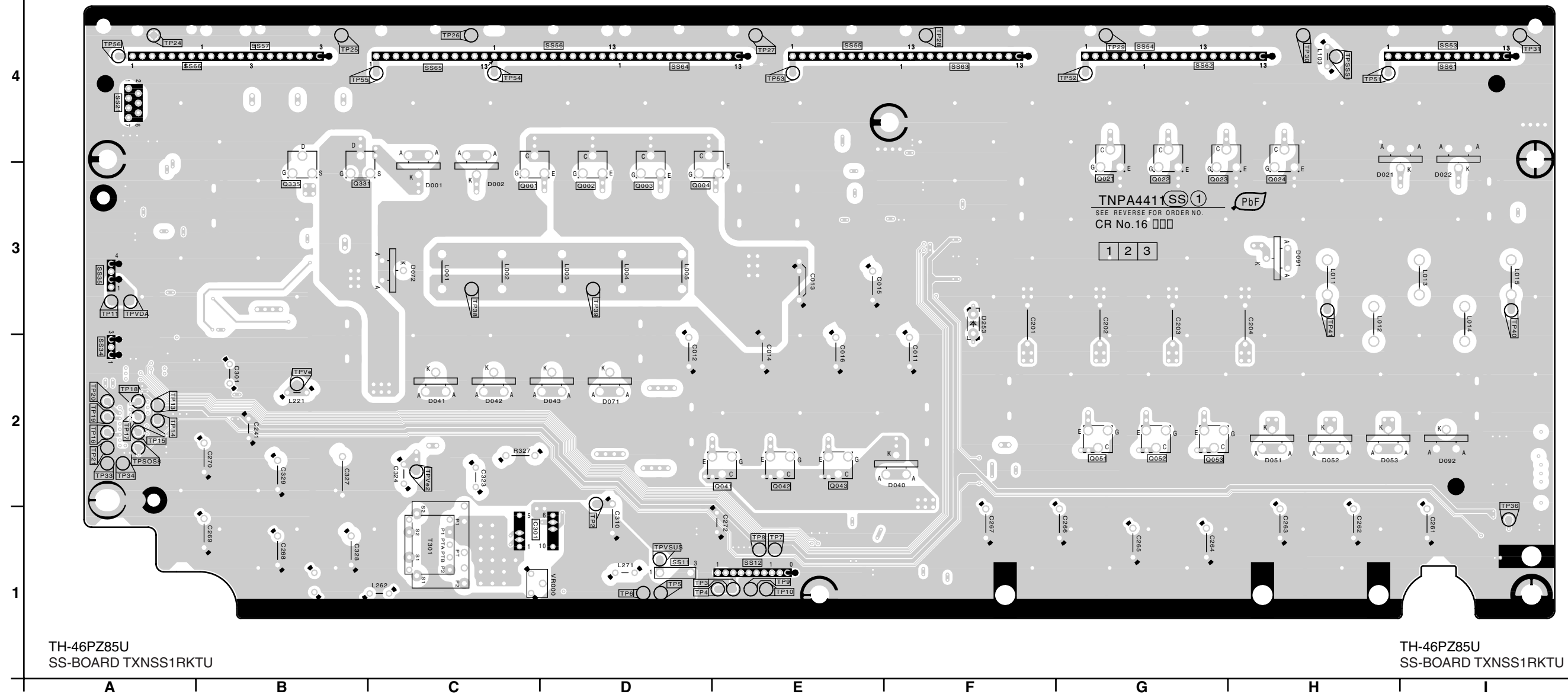
# 12.13. SS-Board

## Parts Location

SS-BOARD (FOIL SIDE)							
IC		TEST POINT					
IC16301	C-1	TP2	D-1	TP25	B-4	TPSOS8	A-2
		TP3	D-1	TP26	C-4	TPSS1	H-4
<b>TRANSISTOR</b>		TP4	D-1	TP27	E-4	TPVDA	A-3
Q16001	C-3	TP5	D-1	TP28	F-4	TPVe2	B-2
Q16002	D-3	TP6	D-1	TP29	G-4	TPVe2	C-2
Q16003	D-3	TP7	E-1	TP30	H-4	TPVSUS	D-1
Q16004	D-3	TP8	E-1	TP31	I-4		
Q16021	G-3	TP9	E-1	TP33	A-2	<b>VOLUME</b>	
Q16022	G-3	TP10	E-1	TP34	A-2	VR16000	D-1
Q16023	G-3	TP11	A-3	TP36	I-1		
Q16024	H-3	TP13	A-2	TP38	C-3		
Q16041	E-2	TP14	A-2	TP39	D-3		
Q16042	E-2	TP15	A-2	TP40	I-3		
Q16043	E-2	TP16	A-2	TP41	H-3		
Q16051	G-2	TP17	A-2	TP51	H-4		
Q16052	G-2	TP18	A-2	TP52	G-4		
Q16053	G-2	TP19	A-2	TP53	E-4		
Q16331	B-3	TP20	A-2	TP54	C-4		
Q16335	B-3	TP21	A-2	TP55	B-4		
		TP24	A-4	TP56	A-4		



## SS-BOARD (FOIL SIDE) TXNSS1RKTU



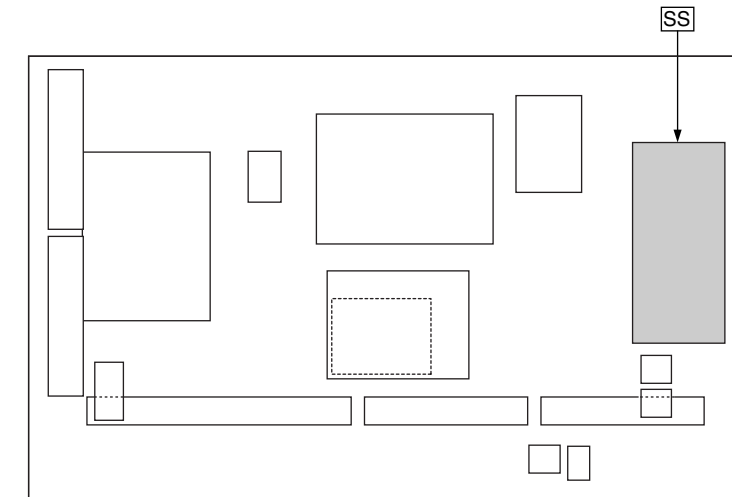
TH-46PZ85U  
SS-BOARD TXNSS1RKTU

TH-46PZ85U  
SS-BOARD TXNSS1RKTU

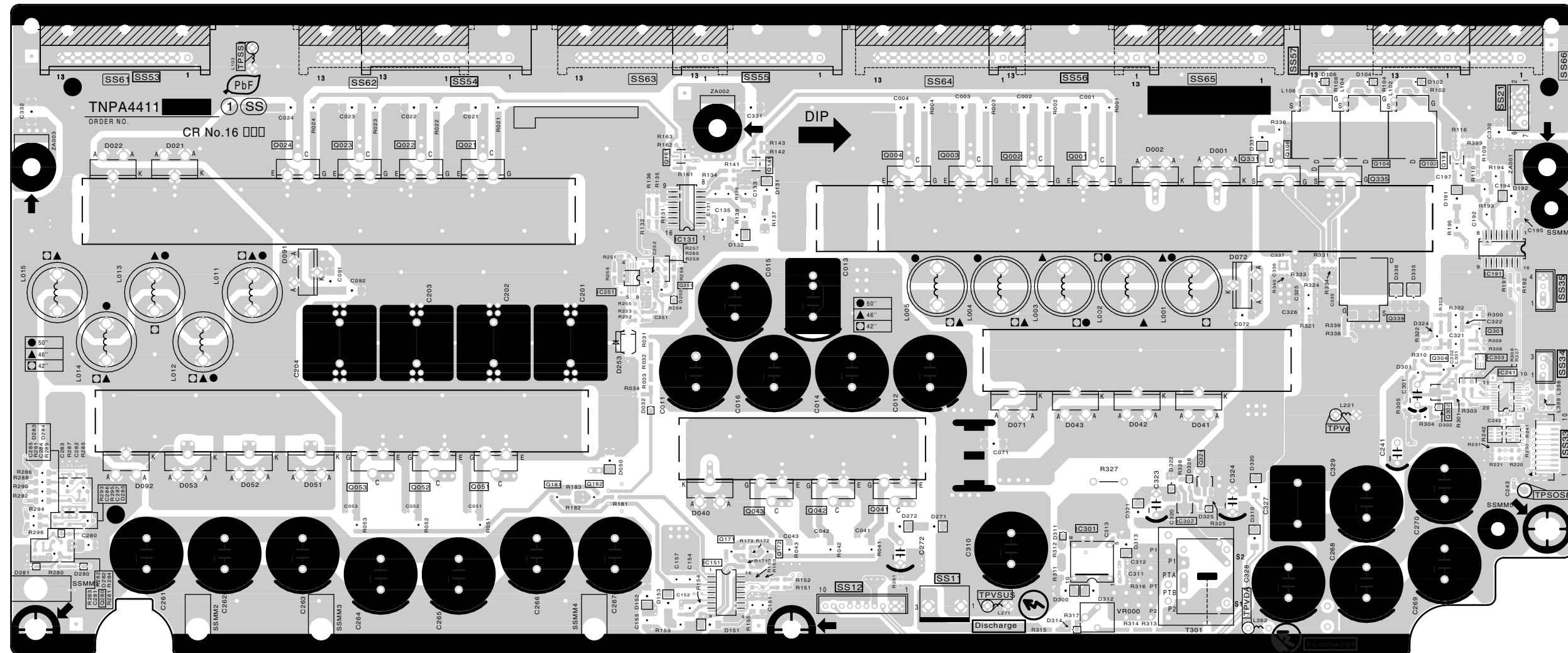


Parts Location

SS-BOARD (COMPONENT SIDE)							
IC	TRANSISTOR	Q16106		H-4		TEST POINT	
		IC16131	E-3	Q16001	G-4	Q16106	H-4
IC16151	E-1	Q16002	F-4	Q16141	E-4	TPSS1	B-4
IC16191	I-3	Q16003	F-4	Q16171	D-4	TPVDA	H-1
IC16241	I-2	Q16004	F-4	Q16172	E-1	TPVe	H-2
IC16251	D-3	Q16021	C-4	Q16181	D-2	TPVSUS	F-1
IC16301	G-2	Q16022	C-4	Q16182	D-2		
IC16302	G-2	Q16023	C-4	Q16191	I-4		
IC16303	I-2	Q16024	B-4	Q16251	E-3		
		Q16041	F-2	Q16280	A-1		
		Q16042	E-2	Q16301	I-3		
		Q16043	E-2	Q16302	I-2		
		Q16051	C-2	Q16304	I-2		
		Q16052	C-2	Q16321	G-2		
		Q16053	C-2	Q16331	H-4		
		Q16102	I-4	Q16335	H-3		
		Q16104	H-4	Q16339	H-3		
						VOLUME	
						VR16000	G-1



SS-BOARD (COMPONENT SIDE)  
TXNSS1RKTU



TH-46PZ85U  
SS-BOARD TXNSS1RKTU

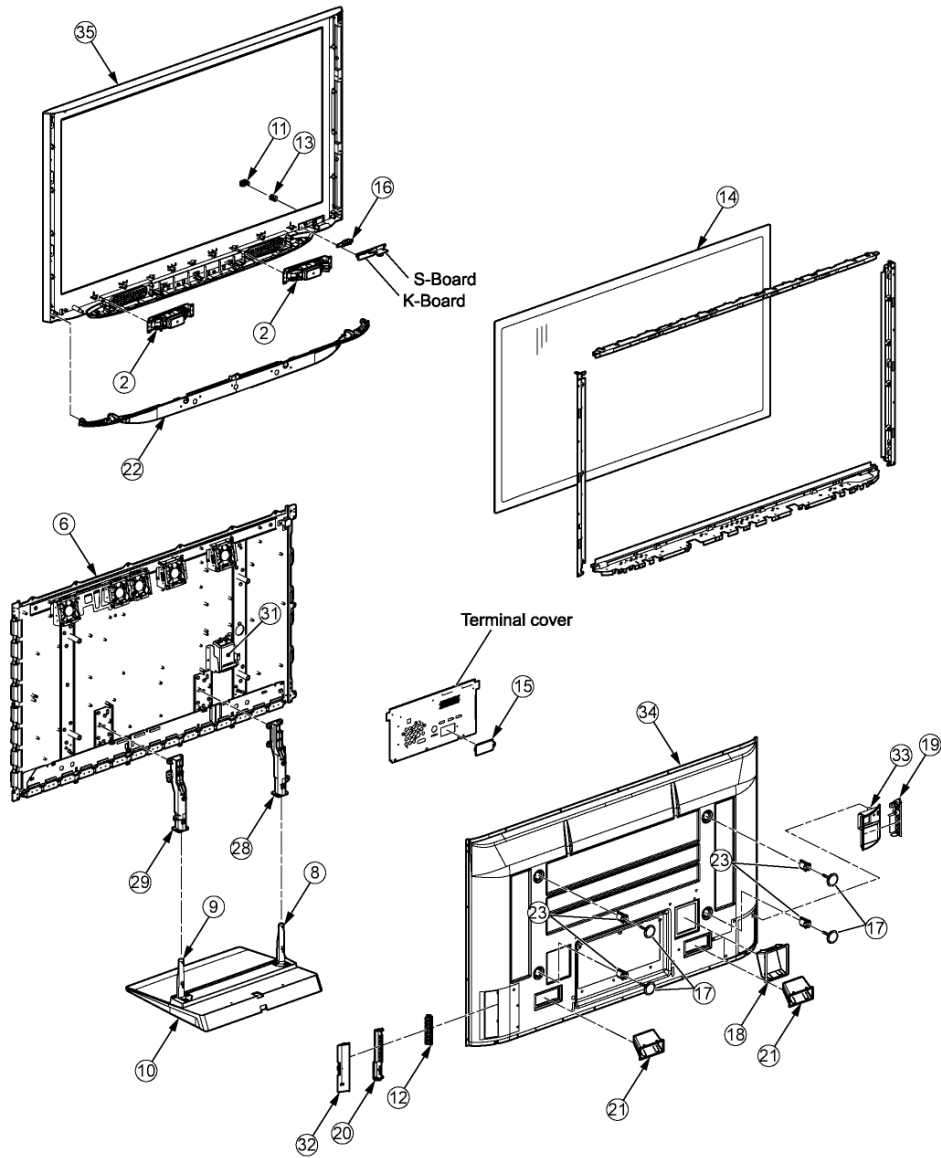
TH-46PZ85U  
SS-BOARD TXNSS1RKTU



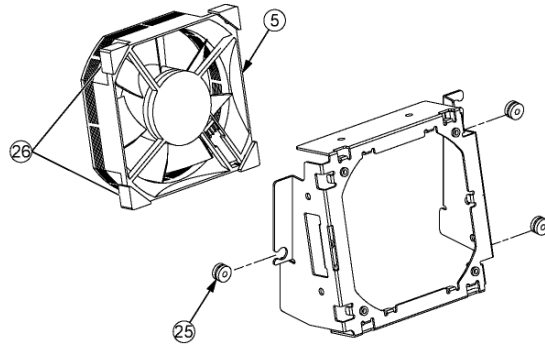
# 13 Exploded View and Replacement Parts List

## 13.1. Exploded View and Mechanical Replacement Parts List

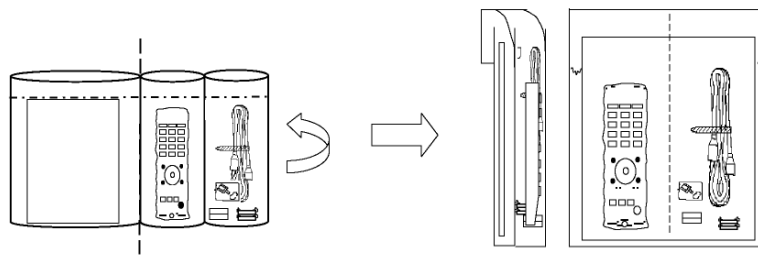
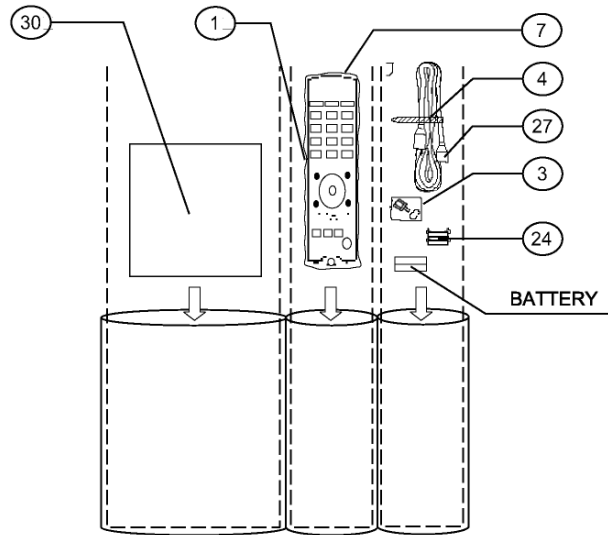
### 13.1.1. Exploded View



### 13.1.2. Fan part location




### 13.1.3. Accessories








#### 13.1.4. Mechanical Replacement Parts List

**Note: Important Safety Notice**

Components identified by  mark have special characteristics important for safety.  
When replacing any of these components, use only manufacturer's specified parts.

**Note:** All parts except parts mentioned [PAVCA] in the Remarks column are supplied by PAVC-CSG.  
Parts mentioned [PAVCA] are supplied by PAVCA.

Safety	Ref. No.	Part No.	Part Name & Description	Q'ty	Remarks
	1	10030-0035400	BATTERY COVER	1	PAVCA
	2	EAS16S10A	SPEAKER	2	PAVCA
	3	K1RYYYA00016	F-TYPE (5C)	1	
	4	K2CG3YY00029	AC CORD	1	PAVCA
	5	L6FAYYYH0050	FAN(80MM)	3	
	6	MD46F11A1J	PLASMA DISPLAY PANEL	1	
	7	N2QAYB000220	REMOTE CONTROL	1	PAVCA
	8	TBLA3614	STAND POLE REFT	1	
	9	TBLA3615	STAND POLE LIGHT	1	
	10	TBLX0034	PEDESTAL STAND	1	PAVCA
	11	TBX2AA4802-1	POWER BUTTON (PAINT)	1	PAVCA
	12	TBX2AA4902	CONTROL BUTTON (PAINT)	1	PAVCA
	13	TES2AA0191	POWER BUTTON SPRING	1	PAVCA
		THEJ016J	SCREW (AC INRET:2)	2	
		THEL037N	SCREW	30	
		THEL0429	SCREW	19	
		THEL060N	SCREW (STAND-TV)	4	
		THTD013N	SCREW	9	
		THTF011N	SCREW	62	
	14	TKGA5436S	FRONT GLASS (50FHD)	1	PAVCA
	15	TKK2AA7701	ADJUSTMENT COVER	1	PAVCA
	16	TKK2AA8501	LED PANEL	1	PAVCA
	17	TKP2AA11201	M8 SPACER CAP	4	PAVCA
	18	TKP2AA7901	INLET COVER	1	PAVCA
	19	TKP2AA8401	SIDE TERMINAL PANEL TOP	1	PAVCA
	20	TKP2AX0201	SIDE CONTROL PANEL BOTTOM	1	PAVCA
	21	TKR2AA00161	REAR COVER HANDLE	2	PAVCA
	22	TKU2AC7101	REAR COVER (BOTTOM)	1	PAVCA
		TMM15414-2	CLAMPER	1	
		TMM17499	CLAMPER	1	
	23	TMM2AD01101	M8 SPACER	4	PAVCA
		TMM6428-1	CLAMPER	1	
		TMM7464-2	CLAMPER	3	
		TMME084	CLAMPER	2	
		TMME088	CLAMPER	6	
		TMME190	CLAMPER	1	
		TMME199	CLAMPER	1	
		TMME260	CLAMPER	2	
		TMME287	CLAMPER	9	
	24	TMME289	CLAMPER	2	
		TMME292	CLAMPER	7	
	25	TMMJ068	RUBBER (FAN)	9	
	26	TMMJ082	SPONGE (FAN CORNER)	12	

Safety	Ref. No.	Part No.	Part Name & Description	Q'ty	Remarks
	27	TMXX041	AC CORD CLAMPER	2	
	28	TMZ2AX0301	STAND BRACKET LEFT	1	PAVCA
	29	TMZ2AX0302	STAND BRACKET RIGHT	1	PAVCA
		TPD169487	JOINT	4	
		TPEB331	BAG (PEDESTAL STAND)	1	
		TPEH273	TOP PROTECT SHEET(TOP/BOT)	2	
	30	TQB2AA0773	INSTRUCTION BOOK(ENG/FRE/SPA)	1	PAVCA
		TQZH983	SCREW USE HANDBILL	1	
		TSXL519	CABLE(C10-C20/SU11-SD11)	2	
		TSXL658	CABLE(D20-SC20)	1	PAVCA
		TSXL660	CABLE(D31-C11/D32-C21/D33)	3	PAVCA
		TSXL661	CABLE(C26-C36)	1	PAVCA
	31	TXALK01RJTU	AC INLET ASSY	1	PAVCA
	32	TXFKP04TSER	SIDE DOOR ASSY	1	PAVCA
	33	TXFKP05TSER	SIDE TERMINAL PANEL BOTTOM	1	PAVCA
	34	TXFKU05TSER	REAR COVER	1	PAVCA
	35	TXFKY01RKTUA	CABINET ASSY	1	PAVCA
		TXJA12RJTU	SPEAKER LEAD(A12-SPL/SPR)	1	PAVCA
		TXJSWRRLTU	SPEAKER LEAD(SP-SPR/L)	2	PAVCA
		XSB3+6FJ	SCREW(LCD MTG)	2	
		XTB4+12GFJ	SCREW	34	
		XTB4+12GFJK	SCREW	21	
		XTV3+8GFJ	SCREW(BC HOOK:2)	2	
		XTV3+8GFJ	SCREW(MOUNT METAL:2)	2	
		XTV3+8GFJK	SCREW	1	
		XTW3+8TFJ	SCREW	6	
		XYN3+F8FJ	SCREW	29	
		XYN3+J12FJ	SCREW	44	
		XYN3+J8FJ	SCREW	3	
		XYN4+E8FJ	SCREW	1	
		XYN4+F10FJ	SCREW	14	
		XYN4+F14FJ	SCREW	6	
		XYN5+C15FJ	SCREW	8	
		XYN5+F18FN	SCREW(FOR STAND POLE)	4	
		XZB17X19C03	POLY BAG(STAND POLE)	1	



## 13.2. Electrical Replacement Parts List

### 13.2.1. Replacement Parts List Notes

#### Important Safety Notice

*Components identified by  $\triangle$  mark have special characteristics important for safety.  
When replacing any of these components, use only manufacturer's specified parts.*

#### RTL (Retention Time Limited)

**Note:** The marking (RTL) indicates that the Retention Time is Limited for this item. After the discontinuation of this assembly in production, the item will continue to be available for a specific period of time. The retention period of availability is dependant on the type of assembly, and in accordance with the laws governing part and product retention. After the end of this period, the assembly will no longer be available.

Abbreviation of part name and description

#### 1. Resistor

Example:

ERD25TJ104     $\underline{C}$  100KOHM,  $\underline{J}$ , 1/4W  
                   Type                    Allowance

#### 2. Capacitor

Example:

ECKF1H103ZF     $\underline{C}$  0.01UF,  $\underline{Z}$ , 50V  
   Type                    Allowance

Type	Allowance
C : Carbon	F : $\pm 1\%$
F : Fuse	G : $\pm 2\%$
M : Metal Oxide Metal Film	J : $\pm 5\%$
S : Solid	K : $\pm 10\%$
W : Wire Wound	M : $\pm 20\%$

Type	Allowance
C : Ceramic	C : $\pm 0.25\text{pF}$
E : Electrolytic	D : $\pm 0.5\text{pF}$
P : Polyester	F : $\pm 1\text{pF}$
Polyprop	G : $\pm 3\text{pF}$
lene	J : $\pm 5\text{pF}$
T : Tantalum	K : $\pm 10\text{pF}$
	L : $\pm 15\text{pF}$
	M : $\pm 20\text{pF}$
	P : +100%, -0%
	Z : +80%, -20%

## 13.2.2. Electrical Replacement Parts List

**Note:** All parts except parts mentioned [PAVCA] in the Remarks column are supplied by PAVC-CSG.  
Parts mentioned [PAVCA] are supplied by PAVCA.

Safety	Ref. No.	Part No.	Part Name & Description	Pcs	Remarks
	A1	K1KA09A00220	9P CONNECTOR	1	
	A3	K1KA14B00129	14P CONNECTOR	1	
	A5	K1KB31AA0140	31P CONNECTOR	1	
	A6	K1KA12AA0194	12P CONNECTOR	1	
	A7	K1KA09AA0193	9P CONNECTOR	1	
	A11	K1KA30B00078	30P CONNECTOR	1	
	A12	K1KA04AA0190	4P CONNECTOR	1	
	A17	K1KA20AA0009	20P CONNECTOR	1	
	A18	K1KA11AA0715	11P CONNECTOR	1	
	A30	K1KA05AA0193	5P CONNECTOR	1	
	A51	K1KA11A00178	11P CONNECTOR	1	
	A52	K1KA14A00248	14P CONNECTOR	1	
	AMM1-M5	TMME292	CLAMPER	5	
	C10	K1MN20BA0231	20P CONNECTOR	1	
	C11	K1MN68BA0266	68P CONNECTOR	1	
	C20	K1MN20BA0266	20P CONNECTOR	1	PAVCA
	C21,22	K1MN68BA0266	68P CONNECTOR	2	
	C26	K1MN68BA0266	68P CONNECTOR	1	
	C33	K1KA10B00218	10P CONNECTOR	1	
	C35	K1KA04BA0107	4P CONNECTOR	1	
	C36	K1MN68BA0266	68P CONNECTOR	1	
	C858,59	ECJ2VB1E104K	C 0.1UF, K, 25V	2	
	C860	ECA1EHG471	E 470UF, 25V	1	
	C861,62	ECJ2VB1E104K	C 0.1UF, K, 25V	2	
	C869	ECA1EHG471	E 470UF, 25V	1	
	C1102	FLJ1A106A043	C 0.010UF, K, 10V	1	
	C1103,04	FIG1C104A116	C 0.10UF, K, 16V	2	
	C1106	FIG1H270A731	E 27UF, 50V	1	
	C1107	FIG1H220A731	E 22UF, 50V	1	
	C1108	FIG1C104A116	C 0.10UF, K, 16V	1	
	C1109	FIH1A1050032	E 10UF, 50V	1	
	C1111	FIH1A1050032	E 10UF, 50V	1	
	C1112	FIG1C104A116	C 0.10UF, K, 16V	1	
	C1114	FIG1C104A116	C 0.10UF, K, 16V	1	
	C1117	FIG1C104A116	C 0.10UF, K, 16V	1	
	C1122	FIG1E103A123	C 0.010UF, K, 16V	1	
	C1123	FIH1A1050032	E 10UF, 50V	1	
	C2023	FIG1C104A116	C 0.10UF, K, 16V	1	
	C2048-50	FIG1C104A116	C 0.10UF, K, 16V	3	
	C2052,53	FIG1C104A116	C 0.10UF, K, 16V	2	
	C2054	FLJ1A106A043	C 0.010UF, K, 10V	1	
	C2055	FIG1H120A731	E 12UF, 50V	1	
	C2056	FIG1H150A731	E 15UF, 50V	1	
	C2058	FIG1C104A116	C 0.10UF, K, 16V	1	
	C2059	FLJ1A106A043	C 0.010UF, K, 10V	1	
	C2100	FIG1C104A116	C 0.10UF, K, 16V	1	
	C2101	FLJ1A106A043	C 0.010UF, K, 10V	1	
	C2105,06	FIG1C104A116	C 0.10UF, K, 16V	2	
	C2107,08	FLJ1A106A043	C 0.010UF, K, 10V	2	
	C2111	FIH0J2250008	C 2.2UF, K, 16V	1	
	C2116	FIG1H471A731	E 470UF, 50V	1	
	C2118	FIH1A1050032	E 10UF, 50V	1	
	C2126	FLJ1A106A043	C 0.010UF, K, 10V	1	
	C2180,81	FIG1E103A123	C 0.010UF, K, 16V	2	

Safety	Ref. No.	Part No.	Part Name & Description	Pcs	Remarks
	C2186	FIG1C104A116	C 0.10UF, K, 16V	1	
	C2187	FIH0J2250008	C 2.2UF, K, 16V	1	
	C2188	FIG1H471A731	E 470UF, 50V	1	
	C2189	FIH1A1050032	E 10UF, 50V	1	
	C2190	FLJ1A106A043	C 0.010UF, K, 10V	1	
	C2192	FLJ1A106A043	C 0.010UF, K, 10V	1	
	C2195-98	FIG1E103A123	C 0.010UF, K, 16V	4	
	C2213	FIG1H102A730	E 1000UF, 50V	1	
	C2216	FIG1C104A116	C 0.10UF, K, 16V	1	
	C2244	FIG1C104A116	C 0.10UF, K, 16V	1	
	C2245	FIG1H102A730	E 1000UF, 50V	1	
	C2251	FLJ1A106A043	C 0.010UF, K, 10V	1	
	C2263,64	FLJ1A106A043	C 0.010UF, K, 10V	2	
	C2301,02	FIG1C104A116	C 0.10UF, K, 16V	2	
	C2303	FLJ1E105A171	C 1 UF 25V	1	
	C2305	FLJ1E105A171	C 1 UF 25V	1	
	C2307	FLJ1E105A171	C 1 UF 25V	1	
	C2309	FLJ1E105A171	C 1 UF 25V	1	
	C2313	FIH1A1050032	E 10UF, 50V	1	
	C2317	ECJ1XB1H104K	C 10PF, J, 50V	1	
	C2319	ECJ1XB1H104K	C 10PF, J, 50V	1	
	C2321	ECJ1XB1H104K	C 10PF, J, 50V	1	
	C2323	ECJ1XB1H104K	C 10PF, J, 50V	1	
	C2333	FLJ1E3340003	C 0.33UF, Z, 25V	1	
	C2335	FLJ1E3340003	C 0.33UF, Z, 25V	1	
	C2337	FIH1H223A970	C 0.22UF, K, 50V	1	
	C2339	FIH1H223A970	C 0.22UF, K, 50V	1	
	C2341	FLJ1E3340003	C 0.33UF, Z, 25V	1	
	C2343	FLJ1E3340003	C 0.33UF, Z, 25V	1	
	C2345	FIH1H223A970	C 0.22UF, K, 50V	1	
	C2347	FIH1H223A970	C 0.22UF, K, 50V	1	
	C2353	ECJ1XB1H104K	C 10PF, J, 50V	1	
	C2359	ECJ1XB1H104K	C 10PF, J, 50V	1	
	C2375	FIH1H223A970	C 0.22UF, K, 50V	1	
	C2377	FIH1H223A970	C 0.22UF, K, 50V	1	
	C2379	FIH1H223A970	C 0.22UF, K, 50V	1	
	C2381	FIH1H223A970	C 0.22UF, K, 50V	1	
	C2383	FIG1H102A730	E 1000UF, 50V	1	
	C2385	FIG1H102A730	E 1000UF, 50V	1	
	C2387	FIG1H102A730	E 1000UF, 50V	1	
	C2389	FIG1H102A730	E 1000UF, 50V	1	
	C2512	ECJ3XB0J106M	C 10UF, M,6.3V	1	
	C2515	FIH1H103A970	C 0.001UF, K, 50V	1	
	C2521	FIH1H103A970	C 0.001UF, K, 50V	1	
	C2522	FIH1C104A143	C 0.1UF, K, 16V	1	
	C3001	FLJ1A106A043	C 0.010UF, K, 10V	1	
	C3006-08	FLJ1A106A043	C 0.010UF, K, 10V	3	
	C3010,11	ECJ0EB1C103K	C 0.010UF, K, 16V	2	
	C3013	FLJ1A106A043	C 0.010UF, K, 10V	1	
	C3015,16	FLJ1A106A043	C 0.010UF, K, 10V	2	
	C3017	FIG1C104A116	C 0.10UF, K, 16V	1	
	C3019	FIG1C104A116	C 0.10UF, K, 16V	1	
	C3020	EEEB1C220R	C 22PF, J, 16V	1	
	C3021	F2G1A221A149	E 220UF, 10V	1	
	C3022	FIG1C104A116	C 0.10UF, K, 16V	1	

Safety	Ref. No.	Part No.	Part Name & Description	Pcs	Remarks
	C3023	F1J1A106A043	C 0.010UF, K, 10V	1	
	C3024-35	F1H1A1050032	E 10UF, 50V	12	
	C3042-47	F1J1A106A043	C 0.010UF, K, 10V	6	
	C3049	F2G1A101A019	E 100UF, 10V	1	
	C3050	F1G1C104A116	C 0.10UF, K, 16V	1	
	C3051,52	F1H1A1050032	E 10UF, 50V	2	
	C3057	F1J1A106A043	C 0.010UF, K, 10V	1	
	C3059	F1J1A106A043	C 0.010UF, K, 10V	1	
	C3061	F1J1A106A043	C 0.010UF, K, 10V	1	
	C3123,24	F1J1A106A043	C 0.010UF, K, 10V	2	
	C3157	F1G1C104A081	C 0.10UF, K, 16V	1	
	C3530	EEFGL1E471P	E 470UF, 25V	1	
	C3532	ECJ3YB1E106M	C 10 UF, K, 25V	1	
	C3750	F1J1H102A721	C 1000UF, 50V	1	
	C3801,02	F1G1C104A116	C 0.10UF, K, 16V	2	
	C3803	F1H1A1050032	E 10UF, 50V	1	
	C3804	F1G1C104A116	C 0.10UF, K, 16V	1	
	C3806-12	F1G1C104A116	C 0.10UF, K, 16V	7	
	C3813	F1J0J106A004	C 0.010UF, K, 16V	1	
	C3814	F1G1C104A116	C 0.10UF, K, 16V	1	
	C3815-20	ECJ0EB1C103K	C 0.010UF, K, 16V	6	
	C3823	F1G1C104A116	C 0.10UF, K, 16V	1	
	C3827	F1H0J4750004	C 4.7UF, K, 16V	1	
	C3829	F1H1A1050032	E 10UF, 50V	1	
	C4075	F1G1C104A116	C 0.10UF, K, 16V	1	
	C4081	EEHBLA221P	C 220PF, J, 10V	1	
	C4082	F1K1C1060004	C 0.010UF, 16V	1	
	C4083-87	F1J1H474A757	C 0.47UF, 50V	5	
	C4089	F1G1C104A116	C 0.10UF, K, 16V	1	
	C4090	F1G1H181A731	E 180UF, 50V	1	PAVCA
	C4091	F1G1C104A116	C 0.10UF, K, 16V	1	
	C4092	F2G1V220A020	E 22UF, 35V	1	
	C4093	F1G1H102A730	E 1000UF, 50V	1	
	C4094	F1G1C104A116	C 0.10UF, K, 16V	1	
	C4095	F1H0J2250008	C 2.2UF, K, 16V	1	
	C4096	F1H1A1050032	E 10UF, 50V	1	
	C4098	F1H1A1050032	E 10UF, 50V	1	
	C4101	F1G1C104A116	C 0.10UF, K, 16V	1	
	C4200-08	F1G1C104A116	C 0.10UF, K, 16V	9	
	C4210-15	F1G1C104A116	C 0.10UF, K, 16V	6	
	C4216	F1G1H1020008	E 1000UF, 50V	1	
	C4219	F1G1H1020008	E 1000UF, 50V	1	
	C4220-24	F1J0J106A021	C 0.010UF, K, 16V	5	
	C4500,01	F1G1C104A116	C 0.10UF, K, 16V	2	
	C4533	F1G1H680A731	E 68UF, 50V	1	
	C4534,35	F1G1C104A116	C 0.10UF, K, 16V	2	
	C4547-52	F1G1C104A116	C 0.10UF, K, 16V	6	
	C4553	F1G1H102A730	E 1000UF, 50V	1	
	C4554	EEHBL1C470P	C 47PF, J, 16V	1	
	C4555	F1J1A106A043	C 0.010UF, K, 10V	1	
	C4574	F1G1E103A123	C 0.010UF, K, 16V	1	
	C4575	F1H1A1050032	E 10UF, 50V	1	
	C4580	F1G1E103A123	C 0.010UF, K, 16V	1	
	C4585	F1H1A1050032	E 10UF, 50V	1	
	C4595	F1G1E103A123	C 0.010UF, K, 16V	1	
	C4596	F1G1C104A116	C 0.10UF, K, 16V	1	
	C4598	F1H1A1050032	E 10UF, 50V	1	
	C4599	F2G0J470A019	E 47UF 6.3V	1	
	C4600	F1G1C104A116	C 0.10UF, K, 16V	1	
	C4601	F2G0J470A019	E 47UF 6.3V	1	
	C4602	F1G1C104A116	C 0.10UF, K, 16V	1	
	C4603	F1H0J2250008	C 2.2UF, K, 16V	1	
	C4604	F1G1H471A730	E 470UF, 50V	1	PAVCA

Safety	Ref. No.	Part No.	Part Name & Description	Pcs	Remarks
	C4605	F1H1A1050032	E 10UF, 50V	1	
	C4606,07	F1J1A106A043	C 0.010UF, K, 10V	2	
	C4608	F1G1C104A116	C 0.10UF, K, 16V	1	
	C4612	F1G1E103A123	C 0.010UF, K, 16V	1	
	C4613	F1H1A1050032	E 10UF, 50V	1	
	C4614	F1G1C104A116	C 0.10UF, K, 16V	1	
	C4616,17	F1J1A106A043	C 0.010UF, K, 10V	2	
	C4619	F1G1C104A116	C 0.10UF, K, 16V	1	
	C4624,25	F1G1C104A116	C 0.10UF, K, 16V	2	
	C4628	F1G1C104A116	C 0.10UF, K, 16V	1	
	C4630	F1G1C104A116	C 0.10UF, K, 16V	1	
	C4632	F1H1A1050032	E 10UF, 50V	1	
	C4634	F1H1A1050032	E 10UF, 50V	1	
	C4636	F1H1A1050032	E 10UF, 50V	1	
	C4638	F1H1A1050032	E 10UF, 50V	1	
	C4640	F1H1A1050032	E 10UF, 50V	1	
	C4642	F1H1A1050032	E 10UF, 50V	1	
	C4643-46	F1G1C104A116	C 0.10UF, K, 16V	4	
	C4701	F1G1H102A730	E 1000UF, 50V	1	
	C4702	F1G1C104A116	C 0.10UF, K, 16V	1	
	C4703	F1G1H102A730	E 1000UF, 50V	1	
	C4704,05	F1G1C104A116	C 0.10UF, K, 16V	2	
	C4711,12	F1G1C104A116	C 0.10UF, K, 16V	2	
	C4713,14	F1G1H102A730	E 1000UF, 50V	2	
	C4715	F1G1C104A116	C 0.10UF, K, 16V	1	
	C4716-19	F1G1H102A730	E 1000UF, 50V	4	
	C4721	F1G1C104A116	C 0.10UF, K, 16V	1	
	C4722	F1G1H102A730	E 1000UF, 50V	1	
	C4724	F1G1H102A730	E 1000UF, 50V	1	
	C4725-28	F1G1C104A116	C 0.10UF, K, 16V	4	
	C4741	F1G1H102A730	E 1000UF, 50V	1	
	C4742	F1G1C104A116	C 0.10UF, K, 16V	1	
	C4743	F1G1H102A730	E 1000UF, 50V	1	
	C4744,45	F1G1C104A116	C 0.10UF, K, 16V	2	
	C4746	F1G1H102A730	E 1000UF, 50V	1	
	C4751-55	F1G1C104A116	C 0.10UF, K, 16V	5	
	C4761-63	F1H1H103A970	C 0.001UF, K, 50V	3	
	C4771	F1G1H102A730	E 1000UF, 50V	1	
	C4772	F1G1C104A116	C 0.10UF, K, 16V	1	
	C4773	F1G1H102A730	E 1000UF, 50V	1	
	C4774,75	F1G1C104A116	C 0.10UF, K, 16V	2	
	C4776	F1G1H102A730	E 1000UF, 50V	1	
	C4777-80	F1G1C104A116	C 0.10UF, K, 16V	4	
	C4795-98	F1G1H102A730	E 1000UF, 50V	4	
	C4830	F1G1C104A116	C 0.10UF, K, 16V	1	
	C5400	F1K1A106A021	C 0.010UF, K, 6.3V	1	
	C5401	F1H1E104A129	E 0.1UF, 25V	1	
	C5402	F1G1E103A123	C 0.010UF, K, 16V	1	
	C5404	F1G1E392A123	C 3900UF, Z, 25V	1	PAVCA
	C5405	F1H1E104A129	E 0.1UF, 25V	1	
	C5406	ECJ3YB1E106M	C 10 UF, K, 25V	1	
	C5408	F1K1A106A021	C 0.010UF, K, 6.3V	1	
	C5412	F1K1C1060004	C 0.010UF, 16V	1	
	C5413	F1H1E104A129	E 0.1UF, 25V	1	
	C5414	F1G1E103A123	C 0.010UF, K, 16V	1	
	C5416	F1G1E472A123	C 4200UF, Z, 25V	1	PAVCA
	C5417	F1H1E104A129	E 0.1UF, 25V	1	
	C5418	ECJ3YB1E106M	C 10 UF, K, 25V	1	
	C5420	F1K1C1060004	C 0.010UF, 16V	1	
	C5521,22	F1G1C104A116	C 0.10UF, K, 16V	2	
	C5600	F1H1A1050032	E 10UF, 50V	1	
	C5601	F1G1C104A116	C 0.10UF, K, 16V	1	
	C5602	ECGRLO680ER	C 68PF, J, 4V	1	
	C5603,04	F1G1E103A123	C 0.010UF, K, 16V	2	
	C5605	F1J1A475A039	C 4.7UF, K, 10V	1	
	C5606	F1G1H471A730	E 470UF, 50V	1	PAVCA

Safety	Ref. No.	Part No.	Part Name & Description	Pcs	Remarks
	C5607	FIG1H221A731	E 220UF, 50V	1	PAVCA
	C5608	FIG1C104A116	C 0.10UF, K, 16V	1	
	C5611,12	ECJ3YB1E106M	C 10 UF, K, 25V	2	
	C5615	ECJ3YB1E106M	C 10 UF, K, 25V	1	
	C5616	FIG1A473A053	E 0.47UF, 10V	1	
	C5617	FIG1H1A050032	E 10UF, 50V	1	
	C5618,19	ECJ3YB1E106M	C 10 UF, K, 25V	2	
	C5620	FIG1H1E104A129	E 0.1UF, 25V	1	
	C5621	FIG1E103A123	C 0.010UF, K, 16V	1	
	C5622	FIG1A475A039	C 4.7UF, K, 10V	1	
	C5623	FIG1H471A730	E 470UF, 50V	1	PAVCA
	C5624	FIG1H221A731	E 220UF, 50V	1	PAVCA
	C5625	FIG1E103A123	C 0.010UF, K, 16V	1	
	C5626,27	FIG1C104A116	C 0.10UF, K, 16V	2	
	C5628,29	ECGR10G680ER	C 68PF, J, 4V	2	
	C5631	EEH1E470P	C 47PF, J, 25V	1	
	C5632	FIG1E105A171	C 1 UF 25V	1	
	C5636-41	FIG1C104A116	C 0.10UF, K, 16V	6	
	C5642	ECJ3YB1E106M	C 10 UF, K, 25V	1	
	C5643	FIG1H1E104A129	E 0.1UF, 25V	1	
	C5644	FIG1E103A123	C 0.010UF, K, 16V	1	
	C5652	FIG1H102A971	C 1000PF, K, 50V	1	
	C5663,64	FIG1J0J106A020	C 0.010UF, K, 16V	2	
	C5667	FIG1H101A731	C 100PF, K, 50V	1	
	C5688	FIG1H1A225A051	E 22UF, 50V	1	
	C5731	FIG2G0J470A019	E 47UF 6.3V	1	
	C5765	FIG1A473A053	E 0.47UF, 10V	1	
	C5766,67	ECJ0EB1C103K	C 0.010UF, K, 16V	2	
	C7701	FIG1H330A971	E 33UF, 50V	1	PAVCA
	C7702	FIG2A1C470A263	E 47UF, 16V	1	PAVCA
	C7703	FIG1H330A971	E 33UF, 50V	1	PAVCA
	C7705	FIG1H1C104A144	C 0.1UF, K, 16V	1	PAVCA
	C7708,09	FIG1H1C104A144	C 0.1UF, K, 16V	2	PAVCA
	C7710	FIG1H100A971	C 10PF, K, 50V	1	PAVCA
	C7726,27	FIG1H330A971	E 33UF, 50V	2	PAVCA
	C7729,30	FIG1J0J106A020	C 0.010UF, K, 16V	2	
	C8001	FIG1C104A116	C 0.10UF, K, 16V	1	
	C8002-05	FIG1H0J1050012	C 1UF, K, 16V	4	
	C8006-08	FIG1C104A116	C 0.10UF, K, 16V	3	
	C8009,10	FIG1J1A106A043	C 0.010UF, K, 10V	2	
	C8011-14	FIG1C104A116	C 0.10UF, K, 16V	4	
	C8015,16	FIG1H0J1050012	C 1UF, K, 16V	2	
	C8017	FIG1J1A106A043	C 0.010UF, K, 10V	1	
	C8018-21	FIG1C104A116	C 0.10UF, K, 16V	4	
	C8022	FIG1H0J1050012	C 1UF, K, 16V	1	
	C8023,24	FIG1J1A106A043	C 0.010UF, K, 10V	2	
	C8025-29	FIG1C104A116	C 0.10UF, K, 16V	5	
	C8030,31	FIG1H0J1050012	C 1UF, K, 16V	2	
	C8032	FIG1J1A106A043	C 0.010UF, K, 10V	1	
	C8033,34	FIG1C104A116	C 0.10UF, K, 16V	2	
	C8035,36	FIG1J1A106A043	C 0.010UF, K, 10V	2	
	C8037-41	FIG1C104A116	C 0.10UF, K, 16V	5	
	C8042	ECGR10G680ER	C 68PF, J, 4V	1	
	C8043-51	FIG1C104A116	C 0.10UF, K, 16V	9	
	C8052	FIG1H0J1050012	C 1UF, K, 16V	1	
	C8053	ECJ0EB1C103K	C 0.010UF, K, 16V	1	
	C8056,57	FIG1C104A116	C 0.10UF, K, 16V	2	
	C8058	FIG1J1A106A043	C 0.010UF, K, 10V	1	
	C8067	ECJ0EB1C103K	C 0.010UF, K, 16V	1	
	C8068	FIG1C104A116	C 0.10UF, K, 16V	1	
	C8070-74	FIG1C104A116	C 0.10UF, K, 16V	5	
	C8075	FIG1J0G2260001	C 0.001UF, 6.3V	1	

Safety	Ref. No.	Part No.	Part Name & Description	Pcs	Remarks
	C8076-80	FIG1C104A081	C 0.10UF, K, 16V	5	
	C8301	FIG1H102A730	E 1000UF, 50V	1	
	C8302	FIG1C104A116	C 0.10UF, K, 16V	1	
	C8303	FIG1H103A735	E 0.01UF, 50V	1	PAVCA
	C8304,05	FIG1H221A731	E 220UF, 50V	2	PAVCA
	C8307	FIG1C104A116	C 0.10UF, K, 16V	1	
	C8310	FIG2G0J2210013	E 220UF 6.3V	1	
	C8311	FIG2G1V220A020	E 22UF, 35V	1	
	C8312	FIG2G0J2210013	E 220UF 6.3V	1	
	C8313	FIG1H102A730	E 1000UF, 50V	1	
	C8314	FIG1H270A731	E 27UF, 50V	1	
	C8315,16	FIG1H120A731	E 12UF, 50V	2	
	C8317	FIG1H270A731	E 27UF, 50V	1	
	C8318,19	FIG1H101A731	C 100PF, K, 50V	2	
	C8320	FIG1H220A731	E 22UF, 50V	1	
	C8321,22	ECJ0EB1C103K	C 0.010UF, K, 16V	2	
	C8323,24	FIG1H120A731	E 12UF, 50V	2	
	C8325-28	FIG1C104A116	C 0.10UF, K, 16V	4	
	C8330-35	FIG1C104A116	C 0.10UF, K, 16V	6	
	C8336	FIG1J1A106A043	C 0.010UF, K, 10V	1	
	C8337-43	FIG1C104A116	C 0.10UF, K, 16V	7	
	C8345	FIG1C104A116	C 0.10UF, K, 16V	1	
	C8346	ECJ0EB1C103K	C 0.010UF, K, 16V	1	
	C8347-54	FIG1C104A116	C 0.10UF, K, 16V	8	
	C8355	FIG1H0J1050012	C 1UF, K, 16V	1	
	C8357-59	FIG1J1A106A043	C 0.010UF, K, 10V	3	
	C8360-68	FIG1C104A116	C 0.10UF, K, 16V	9	
	C8369	FIG1J1A106A043	C 0.010UF, K, 10V	1	
	C8370	FIG1H102A730	E 1000UF, 50V	1	
	C8371	ECJ1XB1H104K	C 10PF, J, 50V	1	
	C8372	FIG1J1A106A043	C 0.010UF, K, 10V	1	
	C8373	FIG1C104A116	C 0.10UF, K, 16V	1	
	C8374,75	FIG1J1A106A043	C 0.010UF, K, 10V	2	
	C8376	ECJ0EB1C103K	C 0.010UF, K, 16V	1	
	C8377	FIG1C104A116	C 0.10UF, K, 16V	1	
	C8378	ECJ0EB1C103K	C 0.010UF, K, 16V	1	
	C8379	FIG1C104A116	C 0.10UF, K, 16V	1	
	C8380	FIG1H103A735	E 0.01UF, 50V	1	PAVCA
	C8381	FIG1C104A116	C 0.10UF, K, 16V	1	
	C8382	ECJ0EB1C103K	C 0.010UF, K, 16V	1	
	C8386,87	FIG1H102A730	E 1000UF, 50V	2	
	C8501	FIG1C104A116	C 0.10UF, K, 16V	1	
	C8506	FIG1C104A116	C 0.10UF, K, 16V	1	
	C8513	ECJ0EB1C103K	C 0.010UF, K, 16V	1	
	C8517	FIG1C104A116	C 0.10UF, K, 16V	1	
	C8519	ECJ0EB1C103K	C 0.010UF, K, 16V	1	
	C9033,34	FIG1C104A119	C 0.10UF, K, 16V	2	
	C9035,36	FIG1J1A106A043	C 0.010UF, K, 10V	2	
	C9037	FIG1E103A123	C 0.010UF, K, 16V	1	
	C9055-57	FIG1C104A119	C 0.10UF, K, 16V	3	
	C9058	FIG1J1A106A043	C 0.010UF, K, 10V	1	
	C9067-69	FIG1E103A123	C 0.010UF, K, 16V	3	
	C9096-17	FIG1C104A116	C 0.10UF, K, 16V	22	
	C9119-33	FIG1C104A116	C 0.10UF, K, 16V	15	
	C9135	FIG1J1A106A043	C 0.010UF, K, 10V	1	
	C9136	FIG1C104A119	C 0.10UF, K, 16V	1	
	C9142	FIG1C104A116	C 0.10UF, K, 16V	1	
	C9143	FIG1C104A119	C 0.10UF, K, 16V	1	
	C9144-50	FIG1C104A116	C 0.10UF, K, 16V	7	

Safety	Ref. No.	Part No.	Part Name & Description	Pcs	Remarks
	C9152	F1J0J475A035	C 4.7UF, K, 16V	1	
	C9153-62	F1G1C104A119	C 0.10UF, K, 16V	10	
	C9163	F1J0J475A035	C 4.7UF, K, 16V	1	
	C9164,65	F1G1C104A119	C 0.10UF, K, 16V	2	
	C9168	F1G1C104A119	C 0.10UF, K, 16V	1	
	C9169-96	F1G1C104A116	C 0.10UF, K, 16V	28	
	C9198-09	F1G1C104A116	C 0.10UF, K, 16V	12	
	C9210	F1J1A106A043	C 0.010UF, K, 10V	1	
	C9211	F1G1C104A116	C 0.10UF, K, 16V	1	
	C9212	F1J1A106A043	C 0.010UF, K, 10V	1	
	C9213-24	F1G1C104A116	C 0.10UF, K, 16V	12	
	C9226-28	F1G1C104A116	C 0.10UF, K, 16V	3	
	C9230-36	F1G1C104A116	C 0.10UF, K, 16V	7	
	C9237	F1J1A106A043	C 0.010UF, K, 10V	1	
	C9239-44	F1G1C104A116	C 0.10UF, K, 16V	6	
	C9245	F1J1A106A043	C 0.010UF, K, 10V	1	
	C9246	F1G1C104A116	C 0.10UF, K, 16V	1	
	C9247	F1J1A106A043	C 0.010UF, K, 10V	1	
	C9248-50	F1G1C104A116	C 0.10UF, K, 16V	3	
	C9469	F1G1C104A119	C 0.10UF, K, 16V	1	
	C9535-50	F1G1C104A116	C 0.10UF, K, 16V	16	
	C9551-53	F1J1A106A043	C 0.010UF, K, 10V	3	
	C9823	ECJ3YB1E106M	C 10 UF, K, 25V	1	
	C9825	F1G1H101A731	C 100PF, K, 50V	1	
	C9832	F1J1A106A043	C 0.010UF, K, 10V	1	
	C9837	F1J1A106A043	C 0.010UF, K, 10V	1	
	C9840	F1G1E103A123	C 0.010UF, K, 16V	1	
	C9841,42	F1G1C104A119	C 0.10UF, K, 16V	2	
	C9844	F1G1E103A123	C 0.010UF, K, 16V	1	
	C9845,46	F1G1C104A119	C 0.10UF, K, 16V	2	
	C9858	ECJ3YB1E106M	C 10 UF, K, 25V	1	
	C9859	F1G1E103A123	C 0.010UF, K, 16V	1	
	C9860	F1J0J475A035	C 4.7UF, K, 16V	1	
	C9861,62	F1H1E104A129	E 0.1UF, 25V	2	
	C9863	F1J0J475A035	C 4.7UF, K, 16V	1	
	C9864	F1H1E104A129	E 0.1UF, 25V	1	
	C9865,66	ECGRLOG680ER	C 68PF, J, 4V	2	
	C9867-72	ECJ3YB1E106M	C 10 UF, K, 25V	6	
	C9873	ECGRLOG680ER	C 68PF, J, 4V	1	
	C9874	F1G1H680A731	E 68UF, 50V	1	
	C9877	F1G1H680A731	E 68UF, 50V	1	
	C9878	F1G1E103A123	C 0.010UF, K, 16V	1	
	C9879	F1G1C153A116	C 0.015UF, K, 16V	1	
	C9880	F1G1A563A032	E 0.56UF, 10V	1	
	C9881	F1G1E103A123	C 0.010UF, K, 16V	1	
	C9882	F1G1C822A116	C 8200UF, K, 16V	1	PAVCA
	C9883	F1G1H101A731	C 100PF, K, 50V	1	
	C9884,85	F1G1H102A730	E 1000UF, 50V	2	
	C9886,87	F1H1E104A129	E 0.1UF, 25V	2	
	C9888	F1G1H361A731	E 360UF, 50V	1	PAVCA
	C9927-48	F1G1C104A116	C 0.10UF, K, 16V	22	
	C9951	F1G1C104A116	C 0.10UF, K, 16V	1	
	C9961	F1J1A106A043	C 0.010UF, K, 10V	1	
	C9966	F1G1C104A116	C 0.10UF, K, 16V	1	
	C9971	F1G1H180A731	E 18UF, 50V	1	
	C9972	F1G1H150A731	E 15UF, 50V	1	
	C14352	F1J1C1050030	C 1UF, Z, 16V	1	
	C14356	F1J1C1050030	C 1UF, Z, 16V	1	
	C14360,61	F1L2E104A028	E 1000UF, 25V	2	PAVCA
	C14364	F1J1C1050030	C 1UF, Z, 16V	1	
	C14368	F1J1C1050030	C 1UF, Z, 16V	1	

Safety	Ref. No.	Part No.	Part Name & Description	Pcs	Remarks
	C14373	F1J1H102A834	C 1000UF, 50V	1	PAVCA
	C14901	F1J1H102A834	C 1000UF, 50V	1	PAVCA
	C14902	F1J1C1050030	C 1UF, Z, 16V	1	
	C14904	F1J1C1050030	C 1UF, Z, 16V	1	
	C14906	F1J1C1050030	C 1UF, Z, 16V	1	
	C14908	F1J1C1050030	C 1UF, Z, 16V	1	
	C14910	F1J1C1050030	C 1UF, Z, 16V	1	
	C14912	F1J1C1050030	C 1UF, Z, 16V	1	
	C14920-23	F1L2E104A028	E 1000UF, 25V	4	PAVCA
	C14928	F1L2E104A028	E 1000UF, 25V	1	PAVCA
	C14930	F1L2E104A028	E 1000UF, 25V	1	PAVCA
	C14931	F1J1H102A834	C 1000UF, 50V	1	PAVCA
	C14932	F1L2E104A028	E 1000UF, 25V	1	PAVCA
	C14934	F1L2E104A028	E 1000UF, 25V	1	PAVCA
	C14936-39	F1J1H471A836	C 470UF, 50V	4	PAVCA
	C14940	F1J1H102A834	C 1000UF, 50V	1	PAVCA
	C14941,42	F1J1H471A836	C 470UF, 50V	2	PAVCA
	C14943	F1L1E4750012	C 4.7UF, 25V	1	
	C14944	F1J1H102A836	C 1000UF, 50V	1	
	C14945	F1J1H101A836	C 100PF, K, 50V	1	PAVCA
	C14950	F1J1H471A836	C 470UF, 50V	1	PAVCA
	C14952	F1J1C1050030	C 1UF, Z, 16V	1	
	C14955	F1J1C1050030	C 1UF, Z, 16V	1	
	C14957,58	F1J1C1050030	C 1UF, Z, 16V	2	
	C14961	F1J1C1050030	C 1UF, Z, 16V	1	
	C14963	F1J1C1050030	C 1UF, Z, 16V	1	
	C14969	F1J1H104A835	C 0.10UF, 50V	1	
	C14970-72	F1J1H471A836	C 470UF, 50V	3	PAVCA
	C14973	F1J1H102A834	C 1000UF, 50V	1	PAVCA
	C14974,75	F1L2E104A028	E 1000UF, 25V	2	PAVCA
	C14976	F1J1H102A834	C 1000UF, 50V	1	PAVCA
	C14981	F1J1H471A836	C 470UF, 50V	1	PAVCA
	C14982-85	F1L2E104A028	E 1000UF, 25V	4	PAVCA
	C14987,88	F1J1H104A835	C 0.10UF, 50V	2	
	C14989	F1J1H471A836	C 470UF, 50V	1	PAVCA
	C14990	F1J1H104A835	C 0.10UF, 50V	1	
	C14992	F1H1C105A008	C 1UF, K, 16V	1	
	C16003	F1L2J562A022	C 5600UF, K, 6.3V	1	
	C16011	F2A2T251A004	E 250UF, 220V	1	
	C16013	F0C2E225A230	E 0.022UF, 250V	1	
	C16014	F2A2T251A004	E 250UF, 220V	1	
	C16016	F2A2T251A004	E 250UF, 220V	1	
	C16023	F1L2J562A022	C 5600UF, K, 6.3V	1	
	C16042	F1H1H392A970	C 3900PF, K, 50V	1	
	C16071	F1L2J1020001	C 1000UF, K, 6.3V	1	
	C16092	F1L2J1020001	C 1000UF, K, 6.3V	1	
	C16131	F1L1E4750012	C 4.7UF, 25V	1	
	C16133	F1L1E4750012	C 4.7UF, 25V	1	
	C16135	F1K1E105A029	C 1UF, Z, 25V	1	
	C16151	F1K1E105A029	C 1UF, Z, 25V	1	
	C16152-54	F1L1E4750012	C 4.7UF, 25V	3	
	C16192	F1L1E4750012	C 4.7UF, 25V	1	
	C16194,95	F1L1E4750012	C 4.7UF, 25V	2	
	C16197	F1L1E4750012	C 4.7UF, 25V	1	
	C16201-03	F0C2E405A230	E 0.040UF, 250V	3	PAVCA
	C16241	EEUFCA1A101	E 100UF, 10V	1	
	C16242	F1H1C105A008	C 1UF, K, 16V	1	
	C16243	F1J1H103A834	C 0.01UF, K, 50V	1	
	C16251	F1H1C105A008	C 1UF, K, 16V	1	
	C16252	F1K1E105A029	C 1UF, Z, 25V	1	
	C16261-66	F2A2A471A072	E 470UF, 100V	6	
	C16272	F2A1E471A487	E 470UF, 25V	1	
	C16280	F1K1E105A029	C 1UF, Z, 25V	1	
	C16284-87	ECJ1XB1H104K	C 10PF, J, 50V	4	
	C16301	F2A1E470A454	E 47UF, 25V	1	
	C16302	F1H1H471A219	E 470UF, 50V	1	
	C16310	F2A2T251A004	E 250UF, 220V	1	
	C16311	F1H1A1050032	E 10UF, 50V	1	
	C16312	F1H1H472A970	C 4700PF, K, 50V	1	
	C16313	F1H1C105A008	C 1UF, K, 16V	1	
	C16321,22	F1L2E224A028	E 2200UF, 25V	2	
	C16323	F2A1E470A454	E 47UF, 25V	1	
	C16324	F2A1E471A487	E 470UF, 25V	1	

Safety	Ref. No.	Part No.	Part Name & Description	Pcs	Remarks
	C16325,26	F1L1E4750012	C 4.7UF, 25V	2	
	C16327	F0C2E225A230	E 0.022UF, 250V	1	
	C16328,29	F2A2D221A022	E 220UF, 200V	2	
	C16336	F1H1H102A970	C 1000PF, K, 50V	1	
	C16337	ECJ1XB1H104K	C 10PF, J, 50V	1	
	C16403	F1L2J562A022	C 5600UF, K,6.3V	1	
	C16413,14	F2A2T251A004	E 250UF, 220V	2	
	C16416	F0C2E225A230	E 0.022UF, 250V	1	
	C16418,19	F2A2T251A004	E 250UF, 220V	2	
	C16424	F1L2J562A022	C 5600UF, K,6.3V	1	
	C16441,42	F1H1H392A970	C 3900PF, K, 50V	2	
	C16471	F1L2J1020001	C 1000UF, K,6.3V	1	
	C16472	F1K1E105A029	C 1UF, Z, 25V	1	
	C16480	F1J1H104A835	C 0.10UF, 50V	1	
	C16491	F1L2J1020001	C 1000UF, K,6.3V	1	
	C16502	F1L1E4750012	C 4.7UF, 25V	1	
	C16504	F1L1E4750012	C 4.7UF, 25V	1	
	C16505	F1K1E105A029	C 1UF, Z, 25V	1	
	C16521	F1K1E105A029	C 1UF, Z, 25V	1	
	C16522	F1L1E4750012	C 4.7UF, 25V	1	
	C16524,25	F1L1E4750012	C 4.7UF, 25V	2	
	C16562	F1H1C105A008	C 1UF, K, 16V	1	
	C16563	EEUFCLA101	E 100UF, 10V	1	
	C16564	F1H1C105A008	C 1UF, K, 16V	1	
	C16565,66	F1J1H103A834	C 0.01UF, K, 50V	2	
	C16581	F1K1E105A029	C 1UF, Z, 25V	1	
	C16582	F1H1C105A008	C 1UF, K, 16V	1	
	C16593	F1J1H102A836	C 1000UF, 50V	1	
	C16603,04	F1K2J102A014	C 1000UF, K,6.3V	2	
	C16605,06	F1L2J562A022	C 5600UF, K,6.3V	2	
	C16608	F1H1H221A971	C 220UF, K, 50V	1	
	C16632-34	F0C2E405A230	E 0.040UF, 250V	3	PAVCA
	C16641	ECQE2105RKB	P 1UF, 250V	1	
	C16661,62	F1K2J102A014	C 1000UF, K,6.3V	2	
	C16664-66	F1J1H820A836	C 82UF, 50V	3	PAVCA
	C16691	ECA2CM101	E 100UF, 160V	1	
	C16708	F1J1H104A835	C 0.10UF, 50V	1	
	C16721	F2A1H101A493	E 100UF, 50V	1	
	C16723-25	F1L1E4750012	C 4.7UF, 25V	3	
	C16752	F1K1E105A029	C 1UF, Z, 25V	1	
	C16753	F1L1E4750012	C 4.7UF, 25V	1	
	C16755,56	F1L1E4750012	C 4.7UF, 25V	2	
	C16773	F1L1E4750012	C 4.7UF, 25V	1	
	C16775	F1L1E4750012	C 4.7UF, 25V	1	
	C16791	F2A1E221A487	E 220UF, 25V	1	
	C16795	F2A1E471A487	E 470UF, 25V	1	
	C16797	F1J1H104A835	C 0.10UF, 50V	1	
	C16798	F1L2E1040002	E 1000UF, 25V	1	
	C16806	ECA2CM101	E 100UF, 160V	1	
	C16811	ECJ3VC1H472J	C 4700PF, J, 50V	1	
	C16813	ECA2CM101	E 100UF, 160V	1	
	C16821	F1J1H104A835	C 0.10UF, 50V	1	
	C16822	F2A2G470A018	E 470UF, 400V	1	
	C16823	F1L2J562A022	C 5600UF, K,6.3V	1	
	C16832	F1J1H392A834	C 3900UF, 50V	1	
	C16842	ECA2CM101	E 100UF, 160V	1	
	C16843,44	F1J1H104A835	C 0.10UF, 50V	2	
	C16855	F1H1C105A008	C 1UF, K, 16V	1	
	C16856	F1H1A1050032	E 10UF, 50V	1	
	C16857	F1H1H472A970	C 4700PF, K, 50V	1	
	C16858	F1H1C104A143	C 0.1UF, K, 16V	1	
	C16860	F1H1A1050032	E 10UF, 50V	1	
	C16861	F1H1H472A970	C 4700PF, K, 50V	1	
	C16862	F1H1C104A143	C 0.1UF, K, 16V	1	
	C16863	F1J1H103A834	C 0.01UF, K, 50V	1	
	C16864	F1J1H104A835	C 0.10UF, 50V	1	
	C16866	F1H1A1050032	E 10UF, 50V	1	
	C16867	F1H1H472A970	C 4700PF, K, 50V	1	
	C16868	F1H1C104A143	C 0.1UF, K, 16V	1	
	C16869	F1J1H104A835	C 0.10UF, 50V	1	
	C17113	F1H1A1050032	E 10UF, 50V	1	
	C17131-33	F1H1C104A143	C 0.1UF, K, 16V	3	
	C17134-45	F1L2E154A009	E 1500UF, 25V	12	PAVCA

Safety	Ref. No.	Part No.	Part Name & Description	Pcs	Remarks
	C17146-49	F1H1A1050032	E 10UF, 50V	4	
	C17151	F1H1A1050032	E 10UF, 50V	1	
	C17158-60	F1H1C104A143	C 0.1UF, K, 16V	3	
	C17201	F1H1A1050032	E 10UF, 50V	1	
	C17207,08	F1H1A1050032	E 10UF, 50V	2	
	C17213	F1H1A1050032	E 10UF, 50V	1	
	C17221-24	F1H1C104A143	C 0.1UF, K, 16V	4	
	C17226-35	F1L2E154A009	E 1500UF, 25V	10	PAVCA
	C17241	F1H1A1050032	E 10UF, 50V	1	
	C17307	F1H1A1050032	E 10UF, 50V	1	
	C17310	F1H1A1050032	E 10UF, 50V	1	
	C17313-16	F1H1C104A143	C 0.1UF, K, 16V	4	
	C17317	F1K2A105A006	C 1UF, 100V	1	
	C17318-21	F1L2E154A009	E 1500UF, 25V	4	PAVCA
	C17323-26	F1L2E154A009	E 1500UF, 25V	4	PAVCA
	C17327,28	F1H1A1050032	E 10UF, 50V	2	
	CB1-15	K1MN68BA0052	68P CONNECTOR	15	
	D3	K1KA14B00129	14P CONNECTOR	1	
	D5	K1KB31BA0064	31P CONNECTOR	1	
	D6	K1KA20AA0009	20P CONNECTOR	1	
	D20	K1MN35BA0266	35P CONNECTOR	1	PAVCA
	D25	K1KA13B00069	13P CONNECTOR	1	
	D31-33	K1MN68BA0266	68P CONNECTOR	3	
	D851,52	MA2J11100L	DIODE	2	
	D854	MA2J11100L	DIODE	1	
	D856,57	MA2J11100L	DIODE	2	
	D859	BOJCM000037	DIODE	1	
	D860	MAZ81100ML	ZENER DIODE	1	
	D861	MA2J11100L	DIODE	1	
	D862	MAZ80330LL	ZENER DIODE	1	
	D1107	MA704A	DIODE	1	
	D1112	MA2J11100L	DIODE	1	
	D1114,15	MA2J11100L	DIODE	2	
	D2301	MA2J11100L	DIODE	1	
	D2512	MA8043LTX	ZENER DIODE	1	
	D2520A	LN1271RAL-TR	LED	1	
	D3005	K7AAAY000003	PHOTO LINK	1	
	D3048	MA8140M	ZENER DIODE	1	
	D3051-54	MA8140M	ZENER DIODE	4	
	D3063-73	MA8140M	ZENER DIODE	11	
	D3076-80	MA8140M	ZENER DIODE	5	
	D3085-89	MA8140M	ZENER DIODE	5	
	D3701,02	MA8140M	ZENER DIODE	2	
	D3709,10	MAZ80510LL	ZENER DIODE	2	
	D3711	MA8140M	ZENER DIODE	1	
	D3801-06	EZAEG2A50AX	DIODE	6	
	D3807,08	EZJZ0V80008B	VARISTOR	2	
	D3809,10	EZAEG2A50AX	DIODE	2	
	D3811	EZJZ0V80008B	VARISTOR	1	
	D3813,14	BOHCMM000014	DIODE	2	
	D3815	EZJZ0V120JA	VARISTOR	1	PAVCA
	D4000	MA2J11100L	DIODE	1	
	D4002	MA2J11100L	DIODE	1	
	D4004,05	MA2J11100L	DIODE	2	
	D4006	MA3X78900L	ZENER DIODE	1	
	D4007	BOBC03900015	ZENER DIODE	1	
	D4009	MA2J11100L	DIODE	1	
	D4010	MA22D3900L	DIODE	1	
	D4502-12	EZAEG2A50AX	DIODE	11	
	D4513	MA3056MTX	ZENER DIODE	1	
	D4514	EZAEG2A50AX	DIODE	1	
	D4515	MA3056MTX	ZENER DIODE	1	
	D4516-23	EZAEG2A50AX	DIODE	8	
	D4541,42	MA2J11100L	DIODE	2	
	D5400	BOJCM000037	DIODE	1	
	D5401,02	BOBC4R700007	ZENER DIODE	2	
	D5403	BOJCM000037	DIODE	1	
	D5404,05	BOBC4R700007	ZENER DIODE	2	
	D5521,22	MA3X152A0L	DIODE	2	
	D5571	BOBC6R600005	ZENER DIODE	1	
	D5573	BOBC01100001	ZENER DIODE	1	

Safety	Ref. No.	Part No.	Part Name & Description	Pcs	Remarks
	D5601,02	MA22D3900L	DIODE	2	
	D5603,04	B0JCDD000002	DIODE	2	
	D5605	MA22D3900L	DIODE	1	
	D5606	B0JCDD000002	DIODE	1	
	D5613-15	MA2J11100L	DIODE	3	
	D5616	MA2J72800L	DIODE	1	
	D5692	MA8056LTX	ZENER DIODE	1	
	D9024-26	B0JCCE000008	DIODE	3	
	D9027-29	B0BC3R3A0273	ZENER DIODE	3	
	D9110	B0JCGD000002	DIODE	1	
	D9807,08	B0JCCE000008	DIODE	2	
	D9812	MA22D3900L	DIODE	1	
	D9813-15	B0JCGD000002	DIODE	3	
	D9816,17	MA22D3900L	DIODE	2	
	D14903-08	B0HCMM000013	DIODE	6	
	D14909	MA3X152A0L	DIODE	1	
	D14910	MA2J11100L	DIODE	1	
	D14911,12	B0HCMM000013	DIODE	2	
	D14953-58	B0HCMM000013	DIODE	6	
	D14961	MA8056H	ZENER DIODE	1	
	D14974	MA3X152A0L	DIODE	1	
	D14975,76	MA2J11100L	DIODE	2	
	D14977,78	B0HCMM000013	DIODE	2	
	D14979	MA2J11100L	DIODE	1	
	D16001,02	B0FBCN000005	DIODE	2	
	D16021,22	MA3DF30000LW	ZENER DIODE	2	
	D16032	MA2J11100L	DIODE	1	
	D16041	MA3DF46000LW	ZENER DIODE	1	
	D16043	MA3DF46000LW	ZENER DIODE	1	
	D16050	B0ECKP000047	DIODE	1	
	D16051	B0FBCN000005	DIODE	1	
	D16053	B0FBCN000005	DIODE	1	
	D16102	MA22D3900L	DIODE	1	
	D16104	MA22D3900L	DIODE	1	
	D16131	B0ECHP000003	DIODE	1	
	D16132	B0ECKP000047	DIODE	1	
	D16151	B0ECHP000003	DIODE	1	
	D16152,53	B0ECKP000047	DIODE	2	
	D16191,92	B0ECKP000047	DIODE	2	
	D16253	LNJ301MPUJA	LED	1	
	D16255	MA2J11100L	DIODE	1	
	D16280	MA2J11100L	DIODE	1	
	D16281	MAZ80510LL	ZENER DIODE	1	
	D16282	MAZ80680ML	ZENER DIODE	1	
	D16284,85	MA3X152A0L	DIODE	2	
	D16300	B0ECKP000047	DIODE	1	
	D16301	MA3X152A0L	DIODE	1	
	D16302	MA2J11100L	DIODE	1	
	D16311	MAZ81500ML	ZENER DIODE	1	
	D16313	B0ECKP000047	DIODE	1	
	D16321	B0ECKP000047	DIODE	1	
	D16324	MA3X152A0L	DIODE	1	
	D16331	B0ECHP000003	DIODE	1	
	D16335,36	B0ECLM000006	DIODE	2	
	D16401,02	B0FBCN000005	DIODE	2	
	D16407,08	MA22D3900L	DIODE	2	
	D16421,22	MA3DF40000LW	ZENER DIODE	2	
	D16451	B0ECKP000047	DIODE	1	
	D16461,62	MA3DF46000LW	ZENER DIODE	2	
	D16466	MA2J11100L	DIODE	1	
	D16473	MA3X152A0L	DIODE	1	
	D16475	MAZ80510LL	ZENER DIODE	1	
	D16477	MA2J11100L	DIODE	1	
	D16478	B0HCKS000002	DIODE	1	
	D16480	MA2J11100L	DIODE	1	
	D16481,82	B0FBCN000005	DIODE	2	
	D16497	B0ECKP000047	DIODE	1	
	D16501	B0ECHP000003	DIODE	1	
	D16503	B0ECKP000047	DIODE	1	
	D16521	B0ECHP000003	DIODE	1	
	D16522,23	B0ECKP000047	DIODE	2	
	D16583	LNJ301MPUJA	LED	1	
	D16585	MA2J11100L	DIODE	1	

Safety	Ref. No.	Part No.	Part Name & Description	Pcs	Remarks
	D16602	MAZ81500ML	ZENER DIODE	1	
	D16604	MA2J11100L	DIODE	1	
	D16605	MAZ80510LL	ZENER DIODE	1	
	D16606	B0ECKM000038	DIODE	1	
	D16607	MA2J11100L	DIODE	1	
	D16608	MA8120M	ZENER DIODE	1	
	D16609,10	MA2J11100L	DIODE	2	
	D16618,19	B0ECKP000047	DIODE	2	
	D16631-33	MAZ81500ML	ZENER DIODE	3	
	D16642	B0HCKS000002	DIODE	1	
	D16643	MA2J11100L	DIODE	1	
	D16645	MA2J11100L	DIODE	1	
	D16659	B0HCMM000014	DIODE	1	
	D16661	MA2J11100L	DIODE	1	
	D16662-64	MAZ81500ML	ZENER DIODE	3	
	D16665	MAZ80510LL	ZENER DIODE	1	
	D16667	MA2J11100L	DIODE	1	
	D16668	MA3X152A0L	DIODE	1	
	D16669	MA2J11100L	DIODE	1	
	D16671	MA2J11100L	DIODE	1	
	D16710	MAZ81500ML	ZENER DIODE	1	
	D16711	EC8FS6	DIODE	1	
	D16712	MAZ81500ML	ZENER DIODE	1	
	D16713	EC8FS6	DIODE	1	
	D16714	MAZ81500ML	ZENER DIODE	1	
	D16715	EC8FS6	DIODE	1	
	D16717	MA8330M	ZENER DIODE	1	
	D16718	MA2J11100L	DIODE	1	
	D16719,20	B0ECKP000047	DIODE	2	
	D16721	B0HCKS000002	DIODE	1	
	D16722	MA2J11100L	DIODE	1	
	D16725	MA2J11100L	DIODE	1	
	D16761,62	MA2J11100L	DIODE	2	
	D16763	B0ECKP000047	DIODE	1	
	D16764	B0HCKS000002	DIODE	1	
	D16765,66	B0ECKP000047	DIODE	2	
	D16771	MAZ80510LL	ZENER DIODE	1	
	D16791	MA8200M	ZENER DIODE	1	
	D16792	MA2J11100L	DIODE	1	
	D16793	B0HCKS000002	DIODE	1	
	D16794	MA2J11100L	DIODE	1	
	D16820	MA3X152A0L	DIODE	1	
	D16821	MA8200M	ZENER DIODE	1	
	D16822	MA2J11100L	DIODE	1	
	D16824,25	MA8330M	ZENER DIODE	2	
	D16830	MA8056H	ZENER DIODE	1	
	D16836	MAZ81500ML	ZENER DIODE	1	
	D16837	MA2J11100L	DIODE	1	
	D16838	B0BC027A0234	ZENER DIODE	1	
	D16839	B0ECKP000047	DIODE	1	
	D16859,60	B0HCKS000002	DIODE	2	
	D16861,62	MA8330M	ZENER DIODE	2	
	D16871	MA8200M	ZENER DIODE	1	
	D16872	MA2J11100L	DIODE	1	
	D16873	MA8200M	ZENER DIODE	1	
	D16874	MAZ80510LL	ZENER DIODE	1	
	D16875	MA2J11100L	DIODE	1	
	FL3010,11	J0MAB0000140	LC FILTER	2	
	FL3710-12	J0ZZA0000091	FILTER	3	PAVCA
	FL4000	J0HAB0000036	LC FILTER	1	
	FL4002-04	J0HAB0000036	LC FILTER	3	
	FL4206-11	J0JAD0000028	CHIP INDUCTOR	6	
	FL8052	J0HAB0000036	LC FILTER	1	
	FL8500,01	J0HAAA0000013	LC FILTER	2	
	FL9803	F1J1E104A148	C 0.10UF, Z, 25V	1	
	FL9805,06	F1J1E104A148	C 0.10UF, Z, 25V	2	
	FL17101	J0HABH0000013	LC FILTER	1	
	FL17201,02	J0HABH0000013	LC FILTER	2	
	FL17301	J0HABH0000013	LC FILTER	1	
	G51	K1KA10BA0062	10P CONNECTOR	1	

Safety	Ref. No.	Part No.	Part Name & Description	Pcs	Remarks
	GH10	K1FA119E0013	CONNECTOR	1	
	GH11	K1KA30AA0009	30P CONNECTOR	1	
	GS52	K1KA14BA0062	14P CONNECTOR	1	PAVCA
	IC850	C0DBAZF00003	IC	1	
	IC1100	MNZSFG3GP53		1	
	IC1101	TVRP920S	IC	1	PAVCA
	IC2008	C0CBCBE00001	IC	1	
	IC2106	C1AB00002908	IC	1	
	IC2107	C0DBFFD00003	IC	1	
	IC2301	C1AB00002875	IC	1	
	IC3001	C1AB00002855	IC	1	
	IC3017	C0EBM0000026	IC	1	
	IC3801	C1AB00002835	IC	1	PAVCA
	IC3802	TVRP820S	IC	1	PAVCA
	IC4000	C1AB00002877	IC	1	
	IC4013	C0JBAZ002060	IC	1	
	IC4200	C0ZBZ0001568	IC	1	PAVCA
	IC4510	C1AB00002901	IC	1	
	IC4511	C0CBCBE00001	IC	1	
	IC4512, 13	C0DBGYY00477	IC	2	
	IC4800	C1ZBZ0003775	IC	1	
	IC5400, 01	C0DBAYY00183	IC	2	
	IC5600	C0DBAYY00273	IC	1	
	IC5601	C0DBAYY00274	IC	1	
	IC5606	C0EBF0000354	IC	1	
	IC8001	MN2WS0047	IC	1	PAVCA
	IC8002, 03	C3ABSY000014	IC	2	
	IC8004	C0ZBZ0001030	IC	1	
	IC8300	MN884350	IC	1	PAVCA
	IC8502	TVRP753S	IC	1	PAVCA
	IC8503	TVRP755S	IC	1	PAVCA
	IC9001	TVRP925S	IC	1	PAVCA
	IC9002	C1ZBZ0003577	IC	1	
	IC9003	MNZSFG4GPH1	IC	1	
	IC9011	C0EBF0000431	IC	1	
	IC9013	C0JBAZ002060	IC	1	
	IC9019	C0JBAZ001120	IC	1	
	IC9300	MN84526	IC	1	
	IC9301	C3ABQJ000055	IC	1	
	IC9303	TVRP926S	IC	1	PAVCA
	IC9400	MN84526	IC	1	
	IC9401	C3ABQJ000055	IC	1	
	IC9500	C1ZBZ0003760	IC	1	PAVCA
	IC9802, 03	C0JBAZ001120	IC	2	
	IC9805	C0DBAYY00274	IC	1	
	IC9806	C0DBAYY00273	IC	1	
	IC14901-08	AN16182A-VT	IC	8	PAVCA
	IC14951-58	AN16182A-VT	IC	8	PAVCA
	IC14961, 62	C0JBAZ000994	IC	2	
	IC14963	C0JBAE000321	IC	1	
	IC14964	C0JBAA000174	IC	1	
	IC14965	C0JBAE000321	IC	1	
	IC16131	C0ZBZ0000895	IC	1	
	IC16151	C0ZBZ0001324	IC	1	
	IC16191	C0ZBZ0000895	IC	1	
	IC16241	C0JBAZ002811	IC	1	
	IC16251	NJM2903V	IC	1	
	IC16301	MIP9L02MBS	IC	1	
	IC16302	C0CBALC00012	IC	1	
	IC16303	C0JBAC000363	IC	1	
	IC16471	C0DBEKA00003	IC	1	
	IC16472	C0JBAA000377	IC	1	
	IC16501	C0ZBZ0000895	IC	1	
	IC16521	C0ZBZ0001324	IC	1	
	IC16561-63	C0JBAZ002811	IC	3	
	IC16564	C0JBAB000715	IC	1	
	IC16581	NJM2903V	IC	1	

Safety	Ref. No.	Part No.	Part Name & Description	Pcs	Remarks
	IC16724, 25	C0CBADC00072	IC	2	
	IC16752	C0ZBZ0001324	IC	1	
	IC16772	C0ZBZ0001325	IC	1	
	IC16784	MIP9L02MBS	IC	1	
	IC16786	MIP9L02MBS	IC	1	
	IC16787	C0DBEYY00078	IC	1	
	IC16788	MIP9L02MBS	IC	1	
	IC16789	C0DBEYY00078	IC	1	
	IC16791	EHMDD9878	LINEAR IC	1	PAVCA
	IC16792	C0JBAA000377	IC	1	
	IC16801	C0DBEYY00078	IC	1	
	IC17101-06	C0JBAZ001120	IC	6	
	IC17201-04	C0JBAZ001120	IC	4	
	IC17301-04	C0JBAZ001120	IC	4	
	JA1	DOGDR00Z0002	M 0 OHM, 1/10W	1	
	JA1 01	DOGDR00Z0002	M 0 OHM, 1/10W	1	
	JA1	ERJ6GEYOR00V	M 0 OHM, 1/10W	1	
	JA2	DOGDR00Z0002	M 0 OHM, 1/10W	1	
	JA2 02	DOGDR00Z0002	M 0 OHM, 1/10W	1	
	JA2	ERJ6GEYOR00V	M 0 OHM, 1/10W	1	
	JA3	DOGDR00Z0002	M 0 OHM, 1/10W	1	
	JA3 03	DOGDR00Z0002	M 0 OHM, 1/10W	1	
	JA3	ERJ6GEYOR00V	M 0 OHM, 1/10W	1	
	JA4	DOGDR00Z0002	M 0 OHM, 1/10W	1	
	JA4 04	DOGDR00Z0002	M 0 OHM, 1/10W	1	
	JA4	ERJ6GEYOR00V	M 0 OHM, 1/10W	1	
	JA5	DOGDR00Z0002	M 0 OHM, 1/10W	1	
	JA5 05	DOGDR00Z0002	M 0 OHM, 1/10W	1	
	JA5	ERJ6GEYOR00V	M 0 OHM, 1/10W	1	
	JA6-30	DOGDR00Z0002	M 0 OHM, 1/10W	25	
	JA101-13	ERJ8GEYOR00	M 0 OHM, 1/8W	13	
	JK3000	K1U932A00001	CONNECTOR UNIT	1	PAVCA
	JK3001	K1FB315A0006	CONNECTOR	1	
	JK3701	K4AK13B00002	TERMINAL BOARD	1	PAVCA
	JK4500, 01	K1FY119D0003	CONNECTOR	2	PAVCA
	JK7701	K1NA12B00004	CONNECTOR	1	
	JS2088	DOGDR00Z0002	M 0 OHM, 1/10W	1	
	JS2300	DOYAR0000007	M 0.0 OHM, J, 0.063W	1	
	JS3051-56	DOGDR00Z0002	M 0 OHM, 1/10W	6	
	JS4010	DOGDR00Z0002	M 0 OHM, 1/10W	1	
	JS4015	DOGDR00Z0002	M 0 OHM, 1/10W	1	
	JS4017	ERJ3GEYOR00	M 0 OHM, 1/16W	1	
	JS7701	ERJ3GEYOR00	M 0 OHM, 1/16W	1	
	K1	K1KY12B00001	12P CONNECTOR	1	
	L852	G0C101KA0167	PEAKING COIL	1	
	L1100	J0JYC0000068	CHIP INDUCTOR	1	
	L2022	J0JHC0000078	CHIP INDUCTOR	1	
	L2029	J0JCC0000059	CHIP INDUCTOR	1	
	L2038	J0JYC0000068	CHIP INDUCTOR	1	
	L2041	J0JYC0000068	CHIP INDUCTOR	1	
	L2300	G1C220MA0291	INDUCTION COIL	1	
	L2302	G1C220MA0291	INDUCTION COIL	1	
	L2304	G1C220MA0291	INDUCTION COIL	1	
	L2306	G1C220MA0291	INDUCTION COIL	1	
	L3000, 01	J0JYC0000068	CHIP INDUCTOR	2	
	L3308, 09	J0JCC0000269	CHIP INDUCTOR	2	PAVCA
	L3512	J0JHC0000042	CHIP INDUCTOR	1	
	L3801	J0JHC0000078	CHIP INDUCTOR	1	
	L3804, 05	J0JHC0000078	CHIP INDUCTOR	2	
	L4000	G1C470MA0291	INDUCTION COIL	1	PAVCA
	L4001	G1C100MA0072	INDUCTION COIL	1	
	L4002	J0JYC0000068	CHIP INDUCTOR	1	
	L4201, 02	J0JHC0000078	CHIP INDUCTOR	2	
	L4500-07	J0JHC0000078	CHIP INDUCTOR	8	



Safety	Ref. No.	Part No.	Part Name & Description	Pcs	Remarks
	L4510,11	J0JHC0000078	CHIP INDUCTOR	2	
	L4512,13	J0JCC0000241	CHIP INDUCTOR	2	
	L4514-19	J0JYC0000068	CHIP INDUCTOR	6	
	L4600	J0JHC0000045	CHIP INDUCTOR	1	
	L5401	G1C330M00027	INDUCTION COIL	1	PAVCA
	L5405	G1C330M00027	INDUCTION COIL	1	PAVCA
	L5600,01	G1C2R2Z00007	INDUCTION COIL	2	
	L5602	G1C4R7Z00014	INDUCTION COIL	1	
	L5604	G1C100MA0203	INDUCTION COIL	1	
	L5605	J0JCC0000241	CHIP INDUCTOR	1	
	L5606	G1C100MA0203	INDUCTION COIL	1	
	L8001-05	J0JHC0000045	CHIP INDUCTOR	5	
	L8006	ERJ3GEY0R00	M 0 OHM, 1/16W	1	
	L8007-10	J0JHC0000045	CHIP INDUCTOR	4	
	L8301-03	J0JHC0000045	CHIP INDUCTOR	3	
	L8304,05	G1CR22JA0020	INDUCTION COIL	2	
	L8306	G1CR39JA0020	INDUCTION COIL	1	PAVCA
	L8307-10	J0JHC0000045	CHIP INDUCTOR	4	
	L8311,12	G1CR39JA0020	INDUCTION COIL	2	PAVCA
	L8500	J0JCC0000241	CHIP INDUCTOR	1	
	L8502	J0JCC0000143	CHIP INDUCTOR	1	
	L8507	J0JHC0000045	CHIP INDUCTOR	1	
	L9000-07	J0JHC0000078	CHIP INDUCTOR	8	
	L9800	G1C2R2Z00007	INDUCTION COIL	1	
	L9801	G1C1R5Z00006	INDUCTION COIL	1	
	L9802	G1C2R2Z00007	INDUCTION COIL	1	
	L16001-05	G0C1R6KA0119	PEAKING COIL	5	
	L16011-15	G0C1R6KA0119	PEAKING COIL	5	
	L16102	J0JJC0000015	CHIP INDUCTOR	1	
	L16103	G0ZZ00002183	PEAKING COIL	1	
	L16104	J0JJC0000015	CHIP INDUCTOR	1	
	L16221	G0ZZ00002183	PEAKING COIL	1	
	L16262	G0ZZ00002183	PEAKING COIL	1	
	L16271	G0ZZ00002183	PEAKING COIL	1	
	L16301	J0JHC0000031	CHIP INDUCTOR	1	
	L16398,99	J0JJC0000015	CHIP INDUCTOR	2	
	L16402-06	G0C1R6KA0119	PEAKING COIL	5	
	L16412-16	G0C1R6KA0119	PEAKING COIL	5	
	L16472	G0ZZ00002183	PEAKING COIL	1	
	L16591	G0ZZ00002183	PEAKING COIL	1	
	L16697	G0C102KA0187	PEAKING COIL	1	
	L16698	G0C681KA0187	PEAKING COIL	1	
	L16699	G0C331KA0187	PEAKING COIL	1	
	L16801	G0ZZ00002183	PEAKING COIL	1	
	PA5600	K5H5022A0023	FUSE	1	
	PA9800	K5H4022A0031	FUSE	1	
	PA9900	K5H5022A0031	FUSE	1	PAVCA
	PB30	K1KA05AA0193	5P CONNECTOR	1	
	PB31,32	K1KA03AA0192	3P CONNECTOR	2	
	PB34	K1KA03AA0192	3P CONNECTOR	1	
	PB36,37	K1KA03AA0192	3P CONNECTOR	2	
	PC2501	B3JB00000046	IC	1	PAVCA
	PC14951,52	B3PBA0000457	IC	2	
	PC14953	B3PBA0000456	IC	1	
	PC16480	B3PBA0000223	IC	1	
	PC16601	B3PBA0000223	IC	1	
	PC16602	B3PBA0000443	IC	1	
	PC16603	B3PBA0000223	IC	1	
	PC16705	B3PBA0000456	IC	1	
	PC16710	B3PBA0000223	IC	1	
	PC16896,97	B3PBA0000223	IC	2	
△	PCB	TNPH0721ABS	CIRCUIT BOARD A	1	PAVCA
△	PCB	TNPA4243AHS	CIRCUIT BOARD PB	1	PAVCA
△	PCB	ETX2MM704MGA	CIRCUIT BOARD P (AC)	1	PAVCA
△	PCB	ETX2MM704MGL	CIRCUIT BOARD P (MAIN)	1	PAVCA
△	PCB	TXNC11RKTU	CIRCUIT BOARD C1	1	PAVCA

Safety	Ref. No.	Part No.	Part Name & Description	Pcs	Remarks
△	PCB	TXNC21RKTU	CIRCUIT BOARD C2	1	PAVCA
△	PCB	TXNC31RKTU	CIRCUIT BOARD C3	1	PAVCA
△	PCB	TNPA4439AKS	CIRCUIT BOARD D	1	PAVCA
△	PCB	TXNSC1RKTUS	CIRCUIT BOARD SC	1	PAVCA
△	PCB	TXNSD1RKTU	CIRCUIT BOARD SD	1	PAVCA
△	PCB	TXNSS1RKTU	CIRCUIT BOARD SS	1	PAVCA
△	PCB	TXNSU1RKTU	CIRCUIT BOARD SU	1	PAVCA
△	PCB	TNPA4502S	CIRCUIT BOARD K	1	PAVCA
△	PCB	TNPA4499S	CIRCUIT BOARD S	1	PAVCA
△	PCB	TNPA4503S	CIRCUIT BOARD G	1	PAVCA
△	PCB	TNPA4506S	CIRCUIT BOARD GH	1	PAVCA
△	PCB	TNPA4504S	CIRCUIT BOARD GS	1	PAVCA
	Q2041,42	2SD0601ARL	TRANSISTOR	2	
	Q2301	2SB0709ARL	TRANSISTOR	1	
	Q2510,11	2SD0601ARL	TRANSISTOR	2	
	Q3123,24	2SD0601ARL	TRANSISTOR	2	
	Q3125	2SB0709ARL	TRANSISTOR	1	
	Q3801,02	2SD0601ARL	TRANSISTOR	2	
	Q3804	2SD0601ARL	TRANSISTOR	1	
	Q4014,15	2SD0601ARL	TRANSISTOR	2	
	Q4016	2SK3065T100	FET	1	
	Q4017	2SD0601ARL	TRANSISTOR	1	
	Q4502,03	2SD0601ARL	TRANSISTOR	2	
	Q4514-17	2SB0709ARL	TRANSISTOR	4	
	Q4522,23	2SD0601ARL	TRANSISTOR	2	
	Q4528-31	2SB0709ARL	TRANSISTOR	4	
	Q5522	2SB0709ARL	TRANSISTOR	1	
	Q5600	B1MBEDA00015	FET	1	
	Q5601,02	B1MBDDA00003	FET	2	
	Q5603,04	2SD0601ARL	TRANSISTOR	2	
	Q5684	2SB0709ARL	TRANSISTOR	1	
	Q8300	2SB0709ARL	TRANSISTOR	1	
	Q9010	2SD0601ARL	TRANSISTOR	1	
	Q9058-61	2SD0601ARL	TRANSISTOR	4	
	Q9805,06	2SD0601ARL	TRANSISTOR	2	
	Q9807	B1MBDDA00003	FET	1	
	Q9808	B1MBDDA00015	FET	1	
	Q9809	B1MBDDA00003	FET	1	
	Q16002-04	B1JAEN000002	TRANSISTOR	3	
	Q16022-24	B1JAEN000002	TRANSISTOR	3	
	Q16042	B1JAEN000003	TRANSISTOR	1	
	Q16051	B1JAEN000003	TRANSISTOR	1	
	Q16102	2SK399800L	FET	1	
	Q16104	2SK399800L	FET	1	
	Q16141	B1HFPPA00001	TRANSISTOR	1	
	Q16161	B1HFPPA00001	TRANSISTOR	1	
	Q16171	B1ABRD000003	TRANSISTOR	1	
	Q16172	B1ADRD000001	TRANSISTOR	1	
	Q16181	B1ABRD000003	TRANSISTOR	1	
	Q16182	B1ADRD000001	TRANSISTOR	1	
	Q16191	B1HFPPA00001	TRANSISTOR	1	
	Q16251	2SD0601ARL	TRANSISTOR	1	
	Q16280	2SD0601ARL	TRANSISTOR	1	
	Q16301	B1CBGD000001	FET	1	
	Q16302	2SK3065T100	FET	1	
	Q16304	2SB0709ARL	TRANSISTOR	1	
	Q16331	B1CERL000012	FET	1	
	Q16335	B1CERL000012	FET	1	
	Q16339	2SK399500L	FET	1	
	Q16401	B1JAEN000002	TRANSISTOR	1	
	Q16403,04	B1JAEN000002	TRANSISTOR	2	
	Q16421	B1JAEP000002	TRANSISTOR	1	
	Q16423,24	B1JAEP000002	TRANSISTOR	2	
	Q16441,42	B1JAEN000003	TRANSISTOR	2	
	Q16452	B1JAEP000003	TRANSISTOR	1	
	Q16471	B1ABCF000231	TRANSISTOR	1	
	Q16501	B1HFPPA00001	TRANSISTOR	1	
	Q16521	B1HFPPA00001	TRANSISTOR	1	
	Q16531	B1ABRD000003	TRANSISTOR	1	
	Q16532	B1ADRD000001	TRANSISTOR	1	
	Q16551	B1ABRD000003	TRANSISTOR	1	

Safety	Ref. No.	Part No.	Part Name & Description	Pcs	Remarks
	Q16552	BLADR000001	TRANSISTOR	1	
	Q16581	B1ABCF000231	TRANSISTOR	1	
	Q16601	B1DEET000002	FET	1	
	Q16602	2SD0601ARL	TRANSISTOR	1	
	Q16603	2SB0709ARL	TRANSISTOR	1	
	Q16604	B1CHPM000001	FET	1	
	Q16605	2SB0709ARL	TRANSISTOR	1	
	Q16606	2SD0601ARL	TRANSISTOR	1	
	Q16607	B1CBGD000001	FET	1	
	Q16608	B1ABCF000231	TRANSISTOR	1	
	Q16622-25	B1CFRM000008	FET	4	PAVCA
	Q16627-29	B1CFRM000008	FET	3	PAVCA
	Q16634	B1CFRM000008	FET	1	PAVCA
	Q16641-44	2SK4175000LZ	FET	4	
	Q16647-50	2SK4175000LZ	FET	4	
	Q16661	B1JAER000004	TRANSISTOR	1	PAVCA
	Q16662	2SD0601ARL	TRANSISTOR	1	
	Q16663	2SB0709ARL	TRANSISTOR	1	
	Q16664	B1HFPPA000001	TRANSISTOR	1	
	Q16665	B1ABCF000231	TRANSISTOR	1	
	Q16743	2SD0601ARL	TRANSISTOR	1	
	Q16762,63	B1ADNF000006	TRANSISTOR	2	
	Q16781	B1HFPPA000001	TRANSISTOR	1	
	Q16783	B1HFPPA000001	TRANSISTOR	1	
	Q16791	2SD0814A	TRANSISTOR	1	
	Q16794	B1ADCE000022	TRANSISTOR	1	
	Q16795	2SD0601ARL	TRANSISTOR	1	
	Q16796	2SC1473A	TRANSISTOR	1	
	Q16801,02	B1ADCN000007	TRANSISTOR	2	
	Q16805	2SC3063	TRANSISTOR	1	
	Q16806	2SC1473AEA	TRANSISTOR	1	
	Q16810-12	B1ABCF000231	TRANSISTOR	3	
	Q16814,15	B1ABCN000007	TRANSISTOR	2	
	Q16816,17	2SD0601ARL	TRANSISTOR	2	
	Q16871,72	2SB0709ARL	TRANSISTOR	2	
	Q16873	B1ABCF000231	TRANSISTOR	1	
	Q16874	B1CBGD000001	FET	1	
	Q16875,76	B1ABCF000231	TRANSISTOR	2	
	Q16879	B1ABCF000231	TRANSISTOR	1	
	R851,52	ERJ6GEYF472	M 4.7KOHM, J, 1/10W	2	
	R854	ERJ6GEYF472	M 4.7KOHM, J, 1/10W	1	
	R856,57	ERJ6GEYF472	M 4.7KOHM, J, 1/10W	2	
	R859	ERJ6ENF2001	M 2KOHM, 1/10W	1	
	R861	ERJ6GEYF472	M 4.7KOHM, J, 1/10W	1	
	R867	ERJ6GEY0R00V	M 0 OHM, 1/10W	1	
	R869	ERJ6GEYG102	M 1KOHM, J, 1/10W	1	
	R871	ERJ6ENF1302	M 13KOHM, 1/10W	1	
	R872	ERJ6ENF8450	M 845 OHM, 1/10W	1	
	R874	ERJ6GEYJ471	M 470 OHM, J, 1/10W	1	
	R1112	ERJ2GEJ331	M 330 OHM, J, 0.063W	1	
	R1124,25	ERJ2GEJ473	M 47KOHM, J, 0.063W	2	
	R1139	ERJ2GEJ473	M 47KOHM, J, 0.063W	1	
	R1143	ERJ2GEJ473	M 47KOHM, J, 0.063W	1	
	R1145	ERJ2GEJ471	M 470 OHM, J, 0.063W	1	
	R1148-54	ERJ2GEJ473	M 47KOHM, J, 0.063W	7	
	R1157	ERJ2GEJ473	M 47KOHM, J, 0.063W	1	
	R1160,61	ERJ2GEJ473	M 47KOHM, J, 0.063W	2	
	R1162	ERJ2GEJ101	M 100 OHM, J, 0.063W	1	
	R1169	ERJ2GEJ683	M 68KOHM, J, 0.063W	1	

Safety	Ref. No.	Part No.	Part Name & Description	Pcs	Remarks
	R1170	ERJ2GEJ333	M 33KOHM, J, 0.063W	1	
	R1171	ERJ2GEJ683	M 68KOHM, J, 0.063W	1	
	R1172	ERJ2GEJ333	M 33KOHM, J, 0.063W	1	
	R1174,75	ERJ2GEJ220	M 22 OHM, J, 0.063W	2	
	R1182	ERJ2GEJ273	M 27KOHM, J, 0.063W	1	
	R1183,84	ERJ2GEJ220	M 22 OHM, J, 0.063W	2	
	R1188	DOYAR0000007	M 0.0 OHM, J, 0.063W	1	
	R1194	ERJ2GEJ683	M 68KOHM, J, 0.063W	1	
	R1196	ERJ2GEJ473	M 47KOHM, J, 0.063W	1	
	R1198	ERJ2GEJ222	M 2.2KOHM, J, 0.063W	1	
	R1199	ERJ2GEJ473	M 47KOHM, J, 0.063W	1	
	R1200,01	ERJ2GEJ472	M 4.7KOHM, J, 0.063W	2	
	R1203	ERJ2GEJ473	M 47KOHM, J, 0.063W	1	
	R1205,06	ERJ2GEJ220	M 22 OHM, J, 0.063W	2	
	R1209,10	ERJ2GEJ473	M 47KOHM, J, 0.063W	2	
	R1216	ERJ2GEJ103	M 10KOHM, J, 0.063W	1	
	R1218-20	ERJ2GEJ473	M 47KOHM, J, 0.063W	3	
	R1221	D1BB7151A055	M7.15KOHM, 1/10W	1	
	R1223	ERJ2GEJ473	M 47KOHM, J, 0.063W	1	
	R1236	ERJ2GEJ473	M 47KOHM, J, 0.063W	1	
	R1237	ERJ2GEJ102X	M 1KOHM, J, 0.063W	1	
	R1243	ERJ2GEJ473	M 47KOHM, J, 0.063W	1	
	R1255	ERJ2GEJ102X	M 1KOHM, J, 0.063W	1	
	R2058	ERJ2GEJ471	M 470 OHM, J, 0.063W	1	
	R2059	ERJ2GEJ105	M 1MOHM, J, 0.063W	1	
	R2060	ERJ2GEJ181	M 180 OHM, J, 0.063W	1	
	R2100	D1BB2002A055	M 20KOHM, 1/10W	1	
	R2104	D1BB2001A055	M 2KOHM, 1/10W	1	
	R2110	ERJ2GEJ103	M 10KOHM, J, 0.063W	1	
	R2111	ERJ2GEJ101	M 100 OHM, J, 0.063W	1	
	R2113	D1BB1203A055	M 120KOHM, 1/10W	1	
	R2114	D1BB7502A055	M 75KOHM, 1/10W	1	
	R2115-17	ERJ2GEJ103	M 10KOHM, J, 0.063W	3	
	R2138	ERJ2GEJ103	M 10KOHM, J, 0.063W	1	
	R2150,51	D1BB2802A055	M 28KOHM, 1/10W	2	
	R2152	ERJ3GEY0R00	M 0 OHM, 1/16W	1	
	R2162,63	ERJ2GEJ103	M 10KOHM, J, 0.063W	2	
	R2164	ERJ2GEJ102X	M 1KOHM, J, 0.063W	1	
	R2271	EXB28V220J	RESISTOR ARRAY	1	
	R2301,02	ERJ2GEJ222	M 2.2KOHM, J, 0.063W	2	
	R2305	ERJ2GEJ471	M 470 OHM, J, 0.063W	1	
	R2308	ERJ8GEYJ3R3V	M 3.3 OHM, J, 1/8W	1	
	R2310	ERJ2GEJ103	M 10KOHM, J, 0.063W	1	
	R2311	ERJ8GEYJ3R3V	M 3.3 OHM, J, 1/8W	1	

Safety	Ref. No.	Part No.	Part Name & Description	Pcs	Remarks
	R2313	ERJ8GEYJ3R3V	M 3.3 OHM, J,1/8W	1	
	R2315	ERJ8GEYJ3R3V	M 3.3 OHM, J,1/8W	1	
	R2325	ERJ2GEJ101	M 100 OHM, J,0.063W	1	
	R2330	ERJ2GEJ392	M 3.9KOHM, J,0.063W	1	
	R2331	ERJ3GEYJ221	M 220 OHM, J,1/16W	1	
	R2513	D1BB5601A055	M 5.6KOHM, 1/10W	1	
	R2516	ERJ3GEYJ223	M 22KOHM, J,1/16W	1	
	R2517	ERJ6GEYG470V	M 47 OHM, J,1/10W	1	
	R2520	ERJ3GEYJ224	M 220KOHM, J,1/16W	1	
	R2524	ERJ3GEYJ223	M 22KOHM, J,1/16W	1	
	R2525	D1BB8200A055	M 820 OHM, 1/10W	1	PAVCA
	R2542	D0GB473JA057	M 47KOHM, J,1/16W	1	
	R2557	ERJ3GEYJ562	M 5.6KOHM, J,1/16W	1	
	R3058-60	ERJ2GEJ221	M 220 OHM, J,0.063W	3	
	R3061	D1BB75R0A055	M 75 OHM, 1/10W	1	PAVCA
	R3062,63	ERJ2GEJ221	M 220 OHM, J,0.063W	2	
	R3064	D1BB75R0A055	M 75 OHM, 1/10W	1	PAVCA
	R3065	ERJ2GEJ102X	M 1KOHM, J,0.063W	1	
	R3066	D1BB75R0A055	M 75 OHM, 1/10W	1	PAVCA
	R3067,68	ERJ2GEJ221	M 220 OHM, J,0.063W	2	
	R3070	ERJ2GEJ102X	M 1KOHM, J,0.063W	1	
	R3071	ERJ2GEJ221	M 220 OHM, J,0.063W	1	
	R3074,75	ERJ2GEJ680	M 68 OHM, J,0.063W	2	
	R3076	ERJ6RED750	M 75 OHM, 1/10W	1	
	R3077-92	ERJ2GEJ221	M 220 OHM, J,0.063W	16	
	R3095-99	ERJ2GEJ680	M 68 OHM, J,0.063W	5	
	R3107	ERJ2GEJ680	M 68 OHM, J,0.063W	1	
	R3123,24	ERJ2GEJ182	M 1.8KOHM, J,0.063W	2	
	R3145	ERJ2GEJ101	M 100 OHM, J,0.063W	1	
	R3146	ERJ2GEJ184	M 180KOHM, J,0.063W	1	
	R3147	ERJ2GEJ101	M 100 OHM, J,0.063W	1	
	R3148	ERJ2GEJ184	M 180KOHM, J,0.063W	1	
	R3149,50	ERJ2GEJ101	M 100 OHM, J,0.063W	2	
	R3151	ERJ2GEJ105	M 1MOHM, J,0.063W	1	
	R3152	ERJ2GEJ473	M 47KOHM, J,0.063W	1	
	R3153	ERJ2GEJ102X	M 1KOHM, J,0.063W	1	
	R3154	ERJ2GEJ274	M 270KOHM, J,0.063W	1	
	R3188	ERJ2GEJ680	M 68 OHM, J,0.063W	1	
	R3189	D1BB75R0A055	M 75 OHM, 1/10W	1	PAVCA
	R3190-93	D0GB393JA041	M 39KOHM, J,1/16W	4	
	R3194	D1BB75R0A055	M 75 OHM, 1/10W	1	PAVCA
	R3195,96	ERJ2GEJ680	M 68 OHM, J,0.063W	2	
	R3198,99	D1BB75R0A055	M 75 OHM, 1/10W	2	PAVCA
	R3202	D0GB393JA041	M 39KOHM, J,1/16W	1	
	R3203	D1BB75R0A055	M 75 OHM, 1/10W	1	PAVCA
	R3204	D0GB393JA041	M 39KOHM, J,1/16W	1	
	R3206	D0GB393JA041	M 39KOHM, J,1/16W	1	
	R3208,09	D1BB75R0A055	M 75 OHM, 1/10W	2	PAVCA
	R3210	D0GB393JA041	M 39KOHM, J,1/16W	1	
	R3211,12	D1BB75R0A055	M 75 OHM, 1/10W	2	PAVCA

Safety	Ref. No.	Part No.	Part Name & Description	Pcs	Remarks
	R3301	D0GDR00Z0002	M 0 OHM, 1/10W	1	
	R3302	ERJ2GEJ101	M 100 OHM, J,0.063W	1	
	R3303	D0GDR00Z0002	M 0 OHM, 1/10W	1	
	R3305	ERJ2GEJ101	M 100 OHM, J,0.063W	1	
	R3306,07	ERJ6GEYF472	M 4.7KOHM, J,1/10W	2	
	R3310	D1BB75R0A055	M 75 OHM, 1/10W	1	PAVCA
	R3311	D0GDR00Z0002	M 0 OHM, 1/10W	1	
	R3313	D1BB75R0A055	M 75 OHM, 1/10W	1	PAVCA
	R3316	D0GDR00Z0002	M 0 OHM, 1/10W	1	
	R3318	D1BB75R0A055	M 75 OHM, 1/10W	1	PAVCA
	R3319	D0GDR00Z0002	M 0 OHM, 1/10W	1	
	R3716,17	ERJ6ENF3902	M 39KOHM, J,1/10W	2	
	R3721	D0GD103JA036	M 10KOHM, J,0.25W	1	
	R3750	ERJ6ENF1432	M14.3KOHM, 1/10W	1	
	R3751	ERJ6ENF6651	M6.65KOHM, 1/10W	1	
	R3752	ERJ6ENF1741	M1.74KOHM, 1/10W	1	
	R3753	ERJ6ENF1621	M1.62KOHM, 1/10W	1	
	R3754	ERJ6ENF2321	M2.32KOHM, 1/10W	1	
	R3756	D0GDR00Z0002	M 0 OHM, 1/10W	1	
	R3758	ERJ6ENF3161	M3.16KOHM, 1/10W	1	
	R3801,02	ERJ2GEJ103	M 10KOHM, J,0.063W	2	
	R3803	ERJ2GEJ332	M 3.3KOHM, J,0.063W	1	
	R3804,05	ERJ2GEJ472	M 4.7KOHM, J,0.063W	2	
	R3806	ERJ2GEJ473	M 47KOHM, J,0.063W	1	
	R3807,08	ERJ2GEJ100	M 10 OHM, J,0.063W	2	
	R3809,10	ERJ2GEJ102X	M 1KOHM, J,0.063W	2	
	R3811	D1BB4701A055	M 4.7KOHM, 1/10W	1	
	R3812	ERJ2GEJ103	M 10KOHM, J,0.063W	1	
	R3814	ERJ2GEJ472	M 4.7KOHM, J,0.063W	1	
	R3815	D0YAR0000007	M 0.0 OHM, J,0.063W	1	
	R3818	ERJ2GEJ103	M 10KOHM, J,0.063W	1	
	R3821	ERJ2RKD330	M 33 OHM, J,0.063W	1	
	R3822	ERJ2GEJ102X	M 1KOHM, J,0.063W	1	
	R3824-31	D0GA2R7JA014	M 2.7OHM, J,0.063W	8	PAVCA
	R3832	ERJ2GEJ472	M 4.7KOHM, J,0.063W	1	
	R3840,41	ERJ2GEJ100	M 10 OHM, J,0.063W	2	
	R3845	ERJ2GEJ472	M 4.7KOHM, J,0.063W	1	
	R3847	D0YAR0000007	M 0.0 OHM, J,0.063W	1	
	R3854	ERJ2GEJ103	M 10KOHM, J,0.063W	1	
	R4079	D1HG5608A002	NETWORK RESISTER	1	
	R4081	D1HG5608A002	NETWORK RESISTER	1	
	R4089-91	D1HG5608A002	NETWORK RESISTER	3	
	R4112	ERJ2GEJ331	M 330 OHM, J,0.063W	1	
	R4113	ERJ6GEYG681	M 680 OHM, J,1/10W	1	
	R4115	D1BB1003A055	M 100KOHM, 1/10W	1	PAVCA
	R4116	D1BB3401A055	M 3.4KOHM, 1/10W	1	PAVCA
	R4117	D1BB4701A055	M 4.7KOHM, 1/10W	1	
	R4122	ERJ2GEJ680	M 68 OHM, J,0.063W	1	
	R4123-33	ERJ2GEJ220	M 22 OHM, J,0.063W	11	
	R4134-36	ERJ2GEJ331	M 330 OHM, J,0.063W	3	
	R4137	ERJ2GEJ101	M 100 OHM, J,0.063W	1	

Safety	Ref. No.	Part No.	Part Name & Description	Pcs	Remarks
	R4138-40	ERJ2GEJ220	M 22 OHM, J, 0.063W	3	
	R4153	ERJ2GEJ473	M 47KOHM, J, 0.063W	1	
	R4155	ERJ2GEJ103	M 10KOHM, J, 0.063W	1	
	R4158	ERJ3GEYD153V	M 15KOHM, J, 1/16W	1	
	R4162	ERJ2GEJ104	M 100KOHM, J, 0.063W	1	
	R4166	ERJ2GEJ103	M 10KOHM, J, 0.063W	1	
	R4167	ERJ2GEJ473	M 47KOHM, J, 0.063W	1	
	R4168	EXB2HV473JV	RESISTOR ARRAY	1	
	R4170,71	ERJ2GEJ220	M 22 OHM, J, 0.063W	2	
	R4286-88	ERJ2GEJ473	M 47KOHM, J, 0.063W	3	
	R4289-94	EXB28V470JX	RESISTOR ARRAY	6	
	R4295-02	ERJ2GEJ470	M 47 OHM, J, 0.063W	8	
	R4303	ERJ2RKD330	M 33 OHM, J, 0.063W	1	
	R4304,05	ERJ2GEJ470	M 47 OHM, J, 0.063W	2	
	R4309	ERJ2GEJ473	M 47KOHM, J, 0.063W	1	
	R4327	ERJ2GEJ473	M 47KOHM, J, 0.063W	1	
	R4330	ERJ2GEJ473	M 47KOHM, J, 0.063W	1	
	R4502,03	ERJ2GEJ103	M 10KOHM, J, 0.063W	2	
	R4524	ERJ2GEJ104	M 100KOHM, J, 0.063W	1	
	R4526,27	ERJ2GEJ102X	M 1KOHM, J, 0.063W	2	
	R4528	ERJ2GEJ103	M 10KOHM, J, 0.063W	1	
	R4530	ERJ2GEJ103	M 10KOHM, J, 0.063W	1	
	R4538	ERJ2GEJ473	M 47KOHM, J, 0.063W	1	
	R4540	ERJ2GEJ473	M 47KOHM, J, 0.063W	1	
	R4548-50	ERJ2GEJ103	M 10KOHM, J, 0.063W	3	
	R4552	ERJ2GEJ220	M 22 OHM, J, 0.063W	1	
	R4568	ERJ2GEJ103	M 10KOHM, J, 0.063W	1	
	R4571,72	ERJ2GEJ472	M 4.7KOHM, J, 0.063W	2	
	R4587	D1BB60400001	M 604 OHM, 1/10W	1	
	R4588,89	D1BB8060A055	M 806 OHM, 1/10W	2	
	R4590,91	ERJ2GEJ103	M 10KOHM, J, 0.063W	2	
	R4592	D1BB8060A055	M 806 OHM, 1/10W	1	
	R4593	D1BB2201A055	M 2.2KOHM, 1/10W	1	
	R4596-98	ERJ6GEYG102	M 1KOHM, J, 1/10W	3	
	R4600	ERJ2GEJ680	M 68 OHM, J, 0.063W	1	
	R4601	ERJ6GEYG102	M 1KOHM, J, 1/10W	1	
	R4603,04	ERJ2GEJ680	M 68 OHM, J, 0.063W	2	
	R4606	D1BB9101A055	M 9.1KOHM, 1/10W	1	
	R4609,10	ERJ2GEJ680	M 68 OHM, J, 0.063W	2	
	R4611	D1BB5601A055	M 5.6KOHM, 1/10W	1	
	R4613	ERJ2GEJ680	M 68 OHM, J, 0.063W	1	
	R4620	DOYAR0000007	M 0.0 OHM, J, 0.063W	1	
	R4622	DOYAR0000007	M 0.0 OHM, J, 0.063W	1	
	R4624,25	ERJ2GEJ103	M 10KOHM, J, 0.063W	2	
	R4626,27	D1BB2200A055	M 220 OHM, 1/10W	2	
	R4631	D1BB4990A055	M 499 OHM, 1/10W	1	

Safety	Ref. No.	Part No.	Part Name & Description	Pcs	Remarks
	R4634	D1BB2200A055	M 220 OHM, 1/10W	1	
	R4635	EXB28V680JX	RESISTOR ARRAY	1	
	R4636-38	ERJ2GEJ680	M 68 OHM, J, 0.063W	3	
	R4639,40	EXB28V680JX	RESISTOR ARRAY	2	
	R4641	ERJ2GEJ220	M 22 OHM, J, 0.063W	1	
	R4643	ERJ2GEJ220	M 22 OHM, J, 0.063W	1	
	R4645,46	ERJ2GEJ680	M 68 OHM, J, 0.063W	2	
	R4648	EXB28V330J	RESISTOR ARRAY	1	
	R4649	EXB28V680JX	RESISTOR ARRAY	1	
	R4650,51	ERJ2GEJ680	M 68 OHM, J, 0.063W	2	
	R4652	ERJ2GEJ473	M 47KOHM, J, 0.063W	1	
	R4665,66	ERJ2GEJ473	M 47KOHM, J, 0.063W	2	
	R4670	ERJ2GEJ680	M 68 OHM, J, 0.063W	1	
	R4678,79	EXB28V680JX	RESISTOR ARRAY	2	
	R4698,99	ERJ2GEJ472	M 4.7KOHM, J, 0.063W	2	
	R4700-06	ERJ2GEJ473	M 47KOHM, J, 0.063W	7	
	R4736	ERJ2GEJ101	M 100 OHM, J, 0.063W	1	
	R4737,38	ERJ2GEJ102X	M 1KOHM, J, 0.063W	2	
	R4739,40	ERJ2GEJ104	M 100KOHM, J, 0.063W	2	
	R4741	ERJ2GEJ102X	M 1KOHM, J, 0.063W	1	
	R4821	ERJ2GEJ103	M 10KOHM, J, 0.063W	1	
	R5058	ERJ2GEJ102X	M 1KOHM, J, 0.063W	1	
	R5069	ERJ2GEJ103	M 10KOHM, J, 0.063W	1	
	R5137	ERJ2GEJ102X	M 1KOHM, J, 0.063W	1	
	R5188	ERJ2GEJ471	M 470 OHM, J, 0.063W	1	
	R5400	ERJ2GEJ104	M 100KOHM, J, 0.063W	1	
	R5401	ERJ2GEJ103	M 10KOHM, J, 0.063W	1	
	R5402	D1BB4532A055	M4.53KOHM, 1/10W	1	
	R5403	D1BB1002A055	M 10KOHM, 1/10W	1	
	R5405	ERJ2GEJ104	M 100KOHM, J, 0.063W	1	
	R5406	ERJ2GEJ203	M 20KOHM, J, 0.063W	1	
	R5407	D1BB8872A055	M8.87KOHM, 1/10W	1	
	R5408	D1BB1002A055	M 10KOHM, 1/10W	1	
	R5535	ERJ2GEJ222	M 2.2KOHM, J, 0.063W	1	
	R5536	ERJ2GEJ472	M 4.7KOHM, J, 0.063W	1	
	R5537	ERJ2GEJ152	M 1.5KOHM, J, 0.063W	1	
	R5538	ERJ2GEJ222	M 2.2KOHM, J, 0.063W	1	
	R5540	ERJ6GEYJ471	M 470 OHM, J, 1/10W	1	
	R5542	ERJ6GEYJ471	M 470 OHM, J, 1/10W	1	
	R5544	ERJ2GEJ221	M 220 OHM, J, 0.063W	1	
	R5600	ERJ2GEJ680	M 68 OHM, J, 0.063W	1	
	R5604	D1BB4702A055	M 47KOHM, 1/10W	1	
	R5605	D1BB1272A055	M12.7KOHM, 1/10W	1	
	R5606,07	DOYAR0000007	M 0.0 OHM, J, 0.063W	2	
	R5610	ERJ2GEJ104	M 100KOHM, J, 0.063W	1	
	R5611	D1BB4702A055	M 47KOHM, 1/10W	1	

Safety	Ref. No.	Part No.	Part Name & Description	Pcs	Remarks
	R5612	D1BB3602A055	M 36KOHM, 1/10W	1	
	R5620	ERJ2GEJ680	M 68 OHM, J,0.063W	1	
	R5621	D1BB2802A055	M 28KOHM, 1/10W	1	
	R5622	ERJ2GEJ104	M 100KOHM, J,0.063W	1	
	R5623	D1BB4702A055	M 47KOHM, 1/10W	1	
	R5625-28	DOYAR0000007	M 0.0 OHM, J,0.063W	4	
	R5629	D1BB2802A055	M 28KOHM, 1/10W	1	
	R5630	D1BB4752A055	M4.75KOHM, 1/10W	1	
	R5631	D1BB3602A055	M 36KOHM, 1/10W	1	
	R5632	D1BB3002A055	M 30KOHM, 1/10W	1	
	R5633	D1BB3602A055	M 36KOHM, 1/10W	1	
	R5634	D1BB2802A055	M 28KOHM, 1/10W	1	
	R5635	ERJ2GEJ223	M 22KOHM, J,0.063W	1	
	R5636	ERJ2GEJ683	M 68KOHM, J,0.063W	1	
	R5637	DOYAR0000007	M 0.0 OHM, J,0.063W	1	
	R5638	ERJ2GEJ103	M 10KOHM, J,0.063W	1	
	R5641	ERJ2GEJ473	M 47KOHM, J,0.063W	1	
	R5644	ERJ2GEJ222	M 2.2KOHM, J,0.063W	1	
	R5646	ERJ2GEJ103	M 10KOHM, J,0.063W	1	
	R5647	ERJ2GEJ473	M 47KOHM, J,0.063W	1	
	R5648	ERJ2GEJ103	M 10KOHM, J,0.063W	1	
	R5650,51	ERJ2GED563X	M 56KOHM, J,0.063W	2	
	R5652	ERJ2GEJ104	M 100KOHM, J,0.063W	1	
	R5662	ERJ2GEJ103	M 10KOHM, J,0.063W	1	
	R5664	ERJ2GEJ105	M 1MOHM, J,0.063W	1	
	R5665	ERJ2GEJ101	M 100 OHM, J,0.063W	1	
	R5666	ERJ2GEJ471	M 470 OHM, J,0.063W	1	
	R5667	ERJ2GEJ101	M 100 OHM, J,0.063W	1	
	R5732	DOYAR0000007	M 0.0 OHM, J,0.063W	1	
	R5733	ERJ2GEJ153	M 15KOHM, J,0.063W	1	
	R5747	ERJ2GEJ103	M 10KOHM, J,0.063W	1	
	R5748	ERJ2GEJ123	M 12KOHM, J,0.063W	1	
	R5749	ERJ2GEJ473	M 47KOHM, J,0.063W	1	
	R5762	ERJ2GEJ101	M 100 OHM, J,0.063W	1	
	R7701	ERJ3GEYJ680	M 68 OHM, J,1/16W	1	
	R7702	ERJ3GEY0R00	M 0 OHM, 1/16W	1	
	R7703-05	ERJ3GEYJ680	M 68 OHM, J,1/16W	3	
	R7706	ERJ3GEY0R00	M 0 OHM, 1/16W	1	
	R7709	ERJ3GEYJ680	M 68 OHM, J,1/16W	1	
	R7710	DOG101JA041	M 100 OHM, J,1/16W	1	
	R7713	J0JCC0000100	CHIP INDUCTOR	1	
	R7731	ERJ3GEY0R00	M 0 OHM, 1/16W	1	
	R7791-96	ERJ3GEY0R00	M 0 OHM, 1/16W	6	
	R8001	ERJ2GEJ221	M 220 OHM, J,0.063W	1	
	R8002	ERJ2GEJ560	M 56 OHM, J,0.063W	1	
	R8004	D1BB2402A055	M 24KOHM, 1/10W	1	
	R8005	D1BB1002A055	M 10KOHM, 1/10W	1	
	R8006	D1BB6801A055	M 6.8KOHM, 1/10W	1	
	R8030	ERJ2GEJ101	M 100 OHM, J,0.063W	1	
	R8031,32	D1BB2700A055	M 270 OHM, 1/10W	2	

Safety	Ref. No.	Part No.	Part Name & Description	Pcs	Remarks
	R8035	DOYAR0000007	M 0.0 OHM, J,0.063W	1	
	R8056-73	ERJ2GEJ470	M 47 OHM, J,0.063W	18	
	R8074	ERJ2GEJ221	M 220 OHM, J,0.063W	1	
	R8075-78	ERJ2GEJ470	M 47 OHM, J,0.063W	4	
	R8081	ERJ2GEJ103	M 10KOHM, J,0.063W	1	
	R8082	D1BA75R0A014	M0.75KOHM, 1/10W	1	
	R8083	ERJ2GEJ301	M 300 OHM, J,0.063W	1	
	R8086	ERJ2GEJ104	M 100KOHM, J,0.063W	1	
	R8087	ERJ2GEJ103	M 10KOHM, J,0.063W	1	
	R8090	ERJ2GEJ103	M 10KOHM, J,0.063W	1	
	R8091	ERJ2GEJ470	M 47 OHM, J,0.063W	1	
	R8093	ERJ2GEJ470	M 47 OHM, J,0.063W	1	
	R8094	ERJ2GEJ103	M 10KOHM, J,0.063W	1	
	R8097	ERJ2GEJ221	M 220 OHM, J,0.063W	1	
	R8098,99	ERJ2GEJ103	M 10KOHM, J,0.063W	2	
	R8100	ERJ2GEJ470	M 47 OHM, J,0.063W	1	
	R8101	ERJ2GEJ103	M 10KOHM, J,0.063W	1	
	R8106	ERJ2GEJ202	M 2KOHM, J,0.063W	1	
	R8107	ERJ2GEJ101	M 100 OHM, J,0.063W	1	
	R8112	ERJ2GEJ222	M 2.2KOHM, J,0.063W	1	
	R8302,03	ERJ2GEJ470	M 47 OHM, J,0.063W	2	
	R8304	DOYAR0000007	M 0.0 OHM, J,0.063W	1	
	R8305,06	ERJ2GEJ101	M 100 OHM, J,0.063W	2	
	R8307,08	ERJ2GEJ562	M 5.6KOHM, J,0.063W	2	
	R8309	ERJ2GEJ221	M 220 OHM, J,0.063W	1	
	R8311	ERJ2GEJ221	M 220 OHM, J,0.063W	1	
	R8313	ERJ6GEYG102	M 1KOHM, J,1/10W	1	
	R8314	D1BB1202A055	M 12KOHM, 1/10W	1	PAVCA
	R8315	ERJ2GEJ102X	M 1KOHM, J,0.063W	1	
	R8316,17	ERJ2GEJ103	M 10KOHM, J,0.063W	2	
	R8318-20	ERJ2GEJ220	M 22 OHM, J,0.063W	3	
	R8321	ERJ2GEJ103	M 10KOHM, J,0.063W	1	
	R8323	ERJ2GEJ101	M 100 OHM, J,0.063W	1	
	R8324-27	ERJ2GEJ470	M 47 OHM, J,0.063W	4	
	R8331	ERJ3GEY0R00	M 0 OHM, 1/16W	1	
	R8333,34	ERJ2GEJ473	M 47KOHM, J,0.063W	2	
	R8335	ERJ2GEJ680	M 68 OHM, J,0.063W	1	
	R8336	DOGDR00Z0002	M 0 OHM, 1/10W	1	
	R8504	ERJ2GEJ103	M 10KOHM, J,0.063W	1	
	R8512	ERJ2GEJ103	M 10KOHM, J,0.063W	1	
	R8517	ERJ2RKD330	M 33 OHM, J,0.063W	1	
	R8519,20	ERJ2RKD330	M 33 OHM, J,0.063W	2	

Safety	Ref. No.	Part No.	Part Name & Description	Pcs	Remarks
	R8528-30	ERJ2GEJ560	M 56 OHM, J, 0.063W	3	
	R8532	ERJ2GEJ560	M 56 OHM, J, 0.063W	1	
	R8533	ERJ2GEJ103	M 10KOHM, J, 0.063W	1	
	R8538-45	ERJ2GEJ220	M 22 OHM, J, 0.063W	8	
	R8546-48	ERJ2GEJ332	M 3.3KOHM, J, 0.063W	3	
	R8550	ERJ2GEJ332	M 3.3KOHM, J, 0.063W	1	
	R8552,53	ERJ2GEJ182	M 1.8KOHM, J, 0.063W	2	
	R8554,55	ERJ2GEJ220	M 22 OHM, J, 0.063W	2	
	R8556	ERJ2GEJ472	M 4.7KOHM, J, 0.063W	1	
	R8557,58	ERJ2GEJ332	M 3.3KOHM, J, 0.063W	2	
	R8561	ERJ2RKD330	M 33 OHM, J, 0.063W	1	
	R8562-65	ERJ2GEJ103	M 10KOHM, J, 0.063W	4	
	R8566	EXB28V103JX	RESISTOR ARRAY	1	
	R8570	ERJ2RKD330	M 33 OHM, J, 0.063W	1	
	R8573	EXB28V680JX	RESISTOR ARRAY	1	
	R8574	ERJ2GEJ680	M 68 OHM, J, 0.063W	1	
	R8575	ERJ2GEJ820	M 82 OHM, J, 0.063W	1	
	R8661	ERJ2GEJ103	M 10KOHM, J, 0.063W	1	
	R8663	ERJ2GEJ103	M 10KOHM, J, 0.063W	1	
	R8721,22	ERJ2GEJ560	M 56 OHM, J, 0.063W	2	
	R8765	ERJ2GEJ750	M 75 OHM, J, 0.063W	1	
	R8767	ERJ2GEJ750	M 75 OHM, J, 0.063W	1	
	R8769	ERJ2RKD330	M 33 OHM, J, 0.063W	1	
	R8770	ERJ2GEJ103	M 10KOHM, J, 0.063W	1	
	R8772	ERJ2GEJ103	M 10KOHM, J, 0.063W	1	
	R8793	ERJ2GEJ103	M 10KOHM, J, 0.063W	1	
	R8844	ERJ2GEJ103	M 10KOHM, J, 0.063W	1	
	R8866	D1BB91R0A055	M 91 OHM, 1/10W	1	PAVCA
	R8898	ERJ2GEJ103	M 10KOHM, J, 0.063W	1	
	R9101	ERJ2GEJ102X	M 1KOHM, J, 0.063W	1	
	R9103	ERJ2GEJ103	M 10KOHM, J, 0.063W	1	
	R9105	ERJ2GEJ103	M 10KOHM, J, 0.063W	1	
	R9107	ERJ2GEJ332	M 3.3KOHM, J, 0.063W	1	
	R9110	ERJ2GEJ102X	M 1KOHM, J, 0.063W	1	
	R9112-14	ERJ2GEJ470	M 47 OHM, J, 0.063W	3	
	R9115,16	ERJ2GEJ101	M 100 OHM, J, 0.063W	2	
	R9117	ERJ2GEJ472	M 4.7KOHM, J, 0.063W	1	
	R9118	D0GDR00Z0002	M 0 OHM, 1/10W	1	
	R9119	EXB38V470J	RESISTOR ARRAY	1	
	R9120	D1HG1038A002	NETWORK RESISTER	1	
	R9121	ERJ2GEJ104	M 100KOHM, J, 0.063W	1	
	R9122	ERJ2GEJ332	M 3.3KOHM, J, 0.063W	1	
	R9123	EXB2HV470JV	RESISTOR ARRAY	1	
	R9124	D0GDR00Z0002	M 0 OHM, 1/10W	1	

Safety	Ref. No.	Part No.	Part Name & Description	Pcs	Remarks
	R9125	ERJ2GEJ472	M 4.7KOHM, J, 0.063W	1	
	R9126	ERJ2GEJ101	M 100 OHM, J, 0.063W	1	
	R9127	DOYAR0000007	M 0.0 OHM, J, 0.063W	1	
	R9129	ERJ2GEJ683	M 68KOHM, J, 0.063W	1	
	R9130	ERJ2GEJ104	M 100KOHM, J, 0.063W	1	
	R9131,32	ERJ2GEJ472	M 4.7KOHM, J, 0.063W	2	
	R9133	ERJ2GEJ680	M 68 OHM, J, 0.063W	1	
	R9134	DOYAR0000007	M 0.0 OHM, J, 0.063W	1	
	R9135	ERJ2GEJ472	M 4.7KOHM, J, 0.063W	1	
	R9136	ERJ2GEJ103	M 10KOHM, J, 0.063W	1	
	R9137-40	EXB2HV220JV	RESISTOR ARRAY	4	
	R9141	ERJ2GEJ101	M 100 OHM, J, 0.063W	1	
	R9142,43	ERJ2GEJ220	M 22 OHM, J, 0.063W	2	
	R9144	DOYAR0000007	M 0.0 OHM, J, 0.063W	1	
	R9145	ERJ2GEJ472	M 4.7KOHM, J, 0.063W	1	
	R9146,47	EXB2HV220JV	RESISTOR ARRAY	2	
	R9148	EXB38VR000V	RESISTOR ARRAY	1	
	R9149	ERJ2GEJ472	M 4.7KOHM, J, 0.063W	1	
	R9150,51	ERJ2GEJ103	M 10KOHM, J, 0.063W	2	
	R9154	ERJ2GEJ470	M 47 OHM, J, 0.063W	1	
	R9155	ERJ2GEJ103	M 10KOHM, J, 0.063W	1	
	R9156	DOYAR0000007	M 0.0 OHM, J, 0.063W	1	
	R9157	ERJ2GEJ472	M 4.7KOHM, J, 0.063W	1	
	R9158	ERJ2GEJ470	M 47 OHM, J, 0.063W	1	
	R9159-61	ERJ2GEJ393	M 39KOHM, J, 0.063W	3	
	R9162	ERJ2GEJ104	M 100KOHM, J, 0.063W	1	
	R9163	ERJ2GEJ103	M 10KOHM, J, 0.063W	1	
	R9164	ERJ2GEJ220	M 22 OHM, J, 0.063W	1	
	R9166	ERJ2GEJ220	M 22 OHM, J, 0.063W	1	
	R9167	ERJ2GEJ472	M 4.7KOHM, J, 0.063W	1	
	R9168	D0GDR00Z0002	M 0 OHM, 1/10W	1	
	R9170	ERJ2GEJ472	M 4.7KOHM, J, 0.063W	1	
	R9171	ERJ2GEJ103	M 10KOHM, J, 0.063W	1	
	R9172	DOYAR0000007	M 0.0 OHM, J, 0.063W	1	
	R9174	ERJ2GEJ102X	M 1KOHM, J, 0.063W	1	
	R9175	ERJ2GEJ101	M 100 OHM, J, 0.063W	1	
	R9177-82	ERJ2GEJ220	M 22 OHM, J, 0.063W	6	
	R9185	ERJ2GEJ223	M 22KOHM, J, 0.063W	1	
	R9186	ERJ2GEJ333	M 33KOHM, J, 0.063W	1	
	R9187	ERJ2GED563X	M 56KOHM, J, 0.063W	1	
	R9188	ERJ2GEJ243	M 24KOHM, J, 0.063W	1	
	R9189	ERJ2GEJ104	M 100KOHM, J, 0.063W	1	

Safety	Ref. No.	Part No.	Part Name & Description	Pcs	Remarks
	R9190	ERJ2GEJ472	M 4.7KOHM, J,0.063W	1	
	R9191	ERJ2GEJ104	M 100KOHM, J,0.063W	1	
	R9192	ERJ2GEJ103	M 10KOHM, J,0.063W	1	
	R9193	EXB2HV220JV	RESISTOR ARRAY	1	
	R9195	EXB2HV220JV	RESISTOR ARRAY	1	
	R9197	ERJ2GEJ470	M 47 OHM, J,0.063W	1	
	R9198	DOYAR0000007	M 0.0 OHM, J,0.063W	1	
	R9199	ERJ2GEJ470	M 47 OHM, J,0.063W	1	
	R9200,01	ERJ2GEJ100	M 10 OHM, J,0.063W	2	
	R9202	ERJ2GEJ470	M 47 OHM, J,0.063W	1	
	R9204	ERJ2GEJ223	M 22KOHM, J,0.063W	1	
	R9205	ERJ2GEJ331	M 330 OHM, J,0.063W	1	
	R9206	ERJ2GEJ102X	M 1KOHM, J,0.063W	1	
	R9207	ERJ2GEJ470	M 47 OHM, J,0.063W	1	
	R9208-11	EXB2HV220JV	RESISTOR ARRAY	4	
	R9212	EXB2HV470JV	RESISTOR ARRAY	1	
	R9213	ERJ2GEJ101	M 100 OHM, J,0.063W	1	
	R9214	ERJ2GEJ104	M 100KOHM, J,0.063W	1	
	R9215	ERJ2GEJ470	M 47 OHM, J,0.063W	1	
	R9216	ERJ2GEJ220	M 22 OHM, J,0.063W	1	
	R9217	ERJ2GEJ680	M 68 OHM, J,0.063W	1	
	R9218	ERJ2GEJ470	M 47 OHM, J,0.063W	1	
	R9219	ERJ2GEJ103	M 10KOHM, J,0.063W	1	
	R9223	ERJ2RHD272	M 2.7KOHM, J,0.063W	1	
	R9224	ERJ2GEJ220	M 22 OHM, J,0.063W	1	
	R9225	ERJ2RHD272	M 2.7KOHM, J,0.063W	1	
	R9226	ERJ2GEJ101	M 100 OHM, J,0.063W	1	
	R9229	ERJ2GEJ101	M 100 OHM, J,0.063W	1	
	R9230	EXB38V470J	RESISTOR ARRAY	1	
	R9231	DOYAR0000007	M 0.0 OHM, J,0.063W	1	
	R9232	ERJ2GEJ470	M 47 OHM, J,0.063W	1	
	R9233	ERJ2GEJ472	M 4.7KOHM, J,0.063W	1	
	R9234,35	EXB2HV470JV	RESISTOR ARRAY	2	
	R9236	ERJ2RKD330	M 33 OHM, J,0.063W	1	
	R9237	EXB38V470J	RESISTOR ARRAY	1	
	R9238	ERJ2GEJ151	M 150 OHM, J,0.063W	1	
	R9245	ERJ2GEJ102X	M 1KOHM, J,0.063W	1	
	R9246	ERJ2GEJ103	M 10KOHM, J,0.063W	1	
	R9247	ERJ2GEJ470	M 47 OHM, J,0.063W	1	
	R9248-51	D1BB1001A055	M 1KOHM, 1/16W	4	
	R9252	ERJ2RKD330	M 33 OHM, J,0.063W	1	
	R9253-55	D1HG1038A002	NETWORK RESISTER	3	
	R9256-63	EXB38V470J	RESISTOR ARRAY	8	
	R9264-67	ERJ2GEJ470	M 47 OHM, J,0.063W	4	
	R9270,71	ERJ2GEJ470	M 47 OHM, J,0.063W	2	

Safety	Ref. No.	Part No.	Part Name & Description	Pcs	Remarks
	R9272	ERJ2GEJ101	M 100 OHM, J,0.063W	1	
	R9273	ERJ2GEJ470	M 47 OHM, J,0.063W	1	
	R9274-77	EXB2HV151JV	RESISTOR ARRAY	4	PAVCA
	R9279	DOYAR0000007	M 0.0 OHM, J,0.063W	1	
	R9280-82	D1HG1038A002	NETWORK RESISTER	3	
	R9283	ERJ2GEJ103	M 10KOHM, J,0.063W	1	
	R9286-88	DOYAR0000007	M 0.0 OHM, J,0.063W	3	
	R9292	EXB2HVR000	RESISTOR ARRAY	1	
	R9293	EXB2HV470JV	RESISTOR ARRAY	1	
	R9295-04	ERJ2GEJ101	M 100 OHM, J,0.063W	10	
	R9308	ERJ2GEJ102X	M 1KOHM, J,0.063W	1	
	R9309	ERJ2GEJ103	M 10KOHM, J,0.063W	1	
	R9310	EXB38V103JV	RESISTOR ARRAY	1	
	R9311	ERJ2GEJ102X	M 1KOHM, J,0.063W	1	
	R9312	ERJ2GEJ332	M 3.3KOHM, J,0.063W	1	
	R9315	ERJ2GEJ103	M 10KOHM, J,0.063W	1	
	R9317	ERJ2GEJ220	M 22 OHM, J,0.063W	1	
	R9319	ERJ2GEJ220	M 22 OHM, J,0.063W	1	
	R9321	ERJ2GEJ220	M 22 OHM, J,0.063W	1	
	R9323	ERJ2GEJ220	M 22 OHM, J,0.063W	1	
	R9325	ERJ2GEJ103	M 10KOHM, J,0.063W	1	
	R9326	ERJ2GEJ470	M 47 OHM, J,0.063W	1	
	R9327	ERJ2GEJ103	M 10KOHM, J,0.063W	1	
	R9333	EXB38V103JV	RESISTOR ARRAY	1	
	R9334	ERJ2GEJ103	M 10KOHM, J,0.063W	1	
	R9335	D1HG1038A002	NETWORK RESISTER	1	
	R9337	ERJ2GEJ103	M 10KOHM, J,0.063W	1	
	R9341	ERJ2GEJ101	M 100 OHM, J,0.063W	1	
	R9342,43	ERJ2GEJ102X	M 1KOHM, J,0.063W	2	
	R9344	ERJ2GEJ470	M 47 OHM, J,0.063W	1	
	R9345	ERJ2GEJ680	M 68 OHM, J,0.063W	1	
	R9348	ERJ2GEJ103	M 10KOHM, J,0.063W	1	
	R9350,51	ERJ2GEJ101	M 100 OHM, J,0.063W	2	
	R9352	EXB2HV470JV	RESISTOR ARRAY	1	
	R9353	EXB38V470J	RESISTOR ARRAY	1	
	R9354	D1HG1038A002	NETWORK RESISTER	1	
	R9355	ERJ2GEJ103	M 10KOHM, J,0.063W	1	
	R9358	ERJ2GEJ103	M 10KOHM, J,0.063W	1	
	R9362	ERJ2GEJ103	M 10KOHM, J,0.063W	1	
	R9385	ERJ2GEJ472	M 4.7KOHM, J,0.063W	1	
	R9400	ERJ2GEJ472	M 4.7KOHM, J,0.063W	1	
	R9578	ERJ2GEJ472	M 4.7KOHM, J,0.063W	1	
	R9599,00	ERJ2GEJ680	M 68 OHM, J,0.063W	2	
	R9611	ERJ2GEJ680	M 68 OHM, J,0.063W	1	
	R9824-26	ERJ2GEJ101	M 100 OHM, J,0.063W	3	

Safety	Ref. No.	Part No.	Part Name & Description	Pcs	Remarks
	R9839	EXB38V101JV	RESISTOR ARRAY	1	
	R9840	ERJ2GEJ220	M 22 OHM, J, 0.063W	1	
	R9846,47	D1HG1038A002	NETWORK RESISTER	2	
	R9848,49	EXB2HV470JV	RESISTOR ARRAY	2	
	R9854	ERJ2GEJ101	M 100 OHM, J, 0.063W	1	
	R9859	EXB38V101JV	RESISTOR ARRAY	1	
	R9868	ERJ2GEJ104	M 100KOHM, J, 0.063W	1	
	R9869-71	ERJ2GEJ103	M 10KOHM, J, 0.063W	3	
	R9878	D1BB1502A055	M 15KOHM, 1/10W	1	
	R9879	D1BB1302A055	M 13KOHM, 1/10W	1	
	R9886	D1BB4702A055	M 47KOHM, 1/10W	1	
	R9887	D1BB5102A055	M 51KOHM, 1/10W	1	
	R9888	D1BB1502A055	M 15KOHM, 1/10W	1	
	R9889	D1BB1822A055	M18.2KOHM, 1/10W	1	
	R9890	D1BB4752A055	M4.75KOHM, 1/10W	1	
	R9891	D1BB1272A055	M12.7KOHM, 1/10W	1	
	R9892	ERJ2GEJ104	M 100KOHM, J, 0.063W	1	
	R9893	D1BB4302A055	M 43KOHM, 1/10W	1	
	R9894	D1BB2002A055	M 20KOHM, 1/10W	1	
	R9895	ERJ2GEJ104	M 100KOHM, J, 0.063W	1	
	R9896	D1BB1822A055	M18.2KOHM, 1/10W	1	
	R9897	D1BB4752A055	M4.75KOHM, 1/10W	1	
	R9901	DOYAR0000007	M 0.0 OHM, J, 0.063W	1	
	R9905	ERJ2RKD330	M 33 OHM, J, 0.063W	1	
	R9907	ERJ2GEJ151	M 150 OHM, J, 0.063W	1	
	R9936-39	D1BB1001A055	M 1KOHM, 1/16W	4	
	R9940	ERJ2RKD330	M 33 OHM, J, 0.063W	1	
	R9944-51	EXB38V470J	RESISTOR ARRAY	8	
	R9952-55	ERJ2GEJ470	M 47 OHM, J, 0.063W	4	
	R9966	ERJ2GEJ471	M 470 OHM, J, 0.063W	1	
	R9969	ERJ2GEJ470	M 47 OHM, J, 0.063W	1	
	R9972-74	ERJ2GEJ103	M 10KOHM, J, 0.063W	3	
	R9975	ERJ2GEJ470	M 47 OHM, J, 0.063W	1	
	R9980	DOYAR0000007	M 0.0 OHM, J, 0.063W	1	
	R14349	DOGD103JA036	M 10KOHM, J, 0.25W	1	
	R14350	DOGD101JA036	M 100 OHM, J, 0.25W	1	
	R14351	DOGD103JA036	M 10KOHM, J, 0.25W	1	
	R14353	DOGDR00Z0002	M 0 OHM, 1/10W	1	
	R14354	ERJ6GEYG221	M 220 OHM, J, 1/10W	1	
	R14356	DOGDR00Z0002	M 0 OHM, 1/10W	1	
	R14357	ERJ6GEYG221	M 220 OHM, J, 1/10W	1	
	R14359	DOGDR00Z0002	M 0 OHM, 1/10W	1	
	R14360	ERJ6GEYG221	M 220 OHM, J, 1/10W	1	
	R14362	DOGDR00Z0002	M 0 OHM, 1/10W	1	
	R14363	ERJ6GEYG221	M 220 OHM, J, 1/10W	1	
	R14365	DOGDR00Z0002	M 0 OHM, 1/10W	1	
	R14366	ERJ6GEYG221	M 220 OHM, J, 1/10W	1	
	R14368	DOGDR00Z0002	M 0 OHM, 1/10W	1	
	R14369	ERJ6GEYG221	M 220 OHM, J, 1/10W	1	
	R14371	DOGDR00Z0002	M 0 OHM, 1/10W	1	
	R14372	ERJ6GEYG221	M 220 OHM, J, 1/10W	1	
	R14374-76	DOGDR00Z0002	M 0 OHM, 1/10W	3	
	R14378	DOGDR00Z0002	M 0 OHM, 1/10W	1	
	R14380-82	DOGDR00Z0002	M 0 OHM, 1/10W	3	

Safety	Ref. No.	Part No.	Part Name & Description	Pcs	Remarks
	R14384	DOGDR00Z0002	M 0 OHM, 1/10W	1	
	R14386-88	DOGDR00Z0002	M 0 OHM, 1/10W	3	
	R14390	DOGDR00Z0002	M 0 OHM, 1/10W	1	
	R14392-94	DOGDR00Z0002	M 0 OHM, 1/10W	3	
	R14398	DOGDR00Z0002	M 0 OHM, 1/10W	1	
	R14901	DOGD101JA036	M 100 OHM, J, 0.25W	1	
	R14902-06	ERJ6GEYG221	M 220 OHM, J, 1/10W	5	
	R14907-10	ERJ3GEYJ220	M 22 OHM, J, 1/16W	4	
	R14911-14	DOGD103JA036	M 10KOHM, J, 0.25W	4	
	R14915	ERJ3GEYJ220	M 22 OHM, J, 1/16W	1	
	R14916	DOGD103JA036	M 10KOHM, J, 0.25W	1	
	R14917	ERJ3GEYJ220	M 22 OHM, J, 1/16W	1	
	R14919,20	ERJ3GEYJ220	M 22 OHM, J, 1/16W	2	
	R14921	ERJ8GEYJ224	M 220KOHM, J, 1/8W	1	
	R14923-26	DOGD103JA036	M 10KOHM, J, 0.25W	4	
	R14928,29	ERJ6GEYG221	M 220 OHM, J, 1/10W	2	
	R14930	DOGDR00Z0002	M 0 OHM, 1/10W	1	
	R14931	ERJ6GEYJ220	M 22 OHM, J, 1/10W	1	
	R14932	DOGDR00Z0002	M 0 OHM, 1/10W	1	
	R14934	ERJ3GEYJ470	M 47 OHM, J, 1/16W	1	
	R14935	ERJ6GEYG222	M 2.2KOHM, J, 1/10W	1	
	R14936	ERJ6GEYF472	M 4.7KOHM, J, 1/10W	1	
	R14937	ERJ6GEYG102	M 1KOHM, J, 1/10W	1	
	R14939,40	DOGDR00Z0002	M 0 OHM, 1/10W	2	
	R14942	DOGDR00Z0002	M 0 OHM, 1/10W	1	
	R14943	ERJ6GEYG470V	M 47 OHM, J, 1/10W	1	
	R14944	ERJ6GEYJ100V	M 10 OHM, J, 1/10W	1	
	R14949	ERJ6GEYJ203	M 20KOHM, J, 1/10W	1	
	R14950	DOGD103JA036	M 10KOHM, J, 0.25W	1	
	R14951-55	DOGDR00Z0002	M 0 OHM, 1/10W	5	
	R14956-60	ERJ3GEYJ220	M 22 OHM, J, 1/16W	5	
	R14961-63	ERJ6GEYG331	M 330 OHM, J, 1/10W	3	
	R14964	ERJ3GEYJ220	M 22 OHM, J, 1/16W	1	
	R14965	ERJ6GEYG331	M 330 OHM, J, 1/10W	1	
	R14966,67	ERJ3GEYJ220	M 22 OHM, J, 1/16W	2	
	R14971	ERJ6GEYJ220	M 22 OHM, J, 1/10W	1	
	R14973-76	ERJ3GEYJ470	M 47 OHM, J, 1/16W	4	
	R14977-79	ERJ6GEYG222	M 2.2KOHM, J, 1/10W	3	
	R14980	DOGDR00Z0002	M 0 OHM, 1/10W	1	
	R14981,82	DOGD103JA036	M 10KOHM, J, 0.25W	2	
	R14984	DOGD103JA036	M 10KOHM, J, 0.25W	1	
	R14986	ERJ8GEYJ224	M 220KOHM, J, 1/8W	1	
	R14987	ERJ3GEYJ470	M 47 OHM, J, 1/16W	1	
	R14988	ERJ6GEYG222	M 2.2KOHM, J, 1/10W	1	
	R14990	DOGD103JA036	M 10KOHM, J, 0.25W	1	
	R14991	ERJ3GEYJ220	M 22 OHM, J, 1/16W	1	
	R14992-94	ERJ3GEYJ470	M 47 OHM, J, 1/16W	3	
	R14995-98	DOGD103JA036	M 10KOHM, J, 0.25W	4	
	R14999	ERJ6GEYG331	M 330 OHM, J, 1/10W	1	
	R16002-04	ERJT08J7R5V	M 7.5OHM, J, 0.33W	3	
	R16022-24	ERJT08J7R5V	M 7.5OHM, J, 0.33W	3	
	R16031,32	ERJ6ENF8202	M 82KOHM, 1/10W	2	
	R16033	ERJ6ENF5602	M 56KOHM, 1/10W	1	
	R16034	ERJ6ENF2702	M 27KOHM, 1/10W	1	
	R16042	ERJT08J5R6V	M 5.6 OHM, F, 0.33W	1	
	R16051	ERJT08J5R6V	M 5.6 OHM, F, 0.33W	1	
	R16102	ERJT06J221V	M 220 OHM, F, 0.25W	1	
	R16104	ERJT06J221V	M 220 OHM, F, 0.25W	1	



Safety	Ref. No.	Part No.	Part Name & Description	Pcs	Remarks
	R16109	ERJT06J100V	M 10 OHM, F, 0.25W	1	
	R16110	ERJ6GEYF473	M 47KOHM, J, 1/10W	1	
	R16116	ERJ6GEYF473	M 47KOHM, J, 1/10W	1	
	R16131, 32	DOGD101JA036	M 100 OHM, J, 0.25W	2	
	R16134	ERJT06J750V	M 75 OHM, F, 0.25W	1	
	R16137-39	ERJT08J1ROV	M 1.8OHM, J, 0.33W	3	
	R16141	ERJT06J100V	M 10 OHM, F, 0.25W	1	
	R16142, 43	ERJ6GEYF473	M 47KOHM, J, 1/10W	2	
	R16151, 52	DOGD101JA036	M 100 OHM, J, 0.25W	2	
	R16154	ERJT06J750V	M 75 OHM, F, 0.25W	1	
	R16155	ERJT08J1ROV	M 1.8OHM, J, 0.33W	1	
	R16159	ERJT08J1ROV	M 1.8OHM, J, 0.33W	1	
	R16161	ERJT06J100V	M 10 OHM, F, 0.25W	1	
	R16162, 63	ERJ6GEYF473	M 47KOHM, J, 1/10W	2	
	R16171	ERJT06J100V	M 10 OHM, F, 0.25W	1	
	R16172, 73	ERJ6GEYF473	M 47KOHM, J, 1/10W	2	
	R16181	ERJT06J100V	M 10 OHM, F, 0.25W	1	
	R16182, 83	ERJ6GEYF473	M 47KOHM, J, 1/10W	2	
	R16191, 92	DOGD101JA036	M 100 OHM, J, 0.25W	2	
	R16193	ERJT06J750V	M 75 OHM, F, 0.25W	1	
	R16194	ERJT14J1ROU	Cl.0 OHM, J, 1/4W	1	PAVCA
	R16195	ERJT08J1ROV	M 1.8OHM, J, 0.33W	1	
	R16220	ERJ6GEYG470V	M 47 OHM, J, 1/10W	1	
	R16221	ERJ6GEYF472	M 4.7KOHM, J, 1/10W	1	
	R16230	ERJ6GEYG470V	M 47 OHM, J, 1/10W	1	
	R16231	ERJ6GEYF472	M 4.7KOHM, J, 1/10W	1	
	R16241	EXB38V470J	RESISTOR ARRAY	1	
	R16242	EXB38V472JV	RESISTOR ARRAY	1	
	R16251	ERJ6ENF1401	M 1.4KOHM, 1/10W	1	
	R16252, 53	ERJ6ENF3902	M 39KOHM, 1/10W	2	
	R16254	ERJ6ENF6801	M 6.8KOHM, 1/10W	1	
	R16255	ERJ6ENF1201	M 1.2KOHM, 1/10W	1	
	R16256	ERJ6ENF1501	M 1.5KOHM, 1/10W	1	
	R16257	DOGD103JA036	M 10KOHM, J, 0.25W	1	
	R16258	ERJ6GEYG222	M 2.2KOHM, J, 1/10W	1	
	R16260	ERJ6GEYG222	M 2.2KOHM, J, 1/10W	1	
	R16261	ERJ6GEYG104	M 100KOHM, J, 1/10W	1	
	R16280	ERJ6GEYG222	M 2.2KOHM, J, 1/10W	1	
	R16281	DOGD103JA036	M 10KOHM, J, 0.25W	1	
	R16282	ERJ6GEYG221	M 220 OHM, J, 1/10W	1	
	R16283	ERJ6GEYF473	M 47KOHM, J, 1/10W	1	
	R16284	ERJ6GEYJ224	M 220KOHM, J, 1/10W	1	
	R16289	ERJ6GEYJ623	M 62KOHM, J, 1/10W	1	
	R16290	ERJT08J334V	M 330KOHM, F, 0.33W	1	
	R16291	ERJ6GEYJ623	M 62KOHM, J, 1/10W	1	
	R16292	ERJT08J334V	M 330KOHM, F, 0.33W	1	
	R16293	ERJ6GEYJ623	M 62KOHM, J, 1/10W	1	
	R16294	ERJT08J334V	M 330KOHM, F, 0.33W	1	
	R16295	ERJ6GEYJ623	M 62KOHM, J, 1/10W	1	
	R16296	ERJT08J334V	M 330KOHM, F, 0.33W	1	
	R16300	ERJT08J102V	M 1KOHM, J, 0.33W	1	
	R16301	ERJ6GEYF472	M 4.7KOHM, J, 1/10W	1	
	R16302	ERJ8GEYJ105	M 1MOHM, J, 1/8W	1	
	R16303	DOGD101JA036	M 100 OHM, J, 0.25W	1	
	R16304	ERJT08J681V	M 680 OHM, F, 0.33W	1	

Safety	Ref. No.	Part No.	Part Name & Description	Pcs	Remarks
	R16305	ERJ6GEYJ221	M 270 OHM, J, 1/10W	1	
	R16306-08	DOGD101JA036	M 100 OHM, J, 0.25W	3	
	R16309	ERJ6GEYF472	M 4.7KOHM, J, 1/10W	1	
	R16310	ERJ6GEYG562	M 5.6KOHM, J, 1/10W	1	
	R16311, 12	ERJ6GEYF124	M 120KOHM, J, 1/10W	2	
	R16313	ERJ6ENF5232	M52.3KOHM, 1/10W	1	
	R16314	ERJ6ENF6652	M66.5KOHM, 1/10W	1	
	R16315	ERJ6ENF1241	M1.24KOHM, 1/10W	1	
	R16317	DOGDR00Z0002	M 0 OHM, 1/10W	1	
	R16321	ERJ6GEYF473	M 47KOHM, J, 1/10W	1	
	R16322	ERJ6GEYF561	M 560 OHM, J, 1/10W	1	
	R16323	ERJ6GEYJ223	M 22KOHM, J, 1/10W	1	
	R16324	DOGD103JA036	M 10KOHM, J, 0.25W	1	
	R16325	DOGDR00Z0002	M 0 OHM, 1/10W	1	
	R16331	ERJT06J101V	M 100 OHM, F, 0.25W	1	
	R16333	ERJ6GEYJ334	M 330KOHM, J, 1/10W	1	
	R16334	ERJT06J101V	M 100 OHM, F, 0.25W	1	
	R16336	ERJT08J1ROV	M 1.8OHM, J, 0.33W	1	
	R16338	ERJT06J101V	M 100 OHM, F, 0.25W	1	
	R16339	ERJ6GEYJ334	M 330KOHM, J, 1/10W	1	
	R16340	ERJT06J152V	M 1.5KOHM, F, 0.25W	1	
	R16401	ERJT08J7R5V	M 7.5OHM, J, 0.33W	1	
	R16403, 04	ERJT08J7R5V	M 7.5OHM, J, 0.33W	2	
	R16421	ERJT08J7R5V	M 7.5OHM, J, 0.33W	1	
	R16423, 24	ERJT08J7R5V	M 7.5OHM, J, 0.33W	2	
	R16441, 42	ERJT08J5R6V	M 5.6 OHM, F, 0.33W	2	
	R16452	ERJT08J5R6V	M 5.6 OHM, F, 0.33W	1	
	R16465	ERJ6ENF2702	M 27KOHM, 1/10W	1	
	R16466	ERJ6ENF5602	M 56KOHM, 1/10W	1	
	R16467, 68	ERJ6ENF8202	M 82KOHM, 1/10W	2	
	R16471	ERJ6GEYG392	M 3.9KOHM, J, 1/10W	1	
	R16472	ERJ6GEYG222	M 2.2KOHM, J, 1/10W	1	
	R16473	ERJ6GEYF561	M 560 OHM, J, 1/10W	1	
	R16474	ERJ6GEYJ102	M 1KOHM, J, 1/10W	1	
	R16475, 76	ERJ6GEYF472	M 4.7KOHM, J, 1/10W	2	
	R16477	ERJ3GEY0R00	M 0 OHM, 1/16W	1	
	R16478	ERJ6GEYJ562	M 5.6KOHM, J, 1/10W	1	
	R16479	DOGD103JA036	M 10KOHM, J, 0.25W	1	
	R16480	ERJ6GEYF472	M 4.7KOHM, J, 1/10W	1	
	R16501, 02	DOGD101JA036	M 100 OHM, J, 0.25W	2	
	R16503	ERJT06J100V	M 10 OHM, F, 0.25W	1	
	R16504	ERJT06J750V	M 75 OHM, F, 0.25W	1	
	R16506	ERJT06J100V	M 10 OHM, F, 0.25W	1	
	R16507-09	ERJT08J1ROV	M 1.8OHM, J, 0.33W	3	
	R16510	ERJT14J1ROU	Cl.0 OHM, J, 1/4W	1	PAVCA
	R16511, 12	ERJ6GEYF473	M 47KOHM, J, 1/10W	2	
	R16516, 17	ERJ6GEYF473	M 47KOHM, J, 1/10W	2	
	R16521, 22	DOGD101JA036	M 100 OHM, J, 0.25W	2	
	R16523	ERJT06J750V	M 75 OHM, F, 0.25W	1	
	R16531	ERJT06J100V	M 10 OHM, F, 0.25W	1	

Safety	Ref. No.	Part No.	Part Name & Description	Pcs	Remarks
	R16532,33	ERJ6GEYF473	M 47KOHM,J,1/10W	2	
	R16541	DOGDR00Z0002	M 0 OHM, 1/10W	1	
	R16543	DOGDR00Z0002	M 0 OHM, 1/10W	1	
	R16551	ERJT06J100V	M 10 OHM,F,0.25W	1	
	R16552,53	ERJ6GEYF473	M 47KOHM,J,1/10W	2	
	R16561-64	EXB38V470J	RESISTOR ARRAY	4	
	R16565-68	EXB38V472JV	RESISTOR ARRAY	4	
	R16570	EXB38V472JV	RESISTOR ARRAY	1	
	R16573	ERJ6GEYJ220	M 22 OHM,J,1/10W	1	
	R16579	EXB38V470J	RESISTOR ARRAY	1	
	R16580	ERJ6GEYG222	M 2.2KOHM,J,1/10W	1	
	R16582,83	ERJ6ENF3902	M 39KOHM, 1/10W	2	
	R16584	ERJ6ENF6801	M 6.8KOHM, 1/10W	1	
	R16585	ERJ6ENF1201	M 1.2KOHM, 1/10W	1	
	R16586	ERJ6ENF1501	M 1.5KOHM, 1/10W	1	
	R16587	ERJ6GEYG222	M 2.2KOHM,J,1/10W	1	
	R16588	DOGD103JA036	M 10KOHM,J,0.25W	1	
	R16590	ERJ6GEYG221	M 220 OHM,J,1/10W	1	
	R16591	EXB38V472JV	RESISTOR ARRAY	1	
	R16592	ERJ6GEYF472	M 4.7KOHM,J,1/10W	1	
	R16593	ERJ6ENF1401	M 1.4KOHM, 1/10W	1	
	R16600	DOGD103JA036	M 10KOHM,J,0.25W	1	
	R16601	ERJ6GEYF472	M 4.7KOHM,J,1/10W	1	
	R16602	ERJ6GEYG102	M 1KOHM,J,1/10W	1	
	R16603,04	ERJ6GEYG331	M 330 OHM,J,1/10W	2	
	R16605	ERJ6GEYG182	M 1.8KOHM,J,1/10W	1	
	R16606	DOGD103JA036	M 10KOHM,J,0.25W	1	
	R16607	ERJ6ENF7151	M7.15KOHM, 1/10W	1	
	R16608,09	ERJT08J102V	M 1KOHM,J, 0.33W	2	
	R16610	ERJ6GEYG104	M 100KOHM,J,1/10W	1	
	R16611	ERG2FJS104D	M 100KOHM, J, 2W	1	
	R16612	ERJT06J470V	M 47 OHM,F,0.25W	1	
	R16613	ERJ8GEYJ473	M 47KOHM, J,1/8W	1	
	R16615	ERJ6ENF1101	M 1.1KOHM, 1/10W	1	
	R16616	DOGDR00Z0002	M 0 OHM, 1/10W	1	
	R16617	ERJ6GEYG222	M 2.2KOHM,J,1/10W	1	
	R16619	ERJ6GEYF124	M 120KOHM,J,1/10W	1	
	R16622-25	ERJ6GEYG221	M 220 OHM,J,1/10W	4	
	R16627-30	ERJ6GEYG221	M 220 OHM,J,1/10W	4	
	R16632	DOGD103JA036	M 10KOHM,J,0.25W	1	
	R16633	ERJ6GEYJ223	M 22KOHM,J,1/10W	1	
	R16634	ERJ6GEYJ471	M 470 OHM,J,1/10W	1	
	R16635	DOGD103JA036	M 10KOHM,J,0.25W	1	
	R16636	ERJ6GEYF472	M 4.7KOHM,J,1/10W	1	
	R16637	ERJ3GEY0R00	M 0 OHM, 1/16W	1	
	R16638	ERJT08J1R0V	M 1.8OHM,J, 0.33W	1	
	R16639	ERJT14J1R0U	M 1.0 OHM, J,1/4W	1	PAVCA
	R16641-44	ERJT06J330V	M 33 OHM,F,0.25W	4	
	R16647-50	ERJT06J330V	M 33 OHM,F,0.25W	4	
	R16657	ERJ6GEYG682	M 6.8KOHM,J,1/10W	1	
	R16658	D0D1101JA009	M 100 OHM,J,1W	1	
	R16659,60	ERJ6GEYJ224	M 220KOHM,J,1/10W	2	
	R16661	ERJ6GEYG182	M 1.8KOHM,J,1/10W	1	
	R16662	ERJ6ENF2201	M 2.2KOHM, 1/10W	1	
	R16663	ERJ6GEYG562	M 5.6KOHM,J,1/10W	1	
	R16664	ERJT08J102V	M 1KOHM,J, 0.33W	1	
	R16665	ERJT06J330V	M 33 OHM,F,0.25W	1	
	R16666	DOGD103JA036	M 10KOHM,J,0.25W	1	

Safety	Ref. No.	Part No.	Part Name & Description	Pcs	Remarks
	R16667	ERJ6GEYJ471	M 470 OHM,J,1/10W	1	
	R16668	ERJ6GEYF473	M 47KOHM,J,1/10W	1	
	R16669	ERJ6GEYF472	M 4.7KOHM,J,1/10W	1	
	R16670	ERJT06J470V	M 47 OHM,F,0.25W	1	
	R16671	ERJ6GEYF473	M 47KOHM,J,1/10W	1	
	R16672	ERJ6GEYG102	M 1KOHM,J,1/10W	1	
	R16673	ERJ3GEY0R00	M 0 OHM, 1/16W	1	
	R16675	ERJT08J102V	M 1KOHM,J, 0.33W	1	
	R16681-84	ERJT06J100V	M 10 OHM,F,0.25W	4	
	R16686-89	ERJT06J100V	M 10 OHM,F,0.25W	4	
	R16696	ERF5TK2R2	W 2.2 OHM, K, 5W	1	
	R16700	ERJ6GEYF472	M 4.7KOHM,J,1/10W	1	
	R16701	DOGD103JA036	M 10KOHM,J,0.25W	1	
	R16702	ERJ6GEYG332	M 3.3KOHM,J,1/10W	1	
	R16703,04	DOGD103JA036	M 10KOHM,J,0.25W	2	
	R16705,06	DOGD101JA036	M 100 OHM,J,0.25W	2	
	R16707	ERJ6GEYJ471	M 470 OHM,J,1/10W	1	
	R16717	ERJ6GEYG222	M 2.2KOHM,J,1/10W	1	
	R16719-23	ERJ3GEYJ220	M 22 OHM,J,1/16W	5	
	R16729,30	ERJ6GEYF473	M 47KOHM,J,1/10W	2	
	R16731	ERGFJS823D	M 82KOHM, J, 1W	1	
	R16732	ERJ6GEYG392	M 3.9KOHM,J,1/10W	1	
	R16733	ERJ6GEYJ474	M 470KOHM,J,1/10W	1	
	R16734	ERJ6ENF4991	M4.99KOHM, 1/10W	1	
	R16735-37	ERJ6ENF2213	M 221KOHM, 1/10W	3	
	R16738	ERGFJS823D	M 82KOHM, J, 1W	1	
	R16740	ERJ6GEYG104	M 100KOHM,J,1/10W	1	
	R16742	DOGD103JA036	M 10KOHM,J,0.25W	1	
	R16744	ERJ6ENF2003	M 200KOHM, 1/10W	1	
	R16745	ERJ6ENF4701	M 4.7KOHM, 1/10W	1	
	R16746,47	ERJT06J103V	M 10KOHM,F,0.25W	2	
	R16749	DOGD103JA036	M 10KOHM,J,0.25W	1	
	R16750	ERJT06J223V	M 22 KOHM,F,0.25W	1	
	R16751	ERJT06J224V	M 220KOHM,F,0.25W	1	
	R16752	ERJ6GEYF472	M 4.7KOHM,J,1/10W	1	
	R16753	ERJ6GEYF473	M 47KOHM,J,1/10W	1	
	R16756	ERJT06J223V	M 22 KOHM,F,0.25W	1	
	R16757	DOGDR00Z0002	M 0 OHM, 1/10W	1	
	R16761	ERJT06J100V	M 10 OHM,F,0.25W	1	
	R16762	ERJ6GEYF473	M 47KOHM,J,1/10W	1	
	R16763	ERJT06J100V	M 10 OHM,F,0.25W	1	
	R16764	ERJ6GEYF473	M 47KOHM,J,1/10W	1	
	R16765	ERJT08J1R0V	M 1.8OHM,J, 0.33W	1	
	R16766	ERJT06J750V	M 75 OHM,F,0.25W	1	
	R16768	ERJT08J1R0V	M 1.8OHM,J, 0.33W	1	
	R16769	ERJT06J750V	M 75 OHM,F,0.25W	1	
	R16771	ERJ6GEYG182	M 1.8KOHM,J,1/10W	1	
	R16774	ERGSJ683	M 68KOHM, J, 1W	1	
	R16775	ERJ6GEYF472	M 4.7KOHM,J,1/10W	1	
	R16776	DOGD101JA036	M 100 OHM,J,0.25W	1	
	R16777	ERJT06J151V	M 150 OHM,F,0.25W	1	
	R16778	ERJ6GEYG182	M 1.8KOHM,J,1/10W	1	
	R16781	ERJT06J470V	M 47 OHM,F,0.25W	1	
	R16782	ERJ6GEYF473	M 47KOHM,J,1/10W	1	
	R16783	ERJT06J470V	M 47 OHM,F,0.25W	1	
	R16784	ERJ6GEYF473	M 47KOHM,J,1/10W	1	

Safety	Ref. No.	Part No.	Part Name & Description	Pcs	Remarks
	R16785,86	ERJ6ENF8202	M 82KOHM, 1/10W	2	
	R16787	ERJ6ENF3302	M 33KOHM, 1/10W	1	
	R16788	ERJT06J154V	M 150KOHM, F, 0.25W	1	
	R16789	DOGD103JA036	M 10KOHM, J, 0.25W	1	
	R16791	ERJ6GEYG102	M 1KOHM, J, 1/10W	1	
	R16792	DOGD103JA036	M 10KOHM, J, 0.25W	1	
	R16794,95	ERJ6ENF2003	M 200KOHM, 1/10W	2	
	R16796	ERJ6ENF5602	M 56KOHM, 1/10W	1	
	R16797	ERJ6GEYJ220	M 22 OHM, J, 1/10W	1	
	R16798	DOGD103JA036	M 10KOHM, J, 0.25W	1	
	R16799	ERJ6ENF3302	M 33KOHM, 1/10W	1	
	R16801,02	ERJ6GEYF472	M 4.7KOHM, J, 1/10W	2	
	R16804,05	ERJ8GEYJ224	M 220KOHM, J, 1/8W	2	
	R16807,08	ERJ6GEYF472	M 4.7KOHM, J, 1/10W	2	
	R16810,11	ERJ6ENF1742	M17.4KOHM, 1/10W	2	
	R16813	ERJ8GEYJ102	M 1KOHM, J, 1/8W	1	
	R16814	ERJ6ENF1432	M14.3KOHM, 1/10W	1	
	R16815	D1BD1002A044	M10.0KOHM, 1/10W	1	PAVCA
	R16816	DOGDR00Z0002	M 0 OHM, 1/10W	1	
	R16818,19	ERJ6ENF6802	M 68KOHM, 1/10W	2	
	R16820	ERJ6ENF7872	M78.7KOHM, 1/10W	1	
	R16821	ERJ6ENF1003	M 100KOHM, 1/10W	1	
	R16822,23	ERJ6ENF8202	M 82KOHM, 1/10W	2	
	R16824	ERJ6ENF3302	M 33KOHM, 1/10W	1	
	R16825	ERJT06J154V	M 150KOHM, F, 0.25W	1	
	R16826	DOGD103JA036	M 10KOHM, J, 0.25W	1	
	R16827	DOGDR00Z0002	M 0 OHM, 1/10W	1	
	R16828	ERJ6GEYF472	M 4.7KOHM, J, 1/10W	1	
	R16831,32	ERJ6GEYG104	M 100KOHM, J, 1/10W	2	
	R16833	DOGD103JA036	M 10KOHM, J, 0.25W	1	
	R16834,35	DOGDR00Z0002	M 0 OHM, 1/10W	2	
	R16838	ERJ14YJ563U	M 56KOHM, 1/2W	1	
	R16841	ERJ14YJ563U	M 56KOHM, 1/2W	1	
	R16844	ERJ6ENF1241	M1.24KOHM, 1/10W	1	
	R16845	ERJ6ENF5622	M5.62KOHM, 1/10W	1	
	R16846	ERJ6ENF5762	M57.6KOHM, 1/10W	1	
	R16850	ERJ6GEYF472	M 4.7KOHM, J, 1/10W	1	
	R16851	ERJ6GEYG104	M 100KOHM, J, 1/10W	1	
	R16852	DOGD103JA036	M 10KOHM, J, 0.25W	1	
	R16855	ERG1FJS103D	M 10KOHM, J, 1W	1	
	R16856	ERQ12AJW560E	F 56 OHM, J, 1/2W	1	
	R16857	ERJ12YJ124U	M 120KOHM, 1/2W	1	
	R16860	D0D28R2JA021	M 8.2 OHM, J, 2W	1	
	R16869	ERJ8GEYJ473V	M 47KOHM, J, 1/8W	1	
	R16870	ERG2FJS333D	M 33KOHM, J, 2W	1	
	R16871	ERJ6GEYG392	M 3.9KOHM, J, 1/10W	1	
	R16872	ERJ6GEYG332	M 3.3KOHM, J, 1/10W	1	
	R16873	ERJ6ENF2491	M2.49KOHM, 1/10W	1	
	R16874,75	ERJ6ENF7152	M71.5KOHM, 1/10W	2	
	R16878	ERJ6GEYJ223	M 22KOHM, J, 1/10W	1	
	R16879	ERJ6GEYF472	M 4.7KOHM, J, 1/10W	1	
	R16880	ERJ3GEY0R00	M 0 OHM, 1/16W	1	
	R16886-88	ERJ6GEYJ224	M 220KOHM, J, 1/10W	3	
	R17107-10	DOGZ6R8JA020	M 6.8 OHM, J, 0.5W	4	
	R17119-22	DOGZ6R8JA020	M 6.8 OHM, J, 0.5W	4	
	R17125,26	EXB38V471J	RESISTOR ARRAY	2	
	R17128,29	DOGZ6R8JA020	M 6.8 OHM, J, 0.5W	2	
	R17131,32	EXB38V471J	RESISTOR ARRAY	2	
	R17134,35	DOGZ6R8JA020	M 6.8 OHM, J, 0.5W	2	

Safety	Ref. No.	Part No.	Part Name & Description	Pcs	Remarks
	R17137	DOGF472JA047	M 4.7KOHM, J, 0.33W	1	
	R17138	ERJ6GEYJ223	M 22KOHM, J, 1/10W	1	
	R17139	ERJ6GEYG104	M 100KOHM, J, 1/10W	1	
	R17140	ERJ6GEYJ224	M 220KOHM, J, 1/10W	1	
	R17151,52	EXB38V470J	RESISTOR ARRAY	2	
	R17153	EXB38V681J	RESISTOR ARRAY	1	
	R17154	EXB38V220JV	RESISTOR ARRAY	1	
	R17155,56	ERJ3GEYJ681	M 680 OHM, J, 1/16W	2	
	R17157,58	EXB38V220JV	RESISTOR ARRAY	2	
	R17159,60	ERJ3GEYJ681	M 680 OHM, J, 1/16W	2	
	R17167,68	EXB38V470J	RESISTOR ARRAY	2	
	R17169,70	EXB38V471J	RESISTOR ARRAY	2	
	R17173,74	EXB38V470J	RESISTOR ARRAY	2	
	R17175,76	EXB38V471J	RESISTOR ARRAY	2	
	R17179,80	EXB38V470J	RESISTOR ARRAY	2	
	R17181,82	EXB38V471J	RESISTOR ARRAY	2	
	R17201-04	EXB38V471J	RESISTOR ARRAY	4	
	R17209-12	DOGZ6R8JA020	M 6.8 OHM, J, 0.5W	4	
	R17213-16	EXB38V471J	RESISTOR ARRAY	4	
	R17221-24	DOGZ6R8JA020	M 6.8 OHM, J, 0.5W	4	
	R17225,26	EXB38V471J	RESISTOR ARRAY	2	
	R17229,30	DOGZ6R8JA020	M 6.8 OHM, J, 0.5W	2	
	R17251,52	EXB38V470J	RESISTOR ARRAY	2	
	R17253	EXB38V681J	RESISTOR ARRAY	1	
	R17254	EXB38V470J	RESISTOR ARRAY	1	
	R17255,56	ERJ3GEYJ681	M 680 OHM, J, 1/16W	2	
	R17257	EXB38V220JV	RESISTOR ARRAY	1	
	R17258	EXB38V681J	RESISTOR ARRAY	1	
	R17259	EXB38V220JV	RESISTOR ARRAY	1	
	R17260	ERJ6GEYJ224	M 220KOHM, J, 1/10W	1	
	R17261,62	EXB38V470J	RESISTOR ARRAY	2	
	R17263,64	EXB38V681J	RESISTOR ARRAY	2	
	R17277,78	EXB38V471J	RESISTOR ARRAY	2	
	R17304,05	DOGZ6R8JA020	M 6.8 OHM, J, 0.5W	2	
	R17310,11	DOGZ6R8JA020	M 6.8 OHM, J, 0.5W	2	
	R17316,17	DOGZ6R8JA020	M 6.8 OHM, J, 0.5W	2	
	R17322,23	DOGZ6R8JA020	M 6.8 OHM, J, 0.5W	2	
	R17341	DOGF472JA047	M 4.7KOHM, J, 0.33W	1	
	R17342,43	EXB38V470J	RESISTOR ARRAY	2	
	R17344,45	EXB38V471J	RESISTOR ARRAY	2	
	R17346,47	EXB38V470J	RESISTOR ARRAY	2	
	R17348,49	EXB38V471J	RESISTOR ARRAY	2	
	R17350,51	EXB38V470J	RESISTOR ARRAY	2	
	R17352,53	EXB38V471J	RESISTOR ARRAY	2	
	R17354	ERJ6GEYJ223	M 22KOHM, J, 1/10W	1	
	R17355	ERJ6GEYG104	M 100KOHM, J, 1/10W	1	
	R17356	ERJ6GEYJ224	M 220KOHM, J, 1/10W	1	
	R17357,58	EXB38V220JV	RESISTOR ARRAY	2	
	R17359,60	ERJ3GEYJ681	M 680 OHM, J, 1/16W	2	
	RM2501	PNA4701M07TV	REMOCON RECEIVER	1	
	S2	K1KA02BA0061	2P CONNECTOR	1	
	SC2	K1KA02A00676	2P CONNECTOR	1	
	SC20	K1MN35BA0266	35P CONNECTOR	1	PAVCA
	SC30	K1KA08AA0190	8P CONNECTOR	1	
	SC41,42	K1KA23AA0733	23P CONNECTOR	2	

Safety	Ref. No.	Part No.	Part Name & Description	Pcs	Remarks
	SC46	K1KA09A00239	9P CONNECTOR	1	
	SCMM1	TMME047	CLAMPER	1	
	SCMM4	TMME292	CLAMPER	1	
	SCMM5	TMME260	CLAMPER	1	
	SD1-D4	K1MND6BA0264	6P CONNECTOR	4	
	SD11	K1MN20BA0231	20P CONNECTOR	1	
	SD42	K1KB23AA0234	23P CONNECTOR	1	PAVCA
	SD46	K1KY09AA0607	9P CONNECTOR	1	
	SS11	K1KA02A00676	2P CONNECTOR	1	
	SS12	K1KA10AA0194	10P CONNECTOR	1	
	SS33	K1KA10A00416	10P CONNECTOR	1	
	SS34	K1KA03AA0193	3P CONNECTOR	1	
	SS35	K1KA04AA0193	4P CONNECTOR	1	
	SS61	K1MN13BA0258	13P CONNECTOR	1	
	SS63, 64	K1MN13BA0258	13P CONNECTOR	2	
	SS66	K1MN13BA0258	13P CONNECTOR	1	
	SSMM3, M4	TMME190	CLAMPER	2	
	SU1-U4	K1MND6BA0264	6P CONNECTOR	4	
	SU11	K1MN20BA0266	20P CONNECTOR	1	PAVCA
	SU41	K1KB23AA0234	23P CONNECTOR	1	PAVCA
	SW2500	K0F122A00172	SWITCREMOTE CONTROLH	1	
	SW3751	EVQPC105K	SWITCH	1	
	SW3753-58	EVQPC105K	SWITCH	6	
	T16301A	ETS19AB249AC	SWITCHING TRANS	1	
△	TU8300	ENGE6608KF	TUNER	1	PAVCA
	VR16000	EVMEASA00B54	CONTROL 50KOHMB 0.3W	1	
	VR16600	EVMEASA00B54	CONTROL 50KOHMB 0.3W	1	
	VR16602	EVMEASA00B23	CONTROL 2KOHMB 0.3W	1	
	X1100	H0J100500035	CRYSTAL	1	
	X2010	H0J245500089	CRYSTAL	1	
	X8001	H0J270500061	CRYSTAL	1	
	X8300	H0J250500079	CRYSTAL	1	PAVCA
	X9000	H2D100500004	CRYSTAL	1	
	X9200	H0J200500076	CRYSTAL	1	
	ZA3701, 02	K4CZ01000027	COMPATIBLE WITH JALCO K9	2	
	ZA3801, 02	K4AD01D00005	TERMINAL	2	
	ZA4700	K4AZ01D00004	TERMINAL	1	
	ZA4702-08	K4AZ01D00004	TERMINAL	7	
	ZA7701, 02	K4CZ01000027	COMPATIBLE WITH JALCO K9	2	
	ZA9000	K4CD01000011	AV TERMINAL	1	
	ZA14901, 02	K4AD01Z00003	TERMINAL	2	PAVCA
	ZA14951, 52	K4AD01Z00003	TERMINAL	2	PAVCA
	ZA16001-03	K4CD01000011	AV TERMINAL	3	
	ZA16401-03	K4CD01000011	AV TERMINAL	3	
	ZA17101-05	K4AD01Z00001	TERMINAL	5	
	ZA17201	K4AD01Z00001	TERMINAL	1	
	ZA17203-05	K4AD01Z00001	TERMINAL	3	
	ZA17301-04	K4AD01Z00001	TERMINAL	4	
△	A601	AYRA652MSV8T	ARRESTOR	1	

Safety	Ref. No.	Part No.	Part Name & Description	Pcs	Remarks
△	C501	ECQU2A103MLA	P 0.01UF, M, 250V	1	
△	C503	ACKMQ2W560T	ELECTROLYTIC CAPACITOR	1	
	C505	ECQV1H224JL	P 0.22UF, J, 50V	1	
	C506	ACKZE1H100T	ELECTROLYTIC CAPACITOR	1	
	C507	ACKZE1H221T	ELECTROLYTIC CAPACITOR	1	
	C508	ACKZE1H220T	ELECTROLYTIC CAPACITOR	1	
	C551	ACKZE1A471C	ELECTROLYTIC CAPACITOR	1	
	C557	ECQV1473JM	PLASTIC FILM CAPACITOR	1	
	C558	ECQV1H224JL	P 0.22UF, J, 50V	1	
	C559	ECQV1H474JL	P 0.47UF, J, 50V	1	
△	C601	ECQU2A105MLA	PLASTIC FILM CAPACITOR	1	
△	D501	VDS1WBA80	DIODE	1	
	D504	VXST3D82BL3	POWER CLAMPER	1	
	D505, 06	VDAG01AT	DIODE	2	
	D551	VDRK39A5	DIODE	1	
	D556	VDRF101A2S	DIODE	1	
△	F501	HU382T2C	MICRO FUSE	1	
△	F601, 02	HU215010BEP	CARTRIDGE FUSE (LEADTYPE)	2	
△	IC501	MIP3E30MPSCF	IC	1	
	IC555	AN1431TBTA	INTEGRATED CIRCUIT	1	
	L501	EXCELSA35	BEAD CHOKE	1	
	L502, 03	EXCELD35C	BEAD CHOKE	2	
	L551	EXCELD35C	BEAD CHOKE	1	
△	L601, 02	AYP3165208ZA	FILTER CHOKE	2	
△	L604	AYP3165208ZA	FILTER CHOKE	1	
	MC501	MDPTZA101	MODULE	1	
△	P9	AKS02B-VT	CONNECTOR	1	
△	P51	AKB6P-VH	CONNECTOR	1	
△	P53	AKB2P-VH	CONNECTOR	1	
	P55	AKB4B-EH-A	CONNECTOR	1	
△	PC502	VPS2581AL1VH	OPTOISOLATOR	1	
	R501	ARR5B100JC2	WIREWOUND RESISTOR	1	
△	R502	ARRCR6J825M	METAL GLAZE FIXED RESISTOR	1	
	R505	ERDS2FJ561	C 560 OHM, J, 1/4W	1	
	R506	ARRCR2F1304T	METAL GLAZE FIXED RESISTOR	1	
	R507	ARRCR2F1184T	METAL GLAZE FIXED RESISTOR	1	
	R509	ARRCR2F1304T	METAL GLAZE FIXED RESISTOR	1	
	R510	ARRCR2F1184T	METAL GLAZE FIXED RESISTOR	1	
	R522	ERDS2FJ180	CARBON FILM RESISTOR	1	
	R555	ER0S2CKF1052	M10.5KOHM, F, 1/4W	1	
	R558	ER0S2CKF1503	M 150KOHM, F, 1/4W	1	
	R560	ERDS2FJ222	C 2.2KOHM, J, 1/4W	1	
	R562	ERDS2FJ150	CARBON FILM RESISTOR	1	
	R563	ERDS2FJ121	CARBON FILM RESISTOR	1	
	R564	ER0S2CHD1002	METAL FILM RESISTOR	1	

Safety	Ref. No.	Part No.	Part Name & Description	Pcs	Remarks
△	R601	ARRCR5J624M	METAL GLAZE FIXED RESISTOR	1	
△	T501	ETB25AH118AH	TRANSFORMER	1	
△	Z501	ERZVGAD471	VARISTOR	1	
△	Z601,02	ERZVGED751	VARISTOR	2	
△	Z603	ERZVGAD471	VARISTOR	1	
	ZD501,02	MA4300NM	ZENER DIODE	2	
	ZD503	MA4082NM	ZENER DIODE	1	
	ZD555	MA4330NM	ZENER DIODE	1	
	C201	ACKZE1H220T	ELECTROLYTIC CAPACITOR	1	
	C202,03	ACCC3FD470JP	CERAMIC CAPACITOR	2	
	C204,05	ACMPEF12333H	PLASTIC FILM CAPACITOR	2	
△	C206	ECKENA101KBR	C 100P 250V	1	
	C207,08	ACDE1R681KP	CERAMIC CAPACITOR	2	
	C251	ECQV1H104JL	P 0.1UF, J, 50V	1	
	C252	ECQV1H224JL	P 0.22UF, J, 50V	1	
	C254,55	ECQE2223SKF	PLASTIC FILM CAPACITOR	2	
△	C256-58	ACKMQ220901Z	ELECTROLYTIC CAPACITOR	3	
	C301	ACKZE1H220T	ELECTROLYTIC CAPACITOR	1	
	C302,03	ACRR3DD101K7	CERAMIC CAPACITOR	2	
	C304	ACMPEF12473H	PLASTIC FILM CAPACITOR	1	
	C305,06	ACCK1B331KP	CERAMIC CAPACITOR	2	
	C352	ACKZE1E182ST	ELECTROLYTIC CAPACITOR	1	
	C354	ECQV1H224JL	P 0.22UF, J, 50V	1	
	C355	ECQV1H823JL	PLASTIC FILM CAPACITOR	1	
	C357,58	ACKZE1E471LT	ELECTROLYTIC CAPACITOR	2	
	C401,02	ECQE2104SKF	PLASTIC FILM CAPACITOR	2	
△	C403	EETHC2C471HX	ELECTROLYTIC CAPACITOR	1	
	C404	ACKZE1H101T	ELECTROLYTIC CAPACITOR	1	
△	C406	EETHC2A122JJ	ELECTROLYTIC CAPACITOR	1	
	C409	ECQE2104SKF	PLASTIC FILM CAPACITOR	1	
	C451	ACKZE1A471C	ELECTROLYTIC CAPACITOR	1	
	C504	ACKZE1H220T	ELECTROLYTIC CAPACITOR	1	
	C555	ACKZE1E470T	ELECTROLYTIC CAPACITOR	1	
△	C602	ECQU2A105MLA	PLASTIC FILM CAPACITOR	1	
△	C603,04	ECKENA471KBR	CERAMIC CAPACITOR	2	
	C605	ACDE1R102K7	CERAMIC CAPACITOR	1	
	C606	AC4MPK105KA3	PLASTIC FILM CAPACITOR	1	
	C610	ECQV1H105JL	PLASTIC FILM CAPACITOR	1	
	C611	ACKZE1H220T	ELECTROLYTIC CAPACITOR	1	
△	C612,13	EETHD2W301LZ	ELECTROLYTIC CAPACITOR	2	
△	C615	ECKENA221KBR	C 221P 250V	1	
	C625	ACDE1R222KP	CERAMIC CAPACITOR	1	
	C701	ACKZE1A471C	ELECTROLYTIC CAPACITOR	1	

Safety	Ref. No.	Part No.	Part Name & Description	Pcs	Remarks
	C702	ECQV1H103JL	P 0.01UF, J, 50V	1	
	D251	MA165KU	DIODE	1	
	D254-57	MA2DF3100S	DIODE	4	
	D351	VDG865C08R	DIODE	1	
	D352	VDAG01AT	DIODE	1	
	D353	VDG865C08R	DIODE	1	
	D401	VDD6SBN20	DIODE	1	
	D402	VDAG01AT	DIODE	1	
	D403	VDYG901C3R	DIODE	1	
	D601,02	MA165KU	DIODE	2	
	D603,04	VDAP01CT	DIODE	2	
	D606	VDS3V60L1	DIODE	1	
	D702	VDERA83-004T	DIODE	1	
△	F201	HU216005BEP	CARTRIDGE FUSE (LEADTYPE)	1	
△	F301	HU216005BEP	CARTRIDGE FUSE (LEADTYPE)	1	
	IC251	AN1431TBTA	INTEGRATED CIRCUIT	1	
	IC352	AN1431TBTA	INTEGRATED CIRCUIT	1	
△	K601	ALKT329C93	RELAY	1	
△	K602	ALDJ5D2T8	RELAY	1	
	L401	AYLH8TB681K	CHOKE	1	
	L402	AYH221012HY	CHOKE	1	
	L603	ETB50CZ14GAD	CHOKE	1	
△	MC201	MDPPNB331	MODULE	1	
△	MC203	MP00R3A1	MODULE	1	
△	MC301	MDPPNB102	MODULE	1	
△	MC352	MDPJFB101	MODULE	1	
△	MC401	MDPPSA101	MODULE	1	
△	MC451	MDPLSB101	MODULE	1	
△	MC502	MDPHHA101	MODULE	1	
△	MC552	MDPPFC101	MODULE	1	
△	MC601	MDPLPA101	MODULE	1	
△	MC602	MP00P18	MODULE	1	
△	MC603	MP00P28	MODULE	1	
△	MC606	MP00P29	MODULE	1	
△	MC701	MDPZDA101	MODULE	1	
	P2	AKB2P3-VH-B	CONNECTOR	1	
	P6	AKB12B-EH-A	CONNECTOR	1	
	P7	AKB11B-EH-A	CONNECTOR	1	
	P11	AKB2P3-VH-B	CONNECTOR	1	
	P12	AKB10B-PH-KS	CONNECTOR	1	
	P25	AKB13B-PH-KS	CONNECTOR	1	
△	P52	AKB6P-VH	CONNECTOR	1	
△	P54	AKB2P-VH	CONNECTOR	1	
	P56	AKB4B-EH-A	CONNECTOR	1	
△	PC201,02	VPS2581AL1VH	OPTOISOLATOR	2	
△	PC301,02	VPS2581AL1VH	OPTOISOLATOR	2	
△	PC401	VPS2581AL1VH	OPTOISOLATOR	1	
△	PC501	VPS2581AL1VH	OPTOISOLATOR	1	
△	Q301,02	VKFMA16N55G	FIELD EFFECT TRANSISTOR	2	
	Q351	2SK3704	FIELD EFFECT TRANSISTOR	1	
	Q401	2SK3607	FIELD EFFECT TRANSISTOR	1	
	Q402,03	2SA17670Q2TV	TRANSISTOR	2	
	R202	ERQ14AJ4R7J	F 4.7 OHM, J, 1/4W	1	
	R203,04	ERDS2FJ334	CARBON FILM RESISTOR	2	

Safety	Ref. No.	Part No.	Part Name & Description	Pcs	Remarks
	R208	ERG12SJ910J	METAL OXIDE FILM RESISTOR	1	
	R215	ERG12SJ680J	METAL OXIDE FILM RESISTOR	1	
	R216	ERG12SJ220J	METAL OXIDE FILM RESISTOR	1	
	R217	ERG12SJ910J	METAL OXIDE FILM RESISTOR	1	
	R251,52	ARRCR2F1213T	METAL GLAZE FIXED RESISTOR	2	
	R253	ERDS2FJ151	CARBON FILM RESISTOR	1	
	R254	ERDS2FJ102	M 1KOHM, J, 1/10W	1	
	R256	EROS2CHD1002	METAL FILM RESISTOR	1	
	R257-59	ERDS2FJ472	CARBON FILM RESISTOR	3	
	R263	ERDS2FJ220	C 22 OHM, J, 1/4W	1	
	R264	ERDS2FJ102	M 1KOHM, J, 1/10W	1	
	R265	ARRCR1F2703T	METAL GLAZE FIXED RESISTOR	1	
	R266,67	ARRCR1F3323T	METAL GLAZE FIXED RESISTOR	2	
	R302	ERQ14AJ4R7J	F 4.7 OHM, J, 1/4W	1	
	R303,04	ERDS2FJ334	CARBON FILM RESISTOR	2	
	R308	ERG12SJ910J	METAL OXIDE FILM RESISTOR	1	
	R309	ERG12SJ680J	METAL OXIDE FILM RESISTOR	1	
	R310	ERG12SJ220J	METAL OXIDE FILM RESISTOR	1	
	R311	ERG12SJ910J	METAL OXIDE FILM RESISTOR	1	
	R351	EROS2CHF8871	M8.87KOHM, F, 1/4W	1	
	R352	ARMP5WR03J	METAL PLATE RESISTOR	1	
	R353	ERDS2FJ561	C 560 OHM, J, 1/4W	1	
	R354	ERDS2FJ221	C 220 OHM, J, 1/4W	1	
	R355	ERDS2FJ222	C 2.2KOHM, J, 1/4W	1	
	R356	EROS2CHD1002	METAL FILM RESISTOR	1	
	R359	EROS2CHD5232	METAL FILM RESISTOR	1	
	R362	ERG12SJ332J	METAL OXIDE FILM RESISTOR	1	
	R366	EROS2CHF6981	METAL FILM RESISTOR	1	
	R367	EROS2CHF8451	METAL FILM RESISTOR	1	
	R371	EROS2CHF6981	METAL FILM RESISTOR	1	
	R372	EROS2CHF1151	METAL FILM RESISTOR	1	
	R403	ERG12SJ100J	METAL OXIDE FILM RESISTOR	1	
	R404	EROS2CKF6492	M64.9KOHM, F, 1/4W	1	
	R405	ARRF2EJR10B	METAL PLATE RESISTOR	1	
	R409	ERDS2FJ473	C 47KOHM, J, 1/4W	1	
	R411	EROS2CHF2001	METAL FILM RESISTOR	1	
	R412	EROS2CKF2001	METAL FILM RESISTOR	1	
	R413,14	EROS2CHF3162	METAL FILM RESISTOR	2	
	R417,18	EROS2CHF4422	METAL FILM RESISTOR	2	
	R420	EROS2CHF5620	METAL FILM RESISTOR	1	
	R421	EROS2CHF1652	METAL FILM RESISTOR	1	
	R456	EROS2CKF1332	M13.3KOHM, F, 1/4W	1	

Safety	Ref. No.	Part No.	Part Name & Description	Pcs	Remarks
	R557	ERDS2TJ392	C 3.9KOHM, J, 1/4W	1	
	R559	EROS2CKF1623	M 162KOHM, F, 1/4W	1	
	R561	EROS2CHF2152	METAL FILM RESISTOR	1	
	R603	ARRCR2F4753T	METAL GLAZE FIXED RESISTOR	1	
	R604	ARRCR2F4023T	METAL GLAZE FIXED RESISTOR	1	
	R607,08	ARRCR2F7503T	METAL GLAZE FIXED RESISTOR	2	
	R611	EROS2CHF5112	METAL FILM RESISTOR	1	
	R617,18	ARRF5EJR15B	METAL PLATE RESISTOR	2	
	R619	ARRF5EJR10B	METAL PLATE RESISTOR	1	
	R622	ERDS2FJ472	CARBON FILM RESISTOR	1	
	R623	ERG12SJ270J	METAL OXIDE FILM RESISTOR	1	
	R624	ERDS2FJ472	CARBON FILM RESISTOR	1	
	R625	ERG12SJ270J	METAL OXIDE FILM RESISTOR	1	
	R626	ERDS2FJ472	CARBON FILM RESISTOR	1	
	R627	ERG12SJ270J	METAL OXIDE FILM RESISTOR	1	
	R630,31	ARRCR1F2493T	METAL GLAZE FIXED RESISTOR	2	
	R632	ARRCR1F2213T	METAL GLAZE FIXED RESISTOR	1	
	R701	ERDS2FJ221	C 220 OHM, J, 1/4W	1	
	R702	ERDS2FJ222	C 2.2KOHM, J, 1/4W	1	
	R703	ERDS2FJ221	C 220 OHM, J, 1/4W	1	
	R704	ERDS2FJ222	C 2.2KOHM, J, 1/4W	1	
	R706	ERDS2FJ221	C 220 OHM, J, 1/4W	1	
	R707	ERDS2FJ222	C 2.2KOHM, J, 1/4W	1	
	R712	ERDS2FJ221	C 220 OHM, J, 1/4W	1	
	R713	ERDS2FJ222	C 2.2KOHM, J, 1/4W	1	
	△	RF601	HUY5JA200JP	THERMAL CUTOFF WITH RESISTOR	1
	△	T201	ETB57LZ1KGAD	TRANSFORMER	1
	△	T301	ETB50LZ18GAD	TRANSFORMER	1
		VR251	EVMEASA01B55	VARIABLE RESISTOR	1
		VR401	EVMEASA01B54	VARIABLE RESISTOR	1
		ZD201	MA4270NM	ZENER DIODE	1
		ZD203,04	MA4270NM	ZENER DIODE	2
		ZD251	MA4330NM	ZENER DIODE	1
		ZD301,02	MA4270NM	ZENER DIODE	2
		ZD305	MA4270NM	ZENER DIODE	1
		ZD351	MA4330NM	ZENER DIODE	1
		ZD451	MAZ4068NMF	ZENER DIODE	1
		ZD601	MA4047NM	ZENER DIODE	1