

GEZE TS 2000 NV

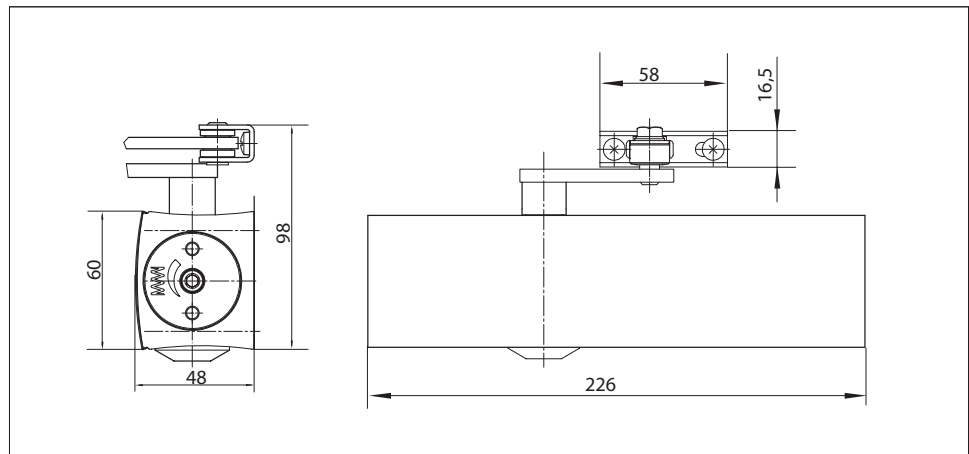
Link arm door closer for single-leaf doors with a leaf width of up to 1100 mm

TS 2000 NV overhead door closer is approved for use with left and right single-action doors with leaf widths of up to 1100 mm (without any need for conversion) and for use on smoke and fire doors. The closing force to DIN EN 1154 size 2-4 is infinitely variable and is adjusted at the side. The closing speed and latching action can be conveniently adjusted from the front.

Special versions:

- GEZE TS 2000 NV BC
With hydraulic back check that can be adjusted from the front
- GEZE TS 2000 NV/NV BC with hold-open linkage
With adjustable hold-open angle of between 70° and 150°

GEZE TS 2000 NV



Application range

- For single-action doors, leaf width of up to 1100 mm
- Compatible with left-hand and right-hand doors without the need for conversion
- For fireproof doors (door closers with mounting plate)
- Standard mounting on door leaf, hinge side; transom mounting on opposite hinge side also possible
- Can be installed on door leaf on opposite hinge side with parallel arm mounting

Closer specifications

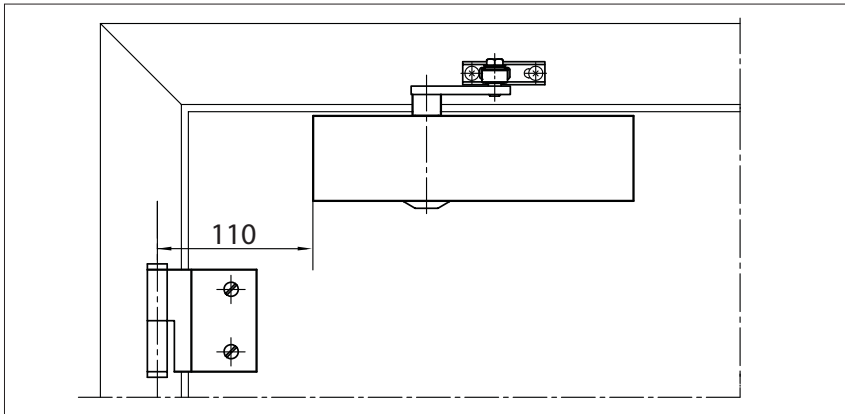
Product features	GEZE TS 2000 NV closer	GEZE TS 2000 NV BC closer
Closing force to EN1154		2 - 4
Leaf width recommended up to		1100 mm
Identical version DIN-L and DIN-R	●	●
Product tested in acc. with		Door closer tested in acc. with EN1154
Suitable for fireproof doors	●	●
Mounting plate with hole pattern acc. to EN1154 Supplement	●	●
Length		226 mm
Installation depth		48 mm
Height		60 mm
Functions		
Adjustable closing force		● Infinitely variable
Adjustable closing speed	●	●
Adjustable latching action		● Via valve
Integrated back check	○	Yes, hydraulically adjustable
Closing force adjustment position		On the side
Thermo-constant valves	●	●

● = yes

○ = no

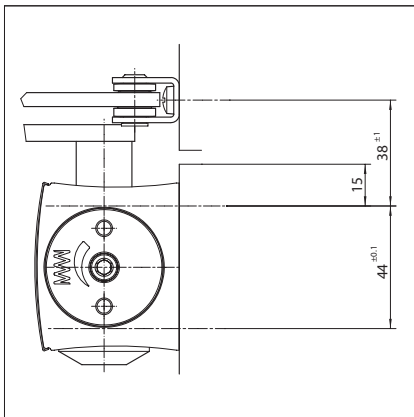
Door leaf mounting/hinge side TS 2000 NV/NV BC

View

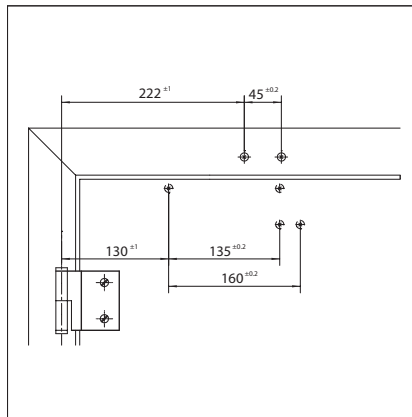


Mounting example for GEZE TS 2000 NV/NV BC

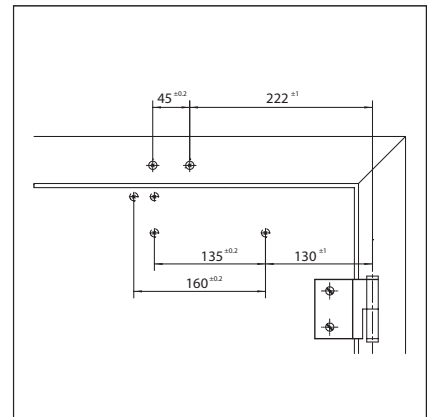
Direct mounting



Cross section = direct mounting

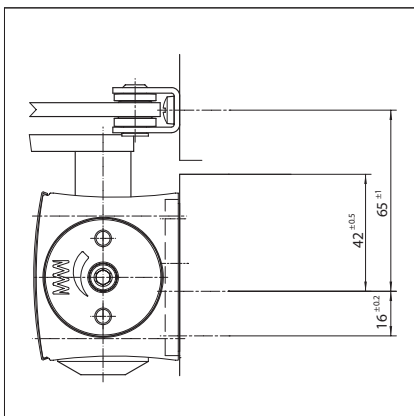


Fitting dimensions for left-hand door

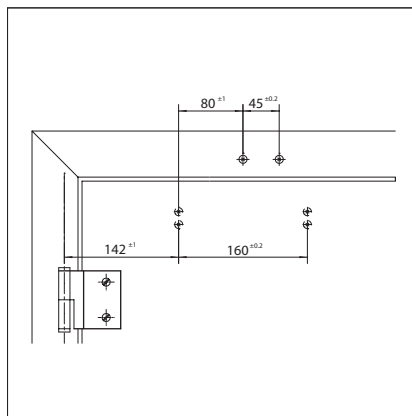


Fitting dimensions for right-hand door

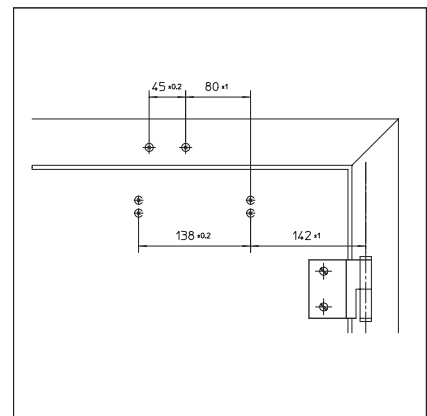
Mounting with mounting plate



Cross section = mounting with mounting plate



Fitting dimensions for left-hand door



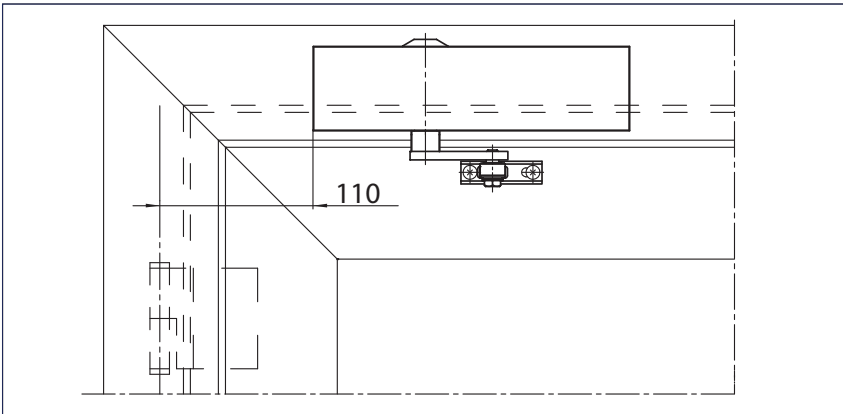
Fitting dimensions for right-hand door

TS 4000/TS 2000/
TS 1500

Overhead door
closers with
link arm

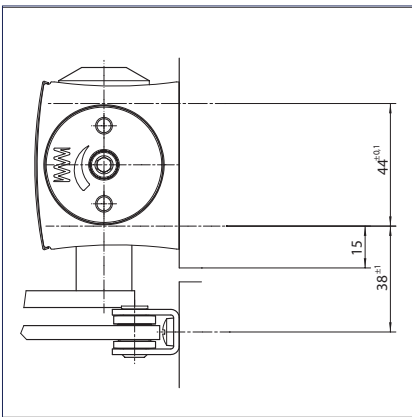
Transom mounting/opposite hinge side TS 2000 NV/NV BC

View

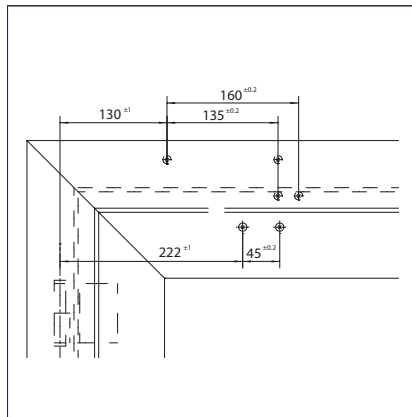


Mounting example for GEZE TS 2000 NV/NV BC

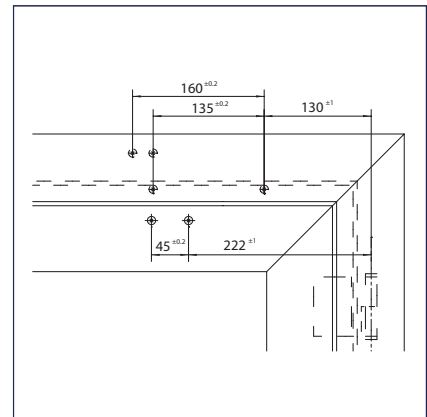
Direct mounting



Cross section = direct mounting

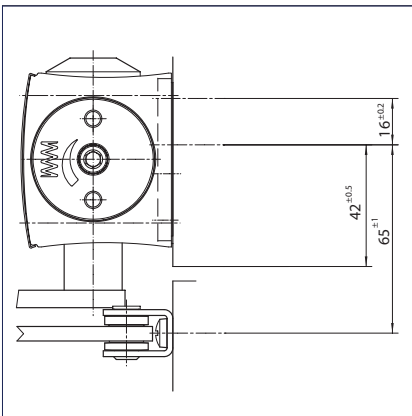


Fitting dimensions for right-hand door

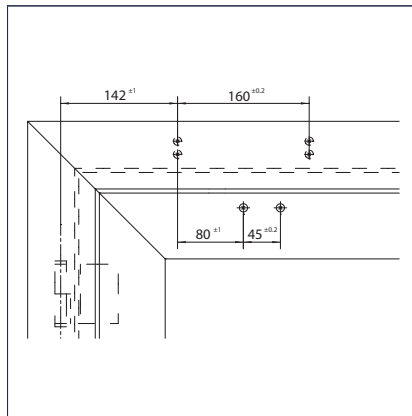


Fitting dimensions for left-hand door

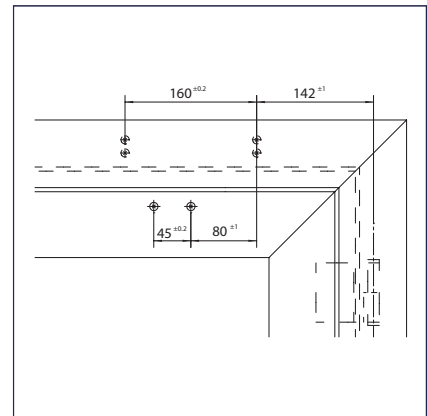
Mounting with mounting plate



Cross section = mounting with mounting plate



Fitting dimensions for right-hand door



Fitting dimensions for left-hand door