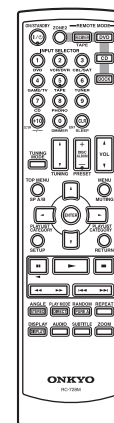
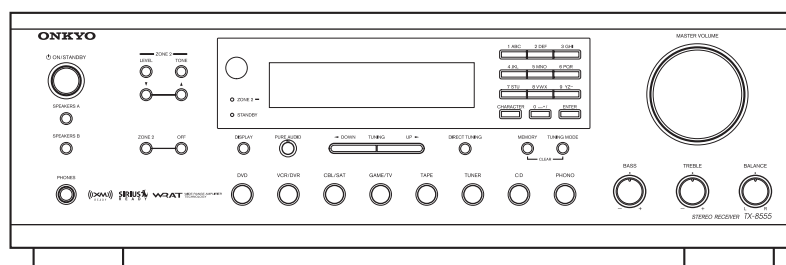


ONKYO SERVICE MANUAL

STEREO RECEIVER MODEL TX-8555



RC-728M

Black and Silver models

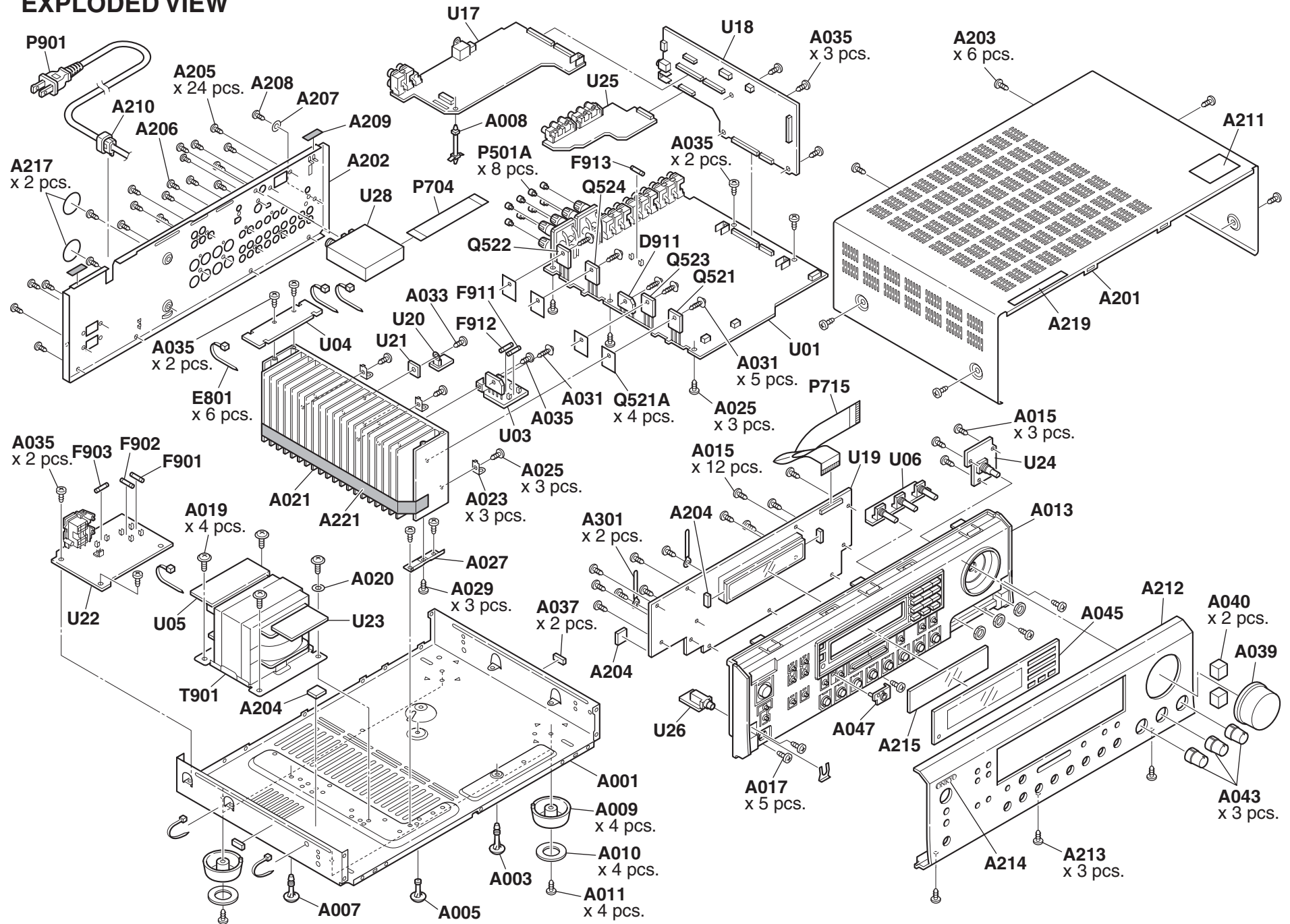
B MDC	120V AC, 60Hz
B MPP, S MPP	230 - 240V AC, 50Hz
B MPA	230 - 240V AC, 50Hz

SAFETY-RELATED COMPONENT WARNING!!

COMPONENTS IDENTIFIED BY MARK \triangle ON THE SCHEMATIC DIAGRAM AND IN THE PARTS LIST ARE CRITICAL FOR RISK OF FIRE AND ELECTRIC SHOCK. REPLACE THESE COMPONENTS WITH ONKYO PARTS WHOSE PART NUMBERS APPEAR AS SHOWN IN THIS MANUAL.

MAKE LEAKAGE-CURRENT OR RESISTANCE MEASUREMENTS TO DETERMINE THAT EXPOSED PARTS ARE ACCEPTABLY INSULATED FROM THE SUPPLY CIRCUIT BEFORE RETURNING THE APPLIANCE TO THE CUSTOMER.

EXPLODED VIEW



BLOCK DIAGRAM

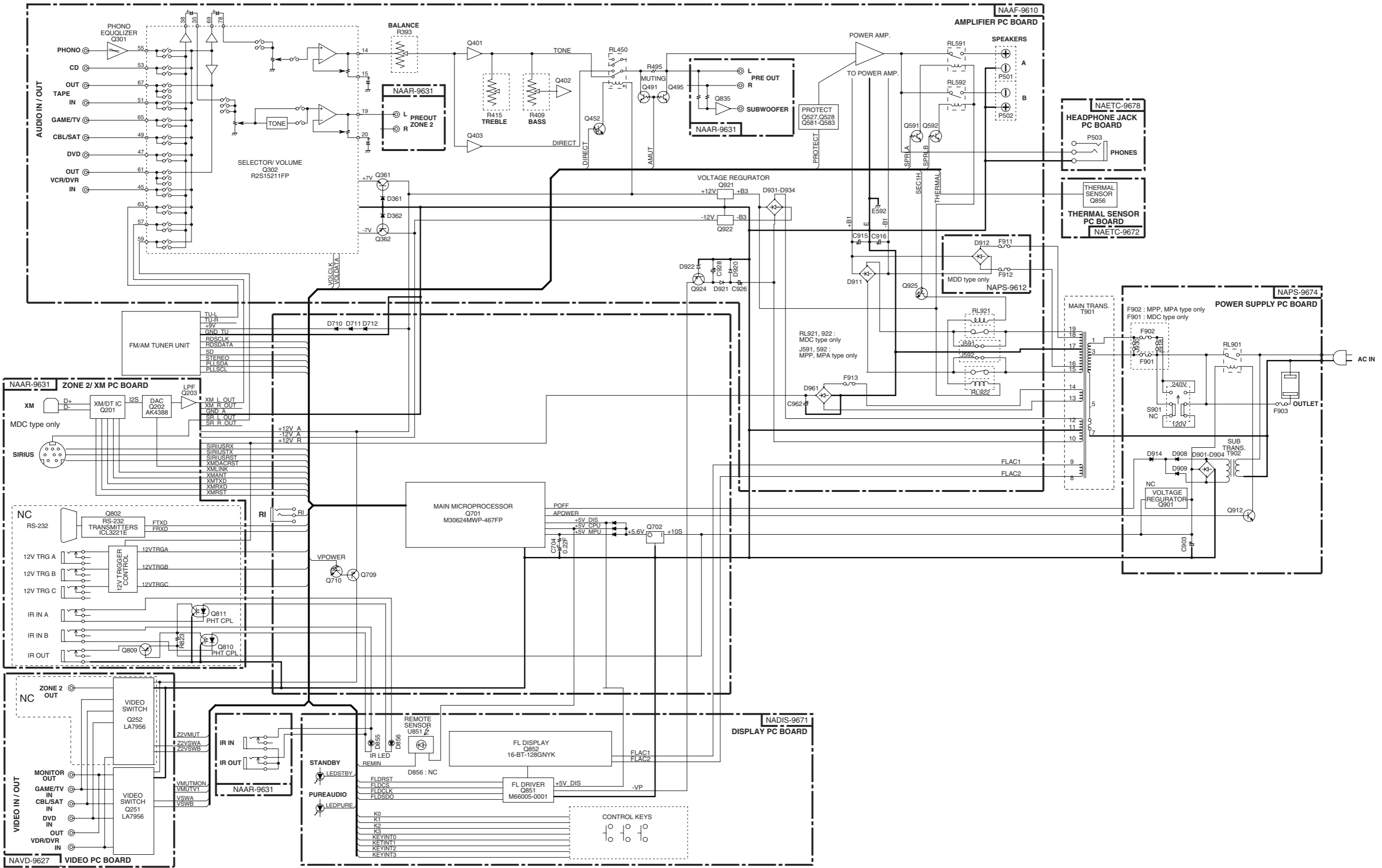
1

2

3

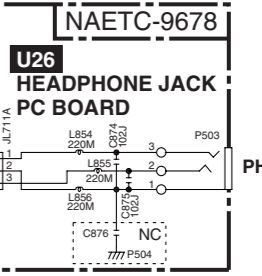
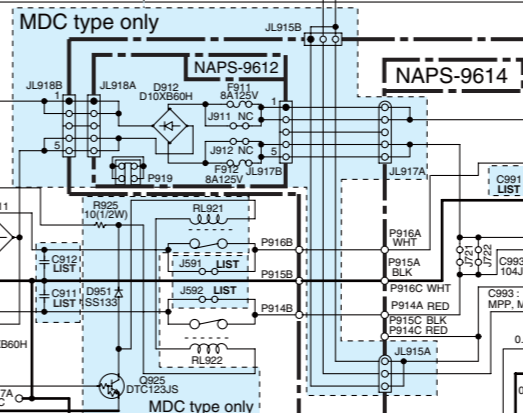
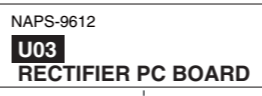
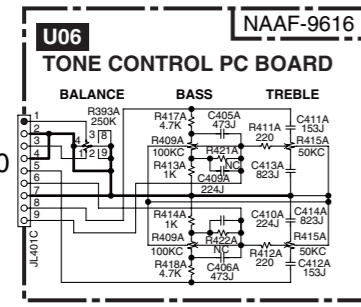
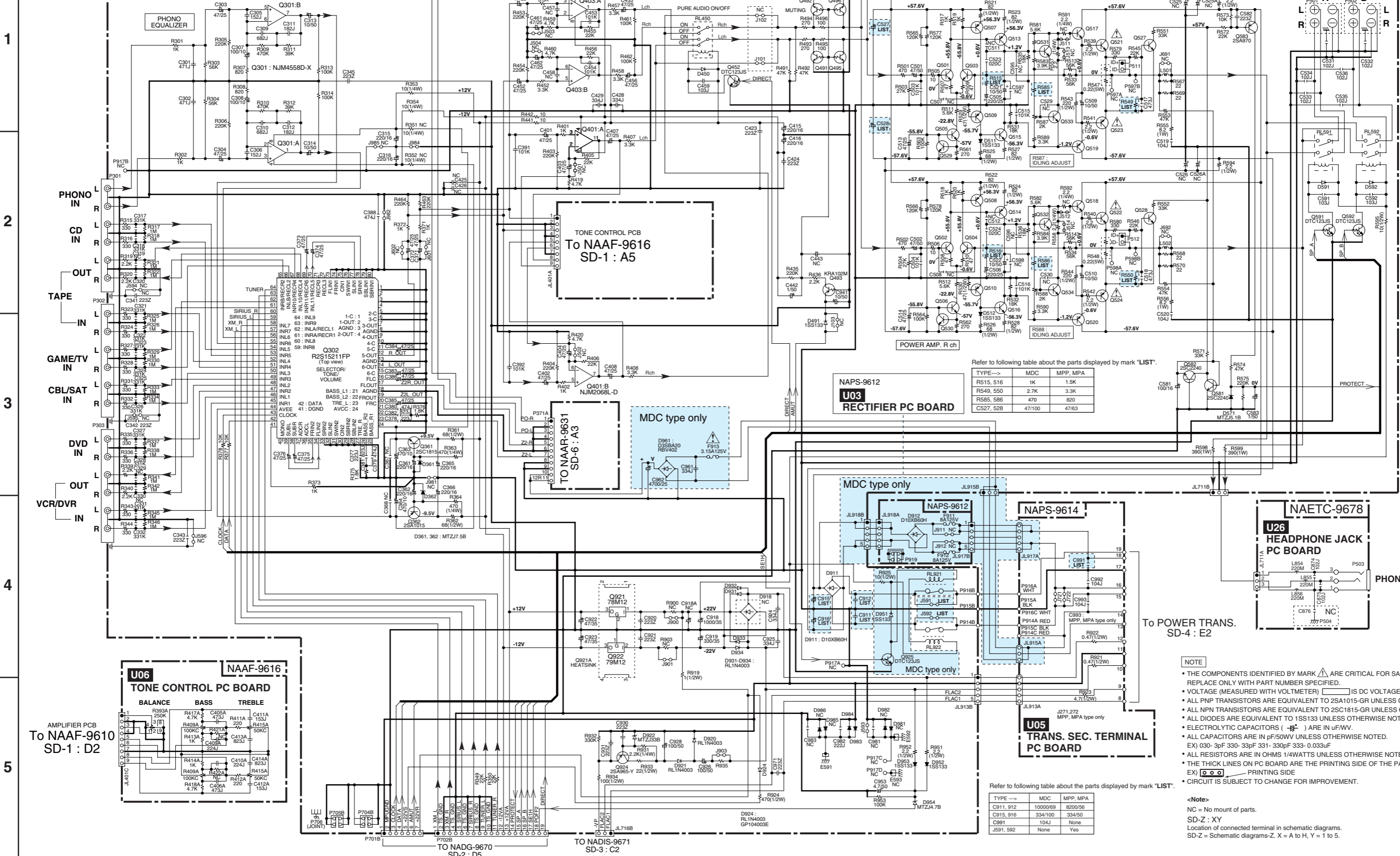
4

5



SCHEMATIC DIAGRAMS-1 (SD-1) AMPLIFIER SECTION

AMPLIFIER PC BOARD



Refer to following table about the parts displayed by mark "LIST".

TYPE-->	MDC	MPP, MPA
R515, 516	1K	1.5K
R549, 550	2.7K	3.3K
R585, 586	470	820
C527, 528	47/100	47/63

Refer to following table about the parts displayed by mark "LIST".

TYPE -->	MDC	MPP, MPA
C911, 912	1000/69	8200/56
C915, 916	334/100	334/50
C991	104J	None
J591, 592	None	Yes

NOTE

- THE COMPONENTS IDENTIFIED BY MARK Δ ARE CRITICAL FOR SAFETY. REPLACE ONLY WITH PART NUMBER SPECIFIED.
- VOLTAGE (MEASURED WITH VOLTMETER) [] IS DC VOLTAGE. (NO INPUT SIGNAL).
- ALL PNP TRANSISTORS ARE EQUIVALENT TO 2SA1015-GR UNLESS OTHERWISE NOTED.
- ALL NPN TRANSISTORS ARE EQUIVALENT TO 2SC1815-GR UNLESS OTHERWISE NOTED.
- ALL DIODES ARE EQUIVALENT TO 1SS133 UNLESS OTHERWISE NOTED.
- ELECTROLYTIC CAPACITORS (Δ) ARE IN uF/WV.
- ALL CAPACITORS ARE IN pF/50WV UNLESS OTHERWISE NOTED.
- EX) 030-3pF 330-33pF 331-330pF 333-0.03uF
- ALL RESISTORS ARE IN OHMS 1/4WATT UNLESS OTHERWISE NOTED.
- THE THICK LINES ON PC BOARD ARE THE PRINTING SIDE OF THE PARTS.
- EX) [] PRINTING SIDE
- CIRCUIT IS SUBJECT TO CHANGE FOR IMPROVEMENT.

<Note>
 NC = No mount of parts.
 SD-Z : XY
 Location of connected terminal in schematic diagrams.
 SD-Z = Schematic diagrams-Z. X = A to H, Y = 1 to 5.

SCHEMATIC DIAGRAMS-2 (SD-2)
MICROPROCESSOR SECTION

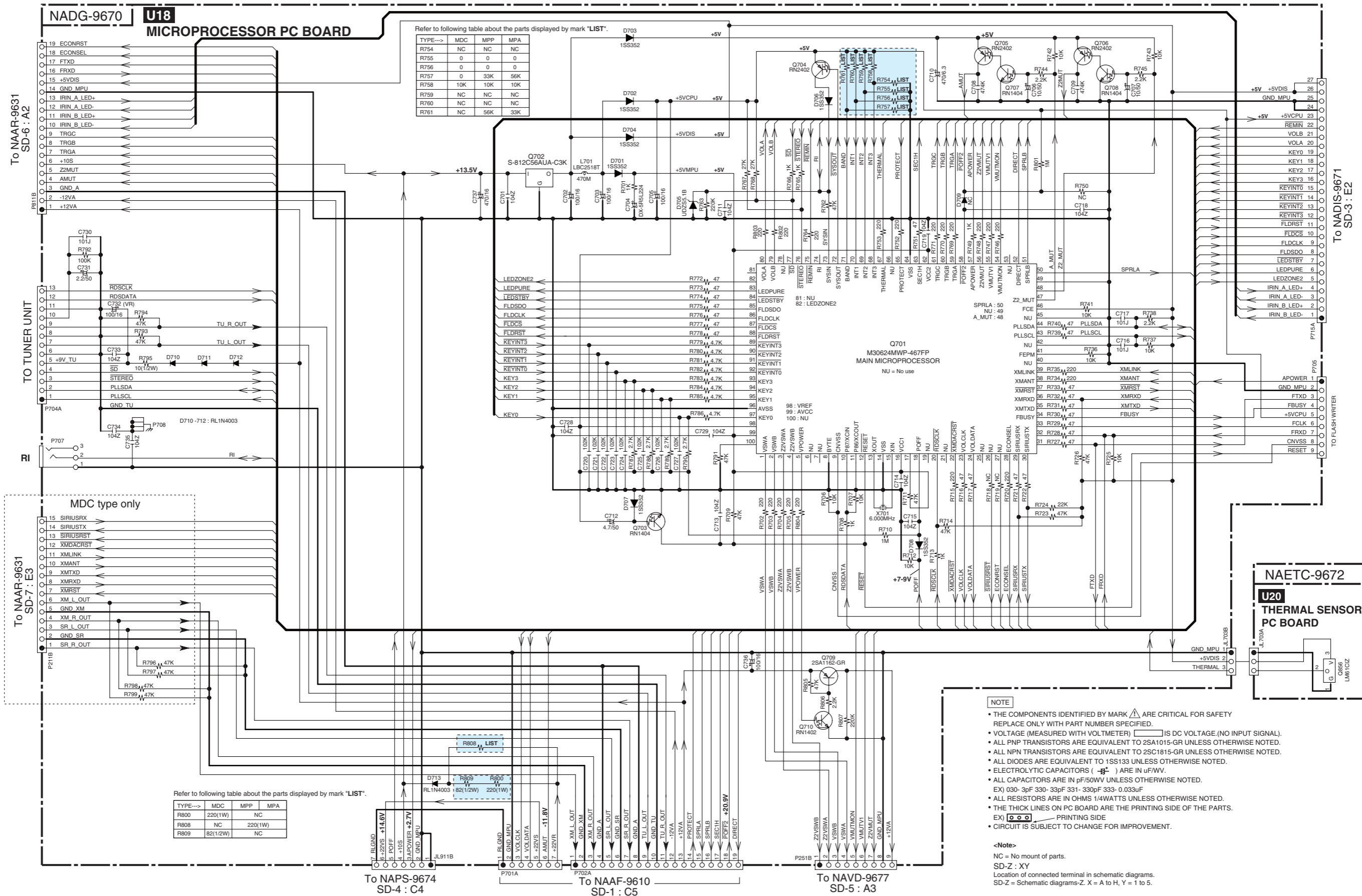
1

2

3

4

5



Refer to following table about the parts displayed by mark "LIST".

TYPE-->	MDC	MPP	MPA
R754	NC	NC	NC
R755	0	0	0
R756	0	0	0
R757	0	33K	56K
R758	10K	10K	10K
R759	NC	NC	NC
R760	NC	NC	NC
R761	NC	56K	33K

Refer to following table about the parts displayed by mark "LIST".

TYPE-->	MDC	MPP	MPA
R800	220(1W)	NC	
R808	NC	220(1W)	
R809	82(1/2W)	NC	

- NOTE**
- THE COMPONENTS IDENTIFIED BY MARK Δ ARE CRITICAL FOR SAFETY. REPLACE ONLY WITH PART NUMBER SPECIFIED.
 - VOLTAGE (MEASURED WITH VOLTMETER) \square IS DC VOLTAGE.(NO INPUT SIGNAL).
 - ALL PNP TRANSISTORS ARE EQUIVALENT TO 2SA1015-GR UNLESS OTHERWISE NOTED.
 - ALL NPN TRANSISTORS ARE EQUIVALENT TO 2SC1815-GR UNLESS OTHERWISE NOTED.
 - ALL DIODES ARE EQUIVALENT TO 1SS133 UNLESS OTHERWISE NOTED.
 - ELECTROLYTIC CAPACITORS (---) ARE IN $\mu\text{F}/\text{V.V.}$
 - ALL CAPACITORS ARE IN $\text{pF}/50\text{V.V.}$ UNLESS OTHERWISE NOTED.
 - EX) 030-3pF 330-33pF 331-330pF 333-0.033 μF
 - ALL RESISTORS ARE IN OHMS 1/4WATTS UNLESS OTHERWISE NOTED.
 - THE THICK LINES ON PC BOARD ARE THE PRINTING SIDE OF THE PARTS.
 - EX) \square PRINTING SIDE
 - CIRCUIT IS SUBJECT TO CHANGE FOR IMPROVEMENT.

<Note>
NC = No mount of parts.
SD-Z : XY
Location of connected terminal in schematic diagrams.
SD-Z = Schematic diagrams-Z. X = A to H, Y = 1 to 5.

A

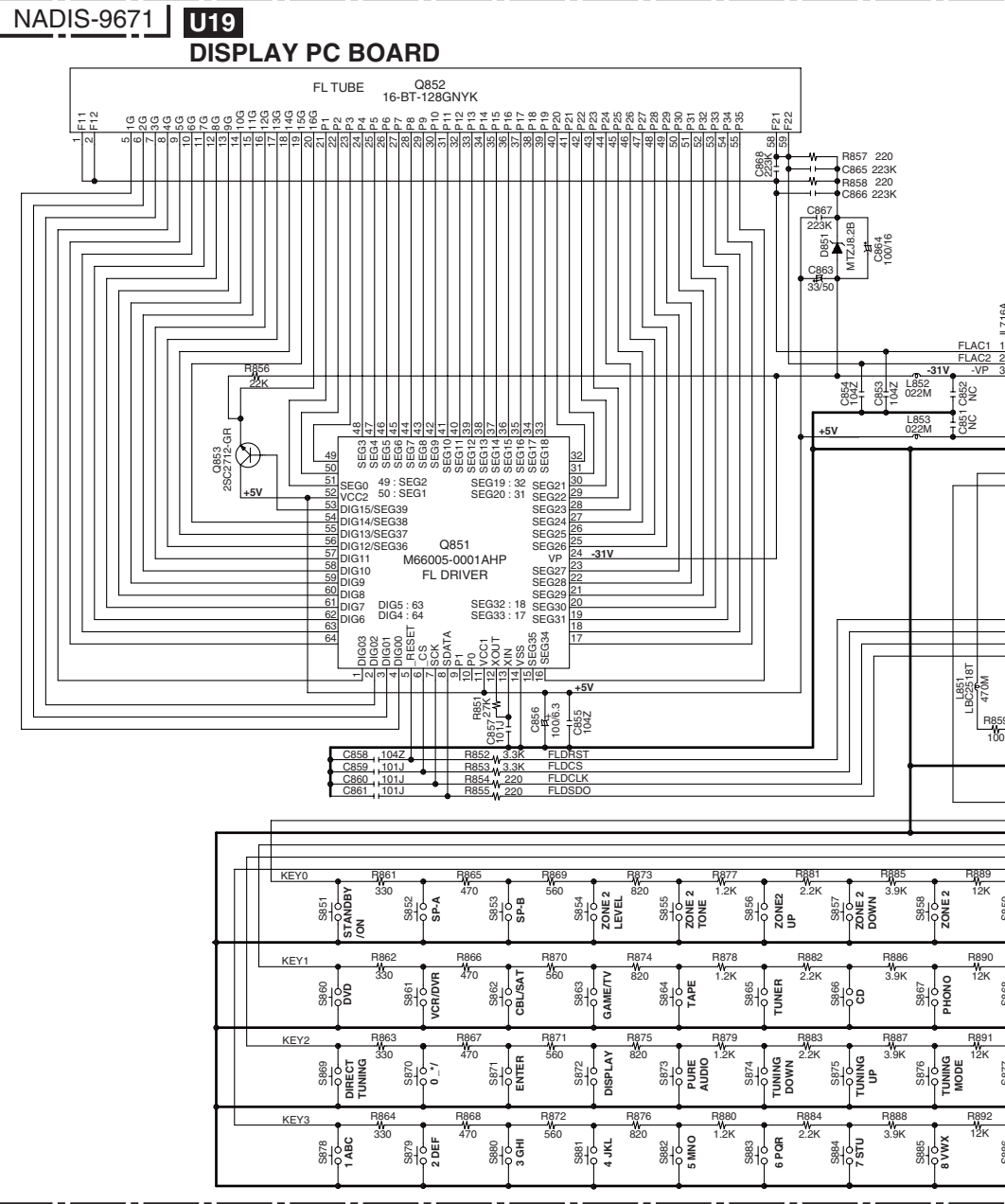
B

C

D

E

SCHEMATIC DIAGRAMS-3 (SD-3) DISPLAY SECTION

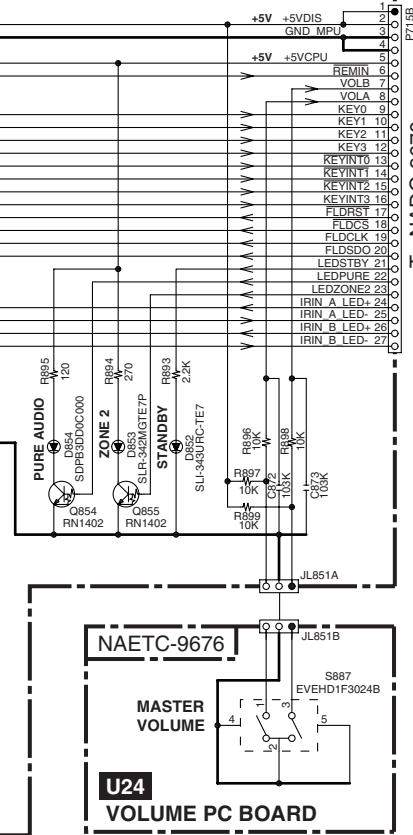


NOTE

- THE COMPONENTS IDENTIFIED BY MARK \triangle ARE CRITICAL FOR SAFETY. REPLACE ONLY WITH PART NUMBER SPECIFIED.
- VOLTAGE (MEASURED WITH VOLTMETER) \square IS DC VOLTAGE. (NO INPUT SIGNAL).
- ALL PNP TRANSISTORS ARE EQUIVALENT TO 2SA1015-GR UNLESS OTHERWISE NOTED.
- ALL NPN TRANSISTORS ARE EQUIVALENT TO 2SC1815-GR UNLESS OTHERWISE NOTED.
- ALL DIODES ARE EQUIVALENT TO 1SS133 UNLESS OTHERWISE NOTED.
- ELECTROLYTIC CAPACITORS (---) ARE IN μ F/WV.
- ALL CAPACITORS ARE IN pF/50WV UNLESS OTHERWISE NOTED.
- EX) 030-3pF 330-33pF 331-330pF 333-0.033uF
- ALL RESISTORS ARE IN OHMS 1/4WATTS UNLESS OTHERWISE NOTED.
- THE THICK LINES ON PC BOARD ARE THE PRINTING SIDE OF THE PARTS.
- EX) \square PRINTING SIDE
- CIRCUIT IS SUBJECT TO CHANGE FOR IMPROVEMENT.

<Note>

NC = No mount of parts.
 SD-Z : XY
 Location of connected terminal in schematic diagrams.
 SD-Z = Schematic diagrams-Z. X = A to H, Y = 1 to 5.



1
2
3
4

To NAAF-9610
SD-1 : D5

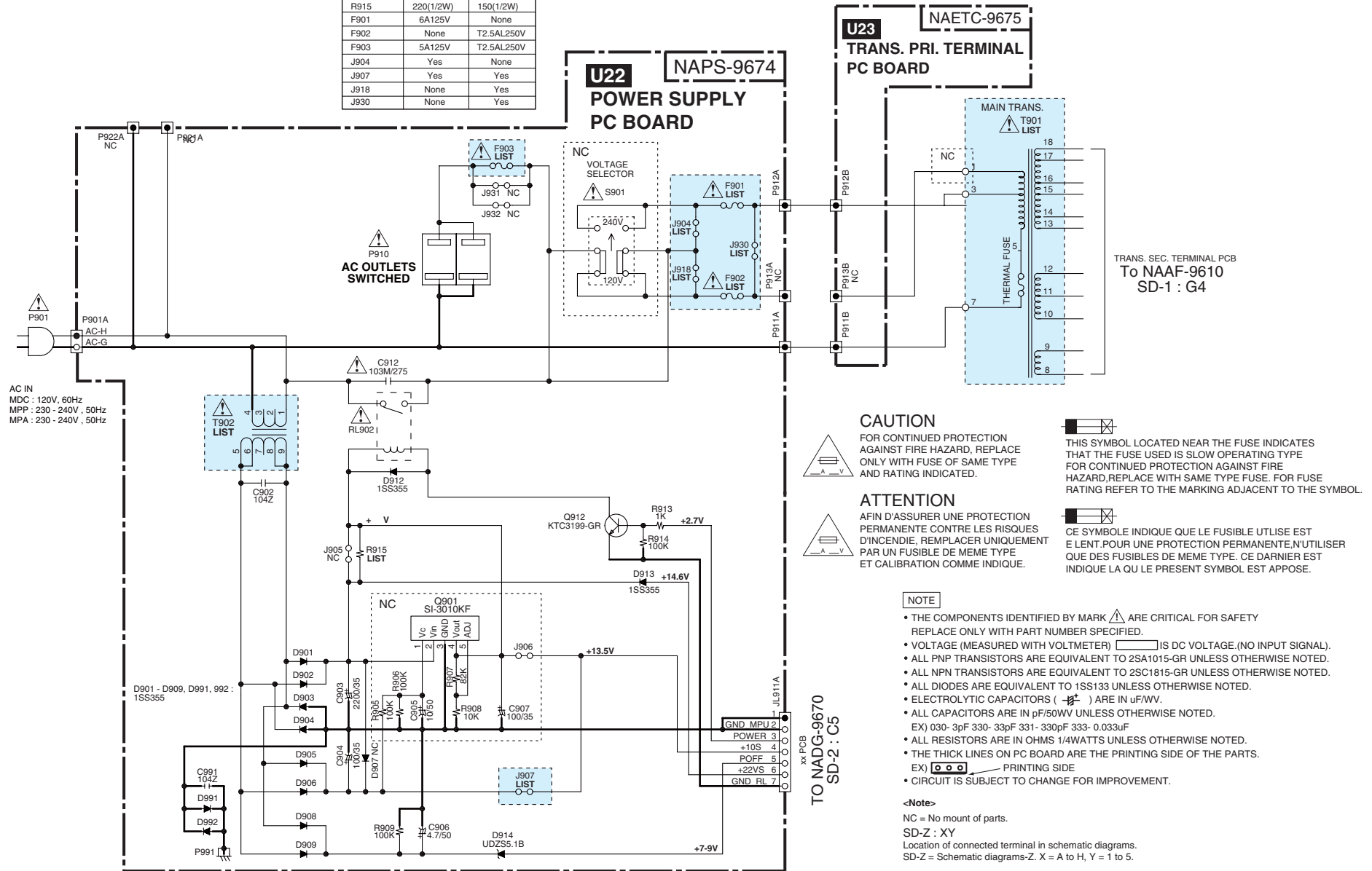
To NADG-9670
SD-2 : H2

SCHEMATIC DIAGRAMS-4 (SD-4)

POWER SUPPLY SECTION

Refer to following table about the parts displayed by mark "LIST".

TYPE-->	MDD	MPP, MPA
T901	NPT-1575D	NPT-1575P
T902	NPT-1520JQ	NPT-1520GQ
R915	220(1/2W)	150(1/2W)
F901	6A125V	None
F902	None	T2.5AL250V
F903	5A125V	T2.5AL250V
J904	Yes	None
J907	Yes	Yes
J918	None	Yes
J930	None	Yes



CAUTION
FOR CONTINUED PROTECTION AGAINST FIRE HAZARD, REPLACE ONLY WITH FUSE OF SAME TYPE AND RATING INDICATED.

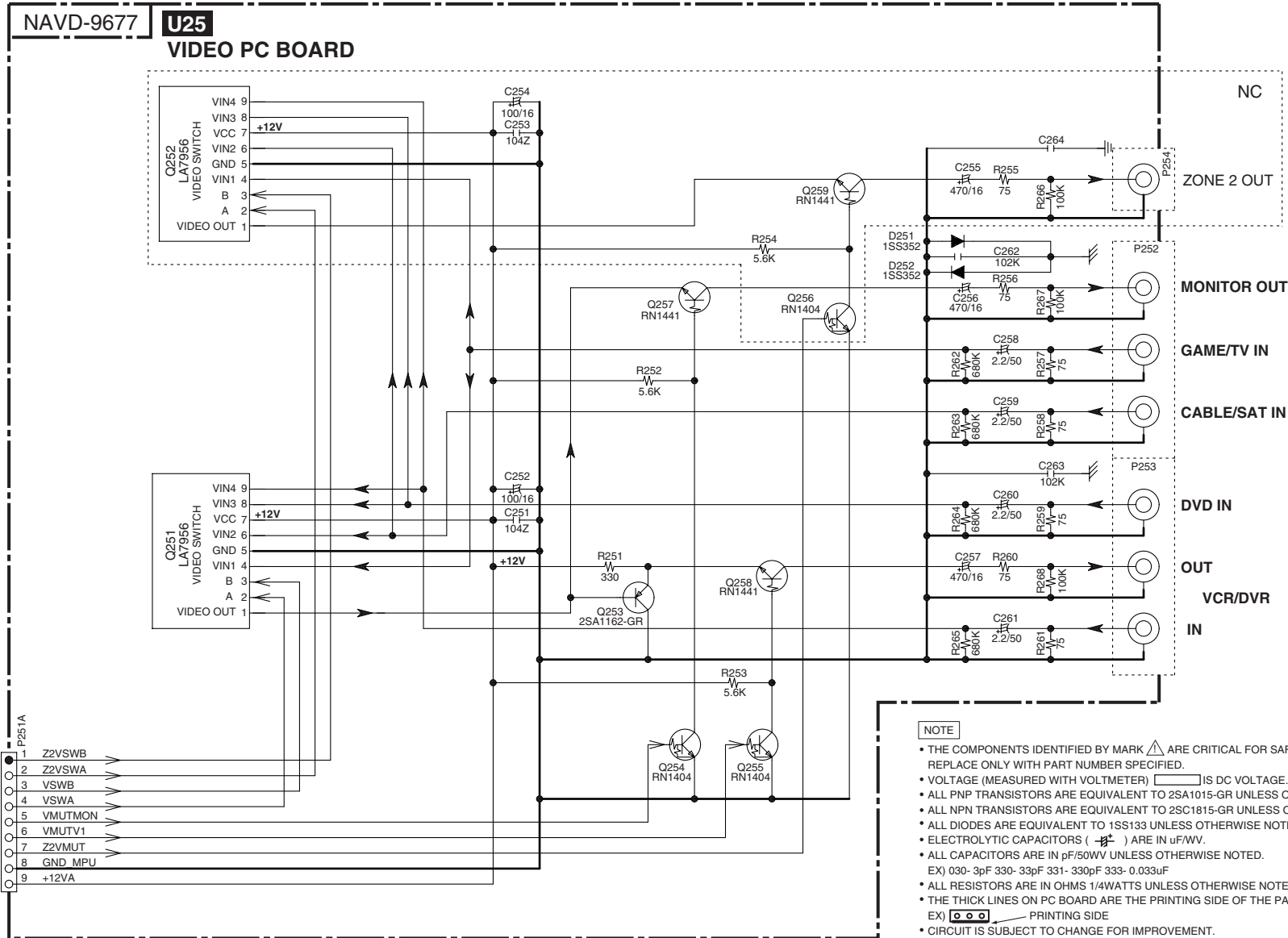
ATTENTION
AFIN D'ASSURER UNE PROTECTION PERMANENTE CONTRE LES RISQUES D'INCENDIE, REMPLACER UNIQUEMENT PAR UN FUSIBLE DE MEME TYPE ET CALIBRATION COMME INDIQUE.

NOTE
• THE COMPONENTS IDENTIFIED BY MARK ARE CRITICAL FOR SAFETY. REPLACE ONLY WITH PART NUMBER SPECIFIED.
• VOLTAGE (MEASURED WITH VOLTMETER) IS DC VOLTAGE.(NO INPUT SIGNAL).
• ALL PNP TRANSISTORS ARE EQUIVALENT TO 2SA1015-GR UNLESS OTHERWISE NOTED.
• ALL NPN TRANSISTORS ARE EQUIVALENT TO 2SC1815-GR UNLESS OTHERWISE NOTED.
• ALL DIODES ARE EQUIVALENT TO 1SS133 UNLESS OTHERWISE NOTED.
• ELECTROLYTIC CAPACITORS () ARE IN µF/WV.
• ALL CAPACITORS ARE IN pF/50V UNLESS OTHERWISE NOTED.
EX) 030- 3pF 330- 33pF 331- 330pF 333- 0.033µF
• ALL RESISTORS ARE IN OHMS 1/4WATTS UNLESS OTHERWISE NOTED.
• THE THICK LINES ON PC BOARD ARE THE PRINTING SIDE OF THE PARTS.
EX) PRINTING SIDE
• CIRCUIT IS SUBJECT TO CHANGE FOR IMPROVEMENT.

<Note>
NC = No mount of parts.
SD-Z : XY
Location of connected terminal in schematic diagrams.
SD-Z = Schematic diagrams-Z. X = A to H, Y = 1 to 5.

SCHEMATIC DIAGRAMS-5 (SD-5)
VIDEO SECTION

1
2
3
4



NOTE

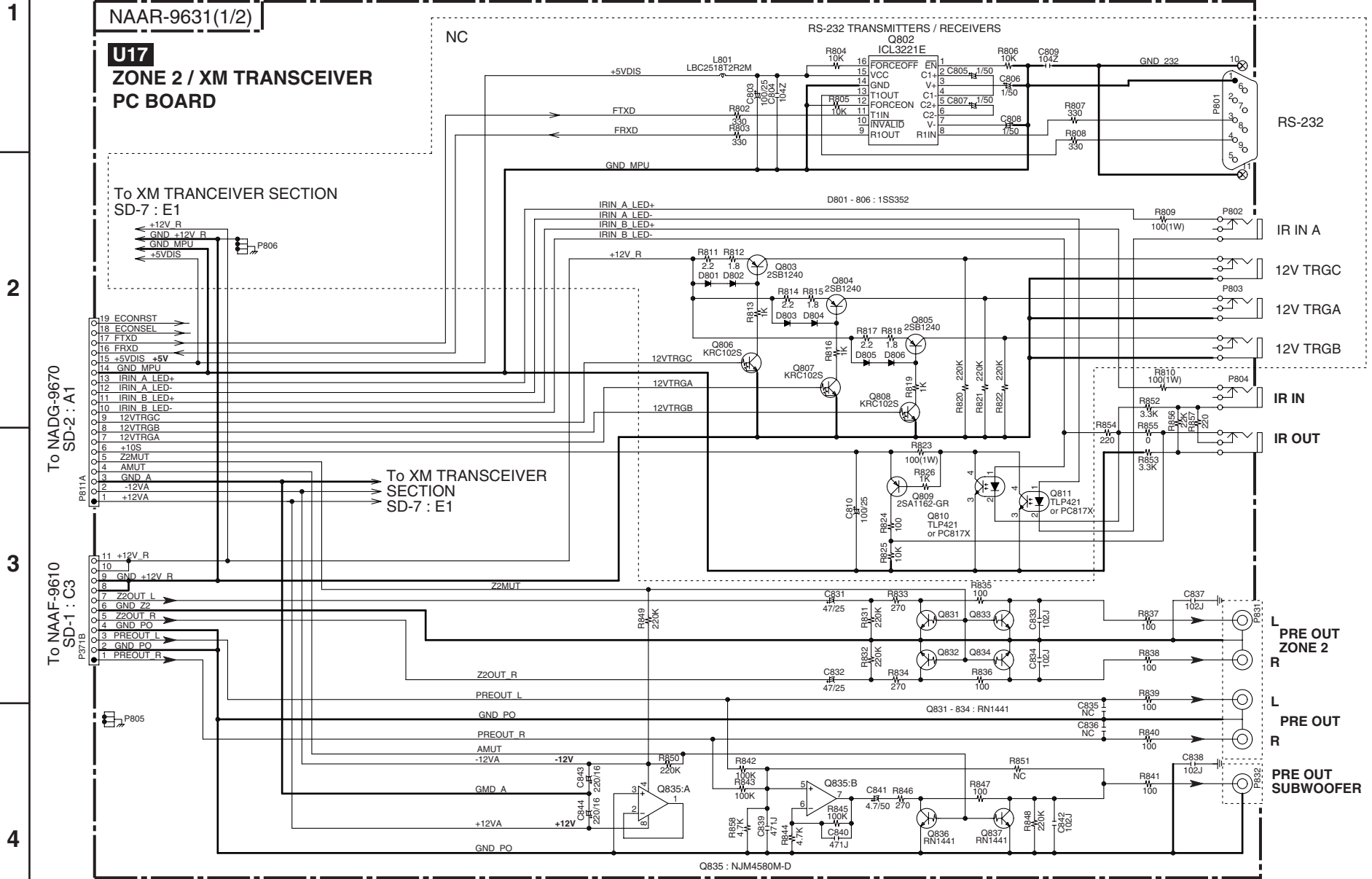
- THE COMPONENTS IDENTIFIED BY MARK Δ ARE CRITICAL FOR SAFETY. REPLACE ONLY WITH PART NUMBER SPECIFIED.
- VOLTAGE (MEASURED WITH VOLTMETER) \square IS DC VOLTAGE (NO INPUT SIGNAL).
- ALL PNP TRANSISTORS ARE EQUIVALENT TO 2SA1015-GR UNLESS OTHERWISE NOTED.
- ALL NPN TRANSISTORS ARE EQUIVALENT TO 2SC1815-GR UNLESS OTHERWISE NOTED.
- ALL DIODES ARE EQUIVALENT TO 1SS133 UNLESS OTHERWISE NOTED.
- ELECTROLYTIC CAPACITORS (\square) ARE IN μ F/WV.
- ALL CAPACITORS ARE IN pF/50WV UNLESS OTHERWISE NOTED.
EX) 030-3pF 330-33pF 331-330pF 333-0.033 μ F
- ALL RESISTORS ARE IN OHMS 1/4Watts UNLESS OTHERWISE NOTED.
- THE THICK LINES ON PC BOARD ARE THE PRINTING SIDE OF THE PARTS.
EX) \square PRINTING SIDE
- CIRCUIT IS SUBJECT TO CHANGE FOR IMPROVEMENT.

<Note>
NC = No mount of parts.
SD-Z : XY
Location of connected terminal in schematic diagrams.
SD-Z = Schematic diagrams-Z. X = A to H, Y = 1 to 5.

SCHEMATIC DIAGRAMS-6 (SD-6)

ZONE 2 SECTION

<Note>
 NC = No mount of parts.
 SD-Z : XY
 Location of connected terminal in schematic diagrams.
 SD-Z = Schematic diagrams-Z. X = A to H, Y = 1 to 5.



A

B

C

D

E

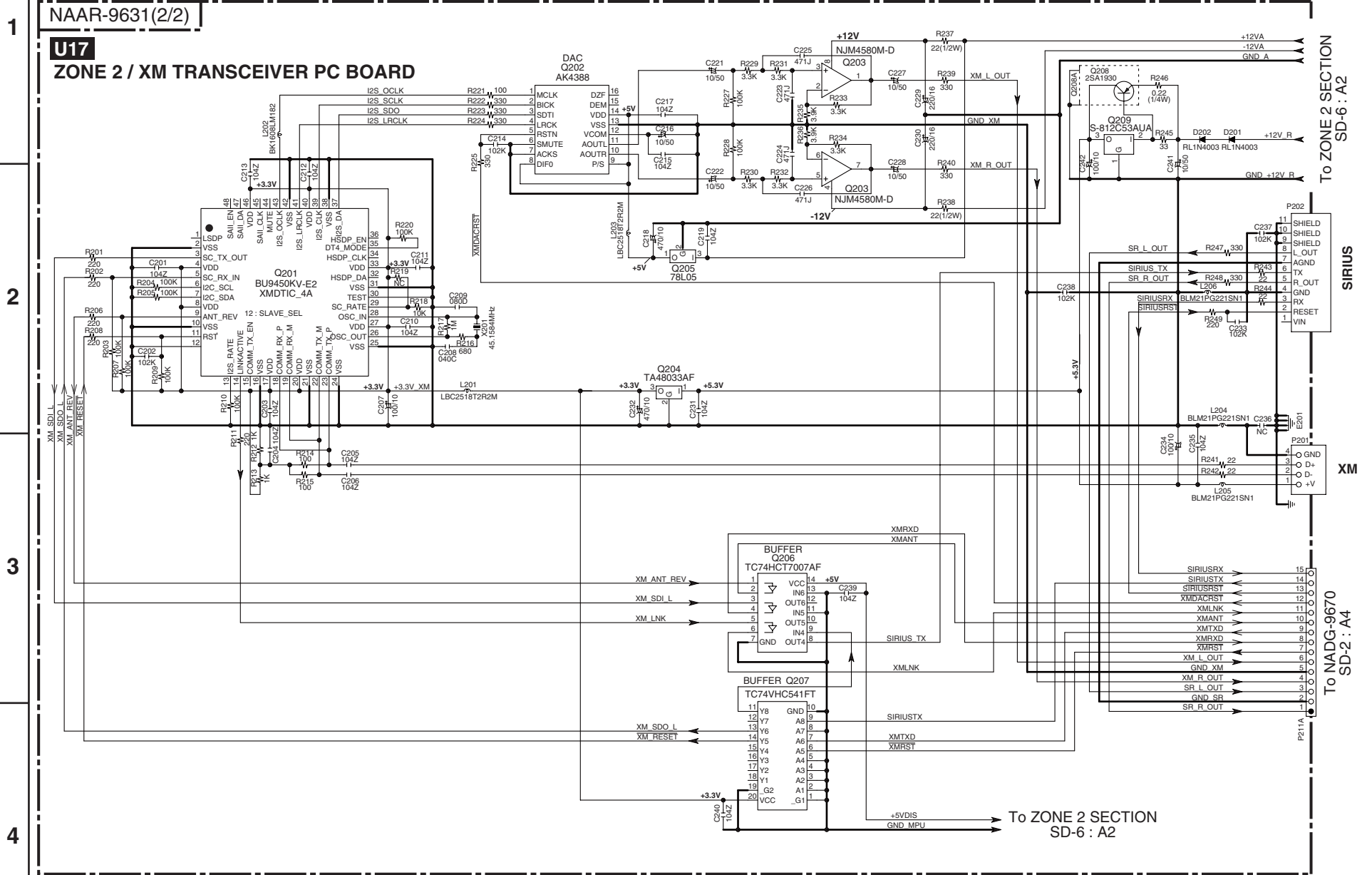
SCHEMATIC DIAGRAMS-7 (SD-7) XM TRANCEIVER SECTION

<Note>
NC = No mount of parts.
SD-Z : XY
Location of connected terminal in schematic diagrams.
SD-Z = Schematic diagrams-Z. X = A to H, Y = 1 to 5.

NAAR-9631 (2/2)

U17

ZONE 2 / XM TRANCEIVER PC BOARD



To ZONE 2 SECTION
SD-6 : A2

SIRIUS

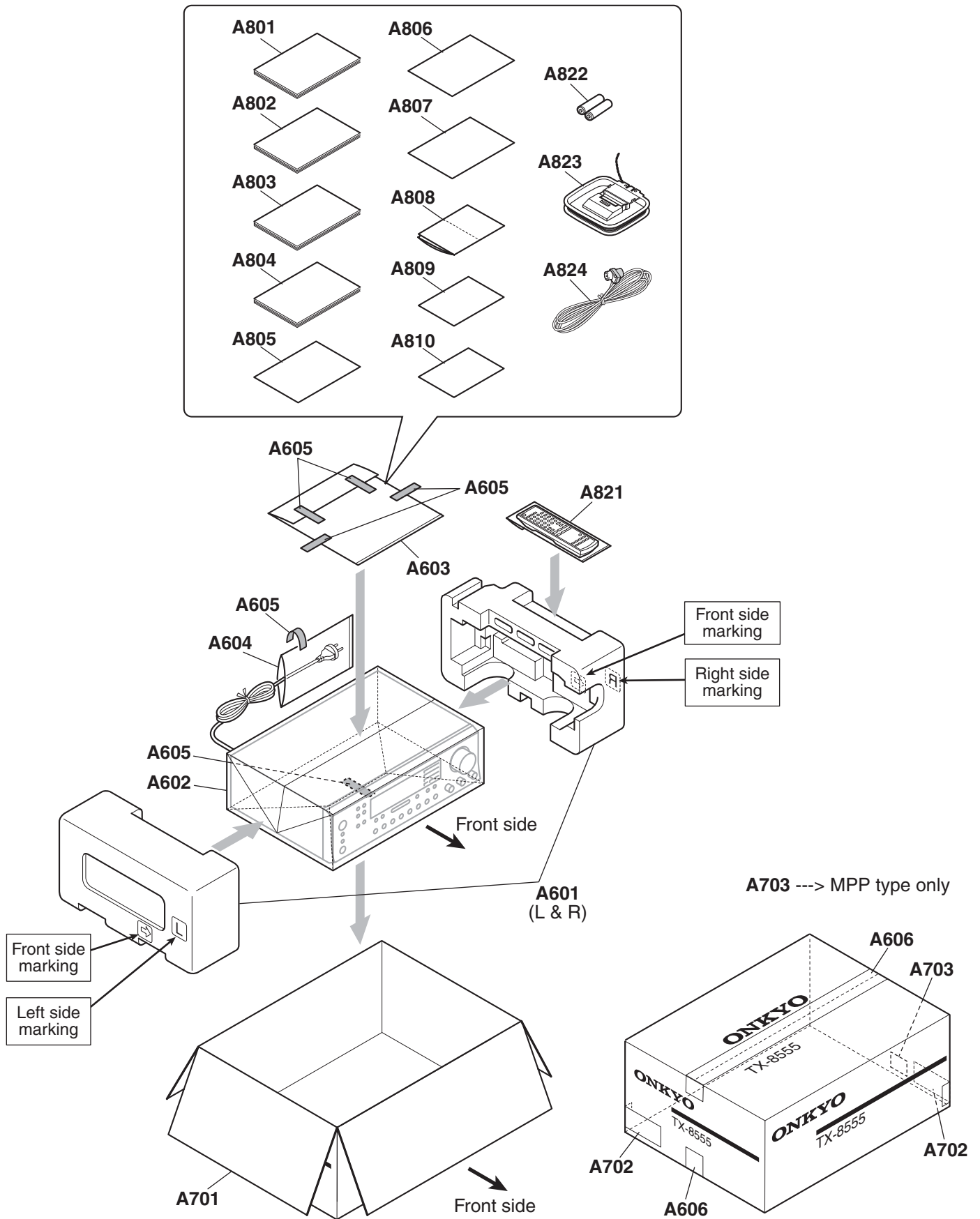
XM

To NADG-9670
SD-2 : A4

To ZONE 2 SECTION
SD-6 : A2

1
2
3
4

PACKING PROCEDURE



PRINTED CIRCUIT BOARD VIEWS-1

U01 AMPLIFIER PC BOARD (NAAF-9610)

Component side

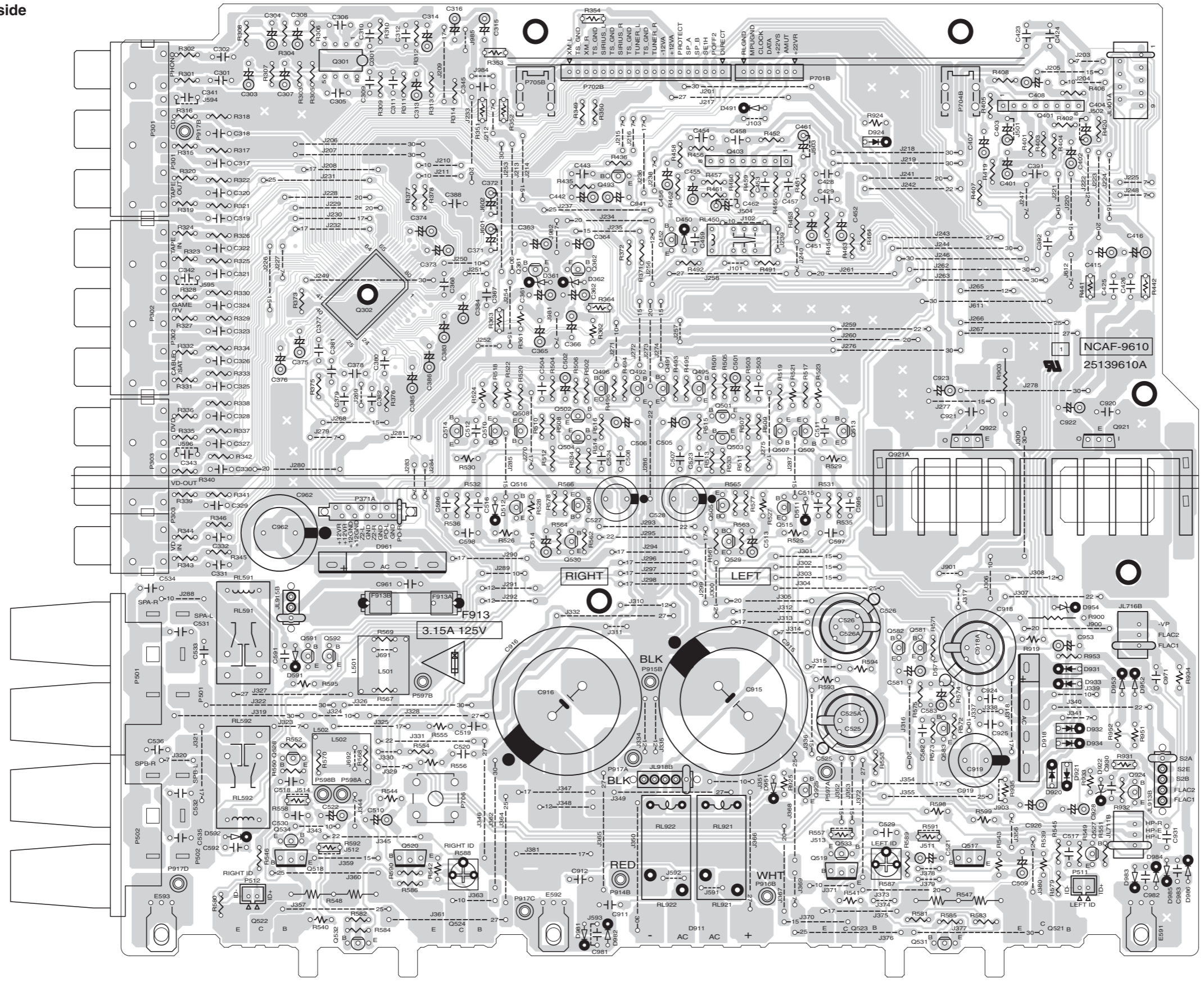
1

2

3

4

5



A

B

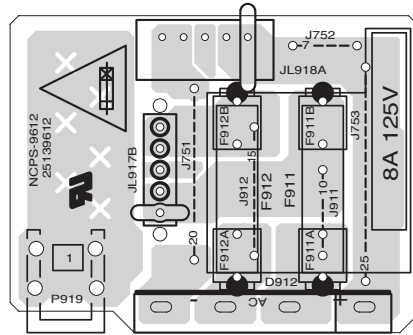
C

D

PRINTED CIRCUIT BOARD VIEWS-2

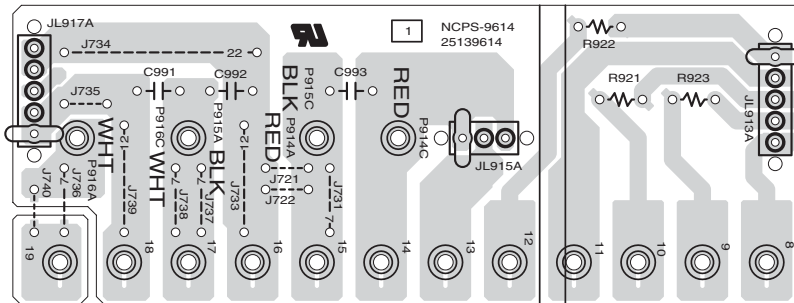
1

U03 RECTIFIER PC BOARD
(NAPS-9612)
Component side



2

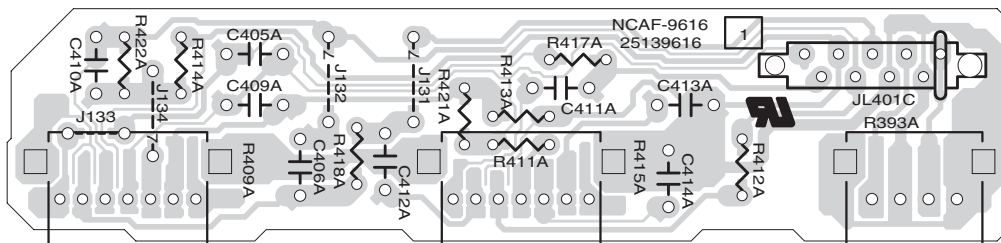
U05 TRANS. SEC. TERMINAL PC BOARD
(NAPS-9614)
Component side



3

4

U06 TONE CONTROL PC BOARD
(NAAF-9616)
Component side



5

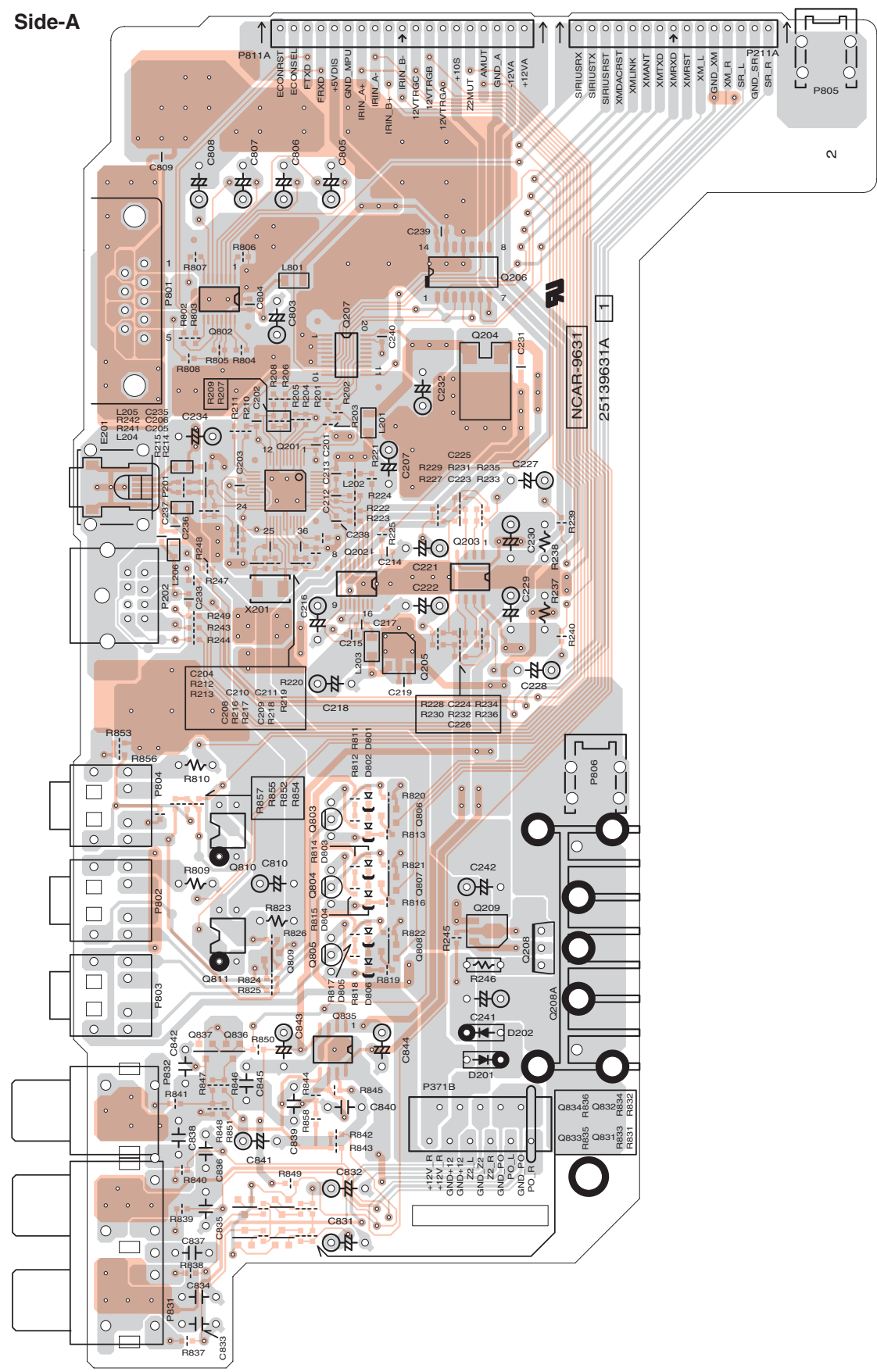
A B C D

PRINTED CIRCUIT BOARD VIEWS-3

U17 ZONE 2 / XM PC BOARD (NAAR-9631)

Side-A

1
2
3
4
5



A

B

C

D

PRINTED CIRCUIT BOARD VIEWS-5

U18 MICROPROCESSOR PC BOARD (NADG-9670)

Component side

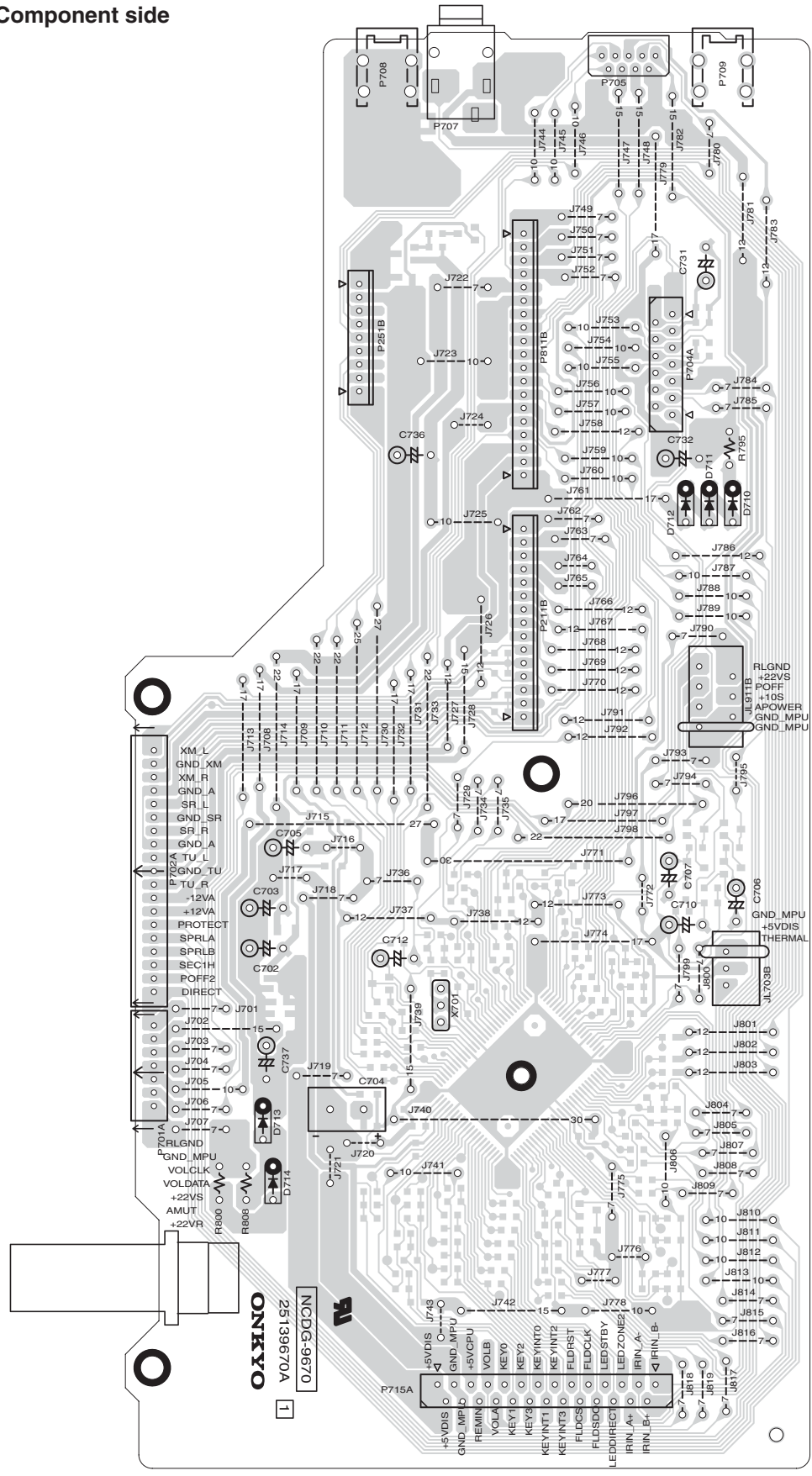
1

2

3

4

5



ONKYO
25139670A

NCDG-9670



P715A

A B C D

PRINTED CIRCUIT BOARD VIEWS-6

U18 MICROPROCESSOR PC BOARD (NADG-9670)

Soldering side

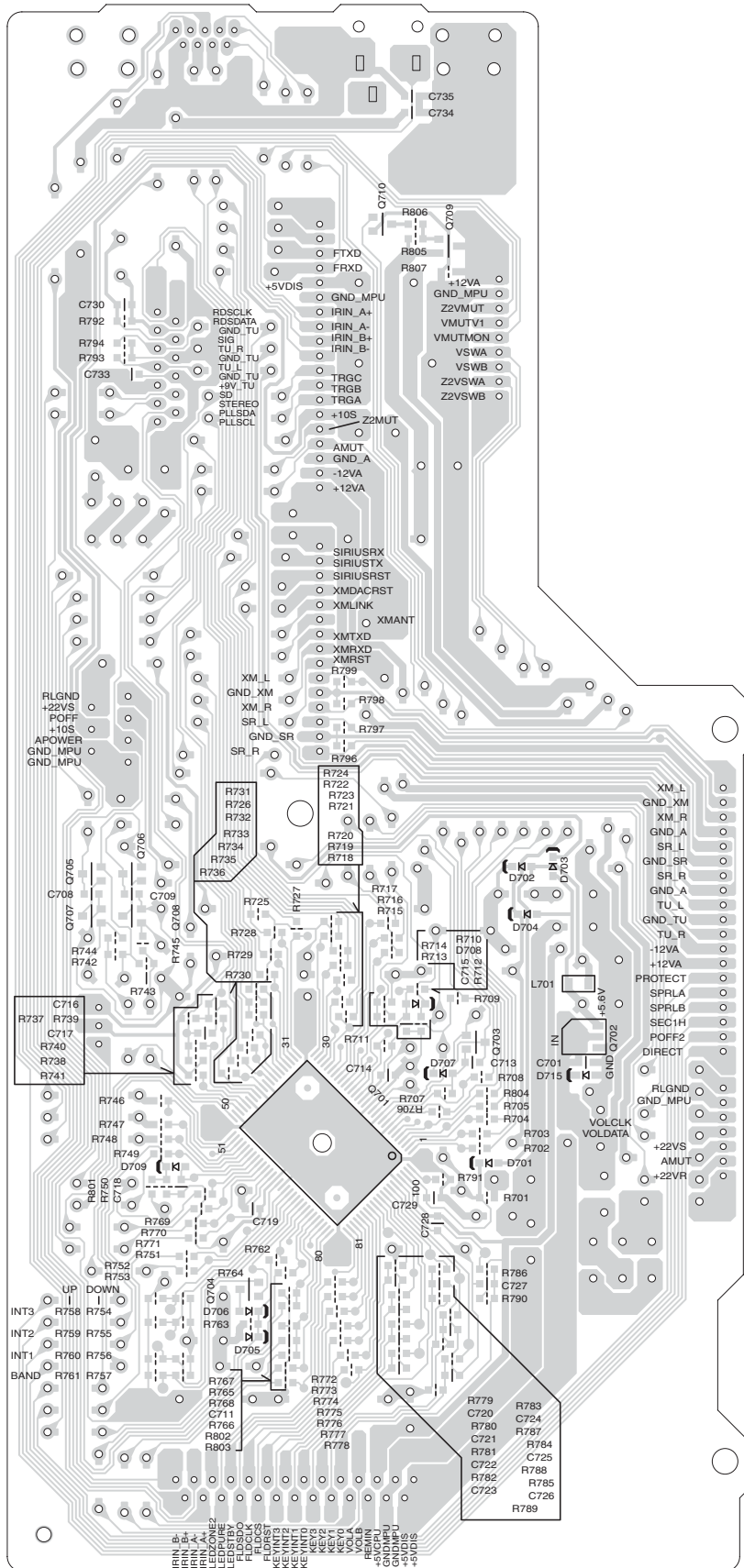
1

2

3

4

5



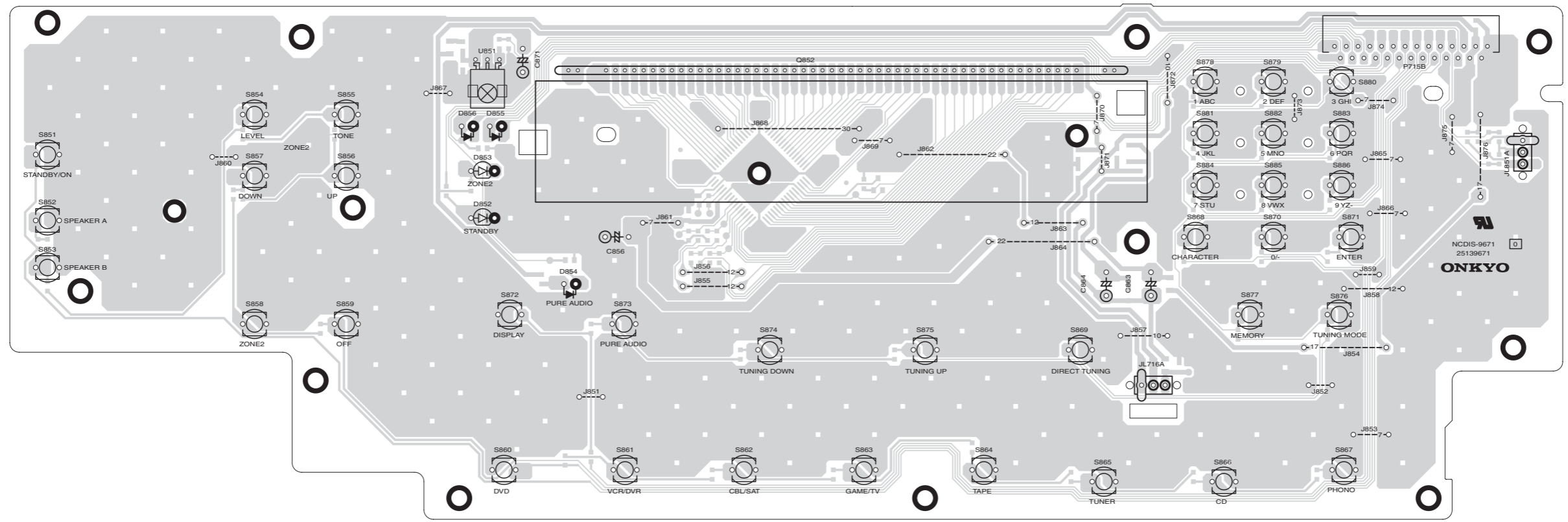
A B C D E F G H

PRINTED CIRCUIT BOARD VIEWS-7

U19 DISPLAY PC BOARD (NADIS-9671)

Component side

1

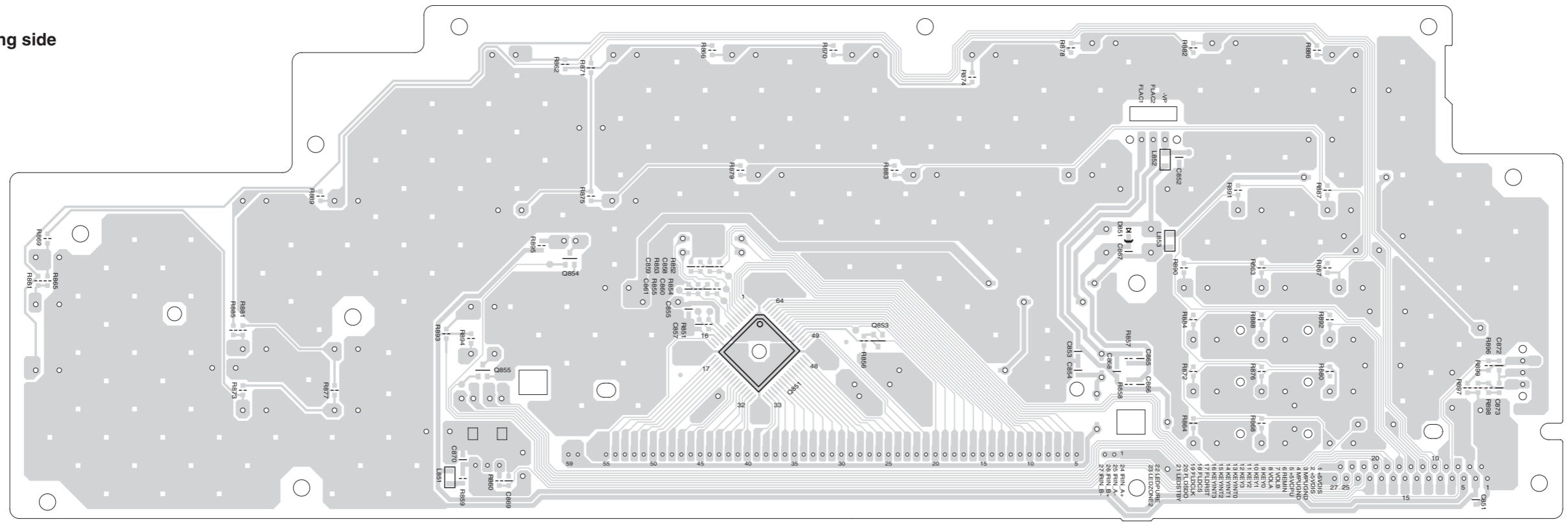


2

3

Soldering side

4



5

A

B

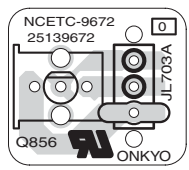
C

D

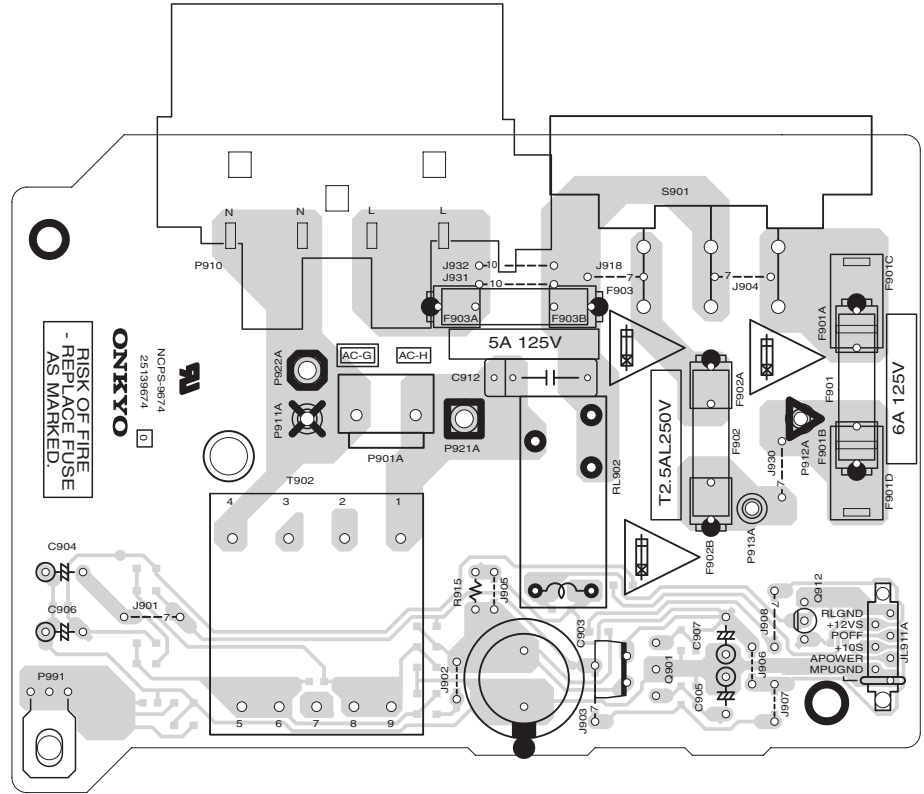
PRINTED CIRCUIT BOARD VIEWS-8

1

U20 THERMAL SENSOR PC BOARD (NAETC-9672) Component side

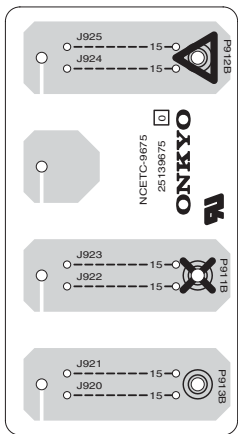


U22 POWER SUPPLY PC BOARD (NAPS-9674) Component side



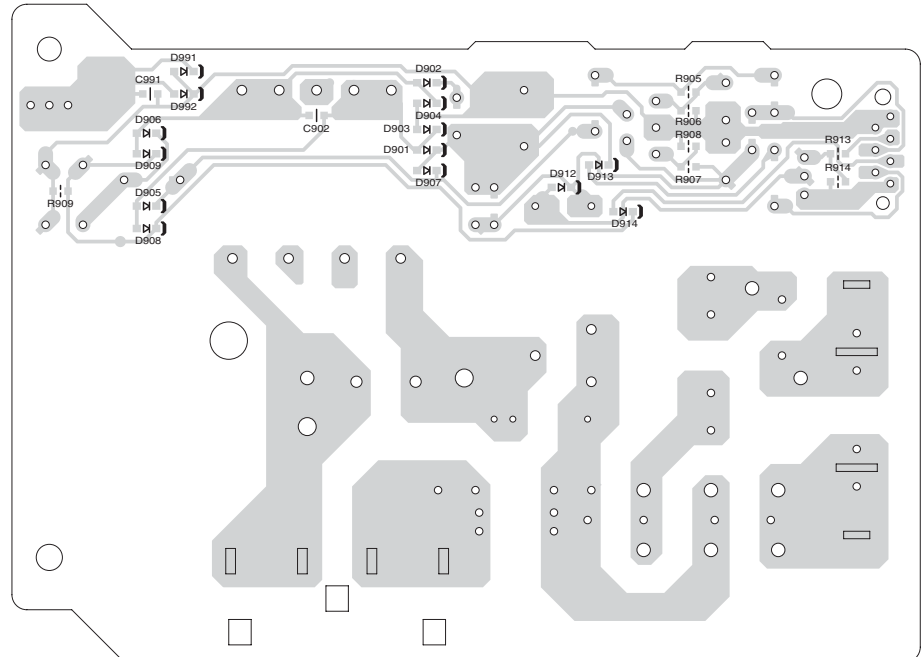
2

U23 TRANS. PRI. TERMINAL PC BOARD (NAETC-9675) Component side



3

Soldering side



4

5

A

B

C

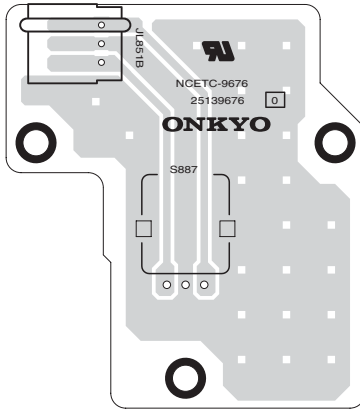
D

PRINTED CIRCUIT BOARD VIEWS-9

1

U24 VOLUME PC BOARD (NAETC-9676)

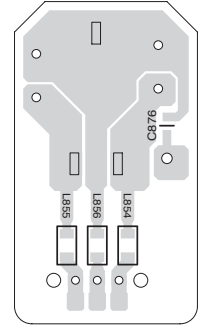
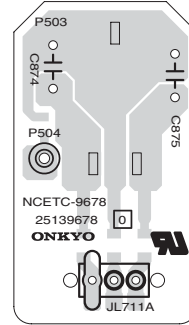
Component side



U26 HEADPHONE JACK PC BOARD (NAETC-9678)

Component side

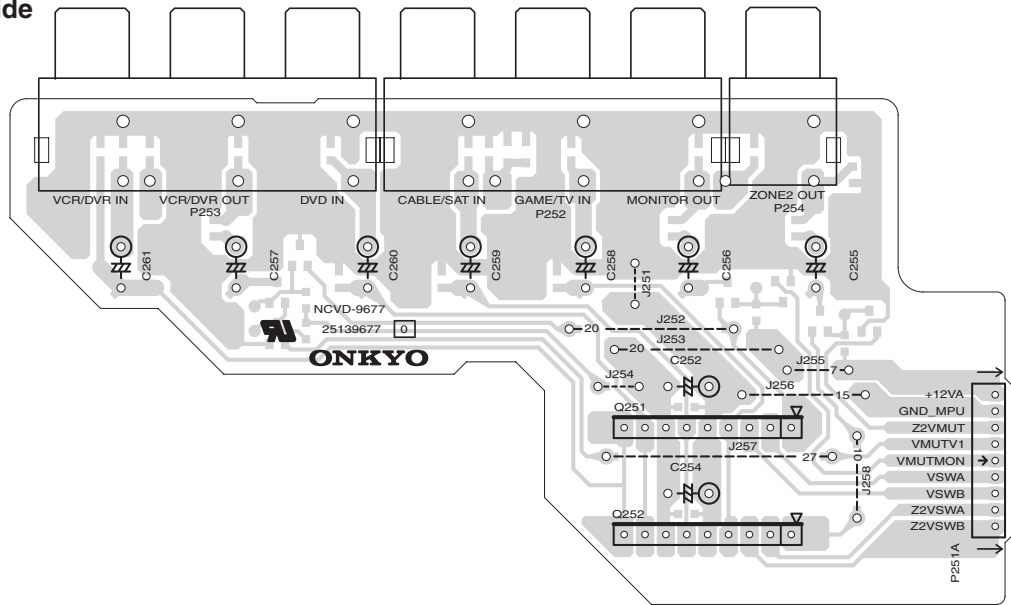
Soldering side



2

U25 VIDEO PC BOARD (NAVD-9677)

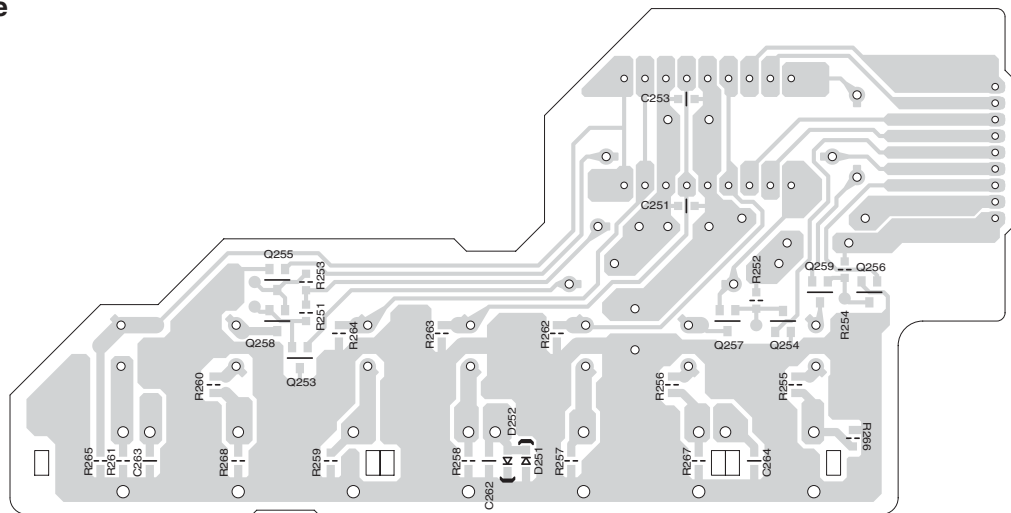
Component side



3

4

Soldering side

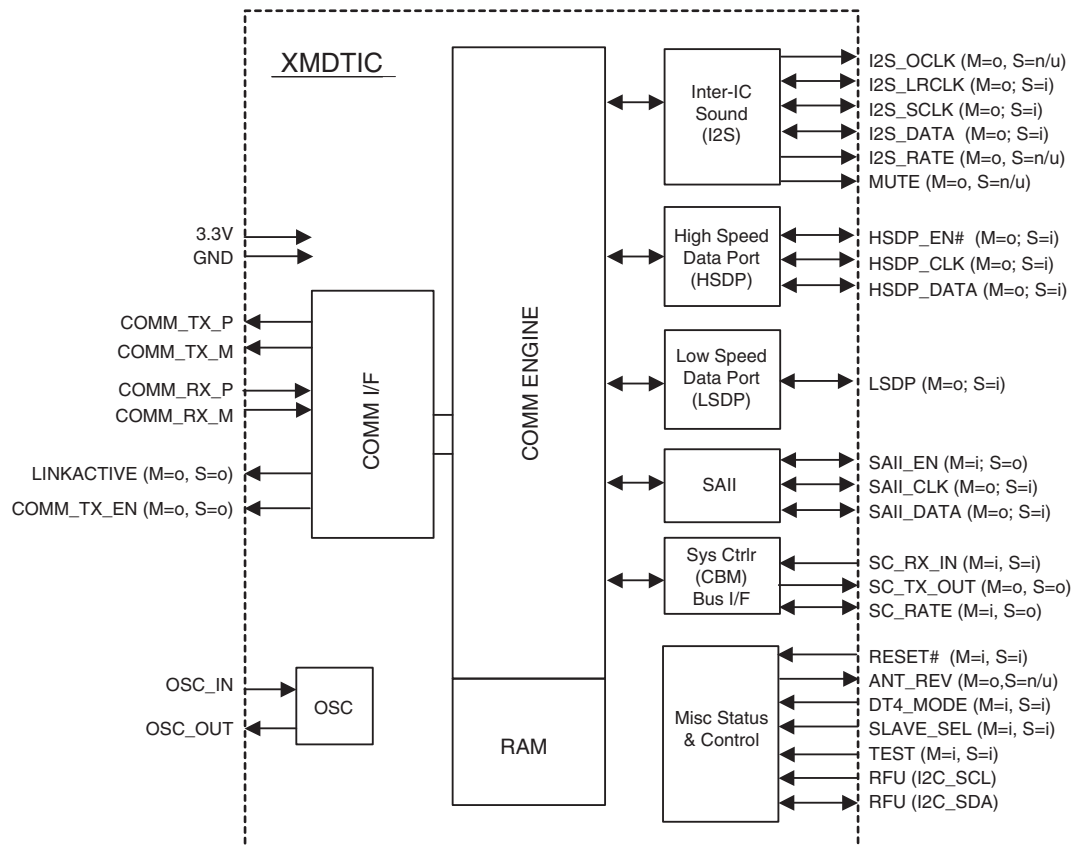


5

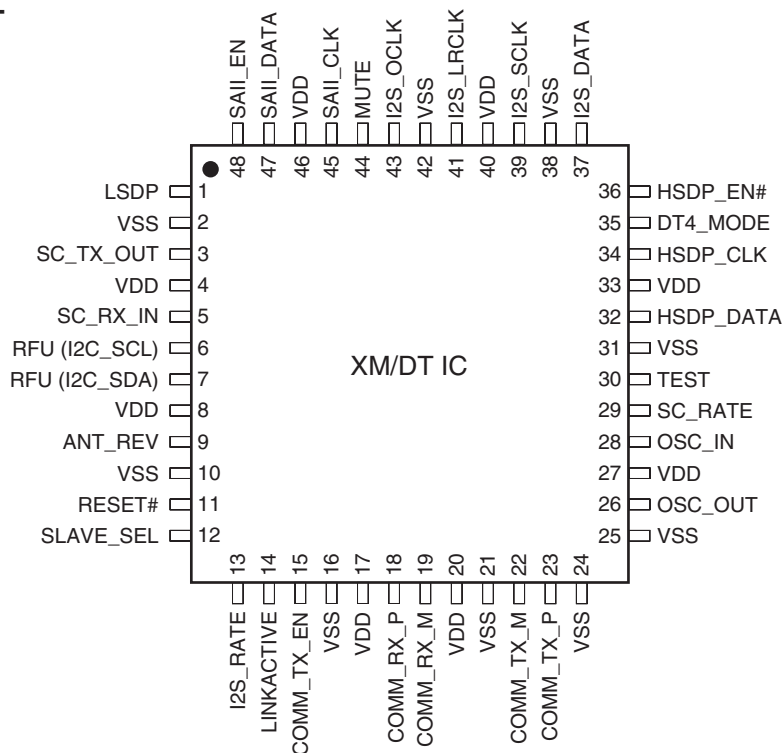
IC BLOCK DIAGRAMS AND TERMINAL DESCRIPTIONS-1

Q201 : BU9450KV (XM Digital Transceiver)-1/3

BLOCK DIAGRAM



PIN LAYOUT



IC BLOCK DIAGRAMS AND TERMINAL DESCRIPTIONS-2

Q201 : BU9450KV (XM Digital Transceiver)-2/3

TERMINAL DESCRIPTION

Pin No.	Pin Name	Direction	Function in Slave Mode	Function in Master Mode	Notes
1	LSDP	S=In M=Out	Low Speed Data Port Input	Low Speed Data Port Output	Out= 4mA, SLC In=LVTTTL S/T
3	SC_TX_OUT	S=Out M=Out	System Controller Bus (CBM) Transmit Data Out	System Controller Bus (CBM) Transmit Data Out	4mA, SLC
5	SC_RX_IN	S=In M=In	System Controller Bus (CBM) Receive Data In	System Controller Bus (CBM) Receive Data In	LVTTTL S/T
6	RFU (I2C-SCL)	S=In M=In	Reserved for Future Use (pull down with a 100k resistor to Ground)	Reserved for Future Use (pull down with a 100k resistor to Ground)	LVTTTL S/T
7	RFU (I2C-SDA)	S=In M=In	Reserved for Future Use (pull down with a 100k resistor to Ground)	Reserved for Future Use (pull down with a 100k resistor to Ground)	LVTTTL S/T
9	ANT_REV	S=n/u M=Out	Not used in Slave mode, leave unconnected	Indication of incompatible antenna	4mA, SLC
11	RESET#	S=In M=In	Asynchronous Reset In, (Active Low)	Asynchronous Reset In, (Active Low)	LVTTTL S/T
12	SLAVE_SEL	S=In M=In	Master/Slave Mode Select In (High = Slave Mode)	Master/Slave Mode Select In (Low = Master Mode)	LVTTTL S/T
13	I2S_RATE	S=Out M=Out	Output driven high, leave unconnected	Indicator of incoming I2S data rate	4mA, SLC
14	LINKACTIVE	S=Out M=Out	Link Active indicator (High = DT bus link is active and data is flowing)	Link Active indicator (High = DT bus link is active and data is flowing)	4mA, SLC
15	COMM_TX_EN	S=Out M=Out	DT Comm Bus External Transceiver Direction Control Output (0=Tx, 1=Rx)	DT Comm Bus External Transceiver Direction Control Output (0=Tx, 1=Rx)	4mA, SLC
18	COMM_RX_P	S=In M=In	DT Differential Comm Bus Internal Receiver Positive In	DT Differential Comm Bus Internal Receiver Positive In	LVDS in+
19	COMM_RX_M	S=In M=In	DT Differential Comm Bus Internal Receiver Negative In	DT Differential Comm Bus Internal Receiver Negative In	LVDS in-
22	COMM_TX_M	S=Out M=Out	DT Differential Comm Bus Internal Transmitter Negative Out	DT Differential Comm Bus Internal Transmitter Negative Out	LVDS out-
23	COMM_TX_P	S=Out M=Out	DT Differential Comm Bus Internal Transmitter Positive Out	DT Differential Comm Bus Internal Transmitter Positive Out	LVDS out+
26	OSC_OUT	S=Out M=Out	Crystal Driver Output	Crystal Driver Output	
28	OSC_IN	S=In M=In	Crystal/ Ext. Clock Input	Crystal/ Ext. Clock Input	
29	SC_RATE	S=Out M=In	SC interface baud rate Output (High = DT4_MODE is high and the Master DTIC is operating at 115.2K baud)	SC interface baud rate select Input (High = 115.2K baud, Low = 9600 baud)	Out= 4mA, SLC In=LVTTTL S/T
30	TEST	S=In M=In	Factory Test Mode Select (1=Test, 0= Normal Oper.)	Factory Test Mode Select (1=Test, 0= Normal Oper.)	LVTTTL S/T

IC BLOCK DIAGRAMS AND TERMINAL DESCRIPTIONS-3

Q201 : BU9450KV (XM Digital Transceiver)-3/3

TERMINAL DESCRIPTION

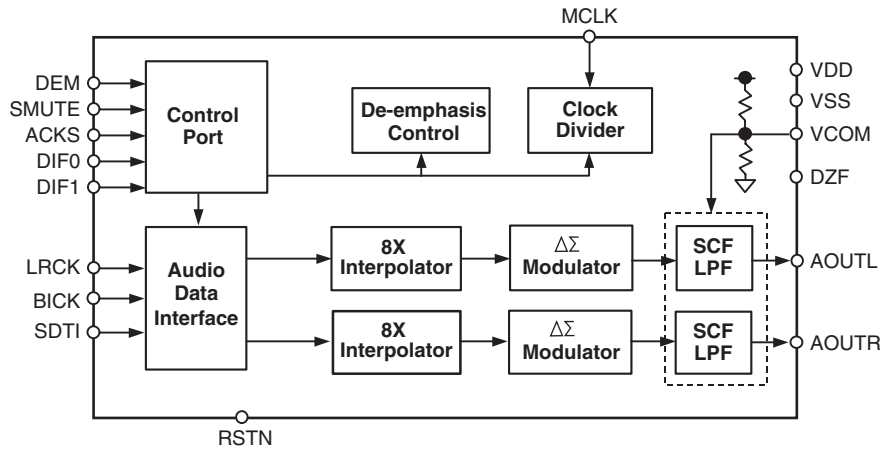
Pin No.	Pin Name	Direction	Function in Slave Mode	Function in Master Mode	Notes
32	HSDP_DATA	S=In M=Out	High Speed Data Port Data Input	High Speed Data Port Data Output	Out= 4mA, SLC In=LVTTL S/T
34	HSDP_CLK	S=In M=Out	High Speed Data Port Clock Input	High Speed Data Port Clock Output	Out= 4mA, SLC In=LVTTL S/T
35	DT4_MODE	S=In M=In	Enables/Disables driver on SC_RATE and ANT_REV (High = enable driver)	Enables/Disables drivers on MUTE and ANT_REV (High = enable drivers)	In=LVTTL S/T
36	HSDP_EN#	S=In M=Out	High Speed Data Port Enable Input (Active low)	High Speed Data Port Enable Output (Active low)	Out= 4mA, SLC In=LVTTL S/T
37	I2S_DATA	S=In M=Out	I2S Digital Audio Port Data In	I2S Digital Audio Port Data Out	Out= 4mA, SLC In=LVTTL S/T
39	I2S_SCLK	S=In M=Out	I2S Digital Audio Port Bit Clock In	I2S Digital Audio Port Bit Clock Out	Out= 4mA, SLC In=LVTTL S/T
41	I2S_LRCLK	S=In M=Out	I2S Digital Audio Port Left/Right Clock In	I2S Digital Audio Port Left/Right Clock Out	Out= 4mA, SLC In=LVTTL S/T
43	I2S_OCLK	S=In M=Out	I2S Digital Audio Port Oversample Clock (not used, leave unconnected)	I2S Digital Audio Port Oversample Clock Out	Out= 4mA, SLC
44	MUTE	S=n/u M=Out	Not used in Slave mode, leave unconnected	Provides a mechanism for muting the audio during an I2S rate change (High=mute)	Out= 4mA, SLC
45	SAII_CLK	S=Out M=In	SAII Port Clock Output	SAII Port Clock Input	Out= 4mA, SLC In=LVTTL S/T
47	SAII_DATA	S=Out M=In	SAII Port Data Output	SAII Port Data Input	Out= 4mA, SLC In=LVTTL S/T
48	SAII_REQ	S=In M=Out	SAII Port Request Input	SAII Port Request Output	Out= 4mA, SLC In=LVTTL S/T

Pin No.	Pin Name	Type	Function in Slave Mode	Function in Master Mode	Notes
4, 8, 17, 20, 27, 33, 40, 46	VDD	PWR	+3.3V Supply Voltage	+3.3V Supply Voltage	
2, 10, 16, 21, 24, 25, 31, 38, 42	VSS	GND	Digital Ground	Digital Ground	

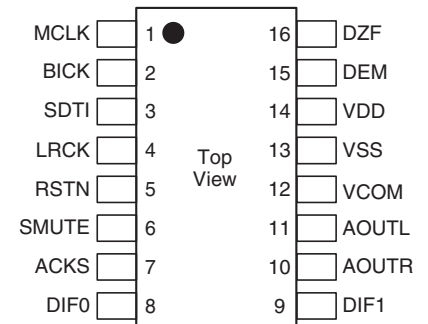
IC BLOCK DIAGRAMS AND TERMINAL DESCRIPTIONS-4

Q202 : AK4388ET (192kHz 24-Bit 2ch DAC)

BLOCK DIAGRAM



PIN CONFIGURATION



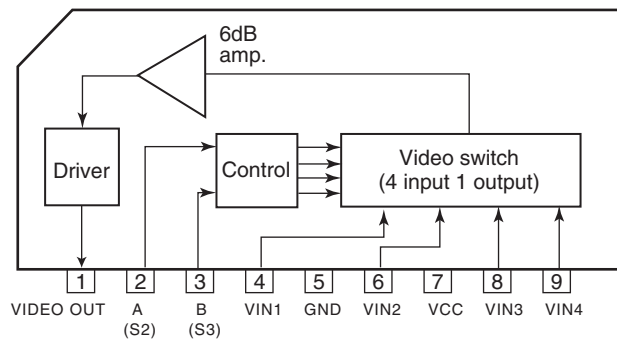
TERMINAL DESCRIPTION

No.	Pin Name	I/O	Function
1	MCLK	I	Master Clock Input Pin An external TTL clock should be input on this pin.
2	BICK	I	Audio Serial Data Clock pin
3	SDTI	I	Audio Serial Data Input pin
4	LRCK	I	L/R Clock Pin
5	RSTN	I	Reset Mode Pin When at "L", the AK4388 is in the power- down mode and is held in reset. The AK4388 should always be reset upon power-up.
6	SMUTE	I	Soft Mute Pin "H" : Enable, "L" : Disable
7	ACKS	I	Auto Setting Mode Pin "L" : Manual Setting Mode, "H" : Auto Setting Mode
8	DIF0	I	Audio Data Interface Format Pin
9	DIF1	I	Audio Data Interface Format Pin (Internal pull-up pin)
10	AOUTR	O	Rch Analog Output Pin
11	AOUTL	O	Lch Analog Output Pin
12	VCOM	O	Common Voltage Pin, VDD/2 Normally connected to VSS with a 10uF electrolytic cap.
13	VSS	---	Ground pin
14	VDD	---	Power supply Pin
15	DEM	I	De-emphasis Mode Pin (Internal pull-down pin) When at "H", the de-emphasis filter is available.
16	DZF	O	Zero Input Detect Pin

IC BLOCK DIAGRAMS AND TERMINAL DESCRIPTIONS-5

Q251 : LA7956-E (Video Switch)

BLOCK DIAGRAM and PIN CONFIGURATION



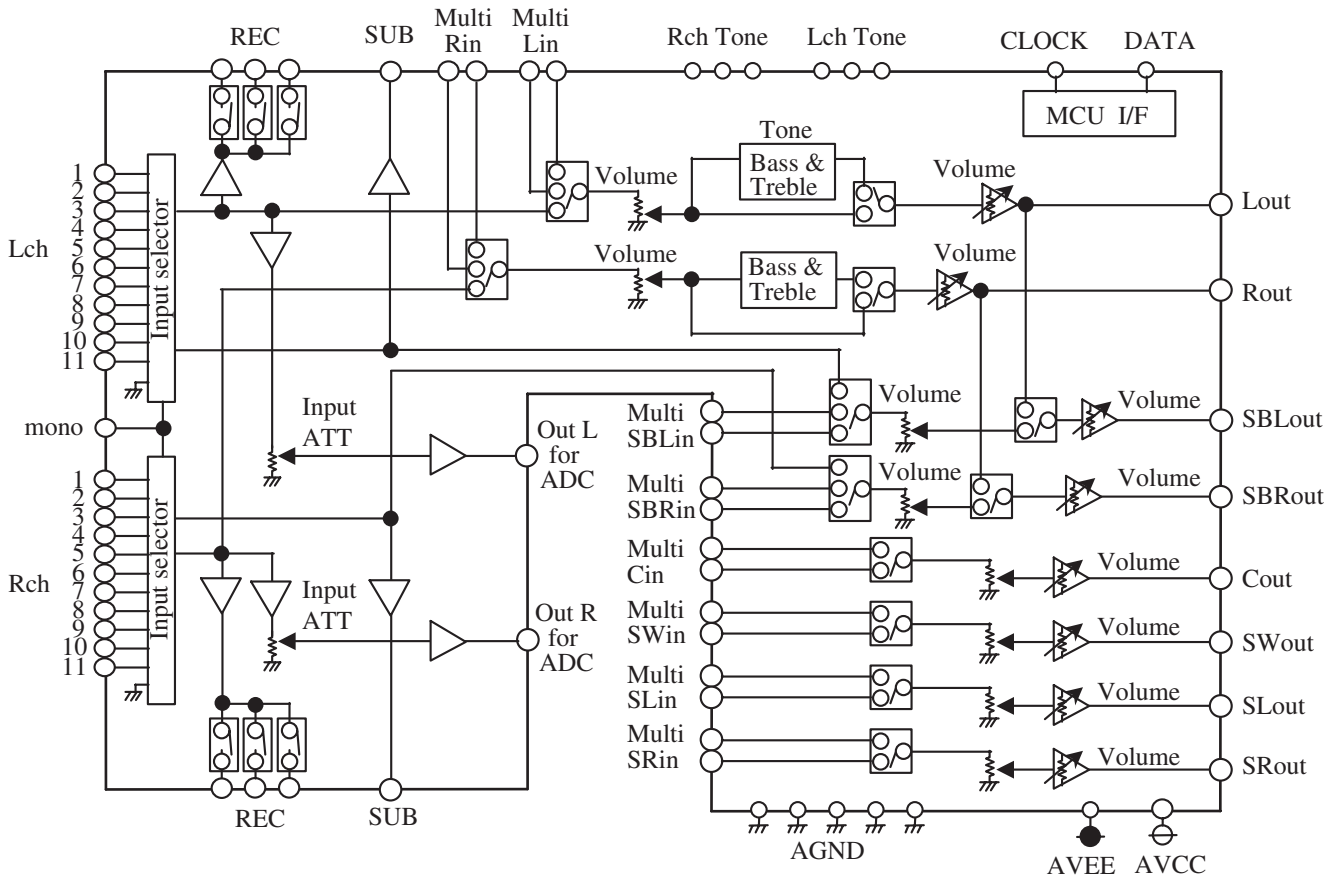
TERMINAL DESCRIPTION (I/O Logic)

I/O Pin	S2 (2 pin)	S3 (3 pin)	VIN1 (4 pin)	VIN2 (6 pin)	VIN3 (8 pin)	VIN4 (9 pin)
I/O Logic	H	H	ON	OFF	OFF	OFF
	L	H	OFF	ON	OFF	OFF
	H	L	OFF	OFF	ON	OFF
	L	L	OFF	OFF	OFF	ON

IC BLOCK DIAGRAMS AND TERMINAL DESCRIPTIONS-6

Q302 : R2S15211FP (8 ch Electronic Volume and 11 Input Selector and Tone Control)-1/3

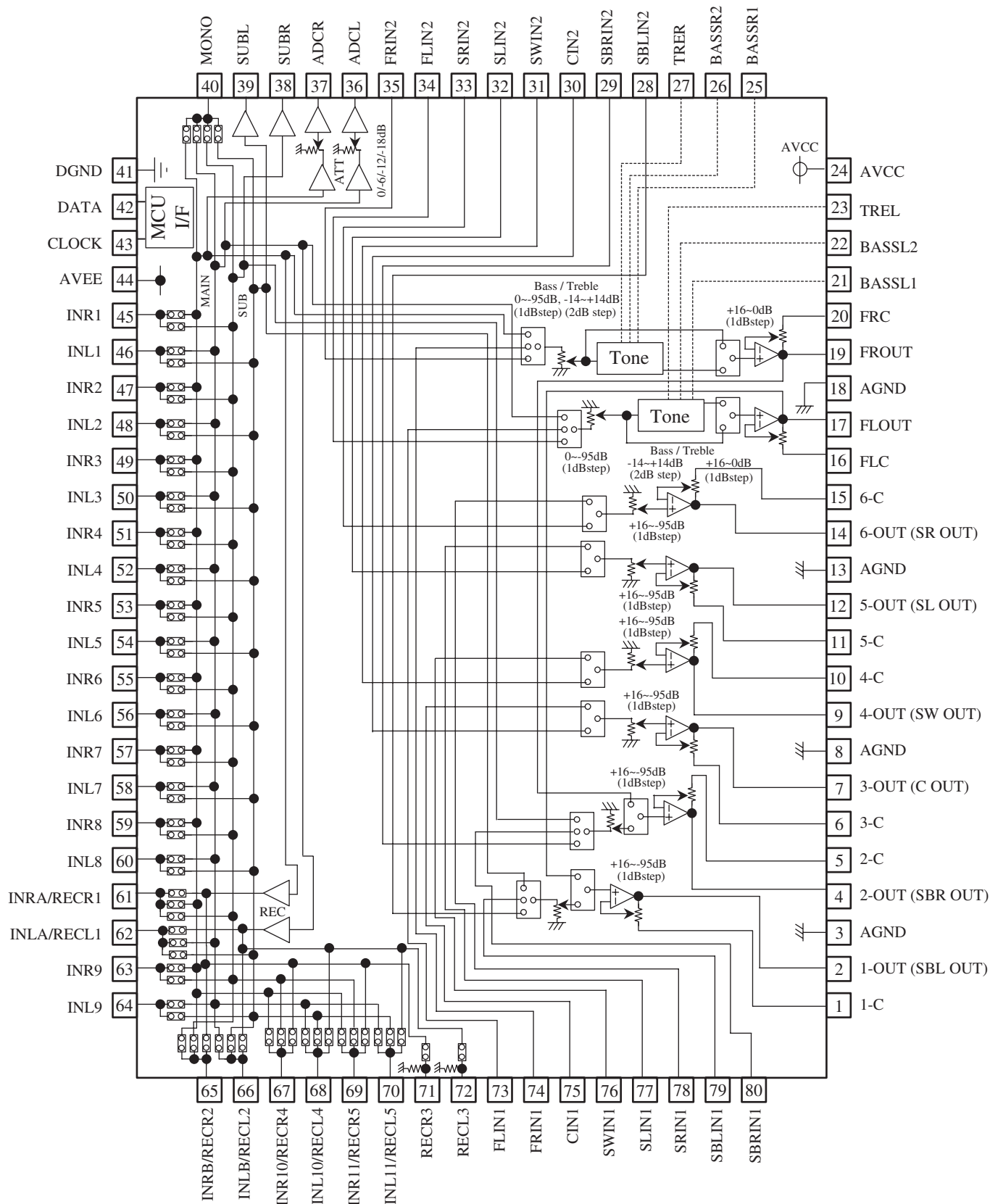
SYSTEM BLOCK DIAGRAM



IC BLOCK DIAGRAMS AND TERMINAL DESCRIPTIONS-7

Q302 : R2S15211FP (8 ch Electronic Volume and 11 Input Selector and Tone Control)-2/3

BLOCK DIAGRAM AND PIN CONFIGURATION



IC BLOCK DIAGRAMS AND TERMINAL DESCRIPTIONS-8

Q302 : R2S15211FP (8 ch Electronic Volume and 11 Input Selector and Tone Control)-3/3

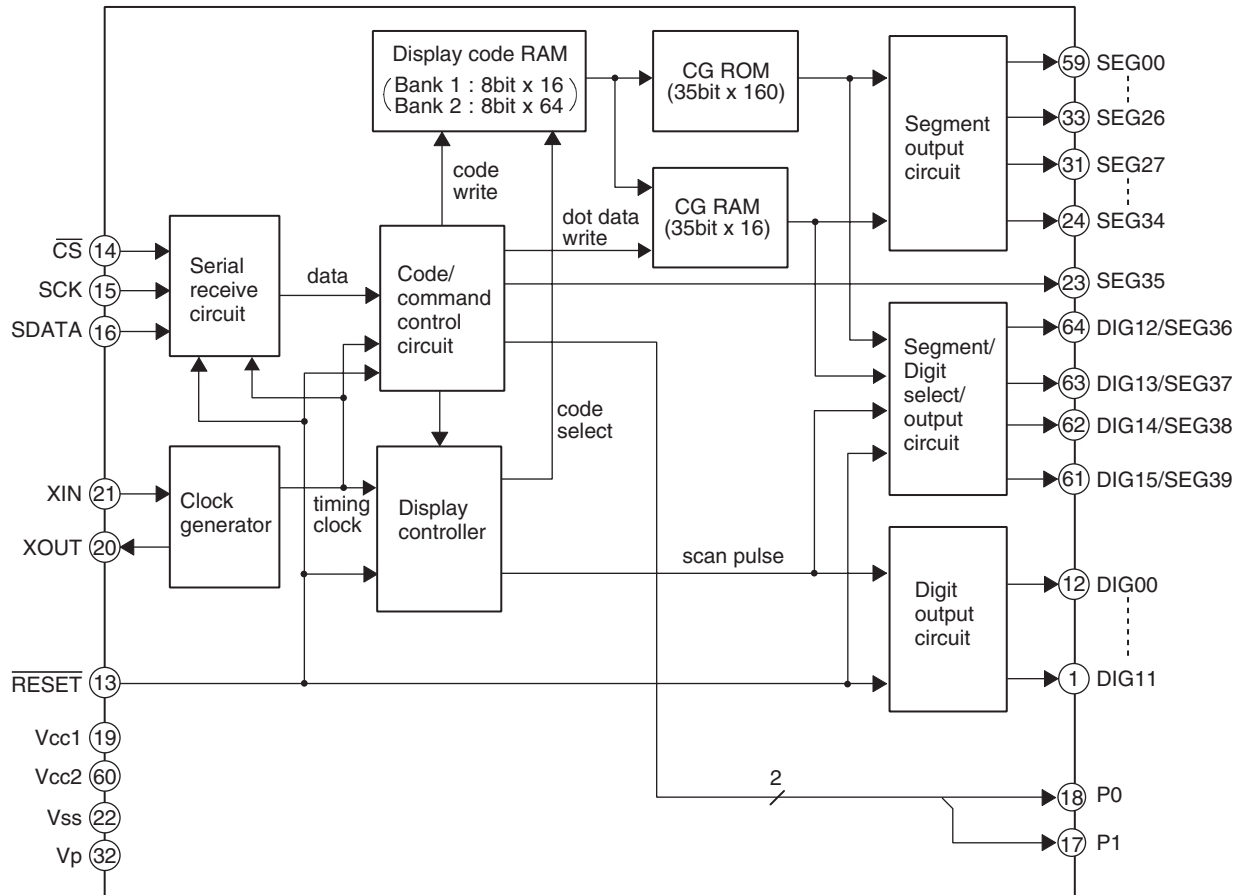
TERMINAL DESCRIPTION

PIN No.	Name	Function
19,17, 14,12, 9,7, 4,2	FROUT,FLOUT, 6-OUT,5-OUT, 4-OUT, 3-OUT, 2-OUT,1-OUT	Output pin of FL/FR/C/SW/SL/SR/SBL/SBR channel
20,16, 15,11, 10,6, 5,1	FRC,FLC, 6-C,5-C, 4-C,3-C, 2-C,1-C	Connects capacitor for reducing click noise of L/R/C/SW/SL/SR/SBL/SBR channel volume
3,8, 13,18	AGND	Analog ground of internal circuit
23,27	TREL, TRER	Frequency characteristic setting pin of L/R channel tone control(Treble)
21,22, 25,26	BASSL1, BASSL2 BASSR1, BASSR2	Frequency characteristic setting pin of L/R channel tone control(Bass)
24	AVCC	Positive power supply to internal circuit
35,34, 33,32, 31,30, 29,28	FRIN2, FLIN2, SRN2,SLIN2, SWIN2,CIN2, SBRIN2,SBLIN2	Input pin of L/R/C/SW/SL/SR/SBL/SBR channel (Multi IN 1/2)
73,74, 75,76, 77,78, 79,80	FLIN1, FRIN1, CIN1,SWIN1, SLIN1,SRIN1, SBLIN1,SBRIN1	
41	DGND	Digital ground of internal circuit
42	DATA	Input pin of control data
43	CLOCK	Input pin of control clock
44	AVEE	Negative power supply to internal circuit
46,48,50, 52,54,56, 58,60,64	INL1, INL2, INL3, INL4, INL5, INL6, INL7, INL8, INL9	Input pin of L/R channel (Input Selector)
45,47,49, 51,53,55, 57,59,63	INR1, INR2, INR3, INR4, INR5, INR6, INR7, INR8, INR9	
40	MONO	Input pin of monaural (Input Selector)
38,39	SUBL,SUBR	Output pin for L/R channel SUB Output
36,37	ADCL, ADCR	Output pin for L/R channel ADC
72	RECL3	Output pin for L/R channel REC Output
71	RECR3	
61,62, 65,66, 67,68, 69,70	INRA/RECR1,INLA/RECL1, INRB/RECR2,INLB/RECL2, INR10/RECR4,INL10/RECL4, INR11/RECR5,INL11/RECL5	Input pin of L/R channel (Input Selector)/ Output pin for L/R channel REC Output

IC BLOCK DIAGRAMS AND TERMINAL DESCRIPTIONS-9

Q851 : M66005-0001AHP (FL Tube Driver)

BLOCK DIAGRAM



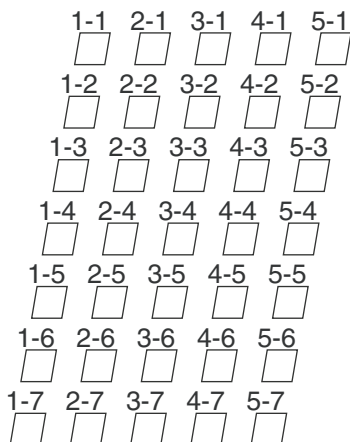
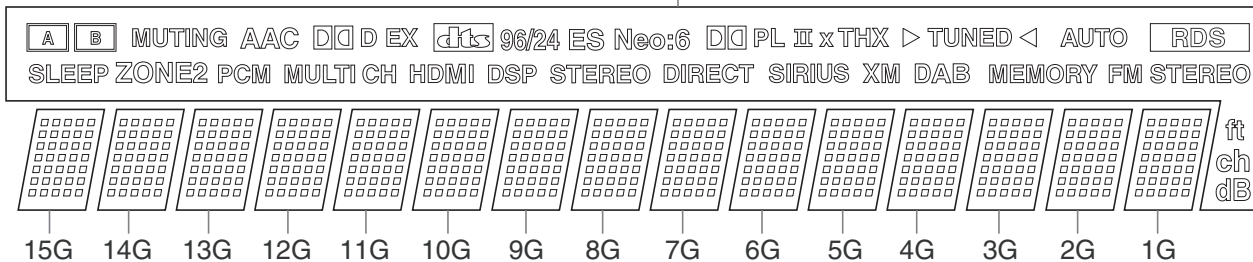
TERMINAL DESCRIPTION

PIN NO.	SYMBOL	PIN NAME	DESCRIPTION
13	$\overline{\text{RESET}}$	Reset input	This pin is used to initialize the internal state of the M66005.
14	$\overline{\text{CS}}$	Chip select input	"L" : Communication with the MCU is possible. "H" : Any instruction from the MCU is neglected.
15	SCK	Shift clock input	At the rising edge from "L" to "H", input data is shifted.
16	SDATA	Serial data input	Character code or command data to display is input from MSB.
21, 20	XIN, XOUT	Clock input Clock output	This pin is used to connect a resistor and a capacitor externally to set oscillation frequency.
1~12 61~64	DIG00 ~ DIG15	Digit output	These pins are used to connect to digit pins of VFD.
23~31 33~59	SEG00 ~ SEG39	Segment output	These pins are used to connect to segment pins of VFD.
17, 18	P0, P1	---	Output port (static operation)
19	VCC1	---	Positive power supply for internal logic.
60	VCC2	---	Positive power supply for high-pressure-resistant output port.
22	VSS	---	GND
32	VP	---	Negative power supply for VFD drive.

FL TUBE VIEW

Q852 : 16-BT-128GNYK

16G



(1G-15G)

	16G	15G-1G
P1	<input type="checkbox"/> A	1-1
P2	<input type="checkbox"/> B	2-1
P3	SLEEP	3-1
P4	MUTING	4-1
P5	AAC	5-1
P6	ZONE2	1-2
P7	PCM	2-2
P8	DQ	3-2
P9	D	4-2
P10	MULTI CH	5-2
P11	EX	1-3
P12	HDMI	2-3
P13	Dts	3-3
P14	DSP	4-3
P15	96/24	5-3
P16	ES	1-4
P17	STEREO	2-4
P18	Neo:6	3-4

	16G	15G-1G
P19	DIRECT	4-4
P20	DQ PL	5-4
P21	II	1-5
P22	X	2-5
P23	SIRIUS	3-5
P24	THX	4-5
P25	XM	5-5
P26	DAB	1-6
P27	> <	2-6
P28	TUNED	3-6
P29	MEMORY	4-6
P30	AUTO	5-6
P31	FM STEREO	1-7
P32	[RDS]	2-7
P33	ft	3-7
P34	ch	4-7
P35	dB	5-7

MICROPROCESSOR TERMINAL DESCRIPTIONS-1

Q701 : M30624MWP-467FP

Pin No.	Pin Name	I/O	Act.	Description
1	VSWA	O	H	Video switch IC (LA7956) A control.
2	VSWB	O	H	Video switch IC (LA7956) B control.
3	Z2VSWA	I	L	Zone 2 video switch IC (LA7956) A control.
4	Z2VSWB	O	L	Zone 2 video switch IC (LA7956) B control.
5	NU	---	---	Not used.
6	NU	---	---	Not used.
7	NU	---	---	Not used.
8	BYTE	---	---	Select of external bus width. Connect to ground.
9	CNVSS	---	---	Select of processor mode.
10	RDSDATA	I	H	MPP type : RDS data input / Other type : Not used.
11	NU	---	---	Not used.
12	RESET	I	L	Reset input.
13	XOUT	O	---	Connected to oscillator.
14	VSS	---	---	Ground.
15	XIN	I	---	Connected to oscillator.
16	VCC1	---	---	Power supply.
17	NMI	---	---	Not used.
18	POFF	I	L	Power failure detect input.
19	NU	---	---	---
20	RDSCLK	I	L	MPP type : RDS clock input / Other type : Not used.
21	XMCOMSEL	O	H	XM IC (BU9450KV) control output.
22	XMDACRST	O	L	XM DAC IC (AK4388) reset output.
23	VOLCLK	O	H	Volume/ selector IC (R2S15211) clock output.
24	VOLDATA	O	H	Volume/ selector IC (R2S15211) data output.
25	NU	---	---	Not used.
26	SIRIUSRST	O	L	SIRIUS reset output.
27	NU	---	---	Not used.
28	NU	---	---	Not used.
29	SIRIUSRX	I	H	SIRIUS UART receive.
30	SIRIUSTX	O	H	SIRIUS UART transmitter.
31	FTXD	O	H	Writing port of flash microprocessor.
32	FRXD	I	H	Writing port of flash microprocessor.
33	FCLK	O	CLK	Writing port of flash microprocessor.
34	FBUSY	O	H	Writing port of flash microprocessor.
35	XMTX	O	H	XM IC (BU9450KV) UART data transmitter.
36	XMRX	I	H	XM IC (BU9450KV) UART data receive.
37	XMRST	O	L	XM IC (BU9450KV) reset output.
38	ANTREV	I	L	XM IC (BU9450KV) ANT REV input.
39	XMLNK	I	L	XM IC (BU9450KV) LINK ACTIVE input.
40	NU	---	---	Not used.
41	FEPM	I	H	Writing port of flash microprocessor.
42	NU	---	---	Not used.
43	PLLSCL	O	CLK	Tuner unit (AN1820) I2C clock output.
44	PLLSDA	I/O	H	Tuner unit (AN1820) I2C data output.
45	NU	---	---	Not used.
46	FCE	I	H	Writing port of flash microprocessor.
47	AMUT	O	H	Audio muting control output.
48	Z2MUT	O	H	Zone 2 muting control output.
49	NU	---	---	Not used.
50	SPRLA	O	H	Speaker-A relay control output.

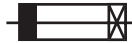
MICROPROCESSOR TERMINAL DESCRIPTIONS-2

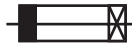
Q701 : M30624MWP-467FP

Pin No.	Pin Name	I/O	Act.	Description
51	SPRLB	O	H	Speaker-B relay control output.
52	DIRECT	O	H	Direct (pure audio) control output.
53	NU	---	---	Not used.
54	VMUTMON	O	H	Video monitor out muting control.
55	VMUTV1	O	H	Video VCR out muting control.
56	Z2VMUT	I	H	Zone 2 video out muting control.
57	APOWER	O	H	Main power supply control.
58	POFF2	I	L	POFF 2 detection signal input.
59	TRGA	---	---	Not used.
60	TRGB	---	---	Not used.
61	TRGC	---	---	Not used.
62	VCC2	---	---	Power supply.
63	SEC1H	O	H	MDC type : Sec.-1 power supply control. / Other type : Not used.
64	VSS	---	---	Ground.
65	PROTECT	I	H	Speaker protect detection input.
66	NU	I	A/D	Ground.
67	THERMAL	I	A/D	Thermal detect input.
68	INIT3	I	A/D	Initial setting.
69	INIT2	I	A/D	Initial setting.
70	INIT1	I	A/D	Initial setting.
71	BAND	I	A/D	Initial setting.
72	SYSOUT	O	L	RI (System control) signal output.
73	SYSIN	I	H	RI (System control) signal input.
74	NU	---	---	Not used.
75	REMIN	I	L	Remote control signal input.
76	STEREO	I	L	FM stereo signal detection.
77	SD	I	L	FM/AM receive signal detection.
78	NU	---	--	Not used.
79	VOLB	I	H	Rotary encoder (volume) signal input.
80	VOLA	I	H	Rotary encoder (volume) signal input.
81	NU	---	---	Not used.
82	LEDZONE2	O	H	Zone 2 LED control.
83	LEDPURE	O	H	Pure audio LED control.
84	LEDSTBY	O	L	Standby LED control.
85	FLDSDO	O	H	FL driver IC (M66005-001) data output.
86	FLDCLK	O	CLK	FL driver IC (M66005-001) clock output.
87	FLDCS	O	L	FL driver IC (M66005-001) chip select output.
88	FLDRST	O	L	FL driver IC (M66005-001) reset output.
89	KEYINT3	I	L	Key input.
90	KEYINT2	I	L	Key input.
91	KEYINT1	I	L	Key input.
92	KEYINT0	I	L	Key input.
93	KEY3	I	L	Key input.
94	KEY2	I	A/D	Key input.
95	KEY1	I	A/D	Key input.
96	AVSS	---	---	Ground. (A/D converter)
97	KEY0	I	A/D	Key input.
98	VREF	---	---	Power supply. (A/D converter reference)
99	AVCC	---	---	Power supply. (A/D converter)
100	NU	---	---	Not used.

SERVICE PROCEDURE

1. Replacing the fuses

 This symbol located near the fuse indicates that the fuse used is show operating type, For continued protection against fire hazard, replace with same type fuse, For fuse rating, refer to the marking adjacent to the symbol.

 Ce symbole indique que le fusible utilise est e lent. Pour une protection permanente, n'utiliser que des fusibles de meme type. Ce demier est indique la qu le present symbol est apposre.

REF NO.	PART NAME	DESCRIPTION	PART NO.	REMARKS
F901	FUSE	6A-UL/T-233	252327GR	!, <MDC>
F901 or	FUSE	6A-T/UL-ST2	252259GR	!, <MDC>
F902	FUSE	2.5A-SE-EAK	252075GR	!, <MPA, MPP>
F902 or	FUSE	2.5A-SE-TL250V	252275GR	!, <MPA, MPP>
F903	FUSE	5A-UL/T-233	252326GR	!, <MDC>
F903 or	FUSE	5A-T/UL-ST2	252258GR	!, <MDC>
F903	FUSE	2.5A-SE-EAK	252075GR	!, <MPA, MPP>
F903	FUSE	2.5A-SE-TL250V	252275GR	!, <MPA, MPP>
F911, 912	FUSE	8A-UL/T-233	252329GR	!, <MDC>
F911, 912 or	FUSE	8A-T/UL-ST2	252261GR	!, <MDC>
F913	FUSE	3.15A-UL/T-233	252323GR	!, <MDC>
F913 or	FUSE	3.15A-T/UL-ST2	252256GR	!, <MDC>

<Notes>

<MDC> : Canadian model <MPA> : Australian model
<MPP> : European model

2. Safety check out

(U.S.A. model only)

After correcting the original service problem, perform the following safety check before releasing the unit to the customer.

Leakage current Check

Measure the leakage current to a known earth ground (water pipe or conduct etc.) by connecting a leakage current tester between the earth ground and exposed metal parts of the unit (input/output ground terminals, screw heads or metal overlays etc.). Plug the power supply cord directly into a 120Vac 60Hz wall socket and turn ON/STANDBY button on.

Any current measured must not exceed 0.5mA.

3. Memory Backup

The receiver uses a battery-less memory backup system in order to retain radio presets and other settings when it's unplugged or in the case of a power failure. Although no batteries are required, the receiver must be plugged into an AC outlet in order to charge the backup system. Once it has been charged, the receiver will retain the settings for several weeks, although this depends on the environment and will be shorter in humid climates.

4. To initialize the unit

1. Press and hold down VCR/DVR button, then press ON/STANDBY button when the unit is powered on.
2. After " *Clear* " is displayed, the preset memory and each mode stored in the memory, are initialized and will return to the factory settings.

5. To check version of Main microprocessor

1. Press and hold down DISPLAY button, then press ON/STANDBY button when the unit is power on.
The main microprocessor version will be displayed on Front Display for about 3 seconds.

Ex.  — Version of Main microprocessor FW (Q701)

2. Press ON/STANDBY button to power off.

6. Setting position before shipment

- (1) MASTER VOLUME : MIN.
- (2) BASS : CENTER
- (3) TREBLE : CENTER
- (4) BALANCE : CENTER

OPERATION CHECK-1

SPEAKER PROTECT-1 (DC VOLTAGE DETECTION / THERMAL SENSOR)

DC VOLTAGE DETECTION

[When]

1. Exchange power transistors (Q521 - Q524).
2. Exchange amplifier PC board ass'y (NAAF-9610).

<Note>

1. Try again if protect did not work at the first time.
2. Do not connect load or short speaker terminals.

[Procedure]

1. Press and hold down **CD** button, then press **ON/STANDBY** button while the unit is powered on.
" *Test - _* " is displayed only for 5 seconds.

Test - _ Blinks

2. Press **DVD** button while the characters of " *Test - _* " are displayed.
The unit will be in the state of " *Test - 1-00* ".

Test - 1-00

3. Set the master volume to maximum
4. Input +1.5 to +3 V DC voltage to CD IN Lch terminal.
And check speaker relays RL591 and RL592 is immediately **Turned off** and power indicator blinks.
5. Check Rch according to the same procedure.
6. Press **ON/STANDBY** button.

Clear → Standby

7. Disconnect the AC power cord.

THERMAL SENSOR

[When]

Exchange thermal sensor PC board ass'y (NAETC-9672).

[Procedure]

1. Press and hold down **DISPLAY** button, then press **ON/STANDBY** button when the unit is powered on.
The microprocessor version will be displayed for 3 seconds.

<Ex.> *Ver. 1.03/08708A*

2. Press **SPEAKERS B** button while the version is displayed.

<Ex.> *T: 29°C / 84°F*
84 degree fahrenheit
29 degree celsius

3. Check that the displayed temperature is within +/-10°C from the ambient temperature.
Note : The error margin is caused by the rise of the temperature of the heat sink when time passes.

4. Press **ON/STANDBY** button.

Clear → Standby

OPERATION CHECK-2

SPEAKER PROTECT-2 (CURRENT DETECTION)

[When]

1. Exchange power transistors (Q521 - Q524).
2. Exchange amplifier PC board ass'y (NAAF-9610).

<Note>

1. Do not check two channels at the same time.
2. Do not connect a dummy load to speaker terminal longer than 2 seconds.

[Procedure]

1. Press and hold down **CD** button, then press **ON/STANDBY** button while the unit is powered on.
" Test - _ " is displayed only for 5 seconds.



2. Press **DVD** button, while " Test - _ " is displayed.
The unit will be in the state of " Test - 1-00 ".

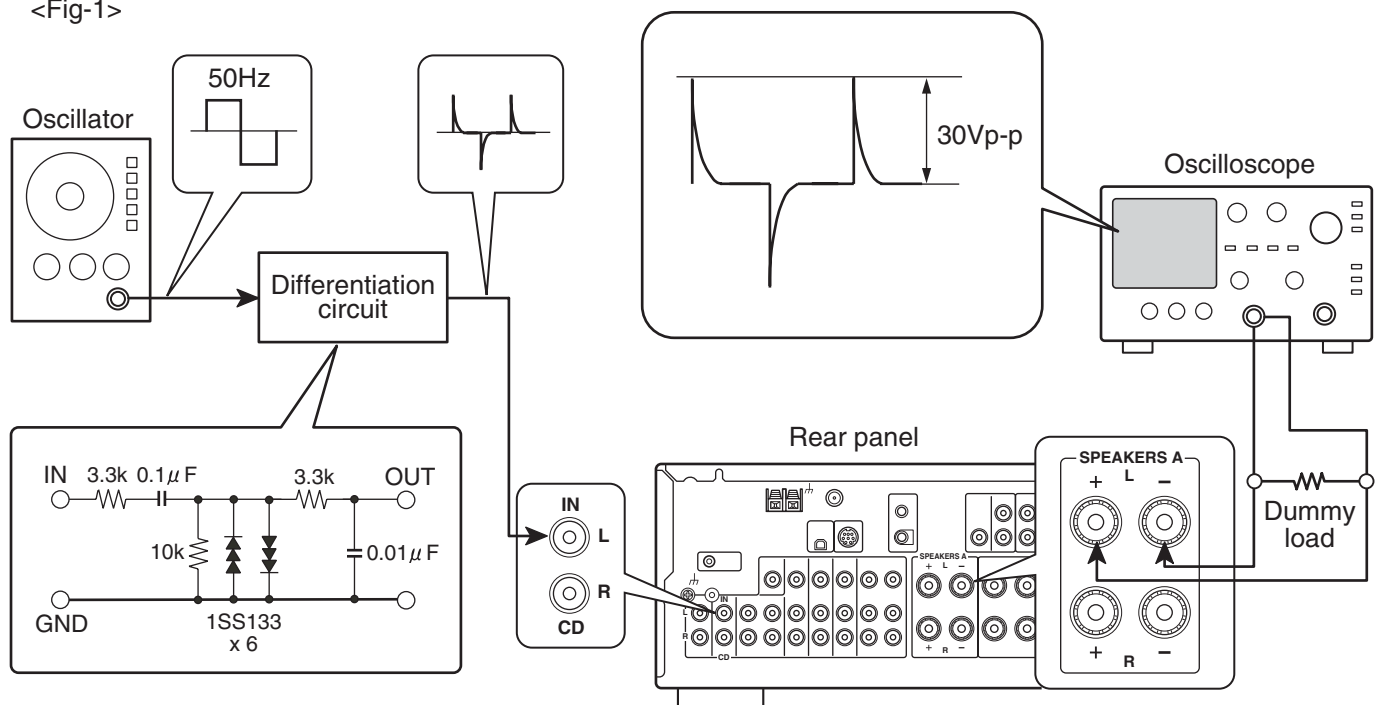


3. Set the master volume to minimum.
4. Connect the oscilloscope to SPEAKERS A Lch terminal. Refer to <Fig-1>
5. A square wave of 50 Hz is output from the oscillator, and this signal is input to the CD via the differentiation circuit.
6. Adjust for the output wave form of the SPEAKERS A Lch terminal to become 30 Vp-p by master volume.
7. Connect the 2 ohms dummy load to the SPEAKERS A Lch terminal.
And check the speaker relays RL591 and RL592 are **Not turned off**.
8. Connect the 0.5 ohms dummy load to the SPEAKERS A Lch terminal.
And check speaker relays RL591 and RL592 are **Turned off** immediately and power indicator blinks.
Do not connect the load for 2 seconds or more when it doesn't turn off the relays.
9. Check Rch according to the same procedure.
10. Press **ON/STANDBY** button.



11. Disconnect the AC power cord and oscilloscope.

<Fig-1>



ADJUSTMENT PROCEDURE

IDLING CURRENT ADJUSTMENT

[When]

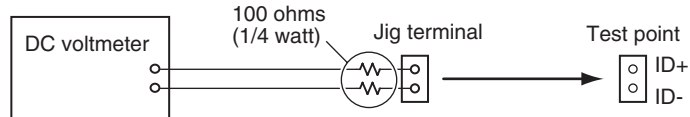
1. Exchange Power transistor (Q521 - Q524).
2. Exchange Amplifier PC board (NAAF-9610).

[Procedure]

<Note> No load and No signal

Refer to <Fig-1> for the adjustment points and the test points.

1. Before idling adjustment, turn the trimming resistors fully to counter clockwise.
2. Connect the dc voltmeter to test points, using two 100 ohm resistors between the poles of the jig terminal and the DC voltmeter terminals.



3. Connect the AC power cord to a wall outlet.
4. Press ON/STANDBY button to turn the power on.
5. Adjust the trimming resistors as the following procedure immediately after power on.

Channel	Adjustment points	Test points	Adjustment value
Left	R587	P511	2.5 mV
Right	R588	P512	

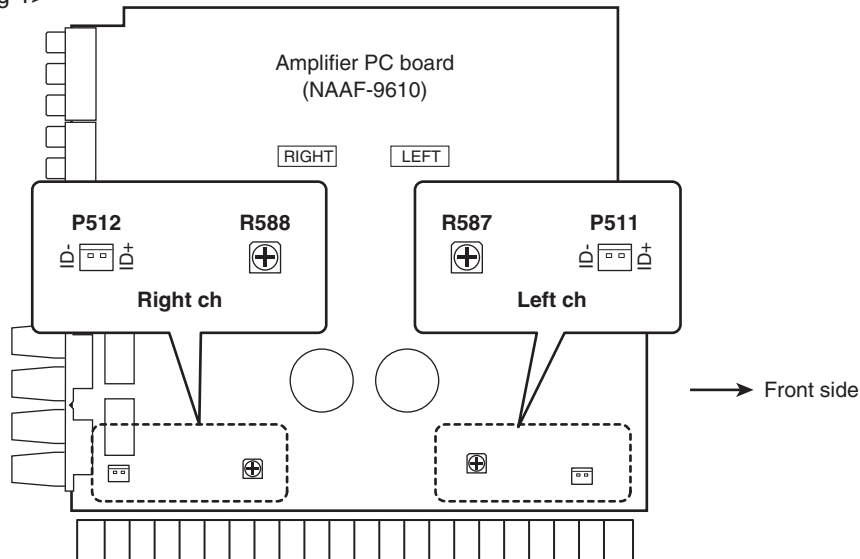
6. Wait for 4 - 6 minutes. (Heat running)
7. Re-adjust the trimming resistors as the following procedure.

Channel	Measured value	Adjustment value	Spec. (* In a stable state)
Left and Right	In case below 4.4 mV	→ 4.5 mV	6 +/- 2 mV
	In case 4.5 - 5.5 mV	→ Leave it as it is	
	In case over 5.6 mV	→ 5.5 mV	

* Idling currents are stabilized in about 10 minutes after power on.

8. Disconnect the DC voltmeter.
9. Press ON/STANDBY button to turn the power off.
10. Disconnect the AC power cord.

<Fig-1>



TX-8555

<Note>

Parts marked by "NSP" are generally unavailable because they are not in our Master Spare Parts List.

**NOTE : THE COMPONENTS IDENTIFIED BY THE MARK
! ARE CRITICAL FOR RISK OF FIRE AND
ELECTRIC SHOCK. REPLACE ONLY WITH PART
NUMBER SPECIFIED.**

<Notes>

(B) : Black model

(S) : Silver model

<MDC> : Canadian model

<MPA> : Australian model

<MPP> : European model

EXPLODED VIEW PARTS LIST

REF. NO.	PART NAME	DESCRIPTION	Q'TY	PART NO. (SN)	REMARKS
EXPLODED: A001	CHASSIS	TX8555	1	---	NSP
EXPLODED: A003	HOLDER	KGLS-16RT	1	27190511	
EXPLODED: A005	HOLDER	KGPS-16RF	1	27190991	
EXPLODED: A007	HOLDER	KGLS-12RT	1	27190266	
EXPLODED: A008	HOLDER	KGLS-22S	1	27190369	
EXPLODED: A009	LEG	---	4	27175419	
EXPLODED: A010	CUSHION	LEG	4	28141660	
EXPLODED: A011	SCREW	3TTB+8B(3BC)	4	838430088GR	
EXPLODED: A013	F BRACKET	AS(B)	1	27111516A	(B)
EXPLODED: A013	F BRACKET	AS(S)	1	27111517A	(S)
EXPLODED: A015	SCREW	3TTB+8B(3CM)SR	15	801637	
EXPLODED: A017	SCREW	3TTB+8B(3CM)SR	5	801637	
EXPLODED: A019	SCREW	4TTC+8C(3BC)	4	830440089GR	
EXPLODED: A020	SPACER	---	1	27270439	
EXPLODED: A021	HEAT SINK	233	1	27160594	
EXPLODED: A023	RETAINER	(HS-2)	3	27141530A	

EXPLODED	A025	SCREW	3TTB+8B(3CM)SR	6	801637	
EXPLODED	A027	RETAINER	RETAINER	1	27141671	
EXPLODED	A029	SCREW	3TTB+8B(3CM)SR	3	801637	
EXPLODED	A031	SCREW	3SMS8W.SW+14B(CU)	6	801634	
EXPLODED	A033	SCREW	3TTB+8B(3CM)SR	1	801637	
EXPLODED	A035	SCREW	3TTB+8B(3CM)SR	9	801637	
EXPLODED	A037	CUSHION	T4L20D10	2	28141566	
EXPLODED	A039	KNOB	VOLAS(B)	1	28326654A	(B)
EXPLODED	A039	KNOB	VOLAS(S)	1	28326655A	(S)
EXPLODED	A040	CUSHION	---	2	28141603-1	
EXPLODED	A043	KNOB	(TONE)	3	28325454	(B)
EXPLODED	A043	KNOB	(TONE)	3	28326350	(S)
EXPLODED	A045	B PLATE	---	1	28133425	(B)
EXPLODED	A045	B PLATE	---	1	28133426	(S)
EXPLODED	A047	GUIDE	AS(B)	1	27268216A	(B)
EXPLODED	A047	GUIDE	AS(S)	1	27268217A	(S)
EXPLODED	A201	COVER	(B) (Bent)	1	28184964A	(B)
EXPLODED	A201	COVER	(S) (Bent)	1	28184965	(S)
EXPLODED	A201	COVER	(B) (Not bent)	1	28184964AZ	(B) <MDC>
EXPLODED	A202	REAR PANEL	85DC	1	27123869	<MDC>
EXPLODED	A202	REAR PANEL	85PA	1	27123871	<MPA>
EXPLODED	A202	REAR PANEL	85PP	1	27123870	<MPP>
EXPLODED	A203	SCREW	3TTB+8B(3BC)	6	838430088GR	(B)
EXPLODED	A203	SCREW	3TTB+8B(3CM)SR	6	801637	(S)
EXPLODED	A204	IB CUSHION	W15 x 3t TAPE	1	28141585	
EXPLODED	A205	SCREW	3TTB+8B(3BC)	24	838430088GR	
EXPLODED	A206	SCREW	3P+6FN(3BC)	1	82143006GR	(B) <MDC>
EXPLODED	A207	WASHER	W3 x 10F(3BC)	1	87643010GR	
EXPLODED	A209	TAPE	TAPE(CLOTH-8U)	(1)	29110082	
EXPLODED	A208	SCREW	3TTB+8B(3CM)SR	1	801637	
EXPLODED	A210	BUSHING	S-RELIEF #2271	1	27300750	!
EXPLODED	A211	LABEL	(COVER)	1	29364123	
EXPLODED	A212	F PANEL	(85BDC)	1	27213136	(B) <MDC>

EXPLODED	A212	F PANEL	8555MPA	1	27213170	(B) <MPA>
EXPLODED	A212	F PANEL	(85BPP)	1	27213137	(B) <MPP>
EXPLODED	A212	F PANEL	(85SPP)	1	27213138	(S) <MPP>
EXPLODED	A213	SCREW	3TTB+8B(3BC)	3	838430088GR	
EXPLODED	A214	BADGE	---	1	28135244	(B)
EXPLODED	A214	BADGE	---	1	28135298	(S)
EXPLODED	A215	CLEAR PLT	TX8555	1	28192211	
EXPLODED	A217	SPACER	---	2	27270516	
EXPLODED	A219	LABEL	HOOKUP-ONKYO	1	29363194	<MDC>
EXPLODED	A221	TAPE	TAPE(CLOTH-16U)	(1)	29110083	
EXPLODED	A301	CLIP	CS-1U	2	27255004	
EXPLODED	E801	WIRE TIE	BSK-1	6	260208	
EXPLODED	Q521	TR	2SC5200-O	1	2202823	!
EXPLODED	Q521 or	TR	2SC5200-R	(1)	2202822	!
EXPLODED	Q521A	ISO SHEET	AC262	4	223025	
EXPLODED	Q522	TR	2SC5200-O	1	2202823	!
EXPLODED	Q522 or	TR	2SC5200-R	(1)	2202822	!
EXPLODED	Q523	TR	2SA1943-O	1	2202813	!
EXPLODED	Q523 or	TR	2SA1943-R	(1)	2202812	!
EXPLODED	Q524	TR	2SA1943-O	1	2202813	!
EXPLODED	Q524 or	TR	2SA1943-R	(1)	2202812	!
EXPLODED	<Note>					
EXPLODED	Must use the same HFE rank mutually about the following parts.					
EXPLODED	Ref. No. : Q521 - 524					
EXPLODED	D911	DIODE	D10XB60H	1	22380337	!
EXPLODED	T901	P TRANS	NPT-1575D	1	2301943	!, <MDC>
EXPLODED	T901	P TRANS	NPT-1543P	1	2301868	!, <MPA, MPP>
EXPLODED	P501A	P RIVET	JB-407A-C	8	880052	<MPA, MPP>
EXPLODED	P704	FFC	NCFC7-131012	1	2047131012	
EXPLODED	P715	FFC	NCFC7-272012	1	2047272012	
EXPLODED	P901	AC CORD	AS-UC-2	1	253333VOL	!, <MDC>
EXPLODED	P901 or	AC CORD	AS-UC-2	(1)	253368BLTK	!, <MDC>
EXPLODED	P901 or	AC CORD	AS-UC-2	(1)	253368AYUN	!, <MDC>

EXPLODED	P901 or	AC CORD	AS-UC-2	(1)	253368HSN	!,<MDC>
EXPLODED	P901 or	AC CORD	AS-UC-2	(1)	253378VOL	!,<MDC>
EXPLODED	P901	AC CORD	AS-SAA	1	253390VOL	!,<MPA>
EXPLODED	P901 or	AC CORD	AS-SAA	(1)	253388LTK	!,<MPA>
EXPLODED	P901 or	AC CORD	AS-SAA	(1)	253388LON	!,<MPA>
EXPLODED	P901	AC CORD	AS-CEE-2	1	253306VOL	!,<MPP>
EXPLODED	P901 or	AC CORD	AS-CEE-2	(1)	253374YUN	!,<MPP>
EXPLODED	F901	FUSE	6A-UL/T-233	1	252327GR	!,<MDC>
EXPLODED	F901 or	FUSE	6A-T/UL-ST2	(1)	252259GR	!,<MDC>
EXPLODED	F902	FUSE	2.5A-SE-EAK FUSE	1	252075GR	!,<MPA, MPP>
EXPLODED	F902 or	FUSE	2.5A-SE-TL250V	(1)	252275GR	!,<MPA, MPP>
EXPLODED	F903	FUSE	5A-UL/T-233	1	252326GR	!,<MDC>
EXPLODED	F903 or	FUSE	5A-T/UL-ST2	(1)	252258GR	!,<MDC>
EXPLODED	F903	FUSE	2.5A-SE-EAK FUSE	1	252075GR	!,<MPA, MPP>
EXPLODED	F903 or	FUSE	2.5A-SE-TL250V	(1)	252275GR	!,<MPA, MPP>
EXPLODED	F911	FUSE	8A-UL/T-233	1	252329GR	!,<MDC>
EXPLODED	F911 or	FUSE	8A-T/UL-ST2	(1)	252261GR	!,<MDC>
EXPLODED	F912	FUSE	8A-UL/T-233	1	252329GR	!,<MDC>
EXPLODED	F912 or	FUSE	8A-T/UL-ST2	(1)	252261GR	!,<MDC>
EXPLODED	F913	FUSE	3.15A-UL/T-233	1	252323GR	!,<MDC>
EXPLODED	F913 or	FUSE	3.15A-T/UL-ST2	(1)	252256GR	!,<MDC>
EXPLODED	U01	AMPLIFIER PC board ass'y	NAAF-9610-1C	1	1B226510-1C	<MDC>
EXPLODED	U01	AMPLIFIER PC board ass'y	NAAF-9610-1E	1	1B226510-1E	<MPA>
EXPLODED	U01	AMPLIFIER PC board ass'y	NAAF-9610-1D	1	1B226510-1D	<MPP>
EXPLODED	U03	RECTIFIER PC board ass'y	NAPS-9612-1C	1	1B226512-1C	<MDC>
EXPLODED	U04	HOLDER PC board	NAETC-9613-1C	1	---	NSP,<MDC>
EXPLODED	U04	HOLDER PC board	NAETC-9613-1E	1	---	NSP,<MPA>
EXPLODED	U04	HOLDER PC board	NAETC-9613-1D	1	---	NSP,<MPP>
EXPLODED	U05	TRANS. SEC. TERMINAL PC board ass'y	NAPS-9614-1C	1	1B226514-1C	<MDC>
EXPLODED	U05	TRANS. SEC. TERMINAL PC board ass'y	NAPS-9614-1E	1	1B226514-1E	<MPA>
EXPLODED	U05	TRANS. SEC. TERMINAL PC board ass'y	NAPS-9614-1D	1	1B226514-1D	<MPP>
EXPLODED	U06	TONE CONTROL PC board ass'y	NAAF-9616-1C	1	1B226515-1C	<MDC>
EXPLODED	U06	TONE CONTROL PC board ass'y	NAAF-9616-1E	1	1B226515-1E	<MPA>

EXPLODED	U06	TONE CONTROL PC board ass'y	NAAF-9616-1D	1	1B226515-1D	<MPP>
EXPLODED	U17	ZONE 2 / XM PC board ass'y	NAAR-9631-1C	1	1B226531-1C	<MDC>
EXPLODED	U17	ZONE 2 / XM PC board ass'y	NAAR-9631-1E	1	1B226531-1E	<MPA>
EXPLODED	U17	ZONE 2 / XM PC board ass'y	NAAR-9631-1D	1	1B226531-1D	<MPP>
EXPLODED	U18	MICROPROCESSOR PC board ass'y	NADG-9670-1A	1	1B226570-1A	<MDC>
EXPLODED	U18	MICROPROCESSOR PC board ass'y	NADG-9670-1C	1	1B226570-1C	<MPA>
EXPLODED	U18	MICROPROCESSOR PC board ass'y	NADG-9670-1B	1	1B226570-1B	<MPP>
EXPLODED	U19	DISPLAY PC board ass'y	NADIS-9671-1A	1	1B226571-1A	<MDC>
EXPLODED	U19	DISPLAY PC board ass'y	NADIS-9671-1C	1	1B226571-1C	<MPA>
EXPLODED	U19	DISPLAY PC board ass'y	NADIS-9671-1B	1	1B226571-1B	<MPP>
EXPLODED	U20	THERMAL SENSOR PC board ass'y	NAETC-9672-1A	1	---	NSP, <MDC>
EXPLODED	U20	THERMAL SENSOR PC board ass'y	NAETC-9672-1C	1	---	NSP, <MPA>
EXPLODED	U20	THERMAL SENSOR PC board ass'y	NAETC-9672-1B	1	---	NSP, <MPP>
EXPLODED	U21	HOLDER PC board	NAETC-9673-1A	1	---	NSP, <MDC>
EXPLODED	U21	HOLDER PC board	NAETC-9673-1C	1	---	NSP, <MPA>
EXPLODED	U21	HOLDER PC board	NAETC-9673-1B	1	---	NSP, <MPP>
EXPLODED	U22	POWER SUPPLY PC board ass'y	NAPS-9674-1A	1	1B226574-1A	<MDC>
EXPLODED	U22	POWER SUPPLY PC board ass'y	NAPS-9674-1C	1	1B226574-1C	<MPA>
EXPLODED	U22	POWER SUPPLY PC board ass'y	NAPS-9674-1B	1	1B226574-1B	<MPP>
EXPLODED	U23	TRANS. PRI. TRMINAL PC board ass'y	NAETC-9675-1A	1	---	NSP, <MDC>
EXPLODED	U23	TRANS. PRI. TRMINAL PC board ass'y	NAETC-9675-1C	1	---	NSP, <MPA>
EXPLODED	U23	TRANS. PRI. TRMINAL PC board ass'y	NAETC-9675-1B	1	---	NSP, <MPP>
EXPLODED	U24	VOLUME PC board ass'y	NAETC-9676-1A	1	1B266576-1A	<MDC>
EXPLODED	U24	VOLUME PC board ass'y	NAETC-9676-1C	1	1B266576-1C	<MPA>
EXPLODED	U24	VOLUME PC board ass'y	NAETC-9676-1B	1	1B266576-1B	<MPP>
EXPLODED	U25	VIDEO PC board ass'y	NAVD-9677-1A	1	1B266577-1A	<MDC>
EXPLODED	U25	VIDEO PC board ass'y	NAVD-9677-1C	1	1B266577-1C	<MPA>
EXPLODED	U25	VIDEO PC board ass'y	NAVD-9677-1B	1	1B266577-1B	<MPP>
EXPLODED	U26	HEADPHONE JACK PC board ass'y	NAETC-9678-1A	1	---	NSP, <MDC>
EXPLODED	U26	HEADPHONE JACK PC board ass'y	NAETC-9678-1C	1	---	NSP, <MPA>
EXPLODED	U26	HEADPHONE JACK PC board ass'y	NAETC-9678-1B	1	---	NSP, <MPP>
EXPLODED	U28	TUNER UNIT	ENG06507QFUS	1	240156	<MDC>
EXPLODED	U28 or	TUNER UNIT	FAE385-A11US	(1)	240152	<MDC>

EXPLODED	U28 or	TUNER UNIT	ENG07506QFEX	1	240159	<MPA>
EXPLODED	U28 or	TUNER UNIT	FAE485-E12EX	(1)	240155	<MPA>
EXPLODED	U28	TUNER UNIT	FAE485-E11EU	1	240154	<MPP>
EXPLODED	U28 or	TUNER UNIT	ENG07505QFEU	(1)	240158	<MPP>

TX-8555

PC BOARD PARTS LIST

PCB1	U01	AMPLIFIER PC BOARD (NAAF-9610-1C/ 1E/ 1D)
PCB1	U03	RECTIFIER PC BOARD (NAPS-9612-1C/ 1E/ 1D)
PCB1	U05	TRANS. SEC. TERMINAL PC BOARD (NAPS-9614-1C/ 1E/ 1D)
PCB1	U06	TONE CONTROL PC BOARD (NAAF-9616-1C/ 1E/ 1D)

PCB1	CIRCUIT NO.	PART NAME	DESCRIPTION	Q'TY	PART NO. (SN)	REMARKS
PCB1	Q301	IC	NJM4558D-X	1	222502	
PCB1	Q302	IC	R2S15211FP	1	22242297R3	
PCB1	Q361	TR	2SC1815-GR	1	2211255T	
PCB1	Q362	TR	2SA1015-GR	1	2211455T	
PCB1	Q401	IC	NJM2068L-D	1	22240250	
PCB1	Q403	IC	NJM2068L-D	1	22240250	
PCB1	Q452	TR	DTC123JS	1	2213640T	
PCB1	Q452 or	TR	KRC105M	(1)	2215830T	
PCB1	Q491	TR	RN1241-A(TPE4_F)	1	2213631T	
PCB1	Q491 or	TR	RN1241-B	(1)	2213632T	
PCB1	Q492	TR	RN1241-A(TPE4_F)	1	2213631T	
PCB1	Q492 or	TR	RN1241-B	(1)	2213632T	
PCB1	Q493	TR	KRA102M	1	2215770T	
PCB1	Q493 or	TR	DTA114ES	(1)	2213510T	
PCB1	Q495	TR	RN1241-A(TPE4_F)	1	2213631T	
PCB1	Q495 or	TR	RN1241-B	(1)	2213632T	
PCB1	Q496	TR	RN1241-A(TPE4_F)	1	2213631T	
PCB1	Q496 or	TR	RN1241-B	(1)	2213632T	
PCB1	Q501	TR	2SC2240-BL(TPE2_F)	1	2211406T	

PCB1	Q502	TR	2SC2240-BL(TPE2_F)	1	2211406T
PCB1	Q503	TR	2SC2240-BL(TPE2_F)	1	2211406T
PCB1	Q504	TR	2SC2240-BL(TPE2_F)	1	2211406T
PCB1	Q505	TR	2SC2240-BL(TPE2_F)	1	2211406T
PCB1	Q505 or	TR	2SC2240-GR	(1)	2211405T
PCB1	Q506	TR	2SC2240-BL(TPE2_F)	1	2211406T
PCB1	Q506 or	TR	2SC2240-GR	(1)	2211405T
PCB1	Q507	TR	2SA949-Y(TPE6_F)	1	2211354T
PCB1	Q507 or	TR	2SA949-O(TPE6_F)	(1)	2211353T
PCB1	Q508	TR	2SA949-Y(TPE6_F)	1	2211354T
PCB1	Q508 or	TR	2SA949-O(TPE6_F)	(1)	2211353T
PCB1	Q509	TR	2SA949-Y(TPE6_F)	1	2211354T
PCB1	Q509 or	TR	2SA949-O(TPE6_F)	(1)	2211353T
PCB1	Q510	TR	2SA949-Y(TPE6_F)	1	2211354T
PCB1	Q510 or	TR	2SA949-O(TPE6_F)	(1)	2211353T
PCB1	Q513	TR	2SA949-Y(TPE6_F)	1	2211354T
PCB1	Q513 or	TR	2SA949-O(TPE6_F)	(1)	2211353T
PCB1	Q514	TR	2SA949-Y(TPE6_F)	1	2211354T
PCB1	Q514 or	TR	2SA949-O(TPE6_F)	(1)	2211353T
PCB1	Q515	TR	2SC2229-Y(TPE6_F)	1	2211634T
PCB1	Q515 or	TR	2SC2229-O(TPE6_F)	(1)	2211633T
PCB1	Q516	TR	2SC2229-Y(TPE6_F)	1	2211634T
PCB1	Q516 or	TR	2SC2229-O(TPE6_F)	(1)	2211633T
PCB1	Q517	TR	2SC5171(ONK_Q)	1	2203010
PCB1	Q518	TR	2SC5171(ONK_Q)	1	2203010
PCB1	Q519	TR	2SA1930(ONK_Q)	1	2203000
PCB1	Q520	TR	2SA1930(ONK_Q)	1	2203000
PCB1	Q527	TR	2SC2229-Y(TPE6_F)	1	2211634T
PCB1	Q527 or	TR	2SC2229-O(TPE6_F)	(1)	2211633T
PCB1	Q528	TR	2SC2229-Y(TPE6_F)	1	2211634T
PCB1	Q528 or	TR	2SC2229-O(TPE6_F)	(1)	2211633T
PCB1	Q529	TR	2SC2458-GR	1	2212115T
PCB1	Q529 or	TR	2SC2458-BL	(1)	2212116T

PCB1	Q529 or	TR	KTC3199-GR	(1)	2215864T	
PCB1	Q530	TR	2SC2458-GR	1	2212115T	
PCB1	Q530 or	TR	2SC2458-BL	(1)	2212116T	
PCB1	Q530 or	TR	KTC3199-GR	(1)	2215864T	
PCB1	Q531	TR	2SC1740S-S	1	2213285T	
PCB1	Q532	TR	2SC1740S-S	1	2213285T	
PCB1	Q533	TR	2SC1740S-S	1	2213285T	
PCB1	Q534	TR	2SC1740S-S	1	2213285T	
PCB1	Q581	TR	2SC2240-BL(TPE2_F)	1	2211406T	
PCB1	Q581 or	TR	2SC2240-GR	(1)	2211405T	
PCB1	Q582	TR	2SC2240-BL(TPE2_F)	1	2211406T	
PCB1	Q582 or	TR	2SC2240-GR	(1)	2211405T	
PCB1	Q583	TR	2SA970-GR	1	2211395T	
PCB1	Q583 or	TR	2SA970-BL(TPE2_F)	(1)	2211396T	
PCB1	Q583 or	TR	KTA1268-GR	(1)	2215885T	
PCB1	Q583 or	TR	KTA1268-BL	(1)	2215886T	
PCB1	Q591	TR	DTC123JS	1	2213640T	
PCB1	Q591 or	TR	KRC105M	(1)	2215830T	
PCB1	Q592	TR	DTC123JS	1	2213640T	
PCB1	Q592 or	TR	KRC105M	(1)	2215830T	
PCB1	Q921	IC	78M12HF(NJM78M12FA)	1	222780125JRC	
PCB1	Q921 or	IC	MPC78M12AHF-AZ	(1)	222780125NEC	
PCB1	Q921A	HEAT SINK	RAD-164	1	27160499	
PCB1	Q921C	SCREW	3P+6FN(3BC)	1	82143006GR	
PCB1	Q922	IC	79M12HF(NJM79M12FA)	1	222790125JRC	
PCB1	Q922 or	IC	79M12HF(MPC79M12HF)	(1)	222790125NEC	
PCB1	Q922C	SCREW	3P+6FN(3BC)	1	82143006GR	
PCB1	Q924	TR	2SA965-Y(TPE6_F)	1	2211644T	
PCB1	Q925	TR	DTC123JS	1	2213640T	<MDC>
PCB1	Q925 or	TR	KRC105M	(1)	2215830T	<MDC>
PCB1	D361	ZENER D	MTZJ7.5B	1	224470752T	
PCB1	D362	ZENER D	MTZJ7.5B	1	224470752T	
PCB1	D450	DIODE	ISS133	1	223163T	

PCB1	D491	DIODE	ISS133	1	223163T	
PCB1	D511	DIODE	ISS133	1	223163T	
PCB1	D512	DIODE	ISS133	1	223163T	
PCB1	D571	ZENER D	MTZJ5.1B	1	224470512T	
PCB1	D591	DIODE	ISS133	1	223163T	
PCB1	D592	DIODE	ISS133	1	223163T	
PCB1	D912	DIODE	D10XB60H	1	22380337F	<MDC>
PCB1	D920	DIODE	RL1N4003	1	22380260T	
PCB1	D921	DIODE	RL1N4003	1	22380260T	
PCB1	D922	ZENER D	MTZJ33B	1	224473302T	
PCB1	D924	DIODE	RL1N4003	1	22380260T	
PCB1	D931	DIODE	RL1N4003	1	22380260T	
PCB1	D932	DIODE	RL1N4003	1	22380260T	
PCB1	D933	DIODE	RL1N4003	1	22380260T	
PCB1	D934	DIODE	RL1N4003	1	22380260T	
PCB1	D951	DIODE	ISS133	1	223163T	<MDC>
PCB1	D952	DIODE	ISS133	1	223163T	
PCB1	D953	DIODE	ISS133	1	223163T	
PCB1	D954	ZENER D	MTZJ4.7B	1	224470472T	
PCB1	D961	DIODE	D3SBA20	1	22380271F	<MDC>
PCB1	D961 or	DIODE	RBV402	(1)	22380022F	<MDC>
PCB1	D983	DIODE	ISS133	1	223163T	
PCB1	D984	DIODE	ISS133	1	223163T	
PCB1	L501	S COIL	S-1.3C	1	231176S	
PCB1	L502	S COIL	S-1.3C	1	231176S	
PCB1	C301	TF C	ECQ-B50V-471J	1	374724714T	
PCB1	C302	TF C	ECQ-B50V-471J	1	374724714T	
PCB1	C303	UTSP C	CE04W25V-47M(UTSP)	1	397554707T	
PCB1	C304	UTSP C	CE04W25V-47M(UTSP)	1	397554707T	
PCB1	C305	TF C	ECQ-B50V-152J	1	374721524T	
PCB1	C306	TF C	ECQ-B50V-152J	1	374721524T	
PCB1	C307	UTSP C	CE04W10V-100M(UTSP)	1	397531017T	
PCB1	C308	UTSP C	CE04W10V-100M(UTSP)	1	397531017T	

PCB1	C309	TF C	ECQ-B50V-682J	1	374726824T	
PCB1	C310	TF C	ECQ-B50V-682J	1	374726824T	
PCB1	C311	TF C	ECQ-B50V-182J	1	374721824T	
PCB1	C312	TF C	ECQ-B50V-182J	1	374721824T	
PCB1	C313	UTSP C	CE04W50V-10M(UTSP)	1	397581007T	
PCB1	C314	UTSP C	CE04W50V-10M(UTSP)	1	397581007T	
PCB1	C315	VR C	CE04W16V-220M(VR)	1	394642217T	
PCB1	C316	VR C	CE04W16V-220M(VR)	1	394642217T	
PCB1	C317	TF C	ECQ-B50V-331K	1	374723315T	<MPA, MPP>
PCB1	C318	TF C	ECQ-B50V-331K	1	374723315T	<MPA, MPP>
PCB1	C321	TF C	ECQ-B50V-331K	1	374723315T	<MPA, MPP>
PCB1	C322	TF C	ECQ-B50V-331K	1	374723315T	<MPA, MPP>
PCB1	C323	TF C	ECQ-B50V-331K	1	374723315T	<MPA, MPP>
PCB1	C324	TF C	ECQ-B50V-331K	1	374723315T	<MPA, MPP>
PCB1	C325	TF C	ECQ-B50V-331K	1	374723315T	<MPA, MPP>
PCB1	C326	TF C	ECQ-B50V-331K	1	374723315T	<MPA, MPP>
PCB1	C327	TF C	ECQ-B50V-331K	1	374723315T	<MPA, MPP>
PCB1	C328	TF C	ECQ-B50V-331K	1	374723315T	<MPA, MPP>
PCB1	C331	TF C	ECQ-B50V-331K	1	374723315T	<MPA, MPP>
PCB1	C332	TF C	ECQ-B50V-331K	1	374723315T	<MPA, MPP>
PCB1	C341	CERA C	CK45F50V-223Z	1	335622230T	
PCB1	C342	CERA C	CK45F50V-223Z	1	335622230T	
PCB1	C343	CERA C	CK45F50V-223Z	1	335622230T	
PCB1	C345	CERA C	CK45F50V-223Z	1	335622230T	
PCB1	C361	VR C	CE04W16V-220M(VR)	1	394642217T	
PCB1	C362	VR C	CE04W16V-220M(VR)	1	394642217T	
PCB1	C363	VR C	CE04W10V-470M(VR)	1	394634717T	
PCB1	C364	VR C	CE04W10V-470M(VR)	1	394634717T	
PCB1	C365	VR C	CE04W16V-220M(VR)	1	394642217T	
PCB1	C366	VR C	CE04W16V-220M(VR)	1	394642217T	
PCB1	C371	UTSP C	CE04W25V-47M(UTSP)	1	397554707T	
PCB1	C372	UTSP C	CE04W25V-47M(UTSP)	1	397554707T	
PCB1	C373	UTSP C	CE04W25V-47M(UTSP)	1	397554707T	

PCB1	C374	UTSP C	CE04W25V-47M(UTSP)	1	397554707T
PCB1	C375	UTSP C	CE04W25V-47M(UTSP)	1	397554707T
PCB1	C376	UTSP C	CE04W25V-47M(UTSP)	1	397554707T
PCB1	C377	TF C	ECQ-B50V-223J	1	374722234T
PCB1	C378	TF C	ECQ-B50V-223J	1	374722234T
PCB1	C379	TF C	ECQ-V50V-474J	1	374724744T
PCB1	C380	TF C	ECQ-V50V-474J	1	374724744T
PCB1	C381	TF C	ECQ-V50V-823J	1	374728234T
PCB1	C382	TF C	ECQ-V50V-823J	1	374728234T
PCB1	C383	UTSP C	CE04W25V-47M(UTSP)	1	397554707T
PCB1	C384	UTSP C	CE04W25V-47M(UTSP)	1	397554707T
PCB1	C385	UTSP C	CE04W25V-47M(UTSP)	1	397554707T
PCB1	C386	UTSP C	CE04W25V-47M(UTSP)	1	397554707T
PCB1	C388	TF C	ECQ-V50V-474J	1	374724744T
PCB1	C391	TF C	ECQ-B50V-101K	1	374721015T
PCB1	C392	TF C	ECQ-B50V-101K	1	374721015T
PCB1	C401	UTSP C	CE04W25V-47M(UTSP)	1	397554707T
PCB1	C402	UTSP C	CE04W25V-47M(UTSP)	1	397554707T
PCB1	C403	UTSP C	CE04W25V-47M(UTSP)	1	397554707T
PCB1	C404	UTSP C	CE04W25V-47M(UTSP)	1	397554707T
PCB1	C405A	TF C	ECQ-V50V-473J	1	374724734T
PCB1	C406A	TF C	ECQ-V50V-473J	1	374724734T
PCB1	C407	UTSP C	CE04W25V-47M(UTSP)	1	397554707T
PCB1	C408	UTSP C	CE04W25V-47M(UTSP)	1	397554707T
PCB1	C409A	TF C	ECQ-V50V-224J	1	374722244T
PCB1	C410A	TF C	ECQ-V50V-224J	1	374722244T
PCB1	C411A	TF C	ECQ-B50V-153J	1	374721534T
PCB1	C412A	TF C	ECQ-B50V-153J	1	374721534T
PCB1	C413A	TF C	ECQ-V50V-823J	1	374728234T
PCB1	C414A	TF C	ECQ-V50V-823J	1	374728234T
PCB1	C415	VR C	CE04W16V-220M(VR)	1	394642217T
PCB1	C416	VR C	CE04W16V-220M(VR)	1	394642217T
PCB1	C423	CERA C	CK45F50V-223Z	1	335622230T

PCB1	C424	CERA C	CK45F50V-223Z	1	335622230T
PCB1	C425	CERA C	CK45F50V-223Z	1	335622230T
PCB1	C426	CERA C	CK45F50V-223Z	1	335622230T
PCB1	C428	TF C	ECQ-V50V-334J	1	374723344T
PCB1	C429	TF C	ECQ-V50V-334J	1	374723344T
PCB1	C442	UTSP C	CE04W50V-1M(UTSP)	1	397580107T
PCB1	C451	UTSP C	CE04W25V-47M(UTSP)	1	397554707T
PCB1	C452	UTSP C	CE04W25V-47M(UTSP)	1	397554707T
PCB1	C453	TF C	ECQ-B50V-101K	1	374721015T
PCB1	C454	TF C	ECQ-B50V-101K	1	374721015T
PCB1	C455	UTSP C	CE04W25V-47M(UTSP)	1	397554707T
PCB1	C456	UTSP C	CE04W25V-47M(UTSP)	1	397554707T
PCB1	C459	TF C	ECQ-B50V-103J	1	374721034T
PCB1	C461	UTSP C	CE04W25V-47M(UTSP)	1	397554707T
PCB1	C462	UTSP C	CE04W25V-47M(UTSP)	1	397554707T
PCB1	C501	UTSP C	CE04W50V-47M(UTSP)	1	397584707T
PCB1	C502	UTSP C	CE04W50V-47M(UTSP)	1	397584707T
PCB1	C503	TF C	ECQ-B50V-101K	1	374721015T
PCB1	C504	TF C	ECQ-B50V-101K	1	374721015T
PCB1	C505	UTSP C	CE04W25V-220M(UTSP)	1	397552217T
PCB1	C506	UTSP C	CE04W25V-220M(UTSP)	1	397552217T
PCB1	C509	UTSP C	CE04W50V-10M(UTSP)	1	397581007T
PCB1	C510	UTSP C	CE04W50V-10M(UTSP)	1	397581007T
PCB1	C513	UTSP C	CE04W25V-47M(UTSP)	1	397554707T
PCB1	C514	UTSP C	CE04W25V-47M(UTSP)	1	397554707T
PCB1	C515	TF C	ECQ-B50V-101K	1	374721015T
PCB1	C516	TF C	ECQ-B50V-101K	1	374721015T
PCB1	C517	TF C	ECQ-V50V-473J	1	374724734T
PCB1	C518	TF C	ECQ-V50V-473J	1	374724734T
PCB1	C519	TF C	ECQ-V50V-104J	1	374721044T
PCB1	C520	TF C	ECQ-V50V-104J	1	374721044T
PCB1	C521	UTSP C	CE04W50V-10M(UTSP)	1	397581007T
PCB1	C522	UTSP C	CE04W50V-10M(UTSP)	1	397581007T

PCB1	C523	CERA C	CC45SL50V-020C	1	345020201T	
PCB1	C524	CERA C	CC45SL50V-020C	1	345020201T	
PCB1	C527	VR C	CE04W100V-47M(VR)	1	394694707T	<MDC>
PCB1	C527	VR C	CE04W63V-47M(VR)	1	394674707T	<MPA, MPP>
PCB1	C528	VR C	CE04W100V-47M(VR)	1	394694707T	<MDC>
PCB1	C528	VR C	CE04W63V-47M(VR)	1	394674707T	<MPA, MPP>
PCB1	C529	TF C	ECQ-B50V-101K	1	374721015T	
PCB1	C530	TF C	ECQ-B50V-101K	1	374721015T	
PCB1	C531	TF C	ECQ-B50V-102J	1	374721024T	
PCB1	C532	TF C	ECQ-B50V-102J	1	374721024T	
PCB1	C533	TF C	ECQ-B50V-102J	1	374721024T	
PCB1	C534	TF C	ECQ-B50V-102J	1	374721024T	
PCB1	C535	TF C	ECQ-B50V-102J	1	374721024T	
PCB1	C536	TF C	ECQ-B50V-102J	1	374721024T	
PCB1	C581	VR C	CE04W16V-100M(VR)	1	394641017T	
PCB1	C582	CERA C	CK45F50V-223Z	1	335622230T	
PCB1	C583	UTSP C	CE04W50V-1M(UTSP)	1	397580107T	
PCB1	C591	TF C	ECQ-B50V-103J	1	374721034T	
PCB1	C592	TF C	ECQ-B50V-103J	1	374721034T	
PCB1	C911	TF C	ECQ-V100-334J	1	374733344T	<MDC>
PCB1	C911	TF C	ECQ-V50V-334J	1	374723344T	<MPA, MPP>
PCB1	C912	TF C	ECQ-V100-334J	1	374733344T	<MDC>
PCB1	C912	TF C	ECQ-V50V-334J	1	374723344T	<MPA, MPP>
PCB1	C915	ELECT C	CE69W69V-10000MA	1	3504425	<MDC>
PCB1	C915	ELECT C	CE69W56V-8200MB	1	3504416	<MPA, MPP>
PCB1	C916	ELECT C	CE69W69V-10000MA	1	3504425	<MDC>
PCB1	C916	ELECT C	CE69W56V-8200MB	1	3504416	<MPA, MPP>
PCB1	C918	VR C	CE04W35V-1000M(VR)	1	394661027S	
PCB1	C919	UTSP C	CE04W35V-330M(UTSP)	1	397563317T	
PCB1	C920	CERA C	CK45F50V-223Z	1	335622230T	
PCB1	C921	CERA C	CK45F50V-223Z	1	335622230T	
PCB1	C922	VR C	CE04W35V-47M(VR)	1	394664707T	
PCB1	C923	VR C	CE04W35V-47M(VR)	1	394664707T	

PCB1	C924	TF C	ECQ-V50V-334J	1	374723344T	
PCB1	C925	TF C	ECQ-V50V-334J	1	374723344T	
PCB1	C926	UTSP C	CE04W50V-100M(UTSP)	1	397581017T	
PCB1	C928	UTSP C	CE04W50V-100M(UTSP)	1	397581017T	
PCB1	C930	CERA C	CK45F50V-223Z	1	335622230T	
PCB1	C931	CERA C	CK45F50V-223Z	1	335622230T	
PCB1	C941	UTSP C	CE04W50V-10M(UTSP)	1	397581007T	
PCB1	C953	UTSP C	CE04W50V-4.7M(UTSP)	1	397580477T	
PCB1	C961	TF C	ECQ-V50V-334J	1	374723344T	<MDC>
PCB1	C962	VR C	CE04W25V-4700M(VR)	1	394654727S	<MDC>
PCB1	C971	CERA C	CK45F50V-223Z	1	335622230T	
PCB1	C982	TF C	ECQ-B50V-222J	1	374722224T	
PCB1	C991	TF C	ECQ-V50V-104J	1	374721044T	<MDC>
PCB1	C992	TF C	ECQ-V50V-104J	1	374721044T	
PCB1	C993	TF C	ECQ-V50V-104J	1	374721044T	<MPA, MPP>
PCB1	R301	CARBON R	R16J-1K	1	417341024T	
PCB1	R302	CARBON R	R16J-1K	1	417341024T	
PCB1	R303	CARBON R	R16J-56K	1	417345634T	
PCB1	R304	CARBON R	R16J-56K	1	417345634T	
PCB1	R305	CARBON R	R16J-220K	1	417342244T	
PCB1	R306	CARBON R	R16J-220K	1	417342244T	
PCB1	R307	CARBON R	R16J-820	1	417348214T	
PCB1	R308	CARBON R	R16J-820	1	417348214T	
PCB1	R309	CARBON R	R16J-470K	1	417344744T	
PCB1	R310	CARBON R	R16J-470K	1	417344744T	
PCB1	R311	CARBON R	R16J-39K	1	417343934T	
PCB1	R312	CARBON R	R16J-39K	1	417343934T	
PCB1	R313	CARBON R	R16J-100K	1	417341044T	
PCB1	R314	CARBON R	R16J-100K	1	417341044T	
PCB1	R315	CARBON R	R16J-330	1	417343314T	
PCB1	R316	CARBON R	R16J-330	1	417343314T	
PCB1	R317	CARBON R	R16J-1M	1	417341054T	
PCB1	R318	CARBON R	R16J-1M	1	417341054T	

PCB1	R319	CARBON R	R16J-2.2K	1	417342224T
PCB1	R320	CARBON R	R16J-2.2K	1	417342224T
PCB1	R321	CARBON R	R16J-1M	1	417341054T
PCB1	R322	CARBON R	R16J-1M	1	417341054T
PCB1	R323	CARBON R	R16J-330	1	417343314T
PCB1	R324	CARBON R	R16J-330	1	417343314T
PCB1	R325	CARBON R	R16J-1M	1	417341054T
PCB1	R326	CARBON R	R16J-1M	1	417341054T
PCB1	R327	CARBON R	R16J-330	1	417343314T
PCB1	R328	CARBON R	R16J-330	1	417343314T
PCB1	R329	CARBON R	R16J-1M	1	417341054T
PCB1	R330	CARBON R	R16J-1M	1	417341054T
PCB1	R331	CARBON R	R16J-330	1	417343314T
PCB1	R332	CARBON R	R16J-330	1	417343314T
PCB1	R333	CARBON R	R16J-1M	1	417341054T
PCB1	R334	CARBON R	R16J-1M	1	417341054T
PCB1	R335	CARBON R	R16J-330	1	417343314T
PCB1	R336	CARBON R	R16J-330	1	417343314T
PCB1	R337	CARBON R	R16J-1M	1	417341054T
PCB1	R338	CARBON R	R16J-1M	1	417341054T
PCB1	R339	CARBON R	R16J-2.2K	1	417342224T
PCB1	R340	CARBON R	R16J-2.2K	1	417342224T
PCB1	R341	CARBON R	R16J-1M	1	417341054T
PCB1	R342	CARBON R	R16J-1M	1	417341054T
PCB1	R343	CARBON R	R16J-330	1	417343314T
PCB1	R344	CARBON R	R16J-330	1	417343314T
PCB1	R345	CARBON R	R16J-1M	1	417341054T
PCB1	R346	CARBON R	R16J-1M	1	417341054T
PCB1	R349	CARBON R	R16J-22K	1	417342234T
PCB1	R350	CARBON R	R16J-22K	1	417342234T
PCB1	R353	NF CARBON R	R25J-10	1	415471004T
PCB1	R354	NF CARBON R	R25J-10	1	415471004T
PCB1	R361	METAL O R	RS1/2WBJ-68	1	443526804T

PCB1	R362	METAL O R	RS1/2WBJ-68	1	443526804T
PCB1	R363	NF CARBON R	R25J-470	1	415474714T
PCB1	R364	NF CARBON R	R25J-470	1	415474714T
PCB1	R371	CARBON R	R16J-1K	1	417341024T
PCB1	R372	CARBON R	R16J-1K	1	417341024T
PCB1	R373	CARBON R	R16J-1K	1	417341024T
PCB1	R375	CARBON R	R16J-1.8K	1	417341824T
PCB1	R376	CARBON R	R16J-1.8K	1	417341824T
PCB1	R377	CARBON R	R16J-10K	1	417341034T
PCB1	R378	CARBON R	R16J-10K	1	417341034T
PCB1	R393A	VARI R	N11RLC250KWT30Z	1	5132551
PCB1	R401	CARBON R	R16J-1K	1	417341024T
PCB1	R402	CARBON R	R16J-1K	1	417341024T
PCB1	R403	CARBON R	R16J-220K	1	417342244T
PCB1	R404	CARBON R	R16J-220K	1	417342244T
PCB1	R405	CARBON R	R16J-22K	1	417342234T
PCB1	R406	CARBON R	R16J-22K	1	417342234T
PCB1	R407	CARBON R	R16J-3.3K	1	417343324T
PCB1	R408	CARBON R	R16J-3.3K	1	417343324T
PCB1	R409A	VARI R	N14RGLC100KC30Z	1	5132549
PCB1	R411A	CARBON R	R16J-220	1	417342214T
PCB1	R412A	CARBON R	R16J-220	1	417342214T
PCB1	R413A	CARBON R	R16J-1K	1	417341024T
PCB1	R414A	CARBON R	R16J-1K	1	417341024T
PCB1	R415A	VARI R	N14RGLC50KC30Z	1	5132550
PCB1	R417A	CARBON R	R16J-4.7K	1	417344724T
PCB1	R418A	CARBON R	R16J-4.7K	1	417344724T
PCB1	R419	CARBON R	R16J-4.7K	1	417344724T
PCB1	R420	CARBON R	R16J-4.7K	1	417344724T
PCB1	R435	CARBON R	R16J-220K	1	417342244T
PCB1	R436	CARBON R	R16J-2.2K	1	417342224T
PCB1	R441	NF CARBON R	R25J-10	1	415471004T
PCB1	R442	NF CARBON R	R25J-10	1	415471004T

PCB1	R451	CARBON R	R16J-3.3K	1	417343324T
PCB1	R452	CARBON R	R16J-3.3K	1	417343324T
PCB1	R453	CARBON R	R16J-220K	1	417342244T
PCB1	R454	CARBON R	R16J-220K	1	417342244T
PCB1	R455	CARBON R	R16J-22K	1	417342234T
PCB1	R456	CARBON R	R16J-22K	1	417342234T
PCB1	R457	CARBON R	R16J-3.3K	1	417343324T
PCB1	R458	CARBON R	R16J-3.3K	1	417343324T
PCB1	R459	CARBON R	R16J-4.7K	1	417344724T
PCB1	R460	CARBON R	R16J-4.7K	1	417344724T
PCB1	R461	CARBON R	R16J-100K	1	417341044T
PCB1	R462	CARBON R	R16J-100K	1	417341044T
PCB1	R463	CARBON R	R16J-220K	1	417342244T
PCB1	R464	CARBON R	R16J-220K	1	417342244T
PCB1	R491	CARBON R	R16J-47K	1	417344734T
PCB1	R492	CARBON R	R16J-47K	1	417344734T
PCB1	R493	CARBON R	R16J-270	1	417342714T
PCB1	R494	CARBON R	R16J-270	1	417342714T
PCB1	R495	CARBON R	R16J-100	1	417341014T
PCB1	R496	CARBON R	R16J-100	1	417341014T
PCB1	R501	CARBON R	R16J-470	1	417344714T
PCB1	R502	CARBON R	R16J-470	1	417344714T
PCB1	R503	CARBON R	R16J-27K	1	417342734T
PCB1	R504	CARBON R	R16J-27K	1	417342734T
PCB1	R505	CARBON R	R16J-10	1	417341004T
PCB1	R506	CARBON R	R16J-10	1	417341004T
PCB1	R507	CARBON R	R16J-47	1	417344704T
PCB1	R508	CARBON R	R16J-47	1	417344704T
PCB1	R509	CARBON R	R16J-47	1	417344704T
PCB1	R510	CARBON R	R16J-47	1	417344704T
PCB1	R511	CARBON R	R16J-5.6K	1	417345624T
PCB1	R512	CARBON R	R16J-5.6K	1	417345624T
PCB1	R513	CARBON R	R16J-56K	1	417345634T

PCB1	R514	CARBON R	R16J-56K	1	417345634T	
PCB1	R515	CARBON R	R16J-1K	1	417341024T	<MDC>
PCB1	R515	CARBON R	R16J-1.5K	1	417341524T	<MPA, MPP>
PCB1	R516	CARBON R	R16J-1K	1	417341024T	<MDC>
PCB1	R516	CARBON R	R16J-1.5K	1	417341524T	<MPA, MPP>
PCB1	R517	CARBON R	R16J-1K	1	417341024T	
PCB1	R518	CARBON R	R16J-1K	1	417341024T	
PCB1	R519	CARBON R	R16J-1K	1	417341024T	
PCB1	R520	CARBON R	R16J-1K	1	417341024T	
PCB1	R521	METAL O R	RS1/2WBJ-82	1	443528204T	
PCB1	R522	METAL O R	RS1/2WBJ-82	1	443528204T	
PCB1	R523	METAL O R	RS1/2WBJ-82	1	443528204T	
PCB1	R524	METAL O R	RS1/2WBJ-82	1	443528204T	
PCB1	R525	METAL O R	RS1/2WBJ-68	1	443526804T	
PCB1	R526	METAL O R	RS1/2WBJ-68	1	443526804T	
PCB1	R527	METAL O R	RS1/2WBJ-82	1	443528204T	
PCB1	R528	METAL O R	RS1/2WBJ-82	1	443528204T	
PCB1	R529	METAL O R	RS1/2WBJ-47	1	443524704T	
PCB1	R530	METAL O R	RS1/2WBJ-47	1	443524704T	
PCB1	R531	CARBON R	R16J-18K	1	417341834T	
PCB1	R532	CARBON R	R16J-18K	1	417341834T	
PCB1	R533	CARBON R	R16J-56K	1	417345634T	
PCB1	R534	CARBON R	R16J-56K	1	417345634T	
PCB1	R535	CARBON R	R16J-18K	1	417341834T	
PCB1	R536	CARBON R	R16J-18K	1	417341834T	
PCB1	R539	METAL R	RNU1/2WCJ-2.2	1	453530224T	
PCB1	R540	METAL R	RNU1/2WCJ-2.2	1	453530224T	
PCB1	R541	METAL R	RNU1/2WCJ-2.2	1	453530224T	
PCB1	R542	METAL R	RNU1/2WCJ-2.2	1	453530224T	
PCB1	R543	METAL O R	RS1/2WBJ-220	1	443522214T	
PCB1	R544	METAL O R	RS1/2WBJ-220	1	443522214T	
PCB1	R545	CARBON R	R16J-22K	1	417342234T	
PCB1	R546	CARBON R	R16J-22K	1	417342234T	

PCB1	R547	METAL PR	MPR5W+5W 0R22	1	4000233	
PCB1	R548	METAL PR	MPR5W+5W 0R22	1	4000233	
PCB1	R549	CARBON R	R16J-2.7K	1	417342724T	<MDC>
PCB1	R549	CARBON R	R16J-3.3K	1	417343324T	<MPA, MPP>
PCB1	R550	CARBON R	R16J-2.7K	1	417342724T	<MDC>
PCB1	R550	CARBON R	R16J-3.3K	1	417343324T	<MPA, MPP>
PCB1	R551	CARBON R	R16J-33K	1	417343334T	
PCB1	R552	CARBON R	R16J-33K	1	417343334T	
PCB1	R553	CARBON R	R16J-47K	1	417344734T	
PCB1	R554	CARBON R	R16J-47K	1	417344734T	
PCB1	R555	METAL R	RNU1/2WCJ-8.2	1	453530824T	
PCB1	R556	METAL R	RNU1/2WCJ-8.2	1	453530824T	
PCB1	R557	NF CARBON R	R25J-2.2	1	415470224T	
PCB1	R558	NF CARBON R	R25J-2.2	1	415470224T	
PCB1	R561	CARBON R	R16J-270	1	417342714T	
PCB1	R562	CARBON R	R16J-270	1	417342714T	
PCB1	R563	CARBON R	R16J-100K	1	417341044T	
PCB1	R564	CARBON R	R16J-100K	1	417341044T	
PCB1	R565	CARBON R	R16J-120K	1	417341244T	
PCB1	R566	CARBON R	R16J-120K	1	417341244T	
PCB1	R567	CARBON R	R16J-22	1	417342204T	
PCB1	R568	CARBON R	R16J-22	1	417342204T	
PCB1	R569	CARBON R	R16J-22	1	417342204T	
PCB1	R570	CARBON R	R16J-22	1	417342204T	
PCB1	R571	CARBON R	R16J-33K	1	417343334T	
PCB1	R572	CARBON R	R16J-22K	1	417342234T	
PCB1	R573	CARBON R	R16J-10K	1	417341034T	
PCB1	R574	CARBON R	R16J-47K	1	417344734T	
PCB1	R575	CARBON R	R16J-220K	1	417342244T	
PCB1	R577	CARBON R	R16J-120K	1	417341244T	
PCB1	R578	CARBON R	R16J-120K	1	417341244T	
PCB1	R579	CARBON R	R16J-330	1	417343314T	
PCB1	R580	CARBON R	R16J-330	1	417343314T	

PCB1	R581	CARBON R	R16J-5.6K	1	417345624T	
PCB1	R582	CARBON R	R16J-5.6K	1	417345624T	
PCB1	R583	CARBON R	R16J-3.9K	1	417343924T	
PCB1	R584	CARBON R	R16J-3.9K	1	417343924T	
PCB1	R585	CARBON R	R16J-470	1	417344714T	<MDC>
PCB1	R585	CARBON R	R16J-820	1	417348214T	<MPA, MPP>
PCB1	R586	CARBON R	R16J-470	1	417344714T	<MDC>
PCB1	R586	CARBON R	R16J-820	1	417348214T	<MPA, MPP>
PCB1	R587	TRIM R	N06HR2KBC	1	5210390T	
PCB1	R588	TRIM R	N06HR2KBC	1	5210390T	
PCB1	R589	CARBON R	R16J-3.3K	1	417343324T	
PCB1	R590	CARBON R	R16J-3.3K	1	417343324T	
PCB1	R593	METAL R	RNU1/2WCJ-2.2	1	453530224T	
PCB1	R594	METAL R	RNU1/2WCJ-2.2	1	453530224T	
PCB1	R595	METAL O R	RS1/2WBJ-10	1	443521004T	
PCB1	R598	METAL O R	RS1WBJ-390	1	443623914T	
PCB1	R599	METAL O R	RS1WBJ-390	1	443623914T	
PCB1	R919	METAL R	RNU1/2WCJ-1	1	453530104T	
PCB1	R921	METAL R	RNU1/2WCJ-0.47	1	453534794T	
PCB1	R922	METAL R	RNU1/2WCJ-0.47	1	453534794T	
PCB1	R923	METAL R	RNU1/2WCJ-4.7	1	453530474T	
PCB1	R924	METAL O R	RS1/2WBJ-470	1	443524714T	
PCB1	R925	METAL O R	RS1/2WBJ-10	1	443521004T	<MDC>
PCB1	R931	NF CARBON R	R25J-2.2K	1	415472224T	
PCB1	R932	CARBON R	R16J-330K	1	417343344T	
PCB1	R933	METAL O R	RS1/2WBJ-22	1	443522204T	
PCB1	R934	METAL O R	RS1/2WBJ-100	1	443521014T	
PCB1	R935	METAL O R	RS1/2WBJ-39	1	443523904T	
PCB1	R951	METAL R	RNU1/2WCJ-2.2	1	453530224T	
PCB1	R952	METAL R	RNU1/2WCJ-2.2	1	453530224T	
PCB1	R953	CARBON R	R16J-100K	1	417341044T	
PCB1	RL450	RELAY	NRL-2P2A-DC12-178	1	25065664	
PCB1	RL591	RELAY	NRL-2P5A-DC24-158	1	25065618	!

PCB1	RL591 or	RELAY	NRL-2P5A-DC24-129	(1)	25065563A	!
PCB1	RL591 or	RELAY	NRL-2P5A-DC24-193	(1)	25065703	!
PCB1	RL592	RELAY	NRL-2P5A-DC24-158	1	25065618	!
PCB1	RL592 or	RELAY	NRL-2P5A-DC24-129	(1)	25065563A	!
PCB1	RL592 or	RELAY	NRL-2P5A-DC24-193	(1)	25065703	!
PCB1	RL921	RELAY	NRL-1P10A-DC12-140	1	25065584	!, <MDC>
PCB1	RL922	RELAY	NRL-1P10A-DC12-140	1	25065584	!, <MDC>
PCB1	P301	PIN JACK	NPJ-6PDRW665	1	25045894	
PCB1	P301 or	PIN JACK	NPJ-6PDBL380	(1)	25045565	
PCB1	P302	PIN JACK	NPJ-6PDRW665	1	25045894	
PCB1	P302 or	PIN JACK	NPJ-6PDBL380	(1)	25045565	
PCB1	P303	PIN JACK	NPJ-6PDRW665	1	25045894	
PCB1	P303 or	PIN JACK	NPJ-6PDBL380	(1)	25045565	
PCB1	P371	JUMPER LEAD	JL11 200 B	1	---	NSP
PCB1	P371A	WIRE HOL	NSCT-11P882	1	25051095	
PCB1	P501	TRM	NTM-4PDMNRR420	1	25060492	
PCB1	P502	TRM	NTM-4PDMNRR420	1	25060492	
PCB1	P511	PLUG	NPLG-2P130	1	25055146	
PCB1	P512	PLUG	NPLG-2P130	1	25055146	
PCB1	P701B	PLUG	NPLG-7P0962	1	25056012	
PCB1	P702B	PLUG	NPLG-19P0974	1	25056024	
PCB1	P704B	TRM(SCREW)	NEJITANSI M3	1	25065425	
PCB1	P705B	TRM(SCREW)	NEJITANSI M3	1	25065425	
PCB1	P706	RETAINER	(JOINT)	1	27142069	
PCB1	P914A	CRIMP AS	CRIMP AS	1	2069925402UL	<MDC>
PCB1	P914C	CRIMP AS	CRIMP AS	1	2069925402UL	<MPA, MPP>
PCB1	P915A	CRIMP AS	CRIMP AS	1	2069925450UL	<MDC>
PCB1	P915C	CRIMP AS	CRIMP AS	1	2069925450UL	<MPA, MPP>
PCB1	P916A	CRIMP AS	CRIMP AS	1	2069925459UL	<MDC>
PCB1	P916C	CRIMP AS	CRIMP AS	1	2069925459UL	<MPA, MPP>
PCB1	P919	TRM	NTM-1P233(M1969)	1	25060302	<MDC>
PCB1	E591	RETAINER	MET37-0002	1	27142009T	
PCB1	E592	RETAINER	MET37-0002	1	27142009T	

PCB1	F911A	FUSE HOL	NSCT-1P2031	1	25052133T	!, <MDC>
PCB1	F911B	FUSE HOL	NSCT-1P2031	1	25052133T	!, <MDC>
PCB1	F912A	FUSE HOL	NSCT-1P2031	1	25052133T	!, <MDC>
PCB1	F912B	FUSE HOL	NSCT-1P2031	1	25052133T	!, <MDC>
PCB1	F913A	FUSE HOL	NSCT-1P2031	1	25052133T	!, <MDC>
PCB1	F913B	FUSE HOL	NSCT-1P2031	1	25052133T	!, <MDC>
PCB1	JL401	JUMPER LEAD	JL9 100 B	1	---	NSP
PCB1	JL401A	WIRE TRAP	NPLG-9P592	1	25055630	
PCB1	JL401C	WIRE HOL	NSCT-9P880	1	25051093	<MDC>
PCB1	JL401C	WIRE HOL	NSCT-9P880	1	25051093	<MPA, MPP>
PCB1	JL711B	SOCKET	NSCT-3P95	1	25050267	
PCB1	JL716B	SOCKET	NSCT-3P95	1	25050267	
PCB1	JL913	JUMPER LEAD	JL5 600H	1	---	NSP
PCB1	JL913A	WIRE HOL	NSCT-5P896	1	25051109	
PCB1	JL913B	WIRE HOL	NSCT-5P896	1	25051109	
PCB1	JL915	JUMPER LEAD	JL3 450 H	1	---	NSP, <MDC>
PCB1	JL915A	WIRE HOL	NSCT-3P894	1	25051107	<MDC>
PCB1	JL915B	WIRE HOL	NSCT-3P894	1	25051107	<MDC>
PCB1	JL917	JUMPER LEAD	JL5 400 H	1	---	NSP, <MDC>
PCB1	JL917A	WIRE HOL	NSCT-5P896	1	25051109	<MDC>
PCB1	JL917B	WIRE HOL	NSCT-5P896	1	25051109	<MDC>
PCB1	JL918	JUMPER LEAD	JL5 100 H	1	---	NSP, <MDC>
PCB1	JL918A	SOCKET	NSCT-5P97	1	25050269	<MDC>
PCB1	JL918B	WIRE HOL	NSCT-5P896	1	25051109	<MDC>
PCB2	U17	ZONE 2 / XM PC BOARD (NAAR-9631-1C/ 1E/ 1D)				
PCB2						
PCB2	CIRCUIT NO.	PART NAME	DESCRIPTION	Q'TY	PART NO. (SN)	REMARKS
PCB2	Q201	IC	BU9450KV-E2	1	22242505R2	<MDC>
PCB2	Q202	IC	AK4388ET-E2	1	22242519R2	<MDC>
PCB2	Q203	IC	NJM4580M-D	1	22241448R2	<MDC>
PCB2	Q204	IC	TA48033AF(TE16L_NQ)	1	22278033DR2TO	<MDC>
PCB2	Q204 or	IC	BA33BC0FP	(1)	22278033DR2RH	<MDC>

PCB2	Q204 or	IC	NJM2391DL1-33	(1)	22278033DR2JR	<MDC>
PCB2	Q204 or	IC	TA48033BF(TE16L_NQ)	(1)	22278033DBR2TO	<MDC>
PCB2	Q205	IC	78L05(NJM78L05UA)	1	222780053R2JR	<MDC>
PCB2	Q206	IC	TC74HCT7007AF(EL_F)	1	222740077R2TO	<MDC>
PCB2	Q207	IC	TC74VHC541FT(EKJ)	1	22274541E1R2TO	<MDC>
PCB2	Q207 or	IC	SN74AHC541PWR	(1)	222745411R2TI	<MDC>
PCB2	Q208	TR	2SA1930(ONK_Q)	1	2203000	<MDC>
PCB2	Q208A	HEAT SINK	RAD-083	1	27160271	<MDC>
PCB2	Q208B	SCREW	3P+10FN(3BC)	1	82143010GR	<MDC>
PCB2	Q209	IC	S-812C53AUA-C3HT2G	1	22242270R2	<MDC>
PCB2	Q831	TR	RN1441	1	2215410R2	
PCB2	Q832	TR	RN1441	1	2215410R2	
PCB2	Q833	TR	RN1441	1	2215410R2	
PCB2	Q834	TR	RN1441	1	2215410R2	
PCB2	Q835	IC	NJM4580M-D	1	22241448R2	
PCB2	Q836	TR	RN1441	1	2215410R2	
PCB2	Q837	TR	RN1441	1	2215410R2	
PCB2	D201	DIODE	RL1N4003	1	22380260T	<MDC>
PCB2	D202	DIODE	RL1N4003	1	22380260T	<MDC>
PCB2	X201	CRYSTAL	DSX530GA 45.1584MHz	1	3010418R2	<MDC>
PCB2	L201	CHOKE COIL	LBC2518T2R2M	1	231364M022R2	<MDC>
PCB2	L202	EMIFIL	BK1608LM182-T	1	230958R1	<MDC>
PCB2	L203	CHOKE COIL	LBC2518T2R2M	1	231364M022R2	<MDC>
PCB2	L204	CHOKE COIL	BLM21PG221SN1	1	230949R2	<MDC>
PCB2	L205	CHOKE COIL	BLM21PG221SN1	1	230949R2	<MDC>
PCB2	L206	CHOKE COIL	BLM21PG221SN1	1	230949R2	<MDC>
PCB2	C201	C-CERA C	CK725F1E-104Z1	1	332161040R1	<MDC>
PCB2	C202	C-CERA C	CK725B1H-102K1	1	332101025R1	<MDC>
PCB2	C203	C-CERA C	CK725F1E-104Z1	1	332161040R1	<MDC>
PCB2	C204	C-CERA C	CK725F1E-104Z1	1	332161040R1	<MDC>
PCB2	C205	C-CERA C	CK725F1E-104Z1	1	332161040R1	<MDC>
PCB2	C206	C-CERA C	CK725F1E-104Z1	1	332161040R1	<MDC>
PCB2	C207	UTSP C	CE04W10V-100M(UTSP)	1	397531017T	<MDC>

PCB2	C208	C-CERA C	CC725CH1H-040C1	1	342100401R1	<MDC>
PCB2	C209	C-CERA C	CC725CH1H-080D1	1	342100802R1	<MDC>
PCB2	C210	C-CERA C	CK725F1E-104Z1	1	332161040R1	<MDC>
PCB2	C211	C-CERA C	CK725F1E-104Z1	1	332161040R1	<MDC>
PCB2	C212	C-CERA C	CK725F1E-104Z1	1	332161040R1	<MDC>
PCB2	C213	C-CERA C	CK725F1E-104Z1	1	332161040R1	<MDC>
PCB2	C214	C-CERA C	CK725B1H-102K1	1	332101025R1	<MDC>
PCB2	C215	C-CERA C	CK725F1E-104Z1	1	332161040R1	<MDC>
PCB2	C216	UTSP C	CE04W50V-10M(UTSP)	1	397581007T	<MDC>
PCB2	C217	C-CERA C	CK725F1E-104Z1	1	332161040R1	<MDC>
PCB2	C218	UTSP C	CE04W10V-470M(UTSP)	1	397534717T	<MDC>
PCB2	C219	C-CERA C	CK725F1E-104Z1	1	332161040R1	<MDC>
PCB2	C221	UTSP C	CE04W50V-10M(UTSP)	1	397581007T	<MDC>
PCB2	C222	UTSP C	CE04W50V-10M(UTSP)	1	397581007T	<MDC>
PCB2	C223	C-CERA C	CC725CH1H-471J1	1	342104714R1	<MDC>
PCB2	C224	C-CERA C	CC725CH1H-471J1	1	342104714R1	<MDC>
PCB2	C225	C-CERA C	CC725CH1H-471J1	1	342104714R1	<MDC>
PCB2	C226	C-CERA C	CC725CH1H-471J1	1	342104714R1	<MDC>
PCB2	C227	UTSP C	CE04W50V-10M(UTSP)	1	397581007T	<MDC>
PCB2	C228	UTSP C	CE04W50V-10M(UTSP)	1	397581007T	<MDC>
PCB2	C229	VR C	CE04W16V-220M(VR)	1	394642217T	<MDC>
PCB2	C230	VR C	CE04W16V-220M(VR)	1	394642217T	<MDC>
PCB2	C231	C-CERA C	CK725F1E-104Z1	1	332161040R1	<MDC>
PCB2	C232	UTSP C	CE04W10V-470M(UTSP)	1	397534717T	<MDC>
PCB2	C233	C-CERA C	CK725B1H-102K1	1	332101025R1	<MDC>
PCB2	C234	UTSP C	CE04W10V-100M(UTSP)	1	397531017T	<MDC>
PCB2	C235	C-CERA C	CK725F1E-104Z1	1	332161040R1	<MDC>
PCB2	C237	C-CERA C	CK725B1H-102K1	1	332101025R1	<MDC>
PCB2	C238	C-CERA C	CK725B1H-102K1	1	332101025R1	<MDC>
PCB2	C239	C-CERA C	CK725F1E-104Z1	1	332161040R1	<MDC>
PCB2	C240	C-CERA C	CK725F1E-104Z1	1	332161040R1	<MDC>
PCB2	C241	UTSP C	CE04W50V-10M(UTSP)	1	397581007T	<MDC>
PCB2	C242	UTSP C	CE04W10V-100M(UTSP)	1	397531017T	<MDC>

PCB2	C831	UTSP C	CE04W25V-47M(UTSP)	1	397554707T	
PCB2	C832	UTSP C	CE04W25V-47M(UTSP)	1	397554707T	
PCB2	C833	TF C	ECQ-B50V-102J	1	374721024T	
PCB2	C834	TF C	ECQ-B50V-102J	1	374721024T	
PCB2	C837	TF C	ECQ-B50V-103J	1	374721034T	
PCB2	C838	TF C	ECQ-B50V-103J	1	374721034T	
PCB2	C839	TF C	ECQ-B50V-471J	1	374724714T	
PCB2	C840	TF C	ECQ-B50V-471J	1	374724714T	
PCB2	C841	UTSP C	CE04W50V-4.7M(UTSP)	1	397580477T	
PCB2	C842	TF C	ECQ-B50V-102J	1	374721024T	
PCB2	C843	VR C	CE04W16V-220M(VR)	1	394642217T	
PCB2	C844	VR C	CE04W16V-220M(VR)	1	394642217T	
PCB2	C845	TF C	ECQ-B50V-104J	1	374721044T	<MPA, MPP>
PCB2	R201	C-CARBON R	RN72K1J-221JE	1	435032214R1	<MDC>
PCB2	R202	C-CARBON R	RN72K1J-221JE	1	435032214R1	<MDC>
PCB2	R203	C-CARBON R	RN72K1J-104JE	1	435031044R1	<MDC>
PCB2	R204	C-CARBON R	RN72K1J-104JE	1	435031044R1	<MDC>
PCB2	R205	C-CARBON R	RN72K1J-104JE	1	435031044R1	<MDC>
PCB2	R206	C-CARBON R	RN72K1J-221JE	1	435032214R1	<MDC>
PCB2	R207	C-CARBON R	RN72K1J-104JE	1	435031044R1	<MDC>
PCB2	R208	C-CARBON R	RN72K1J-221JE	1	435032214R1	<MDC>
PCB2	R209	C-CARBON R	RN72K1J-104JE	1	435031044R1	<MDC>
PCB2	R210	C-CARBON R	RN72K1J-104JE	1	435031044R1	<MDC>
PCB2	R211	C-CARBON R	RN72K1J-221JE	1	435032214R1	<MDC>
PCB2	R212	C-CARBON R	RN72K1J-102JE	1	435031024R1	<MDC>
PCB2	R213	C-CARBON R	RN72K1J-102JE	1	435031024R1	<MDC>
PCB2	R214	C-CARBON R	RN72K1J-101JE	1	435031014R1	<MDC>
PCB2	R215	C-CARBON R	RN72K1J-101JE	1	435031014R1	<MDC>
PCB2	R216	C-CARBON R	RN72K1J-681JE	1	435036814R1	<MDC>
PCB2	R217	C-CARBON R	RN72K1J-105JE	1	435031054R1	<MDC>
PCB2	R218	C-CARBON R	RN72K1J-103JE	1	435031034R1	<MDC>
PCB2	R220	C-CARBON R	RN72K1J-104JE	1	435031044R1	<MDC>
PCB2	R221	C-CARBON R	RN72K1J-101JE	1	435031014R1	<MDC>

PCB2	R222	C-CARBON R	RN72K1J-331JE	1	435033314R1	<MDC>
PCB2	R223	C-CARBON R	RN72K1J-331JE	1	435033314R1	<MDC>
PCB2	R224	C-CARBON R	RN72K1J-331JE	1	435033314R1	<MDC>
PCB2	R225	C-CARBON R	RN72K1J-331JE	1	435033314R1	<MDC>
PCB2	R227	C-CARBON R	RN72K1J-104JE	1	435031044R1	<MDC>
PCB2	R228	C-CARBON R	RN72K1J-104JE	1	435031044R1	<MDC>
PCB2	R229	C-CARBON R	RN72K1J-332JE	1	435033324R1	<MDC>
PCB2	R230	C-CARBON R	RN72K1J-332JE	1	435033324R1	<MDC>
PCB2	R231	C-CARBON R	RN72K1J-332JE	1	435033324R1	<MDC>
PCB2	R232	C-CARBON R	RN72K1J-332JE	1	435033324R1	<MDC>
PCB2	R233	C-CARBON R	RN72K1J-332JE	1	435033324R1	<MDC>
PCB2	R234	C-CARBON R	RN72K1J-332JE	1	435033324R1	<MDC>
PCB2	R235	C-CARBON R	RN72K1J-392JE	1	435033924R1	<MDC>
PCB2	R236	C-CARBON R	RN72K1J-392JE	1	435033924R1	<MDC>
PCB2	R237	METAL O R	RS1/2WBJ-22	1	443522204T	<MDC>
PCB2	R238	METAL O R	RS1/2WBJ-22	1	443522204T	<MDC>
PCB2	R239	C-CARBON R	RN72K1J-331JE	1	435033314R1	<MDC>
PCB2	R240	C-CARBON R	RN72K1J-331JE	1	435033314R1	<MDC>
PCB2	R241	C-CARBON R	RN72K1J-220JE	1	435032204R1	<MDC>
PCB2	R242	C-CARBON R	RN72K1J-220JE	1	435032204R1	<MDC>
PCB2	R243	C-CARBON R	RN72K1J-220JE	1	435032204R1	<MDC>
PCB2	R244	C-CARBON R	RN72K1J-220JE	1	435032204R1	<MDC>
PCB2	R245	C-CARBON R	RN72K1J-330JE	1	435033304R1	<MDC>
PCB2	R246	NF CARBON R	R25J-0.22	1	415472294T	<MDC>
PCB2	R247	C-CARBON R	RN72K1J-331JE	1	435033314R1	<MDC>
PCB2	R248	C-CARBON R	RN72K1J-331JE	1	435033314R1	<MDC>
PCB2	R249	C-CARBON R	RN72K1J-221JE	1	435032214R1	<MDC>
PCB2	R810	METAL O R	RS1WBJ-100	1	443621014T	
PCB2	R831	C-CARBON R	RN72K1J-224JE	1	435032244R1	
PCB2	R832	C-CARBON R	RN72K1J-224JE	1	435032244R1	
PCB2	R833	C-CARBON R	RN72K1J-271JE	1	435032714R1	
PCB2	R834	C-CARBON R	RN72K1J-271JE	1	435032714R1	
PCB2	R835	C-CARBON R	RN72K1J-101JE	1	435031014R1	

PCB2	R836	C-CARBON R	RN72K1J-101JE	1	435031014R1	
PCB2	R837	C-CARBON R	RN72K1J-101JE	1	435031014R1	
PCB2	R838	C-CARBON R	RN72K1J-101JE	1	435031014R1	
PCB2	R839	C-CARBON R	RN72K1J-101JE	1	435031014R1	
PCB2	R840	C-CARBON R	RN72K1J-101JE	1	435031014R1	
PCB2	R841	C-CARBON R	RN72K1J-101JE	1	435031014R1	
PCB2	R842	C-CARBON R	RN72K1J-104JE	1	435031044R1	
PCB2	R843	C-CARBON R	RN72K1J-104JE	1	435031044R1	
PCB2	R844	C-CARBON R	RN72K1J-472JE	1	435034724R1	
PCB2	R845	C-CARBON R	RN72K1J-104JE	1	435031044R1	
PCB2	R846	C-CARBON R	RN72K1J-271JE	1	435032714R1	
PCB2	R847	C-CARBON R	RN72K1J-101JE	1	435031014R1	
PCB2	R848	C-CARBON R	RN72K1J-224JE	1	435032244R1	
PCB2	R849	C-CARBON R	RN72K1J-224JE	1	435032244R1	
PCB2	R850	C-CARBON R	RN72K1J-224JE	1	435032244R1	
PCB2	R854	C-CARBON R	RN72K1J-000JE	1	435030004R1	
PCB2	R855	C-CARBON R	RN72K1J-000JE	1	435030004R1	
PCB2	R856	C-CARBON R	RN72K1J-000JE	1	435030004R1	
PCB2	R857	C-CARBON R	RN72K1J-000JE	1	435030004R1	
PCB2	R858	C-CARBON R	RN72K1J-472JE	1	435034724R1	
PCB2	P201	SOCKET	CAM-C16	1	25053104R2	<MDC>
PCB2	P202	SOCKET	YKF51-5397N	1	25053201	<MDC>
PCB2	P211A	SOCKET	NSCT-15P1030	1	25051240	<MDC>
PCB2	P371B	WIRE TRAP	NPLG-11P594	1	25055632	
PCB2	P804	ST JACK	HSJ1002-01-6020	1	25045647	
PCB2	P805	TRM(SCREW)	NEJITANSI M3	1	25065425	
PCB2	P811A	SOCKET	NSCT-19P1317	1	25051530	
PCB2	P831	PIN JACK	NPJ-4PDRW592	1	25045812	
PCB2	P831 or	PIN JACK	NPJ-4PDBL308	(1)	25045491	
PCB2	P832	PIN JACK	NPJ-1PDP526	1	25045738	
PCB2	E201	RETAINER	(XM)	1	27142048	<MDC>
PCB3	U18	MICROPROCESSOR PC BOARD (NADG-9670-1A/ 1C/ 1B)				

PCB3	U19	DISPLAY PC BOARD (NADIS-9671-1A/ 1C/ 1B)				
PCB3	U20	THERMAL SENSOR PC BOARD (NAETC-9672-1A/ 1C/ 1B)				
PCB3	U22	POWER SUPPLY PC BOARD (NAPS-9674-1A/ 1C/ 1B)				
PCB3	U23	TRANS. PRI. TERMINAL PC BOARD (NAETC-9675-1A/ 1C/ 1B)				
PCB3	U24	VOLUME PC BOARD (NAETC-9676-1A/ 1C/ 1B)				
PCB3	U25	VIDEO PC BOARD (NAVD-9677-1A/ 1C/ 1B)				
PCB3	U26	HEADPHONE JACK PC BOARD (NAETC-9678-1A/ 1C/ 1B)				
PCB3						
PCB3		CIRCUIT NO. PART NAME	DESCRIPTION	Q'TY	PART NO. (SN)	REMARKS
PCB3	U851	REMO SENS	NJL34H380A	1	241365	
PCB3	Q251	IC	LA7956-E	1	22241759	
PCB3	Q253	TR	KTA1504-GR	1	2216185R2	
PCB3	Q253 or	TR	2SA1162-GR	(1)	2214375R2	
PCB3	Q254	TR	RN1404	1	2214490R2	
PCB3	Q255	TR	RN1404	1	2214490R2	
PCB3	Q257	TR	RN1441	1	2215410R2	
PCB3	Q258	TR	RN1441	1	2215410R2	
PCB3	Q701	IC (MAIN MICROPROCESSOR)	M30624MWP-467P	1	22242588R3	
PCB3	Q702	IC	S-812C56AUA-C3K	1	22242207R2	
PCB3	Q703	TR	KRC104S	1	2216210R2	
PCB3	Q703 or	TR	RN1404	(1)	2214490R2	
PCB3	Q704	TR	KRA102S	1	2216220R2	
PCB3	Q704 or	TR	RN2402	(1)	2214530R2	
PCB3	Q705	TR	KRA102S	1	2216220R2	
PCB3	Q705 or	TR	RN2402	(1)	2214530R2	
PCB3	Q706	TR	KRA102S	1	2216220R2	
PCB3	Q706 or	TR	RN2402	(1)	2214530R2	
PCB3	Q707	TR	KRC104S	1	2216210R2	
PCB3	Q707 or	TR	RN1404	(1)	2214490R2	
PCB3	Q708	TR	KRC104S	1	2216210R2	
PCB3	Q708 or	TR	RN1404	(1)	2214490R2	
PCB3	Q709	TR	KTA1504-GR	1	2216185R2	
PCB3	Q709 or	TR	2SA1162-GR	(1)	2214375R2	

PCB3	Q710	TR	KRC102S	1	2216190R2
PCB3	Q710 or	TR	RN1402	(1)	2214470R2
PCB3	Q851	IC	M66005-0001AHP	1	22242208R3
PCB3	Q852	FL TUBE	16-BT-128GNYK	1	212258A
PCB3	Q852A	HOLDER	(FL)	1	27191222C
PCB3	Q853	TR	KTC3875-GR	1	2216175R2
PCB3	Q853 or	TR	2SC2712-GR	(1)	2213145R2
PCB3	Q854	TR	KRC102S	1	2216190R2
PCB3	Q854 or	TR	RN1402	(1)	2214470R2
PCB3	Q855	TR	KRC102S	1	2216190R2
PCB3	Q855 or	TR	RN1402	(1)	2214470R2
PCB3	Q856	IC	LM61CIZ	1	22242212
PCB3	Q856A	RETAINER	(PTH)	1	27141884-1
PCB3	Q912	TR	2SC2458-GR	1	2212115T
PCB3	Q912 or	TR	KTC3199-GR	(1)	2215864T
PCB3	Q912 or	TR	2SC1740S-R	(1)	2213284T
PCB3	D251	C-DIODE	KDS4148U	1	223283R2
PCB3	D251 or	C-DIODE	ISS352	(1)	223234R2
PCB3	D251 or	C-DIODE	MA2J111	(1)	223279R2
PCB3	D252	C-DIODE	KDS4148U	1	223283R2
PCB3	D252 or	C-DIODE	ISS352	(1)	223234R2
PCB3	D252 or	C-DIODE	MA2J111	(1)	223279R2
PCB3	D701	C-DIODE	KDS4148U	1	223283R2
PCB3	D701 or	C-DIODE	ISS352	(1)	223234R2
PCB3	D701 or	C-DIODE	MA2J111	(1)	223279R2
PCB3	D702	C-DIODE	KDS4148U	1	223283R2
PCB3	D702 or	C-DIODE	ISS352	(1)	223234R2
PCB3	D702 or	C-DIODE	MA2J111	(1)	223279R2
PCB3	D703	C-DIODE	KDS4148U	1	223283R2
PCB3	D703 or	C-DIODE	ISS352	(1)	223234R2
PCB3	D703 or	C-DIODE	MA2J111	(1)	223279R2
PCB3	D704	C-DIODE	KDS4148U	1	223283R2
PCB3	D704 or	C-DIODE	ISS352	(1)	223234R2

PCB3	D704 or	C-DIODE	MA2J111	(1)	223279R2	
PCB3	D705	ZENER D	UDZS5.1B	1	224550510R2	
PCB3	D705 or	ZENER D	MAZ8051-M	(1)	224750512R2	
PCB3	D706	C-DIODE	KDS4148U	1	223283R2	
PCB3	D706 or	C-DIODE	ISS352	(1)	223234R2	
PCB3	D706 or	C-DIODE	MA2J111	(1)	223279R2	
PCB3	D707	C-DIODE	KDS4148U	1	223283R2	
PCB3	D707 or	C-DIODE	ISS352	(1)	223234R2	
PCB3	D707 or	C-DIODE	MA2J111	(1)	223279R2	
PCB3	D708	C-DIODE	KDS4148U	1	223283R2	
PCB3	D708 or	C-DIODE	ISS352	(1)	223234R2	
PCB3	D708 or	C-DIODE	MA2J111	(1)	223279R2	
PCB3	D710	DIODE	RL1N4003	1	22380260T	
PCB3	D711	DIODE	RL1N4003	1	22380260T	
PCB3	D712	DIODE	RL1N4003	1	22380260T	
PCB3	D713	DIODE	RL1N4003	1	22380260T	
PCB3	D714	DIODE	RL1N4003	1	22380260T	<MDC>
PCB3	D715	ZENER D	UDZS15B	1	224551500R2	<MDC>
PCB3	D851	ZENER D	UDZS8.2B	1	224550820R2	
PCB3	D851 or	ZENER D	MAZ8082-M	(1)	224750822R2	
PCB3	D852	LED	SLI-343URC-TE7	1	225449T	
PCB3	D853	LED	SLR-342MGTE7P	1	225455T	
PCB3	D854	LED	SDPB3DD0C0000-ABCDEF	1	225473	
PCB3	D855	SPCF D	SIR-34ST3F	1	225456	
PCB3	D901	C-DIODE	KDS4148U	1	223283R2	
PCB3	D901 or	C-DIODE	ISS352	(1)	223234R2	
PCB3	D901 or	C-DIODE	MA2J111	(1)	223279R2	
PCB3	D902	C-DIODE	KDS4148U	1	223283R2	
PCB3	D902 or	C-DIODE	ISS352	(1)	223234R2	
PCB3	D902 or	C-DIODE	MA2J111	(1)	223279R2	
PCB3	D903	C-DIODE	KDS4148U	1	223283R2	
PCB3	D903 or	C-DIODE	ISS352	(1)	223234R2	
PCB3	D903 or	C-DIODE	MA2J111	(1)	223279R2	

PCB3	D904	C-DIODE	KDS4148U	1	223283R2	
PCB3	D904 or	C-DIODE	ISS352	(1)	223234R2	
PCB3	D904 or	C-DIODE	MA2J111	(1)	223279R2	
PCB3	D905	C-DIODE	KDS4148U	1	223283R2	
PCB3	D905 or	C-DIODE	ISS352	(1)	223234R2	
PCB3	D905 or	C-DIODE	MA2J111	(1)	223279R2	
PCB3	D906	C-DIODE	KDS4148U	1	223283R2	
PCB3	D906 or	C-DIODE	ISS352	(1)	223234R2	
PCB3	D906 or	C-DIODE	MA2J111	(1)	223279R2	
PCB3	D908	C-DIODE	KDS4148U	1	223283R2	
PCB3	D908 or	C-DIODE	ISS352	(1)	223234R2	
PCB3	D908 or	C-DIODE	MA2J111	(1)	223279R2	
PCB3	D909	C-DIODE	KDS4148U	1	223283R2	
PCB3	D909 or	C-DIODE	ISS352	(1)	223234R2	
PCB3	D909 or	C-DIODE	MA2J111	(1)	223279R2	
PCB3	D912	C-DIODE	KDS4148U	1	223283R2	
PCB3	D912 or	C-DIODE	ISS352	(1)	223234R2	
PCB3	D912 or	C-DIODE	MA2J111	(1)	223279R2	
PCB3	D913	C-DIODE	KDS4148U	1	223283R2	
PCB3	D913 or	C-DIODE	ISS352	(1)	223234R2	
PCB3	D913 or	C-DIODE	MA2J111	(1)	223279R2	
PCB3	D914	ZENER D	UDZS5.1B	1	224550510R2	
PCB3	D914 or	ZENER D	MAZ8051-M	(1)	224750512R2	
PCB3	D991	C-DIODE	KDS4148U	1	223283R2	
PCB3	D991 or	C-DIODE	ISS352	(1)	223234R2	
PCB3	D991 or	C-DIODE	MA2J111	(1)	223279R2	
PCB3	D992	C-DIODE	KDS4148U	1	223283R2	
PCB3	D992 or	C-DIODE	ISS352	(1)	223234R2	
PCB3	D992 or	C-DIODE	MA2J111	(1)	223279R2	
PCB3	X701	CERA LOCK	CS7LS6M00G-56-A0	1	3010427T	
PCB3	X701 or	CERA LOCK	CR06000-TG-A0R	(1)	3010433T	
PCB3	T902	P TRANS	NPT-1520JQ	1	2301812A	!, <MDC>
PCB3	T902	P TRANS	NPT-1520GQ	1	2301813A	!, <MPA, MPP>

PCB3	L701	CHOKE COIL	LBC2518T470M	1	231364M470R2
PCB3	L851	CHOKE COIL	LBC2518T470M	1	231364M470R2
PCB3	L852	CHOKE COIL	LBC2518T2R2M	1	231364M022R2
PCB3	L853	CHOKE COIL	LBC2518T2R2M	1	231364M022R2
PCB3	L854	CHOKE COIL	LBC2518T220M	1	231364M220R2
PCB3	L855	CHOKE COIL	LBC2518T220M	1	231364M220R2
PCB3	L856	CHOKE COIL	LBC2518T220M	1	231364M220R2
PCB3	C251	C-CERA C	CK725F1E-104Z1	1	332161040R1
PCB3	C252	VR C	CE04W16V-100M(VR)	1	394641017T
PCB3	C256	VR C	CE04W16V-470M(VR)	1	394644717T
PCB3	C257	VR C	CE04W16V-470M(VR)	1	394644717T
PCB3	C258	VR C	CE04W50V-2.2M(VR)	1	394680227T
PCB3	C259	VR C	CE04W50V-2.2M(VR)	1	394680227T
PCB3	C260	VR C	CE04W50V-2.2M(VR)	1	394680227T
PCB3	C261	VR C	CE04W50V-2.2M(VR)	1	394680227T
PCB3	C262	C-CERA C	CK725B1H-102K1	1	332101025R1
PCB3	C263	C-CERA C	CK725B1H-102K1	1	332101025R1
PCB3	C701	C-CERA C	CK725F1E-104Z1	1	332161040R1
PCB3	C702	VR C	CE04W16V-100M(VR)	1	394641017T
PCB3	C703	VR C	CE04W16V-100M(VR)	1	394641017T
PCB3	C704	EDL C	DX-5R5L224	1	3000079T
PCB3	C705	VR C	CE04W16V-100M(VR)	1	394641017T
PCB3	C706	VR C	CE04W50V-10M(VR)	1	394681007T
PCB3	C707	VR C	CE04W50V-10M(VR)	1	394681007T
PCB3	C708	C-CERA C	CK725B1A-474K1	1	332134745R1
PCB3	C709	C-CERA C	CK725B1A-474K1	1	332134745R1
PCB3	C710	VR C	CE04W6.3V-470M(VR)	1	394624717T
PCB3	C711	C-CERA C	CK725F1E-104Z1	1	332161040R1
PCB3	C712	VR C	CE04W50V-4.7M(VR)	1	394680477T
PCB3	C713	C-CERA C	CK725F1E-104Z1	1	332161040R1
PCB3	C714	C-CERA C	CK725F1E-104Z1	1	332161040R1
PCB3	C715	C-CERA C	CK725F1E-104Z1	1	332161040R1
PCB3	C716	C-CERA C	CC725CH1H-101J1	1	342101014R1

PCB3	C717	C-CERA C	CC725CH1H-101J1	1	342101014R1
PCB3	C718	C-CERA C	CK725F1E-104Z1	1	332161040R1
PCB3	C719	C-CERA C	CK725F1E-104Z1	1	332161040R1
PCB3	C720	C-CERA C	CK725B1H-102K1	1	332101025R1
PCB3	C721	C-CERA C	CK725B1H-102K1	1	332101025R1
PCB3	C722	C-CERA C	CK725B1H-102K1	1	332101025R1
PCB3	C723	C-CERA C	CK725B1H-102K1	1	332101025R1
PCB3	C724	C-CERA C	CK725B1H-102K1	1	332101025R1
PCB3	C725	C-CERA C	CK725B1H-102K1	1	332101025R1
PCB3	C726	C-CERA C	CK725B1H-102K1	1	332101025R1
PCB3	C727	C-CERA C	CK725B1H-102K1	1	332101025R1
PCB3	C728	C-CERA C	CK725F1E-104Z1	1	332161040R1
PCB3	C729	C-CERA C	CK725F1E-104Z1	1	332161040R1
PCB3	C730	C-CERA C	CC725CH1H-101J1	1	342101014R1
PCB3	C731	VR C	CE04W50V-2.2M(VR)	1	394680227T
PCB3	C732	VR C	CE04W16V-100M(VR)	1	394641017T
PCB3	C733	C-CERA C	CK725F1E-104Z1	1	332161040R1
PCB3	C734	C-CERA C	CK725F1E-104Z1	1	332161040R1
PCB3	C735	C-CERA C	CK725F1E-104Z1	1	332161040R1
PCB3	C736	VR C	CE04W16V-100M(VR)	1	394641017T
PCB3	C737	VR C	CE04W16V-470M(VR)	1	394644717T
PCB3	C853	C-CERA C	CK725F1E-104Z1	1	332161040R1
PCB3	C854	C-CERA C	CK725F1E-104Z1	1	332161040R1
PCB3	C855	C-CERA C	CK725F1E-104Z1	1	332161040R1
PCB3	C856	ELECT C	CE04W6.3V-100M	1	355721019T
PCB3	C857	C-CERA C	CC725CH1H-101J1	1	342101014R1
PCB3	C858	C-CERA C	CK725F1E-104Z1	1	332161040R1
PCB3	C859	C-CERA C	CC725CH1H-101J1	1	342101014R1
PCB3	C860	C-CERA C	CC725CH1H-101J1	1	342101014R1
PCB3	C861	C-CERA C	CC725CH1H-101J1	1	342101014R1
PCB3	C863	ELECT C	CE04W50V-33M	1	355783309T
PCB3	C864	ELECT C	CE04W16V-100M	1	355741019T
PCB3	C865	C-CERA C	CK725B1H-223K1	1	332102235R1

PCB3	C866	C-CERA C	CK725B1H-223K1	1	332102235R1	
PCB3	C867	C-CERA C	CK725B1H-223K1	1	332102235R1	
PCB3	C868	C-CERA C	CK725B1H-223K1	1	332102235R1	
PCB3	C869	C-CERA C	CC725CHI1H-102J1	1	342101024R1	
PCB3	C870	C-CERA C	CK725F1E-104Z1	1	332161040R1	
PCB3	C871	VR C	CE04W16V-100M(VR)	1	394641017T	
PCB3	C872	C-CERA C	CK725B1H-103K1	1	332101035R1	
PCB3	C873	C-CERA C	CK725B1H-103K1	1	332101035R1	
PCB3	C874	TF C	ECQ-B50V-102J	1	374721024T	
PCB3	C875	TF C	ECQ-B50V-102J	1	374721024T	
PCB3	C902	C-CERA C	CK725F1E-104Z1	1	332161040R1	
PCB3	C903	VR C	CE04W35V-2200M(VR)	1	394662227S	
PCB3	C904	VR C	CE04W35V-100M(VR)	1	394661017T	
PCB3	C906	VR C	CE04W50V-4.7M(VR)	1	394680477T	
PCB3	C912	IS C	LE103-C3.5	1	3800042S	!
PCB3	C912 or	IS C	ECQU2A103MLC	(1)	3800039S	!
PCB3	C991	C-CERA C	CK725F1E-104Z1	1	332161040R1	
PCB3	R251	C-CARBON R	RN72K1J-331JE	1	435033314R1	
PCB3	R252	C-CARBON R	RN72K1J-562JE	1	435035624R1	
PCB3	R253	C-CARBON R	RN72K1J-562JE	1	435035624R1	
PCB3	R256	C-CARBON R	RN72K1J-750JE	1	435037504R1	
PCB3	R257	C-CARBON R	RN72K1J-750JE	1	435037504R1	
PCB3	R258	C-CARBON R	RN72K1J-750JE	1	435037504R1	
PCB3	R259	C-CARBON R	RN72K1J-750JE	1	435037504R1	
PCB3	R260	C-CARBON R	RN72K1J-750JE	1	435037504R1	
PCB3	R261	C-CARBON R	RN72K1J-750JE	1	435037504R1	
PCB3	R262	C-CARBON R	RN72K1J-684JE	1	435036844R1	
PCB3	R263	C-CARBON R	RN72K1J-684JE	1	435036844R1	
PCB3	R264	C-CARBON R	RN72K1J-684JE	1	435036844R1	
PCB3	R265	C-CARBON R	RN72K1J-684JE	1	435036844R1	
PCB3	R267	C-CARBON R	RN72K1J-104JE	1	435031044R1	
PCB3	R268	C-CARBON R	RN72K1J-104JE	1	435031044R1	
PCB3	R701	C-CARBON R	RN72K1J-102JE	1	435031024R1	

PCB3	R702	C-CARBON R	RN72K1J-221JE	1	435032214R1	
PCB3	R703	C-CARBON R	RN72K1J-221JE	1	435032214R1	
PCB3	R706	C-CARBON R	RN72K1J-103JE	1	435031034R1	
PCB3	R707	C-CARBON R	RN72K1J-103JE	1	435031034R1	<MDC>
PCB3	R707	C-CARBON R	RN72K1J-103JE	1	435031034R1	<MPA>
PCB3	R708	C-CARBON R	RN72K1J-102JE	1	435031024R1	<MPP>
PCB3	R709	C-CARBON R	RN72K1J-473JE	1	435034734R1	
PCB3	R710	C-CARBON R	RN72K1J-105JE	1	435031054R1	
PCB3	R711	C-CARBON R	RN72K1J-473JE	1	435034734R1	
PCB3	R712	C-CARBON R	RN72K1J-103JE	1	435031034R1	
PCB3	R713	C-CARBON R	RN72K1J-102JE	1	435031024R1	<MPP>
PCB3	R714	C-CARBON R	RN72K1J-473JE	1	435034734R1	
PCB3	R715	C-CARBON R	RN72K1J-221JE	1	435032214R1	<MDC>
PCB3	R716	C-CARBON R	RN72K1J-470JE	1	435034704R1	
PCB3	R717	C-CARBON R	RN72K1J-470JE	1	435034704R1	
PCB3	R718	C-CARBON R	RN72K1J-221JE	1	435032214R1	<MDC>
PCB3	R721	C-CARBON R	RN72K1J-470JE	1	435034704R1	
PCB3	R722	C-CARBON R	RN72K1J-470JE	1	435034704R1	<MDC>
PCB3	R723	C-CARBON R	RN72K1J-473JE	1	435034734R1	
PCB3	R724	C-CARBON R	RN72K1J-223JE	1	435032234R1	<MDC>
PCB3	R725	C-CARBON R	RN72K1J-103JE	1	435031034R1	
PCB3	R726	C-CARBON R	RN72K1J-473JE	1	435034734R1	
PCB3	R727	C-CARBON R	RN72K1J-470JE	1	435034704R1	
PCB3	R728	C-CARBON R	RN72K1J-470JE	1	435034704R1	
PCB3	R729	C-CARBON R	RN72K1J-470JE	1	435034704R1	
PCB3	R730	C-CARBON R	RN72K1J-470JE	1	435034704R1	
PCB3	R731	C-CARBON R	RN72K1J-470JE	1	435034704R1	<MDC>
PCB3	R732	C-CARBON R	RN72K1J-470JE	1	435034704R1	
PCB3	R733	C-CARBON R	RN72K1J-470JE	1	435034704R1	<MDC>
PCB3	R734	C-CARBON R	RN72K1J-221JE	1	435032214R1	<MDC>
PCB3	R735	C-CARBON R	RN72K1J-221JE	1	435032214R1	<MDC>
PCB3	R736	C-CARBON R	RN72K1J-103JE	1	435031034R1	
PCB3	R737	C-CARBON R	RN72K1J-103JE	1	435031034R1	

PCB3	R738	C-CARBON R	RN72K1J-222JE	1	435032224R1	
PCB3	R739	C-CARBON R	RN72K1J-470JE	1	435034704R1	
PCB3	R740	C-CARBON R	RN72K1J-470JE	1	435034704R1	
PCB3	R741	C-CARBON R	RN72K1J-103JE	1	435031034R1	
PCB3	R742	C-CARBON R	RN72K1J-103JE	1	435031034R1	
PCB3	R743	C-CARBON R	RN72K1J-103JE	1	435031034R1	
PCB3	R744	C-CARBON R	RN72K1J-222JE	1	435032224R1	
PCB3	R745	C-CARBON R	RN72K1J-222JE	1	435032224R1	
PCB3	R746	C-CARBON R	RN72K1J-221JE	1	435032214R1	
PCB3	R747	C-CARBON R	RN72K1J-221JE	1	435032214R1	
PCB3	R749	C-CARBON R	RN72K1J-102JE	1	435031024R1	
PCB3	R751	C-CARBON R	RN72K1J-470JE	1	435034704R1	
PCB3	R752	C-CARBON R	RN72K1J-221JE	1	435032214R1	
PCB3	R753	C-CARBON R	RN72K1J-221JE	1	435032214R1	
PCB3	R755	C-CARBON R	RN72K1J-000JE	1	435030004R1	
PCB3	R756	C-CARBON R	RN72K1J-000JE	1	435030004R1	
PCB3	R757	C-CARBON R	RN72K1J-000JE	1	435030004R1	<MDC>
PCB3	R757	C-CARBON R	RN72K1J-563JE	1	435035634R1	<MPA>
PCB3	R757	C-CARBON R	RN72K1J-333JE	1	435033334R1	<MPP>
PCB3	R758	C-CARBON R	RN72K1J-103JE	1	435031034R1	
PCB3	R761	C-CARBON R	RN72K1J-333JE	1	435033334R1	<MPA>
PCB3	R761	C-CARBON R	RN72K1J-563JE	1	435035634R1	<MPP>
PCB3	R762	C-CARBON R	RN72K1J-473JE	1	435034734R1	
PCB3	R763	C-CARBON R	RN72K1J-224JE	1	435032244R1	
PCB3	R764	C-CARBON R	RN72K1J-221JE	1	435032214R1	
PCB3	R765	C-CARBON R	RN72K1J-102JE	1	435031024R1	
PCB3	R766	C-CARBON R	RN72K1J-102JE	1	435031024R1	
PCB3	R767	C-CARBON R	RN72K1J-273JE	1	435032734R1	
PCB3	R768	C-CARBON R	RN72K1J-273JE	1	435032734R1	
PCB3	R772	C-CARBON R	RN72K1J-470JE	1	435034704R1	
PCB3	R773	C-CARBON R	RN72K1J-470JE	1	435034704R1	
PCB3	R774	C-CARBON R	RN72K1J-470JE	1	435034704R1	
PCB3	R775	C-CARBON R	RN72K1J-470JE	1	435034704R1	

PCB3	R776	C-CARBON R	RN72K1J-470JE	1	435034704R1	
PCB3	R777	C-CARBON R	RN72K1J-470JE	1	435034704R1	
PCB3	R778	C-CARBON R	RN72K1J-470JE	1	435034704R1	
PCB3	R779	C-CARBON R	RN72K1J-472JE	1	435034724R1	
PCB3	R780	C-CARBON R	RN72K1J-472JE	1	435034724R1	
PCB3	R781	C-CARBON R	RN72K1J-472JE	1	435034724R1	
PCB3	R782	C-CARBON R	RN72K1J-472JE	1	435034724R1	
PCB3	R783	C-CARBON R	RN72K1J-472JE	1	435034724R1	
PCB3	R784	C-CARBON R	RN72K1J-472JE	1	435034724R1	
PCB3	R785	C-CARBON R	RN72K1J-472JE	1	435034724R1	
PCB3	R786	C-CARBON R	RN72K1J-472JE	1	435034724R1	
PCB3	R787	C-CARBON R	RN72K1J-272JE	1	435032724R1	
PCB3	R788	C-CARBON R	RN72K1J-272JE	1	435032724R1	
PCB3	R789	C-CARBON R	RN72K1J-272JE	1	435032724R1	
PCB3	R790	C-CARBON R	RN72K1J-272JE	1	435032724R1	
PCB3	R791	C-CARBON R	RN72K1J-473JE	1	435034734R1	
PCB3	R792	C-CARBON R	RN72K1J-104JE	1	435031044R1	
PCB3	R793	C-CARBON R	RN72K1J-473JE	1	435034734R1	
PCB3	R794	C-CARBON R	RN72K1J-473JE	1	435034734R1	
PCB3	R795	METAL O R	RS1/2WBJ-10	1	443521004T	
PCB3	R796	C-CARBON R	RN72K1J-473JE	1	435034734R1	<MDC>
PCB3	R797	C-CARBON R	RN72K1J-473JE	1	435034734R1	<MDC>
PCB3	R798	C-CARBON R	RN72K1J-473JE	1	435034734R1	<MDC>
PCB3	R799	C-CARBON R	RN72K1J-473JE	1	435034734R1	<MDC>
PCB3	R800	METAL O R	RS1WBJ-220	1	443622214T	<MDC>
PCB3	R801	C-CARBON R	RN72K1J-105JE	1	435031054R1	
PCB3	R802	C-CARBON R	RN72K1J-221JE	1	435032214R1	
PCB3	R803	C-CARBON R	RN72K1J-221JE	1	435032214R1	
PCB3	R804	C-CARBON R	RN72K1J-221JE	1	435032214R1	
PCB3	R805	C-CARBON R	RN72K1J-473JE	1	435034734R1	
PCB3	R806	C-CARBON R	RN72K1J-222JE	1	435032224R1	
PCB3	R807	C-CARBON R	RN72K1J-224JE	1	435032244R1	
PCB3	R808	METAL O R	RS1WBJ-220	1	443622214T	<MPA, MPP>

PCB3	R851	C-CARBON R	RN72K1J-273JE	1	435032734R1
PCB3	R852	C-CARBON R	RN72K1J-332JE	1	435033324R1
PCB3	R853	C-CARBON R	RN72K1J-332JE	1	435033324R1
PCB3	R854	C-CARBON R	RN72K1J-221JE	1	435032214R1
PCB3	R855	C-CARBON R	RN72K1J-221JE	1	435032214R1
PCB3	R856	C-CARBON R	RN72K1J-223JE	1	435032234R1
PCB3	R857	C-CARBON R	RN72K1J-221JE	1	435032214R1
PCB3	R858	C-CARBON R	RN72K1J-221JE	1	435032214R1
PCB3	R859	C-CARBON R	RN72K1J-101JE	1	435031014R1
PCB3	R860	C-CARBON R	RN72K1J-102JE	1	435031024R1
PCB3	R861	C-CARBON R	RN72K1J-331JE	1	435033314R1
PCB3	R862	C-CARBON R	RN72K1J-331JE	1	435033314R1
PCB3	R863	C-CARBON R	RN72K1J-331JE	1	435033314R1
PCB3	R864	C-CARBON R	RN72K1J-331JE	1	435033314R1
PCB3	R865	C-CARBON R	RN72K1J-471JE	1	435034714R1
PCB3	R866	C-CARBON R	RN72K1J-471JE	1	435034714R1
PCB3	R867	C-CARBON R	RN72K1J-471JE	1	435034714R1
PCB3	R868	C-CARBON R	RN72K1J-471JE	1	435034714R1
PCB3	R869	C-CARBON R	RN72K1J-561JE	1	435035614R1
PCB3	R870	C-CARBON R	RN72K1J-561JE	1	435035614R1
PCB3	R871	C-CARBON R	RN72K1J-561JE	1	435035614R1
PCB3	R872	C-CARBON R	RN72K1J-561JE	1	435035614R1
PCB3	R873	C-CARBON R	RN72K1J-821JE	1	435038214R1
PCB3	R874	C-CARBON R	RN72K1J-821JE	1	435038214R1
PCB3	R875	C-CARBON R	RN72K1J-821JE	1	435038214R1
PCB3	R876	C-CARBON R	RN72K1J-821JE	1	435038214R1
PCB3	R877	C-CARBON R	RN72K1J-122JE	1	435031224R1
PCB3	R878	C-CARBON R	RN72K1J-122JE	1	435031224R1
PCB3	R879	C-CARBON R	RN72K1J-122JE	1	435031224R1
PCB3	R880	C-CARBON R	RN72K1J-122JE	1	435031224R1
PCB3	R881	C-CARBON R	RN72K1J-222JE	1	435032224R1
PCB3	R882	C-CARBON R	RN72K1J-222JE	1	435032224R1
PCB3	R883	C-CARBON R	RN72K1J-222JE	1	435032224R1

PCB3	R884	C-CARBON R	RN72K1J-222JE	1	435032224R1	
PCB3	R885	C-CARBON R	RN72K1J-392JE	1	435033924R1	
PCB3	R886	C-CARBON R	RN72K1J-392JE	1	435033924R1	
PCB3	R887	C-CARBON R	RN72K1J-392JE	1	435033924R1	
PCB3	R888	C-CARBON R	RN72K1J-392JE	1	435033924R1	
PCB3	R889	C-CARBON R	RN72K1J-123JE	1	435031234R1	
PCB3	R890	C-CARBON R	RN72K1J-123JE	1	435031234R1	
PCB3	R891	C-CARBON R	RN72K1J-123JE	1	435031234R1	
PCB3	R892	C-CARBON R	RN72K1J-123JE	1	435031234R1	
PCB3	R893	C-CARBON R	RN72K1J-222JE	1	435032224R1	
PCB3	R894	C-CARBON R	RN72K1J-271JE	1	435032714R1	
PCB3	R895	C-CARBON R	RN72K1J-121JE	1	435031214R1	
PCB3	R896	C-CARBON R	RN72K1J-103JE	1	435031034R1	
PCB3	R897	C-CARBON R	RN72K1J-103JE	1	435031034R1	
PCB3	R898	C-CARBON R	RN72K1J-103JE	1	435031034R1	
PCB3	R899	C-CARBON R	RN72K1J-103JE	1	435031034R1	
PCB3	R909	C-CARBON R	RN72K1J-104JE	1	435031044R1	
PCB3	R913	C-CARBON R	RN72K1J-102JE	1	435031024R1	
PCB3	R914	C-CARBON R	RN72K1J-104JE	1	435031044R1	
PCB3	R915	METAL O R	RS1/2WBJ-220	1	443522214T	<MDC>
PCB3	R915	METAL O R	RS1/2WBJ-150	1	443521514T	<MPA, MPP>
PCB3	RL902	RELAY	NRL-1P5A-DC9-179	1	25065669	!
PCB3	S851	PUSH SW	NPS-111-S681	1	25035718T	
PCB3	S852	PUSH SW	NPS-111-S681	1	25035718T	
PCB3	S853	PUSH SW	NPS-111-S681	1	25035718T	
PCB3	S854	PUSH SW	NPS-111-S681	1	25035718T	
PCB3	S855	PUSH SW	NPS-111-S681	1	25035718T	
PCB3	S856	PUSH SW	NPS-111-S681	1	25035718T	
PCB3	S857	PUSH SW	NPS-111-S681	1	25035718T	
PCB3	S858	PUSH SW	NPS-111-S681	1	25035718T	
PCB3	S859	PUSH SW	NPS-111-S681	1	25035718T	
PCB3	S860	PUSH SW	NPS-111-S681	1	25035718T	
PCB3	S861	PUSH SW	NPS-111-S681	1	25035718T	

PCB3	S862	PUSH SW	NPS-111-S681	1	25035718T	
PCB3	S863	PUSH SW	NPS-111-S681	1	25035718T	
PCB3	S864	PUSH SW	NPS-111-S681	1	25035718T	
PCB3	S865	PUSH SW	NPS-111-S681	1	25035718T	
PCB3	S866	PUSH SW	NPS-111-S681	1	25035718T	
PCB3	S867	PUSH SW	NPS-111-S681	1	25035718T	
PCB3	S868	PUSH SW	NPS-111-S681	1	25035718T	
PCB3	S869	PUSH SW	NPS-111-S681	1	25035718T	
PCB3	S870	PUSH SW	NPS-111-S681	1	25035718T	
PCB3	S871	PUSH SW	NPS-111-S681	1	25035718T	
PCB3	S872	PUSH SW	NPS-111-S681	1	25035718T	
PCB3	S873	PUSH SW	NPS-111-S681	1	25035718T	
PCB3	S874	PUSH SW	NPS-111-S681	1	25035718T	
PCB3	S875	PUSH SW	NPS-111-S681	1	25035718T	
PCB3	S876	PUSH SW	NPS-111-S681	1	25035718T	
PCB3	S877	PUSH SW	NPS-111-S681	1	25035718T	
PCB3	S878	PUSH SW	NPS-111-S681	1	25035718T	
PCB3	S879	PUSH SW	NPS-111-S681	1	25035718T	
PCB3	S880	PUSH SW	NPS-111-S681	1	25035718T	
PCB3	S881	PUSH SW	NPS-111-S681	1	25035718T	
PCB3	S882	PUSH SW	NPS-111-S681	1	25035718T	
PCB3	S883	PUSH SW	NPS-111-S681	1	25035718T	
PCB3	S884	PUSH SW	NPS-111-S681	1	25035718T	
PCB3	S885	PUSH SW	NPS-111-S681	1	25035718T	
PCB3	S886	PUSH SW	NPS-111-S681	1	25035718T	
PCB3	S887	R ENCODE	EC12E2425WITH WASHER	1	25065655W	
PCB3	P211B	PLUG	NPLG-15P667	1	25055711	<MDC>
PCB3	P251A	SOCKET	NSCT-9P1024	1	25051234	
PCB3	P251B	PLUG	NPLG-9P661	1	25055705	
PCB3	P252	PIN JACK	NPJ-3PDYE208	1	25045363	
PCB3	P253	PIN JACK	NPJ-3PDYE208	1	25045363	
PCB3	P503	JACK	YKB26-5138	1	25045257	
PCB3	P701A	SOCKET	NSCT-7P2187	1	25052290	

PCB3	P702A	SOCKET	NSCT-19P2199	1	25052302	
PCB3	P704A	SOCKET	NSCT-13P2106	1	25052209	
PCB3	P705	SOCKET	NSCT-9P2427	1	25052530	
PCB3	P707	ST JACK	MSJ-035-22	1	25045887	
PCB3	P707 or	JACK	YKB21-5130	(1)	25045387	
PCB3	P708	TRM(SCREW)	NEJITANSI M3	1	25065425	
PCB3	P715A	SOCKET	NSCT-27P2120	1	25052223	
PCB3	P715B	SOCKET	NSCT-27P2157	1	25052260	
PCB3	P811B	PLUG	NPLG-19P764	1	25055808	
PCB3	P901A	PLUG	NPLG-2P631	1	25055675	!
PCB3	P910	AC OUTLET	NSCT-4P913	1	25051126	!, <MDC>
PCB3	P910	AC OUTLET	NSCT-2P2013	1	25052115	!, <MPA>
PCB3	P910	SOCKET	NSCT-4P912	1	25051125	!, <MPP>
PCB3	P911	CRIMP AS	CRIMP AS	1	2069943351UL	!
PCB3	P912	CRIMP AS	CRIMP AS	1	2069943459UL	!
PCB3	P991	RETAINER	MET37-0002	1	27142009T	
PCB3	F901A	FUSE HOL	NSCT-1P2031	1	25052133T	!, <MDC>
PCB3	F901B	FUSE HOL	NSCT-1P2031	1	25052133T	!, <MDC>
PCB3	F902A	FUSE HOL	NSCT-1P2031	1	25052133T	!, <MPA, MPP>
PCB3	F902B	FUSE HOL	NSCT-1P2031	1	25052133T	!, <MPA, MPP>
PCB3	F903A	FUSE HOL	NSCT-1P2031	1	25052133T	!
PCB3	F903B	FUSE HOL	NSCT-1P2031	1	25052133T	!
PCB3	F903C	LABEL	T2.5AL250V	1	29361747	!, <MPA, MPP>
PCB3	JL703	JUMPER LEAD	JL3 300 H	1	---	NSP
PCB3	JL703A	WIRE HOL	NSCT-3P894	1	25051107	
PCB3	JL703B	SOCKET	NSCT-3P95	1	25050267	
PCB3	JL711	JUMPER LEAD	JL3 350 H	1	---	NSP
PCB3	JL711A	WIRE HOL	NSCT-3P894	1	25051107	
PCB3	JL716	JUMPER LEAD	JL3 150 H	1	---	NSP
PCB3	JL716A	WIRE HOL	NSCT-3P894	1	25051107	
PCB3	JL851	JUMPER LEAD	JL3 100 H	1	---	NSP
PCB3	JL851A	WIRE HOL	NSCT-3P894	1	25051107	
PCB3	JL851B	SOCKET	NSCT-3P108	1	25050280	

PCB3	JL911	JMP LEAD	JL7 500 B	1	---	NSP
PCB3	JL911A	WIRE HOL	NSCT-7P878	1	25051091	
PCB3	JL911B	WIRE TRAP	NPLG-7P590	1	25055628	

TX-8555

PACKING PROCEDURE PARTS LIST

	REF. NO.	PART NAME	DESCRIPTION	Q'TY	PART NO. (SN)	REMARKS
PACKING	A601	PAD	L & R 1set	1	29092400	
PACKING	A602	POLY BAG	w850 x d650	1	29100245	
PACKING	A603	POLY BAG	w250 x d350	1	29100250A	
PACKING	A604	POLY BAG	w250 x d350	1	29100250A	
PACKING	A605	TAPE	NITTO NO.29 (Yellow)	(1)	29110149	
PACKING	A606	PP TAPE	W50 SBT-70	(1)	29110200	
PACKING	A701	CARTON	8555	1	29054860	<MDC>
PACKING	A701	CARTON	8555	1	29054938	<MPA, MPP>
PACKING	A702	UPC LABEL	TX8555 (B)	1	29390506	(B) <MDC>
PACKING	A702	EAN LABEL	TX8555BMPA	1	29390509	(B) <MPA>
PACKING	A702	EAN LABEL	TX8555BMPP	1	29390507	(B) <MPP>
PACKING	A702	EAN LABEL	TX8555SMPP	1	29390508	(S) <MPP>
PACKING	A703	LABEL	(GW)(11.0kg)	1	29390661	<MPP>
PACKING	A801	INS MANUAL	En (TX-8555)	1	29344832A	
PACKING	A802	INS MANUAL	U2FrEs (TX-8555)	1	29344833A	<MDC>
PACKING	A802	INS MANUAL	U2FrEs (TX-8555)	1	29344833A	<MPP>
PACKING	A803	INS MANUAL	U2ItDe (TX-8555)	1	29344834A	<MPP>
PACKING	A804	INS MANUAL	U2NISv (TX-8555)	1	29344835A	<MPP>
PACKING	A805	INS MANUAL	U3EnFrEs (XM/SIRIUS_TX-8555)	1	29344836	<MDC>
PACKING	A806	INST SHEET	En (XM RADIO)	1	29355602	<MDC>
PACKING	A807	INST SHEET	WEEE	1	29355537	<MPP>
PACKING	A808	WRNTY CARD	(ONKYO)	1	29365135	<MDC>
PACKING	A809	HANDBILL	(DS-A2X) US	1	29380150	<MDC>
PACKING	A809	HANDBILL	(DS-A2X) AUS	1	29380152	<MPA>
PACKING	A809	HANDBILL	(DS-A2X) EU	1	29380151	<MPP>

PACKING	A810	HANDBILL	(SIRIUS)	1	29380149	<MDC>
PACKING	A821	REMO CON	RC-728M	1	24140728	
PACKING	A822	BATTERY	R6/AA (UM-3)	2	3010194	
PACKING	A822 or	BATTERY	R6/AA (UM-3)	(2)	3010054	
PACKING	A823	ANT COIL	NMA-3057	1	232140	
PACKING	A824	FM ANT AS	Type W	1	292191	

ONKYO CORPORATION

Sales & Product Planning Div. : 2-1, Nisshin-cho, Neyagawa-shi, OSAKA 572-8540, JAPAN
Tel: 072-831-8023 Fax: 072-831-8163

ONKYO U.S.A. CORPORATION

18 Park Way, Upper Saddle River, N.J. 07458, U.S.A.
Tel: 201-785-2600 Fax: 201-785-2650 <http://www.us.onkyo.com/>

ONKYO EUROPE ELECTRONICS GmbH

Liegnitzerstrasse 6, 82194 Groebenzell, GERMANY
Tel: +49-8142-4401-0 Fax: +49-8142-4401-555 <http://www.eu.onkyo.com/>

ONKYO EUROPE UK Office

Suite 1, Gregories Court, Gregories Road, Beaconsfield, Buckinghamshire, HP9 1HQ
UNITED KINGDOM Tel: +44-(0)1494-681515 Fax: +44(0)-1494-680452

ONKYO CHINA LIMITED

Units 2102-2107, Metroplaza Tower I, 223 Hing Fong Road, Kwai Chung,
N.T., HONG KONG Tel: 852-2429-3118 Fax: 852-2428-9039
<http://www.ch.onkyo.com/>

