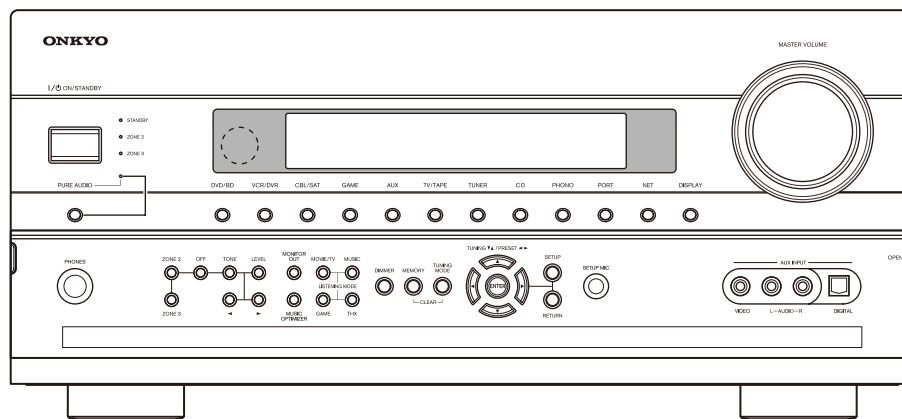
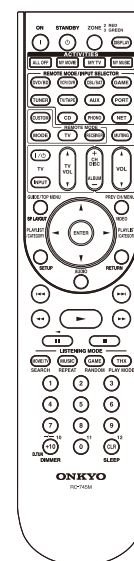


ONKYO SERVICE MANUAL

AV RECEIVER MODEL TX-NR1007(B)/(S)




Black and Silver models



RC-745M

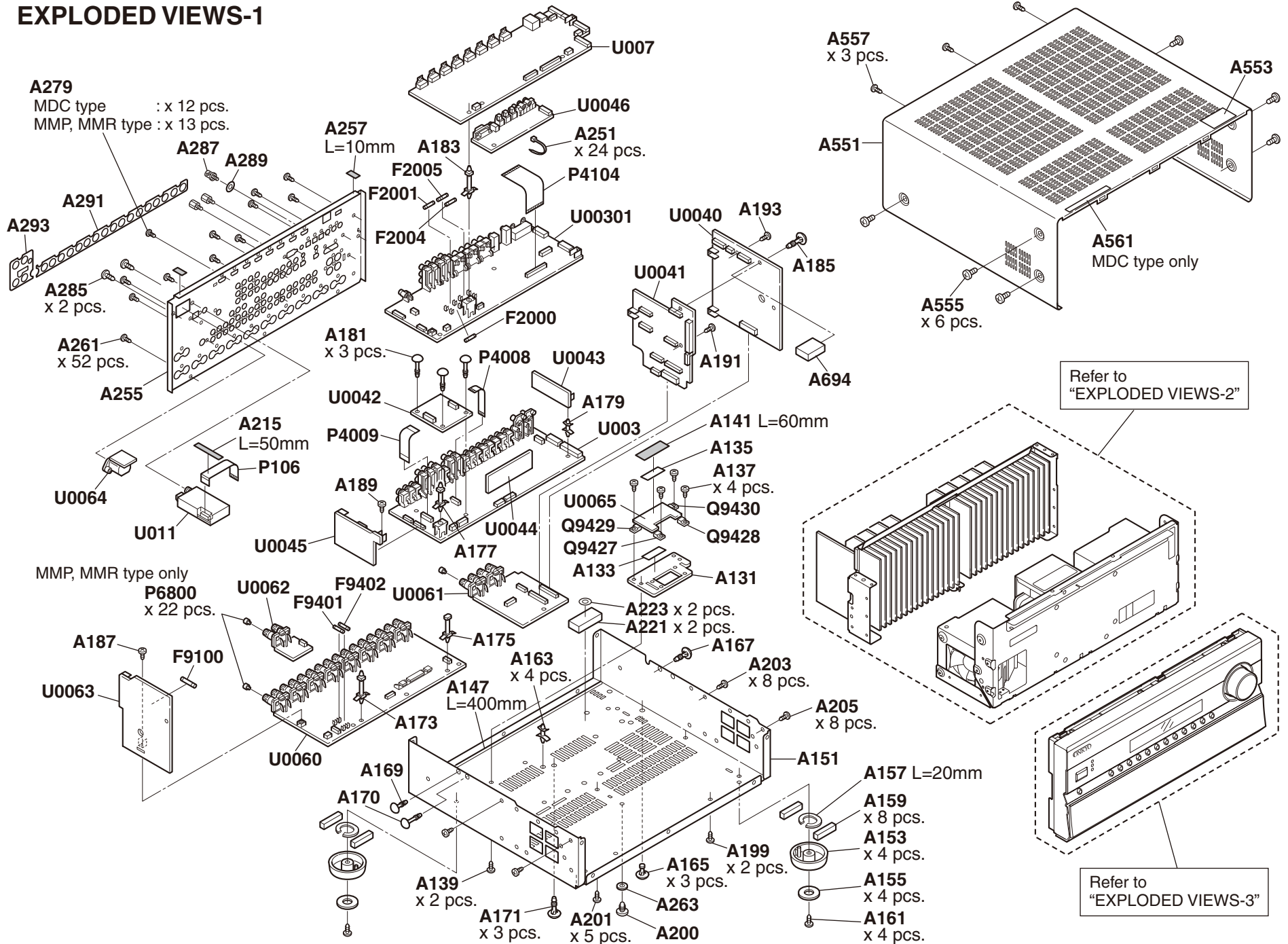
B MDC	120V AC, 60Hz
B MMP, S MMP	220-240V AC, 50/60Hz
B MMR	220-240V AC, 50/60Hz

SAFETY-RELATED COMPONENT WARNING!!

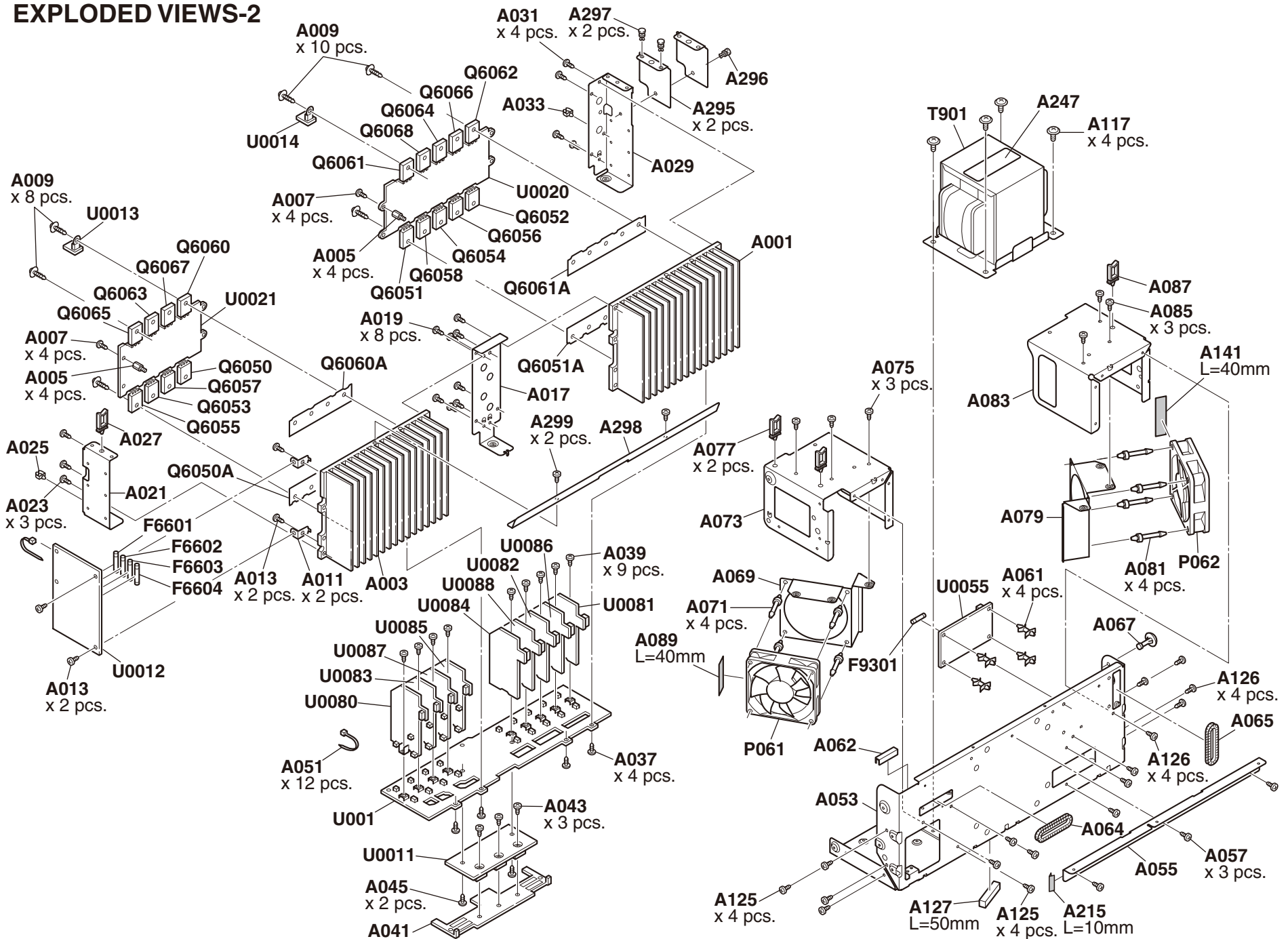
COMPONENTS IDENTIFIED BY MARK  ON THE SCHEMATIC DIAGRAM AND IN THE PARTS LIST ARE CRITICAL FOR RISK OF FIRE AND ELECTRIC SHOCK. REPLACE THESE COMPONENTS WITH ONKYO PARTS WHOSE PART NUMBERS APPEAR AS SHOWN IN THIS MANUAL.

MAKE LEAKAGE-CURRENT OR RESISTANCE MEASUREMENTS TO DETERMINE THAT EXPOSED PARTS ARE ACCEPTABLY INSULATED FROM THE SUPPLY CIRCUIT BEFORE RETURNING THE APPLIANCE TO THE CUSTOMER.

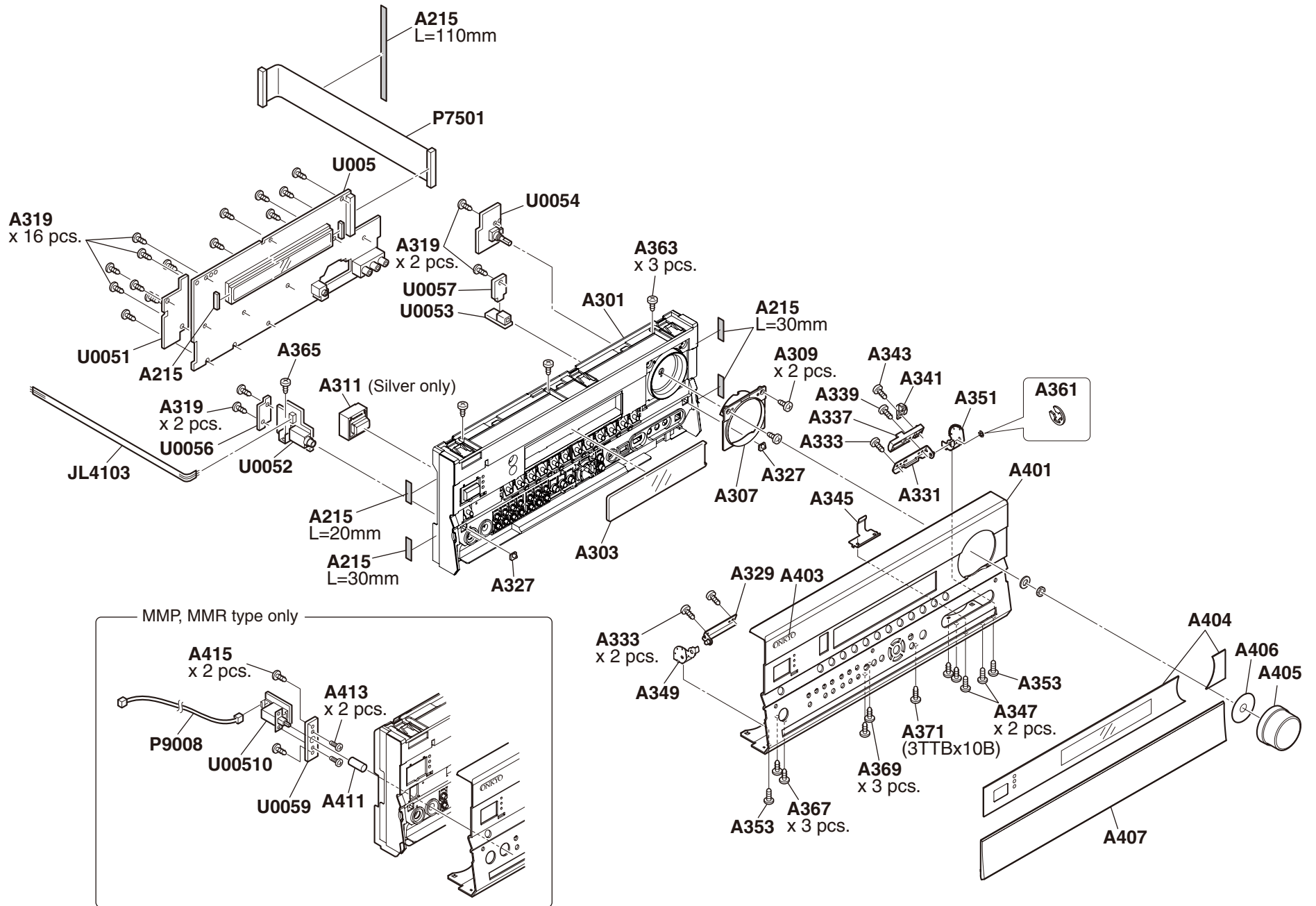
EXPLODED VIEWS-1



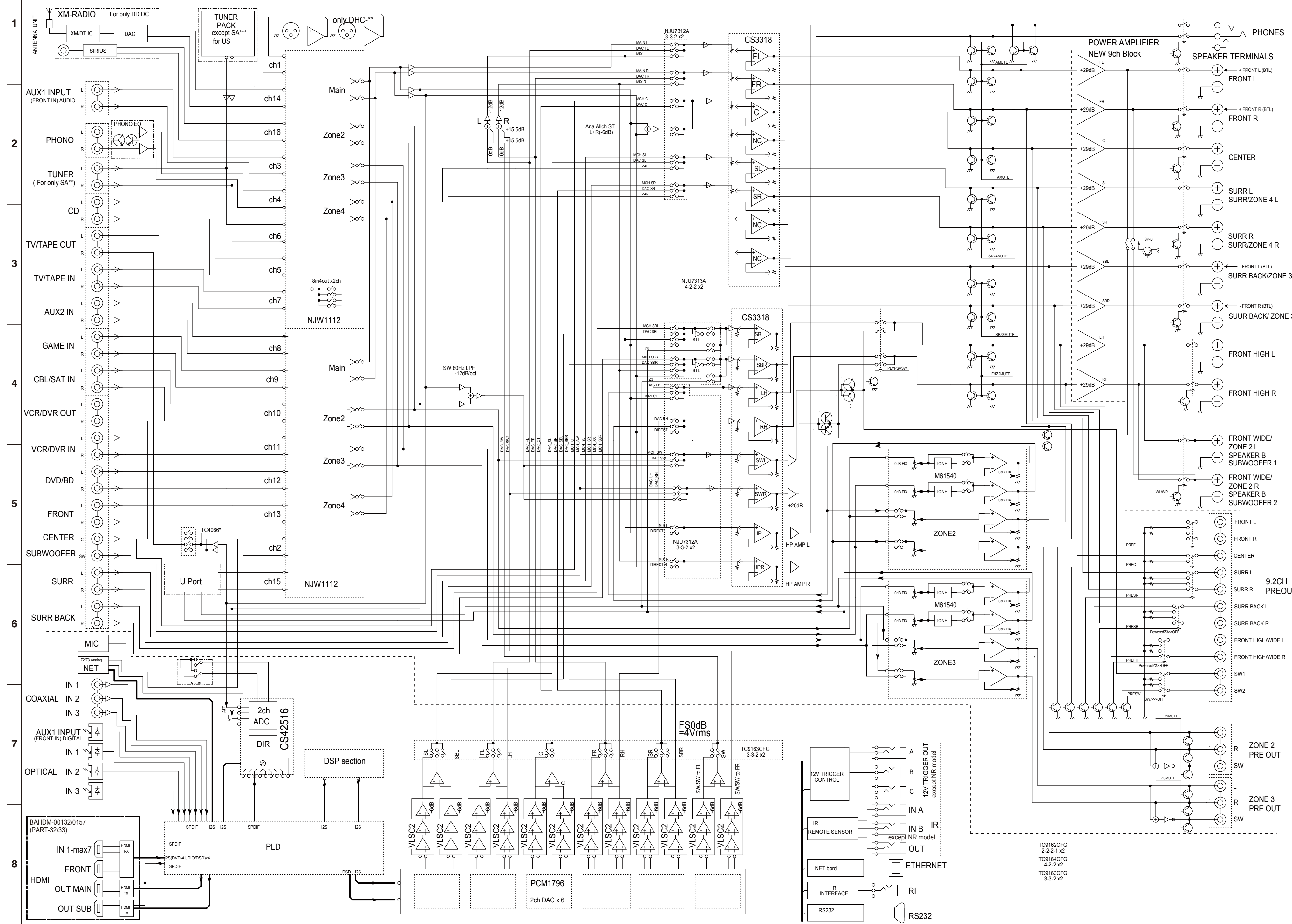
EXPLODED VIEWS-2



EXPLODED VIEWS-3



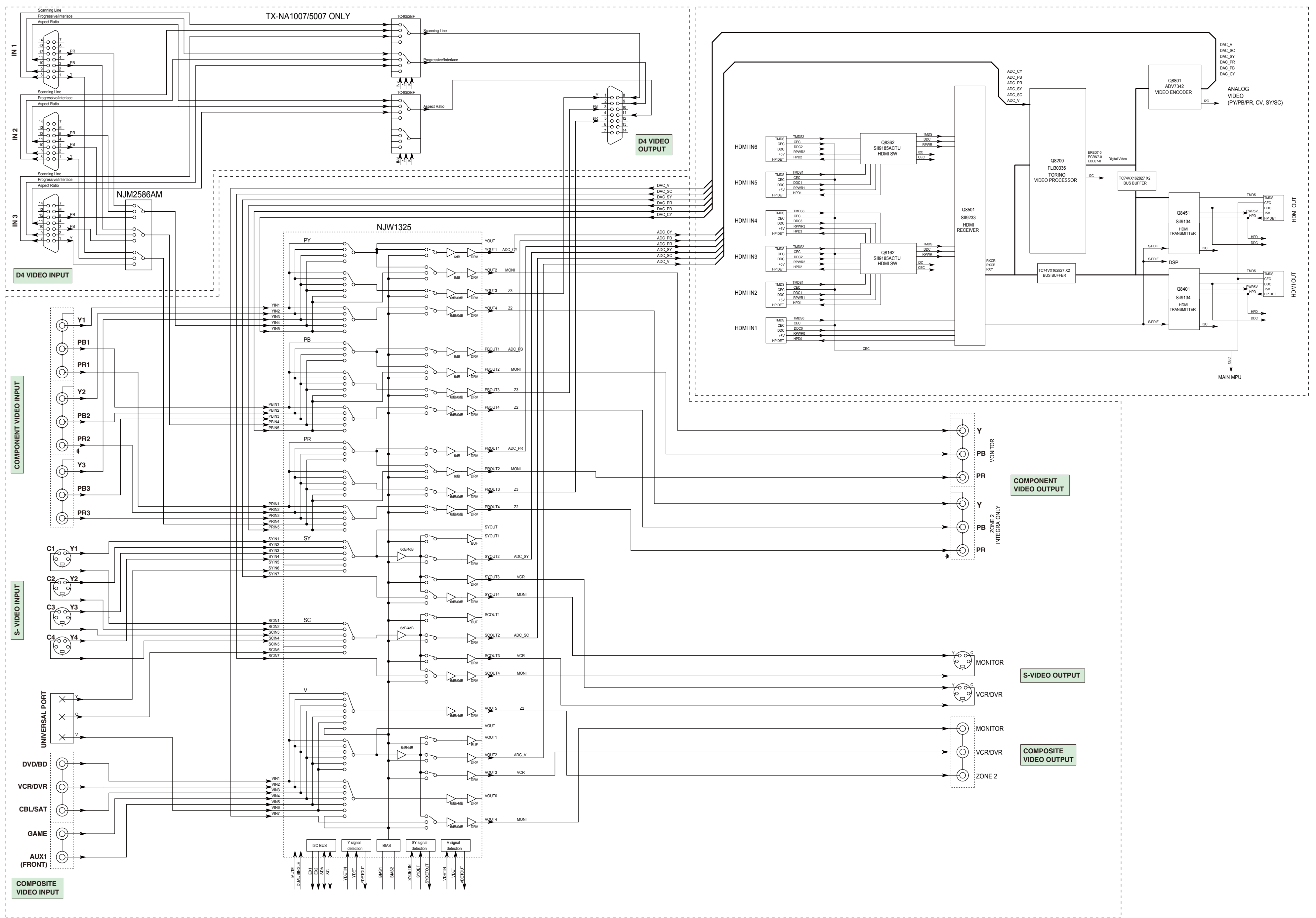
BLOCK DIAGRAMS-1 / PART-1
AUDIO SECTION



TC9162CFG 2-2-1 x2
TC9164CFG 4-2-2 x2
TC9163CFG 3-3-2 x2

BLOCK DIAGRAMS-2 / PART-2
VIDEO SECTION

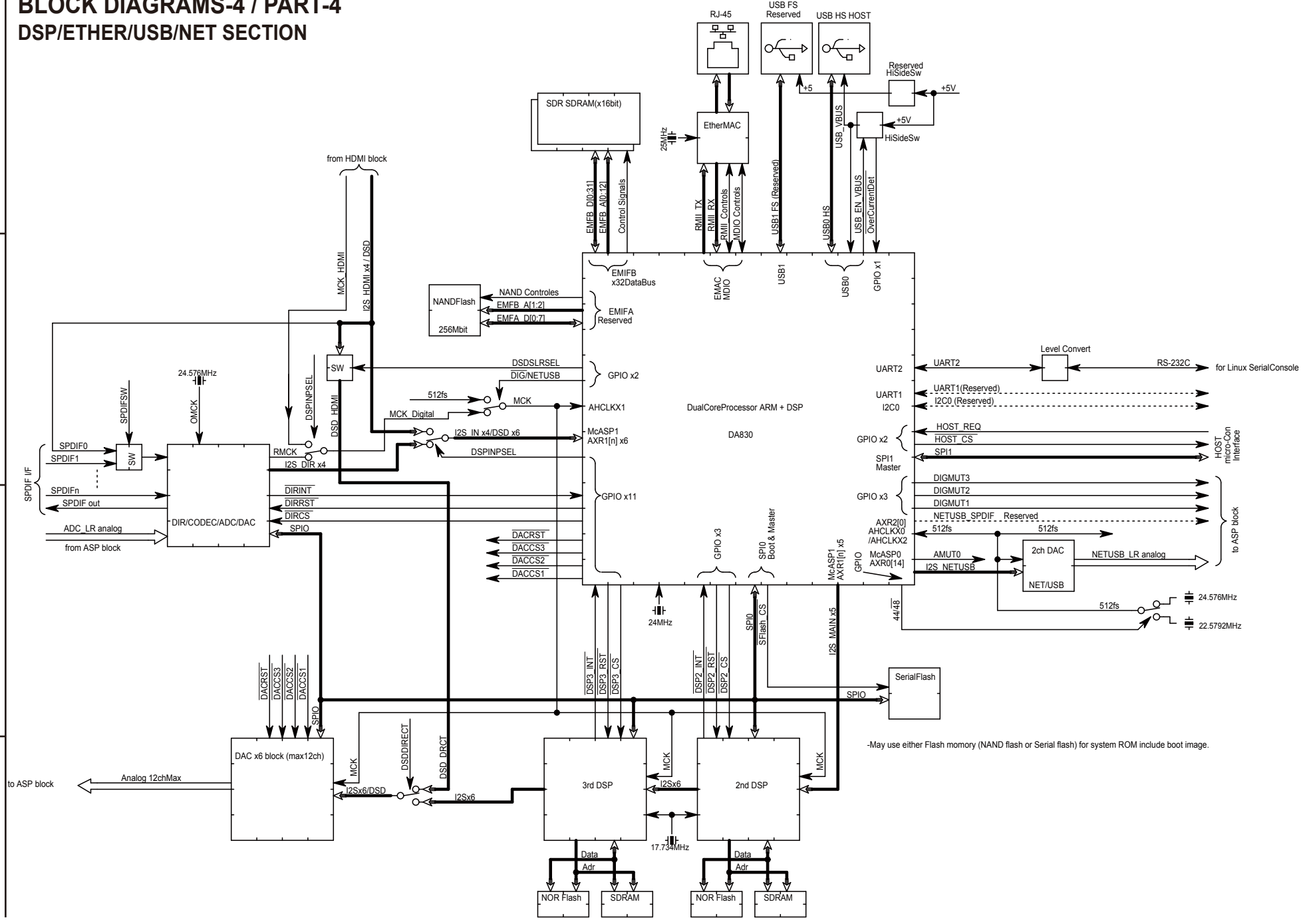
1
2
3
4
5
6
7
8



BLOCK DIAGRAMS-4 / PART-4
DSP/ETHER/USB/NET SECTION

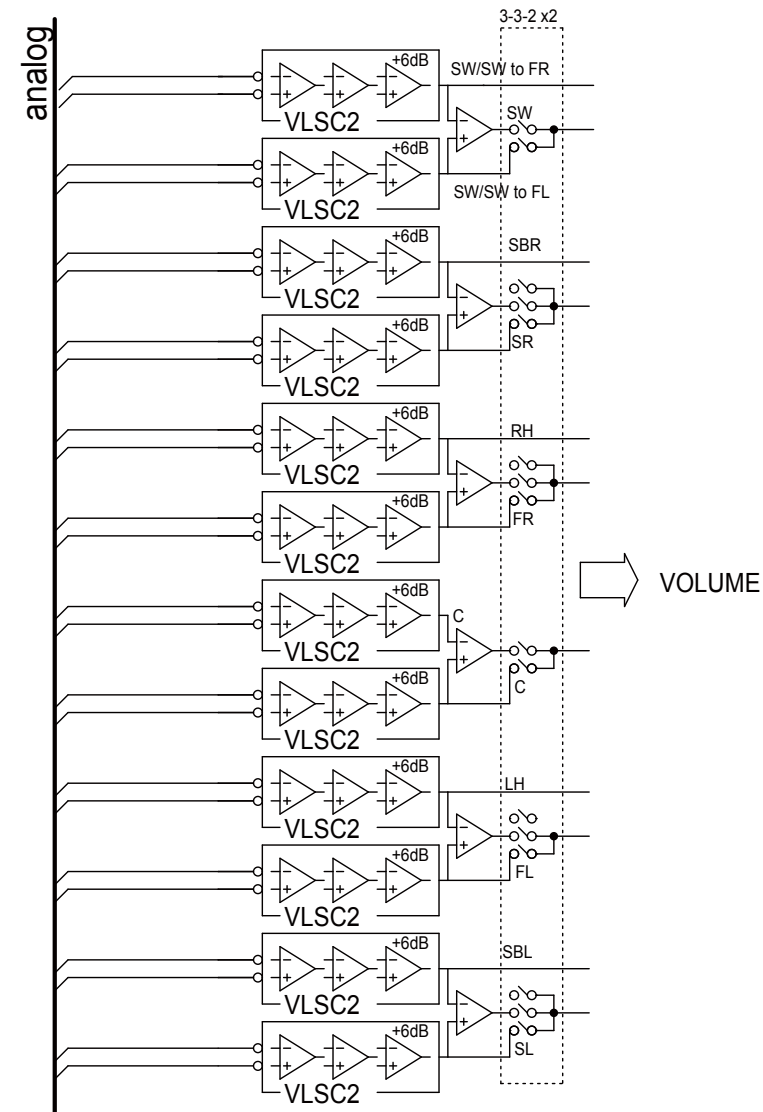
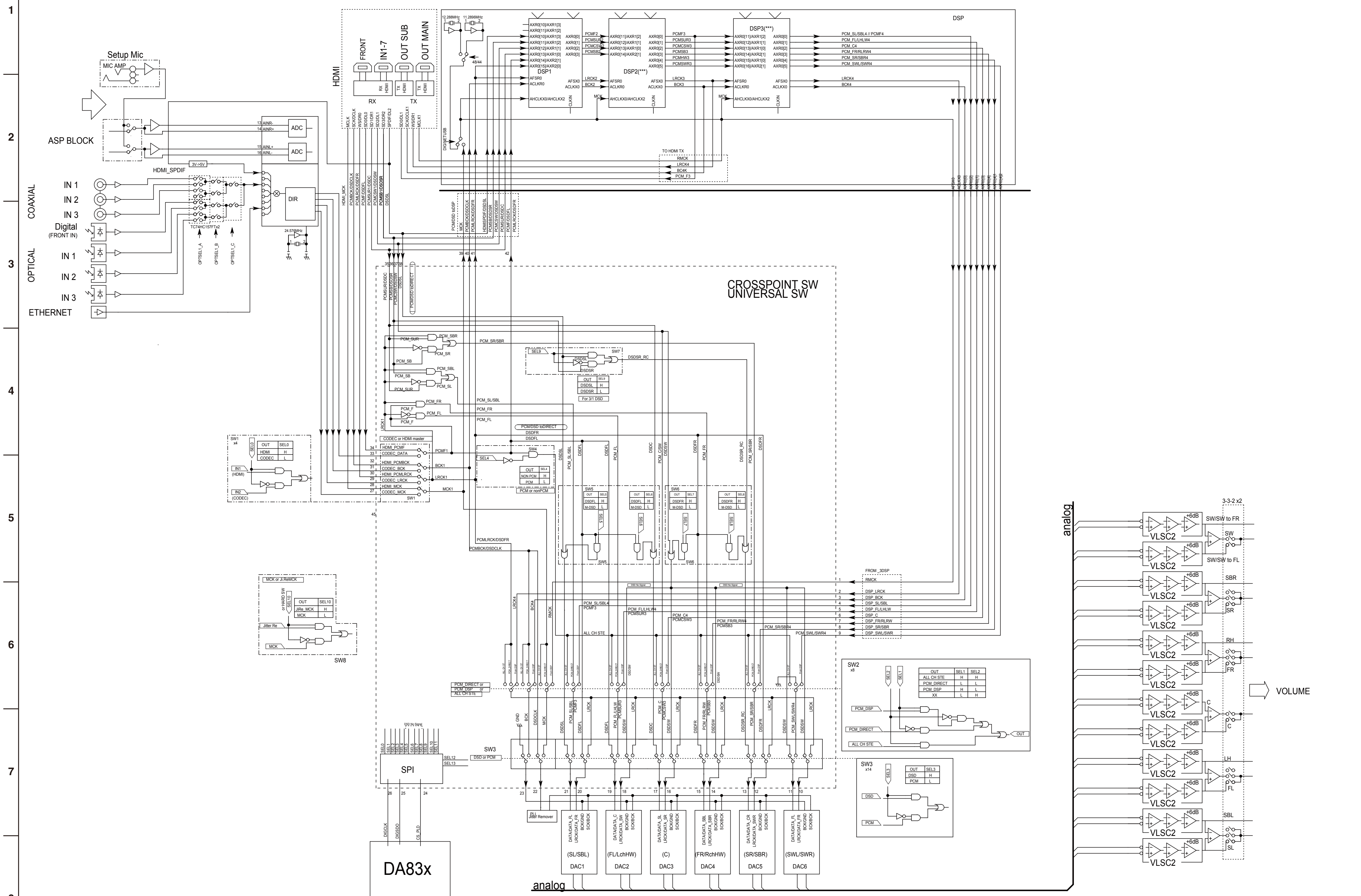
1
2
3
4

A B C D E



-May use either Flash memory (NAND flash or Serial flash) for system ROM include boot image.

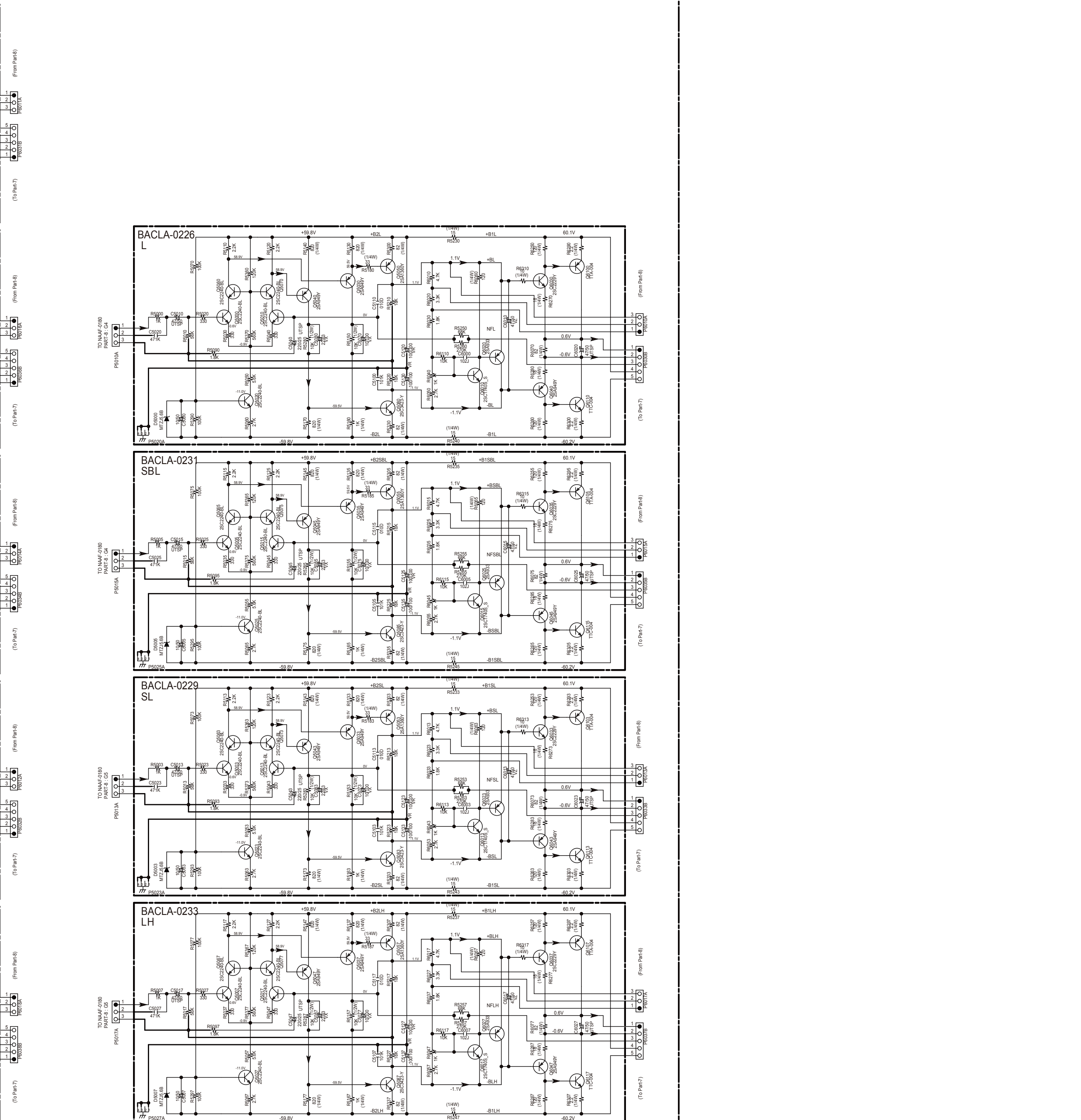
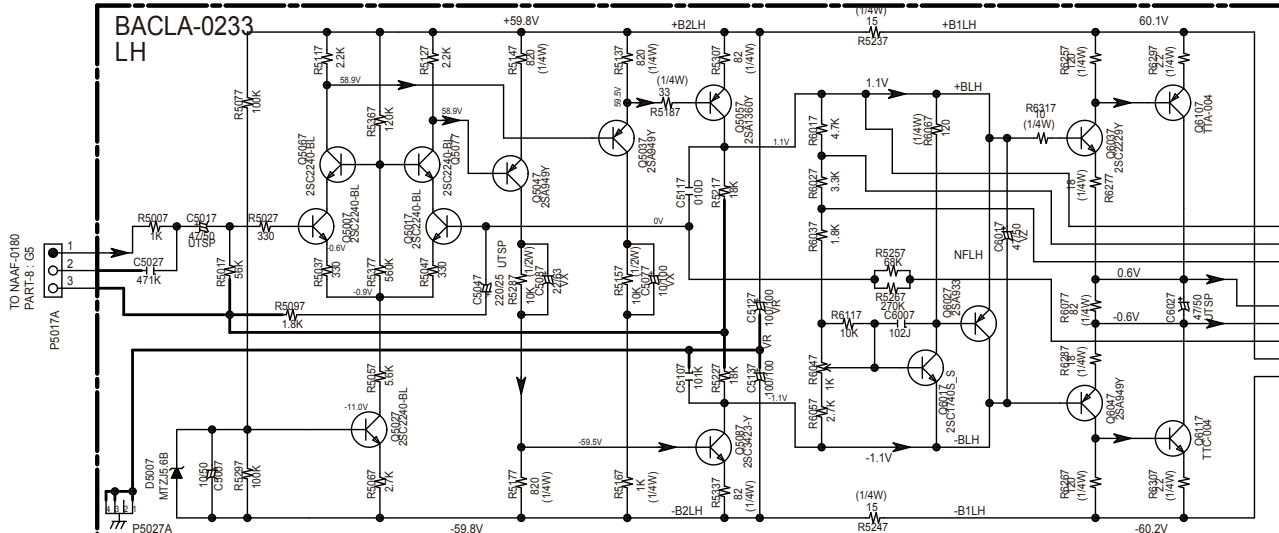
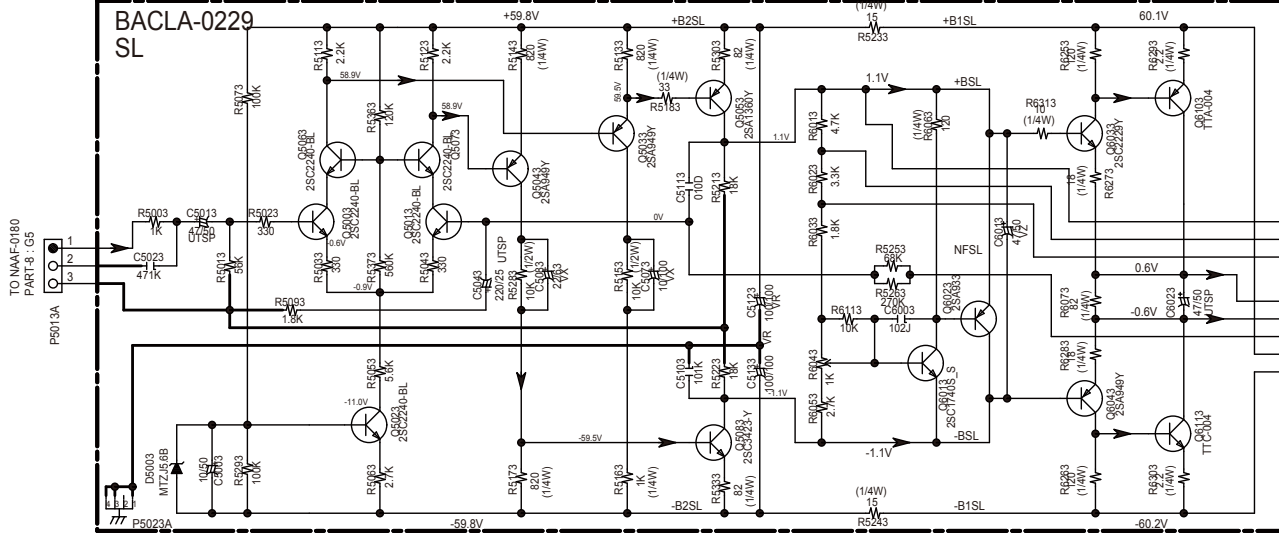
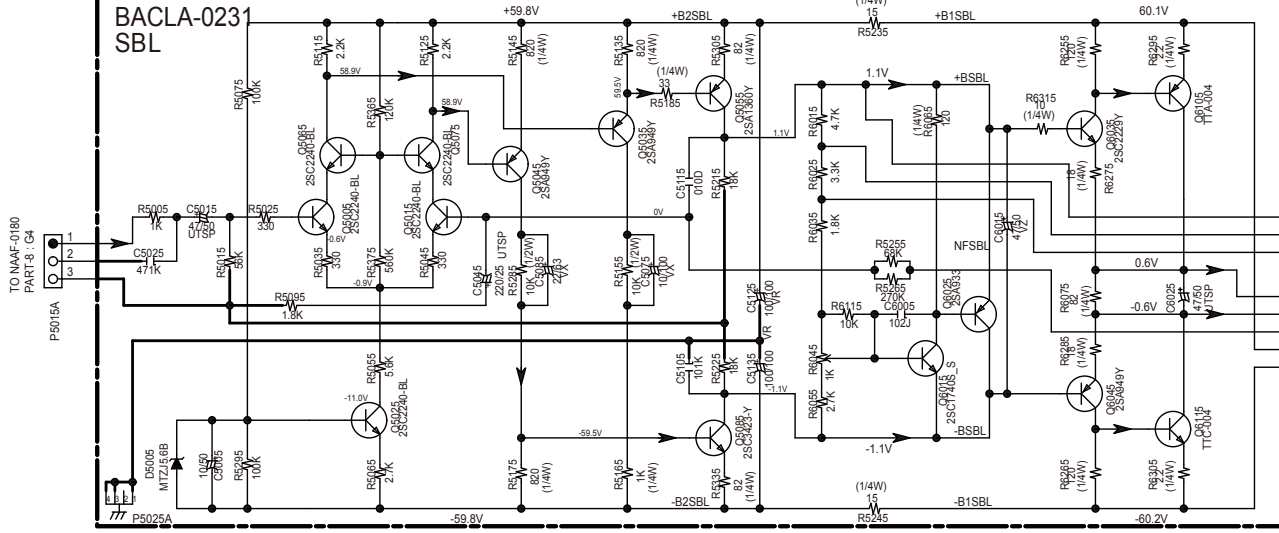
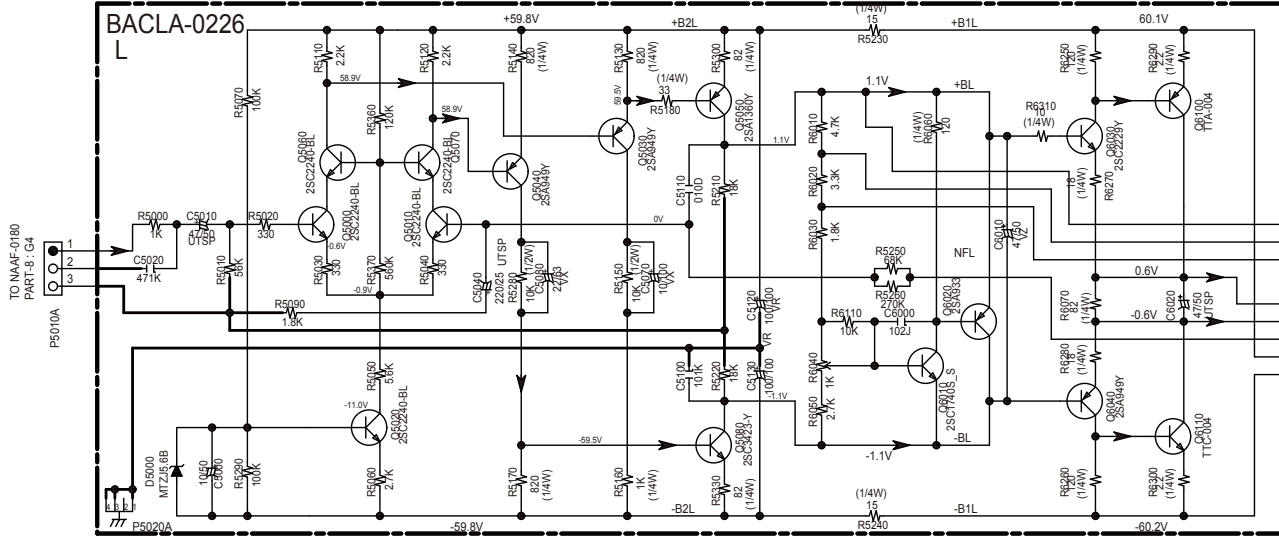
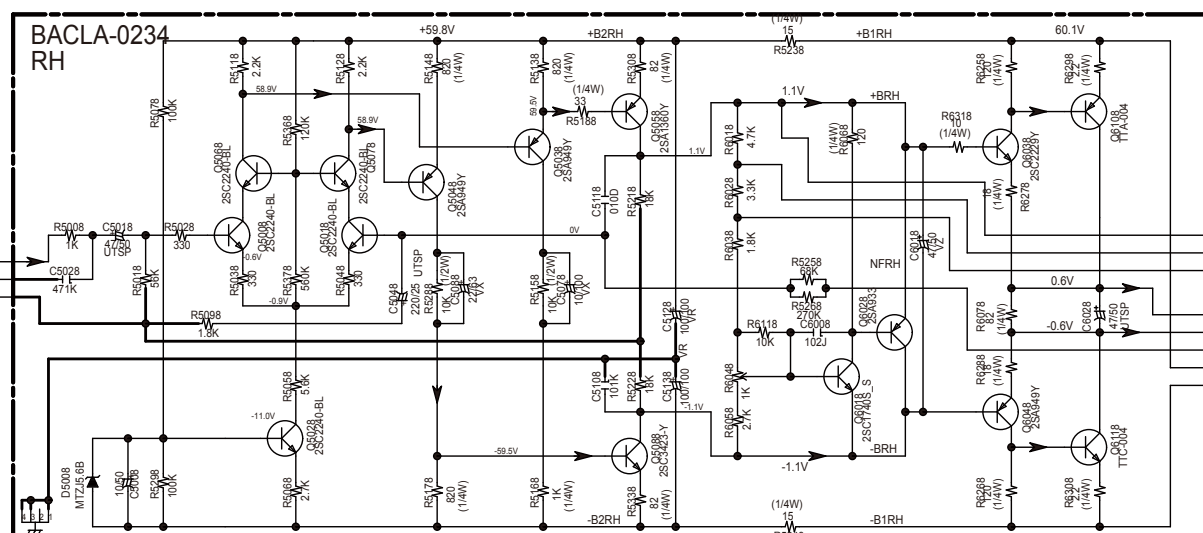
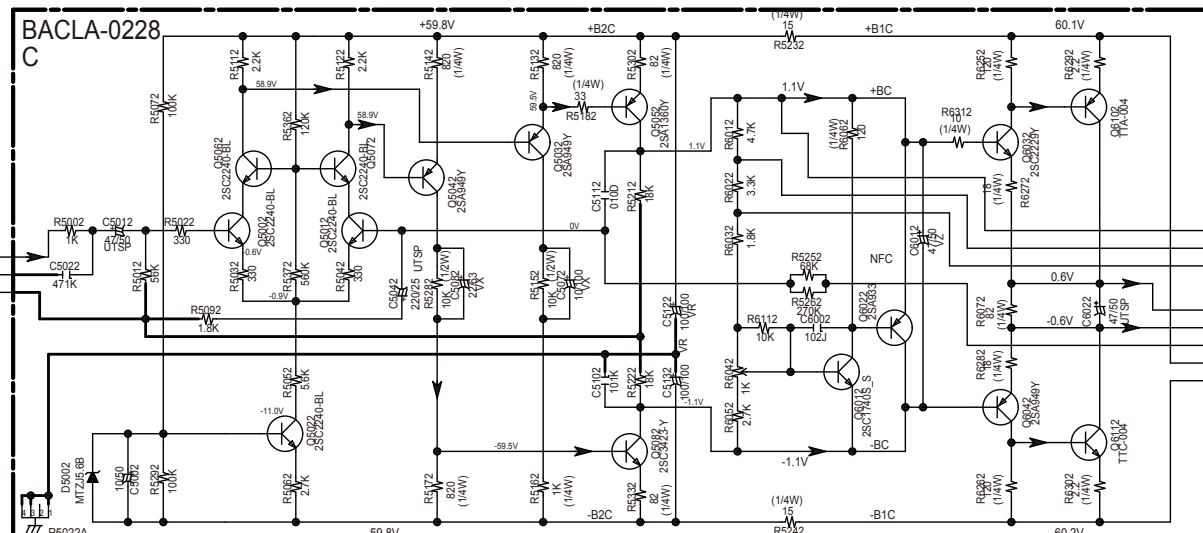
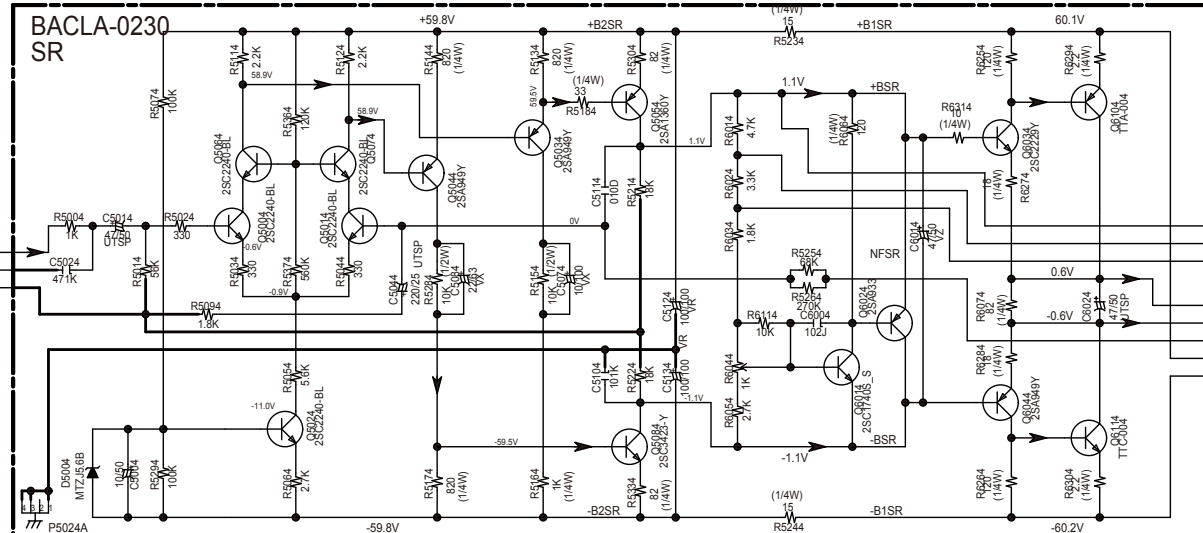
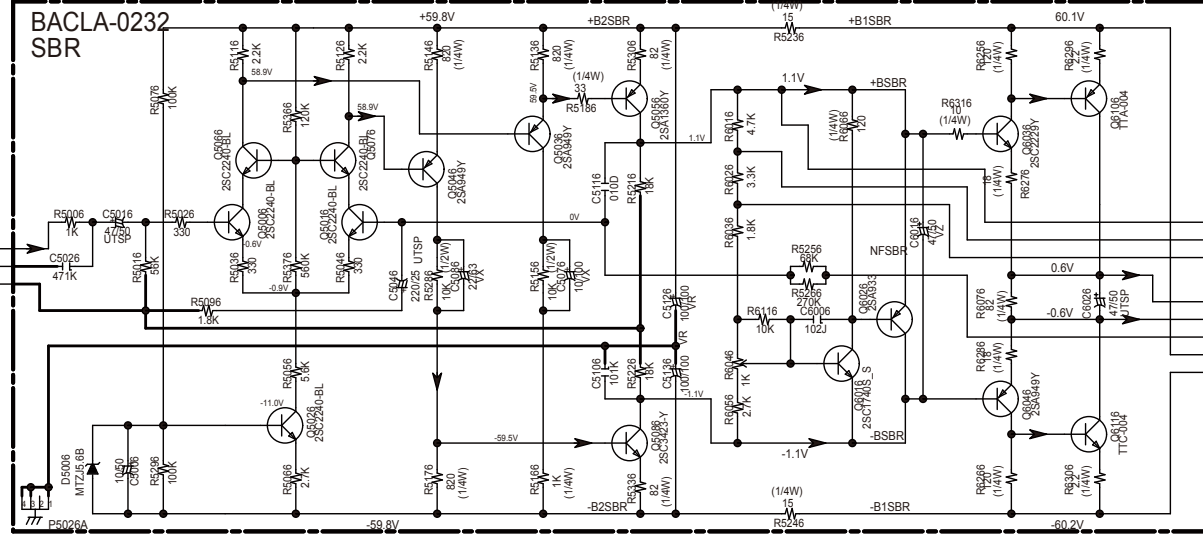
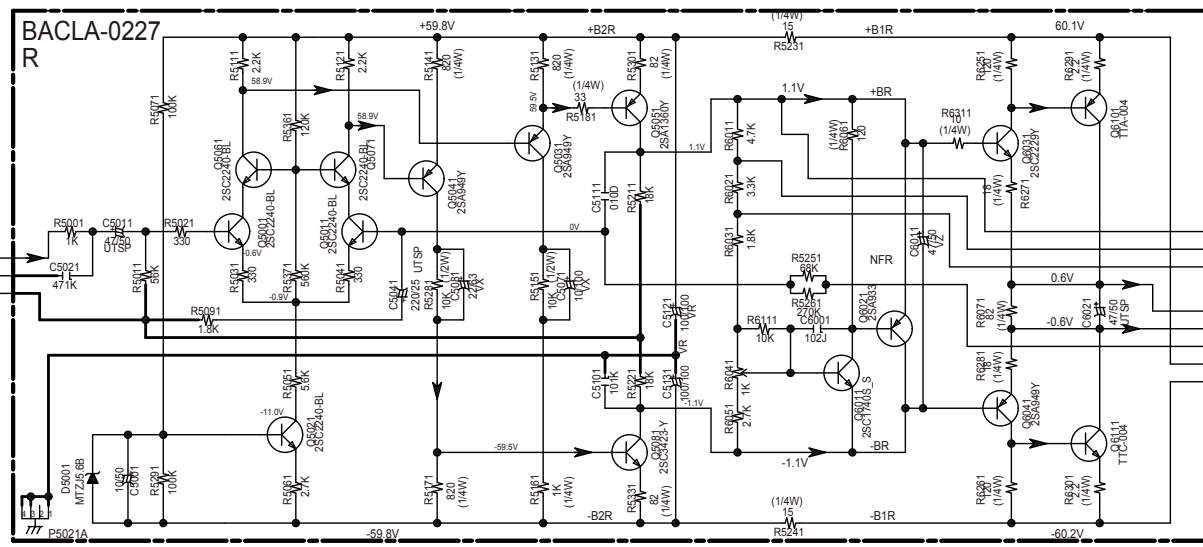
BLOCK DIAGRAMS-5 / PART-5
DIGITAL AUDIO CLOCK SECTION



A B C D E F G H I J K
 SCHEMATIC DIAGRAMS - 1 / PART-6
 AMP1 (VOLTAGE AMP) SECTION

BACLA-0226
 U008 AMPLIFIER PC BOARD

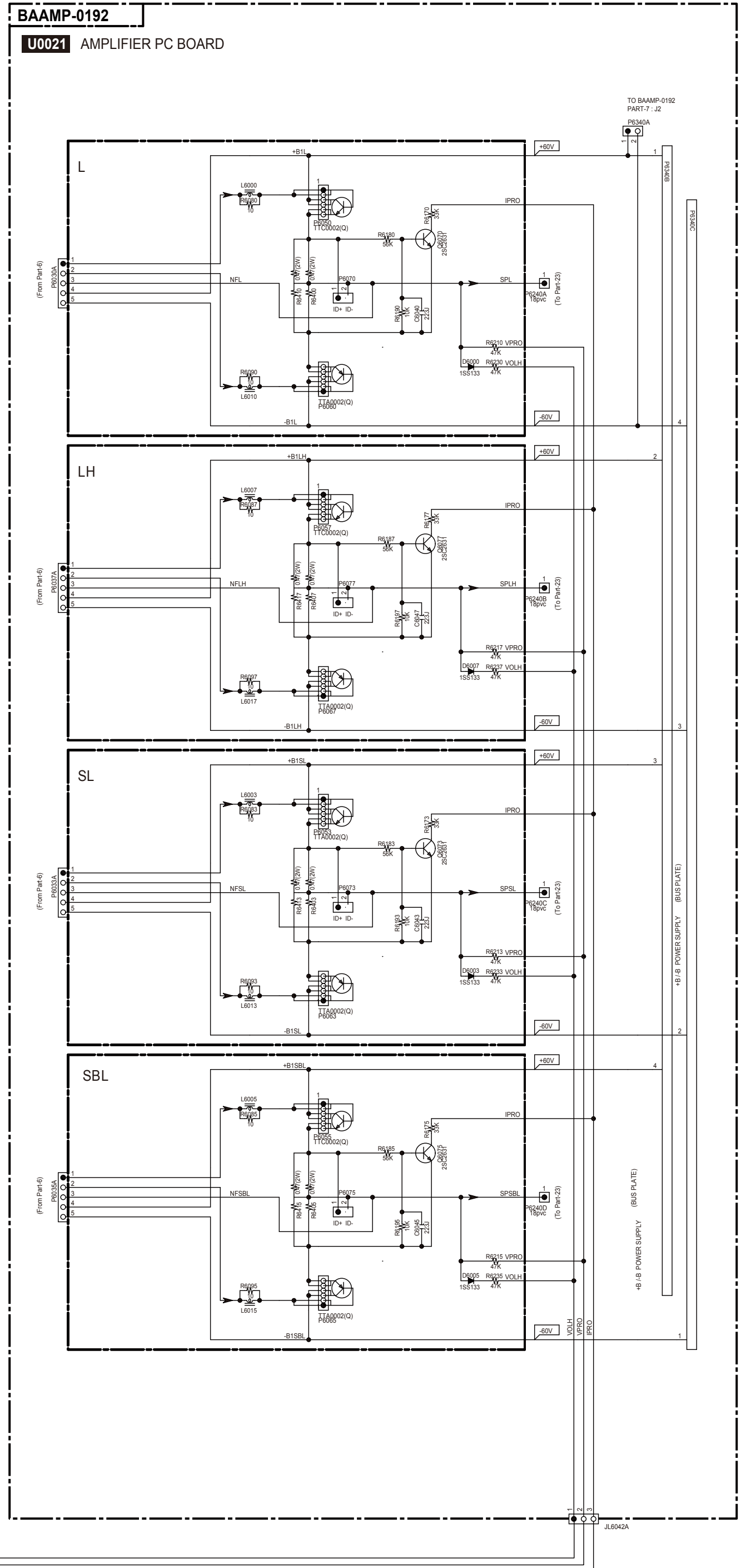
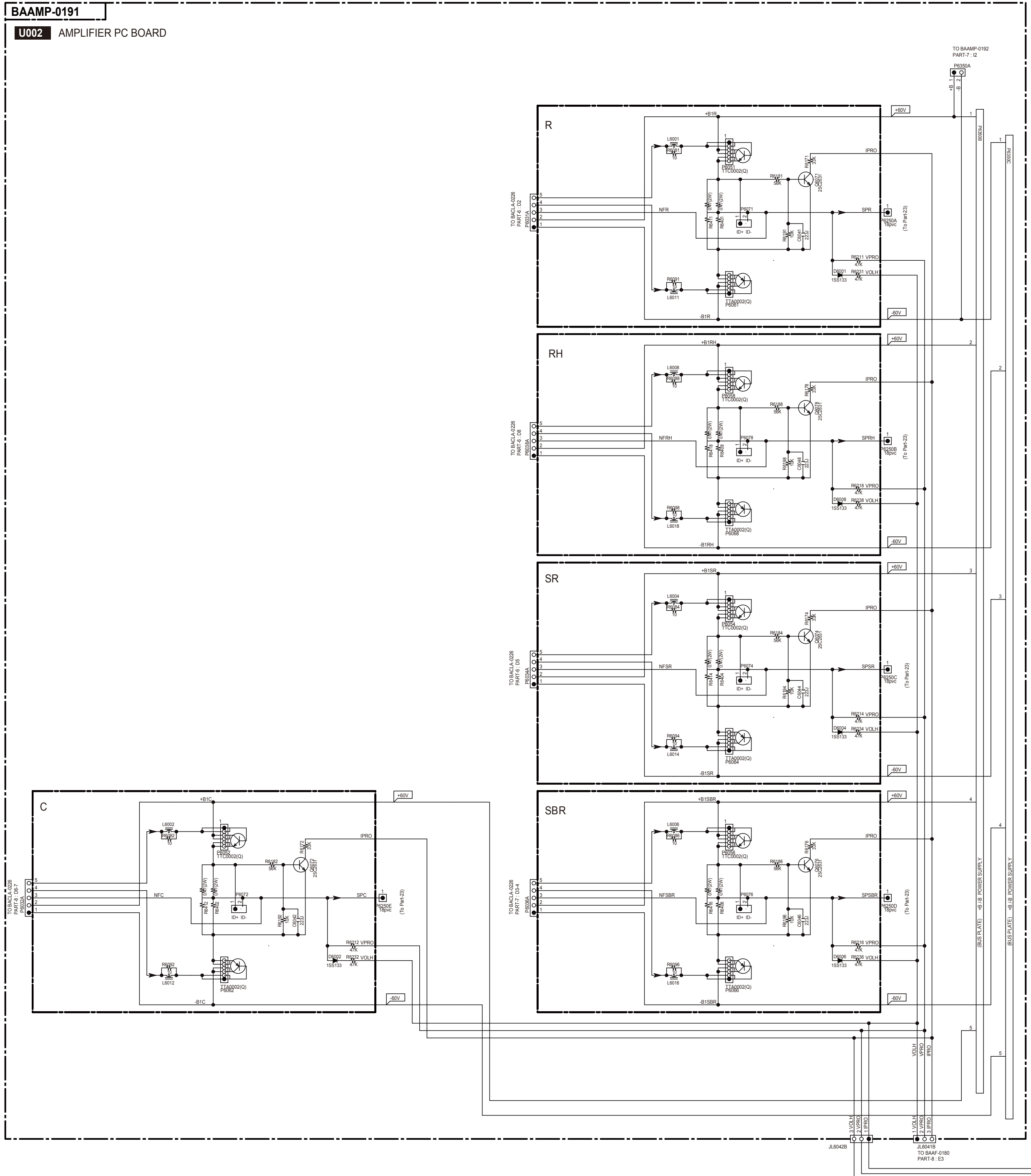
1
2
3
4
5
6
7
8



A B C D E F G H I J K

SCHEMATIC DIAGRAMS-2 / PART-7
AMP2 (FINAL STAGE) SECTION

1
2
3
4
5
6
7
8



SCHEMATIC DIAGRAMS-3 / PART-8
AMP3 (POWER SUPPLY, PROTECT ,ETC.) SECTION

1

2

3

4

5

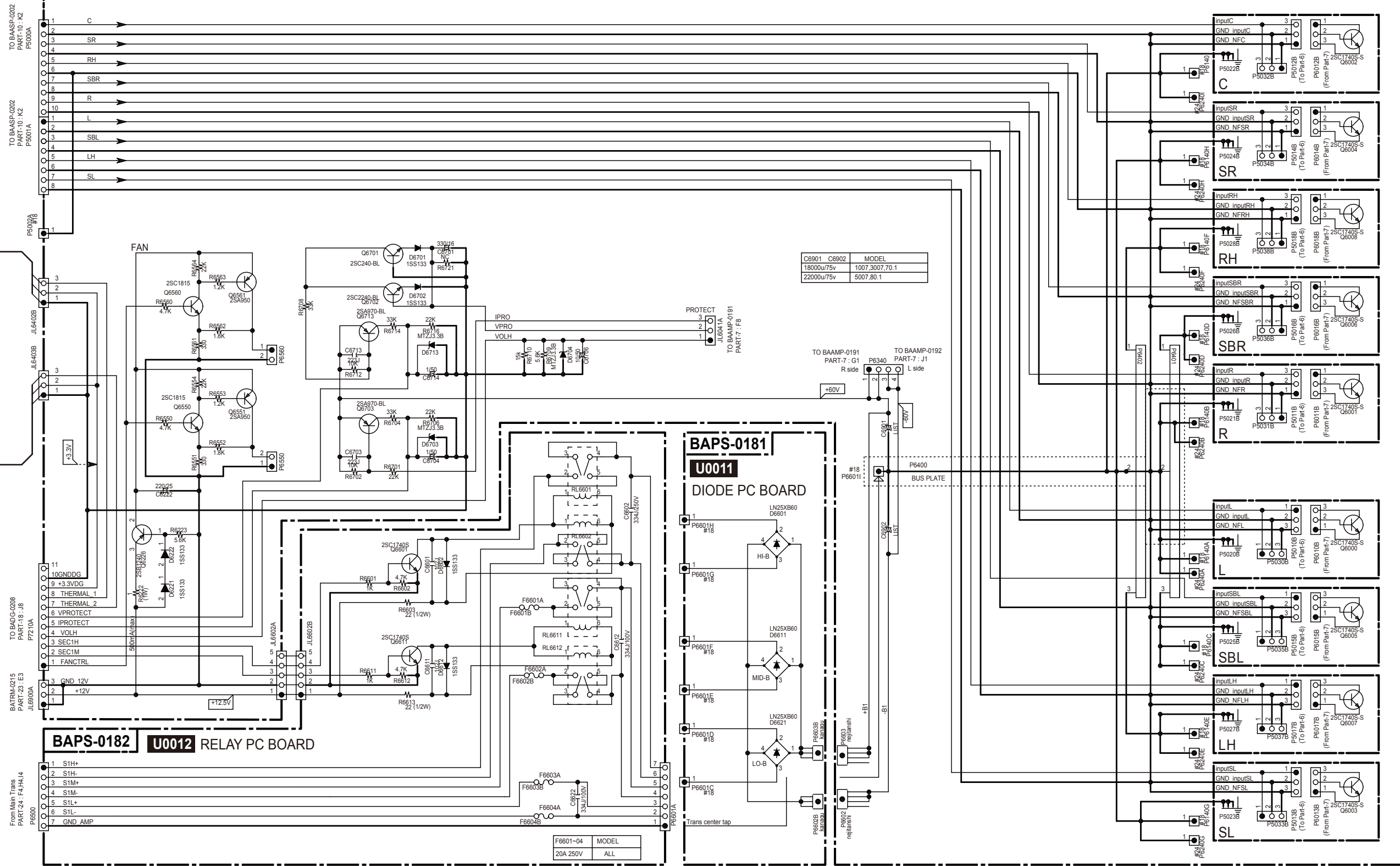
BAAF-0180 U001 POWER SUPPLY PC BOARD

U0014
THERMAL SENS PC BOARD
BCETC-0184

U0013
THERMAL SENS PC BOARD
BCETC-0183

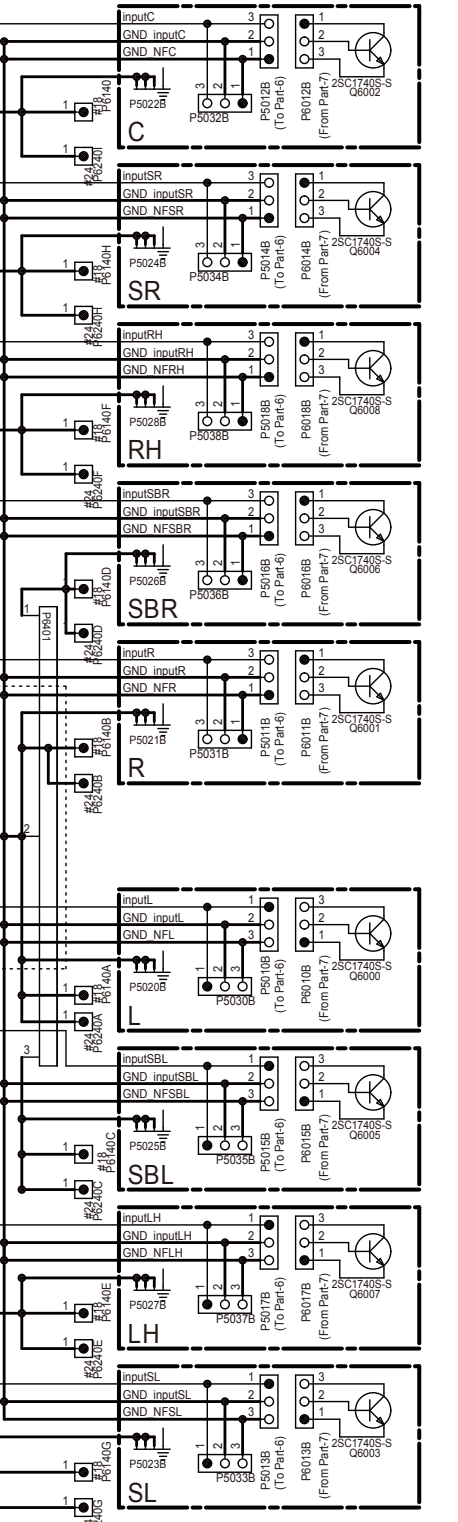
BAPS-0181
U0011 DIODE PC BOARD

BAPS-0182 U0012 RELAY PC BOARD



C6901	C6902	MODEL
18000u/75v		1007.3007.70.1
22000u/75v		5007.80.1

F6601-04	MODEL
20A 250V	ALL

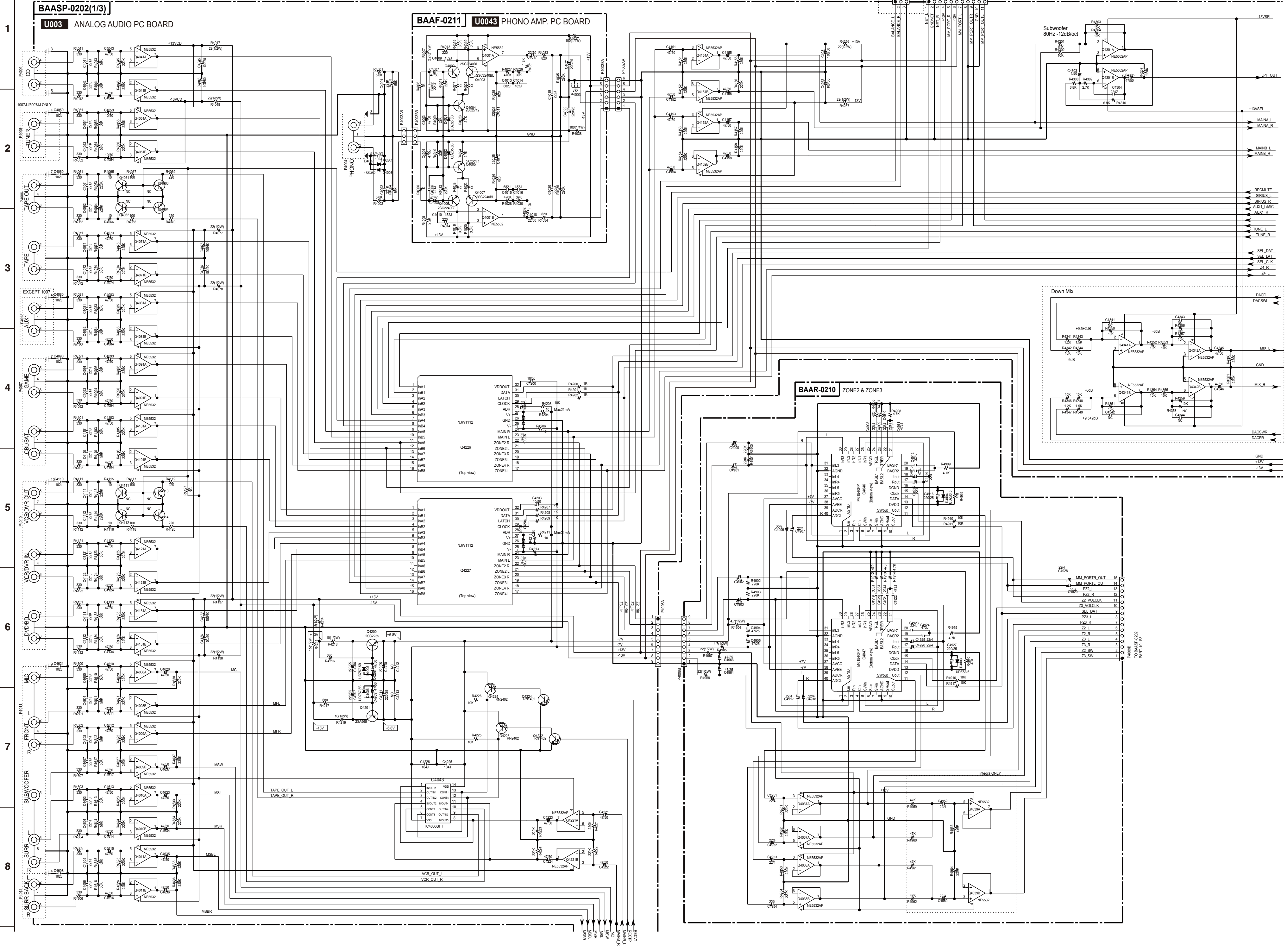


SCHEMATIC DIAGRAMS 4 / PART-9
ANALOG AUDIO SECTION 1

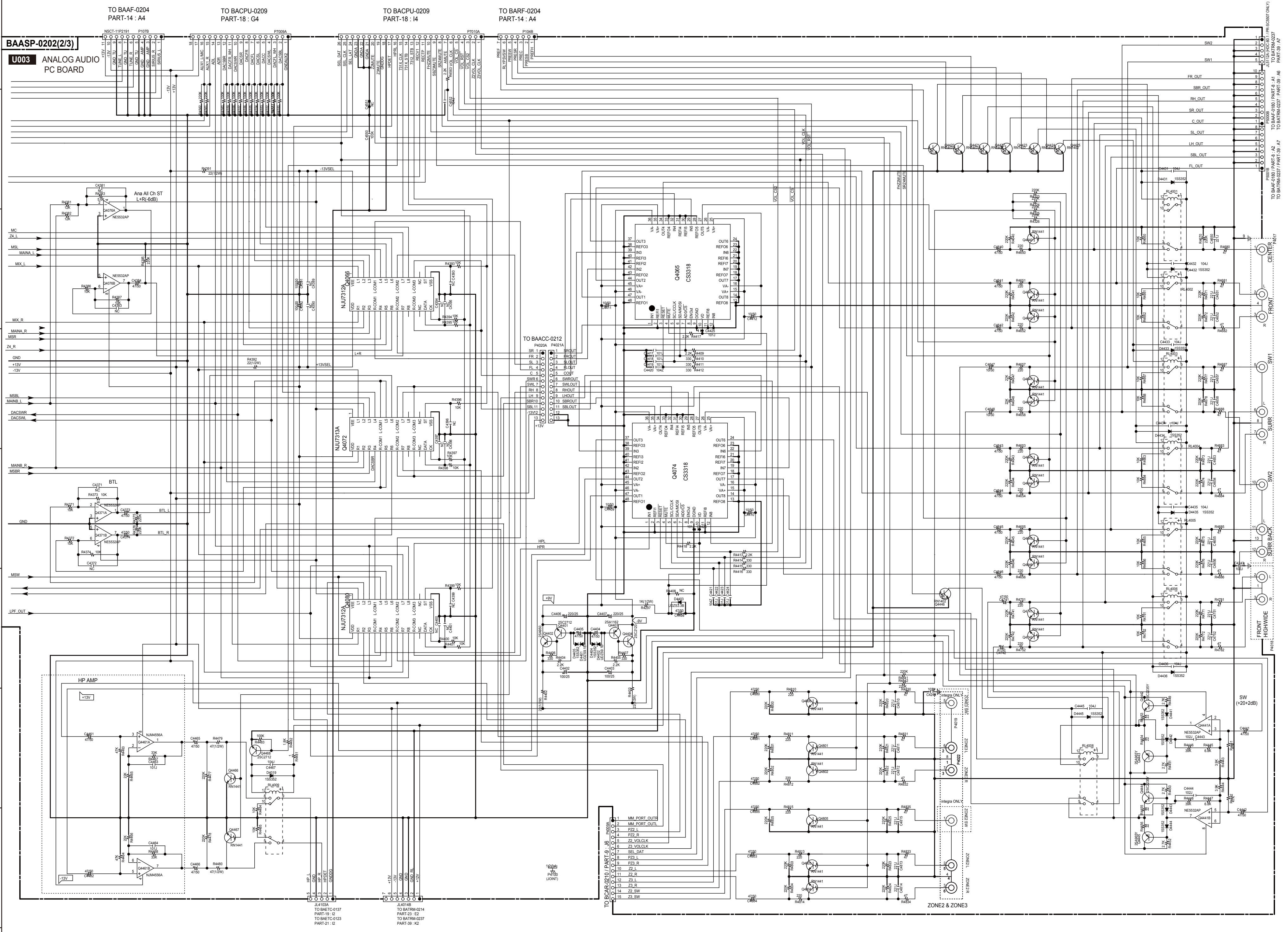
BAASP-0202(1/3)
U003 ANALOG AUDIO PC BOARD

BAAF-0211 **U0043** PHONO AMP. PC BOARD

BAAR-0210 ZONE2 & ZONE3



SCHEMATIC DIAGRAMS-5 / PART-10
ANALOG AUDIO SECTION 2



A

B

C

D

SCHEMATIC DIAGRAMS-6 / PART-11
ANALOG AUDIO SECTION 3

1

BAACC-0212-1

U0044 BUFFER AMPLIFIER PC BOARD

2

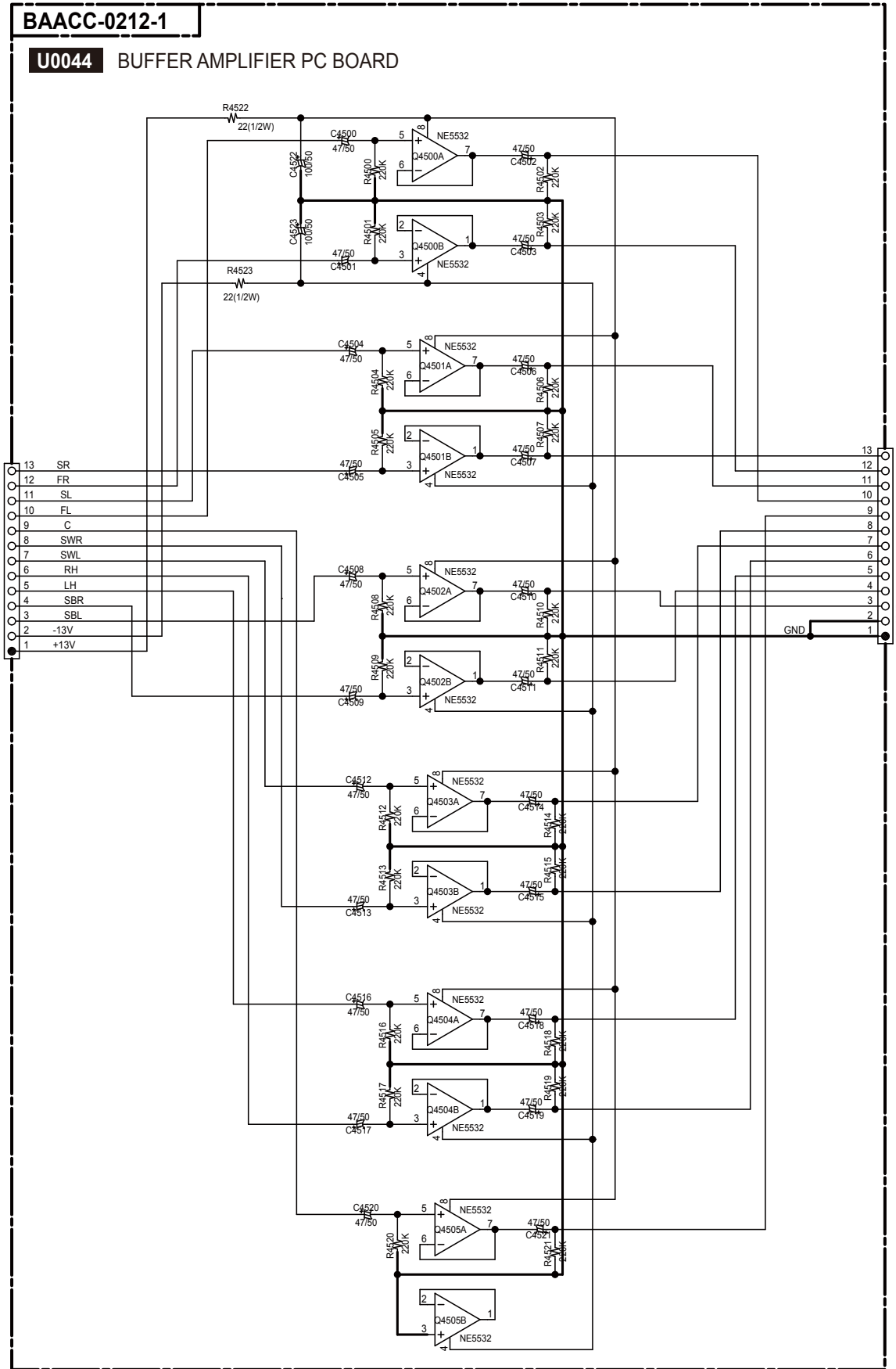
3

4

5

BAAASP-0202
PART-10 : E4

P4020B

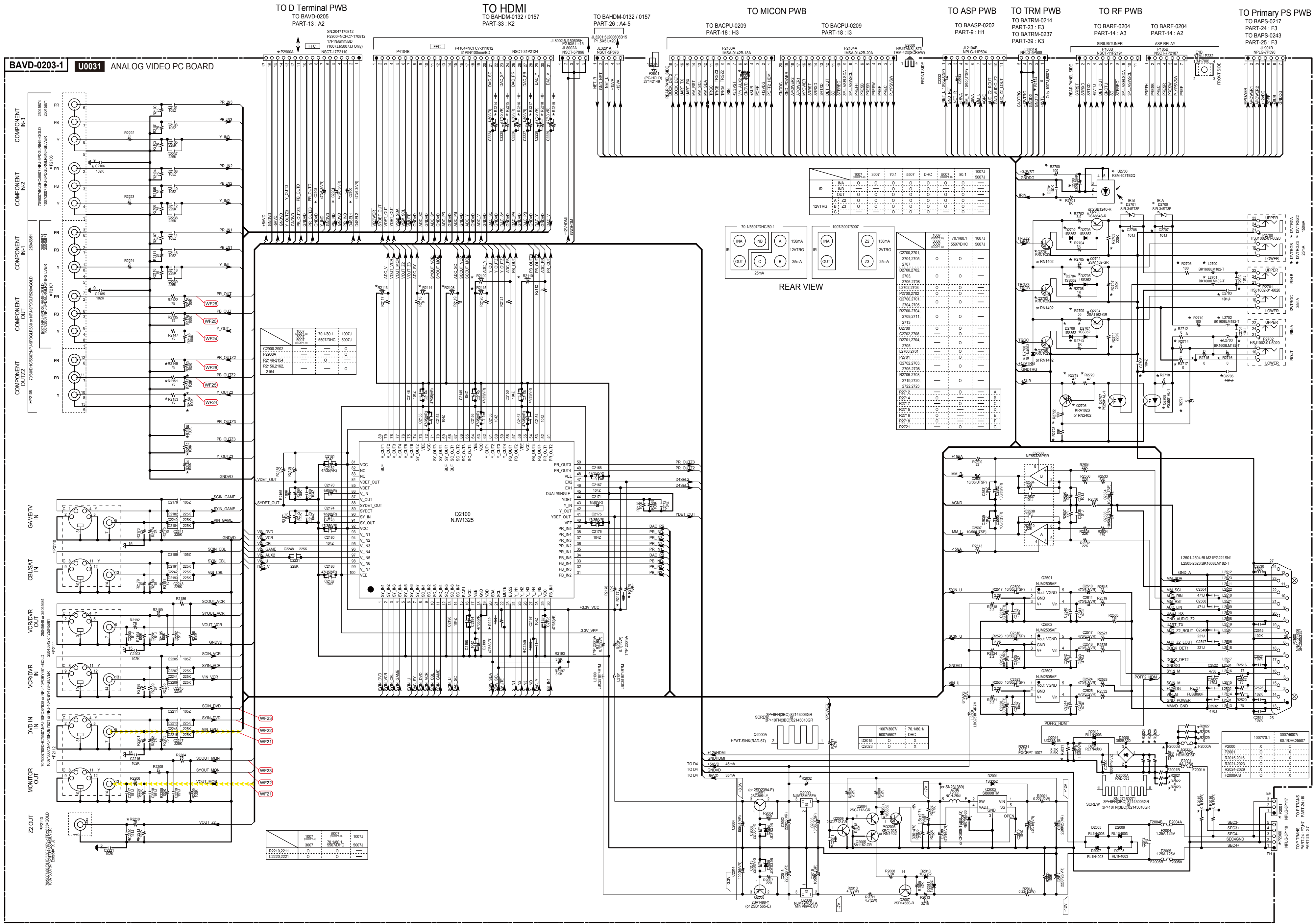


BAAASP-0202
PART-10 : E4

P4021B

SCHEMATIC DIAGRAMS-7 / PART-12
ANALOG VIDEO SECTION

1
2
3
4
5
6
7
8



SCHEMATIC DIAGRAMS-8 / PART-13
D4 VIDEO SECTION

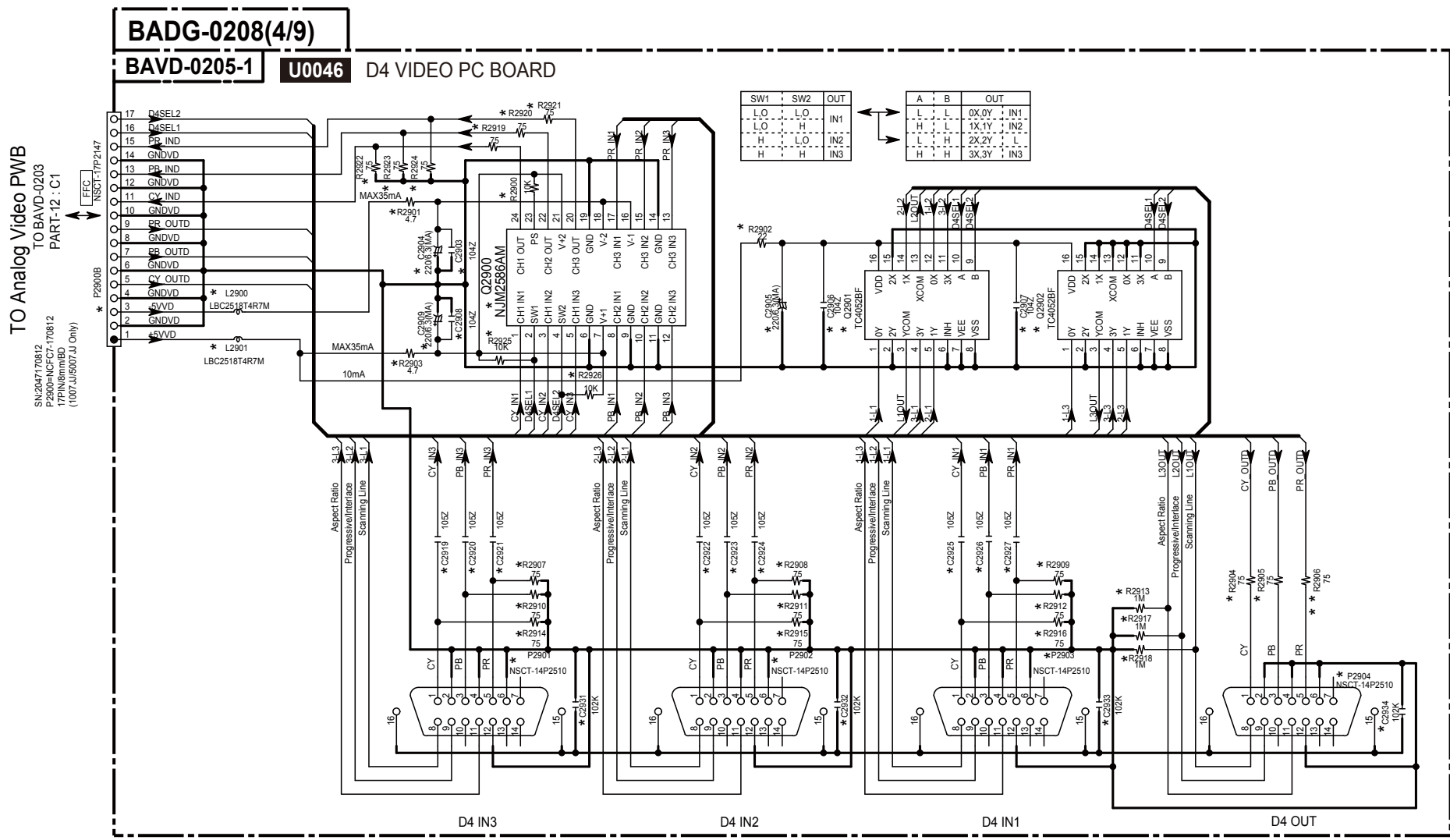
1

2

3

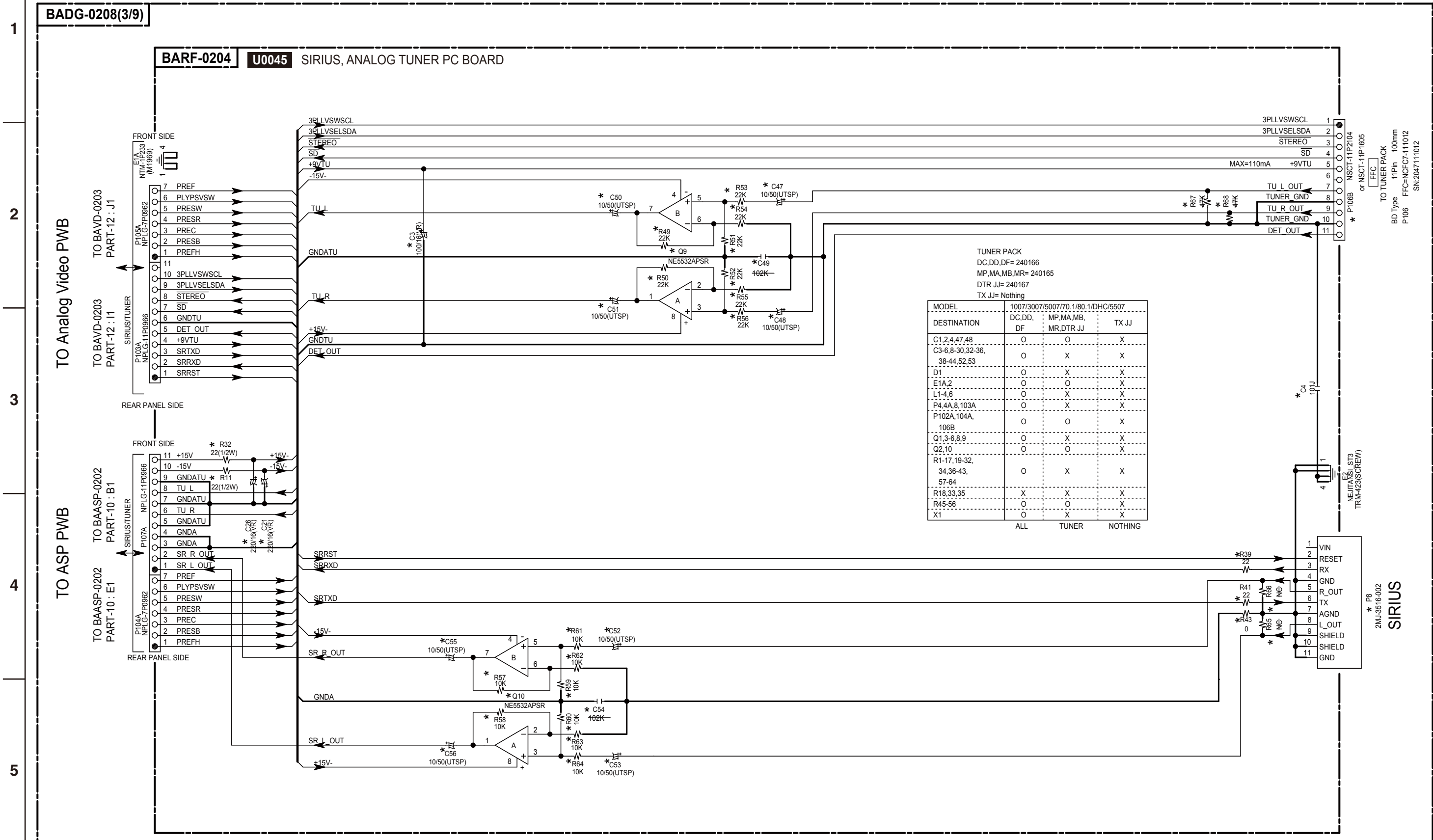
4

A B C D E



D4 IN3 D4 IN2 D4 IN1 D4 OUT

SCHEMATIC DIAGRAMS-9 / PART-14
SIRIUS, ANALOG TUNER SECTION



SCHEMATIC DIAGRAMS-11 / PART-16
DG AUDIO IN SECTION

1

BADG-0208(8/9)

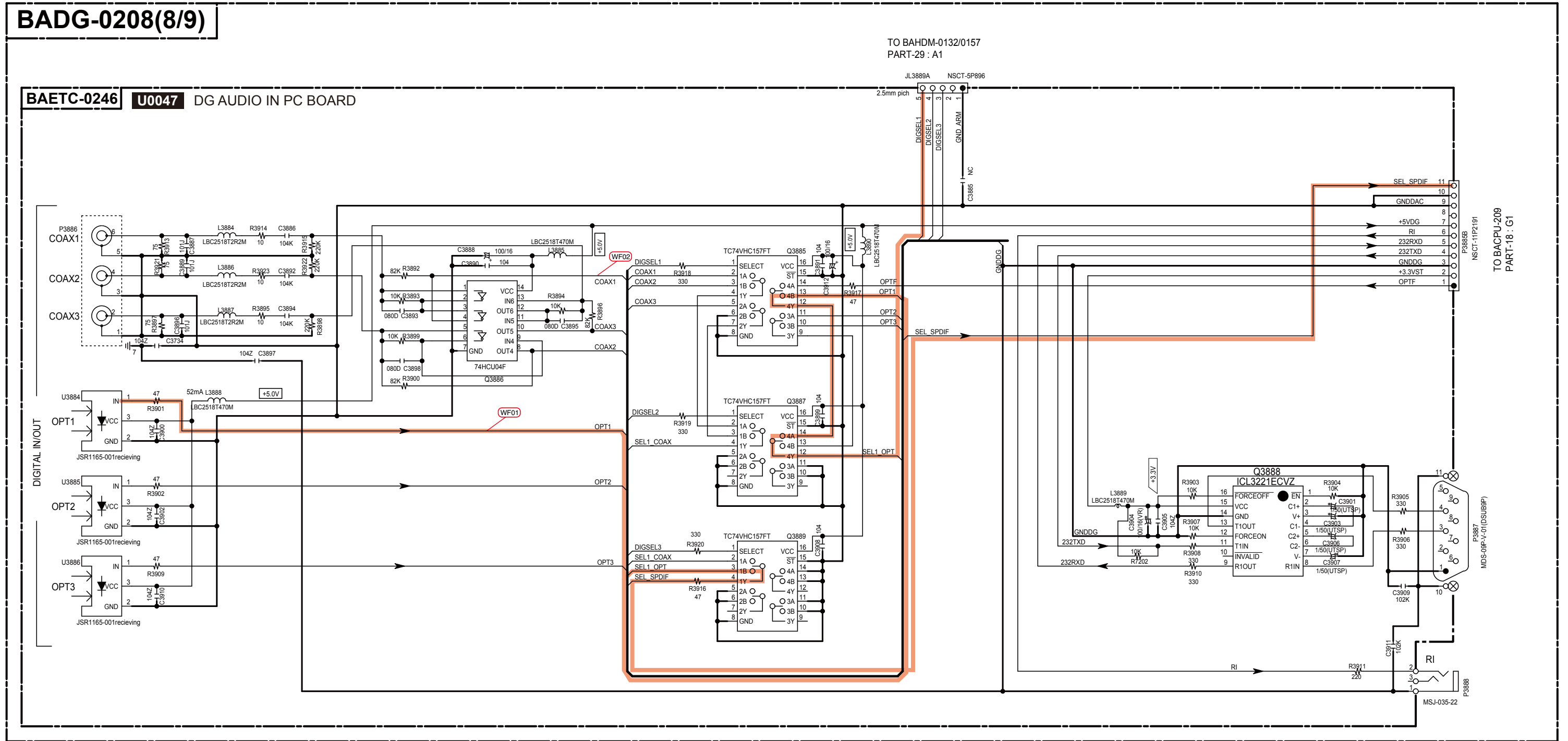
2

BAETC-0246 U0047 DG AUDIO IN PC BOARD

3

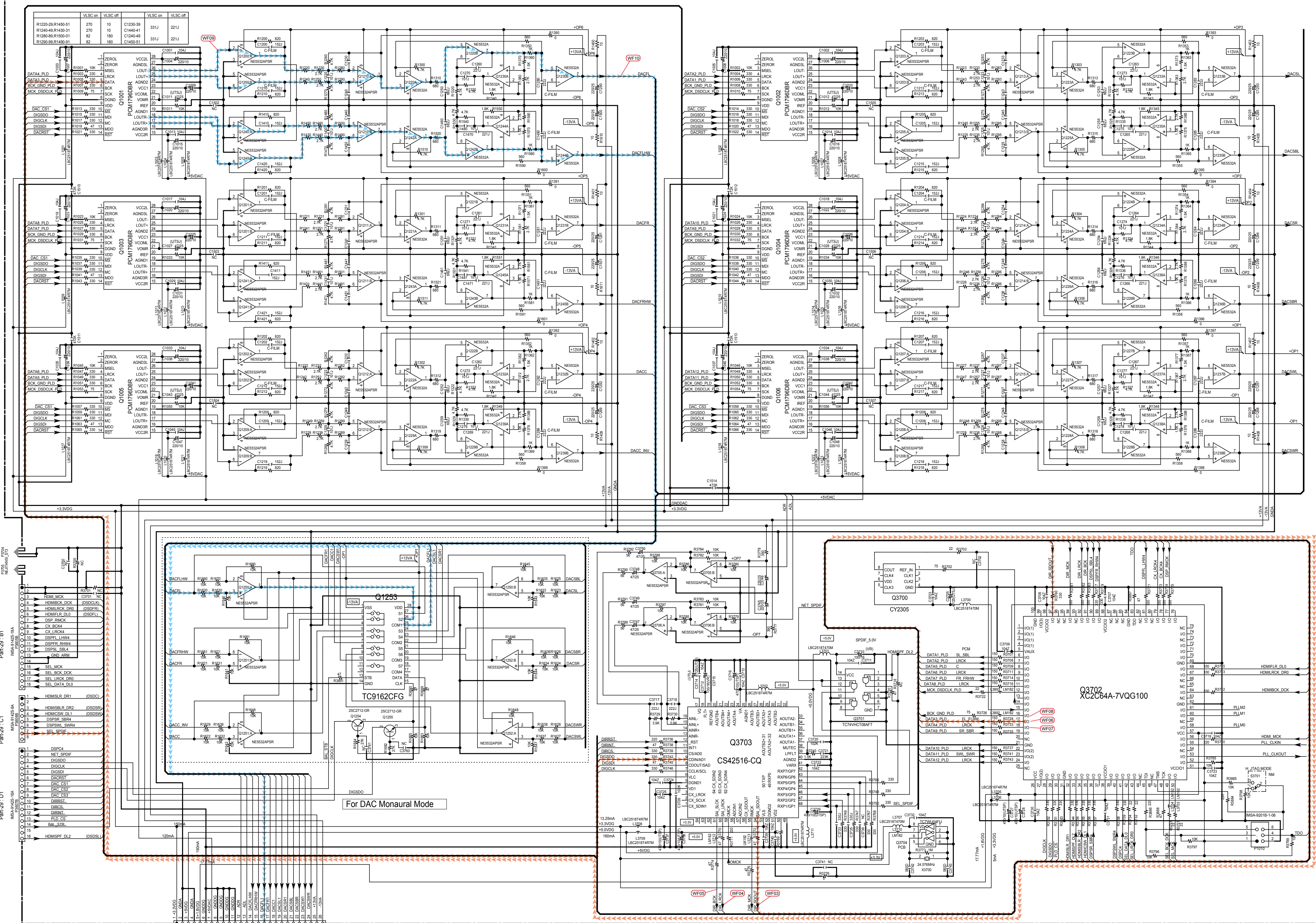
4

5



A B C D E F G H I J K
SCHEMATIC DIAGRAMS-12 / PART-17
CODEC, DAC AND VLSC SECTION

BADG-0208-1 U004 CODEC, DAC AND VLSC PC BOARD

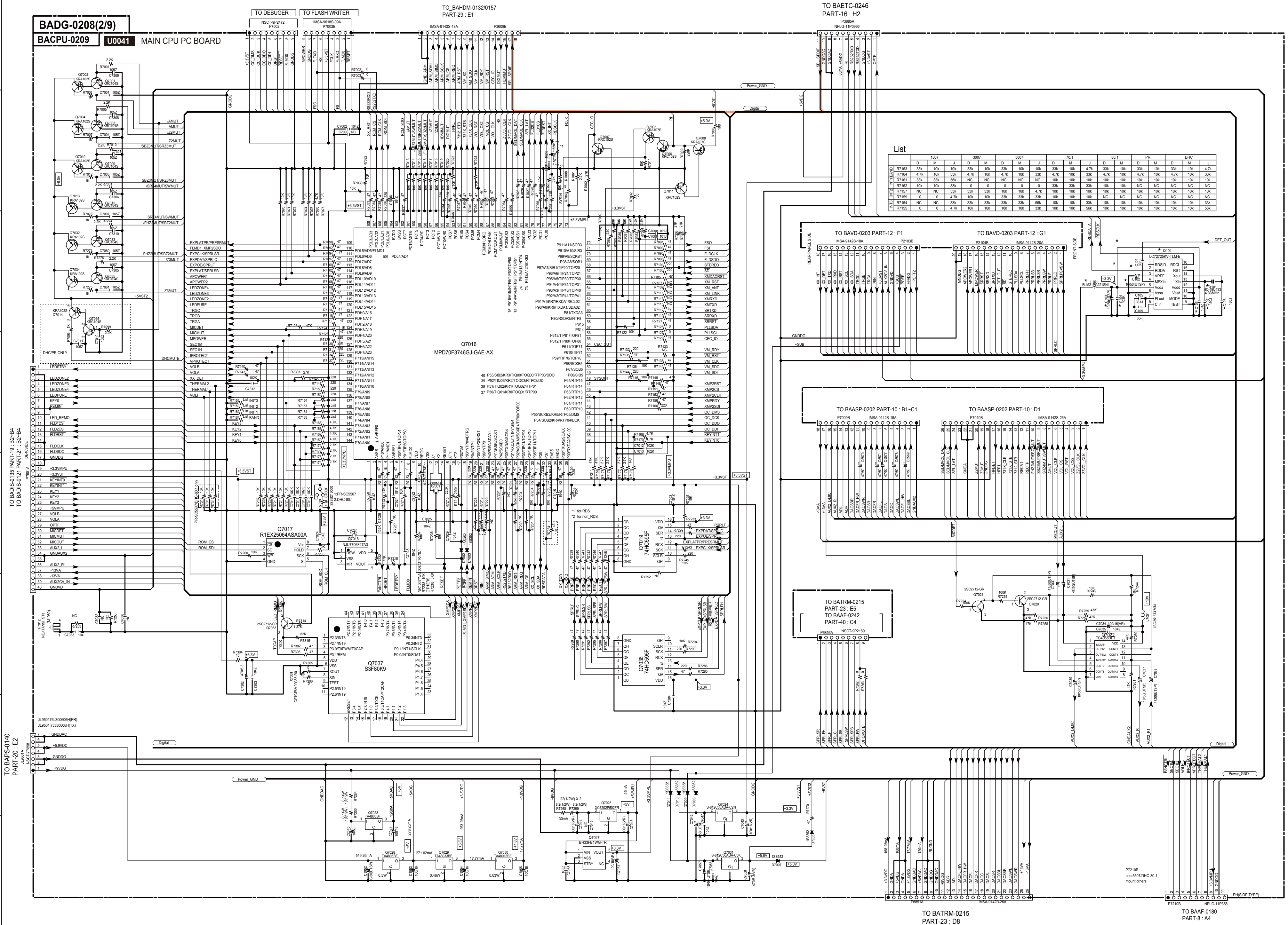


VLSC on	VLSC off	VLSC on	VLSC off
R1220-20 R1450-51	270 10	C1230-39	331J
R1240-49 R1430-31	270 10	C1440-41	221J
R1280-89 R1500-01	82 180	C1440-49	331J
R1290-99 R1490-91	82 180	C1450-51	221J

1	NET_SPOFF	12	NET_SPOFF
2	DIGSDO	13	DIGSDO
3	DIGCLK	14	DIGCLK
4	DIGCRST	15	DIGCRST
5	DIGCS1	16	DIGCS1
6	DIGCS2	17	DIGCS2
7	DIGCS3	18	DIGCS3
8	DIGCS4	19	DIGCS4
9	DIGCS5	20	DIGCS5
10	DIGCS6	21	DIGCS6
11	DIGCS7	22	DIGCS7
12	DIGCS8	23	DIGCS8
13	DIGCS9	24	DIGCS9
14	DIGCS10	25	DIGCS10
15	DIGCS11	26	DIGCS11
16	DIGCS12	27	DIGCS12
17	DIGCS13	28	DIGCS13
18	DIGCS14	29	DIGCS14
19	DIGCS15	30	DIGCS15
20	DIGCS16	31	DIGCS16
21	DIGCS17	32	DIGCS17
22	DIGCS18	33	DIGCS18
23	DIGCS19	34	DIGCS19
24	DIGCS20	35	DIGCS20
25	DIGCS21	36	DIGCS21
26	DIGCS22	37	DIGCS22
27	DIGCS23	38	DIGCS23
28	DIGCS24	39	DIGCS24
29	DIGCS25	40	DIGCS25
30	DIGCS26	41	DIGCS26
31	DIGCS27	42	DIGCS27
32	DIGCS28	43	DIGCS28
33	DIGCS29	44	DIGCS29
34	DIGCS30	45	DIGCS30
35	DIGCS31	46	DIGCS31
36	DIGCS32	47	DIGCS32
37	DIGCS33	48	DIGCS33
38	DIGCS34	49	DIGCS34
39	DIGCS35	50	DIGCS35
40	DIGCS36	51	DIGCS36
41	DIGCS37	52	DIGCS37
42	DIGCS38	53	DIGCS38
43	DIGCS39	54	DIGCS39
44	DIGCS40	55	DIGCS40
45	DIGCS41	56	DIGCS41
46	DIGCS42	57	DIGCS42
47	DIGCS43	58	DIGCS43
48	DIGCS44	59	DIGCS44
49	DIGCS45	60	DIGCS45
50	DIGCS46	61	DIGCS46
51	DIGCS47	62	DIGCS47
52	DIGCS48	63	DIGCS48
53	DIGCS49	64	DIGCS49
54	DIGCS50	65	DIGCS50
55	DIGCS51	66	DIGCS51
56	DIGCS52	67	DIGCS52
57	DIGCS53	68	DIGCS53
58	DIGCS54	69	DIGCS54
59	DIGCS55	70	DIGCS55
60	DIGCS56	71	DIGCS56
61	DIGCS57	72	DIGCS57
62	DIGCS58	73	DIGCS58
63	DIGCS59	74	DIGCS59
64	DIGCS60	75	DIGCS60
65	DIGCS61	76	DIGCS61
66	DIGCS62	77	DIGCS62
67	DIGCS63	78	DIGCS63
68	DIGCS64	79	DIGCS64
69	DIGCS65	80	DIGCS65
70	DIGCS66	81	DIGCS66
71	DIGCS67	82	DIGCS67
72	DIGCS68	83	DIGCS68
73	DIGCS69	84	DIGCS69
74	DIGCS70	85	DIGCS70
75	DIGCS71	86	DIGCS71
76	DIGCS72	87	DIGCS72
77	DIGCS73	88	DIGCS73
78	DIGCS74	89	DIGCS74
79	DIGCS75	90	DIGCS75
80	DIGCS76	91	DIGCS76
81	DIGCS77	92	DIGCS77
82	DIGCS78	93	DIGCS78
83	DIGCS79	94	DIGCS79
84	DIGCS80	95	DIGCS80
85	DIGCS81	96	DIGCS81
86	DIGCS82	97	DIGCS82
87	DIGCS83	98	DIGCS83
88	DIGCS84	99	DIGCS84
89	DIGCS85	100	DIGCS85

TO BATRM-0215
PART-23 : B8
TO BAAF-0242

SCHEMATIC DIAGRAMS-13 / PART-18
MAIN MICROPROCESSOR SECTION



List

Part No.	QTY	1007	3007	5007	70.1	80.1	PR	DHC
R7183	33k	10k	10k	33k	10k	10k	33k	10k
R7184	4.7k	10k	33k	4.7k	10k	4.7k	10k	33k
R7185	10k	10k	33k	10k	10k	10k	10k	10k
R7186	0	0	4.7k	10k	10k	33k	33k	10k
R7187	0	0	4.7k	10k	10k	10k	10k	10k
R7188	0	0	4.7k	10k	10k	10k	10k	10k
R7189	0	0	4.7k	10k	10k	10k	10k	10k
R7190	0	0	4.7k	10k	10k	10k	10k	10k
R7191	0	0	4.7k	10k	10k	10k	10k	10k
R7192	0	0	4.7k	10k	10k	10k	10k	10k

TO BADIS-0135 PART-19: B2-B4
TO BADIS-0121 PART-21: B2-B4

TO BAPS-0140 PART-20: E2

TO BAED-0203 PART-12: F1

TO BAED-0203 PART-12: G1

TO BAASP-0202 PART-10: B1-C1

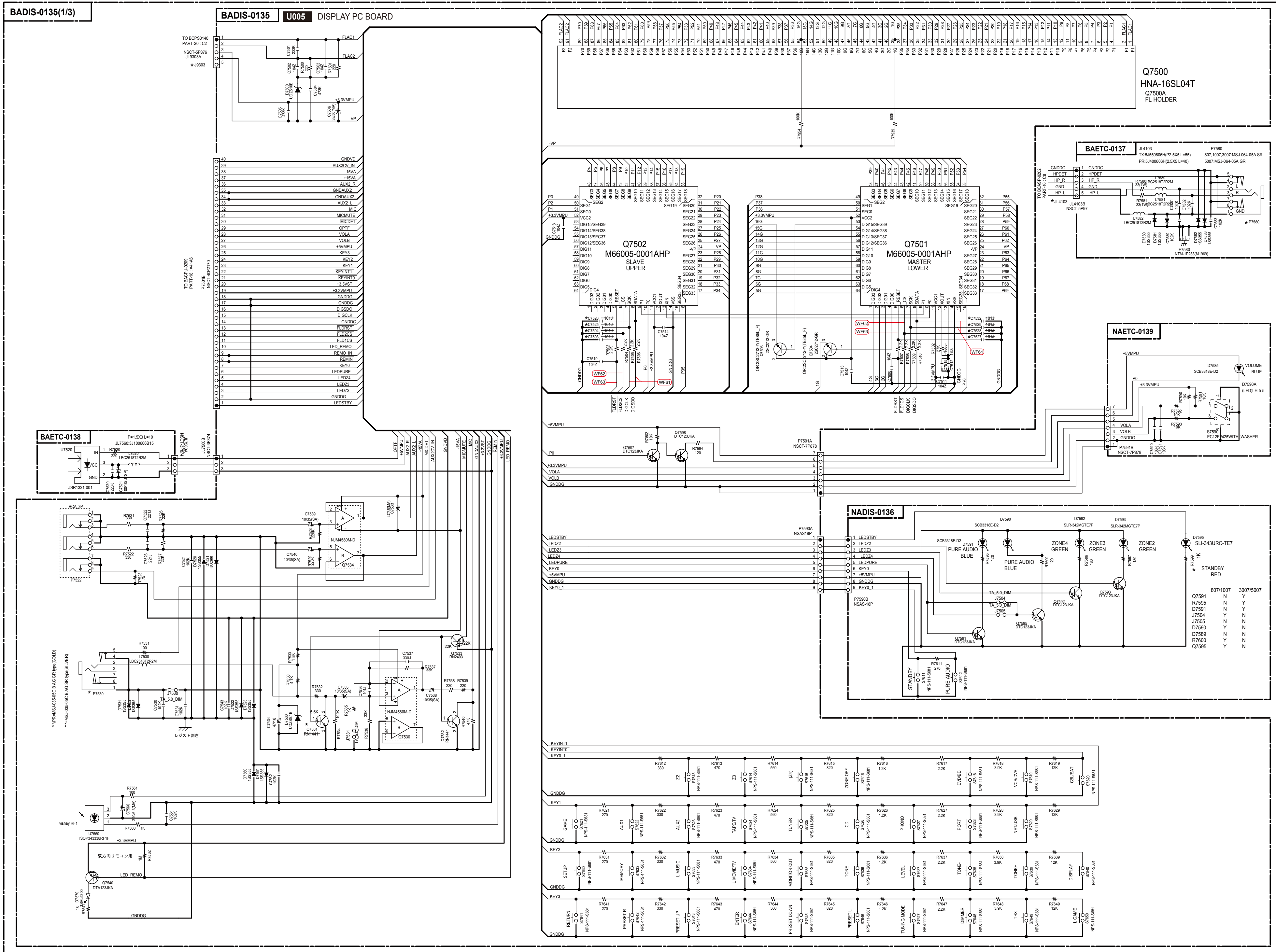
TO BAASP-0202 PART-10: D1

TO BATRM-0215 PART-23: E5
TO BAAF-0242 PART-40: C4

TO BATRM-0215 PART-23: D8

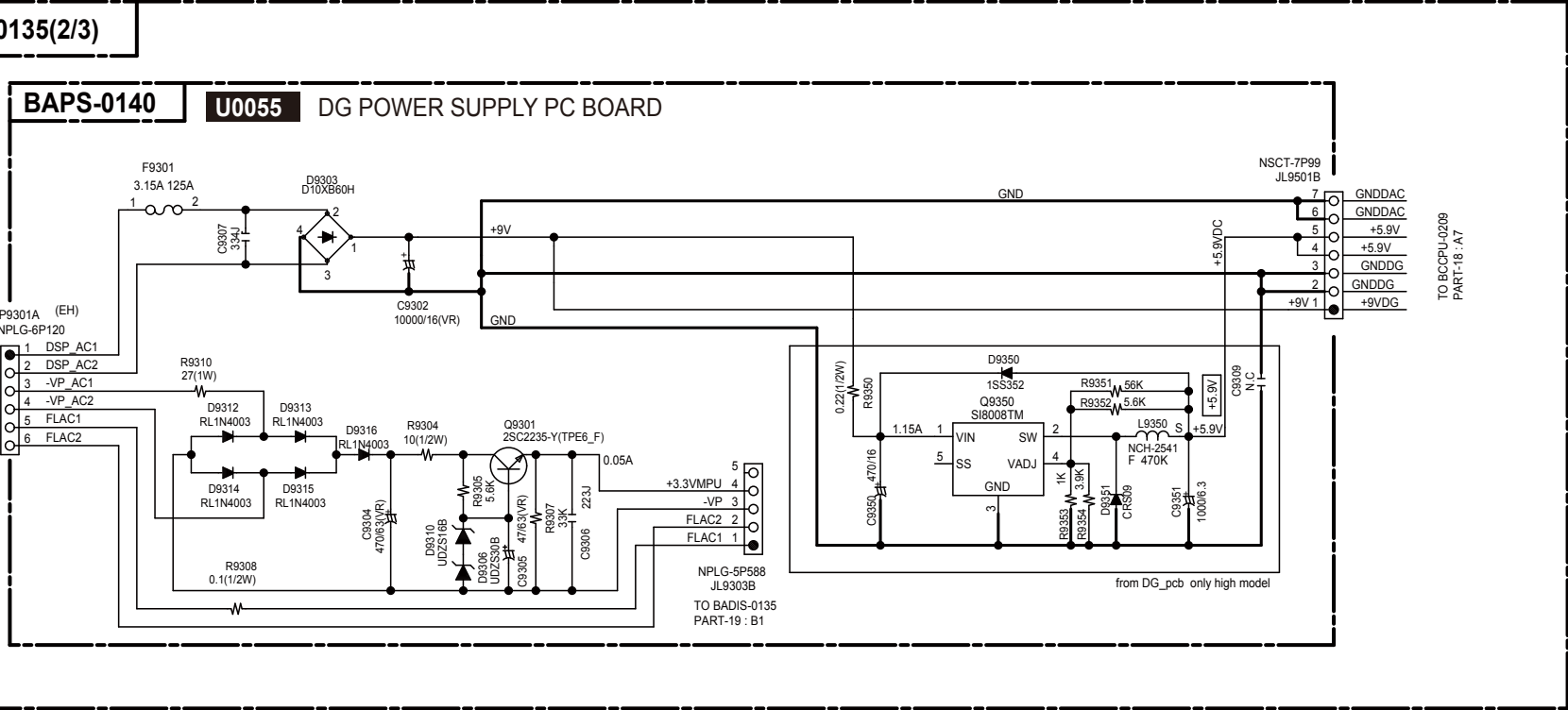
TO BAAF-0180 PART-8: A4

SCHEMATIC DIAGRAMS-14 / PART-19
DISPLAY SECTION

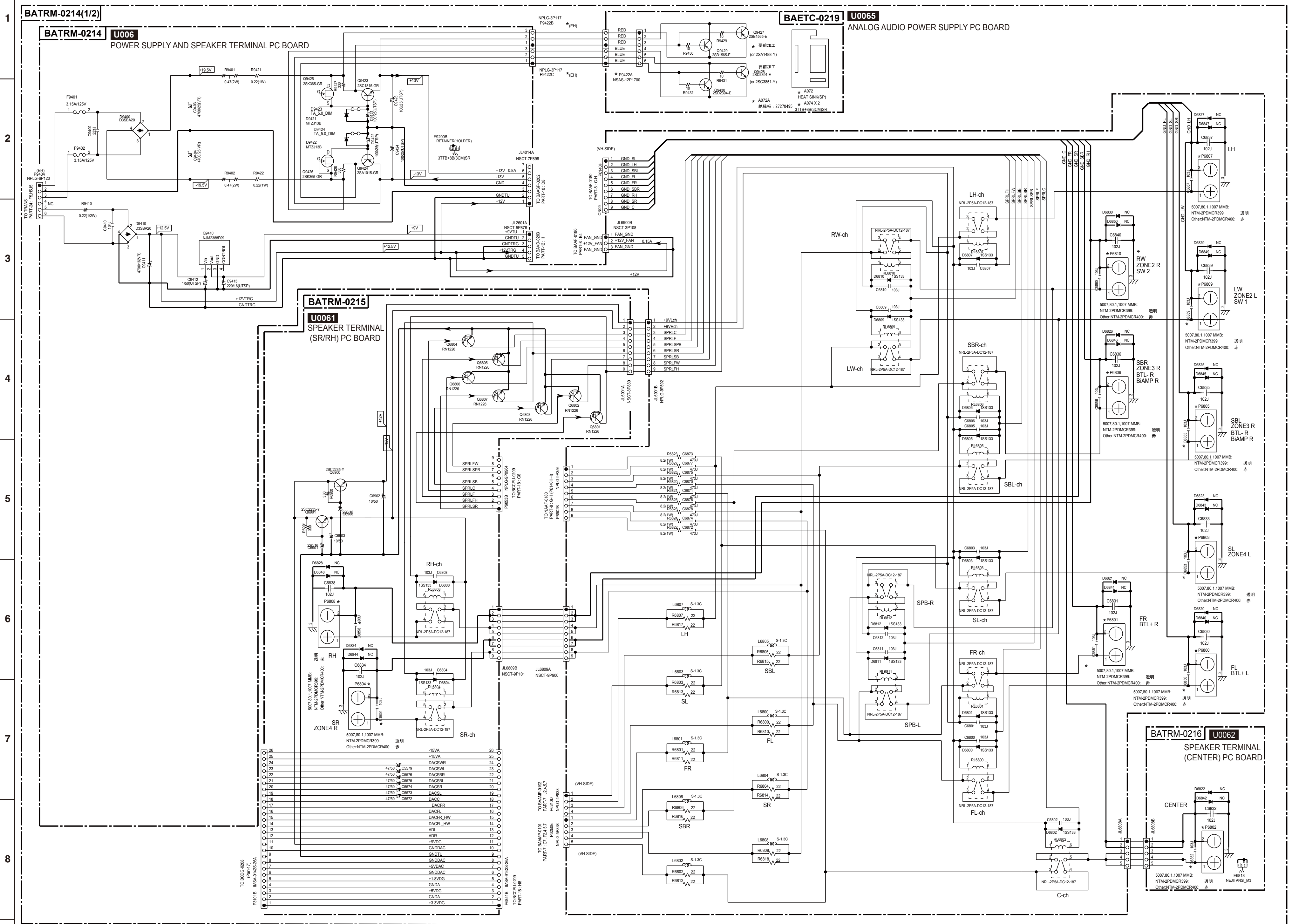


SCHEMATIC DIAGRAMS-15 / PART-20
DG POWER SUPPLY SECTION

1
2
3
4

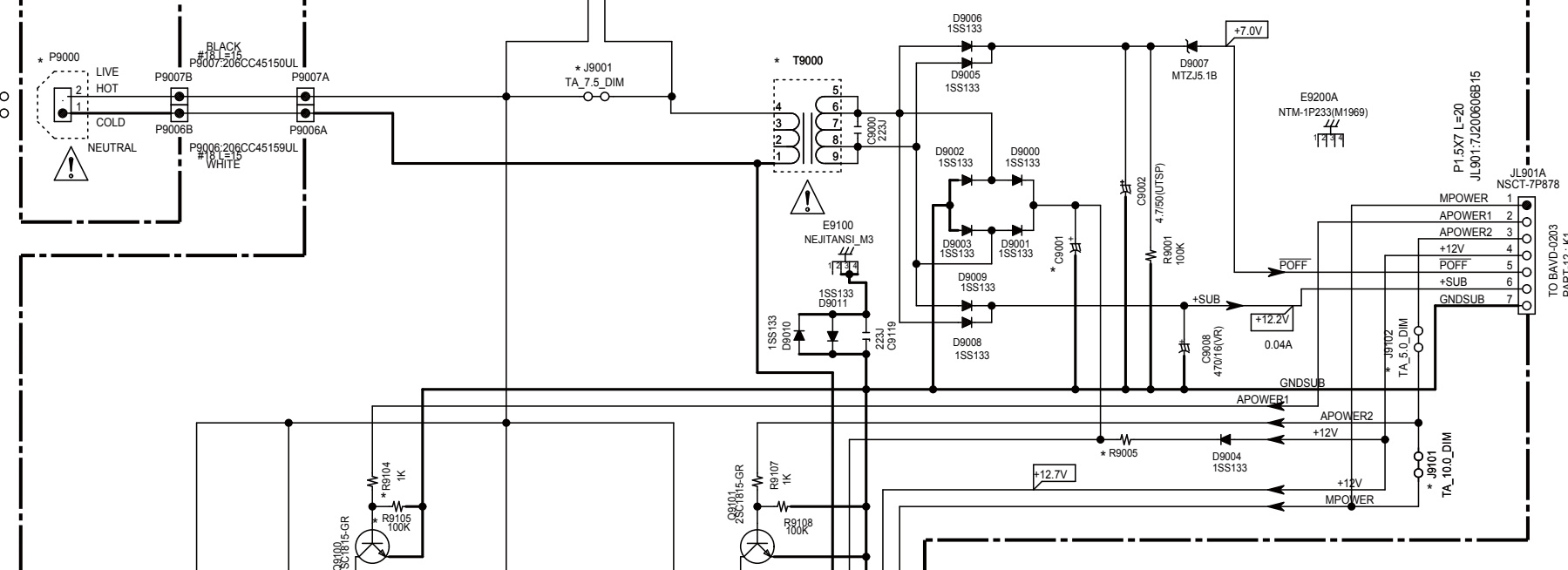
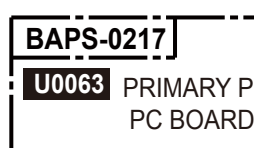
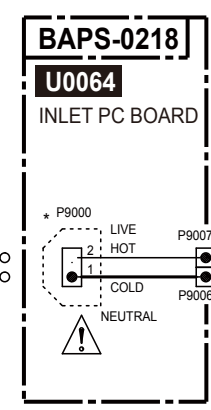
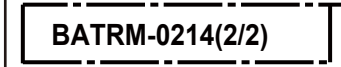
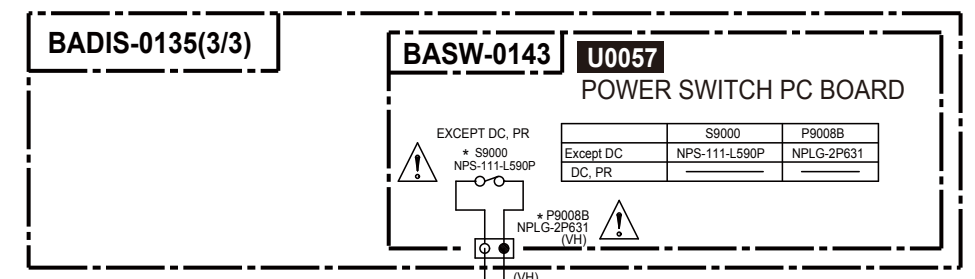


SCHEMATIC DIAGRAMS-18 / PART-23
POWER SUPPLY AND SPEAKER TERMINAL SECTION



SCHEMATIC DIAGRAMS-19 / PART-24
PRIMARY POWER SUPPLY (AMP) SECTION

1
2
3
4
5
6
7
8



Component	1007/70.1	3007	5007/80.1
C9108	Except Type	Except Type	Except Type
C9109	D.J.	○	○
C9201	○	○	○
J9100	D.J.	○	○
J9200	○	○	○
J9300	○	○	○
J9400	DC, Integr.	DC, Integr.	DC, Integr.
J9500	DC	DC	DC
J9600	○	○	○
J9700	○	○	○
J9800	○	○	○
J9900	○	○	○
J9901	○	○	○
J9902	○	○	○
J9903	○	○	○
J9904	○	○	○
J9905	○	○	○
J9906	○	○	○
J9907	○	○	○
J9908	○	○	○
J9909	○	○	○
J9910	○	○	○
J9911	○	○	○
J9912	○	○	○
J9913	○	○	○
J9914	○	○	○
J9915	○	○	○
J9916	○	○	○
J9917	○	○	○
J9918	○	○	○
J9919	○	○	○
J9920	○	○	○
J9921	○	○	○
J9922	○	○	○
J9923	○	○	○
J9924	○	○	○
J9925	○	○	○
J9926	○	○	○
J9927	○	○	○
J9928	○	○	○
J9929	○	○	○
J9930	○	○	○
J9931	○	○	○
J9932	○	○	○
J9933	○	○	○
J9934	○	○	○
J9935	○	○	○
J9936	○	○	○
J9937	○	○	○
J9938	○	○	○
J9939	○	○	○
J9940	○	○	○
J9941	○	○	○
J9942	○	○	○
J9943	○	○	○
J9944	○	○	○
J9945	○	○	○
J9946	○	○	○
J9947	○	○	○
J9948	○	○	○
J9949	○	○	○
J9950	○	○	○

Component	Value
T9000	D.J. NPT-152JQ
OHTERS	NPT-152GQ
C9001	D.220025V
OHTERS	220016V
F9100	D.12A-UL-ST6
M.6.3A-SE-TL250V	12A/125V
J.15A-T-ST6N1	6.3A/250V
	15A/125V

印は火災、感電の危険に關する部品の為、必ず指定部品を使用する。
電圧表示は無極性端子に測定した直流電圧を示す。
(単位V、入力抵抗100kΩ以上の電圧計)
記入なき電解コンデンサの単位はμF/VVである。
例) 030-33F 330-330F 331-330F 333-0.033μF
本配線図は基本配線図につき性能改善等により予告なく変更する事がある。

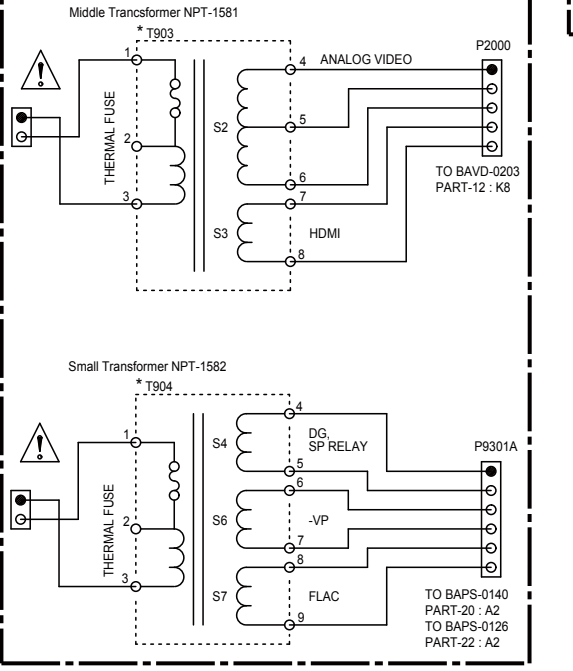
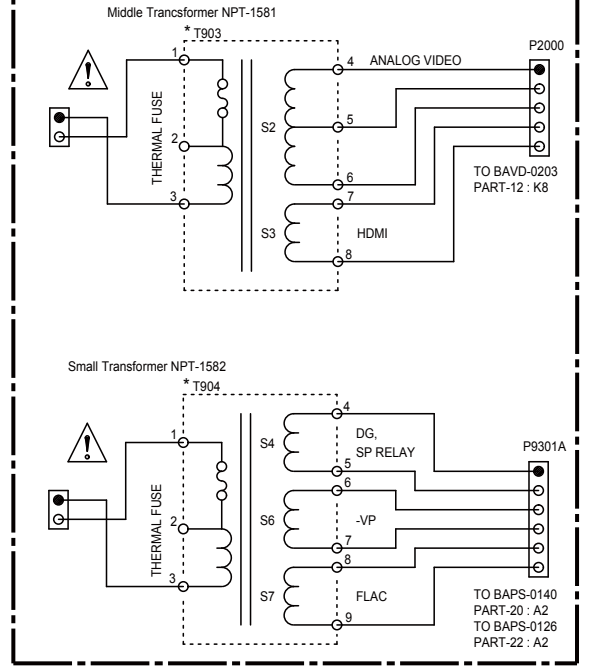
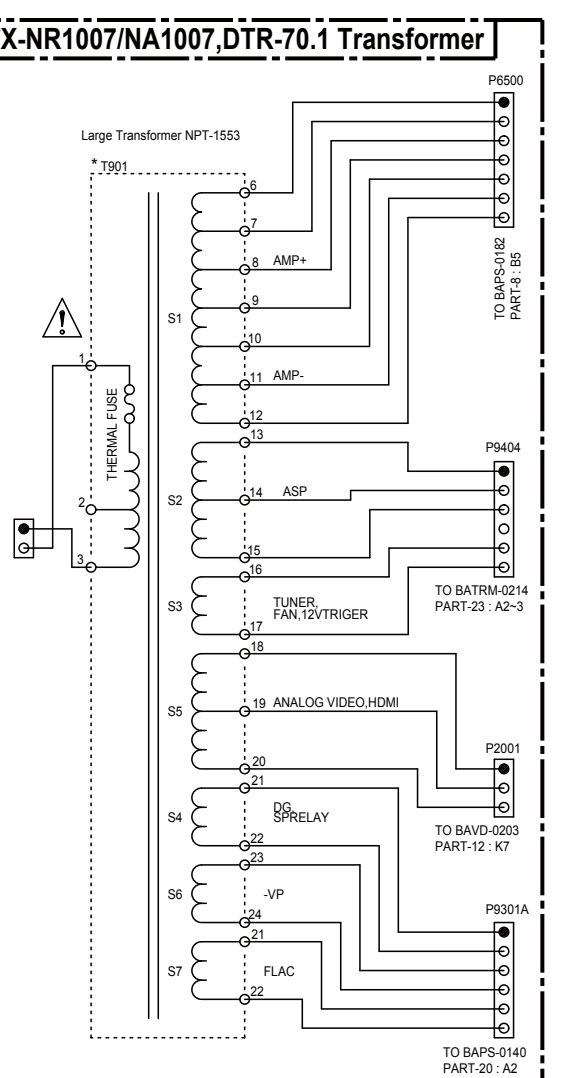
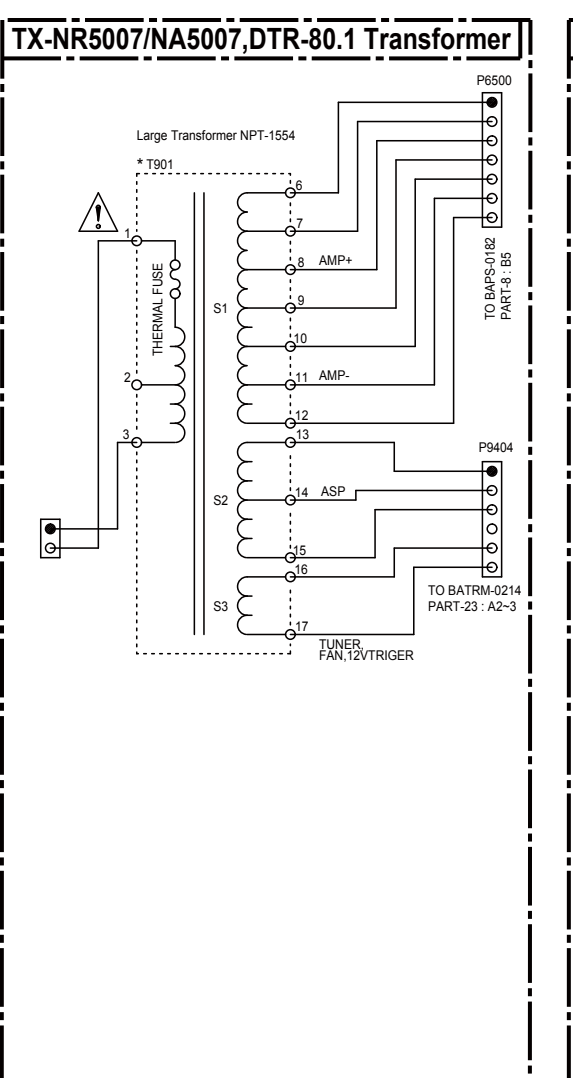
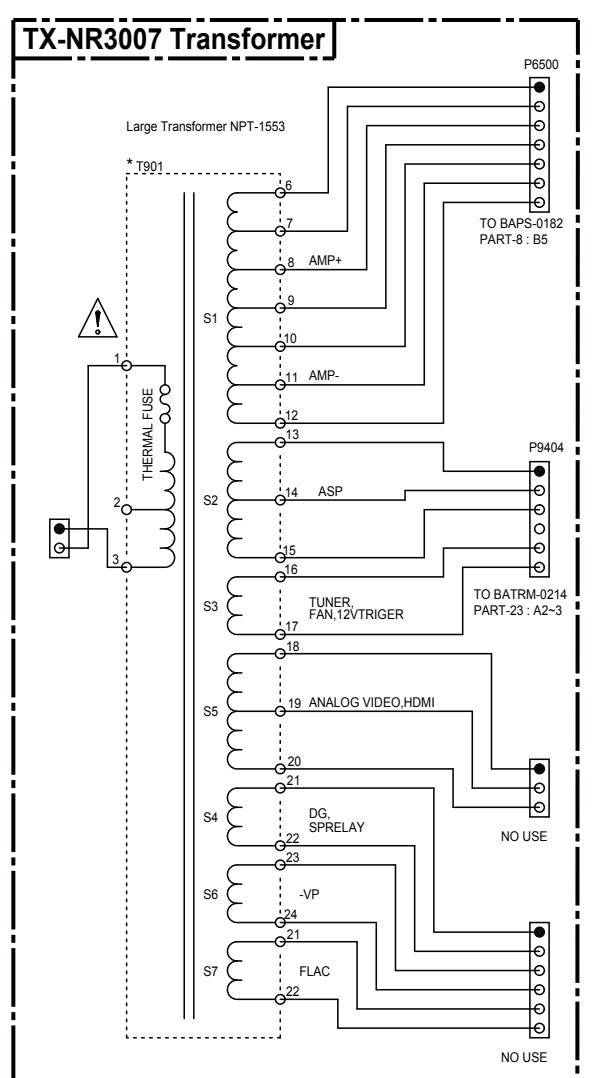
THE COMPONENTS IDENTIFIED BY MARK ARE CRITICAL FOR SAFETY. REPLACE ONLY WITH PART NUMBER SPECIFIED.
VOLTAGE (MEASURED WITH VOLTMETER) IS DC VOLTAGE (NO INPUT SIGNAL).
ELECTROLYTIC CAPACITORS ARE IN μF/VV.
ALL CAPACITORS ARE IN pF/500V UNLESS OTHERWISE NOTED.
EX) 030 → 3pF 330 → 33pF 331 → 330pF 333 → 0.033 μF
CIRCUIT IS SUBJECT TO CHANGE FOR IMPROVEMENT.

CAUTION
FOR CONTINUED PROTECTION AGAINST FIRE HAZARD, REPLACE ONLY WITH FUSE OF SAME TYPE AND RATING INDICATED.

ATTENTION
AFIN D'ASSURER UNE PROTECTION PERMANENTE CONTRE LES RISQUES D'INCENDIE, REMPLACER UNIQUEMENT PAR UN FUSIBLE DE MEME TYPE ET CALIBRATION COMME INDIQUE.

THIS SYMBOL LOCATED NEAR THE FUSE INDICATES THAT THE FUSE USED IS SLOW OPERATING TYPE FOR CONTINUED PROTECTION AGAINST FIRE HAZARD. REPLACE WITH SAME TYPE FUSE. FOR FUSE RATING REFER TO THE MAKING ADJACENT TO THE SYMBOL.

CE SYMBOLE INDIQUE QUE LE FUSIBLE UTILISE EST A LENT. E POUR UNE PROTECTION PERMANENTE CONTRE LES RISQUES D'INCENDIE, REMPLACER LE FUSIBLE PAR UN FUSIBLE DE MEME TYPE. CE DERNIER EST INDIQUE LA QU LE PRESENT SYMBOLE EST APPOSE.



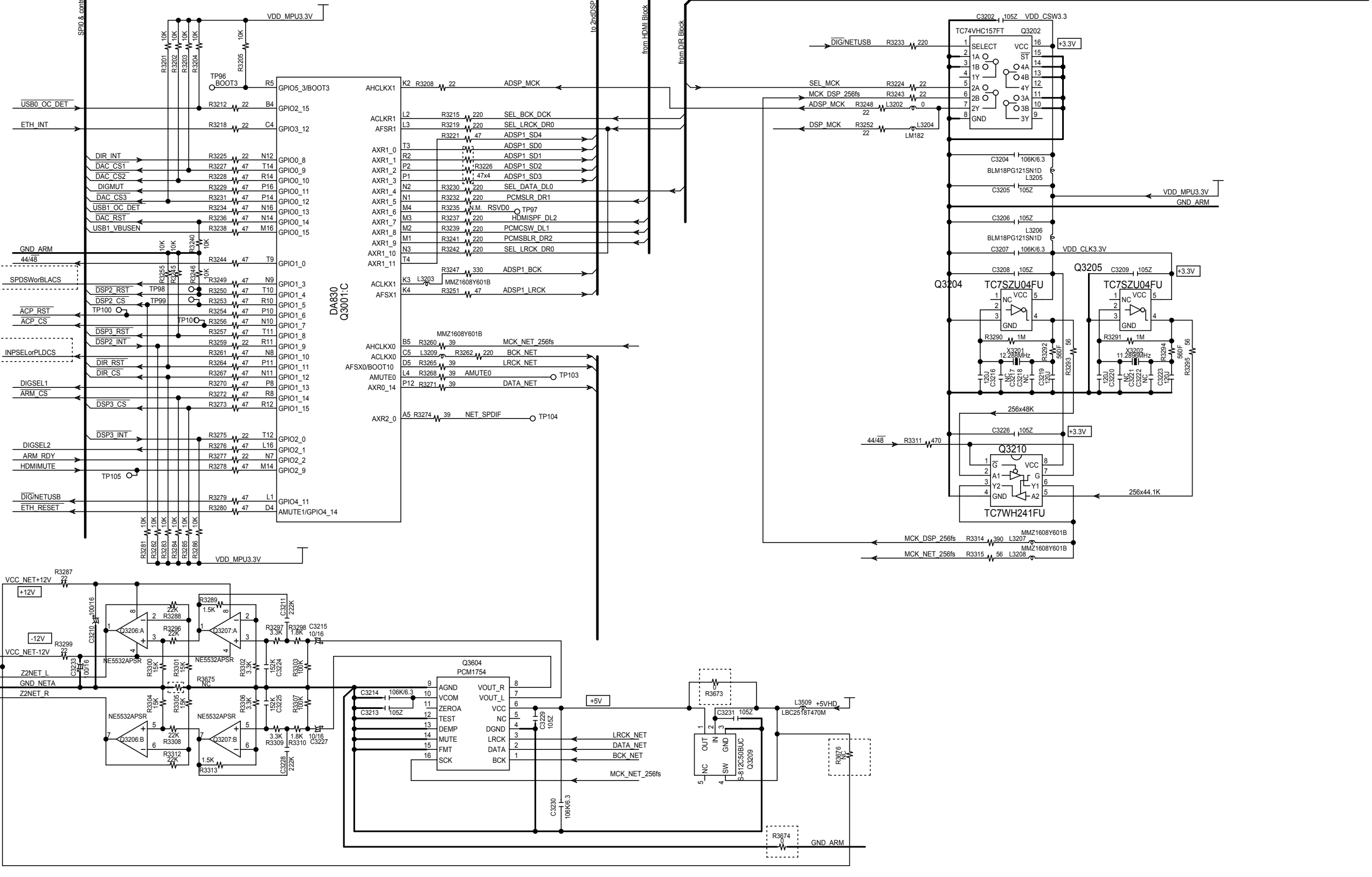
SCHEMATIC DIAGRAMS-21 / PART-26
NET / USB / ZONE2 SECTION

BAHDM-0132/0157 (1/8)

U0045
HDMI PC BOARD

SPI0 & control signals
to 2nd DSP
from HDMI Block
from DIR Block

1
2
3
4
5



SCHEMATIC DIAGRAMS-21 / PART-27
NET / USB / POWER SECTION

BAHDM-0132/0157 (2/8)

U0045
HDMI PC BOARD

R3115 or R3116	BOOT2
R3111 or R3112	BOOT5
R3109 or R3110	BOOT6
R3107 or R3108	BOOT7

Boot Opt.	NAND	UART1	SPI0
BOOT7	L	H	L
BOOT1	H	H	L
BOOT0	H	H	H
BOOT3	H	L	H
BOOT2	H	H	H

BOOT3 is always pulled up.

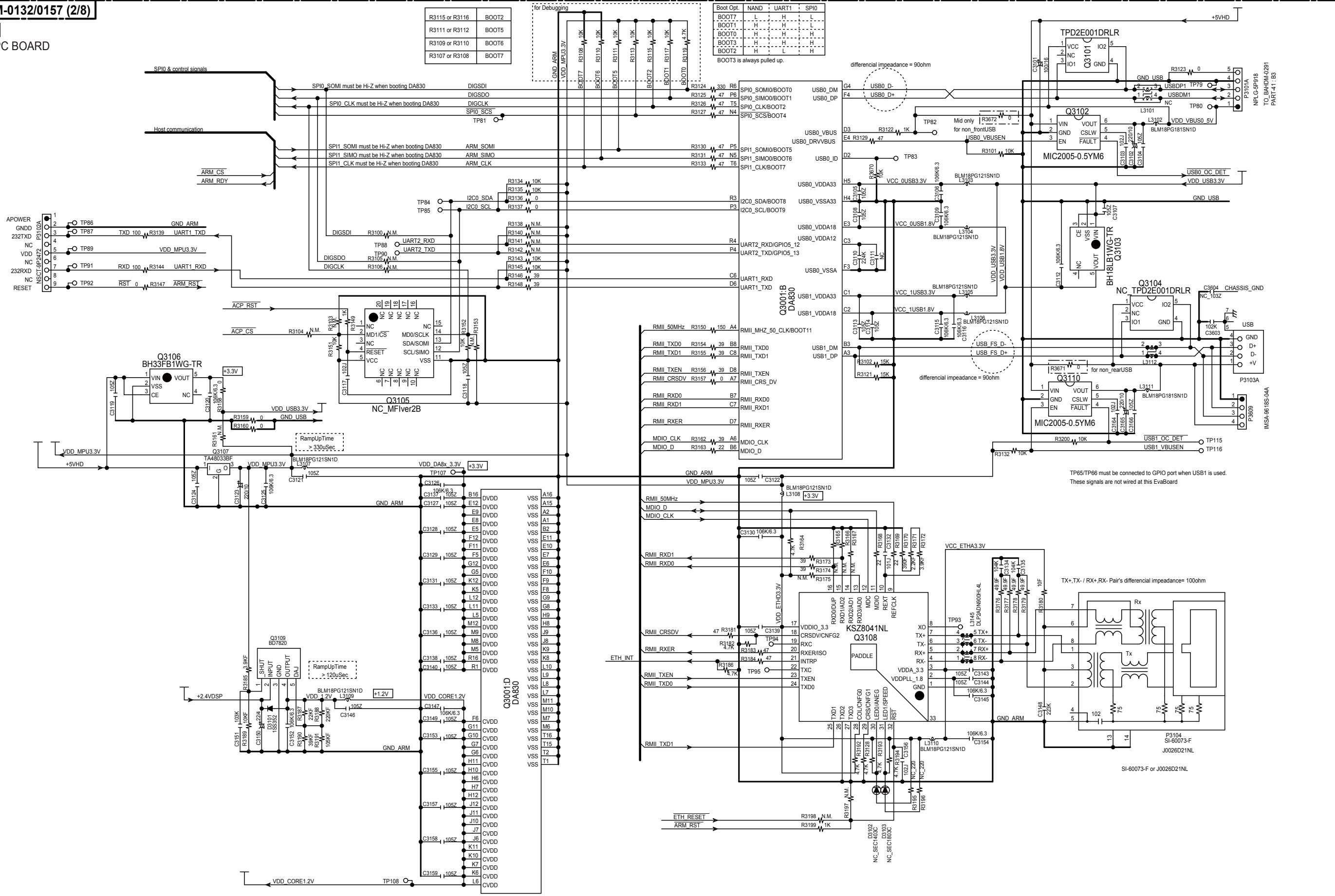
1

2

3

4

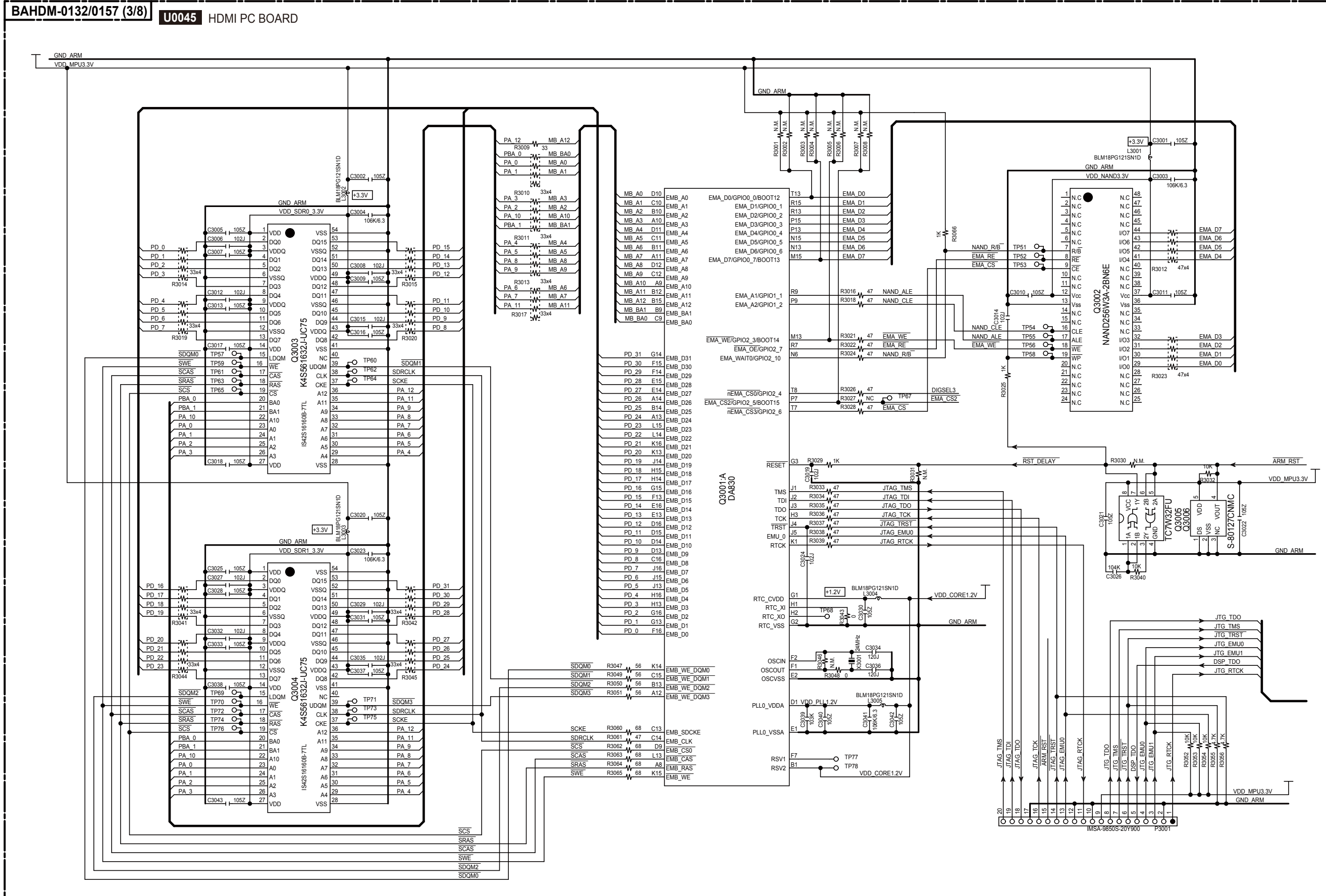
5



SCHEMATIC DIAGRAMS-22 / PART-28
DSP MEMORY SECTION

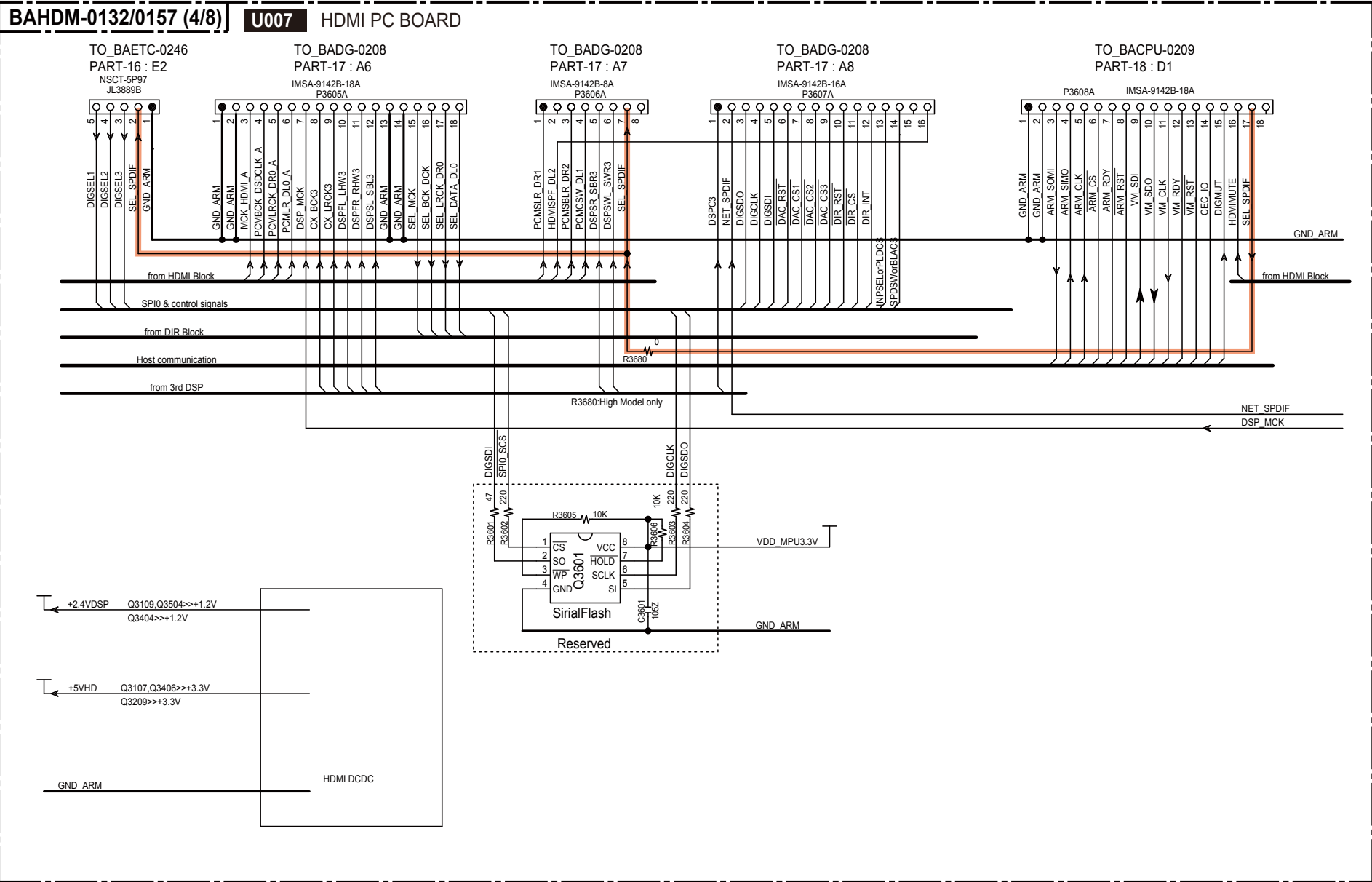
BAHDM-0132/0157 (3/8) U0045 HDMI PC BOARD

1
2
3
4
5

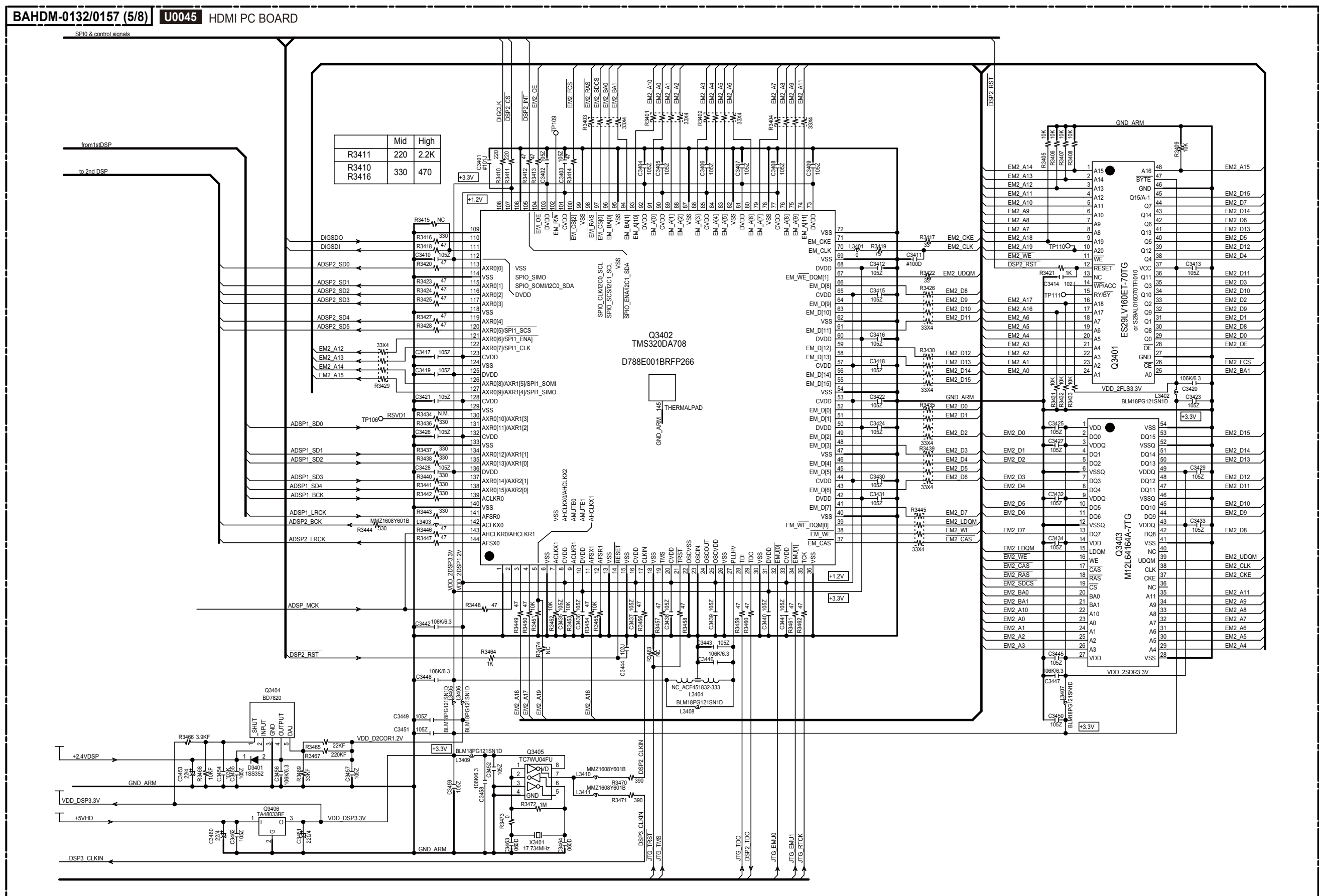


SCHEMATIC DIAGRAMS-24 / PART-29
DSP CONNECTOR SECTION

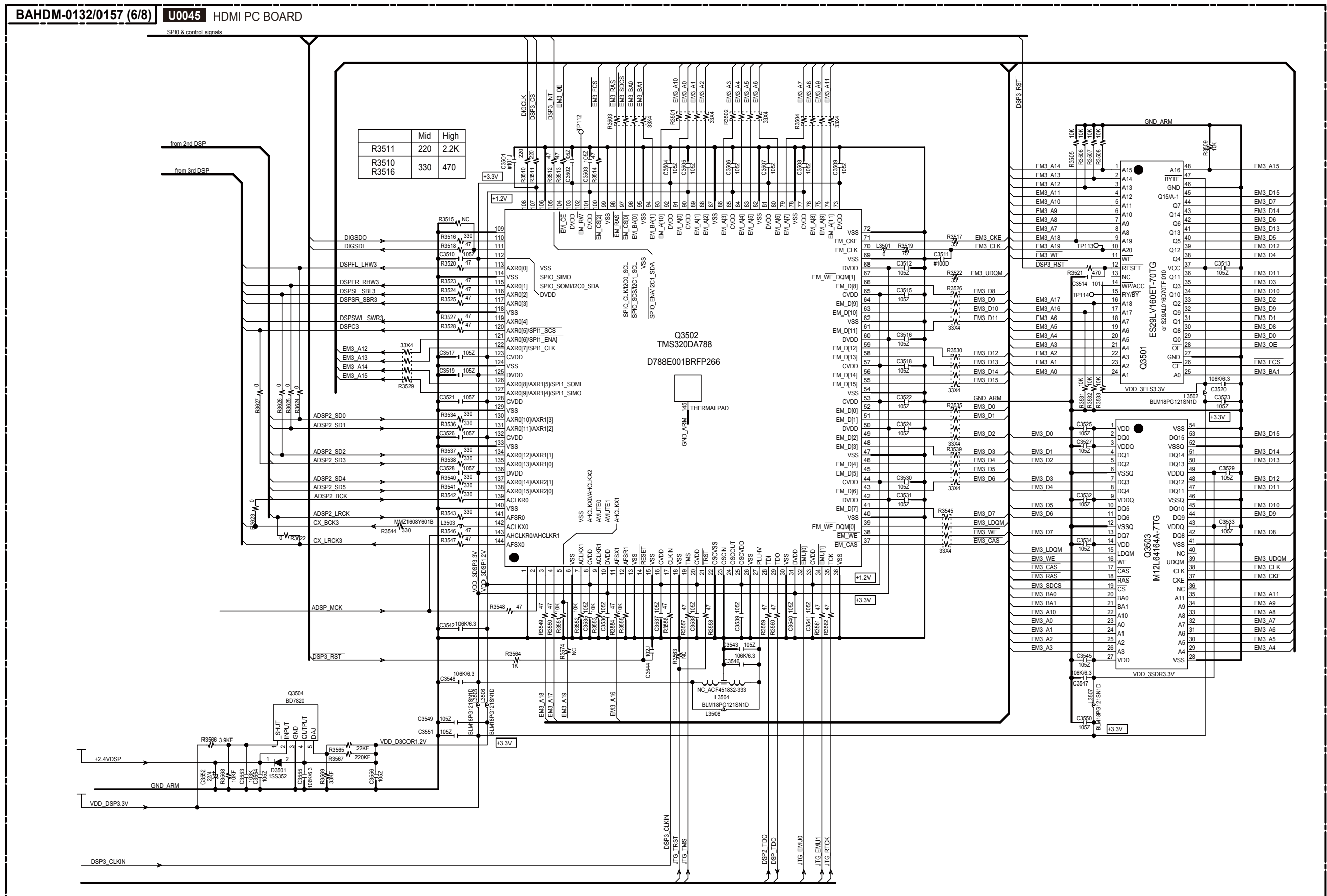
1
2
3
4



SCHEMATIC DIAGRAMS-25 / PART-30
2ND DSP SECTION

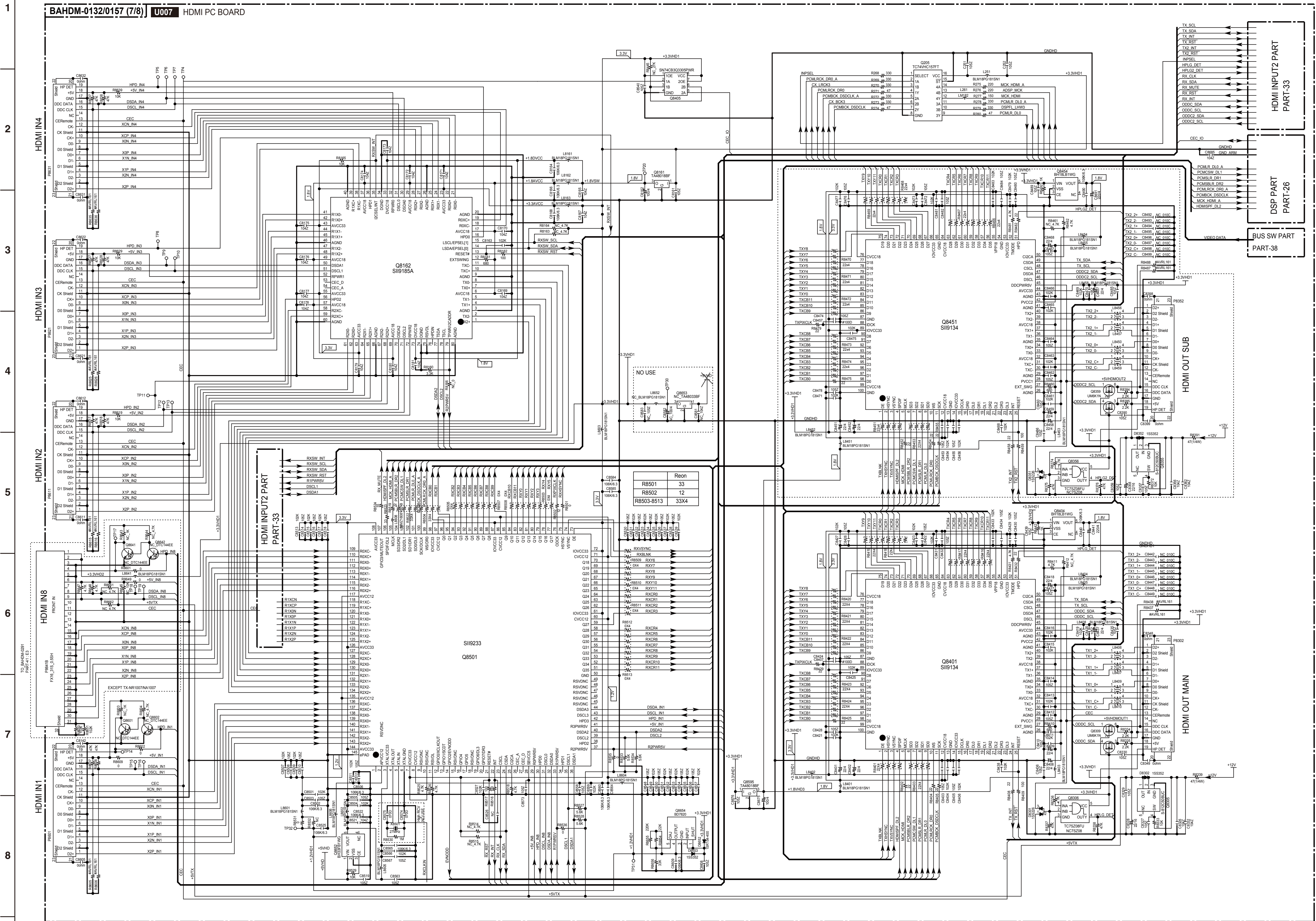


SCHEMATIC DIAGRAMS-26 / PART-31
3RD DSP SECTION



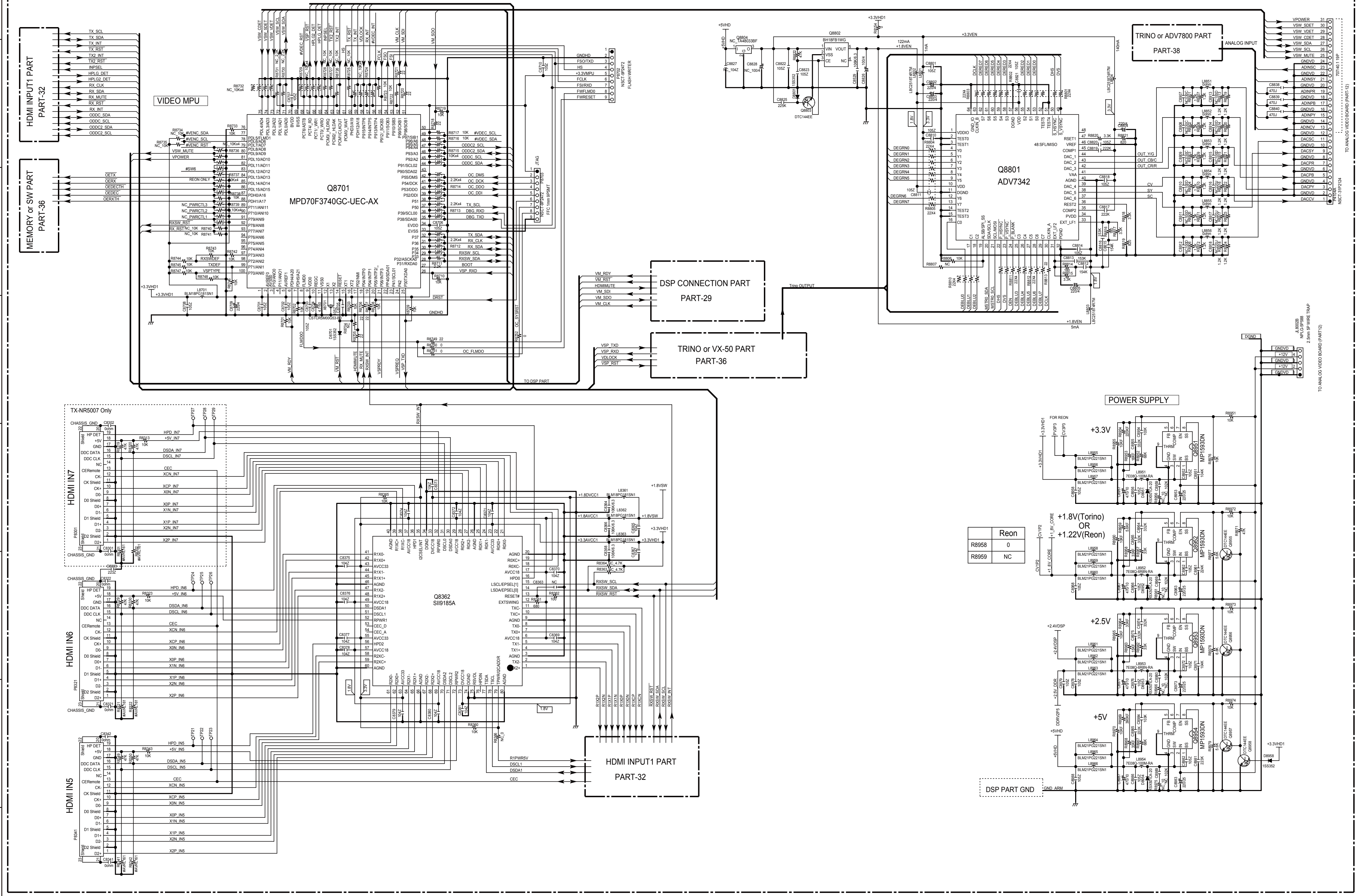
1
2
3
4
5

SCHEMATIC DIAGRAMS-27 / PART-32
HDMI IN/OUT SECTION



SCHEMATIC DIAGRAMS-28 / PART-33
HDMI IN / ENCODER / POWER SUPPLY SECTION

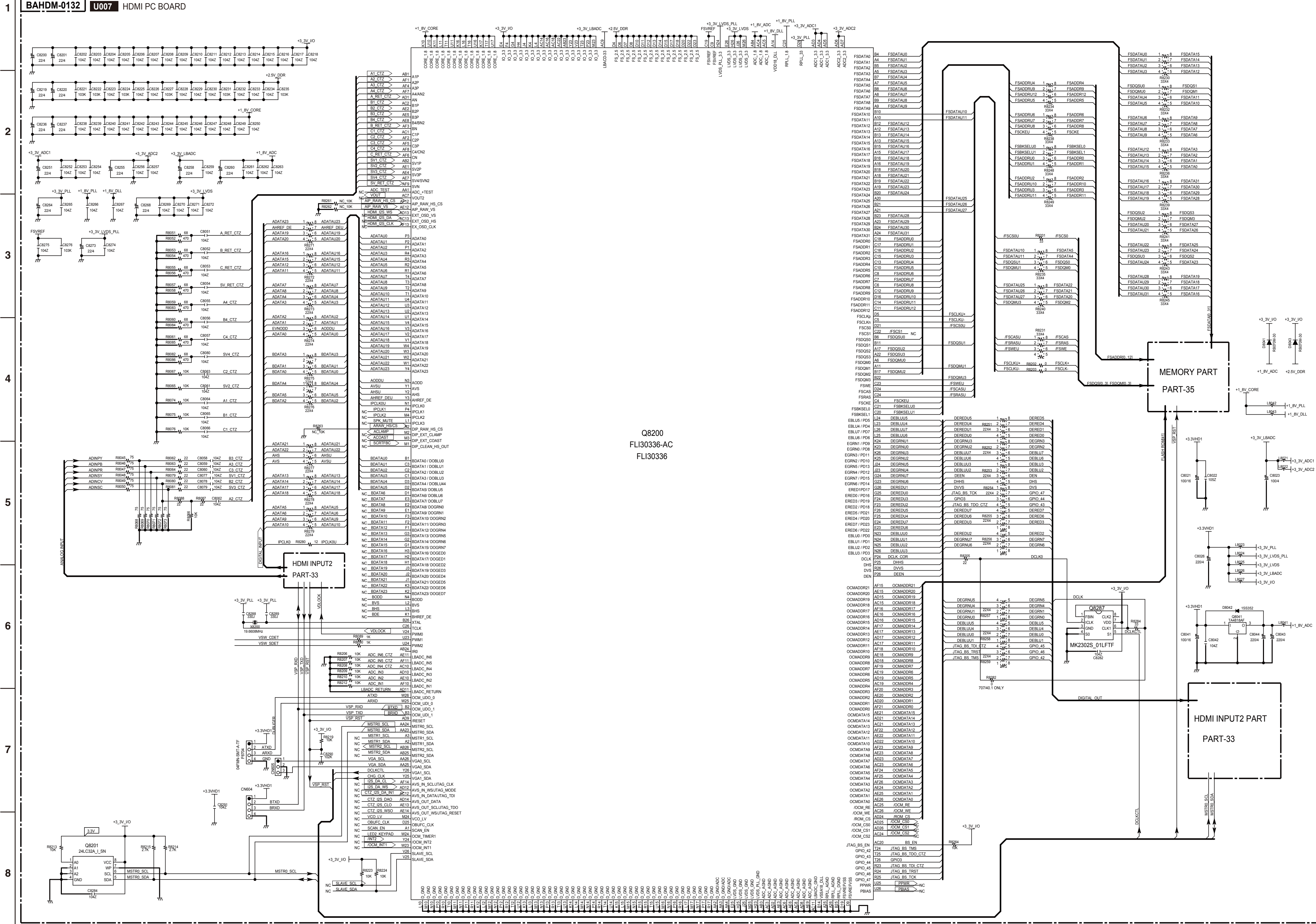
BAHDM-0132/0157 (8/8) U007 HDMI PC BOARD



1
2
3
4
5
6
7
8

SCHEMATIC DIAGRAMS-29 / PART-34

TRINO SECTION



SCHEMATIC DIAGRAM-37 (PART-42)
WAVEFORM SECTION

1

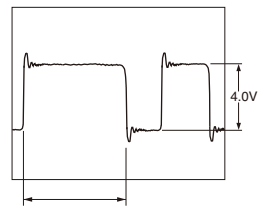
Digital Audio Waveform Part

NOTE:
1. (WF01) is short for (Waveform01)
2. Refer to SD-7(SCHEMATIC DIAGRAM-9) for the location of each waveform on circuit.
3. SD-x:XY is short for Schematic Diagram-x and each socket's location, X=A to H, Y=1 to 5.

LR CLOCK (SAI_LRCK, CX_LRCK)
Fs=48kHz : DVD, Clock width=20.8us
Fs=44.1kHz : CD, Clock width=22.7us

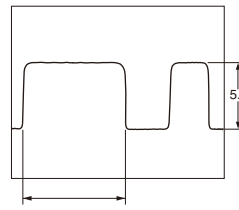
BIT CLOCK (SAI_SLCK, CX_SLCK)
64Fs=3072kHz : DVD, Clock width=325ns
64Fs=2822.4kHz : CD, Clock width=354ns

(WF01) OPT1 (SD-11:C3)



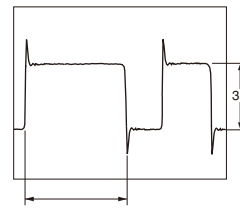
Duty varies according to audio data

(WF02) COAX1 (SD-11:D3)



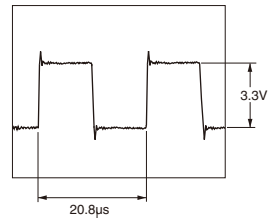
Duty always varies according to audio data

(WF03) SAI_SDOUT/DIR_SDOUT (SD-12:G8)

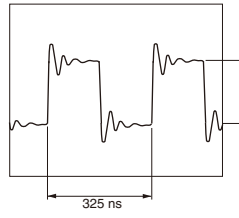


Duty varies according to audio data

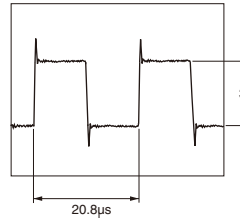
(WF04) SAI_LRCK/DIR_LRCK (SD-12:F8)



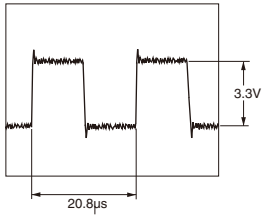
(WF05) SAI_SLCK/DIR_BCK (SD-12:F8)



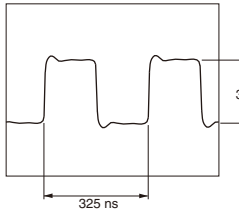
(WF06) DATA3_PLD (SD-12:I7)



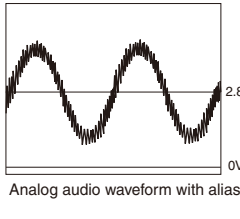
(WF07) DATA4_PLD (SD-12:I7)



(WF08) BCK_GND_PLD (SD-12:I7)

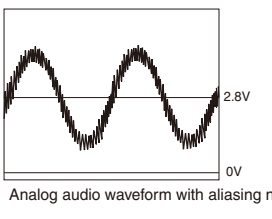


(WF09) FL+ (SD-12:B2)



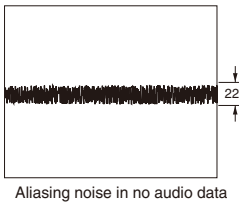
Analog audio waveform with aliasing noise

(WF10) DACFL (SD-12:F2)



Analog audio waveform with aliasing noise

(WF10) DACFL (SD-12:F2)



Aliasing noise in no audio data

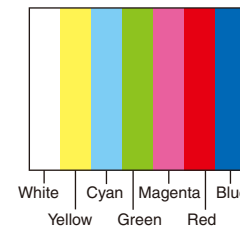
2

3

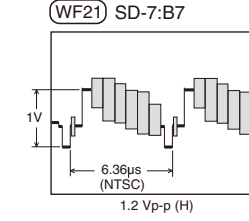
4

5

Video source color and pattern

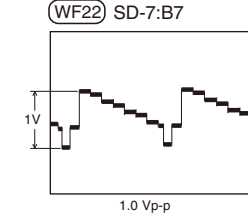


Composite waveform (WF21) SD-7:B7

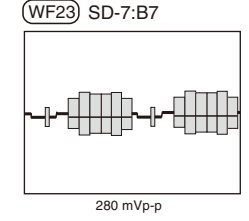


Video Waveform Part

S-Video Y waveform (WF22) SD-7:B7



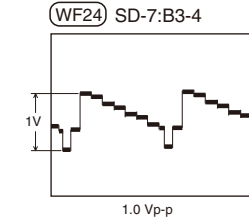
S-Video C waveform (WF23) SD-7:B7



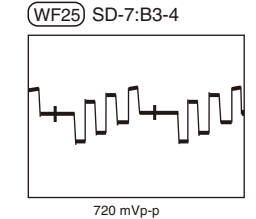
NOTE:

- (WF21) is short for (Waveform21)
- Refer to SD-5(SCHEMATIC DIAGRAM-6) for the location of each waveform on circuit.
- SD-x:XY is short for Schematic Diagram-x and each socket's location, X=A to H, Y=1 to 5.
- In the case that video outputs are not connected to video devices, video signal output levels are doubled.

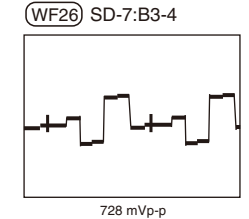
Component Y waveform (WF24) SD-7:B3-4



Component PB waveform (WF25) SD-7:B3-4

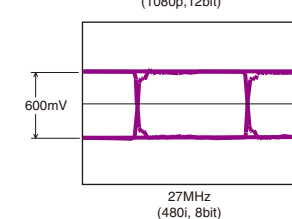
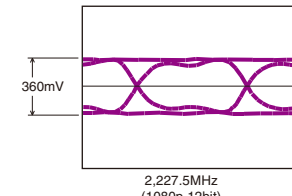


Component PR waveform (WF26) SD-7:B3-4



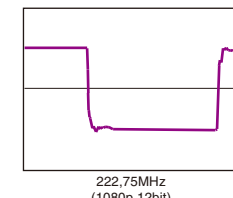
HDMI Waveform Part

HDMI D0,D1,D2 waveform (WF41) SD-27:B8,J7 SD-28:B8



D0,D1,D2 Eye-pattern waveform, frequency and level vary according to video resolution, aspect and profile. Waveforms above are examples.

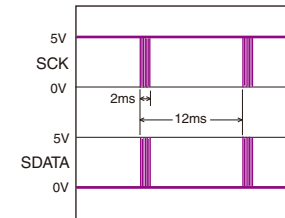
HDMI CK waveform (WF42) SD-27:B8,J7 SD-28:B8



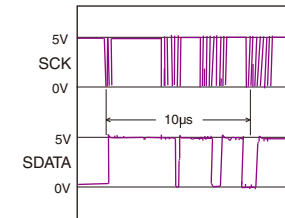
CK waveform, frequency and level differ according to video resolution, aspect and profile. D0,D1,D2 are just CK x10.

FL Driver IC Control Waveform Part

SCK/SDATA waveform (WF61) SD-14:F4,I4 SD-16:F4,I4

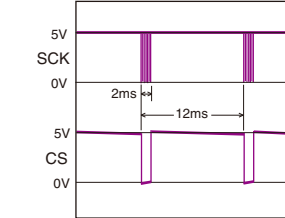


SCK/SDATA waveform (WF61) SD-14:F4,I4 SD-16:F4,I4

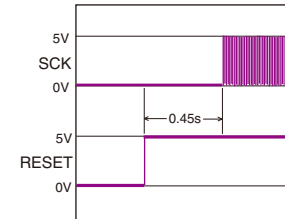


SDATA waveform varies according to the data content

SCK/CS waveform (WF62) SD-14:F4,H4 SD-16:F4,H4

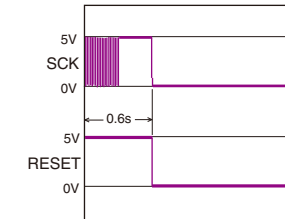


SCK/RESET waveform (WF63) SD-14:F4,H4 SD-16:F4,H4



When power on

SCK/RESET waveform (WF63) SD-14:F4,H4 SD-16:F4,H4



When power off

TX-NR1007

<Note>

Parts marked by **"NSP"** are generally unavailable because they are not in our Master Spare Parts List.

NOTE : THE COMPONENTS IDENTIFIED BY THE MARK ! ARE CRITICAL FOR RISK OF FIRE AND ELECTRIC SHOCK. REPLACE ONLY WITH PART NUMBER SPECIFIED.

<Notes>

(B) : Black model
(S) : Silver model

<MDC> : 120V,Canadian model
<MMP> : 230V,CE(European) country model
<MMR> : 220/230-240V,Chinese model

TX-NR1007

EXPLODED VIEW PARTS LIST

REF. NO.	PART NAME	DESCRIPTION	Q'TY	PART NO. (SN)	REMARKS
[SEMI CONDUCTOR]					
Q6050	TR	TTC0002(Q)TO3PL	1	2204150	
Q6050A	ISO SHEET	ISO SHEET(NR5007_4CH)	1	223052	
Q6051	TR	TTC0002(Q)TO3PL	1	2204150	
Q6051A	ISO SHEET	ISO SHEET(NR5007_5CH)	1	223051	
Q6052	TR	TTC0002(Q)TO3PL	1	2204150	
Q6053	TR	TTC0002(Q)TO3PL	1	2204150	
Q6054	TR	TTC0002(Q)TO3PL	1	2204150	
Q6055	TR	TTC0002(Q)TO3PL	1	2204150	
Q6056	TR	TTC0002(Q)TO3PL	1	2204150	
Q6057	TR	TTC0002(Q)TO3PL	1	2204150	
Q6058	TR	TTC0002(Q)TO3PL	1	2204150	
Q6060	TR	TTA0002(Q)TO3PL	1	2204140	
Q6060A	ISO SHEET	ISO SHEET(NR5007_4CH)	1	223052	
Q6061	TR	TTA0002(Q)TO3PL	1	2204140	
Q6061A	ISO SHEET	ISO SHEET(NR5007_5CH)	1	223051	
Q6062	TR	TTA0002(Q)TO3PL	1	2204140	
Q6063	TR	TTA0002(Q)TO3PL	1	2204140	

Q6064	TR		TTA0002(Q)TO3PL	1	2204140	
Q6065	TR		TTA0002(Q)TO3PL	1	2204140	
Q6066	TR		TTA0002(Q)TO3PL	1	2204140	
Q6067	TR		TTA0002(Q)TO3PL	1	2204140	
Q6068	TR		TTA0002(Q)TO3PL	1	2204140	
Q9427	TR		2SB1565-E	1	2202715	
Q9427or	TR		2SA1488-Y	(1)	2203394	
Q9428	TR		2SD2394-E	1	2202705	
Q9428or	TR		2SC3851-Y	(1)	2203384	
Q9429	TR		2SB1565-E	1	2202715	
Q9429or	TR		2SA1488-Y	(1)	2203394	
Q9430	TR		2SD2394-E	1	2202705	
Q9430or	TR		2SC3851-Y	(1)	2203384	
[TRANS COIL]						
T901	P TRANS		NPT-1553D	1	2301893	<MDC>
T901	P TRANS		NPT-1553M	1	2301894	<MMP, MMR>
[SW TRM]						
F2000	FUSE		4A-UL/T-233	1	252325GR	
F2000or	FUSE		4A-T/UL-ST2	(1)	252257GR	
F2001	FUSE		4A-UL/T-233	1	252325GR	
F2001or	FUSE		4A-T/UL-ST2	(1)	252257GR	
F2004	FUSE		1.25A-UL/T-233	1	252318GR	
F2004or	FUSE		1.25A-T/UL-ST2	(1)	252251GR	
F2005	FUSE		1.25A-UL/T-233	1	252318GR	
F2005or	FUSE		1.25A-T/UL-ST2	(1)	252251GR	
F6601	FUSE		20A-UL-250V	1	252304GR	
F6602	FUSE		20A-UL-250V	1	252304GR	
F6603	FUSE		20A-UL-250V	1	252304GR	
F6604	FUSE		20A-UL-250V	1	252304GR	
F9100	FUSE		6.3A-SE-EAK FUSE	1	252079GR	<MMP, MMR>
F9100	FUSE		12A-UL-ST6	1	252340GR	<MDC>
F9100or	FUSE		6.3A-SE-TL250V	(1)	252279GR	<MMP, MMR>
F9301	FUSE		3.15A-UL/T-233	1	252323GR	

F9301or	FUSE	3.15A-T/UL-ST2	(1)	252256GR	
F9401	FUSE	3.15A-UL/T-233	1	252323GR	
F9401or	FUSE	3.15A-T/UL-ST2	(1)	252256GR	
F9402	FUSE	3.15A-UL/T-233	1	252323GR	
F9402or	FUSE	3.15A-T/UL-ST2	(1)	252256GR	
JL4103	JMP LEAD	JL5 550H	1	NSP	
P061	FAN	D09A-12PG13	1	24502328	
P062	FAN	D09A-12PG13	1	24502328	
P106	FFC	NCFC7-111012	1	2047111012	
P4008	FFC	NCFC7-090512	1	2047090512	N
P4009	FFC	NCFC7-150512	1	2047150512	
P4104	FFC	NCFC7-311012	1	2047311012	
P7501	SOCKET AS	NSAS-80P1788	1	2009991154UL	
P9008	SOCKET AS	NSAS-6P1675	1	2009991073UL	<MMP, MMR>
[CHASSIS SCREW]					
A001	HEAT SINK	(5)	1	27160634	N
A003	HEAT SINK	(4)	1	27160635	N
A005	SPACER	(PC)	8	27270485	
A007	SCREW	3P+6FN(3BC)	8	82143006GR	
A009	SCREW	3SMS8W.SW+14B(CU)	18	801634	
A011	RETAINER	(HS-2)	2	27141530A	
A013	SCREW	3TTB+8B(3CM)SR	4	801637	
A017	RETAINER	(HS-C)	1	27142151	N
A019	SCREW	3TTB+8B(3CM)SR	8	801637	
A021	RETAINER	(HS-L)	1	27142152	N
A023	SCREW	3TTB+8B(3CM)SR	4	801637	
A025	HOLDER	(クランプ) UA-0	1	27190432	
A027	WS CLAMP	WS-3NS	1	260220	
A029	RETAINER	(HS-R)	1	27142153A	
A031	SCREW	3TTB+8B(3CM)SR	4	801637	
A033	HOLDER	(クランプ) UA-0	1	27190432	
A037	SCREW	3TTB+8B(3CM)SR	4	801637	
A039	SCREW	3TTB+8B(3CM)SR	9	801637	

A041	HEAT SINK(S)	240	1	27160608	
A043	SCREW	3TTB+8B(3CM)SR	3	801637	
A045	SCREW	3TTB+8B(3CM)SR	2	801637	
A049	IB CUSHION	W15*3t TAPE	1	28141585	
A051	WIRE TIE	BSK-1	12	260208	
A053	CHASSIS	(SUB)	1	27100536B	
A055	RETAINER	(FBR)	1	27142150A	
A057	SCREW	3TTB+8B(3CM)SR	3	801637	
A061	HOLDER	SPM-4	4	27191154	
A062	BUSHING	CE-016 L=25	1	28170097	
A064	BUSHING	L125	1	28170004	<MMP, MMR>
A065	BUSHING	---	1	28170070	
A067	HOLDER	KGPS-14RF	1	27190802	
A069	BRACKET	(FAN-L)	1	27131022A	
A071	HOLDER	(FAN)	4	27191307	
A073	BRACKET	(SUB-L)	1	27131060	N
A075	SCREW	3TTB+8B(3CM)SR	3	801637	
A077	WS CLAMP	WS-3NS	2	260220	
A079	BRACKET	(FAN-R)	1	27131023A	
A081	HOLDER	(FAN)	4	27191307	
A083	BRACKET	(SUB-R)	1	27131061	N
A085	SCREW	3TTB+8B(3CM)SR	3	801637	
A087	WS CLAMP	WS-3NS	1	260220	
A089	TAPE	TAPE(CLOTH-16U)	1	29110083	
A117	SCREW	4TTC+8C(3BC)	4	830440089GR	
A125	SCREW	3TTB+8B(3CM)SR	8	801637	
A126	SCREW	3TTB+8B(3CM)SR	8	801637	
A127	CUSHION	t10*10*100	1	28141746	
A131	HEAT SINK	(SP)	1	27160643	
A133	SPACER	t0.5*w30*d10	1	27270495	
A135	SPACER	t0.5*w13*d5	1	27270514	
A137	SCREW	3TTB+8B(3CM)SR	4	801637	
A139	SCREW	3TTB+8B(3BC)	2	838430088GR	

A141	TAPE	TAPE(CLOTH-16U)	1	29110083
A143	TAPE	TAPE(CLOTH-16U)	1	29110083
A145	WIRE TIE	BSK-1	1	260208
A147	CUSHION	(BUTYL)	1	28141748
A149	IB CUSHION	W15*3t TAPE	1	28141585
A151	CHASSIS	---	1	27100545B
A153	LEG	---	4	27175419
A155	CUSHION	(LEG)	4	28141735
A157	IB CUSHION	W15*3t TAPE	1	28141585
A159	CUSHION	---	8	28141637
A161	SCREW	3TTB+8B(3CM)SR	4	801637
A163	HOLDER	(SPD-6)	4	27191308
A165	HOLDER	KGPS-10RF	3	27190813
A167	HOLDER	KGLS-10RT	1	27190428A
A169	HOLDER	KGLS-12RT	1	27190266
A170	HOLDER	KGLS-22RT	1	27190772
A171	HOLDER	KGLS-20RT V0	3	27191338
A173	HOLDER	HOLDER KGLS-18S	1	27190470
A175	HOLDER	KGPS-18S	1	27191339
A177	HOLDER	KGLS-14S	1	27190164
A179	HOLDER	SPM-4	1	27191154
A181	HOLDER	KGLS-22RT	3	27190772
A183	HOLDER	HOLDER KGLS-18S	1	27190470
A185	HOLDER	KGLS-22RT	1	27190772
A187	SCREW	3TTB+8B(3CM)SR	1	801637
A189	SCREW	3TTB+8B(3CM)SR	1	801637
A191	SCREW	3TTB+8B(3CM)SR	1	801637
A193	SCREW	3TTB+8B(3CM)SR	1	801637
A195	SCREW	3TTB+8B(3BC)	2	838430088GR
A197	SCREW	3TTB+8B(3BC)	3	838430088GR
A199	SCREW	3TTB+8B(3BC)	2	838430088GR
A200	SCREW	4TTC+8C(3BC)	1	830440089GR
A201	SCREW	3TTB+8B(3BC)	5	838430088GR

A203	SCREW	3TTB+8B(3CM)SR	8	801637	
A205	SCREW	3TTB+8B(3CM)SR	8	801637	
A211	CUSHION	(BUTYL)	1	28141748	
A213	CUSHION	(BUTYL)	1	28141748	
A215	TAPE	TAPE(CLOTH-8U)	1	29110082	
A221	CUSHION	(t19.5*20*10)	2	28141826	
A223	CUSHION	(PCB)	2	28141789	
A225	CUSHION	(BUTYL)	1	28141748	
A247	LABEL	(PT)	1	29363379-1	
A249A	LABEL	(E-CON)	{ 1 }	29364978	
A251	WIRE TIE	BSK-1	8	260208	
A253	TAPE	TAPE(CLOTH-16U)	1	29110083	
A255	REAR PANEL	1007DC	1	27124025A	N <MDC>
A255	REAR PANEL	1007MP/MB	1	27124026A	N <MMP>
A255	REAR PANEL	1007MR	1	27124027A	N <MMR>
A257	TAPE	TAPE(CLOTH-8U)	1	29110082	
A261	SCREW	3TTB+8B(3BC)	12	838430088GR	
A263	SPACER	---	1	27270489	
A263	SCREW	3TTB+8B(3BC)	2	838430088GR	
A265	SCREW	3TTB+8B(3BC)	1	838430088GR	
A267	SCREW	3TTB+8B(3BC)	1	838430088GR	
A269	SCREW	3TTB+8B(3BC)	2	838430088GR	
A273	SCREW	3TTB+8B(3BC)	14	838430088GR	
A275	SCREW	3TTB+8B(3BC)	11	838430088GR	
A277	SCREW	3TTB+8B(3BC)	4	838430088GR	
A279	SCREW	3P+6FN(3BC)	8	82143006GR	
A281	SCREW	3P+6FN(3BC)	2	82143006GR	
A283	SCREW	3P+6FN(3BC)	1	82143006GR	<MDC>
A285	SCREW	4TTB+10B(3BC)	2	838440108GR	
A287	TRM	Eターミナル	1	25060151	
A289	WASHER	W3*10F(3BC)	1	87643010GR	
A291	LABEL	(SP1)	1	29390790	
A293	LABEL	(SP2)	1	29390791	

A295	ISO PLT	(HS-R)	2	28175336A	
A296	RIVET	P-RIVET NRP-345	1	880009	
A297	P RIVET	P-3055B-8L	2	880048	
A298	ISO PLT	(HS-U)	1	28175337A	
A299	SCREW	3TTB+8B(3CM)SR	2	801637	
P6800	P RIVET	JB-407A-C	22	880052	<MMP, MMR>
[CABINET]					
A206	TAPE	TAPE(CLOTH-8U)	1	29110082	
A301	F BRACKET	AS(BLACK)	1	27111561E	
A301	F BRACKET	AS(SILVER)	1	27111562E	N <S>
A303	B PLATE	(B)	1	28133428	
A303	B PLATE	(S)	1	28133429	<S>
A304	KNOB	(STBY)807	1	28326702	<S>
A307	FACET	(VOL)	1	28200040A	
A309	SCREW	3TTB+8B(3CM)SR	2	801637	
A313	IB CUSHION	W15*3t TAPE	1	28141585	
A319	SCREW	3TTB+8B(3CM)SR	20	801637	
A321	RETAINER	(F)	1	27142155A	
A327	BUSHING	(DOOR)	2	28170095	N
A327	BUSHING	(DOOR) GRAY	2	28170096	<S>
A329	RETAINER AS	(L)	1	27142166	
A331	RETAINER AS	(R)	1	27142167	
A333	SCREW	3TTB+8B(3BC)	3	838430088GR	
A337	HOLDER	(DAMPER)	1	27191334B	
A339	SCREW	3TTB+8B(3BC)	1	838430088GR	
A341	DAMPER	002P Type-L	1	27301965	
A343	SCREW	3TTB+8B(3BC)	1	838430088GR	
A345	PLATE	(LOCK)	1	27262843	
A347	SCREW	3P+6FN(3BC)	2	82143006GR	
A349	BRACKET	(L)	1	27131062B	
A351	BRACKET	(R)	1	27131063B	
A353	SCREW	3P+6FN(3BC)	2	82143006GR	
A361	E-WASHER	ES-3S	1	8930301S	

A363	SCREW	3TTB+8B(3CM)SR	3	801637	
A365	SCREW	3TTB+8B(3CM)SR	1	801637	
A367	SCREW	3TTB+8B(3BC)	3	838430088GR	
A369	SCREW	3TTB+8B(3BC)	3	838430088GR	
A371	SCREW	3TTB+10B(3BC)	1	838430108GR	
A401	F PANEL	807(B)DC/DF	1	27213255	<B MDC>
A401	F PANEL	807(B)MA/MO/MQ	1	27213256	<B MMP, MMR>
A401	F PANEL	807(S)MA/MO	1	27213257	<S MMP>
A403	BADGE	BADGE	1	28135244	
A403	BADGE	---	1	28135298	<S>
A404	CLEAR PLT	(AS) NR1007	1	28192267A	N
A405	KNOB	(VOL)AS 1007B	1	28326696A	
A405	KNOB	(VOL)AS 1007S	1	28326697A	N <S>
A406	CUSHION	---	1	28141528GR	
A407	DOOR	SR1007(B)MDC	1	28148737	N <B MDC>
A407	DOOR	SR1007(B)MMP/MB	1	28148738	N <B MMP, MMR>
A407	DOOR	SR1007(S)MMP/MB	1	28148739	N <S MMP>
A408	LABEL	(WIN7)	1	29391024	
A411	KNOB	(POW) (B)	1	28326454	<B MMP, MMR>
A411	KNOB	(POW)(S) 09	1	28326729	<S MMP>
A413	SCREW	3P+6FN(3BC)	2	82143006GR	<MMP, MMR>
A415	SCREW	3TTB+8B(3CM)SR	2	801637	<MMP, MMR>
A551	COVER	(B) (Not Bent)	1	28210040AZ	
A551	COVER	(S) (Not Bent)	1	28210041AZ	<S>
A553	LABEL	(CAUTION)	1	29363797	<S>
A553	LABEL	(COVER)	1	29364123	
A555	ST SCREW	4TTB+8C(NI)	6	838240089	<S>
A555	SCREW	4TTB+8C(3BC)	6	838440089GR	
A557	SCREW	3TTB+8B(3BC)	3	838430088GR	
A561	LABEL	HOOKUP-ONKYO	1	29363194	<MDC>
A575	LABEL	(CCC)	1	29364396	<MMR>
A577	LABEL	(APV)	1	29390190	<MMR>
A615	TAPE	FIXLON #817 W12	1	29110207	

A615or	TAPE	SLIONTEC 9514	(1)	29110201	
A616	CUSHION	EPE t2.5x40x20	2	28141827	
A617	INST SHEET	txnr807 door	1	29355770	
A694	CUSHION	(FNP) t25x15x10	1	28141828	
[TUNER UNIT]					
U001	U0010+U0011+U0012+U0013+U0014	BAAF-0180-1B *	1	1B234580-1B	N
U0010	MAIN CAPACITOR PCB AS	BAAF-0180-1B	1	1B2345180-1B	N
U0011	RECTIFIER PCB AS	BAPS-0181-1B	1	1B2345181-1B	N
U0012	FUSE PCB AS	BAPS-0182-1B	1	1B2345182-1B	N
U0013	THERMAL SENSOR PCB AS	BAETC-0183-1B	1	1B2345183-1B	N
U0014	THERMAL SENSOR PCB AS	BAETC-0184-1B	1	1B2345184-1B	N
U002	U0020+U0021	BAAMP-0191-1A *	1	1B234591-1A	
U0020	POWER AMP. PCB (Power Tr C,SR,RH,SBR,R)	BAAMP-0191-1A	1	1B2345191-1A	
U0021	POWER AMP. PCB (Power Tr L,SBL,LH,SL)	BAAMP-0192-1A	1	1B2345192-1A	N
U003	U0030+U0031	BAASP-0202-1A *	1	1B234502-1A	
U0030	AUDIO IN/OUT PCB AS	BAASP-0202-1A	1	1B2345202-1A	
U0031	VIDEO IN/OUT PCB AS	BAVD-0203-1A	1	1B2345203-1A	N
U004	U0040+U0041+U0042+U0043+U0044+U0045+U0046	BADG-0208-1C *	1	1B234508-1C	N <MDC>
U0040	DAC PCB AS	BADG-0208-1C	1	1B2345208-1C	N <MDC>
U0041	MICROPROCESSOR PCB AS	BACPU-0209-1C	1	1B2345209-1C	N <MDC>
U0042	ZONE-2 VOLUME PCB AS	BAAR-0210-1C	1	1B2345210-1C	N <MDC>
U0043	EQUALIZER AMP PCB AS	BAAF-0211-1C	1	1B2345211-1C	N <MDC>
U0044	BUFFER AMP PCB AS	BAACC-0212-1C	1	1B2345212-1C	N <MDC>
U0045	SIRIUS PCB AS	BARF-0204-1C	1	1B2345204-1C	N <MDC>
U0046	DIGITAL INPUT PCB AS	BAETC-0246-1C	1	1B2345246-1C	N <MDC>
U004	U0040+U0041+U0042+U0043+U0044+U0045+U0046	BADG-0208-1D *	1	1B234508-1D	N <MMP,MMR>
U0040	DAC PCB AS	BADG-0208-1D	1	1B2345208-1D	N <MMP,MMR>
U0041	MICROPROCESSOR PCB AS	BACPU-0209-1D	1	1B2345209-1D	N <MMP,MMR>
U0042	ZONE-2 VOLUME PCB AS	BAAR-0210-1D	1	1B2345210-1D	N <MMP,MMR>
U0043	EQUALIZER AMP PCB AS	BAAF-0211-1D	1	1B2345211-1D	N <MMP,MMR>
U0044	BUFFER AMP PCB AS	BAACC-0212-1D	1	1B2345212-1D	N <MMP,MMR>
U0045	SIRIUS PCB AS	BARF-0204-1D	1	1B2345204-1D	N <MMP,MMR>
U0046	DIGITAL INPUT PCB AS	BAETC-0246-1D	1	1B2345246-1D	N <MMP,MMR>

U005	U0050+U0051+U0052+U0053+U0054+U0055+U0056+U0057+U0058	BADIS-0135-1G *	1	1B234535-1G	N <MDC>
U0050	DISPLAY PCB AS	BADIS-0135-1G	1	1B2345135-1G	N <MDC>
U0051	LED PCB AS	BASW-0136-1G	1	1B2345136-1G	<MDC>
U0052	PHONE JACK PCB AS	BAETC-0137-1G	1	1B2345137-1G	<MDC>
U0053	FRONT OPT IN PCB AS	BAETC-0138-1G	1	1B2345138-1G	<MDC>
U0054	VOLUME PCB AS	BAETC-0139-1G	1	1B2345139-1G	<MDC>
U0055	POWER SUPPLY (SEC) PCB AS	BAPS-0140-1G	1	1B2345140-1G	<MDC>
U0056	HOLDER PCB (HEAD PHONE)	BAETC-0145-1G	1	1B2345145-1G	<MDC>
U0057	HOLDER PCB (OPT)	BAETC-0142-1G	1	1B2345142-1G	<MDC>
U0058	HOLDER PCB (FRONT HDMI)	BAETC-0128-1G	1	1B2345128-1G	<MDC>
U005	U0050+U0051+U0052+U0053+U0054+U0055+U0056+U0057+U0058	BADIS-0135-1H *	1	1B234535-1H	N <MMP,MMR>
U0050	DISPLAY PCB AS	BADIS-0135-1H	1	1B2345135-1H	N <MMP,MMR>
U0051	LED PCB AS	BASW-0136-1H	1	1B2345136-1H	<MMP,MMR>
U0052	PHONE JACK PCB AS	BAETC-0137-1H	1	1B2345137-1H	<MMP,MMR>
U0053	FRONT OPT IN PCB AS	BAETC-0138-1H	1	1B2345138-1H	<MMP,MMR>
U0054	VOLUME PCB AS	BAETC-0139-1H	1	1B2345139-1H	<MMP,MMR>
U0055	POWER SUPPLY (SEC) PCB AS	BAPS-0140-1H	1	1B2345140-1H	<MMP,MMR>
U0056	HOLDER PCB (HEAD PHONE)	BAETC-0145-1H	1	1B2345145-1H	<MMP,MMR>
U0057	HOLDER PCB (OPT)	BAETC-0142-1H	1	1B2345142-1H	<MMP,MMR>
U0058	HOLDER PCB (FRONT HDMI)	BAETC-0128-1H	1	1B2345128-1H	<MMP,MMR>
U0059	HOLDER PCB (POWER SW)	BAETC-0144-1H	1	1B2345144-1H	<MMP,MMR>
U00510	POWER SWITCH PCB AS	BASW-0143-1H	1	1B2345143-1H	<MMP,MMR>
U006	U0060+U0061+U0062+U0063+U0064+U0065	BATRM-0214-1A *	1	1B234514-1A	<MDC>
U0060	SPEAKER TERMINAL PCB AS	BATRM-0214-1A	1	1B2345214-1A	<MDC>
U0061	SPEAKER TERMINAL (RH,SR) PCB AS	BATRM-0215-1A	1	1B2345215-1A	N <MDC>
U0062	SPEAKER TERMINAL (C) PCB AS	BATRM-0216-1A	1	1B2345216-1A	N <MDC>
U0063	POWER SUPPLY (PRI) PCB AS	BAPS-0217-1A	1	1B2345217-1A	N <MDC>
U0064	INLET PCB AS	BAPS-0218-1A	1	1B2345218-1A	N <MDC>
U0065	REGULATOR PCB AS	BAETC-0219-1A	1	1B2345219-1A	N <MDC>
U006	U0060+U0061+U0062+U0063+U0064+U0065	BATRM-0214-1B *	1	1B234514-1B	N <MMP,MMR>
U0060	SPEAKER TERMINAL PCB AS	BATRM-0214-1B	1	1B2345214-1B	N <MMP,MMR>
U0061	SPEAKER TERMINAL (RH,SR) PCB AS	BATRM-0215-1B	1	1B2345215-1B	N <MMP,MMR>
U0062	SPEAKER TERMINAL (C) PCB AS	BATRM-0216-1B	1	1B2345216-1B	N <MMP,MMR>

U0063	POWER SUPPLY (PRI) PCB AS	BAPS-0217-1B	1	1B2345217-1B	N <MMP,MMR>
U0064	INLET PCB AS	BAPS-0218-1B	1	1B2345218-1B	N <MMP,MMR>
U0065	REGULATOR PCB AS	BAETC-0219-1B	1	1B2345219-1B	N <MMP,MMR>
U007	HDMI PCB AS	BAHDM-0132-1C *	1	1B234532-1C	
U008	U0080+U0081+U0082+U0083+U0084+U0085+U0086+U0087+U0088	BACLA-0226-1A *	1	1B234526-1A	N
U0080	DRIVER AMP PCB AS (L/SL/SBL/LH)	BACLA-0226-1A	1	1B2345226-1A	N
U0081	DRIVER AMP PCB AS (R/SR/CBR/RH/C)	BACLA-0227-1A	1	1B2345227-1A	N
U0082	DRIVER AMP PCB AS (R/SR/CBR/RH/C)	BACLA-0228-1A	1	1B2345228-1A	N
U0083	DRIVER AMP PCB AS (L/SL/SBL/LH)	BACLA-0229-1A	1	1B2345229-1A	N
U0084	DRIVER AMP PCB AS (R/SR/CBR/RH/C)	BACLA-0230-1A	1	1B2345230-1A	N
U0085	DRIVER AMP PCB AS (L/SL/SBL/LH)	BACLA-0231-1A	1	1B2345231-1A	N
U0086	DRIVER AMP PCB AS (R/SR/CBR/RH/C)	BACLA-0232-1A	1	1B2345232-1A	N
U0087	DRIVER AMP PCB AS (L/SL/SBL/LH)	BACLA-0233-1A	1	1B2345233-1A	N
U0088	DRIVER AMP PCB AS (R/SR/CBR/RH/C)	BACLA-0234-1A	1	1B2345234-1A	N
U011	TUNER UNIT	FAEH06-E01EX	1	240165	<MMP, MMR>
U011	TUNER UNIT	FAEH06-A01US	1	240166	<MDC>

TX-NR1007

PC BOARD PARTS LIST

U001	U0010+U0011+U0012+U0013+U0014	BAAF-0180-1B *	1B234580-1B
U0010	MAIN CAPACITOR PCB AS	BAAF-0180-1B	1B2345180-1B
U0011	RECTIFIER PCB AS	BAPS-0181-1B	1B2345181-1B
U0012	FUSE PCB AS	BAPS-0182-1B	1B2345182-1B
U0013	THERMAL SENSOR PCB AS	BAETC-0183-1B	1B2345183-1B
U0014	THERMAL SENSOR PCB AS	BAETC-0184-1B	1B2345184-1B

CIRCUIT NO.	PART NAME	DESCRIPTION	Q'TY	PART NO. (SN)	REMARKS
[SEMI CONDUCTOR]					
D6221	DIODE	ISS133	1	223163T	
D6222	DIODE	ISS133	1	223163T	

D6601	DIODE	LN25XB60	1	22380345
D6602	DIODE	ISS133	1	223163T
D6611	DIODE	LN25XB60	1	22380345
D6612	DIODE	ISS133	1	223163T
D6621	DIODE	LN25XB60	1	22380345
D6701	DIODE	ISS133	1	223163T
D6702	DIODE	ISS133	1	223163T
D6703	ZENER D	MTZJ3.3B	1	224470332T
D6704	ZENER D	MTZJ3.3B	1	224470332T
D6713	ZENER D	MTZJ3.3B	1	224470332T
Q6000	TR	2SC1740S-S	1	2213285T
Q6001	TR	2SC1740S-S	1	2213285T
Q6002	TR	2SC1740S-S	1	2213285T
Q6003	TR	2SC1740S-S	1	2213285T
Q6004	TR	2SC1740S-S	1	2213285T
Q6005	TR	2SC1740S-S	1	2213285T
Q6006	TR	2SC1740S-S	1	2213285T
Q6007	TR	2SC1740S-S	1	2213285T
Q6008	TR	2SC1740S-S	1	2213285T
Q6226	TR	2SB1240-R	1	2213794T
Q6380	IC	LM61CIZ	1	22242212
Q6380A	RETAINER	(PTH)	1	27141884-1
Q6381	IC	LM61CIZ	1	22242212
Q6381A	RETAINER	(PTH)	1	27141884-1
Q6550	TR	2SC1815-GR	1	2211255T
Q6551	TR	2SA950-O	1	2211503T
Q6551 or	TR	2SA950-Y	(1)	2211504T
Q6560	TR	2SC1815-GR	1	2211255T
Q6561	TR	2SA950-O	1	2211503T
Q6561 or	TR	2SA950-Y	(1)	2211504T
Q6601	TR	KTC3199-GR	1	2215864T
Q6601 or	TR	2SC1740S-R	(1)	2213284T
Q6601 or	TR	2SC1740S-S	(1)	2213285T

Q6611	TR	KTC3199-GR	1	2215864T
Q6611 or	TR	2SC1740S-R	(1)	2213284T
Q6611 or	TR	2SC1740S-S	(1)	2213285T
Q6701	TR	2SC2240-BL(TPE2_F)	1	2211406T
Q6701 or	TR	KTC3200-BL	(1)	2215896T
Q6702	TR	2SC2240-BL(TPE2_F)	1	2211406T
Q6702 or	TR	KTC3200-BL	(1)	2215896T
Q6703	TR	2SA970-BL(TPE2_F)	1	2211396T
Q6703 or	TR	KTA1268-BL	(1)	2215886T
Q6713	TR	2SA970-BL(TPE2_F)	1	2211396T
Q6713 or	TR	KTA1268-BL	(1)	2215886T
[CAPACITOR]				
C6222	UTSP C	CE04W25V-220M(UTSP)	1	397552217T
C6601	MKT C	B32529C0102J289	1	376491024T
C6601 or	TF C	ECQ-B50V-102J	(1)	374721024T
C6602	PLA C	ECQE250V-334J	1	3700083S
C6611	MKT C	B32529C0102J289	1	376491024T
C6611 or	TF C	ECQ-B50V-102J	(1)	374721024T
C6612	TF C	ECQ-V100V-334J	1	374733344T
C6622	TF C	ECQ-V100V-334J	1	374733344T
C6701	UTSP C	CE04W16V-330M(UTSP)	1	397543317T
C6703	TF C	ECQ-V50V-223J	1	374722234T
C6704	UTSP C	CE04W50V-1M(UTSP)	1	397580107T
C6706	UTSP C	CE04W50V-10M(UTSP)	1	397581007T
C6713	TF C	ECQ-V50V-223J	1	374722234T
C6714	UTSP C	CE04W50V-1M(UTSP)	1	397580107T
C6901	ELECT C	CE69W75V-18000M	1	3504437A
C6902	ELECT C	CE69W75V-18000M	1	3504437A
[RESISTOR]				
R6222	METAL R	RNU1WCJ-1	1	453630104T
R6223	CARBON R	R16J-5.6K	1	417345624T
R6550	CARBON R	R16J-4.7K	1	417344724T
R6551	CARBON R	R16J-330	1	417343314T

R6552	CARBON R	R16J-1.8K	1	417341824T
R6553	CARBON R	R16J-1.2K	1	417341224T
R6554	CARBON R	R16J-22K	1	417342234T
R6560	CARBON R	R16J-4.7K	1	417344724T
R6561	CARBON R	R16J-330	1	417343314T
R6562	CARBON R	R16J-1.8K	1	417341824T
R6563	CARBON R	R16J-1.2K	1	417341224T
R6564	CARBON R	R16J-22K	1	417342234T
R6601	CARBON R	R16J-1K	1	417341024T
R6602	CARBON R	R16J-4.7K	1	417344724T
R6603	METAL O R	RS1/2WBJ-22	1	443522204T
R6611	CARBON R	R16J-1K	1	417341024T
R6612	CARBON R	R16J-4.7K	1	417344724T
R6613	METAL O R	RS1/2WBJ-22	1	443522204T
R6701	CARBON R	R16J-22K	1	417342234T
R6702	CARBON R	R16J-10K	1	417341034T
R6704	CARBON R	R16J-33K	1	417343334T
R6706	CARBON R	R16J-22K	1	417342234T
R6708	CARBON R	R16J-33K	1	417343334T
R6709	CARBON R	R16J-5.6K	1	417345624T
R6710	CARBON R	R16J-15K	1	417341534T
R6712	CARBON R	R16J-10K	1	417341034T
R6714	CARBON R	R16J-33K	1	417343334T
R6716	CARBON R	R16J-22K	1	417342234T
[SW TRM]				
F6601A	FUSE HOLDER	SN5051	1	250113
F6601B	FUSE HOLDER	SN5051	1	250113
F6602A	FUSE HOLDER	SN5051	1	250113
F6602B	FUSE HOLDER	SN5051	1	250113
F6603A	FUSE HOLDER	SN5051	1	250113
F6603B	FUSE HOLDER	SN5051	1	250113
F6604A	FUSE HOLDER	SN5051	1	250113
F6604B	FUSE HOLDER	SN5051	1	250113

JL6041A	WIRE HOL	NSCT-3P874	1	25051087	
JL6402A	WIRE TRAP	NPLG-3P586	1	25055624	
JL6402B	WIRE HOL	NSCT-3P874	1	25051087	
JL6403A	WIRE TRAP	NPLG-3P586	1	25055624	
JL6403B	WIRE HOL	NSCT-3P874	1	25051087	
JL6602A	WIRE HOL	NSCT-5P876	1	25051089	
JL6602B	WIRE TRAP	NPLG-5P588	1	25055626	
JL6900A	WIRE HOL	NSCT-3P894	1	25051107	
P001	PWB	BCAF-0180	1	25140180B	N
P002	PWB	BCPS-0181	{ 1 }	25140181	N
P003	PWB	BCPS-0182	{ 1 }	25140182	N
P004	PWB	BCETC-0183	{ 1 }	25140183	N
P005	PWB	BCETC-0184	{ 1 }	25140184	N
P5000A	SOCKET AS	NSAS-20P1811	1	2009991171UL	
P5001A	SOCKET AS	NSAS-16P1810	1	2009991170UL	
P5002A	CRIMP AS	CRIMP SR805_1	1	20799169UL	
P5010B	PLUG	NPLG-3P0958	1	25056008	
P5011B	PLUG	NPLG-3P0958	1	25056008	
P5012B	PLUG	NPLG-3P0958	1	25056008	
P5013B	PLUG	NPLG-3P0958	1	25056008	
P5014B	PLUG	NPLG-3P0958	1	25056008	
P5015B	PLUG	NPLG-3P0958	1	25056008	
P5016B	PLUG	NPLG-3P0958	1	25056008	
P5017B	PLUG	NPLG-3P0958	1	25056008	
P5018B	PLUG	NPLG-3P0958	1	25056008	
P5020B	TRM	NTM-1P232(M1700)	1	25060301	
P5021B	TRM	NTM-1P232(M1700)	1	25060301	
P5022B	TRM	NTM-1P232(M1700)	1	25060301	
P5023B	TRM	NTM-1P232(M1700)	1	25060301	
P5024B	TRM	NTM-1P232(M1700)	1	25060301	
P5025B	TRM	NTM-1P232(M1700)	1	25060301	
P5026B	TRM	NTM-1P232(M1700)	1	25060301	
P5027B	TRM	NTM-1P232(M1700)	1	25060301	

P5028B	TRM	NTM-1P232(M1700)	1	25060301	
P6010B	PLUG	NPLG-3P0958	1	25056008	
P6011B	PLUG	NPLG-3P0958	1	25056008	
P6012B	PLUG	NPLG-3P0958	1	25056008	
P6013B	PLUG	NPLG-3P0958	1	25056008	
P6014B	PLUG	NPLG-3P0958	1	25056008	
P6015B	PLUG	NPLG-3P0958	1	25056008	
P6016B	PLUG	NPLG-3P0958	1	25056008	
P6017B	PLUG	NPLG-3P0958	1	25056008	
P6018B	PLUG	NPLG-3P0958	1	25056008	
P6140	SOCKET AS	NSAS-9P1790	1	2009991156UL	
P6240	SOCKET AS	NSAS-9P1812	1	2009991172AUL	N
P6340	SOCKET AS	NSAS-8P1660	1	2009991064AUL	
P6500	PLUG	NPLG-7P163	1	25055179	
P6550	PLUG	NPLG-2P83	1	25055099	
P6560	PLUG	NPLG-2P568	1	25055600	
P6601	SOCKET AS	NSAS7P-1815	1	2009991174UL	N
P6601A	PLUG	NPLG-7P163	1	25055179	
P6602	RETAINER	(TRM-12)	1	27142148	N
P6602B	RETAINER	MET37-0002	1	27142009T	
P6603	RETAINER	(TRM-12)	1	27142148	N
P6603B	RETAINER	MET37-0002	1	27142009T	
P7210A	SOCKET AS	NSAS-22P1792	1	2009991158UL	N
RL6601	RELAY	G2RL-1A-E-DC12V-423	1	25060496	N
RL6602	RELAY	G2RL-1A-E-DC12V-423	1	25060496	N
RL6611	RELAY	G2RL-1A-E-DC12V-423	1	25060496	N
RL6612	RELAY	G2RL-1A-E-DC12V-423	1	25060496	N
[TUNER UNIT]					
P6400	RETAINER	(BUS-3)	1	27142058A	
P6401	RETAINER	(BUS-S)	1	27142147	N
P6402	RETAINER	(BUS-L)	1	27142146	N

U002	U0020+U0021	BAAMP-0191-1A *	1B234591-1A
U0020	POWER AMP. PCB (Power Tr C,SR,RH,SBR,R)	BAAMP-0191-1A	1B2345191-1A
U0021	POWER AMP. PCB (Power Tr L,SBL,LH,SL)	BAAMP-0192-1A	1B2345192-1A

CIRCUIT NO.	PART NAME	DESCRIPTION	Q'TY	PART NO. (SN)	REMARKS
[SEMI CONDUCTOR]					
D6000	DIODE	1SS133	1	223163T	
D6001	DIODE	1SS133	1	223163T	
D6002	DIODE	1SS133	1	223163T	
D6003	DIODE	1SS133	1	223163T	
D6004	DIODE	1SS133	1	223163T	
D6005	DIODE	1SS133	1	223163T	
D6006	DIODE	1SS133	1	223163T	
D6007	DIODE	1SS133	1	223163T	
D6008	DIODE	1SS133	1	223163T	
Q6070	TR	2SC2631-R	1	2214984T	
Q6070 or	TR	2SC2240-BL(TPE2_F)	(1)	2211406T	
Q6070 or	TR	2SC2631-S	(1)	2214985T	
Q6071	TR	2SC2631-R	1	2214984T	
Q6071 or	TR	2SC2240-BL(TPE2_F)	(1)	2211406T	
Q6071 or	TR	2SC2631-S	(1)	2214985T	
Q6072	TR	2SC2631-R	1	2214984T	
Q6072 or	TR	2SC2240-BL(TPE2_F)	(1)	2211406T	
Q6072 or	TR	2SC2631-S	(1)	2214985T	
Q6073	TR	2SC2631-R	1	2214984T	
Q6073 or	TR	2SC2240-BL(TPE2_F)	(1)	2211406T	
Q6073 or	TR	2SC2631-S	(1)	2214985T	
Q6074	TR	2SC2631-R	1	2214984T	
Q6074 or	TR	2SC2240-BL(TPE2_F)	(1)	2211406T	
Q6074 or	TR	2SC2631-S	(1)	2214985T	
Q6075	TR	2SC2631-R	1	2214984T	
Q6075 or	TR	2SC2240-BL(TPE2_F)	(1)	2211406T	
Q6075 or	TR	2SC2631-S	(1)	2214985T	

Q6076	TR	2SC2631-R	1	2214984T
Q6076 or	TR	2SC2240-BL(TPE2_F)	(1)	2211406T
Q6076 or	TR	2SC2631-S	(1)	2214985T
Q6077	TR	2SC2631-R	1	2214984T
Q6077 or	TR	2SC2240-BL(TPE2_F)	(1)	2211406T
Q6077 or	TR	2SC2631-S	(1)	2214985T
Q6078	TR	2SC2631-R	1	2214984T
Q6078 or	TR	2SC2240-BL(TPE2_F)	(1)	2211406T
Q6078 or	TR	2SC2631-S	(1)	2214985T
[TRANS COIL]				
L6000	FR CORE	*	1	5597-45502
L6001	FR CORE	*	1	5597-45502
L6002	FR CORE	*	1	5597-45502
L6003	FR CORE	*	1	5597-45502
L6004	FR CORE	*	1	5597-45502
L6005	FR CORE	*	1	5597-45502
L6006	FR CORE	*	1	5597-45502
L6007	FR CORE	*	1	5597-45502
L6008	FR CORE	*	1	5597-45502
L6010	FR CORE	*	1	5597-45502
L6011	FR CORE	*	1	5597-45502
L6012	FR CORE	*	1	5597-45502
L6013	FR CORE	*	1	5597-45502
L6014	FR CORE	*	1	5597-45502
L6015	FR CORE	*	1	5597-45502
L6016	FR CORE	*	1	5597-45502
L6017	FR CORE	*	1	5597-45502
L6018	FR CORE	*	1	5597-45502
[CAPACITOR]				
C6040	TF C	ECQ-V50V-223J	1	374722234T
C6041	TF C	ECQ-V50V-223J	1	374722234T
C6042	TF C	ECQ-V50V-223J	1	374722234T
C6043	TF C	ECQ-V50V-223J	1	374722234T

C6044	TF C	ECQ-V50V-223J	1	374722234T
C6045	TF C	ECQ-V50V-223J	1	374722234T
C6046	TF C	ECQ-V50V-223J	1	374722234T
C6047	TF C	ECQ-V50V-223J	1	374722234T
C6048	TF C	ECQ-V50V-223J	1	374722234T
[RESISTOR]				
R6080	METAL O R	RS1/2WBJ-10	1	443521004T
R6081	METAL O R	RS1/2WBJ-10	1	443521004T
R6082	METAL O R	RS1/2WBJ-10	1	443521004T
R6083	METAL O R	RS1/2WBJ-10	1	443521004T
R6084	METAL O R	RS1/2WBJ-10	1	443521004T
R6085	METAL O R	RS1/2WBJ-10	1	443521004T
R6086	METAL O R	RS1/2WBJ-10	1	443521004T
R6087	METAL O R	RS1/2WBJ-10	1	443521004T
R6088	METAL O R	RS1/2WBJ-10	1	443521004T
R6090	METAL O R	RS1/2WBJ-10	1	443521004T
R6091	METAL O R	RS1/2WBJ-10	1	443521004T
R6092	METAL O R	RS1/2WBJ-10	1	443521004T
R6093	METAL O R	RS1/2WBJ-10	1	443521004T
R6094	METAL O R	RS1/2WBJ-10	1	443521004T
R6095	METAL O R	RS1/2WBJ-10	1	443521004T
R6096	METAL O R	RS1/2WBJ-10	1	443521004T
R6097	METAL O R	RS1/2WBJ-10	1	443521004T
R6098	METAL O R	RS1/2WBJ-10	1	443521004T
R6170	CARBON R	R16J-33K	1	417343334T
R6171	CARBON R	R16J-33K	1	417343334T
R6172	CARBON R	R16J-33K	1	417343334T
R6173	CARBON R	R16J-33K	1	417343334T
R6174	CARBON R	R16J-33K	1	417343334T
R6175	CARBON R	R16J-33K	1	417343334T
R6176	CARBON R	R16J-33K	1	417343334T
R6177	CARBON R	R16J-33K	1	417343334T
R6178	CARBON R	R16J-33K	1	417343334T

R6180	CARBON R	R16J-56K	1	417345634T
R6181	CARBON R	R16J-56K	1	417345634T
R6182	CARBON R	R16J-56K	1	417345634T
R6183	CARBON R	R16J-56K	1	417345634T
R6184	CARBON R	R16J-56K	1	417345634T
R6185	CARBON R	R16J-56K	1	417345634T
R6186	CARBON R	R16J-56K	1	417345634T
R6187	CARBON R	R16J-56K	1	417345634T
R6188	CARBON R	R16J-56K	1	417345634T
R6190	CARBON R	R16J-10K	1	417341034T
R6191	CARBON R	R16J-10K	1	417341034T
R6192	CARBON R	R16J-10K	1	417341034T
R6193	CARBON R	R16J-10K	1	417341034T
R6194	CARBON R	R16J-10K	1	417341034T
R6195	CARBON R	R16J-10K	1	417341034T
R6196	CARBON R	R16J-10K	1	417341034T
R6197	CARBON R	R16J-10K	1	417341034T
R6198	CARBON R	R16J-10K	1	417341034T
R6210	CARBON R	R16J-47K	1	417344734T
R6211	CARBON R	R16J-47K	1	417344734T
R6212	CARBON R	R16J-47K	1	417344734T
R6213	CARBON R	R16J-47K	1	417344734T
R6214	CARBON R	R16J-47K	1	417344734T
R6215	CARBON R	R16J-47K	1	417344734T
R6216	CARBON R	R16J-47K	1	417344734T
R6217	CARBON R	R16J-47K	1	417344734T
R6218	CARBON R	R16J-47K	1	417344734T
R6230	CARBON R	R16J-47K	1	417344734T
R6231	CARBON R	R16J-47K	1	417344734T
R6232	CARBON R	R16J-47K	1	417344734T
R6233	CARBON R	R16J-47K	1	417344734T
R6234	CARBON R	R16J-47K	1	417344734T
R6235	CARBON R	R16J-47K	1	417344734T

R6236	CARBON R	R16J-47K	1	417344734T	
R6237	CARBON R	R16J-47K	1	417344734T	
R6238	CARBON R	R16J-47K	1	417344734T	
R6400	METAL PR	MPR2W+2WK 0R47	1	4000253	N
R6401	METAL PR	MPR2W+2WK 0R47	1	4000253	N
R6402	METAL PR	MPR2W+2WK 0R47	1	4000253	N
R6403	METAL PR	MPR2W+2WK 0R47	1	4000253	N
R6404	METAL PR	MPR2W+2WK 0R47	1	4000253	N
R6405	METAL PR	MPR2W+2WK 0R47	1	4000253	N
R6406	METAL PR	MPR2W+2WK 0R47	1	4000253	N
R6407	METAL PR	MPR2W+2WK 0R47	1	4000253	N
R6408	METAL PR	MPR2W+2WK 0R47	1	4000253	N
R6410	METAL PR	MPR2W+2WK 0R47	1	4000253	N
R6411	METAL PR	MPR2W+2WK 0R47	1	4000253	N
R6412	METAL PR	MPR2W+2WK 0R47	1	4000253	N
R6413	METAL PR	MPR2W+2WK 0R47	1	4000253	N
R6414	METAL PR	MPR2W+2WK 0R47	1	4000253	N
R6415	METAL PR	MPR2W+2WK 0R47	1	4000253	N
R6416	METAL PR	MPR2W+2WK 0R47	1	4000253	N
R6417	METAL PR	MPR2W+2WK 0R47	1	4000253	N
R6418	METAL PR	MPR2W+2WK 0R47	1	4000253	N
[SW TRM]					
JL6041B	WIRE TRAP	NPLG-3P586	1	25055624	
JL6042A	WIRE HOL	NSCT-3P874	1	25051087	
JL6042B	WIRE TRAP	NPLG-3P586	1	25055624	
P001	PWB	BCAMP-0191	1	25140191B	N
P002	PWB	BCAMP-0192	{ 1 }	25140192	N
P6030A	PLUG	IMSA-9115B-05	1	25056335	N
P6031A	PLUG	IMSA-9115B-05	1	25056335	N
P6032A	PLUG	IMSA-9115B-05	1	25056335	N
P6033A	PLUG	IMSA-9115B-05	1	25056335	N
P6034A	PLUG	IMSA-9115B-05	1	25056335	N
P6035A	PLUG	IMSA-9115B-05	1	25056335	N

P6036A	PLUG	IMSA-9115B-05	1	25056335	N
P6037A	PLUG	IMSA-9115B-05	1	25056335	N
P6038A	PLUG	IMSA-9115B-05	1	25056335	N
P6050	PLUG	IMSA-9201B-1-06Z388-PT1	1	25056614	
P6051	PLUG	IMSA-9201B-1-06Z388-PT1	1	25056614	
P6052	PLUG	IMSA-9201B-1-06Z388-PT1	1	25056614	
P6053	PLUG	IMSA-9201B-1-06Z388-PT1	1	25056614	
P6054	PLUG	IMSA-9201B-1-06Z388-PT1	1	25056614	
P6055	PLUG	IMSA-9201B-1-06Z388-PT1	1	25056614	
P6056	PLUG	IMSA-9201B-1-06Z388-PT1	1	25056614	
P6057	PLUG	IMSA-9201B-1-06Z388-PT1	1	25056614	
P6058	PLUG	IMSA-9201B-1-06Z388-PT1	1	25056614	
P6060	PLUG	IMSA-9201B-1-06Z388-PT1	1	25056614	
P6061	PLUG	IMSA-9201B-1-06Z388-PT1	1	25056614	
P6062	PLUG	IMSA-9201B-1-06Z388-PT1	1	25056614	
P6063	PLUG	IMSA-9201B-1-06Z388-PT1	1	25056614	
P6064	PLUG	IMSA-9201B-1-06Z388-PT1	1	25056614	
P6065	PLUG	IMSA-9201B-1-06Z388-PT1	1	25056614	
P6066	PLUG	IMSA-9201B-1-06Z388-PT1	1	25056614	
P6067	PLUG	IMSA-9201B-1-06Z388-PT1	1	25056614	
P6068	PLUG	IMSA-9201B-1-06Z388-PT1	1	25056614	
P6070	PLUG	NPLG-2P645	1	25055689	
P6071	PLUG	NPLG-2P645	1	25055689	
P6072	PLUG	NPLG-2P645	1	25055689	
P6073	PLUG	NPLG-2P645	1	25055689	
P6074	PLUG	NPLG-2P645	1	25055689	
P6075	PLUG	NPLG-2P645	1	25055689	
P6076	PLUG	NPLG-2P645	1	25055689	
P6077	PLUG	NPLG-2P645	1	25055689	
P6078	PLUG	NPLG-2P645	1	25055689	
P6240	SOCKET AS	NSAS-4P1789	1	2009991155AUL	N
P6250	SOCKET AS	NSAS-5P1791	1	2009991157AUL	N
P6340A	PLUG	NPLG-2P149	1	25055165	

P6350A	PLUG	NPLG-2P149	1	25055165	
[TUNER UNIT]					
P6340B	RETAINER	(AMP-4)	1	27142144	N
P6340C	RETAINER	(AMP-4)	1	27142144	N
P6350B	RETAINER	(AMP-5)	1	27142145	N
P6350C	RETAINER	(AMP-5)	1	27142145	N

U003	U0030+U0031	BAASP-0202-1A *	1B234502-1A
U0030	AUDIO IN/OUT PCB AS	BAASP-0202-1A	1B2345202-1A
U0031	VIDEO IN/OUT PCB AS	BAVD-0203-1A	1B2345203-1A

CIRCUIT NO.	PART NAME	DESCRIPTION	Q'TY	PART NO. (SN)	REMARKS
[TUNER UNIT]					
U2700	REMO SENS	KSM-603TE2Q	1	24130018	N
[SEMI CONDUCTOR]					
D2000	DIODE	D5SBA20	1	22380130	
D2000A	HEAT SINK	RAD-083	1	27160271	
D2000B	SCREW	3P+6FN(3BC)	1	82143006GR	
D2001	C-DIODE	ISS352	1	223234R2	
D2001 or	C-DIODE	ISS355	(1)	223269R2	
D2001 or	C-DIODE	MA2J111	(1)	223279R2	
D2001 or	C-DIODE	KDS4148U	(1)	223283R2	
D2003	DIODE	RB070M-30	1	22380361R2	
D2004	ZENER D	UDZS3.9B	1	224550390R2	
D2005	DIODE	RL1N4003	1	22380260T	
D2006	DIODE	RL1N4003	1	22380260T	
D2007	DIODE	RL1N4003	1	22380260T	
D2008	DIODE	RL1N4003	1	22380260T	
D2009	ZENER D	UDZS3.9B	1	224550390R2	
D2010	C-DIODE	ISS352	1	223234R2	
D2010 or	C-DIODE	ISS355	(1)	223269R2	
D2010 or	C-DIODE	MA2J111	(1)	223279R2	

D2010 or	C-DIODE	KDS4148U	(1)	223283R2
D2011	C-DIODE	1SS352	1	223234R2
D2011 or	C-DIODE	1SS355	(1)	223269R2
D2011 or	C-DIODE	MA2J111	(1)	223279R2
D2011 or	C-DIODE	KDS4148U	(1)	223283R2
D2012	DIODE	RL1N4003	1	22380260T
D2013	DIODE	RL1N4003	1	22380260T
D2014	ZENER D	UDZS5.1B	1	224550510R2
D2015	C-DIODE	1SS352	1	223234R2
D2015 or	C-DIODE	1SS355	(1)	223269R2
D2015 or	C-DIODE	MA2J111	(1)	223279R2
D2015 or	C-DIODE	KDS4148U	(1)	223283R2
D2700	SPCF D	SIR-34ST3F	1	225456
D2702	C-DIODE	1SS352	1	223234R2
D2702 or	C-DIODE	1SS355	(1)	223269R2
D2702 or	C-DIODE	MA2J111	(1)	223279R2
D2702 or	C-DIODE	KDS4148U	(1)	223283R2
D2703	C-DIODE	1SS352	1	223234R2
D2703 or	C-DIODE	1SS355	(1)	223269R2
D2703 or	C-DIODE	MA2J111	(1)	223279R2
D2703 or	C-DIODE	KDS4148U	(1)	223283R2
D2704	C-DIODE	1SS352	1	223234R2
D2704 or	C-DIODE	1SS355	(1)	223269R2
D2704 or	C-DIODE	MA2J111	(1)	223279R2
D2704 or	C-DIODE	KDS4148U	(1)	223283R2
D2705	C-DIODE	1SS352	1	223234R2
D2705 or	C-DIODE	1SS355	(1)	223269R2
D2705 or	C-DIODE	MA2J111	(1)	223279R2
D2705 or	C-DIODE	KDS4148U	(1)	223283R2
D2708	DIODE	RL1N4003	1	22380260T
D4005	ZENER D	UDZS7.5B	1	224550750R2
D4006	ZENER D	UDZS7.5B	1	224550750R2
D4007	C-DIODE	1SS352	1	223234R2

D4007 or	C-DIODE	ISS355	(1)	223269R2
D4007 or	C-DIODE	MA2J111	(1)	223279R2
D4007 or	C-DIODE	KDS4148U	(1)	223283R2
D4008	C-DIODE	ISS352	1	223234R2
D4008 or	C-DIODE	ISS355	(1)	223269R2
D4008 or	C-DIODE	MA2J111	(1)	223279R2
D4008 or	C-DIODE	KDS4148U	(1)	223283R2
D4019	C-DIODE	ISS352	1	223234R2
D4019 or	C-DIODE	ISS355	(1)	223269R2
D4019 or	C-DIODE	MA2J111	(1)	223279R2
D4019 or	C-DIODE	KDS4148U	(1)	223283R2
D4401	ZENER D	UDZS9.1B	1	224550910R2
D4402	ZENER D	UDZS9.1B	1	224550910R2
D4403	ZENER D	UDZS3.3B	1	224550330R2
D4404	C-DIODE	ISS352	1	223234R2
D4404 or	C-DIODE	ISS355	(1)	223269R2
D4404 or	C-DIODE	MA2J111	(1)	223279R2
D4404 or	C-DIODE	KDS4148U	(1)	223283R2
D4405	C-DIODE	ISS352	1	223234R2
D4405 or	C-DIODE	ISS355	(1)	223269R2
D4405 or	C-DIODE	MA2J111	(1)	223279R2
D4405 or	C-DIODE	KDS4148U	(1)	223283R2
D4431	C-DIODE	ISS352	1	223234R2
D4431 or	C-DIODE	ISS355	(1)	223269R2
D4431 or	C-DIODE	MA2J111	(1)	223279R2
D4431 or	C-DIODE	KDS4148U	(1)	223283R2
D4432	C-DIODE	ISS352	1	223234R2
D4432 or	C-DIODE	ISS355	(1)	223269R2
D4432 or	C-DIODE	MA2J111	(1)	223279R2
D4432 or	C-DIODE	KDS4148U	(1)	223283R2
D4433	C-DIODE	ISS352	1	223234R2
D4433 or	C-DIODE	ISS355	(1)	223269R2
D4433 or	C-DIODE	MA2J111	(1)	223279R2

D4433 or	C-DIODE	KDS4148U	(1)	223283R2
D4434	C-DIODE	ISS352	1	223234R2
D4434 or	C-DIODE	ISS355	(1)	223269R2
D4434 or	C-DIODE	MA2J111	(1)	223279R2
D4434 or	C-DIODE	KDS4148U	(1)	223283R2
D4435	C-DIODE	ISS352	1	223234R2
D4435 or	C-DIODE	ISS355	(1)	223269R2
D4435 or	C-DIODE	MA2J111	(1)	223279R2
D4435 or	C-DIODE	KDS4148U	(1)	223283R2
D4436	C-DIODE	ISS352	1	223234R2
D4436 or	C-DIODE	ISS355	(1)	223269R2
D4436 or	C-DIODE	MA2J111	(1)	223279R2
D4436 or	C-DIODE	KDS4148U	(1)	223283R2
D4441	C-DIODE	ISS352	1	223234R2
D4441 or	C-DIODE	ISS355	(1)	223269R2
D4441 or	C-DIODE	MA2J111	(1)	223279R2
D4441 or	C-DIODE	KDS4148U	(1)	223283R2
D4442	C-DIODE	ISS352	1	223234R2
D4442 or	C-DIODE	ISS355	(1)	223269R2
D4442 or	C-DIODE	MA2J111	(1)	223279R2
D4442 or	C-DIODE	KDS4148U	(1)	223283R2
D4443	C-DIODE	ISS352	1	223234R2
D4443 or	C-DIODE	ISS355	(1)	223269R2
D4443 or	C-DIODE	MA2J111	(1)	223279R2
D4443 or	C-DIODE	KDS4148U	(1)	223283R2
D4444	C-DIODE	ISS352	1	223234R2
D4444 or	C-DIODE	ISS355	(1)	223269R2
D4444 or	C-DIODE	MA2J111	(1)	223279R2
D4444 or	C-DIODE	KDS4148U	(1)	223283R2
D4445	C-DIODE	ISS352	1	223234R2
D4445 or	C-DIODE	ISS355	(1)	223269R2
D4445 or	C-DIODE	MA2J111	(1)	223279R2
D4445 or	C-DIODE	KDS4148U	(1)	223283R2

Q2000	IC		78M05(NJM78M05FA)	1	222780055JRC	
Q2001	TR		2SC3851-Y	1	2203384	
Q2001 or	TR		2SD2394-E	(1)	2202705	
Q2002	IC		SI8008TM	1	22242323R2	
Q2003	TR		KRC102S	1	2216190R2	
Q2003 or	TR		RN1402	(1)	2214470R2	
Q2004	TR		2SC2712-GR	1	2213145R2	
Q2005	TR		2SA1162-GR	1	2214375R2	
Q2006	TR		2SA1488-Y	1	2203394	
Q2006 or	TR		2SB1565-E	(1)	2202715	
Q2007	TR		2SD1468S-R	1	2215024T	
Q2008	IC		79M05L(NJM79M05FA)	1	222790055JRC	
Q2009	TR		2SC2712-GR	1	2213145R2	
Q2100	IC		NJW1325	1	22242596R3	N
Q2100A	SHEET		(VD)	1	29096106	N
Q2100B	RETAINER		(VD)	1	27142169	N
Q2500	IC		NE5532APSR	1	22242283R2	
Q2501	IC		NJM2505AF	1	22242490R2	
Q2502	IC		NJM2505AF	1	22242490R2	
Q2503	IC		NJM2505AF	1	22242490R2	
Q2700	TR		2SA854S-R	1	2217394T	
Q2700 or	TR		2SB1240-R	(1)	2213794T	
Q2701	TR		KRC102S	1	2216190R2	
Q2701 or	TR		RN1402	(1)	2214470R2	
Q2702	TR		2SA1162-GR	1	2214375R2	
Q2703	TR		KRC102S	1	2216190R2	
Q2703 or	TR		RN1402	(1)	2214470R2	
Q4008	IC		NE5532APSR	1	22242283R2	
Q4009	IC		NE5532APSR	1	22242283R2	
Q4010	IC		NE5532APSR	1	22242283R2	
Q4011	IC		NE5532APSR	1	22242283R2	
Q4041	IC		NE5532APSR	1	22242283R2	
Q4043	IC		TC4066BFT	1	22284066MR2TO	

Q4065	IC	CS3318-CQZR	1	22242404R2	
Q4066	IC	NJU7312AM	1	22242210R2	
Q4071	IC	NE5532APSR	1	22242283R2	
Q4072	IC	NJU7313AM	1	22242211R2	
Q4074	IC	CS3318-CQZR	1	22242404R2	
Q4076	IC	NE5532APSR	1	22242283R2	
Q4080	IC	NJU7312AM	1	22242210R2	
Q4091	IC	NE5532APSR	1	22242283R2	
Q4101	IC	NE5532APSR	1	22242283R2	
Q4121	IC	NE5532APSR	1	22242283R2	
Q4131	IC	NE5532APSR	1	22242283R2	
Q4151	IC	NE5532APSR	1	22242283R2	
Q4152	IC	NE5532APSR	1	22242283R2	
Q4200	TR	2SC2235-Y(TPE6_F)	1	2211654T	
Q4201	TR	2SA965-Y(TPE6_F)	1	2211644T	
Q4221	IC	NE5532APSR	1	22242283R2	
Q4222	TR	RN1402	1	2214470R2	
Q4223	TR	RN2402	1	2214530R2	
Q4224	TR	RN1402	1	2214470R2	
Q4225	TR	RN2402	1	2214530R2	
Q4226	IC	NJW1112	1	22242597R2	N
Q4227	IC	NJW1112	1	22242597R2	N
Q4301	IC	NE5532APSR	1	22242283R2	
Q4341	IC	NE5532APSR	1	22242283R2	
Q4342	IC	NE5532APSR	1	22242283R2	
Q4371	IC	NE5532APSR	1	22242283R2	
Q4401	TR	2SC2712-GR	1	2213145R2	
Q4402	TR	2SA950-Y	1	2211504T	
Q4403	TR	2SA1162-GR	1	2214375R2	
Q4404	TR	2SC2120-Y	1	2211164T	
Q4420	TR	RN1402	1	2214470R2	
Q4421	TR	RN1402	1	2214470R2	
Q4422	TR	RN1402	1	2214470R2	

Q4423	TR		RN1402	1	2214470R2
Q4424	TR		RN1402	1	2214470R2
Q4425	TR		RN1402	1	2214470R2
Q4441	IC		NE5532APSR	1	22242283R2
Q4442	TR		2SC2235-Y(TPE6_F)	1	2211654T
Q4443	TR		2SA965-Y(TPE6_F)	1	2211644T
Q4444	TR		2SC2235-Y(TPE6_F)	1	2211654T
Q4445	TR		2SA965-Y(TPE6_F)	1	2211644T
Q4446	TR		RN1402	1	2214470R2
Q4446 or	TR		KRC102S	(1)	2216190R2
Q4461	IC		NJM4556AM	1	22241414R2
Q4466	TR		RN1441	1	2215410R2
Q4467	TR		RN1441	1	2215410R2
Q4468	TR		2SC2712-GR	1	2213145R2
Q4640	TR		RN1441	1	2215410R2
Q4641	TR		RN1441	1	2215410R2
Q4642	TR		RN1441	1	2215410R2
Q4643	TR		RN1441	1	2215410R2
Q4644	TR		RN1441	1	2215410R2
Q4645	TR		RN1441	1	2215410R2
Q4646	TR		RN1441	1	2215410R2
Q4647	TR		RN1441	1	2215410R2
Q4648	TR		RN1441	1	2215410R2
Q4741	TR		RN1441	1	2215410R2
Q4742	TR		RN1441	1	2215410R2
Q4801	TR		RN1441	1	2215410R2
Q4802	TR		RN1441	1	2215410R2
Q4803	TR		RN1441	1	2215410R2
Q4804	TR		RN1441	1	2215410R2
[TRANS COIL]					
L2000	CHOKO COIL		NCH-2541	1	231363K470A
L2000 or	COIL		0182-7310-470K-RB	(1)	231389
L2100	CHOKO COIL		LBC2518T4R7M	1	231364M047R2

L2101	CHOKE COIL	LBC2518T4R7M	1	231364M047R2
L2500	CHOKE COIL	LBC2518T4R7M	1	231364M047R2
L2501	CHOKE COIL	BLM21PG221SN1	1	230949R2
L2502	CHOKE COIL	BLM21PG221SN1	1	230949R2
L2504	CHOKE COIL	BLM21PG221SN1	1	230949R2
L2506	EMIFIL	BK1608LM182-T	1	230958R1
L2507	EMIFIL	BK1608LM182-T	1	230958R1
L2508	EMIFIL	BK1608LM182-T	1	230958R1
L2509	EMIFIL	BK1608LM182-T	1	230958R1
L2510	EMIFIL	BK1608LM182-T	1	230958R1
L2511	EMIFIL	BK1608LM182-T	1	230958R1
L2512	EMIFIL	BK1608LM182-T	1	230958R1
L2513	EMIFIL	BK1608LM182-T	1	230958R1
L2514	EMIFIL	BK1608LM182-T	1	230958R1
L2515	EMIFIL	BK1608LM182-T	1	230958R1
L2516	EMIFIL	BK1608LM182-T	1	230958R1
L2517	EMIFIL	BK1608LM182-T	1	230958R1
L2518	EMIFIL	BK1608LM182-T	1	230958R1
L2519	EMIFIL	BK1608LM182-T	1	230958R1
L2520	EMIFIL	BK1608LM182-T	1	230958R1
L2521	EMIFIL	BK1608LM182-T	1	230958R1
L2522	EMIFIL	BK1608LM182-T	1	230958R1
L2523	EMIFIL	BK1608LM182-T	1	230958R1
L2702	EMIFIL	BK1608LM182-T	1	230958R1
L2703	EMIFIL	BK1608LM182-T	1	230958R1
[CAPACITOR]				
C2000	ELECT C	CE04W18V-10000M(VZ)	1	3945H1037S
C2002	VR C	CE04W16V-220M(VR)	1	394642217T
C2003	UTSP C	CE04W50V-10M(UTSP)	1	397581007T
C2004	VR C	CE04W16V-100M(VR)	1	394641017T
C2005	VR C	CE04W16V-470M(VR)	1	394644717T
C2006	VR C	CE04W25V-2200M(VR)	1	394652227S
C2007	TF C	ECQ-V50V-104J	1	374721044T

C2008	VR C	CE04W50V-22M(VR)	1	394682207T
C2009	VR C	CE04W16V-470M(VR)	1	394644717T
C2010	C-CERA C	CK725F1E-104Z1	1	332161040R1
C2012	TF C	ECQ-V50V-104J	1	374721044T
C2013	VR C	CE04W50V-22M(VR)	1	394682207T
C2014	VR C	CE04W16V-100M(VR)	1	394641017T
C2015	VR C	CE04W16V-220M(VR)	1	394642217T
C2016	UTSP C	CE04W50V-10M(UTSP)	1	397581007T
C2017	VR C	CE04W25V-2200M(VR)	1	394652227S
C2018	VR C	CE04W50V-4.7M(VR)	1	394680477T
C2101	C-CERA C	CK725F1A-105Z1	1	332181050R1
C2103	C-CERA C	CK725F1A-105Z1	1	332181050R1
C2105	C-CERA C	CK725B0J-225K	1	332092255R1
C2106	C-CERA C	CK725B1H-102K1	1	332101025R1
C2108	C-CERA C	CK725F1A-105Z1	1	332181050R1
C2110	C-CERA C	CK725F1A-105Z1	1	332181050R1
C2112	C-CERA C	CK725B0J-225K	1	332092255R1
C2114	C-CERA C	CK725F1A-105Z1	1	332181050R1
C2116	C-CERA C	CK725F1A-105Z1	1	332181050R1
C2118	C-CERA C	CK725B0J-225K	1	332092255R1
C2144	VR C	CE04W35V-47M(VR)	1	394664707T
C2145	VR C	CE04W35V-47M(VR)	1	394664707T
C2146	VR C	CE04W35V-47M(VR)	1	394664707T
C2148	C-CERA C	CK725F1E-104Z1	1	332161040R1
C2149	C-CERA C	CK725F1E-104Z1	1	332161040R1
C2150	C-CERA C	CK725F1E-104Z1	1	332161040R1
C2152	C-CERA C	CK725F1E-104Z1	1	332161040R1
C2153	C-CERA C	CK725F1E-104Z1	1	332161040R1
C2154	C-CERA C	CK725F1E-104Z1	1	332161040R1
C2155	VR C	CE04W35V-47M(VR)	1	394664707T
C2156	VR C	CE04W35V-47M(VR)	1	394664707T
C2157	VR C	CE04W35V-47M(VR)	1	394664707T
C2161	C-CERA C	CK725F1E-104Z1	1	332161040R1

C2162	VR C	CE04W35V-47M(VR)	1	394664707T
C2166	VR C	CE04W35V-47M(VR)	1	394664707T
C2167	C-CERA C	CK725F1E-104Z1	1	332161040R1
C2169	C-CERA C	CK725F1E-104Z1	1	332161040R1
C2170	VR C	CE04W50V-1M(VR)	1	394680107T
C2171	VR C	CE04W50V-1M(VR)	1	394680107T
C2172	C-CERA C	CK725F1E-104Z1	1	332161040R1
C2173	C-CERA C	CK725F1E-104Z1	1	332161040R1
C2174	VR C	CE04W50V-1M(VR)	1	394680107T
C2175	VR C	CE04W35V-47M(VR)	1	394664707T
C2176	C-CERA C	CK725F1E-104Z1	1	332161040R1
C2178	VR C	CE04W35V-47M(VR)	1	394664707T
C2179	C-CERA C	CK725F1A-105Z1	1	332181050R1
C2180	C-CERA C	CK725F1E-104Z1	1	332161040R1
C2182	C-CERA C	CK725B0J-225K	1	332092255R1
C2184	C-CERA C	CK725B0J-225K	1	332092255R1
C2185	C-CERA C	CK725B1H-102K1	1	332101025R1
C2186	VR C	CE04W35V-47M(VR)	1	394664707T
C2187	C-CERA C	CK725F1E-104Z1	1	332161040R1
C2189	C-CERA C	CK725F1A-105Z1	1	332181050R1
C2191	C-CERA C	CK725B0J-225K	1	332092255R1
C2193	C-CERA C	CK725B0J-225K	1	332092255R1
C2194	VR C	CE04W35V-47M(VR)	1	394664707T
C2195	VR C	CE04W35V-47M(VR)	1	394664707T
C2196	C-CERA C	CK725F1E-104Z1	1	332161040R1
C2197	C-CERA C	CK725F1E-104Z1	1	332161040R1
C2198	C-CERA C	CK725F1E-104Z1	1	332161040R1
C2199	VR C	CE04W35V-47M(VR)	1	394664707T
C2200	C-CERA C	CC725CH1H-151J1	1	342101514R1
C2201	C-CERA C	CC725CH1H-151J1	1	342101514R1
C2202	C-CERA C	CC725CH1H-151J1	1	342101514R1
C2203	C-CERA C	CK725B1H-102K1	1	332101025R1
C2205	C-CERA C	CK725F1A-105Z1	1	332181050R1

C2207	C-CERA C	CK725B0J-225K	1	332092255R1
C2209	C-CERA C	CK725B0J-225K	1	332092255R1
C2211	C-CERA C	CK725F1A-105Z1	1	332181050R1
C2213	C-CERA C	CK725B0J-225K	1	332092255R1
C2215	C-CERA C	CK725B0J-225K	1	332092255R1
C2216	C-CERA C	CK725B1H-102K1	1	332101025R1
C2217	C-CERA C	CC725CH1H-151J1	1	342101514R1
C2218	C-CERA C	CC725CH1H-151J1	1	342101514R1
C2219	C-CERA C	CC725CH1H-151J1	1	342101514R1
C2220	C-CERA C	CC725CH1H-151J1	1	342101514R1
C2221	C-CERA C	CK725B1H-102K1	1	332101025R1
C2224	VR C	CE04W50V-1M(VR)	1	394680107T
C2225	VR C	CE04W50V-4.7M(VR)	1	394680477T
C2226	VR C	CE04W50V-1M(VR)	1	394680107T
C2227	VR C	CE04W50V-1M(VR)	1	394680107T
C2228	VR C	CE04W50V-4.7M(VR)	1	394680477T
C2229	VR C	CE04W50V-4.7M(VR)	1	394680477T
C2231	C-CERA C	CK725B0J-225K	1	332092255R1
C2232	UTSP C	CE04W50V-10M(UTSP)	1	397581007T
C2233	UTSP C	CE04W50V-10M(UTSP)	1	397581007T
C2237	C-CERA C	CK725B0J-225K	1	332092255R1
C2238	C-CERA C	CK725B0J-225K	1	332092255R1
C2239	C-CERA C	CK725B0J-225K	1	332092255R1
C2240	C-CERA C	CK725B0J-225K	1	332092255R1
C2241	C-CERA C	CK725B0J-225K	1	332092255R1
C2242	C-CERA C	CK725B0J-225K	1	332092255R1
C2243	C-CERA C	CK725B0J-225K	1	332092255R1
C2244	C-CERA C	CK725B0J-225K	1	332092255R1
C2245	C-CERA C	CK725B0J-225K	1	332092255R1
C2246	C-CERA C	CK725B0J-225K	1	332092255R1
C2247	C-CERA C	CK725B0J-225K	1	332092255R1
C2248	C-CERA C	CK725B0J-225K	1	332092255R1
C2501	UTSP C	CE04W50V-10M(UTSP)	1	397581007T

C2502	VR C	CE04W35V-100M(VR)	1	394661017T
C2504	C-CERA C	CC725CH1H-471J1	1	342104714R1
C2505	VR C	CE04W35V-100M(VR)	1	394661017T
C2506	C-CERA C	CC725CH1H-471J1	1	342104714R1
C2507	UTSP C	CE04W50V-10M(UTSP)	1	397581007T
C2509	UTSP C	CE04W50V-10M(UTSP)	1	397581007T
C2510	VR C	CE04W6.3V-470M(VR)	1	394624717T
C2511	VR C	CE04W6.3V-470M(VR)	1	394624717T
C2512	VR C	CE04W16V-100M(VR)	1	394641017T
C2513	C-CERA C	CK725F1E-104Z1	1	332161040R1
C2514	C-CERA C	CK725B1H-102K1	1	332101025R1
C2515	C-CERA C	CK725B1H-102K1	1	332101025R1
C2516	UTSP C	CE04W50V-10M(UTSP)	1	397581007T
C2517	VR C	CE04W6.3V-470M(VR)	1	394624717T
C2518	VR C	CE04W6.3V-470M(VR)	1	394624717T
C2519	VR C	CE04W16V-100M(VR)	1	394641017T
C2520	C-CERA C	CK725F1E-104Z1	1	332161040R1
C2521	C-CERA C	CK725B1H-102K1	1	332101025R1
C2522	C-CERA C	CC725CH1H-470J1	1	342104704R1
C2523	UTSP C	CE04W50V-10M(UTSP)	1	397581007T
C2524	VR C	CE04W6.3V-470M(VR)	1	394624717T
C2525	VR C	CE04W6.3V-470M(VR)	1	394624717T
C2526	C-CERA C	CK725B1H-102K1	1	332101025R1
C2527	C-CERA C	CC725CH1H-470J1	1	342104704R1
C2528	VR C	CE04W16V-100M(VR)	1	394641017T
C2529	C-CERA C	CK725F1E-104Z1	1	332161040R1
C2530	C-CERA C	CK725B1H-102K1	1	332101025R1
C2531	C-CERA C	CK725F1E-104Z1	1	332161040R1
C2532	C-CERA C	CC725CH1H-470J1	1	342104704R1
C2533	C-CERA C	CC725CH1H-101J1	1	342101014R1
C2534	UTSP C	CE04W50V-10M(UTSP)	1	397581007T
C2535	C-CERA C	CC725CH1H-101J1	1	342101014R1
C2536	UTSP C	CE04W50V-10M(UTSP)	1	397581007T

C2537	C-CERA C	CC725CH1H-101J1	1	342101014R1
C2538	C-CERA C	CC725CH1H-101J1	1	342101014R1
C2539	C-CERA C	CK725F1E-104Z1	1	332161040R1
C2540	C-CERA C	CC725CH1H-470J1	1	342104704R1
C2541	C-CERA C	CC725CH1H-470J1	1	342104704R1
C2542	C-CERA C	CC725CH1H-470J1	1	342104704R1
C2543	C-CERA C	CC725CH1H-470J1	1	342104704R1
C2544	C-CERA C	CC725CH1H-470J1	1	342104704R1
C2545	C-CERA C	CC725CH1H-470J1	1	342104704R1
C2546	C-CERA C	CC725CH1H-221J1	1	342102214R1
C2547	C-CERA C	CC725CH1H-221J1	1	342102214R1
C2700	VR C	CE04W6.3V-220M(VR)	1	394622217T
C2701	C-CERA C	CK725B1H-102K1	1	332101025R1
C2704	C-CERA C	CC725CH1H-101J1	1	342101014R1
C2705	C-CERA C	CK725F1E-104Z1	1	332161040R1
C2707	C-CERA C	CC725CH1H-101J1	1	342101014R1
C4001	UPZ C	2AUPZTF221JE	1	376332214T
C4002	UPZ C	2AUPZTF221JE	1	376332214T
C4023	MKT C	B32529C0102J289	1	376491024T
C4031	UTSP C	CE04W50V-100M(UTSP)	1	397581017T
C4032	UTSP C	CE04W50V-100M(UTSP)	1	397581017T
C4041	UPZ C	2AUPZTF221JE	1	376332214T
C4042	UPZ C	2AUPZTF221JE	1	376332214T
C4043	UTSP C	CE04W50V 47M(UTSP)	1	397584707T
C4044	UTSP C	CE04W50V 47M(UTSP)	1	397584707T
C4045	UTSP C	CE04W50V-100M(UTSP)	1	397581017T
C4046	UTSP C	CE04W50V-100M(UTSP)	1	397581017T
C4060	MKT C	B32529C0102J289	1	376491024T
C4061	C-CERA C	CC725CH1H-221J1	1	342102214R1
C4062	C-CERA C	CC725CH1H-221J1	1	342102214R1
C4071	C-CERA C	CC725CH1H-221J1	1	342102214R1
C4072	C-CERA C	CC725CH1H-221J1	1	342102214R1
C4073	UTSP C	CE04W50V 47M(UTSP)	1	397584707T

C4074	UTSP C	CE04W50V 47M(UTSP)	1	397584707T
C4075	UTSP C	CE04W50V-100M(UTSP)	1	397581017T
C4076	UTSP C	CE04W50V-100M(UTSP)	1	397581017T
C4090	MKT C	B32529C0102J289	1	376491024T
C4091	C-CERA C	CC725CH1H-221J1	1	342102214R1
C4092	C-CERA C	CC725CH1H-221J1	1	342102214R1
C4093	UTSP C	CE04W50V 47M(UTSP)	1	397584707T
C4094	UTSP C	CE04W50V 47M(UTSP)	1	397584707T
C4101	C-CERA C	CC725CH1H-221J1	1	342102214R1
C4102	C-CERA C	CC725CH1H-221J1	1	342102214R1
C4103	UTSP C	CE04W50V 47M(UTSP)	1	397584707T
C4104	UTSP C	CE04W50V 47M(UTSP)	1	397584707T
C4110	MKT C	B32529C0102J289	1	376491024T
C4111	C-CERA C	CC725CH1H-221J1	1	342102214R1
C4112	C-CERA C	CC725CH1H-221J1	1	342102214R1
C4121	C-CERA C	CC725CH1H-221J1	1	342102214R1
C4122	C-CERA C	CC725CH1H-221J1	1	342102214R1
C4123	UTSP C	CE04W50V 47M(UTSP)	1	397584707T
C4124	UTSP C	CE04W50V 47M(UTSP)	1	397584707T
C4131	UPZ C	2AUPZTF221JE	1	376332214T
C4132	UPZ C	2AUPZTF221JE	1	376332214T
C4133	UTSP C	CE04W50V 47M(UTSP)	1	397584707T
C4134	UTSP C	CE04W50V 47M(UTSP)	1	397584707T
C4135	UTSP C	CE04W50V-100M(UTSP)	1	397581017T
C4136	UTSP C	CE04W50V-100M(UTSP)	1	397581017T
C4151	UTSP C	CE04W50V 47M(UTSP)	1	397584707T
C4152	UTSP C	CE04W50V 47M(UTSP)	1	397584707T
C4153	UTSP C	CE04W50V 47M(UTSP)	1	397584707T
C4154	UTSP C	CE04W50V 47M(UTSP)	1	397584707T
C4155	UTSP C	CE04W50V 47M(UTSP)	1	397584707T
C4156	UTSP C	CE04W50V 47M(UTSP)	1	397584707T
C4157	UTSP C	CE04W50V 47M(UTSP)	1	397584707T
C4158	UTSP C	CE04W50V 47M(UTSP)	1	397584707T

C4200	UTSP C	CE04W50V-10M(UTSP)	1	397581007T
C4201	UTSP C	CE04W25V-100M(UTSP)	1	397551017T
C4202	UTSP C	CE04W25V-100M(UTSP)	1	397551017T
C4203	UTSP C	CE04W50V-10M(UTSP)	1	397581007T
C4204	UTSP C	CE04W25V-100M(UTSP)	1	397551017T
C4205	UTSP C	CE04W25V-100M(UTSP)	1	397551017T
C4206	UTSP C	CE04W25V-220M(UTSP)	1	397552217T
C4207	UTSP C	CE04W25V-220M(UTSP)	1	397552217T
C4208	UTSP C	CE04W50V 47M(UTSP)	1	397584707T
C4209	UTSP C	CE04W50V 47M(UTSP)	1	397584707T
C4210	UTSP C	CE04W25V-220M(UTSP)	1	397552217T
C4211	UTSP C	CE04W25V-220M(UTSP)	1	397552217T
C4221	UTSP C	CE04W50V 47M(UTSP)	1	397584707T
C4222	UTSP C	CE04W50V 47M(UTSP)	1	397584707T
C4223	UTSP C	CE04W50V 47M(UTSP)	1	397584707T
C4224	UTSP C	CE04W50V 47M(UTSP)	1	397584707T
C4225	C-CERA C	CK725F1E-104Z1	1	332161040R1
C4226	C-CERA C	CK725F1E-104Z1	1	332161040R1
C4243	MKT C	B32529C0102J289	1	376491024T
C4244	C-CERA C	CC725CH1H-102J1	1	342101024R1
C4303	UTSP C	CE04W50V-1M(UTSP)	1	397580107T
C4304	C-CERA C	CK725F1C-224Z1	1	332172240R1
C4305	UTSP C	CE04W50V 47M(UTSP)	1	397584707T
C4345	UTSP C	CE04W50V 47M(UTSP)	1	397584707T
C4346	UTSP C	CE04W50V 47M(UTSP)	1	397584707T
C4373	UTSP C	CE04W50V 47M(UTSP)	1	397584707T
C4374	UTSP C	CE04W50V 47M(UTSP)	1	397584707T
C4384	UTSP C	CE04W50V 47M(UTSP)	1	397584707T
C4391	UTSP C	CE04W50V-100M(UTSP)	1	397581017T
C4392	UTSP C	CE04W50V-100M(UTSP)	1	397581017T
C4402	UTSP C	CE04W25V-100M(UTSP)	1	397551017T
C4403	UTSP C	CE04W25V-100M(UTSP)	1	397551017T
C4404	UTSP C	CE04W50V 47M(UTSP)	1	397584707T

C4405	UTSP C	CE04W50V 47M(UTSP)	1	397584707T
C4406	UTSP C	CE04W25V-220M(UTSP)	1	397552217T
C4407	UTSP C	CE04W25V-220M(UTSP)	1	397552217T
C4408	UTSP C	CE04W50V 47M(UTSP)	1	397584707T
C4409	UTSP C	CE04W50V-10M(UTSP)	1	397581007T
C4410	UTSP C	CE04W50V-10M(UTSP)	1	397581007T
C4411	UTSP C	CE04W50V-10M(UTSP)	1	397581007T
C4412	UTSP C	CE04W50V-10M(UTSP)	1	397581007T
C4417	C-CERA C	CC725CH1H-101J1	1	342101014R1
C4418	C-CERA C	CC725CH1H-101J1	1	342101014R1
C4419	C-CERA C	CC725CH1H-101J1	1	342101014R1
C4420	C-CERA C	CK725F1E-104Z1	1	332161040R1
C4421	C-CERA C	CK725F1E-104Z1	1	332161040R1
C4422	C-CERA C	CC725CH1H-101J1	1	342101014R1
C4423	C-CERA C	CC725CH1H-101J1	1	342101014R1
C4424	C-CERA C	CC725CH1H-101J1	1	342101014R1
C4431	TF C	ECQ-V50V-104J	1	374721044T
C4432	TF C	ECQ-V50V-104J	1	374721044T
C4433	TF C	ECQ-V50V-104J	1	374721044T
C4434	TF C	ECQ-V50V-104J	1	374721044T
C4435	TF C	ECQ-V50V-104J	1	374721044T
C4436	TF C	ECQ-V50V-104J	1	374721044T
C4441	UTSP C	CE04W50V 47M(UTSP)	1	397584707T
C4442	UTSP C	CE04W50V 47M(UTSP)	1	397584707T
C4443	C-CERA C	CC725CH1H-102J1	1	342101024R1
C4444	C-CERA C	CC725CH1H-102J1	1	342101024R1
C4445	TF C	ECQ-V50V-104J	1	374721044T
C4461	UTSP C	CE04W50V 47M(UTSP)	1	397584707T
C4462	UTSP C	CE04W50V 47M(UTSP)	1	397584707T
C4463	C-CERA C	CC725CH1H-101J1	1	342101014R1
C4464	C-CERA C	CC725CH1H-101J1	1	342101014R1
C4465	UTSP C	CE04W50V 47M(UTSP)	1	397584707T
C4466	UTSP C	CE04W50V 47M(UTSP)	1	397584707T

C4467	TF C	ECQ-V50V-104J	1	374721044T
C4550	C-CERA C	CK725B1H-103K1	1	332101035R1
C4552	TF C	ECQ-V50V-104J	1	374721044T
C4600	C-CERA C	CC725CH1H-221J1	1	342102214R1
C4601	C-CERA C	CC725CH1H-221J1	1	342102214R1
C4602	C-CERA C	CC725CH1H-221J1	1	342102214R1
C4603	C-CERA C	CC725CH1H-221J1	1	342102214R1
C4604	C-CERA C	CC725CH1H-221J1	1	342102214R1
C4605	C-CERA C	CC725CH1H-221J1	1	342102214R1
C4606	C-CERA C	CC725CH1H-221J1	1	342102214R1
C4607	C-CERA C	CC725CH1H-221J1	1	342102214R1
C4608	MKT C	B32529C0102J289	1	376491024T
C4610	UTSP C	CE04W50V 47M(UTSP)	1	397584707T
C4611	UTSP C	CE04W50V 47M(UTSP)	1	397584707T
C4612	UTSP C	CE04W50V 47M(UTSP)	1	397584707T
C4613	UTSP C	CE04W50V 47M(UTSP)	1	397584707T
C4614	UTSP C	CE04W50V 47M(UTSP)	1	397584707T
C4615	UTSP C	CE04W50V 47M(UTSP)	1	397584707T
C4616	UTSP C	CE04W50V 47M(UTSP)	1	397584707T
C4617	UTSP C	CE04W50V 47M(UTSP)	1	397584707T
C4620	UTSP C	CE04W50V 47M(UTSP)	1	397584707T
C4621	MKT C	B32529C0102J289	1	376491024T
C4633	UTSP C	CE04W50V 47M(UTSP)	1	397584707T
C4634	UTSP C	CE04W50V 47M(UTSP)	1	397584707T
C4635	UTSP C	CE04W50V 47M(UTSP)	1	397584707T
C4636	UTSP C	CE04W50V 47M(UTSP)	1	397584707T
C4637	UTSP C	CE04W50V 47M(UTSP)	1	397584707T
C4640	UTSP C	CE04W50V 47M(UTSP)	1	397584707T
C4641	UTSP C	CE04W50V 47M(UTSP)	1	397584707T
C4642	UTSP C	CE04W50V 47M(UTSP)	1	397584707T
C4643	UTSP C	CE04W50V 47M(UTSP)	1	397584707T
C4644	UTSP C	CE04W50V 47M(UTSP)	1	397584707T
C4645	UTSP C	CE04W50V 47M(UTSP)	1	397584707T

C4646	UTSP C	CE04W50V 47M(UTSP)	1	397584707T
C4647	UTSP C	CE04W50V-10M(UTSP)	1	397581007T
C4648	UTSP C	CE04W50V-10M(UTSP)	1	397581007T
C4650	C-CERA C	CC725CH1H-221J1	1	342102214R1
C4651	C-CERA C	CC725CH1H-221J1	1	342102214R1
C4652	C-CERA C	CC725CH1H-221J1	1	342102214R1
C4653	C-CERA C	CC725CH1H-221J1	1	342102214R1
C4654	C-CERA C	CC725CH1H-221J1	1	342102214R1
C4655	C-CERA C	CC725CH1H-221J1	1	342102214R1
C4656	C-CERA C	CC725CH1H-221J1	1	342102214R1
C4657	C-CERA C	CC725CH1H-221J1	1	342102214R1
C4658	C-CERA C	CC725CH1H-221J1	1	342102214R1
C4741	UTSP C	CE04W50V 47M(UTSP)	1	397584707T
C4742	UTSP C	CE04W50V 47M(UTSP)	1	397584707T
C4751	C-CERA C	CC725CH1H-221J1	1	342102214R1
C4752	C-CERA C	CC725CH1H-221J1	1	342102214R1
C4801	UTSP C	CE04W50V 47M(UTSP)	1	397584707T
C4802	UTSP C	CE04W50V 47M(UTSP)	1	397584707T
C4803	UTSP C	CE04W50V 47M(UTSP)	1	397584707T
C4804	UTSP C	CE04W50V 47M(UTSP)	1	397584707T
C4811	C-CERA C	CC725CH1H-221J1	1	342102214R1
C4812	C-CERA C	CC725CH1H-221J1	1	342102214R1
C4813	C-CERA C	CC725CH1H-221J1	1	342102214R1
C4814	C-CERA C	CC725CH1H-221J1	1	342102214R1
[RESISTOR]				
R2000	C-CARBON R	RN72K1J-222JE	1	435032224R1
R2001	METAL R	RNU1/2WCJ-0.22	1	453532294T
R2002	C-CARBON R	RN72K1J-472JE	1	435034724R1
R2003	C-CARBON R	RN72K1J-152JE	1	435031524R1
R2004	C-CARBON R	RN72K1J-221JE	1	435032214R1
R2005	C-CARBON R	RN72K1J-392JE	1	435033924R1
R2006	C-CARBON R	RN72K1J-102JE	1	435031024R1
R2007	C-CARBON R	RN72K1J-221JE	1	435032214R1

R2008	C-CARBON R	RN72K1J-222JE	1	435032224R1
R2009	C-CARBON R	RN72K1J-473JE	1	435034734R1
R2010	METAL R	RNU2WCJ-4.7	1	452730474F
R2011	METAL R	RNU2WCJ-4.7	1	452730474F
R2013	C-CARBON R	RN72K2E-015JE	1	435220154R1
R2014	METAL R	RNU1/2WCJ-0.22	1	453532294T
R2015	METAL R	RNU1/2WCJ-0.1	1	453531094T
R2016	METAL R	RNU1/2WCJ-0.1	1	453531094T
R2017	C-CARBON R	RN72K1J-472JE	1	435034724R1
R2018	C-CARBON R	RN72K1J-103JE	1	435031034R1
R2020	C-CARBON R	RN72K1J-222JE	1	435032224R1
R2021	C-CARBON R	RN72K1J-000JE	1	435030004R1
R2022	C-CARBON R	RN72K1J-000JE	1	435030004R1
R2023	C-CARBON R	RN72K1J-000JE	1	435030004R1
R2030	C-CARBON R	RN72K1J-104JE	1	435031044R1
R2031	C-CARBON R	RN72K1J-822JE	1	435038224R1
R2100	C-CARBON R	RN72K1J-750JE	1	435037504R1
R2101	C-CARBON R	RN72K1J-750JE	1	435037504R1
R2102	C-CARBON R	RN72K1J-750JE	1	435037504R1
R2104	C-CARBON R	RN72K1J-750JE	1	435037504R1
R2105	C-CARBON R	RN72K1J-750JE	1	435037504R1
R2106	C-CARBON R	RN72K1J-750JE	1	435037504R1
R2107	C-CARBON R	RN72K1J-750JE	1	435037504R1
R2111	C-CARBON R	RN72K1J-750JE	1	435037504R1
R2112	C-CARBON R	RN72K1J-000JE	1	435030004R1
R2116	C-CARBON R	RN72K1J-750JE	1	435037504R1
R2117	C-CARBON R	RN72K1J-000JE	1	435030004R1
R2118	C-CARBON R	RN72K1J-000JE	1	435030004R1
R2119	C-CARBON R	RN72K1J-000JE	1	435030004R1
R2120	C-CARBON R	RN72K1J-000JE	1	435030004R1
R2121	C-CARBON R	RN72K1J-000JE	1	435030004R1
R2122	C-CARBON R	RN72K1J-750JE	1	435037504R1
R2123	C-CARBON R	RN72K1J-104JE	1	435031044R1

R2135	C-CARBON R	RN72K1J-750JE	1	435037504R1
R2136	C-CARBON R	RN72K1J-104JE	1	435031044R1
R2147	C-CARBON R	RN72K1J-750JE	1	435037504R1
R2148	C-CARBON R	RN72K1J-104JE	1	435031044R1
R2158	C-CARBON R	RN72K1J-103JE	1	435031034R1
R2159	C-CARBON R	RN72K1J-103JE	1	435031034R1
R2165	C-CARBON R	RN72K1J-104JE	1	435031044R1
R2166	C-CARBON R	RN72K1J-104JE	1	435031044R1
R2168	C-CARBON R	RN72K1J-104JE	1	435031044R1
R2169	C-CARBON R	RN72K1J-104JE	1	435031044R1
R2171	C-CARBON R	RN72K1J-104JE	1	435031044R1
R2172	C-CARBON R	RN72K1J-104JE	1	435031044R1
R2173	C-CARBON R	RN72K1J-750JE	1	435037504R1
R2174	C-CARBON R	RN72K1J-750JE	1	435037504R1
R2175	C-CARBON R	RN72K1J-750JE	1	435037504R1
R2176	C-CARBON R	RN72K1J-103JE	1	435031034R1
R2179	C-CARBON R	RN72K1J-750JE	1	435037504R1
R2180	C-CARBON R	RN72K1J-750JE	1	435037504R1
R2181	C-CARBON R	RN72K1J-750JE	1	435037504R1
R2186	C-CARBON R	RN72K1J-750JE	1	435037504R1
R2189	C-CARBON R	RN72K1J-750JE	1	435037504R1
R2190	METAL R	RNU1/2WCJ-0.1	1	453531094T
R2191	METAL R	RNU1/2WCJ-0.1	1	453531094T
R2192	C-CARBON R	RN72K1J-750JE	1	435037504R1
R2193	C-CARBON R	RN72K1J-392JE	1	435033924R1
R2194	C-CARBON R	RN72K1J-104JE	1	435031044R1
R2195	C-CARBON R	RN72K1J-104JE	1	435031044R1
R2196	C-CARBON R	RN72K1J-104JE	1	435031044R1
R2197	C-CARBON R	RN72K1J-392JE	1	435033924R1
R2198	C-CARBON R	RN72K1J-750JE	1	435037504R1
R2199	C-CARBON R	RN72K1J-750JE	1	435037504R1
R2200	C-CARBON R	RN72K1J-750JE	1	435037504R1
R2201	C-CARBON R	RN72K1J-750JE	1	435037504R1

R2202	C-CARBON R	RN72K1J-750JE	1	435037504R1
R2203	C-CARBON R	RN72K1J-750JE	1	435037504R1
R2204	C-CARBON R	RN72K1J-750JE	1	435037504R1
R2205	C-CARBON R	RN72K1J-750JE	1	435037504R1
R2206	C-CARBON R	RN72K1J-750JE	1	435037504R1
R2207	C-CARBON R	RN72K1J-104JE	1	435031044R1
R2208	C-CARBON R	RN72K1J-104JE	1	435031044R1
R2209	C-CARBON R	RN72K1J-104JE	1	435031044R1
R2210	C-CARBON R	RN72K1J-750JE	1	435037504R1
R2211	C-CARBON R	RN72K1J-104JE	1	435031044R1
R2222	C-CARBON R	RN72K1J-000JE	1	435030004R1
R2223	C-CARBON R	RN72K1J-000JE	1	435030004R1
R2224	C-CARBON R	RN72K1J-000JE	1	435030004R1
R2500	C-CARBON R	RN72K1J-220JE	1	435032204R1
R2501	C-CARBON R	RN72K1J-223JE	1	435032234R1
R2504	C-CARBON R	RN72K1J-223JE	1	435032234R1
R2505	C-CARBON R	RN72K1J-223JE	1	435032234R1
R2506	C-CARBON R	RN72K1J-223JE	1	435032234R1
R2507	C-CARBON R	RN72K1J-223JE	1	435032234R1
R2508	C-CARBON R	RN72K1J-223JE	1	435032234R1
R2510	C-CARBON R	RN72K1J-223JE	1	435032234R1
R2512	C-CARBON R	RN72K1J-223JE	1	435032234R1
R2513	C-CARBON R	RN72K1J-220JE	1	435032204R1
R2515	C-CARBON R	RN72K1J-220JE	1	435032204R1
R2516	C-CARBON R	RN72K1J-750JE	1	435037504R1
R2517	C-CARBON R	RN72K1J-222JE	1	435032224R1
R2518	C-CARBON R	RN72K1J-022JE	1	435030224R1
R2519	C-CARBON R	RN72K1J-220JE	1	435032204R1
R2521	C-CARBON R	RN72K1J-220JE	1	435032204R1
R2522	C-CARBON R	RN72K1J-750JE	1	435037504R1
R2523	C-CARBON R	RN72K1J-222JE	1	435032224R1
R2524	C-CARBON R	RN72K1J-022JE	1	435030224R1
R2525	C-CARBON R	RN72K1J-220JE	1	435032204R1

R2528	C-CARBON R	RN72K1J-220JE	1	435032204R1
R2529	C-CARBON R	RN72K1J-750JE	1	435037504R1
R2530	C-CARBON R	RN72K1J-222JE	1	435032224R1
R2531	C-CARBON R	RN72K1J-022JE	1	435030224R1
R2532	C-CARBON R	RN72K1J-220JE	1	435032204R1
R2533	C-CARBON R	RN72K1J-471JE	1	435034714R1
R2534	C-CARBON R	RN72K1J-471JE	1	435034714R1
R2535	C-CARBON R	RN72K1J-105JE	1	435031054R1
R2536	C-CARBON R	RN72K1J-105JE	1	435031054R1
R2537	THERMISTOR	FUSB090F	1	4000252T
R2700	C-CARBON R	RN72K1J-101JE	1	435031014R1
R2701	C-CARBON R	RN72K1J-102JE	1	435031024R1
R2702	C-CARBON R	RN72K1J-039JE	1	435030394R1
R2703	C-CARBON R	RN72K1J-224JE	1	435032244R1
R2704	C-CARBON R	RN72K1J-102JE	1	435031024R1
R2705	C-CARBON R	RN72K1J-220JE	1	435032204R1
R2707	C-CARBON R	RN72K1J-224JE	1	435032244R1
R2708	C-CARBON R	RN72K1J-102JE	1	435031024R1
R2710	C-CARBON R	RN72K1J-101JE	1	435031014R1
R2714	C-CARBON R	RN72K1J-000JE	1	435030004R1
R2715	C-CARBON R	RN72K1J-000JE	1	435030004R1
R2716	C-CARBON R	RN72K1J-000JE	1	435030004R1
R2718	C-CARBON R	RN72K1J-000JE	1	435030004R1
R4001	C-CARBON R	RN72K1J-562JE	1	435035624R1
R4002	C-CARBON R	RN72K1J-562JE	1	435035624R1
R4003	C-CARBON R	RN72K1J-563JE	1	435035634R1
R4004	C-CARBON R	RN72K1J-563JE	1	435035634R1
R4041	C-CARBON R	RN72K1J-331JE	1	435033314R1
R4042	C-CARBON R	RN72K1J-331JE	1	435033314R1
R4043	C-CARBON R	RN72K1J-563JE	1	435035634R1
R4044	C-CARBON R	RN72K1J-563JE	1	435035634R1
R4045	C-CARBON R	RN72K1J-224JE	1	435032244R1
R4046	C-CARBON R	RN72K1J-224JE	1	435032244R1

R4047	METAL O R	RS1/2WBJ-22	1	443522204T
R4048	METAL O R	RS1/2WBJ-22	1	443522204T
R4061	C-CARBON R	RN72K1J-331JE	1	435033314R1
R4062	C-CARBON R	RN72K1J-331JE	1	435033314R1
R4063	C-CARBON R	RN72K1J-224JE	1	435032244R1
R4064	C-CARBON R	RN72K1J-224JE	1	435032244R1
R4065	C-CARBON R	RN72K1J-100JE	1	435031004R1
R4066	C-CARBON R	RN72K1J-100JE	1	435031004R1
R4067	C-CARBON R	RN72K1J-101JE	1	435031014R1
R4068	C-CARBON R	RN72K1J-101JE	1	435031014R1
R4069	C-CARBON R	RN72K1J-221JE	1	435032214R1
R4070	C-CARBON R	RN72K1J-221JE	1	435032214R1
R4071	C-CARBON R	RN72K1J-331JE	1	435033314R1
R4072	C-CARBON R	RN72K1J-331JE	1	435033314R1
R4073	C-CARBON R	RN72K1J-563JE	1	435035634R1
R4074	C-CARBON R	RN72K1J-563JE	1	435035634R1
R4075	C-CARBON R	RN72K1J-224JE	1	435032244R1
R4076	C-CARBON R	RN72K1J-224JE	1	435032244R1
R4077	METAL O R	RS1/2WBJ-22	1	443522204T
R4078	METAL O R	RS1/2WBJ-22	1	443522204T
R4091	C-CARBON R	RN72K1J-331JE	1	435033314R1
R4092	C-CARBON R	RN72K1J-331JE	1	435033314R1
R4093	C-CARBON R	RN72K1J-563JE	1	435035634R1
R4094	C-CARBON R	RN72K1J-563JE	1	435035634R1
R4095	C-CARBON R	RN72K1J-224JE	1	435032244R1
R4096	C-CARBON R	RN72K1J-224JE	1	435032244R1
R4101	C-CARBON R	RN72K1J-331JE	1	435033314R1
R4102	C-CARBON R	RN72K1J-331JE	1	435033314R1
R4103	C-CARBON R	RN72K1J-563JE	1	435035634R1
R4104	C-CARBON R	RN72K1J-563JE	1	435035634R1
R4105	C-CARBON R	RN72K1J-224JE	1	435032244R1
R4106	C-CARBON R	RN72K1J-224JE	1	435032244R1
R4111	C-CARBON R	RN72K1J-331JE	1	435033314R1

R4112	C-CARBON R	RN72K1J-331JE	1	435033314R1
R4113	C-CARBON R	RN72K1J-224JE	1	435032244R1
R4114	C-CARBON R	RN72K1J-224JE	1	435032244R1
R4115	C-CARBON R	RN72K1J-100JE	1	435031004R1
R4116	C-CARBON R	RN72K1J-100JE	1	435031004R1
R4117	C-CARBON R	RN72K1J-101JE	1	435031014R1
R4118	C-CARBON R	RN72K1J-101JE	1	435031014R1
R4119	C-CARBON R	RN72K1J-221JE	1	435032214R1
R4120	C-CARBON R	RN72K1J-221JE	1	435032214R1
R4121	C-CARBON R	RN72K1J-331JE	1	435033314R1
R4122	C-CARBON R	RN72K1J-331JE	1	435033314R1
R4123	C-CARBON R	RN72K1J-563JE	1	435035634R1
R4124	C-CARBON R	RN72K1J-563JE	1	435035634R1
R4125	C-CARBON R	RN72K1J-224JE	1	435032244R1
R4126	C-CARBON R	RN72K1J-224JE	1	435032244R1
R4131	C-CARBON R	RN72K1J-331JE	1	435033314R1
R4132	C-CARBON R	RN72K1J-331JE	1	435033314R1
R4133	C-CARBON R	RN72K1J-563JE	1	435035634R1
R4134	C-CARBON R	RN72K1J-563JE	1	435035634R1
R4135	C-CARBON R	RN72K1J-224JE	1	435032244R1
R4136	C-CARBON R	RN72K1J-224JE	1	435032244R1
R4137	METAL O R	RS1/2WBJ-22	1	443522204T
R4138	METAL O R	RS1/2WBJ-22	1	443522204T
R4151	C-CARBON R	RN72K1J-224JE	1	435032244R1
R4152	C-CARBON R	RN72K1J-224JE	1	435032244R1
R4153	C-CARBON R	RN72K1J-224JE	1	435032244R1
R4154	C-CARBON R	RN72K1J-224JE	1	435032244R1
R4155	C-CARBON R	RN72K1J-224JE	1	435032244R1
R4156	C-CARBON R	RN72K1J-224JE	1	435032244R1
R4157	C-CARBON R	RN72K1J-224JE	1	435032244R1
R4158	C-CARBON R	RN72K1J-224JE	1	435032244R1
R4200	C-CARBON R	RN72K1J-102JE	1	435031024R1
R4201	C-CARBON R	RN72K1J-102JE	1	435031024R1

R4202	C-CARBON R	RN72K1J-102JE	1	435031024R1
R4203	C-CARBON R	RN72K1J-103JE	1	435031034R1
R4204	C-CARBON R	RN72K1J-100JE	1	435031004R1
R4206	C-CARBON R	RN72K1J-100JE	1	435031004R1
R4207	C-CARBON R	RN72K1J-102JE	1	435031024R1
R4208	C-CARBON R	RN72K1J-102JE	1	435031024R1
R4209	C-CARBON R	RN72K1J-102JE	1	435031024R1
R4211	C-CARBON R	RN72K1J-100JE	1	435031004R1
R4212	C-CARBON R	RN72K1J-103JE	1	435031034R1
R4213	C-CARBON R	RN72K1J-100JE	1	435031004R1
R4214	METAL O R	RS1/2WBJ-15	1	443521504T
R4215	METAL O R	RS1/2WBJ-15	1	443521504T
R4216	C-CARBON R	RN72K1J-681JE	1	435036814R1
R4217	C-CARBON R	RN72K1J-681JE	1	435036814R1
R4218	METAL O R	RS1/2WBJ-10	1	443521004T
R4219	METAL O R	RS1/2WBJ-10	1	443521004T
R4221	C-CARBON R	RN72K1J-224JE	1	435032244R1
R4222	C-CARBON R	RN72K1J-224JE	1	435032244R1
R4223	C-CARBON R	RN72K1J-224JE	1	435032244R1
R4224	C-CARBON R	RN72K1J-224JE	1	435032244R1
R4225	C-CARBON R	RN72K1J-103JE	1	435031034R1
R4226	C-CARBON R	RN72K1J-103JE	1	435031034R1
R4256	METAL O R	RS1/2WBJ-22	1	443522204T
R4257	METAL O R	RS1/2WBJ-22	1	443522204T
R4297	METAL O R	RS1/2WBJ-1K	1	443521024T
R4301	C-CARBON R	RN72K1J-103JE	1	435031034R1
R4302	C-CARBON R	RN72K1J-103JE	1	435031034R1
R4303	C-CARBON R	RN72K1J-103JE	1	435031034R1
R4304	C-CARBON R	RN72K1J-103JE	1	435031034R1
R4307	C-CARBON R	RN72K1J-224JE	1	435032244R1
R4308	C-CARBON R	RN72K1J-682JE	1	435036824R1
R4309	C-CARBON R	RN72K1J-272JE	1	435032724R1
R4310	C-CARBON R	RN72K1J-682JE	1	435036824R1

R4323	C-CARBON R	RN72K1J-224JE	1	435032244R1
R4324	C-CARBON R	RN72K1J-224JE	1	435032244R1
R4325	C-CARBON R	RN72K1J-224JE	1	435032244R1
R4326	C-CARBON R	RN72K1J-224JE	1	435032244R1
R4341	C-CARBON R	RN72K1J-122JE	1	435031224R1
R4342	C-CARBON R	RN72K1J-103JE	1	435031034R1
R4343	C-CARBON R	RN72K1J-152JE	1	435031524R1
R4344	C-CARBON R	RN72K1J-103JE	1	435031034R1
R4346	C-CARBON R	RN72K1J-103JE	1	435031034R1
R4347	C-CARBON R	RN72K1J-122JE	1	435031224R1
R4348	C-CARBON R	RN72K1J-103JE	1	435031034R1
R4349	C-CARBON R	RN72K1J-152JE	1	435031524R1
R4350	C-CARBON R	RN72K1J-103JE	1	435031034R1
R4351	C-CARBON R	RN72K1J-103JE	1	435031034R1
R4352	C-CARBON R	RN72K1J-103JE	1	435031034R1
R4353	C-CARBON R	RN72K1J-103JE	1	435031034R1
R4354	C-CARBON R	RN72K1J-103JE	1	435031034R1
R4355	C-CARBON R	RN72K1J-103JE	1	435031034R1
R4357	C-CARBON R	RN72K1J-103JE	1	435031034R1
R4359	C-CARBON R	RN72K1J-103JE	1	435031034R1
R4360	C-CARBON R	RN72K1J-224JE	1	435032244R1
R4361	C-CARBON R	RN72K1J-224JE	1	435032244R1
R4371	C-CARBON R	RN72K1J-103JE	1	435031034R1
R4372	C-CARBON R	RN72K1J-103JE	1	435031034R1
R4373	C-CARBON R	RN72K1J-103JE	1	435031034R1
R4374	C-CARBON R	RN72K1J-103JE	1	435031034R1
R4375	C-CARBON R	RN72K1J-224JE	1	435032244R1
R4376	C-CARBON R	RN72K1J-224JE	1	435032244R1
R4381	C-CARBON R	RN72K1J-123JE	1	435031234R1
R4382	C-CARBON R	RN72K1J-123JE	1	435031234R1
R4383	C-CARBON R	RN72K1J-562JE	1	435035624R1
R4385	C-CARBON R	RN72K1J-224JE	1	435032244R1
R4386	C-CARBON R	RN72K1J-103JE	1	435031034R1

R4387	C-CARBON R	RN72K1J-103JE	1	435031034R1
R4391	METAL O R	RS1/2WBJ-22	1	443522204T
R4392	METAL O R	RS1/2WBJ-22	1	443522204T
R4393	C-CARBON R	RN72K1J-103JE	1	435031034R1
R4394	C-CARBON R	RN72K1J-103JE	1	435031034R1
R4395	C-CARBON R	RN72K1J-103JE	1	435031034R1
R4396	C-CARBON R	RN72K1J-103JE	1	435031034R1
R4397	C-CARBON R	RN72K1J-103JE	1	435031034R1
R4398	C-CARBON R	RN72K1J-103JE	1	435031034R1
R4399	C-CARBON R	RN72K1J-103JE	1	435031034R1
R4400	C-CARBON R	RN72K1J-103JE	1	435031034R1
R4401	C-CARBON R	RN72K1J-103JE	1	435031034R1
R4402	METAL O R	RS1/2WBJ-22	1	443522204T
R4403	METAL O R	RS1/2WBJ-22	1	443522204T
R4404	C-CARBON R	RN72K1J-222JE	1	435032224R1
R4405	C-CARBON R	RN72K1J-222JE	1	435032224R1
R4406	C-CARBON R	RN72K1J-331JE	1	435033314R1
R4407	C-CARBON R	RN72K1J-331JE	1	435033314R1
R4409	C-CARBON R	RN72K1J-222JE	1	435032224R1
R4410	C-CARBON R	RN72K1J-331JE	1	435033314R1
R4411	C-CARBON R	RN72K1J-331JE	1	435033314R1
R4412	C-CARBON R	RN72K1J-331JE	1	435033314R1
R4413	C-CARBON R	RN72K1J-222JE	1	435032224R1
R4414	C-CARBON R	RN72K1J-331JE	1	435033314R1
R4415	C-CARBON R	RN72K1J-331JE	1	435033314R1
R4416	C-CARBON R	RN72K1J-331JE	1	435033314R1
R4417	C-CARBON R	RN72K1J-222JE	1	435032224R1
R4418	C-CARBON R	RN72K1J-222JE	1	435032224R1
R4441	C-CARBON R	RN72K1J-473JE	1	435034734R1
R4442	C-CARBON R	RN72K1J-473JE	1	435034734R1
R4443	C-CARBON R	RN72K1J-392JE	1	435033924R1
R4444	C-CARBON R	RN72K1J-392JE	1	435033924R1
R4445	C-CARBON R	RN72K1J-682JE	1	435036824R1

R4446	C-CARBON R	RN72K1J-393JE	1	435033934R1
R4447	C-CARBON R	RN72K1J-682JE	1	435036824R1
R4448	C-CARBON R	RN72K1J-393JE	1	435033934R1
R4449	C-CARBON R	RN72K1J-272JE	1	435032724R1
R4450	C-CARBON R	RN72K1J-272JE	1	435032724R1
R4451	C-CARBON R	RN72K1J-272JE	1	435032724R1
R4452	C-CARBON R	RN72K1J-272JE	1	435032724R1
R4453	C-CARBON R	RN72K2E-220JE	1	435222204R1
R4454	C-CARBON R	RN72K2E-220JE	1	435222204R1
R4455	C-CARBON R	RN72K2E-220JE	1	435222204R1
R4456	C-CARBON R	RN72K2E-220JE	1	435222204R1
R4463	C-CARBON R	RN72K1J-473JE	1	435034734R1
R4464	C-CARBON R	RN72K1J-473JE	1	435034734R1
R4465	C-CARBON R	RN72K1J-223JE	1	435032234R1
R4466	C-CARBON R	RN72K1J-223JE	1	435032234R1
R4467	C-CARBON R	RN72K1J-333JE	1	435033334R1
R4468	C-CARBON R	RN72K1J-333JE	1	435033334R1
R4477	C-CARBON R	RN72K1J-224JE	1	435032244R1
R4478	C-CARBON R	RN72K1J-224JE	1	435032244R1
R4479	METAL O R	RS1/2WBJ-47	1	443524704T
R4480	METAL O R	RS1/2WBJ-47	1	443524704T
R4481	C-CARBON R	RN72K1J-010JE	1	435030104R1
R4482	C-CARBON R	RN72K1J-182JE	1	435031824R1
R4483	C-CARBON R	RN72K1J-104JE	1	435031044R1
R4484	C-CARBON R	RN72K1J-103JE	1	435031034R1
R4485	C-CARBON R	RN72K1J-103JE	1	435031034R1
R4550	C-CARBON R	RN72K1J-104JE	1	435031044R1
R4551	C-CARBON R	RN72K1J-104JE	1	435031044R1
R4552	C-CARBON R	RN72K1J-104JE	1	435031044R1
R4553	C-CARBON R	RN72K1J-104JE	1	435031044R1
R4554	C-CARBON R	RN72K1J-104JE	1	435031044R1
R4555	C-CARBON R	RN72K1J-104JE	1	435031044R1
R4556	C-CARBON R	RN72K1J-104JE	1	435031044R1

R4557	C-CARBON R	RN72K1J-104JE	1	435031044R1
R4558	C-CARBON R	RN72K1J-104JE	1	435031044R1
R4559	C-CARBON R	RN72K1J-104JE	1	435031044R1
R4560	C-CARBON R	RN72K1J-104JE	1	435031044R1
R4561	C-CARBON R	RN72K1J-224JE	1	435032244R1
R4562	C-CARBON R	RN72K1J-224JE	1	435032244R1
R4563	C-CARBON R	RN72K1J-222JE	1	435032224R1
R4600	C-CARBON R	RN72K1J-331JE	1	435033314R1
R4601	C-CARBON R	RN72K1J-331JE	1	435033314R1
R4602	C-CARBON R	RN72K1J-331JE	1	435033314R1
R4603	C-CARBON R	RN72K1J-331JE	1	435033314R1
R4604	C-CARBON R	RN72K1J-331JE	1	435033314R1
R4605	C-CARBON R	RN72K1J-331JE	1	435033314R1
R4606	C-CARBON R	RN72K1J-331JE	1	435033314R1
R4607	C-CARBON R	RN72K1J-331JE	1	435033314R1
R4610	C-CARBON R	RN72K1J-563JE	1	435035634R1
R4611	C-CARBON R	RN72K1J-563JE	1	435035634R1
R4612	C-CARBON R	RN72K1J-563JE	1	435035634R1
R4613	C-CARBON R	RN72K1J-563JE	1	435035634R1
R4614	C-CARBON R	RN72K1J-563JE	1	435035634R1
R4615	C-CARBON R	RN72K1J-563JE	1	435035634R1
R4616	C-CARBON R	RN72K1J-563JE	1	435035634R1
R4617	C-CARBON R	RN72K1J-563JE	1	435035634R1
R4620	C-CARBON R	RN72K1J-224JE	1	435032244R1
R4621	C-CARBON R	RN72K1J-224JE	1	435032244R1
R4622	C-CARBON R	RN72K1J-224JE	1	435032244R1
R4623	C-CARBON R	RN72K1J-224JE	1	435032244R1
R4624	C-CARBON R	RN72K1J-224JE	1	435032244R1
R4625	C-CARBON R	RN72K1J-224JE	1	435032244R1
R4626	C-CARBON R	RN72K1J-224JE	1	435032244R1
R4627	C-CARBON R	RN72K1J-224JE	1	435032244R1
R4630	C-CARBON R	RN72K1J-224JE	1	435032244R1
R4633	C-CARBON R	RN72K1J-224JE	1	435032244R1

R4634	C-CARBON R	RN72K1J-224JE	1	435032244R1
R4635	C-CARBON R	RN72K1J-224JE	1	435032244R1
R4636	C-CARBON R	RN72K1J-224JE	1	435032244R1
R4637	C-CARBON R	RN72K1J-224JE	1	435032244R1
R4640	C-CARBON R	RN72K1J-224JE	1	435032244R1
R4641	C-CARBON R	RN72K1J-224JE	1	435032244R1
R4642	C-CARBON R	RN72K1J-224JE	1	435032244R1
R4643	C-CARBON R	RN72K1J-224JE	1	435032244R1
R4644	C-CARBON R	RN72K1J-224JE	1	435032244R1
R4645	C-CARBON R	RN72K1J-224JE	1	435032244R1
R4646	C-CARBON R	RN72K1J-224JE	1	435032244R1
R4647	C-CARBON R	RN72K1J-223JE	1	435032234R1
R4648	C-CARBON R	RN72K1J-223JE	1	435032234R1
R4650	C-CARBON R	RN72K1J-221JE	1	435032214R1
R4651	C-CARBON R	RN72K1J-221JE	1	435032214R1
R4652	C-CARBON R	RN72K1J-221JE	1	435032214R1
R4653	C-CARBON R	RN72K1J-221JE	1	435032214R1
R4654	C-CARBON R	RN72K1J-221JE	1	435032214R1
R4655	C-CARBON R	RN72K1J-221JE	1	435032214R1
R4656	C-CARBON R	RN72K1J-221JE	1	435032214R1
R4657	C-CARBON R	RN72K1J-221JE	1	435032214R1
R4658	C-CARBON R	RN72K1J-221JE	1	435032214R1
R4660	C-CARBON R	RN72K1J-103JE	1	435031034R1
R4661	C-CARBON R	RN72K1J-103JE	1	435031034R1
R4662	C-CARBON R	RN72K1J-103JE	1	435031034R1
R4663	C-CARBON R	RN72K1J-103JE	1	435031034R1
R4664	C-CARBON R	RN72K1J-103JE	1	435031034R1
R4665	C-CARBON R	RN72K1J-103JE	1	435031034R1
R4666	C-CARBON R	RN72K1J-103JE	1	435031034R1
R4667	C-CARBON R	RN72K1J-103JE	1	435031034R1
R4668	C-CARBON R	RN72K1J-103JE	1	435031034R1
R4670	C-CARBON R	RN72K1J-224JE	1	435032244R1
R4671	C-CARBON R	RN72K1J-224JE	1	435032244R1

R4672	C-CARBON R	RN72K1J-224JE	1	435032244R1
R4673	C-CARBON R	RN72K1J-224JE	1	435032244R1
R4674	C-CARBON R	RN72K1J-224JE	1	435032244R1
R4675	C-CARBON R	RN72K1J-224JE	1	435032244R1
R4676	C-CARBON R	RN72K1J-224JE	1	435032244R1
R4677	C-CARBON R	RN72K1J-224JE	1	435032244R1
R4678	C-CARBON R	RN72K1J-224JE	1	435032244R1
R4680	C-CARBON R	RN72K1J-470JE	1	435034704R1
R4681	C-CARBON R	RN72K1J-470JE	1	435034704R1
R4682	C-CARBON R	RN72K1J-470JE	1	435034704R1
R4683	C-CARBON R	RN72K1J-470JE	1	435034704R1
R4684	C-CARBON R	RN72K1J-470JE	1	435034704R1
R4685	C-CARBON R	RN72K1J-470JE	1	435034704R1
R4686	C-CARBON R	RN72K1J-470JE	1	435034704R1
R4687	C-CARBON R	RN72K1J-470JE	1	435034704R1
R4688	C-CARBON R	RN72K1J-470JE	1	435034704R1
R4741	C-CARBON R	RN72K1J-224JE	1	435032244R1
R4742	C-CARBON R	RN72K1J-224JE	1	435032244R1
R4751	C-CARBON R	RN72K1J-221JE	1	435032214R1
R4752	C-CARBON R	RN72K1J-221JE	1	435032214R1
R4761	C-CARBON R	RN72K1J-103JE	1	435031034R1
R4762	C-CARBON R	RN72K1J-103JE	1	435031034R1
R4771	C-CARBON R	RN72K1J-224JE	1	435032244R1
R4772	C-CARBON R	RN72K1J-224JE	1	435032244R1
R4781	C-CARBON R	RN72K1J-470JE	1	435034704R1
R4782	C-CARBON R	RN72K1J-470JE	1	435034704R1
R4801	C-CARBON R	RN72K1J-224JE	1	435032244R1
R4802	C-CARBON R	RN72K1J-224JE	1	435032244R1
R4803	C-CARBON R	RN72K1J-224JE	1	435032244R1
R4804	C-CARBON R	RN72K1J-224JE	1	435032244R1
R4811	C-CARBON R	RN72K1J-221JE	1	435032214R1
R4812	C-CARBON R	RN72K1J-221JE	1	435032214R1
R4813	C-CARBON R	RN72K1J-221JE	1	435032214R1

R4814	C-CARBON R	RN72K1J-221JE	1	435032214R1	
R4821	C-CARBON R	RN72K1J-224JE	1	435032244R1	
R4822	C-CARBON R	RN72K1J-224JE	1	435032244R1	
R4823	C-CARBON R	RN72K1J-224JE	1	435032244R1	
R4824	C-CARBON R	RN72K1J-224JE	1	435032244R1	
R4831	C-CARBON R	RN72K1J-470JE	1	435034704R1	
R4832	C-CARBON R	RN72K1J-470JE	1	435034704R1	
R4833	C-CARBON R	RN72K1J-470JE	1	435034704R1	
R4834	C-CARBON R	RN72K1J-470JE	1	435034704R1	
R4841	C-CARBON R	RN72K1J-224JE	1	435032244R1	
R4842	C-CARBON R	RN72K1J-224JE	1	435032244R1	
[SW TRM]					
E1B	TRM	NTM-1P232(M1700)	1	25060301	
E2000	TRM-423(SCREW)	NEJITANSI ST3	1	25060495	
F2000A	FUSE HOL	NSCT-1P2031	1	25052133T	
F2000B	FUSE HOL	NSCT-1P2031	1	25052133T	
F2001A	FUSE HOL	NSCT-1P2031	1	25052133T	
F2001B	FUSE HOL	NSCT-1P2031	1	25052133T	
F2004A	FUSE HOL	NSCT-1P2031	1	25052133T	
F2004B	FUSE HOL	NSCT-1P2031	1	25052133T	
F2005A	FUSE HOL	NSCT-1P2031	1	25052133T	
F2005B	FUSE HOL	NSCT-1P2031	1	25052133T	
JL2104A	WIRE HOL	NSCT-11P882	1	25051095	
JL2104B	WIRE TRAP	NPLG-11P594	1	25055632	
JL2601B	WIRE TRAP	NPLG-5P588	1	25055626	
JL3201A	WIRE HOL	NSCT-5P876	1	25051089	
JL4014B	SOCKET	NSCT-7P99	1	25050271	
JL4103A	SOCKET	NSCT-5P97	1	25050269	
JL8002A	WIRE HOL	NSCT-5P896	1	25051109	
JL901B	WIRE TRAP	NPLG-7P590	1	25055628	
P003	PWB	BCASP-0202	1	25140202C	N
P004	PWB	BCVD-0203	{ 1 }	25140203	N
P103B	SOCKET	NSCT-11P2191	1	25052294	

P104B	SOCKET	NSCT-7P2187	1	25052290	
P105B	SOCKET	NSCT-7P2187	1	25052290	
P107B	SOCKET	NSCT-11P2191	1	25052294	
P2001	PLUG	NPLG-3P117	1	25055133	
P2103A	PLUG	IMSA-9142B-18A	1	25056599	N
P2104A	PLUG	IMSA-9142B-20A	1	25056600	
P2106	PIN JACK	NPJ-6PDGLRGLR646	1	25045871	
P2107	PIN JACK	NPJ-6PDGLRGLR646	1	25045871	
P2110	PIN JACK	NPJ-10PDBY621	1	25045842	
P2110 or	PIN JACK	NPJ-10PDBY478	(1)	25045681	
P2111	PIN JACK	NPJ-10PDBY621	1	25045842	
P2111 or	PIN JACK	NPJ-10PDBY478	(1)	25045681	
P2112	PIN JACK	NPJ-10PDBY621	1	25045842	
P2112 or	PIN JACK	NPJ-10PDBY478	(1)	25045681	
P2113	PIN JACK	NPJ-1PDY658	1	25045886	
P2500	SOCKET	NNA1-01-006	1	25053357	
P2700	ST JACK	HSJ1002-01-6020	1	25045647	
P2702	ST JACK	HSJ1002-01-6020	1	25045647	
P2901	RETAINER	(PC-HOLD)	1	27142149	N
P4001	PIN JACK	NPJ-2PDWR705	1	25045939A	N
P4002A	PLUG	NPLG-9P661	1	25055705	
P4004	PIN JACK	NPJ-2PDWR705	1	25045939A	N
P4006	PIN JACK	NPJ-4PDWWRR624	1	25045845	
P4007	PIN JACK	NPJ-4PDWWRR624	1	25045845	
P4008A	SOCKET	NSCT-9P2102	1	25052205	N
P4009A	SOCKET	NSCT-15P2108	1	25052211	
P4010	PIN JACK	NPJ-6PDWWWRRR561	1	25045779	
P4011	PIN JACK	NPJ-6PDGWRPLE695	1	25045929	
P4012	PIN JACK	NPJ-2PDNT703	1	25045937	N
P4017	PIN JACK	NPJ-9PDGWRPLENT697	1	25045931	N
P4018	PIN JACK	NPJ-2PDWR558	1	25045776	
P4022	PIN JACK	NPJ-4PDWWRR624	1	25045845	
P4100	RETAINER	(JOINT)	1	27142069	

P4104B	SOCKET	NSCT-31P2124	1	25052227	
P5000B	PLUG	NPLG-10P357	1	25055374	
P5001B	PLUG	NPLG-8P355	1	25055372	
P5002B	CRIMP AS	CRIMP SR805_2	1	20799170UL	
P7009A	PLUG	IMSA-9142B-18A	1	25056599	N
P7010A	PLUG	IMSA-9142B-26A	1	25056603	
RL4001	RELAY	NRL-2P2A-DC12-178	1	25065664	
RL4002	RELAY	NRL-2P2A-DC12-178	1	25065664	
RL4003	RELAY	NRL-2P2A-DC12-178	1	25065664	
RL4004	RELAY	NRL-2P2A-DC12-178	1	25065664	
RL4005	RELAY	NRL-2P2A-DC12-178	1	25065664	
RL4006	RELAY	NRL-2P2A-DC12-178	1	25065664	
RL4008	RELAY	NRL-2P2A-DC12-178	1	25065664	
RL4009	RELAY	NRL-2P2A-DC12-178	1	25065664	
[CHASSIS SCREW]					
Q2000A	HEAT-SINK	HEAT-SINK(RAD-67)	1	27160209	
Q2000B	SCREW	3P+6FN(3BC)	2	82143006GR	
U004 U0040+U0041+U0042+U0043+U0044+U0045+U0046					
U004	U0040+U0041+U0042+U0043+U0044+U0045+U0046	BADG-0208-1C/1D *		1B234508-1C/1D	
U0040	DAC PCB AS	BADG-0208-1C/1D		1B2345208-1C/1D	
U0041	MICROPROCESSOR PCB AS	BACPU-0209-1C/1D		1B2345209-1C/1D	
U0042	ZONE-2 VOLUME PCB AS	BAAR-0210-1C/1D		1B2345210-1C/1D	
U0043	EQUALIZER AMP PCB AS	BAAF-0211-1C/1D		1B2345211-1C/1D	
U0044	BUFFER AMP PCB AS	BAACC-0212-1C/1D		1B2345212-1C/1D	
U0045	SIRIUS PCB AS	BARF-0204-1C/1D		1B2345204-1C/1D	
U0046	DIGITAL INPUT PCB AS	BAETC-0246-1C/1D		1B2345246-1C/1D	
CIRCUIT NO.	PART NAME	DESCRIPTION	Q'TY	PART NO. (SN)	REMARKS
[TUNER UNIT]					
U3884	PHT CP	JSR1165-001recieving	1	24120143	
U3885	PHT CP	JSR1165-001recieving	1	24120143	
[SEMI CONDUCTOR]					

D4001	ZENER D	UDZS5.6B	1	224550560R2
D4001 or	ZENER D	MAZ8056-M	(1)	224750562R2
D4002	ZENER D	UDZS5.6B	1	224550560R2
D4002 or	ZENER D	MAZ8056-M	(1)	224750562R2
D4003	ZENER D	UDZS3.6B	1	224550360R2
D4004	ZENER D	UDZS3.6B	1	224550360R2
D7002	C-DIODE	ISS352	1	223234R2
D7002 or	C-DIODE	ISS355	(1)	223269R2
D7002 or	C-DIODE	MA2J111	(1)	223279R2
D7002 or	C-DIODE	KDS4148U	(1)	223283R2
D7003	C-DIODE	ISS352	1	223234R2
D7003 or	C-DIODE	ISS355	(1)	223269R2
D7003 or	C-DIODE	MA2J111	(1)	223279R2
D7003 or	C-DIODE	KDS4148U	(1)	223283R2
D7006	C-DIODE	ISS352	1	223234R2
D7006 or	C-DIODE	ISS355	(1)	223269R2
D7006 or	C-DIODE	MA2J111	(1)	223279R2
D7006 or	C-DIODE	KDS4148U	(1)	223283R2
D7007	C-DIODE	ISS352	1	223234R2
D7007 or	C-DIODE	ISS355	(1)	223269R2
D7007 or	C-DIODE	MA2J111	(1)	223279R2
D7007 or	C-DIODE	KDS4148U	(1)	223283R2
D7008	C-DIODE	ISS352	1	223234R2
D7008 or	C-DIODE	ISS355	(1)	223269R2
D7008 or	C-DIODE	MA2J111	(1)	223279R2
D7008 or	C-DIODE	KDS4148U	(1)	223283R2
D7009	C-DIODE	ISS352	1	223234R2
D7009 or	C-DIODE	ISS355	(1)	223269R2
D7009 or	C-DIODE	MA2J111	(1)	223279R2
D7009 or	C-DIODE	KDS4148U	(1)	223283R2
D7010	C-DIODE	ISS352	1	223234R2
D7010 or	C-DIODE	ISS355	(1)	223269R2
D7010 or	C-DIODE	MA2J111	(1)	223279R2

D7010 or	C-DIODE	KDS4148U	(1)	223283R2	
D7011	C-DIODE	ISS352	1	223234R2	
D7011 or	C-DIODE	ISS355	(1)	223269R2	
D7011 or	C-DIODE	MA2J111	(1)	223279R2	
D7011 or	C-DIODE	KDS4148U	(1)	223283R2	
Q10	IC	NE5532APSR	1	22242283R2	<MDC>
Q1001	IC	PCM1796DBR	1	22242403R2	
Q1002	IC	PCM1796DBR	1	22242403R2	
Q1003	IC	PCM1796DBR	1	22242403R2	
Q1004	IC	PCM1796DBR	1	22242403R2	
Q1005	IC	PCM1796DBR	1	22242403R2	
Q1006	IC	PCM1796DBR	1	22242403R2	
Q101	IC	LC72725KV-TLM-E	1	22242584R2	<MMP, MMR>
Q1200	IC	NE5532APSR	1	22242283R2	
Q1201	IC	NE5532APSR	1	22242283R2	
Q1202	IC	NE5532APSR	1	22242283R2	
Q1203	IC	NE5532APSR	1	22242283R2	
Q1204	IC	NE5532APSR	1	22242283R2	
Q1205	IC	NE5532APSR	1	22242283R2	
Q1206	IC	NE5532APSR	1	22242283R2	
Q1207	IC	NE5532APSR	1	22242283R2	
Q1208	IC	NE5532APSR	1	22242283R2	
Q1209	IC	NE5532APSR	1	22242283R2	
Q1210	IC	NE5532APSR	1	22242283R2	
Q1211	IC	NE5532APSR	1	22242283R2	
Q1212	IC	NE5532APSR	1	22242283R2	
Q1213	IC	NE5532APSR	1	22242283R2	
Q1214	IC	NE5532APSR	1	22242283R2	
Q1215	IC	NE5532APSR	1	22242283R2	
Q1240	IC	NE5532APSR	1	22242283R2	
Q1241	IC	NE5532APSR	1	22242283R2	
Q1250	IC	NE5532APSR	1	22242283R2	
Q1251	IC	NE5532APSR	1	22242283R2	

Q1252	IC	NE5532APSR	1	22242283R2
Q1253	IC	TC9162CFG(EL)	1	22242099R2
Q1254	TR	2SC2712-GR	1	2213145R2
Q1255	TR	2SC2712-GR	1	2213145R2
Q3700	IC	CY2305SSXC-1T	1	22242573R2
Q3700 or	IC	CY2305ESXC-1T	(1)	22242638R2
Q3701	IC	TC74VHCT08AFT	1	22274008GR2TO
Q3701 or	IC	TC74VHCT08AFT (EKJ)	(1)	22274008G1R2TO
Q3702	IC	XC2C64A-7VQG100	1	222W0095R3
Q3703	IC	CS42516-CQZ(R)-D	1	22242294R2
Q3704	IC	TC7WU04FU(TE12L_F)	1	22240935R2
Q3705	IC	NE5532APSR	1	22242283R2
Q3706	IC	NE5532APSR	1	22242283R2
Q3885	IC	TC74VHC157FT	1	22274157ER2TO
Q3886	IC	74HCU04F	1	222740046R2
Q3886 or	IC	TC74HCU04AF	(1)	222740046R2TO
Q3887	IC	TC74VHC157FT	1	22274157ER2TO
Q3888	IC	ICL3221ECVZ	1	22242268R2
Q3889	IC	TC74VHC157FT	1	22274157ER2TO
Q4001	IC	NE5532APSR	1	22242283R2
Q4002	TR	2SC2240-BL(TPE2_F)	1	2211406T
Q4003	TR	2SC2240-BL(TPE2_F)	1	2211406T
Q4004	TR	2SC2712-GR	1	2213145R2
Q4005	TR	2SC2712-GR	1	2213145R2
Q4006	TR	2SC2240-BL(TPE2_F)	1	2211406T
Q4007	TR	2SC2240-BL(TPE2_F)	1	2211406T
Q4037	IC	NE5532APSR	1	22242283R2
Q4038	IC	NE5532APSR	1	22242283R2
Q4046	IC	M61540FP	1	22242497R2
Q4047	IC	M61540FP	1	22242497R2
Q4500	IC	NE5532APSR	1	22242283R2
Q4501	IC	NE5532APSR	1	22242283R2
Q4502	IC	NE5532APSR	1	22242283R2

Q4503	IC	NE5532APSR	1	22242283R2	
Q4504	IC	NE5532APSR	1	22242283R2	
Q4505	IC	NE5532APSR	1	22242283R2	
Q7001	TR	KRC104S	1	2216210R2	
Q7001 or	TR	RN1404	(1)	2214490R2	
Q7002	TR	KRA102S	1	2216220R2	
Q7002 or	TR	RN2402	(1)	2214530R2	
Q7003	TR	KRC104S	1	2216210R2	
Q7003 or	TR	RN1404	(1)	2214490R2	
Q7004	TR	KRA102S	1	2216220R2	
Q7004 or	TR	RN2402	(1)	2214530R2	
Q7005	TR	KRA107S	1	2216350R2	
Q7005 or	TR	RN2407(TE85L_F)	(1)	2216360R2	
Q7006	TR	KRC102S	1	2216190R2	
Q7006 or	TR	RN1402	(1)	2214470R2	
Q7007	TR	KRC102S	1	2216190R2	
Q7007 or	TR	RN1402	(1)	2214470R2	
Q7008	TR	KRA107S	1	2216350R2	
Q7008 or	TR	RN2407(TE85L_F)	(1)	2216360R2	
Q7009	TR	KRC104S	1	2216210R2	
Q7009 or	TR	RN1404	(1)	2214490R2	
Q7010	TR	KRA102S	1	2216220R2	
Q7010 or	TR	RN2402	(1)	2214530R2	
Q7011	TR	KRC102S	1	2216190R2	
Q7011 or	TR	RN1402	(1)	2214470R2	
Q7012	TR	KRC104S	1	2216210R2	
Q7012 or	TR	RN1404	(1)	2214490R2	
Q7013	TR	KRA102S	1	2216220R2	
Q7013 or	TR	RN2402	(1)	2214530R2	
Q7016	IC	MPD70F3746GJ-GAE-AX	1	222W0079R3	
Q7017	IC	R1EX25064ASA00A	1	22242581R2	
Q7018	IC	NJU7706F27A3	1	22242614R2	N
Q7019	IC	74HC595F	1	222745955R2	

Q7020	TR		2SC2712-GR	1	2213145R2	
Q7021	TR		2SC2712-GR	1	2213145R2	
Q7022	IC		TC4066BFT	1	22284066MR2TO	
Q7023	IC		TA4805BF(TE16L_NQ)	1	22278005DBR2TO	N
Q7024	IC		S-812C33AUA-C2N	1	22242222R2	
Q7025	IC		XC6202P502FR	1	22242331R2	
Q7027	IC		BH33FB1WG-TR	1	22242585R2	
Q7028	IC		TA4805BF(TE16L_NQ)	1	22278005DBR2TO	N
Q7029	IC		TA48033BF(TE16L_NQ)	1	22278033DBR2TO	
Q7030	IC		TA48018BF(TE16L_NQ)	1	22278018DBR2TO	
Q7031	IC		S-812C56AUA-C3K	1	22242207R2	
Q7032	TR		KRA102S	1	2216220R2	
Q7032 or	TR		RN2402	(1)	2214530R2	
Q7033	TR		KRC104S	1	2216210R2	
Q7033 or	TR		RN1404	(1)	2214490R2	
Q7034	TR		KRA102S	1	2216220R2	
Q7034 or	TR		RN2402	(1)	2214530R2	
Q7035	TR		KRC104S	1	2216210R2	
Q7035 or	TR		RN1404	(1)	2214490R2	
Q7036	IC		74HC595F	1	222745955R2	
Q7037	IC		S3F80K9	1	22242602R3	
Q7038	TR		2SC2712-GR	1	2213145R2	
Q9	IC		NE5532APSR	1	22242283R2	
[TRANS COIL]						
L1001	CHOKE COIL		LBC2518T4R7M	1	231364M047R2	
L1002	CHOKE COIL		LBC2518T4R7M	1	231364M047R2	
L1003	CHOKE COIL		LBC2518T4R7M	1	231364M047R2	
L1004	CHOKE COIL		LBC2518T4R7M	1	231364M047R2	
L1005	CHOKE COIL		LBC2518T4R7M	1	231364M047R2	
L1006	CHOKE COIL		LBC2518T4R7M	1	231364M047R2	
L1007	CHOKE COIL		LBC2518T4R7M	1	231364M047R2	
L1008	CHOKE COIL		LBC2518T4R7M	1	231364M047R2	
L1009	CHOKE COIL		LBC2518T4R7M	1	231364M047R2	

L101	CHOKE COIL	BLM21PG221SN1	1	230949R2	<MMP, MMR>
L1010	CHOKE COIL	LBC2518T4R7M	1	231364M047R2	
L1011	CHOKE COIL	LBC2518T4R7M	1	231364M047R2	
L1012	CHOKE COIL	LBC2518T4R7M	1	231364M047R2	
L1013	CHOKE COIL	LBC2518T4R7M	1	231364M047R2	
L1014	CHOKE COIL	LBC2518T4R7M	1	231364M047R2	
L1015	CHOKE COIL	LBC2518T4R7M	1	231364M047R2	
L1016	CHOKE COIL	LBC2518T4R7M	1	231364M047R2	
L1017	CHOKE COIL	LBC2518T4R7M	1	231364M047R2	
L1018	CHOKE COIL	LBC2518T4R7M	1	231364M047R2	
L1019	CHOKE COIL	LBC2518T4R7M	1	231364M047R2	
L1020	CHOKE COIL	LBC2518T4R7M	1	231364M047R2	
L1021	CHOKE COIL	LBC2518T4R7M	1	231364M047R2	
L1022	CHOKE COIL	LBC2518T4R7M	1	231364M047R2	
L1023	CHOKE COIL	LBC2518T4R7M	1	231364M047R2	
L1024	CHOKE COIL	LBC2518T4R7M	1	231364M047R2	
L3700	CHOKE COIL	LBC2518T470M	1	231364M470R2	
L3701	CHOKE COIL	LBC2518T470M	1	231364M470R2	
L3702	CHOKE COIL	LBC2518T4R7M	1	231364M047R2	
L3703	EMIFIL	BK1608LM182-T	1	230958R1	
L3704	EMIFIL	BK1608LM182-T	1	230958R1	
L3705	CHOKE COIL	LBC2518T4R7M	1	231364M047R2	
L3706	CHOKE COIL	LBC2518T4R7M	1	231364M047R2	
L3707	CHOKE COIL	LBC2518T470M	1	231364M470R2	
L3708	CHOKE COIL	LBC2518T4R7M	1	231364M047R2	
L3709	CHOKE COIL	LBC2518T4R7M	1	231364M047R2	
L3710	EMIFIL	BK1608LM182-T	1	230958R1	
L3711	CHOKE COIL	LBC2518T4R7M	1	231364M047R2	
L3712	EMIFIL	BK1608LM182-T	1	230958R1	
L3713	EMIFIL	BK1608LM182-T	1	230958R1	
L3884	CHOKE COIL	LBC2518T2R2M	1	231364M022R2	
L3885	CHOKE COIL	LBC2518T470M	1	231364M470R2	
L3886	CHOKE COIL	LBC2518T2R2M	1	231364M022R2	

L3887	CHOKE COIL	LBC2518T2R2M	1	231364M022R2	
L3888	CHOKE COIL	LBC2518T470M	1	231364M470R2	
L3889	CHOKE COIL	LBC2518T470M	1	231364M470R2	
L3890	CHOKE COIL	LBC2518T470M	1	231364M470R2	
L3892	EMIFIL	BK1608LM182-T	1	230958R1	
L3893	EMIFIL	BK1608LM182-T	1	230958R1	
L7001	CHOKE COIL	LBC2518T470M	1	231364M470R2	
X101	CRYSTAL	HC-49S 4.332MHz	1	3010469T	<MMP, MMR>
X3700	CRYSTAL	HC-49US24.576MHz	1	3010423T	
X7001	CERA LOCK	CSTCR5M00G53-B0	1	3010356R2	
X7301	CERA LOCK	CSTCE8M00G55-R0	1	3010416R2	
[CAPACITOR]					
C1001	C-FILM C	ECHU16V-104J	1	373041044R2	
C1002	C-FILM C	ECHU16V-104J	1	373041044R2	
C1003	C-FILM C	ECHU16V-104J	1	373041044R2	
C1004	UTSP C	CE04W10V-220M(UTSP)	1	397532217T	
C1005	C-FILM C	ECHU16V-104J	1	373041044R2	
C1006	UTSP C	CE04W10V-220M(UTSP)	1	397532217T	
C1007	UTSP C	CE04W10V-220M(UTSP)	1	397532217T	
C1008	UTSP C	CE04W10V-220M(UTSP)	1	397532217T	
C1009	UTSP C	CE04W10V-220M(UTSP)	1	397532217T	
C101	C-CERA C	CC725CH1H-331J1	1	342103314R1	<MMP, MMR>
C1010	UTSP C	CE04W10V-220M(UTSP)	1	397532217T	
C1011	UTSJ C	CE04W25V-47M(UTSJ)	1	398054707T	
C1012	UTSJ C	CE04W25V-47M(UTSJ)	1	398054707T	
C1013	C-FILM C	ECHU16V-104J	1	373041044R2	
C1014	C-FILM C	ECHU16V-104J	1	373041044R2	
C1015	UTSP C	CE04W10V-220M(UTSP)	1	397532217T	
C1016	UTSP C	CE04W10V-220M(UTSP)	1	397532217T	
C1017	C-FILM C	ECHU16V-104J	1	373041044R2	
C1018	C-FILM C	ECHU16V-104J	1	373041044R2	
C1019	C-FILM C	ECHU16V-104J	1	373041044R2	
C102	UTSP C	CE04W50V-10M(UTSP)	1	397581007T	<MMP, MMR>

C1020	UTSP C	CE04W10V-220M(UTSP)	1	397532217T	
C1021	C-FILM C	ECHU16V-104J	1	373041044R2	
C1022	UTSP C	CE04W10V-220M(UTSP)	1	397532217T	
C1023	UTSP C	CE04W10V-220M(UTSP)	1	397532217T	
C1024	UTSP C	CE04W10V-220M(UTSP)	1	397532217T	
C1025	UTSP C	CE04W10V-220M(UTSP)	1	397532217T	
C1026	UTSP C	CE04W10V-220M(UTSP)	1	397532217T	
C1027	UTSJ C	CE04W25V-47M(UTSJ)	1	398054707T	
C1028	UTSJ C	CE04W25V-47M(UTSJ)	1	398054707T	
C1029	C-FILM C	ECHU16V-104J	1	373041044R2	
C103	UTSP C	CE04W50V-10M(UTSP)	1	397581007T	<MMP, MMR>
C1030	C-FILM C	ECHU16V-104J	1	373041044R2	
C1031	UTSP C	CE04W10V-220M(UTSP)	1	397532217T	
C1032	UTSP C	CE04W10V-220M(UTSP)	1	397532217T	
C1033	C-FILM C	ECHU16V-104J	1	373041044R2	
C1034	C-FILM C	ECHU16V-104J	1	373041044R2	
C1035	C-FILM C	ECHU16V-104J	1	373041044R2	
C1036	UTSP C	CE04W10V-220M(UTSP)	1	397532217T	
C1037	C-FILM C	ECHU16V-104J	1	373041044R2	
C1038	UTSP C	CE04W10V-220M(UTSP)	1	397532217T	
C1039	UTSP C	CE04W10V-220M(UTSP)	1	397532217T	
C104	C-CERA C	CK725B1H-103K1	1	332101035R1	<MMP, MMR>
C1040	UTSP C	CE04W10V-220M(UTSP)	1	397532217T	
C1041	UTSP C	CE04W10V-220M(UTSP)	1	397532217T	
C1042	UTSP C	CE04W10V-220M(UTSP)	1	397532217T	
C1043	UTSJ C	CE04W25V-47M(UTSJ)	1	398054707T	
C1044	UTSJ C	CE04W25V-47M(UTSJ)	1	398054707T	
C1045	C-FILM C	ECHU16V-104J	1	373041044R2	
C1046	C-FILM C	ECHU16V-104J	1	373041044R2	
C1047	UTSP C	CE04W10V-220M(UTSP)	1	397532217T	
C1048	UTSP C	CE04W10V-220M(UTSP)	1	397532217T	
C105	C-CERA C	CC725CH1H-331J1	1	342103314R1	<MMP, MMR>
C106	C-CERA C	CK725F1E-104Z1	1	332161040R1	<MMP, MMR>

C107	C-CERA C	CC725CH1H-150J1	1	342101504R1	<MMP, MMR>
C108	C-CERA C	CC725CH1H-150J1	1	342101504R1	<MMP, MMR>
C109	C-CERA C	CC725CH1H-221J1	1	342102214R1	<MMP, MMR>
C1200	C-FILM C	ECHU50V-152J	1	373021524R2	
C1201	C-FILM C	ECHU50V-152J	1	373021524R2	
C1202	C-FILM C	ECHU50V-152J	1	373021524R2	
C1203	C-FILM C	ECHU50V-152J	1	373021524R2	
C1204	C-FILM C	ECHU50V-152J	1	373021524R2	
C1205	MKT C	B32529C0152J289	1	376491524T	
C1206	MKT C	B32529C0152J289	1	376491524T	
C1207	C-FILM C	ECHU50V-152J	1	373021524R2	
C1208	MKT C	B32529C0152J289	1	376491524T	
C1209	MKT C	B32529C0152J289	1	376491524T	
C1210	C-FILM C	ECHU50V-152J	1	373021524R2	
C1211	C-FILM C	ECHU50V-152J	1	373021524R2	
C1212	C-FILM C	ECHU50V-152J	1	373021524R2	
C1213	C-FILM C	ECHU50V-152J	1	373021524R2	
C1214	C-FILM C	ECHU50V-152J	1	373021524R2	
C1215	MKT C	B32529C0152J289	1	376491524T	
C1216	MKT C	B32529C0152J289	1	376491524T	
C1217	C-FILM C	ECHU50V-152J	1	373021524R2	
C1218	MKT C	B32529C0152J289	1	376491524T	
C1219	MKT C	B32529C0152J289	1	376491524T	
C1220	UPZ C	2AUPZTF101JE	1	376331014T	
C1221	UPZ C	2AUPZTF101JE	1	376331014T	
C1222	UPZ C	2AUPZTF101JE	1	376331014T	
C1223	UPZ C	2AUPZTF101JE	1	376331014T	
C1224	UPZ C	2AUPZTF101JE	1	376331014T	
C1225	UPZ C	2AUPZTF101JE	1	376331014T	
C1226	UPZ C	2AUPZTF101JE	1	376331014T	
C1227	UPZ C	2AUPZTF101JE	1	376331014T	
C1228	UPZ C	2AUPZTF101JE	1	376331014T	
C1229	UPZ C	2AUPZTF101JE	1	376331014T	

C1230	UPZ C	2AUPZTF221JE	1	376332214T
C1231	UPZ C	2AUPZTF221JE	1	376332214T
C1232	UPZ C	2AUPZTF221JE	1	376332214T
C1233	UPZ C	2AUPZTF221JE	1	376332214T
C1234	UPZ C	2AUPZTF221JE	1	376332214T
C1235	UPZ C	2AUPZTF221JE	1	376332214T
C1236	UPZ C	2AUPZTF221JE	1	376332214T
C1237	UPZ C	2AUPZTF221JE	1	376332214T
C1238	UPZ C	2AUPZTF221JE	1	376332214T
C1239	UPZ C	2AUPZTF221JE	1	376332214T
C1240	UPZ C	2AUPZTF221JE	1	376332214T
C1241	UPZ C	2AUPZTF221JE	1	376332214T
C1242	UPZ C	2AUPZTF221JE	1	376332214T
C1243	UPZ C	2AUPZTF221JE	1	376332214T
C1244	UPZ C	2AUPZTF221JE	1	376332214T
C1245	UPZ C	2AUPZTF221JE	1	376332214T
C1246	UPZ C	2AUPZTF221JE	1	376332214T
C1247	UPZ C	2AUPZTF221JE	1	376332214T
C1248	UPZ C	2AUPZTF221JE	1	376332214T
C1249	UPZ C	2AUPZTF221JE	1	376332214T
C1290	UTSP C	CE04W25V-220M(UTSP)	1	397552217T
C1291	UTSP C	CE04W25V-220M(UTSP)	1	397552217T
C1292	UTSP C	CE04W25V-220M(UTSP)	1	397552217T
C1293	UTSP C	CE04W25V-220M(UTSP)	1	397552217T
C1294	UTSP C	CE04W25V-220M(UTSP)	1	397552217T
C1295	UTSP C	CE04W25V-220M(UTSP)	1	397552217T
C1296	UTSP C	CE04W25V-220M(UTSP)	1	397552217T
C1297	UTSP C	CE04W25V-220M(UTSP)	1	397552217T
C1298	UTSP C	CE04W25V-220M(UTSP)	1	397552217T
C1299	UTSP C	CE04W25V-220M(UTSP)	1	397552217T
C1410	MKT C	B32529C0152J289	1	376491524T
C1411	MKT C	B32529C0152J289	1	376491524T
C1420	MKT C	B32529C0152J289	1	376491524T

C1421	MKT C	B32529C0152J289	1	376491524T
C1430	UPZ C	2AUPZTF101JE	1	376331014T
C1431	UPZ C	2AUPZTF101JE	1	376331014T
C1440	UPZ C	2AUPZTF221JE	1	376332214T
C1441	UPZ C	2AUPZTF221JE	1	376332214T
C1450	UPZ C	2AUPZTF221JE	1	376332214T
C1451	UPZ C	2AUPZTF221JE	1	376332214T
C1500	UTSP C	CE04W25V-220M(UTSP)	1	397552217T
C1501	UTSP C	CE04W25V-220M(UTSP)	1	397552217T
C1510	C-CERA C	CK725B1H-472K1	1	332104725R1
C1511	C-CERA C	CK725B1H-472K1	1	332104725R1
C1512	C-CERA C	CK725B1H-472K1	1	332104725R1
C1513	C-CERA C	CK725B1H-472K1	1	332104725R1
C1514	C-CERA C	CK725B1H-472K1	1	332104725R1
C21	VR C	CE04W16V-220M(VR)	1	394642217T
C26	VR C	CE04W16V-220M(VR)	1	394642217T
C3	VR C	CE04W16V-100M(VR)	1	394641017T
C3703	C-CERA C	CK725F1E-104Z1	1	332161040R1
C3705	UTSJ C	CE04W25V-47M(UTSJ)	1	398054707T
C3706	C-CERA C	CK725F1E-104Z1	1	332161040R1
C3707	C-CERA C	CK725F1E-104Z1	1	332161040R1
C3709	C-CERA C	CK725F1E-104Z1	1	332161040R1
C3710	VR C	CE04W16V-100M(VR)	1	394641017T
C3711	C-CERA C	CK725F1E-104Z1	1	332161040R1
C3712	C-CERA C	CK725F1E-104Z1	1	332161040R1
C3713	C-CERA C	CK725F1E-104Z1	1	332161040R1
C3714	UTSJ C	CE04W25V-47M(UTSJ)	1	398054707T
C3715	VR C	CE04W16V-100M(VR)	1	394641017T
C3716	UTSP C	CE04W10V-470M(UTSP)	1	397534717T
C3717	C-FILM C	ECHU50V-222J	1	373022224R2
C3718	C-FILM C	ECHU50V-222J	1	373022224R2
C3719	C-CERA C	CK725F1E-104Z1	1	332161040R1
C3720	C-CERA C	CK725B1H-102K1	1	332101025R1

C3721	C-CERA C	CK725B1H-223K1	1	332102235R1
C3722	C-CERA C	CK725F1E-104Z1	1	332161040R1
C3723	C-CERA C	CK725F1E-104Z1	1	332161040R1
C3724	C-CERA C	CK725F1E-104Z1	1	332161040R1
C3725	C-CERA C	CK725F1E-104Z1	1	332161040R1
C3726	C-CERA C	CK725B1H-102K1	1	332101025R1
C3727	UTSP C	CE04W10V-470M(UTSP)	1	397534717T
C3728	UTSP C	CE04W10V-470M(UTSP)	1	397534717T
C3729	UTSP C	CE04W10V-470M(UTSP)	1	397534717T
C3730	C-CERA C	CK725F1E-104Z1	1	332161040R1
C3731	C-CERA C	CK725F1E-104Z1	1	332161040R1
C3732	C-CERA C	CK725F1E-104Z1	1	332161040R1
C3733	C-CERA C	CC725CH1H-330J1	1	342103304R1
C3734	C-CERA C	CK725F1E-104Z1	1	332161040R1
C3735	C-CERA C	CC725CH1H-330J1	1	342103304R1
C3737	UTSP C	CE04W10V-470M(UTSP)	1	397534717T
C3738	UTSP C	CE04W10V-470M(UTSP)	1	397534717T
C3739	C-CERA C	CK725F1E-104Z1	1	332161040R1
C3740	C-CERA C	CK725F1E-104Z1	1	332161040R1
C3742	C-CERA C	CC725CH1H-060D1	1	342100602R1
C3743	C-CERA C	CC725CH1H-060D1	1	342100602R1
C3745	UTSP C	CE04W25V-220M(UTSP)	1	397552217T
C3746	UTSP C	CE04W25V-220M(UTSP)	1	397552217T
C3747	UTSP C	CE04W25V-47M(UTSP)	1	397554707T
C3748	UTSP C	CE04W25V-47M(UTSP)	1	397554707T
C3749	UTSP C	CE04W25V-47M(UTSP)	1	397554707T
C3750	UTSP C	CE04W25V-47M(UTSP)	1	397554707T
C3886	C-CERA C	CK725B1C-104K1	1	332121045R1
C3887	C-CERA C	CC725CH1H-101J1	1	342101014R1
C3888	VR C	CE04W16V-100M(VR)	1	394641017T
C3889	C-CERA C	CC725CH1H-101J1	1	342101014R1
C3890	C-CERA C	CK725F1E-104Z1	1	332161040R1
C3891	C-CERA C	CK725F1E-104Z1	1	332161040R1

C3892	C-CERA C	CK725B1C-104K1	1	332121045R1
C3893	C-CERA C	CC725CH1H-080D1	1	342100802R1
C3894	C-CERA C	CK725B1C-104K1	1	332121045R1
C3895	C-CERA C	CC725CH1H-080D1	1	342100802R1
C3896	C-CERA C	CC725CH1H-101J1	1	342101014R1
C3897	C-CERA C	CK725F1E-104Z1	1	332161040R1
C3898	C-CERA C	CC725CH1H-080D1	1	342100802R1
C3899	C-CERA C	CK725F1E-104Z1	1	332161040R1
C3900	C-CERA C	CK725F1E-104Z1	1	332161040R1
C3901	UTSP C	CE04W50V-1M(UTSP)	1	397580107T
C3902	C-CERA C	CK725F1E-104Z1	1	332161040R1
C3903	UTSP C	CE04W50V-1M(UTSP)	1	397580107T
C3904	VR C	CE04W16V-100M(VR)	1	394641017T
C3905	C-CERA C	CK725F1E-104Z1	1	332161040R1
C3906	UTSP C	CE04W50V-1M(UTSP)	1	397580107T
C3907	UTSP C	CE04W50V-1M(UTSP)	1	397580107T
C3908	C-CERA C	CK725F1E-104Z1	1	332161040R1
C3909	C-CERA C	CK725B1H-102K1	1	332101025R1
C3911	C-CERA C	CK725B1H-102K1	1	332101025R1
C3912	VR C	CE04W16V-100M(VR)	1	394641017T
C4	C-CERA C	CC725CH1H-101J1	1	342101014R1
C4003	UTSP C	CE04W50V 47M(UTSP)	1	397584707T
C4004	UTSP C	CE04W50V 47M(UTSP)	1	397584707T
C4005	C-CERA C	CC725CH1H-221J1	1	342102214R1
C4006	C-CERA C	CC725CH1H-221J1	1	342102214R1
C4007	UTSP C	CE04W50V 47M(UTSP)	1	397584707T
C4008	UTSP C	CE04W50V 47M(UTSP)	1	397584707T
C4009	C-CERA C	CC725CH1H-152J1	1	342101524R1
C4010	C-CERA C	CC725CH1H-152J1	1	342101524R1
C4011	UTSP C	CE04W25V-220M(UTSP)	1	397552217T
C4012	UTSP C	CE04W25V-220M(UTSP)	1	397552217T
C4013	MKT C	B32529C0682J289	1	376496824T
C4014	C-FILM C	ECHU50V-182J	1	373021824R2

C4015	MKT C	B32529C0682J289	1	376496824T
C4016	C-FILM C	ECHU50V-182J	1	373021824R2
C4017	UTSP C	CE04W50V-22M(UTSP)	1	397582207T
C4018	UTSP C	CE04W50V-22M(UTSP)	1	397582207T
C4019	MKT C	B32529C0222J289	1	376492224T
C4020	MKT C	B32529C0222J289	1	376492224T
C4021	UTSP C	CE04W25V-220M(UTSP)	1	397552217T
C4022	UTSP C	CE04W25V-220M(UTSP)	1	397552217T
C4500	UTSP C	CE04W50V 47M(UTSP)	1	397584707T
C4501	UTSP C	CE04W50V 47M(UTSP)	1	397584707T
C4502	UTSP C	CE04W50V 47M(UTSP)	1	397584707T
C4503	UTSP C	CE04W50V 47M(UTSP)	1	397584707T
C4504	UTSP C	CE04W50V 47M(UTSP)	1	397584707T
C4505	UTSP C	CE04W50V 47M(UTSP)	1	397584707T
C4506	UTSP C	CE04W50V 47M(UTSP)	1	397584707T
C4507	UTSP C	CE04W50V 47M(UTSP)	1	397584707T
C4508	UTSP C	CE04W50V 47M(UTSP)	1	397584707T
C4509	UTSP C	CE04W50V 47M(UTSP)	1	397584707T
C4510	UTSP C	CE04W50V 47M(UTSP)	1	397584707T
C4511	UTSP C	CE04W50V 47M(UTSP)	1	397584707T
C4512	UTSP C	CE04W50V 47M(UTSP)	1	397584707T
C4513	UTSP C	CE04W50V 47M(UTSP)	1	397584707T
C4514	UTSP C	CE04W50V 47M(UTSP)	1	397584707T
C4515	UTSP C	CE04W50V 47M(UTSP)	1	397584707T
C4516	UTSP C	CE04W50V 47M(UTSP)	1	397584707T
C4517	UTSP C	CE04W50V 47M(UTSP)	1	397584707T
C4518	UTSP C	CE04W50V 47M(UTSP)	1	397584707T
C4519	UTSP C	CE04W50V 47M(UTSP)	1	397584707T
C4520	UTSP C	CE04W50V 47M(UTSP)	1	397584707T
C4521	UTSP C	CE04W50V 47M(UTSP)	1	397584707T
C4522	UTSP C	CE04W50V-100M(UTSP)	1	397581017T
C4523	UTSP C	CE04W50V-100M(UTSP)	1	397581017T
C47	UTSP C	CE04W50V-10M(UTSP)	1	397581007T

C48	UTSP C	CE04W50V-10M(UTSP)	1	397581007T
C4900	CHIP ELECT C	CEWX4V-22M	1	3981G2207R2
C4901	CHIP ELECT C	CEWX4V-22M	1	3981G2207R2
C4902	CHIP ELECT C	CEWX4V-22M	1	3981G2207R2
C4903	CHIP ELECT C	CEWX4V-22M	1	3981G2207R2
C4904	UTSP C	CE04W25V-47M(UTSP)	1	397554707T
C4905	UTSP C	CE04W25V-47M(UTSP)	1	397554707T
C4906	CHIP ELECT C	CEWX4V-22M	1	3981G2207R2
C4907	CHIP ELECT C	CEWX4V-22M	1	3981G2207R2
C4908	TF C	ECQ-V50V-333J	1	374723334T
C4909	TF C	ECQ-V50V-333J	1	374723334T
C4910	TF C	ECQ-V50V-224J	1	374722244T
C4911	TF C	ECQ-V50V-473J	1	374724734T
C4912	TF C	ECQ-V50V-224J	1	374722244T
C4913	TF C	ECQ-V50V-473J	1	374724734T
C4914	CHIP ELECT C	CEWX4V-22M	1	3981G2207R2
C4915	CHIP ELECT C	CEWX4V-22M	1	3981G2207R2
C4916	UTSP C	CE04W25V-220M(UTSP)	1	397552217T
C4917	CHIP ELECT C	CEWX4V-22M	1	3981G2207R2
C4918	CHIP ELECT C	CEWX4V-22M	1	3981G2207R2
C4919	TF C	ECQ-V50V-333J	1	374723334T
C4920	TF C	ECQ-V50V-333J	1	374723334T
C4921	TF C	ECQ-V50V-224J	1	374722244T
C4922	TF C	ECQ-V50V-473J	1	374724734T
C4923	TF C	ECQ-V50V-224J	1	374722244T
C4924	TF C	ECQ-V50V-473J	1	374724734T
C4925	CHIP ELECT C	CEWX4V-22M	1	3981G2207R2
C4926	CHIP ELECT C	CEWX4V-22M	1	3981G2207R2
C4927	UTSP C	CE04W25V-220M(UTSP)	1	397552217T
C4928	CHIP ELECT C	CEWX4V-22M	1	3981G2207R2
C4929	CHIP ELECT C	CEWX4V-22M	1	3981G2207R2
C4951	CHIP ELECT C	CEWX4V-22M	1	3981G2207R2
C4952	CHIP ELECT C	CEWX4V-22M	1	3981G2207R2

C4953	CHIP ELECT C	CEWX4V-22M	1	3981G2207R2	
C4954	CHIP ELECT C	CEWX4V-22M	1	3981G2207R2	
C4963	UTSP C	CE04W25V-47M(UTSP)	1	397554707T	
C4964	UTSP C	CE04W25V-47M(UTSP)	1	397554707T	
C50	UTSP C	CE04W50V-10M(UTSP)	1	397581007T	
C51	UTSP C	CE04W50V-10M(UTSP)	1	397581007T	
C52	UTSP C	CE04W50V-10M(UTSP)	1	397581007T	<MDC>
C53	UTSP C	CE04W50V-10M(UTSP)	1	397581007T	<MDC>
C55	UTSP C	CE04W50V-10M(UTSP)	1	397581007T	<MDC>
C5569	UTSP C	CE04W50V 47M(UTSP)	1	397584707T	
C5570	UTSP C	CE04W50V 47M(UTSP)	1	397584707T	
C5571	UTSP C	CE04W50V 47M(UTSP)	1	397584707T	
C5577	UTSP C	CE04W50V 47M(UTSP)	1	397584707T	
C5578	UTSP C	CE04W50V 47M(UTSP)	1	397584707T	
C56	UTSP C	CE04W50V-10M(UTSP)	1	397581007T	<MDC>
C7001	C-CERA C	CK725F1A-105Z1	1	332181050R1	
C7002	C-CERA C	CK725F1E-104Z1	1	332161040R1	
C7004	C-CERA C	CK725F1A-105Z1	1	332181050R1	
C7005	C-CERA C	CK725F1A-105Z1	1	332181050R1	
C7006	C-CERA C	CK725F1E-104Z1	1	332161040R1	
C7007	C-CERA C	CK725F1A-105Z1	1	332181050R1	
C7008	C-CERA C	CC725CH1H-101J1	1	342101014R1	
C7009	C-CERA C	CC725CH1H-101J1	1	342101014R1	
C7012	C-CERA C	CK725B1H-102K1	1	332101025R1	
C7013	C-CERA C	CK725B1H-102K1	1	332101025R1	
C7014	UTSP C	CE04W50V-4.7M(UTSP)	1	397580477T	
C7015	C-CERA C	CK725F1E-104Z1	1	332161040R1	
C7016	C-CERA C	CK725B1H-102K1	1	332101025R1	
C7017	C-CERA C	CK725B1H-102K1	1	332101025R1	
C7018	C-CERA C	CK725B1H-102K1	1	332101025R1	
C7019	C-CERA C	CK725B1H-102K1	1	332101025R1	
C7020	C-CERA C	CK725F1E-104Z1	1	332161040R1	
C7021	C-CERA C	CK725F1E-104Z1	1	332161040R1	

C7022	C-CERA C	CK725F1E-104Z1	1	332161040R1
C7023	C-CERA C	CK725F1E-104Z1	1	332161040R1
C7024	C-CERA C	CK725F1E-104Z1	1	332161040R1
C7025	C-CERA C	CK725F1E-104Z1	1	332161040R1
C7026	C-CERA C	CK725B1H-102K1	1	332101025R1
C7027	C-CERA C	CK725F1E-104Z1	1	332161040R1
C7028	C-CERA C	CK725F1E-104Z1	1	332161040R1
C7029	C-CERA C	CK725F1E-104Z1	1	332161040R1
C7030	UTSP C	CE04W50V-47M(UTSP)	1	397584707T
C7031	UTSP C	CE04W50V-47M(UTSP)	1	397584707T
C7033	C-CERA C	CK725F1E-104Z1	1	332161040R1
C7034	VR C	CE04W16V-100M(VR)	1	394641017T
C7035	C-CERA C	CK725F1E-104Z1	1	332161040R1
C7037	UTSP C	CE04W50V-10M(UTSP)	1	397581007T
C7038	UTSP C	CE04W50V-47M(UTSP)	1	397584707T
C7039	UTSP C	CE04W50V-10M(UTSP)	1	397581007T
C7040	UTSP C	CE04W50V-10M(UTSP)	1	397581007T
C7041	VR C	CE04W16V-100M(VR)	1	394641017T
C7042	UTSP C	CE04W50V-10M(UTSP)	1	397581007T
C7043	VR C	CE04W16V-100M(VR)	1	394641017T
C7044	VR C	CE04W16V-100M(VR)	1	394641017T
C7046	VR C	CE04W16V-100M(VR)	1	394641017T
C7047	C-CERA C	CK725F1E-104Z1	1	332161040R1
C7051	VR C	CE04W16V-100M(VR)	1	394641017T
C7052	UTSP C	CE04W50V-10M(UTSP)	1	397581007T
C7053	VR C	CE04W16V-100M(VR)	1	394641017T
C7054	VR C	CE04W16V-100M(VR)	1	394641017T
C7055	VR C	CE04W16V-100M(VR)	1	394641017T
C7056	C-CERA C	CK725F1A-105Z1	1	332181050R1
C7057	UTSP C	CE04W50V-10M(UTSP)	1	397581007T
C7058	C-CERA C	CK725F1E-104Z1	1	332161040R1
C7059	VR C	CE04W6.3V-470M(VR)	1	394624717T
C7060	C-CERA C	CK725F1A-105Z1	1	332181050R1

C7061	C-CERA C	CK725F1A-105Z1	1	332181050R1
C7302	VR C	CE04W6.3V-470M(VR)	1	394624717T
C7303	C-CERA C	CK725F1E-104Z1	1	332161040R1
C7304	C-CERA C	CK725F1E-104Z1	1	332161040R1
C7305	C-CERA C	CK725F1A-105Z1	1	332181050R1
C7306	C-CERA C	CK725F1A-105Z1	1	332181050R1
C7307	C-CERA C	CK725F1A-105Z1	1	332181050R1
C7308	C-CERA C	CK725F1A-105Z1	1	332181050R1
C7309	C-CERA C	CK725F1A-105Z1	1	332181050R1
C7310	C-CERA C	CK725F1A-105Z1	1	332181050R1
C7311	C-CERA C	CK725B1H-102K1	1	332101025R1
C7312	C-CERA C	CK725B1H-102K1	1	332101025R1
[RESISTOR]				
R1001	C-CARBON R	RN72K1J-103JE	1	435031034R1
R1002	C-CARBON R	RN72K1J-103JE	1	435031034R1
R1003	C-CARBON R	RN72K1J-331JE	1	435033314R1
R1004	C-CARBON R	RN72K1J-331JE	1	435033314R1
R1005	C-CARBON R	RN72K1J-331JE	1	435033314R1
R1006	C-CARBON R	RN72K1J-331JE	1	435033314R1
R1007	C-CARBON R	RN72K1J-331JE	1	435033314R1
R1008	C-CARBON R	RN72K1J-331JE	1	435033314R1
R1009	C-CARBON R	RN72K1J-750JE	1	435037504R1
R1010	C-CARBON R	RN72K1J-750JE	1	435037504R1
R1011	C-CARBON R	RN72K1J-103JE	1	435031034R1
R1012	C-CARBON R	RN72K1J-103JE	1	435031034R1
R1013	C-CARBON R	RN72K1J-331JE	1	435033314R1
R1014	C-CARBON R	RN72K1J-331JE	1	435033314R1
R1015	C-CARBON R	RN72K1J-331JE	1	435033314R1
R1016	C-CARBON R	RN72K1J-331JE	1	435033314R1
R1017	C-CARBON R	RN72K1J-331JE	1	435033314R1
R1018	C-CARBON R	RN72K1J-331JE	1	435033314R1
R1019	C-CARBON R	RN72K1J-470JE	1	435034704R1
R1020	C-CARBON R	RN72K1J-470JE	1	435034704R1

R1021	C-CARBON R	RN72K1J-331JE	1	435033314R1
R1022	C-CARBON R	RN72K1J-331JE	1	435033314R1
R1023	C-CARBON R	RN72K1J-103JE	1	435031034R1
R1024	C-CARBON R	RN72K1J-103JE	1	435031034R1
R1025	C-CARBON R	RN72K1J-331JE	1	435033314R1
R1026	C-CARBON R	RN72K1J-331JE	1	435033314R1
R1027	C-CARBON R	RN72K1J-331JE	1	435033314R1
R1028	C-CARBON R	RN72K1J-331JE	1	435033314R1
R1029	C-CARBON R	RN72K1J-331JE	1	435033314R1
R1030	C-CARBON R	RN72K1J-331JE	1	435033314R1
R1031	C-CARBON R	RN72K1J-750JE	1	435037504R1
R1032	C-CARBON R	RN72K1J-750JE	1	435037504R1
R1033	C-CARBON R	RN72K1J-103JE	1	435031034R1
R1034	C-CARBON R	RN72K1J-103JE	1	435031034R1
R1035	C-CARBON R	RN72K1J-331JE	1	435033314R1
R1036	C-CARBON R	RN72K1J-331JE	1	435033314R1
R1037	C-CARBON R	RN72K1J-331JE	1	435033314R1
R1038	C-CARBON R	RN72K1J-331JE	1	435033314R1
R1039	C-CARBON R	RN72K1J-331JE	1	435033314R1
R1040	C-CARBON R	RN72K1J-331JE	1	435033314R1
R1041	C-CARBON R	RN72K1J-470JE	1	435034704R1
R1042	C-CARBON R	RN72K1J-470JE	1	435034704R1
R1043	C-CARBON R	RN72K1J-331JE	1	435033314R1
R1044	C-CARBON R	RN72K1J-331JE	1	435033314R1
R1045	C-CARBON R	RN72K1J-103JE	1	435031034R1
R1046	C-CARBON R	RN72K1J-103JE	1	435031034R1
R1047	C-CARBON R	RN72K1J-331JE	1	435033314R1
R1048	C-CARBON R	RN72K1J-331JE	1	435033314R1
R1049	C-CARBON R	RN72K1J-331JE	1	435033314R1
R1050	C-CARBON R	RN72K1J-331JE	1	435033314R1
R1051	C-CARBON R	RN72K1J-331JE	1	435033314R1
R1052	C-CARBON R	RN72K1J-331JE	1	435033314R1
R1053	C-CARBON R	RN72K1J-750JE	1	435037504R1

R1054	C-CARBON R	RN72K1J-750JE	1	435037504R1
R1055	C-CARBON R	RN72K1J-103JE	1	435031034R1
R1056	C-CARBON R	RN72K1J-103JE	1	435031034R1
R1057	C-CARBON R	RN72K1J-331JE	1	435033314R1
R1058	C-CARBON R	RN72K1J-331JE	1	435033314R1
R1059	C-CARBON R	RN72K1J-331JE	1	435033314R1
R1060	C-CARBON R	RN72K1J-331JE	1	435033314R1
R1061	C-CARBON R	RN72K1J-331JE	1	435033314R1
R1062	C-CARBON R	RN72K1J-331JE	1	435033314R1
R1063	C-CARBON R	RN72K1J-470JE	1	435034704R1
R1064	C-CARBON R	RN72K1J-470JE	1	435034704R1
R1065	C-CARBON R	RN72K1J-331JE	1	435033314R1
R1066	C-CARBON R	RN72K1J-331JE	1	435033314R1
R11	METAL O R	RS1/2WBJ-22	1	443522204T
R1200	C-CARBON R	RN72K1J-821JE	1	435038214R1
R1201	C-CARBON R	RN72K1J-821JE	1	435038214R1
R1202	C-CARBON R	RN72K1J-821JE	1	435038214R1
R1203	C-CARBON R	RN72K1J-821JE	1	435038214R1
R1204	C-CARBON R	RN72K1J-821JE	1	435038214R1
R1205	C-CARBON R	RN72K1J-821JE	1	435038214R1
R1206	C-CARBON R	RN72K1J-821JE	1	435038214R1
R1207	C-CARBON R	RN72K1J-821JE	1	435038214R1
R1208	C-CARBON R	RN72K1J-821JE	1	435038214R1
R1209	C-CARBON R	RN72K1J-821JE	1	435038214R1
R1210	C-CARBON R	RN72K1J-821JE	1	435038214R1
R1211	C-CARBON R	RN72K1J-821JE	1	435038214R1
R1212	C-CARBON R	RN72K1J-821JE	1	435038214R1
R1213	C-CARBON R	RN72K1J-821JE	1	435038214R1
R1214	C-CARBON R	RN72K1J-821JE	1	435038214R1
R1215	C-CARBON R	RN72K1J-821JE	1	435038214R1
R1216	C-CARBON R	RN72K1J-821JE	1	435038214R1
R1217	C-CARBON R	RN72K1J-821JE	1	435038214R1
R1218	C-CARBON R	RN72K1J-821JE	1	435038214R1

R1219	C-CARBON R	RN72K1J-821JE	1	435038214R1
R1220	C-CARBON R	RN72K1J-100JE	1	435031004R1
R1221	C-CARBON R	RN72K1J-100JE	1	435031004R1
R1222	C-CARBON R	RN72K1J-100JE	1	435031004R1
R1223	C-CARBON R	RN72K1J-100JE	1	435031004R1
R1224	C-CARBON R	RN72K1J-100JE	1	435031004R1
R1225	C-CARBON R	RN72K1J-100JE	1	435031004R1
R1226	C-CARBON R	RN72K1J-100JE	1	435031004R1
R1227	C-CARBON R	RN72K1J-100JE	1	435031004R1
R1228	C-CARBON R	RN72K1J-100JE	1	435031004R1
R1229	C-CARBON R	RN72K1J-100JE	1	435031004R1
R1230	C-CARBON R	RN72K1J-272JE	1	435032724R1
R1231	C-CARBON R	RN72K1J-272JE	1	435032724R1
R1232	C-CARBON R	RN72K1J-272JE	1	435032724R1
R1233	C-CARBON R	RN72K1J-272JE	1	435032724R1
R1234	C-CARBON R	RN72K1J-272JE	1	435032724R1
R1235	C-CARBON R	RN72K1J-272JE	1	435032724R1
R1236	C-CARBON R	RN72K1J-272JE	1	435032724R1
R1237	C-CARBON R	RN72K1J-272JE	1	435032724R1
R1238	C-CARBON R	RN72K1J-272JE	1	435032724R1
R1239	C-CARBON R	RN72K1J-272JE	1	435032724R1
R1240	C-CARBON R	RN72K1J-100JE	1	435031004R1
R1241	C-CARBON R	RN72K1J-100JE	1	435031004R1
R1242	C-CARBON R	RN72K1J-100JE	1	435031004R1
R1243	C-CARBON R	RN72K1J-100JE	1	435031004R1
R1244	C-CARBON R	RN72K1J-100JE	1	435031004R1
R1245	C-CARBON R	RN72K1J-100JE	1	435031004R1
R1246	C-CARBON R	RN72K1J-100JE	1	435031004R1
R1247	C-CARBON R	RN72K1J-100JE	1	435031004R1
R1248	C-CARBON R	RN72K1J-100JE	1	435031004R1
R1249	C-CARBON R	RN72K1J-100JE	1	435031004R1
R1250	C-CARBON R	RN72K1J-272JE	1	435032724R1
R1251	C-CARBON R	RN72K1J-272JE	1	435032724R1

R1252	C-CARBON R	RN72K1J-272JE	1	435032724R1
R1253	C-CARBON R	RN72K1J-272JE	1	435032724R1
R1254	C-CARBON R	RN72K1J-272JE	1	435032724R1
R1255	C-CARBON R	RN72K1J-272JE	1	435032724R1
R1256	C-CARBON R	RN72K1J-272JE	1	435032724R1
R1257	C-CARBON R	RN72K1J-272JE	1	435032724R1
R1258	C-CARBON R	RN72K1J-272JE	1	435032724R1
R1259	C-CARBON R	RN72K1J-272JE	1	435032724R1
R1260	C-CARBON R	RN72K1J-472JE	1	435034724R1
R1261	C-CARBON R	RN72K1J-472JE	1	435034724R1
R1262	C-CARBON R	RN72K1J-472JE	1	435034724R1
R1263	C-CARBON R	RN72K1J-472JE	1	435034724R1
R1264	C-CARBON R	RN72K1J-472JE	1	435034724R1
R1265	C-CARBON R	RN72K1J-472JE	1	435034724R1
R1266	C-CARBON R	RN72K1J-472JE	1	435034724R1
R1267	C-CARBON R	RN72K1J-472JE	1	435034724R1
R1268	C-CARBON R	RN72K1J-472JE	1	435034724R1
R1269	C-CARBON R	RN72K1J-472JE	1	435034724R1
R1270	C-CARBON R	RN72K1J-472JE	1	435034724R1
R1271	C-CARBON R	RN72K1J-472JE	1	435034724R1
R1272	C-CARBON R	RN72K1J-472JE	1	435034724R1
R1273	C-CARBON R	RN72K1J-472JE	1	435034724R1
R1274	C-CARBON R	RN72K1J-472JE	1	435034724R1
R1275	C-CARBON R	RN72K1J-472JE	1	435034724R1
R1276	C-CARBON R	RN72K1J-472JE	1	435034724R1
R1277	C-CARBON R	RN72K1J-472JE	1	435034724R1
R1278	C-CARBON R	RN72K1J-472JE	1	435034724R1
R1279	C-CARBON R	RN72K1J-472JE	1	435034724R1
R1280	C-CARBON R	RN72K1J-181JE	1	435031814R1
R1281	C-CARBON R	RN72K1J-181JE	1	435031814R1
R1282	C-CARBON R	RN72K1J-181JE	1	435031814R1
R1283	C-CARBON R	RN72K1J-181JE	1	435031814R1
R1284	C-CARBON R	RN72K1J-181JE	1	435031814R1

R1285	C-CARBON R	RN72K1J-181JE	1	435031814R1
R1286	C-CARBON R	RN72K1J-181JE	1	435031814R1
R1287	C-CARBON R	RN72K1J-181JE	1	435031814R1
R1288	C-CARBON R	RN72K1J-181JE	1	435031814R1
R1289	C-CARBON R	RN72K1J-181JE	1	435031814R1
R1290	C-CARBON R	RN72K1J-181JE	1	435031814R1
R1291	C-CARBON R	RN72K1J-181JE	1	435031814R1
R1292	C-CARBON R	RN72K1J-181JE	1	435031814R1
R1293	C-CARBON R	RN72K1J-181JE	1	435031814R1
R1294	C-CARBON R	RN72K1J-181JE	1	435031814R1
R1295	C-CARBON R	RN72K1J-181JE	1	435031814R1
R1296	C-CARBON R	RN72K1J-181JE	1	435031814R1
R1297	C-CARBON R	RN72K1J-181JE	1	435031814R1
R1298	C-CARBON R	RN72K1J-181JE	1	435031814R1
R1299	C-CARBON R	RN72K1J-181JE	1	435031814R1
R1390	C-CARBON R	RN72K1J-000JE	1	435030004R1
R1391	C-CARBON R	RN72K1J-000JE	1	435030004R1
R1392	C-CARBON R	RN72K1J-000JE	1	435030004R1
R1393	C-CARBON R	RN72K1J-000JE	1	435030004R1
R1394	C-CARBON R	RN72K1J-000JE	1	435030004R1
R1395	C-CARBON R	RN72K1J-000JE	1	435030004R1
R1396	C-CARBON R	RN72K1J-000JE	1	435030004R1
R1397	C-CARBON R	RN72K1J-000JE	1	435030004R1
R1398	C-CARBON R	RN72K1J-000JE	1	435030004R1
R1399	C-CARBON R	RN72K1J-000JE	1	435030004R1
R1400	C-CARBON R	RN72K2E-100JE	1	435221004R1
R1401	C-CARBON R	RN72K2E-100JE	1	435221004R1
R1402	C-CARBON R	RN72K2E-100JE	1	435221004R1
R1403	C-CARBON R	RN72K2E-100JE	1	435221004R1
R1404	C-CARBON R	RN72K2E-100JE	1	435221004R1
R1405	C-CARBON R	RN72K2E-100JE	1	435221004R1
R1406	C-CARBON R	RN72K2E-100JE	1	435221004R1
R1407	C-CARBON R	RN72K2E-100JE	1	435221004R1

R1408	C-CARBON R	RN72K2E-100JE	1	435221004R1
R1409	C-CARBON R	RN72K2E-100JE	1	435221004R1
R1410	C-CARBON R	RN72K1J-821JE	1	435038214R1
R1411	C-CARBON R	RN72K1J-821JE	1	435038214R1
R1420	C-CARBON R	RN72K1J-821JE	1	435038214R1
R1421	C-CARBON R	RN72K1J-821JE	1	435038214R1
R1430	C-CARBON R	RN72K1J-100JE	1	435031004R1
R1431	C-CARBON R	RN72K1J-100JE	1	435031004R1
R1440	C-CARBON R	RN72K1J-272JE	1	435032724R1
R1441	C-CARBON R	RN72K1J-272JE	1	435032724R1
R1450	C-CARBON R	RN72K1J-100JE	1	435031004R1
R1451	C-CARBON R	RN72K1J-100JE	1	435031004R1
R1460	C-CARBON R	RN72K1J-272JE	1	435032724R1
R1461	C-CARBON R	RN72K1J-272JE	1	435032724R1
R1470	C-CARBON R	RN72K1J-472JE	1	435034724R1
R1471	C-CARBON R	RN72K1J-472JE	1	435034724R1
R1480	C-CARBON R	RN72K1J-472JE	1	435034724R1
R1481	C-CARBON R	RN72K1J-472JE	1	435034724R1
R1490	C-CARBON R	RN72K1J-181JE	1	435031814R1
R1491	C-CARBON R	RN72K1J-181JE	1	435031814R1
R1500	C-CARBON R	RN72K1J-181JE	1	435031814R1
R1501	C-CARBON R	RN72K1J-181JE	1	435031814R1
R1510	C-CARBON R	RN72K1J-472JE	1	435034724R1
R1511	C-CARBON R	RN72K1J-472JE	1	435034724R1
R1520	C-CARBON R	RN72K1J-681JE	1	435036814R1
R1521	C-CARBON R	RN72K1J-681JE	1	435036814R1
R1530	C-CARBON R	RN72K1J-472JE	1	435034724R1
R1531	C-CARBON R	RN72K1J-472JE	1	435034724R1
R1540	C-CARBON R	RN72K1J-472JE	1	435034724R1
R1541	C-CARBON R	RN72K1J-472JE	1	435034724R1
R1550	C-CARBON R	RN72K1J-182JE	1	435031824R1
R1551	C-CARBON R	RN72K1J-182JE	1	435031824R1
R1560	C-CARBON R	RN72K1J-272JE	1	435032724R1

R1561	C-CARBON R	RN72K1J-272JE	1	435032724R1
R1570	C-CARBON R	RN72K1J-152JE	1	435031524R1
R1571	C-CARBON R	RN72K1J-152JE	1	435031524R1
R1580	C-CARBON R	RN72K1J-102JE	1	435031024R1
R1581	C-CARBON R	RN72K1J-102JE	1	435031024R1
R1590	C-CARBON R	RN72K1J-561JE	1	435035614R1
R1591	C-CARBON R	RN72K1J-561JE	1	435035614R1
R1600	C-CARBON R	RN72K1J-000JE	1	435030004R1
R1601	C-CARBON R	RN72K1J-000JE	1	435030004R1
R1610	C-CARBON R	RN72K2E-100JE	1	435221004R1
R1611	C-CARBON R	RN72K2E-100JE	1	435221004R1
R1620	C-CARBON R	RN72K1J-103JE	1	435031034R1
R1621	C-CARBON R	RN72K1J-103JE	1	435031034R1
R1622	C-CARBON R	RN72K1J-103JE	1	435031034R1
R1623	C-CARBON R	RN72K1J-103JE	1	435031034R1
R1624	C-CARBON R	RN72K1J-103JE	1	435031034R1
R1625	C-CARBON R	RN72K1J-103JE	1	435031034R1
R1626	C-CARBON R	RN72K1J-103JE	1	435031034R1
R1627	C-CARBON R	RN72K1J-103JE	1	435031034R1
R1628	C-CARBON R	RN72K1J-103JE	1	435031034R1
R1629	C-CARBON R	RN72K1J-103JE	1	435031034R1
R1630	C-CARBON R	RN72K1J-103JE	1	435031034R1
R1631	C-CARBON R	RN72K1J-103JE	1	435031034R1
R1632	C-CARBON R	RN72K1J-103JE	1	435031034R1
R1633	C-CARBON R	RN72K1J-103JE	1	435031034R1
R1634	C-CARBON R	RN72K1J-103JE	1	435031034R1
R1635	C-CARBON R	RN72K1J-103JE	1	435031034R1
R1636	C-CARBON R	RN72K1J-103JE	1	435031034R1
R1637	C-CARBON R	RN72K1J-103JE	1	435031034R1
R1638	C-CARBON R	RN72K1J-103JE	1	435031034R1
R1639	C-CARBON R	RN72K1J-103JE	1	435031034R1
R1640	C-CARBON R	RN72K1J-103JE	1	435031034R1
R1641	C-CARBON R	RN72K1J-103JE	1	435031034R1

R1642	C-CARBON R	RN72K1J-103JE	1	435031034R1
R1643	C-CARBON R	RN72K1J-103JE	1	435031034R1
R1644	C-CARBON R	RN72K1J-103JE	1	435031034R1
R1645	C-CARBON R	RN72K1J-103JE	1	435031034R1
R1646	C-CARBON R	RN72K1J-103JE	1	435031034R1
R1647	C-CARBON R	RN72K1J-103JE	1	435031034R1
R1648	C-CARBON R	RN72K1J-103JE	1	435031034R1
R1649	C-CARBON R	RN72K1J-103JE	1	435031034R1
R1660	C-CARBON R	RN72K1J-103JE	1	435031034R1
R1661	C-CARBON R	RN72K1J-103JE	1	435031034R1
R1670	C-CARBON R	RN72K1J-103JE	1	435031034R1
R1671	C-CARBON R	RN72K1J-103JE	1	435031034R1
R1680	C-CARBON R	RN72K1J-103JE	1	435031034R1
R1681	C-CARBON R	RN72K1J-103JE	1	435031034R1
R1682	C-CARBON R	RN72K1J-273JE	1	435032734R1
R1683	C-CARBON R	RN72K1J-103JE	1	435031034R1
R1684	C-CARBON R	RN72K1J-273JE	1	435032734R1
R1685	C-CARBON R	RN72K1J-103JE	1	435031034R1
R32	METAL O R	RS1/2WBJ-22	1	443522204T
R3702	C-CARBON R	RN72K1J-750JE	1	435037504R1
R3703	C-CARBON R	RN72K1J-220JE	1	435032204R1
R3707	C-CARBON R	RN72K1J-151JE	1	435031514R1
R3708	C-CARBON R	RN72K1J-151JE	1	435031514R1
R3709	C-CARBON R	RN72K1J-151JE	1	435031514R1
R3710	C-CARBON R	RN72K1J-221JE	1	435032214R1
R3711	C-CARBON R	RN72K1J-151JE	1	435031514R1
R3712	C-CARBON R	RN72K1J-331JE	1	435033314R1
R3713	C-CARBON R	RN72K1J-331JE	1	435033314R1
R3714	C-CARBON R	RN72K1J-151JE	1	435031514R1
R3715	C-CARBON R	RN72K1J-331JE	1	435033314R1
R3716	C-CARBON R	RN72K1J-151JE	1	435031514R1
R3717	C-CARBON R	RN72K1J-331JE	1	435033314R1
R3719	C-CARBON R	RN72K1J-331JE	1	435033314R1

R3720	C-CARBON R	RN72K1J-470JE	1	435034704R1
R3721	C-CARBON R	RN72K1J-331JE	1	435033314R1
R3722	C-CARBON R	RN72K1J-220JE	1	435032204R1
R3723	C-CARBON R	RN72K1J-331JE	1	435033314R1
R3724	C-CARBON R	RN72K1J-331JE	1	435033314R1
R3725	C-CARBON R	RN72K1J-331JE	1	435033314R1
R3726	C-CARBON R	RN72K1J-750JE	1	435037504R1
R3727	C-CARBON R	RN72K1J-220JE	1	435032204R1
R3728	C-CARBON R	RN72K1J-151JE	1	435031514R1
R3729	C-CARBON R	RN72K1J-392JE	1	435033924R1
R3730	C-CARBON R	RN72K1J-392JE	1	435033924R1
R3731	C-CARBON R	RN72K1J-220JE	1	435032204R1
R3732	C-CARBON R	RN72K1J-220JE	1	435032204R1
R3733	C-CARBON R	RN72K1J-151JE	1	435031514R1
R3734	C-CARBON R	RN72K1J-220JE	1	435032204R1
R3735	C-CARBON R	RN72K1J-151JE	1	435031514R1
R3736	C-CARBON R	RN72K1J-221JE	1	435032214R1
R3737	C-CARBON R	RN72K1J-151JE	1	435031514R1
R3738	C-CARBON R	RN72K1J-470JE	1	435034704R1
R3739	C-CARBON R	RN72K1J-331JE	1	435033314R1
R3740	C-CARBON R	RN72K1J-152JE	1	435031524R1
R3741	C-CARBON R	RN72K1J-151JE	1	435031514R1
R3742	C-CARBON R	RN72K1J-331JE	1	435033314R1
R3743	C-CARBON R	RN72K1J-151JE	1	435031514R1
R3744	C-CARBON R	RN72K1J-331JE	1	435033314R1
R3745	C-CARBON R	RN72K1J-470JE	1	435034704R1
R3746	C-CARBON R	RN72K1J-331JE	1	435033314R1
R3747	C-CARBON R	RN72K1J-331JE	1	435033314R1
R3748	C-CARBON R	RN72K1J-331JE	1	435033314R1
R3749	C-CARBON R	RN72K1J-331JE	1	435033314R1
R3750	C-CARBON R	RN72K1J-331JE	1	435033314R1
R3751	C-CARBON R	RN72K1J-331JE	1	435033314R1
R3752	C-CARBON R	RN72K1J-331JE	1	435033314R1

R3754	C-CARBON R	RN72K1J-331JE	1	435033314R1
R3755	C-CARBON R	RN72K1J-331JE	1	435033314R1
R3756	C-CARBON R	RN72K1J-331JE	1	435033314R1
R3757	C-CARBON R	RN72K1J-331JE	1	435033314R1
R3758	C-CARBON R	RN72K1J-331JE	1	435033314R1
R3759	C-CARBON R	RN72K1J-331JE	1	435033314R1
R3760	C-CARBON R	RN72K1J-331JE	1	435033314R1
R3761	C-CARBON R	RN72K1J-331JE	1	435033314R1
R3762	C-CARBON R	RN72K1J-331JE	1	435033314R1
R3763	C-CARBON R	RN72K1J-331JE	1	435033314R1
R3765	C-CARBON R	RN72K1J-103JE	1	435031034R1
R3766	C-CARBON R	RN72K1J-331JE	1	435033314R1
R3767	C-CARBON R	RN72K1J-331JE	1	435033314R1
R3768	C-CARBON R	RN72K1J-331JE	1	435033314R1
R3769	C-CARBON R	RN72K1J-470JE	1	435034704R1
R3770	C-CARBON R	RN72K1J-470JE	1	435034704R1
R3771	C-CARBON R	RN72K1J-221JE	1	435032214R1
R3772	C-CARBON R	RN72K1J-470JE	1	435034704R1
R3773	C-CARBON R	RN72K1J-105JE	1	435031054R1
R3774	C-CARBON R	RN72K1J-470JE	1	435034704R1
R3775	C-CARBON R	RN72K1J-470JE	1	435034704R1
R3776	C-CARBON R	RN72K1J-000JE	1	435030004R1
R3777	C-CARBON R	RN72K1J-391JE	1	435033914R1
R3778	C-CARBON R	RN72K1J-391JE	1	435033914R1
R3779	C-CARBON R	RN72K1J-103JE	1	435031034R1
R3780	C-CARBON R	RN72K1J-103JE	1	435031034R1
R3781	C-CARBON R	RN72K1J-103JE	1	435031034R1
R3782	C-CARBON R	RN72K1J-103JE	1	435031034R1
R3783	C-CARBON R	RN72K1J-103JE	1	435031034R1
R3784	C-CARBON R	RN72K1J-103JE	1	435031034R1
R3785	C-CARBON R	RN72K1J-103JE	1	435031034R1
R3786	C-CARBON R	RN72K1J-103JE	1	435031034R1
R3787	C-CARBON R	RN72K1J-103JE	1	435031034R1

R3788	C-CARBON R	RN72K1J-103JE	1	435031034R1	
R3789	C-CARBON R	RN72K1J-560JE	1	435035604R1	
R3790	C-CARBON R	RN72K1J-560JE	1	435035604R1	
R3791	C-CARBON R	RN72K1J-560JE	1	435035604R1	
R3792	C-CARBON R	RN72K1J-560JE	1	435035604R1	
R3796	C-CARBON R	RN72K1J-103JE	1	435031034R1	
R3797	C-CARBON R	RN72K1J-103JE	1	435031034R1	
R3798	C-CARBON R	RN72K1J-103JE	1	435031034R1	
R3799	C-CARBON R	RN72K1J-103JE	1	435031034R1	
R3883	C-CARBON R	RN72K1J-331JE	1	435033314R1	
R3884	C-CARBON R	RN72K1J-221JE	1	435032214R1	
R3885	C-CARBON R	RN72K1J-103JE	1	435031034R1	
R3886	C-CARBON R	RN72K1J-221JE	1	435032214R1	
R3887	C-CARBON R	RN72K1J-470JE	1	435034704R1	
R3888	C-CARBON R	RN72K1J-470JE	1	435034704R1	
R3889	C-CARBON R	RN72K1J-470JE	1	435034704R1	
R3890	C-CARBON R	RN72K1J-470JE	1	435034704R1	
R3891	C-CARBON R	RN72K1J-470JE	1	435034704R1	
R3892	C-CARBON R	RN72K1J-823JE	1	435038234R1	
R3893	C-CARBON R	RN72K1J-103JE	1	435031034R1	
R3894	C-CARBON R	RN72K1J-103JE	1	435031034R1	
R3895	C-CARBON R	RN72K1J-100JE	1	435031004R1	
R3896	C-CARBON R	RN72K1J-823JE	1	435038234R1	
R3897	C-CARBON R	RN72K1J-750JE	1	435037504R1	
R3898	C-CARBON R	RN72K1J-224JE	1	435032244R1	
R3899	C-CARBON R	RN72K1J-103JE	1	435031034R1	
R39	C-CARBON R	RN72K1J-220JE	1	435032204R1	<MDC>
R3900	C-CARBON R	RN72K1J-823JE	1	435038234R1	
R3901	C-CARBON R	RN72K1J-470JE	1	435034704R1	
R3902	C-CARBON R	RN72K1J-470JE	1	435034704R1	
R3903	C-CARBON R	RN72K1J-103JE	1	435031034R1	
R3904	C-CARBON R	RN72K1J-103JE	1	435031034R1	
R3905	C-CARBON R	RN72K1J-331JE	1	435033314R1	

R3906	C-CARBON R	RN72K1J-331JE	1	435033314R1
R3907	C-CARBON R	RN72K1J-103JE	1	435031034R1
R3908	C-CARBON R	RN72K1J-331JE	1	435033314R1
R3910	C-CARBON R	RN72K1J-331JE	1	435033314R1
R3911	C-CARBON R	RN72K1J-221JE	1	435032214R1
R3913	C-CARBON R	RN72K1J-750JE	1	435037504R1
R3914	C-CARBON R	RN72K1J-100JE	1	435031004R1
R3915	C-CARBON R	RN72K1J-224JE	1	435032244R1
R3916	C-CARBON R	RN72K1J-470JE	1	435034704R1
R3917	C-CARBON R	RN72K1J-470JE	1	435034704R1
R3918	C-CARBON R	RN72K1J-331JE	1	435033314R1
R3919	C-CARBON R	RN72K1J-331JE	1	435033314R1
R3920	C-CARBON R	RN72K1J-331JE	1	435033314R1
R3921	C-CARBON R	RN72K1J-750JE	1	435037504R1
R3922	C-CARBON R	RN72K1J-224JE	1	435032244R1
R3923	C-CARBON R	RN72K1J-100JE	1	435031004R1
R4005	C-CARBON R	RN72K1J-102JE	1	435031024R1
R4006	C-CARBON R	RN72K1J-102JE	1	435031024R1
R4007	METAL O R	RS1/2WBJ-2.2K	1	443522224T
R4008	METAL O R	RS1/2WBJ-2.2K	1	443522224T
R4009	C-CARBON R	RN72K1J-223JE	1	435032234R1
R4010	C-CARBON R	RN72K1J-223JE	1	435032234R1
R4011	C-CARBON R	RN72K1J-224JE	1	435032244R1
R4012	C-CARBON R	RN72K1J-224JE	1	435032244R1
R4013	C-CARBON R	RN72K1J-221JE	1	435032214R1
R4014	C-CARBON R	RN72K1J-221JE	1	435032214R1
R4015	C-CARBON R	RN72K1J-332JE	1	435033324R1
R4016	C-CARBON R	RN72K1J-332JE	1	435033324R1
R4017	C-CARBON R	RN72K1J-220JE	1	435032204R1
R4018	C-CARBON R	RN72K1J-220JE	1	435032204R1
R4019	C-CARBON R	RN72K1J-332JE	1	435033324R1
R4020	C-CARBON R	RN72K1J-332JE	1	435033324R1
R4021	C-CARBON R	RN72K1J-220JE	1	435032204R1

R4022	C-CARBON R	RN72K1J-220JE	1	435032204R1	
R4023	C-CARBON R	RN72K1J-272JE	1	435032724R1	
R4024	C-CARBON R	RN72K1J-272JE	1	435032724R1	
R4025	C-CARBON R	RN72K1J-821JE	1	435038214R1	
R4026	C-CARBON R	RN72K1J-821JE	1	435038214R1	
R4027	C-CARBON R	RN72K1J-474JE	1	435034744R1	
R4028	C-CARBON R	RN72K1J-474JE	1	435034744R1	
R4029	C-CARBON R	RN72K1J-393JE	1	435033934R1	
R4030	C-CARBON R	RN72K1J-393JE	1	435033934R1	
R4031	C-CARBON R	RN72K1J-122JE	1	435031224R1	
R4032	C-CARBON R	RN72K1J-122JE	1	435031224R1	
R4033	C-CARBON R	RN72K1J-821JE	1	435038214R1	
R4034	C-CARBON R	RN72K1J-821JE	1	435038214R1	
R4035	C-CARBON R	RN72K1J-224JE	1	435032244R1	
R4036	C-CARBON R	RN72K1J-224JE	1	435032244R1	
R4037	NF CARBON R	R25J-100	1	415471014T	
R4038	NF CARBON R	R25J-100	1	415471014T	
R41	C-CARBON R	RN72K1J-220JE	1	435032204R1	<MDC>
R43	C-CARBON R	RN72K1J-000JE	1	435030004R1	<MDC>
R4500	C-CARBON R	RN72K1J-224JE	1	435032244R1	
R4501	C-CARBON R	RN72K1J-224JE	1	435032244R1	
R4502	C-CARBON R	RN72K1J-224JE	1	435032244R1	
R4503	C-CARBON R	RN72K1J-224JE	1	435032244R1	
R4504	C-CARBON R	RN72K1J-224JE	1	435032244R1	
R4505	C-CARBON R	RN72K1J-224JE	1	435032244R1	
R4506	C-CARBON R	RN72K1J-224JE	1	435032244R1	
R4507	C-CARBON R	RN72K1J-224JE	1	435032244R1	
R4508	C-CARBON R	RN72K1J-224JE	1	435032244R1	
R4509	C-CARBON R	RN72K1J-224JE	1	435032244R1	
R4510	C-CARBON R	RN72K1J-224JE	1	435032244R1	
R4511	C-CARBON R	RN72K1J-224JE	1	435032244R1	
R4512	C-CARBON R	RN72K1J-224JE	1	435032244R1	
R4513	C-CARBON R	RN72K1J-224JE	1	435032244R1	

R4514	C-CARBON R	RN72K1J-224JE	1	435032244R1
R4515	C-CARBON R	RN72K1J-224JE	1	435032244R1
R4516	C-CARBON R	RN72K1J-224JE	1	435032244R1
R4517	C-CARBON R	RN72K1J-224JE	1	435032244R1
R4518	C-CARBON R	RN72K1J-224JE	1	435032244R1
R4519	C-CARBON R	RN72K1J-224JE	1	435032244R1
R4520	C-CARBON R	RN72K1J-224JE	1	435032244R1
R4521	C-CARBON R	RN72K1J-224JE	1	435032244R1
R4522	METAL O R	RS1/2WBJ-22	1	443522204T
R4523	METAL O R	RS1/2WBJ-22	1	443522204T
R49	C-CARBON R	RN72K1J-223JE	1	435032234R1
R4900	C-CARBON R	RN72K1J-224JE	1	435032244R1
R4901	C-CARBON R	RN72K1J-224JE	1	435032244R1
R4902	C-CARBON R	RN72K1J-224JE	1	435032244R1
R4903	C-CARBON R	RN72K1J-224JE	1	435032244R1
R4904	METAL R	RNU1/2WCJ-4.7	1	453530474T
R4905	METAL R	RNU1/2WCJ-4.7	1	453530474T
R4906	C-CARBON R	RN72K1J-471JE	1	435034714R1
R4907	C-CARBON R	RN72K1J-471JE	1	435034714R1
R4908	C-CARBON R	RN72K1J-472JE	1	435034724R1
R4909	C-CARBON R	RN72K1J-472JE	1	435034724R1
R4910	C-CARBON R	RN72K1J-103JE	1	435031034R1
R4911	C-CARBON R	RN72K1J-103JE	1	435031034R1
R4912	C-CARBON R	RN72K1J-471JE	1	435034714R1
R4913	C-CARBON R	RN72K1J-471JE	1	435034714R1
R4914	C-CARBON R	RN72K1J-472JE	1	435034724R1
R4915	C-CARBON R	RN72K1J-472JE	1	435034724R1
R4916	C-CARBON R	RN72K1J-103JE	1	435031034R1
R4917	C-CARBON R	RN72K1J-103JE	1	435031034R1
R4951	C-CARBON R	RN72K1J-224JE	1	435032244R1
R4952	C-CARBON R	RN72K1J-224JE	1	435032244R1
R4953	C-CARBON R	RN72K1J-224JE	1	435032244R1
R4954	C-CARBON R	RN72K1J-224JE	1	435032244R1

R4967	METAL O R	RS1/2WBJ-22	1	443522204T	
R4968	METAL O R	RS1/2WBJ-22	1	443522204T	
R4969	METAL O R	RS1/2WBJ-470	1	443524714T	
R4970	METAL O R	RS1/2WBJ-470	1	443524714T	
R50	C-CARBON R	RN72K1J-223JE	1	435032234R1	
R51	C-CARBON R	RN72K1J-223JE	1	435032234R1	
R52	C-CARBON R	RN72K1J-223JE	1	435032234R1	
R53	C-CARBON R	RN72K1J-223JE	1	435032234R1	
R54	C-CARBON R	RN72K1J-223JE	1	435032234R1	
R55	C-CARBON R	RN72K1J-223JE	1	435032234R1	
R56	C-CARBON R	RN72K1J-223JE	1	435032234R1	
R57	C-CARBON R	RN72K1J-103JE	1	435031034R1	<MDC>
R58	C-CARBON R	RN72K1J-103JE	1	435031034R1	<MDC>
R59	C-CARBON R	RN72K1J-103JE	1	435031034R1	<MDC>
R60	C-CARBON R	RN72K1J-103JE	1	435031034R1	<MDC>
R61	C-CARBON R	RN72K1J-103JE	1	435031034R1	<MDC>
R62	C-CARBON R	RN72K1J-103JE	1	435031034R1	<MDC>
R63	C-CARBON R	RN72K1J-103JE	1	435031034R1	<MDC>
R64	C-CARBON R	RN72K1J-103JE	1	435031034R1	<MDC>
R7001	C-CARBON R	RN72K1J-222JE	1	435032224R1	
R7002	C-CARBON R	RN72K1J-000JE	1	435030004R1	
R7003	C-CARBON R	RN72K1J-000JE	1	435030004R1	
R7004	C-CARBON R	RN72K1J-102JE	1	435031024R1	
R7005	C-CARBON R	RN72K1J-222JE	1	435032224R1	
R7006	C-CARBON R	RN72K1J-101JE	1	435031014R1	
R7007	C-CARBON R	RN72K1J-102JE	1	435031024R1	
R7008	C-CARBON R	RN72K1J-103JE	1	435031034R1	<MDC>
R7009	C-CARBON R	RN72K1J-224JE	1	435032244R1	
R7010	C-CARBON R	RN72K1J-222JE	1	435032224R1	
R7011	C-CARBON R	RN72K1J-103JE	1	435031034R1	
R7012	C-CARBON R	RN72K1J-102JE	1	435031024R1	
R7013	C-CARBON R	RN72K1J-103JE	1	435031034R1	
R7014	C-CARBON R	RN72K1J-103JE	1	435031034R1	

R7015	C-CARBON R	RN72K1J-103JE	1	435031034R1
R7016	C-CARBON R	RN72K1J-103JE	1	435031034R1
R7017	C-CARBON R	RN72K1J-103JE	1	435031034R1
R7018	C-CARBON R	RN72K1J-103JE	1	435031034R1
R7019	C-CARBON R	RN72K1J-103JE	1	435031034R1
R7020	C-CARBON R	RN72K1J-103JE	1	435031034R1
R7021	C-CARBON R	RN72K1J-273JE	1	435032734R1
R7022	C-CARBON R	RN72K1J-103JE	1	435031034R1
R7023	C-CARBON R	RN72K1J-103JE	1	435031034R1
R7024	C-CARBON R	RN72K1J-103JE	1	435031034R1
R7025	C-CARBON R	RN72K1J-470JE	1	435034704R1
R7026	C-CARBON R	RN72K1J-470JE	1	435034704R1
R7027	C-CARBON R	RN72K1J-470JE	1	435034704R1
R7028	C-CARBON R	RN72K1J-470JE	1	435034704R1
R7029	C-CARBON R	RN72K1J-103JE	1	435031034R1
R7030	C-CARBON R	RN72K1J-103JE	1	435031034R1
R7031	C-CARBON R	RN72K1J-222JE	1	435032224R1
R7032	C-CARBON R	RN72K1J-101JE	1	435031014R1
R7033	C-CARBON R	RN72K1J-470JE	1	435034704R1
R7034	C-CARBON R	RN72K1J-470JE	1	435034704R1
R7035	C-CARBON R	RN72K1J-470JE	1	435034704R1
R7036	C-CARBON R	RN72K1J-221JE	1	435032214R1
R7037	C-CARBON R	RN72K1J-470JE	1	435034704R1
R7044	C-CARBON R	RN72K1J-221JE	1	435032214R1
R7045	C-CARBON R	RN72K1J-221JE	1	435032214R1
R7046	C-CARBON R	RN72K1J-470JE	1	435034704R1
R7047	C-CARBON R	RN72K1J-470JE	1	435034704R1
R7048	C-CARBON R	RN72K1J-470JE	1	435034704R1
R7049	C-CARBON R	RN72K1J-470JE	1	435034704R1
R7050	C-CARBON R	RN72K1J-470JE	1	435034704R1
R7051	C-CARBON R	RN72K1J-470JE	1	435034704R1
R7052	C-CARBON R	RN72K1J-470JE	1	435034704R1
R7053	C-CARBON R	RN72K1J-470JE	1	435034704R1

R7054	C-CARBON R	RN72K1J-470JE	1	435034704R1	
R7055	C-CARBON R	RN72K1J-470JE	1	435034704R1	
R7056	C-CARBON R	RN72K1J-470JE	1	435034704R1	
R7057	C-CARBON R	RN72K1J-470JE	1	435034704R1	
R7058	C-CARBON R	RN72K1J-221JE	1	435032214R1	
R7059	C-CARBON R	RN72K1J-221JE	1	435032214R1	<MMP, MMR>
R7060	C-CARBON R	RN72K1J-470JE	1	435034704R1	
R7061	C-CARBON R	RN72K1J-272JE	1	435032724R1	
R7062	C-CARBON R	RN72K1J-273JE	1	435032734R1	
R7070	C-CARBON R	RN72K1J-103JE	1	435031034R1	
R7071	C-CARBON R	RN72K1J-103JE	1	435031034R1	
R7072	C-CARBON R	RN72K1J-103JE	1	435031034R1	
R7074	C-CARBON R	RN72K1J-103JE	1	435031034R1	
R7075	C-CARBON R	RN72K1J-103JE	1	435031034R1	
R7076	C-CARBON R	RN72K1J-472JE	1	435034724R1	
R7077	C-CARBON R	RN72K1J-103JE	1	435031034R1	
R7078	C-CARBON R	RN72K1J-102JE	1	435031024R1	
R7079	C-CARBON R	RN72K1J-103JE	1	435031034R1	
R7080	C-CARBON R	RN72K1J-103JE	1	435031034R1	
R7081	C-CARBON R	RN72K1J-103JE	1	435031034R1	
R7082	C-CARBON R	RN72K1J-272JE	1	435032724R1	
R7083	C-CARBON R	RN72K1J-272JE	1	435032724R1	
R7084	C-CARBON R	RN72K1J-272JE	1	435032724R1	
R7088	C-CARBON R	RN72K1J-221JE	1	435032214R1	
R7089	C-CARBON R	RN72K1J-103JE	1	435031034R1	
R7090	C-CARBON R	RN72K1J-470JE	1	435034704R1	
R7091	C-CARBON R	RN72K1J-470JE	1	435034704R1	
R7092	C-CARBON R	RN72K1J-470JE	1	435034704R1	
R7093	C-CARBON R	RN72K1J-470JE	1	435034704R1	
R7094	C-CARBON R	RN72K1J-470JE	1	435034704R1	
R7095	C-CARBON R	RN72K1J-470JE	1	435034704R1	
R7096	C-CARBON R	RN72K1J-102JE	1	435031024R1	
R7097	C-CARBON R	RN72K1J-470JE	1	435034704R1	

R7098	C-CARBON R	RN72K1J-470JE	1	435034704R1
R7099	C-CARBON R	RN72K1J-222JE	1	435032224R1
R7100	C-CARBON R	RN72K1J-470JE	1	435034704R1
R7101	C-CARBON R	RN72K1J-221JE	1	435032214R1
R7102	C-CARBON R	RN72K1J-470JE	1	435034704R1
R7103	C-CARBON R	RN72K1J-221JE	1	435032214R1
R7104	C-CARBON R	RN72K1J-470JE	1	435034704R1
R7106	C-CARBON R	RN72K1J-470JE	1	435034704R1
R7108	C-CARBON R	RN72K1J-470JE	1	435034704R1
R7110	C-CARBON R	RN72K1J-470JE	1	435034704R1
R7112	C-CARBON R	RN72K1J-470JE	1	435034704R1
R7114	C-CARBON R	RN72K1J-470JE	1	435034704R1
R7116	C-CARBON R	RN72K1J-470JE	1	435034704R1
R7117	C-CARBON R	RN72K1J-470JE	1	435034704R1
R7118	C-CARBON R	RN72K1J-470JE	1	435034704R1
R7119	C-CARBON R	RN72K1J-470JE	1	435034704R1
R7120	C-CARBON R	RN72K1J-470JE	1	435034704R1
R7121	C-CARBON R	RN72K1J-470JE	1	435034704R1
R7122	C-CARBON R	RN72K1J-103JE	1	435031034R1
R7123	C-CARBON R	RN72K1J-473JE	1	435034734R1
R7124	C-CARBON R	RN72K1J-102JE	1	435031024R1
R7125	C-CARBON R	RN72K1J-000JE	1	435030004R1
R7126	C-CARBON R	RN72K1J-470JE	1	435034704R1
R7127	C-CARBON R	RN72K1J-000JE	1	435030004R1
R7128	C-CARBON R	RN72K1J-221JE	1	435032214R1
R7129	C-CARBON R	RN72K1J-470JE	1	435034704R1
R7130	C-CARBON R	RN72K1J-221JE	1	435032214R1
R7131	C-CARBON R	RN72K1J-221JE	1	435032214R1
R7132	C-CARBON R	RN72K1J-221JE	1	435032214R1
R7134	C-CARBON R	RN72K1J-221JE	1	435032214R1
R7135	C-CARBON R	RN72K1J-470JE	1	435034704R1
R7136	C-CARBON R	RN72K1J-103JE	1	435031034R1
R7137	C-CARBON R	RN72K1J-221JE	1	435032214R1

R7138	C-CARBON R	RN72K1J-470JE	1	435034704R1	
R7140	C-CARBON R	RN72K1J-470JE	1	435034704R1	
R7141	C-CARBON R	RN72K1J-470JE	1	435034704R1	
R7143	C-CARBON R	RN72K1J-470JE	1	435034704R1	
R7144	C-CARBON R	RN72K1J-221JE	1	435032214R1	
R7145	C-CARBON R	RN72K1J-221JE	1	435032214R1	
R7146	C-CARBON R	RN72K1J-103JE	1	435031034R1	
R7147	C-CARBON R	RN72K1J-221JE	1	435032214R1	
R7148	C-CARBON R	RN72K1J-470JE	1	435034704R1	
R7149	C-CARBON R	RN72K1J-473JE	1	435034734R1	
R7150	C-CARBON R	RN72K1J-221JE	1	435032214R1	
R7151	C-CARBON R	RN72K1J-470JE	1	435034704R1	
R7152	C-CARBON R	RN72K1J-221JE	1	435032214R1	
R7153	C-CARBON R	RN72K1J-470JE	1	435034704R1	
R7155	C-CARBON R	RN72K1J-000JE	1	435030004R1	
R7156	C-CARBON R	RN72K1J-470JE	1	435034704R1	
R7158	C-CARBON R	RN72K1J-473JE	1	435034734R1	
R7159	C-CARBON R	RN72K1J-000JE	1	435030004R1	
R7160	C-CARBON R	RN72K1J-221JE	1	435032214R1	
R7161	C-CARBON R	RN72K1J-333JE	1	435033334R1	
R7162	C-CARBON R	RN72K1J-103JE	1	435031034R1	
R7163	C-CARBON R	RN72K1J-103JE	1	435031034R1	<MMP, MMR>
R7163	C-CARBON R	RN72K1J-333JE	1	435033334R1	<MDC>
R7164	C-CARBON R	RN72K1J-103JE	1	435031034R1	<MMP, MMR>
R7164	C-CARBON R	RN72K1J-472JE	1	435034724R1	<MDC>
R7165	C-CARBON R	RN72K1J-472JE	1	435034724R1	
R7166	C-CARBON R	RN72K1J-472JE	1	435034724R1	
R7167	C-CARBON R	RN72K1J-472JE	1	435034724R1	
R7168	C-CARBON R	RN72K1J-472JE	1	435034724R1	
R7169	C-CARBON R	RN72K1J-472JE	1	435034724R1	
R7170	C-CARBON R	RN72K1J-472JE	1	435034724R1	
R7171	C-CARBON R	RN72K1J-272JE	1	435032724R1	
R7172	C-CARBON R	RN72K1J-272JE	1	435032724R1	

R7173	C-CARBON R	RN72K1J-272JE	1	435032724R1	
R7174	C-CARBON R	RN72K1J-272JE	1	435032724R1	
R7175	C-CARBON R	RN72K1J-272JE	1	435032724R1	
R7176	C-CARBON R	RN72K1J-272JE	1	435032724R1	
R7177	C-CARBON R	RN72K1J-272JE	1	435032724R1	
R7178	C-CARBON R	RN72K1J-272JE	1	435032724R1	
R7180	C-CARBON R	RN72K1J-470JE	1	435034704R1	
R7181	C-CARBON R	RN72K1J-102JE	1	435031024R1	
R7182	C-CARBON R	RN72K1J-470JE	1	435034704R1	
R7183	C-CARBON R	RN72K1J-000JE	1	435030004R1	
R7184	C-CARBON R	RN72K1J-221JE	1	435032214R1	
R7185	C-CARBON R	RN72K1J-221JE	1	435032214R1	
R7186	C-CARBON R	RN72K1J-221JE	1	435032214R1	
R7187	C-CARBON R	RN72K1J-221JE	1	435032214R1	
R7188	C-CARBON R	RN72K1J-470JE	1	435034704R1	
R7189	C-CARBON R	RN72K1J-470JE	1	435034704R1	
R7190	C-CARBON R	RN72K1J-470JE	1	435034704R1	
R7191	C-CARBON R	RN72K1J-470JE	1	435034704R1	
R7192	C-CARBON R	RN72K1J-470JE	1	435034704R1	
R7193	C-CARBON R	RN72K1J-470JE	1	435034704R1	
R7194	C-CARBON R	RN72K1J-221JE	1	435032214R1	
R7195	C-CARBON R	RN72K1J-000JE	1	435030004R1	
R7196	C-CARBON R	RN72K1J-000JE	1	435030004R1	
R7197	C-CARBON R	RN72K1J-221JE	1	435032214R1	<MMP, MMR>
R7198	C-CARBON R	RN72K1J-470JE	1	435034704R1	
R7199	C-CARBON R	RN72K1J-221JE	1	435032214R1	
R7200	C-CARBON R	RN72K1J-103JE	1	435031034R1	
R7202	C-CARBON R	RN72K1J-103JE	1	435031034R1	
R7203	C-CARBON R	RN72K1J-103JE	1	435031034R1	
R7204	C-CARBON R	RN72K1J-103JE	1	435031034R1	
R7205	C-CARBON R	RN72K1J-103JE	1	435031034R1	
R7206	C-CARBON R	RN72K1J-103JE	1	435031034R1	
R7207	C-CARBON R	RN72K1J-103JE	1	435031034R1	

R7208	C-CARBON R	RN72K1J-103JE	1	435031034R1	
R7209	C-CARBON R	RN72K1J-103JE	1	435031034R1	
R7210	C-CARBON R	RN72K1J-103JE	1	435031034R1	
R7211	C-CARBON R	RN72K1J-103JE	1	435031034R1	
R7212	C-CARBON R	RN72K1J-103JE	1	435031034R1	
R7213	C-CARBON R	RN72K1J-473JE	1	435034734R1	
R7214	C-CARBON R	RN72K1J-103JE	1	435031034R1	
R7215	C-CARBON R	RN72K1J-224JE	1	435032244R1	
R7216	C-CARBON R	RN72K1J-224JE	1	435032244R1	
R7225	C-CARBON R	RN72K1J-103JE	1	435031034R1	
R7228	C-CARBON R	RN72K1J-103JE	1	435031034R1	
R7232	C-CARBON R	RN72K1J-473JE	1	435034734R1	
R7233	C-CARBON R	RN72K1J-470JE	1	435034704R1	
R7234	C-CARBON R	RN72K1J-103JE	1	435031034R1	<MDC>
R7235	C-CARBON R	RN72K1J-103JE	1	435031034R1	
R7237	C-CARBON R	RN72K1J-103JE	1	435031034R1	
R7238	C-CARBON R	RN72K1J-103JE	1	435031034R1	
R7239	C-CARBON R	RN72K1J-470JE	1	435034704R1	
R7240	C-CARBON R	RN72K1J-470JE	1	435034704R1	
R7241	C-CARBON R	RN72K1J-470JE	1	435034704R1	
R7242	C-CARBON R	RN72K1J-470JE	1	435034704R1	
R7243	C-CARBON R	RN72K1J-221JE	1	435032214R1	
R7244	C-CARBON R	RN72K1J-103JE	1	435031034R1	
R7245	C-CARBON R	RN72K1J-103JE	1	435031034R1	
R7246	C-CARBON R	RN72K1J-470JE	1	435034704R1	
R7247	C-CARBON R	RN72K1J-470JE	1	435034704R1	
R7248	C-CARBON R	RN72K1J-470JE	1	435034704R1	
R7249	C-CARBON R	RN72K1J-103JE	1	435031034R1	
R7251	C-CARBON R	RN72K1J-104JE	1	435031044R1	
R7254	C-CARBON R	RN72K1J-104JE	1	435031044R1	
R7255	C-CARBON R	RN72K1J-473JE	1	435034734R1	
R7256	C-CARBON R	RN72K1J-473JE	1	435034734R1	
R7257	C-CARBON R	RN72K1J-473JE	1	435034734R1	

R7258	C-CARBON R	RN72K1J-473JE	1	435034734R1
R7259	C-CARBON R	RN72K1J-473JE	1	435034734R1
R7261	C-CARBON R	RN72K1J-473JE	1	435034734R1
R7262	C-CARBON R	RN72K1J-000JE	1	435030004R1
R7264	METAL O R	RS1/2WBJ-10	1	443521004T
R7268	METAL R	RNU1/2WCJ-8.2	1	453530824T
R7269	METAL R	RNU1/2WCJ-8.2	1	453530824T
R7270	C-CARBON R	RN72K1J-470JE	1	435034704R1
R7273	C-CARBON R	RN72K1J-102JE	1	435031024R1
R7274	C-CARBON R	RN72K1J-222JE	1	435032224R1
R7275	C-CARBON R	RN72K1J-102JE	1	435031024R1
R7276	C-CARBON R	RN72K1J-222JE	1	435032224R1
R7285	C-CARBON R	RN72K1J-470JE	1	435034704R1
R7286	C-CARBON R	RN72K1J-221JE	1	435032214R1
R7289	C-CARBON R	RN72K1J-470JE	1	435034704R1
R7290	C-CARBON R	RN72K1J-470JE	1	435034704R1
R7291	C-CARBON R	RN72K1J-470JE	1	435034704R1
R7292	C-CARBON R	RN72K1J-470JE	1	435034704R1
R7293	C-CARBON R	RN72K1J-221JE	1	435032214R1
R7294	C-CARBON R	RN72K1J-103JE	1	435031034R1
R7295	C-CARBON R	RN72K1J-470JE	1	435034704R1
R7296	C-CARBON R	RN72K1J-470JE	1	435034704R1
R7297	C-CARBON R	RN72K1J-470JE	1	435034704R1
R7299	C-CARBON R	RN72K1J-221JE	1	435032214R1
R7300	METAL O R	RS1/2WBJ-10	1	443521004T
R7302	C-CARBON R	RN72K1J-470JE	1	435034704R1
R7303	C-CARBON R	RN72K1J-470JE	1	435034704R1
R7304	C-CARBON R	RN72K1J-100JE	1	435031004R1
R7305	C-CARBON R	RN72K1J-000JE	1	435030004R1
R7306	C-CARBON R	RN72K1J-000JE	1	435030004R1
R7307	C-CARBON R	RN72K1J-273JE	1	435032734R1
R7308	C-CARBON R	RN72K1J-273JE	1	435032734R1
R7309	C-CARBON R	RN72K1J-273JE	1	435032734R1

R7311	C-CARBON R	RN72K1J-473JE	1	435034734R1	
R7314	C-CARBON R	RN72K1J-273JE	1	435032734R1	
R7315	C-CARBON R	RN72K1J-823JE	1	435038234R1	
R7318	C-CARBON R	RN72K1J-102JE	1	435031024R1	
[SW TRM]					
E1A	TRM	NTM-1P233(M1969)	1	25060302	
E2	TRM-423(SCREW)	NEJITANSI ST3	1	25060495	
JL3889A	WIRE HOL	NSCT-5P896	1	25051109	
JL9501A	WIRE HOL	NSCT-7P898	1	25051111	
P004	PWB	BCDG-0208	1	25140208E	N
P005	PWB	BCCPU-0209	{ 1 }	25140209	N
P006	PWB	BCAR-0210	{ 1 }	25140210	N
P007	PWB	BCAF-0211	{ 1 }	25140211	N
P008	PWB	BCACC-0212	{ 1 }	25140212	N
P009	PWB	BCRF-0204	{ 1 }	25140204	N
P011	PWB	BCETC-0246	{ 1 }	25140246	N
P1010	PLUG	IMSA-9201B-1-06Z388-PT1	1	25056614	
P103A	PLUG	NPLG-11P0966	1	25056016	
P104A	PLUG	NPLG-7P0962	1	25056012	
P105A	PLUG	NPLG-7P0962	1	25056012	
P106B	SOCKET	NSCT-11P2104	1	25052207	
P107A	PLUG	NPLG-11P0966	1	25056016	
P2103B	SOCKET	IMSA-9142S-18A	1	25053231	
P2104B	SOCKET	IMSA-9142S-20A	1	25053232	
P3101A	PLUG	IMSA-9142B-26A	1	25056603	
P3605B	SOCKET	IMSA-9142S-18A	1	25053231	
P3606B	SOCKET	IMSA-9142S-8A	1	25053226	
P3607B	SOCKET	IMSA-9142S-16A	1	25053230	
P3608B	SOCKET	IMSA-9142S-18A	1	25053231	
P3704	TRM-423(SCREW)	NEJITANSI ST3	1	25060495	
P3705	TRM-423(SCREW)	NEJITANSI ST3	1	25060495	
P3885A	PLUG	NPLG-11P0966	1	25056016	
P3885B	SOCKET	NSCT-11P2191	1	25052294	

P3886	PIN JACK	NPJ-3PDO656	1	25045884	
P3886 or	PIN JACK	NPJ-3PDO465	(1)	25045666	
P3887	SOCKET	MDS-09P-V-01(DSUB9P)	1	25053363	
P3888	ST JACK	MSJ-035-22	1	25045887	
P3888 or	JACK	YKB21-5130	(1)	25045387	
P4002B	SOCKET	NSCT-9P1024	1	25051234	
P4003	TRM	NTM-1P233(M1969)	1	25060302	
P4008B	SOCKET	NSCT-9P2102	1	25052205	N
P4009B	SOCKET	NSCT-15P2108	1	25052211	
P4020B	SOCKET	9210B-1-13Z140-PT1	1	25053364	N
P4021B	SOCKET	9210B-1-13Z140-PT1	1	25053364	N
P6851A	PLUG	IMSA-9142B-26A	1	25056603	
P6853A	SOCKET	NSCT-9P2189	1	25052292	
P7003B	SOCKET	IMSA-9618S-09A	1	25053334R2	
P7009B	SOCKET	IMSA-9142S-18A	1	25053231	
P7010B	SOCKET	IMSA-9142S-26A	1	25053235	
P7012	TRM-423(SCREW)	NEJITANSI ST3	1	25060495	
P7210B	PLUG	NPLG-11P358	1	25055375	
P7501A	PLUG	A2545WR2-2x20P(IDE40SIDE)	1	25056643	
P8	SOCKET	2MJ-3516-002	1	25053355	<MDC>
S3701	SLIDE SW	SSSS213000	1	25060497	

U005	U0050+U0051+U0052+U0053+U0054+U0055+U0056+U0057+U0058	BADIS-0135-1G/1H *	1	1B234535-1G/1H
U0050	DISPLAY PCB AS	BADIS-0135-1G/1H	1	1B2345135-1G/1H
U0051	LED PCB AS	BASW-0136-1G/1H	1	1B2345136-1G/1H
U0052	PHONE JACK PCB AS	BAETC-0137-1G/1H	1	1B2345137-1G/1H
U0053	FRONT OPT IN PCB AS	BAETC-0138-1G/1H	1	1B2345138-1G/1H
U0054	VOLUME PCB AS	BAETC-0139-1G/1H	1	1B2345139-1G/1H
U0055	POWER SUPPLY (SEC) PCB AS	BAPS-0140-1G/1H	1	1B2345140-1G/1H
U0056	HOLDER PCB (HEAD PHONE)	BAETC-0145-1G/1H	1	1B2345145-1G/1H
U0057	HOLDER PCB (OPT)	BAETC-0142-1G/1H	1	1B2345142-1G/1H
U0058	HOLDER PCB (FRONT HDMI)	BAETC-0128-1G/1H	1	1B2345128-1G/1H

U0059	HOLDER PCB (POWER SW)	BAETC-0144-1G/1H	1	1B2345144-1G/1H
U00510	POWER SWITCH PCB AS	BASW-0143-1G/1H	1	1B2345143-1G/1H

CIRCUIT NO.	PART NAME	DESCRIPTION	Q'TY	PART NO. (SN)	REMARKS
[TUNER UNIT]					
U7520	PHT CP	JSR1321-001	1	24120138	
U7560	REMO SENS	TSOP34338RF1F	1	24130017	
[SEMI CONDUCTOR]					
D7500	ZENER D	UDZS10B	1	224551000R2	
D7520	C-DIODE	1SS355	1	223269R2	
D7520 or	C-DIODE	1SS352	(1)	223234R2	
D7520 or	C-DIODE	MA2J111	(1)	223279R2	
D7520 or	C-DIODE	KDS4148U	(1)	223283R2	
D7521	C-DIODE	1SS355	1	223269R2	
D7521 or	C-DIODE	1SS352	(1)	223234R2	
D7521 or	C-DIODE	MA2J111	(1)	223279R2	
D7521 or	C-DIODE	KDS4148U	(1)	223283R2	
D7522	C-DIODE	1SS355	1	223269R2	
D7522 or	C-DIODE	1SS352	(1)	223234R2	
D7522 or	C-DIODE	MA2J111	(1)	223279R2	
D7522 or	C-DIODE	KDS4148U	(1)	223283R2	
D7523	C-DIODE	1SS355	1	223269R2	
D7523 or	C-DIODE	1SS352	(1)	223234R2	
D7523 or	C-DIODE	MA2J111	(1)	223279R2	
D7523 or	C-DIODE	KDS4148U	(1)	223283R2	
D7530	ZENER D	UDZS5.1B	1	224550510R2	
D7531	C-DIODE	1SS355	1	223269R2	
D7531 or	C-DIODE	1SS352	(1)	223234R2	
D7531 or	C-DIODE	MA2J111	(1)	223279R2	
D7531 or	C-DIODE	KDS4148U	(1)	223283R2	
D7532	C-DIODE	1SS355	1	223269R2	
D7532 or	C-DIODE	1SS352	(1)	223234R2	
D7532 or	C-DIODE	MA2J111	(1)	223279R2	

D7532 or	C-DIODE	KDS4148U	(1)	223283R2	
D7560	C-DIODE	ISS355	1	223269R2	
D7560 or	C-DIODE	ISS352	(1)	223234R2	
D7560 or	C-DIODE	MA2J111	(1)	223279R2	
D7560 or	C-DIODE	KDS4148U	(1)	223283R2	
D7561	C-DIODE	ISS355	1	223269R2	
D7561 or	C-DIODE	ISS352	(1)	223234R2	
D7561 or	C-DIODE	MA2J111	(1)	223279R2	
D7561 or	C-DIODE	KDS4148U	(1)	223283R2	
D7570	SPCF D	TSAL5300	1	225488	N
D7580	C-DIODE	ISS355	1	223269R2	
D7580 or	C-DIODE	ISS352	(1)	223234R2	
D7580 or	C-DIODE	MA2J111	(1)	223279R2	
D7580 or	C-DIODE	KDS4148U	(1)	223283R2	
D7581	C-DIODE	ISS355	1	223269R2	
D7581 or	C-DIODE	ISS352	(1)	223234R2	
D7581 or	C-DIODE	MA2J111	(1)	223279R2	
D7581 or	C-DIODE	KDS4148U	(1)	223283R2	
D7582	C-DIODE	ISS355	1	223269R2	
D7582 or	C-DIODE	ISS352	(1)	223234R2	
D7582 or	C-DIODE	MA2J111	(1)	223279R2	
D7582 or	C-DIODE	KDS4148U	(1)	223283R2	
D7583	C-DIODE	ISS355	1	223269R2	
D7583 or	C-DIODE	ISS352	(1)	223234R2	
D7583 or	C-DIODE	MA2J111	(1)	223279R2	
D7583 or	C-DIODE	KDS4148U	(1)	223283R2	
D7585	LED	SCB3318E-D2	1	225487	
D7590	LED	SCB3318E-D2	1	225487	
D7592	LED	SLR-342MGTE7P	1	225455T	
D7593	LED	SLR-342MGTE7P	1	225455T	
D7595	LED	SLI-343URC-TE7	1	225449T	
D9303	DIODE	D10XB60H	1	22380337F	
D9306	ZENER D	UDZS30B	1	224553000R2	

D9310	ZENER D	UDZS16B	1	224551600R2
D9312	DIODE	RL1N4003	1	22380260T
D9313	DIODE	RL1N4003	1	22380260T
D9314	DIODE	RL1N4003	1	22380260T
D9315	DIODE	RL1N4003	1	22380260T
D9316	DIODE	RL1N4003	1	22380260T
D9350	C-DIODE	ISS355	1	223269R2
D9351	C-DIODE	CRS09(TE85L_Q)	1	223274R2
Q7500	FL TUBE	HNA-16SL05T	1	212271A
Q7500A	HOLDER	(FL)	1	27191303
Q7501	IC	M66005-0001AHP	1	22242208R3
Q7502	IC	M66005-0001AHP	1	22242208R3
Q7503	TR	2SC2712-GR	1	2213145R2
Q7504	TR	2SC2712-GR	1	2213145R2
Q7530	IC	NJM4580M-D	1	22241448R2
Q7532	TR	RN1441	1	2215410R2
Q7533	TR	RN2403	1	2214540R2
Q7533 or	TR	KRA103S	(1)	2216230R2
Q7534	IC	NJM4580M-D	1	22241448R2
Q7540	TR	DTA123JKA	1	2214090R2
Q7592	TR	DTC123JKA	1	2216690R2
Q7593	TR	DTC123JKA	1	2216690R2
Q7595	TR	DTC123JKA	1	2216690R2
Q7597	TR	DTC123JKA	1	2216690R2
Q7598	TR	DTC123JKA	1	2216690R2
Q9301	TR	2SC2235-Y(TPE6_F)	1	2211654T
Q9350	IC	SI8008TM	1	22242323R2
[TRANS COIL]				
L7520	CHOKE COIL	LBC2518T2R2M	1	231364M022R2
L7530	CHOKE COIL	LBC2518T2R2M	1	231364M022R2
L7580	CHOKE COIL	LBC2518T2R2M	1	231364M022R2
L7581	CHOKE COIL	LBC2518T2R2M	1	231364M022R2
L7582	CHOKE COIL	LBC2518T2R2M	1	231364M022R2

L9350	CHOKE COIL	NCH-2541	1	231363K470A
L9350 or	COIL	0182-7310-470K-RB	(1)	231389
[CAPACITOR]				
C7501	C-CERA C	CK725B1H-223K1	1	332102235R1
C7502	C-CERA C	CK725F1E-104Z1	1	332161040R1
C7503	C-CERA C	CK725F1E-104Z1	1	332161040R1
C7504	C-CERA C	CK725B1H-473K1	1	332104735R1
C7505	C-CERA C	CK725B1H-473K1	1	332104735R1
C7506	ELECT C	CE04W50V-33M	1	355783309T
C7511	C-CERA C	CK725F1E-104Z1	1	332161040R1
C7512	C-CERA C	CC725CH1H-180J1	1	342101804R1
C7513	C-CERA C	CK725F1E-104Z1	1	332161040R1
C7514	C-CERA C	CK725F1E-104Z1	1	332161040R1
C7518	C-CERA C	CK725F1E-104Z1	1	332161040R1
C7519	C-CERA C	CK725F1E-104Z1	1	332161040R1
C7520	C-CERA C	CK725B1H-223K1	1	332102235R1
C7521	UTSP C	CE04W10V-100M(UTSP)	1	397531017T
C7522	C-CERA C	CC725CH1H-221J1	1	342102214R1
C7523	C-CERA C	CC725CH1H-221J1	1	342102214R1
C7524	C-CERA C	CK725B1H-102K1	1	332101025R1
C7530	C-CERA C	CK725B1H-102K1	1	332101025R1
C7531	C-CERA C	CK725B1H-102K1	1	332101025R1
C7533	ELECT C	CE04W35V-47M	1	355764709T
C7534	ELECT C	CE04W16V-47M	1	355744709T
C7535	ELECT C	CE04W35V-10M(S)	1	353761009T
C7536	C-CERA C	CC725CH1H-101J1	1	342101014R1
C7537	C-CERA C	CC725CH1H-330J1	1	342103304R1
C7538	ELECT C	CE04W35V-10M(S)	1	353761009T
C7539	ELECT C	CE04W35V-10M(S)	1	353761009T
C7540	ELECT C	CE04W35V-10M(S)	1	353761009T
C7543	C-CERA C	CK725B1H-102K1	1	332101025R1
C7560	ELECT C	CE04W6.3V-220M	1	355722219T
C7561	C-CERA C	CK725B1H-102K1	1	332101025R1

C7562	C-CERA C	CK725B1H-102K1	1	332101025R1
C7580	MKT C	B32529C0102J289	1	376491024T
C7581	MKT C	B32529C0102J289	1	376491024T
C7582	MKT C	B32529C0102J289	1	376491024T
C7583	MKT C	B32529C0102J289	1	376491024T
C7590	C-CERA C	CK725B1H-103K1	1	332101035R1
C7591	C-CERA C	CK725B1H-103K1	1	332101035R1
C7900	C-CERA C	CK725F1E-104Z1	1	332161040R1
C9302	VR C	CE04W16V-1000M(VR)	1	394641037S
C9304	VR C	CE04W63V-470M(VR)	1	394674717S
C9305	VR C	CE04W63V-47M(VR)	1	394674707T
C9306	TF C	ECQ-V50V-223J	1	374722234T
C9307	TF C	ECQ-V50V-334J	1	374723344T
C9350	VR C	CE04W16V-470M(VR)	1	394644717T
C9351	VR C	CE04W6.3V-1000M(VR)	1	394621027T
[RESISTOR]				
R7500	C-CARBON R	RN72K1J-221JE	1	435032214R1
R7501	C-CARBON R	RN72K1J-221JE	1	435032214R1
R7502	C-CARBON R	RN72K1J-273JE	1	435032734R1
R7503	C-CARBON R	RN72K1J-222JE	1	435032224R1
R7504	C-CARBON R	RN72K1J-222JE	1	435032224R1
R7505	C-CARBON R	RN72K1J-222JE	1	435032224R1
R7506	C-CARBON R	RN72K1J-222JE	1	435032224R1
R7507	C-CARBON R	RN72K1J-222JE	1	435032224R1
R7508	C-CARBON R	RN72K1J-222JE	1	435032224R1
R7509	C-CARBON R	RN72K1J-222JE	1	435032224R1
R7510	C-CARBON R	RN72K1J-222JE	1	435032224R1
R7520	C-CARBON R	RN72K1J-221JE	1	435032214R1
R7521	C-CARBON R	RN72K1J-331JE	1	435033314R1
R7522	C-CARBON R	RN72K1J-331JE	1	435033314R1
R7523	C-CARBON R	RN72K1J-750JE	1	435037504R1
R7526	C-CARBON R	RN72K1J-223JE	1	435032234R1
R7527	C-CARBON R	RN72K1J-223JE	1	435032234R1

R7528	C-CARBON R	RN72K1J-224JE	1	435032244R1
R7529	C-CARBON R	RN72K1J-224JE	1	435032244R1
R7530	C-CARBON R	RN72K1J-472JE	1	435034724R1
R7531	C-CARBON R	RN72K1J-101JE	1	435031014R1
R7532	C-CARBON R	RN72K1J-331JE	1	435033314R1
R7533	C-CARBON R	RN72K1J-182JE	1	435031824R1
R7534	C-CARBON R	RN72K1J-104JE	1	435031044R1
R7535	C-CARBON R	RN72K1J-102JE	1	435031024R1
R7536	C-CARBON R	RN72K1J-333JE	1	435033334R1
R7537	C-CARBON R	RN72K1J-333JE	1	435033334R1
R7538	C-CARBON R	RN72K1J-221JE	1	435032214R1
R7539	C-CARBON R	RN72K1J-221JE	1	435032214R1
R7540	C-CARBON R	RN72K1J-473JE	1	435034734R1
R7541	C-CARBON R	RN72K1J-180JE	1	435031804R1
R7560	C-CARBON R	RN72K1J-102JE	1	435031024R1
R7561	C-CARBON R	RN72K1J-101JE	1	435031014R1
R7562	C-CARBON R	RN72K1J-105JE	1	435031054R1
R7580	METAL O R	RS1WBJ-33	1	443623304T
R7581	METAL O R	RS1WBJ-33	1	443623304T
R7590	C-CARBON R	RN72K1J-103JE	1	435031034R1
R7591	C-CARBON R	RN72K1J-103JE	1	435031034R1
R7592	C-CARBON R	RN72K1J-103JE	1	435031034R1
R7593	C-CARBON R	RN72K1J-103JE	1	435031034R1
R7594	C-CARBON R	RN72K1J-121JE	1	435031214R1
R7596	C-CARBON R	RN72K1J-181JE	1	435031814R1
R7597	C-CARBON R	RN72K1J-181JE	1	435031814R1
R7599	C-CARBON R	RN72K1J-102JE	1	435031024R1
R7600	C-CARBON R	RN72K1J-121JE	1	435031214R1
R7611	C-CARBON R	RN72K1J-271JE	1	435032714R1
R7612	C-CARBON R	RN72K1J-331JE	1	435033314R1
R7613	C-CARBON R	RN72K1J-471JE	1	435034714R1
R7614	C-CARBON R	RN72K1J-561JE	1	435035614R1
R7615	C-CARBON R	RN72K1J-821JE	1	435038214R1

R7616	C-CARBON R	RN72K1J-122JE	1	435031224R1
R7617	C-CARBON R	RN72K1J-222JE	1	435032224R1
R7618	C-CARBON R	RN72K1J-392JE	1	435033924R1
R7619	C-CARBON R	RN72K1J-123JE	1	435031234R1
R7621	C-CARBON R	RN72K1J-271JE	1	435032714R1
R7622	C-CARBON R	RN72K1J-331JE	1	435033314R1
R7623	C-CARBON R	RN72K1J-471JE	1	435034714R1
R7624	C-CARBON R	RN72K1J-561JE	1	435035614R1
R7625	C-CARBON R	RN72K1J-821JE	1	435038214R1
R7626	C-CARBON R	RN72K1J-122JE	1	435031224R1
R7627	C-CARBON R	RN72K1J-222JE	1	435032224R1
R7628	C-CARBON R	RN72K1J-392JE	1	435033924R1
R7629	C-CARBON R	RN72K1J-123JE	1	435031234R1
R7631	C-CARBON R	RN72K1J-271JE	1	435032714R1
R7632	C-CARBON R	RN72K1J-331JE	1	435033314R1
R7633	C-CARBON R	RN72K1J-471JE	1	435034714R1
R7634	C-CARBON R	RN72K1J-561JE	1	435035614R1
R7635	C-CARBON R	RN72K1J-821JE	1	435038214R1
R7636	C-CARBON R	RN72K1J-122JE	1	435031224R1
R7637	C-CARBON R	RN72K1J-222JE	1	435032224R1
R7638	C-CARBON R	RN72K1J-392JE	1	435033924R1
R7639	C-CARBON R	RN72K1J-123JE	1	435031234R1
R7641	C-CARBON R	RN72K1J-271JE	1	435032714R1
R7642	C-CARBON R	RN72K1J-331JE	1	435033314R1
R7643	C-CARBON R	RN72K1J-471JE	1	435034714R1
R7644	C-CARBON R	RN72K1J-561JE	1	435035614R1
R7645	C-CARBON R	RN72K1J-821JE	1	435038214R1
R7646	C-CARBON R	RN72K1J-122JE	1	435031224R1
R7647	C-CARBON R	RN72K1J-222JE	1	435032224R1
R7648	C-CARBON R	RN72K1J-392JE	1	435033924R1
R7649	C-CARBON R	RN72K1J-123JE	1	435031234R1
R7802	C-CARBON R	RN72K1J-103JE	1	435031034R1
R7939	C-CARBON R	RN72K1J-104JE	1	435031044R1

R7954	C-CARBON R	RN72K1J-104JE	1	435031044R1	
R9304	METAL O R	RS1/2WBJ-10	1	443521004T	
R9305	C-CARBON R	RN72K1J-562JE	1	435035624R1	
R9307	C-CARBON R	RN72K1J-333JE	1	435033334R1	
R9308	METAL R	RNU1/2WCJ-0.1	1	453531094T	
R9310	METAL O R	RS1WBJ-27	1	443622704T	
R9350	METAL R	RNU1/2WCJ-0.22	1	453532294T	
R9351	C-CARBON R	RN72K1J-563JE	1	435035634R1	
R9352	C-CARBON R	RN72K1J-562JE	1	435035624R1	
R9353	C-CARBON R	RN72K1J-102JE	1	435031024R1	
R9354	C-CARBON R	RN72K1J-392JE	1	435033924R1	
[SW TRM]					
E7580	TRM	NTM-1P233(M1969)	1	25060302	
F9301A	FUSE HOL	NSCT-1P2031	1	25052133T	
F9301B	FUSE HOL	NSCT-1P2031	1	25052133T	
JL4103B	SOCKET	NSCT-5P97	1	25050269	
JL7560A	WIRE HOL	NSCT-3P874	1	25051087	
JL7560B	WIRE HOL	NSCT-3P874	1	25051087	
JL9303A	WIRE HOL	NSCT-5P876	1	25051089	
JL9303B	WIRE TRAP	NPLG-5P588	1	25055626	
JL9501B	SOCKET	NSCT-7P99	1	25050271	
P7501B	PLUG	A2545WR2-2x20P(IDE40SIDE)	1	25056643	
P7522	PIN JACK	NPJ-3PDB693	1	25045925	
P7530	ST JACK	MSJ-035-05C B AG SR type	1	25045879	
P7556	PWB	BCDIS-0135	1	25140135C	N
P7557	PWB	BCSW-0136	{ 1 }	25140136	
P7558	PWB	BCETC-0137	{ 1 }	25140137	
P7559	PWB	BCETC-0138	{ 1 }	25140138	
P7560	PWB	BCETC-0139	{ 1 }	25140139	
P7561	PWB	BCPS-0140	{ 1 }	25140140	
P7562	PWB	BCETC-0144	{ 1 }	25140144	<MMP, MMR>
P7563	PWB	BCETC-0145	{ 1 }	25140145	
P7565	PWB	BCETC-0142	{ 1 }	25140142	

P7566	PWB	BCSW-0143	{ 1}	25140143	<MMP, MMR>
P7567	PWB	BCETC-0128	{ 1}	25140128	
P7580	ST JACK	MSJ-064-05A SR	1	25045783	
P7590A	SOCKET AS	NSAS-18P1798	1	200AA391810UL	
P7591A	SOCKET AS	NSAS-7P1799	1	200AA391415UL	
P9008B	PLUG	NPLG-2P631	1	25055675	<MMP, MMR>
P9301A	PLUG	NPLG-6P120	1	25055136	
S7590	R ENCODE	EC12E2425WITH WASHER	1	25065655W	
S7611	PUSH SW	NPS-111-S681	1	25035718T	
S7612	PUSH SW	NPS-111-S681	1	25035718T	
S7613	PUSH SW	NPS-111-S681	1	25035718T	
S7614	PUSH SW	NPS-111-S681	1	25035718T	
S7615	PUSH SW	NPS-111-S681	1	25035718T	
S7616	PUSH SW	NPS-111-S681	1	25035718T	
S7618	PUSH SW	NPS-111-S681	1	25035718T	
S7619	PUSH SW	NPS-111-S681	1	25035718T	
S7620	PUSH SW	NPS-111-S681	1	25035718T	
S7621	PUSH SW	NPS-111-S681	1	25035718T	
S7622	PUSH SW	NPS-111-S681	1	25035718T	
S7623	PUSH SW	NPS-111-S681	1	25035718T	
S7624	PUSH SW	NPS-111-S681	1	25035718T	
S7625	PUSH SW	NPS-111-S681	1	25035718T	
S7626	PUSH SW	NPS-111-S681	1	25035718T	
S7627	PUSH SW	NPS-111-S681	1	25035718T	
S7628	PUSH SW	NPS-111-S681	1	25035718T	
S7629	PUSH SW	NPS-111-S681	1	25035718T	
S7630	PUSH SW	NPS-111-S681	1	25035718T	
S7632	PUSH SW	NPS-111-S681	1	25035718T	
S7633	PUSH SW	NPS-111-S681	1	25035718T	
S7634	PUSH SW	NPS-111-S681	1	25035718T	
S7635	PUSH SW	NPS-111-S681	1	25035718T	
S7636	PUSH SW	NPS-111-S681	1	25035718T	
S7637	PUSH SW	NPS-111-S681	1	25035718T	

S7638	PUSH SW	NPS-111-S681	1	25035718T	
S7639	PUSH SW	NPS-111-S681	1	25035718T	
S7640	PUSH SW	NPS-111-S681	1	25035718T	
S7641	PUSH SW	NPS-111-S681	1	25035718T	
S7642	PUSH SW	NPS-111-S681	1	25035718T	
S7643	PUSH SW	NPS-111-S681	1	25035718T	
S7644	PUSH SW	NPS-111-S681	1	25035718T	
S7645	PUSH SW	NPS-111-S681	1	25035718T	
S7646	PUSH SW	NPS-111-S681	1	25035718T	
S7647	PUSH SW	NPS-111-S681	1	25035718T	
S7648	PUSH SW	NPS-111-S681	1	25035718T	
S7649	PUSH SW	NPS-111-S681	1	25035718T	
S7650	PUSH SW	NPS-111-S681	1	25035718T	
S9000	P SW	NPS-111-L687P(TV-5)	1	25035724	<MMP, MMR>
[CHASSIS SCREW]					
D7570A	HOLDER	(LED)LH-5-5	1	27191312	
U006	U0060+U0061+U0062+U0063+U0064+U0065	BATRM-0214-1A/1B *	1	1B234514-1A/1B	
U0060	SPEAKER TERMINAL PCB AS	BATRM-0214-1A/1B	1	1B2345214-1A/1B	
U0061	SPEAKER TERMINAL (RH,SR) PCB AS	BATRM-0215-1A/1B	1	1B2345215-1A/1B	
U0062	SPEAKER TERMINAL (C) PCB AS	BATRM-0216-1A/1B	1	1B2345216-1A/1B	
U0063	POWER SUPPLY (PRI) PCB AS	BAPS-0217-1A/1B	1	1B2345217-1A/1B	
U0064	INLET PCB AS	BAPS-0218-1A/1B	1	1B2345218-1A/1B	
U0065	REGULATOR PCB AS	BAETC-0219-1A/1B	1	1B2345219-1A/1B	
CIRCUIT NO.	PART NAME	DESCRIPTION	Q'TY	PART NO. (SN)	REMARKS
D6800	DIODE	ISS133	1	223163T	
D6801	DIODE	ISS133	1	223163T	
D6802	DIODE	ISS133	1	223163T	
D6803	DIODE	ISS133	1	223163T	
D6804	DIODE	ISS133	1	223163T	
D6805	DIODE	ISS133	1	223163T	

D6806	DIODE	ISS133	1	223163T	
D6807	DIODE	ISS133	1	223163T	
D6808	DIODE	ISS133	1	223163T	
D6809	DIODE	ISS133	1	223163T	
D6810	DIODE	ISS133	1	223163T	
D6811	DIODE	ISS133	1	223163T	
D6812	DIODE	ISS133	1	223163T	
D9000	DIODE	ISS133	1	223163T	
D9001	DIODE	ISS133	1	223163T	
D9002	DIODE	ISS133	1	223163T	
D9003	DIODE	ISS133	1	223163T	
D9004	DIODE	ISS133	1	223163T	
D9005	DIODE	ISS133	1	223163T	
D9006	DIODE	ISS133	1	223163T	
D9007	ZENER D	MTZJ5.1B	1	224470512T	
D9010	DIODE	ISS133	1	223163T	
D9011	DIODE	ISS133	1	223163T	
D9100	DIODE	ISS133	1	223163T	<MDC>
D9101	DIODE	ISS133	1	223163T	
D9400	DIODE	D3SBA20	1	22380271F	
D9410	DIODE	D3SBA20	1	22380271F	
D9421	ZENER D	MTZJ13B	1	224471302T	N
D9422	ZENER D	MTZJ13B	1	224471302T	N
Q6801	TR	RN1226	1	2214680T	
Q6802	TR	RN1226	1	2214680T	
Q6803	TR	RN1226	1	2214680T	
Q6804	TR	RN1226	1	2214680T	
Q6805	TR	RN1226	1	2214680T	
Q6806	TR	RN1226	1	2214680T	
Q6807	TR	RN1226	1	2214680T	
Q6900	TR	2SC2235-Y(TPE6_F)	1	2211654T	
Q6901	TR	2SC2235-Y(TPE6_F)	1	2211654T	
Q9100	TR	2SC1815-GR	1	2211255T	<MDC>

Q9101	TR	2SC1815-GR	1	2211255T	
Q9410	IC	NJM2388F09	1	22242383	
Q9423	TR	2SC1815-GR	1	2211255T	
Q9424	TR	2SA1015-GR	1	2211455T	
Q9425	TR	2SK365-GR	1	2212445T	
Q9426	TR	2SK365-GR	1	2212445T	
[TRANS COIL]					
L6800	S COIL	SC-0.8X11.5X12.5T-6.5L	1	231393S	
L6801	S COIL	SC-0.8X11.5X12.5T-6.5L	1	231393S	
L6802	S COIL	SC-0.8X11.5X12.5T-6.5L	1	231393S	
L6803	S COIL	SC-0.8X11.5X12.5T-6.5L	1	231393S	
L6804	S COIL	SC-0.8X11.5X12.5T-6.5L	1	231393S	
L6805	S COIL	SC-0.8X11.5X12.5T-6.5L	1	231393S	
L6806	S COIL	SC-0.8X11.5X12.5T-6.5L	1	231393S	
L6807	S COIL	SC-0.8X11.5X12.5T-6.5L	1	231393S	
L6808	S COIL	SC-0.8X11.5X12.5T-6.5L	1	231393S	
T9000	P TRANS	NPT-1520JQ	1	2301812A	<MDC>
T9000	P TRANS	NPT-1520GQ	1	2301813A	<MMP, MMR>
[CAPACITOR]					
C5572	UTSP C	CE04W50V 47M(UTSP)	1	397584707T	
C5573	UTSP C	CE04W50V 47M(UTSP)	1	397584707T	
C5574	UTSP C	CE04W50V 47M(UTSP)	1	397584707T	
C5575	UTSP C	CE04W50V 47M(UTSP)	1	397584707T	
C5576	UTSP C	CE04W50V 47M(UTSP)	1	397584707T	
C5579	UTSP C	CE04W50V 47M(UTSP)	1	397584707T	
C6800	TF C	ECQ-V50V-103J	1	374721034T	
C6801	TF C	ECQ-V50V-103J	1	374721034T	
C6802	TF C	ECQ-V50V-103J	1	374721034T	
C6803	TF C	ECQ-V50V-103J	1	374721034T	
C6804	TF C	ECQ-V50V-103J	1	374721034T	
C6805	TF C	ECQ-V50V-103J	1	374721034T	
C6806	TF C	ECQ-V50V-103J	1	374721034T	
C6807	TF C	ECQ-V50V-103J	1	374721034T	

C6808	TF C	ECQ-V50V-103J	1	374721034T
C6809	TF C	ECQ-V50V-103J	1	374721034T
C6810	TF C	ECQ-V50V-103J	1	374721034T
C6811	TF C	ECQ-V50V-103J	1	374721034T
C6812	TF C	ECQ-V50V-103J	1	374721034T
C6830	MKT C	B32529C0102J289	1	376491024T
C6830 or	TF C	ECQ-B50V-102J	(1)	374721024T
C6831	MKT C	B32529C0102J289	1	376491024T
C6831 or	TF C	ECQ-B50V-102J	(1)	374721024T
C6832	MKT C	B32529C0102J289	1	376491024T
C6832 or	TF C	ECQ-B50V-102J	(1)	374721024T
C6833	MKT C	B32529C0102J289	1	376491024T
C6833 or	TF C	ECQ-B50V-102J	(1)	374721024T
C6834	MKT C	B32529C0102J289	1	376491024T
C6834 or	TF C	ECQ-B50V-102J	(1)	374721024T
C6835	MKT C	B32529C0102J289	1	376491024T
C6835 or	TF C	ECQ-B50V-102J	(1)	374721024T
C6836	MKT C	B32529C0102J289	1	376491024T
C6836 or	TF C	ECQ-B50V-102J	(1)	374721024T
C6837	MKT C	B32529C0102J289	1	376491024T
C6837 or	TF C	ECQ-B50V-102J	(1)	374721024T
C6838	MKT C	B32529C0102J289	1	376491024T
C6838 or	TF C	ECQ-B50V-102J	(1)	374721024T
C6839	MKT C	B32529C0102J289	1	376491024T
C6839 or	TF C	ECQ-B50V-102J	(1)	374721024T
C6840	MKT C	B32529C0102J289	1	376491024T
C6840 or	TF C	ECQ-B50V-102J	(1)	374721024T
C6850	TF C	ECQ-V50V-103J	1	374721034T
C6851	TF C	ECQ-V50V-103J	1	374721034T
C6852	TF C	ECQ-V50V-103J	1	374721034T
C6853	TF C	ECQ-V50V-103J	1	374721034T
C6854	TF C	ECQ-V50V-103J	1	374721034T
C6855	TF C	ECQ-V50V-103J	1	374721034T

C6856	TF C	ECQ-V50V-103J	1	374721034T	
C6857	TF C	ECQ-V50V-103J	1	374721034T	
C6858	TF C	ECQ-V50V-103J	1	374721034T	
C6859	TF C	ECQ-V50V-103J	1	374721034T	
C6860	TF C	ECQ-V50V-103J	1	374721034T	
C6870	TF C	ECQ-V50V-473J	1	374724734T	
C6871	TF C	ECQ-V50V-473J	1	374724734T	
C6872	TF C	ECQ-V50V-473J	1	374724734T	
C6873	TF C	ECQ-V50V-473J	1	374724734T	
C6874	TF C	ECQ-V50V-473J	1	374724734T	
C6875	TF C	ECQ-V50V-473J	1	374724734T	
C6876	TF C	ECQ-V50V-473J	1	374724734T	
C6877	TF C	ECQ-V50V-473J	1	374724734T	
C6878	TF C	ECQ-V50V-473J	1	374724734T	
C6900	VR C	CE04W16V-220M(VR)	1	394642217T	
C6901	VR C	CE04W16V-220M(VR)	1	394642217T	
C6902	UTSP C	CE04W50V-10M(UTSP)	1	397581007T	
C6903	UTSP C	CE04W50V-10M(UTSP)	1	397581007T	
C9000	TF C	ECQ-V50V-223J	1	374722234T	
C9001	VR C	CE04W16V-2200M(VR)	1	394642227S	<MMP, MMR>
C9001	VR C	CE04W25V-2200M(VR)	1	394652227S	<MDC>
C9002	UTSP C	CE04W50V-4.7M(UTSP)	1	397580477T	
C9008	VR C	CE04W16V-470M(VR)	1	394644717T	
C9108	PLA C	MKP R46 104M	1	3800041S	
C9115	TF C	ECQ-V50V-103J	1	374721034T	<MDC>
C9116	TF C	ECQ-V50V-103J	1	374721034T	
C9119	TF C	ECQ-V50V-223J	1	374722234T	
C9400	TF C	ECQ-V50V-223J	1	374722234T	
C9403	ELECT C	CE04W25V-4700M	1	354754726	N
C9404	ELECT C	CE04W25V-4700M	1	354754726	N
C9410	TF C	ECQ-V50V-104J	1	374721044T	
C9411	VR C	CE04W16V-4700M(VR)	1	394644727S	
C9412	UTSP C	CE04W50V-1M(UTSP)	1	397580107T	

C9413	UTSP C	CE04W25V-220M(UTSP)	1	397552217T
C9421	UTSP C	CE04W25V-100M(UTSP)	1	397551017T
C9422	UTSP C	CE04W25V-100M(UTSP)	1	397551017T
C9423	UTSP C	CE04W25V-100M(UTSP)	1	397551017T
C9424	UTSP C	CE04W25V-100M(UTSP)	1	397551017T
D9008	DIODE	ISS133	1	223163T
D9009	DIODE	ISS133	1	223163T
[RESISTOR]				
R6800	CARBON R	R16J-22	1	417342204T
R6801	CARBON R	R16J-22	1	417342204T
R6802	CARBON R	R16J-22	1	417342204T
R6803	CARBON R	R16J-22	1	417342204T
R6804	CARBON R	R16J-22	1	417342204T
R6805	CARBON R	R16J-22	1	417342204T
R6806	CARBON R	R16J-22	1	417342204T
R6807	CARBON R	R16J-22	1	417342204T
R6808	CARBON R	R16J-22	1	417342204T
R6810	CARBON R	R16J-22	1	417342204T
R6811	CARBON R	R16J-22	1	417342204T
R6812	CARBON R	R16J-22	1	417342204T
R6813	CARBON R	R16J-22	1	417342204T
R6814	CARBON R	R16J-22	1	417342204T
R6815	CARBON R	R16J-22	1	417342204T
R6816	CARBON R	R16J-22	1	417342204T
R6817	CARBON R	R16J-22	1	417342204T
R6818	CARBON R	R16J-22	1	417342204T
R6820	METAL R	RNU1WCJ-8.2	1	453630824T
R6821	METAL R	RNU1WCJ-8.2	1	453630824T
R6822	METAL R	RNU1WCJ-8.2	1	453630824T
R6823	METAL R	RNU1WCJ-8.2	1	453630824T
R6824	METAL R	RNU1WCJ-8.2	1	453630824T
R6825	METAL R	RNU1WCJ-8.2	1	453630824T
R6826	METAL R	RNU1WCJ-8.2	1	453630824T

R6827	METAL R	RNU1WCJ-8.2	1	453630824T	
R6828	METAL R	RNU1WCJ-8.2	1	453630824T	
R6900	METAL O R	RS1/2WBJ-330	1	443523314T	
R6901	METAL O R	RS1/2WBJ-330	1	443523314T	
R9001	CARBON R	R16J-100K	1	417341044T	
R9005	CARBON R	R16J-22	1	417342204T	
R9104	CARBON R	R16J-1K	1	417341024T	<MDC>
R9105	CARBON R	R16J-100K	1	417341044T	<MDC>
R9106	CARBON R	R16J-100	1	417341014T	<MDC>
R9107	CARBON R	R16J-1K	1	417341024T	
R9108	CARBON R	R16J-100K	1	417341044T	
R9111	CARBON R	R16J-56	1	417345604T	
R9401	METAL PR	MPR2W+2WK 0R47	1	4000253	N
R9402	METAL PR	MPR2W+2WK 0R47	1	4000253	N
R9410	METAL R	RNU1/2WCJ-0.22	1	453532294T	
R9421	METAL R	RNU1WCJ-0.22	1	453632294T	
R9422	METAL R	RNU1WCJ-0.22	1	453632294T	
R9427	CARBON R	R16J-330	1	417343314T	
R9428	CARBON R	R16J-330	1	417343314T	
R9429	CARBON R	R16J-10	1	417341004T	
R9430	CARBON R	R16J-10	1	417341004T	
R9431	CARBON R	R16J-10	1	417341004T	
R9432	CARBON R	R16J-10	1	417341004T	
[SW TRM]					
E6818	TRM-423(SCREW)	NEJITANSI ST3	1	25060495	
E9100	TRM-423(SCREW)	NEJITANSI ST3	1	25060495	
E9200A	TRM	NTM-1P233(M1969)	1	25060302	
E9200B	TRM	NTM-1P232(M1700)	1	25060301	
F9100A	FUSE HOLDER	SN5051	1	250113	<MDC>
F9100A	FUSE HOL	NSCT-1P2031	1	25052133T	<MMP, MMR>
F9100B	FUSE HOLDER	SN5051	1	250113	<MDC>
F9100B	FUSE HOL	NSCT-1P2031	1	25052133T	<MMP, MMR>
F9401A	FUSE HOL	NSCT-1P2031	1	25052133T	

F9401B	FUSE HOL	NSCT-1P2031	1	25052133T	
F9402A	FUSE HOL	NSCT-1P2031	1	25052133T	
F9402B	FUSE HOL	NSCT-1P2031	1	25052133T	
JL2601A	WIRE HOL	NSCT-5P876	1	25051089	
JL4014A	WIRE HOL	NSCT-7P898	1	25051111	
JL6808A	WIRE HOL	NSCT-5P896	1	25051109	
JL6808B	SOCKET	NSCT-5P97	1	25050269	
JL6809A	WIRE HOL	NSCT-9P900	1	25051113	
JL6809B	SOCKET	NSCT-9P101	1	25050273	
JL6900B	SOCKET	NSCT-3P108	1	25050280	
JL6901A	WIRE HOL	NSCT-9P880	1	25051093	
JL6901B	WIRE TRAP	NPLG-9P592	1	25055630	
JL901A	WIRE HOL	NSCT-7P878	1	25051091	
P001	PWB	BCTRM-0214	1	25140214D	N
P002	PWB	BCTRM-0215	{ 1 }	25140215	N
P003	PWB	BCTRM-0216	{ 1 }	25140216	N
P004	PWB	BCPS-0217	{ 1 }	25140217	N
P005	PWB	BCPS-0218	{ 1 }	25140218	N
P006	PWB	BCETC-0219	{ 1 }	25140219	N
P3101B	SOCKET	IMSA-9142S-26A	1	25053235	
P6140H	PLUG	NPLG-9P165	1	25055181	
P6240D	PLUG	NPLG-4P160	1	25055176	
P6250E	PLUG	NPLG-5P161	1	25055177	
P6800	TRM	NTM-2PDMCR400	1	25060472	
P6801	TRM	NTM-2PDMCR400	1	25060472	
P6802	TRM	NTM-2PDMCR400	1	25060472	
P6803	TRM	NTM-2PDMCR400	1	25060472	
P6804	TRM	NTM-2PDMCR400	1	25060472	
P6805	TRM	NTM-2PDMCR400	1	25060472	
P6806	TRM	NTM-2PDMCR400	1	25060472	
P6807	TRM	NTM-2PDMCR400	1	25060472	
P6808	TRM	NTM-2PDMCR400	1	25060472	
P6809	TRM	NTM-2PDMCR400	1	25060472	

P6810	TRM	NTM-2PDMCR400	1	25060472	
P6851B	SOCKET	IMSA-9142S-26A	1	25053235	
P6853B	PLUG	NPLG-9P0964	1	25056014	
P6902B	PLUG	NPLG-9P356	1	25055373	
P9000	AC INLET	NPLG-2P913	1	25055960	
P9006	CRIMP AS	CRIMP AS	1	206CC45159UL	
P9007	CRIMP AS	CRIMP AS	1	206CC45150UL	
P9008A	PLUG	NPLG-2P631	1	25055675	<MMP, MMR>
P9100	PLUG	NPLG-2P632	1	25055676	
P9404	PLUG	NPLG-6P120	1	25055136	
P9422A	SOCKET AS	NSAS-12P1700	1	200G3121210UL	
P9422B	PLUG	NPLG-3P117	1	25055133	
P9422C	PLUG	NPLG-3P117	1	25055133	
RL6800	RELAY	NRL-2P5A-DC12-192	1	25065702	N
RL6800 or	RELAY	NRL-2P5A-DC12-155	(1)	25065607	
RL6801	RELAY	NRL-2P5A-DC12-192	1	25065702	N
RL6801 or	RELAY	NRL-2P5A-DC12-155	(1)	25065607	
RL6802	RELAY	NRL-2P5A-DC12-192	1	25065702	N
RL6802 or	RELAY	NRL-2P5A-DC12-155	(1)	25065607	
RL6803	RELAY	NRL-2P5A-DC12-192	1	25065702	N
RL6803 or	RELAY	NRL-2P5A-DC12-155	(1)	25065607	
RL6804	RELAY	NRL-2P5A-DC12-192	1	25065702	N
RL6804 or	RELAY	NRL-2P5A-DC12-155	(1)	25065607	
RL6805	RELAY	NRL-2P5A-DC12-192	1	25065702	N
RL6805 or	RELAY	NRL-2P5A-DC12-155	(1)	25065607	
RL6806	RELAY	NRL-2P5A-DC12-192	1	25065702	N
RL6806 or	RELAY	NRL-2P5A-DC12-155	(1)	25065607	
RL6807	RELAY	NRL-2P5A-DC12-192	1	25065702	N
RL6807 or	RELAY	NRL-2P5A-DC12-155	(1)	25065607	
RL6808	RELAY	NRL-2P5A-DC12-192	1	25065702	N
RL6808 or	RELAY	NRL-2P5A-DC12-155	(1)	25065607	
RL6809	RELAY	NRL-2P5A-DC12-192	1	25065702	N
RL6809 or	RELAY	NRL-2P5A-DC12-155	(1)	25065607	

RL6810	RELAY	NRL-2P5A-DC12-192	1	25065702	N
RL6810 or	RELAY	NRL-2P5A-DC12-155	(1)	25065607	
RL6811	RELAY	NRL-2P5A-DC12-192	1	25065702	N
RL6811 or	RELAY	NRL-2P5A-DC12-155	(1)	25065607	
RL6812	RELAY	NRL-2P5A-DC12-192	1	25065702	N
RL6812 or	RELAY	NRL-2P5A-DC12-155	(1)	25065607	
RL9100	RELAY	NRL-1P10A-DC9-186	1	25065683	<MDC>
RL9101	RELAY	NRL-1P10A-DC9-186	1	25065683	
[ACCESSORY]					
F9100C	LABEL	T6.3AL/250V	1	29361681	<MMP, MMR>
U007 HDMI PCB AS BAHDM-0132-1C * 1 1B234532-1C					
CIRCUIT NO.	PART NAME	DESCRIPTION	Q'TY	PART NO. (SN)	REMARKS
[SEMI CONDUCTOR]					
D3101	C-DIODE	KDS4148U	1	223283R2	
D3101 or	C-DIODE	1SS352	(1)	223234R2	
D3401	C-DIODE	KDS4148U	1	223283R2	
D3401 or	C-DIODE	1SS352	(1)	223234R2	
D3501	C-DIODE	KDS4148U	1	223283R2	
D3501 or	C-DIODE	1SS352	(1)	223234R2	
D8041	DIODE	RB070M-30	1	22380361R2	
D8043	DIODE	RB070M-30	1	22380361R2	
D8301	C-DIODE	1SS226(TE85L_F)	1	223266R2	
D8302	C-DIODE	KDS4148U	1	223283R2	
D8302 or	C-DIODE	1SS352	(1)	223234R2	
D8351	C-DIODE	1SS226(TE85L_F)	1	223266R2	
D8352	C-DIODE	KDS4148U	1	223283R2	
D8352 or	C-DIODE	1SS352	(1)	223234R2	
D8652	C-DIODE	ISR154-400	1	22380284R2	
D8653	C-DIODE	KDS4148U	1	223283R2	
D8653 or	C-DIODE	1SS352	(1)	223234R2	

D8701	C-DIODE	KDS4148U	1	223283R2	
D8701 or	C-DIODE	1SS352	(1)	223234R2	
D8801	C-DIODE	KDS4148U	1	223283R2	
D8801 or	C-DIODE	1SS352	(1)	223234R2	
D8951	DIODE	RSX501LA-20	1	22380364R2	
D8952	DIODE	RSX501LA-20	1	22380364R2	
D8953	DIODE	RSX501LA-20	1	22380364R2	
D8954	DIODE	RSX501LA-20	1	22380364R2	
D8958	C-DIODE	1SS352	1	223234R2	
D8958 or	C-DIODE	MA2J111	(1)	223279R2	
D8958 or	C-DIODE	KDS4148U	(1)	223283R2	
Q205	IC	TC74VHC157FT	1	22274157ER2TO	
Q3001	IC	D830K011AZKB300ZrevC	1	22242617R3	N
Q3002	IC	NAND256W3A2BN6E	1	222W0092R3	
Q3003	IC	IS42S16160C-7TL	1	22242592R3	
Q3003 or	IC	K4S561632J-UC75	(1)	22242524AR3	
Q3004	IC	IS42S16160C-7TL	1	22242592R3	
Q3004 or	IC	K4S561632J-UC75	(1)	22242524AR3	
Q3005	IC	TC7W32FU	1	22241162R2	
Q3006	IC	S-80127CNMC-JKM-T2	1	22241642R2	
Q3103	IC	BH18LB1WG-TR	1	22242562R2	
Q3106	IC	BH33FB1WG-TR	1	22242585R2	
Q3107	IC	BA33BC0FP	1	22278033DR2RH	
Q3107 or	IC	TA48033BF(TE16L_NQ)	(1)	22278033DBR2TO	
Q3107 or	IC	TA48033AF(TE16L_NQ)	(1)	22278033DR2TO	
Q3108	IC	KSZ8041NL	1	22242591R2	
Q3109	IC	BD7820	1	22242300R2	
Q3202	IC	TC74VHC157FT	1	22274157ER2TO	
Q3204	IC	TC7SZU04FU	1	22242512R2TO	
Q3205	IC	TC7SZU04FU	1	22242512R2TO	
Q3206	IC	NE5532APSR	1	22242283R2	
Q3207	IC	NE5532APSR	1	22242283R2	
Q3210	IC	TC7WH241FU(TE12L_F)	1	22242076R2TO	

Q3401	IC	ES29LV160ET-70TG	1	222W0069R3	
Q3401 or	IC	S29AL016D70TFI010	(1)	222W0063R3	
Q3401 or	IC	S29AL016J70TFI010	(1)	222W0100R3	
Q3401 or	IC	MX29LV160DTTI-7	(1)	222W0104R3	
Q3402	IC	D788E001BRFP266Z	1	22242502R3	
Q3403	IC	K4S641632K-UC60	1	22242462R2	
Q3403 or	IC	K4S641632N-LC60	(1)	22242603R2	
Q3403 or	IC	EM638165TS-7G	(1)	22242607R2	
Q3404	IC	BD7820	1	22242300R2	
Q3405	IC	TC7WU04FU(TE12L_F)	1	22240935R2	
Q3406	IC	TA48033AF(TE16L_NQ)	1	22278033DR2TO	
Q3406 or	IC	TA48033BF(TE16L_NQ)	(1)	22278033DBR2TO	
Q3501	IC	ES29LV160ET-70TG	1	222W0069R3	
Q3501 or	IC	S29AL016D70TFI010	(1)	222W0063R3	
Q3501 or	IC	S29AL016J70TFI010	(1)	222W0100R3	
Q3501 or	IC	MX29LV160DTTI-7	(1)	222W0104R3	
Q3502	IC	D788E001BRFP266Z	1	22242502R3	
Q3503	IC	K4S641632K-UC60	1	22242462R2	
Q3503 or	IC	K4S641632N-LC60	(1)	22242603R2	
Q3503 or	IC	EM638165TS-7G	(1)	22242607R2	
Q3504	IC	BD7820	1	22242300R2	
Q3604	IC	PCM1754DBQR	1	22242598R2	
Q8000	IC	HY5DU561622ETP-4-C	1	22242450R3	
Q8000 or	IC	HY5DU561622FTP-4-C	(1)	22242577R3	
Q8001	IC	HY5DU561622ETP-4-C	1	22242450R3	
Q8001 or	IC	HY5DU561622FTP-4-C	(1)	22242577R3	
Q8005	IC	MX29LV320CTTC-70G	1	222W0052R3	
Q8005 or	IC	MX29LV320DTTI-70G	(1)	222W0109R3	N
Q8041	IC	TA48018BF(TE16L_NQ)	1	22278018DBR2TO	
Q8161	IC	TA48018BF(TE16L_NQ)	1	22278018DBR2TO	
Q8162	IC	SII9185ACTU	1	22242471R3	
Q8200	IC	FLI30336	1	22242469R3	
Q8201	IC	BR24S32FJ-WE2	1	22242569R2	

Q8201 or	IC	24LC32A-I/SN	(1)	22242521R2	
Q8287	IC	MK2302S-01LFTR	1	22242552R2	
Q8305	IC	S-812C50BUC-C5ET2G	1	22242407R2	
Q8306	IC	NC7SZ08P5X_F042	1	22242482R2	
Q8306 or	IC	TC7SZ08FU(TE85L_F)	(1)	22242071R2TO	
Q8309	TR ARRAY	UM6K1N	1	226066R2	
Q8355	IC	S-812C50BUC-C5ET2G	1	22242407R2	
Q8356	IC	NC7SZ08P5X_F042	1	22242482R2	
Q8356 or	IC	TC7SZ08FU(TE85L_F)	(1)	22242071R2TO	
Q8359	TR ARRAY	UM6K1N	1	226066R2	
Q8362	IC	SII9185ACTU	1	22242471R3	
Q8401	IC	SII9134CTU	1	22242394R3	
Q8404	IC	BH18LB1WG-TR	1	22242562R2	
Q8405	IC	SN74CB3Q3305PWR	1	22242258R2	
Q8451	IC	SII9134CTU	1	22242394R3	
Q8454	IC	BH18LB1WG-TR	1	22242562R2	
Q8501	IC	SII9233ACTU	1	22242582R3	
Q8595	IC	TA48018BF(TE16L_NQ)	1	22278018DBR2TO	
Q8652	IC	BH33FB1WG-TR	1	22242585R2	
Q8654	IC	BD7820	1	22242300R2	
Q8701	IC	MPD70F3739GC-UEU-AX	1	222W0102R3	N
Q8801	IC	ADV7342BSTZ-3	1	22242608R3	
Q8802	IC	BH18LB1WG-TR	1	22242562R2	
Q8803	TR	DTC144EE	1	2216390R2	
Q8803 or	TR	KRC404E	(1)	2216450R2	
Q8813	IC	TC74VCX162827	1	22242395R2	
Q8814	IC	TC74VCX162827	1	22242395R2	
Q8817	IC	TC74VCX162827	1	22242395R2	
Q8818	IC	TC74VCX162827	1	22242395R2	
Q8951	IC	MP1593DN	1	22242601R2	N
Q8952	IC	MP1593DN	1	22242601R2	N
Q8953	IC	MP1593DN	1	22242601R2	N
Q8954	IC	MP1593DN	1	22242601R2	N

Q8955	TR		DTC144EE	1	2216390R2
Q8955 or	TR		KRC404E	(1)	2216450R2
Q8956	TR		DTC144EE	1	2216390R2
Q8956 or	TR		KRC404E	(1)	2216450R2
Q8957	TR		DTC144EE	1	2216390R2
Q8957 or	TR		KRC404E	(1)	2216450R2
Q8958	TR		DTC144EE	1	2216390R2
Q8958 or	TR		KRC404E	(1)	2216450R2
Q8963	TR		DTC144EE	1	2216390R2
Q8963 or	TR		KRC404E	(1)	2216450R2
[TRANS COIL]					
L251	CORE		BLM18PG181SN1D	1	2350005R1
L261	EMIFIL		BK1608LM182-T	1	230958R1
L3001	CORE		BLM18PG121SN1D	1	2350006R1
L3002	CORE		BLM18PG121SN1D	1	2350006R1
L3003	CORE		BLM18PG121SN1D	1	2350006R1
L3004	CORE		BLM18PG121SN1D	1	2350006R1
L3005	CORE		BLM18PG121SN1D	1	2350006R1
L3103	CORE		BLM18PG121SN1D	1	2350006R1
L3104	CORE		BLM18PG121SN1D	1	2350006R1
L3105	CORE		BLM18PG121SN1D	1	2350006R1
L3106	CORE		BLM18PG121SN1D	1	2350006R1
L3107	CORE		BLM18PG121SN1D	1	2350006R1
L3108	CORE		BLM18PG121SN1D	1	2350006R1
L3109	CORE		BLM18PG121SN1D	1	2350006R1
L3110	CORE		BLM18PG121SN1D	1	2350006R1
L3202	C-CARBON R		RN72K1J-000JE	1	435030004R1
L3203	CORE		MMZ1608Y601BT	1	2350004R1
L3204	CORE		MMZ1608Y601BT	1	2350004R1
L3205	CORE		BLM18PG121SN1D	1	2350006R1
L3206	CORE		BLM18PG121SN1D	1	2350006R1
L3207	CORE		MMZ1608Y601BT	1	2350004R1
L3208	CORE		MMZ1608Y601BT	1	2350004R1

L3209	CORE	MMZ1608Y601BT	1	2350004R1
L3401	C-CARBON R	RN72K1J-000JE	1	435030004R1
L3402	CORE	BLM18PG121SN1D	1	2350006R1
L3403	CORE	MMZ1608Y601BT	1	2350004R1
L3405	CORE	BLM18PG121SN1D	1	2350006R1
L3406	CORE	BLM18PG121SN1D	1	2350006R1
L3407	CORE	BLM18PG121SN1D	1	2350006R1
L3408	CORE	BLM18PG121SN1D	1	2350006R1
L3409	CORE	BLM18PG121SN1D	1	2350006R1
L3410	CORE	MMZ1608Y601BT	1	2350004R1
L3411	CORE	MMZ1608Y601BT	1	2350004R1
L3501	C-CARBON R	RN72K1J-000JE	1	435030004R1
L3502	CORE	BLM18PG121SN1D	1	2350006R1
L3503	CORE	MMZ1608Y601BT	1	2350004R1
L3505	CORE	BLM18PG121SN1D	1	2350006R1
L3506	CORE	BLM18PG121SN1D	1	2350006R1
L3507	CORE	BLM18PG121SN1D	1	2350006R1
L3508	CORE	BLM18PG121SN1D	1	2350006R1
L3509	CHOKE COIL	LBC2518T470M	1	231364M470R2
L8021	CHOKE COIL	BLM21PG221SN1	1	230949R2
L8022	CHOKE COIL	BLM21PG221SN1	1	230949R2
L8023	CHOKE COIL	BLM21PG221SN1	1	230949R2
L8024	CHOKE COIL	BLM21PG221SN1	1	230949R2
L8025	CHOKE COIL	BLM21PG221SN1	1	230949R2
L8026	CHOKE COIL	BLM21PG221SN1	1	230949R2
L8027	CHOKE COIL	BLM21PG221SN1	1	230949R2
L8041	CHOKE COIL	BLM21PG221SN1	1	230949R2
L8042	CHOKE COIL	BLM21PG221SN1	1	230949R2
L8043	CHOKE COIL	BLM21PG221SN1	1	230949R2
L8161	CORE	BLM18PG181SN1D	1	2350005R1
L8162	CORE	BLM18PG181SN1D	1	2350005R1
L8163	CORE	BLM18PG181SN1D	1	2350005R1
L8361	CORE	BLM18PG181SN1D	1	2350005R1

L8362	CORE	BLM18PG181SN1D	1	2350005R1
L8363	CORE	BLM18PG181SN1D	1	2350005R1
L8401	CORE	BLM18PG181SN1D	1	2350005R1
L8402	CORE	BLM18PG181SN1D	1	2350005R1
L8403	CORE	BLM18PG181SN1D	1	2350005R1
L8404	CORE	BLM18PG181SN1D	1	2350005R1
L8405	CORE	BLM18PG181SN1D	1	2350005R1
L8406	C-R NET	MNR12E0APJ000	1	43464900002R2
L8407	C-R NET	MNR12E0APJ000	1	43464900002R2
L8408	CORE	BLM18PG181SN1D	1	2350005R1
L8409	C-R NET	MNR12E0APJ000	1	43464900002R2
L8410	C-R NET	MNR12E0APJ000	1	43464900002R2
L8450	C-R NET	MNR12E0APJ000	1	43464900002R2
L8451	CORE	BLM18PG181SN1D	1	2350005R1
L8452	CORE	BLM18PG181SN1D	1	2350005R1
L8453	CORE	BLM18PG181SN1D	1	2350005R1
L8454	CORE	BLM18PG181SN1D	1	2350005R1
L8455	CORE	BLM18PG181SN1D	1	2350005R1
L8456	C-R NET	MNR12E0APJ000	1	43464900002R2
L8457	C-R NET	MNR12E0APJ000	1	43464900002R2
L8458	CORE	BLM18PG181SN1D	1	2350005R1
L8459	C-R NET	MNR12E0APJ000	1	43464900002R2
L8601	CORE	BLM18PG181SN1D	1	2350005R1
L8602	CORE	BLM18PG181SN1D	1	2350005R1
L8603	CORE	BLM18PG181SN1D	1	2350005R1
L8604	CORE	BLM18PG181SN1D	1	2350005R1
L8605	CORE	BLM18PG181SN1D	1	2350005R1
L8606	CORE	BLM18PG181SN1D	1	2350005R1
L8608	EMIFIL	BK1608LM182-T	1	230958R1
L8701	CORE	BLM18PG181SN1D	1	2350005R1
L8801	CHOKE COIL	LBC2518T4R7M	1	231364M047R2
L8802	CHOKE COIL	LBC2518T4R7M	1	231364M047R2
L8803	CHOKE COIL	LBC2518T4R7M	1	231364M047R2

L8804	CHOKE COIL	LBC2518T4R7M	1	231364M047R2	
L8851	C-CARBON R	RN72K2B-000JE	1	433220004R1	
L8852	C-CARBON R	RN72K2B-000JE	1	433220004R1	
L8853	C-CARBON R	RN72K2B-000JE	1	433220004R1	
L8854	C-CARBON R	RN72K2B-000JE	1	433220004R1	
L8855	C-CARBON R	RN72K2B-000JE	1	433220004R1	
L8856	C-CARBON R	RN72K2B-000JE	1	433220004R1	
L8951	CHOKE COIL	0182-7E08Q-100M-RA	1	231396M100R2	
L8952	CHOKE COIL	0182-7E08Q-6R8N-RA	1	231395P068R2	
L8953	CHOKE COIL	0182-7E08Q-6R8N-RA	1	231395P068R2	
L8954	CHOKE COIL	0182-7E08Q-100M-RA	1	231396M100R2	
L8955	CHOKE COIL	BLM21PG221SN1	1	230949R2	
L8956	CHOKE COIL	BLM21PG221SN1	1	230949R2	
L8957	CHOKE COIL	BLM21PG221SN1	1	230949R2	
L8958	CHOKE COIL	BLM21PG221SN1	1	230949R2	
L8959	CHOKE COIL	BLM21PG221SN1	1	230949R2	
L8960	CHOKE COIL	BLM21PG221SN1	1	230949R2	
L8961	CHOKE COIL	BLM21PG221SN1	1	230949R2	
L8962	CHOKE COIL	BLM21PG221SN1	1	230949R2	
L8963	CHOKE COIL	BLM21PG221SN1	1	230949R2	
L8964	CHOKE COIL	BLM21PG221SN1	1	230949R2	
L8965	CHOKE COIL	BLM21PG221SN1	1	230949R2	
L8966	CHOKE COIL	BLM21PG221SN1	1	230949R2	
X3001	CRYSTAL	HC-49SMD24.000MHz	1	3010479R2	
X3001 or	CRYSTAL	HC-49USSMD24.00MHz	(1)	3010471R2	
X3201	CRYSTAL	HC-49/U03C 12.288MHz	1	3010323R2	
X3202	CRYSTAL	HC-49SMD11.2896MHz	1	3010480R2	
X3202 or	CRYSTAL	HC-49USSMD11.2896MHz	(1)	3010472R2	
X3401	CRYSTAL	HC-49USSMD17.734MHz	1	3010442R2	
X8200	CRYSTAL	HC-49USSMD19.6608M	1	3010458R2	
X8501	CRYSTAL	DSX530GAK27.0000MHZ	1	3010474R2	N
X8701	CERA LOCK	CSTCR5M00G53-B0	1	3010356R2	
[CAPACITOR]					

C251	C-CERA C	CK725F1A-105Z1	1	332181050R1
C252	C-CERA C	CK725F1A-105Z1	1	332181050R1
C3001	C-CERA C	CK725F1A-105Z1	1	332181050R1
C3002	C-CERA C	CK725F1A-105Z1	1	332181050R1
C3003	C-CERA C	CK725B0J-106K	1	332091065R2
C3004	C-CERA C	CK725B0J-106K	1	332091065R2
C3005	C-CERA C	CK725F1A-105Z1	1	332181050R1
C3006	C-CERA C	CC725CH1H-102J1	1	342101024R1
C3007	C-CERA C	CK725F1A-105Z1	1	332181050R1
C3008	C-CERA C	CC725CH1H-102J1	1	342101024R1
C3009	C-CERA C	CK725F1A-105Z1	1	332181050R1
C3010	C-CERA C	CK725F1A-105Z1	1	332181050R1
C3011	C-CERA C	CK725F1A-105Z1	1	332181050R1
C3012	C-CERA C	CC725CH1H-102J1	1	342101024R1
C3013	C-CERA C	CK725F1A-105Z1	1	332181050R1
C3014	C-CERA C	CC725CH1H-102J1	1	342101024R1
C3015	C-CERA C	CC725CH1H-102J1	1	342101024R1
C3016	C-CERA C	CK725F1A-105Z1	1	332181050R1
C3017	C-CERA C	CK725F1A-105Z1	1	332181050R1
C3018	C-CERA C	CK725F1A-105Z1	1	332181050R1
C3019	C-CERA C	CC725CH1H-102J1	1	342101024R1
C3020	C-CERA C	CK725F1A-105Z1	1	332181050R1
C3021	C-CERA C	CK725F1A-105Z1	1	332181050R1
C3022	C-CERA C	CK725F1A-105Z1	1	332181050R1
C3023	C-CERA C	CK725B0J-106K	1	332091065R2
C3024	C-CERA C	CC725CH1H-102J1	1	342101024R1
C3025	C-CERA C	CK725F1A-105Z1	1	332181050R1
C3026	C-CERA C	CK725B1C-104K1	1	332121045R1
C3027	C-CERA C	CC725CH1H-102J1	1	342101024R1
C3028	C-CERA C	CK725F1A-105Z1	1	332181050R1
C3029	C-CERA C	CC725CH1H-102J1	1	342101024R1
C3030	C-CERA C	CK725F1A-105Z1	1	332181050R1
C3031	C-CERA C	CK725F1A-105Z1	1	332181050R1

C3032	C-CERA C	CC725CH1H-102J1	1	342101024R1
C3033	C-CERA C	CK725F1A-105Z1	1	332181050R1
C3034	C-CERA C	CC725CH1H-120J1	1	342101204R1
C3035	C-CERA C	CC725CH1H-102J1	1	342101024R1
C3036	C-CERA C	CC725CH1H-120J1	1	342101204R1
C3037	C-CERA C	CK725F1A-105Z1	1	332181050R1
C3038	C-CERA C	CK725F1A-105Z1	1	332181050R1
C3039	C-CERA C	CK725B1H-103K1	1	332101035R1
C3040	C-CERA C	CK725F1A-105Z1	1	332181050R1
C3041	C-CERA C	CK725B0J-106K	1	332091065R2
C3042	C-CERA C	CK725F1A-105Z1	1	332181050R1
C3043	C-CERA C	CK725F1A-105Z1	1	332181050R1
C3105	C-CERA C	CK725F1A-105Z1	1	332181050R1
C3106	C-CERA C	CK725B0J-106K	1	332091065R2
C3107	C-CERA C	CK725F1A-105Z1	1	332181050R1
C3108	C-CERA C	CK725F1A-105Z1	1	332181050R1
C3109	C-CERA C	CK725B0J-106K	1	332091065R2
C3110	C-CERA C	CK725B1A-224K1	1	332132245R1
C3112	C-CERA C	CK725B0J-106K	1	332091065R2
C3113	C-CERA C	CK725F1A-105Z1	1	332181050R1
C3114	C-CERA C	CK725F1A-105Z1	1	332181050R1
C3115	C-CERA C	CK725B0J-106K	1	332091065R2
C3116	C-CERA C	CK725B0J-106K	1	332091065R2
C3117	C-CERA C	CC725CH1H-102J1	1	342101024R1
C3118	C-CERA C	CK725F1A-105Z1	1	332181050R1
C3119	C-CERA C	CK725F1A-105Z1	1	332181050R1
C3120	C-CERA C	CK725B0J-106K	1	332091065R2
C3121	C-CERA C	CK725F1A-105Z1	1	332181050R1
C3122	C-CERA C	CK725F1A-105Z1	1	332181050R1
C3123	CHIP ELECT C	CEWX10V-220M	1	398132217R2
C3124	C-CERA C	CK725F1A-105Z1	1	332181050R1
C3125	C-CERA C	CK725B0J-106K	1	332091065R2
C3126	C-CERA C	CK725B0J-106K	1	332091065R2

C3127	C-CERA C	CK725F1A-105Z1	1	332181050R1
C3128	C-CERA C	CK725F1A-105Z1	1	332181050R1
C3129	C-CERA C	CK725F1A-105Z1	1	332181050R1
C3130	C-CERA C	CK725B0J-106K	1	332091065R2
C3131	C-CERA C	CK725F1A-105Z1	1	332181050R1
C3132	C-CERA C	CC725CH1H-101J1	1	342101014R1
C3133	C-CERA C	CK725F1A-105Z1	1	332181050R1
C3134	C-CERA C	CK725B1C-104K1	1	332121045R1
C3135	C-CERA C	CK725B1C-104K1	1	332121045R1
C3136	C-CERA C	CK725F1A-105Z1	1	332181050R1
C3137	C-CERA C	CK725F1A-105Z1	1	332181050R1
C3138	C-CERA C	CK725F1A-105Z1	1	332181050R1
C3139	C-CERA C	CK725F1A-105Z1	1	332181050R1
C3140	C-CERA C	CK725F1A-105Z1	1	332181050R1
C3143	C-CERA C	CK725F1A-105Z1	1	332181050R1
C3144	C-CERA C	CK725F1A-105Z1	1	332181050R1
C3145	C-CERA C	CK725B0J-106K	1	332091065R2
C3146	C-CERA C	CK725F1A-105Z1	1	332181050R1
C3147	C-CERA C	CK725B0J-106K	1	332091065R2
C3148	C-CERA C	CK725B1H-223K1	1	332102235R1
C3149	C-CERA C	CK725F1A-105Z1	1	332181050R1
C3150	CHIP ELECT C	CEWX4V-22M	1	3981G2207R2
C3151	C-CERA C	CK725B1H-103K1	1	332101035R1
C3152	C-CERA C	CK725B0J-106K	1	332091065R2
C3153	C-CERA C	CK725F1A-105Z1	1	332181050R1
C3154	C-CERA C	CK725B0J-106K	1	332091065R2
C3155	C-CERA C	CK725F1A-105Z1	1	332181050R1
C3156	C-CERA C	CC725CH1H-102J1	1	342101024R1
C3157	C-CERA C	CK725F1A-105Z1	1	332181050R1
C3158	C-CERA C	CK725F1A-105Z1	1	332181050R1
C3159	C-CERA C	CK725F1A-105Z1	1	332181050R1
C3202	C-CERA C	CK725F1A-105Z1	1	332181050R1
C3204	C-CERA C	CK725B0J-106K	1	332091065R2

C3205	C-CERA C	CK725F1A-105Z1	1	332181050R1
C3206	C-CERA C	CK725F1A-105Z1	1	332181050R1
C3207	C-CERA C	CK725B0J-106K	1	332091065R2
C3208	C-CERA C	CK725F1A-105Z1	1	332181050R1
C3209	C-CERA C	CK725F1A-105Z1	1	332181050R1
C3210	CHIP ELECT C	CEWX16V-100M	1	398141017R2
C3211	C-CERA C	CK725B1H-222K1	1	332102225R1
C3213	C-CERA C	CK725F1A-105Z1	1	332181050R1
C3214	C-CERA C	CK725B0J-106K	1	332091065R2
C3215	CHIP ELECT C	CEWX16V-10M	1	398141007R2
C3216	C-CERA C	CC725CH1H-120J1	1	342101204R1
C3219	C-CERA C	CC725CH1H-120J1	1	342101204R1
C3220	C-CERA C	CC725CH1H-120J1	1	342101204R1
C3223	C-CERA C	CC725CH1H-120J1	1	342101204R1
C3224	C-CERA C	CK725B1H-152K1	1	332101525R1
C3225	C-CERA C	CK725B1H-152K1	1	332101525R1
C3226	C-CERA C	CK725F1A-105Z1	1	332181050R1
C3227	CHIP ELECT C	CEWX16V-10M	1	398141007R2
C3228	C-CERA C	CK725B1H-222K1	1	332102225R1
C3229	C-CERA C	CK725F1A-105Z1	1	332181050R1
C3230	C-CERA C	CK725B0J-106K	1	332091065R2
C3231	C-CERA C	CK725F1A-105Z1	1	332181050R1
C3233	CHIP ELECT C	CEWX16V-100M	1	398141017R2
C3402	C-CERA C	CK725F1A-105Z1	1	332181050R1
C3403	C-CERA C	CK725F1A-105Z1	1	332181050R1
C3404	C-CERA C	CK725F1A-105Z1	1	332181050R1
C3405	C-CERA C	CK725F1A-105Z1	1	332181050R1
C3406	C-CERA C	CK725F1A-105Z1	1	332181050R1
C3407	C-CERA C	CK725F1A-105Z1	1	332181050R1
C3408	C-CERA C	CK725F1A-105Z1	1	332181050R1
C3409	C-CERA C	CK725F1A-105Z1	1	332181050R1
C3410	C-CERA C	CK725F1A-105Z1	1	332181050R1
C3412	C-CERA C	CK725F1A-105Z1	1	332181050R1

C3413	C-CERA C	CK725F1A-105Z1	1	332181050R1
C3414	C-CERA C	CC725CH1H-102J1	1	342101024R1
C3415	C-CERA C	CK725F1A-105Z1	1	332181050R1
C3416	C-CERA C	CK725F1A-105Z1	1	332181050R1
C3417	C-CERA C	CK725F1A-105Z1	1	332181050R1
C3418	C-CERA C	CK725F1A-105Z1	1	332181050R1
C3419	C-CERA C	CK725F1A-105Z1	1	332181050R1
C3420	C-CERA C	CK725B0J-106K	1	332091065R2
C3421	C-CERA C	CK725F1A-105Z1	1	332181050R1
C3422	C-CERA C	CK725F1A-105Z1	1	332181050R1
C3423	C-CERA C	CK725F1A-105Z1	1	332181050R1
C3424	C-CERA C	CK725F1A-105Z1	1	332181050R1
C3425	C-CERA C	CK725F1A-105Z1	1	332181050R1
C3426	C-CERA C	CK725F1A-105Z1	1	332181050R1
C3427	C-CERA C	CK725F1A-105Z1	1	332181050R1
C3428	C-CERA C	CK725F1A-105Z1	1	332181050R1
C3429	C-CERA C	CK725F1A-105Z1	1	332181050R1
C3430	C-CERA C	CK725F1A-105Z1	1	332181050R1
C3431	C-CERA C	CK725F1A-105Z1	1	332181050R1
C3432	C-CERA C	CK725F1A-105Z1	1	332181050R1
C3433	C-CERA C	CK725F1A-105Z1	1	332181050R1
C3434	C-CERA C	CK725F1A-105Z1	1	332181050R1
C3435	C-CERA C	CK725F1A-105Z1	1	332181050R1
C3436	C-CERA C	CK725F1A-105Z1	1	332181050R1
C3437	C-CERA C	CK725F1A-105Z1	1	332181050R1
C3438	C-CERA C	CK725F1A-105Z1	1	332181050R1
C3439	C-CERA C	CK725F1A-105Z1	1	332181050R1
C3440	C-CERA C	CK725F1A-105Z1	1	332181050R1
C3441	C-CERA C	CK725F1A-105Z1	1	332181050R1
C3442	C-CERA C	CK725B0J-106K	1	332091065R2
C3443	C-CERA C	CK725F1A-105Z1	1	332181050R1
C3444	C-CERA C	CC725CH1H-102J1	1	342101024R1
C3445	C-CERA C	CK725F1A-105Z1	1	332181050R1

C3446	C-CERA C	CK725B0J-106K	1	332091065R2
C3447	C-CERA C	CK725B0J-106K	1	332091065R2
C3448	C-CERA C	CK725B0J-106K	1	332091065R2
C3449	C-CERA C	CK725F1A-105Z1	1	332181050R1
C3450	C-CERA C	CK725F1A-105Z1	1	332181050R1
C3451	C-CERA C	CK725F1A-105Z1	1	332181050R1
C3452	C-CERA C	CK725F1A-105Z1	1	332181050R1
C3453	CHIP ELECT C	CEWX4V-22M	1	3981G2207R2
C3454	C-CERA C	CK725B1H-103K1	1	332101035R1
C3455	C-CERA C	CK725F1A-105Z1	1	332181050R1
C3456	C-CERA C	CK725B0J-106K	1	332091065R2
C3457	C-CERA C	CK725F1A-105Z1	1	332181050R1
C3458	C-CERA C	CK725B0J-106K	1	332091065R2
C3459	C-CERA C	CK725F1A-105Z1	1	332181050R1
C3461	CHIP ELECT C	CEWX4V-220M	1	3981G2217R2
C3462	C-CERA C	CK725F1A-105Z1	1	332181050R1
C3463	C-CERA C	CC725CH1H-060D1	1	342100602R1
C3464	C-CERA C	CC725CH1H-060D1	1	342100602R1
C3502	C-CERA C	CK725F1A-105Z1	1	332181050R1
C3503	C-CERA C	CK725F1A-105Z1	1	332181050R1
C3504	C-CERA C	CK725F1A-105Z1	1	332181050R1
C3505	C-CERA C	CK725F1A-105Z1	1	332181050R1
C3506	C-CERA C	CK725F1A-105Z1	1	332181050R1
C3507	C-CERA C	CK725F1A-105Z1	1	332181050R1
C3508	C-CERA C	CK725F1A-105Z1	1	332181050R1
C3509	C-CERA C	CK725F1A-105Z1	1	332181050R1
C3510	C-CERA C	CK725F1A-105Z1	1	332181050R1
C3512	C-CERA C	CK725F1A-105Z1	1	332181050R1
C3513	C-CERA C	CK725F1A-105Z1	1	332181050R1
C3514	C-CERA C	CC725CH1H-101J1	1	342101014R1
C3515	C-CERA C	CK725F1A-105Z1	1	332181050R1
C3516	C-CERA C	CK725F1A-105Z1	1	332181050R1
C3517	C-CERA C	CK725F1A-105Z1	1	332181050R1

C3518	C-CERA C	CK725F1A-105Z1	1	332181050R1
C3519	C-CERA C	CK725F1A-105Z1	1	332181050R1
C3520	C-CERA C	CK725B0J-106K	1	332091065R2
C3521	C-CERA C	CK725F1A-105Z1	1	332181050R1
C3522	C-CERA C	CK725F1A-105Z1	1	332181050R1
C3523	C-CERA C	CK725F1A-105Z1	1	332181050R1
C3524	C-CERA C	CK725F1A-105Z1	1	332181050R1
C3525	C-CERA C	CK725F1A-105Z1	1	332181050R1
C3526	C-CERA C	CK725F1A-105Z1	1	332181050R1
C3527	C-CERA C	CK725F1A-105Z1	1	332181050R1
C3528	C-CERA C	CK725F1A-105Z1	1	332181050R1
C3529	C-CERA C	CK725F1A-105Z1	1	332181050R1
C3530	C-CERA C	CK725F1A-105Z1	1	332181050R1
C3531	C-CERA C	CK725F1A-105Z1	1	332181050R1
C3532	C-CERA C	CK725F1A-105Z1	1	332181050R1
C3533	C-CERA C	CK725F1A-105Z1	1	332181050R1
C3534	C-CERA C	CK725F1A-105Z1	1	332181050R1
C3535	C-CERA C	CK725F1A-105Z1	1	332181050R1
C3536	C-CERA C	CK725F1A-105Z1	1	332181050R1
C3537	C-CERA C	CK725F1A-105Z1	1	332181050R1
C3538	C-CERA C	CK725F1A-105Z1	1	332181050R1
C3539	C-CERA C	CK725F1A-105Z1	1	332181050R1
C3540	C-CERA C	CK725F1A-105Z1	1	332181050R1
C3541	C-CERA C	CK725F1A-105Z1	1	332181050R1
C3542	C-CERA C	CK725B0J-106K	1	332091065R2
C3543	C-CERA C	CK725F1A-105Z1	1	332181050R1
C3544	C-CERA C	CC725CH1H-102J1	1	342101024R1
C3545	C-CERA C	CK725F1A-105Z1	1	332181050R1
C3546	C-CERA C	CK725B0J-106K	1	332091065R2
C3547	C-CERA C	CK725B0J-106K	1	332091065R2
C3548	C-CERA C	CK725B0J-106K	1	332091065R2
C3549	C-CERA C	CK725F1A-105Z1	1	332181050R1
C3550	C-CERA C	CK725F1A-105Z1	1	332181050R1

C3551	C-CERA C	CK725F1A-105Z1	1	332181050R1
C3552	CHIP ELECT C	CEWX4V-22M	1	3981G2207R2
C3553	C-CERA C	CK725B1H-103K1	1	332101035R1
C3554	C-CERA C	CK725F1A-105Z1	1	332181050R1
C3555	C-CERA C	CK725B0J-106K	1	332091065R2
C3556	C-CERA C	CK725F1A-105Z1	1	332181050R1
C8000	CHIP TANTAL	TCSCS0J226MAAR	1	396522207R2
C8000 or	CHIP TANTAL	F93-6.3V-22M	(1)	395522207R2
C8001	C-CERA C	CK725F1E-104Z1	1	332161040R1
C8002	C-CERA C	CK725F1E-104Z1	1	332161040R1
C8003	CHIP TANTAL	TCSCS0J226MAAR	1	396522207R2
C8003 or	CHIP TANTAL	F93-6.3V-22M	(1)	395522207R2
C8004	CHIP TANTAL	TCSCS0J226MAAR	1	396522207R2
C8004 or	CHIP TANTAL	F93-6.3V-22M	(1)	395522207R2
C8005	C-CERA C	CK725B1H-103K1	1	332101035R1
C8006	C-CERA C	CK725F1A-105Z1	1	332181050R1
C8007	C-CERA C	CK725F1A-105Z1	1	332181050R1
C8008	C-CERA C	CK725F1A-105Z1	1	332181050R1
C8009	C-CERA C	CK725F1A-105Z1	1	332181050R1
C8010	C-CERA C	CK725F1A-105Z1	1	332181050R1
C8011	C-CERA C	CK725F1A-105Z1	1	332181050R1
C8012	C-CERA C	CK725F1A-105Z1	1	332181050R1
C8013	C-CERA C	CK725F1A-105Z1	1	332181050R1
C8014	C-CERA C	CK725F1A-105Z1	1	332181050R1
C8015	C-CERA C	CK725F1A-105Z1	1	332181050R1
C8016	C-CERA C	CK725F1A-105Z1	1	332181050R1
C8017	C-CERA C	CK725F1A-105Z1	1	332181050R1
C8018	C-CERA C	CK725F1A-105Z1	1	332181050R1
C8021	CHIP ELECT C	CEWX16V-100M	1	398141017R2
C8022	C-CERA C	CK725F1A-105Z1	1	332181050R1
C8023	CHIP ELECT C	CEWX4V-100M	1	3981G1017R2
C8026	CHIP ELECT C	CEWX4V-220M	1	3981G2217R2
C8030	CHIP TANTAL	TCSCS0J226MAAR	1	396522207R2

C8030 or	CHIP TANTAL	F93-6.3V-22M	(1)	395522207R2
C8031	C-CERA C	CK725F1E-104Z1	1	332161040R1
C8032	C-CERA C	CK725B1H-103K1	1	332101035R1
C8033	C-CERA C	CK725F1E-104Z1	1	332161040R1
C8034	CHIP TANTAL	TCSCS0J226MAAR	1	396522207R2
C8034 or	CHIP TANTAL	F93-6.3V-22M	(1)	395522207R2
C8041	CHIP ELECT C	CEWX16V-100M	1	398141017R2
C8042	C-CERA C	CK725F1E-104Z1	1	332161040R1
C8043	CHIP ELECT C	CEWX4V-220M	1	3981G2217R2
C8044	CHIP ELECT C	CEWX4V-220M	1	3981G2217R2
C8051	C-CERA C	CK725F1E-104Z1	1	332161040R1
C8052	C-CERA C	CK725F1E-104Z1	1	332161040R1
C8053	C-CERA C	CK725F1E-104Z1	1	332161040R1
C8054	C-CERA C	CK725F1E-104Z1	1	332161040R1
C8055	C-CERA C	CK725F1E-104Z1	1	332161040R1
C8056	C-CERA C	CK725F1E-104Z1	1	332161040R1
C8057	C-CERA C	CK725F1E-104Z1	1	332161040R1
C8058	C-CERA C	CK725F1E-104Z1	1	332161040R1
C8059	C-CERA C	CK725F1E-104Z1	1	332161040R1
C8060	C-CERA C	CK725F1E-104Z1	1	332161040R1
C8061	C-CERA C	CK725F1E-104Z1	1	332161040R1
C8062	C-CERA C	CK725F1E-104Z1	1	332161040R1
C8063	C-CERA C	CK725F1E-104Z1	1	332161040R1
C8064	C-CERA C	CK725F1E-104Z1	1	332161040R1
C8065	C-CERA C	CK725F1E-104Z1	1	332161040R1
C8066	C-CERA C	CK725F1E-104Z1	1	332161040R1
C8077	C-CERA C	CK725F1E-104Z1	1	332161040R1
C8078	C-CERA C	CK725F1E-104Z1	1	332161040R1
C8079	C-CERA C	CK725F1E-104Z1	1	332161040R1
C8080	C-CERA C	CK725F1E-104Z1	1	332161040R1
C8142	C-CARBON R	RN72K1J-000JE	1	435030004R1
C8161	C-CERA C	CK725F1A-105Z1	1	332181050R1
C8162	CHIP ELECT C	CEWX4V-100M	1	3981G1017R2

C8163	C-CERA C	CK725B1H-102K1	1	332101025R1
C8164	C-CERA C	CK725B0J-106K	1	332091065R2
C8165	C-CERA C	CK725F1E-104Z1	1	332161040R1
C8166	C-CERA C	CK725B0J-106K	1	332091065R2
C8167	C-CERA C	CK725F1E-104Z1	1	332161040R1
C8168	C-CERA C	CK725B0J-106K	1	332091065R2
C8169	C-CERA C	CK725F1E-104Z1	1	332161040R1
C8170	C-CERA C	CK725F1E-104Z1	1	332161040R1
C8171	C-CERA C	CK725F1E-104Z1	1	332161040R1
C8172	C-CERA C	CK725F1E-104Z1	1	332161040R1
C8173	C-CERA C	CK725F1E-104Z1	1	332161040R1
C8174	C-CERA C	CK725F1E-104Z1	1	332161040R1
C8175	C-CERA C	CK725F1E-104Z1	1	332161040R1
C8176	C-CERA C	CK725F1E-104Z1	1	332161040R1
C8177	C-CERA C	CK725F1E-104Z1	1	332161040R1
C8178	C-CERA C	CK725F1E-104Z1	1	332161040R1
C8179	C-CERA C	CK725F1E-104Z1	1	332161040R1
C8180	C-CERA C	CK725F1E-104Z1	1	332161040R1
C8181	C-CERA C	CK725F1E-104Z1	1	332161040R1
C8200	CHIP TANTAL	TCSCS0J226MAAR	1	396522207R2
C8200 or	CHIP TANTAL	F93-6.3V-22M	(1)	395522207R2
C8201	CHIP TANTAL	TCSCS0J226MAAR	1	396522207R2
C8201 or	CHIP TANTAL	F93-6.3V-22M	(1)	395522207R2
C8202	C-CERA C	CK725F1E-104Z1	1	332161040R1
C8203	C-CERA C	CK725F1E-104Z1	1	332161040R1
C8204	C-CERA C	CK725F1E-104Z1	1	332161040R1
C8205	C-CERA C	CK725F1E-104Z1	1	332161040R1
C8206	C-CERA C	CK725F1E-104Z1	1	332161040R1
C8207	C-CERA C	CK725F1E-104Z1	1	332161040R1
C8208	C-CERA C	CK725F1E-104Z1	1	332161040R1
C8209	C-CERA C	CK725F1E-104Z1	1	332161040R1
C8210	C-CERA C	CK725F1E-104Z1	1	332161040R1
C8211	C-CERA C	CK725F1E-104Z1	1	332161040R1

C8212	C-CERA C	CK725F1E-104Z1	1	332161040R1
C8213	C-CERA C	CK725F1E-104Z1	1	332161040R1
C8214	C-CERA C	CK725F1E-104Z1	1	332161040R1
C8215	C-CERA C	CK725F1E-104Z1	1	332161040R1
C8216	C-CERA C	CK725F1E-104Z1	1	332161040R1
C8217	C-CERA C	CK725F1E-104Z1	1	332161040R1
C8218	C-CERA C	CK725F1E-104Z1	1	332161040R1
C8219	CHIP TANTAL	TCSCS0J226MAAR	1	396522207R2
C8219 or	CHIP TANTAL	F93-6.3V-22M	(1)	395522207R2
C8220	CHIP TANTAL	TCSCS0J226MAAR	1	396522207R2
C8220 or	CHIP TANTAL	F93-6.3V-22M	(1)	395522207R2
C8221	C-CERA C	CK725B1H-103K1	1	332101035R1
C8222	C-CERA C	CK725B1H-103K1	1	332101035R1
C8223	C-CERA C	CK725F1E-104Z1	1	332161040R1
C8224	C-CERA C	CK725B1H-103K1	1	332101035R1
C8225	C-CERA C	CK725F1E-104Z1	1	332161040R1
C8226	C-CERA C	CK725F1E-104Z1	1	332161040R1
C8227	C-CERA C	CK725B1H-103K1	1	332101035R1
C8228	C-CERA C	CK725F1E-104Z1	1	332161040R1
C8229	C-CERA C	CK725F1E-104Z1	1	332161040R1
C8230	C-CERA C	CK725F1E-104Z1	1	332161040R1
C8231	C-CERA C	CK725B1H-103K1	1	332101035R1
C8232	C-CERA C	CK725F1E-104Z1	1	332161040R1
C8233	C-CERA C	CK725F1E-104Z1	1	332161040R1
C8234	C-CERA C	CK725F1E-104Z1	1	332161040R1
C8235	C-CERA C	CK725B1H-103K1	1	332101035R1
C8236	CHIP TANTAL	TCSCS0J226MAAR	1	396522207R2
C8236 or	CHIP TANTAL	F93-6.3V-22M	(1)	395522207R2
C8237	CHIP TANTAL	TCSCS0J226MAAR	1	396522207R2
C8237 or	CHIP TANTAL	F93-6.3V-22M	(1)	395522207R2
C8238	C-CERA C	CK725F1E-104Z1	1	332161040R1
C8239	C-CERA C	CK725F1E-104Z1	1	332161040R1
C8240	C-CERA C	CK725F1E-104Z1	1	332161040R1

C8241	C-CERA C	CK725F1E-104Z1	1	332161040R1
C8242	C-CERA C	CK725F1E-104Z1	1	332161040R1
C8243	C-CERA C	CK725F1E-104Z1	1	332161040R1
C8244	C-CERA C	CK725F1E-104Z1	1	332161040R1
C8245	C-CERA C	CK725F1E-104Z1	1	332161040R1
C8246	C-CERA C	CK725F1E-104Z1	1	332161040R1
C8247	C-CERA C	CK725F1E-104Z1	1	332161040R1
C8248	C-CERA C	CK725F1E-104Z1	1	332161040R1
C8249	C-CERA C	CK725F1E-104Z1	1	332161040R1
C8250	C-CERA C	CK725F1E-104Z1	1	332161040R1
C8251	CHIP TANTAL	TCSCS0J226MAAR	1	396522207R2
C8251 or	CHIP TANTAL	F93-6.3V-22M	(1)	395522207R2
C8252	C-CERA C	CK725F1E-104Z1	1	332161040R1
C8253	C-CERA C	CK725F1E-104Z1	1	332161040R1
C8254	C-CERA C	CK725F1E-104Z1	1	332161040R1
C8255	CHIP TANTAL	TCSCS0J226MAAR	1	396522207R2
C8255 or	CHIP TANTAL	F93-6.3V-22M	(1)	395522207R2
C8256	C-CERA C	CK725F1E-104Z1	1	332161040R1
C8257	C-CERA C	CK725F1E-104Z1	1	332161040R1
C8258	CHIP TANTAL	TCSCS0J226MAAR	1	396522207R2
C8258 or	CHIP TANTAL	F93-6.3V-22M	(1)	395522207R2
C8259	C-CERA C	CK725F1E-104Z1	1	332161040R1
C8260	CHIP TANTAL	TCSCS0J226MAAR	1	396522207R2
C8260 or	CHIP TANTAL	F93-6.3V-22M	(1)	395522207R2
C8261	C-CERA C	CK725F1E-104Z1	1	332161040R1
C8262	C-CERA C	CK725F1E-104Z1	1	332161040R1
C8263	C-CERA C	CK725F1E-104Z1	1	332161040R1
C8264	CHIP TANTAL	TCSCS0J226MAAR	1	396522207R2
C8264 or	CHIP TANTAL	F93-6.3V-22M	(1)	395522207R2
C8265	C-CERA C	CK725F1E-104Z1	1	332161040R1
C8266	C-CERA C	CK725F1E-104Z1	1	332161040R1
C8267	C-CERA C	CK725F1E-104Z1	1	332161040R1
C8268	CHIP TANTAL	TCSCS0J226MAAR	1	396522207R2

C8268 or	CHIP TANTAL	F93-6.3V-22M	(1)	395522207R2
C8269	C-CERA C	CK725F1E-104Z1	1	332161040R1
C8270	C-CERA C	CK725F1E-104Z1	1	332161040R1
C8271	C-CERA C	CK725F1E-104Z1	1	332161040R1
C8272	C-CERA C	CK725F1E-104Z1	1	332161040R1
C8273	CHIP TANTAL	TCSCS0J226MAAR	1	396522207R2
C8273 or	CHIP TANTAL	F93-6.3V-22M	(1)	395522207R2
C8274	C-CERA C	CK725F1E-104Z1	1	332161040R1
C8275	C-CERA C	CK725F1E-104Z1	1	332161040R1
C8276	C-CERA C	CK725B1H-103K1	1	332101035R1
C8282	C-CERA C	CK725F1E-104Z1	1	332161040R1
C8284	C-CERA C	CK725F1E-104Z1	1	332161040R1
C8288	C-CERA C	CC725CH1H-330J1	1	342103304R1
C8289	C-CERA C	CC725CH1H-330J1	1	342103304R1
C8290	C-CERA C	CK725B1H-102K1	1	332101025R1
C8291	C-CERA C	CK725F1E-104Z1	1	332161040R1
C8321	C-CARBON R	RN72K1J-000JE	1	435030004R1
C8322	C-CARBON R	RN72K1J-000JE	1	435030004R1
C8326	C-CERA C	CK725F1E-104Z1	1	332161040R1
C8327	C-CERA C	CK725F1A-105Z1	1	332181050R1
C8328	CHIP ELECT C	CEWX16V-22M	1	398142207R2
C8329	C-CERA C	CK725F1A-105Z1	1	332181050R1
C8330	C-CERA C	CK725F1A-105Z1	1	332181050R1
C8332	C-CERA C	CK725F1E-104Z1	1	332161040R1
C8341	C-CARBON R	RN72K1J-000JE	1	435030004R1
C8342	C-CARBON R	RN72K1J-000JE	1	435030004R1
C8348	C-CARBON R	RN72K1J-000JE	1	435030004R1
C8349	C-CARBON R	RN72K1J-000JE	1	435030004R1
C8356	C-CERA C	CK725F1E-104Z1	1	332161040R1
C8357	C-CERA C	CK725F1A-105Z1	1	332181050R1
C8358	CHIP ELECT C	CEWX16V-22M	1	398142207R2
C8359	C-CERA C	CK725F1A-105Z1	1	332181050R1
C8362	C-CERA C	CK725F1E-104Z1	1	332161040R1

C8364	C-CERA C	CK725B0J-106K	1	332091065R2
C8365	C-CERA C	CK725F1E-104Z1	1	332161040R1
C8366	C-CERA C	CK725B0J-106K	1	332091065R2
C8367	C-CERA C	CK725F1E-104Z1	1	332161040R1
C8368	C-CERA C	CK725B0J-106K	1	332091065R2
C8369	C-CERA C	CK725F1E-104Z1	1	332161040R1
C8370	C-CERA C	CK725F1E-104Z1	1	332161040R1
C8371	C-CERA C	CK725F1E-104Z1	1	332161040R1
C8372	C-CERA C	CK725F1E-104Z1	1	332161040R1
C8373	C-CERA C	CK725F1E-104Z1	1	332161040R1
C8374	C-CERA C	CK725F1E-104Z1	1	332161040R1
C8375	C-CERA C	CK725F1E-104Z1	1	332161040R1
C8376	C-CERA C	CK725F1E-104Z1	1	332161040R1
C8377	C-CERA C	CK725F1E-104Z1	1	332161040R1
C8378	C-CERA C	CK725F1E-104Z1	1	332161040R1
C8379	C-CERA C	CK725F1E-104Z1	1	332161040R1
C8380	C-CERA C	CK725F1E-104Z1	1	332161040R1
C8381	C-CERA C	CK725F1E-104Z1	1	332161040R1
C8390	C-CERA C	CK725F1A-105Z1	1	332181050R1
C8398	C-CARBON R	RN72K1J-000JE	1	435030004R1
C8399	C-CARBON R	RN72K1J-000JE	1	435030004R1
C8401	CHIP ELECT C	CEWX4V-22M	1	3981G2207R2
C8402	CHIP ELECT C	CEWX4V-22M	1	3981G2207R2
C8403	C-CERA C	CK725F1A-105Z1	1	332181050R1
C8404	C-CERA C	CK725B1H-102K1	1	332101025R1
C8405	C-CERA C	CK725F1A-105Z1	1	332181050R1
C8406	C-CERA C	CK725B1H-102K1	1	332101025R1
C8408	CHIP ELECT C	CEWX4V-22M	1	3981G2207R2
C8409	CHIP ELECT C	CEWX4V-22M	1	3981G2207R2
C8410	C-CERA C	CK725F1A-105Z1	1	332181050R1
C8411	C-CERA C	CK725B1H-102K1	1	332101025R1
C8412	C-CERA C	CK725F1A-105Z1	1	332181050R1
C8413	C-CERA C	CK725B1H-102K1	1	332101025R1

C8414	C-CERA C	CK725F1A-105Z1	1	332181050R1
C8415	C-CERA C	CK725B1H-102K1	1	332101025R1
C8416	C-CERA C	CK725B1H-102K1	1	332101025R1
C8417	C-CERA C	CK725F1A-105Z1	1	332181050R1
C8418	CHIP ELECT C	CEWX4V-22M	1	3981G2207R2
C8419	C-CERA C	CK725B1H-102K1	1	332101025R1
C8420	C-CERA C	CK725F1A-105Z1	1	332181050R1
C8421	C-CERA C	CK725B1H-102K1	1	332101025R1
C8422	C-CERA C	CK725F1A-105Z1	1	332181050R1
C8423	C-CERA C	CK725B1H-102K1	1	332101025R1
C8424	C-CERA C	CK725F1A-105Z1	1	332181050R1
C8425	C-CERA C	CK725B1H-102K1	1	332101025R1
C8426	C-CERA C	CK725F1A-105Z1	1	332181050R1
C8427	C-CERA C	CK725B1H-102K1	1	332101025R1
C8428	C-CERA C	CK725F1A-105Z1	1	332181050R1
C8429	C-CERA C	CK725B1H-102K1	1	332101025R1
C8430	C-CERA C	CK725F1A-105Z1	1	332181050R1
C8431	C-CERA C	CK725B1H-102K1	1	332101025R1
C8432	C-CERA C	CK725F1A-105Z1	1	332181050R1
C8433	C-CERA C	CK725B1H-102K1	1	332101025R1
C8434	C-CERA C	CK725F1A-105Z1	1	332181050R1
C8435	C-CERA C	CK725F1A-105Z1	1	332181050R1
C8436	C-CERA C	CK725F1A-105Z1	1	332181050R1
C8437	CHIP ELECT C	CEWX4V-22M	1	3981G2207R2
C8438	C-CERA C	CK725B1H-102K1	1	332101025R1
C8439	C-CERA C	CK725F1A-105Z1	1	332181050R1
C8440	C-CERA C	CK725B0J-106K	1	332091065R2
C8441	CHIP ELECT C	CEWX4V-220M	1	3981G2217R2
C8451	CHIP ELECT C	CEWX4V-22M	1	3981G2207R2
C8452	CHIP ELECT C	CEWX4V-22M	1	3981G2207R2
C8453	C-CERA C	CK725F1A-105Z1	1	332181050R1
C8454	C-CERA C	CK725B1H-102K1	1	332101025R1
C8455	C-CERA C	CK725F1A-105Z1	1	332181050R1

C8456	C-CERA C	CK725B1H-102K1	1	332101025R1
C8457	C-CERA C	CC725CH1H-020C1	1	342100201R1
C8458	CHIP ELECT C	CEWX4V-22M	1	3981G2207R2
C8459	CHIP ELECT C	CEWX4V-22M	1	3981G2207R2
C8460	C-CERA C	CK725F1A-105Z1	1	332181050R1
C8461	C-CERA C	CK725B1H-102K1	1	332101025R1
C8462	C-CERA C	CK725F1A-105Z1	1	332181050R1
C8463	C-CERA C	CK725B1H-102K1	1	332101025R1
C8464	C-CERA C	CK725F1A-105Z1	1	332181050R1
C8465	C-CERA C	CK725B1H-102K1	1	332101025R1
C8466	C-CERA C	CK725B1H-102K1	1	332101025R1
C8467	C-CERA C	CK725F1A-105Z1	1	332181050R1
C8468	CHIP ELECT C	CEWX4V-22M	1	3981G2207R2
C8469	C-CERA C	CK725B1H-102K1	1	332101025R1
C8470	C-CERA C	CK725F1A-105Z1	1	332181050R1
C8471	C-CERA C	CK725B1H-102K1	1	332101025R1
C8472	C-CERA C	CK725F1A-105Z1	1	332181050R1
C8473	C-CERA C	CK725B1H-102K1	1	332101025R1
C8474	C-CERA C	CK725F1A-105Z1	1	332181050R1
C8475	C-CERA C	CK725B1H-102K1	1	332101025R1
C8476	C-CERA C	CK725F1A-105Z1	1	332181050R1
C8477	C-CERA C	CK725B1H-102K1	1	332101025R1
C8478	C-CERA C	CK725F1A-105Z1	1	332181050R1
C8479	C-CERA C	CK725B1H-102K1	1	332101025R1
C8480	C-CERA C	CK725F1A-105Z1	1	332181050R1
C8481	C-CERA C	CK725B1H-102K1	1	332101025R1
C8482	C-CERA C	CK725F1A-105Z1	1	332181050R1
C8483	C-CERA C	CK725B1H-102K1	1	332101025R1
C8484	C-CERA C	CK725F1A-105Z1	1	332181050R1
C8485	C-CERA C	CK725F1A-105Z1	1	332181050R1
C8486	C-CERA C	CK725F1A-105Z1	1	332181050R1
C8487	CHIP ELECT C	CEWX4V-22M	1	3981G2207R2
C8488	C-CERA C	CK725B1H-102K1	1	332101025R1

C8489	C-CERA C	CK725F1A-105Z1	1	332181050R1
C8490	C-CERA C	CK725B0J-106K	1	332091065R2
C8491	CHIP ELECT C	CEWX4V-220M	1	3981G2217R2
C8501	C-CERA C	CK725B1H-102K1	1	332101025R1
C8502	C-CERA C	CK725B0J-106K	1	332091065R2
C8503	C-CERA C	CK725F1A-105Z1	1	332181050R1
C8504	C-CERA C	CK725B1H-102K1	1	332101025R1
C8505	C-CERA C	CK725F1A-105Z1	1	332181050R1
C8506	C-CERA C	CK725B0J-106K	1	332091065R2
C8507	C-CERA C	CK725B1H-102K1	1	332101025R1
C8508	C-CERA C	CK725F1A-105Z1	1	332181050R1
C8509	C-CERA C	CK725B1H-102K1	1	332101025R1
C8510	C-CERA C	CK725F1A-105Z1	1	332181050R1
C8511	C-CERA C	CK725B1H-102K1	1	332101025R1
C8512	C-CERA C	CK725F1A-105Z1	1	332181050R1
C8513	C-CERA C	CK725B1H-102K1	1	332101025R1
C8514	C-CERA C	CK725F1A-105Z1	1	332181050R1
C8515	C-CERA C	CK725B1H-102K1	1	332101025R1
C8516	C-CERA C	CK725F1A-105Z1	1	332181050R1
C8517	C-CERA C	CK725B1H-102K1	1	332101025R1
C8518	C-CERA C	CK725F1A-105Z1	1	332181050R1
C8519	C-CERA C	CK725F1A-105Z1	1	332181050R1
C8521	C-CERA C	CK725F1E-104Z1	1	332161040R1
C8522	C-CERA C	CK725B0J-106K	1	332091065R2
C8525	C-CERA C	CK725B0J-106K	1	332091065R2
C8527	C-CERA C	CK725B1H-102K1	1	332101025R1
C8529	C-CERA C	CK725B0J-106K	1	332091065R2
C8530	C-CERA C	CK725F1A-105Z1	1	332181050R1
C8531	C-CERA C	CK725B1H-102K1	1	332101025R1
C8532	C-CERA C	CK725F1A-105Z1	1	332181050R1
C8533	C-CERA C	CK725B1H-102K1	1	332101025R1
C8534	C-CERA C	CK725F1A-105Z1	1	332181050R1
C8535	C-CERA C	CK725B1H-102K1	1	332101025R1

C8536	C-CERA C	CK725F1A-105Z1	1	332181050R1
C8537	C-CERA C	CK725B1H-102K1	1	332101025R1
C8538	C-CERA C	CK725F1A-105Z1	1	332181050R1
C8539	C-CERA C	CK725B1H-102K1	1	332101025R1
C8540	C-CERA C	CK725F1A-105Z1	1	332181050R1
C8548	C-CERA C	CK725F1A-105Z1	1	332181050R1
C8549	C-CERA C	CK725B1H-102K1	1	332101025R1
C8550	C-CERA C	CK725F1A-105Z1	1	332181050R1
C8551	C-CERA C	CK725B1H-102K1	1	332101025R1
C8552	C-CERA C	CK725F1A-105Z1	1	332181050R1
C8553	C-CERA C	CK725B1H-102K1	1	332101025R1
C8554	C-CERA C	CK725F1A-105Z1	1	332181050R1
C8555	C-CERA C	CK725B1H-102K1	1	332101025R1
C8556	C-CERA C	CK725F1A-105Z1	1	332181050R1
C8557	C-CERA C	CK725B1H-102K1	1	332101025R1
C8558	C-CERA C	CK725F1A-105Z1	1	332181050R1
C8559	C-CERA C	CK725B1H-102K1	1	332101025R1
C8560	C-CERA C	CK725B0J-106K	1	332091065R2
C8563	C-CERA C	CK725F1A-105Z1	1	332181050R1
C8564	C-CERA C	CK725B0J-106K	1	332091065R2
C8565	C-CERA C	CK725B0J-106K	1	332091065R2
C8566	C-CERA C	CK725B1H-102K1	1	332101025R1
C8567	C-CERA C	CK725F1A-105Z1	1	332181050R1
C8573	C-CERA C	CK725F1A-105Z1	1	332181050R1
C8574	C-CERA C	CC725CH1H-070D1	1	342100702R1
C8575	C-CERA C	CC725CH1H-070D1	1	342100702R1
C8584	C-CERA C	CK725B0J-106K	1	332091065R2
C8585	C-CERA C	CK725B0J-106K	1	332091065R2
C8605	C-CARBON R	RN72K1J-000JE	1	435030004R1
C8608	C-CERA C	CK725F1A-105Z1	1	332181050R1
C8609	C-CERA C	CK725B0J-106K	1	332091065R2
C8611	C-CARBON R	RN72K1J-000JE	1	435030004R1
C8612	C-CARBON R	RN72K1J-000JE	1	435030004R1

C8621	C-CARBON R	RN72K1J-000JE	1	435030004R1
C8622	C-CARBON R	RN72K1J-000JE	1	435030004R1
C8631	C-CARBON R	RN72K1J-000JE	1	435030004R1
C8632	C-CARBON R	RN72K1J-000JE	1	435030004R1
C8675	CHIP ELECT C	CEWX4V-100M	1	3981G1017R2
C8676	C-CERA C	CK725F1A-105Z1	1	332181050R1
C8701	C-CERA C	CK725F1A-105Z1	1	332181050R1
C8702	C-CERA C	CK725F1A-105Z1	1	332181050R1
C8703	C-CERA C	CK725F1A-105Z1	1	332181050R1
C8704	CHIP ELECT C	CEWX50V-4.7M	1	398180477R2
C8705	C-CERA C	CK725F1A-105Z1	1	332181050R1
C8706	C-CERA C	CK725F1A-105Z1	1	332181050R1
C8707	C-CERA C	CK725F1A-105Z1	1	332181050R1
C8708	C-CERA C	CK725F1A-105Z1	1	332181050R1
C8709	CHIP ELECT C	CEWX4V-220M	1	3981G2217R2
C8710	C-CERA C	CK725F1A-105Z1	1	332181050R1
C8801	C-CERA C	CK725F1A-105Z1	1	332181050R1
C8802	CHIP ELECT C	CEWX4V-220M	1	3981G2217R2
C8803	CHIP ELECT C	CEWX4V-220M	1	3981G2217R2
C8804	CHIP ELECT C	CEWX4V-220M	1	3981G2217R2
C8805	CHIP ELECT C	CEWX4V-220M	1	3981G2217R2
C8810	C-CERA C	CK725F1A-105Z1	1	332181050R1
C8811	C-CERA C	CK725F1A-105Z1	1	332181050R1
C8812	C-CERA C	CK725B1A-154K1	1	332131545R1
C8813	C-CERA C	CK725B1H-153K1	1	332101535R1
C8814	C-CERA C	CK725F1A-105Z1	1	332181050R1
C8815	C-CERA C	CK725B1A-154K1	1	332131545R1
C8816	C-CERA C	CK725B1H-153K1	1	332101535R1
C8817	C-CERA C	CK725B1H-222K1	1	332102225R1
C8818	C-CERA C	CK725F1A-105Z1	1	332181050R1
C8819	C-CERA C	CK725B1H-222K1	1	332102225R1
C8820	C-CERA C	CK725F1A-105Z1	1	332181050R1
C8821	C-CERA C	CK725F1A-105Z1	1	332181050R1

C8822	C-CERA C	CK725F1A-105Z1	1	332181050R1
C8823	C-CERA C	CK725F1A-105Z1	1	332181050R1
C8825	C-CERA C	CK725B0J-225K	1	332092255R1
C8826	CHIP ELECT C	CEWX4V-100M	1	3981G1017R2
C8838	C-CERA C	CC725CH1H-470J1	1	342104704R1
C8839	C-CERA C	CC725CH1H-470J1	1	342104704R1
C8840	C-CERA C	CC725CH1H-470J1	1	342104704R1
C8855	C-CERA C	CK725F1E-104Z1	1	332161040R1
C8856	C-CERA C	CK725F1E-104Z1	1	332161040R1
C8857	C-CERA C	CK725F1E-104Z1	1	332161040R1
C8858	C-CERA C	CK725F1E-104Z1	1	332161040R1
C8859	C-CERA C	CK725F1E-104Z1	1	332161040R1
C8860	C-CERA C	CK725F1E-104Z1	1	332161040R1
C8861	C-CERA C	CK725F1E-104Z1	1	332161040R1
C8862	C-CERA C	CK725F1E-104Z1	1	332161040R1
C8863	C-CERA C	CK725F1E-104Z1	1	332161040R1
C8864	C-CERA C	CK725F1E-104Z1	1	332161040R1
C8865	C-CERA C	CK725F1E-104Z1	1	332161040R1
C8866	C-CERA C	CK725F1E-104Z1	1	332161040R1
C8867	C-CERA C	CK725F1E-104Z1	1	332161040R1
C8868	C-CERA C	CK725F1E-104Z1	1	332161040R1
C8869	C-CERA C	CK725F1E-104Z1	1	332161040R1
C8870	C-CERA C	CK725F1E-104Z1	1	332161040R1
C8951	C-CERA C	CK725B1C-104K1	1	332121045R1
C8952	C-CERA C	CK725F1A-105Z1	1	332181050R1
C8953	CD C	UCD1E221MNL1GS	1	396652217R2
C8954	C-CERA C	CK725B1H-103K1	1	332101035R1
C8955	C-CERA C	CK725B1H-332K1	1	332103325R1
C8956	C-CERA C	CK725F1A-105Z1	1	332181050R1
C8957	CHIP ELECT C	CEWT10V-470M	1	395734717R2
C8958	C-CERA C	CK725F1A-105Z1	1	332181050R1
C8961	C-CERA C	CK725B1A-224K1	1	332132245R1
C8962	C-CERA C	CK725F1A-105Z1	1	332181050R1

C8963	CD C	UCD1E221MNL1GS	1	396652217R2
C8964	C-CERA C	CK725B1H-332K1	1	332103325R1
C8965	C-CERA C	CK725B1H-332K1	1	332103325R1
C8966	C-CERA C	CK725F1A-105Z1	1	332181050R1
C8967	CHIP ELECT C	CEWT10V-470M	1	395734717R2
C8968	C-CERA C	CK725F1A-105Z1	1	332181050R1
C8971	C-CERA C	CK725B1C-104K1	1	332121045R1
C8972	C-CERA C	CK725F1A-105Z1	1	332181050R1
C8973	CD C	UCD1E221MNL1GS	1	396652217R2
C8974	C-CERA C	CK725B1H-332K1	1	332103325R1
C8975	C-CERA C	CK725B1H-332K1	1	332103325R1
C8976	C-CERA C	CK725F1A-105Z1	1	332181050R1
C8977	CHIP ELECT C	CEWT10V-470M	1	395734717R2
C8978	C-CERA C	CK725F1A-105Z1	1	332181050R1
C8979	C-CERA C	CK725F1A-105Z1	1	332181050R1
C8981	C-CERA C	CK725B1H-223K1	1	332102235R1
C8982	C-CERA C	CK725F1A-105Z1	1	332181050R1
C8983	CD C	UCD1E221MNL1GS	1	396652217R2
C8984	C-CERA C	CK725B1H-103K1	1	332101035R1
C8985	C-CERA C	CK725B1H-222K1	1	332102225R1
C8986	C-CERA C	CK725F1A-105Z1	1	332181050R1
C8987	CHIP ELECT C	CEWT10V-470M	1	395734717R2
C8988	C-CERA C	CK725F1A-105Z1	1	332181050R1
[RESISTOR]				
R268	C-CARBON R	RN72K1J-331JE	1	435033314R1
R269	C-CARBON R	RN72K1J-331JE	1	435033314R1
R270	C-CARBON R	RN72K1J-331JE	1	435033314R1
R271	C-CARBON R	RN72K1J-470JE	1	435034704R1
R272	C-CARBON R	RN72K1J-331JE	1	435033314R1
R273	C-CARBON R	RN72K1J-331JE	1	435033314R1
R274	C-CARBON R	RN72K1J-470JE	1	435034704R1
R275	C-CARBON R	RN72K1J-221JE	1	435032214R1
R276	C-CARBON R	RN72K1J-221JE	1	435032214R1

R277	C-CARBON R	RN72K1J-151JE	1	435031514R1
R278	C-CARBON R	RN72K1J-331JE	1	435033314R1
R279	C-CARBON R	RN72K1J-331JE	1	435033314R1
R280	C-CARBON R	RN72K1J-470JE	1	435034704R1
R3009	C-CARBON R	RN72K1J-330JE	1	435033304R1
R3010	C-R NET	RM7LJ330X04	1	43484733004R2
R3011	C-R NET	RM7LJ330X04	1	43484733004R2
R3012	C-R NET	RM7LJ330X04	1	43484733004R2
R3013	C-R NET	RM7LJ330X04	1	43484733004R2
R3014	C-R NET	RM7LJ330X04	1	43484733004R2
R3015	C-R NET	RM7LJ330X04	1	43484733004R2
R3016	C-CARBON R	RN72K1J-470JE	1	435034704R1
R3017	C-R NET	RM7LJ330X04	1	43484733004R2
R3018	C-CARBON R	RN72K1J-470JE	1	435034704R1
R3019	C-R NET	RM7LJ330X04	1	43484733004R2
R3020	C-R NET	RM7LJ330X04	1	43484733004R2
R3021	C-CARBON R	RN72K1J-470JE	1	435034704R1
R3022	C-CARBON R	RN72K1J-470JE	1	435034704R1
R3023	C-R NET	RM7LJ470X04	1	43484747004R2
R3024	C-CARBON R	RN72K1J-470JE	1	435034704R1
R3025	C-CARBON R	RN72K1J-102JE	1	435031024R1
R3026	C-CARBON R	RN72K1J-470JE	1	435034704R1
R3028	C-CARBON R	RN72K1J-470JE	1	435034704R1
R3029	C-CARBON R	RN72K1J-102JE	1	435031024R1
R3032	C-CARBON R	RN72K1J-103JE	1	435031034R1
R3033	C-CARBON R	RN72K1J-470JE	1	435034704R1
R3034	C-CARBON R	RN72K1J-470JE	1	435034704R1
R3035	C-CARBON R	RN72K1J-470JE	1	435034704R1
R3036	C-CARBON R	RN72K1J-470JE	1	435034704R1
R3037	C-CARBON R	RN72K1J-470JE	1	435034704R1
R3038	C-CARBON R	RN72K1J-470JE	1	435034704R1
R3039	C-CARBON R	RN72K1J-470JE	1	435034704R1
R3040	C-CARBON R	RN72K1J-103JE	1	435031034R1

R3041	C-R NET	RM7LJ330X04	1	43484733004R2
R3042	C-R NET	RM7LJ330X04	1	43484733004R2
R3043	C-CARBON R	RN72K1J-000JE	1	435030004R1
R3044	C-R NET	RM7LJ330X04	1	43484733004R2
R3045	C-R NET	RM7LJ330X04	1	43484733004R2
R3047	C-CARBON R	RN72K1J-560JE	1	435035604R1
R3048	C-CARBON R	RN72K1J-000JE	1	435030004R1
R3049	C-CARBON R	RN72K1J-560JE	1	435035604R1
R3050	C-CARBON R	RN72K1J-560JE	1	435035604R1
R3051	C-CARBON R	RN72K1J-560JE	1	435035604R1
R3052	C-CARBON R	RN72K1J-103JE	1	435031034R1
R3053	C-CARBON R	RN72K1J-103JE	1	435031034R1
R3054	C-CARBON R	RN72K1J-103JE	1	435031034R1
R3055	C-CARBON R	RN72K1J-472JE	1	435034724R1
R3056	C-CARBON R	RN72K1J-472JE	1	435034724R1
R3060	C-CARBON R	RN72K1J-680JE	1	435036804R1
R3061	C-CARBON R	RN72K1J-470JE	1	435034704R1
R3062	C-CARBON R	RN72K1J-680JE	1	435036804R1
R3063	C-CARBON R	RN72K1J-680JE	1	435036804R1
R3064	C-CARBON R	RN72K1J-680JE	1	435036804R1
R3065	C-CARBON R	RN72K1J-680JE	1	435036804R1
R3066	C-CARBON R	RN72K1J-102JE	1	435031024R1
R3101	C-CARBON R	RN72K1J-103JE	1	435031034R1
R3102	C-CARBON R	RN72K1J-153JE	1	435031534R1
R3108	C-CARBON R	RN72K1J-103JE	1	435031034R1
R3110	C-CARBON R	RN72K1J-103JE	1	435031034R1
R3111	C-CARBON R	RN72K1J-103JE	1	435031034R1
R3113	C-CARBON R	RN72K1J-103JE	1	435031034R1
R3115	C-CARBON R	RN72K1J-103JE	1	435031034R1
R3117	C-CARBON R	RN72K1J-103JE	1	435031034R1
R3119	C-CARBON R	RN72K1J-472JE	1	435034724R1
R3121	C-CARBON R	RN72K1J-153JE	1	435031534R1
R3122	C-CARBON R	RN72K1J-102JE	1	435031024R1

R3123	C-CARBON R	RN72K1J-000JE	1	435030004R1
R3124	C-CARBON R	RN72K1J-331JE	1	435033314R1
R3125	C-CARBON R	RN72K1J-470JE	1	435034704R1
R3126	C-CARBON R	RN72K1J-470JE	1	435034704R1
R3127	C-CARBON R	RN72K1J-470JE	1	435034704R1
R3128	C-CARBON R	RN72K1J-472JE	1	435034724R1
R3129	C-CARBON R	RN72K1J-470JE	1	435034704R1
R3130	C-CARBON R	RN72K1J-470JE	1	435034704R1
R3131	C-CARBON R	RN72K1J-470JE	1	435034704R1
R3132	C-CARBON R	RN72K1J-103JE	1	435031034R1
R3133	C-CARBON R	RN72K1J-470JE	1	435034704R1
R3134	C-CARBON R	RN72K1J-103JE	1	435031034R1
R3135	C-CARBON R	RN72K1J-103JE	1	435031034R1
R3136	C-CARBON R	RN72K1J-000JE	1	435030004R1
R3137	C-CARBON R	RN72K1J-000JE	1	435030004R1
R3139	C-CARBON R	RN72K1J-101JE	1	435031014R1
R3140	C-CARBON R	RN72K1J-103JE	1	435031034R1
R3143	C-CARBON R	RN72K1J-103JE	1	435031034R1
R3144	C-CARBON R	RN72K1J-101JE	1	435031014R1
R3145	C-CARBON R	RN72K1J-103JE	1	435031034R1
R3146	C-CARBON R	RN72K1J-390JE	1	435033904R1
R3147	C-CARBON R	RN72K1J-000JE	1	435030004R1
R3148	C-CARBON R	RN72K1J-390JE	1	435033904R1
R3149	C-CARBON R	RN72K1J-102JE	1	435031024R1
R3150	C-CARBON R	RN72K1J-330JE	1	435033304R1
R3151	C-CARBON R	RN72K1J-103JE	1	435031034R1
R3152	C-CARBON R	RN72K1J-103JE	1	435031034R1
R3154	C-CARBON R	RN72K1J-390JE	1	435033904R1
R3155	C-CARBON R	RN72K1J-390JE	1	435033904R1
R3156	C-CARBON R	RN72K1J-390JE	1	435033904R1
R3157	C-CARBON R	RN72K1J-000JE	1	435030004R1
R3158	C-CARBON R	RN72K1J-000JE	1	435030004R1
R3159	C-CARBON R	RN72K1J-000JE	1	435030004R1

R3160	C-CARBON R	RN72K1J-000JE	1	435030004R1
R3162	C-CARBON R	RN72K1J-390JE	1	435033904R1
R3163	C-CARBON R	RN72K1J-220JE	1	435032204R1
R3164	C-CARBON R	RN72K1J-472JE	1	435034724R1
R3168	C-CARBON R	RN72K1J-220JE	1	435032204R1
R3169	C-CARBON R	RN72K1J-220JE	1	435032204R1
R3170	C-CARBON R	RN72K1J-391FE	1	435033912R1
R3171	C-CARBON R	RN72K1J-222FE	1	435032222R1
R3172	C-CARBON R	RN72K1J-392FE	1	435033922R1
R3173	C-CARBON R	RN72K1J-390JE	1	435033904R1
R3174	C-CARBON R	RN72K1J-390JE	1	435033904R1
R3176	C-CARBON R	MCR03EZPF49R9(49.9_1%)	1	4100037R2
R3177	C-CARBON R	MCR03EZPF49R9(49.9_1%)	1	4100037R2
R3178	C-CARBON R	MCR03EZPF49R9(49.9_1%)	1	4100037R2
R3179	C-CARBON R	MCR03EZPF49R9(49.9_1%)	1	4100037R2
R3180	C-CARBON R	RN72K1J-100FE	1	435031002R1
R3181	C-CARBON R	RN72K1J-470JE	1	435034704R1
R3182	C-CARBON R	RN72K1J-472JE	1	435034724R1
R3183	C-CARBON R	RN72K1J-470JE	1	435034704R1
R3184	C-CARBON R	RN72K1J-470JE	1	435034704R1
R3185	C-CARBON R	RN72K1J-392FE	1	435033922R1
R3186	C-CARBON R	RN72K1J-472JE	1	435034724R1
R3187	C-CARBON R	RN72K1J-223FE	1	435032232R1
R3188	C-CARBON R	RN72K1J-224FE	1	435032242R1
R3189	C-CARBON R	RN72K1J-103FE	1	435031032R1
R3190	C-CARBON R	RN72K1J-393FE	1	435033932R1
R3191	C-CARBON R	RN72K1J-105FE	1	435031052R1
R3192	C-CARBON R	RN72K1J-472JE	1	435034724R1
R3193	C-CARBON R	RN72K1J-472JE	1	435034724R1
R3194	C-CARBON R	RN72K1J-472JE	1	435034724R1
R3195	C-CARBON R	RN72K1J-221JE	1	435032214R1
R3196	C-CARBON R	RN72K1J-221JE	1	435032214R1
R3199	C-CARBON R	RN72K1J-102JE	1	435031024R1

R3200	C-CARBON R	RN72K1J-103JE	1	435031034R1
R3201	C-CARBON R	RN72K1J-103JE	1	435031034R1
R3202	C-CARBON R	RN72K1J-103JE	1	435031034R1
R3203	C-CARBON R	RN72K1J-103JE	1	435031034R1
R3204	C-CARBON R	RN72K1J-103JE	1	435031034R1
R3205	C-CARBON R	RN72K1J-103JE	1	435031034R1
R3208	C-CARBON R	RN72K1J-220JE	1	435032204R1
R3212	C-CARBON R	RN72K1J-220JE	1	435032204R1
R3215	C-CARBON R	RN72K1J-221JE	1	435032214R1
R3218	C-CARBON R	RN72K1J-220JE	1	435032204R1
R3219	C-CARBON R	RN72K1J-221JE	1	435032214R1
R3221	C-CARBON R	RN72K1J-470JE	1	435034704R1
R3224	C-CARBON R	RN72K1J-220JE	1	435032204R1
R3225	C-CARBON R	RN72K1J-220JE	1	435032204R1
R3226	C-R NET	RM7LJ470X04	1	43484747004R2
R3227	C-CARBON R	RN72K1J-470JE	1	435034704R1
R3228	C-CARBON R	RN72K1J-470JE	1	435034704R1
R3229	C-CARBON R	RN72K1J-470JE	1	435034704R1
R3230	C-CARBON R	RN72K1J-221JE	1	435032214R1
R3231	C-CARBON R	RN72K1J-470JE	1	435034704R1
R3232	C-CARBON R	RN72K1J-221JE	1	435032214R1
R3233	C-CARBON R	RN72K1J-221JE	1	435032214R1
R3234	C-CARBON R	RN72K1J-470JE	1	435034704R1
R3236	C-CARBON R	RN72K1J-470JE	1	435034704R1
R3237	C-CARBON R	RN72K1J-221JE	1	435032214R1
R3238	C-CARBON R	RN72K1J-470JE	1	435034704R1
R3239	C-CARBON R	RN72K1J-221JE	1	435032214R1
R3240	C-CARBON R	RN72K1J-103JE	1	435031034R1
R3241	C-CARBON R	RN72K1J-221JE	1	435032214R1
R3242	C-CARBON R	RN72K1J-221JE	1	435032214R1
R3243	C-CARBON R	RN72K1J-220JE	1	435032204R1
R3244	C-CARBON R	RN72K1J-470JE	1	435034704R1
R3245	C-CARBON R	RN72K1J-103JE	1	435031034R1

R3246	C-CARBON R	RN72K1J-103JE	1	435031034R1
R3247	C-CARBON R	RN72K1J-331JE	1	435033314R1
R3248	C-CARBON R	RN72K1J-220JE	1	435032204R1
R3249	C-CARBON R	RN72K1J-470JE	1	435034704R1
R3250	C-CARBON R	RN72K1J-470JE	1	435034704R1
R3251	C-CARBON R	RN72K1J-470JE	1	435034704R1
R3252	C-CARBON R	RN72K1J-220JE	1	435032204R1
R3253	C-CARBON R	RN72K1J-470JE	1	435034704R1
R3254	C-CARBON R	RN72K1J-470JE	1	435034704R1
R3255	C-CARBON R	RN72K1J-103JE	1	435031034R1
R3256	C-CARBON R	RN72K1J-470JE	1	435034704R1
R3257	C-CARBON R	RN72K1J-470JE	1	435034704R1
R3259	C-CARBON R	RN72K1J-220JE	1	435032204R1
R3260	C-CARBON R	RN72K1J-390JE	1	435033904R1
R3261	C-CARBON R	RN72K1J-470JE	1	435034704R1
R3262	C-CARBON R	RN72K1J-221JE	1	435032214R1
R3264	C-CARBON R	RN72K1J-470JE	1	435034704R1
R3265	C-CARBON R	RN72K1J-390JE	1	435033904R1
R3267	C-CARBON R	RN72K1J-470JE	1	435034704R1
R3268	C-CARBON R	RN72K1J-390JE	1	435033904R1
R3270	C-CARBON R	RN72K1J-470JE	1	435034704R1
R3271	C-CARBON R	RN72K1J-390JE	1	435033904R1
R3272	C-CARBON R	RN72K1J-470JE	1	435034704R1
R3273	C-CARBON R	RN72K1J-470JE	1	435034704R1
R3274	C-CARBON R	RN72K1J-390JE	1	435033904R1
R3275	C-CARBON R	RN72K1J-220JE	1	435032204R1
R3276	C-CARBON R	RN72K1J-470JE	1	435034704R1
R3277	C-CARBON R	RN72K1J-220JE	1	435032204R1
R3278	C-CARBON R	RN72K1J-470JE	1	435034704R1
R3279	C-CARBON R	RN72K1J-470JE	1	435034704R1
R3280	C-CARBON R	RN72K1J-470JE	1	435034704R1
R3281	C-CARBON R	RN72K1J-103JE	1	435031034R1
R3282	C-CARBON R	RN72K1J-103JE	1	435031034R1

R3283	C-CARBON R	RN72K1J-103JE	1	435031034R1
R3284	C-CARBON R	RN72K1J-103JE	1	435031034R1
R3285	C-CARBON R	RN72K1J-103JE	1	435031034R1
R3286	C-CARBON R	RN72K1J-103JE	1	435031034R1
R3287	C-CARBON R	RN72K1J-220JE	1	435032204R1
R3288	C-CARBON R	RN72K1J-223JE	1	435032234R1
R3289	C-CARBON R	RN72K1J-152JE	1	435031524R1
R3290	C-CARBON R	RN72K1J-105JE	1	435031054R1
R3291	C-CARBON R	RN72K1J-105JE	1	435031054R1
R3292	C-CARBON R	RN72K1J-561FE	1	435035612R1
R3293	C-CARBON R	RN72K1J-560JE	1	435035604R1
R3294	C-CARBON R	RN72K1J-561FE	1	435035612R1
R3295	C-CARBON R	RN72K1J-560JE	1	435035604R1
R3296	C-CARBON R	RN72K1J-223JE	1	435032234R1
R3297	C-CARBON R	RN72K1J-332JE	1	435033324R1
R3298	C-CARBON R	RN72K1J-182JE	1	435031824R1
R3299	C-CARBON R	RN72K1J-220JE	1	435032204R1
R3300	C-CARBON R	RN72K1J-153JE	1	435031534R1
R3301	C-CARBON R	RN72K1J-153JE	1	435031534R1
R3302	C-CARBON R	RN72K1J-332JE	1	435033324R1
R3303	C-CARBON R	RN72K1J-104JE	1	435031044R1
R3304	C-CARBON R	RN72K1J-153JE	1	435031534R1
R3305	C-CARBON R	RN72K1J-153JE	1	435031534R1
R3306	C-CARBON R	RN72K1J-332JE	1	435033324R1
R3307	C-CARBON R	RN72K1J-104JE	1	435031044R1
R3308	C-CARBON R	RN72K1J-223JE	1	435032234R1
R3309	C-CARBON R	RN72K1J-332JE	1	435033324R1
R3310	C-CARBON R	RN72K1J-182JE	1	435031824R1
R3311	C-CARBON R	RN72K1J-471JE	1	435034714R1
R3312	C-CARBON R	RN72K1J-223JE	1	435032234R1
R3313	C-CARBON R	RN72K1J-152JE	1	435031524R1
R3314	C-CARBON R	RN72K1J-391JE	1	435033914R1
R3315	C-CARBON R	RN72K1J-560JE	1	435035604R1

R3401	C-R NET	RM7LJ330X04	1	43484733004R2
R3402	C-R NET	RM7LJ330X04	1	43484733004R2
R3403	C-R NET	RM7LJ330X04	1	43484733004R2
R3404	C-R NET	RM7LJ330X04	1	43484733004R2
R3405	C-CARBON R	RN72K1J-103JE	1	435031034R1
R3406	C-CARBON R	RN72K1J-103JE	1	435031034R1
R3407	C-CARBON R	RN72K1J-103JE	1	435031034R1
R3408	C-CARBON R	RN72K1J-103JE	1	435031034R1
R3409	C-CARBON R	RN72K1J-103JE	1	435031034R1
R3410	C-CARBON R	RN72K1J-221JE	1	435032214R1
R3411	C-CARBON R	RN72K1J-221JE	1	435032214R1
R3412	C-CARBON R	RN72K1J-470JE	1	435034704R1
R3413	C-CARBON R	RN72K1J-470JE	1	435034704R1
R3414	C-CARBON R	RN72K1J-470JE	1	435034704R1
R3416	C-CARBON R	RN72K1J-331JE	1	435033314R1
R3417	C-CARBON R	RN72K1J-330JE	1	435033304R1
R3418	C-CARBON R	RN72K1J-470JE	1	435034704R1
R3419	C-CARBON R	RN72K1J-750JE	1	435037504R1
R3420	C-CARBON R	RN72K1J-470JE	1	435034704R1
R3421	C-CARBON R	RN72K1J-102JE	1	435031024R1
R3422	C-CARBON R	RN72K1J-330JE	1	435033304R1
R3423	C-CARBON R	RN72K1J-470JE	1	435034704R1
R3424	C-CARBON R	RN72K1J-470JE	1	435034704R1
R3425	C-CARBON R	RN72K1J-470JE	1	435034704R1
R3426	C-R NET	RM7LJ330X04	1	43484733004R2
R3427	C-CARBON R	RN72K1J-470JE	1	435034704R1
R3428	C-CARBON R	RN72K1J-470JE	1	435034704R1
R3429	C-R NET	RM7LJ330X04	1	43484733004R2
R3430	C-R NET	RM7LJ330X04	1	43484733004R2
R3431	C-CARBON R	RN72K1J-103JE	1	435031034R1
R3432	C-CARBON R	RN72K1J-103JE	1	435031034R1
R3433	C-CARBON R	RN72K1J-103JE	1	435031034R1
R3435	C-R NET	RM7LJ330X04	1	43484733004R2

R3436	C-CARBON R	RN72K1J-331JE	1	435033314R1
R3437	C-CARBON R	RN72K1J-331JE	1	435033314R1
R3438	C-CARBON R	RN72K1J-331JE	1	435033314R1
R3439	C-R NET	RM7LJ330X04	1	43484733004R2
R3440	C-CARBON R	RN72K1J-331JE	1	435033314R1
R3441	C-CARBON R	RN72K1J-331JE	1	435033314R1
R3442	C-CARBON R	RN72K1J-331JE	1	435033314R1
R3443	C-CARBON R	RN72K1J-331JE	1	435033314R1
R3444	C-CARBON R	RN72K1J-331JE	1	435033314R1
R3445	C-R NET	RM7LJ330X04	1	43484733004R2
R3446	C-CARBON R	RN72K1J-470JE	1	435034704R1
R3447	C-CARBON R	RN72K1J-470JE	1	435034704R1
R3448	C-CARBON R	RN72K1J-470JE	1	435034704R1
R3449	C-CARBON R	RN72K1J-470JE	1	435034704R1
R3450	C-CARBON R	RN72K1J-470JE	1	435034704R1
R3451	C-CARBON R	RN72K1J-103JE	1	435031034R1
R3452	C-CARBON R	RN72K1J-103JE	1	435031034R1
R3453	C-CARBON R	RN72K1J-103JE	1	435031034R1
R3454	C-CARBON R	RN72K1J-470JE	1	435034704R1
R3455	C-CARBON R	RN72K1J-103JE	1	435031034R1
R3456	C-CARBON R	RN72K1J-470JE	1	435034704R1
R3457	C-CARBON R	RN72K1J-470JE	1	435034704R1
R3458	C-CARBON R	RN72K1J-470JE	1	435034704R1
R3459	C-CARBON R	RN72K1J-470JE	1	435034704R1
R3460	C-CARBON R	RN72K1J-470JE	1	435034704R1
R3461	C-CARBON R	RN72K1J-470JE	1	435034704R1
R3462	C-CARBON R	RN72K1J-470JE	1	435034704R1
R3464	C-CARBON R	RN72K1J-102JE	1	435031024R1
R3465	C-CARBON R	RN72K1J-223FE	1	435032232R1
R3466	C-CARBON R	RN72K1J-392FE	1	435033922R1
R3467	C-CARBON R	RN72K1J-224FE	1	435032242R1
R3468	C-CARBON R	RN72K1J-103FE	1	435031032R1
R3469	C-CARBON R	RN72K1J-333FE	1	435033332R1

R3470	C-CARBON R	RN72K1J-391JE	1	435033914R1
R3471	C-CARBON R	RN72K1J-391JE	1	435033914R1
R3472	C-CARBON R	RN72K1J-105JE	1	435031054R1
R3473	C-CARBON R	RN72K1J-000JE	1	435030004R1
R3501	C-R NET	RM7LJ330X04	1	43484733004R2
R3502	C-R NET	RM7LJ330X04	1	43484733004R2
R3503	C-R NET	RM7LJ330X04	1	43484733004R2
R3504	C-R NET	RM7LJ330X04	1	43484733004R2
R3505	C-CARBON R	RN72K1J-103JE	1	435031034R1
R3506	C-CARBON R	RN72K1J-103JE	1	435031034R1
R3507	C-CARBON R	RN72K1J-103JE	1	435031034R1
R3508	C-CARBON R	RN72K1J-103JE	1	435031034R1
R3509	C-CARBON R	RN72K1J-103JE	1	435031034R1
R3510	C-CARBON R	RN72K1J-221JE	1	435032214R1
R3511	C-CARBON R	RN72K1J-221JE	1	435032214R1
R3512	C-CARBON R	RN72K1J-470JE	1	435034704R1
R3513	C-CARBON R	RN72K1J-470JE	1	435034704R1
R3514	C-CARBON R	RN72K1J-470JE	1	435034704R1
R3516	C-CARBON R	RN72K1J-331JE	1	435033314R1
R3517	C-CARBON R	RN72K1J-330JE	1	435033304R1
R3518	C-CARBON R	RN72K1J-470JE	1	435034704R1
R3519	C-CARBON R	RN72K1J-750JE	1	435037504R1
R3520	C-CARBON R	RN72K1J-470JE	1	435034704R1
R3521	C-CARBON R	RN72K1J-471JE	1	435034714R1
R3522	C-CARBON R	RN72K1J-330JE	1	435033304R1
R3523	C-CARBON R	RN72K1J-470JE	1	435034704R1
R3524	C-CARBON R	RN72K1J-470JE	1	435034704R1
R3525	C-CARBON R	RN72K1J-470JE	1	435034704R1
R3526	C-R NET	RM7LJ330X04	1	43484733004R2
R3527	C-CARBON R	RN72K1J-470JE	1	435034704R1
R3528	C-CARBON R	RN72K1J-470JE	1	435034704R1
R3529	C-R NET	RM7LJ330X04	1	43484733004R2
R3530	C-R NET	RM7LJ330X04	1	43484733004R2

R3531	C-CARBON R	RN72K1J-103JE	1	435031034R1
R3532	C-CARBON R	RN72K1J-103JE	1	435031034R1
R3533	C-CARBON R	RN72K1J-103JE	1	435031034R1
R3534	C-CARBON R	RN72K1J-331JE	1	435033314R1
R3535	C-R NET	RM7LJ330X04	1	43484733004R2
R3536	C-CARBON R	RN72K1J-331JE	1	435033314R1
R3537	C-CARBON R	RN72K1J-331JE	1	435033314R1
R3538	C-CARBON R	RN72K1J-331JE	1	435033314R1
R3539	C-R NET	RM7LJ330X04	1	43484733004R2
R3540	C-CARBON R	RN72K1J-331JE	1	435033314R1
R3541	C-CARBON R	RN72K1J-331JE	1	435033314R1
R3542	C-CARBON R	RN72K1J-331JE	1	435033314R1
R3543	C-CARBON R	RN72K1J-331JE	1	435033314R1
R3544	C-CARBON R	RN72K1J-331JE	1	435033314R1
R3545	C-R NET	RM7LJ330X04	1	43484733004R2
R3546	C-CARBON R	RN72K1J-470JE	1	435034704R1
R3547	C-CARBON R	RN72K1J-470JE	1	435034704R1
R3548	C-CARBON R	RN72K1J-470JE	1	435034704R1
R3549	C-CARBON R	RN72K1J-470JE	1	435034704R1
R3550	C-CARBON R	RN72K1J-470JE	1	435034704R1
R3551	C-CARBON R	RN72K1J-103JE	1	435031034R1
R3552	C-CARBON R	RN72K1J-103JE	1	435031034R1
R3553	C-CARBON R	RN72K1J-103JE	1	435031034R1
R3554	C-CARBON R	RN72K1J-470JE	1	435034704R1
R3555	C-CARBON R	RN72K1J-103JE	1	435031034R1
R3556	C-CARBON R	RN72K1J-470JE	1	435034704R1
R3557	C-CARBON R	RN72K1J-470JE	1	435034704R1
R3558	C-CARBON R	RN72K1J-470JE	1	435034704R1
R3559	C-CARBON R	RN72K1J-470JE	1	435034704R1
R3560	C-CARBON R	RN72K1J-470JE	1	435034704R1
R3561	C-CARBON R	RN72K1J-470JE	1	435034704R1
R3562	C-CARBON R	RN72K1J-470JE	1	435034704R1
R3564	C-CARBON R	RN72K1J-102JE	1	435031024R1

R3565	C-CARBON R	RN72K1J-223FE	1	435032232R1
R3566	C-CARBON R	RN72K1J-392FE	1	435033922R1
R3567	C-CARBON R	RN72K1J-224FE	1	435032242R1
R3568	C-CARBON R	RN72K1J-103FE	1	435031032R1
R3569	C-CARBON R	RN72K1J-333FE	1	435033332R1
R3670	C-CARBON R	RN72K1J-103JE	1	435031034R1
R3671	C-CARBON R	RN72K1J-000JE	1	435030004R1
R3672	C-CARBON R	RN72K1J-000JE	1	435030004R1
R3673	C-CARBON R	RN72K1J-000JE	1	435030004R1
R3674	C-CARBON R	RN72K1J-000JE	1	435030004R1
R3680	C-CARBON R	RN72K1J-000JE	1	435030004R1
R8000	C-CARBON R	RN72K1J-103JE	1	435031034R1
R8001	C-CARBON R	RN72K1J-103JE	1	435031034R1
R8002	C-CARBON R	RN72K1J-271JE	1	435032714R1
R8003	C-CARBON R	RN72K1J-271JE	1	435032714R1
R8010	C-CARBON R	RN72K1J-103JE	1	435031034R1
R8011	C-CARBON R	RN72K1J-103JE	1	435031034R1
R8012	C-CARBON R	RN72K1J-000JE	1	435030004R1
R8013	C-CARBON R	RN72K1J-103JE	1	435031034R1
R8014	C-CARBON R	RN72K1J-103JE	1	435031034R1
R8015	C-CARBON R	RN72K1J-103JE	1	435031034R1
R8016	C-CARBON R	RN72K1J-103JE	1	435031034R1
R8017	C-CARBON R	RN72K1J-103JE	1	435031034R1
R8018	C-CARBON R	RN72K1J-103JE	1	435031034R1
R8019	C-CARBON R	RN72K1J-103JE	1	435031034R1
R8020	C-CARBON R	RN72K1J-103JE	1	435031034R1
R8021	C-CARBON R	RN72K1J-103JE	1	435031034R1
R8022	C-CARBON R	RN72K1J-103JE	1	435031034R1
R8026	C-CARBON R	RN72K1J-103JE	1	435031034R1
R8028	C-CARBON R	RN72K1J-103JE	1	435031034R1
R8029	C-CARBON R	RN72K1J-103JE	1	435031034R1
R8033	C-CARBON R	RN72K1J-103JE	1	435031034R1
R8034	C-CARBON R	RN72K1J-000JE	1	435030004R1

R8035	C-CARBON R	RN72K1J-000JE	1	435030004R1
R8036	C-CARBON R	RN72K1J-103JE	1	435031034R1
R8038	C-CARBON R	RN72K1J-330JE	1	435033304R1
R8045	C-CARBON R	RN72K1J-750JE	1	435037504R1
R8046	C-CARBON R	RN72K1J-750JE	1	435037504R1
R8047	C-CARBON R	RN72K1J-750JE	1	435037504R1
R8048	C-CARBON R	RN72K1J-750JE	1	435037504R1
R8049	C-CARBON R	RN72K1J-750JE	1	435037504R1
R8050	C-CARBON R	RN72K1J-750JE	1	435037504R1
R8051	C-CARBON R	RN72K1J-680JE	1	435036804R1
R8052	C-CARBON R	RN72K1J-471JE	1	435034714R1
R8053	C-CARBON R	RN72K1J-680JE	1	435036804R1
R8054	C-CARBON R	RN72K1J-471JE	1	435034714R1
R8055	C-CARBON R	RN72K1J-680JE	1	435036804R1
R8056	C-CARBON R	RN72K1J-471JE	1	435034714R1
R8057	C-CARBON R	RN72K1J-680JE	1	435036804R1
R8058	C-CARBON R	RN72K1J-471JE	1	435034714R1
R8059	C-CARBON R	RN72K1J-680JE	1	435036804R1
R8060	C-CARBON R	RN72K1J-680JE	1	435036804R1
R8061	C-CARBON R	RN72K1J-680JE	1	435036804R1
R8062	C-CARBON R	RN72K1J-220JE	1	435032204R1
R8063	C-CARBON R	RN72K1J-220JE	1	435032204R1
R8064	C-CARBON R	RN72K1J-220JE	1	435032204R1
R8065	C-CARBON R	RN72K1J-103JE	1	435031034R1
R8066	C-CARBON R	RN72K1J-103JE	1	435031034R1
R8067	C-CARBON R	RN72K1J-103JE	1	435031034R1
R8068	C-CARBON R	RN72K1J-750JE	1	435037504R1
R8069	C-CARBON R	RN72K1J-750JE	1	435037504R1
R8070	C-CARBON R	RN72K1J-750JE	1	435037504R1
R8071	C-CARBON R	RN72K1J-750JE	1	435037504R1
R8072	C-CARBON R	RN72K1J-750JE	1	435037504R1
R8073	C-CARBON R	RN72K1J-750JE	1	435037504R1
R8074	C-CARBON R	RN72K1J-103JE	1	435031034R1

R8075	C-CARBON R	RN72K1J-103JE	1	435031034R1
R8076	C-CARBON R	RN72K1J-103JE	1	435031034R1
R8079	C-CARBON R	RN72K1J-220JE	1	435032204R1
R8080	C-CARBON R	RN72K1J-220JE	1	435032204R1
R8081	C-CARBON R	RN72K1J-220JE	1	435032204R1
R8082	C-CARBON R	RN72K1J-680JE	1	435036804R1
R8083	C-CARBON R	RN72K1J-471JE	1	435034714R1
R8084	C-CARBON R	RN72K1J-471JE	1	435034714R1
R8085	C-CARBON R	RN72K1J-471JE	1	435034714R1
R8086	C-CARBON R	RN72K1J-471JE	1	435034714R1
R8087	C-CARBON R	RN72K1J-220JE	1	435032204R1
R8088	C-CARBON R	RN72K1J-220JE	1	435032204R1
R8089	C-CARBON R	RN72K1J-102JE	1	435031024R1
R8090	C-CARBON R	RN72K1J-102JE	1	435031024R1
R8154	C-CARBON R	RN72K1J-000JE	1	435030004R1
R8160	C-CARBON R	RN72K1J-332JE	1	435033324R1
R8161	C-CARBON R	RN72K1J-681JE	1	435036814R1
R8162	C-CARBON R	RN72K1J-101JE	1	435031014R1
R8165	C-CARBON R	RN72K1J-103JE	1	435031034R1
R8201	C-CARBON R	RN72K1J-330JE	1	435033304R1
R8202	C-CARBON R	RN72K1J-000JE	1	435030004R1
R8203	C-CARBON R	RN72K1J-000JE	1	435030004R1
R8205	C-CARBON R	RN72K1J-220JE	1	435032204R1
R8206	C-CARBON R	RN72K1J-103JE	1	435031034R1
R8207	C-CARBON R	RN72K1J-103JE	1	435031034R1
R8208	C-CARBON R	RN72K1J-103JE	1	435031034R1
R8209	C-CARBON R	RN72K1J-103JE	1	435031034R1
R8210	C-CARBON R	RN72K1J-103JE	1	435031034R1
R8212	C-CARBON R	RN72K1J-103JE	1	435031034R1
R8213	C-CARBON R	RN72K1J-103JE	1	435031034R1
R8214	C-CARBON R	RN72K1J-272JE	1	435032724R1
R8215	C-CARBON R	RN72K1J-272JE	1	435032724R1
R8219	C-CARBON R	RN72K1J-103JE	1	435031034R1

R8223	C-CARBON R	RN72K1J-103JE	1	435031034R1
R8224	C-CARBON R	RN72K1J-103JE	1	435031034R1
R8230	C-R NET	RM7LJ330X04	1	43484733004R2
R8231	C-R NET	RM7LJ330X04	1	43484733004R2
R8232	C-R NET	RM7LJ330X04	1	43484733004R2
R8233	C-R NET	RM7LJ330X04	1	43484733004R2
R8234	C-R NET	RM7LJ330X04	1	43484733004R2
R8235	C-R NET	RM7LJ330X04	1	43484733004R2
R8236	C-R NET	RM7LJ330X04	1	43484733004R2
R8238	C-R NET	RM7LJ330X04	1	43484733004R2
R8239	C-R NET	RM7LJ330X04	1	43484733004R2
R8240	C-R NET	RM7LJ330X04	1	43484733004R2
R8241	C-R NET	RM7LJ330X04	1	43484733004R2
R8243	C-R NET	RM7LJ330X04	1	43484733004R2
R8245	C-R NET	RM7LJ330X04	1	43484733004R2
R8248	C-R NET	RM7LJ330X04	1	43484733004R2
R8249	C-R NET	RM7LJ330X04	1	43484733004R2
R8251	C-R NET	RM7LJ220X04	1	43484722004R2
R8252	C-R NET	RM7LJ220X04	1	43484722004R2
R8253	C-R NET	RM7LJ220X04	1	43484722004R2
R8254	C-R NET	RM7LJ220X04	1	43484722004R2
R8255	C-R NET	RM7LJ220X04	1	43484722004R2
R8256	C-R NET	RM7LJ220X04	1	43484722004R2
R8257	C-R NET	RM7LJ220X04	1	43484722004R2
R8258	C-R NET	RM7LJ220X04	1	43484722004R2
R8259	C-R NET	RM7LJ220X04	1	43484722004R2
R8264	C-CARBON R	RN72K1J-103JE	1	435031034R1
R8271	C-R NET	RM7LJ220X04	1	43484722004R2
R8272	C-R NET	RM7LJ220X04	1	43484722004R2
R8273	C-R NET	RM7LJ220X04	1	43484722004R2
R8274	C-R NET	RM7LJ220X04	1	43484722004R2
R8275	C-R NET	RM7LJ220X04	1	43484722004R2
R8276	C-R NET	RM7LJ220X04	1	43484722004R2

R8277	C-R NET	RM7LJ220X04	1	43484722004R2
R8278	C-R NET	RM7LJ220X04	1	43484722004R2
R8279	C-R NET	RM7LJ220X04	1	43484722004R2
R8280	C-CARBON R	RN72K1J-120JE	1	435031204R1
R8284	C-CARBON R	RN72K1J-120JE	1	435031204R1
R8323	C-CARBON R	RN72K1J-103JE	1	435031034R1
R8329	C-CARBON R	RN72K1J-473JE	1	435034734R1
R8330	C-CARBON R	RN72K1J-473JE	1	435034734R1
R8333	C-CARBON R	RN72K1J-103JE	1	435031034R1
R8334	C-CARBON R	RN72K1J-222JE	1	435032224R1
R8335	C-CARBON R	RN72K1J-222JE	1	435032224R1
R8336	C-CARBON R	RN72K1J-472JE	1	435034724R1
R8337	C-CARBON R	RN72K1J-473JE	1	435034734R1
R8338	C-CARBON R	RN72K1J-473JE	1	435034734R1
R8339	C-CARBON R	RN72K2E-470JE	1	435224704R1
R8343	C-CARBON R	RN72K1J-103JE	1	435031034R1
R8349	C-CARBON R	RN72K1J-473JE	1	435034734R1
R8350	C-CARBON R	RN72K1J-473JE	1	435034734R1
R8360	C-CARBON R	RN72K1J-103JE	1	435031034R1
R8361	C-CARBON R	RN72K1J-681JE	1	435036814R1
R8362	C-CARBON R	RN72K1J-101JE	1	435031014R1
R8365	C-CARBON R	RN72K1J-103JE	1	435031034R1
R8372	C-CARBON R	RN72K1J-103JE	1	435031034R1
R8374	C-CARBON R	RN72K1J-472JE	1	435034724R1
R8375	C-CARBON R	RN72K1J-473JE	1	435034734R1
R8376	C-CARBON R	RN72K1J-473JE	1	435034734R1
R8384	C-CARBON R	RN72K1J-222JE	1	435032224R1
R8385	C-CARBON R	RN72K1J-222JE	1	435032224R1
R8391	C-CARBON R	RN72K2E-470JE	1	435224704R1
R8401	C-R NET	RM7LJ220X04	1	43484722004R2
R8402	C-CARBON R	RN72K1J-220JE	1	435032204R1
R8403	C-R NET	RM7LJ220X04	1	43484722004R2
R8404	C-CARBON R	RN72K1J-220JE	1	435032204R1

R8405	C-CARBON R	RN72K1J-220JE	1	435032204R1
R8408	C-CARBON R	RN72K1J-220JE	1	435032204R1
R8409	C-CARBON R	RN72K1J-101JE	1	435031014R1
R8410	C-CARBON R	RN72K1J-681JE	1	435036814R1
R8411	C-CARBON R	RN72K1J-472JE	1	435034724R1
R8416	C-R NET	RM7LJ220X04	1	43484722004R2
R8417	C-R NET	RM7LJ220X04	1	43484722004R2
R8418	C-R NET	RM7LJ220X04	1	43484722004R2
R8419	C-R NET	RM7LJ220X04	1	43484722004R2
R8420	C-R NET	RM7LJ220X04	1	43484722004R2
R8421	C-R NET	RM7LJ220X04	1	43484722004R2
R8422	C-R NET	RM7LJ220X04	1	43484722004R2
R8423	C-R NET	RM7LJ220X04	1	43484722004R2
R8424	C-R NET	RM7LJ220X04	1	43484722004R2
R8425	C-CARBON R	RN72K1J-220JE	1	435032204R1
R8429	C-CARBON R	RN72K1J-220JE	1	435032204R1
R8431	C-CARBON R	RN72K1J-472JE	1	435034724R1
R8432	C-CARBON R	RN72K1J-220JE	1	435032204R1
R8442	C-CARBON R	RN72K1J-102JE	1	435031024R1
R8451	C-R NET	RM7LJ220X04	1	43484722004R2
R8452	C-CARBON R	RN72K1J-220JE	1	435032204R1
R8453	C-R NET	RM7LJ220X04	1	43484722004R2
R8454	C-CARBON R	RN72K1J-220JE	1	435032204R1
R8455	C-CARBON R	RN72K1J-220JE	1	435032204R1
R8458	C-CARBON R	RN72K1J-220JE	1	435032204R1
R8459	C-CARBON R	RN72K1J-101JE	1	435031014R1
R8460	C-CARBON R	RN72K1J-681JE	1	435036814R1
R8462	C-CARBON R	RN72K1J-472JE	1	435034724R1
R8466	C-R NET	RM7LJ220X04	1	43484722004R2
R8467	C-R NET	RM7LJ220X04	1	43484722004R2
R8468	C-R NET	RM7LJ220X04	1	43484722004R2
R8469	C-R NET	RM7LJ220X04	1	43484722004R2
R8470	C-R NET	RM7LJ220X04	1	43484722004R2

R8471	C-R NET	RM7LJ220X04	1	43484722004R2
R8472	C-R NET	RM7LJ220X04	1	43484722004R2
R8473	C-R NET	RM7LJ220X04	1	43484722004R2
R8474	C-R NET	RM7LJ220X04	1	43484722004R2
R8475	C-CARBON R	RN72K1J-220JE	1	435032204R1
R8479	C-CARBON R	RN72K1J-220JE	1	435032204R1
R8481	C-CARBON R	RN72K1J-472JE	1	435034724R1
R8482	C-CARBON R	RN72K1J-220JE	1	435032204R1
R8492	C-CARBON R	RN72K1J-102JE	1	435031024R1
R8501	C-CARBON R	RN72K1J-000JE	1	435030004R1
R8502	C-CARBON R	RN72K1J-120JE	1	435031204R1
R8503	C-R NET	RM7LJ000X04	1	43484700004R2
R8504	C-R NET	RM7LJ330X04	1	43484733004R2
R8505	C-R NET	RM7LJ000X04	1	43484700004R2
R8507	C-R NET	RM7LJ000X04	1	43484700004R2
R8508	C-R NET	RM7LJ000X04	1	43484700004R2
R8509	C-R NET	RM7LJ000X04	1	43484700004R2
R8510	C-R NET	RM7LJ000X04	1	43484700004R2
R8511	C-R NET	RM7LJ000X04	1	43484700004R2
R8512	C-R NET	RM7LJ000X04	1	43484700004R2
R8513	C-R NET	RM7LJ000X04	1	43484700004R2
R8516	C-CARBON R	RN72K1J-101JE	1	435031014R1
R8517	C-CARBON R	RN72K1J-101JE	1	435031014R1
R8518	C-CARBON R	RN72K1J-472JE	1	435034724R1
R8519	C-CARBON R	RN72K1J-151JE	1	435031514R1
R8522	C-R NET	RM7LJ330X04	1	43484733004R2
R8523	C-CARBON R	RN72K1J-330JE	1	435033304R1
R8524	C-CARBON R	RN72K1J-330JE	1	435033304R1
R8525	C-CARBON R	RN72K1J-472JE	1	435034724R1
R8526	C-CARBON R	RN72K1J-472JE	1	435034724R1
R8527	C-CARBON R	RN72K1J-562JE	1	435035624R1
R8528	C-CARBON R	RN72K1J-562JE	1	435035624R1
R8529	C-CARBON R	RN72K1J-103JE	1	435031034R1

R8530	C-CARBON R	RN72K1J-105JE	1	435031054R1
R8531	C-CARBON R	RN72K1J-000JE	1	435030004R1
R8533	C-CARBON R	RN72K1J-562JE	1	435035624R1
R8534	C-CARBON R	RN72K1J-562JE	1	435035624R1
R8535	C-CARBON R	RN72K1J-000JE	1	435030004R1
R8536	C-CARBON R	RN72K1J-000JE	1	435030004R1
R8601	C-CARBON R	RN72K1J-000JE	1	435030004R1
R8602	C-CARBON R	RN72K1J-000JE	1	435030004R1
R8607	C-CARBON R	RN72K1J-473JE	1	435034734R1
R8608	C-CARBON R	RN72K1J-473JE	1	435034734R1
R8609	C-CARBON R	RN72K1J-000JE	1	435030004R1
R8617	C-CARBON R	RN72K1J-473JE	1	435034734R1
R8618	C-CARBON R	RN72K1J-473JE	1	435034734R1
R8619	C-CARBON R	RN72K1J-103JE	1	435031034R1
R8627	C-CARBON R	RN72K1J-473JE	1	435034734R1
R8628	C-CARBON R	RN72K1J-473JE	1	435034734R1
R8629	C-CARBON R	RN72K1J-103JE	1	435031034R1
R8637	C-CARBON R	RN72K1J-473JE	1	435034734R1
R8638	C-CARBON R	RN72K1J-473JE	1	435034734R1
R8639	C-CARBON R	RN72K1J-103JE	1	435031034R1
R8654	C-CARBON R	RN72K1J-223JE	1	435032234R1
R8655	C-CARBON R	RN72K1J-224JE	1	435032244R1
R8656	C-CARBON R	RN72K1J-333JE	1	435033334R1
R8701	C-CARBON R	RN72K1J-103JE	1	435031034R1
R8702	C-CARBON R	RN72K1J-103JE	1	435031034R1
R8703	C-CARBON R	RN72K1J-103JE	1	435031034R1
R8705	C-CARBON R	RN72K1J-220JE	1	435032204R1
R8706	C-CARBON R	RN72K1J-220JE	1	435032204R1
R8707	C-CARBON R	RN72K1J-220JE	1	435032204R1
R8708	C-CARBON R	RN72K1J-103JE	1	435031034R1
R8709	C-CARBON R	RN72K1J-103JE	1	435031034R1
R8710	C-CARBON R	RN72K1J-103JE	1	435031034R1
R8711	C-CARBON R	RN72K1J-222JE	1	435032224R1

R8712	C-R NET	RM7LJ222X04	1	43484722204R2
R8713	C-R NET	RM7LJ222X04	1	43484722204R2
R8714	C-R NET	RM7LJ222X04	1	43484722204R2
R8715	C-R NET	RM7LJ103X04	1	43484710304R2
R8716	C-CARBON R	RN72K1J-103JE	1	435031034R1
R8717	C-CARBON R	RN72K1J-103JE	1	435031034R1
R8718	C-CARBON R	RN72K1J-220JE	1	435032204R1
R8719	C-CARBON R	RN72K1J-103JE	1	435031034R1
R8720	C-CARBON R	RN72K1J-220JE	1	435032204R1
R8721	C-CARBON R	RN72K1J-220JE	1	435032204R1
R8722	C-CARBON R	RN72K1J-103JE	1	435031034R1
R8723	C-CARBON R	RN72K1J-103JE	1	435031034R1
R8733	C-CARBON R	RN72K1J-103JE	1	435031034R1
R8742	C-CARBON R	RN72K1J-103JE	1	435031034R1
R8744	C-CARBON R	RN72K1J-103JE	1	435031034R1
R8745	C-CARBON R	RN72K1J-103JE	1	435031034R1
R8747	C-CARBON R	RN72K1J-103JE	1	435031034R1
R8749	C-CARBON R	RN72K1J-220JE	1	435032204R1
R8750	C-CARBON R	RN72K1J-000JE	1	435030004R1
R8751	C-CARBON R	RN72K1J-000JE	1	435030004R1
R8752	C-CARBON R	RN72K1J-000JE	1	435030004R1
R8801	C-R NET	RM7LJ220X04	1	43484722004R2
R8802	C-R NET	RM7LJ220X04	1	43484722004R2
R8803	C-R NET	RM7LJ220X04	1	43484722004R2
R8804	C-R NET	RM7LJ220X04	1	43484722004R2
R8805	C-R NET	RM7LJ220X04	1	43484722004R2
R8806	C-CARBON R	RN72K1J-103JE	1	435031034R1
R8810	C-R NET	RM7LJ220X04	1	43484722004R2
R8811	C-R NET	RM7LJ220X04	1	43484722004R2
R8812	C-R NET	RM7LJ220X04	1	43484722004R2
R8813	C-CARBON R	RN72K1J-220JE	1	435032204R1
R8814	C-CARBON R	RN72K1J-181JE	1	435031814R1
R8815	C-CARBON R	RN72K1J-332JE	1	435033324R1

R8816	C-CARBON R	RN72K1J-181JE	1	435031814R1
R8817	C-CARBON R	RN72K1J-332JE	1	435033324R1
R8818	C-CARBON R	RN72K1J-332JE	1	435033324R1
R8819	C-CARBON R	RN72K1J-821JE	1	435038214R1
R8820	C-CARBON R	RN72K1J-332JE	1	435033324R1
R8821	C-CARBON R	RN72K1J-821JE	1	435038214R1
R8822	C-CARBON R	RN72K1J-473JE	1	435034734R1
R8823	C-CARBON R	RN72K1J-000JE	1	435030004R1
R8824	C-CARBON R	RN72K1J-000JE	1	435030004R1
R8901	C-CARBON R	RN72K1J-122JE	1	435031224R1
R8902	C-CARBON R	RN72K1J-122JE	1	435031224R1
R8903	C-CARBON R	RN72K1J-122JE	1	435031224R1
R8904	C-CARBON R	RN72K1J-122JE	1	435031224R1
R8905	C-CARBON R	RN72K1J-122JE	1	435031224R1
R8906	C-CARBON R	RN72K1J-122JE	1	435031224R1
R8907	C-CARBON R	RN72K1J-122JE	1	435031224R1
R8908	C-CARBON R	RN72K1J-122JE	1	435031224R1
R8909	C-CARBON R	RN72K1J-122JE	1	435031224R1
R8910	C-CARBON R	RN72K1J-122JE	1	435031224R1
R8911	C-CARBON R	RN72K1J-122JE	1	435031224R1
R8912	C-CARBON R	RN72K1J-122JE	1	435031224R1
R8913	C-CARBON R	RN72K1J-122JE	1	435031224R1
R8914	C-CARBON R	RN72K1J-122JE	1	435031224R1
R8915	C-CARBON R	RN72K1J-122JE	1	435031224R1
R8916	C-CARBON R	RN72K1J-122JE	1	435031224R1
R8917	C-CARBON R	RN72K1J-122JE	1	435031224R1
R8918	C-CARBON R	RN72K1J-122JE	1	435031224R1
R8919	C-CARBON R	RN72K1J-122JE	1	435031224R1
R8920	C-CARBON R	RN72K1J-122JE	1	435031224R1
R8921	C-CARBON R	RN72K1J-122JE	1	435031224R1
R8922	C-CARBON R	RN72K1J-122JE	1	435031224R1
R8923	C-CARBON R	RN72K1J-122JE	1	435031224R1
R8924	C-CARBON R	RN72K1J-122JE	1	435031224R1

R8937	C-CARBON R	RN72K1J-103JE	1	435031034R1	
R8951	C-CARBON R	RN72K1J-103JE	1	435031034R1	
R8952	C-CARBON R	RN72K1J-683JE	1	435036834R1	
R8953	C-CARBON R	RN72K1J-183FE	1	435031832R1	
R8954	C-CARBON R	RN72K1J-224FE	1	435032242R1	
R8955	C-CARBON R	RN72K1J-103FE	1	435031032R1	
R8957	C-CARBON R	RN72K1J-333JE	1	435033334R1	
R8958	C-CARBON R	RN72K1J-333FE	1	435033332R1	
R8959	C-CARBON R	RN72K1J-562FE	1	435035622R1	
R8960	C-CARBON R	RN72K1J-103FE	1	435031032R1	
R8962	C-CARBON R	RN72K1J-333JE	1	435033334R1	
R8963	C-CARBON R	RN72K1J-153FE	1	435031532R1	
R8964	C-CARBON R	RN72K1J-333FE	1	435033332R1	
R8965	C-CARBON R	RN72K1J-103FE	1	435031032R1	
R8967	C-CARBON R	RN72K1J-683JE	1	435036834R1	
R8968	C-CARBON R	RN72K1J-333FE	1	435033332R1	
R8969	C-CARBON R	RN72K1J-394FE	1	435033942R1	
R8970	C-CARBON R	RN72K1J-103FE	1	435031032R1	
R8971	C-CARBON R	RN72K1J-473JE	1	435034734R1	
R8972	C-CARBON R	RN72K1J-103JE	1	435031034R1	
R8973	C-CARBON R	RN72K1J-103JE	1	435031034R1	
R8974	C-CARBON R	RN72K1J-103JE	1	435031034R1	
R8976	C-CARBON R	RN72K1J-103JE	1	435031034R1	
R8977	C-CARBON R	RN72K1J-562JE	1	435035624R1	
R8978	C-CARBON R	RN72K1J-682JE	1	435036824R1	
R8979	C-CARBON R	RN72K1J-562JE	1	435035624R1	
[SW TRM]					
JL3201	WIRE TRAP	NPLG-5P588	1	25055626	
JL8002B	SOCKET	NSCT-5P97	1	25050269	
P005	PWB	BCHDM-0132	1	25140132C	N
P3001	SOCKET(B to B)	IMSA-9850S-20Y900	1	25052813R2	
P3102A	SOCKET	NSCT-9P2472	1	25052575R2	
P3104	SOCKET	SI-60073-F	1	25053307	

P3104 or	SOCKET	J0026D21NL	(1)	25053250	
P3605A	PLUG	IMSA-9142B-18A	1	25056599	
P3606A	PLUG	IMSA-9142B-8A	1	25056594	
P3607A	PLUG	IMSA-9142B-16A	1	25056598	
P3608A	PLUG	IMSA-9142B-18A	1	25056599	
P3609	SOCKET	04FMN-SMT-A-TF	1	25052821R2	
P3889B	SOCKET	NSCT-5P97	1	25050269	
P4104A	SOCKET	NSCT-31P2124	1	25052227	
P8005A	TRM-423(SCREW)	NEJITANSI ST3	1	25060495	
P8302	SOCKET	YKF45-7037V	1	25053253R3	
P8321	SOCKET	YKF45-7037V	1	25053253R3	
P8341	SOCKET	YKF45-7037V	1	25053253R3	
P8352	SOCKET	YKF45-7037V	1	25053253R3	
P8601	SOCKET	YKF45-7037V	1	25053253R3	
P8611	SOCKET	YKF45-7037V	1	25053253R3	
P8621	SOCKET	YKF45-7037V	1	25053253R3	
P8631	SOCKET	YKF45-7037V	1	25053253R3	
P8702	SOCKET	NSCT-9P2472	1	25052575R2	
P8704	SOCKET	04FMN-SMT-A-TF	1	25052821R2	
U008	U0080+U0081+U0082+U0083+U0084+U0085+U0086+U0087+U0088	BACLA-0226-1A *	1	1B234526-1A	
U0080	DRIVER AMP PCB AS (L/SL/SBL/LH)	BACLA-0226-1A	1	1B2345226-1A	
U0081	DRIVER AMP PCB AS (R/SR/CBR/RH/C)	BACLA-0227-1A	1	1B2345227-1A	
U0082	DRIVER AMP PCB AS (R/SR/CBR/RH/C)	BACLA-0228-1A	1	1B2345228-1A	
U0083	DRIVER AMP PCB AS (L/SL/SBL/LH)	BACLA-0229-1A	1	1B2345229-1A	
U0084	DRIVER AMP PCB AS (R/SR/CBR/RH/C)	BACLA-0230-1A	1	1B2345230-1A	
U0085	DRIVER AMP PCB AS (L/SL/SBL/LH)	BACLA-0231-1A	1	1B2345231-1A	
U0086	DRIVER AMP PCB AS (R/SR/CBR/RH/C)	BACLA-0232-1A	1	1B2345232-1A	
U0087	DRIVER AMP PCB AS (L/SL/SBL/LH)	BACLA-0233-1A	1	1B2345233-1A	
U0088	DRIVER AMP PCB AS (R/SR/CBR/RH/C)	BACLA-0234-1A	1	1B2345234-1A	
CIRCUIT NO.	PART NAME	DESCRIPTION	Q'TY	PART NO. (SN)	REMARKS

[SEMI CONDUCTOR]					
D5000	ZENER D	MTZJ5.6B	1	224470562T	
D5001	ZENER D	MTZJ5.6B	1	224470562T	
D5002	ZENER D	MTZJ5.6B	1	224470562T	
D5003	ZENER D	MTZJ5.6B	1	224470562T	
D5004	ZENER D	MTZJ5.6B	1	224470562T	
D5005	ZENER D	MTZJ5.6B	1	224470562T	
D5006	ZENER D	MTZJ5.6B	1	224470562T	
D5007	ZENER D	MTZJ5.6B	1	224470562T	
D5008	ZENER D	MTZJ5.6B	1	224470562T	
Q5000	TR	2SC2240-BL(TPE2_F)	1	2211406T	
Q5001	TR	2SC2240-BL(TPE2_F)	1	2211406T	
Q5002	TR	2SC2240-BL(TPE2_F)	1	2211406T	
Q5003	TR	2SC2240-BL(TPE2_F)	1	2211406T	
Q5004	TR	2SC2240-BL(TPE2_F)	1	2211406T	
Q5005	TR	2SC2240-BL(TPE2_F)	1	2211406T	
Q5006	TR	2SC2240-BL(TPE2_F)	1	2211406T	
Q5007	TR	2SC2240-BL(TPE2_F)	1	2211406T	
Q5008	TR	2SC2240-BL(TPE2_F)	1	2211406T	
Q5010	TR	2SC2240-BL(TPE2_F)	1	2211406T	
Q5011	TR	2SC2240-BL(TPE2_F)	1	2211406T	
Q5012	TR	2SC2240-BL(TPE2_F)	1	2211406T	
Q5013	TR	2SC2240-BL(TPE2_F)	1	2211406T	
Q5014	TR	2SC2240-BL(TPE2_F)	1	2211406T	
Q5015	TR	2SC2240-BL(TPE2_F)	1	2211406T	
Q5016	TR	2SC2240-BL(TPE2_F)	1	2211406T	
Q5017	TR	2SC2240-BL(TPE2_F)	1	2211406T	
Q5018	TR	2SC2240-BL(TPE2_F)	1	2211406T	
Q5020	TR	2SC2240-BL(TPE2_F)	1	2211406T	
Q5021	TR	2SC2240-BL(TPE2_F)	1	2211406T	
Q5022	TR	2SC2240-BL(TPE2_F)	1	2211406T	
Q5023	TR	2SC2240-BL(TPE2_F)	1	2211406T	
Q5024	TR	2SC2240-BL(TPE2_F)	1	2211406T	

Q5025	TR		2SC2240-BL(TPE2_F)	1	2211406T
Q5026	TR		2SC2240-BL(TPE2_F)	1	2211406T
Q5027	TR		2SC2240-BL(TPE2_F)	1	2211406T
Q5028	TR		2SC2240-BL(TPE2_F)	1	2211406T
Q5030	TR		2SA949-O(TPE6_F)	1	2211353T
Q5030 or	TR		2SA949-Y(TPE6_F)	(1)	2211354T
Q5031	TR		2SA949-O(TPE6_F)	1	2211353T
Q5031 or	TR		2SA949-Y(TPE6_F)	(1)	2211354T
Q5032	TR		2SA949-O(TPE6_F)	1	2211353T
Q5032 or	TR		2SA949-Y(TPE6_F)	(1)	2211354T
Q5033	TR		2SA949-O(TPE6_F)	1	2211353T
Q5033 or	TR		2SA949-Y(TPE6_F)	(1)	2211354T
Q5034	TR		2SA949-O(TPE6_F)	1	2211353T
Q5034 or	TR		2SA949-Y(TPE6_F)	(1)	2211354T
Q5035	TR		2SA949-O(TPE6_F)	1	2211353T
Q5035 or	TR		2SA949-Y(TPE6_F)	(1)	2211354T
Q5036	TR		2SA949-O(TPE6_F)	1	2211353T
Q5036 or	TR		2SA949-Y(TPE6_F)	(1)	2211354T
Q5037	TR		2SA949-O(TPE6_F)	1	2211353T
Q5037 or	TR		2SA949-Y(TPE6_F)	(1)	2211354T
Q5038	TR		2SA949-O(TPE6_F)	1	2211353T
Q5038 or	TR		2SA949-Y(TPE6_F)	(1)	2211354T
Q5040	TR		2SA949-O(TPE6_F)	1	2211353T
Q5040 or	TR		2SA949-Y(TPE6_F)	(1)	2211354T
Q5041	TR		2SA949-O(TPE6_F)	1	2211353T
Q5041 or	TR		2SA949-Y(TPE6_F)	(1)	2211354T
Q5042	TR		2SA949-O(TPE6_F)	1	2211353T
Q5042 or	TR		2SA949-Y(TPE6_F)	(1)	2211354T
Q5043	TR		2SA949-O(TPE6_F)	1	2211353T
Q5043 or	TR		2SA949-Y(TPE6_F)	(1)	2211354T
Q5044	TR		2SA949-O(TPE6_F)	1	2211353T
Q5044 or	TR		2SA949-Y(TPE6_F)	(1)	2211354T
Q5045	TR		2SA949-O(TPE6_F)	1	2211353T

Q5045 or	TR	2SA949-Y(TPE6_F)	(1)	2211354T
Q5046	TR	2SA949-O(TPE6_F)	1	2211353T
Q5046 or	TR	2SA949-Y(TPE6_F)	(1)	2211354T
Q5047	TR	2SA949-O(TPE6_F)	1	2211353T
Q5047 or	TR	2SA949-Y(TPE6_F)	(1)	2211354T
Q5048	TR	2SA949-O(TPE6_F)	1	2211353T
Q5048 or	TR	2SA949-Y(TPE6_F)	(1)	2211354T
Q5050	TR	2SA1360-Y	1	2202094
Q5050 or	TR	2SA1360-O	(1)	2202093
Q5051	TR	2SA1360-Y	1	2202094
Q5051 or	TR	2SA1360-O	(1)	2202093
Q5052	TR	2SA1360-Y	1	2202094
Q5052 or	TR	2SA1360-O	(1)	2202093
Q5053	TR	2SA1360-Y	1	2202094
Q5053 or	TR	2SA1360-O	(1)	2202093
Q5054	TR	2SA1360-Y	1	2202094
Q5054 or	TR	2SA1360-O	(1)	2202093
Q5055	TR	2SA1360-Y	1	2202094
Q5055 or	TR	2SA1360-O	(1)	2202093
Q5056	TR	2SA1360-Y	1	2202094
Q5056 or	TR	2SA1360-O	(1)	2202093
Q5057	TR	2SA1360-Y	1	2202094
Q5057 or	TR	2SA1360-O	(1)	2202093
Q5058	TR	2SA1360-Y	1	2202094
Q5058 or	TR	2SA1360-O	(1)	2202093
Q5060	TR	2SC2240-BL(TPE2_F)	1	2211406T
Q5061	TR	2SC2240-BL(TPE2_F)	1	2211406T
Q5062	TR	2SC2240-BL(TPE2_F)	1	2211406T
Q5063	TR	2SC2240-BL(TPE2_F)	1	2211406T
Q5064	TR	2SC2240-BL(TPE2_F)	1	2211406T
Q5065	TR	2SC2240-BL(TPE2_F)	1	2211406T
Q5066	TR	2SC2240-BL(TPE2_F)	1	2211406T
Q5067	TR	2SC2240-BL(TPE2_F)	1	2211406T

Q5068	TR	2SC2240-BL(TPE2_F)	1	2211406T	
Q5070	TR	2SC2240-BL(TPE2_F)	1	2211406T	
Q5071	TR	2SC2240-BL(TPE2_F)	1	2211406T	
Q5072	TR	2SC2240-BL(TPE2_F)	1	2211406T	
Q5073	TR	2SC2240-BL(TPE2_F)	1	2211406T	
Q5074	TR	2SC2240-BL(TPE2_F)	1	2211406T	
Q5075	TR	2SC2240-BL(TPE2_F)	1	2211406T	
Q5076	TR	2SC2240-BL(TPE2_F)	1	2211406T	
Q5077	TR	2SC2240-BL(TPE2_F)	1	2211406T	
Q5078	TR	2SC2240-BL(TPE2_F)	1	2211406T	
Q5080	TR	2SC3423-Y	1	2202104	
Q5080 or	TR	2SC3423-O	(1)	2202103	
Q5080A	HEAT SINK	(CLA)B	1	27160642	N
Q5080B	SCREW	3TTB+8B(3BC)	4	838430088GR	
Q5081	TR	2SC3423-Y	1	2202104	
Q5081 or	TR	2SC3423-O	(1)	2202103	
Q5081A	HEAT SINK	(CLA)B	1	27160642	N
Q5081B	SCREW	3TTB+8B(3BC)	4	838430088GR	
Q5082	TR	2SC3423-Y	1	2202104	
Q5082 or	TR	2SC3423-O	(1)	2202103	
Q5082A	HEAT SINK	(CLA)B	1	27160642	N
Q5082B	SCREW	3TTB+8B(3BC)	4	838430088GR	
Q5083	TR	2SC3423-Y	1	2202104	
Q5083 or	TR	2SC3423-O	(1)	2202103	
Q5083A	HEAT SINK	(CLA)B	1	27160642	N
Q5083B	SCREW	3TTB+8B(3BC)	4	838430088GR	
Q5084	TR	2SC3423-Y	1	2202104	
Q5084 or	TR	2SC3423-O	(1)	2202103	
Q5084A	HEAT SINK	(CLA)B	1	27160642	N
Q5084B	SCREW	3TTB+8B(3BC)	4	838430088GR	
Q5085	TR	2SC3423-Y	1	2202104	
Q5085 or	TR	2SC3423-O	(1)	2202103	
Q5085A	HEAT SINK	(CLA)B	1	27160642	N

Q5085B	SCREW	3TTB+8B(3BC)	4	838430088GR	
Q5086	TR	2SC3423-Y	1	2202104	
Q5086 or	TR	2SC3423-O	(1)	2202103	
Q5086A	HEAT SINK	(CLA)B	1	27160642	N
Q5086B	SCREW	3TTB+8B(3BC)	4	838430088GR	
Q5087	TR	2SC3423-Y	1	2202104	
Q5087 or	TR	2SC3423-O	(1)	2202103	
Q5087A	HEAT SINK	(CLA)B	1	27160642	N
Q5087B	SCREW	3TTB+8B(3BC)	4	838430088GR	
Q5088	TR	2SC3423-Y	1	2202104	
Q5088 or	TR	2SC3423-O	(1)	2202103	
Q5088B	SCREW	3TTB+8B(3BC)	4	838430088GR	
Q5888A	HEAT SINK	(CLA)B	1	27160642	N
Q6010	TR	2SC1740S-S	1	2213285T	
Q6011	TR	2SC1740S-S	1	2213285T	
Q6012	TR	2SC1740S-S	1	2213285T	
Q6013	TR	2SC1740S-S	1	2213285T	
Q6014	TR	2SC1740S-S	1	2213285T	
Q6015	TR	2SC1740S-S	1	2213285T	
Q6016	TR	2SC1740S-S	1	2213285T	
Q6017	TR	2SC1740S-S	1	2213285T	
Q6018	TR	2SC1740S-S	1	2213285T	
Q6020	TR	2SA933S-R	1	2213354T	
Q6020 or	TR	2SA1048-GR	(1)	2212125T	
Q6020 or	TR	2SA933S-S	(1)	2213355T	
Q6020 or	TR	KTA1267-GR	(1)	2215995T	
Q6021	TR	2SA933S-R	1	2213354T	
Q6021 or	TR	2SA1048-GR	(1)	2212125T	
Q6021 or	TR	2SA933S-S	(1)	2213355T	
Q6021 or	TR	KTA1267-GR	(1)	2215995T	
Q6022	TR	2SA933S-R	1	2213354T	
Q6022 or	TR	2SA1048-GR	(1)	2212125T	
Q6022 or	TR	2SA933S-S	(1)	2213355T	

Q6022 or	TR	KTA1267-GR	(1)	2215995T
Q6023	TR	2SA933S-R	1	2213354T
Q6023 or	TR	2SA1048-GR	(1)	2212125T
Q6023 or	TR	2SA933S-S	(1)	2213355T
Q6023 or	TR	KTA1267-GR	(1)	2215995T
Q6024	TR	2SA933S-R	1	2213354T
Q6024 or	TR	2SA1048-GR	(1)	2212125T
Q6024 or	TR	2SA933S-S	(1)	2213355T
Q6024 or	TR	KTA1267-GR	(1)	2215995T
Q6025	TR	2SA933S-R	1	2213354T
Q6025 or	TR	2SA1048-GR	(1)	2212125T
Q6025 or	TR	2SA933S-S	(1)	2213355T
Q6025 or	TR	KTA1267-GR	(1)	2215995T
Q6026	TR	2SA933S-R	1	2213354T
Q6026 or	TR	2SA1048-GR	(1)	2212125T
Q6026 or	TR	2SA933S-S	(1)	2213355T
Q6026 or	TR	KTA1267-GR	(1)	2215995T
Q6027	TR	2SA933S-R	1	2213354T
Q6027 or	TR	2SA1048-GR	(1)	2212125T
Q6027 or	TR	2SA933S-S	(1)	2213355T
Q6027 or	TR	KTA1267-GR	(1)	2215995T
Q6028	TR	2SA933S-R	1	2213354T
Q6028 or	TR	2SA1048-GR	(1)	2212125T
Q6028 or	TR	2SA933S-S	(1)	2213355T
Q6028 or	TR	KTA1267-GR	(1)	2215995T
Q6030	TR	2SC2229-O(TPE6_F)	1	2211633T
Q6030 or	TR	2SC2229-Y(TPE6_F)	(1)	2211634T
Q6031	TR	2SC2229-O(TPE6_F)	1	2211633T
Q6031 or	TR	2SC2229-Y(TPE6_F)	(1)	2211634T
Q6032	TR	2SC2229-O(TPE6_F)	1	2211633T
Q6032 or	TR	2SC2229-Y(TPE6_F)	(1)	2211634T
Q6033	TR	2SC2229-O(TPE6_F)	1	2211633T
Q6033 or	TR	2SC2229-Y(TPE6_F)	(1)	2211634T

Q6034	TR	2SC2229-O(TPE6_F)	1	2211633T	
Q6034 or	TR	2SC2229-Y(TPE6_F)	(1)	2211634T	
Q6035	TR	2SC2229-O(TPE6_F)	1	2211633T	
Q6035 or	TR	2SC2229-Y(TPE6_F)	(1)	2211634T	
Q6036	TR	2SC2229-O(TPE6_F)	1	2211633T	
Q6036 or	TR	2SC2229-Y(TPE6_F)	(1)	2211634T	
Q6037	TR	2SC2229-O(TPE6_F)	1	2211633T	
Q6037 or	TR	2SC2229-Y(TPE6_F)	(1)	2211634T	
Q6038	TR	2SC2229-O(TPE6_F)	1	2211633T	
Q6038 or	TR	2SC2229-Y(TPE6_F)	(1)	2211634T	
Q6040	TR	2SA949-O(TPE6_F)	1	2211353T	
Q6040 or	TR	2SA949-Y(TPE6_F)	(1)	2211354T	
Q6041	TR	2SA949-O(TPE6_F)	1	2211353T	
Q6041 or	TR	2SA949-Y(TPE6_F)	(1)	2211354T	
Q6042	TR	2SA949-O(TPE6_F)	1	2211353T	
Q6042 or	TR	2SA949-Y(TPE6_F)	(1)	2211354T	
Q6043	TR	2SA949-O(TPE6_F)	1	2211353T	
Q6043 or	TR	2SA949-Y(TPE6_F)	(1)	2211354T	
Q6044	TR	2SA949-O(TPE6_F)	1	2211353T	
Q6044 or	TR	2SA949-Y(TPE6_F)	(1)	2211354T	
Q6045	TR	2SA949-O(TPE6_F)	1	2211353T	
Q6045 or	TR	2SA949-Y(TPE6_F)	(1)	2211354T	
Q6046	TR	2SA949-O(TPE6_F)	1	2211353T	
Q6046 or	TR	2SA949-Y(TPE6_F)	(1)	2211354T	
Q6047	TR	2SA949-O(TPE6_F)	1	2211353T	
Q6047 or	TR	2SA949-Y(TPE6_F)	(1)	2211354T	
Q6048	TR	2SA949-O(TPE6_F)	1	2211353T	
Q6048 or	TR	2SA949-Y(TPE6_F)	(1)	2211354T	
Q6100	TR	TTA-004(Q)TO126	1	2217442	N
Q6101	TR	TTA-004(Q)TO126	1	2217442	N
Q6102	TR	TTA-004(Q)TO126	1	2217442	N
Q6103	TR	TTA-004(Q)TO126	1	2217442	N
Q6104	TR	TTA-004(Q)TO126	1	2217442	N

Q6105	TR		TTA-004(Q)TO126	1	2217442	N
Q6106	TR		TTA-004(Q)TO126	1	2217442	N
Q6107	TR		TTA-004(Q)TO126	1	2217442	N
Q6108	TR		TTA-004(Q)TO126	1	2217442	N
Q6110	TR		TTC-004(Q)TO126	1	2217452	N
Q6111	TR		TTC-004(Q)TO126	1	2217452	N
Q6112	TR		TTC-004(Q)TO126	1	2217452	N
Q6113	TR		TTC-004(Q)TO126	1	2217452	N
Q6114	TR		TTC-004(Q)TO126	1	2217452	N
Q6115	TR		TTC-004(Q)TO126	1	2217452	N
Q6116	TR		TTC-004(Q)TO126	1	2217452	N
Q6117	TR		TTC-004(Q)TO126	1	2217452	N
Q6118	TR		TTC-004(Q)TO126	1	2217452	N
[CAPACITOR]						
C5000	UTSP C		CE04W50V-10M(UTSP)	1	397581007T	
C5001	UTSP C		CE04W50V-10M(UTSP)	1	397581007T	
C5002	UTSP C		CE04W50V-10M(UTSP)	1	397581007T	
C5003	UTSP C		CE04W50V-10M(UTSP)	1	397581007T	
C5004	UTSP C		CE04W50V-10M(UTSP)	1	397581007T	
C5005	UTSP C		CE04W50V-10M(UTSP)	1	397581007T	
C5006	UTSP C		CE04W50V-10M(UTSP)	1	397581007T	
C5007	UTSP C		CE04W50V-10M(UTSP)	1	397581007T	
C5008	UTSP C		CE04W50V-10M(UTSP)	1	397581007T	
C5010	UTSJ C		CE04W50V-47M(UTSJ)	1	398084707T	
C5011	UTSJ C		CE04W50V-47M(UTSJ)	1	398084707T	
C5012	UTSJ C		CE04W50V-47M(UTSJ)	1	398084707T	
C5013	UTSJ C		CE04W50V-47M(UTSJ)	1	398084707T	
C5014	UTSJ C		CE04W50V-47M(UTSJ)	1	398084707T	
C5015	UTSJ C		CE04W50V-47M(UTSJ)	1	398084707T	
C5016	UTSJ C		CE04W50V-47M(UTSJ)	1	398084707T	
C5017	UTSJ C		CE04W50V-47M(UTSJ)	1	398084707T	
C5018	UTSJ C		CE04W50V-47M(UTSJ)	1	398084707T	
C5020	UPZ C		2AUPZTF471JE	1	376334714T	

C5021	UPZ C	2AUPZTF471JE	1	376334714T
C5022	UPZ C	2AUPZTF471JE	1	376334714T
C5023	UPZ C	2AUPZTF471JE	1	376334714T
C5024	UPZ C	2AUPZTF471JE	1	376334714T
C5025	UPZ C	2AUPZTF471JE	1	376334714T
C5026	UPZ C	2AUPZTF471JE	1	376334714T
C5027	UPZ C	2AUPZTF471JE	1	376334714T
C5028	UPZ C	2AUPZTF471JE	1	376334714T
C5040	UTSP C	CE04W25V-220M(UTSP)	1	397552217T
C5041	UTSP C	CE04W25V-220M(UTSP)	1	397552217T
C5042	UTSP C	CE04W25V-220M(UTSP)	1	397552217T
C5043	UTSP C	CE04W25V-220M(UTSP)	1	397552217T
C5044	UTSP C	CE04W25V-220M(UTSP)	1	397552217T
C5045	UTSP C	CE04W25V-220M(UTSP)	1	397552217T
C5046	UTSP C	CE04W25V-220M(UTSP)	1	397552217T
C5047	UTSP C	CE04W25V-220M(UTSP)	1	397552217T
C5048	UTSP C	CE04W25V-220M(UTSP)	1	397552217T
C5070	VX C	CE04W100V-10M(VX_BLK)	1	397391007T
C5071	VX C	CE04W100V-10M(VX_BLK)	1	397391007T
C5072	VX C	CE04W100V-10M(VX_BLK)	1	397391007T
C5073	VX C	CE04W100V-10M(VX_BLK)	1	397391007T
C5074	VX C	CE04W100V-10M(VX_BLK)	1	397391007T
C5075	VX C	CE04W100V-10M(VX_BLK)	1	397391007T
C5076	VX C	CE04W100V-10M(VX_BLK)	1	397391007T
C5077	VX C	CE04W100V-10M(VX_BLK)	1	397391007T
C5078	VX C	CE04W100V-10M(VX_BLK)	1	397391007T
C5080	VX C	CE04W63V-22M(VX_BLK)	1	397372207T
C5081	VX C	CE04W63V-22M(VX_BLK)	1	397372207T
C5082	VX C	CE04W63V-22M(VX_BLK)	1	397372207T
C5083	VX C	CE04W63V-22M(VX_BLK)	1	397372207T
C5084	VX C	CE04W63V-22M(VX_BLK)	1	397372207T
C5085	VX C	CE04W63V-22M(VX_BLK)	1	397372207T
C5086	VX C	CE04W63V-22M(VX_BLK)	1	397372207T

C5087	VX C	CE04W63V-22M(VX_BLK)	1	397372207T	
C5088	VX C	CE04W63V-22M(VX_BLK)	1	397372207T	
C5100	UPZ C	2AUPZTF101JE	1	376331014T	
C5101	UPZ C	2AUPZTF101JE	1	376331014T	
C5102	UPZ C	2AUPZTF101JE	1	376331014T	
C5103	UPZ C	2AUPZTF101JE	1	376331014T	
C5104	UPZ C	2AUPZTF101JE	1	376331014T	
C5105	UPZ C	2AUPZTF101JE	1	376331014T	
C5106	UPZ C	2AUPZTF101JE	1	376331014T	
C5107	UPZ C	2AUPZTF101JE	1	376331014T	
C5108	UPZ C	2AUPZTF101JE	1	376331014T	
C5110	CERA C	CC45CH50V-010C	1	345340101T	
C5111	CERA C	CC45CH50V-010C	1	345340101T	
C5112	CERA C	CC45CH50V-010C	1	345340101T	
C5113	CERA C	CC45CH50V-010C	1	345340101T	
C5114	CERA C	CC45CH50V-010C	1	345340101T	
C5115	CERA C	CC45CH50V-010C	1	345340101T	
C5116	CERA C	CC45CH50V-010C	1	345340101T	
C5117	CERA C	CC45CH50V-010C	1	345340101T	
C5118	CERA C	CC45CH50V-010C	1	345340101T	
C5120	SPC C	CE04W100V-100M(RJ5)	1	396791017T	N
C5121	SPC C	CE04W100V-100M(RJ5)	1	396791017T	N
C5122	SPC C	CE04W100V-100M(RJ5)	1	396791017T	N
C5123	SPC C	CE04W100V-100M(RJ5)	1	396791017T	N
C5124	SPC C	CE04W100V-100M(RJ5)	1	396791017T	N
C5125	SPC C	CE04W100V-100M(RJ5)	1	396791017T	N
C5126	SPC C	CE04W100V-100M(RJ5)	1	396791017T	N
C5127	SPC C	CE04W100V-100M(RJ5)	1	396791017T	N
C5128	SPC C	CE04W100V-100M(RJ5)	1	396791017T	N
C5130	SPC C	CE04W100V-100M(RJ5)	1	396791017T	N
C5131	SPC C	CE04W100V-100M(RJ5)	1	396791017T	N
C5132	SPC C	CE04W100V-100M(RJ5)	1	396791017T	N
C5133	SPC C	CE04W100V-100M(RJ5)	1	396791017T	N

C5134	SPC C	CE04W100V-100M(RJ5)	1	396791017T	N
C5135	SPC C	CE04W100V-100M(RJ5)	1	396791017T	N
C5136	SPC C	CE04W100V-100M(RJ5)	1	396791017T	N
C5137	SPC C	CE04W100V-100M(RJ5)	1	396791017T	N
C5138	SPC C	CE04W100V-100M(RJ5)	1	396791017T	N
C6000	MKT C	B32529C0102J289	1	376491024T	
C6001	MKT C	B32529C0102J289	1	376491024T	
C6002	MKT C	B32529C0102J289	1	376491024T	
C6003	MKT C	B32529C0102J289	1	376491024T	
C6004	MKT C	B32529C0102J289	1	376491024T	
C6005	MKT C	B32529C0102J289	1	376491024T	
C6006	MKT C	B32529C0102J289	1	376491024T	
C6007	MKT C	B32529C0102J289	1	376491024T	
C6008	MKT C	B32529C0102J289	1	376491024T	
C6010	UTSP C	CE04W50V 47M(UTSP)	1	397584707T	
C6011	UTSP C	CE04W50V 47M(UTSP)	1	397584707T	
C6012	UTSP C	CE04W50V 47M(UTSP)	1	397584707T	
C6013	UTSP C	CE04W50V 47M(UTSP)	1	397584707T	
C6014	UTSP C	CE04W50V 47M(UTSP)	1	397584707T	
C6015	UTSP C	CE04W50V 47M(UTSP)	1	397584707T	
C6016	UTSP C	CE04W50V 47M(UTSP)	1	397584707T	
C6017	UTSP C	CE04W50V 47M(UTSP)	1	397584707T	
C6018	UTSP C	CE04W50V 47M(UTSP)	1	397584707T	
C6020	UTSP C	CE04W50V 47M(UTSP)	1	397584707T	
C6021	UTSP C	CE04W50V 47M(UTSP)	1	397584707T	
C6022	UTSP C	CE04W50V 47M(UTSP)	1	397584707T	
C6023	UTSP C	CE04W50V 47M(UTSP)	1	397584707T	
C6024	UTSP C	CE04W50V 47M(UTSP)	1	397584707T	
C6025	UTSP C	CE04W50V 47M(UTSP)	1	397584707T	
C6026	UTSP C	CE04W50V 47M(UTSP)	1	397584707T	
C6027	UTSP C	CE04W50V 47M(UTSP)	1	397584707T	
C6028	UTSP C	CE04W50V 47M(UTSP)	1	397584707T	
[RESISTOR]					

R5000	CARBON R	R16J-1K	1	417341024T
R5001	CARBON R	R16J-1K	1	417341024T
R5002	CARBON R	R16J-1K	1	417341024T
R5003	CARBON R	R16J-1K	1	417341024T
R5004	CARBON R	R16J-1K	1	417341024T
R5005	CARBON R	R16J-1K	1	417341024T
R5006	CARBON R	R16J-1K	1	417341024T
R5007	CARBON R	R16J-1K	1	417341024T
R5008	CARBON R	R16J-1K	1	417341024T
R5010	CARBON R	R16J-56K	1	417345634T
R5011	CARBON R	R16J-56K	1	417345634T
R5012	CARBON R	R16J-56K	1	417345634T
R5013	CARBON R	R16J-56K	1	417345634T
R5014	CARBON R	R16J-56K	1	417345634T
R5015	CARBON R	R16J-56K	1	417345634T
R5016	CARBON R	R16J-56K	1	417345634T
R5017	CARBON R	R16J-56K	1	417345634T
R5018	CARBON R	R16J-56K	1	417345634T
R5020	CARBON R	R16J-330	1	417343314T
R5021	CARBON R	R16J-330	1	417343314T
R5022	CARBON R	R16J-330	1	417343314T
R5023	CARBON R	R16J-330	1	417343314T
R5024	CARBON R	R16J-330	1	417343314T
R5025	CARBON R	R16J-330	1	417343314T
R5026	CARBON R	R16J-330	1	417343314T
R5027	CARBON R	R16J-330	1	417343314T
R5028	CARBON R	R16J-330	1	417343314T
R5030	CARBON R	R16J-330	1	417343314T
R5031	CARBON R	R16J-330	1	417343314T
R5032	CARBON R	R16J-330	1	417343314T
R5033	CARBON R	R16J-330	1	417343314T
R5034	CARBON R	R16J-330	1	417343314T
R5035	CARBON R	R16J-330	1	417343314T

R5036	CARBON R	R16J-330	1	417343314T
R5037	CARBON R	R16J-330	1	417343314T
R5038	CARBON R	R16J-330	1	417343314T
R5040	CARBON R	R16J-330	1	417343314T
R5041	CARBON R	R16J-330	1	417343314T
R5042	CARBON R	R16J-330	1	417343314T
R5043	CARBON R	R16J-330	1	417343314T
R5044	CARBON R	R16J-330	1	417343314T
R5045	CARBON R	R16J-330	1	417343314T
R5046	CARBON R	R16J-330	1	417343314T
R5047	CARBON R	R16J-330	1	417343314T
R5048	CARBON R	R16J-330	1	417343314T
R5050	CARBON R	R16J-5.6K	1	417345624T
R5051	CARBON R	R16J-5.6K	1	417345624T
R5052	CARBON R	R16J-5.6K	1	417345624T
R5053	CARBON R	R16J-5.6K	1	417345624T
R5054	CARBON R	R16J-5.6K	1	417345624T
R5055	CARBON R	R16J-5.6K	1	417345624T
R5056	CARBON R	R16J-5.6K	1	417345624T
R5057	CARBON R	R16J-5.6K	1	417345624T
R5058	CARBON R	R16J-5.6K	1	417345624T
R5060	CARBON R	R16J-2.7K	1	417342724T
R5061	CARBON R	R16J-2.7K	1	417342724T
R5062	CARBON R	R16J-2.7K	1	417342724T
R5063	CARBON R	R16J-2.7K	1	417342724T
R5064	CARBON R	R16J-2.7K	1	417342724T
R5065	CARBON R	R16J-2.7K	1	417342724T
R5066	CARBON R	R16J-2.7K	1	417342724T
R5067	CARBON R	R16J-2.7K	1	417342724T
R5068	CARBON R	R16J-2.7K	1	417342724T
R5070	CARBON R	R16J-100K	1	417341044T
R5071	CARBON R	R16J-100K	1	417341044T
R5072	CARBON R	R16J-100K	1	417341044T

R5073	CARBON R	R16J-100K	1	417341044T
R5074	CARBON R	R16J-100K	1	417341044T
R5075	CARBON R	R16J-100K	1	417341044T
R5076	CARBON R	R16J-100K	1	417341044T
R5077	CARBON R	R16J-100K	1	417341044T
R5078	CARBON R	R16J-100K	1	417341044T
R5090	CARBON R	R16J-1.8K	1	417341824T
R5091	CARBON R	R16J-1.8K	1	417341824T
R5092	CARBON R	R16J-1.8K	1	417341824T
R5093	CARBON R	R16J-1.8K	1	417341824T
R5094	CARBON R	R16J-1.8K	1	417341824T
R5095	CARBON R	R16J-1.8K	1	417341824T
R5096	CARBON R	R16J-1.8K	1	417341824T
R5097	CARBON R	R16J-1.8K	1	417341824T
R5098	CARBON R	R16J-1.8K	1	417341824T
R5110	CARBON R	R16J-2.2K	1	417342224T
R5111	CARBON R	R16J-2.2K	1	417342224T
R5112	CARBON R	R16J-2.2K	1	417342224T
R5113	CARBON R	R16J-2.2K	1	417342224T
R5114	CARBON R	R16J-2.2K	1	417342224T
R5115	CARBON R	R16J-2.2K	1	417342224T
R5116	CARBON R	R16J-2.2K	1	417342224T
R5117	CARBON R	R16J-2.2K	1	417342224T
R5118	CARBON R	R16J-2.2K	1	417342224T
R5120	CARBON R	R16J-2.2K	1	417342224T
R5121	CARBON R	R16J-2.2K	1	417342224T
R5122	CARBON R	R16J-2.2K	1	417342224T
R5123	CARBON R	R16J-2.2K	1	417342224T
R5124	CARBON R	R16J-2.2K	1	417342224T
R5125	CARBON R	R16J-2.2K	1	417342224T
R5126	CARBON R	R16J-2.2K	1	417342224T
R5127	CARBON R	R16J-2.2K	1	417342224T
R5128	CARBON R	R16J-2.2K	1	417342224T

R5130	NF CARBON R	R25J-820	1	415478214T
R5131	NF CARBON R	R25J-820	1	415478214T
R5132	NF CARBON R	R25J-820	1	415478214T
R5133	NF CARBON R	R25J-820	1	415478214T
R5134	NF CARBON R	R25J-820	1	415478214T
R5135	NF CARBON R	R25J-820	1	415478214T
R5136	NF CARBON R	R25J-820	1	415478214T
R5137	NF CARBON R	R25J-820	1	415478214T
R5138	NF CARBON R	R25J-820	1	415478214T
R5140	NF CARBON R	R25J-820	1	415478214T
R5141	NF CARBON R	R25J-820	1	415478214T
R5142	NF CARBON R	R25J-820	1	415478214T
R5143	NF CARBON R	R25J-820	1	415478214T
R5144	NF CARBON R	R25J-820	1	415478214T
R5145	NF CARBON R	R25J-820	1	415478214T
R5146	NF CARBON R	R25J-820	1	415478214T
R5147	NF CARBON R	R25J-820	1	415478214T
R5148	NF CARBON R	R25J-820	1	415478214T
R5150	METAL O R	RS1/2WBJ-10K	1	443521034T
R5151	METAL O R	RS1/2WBJ-10K	1	443521034T
R5152	METAL O R	RS1/2WBJ-10K	1	443521034T
R5153	METAL O R	RS1/2WBJ-10K	1	443521034T
R5154	METAL O R	RS1/2WBJ-10K	1	443521034T
R5155	METAL O R	RS1/2WBJ-10K	1	443521034T
R5156	METAL O R	RS1/2WBJ-10K	1	443521034T
R5157	METAL O R	RS1/2WBJ-10K	1	443521034T
R5158	METAL O R	RS1/2WBJ-10K	1	443521034T
R5160	NF CARBON R	R25J-1.0K	1	415471024T
R5161	NF CARBON R	R25J-1.0K	1	415471024T
R5162	NF CARBON R	R25J-1.0K	1	415471024T
R5163	NF CARBON R	R25J-1.0K	1	415471024T
R5164	NF CARBON R	R25J-1.0K	1	415471024T
R5165	NF CARBON R	R25J-1.0K	1	415471024T

R5166	NF CARBON R	R25J-1.0K	1	415471024T
R5167	NF CARBON R	R25J-1.0K	1	415471024T
R5168	NF CARBON R	R25J-1.0K	1	415471024T
R5170	NF CARBON R	R25J-820	1	415478214T
R5171	NF CARBON R	R25J-820	1	415478214T
R5172	NF CARBON R	R25J-820	1	415478214T
R5173	NF CARBON R	R25J-820	1	415478214T
R5174	NF CARBON R	R25J-820	1	415478214T
R5175	NF CARBON R	R25J-820	1	415478214T
R5176	NF CARBON R	R25J-820	1	415478214T
R5177	NF CARBON R	R25J-820	1	415478214T
R5178	NF CARBON R	R25J-820	1	415478214T
R5180	NF CARBON R	R25J-33	1	415473304T
R5181	NF CARBON R	R25J-33	1	415473304T
R5182	NF CARBON R	R25J-33	1	415473304T
R5183	NF CARBON R	R25J-33	1	415473304T
R5184	NF CARBON R	R25J-33	1	415473304T
R5185	NF CARBON R	R25J-33	1	415473304T
R5186	NF CARBON R	R25J-33	1	415473304T
R5187	NF CARBON R	R25J-33	1	415473304T
R5188	NF CARBON R	R25J-33	1	415473304T
R5210	CARBON R	R16J-18K	1	417341834T
R5211	CARBON R	R16J-18K	1	417341834T
R5212	CARBON R	R16J-18K	1	417341834T
R5213	CARBON R	R16J-18K	1	417341834T
R5214	CARBON R	R16J-18K	1	417341834T
R5215	CARBON R	R16J-18K	1	417341834T
R5216	CARBON R	R16J-18K	1	417341834T
R5217	CARBON R	R16J-18K	1	417341834T
R5218	CARBON R	R16J-18K	1	417341834T
R5220	CARBON R	R16J-18K	1	417341834T
R5221	CARBON R	R16J-18K	1	417341834T
R5222	CARBON R	R16J-18K	1	417341834T

R5223	CARBON R	R16J-18K	1	417341834T
R5224	CARBON R	R16J-18K	1	417341834T
R5225	CARBON R	R16J-18K	1	417341834T
R5226	CARBON R	R16J-18K	1	417341834T
R5227	CARBON R	R16J-18K	1	417341834T
R5228	CARBON R	R16J-18K	1	417341834T
R5230	NF CARBON R	R25J-15	1	415471504T
R5231	NF CARBON R	R25J-15	1	415471504T
R5232	NF CARBON R	R25J-15	1	415471504T
R5233	NF CARBON R	R25J-15	1	415471504T
R5234	NF CARBON R	R25J-15	1	415471504T
R5235	NF CARBON R	R25J-15	1	415471504T
R5236	NF CARBON R	R25J-15	1	415471504T
R5237	NF CARBON R	R25J-15	1	415471504T
R5238	NF CARBON R	R25J-15	1	415471504T
R5240	NF CARBON R	R25J-15	1	415471504T
R5241	NF CARBON R	R25J-15	1	415471504T
R5242	NF CARBON R	R25J-15	1	415471504T
R5243	NF CARBON R	R25J-15	1	415471504T
R5244	NF CARBON R	R25J-15	1	415471504T
R5245	NF CARBON R	R25J-15	1	415471504T
R5246	NF CARBON R	R25J-15	1	415471504T
R5247	NF CARBON R	R25J-15	1	415471504T
R5248	NF CARBON R	R25J-15	1	415471504T
R5250	CARBON R	R16J-68K	1	417346834T
R5251	CARBON R	R16J-68K	1	417346834T
R5252	CARBON R	R16J-68K	1	417346834T
R5253	CARBON R	R16J-68K	1	417346834T
R5254	CARBON R	R16J-68K	1	417346834T
R5255	CARBON R	R16J-68K	1	417346834T
R5256	CARBON R	R16J-68K	1	417346834T
R5257	CARBON R	R16J-68K	1	417346834T
R5258	CARBON R	R16J-68K	1	417346834T

R5260	CARBON R	R16J-270K	1	417342744T
R5261	CARBON R	R16J-270K	1	417342744T
R5262	CARBON R	R16J-270K	1	417342744T
R5263	CARBON R	R16J-270K	1	417342744T
R5264	CARBON R	R16J-270K	1	417342744T
R5265	CARBON R	R16J-270K	1	417342744T
R5266	CARBON R	R16J-270K	1	417342744T
R5267	CARBON R	R16J-270K	1	417342744T
R5268	CARBON R	R16J-270K	1	417342744T
R5280	METAL O R	RS1/2WBJ-10K	1	443521034T
R5281	METAL O R	RS1/2WBJ-10K	1	443521034T
R5282	METAL O R	RS1/2WBJ-10K	1	443521034T
R5283	METAL O R	RS1/2WBJ-10K	1	443521034T
R5284	METAL O R	RS1/2WBJ-10K	1	443521034T
R5285	METAL O R	RS1/2WBJ-10K	1	443521034T
R5286	METAL O R	RS1/2WBJ-10K	1	443521034T
R5287	METAL O R	RS1/2WBJ-10K	1	443521034T
R5288	METAL O R	RS1/2WBJ-10K	1	443521034T
R5290	CARBON R	R16J-100K	1	417341044T
R5291	CARBON R	R16J-100K	1	417341044T
R5292	CARBON R	R16J-100K	1	417341044T
R5293	CARBON R	R16J-100K	1	417341044T
R5294	CARBON R	R16J-100K	1	417341044T
R5295	CARBON R	R16J-100K	1	417341044T
R5296	CARBON R	R16J-100K	1	417341044T
R5297	CARBON R	R16J-100K	1	417341044T
R5298	CARBON R	R16J-100K	1	417341044T
R5300	NF CARBON R	R25J-82	1	415478204T
R5301	NF CARBON R	R25J-82	1	415478204T
R5302	NF CARBON R	R25J-82	1	415478204T
R5303	NF CARBON R	R25J-82	1	415478204T
R5304	NF CARBON R	R25J-82	1	415478204T
R5305	NF CARBON R	R25J-82	1	415478204T

R5306	NF CARBON R	R25J-82	1	415478204T
R5307	NF CARBON R	R25J-82	1	415478204T
R5308	NF CARBON R	R25J-82	1	415478204T
R5330	NF CARBON R	R25J-82	1	415478204T
R5331	NF CARBON R	R25J-82	1	415478204T
R5332	NF CARBON R	R25J-82	1	415478204T
R5333	NF CARBON R	R25J-82	1	415478204T
R5334	NF CARBON R	R25J-82	1	415478204T
R5335	NF CARBON R	R25J-82	1	415478204T
R5336	NF CARBON R	R25J-82	1	415478204T
R5337	NF CARBON R	R25J-82	1	415478204T
R5338	NF CARBON R	R25J-82	1	415478204T
R5360	CARBON R	R16J-120K	1	417341244T
R5361	CARBON R	R16J-120K	1	417341244T
R5362	CARBON R	R16J-120K	1	417341244T
R5363	CARBON R	R16J-120K	1	417341244T
R5364	CARBON R	R16J-120K	1	417341244T
R5365	CARBON R	R16J-120K	1	417341244T
R5366	CARBON R	R16J-120K	1	417341244T
R5367	CARBON R	R16J-120K	1	417341244T
R5368	CARBON R	R16J-120K	1	417341244T
R5370	CARBON R	R16J-560K	1	417345644T
R5371	CARBON R	R16J-560K	1	417345644T
R5372	CARBON R	R16J-560K	1	417345644T
R5373	CARBON R	R16J-560K	1	417345644T
R5374	CARBON R	R16J-560K	1	417345644T
R5375	CARBON R	R16J-560K	1	417345644T
R5376	CARBON R	R16J-560K	1	417345644T
R5377	CARBON R	R16J-560K	1	417345644T
R5378	CARBON R	R16J-560K	1	417345644T
R6010	CARBON R	R16J-4.7K	1	417344724T
R6011	CARBON R	R16J-4.7K	1	417344724T
R6012	CARBON R	R16J-4.7K	1	417344724T

R6013	CARBON R	R16J-4.7K	1	417344724T
R6014	CARBON R	R16J-4.7K	1	417344724T
R6015	CARBON R	R16J-4.7K	1	417344724T
R6016	CARBON R	R16J-4.7K	1	417344724T
R6017	CARBON R	R16J-4.7K	1	417344724T
R6018	CARBON R	R16J-4.7K	1	417344724T
R6020	CARBON R	R16J-3.3K	1	417343324T
R6021	CARBON R	R16J-3.3K	1	417343324T
R6022	CARBON R	R16J-3.3K	1	417343324T
R6023	CARBON R	R16J-3.3K	1	417343324T
R6024	CARBON R	R16J-3.3K	1	417343324T
R6025	CARBON R	R16J-3.3K	1	417343324T
R6026	CARBON R	R16J-3.3K	1	417343324T
R6027	CARBON R	R16J-3.3K	1	417343324T
R6028	CARBON R	R16J-3.3K	1	417343324T
R6030	CARBON R	R16J-1.8K	1	417341824T
R6031	CARBON R	R16J-1.8K	1	417341824T
R6032	CARBON R	R16J-1.8K	1	417341824T
R6033	CARBON R	R16J-1.8K	1	417341824T
R6034	CARBON R	R16J-1.8K	1	417341824T
R6035	CARBON R	R16J-1.8K	1	417341824T
R6036	CARBON R	R16J-1.8K	1	417341824T
R6037	CARBON R	R16J-1.8K	1	417341824T
R6038	CARBON R	R16J-1.8K	1	417341824T
R6040	TRIM R	N06HR1KBB	1	5211401T
R6041	TRIM R	N06HR1KBB	1	5211401T
R6042	TRIM R	N06HR1KBB	1	5211401T
R6043	TRIM R	N06HR1KBB	1	5211401T
R6044	TRIM R	N06HR1KBB	1	5211401T
R6045	TRIM R	N06HR1KBB	1	5211401T
R6046	TRIM R	N06HR1KBB	1	5211401T
R6047	TRIM R	N06HR1KBB	1	5211401T
R6048	TRIM R	N06HR1KBB	1	5211401T

R6050	CARBON R	R16J-2.7K	1	417342724T
R6051	CARBON R	R16J-2.7K	1	417342724T
R6052	CARBON R	R16J-2.7K	1	417342724T
R6053	CARBON R	R16J-2.7K	1	417342724T
R6054	CARBON R	R16J-2.7K	1	417342724T
R6055	CARBON R	R16J-2.7K	1	417342724T
R6056	CARBON R	R16J-2.7K	1	417342724T
R6057	CARBON R	R16J-2.7K	1	417342724T
R6058	CARBON R	R16J-2.7K	1	417342724T
R6060	NF CARBON R	R25J-120	1	415471214T
R6061	NF CARBON R	R25J-120	1	415471214T
R6062	NF CARBON R	R25J-120	1	415471214T
R6063	NF CARBON R	R25J-120	1	415471214T
R6064	NF CARBON R	R25J-120	1	415471214T
R6065	NF CARBON R	R25J-120	1	415471214T
R6066	NF CARBON R	R25J-120	1	415471214T
R6067	NF CARBON R	R25J-120	1	415471214T
R6068	NF CARBON R	R25J-120	1	415471214T
R6070	NF CARBON R	R25J-82	1	415478204T
R6071	NF CARBON R	R25J-82	1	415478204T
R6072	NF CARBON R	R25J-82	1	415478204T
R6073	NF CARBON R	R25J-82	1	415478204T
R6074	NF CARBON R	R25J-82	1	415478204T
R6075	NF CARBON R	R25J-82	1	415478204T
R6076	NF CARBON R	R25J-82	1	415478204T
R6077	NF CARBON R	R25J-82	1	415478204T
R6078	NF CARBON R	R25J-82	1	415478204T
R6110	CARBON R	R16J-10K	1	417341034T
R6111	CARBON R	R16J-10K	1	417341034T
R6112	CARBON R	R16J-10K	1	417341034T
R6113	CARBON R	R16J-10K	1	417341034T
R6114	CARBON R	R16J-10K	1	417341034T
R6115	CARBON R	R16J-10K	1	417341034T

R6116	CARBON R	R16J-10K	1	417341034T
R6117	CARBON R	R16J-10K	1	417341034T
R6118	CARBON R	R16J-10K	1	417341034T
R6250	NF CARBON R	R25J-120	1	415471214T
R6251	NF CARBON R	R25J-120	1	415471214T
R6252	NF CARBON R	R25J-120	1	415471214T
R6253	NF CARBON R	R25J-120	1	415471214T
R6254	NF CARBON R	R25J-120	1	415471214T
R6255	NF CARBON R	R25J-120	1	415471214T
R6256	NF CARBON R	R25J-120	1	415471214T
R6257	NF CARBON R	R25J-120	1	415471214T
R6258	NF CARBON R	R25J-120	1	415471214T
R6260	NF CARBON R	R25J-120	1	415471214T
R6261	NF CARBON R	R25J-120	1	415471214T
R6262	NF CARBON R	R25J-120	1	415471214T
R6263	NF CARBON R	R25J-120	1	415471214T
R6264	NF CARBON R	R25J-120	1	415471214T
R6265	NF CARBON R	R25J-120	1	415471214T
R6266	NF CARBON R	R25J-120	1	415471214T
R6267	NF CARBON R	R25J-120	1	415471214T
R6268	NF CARBON R	R25J-120	1	415471214T
R6270	NF CARBON R	R25J-18	1	415471804T
R6271	NF CARBON R	R25J-18	1	415471804T
R6272	NF CARBON R	R25J-18	1	415471804T
R6273	NF CARBON R	R25J-18	1	415471804T
R6274	NF CARBON R	R25J-18	1	415471804T
R6275	NF CARBON R	R25J-18	1	415471804T
R6276	NF CARBON R	R25J-18	1	415471804T
R6277	NF CARBON R	R25J-18	1	415471804T
R6278	NF CARBON R	R25J-18	1	415471804T
R6280	NF CARBON R	R25J-18	1	415471804T
R6281	NF CARBON R	R25J-18	1	415471804T
R6282	NF CARBON R	R25J-18	1	415471804T

R6283	NF CARBON R	R25J-18	1	415471804T
R6284	NF CARBON R	R25J-18	1	415471804T
R6285	NF CARBON R	R25J-18	1	415471804T
R6286	NF CARBON R	R25J-18	1	415471804T
R6287	NF CARBON R	R25J-18	1	415471804T
R6288	NF CARBON R	R25J-18	1	415471804T
R6290	NF CARBON R	R25J-2.2	1	415470224T
R6291	NF CARBON R	R25J-2.2	1	415470224T
R6292	NF CARBON R	R25J-2.2	1	415470224T
R6293	NF CARBON R	R25J-2.2	1	415470224T
R6294	NF CARBON R	R25J-2.2	1	415470224T
R6295	NF CARBON R	R25J-2.2	1	415470224T
R6296	NF CARBON R	R25J-2.2	1	415470224T
R6297	NF CARBON R	R25J-2.2	1	415470224T
R6298	NF CARBON R	R25J-2.2	1	415470224T
R6300	NF CARBON R	R25J-2.2	1	415470224T
R6301	NF CARBON R	R25J-2.2	1	415470224T
R6302	NF CARBON R	R25J-2.2	1	415470224T
R6303	NF CARBON R	R25J-2.2	1	415470224T
R6304	NF CARBON R	R25J-2.2	1	415470224T
R6305	NF CARBON R	R25J-2.2	1	415470224T
R6306	NF CARBON R	R25J-2.2	1	415470224T
R6307	NF CARBON R	R25J-2.2	1	415470224T
R6308	NF CARBON R	R25J-2.2	1	415470224T
R6310	NF CARBON R	R25J-10	1	415471004T
R6311	NF CARBON R	R25J-10	1	415471004T
R6312	NF CARBON R	R25J-10	1	415471004T
R6313	NF CARBON R	R25J-10	1	415471004T
R6314	NF CARBON R	R25J-10	1	415471004T
R6315	NF CARBON R	R25J-10	1	415471004T
R6316	NF CARBON R	R25J-10	1	415471004T
R6317	NF CARBON R	R25J-10	1	415471004T
R6318	NF CARBON R	R25J-10	1	415471004T

[SW TRM]						
P001	PWB		BCCLA-0226	1	25140226C	N
P002	PWB		BCCLA-0227	{ 1 }	25140227	N
P003	PWB		BCCLA-0228	{ 1 }	25140228	N
P004	PWB		BCCLA-0229	{ 1 }	25140229	N
P005	PWB		BCCLA-0230	{ 1 }	25140230	N
P006	PWB		BCCLA-0231	{ 1 }	25140231	N
P007	PWB		BCCLA-0232	{ 1 }	25140232	N
P008	PWB		BCCLA-0233	{ 1 }	25140233	N
P009	PWB		BCCLA-0234	{ 1 }	25140234	N
P5010A	SOCKET		NSCT-3P2183	1	25052286	
P5011A	SOCKET		NSCT-3P2183	1	25052286	
P5012A	SOCKET		NSCT-3P2183	1	25052286	
P5013A	SOCKET		NSCT-3P2183	1	25052286	
P5014A	SOCKET		NSCT-3P2183	1	25052286	
P5015A	SOCKET		NSCT-3P2183	1	25052286	
P5016A	SOCKET		NSCT-3P2183	1	25052286	
P5017A	SOCKET		NSCT-3P2183	1	25052286	
P5018A	SOCKET		NSCT-3P2183	1	25052286	
P5020A	TRM		NTM-1P233(M1969)	1	25060302	
P5021A	TRM		NTM-1P233(M1969)	1	25060302	
P5022A	TRM		NTM-1P233(M1969)	1	25060302	
P5023A	TRM		NTM-1P233(M1969)	1	25060302	
P5024A	TRM		NTM-1P233(M1969)	1	25060302	
P5025A	TRM		NTM-1P233(M1969)	1	25060302	
P5026A	TRM		NTM-1P233(M1969)	1	25060302	
P5027A	TRM		NTM-1P233(M1969)	1	25060302	
P5028A	TRM		NTM-1P233(M1969)	1	25060302	
P6010A	SOCKET		NSCT-3P2183	1	25052286	
P6011A	SOCKET		NSCT-3P2183	1	25052286	
P6012A	SOCKET		NSCT-3P2183	1	25052286	
P6013A	SOCKET		NSCT-3P2183	1	25052286	
P6014A	SOCKET		NSCT-3P2183	1	25052286	

P6015A	SOCKET	NSCT-3P2183	1	25052286	
P6016A	SOCKET	NSCT-3P2183	1	25052286	
P6017A	SOCKET	NSCT-3P2183	1	25052286	
P6018A	SOCKET	NSCT-3P2183	1	25052286	
P6030B	SOCKET	IMSA-9115S-05L	1	25052985	N
P6031B	SOCKET	IMSA-9115S-05L	1	25052985	N
P6032B	SOCKET	IMSA-9115S-05L	1	25052985	N
P6033B	SOCKET	IMSA-9115S-05L	1	25052985	N
P6034B	SOCKET	IMSA-9115S-05L	1	25052985	N
P6035B	SOCKET	IMSA-9115S-05L	1	25052985	N
P6036B	SOCKET	IMSA-9115S-05L	1	25052985	N
P6037B	SOCKET	IMSA-9115S-05L	1	25052985	N
P6038B	SOCKET	IMSA-9115S-05L	1	25052985	N

TX-NR1007

PACKING PROCEDURES PARTS LIST

[PACKING]

PACKING PROCEDURES PARTS LIST

[PACKING]

A701	SHEET	T0.515*1300*900	1	29096066		
A705	POLY BAG	(W1020xD770)	1	29100253		
A706	POLY BAG	w500xd650	1	29100249		
A707	TAPE	(SEROHAN)NITTO NO.29	1	29110149		
A711	CARTON	1007DC	1	29055038B	N	<MDC>
A711	CARTON	1007	1	29055039B	N	<MMP, MMR>
A712	LABEL	(CARTON)	1	29390944	N	<MMR>
A715	PAD	AS	1	29092479B	N	
A717	SHEET	(ACC)	1	29096104		
A719	STAPLE	FUKAN-BARI(1000KO)	4	282321		
A721	PP TAPE	W50 SBT-70	1	29110200		
A751A	UPC LABEL	1007BMDC	{ 1 }	29390904	N	<MDC>
A751A	EAN LABEL	1007BMMP	{ 1 }	29390905	N	<B MMP>
A751A	EAN LABEL	1007SMMP	{ 1 }	29390906	N	<S MMP>
A751A	EAN LABEL	1007BMMR	{ 1 }	29390950	N	<MMR>
A763	LABEL	(CHINA)	1	29390952		<MMR>
A771	WRNTY CARD	(ONKYO-CH)	1	29365098B		<MMR>
A838	INS MANUAL	U3EnFrEs(SIRIUS)	1	29400030B		<MDC>

[ACCESSARY]

A801	INS MANUAL	En(TX-NR1007)	1	29400052	N	
A802	INS MANUAL	U2FrEs(TX-NR1007)	1	29400053	N	<MDC, MMP>
A803	INS MANUAL	U2ItDe(TX-NR1007)	1	29400054	N	<MMP>
A804	INS MANUAL	U2NISv(TX-NR1007)	1	29400055	N	<MMP>
A806	INS MANUAL	Cs(TX-NR1007)	1	29400057		<MMR>
A817	INS MANUAL	En(QSS_TX-NR1007)	1	29400068	N	
A818	INS MANUAL	Cs(QSS_TX-NR1007)	1	29400069		<MMR>
A830	INST SHEET	WEEE	1	29355537A		<MMP>
A831	HANDBILL	(SIRIUS)	1	29380149		<MDC>
A832	INST SHEET	En(2009E_RIHD)	1	29355745		
A833	INST SHEET	U2FrEs(2009E_RIHD)	1	29355746		<MDC>
A834	INST SHEET	U8(2009E_RIHD)	1	29355747		<MMP, MMR>
A837	INS MANUAL	U9(RC736/737/738/739)	1	29344962		

A839	INS MANUAL	U2JaEn(Software_807/HT-RC180)	1	29400164	
A840	INS MANUAL	U3EnFrEs(Pand/Rhap/InSir_ONK)	1	29400165	<MDC>
A841	INS MANUAL	U2EnDe(last.fm_807/HT-RC180)	1	29400166	<MMP>
A847	INST SHEET	WINDOWS7	1	29355775	
A852	LABEL	(SPCABLE)2009	1	29390881	
A853	HANDBILL	(UP-A1)US	1	29380155	<MDC>
A853	HANDBILL	(UP-A1)EU	1	29380156	<MMP>
A861	POLY BAG	w250xd350	1	29100250A	
A863	POLY BAG	w250xd350	1	29100250A	<MDC>
A863	POLY BAG	w250xd350	2	29100250A	<MMP>
A881	INST SHEET	CHINA ROHS	1	29355616A	<MMR>
A890	REMO CON	RC-745M	1	24140745	
A891	BATTERY	R6/AA(UM-3)	2	3010194	<MDC, MMP>
A892	ANT COIL	NMA-3057	1	232140	
A893	FM ANT AS	Type W	1	292191	
A894	MIC	MIC-7000	1	245044	
P901	AC CORD	AS-CEE-3	1	253298VOL	<MMP>
P901	AC CORD	AS-UC-2	1	253301VOL	<MDC>
P901	AC CORD	AS-CCC	1	253358VOL	<MMR>
P901	AC CORD	AS-UC-2	1	253301VOL	<MDC>
P901	AC CORD	AS-CCC	1	253358VOL	<MMR>

ONKYO CORPORATION

Service Dept. Technical Support : 2-1, Nisshin-cho, Neyagawa-shi, OSAKA 572-8540, JAPAN
Tel: 072-831-8023 Fax: 072-831-8163

ONKYO U.S.A. CORPORATION

18 Park Way, Upper Saddle River, N.J. 07458, U.S.A.
Tel: 201-785-2600 Fax: 201-785-2650 <http://www.us.onkyo.com/>

ONKYO EUROPE ELECTRONICS GmbH (DUISBURG OFFICE)

Hafennr.7602, Logport Office-Center, Bliersheimerstr.80B, 47229 Duisburg, Germany
Tel: +49-2065-90198-00 Fax: +49-2065-90198-40 <http://www.eu.onkyo.com/>

ONKYO EUROPE UK Office

Suite 1, Gregories Court, Gregories Road, Beaconsfield, Buckinghamshire, HP9 1HQ
UNITED KINGDOM Tel: +44-(0)1494-681515 Fax: +44(0)-1494-680452

ONKYO CHINA LIMITED

Units 2102-2107, Metroplaza Tower I, 223 Hing Fong Road, Kwai Chung,
N.T., HONG KONG Tel: 852-2429-3118 Fax: 852-2428-9039
<http://www.ch.onkyo.com/>

