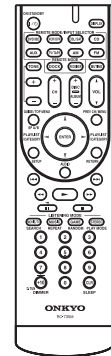
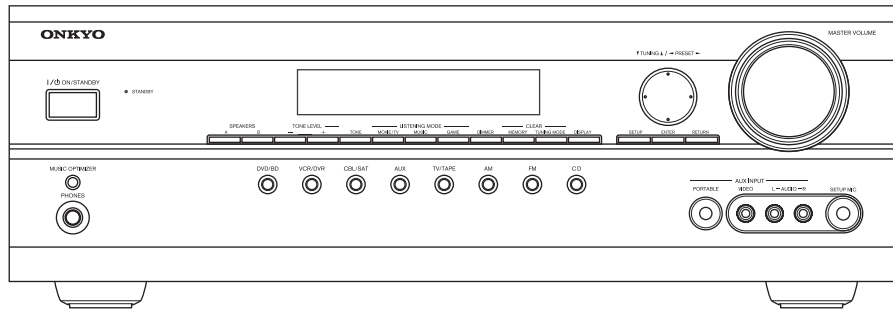


ONKYO SERVICE MANUAL

AV RECEIVER MODEL TX-SR307



RC-735M


TX-SR307 Black, Silver and Golden models

B MDD, S MDD, B MDC ,G MDF	120V AC, 60Hz
B MPP, S MPP,	230V AC, 50Hz
B MMO, S MMO, B MMQ, G MMR	220V/220-240V AC, 50/60Hz

TX-SR307 For HT-S5205 Black and Silver models

B MPP, S MPP,	230V AC, 50Hz
---------------	---------------

SAFETY-RELATED COMPONENT WARNING!!

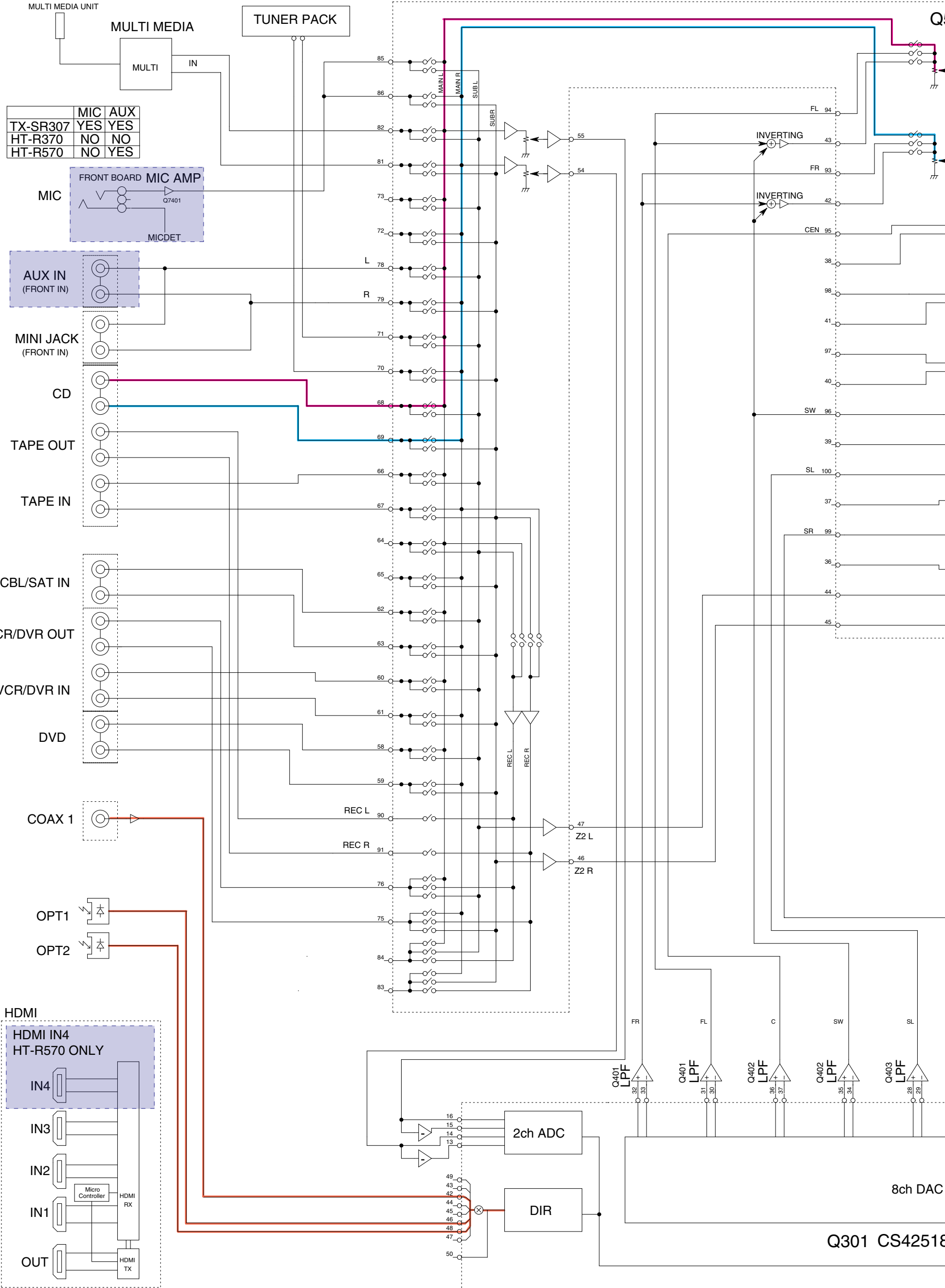
COMPONENTS IDENTIFIED BY MARK  ON THE SCHEMATIC DIAGRAM AND IN THE PARTS LIST ARE CRITICAL FOR RISK OF FIRE AND ELECTRIC SHOCK. REPLACE THESE COMPONENTS WITH ONKYO PARTS WHOSE PART NUMBERS APPEAR AS SHOWN IN THIS MANUAL.

MAKE LEAKAGE-CURRENT OR RESISTANCE MEASUREMENTS TO DETERMINE THAT EXPOSED PARTS ARE ACCEPTABLY INSULATED FROM THE SUPPLY CIRCUIT BEFORE RETURNING THE APPLIANCE TO THE CUSTOMER.

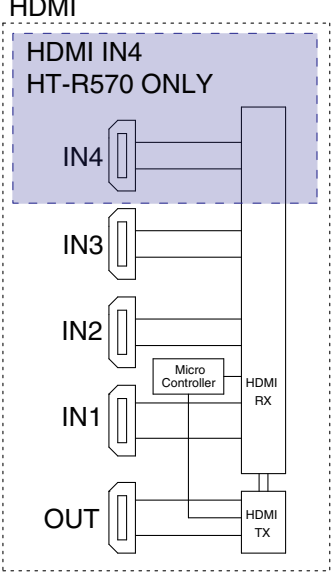
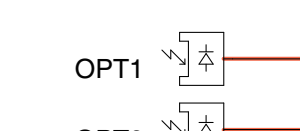
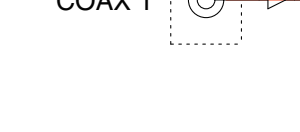
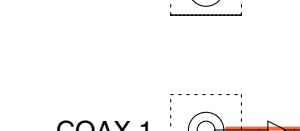
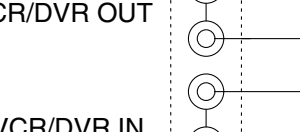
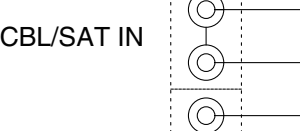
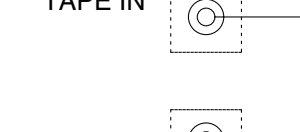
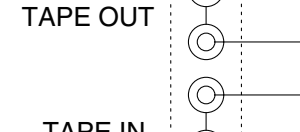
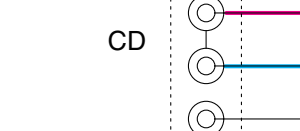
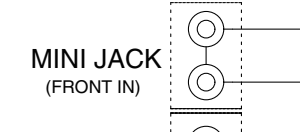
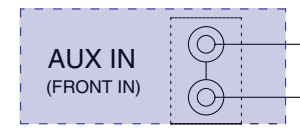
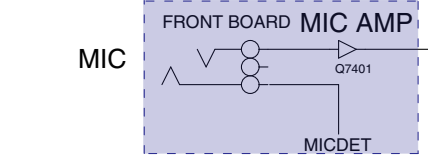
BLOCK DIAGRAMS-1(PART-1)
AUDIO SECTION

— AUDIO ANALOG SIGNAL
— FRONT L
— FRONT R
— AUDIO DIGITAL SIGNAL

1
2
3
4
5
6
7
8



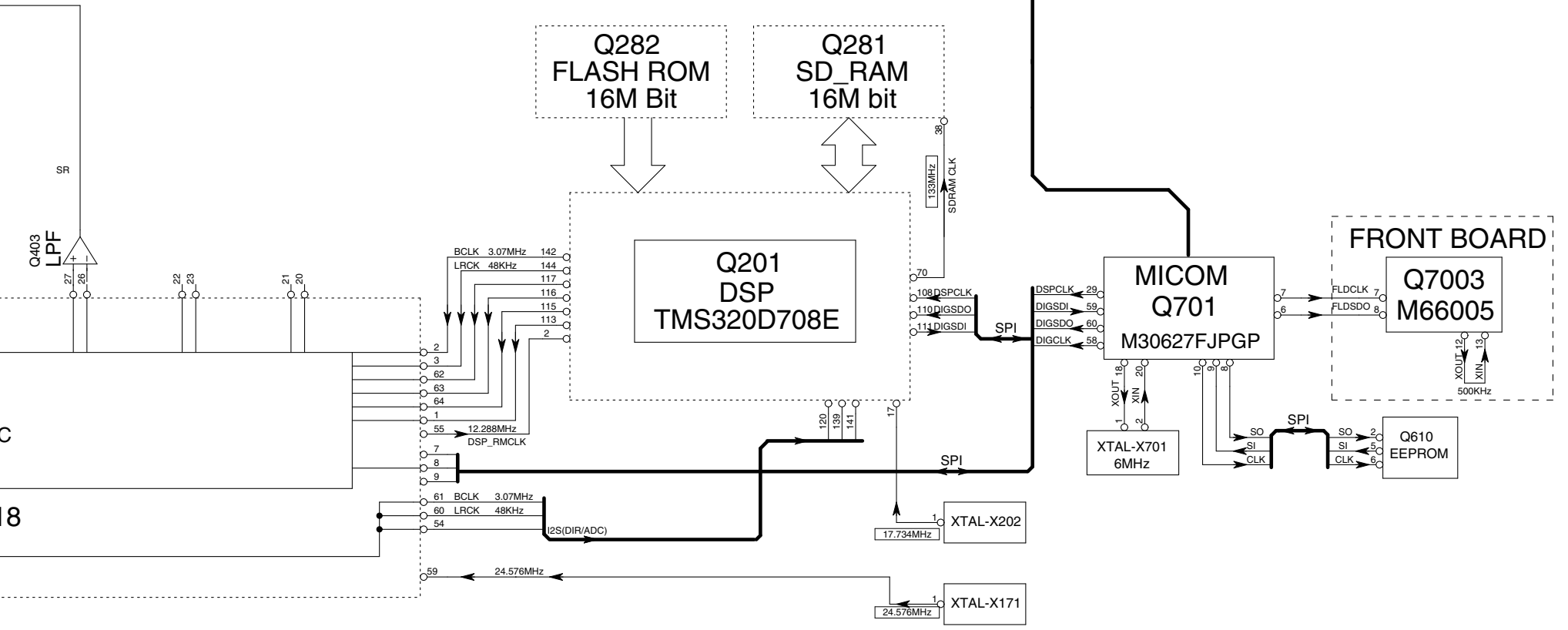
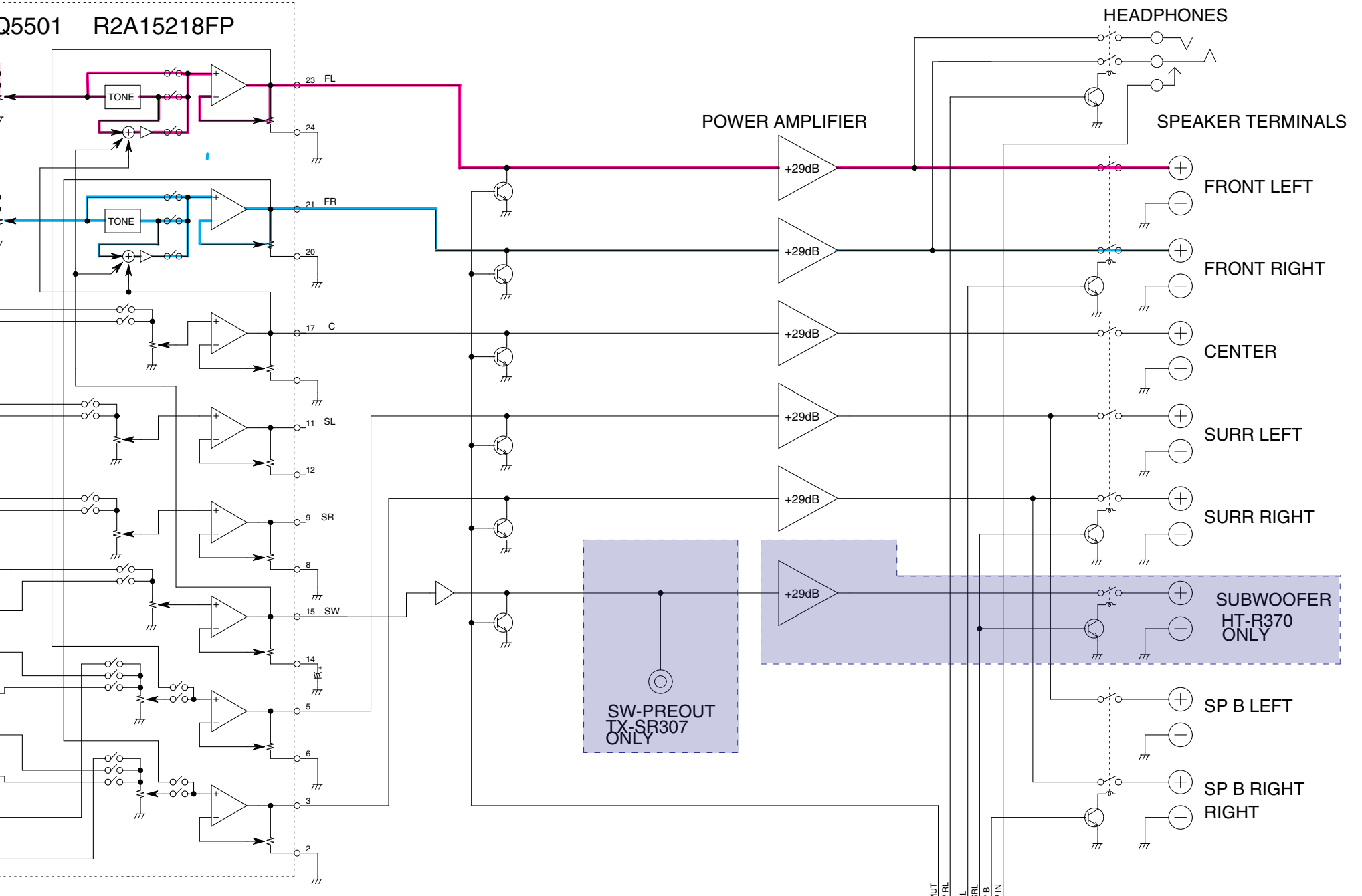
	MIC	AUX
TX-SR307	YES	YES
HT-R370	NO	NO
HT-R570	NO	YES



Q5

8ch DAC

Q301 CS42518



A

B

C

D

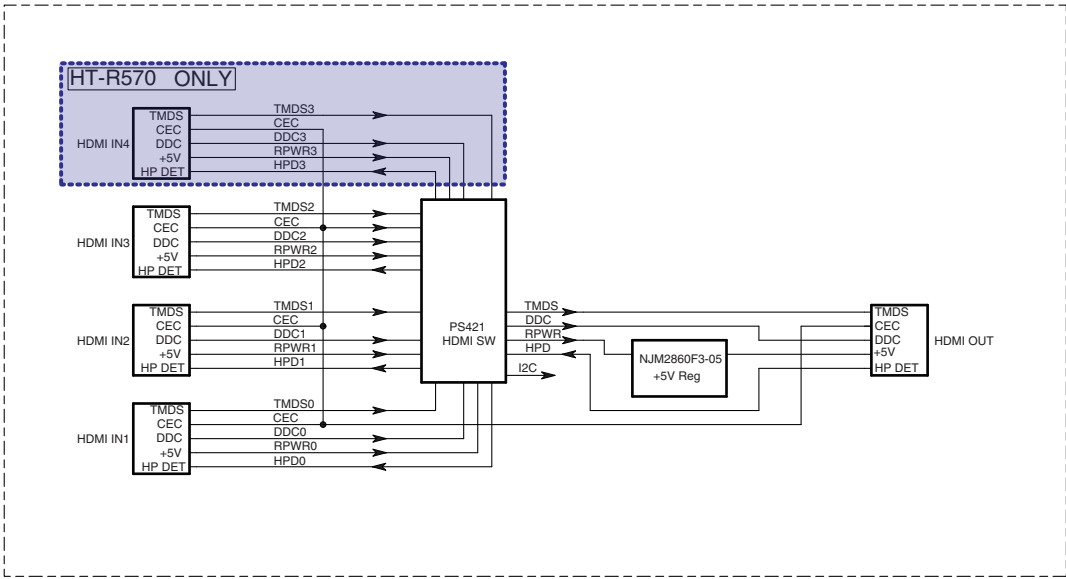
BLOCK DIAGRAMS-2_1 (PART-2_1)

VIDEO SECTION

VIDEO SECTION

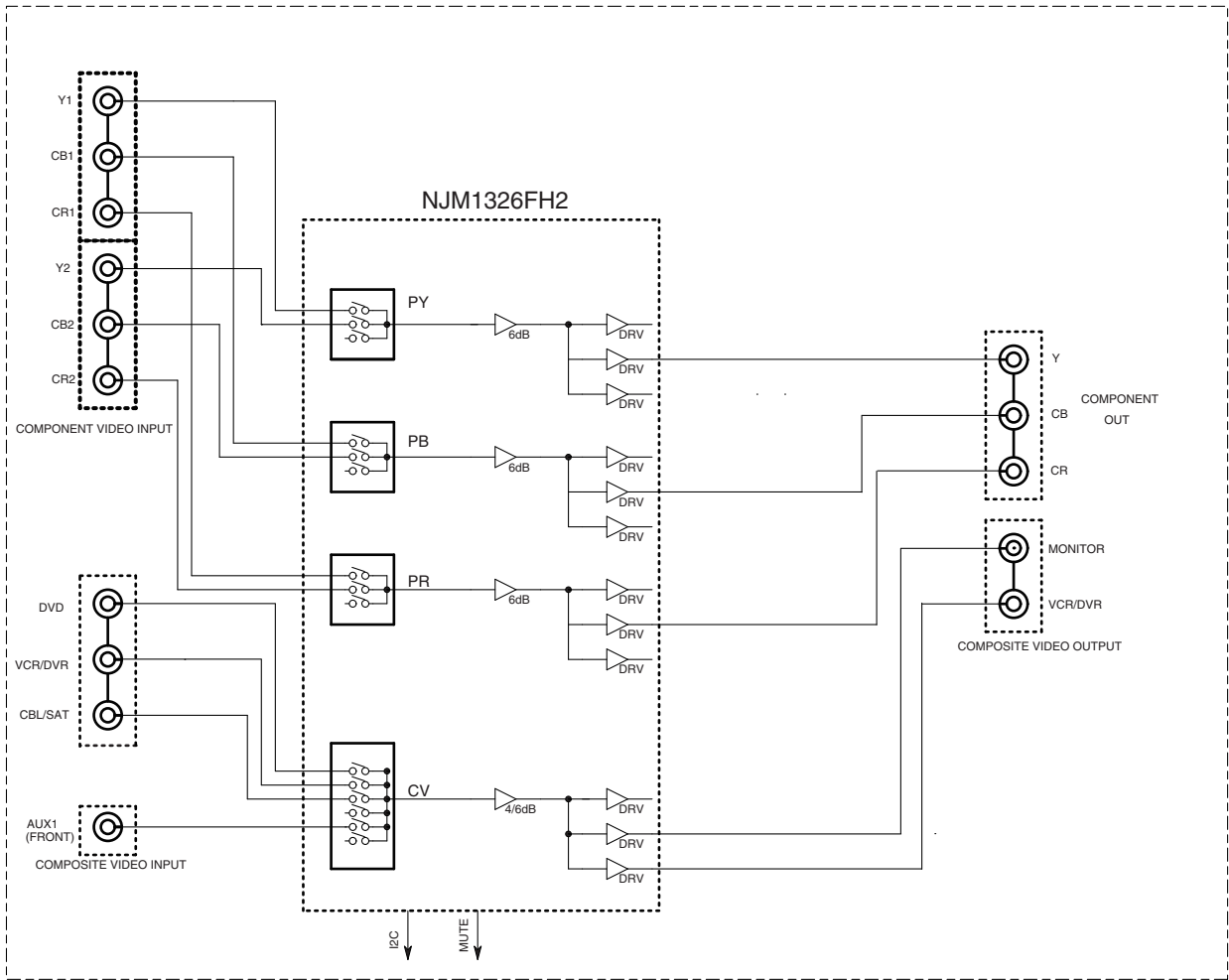
1

HT-R570 ONLY



2

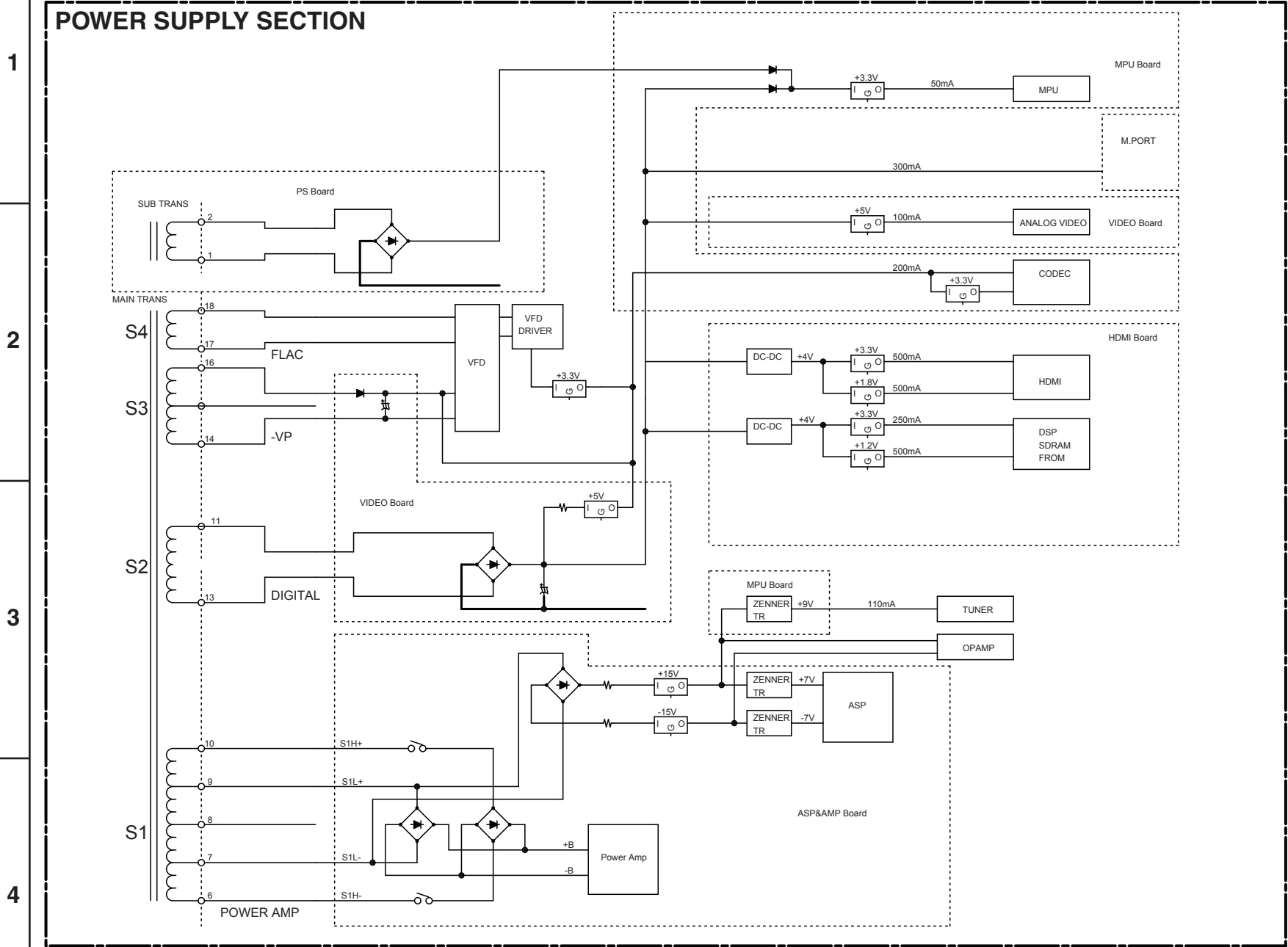
3



4

5

BLOCK DIAGRAMS-2_2 (PART-2_2)
POWER SUPPLY SECTION



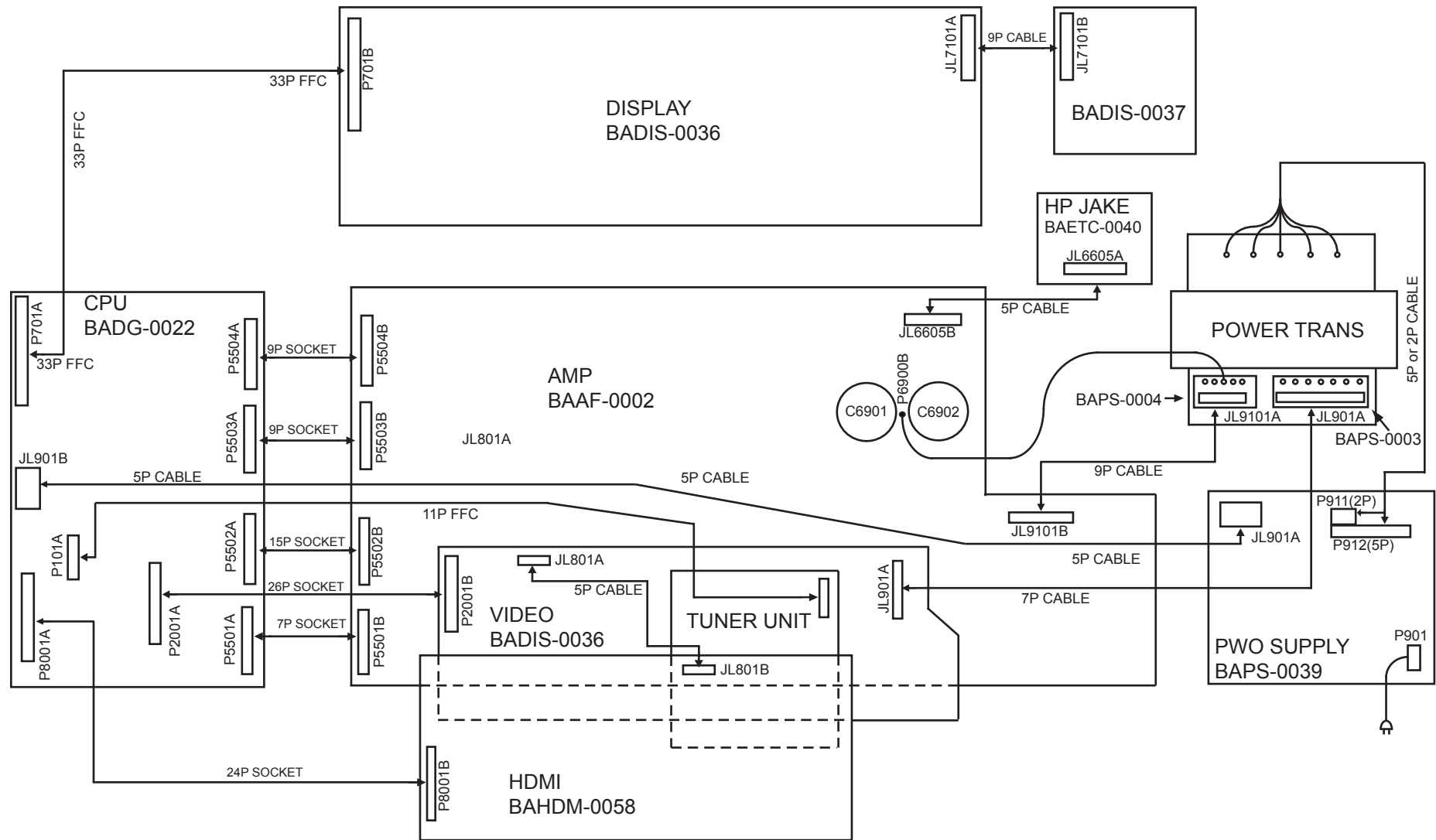
BLOCK DIAGRAMS-2_3 (PART-2_3)
WIRING SECTION

1

2

3

4



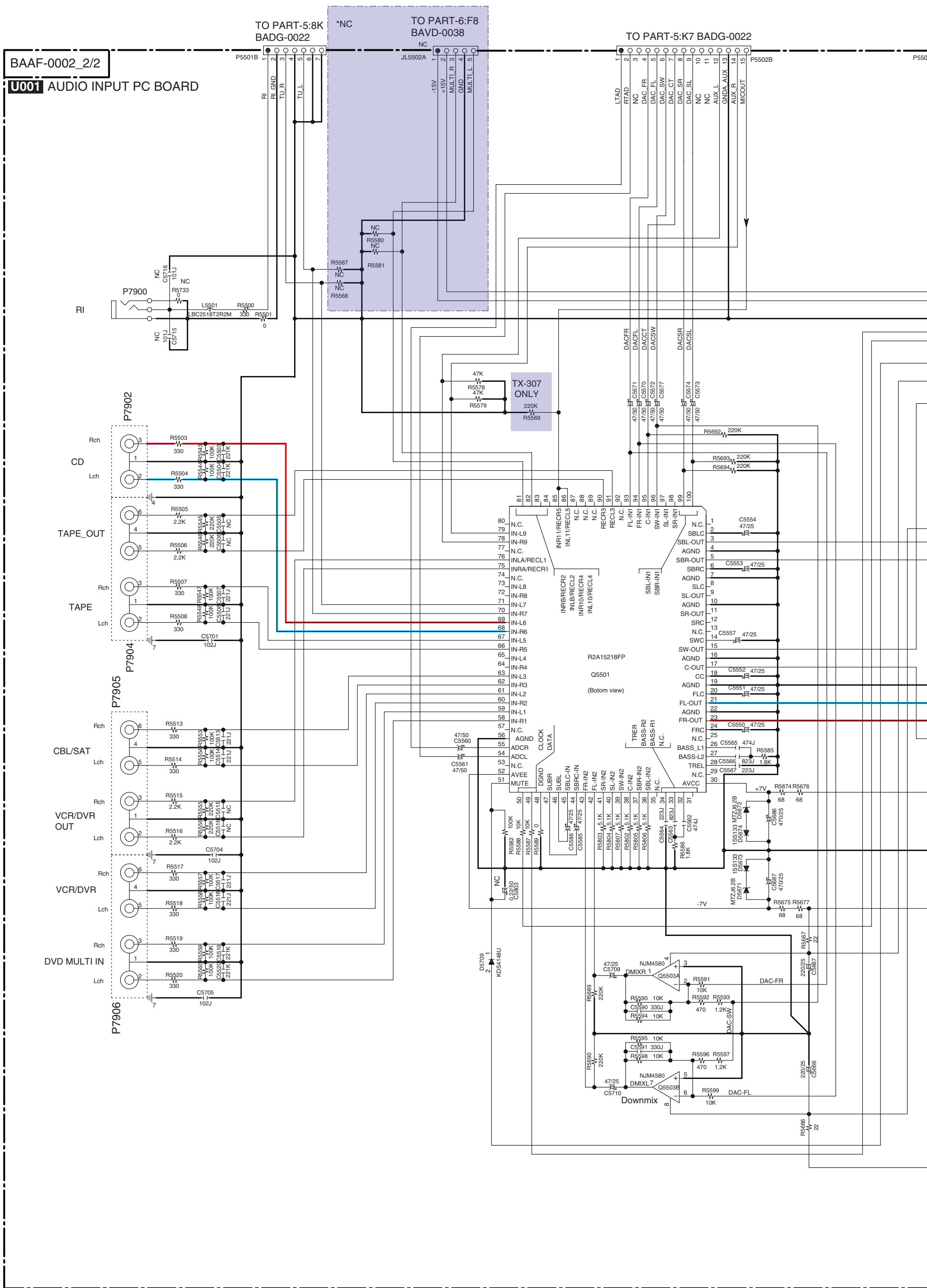
SCHEMATIC DIAGRAMS-1 (PART-3) AUDIO INPUT SECTION

AUDIO ANALOG SIGNAL
FRONT L
FRONT R

<Note>
1. NC = No mount of parts.
2. PART-x : XY is short for Schematic Diagrams-x and each sockets location, X = A to K, Y = 1 to 7.

1
2
3
4
5
6
7
8

BAAF-0002_2/2
U001 AUDIO INPUT PC BOARD




SCHMATIC DIAGRAMS-2 (PART-4)
POWER AMPLIFIER SECTION

AUDIO ANALOG SIGNAL
FRONT L
FRONT R

<Notes>
1. NC = No mount of parts.
2. PART-x : XY is short for Schematic Diagrams-x and each sockets location, X = A to K, Y = 1 to 7.

BAAF-0002 2/2 U001
POWER AMPLIFIER PC BOARD

Notes
the components identified by mark  are critical for safety
replace only with part number specified
voltage (measured with voltmeter) is dc voltage (no input signal)
electrolytic capacitors (E) are in $\mu\text{F}/50\text{WV}$
all capacitors are in (pF/50WV) unless otherwise noted.
EX) 030 \rightarrow 3pF 330 \rightarrow 33pF 331 \rightarrow 330pF 333 \rightarrow 0.033 μF
circuit is subject to change for improvement

CAUTION
FOR CONTINUED PROTECTION
AGAINST FIRE HAZARD, REPLACE
ONLY WITH FUSE OF SAME TYPE
AND RATING INDICATED.

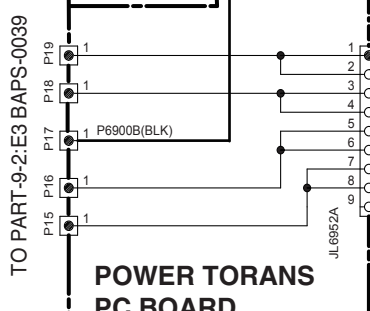
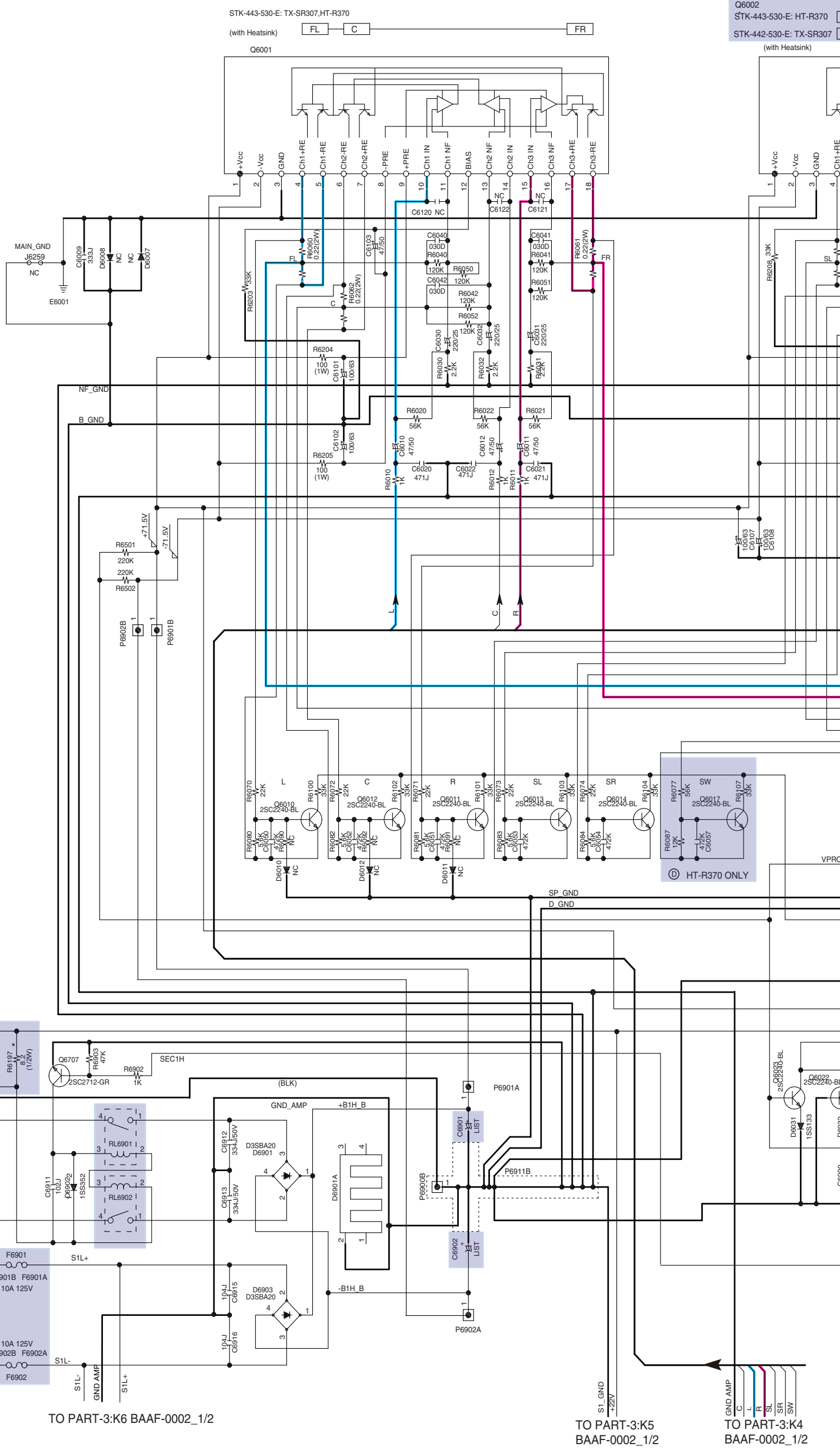
ATTENTION
AFIN D'ASSURER UNE PROTECTION
PERMANENTE CONTRE LES RISQUES
D'INCENDIE, REMPLACER UNIQUEMENT
PAR UN FUSIBLE DE MEME TYPE
ET CALIBRATION COMME INDIQUE.

THIS SYMBOL LOCATED NEAR THE FUSE INDICATES
THAT THE FUSE USED IS SLOW OPERATING TYPE
FOR CONTINUED PROTECTION AGAINST FIRE FUSE
HAZARD, REPLACE WITH SAME TYPE FUSE. FOR FUSE
RATING REFER TO THE MAKING ADJACENT TO THE SYMBOL.

CE SYMBOLE INDIQUE QUE LE FUSIBLE UTILISE EST
A LENT. E POUR UNE PROTECTION PERMANENTE UTILISER
QUE DES FUSIBLES DE MEME TYPE. CE DERNIER EST
INDIQUE LA QU'LE PRESENT SYMBOLE EST APPOSE.

Destination table

	TX-SR307			HT-R370	
	MDD	MPP	MMO	MDD	MMO
MDC					
MDF					
SUBWOOFER CIRCUIT (A)(B)(C)(D)(E)	NO			YES	
Q6002	STK-442-530-E			STK-443-530-E	
P6001	NTM-10PDM1			NTM-12PDM1	
C6901	8200u		8200u	10000u	
C6902	56V		63V	63V	
F6901	8A		10A	10A	
F6902	125V		125V	125V	
C6080					
C6081					
C6082					
C6083	102J		472J	102J	472J
C6084					
C6087					
C6088					
C6089					
R6302					
R6197					
J6352					
J6353					
J6354	NO			YES	
J6355					
J6357					
J6003					
R6303					
R6304					
R6305	YES			NO	
R6306					
Q6055					
J6356					
RL6001					
RL6002					
RL6003	NRL-2P5A-DC12-192			NRL-2P5A-DC24-129	
RL6005				NRL-2P5A-DC24-158	



TO PART-9:2:E3 BAPS-0039
TO PART-3:K6 BAAF-0002_1/2
TO PART-3:K5 BAAF-0002_1/2
TO PART-3:K4 BAAF-0002_1/2

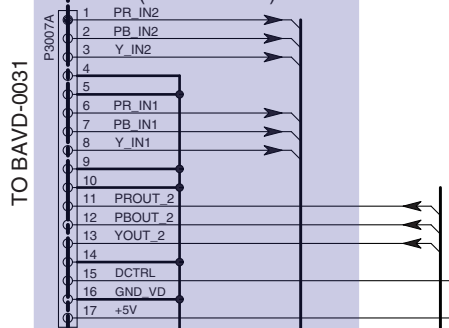
SCHEMATIC DIAGRAMS-4 (PART-6)
VIDEO SECTION

<Note>

1. NC = No mount of parts.
2. PART-x : XY is short for Schematic Diagrams-x and each sockets location, X = A to K, Y = 1 to 7.

BCVD-0038 U0032
VIDEO PC BOARD

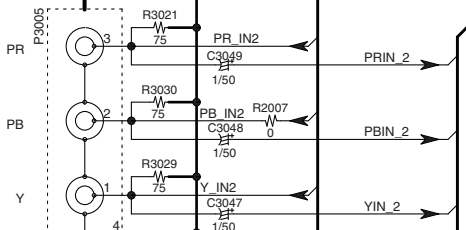
TX-SA507 TX-SA607 ONLY
(D TREMINAL)



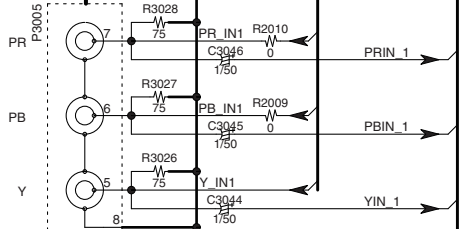
TO BAVD-0031

FCTRL/DCTRL

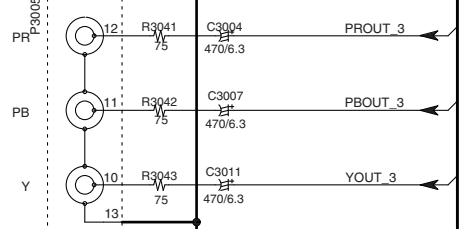
(VCR/DVR)
COMPONENT
IN2



(DVD)
COMPONENT
IN1



COMPONENT
OUT



TX-SR607 TX-SA607
DT-R20.1 DT-R30.1 ONLY

GAME/TV
(VIDEO3 IN)

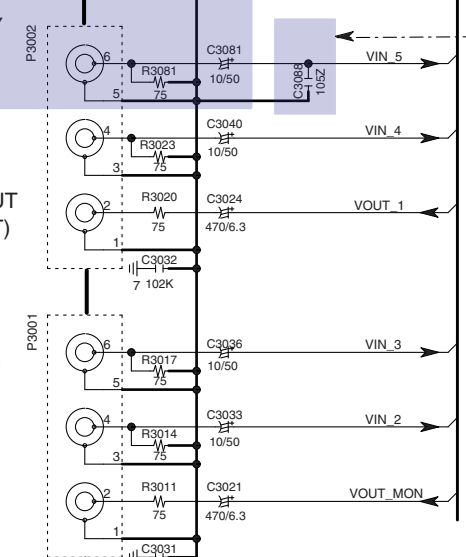
CBL/SAT
(VIDEO2 IN)

VCR/DVR OUT
(VIDEO1 OUT)

VCR/DVR
(VIDEO1 IN)

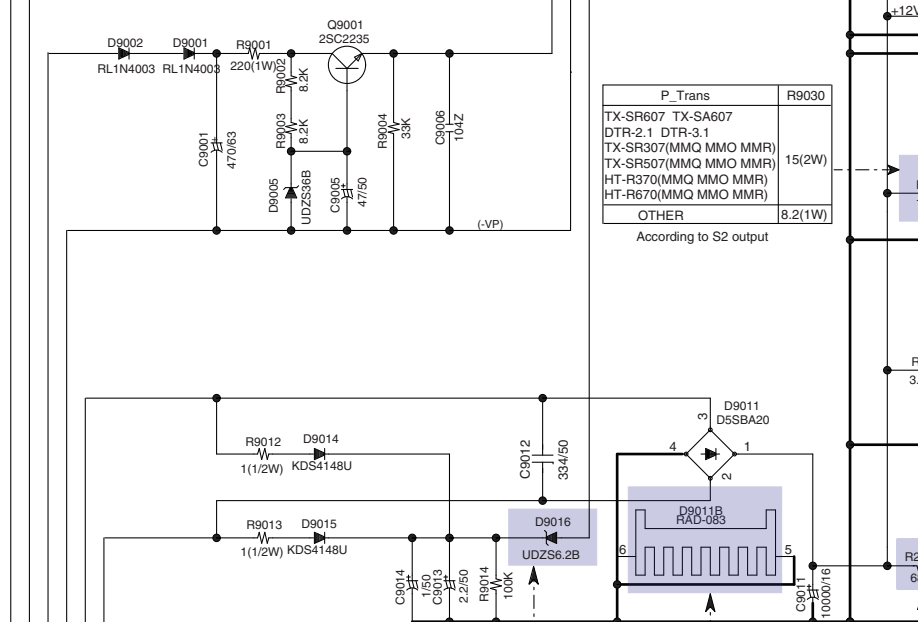
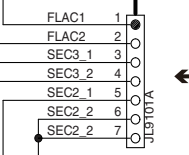
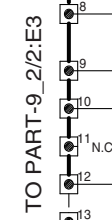
DVD IN

MONITOR
OUT



C-3088	
TX-SR607	NO
TX-SA607	NO
DT-R20.1	NO
DT-R30.1	NO
OTHER	YES

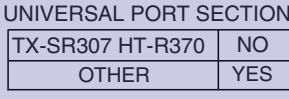
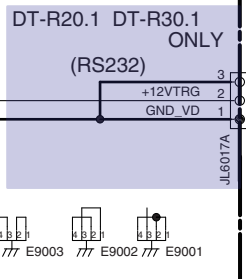
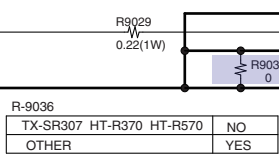
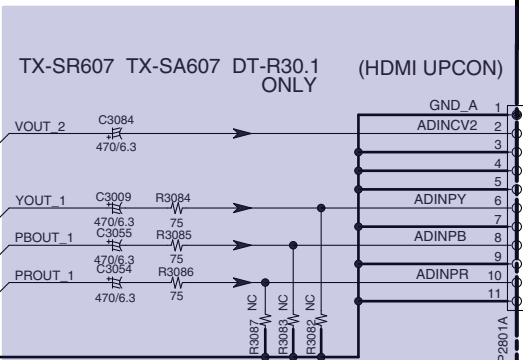
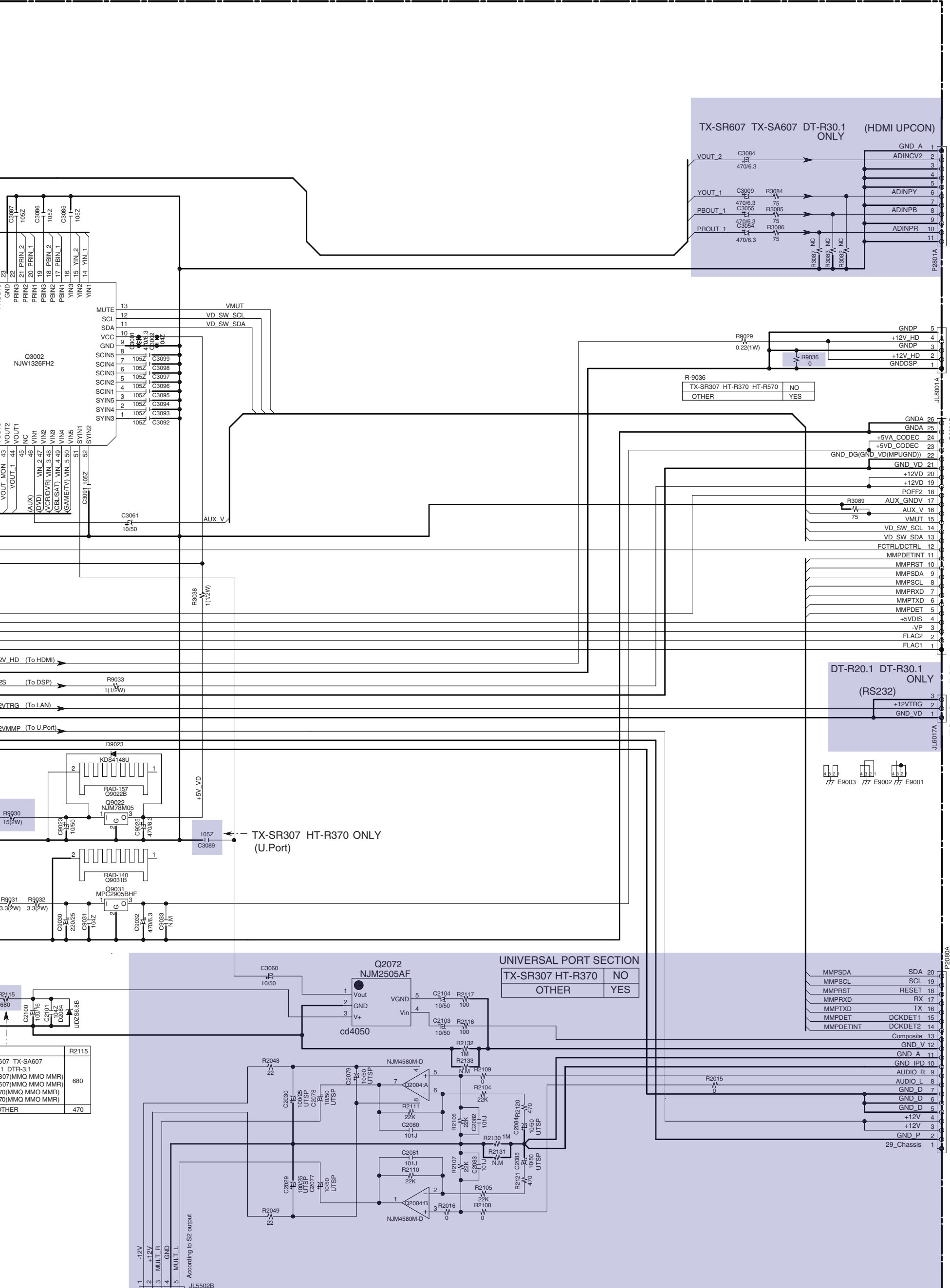
BAPS-0003 U0011
**POWER TORANS
PC BOARD**



	D9016
TX-SR607 DTR-20.1 DT-R30.1	UDZS7.5B
TX-SR307MM* HT-R370MM*	UDZS6.8B
TX-SR507MM* HT-R670MM*	UDZS5.6B
TX-SA507	UDZS5.6B
OTHER	UDZS6.2B

(HDMI Upcon)
TX-SR607 TX-SA607 DT-R30.1
ONLY

TX-SR607
DTR-2.1 DT
TX-SR307(M
TX-SR507(M
HT-R670(M
OTHER



TX-SR607	TX-SA607	880
DTR-3.1		
307(MMQ MMO MMR)		
507(MMQ MMO MMR)		
70(MMQ MMO MMR)		
70(MMQ MMO MMR)		
OTHER		470

TO BCAF-0008
TO BCAF-0014

TO BAHDM-0063

TO PART-10:F7 BAHDM-0058

TO PART-5:A3 BADG-0022

TO RS232 PCB
TO BCETC-0067

TO BCETC-0023
TO BCETC-0027

SCHEMATIC DIAGRAMS-7_1 (PART-9_1)
DISPLAY SECTION

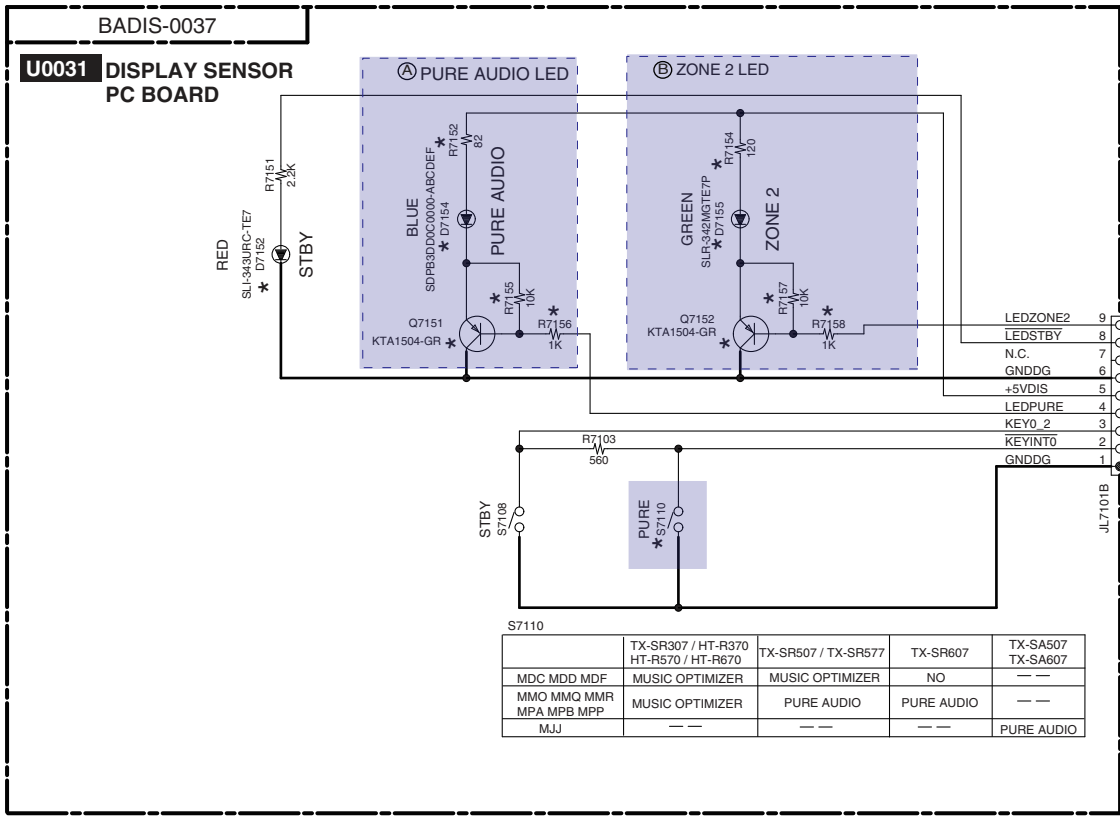
<Note>

1. NC = No mount of parts.
2. PART-x : XY is short for Schematic Diagrams-x and each sockets location, X = A to K, Y = 1 to 7.

1
2
3
4
5
6
7
8

Ⓐ PURE AUDIO				
	TX-SR307 / HT-R370 HT-R570 / HT-R670	TX-SR507 / TX-SR577	TX-SR607	TX-SA507 TX-SA607
MDC MDD MDF	NO	NO	NO	---
MMO MMQ MMR MPA MPB MPP	NO	YES	YES	---
MJJ	---	---	---	YES

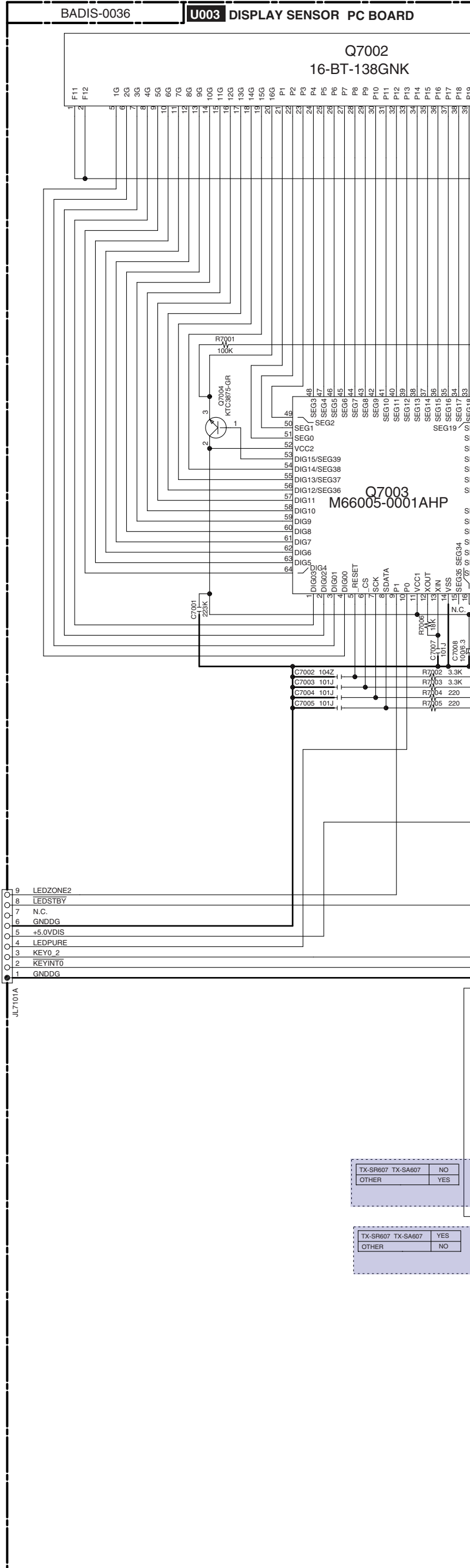
Ⓑ ZONE 2 LED	
TX-SR507 TX-SR577 TX-SR607	YES
OTHER	NO

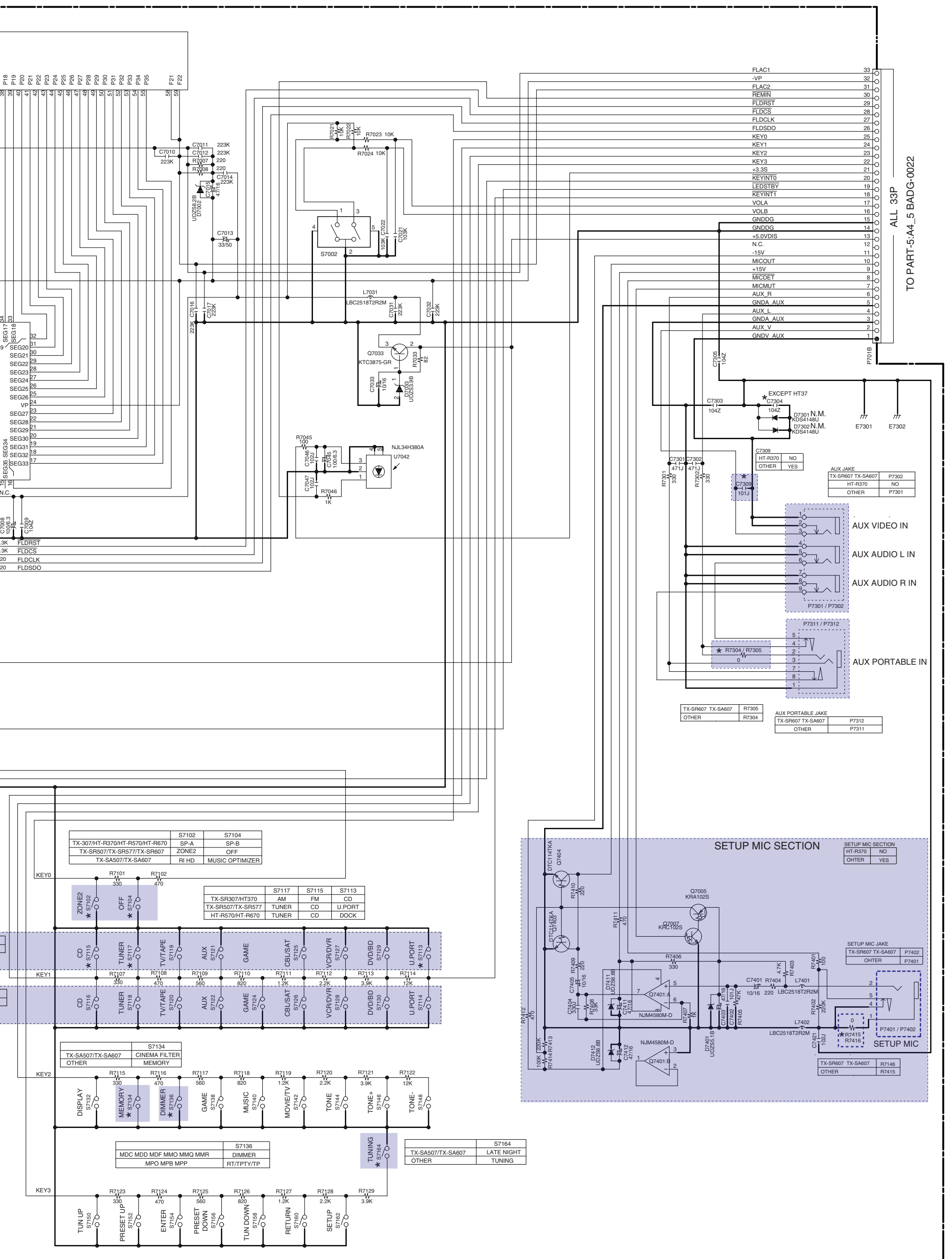


	TX-SR307 / HT-R370 HT-R570 / HT-R670	TX-SR507 / TX-SR577	TX-SR607	TX-SA507 TX-SA607
MDC MDD MDF	MUSIC OPTIMIZER	MUSIC OPTIMIZER	NO	---
MMO MMQ MMR MPA MPB MPP	MUSIC OPTIMIZER	PURE AUDIO	PURE AUDIO	---
MJJ	---	---	---	PURE AUDIO

TX-SR607 TX-SA607	NO
OTHER	YES

TX-SR607 TX-SA607	YES
OTHER	NO





ALL 33P
TO PART-5:A4_5 BADG-0022

TX-307/HT-R370/HT-R570/HT-R670	S7102	S7104
TX-SR507/TX-SR577/TX-SR607	SP-A	SP-B
TX-SA507/TX-SA607	ZONE2	OFF
	RI HD	MUSIC OPTIMIZER

	S7117	S7115	S7113
TX-SR307/HT370	AM	FM	CD
TX-SR507/TX-SR577	TUNER	CD	U.PORT
HT-R570/HT-R670	TUNER	CD	DOCK

	S7134
TX-SA507/TX-SA607	CINEMA FILTER
OTHER	MEMORY

	S7164
TX-SA507/TX-SA607	LATE NIGHT
OTHER	TUNING

TX-SR607 TX-SA607	R7305
OTHER	R7304

AUX JAKE	P7302
TX-SR607 TX-SA607	P7302
HT-R370	NO
OTHER	P7301

AUX PORTABLE JAKE	P7312
TX-SR607 TX-SA607	P7312
OTHER	P7311

SETUP MIC JAKE	P7402
TX-SR607 TX-SA607	P7402
OTHER	P7401

TX-SR607 TX-SA607	R7146
OTHER	R7415

A

B

C

D

E

SCHEMATIC DIAGRAMS-7_2 (PART-9_2)

<Note> 1. NC = No mount of parts.
2. PART-x : XY is short for Schematic Diagrams-x and each sockets location, X = A to E, Y = 1 to 4.

PWOER SUPPLY SECTION

NOTE

- THE COMPONENTS IDENTIFIED BY MARK ARE CRITICAL FOR SAFETY. REPLACE ONLY WITH PART NUMBER SPECIFIED.
- VOLTAGE (MEASURED WITH VOLTMETER) IS DC VOLTAGE.(NO INPUT SIGNAL).
- ELECTROLYTIC CAPACITORS () ARE IN uF/WV.
- ALL CAPACITORS ARE IN pF/50VW UNLESS OTHERWISE NOTED.
EX) 030- 3pF 330- 33pF 331- 330pF 333- 0.033uF
- CIRCUIT IS SUBJECT TO CHANGE FOR IMPROVEMENT.

CAUTION

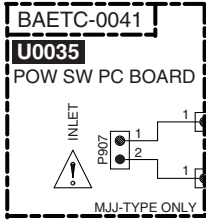


FOR CONTINUED PROTECTION AGAINST FIRE HAZARD, REPLACE ONLY WITH FUSE OF SAME TYPE AND RATING INDICATED.

ATTENTION



AFIN D'ASSURER UNE PROTECTION PERMANENTE CONTRE LES RISQUES D'INCENDIE, REMPLACER UNIQUEMENT PAR UN FUSIBLE DE MEME TYPE ET CALIBRATION COMME INDIQUE.



TYPE	AC
MDD MDC MDF	120V / 60HZ
MPR MPB MPA	230-240V / 50HZ
MMO MMR MMQ	100V / 50/60HZ
MJJ	---

T902	TYPE	TX-SR307 / 507 /577 / 607 HT-R370 / 670	HT-570	TX-SA507 / 607
MDD MDC MDF		NPT-1520JQ	NPT-1520JQ	---
MPR MPB MPA		NPT-1520GQ	---	---
MMO MMR MMQ		---	---	NPT-1520JQ
MJJ		---	---	---

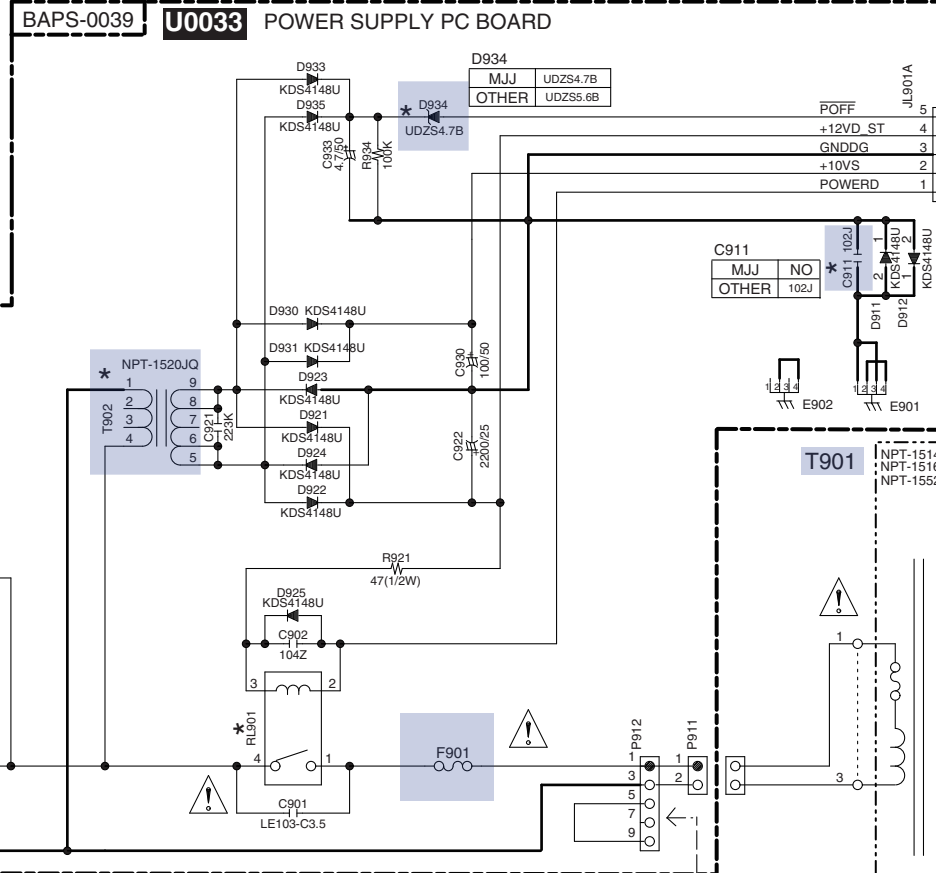
F901	TYPE	TX-SR307 / 507 /577 / 607 HT-R370 / 670	HT-570	TX-SA507 / 607
MDD MDC MDF		8A 125V	8A 125V	---
MPR MPB MPA		T4AL250V	---	---
MMO MMR MMQ		---	---	---
MJJ		---	---	12A 125V



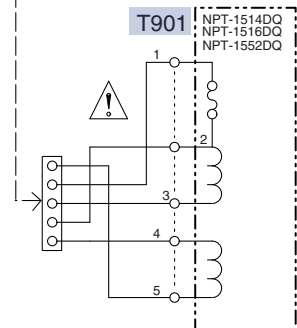
THIS SYMBOL LOCATED NEAR THE FUSE INDICATES THAT THE FUSE USED IS SLOW OPERATING TYPE FOR CONTINUED PROTECTION AGAINST FIRE FUSE HAZARD,REPLACE WITH SAME TYPE FUSE. FOR FUSE RATING REFER TO THE MAKING ADJACENT TO THE SYMBOL.



CE SYMBOLE INDIQUE QUE LE FUSIBLE UTILISE EST A LENT, E POUR UNE PROTECTION PERMANENTE.NUTILISER QUE DES FUSIBLES DE MEME TYPE. CE DARNIER EST INDIQUE LA QU LE PRESENT SYMBOLE EST APPOSE.



T901	TYPE	TX-SR307 HT-R370	TX-SR507 / TX-SR577 / TX-SA507 HT-R570 / HT-R670	TX-SR607 TX-SA607
MDD MDC MDF		NPT-1514D	NPT-1516D	NPT-1552D
MPA		NPT-1514DQ	NPT-1516DQ	NPT-1552DQ
MPB MPP		NPT-1514P	NPT-1516P	NPT-1552P
MJJ		---	NPT-1516J	NPT-1552J



TO PART-5:A2 BADG-0022

TO PART-6:A8 BAPS-0003

TO PART-4:-A8 BAPS-0004

1

2

3

4

SCHEMATIC DIAGRAMS-8 (PART-10)

HDMI DSP SECTION

<Note>

- 1. NC = No mount of parts.
- 2. PART-x : XY is short for Schematic Diagrams-x and each sockets location, X = A to K, Y = 1 to 7.

1

2

3

4

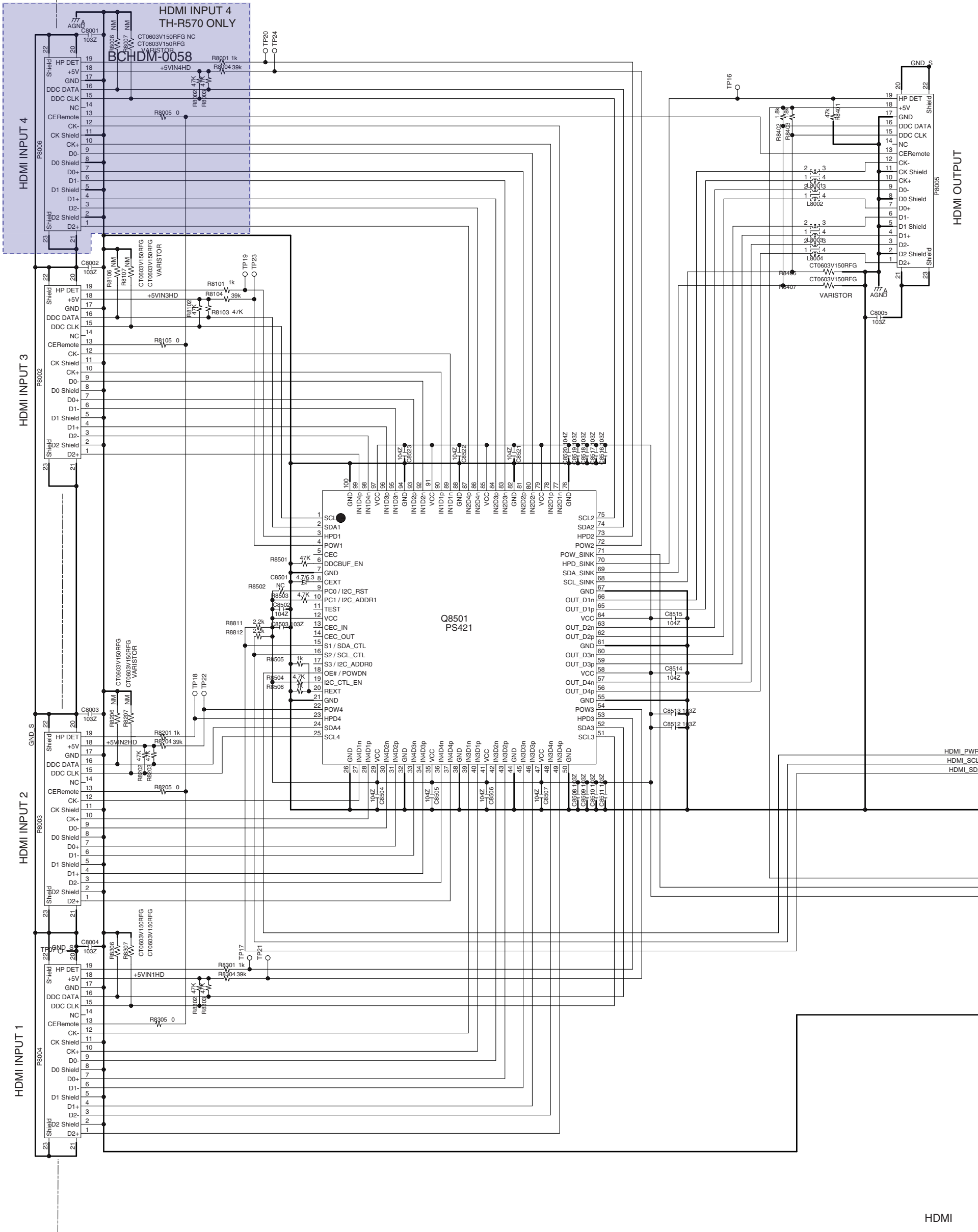
5

6

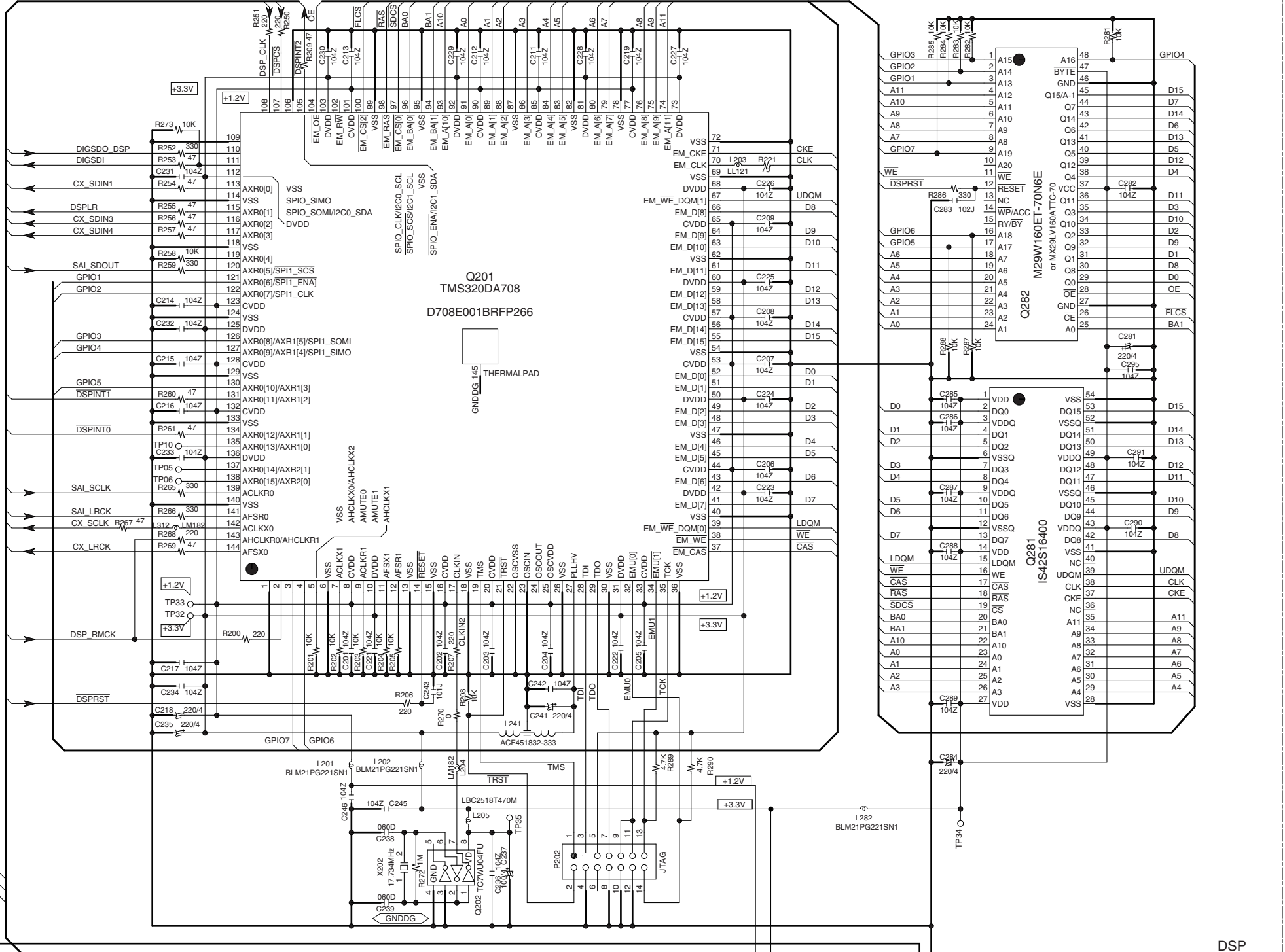
7

8

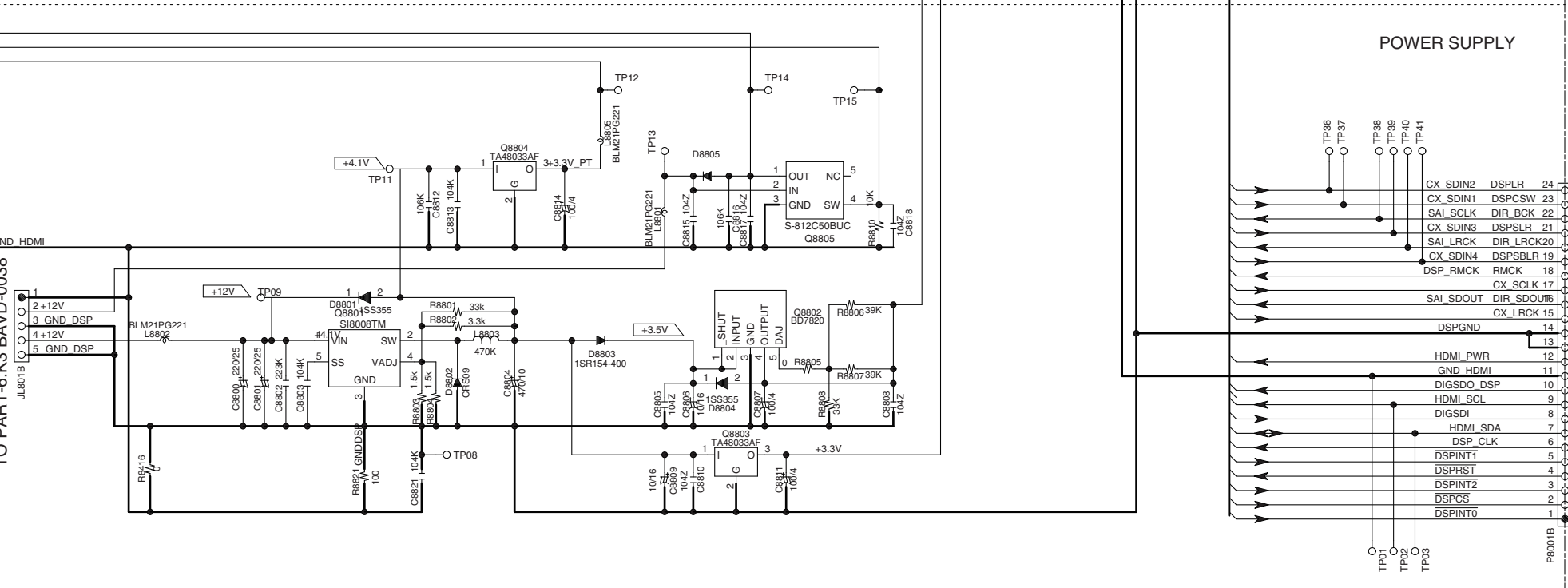
BCHDM-0058 U004
HDMI DSP PC BOARD



HDMI



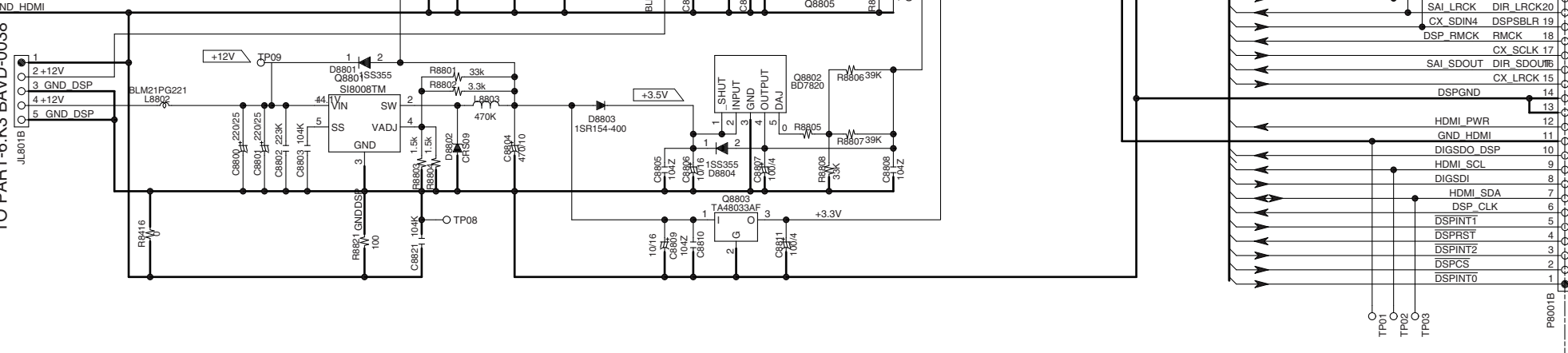
DSP



POWER SUPPLY

TO PART-6:K3 BAVD-0038

TO PART-5:BC1 NADG-0022



TX-SR307**<Note>**

Parts marked by "NSP" are generally unavailable because they are not in our Master Spare Parts List.

**NOTE : THE COMPONENTS IDENTIFIED BY THE MARK
! ARE CRITICAL FOR RISK OF FIRE AND
ELECTRIC SHOCK. REPLACE ONLY WITH PART
NUMBER SPECIFIED.**

<Notes>

(B) : Black model <MDD> : USA model
(S) : Silver model <MDC> : Canadian model
(G) : Golden model <MDF> : Taiwan model
 <MMQ> : Hong kong model
 <MMO> : Saudi Arabia model
 <MPP> : European model
 <MMR> : China model

PACKING PROCEDURE PARTS LIST

	REF. NO.	PART NAME	DESCRIPTION	Q'TY	PART NO. (SN)	REMARKS
PACKING	[PACKING]					
PACKING	A601	PAD	(AS)307	1	29092452A	
PACKING	A601A	PAD	(L)307	{ 1}	29092453A	NSP
PACKING	A601B	PAD	(R)307	{ 1}	29092454A	NSP
PACKING	A605	POLY BAG	w850xd650	1	29100245	
PACKING	A606	TAPE	(SEROHAN)NITTO NO.29	1	29110149	
PACKING	A610	TAPE	(SEROHAN)NITTO NO.29	1	29110149	
PACKING	A701	CARTON	.307	1	29054993A	
PACKING	A703	LABEL	(EX)	1	29390184	
PACKING	A704A	UPC LABEL	307(B)DD	{ 1}	29390698	NSP <MDD>
PACKING	A704A	UPC LABEL	307(S)DD	{ 1}	29390699	NSP <MDD>
PACKING	A704A	UPC LABEL	307(B)DC	{ 1}	29390700	NSP <MDC>
PACKING	A704A	EAN LABEL	307(B)PP	{ 1}	29390707A	NSP <MPP>
PACKING	A704A	EAN LABEL	307(S)PP	{ 1}	29390708A	NSP <MPP>
PACKING	A704A	EAN LABEL	307(G)DF	{ 1}	29390709	NSP <MDF>
PACKING	A704A	EAN LABEL	307(B)MO	{ 1}	29390710A	NSP <MMO>
PACKING	A704A	EAN LABEL	307(S)MO	{ 1}	29390711A	NSP <MMO>
PACKING	A704A	EAN LABEL	307(G)MR	{ 1}	29390712	NSP <MMR>
PACKING	A704A	EAN LABEL	307(B)MQ	{ 1}	29390713	NSP <MMQ>

PACKING	A706	LABEL	(POP)TXSR307MDC	1	29390736	<MDC><MDD>
PACKING	A706	LABEL	(POP)TXSR307MPP	1	29390737	<MPP>
PACKING	A707	LABEL	(CHINA)	1	29390370	<MMR>
PACKING	A750	LABEL	(KS)TX-SR307	<< 1>>	29390758	<MMO>
PACKING	A751	LABEL	(TWN)TX-SR307(G)	<< 2>>	29390763	<MDF>
PACKING	A755	LABEL	(CCC)	<< 1>>	29364396	<MMR>
PACKING	A760	PP TAPE	W50 SBT-70	1	29110200	NSP
PACKING						
PACKING		[ACCESSARY]				
PACKING	A858	ANT COIL	NMA-3057	1	232140	
PACKING	A861	BATTERY	R6/AA(UM-3)	2	3010194	
PACKING	A861 or	BATTERY	R6/AA(UM-3)	(2)	3010054	
PACKING	A857	CV PLUG	SCP-13A-BLK(UK)	1	25056591	<MMO>
PACKING	A859	FM ANT AS	Type W	1	292191	
PACKING	A801	INS MANUAL	En (TX-SR307)	1	29344921	
PACKING	A802	INS MANUAL	U2FrEs (TX-SR307)	1	29344922	<MDC><MPP>
PACKING	A803	INS MANUAL	U2ItDe (TX-SR307)	1	29344923	<MPP>
PACKING	A803	INS MANUAL	U2ItDe (HT-S5205)	1	29344978	
PACKING	A804	INS MANUAL	U2NISv (TX-SR307)	1	29344924	<MPP>
PACKING	A805	INS MANUAL	Ct (TX-SR307)	1	29344925	<MMO><MMQ>
PACKING	A805	INS MANUAL	Ct (TX-SR307)	1	29344925	<MDF>
PACKING	A806	INS MANUAL	Cs (TX-SR307)	1	29344926	<MMR>
PACKING	A807	INS MANUAL	Ar (TX-SR307)	1	29344927	<MMO>
PACKING	A809	INS MANUAL	(QC ImportantSheet)	1	29344267A	<MMO>
PACKING	A816	INS MANUAL	En(QSS) (TX-SR307)	1	29344928	
PACKING	A816	INS MANUAL	En(QSS) (HT-S5205)	1	29344976	
PACKING	A817	INS MANUAL	Cs(QSS) (TX-SR307)	1	29344929	<MMR>
PACKING	A820	INST SHEET	WEEE	1	29355537A	<MPP>
PACKING	A825	INST SHEET	Ct(CHUISI_MDF)	1	29355749	<MDF>
PACKING	A860	LABEL	(SPCABLE)2009	1	29390881	
PACKING	A888	LABEL	(APV)	1	29390190	<MMR>
PACKING	A856	MIC	MIC-7000	1	245044	
PACKING	A672	POLY BAG	w250xd350	1	29100250A	NSP <MMO><MMQ><MPP>
PACKING	A673	POLY BAG	.	1	29100225A	NSP <MMO><MPP>
PACKING	A674	POLY BAG	D250xd300xW300(t0.04)	1	29100256A	NSP
PACKING	A855	REMO CON	RC-735M	1	24140735	
PACKING	A676	TAPE	(SEROHAN)NITTO NO.29	1	29110149	NSP
PACKING	A883	WRNTY CARD	(ONKYO-CH)	1	29365098B	<MMR>
PACKING	A884	WRNTY CARD	MGQ	1	29365099A	<MMQ>
PACKING	A885	WRNTY CARD	(ONKYO)	1	29365135	<MDC><MDD>
PACKING						

TX-SR307

<Note>

Parts marked by "NSP" are generally unavailable because they are not in our Master Spare Parts List.

**NOTE : THE COMPONENTS IDENTIFIED BY THE MARK
! ARE CRITICAL FOR RISK OF FIRE AND
ELECTRIC SHOCK. REPLACE ONLY WITH PART
NUMBER SPECIFIED.**

<Notes>

(B) : Black model <MDD> : USA model
(S) : Silver model <MDC> : Canadian model
(G) : Golden model <MDF> : Taiwan model
 <MMQ> : Hong kong model
 <MMO> : Saudi Arabia model
 <MPP> : European model
 <MMR> : China model

EXPLODED VIEW PARTS LIST

	REF. NO.	PART NAME	DESCRIPTION	Q'TY	PART NO. (SN)	REMARKS
EXPLODED		[PC BOARD AS TUNER UNIT]				
EXPLODED	U001	AF-AS AMPLIFIER PC BOARD AS	BAAF-0002-1A *	1	1B232502-1A	<MDC><MDD><MDF>
EXPLODED	U001	AF-AS AMPLIFIER PC BOARD AS	BAAF-0002-1B *	1	1B232502-1B	<MPP>
EXPLODED	U001	AF-AS AMPLIFIER PC BOARD AS	BAAF-0002-1C *	1	1B232502-1C	<MMO><MMQ><MMR>
EXPLODED	U0011	TRANS.SEL.TERMINAL PC BOARD 1	BAPS-0003-1A included in "AF-AS"	{ 1}	1B232503-1A	NSP <MDD><MDD><MDF>
EXPLODED	U0011	TRANS.SEL.TERMINAL PC BOARD 1	BAPS-0003-1B included in "AF-AS"	{ 1}	1B232503-1B	NSP <MPP>
EXPLODED	U0011	TRANS.SEL.TERMINAL PC BOARD 1	BAPS-0003-1C included in "AF-AS"	{ 1}	1B232503-1C	NSP <MMO><MMQ><MMR>
EXPLODED	U0012	TRANS.SEL.TERMINAL PC BOARD 2	BAPS-0004-1A included in "AF-AS"	{ 1}	1B232504-1A	NSP <MDD><MDD><MDF>

EXPLODED	U0012	TRANS.SEL.TERMINAL PC BOARD 2	BAPS-0004-1B included in "AF-AS"	{ 1 }	1B232504-1B	NSP	<MPP>
EXPLODED	U0012	TRANS.SEL.TERMINAL PC BOARD 2	BAPS-0004-1C included in "AF-AS"	{ 1 }	1B232504-1C	NSP	<MMO><MMQ><MMR>
EXPLODED	U0013	ETC SUB PC BOARD	included in "AF-AS"	{ 1 }		NSP	
EXPLODED	U002	DG-AS MICROPROCESSOR/CODEC PC BOARD AS	BADG-0022-1A	1	1B232522-1A		<MDC><MDD> Order please do at 2 units
EXPLODED	U002	DG-AS MICROPROCESSOR/CODEC PC BOARD	BADG-0022-1B	1	1B232522-1B		MPP Order please do at 2 units
EXPLODED	U002	DG-AS MICROPROCESSOR/CODEC PC BOARD	BADG-0022-1C	1	1B232522-1C		<MMO><MMQ><MMR><MDF> Order please do at 2 units
EXPLODED	U003	DIS-AS DIS-ASPLAY PC BOARD AS	BADIS-0036-1A	1	1B232536-1A		<MDC><MDD><MDF>
EXPLODED	U003	DIS-AS DIS-ASPLAY PC BOARD AS	BADIS-0036-1B	1	1B232536-1B		<MPP>
EXPLODED	U003	DIS-AS DIS-ASPLAY PC BOARD AS	BADIS-0036-1C	1	1B232536-1C		<MMO><MMQ><MMR>
EXPLODED	U0031	DISPLAY PC BOARD-1	BADIS-0037-1A included in "DIS-AS"	{ 1 }	1B232537-1A	NSP	<MDC><MDD><MDF>
EXPLODED	U0031	DISPLAY PC BOARD-1	BADIS-0037-1B included in "DIS-AS"	{ 1 }	1B232537-1B	NSP	<MPP>
EXPLODED	U0031	DISPLAY PC BOARD-1	BADIS-0037-1C included in "DIS-AS"	{ 1 }	1B232537-1C	NSP	<MMO><MMQ><MMR>
EXPLODED	U0032	VIDEO PC BOARD	BAVD-0038-1A included in "DIS-AS"	{ 1 }	1B232538-1A	NSP	<MDC><MDD><MDF>
EXPLODED	U0032	VIDEO PC BOARD	BAVD-0038-1B included in "DIS-AS"	{ 1 }	1B232538-1B	NSP	<MPP>
EXPLODED	U0032	VIDEO SUB PC BOARD	BAVD-0038-1C included in "DIS-AS"	{ 1 }	1B232538-1C	NSP	<MMO><MMQ><MMR>
EXPLODED	U0033	POWER SUPPLY PC BOARD	BAPS-0039-1A included in "DIS-AS"	{ 1 }	1B232539-1A	NSP	<MDC><MDD><MDF>
EXPLODED	U0033	POWER SUPPLY PC BOARD	BAPS-0039-1B included in "DIS-AS"	{ 1 }	1B232539-1B	NSP	<MPP>
EXPLODED	U0033	POWER SUPPLY PC BOARD	BAPS-0039-1C included in "DIS-AS"	{ 1 }	1B232539-1C	NSP	<MMO><MMQ><MMR>
EXPLODED	U0034	HP JACK PC BOARD	BAETC-0040-1A included in "DIS-AS"	{ 1 }	1B232540-1A	NSP	<MDC><MDD><MDF>
EXPLODED	U0034	HP JACK PC BOARD	BAETC-0040-1B included in "DIS-AS"	{ 1 }	1B232540-1B	NSP	<MPP>

EXPLODED	U0034	HP JACK PC BOARD	BAETC-0040-1C included in "DIS-AS"	{ 1 }	1B232540-1C	NSP <MMO><MMQ><MMR>
EXPLODED	U004	HDM-AS HDMI PC BOARD AS	BAHDM-0058-1A	1	1B232558-1A	Order please do at 4 units
EXPLODED	U010	TUNER UNIT	FAEH06-E01EX	1	240165	<MMO><MMQ><MMR><MPP>
EXPLODED	U010	TUNER UNIT	FAEH06-A01US	1	240166	<MDC><MDD>
EXPLODED						
EXPLODED		[TRANS COIL]				
EXPLODED	T901	P TRANS	NPT-1514D	1	2301793	<MDC><MDD>
EXPLODED	T901	P TRANS	NPT-1514P	1	2301794	<MPP>
EXPLODED	T901	P TRANS	NPT-1516DQ	1	2301801	<MMO><MMQ><MMR>
EXPLODED						
EXPLODED		[SW TRM]				
EXPLODED	F6901	FUSE	8A-T/UL-ST2	1	252261GR	<MDC><MDD><MPP><MDF>
EXPLODED	F6901	FUSE	10A-UL/T-233	1	252330GR	<MMO><MMQ><MMR>
EXPLODED	F6901 or	FUSE	10A-T/UL-ST2	(1)	252333GR	<MMO><MMQ><MMR>
EXPLODED	F6901C	FUSE LABEL	10A/125V	1	29362241	NSP <MMO><MMQ><MMR>
EXPLODED	F6902	FUSE	8A-T/UL-ST2	1	252261GR	<MDC><MDD><MPP><MDF>
EXPLODED	F6902	FUSE	10A-UL/T-233	1	252330GR	<MMO><MMQ><MMR>
EXPLODED	F6902 or	FUSE	10A-T/UL-ST2	(1)	252333GR	<MMO><MMQ><MMR>
EXPLODED	F901	FUSE	4A-SE-EAK FUSE	1	252077GR	<MMO><MMQ><MPP><MMR>
EXPLODED	F901	FUSE	8A-UL/T-233	1	252329GR	<MDC><MDD><MDF>
EXPLODED	F901 or	FUSE	8A-T/UL-ST2	(1)	252261GR	<MDC><MDD><MDF>
EXPLODED	F901 or	FUSE	4A-SE-TL250V	(1)	252277GR	<MMO><MMQ><MPP><MMR>
EXPLODED	P101	FFC	NCFC7-111512	1	2047111512	
EXPLODED	P6601A	P RIVET	JB-407A-C	4	880052	<MMO><MMQ><MPP><MMR>
EXPLODED	P701	FFC	NCFC7-332012	1	2047332012	
EXPLODED	P901	AC CORD	AS-BS	1	253198LTK	<MMQ>
EXPLODED	P901	AC CORD	AS-CEE-2	1	253306VOL	<MMO><MPP>
EXPLODED	P901	AC CORD	AS-CCC	1	253355VOL	<MMR>
EXPLODED	P901	AC CORD	AS-UC-2	1	253368AYUN	<MDC><MDD>
EXPLODED	P901	AC CORD	AS-CNS	1	253429VOL	<MDF>
EXPLODED	P901 or	AC CORD	AS-UC-2	(1)	253368BLTK	<MDC><MDD>

EXPLODED	P901 or	AC CORD	AS-CEE-2	(1)	253374YUN	<MMO><MPP><MPP>
EXPLODED	P901 or	AC CORD	AS-CCC	(1)	253377LTK	<MMR>
EXPLODED						
EXPLODED		[CHASSIS SCREW]				
EXPLODED	A003	BOTTOM LEG	.	4	27175432C	
EXPLODED	A056	BUSHING	S-RELIEF #2271	1	27300750	
EXPLODED	A001	CHASSIS	TX-SR307	1	27100532B	NSP
EXPLODED	A041	CLIP	CS-1U	1	27255004	NSP
EXPLODED	A005	CUSHION	.	4	28141664	NSP
EXPLODED	A102	CUSHION	.	2	28141799	NSP
EXPLODED	A030	HEAT SINK	307P-1	1	27160631A	NSP
EXPLODED	A009	HOLDER	KGLS-8RT	3	27190503A	
EXPLODED	A010	HOLDER	KGPS-8RF	1	27191044	
EXPLODED	A011	HOLDER	KGLS-10RT	1	27190428A	
EXPLODED	A013	HOLDER	KGPS-14RF	2	27190802	
EXPLODED	A015	HOLDER	KGPS-14RF	1	27190802	
EXPLODED	A019	HOLDER	KGPS-16RF	1	27190991	
EXPLODED	A021	HOLDER	KGLS-22S	2	27190369	
EXPLODED	A044	HOLDER	KGLS-8RT	1	27190503A	
EXPLODED	A070	LABEL	(SP)307	1	29390688A	
EXPLODED	A101	REAR PANEL	307DD	1	27123969B	<MDC><MDD><MDF>
EXPLODED	A101	REAR PANEL	307PP	1	27123970B	<MPP>
EXPLODED	A101	REAR PANEL	307MO	1	27123971B	<MMO><MMQ><MMR>
EXPLODED	A032	RETAINER	(HL)	1	27142159	NSP
EXPLODED	A034	RETAINER	(HR)	1	27142139A	NSP
EXPLODED	A007	SCREW	3TTB+8B(3CM)SR	4	801637	NSP
EXPLODED	A025	SCREW	4TTC+8C(3BC)	4	830440089GR	NSP
EXPLODED	A036	SCREW	3TTB+8B(3CM)SR	5	801637	NSP
EXPLODED	A038	SCREW	3TTB+8B(3CM)SR	2	801637	NSP
EXPLODED	A040	SCREW	3TTB+8B(3CM)SR	4	801637	NSP
EXPLODED	A042	SCREW	3TTB+8B(3CM)SR	2	801637	NSP
EXPLODED	A050	SCREW	3SMS8WSW+18B3CM	4	801636	NSP
EXPLODED	A069	SCREW	3TTB+8B(3BC)	1	838430088GR	NSP

EXPLODED	A103	SCREW	3P+6FN(3BC)	4	82143006GR	NSP
EXPLODED	A105	SCREW	3TTB+8B(3BC)	25	838430088GR	NSP
EXPLODED	A060	WIRE TIE	BINDER(CLAMPER)UL	3	260258	NSP
EXPLODED	A062	WIRE TIE	BSK-1	3	260208	NSP
EXPLODED						
EXPLODED	[CABINET]					
EXPLODED	A250	B PLATE	(B)	1	28133425	
EXPLODED	A250	B PLATE	(S)(G)	1	28133426	
EXPLODED	A207	BADGE	BADGE (B)	1	28135244	
EXPLODED	A207	BADGE	(S)	1	28135298	
EXPLODED	A207	BADGE	BADGE (G)	1	28135245	
EXPLODED	A202	CLEAR PLT	(AS)307P	1	28192259	<MPP>
EXPLODED	A202	CLEAR PLT	(AS)307D	1	28192260	<MDC><MDD><MMO><MMQ><MDF><MMR>
EXPLODED	A202A	CLEAR PLT	(L)	{ 1}	28192225B	NSP <MDC><MDD><MMO><MMQ><MDF><MMR>
EXPLODED	A202A	CLEAR PLT	(L)	{ 1}	28192226B	NSP <MPP>
EXPLODED	A202B	CLEAR PLT	(R)	{ 1}	28192224	NSP
EXPLODED	A340	COVER	(B)	1	28210031	Bending processing being completed
EXPLODED	A340	COVER	(S)	1	28210032	Bending processing being completed
EXPLODED	A340	COVER	(G)	1	28210033	Bending processing being completed
EXPLODED	A340	COVER	(B)	1	28210031Z	Flat board
EXPLODED	A340	COVER	(S)	1	28210032Z	Flat board
EXPLODED	A340	COVER	(G)	1	28210033Z	Flat board
EXPLODED	A264	CUSHION	.	3	28141681	NSP
EXPLODED	A252	DF TAPE	W3	1	29110029	
EXPLODED	A201	F PANEL	307(S)DD	1	27213198A	<MDD><MMO>
EXPLODED	A201	F PANEL	307(B)DC	1	27213199A	<MDC><MDD><MMO><MMQ>
EXPLODED	A201	F PANEL	307(B)PP	1	27213200A	<MPP>
EXPLODED	A201	F PANEL	307(S)PP	1	27213201A	<MPP>
EXPLODED	A201	F PANEL	307(G)MR	1	27213202B	<MDF><MMR>
EXPLODED	A354	HOLDER	HOLDER(PLATE) (S)	8	27191333A	<MMO><MMQ><MMR>
EXPLODED	A354	HOLDER	HOLDER(PLATE) (B)	8	27191337	<MMO><MMQ><MMR>

EXPLODED	A221	IB CUSHION	W15*3t TAPE	1	28141585	
EXPLODED	A213	KNOB	(INP) (B)	1	28326666	
EXPLODED	A213	KNOB	(INP) (S)	1	28326667	
EXPLODED	A213	KNOB	(INP) (G)	1	28326668	
EXPLODED	A215	KNOB	(SEL)	1	28326665	
EXPLODED	A217	KNOB	(STNBY)	1	28326663	
EXPLODED	A219	KNOB	(CUR)	1	28326664A	
EXPLODED	A330	KNOB	(VOL) (B)	1	28326514	
EXPLODED	A330	KNOB	(VOL) (S)	1	28326669	
EXPLODED	A330	KNOB	(VOL) (G)	1	28326624	
EXPLODED	A360	LABEL	(COVER)	1	29390767	
EXPLODED	A362	LABEL	HOOKUP-ONKYO	1	29363194	<MDC><MDD>
EXPLODED	A350	PLATE	PLATE(COVER) (B)	1	27262834A	<MMO><MMQ><MMR>
EXPLODED	A350	PLATE	PLATE(COVER) (S)	1	27262835A	<MMO><MMQ><MMR>
EXPLODED	A230	RETAINER	(U)	1	27142135A	
EXPLODED	A234	RETAINER	(L)	1	27142133A	
EXPLODED	A236	RETAINER	(R)	1	27142134A	NSP
EXPLODED	A225	SCREW	2.6TTB+8B(3BC)	27	838426088GR	NSP
EXPLODED	A232	SCREW	2.6TTB+8B(3BC)	5	838426088GR	NSP
EXPLODED	A238	SCREW	2.6TTB+8B(3BC)	4	838426088GR	NSP
EXPLODED	A256	SCREW	3TTB+8B(3CM)SR	1	801637	NSP
EXPLODED	A258	SCREW	3TTB+8B(3CM)SR	4	801637	NSP
EXPLODED	A260	SCREW	3TTB+8B(3BC)	3	838430088GR	NSP
EXPLODED	A342	SCREW	3TTB+8B(3BC)	7	838430088GR	NSP
EXPLODED	A344	SCREW	3TTB+8B(3CM)SR (S)	7	801637	NSP
EXPLODED	A332A	SPRING	.	{ 1 }	27180575	NSP
EXPLODED	A242	TAPE	TAPE(CLOTH-8U)	0	29110082	NSP
EXPLODED	A262	TAPE	TAPE(CLOTH-16U)	1	29110083	NSP
EXPLODED	A254	WIRE TIE	BSK-1	8	260208	NSP

TX-SR307

PC BOARD PARTS LIST

PCB1 **U001** AMPLIFIER PC BOARD AS
 PCB1 **U0011** POWER SUPPLY SUB PC BOARD
 PCB1 **U0012** POWER SUPPLY SUB PC BOARD

PCB1

CIRCUIT NO.	PART NAME	DESCRIPTION	Q'TY	PART NO. (SN)	REMARKS
	[PWB] PRINT WIRING BOARD				
P001	PWB	BCAF-0002	1	25140002A	
	[SEMI CONDUCTOR]				
Q5501	IC	R2A15218FP	1	22242605R3	
Q5503	IC	NJM4580M-D	1	22241448R2	
Q5630	IC	NJM4580M-D	1	22241448R2	
Q5670	IC	78M15HF(NJM78M15FA)	1	222780155JRC	
Q5670 or	IC	UPC78M15AHF-AZ	(1)	222780155NEC	
Q5671	IC	79M15HF(NJM79M15FA)	1	222790155JRC	
Q5671 or	IC	UPC79M15HF-AZ	(1)	222790155NEC	
Q6001	IC	STK-443-530-E	1	222148	
Q6002	IC	STK-442-530-E	1	222149	
Q6380	IC	LM61CIZ	1	22242212	
Q5600	TR	RN1441	1	2215410R2	
Q5601	TR	RN1441	1	2215410R2	
Q5602	TR	RN1441	1	2215410R2	
Q5603	TR	RN1441	1	2215410R2	
Q5604	TR	RN1441	1	2215410R2	
Q5607	TR	RN1441	1	2215410R2	
Q5617	TR	RN1441	1	2215410R2	
Q6010	TR	2SC2240-BL(TPE2_F)	1	2211406T	
Q6011	TR	2SC2240-BL(TPE2_F)	1	2211406T	
Q6012	TR	2SC2240-BL(TPE2_F)	1	2211406T	
Q6013	TR	2SC2240-BL(TPE2_F)	1	2211406T	
Q6014	TR	2SC2240-BL(TPE2_F)	1	2211406T	
Q6021	TR	2SA1163-BL(TE85L_F)	1	2216756R2	
Q6022	TR	2SC2240-BL(TPE2_F)	1	2211406T	

PCB1	Q6023	TR	2SC2240-BL(TPE2_F)	1	2211406T	
PCB1	Q6024	TR	2SA1163-BL(TE85L_F)	1	2216756R2	
PCB1	Q6051	TR	KRC105S	1	2217290R2	
PCB1	Q6051 or	TR	DTC123JKA	(1)	2216690R2	
PCB1	Q6051 or	TR	RN1405	(1)	2214500R2	
PCB1	Q6052	TR	KRC105S	1	2217290R2	
PCB1	Q6052 or	TR	DTC123JKA	(1)	2216690R2	
PCB1	Q6052 or	TR	RN1405	(1)	2214500R2	
PCB1	Q6053	TR	KRC105S	1	2217290R2	
PCB1	Q6053 or	TR	DTC123JKA	(1)	2216690R2	
PCB1	Q6053 or	TR	RN1405	(1)	2214500R2	
PCB1	Q6054	TR	KRC105S	1	2217290R2	
PCB1	Q6054 or	TR	DTC123JKA	(1)	2216690R2	
PCB1	Q6054 or	TR	RN1405	(1)	2214500R2	
PCB1	Q6055	TR	KRC105S	1	2217290R2	<MDD><MDC><MDF><MPP>
PCB1	Q6055 or	TR	DTC123JKA	(1)	2216690R2	<MDD><MDC><MDF><MPP>
PCB1	Q6055 or	TR	RN1405	(1)	2214500R2	<MDD><MDC><MDF><MPP>
PCB1	Q6707	TR	2SC2712-GR	1	2213145R2	
PCB1	Q6707 or	TR	KTC3875-GR	(1)	2216175R2	
PCB1	D5671	ZENER D	MTZJ6.2B	1	224470622T	
PCB1	D5672	ZENER D	MTZJ6.2B	1	224470622T	
PCB1	D6033	ZENER D	UDZS3.3B	1	224550330R2	
PCB1	D6034	ZENER D	UDZS3.3B	1	224550330R2	
PCB1	D6704	ZENER D	UDZS3.3B	1	224550330R2	
PCB1	D5673	DIODE	1SS133	1	223163T	
PCB1	D5674	DIODE	1SS133	1	223163T	
PCB1	D5800	DIODE	RL1N4003	1	22380260T	
PCB1	D5800 or	DIODE	GP104003E	(1)	22380035T	
PCB1	D5801	DIODE	RL1N4003	1	22380260T	
PCB1	D5801 or	DIODE	GP104003E	(1)	22380035T	
PCB1	D5802	DIODE	RL1N4003	1	22380260T	
PCB1	D5802 or	DIODE	GP104003E	(1)	22380035T	
PCB1	D5803	DIODE	RL1N4003	1	22380260T	

PCB1	D5803 or	DIODE	GP104003E	(1)	22380035T	
PCB1	D5804	DIODE	RL1N4003	1	22380260T	
PCB1	D5804 or	DIODE	GP104003E	(1)	22380035T	
PCB1	D5805	DIODE	RL1N4003	1	22380260T	
PCB1	D5805 or	DIODE	GP104003E	(1)	22380035T	
PCB1	D6007	DIODE	1SS133	0	223163T	
PCB1	D6008	DIODE	1SS133	0	223163T	
PCB1	D6010	DIODE	1SS133	0	223163T	
PCB1	D6011	DIODE	1SS133	0	223163T	
PCB1	D6012	DIODE	1SS133	0	223163T	
PCB1	D6031	DIODE	1SS133	1	223163T	
PCB1	D6032	DIODE	1SS133	1	223163T	
PCB1	D6901	DIODE	D5SBA20	1	22380130	
PCB1	D6903	DIODE	D5SBA20	1	22380130	
PCB1	D6020	C-DIODE	KDS4148U	1	223283R2	
PCB1	D6021	C-DIODE	KDS4148U	1	223283R2	
PCB1	D6022	C-DIODE	KDS4148U	1	223283R2	
PCB1	D6023	C-DIODE	KDS4148U	1	223283R2	
PCB1	D6024	C-DIODE	KDS4148U	1	223283R2	
PCB1	D6051	C-DIODE	KDS4148U	1	223283R2	
PCB1	D6051 or	C-DIODE	1SS352	(1)	223234R2	
PCB1	D6051 or	C-DIODE	MA2J111	(1)	223279R2	
PCB1	D6052	C-DIODE	KDS4148U	1	223283R2	
PCB1	D6052 or	C-DIODE	1SS352	(1)	223234R2	
PCB1	D6052 or	C-DIODE	MA2J111	(1)	223279R2	
PCB1	D6053	C-DIODE	KDS4148U	1	223283R2	<MDD><MDC><MDF><MPP>
PCB1	D6053 or	C-DIODE	1SS352	(1)	223234R2	<MDD><MDC><MDF><MPP>
PCB1	D6053 or	C-DIODE	MA2J111	(1)	223279R2	<MDD><MDC><MDF><MPP>
PCB1	D6055	C-DIODE	KDS4148U	1	223283R2	
PCB1	D6055 or	C-DIODE	1SS352	(1)	223234R2	
PCB1	D6055 or	C-DIODE	MA2J111	(1)	223279R2	
PCB1	D6056	C-DIODE	KDS4148U	1	223283R2	
PCB1	D6056 or	C-DIODE	1SS352	(1)	223234R2	

PCB1	D6056 or	C-DIODE	MA2J111	(1)	223279R2	
PCB1	D6902	C-DIODE	1SS352	1	223234R2	
PCB1	D6902 or	C-DIODE	KDS4148U	(1)	223283R2	
PCB1	D6902 or	C-DIODE	MA2J111	(1)	223279R2	
PCB1	D6903C	SCREW	3P+10FN(3BC)	1	82143010GR	NSP
PCB1	D6901C	SCREW	3P+10FN(3BC)	1	82143010GR	NSP
PCB1	D6901A	HEAT SINK	RAD-196	1	27160545	NSP
PCB1						
PCB1	[TRANS COIL]					
PCB1	L5501	CHOKO COIL	LBC2518T2R2M	1	231364M022R2	
PCB1	L6000	S COIL	PB9510	1	231361	
PCB1	L6000 or	S COIL	SC-0.8X6.0X29.5T-4RV-C	(1)	231394S	
PCB1	L6001	S COIL	PB9510	1	231361	
PCB1	L6001 or	S COIL	SC-0.8X6.0X29.5T-4RV-C	(1)	231394S	
PCB1	L6002	S COIL	PB9510	1	231361	
PCB1	L6002 or	S COIL	SC-0.8X6.0X29.5T-4RV-C	(1)	231394S	
PCB1	L6003	S COIL	PB9510	1	231361	
PCB1	L6003 or	S COIL	SC-0.8X6.0X29.5T-4RV-C	(1)	231394S	
PCB1	L6004	S COIL	PB9510	1	231361	
PCB1	L6004 or	S COIL	SC-0.8X6.0X29.5T-4RV-C	(1)	231394S	
PCB1						
PCB1	[CAPACITOR]					
PCB1	C5801	VR C	CE04W35V-1000M(VR)	1	394661027S	
PCB1	C5802	VR C	CE04W35V-470M(VR)	1	394664717T	
PCB1	C5550	UTSP C	CE04W25V-47M(UTSP)	1	397554707T	
PCB1	C5551	UTSP C	CE04W25V-47M(UTSP)	1	397554707T	
PCB1	C5552	UTSP C	CE04W25V-47M(UTSP)	1	397554707T	
PCB1	C5553	UTSP C	CE04W25V-47M(UTSP)	1	397554707T	
PCB1	C5554	UTSP C	CE04W25V-47M(UTSP)	1	397554707T	
PCB1	C5557	UTSP C	CE04W25V-47M(UTSP)	1	397554707T	
PCB1	C5560	UTSP C	CE04W50V 47M(UTSP)	1	397584707T	
PCB1	C5561	UTSP C	CE04W50V 47M(UTSP)	1	397584707T	
PCB1	C5570	UTSP C	CE04W50V 47M(UTSP)	1	397584707T	

PCB1	C5571	UTSP C	CE04W50V 47M(UTSP)	1	397584707T	
PCB1	C5572	UTSP C	CE04W50V 47M(UTSP)	1	397584707T	
PCB1	C5573	UTSP C	CE04W50V 47M(UTSP)	1	397584707T	
PCB1	C5574	UTSP C	CE04W50V 47M(UTSP)	1	397584707T	
PCB1	C5577	UTSP C	CE04W50V 47M(UTSP)	1	397584707T	
PCB1	C5585	UTSP C	CE04W25V-47M(UTSP)	1	397554707T	
PCB1	C5586	UTSP C	CE04W25V-47M(UTSP)	1	397554707T	
PCB1	C5600	UTSP C	CE04W50V 47M(UTSP)	1	397584707T	
PCB1	C5601	UTSP C	CE04W50V 47M(UTSP)	1	397584707T	
PCB1	C5602	UTSP C	CE04W50V 47M(UTSP)	1	397584707T	
PCB1	C5603	UTSP C	CE04W50V 47M(UTSP)	1	397584707T	
PCB1	C5604	UTSP C	CE04W50V 47M(UTSP)	1	397584707T	
PCB1	C5607	UTSP C	CE04W50V 47M(UTSP)	1	397584707T	
PCB1	C5630	UTSP C	CE04W50V 47M(UTSP)	1	397584707T	
PCB1	C5666	UTSP C	CE04W25V-220M(UTSP)	1	397552217T	
PCB1	C5667	UTSP C	CE04W25V-220M(UTSP)	1	397552217T	
PCB1	C5670	UTSP C	CE04W50V-1M(UTSP)	1	397580107T	
PCB1	C5671	UTSP C	CE04W50V-1M(UTSP)	1	397580107T	
PCB1	C5672	UTSP C	CE04W25V-220M(UTSP)	1	397552217T	
PCB1	C5673	UTSP C	CE04W25V-220M(UTSP)	1	397552217T	
PCB1	C5686	UTSP C	CE04W16V-470M(UTSP)	1	397544717T	
PCB1	C5687	UTSP C	CE04W16V-470M(UTSP)	1	397544717T	
PCB1	C5709	UTSP C	CE04W25V-47M(UTSP)	1	397554707T	
PCB1	C5710	UTSP C	CE04W25V-47M(UTSP)	1	397554707T	
PCB1	C6010	UTSP C	CE04W50V 47M(UTSP)	1	397584707T	
PCB1	C6011	UTSP C	CE04W50V 47M(UTSP)	1	397584707T	
PCB1	C6012	UTSP C	CE04W50V 47M(UTSP)	1	397584707T	
PCB1	C6013	UTSP C	CE04W50V 47M(UTSP)	1	397584707T	
PCB1	C6014	UTSP C	CE04W50V 47M(UTSP)	1	397584707T	
PCB1	C6030	UTSP C	CE04W25V-220M(UTSP)	1	397552217T	
PCB1	C6031	UTSP C	CE04W25V-220M(UTSP)	1	397552217T	
PCB1	C6032	UTSP C	CE04W25V-220M(UTSP)	1	397552217T	
PCB1	C6033	UTSP C	CE04W25V-220M(UTSP)	1	397552217T	

PCB1	C6034	UTSP C	CE04W25V-220M(UTSP)	1	397552217T	
PCB1	C6090	UTSP C	CE04W25V-100M(UTSP)	1	397551017T	
PCB1	C6091	UTSP C	CE04W50V-1M(UTSP)	1	397580107T	
PCB1	C6092	UTSP C	CE04W50V-1M(UTSP)	1	397580107T	
PCB1	C6101	UTSP C	CE04W63V-100M(UTSP)	1	397571017T	
PCB1	C6102	UTSP C	CE04W63V-100M(UTSP)	1	397571017T	
PCB1	C6103	UTSP C	CE04W50V 47M(UTSP)	1	397584707T	
PCB1	C6104	UTSP C	CE04W63V-100M(UTSP)	1	397571017T	
PCB1	C6105	UTSP C	CE04W63V-100M(UTSP)	1	397571017T	
PCB1	C6106	UTSP C	CE04W50V 47M(UTSP)	1	397584707T	
PCB1	C6107	UTSP C	CE04W63V-100M(UTSP)	1	397571017T	
PCB1	C6108	UTSP C	CE04W63V-100M(UTSP)	1	397571017T	
PCB1	C6706	UTSP C	CE04W50V-10M(UTSP)	1	397581007T	
PCB1	C5503	UPZ C	2AUPZTF221JE	1	376332214T	
PCB1	C5504	UPZ C	2AUPZTF221JE	1	376332214T	
PCB1	C5519	UPZ C	2AUPZTF221JE	1	376332214T	
PCB1	C5520	UPZ C	2AUPZTF221JE	1	376332214T	
PCB1	C6020	UPZ C	2AUPZTF471JE	1	376334714T	
PCB1	C6021	UPZ C	2AUPZTF471JE	1	376334714T	
PCB1	C6022	UPZ C	2AUPZTF471JE	1	376334714T	
PCB1	C6023	UPZ C	2AUPZTF471JE	1	376334714T	
PCB1	C6024	UPZ C	2AUPZTF471JE	1	376334714T	
PCB1	C5562	TF C	ECQ-V50V-474J	1	374724744T	
PCB1	C5563	TF C	ECQ-V50V-823J	1	374728234T	
PCB1	C5564	TF C	ECQ-V50V-223J	1	374722234T	
PCB1	C5565	TF C	ECQ-V50V-474J	1	374724744T	
PCB1	C5566	TF C	ECQ-V50V-823J	1	374728234T	
PCB1	C5567	TF C	ECQ-V50V-223J	1	374722234T	
PCB1	C5632	TF C	ECQ-V50V-103J	1	374721034T	
PCB1	C5800	TF C	ECQ-V50V-334J	1	374723344T	
PCB1	C6009	TF C	ECQ-V50V-333J	1	374723334T	
PCB1	C6060	TF C	ECQ-V50V-473J	1	374724734T	
PCB1	C6061	TF C	ECQ-V50V-473J	1	374724734T	

PCB1	C6062	TF C	ECQ-V50V-473J	1	374724734T	
PCB1	C6063	TF C	ECQ-V50V-473J	1	374724734T	
PCB1	C6064	TF C	ECQ-V50V-473J	1	374724734T	
PCB1	C6070	TF C	ECQ-V50V-103J	1	374721034T	
PCB1	C6071	TF C	ECQ-V50V-103J	1	374721034T	
PCB1	C6072	TF C	ECQ-V50V-103J	1	374721034T	
PCB1	C6073	TF C	ECQ-V50V-103J	1	374721034T	
PCB1	C6074	TF C	ECQ-V50V-103J	1	374721034T	
PCB1	C6111	TF C	ECQ-V50V-103J	1	374721034T	
PCB1	C6112	TF C	ECQ-V50V-103J	1	374721034T	
PCB1	C6113	TF C	ECQ-V50V-103J	1	374721034T	<MDD><MDC><MDF><MPP>
PCB1	C6115	TF C	ECQ-V50V-103J	1	374721034T	
PCB1	C6116	TF C	ECQ-V50V-103J	1	374721034T	
PCB1	C6912	TF C	ECQ-V50V-334J	1	374723344T	
PCB1	C6913	TF C	ECQ-V50V-334J	1	374723344T	
PCB1	C6915	TF C	ECQ-V50V-104J	1	374721044T	
PCB1	C6916	TF C	ECQ-V50V-104J	1	374721044T	
PCB1	C950	TF C	ECQ-V50V-104J	1	374721044T	
PCB1	C6080	MKT C	B32529C0102J289	1	376491024T	<MDD><MDC><MDF>
PCB1	C6080	MKT C	B32529C0472J289	1	376494724T	<MMO><MMQ<MMR><MPP>
PCB1	C6081	MKT C	B32529C0102J289	1	376491024T	<MDD><MDC><MDF><MPP>
PCB1	C6081	MKT C	B32529C0472J289	1	376494724T	<MMO><MMQ<MMR>
PCB1	C6082	MKT C	B32529C0102J289	1	376491024T	
PCB1	C6083	MKT C	B32529C0102J289	1	376491024T	
PCB1	C6084	MKT C	B32529C0102J289	1	376491024T	
PCB1	C6088	MKT C	B32529C0102J289	1	376491024T	
PCB1	C6089	MKT C	B32529C0102J289	1	376491024T	
PCB1	C6901	ELECT C	CE69W56V-8200MB	1	3504416	
PCB1	C6902	ELECT C	CE69W56V-8200MB	1	3504416	
PCB1	C6040	CERA C	CC45CH50V-030D	1	345340302T	
PCB1	C6041	CERA C	CC45CH50V-030D	1	345340302T	
PCB1	C6042	CERA C	CC45CH50V-030D	1	345340302T	
PCB1	C6043	CERA C	CC45CH50V-030D	1	345340302T	

PCB1	C6044	CERA C	CC45CH50V-030D	1	345340302T	
PCB1	C5507	C-CERA C	CC725CH1H-221J1	1	342102214R1	
PCB1	C5508	C-CERA C	CC725CH1H-221J1	1	342102214R1	
PCB1	C5513	C-CERA C	CC725CH1H-221J1	1	342102214R1	
PCB1	C5514	C-CERA C	CC725CH1H-221J1	1	342102214R1	
PCB1	C5517	C-CERA C	CC725CH1H-221J1	1	342102214R1	
PCB1	C5518	C-CERA C	CC725CH1H-221J1	1	342102214R1	
PCB1	C5537	C-CERA C	CC725CH1H-221J1	1	342102214R1	
PCB1	C5590	C-CERA C	CC725CH1H-330J1	1	342103304R1	
PCB1	C5591	C-CERA C	CC725CH1H-330J1	1	342103304R1	
PCB1	C5631	C-CERA C	CC725CH1H-221J1	1	342102214R1	
PCB1	C5701	C-CERA C	CC725CH1H-102J1	1	342101024R1	
PCB1	C5704	C-CERA C	CC725CH1H-102J1	1	342101024R1	
PCB1	C5705	C-CERA C	CC725CH1H-102J1	1	342101024R1	
PCB1	C5708	C-CERA C	CC725CH1H-102J1	1	342101024R1	
PCB1	C5717	C-CERA C	CK725F1E-104Z1	1	332161040R1	
PCB1	C6050	C-CERA C	CK725B1H-472K1	1	332104725R1	
PCB1	C6051	C-CERA C	CK725B1H-472K1	1	332104725R1	
PCB1	C6052	C-CERA C	CK725B1H-472K1	1	332104725R1	
PCB1	C6053	C-CERA C	CK725B1H-472K1	1	332104725R1	
PCB1	C6054	C-CERA C	CK725B1H-472K1	1	332104725R1	
PCB1	C6093	C-CERA C	CK725F1E-104Z1	1	332161040R1	
PCB1	C6094	C-CERA C	CK725F1E-104Z1	1	332161040R1	
PCB1	C6911	C-CERA C	CC725CH1H-102J1	1	342101024R1	
PCB1	C6901A	IB CUSHION	W15*3t TAPE	1	28141585	NSP
PCB1	C6902A	TAPE	TAPE(CLOTH-16U)	1	29110083	NSP
PCB1						
PCB1	[RESISTOR]					
PCB1	R5660	METAL R	RNU1WCJ-0.22	1	453632294T	
PCB1	R5661	METAL R	RNU1WCJ-0.22	1	453632294T	
PCB1	R6140	METAL R	RNU1WCJ-8.2	1	453630824T	
PCB1	R6141	METAL R	RNU1WCJ-8.2	1	453630824T	
PCB1	R6142	METAL R	RNU1WCJ-8.2	1	453630824T	

PCB1	R6143	METAL R	RNU1WCJ-8.2	1	453630824T	
PCB1	R6144	METAL R	RNU1WCJ-8.2	1	453630824T	
PCB1	R6197	METAL R	RNU1WCJ-8.2	1	453630824T	<MMO><MMQ<MMR>
PCB1	R950	METAL R	RNU1/2WCJ-8.2	1	453530824T	
PCB1	R951	METAL R	RNU1/2WCJ-0.22	1	453532294T	
PCB1	R6060	METAL PR	MPR2W+2W 0R22	1	4000234	
PCB1	R6061	METAL PR	MPR2W+2W 0R22	1	4000234	
PCB1	R6062	METAL PR	MPR2W+2W 0R22	1	4000234	
PCB1	R6063	METAL PR	MPR2W+2W 0R22	1	4000234	
PCB1	R6064	METAL PR	MPR2W+2W 0R22	1	4000234	
PCB1	R5670	METAL O R	RS2WBJ-10	1	441721004F	<MMO><MMQ<MMR>
PCB1	R5671	METAL O R	RS2WBJ-27	1	441722704F	<MMO><MMQ<MMR>
PCB1	R5672	METAL O R	RS2WBJ-10	1	441721004F	<MMO><MMQ<MMR>
PCB1	R5673	METAL O R	RS2WBJ-27	1	441722704F	<MMO><MMQ<MMR>
PCB1	R5674	METAL O R	RS1WBJ-68	1	443626804T	
PCB1	R5675	METAL O R	RS1WBJ-68	1	443626804T	
PCB1	R5676	METAL O R	RS1WBJ-68	1	443626804T	
PCB1	R5677	METAL O R	RS1WBJ-68	1	443626804T	
PCB1	R6204	METAL O R	RS1WBJ-100	1	441621014F	
PCB1	R6205	METAL O R	RS1WBJ-100	1	441621014F	
PCB1	R6209	METAL O R	RS1WBJ-100	1	441621014F	
PCB1	R6210	METAL O R	RS1WBJ-100	1	441621014F	
PCB1	R6251	METAL O R	RS1/2WBJ-390	1	443523914T	
PCB1	R6252	METAL O R	RS1/2WBJ-390	1	443523914T	
PCB1	R6301	METAL O R	RS1WBJ-470	1	443624714T	<MDD><MDC><MDF><MPP>
PCB1	R6302	METAL O R	RS1WBJ-15	1	443621504T	<MDD><MDC><MDF><MPP>
PCB1	R6302	METAL O R	RS1/2WBJ-22	1	443522204T	<MMO><MMQ<MMR>
PCB1	R6303	METAL O R	RS1WBJ-470	1	443624714T	<MDD><MDC><MDF><MPP>
PCB1	R6304	METAL O R	RS1WBJ-470	1	443624714T	<MDD><MDC><MDF><MPP>
PCB1	R6305	METAL O R	RS1WBJ-470	1	443624714T	<MDD><MDC><MDF><MPP>
PCB1	R6306	METAL O R	RS1WBJ-470	1	443624714T	<MDD><MDC><MDF><MPP>
PCB1	R6307	METAL O R	RS1WBJ-470	1	443624714T	<MDD><MDC><MDF><MPP>
PCB1	R6308	METAL O R	RS1WBJ-470	1	443624714T	<MDD><MDC><MDF><MPP>

PCB1	R6309	METAL O R	RS1WBJ-470	1	443624714T	<MDD><MDC><MDF><MPP>
PCB1	R6310	METAL O R	RS1WBJ-470	1	443624714T	<MDD><MDC><MDF><MPP>
PCB1	R6311	METAL O R	RS1WBJ-470	1	443624714T	<MDD><MDC><MDF><MPP>
PCB1	R6312	METAL O R	RS1/2WBJ-82	1	443528204T	<MDD><MDC><MDF><MPP>
PCB1	R6312	METAL O R	RS1/2WBJ-47	1	443524704T	<MMO><MMQ><MMR>
PCB1	R5666	CARBON R	R16J-22	1	417342204T	
PCB1	R5667	CARBON R	R16J-22	1	417342204T	
PCB1	R6020	CARBON R	R16J-56K	1	417345634T	
PCB1	R6021	CARBON R	R16J-56K	1	417345634T	
PCB1	R6022	CARBON R	R16J-56K	1	417345634T	
PCB1	R6023	CARBON R	R16J-56K	1	417345634T	
PCB1	R6024	CARBON R	R16J-56K	1	417345634T	
PCB1	R6030	CARBON R	R16J-2.2K	1	417342224T	
PCB1	R6031	CARBON R	R16J-2.2K	1	417342224T	
PCB1	R6032	CARBON R	R16J-2.2K	1	417342224T	
PCB1	R6033	CARBON R	R16J-2.2K	1	417342224T	
PCB1	R6034	CARBON R	R16J-2.2K	1	417342224T	
PCB1	R6040	CARBON R	R16J-120K	1	417341244T	
PCB1	R6041	CARBON R	R16J-120K	1	417341244T	
PCB1	R6042	CARBON R	R16J-120K	1	417341244T	
PCB1	R6043	CARBON R	R16J-120K	1	417341244T	
PCB1	R6044	CARBON R	R16J-120K	1	417341244T	
PCB1	R6050	CARBON R	R16J-120K	1	417341244T	
PCB1	R6051	CARBON R	R16J-120K	1	417341244T	
PCB1	R6052	CARBON R	R16J-120K	1	417341244T	
PCB1	R6053	CARBON R	R16J-120K	1	417341244T	
PCB1	R6054	CARBON R	R16J-120K	1	417341244T	
PCB1	R6203	CARBON R	R16J-33K	1	417343334T	
PCB1	R6208	CARBON R	R16J-33K	1	417343334T	
PCB1	R5500	C-CARBON R	RN72K1J-331JE	1	435033314R1	
PCB1	R5503	C-CARBON R	RN72K1J-331JE	1	435033314R1	
PCB1	R5504	C-CARBON R	RN72K1J-331JE	1	435033314R1	
PCB1	R5505	C-CARBON R	RN72K1J-222JE	1	435032224R1	

PCB1	R5506	C-CARBON R	RN72K1J-222JE	1	435032224R1	
PCB1	R5507	C-CARBON R	RN72K1J-331JE	1	435033314R1	
PCB1	R5508	C-CARBON R	RN72K1J-331JE	1	435033314R1	
PCB1	R5513	C-CARBON R	RN72K1J-331JE	1	435033314R1	
PCB1	R5514	C-CARBON R	RN72K1J-331JE	1	435033314R1	
PCB1	R5515	C-CARBON R	RN72K1J-222JE	1	435032224R1	
PCB1	R5516	C-CARBON R	RN72K1J-222JE	1	435032224R1	
PCB1	R5517	C-CARBON R	RN72K1J-331JE	1	435033314R1	
PCB1	R5518	C-CARBON R	RN72K1J-331JE	1	435033314R1	
PCB1	R5519	C-CARBON R	RN72K1J-331JE	1	435033314R1	
PCB1	R5520	C-CARBON R	RN72K1J-331JE	1	435033314R1	
PCB1	R5527	C-CARBON R	RN72K1J-223JE	1	435032234R1	
PCB1	R5529	C-CARBON R	RN72K1J-101JE	1	435031014R1	
PCB1	R5543	C-CARBON R	RN72K1J-104JE	1	435031044R1	
PCB1	R5544	C-CARBON R	RN72K1J-104JE	1	435031044R1	
PCB1	R5545	C-CARBON R	RN72K1J-224JE	1	435032244R1	
PCB1	R5546	C-CARBON R	RN72K1J-224JE	1	435032244R1	
PCB1	R5547	C-CARBON R	RN72K1J-104JE	1	435031044R1	
PCB1	R5548	C-CARBON R	RN72K1J-104JE	1	435031044R1	
PCB1	R5553	C-CARBON R	RN72K1J-104JE	1	435031044R1	
PCB1	R5554	C-CARBON R	RN72K1J-104JE	1	435031044R1	
PCB1	R5555	C-CARBON R	RN72K1J-224JE	1	435032244R1	
PCB1	R5556	C-CARBON R	RN72K1J-224JE	1	435032244R1	
PCB1	R5557	C-CARBON R	RN72K1J-104JE	1	435031044R1	
PCB1	R5558	C-CARBON R	RN72K1J-104JE	1	435031044R1	
PCB1	R5559	C-CARBON R	RN72K1J-104JE	1	435031044R1	
PCB1	R5560	C-CARBON R	RN72K1J-104JE	1	435031044R1	
PCB1	R5567	C-CARBON R	RN72K1J-473JE	1	435034734R1	
PCB1	R5568	C-CARBON R	RN72K1J-473JE	1	435034734R1	
PCB1	R5569	C-CARBON R	RN72K1J-224JE	1	435032244R1	
PCB1	R5578	C-CARBON R	RN72K1J-473JE	1	435034734R1	
PCB1	R5579	C-CARBON R	RN72K1J-473JE	1	435034734R1	
PCB1	R5582	C-CARBON R	RN72K1J-104JE	1	435031044R1	

PCB1	R5585	C-CARBON R	RN72K1J-182JE	1	435031824R1	
PCB1	R5586	C-CARBON R	RN72K1J-182JE	1	435031824R1	
PCB1	R5587	C-CARBON R	RN72K1J-103JE	1	435031034R1	
PCB1	R5588	C-CARBON R	RN72K1J-103JE	1	435031034R1	
PCB1	R5589	C-CARBON R	RN72K1J-000JE	1	435030004R1	
PCB1	R5590	C-CARBON R	RN72K1J-103JE	1	435031034R1	
PCB1	R5591	C-CARBON R	RN72K1J-103JE	1	435031034R1	
PCB1	R5592	C-CARBON R	RN72K1J-271JE	1	435032714R1	
PCB1	R5593	C-CARBON R	RN72K1J-272JE	1	435032724R1	
PCB1	R5594	C-CARBON R	RN72K1J-103JE	1	435031034R1	
PCB1	R5595	C-CARBON R	RN72K1J-103JE	1	435031034R1	
PCB1	R5596	C-CARBON R	RN72K1J-271JE	1	435032714R1	
PCB1	R5597	C-CARBON R	RN72K1J-272JE	1	435032724R1	
PCB1	R5598	C-CARBON R	RN72K1J-103JE	1	435031034R1	
PCB1	R5599	C-CARBON R	RN72K1J-103JE	1	435031034R1	
PCB1	R5600	C-CARBON R	RN72K1J-224JE	1	435032244R1	
PCB1	R5601	C-CARBON R	RN72K1J-224JE	1	435032244R1	
PCB1	R5602	C-CARBON R	RN72K1J-224JE	1	435032244R1	
PCB1	R5603	C-CARBON R	RN72K1J-224JE	1	435032244R1	
PCB1	R5604	C-CARBON R	RN72K1J-224JE	1	435032244R1	
PCB1	R5607	C-CARBON R	RN72K1J-224JE	1	435032244R1	
PCB1	R5610	C-CARBON R	RN72K1J-222JE	1	435032224R1	
PCB1	R5611	C-CARBON R	RN72K1J-222JE	1	435032224R1	
PCB1	R5612	C-CARBON R	RN72K1J-222JE	1	435032224R1	
PCB1	R5613	C-CARBON R	RN72K1J-222JE	1	435032224R1	
PCB1	R5614	C-CARBON R	RN72K1J-222JE	1	435032224R1	
PCB1	R5617	C-CARBON R	RN72K1J-271JE	1	435032714R1	
PCB1	R5627	C-CARBON R	RN72K1J-101JE	1	435031014R1	
PCB1	R5630	C-CARBON R	RN72K1J-221JE	1	435032214R1	
PCB1	R5631	C-CARBON R	RN72K1J-473JE	1	435034734R1	
PCB1	R5632	C-CARBON R	RN72K1J-104JE	1	435031044R1	
PCB1	R5633	C-CARBON R	RN72K1J-222JE	1	435032224R1	
PCB1	R5634	C-CARBON R	RN72K1J-103JE	1	435031034R1	

PCB1	R5681	C-CARBON R	RN72K1J-224JE	1	435032244R1	
PCB1	R5689	C-CARBON R	RN72K1J-224JE	1	435032244R1	
PCB1	R5690	C-CARBON R	RN72K1J-224JE	1	435032244R1	
PCB1	R5692	C-CARBON R	RN72K1J-224JE	1	435032244R1	
PCB1	R5693	C-CARBON R	RN72K1J-224JE	1	435032244R1	
PCB1	R5694	C-CARBON R	RN72K1J-224JE	1	435032244R1	
PCB1	R5802	C-CARBON R	RN72K1J-512JE	1	435035124R1	
PCB1	R5803	C-CARBON R	RN72K1J-512JE	1	435035124R1	
PCB1	R5804	C-CARBON R	RN72K1J-512JE	1	435035124R1	
PCB1	R5805	C-CARBON R	RN72K1J-512JE	1	435035124R1	
PCB1	R5806	C-CARBON R	RN72K1J-512JE	1	435035124R1	
PCB1	R5807	C-CARBON R	RN72K1J-512JE	1	435035124R1	
PCB1	R6010	C-CARBON R	RN72K1J-102JE	1	435031024R1	
PCB1	R6011	C-CARBON R	RN72K1J-102JE	1	435031024R1	
PCB1	R6012	C-CARBON R	RN72K1J-102JE	1	435031024R1	
PCB1	R6013	C-CARBON R	RN72K1J-102JE	1	435031024R1	
PCB1	R6014	C-CARBON R	RN72K1J-102JE	1	435031024R1	
PCB1	R6070	C-CARBON R	RN72K1J-563JE	1	435035634R1	
PCB1	R6071	C-CARBON R	RN72K1J-563JE	1	435035634R1	
PCB1	R6072	C-CARBON R	RN72K1J-563JE	1	435035634R1	
PCB1	R6073	C-CARBON R	RN72K1J-563JE	1	435035634R1	
PCB1	R6074	C-CARBON R	RN72K1J-563JE	1	435035634R1	
PCB1	R6080	C-CARBON R	RN72K1J-123JE	1	435031234R1	
PCB1	R6081	C-CARBON R	RN72K1J-123JE	1	435031234R1	
PCB1	R6082	C-CARBON R	RN72K1J-123JE	1	435031234R1	
PCB1	R6083	C-CARBON R	RN72K1J-123JE	1	435031234R1	
PCB1	R6084	C-CARBON R	RN72K1J-123JE	1	435031234R1	
PCB1	R6100	C-CARBON R	RN72K1J-333JE	1	435033334R1	
PCB1	R6101	C-CARBON R	RN72K1J-333JE	1	435033334R1	
PCB1	R6102	C-CARBON R	RN72K1J-333JE	1	435033334R1	
PCB1	R6103	C-CARBON R	RN72K1J-333JE	1	435033334R1	
PCB1	R6104	C-CARBON R	RN72K1J-333JE	1	435033334R1	
PCB1	R6110	C-CARBON R	RN72K1J-473JE	1	435034734R1	

PCB1	R6111	C-CARBON R	RN72K1J-473JE	1	435034734R1	
PCB1	R6112	C-CARBON R	RN72K1J-473JE	1	435034734R1	
PCB1	R6113	C-CARBON R	RN72K1J-473JE	1	435034734R1	
PCB1	R6114	C-CARBON R	RN72K1J-473JE	1	435034734R1	
PCB1	R6120	C-CARBON R	RN72K1J-473JE	1	435034734R1	
PCB1	R6121	C-CARBON R	RN72K1J-473JE	1	435034734R1	
PCB1	R6122	C-CARBON R	RN72K1J-473JE	1	435034734R1	
PCB1	R6123	C-CARBON R	RN72K1J-473JE	1	435034734R1	
PCB1	R6124	C-CARBON R	RN72K1J-473JE	1	435034734R1	
PCB1	R6130	C-CARBON R	RN72K2E-150JE	1	435221504R1	
PCB1	R6131	C-CARBON R	RN72K2E-150JE	1	435221504R1	
PCB1	R6132	C-CARBON R	RN72K2E-150JE	1	435221504R1	
PCB1	R6133	C-CARBON R	RN72K2E-150JE	1	435221504R1	
PCB1	R6134	C-CARBON R	RN72K2E-150JE	1	435221504R1	
PCB1	R6211	C-CARBON R	RN72K1J-333JE	1	435033334R1	
PCB1	R6213	C-CARBON R	RN72K1J-103JE	1	435031034R1	
PCB1	R6214	C-CARBON R	RN72K1J-473JE	1	435034734R1	
PCB1	R6216	C-CARBON R	RN72K1J-224JE	1	435032244R1	
PCB1	R6217	C-CARBON R	RN72K1J-473JE	1	435034734R1	
PCB1	R6218	C-CARBON R	RN72K1J-103JE	1	435031034R1	
PCB1	R6219	C-CARBON R	RN72K1J-224JE	1	435032244R1	
PCB1	R6230	C-CARBON R	RN72K2E-150JE	1	435221504R1	
PCB1	R6231	C-CARBON R	RN72K2E-150JE	1	435221504R1	
PCB1	R6232	C-CARBON R	RN72K2E-150JE	1	435221504R1	
PCB1	R6233	C-CARBON R	RN72K2E-150JE	1	435221504R1	
PCB1	R6234	C-CARBON R	RN72K2E-150JE	1	435221504R1	
PCB1	R6501	C-CARBON R	RN72K1J-224JE	1	435032244R1	
PCB1	R6502	C-CARBON R	RN72K1J-224JE	1	435032244R1	
PCB1	R6709	C-CARBON R	RN72K1J-562JE	1	435035624R1	
PCB1	R6710	C-CARBON R	RN72K1J-562JE	1	435035624R1	
PCB1	R6902	C-CARBON R	RN72K1J-102JE	1	435031024R1	
PCB1	R6903	C-CARBON R	RN72K1J-473JE	1	435034734R1	
PCB1						

PCB1	[SW TRM]					
PCB1	P6900	CRIMP AS	CRIMP AS	1	20799162UL	
PCB1	P6901	CRIMP AS	CRIMP AS	1	2069925162UL	
PCB1	P6902	CRIMP AS	CRIMP AS	1	2069925149UL	
PCB1	F6901A	FUSE HOL	NSCT-1P2031	1	25052133T	
PCB1	F6901B	FUSE HOL	NSCT-1P2031	1	25052133T	
PCB1	F6902A	FUSE HOL	NSCT-1P2031	1	25052133T	
PCB1	F6902B	FUSE HOL	NSCT-1P2031	1	25052133T	
PCB1	P7900 or	JACK	YKB21-5130	(1)	25045387	
PCB1	JL6001	JUMPER LEAD	JL9 250 H	1	9J250606H	
PCB1	JL6600	JUMPER LEAD	JL7 250 H	1	7J250606H	
PCB1	JL6605	JUMPER LEAD	JL5 250 H	1	5J250606H	
PCB1	JL6952	JUMPER LEAD	JL9 150 H	1	9J150606H	
PCB1	JL9101	JUMPER LEAD	JL7 300 H	1	7J300606H	
PCB1	P7902	PIN JACK	NPJ-2PDWR595	1	25045815	
PCB1	P7904	PIN JACK	NPJ-4PDWWRR624	1	25045845	
PCB1	P7904 or	PIN JACK	NPJ-4PDBL162	(1)	25045303	
PCB1	P7905	PIN JACK	NPJ-4PDWWRR624	1	25045845	
PCB1	P7905 or	PIN JACK	NPJ-4PDBL162	(1)	25045303	
PCB1	P7906	PIN JACK	NPJ-4PDWWRR624	1	25045845	
PCB1	P7906 or	PIN JACK	NPJ-4PDBL162	(1)	25045303	
PCB1	P7909	PIN JACK	NPJ-1PDP555	1	25045773	
PCB1	P5501B	PLUG	NPLG-7P0962	1	25056012	
PCB1	P5502B	PLUG	NPLG-15P0970	1	25056020	
PCB1	P5503B	PLUG	NPLG-9P0964	1	25056014	
PCB1	P5504B	PLUG	NPLG-9P0964	1	25056014	
PCB1	RL6001	RELAY	NRL-2P5A-DC12-192	1	25065702	<MDD><MDC><MDF><MPP>
PCB1	RL6001	RELAY	NRL-2P5A-DC24-158	1	25065618	<MMO><MMQ><MMR>
PCB1	RL6001 or	RELAY	NRL-2P5A-DC24-129	(1)	25065563A	<MMO><MMQ><MMR>
PCB1	RL6001 or	RELAY	NRL-2P5A-DC24-193	(1)	25065703	<MMO><MMQ><MMR>
PCB1	RL6002	RELAY	NRL-2P5A-DC12-192	1	25065702	<MDD><MDC><MDF><MPP>
PCB1	RL6002	RELAY	NRL-2P5A-DC24-158	1	25065618	<MMO><MMQ><MMR>
PCB1	RL6002 or	RELAY	NRL-2P5A-DC24-129	(1)	25065563A	<MMO><MMQ><MMR>

PCB1	RL6002 or	RELAY	NRL-2P5A-DC24-193	(1)	25065703	<MMO><MMQ<MMR>
PCB1	RL6003	RELAY	NRL-2P5A-DC12-192	1	25065702	<MDD><MDC><MDF><MPP>
PCB1	RL6003	RELAY	NRL-2P5A-DC24-158	1	25065618	<MMO><MMQ<MMR>
PCB1	RL6003 or	RELAY	NRL-2P5A-DC24-129	(1)	25065563A	<MMO><MMQ<MMR>
PCB1	RL6003 or	RELAY	NRL-2P5A-DC24-193	(1)	25065703	<MMO><MMQ<MMR>
PCB1	RL6005	RELAY	NRL-2P5A-DC12-192	1	25065702	<MDD><MDC><MDF><MPP>
PCB1	RL6005	RELAY	NRL-2P5A-DC24-158	1	25065618	<MMO><MMQ<MMR>
PCB1	RL6005 or	RELAY	NRL-2P5A-DC24-129	(1)	25065563A	<MMO><MMQ<MMR>
PCB1	RL6005 or	RELAY	NRL-2P5A-DC24-193	(1)	25065703	<MMO><MMQ<MMR>
PCB1	RL6006	RELAY	NRL-2P5A-DC12-192	1	25065702	<MDD><MDC><MDF><MPP>
PCB1	RL6006	RELAY	NRL-2P5A-DC24-158	1	25065618	<MMO><MMQ<MMR>
PCB1	RL6006 or	RELAY	NRL-2P5A-DC24-129	(1)	25065563A	<MMO><MMQ<MMR>
PCB1	RL6006 or	RELAY	NRL-2P5A-DC24-193	(1)	25065703	<MMO><MMQ<MMR>
PCB1	RL6901	RELAY	NRL-1P10A-DC12-140	1	25065584	
PCB1	RL6901 or	RELAY	NRL-1P10A-DC12-143	(1)	25065588	
PCB1	RL6902	RELAY	NRL-1P10A-DC12-140	1	25065584	
PCB1	RL6902 or	RELAY	NRL-1P10A-DC12-143	(1)	25065588	
PCB1	E6001	RETAINER	MET37-0002	1	27142009T	
PCB1	P7900	ST JACK	MSJ-035-22	1	25045887	
PCB1	P6001	TRM	NTM-10PDML363	1	25060434	
PCB1	P6001 or	TRM	NTM-10PDML354	(1)	25060425	
PCB1	P6002	TRM	NTM-4PDMNRR420	1	25060492	
PCB1	JL6001A	WIRE HOL	NSCT-9P900	1	25051113	
PCB1	JL6001B	WIRE HOL	NSCT-9P900	1	25051113	
PCB1	JL6600A	WIRE HOL	NSCT-7P898	1	25051111	
PCB1	JL6600B	WIRE HOL	NSCT-7P898	1	25051111	
PCB1	JL6605B	WIRE HOL	NSCT-5P896	1	25051109	
PCB1	JL6952A	WIRE HOL	NSCT-9P900	1	25051113	
PCB1	JL6952B	WIRE HOL	NSCT-9P900	1	25051113	
PCB1	JL9101A	WIRE HOL	NSCT-7P898	1	25051111	
PCB1	P6903	WS CLAMP	CB-71683(L=50)	1	260261	NSP
PCB1	P6906	WS CLAMP	CB-71683(L=50)	1	260261	NSP
PCB1	P6909	WS CLAMP	CB-71683(L=50)	1	260261	NSP

PCB1						
PCB1	[ETC]					
PCB1	Q5670A	HEAT-SINK	HEAT-SINK(RAD-68)	1	27160211	NSP
PCB1	Q5670B	SCREW	3P+10FN(3BC)	1	82143010GR	NSP
PCB1	Q5671A	HEAT-SINK	HEAT-SINK(RAD-68)	1	27160211	NSP
PCB1	Q5671B	SCREW	3P+10FN(3BC)	1	82143010GR	NSP
PCB2	U002	MICROPROCESSOR/CODEC PC BOARD				
PCB2						
PCB2	CIRCUIT NO.	PART NAME	DESCRIPTION	Q'TY	PART NO. (SN)	REMARKS
PCB2	[UNIT]					
PCB2	U131	PHT CP	JSR1165-001recieving	1	24120143	
PCB2	U131 or	PHT CP	GP1FAV51RK0F	(1)	24120129	
PCB2	U132	PHT CP	JSR1165-001recieving	1	24120143	
PCB2	U132 or	PHT CP	GP1FAV51RK0F	(1)	24120129	
PCB2	[SEMI CONDUCTOR]					
PCB2	Q101	IC	LC72725KV-TLM-E	1	22242584R2	<MPP>
PCB2	Q131	IC	74HCU04F	1	222740046R2	
PCB2	Q153	IC	R1EX25064ASA00A	1	22242581R2	
PCB2	Q171	IC	TC7WU04FU(TE12L_F)	1	22240935R2	
PCB2	Q301	IC	CS42518-CQZR-D	1	22242229R2	
PCB2	Q400	IC	NJM4580M-D	1	22241448R2	
PCB2	Q401	IC	NJM4580M-D	1	22241448R2	
PCB2	Q402	IC	NJM4580M-D	1	22241448R2	
PCB2	Q403	IC	NJM4580M-D	1	22241448R2	
PCB2	Q701	IC	M30626FJPPF	1	222W0094R3	
PCB2	Q702	IC	S-812C33AUA-C2N	1	22242222R2	
PCB2	Q703	IC	S-812C56AUA-C3K	1	22242207R2	
PCB2	Q746	IC	BH33FB1WG-TR	1	22242585R2	
PCB2	Q111	TR	2SC2235-Y(TPE6_F)	1	2211654T	
PCB2	Q181	TR	KRC105S	1	2217290R2	

PCB2	Q181 or	TR	RN1405	(1)	2214500R2	
PCB2	Q601	TR	KRC104S	1	2216210R2	
PCB2	Q601 or	TR	RN1404	(1)	2214490R2	
PCB2	Q751	TR	KRC104S	1	2216210R2	
PCB2	Q751 or	TR	RN1404	(1)	2214490R2	
PCB2	Q752	TR	KRA102S	1	2216220R2	
PCB2	Q752 or	TR	RN2402	(1)	2214530R2	
PCB2	Q753	TR	KRA107S	1	2216350R2	
PCB2	Q753 or	TR	RN2407(TE85L_F)	(1)	2216360R2	
PCB2	Q754	TR	KRC102S	1	2216190R2	
PCB2	Q754 or	TR	RN1402	(1)	2214470R2	
PCB2	Q755	TR	KRA107S	1	2216350R2	
PCB2	Q755 or	TR	RN2407(TE85L_F)	(1)	2216360R2	
PCB2	Q756	TR	KRC102S	1	2216190R2	
PCB2	Q756 or	TR	RN1402	(1)	2214470R2	
PCB2	D112	ZENER D	UDZS10B	1	224551000R2	
PCB2	D183	DIODE	RL1N4003	1	22380260T	
PCB2	D110	C-DIODE	KDS4148U	1	223283R2	
PCB2	D110 or	C-DIODE	1SS352	(1)	223234R2	
PCB2	D110 or	C-DIODE	MA2J111	(1)	223279R2	
PCB2	D111	C-DIODE	KDS4148U	1	223283R2	
PCB2	D111 or	C-DIODE	1SS352	(1)	223234R2	
PCB2	D111 or	C-DIODE	MA2J111	(1)	223279R2	
PCB2	D113	C-DIODE	KDS4148U	1	223283R2	
PCB2	D114	C-DIODE	KDS4148U	1	223283R2	
PCB2	D181	C-DIODE	KDS4148U	1	223283R2	
PCB2	D181 or	C-DIODE	1SS352	(1)	223234R2	
PCB2	D181 or	C-DIODE	MA2J111	(1)	223279R2	
PCB2	D182	C-DIODE	KDS4148U	1	223283R2	
PCB2	D182 or	C-DIODE	1SS352	(1)	223234R2	
PCB2	D182 or	C-DIODE	MA2J111	(1)	223279R2	
PCB2	D601	C-DIODE	KDS4148U	1	223283R2	
PCB2	D601 or	C-DIODE	1SS352	(1)	223234R2	

PCB2	D601 or	C-DIODE	MA2J111	(1)	223279R2	
PCB2	D701	C-DIODE	KDS4148U	1	223283R2	
PCB2	D701 or	C-DIODE	1SS352	(1)	223234R2	
PCB2	D701 or	C-DIODE	MA2J111	(1)	223279R2	
PCB2	D702	C-DIODE	KDS4148U	1	223283R2	
PCB2	D702 or	C-DIODE	1SS352	(1)	223234R2	
PCB2	D702 or	C-DIODE	MA2J111	(1)	223279R2	
PCB2	[TRANS COIL]					
PCB2	L173	EMIFIL	BK1608LM182-T	1	230958R1	
PCB2	L311	EMIFIL	BK1608LM182-T	1	230958R1	
PCB2	L313	EMIFIL	BK1608LM182-T	1	230958R1	
PCB2	L101	CORE	BLM18PG181SN1D	1	2350005R1	<MPP>
PCB2	L153	CORE	BLM18PG181SN1D	1	2350005R1	
PCB2	L302	CORE	BLM18PG181SN1D	1	2350005R1	
PCB2	L500	CORE	BLM18PG181SN1D	1	2350005R1	
PCB2	L741	CORE	BLM18PG181SN1D	1	2350005R1	
PCB2	L743	CORE	BLM18PG181SN1D	1	2350005R1	
PCB2	L744	CORE	BLM18PG181SN1D	1	2350005R1	
PCB2	L746	CORE	BLM18PG181SN1D	1	2350005R1	
PCB2	L747	CORE	BLM18PG181SN1D	1	2350005R1	
PCB2	L131	CHOKE COIL	LBC2518T2R2M	1	231364M022R2	
PCB2	L133	CHOKE COIL	LBC2518T470M	1	231364M470R2	
PCB2	L134	CHOKE COIL	LBC2518T470M	1	231364M470R2	
PCB2	L136	CHOKE COIL	LBC2518T4R7M	1	231364M047R2	
PCB2	L137	CHOKE COIL	LBC2518T4R7M	1	231364M047R2	
PCB2	L171	CHOKE COIL	LBC2518T470M	1	231364M470R2	
PCB2	L301	CHOKE COIL	BLM21PG221SN1	1	230949R2	
PCB2	L303	CHOKE COIL	LBC2518T4R7M	1	231364M047R2	
PCB2	L304	CHOKE COIL	BLM21PG221SN1	1	230949R2	
PCB2	L742	CHOKE COIL	BLM21PG221SN1	1	230949R2	
PCB2	[CAPACITOR]					

PCB2	X101	CRYSTAL	HC-49S 4.332MHz	1	3010469T	<MPP>
PCB2	X171	CRYSTAL	HC-49US24.576MHz	1	3010423T	
PCB2	X171 or	CRYSTAL	HC-49/U03-24.576M	(1)	3010314T	
PCB2	X701	CERA LOCK	CSTCR6M0055-R0	1	3010397R2	
PCB2	C101	UTSP C	CE04W25V-100M(UTSP)	1	397551017T	
PCB2	C103	UTSP C	CE04W50V-10M(UTSP)	1	397581007T	<MPP>
PCB2	C104	UTSP C	CE04W50V-10M(UTSP)	1	397581007T	<MPP>
PCB2	C111	UTSP C	CE04W50V 47M(UTSP)	1	397584707T	
PCB2	C139	UTSP C	CE04W10V-220M(UTSP)	1	397532217T	
PCB2	C145	UTSP C	CE04W10V-220M(UTSP)	1	397532217T	
PCB2	C300	UTSP C	CE04W10V-470M(UTSP)	1	397534717T	
PCB2	C302	UTSP C	CE04W10V-470M(UTSP)	1	397534717T	
PCB2	C303	UTSP C	CE04W10V-470M(UTSP)	1	397534717T	
PCB2	C304	UTSP C	CE04W10V-470M(UTSP)	1	397534717T	
PCB2	C308	UTSP C	CE04W25V-100M(UTSP)	1	397551017T	
PCB2	C320	UTSP C	CE04W50V 47M(UTSP)	1	397584707T	
PCB2	C321	UTSP C	CE04W50V 47M(UTSP)	1	397584707T	
PCB2	C330	UTSP C	CE04W50V 47M(UTSP)	1	397584707T	
PCB2	C331	UTSP C	CE04W50V 47M(UTSP)	1	397584707T	
PCB2	C408	UTSP C	CE04W25V-220M(UTSP)	1	397552217T	
PCB2	C409	UTSP C	CE04W25V-220M(UTSP)	1	397552217T	
PCB2	C604	UTSP C	CE04W50V-4.7M(UTSP)	1	397580477T	
PCB2	C702	UTSP C	CE04W10V-100M(UTSP)	1	397531017T	
PCB2	C705	UTSP C	CE04W10V-100M(UTSP)	1	397531017T	
PCB2	C706	UTSP C	CE04W16V-470M(UTSP)	1	397544717T	
PCB2	C707	UTSP C	CE04W10V-100M(UTSP)	1	397531017T	
PCB2	C708	UTSP C	CE04W10V-100M(UTSP)	1	397531017T	
PCB2	C747	UTSP C	CE04W50V-10M(UTSP)	1	397581007T	
PCB2	C751	UTSP C	CE04W50V-0.47M(UTSP)	1	397584797T	
PCB2	C753	UTSP C	CE04W10V-470M(UTSP)	1	397534717T	
PCB2	C306	UTSJ C	CE04W25V-47M(UTSJ)	1	398054707T	
PCB2	C410	UPZ C	2AUPZTF681JE	1	376336814T	
PCB2	C411	UPZ C	2AUPZTF681JE	1	376336814T	

PCB2	C412	UPZ C	2AUPZTF681JE	1	376336814T	
PCB2	C420	UPZ C	2AUPZTF681JE	1	376336814T	
PCB2	C421	UPZ C	2AUPZTF681JE	1	376336814T	
PCB2	C422	UPZ C	2AUPZTF681JE	1	376336814T	
PCB2	C407	TF C	ECQ-V50V-333J	1	374723334T	
PCB2	C417	TF C	ECQ-V50V-153J	1	374721534T	
PCB2	C427	TF C	ECQ-V50V-153J	1	374721534T	
PCB2	C400	MKT C	B32529C0472J289	1	376494724T	
PCB2	C401	MKT C	B32529C0472J289	1	376494724T	
PCB2	C402	MKT C	B32529C0472J289	1	376494724T	
PCB2	C403	MKT C	B32529C0472J289	1	376494724T	
PCB2	C404	MKT C	B32529C0472J289	1	376494724T	
PCB2	C102	C-CERA C	CK725F1E-104Z1	1	332161040R1	
PCB2	C105	C-CERA C	CK725F1E-104Z1	1	332161040R1	<MPP>
PCB2	C106	C-CERA C	CC725CH1H-331J1	1	342103314R1	<MPP>
PCB2	C107	C-CERA C	CK725F1E-104Z1	1	332161040R1	<MPP>
PCB2	C108	C-CERA C	CC725CH1H-150J1	1	342101504R1	<MPP>
PCB2	C109	C-CERA C	CC725CH1H-150J1	1	342101504R1	<MPP>
PCB2	C110	C-CERA C	CC725CH1H-331J1	1	342103314R1	<MPP>
PCB2	C112	C-CERA C	CK725F1E-104Z1	1	332161040R1	
PCB2	C113	C-CERA C	CC725CH1H-221J1	1	342102214R1	<MPP>
PCB2	C131	C-CERA C	CC725CH1H-101J1	1	342101014R1	
PCB2	C133	C-CERA C	CK725B1C-104K1	1	332121045R1	
PCB2	C135	C-CERA C	CC725CH1H-080D1	1	342100802R1	
PCB2	C137	C-CERA C	CK725F1E-104Z1	1	332161040R1	
PCB2	C140	C-CERA C	CK725F1E-104Z1	1	332161040R1	
PCB2	C141	C-CERA C	CK725F1E-104Z1	1	332161040R1	
PCB2	C142	C-CERA C	CK725F1E-104Z1	1	332161040R1	
PCB2	C147	C-CERA C	CK725F1E-104Z1	1	332161040R1	
PCB2	C148	C-CERA C	CK725B1H-103K1	1	332101035R1	
PCB2	C149	C-CERA C	CK725F1E-104Z1	1	332161040R1	
PCB2	C150	C-CERA C	CK725F1E-104Z1	1	332161040R1	
PCB2	C151	C-CERA C	CK725F1E-104Z1	1	332161040R1	

PCB2	C152	C-CERA C	CK725F1E-104Z1	1	332161040R1	
PCB2	C153	C-CERA C	CK725F1E-104Z1	1	332161040R1	
PCB2	C171	C-CERA C	CK725F1E-104Z1	1	332161040R1	
PCB2	C172	C-CERA C	CC725CH1H-060D1	1	342100602R1	
PCB2	C173	C-CERA C	CC725CH1H-060D1	1	342100602R1	
PCB2	C301	C-CERA C	CK725B1H-103K1	1	332101035R1	
PCB2	C305	C-CERA C	CK725F1E-104Z1	1	332161040R1	
PCB2	C307	C-CERA C	CK725F1E-104Z1	1	332161040R1	
PCB2	C309	C-CERA C	CK725F1E-104Z1	1	332161040R1	
PCB2	C310	C-CERA C	CC725CH1H-102J1	1	342101024R1	
PCB2	C311	C-CERA C	CK725B1H-223K1	1	332102235R1	
PCB2	C312	C-CERA C	CK725F1E-104Z1	1	332161040R1	
PCB2	C313	C-CERA C	CK725F1E-104Z1	1	332161040R1	
PCB2	C314	C-CERA C	CK725F1E-104Z1	1	332161040R1	
PCB2	C315	C-CERA C	CK725F1E-104Z1	1	332161040R1	
PCB2	C316	C-CERA C	CC725CH1H-221J1	1	342102214R1	
PCB2	C318	C-CERA C	CK725F1E-104Z1	1	332161040R1	
PCB2	C333	C-CERA C	CC725CH1H-330J1	1	342103304R1	
PCB2	C334	C-CERA C	CC725CH1H-330J1	1	342103304R1	
PCB2	C336	C-CERA C	CC725CH1H-330J1	1	342103304R1	
PCB2	C337	C-CERA C	CC725CH1H-330J1	1	342103304R1	
PCB2	C340	C-CERA C	CC732CH1H-222J	1	347342224R2	
PCB2	C341	C-CERA C	CC732CH1H-222J	1	347342224R2	
PCB2	C350	C-CERA C	CC725CH1H-101J1	1	342101014R1	
PCB2	C351	C-CERA C	CC725CH1H-101J1	1	342101014R1	
PCB2	C413	C-CERA C	CC725CH1H-681J1	1	342106814R1	
PCB2	C414	C-CERA C	CC725CH1H-681J1	1	342106814R1	
PCB2	C423	C-CERA C	CC725CH1H-681J1	1	342106814R1	
PCB2	C424	C-CERA C	CC725CH1H-681J1	1	342106814R1	
PCB2	C504	C-CERA C	CK725F1E-104Z1	1	332161040R1	
PCB2	C505	C-CERA C	CK725F1E-104Z1	1	332161040R1	
PCB2	C510	C-CERA C	CC725CH1H-101J1	1	342101014R1	
PCB2	C511	C-CERA C	CC725CH1H-101J1	1	342101014R1	

PCB2	C512	C-CERA C	CK725F1E-104Z1	1	332161040R1	
PCB2	C513	C-CERA C	CK725F1E-104Z1	1	332161040R1	
PCB2	C514	C-CERA C	CK725B1H-102K1	1	332101025R1	
PCB2	C515	C-CERA C	CK725F1E-104Z1	1	332161040R1	
PCB2	C516	C-CERA C	CK725B1H-102K1	1	332101025R1	
PCB2	C517	C-CERA C	CC725CH1H-101J1	1	342101014R1	
PCB2	C518	C-CERA C	CC725CH1H-101J1	1	342101014R1	
PCB2	C519	C-CERA C	CK725B1H-102K1	1	332101025R1	
PCB2	C520	C-CERA C	CK725B1H-102K1	1	332101025R1	
PCB2	C521	C-CERA C	CK725B1H-102K1	1	332101025R1	
PCB2	C522	C-CERA C	CK725B1H-102K1	1	332101025R1	
PCB2	C523	C-CERA C	CK725B1H-102K1	1	332101025R1	
PCB2	C524	C-CERA C	CK725B1H-102K1	1	332101025R1	
PCB2	C526	C-CERA C	CK725F1E-104Z1	1	332161040R1	
PCB2	C527	C-CERA C	CK725F1E-104Z1	1	332161040R1	
PCB2	C528	C-CERA C	CK725F1E-104Z1	1	332161040R1	
PCB2	C534	C-CERA C	CK725B1H-102K1	1	332101025R1	
PCB2	C535	C-CERA C	CK725B1H-102K1	1	332101025R1	
PCB2	C551	C-CERA C	CK725F1E-104Z1	1	332161040R1	
PCB2	C552	C-CERA C	CK725F1E-104Z1	1	332161040R1	
PCB2	C613	C-CERA C	CK732B1A-105K	1	337361055R2	
PCB2	C615	C-CERA C	CK725F1E-104Z1	1	332161040R1	
PCB2	C624	C-CERA C	CK725F1E-104Z1	1	332161040R1	
PCB2	C625	C-CERA C	CK725F1E-104Z1	1	332161040R1	
PCB2	C701	C-CERA C	CK725F1E-104Z1	1	332161040R1	
PCB2	C709	C-CERA C	CK725F1E-104Z1	1	332161040R1	
PCB2	C744	C-CERA C	CK725F1E-104Z1	1	332161040R1	
PCB2	C745	C-CERA C	CK725B0J-106K	1	332091065R2	
PCB2	C800	C-CERA C	CK725F1E-104Z1	1	332161040R1	
PCB2	[RESISTOR]					
PCB2	R181	METAL R	RNU1/2WCJ-4.7	1	453530474T	
PCB2	R182	METAL R	RNU1/2WCJ-1	1	453530104T	

PCB2	R101	METAL O R	RS1/2WBJ-10	1	443521004T	
PCB2	R112	METAL O R	RS1WBJ-22	1	443622204T	
PCB2	R103	C-CARBON R	RN72K1J-103JE	1	435031034R1	<MPP>
PCB2	R107	C-CARBON R	RN72K1J-101JE	1	435031014R1	<MPP>
PCB2	R108	C-CARBON R	RN72K1J-101JE	1	435031014R1	<MPP>
PCB2	R110	C-CARBON R	RN72K1J-103JE	1	435031034R1	
PCB2	R111	C-CARBON R	RN72K1J-105JE	1	435031054R1	
PCB2	R113	C-CARBON R	RN72K1J-221JE	1	435032214R1	
PCB2	R114	C-CARBON R	RN72K1J-221JE	1	435032214R1	
PCB2	R115	C-CARBON R	RN72K1J-333JE	1	435033334R1	
PCB2	R131	C-CARBON R	RN72K1J-750JE	1	435037504R1	
PCB2	R133	C-CARBON R	RN72K1J-100JE	1	435031004R1	
PCB2	R135	C-CARBON R	RN72K1J-224JE	1	435032244R1	
PCB2	R137	C-CARBON R	RN72K1J-103JE	1	435031034R1	
PCB2	R139	C-CARBON R	RN72K1J-823JE	1	435038234R1	
PCB2	R141	C-CARBON R	RN72K1J-470JE	1	435034704R1	
PCB2	R142	C-CARBON R	RN72K1J-470JE	1	435034704R1	
PCB2	R143	C-CARBON R	RN72K1J-000JE	1	435030004R1	
PCB2	R151	C-CARBON R	RN72K1J-103JE	1	435031034R1	
PCB2	R152	C-CARBON R	RN72K1J-103JE	1	435031034R1	
PCB2	R153	C-CARBON R	RN72K1J-222JE	1	435032224R1	
PCB2	R171	C-CARBON R	RN72K1J-105JE	1	435031054R1	
PCB2	R173	C-CARBON R	RN72K1J-151JE	1	435031514R1	
PCB2	R301	C-CARBON R	RN72K1J-331JE	1	435033314R1	
PCB2	R302	C-CARBON R	RN72K1J-331JE	1	435033314R1	
PCB2	R303	C-CARBON R	RN72K1J-331JE	1	435033314R1	
PCB2	R304	C-CARBON R	RN72K1J-221JE	1	435032214R1	
PCB2	R305	C-CARBON R	RN72K1J-470JE	1	435034704R1	
PCB2	R306	C-CARBON R	RN72K1J-221JE	1	435032214R1	
PCB2	R307	C-CARBON R	RN72K1J-221JE	1	435032214R1	
PCB2	R308	C-CARBON R	RN72K1J-470JE	1	435034704R1	
PCB2	R309	C-CARBON R	RN72K1J-221JE	1	435032214R1	
PCB2	R311	C-CARBON R	RN72K1J-152JE	1	435031524R1	

PCB2	R312	C-CARBON R	RN72K1J-470JE	1	435034704R1
PCB2	R313	C-CARBON R	RN72K1J-151JE	1	435031514R1
PCB2	R314	C-CARBON R	RN72K1J-221JE	1	435032214R1
PCB2	R315	C-CARBON R	RN72K1J-470JE	1	435034704R1
PCB2	R316	C-CARBON R	RN72K1J-151JE	1	435031514R1
PCB2	R317	C-CARBON R	RN72K1J-331JE	1	435033314R1
PCB2	R318	C-CARBON R	RN72K1J-331JE	1	435033314R1
PCB2	R319	C-CARBON R	RN72K1J-331JE	1	435033314R1
PCB2	R320	C-CARBON R	RN72K1J-560JE	1	435035604R1
PCB2	R321	C-CARBON R	RN72K1J-560JE	1	435035604R1
PCB2	R330	C-CARBON R	RN72K1J-560JE	1	435035604R1
PCB2	R331	C-CARBON R	RN72K1J-560JE	1	435035604R1
PCB2	R333	C-CARBON R	RN72K1J-331JE	1	435033314R1
PCB2	R334	C-CARBON R	RN72K1J-331JE	1	435033314R1
PCB2	R336	C-CARBON R	RN72K1J-331JE	1	435033314R1
PCB2	R337	C-CARBON R	RN72K1J-331JE	1	435033314R1
PCB2	R340	C-CARBON R	RN72K1J-392JE	1	435033924R1
PCB2	R341	C-CARBON R	RN72K1J-392JE	1	435033924R1
PCB2	R350	C-CARBON R	RN72K1J-103JE	1	435031034R1
PCB2	R351	C-CARBON R	RN72K1J-103JE	1	435031034R1
PCB2	R360	C-CARBON R	RN72K1J-103JE	1	435031034R1
PCB2	R361	C-CARBON R	RN72K1J-103JE	1	435031034R1
PCB2	R371	C-CARBON R	RN72K1J-102JE	1	435031024R1
PCB2	R400	C-CARBON R	RN72K1J-332JE	1	435033324R1
PCB2	R401	C-CARBON R	RN72K1J-332JE	1	435033324R1
PCB2	R402	C-CARBON R	RN72K1J-332JE	1	435033324R1
PCB2	R403	C-CARBON R	RN72K1J-332JE	1	435033324R1
PCB2	R404	C-CARBON R	RN72K1J-332JE	1	435033324R1
PCB2	R407	C-CARBON R	RN72K1J-332JE	1	435033324R1
PCB2	R408	C-CARBON R	RN72K1J-220JE	1	435032204R1
PCB2	R409	C-CARBON R	RN72K1J-220JE	1	435032204R1
PCB2	R410	C-CARBON R	RN72K1J-332JE	1	435033324R1
PCB2	R411	C-CARBON R	RN72K1J-332JE	1	435033324R1

PCB2	R412	C-CARBON R	RN72K1J-332JE	1	435033324R1
PCB2	R413	C-CARBON R	RN72K1J-332JE	1	435033324R1
PCB2	R414	C-CARBON R	RN72K1J-332JE	1	435033324R1
PCB2	R417	C-CARBON R	RN72K1J-332JE	1	435033324R1
PCB2	R420	C-CARBON R	RN72K1J-471JE	1	435034714R1
PCB2	R421	C-CARBON R	RN72K1J-471JE	1	435034714R1
PCB2	R422	C-CARBON R	RN72K1J-471JE	1	435034714R1
PCB2	R423	C-CARBON R	RN72K1J-471JE	1	435034714R1
PCB2	R424	C-CARBON R	RN72K1J-471JE	1	435034714R1
PCB2	R427	C-CARBON R	RN72K1J-471JE	1	435034714R1
PCB2	R430	C-CARBON R	RN72K1J-471JE	1	435034714R1
PCB2	R431	C-CARBON R	RN72K1J-471JE	1	435034714R1
PCB2	R432	C-CARBON R	RN72K1J-471JE	1	435034714R1
PCB2	R433	C-CARBON R	RN72K1J-471JE	1	435034714R1
PCB2	R434	C-CARBON R	RN72K1J-471JE	1	435034714R1
PCB2	R437	C-CARBON R	RN72K1J-471JE	1	435034714R1
PCB2	R440	C-CARBON R	RN72K1J-472JE	1	435034724R1
PCB2	R441	C-CARBON R	RN72K1J-472JE	1	435034724R1
PCB2	R442	C-CARBON R	RN72K1J-472JE	1	435034724R1
PCB2	R443	C-CARBON R	RN72K1J-472JE	1	435034724R1
PCB2	R444	C-CARBON R	RN72K1J-472JE	1	435034724R1
PCB2	R447	C-CARBON R	RN72K1J-472JE	1	435034724R1
PCB2	R450	C-CARBON R	RN72K1J-472JE	1	435034724R1
PCB2	R451	C-CARBON R	RN72K1J-472JE	1	435034724R1
PCB2	R452	C-CARBON R	RN72K1J-472JE	1	435034724R1
PCB2	R453	C-CARBON R	RN72K1J-472JE	1	435034724R1
PCB2	R454	C-CARBON R	RN72K1J-472JE	1	435034724R1
PCB2	R457	C-CARBON R	RN72K1J-472JE	1	435034724R1
PCB2	R460	C-CARBON R	RN72K1J-181JE	1	435031814R1
PCB2	R461	C-CARBON R	RN72K1J-181JE	1	435031814R1
PCB2	R462	C-CARBON R	RN72K1J-181JE	1	435031814R1
PCB2	R463	C-CARBON R	RN72K1J-181JE	1	435031814R1
PCB2	R464	C-CARBON R	RN72K1J-181JE	1	435031814R1

PCB2	R467	C-CARBON R	RN72K1J-181JE	1	435031814R1	
PCB2	R470	C-CARBON R	RN72K1J-181JE	1	435031814R1	
PCB2	R471	C-CARBON R	RN72K1J-181JE	1	435031814R1	
PCB2	R472	C-CARBON R	RN72K1J-181JE	1	435031814R1	
PCB2	R473	C-CARBON R	RN72K1J-181JE	1	435031814R1	
PCB2	R474	C-CARBON R	RN72K1J-181JE	1	435031814R1	
PCB2	R477	C-CARBON R	RN72K1J-181JE	1	435031814R1	
PCB2	R500	C-CARBON R	RN72K1J-103JE	1	435031034R1	
PCB2	R501	C-CARBON R	RN72K1J-470JE	1	435034704R1	
PCB2	R502	C-CARBON R	RN72K1J-470JE	1	435034704R1	
PCB2	R505	C-CARBON R	RN72K1J-221JE	1	435032214R1	
PCB2	R506	C-CARBON R	RN72K1J-221JE	1	435032214R1	<MMO><MMQ><MDF><MMR>
PCB2	R507	C-CARBON R	RN72K1J-470JE	0	435034704R1	
PCB2	R508	C-CARBON R	RN72K1J-273JE	1	435032734R1	
PCB2	R509	C-CARBON R	RN72K1J-221JE	1	435032214R1	<MDC><MDD>
PCB2	R509	C-CARBON R	RN72K1J-221JE	1	435032214R1	<MMO><MMQ><MDF><MMR><MPP>
PCB2	R511	C-CARBON R	RN72K1J-103JE	1	435031034R1	
PCB2	R512	C-CARBON R	RN72K1J-221JE	1	435032214R1	
PCB2	R513	C-CARBON R	RN72K1J-103JE	1	435031034R1	
PCB2	R514	C-CARBON R	RN72K1J-221JE	1	435032214R1	
PCB2	R515	C-CARBON R	RN72K1J-221JE	1	435032214R1	
PCB2	R516	C-CARBON R	RN72K1J-221JE	1	435032214R1	
PCB2	R517	C-CARBON R	RN72K1J-103JE	1	435031034R1	
PCB2	R518	C-CARBON R	RN72K1J-103JE	1	435031034R1	
PCB2	R519	C-CARBON R	RN72K1J-105JE	1	435031054R1	
PCB2	R520	C-CARBON R	RN72K1J-221JE	1	435032214R1	
PCB2	R521	C-CARBON R	RN72K1J-221JE	1	435032214R1	
PCB2	R522	C-CARBON R	RN72K1J-470JE	1	435034704R1	
PCB2	R523	C-CARBON R	RN72K1J-221JE	1	435032214R1	
PCB2	R524	C-CARBON R	RN72K1J-221JE	1	435032214R1	
PCB2	R525	C-CARBON R	RN72K1J-470JE	1	435034704R1	
PCB2	R526	C-CARBON R	RN72K1J-221JE	1	435032214R1	

PCB2	R527	C-CARBON R	RN72K1J-470JE	1	435034704R1
PCB2	R528	C-CARBON R	RN72K1J-470JE	1	435034704R1
PCB2	R529	C-CARBON R	RN72K1J-470JE	1	435034704R1
PCB2	R530	C-CARBON R	RN72K1J-470JE	1	435034704R1
PCB2	R535	C-CARBON R	RN72K1J-273JE	1	435032734R1
PCB2	R536	C-CARBON R	RN72K1J-103JE	1	435031034R1
PCB2	R537	C-CARBON R	RN72K1J-103JE	1	435031034R1
PCB2	R538	C-CARBON R	RN72K1J-103JE	1	435031034R1
PCB2	R539	C-CARBON R	RN72K1J-103JE	1	435031034R1
PCB2	R540	C-CARBON R	RN72K1J-470JE	1	435034704R1
PCB2	R541	C-CARBON R	RN72K1J-470JE	1	435034704R1
PCB2	R542	C-CARBON R	RN72K1J-103JE	1	435031034R1
PCB2	R543	C-CARBON R	RN72K1J-470JE	1	435034704R1
PCB2	R544	C-CARBON R	RN72K1J-470JE	1	435034704R1
PCB2	R546	C-CARBON R	RN72K1J-470JE	1	435034704R1
PCB2	R547	C-CARBON R	RN72K1J-471JE	1	435034714R1
PCB2	R548	C-CARBON R	RN72K1J-102JE	1	435031024R1
PCB2	R550	C-CARBON R	RN72K1J-470JE	1	435034704R1
PCB2	R551	C-CARBON R	RN72K1J-470JE	1	435034704R1
PCB2	R552	C-CARBON R	RN72K1J-470JE	1	435034704R1
PCB2	R553	C-CARBON R	RN72K1J-470JE	1	435034704R1
PCB2	R555	C-CARBON R	RN72K1J-103JE	1	435031034R1
PCB2	R556	C-CARBON R	RN72K1J-470JE	1	435034704R1
PCB2	R557	C-CARBON R	RN72K1J-470JE	1	435034704R1
PCB2	R558	C-CARBON R	RN72K1J-221JE	1	435032214R1
PCB2	R559	C-CARBON R	RN72K1J-103JE	1	435031034R1
PCB2	R560	C-CARBON R	RN72K1J-470JE	1	435034704R1
PCB2	R561	C-CARBON R	RN72K1J-470JE	1	435034704R1
PCB2	R562	C-CARBON R	RN72K1J-103JE	1	435031034R1
PCB2	R563	C-CARBON R	RN72K1J-221JE	1	435032214R1
PCB2	R564	C-CARBON R	RN72K1J-221JE	1	435032214R1
PCB2	R565	C-CARBON R	RN72K1J-221JE	1	435032214R1
PCB2	R566	C-CARBON R	RN72K1J-221JE	1	435032214R1

PCB2	R567	C-CARBON R	RN72K1J-470JE	1	435034704R1
PCB2	R568	C-CARBON R	RN72K1J-470JE	1	435034704R1
PCB2	R569	C-CARBON R	RN72K1J-470JE	1	435034704R1
PCB2	R570	C-CARBON R	RN72K1J-470JE	1	435034704R1
PCB2	R571	C-CARBON R	RN72K1J-470JE	1	435034704R1
PCB2	R572	C-CARBON R	RN72K1J-221JE	1	435032214R1
PCB2	R573	C-CARBON R	RN72K1J-221JE	1	435032214R1
PCB2	R574	C-CARBON R	RN72K1J-470JE	1	435034704R1
PCB2	R575	C-CARBON R	RN72K1J-103JE	1	435031034R1
PCB2	R576	C-CARBON R	RN72K1J-470JE	1	435034704R1
PCB2	R577	C-CARBON R	RN72K1J-103JE	1	435031034R1
PCB2	R578	C-CARBON R	RN72K1J-221JE	1	435032214R1
PCB2	R579	C-CARBON R	RN72K1J-221JE	1	435032214R1
PCB2	R580	C-CARBON R	RN72K1J-221JE	1	435032214R1
PCB2	R581	C-CARBON R	RN72K1J-221JE	1	435032214R1
PCB2	R582	C-CARBON R	RN72K1J-221JE	1	435032214R1
PCB2	R583	C-CARBON R	RN72K1J-473JE	1	435034734R1
PCB2	R584	C-CARBON R	RN72K1J-221JE	1	435032214R1
PCB2	R586	C-CARBON R	RN72K1J-221JE	1	435032214R1
PCB2	R587	C-CARBON R	RN72K1J-102JE	1	435031024R1
PCB2	R588	C-CARBON R	RN72K1J-273JE	1	435032734R1
PCB2	R589	C-CARBON R	RN72K1J-102JE	1	435031024R1
PCB2	R590	C-CARBON R	RN72K1J-273JE	1	435032734R1
PCB2	R591	C-CARBON R	RN72K1J-102JE	1	435031024R1
PCB2	R592	C-CARBON R	RN72K1J-103JE	1	435031034R1
PCB2	R593	C-CARBON R	RN72K1J-102JE	1	435031024R1
PCB2	R594	C-CARBON R	RN72K1J-102JE	1	435031024R1
PCB2	R595	C-CARBON R	RN72K1J-470JE	1	435034704R1
PCB2	R596	C-CARBON R	RN72K1J-102JE	1	435031024R1
PCB2	R597	C-CARBON R	RN72K1J-103JE	1	435031034R1
PCB2	R599	C-CARBON R	RN72K1J-221JE	1	435032214R1
PCB2	R600	C-CARBON R	RN72K1J-470JE	1	435034704R1
PCB2	R601	C-CARBON R	RN72K1J-221JE	1	435032214R1

PCB2	R602	C-CARBON R	RN72K1J-221JE	1	435032214R1	
PCB2	R603	C-CARBON R	RN72K1J-221JE	1	435032214R1	
PCB2	R604	C-CARBON R	RN72K1J-221JE	1	435032214R1	
PCB2	R605	C-CARBON R	RN72K1J-470JE	1	435034704R1	
PCB2	R606	C-CARBON R	RN72K1J-222JE	1	435032224R1	
PCB2	R607	C-CARBON R	RN72K1J-470JE	1	435034704R1	
PCB2	R608	C-CARBON R	RN72K1J-222JE	1	435032224R1	
PCB2	R609	C-CARBON R	RN72K1J-472JE	1	435034724R1	
PCB2	R610	C-CARBON R	RN72K1J-472JE	1	435034724R1	
PCB2	R611	C-CARBON R	RN72K1J-472JE	1	435034724R1	
PCB2	R612	C-CARBON R	RN72K1J-272JE	1	435032724R1	
PCB2	R613	C-CARBON R	RN72K1J-472JE	1	435034724R1	
PCB2	R614	C-CARBON R	RN72K1J-272JE	1	435032724R1	
PCB2	R615	C-CARBON R	RN72K1J-472JE	1	435034724R1	
PCB2	R616	C-CARBON R	RN72K1J-272JE	1	435032724R1	
PCB2	R617	C-CARBON R	RN72K1J-472JE	1	435034724R1	
PCB2	R618	C-CARBON R	RN72K1J-272JE	1	435032724R1	
PCB2	R619	C-CARBON R	RN72K1J-470JE	1	435034704R1	
PCB2	R620	C-CARBON R	RN72K1J-473JE	1	435034734R1	
PCB2	R700	C-CARBON R	RN72K1J-103JE	1	435031034R1	<MMO><MMQ><MDF><MMR><MPP>
PCB2	R701	C-CARBON R	RN72K1J-000JE	1	435030004R1	<MDC><MDD><MPP>
PCB2	R703	C-CARBON R	RN72K1J-000JE	1	435030004R1	
PCB2	R705	C-CARBON R	RN72K1J-000JE	1	435030004R1	
PCB2	R707	C-CARBON R	RN72K1J-000JE	1	435030004R1	
PCB2	R711	C-CARBON R	RN72K1J-470JE	1	435034704R1	
PCB2	R712	C-CARBON R	RN72K1J-102JE	1	435031024R1	
PCB2	R713	C-CARBON R	RN72K1J-222JE	1	435032224R1	
PCB2	R714	C-CARBON R	RN72K1J-103JE	1	435031034R1	
PCB2	R721	C-CARBON R	RN72K1J-103JE	1	435031034R1	
PCB2	R722	C-CARBON R	RN72K1J-224JE	1	435032244R1	
PCB2	R723	C-CARBON R	RN72K1J-101JE	1	435031014R1	
PCB2	R724	C-CARBON R	RN72K1J-101JE	1	435031014R1	

PCB2	R761	C-CARBON R	RN72K1J-103JE	1	435031034R1	
PCB2	R771	C-CARBON R	RN72K1J-103JE	1	435031034R1	
PCB2	R805	C-CARBON R	RN72K1J-000JE	1	435030004R1	
PCB2	R807	C-CARBON R	RN72K1J-000JE	1	435030004R1	
PCB2	R809	C-CARBON R	RN72K1J-000JE	1	435030004R1	
PCB2	R811	C-CARBON R	RN72K1J-000JE	1	435030004R1	
PCB2	R813	C-CARBON R	RN72K1J-000JE	1	435030004R1	
PCB2	R814	C-CARBON R	RN72K1J-000JE	1	435030004R1	
PCB2	R815	C-CARBON R	RN72K1J-000JE	1	435030004R1	
PCB2	R820	C-CARBON R	RN72K1J-000JE	1	435030004R1	
PCB2						
PCB2	[TRM]					
PCB2	P131	PIN JACK	NPJ-1PDO554	1	25045772	<MDC><MDD>
PCB2	P131	PIN JACK	NPJ-1PDO554	1	25045772	<MPP>
PCB2	P131	PIN JACK	NPJ-1PDO554	1	25045772	<MMO><MMQ><MDF><MMR>
PCB2	P8001A	PLUG	IMSA-9111B-24	1	25056625	
PCB2	P101A	SOCKET	NSCT-11P2104	1	25052207	
PCB2	P2001A	SOCKET	IMSA-9142S-26A	1	25053235	
PCB2	P5501A	SOCKET	NSCT-7P2187	1	25052290	
PCB2	P5502A	SOCKET	NSCT-15P2195	1	25052298	
PCB2	P5503A	SOCKET	NSCT-9P2189	1	25052292	
PCB2	P5504A	SOCKET	NSCT-9P2189	1	25052292	<MDC><MDD>
PCB2	P5504A	SOCKET	NSCT-9P2189	1	25052292	<MPP>
PCB2	P5504A	SOCKET	NSCT-9P2189	1	25052292	<MMO><MMQ><MDF><MMR>
PCB2	P701A	SOCKET	NSCT-33P2126	1	25052229	<MDC><MDD>
PCB2	P701A	SOCKET	NSCT-33P2126	1	25052229	<MPP>
PCB2	P701A	SOCKET	NSCT-33P2126	1	25052229	<MMO><MMQ><MDF><MMR>
PCB2	P751A	SOCKET	IMSA-9618S-09A	1	25053334R2	
PCB2	JL901B	WIRE TRAP	NPLG-5P588	1	25055626	NSP

PCB3 **U003** DISPLAY PC BOARD AS
 PCB3 **U0031** DISPLAY SUB PC BOARD

PCB3 U0032 VIDEO PC BOARD
 PCB3 U0033 POWER SUPPLY PC BOARD
 PCB3 U0034 HP JAKE PC BOARD

CIRCUIT NO.	PART NAME	DESCRIPTION	Q'TY	PART NO. (SN)	REMARKS
	[PWB] PRINT WIRING BOARD				
P002	PWB	BCDIS-0036	1	25140036C	
	[UNIT]				
U7042	REMO SENS	NJL34H380A	1	241365	
	[SEMI CONDUCTOR]				
Q3002	IC	NJW1326FH2	1	22242583R3	
Q7003	IC	M66005-0001AHP	1	22242208R3	
Q7401	IC	NJM4580M-D	1	22241448R2	
Q9022	IC	78M05(NJM78M05FA)	1	222780055JRC	
Q9022 or	IC	78M05AHP(MPC78M05A HF)	(1)	222780055NEC	
Q9031	IC	MPC2905BHF	1	22278005DBNE	
D7152	LED	SLI-343URC-TE7	1	225449T	
Q7004	TR	KTC3875-GR	1	2216175R2	
Q7005	TR	KRA102S	1	2216220R2	
Q7007	TR	KRC102S	1	2216190R2	
Q7033	TR	KTC3875-GR	1	2216175R2	
Q7403	TR	DTC114TKA	1	2216670R2	
Q7404	TR	DTC114TKA	1	2216670R2	
Q9001	TR	2SC2235-Y(TPE6_F)	1	2211654T	
Q9001 or	TR	2SC2235-O(TPE6_F)	(1)	2211653T	
D7002	ZENER D	UDZS8.2B	1	224550820R2	
D7033	ZENER D	UDZS3.9B	1	224550390R2	
D7401	ZENER D	UDZS5.1B	1	224550510R2	
D7411	ZENER D	UDZS6.8B	1	224550680R2	
D7412	ZENER D	UDZS6.8B	1	224550680R2	
D9005	ZENER D	UDZS36B	1	224553600R2	
D9016	ZENER D	UDZS6.2B	1	224550620R2	<MDD><MDC><MDF><MPP>

PCB3	D9016	ZENER D	UDZS6.8B	1	224550680R2	<MMO><MMQ><MMR>
PCB3	D934	ZENER D	UDZS5.6B	1	224550560R2	
PCB3	Q7002A	HOLDER	(FL)	1	27191222C	
PCB3	Q9022B	HEAT SINK	RAD-157	1	27160491	
PCB3	Q9031B	HEAT SINK	RAD-140	1	27160471	
PCB3	Q7002	FL TUBE	16-BT-138GNK	1	212268	
PCB3	D9001	DIODE	RL1N4003	1	22380260T	
PCB3	D9011	DIODE	D5SBA20	1	22380130F	
PCB3	D7301	C-DIODE	KDS4148U	1	223283R2	
PCB3	D7301 or	C-DIODE	1SS352	(1)	223234R2	
PCB3	D7301 or	C-DIODE	MA2J111	(1)	223279R2	
PCB3	D7302	C-DIODE	KDS4148U	1	223283R2	
PCB3	D7302 or	C-DIODE	1SS352	(1)	223234R2	
PCB3	D7302 or	C-DIODE	MA2J111	(1)	223279R2	
PCB3	D9014	C-DIODE	KDS4148U	1	223283R2	
PCB3	D9014 or	C-DIODE	1SS352	(1)	223234R2	
PCB3	D9014 or	C-DIODE	MA2J111	(1)	223279R2	
PCB3	D9015	C-DIODE	KDS4148U	1	223283R2	
PCB3	D9015 or	C-DIODE	1SS352	(1)	223234R2	
PCB3	D9015 or	C-DIODE	MA2J111	(1)	223279R2	
PCB3	D9023	C-DIODE	KDS4148U	1	223283R2	
PCB3	D9023 or	C-DIODE	1SS352	(1)	223234R2	
PCB3	D9023 or	C-DIODE	MA2J111	(1)	223279R2	
PCB3	D911	C-DIODE	KDS4148U	1	223283R2	
PCB3	D911 or	C-DIODE	1SS352	(1)	223234R2	
PCB3	D911 or	C-DIODE	MA2J111	(1)	223279R2	
PCB3	D912	C-DIODE	KDS4148U	1	223283R2	
PCB3	D912 or	C-DIODE	1SS352	(1)	223234R2	
PCB3	D912 or	C-DIODE	MA2J111	(1)	223279R2	
PCB3	D921	C-DIODE	KDS4148U	1	223283R2	
PCB3	D921 or	C-DIODE	1SS352	(1)	223234R2	
PCB3	D921 or	C-DIODE	MA2J111	(1)	223279R2	
PCB3	D922	C-DIODE	KDS4148U	1	223283R2	

PCB3	D922 or	C-DIODE	1SS352	(1)	223234R2	
PCB3	D922 or	C-DIODE	MA2J111	(1)	223279R2	
PCB3	D923	C-DIODE	KDS4148U	1	223283R2	
PCB3	D923 or	C-DIODE	1SS352	(1)	223234R2	
PCB3	D923 or	C-DIODE	MA2J111	(1)	223279R2	
PCB3	D924	C-DIODE	KDS4148U	1	223283R2	
PCB3	D924 or	C-DIODE	1SS352	(1)	223234R2	
PCB3	D924 or	C-DIODE	MA2J111	(1)	223279R2	
PCB3	D925	C-DIODE	KDS4148U	1	223283R2	
PCB3	D925 or	C-DIODE	1SS352	(1)	223234R2	
PCB3	D925 or	C-DIODE	MA2J111	(1)	223279R2	
PCB3	D930	C-DIODE	KDS4148U	1	223283R2	
PCB3	D930 or	C-DIODE	1SS352	(1)	223234R2	
PCB3	D930 or	C-DIODE	MA2J111	(1)	223279R2	
PCB3	D931	C-DIODE	KDS4148U	1	223283R2	
PCB3	D931 or	C-DIODE	1SS352	(1)	223234R2	
PCB3	D931 or	C-DIODE	MA2J111	(1)	223279R2	
PCB3	D933	C-DIODE	KDS4148U	1	223283R2	
PCB3	D933 or	C-DIODE	1SS352	(1)	223234R2	
PCB3	D933 or	C-DIODE	MA2J111	(1)	223279R2	
PCB3	D935	C-DIODE	KDS4148U	1	223283R2	
PCB3	D935 or	C-DIODE	1SS352	(1)	223234R2	
PCB3	D935 or	C-DIODE	MA2J111	(1)	223279R2	
PCB3	D9002	METAL O R	RS1/2WBJ-82	1	443528204T	
PCB3	Q9022A	SCREW	3P+10FN(3BC)	1	82143010GR	NSP
PCB3	Q9031A	SCREW	3P+10FN(3BC)	1	82143010GR	NSP
PCB3						
PCB3	[TRANS COIL]					
PCB3	L7031	CHOKE COIL	LBC2518T2R2M	1	231364M022R2	
PCB3	L7201	CHOKE COIL	LBC2518T2R2M	1	231364M022R2	
PCB3	L7202	CHOKE COIL	LBC2518T2R2M	1	231364M022R2	
PCB3	L7203	CHOKE COIL	LBC2518T2R2M	1	231364M022R2	
PCB3	L7401	CHOKE COIL	LBC2518T2R2M	1	231364M022R2	

PCB3	L7402	CHOKE COIL	LBC2518T2R2M	1	231364M022R2	
PCB3	T902	P TRANS	NPT-1520JQ	1	2301812A	<MDD><MDC><MDF>
PCB3	T902	P TRANS	NPT-1520GQ	1	2301813A	<MMO><MMQ><MMR><MPP>
PCB3						
PCB3		[CAPACITOR]				
PCB3	C3001	VR C	CE04W6.3V-470M(VR)	1	394624717T	
PCB3	C3004	VR C	CE04W6.3V-470M(VR)	1	394624717T	
PCB3	C3007	VR C	CE04W6.3V-470M(VR)	1	394624717T	
PCB3	C3011	VR C	CE04W6.3V-470M(VR)	1	394624717T	
PCB3	C3013	VR C	CE04W6.3V-470M(VR)	1	394624717T	
PCB3	C3021	VR C	CE04W6.3V-470M(VR)	1	394624717T	
PCB3	C3024	VR C	CE04W6.3V-470M(VR)	1	394624717T	
PCB3	C3033	VR C	CE04W50V-10M(VR)	1	394681007T	
PCB3	C3036	VR C	CE04W50V-10M(VR)	1	394681007T	
PCB3	C3040	VR C	CE04W50V-10M(VR)	1	394681007T	
PCB3	C3044	VR C	CE04W50V-1M(VR)	1	394680107T	
PCB3	C3045	VR C	CE04W50V-1M(VR)	1	394680107T	
PCB3	C3046	VR C	CE04W50V-1M(VR)	1	394680107T	
PCB3	C3047	VR C	CE04W50V-1M(VR)	1	394680107T	
PCB3	C3048	VR C	CE04W50V-1M(VR)	1	394680107T	
PCB3	C3049	VR C	CE04W50V-1M(VR)	1	394680107T	
PCB3	C3061	VR C	CE04W50V-10M(VR)	1	394681007T	
PCB3	C9001	VR C	CE04W63V-470M(VR)	1	394674717S	
PCB3	C9005	VR C	CE04W50V-47M(VR)	1	394684707T	
PCB3	C9011	VR C	CE04W16V-10000M(VR)	1	394641037S	
PCB3	C9013	VR C	CE04W50V-2.2M(VR)	1	394680227T	
PCB3	C9014	VR C	CE04W50V-1M(VR)	1	394680107T	
PCB3	C9023	VR C	CE04W50V-10M(VR)	1	394681007T	
PCB3	C9025	VR C	CE04W6.3V-470M(VR)	1	394624717T	
PCB3	C9030	VR C	CE04W25V-220M(VR)	1	394652217T	
PCB3	C9032	VR C	CE04W6.3V-470M(VR)	1	394624717T	
PCB3	C922	VR C	CE04W25V-2200M(VR)	1	394652227S	
PCB3	C930	UTSP C	CE04W50V-100M(UTSP)	1	397581017T	

PCB3	C933	UTSP C	CE04W50V-4.7M(UTSP)	1	397580477T	
PCB3	C9012	TF C	ECQ-V50V-334J	1	374723344T	
PCB3	C7203	MKT C	B32529C0102J289	1	376491024T	
PCB3	C7204	MKT C	B32529C0102J289	1	376491024T	
PCB3	C901	IS C	LE103-C3.5	1	3800042S	
PCB3	C901 or	IS C	ECQU2A103MLC	(1)	3800039S	
PCB3	C7008	ELECT C	CE04W6.3V-100M	1	355721019T	
PCB3	C7013	ELECT C	CE04W50V-33M	1	355783309T	
PCB3	C7015	ELECT C	CE04W16V-47M(S)	1	353744709T	
PCB3	C7033	ELECT C	CE04W16V-10M(S)	1	353741009T	
PCB3	C7045	ELECT C	CE04W6.3V-100M(S)	1	353721019T	
PCB3	C7401	ELECT C	CE04W16V-10M(S)	1	353741009T	
PCB3	C7403	ELECT C	CE04W16V-47M(S)	1	353744709T	
PCB3	C7405	ELECT C	CE04W16V-10M(S)	1	353741009T	
PCB3	C7411	ELECT C	CE04W16V-47M(S)	1	353744709T	
PCB3	C7412	ELECT C	CE04W16V-47M(S)	1	353744709T	
PCB3	C3002	C-CERA C	CK725F1E-104Z1	1	332161040R1	
PCB3	C3012	C-CERA C	CK725F1E-104Z1	1	332161040R1	
PCB3	C3031	C-CERA C	CK725B1H-102K1	1	332101025R1	
PCB3	C3032	C-CERA C	CK725B1H-102K1	1	332101025R1	
PCB3	C3043	C-CERA C	CK725B1H-102K1	1	332101025R1	
PCB3	C3085	C-CERA C	CK725F1A-105Z1	1	332181050R1	
PCB3	C3086	C-CERA C	CK725F1A-105Z1	1	332181050R1	
PCB3	C3087	C-CERA C	CK725F1A-105Z1	1	332181050R1	
PCB3	C3088	C-CERA C	CK725F1A-105Z1	1	332181050R1	
PCB3	C3089	C-CERA C	CK725F1A-105Z1	1	332181050R1	
PCB3	C3091	C-CERA C	CK725F1A-105Z1	1	332181050R1	
PCB3	C3092	C-CERA C	CK725F1A-105Z1	1	332181050R1	
PCB3	C3093	C-CERA C	CK725F1A-105Z1	1	332181050R1	
PCB3	C3094	C-CERA C	CK725F1A-105Z1	1	332181050R1	
PCB3	C3095	C-CERA C	CK725F1A-105Z1	1	332181050R1	
PCB3	C3096	C-CERA C	CK725F1A-105Z1	1	332181050R1	
PCB3	C3097	C-CERA C	CK725F1A-105Z1	1	332181050R1	

PCB3	C3098	C-CERA C	CK725F1A-105Z1	1	332181050R1	
PCB3	C3099	C-CERA C	CK725F1A-105Z1	1	332181050R1	
PCB3	C7001	C-CERA C	CK725B1H-223K1	1	332102235R1	
PCB3	C7002	C-CERA C	CK725F1E-104Z1	1	332161040R1	
PCB3	C7003	C-CERA C	CC725CH1H-101J1	1	342101014R1	
PCB3	C7004	C-CERA C	CC725CH1H-101J1	1	342101014R1	
PCB3	C7005	C-CERA C	CC725CH1H-101J1	1	342101014R1	
PCB3	C7007	C-CERA C	CC725CH1H-101J1	1	342101014R1	
PCB3	C7009	C-CERA C	CK725F1E-104Z1	1	332161040R1	
PCB3	C7010	C-CERA C	CK725B1H-223K1	1	332102235R1	
PCB3	C7011	C-CERA C	CK725B1H-223K1	1	332102235R1	
PCB3	C7012	C-CERA C	CK725B1H-223K1	1	332102235R1	
PCB3	C7014	C-CERA C	CK725B1H-223K1	1	332102235R1	
PCB3	C7016	C-CERA C	CK725B1H-223K1	1	332102235R1	
PCB3	C7017	C-CERA C	CK725B1H-223K1	1	332102235R1	
PCB3	C7021	C-CERA C	CK725B1H-103K1	1	332101035R1	
PCB3	C7022	C-CERA C	CK725B1H-103K1	1	332101035R1	
PCB3	C7031	C-CERA C	CK725B1H-223K1	1	332102235R1	
PCB3	C7032	C-CERA C	CK725B1H-223K1	1	332102235R1	
PCB3	C7046	C-CERA C	CC725CH1H-102J1	1	342101024R1	
PCB3	C7047	C-CERA C	CC725CH1H-102J1	1	342101024R1	
PCB3	C7201	C-CERA C	CC725CH1H-102J1	1	342101024R1	
PCB3	C7202	C-CERA C	CK725B1H-223K1	1	332102235R1	
PCB3	C7301	C-CERA C	CC725CH1H-471J1	1	342104714R1	
PCB3	C7302	C-CERA C	CC725CH1H-471J1	1	342104714R1	
PCB3	C7303	C-CERA C	CK725F1E-104Z1	1	332161040R1	
PCB3	C7304	C-CERA C	CK725F1E-104Z1	1	332161040R1	
PCB3	C7305	C-CERA C	CK725F1E-104Z1	1	332161040R1	
PCB3	C7309	C-CERA C	CC725CH1H-101J1	1	342101014R1	
PCB3	C7402	C-CERA C	CC725CH1H-101J1	1	342101014R1	
PCB3	C7404	C-CERA C	CC725CH1H-330J1	1	342103304R1	
PCB3	C7421	C-CERA C	CC725CH1H-102J1	1	342101024R1	
PCB3	C9006	C-CERA C	CK725F1E-104Z1	1	332161040R1	

PCB3	C902	C-CERA C	CK725F1E-104Z1	1	332161040R1	
PCB3	C9031	C-CERA C	CK725F1E-104Z1	1	332161040R1	
PCB3	C911	C-CERA C	CC725CH1H-102J1	1	342101024R1	
PCB3	C921	C-CERA C	CK725B1H-223K1	1	332102235R1	
PCB3	[RESISTOR]					
PCB3	R3038	METAL R	RNU1/2WCJ-1	1	453530104T	
PCB3	R9012	METAL R	RNU1/2WCJ-1	1	453530104T	
PCB3	R9013	METAL R	RNU1/2WCJ-1	1	453530104T	
PCB3	R9029	METAL R	RNU1WCJ-0.22	1	453632294T	
PCB3	R9031	METAL R	RNU2WCJ-3.3	1	452730334F	
PCB3	R9032	METAL R	RNU2WCJ-3.3	1	452730334F	
PCB3	R9033	METAL R	RNU1/2WCJ-1	1	453530104T	
PCB3	R9001	METAL O R	RS1WBJ-220	1	443622214T	
PCB3	R9030	METAL O R	RS1WBJ-8.2	1	441620824F	<MDD><MDC><MDF><MPP>
PCB3	R9030	METAL O R	RS2WBJ-15	1	442721504F	<MMO><MMQ><MMR>
PCB3	R921	METAL O R	RS1/2WBJ-47	1	443524704T	
PCB3	R2004	C-CARBON R	RN72K1J-000JE	1	435030004R1	
PCB3	R2005	C-CARBON R	RN72K1J-000JE	1	435030004R1	
PCB3	R2007	C-CARBON R	RN72K1J-000JE	1	435030004R1	
PCB3	R2009	C-CARBON R	RN72K1J-000JE	1	435030004R1	
PCB3	R2010	C-CARBON R	RN72K1J-000JE	1	435030004R1	
PCB3	R2014	C-CARBON R	RN72K1J-000JE	1	435030004R1	
PCB3	R3011	C-CARBON R	RN72K1J-750JE	1	435037504R1	
PCB3	R3014	C-CARBON R	RN72K1J-750JE	1	435037504R1	
PCB3	R3017	C-CARBON R	RN72K1J-750JE	1	435037504R1	
PCB3	R3020	C-CARBON R	RN72K1J-750JE	1	435037504R1	
PCB3	R3021	C-CARBON R	RN72K1J-750JE	1	435037504R1	
PCB3	R3023	C-CARBON R	RN72K1J-750JE	1	435037504R1	
PCB3	R3026	C-CARBON R	RN72K1J-750JE	1	435037504R1	
PCB3	R3027	C-CARBON R	RN72K1J-750JE	1	435037504R1	
PCB3	R3028	C-CARBON R	RN72K1J-750JE	1	435037504R1	
PCB3	R3029	C-CARBON R	RN72K1J-750JE	1	435037504R1	

PCB3	R3030	C-CARBON R	RN72K1J-750JE	1	435037504R1	
PCB3	R3041	C-CARBON R	RN72K1J-750JE	1	435037504R1	
PCB3	R3042	C-CARBON R	RN72K1J-750JE	1	435037504R1	
PCB3	R3043	C-CARBON R	RN72K1J-750JE	1	435037504R1	
PCB3	R3089	C-CARBON R	RN72K1J-750JE	1	435037504R1	
PCB3	R7001	C-CARBON R	RN72K1J-103JE	1	435031034R1	
PCB3	R7002	C-CARBON R	RN72K1J-332JE	1	435033324R1	
PCB3	R7003	C-CARBON R	RN72K1J-332JE	1	435033324R1	
PCB3	R7004	C-CARBON R	RN72K1J-221JE	1	435032214R1	
PCB3	R7005	C-CARBON R	RN72K1J-221JE	1	435032214R1	
PCB3	R7006	C-CARBON R	RN72K1J-103JE	1	435031034R1	
PCB3	R7007	C-CARBON R	RN72K1J-221JE	1	435032214R1	
PCB3	R7008	C-CARBON R	RN72K1J-221JE	1	435032214R1	
PCB3	R7021	C-CARBON R	RN72K1J-103JE	1	435031034R1	
PCB3	R7022	C-CARBON R	RN72K1J-103JE	1	435031034R1	
PCB3	R7023	C-CARBON R	RN72K1J-103JE	1	435031034R1	
PCB3	R7024	C-CARBON R	RN72K1J-103JE	1	435031034R1	
PCB3	R7033	C-CARBON R	RN72K1J-820JE	1	435038204R1	
PCB3	R7045	C-CARBON R	RN72K1J-101JE	1	435031014R1	
PCB3	R7046	C-CARBON R	RN72K1J-102JE	1	435031024R1	
PCB3	R7101	C-CARBON R	RN72K1J-331JE	1	435033314R1	
PCB3	R7102	C-CARBON R	RN72K1J-471JE	1	435034714R1	
PCB3	R7103	C-CARBON R	RN72K1J-561JE	1	435035614R1	
PCB3	R7107	C-CARBON R	RN72K1J-331JE	1	435033314R1	
PCB3	R7108	C-CARBON R	RN72K1J-471JE	1	435034714R1	
PCB3	R7109	C-CARBON R	RN72K1J-561JE	1	435035614R1	
PCB3	R7110	C-CARBON R	RN72K1J-821JE	1	435038214R1	
PCB3	R7111	C-CARBON R	RN72K1J-122JE	1	435031224R1	
PCB3	R7112	C-CARBON R	RN72K1J-222JE	1	435032224R1	
PCB3	R7113	C-CARBON R	RN72K1J-392JE	1	435033924R1	
PCB3	R7114	C-CARBON R	RN72K1J-123JE	1	435031234R1	
PCB3	R7115	C-CARBON R	RN72K1J-331JE	1	435033314R1	
PCB3	R7116	C-CARBON R	RN72K1J-471JE	1	435034714R1	

PCB3	R7117	C-CARBON R	RN72K1J-561JE	1	435035614R1	
PCB3	R7118	C-CARBON R	RN72K1J-821JE	1	435038214R1	
PCB3	R7119	C-CARBON R	RN72K1J-122JE	1	435031224R1	
PCB3	R7120	C-CARBON R	RN72K1J-222JE	1	435032224R1	
PCB3	R7121	C-CARBON R	RN72K1J-392JE	1	435033924R1	
PCB3	R7122	C-CARBON R	RN72K1J-123JE	1	435031234R1	
PCB3	R7123	C-CARBON R	RN72K1J-331JE	1	435033314R1	
PCB3	R7124	C-CARBON R	RN72K1J-471JE	1	435034714R1	
PCB3	R7125	C-CARBON R	RN72K1J-561JE	1	435035614R1	
PCB3	R7126	C-CARBON R	RN72K1J-821JE	1	435038214R1	
PCB3	R7127	C-CARBON R	RN72K1J-122JE	1	435031224R1	
PCB3	R7128	C-CARBON R	RN72K1J-222JE	1	435032224R1	
PCB3	R7129	C-CARBON R	RN72K1J-392JE	1	435033924R1	
PCB3	R7151	C-CARBON R	RN72K1J-222JE	1	435032224R1	
PCB3	R7301	C-CARBON R	RN72K1J-331JE	1	435033314R1	
PCB3	R7302	C-CARBON R	RN72K1J-331JE	1	435033314R1	
PCB3	R7304	C-CARBON R	RN72K1J-000JE	1	435030004R1	
PCB3	R7401	C-CARBON R	RN72K1J-101JE	1	435031014R1	
PCB3	R7402	C-CARBON R	RN72K1J-224JE	1	435032244R1	
PCB3	R7403	C-CARBON R	RN72K1J-472JE	1	435034724R1	
PCB3	R7404	C-CARBON R	RN72K1J-221JE	1	435032214R1	
PCB3	R7405	C-CARBON R	RN72K1J-473JE	1	435034734R1	
PCB3	R7406	C-CARBON R	RN72K1J-331JE	1	435033314R1	
PCB3	R7407	C-CARBON R	RN72K1J-102JE	1	435031024R1	
PCB3	R7408	C-CARBON R	RN72K1J-333JE	1	435033334R1	
PCB3	R7409	C-CARBON R	RN72K1J-221JE	1	435032214R1	
PCB3	R7410	C-CARBON R	RN72K1J-221JE	1	435032214R1	
PCB3	R7411	C-CARBON R	RN72K1J-471JE	1	435034714R1	
PCB3	R7412	C-CARBON R	RN72K1J-471JE	1	435034714R1	
PCB3	R7413	C-CARBON R	RN72K1J-224JE	1	435032244R1	
PCB3	R7414	C-CARBON R	RN72K1J-104JE	1	435031044R1	
PCB3	R7415	C-CARBON R	RN72K1J-000JE	1	435030004R1	
PCB3	R9002	C-CARBON R	RN72K1J-822JE	1	435038224R1	

PCB3	R9003	C-CARBON R	RN72K1J-822JE	1	435038224R1	
PCB3	R9004	C-CARBON R	RN72K1J-333JE	1	435033334R1	
PCB3	R9014	C-CARBON R	RN72K1J-104JE	1	435031044R1	
PCB3	R934	C-CARBON R	RN72K1J-104JE	1	435031044R1	
	[SW TRM]					
PCB3	S7002	R ENCODE	ECTZE2425WITH WASHER	1	25065655W	
PCB3	S7102	PUSH SW	NPS-111-S681	1	25035718T	
PCB3	S7104	PUSH SW	NPS-111-S681	1	25035718T	
PCB3	S7108	PUSH SW	NPS-111-S681	1	25035718T	
PCB3	S7110	PUSH SW	NPS-111-S681	1	25035718T	
PCB3	S7113	PUSH SW	NPS-111-S681	1	25035718T	
PCB3	S7115	PUSH SW	NPS-111-S681	1	25035718T	
PCB3	S7117	PUSH SW	NPS-111-S681	1	25035718T	
PCB3	S7119	PUSH SW	NPS-111-S681	1	25035718T	
PCB3	S7121	PUSH SW	NPS-111-S681	1	25035718T	
PCB3	S7125	PUSH SW	NPS-111-S681	1	25035718T	
PCB3	S7127	PUSH SW	NPS-111-S681	1	25035718T	
PCB3	S7129	PUSH SW	NPS-111-S681	1	25035718T	
PCB3	S7132	PUSH SW	NPS-111-S681	1	25035718T	
PCB3	S7134	PUSH SW	NPS-111-S681	1	25035718T	
PCB3	S7136	PUSH SW	NPS-111-S681	1	25035718T	
PCB3	S7138	PUSH SW	NPS-111-S681	1	25035718T	
PCB3	S7140	PUSH SW	NPS-111-S681	1	25035718T	
PCB3	S7142	PUSH SW	NPS-111-S681	1	25035718T	
PCB3	S7144	PUSH SW	NPS-111-S681	1	25035718T	
PCB3	S7146	PUSH SW	NPS-111-S681	1	25035718T	
PCB3	S7148	PUSH SW	NPS-111-S681	1	25035718T	
PCB3	S7150	PUSH SW	NPS-111-S681	1	25035718T	
PCB3	S7152	PUSH SW	NPS-111-S681	1	25035718T	
PCB3	S7154	PUSH SW	NPS-111-S681	1	25035718T	
PCB3	S7156	PUSH SW	NPS-111-S681	1	25035718T	
PCB3	S7158	PUSH SW	NPS-111-S681	1	25035718T	

PCB3	S7160	PUSH SW	NPS-111-S681	1	25035718T	
PCB3	S7162	PUSH SW	NPS-111-S681	1	25035718T	
PCB3	S7164	PUSH SW	NPS-111-S681	1	25035718T	
PCB3	RL901	RELAY	NRL-1P5A-DC9-179	1	25065669	
PCB3	P2001B	PLUG	IMSA-9142B-26A	1	25056603	
PCB3	P3001	PIN JACK	NPJ-3PDYYY560	1	25045778	
PCB3	P3002	PIN JACK	NPJ-2PDYY679	1	25045911	<MDD><MDC><MDF>
PCB3	P3005	PIN JACK	NPJ-9PDGLRGLRGLR563	1	25045781	
PCB3	P3005 or	PIN JACK	NPJ-9PDGLR519	(1)	25045731	
PCB3	P701B	SOCKET	NSCT-33P2163	1	25052266	
PCB3	P7201	ST JACK	MSJ-064-05A SR	1	25045783	
PCB3	P7201 or	ST JACK	YKB21-5005	(1)	25045724	
PCB3	P7301	PIN JACK	NPJ-3PDB693	1	25045925	
PCB3	P7311	ST JACK	MSJ-035-05A BAG SR LF	1	25045927	
PCB3	P7401	ST JACK	MSJ-035-05C B AG SR type	1	25045879	
PCB3	P901A	PLUG	NPLG-2P631	1	25055675	<MDD><MDC><MDF>
PCB3	P901Aor	PLUG	1-1123724-2	(1)	25056402	
PCB3	P911	PLUG	NPLG-2P631	1	25055675	<MDD><MDC><MDF><MPP>
PCB3	P911 or	PLUG	1-1123724-2	(1)	25056402	<MDD><MDC><MDF><MPP>
PCB3	P912	PLUG	B5P9-VH	1	25056568	<MMO><MMQ><MMR>
PCB3	P912 or	PLUG	1-1123724-5	(1)	25056579	<MMO><MMQ><MMR>
PCB3	JL6605B	SOCKET	NSCT-5P97	1	25050269	
PCB3	JL7101	JUMPER LEAD	JL9 250 H	1	9J250606H	
PCB3	JL7101A	WIRE HOL	NSCT-9P900	1	25051113	
PCB3	JL7101B	WIRE HOL	NSCT-9P900	1	25051113	
PCB3	JL8001	JUMPER LEAD	JL5 150 B	1	5J150606B15	
PCB3	JL8001A	WIRE HOL	NSCT-5P876	1	25051089	
PCB3	JL901	JUMPER LEAD	JL5 400 B	1	5J400606B15	
PCB3	JL901A	WIRE HOL	NSCT-5P876	1	25051089	
PCB3	JL9101B	SOCKET	NSCT-7P99	1	25050271	
PCB3	E7202	TRM-423(SCREW)	NEJITANSI ST3	1	25060495	
PCB3	E7301A	RETAINER	(EARTH)	1	27142136A	
PCB3	E9001	TRM-423(SCREW)	NEJITANSI ST3	1	25060495	

PCB3	E9003	TRM-423(SCREW)	NEJITANSI ST3	1	25060495	
PCB3	E901	TRM-423(SCREW)	NEJITANSI ST3	1	25060495	
PCB3	E902	TRM-423(SCREW)	NEJITANSI ST3	1	25060495	
PCB3	F901C	FUSE HOL	NSCT-1P2031	1	25052133T	
PCB3	F901D	FUSE HOL	NSCT-1P2031	1	25052133T	
PCB3	F901E	LABEL	LABEL	1	29360842	<MDD><MDC><MDF>
PCB3	F901E	LABEL	T4AL250V	1	29361732A	<MMO><MMQ><MMR><MPP>
PCB3						

PCB4 **U004** HDMI PC BOARD

CIRCUIT NO.	PART NAME	DESCRIPTION	Q'TY	PART NO. (SN)	REMARKS
	[SEMI CONDUCTOR]				
PCB4	Q8805	IC		22242407R2	
PCB4	Q8804	IC		22278033DBR2TO	
PCB4	Q8803	IC		22278033DBR2TO	
PCB4	Q8802	IC		22242300R2	
PCB4	Q8801	IC		22242323R2	
PCB4	Q8501	IC		22242579R3	
PCB4	Q282 or	IC	(1)	222W0063R3	
PCB4	Q282	IC		222W0069R3	
PCB4	Q281 or	IC	(1)	22242603R2	
PCB4	Q281 or	IC	(1)	22242607R2	
PCB4	Q281	IC		22242462R2	
PCB4	Q202	IC		22240935R2	
PCB4	Q201	IC		22242502R3	
PCB4	D8805 or	C-DIODE	(1)	223234R2	
PCB4	D8805 or	C-DIODE	(1)	223283R2	
PCB4	D8805 or	C-DIODE	(1)	223279R2	
PCB4	D8805	C-DIODE		223269R2	
PCB4	D8804 or	C-DIODE	(1)	223234R2	
PCB4	D8804 or	C-DIODE	(1)	223283R2	
PCB4	D8804 or	C-DIODE	(1)	223279R2	

PCB4	D8804	C-DIODE	1SS355	1	223269R2	
PCB4	D8803	C-DIODE	1SR154-400	1	22380284R2	
PCB4	D8802	C-DIODE	CRS09(TE85L_Q)	1	223274R2	
PCB4	D8801 or	C-DIODE	1SS352	(1)	223234R2	
PCB4	D8801 or	C-DIODE	KDS4148U	(1)	223283R2	
PCB4	D8801 or	C-DIODE	MA2J111	(1)	223279R2	
PCB4	D8801	C-DIODE	1SS355	1	223269R2	
PCB4						
PCB4	[TRANS COIL]					
PCB4	L203	C-CARBON R	RN72K1J-000JE	1	435030004R1	
PCB4	L201	CHOKE COIL	BLM21PG221SN1	1	230949R2	
PCB4	L202	CHOKE COIL	BLM21PG221SN1	1	230949R2	
PCB4	L205	CHOKE COIL	LBC2518T470M	1	231364M470R2	
PCB4	L282	CHOKE COIL	BLM21PG221SN1	1	230949R2	
PCB4	L8801	CHOKE COIL	BLM21PG221SN1	1	230949R2	
PCB4	L8802	CHOKE COIL	BLM21PG221SN1	1	230949R2	
PCB4	L8803	CHOKE COIL	NCH-2541	1	231363K470A	
PCB4	L8805	CHOKE COIL	BLM21PG221SN1	1	230949R2	
PCB4	L8803 or	COIL	0182-7310-470K-RB	(1)	231389	
PCB4	L8001	C-R NET	MNR12E0APJ000	1	43464900002R2	
PCB4	L8002	C-R NET	MNR12E0APJ000	1	43464900002R2	
PCB4	L8003	C-R NET	MNR12E0APJ000	1	43464900002R2	
PCB4	L8004	C-R NET	MNR12E0APJ000	1	43464900002R2	
PCB4	X202	CRYSTAL	HC-49USSMD17.734MHz	1	3010442R2	
PCB4	L204	EMIFIL	BK1608LM182-T	1	230958R1	
PCB4	L241	EMIFIL	ACF451832-333-T	1	230978R2	
PCB4	L312	EMIFIL	BK1608LM182-T	1	230958R1	
PCB4						
PCB4	[CAPACITOR]					
PCB4	C201	C-CERA C	CK725F1E-104Z1	1	332161040R1	
PCB4	C202	C-CERA C	CK725F1E-104Z1	1	332161040R1	
PCB4	C203	C-CERA C	CK725F1E-104Z1	1	332161040R1	
PCB4	C204	C-CERA C	CK725F1E-104Z1	1	332161040R1	

PCB4	C205	C-CERA C	CK725F1E-104Z1	1	332161040R1
PCB4	C206	C-CERA C	CK725F1E-104Z1	1	332161040R1
PCB4	C207	C-CERA C	CK725F1E-104Z1	1	332161040R1
PCB4	C208	C-CERA C	CK725F1E-104Z1	1	332161040R1
PCB4	C209	C-CERA C	CK725F1E-104Z1	1	332161040R1
PCB4	C211	C-CERA C	CK725F1E-104Z1	1	332161040R1
PCB4	C212	C-CERA C	CK725F1E-104Z1	1	332161040R1
PCB4	C213	C-CERA C	CK725F1E-104Z1	1	332161040R1
PCB4	C214	C-CERA C	CK725F1E-104Z1	1	332161040R1
PCB4	C215	C-CERA C	CK725F1E-104Z1	1	332161040R1
PCB4	C216	C-CERA C	CK725F1E-104Z1	1	332161040R1
PCB4	C217	C-CERA C	CK725F1E-104Z1	1	332161040R1
PCB4	C219	C-CERA C	CK725F1E-104Z1	1	332161040R1
PCB4	C221	C-CERA C	CK725F1E-104Z1	1	332161040R1
PCB4	C222	C-CERA C	CK725F1E-104Z1	1	332161040R1
PCB4	C223	C-CERA C	CK725F1E-104Z1	1	332161040R1
PCB4	C224	C-CERA C	CK725F1E-104Z1	1	332161040R1
PCB4	C225	C-CERA C	CK725F1E-104Z1	1	332161040R1
PCB4	C226	C-CERA C	CK725F1E-104Z1	1	332161040R1
PCB4	C227	C-CERA C	CK725F1E-104Z1	1	332161040R1
PCB4	C228	C-CERA C	CK725F1E-104Z1	1	332161040R1
PCB4	C229	C-CERA C	CK725F1E-104Z1	1	332161040R1
PCB4	C230	C-CERA C	CK725F1E-104Z1	1	332161040R1
PCB4	C231	C-CERA C	CK725F1E-104Z1	1	332161040R1
PCB4	C232	C-CERA C	CK725F1E-104Z1	1	332161040R1
PCB4	C233	C-CERA C	CK725F1E-104Z1	1	332161040R1
PCB4	C234	C-CERA C	CK725F1E-104Z1	1	332161040R1
PCB4	C236	C-CERA C	CK725F1E-104Z1	1	332161040R1
PCB4	C238	C-CERA C	CC725CH1H-060D1	1	342100602R1
PCB4	C239	C-CERA C	CC725CH1H-060D1	1	342100602R1
PCB4	C242	C-CERA C	CK725F1E-104Z1	1	332161040R1
PCB4	C243	C-CERA C	CC725CH1H-101J1	1	342101014R1
PCB4	C245	C-CERA C	CK725F1E-104Z1	1	332161040R1

PCB4	C246	C-CERA C	CK725F1E-104Z1	1	332161040R1
PCB4	C282	C-CERA C	CK725F1E-104Z1	1	332161040R1
PCB4	C283	C-CERA C	CC725CH1H-102J1	1	342101024R1
PCB4	C285	C-CERA C	CK725F1E-104Z1	1	332161040R1
PCB4	C286	C-CERA C	CK725F1E-104Z1	1	332161040R1
PCB4	C287	C-CERA C	CK725F1E-104Z1	1	332161040R1
PCB4	C288	C-CERA C	CK725F1E-104Z1	1	332161040R1
PCB4	C289	C-CERA C	CK725F1E-104Z1	1	332161040R1
PCB4	C290	C-CERA C	CK725F1E-104Z1	1	332161040R1
PCB4	C291	C-CERA C	CK725F1E-104Z1	1	332161040R1
PCB4	C295	C-CERA C	CK725F1E-104Z1	1	332161040R1
PCB4	C8002	C-CERA C	CK725B1H-103K1	1	332101035R1
PCB4	C8003	C-CERA C	CK725B1H-103K1	1	332101035R1
PCB4	C8004	C-CERA C	CK725B1H-103K1	1	332101035R1
PCB4	C8005	C-CERA C	CK725F1E-104Z1	1	332161040R1
PCB4	C8502	C-CERA C	CK725F1E-104Z1	1	332161040R1
PCB4	C8503	C-CERA C	CK725B1H-103K1	1	332101035R1
PCB4	C8504	C-CERA C	CK725F1E-104Z1	1	332161040R1
PCB4	C8505	C-CERA C	CK725F1E-104Z1	1	332161040R1
PCB4	C8506	C-CERA C	CK725F1E-104Z1	1	332161040R1
PCB4	C8507	C-CERA C	CK725F1E-104Z1	1	332161040R1
PCB4	C8508	C-CERA C	CK725B1H-103K1	1	332101035R1
PCB4	C8509	C-CERA C	CK725B1H-103K1	1	332101035R1
PCB4	C8510	C-CERA C	CK725B1H-103K1	1	332101035R1
PCB4	C8511	C-CERA C	CK725B1H-103K1	1	332101035R1
PCB4	C8512	C-CERA C	CK725B1H-103K1	1	332101035R1
PCB4	C8513	C-CERA C	CK725B1H-103K1	1	332101035R1
PCB4	C8514	C-CERA C	CK725F1E-104Z1	1	332161040R1
PCB4	C8515	C-CERA C	CK725F1E-104Z1	1	332161040R1
PCB4	C8516	C-CERA C	CK725B1H-103K1	1	332101035R1
PCB4	C8517	C-CERA C	CK725B1H-103K1	1	332101035R1
PCB4	C8518	C-CERA C	CK725B1H-103K1	1	332101035R1
PCB4	C8519	C-CERA C	CK725B1H-103K1	1	332101035R1

PCB4	C8520	C-CERA C	CK725F1E-104Z1	1	332161040R1	
PCB4	C8521	C-CERA C	CK725F1E-104Z1	1	332161040R1	
PCB4	C8522	C-CERA C	CK725F1E-104Z1	1	332161040R1	
PCB4	C8523	C-CERA C	CK725F1E-104Z1	1	332161040R1	
PCB4	C8802	C-CERA C	CK725B1H-223K1	1	332102235R1	
PCB4	C8803	C-CERA C	CK725F1E-104Z1	1	332161040R1	
PCB4	C8805	C-CERA C	CK725F1E-104Z1	1	332161040R1	
PCB4	C8808	C-CERA C	CK725F1E-104Z1	1	332161040R1	
PCB4	C8810	C-CERA C	CK725F1E-104Z1	1	332161040R1	
PCB4	C8812	C-CERA C	CK725B0J-106K	1	332091065R2	
PCB4	C8813	C-CERA C	CK725F1E-104Z1	1	332161040R1	
PCB4	C8815	C-CERA C	CK725F1E-104Z1	1	332161040R1	
PCB4	C8816	C-CERA C	CK725B0J-106K	1	332091065R2	
PCB4	C8817	C-CERA C	CK725F1E-104Z1	1	332161040R1	
PCB4	C8818	C-CERA C	CK725F1E-104Z1	1	332161040R1	
PCB4	C8821	C-CERA C	CK725F1E-104Z1	1	332161040R1	
PCB4	C8800	CD C	UCD1E221MNL1GS	1	396652217R2	
PCB4	C8801	CD C	UCD1E221MNL1GS	1	396652217R2	
PCB4	C218	CHIP ELECT C	CEWX4V-220M	1	3981G2217R2	
PCB4	C235	CHIP ELECT C	CEWX4V-220M	1	3981G2217R2	
PCB4	C237	CHIP ELECT C	CEWX4V-100M	1	3981G1017R2	
PCB4	C241	CHIP ELECT C	CEWX4V-220M	1	3981G2217R2	
PCB4	C281	CHIP ELECT C	CEWX4V-220M	1	3981G2217R2	
PCB4	C284	CHIP ELECT C	CEWX4V-220M	1	3981G2217R2	
PCB4	C8501	CHIP ELECT C	CEWX50V-4.7M	1	398180477R2	
PCB4	C8804	CHIP ELECT C	CEWT10V-470M	1	395734717R2	
PCB4	C8806	CHIP ELECT C	CEWX16V-10M	1	398141007R2	
PCB4	C8807	CHIP ELECT C	CEWX4V-100M	1	3981G1017R2	
PCB4	C8809	CHIP ELECT C	CEWX16V-10M	1	398141007R2	
PCB4	C8811	CHIP ELECT C	CEWX4V-100M	1	3981G1017R2	
PCB4	C8814	CHIP ELECT C	CEWX4V-100M	1	3981G1017R2	
PCB4						
PCB4	[RESISTOR]					

PCB4	R200	C-CARBON R	RN72K1J-221JE	1	435032214R1
PCB4	R201	C-CARBON R	RN72K1J-103JE	1	435031034R1
PCB4	R202	C-CARBON R	RN72K1J-103JE	1	435031034R1
PCB4	R203	C-CARBON R	RN72K1J-103JE	1	435031034R1
PCB4	R204	C-CARBON R	RN72K1J-103JE	1	435031034R1
PCB4	R205	C-CARBON R	RN72K1J-103JE	1	435031034R1
PCB4	R206	C-CARBON R	RN72K1J-221JE	1	435032214R1
PCB4	R207	C-CARBON R	RN72K1J-221JE	1	435032214R1
PCB4	R208	C-CARBON R	RN72K1J-103JE	1	435031034R1
PCB4	R209	C-CARBON R	RN72K1J-470JE	1	435034704R1
PCB4	R221	C-CARBON R	RN72K1J-750JE	1	435037504R1
PCB4	R250	C-CARBON R	RN72K1J-221JE	1	435032214R1
PCB4	R251	C-CARBON R	RN72K1J-221JE	1	435032214R1
PCB4	R252	C-CARBON R	RN72K1J-331JE	1	435033314R1
PCB4	R253	C-CARBON R	RN72K1J-470JE	1	435034704R1
PCB4	R254	C-CARBON R	RN72K1J-470JE	1	435034704R1
PCB4	R255	C-CARBON R	RN72K1J-470JE	1	435034704R1
PCB4	R256	C-CARBON R	RN72K1J-470JE	1	435034704R1
PCB4	R257	C-CARBON R	RN72K1J-470JE	1	435034704R1
PCB4	R258	C-CARBON R	RN72K1J-103JE	1	435031034R1
PCB4	R259	C-CARBON R	RN72K1J-331JE	1	435033314R1
PCB4	R260	C-CARBON R	RN72K1J-470JE	1	435034704R1
PCB4	R261	C-CARBON R	RN72K1J-470JE	1	435034704R1
PCB4	R265	C-CARBON R	RN72K1J-331JE	1	435033314R1
PCB4	R266	C-CARBON R	RN72K1J-331JE	1	435033314R1
PCB4	R267	C-CARBON R	RN72K1J-470JE	1	435034704R1
PCB4	R268	C-CARBON R	RN72K1J-221JE	1	435032214R1
PCB4	R269	C-CARBON R	RN72K1J-470JE	1	435034704R1
PCB4	R270	C-CARBON R	RN72K1J-000JE	1	435030004R1
PCB4	R272	C-CARBON R	RN72K1J-105JE	1	435031054R1
PCB4	R273	C-CARBON R	RN72K1J-103JE	1	435031034R1
PCB4	R281	C-CARBON R	RN72K1J-103JE	1	435031034R1
PCB4	R282	C-CARBON R	RN72K1J-103JE	1	435031034R1

PCB4	R283	C-CARBON R	RN72K1J-103JE	1	435031034R1
PCB4	R284	C-CARBON R	RN72K1J-103JE	1	435031034R1
PCB4	R285	C-CARBON R	RN72K1J-103JE	1	435031034R1
PCB4	R286	C-CARBON R	RN72K1J-331JE	1	435033314R1
PCB4	R287	C-CARBON R	RN72K1J-103JE	1	435031034R1
PCB4	R288	C-CARBON R	RN72K1J-103JE	1	435031034R1
PCB4	R289	C-CARBON R	RN72K1J-472JE	1	435034724R1
PCB4	R290	C-CARBON R	RN72K1J-472JE	1	435034724R1
PCB4	R8101	C-CARBON R	RN72K1J-102JE	1	435031024R1
PCB4	R8102	C-CARBON R	RN72K1J-473JE	1	435034734R1
PCB4	R8103	C-CARBON R	RN72K1J-473JE	1	435034734R1
PCB4	R8104	C-CARBON R	RN72K1J-393JE	1	435033934R1
PCB4	R8105	C-CARBON R	RN72K1J-000JE	1	435030004R1
PCB4	R8201	C-CARBON R	RN72K1J-102JE	1	435031024R1
PCB4	R8202	C-CARBON R	RN72K1J-473JE	1	435034734R1
PCB4	R8203	C-CARBON R	RN72K1J-473JE	1	435034734R1
PCB4	R8204	C-CARBON R	RN72K1J-393JE	1	435033934R1
PCB4	R8205	C-CARBON R	RN72K1J-000JE	1	435030004R1
PCB4	R8301	C-CARBON R	RN72K1J-102JE	1	435031024R1
PCB4	R8302	C-CARBON R	RN72K1J-473JE	1	435034734R1
PCB4	R8303	C-CARBON R	RN72K1J-473JE	1	435034734R1
PCB4	R8304	C-CARBON R	RN72K1J-393JE	1	435033934R1
PCB4	R8305	C-CARBON R	RN72K1J-000JE	1	435030004R1
PCB4	R8401	C-CARBON R	RN72K1J-473JE	1	435034734R1
PCB4	R8402	C-CARBON R	RN72K1J-182JE	1	435031824R1
PCB4	R8403	C-CARBON R	RN72K1J-182JE	1	435031824R1
PCB4	R8416	C-CARBON R	RN72K1J-000JE	1	435030004R1
PCB4	R8501	C-CARBON R	RN72K1J-473JE	1	435034734R1
PCB4	R8503	C-CARBON R	RN72K1J-472JE	1	435034724R1
PCB4	R8504	C-CARBON R	RN72K1J-472JE	1	435034724R1
PCB4	R8505	C-CARBON R	RN72K1J-102JE	1	435031024R1
PCB4	R8506	C-CARBON R	RN72K1J-102JE	1	435031024R1
PCB4	R8801	C-CARBON R	RN72K1J-333JE	1	435033334R1

PCB4	R8802	C-CARBON R	RN72K1J-332JE	1	435033324R1	
PCB4	R8803	C-CARBON R	RN72K1J-152JE	1	435031524R1	
PCB4	R8804	C-CARBON R	RN72K1J-152JE	1	435031524R1	
PCB4	R8805	C-CARBON R	RN72K1J-000JE	1	435030004R1	
PCB4	R8806	C-CARBON R	RN72K1J-393JE	1	435033934R1	
PCB4	R8807	C-CARBON R	RN72K1J-393JE	1	435033934R1	
PCB4	R8808	C-CARBON R	RN72K1J-333JE	1	435033334R1	
PCB4	R8810	C-CARBON R	RN72K1J-103JE	1	435031034R1	
PCB4	R8811	C-CARBON R	RN72K1J-222JE	1	435032224R1	
PCB4	R8812	C-CARBON R	RN72K1J-222JE	1	435032224R1	
PCB4	R8821	C-CARBON R	RN72K1J-101JE	1	435031014R1	
PCB4						
PCB4	[SW TRM]					
PCB4	JL801B	WIRE TRAP	NPLG-5P588	1	25055626	NSP
PCB4	P202	PLUG	IMSA-9111B-16	1	25056620	
PCB4	P8001B	SOCKET	IMSA-9111S-24L	1	25053259	
PCB4	P8002	SOCKET	YKF45-7037V	1	25053253R3	
PCB4	P8003	SOCKET	YKF45-7037V	1	25053253R3	
PCB4	P8004	SOCKET	YKF45-7037V	1	25053253R3	
PCB4	P8005	SOCKET	YKF45-7037V	1	25053253R3	

ONKYO CORPORATION

Sales & Product Planning Div. : 2-1, Nisshin-cho, Neyagawa-shi, OSAKA 572-8540, JAPAN
Tel: 072-831-8023 Fax: 072-831-8163

ONKYO U.S.A. CORPORATION

18 Park Way, Upper Saddle River, N.J. 07458, U.S.A.
Tel: 201-785-2600 Fax: 201-785-2650 <http://www.us.onkyo.com/>

ONKYO EUROPE ELECTRONICS GmbH

Liegnitzerstrasse 6, 82194 Groebenzell, GERMANY
Tel: +49-8142-4401-0 Fax: +49-8142-4401-555 <http://www.eu.onkyo.com/>

ONKYO EUROPE UK Office

Suite 1, Gregories Court, Gregories Road, Beaconsfield, Buckinghamshire, HP9 1HQ
UNITED KINGDOM Tel: +44-(0)1494-681515 Fax: +44(0)-1494-680452

ONKYO CHINA LIMITED

Units 2102-2107, Metroplaza Tower I, 223 Hing Fong Road, Kwai Chung,
N.T., HONG KONG Tel: 852-2429-3118 Fax: 852-2428-9039
<http://www.ch.onkyo.com/>

