



# SFERA NEW - SFERA ROBUR

## Basic speaker module

351000

### Description

Basic speaker module for the creation of 2 WIRE audio systems. Fitted with loudspeaker and microphone volume adjustment.

It manages up to 100 pushbutton calls using additional double row pushbuttons.

It can be used for opening an electrical door lock directly connected to the S+ and S- clamps (18 V 4 A impulsive - 250 mA holding current 30 Ohm max) and the connection to a local door lock release pushbutton on the PL clamps. To be completed with surround plate. The device must be physically configured.

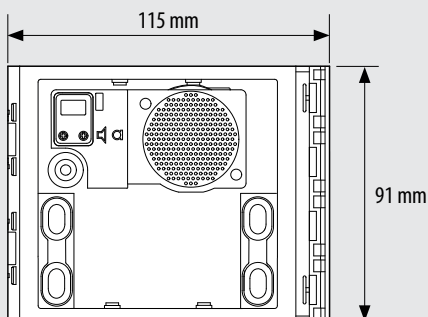
### Related items

- 351001 Sfera New speaker module front cover - Allmetal (IK 08)
- 351002 Sfera New speaker module front cover - Allwhite (IK 08)
- 351003 Sfera New speaker module front cover - Allstreet (IK 08)
- 351011 Sfera New speaker module front cover, 1 pushbutton - Allmetal (IK 08)
- 351012 Sfera New speaker module front cover, 1 pushbutton - Allwhite (IK 08)
- 351013 Sfera New speaker module front cover, 1 pushbutton - Allstreet (IK 08)
- 351021 Sfera New speaker module front cover, 2 pushbuttons - Allmetal (IK 08)
- 351022 Sfera New speaker module front cover, 2 pushbuttons - Allwhite (IK 08)
- 351023 Sfera New speaker module front cover, 2 pushbuttons - Allstreet (IK 08)
- 351041 Sfera New speaker module f/cover, 2 pushbuttons on double column - Allmetal (IK 08)
- 351042 Sfera New speaker module f/cover, 2 pushbuttons on double column - Allwhite (IK 08)
- 351043 Sfera New speaker module f/cover, 2 pushbuttons on double column - Allstreet (IK 08)
- 351081 Sfera New speaker module f/cover, 4 pushbuttons on double column - Allmetal (IK 08)
- 351082 Sfera New speaker module f/cover, 4 pushbuttons on double column - Allwhite (IK 08)
- 351083 Sfera New speaker module f/cover, 4 pushbuttons on double column - Allstreet (IK 08)
- 351005 Sfera Robur speaker module front cover (IK 10)
- 351015 Sfera Robur speaker module front cover, 1 pushbutton (IK 10)
- 351025 Sfera Robur speaker module front cover, 2 pushbuttons (IK 10)
- 51045 Sfera Robur speaker module front cover, 2 pushbuttons on double column (IK 10)
- 351085 Sfera Robur speaker module front cover, 4 pushbuttons on double column (IK 10)

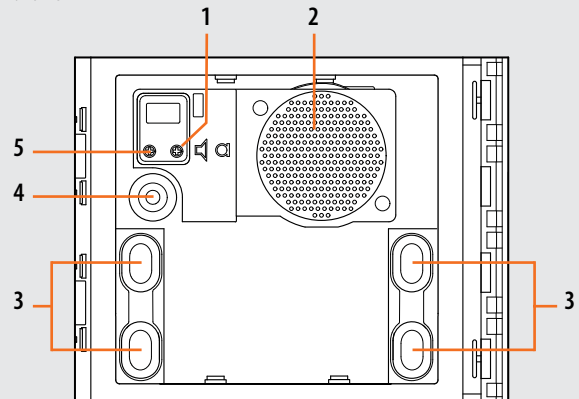
### Technical data

Power supply from SCS BUS:	18 – 27 Vdc
Stand by absorption:	15 mA
Max. operating absorption:	65 mA
Operating temperature:	(-25) – (+70) °C
Protection index (pushbutton panel assembled):	IP 54

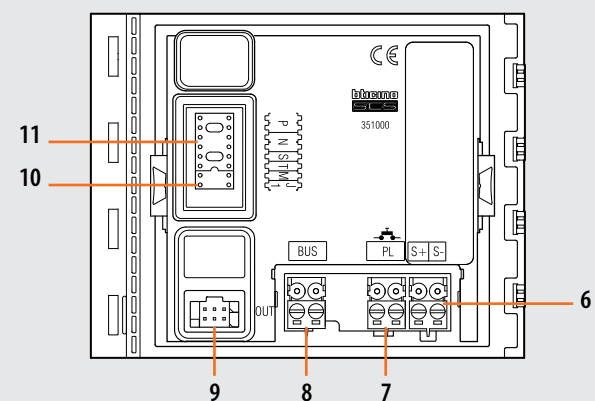
### Dimensional data



Front view



Rear view



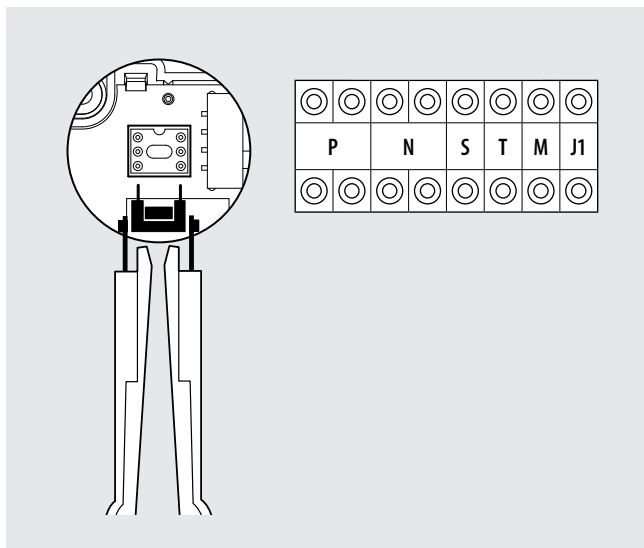
### Legend

1. Microphone volume adjustment
2. Loudspeaker
3. Call pushbuttons
4. Microphone
5. Loudspeaker volume adjustment
6. Plug-in clamps for the connection and control of the electrical door lock (18 V 4 A impulsive 250 mA holding current 30 ohm max)
7. Plug-in clamps for the connection of the local door lock release pushbutton
8. Plug-in clamps for 2 WIRE SCS/BUS connection
9. Connector for the connection to subsequent pushbutton modules
10. Jumper J1: when connected it enables the right pushbutton column. When disconnected it enables the left pushbutton column
11. Configurator socket

BT00595-a-EN

**Configuration**

The device must be configured with physical configurator connection to the appropriate sockets as follows:



**P - entrance panel number**

The configurator in socket P of the speaker module assigns to this a recognition number inside the system. The numbering of the entrance panels must always start from P=0. The entrance panel configured with P=0 must be a common (or main) entrance panel.

**N - call number**

Assigns the correspondence between the entrance panel pushbuttons and the audio handsets or video handsets.

In common entrance panels made using pushbutton modules, 1 must be inserted in N of the speaker module. The number of the first riser handset must be inserted in the local entrance panels.

**S - type of call signal**

The configuration of S determines the call tone of handsets. One can thus differentiate the calls from different entrance panels.

For the SWING, PIVOT, POLYX and AXOLUTE handsets, S associates the Entrance panel to the bell programmed in the same apartment. It is possible to chose between 16 different preset bells.

For the SPRINT handsets, S sets the call ringtone, according to the following table:

Configurator	0	1	2	3
Type of bell	2-tone	2-tone	2-tone	One-tone
	1200 Hz	1200 Hz	1200 Hz	1200 Hz
	600 Hz	0 Hz	2400 Hz	

In one-family systems S=9 to configure the general call.

**T - door lock relay timing**

Configurator	0 = no configurator	1	2	3	4*	5	6	7
	4 sec.	1 sec	2 sec	3 sec	as pushbutt.	6 sec	8 sec	10 sec

\* Operation as pushbutton for 10 sec. max after which it goes in stand-by. In order to extend this type of operation over 10 seconds, use the actuator, item 346200 configured with MOD = 5.

**M - enabling/disabling of call tones and door lock release tones**

The M configurations gives the possibility of managing the entrance panel call and door lock release tones according to the following table:

Configurator	0	1	2	3
Tone status	All tones enabled	Door lock tone disabled	Call tone disabled	All tones disabled

**J1 - activation of call pushbutton columns**

The J1 configurator gives the possibility of managing the Call pushbuttons of the speaker module as follows:

**J1 CONNECTED** = Only the right pushbutton column is enabled

**J1 DISCONNECTED** = Both pushbutton columns are enabled (right + left)



# SFERA NEW - SFERA ROBUR

## Speaker module

351100

### Description

Speaker module for the creation of 2 WIRE audio & video systems. Fitted with loudspeaker and microphone volume adjustment. It can manage up to 100 pushbutton calls when using additional double row pushbutton modules. It can be used for opening an electrical door lock directly connected to the S+ and S- clamps (18 V 4 A impulsive - 250 mA holding current 30 Ohm max) and the connection to a local door lock release pushbutton on the PL clamps. Preset for additional power supply. Fitted with front LEDs for the notification of the operating status: door lock release, communication active, call put through, and system busy. Integrated optic sensor for the switching on of the night backlighting. To be completed with surround plate. The device can be configured either physically or using the PC and the TiSferaDesign software.

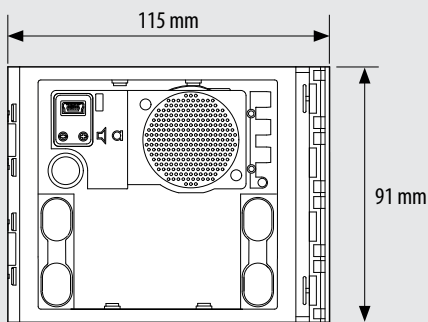
### Related items

- 351101 Sfera New speaker module front cover - Allmetal (IK 08)
- 351102 Sfera New speaker module front cover - Allwhite (IK 08)
- 351103 Sfera New speaker module front cover - Allstreet (IK 08)
- 351111 Sfera New speaker module front cover, 1 pushbutton - Allmetal (IK 08)
- 351112 Sfera New speaker module front cover, 1 pushbutton - Allwhite (IK 08)
- 351113 Sfera New speaker module front cover, 1 pushbutton - Allstreet (IK 08)
- 351121 Sfera New speaker module front cover, 2 pushbuttons - Allmetal (IK 08)
- 351122 Sfera New speaker module front cover, 2 pushbuttons - Allwhite (IK 08)
- 351123 Sfera New speaker module front cover, 2 pushbuttons - Allstreet (IK 08)
- 351141 Sfera New speaker module f/cover, 2 pushbuttons on double column - Allmetal (IK 08)
- 351142 Sfera New speaker module f/cover, 2 pushbuttons on double column - Allwhite (IK 08)
- 351143 Sfera New speaker module f/cover, 2 pushbuttons on double column - Allstreet (IK 08)
- 351181 Sfera New speaker module f/cover, 4 pushbuttons on double column - Allmetal (IK 08)
- 351182 Sfera New speaker module f/cover, 4 pushbuttons on double column - Allwhite (IK 08)
- 351183 Sfera New speaker module f/cover, 4 pushbuttons on double column - Allstreet (IK 08)
- 351105 Sfera Robur speaker module front cover (IK 10)
- 351115 Sfera Robur speaker module front cover, 1 pushbutton (IK 10)
- 351125 Sfera Robur speaker module front cover, 2 pushbuttons (IK 10)
- 351145 Sfera Robur speaker module front cover on double column, 2 pushbuttons (IK 10)
- 351185 Sfera Robur speaker module front cover on double column, 4 pushbuttons (IK 10)

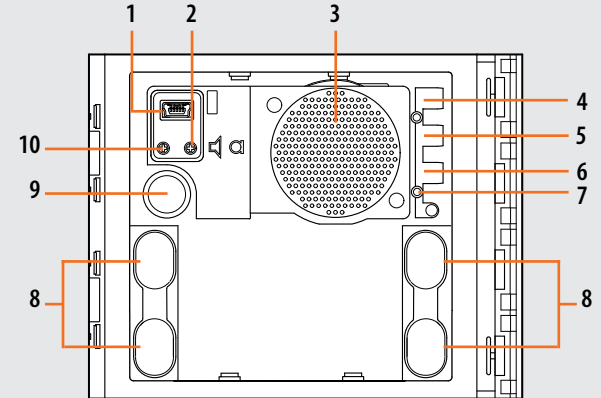
### Technical data

Power supply from SCS BUS:	18 - 27 Vdc
Stand by absorption (with backlighting LEDs off):	10 mA
Stand by absorption (with backlighting LEDs on):	15 mA
Max. operating absorption:	65 mA
Operating temperature:	(-25) - (+70) °C
Protection index (pushbutton panel assembled):	IP 54

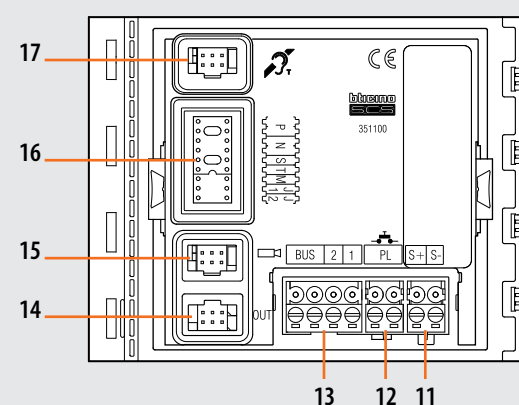
### Dimensional data



Front view



Rear view



### Legend

1. Mini-USB connector for the connection to the PC : download/upload the advanced configuration and device firmware update
2. Microphone volume adjustment
3. Loudspeaker
4. LED for door status notification. **GREEN ON = door open**
5. LED for communication status notification. **GREEN ON = active communication**
6. LED for system status notification. **GREEN ON = put through call**  
**RED ON = busy system**
7. Light sensor for automatic switching on of the night backlighting
8. Call pushbuttons
9. Microphone
10. Loudspeaker volume adjustment
11. Plug-in clamps for the connection and control of the electrical door lock (18 V 4 A impulsive 250 mA holding current 30 ohm max)
12. Plug-in clamps for the connection of the local door lock release pushbutton
13. Plug-in clamps for the connection of the local power supply and the 2 WIRE SCS BUS
14. Connector for the connection to subsequent pushbutton modules
15. Connector for the connection of the N&D 352400 camera module
16. Configurator socket
17. Connector for the connection of the 352700 inductive loop module

BT00596-a-EN

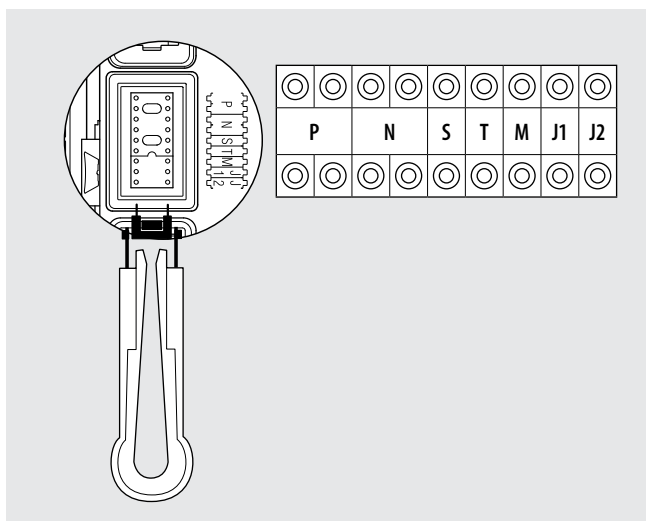
**Configuration**

The device must be configured. The configuration can be performed in two ways:

- Mode 1 - with physical configurator connection
- Mode 2 - with PC and software TiSferaDesign

**Mode 1**

Mode 1 requires the physical connection of the configurators to their sockets:



**P - entrance panel number**

The configurator in socket P of the speaker module assigns to this a recognition number inside the system. The numbering of the entrance panels must always start from P=0. The entrance panel configured with P=0 must be a common (or main) entrance panel.

**N - call number**

Assigns the correspondence between the entrance panel pushbuttons and the audio handsets or video handsets.

In common entrance panels made using pushbutton modules, 1 must be inserted in N of the speaker module. The number of the first riser handset must be inserted in the local entrance panels.

**S - type of call signal**

The configuration of S determines the call tone of handsets. One can thus differentiate the calls from different entrance panels.

For the SWING, PIVOT, POLYX and AXOLUTE handsets, S associates the Entrance panel to the bell programmed in the same apartment. It is possible to chose between 16 different preset bells.

For the SPRINT handsets, S sets the call ringtone, according to the following table:

Configurator	0	1	2	3
Type of bell	2-tone	2-tone	2-tone	One-tone
	1200 Hz	1200 Hz	1200 Hz	1200 Hz
	600 Hz	0 Hz	2400 Hz	

In one-family systems S=9 to configure the general call.

**T - door lock relay timing**

Configurator	0 = no configurator	1	2	3	4*	5	6	7
	4 sec	1 sec	2 sec	3 sec	as pushbutt.	6 sec	8 sec	10 sec

\* Operation as pushbutton for 10 sec. max after which it goes in stand-by.

In order to extend this type of operation over 10 seconds, use the actuator, item 346200 configured with MOD = 5.

**M - enabling/disabling of call tones and door lock release tones, and management of night backlighting always ON**

The M configurations gives the possibility of managing the entrance panel call and door lock release tones. It also gives the possibility of enabling night backlighting always ON (light sensor disabled) according to the following table:

Configurator	M = 0	M = 1	M = 2	M = 3
Tone status	All tones enabled	Door lock tone disabled	Call tone disabled	All tones disabled

Configurator	M = 4	M = 5	M = 6	M = 7
Backlighting status	All tones enabled ± backlighting always ON	Door lock tone disabled ± backlighting always ON	Call tone disabled ± backlighting always ON	All tones disabled ± backlighting always ON

**J1 - activation of call pushbutton columns**

The J1 configurator gives the possibility of managing the Call pushbuttons of the speaker module as follows:

- J1 CONNECTED = Only the right pushbutton column is enabled
- J1 DISCONNECTED = Both pushbutton columns are enabled (right + left)

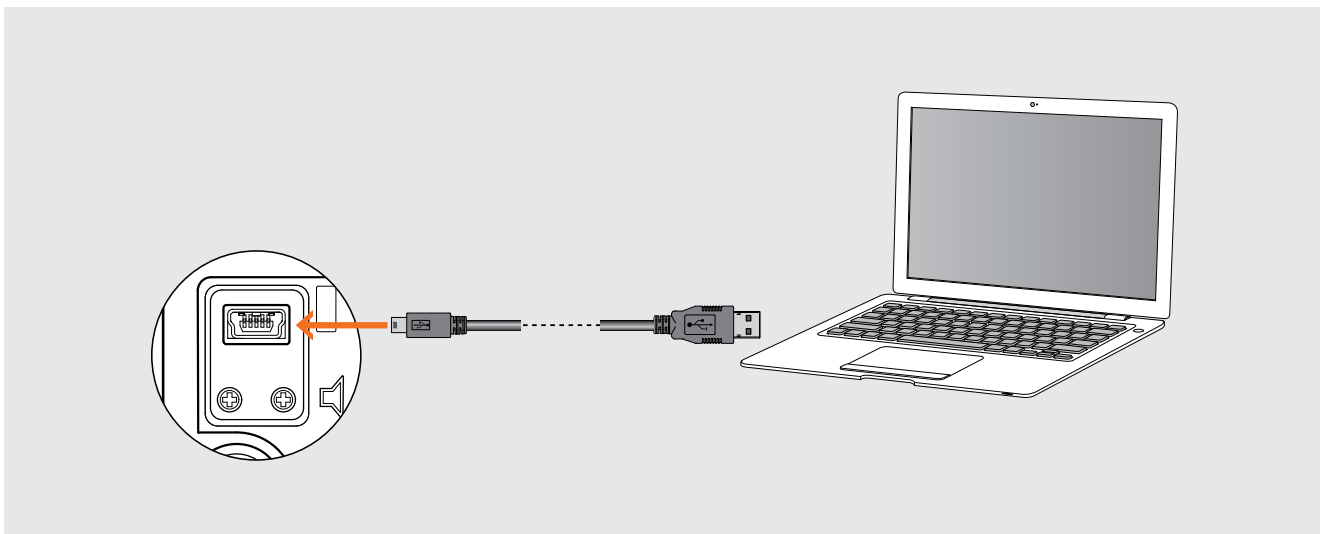
**J2 - additional EP power supply**

Configurator J2 gives the possibility of enabling the additional power supply (1-2) of the speaker module in the following mode :

- J2 CONNECTED = Additional power supply disabled
- J2 DISCONNECTED = Additional power supply enabled

**Mode 2**

**Mode 2 requires advanced configuration of the device**, performed using a PC and the TisferaDesign software (which can be downloaded free of charge from the [www.bticino.com](http://www.bticino.com)). For the connection to the PC use a USB - mini USB cable. The software gives the possibility of configuring, programming, and updating the firmware of the speaker module. The presence of the mini USB connection of the front of the speaker module gives the possibility of performing these operations without the need to disassemble the device.



**Warning:** In order to correctly send the configuration to the device, jumper (J1) must be removed. Also ensure that there are no configurators connected to the socket on the back of the module.



# SFERA NEW - SFERA ROBUR

## Audio video module

351200

### Description

Audio/video module for the installation of 2 WIRE colour video systems. With Colour camera with 1/3" sensor and white LEDs for the lighting of the shooting field. Mist prevention heating resistance. Loudspeaker and Microphone volume adjustments. It can manage up to 98 pushbutton calls using the additional double row pushbutton modules. Horizontal and vertical camera position adjustment, +/- 10° in both directions. It offers the possibility of opening an electrical door lock directly connected to clamps S+ and S- (18 V 4 A impulsive - 250 mA holding current 30 Ohm max) and of connecting a local door lock release pushbutton on clamps PL. Preset for additional power supply. Fitted with front LEDs for the notification of the operating status: door lock release, communication active, call put through, and system busy. Integrated optic sensor for the switching on of the night backlighting. To be completed with surround plate. The device must be configured physically or using a PC and the TiSferaDesign software.

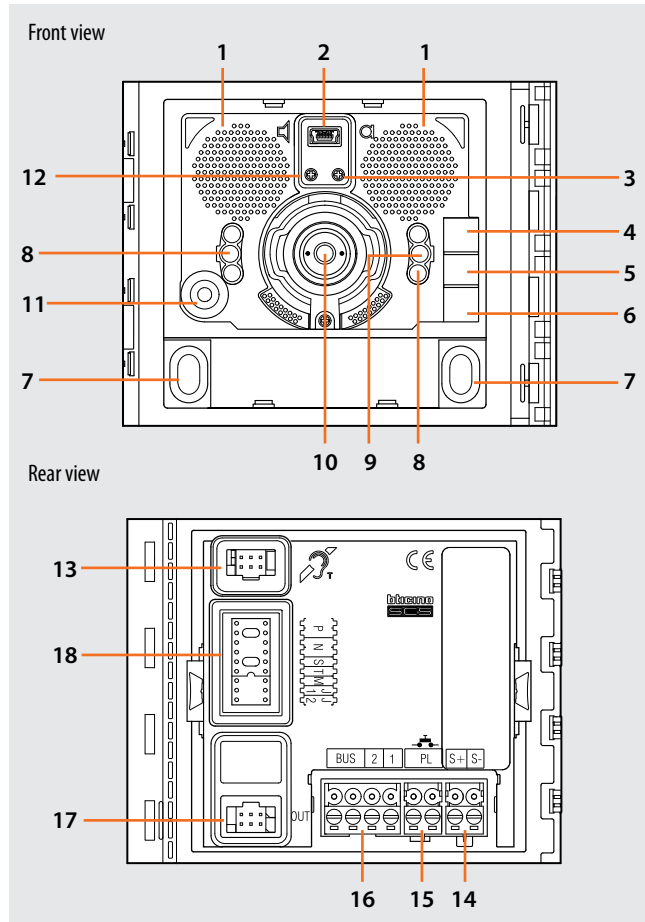
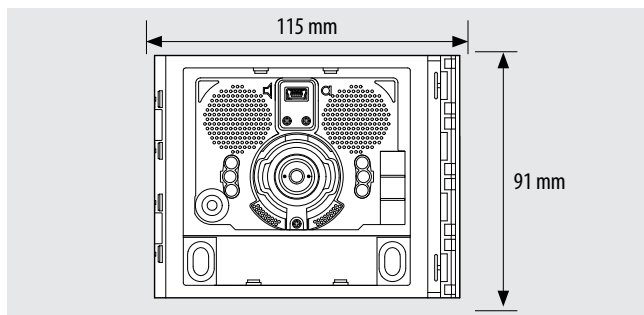
### Related items

- 351201 Sfera New A/V front cover - Allmetal (IK 08)
- 351202 Sfera New A/V front cover - Allwhite (IK 08)
- 351203 Sfera New A/V front cover - Allstreet (IK 08)
- 351211 Sfera New A/V front cover, 1 pushbutton - Allmetal (IK 08)
- 351212 Sfera New A/V front cover, 1 pushbutton - Allwhite (IK 08)
- 351213 Sfera New A/V front cover, 1 pushbutton - Allstreet (IK 08)
- 351221 Sfera New A/V front cover, 2 pushbuttons on double column - Allmetal (IK 08)
- 351222 Sfera New A/V front cover, 2 pushbuttons on double column - Allwhite (IK 08)
- 351223 Sfera New A/V front cover, 2 pushbuttons on double column - Allstreet (IK 08)
- 351205 Sfera Robur A/V front cover (IK 10)
- 351215 Sfera Robur A/V front cover, 1 pushbutton (IK 10)
- 351225 Sfera Robur A/V front cover, 2 pushbuttons on double column (IK 10)

### Technical data

Power supply from SCS BUS:	18 - 27 Vdc
Stand by absorption (with backlighting LEDs off):	15 mA
Stand by absorption (with backlighting LEDs on):	20 mA
Max. operating absorption:	140 mA
Colour sensor:	1/3"
Lens:	F2.5 f3.3 mm
Resolution:	330 TV lines (horizontal)
Illumination of the viewing field:	white LED
Brightness adjustment:	Automatic
Interlace:	2 : 1
Mist prevention heating resistance	
Operating temperature:	(-25) - (+70)°C
Protection index (pushbutton panel assembled):	IP 54

### Dimensional data



### Legend

1. Loudspeaker
2. Mini-USB connector for the connection to the PC : download/upload the advanced configuration and device firmware update
3. Microphone volume adjustment
4. LED for door status notification. **GREEN ON = door open**
5. LED for communication status notification. **GREEN ON = active communication**
6. LED for system status notification. **GREEN ON = put through call**  
**RED ON = busy system**
7. Call pushbuttons
8. White LEDs for night lighting of the shooting field
9. Light sensor for automatic switching on of the night backlighting
10. Colour camera
11. Microphone
12. Loudspeaker volume adjustment
13. Connector for the connection of the 352700 inductive loop module
14. Plug-in clamps for the connection and control of the electrical door lock (18 V 4 A impulsive 250 mA holding current 30 ohm max)
15. Plug-in clamps for the connection of the local door lock release pushbutton
16. Plug-in clamps for the connection of the local power supply and the 2 WIRE SCS BUS
17. Connector for the connection to subsequent modules
18. Configurator socket

BT00597-a-EN

**Configuration**

The device must be configured. The configuration can be performed in two ways :

- Mode 1 - with physical configurator connection
- Mode 2 - with PC and software TiSferaDesign

**Mode 1**

Mode 1 requires the physical connection of the configurators to their sockets

**P - entrance panel number**

The configurator in socket P of the speaker module assigns to this a recognition number inside the system. The numbering of the entrance panels must always start from P=0. The entrance panel configured with P=0 must be a common (or main) entrance panel.

**N - call number**

Assigns the correspondence between the entrance panel pushbuttons and the audio handsets or video handsets.

In common entrance panels made using pushbutton modules, 1 must be inserted in N of the speaker module. The number of the first riser handset must be inserted in the local entrance panels.

**S - type of call signal**

The configuration of S determines the call tone of handsets. One can thus differentiate the calls from different entrance panels.

For the SWING, PIVOT, POLYX and AXOLUTE handsets, S associates the Entrance panel to the bell programmed in the same apartment. It is possible to chose between 16 different preset bells.

For the SPRINT handsets, S sets the call ringtone, according to the following table:

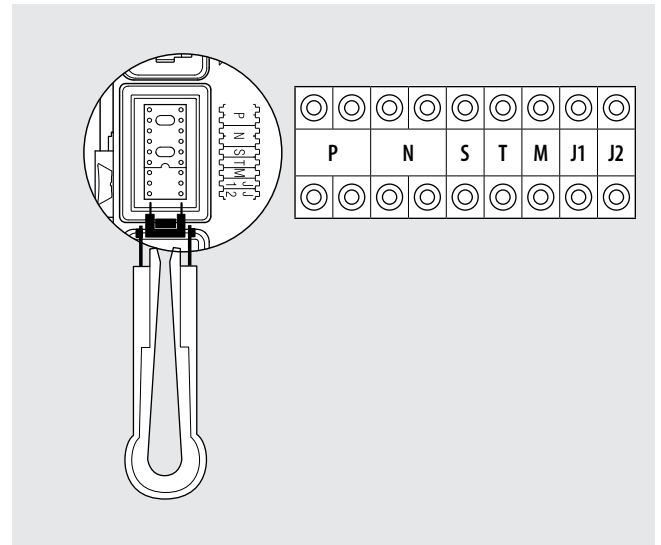
Configurator	0	1	2	3
Type of bell	2-tone	2-tone	2-tone	One-tone
	1200 Hz	1200 Hz	1200 Hz	1200 Hz
	600 Hz	0 Hz	2400 Hz	

In one-family systems S=9 to configure the general call.

**T - door lock relay timing**

	Configurator number						
0=no configurator	1	2	3	4*	5	6	7
4 sec	1 sec	2 sec	3 sec	as pushbutt.	6 sec	8 sec	10 sec

\*Operation as pushbutton for 10 sec. max, after which standby mode is activated. To extend operation time over 10 seconds, use actuator item 346200 configured with MOD=5.



**M - enabling/disabling of call tones, door lock release tones night lighting management always ON**

The M configurations gives the possibility of managing the entrance panel call and door lock release tones . It also gives the possibility of enabling night backlighting always ON (light sensor disabled) according to the following table:

Configurator	M=0	M=1	M=2	M=3
Tone status	All tones enabled	Door lock tone disabled	Call tone disabled	All tones disabled

Configurator	M=4	M=5	M=6	M=7
Night backlighting status	All tones enabled + backlighting always ON	Door lock tone disabled + backlighting always ON	Call tone disabled + backlighting always ON	All tones disabled + backlighting always ON

**J1 - activation of call pushbutton columns**

The J1 configurator gives the possibility of managing the Call pushbuttons of the speaker module as follows:

- J1 CONNECTED = Only the right pushbutton column is enabled
- J1 DISCONNECTED = Both pushbutton columns are enabled (right + left)

**J2 - additional EP power supply**

Configurator J2 gives the possibility of enabling the additional power supply (1-2) of the speaker module in the following mode :

- J2 CONNECTED = Additional power supply disabled
- J2 DISCONNECTED = Additional power supply enabled

BT00597-a-FN

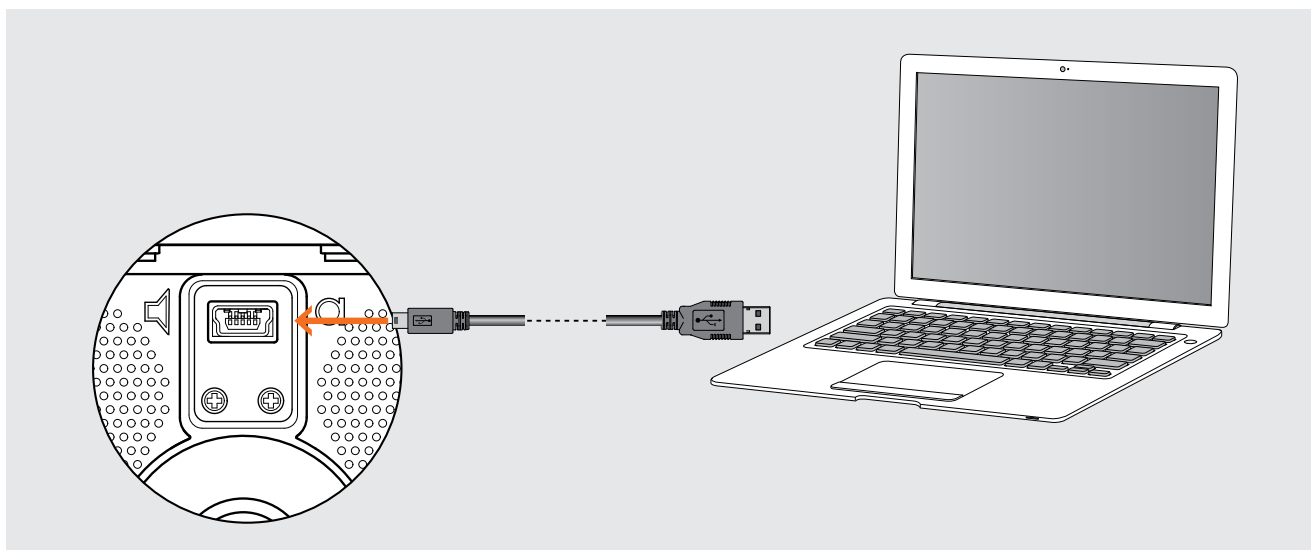


351200

**CONFIGURATION - Mode 2**

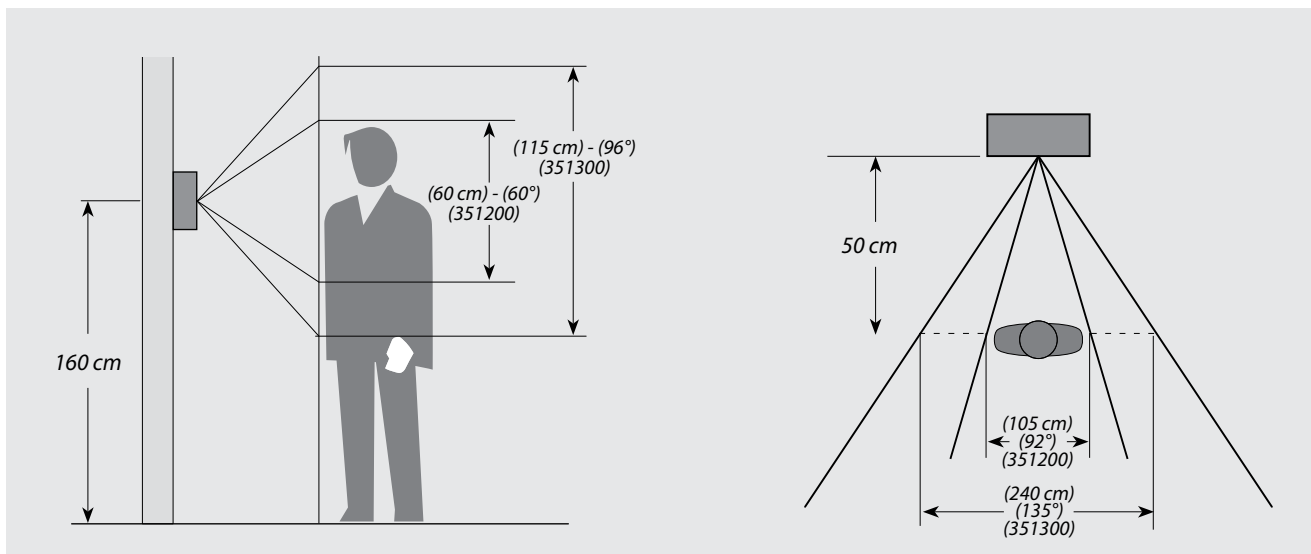
Mode 2 requires advanced configuration of the device, performed using a PC and the TiSferaDesign software (which can be downloaded free of charge from the [www.bticino.com](http://www.bticino.com)). For the connection to the PC use a USB - mini USB cable. The software gives the possibility of configuring, programming, and updating the firmware

of the speaker module. The presence of the mini USB connection of the front of the speaker module gives the possibility of performing these operations without the need to disassemble the device.



**Warning:** In order to correctly send the configuration to the device, jumper (J1) must be removed. Also ensure that there are no configurators connected to the socket on the back of the module.

**Camera shooting field**



BT00597-a-EN



# SFERA NEW - SFERA ROBUR

## Wide angle audio and video module

351300

### Description

Wide angle audio/video module for the installation of 2 WIRE colour video systems. With Colour camera with 1/3" sensor and white LEDs for the lighting of the shooting field. Mist prevention heating resistance. Loudspeaker and Microphone volume adjustments. It can manage up to 98 pushbutton calls using the additional double row pushbutton modules. It offers the possibility of opening an electrical door lock directly connected to clamps S+ and S- (18 V 4 A impulsive - 250 mA holding current 30 Ohm max) and of connecting a local door lock release pushbutton on clamps PL. Preset for additional power supply. Fitted with front LEDs for the notification of the operating status: door lock release, communication active, call put through, and system busy. Integrated optic sensor for the switching on of the night backlighting. To be completed with surround plate. The device must be configured physically or using a PC and the TISferaDesign software.

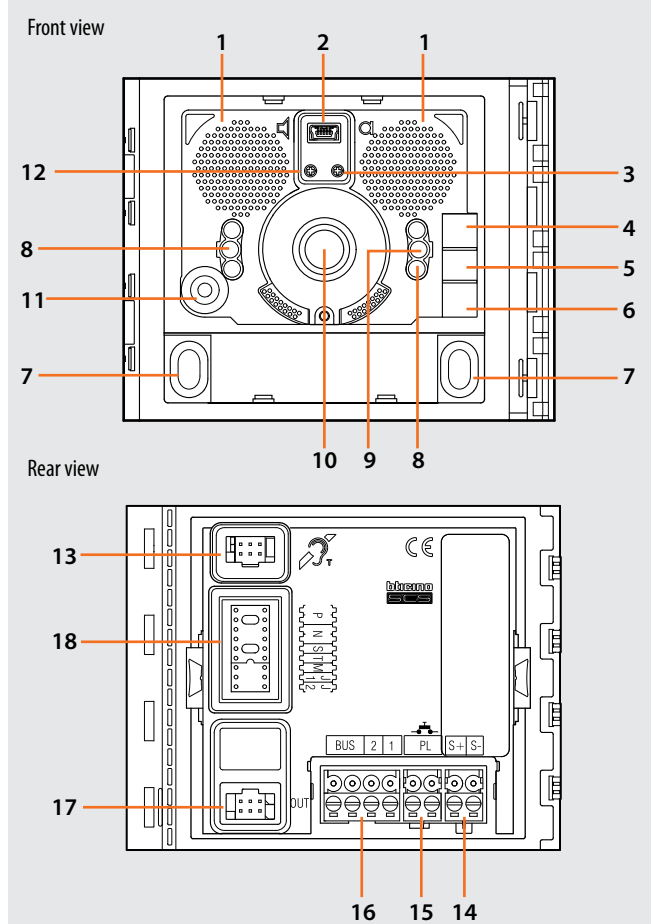
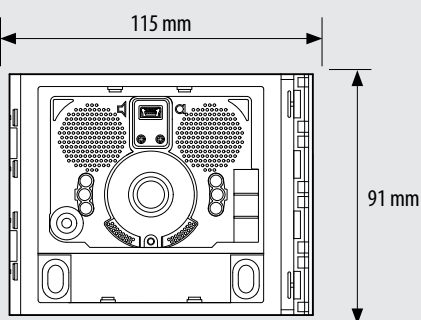
### Related items

- 351301 Sfera New wide angle A/V front cover - Allmetal (IK 08)
- 351302 Sfera New wide angle A/V front cover - Allwhite (IK 08)
- 351303 Sfera New wide angle A/V front cover - Allstreet (IK 08)
- 351311 Sfera New wide angle A/V front cover with 1 pushbutton - Allmetal (IK 08)
- 351312 Sfera New wide angle A/V front cover with 1 pushbutton - Allwhite (IK 08)
- 351313 Sfera New wide angle A/V front cover with 1 pushbutton - Allstreet (IK 08)
- 351321 Sfera New wide angle A/V f/cover with 2 pushbuttons on double row - Allmetal (IK 08)
- 351322 Sfera New wide angle A/V f/cover with 2 pushbuttons on double row - Allwhite (IK 08)
- 351323 Sfera New wide angle A/V f/cover with 2 pushbuttons on double row - Allstreet (IK 08)
- 351305 Sfera Robur wide angle A/V f/cover (IK 10)
- 351315 Sfera Robur wide angle A/V f/cover with 1 pushbutton (IK 10)
- 351325 Sfera Robur wide angle A/V f/cover with 2 pushbuttons on double row (IK 10)

### Technical data

Power supply from SCS BUS:	18 - 27 Vdc
Stand by absorption (with backlighting LEDs off):	15 mA
Stand by absorption (with backlighting LEDs on):	20 mA
Max. operating absorption:	140 mA
Colour sensor:	1/3"
Lens:	F2.5 f1.8 mm
Resolution:	330 TV lines (horizontal)
Illumination of the viewing field:	white LED
Brightness adjustment:	Automatic
Interlace:	2 : 1
Mist prevention heating resistance	
Operating temperature:	(-25) - (+70)°C
Protection index (pushbutton panel assembled):	IP 54

### Dimensional data



### Legend

1. Loudspeaker
2. Mini-USB connector for the connection to the PC : download/upload the advanced configuration and device firmware update
3. Microphone volume adjustment
4. LED for door status notification. GREEN ON = door open
5. LED for communication status notification. GREEN ON = active communication
6. LED for system status notification. GREEN ON = put through call  
RED ON= busy system
7. Call pushbuttons
8. White LEDs for night lighting of the shooting field
9. Light sensor for automatic switching on of the night backlighting
10. Wide angle colour camera
11. Microphone
12. Loudspeaker volume adjustment
13. Connector for the connection of the 352700 inductive loop module
14. Plug-in clamps for the connection and control of the electrical door lock (18 V 4 A impulsive 250 mA holding current 30 ohm max)
15. Plug-in clamps for the connection of the local door lock release pushbutton
16. Plug-in clamps for the connection of the local power supply and the 2 WIRE SCS BUS
17. Connector for the connection to subsequent modules
18. Configurator socket

BT00598-a-EN

**Configuration**

The device must be configured. The configuration can be performed in two ways :

**Mode 1 - with physical configurator connection**

**Mode 2 - with PC and software TISferaDesign**

**Mode 1**

Mode 1 requires the physical connection of the configurators to their sockets

**P - entrance panel number**

The configurator in socket P of the speaker module assigns to this a recognition number inside the system. The numbering of the entrance panels must always start from P=0. The entrance panel configured with P=0 must be a common (or main) entrance panel.

**N - call number**

Assigns the correspondence between the entrance panel pushbuttons and the audio handsets or video handsets.

In common entrance panels made using pushbutton modules, 1 must be inserted in N of the speaker module. The number of the first riser handset must be inserted in the local entrance panels.

**S - type of call signal**

The configuration of S determines the call tone of handsets.

One can thus differentiate the calls from different entrance panels.

For the SWING, PIVOT, POLYX and AXOLUTE handsets, S associates the Entrance panel to the bell programmed in the same apartment. It is possible to chose between 16 different preset bells.

For the SPRINT handsets, S sets the call ringtone, according to the following table:

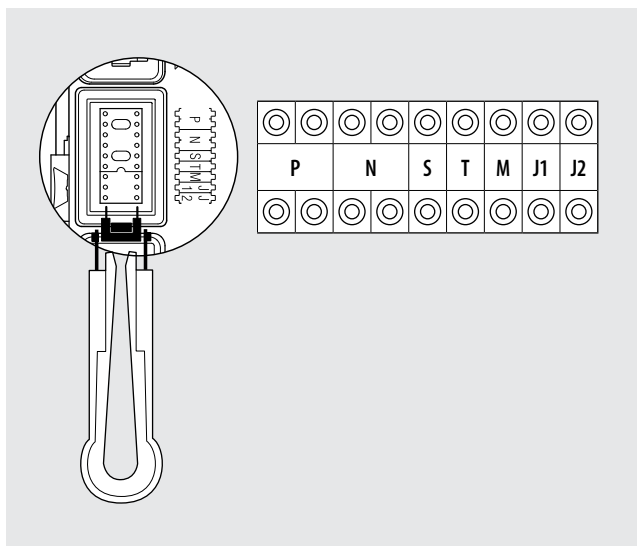
Configurator	0	1	2	3
Type of bell	2-tone	2-tone	2-tone	One-tone
	1200 Hz	1200 Hz	1200 Hz	1200 Hz
	600 Hz	0 Hz	2400 Hz	

In one-family systems S=9 to configure the general call.

**T - door lock relay timing**

	Configurator number							
0=no configurator	1	2	3	4*	5	6	7	
4 sec	1 sec	2 sec	3 sec	as pushbutt.	6 sec	8 sec	10 sec	

\*Operation as pushbutton for 10 sec. max after which standby mode is activated. To extend operation time over 10 seconds, use actuator item 346200 configured with MOD=5.



**M - enabling/disabling of call tones and door lock release tones, and management of night backlighting always ON**

The M configurations gives the possibility of managing the entrance panel call and door lock release tones. It also gives the possibility of enabling night backlighting always ON (light sensor disabled) according to the following table:

Configurator	M=0	M=1	M=2	M=3
Tone status	All tones enabled	Door lock tone disabled	Call tone disabled	All tones disabled

Configurator	M=4	M=5	M=6	M=7
Backlighting status	All tones enabled + backlighting always ON	Door lock tone disabled + backlighting always ON	Call tone disabled + backlighting always ON	All tones disabled + backlighting always ON

**J1 - activation of call pushbutton columns**

The J1 configurator gives the possibility of managing the Call pushbuttons of the speaker module as follows:

**J1 CONNECTED** = Only the right pushbutton column is enabled  
**J1 DISCONNECTED** = Both pushbutton columns are enabled (right + left)

**J2 - additional EP power supply**

Configurator J2 gives the possibility of enabling the additional power supply (1-2) of the speaker module in the following mode :

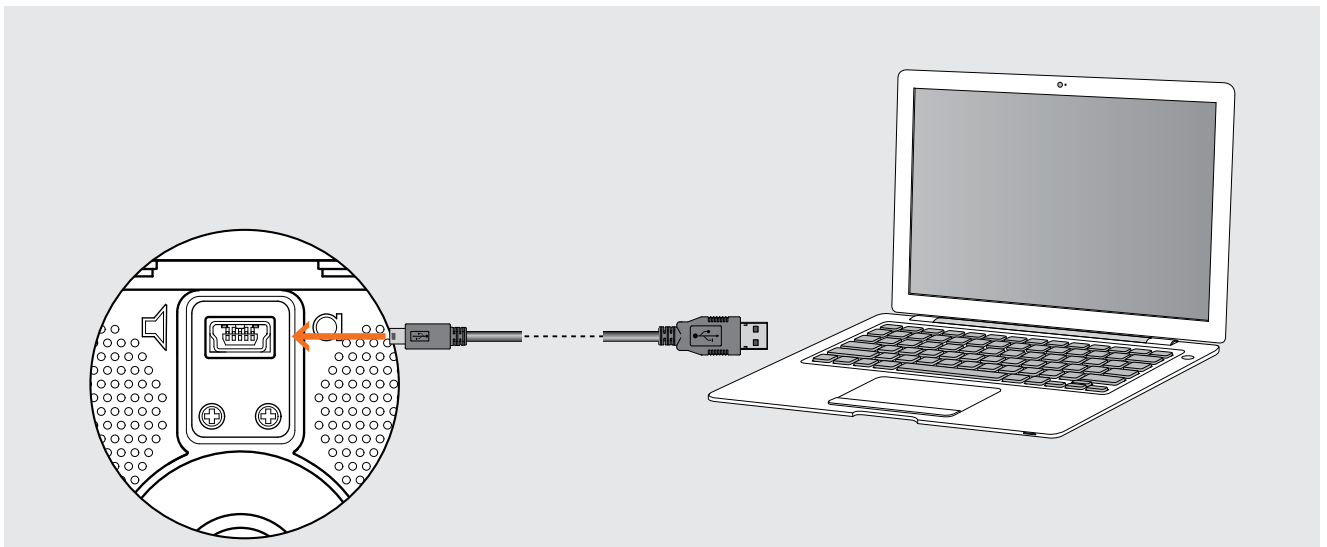
**J2 CONNECTED** = Additional power supply disabled  
**J2 DISCONNECTED** = Additional power supply enabled

BT00598-a-EN

**Configuration**

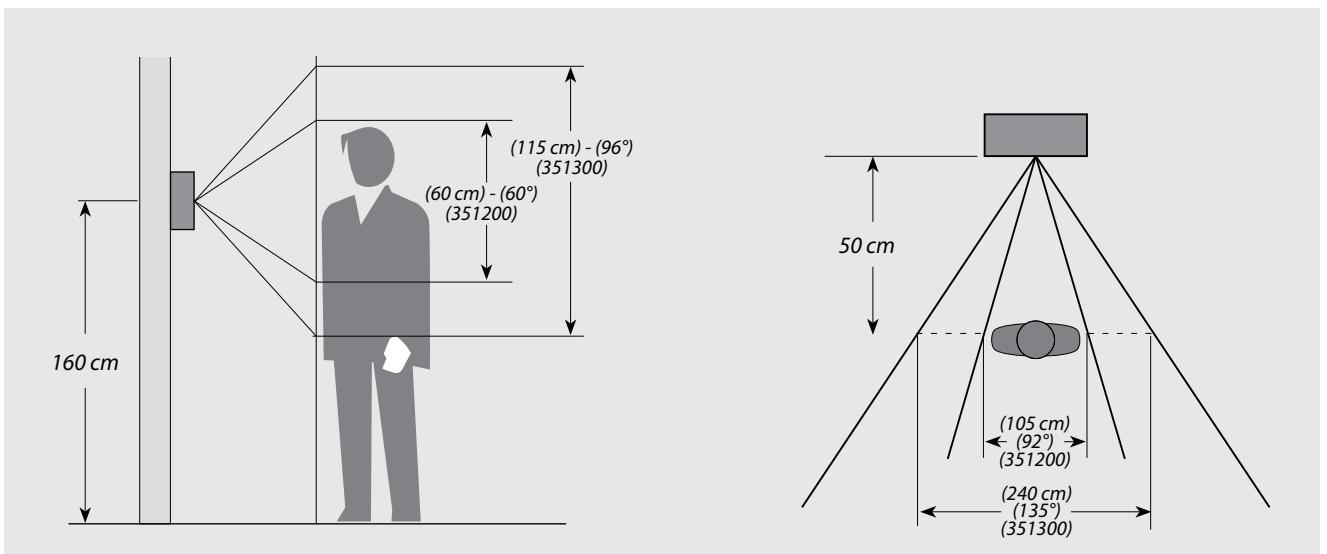
Mode 2 requires advanced configuration of the device, performed using a PC and the TiSferaDesign software (which can be downloaded free of charge from the [www.bticino.com](http://www.bticino.com)). For the connection to the PC use a USB - mini USB cable. The software gives the possibility of configuring, programming, and updating the firmware

of the speaker module. The presence of the mini USB connection of the front of the speaker module gives the possibility of performing these operations without the need to disassemble the device.



**Warning:** In order to correctly send the configuration to the device, jumper (J1) must be removed. Also ensure that there are no configurators connected to the socket on the back of the module.

**Camera shooting field**



BT00598-a-FN



# SFERA NEW - SFERA ROBUR

## 4-pushbutton module on single column

352000

### Description

Additional 4-pushbutton modules arranged on single column. To be used with speaker modules 351000 – 351100 and audio/video modules 351200 - 351300. Connection using the appropriate multicable supplied. Backlighting of nameplates controlled by the speaker module or the audio/video module connected. To be completed with surround plate.

The device must not be configured.

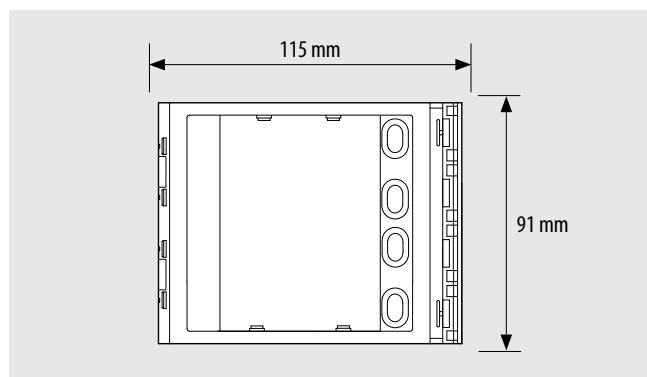
### Related items

- 352031 Sfera New cover plate for 3 pushbuttons on single column - Allmetal (IK 08)
- 352032 Sfera New cover plate for 3 pushbuttons on single column - Allwhite (IK 08)
- 352033 Sfera New cover plate for 3 pushbuttons on single column - Allstreet (IK 08)
- 352041 Sfera New cover plate for 4 pushbuttons on single column - Allmetal (IK 08)
- 352042 Sfera New cover plate for 4 pushbuttons on single column - Allwhite (IK 08)
- 352043 Sfera New cover plate for 4 pushbuttons on single column - Allstreet (IK 08)
- 352035 Sfera Robur cover plate for 3 pushbuttons on single column (IK 10)
- 352045 Sfera Robur cover plate for 4 pushbuttons on single column (IK 10)

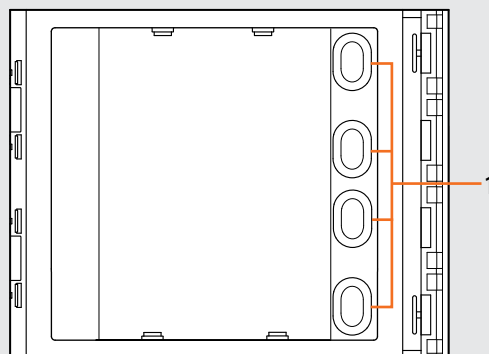
### Technical data

Power supply from SCS BUS:	18 - 27 Vdc
Stand by absorption with backlighting LEDs off:	1 mA
Stand by absorption with backlighting LEDs on:	7 mA
Max. operating absorption:	7 mA
Operating temperature:	(-25) – (+70)°C
Protection index (pushbutton panel assembled):	IP 54

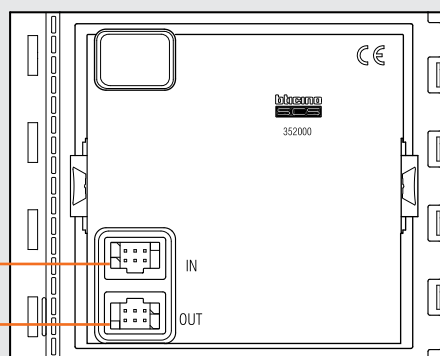
### Dimensional data



Front view



Rear view



### Legend

1. Call pushbuttons
2. Connector for the connection to subsequent pushbutton modules
3. Connector for the connection to previous modules

BT00599-a-EN



# SFERA NEW - SFERA ROBUR

## 8-pushbutton module on double column

352100

### Description

Additional 8-pushbutton modules arranged on double column. To be used with speaker modules 351000 – 351100 and audio/video modules 351200 - 351300. Connection using the appropriate multicable supplied. Backlighting of nameplates controlled by the speaker module or the audio/video module connected. To be completed with surround plate.

The device must not be configured.

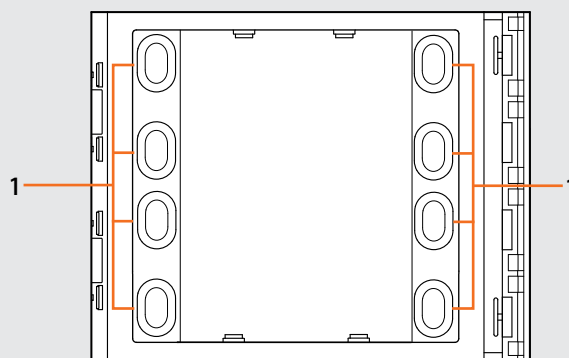
### Related items

- 352161 Sfera New cover plate for 6 pushbuttons on double column - Allmetal (IK 08)
- 352162 Sfera New cover plate for 6 pushbuttons on double column - Allwhite (IK 08)
- 352163 Sfera New cover plate for 6 pushbuttons on double column - Allstreet (IK 08)
- 352181 Sfera New cover plate for 8 pushbuttons on double column - Allmetal (IK 08)
- 352182 Sfera New cover plate for 8 pushbuttons on double column - Allwhite (IK 08)
- 352183 Sfera New cover plate for 8 pushbuttons on double column - Allstreet (IK 08)
- 352165 Sfera Robur cover plate for 6 pushbuttons on double column (IK 10)
- 352185 Sfera Robur cover plate for 8 pushbuttons on double column (IK 10)

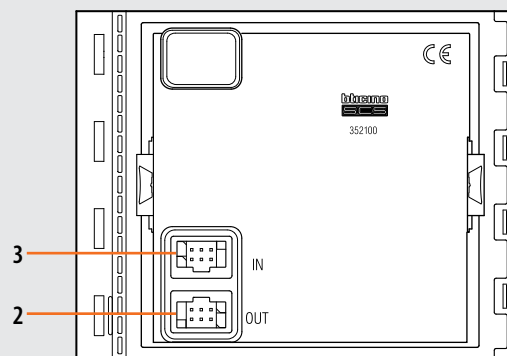
### Technical data

Power supply from SCS BUS :	18 - 27 Vdc
Stand by absorption with backlighting LEDs off:	1 mA
Stand by absorption with backlighting LEDs on:	7 mA
Max. operating absorption:	7 mA
Operating temperature:	(-25) – (+70)°C
Protection index (pushbutton panel assembled):	IP 54

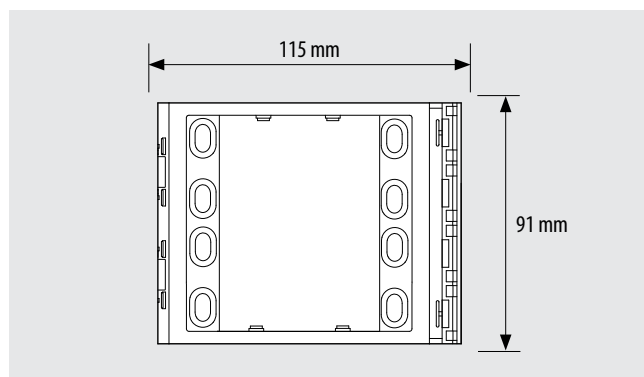
Front view



Rear view



### Dimensional data



### Legend

1. Call pushbuttons
2. Connector for the connection to subsequent pushbutton modules
3. Connector for the connection to previous modules

BT00600-a-EN



# SFERA NEW - SFERA ROBUR

## Nameplate module

352200

### Description

Nameplate module normally used for displaying the house number or other notifications (e.g. Legend for calls using digital pushbutton panels, opening/closing times, etc.). Connection using the appropriate multicable supplied. Night backlighting controlled by the speaker module or the audio/video module connected. To be completed with surround plate.

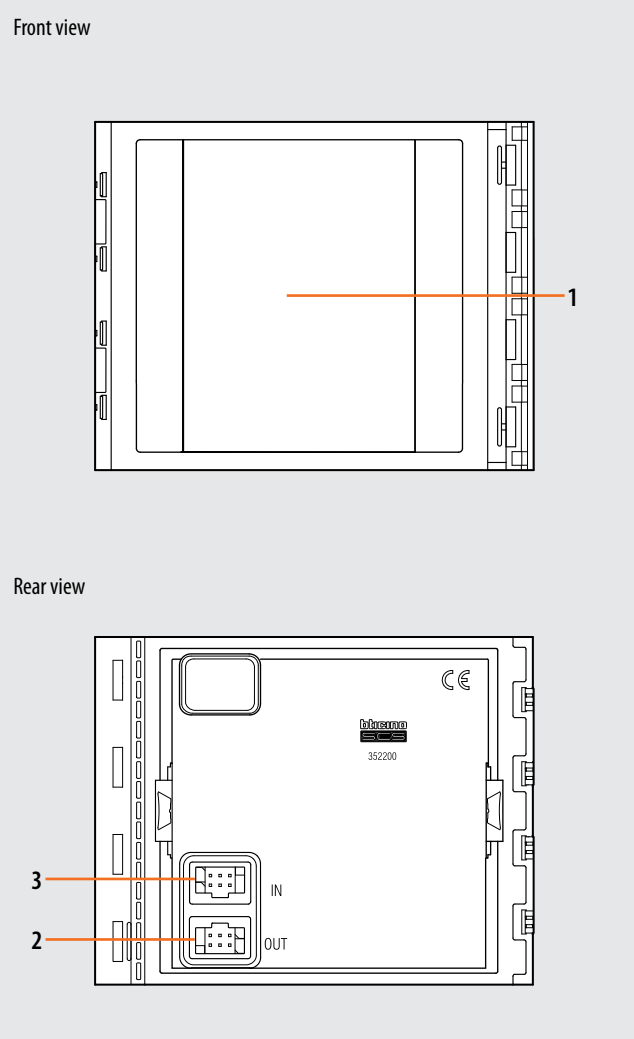
The device must not be configured.

### Related items

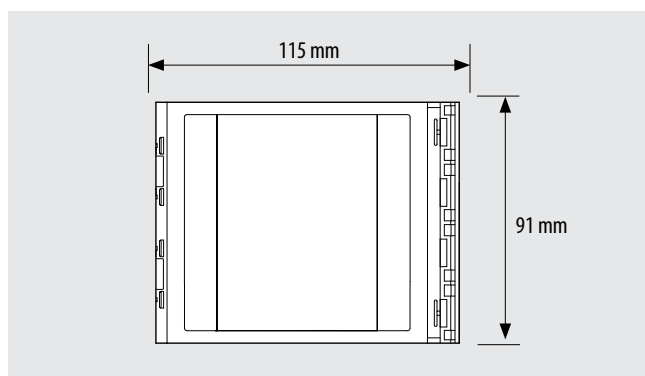
- 352201 Sfera New nameplate front cover - Allmetal (IK 08)
- 352202 Sfera New nameplate front cover - Allwhite (IK 08)
- 352203 Sfera New nameplate front cover - Allstreet (IK 08)
- 352205 Sfera Robur nameplate front cover (IK 10)

### Technical data

Power supply from SCS BUS:	18 - 27 Vdc
Stand by absorption with backlighting LEDs off:	0 mA
Stand by absorption with backlighting LEDs on:	6 mA
Operating temperature:	(-25) – (+70)°C
Protection index (pushbutton panel assembled):	IP 54



### Dimensional data



### Legend

1. Area used for entering information
2. Connector for the connection to subsequent modules
3. Connector for the connection to previous modules

BT00601-a-EN



# SFERA NEW - SFERA ROBUR

## N&D and wide angle camera module

352400

### Description

Night & Day and wide angle camera module for the installation of colour video systems. Fitted with 1/3" sensor with N&D function and automatic removal of the IR filter. IR LED for the lighting of the field of view. Mist prevention heating resistance. Automatic brightness adjustment. Connection to the speaker module (351100) using the multicable supplied. To be completed with surround plate.

**The device must not be configured. The device must not be configured.**

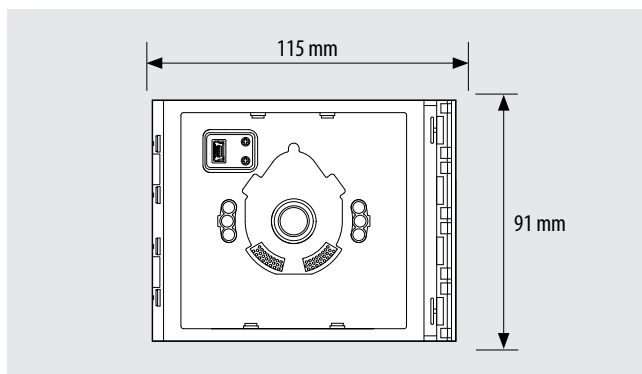
### Related items

- 352401 Sfera New front cover for N&D and wide angle camera - Allmetal (IK 08)
- 352402 Sfera New front cover for N&D and wide angle camera - Allwhite (IK 08)
- 352403 Sfera New front cover for N&D and wide angle camera - Allstreet (IK 08)
- 352405 Sfera Robur front cover for N&D and wide angle camera (IK 10)

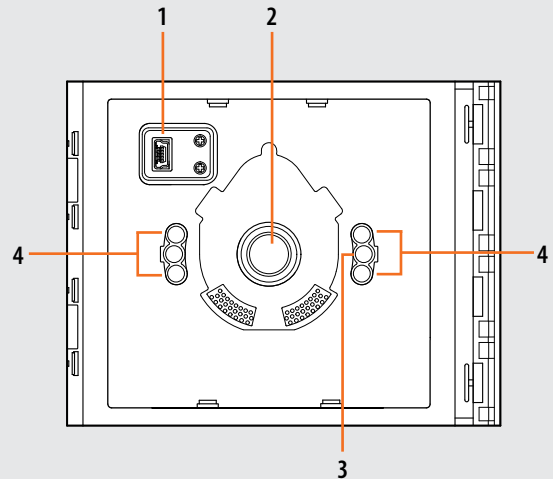
### Technical data

Power supply from SCS BUS:	18 - 27 Vdc
Stand by absorption:	20 mA
Max. operating absorption:	115 mA
Colour sensor:	1/3"
Lens:	F2.5 f1.85 mm
Resolution:	330 TV lines (horizontal)
Illumination of the viewing field:	LED IR
Brightness adjustment:	automatic
Interlace:	2 : 1
N&D function with automatic IR filter removal:	
Mist prevention heating resistance:	
Operating temperature:	(-25) - (+70)°C
Protection index (pushbutton panel assembled):	IP 54

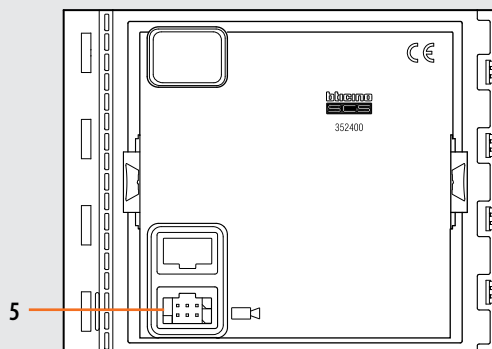
### Dimensional data



Front view



Rear view



### Legend

1. Mini-USB connector for the connection to the PC : device firmware update
2. Night & Day camera
3. Light sensor
4. IR LED for night lighting of the field of view
5. Connector for the connection of the speaker module 351100

BT00602-a-EN

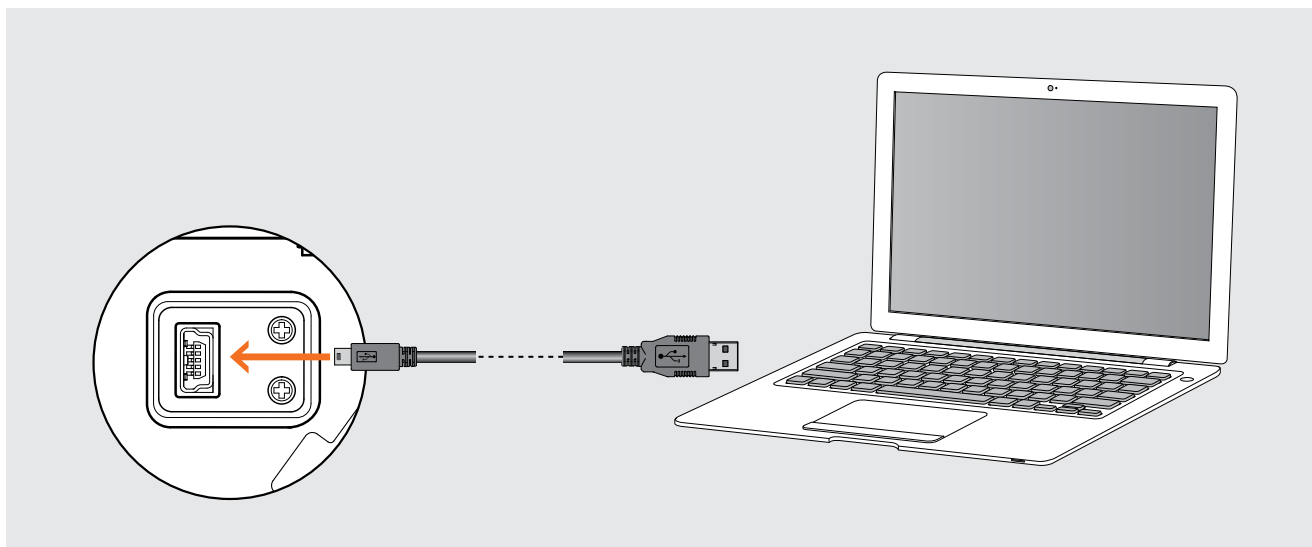


352400

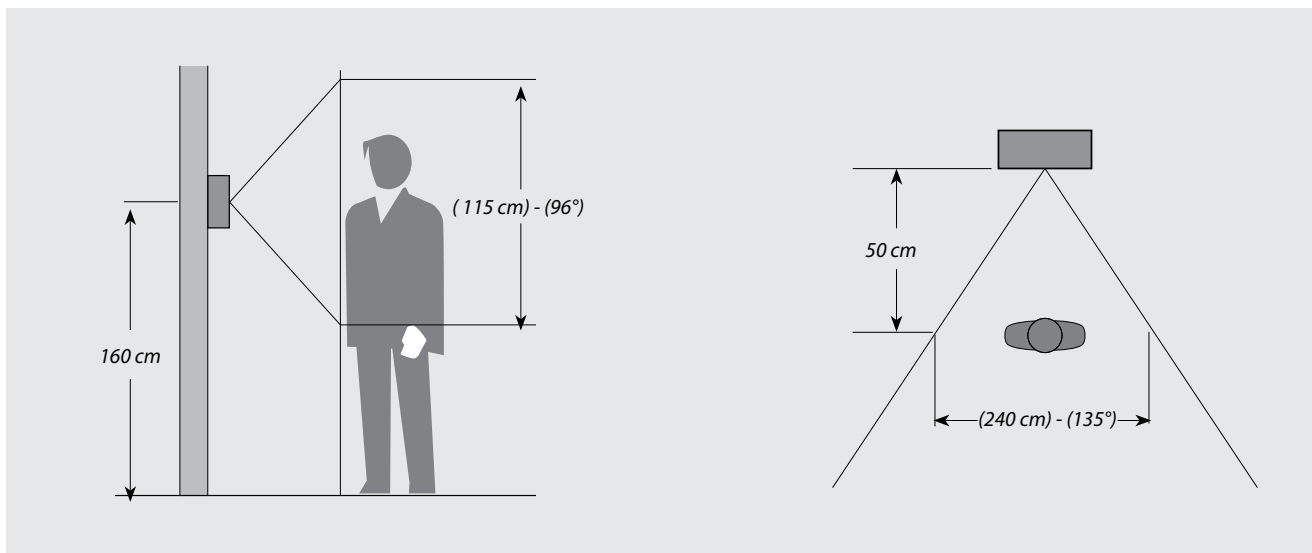
**Connection to the PC**

It is possible to update the device Firmware using a PC and the TiSferaDesign software (which can be downloaded free of charge from the [www.bticino.com](http://www.bticino.com)). For the connection to the PC use a USB - mini USB cable.

The software gives the possibility of updating the firmware of the speaker module. The presence of the mini USB connection of the front of the speaker module gives the possibility of performing these operations without the need to disassemble the device.



**Camera shooting field**



BT00602-a-EN



# SFERA NEW - SFERA ROBUR

## Display module

352500

### Description

Graphic display module to be used with speaker module 351100 or with audio/video modules 351200 – 351300 (connection using the multicable supplied). It can operate in two modes: call from address book, or digital call. The call from the address book gives the possibility of sending the call by scrolling on the display the names associated to the residents. It is possible to store up to 4000 residents names. Using the keypad module item 353000 it is also possible to directly call the apartment by entering the number corresponding to the resident. The digital call is also performed using the keypad module item 353000 by entering the numerical code. It is recommended that one or more nameplate modules, item 352200, are installed at the side of the pushbutton panel to display the correspondence between the numerical codes and the names of the users. It is possible to program the names in the address book in two different ways: manual inclusion using the pushbuttons of the display module or inclusion using a PC with the TiSferaDesign software installed, by downloading the file to the display module (RECOMMENDED). System power supply cuts do NOT cause the loss of memory data. To be completed with surround plate.

The device must not be configured.

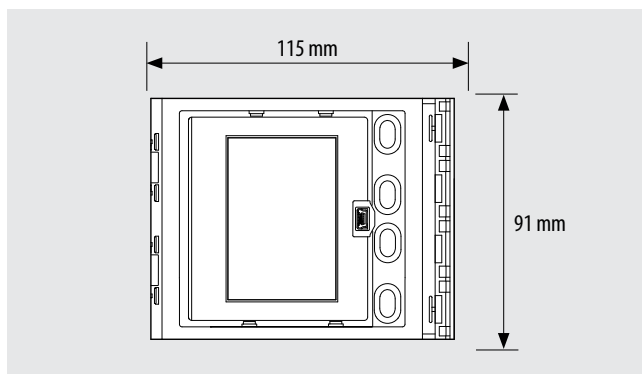
### Related items

- 352501 Sfera New display front cover - Allmetal (IK 08)
- 352502 Sfera New display front cover - Allwhite (IK 08)
- 352503 Sfera New display front cover - Allstreet (IK 08)
- 352505 Sfera Robur display front cover (IK 09)

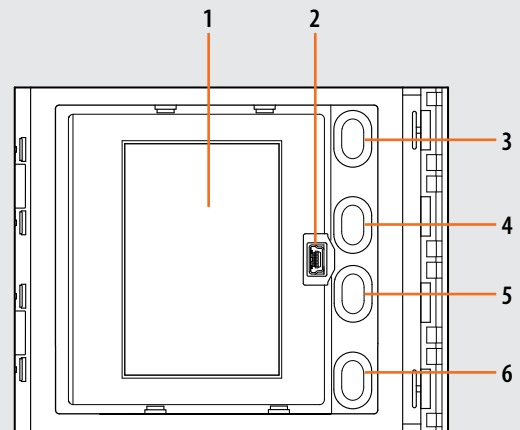
### Technical data

Power supply from SCS BUS:	18 - 27 Vdc
Stand by absorption:	40 mA
Max. operating absorption:	50 mA
Display type:	Negative transfective
FSTN	
Display resolution:	160 x 240
Operating temperature:	(-25) – (+70)°C
Protection index (pushbutton panel assembled):	IP 54

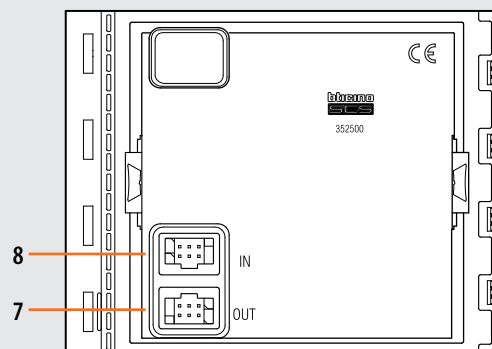
### Dimensional data



Front view



Rear view



### Legend

1. Graphic display
2. Mini-USB connector for the connection to the PC : programming of residents address book and device firmware update
3. Residents names scroll pushbutton (UP)
4. Residents names scroll pushbutton (DOWN)
5. Confirmation pushbutton – send call (OK)
6. Quick scroll pushbutton
7. Connector for the connection to subsequent modules
8. Connector for the connection to previous modules

BT00603-a-EN

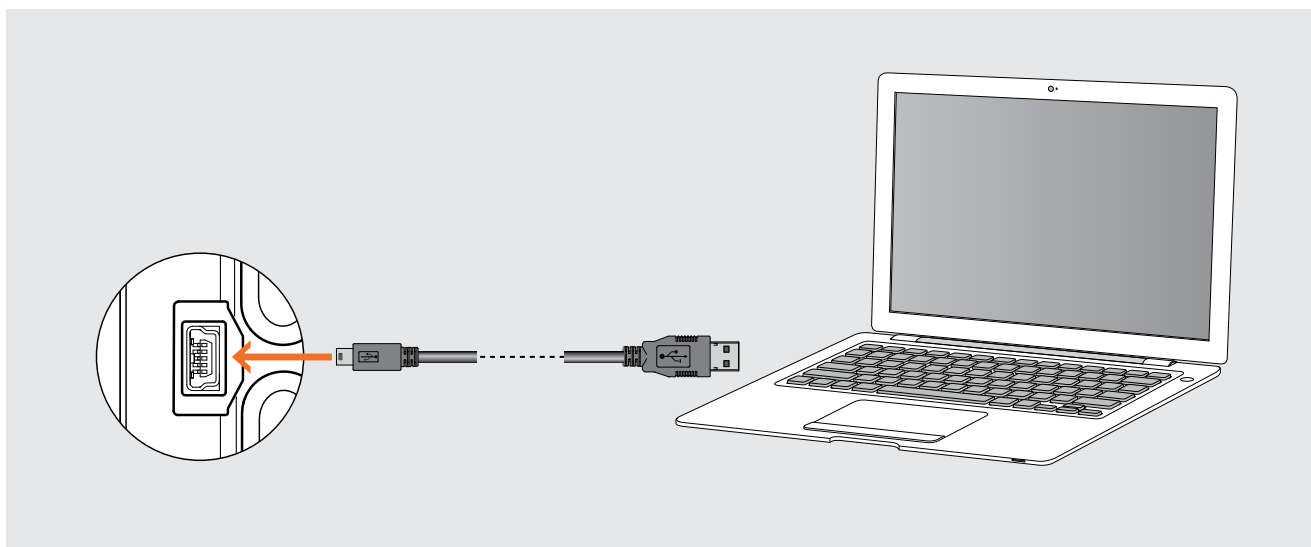
352500

**Connection to the PC**

It is possible to program the residents address book and update the device Firmware using a PC and the TiSferaDesign software (which can be downloaded free of charge from the [www.bticino.com](http://www.bticino.com)).

For the Connection to the PC, use a USB - mini USB cable.

The software gives the possibility of updating the device and download the residents address book. The presence of the mini USB connection of the front of the speaker module gives the possibility of performing these operations without the need to disassemble the device.





# SFERA NEW - SFERA ROBUR

## Inductive loop and control speech synthesis module

352700

### Description

Inductive loop and control speech synthesis module, to be used with the 351100 speaker module or with audio/video modules 351200 - 351300, to enable use by people wearing hearing aids (fitted with T selector). It is connected to the speaker module using the appropriate multicable supplied. To be completed with surround plate. The device can be configured either physically or using the PC and the TISferaDesign software.

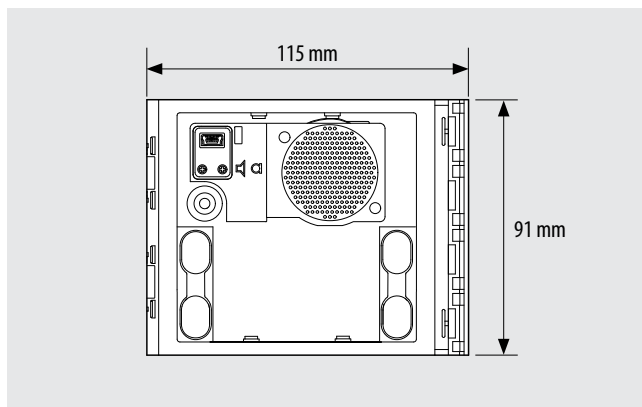
### Related items

- 352701 front cover for the Sfera New inductive loop and control speech synthesis - Allmetal (IK 08)
- 352702 front cover for the Sfera New inductive loop and control speech synthesis - Allwhite (IK 08)
- 352703 front cover for the Sfera New inductive loop and control speech synthesis - Allstreet (IK 08)
- 352705 front cover for the Sfera Robur inductive loop and control speech synthesis (IK 10)

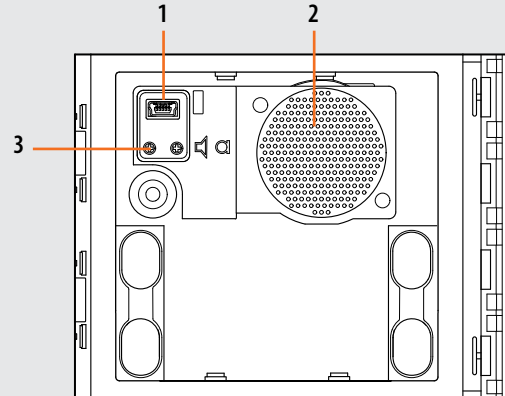
### Technical data

Power supply from SCS BUS:	18 – 27 Vdc
Stand by absorption:	18 mA
Max. operating absorption:	60 mA
Operating temperature:	(-25) – (+70) °C
Protection index (pushbutton panel assembled):	IP 54

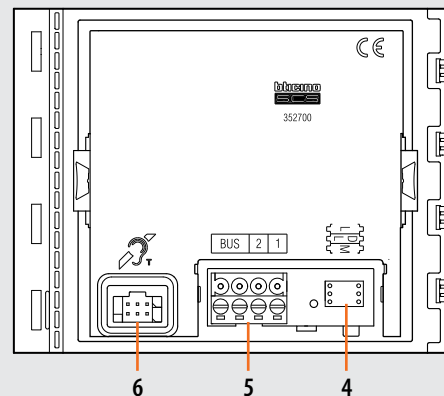
### Dimensional data



Front view



Rear view



### Legend

1. Mini-USB connector for the connection to the PC : configuration and device firmware update
2. Loudspeaker
3. Loudspeaker volume adjustment
4. Configurator socket
5. Plug-in clamps for the connection of the local power supply and the 2 WIRE SCS BUS
6. Connector for the connection of the speaker module

BT00604-a-EN

**Configuration**

The device must be configured.

The configuration can be performed in two ways:

Mode 1 - with physical configurator connection

Mode 2 - with PC and software TISferaDesign

**Mode 1**

Mode 1 requires the physical connection of the configurators to their sockets:

The configurator connected to the L socket defines the language for the control speech synthesis.

**L- Selection of the speech synthesis language:**

The configurator connected to the L socket defines the language for the control speech synthesis as for the following table:

Configurator	Language
none	default language (English)
1	English
2	French
3	Italian
4	Spanish
5	German
6	Flemish
7	Portuguese

**DL - Selection of the default speech synthesis language:**

The configurator connected to the DL socket defines the default language for the control speech synthesis. The default language is selected from the preloaded language pack, as for the following table:

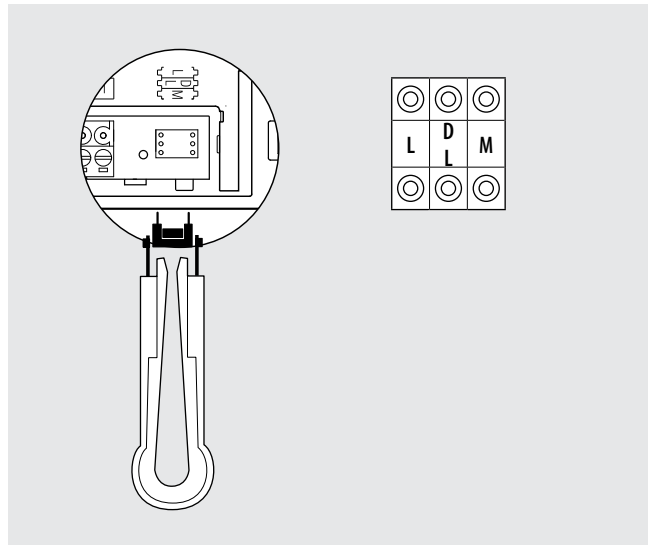
Configurator	Language
none	1st language of the preloaded language pack
1	2nd language of the preloaded language pack
2	3rd language of the preloaded language pack
3	4th language of the preloaded language pack
4	5th language of the preloaded language pack
5	6th language of the preloaded language pack
6	7th language of the preloaded language pack
7	8th language of the preloaded language pack
8	9th language of the preloaded language pack
9	10th language of the preloaded language pack

**M - Operating mode:**

The configurator connected to the M socket sets the operating mode of the device as indicated below:

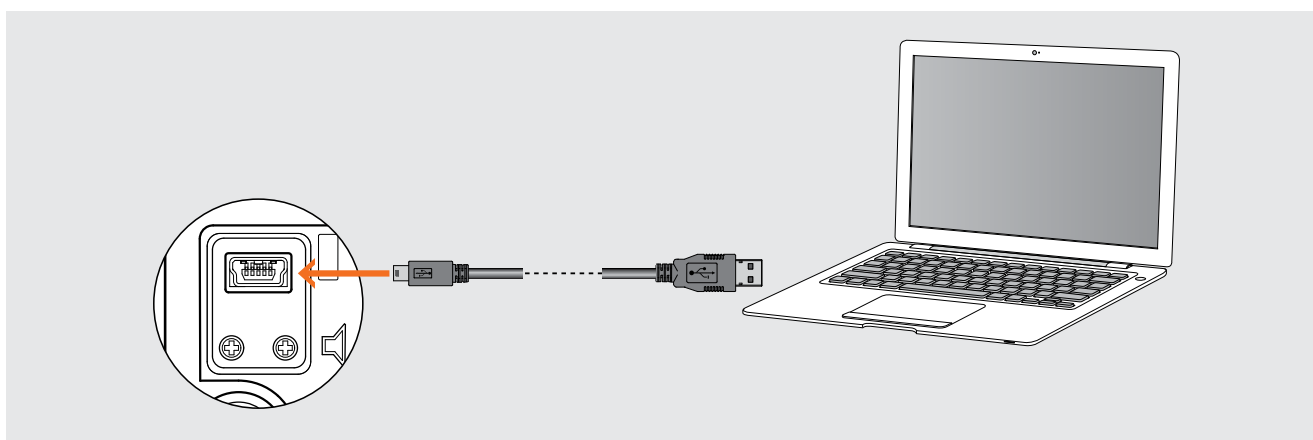
**M = 0 (no configurator) - Inductive loop and control speech synthesis both enabled**

**M = 1 - Inductive loop enable, control speech synthesis disabled**



**Mode 2**

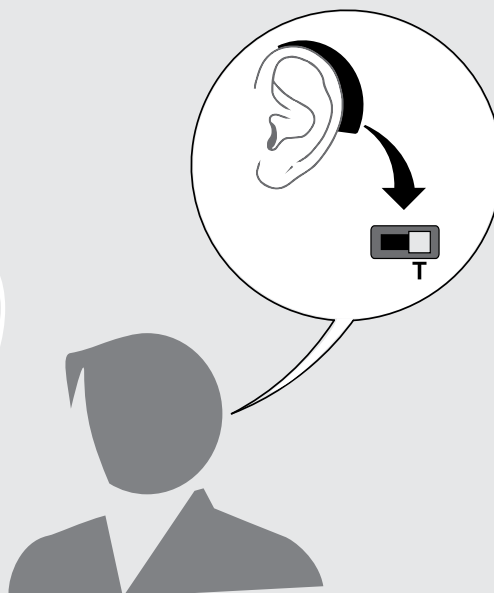
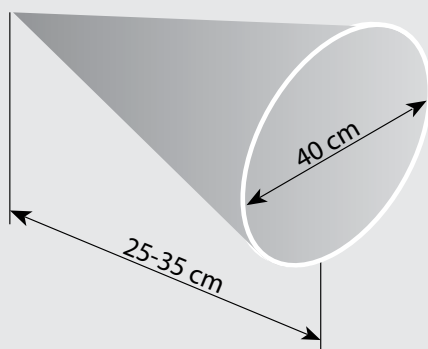
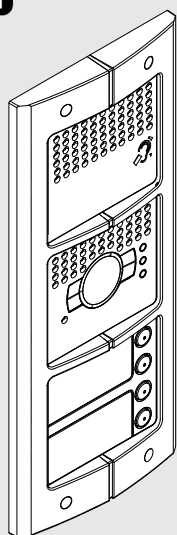
**Mode 2 requires advanced configuration** of the device, performed using a PC and the TisferaDesign software (which can be downloaded free of charge from the [www.bticino.com](http://www.bticino.com)). For the connection to the PC, use a USB - mini USB cable. The software gives the possibility of configuring, programming, and updating the firmware of the speaker module. The presence of the mini USB connection of the front of the speaker module gives the possibility of performing these operations without the need to disassemble the device.



**Notes on the use of the inductive loop**



Switch the selector of the acoustic device to the T position



To ensure correct magnetic coupling between the device and the acoustic device, we recommend a position in front of the device, at a distance of 25-35 cm.

It is reminded that the presence of metal and background noise generated by electric/electronic devices (e.g. computer) may compromise the performance and the quality of the coupling device.

BT00604-a-EN



# SFERA NEW - SFERA ROBUR

## Keypad module

353000

### Description

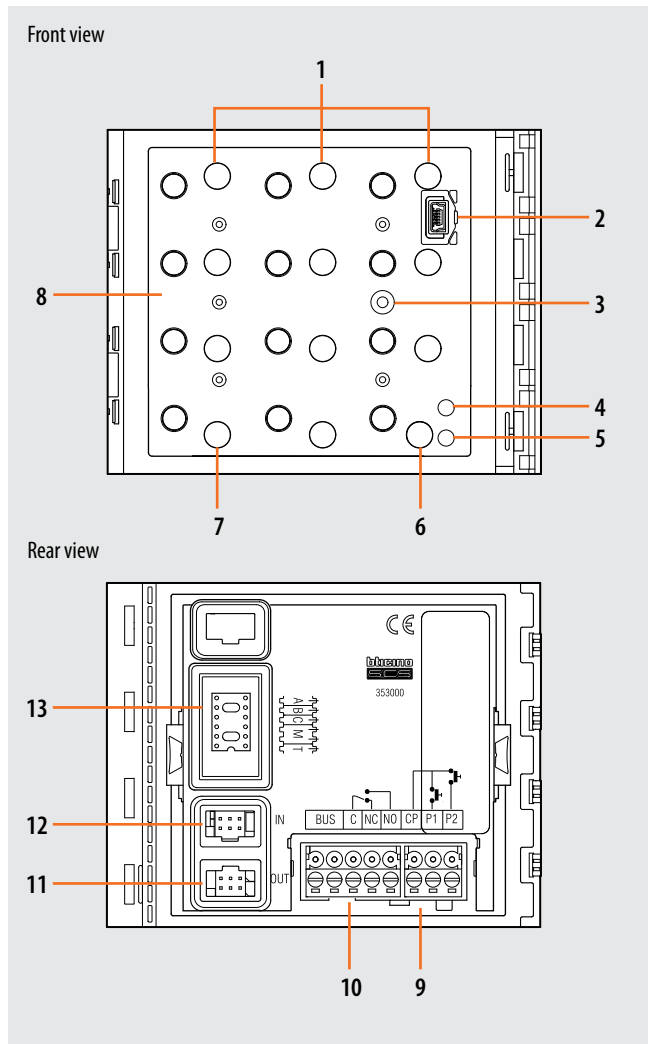
Door lock release keypad module. It is fitted with relay with contacts (C – NC – NO) and clamps (CP- P1 – P2) for the connection of a local door lock release pushbutton. The numerical code for the opening of the door lock can be programmed using the keypad itself, or using a PC after downloading the module programming file. It also has a programming reset pushbutton and LEDs for the visual notification of the access status. Night backlighting with LEDs. To be completed with surround plate. It is connected to the other modules using the appropriate multicable supplied. The device may also be used as a stand alone unit with independent power supply and operation. Configuration performed using physical configurators, or a PC with the TiSferaDesign software installed.

### Related items

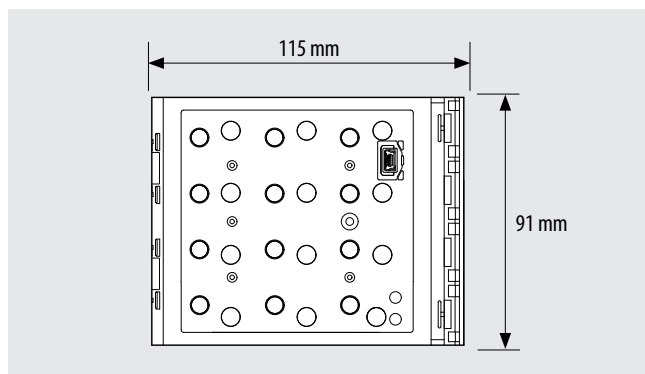
- 353001 Sfera New keypad front cover - Allmetal (IK 08)
- 353002 Sfera New keypad front cover - Allwhite (IK 08)
- 353003 Sfera New keypad front cover - Allstreet (IK 08)
- 353005 Sfera Robur keypad front cover (IK 09)

### Technical data

Power supply from SCS BUS:	18 - 27 Vdc
Stand by absorption (with backlighting LEDs off):	10 mA
Stand by absorption (with backlighting LEDs on):	25 mA
Max. operating absorption:	45 mA
Operating temperature:	(-25) – (+70) °C
Protection index (pushbutton panel assembled):	IP 54



### Dimensional data



### Legend

1. LEDs for night backlighting
2. Mini-USB connector for the connection to the PC : download/upload the configuration and device firmware update
3. RESET pushbutton
4. Red LED for access status notification Red      LED ON = access denied
5. Green LED for access status notification Green      LED ON = access granted
6. Cancel pushbutton (C)
7. Pushbutton for the selection of the door lock release code
8. Numeric keypad used for entering the codes
9. Plug-in clamps (CP – P1 P2) for connection of the additional local pushbutton
10. Plug-in clamps (C – NC – NO) for local relay contacts and connection to the 2 WIRE SCS BUS
11. Connector for the connection to subsequent modules
12. Connector for the connection to previous modules
13. Configurator socket

BT00605-a-EN

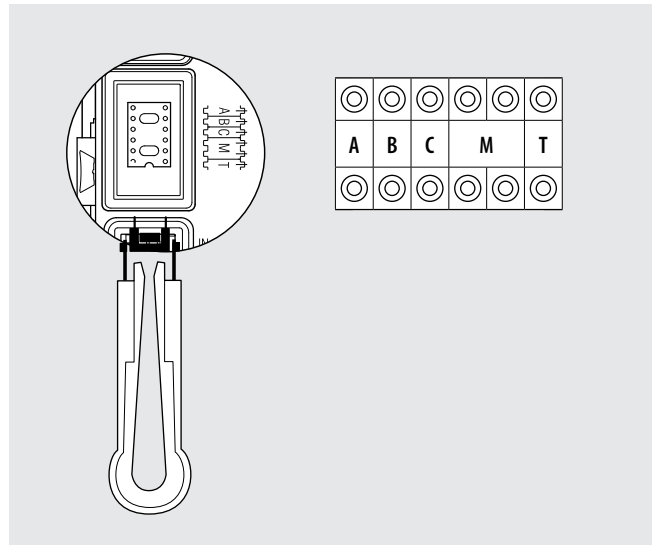
**Configuration**

The configuration of the device is different depending on the type of installation:

- **Device installation inside a SFERA NEW pushbutton panel in 2 WIRE SCS systems.**
- **installation as STAND ALONE device**

In both cases, the configuration can be performed in two ways:

- **Mode 1 - with physical configurator connection**
- **Mode 2 - with PC and software TisferaDesign**



**Mode 1**

Mode 1 requires the physical connection of the configurators to their sockets.

**PHYSICAL CONFIGURATION FOR INSTALLATION WITH A SFERA NEW EP:**

**A + B + C - NOT USED**

**M - Operating mode - NOT USED**

**T -local relay time delay – NOT USED**

(the time delay of the local relay is set by the T configurator connected to the speaker module or to the audio video module used).

**PHYSICAL CONFIGURATION IN STAND ALONE INSTALLATION:**

**A + B + C - progressive address of the device**

The configurators connected to the A B C sockets assign a progressive address to the device inside the system (range 000 – 999).

Example : A+B+C = 003 - device 003 of the system.

**M - Operating mode - NOT USED**

**T – local relay time delay**

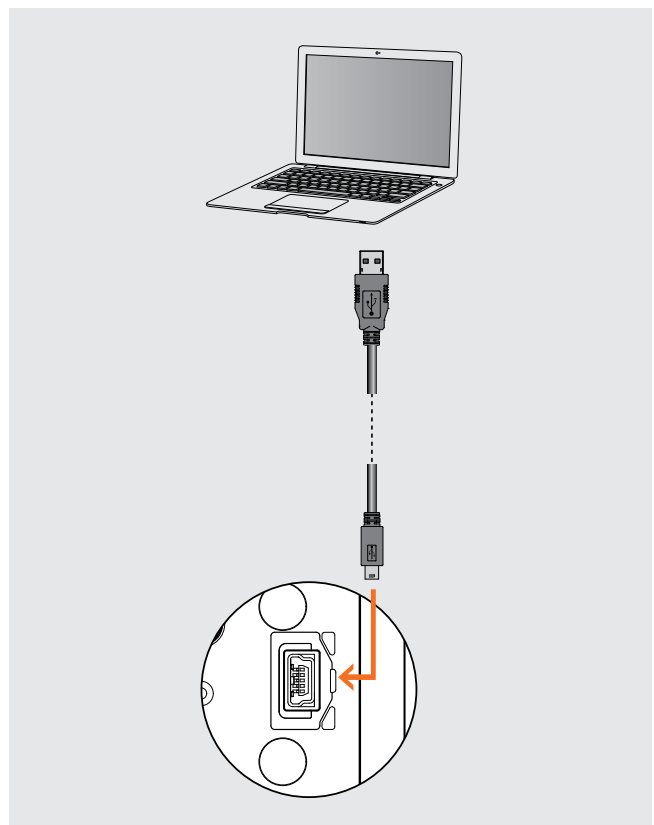
The configurator connected to T sets the relay closing time delay as shown in the following table:

Configurator	0 = no configurator	1	2	3	4	5	6	7
Contact closing time	4"	1"	10"	20"	40"	1'	1.5'	3'

**Mode 2**

Mode 2 requires advanced configuration of the device, performed using a PC and the TisferaDesign software (which can be downloaded free of charge from the [www.bticino.com](http://www.bticino.com)).

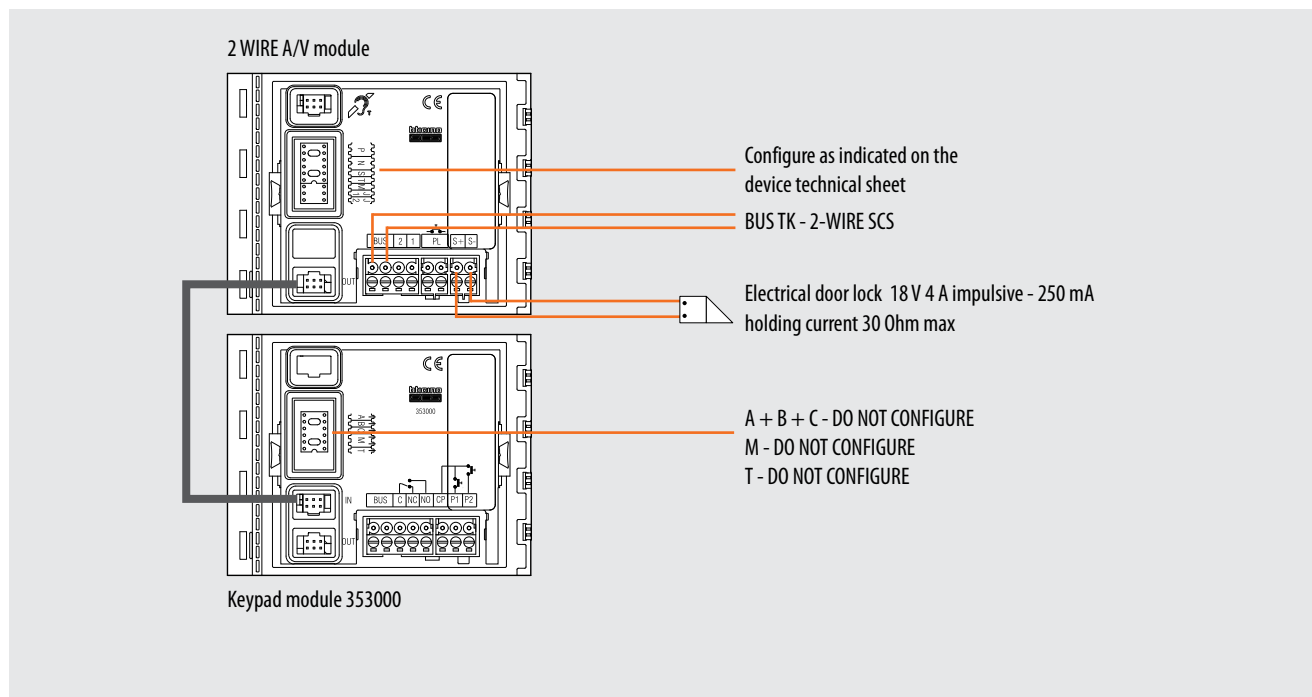
For the connection to the PC use a USB - mini USB cable. The software gives the possibility of configuring, programming, and updating the firmware of the speaker module. The presence of the mini USB connection of the front of the speaker module gives the possibility of performing these operations without the need to disassemble the device.





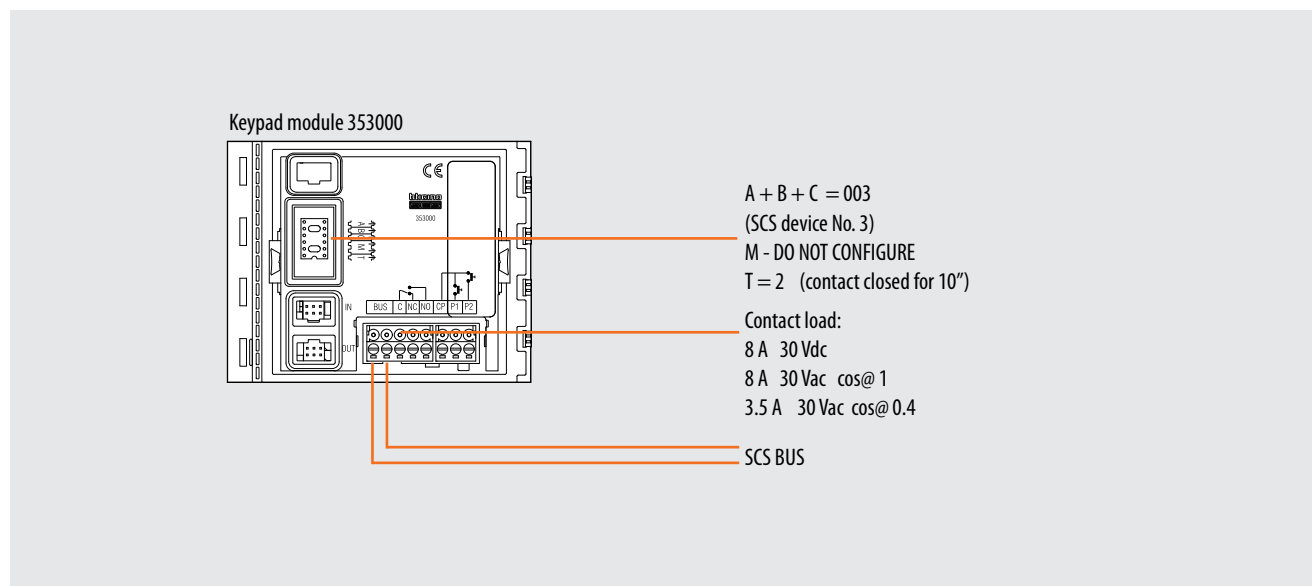
**Wiring diagram- Installation with SFERA NEW EP**

Example of installation of the keypad module inside a 2 WIRE SFERA NEW pushbutton panel with SCS BUS NOT CONNECTED to the keypad module



**Wiring diagram- STAND ALONE installation**

Example of STAND ALONE installation connection with the SCS BUS connected to the keypad module.



BT00605-a-EN



# SFERA NEW - SFERA ROBUR

## Badge reader module

353200

### Description

RFID badge reader module for the release of the door lock by swiping the badge. It manages up to 20000 badges. It's fitted with relay contacts (C – NO – NC) and clamps (CP - P1 - P2) for the connection of a local door release pushbutton. The badge for the release of the door lock can be programmed from the module itself, or using a PC after downloading the module programming file.

It also has a programming reset pushbutton and LEDs for the visual notification of the access status. Night backlighting a LEDs. To be completed with surround plate. It is connected to the other modules using the appropriate multicable supplied. The device may also be used as a stand alone unit with independent power supply and operation. Configuration performed using physical configurators, or a PC with the TiSferaDesign software installed.

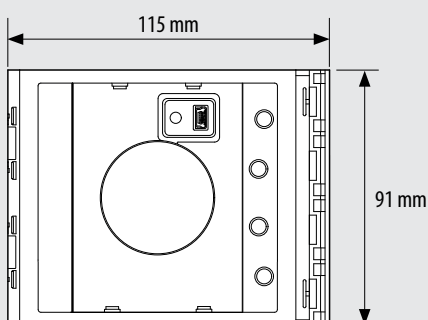
### Related items

- 353201 Sfera New badge reader front cover - Allmetal (IK 08)
- 353202 Sfera New badge reader front cover - Allwhite (IK 08)
- 353203 Sfera New badge reader front cover - Allstreet (IK 08)
- 353205 Sfera Robur badge reader front cover (IK 09)
- 348200 badge - black
- 348201 badge - red
- 348202 badge - green
- 348203 badge - blue
- 348204 badge - orange
- 348205 badge - grey
- 348206 badge - yellow

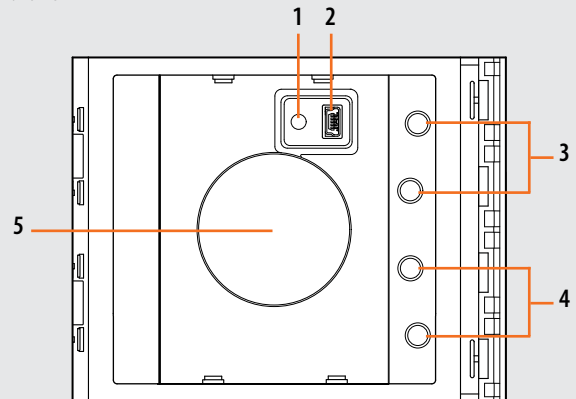
### Technical data

Power supply from SCS BUS:	18 – 27 Vdc
Stand by absorption (with backlighting LEDs off):	75 mA
Stand by absorption (with backlighting LEDs on):	85 mA
Max. operating absorption:	105 mA
Operating temperature:	(-25) – (+70) °C
Protection index (pushbutton panel assembled):	IP 54

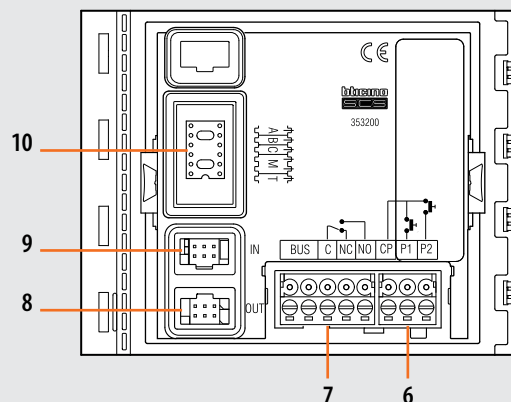
### Dimensional data



Front view



Rear view



### Legend

1. RESET pushbutton
2. Mini-USB connector for the connection to the PC : programming and device firmware update
3. Red LED for access status notification. **Red LED ON = access denied**
4. Green LED for access status notification. **Green LED ON = access granted**
5. Antenna
6. Plug-in clamps (CP - P1 - P2) for the connection of an additional pushbutton and tamper
7. Plug-in clamps (C – NC – NO) for local relay contacts and connection to the 2 WIRE SCS BUS
8. Connector for the connection to subsequent modules
9. Connector for the connection to previous modules
10. Configurator socket

BT00606-a-EN

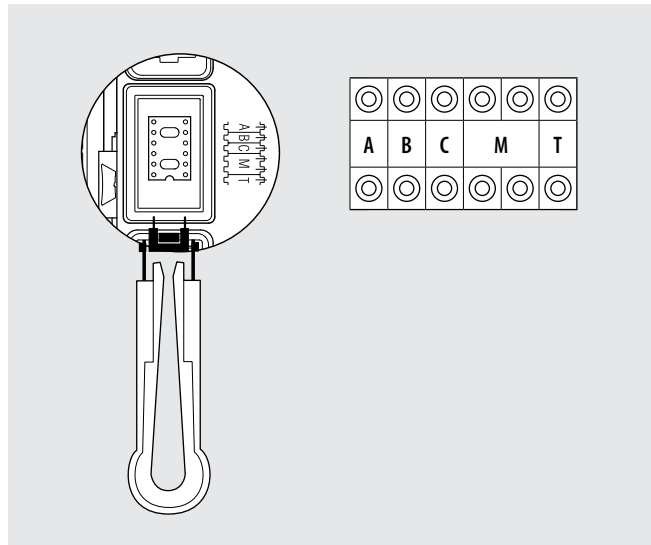
**Configuration**

The configuration of the device is different depending on the type of installation:

- device installation inside a SFERA NEW pushbutton panel in 2 WIRE SCS systems,
- installation as **STAND ALONE** device.

In both cases, The configuration can be performed in two ways:

- Mode 1 - with physical configurator connection**
- Mode 2 - with PC and software TiSferaDesign**



**Mode 1**

Mode 1 requires the physical connection of the configurators to their sockets.

**Physical configuration for installation with a sfera new ep:**

**A + B + C - NOT USED**

**M - operating mode, badges management**

The configurator connected to the M socket sets the badges management mode as indicated below:

**M = 0 - management of badges with manager MASTER ONLY**

The MANAGER MASTER badges (max. 20) are used both for the management of PASSEPARTOUT badges (max. 100) and for the management of the RESIDENTS max (max. 5) of each apartment.

**M = 1 - badges management with APARTMENT MASTER**

The MANAGER MASTER badges (max. 20) directly manage the PASSPARTOUT badges (max. 100) and the APARTMENT MASTER badges (max. 4000); the APARTMENT MASTER badges manage the RESIDENTS badges (max. 5) of the corresponding apartment.

**T -local relay time delay – NOT USED**

(the time delay of the local relay is set by the T configurator connected to the speaker module or audio video module used).

**Physical configuration in stand alone installation:**

**A + B + C - progressive address of the device**

The configurators connected to the A B C sockets assign a progressive address to the device inside the system (range 000 – 999).

Example: A+B+C = 003 – device 003 of the system.

**M - operating mode, badges management**

The configurator connected to the M socket sets the badges management mode as indicated below:

**M = 0 - management of badges with MANAGER MASTER ONLY**

The MANAGER MASTER badges (max. 20) are used both for the management of PASSEPARTOUT badges (MAX. 100) and for the management of the RESIDENTS badges (max. 5) of each apartment.

**M = 1 - badges management with APARTMENT MASTER**

The MANAGER MASTER badges (max. 20) directly manage the PASSPARTOUT badges (max. 100) and the APARTMENT MASTER badges (max. 4000); the APARTMENT MASTER badges manage the RESIDENTS badges (max. 5) of the corresponding apartment.

**T – local relay time delay**

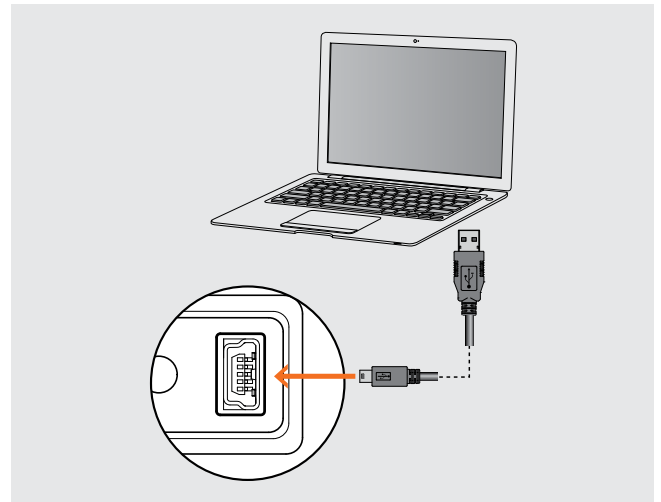
The configurator connected to T sets the relay closing time delay as shown in the following table:

Configurator	0 none	1	2	3	4	5	6	7
Contact closing time	4"	1"	10"	20"	40"	1'	1.5'	3'

BT00606-a-EN

**Mode 2**

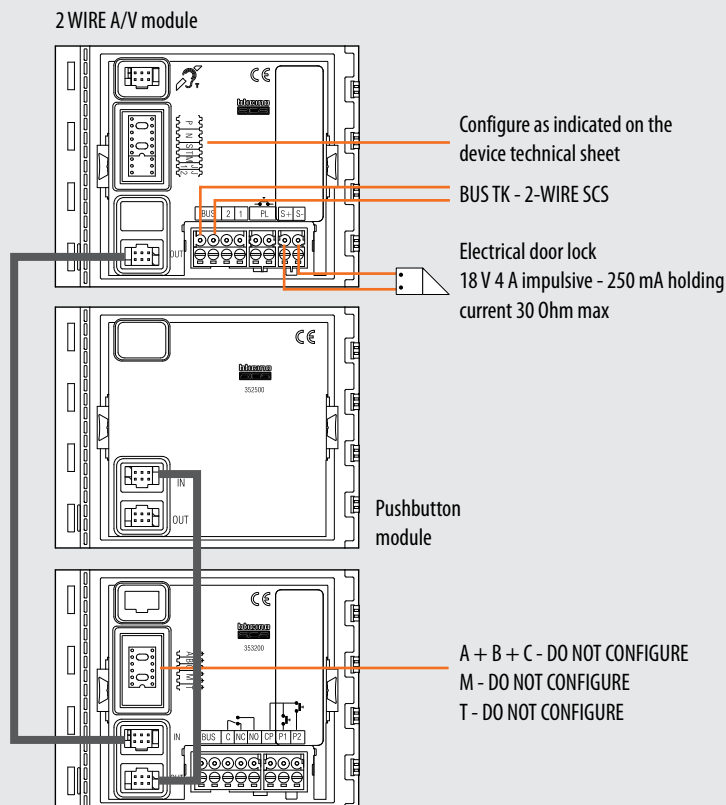
Mode 2 requires advanced configuration of the device, performed using a PC and the TisferaDesign software (which can be downloaded free of charge from the [www.bticino.com](http://www.bticino.com)). For the connection to the PC use a USB - mini USB cable. The software gives the possibility of configuring, programming, and updating the firmware of the speaker module. The presence of the mini USB connection of the front of the speaker module gives the possibility of performing these operations without the need to disassemble the device.



**Wiring diagram**

**Wiring diagram- Installation with SFERA NEW EP**

Example of installation of the RFID module inside a 2 WIRE SFERA NEW pushbutton panel with SCS BUS NOT CONNECTED to the RFID module



**WARNING:** Irrespective of the position of the SFERA NEW modules, the RFID module must be the FIRST DEVICE connected to the advanced speaker module or to the audio/video module. Any other modules (e.g. pushbuttons) must be connected after the RFID module.

**NOTE:** the M = 0 configuration (no configurator connected), only enables management of RESIDENTS badges. To add and/or delete residents badges, the badge programmed as MANAGER MASTER badge is required.

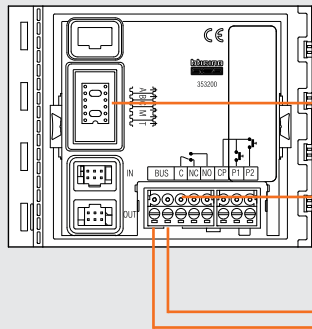
BT00606-a-EN

353200

**Wiring diagram- STAND ALONE installation**

Example of STAND ALONE installation connection with the SCS BUS connected to the RFID module.

Keypad module 353200



- A + B + C = 003  
(SCS device No. 3)
- M - DO NOT CONFIGURE
- T = 2 (contact closed for 10")
- Contact load:
- 8 A 30 Vdc
- 8 A 30 Vac cos@ 1
- 3.5 A 30 Vac cos@ 0.4
- SCS BUS

**NOTE:** The M = 1 configuration also gives the possibility of managing APARTMENT MASTER badges. To add and/or delete residents badges, the badge programmed as APARTMENT MASTER badge is required.



# SFERA NEW - SFERA ROBUR

## Fingerprint reader module

353300

### Description

Fingerprint reader module for the release of the door lock. It's fitted with relay contacts (C – NO - NC) and clamps (CP - P1 - P2) for the connection of a local door release pushbutton. It also has a programming reset pushbutton and LEDs for the visual notification of the access status. To be completed with surround plate. It is connected to the other modules using the appropriate multicable supplied. The device may also be used as a stand alone unit with independent power supply and operation. Configuration performed using physical configurators, or a PC with the TiSferaDesign software installed.

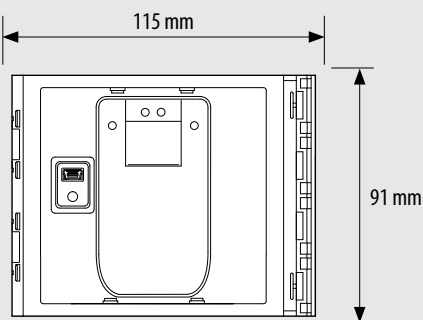
### Related items

- 353301 Sfera New fingerprint reader front cover - Allmetal (IK 06)
- 353302 Sfera New fingerprint reader front cover - Allwhite (IK 06)
- 353303 Sfera New fingerprint reader front cover - Allstreet (IK 06)
- 353305 Sfera Robur fingerprint reader front cover (IK 06)

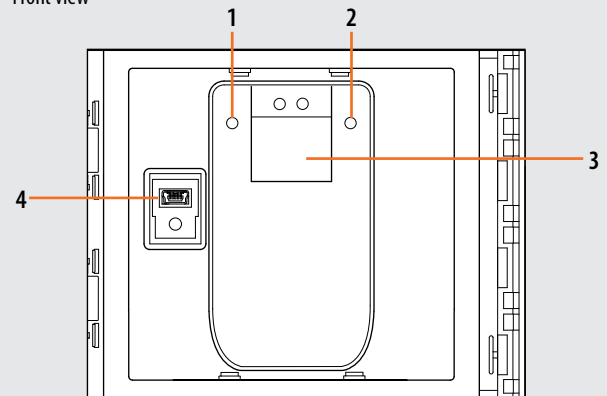
### Technical data

Power supply from SCS BUS:	18 – 27 Vdc
Stand by absorption:	30 mA
Max. operating absorption:	80 mA
Operating temperature:	(-25) – (+70) °C
Protection index (pushbutton panel assembled):	IP 54

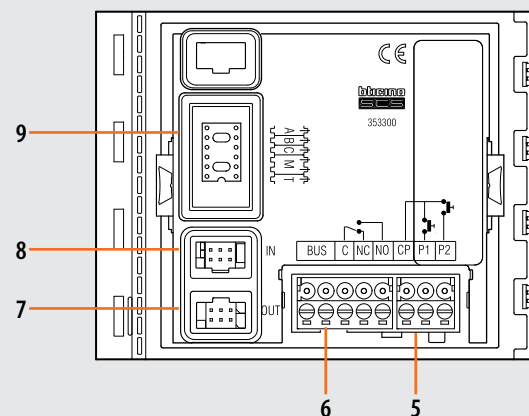
### Dimensional data



Front view



Rear view



### Legend

1. Green LED for access status notification. **LED ON = access granted**
2. Red LED for access status notification. **LED ON = access denied**
3. Digital fingerprint reader sensor
4. Mini-USB connector for the connection to the PC: download/upload the configuration and device firmware update
5. Plug-in clamps (CP – P1 P2) for connection of the additional local pushbutton
6. Plug-in clamps (C – NC – NO) for local relay contacts and connection to the 2 WIRE SCS BUS
7. Connector for the connection to subsequent modules
8. Connector for the connection to previous modules
9. Configurator socket

BT00607-a-EN

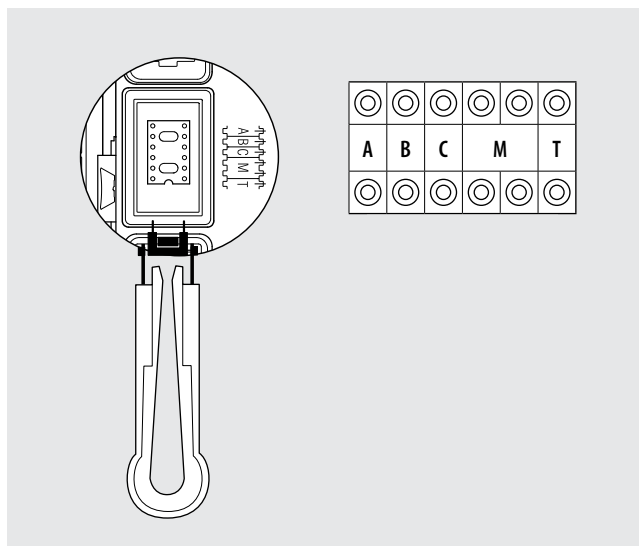
**Configuration**

The configuration of the device is different depending on the type of installation:

- device installation inside a SFERA NEW pushbutton panel in 2 WIRE SCS systems,
- installation as STAND ALONE device.

In both cases, the configuration can be performed in two ways :

- Mode 1 - with physical configurator connection
- Mode 2 - with PC and software TISferaDesign



**PHYSICAL CONFIGURATION FOR INSTALLATION WITH A SFERA NEW EP:**

**A + B + C - NOT USED**

**M - operating mode, fingerprint management**

The configurator connected to the M socket sets the fingerprint management mode as indicated below:

**M = 0 - management of fingerprint with manager MASTER ONLY**

The MANAGER MASTER fingerprints (max. 5) are used both for the management of PASSEPARTOUT fingerprints (MAX. 30) and for the management of the RESIDENTS fingerprints (max. 5) of each apartment.

**M = 1 - fingerprint management with APARTMENT MASTER**

The MANAGER MASTER fingerprints (max. 5) directly manage the PASSEPARTOUT fingerprints (max. 30) and the APARTMENT MASTER fingerprints (max. 30); the APARTMENT MASTER fingerprints manage the RESIDENTS fingerprints (max. 5) of the corresponding apartment.

**T - local relay time delay – NOT USED**

(the time delay of the local relay is set by the T configurator connected to the speaker module or audio video module used).

**PHYSICAL CONFIGURATION IN STAND ALONE INSTALLATION:**

**A + B + C - progressive address of the device**

The configurators connected to the A B C sockets assign a progressive address to the device inside the system (range 000 – 999).

Example: A+B+C = 003 – device 003 of the system.

**M - operating mode, fingerprint management**

The configurator connected to the M socket sets the fingerprint management mode as indicated below:

**M = 0 - management of fingerprint with MANAGER MASTER ONLY**

The MANAGER MASTER fingerprints (max. 5) are used both for the management of PASSEPARTOUT fingerprints (MAX. 30) and for the management of the RESIDENTS fingerprints (max. 5) of each apartment.

**M = 1 - fingerprint management with APARTMENT MASTER**

The MANAGER MASTER fingerprints (max. 5) directly manage the PASSEPARTOUT fingerprints (max. 30) and the APARTMENT MASTER fingerprints (max. 30); the APARTMENT MASTER fingerprints manage the RESIDENTS fingerprints (max. 5) of the corresponding apartment.

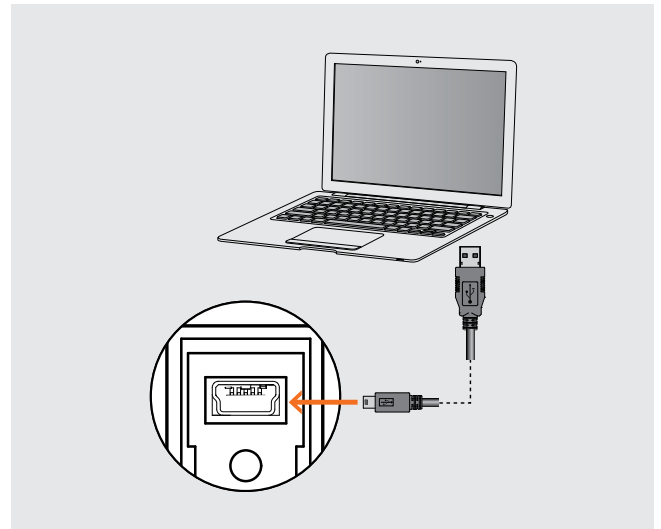
**T – local relay time delay**

The configurator connected to T sets the relay closing time delay as shown in the following table:

Configurator	0 none	1	2	3	4	5	6	7
Contact closing time	4"	1"	10"	20"	40"	1'	1.5'	3'

**Mode 2**

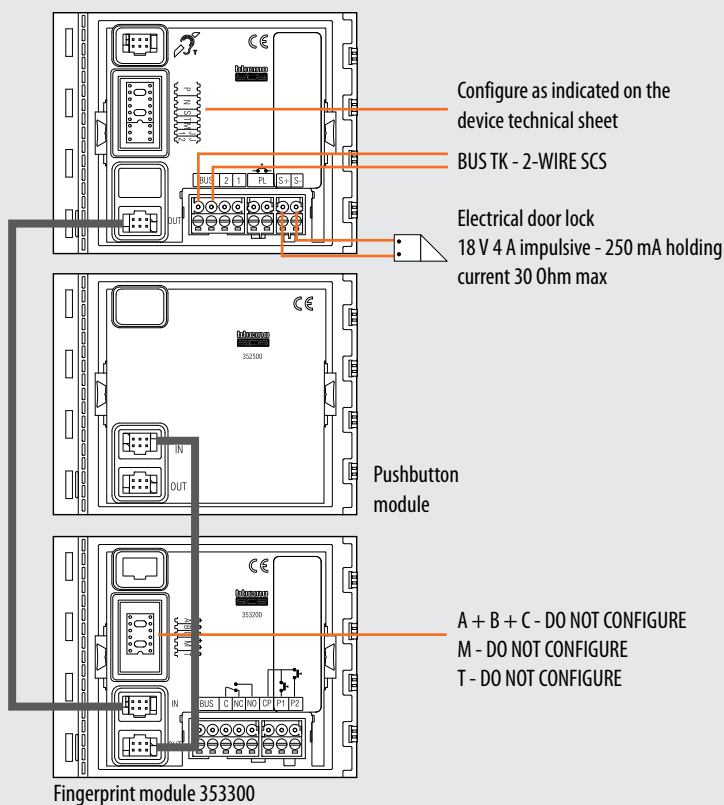
Mode 2 requires advanced configuration of the device, performed using a PC and the TisferaDesign software (which can be downloaded free of charge from the [www.bticino.com](http://www.bticino.com)). For the connection to the PC use a USB - mini USB cable. The software gives the possibility of configuring, programming, and updating the firmware of the speaker module. The presence of the mini USB connection of the front of the speaker module gives the possibility of performing these operations without the need to disassemble the device.



**Wiring diagrams**

**Wiring diagram - Installation with SFERA NEW EP**

Example of installation of the fingerprint module inside a 2 WIRE SFERA NEW pushbutton panel with SCS BUS NOT CONNECTED to the fingerprint module



**WARNING:** Irrespective of the position of the SFERA NEW modules, the fingerprint module must be the FIRST DEVICE connected to the advanced speaker module or to the audio/video module. Any other modules (e.g. pushbuttons) must be connected after the fingerprint module.

**NOTE:** the M = 0 configuration (no configurator connected), only enables management of RESIDENTS fingerprints. To add and/or delete residents fingerprints, the fingerprint programmed as MANAGER MASTER fingerprint is required.

BT00607-a-EN

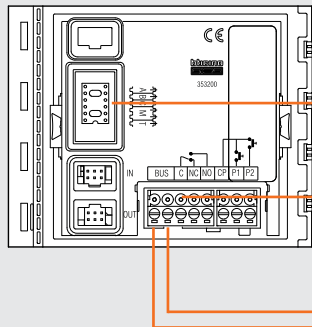


353300

**Wiring diagram- STAND ALONE installation**

Example of STAND ALONE installation connection with the SCS BUS connected to the fingerprint module.

Keypad module 353300



- A + B + C = 003  
((SCS device No. 3)
- M - DO NOT CONFIGURE
- T = 2 (contact closed for 10")
- Contact load:
- 8 A 30 Vdc
- 8 A 30 Vac cos@ 1
- 3.5 A 30 Vac cos@ 0,4
- BUS SCS

**NOTE:** The M = 1 configuration also gives the possibility of managing APARTMENT MASTER fingerprints. To add and/or delete residents fingerprints, the fingerprint programmed as APARTMENT MASTER fingerprint is required.

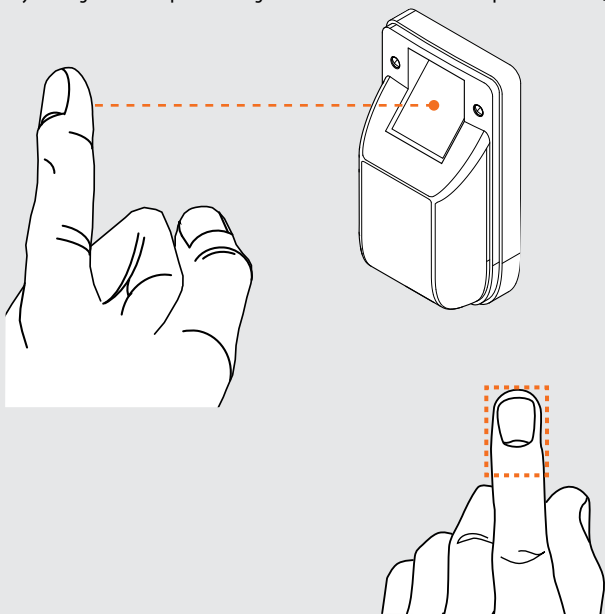
**Functional notes**

The function of the fingerprint scanner is to read and analyse the image of the digital fingerprint and compare it with a reference model previously programmed in the device. If the comparison is positive, the door lock release is enabled, or an auxiliary system is activated.

The device performs the reading of the 3rd phalange of your finger. It is therefore necessary that the finger is placed correctly in the specific position on the reader and moved downwards across the sensor at the correct speed.

For correct operation we recommend compliance with the following indications:

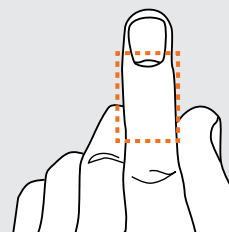
- your finger must be placed straight and flat on the reader at the point indicated;



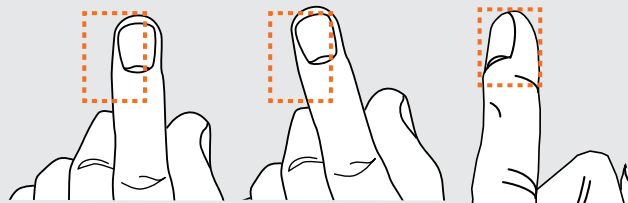
**What you must NOT do:**



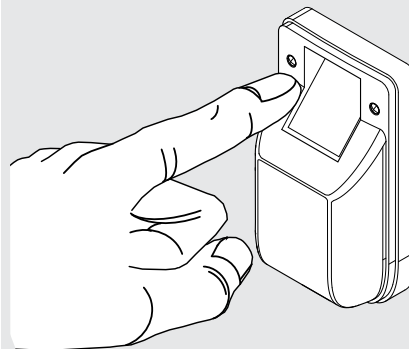
- Do NOT place the 3rd phalange in a higher position in relation to the reference point on the reader



- Do NOT position the finger on the right or left half of the reader, tilted, or in any way with the phalange not flat against the finger recess of the reader.



- Do NOT position the finger at a too wide angle in relation to the reader finger recess.



- Do NOT move the finger away before the device has completed the acquisition, confirmed by the switching off of the luminous sensor window.



# AXOLUTE Outdoor entrance panel

349140

### Description

Axolute outdoor entrance panel suitable for connection to the 2-WIRE system BUS or to be used in BTicino IP systems. It's fitted with capacitive soft touch control backlit keypad, motorised colour camera (which swivelling operation can be controlled from the preset handsets), colour display with home page that can be fully customised by the installer, and transponder reader for the release of the door lock, which may also be activated using a numeric code for residents. Module to be completed with flush mounted box and surround plate. Programming, residents directory, and the configuration are completed using the appropriate software supplied with the product.

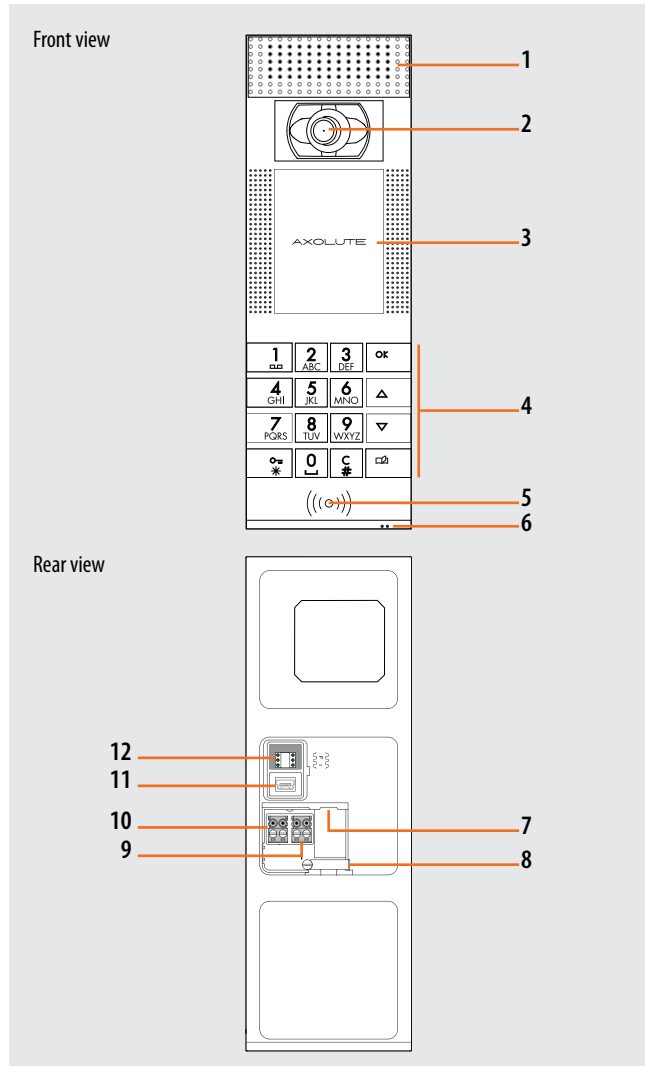
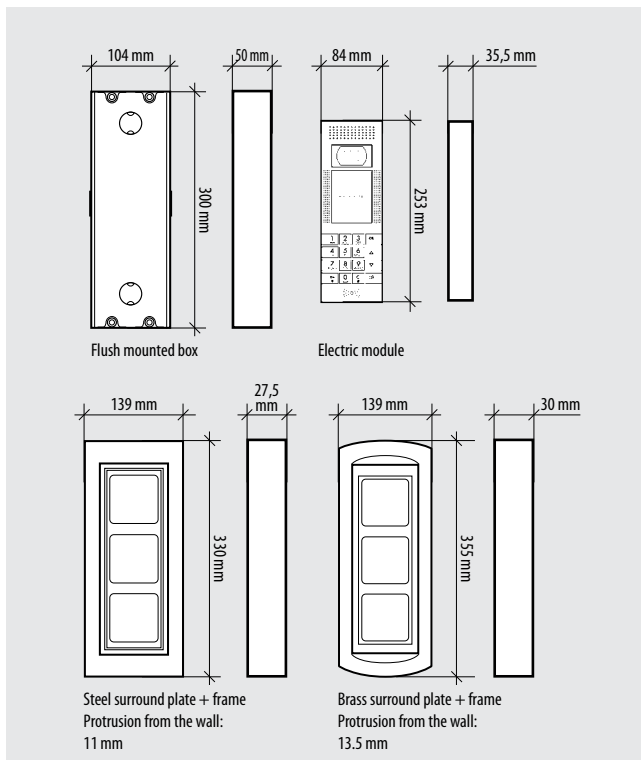
### Related items

- 339313 (Steel flush mounted box with tearing protection)
- 331130 (SFERA plastic flush mounted box)
- 339213 (Surround plate + frame, steel finish)
- 339223 (Surround plate + frame, brass finish)

### Technical data

Power supply from SCS BUS: 18 – 27 Vdc  
 Stand by absorption: 220 mA  
 Max. operating absorption: 420 mA  
 Operating temperature: (-25)-(+70)°C  
 Connections: 2-WIRE SCS BUS  
 Ethernet 10/100 Mbit/sec  
 Protection index: IP54  
 PI against mechanical impact: IK07

### Dimensional data



### Legend

1. Loudspeakers
2. Colour camera that can be swivelled
3. LCD colour display
4. Capacitive alphanumeric keypad: to search for the extension and for sending the call, as well as for enabling the installer to complete the programming procedure
5. Transponder reader: to open the door lock using the transponder
6. Microphone
7. Ethernet connector: for connection to the IP BTicino system and for programming and firmware update from PC
8. Cable fastener
9. Additional power supply connection clamps
10. Clamps for the connection of the 2-wire SCS BUS
11. Mini-USB connector: for PC connection, for programming or firmware update
12. Configurator socket

BT00608-a-EN

**Configuration**

The device can be configured in three different modes:

**1) Physical connection fo the configurators to their sockets:**

**P - entrance panel number**

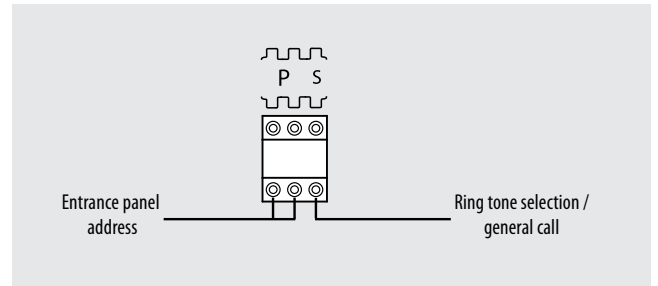
The configurator connected to P socket assigns an identification number within the system to the EP. The numbering of the EP must always start from P=0. The EP configured with P=0 must be the main one.

**S - selection of the ring tone to send to the Handset and general call**

- When a call is received: S=0 (RING TONE 1 - Default)
- S=1 (RING TONE 2)
- S=2 (RING TONE 3)
- S=3 (RING TONE 4)
- S=9 (GENERAL CALL TO ALL THE HANDSETS)

**2) Directly from the keypad of the electronic module:**

Using the installer menu (Password protected function)



The image shows a keypad interface titled 'Configuration'. It contains several icons for different settings: volume, brightness, display, keypad lock, handset, SCS address, ring tone, handset volume, and a save/confirm icon. A callout box points to the 'SCS address of the entrance panel' icon, which shows three digits '000'.

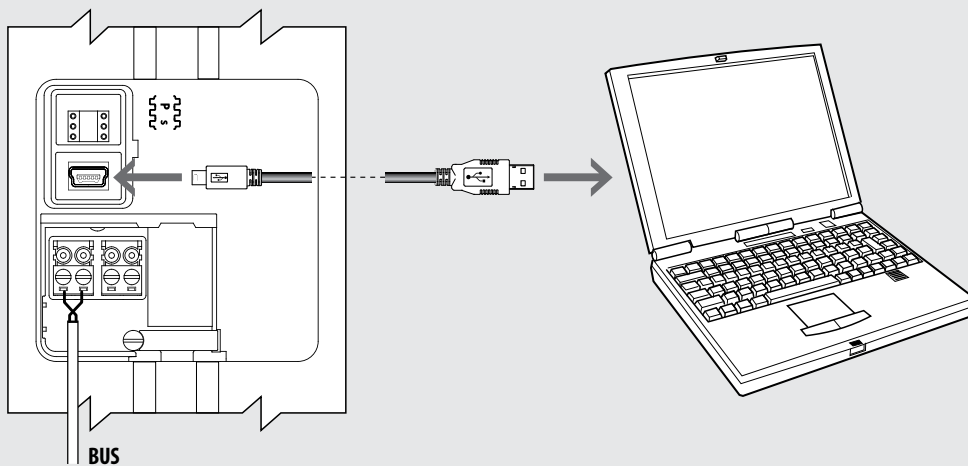
**WARNING:** the presence of physical configurators in the configurator sockets WILL PREVENT keypad configuration.

**Configuration**

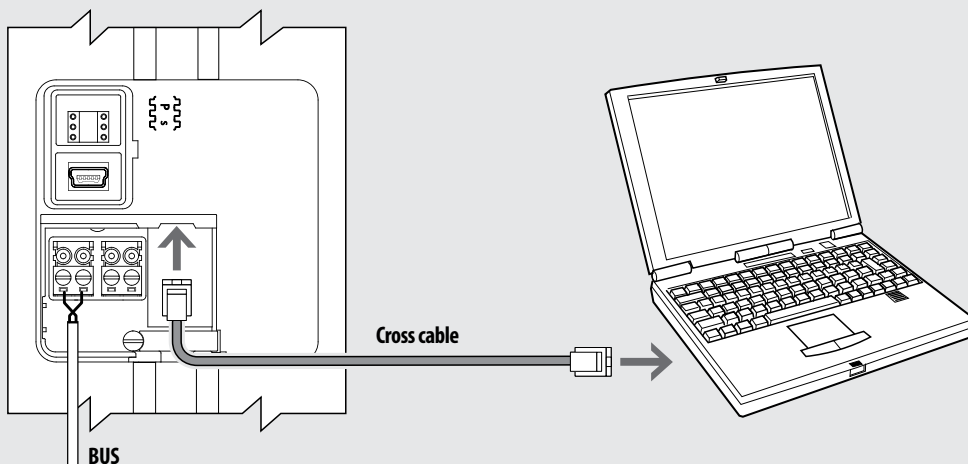
**3) Using the TiAxoluteOutdoor Software supplied:**

For the connection to the PC use an USB-mini cable or an Ethernet cable (cross cable).  
The dedicated application can be used for configuration, programming, device Firmware update, fill the residents list, save all information, and download to the device.

USB connection



Ethernet connection



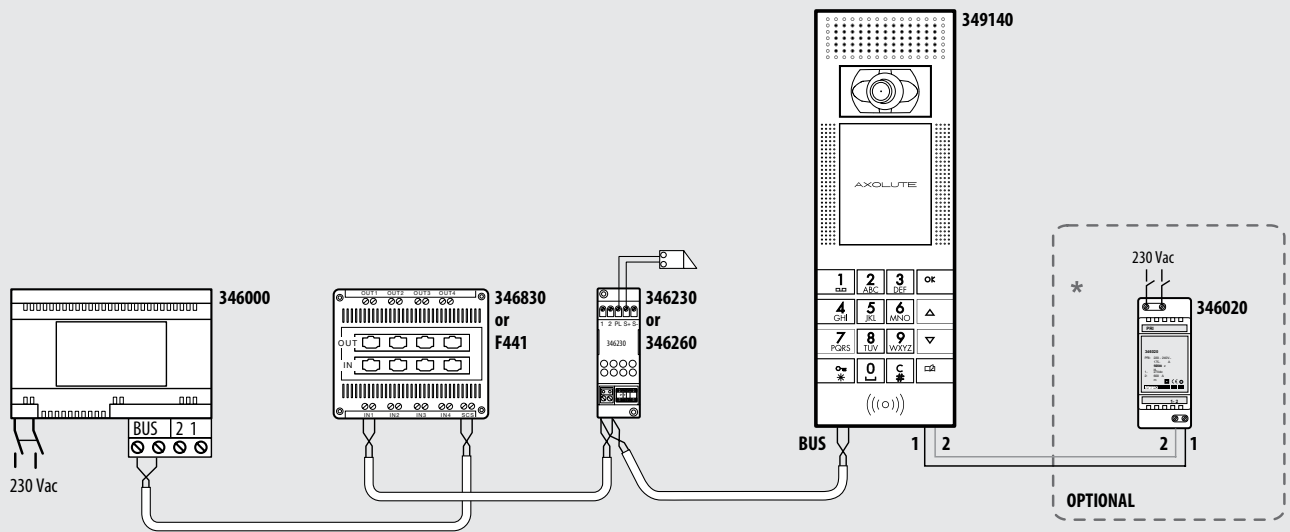
If the Axolute EP is installed and has Ethernet connection, remote connection is also possible.

**WARNING:** in order for the communication to take place, the EP must be powered and not physically configured.

BT00608-a-EN

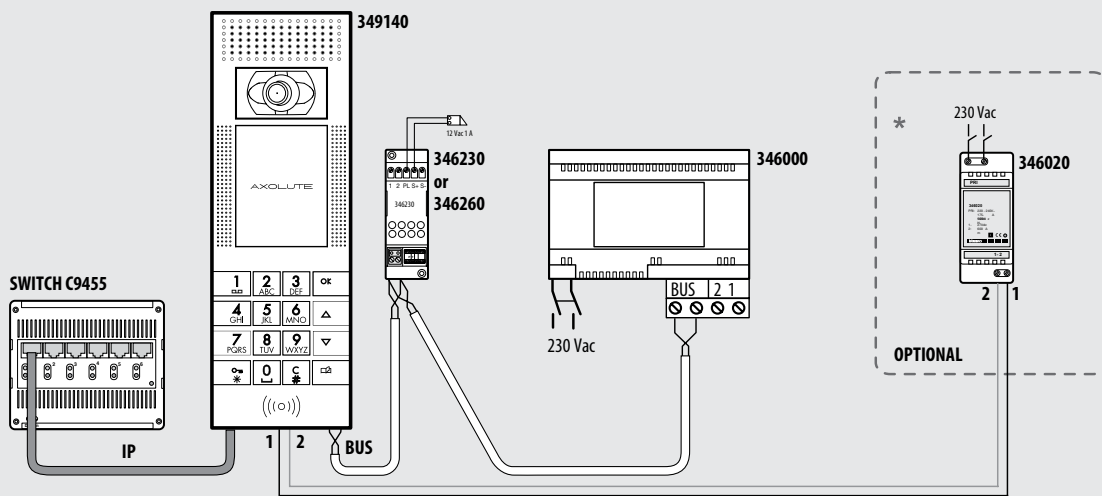
**Wiring diagrams**

2-WIRE SCS BUS connection



NOTE (\*): needed for lines (SCS power supply - EP) > 50 m (with cable item 336904)

IP Ethernet connection



NOTE (\*): needed for lines (SCS power supply - EP) > 50 m (with cable item 336904)

BT00608-a-EN



# LINEA 2000

## Audio entrance panel

342911 - 342921  
342931 - 342941

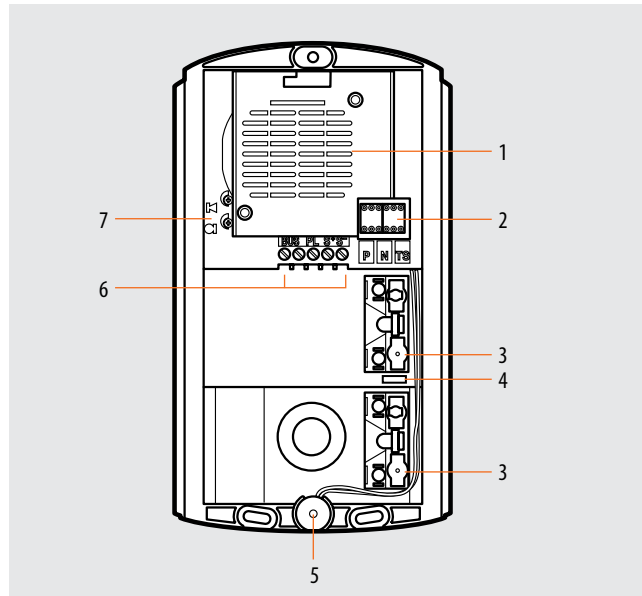
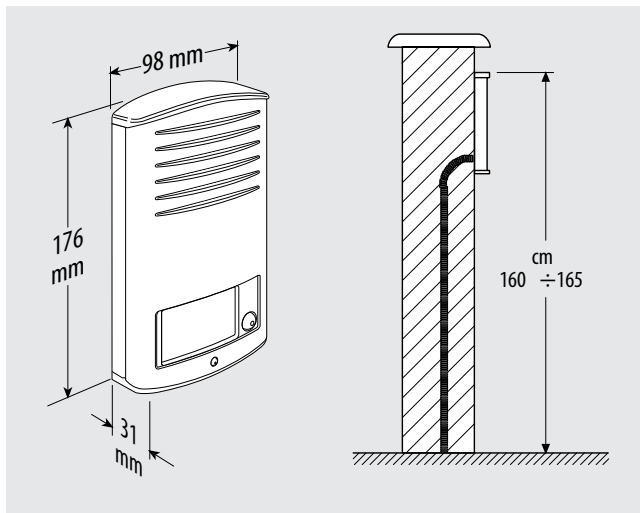
### Description

2 WIRE system audio pushbutton panel.  
Wall mounted. Green LED backlit name plate.  
One to four calls version available.

### Technical data

Power supply from SCS BUS: 18 - 27 Vdc  
Stand by absorption: 30 mA  
Max. operating absorption: 65 mA  
Operating temperature: (-25) - (+70)°C

### Dimensional data



### Legend

1. Loudspeaker
2. Configurator housing
3. Call keys
4. JUMPER for exclusion of the call tone on the entrance panel (can be enabled removing the jumper)
5. Microphone
6. Terminals for BUS and door lock connection: the module allows to control an electric door lock directly connected to the S+ S- terminals (18V 4 A impulsive - 250 mA holding current 30 Ohm max)
7. Microphone and loudspeaker volume adjustment

### Configuration

The device must be configured (only physically) as follows:

#### P - entrance panel number

The configurator in socket P of the speaker module assigns to this a recognition number inside the system.

The numbering of the entrance panels must always start from P=0. The entrance panel configured with P=0 must be a common (or main) entrance panel.

#### N - call number

Assigns the correspondence between the entrance panel pushbuttons and the audio handsets or video handsets.

### T - Door lock control time delay

Configurator number

0= No configurator	1	2	3	4 *	5	6	7
4 sec.	1 sec.	2 sec.	3 sec.	as pushbutt.	6 sec.	8 sec.	10 sec.

\* **Operation as pushbutton for 10 sec. max.**, after which standby mode is activated. To extend operation time over 10 seconds, use actuator item 346200 configured with **MOD=5**.

### S - type of call signal

The configuration of S determines the call tone of SPRINT handsets. One can thus differentiate the calls from different entrance panels.

#### Table for SPRINT handset call signal

Configurator	0	1	2	3
Type of bell	2-tone	2-tone	2-tone	One-tone
	1200Hz	1200Hz	1200Hz	1200Hz
	600Hz	0 Hz	2400Hz	

For the SWING, PIVOT, POLYX and AXOLUTE handsets, the **S configurator** associates the entrance panel to the bell programmed in the same apartment. It is possible to choose between 16 different bells. In one-family systems, **S=9 configures the general call** and the handsets ring, the same as with the S=0.

BT00609-a-EN



# LINEA 2000 METAL

## Audio entrance panel

342971 - 342972

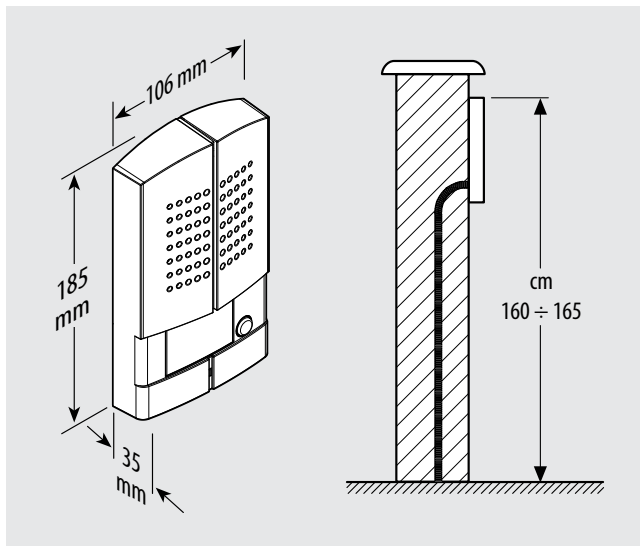
### Description

2 WIRE system audio pushbutton panel with Zamak front cover.  
Wall mounted. Blue LED backlit name plate  
One and two-family version available.

### Technical data

Power supply from SCS BUS: 18-27 Vdc  
Stand by absorption: 30 mA  
Max. operating absorption: 65 mA  
Operating temperature: (-25)-(+70)°C  
PI against mechanical impact: IK10

### Dimensional data



### Configuration

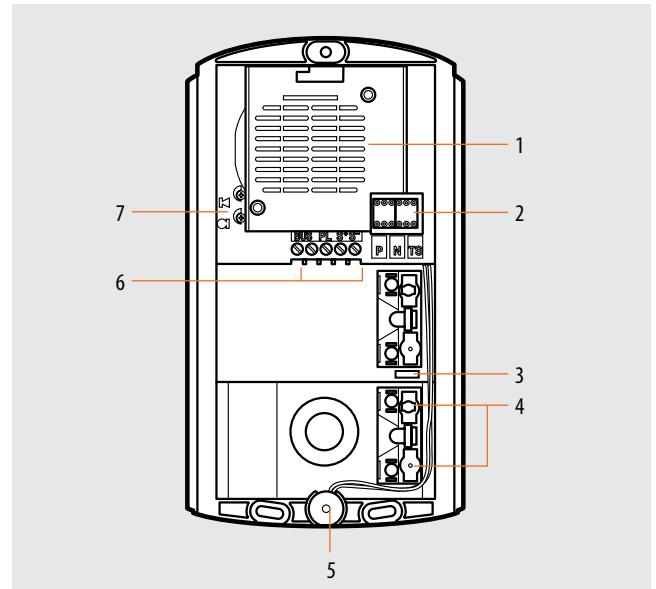
The device must be configured (only physically) as follows:

#### P - entrance panel number

The configurator in socket P of the speaker module assigns to this a recognition number inside the system.  
The numbering of the entrance panels must always start from P=0. The entrance panel configured with P=0 must be a common (or main) entrance panel.

#### N - call number

Assigns the correspondence between the entrance panel pushbuttons and the audio handsets or video handsets.



### Legend

1. Loudspeaker
2. Configurator housing
3. JUMPER for exclusion of the call tone on the entrance panel (can be enabled removing the jumper)
4. Call keys
5. Microphone
6. Terminals for BUS and door lock connection: the module allows to control an electric door lock directly connected to the S+ S- terminals (18 V 4 A impulsive - 250 mA holding current 30 Ohm max)
7. Microphone and loudspeaker volume adjustment

### T - Door lock control time delay

configurator number

configurator	1	2	3	4*	5	6	7
0= No configurator				as pushbutt.			
4 sec.	1 sec.	2 sec.	3 sec.		6 sec.	8 sec.	10 sec.

\* **Operation as pushbutton for 10 sec. max**, after which standby mode is activated.  
To extend operation time over 10 seconds, use actuator item 346200 configured with **MOD=5**.

#### S - type of call signal

The configuration of S determines the call tone of SPRINT handsets.  
One can thus differentiate the calls from different entrance panels.

#### Table for SPRINT handset call signal

Configurator	0	1	2	3
Type of bell	2-tone	2-tone	2-tone	One-tone
	1200Hz	1200Hz	1200Hz	1200Hz
	600Hz	0 Hz	2400Hz	

For the SWING, PIVOT, POLYX and AXOLUTE handsets, the **S configurator** associates the entrance panel to the bell programmed in the same apartment. It is possible to chose between 16 different bells. In one-family systems, **S=9 configures the general call** and the handsets ring, the same as with the S=0.





# LINEA 2000

## B/W entrance panel

342951 - 342961

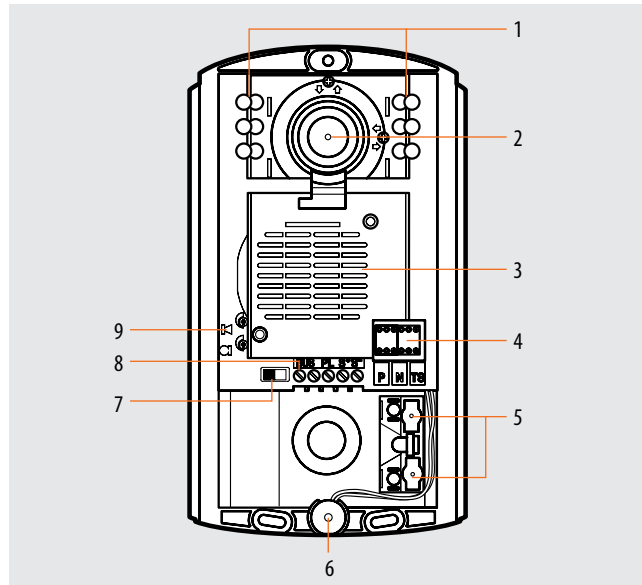
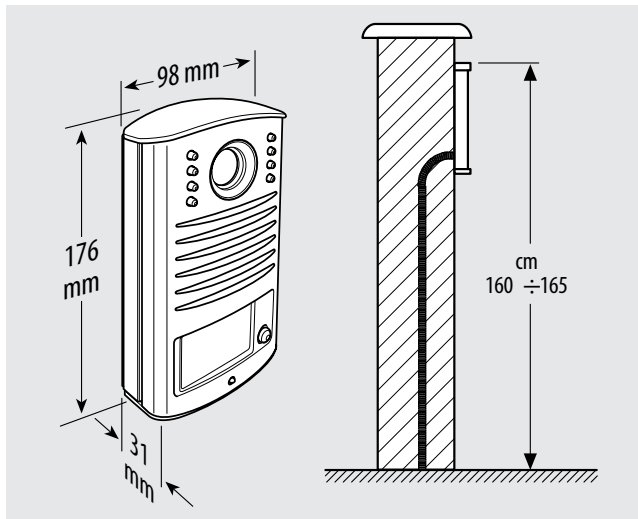
### Description

2 WIRE black and white video pushbutton panel.  
 Wall mounted. Green LED backlit name plate.  
 Camera adjustable by +/- 15° on both axes during installation.  
 One and two-family version available.

### Technical data

Power supply from SCS BUS: 18 - 27 Vdc  
 Stand by absorption: 30 mA  
 Max. operating absorption: 270 mA  
 Operating temperature: (-25) - (+70)°C

### Dimensional data



### Legend

- 1 - IR LED for night lighting of the field of view
- 2 - B/W camera with camera slant adjustment horizontally and vertically by ±15°
- 3 - Loudspeaker
- 4 - Configurator socket
- 5 - Call keys
- 6 - Microphone
- 7 - Door lock release sound enable/disable
- 8 - Clamps for BUS connection, door lock and local pushbutton: the module allows to control an electric door lock directly connected to the clamps S+ S- (18 V 4 A impulsive - 250 mA holding current 30 Ohm max)
- 9 - Microphone and loudspeaker volume adjustment

### Configuration

The device must be configured (only physically) as follows:

#### P - entrance panel number

The configurator in socket P of the speaker module assigns to this a recognition number inside the system.

The numbering of the entrance panels must always start from P=0. The entrance panel configured with P=0 must be a common (or main) entrance panel.

#### N - call number

Assigns the correspondence between the entrance panel pushbuttons and the audio handsets or video handsets.

### T – Door lock control time delay

configurator number

0= No configurator	1	2	3	4*	5	6	7
4 sec.	1 sec.	2 sec.	3 sec.	as pushbutt.	6 sec.	8 sec.	10 sec.

\* **Operation as pushbutton for 10 sec. max**, after which standby mode is activated. To extend operation time over 10 seconds, use actuator item 346200 configured with MOD=5.

### S - type of call signal

The configuration of S determines the call tone of SPRINT handsets. One can thus differentiate the calls from different entrance panels.

#### Table for SPRINT handset call signal

Configurator	0	1	2	3
Type of bell	2-tone	2-tone	2-tone	One-tone
	1200Hz	1200Hz	1200Hz	1200Hz
	600Hz	0 Hz	2400Hz	

For the SWING, PIVOT, POLYX and AXOLUTE handsets, the **S configurator** associates the Entrance panel to the bell programmed in the same apartment. It is possible to choose between 16 different bells. In one-family systems, **S=9 configures the general call** and the handsets ring, the same as with the S=0.

BT00611-a-EN



# LINEA 2000 METAL B/W entrance panel

342981 - 342982

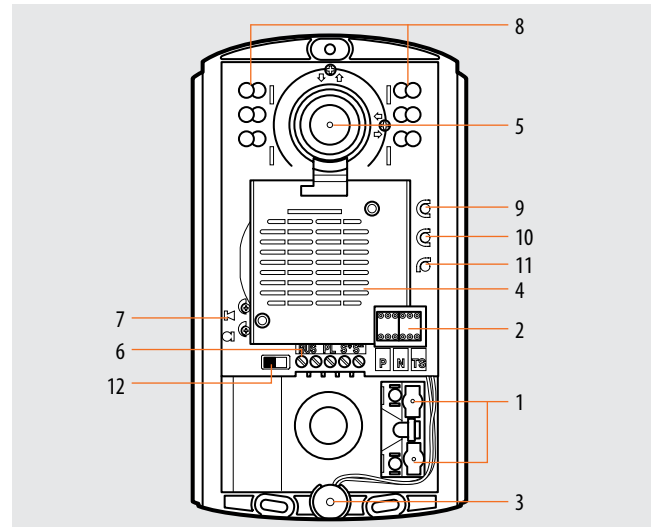
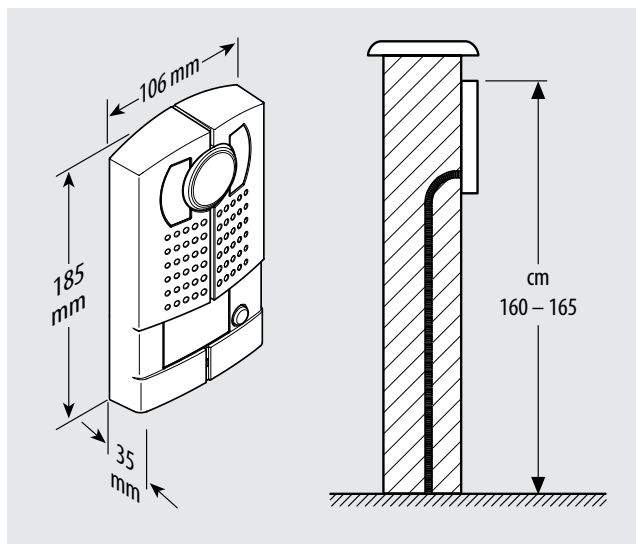
### Description

2 WIRE black and white video pushbutton panel with Zamak front cover.  
Wall mounted. Blue LED backlit name plate  
One and two-family version available.

### Technical data

Power supply from SCS BUS: 18 - 27 Vdc  
Stand by absorption: 30 mA  
Max. operating absorption: 270 mA  
Operating temperature: (-25) - (+70)°C  
PI against mechanical impact: IK07

### Dimensional data



### Legend

- 1 - Call keys
- 2 - Configurator socket
- 3 - Microphone
- 4 - Loudspeaker
- 5 - B/W camera with camera slant adjustment horizontally and vertically by  $\pm 15^\circ$
- 6 - Clamps for BUS connection and door lock: the module allows to control an electric door lock directly connected to the clamps S+ S- (18 V 4 A impulsive - 250 mA holding current 30 Ohm max)
- 7 - Microphone and loudspeaker volume adjustment
- 8 - White LEDs for night lighting of the field of view
- 9 - Green LED: door open notification
- 10 - Green LED: communication active notification
- 11 - System status LED: flashing green = put through call  
flashing red = busy system notification
- 12 - Door lock opening sound enable/disable micro-switch

### Configuration

The device must be configured (only physically) as follows:

#### P - entrance panel number

The configurator in socket P of the speaker module assigns to this a recognition number inside the system.

The numbering of the entrance panels must always start from P=0. The entrance panel configured with P=0 must be a common (or main) entrance panel.

#### N - call number

Assigns the correspondence between the entrance panel pushbuttons and the audio handsets or video handsets.

### T - Door lock control time delay

configurator number

0= No configurator	1	2	3	4*	5	6	7
4 sec.	1 sec.	2 sec.	3 sec.	as pushbutt.	6 sec.	8 sec.	10 sec.

\* **Operation as pushbutton for 10 sec. max**, after which standby mode is activated. To extend operation time over 10 seconds, use actuator item 346200 configured with MOD=5.

### S - type of call signal

The configuration of S determines the call tone of SPRINT handsets. One can thus differentiate the calls from different entrance panels.

#### Table for SPRINT handset call signal

Configurator	0	1	2	3
Type of bell	2-tone	2-tone	2-tone	One-tone
	1200Hz	1200Hz	1200Hz	1200Hz
	600Hz	0 Hz	2400Hz	

For the SWING, PIVOT, POLYX and AXOLUTE handsets, the **S configurator** associates the Entrance panel to the bell programmed in the same apartment. It is possible to chose between 16 different bells. In one-family systems, **S=9 configures the general call** and the handsets ring, the same as with the S=0.



# Wall mounted LINEA 2000 METAL entrance panel

342991 - 342992

### Description

Wall mounted 2-wire pushbutton panel with Zamak front cover, colour camera, and night viewing white LED light. One and two-family version available. The camera can be swivelled by  $\pm 15^\circ$ , both horizontally and vertically. It provides the possibility of opening an electrical door lock connected directly to clamps S+ and S- (18 V 4 A impulsive, 250 mA holding current). Blue LED backlit name plate

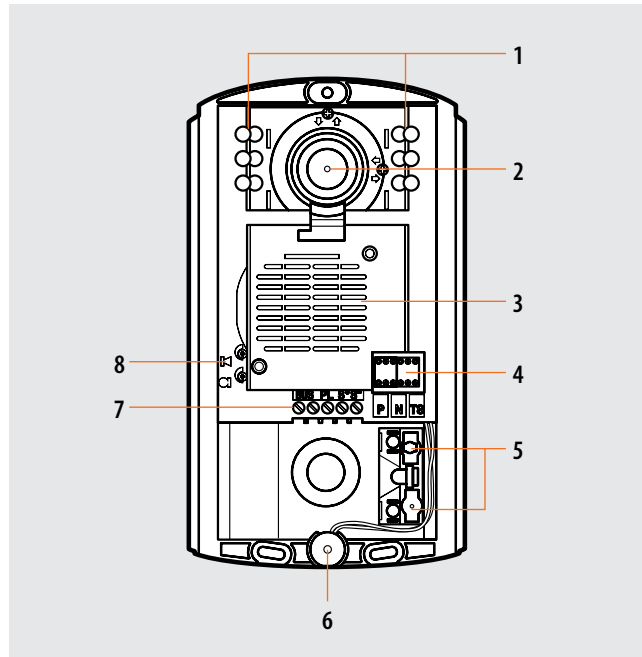
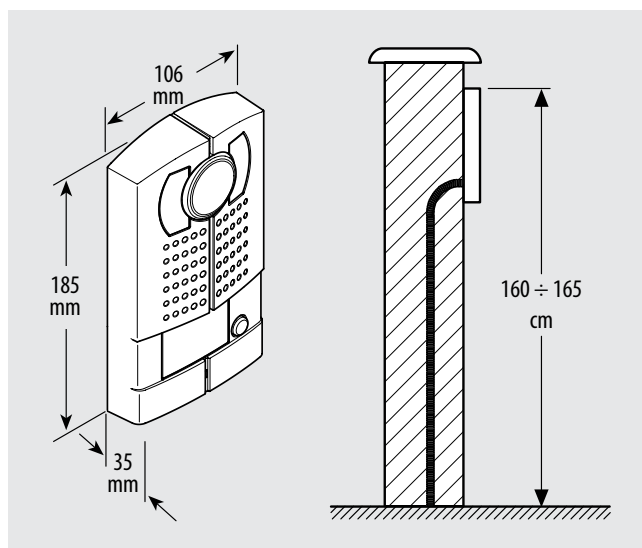
### Related items

346250 (gate release relay module)

### Technical data

Power supply from SCS BUS: 18 - 27 Vdc  
 Stand by absorption: 20 mA  
 Max. operating absorption: 240 mA  
 Operating temperature:  $(-25) - (+70)^\circ\text{C}$   
 PI against mechanical impact: IK07

### Dimensional data



### Legend

- 1 - White LEDs for night lighting
- 2 - Colour camera with camera slant adjustment horizontally and vertically by  $\pm 15^\circ$
- 3 - Loudspeaker
- 4 - Configurator socket
- 5 - Call keys
- 6 - Microphone
- 7 - Clamps for BUS and door lock connection: the module allows to control an electric door lock directly connected to the clamps S+ S- (18 V 4 A impulsive - 250 mA holding current 30 Ohm max)
- 8 - Microphone and loudspeaker volume adjustment

**Configuration**

The device must be configured as follows:

**P - entrance panel number**

The configurator in seat P of the speaker module assigns to it a recognition number inside the system. The numbering of the entrance panels must always start from P=0. The entrance panel configured with P=0 must be a common (or main) entrance panel.

**N - call number**

Assigns the correspondence between the entrance panel pushbuttons, and the audio or video handsets.

In common entrance panels made using pushbutton modules, 1 must be inserted in N of the speaker module. In secondary entrance panels, the number of the first riser handset must be inserted in N.

**T - door lock relay timing**

configurator number							
0= No configurator	1	2	3	4	5	6	7
4 sec.	1 sec.	2 sec.	3 sec.	as pushbutt.	6 sec.	8 sec.	10 sec.

**S - type of call signal**

The configuration of S determines the call tone of the SPRINT handsets. One can thus differentiate the calls from different entrance panels.

**Table for SPRINT handset call signal**

Configurator	0	1	2	3
Type of bell	2-tone	2-tone	2-tone	One-tone
	1200Hz	1200Hz	1200Hz	1200Hz
	600Hz	0 Hz	2400Hz	

For the SWING, PIVOT, POLYX and AXOLUTE handsets, the **S configurator** associates the Entrance panel to the bell programmed in the same apartment. It is possible to chose between 16 different bells. In one-family systems **S=9 configure the general call.**



# LINEA 100

## Digital call pushbutton panel

343100

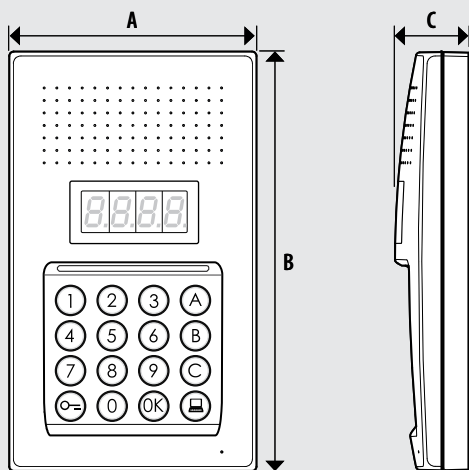
### Description

2 WIRE AUDIO digital call pushbutton panel for wall mounted installation. The device consists in a pushbutton panel with 16 keys and a digital display for the display of the operating status. Through the recognition of previously saved numerical (SCS addresses) or alphanumerical codes (logic addresses), it can be used to call handsets, and to give residents the possibility of opening the door lock using a dedicated numerical code. The pushbutton panel can manage up to 4000 handset addresses (from 0 to 3999), and the direct call to the 2 WIRE switchboard. It has an internal contact (C – NO – NC) for connection of an electrical door lock, or an external actuator (for the powering of the electrical door lock use an auxiliary transformer, item 336842). Connection (PL) for connecting a local door lock release pushbutton. System power supply cuts do NOT cause the loss of memory data.

### Technical data

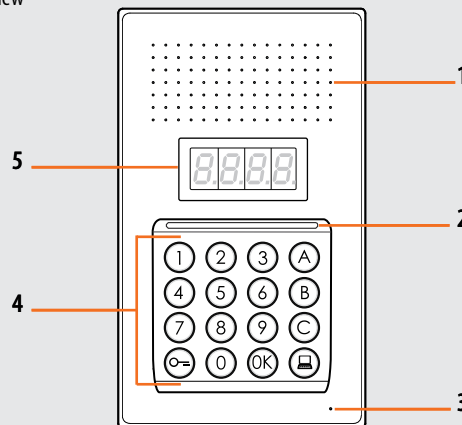
Power supply from SCS BUS:	18 – 27 Vdc
Stand-by absorption:	30 mA
Max. operating absorption:	100 mA
Contact load (C - NO - NC):	1.2 A – 12 Vac / dc
Operating temperature:	(-25) – (+70) °C
Protection index:	IP44
Protection index against mechanical impact:	IK08

### Dimensional data

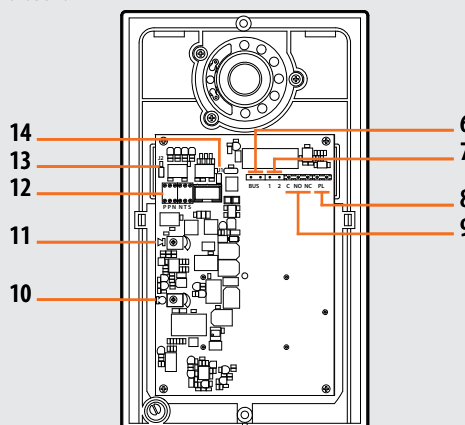


A	B	C
130 mm	221 mm	38.7 mm

Front view



View without lid



### Legend

1. Loudspeaker
2. Keypad lighting LED
3. Microphone
4. Alphanumeric keypad  
 OK key, code confirmation  
 key, door lock release  
 key, call to the switchboard
5. Display
6. 2 WIRE SCS/BUS connection clamps (BUS)
7. Clamps (1 - 2) for the connection of the additional power supply
8. Clamps (PL) for the connection of a local door lock release pushbutton
9. Contact clamps (C - NO - NC), for the connection of the door lock /external actuator
10. Microphone volume adjustment
11. Loudspeaker volume adjustment
12. Configurator socket
13. Jumper J2- **connected = enabled tones**  
 disconnected = disabled tones
14. Jumper J1- **connected = additional power supply disabled**  
 disconnected = additional power supply enabled

BT00714-a-EN

**Configuration**

The device **MUST** be configured with physical configurator connection to the appropriate sockets as follows:

**P - entrance panel number**

The configurator in socket P of the device assigns to this a recognition number inside the system. The numbering of the entrance panels must always start from P = 0 (unless the system includes a 2 WIRE switchboard). The entrance panel configured with P = 0 (no configurator connected) must be a standard (or main) entrance panel.

**N - NOT USED**

**T - door lock relay timing**

Configurator number							
0 = no configurator	1	2	3	4*	5	6	7
4 sec	1 sec	2 sec	3 sec	as pushbutt.	6 sec	8 sec	10 sec

\* Operation as pushbutton for 10 sec. max after which it goes in stand-by.  
In order to extend this type of operation over 10 seconds, use the actuator, item 346200 configured with MOD = 5.

**S - type of call signal**

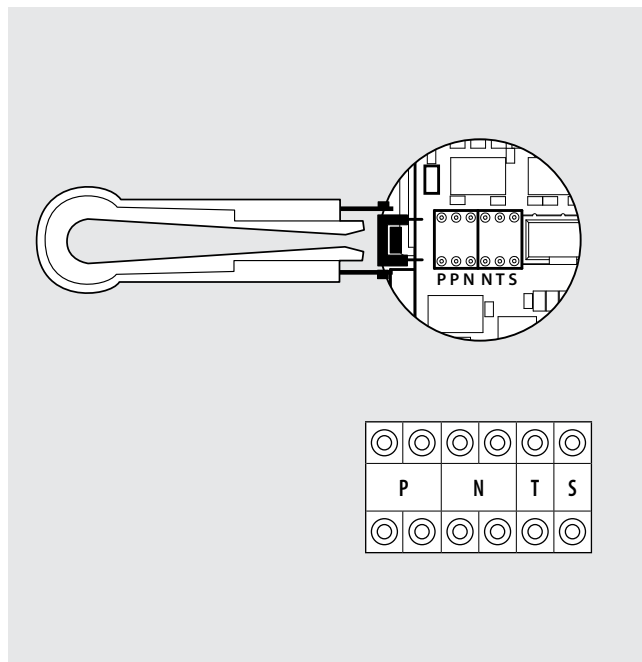
The configurator in socket S of the device determines the call tone of handsets. One can thus differentiate the calls from different entrance panels.

For the SWING, PIVOT, POLYX, AXOLUTE and LIVINGLIGHT handsets, S associates the Entrance panel to the bell programmed in the same apartment. It is possible to chose between 16 different preset bells.

For the SPRINT and SPRINT L2 handsets, S sets the call ringtone, according to the following table:

Configurator	0	1	2	3
Type of bell	2-tone	2-tone	2-tone	One-tone
	1200 Hz	1200 Hz	1200 Hz	1200 Hz
	600 Hz	0 Hz	2400 Hz	

**In one-family systems S=9 to configure the general call.**



BT00714-a-EN



# LINEA 100 audio pushbutton panel for pushbutton call

343101 - 343102

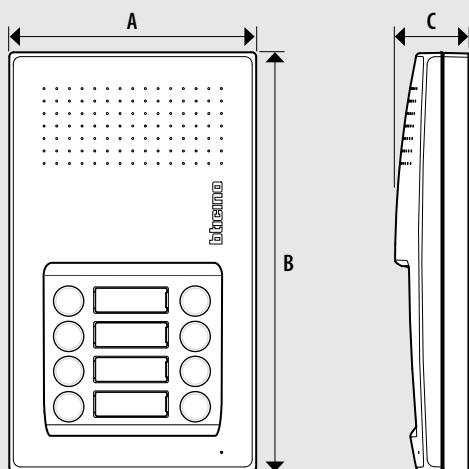
### Description

2 WIRE audio pushbutton panel with pushbutton call, available in two versions: 4 call pushbuttons (343101) and 8 call pushbuttons (343102). They have an internal contact (C – NO – NC) for connection of an electrical door lock, or an external actuator (for the powering of the electrical door lock use an auxiliary transformer, item 336842). Connection (PL) for connecting a local door lock release pushbutton. Wall mounted installation.

### Technical data

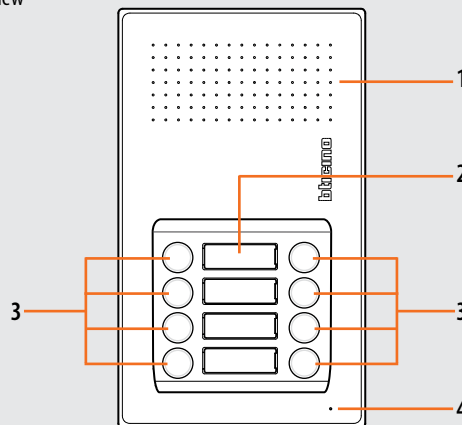
Power supply from SCS BUS:	18 – 27 Vdc
Stand-by absorption:	25 mA
Max. operating absorption:	55 mA
Local contact load (C - NO - NC):	2 A – 12/24 Vac/dc
Operating temperature:	(-25) – (+70) °C
Protection index:	IP44
Protection index against mechanical impact:	IK08

### Dimensional data

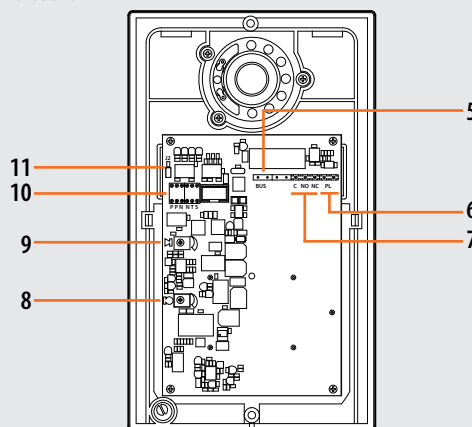


A	B	C
130 mm	221 mm	38.7 mm

Front view



View without lid



### Legend

1. Loudspeaker
2. Nameplate
3. Call pushbuttons
4. Microphone
5. 2 WIRE SCS/BUS connection clamps (BUS)
6. Clamps (PL) for the connection of a local door lock release pushbutton
7. Contact clamps (C - NO - NC), for the connection of the door lock /external actuator
8. Microphone volume adjustment
9. Loudspeaker volume adjustment
10. Configurator socket
11. Jumper J2 - **connected = additional power supply disabled**  
**disconnected = additional power supply enabled**

BT00715-a-EN

**Configuration**

The device **MUST** be configured with physical configurator connection to the appropriate sockets as follows:

**P - entrance panel number**

The configurator in socket P of the device assigns to this a recognition number inside the system. The numbering of the entrance panels must always start from P = 0 (unless the system includes a 2 WIRE switchboard). The entrance panel configured with P = 0 (no configurator connected) must be a standard (or main) entrance panel.

**N - call number**

The configurator connected to socket N of the device assigns the correspondence between the entrance panel call pushbuttons and the handsets. For common pushbutton entrance panels N must be configured with N = 0 (no configurator connected). In local entrance panels, the first handset of the riser being called will be the one configured with N+1 in relation to the entrance panel.

**T - temporizzazione serratura**

Configurator number							
0 = no configurator	1	2	3	4*	5	6	7
4 sec	1 sec	2 sec	3 sec	as pushbutt.	6 sec	8 sec	10 sec

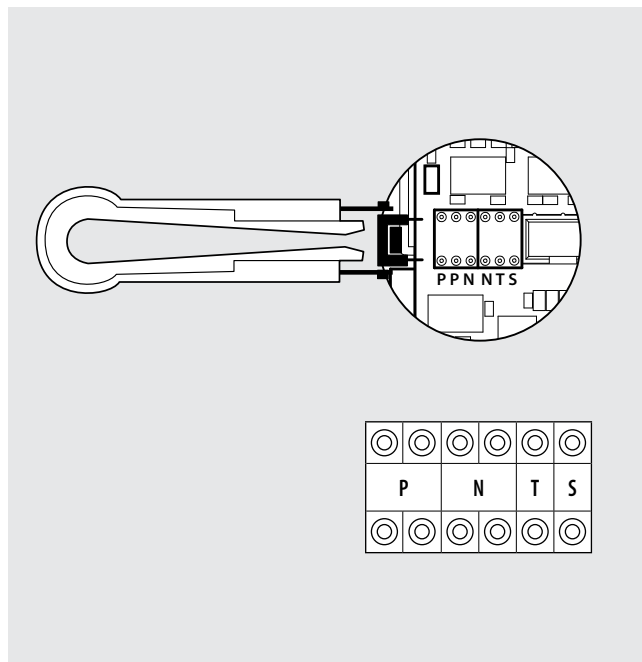
\* Operation as pushbutton for 10 sec. max after which it goes in stand-by.  
In order to extend this type of operation over 10 seconds, use the actuator, item 346200 configured with MOD = 5.

**S - type of call signal**

The configurator in socket S of the device determines the call tone of handsets. One can thus differentiate the calls from different entrance panels.

For the SWING, PIVOT, POLYX, AXOLUTE and LIVINGLIGHT handsets, S associates the Entrance panel to the bell programmed in the same apartment. It is possible to chose between 16 different preset bells.

For the SPRINT and SPRINT L2 (344242) handsets, S sets the call ringtone, according to the table at the side.



Configurator	0	1	2	3
Type of bell	2-tone	2-tone	2-tone	One-tone
	1200 Hz	1200 Hz	1200 Hz	1200 Hz
	600 Hz	0 Hz	2400 Hz	

**In one-family systems S=9 to configure the general call.**

BT00715-a-EN





# Flush mounted LINEA 2000 METAL entrance panel

343001 - 343002

### Description

Flush mounted 2-wire audio and video speaker module with Zamak front cover, colour camera and night viewing white LED light. One and two-family version available. The camera can be swivelled by +/-20°, both horizontally and vertically. It provides the possibility of opening an electrical door lock connected directly to clamps S+ and S- (18 V 4 A impulsive, 250 mA holding current). Flush mounted box supplied as standard.

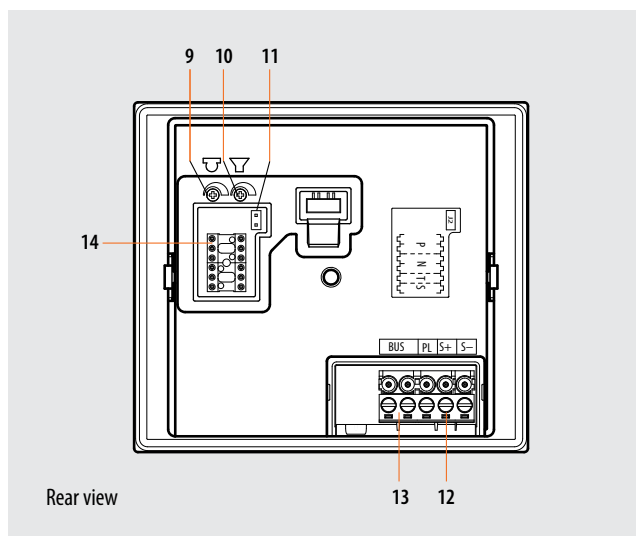
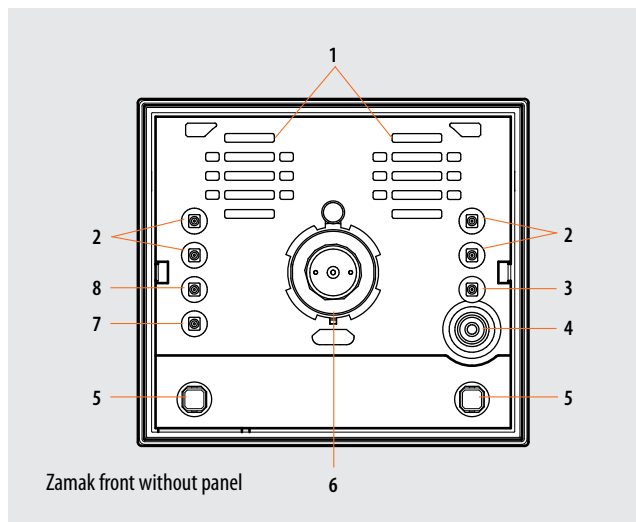
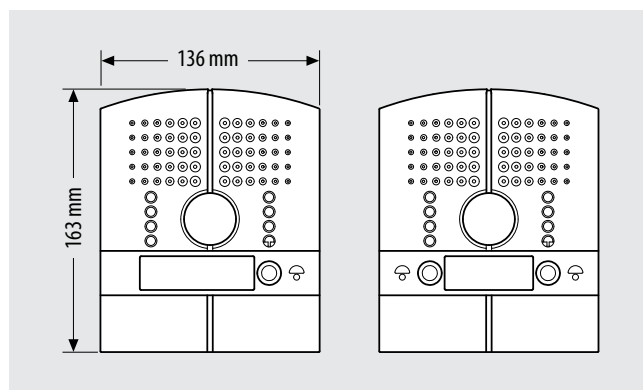
### Related items

346250 (gate release relay module)

### Technical data

Power supply from SCS BUS: 18 - 27 Vdc  
 Stand by absorption: 40 mA  
 Max. operating absorption: 160 mA  
 Operating temperature: (-20) - (+70)°C  
 PI against mechanical impact IK10  
 Sensor: 1/3"  
 Lens: f: 4,3 mm; F: 1.5 mm  
 Interlace: 2:1  
 Resolution: 330 horizontal lines  
 Night lighting: white LEDs  
 Brightness adjustment: automatic

### Dimensional data



### Legend

- 1 - Loudspeakers
- 2 - White LEDs for night lighting
- 3 - Green LED for door status notification
- 4 - Microphone
- 5 - Call keys
- 6 - Colour camera
- 7 - Green LED: put through call notification  
Red LED: busy system notification
- 8 - Green LED: active communication notification
- 9 - Microphone volume adjustment
- 10 - Loudspeaker volume adjustment
- 11 - J2: when connected, two columns of call pushbuttons are active, when disconnected only one
- 12 - Door lock connection and local open door pushbutton
- 13 - Connection to the 2-wire SCS BUS.
- 14 - Configurator socket

BT00614-a-EN

**Configuration**

The device must be configured as follows:

**P - entrance panel number**

The configurator in seat P of the speaker module assigns to it a recognition number inside the system. The numbering of the entrance panels must always start from P=0. The entrance panel configured with P=0 must be a common (or main) entrance panel.

**N - call number**

Assigns the correspondence between the entrance panel pushbuttons and the audio handsets or video handsets. In the common entrance panels made with pushbutton modules, 1 must be inserted in N of the speaker module. The number of the first riser handset must be inserted in the local entrance panels in N.

**T - door lock relay timing**

configurator number	1	2	3	4*	5	6	7
0= No configurator							
4 sec.	1 sec.	2 sec.	3 sec.	as pushbutt.	6 sec.	8 sec.	10 sec.

\* **Operation as pushbutton for 10 sec. max, after which standby mode is activated.**  
To extend operation time over 10 seconds, use actuator item 346200 configured with MOD=5.

**S-type of call signal with entrance panel door lock opening notification beep**

The configuration of S determines the call tone of the SPRINT handsets. One can thus differentiate the calls from different entrance panels.

**Table for SPRINT handset call signal**

Configurator	0	1	2	3
Type of bell	2-tone	2-tone	2-tone	One-tone
	1200Hz	1200Hz	1200Hz	1200Hz
	600Hz	0 Hz	2400Hz	

For the SWING, PIVOT, POLYX and AXOLUTE handsets, the S configurator associates the Entrance panel to the bell programmed in the same apartment. It is possible to chose between 16 different bells. In one-family systems, S=9 configures the general call and the handsets ring, the same as with the S=0.

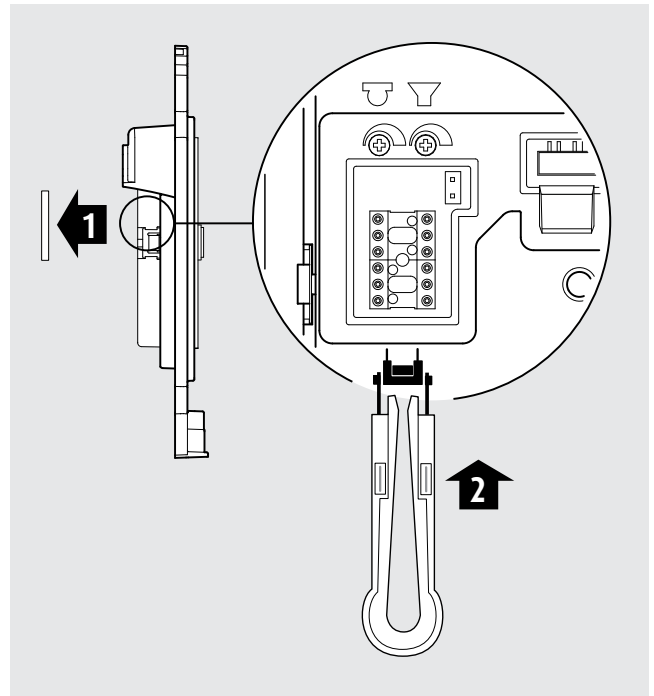
**S-type of call signal without entrance panel door lock opening notification beep**

The configuration of S determines the call tone of the SPRINT handsets. One can thus differentiate the calls from different entrance panels.

**Table for SPRINT handset call signal**

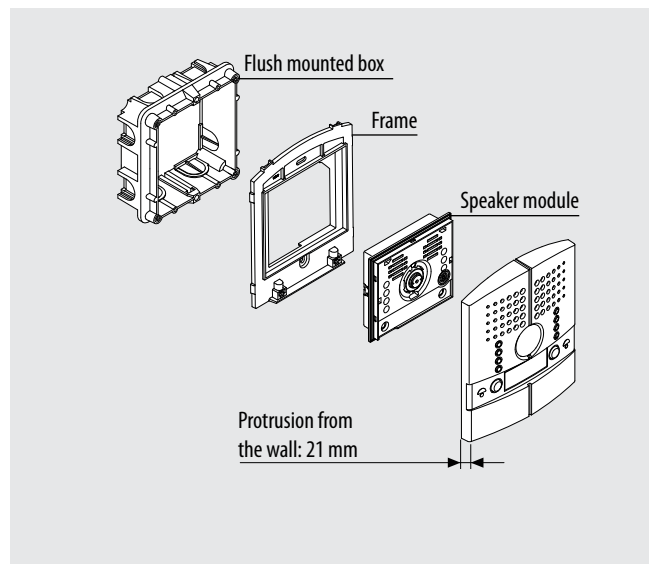
Configurator	4	5	6	7
Type of bell	2-tone	2-tone	2-tone	One-tone
	1200Hz	1200Hz	1200Hz	1200Hz
	600Hz	0 Hz	2400Hz	

For the SWING, PIVOT, POLYX and AXOLUTE handsets, the S configurator associates the Entrance panel to the bell programmed in the same apartment. It is possible to chose between 16 different bells. In one-family systems, S=8 configures the general call and the handsets ring, the same as with the S=0.



**Installation**

The camera must not be installed in front of intense light sources, or in locations where the subject might be backlit. To avoid these problems try to change the installation height of the camera, normally from 160-165 cm, to a height of 180 mm, and to direct the lens downwards so that the shooting quality may be improved. In low light conditions, the picture of the colour camera may be reproduced with a lower colour rendition, in order to ensure the possibility to better identify the subject. For optimal viewing, it is however recommended that an extra light sources is installed in scarcely illuminated locations.





# MINISFERA

## Audio pushbutton panel

342702

### Description

2 WIRE speaker module to be used in audio systems.  
 Preset for 6 calls (expandable), it must be fitted with surround plate (item 332721, or item 332726) and keys (item 332712, item 332713, item 332714, item 332715), according to personal installation requirements.  
 The device must be configured depending on the type of key used.  
 The Loudspeaker volume and the sensitivity level of the microphone may be adjusted using the corresponding potentiometers. The name plates are illuminated by green LEDs.  
 The dedicated jumpers can be removed to enable the following functions: Staircase light switching on with dedicated key, and exclusion of the confirmation of the call from the entrance panel.  
 The speaker module may be used to open an electric door lock connected using the S+ and S- clamps (18 V 4 A impulsive, 250 mA holding current 30 Ω max).

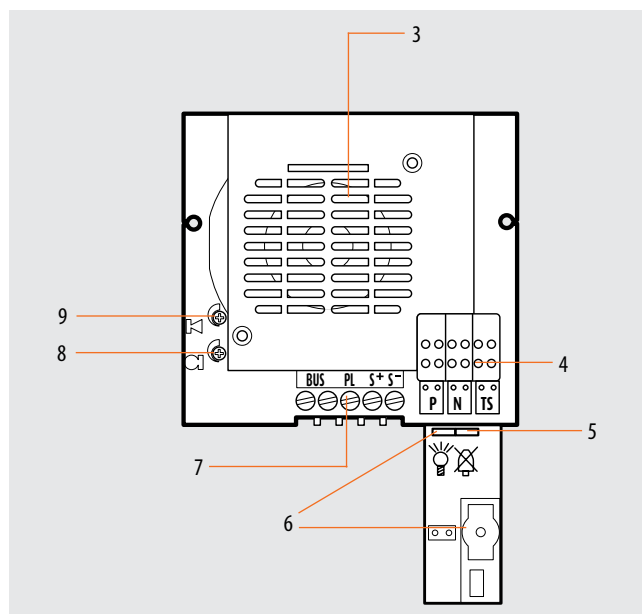
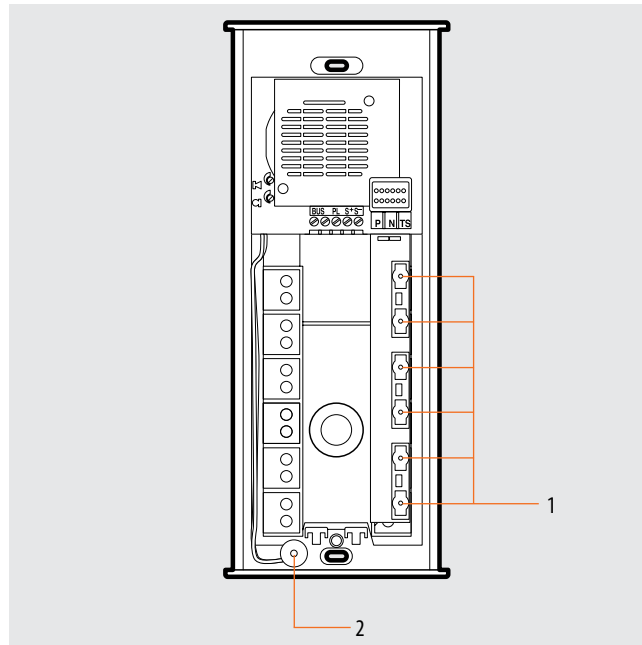
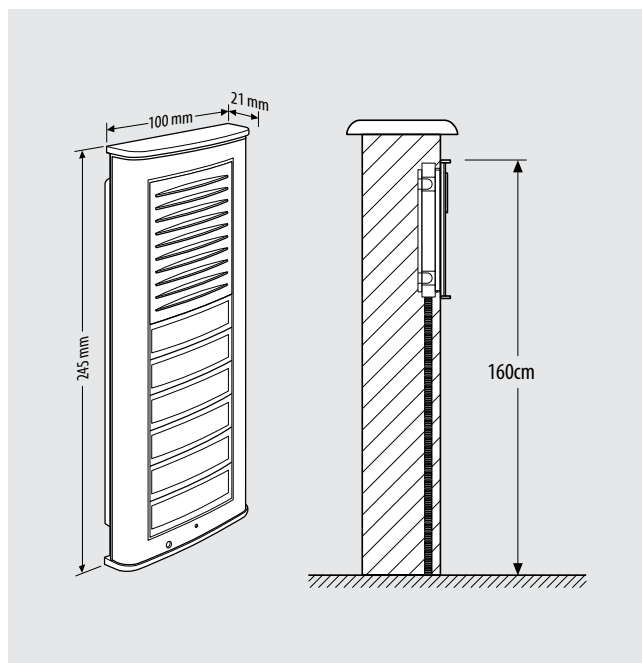
### Related items

- 332710 (flush mounted box)
- 332711 (surface-mounted box)
- 332712 (narrow key 1 module with name label)
- 332713 (wide key 2 modules with name label)
- 332714 (2 modules nameplate with label)
- 332715 (1 module false key - grey)
- 332721 (aluminium surround plate)
- 332726 (titanium surround plate)

### Technical data

Power supply from SCS BUS: 18 - 27 Vdc  
 Stand by absorption: 40 mA  
 Max. operating absorption: 90 mA  
 Operating temperature: (-25) - (+70)°C

### Dimensional data



### Legend

- 1 - Call keys
- 2 - Microphone
- 3 - Loudspeaker
- 4 - Configurator socket
- 5 - Entrance panel call sound exclusion (remove the jumper to enable)
- 6 - Staircase light switching on with dedicated key (remove the jumper to enable)
- 7 - Clamps for BUS connection, door lock and local pushbutton.
- 8 - Microphone sensitivity adjustment
- 9 - Loudspeaker volume adjustment

BT00615-a-EN

**Configuration**

The device must be configured (only physically) as follows:

**P - entrance panel number**

The configurator in socket P of the speaker module assigns to this a recognition number inside the system. The numbering of the entrance panels must always start from P=0. The entrance panel configured with P=0 must be a common (or main) entrance panel.

**N - call number**

Assigns the correspondence between the entrance panel pushbuttons, and the audio handsets.

In common entrance panels made using pushbutton modules, 1 must be inserted in N of the speaker module. In secondary entrance panels, the number of the first riser handset must be inserted in N.

**T - Door lock relay timing**

configurator number							
0= No configurator	1	2	3	4*	5	6	7
4 sec.	1 sec.	2 sec.	3 sec.	as pushbutt.	6 sec.	8 sec.	10 sec.

\* **Operation as pushbutton for 10 sec. max**, after which standby mode is activated. To extend operation time over 10 seconds, use actuator item 346200 configured with **MOD=5**.

**S - type of call signal**

The configuration of S determines the call tone of SPRINT handsets. One can thus differentiate the calls from different entrance panels.

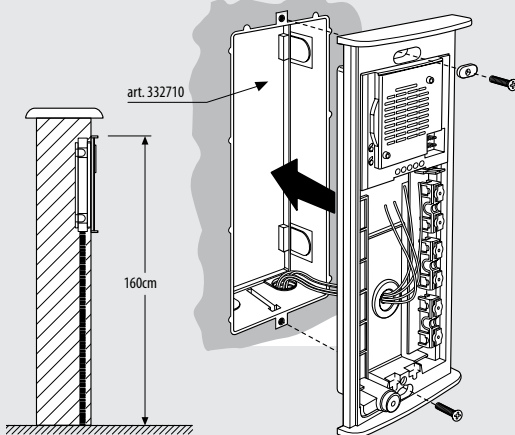
**Table for SPRINT handset call signal**

Configurator	0	1	2	3
Type of bell	2-tone	2-tone	2-tone	One-tone
	1200Hz	1200Hz	1200Hz	1200Hz
	600Hz	0 Hz	2400Hz	

For the SWING, PIVOT, POLYX and AXOLUTE handsets, the **S configurator** associates the entrance panel to the bell programmed in the same apartment. It is possible to chose between 16 different bells. In one-family systems **S=9 to configure the general call** (all the system handsets ring at the same time).

**Installation**

**Flush mounted installation**




Inside the MINISFERA audio speaker module are JUMPERS that can be used for performing the following functions:

• **Jumper**  - **EP call confirmation**

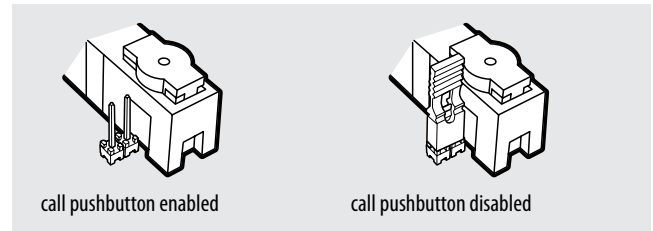
To eliminate the entrance panel call confirmation sound remove the JUMPER .

• **Jumper**  - **staircase light switching on with call key**

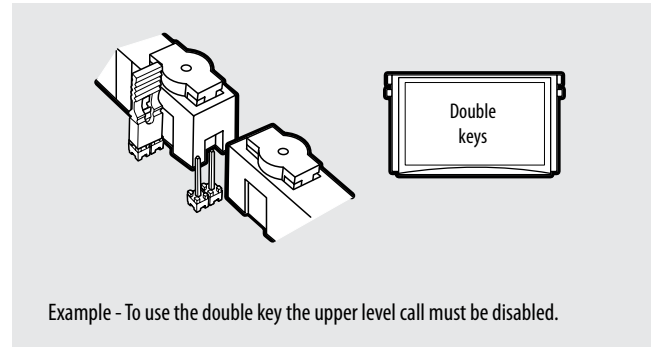
To switch on the staircase the light from the entrance panel using the last call key, remove the JUMPER .

• **Jumper – call pushbutton exclusion**

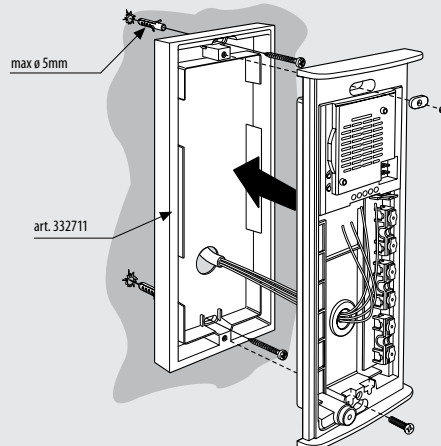
Connect the jumper to exclude the call pushbutton.



**NOTA:** disable the pushbuttons based on the false poles, and the single, or the double keys connected.



**Wall mounted installation**



BT00615-a-EN



# MINISFERA black and white video pushbutton panel

342708

### Description

2 WIRE speaker module to be used in video or mixed audio/video systems. Preset for 4 calls (expandable), it must be fitted with surround plate (item 332721, item 332726) and keys (item 332712, item 332713, item 332714, item 332715), according to personal installation requirements. The device must be configured depending on the type of key used. The Loudspeaker volume and the sensitivity level of the microphone may be adjusted using the corresponding potentiometers. The dedicated jumpers can be removed to enable the following functions: Staircase light switching on with dedicated key, and exclusion of the confirmation of the call from the entrance panel. If the IR LED allow night lighting of the field of view. The camera field of view may be adjusted by +/-15 degrees both horizontally and vertically. The speaker module provides the possibility of opening an electrical door lock connected directly to clamps S+ and S- (18V 4A impulsive, 250mA holding current 300 max). The door lock can also be powered locally using a transformer, or the actuator item 346230/ item 346260.

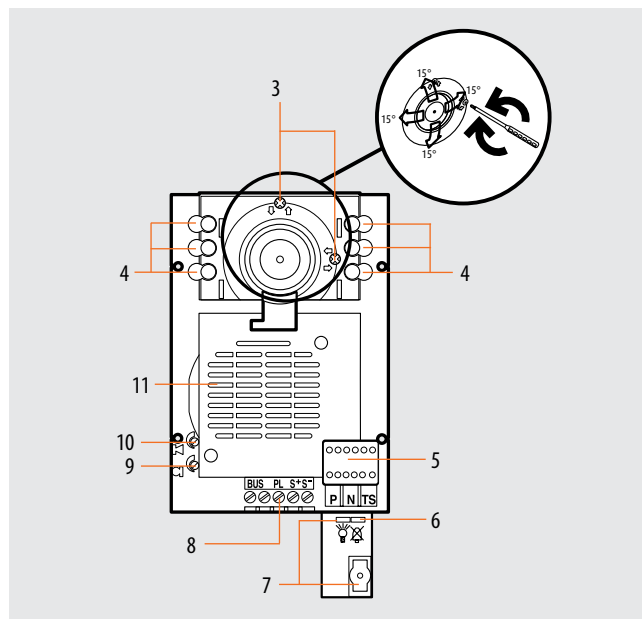
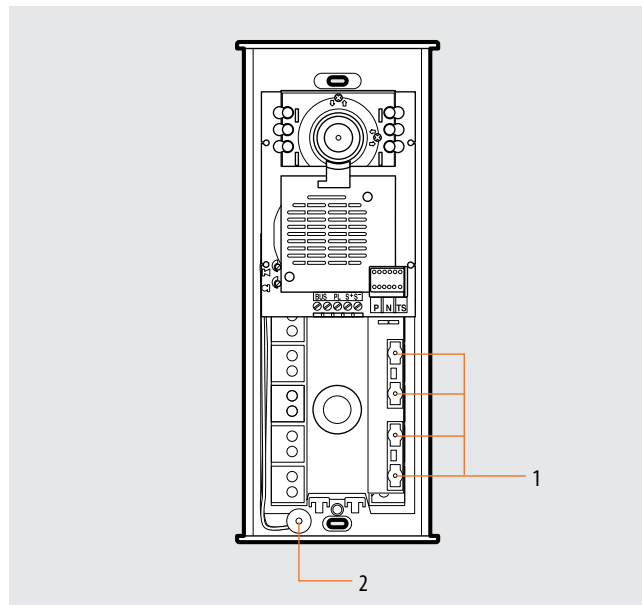
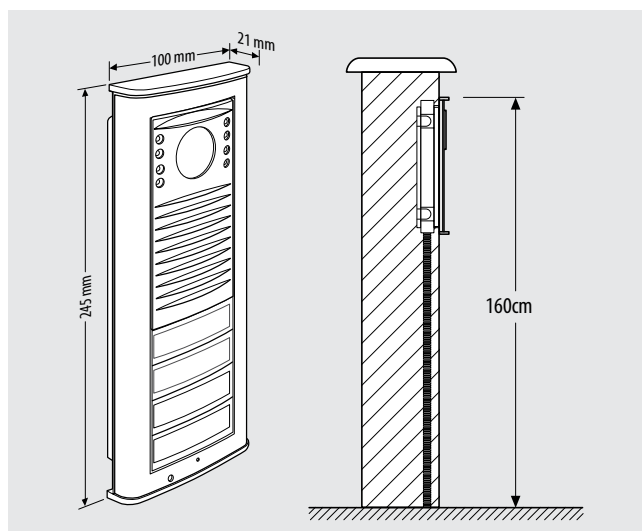
### Related items

- 332710 (flush mounted box)
- 332711 (surface-mounted box)
- 332712 (narrow key 1 module with name label)
- 332713 (wide key 2 modules with name label)
- 332714 (2 modules nameplate with label)
- 332715 (1 module false key - grey)
- 332721 (aluminium surround plate)
- 332726 (titanium surround plate)

### Technical data

Power supply from SCS BUS: 18 - 27 Vdc  
 Stand by absorption: 40 mA  
 Max. operating absorption: 280 mA  
 Operating temperature: (-25) - (+70)°C

### Dimensional data



### Legend

- 1 - Call keys
- 2 - Microphone
- 3 - Camera field of view adjustment screws
- 4 - IR LED for night lighting of the field of view
- 5 - Configurator socket
- 6 - Entrance panel call confirmation exclusion. (remove the jumper to enable)
- 7 - Staircase light switching on with dedicated key (remove the jumper to enable)
- 8 - Terminal board for 2 WIRE connections, door lock and opening of entrance door lock
- 9 - Microphone sensitivity adjustment
- 10 - Loudspeaker volume adjustment
- 11 - Loudspeaker

BT00616-a-EN

**Configuration**

The device must be configured (only physically) as follows:

**P - entrance panel number**

The configurator in socket P of the speaker module assigns to this a recognition number inside the system. The numbering of the entrance panels must always start from P=0. The entrance panel configured with P=0 must be a common (or main) entrance panel.

**N - call number**

Assigns the correspondence between the entrance panel pushbuttons, and the audio handsets.

In common entrance panels made using pushbutton modules, 1 must be inserted in N of the speaker module. In secondary entrance panels, the number of the first riser handset must be inserted in N.

**T - Door lock relay timing**

configurator number	1	2	3	4*	5	6	7
0= No configurator							
4 sec.	1 sec.	2 sec.	3 sec.	as pushbutt.	6 sec.	8 sec.	10 sec.

\* **Operation as pushbutton for 10 sec. max**, after which standby mode is activated. To extend operation time over 10 seconds, use actuator item 346200 configured with MOD=5.

**S - type of call signal**

The configuration of S determines the call tone of SPRINT handsets. One can thus differentiate the calls from different entrance panels.

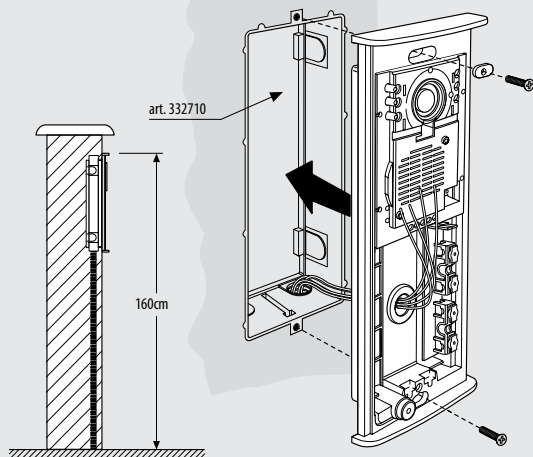
Table for SPRINT handset call signal

Configurator	0	1	2	3
Type of bell	2-tone	2-tone	2-tone	One-tone
	1200Hz	1200Hz	1200Hz	1200Hz
	600Hz	0 Hz	2400Hz	

For the SWING, PIVOT, POLYX and AXOLUTE handsets, the **S configurator** associates the entrance panel to the bell programmed in the same apartment. It is possible to chose between 16 different bells. In one-family systems **S=9 to configure the general call** (all the system handsets ring at the same time).

**Installation**

Flush mounted installation




Inside the MINISFERA audio speaker module are JUMPERS that can be used for performing the following functions:

• **Jumper**  - EP call confirmation

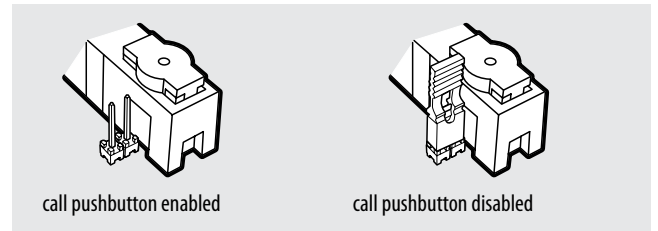
To eliminate the entrance panel call confirmation sound remove the JUMPER .

• **Jumper**  - staircase light switching on with call key

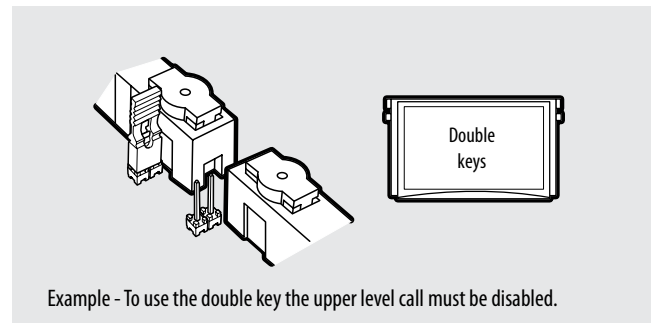
To switch on the staircase the light from the entrance panel using the last call key, remove the JUMPER .

• **Jumper – call pushbutton exclusion**

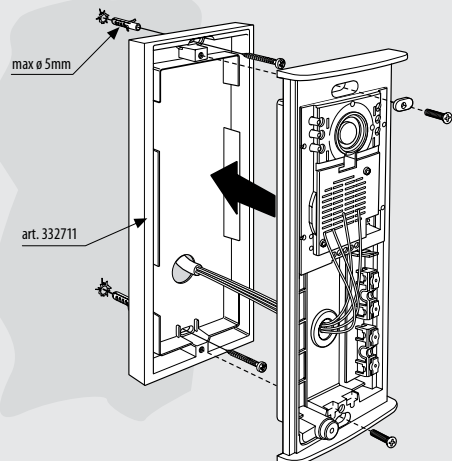
Connect the jumper to exclude the call pushbutton.



**NOTE:** disable the pushbuttons based on the false poles, and the single, or the double keys connected.



Wall mounted installation



BT00616-a-EN



# MINISFERA

## additional pushbutton panel

342704

### Description

Additional 2 WIRE pushbutton module to be used together with audio modules item 342702 and item 342708.

Preset for 10 calls, it must be fitted with surround plate (item 332721, item 332726) and keys (item 332712, item 332713, item 332714, item 332715), according to personal installation requirements.

It may be installed side by side with, or above/below, the speaker module.

Maximum 6 expansion modules may be connected to a speaker module, item 342702, or item 342708.

It is supplied with multicable for the connection of the speaker module to other key expansion modules.

The device must be configured based on the type of keys used, as for audio modules items 342702 and item 342708.

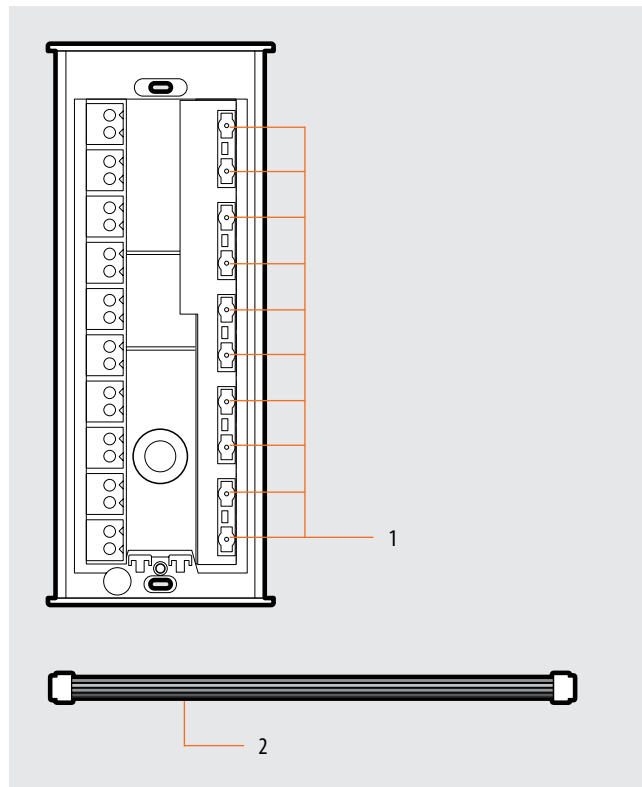
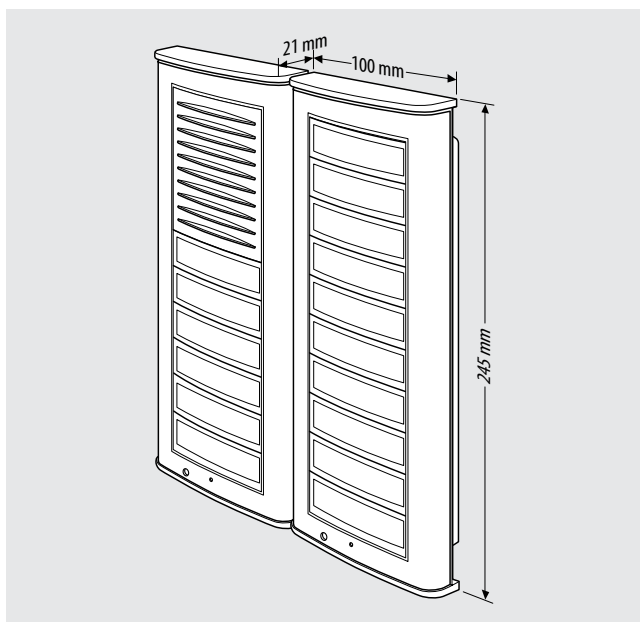
### Related items

- 342702 (MINISFERA audio speaker module)
- 342708 (MINISFERA video speaker module)
- 332710 (flush mounted box)
- 332711 (surface-mounted box)
- 332712 (narrow key 1 module with name label)
- 332713 (wide key 2 modules with name label)
- 332714 (2 modules nameplate with label)
- 332715 (1 module false key - grey)
- 332721 (aluminium surround plate)
- 332726 (titanium surround plate)

### Technical data

- Power supply from SCS BUS: 18 - 27 Vdc
- Max. operating absorption: 30 mA
- Operating temperature: (-25) - (+70)°C

### Dimensional data



### Legend

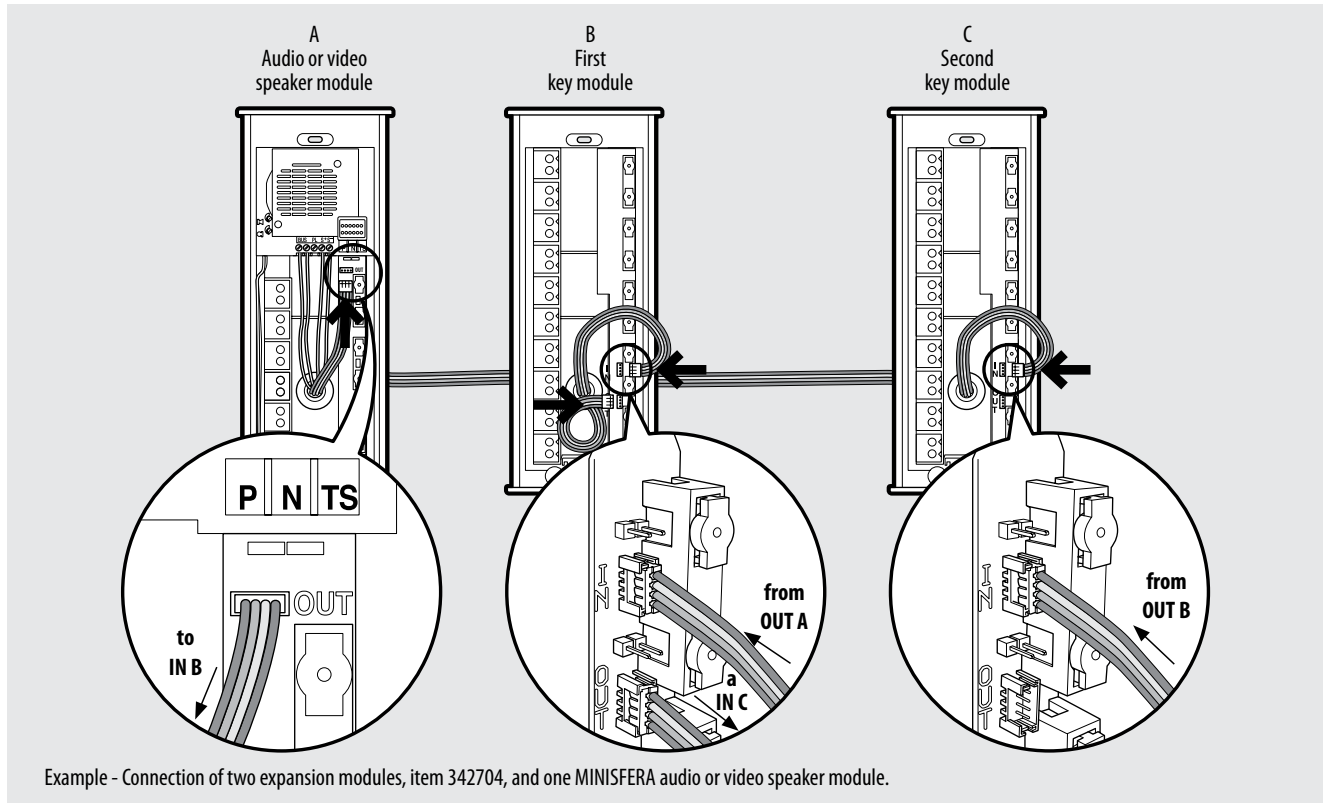
- 1 - Call keys
- 2 - Multicable supplied

BT00617-a-EN

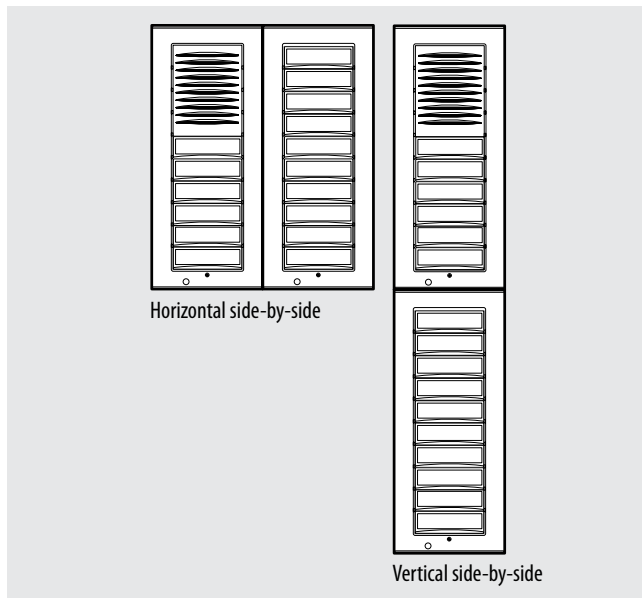
**Wiring diagram**

To connect the speaker module (audio or video) to the 10 key module, the cable supplied must be used. The same cable must be used to connect other key modules to each other.

Connect the cable to OUT of the speaker module and to IN of the first key module. Connect the 2nd cable to OUT to the first key module and to IN of the second key module, and so on.



**Installation**



BT00617-a-EN





# SFERA CLASSIC, speaker module for audio systems

342150

## Description

Speaker module for 2 WIRE system.

It is possible to connect to this device nameplate modules (item 342200), or pushbutton modules (item 342240). It can be used to install audio systems with up to 56 handsets. It is possible to connect to this device one electric door lock that may be powered by the item 336842 transformer placed nearby the speaker module.

## Related items

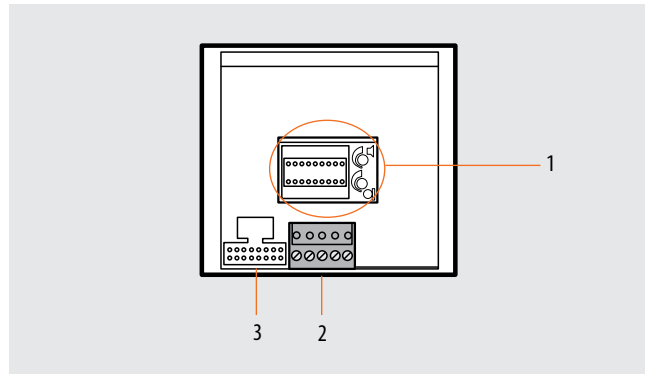
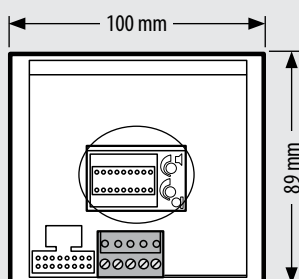
- 332111 (speaker module front cover, 1 pushbutton - Allmetal)
- 332112 (speaker module front cover, 1 pushbutton - White)
- 332113 (speaker module front cover, 1 pushbutton - Alugray)
- 332121 (speaker module front cover, 2 pushbuttons - Allmetal)
- 332122 (speaker module front cover, 2 pushbuttons - White)
- 332123 (speaker module front cover, 2 pushbuttons - Alugray)

For the use of monobloc front covers refer to the catalogue.

## Technical data

Power supply from SCS BUS:	18 – 27 Vdc
Stand by absorption:	25 mA
Max. operating absorption:	75 mA
Operating temperature:	(-25)-(+70)°C

## Dimensional data



## Legend

- 1 - Configurator socket and potentiometers for the adjustment of the microphone and loudspeaker volumes.
- 3 - Connector socket, for connection to the BUS, the electric door lock, and the entrance hall door lock release pushbutton.
- 2 - Connector socket, for connection to the nameplate module or the pushbutton module.

**Configuration**

**The device must be physically configured as follows:**

**P - entrance panel number**

The configurator in socket P of the speaker module assigns to this a recognition number inside the system.

The numbering of the entrance panels must always start from P=0. The entrance panel configured with P=0 must be a common (or main) entrance panel.

**N - call number**

Assigns the correspondence between the entrance panel pushbuttons, and the audio handsets. In the common entrance panels made with pushbutton modules, 1 must be inserted in N of the speaker module. The number of the first riser handset must be inserted in the local entrance panels in N.

**T - Door lock relay timing**

configurator number							
0= No configurator	1	2	3	4	5	6	7
4 sec.	1 sec.	2 sec.	3 sec.	as pushbutt.	6 sec.	8 sec.	10 sec.

**S - type of call signal**

The configuration of S determines the call tone of SPRINT handsets. One can thus differentiate the calls from different entrance panels.

**Table for SPRINT handset call signal**

Configurator	0	1	2	3
Type of bell	2-tone	2-tone	2-tone	One-tone
	1200Hz	1200Hz	1200Hz	1200Hz
	600Hz	0 Hz	2400Hz	

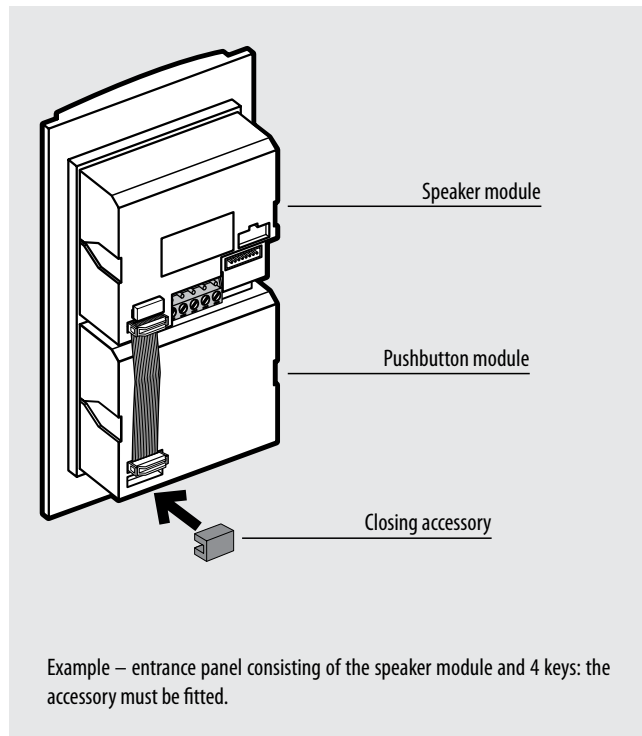
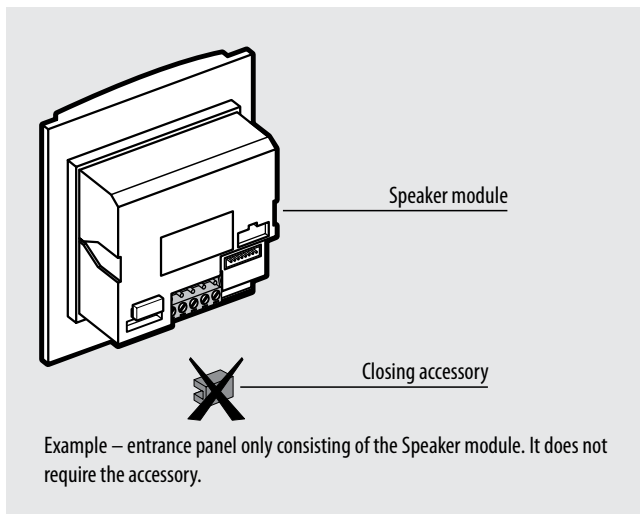
For the SWING, PIVOT, POLYX and AXOLUTE handsets, the **S configurator** associates the Entrance panel to the bell programmed in the same apartment.

It is possible to chose between 16 different bells.

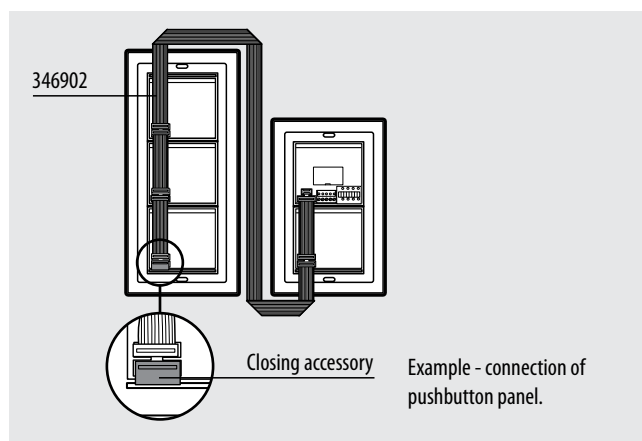
In one-family systems, **S=9 configures the general call** and the handsets ring, the same as with the S=0.

**Installation and connection**

Supplied as standard with the speaker module is a closing accessory with connector. The accessory must be fitted in the last pushbutton module of the pushbutton panel, after connecting the modules to each other using the multicables with connectors. It must not be used if the pushbutton panel only consists of a 1 or 2 pushbutton speaker module, in addition to a camera module that may be installed.



- In order to connect several key modules vertically on different columns, item 346092 must be used (see Example), and the closing accessory must be fitted in the last module.





# SFERA CLASSIC speaker module with 2 call pushbuttons

342170

## Description

Speaker module for 2 WIRE system.

The following devices can be connected to the speaker module:

- Colour camera module to realize the video systems item 342550
- Black and white camera module to realize video systems item 342510
- Nameplate module item 342200
- Pushbuttons module item 342240
- Numeric digital call module item 342610
- Alphanumeric digital call module item 342600

All the described modules are connected to the speaker module by means of the appropriate multi-cables. The speaker module allows to make systems of up to 100 handsets and the opening of an electric door lock directly connected between clamps S+ S- (18 V 4 A impulsive, 250 mA holding current). The door lock can be locally supplied by a transformer or using the actuators item 346230 or item 346260.

## Related items

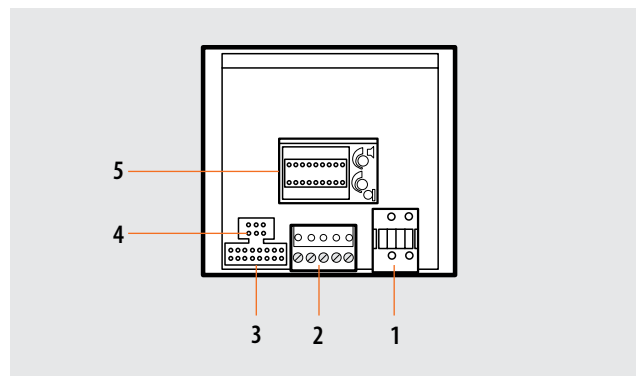
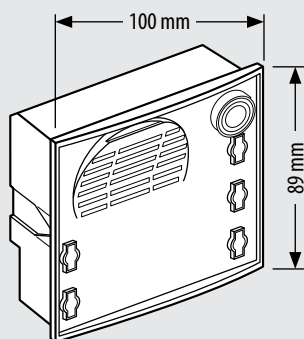
- 332111 (speaker module front cover, 1 pushbutton - Allmetal)
- 332112 (speaker module front cover, 1 pushbutton - White)
- 332113 (speaker module front cover, 1 pushbutton - Alugray)
- 332121 (speaker module front cover, 2 pushbuttons - Allmetal)
- 332122 (speaker module front cover, 2 pushbuttons - White)
- 332123 (speaker module front cover, 2 pushbuttons - Alugray)

For the use of monobloc front covers refer to the catalogue.

## Technical data

Power supply from SCS BUS: 18 – 27 Vdc  
 Stand by absorption: 25 mA  
 Max. operating absorption: 75 mA  
 Operating temperature: (-25)-( +70)°C

## Dimensional data



## Legend

- 1 - Removable connector for the connection of the additional power supply
- 2 - Removable connector for the connection of the BUS, the electrical door lock, and the entrance hall door lock release pushbutton.
- 3 - Socket for the connection of the nameplate module, the pushbuttons module or the digital call module
- 4 - Connection socket for the camera connector.
- 5 - Socket for configurators and potentiometers to adjust the microphone and loudspeaker volume, jumper for adaptation to the type of door lock and the alphanumeric call module.

BT00619-a-EN

**Configuration**

The device must be configured as follows:

**P - entrance panel number**

The configurator in socket P of the speaker module assigns to this a recognition number inside the system. The numbering of the entrance panels must always start from P=0. The entrance panel configured with P=0 must be a common (or main) entrance panel.

**N - call number**

Assigns the correspondence between the entrance panel pushbuttons and the audio handsets or video handsets. In common entrance panels made using pushbutton modules, 1 must be inserted in N of the speaker module. The number of the first riser handset must be inserted in the local entrance panels. When the entrance panel is made with speaker module and digital call module (item 342630 or item 342610) no configurator must be inserted in N.

**T - door lock relay timing**

configurator number

0= No configurator	1	2	3	4*	5	6	7
4 sec.	1 sec.	2 sec.	3 sec.	as pushbutt.	6 sec.	8 sec.	10 sec.

\* **Operation as pushbutton for 10 sec. max**, after which standby mode is activated. To extend operation time over 10 seconds, use actuator item 346200 configured with **MOD=5**.

**S - type of call signal**

The configuration of S determines the call tone of SPRINT handsets. One can thus differentiate the calls from different entrance panels.

**Table for SPRINT handset call signal**

Configurator	0	1	2	3
Type of bell	2-tone	2-tone	2-tone	One-tone
	1200Hz	1200Hz	1200Hz	1200Hz
	600Hz	0 Hz	2400Hz	

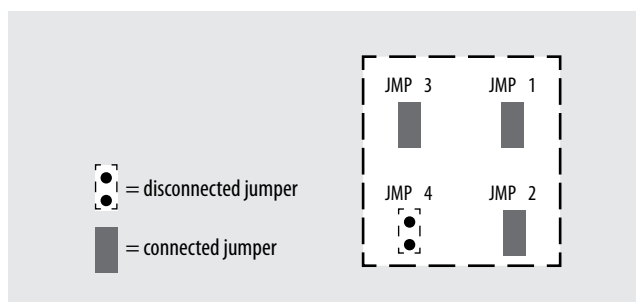
For the SWING, PIVOT, POLYX and AXOLUTE handsets, the **S configurator** associates the Entrance panel to the bell programmed in the same apartment. It is possible to chose between 16 different bells. In one-family systems **S=9 to configure the general call**.

**JUMPERS (JMP1) and ( JMP2) - Critical door lock power supply:**

Remove the JMP1 and JMP2 jumpers to connect to the speaker module a door lock with independent power supply.

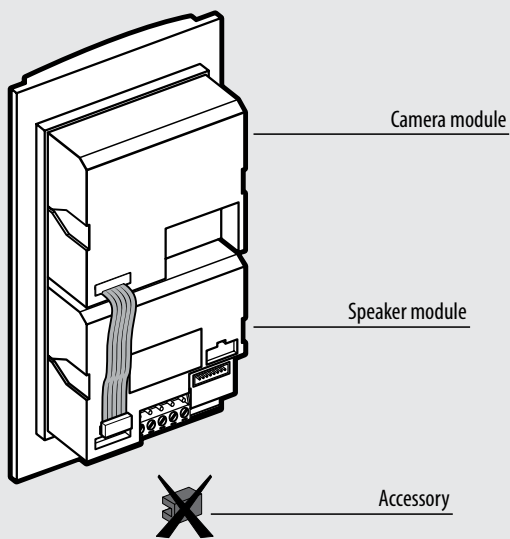
**JUMPER (JMP3) - EP local power supply**

Remove the JMP3 jumpers when the speaker module is powered by an additional power supply.



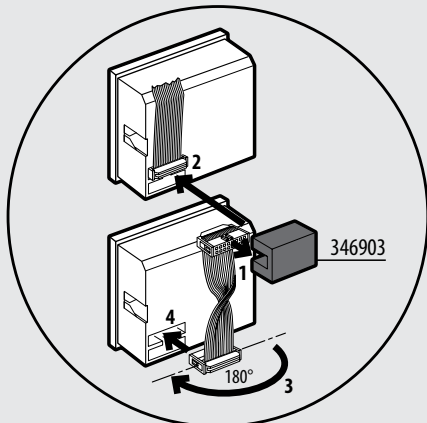
**Installation and connection**

Supplied as standard with the speaker module is a closing accessory with connector. The accessory must be fitted in the last pushbutton module of the pushbutton panel, after connecting the modules to each other using the multicables with connectors. It must not be used if the pushbutton panel only consists of a 1 or 2 pushbutton speaker module, in addition to a camera module that may be installed.

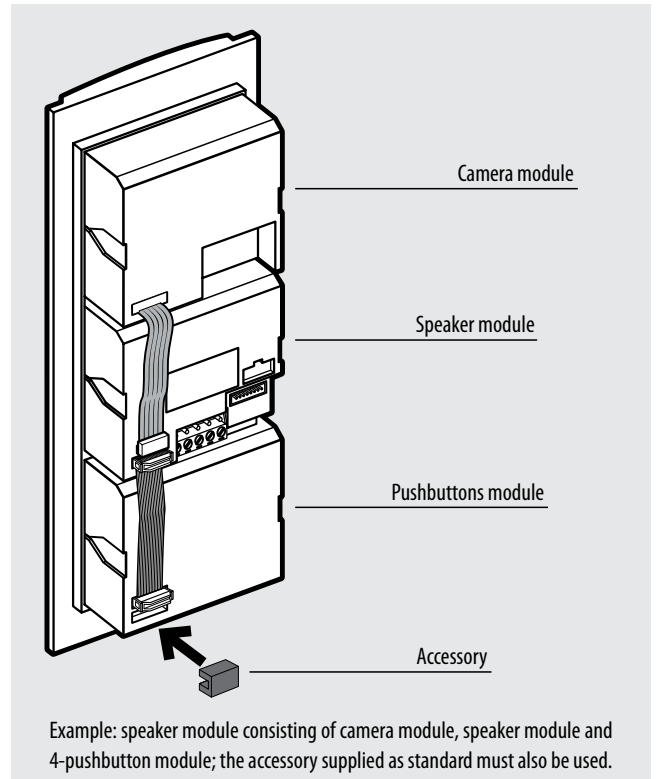


Example: entrance panel consisting of camera module and speaker module. It does not require the accessory supplied with the product.

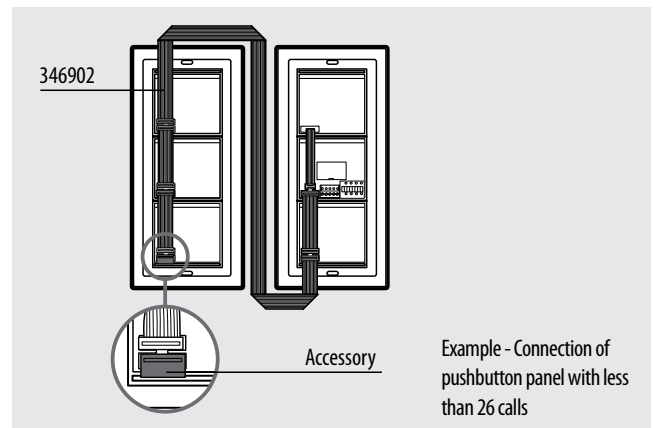
- With entrance panels with less than 26 calls, it is necessary to connect the modules in a vertical position on several columns using item 346902, and to fit in the last pushbutton module the accessory supplied as standard.
- For entrance panels with more than 26 calls it is necessary to connect the modules in a vertical position on several columns using item 346902. After the sixth key module (or after 26 calls), fit item 346903 and invert the flat supplied as standard. In the last key module fit the accessory supplied as standard.



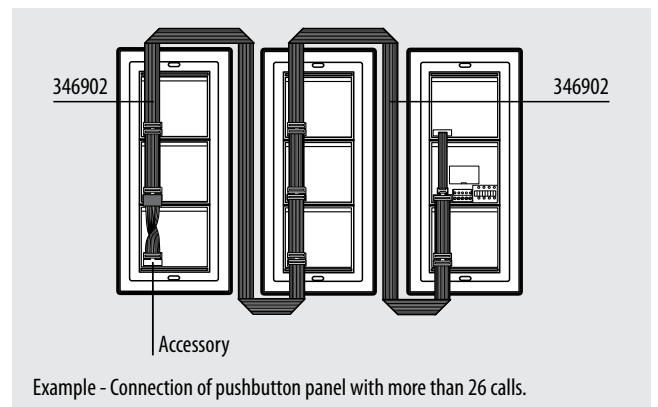
Connection item 346903 and flat inversion.



Example: speaker module consisting of camera module, speaker module and 4-pushbutton module; the accessory supplied as standard must also be used.



Example - Connection of pushbutton panel with less than 26 calls



Example - Connection of pushbutton panel with more than 26 calls.



# SFERA CLASSIC, speaker module with 4 call pushbuttons

342350

### Description

Speaker module for 2 WIRE system.

The following devices can be connected to the speaker module:

- Colour camera module to realize the video systems item 342550
- Black and white camera module to realize video systems item 342510
- Nameplate module item 342200
- Pushbutton module item 342480
- Numeric digital call module item 342610
- Alphanumeric digital call module item 342600

All the described modules are connected to the speaker module by means of the appropriate multi-cables. The speaker module allows to make systems of up to 50 handsets and the opening of an electric door lock directly connected between clamps S+ S- (18 V 4 A impulsive, 250 mA holding current). The door lock can be locally supplied by a transformer or using the actuators 346230 or item 346260.

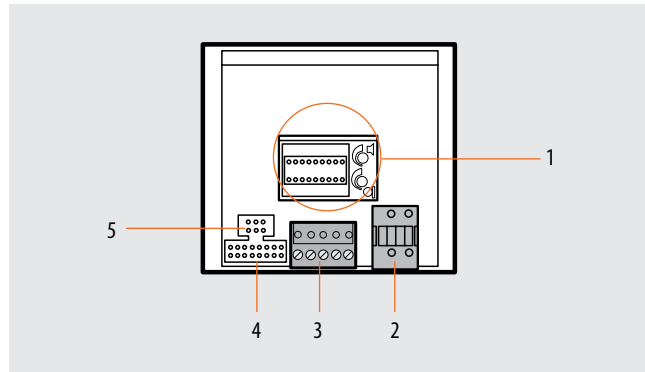
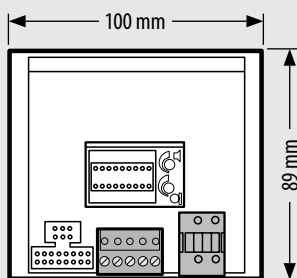
### Related items

- 332321 (speaker module front cover, 2 pushbuttons - Allmetal)
- 332341 (speaker module front cover, 4 call pushbuttons - Allmetal)
- 332322 (speaker module front cover, 2 pushbuttons - White)
- 332342 (speaker module front cover, 4 call pushbuttons - White)
- 332323 (speaker module front cover, 2 pushbuttons - Alugray)
- 332343 (speaker module front cover, 4 call pushbuttons - Alugray)

### Technical data

Power supply from SCS BUS: 18 – 27 Vdc  
 Stand by absorption: 25 mA  
 Max. operating absorption: 75 mA  
 Operating temperature: (-25)-(+70)°C

### Dimensional data



### Legend

- 1 - Socket for configurators and potentiometers to adjust the microphone and loudspeaker volume, jumper for adaptation to the type of door lock and the alphanumeric call module.
- 2 - Removable connector for the connection of the additional power supply.
- 3 - Removable connector for the connection of the BUS, the electrical door lock, and the entrance hall door lock release pushbutton.
- 4 - Socket for the connection of the nameplate module, the pushbutton module or the digital call module.
- 5 - Connection socket for the camera connector.

BT00620-a-EN

**Configuration**

**The device must be physically configured as follows:**

**P - entrance panel number**

The configurator in socket P of the speaker module assigns to this a recognition number inside the system.

The numbering of the entrance panels must always start from P=0.

The entrance panel configured with P=0 must be a common (or main) entrance panel.

**N - call number**

Assigns the correspondence between the entrance panel pushbuttons and the audio handsets or video handsets. In the common entrance panels made with pushbutton modules, 1 must be inserted in N of the speaker module. The number of the first riser handset must be inserted in the local entrance panels in N. When the entrance panel is made with speaker module and digital call module (item 342630 or item 342610) no configurator must be inserted in N.

**T – Door lock control time delay**

configurator number							
0= No configurator	1	2	3	4*	5	6	7
4 sec.	1 sec.	2 sec.	3 sec.	as pushbutt.	6 sec.	8 sec.	10 sec.

\* **Operation as pushbutton for 10 sec. max**, after which standby mode is activated. To extend operation time over 10 seconds, use actuator item 346200 configured with **MOD=5**.

**S - type of call signal**

The configuration of S determines the call tone of SPRINT handsets. One can thus differentiate the calls from different entrance panels.

**Table for SPRINT handset call signal**

Configurator	0	1	2	3
Type of bell	2-tone	2-tone	2-tone	One-tone
	1200Hz	1200Hz	1200Hz	1200Hz
	600Hz	0 Hz	2400Hz	

For the SWING, PIVOT, POLYX and AXOLUTE handsets, the **S configurator** associates the entrance panel to the bell programmed in the same apartment. It is possible to chose between 16 different bells.

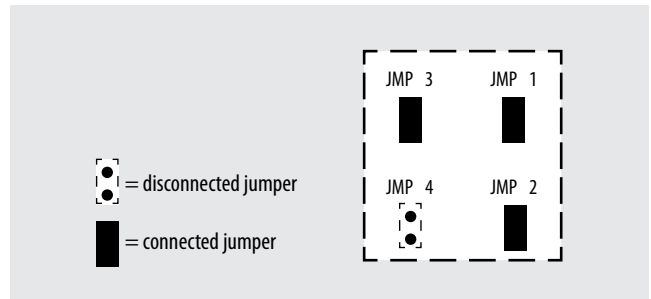
In one-family systems, **S=9 configures the general call** and the handsets ring, the same as with the S=0.

**JUMPERS (JMP1) and (JMP2) - Critical door lock power supply:**

Remove the JMP1 and JMP2 jumpers to connect to the speaker module a door lock with independent power supply.

**JUMPER (JMP3) - EP local power supply**

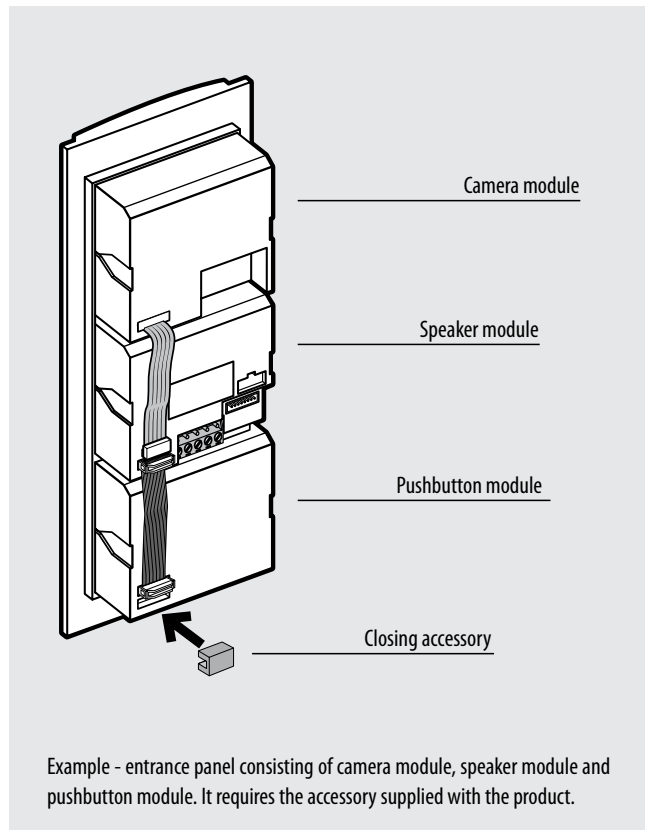
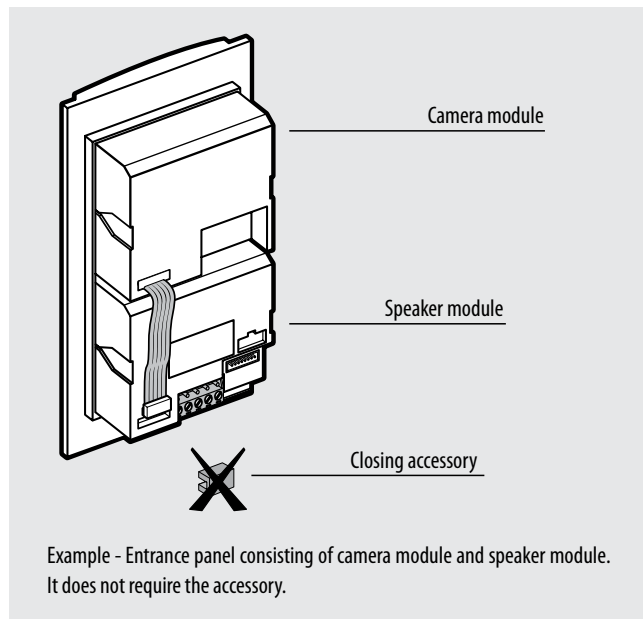
Remove the JMP3 jumpers when the speaker module is powered by an additional power supply.



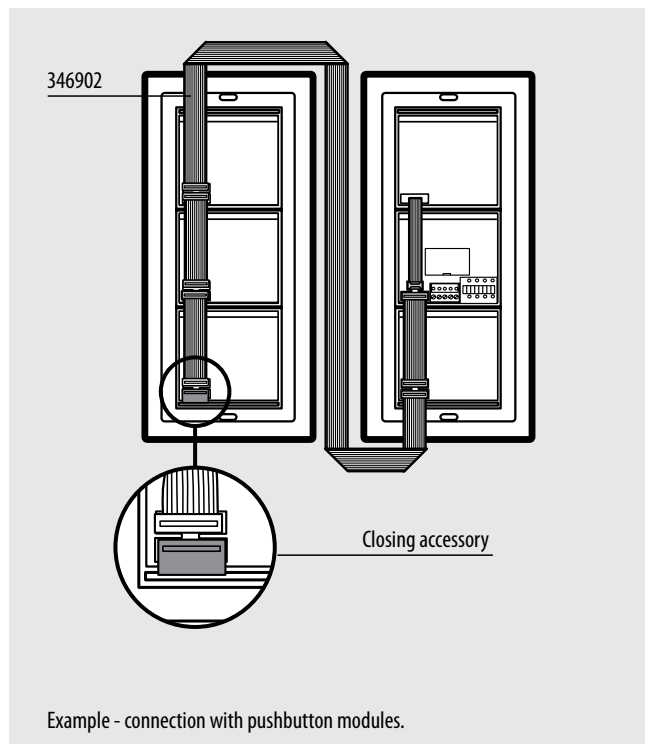


**Installation and connection**

Supplied as standard with the speaker module is a closing accessory with connector. The accessory must be fitted in the last pushbutton module of the pushbutton panel, after connecting the modules to each other using the multicables with connectors. It must not be used if the pushbutton panel only consists of a 1 or 2 pushbutton speaker module, in addition to a camera module that may be installed.



- In order to connect several key modules vertically on different columns, item 346092 must be used, fitting the closing accessory in the last module.





# SFERA CLASSIC

## audio video speaker module

342560

### Description

Audio/video speaker module for 2 wire system fitted with colour camera with LED lighting for night viewing.

Camera with slant adjustment horizontally and vertically by  $\pm 20^\circ$ .

The connections to the system are made by wiring the removable clamp supplied; the nameplates are illuminated by green LEDs. A closing card to be inserted in the last pushbutton module is supplied.

To be completed with the modular "Audio/video" front covers.

The speaker module allows to make systems of up to 100 handsets and the opening of an electric door lock directly connected between the clamps S+ S- (18 V 4 A impulsive, 250 mA holding current). The door lock can be locally supplied with a transformer, or using the actuators item 346230 or item 346260.

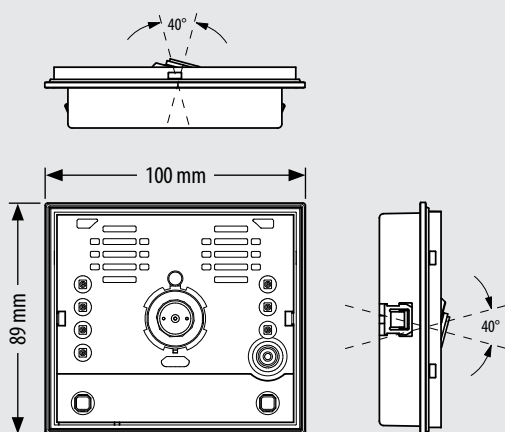
### Related items

- 342461 (modular A/V front cover without call pushbuttons - Allmetal)
- 342462 (modular A/V front cover without call pushbuttons - White)
- 342463 (modular A/V front cover without call pushbuttons - Alugray)
- 342471 (modular A/V front cover with 1 call pushbutton - Allmetal)
- 342472 (modular A/V front cover with 1 call pushbutton - White)
- 342473 (modular A/V front cover with 1 call pushbutton - Alugray)
- 342481 (modular A/V front cover with 2 call pushbutton - Allmetal)
- 342482 (modular A/V front cover with 2 call pushbutton - White)
- 342483 (modular A/V front cover with 2 call pushbutton - Alugray)

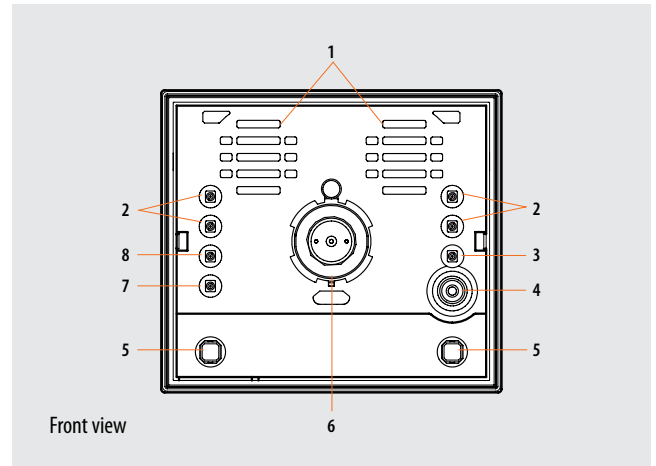
### Technical data

- Power supply from SCS BUS: 18 – 27 Vdc
- Stand by absorption: 40 mA
- Max. operating absorption: 160 mA
- Operating temperature: (-25)-(+70) $^\circ$ C
- Lens: F: 1.5 mm ; f: 4.3 mm
- Sensor: 1/3"
- Interlace: 2:1
- Horizontal resolution: 330 lines
- Night lighting: white LEDs
- Brightness adjustment: automatic

### Dimensional data



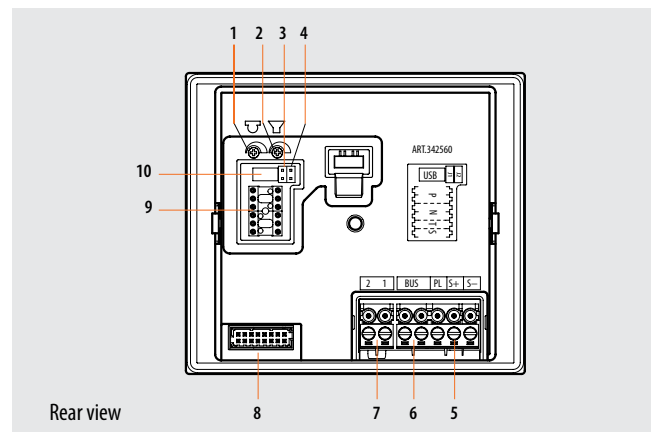
BT00621-a-EN



Front view

### Legend

- 1 - Loudspeakers
- 2 - White LEDs for night lighting
- 3 - Green LED for door status notification
- 4 - Microphone
- 5 - Call pushbuttons
- 6 - Colour camera
- 7 - Green LED: put through call notification  
Red LED: busy system notification
- 8 - Green LED: active communication notification



Rear view

### Legend

- 1 - Microphone volume adjustment
- 2 - Loudspeaker volume adjustment
- 3 - J1: remove to enable additional power supply
- 4 - J2: when connected, two columns of call pushbuttons are active, when disconnected only one column is active
- 5 - Door lock connection and local open door pushbutton
- 6 - Connection to the 2 wire BUS
- 7 - Connection to the additional power supply
- 8 - Connection to the additional pushbuttons
- 9 - Configurator socket
- 10 - USB connector for PC connection

**Configuration**

The device must be configured as follows:

**P - entrance panel number**

The configurator in seat P of the speaker module assigns to it a recognition number inside the system. The numbering of the entrance panels must always start from P=0. The entrance panel configured with P=0 must be a common (or main) entrance panel.

**N - call number**

Assigns the correspondence between the entrance panel pushbuttons and the audio handsets or video handsets. In the common entrance panels made with pushbutton modules, 1 must be inserted in N of the speaker module. The number of the first riser audio and video handset must be inserted in the local entrance panels in N.

**T - door lock relay timing**

configurator number	1	2	3	4*	5	6	7
0= No configurator							
4 sec.	1 sec.	2 sec.	3 sec.	as pushbutt.	6 sec.	8 sec.	10 sec.

\* **Operation as pushbutton for 10 sec. max, after** which standby mode is activated. To extend operation time over 10 seconds, use actuator item 346200 configured with MOD=5.

**S-type of call signal with entrance panel door lock opening notification beep**

The configuration of S determines the call tone of the SPRINT handsets. One can thus differentiate the calls from different entrance panels.

**Table for SPRINT handset call signal**

Configurator	0	1	2	3
Type of bell	2-tone	2-tone	2-tone	One-tone
	1200Hz	1200Hz	1200Hz	1200Hz
	600Hz	0 Hz	2400Hz	

For the SWING, PIVOT, POLYX and AXOLUTE handsets, the S configurator associates the Entrance panel to the bell programmed in the same apartment. It is possible to chose between 16 different bells. In one-family systems, S=9 configures the general call and the handsets ring, the same as with the S=0.

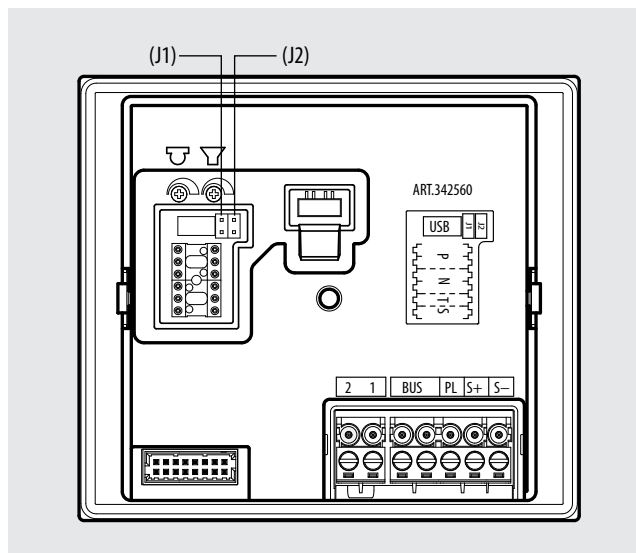
**S-type of call signal without entrance panel door lock opening notification beep**

The configuration of S determines the call tone of the SPRINT handsets. One can thus differentiate the calls from different entrance panels.

**Table for SPRINT handset call signal**

Configurator	4	5	6	7
Type of bell	2-tone	2-tone	2-tone	One-tone
	1200Hz	1200Hz	1200Hz	1200Hz
	600Hz	0 Hz	2400Hz	

For the SWING, PIVOT, POLYX and AXOLUTE handsets, the S configurator associates the Entrance panel to the bell programmed in the same apartment. It is possible to chose between 16 different bells. In one-family systems, S=8 configures the general call and the handsets ring, the same as with the S=0.

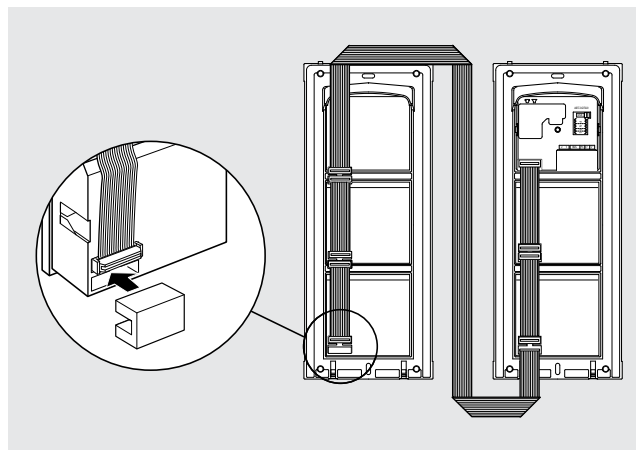


**J1 - EP local power supply**

Remove the JMP1 jumpers when the speaker module is supplied by a dedicated power supply.

**J2 - activation of pushbutton columns**

When connected, two columns of call pushbuttons are active, when disconnected only one column is active.



Supplied as standard with the audio and video speaker module, is a closing accessory with connector. The accessory must be fitted in the last pushbutton module of the entrance panel, after connecting the modules to each other using the multicables.

**Camera installation notes**

The camera must not be installed facing strong light sources, or in locations where the area being shot is strongly backlit. In order to resolve these problems, we recommend that the camera is installed at a height of 180 cm, instead of the usual 160-165 cm, with the lens pointing down. This will improve image quality. In low light situations, the colour rendition of the image displayed by the colour camera may decrease. This is to ensure that the person being displayed can be better recognised. For optimal viewing in low light conditions, the installation of an additional light source is recommended.



# SFERA CLASSIC, speaker module with graphic display

342630

## Description

Speaker module for 2 WIRE system with graphic display.  
Can send the call to a handset by scrolling the residents' names or codes on a display (previously programmed).  
It integrates the speaker module and the resident search function on graphic display in one device. The module can save up to 1000 residents' names and surnames associating them to the apartment SCS address.  
500 names can be saved when the option of coupling a message with them is selected. If only the residents' codes are saved, the capacity extends to 5000 codes  
The names may be programmed in the address book in the following ways:  
- Using the keys of the module  
- Using the dedicated TICALL software (which can be downloaded from the [www.bticino](http://www.bticino) website) - (it also gives the possibility of updating the firmware after entering the user password).

To make the call:  
- Scroll the names using keys ref. 5 and 6  
- Press key ref. 4 (flashing) to send the call

**NOTE:** System power supply cuts do not cause the loss of memory data.

## Related items

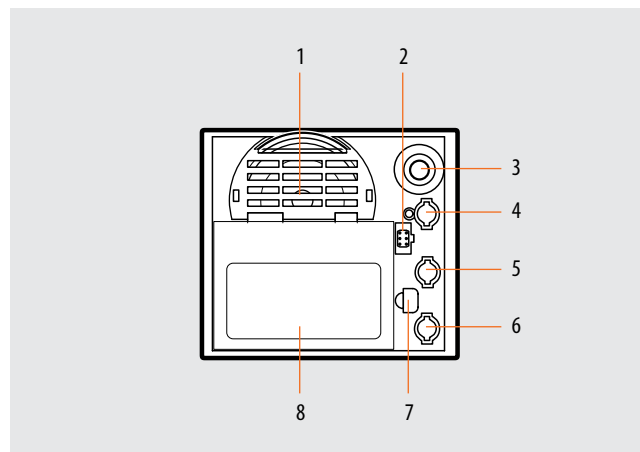
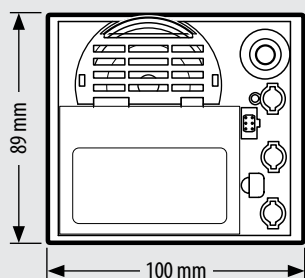
- 332661 (speaker module front cover - Allmetal)
- 332662 (speaker module front cover - White)
- 332663 (speaker module front cover - Alugray)

For the use of monobloc front covers refer to the catalogue.

## Technical data

Power supply from SCS BUS: 18 – 27 Vdc  
Stand by absorption: 110 mA  
Max. operating absorption: 160 mA  
Operating temperature: (-25)-(+70)°C

## Dimensional data



## Legend

- 1 - Loudspeaker
- 2 - Connector to the RS-232 port of the PC (use the cable item 335919)
- 3 - Microphone
- 4 - Call forward key
- 5 - Scroll key (Up)
- 6 - Scroll key (Down)
- 7 - IR receiver (programming using the remote control)
- 8 - Graphic display

BT00622-a-EN

**Configuration**

The device must be physically configured as follows:

**P - entrance panel number**

The configurator in socket P of the speaker module assigns to this a recognition number inside the system.

The numbering of the entrance panels must always start from P=0. The entrance panel configured with P=0 must be a common (or main) entrance panel.

**T - Door lock relay timing**

configurator number

0= No configurator	1	2	3	4*	5	6	7
4 sec.	1 sec.	2 sec.	3 sec.	as pushbutt.	6 sec.	8 sec.	10 sec.

\* **Operation as pushbutton for 10 sec. max**, after which standby mode is activated. To extend operation time over 10 seconds, use actuator item 346200 configured with **MOD=5**.

**J1/J2 - Critical door lock power supply**

Remove the JMP1 and JMP2 jumpers to connect to the speaker module a door lock with independent power supply.

**J3 - EP local power supply**

When the device is powered locally remove jumper JMP3

**J4 - it confirms the EP call**

To eliminate the entrance panel call confirmation sound, remove the J4 jumper.

**S – type of call signal**

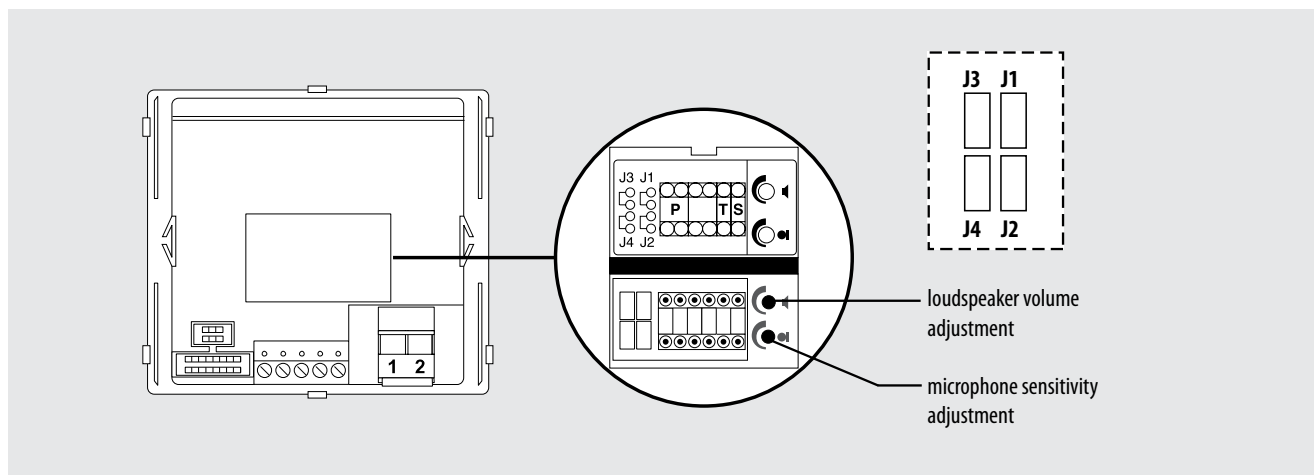
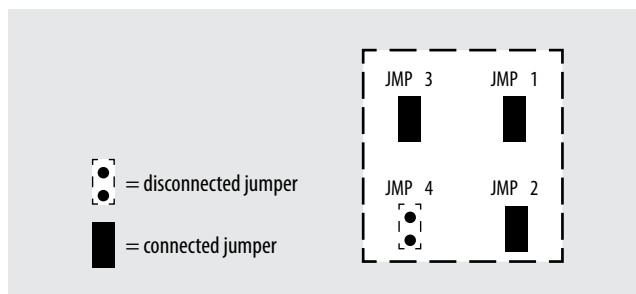
The configuration of S determines the call tone of handsets.

One can thus differentiate the calls from different entrance panels.

**Table for handset call signal**

Configurator	0	1	2	3
Type of bell	2-tone	2-tone	2-tone	One-tone
	1200Hz	1200Hz	1200Hz	1200Hz
	600Hz	0 Hz	2400Hz	

For the SWING, PIVOT, POLYX and AXOLUTE handsets, the configurator associates the entrance panel to the bell programmed in the same apartment. It is possible to chose between 16 different bells. In one-family systems S=9 to configure the general call.



**Factory configuration**

Secret code	1234
Language	Italian
Address book format	Alphanumeric without message
Switchboard	4000 Disabled
Direct call	0000 and 0001 Disabled
Door code	1234, 1235, 1236, 1237 and 1238
Contrast	50
Recall	Disabled



# SFERA CLASSIC, black & white camera module

342510

## Description

SFERA 2 WIRE black & white camera module.  
CMOS technology, fitted with IR so that it can be used in poorly lit surroundings.  
To be used together with 2-wire speaker modules (connection using a multicable).  
During installation it is possible to swivel the lens horizontally and vertically by +/- 15°.

**The device must not be configured.**

## Related items

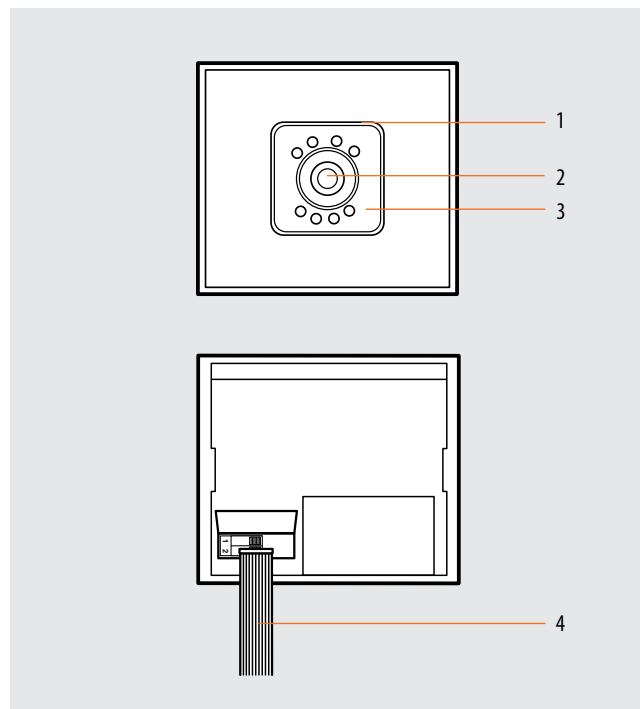
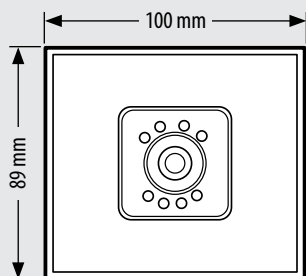
- 342170 (speaker module with 2 call pushbuttons)
- 342350 (speaker module with 4 call pushbuttons)
- 342630 (speaker module with graphic display)
- 332511 (modular camera front cover - Allmetal)
- 332512 (modular camera front cover - White)
- 332513 (modular camera front cover - Alugray)

For the use of monobloc front covers refer to the catalogue.

## Technical data

Power supply from SCS BUS:	18-27 Vdc
Max. operating absorption:	250 mA
Stand by absorption:	15 mA
Operating temperature:	(-25)-(+70)°C
Camera sensor:	1/3"
Lens: f : 2.0 mm; F :	4.3 mm
Interlace:	2:1
Resolution:	380 horizontal lines
Night lighting:	LED IR
Brightness adjustment:	automatic (linear)

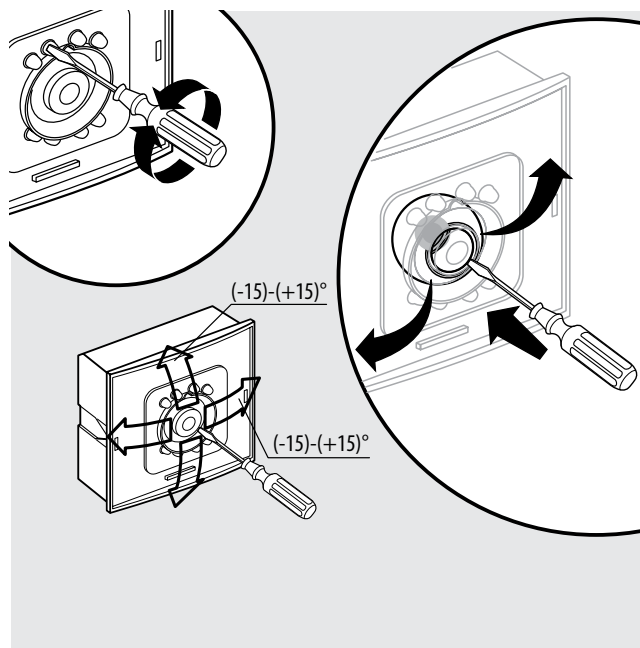
## Dimensional data



## Legend

- 1 - Fixing screw for the adjustment of the lens position
- 2 - Lens
- 3 - IR LED for night lighting of the field of view
- 4 - Multicable for connection to speaker module

## Lens adjustment



BT00623-a-EN



# SFERA CLASSIC, Colour camera module

342550

### Description

SFERA swivel colour camera module  
 CCD technology, fitted with white LEDs so that it can be used in poorly lit surroundings. To be used together with 2-wire speaker modules (connection using a multicable).  
 During installation it is possible to swivel the lens horizontally and vertically.

**The device must not be configured.**

### Related items

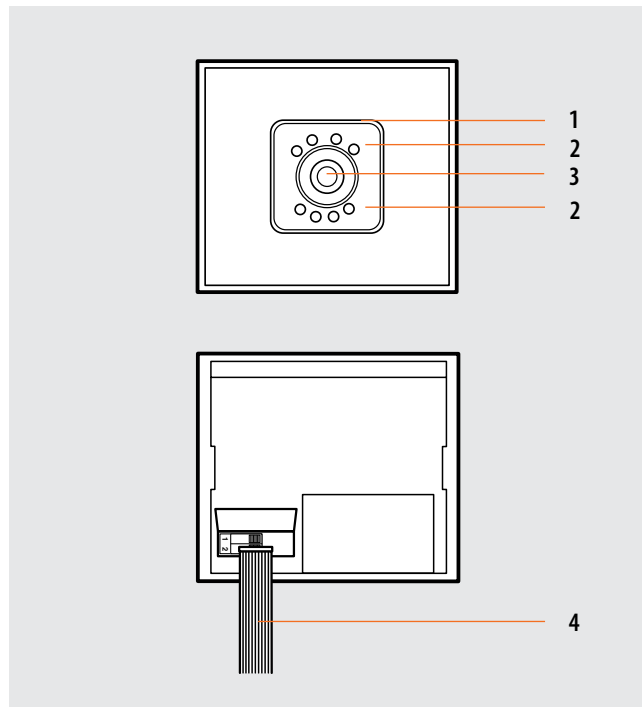
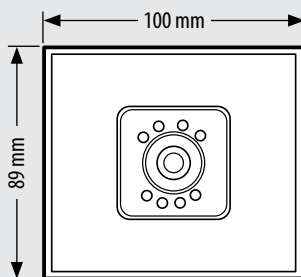
- 342170 (Speaker module with 2 call pushbuttons)
- 342350 (Speaker module with 4 call pushbuttons)
- 342630 (Speaker module with Graphic display)
- 332511 (modular camera front cover - Allmetal)
- 332512 (modular camera front cover - White)
- 332513 (modular camera front cover - Alugray)

For the use of monobloc front covers refer to the catalogue.

### Technical data

Power supply from SCS BUS:	18-27 Vdc
Max. operating absorption:	165 mA
Stand by absorption:	15 mA
Operating temperature:	(-25)-(+70)°C
Camera sensor:	1/4"
Lens:	f : 2.8 mm; F : 3 mm
Sensibility:	0.4 lux - F1.4
Interlace:	2:1
Horizontal resolution:	> 330 lines
Vertical resolution:	400 lines
Night lighting:	white LEDs
Brightness adjustment:	automatic (linear)

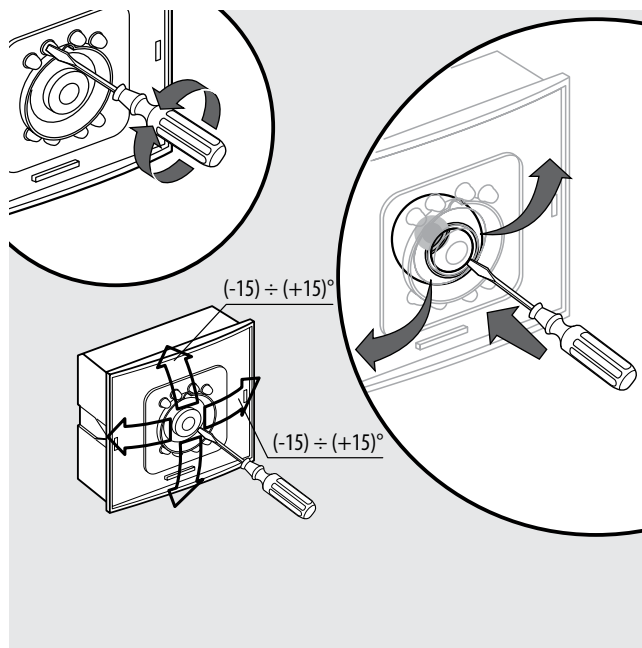
### Dimensional data



### Legend

- 1 - Lens slant adjustment
- 2 - White LEDs for night lighting
- 3 - Lens
- 4 - Multicable for connection to speaker module

### Lens adjustment



BT00624-a-EN



# SFERA CLASSIC

## 4-pushbutton module

342240

### Description

2 WIRE pushbutton module with 4 call pushbuttons. The connections to the system are made using the multi-cable supplied; also, the nameplates are illuminated by 12 green LED. To be used with speaker modules, items 342150 and 342170, and with modular front covers and pushbutton monobloc.

**The device must not be configured.**

### Related items

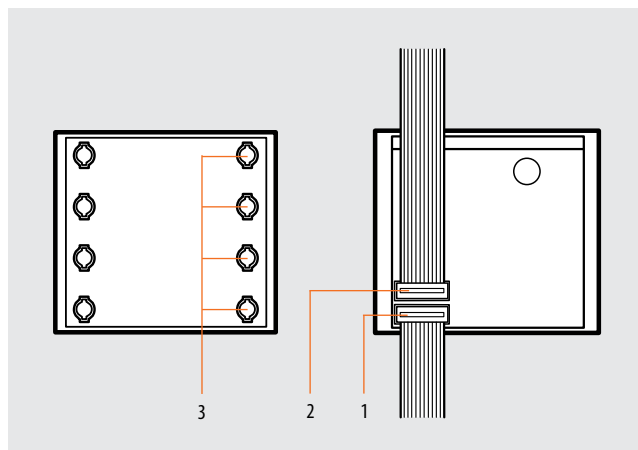
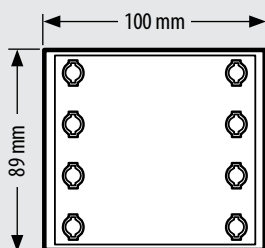
- 332231 (front cover with 3 keys - Allmetal)
- 332232 (front cover with 3 keys - White)
- 332233 (front cover with 3 keys - Alugray)
- 332241 (front cover with 4 keys - Allmetal)
- 332242 (front cover with 4 keys - White)
- 332243 (front cover with 4 keys - Alugray)

For the use of monobloc front covers refer to the catalogue.

### Technical data

- Power supply from SCS BUS: 18 – 27 Vdc
- Stand by absorption: 15 mA
- Max. operating absorption: 15 mA
- Operating temperature: (-25) – (+70) °C

### Dimensional data



### Legend

- 1 - Connector socket for output connection with other modules and for the last pushbutton module, housing for the electronic card supplied as standard with the speaker module.
- 2 - Input socket for connection with other modules.
- 3 - Call pushbuttons.





# SFERA CLASSIC

## 8 pushbutton module

342480

### Description

2 WIRE pushbutton module with 8 call pushbuttons. Connections to the system are made using the multicable supplied: also, name plates are illuminated by 12 green LEDs. To be used with speaker modules, items 342560 and 342350, and with modular "pushbutton" front covers with double row of keys.

**The device must not be configured.**

### Related items

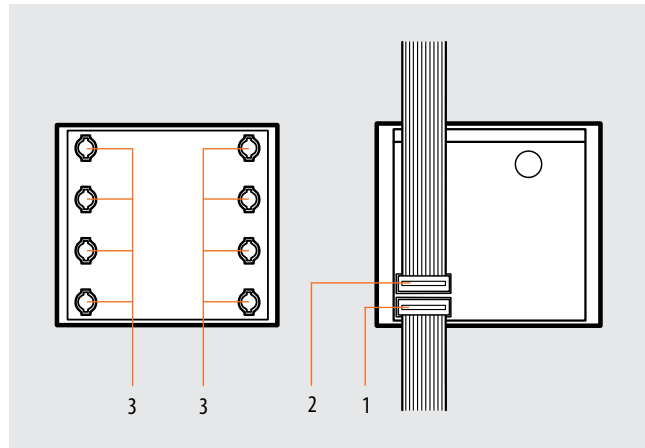
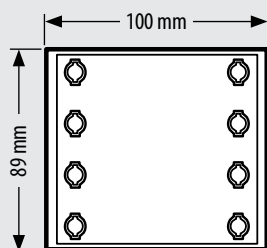
- 332461 (modular front cover with 6 pushbuttons - Allmetal)
- 332462 (modular front cover with 6 pushbuttons - White)
- 332463 (modular front cover with 6 pushbuttons - Alugray)
- 332481 (modular front cover with 8 pushbuttons - Allmetal)
- 332482 (modular front cover with 8 pushbuttons - White)
- 332483 (modular front cover with 8 pushbuttons - Alugray)

For the use of monobloc front covers refer to the catalogue.

### Technical data

Power supply from SCS BUS: 18 – 27 Vdc  
 Stand by absorption: 15 mA  
 Max. operating absorption: 15 mA  
 Operating temperature: (-25) – (+70) °C

### Dimensional data



### Legend

- 1** - Connector socket for output connection with other modules and for the last pushbutton module, housing for the electronic card supplied as standard with the speaker module.
- 2** - Input socket for connection with other modules.
- 3** - Call pushbuttons



# SFERA CLASSIC, additional alphanumeric Keypad module

342640

## Description

Additional alphanumeric keypad module to be used in conjunction with the speaker module with graphic display, item 342630.

It can call the resident directly (by typing the programmed code) and access the door lock release function (by typing the secret code).

It is supplied with multi-cable and connector for connection to the speaker module.

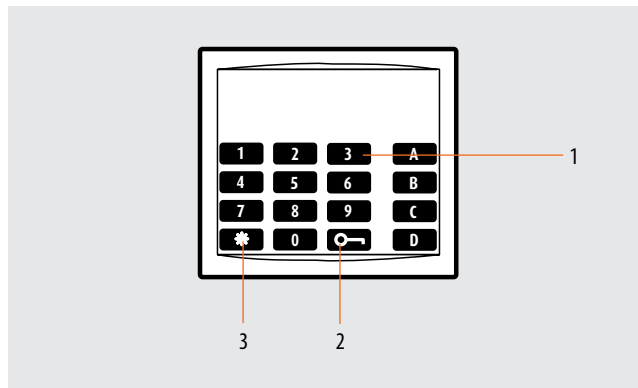
To be used with the "Alphanumeric keypad" front covers.

Once the last digit has been entered, the call is forwarded automatically.

The digits are NOT displayed on the speaker module display, item 342630.

System power supply cuts do NOT cause the loss of memory data.

**The device must not be configured.**



## Related items

332671 (modular keypad front cover - Allmetal)

332672 (modular keypad front cover - White)

332673 (modular keypad front cover - Alugray)

For the use of monobloc front covers refer to the catalogue.

## Legend

- 1 - Alphanumeric keypad
- 2 - Door lock opening key
- 3 - Cancel key

## Technical data

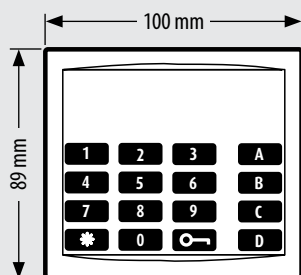
Power supply from SCS BUS: 18 – 27 Vdc

Stand by absorption: 15 mA

Max. operating absorption: 15 mA

Operating temperature: (-25) – (+70) °C

## Dimensional data



BT00627-a-EN



# SFERA CLASSIC, digital numeric call module

342610

## Description

The numeric call module can make calls from the entrance panel to handsets by just keying in the number corresponding to the handset required.  
 The correspondence between the numbers and the user names is found from a phone book by the side of the module and made up of nameplate modules Item 342200.  
 From one to four numbers may be keyed in to make the call, as programmed by the installer.  
 The module can also activate the electric door lock by means of a secret code number.  
 The module is supplied with a multicable for the connection to the speaker module.  
 To be used with keypad monobloc front covers and alphanumeric keypad modular front cover.  
 The call is forwarded automatically after the last digit has been entered.  
 System power supply cuts do NOT cause the loss of memory data.

**The device must not be configured.**

## Related items

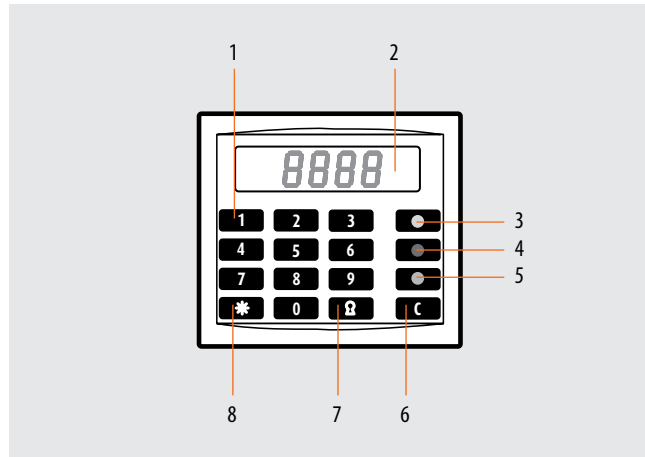
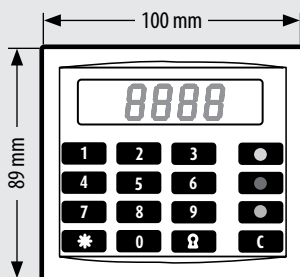
- 332651 (modular keypad front cover - Allmetal)
- 332652 (modular keypad front cover - White)
- 332653 (modular keypad front cover - Alugray)

For the use of monobloc front covers refer to the catalogue.

## Technical data

- Power supply from SCS BUS: 18 – 27 Vdc
- Stand by absorption: 15 mA
- Max. operating absorption: 15 mA
- Operating temperature: (-25) – (+70) °C

## Dimensional data



## Legend

- 1 - Numeric keypad
- 2 - Numeric LED display (4 digits)
- 3 - Yellow call confirmation LED
- 4 - Red local conversation active signalling LED
- 5 - Green line free signalling LED
- 6 - Deleting key
- 7 - Door lock opening key
- 8 - Key for programming

BT00628-a-EN



# SFERA CLASSIC

## Nameplate module

342200

### Description

SFERA nameplate module which can be used to enter the street number or any other information. Can be used to enter a caption in pushbutton panels with numerical call module item 342610. To be used with the "Nameplate" modular front cover. Nameplate lighting by green LEDs. A flat-cable for the connection to other modules is supplied.

**The device must not be configured.**

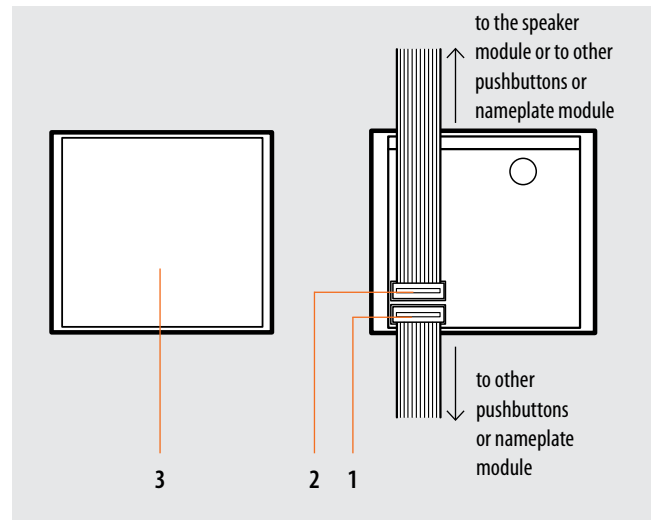
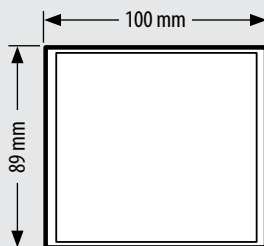
### Related items

- 332201 (Allmetal nameplate front cover)
- 332202 (White nameplate front cover)
- 332203 (Alugray nameplate front cover)

### Technical data

Power supply from SCS BUS: 18-27 Vdc  
 Max. operating absorption: 15 mA  
 Stand by absorption: 15 mA  
 Operating temperature: (-25)-(+70)°C

### Dimensional data



### Legend

- 1 - Connector socket for output connection with other modules, and housing for the electronic card supplied as standard with the speaker module (to be used on the last nameplate module only)
- 2 - Input socket for connection with other modules.
- 3 - Namecard for address number, legend of call addresses or other information.



# SFERA CLASSIC CODE-LOCK module

332650

### Description

Electronic module fitted with lit keypad for the activation of electric door locks and auxiliary systems, by entering 3, 4, and 5 digit numbers. The programming of numerical codes is performed directly on the keypad. It is possible to save two different codes for the control of two different door locks, or one door lock and one auxiliary system. The device consists of a pushbutton panel with 12 keys, luminous indicators for correct programming control, and the activation of the desired function; an audible signal confirms that the key had been activated. The device has independent power supply and operation.

**The device must not be configured.**

### Related items

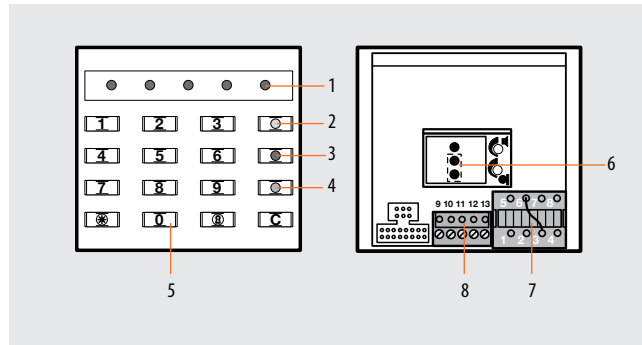
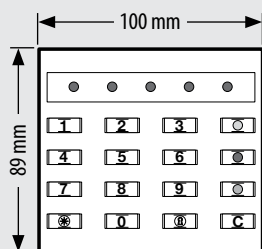
- 332651 (code-lock modular front cover - Allmetal)
- 332652 (code-lock modular front cover - White)
- 332653 (code-lock modular front cover - Alugray)

For the use of monobloc front covers refer to the catalogue.

### Technical data

- Power supply (external): 12 Vdc (+20) - (-5)%, 100 mA
- 12 Vac (+20) - (-5)%, 110 mA
- Operating temperature: (-25)-(+70)°C

### Dimensional data

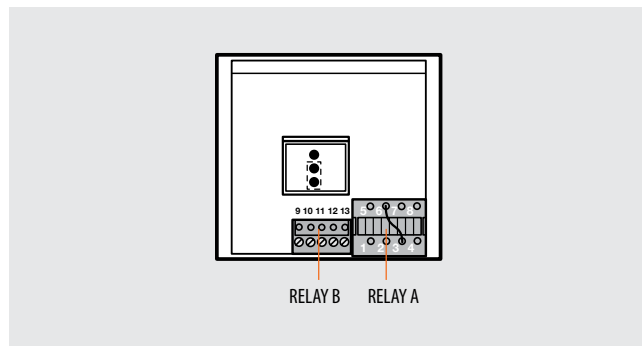


### Legend

- 1 - Red Confirmation LED
- 2 - LED available for signalling purposes
- 3 - Connector output enabling LED (8)
- 4 - Connector output enabling LED (7)
- 5 - Numeric keypad
- 6 - Jumper to be removed/refitted to RESET the device and the factory codes
- 7 - Connector (RELAY A)
- 8 - Connector (RELAY B)

### Sound signals for:

- Acceptance of the pressed key
- Acceptance of the new programming performed
- Programming or code error



### Connector (7):

- 1 - 0 Vdc / 0 Vac
- 2 - 12 Vdc / 12 Vac
- 3 - Common - relay A
- 4 - A relay NO contact
- 5 - A relay NC contact
- 6 - Common - relay B
- 7 - B relay NO contact
- 8 - B relay NC contact

### Connector (8):

- 9 - 0 Vdc signalling LED
- 10 - 12 Vdc signalling LED
- 11 - Day/night timer input
- 12 - Day/night timer output
- 13 - Input of the relay control, output (B) from the door lock key of the handset

BT00630-a-EN



# Vandal-resistant monobloc pushbutton panels

308001 - 308002  
 308003 - 308004 - 308005 - 308011  
 308012 - 308013 - 308014 - 308015

## Description

Monobloc vandal-resistant 2 wire video pushbutton panels for flush mounted or wall mounted installation (with dedicated box sold separately). Solutions available with 1 to 32 call keys, with aluminium or stainless steel finishing front cover.  
 The item includes: flush-mounted box, frame, colour video and audio electronic module, module/s and pushbuttons already wired. Presetting for the mounting of transponder reader or key switch. Backlit call keys. Visual and sound notification of the communication status for: call presence, system busy, door lock status.  
 Direct control of an electric door lock 18 V - 4 A impulsive, 250 mA holding current (30 ohm max).

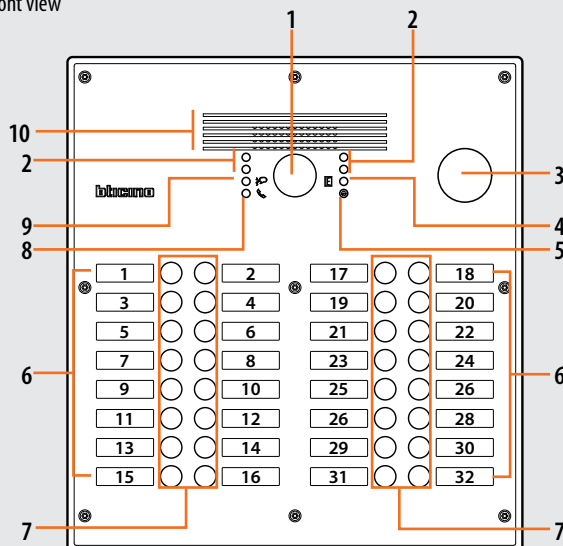
## Related items

- 308021 Wall mounted box - for 4 keys set 308001 - 308011
- 308022 Wall mounted box - for 8 keys set 308002 - 308012
- 308023 Wall mounted box - for 12 keys set 308003 - 308013
- 308024 Wall mounted box - for 20 keys set 308004 - 308014
- 308025 Wall mounted box - for 32 keys set 308005 - 308015
- 346250 Relay to control door lock not managed by BUS
- 346020 additional 2 DIN modules power supply

## Technical data

Power supply from SCS BUS:	18 – 27Vdc
Stand-by absorption:	308001 – 308011 (55 mA)
	308002 – 308012 (70 mA)
	308003 – 308013 (85 mA)
	308004 – 308014 (115 mA)
	308005 – 308015 (160 mA)
Operating absorption:	308001 – 308011 (175 mA)
	308002 – 308012 (190 mA)
	308003 – 308013 (205 mA)
	308004 – 308014 (235 mA)
	308005 – 308015 (280 mA)
Camera sensor:	1/3"
Camera lens:	F:1.5 mm ; f:4.3 mm
Resolution:	330 lines (horizontal)
Brightness adjustment:	automatic
Night lighting:	with white LEDs
Operating temperature:	(-25) – (+70) °C
Protection index:	IP44
Mechanical impact:	IK07

Front view



## Legend

1. Colour camera
2. White LEDs for the lighting of the camera shooting field
3. Preset housing for transponder reader or key switch
4. Door status notification LED: green LED = door open
5. Microphone
6. Name labels
7. Call key
8. Call status notification LED: green LED = call forwarded  
red LED = system busy
9. Communication status notification LED: green LED = communication active
10. Loudspeaker

## Dimensional data

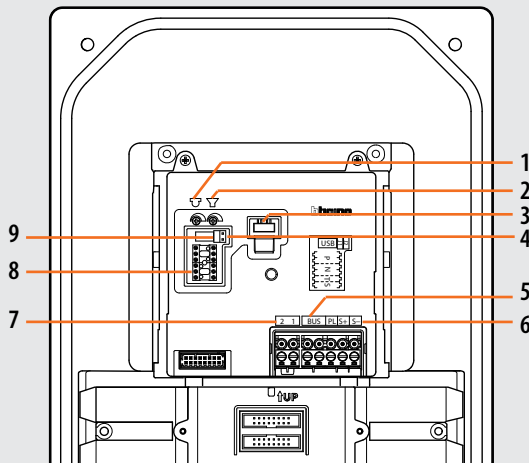
- 2 - 4 calls pushbutton panels - item 308001 - 308011**  
 dimensions: W 180 x H 270 mm  
 Wall mounted box - item 308021 : W 178 x H 267 x D 40 mm  
 Flush mounted box (supplied): W 128 x H 220 x P 53 mm
- 5 - 8 calls pushbutton panels - item 308002 - 308012**  
 dimensions: W 180 x H 330 mm  
 Wall mounted box - item 308022 : W 178 x H 327 x D 40 mm  
 Flush mounted box (supplied): W 128 x H 260 x P 53 mm
- 9 - 12 calls pushbutton panels - item 308003 - 308013**  
 dimensions: W 180 x H 360 mm  
 Wall mounted box - item 308023 : W 178 x H 357 x D 40 mm  
 Flush mounted box (supplied): W 128 x H 310 x P 53 mm

- 13 - 20 calls pushbutton panels - item 308004 - 308014**  
 dimensions: W 180 x H 440 mm  
 Wall mounted box - item 308024 : W 178 x H 437 x D 40 mm  
 Flush mounted box (supplied): W 128 x H 400 x P 53 mm

- 21 - 32 calls pushbutton panels - item 308005 - 308015**  
 dimensions: W 340 x H 370 mm  
 Wall mounted box - item 308025 : W 338 x H 367 x D 40 mm  
 Flush mounted box (supplied): W 310 x H 328 x P 53 mm

308001 - 308002  
 308003 - 308004 - 308005 - 308011  
 308012 - 308013 - 308014 - 308015

Rear view



**Legend**

1. Microphone volume adjustment
2. Loudspeaker volume adjustment
3. USB connector for connection to the PC
4. J2: NOT USED
5. 2 WIRE SCS/BUS connection clamps
6. Clamps for the connection of the door lock and the room door opening pushbutton
7. Additional power supply connection clamps
8. Configurator socket
9. J1: remove to enable additional power supply

**Camera installation notes**

The camera must not be installed facing strong light sources, or in locations where the area being shot is strongly backlit. In order to resolve these problems, we recommend that the camera is installed at a height of 180 cm, instead of the usual 160-165 cm, with the lens pointing down. This will improve image quality.

In low light situations, the colour rendition of the image displayed by the colour camera may decrease. This is to ensure that the person being displayed can be better recognised. For optimal viewing in low lit rooms, the installation of an additional light source is recommended.

**Configuration**

The device must be physically configured as follows:

**P - entrance panel number**

The configurator connected to the P housing of the speaker module assigns to the same an identification number within the system.

The numbering of the entrance panels must always start from P=0. The EP configured with P=0 must be a common (or main) EP.

**N - call number**

It assigns the correspondence between the entrance panel call keys and the handsets or video handsets. In common entrance panels made using key modules, N in the speaker module must be configured with 0. In local entrance panels, the first handset or video handset of the riser being called will be the one configured with N+1 in relation to the entrance panel.

**T - door lock relay timing**

configurator number

0= No configurator	1	2	3	4*	5	6	7
4 sec.	1 sec.	2 sec.	3 sec.	as pushbutton	6 sec.	8 sec.	10 sec.

\* **Operation as pushbutton for 10 sec. maximum** after which it goes in stand-by. In order to extend this type of operation over 10 seconds, use the actuator, item 346200 configured with **MOD=5**.

**S - call signal type WITH handset door lock release notification BEEP**

The configuration of S sets the SPRINT handset call ringtone. In this way, it is possible to differentiate the calls from different entrance panels.

**SPRING handsets call signal table**

Configurator	0	1	2	3
Type of bell	Double-tone	Double-tone	Double-tone	One-tone
	1200 Hz	1200 Hz	1200 Hz	1200 Hz
	600 Hz	0 Hz	2400 Hz	

In the case of SWING, PIVOT, POLYX and AXOLUTE handsets, the S configurator associates the entrance panel to the ringtone programmed inside the same. It is possible to choose among 16 different ringtones.

**S - call signal type WITHOUT handset door lock release notification BEEP**

The configuration of S sets the SPRINT handset call ringtone. In this way, it is possible to differentiate the calls from different entrance panels.

**Tabella per segnale di chiamata posti interni SPRINT**

Configurator	4	5	6	7
Type of bell	Double-tone	Double-tone	Double-tone	One-tone
	1200 Hz	1200 Hz	1200 Hz	1200 Hz
	600 Hz	0 Hz	2400 Hz	

In the case of SWING, PIVOT, POLYX and AXOLUTE handsets, the S configurator associates the entrance panel to the ringtone programmed inside the same. It is possible to choose among 16 different ringtones.

BT00631-a-EN



# Universal speaker unit and pushbutton expansion

346991 - 346992

## Description

The universal speaker unit can be used to install the 2 WIRE audio system in new or refurbished systems, where special pushbutton panels are present or required (mail boxes, patterned brass, monobloc laminates, etc.) preset for a traditional type speaker module (e.g. 2659N). The universal speaker unit has a set of clamps for the connection of 8 call pushbuttons. In systems with more than 8 call pushbuttons, one item 346992 must be added for every 8 pushbuttons (max. 56); For the connection, the multicable with 2 connectors supplied with item 346992 must be used.

Microphone sensitivity adjustment and loudspeaker volume using dedicated potentiometers. For the control of an electric door lock, an actuator item 346230/346260 appropriately configured must be used.

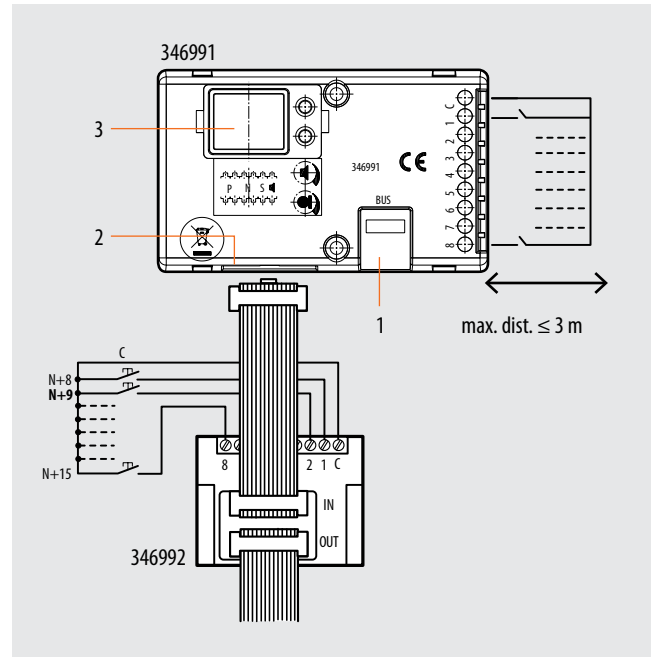
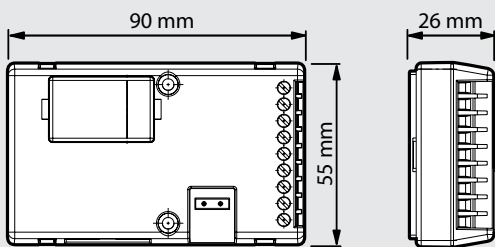
The microphone of the speaker unit may be disconnected from the device and positioned at a distance of 15 cm (max.).

In video systems, the device must be used together with native 2 WIRE cameras or camera with coaxial output using interface item 347400.

## Technical data

Power supply from SCS BUS: 18-27 Vdc  
 Max. operating absorption: 65 mA  
 Stand by absorption: 15 mA  
 Operating temperature: (-25)-(+70)°C

## Dimensional data



## Legend

### Item 346991:

- 1 - Clamps for the connection of the 2 WIRE BUS
- 2 - Item 346992 connector socket
- 3 - Configurator socket
- (C) common pushbuttons
- (1-8) connection of call pushbuttons

### Clamps item 346992:

- (C) common pushbuttons
- (1-8) connection of call pushbuttons



346991 - 346992

**Configuration**

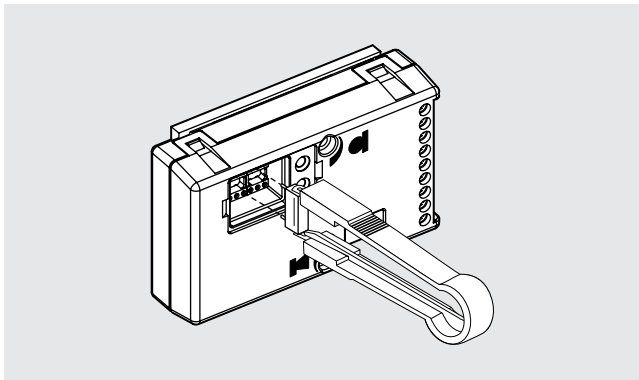
**N – call number**

Assigns the correspondence between the entrance panel pushbuttons, and the audio handsets.

In common entrance panels made using pushbutton modules, 1 must be inserted in N of the speaker module. In secondary entrance panels, the number of the first riser handset must be inserted in N.

**P – entrance panel number**

The configurator in socket P of the speaker module assigns to this a recognition number inside the system. The numbering of the entrance panels must always start from P=0. The entrance panel configured with P=0 must be a common (or main) entrance panel.



**S – type of call signal**

The configuration of S determines the call tone of SPRINT handsets. One can thus differentiate the calls from different entrance panels.

**Table for SPRINT handset call signal**

Configurator	0	1	2	3
Type of bell	2-tone	2-tone	2-tone	One-tone
	1200Hz	1200Hz	1200Hz	1200Hz
	600Hz	0 Hz	2400Hz	

For the SWING, PIVOT, POLYX and AXOLUTE handsets, the S configurator associates the entrance panel to the bell programmed in the same apartment. It is possible to chose between 16 different bells. In one-family systems, S=9 configures the general call and the handsets ring, the same as with the S=0.

**call sound volume adjustment**

Configurator	8	3	0
Type of bell	max.	min.	excluded call confirmation



# AXOLUTE Nighter & Whice VIDEO STATION

349320 - 349321

## Description

2-wire speaker phone video handset for wall mounted installation. With 8" colour LCD display, backlit capacitive keypad with soft touch controls and PC customisable OSD navigation icon menu for the management of the following MY HOME applications: video door entry system, temperature control, sound system and multimedia, automation (scenarios) and anti-intrusion.

In systems integrated with the sound system, the VIDEO STATION behaves as an amplifier, enabling playback of all audio/video sources connected to the system.

LED signalling for: call exclusion, door status, and connection to the entrance panel.

It can be integrated with MY HOME, also in combination with the Multimedia interface, item 3465 - (in this case, allow for a local video door entry system power supply).

Suitable for wall mounted installation using the special bracket (supplied as standard). Programming and configuration using the TiNighterandWhiceStation software supplied with the product.

## Technical data

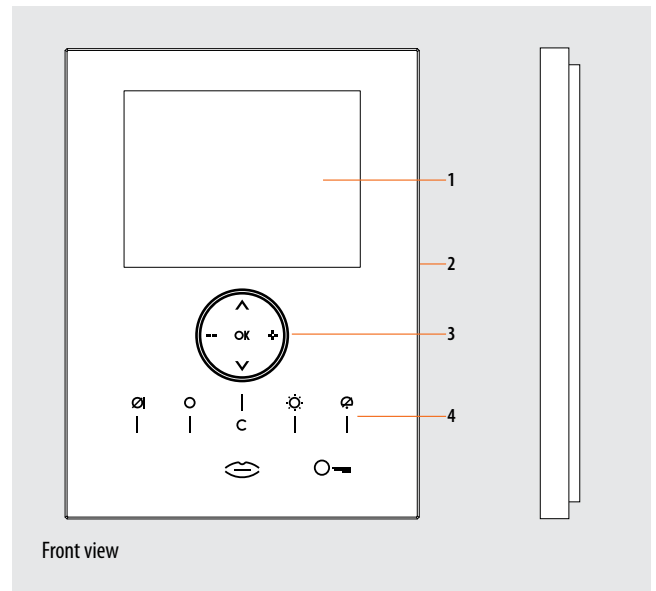
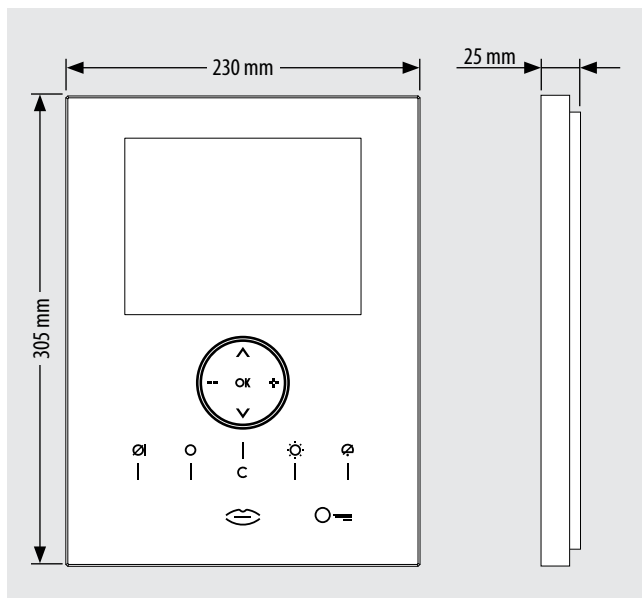
Power supply from SCS BUS: 18 – 27 Vdc

Stand by absorption: 30 mA

Max. operating absorption: 520 mA

Operating temperature: 5 - 40°C

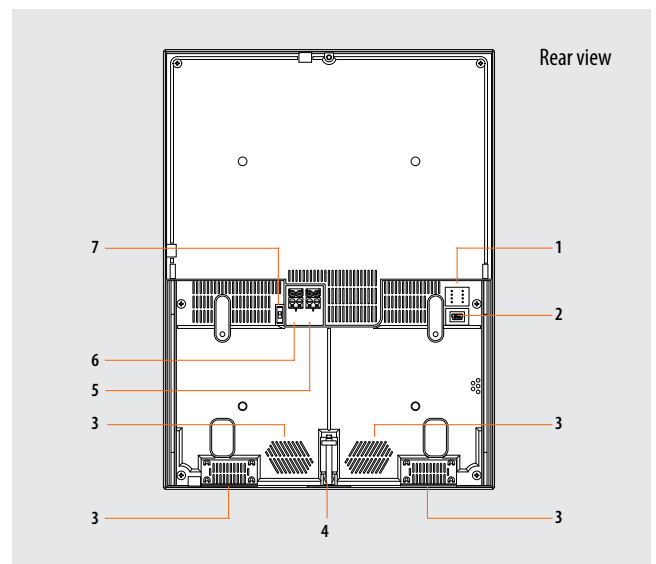
## Dimensional data



Front view

## Legend

- 1 - 8" LCD colour display
- 2 - Microphone
- 3 - Navigation keys and confirmation inside the menu
- 4 - Led and video door entry function keys



Rear view

## Legend

- 1 - Configurator socket
- 2 - Mini-USB connector for PC connection
- 3 - Loudspeakers; for the broadcasting of voice and stereo sound
- 4 - Screw used to fasten the Video Station to the metal base
- 5 - Additional power supply connection clamps
- 6 - Clamps for the connection of the 2-wire SCS BUS
- 7 - Line termination ON/OFF micro switch

BT00633-a-EN

349320 - 349321

**Configuration**

AXOLUTE Nighter & Whice VIDEO STATION can be configured in 2 different modes:

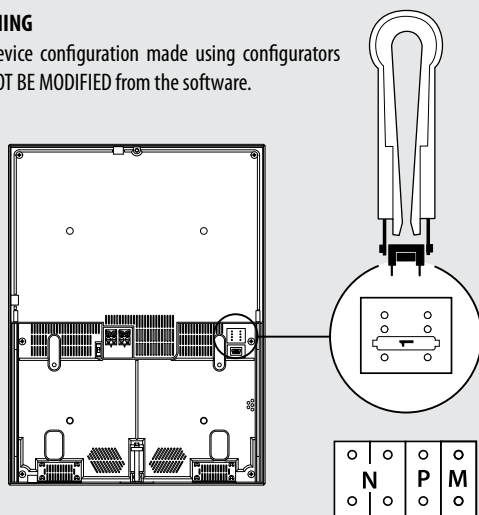
- **Fast configuration** (through the connection of physical configurators)
- **Advanced configuration** using the **TiAxoluteNighterAndWhiceStation software (CD supplied)**

**Fast configuration** enables the user to access the menu of the video door entry functions. This is the standard configuration using configurators to be connected to the appropriate housing on the back of the device itself.

If the apartment interface, item 346850, is installed in the apartment, configuration of the video handset using the software supplied is recommended.

**WARNING**

The device configuration made using configurators **CANNOT BE MODIFIED** from the software.



**N - handset number**

The N configurator assigns each video handset an identification number within the system. The handsets must be configured in progressive mode. Handsets with parallel connection (max 3 are allowed inside the apartment without item 346850) must be configured with the same N configurator. Additional audio handsets, video handsets and/or bells can be installed in parallel to the basic video handset.

**P - entrance panel association**

The P configurator identifies the associated EP, or the first entrance panel that switches itself on when the pushbutton (○) is pressed the first time, as well as which door lock with idle video handset is activated, when the pushbutton (○) is pressed.

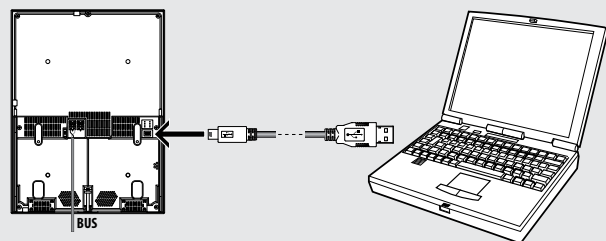
**M - Operating mode**

The M configurator identifies the main menu of the device and therefore all the usable functions (see manual supplied with the product).

**The advanced PC configuration** using the **TiAxoluteNighterAndWhiceStation** software (CD supplied), provides the user with a higher degree of customisation, with the possibility to:

- create flexible menus
- customize text messages
- access all home automation functions

To transfer the configuration performed using the **TiAxoluteNighterAndWhiceStation** software, or to update the firmware, connect **Axolute Video Station** to the PC using the USB-mini cable.



To ensure that communication is successful, **Axolute Video Station** must be powered and not configured physically.

BT00633-a-EN



# AXOLUTE VIDEO STATION

349310

## Description

2-wire speaker phone video handset for wall mounted installation.  
 With 5.6" colour LCD display with PC customisable OSD navigation icon menu for the management of the following MY HOME applications: video door entry system, temperature control, sound system, automation (scenarios) and anti-intrusion.  
 In systems integrated with the sound system, the VIDEO STATION behaves as an amplifier, enabling playback of all audio/video sources connected to the system.  
 LED signalling for: call exclusion, door status, and connection to the entrance panel.  
 Suitable for wall mounted installation using the special bracket (supplied as standard).  
 Programming and configuration using the TiAxoluteStation software supplied with the product.

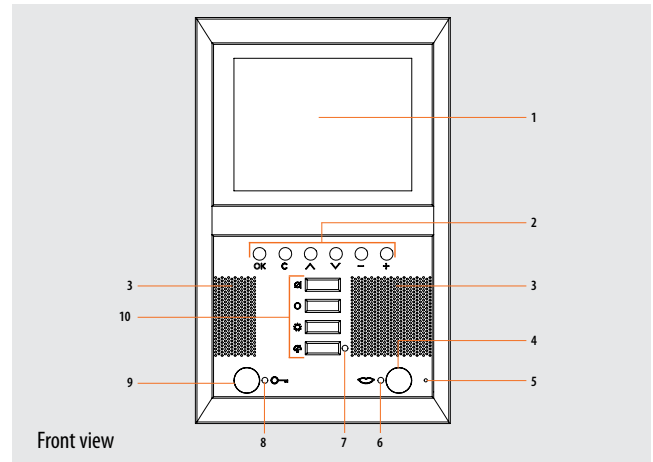
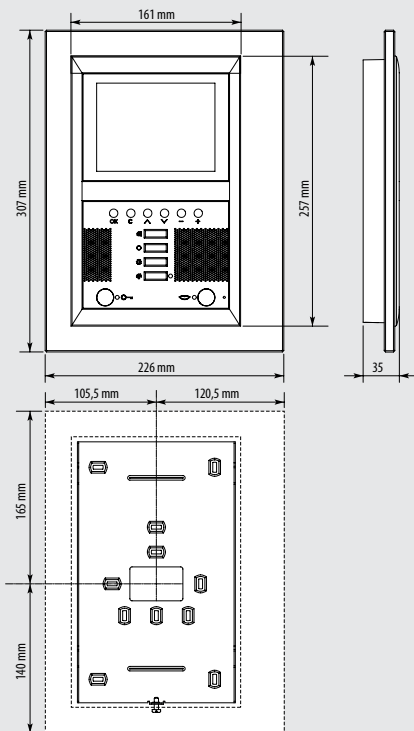
## Related items

- 349210 - Surround plate (satin-finished aluminium)
- 349211 - Surround plate (KRISTALL glass)
- 349212 - Surround plate (TEAK wood)

## Technical data

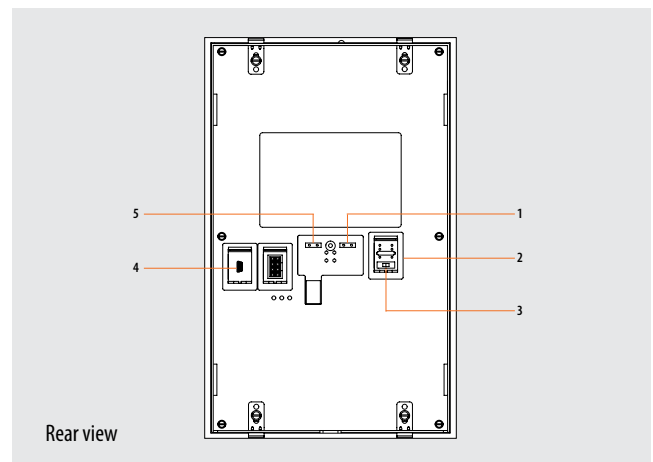
Power supply from SCS BUS: 18 – 27 Vdc  
 Stand by absorption: 10 mA  
 Max. operating absorption: 410 mA  
 Operating temperature: 5 - 40°C

## Dimensional data



## Legend

- 1 - 5.6" colour LCD display
- 2 - Navigation keypad and confirmation inside the menu
- 3 - Loudspeakers; for the diffusion of voice and stereo sound
- 4 - Connection key; enable/disable the connection
- 5 - Microphone
- 6 - Connection status LED
- 7 - LED for call exclusion notification
- 8 - Door lock status LED
- 9 - Door lock opening key
- 10 - Keys for video door entry functions



## Legend

- 1 - Clamps for the connection of the 2-wire SCS BUS
- 2 - Configurator socket
- 3 - Line termination ON/OFF micro-switch
- 4 - Mini-USB connector for PC connection
- 5 - Additional power supply connection clamps

BT00634-a-EN

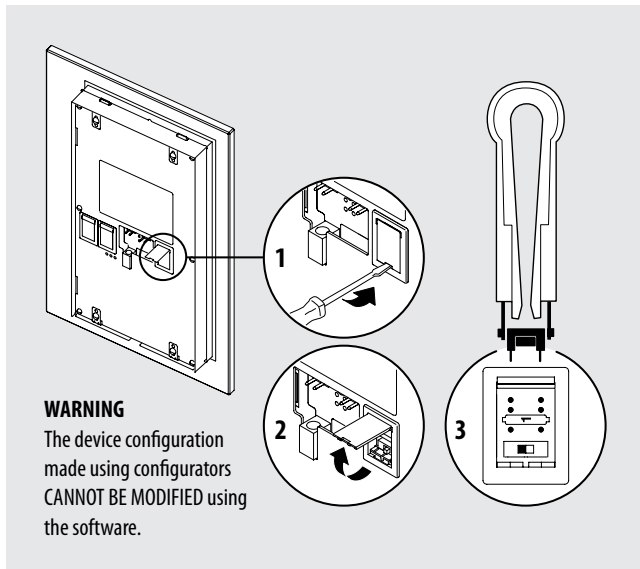
**Configuration**

AXOLUTE VIDEO STATION can be configured in 2 different modes:

- **Fast configuration** (through the connection of physical configurators)
- **Advanced configuration** using the TiAxoluteStation software supplied with the product.

**Fast configuration** enables the user to access the menu of the video door entry functions. This is the standard configuration using configurators to be connected to the appropriate socket on the back of the device itself.

**Warning:** If the apartment interface, item 346850, is installed in the apartment, configuration of the video handset using the software supplied is recommended.



N	P	M
○	○	○
○	○	○

**N - handset number**

The N configurator assigns each video handset an identification number within the system. The handsets must be configured in progressive mode. Handsets with parallel connection (max 3 are allowed inside the apartment without item 346850) must be configured with the same N configurator. Additional audio handsets, video handsets and/or bells can be installed in parallel to the basic video handset.

**P - entrance panel association**

The P configurator identifies the associated EP, or the first entrance panel that switches itself on when the pushbutton (○) is pressed the first time, as well as which door lock with idle video handset is activated, when the pushbutton (○) is pressed.

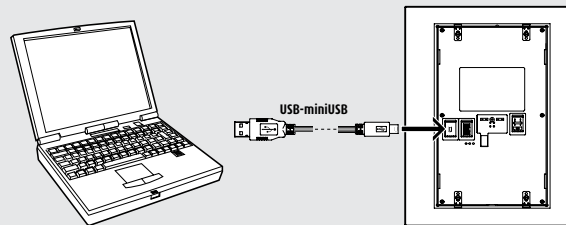
**M - Operating mode**

The M configurator identifies the main menu of the device and therefore all the usable preset functions (see manual supplied with the product).

**The advanced PC configuration** using the TiAxolustestation software (CD supplied), provides the user with a higher degree of customisation, with the possibility to:

- create flexible menus
- customize text messages
- access all home automation functions

To transfer the configuration performed using the TiAxolustestation software, or to update the firmware, connect Axolute Video Station to the PC using the USB-mini cable.



**To ensure that communication is successful, Axolute Video Station must be powered and not physically configured.**



# Multimedia Touch Screen

HC/HS 4690

## Description

Multimedia Touch Screen is a device that enables controlling all the functions of the MY HOME system by means of simple and intuitive icons displayed on the 10" 16:9 LCD Touch Screen.

In addition to the management of the automation functions, lights, temperature control, sound system, burglar alarm, and scenarios, by using the device it is also possible to answer to video door entry system calls, and display the images transmitted by the entrance panel, or the connected cameras. Thanks to the USB device and SD card inputs, Multimedia Touch Screen can manage multimedia files, allowing the users to listen to their favourite music or to view films and images.

When integrated with a domestic LAN network with internet connection, the device enables (following the activation of specific icons) receiving RSS services such as "news" and weather information, displaying images transmitted through webcams, and listening to internet radio channels.

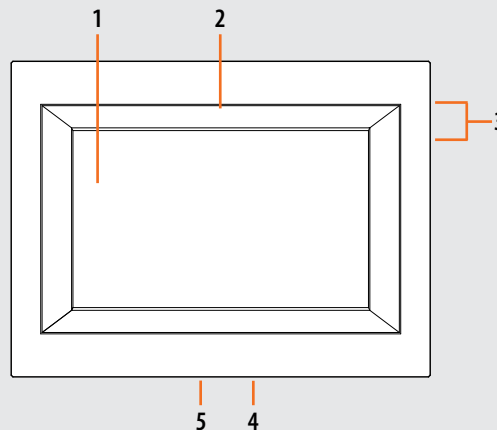
## Related items

Surround plate: HA4690XC, HA4690VBB, HA4690LTK, HA4690VNB, HA4690VSW  
 Power supply: 346020

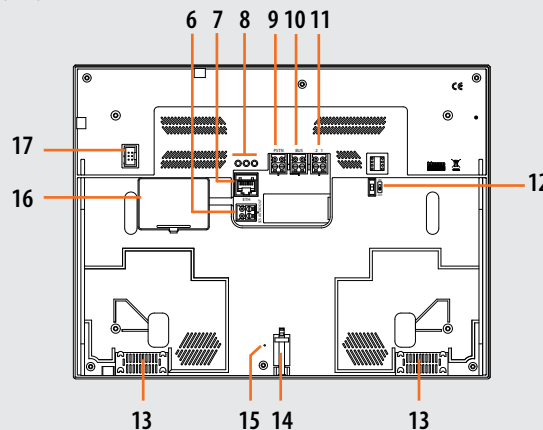
## Technical data

Power supply from SCS BUS: 18 – 27 Vdc  
 Local power supply (1 – 2): 18 – 27 Vdc  
 Max. local absorption (1 – 2): 600 mA  
 Absorption from SCS BUS: 50 mA  
 Operating temperature: 5 – 45 °C

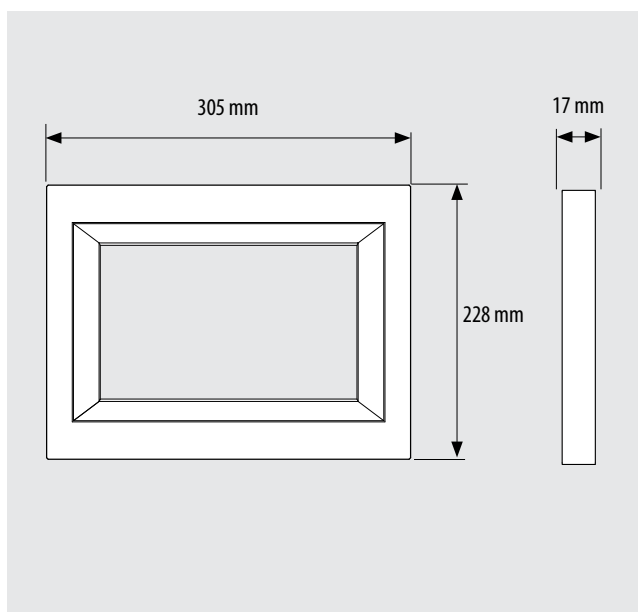
Front view



Rear view



## Dimensional data



## Legend

1. 10" Touch Screen colour LED display
2. Microphone
3. USB connection
4. Mini USB PC connection
5. SD card connector
6. Sound system source output connector
7. RJ45 connector for Ethernet connection
8. LAN connection signalling LED
9. PSTN telephone line connector (future application)
10. 2-wire video BUS/SCS connector
11. 1-2 power supply connector
12. End of line ON/OFF micro switch
13. Loudspeaker
14. Bracket fixing screw
15. Factory configuration reset pushbutton
16. NiMh 7.2 V battery compartment; 160 mAh
17. RS232 PC connector

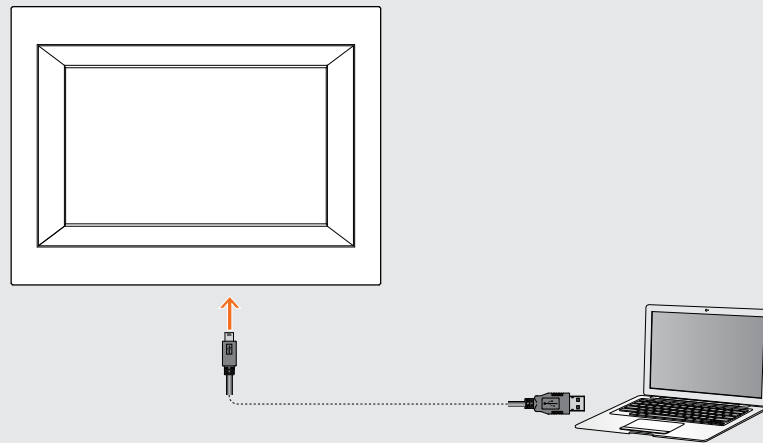
BT00635-a-EN

**Configuration**

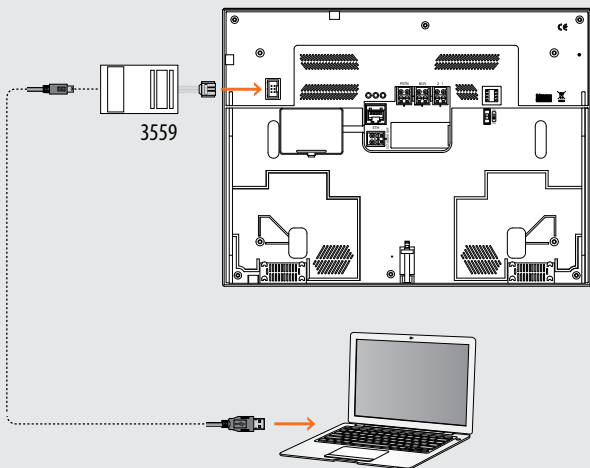
Multimedia Touch Screen must be configured using the TiMultimediaTouchScreen software supplied as standard. In order to receive/transfer the configuration performed, or to update the firmware, connect Multimedia Touch Screen to the PC using one of the three solutions:

- USB-miniUSB cable;
- serial connector (3559);
- Ethernet cable.

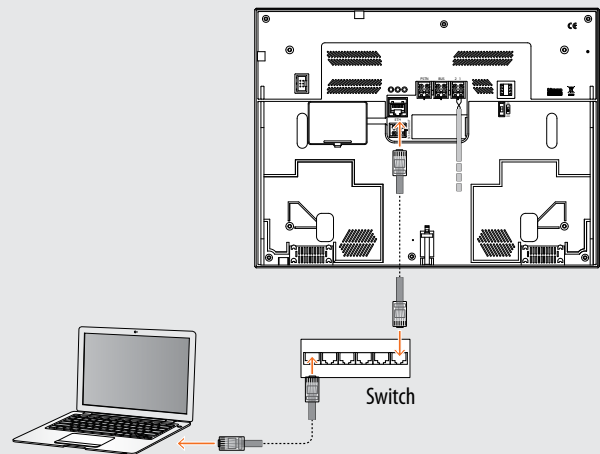
**USB connection**



**Serial connection**

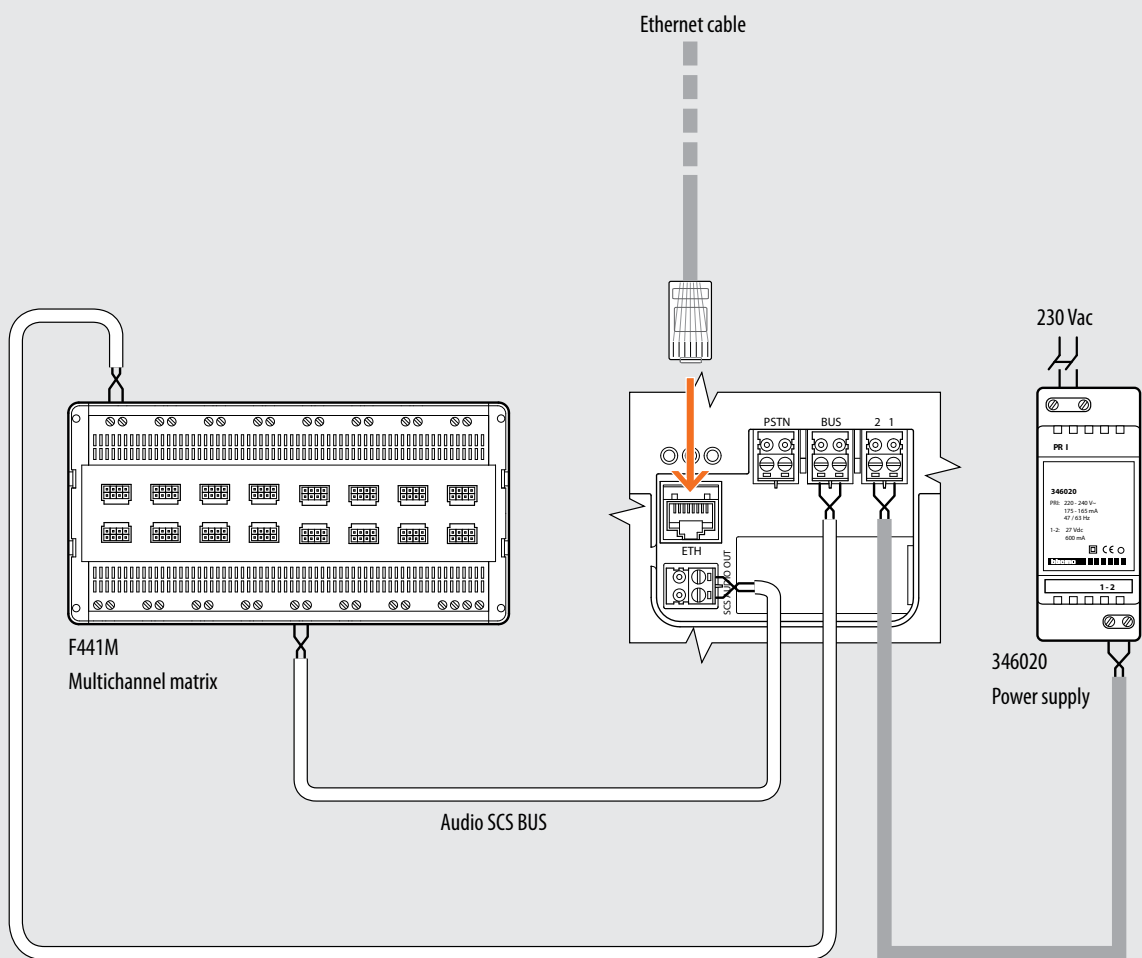


**Ethernet connection**



BT00635-a-EN

Wiring diagram

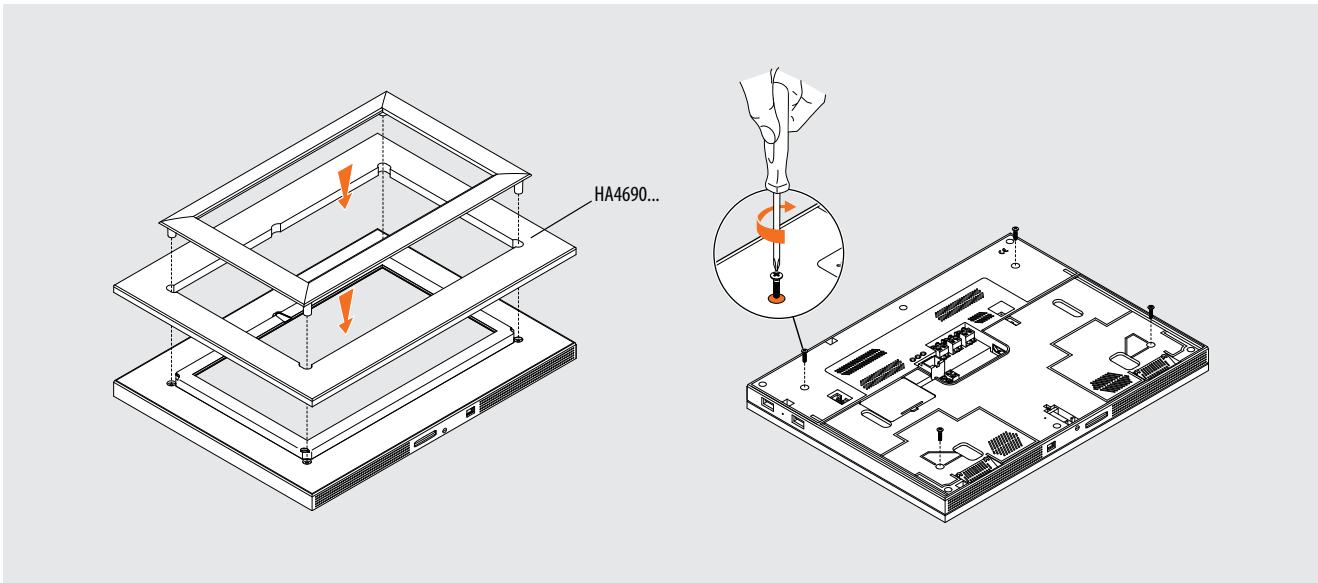


BT00635-a-FN



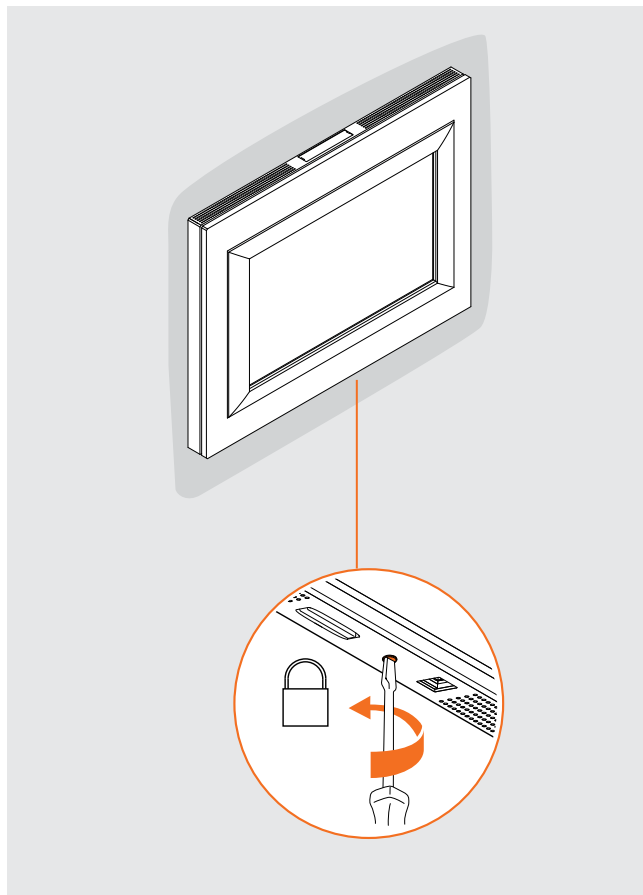
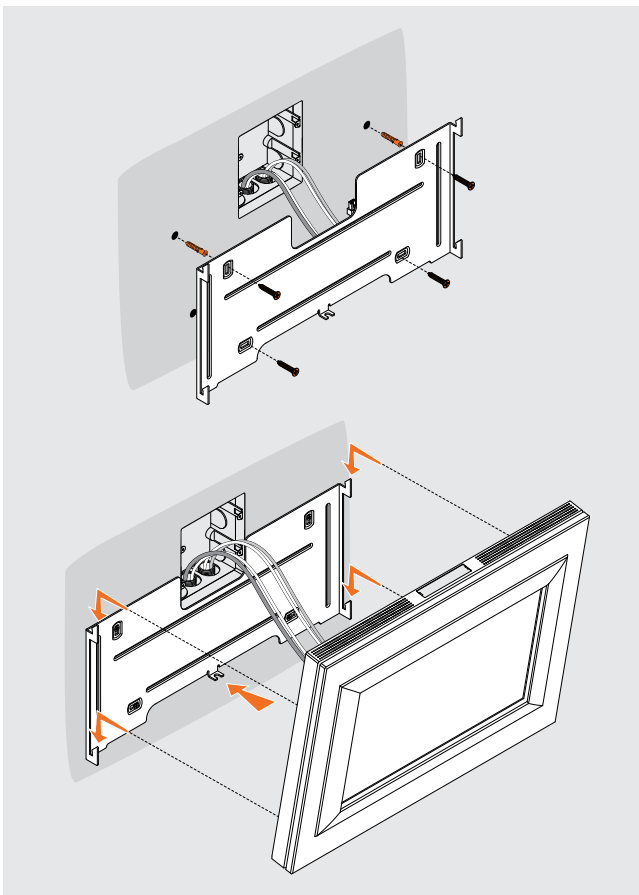
**Installation**

Before fixing the device to the wall apply the surround plate item HA4690...



Connect Multimedia Touch Screen to the system and fix it to the wall using the bracket supplied with the product.

To complete the installation rotate the fixing screws at the back of Multimedia Touch Screen clockwise.



BT00635-a-EN



# AXOLUTE VIDEO DISPLAY

349311 - 349312 - 349313

## Description

2-wire speaker phone video handset for flush mounted installation. With 2.5" colour LCD display with PC customisable OSD navigation icon menu for the management of the following MY HOME applications: video door entry system, temperature control, sound system, automation (scenarios) and anti-intrusion. LED signalling for: call exclusion, door status, and connection to the entrance panel.

Suitable for flush mounted installation using item 506 boxes. To be completed with front cover plate (all those suitable for item 506E of the AXOLUTE series).

Programming and configuration using the TiAxoluteDisplay software supplied with the product.

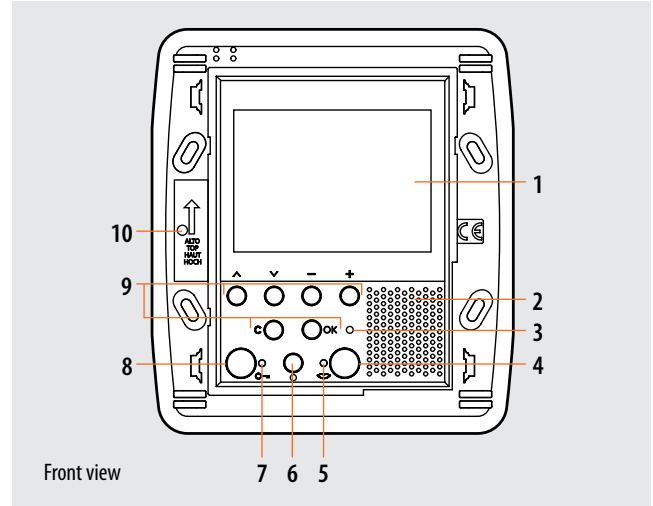
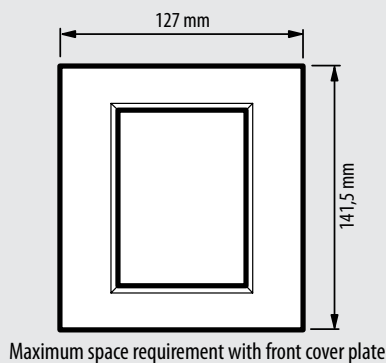
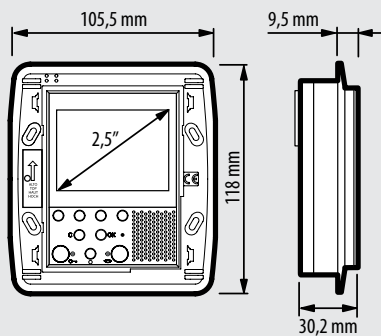
## Related items

506E	3+3 modules flush mounted box
PB526	3+3 modules plasterboard box
HA/HB4826...	3+3 modules front cover plate (see AXOLUTE finishes)
349319	VIDEO DISPLAY table-top base

## Technical data

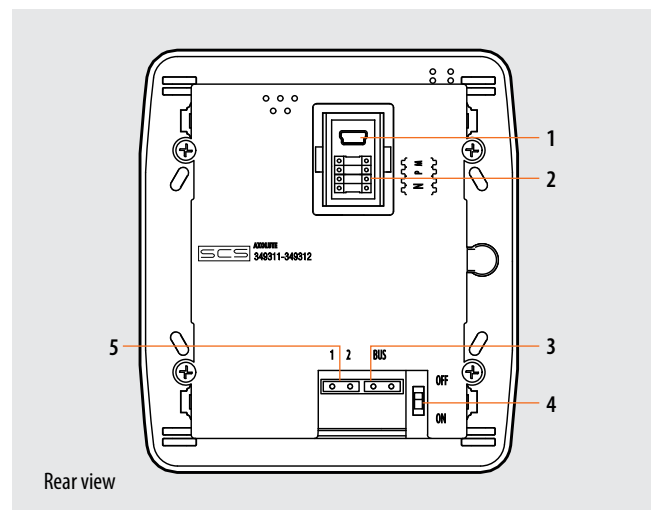
Power supply from SCS BUS:	18 – 27 Vdc
Stand by absorption:	10 mA
Max. operating absorption:	320 mA
Operating temperature:	5 - 40°C

## Dimensional data



## Legend

- 1 - 2.5" colour LCD display
- 2 - Loudspeaker
- 3 - LED for call exclusion notification
- 4 - Connection key; enable/disable the connection
- 5 - Connection status LED
- 6 - Entrance panel and cycling activation key
- 7 - Door lock status LED
- 8 - Tasto Door lock opening
- 9 - Navigation keys and confirmation inside the menu
- 10 - Microphone



## Legend

- 1 - Mini-USB connector for PC connection
- 2 - Configurator socket
- 3 - 2 WIRE SCS/BUS connection clamps
- 4 - Line termination ON/OFF micro switch
- 5 - Clamp for connection of the additional power supply

BT00636-a-EN

349311 - 349312 - 349313

**Configuration**

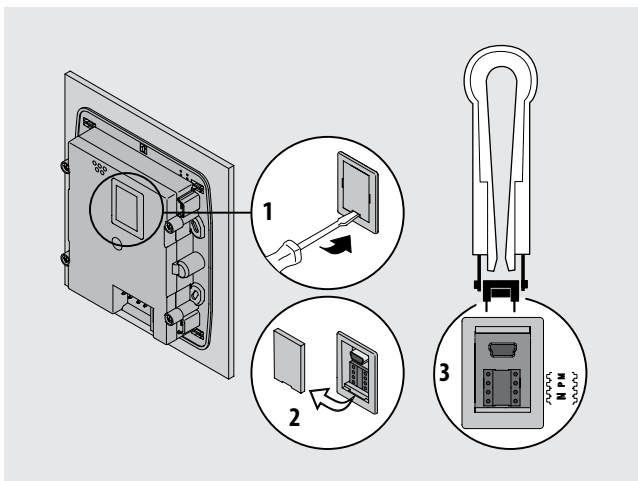
AXOLUTE VIDEO DISPLAY can be configured in 2 different modes:

- **Fast configuration** (through the connection of physical configurators)
- **Advanced configuration** using the TiAxoluteDisplay software supplied with the product.

**Fast configuration** enables the user to access the menu of the video door entry functions. This is the standard configuration using configurators to be connected to the appropriate sockets on the back of the device itself.

If the apartment interface, item 346850, is installed in the apartment, configuration of the video handset using the software supplied is recommended.

**WARNING:** The configuration of the device is performed using configurators and cannot be changed from the menu.



**N - handset number**

The N configurator assigns each video handset an identification number within the system. The handsets must be configured in progressive mode. Handsets with parallel connection (max 3 are allowed inside the apartment without item 346850) must be configured with the same N configurator. Additional audio handsets, video handsets and/or bells can be installed in parallel to the basic video handset.

**P - entrance panel association**

The P configurator identifies the associated EP, or the first entrance panel that switches itself on when the pushbutton (○) is pressed the first time, as well as which door lock with idle video handset is activated, when the pushbutton (○) is pressed.

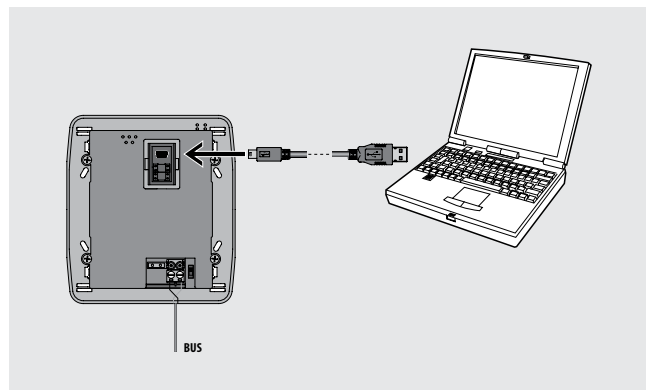
**M - Operating mode**

The M configurator identifies the main menu of the device and therefore all the usable functions (see manual supplied with the product).

**The advanced PC configuration** using the TiAxoluteDisplay software (CD supplied), provides the user with a higher degree of customisation, with the possibility to:

- create customized menus;
- customize text messages;
- access all home automation functions.

To transfer the configuration performed using the TiAxoluteDisplay software, or to update the firmware, connect AXOLUTE VIDEO DISPLAY to the PC using an USB-miniUSB cable.



To ensure that the communication is successful, AXOLUTE VIDEO DISPLAY must be powered and not physically configured.

BT00636-a-EN



# Axolute Etèris Video Display

349340

## Description

2 WIRE speaker phone video handset for flush mounted installation. With 2.5" colour LCD display with PC customisable icons OSD navigation menu for the management of the following MY HOME applications: Video door entry system, temperature control, sound system, scenarios, burglar alarm. LED signalling for: call exclusion, door status, connection with entrance panel. Flush mounted / plasterboard installation using the appropriate boxes.

To be completed with dedicated front cover and front cover plate available in the Axolute white, anthracite, and tech colour variants. Programming and configuration using the TiAxoluteMemoryDisplay software supplied with the product.

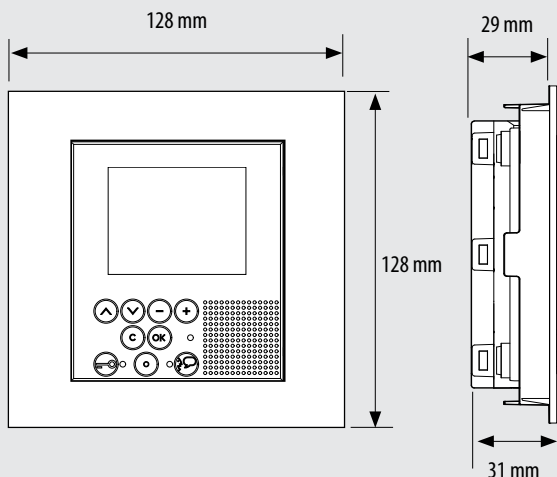
## Related items

528W	Flush mounted box
PB528W	Plasterboard box
349243	White front cover
349241	Axolute tech front cover
349242	Anthracite front cover
HW4826HD	White front cover plate
HW4826HC	Axolute tech front cover plate
HW4826HS	Tech front cover plate
346020	(additional 2 DIN modules power supply) - optional, for local powering of the video handset, when maximum installation distances are necessary.

## Technical data

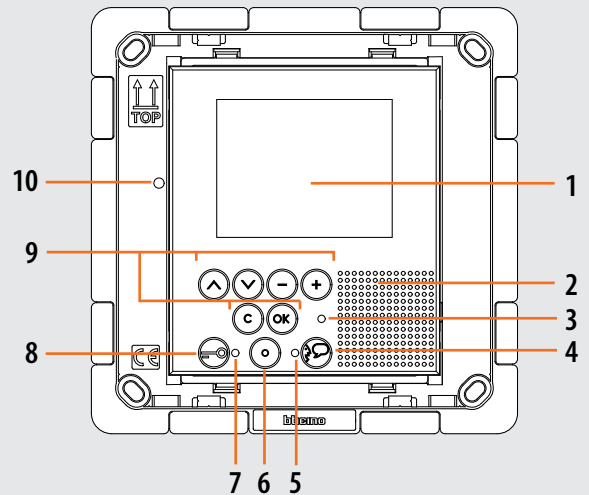
Power supply from SCS BUS:	18 – 27 Vdc
Stand-by absorption:	10 mA
Max. operating absorption:	320 mA
Operating temperature:	0 – 40 °C

## Dimensional data

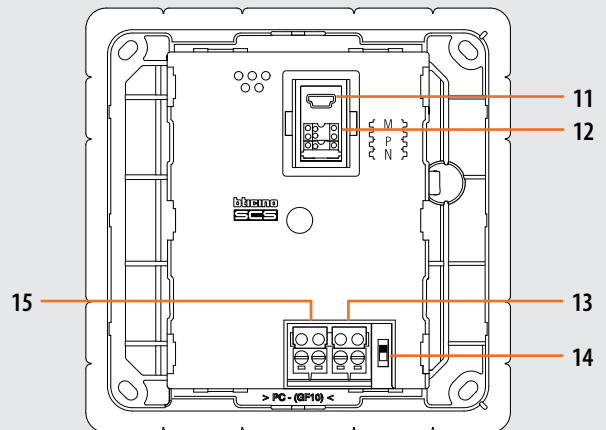


BT00637-a-EN

Front view



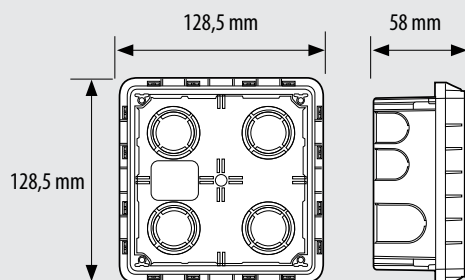
Back view



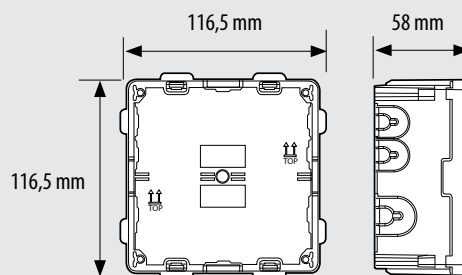
## Legend

1. 2.5" LCD colour display
2. Loudspeaker
3. Bell exclusion notification LED
4. Audio connection activation/deactivation key
5. Connection status LED
6. Entrance panel/camera scrolling activation key
7. Door lock status LED
8. Door lock activation key
9. Navigation and confirmation keys in the icon menu
10. Microphone
11. Mini USB connector for connection to the PC
12. Configurator socket
13. 2 WIRE SCS/BUS connection clamps
14. Line termination ON/OFF micro-switch
15. Additional power supply connection clamps (1-2)

**Flush mounted box 528W**



**Plasterboard box PB528W**



**Configuration**

Axolute Etèris Video Display can be configured in two different modes:

- **Quick configuration** (with physical configurator connection)
- **Advanced configuration** (using the TiAxoluteDisplay software supplied)

The quick configuration enables the user to access the video door entry system function menu. This is the standard configuration with configurators to be connected to their own housing on the back of the device itself.

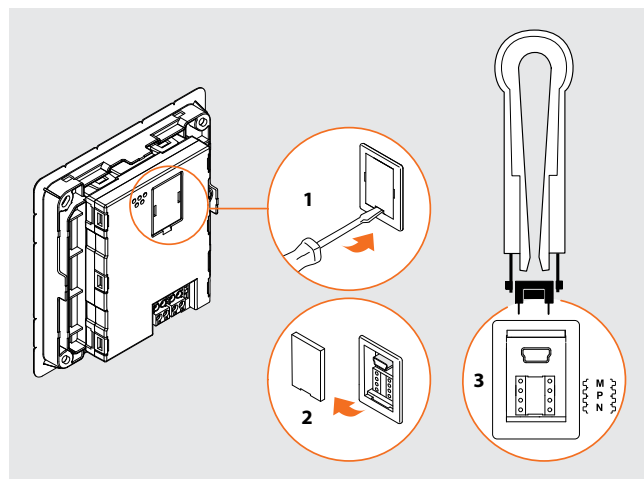
If the apartment interface, item 346850, is installed inside the apartment, configuration of the video handset using the software supplied is recommended.

The PC advanced configuration using the software (CD supplied), provides the user with the highest degree of customisation, with the possibility of:

- create customized menus;
- customize text messages;
- access all home automation functions.

**Connection to the PC**

To transfer the configuration performed using the software, or to update the firmware, connect Axolute Etèris Video Display to the PC using the USB-miniUSB cable.



**N – handset number**

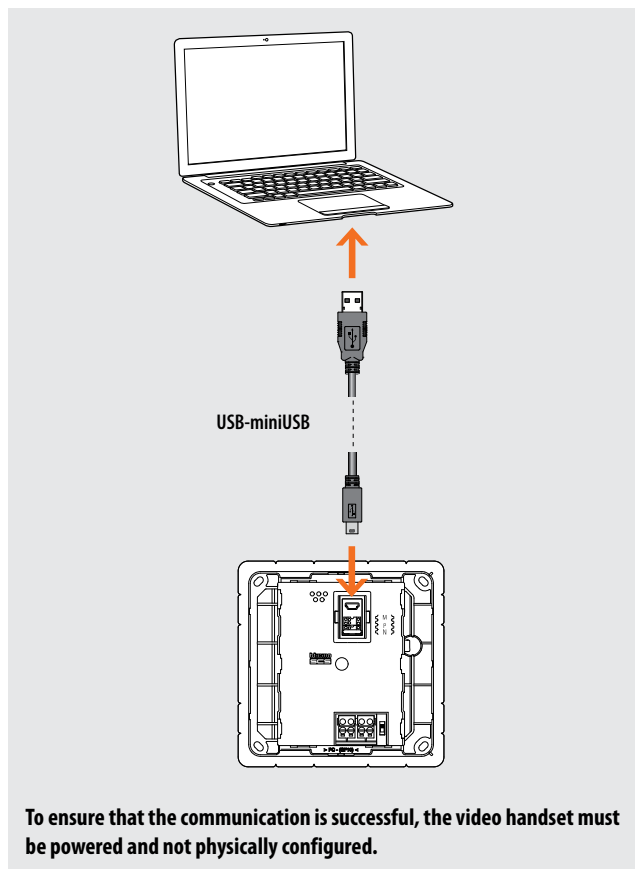
The N configurator assigns to each video handset an identification number within the system. The handsets must be configured in progressive order. Handsets with parallel connection (max 3 are allowed inside apartments without item 346850) must be configured using the same N configurator. In parallel with the main video handset, additional handsets, video handsets and/or bells may be installed.

**P – entrance panel association**

The P configurator identifies the entrance panel associated, or the first entrance panel to activate before pressing the key and which door lock is activated when the key is pressed while the video handset is idle.

**M – operating mode**

The M configurator identifies the main menu page and therefore the preset functions that may be used (see manual supplied with the product).



**To ensure that the communication is successful, the video handset must be powered and not physically configured.**



# LIVINGLIGHT VIDEO DISPLAY

344400 - 344401

## Description

2-WIRE hands free video handsets for flush mounted installation or in FLATWALL column. 2.5" colour LCD display with PC customisable OSD navigation icon menu for the management of the following applications: video door entry system, temperature control, sound system, scenarios and anti-intrusion. Signalling LEDs for: call exclusion, door status, and connection to the entrance panel. Firmware update/programming USB port. Suitable for flush mounted installation using item 506E boxes. To be completed with dedicated front covers and LIVINGLIGHT front cover plates. Programming and configuration using the TiLivingLightDisplay software supplied with the product.

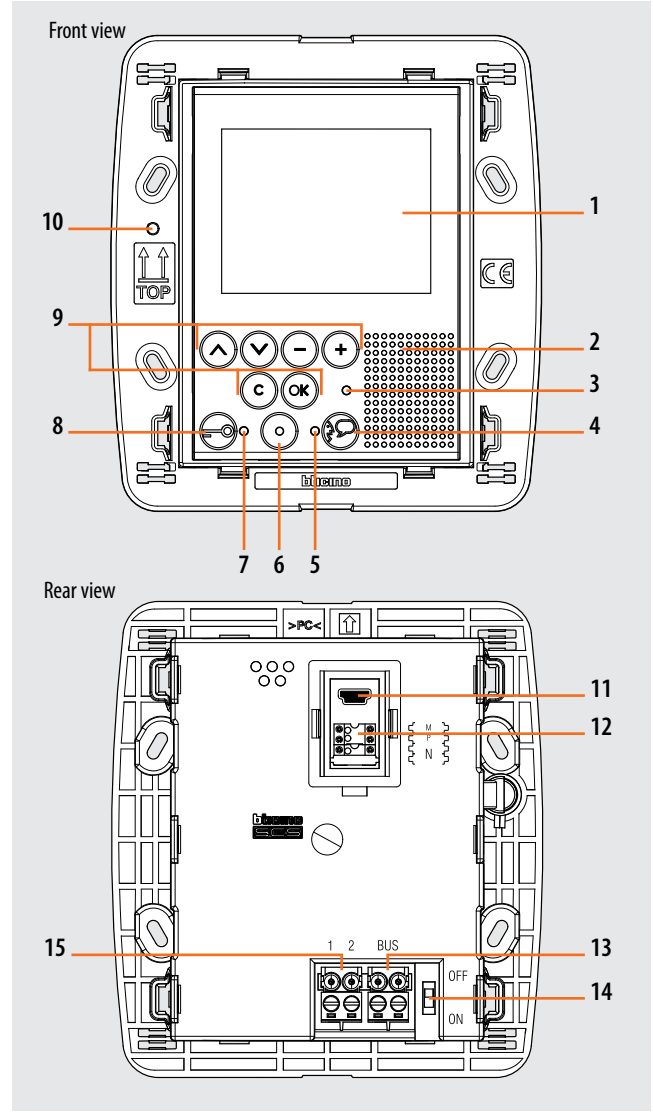
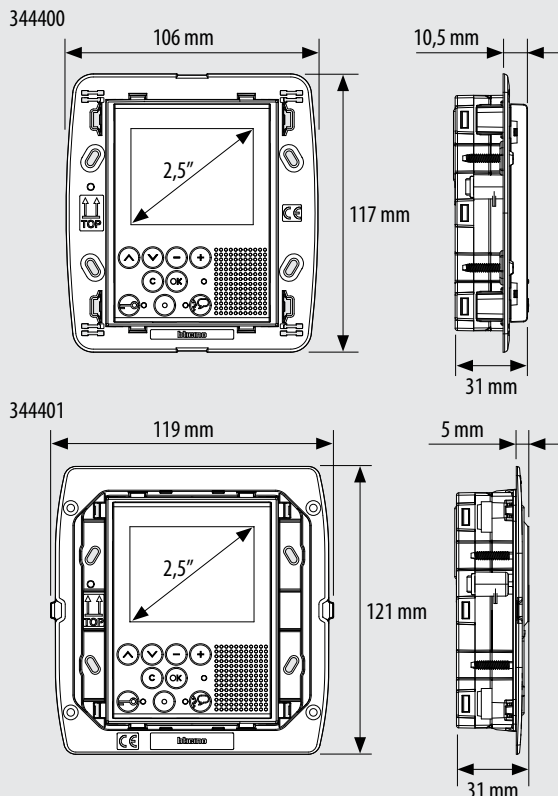
## Related items

506E	3+3 modules flush mounted box
344413	LIVINGLIGHT front cover - White
344411	LIVINGLIGHT front cover - Tech
344412	LIVINGLIGHT front cover - Anthracite
LNA4826...	Front cover plate, 3+3 modules, square (see LIVINGLIGHT finishes)
LNB4826...	Front cover plate, 3+3 modules, elliptical (see LIVINGLIGHT finishes)
LNC4826...	Front cover plate, 3+3 modules, AIR (see LIVINGLIGHT AIR finishes)

## Technical data

Power supply from SCS BUS:	18 – 27 Vdc
Stand by absorption:	10 mA
Max. operating absorption:	320 mA
Operating temperature:	0 – 40 °C

## Dimensional data



## Legend

1. 2.5" colour LCD display
2. Loudspeaker
3. Bell exclusion notification LED
4. Audio connection activation / deactivation key
5. Connection status LED
6. Entrance panel / camera cycling activation key
7. Door lock status LED
8. Door lock activation key
9. Navigation keys and confirmation inside the icon menu
10. Microphone
11. Mini-USB connector for PC connection
12. Configurator socket
13. Clamps for the connection of the 2-WIRE SCS BUS
14. Line termination ON/OFF micro-switch
15. Additional power supply connection clamps (1 - 2)

BT00638-a-FN

344400 - 344401

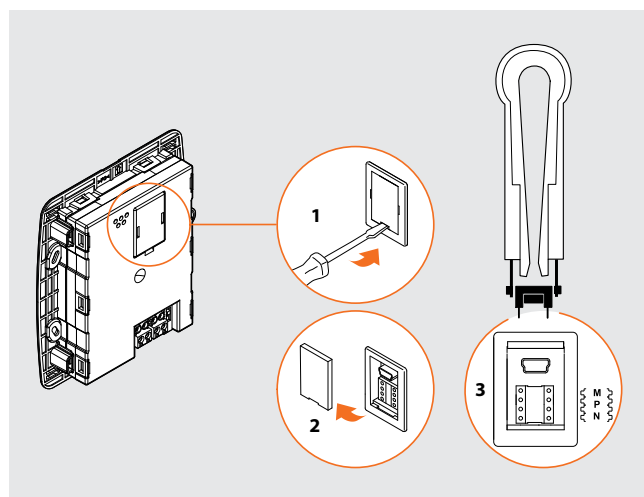
**Configuration**

LIVINGLIGHT VIDEO DISPLAY can be configured in 2 different modes:

- Fast configuration (through the connection of physical configurators)
- Advanced configuration (using the TiLivingLightDisplay software supplied with the product).

**Fast configuration** enables the user to access the menu of the video door entry functions. This is the standard configuration using configurators to be connected to the appropriate socket on the back of the device itself. If the apartment interface, item 346850, is installed in the apartment, configuration of the video handset using the software supplied is recommended.

**WARNING:** The device configuration made using configurators CANNOT BE MODIFIED using the menu.



**N - handset number**

The N configurator assigns each video handset an identification number within the system. The handsets must be configured in progressive mode. Handsets with parallel connection (max 3 are allowed inside the apartment without item 346850) must be configured with the same N configurator. Additional audio handsets, video handsets and/or bells can be installed in parallel to the basic video handset.

**P - entrance panel association**

The P configurator identifies the associated EP, or the first entrance panel that switches itself on when the pushbutton is pressed the first time, as well as which door lock with idle video handset is activated, when the pushbutton is pressed.

**M - operating mode**

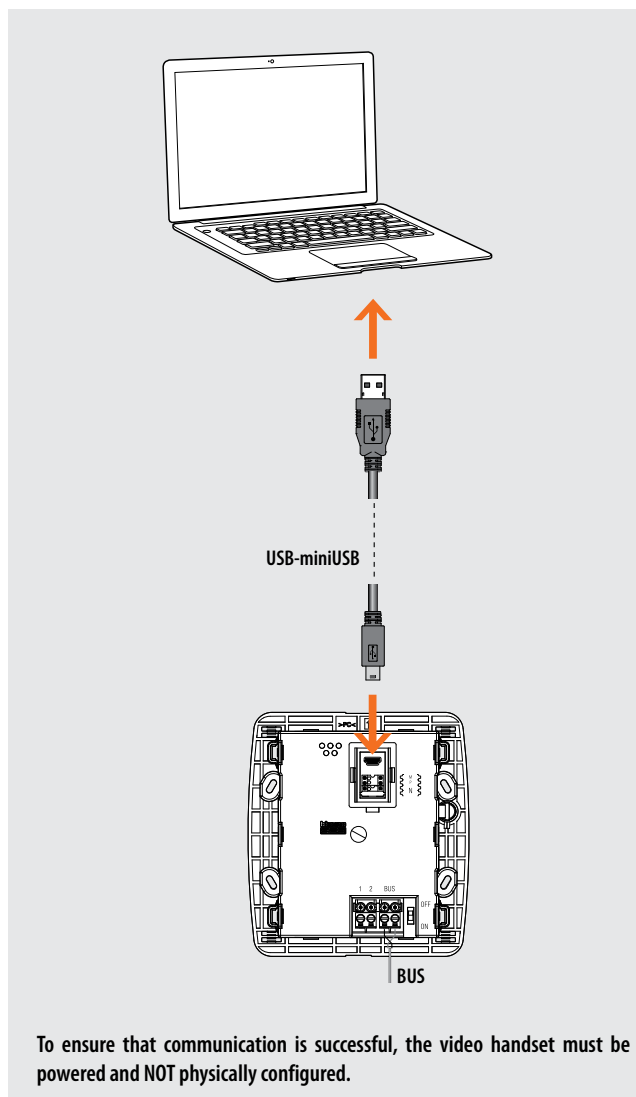
The M configurator identifies the main menu of the device and therefore all the usable preset functions (see manual supplied with the product).

The advanced PC configuration using the software (CD supplied), provides the user with a higher degree of customisation, with the possibility to:

- create flexible menus
- customize text messages
- access all home automation functions.

**Connection to the PC**

To transfer the configuration performed using the software, or to update the firmware, connect LIVINGLIGHT VIDEO DISPLAY to the PC using the USB-mini cable.



BT00638-a-EN



# Polyx Memory Display

344163

## Description

2 WIRE wall mounted speaker phone video handset with audio and video memory. With 3.5" colour LCD display with PC customisable icons OSD navigation menu for the management of the following MY HOME applications: Video door entry system, temperature control, sound system, scenarios, burglar alarm. With video door entry system answering machine with call memory function.

LED signalling for: call exclusion, door status, connection with entrance panel, and answering machine status. It can be wall mounted using the appropriate bracket (supplied).

Programming and configuration using the TiPolyxMemoryDisplay software supplied with the product.

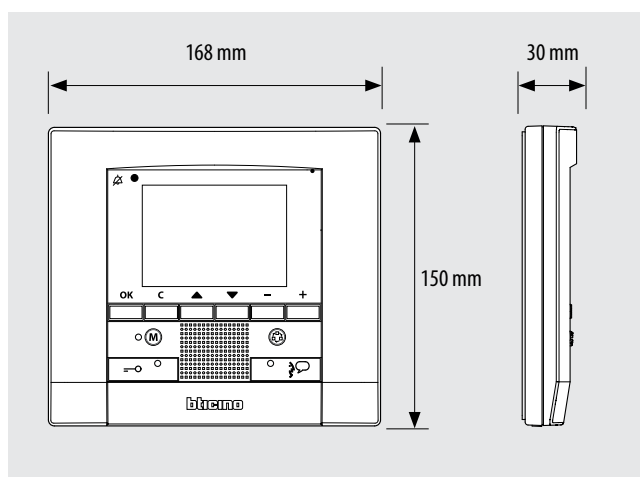
## Related items

346020 (additional 2 DIN modules power supply) - optional, for local powering of the video handset, when maximum installation distances are necessary.

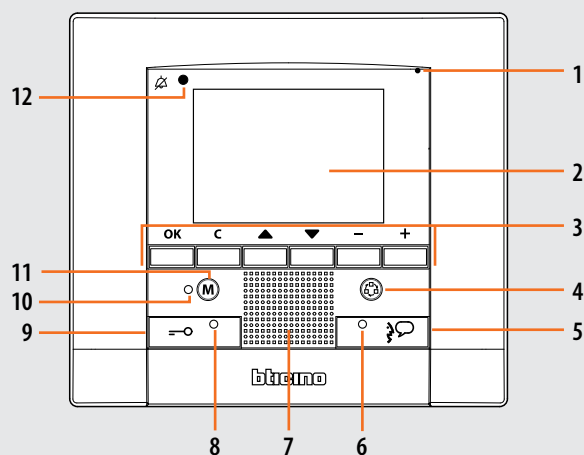
## Technical data

Power supply from SCS BUS:	18 – 27 Vdc
Stand-by absorption:	10 mA
Max. operating absorption:	330 mA
Operating temperature:	0 - 40 °C

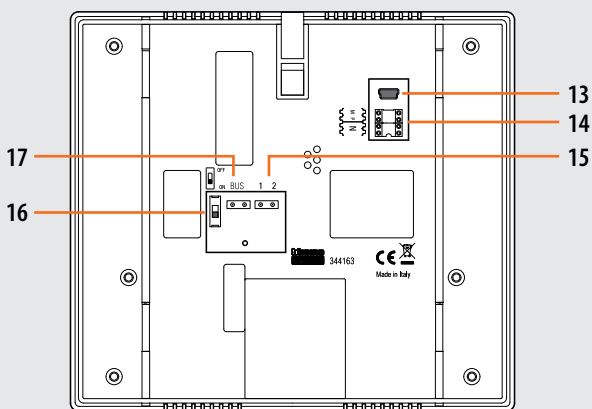
## Dimensional data



Front view



Back view



## Legend

1. Microphone
2. 3.5" LCD colour display
3. Navigation and confirmation keys in the icon menu
4. Entrance panel/camera scrolling activation key
5. Audio connection activation/deactivation key
6. Connection status LED
7. Loudspeaker
8. Door lock status LED
9. Door lock activation key
10. Audio video answering machine status LED
11. Answering machine key: enable/disable the answering machine function (if enabled by the menu)
12. Bell exclusion notification LED
13. Mini USB connector for connection to the PC
14. Configurator socket
15. Additional power supply connector (1-2)
16. Line termination ON/OFF micro-switch
17. 2 WIRE SCS/BUS connection

BT00639-a-EN



**Configuration**

Polyx Memory Display can be configured in two different modes:

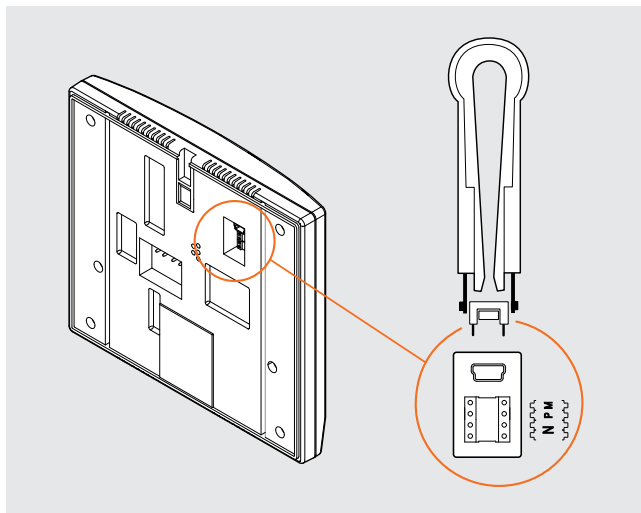
- **Quick configuration** (with physical configurator connection);
- **Advanced configuration** (using the TiPolyxMemoryDisplay software supplied).

The quick configuration enables the user to access the video door entry system function menu. This is the standard configuration with configurators to be connected to their own housing on the back of the device itself.

If the apartment interface, item 346850, is installed inside the apartment, configuration of the video handset using the software supplied is recommended.

The PC advanced configuration using the software (CD supplied), provides the user with the highest degree of customisation, with the possibility of:

- create customized menus;
- customize text messages;
- access all home automation functions.



**N – handset number**

The N configurator assigns to each video handset an identification number within the system. The handsets must be configured in progressive order. Handsets with parallel connection (max 3 are allowed inside apartments without item 346850) must be configured using the same N configurator. In parallel with the main video handset, additional handsets, video handsets and/or bells may be installed.

**P – entrance panel association**

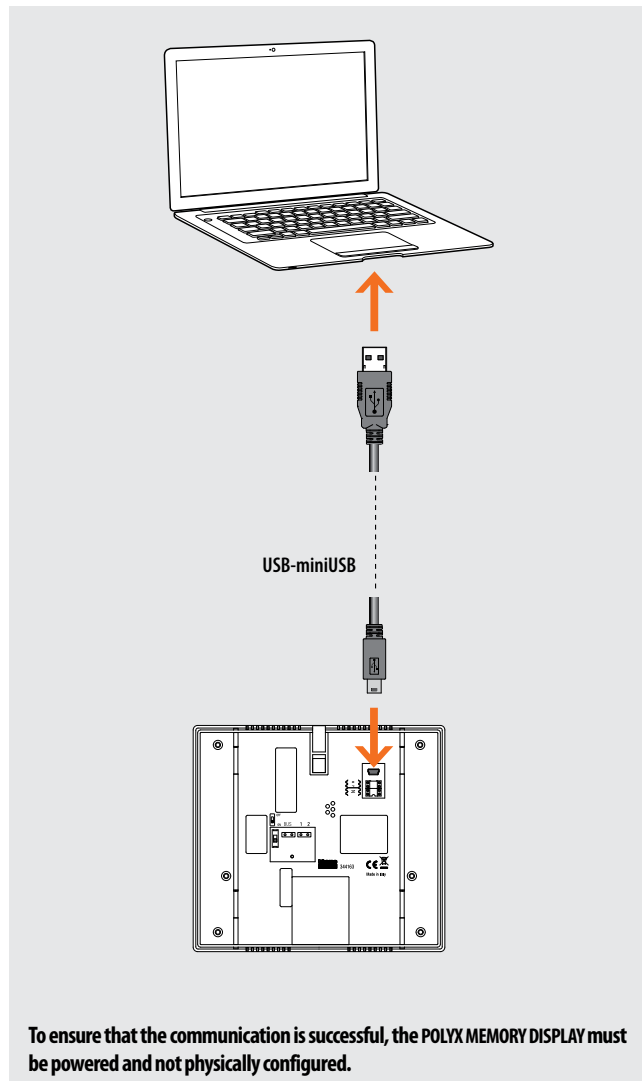
The P configurator identifies the entrance panel associated, or the first entrance panel to activate before pressing the key and which door lock is activated when the key is pressed while the video handset is idle.

**M – operating mode**

The M configurator identifies the main menu page and therefore the preset functions that may be used (see manual supplied with the product).

**Connection to the PC**

To transfer the configuration performed using the TiPolyxMemoryDisplay software or to update the firmware, connect POLYX MEMORY DISPLAY to the PC using the USB-miniUSB cable.



BT00639-a-EN



# Inductive LOOP module

344165

### Description

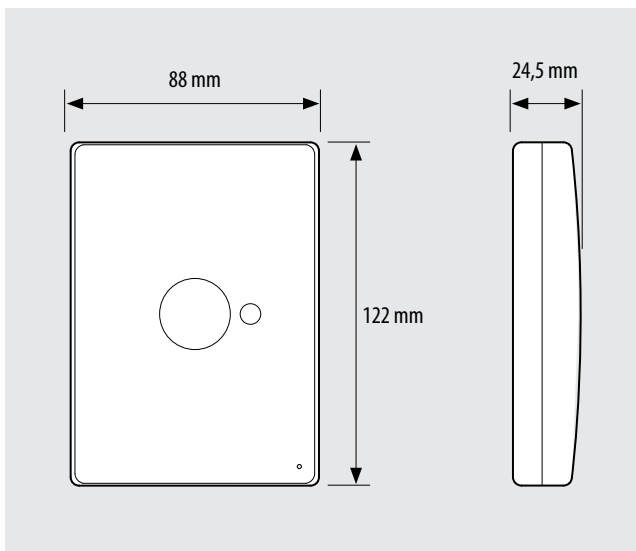
2 WIRE inductive LOOP module to be used with Polyx Memory Display 344163 video handset, to enable use by people wearing hearing aids (fitted with T selector). The device must be configured with the same address (N) of the corresponding video handset. Wall mounted installation without the need of accessories.

**WARNING: The inductive loop module must only be activated AFTER establishing the connection of the associated video handset to the entrance panel.**

### Technical data

Power supply dal SCS BUS: 18 – 27 Vdc  
 Stand by absorption: 5 mA  
 Max. operating absorption: 200 mA  
 Operating temperature: 5 - 40 °C

### Dimensional data

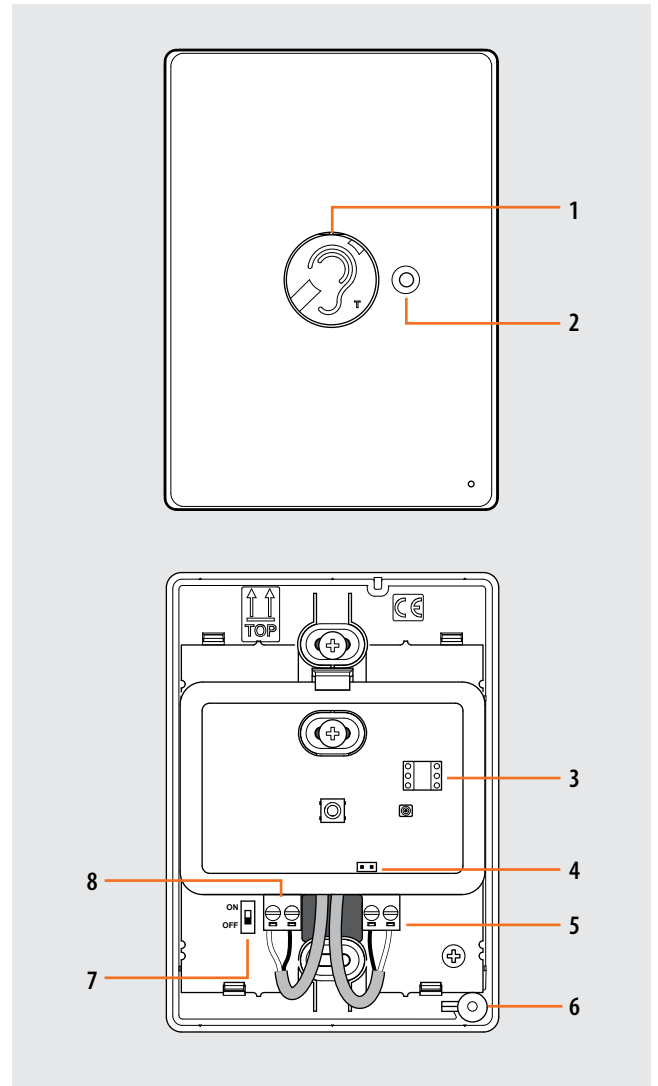


### Configuration

⊙	⊙	⊙
N	*	
⊙	⊙	⊙

**N = associated video handset number**  
 The N configurator assign to the device the same number of the handset of the associated video handset (**configure with the same N of the video handset**).

(\*) = NOT USED



### Legend

1. Activation key
2. Status signalling LED: green flashing = call notification  
green steady = connection established
3. Configurator socket
4. Jumper, to be removed to enable additional power supply connection
5. Additional power supply connection clamps
6. Microphone
7. Line termination ON/OFF micro-switch
8. 2 WIRE SCS/BUS connection clamps

BT00640-a-EN



# Audio POLYX

344082

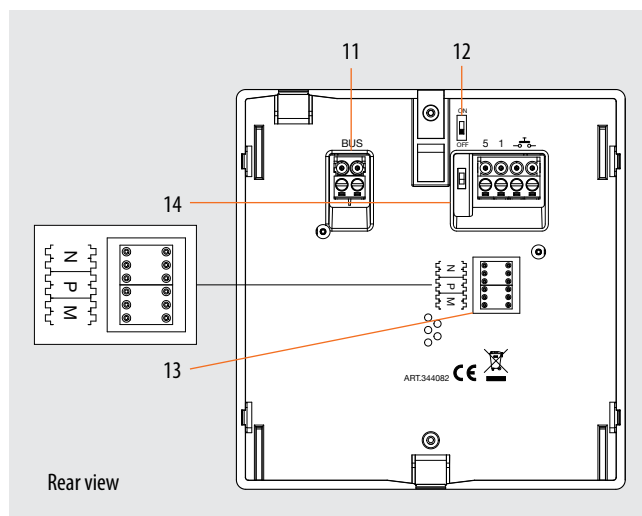
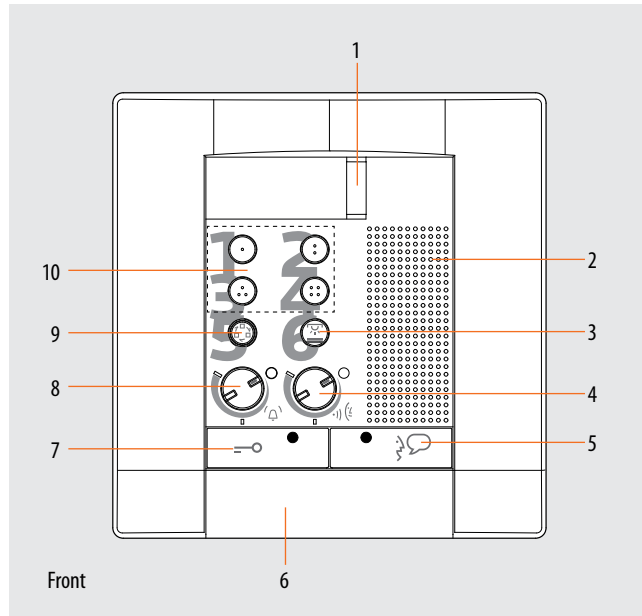
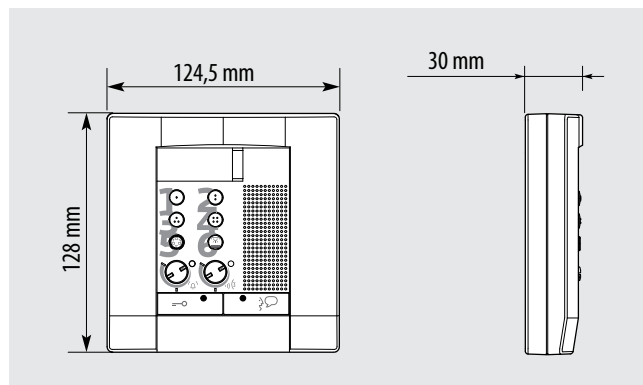
### Description

2 WIRE handsfree handset for wall mounted installation. It's fitted with keys for: EP activation/cycling, door lock release, staircase light switching on and 4 programmable keys, which operating mode is set through the configuration. Specific audible and visual signals mean that it is also suitable for use by disabled people. Fixing bracket supplied.

### Technical data

Power supply from SCS BUS: 18 – 27 Vdc  
 Stand by absorption: 5 mA  
 Max. operating absorption: 55 mA  
 Operating temperature: 5 - 40°C

### Dimensional data



### Legend

- 1 - Call signalling LED
- 2 - Loudspeaker
- 3 - Staircase light key
- 4 - Loudspeaker volume adjustment
- 5 - Connection key+ LED
- 6 - Microphone
- 7 - Door lock key + LED
- 8 - Bell volume adjustment and exclusion + LED
- 9 - EP Activation/cycling
- 10 - 4 programmable keys (through configuration)
- 11 - Clamps for the connection to the 2 WIRE BUS
- 12 - Line termination ON/OFF micro-switch
- 13 - Configurator socket
- 14 - Clamps for the connection of the Floor call auxiliary services and extra bell



BT00641-a-EN

**Configuration**

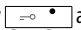


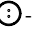

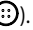
**N - handset number**

Assigns to each handset an identification number within the system. The handsets must be configured in progressive order. Handsets with parallel connection (max 3 are allowed inside apartments without item 346850) must be configured using the same N configurator.


**P - entrance panel association**

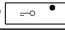
The P configurator identifies the associated EP, or the first entrance panel on which the audio is activated when the  key is pressed, as well as which door lock is activated when the key  is pressed while the handset is idle.

**M - Operating mode of the keys**

In addition to the door lock opening key  and the staircase light key , the handset also has 4 programmable keys  -  -  - .

These keys may be associated to different operating modes (e.g. activation of external actuators, intercom, activation of additional EPs, etc., based on the type of configurator connected to M).

Configurator in P	key  function
0-9	Entrance panel audio activation (configured with P=0-9)

Configurator in P	key  function
0-9	Opening of the EP door lock (configured with P=0-9)

The handset offers the possibility to select among 16 types of bells with pre-programmed ringtones, which can be associated to the following type of calls:

- Calls from the entrance panel (configured with S=0 - S=4)
- Calls from the entrance panel (configured with S=0 - S=5)
- Intercom call
- Floor call

**(See the bell programming table in the following pages)**

**Configuration**

Below are the various operating modes that can be assigned to the 4 programmable keys:


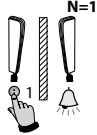

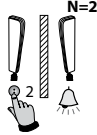

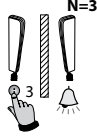

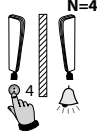



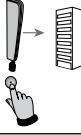

MODE	KEY	FUNCTION	NOTES
MOD =		<b>1 Intercom</b> on itself, it sends the call to all handsets with the same address.	
		<b>EP activation</b> (configured with P+1), directly, without call, or activation of the actuator, item 346200 (configured with P+1 and MOD=9)	
		<b>EP door lock release</b> (configured with P+1), directly, without call, or activation of the actuator, item 346200 (configured with P+1 and MOD=5), or activation of door lock actuators 346230-346260 (configured with P+1)	
		<b>EP door lock release</b> (configured with P+2), directly, without call, or activation of the actuator, item 346200 (configured with P+2 and MOD=5), or activation of door lock actuators 346230-346260 (configured with P+2)	
MOD =		<b>1 Intercom</b> on itself, it sends the call to all handsets with the same address.	
		<b>2 Intercom</b> inside the apartment, in systems with apartment interface item 346850, or <b>intercom</b> among apartments without apartment interface.	
		<b>EP activation</b> (configured with P+1), directly, without call, or activation of the actuator, item 346200 (configured with P+1 and MOD=9)	
		<b>EP door lock release</b> (configured with P+1), directly, without call, or activation of the actuator, item 346200 (configured with P+1 and MOD=5), or activation of door lock actuators 346230-346260 (configured with P+1)	
MOD =		<b>1 Intercom</b> inside the apartment, in systems with apartment interface item 346850, or <b>intercom</b> among apartments without apartment interface.	
		<b>2 Intercom</b> inside the apartment, in systems with apartment interface item 346850, or <b>intercom</b> among apartments without apartment interface.	
		<b>EP door lock release</b> (configured with P+1), directly, without call, or activation of the actuator, item 346200 (configured with P+1 and MOD=5), or activation of door lock actuators 346230-346260 (configured with P+1)	
		<b>EP door lock release</b> (configured with P+2), directly, without call, or activation of the actuator, item 346200 (configured with P+2 and MOD=5), or activation of door lock actuators 346230-346260 (configured with P+2)	

MODE	KEY	FUNCTION	NOTES
MOD = 3		<b>Intercom</b> inside the apartment, in systems with apartment interface item 346850, or <b>intercom</b> among apartments without apartment interface.	
		<b>Intercom</b> inside the apartment, in systems with apartment interface item 346850, or <b>intercom</b> among apartments without apartment interface.	
		<b>Intercom</b> inside the apartment, in systems with apartment interface item 346850, or <b>intercom</b> among apartments without apartment interface.	
		<b>Intercom</b> inside the apartment, in systems with apartment interface item 346850, or <b>intercom</b> among apartments without apartment interface.	
MOD = 4		<b>EP activation</b> (configured with P+1), directly, without call, or activation of the actuator, item 346200 (configured with P+1 and MOD=9)	
		<b>Intercom</b> inside the apartment, in systems with apartment interface item 346850, or <b>intercom</b> among apartments without apartment interface.	
		<b>EP door lock release</b> (configured with P+1), directly, without call, or activation of the actuator, item 346200 (configured with P+1 and MOD=5), or activation of door lock actuators 346230-346260 (configured with P+1)	
		<b>EP door lock release</b> (configured with P+2), directly, without call, or activation of the actuator, item 346200 (configured with P+2 and MOD=5), or activation of door lock actuators 346230-346260 (configured with P+2)	
MOD = 5		<b>EP door lock release</b> (configured with P+1), directly, without call, or activation of the actuator, item 346200 (configured with P+1 and MOD=5), or activation of door lock actuators 346230-346260 (configured with P+1)	
		<b>EP door lock release</b> (configured with P+2), directly, without call, or activation of the actuator, item 346200 (configured with P+2 and MOD=5), or activation of door lock actuators 346230-346260 (configured with P+2)	
		<b>EP door lock release</b> (configured with P+3), directly, without call, or activation of the actuator, item 346200 (configured with P+3 and MOD=5), or activation of door lock actuators 346230-346260 (configured with P+3)	
		<b>EP door lock release</b> (configured with P+4), directly, without call, or activation of the actuator, item 346200 (configured with P+4 and MOD=5), or activation of door lock actuators 346230-346260 (configured with P+4)	

BT00641-a-FN

MODE	KEY	FUNCTION	NOTES
MOD = 6	1	Activation of the scenario saved in the scenario module	(SCENARIO 1)
	2	Activation of the scenario saved in the scenario module	(SCENARIO 2)
	3	<b>EP door lock release</b> (configured with P+1), directly, without call, or activation of the actuator, item 346200 (configured with P+1 and MOD=5), or activation of door lock actuators 346230-346260 (configured with P+1)	
	4	<b>EP door lock release</b> (configured with P+2), directly, without call, or activation of the actuator, item 346200 (configured with P+2 and MOD=5), or activation of door lock actuators 346230-346260 (configured with P+2)	
MOD = 7	1	<b>Intercom</b> inside the apartment, in systems with apartment interface item 346850, or <b>intercom</b> among apartments without apartment interface.	
	2	<b>Intercom</b> inside the apartment, in systems with apartment interface item 346850, or <b>intercom</b> among apartments without apartment interface.	
	3	Activation of the scenario saved in the scenario module	(SCENARIO 1)
	4	Activation of the scenario saved in the scenario module	(SCENARIO 2)
	5	Activation of the scenario saved in the scenario module	(SCENARIO 3)
MOD = 8	1	Activation of the scenario saved in the scenario module	(SCENARIO 1)
	2	Activation of the scenario saved in the scenario module	(SCENARIO 2)
	3	Activation of the scenario saved in the scenario module	(SCENARIO 3)
	4	Activation of the scenario saved in the scenario module	(SCENARIO 4)
MOD = 1	1	<b>General Intercom</b> , sends a call to all the handsets of the system.	
	2	<b>EP activation</b> (configured with P+1), directly, without call, or activation of the actuator, item 346200 (configured with P+1 and MOD=9)	
	3	<b>EP door lock release</b> (configured with P+1), directly, without call, or activation of the actuator, item 346200 (configured with P+1 and MOD=5), or activation of door lock actuators 346230-346260 (configured with P+1)	
	4	<b>EP door lock release</b> (configured with P+2), directly, without call, or activation of the actuator, item 346200 (configured with P+2 and MOD=5), or activation of door lock actuators 346230-346260 (configured with P+2)	
MOD = 12	1	<b>Intercom</b> between apartments, in systems with apartment interface, item 346850	
	2	<b>Intercom</b> between apartments, in systems with apartment interface, item 346850	
	3	<b>EP door lock release</b> (configured with P+1), directly, without call, or activation of the actuator, item 346200 (configured with P+1 and MOD=5), or activation of door lock actuators 346230-346260 (configured with P+1)	
	4	<b>EP door lock release</b> (configured with P+2), directly, without call, or activation of the actuator, item 346200 (configured with P+2 and MOD=5), or activation of door lock actuators 346230-346260 (configured with P+2)	

BT00641-a-EN

MODE	KEY	FUNCTION	NOTES
MOD = <b>13</b>		<b>1 Intercom</b> between apartments, in systems with apartment interface, item 346850	
		<b>2 Intercom</b> between apartments, in systems with apartment interface, item 346850	
		<b>3 Intercom</b> between apartments, in systems with apartment interface, item 346850	
		<b>4 Intercom</b> between apartments, in systems with apartment interface, item 346850	
MOD = <b>16</b>		<b>1</b> Activation of the scenario saved in the scenario module	(SCENARIO 1)
		<b>2</b> Activation of the scenario saved in the scenario module	(SCENARIO 2)
		<b>3 General Intercom</b> , sends a call to all the handsets of the system.	
		<b>4 EP door lock release</b> (configured with P+1), directly, without call, or activation of the actuator, item 346200 (configured with P+1 and MOD=5), or activation of door lock actuators 346230-346260 (configured with P+1)	

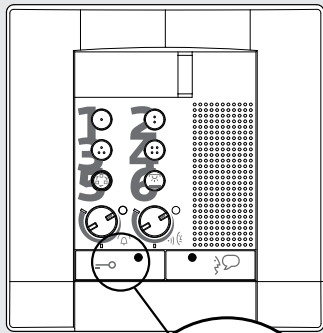


**Configuration**

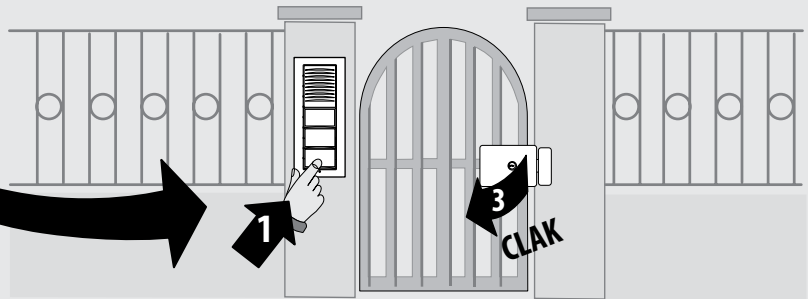
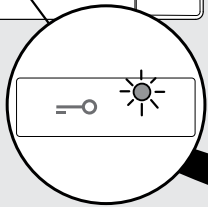
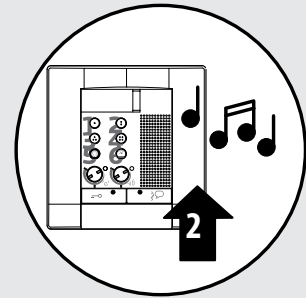
A			B	C	D	E	
0	0	+	20	40	60	80	
1	0		20 = B	30	50	70	90
0	1		40 = C	21	41	61	81
0	2		60 = D	22	42	62	82
1	2		80 = E	32	52	72	92
0	3			23	43	63	83
1	3			33	53	73	93
0	4			24	44	64	84
0	5			25	45	65	85
0	6			26	46	66	86
1	6			36	56	76	96
0	7			27	47	67	87
0	8			28	48	68	88

- Ⓐ Configuration selected for the operation of the keys (see previous pages)
- Ⓑ Configuration selected for the operation of the keys + **OFFICE** function
- Ⓒ Configuration selected for the operation of the keys + **PAGING** function
- Ⓓ Configuration selected for the operation of the keys + **HANDSFREE** function (Can be activated only on a single device for each unit system)
- Ⓔ Configuration selected for the operation of the keys, **OFFICE and PAGING** function

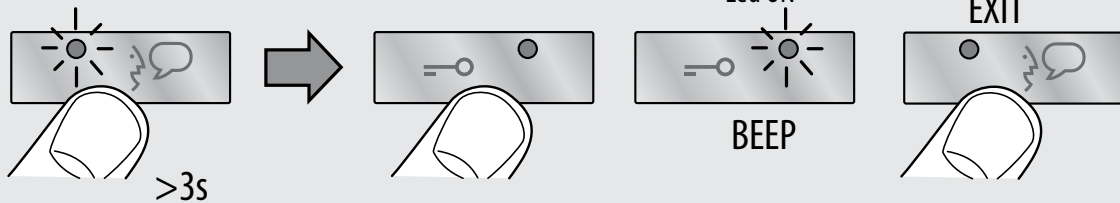
**OFFICE FUNCTION DETAIL**



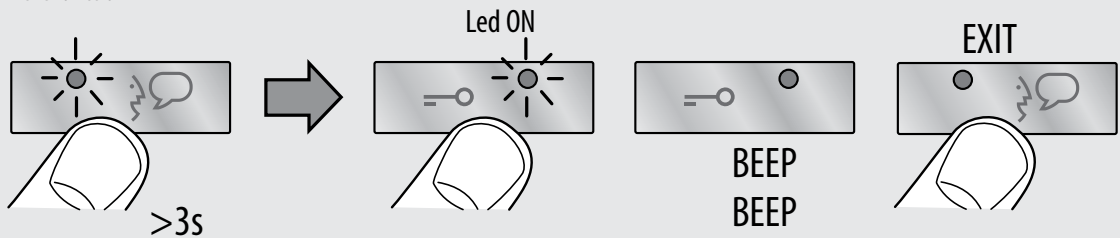
With the function active, when a call is received from the entrance panel, the video handset rings and the associated door lock is automatically released, without the need for pressing the door lock release key on the handset.



**To ENABLE the function**



**To DISABLE the function**



**⚠ WARNING:** the "OFFICE" function cannot be activated together with the "DOOR STATUS" function.

BT00641-a-FN

**DOOR STATUS function**

This function notifies the status of the door lock. If open, the “door lock LED” flashes, if closed, the LED stays off.

**NOTA:** è attivabile solo se l’impianto lo prevede; NON è attivabile contemporaneamente alla OFFICE function.

**PAGING function**

This function can be used to send voice messages using the microphone of the device through the speakers of the sound system. To activate briefly press the “Connection” key while the device is in the idle condition. The activation of the function is confirmed by the green LED coming on. To DISABLE the function press the “Connection” key again.

**PUSH TO TALK function**

If the entrance panel is in a particularly noisy position, during the conversation it will be possible to enable the “PUSH TO TALK” function, which will provide a better quality of communication.

To enable the PUSH TO TALK function during the conversation proceed as follows:

- Press the Connection key for at least 2 seconds, to enable the communication with the entrance panel.

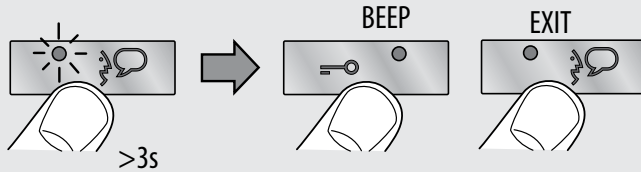
**The LED stays green.**

- Release the key to listen to the entrance panel. **The LED turns red.**
- To end the connection press the Connection key briefly. **The LED turns off.**

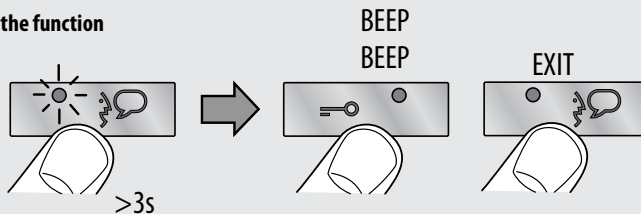
**HANDSFREE function**

The HANDSFREE function automatically activates the microphone and the loudspeaker when a call is received, without the need for pressing the Connection key to answer (the connection is automatically established when the call is received).

**To ENABLE the function**



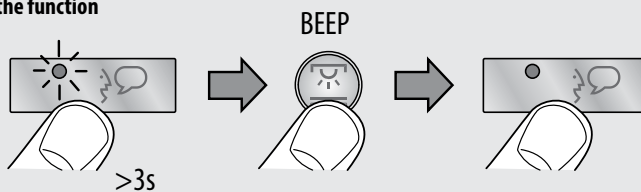
**To DISABLE the function**



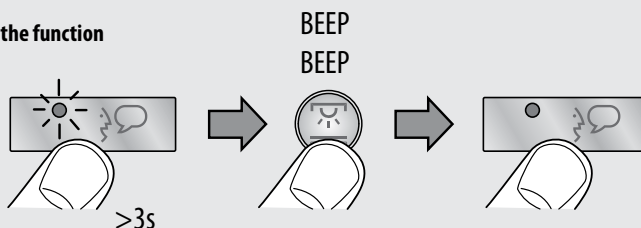
**Enable/disable key sound**

In the base configuration, when a key is pressed, a beep is emitted. This function may be disabled/enabled with the following procedure:

**To ENABLE the function**



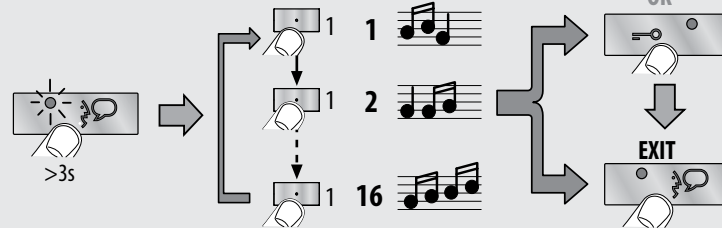
**To DISABLE the function**



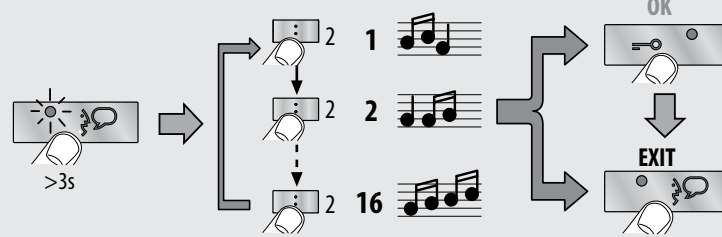
BT00641-a-EN

**Programming of bells**

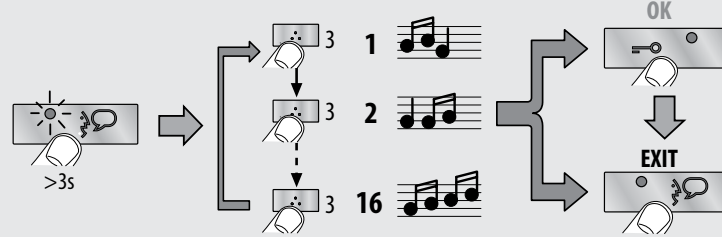
**Bell selection from MAIN ENTRANCE PANEL (S=0)**



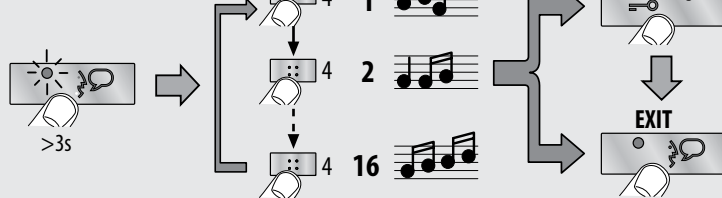
**Bell selection from SECONDARY ENTRANCE PANEL (S=1)**



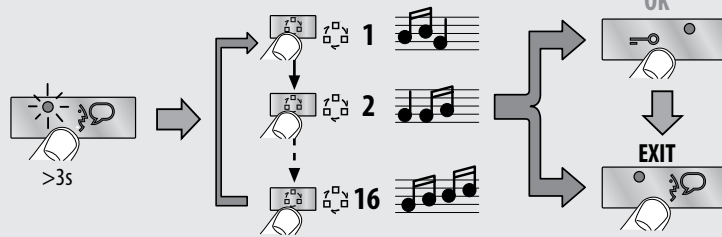
**INTERCOM CALL bell selection**



**EXTERNAL INTERCOM CALL bell selection  
(only with interface item 346850)**



**FLOOR CALL bell selection**



BT00641-a-EN



# POLYX

## handsfree video handset

344192

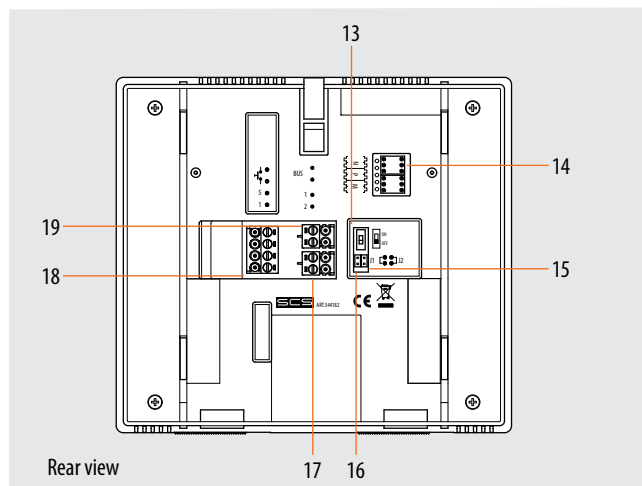
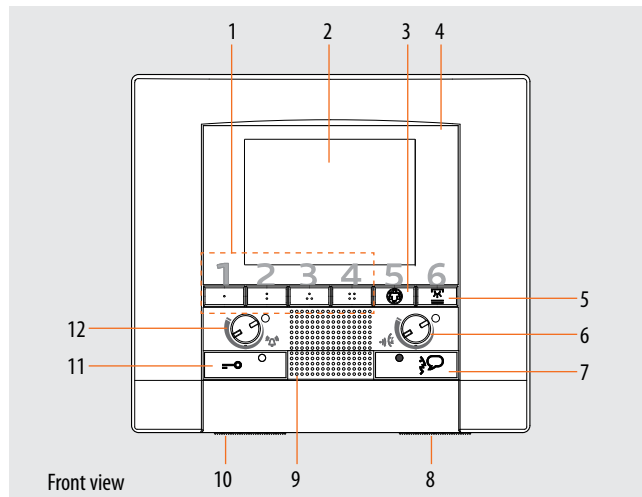
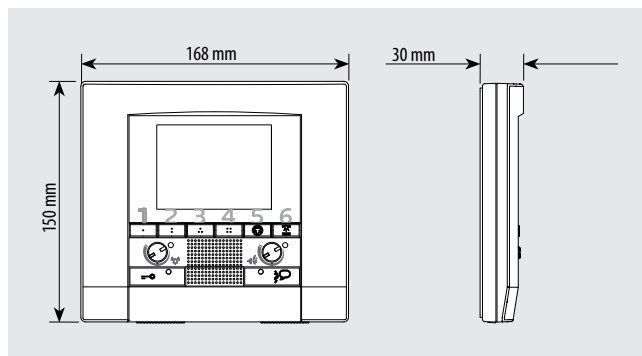
### Description

2 WIRE handsfree video handset for wall mounted installation.  
 With 3.5" colour LCD display.  
 Keys available: auto-switching on, door lock release, staircase lights, handsfree connection, and four programmable keys.  
 Signalling LED for call exclusion, door status, connection with the entrance panel.  
 It can be wall mounted using the appropriate bracket (supplied).

### Technical data

Power supply from SCS BUS: 18 – 27 Vdc  
 Stand by absorption: 5 mA  
 Max. operating absorption: 320 mA  
 Operating temperature: 5 - 40°C

### Dimensional data



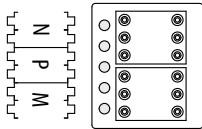
### Legend

- 1 - 4 Programmable keys (through configuration)
- 2 - 3.5" colour LCD display
- 3 - Entrance panel/cycling key
- 4 - Microphone
- 5 - Staircase light switching on key
- 6 - Loudspeaker volume adjustment
- 7 - Connection key + LED
- 8 - Brightness adjustment
- 9 - Loudspeaker
- 10 - Display colour adjustment
- 11 - Door lock key + LED
- 12 - Bell adjustment and exclusion (LED)
- 13 - Line termination ON/OFF micro-switch
- 14 - Configurator socket
- 15 - Jumper J2 - MASTER/SLAVE (remove to enable SLAVE)
- 16 - Jumper J1 - remove to enable additional power supply
- 17 - Additional power supply connection clamps
- 18 - Clamps for the connection of floor call auxiliary services and extra bell
- 19 - Clamps for the connection of the 2-WIRE SCS BUS

BT00642-a-EN

**Configuration**

The device must be only physically configured.



**N – handset number**

The N configurator assigns each video handset an identification number within the system. The handsets must be configured in progressive order. The handsets must be configured in progressive mode. Handsets with parallel connection (max 3 are allowed inside the apartment without item 346850) must be configured with the same N configurator. Additional audio handsets, video handsets and/or bells can be installed in parallel to the basic video handset.

**P – entrance panel association**

The P configurator identifies the associated EP, or the first entrance panel that switches itself on when the pushbutton is pressed the first time, as well as which door lock with idle video handset is activated, when the pushbutton is pressed.

**M – operating mode**

The M configurator assigns the operating mode to the 4 programmable keys following the indications of the following pages.

The video handset offers the possibility to select among 16 types of bells with programmed ringtones, which can be freely associated to the following type of calls:

- Calls from the entrance panel (configured with S=0)
- Calls from the entrance panel (configured with S=1)
- Intercom call
- Floor call

**(See the bell programming table in the following pages)**

**Configuration**

Below are the various operating modes that can be assigned to the 4 programmable keys:

MODE	KEY	FUNCTION	NOTES
MOD =		<b>1 Intercom</b> on itself, it sends the call to all handsets with the same address.	
		<b>2 EP activation</b> (configured with P+1), directly, without call, or activation of the actuator, item 346200 (configured with P+1 and MOD=9)	
		<b>3 EP door lock release</b> (configured with P+1), directly, without call, or activation of the actuator, item 346200 (configured with P+1 and MOD=5), or activation of door lock actuators 346230-346260 (configured with P+1)	
		<b>4 EP door lock release</b> (configured with P+2), directly, without call, or activation of the actuator, item 346200 (configured with P+2 and MOD=5), or activation of door lock actuators 346230-346260 (configured with P+2)	
MOD =		<b>1 Intercom</b> on itself, it sends the call to all handsets with the same address.	
		<b>2 Intercom</b> inside the apartment, in systems with apartment interface item 346850, or <b>intercom</b> among apartments without apartment interface.	
		<b>3 EP activation</b> (configured with P+1), directly, without call, or activation of the actuator, item 346200 (configured with P+1 and MOD=9)	
		<b>4 EP door lock release</b> (configured with P+1), directly, without call, or activation of the actuator, item 346200 (configured with P+1 and MOD=5), or activation of door lock actuators 346230-346260 (configured with P+1)	
MOD =		<b>1 Intercom</b> inside the apartment, in systems with apartment interface item 346850, or <b>intercom</b> among apartments without apartment interface.	
		<b>2 Intercom</b> inside the apartment, in systems with apartment interface item 346850, or <b>intercom</b> among apartments without apartment interface.	
		<b>3 EP door lock release</b> (configured with P+1), directly, without call, or activation of the actuator, item 346200 (configured with P+1 and MOD=5), or activation of door lock actuators 346230-346260 (configured with P+1)	
		<b>4 EP door lock release</b> (configured with P+2), directly, without call, or activation of the actuator, item 346200 (configured with P+2 and MOD=5), or activation of door lock actuators 346230-346260 (configured with P+2)	

BT00642-a-EN


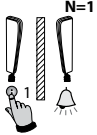
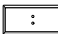
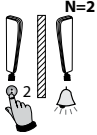

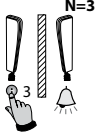
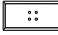
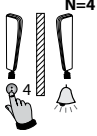

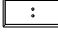
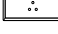
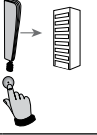

MODE	KEY	FUNCTION	NOTES
MOD = 3		1 <b>Intercom</b> inside the apartment, in systems with apartment interface item 346850, or <b>intercom</b> among apartments without apartment interface.	
		2 <b>Intercom</b> inside the apartment, in systems with apartment interface item 346850, or <b>intercom</b> among apartments without apartment interface.	
		3 <b>Intercom</b> inside the apartment, in systems with apartment interface item 346850, or <b>intercom</b> among apartments without apartment interface.	
		4 <b>Intercom</b> inside the apartment, in systems with apartment interface item 346850, or <b>intercom</b> among apartments without apartment interface.	
MOD = 4		1 <b>EP activation</b> (configured with P+1), directly, without call, or activation of the actuator, item 346200 (configured with P+1 and MOD=9)	
		2 <b>Intercom</b> inside the apartment, in systems with apartment interface item 346850, or <b>intercom</b> among apartments without apartment interface.	
		3 <b>EP door lock release</b> (configured with P+1), directly, without call, or activation of the actuator, item 346200 (configured with P+1 and MOD=5), or activation of door lock actuators 346230-346260 (configured with P+1)	
		4 <b>EP door lock release</b> (configured with P+2), directly, without call, or activation of the actuator, item 346200 (configured with P+2 and MOD=5), or activation of door lock actuators 346230-346260 (configured with P+2)	
MOD = 5		1 <b>EP door lock release</b> (configured with P+1), directly, without call, or activation of the actuator, item 346200 (configured with P+1 and MOD=5), or activation of door lock actuators 346230-346260 (configured with P+1)	
		2 <b>EP door lock release</b> (configured with P+2), directly, without call, or activation of the actuator, item 346200 (configured with P+2 and MOD=5), or activation of door lock actuators 346230-346260 (configured with P+2)	
		3 <b>EP door lock release</b> (configured with P+3), directly, without call, or activation of the actuator, item 346200 (configured with P+3 and MOD=5), or activation of door lock actuators 346230-346260 (configured with P+3)	
		4 <b>EP door lock release</b> (configured with P+4), directly, without call, or activation of the actuator, item 346200 (configured with P+4 and MOD=5), or activation of door lock actuators 346230-346260 (configured with P+4)	

BT00642-a-FN



MODE	KEY	FUNCTION	NOTES
MOD = 6		1 Activation of the scenario saved in the scenario module	(SCENARIO 1)
		2 Activation of the scenario saved in the scenario module	(SCENARIO 2)
		3 <b>EP door lock release</b> (configured with P+1), directly, without call, or activation of the actuator, item 346200 (configured with P+1 and MOD=5), or activation of door lock actuators 346230-346260 (configured with P+1)	
		4 <b>EP door lock release</b> (configured with P+2), directly, without call, or activation of the actuator, item 346200 (configured with P+2 and MOD=5), or activation of door lock actuators 346230-346260 (configured with P+2)	
MOD = 7		1 <b>Intercom</b> inside the apartment, in systems with apartment interface item 346850, or <b>intercom</b> among apartments without apartment interface.	
		2 <b>Intercom</b> inside the apartment, in systems with apartment interface item 346850, or <b>intercom</b> among apartments without apartment interface.	
		3 Activation of the scenario saved in the scenario module	(SCENARIO 1)
		4 Activation of the scenario saved in the scenario module	(SCENARIO 2)
		5 Activation of the scenario saved in the scenario module	(SCENARIO 3)
MOD = 8		1 Activation of the scenario saved in the scenario module	(SCENARIO 1)
		2 Activation of the scenario saved in the scenario module	(SCENARIO 2)
		3 Activation of the scenario saved in the scenario module	(SCENARIO 3)
		4 Activation of the scenario saved in the scenario module	(SCENARIO 4)
MOD = 10		1 General <b>Intercom</b> , sends a call to all the handsets of the system.	
		2 <b>EP activation</b> (configured with P+1), directly, without call, or activation of the actuator, item 346200 (configured with P+1 and MOD=9)	
		3 <b>EP door lock release</b> (configured with P+1), directly, without call, or activation of the actuator, item 346200 (configured with P+1 and MOD=5), or activation of door lock actuators 346230-346260 (configured with P+1)	
		4 <b>EP door lock release</b> (configured with P+2), directly, without call, or activation of the actuator, item 346200 (configured with P+2 and MOD=5), or activation of door lock actuators 346230-346260 (configured with P+2)	
MOD = 12		1 <b>Intercom</b> between apartments, in systems with apartment interface, item 346850	
		2 <b>Intercom</b> between apartments, in systems with apartment interface, item 346850	
		3 <b>EP door lock release</b> (configured with P+1), directly, without call, or activation of the actuator, item 346200 (configured with P+1 and MOD=5), or activation of door lock actuators 346230-346260 (configured with P+1)	
		4 <b>EP door lock release</b> (configured with P+2), directly, without call, or activation of the actuator, item 346200 (configured with P+2 and MOD=5), or activation of door lock actuators 346230-346260 (configured with P+2)	

BT00642-a-EN

MODE	KEY	FUNCTION	NOTES
MOD = <b>13</b>		<b>1 Intercom</b> between apartments, in systems with apartment interface, item 346850	
		<b>2 Intercom</b> between apartments, in systems with apartment interface, item 346850	
		<b>3 Intercom</b> between apartments, in systems with apartment interface, item 346850	
		<b>4 Intercom</b> between apartments, in systems with apartment interface, item 346850	
MOD = <b>16</b>		<b>1</b> Activation of the scenario saved in the scenario module	(SCENARIO 1)
		<b>2</b> Activation of the scenario saved in the scenario module	(SCENARIO 2)
		<b>3</b> General <b>Intercom</b> , sends a call to all the handsets of the system.	
		<b>4</b> <b>EP door lock release</b> (configured with P+1), directly, without call, or activation of the actuator, item 346200 (configured with P+1 and MOD=5), or activation of door lock actuators 346230-346260 (configured with P+1)	

**Configuration**

Further SPECIAL functions (e.g. professional studio, pager, handsfree) can be enabled by configuring MOD in the following modes:

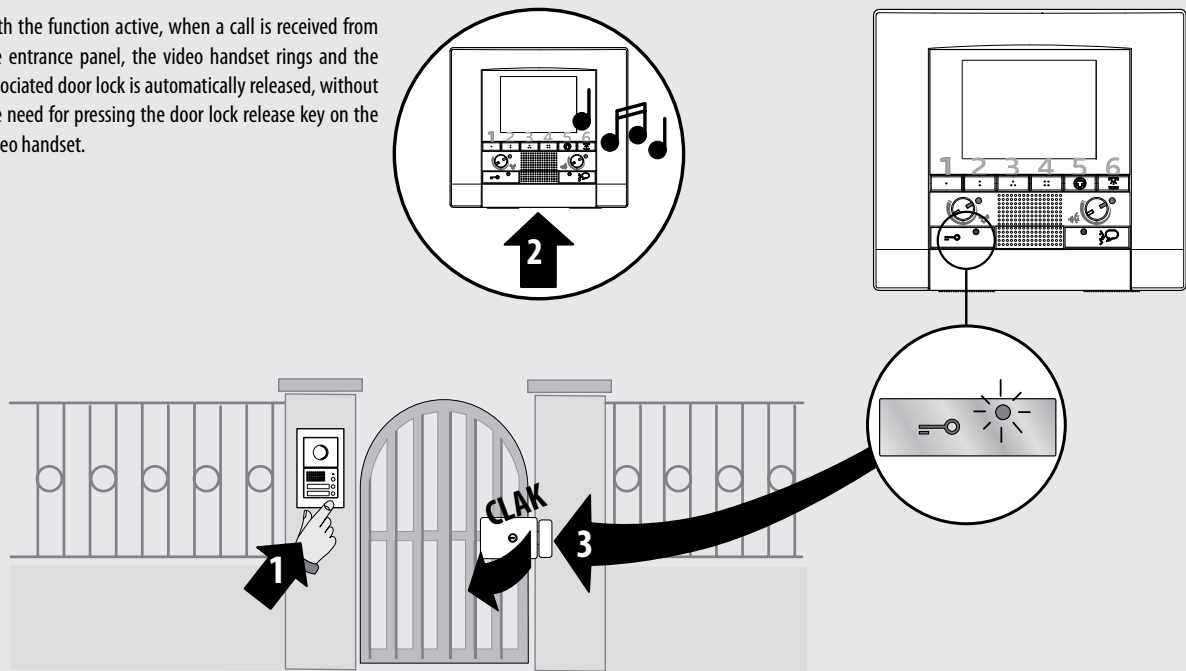
A			B	C	D	E
0	0	+	20	40	60	80
1	0		30	50	70	90
0	1		21	41	61	81
0	2		22	42	62	82
1	2		32	52	72	92
0	3		23	43	63	83
1	3		33	53	73	93
0	4		24	44	64	84
0	5		25	45	65	85
0	6		26	46	66	86
1	6		36	56	76	96
0	7		27	47	67	87
0	8		28	48	68	88

20 = B  
40 = C  
60 = D  
80 = E

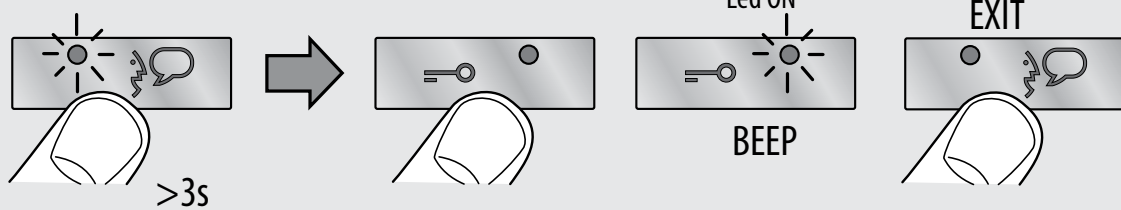
- Ⓐ Configuration selected for the operation of the keys (see previous pages)
- Ⓑ Configuration selected for the operation of the keys + **OFFICE** function
- Ⓒ Configuration selected for the operation of the keys + **PAGING** function
- Ⓓ Configuration selected for the operation of the keys + **HANDSFREE** function (Can be activated only on a single device for each unit system)
- Ⓔ Configuration selected for the operation of the keys + **OFFICE and PAGING** function

**OFFICE FUNCTION DETAIL**

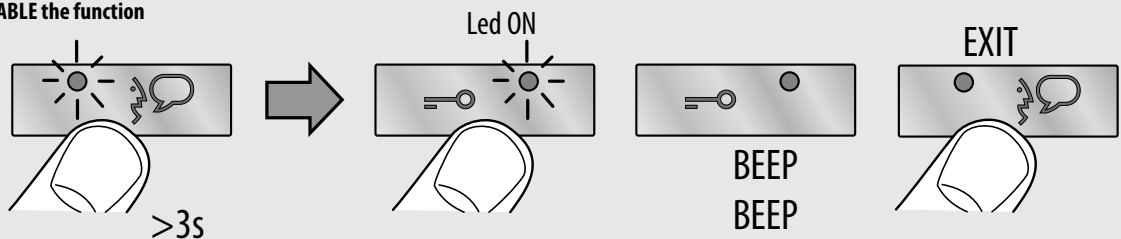
With the function active, when a call is received from the entrance panel, the video handset rings and the associated door lock is automatically released, without the need for pressing the door lock release key on the video handset.



**To ENABLE the function**



**To DISABLE the function**



It cannot be enabled together with the "DOOR STATUS" function.

BT00642-a-EN

**DOOR STATUS function**

This function notifies the status of the door lock. If open, the "door lock LED" flashes, if closed, the LED stays off.

**NOTA:** è attivabile solo se l'impianto lo prevede; NON è attivabile contemporaneamente alla OFFICE function.

**PAGING function**

This function can be used to send voice messages using the microphone of the device through the speakers of the sound system. To activate briefly press the "Connection" key while the device is in the idle condition. The activation of the function is confirmed by the green LED coming on. To DISABLE the function press the "Connection" key again.

**HANDSFREE function**

The HANDSFREE function automatically activates the microphone and the loudspeaker when a call is received, without the need for pressing the Connection key to answer (the connection is automatically established when the call is received).

**PUSH TO TALK function**

If the entrance panel is in a particularly noisy position, during the conversation it will be possible to enable the "PUSH TO TALK" function, which will provide a better quality of communication.

To enable the PUSH TO TALK function during the conversation proceed as follows:

- Press the Connection key for at least 2 seconds, to enable the communication with the entrance panel.

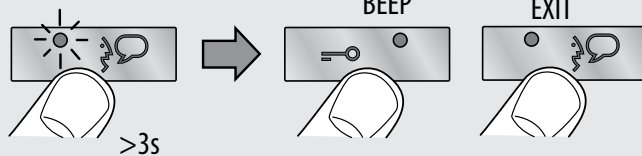
**The LED stays green.**

- Release the key to listen to the entrance panel. **The LED turns red.**

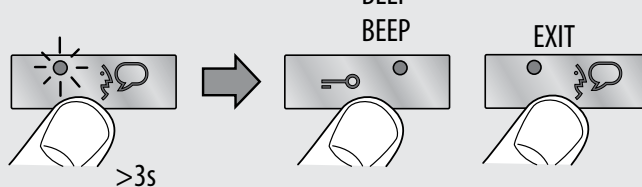
- To end the connection press the Connection key briefly.

**The LED turns off.**

**To ENABLE the function**



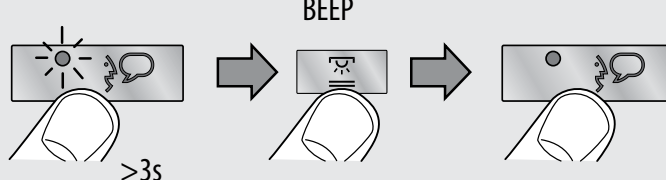
**To DISABLE the function**



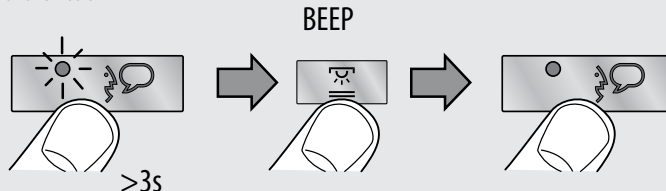
**Enable/disable key sound**

In the base configuration when a key is pressed, a beep is emitted. This function may be disabled/enabled with the following procedure:

**To ENABLE the function**



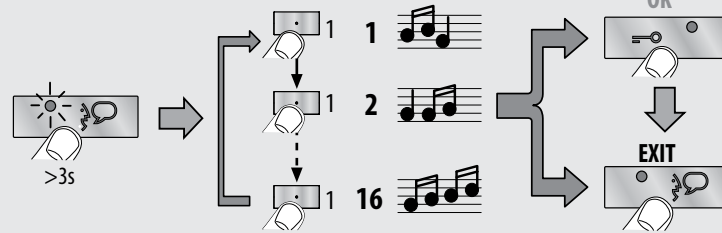
**To DISABLE the function**



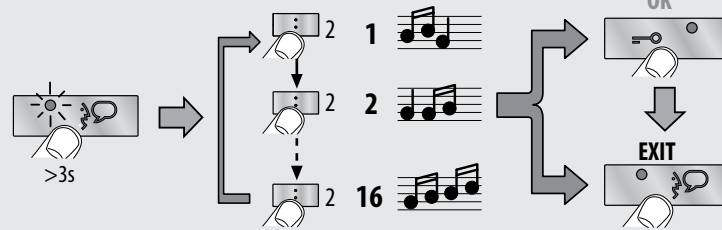
BT00642-a-EN

**Programming of bells**

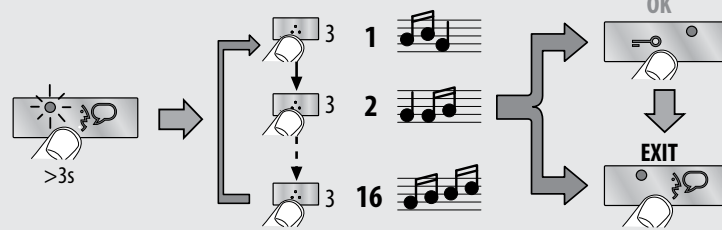
**Bell selection from MAIN ENTRANCE PANEL (S=0)**



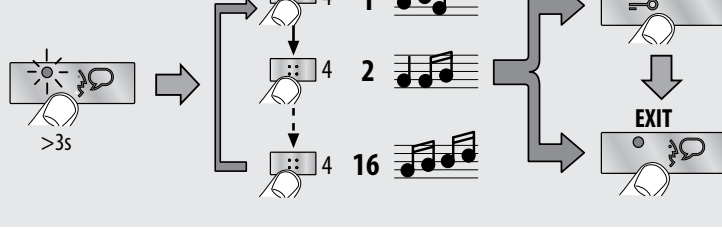
**Bell selection from SECONDARY ENTRANCE PANEL (S=1)**



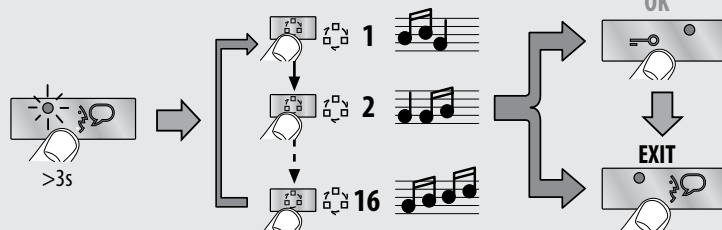
**INTERCOM CALL bell selection**



**EXTERNAL INTERCOM CALL bell selection  
(only with interface item 346850)**



**FLOOR CALL bell selection**



BT00642-a-FN



# Colour video handsfree

344502

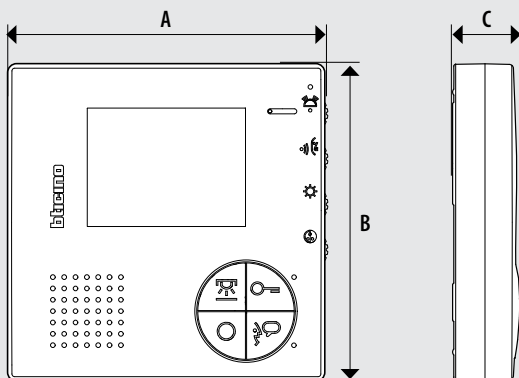
### Description

2 WIRE colour video handsfree internal unit for wall mounted installation. It has a 3.5" colour LCD display. Keys available: auto-switching on / cycling, door lock release, staircase lights control, and handsfree connection. Depending on the configurator connected to (M), the same keys will perform different functions (see the specific configuration section). LED used for: call exclusion, door status, connection with the entrance panel. Adjustments for: display colour, display brightness, speaker volume, and call tone volume/exclusion (16 different ringtones available). For the installation to the wall, the bracket supplied must be used.

### Technical data

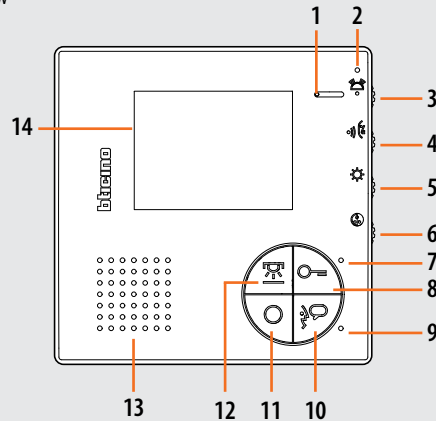
Power supply from SCS BUS:	18 – 27 Vdc
Stand by absorption:	10 mA
Max. operating absorption:	200 mA
Operating temperature:	5 – 40 °C

### Dimensional data

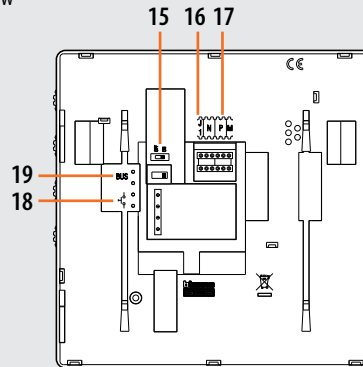


A	B	C
140 mm	140 mm	27 mm

Front view



Rear view



### Legend

1. Microphone
2. Red LED for call exclusion notification
3. Bell volume adjustment/call exclusion
4. Incoming audio volume adjustment
5. Display brightness adjustment
6. Display colour adjustment
7. Door lock activation and/or door status red LED
8. Door lock key
9. Operating status two-colour red/green LED
10. Communication enabling/disabling key
11. Entrance panel/cycling key
12. Staircase light switching on key
13. Loudspeaker
14. 3.5" LCD display
15. Line termination ON/OFF micro-switch
16. MASTER/SLAVE J1 configurator socket (remove for SLAVE)
17. Configurator socket
18. Clamps for the connection of an external call to the floor pushbutton
19. 2 WIRE SCS/BUS connection clamps

BT00717-a-EN

**Configuration**

The device must be only physically configured.

**N - handset number**

The configurators connected to the N sockets of the device assign an identification number within the system to each video handset. The handsets must be configured in progressive order. Handsets with parallel connection (max 3 are allowed inside the apartment without item 346850) must be configured with the same N configurator. Additional audio handsets, video handsets and/or bells can be installed in parallel to the basic video handset.

**P – entrance panel association**

The configurators connected to the P sockets of the device identify the associated EP, which is the first entrance panel that switches itself on when the pushbutton is pressed the first time, as well as which door lock is activated when pressing the pushbutton while the video handset is idle.

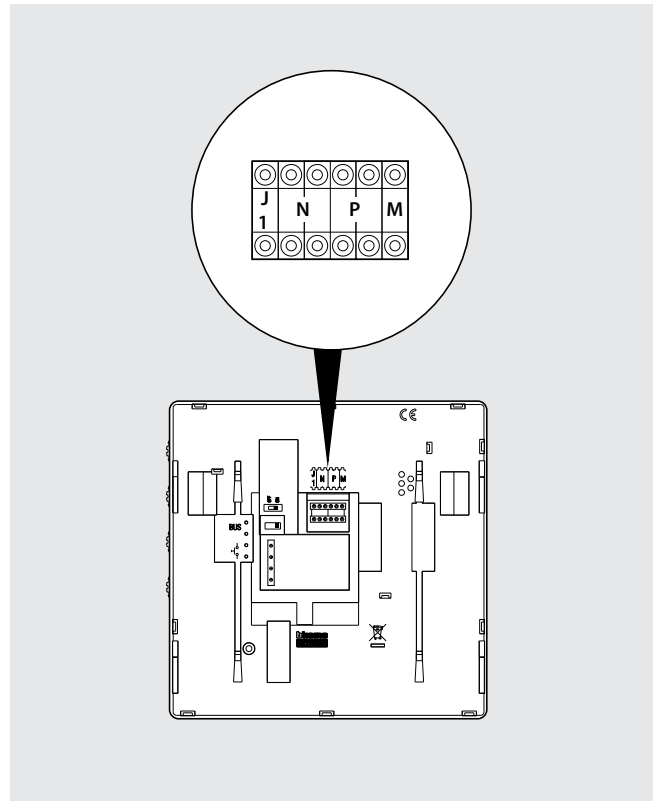
**M – operating mode**

The configurator connected to the M socket of the device assigns the operating modes to the 4 programmable keys based on the following indications.

**J1 – MASTER/SLAVE function**

The JMP configurator connected to the J1 socket of the device enables or disables the MASTER/SLAVE function: JMP connected = MASTER; JMP removed = SLAVE.

Below are the various operating modes that can be assigned to the 4 programmable keys:



MODE	KEY	FUNCTION
M = 0 (with key tone active)		Activation of the EP (configured with the same P) directly without call. Cycling of EP and cameras installed in the system. Direct call to the switchboard, if present in the system.
		Audio enabling / disabling following a call.
		Direct EP door lock activation (EP configured with the same P), or activation of the EP door lock upon connection.
		Staircase light switching on.
M = 1 (with key tone active)		Activation of the EP (configured with the same P) directly without call. Cycling of EP and cameras installed in the system. Direct call to the switchboard, if present in the system.
		Audio enabling / disabling following a call.
		Direct EP door lock activation (EP configured with the same P), or activation of the EP door lock upon connection.
		EP door lock activation (EP configured with P+1), directly without call, or activation of an actuator 346200 (configured with P+1 and MOD=5), or activation of a door lock actuator 346230 - 346260 (configured with P+1).

BT00717-a-EN



**Configuration**

MODE	KEY	FUNCTION
M = 2 (with key tone active)		Internal intercom. It sends the call to all the handsets with the same address.
		Audio enabling / disabling following a call.
		Direct EP door lock activation (EP configured with the same P), or activation of the EP door lock upon connection.
		Staircase light switching on.
M = 3 (with key tone active)		Activation of the EP (configured with the same P) directly without call. Cycling of EP and cameras installed in the system. Direct call to the switchboard, if present in the system.
		Audio enabling / disabling following a call.
		Direct EP door lock activation (EP configured with the same P), or activation of the EP door lock upon connection.
		Internal intercom. It sends the call to all the handsets with the same address.
M = 4 (with key tone active)		“PRESET INTERCOM” function with intercommunicating call to the Handset configured with N=1. From the system handsets it is possible to send an intercom call to the handset configured with N=1. The entrance panel configured with N=1 can intercom calls, but is UNABLE to send them.
		Audio enabling / disabling following a call.
		Direct EP door lock activation (EP configured with the same P), or activation of the EP door lock upon connection.
		Staircase light switching on.
M = 5		As M=0 but with key tone disabled
M = 6		As M=10 but with key tone disabled
M = 7		As M=2 but with key tone disabled
M = 8		As M=3 but with key tone disabled
M = 9		As M=4 but with key tone disabled

**PUSH TO TALK function**

If the entrance panel is in a particularly noisy position, during the conversation it will be possible to enable the “PUSH TO TALK” function, which will provide a better quality of communication. To use the PUSH TO TALK function, during a conversation proceed as indicated below.

During a conversation press the conversation key for >2 minutes: the LED switches ON green, and communication from the video handset to the entrance panel is established; when the communication key is released, the LED turns red and communication from the entrance panel to the video handset is established. To terminate the conversation press and release the conversation key.

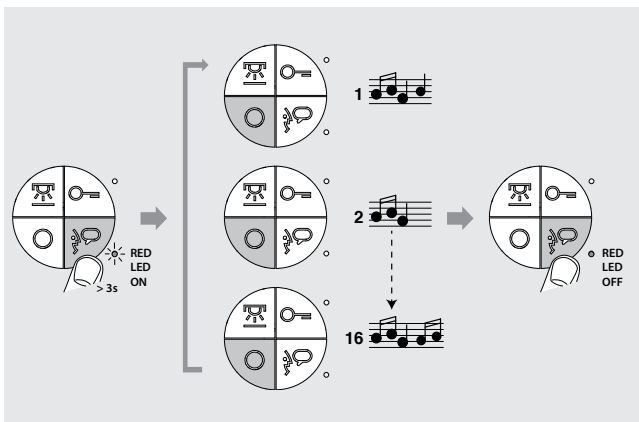
TIME-OUT and conversation times are respectively: 30” after the call, 1’ after the start of the conversation.

**Programming of bells**

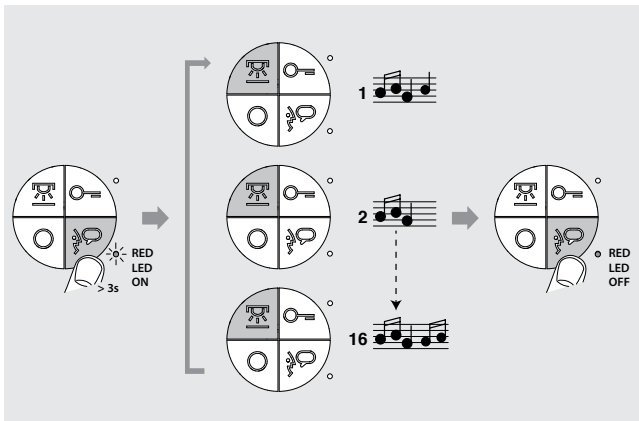
The video handset offers the **possibility to select among 16 types of bells** with programmed ringtones, which can be freely associated to the following type of calls:

- Calls from the entrance panel (configured with S = 0);
- INTERCOM call;
- Floor call.

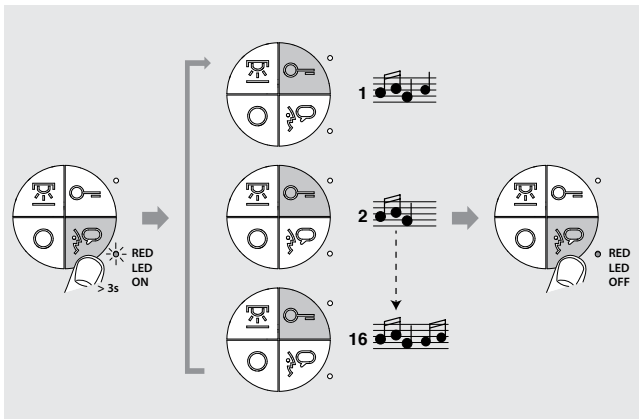
**Selection of the call bells from the main EP (S = 0).**



**Preset intercom / intercom call bell selection.**

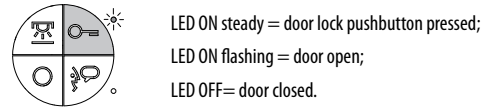


**Floor call bell selection.**



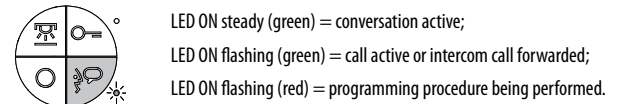
**LED notifications**

**Door lock status and/or door status red LED notifications:**



**NOTE:** The door status function notifies the status of the door lock. If open the "LED door lock" flashes, and if closed, the LED stays off. This function is only available in preset systems.

**Operating status two-colour (red/green) LED notifications:**





# Video handsfree with inductive loop

344512

### Description

2 WIRE colour video handsfree internal unit with inductive loop for wall mounted installation.

It has a 3.5" colour LCD display. Keys available: auto-switching on / cycling, door lock release, staircase lights control, and handsfree connection.

Depending on the configurator connected to (M), the same keys will perform different functions (see the specific configuration section).

LED used for: call exclusion, door status, connection with the entrance panel. Adjustments for: display colour, display brightness, speaker volume, and call tone volume/exclusion (16 different ringtones available).

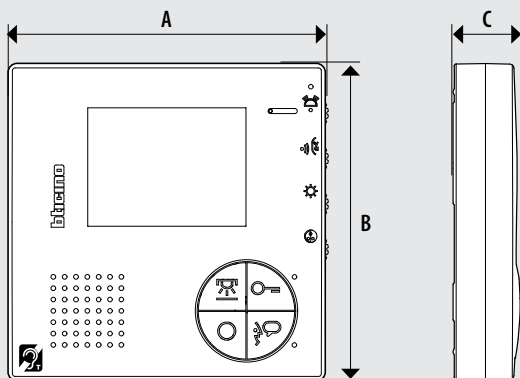
The inductive loop function enables the device to be used by people wearing hearing aids with (T) selector.

For the installation to the wall, the bracket supplied must be used.

### Technical data

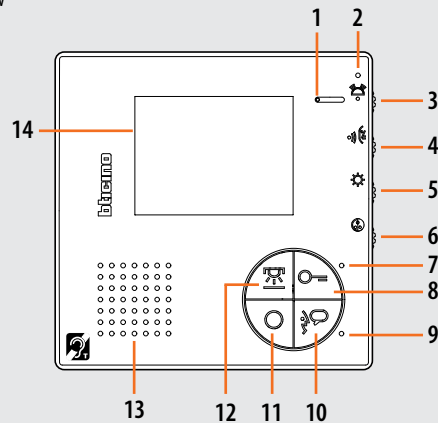
Power supply from SCS BUS:	18 – 27 Vdc
Stand by absorption:	10 mA
Max. operating absorption:	200 mA
Operating temperature:	5 – 40 °C

### Dimensional data

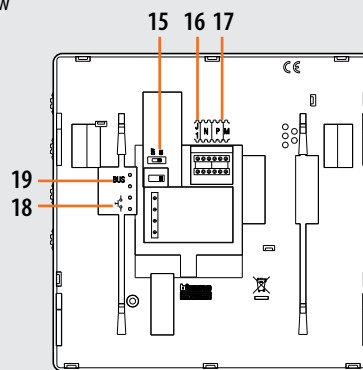


A	B	C
140 mm	140 mm	27 mm

Front view



Rear view



### Legend

1. Microphone
2. Red LED for call exclusion notification
3. Bell volume adjustment/call exclusion
4. Incoming audio volume adjustment
5. Display brightness adjustment
6. Display colour adjustment
7. Door lock activation and/or door status red LED
8. Door lock key
9. Operating status two-colour red/green LED
10. Communication enabling/disabling key
11. Entrance panel/cycling key
12. Staircase light switching on key
13. Loudspeaker
14. 3.5" LCD display
15. Line termination ON/OFF micro-switch
16. MASTER/SLAVE J1 configurator socket (remove for SLAVE)
17. Configurator socket
18. Clamps for the connection of an external call to the floor pushbutton
19. 2 WIRE SCS/BUS connection clamps

BT00716-a-EN

**Configuration**

The device must be only physically configured.

**N - handset number**

The configurators connected to the N sockets of the device assign an identification number within the system to each video handset. The handsets must be configured in progressive order. Handsets with parallel connection (max 3 are allowed inside the apartment without item 346850) must be configured with the same N configurator. Additional audio handsets, video handsets and/or bells can be installed in parallel to the basic video handset.

**P – entrance panel association**

The configurators connected to the P sockets of the device identify the associated EP, which is the first entrance panel that switches itself on when the pushbutton is pressed the first time, as well as which door lock is activated when pressing the pushbutton while the video handset is idle.

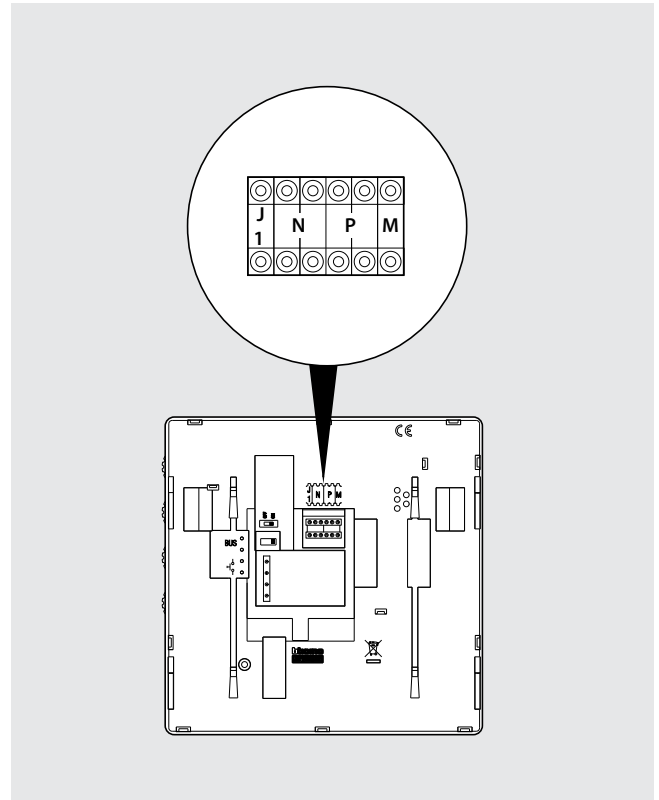
**M – operating mode**

The configurator connected to the M socket of the device assigns the operating modes to the 4 programmable keys based on the following indications.

**J1 – MASTER/SLAVE function**

The JMP configurator connected to the J1 socket of the device enables or disables the MASTER/SLAVE function: JMP connected = MASTER; JMP removed = SLAVE.

Below are the various operating modes that can be assigned to the 4 programmable keys:



MODE	KEY	FUNCTION
M = 0 (with key tone active)		Activation of the EP (configured with the same P) directly without call. Cycling of EP and cameras installed in the system. Direct call to the switchboard, if present in the system.
		Audio enabling / disabling following a call.
		Direct EP door lock activation (EP configured with the same P), or activation of the EP door lock upon connection.
		Staircase light switching on.
M = 1 (with key tone active)		Activation of the EP (configured with the same P) directly without call. Cycling of EP and cameras installed in the system. Direct call to the switchboard, if present in the system.
		Audio enabling / disabling following a call.
		Direct EP door lock activation (EP configured with the same P), or activation of the EP door lock upon connection.
		EP door lock activation (EP configured with P+1), directly without call, or activation of an actuator 346200 (configured with P+1 and MOD=5), or activation of a door lock actuator 346230 - 346260 (configured with P+1).

**Configuration**

MODE	KEY	FUNCTION
M = 2 (with key tone active)		Internal intercom. It sends the call to all the handsets with the same address.
		Audio enabling / disabling following a call.
		Direct EP door lock activation (EP configured with the same P), or activation of the EP door lock upon connection.
		Staircase light switching on.
M = 3 (with key tone active)		Activation of the EP (configured with the same P) directly without call. Cycling of EP and cameras installed in the system. Direct call to the switchboard, if present in the system.
		Audio enabling / disabling following a call.
		Direct EP door lock activation (EP configured with the same P), or activation of the EP door lock upon connection.
		Internal intercom. It sends the call to all the handsets with the same address.
M = 4 (with key tone active)		“PRESET INTERCOM” function with intercommunicating call to the Handset configured with N=1. From the system handsets it is possible to send an intercom call to the handset configured with N=1. The entrance panel configured with N=1 can intercom calls, but is UNABLE to send them.
		Audio enabling / disabling following a call.
		Direct EP door lock activation (EP configured with the same P), or activation of the EP door lock upon connection.
		Staircase light switching on.
M = 5		As M=0 but with key tone disabled.
M = 6		As M= 1 but with key tone disabled.
M = 7		As M= 2 but with key tone disabled.
M = 8		As M= 3 but with key tone disabled.
M = 9		As M= 4 but with key tone disabled.

**PUSH TO TALK function**

If the entrance panel is in a particularly noisy position, during the conversation it will be possible to enable the “PUSH TO TALK” function, which will provide a better quality of communication. To use the PUSH TO TALK function, during a conversation proceed as indicated below.

During a conversation press the conversation key for >2 minutes: the LED switches ON green, and communication from the video handset to the entrance panel is established; when the communication key is released, the LED turns red and communication from the entrance panel to the video handset is established. To terminate the conversation press and release the conversation key.

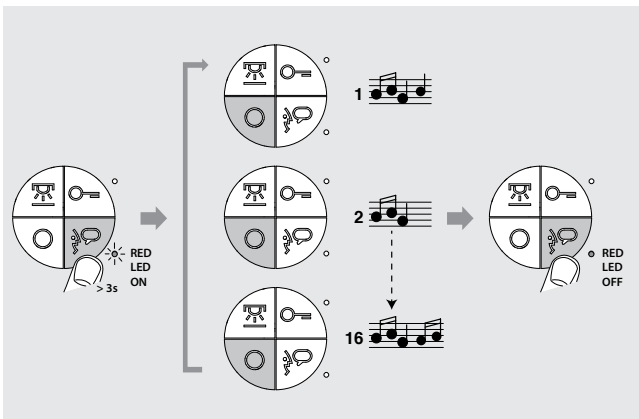
TIME-OUT and conversation times are respectively: 30” after the call, 1’ after the start of the conversation.

**Programming of bells**

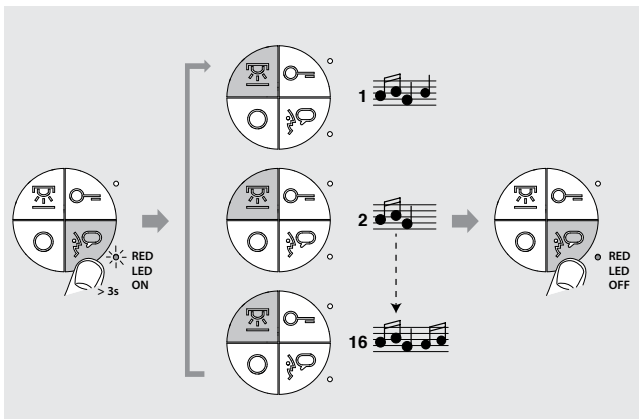
The video handset offers the **possibility to select among 16 types of bells** with programmed ringtones, which can be freely associated to the following type of calls:

- Calls from the entrance panel (configured with =0)
- INTERCOM call
- Floor call

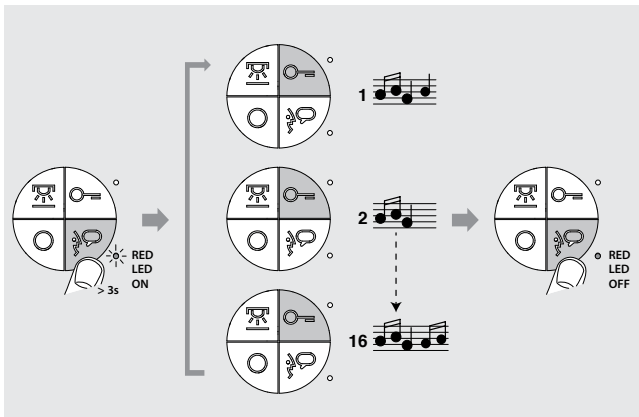
**Selection of the call bells from the main EP (S = 0).**



**Preset intercom / intercom call bell selection.**



**Floor call bell selection.**



**LED notifications**

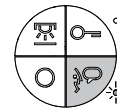
**Door lock status and/or door status red LED notifications:**



- LED ON steady = door lock pushbutton pressed;
- LED ON flashing = door open;
- LED OFF = door closed.

**NOTE:** The door status function notifies the status of the door lock. If open the "LED door lock" flashes, and if closed, the LED stays off. This function is only available in preset systems.

**Operating status two-colour (red/green) LED notifications:**



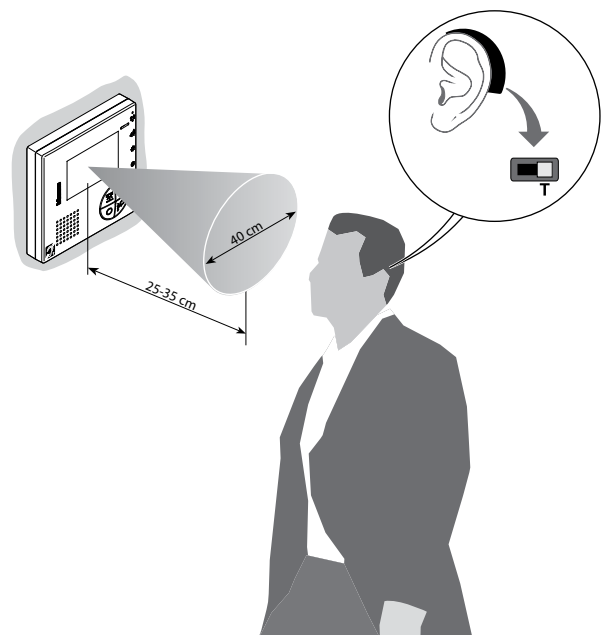
- LED ON steady (green) = conversation active;
- LED ON flashing (green) = call active or intercom call forwarded;
- LED ON flashing (red) = programming procedure being performed.

**INDUCTIVE LOOP use**

The inductive loop function enables the device to be used by people wearing hearing aids with (T) selector.

Switch the selector of the acoustic device to the T position and to ensure correct magnetic coupling between the device and the acoustic device, we recommend a position in front of the device, at a distance of 25-35 cm.

**NOTE:** the presence of metal and background noise generated by electric/electronic devices (e.g. computer) may compromise the performance and the quality of the coupling device.





# SWING

## audio handset

344704

### Description

2 WIRE audio handset for wall mounted installation. It's fitted with keys for: door lock release, and 4 programmable keys (0-1-2-3), which operating mode is set through the configuration. The volume of the bell can be adjusted, or the bell may be disabled. It has 16 different pre-programmed bells.

It also performs the following functions: conversation secrecy, office (when the call is made from the entrance panel the associated door lock automatically opens without the need for pressing the relevant key on the handset), door lock status check.

When a SWING handset is used together with an "Elettrika" CISA door lock (with accessory 346240), it is possible to control the status of the door lock connected to the system using door lock actuators, item 346230/item 346260.

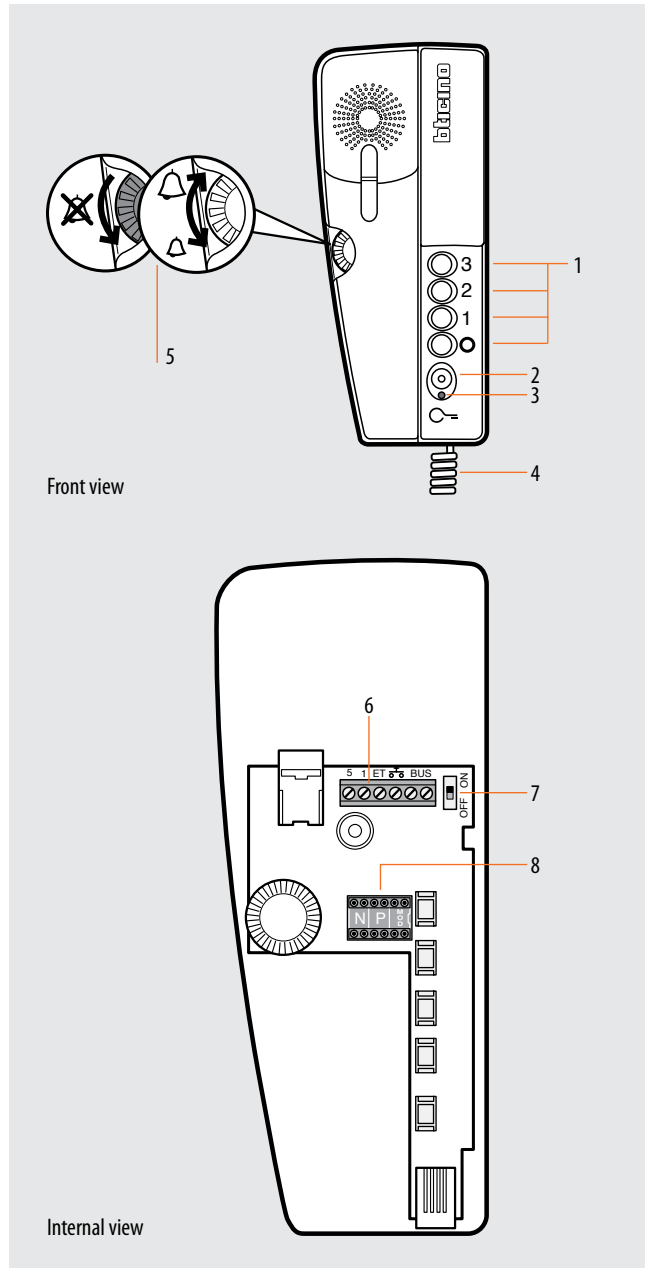
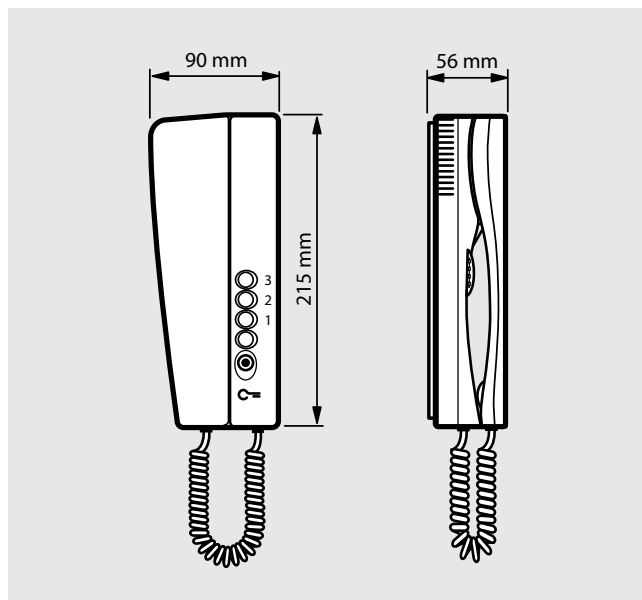
If the "Elettrika" CISA door lock is open, the SWING Handset LED flashes. The LED will continue flashing while the lock remains open.

Wall fixing bracket supplied.

### Technical data

Power supply from SCS BUS: 18 – 27 Vdc  
 Stand by absorption: 5 mA  
 Max. operating absorption: 35 mA  
 Operating temperature: 5 - 40°C

### Dimensional data



### Legend

- 1 - 4 programmable keys using the configuration (0-1-2-3)
- 2 - Door lock key
- 3 - DOOR STATUS signalling LED or activation of the OFFICE function
- 4 - Extensible cord capped on both ends with RJ connectors
- 5 - Bell volume adjustment and exclusion
- 6 - Clamps for the connection of the 2 WIRE BUS, additional floor call functions and extra bell.
- 7 - Line termination ON/OFF micro-switch (audio/video systems only)
- 8 - Configurator socket


BT00643-a-EN

**Configuration**


**N – handset number**

The N configurator assigns to each handset an identification number within the system. The handsets must be configured in progressive order. In case of handsets with parallel connection (max 3) inside the apartment without item 346850, these must be configured using the same N configurator.

**P – entrance panel association**

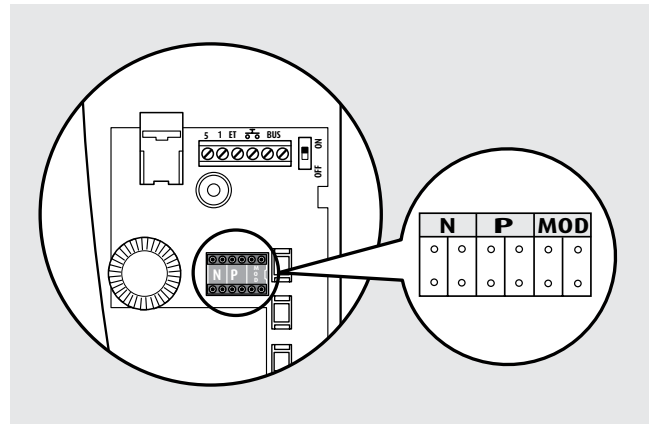
The P configurator identifies the associated EP, or the first entrance panel on which the audio is activated when the (0) is pressed for the first time, as well as which door lock is activated when the key  is pressed while the handset is idle.

Configurator in P	Key function (0)
0-9	Entrance panel audio activation (configured with P = 0-9)

Configurator in P	Key function 
0-9	Opening of the EP door lock (configured with P = 0-9)

**MOD = Operating mode of the keys**

In addition to the door lock opening key, the SWING handset also has 4 programmable keys (0-1-2-3). The programmable keys may be associated to different operating modes (e.g. activation of external actuators, intercom, additional EP activation, "office" mode activation), depending on the type of configurators connected to MOD (see details in the following pages).





**Configuration**

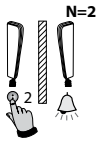
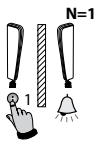
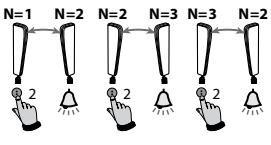
Below are the various operating modes that can be assigned to the 4 programmable keys:

MODE	KEY	FUNCTION	NOTES
MOD =	<input checked="" type="radio"/> 3	<b>Staircase light switching on</b>	
	<input type="radio"/> 2	<b>EP door lock release</b> (configured with P+1), directly, without call, or activation of the actuator, item 346200 (configured with P+1 and MOD=5), or activation of door lock actuators 346230-346260 (configured with P+1)	
	<input type="radio"/> 1	<b>Audio/video EP or camera activation</b> (configured with P+1), directly, without call, or activation of the actuator, item 346200 (configured with P+1 and MOD=9)	
	<input type="radio"/> 0	<b>Audio/video EP or camera activation</b> (configured with P), directly, without call, and cycling	
MOD =	<input checked="" type="radio"/> 3	<b>Staircase light switching on</b>	
	<input type="radio"/> 2	<b>Intercom</b> inside the apartment, in systems with apartment interface item 346850, or intercom among apartments without apartment interface.	
	<input type="radio"/> 1	<b>Intercom</b> inside the apartment, in systems with apartment interface item 346850, or intercom among apartments without apartment interface.	
	<input type="radio"/> 0	<b>Audio/video EP or camera activation</b> (configured with P), directly, without call, and cycling	
MOD =	<input checked="" type="radio"/> 3	<b>Staircase light switching on</b>	
	<input type="radio"/> 2	<b>Intercom</b> inside the apartment, in systems with apartment interface item 346850, or intercom among apartments without apartment interface.	
	<input type="radio"/> 1	<b>Audio/video EP or camera activation</b> (configured with P+1), directly, without call, or activation of the actuator, item 346200 (configured with P+1 and MOD=9)	
	<input type="radio"/> 0	<b>Audio/video EP or camera activation</b> (configured with P), directly, without call, and cycling	
MOD =	<input checked="" type="radio"/> 3	<b>Staircase light switching on</b>	
	<input type="radio"/> 2	<b>EP door lock release</b> (configured with P+2), directly, without call, or activation of the actuator, item 346200 (configured with P+2 and MOD=5) or activation of the actuator item 346230/item 346260 (configured with P+2)	
	<input type="radio"/> 1	<b>EP door lock release</b> (configured with P+1), directly, without call, or activation of the actuator, item 346200 (configured with P+1 and MOD=5) or activation of the actuator item 346230/item 346260 (configured with P+1)	
	<input type="radio"/> 0	<b>Audio/video EP or camera activation</b> (configured with P), directly, without call, and cycling	

BT00643-a-EN

MODE	KEY	FUNCTION	NOTES
MOD = 1°	3	Audio/video EP or camera activation (configured with P+3), directly, without call, or activation of the actuator, item 346200 (configured with P+3 and MOD=9)	
	2	Audio/video EP or camera activation (configured with P+2), directly, without call, or activation of the actuator, item 346200 (configured with P+2 and MOD=9)	
	1	Audio/video EP or camera activation (configured with P+1), directly, without call, or activation of the actuator, item 346200 (configured with P+1 and MOD=9)	
	0	Audio/video EP or camera activation (configured with P), directly, without call, and cycling	
MOD = 11	3	Intercom inside the apartment, in systems with apartment interface item 346850, or intercom among apartments without apartment interface.	
	2	Intercom inside the apartment, in systems with apartment interface item 346850, or intercom among apartments without apartment interface.	
	1	Intercom inside the apartment, in systems with apartment interface item 346850, or intercom among apartments without apartment interface.	
	0	Intercom inside the apartment, in systems with apartment interface item 346850, or intercom among apartments without apartment interface.	
MOD = 13	3	EP door lock release (configured with P+1), directly, without call, or activation of the actuator, item 346200 (configured with P+1 and MOD=5) or activation of the actuator item 346230/item 346260 (configured with P+1)	
	2	Intercom inside the apartment, in systems with apartment interface item 346850, or intercom among apartments without apartment interface.	
	1	Intercom inside the apartment, in systems with apartment interface item 346850, or intercom among apartments without apartment interface.	
	0	EP activation (configured with P), directly, without call	

BT00643-a-FN

MODE	KEY	FUNCTION	NOTES
MOD = 15	<input type="radio"/> 3	<b>EP door lock release</b> (configured with P+4), directly, without call, or activation of the actuator, item 346200 (configured with P+4 and MOD=5) or activation of the actuator item 346230/item 346260 (configured with P+4)	
	<input type="radio"/> 2	<b>EP door lock release</b> (configured with P+3), directly, without call, or activation of the actuator, item 346200 (configured with P+3 and MOD=5) or activation of the actuator item 346230/item 346260 (configured with P+3)	
	<input type="radio"/> 1	<b>EP door lock release</b> (configured with P+2), directly, without call, or activation of the actuator, item 346200 (configured with P+2 and MOD=5) or activation of the actuator item 346230/item 346260 (configured with P+2)	
	<input type="radio"/> 0	<b>EP door lock release</b> (configured with P+1), directly, without call, or activation of the actuator, item 346200 (configured with P+1 and MOD=5) or activation of the actuator item 346230/item 346260 (configured with P+1)	
MOD = 2	<input type="radio"/> 3	<b>Staircase light switching on</b>	
	<input type="radio"/> 2	<b>Intercom between apartments</b> , in systems with apartment interface, item 346850	
	<input type="radio"/> 1	<b>Intercom between apartments</b> , in systems with apartment interface, item 346850	
	<input type="radio"/> 0	<b>EP activation</b> (configured with P), directly, without call	
MOD = 3	<input type="radio"/> 3	<b>Staircase light switching on</b>	
	<input type="radio"/> 2	<b>Intercom</b> inside the apartment, in systems with apartment interface item 346850, or intercom among apartments without apartment interface.	
	<input type="radio"/> 1	<b>EP activation</b> (configured with P+1), directly, without call, or activation of the actuator, item 346200 (configured with P+1 and MOD=9)	
	<input type="radio"/> 0	<b>EP activation</b> (configured with P), directly, without call	

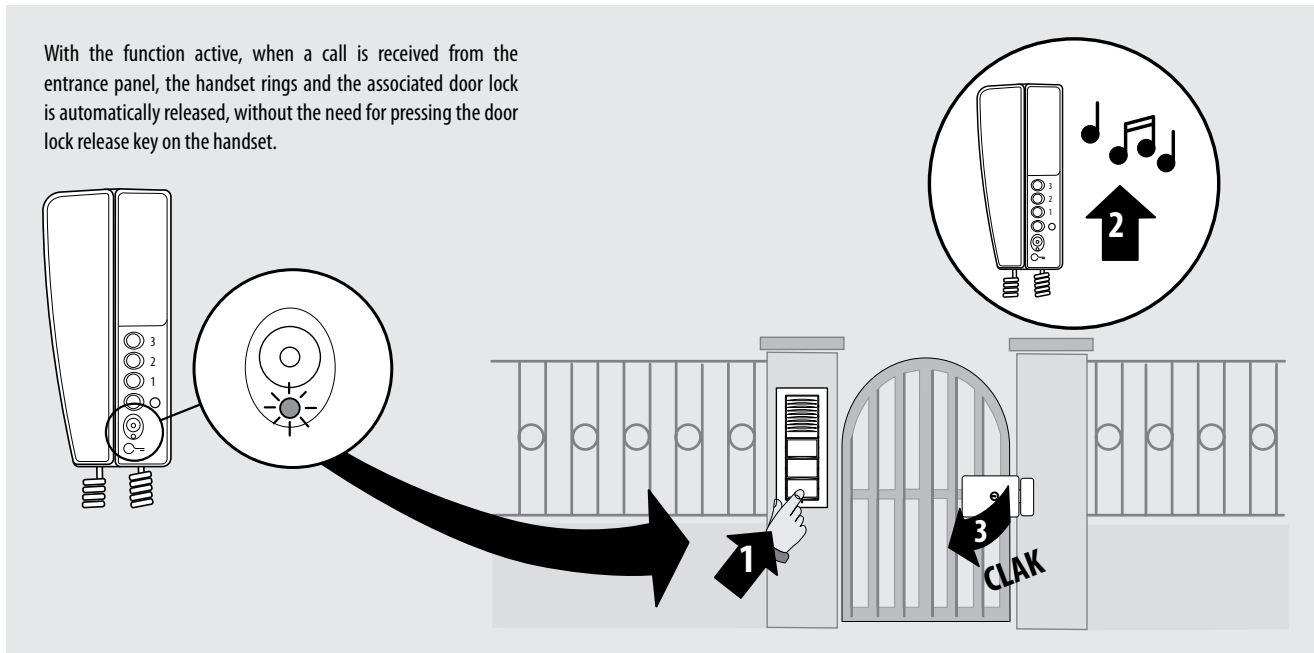
BT00643-a-EN

MODE	KEY	FUNCTION	NOTES
MOD = <b>12</b>	<input type="radio"/> 3	<b>Intercom between apartments</b> , in systems with apartment interface, item 346850	
	<input type="radio"/> 2	<b>Intercom between apartments</b> , in systems with apartment interface, item 346850	
	<input type="radio"/> 1	<b>Intercom between apartments</b> , in systems with apartment interface, item 346850	
	<input type="radio"/> 0	<b>Intercom between apartments</b> , in systems with apartment interface, item 346850	
MOD = <b>6</b>	<input type="radio"/> 3	<b>Staircase light switching on</b>	
	<input type="radio"/> 2	<b>Activation of the scenario 2</b> saved in the scenario module	(SCENARIO 2)
	<input type="radio"/> 1	<b>Activation of the scenario 1</b> saved in the scenario module	(SCENARIO 1)
	<input type="radio"/> 0	<b>EP activation</b> (configured with P), directly, without call	
MOD = <b>16</b>	<input type="radio"/> 3	<b>Activation of the scenario 3</b> saved in the scenario module	(SCENARIO 3)
	<input type="radio"/> 2	<b>Activation of the scenario 2</b> saved in the scenario module	(SCENARIO 2)
	<input type="radio"/> 1	<b>Activation of the scenario 1</b> saved in the scenario module	(SCENARIO 1)
	<input type="radio"/> 0	<b>Activation of the scenario 4</b> saved in the scenario module	(SCENARIO 4)
MOD = <b>4</b>	<input type="radio"/> 3	Activation of the paging function <b>on all</b> the sound system loudspeakers	
	<input type="radio"/> 2	<b>EP door lock release</b> configured with P, directly, without call	
	<input type="radio"/> 1	<b>Audio/video EP or camera activation</b> (configured with P+1), directly, without call	
	<input type="radio"/> 0	<b>Audio/video EP or camera activation</b> (configured with P), directly, without call, and cycling	

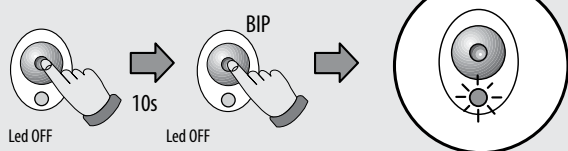
BT00643-a-EN

**OFFICE function**

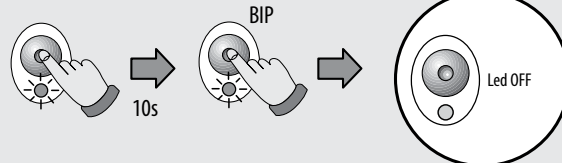
With the function active, when a call is received from the entrance panel, the handset rings and the associated door lock is automatically released, without the need for pressing the door lock release key on the handset.



**To ENABLE the function**

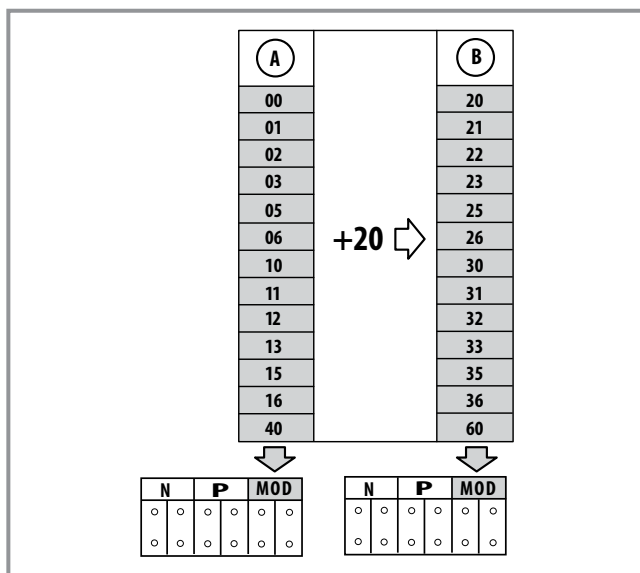


**To DISABLE the function**



**MOD Configuration**

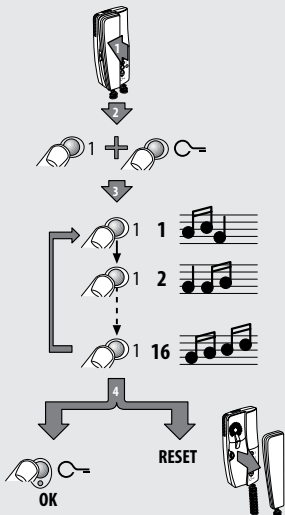
To activate the OFFICE function refer to the following:



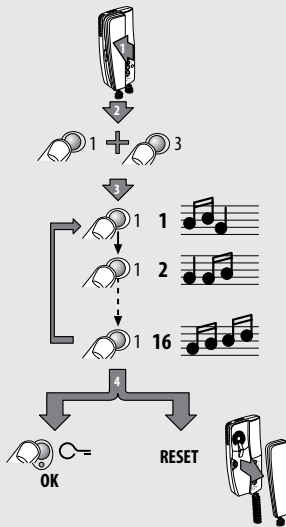
- A** Configuration selected for the operation of the keys (see previous pages)
- B** Configuration selected for the operation of the keys + OFFICE function

**Programming of bells**

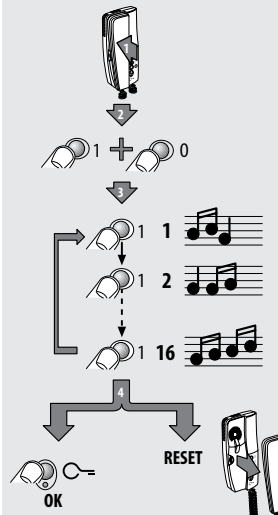
**Bell selection from MAIN ENTRANCE PANEL (S=0)**



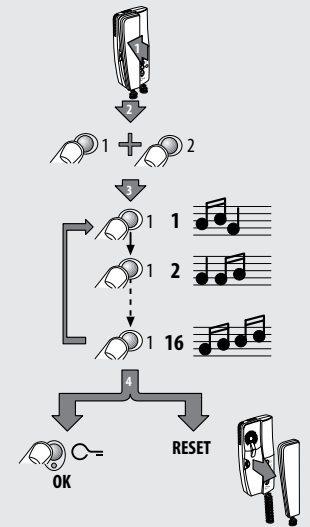
**Bell selection from SECONDARY ENTRANCE PANEL (S=1)**



**FLOOR CALL bell selection**



**INTERCOM CALL bell selection**





# SWING

## Colour video handsets

344824

### Description

SWING 2 wire TFT colour video handset for wall mount installation. It has the following pushbuttons: door lock release, and 4 programmable keys (0-1-2-3), which operating mode is set through the configuration.

The volume of the bell can be adjusted, or the bell may be disabled. It has 16 different pre-programmed bells. It also performs the following functions: conversation secrecy, master/slave, office (when the call is made from the entrance panel the associated door lock automatically opens without the need for pressing the relevant key on the handset), door lock status check.

When a SWING handset is used together with an "Elettrika" CISA door lock (with accessory 346240), it is possible to control the status of the door lock connected to the system using door lock actuators, item 346230 art.346260.

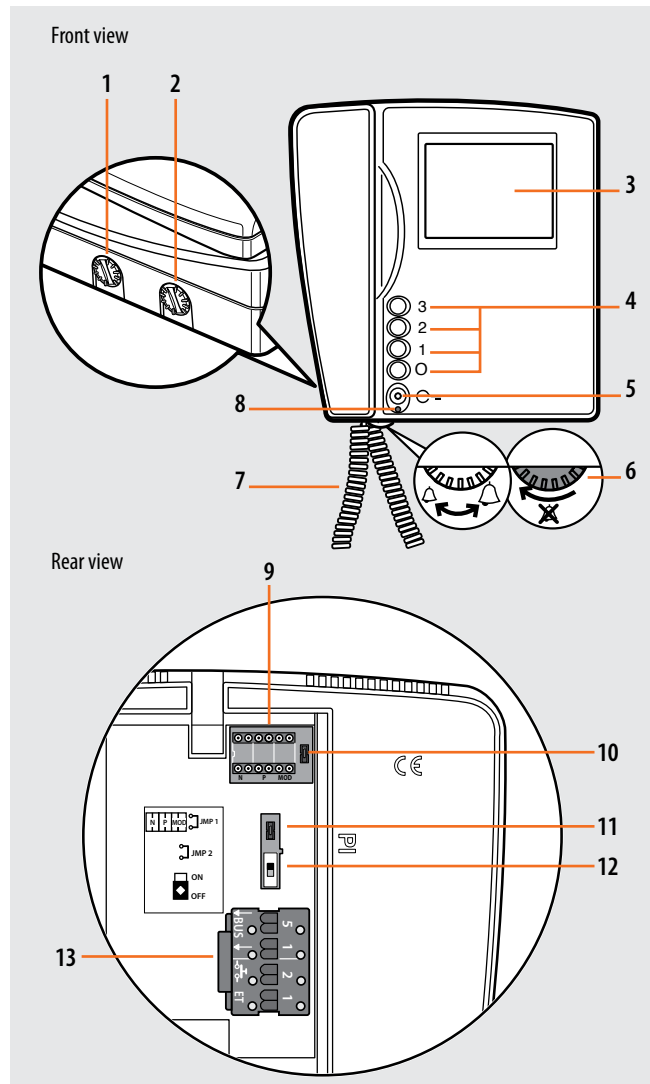
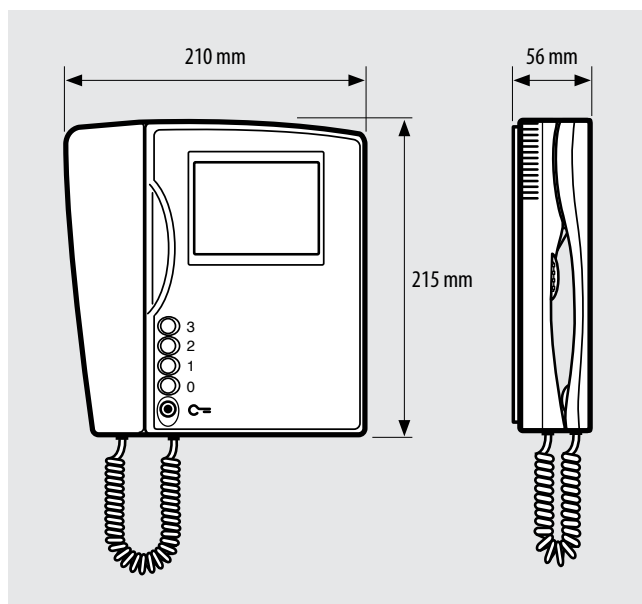
If the "Elettrika" CISA door lock is open, the SWING Handset LED flashes. The LED will continue flashing while the lock remains open.

Wall fixing bracket supplied.

### Technical data

Power supply from SCS BUS:	18 – 27 Vdc
Stand by absorption:	5 mA
Max. operating absorption:	290 mA
Horizontal resolution:	250 TV lines
Vertical resolution:	300 TV lines
Operating temperature:	5 – 40 °C

### Dimensional data



### Legend

1. Monitor colour adjustment
2. Brightness adjustment monitor
3. 4" colour LCD monitor
4. 4 programmable keys (0-1-2-3) using the configuration
5. Door lock key
6. Bell volume adjustment and exclusion
7. Extensible cord capped on both ends with RJ connectors
8. Door status signalling LED or activation of the office function
9. Configurator socket
10. Master/Slave jumper (JMP1) (Remove for Slave)
11. Jumper (JMP2) to be removed when an additional power supply is used
12. Line termination ON/OFF micro-switch
13. Clamps for the connection of the 2 WIRE BUS, additional power supply, and auxiliary floor call function, as well as extra bell.


BT00644-a-EN

**Configuration**


**N – handset number**

The N configurator assigns each video handset an identification number within the system. The handsets must be configured in progressive order. In case of handsets with parallel connection (max max.3) inside the apartment without item 346850, these must be configured using the same N configurator.

**P – entrance panel switching on**

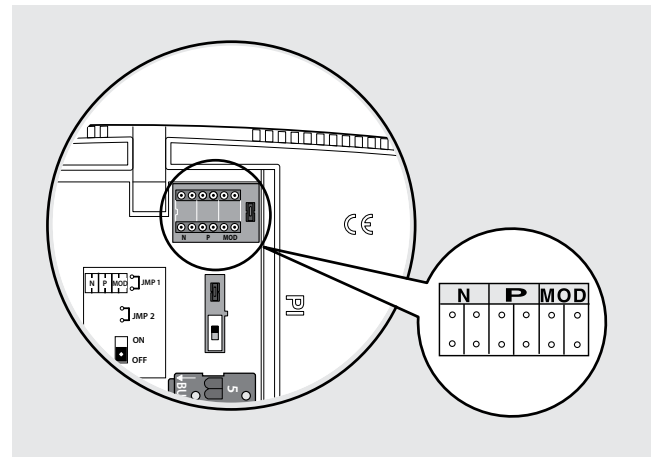
The P configurator identifies the associated EP, or the first entrance panel to switch on automatically when the (0) key is pressed for the first time, and which door lock to activate by pressing the  key while the video handset is idle.

Configurator in P	Key function (0)
0-9	Entrance panel audio activation (configured with P = 0-9)

Configurator in P	Key function 
0-9	Opening of the EP door lock (configured with P = 0-9)

**MOD = Operating mode of the keys**

In addition to the door lock opening key, the SWING video handset also has 4 programmable keys (0-1-2-3). The programmable keys may be associated to different operating modes (e.g. activation of external actuators, intercom, additional EP activation, "OFFICE" mode activation), depending on the type of configurators connected to MOD.





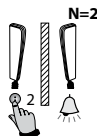
Below are the various operating modes that can be assigned to the 4 programmable keys:

MODE	KEY	FUNCTION	NOTES
MOD =	<input type="radio"/> 3	Staircase light switching on	
	<input type="radio"/> 2	EP door lock release (configured with P+1), directly, without call, or activation of the actuator, item 346200 (configured with P+1 and MOD=5), or activation of door lock actuators 346230-346260 (configured with P+1)	
	<input type="radio"/> 1	Audio/video EP or camera activation (configured with P+1), directly, without call, or activation of the actuator, item 346200 (configured with P+1 and MOD=9)	
	<input type="radio"/> 0	Audio/video EP or camera activation (configured with P), directly, without call, and cycling	
MOD =	<input type="radio"/> 3	Staircase light switching on	
	<input type="radio"/> 2	Intercom inside the apartment, in systems with apartment interface item 346850, or intercom among apartments without apartment interface.	
	<input type="radio"/> 1	Intercom inside the apartment, in systems with apartment interface item 346850, or intercom among apartments without apartment interface.	
	<input type="radio"/> 0	Audio/video EP or camera activation (configured with P), directly, without call, and cycling	
MOD =	<input type="radio"/> 3	Staircase light switching on	
	<input type="radio"/> 2	Intercom between apartments, in systems with apartment interface, item 346850	
	<input type="radio"/> 1	Intercom between apartments, in systems with apartment interface, item 346850	
	<input type="radio"/> 0	EP activation (configured with P), directly, without call	

MODE	KEY	FUNCTION	NOTES
MOD = 3	<input checked="" type="radio"/>	3 Staircase light switching on	
	<input type="radio"/>	2 Intercom inside the apartment, in systems with apartment interface item 346850, or intercom among apartments without apartment interface.	
	<input type="radio"/>	1 Audio/video EP or camera activation (configured with P+1), directly, without call, or activation of the actuator, item 346200 (configured with P+1 and MOD=9)	
	<input type="radio"/>	0 Audio/video EP or camera activation (configured with P), directly, without call, and cycling	
MOD = 5	<input checked="" type="radio"/>	3 Staircase light switching on	
	<input type="radio"/>	2 EP door lock release (configured with P+2), directly, without call, or activation of the actuator, item 346200 (configured with P+2 and MOD=5) or activation of the actuator item 346230/item 346260 (configured with P+2)	
	<input type="radio"/>	1 EP door lock release (configured with P+1), directly, without call, or activation of the actuator, item 346200 (configured with P+1 and MOD=5) or activation of the actuator item 346230/item 346260 (configured with P+1)	
	<input type="radio"/>	0 Audio/video EP or camera activation (configured with P), directly, without call, and cycling	
MOD = 1	<input checked="" type="radio"/>	3 Audio/video EP or camera activation (configured with P+3), directly, without call, or activation of the actuator, item 346200 (configured with P+3 and MOD=9)	
	<input type="radio"/>	2 Audio/video EP or camera activation (configured with P+2), directly, without call, or activation of the actuator, item 346200 (configured with P+2 and MOD=9)	
	<input type="radio"/>	1 Audio/video EP or camera activation (configured with P+1), directly, without call, or activation of the actuator, item 346200 (configured with P+1 and MOD=9)	
	<input type="radio"/>	0 Audio/video EP or camera activation (configured with P), directly, without call, and cycling	

BT00644-a-FN

MODE	KEY	FUNCTION	NOTES
MOD = <b>01</b>	<input type="radio"/> 3	<b>Intercom</b> inside the apartment, in systems with apartment interface item 346850, or intercom among apartments without apartment interface.	
	<input type="radio"/> 2	<b>Intercom</b> inside the apartment, in systems with apartment interface item 346850, or intercom among apartments without apartment interface.	
	<input type="radio"/> 1	<b>Intercom</b> inside the apartment, in systems with apartment interface item 346850, or intercom among apartments without apartment interface.	
	<input type="radio"/> 0	<b>Intercom</b> inside the apartment, in systems with apartment interface item 346850, or intercom among apartments without apartment interface.	
MOD = <b>13</b>	<input type="radio"/> 3	<b>EP door lock release</b> (configured with P+1), directly, without call, or activation of the actuator, item 346200 (configured with P+1 and MOD=5) or activation of the actuator item 346230/item 346260 (configured with P+1)	
	<input type="radio"/> 2	<b>Intercom</b> inside the apartment, in systems with apartment interface item 346850, or intercom among apartments without apartment interface.	
	<input type="radio"/> 1	<b>Intercom</b> inside the apartment, in systems with apartment interface item 346850, or intercom among apartments without apartment interface.	
	<input type="radio"/> 0	<b>EP activation</b> (configured with P), directly, without call	
MOD = <b>15</b>	<input type="radio"/> 3	<b>EP door lock release</b> (configured with P+4), directly, without call, or activation of the actuator, item 346200 (configured with P+4 and MOD=5) or activation of the actuator item 346230/item 346260 (configured with P+4)	
	<input type="radio"/> 2	<b>EP door lock release</b> (configured with P+3), directly, without call, or activation of the actuator, item 346200 (configured with P+3 and MOD=5) or activation of the actuator item 346230/item 346260 (configured with P+3)	
	<input type="radio"/> 1	<b>EP door lock release</b> (configured with P+2), directly, without call, or activation of the actuator, item 346200 (configured with P+2 and MOD=5) or activation of the actuator item 346230/item 346260 (configured with P+2)	
	<input type="radio"/> 0	<b>EP door lock release</b> (configured with P+1), directly, without call, or activation of the actuator, item 346200 (configured with P+1 and MOD=5) or activation of the actuator item 346230/item 346260 (configured with P+1)	

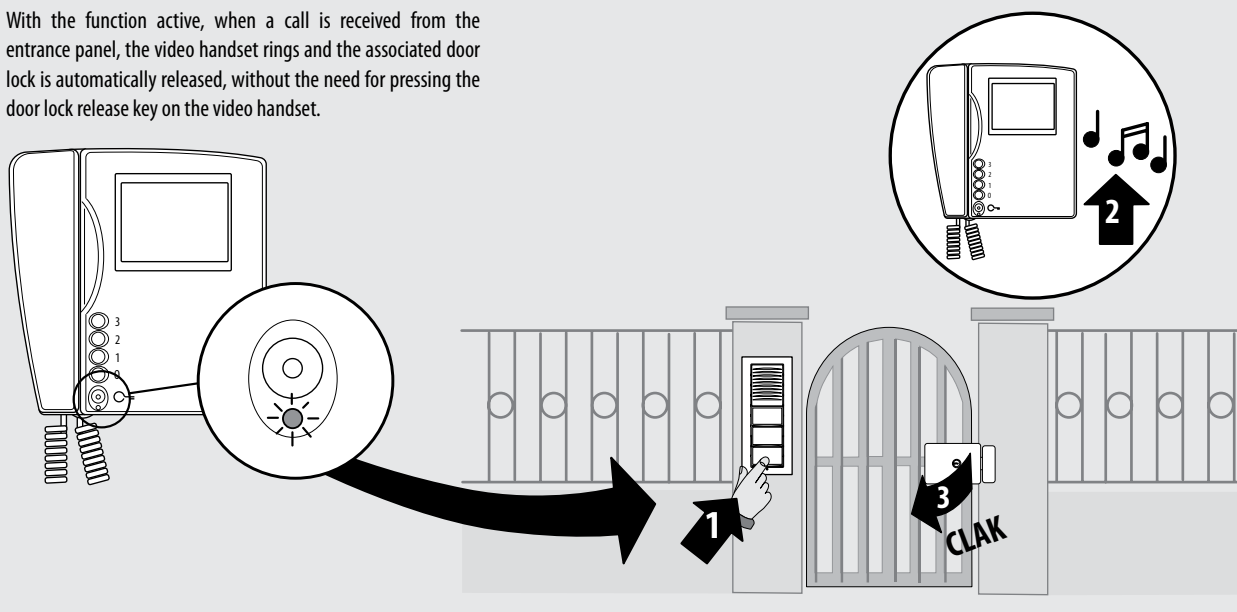
MODE	KEY	FUNCTION	NOTE
MOD = <b>12</b>	<input type="radio"/> 3	<b>Intercom between apartments</b> , in systems with apartment interface, item 346850	
	<input type="radio"/> 2	<b>Intercom between apartments</b> , in systems with apartment interface, item 346850	
	<input type="radio"/> 1	<b>Intercom between apartments</b> , in systems with apartment interface, item 346850	
	<input type="radio"/> 0	<b>Intercom between apartments</b> , in systems with apartment interface, item 346850	
MOD = <b>6</b>	<input type="radio"/> 3	<b>Staircase light switching on</b>	
	<input type="radio"/> 2	<b>Activation of the scenario 2</b> saved in the scenario module	(SCENARIO 2)
	<input type="radio"/> 1	<b>Activation of the scenario 1</b> saved in the scenario module	(SCENARIO 1)
	<input type="radio"/> 0	<b>EP activation</b> (configured with P), directly, without call	
MOD = <b>16</b>	<input type="radio"/> 3	<b>Activation of the scenario 3</b> saved in the scenario module	(SCENARIO 3)
	<input type="radio"/> 2	<b>Activation of the scenario 2</b> saved in the scenario module	(SCENARIO 2)
	<input type="radio"/> 1	<b>Activation of the scenario 1</b> saved in the scenario module	(SCENARIO 1)
	<input type="radio"/> 0	<b>Activation of the scenario 4</b> saved in the scenario module	(SCENARIO 4)
MOD = <b>4</b>	<input type="radio"/> 3	Activation of the <b>paging</b> function on all the sound system loudspeakers	
	<input type="radio"/> 2	<b>EP door lock release</b> configured with P, directly, without call	
	<input type="radio"/> 1	<b>Audio/video EP or camera activation</b> (configured with P+1), directly, without call	
	<input type="radio"/> 0	<b>Audio/video EP or camera activation</b> (configured with P), directly, without call, and cycling	

BT00644-a-EN

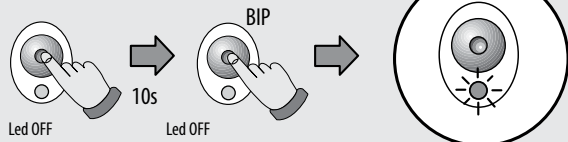
344824

**OFFICE function**

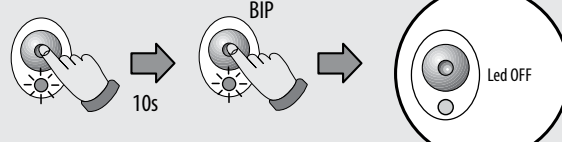
With the function active, when a call is received from the entrance panel, the video handset rings and the associated door lock is automatically released, without the need for pressing the door lock release key on the video handset.



**To ENABLE the function**

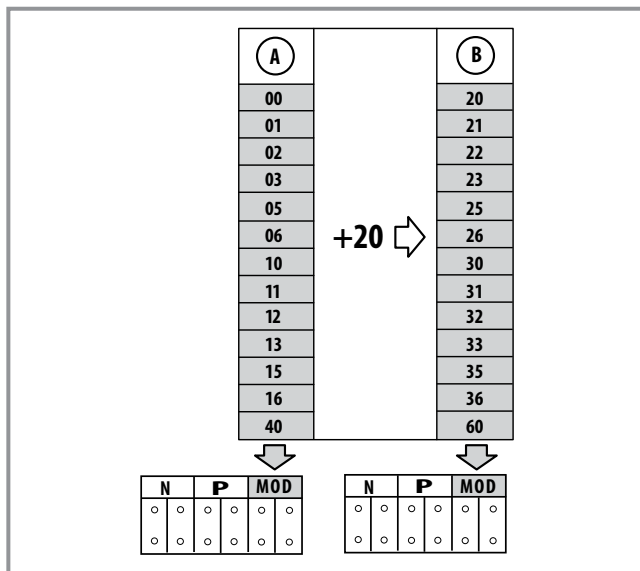


**To DISABLE the function**



**MOD configuration**

To activate the office function refer to the following:



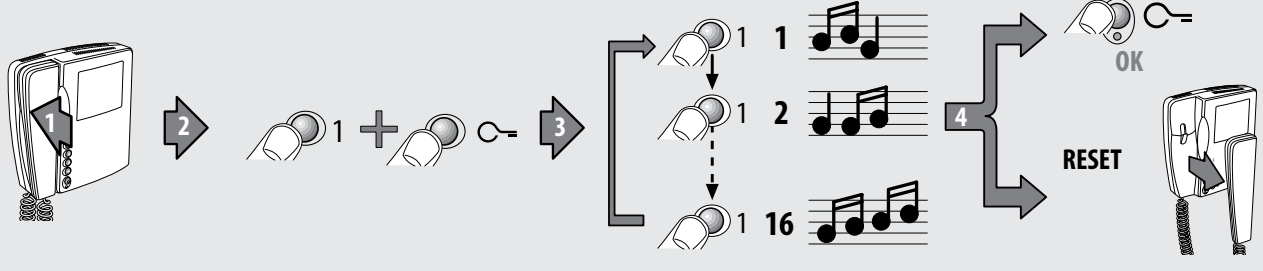
(A) Configuration selected for the operation of the keys (see previous pages)

(B) Configuration selected for the operation of the keys + OFFICE function

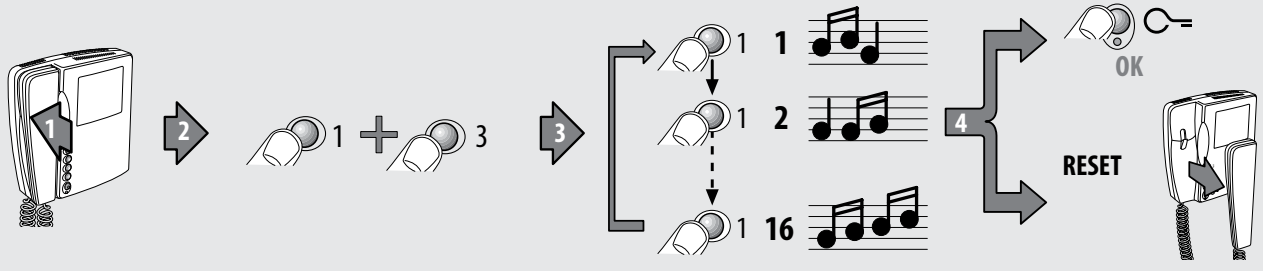
BT00644-a-EN

**Programming of bells**

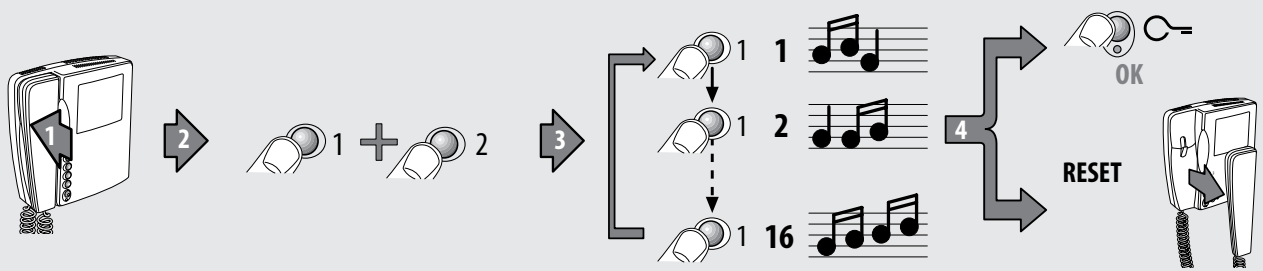
**Bell selection from MAIN ENTRANCE PANEL (S=0)**



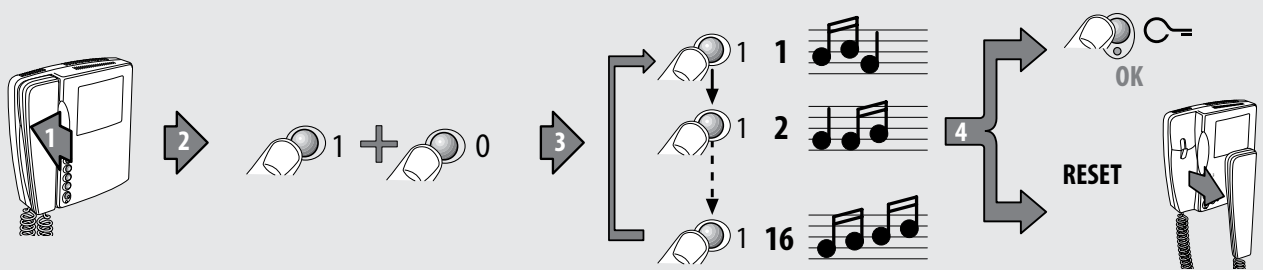
**Bell selection from SECONDARY ENTRANCE PANEL (S=1)**



**INTERCOM CALL bell selection**



**FLOOR CALL bell selection**





# SWING

## Black and white basic video handset

344832

### Description

Wall video handset with black and white 4" monitor for use in 2 WIRE systems.  
 With the following pushbuttons for video door entry system functions: door lock release, entrance panel/ camera scrolling activation, staircase lights switching on and intercom. The volume of the bell can be adjusted, or the bell may be disabled.  
 With 16 different types of already preset bells, selectable for the call to the floor, main entrance panel bell, and intercom functions.  
 It also has a secret conversation function, and "door status" control (function possible in conjunction with the door lock actuators 346230 - 346260 and with CISA ELETTRIKA door lock with 346240 accessory).  
 Wall mounting bracket supplied as standard.

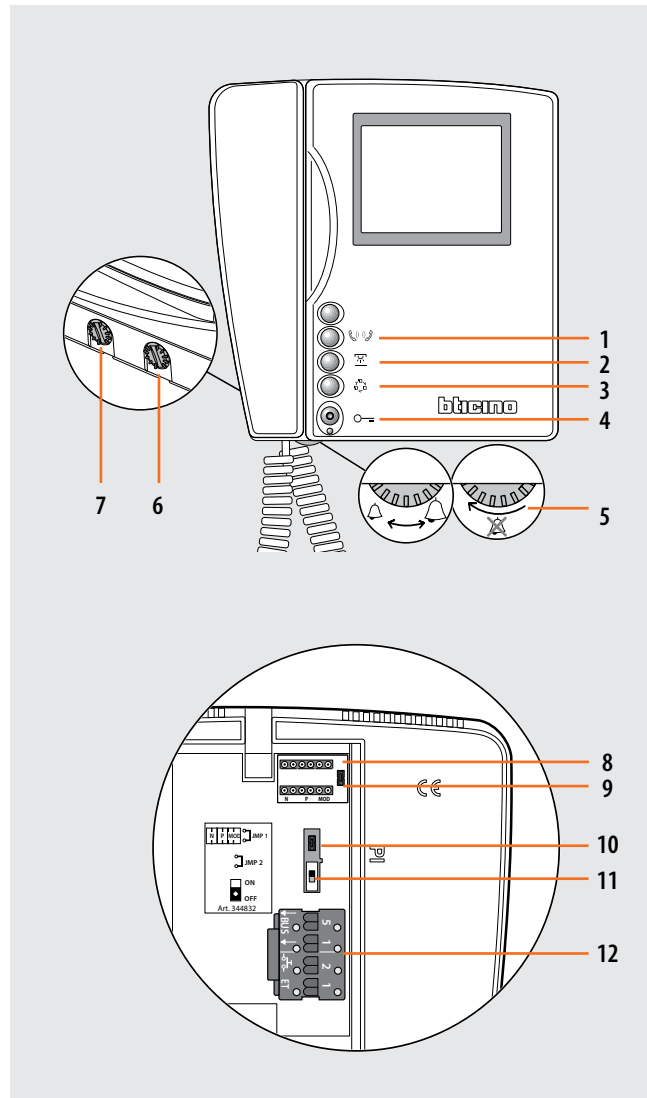
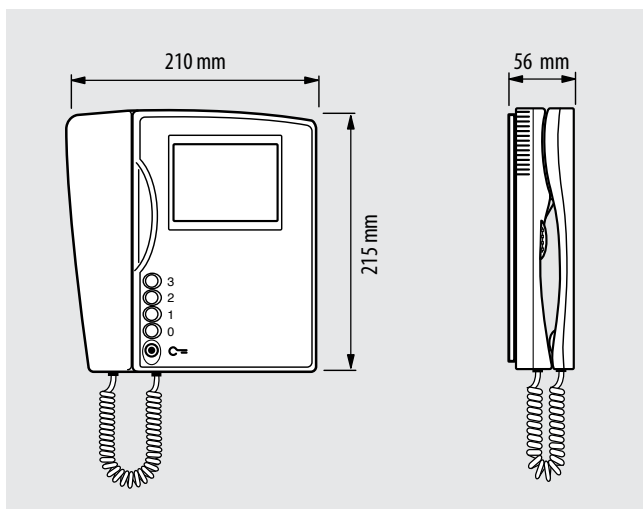
### Correlated items

- 346020 (additional 2 DIN modules power supply) - optional, for local powering of the video handset, when maximum installation distances are necessary
- 346230 2 DIN door lock actuator
- 346260 4 DIN timed door lock actuator
- 346240 CISA ELETTRIKA door lock accessory

### Technical data

Power supply from SCS BUS :	20.5 – 27 Vdc
Stand-by absorption:	5 mA
Max. operating absorption:	400 mA @ 27 V - 650 mA @ 20.5 V
Operating temperature:	5 - 40°C

### Dimensional data

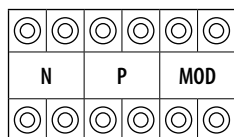


### Legend

1. Intercom call pushbutton
2. Staircase lights pushbutton
3. Entrance panel/camera scrolling activation pushbutton
4. Door lock release pushbutton + door status LED
5. Bell adjustment and exclusion
6. Monitor brightness adjustment
7. Monitor contrast adjustment
8. Configurator socket
9. MASTER/SLAVE jumper (Remove to enable SLAVE)
10. Additional power supply jumper. (Remove if a local power supply is connected to clamps 1 - 2)
11. Line termination ON/OFF microswitch
12. Connection clamp for: 2 WIRE BUS, call to the floor, additional power supply and additional bell.

BT00645-a-EN

**Configuration**



The video handset must be physically configured in terms of:

**N - handset number**

The N configurator assigns to each video handset an identification number within the 2 wire system. The handsets must be configured in progressive order. Handsets with parallel connection (max 3 are allowed inside apartments without 346850 interface) must be configured using the same N configurator.

**P - entrance panel number**

The P configurator identifies the entrance panel associated, or the first entrance panel to activate before pressing the key and which door lock is activated when the key is pressed while the video handset is idle.

Configuration in P	Key function
P= 0-96	Activation of the audio function on the entrance panel (configured with P= 0-96)

Configuration in P	Key function
P= 0-96	Opening of the EP door lock (configured with P= 0-96)

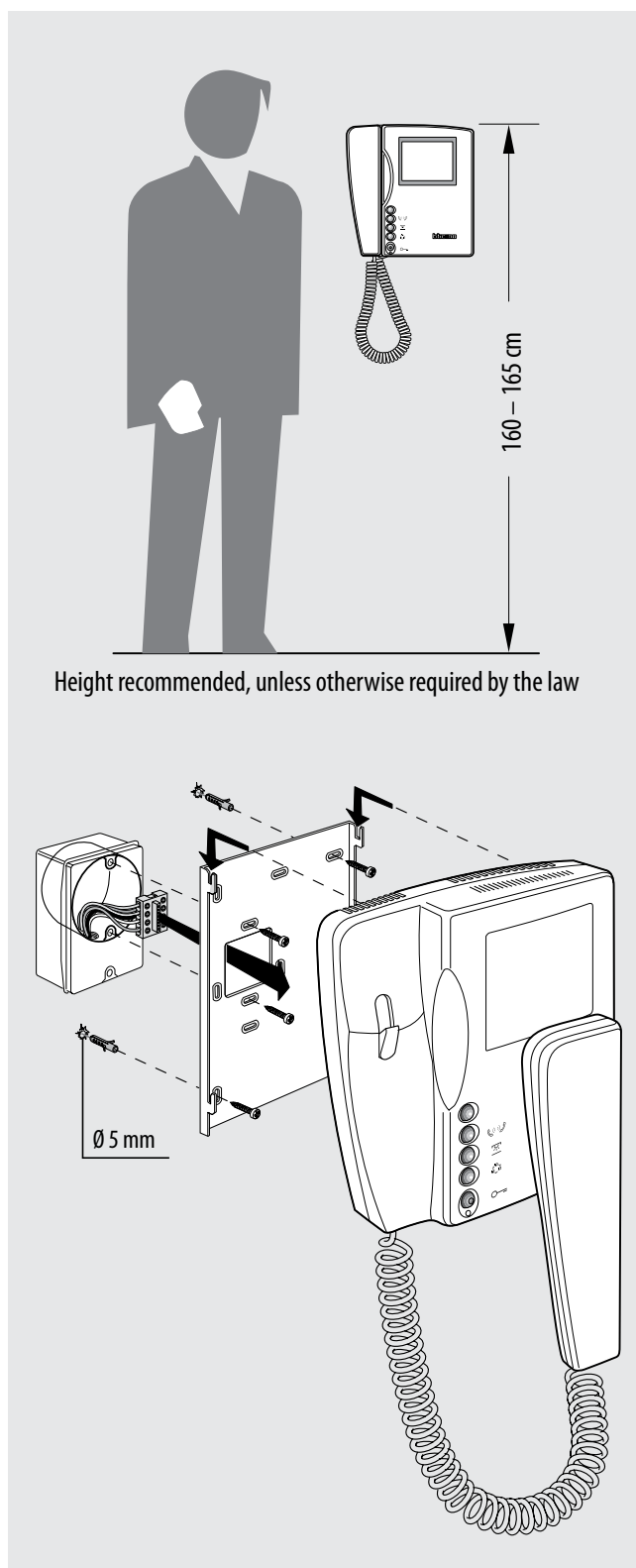
**M - intercom operating mode**

The intercom function enables audio communication (maximum 3 minutes) between handsets within the same apartment. Two configuration modes are possible:

**M = 00** (no configurator connected). Multi-family Intercom between devices (max. 3) configured with the same N configurator.

**M = 10** general intercom to be used in single family systems, or in systems installed below the apartment interface 346850.

**Installation**



Height recommended, unless otherwise required by the law



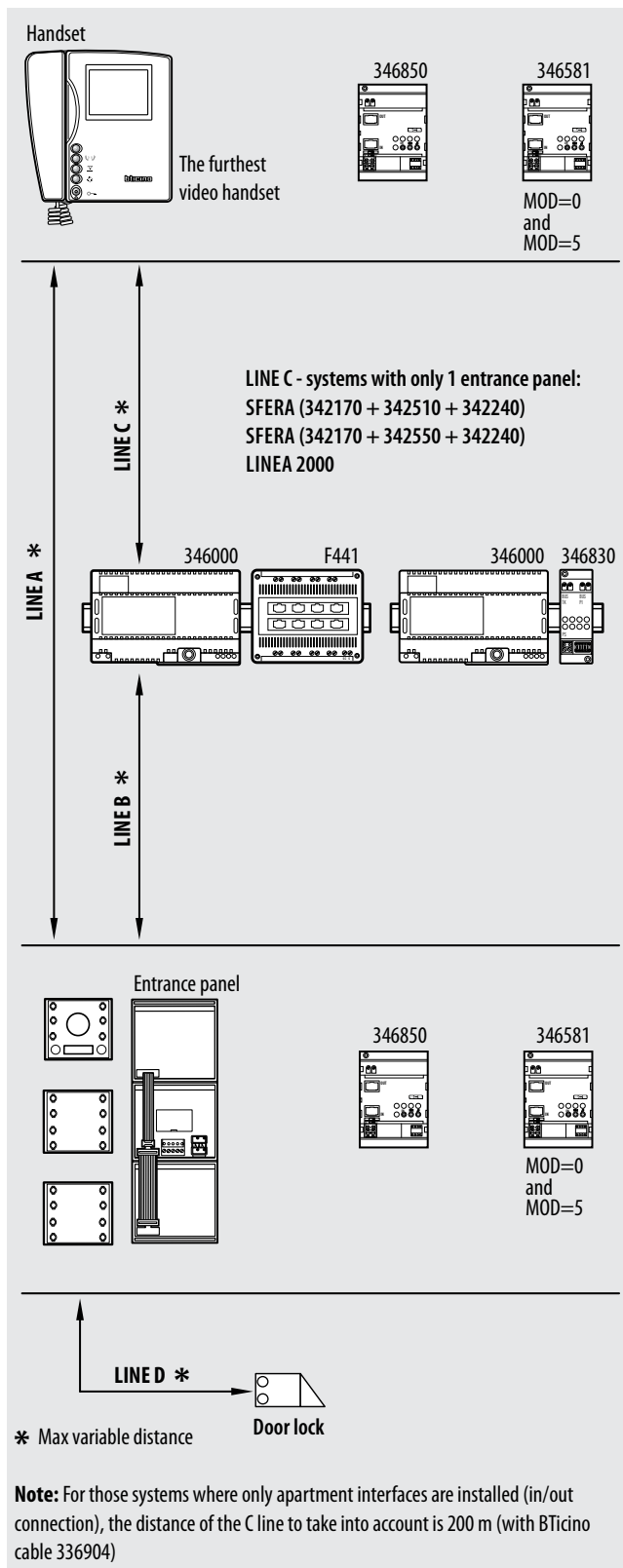
**General rules for installation**

The connection of the devices is non polarised, and may be completed by wiring the system in two different ways:

- **In-out** wiring directly on the device clamps (handsets)
- **star** wiring, with floor shunt (item 346841) installed directly inside the round box (**recommended**).

The use of conductors with characteristics other than the prescribed ones does not guarantee good performance and good quality of the video signal. Therefore, only the cables described in the following tables should be used.

When using the distance tables, interfaces 346850 and 346851 must be treated as handsets within LINE C, and as a two buttons entrance panels within line B.



BT00645-a-EN

**Max. distances and features of cables in MULTI-FAMILY VIDEO SYSTEMS**

The **HANDSETS** classed as (**BASE**) are: BASE SWING video handset;

The **HANDSETS** classed as (**TRADITIONAL**) are: PIVOT, SWING, SPRINT, POLYX VIDEO;

The **HANDSETS** classed as (**ADVANCED**) are: POLYX VIDEO DISPLAY, AXOLUTE VIDEO DISPLAY, AXOLUTE VIDEO STATION, AXOLUTE N&W VIDEO STATION, POLYX MEMORY STATION.

**System created using traditional handsets and at least one base swing handset - black and white entrance panel**

**Maximum LINE A distance, Entrance panel - furthest Handset**

Cable section mm <sup>2</sup>	2 normal cables >0.2 mm <sup>2</sup>	BTicino 336904 cable	Telephone twisted pair - 0.28 mm	A pair of the multi-pair data cable C9881U/5E
2 HA/2 pushbuttons	50	200	135	135
5 HA/5 pushbuttons	50	200	135	120
10 HA/10 pushbuttons	50	200	135	115
26 HA/26 pushbuttons	50	200	135	105
40 HA/entrance panel with local power supply	50	200	135	-
40 HA/digital call modules	50	200	135	-

**Maximum LINE B distance, Entrance panel - Power supply**

Cable section mm <sup>2</sup>	2 normal cables >0.2 mm <sup>2</sup> or L4669	BTicino 336904 cable	Telephone twisted pair - 0.28 mm <sup>2</sup>	A pair of the multi-pair data cable C9881U/5E
2 pushbuttons	50	200	115	90
10 pushbuttons	50	170	100	75
26 pushbuttons	50	150	95	65
Digital call	50	150	95	65
Entrance panel with local power supply	50	200	140	120

**Maximum LINE C distance, Power supply - furthest Handset (1)**

Cable section mm <sup>2</sup>	2 normal cables >0.2 mm <sup>2</sup>	BTicino 336904 cable	Telephone twisted pair - 0.28 mm <sup>2</sup>	A pair of the multi-pair data cable C9881U/5E
2 In/out HA	45	100	65	45
5 In/out HA	45	100	65	45
10 In/out HA	45	100	65	45
18 In/out HA	45	100	65	45
22 In/out HA	40	95	65	40
26 In/out HA	40	90	60	40
5 HA (shunted)	45	100	65	45
10 HA (shunted)	40	95	65	40
18 HA (shunted)	40	85	55	40
22 HA (shunted)	-	75	50	-
26 HA (shunted)	-	60	40	-
30 HA (shunted) (2)	-	80	50	-
40 HA (shunted) (2)	-	60	40	-

**Maximum LINE D distance Entrance panel - Door lock**

Cable section mm <sup>2</sup>	0.28 mm <sup>2</sup>	BTicino L4669 cable	BTicino 336904 cable	1 mm <sup>2</sup>
S+S- clamps	30 m	30 m	50 m	100 m

**Note (1):** LINE C valid for SFERA (342170 + 342510 + 342240), SFERA (342170 + 342550 + 342240), SFERA A/V (342560 + 342240) or LINEA 2000 entrance panels.

**Note (2):** if necessary, power the entrance panel locally.

**WARNING:** in order to reach longer distances, instead of the video adapter item. 346830, the audio/video node, item F441 (generating up to 4 risers), may be used. In this mode one of the previous conditions, with less Handsets and a longer distance on the C LINE, is recreated.

BT00645-a-EN

**System created using advanced or traditional handsets and at least one base SWING handset – colour entrance panel**

**Maximum LINE A distance, Entrance panel - furthest Handset**

Cable section mm <sup>2</sup>	2 normal cables >0.2 mm <sup>2</sup>	BTicino 336904 cable	Telephone twisted pair - 0.28 mm <sup>2</sup>	A pair of the multi-pair data cable C9881U/5E
2 HA/2 pushbuttons	50	200	140	135
5 HA/5 pushbuttons	50	200	140	120
10 HA/10 pushbuttons	50	200	140	115
24 HA/24 pushbuttons	50	200	140	100
30 HA/entrance panel with local power supply	50	200	140	-

**Maximum LINE B distance, Entrance panel - Power supply**

Cable section mm <sup>2</sup>	2 normal cables >0.2 mm <sup>2</sup> or L4669	BTicino 336904 cable	Telephone twisted pair - 0.28 mm <sup>2</sup>	A pair of the multi-pair data cable C9881U/5E
2 pushbuttons	50	200	115	90
10 pushbuttons	50	170	100	75
26 pushbuttons	50	150	95	65
Digital call	50	150	95	65
Entrance panel with local power supply	50	200	140	120

**Maximum LINE C distance, Power supply - furthest Handset (1)**

Cable section mm <sup>2</sup>	2 normal cables >0.2 mm <sup>2</sup>	BTicino 336904 cable	Telephone twisted pair - 0.28 mm <sup>2</sup>	A pair of the multi-pair data cable C9881U/5E
2 In/out HA	45	100	65	45
5 In/out HA	45	100	65	45
10 In/out HA	40	90	60	40
18 In/out HA	40	85	55	40
24 In/out HA	-	75	50	35
5 HA (shunted)	40	100	65	45
10 HA (shunted)	40	85	55	40
18 HA (shunted)	-	80	50	-
24 HA (shunted)	-	50	-	-
30 HA (shunted) (2)	-	60	40	-

**Maximum LINE D distance Entrance panel - Door lock**

Cable section mm <sup>2</sup>	0.28 mm <sup>2</sup>	BTicInor L4669 cable	BTicino 336904 cable	1 mm <sup>2</sup>
S+S- clamps	30 m	30 m	50 m	100 m

**Note (1):** LINE C valid for SFERA (342170 + 342510 + 342240), SFERA (342170 + 342550 + 342240), SFERA A/V (342560 + 342240) or LINEA 2000 entrance panels.

**Note (2):** if necessary, power the entrance panel locally.

**WARNING:** in order to reach longer distances, instead of the video adapter item 346830, the audio/video node, item F441 (generating up to 4 risers), may be used. In this mode one of the previous conditions, with less Handsets and a longer distance on the C LINE, is recreated.

**Max. distances and features of cables in SINGLE-FAMILY VIDEO SYSTEMS**

The **HANDSETS** classed as (**BASE**) are: BASE SWING video handset;

The **HANDSETS** classed as (**TRADITIONAL**) are: PIVOT, SWING, SPRINT, POLYX VIDEO;

The **HANDSETS** classed as (**ADVANCED**) are: POLYX VIDEO DISPLAY, AXOLUTE VIDEO DISPLAY, AXOLUTE VIDEO STATION, AXOLUTE N&W VIDEO STATION, POLYX MEMORY STATION.

**System created using traditional handsets and at least one base swing handset - black and white entrance panel**

**Maximum LINE A distance, Entrance panel - furthest Handset**

Cable section mm <sup>2</sup>	2 normal cables >0.2 mm <sup>2</sup>	BTicino 336904 cable	Telephone twisted pair - 0.28 mm <sup>2</sup>	A pair of the multi-pair data cable C9881U/5E
5 S-family HA/pushbutton EP	50	200	140	135
5 S-family HA/EP with local power supply	50	200	140	165

**Maximum LINE C distance, Power supply - furthest Handset (1)**

Cable section mm <sup>2</sup>	2 normal cables >0.2 mm <sup>2</sup>	BTicino 336904 cable	Telephone twisted pair - 0.28 mm <sup>2</sup>	A pair of the multi-pair data cable C9881U/5E
5 In/out HA	45	100	65	45
5 HA (shunted)	45	100	65	45

**Maximum LINE B distance, Entrance panel - Power supply**

Cable section mm <sup>2</sup>	2 normal cables >0.2 mm <sup>2</sup>	BTicino 336904 cable	Telephone twisted pair - 0.28 mm <sup>2</sup>	A pair of the multi-pair data cable C9881U/5E
2 pushbuttons	50	200	115	90
Entrance panel with local power supply	50	200	140	120

**Note (1):** LINE C valid for SFERA (342170 + 342510 + 342240), SFERA (342170 + 342550 + 342240), SFERA A/V (342560 + 342240) or LINEA 2000 entrance panels.

**System created using advanced or traditional handsets and at least one base swing handset - colour entrance panel**

**Maximum LINE A distance, Entrance panel - furthest Handset**

Cable section mm <sup>2</sup>	2 normal cables >0.2 mm <sup>2</sup>	BTicino 336904 cable	Telephone twisted pair - 0.28 mm <sup>2</sup>	A pair of the multi-pair data cable C9881U/5E
5 S-family HA/pushbutton EP	50	200	140	135
5 S-family HA/EP with local power supply	50	200	140	165

**Maximum LINE C distance, Power supply - furthest Handset (1)**

Cable section mm <sup>2</sup>	2 normal cables >0.2 mm <sup>2</sup>	BTicino 336904 cable	Telephone twisted pair - 0.28 mm <sup>2</sup>	A pair of the multi-pair data cable C9881U/5E
5 In/out HA	45	100	65	45
5 HA (shunted)	45	100	65	45

**Maximum LINE D distance, Entrance panel - Door lock**

Cable section mm <sup>2</sup>	2 normal cables >0.2 mm <sup>2</sup>	BTicino 336904 cable	Telephone twisted pair - 0.28 mm <sup>2</sup>	A pair of the multi-pair data cable C9881U/5E
S+S- clamps	30 m	30 m	50 m	100 m

**Note (1):** LINE C valid for SFERA (342170 + 342510 + 342240), SFERA (342170 + 342550 + 342240), SFERA A/V (342560 + 342240) or LINEA 2000 entrance panels.

BT00645-a-EN

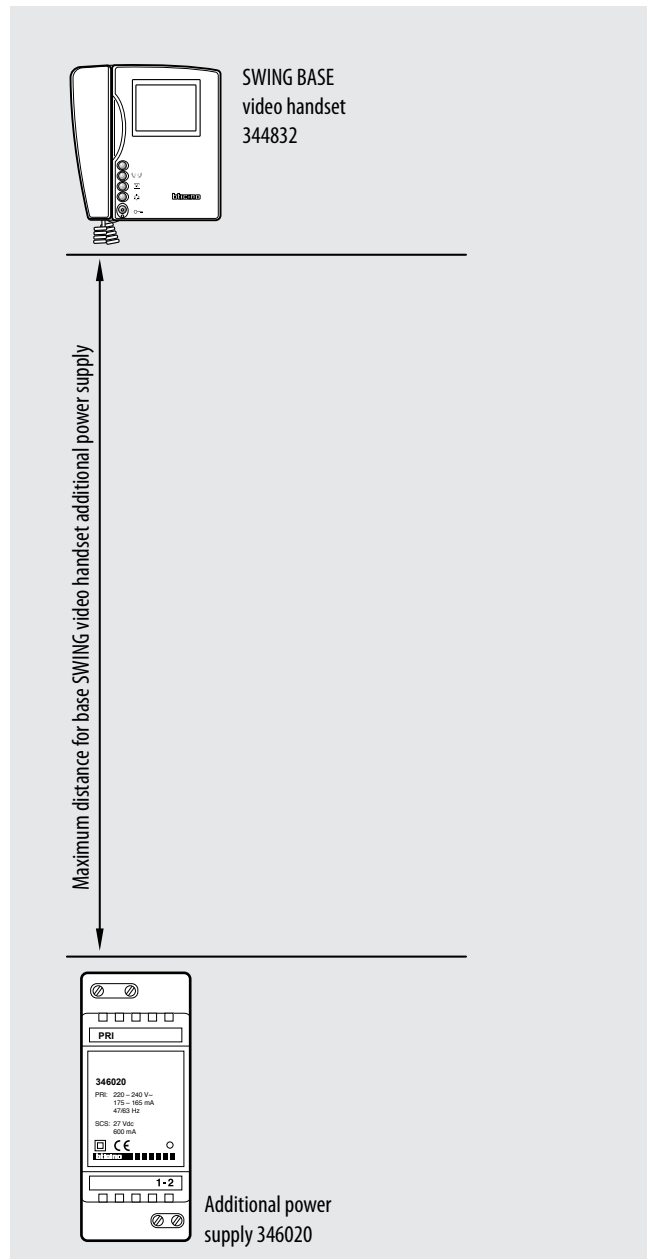
344832

**MAXIMUM DISTANCES AND CABLE FEATURES FOR CONNECTION OF THE ADDITIONAL POWER SUPPLY**

**Maximum LINE distance between the power supply and the entrance panel**

Cable section mm <sup>2</sup>	2 normal cables > 0.2 mm <sup>2</sup>	BTicino 336904 cable	Telephone twisted pair - 0.28 mm <sup>2</sup>	A pair of the multi-pair data cable C9881U/5E
	50	100	75	50

**WARNING:** For situations or installation conditions other than the ones listed in this document (e.g. different entrance panels), the distances may be calculated using the **YouDiagram** software (this can be downloaded free of charge from the [www.international.bticino.com](http://www.international.bticino.com) website - ASSISTANCE AND TOOLS - TECHNICAL SOFTWARE.



BT00645-a-EN



# SPRINT L2 Handset

344242

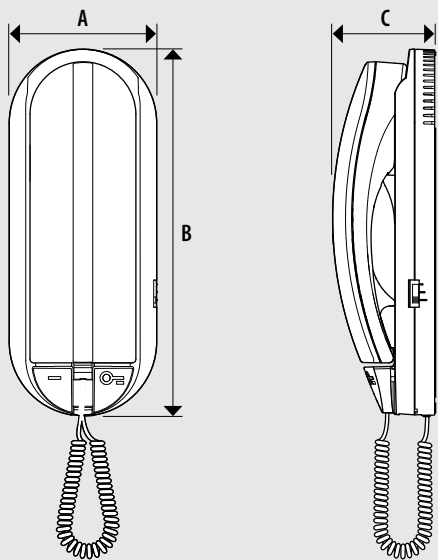
### Description

2 WIRE handset that CANNOT be fitted with accessories, wall mounted. It has a door lock release pushbutton, and a pushbutton that can be configured for auxiliary functions (staircase light switching on, entrance panel activation, call to the switchboard). If installed in video, or mixed audio/video systems, as the last apartment line or riser device, it must include a line termination, item 3499, with IN-OUT connection on the handset itself. The ringtone volume can be adjusted to three different levels using the appropriate selector.

### Technical data

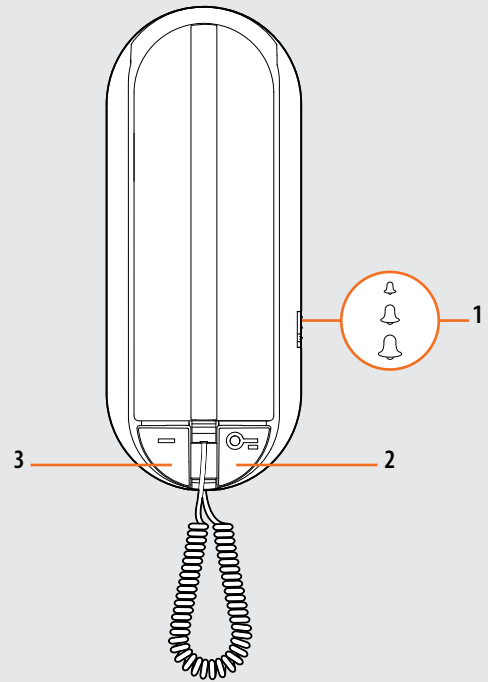
Power supply from SCS BUS:	18 – 27 Vdc
Stand by absorption:	3.5 mA
Max. operating absorption:	35 mA
Operating temperature:	5 – 40 °C

### Dimensional data

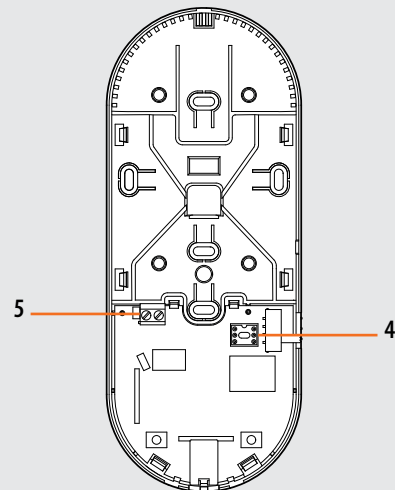


A	B	C
78 mm	194 mm	54,5 mm

Front view



View without lid



### Legend

1. Ringtone volume selector, adjustable to three different levels
2. Door lock release pushbutton
3. Auxiliary function pushbutton (configurable) - see configuration
4. Configurator socket
5. 2 WIRE SCS/BUS connection clamps

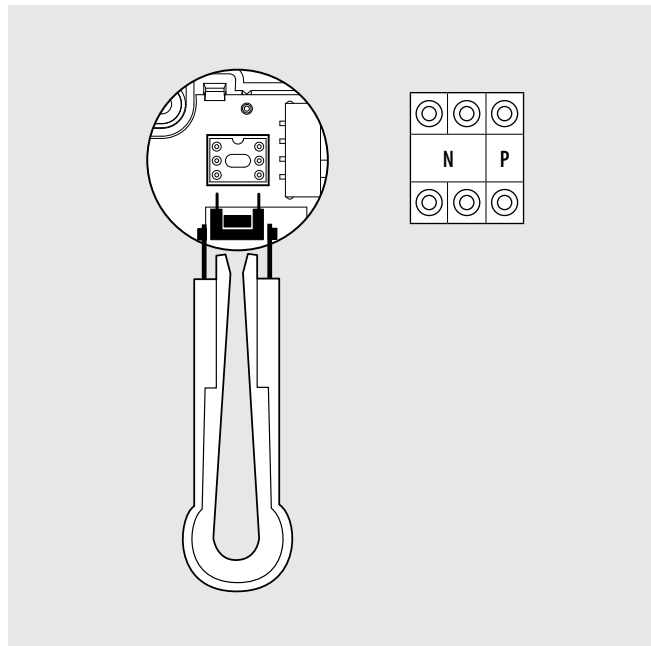
BT00646-b-EN

**Configuration**

The handset **MUST** be configured by physically connecting the configurators to the appropriate sockets as follows:

**N - handset number**

The N configurator assigns to each handset an identification number (1 - 99) within the system. The handsets must be configured in progressive order. In case of handsets with parallel connection (max 3), these must be configured using the same N configurator.



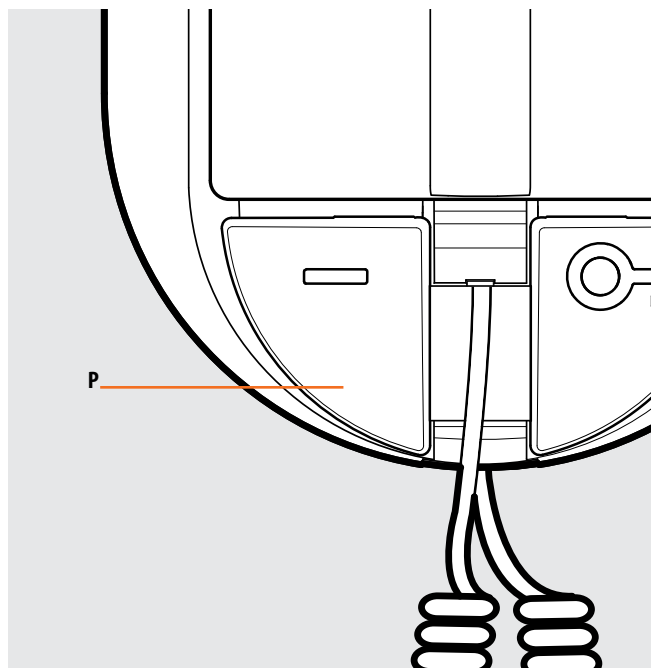
**P - auxiliary function pushbutton**

The configurator connected to P allocates the operating mode to the auxiliary function pushbutton, as shown below:

**(P = 0 no configurator connected) - staircase light switching on/activation of the additional door lock**

**(P = 1 – 8) - activation of the entrance panel configured with P = 1-8**

**(P = 9) - entrance panel activation configured with P = 0 (corresponds to no configurator connected) or call to the main switchboard.**



BT00646-b-EN



# SPRINT handset (without the possibility of fitting with accessories)

344202

### Description

2 WIRE handset that cannot be fitted with accessories, wall mounted or table top installation.  
Whit door lock opening key.  
Bell volume adjustable on 3 levels.

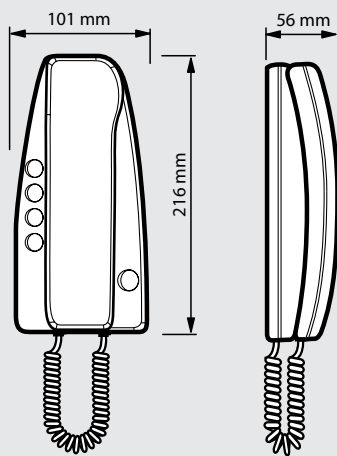
### Related items

- Item 337242 Handset table-top base
- Item 336803 AMP cable for connection on table-top base

### Technical data

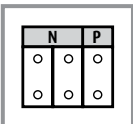
Power supply from SCS BUS: 18 – 27 Vdc  
Stand by absorption: 5 mA  
Max. operating absorption: 35 mA  
Operating temperature: 5 - 40°C

### Dimensional data



### Configuration

The handset must be physically configured:



#### N - handset number

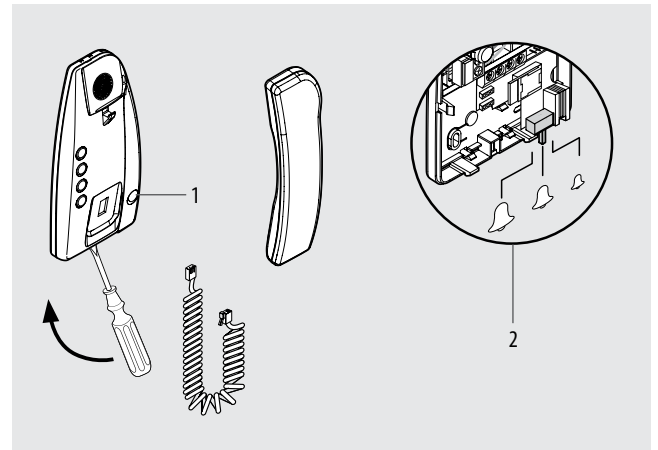
The N configurator assigns to each handset an identification number within the AUDIO system.

The handsets must be configured in progressive order.

In case of handsets with parallel connection (max 3) inside the apartment without item 346850 apartment interface, these must be configured using the same N configurator.

#### P - entrance panel association

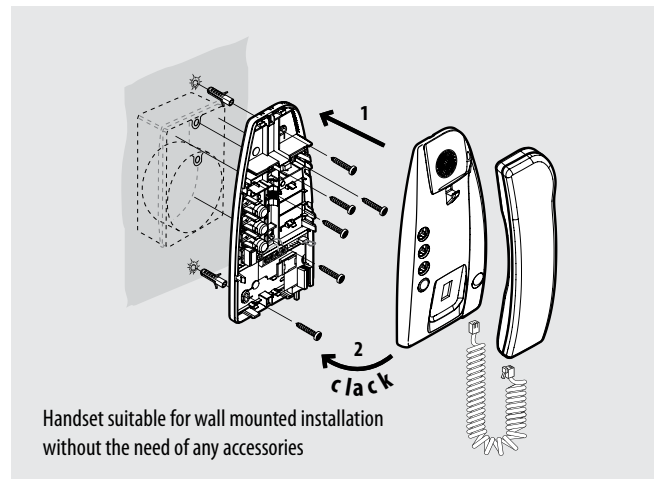
the P configurator identifies the associated EP.



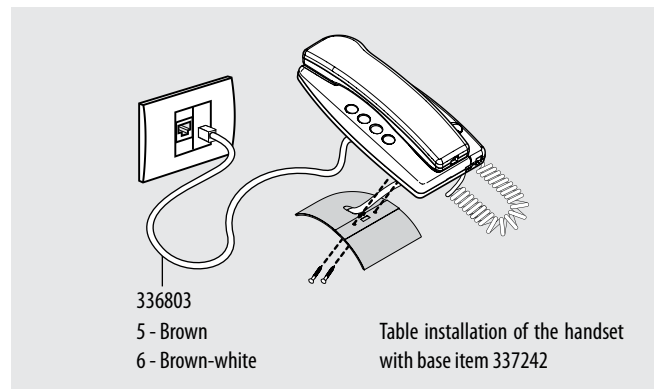
### Legend

- 1 - Door lock key
- 2 - Bell volume adjustment

### Wall mounted installation



### Table installation



BT00647-a-EN





# SPRINT handset (that can be fitted with accessories)

344212

### Description

2WIRE handset that can be fitted with accessories, wall mounted or table top installation. It has auxiliary function pushbuttons. It can be accessorised with additional pushbuttons and signalling LED (traditional wiring), as well as call exclusion card, item 346800. Using the configuration procedure, the user can decide which function to associate to the auxiliary function pushbutton. When the item 344212 handset is installed on video or mixed audio/video systems as the last device of the riser, or apartment line, an INPUT/OUTPUT termination, item 3499, must be connected to the handset itself.

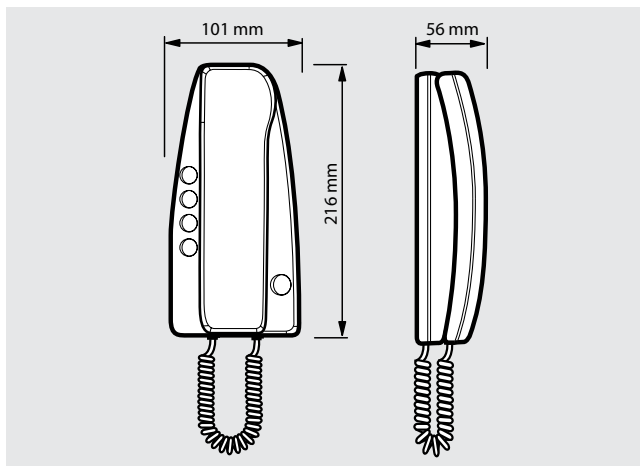
### Related items

- item 337242 Handset table-top base
- item 346800 Extra bell and/or call exclusion card
- item 336803 AMP cable for connection on table-top base
- item 337430 Additional pushbutton
- item 3499 Line termination

### Technical data

Power supply from SCS BUS: 18 – 27 Vdc  
 Stand by absorption: 5 mA  
 Max. operating absorption: 35 mA  
 Operating temperature: 5 - 40°C

### Dimensional data



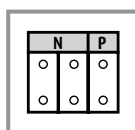
### Configuration

The handset must be physically configured:

#### N - handset number

The N configurator assigns to each handset an identification number within the system. The handsets must be configured in progressive order.

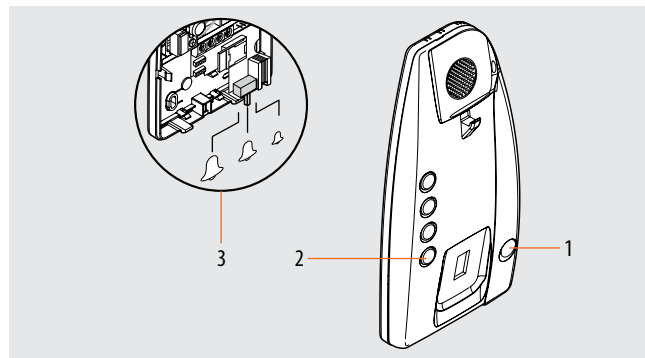
In case of handsets with parallel connection (max 3) inside the apartment without item 346850 apartment interface, these must be configured using the same N configurator.



### P - Auxiliary function pushbutton

The auxiliary function pushbutton on the handset item 344212 can be used to perform several functions, determined by the value of the configurator connected to P.

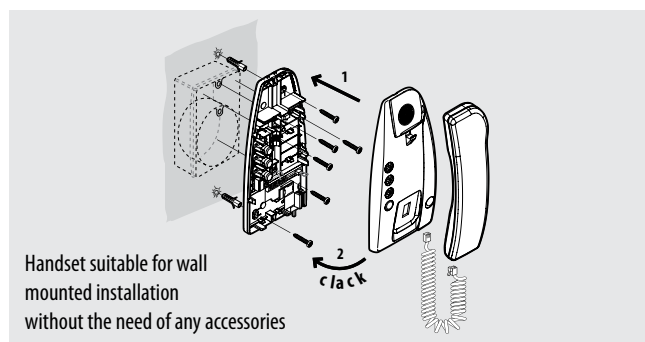
Configurator in P	Auxiliary pushbutton function
0	Light actuator control
1 - 7	Activation of the audio function on the entrance panel configured with P = 1 to 7
9	Call to the Switchboard, in systems with the 8/2-WIRE interface item 346150



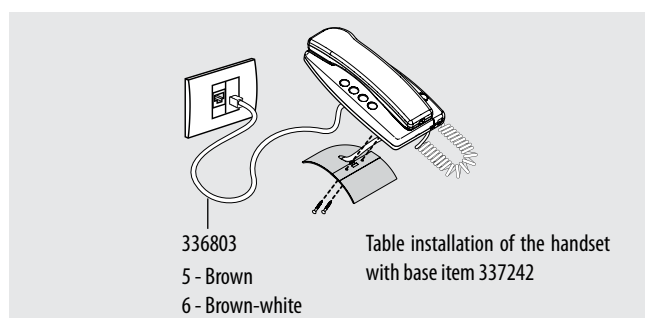
### Legend

- 1 - Door lock key
- 2 - Key for auxiliary functions
- 3 - Bell volume adjustment

### Wall mounted installation



### Table installation



BT00648-a-EN



# PIVOT Handset

344032

## Description

2 WIRE PIVOT handset for wall mounted, flush mounted, or table top installation. It has door lock release, staircase light and EP activation keys.

The device offers the possibility of selecting among 16 already programmed bells for floor call, main entrance panel, INTERCOM CALL, and secondary entrance panel. The call volume can be set on three levels: high, medium and disabled (this condition is signalled by a flashing red LED).

It also has a call secrecy function. It is connected to the system using the removable clamp supplied.

Wall mounting bracket supplied as standard.

**WARNING:** Table installation is possible in video or mixed audio/video systems where the wiring to the handset uses floor shunt item 346841 or the audio/video node item F441.

## Related items

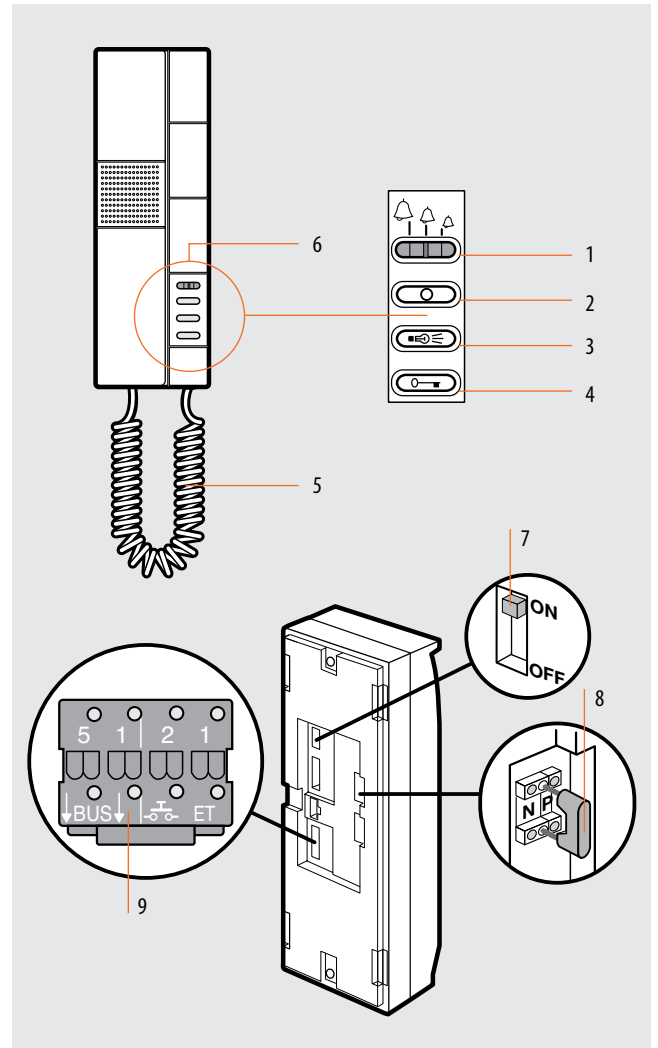
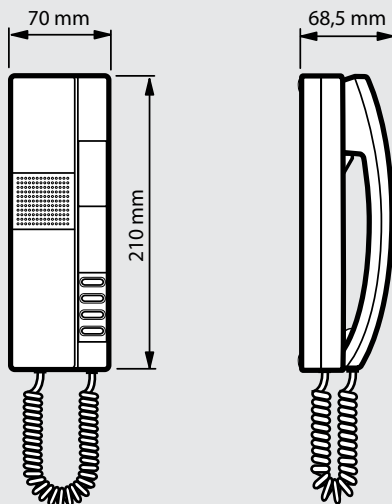
- item 346812 4 key small block for auxiliary functions - white
- item 337102 table-top support - white

**NOTE:** for flush mounted installation refer to the specific accessories of the MULTIBOX range.

## Technical data

- Power supply from SCS BUS: 18 – 27 Vdc
- Stand by absorption: 5 mA
- Max. operating absorption: 35 mA
- Operating temperature: 5 - 40°C

## Dimensional data



## Legend

- 1 - electronic call with volume adjustable on 3 levels: high, medium, disabled (the excluded call is signalled by a flashing red LED).
- 2 - Entrance panel activation
- 3 - Staircase light key
- 4 - Door lock key
- 5 - Extensible cord capped on both ends with RJ connectors
- 6 - Socket for 4 key small block (optional)
- 7 - Line termination ON/OFF micro-switch
- 8 - Configurator socket
- 9 - Plug-in clamp for the connection of the 2 WIRE BUS, additional power supply, and auxiliary floor call function, as well as extra bell.

BT00649-a-EN

344032

**Configuration**

**N – handset number**

The N configurator assigns to each handset an identification number within the system. The handsets must be configured in progressive order. In case of handsets with parallel connection (max 3 inside the same apartment without item 346850), these must be configured using the same N configurator.

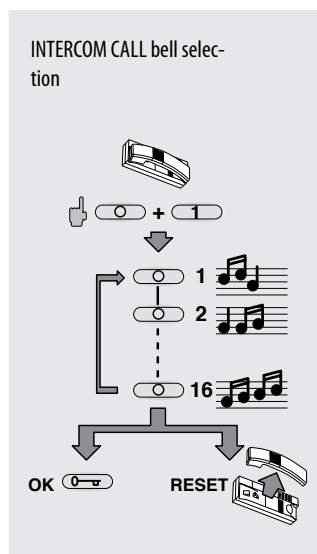
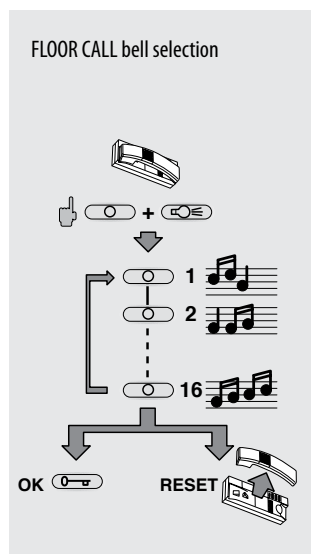
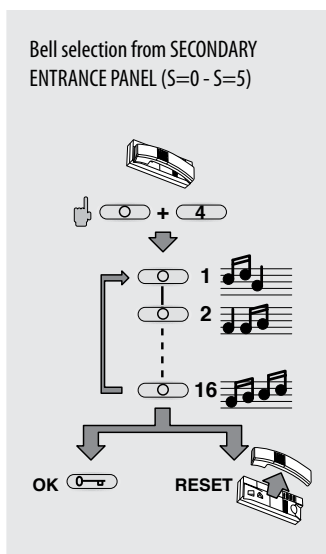
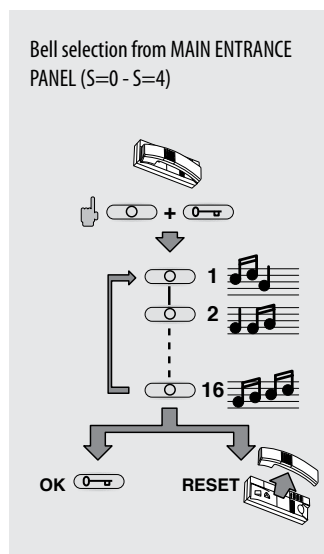
**P – entrance panel association**

The P configurator identifies the associated EP or the first entrance panel on which the audio is activated when the key is pressed for the first time, as well as which door lock is activated when the key is pressed while the handset is idle.

Configurator in P	key function
0-9	Activation of the audio function on the entrance panel (configured with P=0-9)

Configurator in P	key function
0-9	Entrance panel door lock release with handset idle

**Programming of bells**





# Iryde Touch Phone

345020 - 345021

## Description

2 wire telephone and video handset for wall mounted installation (with optional bracket, item 345024) or table-top version (with optional support, item 345023). It has a 16/9, 4.3" LCD colour touch screen display with icon navigation menu, which can be customised using a PC for the management of the functions:

- telephone;
- video door entry
- MY HOME automation: temperature control, sound system, automation scenarios, burglar alarm.

The device also features:

- backlit keypad with blue LED.
- handset with magnet for logic release functions through the Hall sensor fitted inside the base, with extendable spiral cable. On the back of the receiver is a loudspeaker for the handsfree function.

Programming and configuration using the TilrydeTouch Phone software supplied with the product.

## Technical data

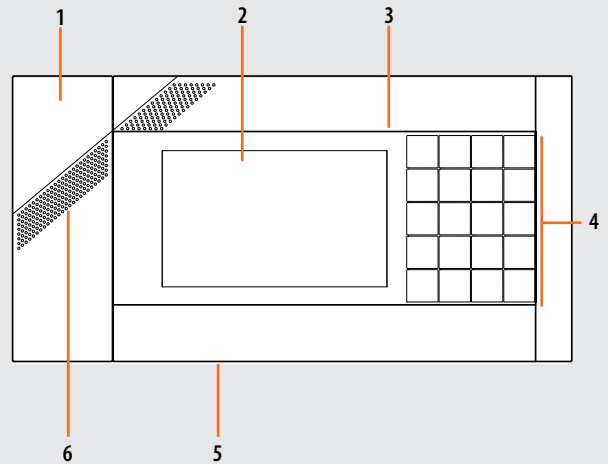
Power supply from SCS BUS:	18 – 27 Vdc
Maximum absorptions from the BUS:	
- Standby	35 mA and up to 160 mA when the telephone functions are used.
- ON	350 mA
- With additional power supply (1-2)	20 mA
Operating temperature:	5 – 45 °C

## Legend

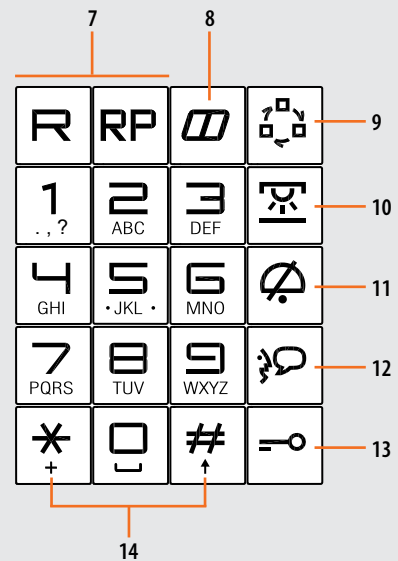
1. Handsfree loudspeaker
2. Handset
3. LCD colour touch screen display: it displays the user menus and shows the images recorded from the entrance panel and from other cameras
4. Handsfree microphone
5. Backlit keypad
6. Mini USB PC connection
7. Call forwarding and repeat/pause telephone function keys
8. Telephone address book key
9. EP switching on and camera cycling key
10. Stair lights switching on key
11. Call exclusion key: press once to disable the ringtone (telephone and video door entry system), and press again to enable. Steady red LED with ringtone disabled, flashing for incoming call and ringtone disabled
12. Handsfree enable/disable key. Green LED when enabled
13. Main EP door lock release key. Notification LED:
14. - off when the door lock is idle and the door is locked, red when the door is open
15. - red flashing when the Office function is active
16. \* and # keys used for telephone services
17. Line termination ON/OFF switch
18. PSTN telephone line or PABX switchboard connector
19. 2 wire video SCS/BUS connector
20. 1-21) power supply connector
21. Configurator socket
22. Bracket fixing screw.

Note: 1) The telephone functions are still ensured in case of power cut to the SCS/BUS, provided that an additional power supply is present. (1= -; 2= +)

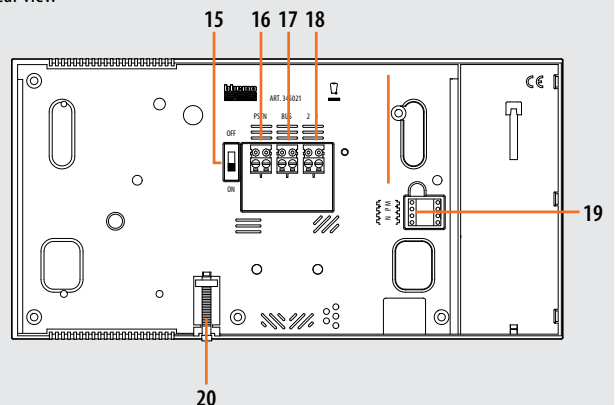
Front view



Keypad



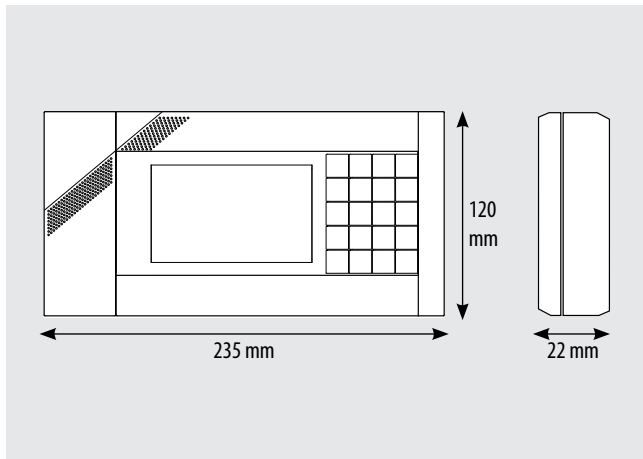
Rear view



BT00650-a-FN

345020 - 345021

**Dimensional Data**



**Rules, certification, marks**

Iryde Touch Phone 345020 – 345021 complies with the 1999/5EC directive, certified following the current regulations listed below:

- EN 60950-1:2006-04 + EN 60950-1/A11:2009-03
- EN 50090-2-2/EC:1997-03 + EN 50090-2-2/A1:2002-01 + EN 50090-2-2/A2:2007-04

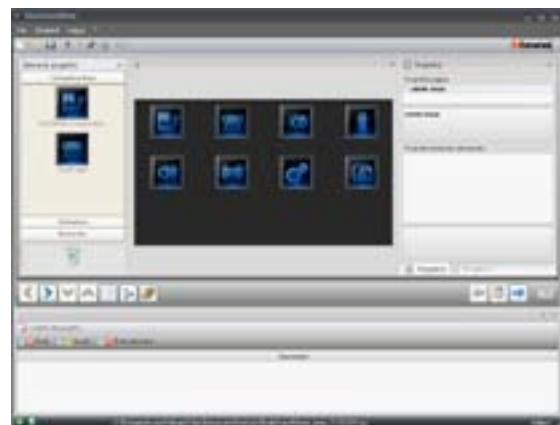
**Configuration**

Iryde Touch Phone can be configured in two different modes:

- **Basic configuration:** when switched on for the first time, the product asks the user to select the language. After this has been done, if no physical configurators are present, the device displays a main page showing the video door entry system icon (inside which, standard door entry system commands can be found: camera, door lock release, intercom, automatic cycling), the telephone icon, and the settings icon. The basic configuration can also be performed using physical configurators: N (address of the device within the video door entry system), P (address of the EP associated to the device)

- **Configuration using the PC:** using the TilrydeTouchPhone software, it gives the possibility of configuring the main menu page without being limited to a pre-set number of functions. Each function may be customised in terms of type, parameter, and text. PC configuration provides:

- better flexibility in the creation of the menu;
- customisation of text;
- functionalities for the management of the MY HOME automation systems.



**Main functions**

- **Simultaneous switching on with additional power supply:** it is possible to connect up to 4 ITPs with no additional power supply. In case of simultaneous switching on of several menus, display brightness limitation occurs. In system with or without PABX switchboard, where however the PSTN telephone line and the SCS BUS are connected using the star wiring solution, the image from the camera is visible on all the ITPs, provided that these are powered individually using the additional power supply (item 346020). In general, when installing systems in apartments with ITPs connected to the telephone line, the installation of the apartment interface, item 346850, is also required.
- **Home automation functions:** using the software, it is possible to configure the pages for the control of the home automation systems installed inside the home. The available pages are: alarms (alarm log display), sound system (programming of the rooms and source names), temperature control (management of the 4 zone and 99 zone system), execution of scenarios.
- **Ringtones:** stored in the ITP, can be associated to specific events: door entry system, telephone, and intercom call, alarms, etc. The ringtones are played by the loudspeaker used for the handsfree function. It is possible to update the ringtones, with Wav or MP3 files, using the configuration software.

BT00650-a-EN

- **Address book:** using the telephone menu, the address book can be used for the following functions: add a contact, delete a contact, change a contact, select and call a contact, customise a contact by associating a photo to the number (using the software), management of several numbers (max 3) for each contact.

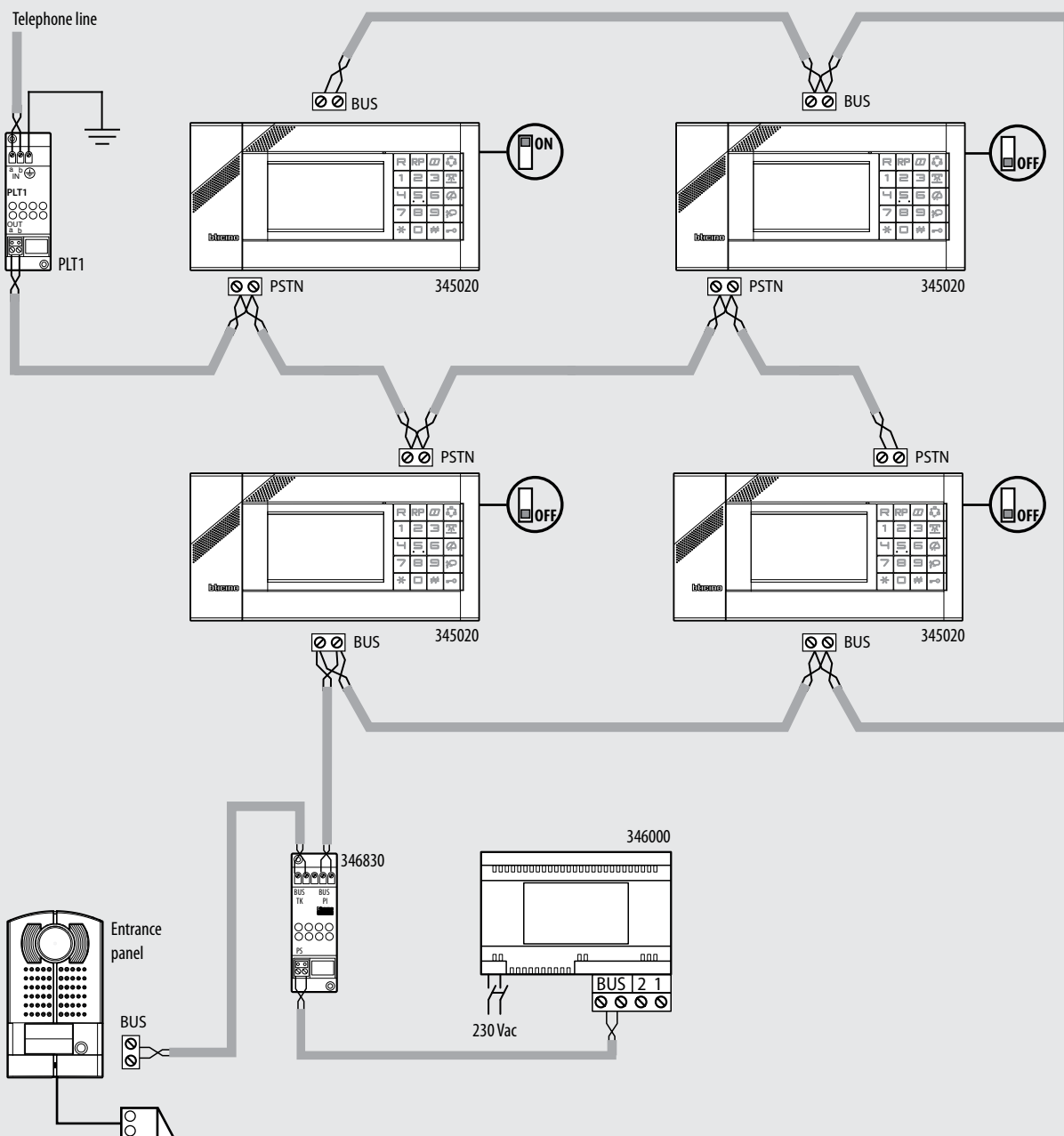
### Telephone services

- **Calling a number on the PSTN line:** using the appropriate keypad command, the user can select the PSTN telephone line on which to make the call. ITP is capable of selecting a telephone number on the PSTN line in touch tone mode (DTMF).
- **Calling a number on the private, or system, address book using the PSTN line.**
- **Pager:** Press the dedicated icon to communicate with handsets and telephones with handsfree function.
- **Answering incoming calls.**
- **Differentiated call:** when a call arrives, the user has the possibility of distinguishing between type of calls (intercommunicating, from the outside line, or video door entry system call), by using different sound tracks.
- **CID service:** upon arrival of a PSTN line call, the caller number or name is displayed (if the number is included in the address book), together with the photo of the caller (if present in the private address book). The availability of the service is subjected to the activation of the function for forwarding information by the central unit.
- **Extension call (intercommunicating call):** possibility for the extensions to talk to each other. The selection of the extension to call can be made in two ways:
  - by entering on the code of the extension to call on the keypad (from 401 to 408)
  - by selecting the extension to call from the menu, and then pressing "OK" to confirm the call
- **General call of all the extensions:** it is possible to make an announcement on all CTB and ITP extensions using the loudspeaker on the bases of the telephones. To activate the service lift the handset and press the dedicated icon. The first telephone engaging the line enters in conversation with the caller, excluding all the other extensions called. If no answer is received within the activation time, the service is interrupted and the caller receives a time-out tone. The service can be interrupted by replacing the handset. Press the "pager" key during the activation time or when the time-out tone is heard from the handset to reactivate the service. The microphone used for the pager function can be the handset or the handsfree microphone.
- **Automatic redial of the last external number.**
- **Putting a call on and off hold on the telephone line:** the extension engaged in the call can put the user of the PSTN line on hold by pressing the "R/HOLD" key. While on hold the extension can:
  - enable a permitted service.
  - restart the conversation by replacing the handset (call return).
  - restart the conversation on hold by pressing the "R/HOLD" key again.
- **Answering a second call.**
- **Transfer without consent in case of free tone:** in case of installation with PABX, after pressing "R" and selecting the number of the extension to which to transfer the conversation, the user can replace the handset once a free tone is heard.
- **Transferring a door entry system and DOSA outside line call:** in case of installation with PABX.
- **DISA service, selection of the handset from the outside line using the voice menu:** in case of installation with PABX.
- **Day/lunchtime/night scenarios for the various telephone lines:** in case of installation with PABX.

345020 - 345021

**Wiring diagrams**

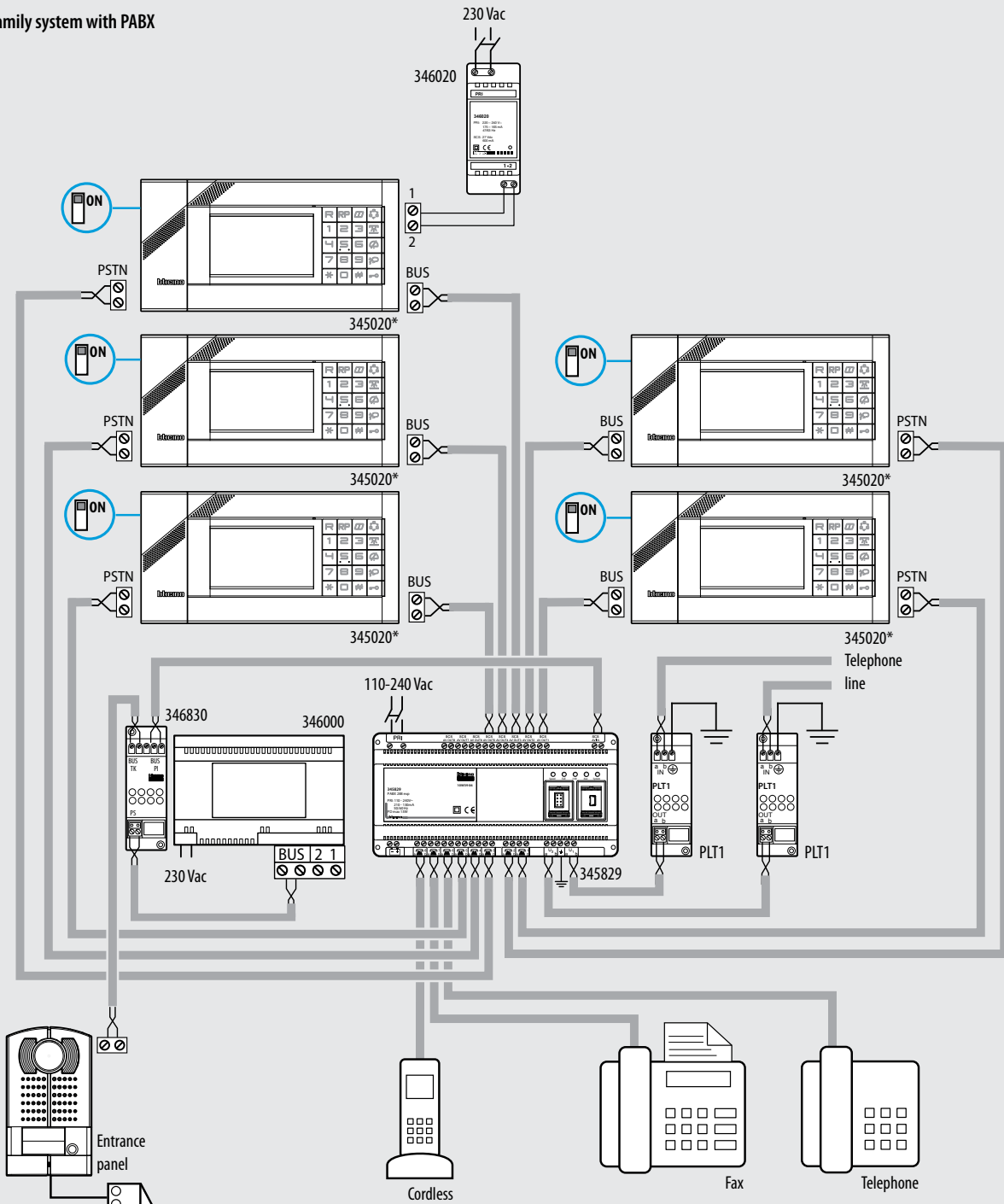
**One-family system without PABX**



ITEM	DESCRIPTION	QUANTITY
PLT1	Protection of telephone line	1
345020	Iryde Touch Phone	4
346830	Video adapter	1
346000	AV Power supply, 230 V	1

BT00650-a-EN

One-family system with PABX



BT00650-a-EN

Note (\*): configure the ITPs (using the Menu or the Software) to recognise that the PABX switchboard is present

ITEM	DESCRIPTION	QUANTITY
PLT1	Protection of telephone line	2
345020	Iryde Touch Phone	5
346830	Video adapter	1
346000	AV Power supply, 230 V	1
345829	Switchboard	1
346020	Power supply	1





# PIVOT

## black & white video handset

344102

### Description

2 WIRE PIVOT video handset for wall mounted, flush mounted, or table top installation. Black & white 4" flat monitor. It has door lock release, staircase light, and entrance panel activation keys.

The device offers the possibility of selecting among 16 already programmed bells for floor call, main entrance panel, intercom call, and secondary entrance panel. The call volume can be set on three levels: high, medium and disabled (this condition is signalled by a flashing red LED).

It also has a call secrecy function. It is connected to the system using the removable clamp supplied.

Wall mounting bracket supplied as standard.

### Related items

item 346812 4 key small block for auxiliary functions - white

item 337122 table-top support - white

**NOTE:** for flush mounted installation refer to the specific accessories of the **MULTIBOX** range.

### Technical data

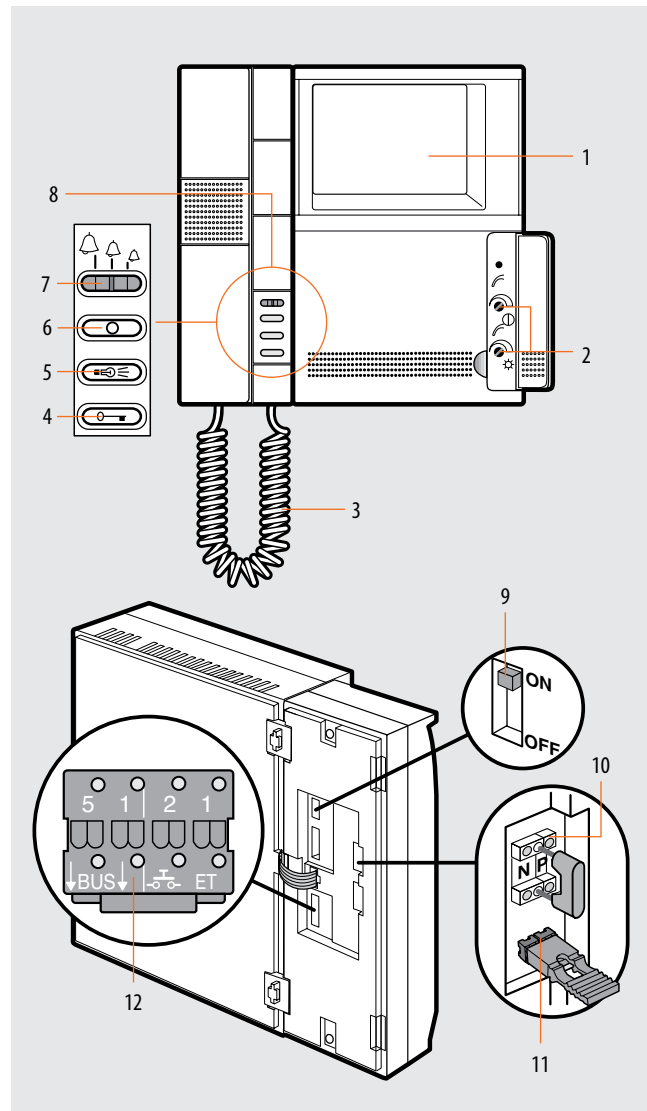
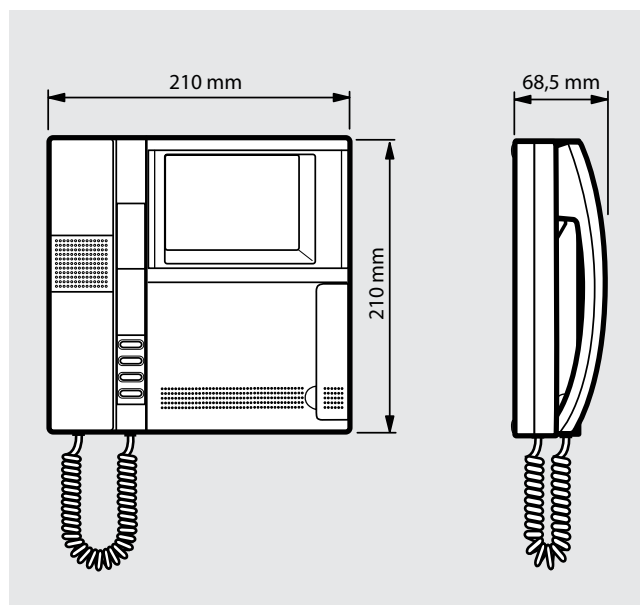
Power supply from SCS BUS: 18 – 27 Vdc

Stand by absorption: 5 mA

Max. operating absorption: 290 mA

Operating temperature: 5 - 40°C

### Dimensional data



### Legend

1. 4" TFT colour monitor
2. Monitor colour, contrast, and brightness adjustment
3. Extensible cord capped on both ends with RJ connectors
4. Door lock key
5. Staircase light key
6. Entrance panel activation/cycling
7. Electronic call with volume adjustable on 3 levels: high, medium, disabled (the excluded call is signalled by a flashing red LED)
8. 4-key block housing (optional)
9. Line termination ON/OFF micro-switch
10. Configurator socket
11. MASTER-SLAVE Jumper (remove to enable SLAVE)
12. Plug-in clamp for the connection of the 2 WIRE BUS, additional power supply, and auxiliary floor call function, as well as extra bell.

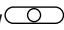
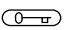
BT00651-a-EN

**Configuration**

**N – handset number**

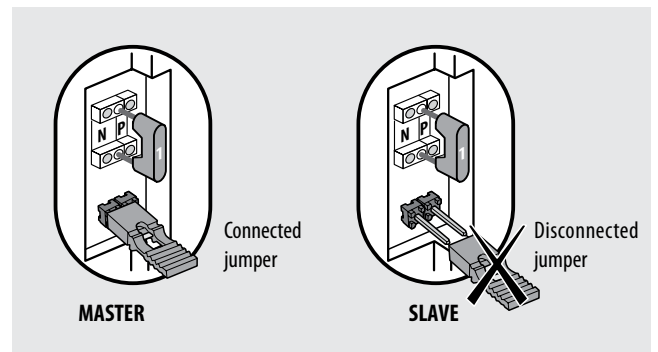
The N configurator assigns each video handset an identification number within the system. The handsets must be configured in progressive order. The handsets must be configured in progressive order. Handsets with parallel connection (max 3 are allowed inside apartments without item 346850) must be configured using the same N configurator. In parallel with the main video handset, additional handsets, video handsets and/or bells may be installed.

**P – entrance panel association**

The P configurator identifies the entrance panel associated, or the first entrance panel to activate before pressing the key  and which door lock is activated when the key  is pressed while the video handset is idle.

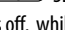
**MASTER – SLAVE selection jumper**

In multi-family systems with several video handsets (max. 3) connected in parallel inside the same apartment (without using item 346850), both the MASTER and the SLAVE handsets must be set, by connecting or removing the selection jumper.



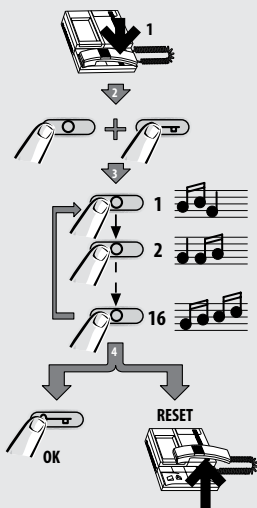
When a call is received, the MASTER video handset of the system rings and switches on, while the video handsets configured as SLAVE only rings.

If the call is answered from a SLAVE unit, the MASTER unit switches off again, while the monitor of the SLAVE unit the call has been answered from comes on.

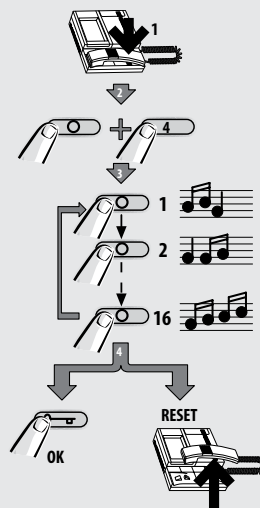
When a pushbutton of  SLAVE unit is pressed before answering, the MASTER handset monitor switches off, while the monitor of SLAVE on which the pushbutton has been pressed switches on, but without audio connection.

**Programming of bells**

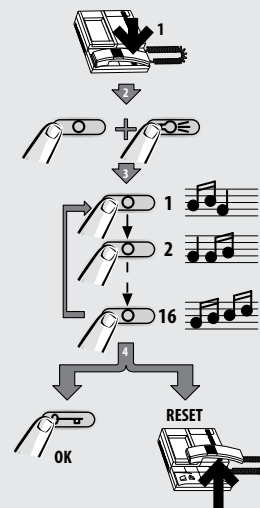
**Bell selection from MAIN ENTRANCE PANEL (S=0 - S=4)**



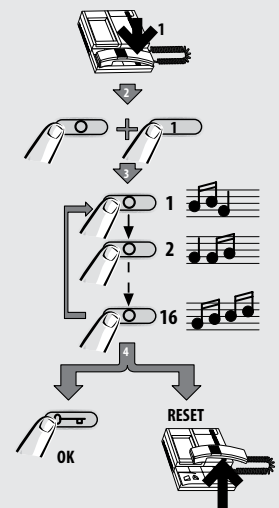
**Bell selection from SECONDARY ENTRANCE PANEL (S=0 - S=5)**



**FLOOR CALL bell selection**



**INTERCOM CALL bell selection**



BT00651-a-EN



# PIVOT

## colour video handset

344122

### Description

2 WIRE PIVOT video handset for wall mounted, flush mounted, or table top installation. TFT colour 4" flat monitor. It has door lock release, staircase light, and entrance panel activation keys.

The device offers the possibility of selecting among 16 already programmed bells for floor call, main entrance panel, intercom call, and secondary entrance panel. The call volume can be set on three levels: high, medium and disabled (this condition is signalled by a flashing red LED).

It also has a call secrecy function. It is connected to the system using the removable clamp supplied.

Wall mounting bracket supplied as standard.

### Related items

item 346812 4 key small block for auxiliary functions - white

item 337122 table-top support - white

**NOTE:** for flush mounted installation refer to the specific accessories of the **MULTIBOX** range.

### Technical data

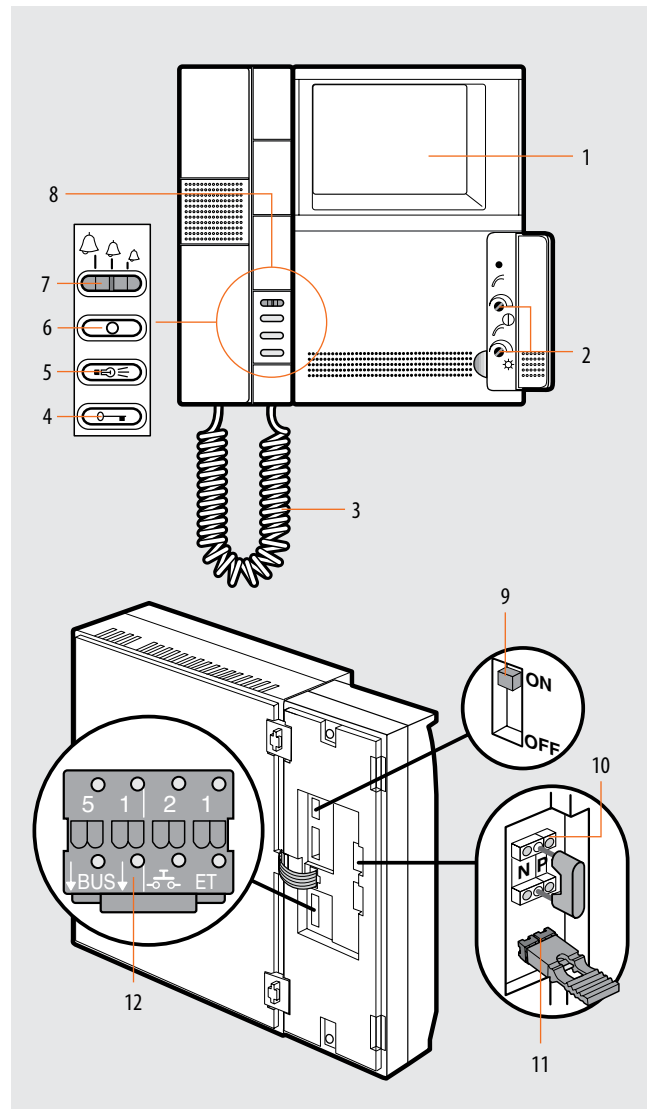
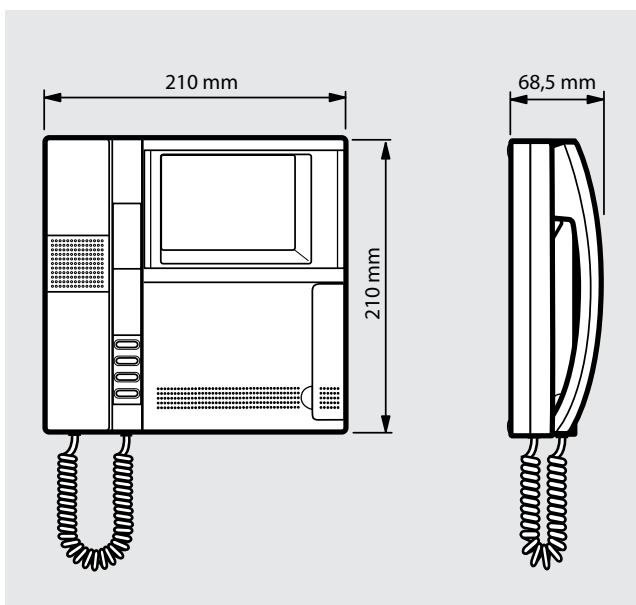
Power supply from SCS BUS: 18 – 27 Vdc

Stand by absorption: 5 mA

Max. operating absorption: 290 mA

Operating temperature: 5 - 40°C

### Dimensional data



### Legend

1. 4" TFT colour monitor
2. Monitor colour, contrast, and brightness adjustment
3. Extensible cord capped on both ends with RJ connectors
4. Door lock key
5. Staircase light key
6. Entrance panel activation/cycling
7. Electronic call with volume adjustable on 3 levels: high, medium, disabled (the excluded call is signalled by a flashing red LED)
8. 4-key block housing (optional)
9. Line termination ON/OFF micro-switch
10. Configurator socket
11. MASTER-SLAVE Jumper (remove to enable SLAVE)
12. Plug-in clamp for the connection of the 2 WIRE BUS, additional power supply, and auxiliary floor call function, as well as extra bell.

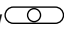
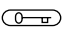
BT00652-a-EN

**Configuration**

**N – handset number**

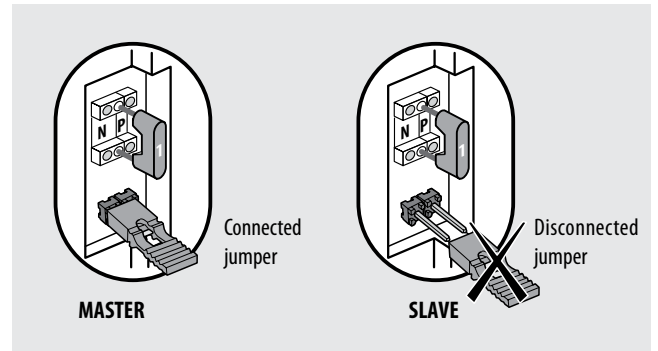
The N configurator assigns each video handset an identification number within the system. The handsets must be configured in progressive order. The handsets must be configured in progressive order. Handsets with parallel connection (max 3 are allowed inside apartments without item 346850) must be configured using the same N configurator. In parallel with the main video handset, additional handsets, video handsets and/or bells may be installed.

**P – entrance panel association**

The P configurator identifies the entrance panel associated, or the first entrance panel to activate before pressing the key  and which door lock is activated when the key  is pressed while the video handset is idle.

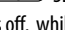
**MASTER – SLAVE selection jumper**

In multi-family systems with several video handsets (max. 3) connected in parallel inside the same apartment (without using item 346850), both the MASTER and the SLAVE handsets must be set, by connecting or removing the selection jumper.



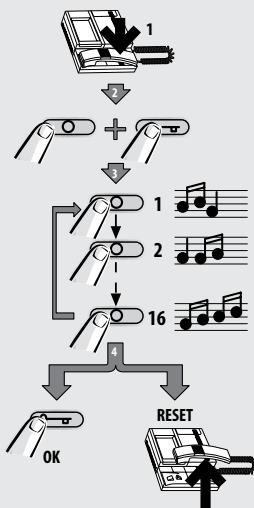
When a call is received, the MASTER video handset of the system rings and switches on, while the video handsets configured as SLAVE only rings.

If the call is answered from a SLAVE unit, the MASTER unit switches off again, while the monitor of the SLAVE unit the call has been answered from comes on.

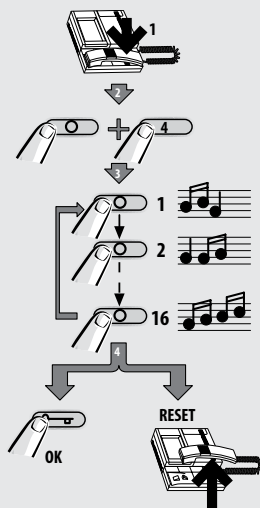
When a pushbutton of  SLAVE unit is pressed before answering, the MASTER handset monitor switches off, while the monitor of SLAVE on which the pushbutton has been pressed switches on, but without audio connection.

**Programming of bells**

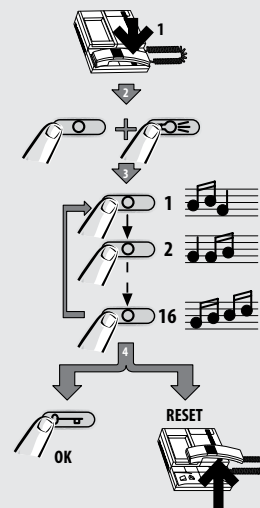
**Bell selection from MAIN ENTRANCE PANEL (S=0 - S=4)**



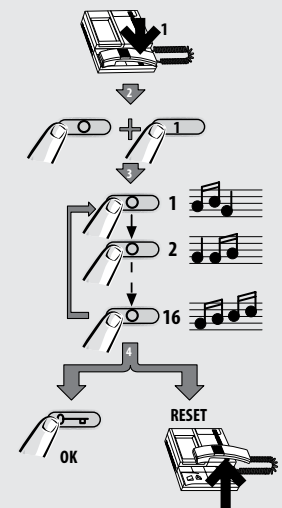
**Bell selection from SECONDARY ENTRANCE PANEL (S=0 - S=5)**



**FLOOR CALL bell selection**



**INTERCOM CALL bell selection**



BT00652-a-EN

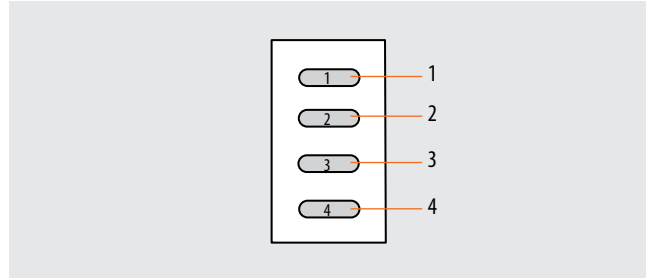


# PIVOT 4 key handset accessory

346812

### Description

4 key accessory for handsets item 344032, and video handsets item 344102, 344122, . It must be installed inside the handset, in the preset location.  
 It can be used to perform the listed functions, based on the type of configuration set:  
 - Intercom call among various system devices and apartments (max. 5)  
 - control of actuators for additional door locks  
 - control of actuators for general uses and auto-switching on of the entrance panel  
 - mixed activations  
 - paging function through the 2 WIRE sound system  
 - enabling/disabling of home automation scenarios  
 - apartment intercom in two-family system



### Legend

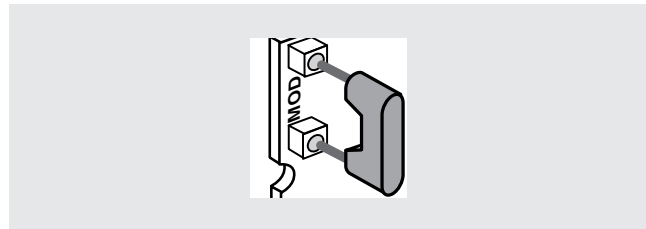
- 1 - Key 1
- 2 - Key 2
- 3 - Key 3
- 4 - Key 4

### Configuration

The device must be configured **fisicamente** per stabilirne la operating mode:

#### M - Operating mode

It sets the operating mode allocated to the individual keys of the accessory block.  
 The mode changes depending on whether the apartment interface, item 346850, has been installed or not.



### Configuration

#### Selection of MOD configurators

MODE	FUNCTION OF KEYS WITHOUT item 346850	FOR MULTI-FAMILY SYSTEMS WITHIN THE APARTMENT WITH item 346850
MOD=∞	Direct switching on of the EPs 1 Direct switching on of the EPs configured with P+1 2 Direct switching on of the EPs configured with P+2 3 Direct switching on of the EPs configured with P+3 4 Direct switching on of the EPs configured with P+4 Control of the actuator for generic loads (Item 346200) 1 346200 configured with MOD=9 and P=P+1 2 346200 configured with MOD=9 and P=P+2 3 346200 configured with MOD=9 and P=P+3 4 346200 configured with MOD=9 and P=P+4	
MOD=1	Intercom among the apartment with N-1-5	Intercom among Handsets with N=1-5
MOD=2	Intercom among apartments with interface item 346850 – N=1-4	Intercom among apartments configured with N=1-4

BT00653-a-EN

**Configuration**

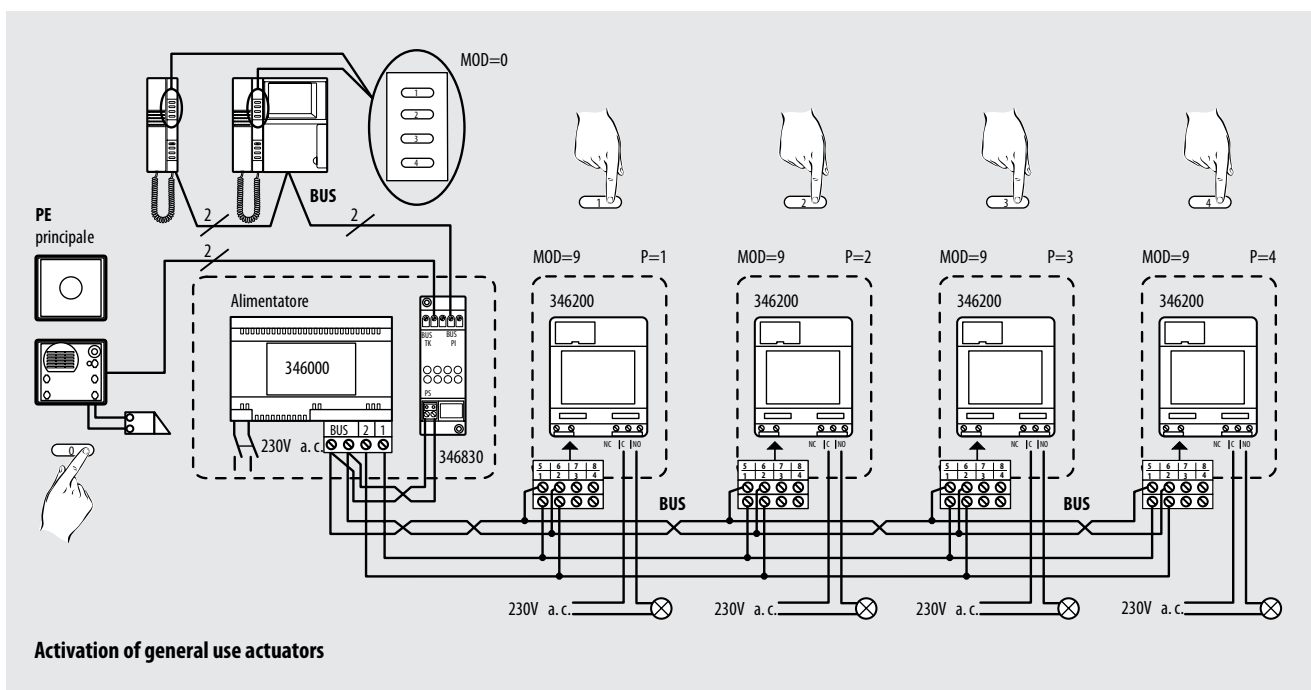
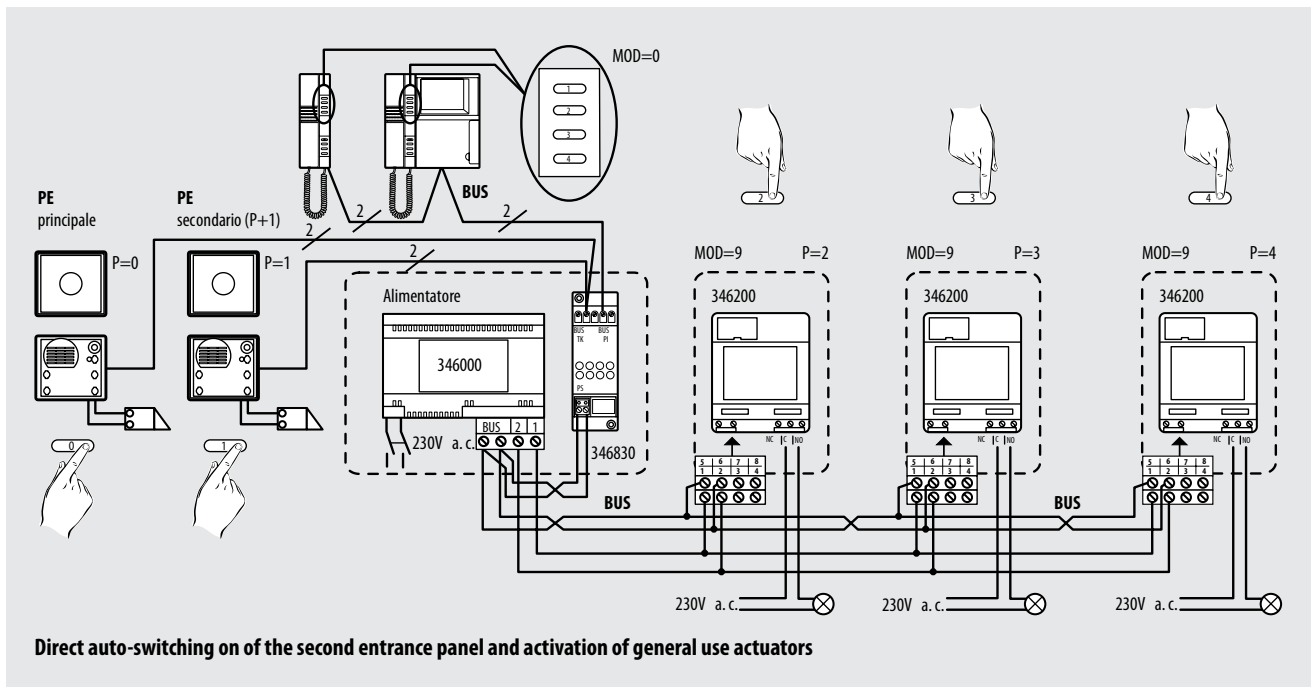
**Selection of MOD configurators**

MODE	FUNCTION OF KEYS WITHOUT item 346850	FOR MULTI-FAMILY SYSTEMS WITHIN THE APARTMENT WITH item 346850
MOD = <b>3</b>	<input type="checkbox"/> 1 Auto-switching on of EPs configured with P+1 <input type="checkbox"/> 2 Door lock control for EPs configured with P+1 Keys <input type="checkbox"/> 3 and <input type="checkbox"/> 4 for intercom among the handsets of different apartments config. with N=1-3	<input type="checkbox"/> 1 Auto-switching on of local entrance panels <input type="checkbox"/> 2 Door lock control for the local EP (direct mode) Keys <input type="checkbox"/> 3 and <input type="checkbox"/> 4 for intercom among the handsets of the apartment configured with N=1-3
MOD = <b>5</b>	Control of door lock relay with: Actuator for generic loads (Item 346200) <input type="checkbox"/> 1 346200 configured with MOD=5 and P=P+1 <input type="checkbox"/> 2 346200 configured with MOD=5 and P=P+2 <input type="checkbox"/> 3 346200 configured with MOD=5 and P=P+3 <input type="checkbox"/> 4 346200 configured with MOD=5 and P=P+4 Door lock actuator (Item 346230 - Item 346260) <input type="checkbox"/> 1 Actuator configured with P=1 <input type="checkbox"/> 2 Actuator configured with P=2 <input type="checkbox"/> 3 Actuator configured with P=3 <input type="checkbox"/> 4 Actuator configured with P=4	
MOD = <b>6</b>		Keys <input type="checkbox"/> 1, <input type="checkbox"/> 2 and <input type="checkbox"/> 3 for intercom among handsets configured with N=1 - 4 <input type="checkbox"/> 4 Paging function
MOD = <b>7</b> (two-family installations)	<input type="checkbox"/> 1 Intercom among apart. devices (general call) <input type="checkbox"/> 2 Intercom with devices of other apart. (general call) <input type="checkbox"/> 3 Door lock control for EPs config. with P+1 Door lock control for EPs config. with P+2	
MOD = <b>7</b> (multy-family installations config. with N = 3)	<input type="checkbox"/> 1 Intercom within the same apartment <input type="checkbox"/> 2 <b>NOT USED</b> <input type="checkbox"/> 3 Door lock control for EPs config. with P+1 <input type="checkbox"/> 4 Door lock control for EPs config. with P+2	
MOD = <b>9</b>		Scenario central unit control (Item F420) A=0 and PL=1 <input type="checkbox"/> 1 Activate scenario 1 <input type="checkbox"/> 2 Activate scenario 2 <input type="checkbox"/> 3 Activate scenario 3 <input type="checkbox"/> 4 Activate scenario 4

346812

**Configuration**

**Example 1 - MOD = 0**

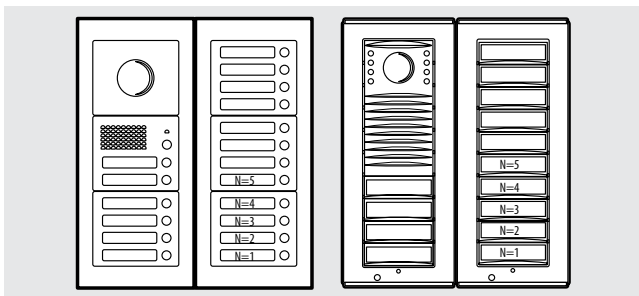


BT00653-a-EN

**Configuration**

**Example 2 - MOD = 1**

In multi-family systems, the use of the accessory item 346812, appropriately configured (MOD=1) enables intercommunication among up to 5 system users. Inside the apartment building there may only be one group of up to 5 users that may be able to use the intercommunicating function. For this purpose, the 5 users of the intercommunicating function must be entered in the pushbutton panel as shown below.



The handset keys call in succession the handsets configured from 1 to 5 in N, excluding themselves.

Example: If the call is made from the Handset configured with N=3

- Key 1 calls the handset configured with N=1
- Key 2 calls the handset configured with N=2
- Key 3 calls the handset configured with N=4
- Key 4 calls the handset configured with N=5

Handset with N=1	Call to the
Pushbutton 1 → 1	Handset 2
Pushbutton 2 → 2	Handset 3
Pushbutton 3 → 3	Handset 4
Pushbutton 4 → 4	Handset 5
Handset with N=2	Call to the
Pushbutton 1 → 1	Handset 1
Pushbutton 2 → 2	Handset 3
Pushbutton 3 → 3	Handset 4
Pushbutton 4 → 4	Handset 5
Handset with N=3	Call to the
Pushbutton 1 → 1	Handset 1
Pushbutton 2 → 2	Handset 2
Pushbutton 3 → 3	Handset 4
Pushbutton 4 → 4	Handset 5
Handset with N=4	Call to the
Pushbutton 1 → 1	Handset 1
Pushbutton 2 → 2	Handset 2
Pushbutton 3 → 3	Handset 3
Pushbutton 4 → 4	Handset 5
Handset with N=5	Call to the
Pushbutton 1 → 1	Handset 1
Pushbutton 2 → 2	Handset 2
Pushbutton 3 → 3	Handset 3
Pushbutton 4 → 4	Handset 4

**Example 3 - MOD=2**

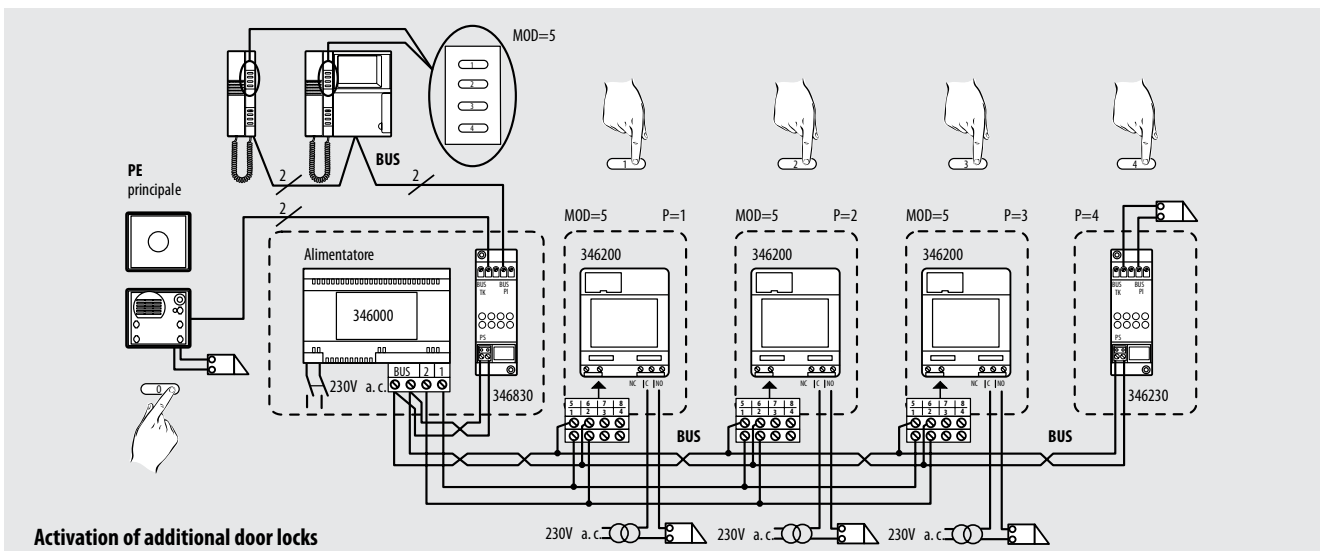
In multi-family systems with apartment interface item 346850, the item accessory 346812 configured with (MOD=2) allows a maximum of 4 users to intercommunicate among themselves (intercom external to the apartment).

The handset keys call in succession the apartments configured with N=1 – N=2- N=3-N=4.

Example:

- Key 1 calls the apartment configured with N=1
- Key 2 calls the apartment configured with N=2
- Key 3 calls the apartment configured with N=3
- Key 4 calls the apartment configured with N=4

**Example 4 - MOD = 5**



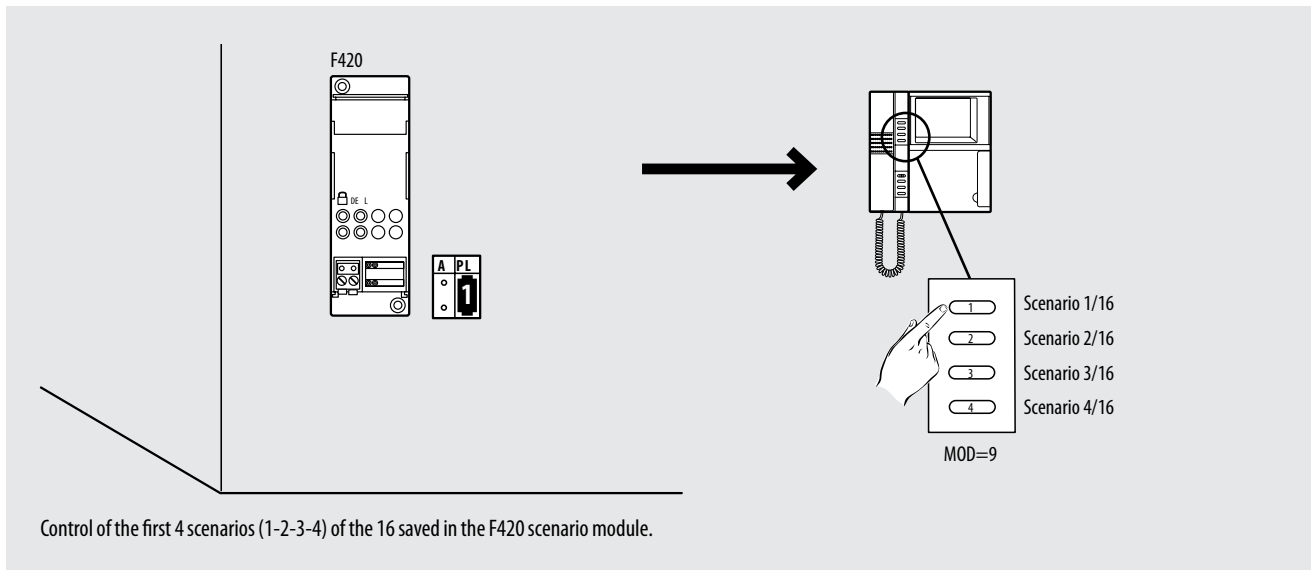
Activation of additional door locks

BT00653-a-FN



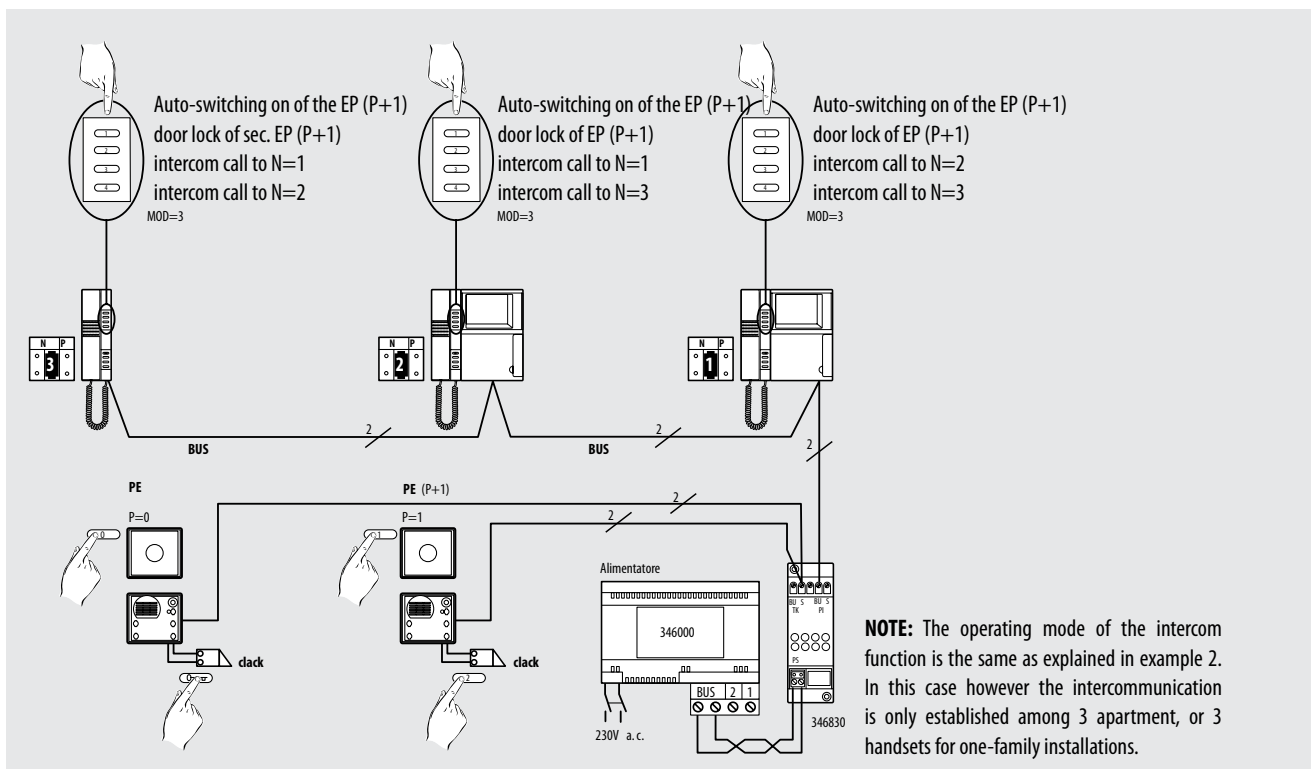
**Configuration**

**Example 5 - MOD = 9**



**Example 6 - MOD = 3 (mixed mode)**

- Key **1** Auto-switching on of the EP (configured with P+1)
- Key **2** Activation of the door lock of the EP (configured with P+1), directly, without call
- Key **3** Intercom function
- Key **4** Intercom function



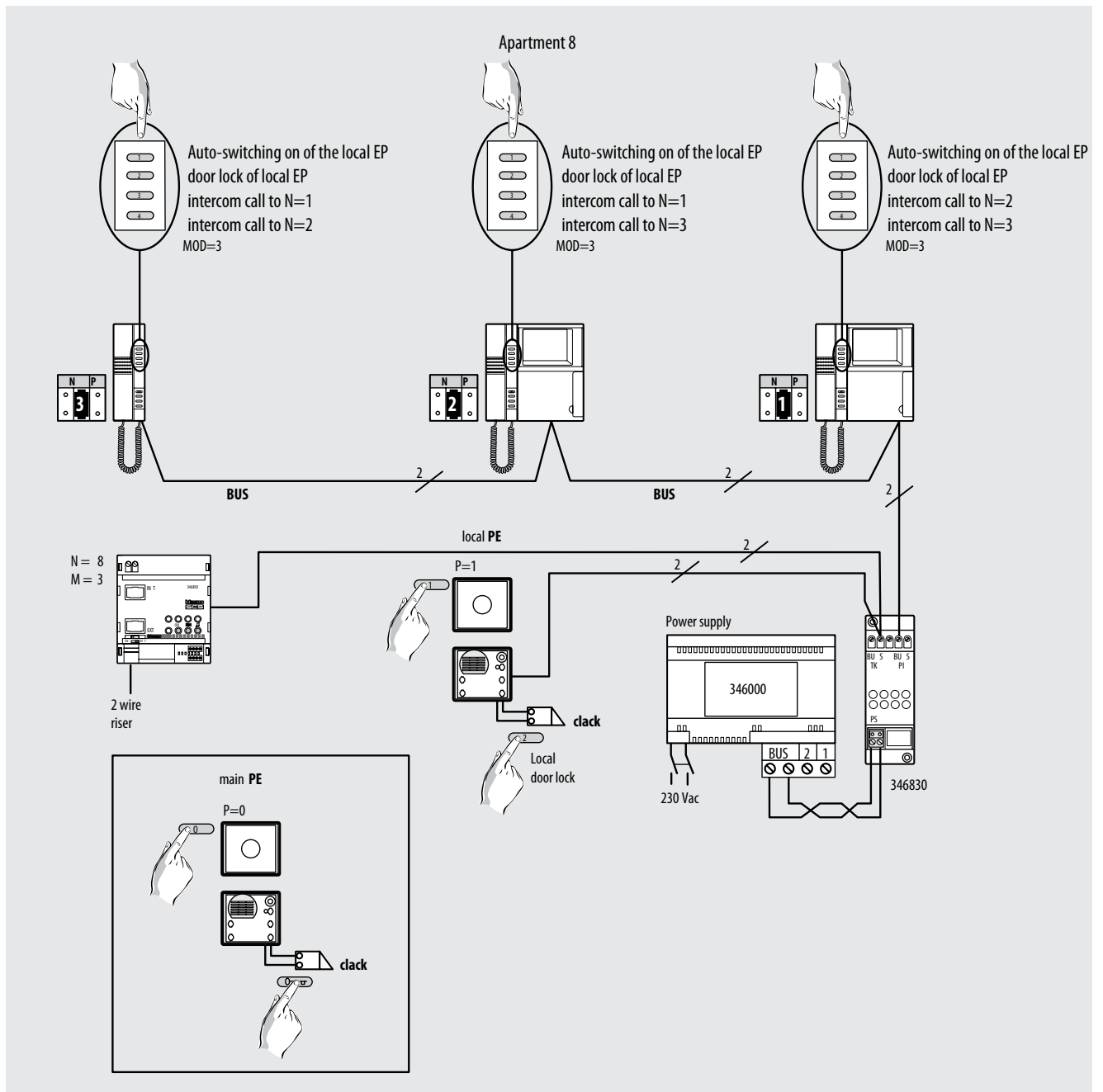
BT00653-a-EN

**Configuration**

**Example 7 - MOD = 3 (mixed mode) with item 346850**

For systems with apartment interface item 346850

- Key **1** Auto-switching on and cycling of local EPs
- Key **2** Activation of the door lock of the local EP directly without call
- Key **3** Intercom function among the apartment handsets
- Key **4** Intercom function among the apartment handsets

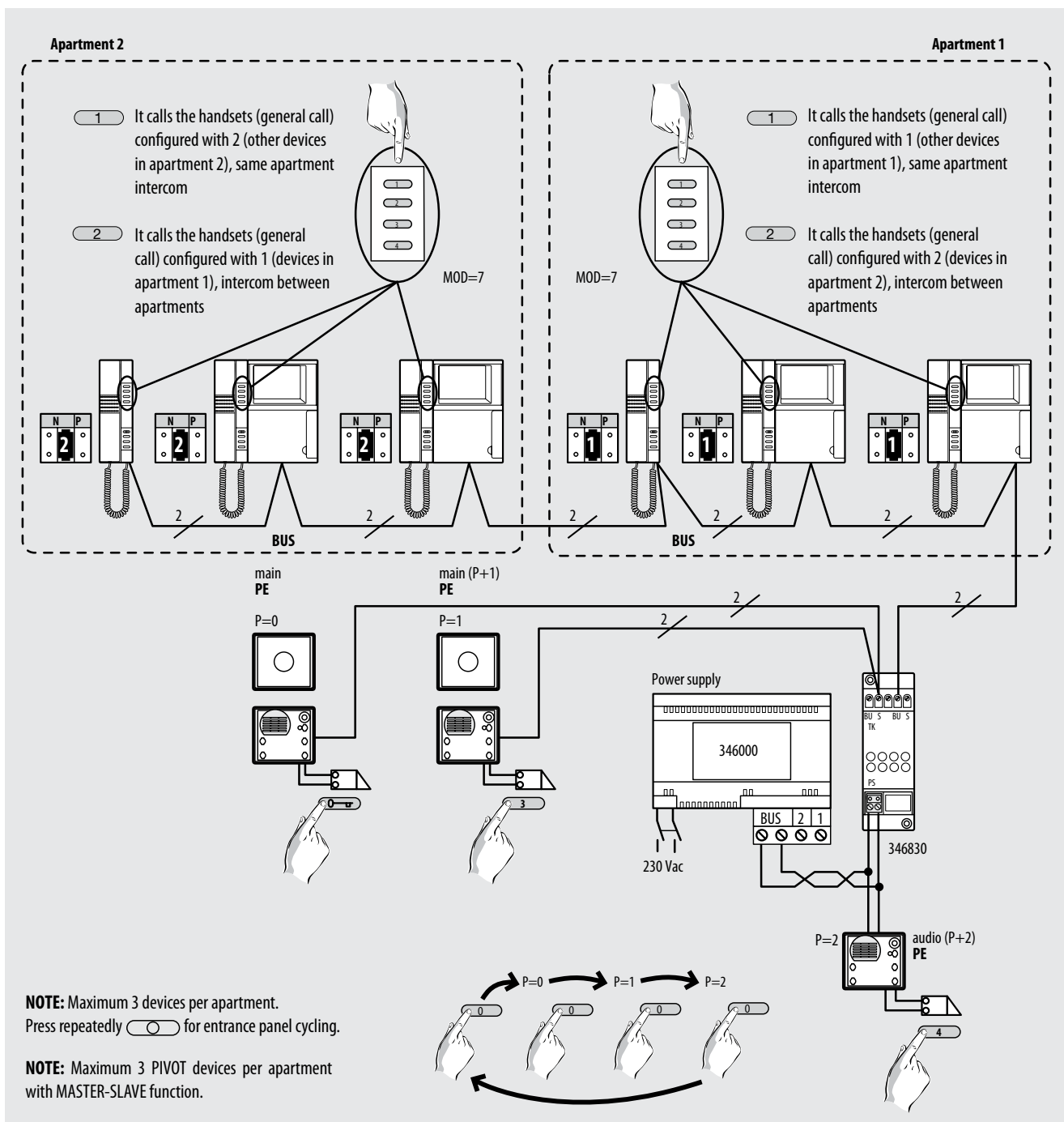


BT00653-a-EN

**Configuration**

**Example 8 - MOD = 7 Intercom in two-family systems**

- Key **1** Calls the handsets of the same apartment (the handsets configured with the same N as the one the call is made from)
- Key **2** Calls the handsets of the other apartment (the handsets configured with a different N from the one the call is made from)
- Key **3** Opens the door lock associated with the EP configured with P + 1
- Key **4** Opens the door lock associated with the EP configured with P + 2

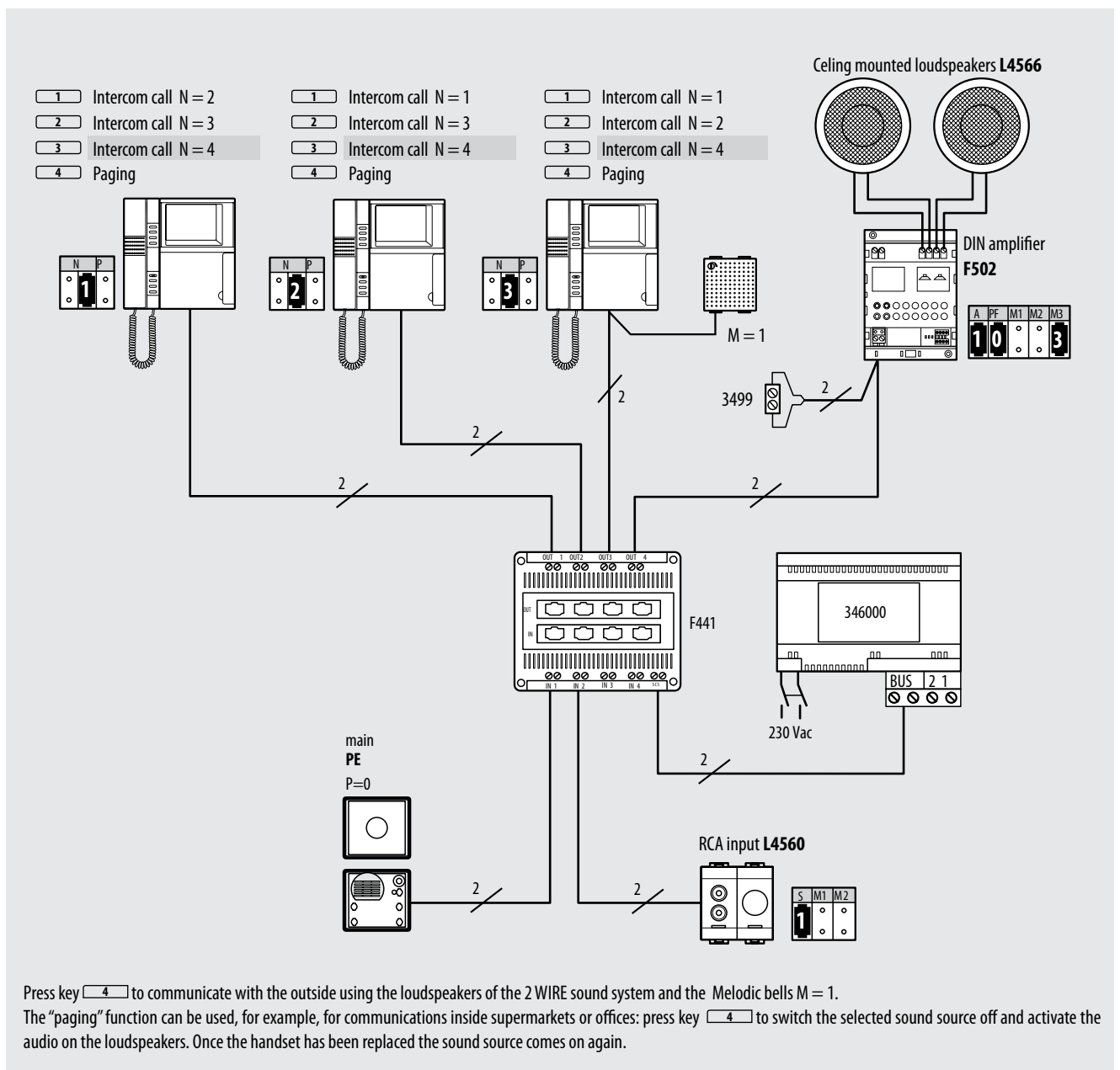


BT00653-a-EN

**Configuration**

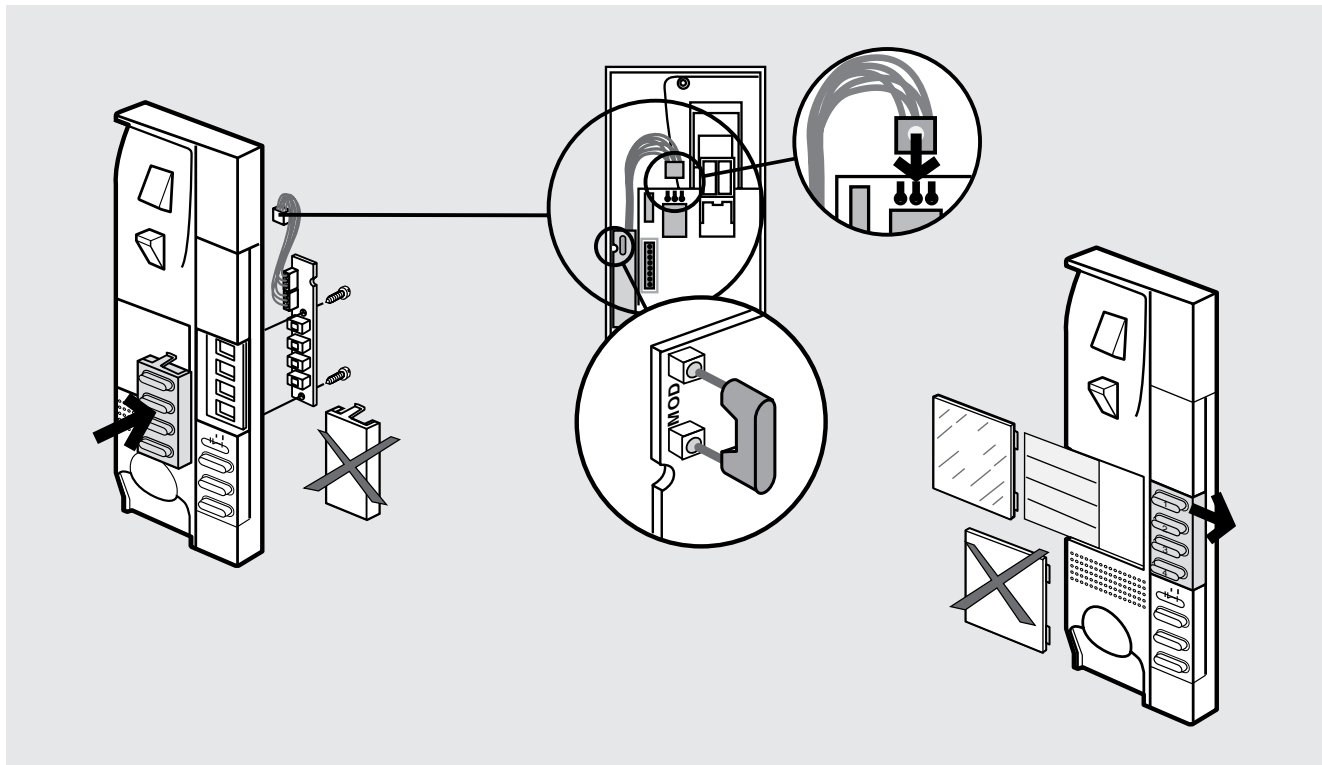
**Example 9 - MOD = 6**

- Key  1 Intercom
- Key  2 Intercom
- Key  3 Intercom
- Key  4 Paging function using the loudspeakers of the 2 WIRE sound system and melodic bells with M = 1



BT00653-a-EN

**Assembly, Installation**





# Melodic bells

349412-349413-346982-346983-346984

## Description

Flush mounted 2 WIRE melodic bell.

It's used (in the same way as an intercom handset) as a call repeater or pager. It includes a potentiometer on the front for the adjustment of the bell volume. It can be connected to the PC (using a serial connection) for the selection of the melody.

The bell has the same absorption of a handset with extra bell. It is therefore possible to install systems with maximum 3 devices (handsets, video handsets and bells) within the same apartment; (max 5 for one-family systems).

The bell programming software (TiRing) may be downloaded from the [www.bticino.it](http://www.bticino.it) website free of charge.

## Related items

3559 (serial interface for connection to the PC)

3499 (line termination), use if the device is the last device of the line

F422 (SCS/SCS gateway), use in systems integrated with the burglar-alarm system to receive burglar-alarm, tampering, and auxiliary notifications.

The device must be completed with the accessories and the front cover plates of the AXOLUTE, LIVINGLIGHT, LIGHT TECH residential series.

Refer to the corresponding catalogues.

## Technical data

Power supply from SCS BUS: 18 - 27 Vdc

Stand-by absorption: 10 mA

Max. operating absorption: 100 mA

Operating temperature: 5 - 40°C

## Dimensional data

2 DIN modules

## Configuration

The device must be physically configured in terms of:

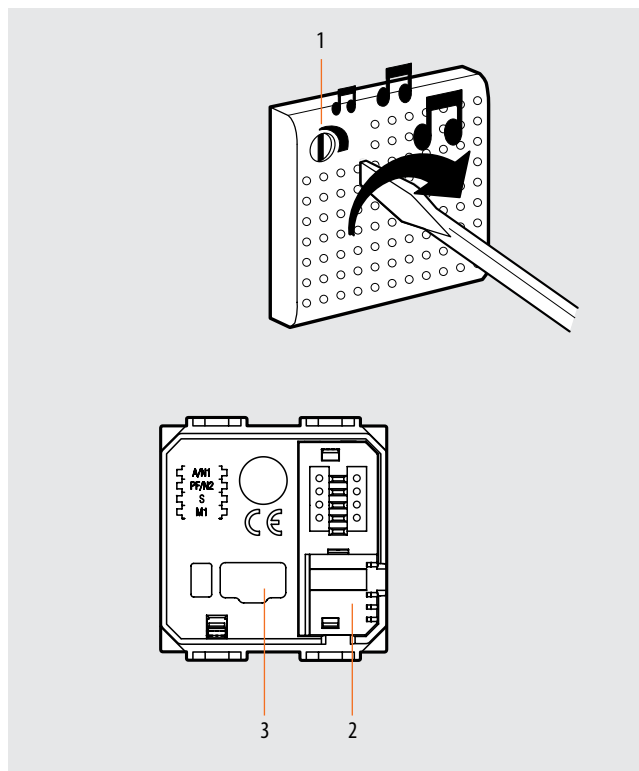
**N1 - N2 = address of the bell within the system**  
configure with the same address of an apartment handset.

**S = NOT USED**

**M = Operating mode**

**M = 0** - operation as extra bell

**M = 1** - operation as pager

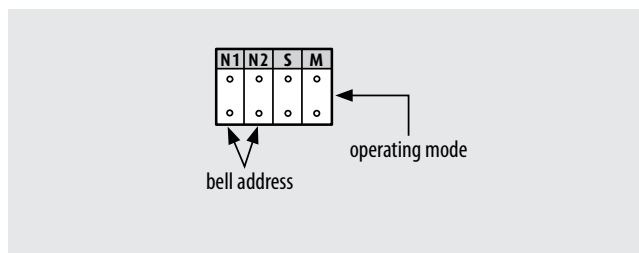


## Legend

1 - Loudspeaker volume adjustment

2 - Configurator socket

3 - Socket for the connection of the PC serial connector





# 230 V A/V SCS/BUS power supply

346000

## Description

2 wire system power supply unit, to be used in audio systems together with 2 wire speaker modules, or with the universal speaker unit, item 346991, for the installation of systems with up to 100 entrance panels (56 when item 346991 is used), as well as in video or mixed audio/video systems, when using video adapter item 346830, or the audio/video node item F441, or the multichannel matrix F441M. The device is also suitable as a power supply for sound systems. Additionally, it can also be used as supplementary power supply (output 1 – 2) for local supply to advanced preset handsets. It must be powered at 230 Vac. On the output it provides two power supply outlets, which can be used in alternative to each other, but not both at the same time (27Vdc 1.2 A BUS clamps, and 1-2 27Vdc 1.2 A clamps). It is electronically protected (without fuse) from short-circuit and overload.

It is a double insulation safety device in accordance with CEI.

The power supply unit is inside a 8 DIN modules rail enclosure, and its installation must be in accordance with the regulations of the country of use.

The device must not be configured.

## Dati tecnici

### PRI (Power supply Vac input):

Rated voltage: 220 – 240 Vac  
 Rated current: 230 – 250 mA  
 Working voltage range: 207 – 253 Vac  
 Working frequency range: 50 – 60 Hz  
 Input power at full load: 44.9 W (max)  
 Dissipated power: 11.5 W (max)  
 Input power without load: 4.2 W (max)  
 Operating temperature: 5 – 40 °C  
 Protection index: IP30

### SEC (Vdc output):

Rated voltage (BUS): 27 Vdc +/- 0,1 Vdc  
 Rated voltage (1-2): 27 Vdc +/- 0.1 Vdc (1=\*\* - 2=\*\*)  
 Rated current: 0 – 1.2 A  
 Rated power: 32.4 W

## Standards, Certifications, Marks

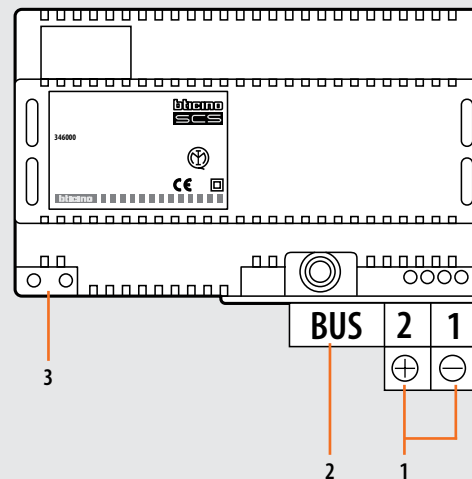
Standards: CEI EN60065 - CEI 64-8-4 (punto 411.1.2.5)



## Dimensional data

8 DIN modules

Front view



## Legenda

1. Output connection clamps 1=GND – 2=+27Vdc
2. SCS/BUS output connection clamps
3. 230 Vac input connection clamps

## Assembly, Installation

Comply with the following installation requirements:

- The power supply must always be installed in appropriate enclosures.
- It must be kept away from water drips and sprays.
- Do not to obstruct the air vents.
- A double-pole thermal magnetic circuit breaker with contact separation of at least 3 mm must be used, positioned near the power supply. The circuit breaker is used both to disconnect the power supply from the electric network, and to protect it.



# Audio power supply 230 V

346010

## Description

2-WIRE system power supply to be used in audio systems with audio modules or universal speaker unit, item 346991, for the installation of systems with up to 26 handsets.

On the output it supplies 27 Vdc continuous low voltage, with a maximum current of 250 mA. It's electronically protected (without fuses) against short circuit and overload. It is a double insulation safety device.

The power supply unit is inside a 6 DIN modules rail enclosure, and its installation must be in accordance with the regulations of the country of use.

The device must not be configured.

## Technical data

Power supply:	230 Vac +/- 10% @ 50/60 Hz
Output voltage of the BUS clamps:	24 Vdc - 250 mA
Output voltage of the 1-2 clamps:	12 Vac - 1A
Max. dissipated power:	11 W
Input power without load :	3.5 W (max)
Operating temperature:	5 – 40 °C
Protection index:	IP30

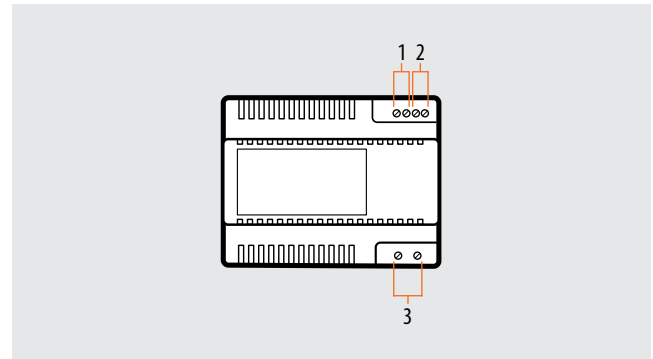
## Standards, Certifications, Marks

Standards: CEI EN60065



## Dimensional data

6 DIN modules



## Legend

- 1 - Output connection clamps (12 Vac)
- 2 - BUS output connection clamps (24 Vdc - 250 mA)
- 3 - 230 Vac input connection clamps

## Assembly, Installation

Comply with the following installation requirements:

- The power supply must always be installed in appropriate enclosures.
- It must be kept away from water drips and sprays.
- Do not obstruct the air vents.
- A double-pole thermal magnetic circuit breaker with contact separation of at least 3 mm must be used, positioned near the power supply. The circuit breaker is used both to disconnect the power supply from the electric network, and to protect it.





## 110 – 240 V Audio power supply

346040

### Description

2 WIRE audio system power supply with 6 DIN modular housing.  
Power supply 110 – 240 Vac @ 50 – 60 Hz. The output provides 26 Vdc continuous low voltage, with maximum current of 600 mA. It is electronically protected against overload and short circuit by means of an integrated fuse (NOT REPLACEABLE). It's a SELV double insulation safety device. Operating temperature 5 – 45 °C. The device must be installed in compliance with current regulations.

### Technical data

#### PRI (AC power supply input):

Rated voltage:	110 – 240 Vac
Rated current:	370 – 225 mA
Working voltage range:	100 – 265 V
Working frequency range:	47 – 63 Hz
Input power at full load:	20.5 W
Dissipated power:	4.9 W (max.)
Performance at full load:	80 % (typ.)
Power in stand by:	< 1 W
Operating temperature:	5 – 45 °C
Integrated fuse (PRI side):	F1 T2A 250 V (CANNOT BE REPLACED)

#### BUS (DC output)

Rated voltage:	26 V
Rated current:	0 – 0,6 A
Rated power:	15.6 W

### Standards, Certifications, Marks

Standards: CEI EN60950 - CEI 64-8-4 (point 411.1.2.5)

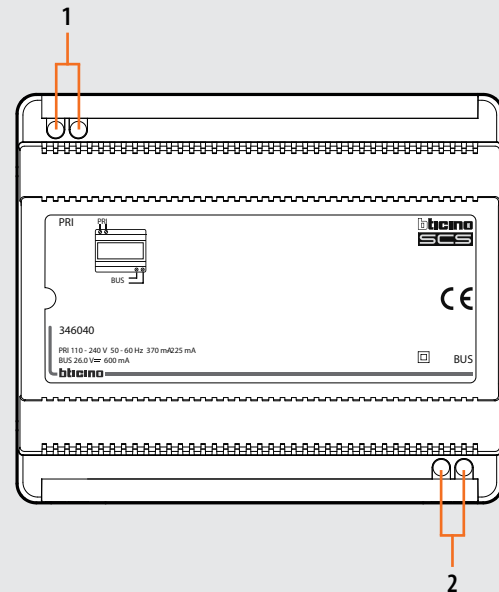
### Dimensional data

Size: 6 DIN modules

### Installation

- Comply with the following installation requirements:
- The power supply MUST always be installed in appropriate enclosures.
  - IT MUST BE KEPT AWAY from water drips and sprays.
  - DO NOT obstruct the air vents.
  - A double-pole thermal magnetic circuit breaker with contact separation of at least 3 mm MUST be used, positioned near the power supply. The circuit breaker is used both to disconnect the power supply from the electric network, and to protect it.

### Front view



### Legend

1. Input connection clamps 110 – 240 Vac
2. Output connection clamps BUS 26 V (0 – 600 mA)



# Compact power supply 230 V

346030

## Description

2 DIN module device for:  
 - basic video door entry systems (e.g. apartment intercom)  
 - mini SOUND SYSTEMS (absorption up to 600 mA).  
 It is a double insulation safety device.  
 The power supply is inside a module plastic rail enclosure, and its installation must be in accordance with the regulations of the country of use.  
 The device must not be configured.

## Technical data

### PRI (AC power supply input):

Rated voltage:	220 – 240 Vac
Rated current:	200 - 190 mA
Working voltage range:	187 – 265 V
Working frequency range:	47 – 63 Hz
Input power at full load:	21.5 W max
Dissipated power:	5.3 W (max.)
Performance at full load:	80% typ.
Power in stand by:	< 1 W
Operating temperature:	5 – 40 °C
Integrated fuse (PRI side):	F1 T2A 250V (CANNOT BE REPLACED)

### SCS A-V; SCS:

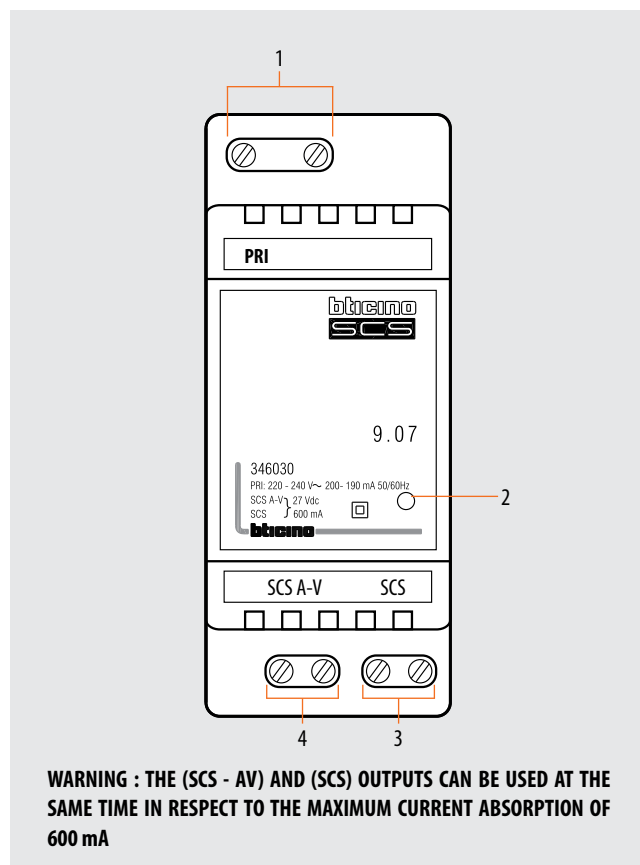
Rated voltage:	27 V +/- 100 mV
Rated current:	0 – 0.6 A
Rated power:	16.2 W

## Standards, Certifications, Marks

Standards: CEI EN60065 - CEI 64-8-4

## Dimensional data

2 DIN modules



## Legend

- 1 - 230 Vac input connection clamps 50-60 Hz
- 2 - Operating status notification LEDs:  
 (GREEN ON) - normal operation of the power supply  
 (RED ON) - output current overload
- 3 - SCS output connection clamps (BUS 27V)
- 4 - SCS AV output connection clamps (27 V)

## Assembly, Installation

Comply with the following installation requirements:

- The power supply must always be installed in appropriate enclosures.
- It must be kept away from water drips and sprays.
- Do not to obstruct the air vents.
- A double-pole thermal magnetic circuit breaker with contact separation of at least 3 mm must be used, positioned near the power supply. The circuit breaker is used both to disconnect the power supply from the electric network, and to protect it.



# Additional power supply 230 V

346020

## Description

2 DIN module devices which allows to:

- locally supply the single video door entry handsets and entrance panels.
- supply some accessories of the Communication and MY HOME catalogues (ex: Web server, A/V server, scenario programmers, 2 WIRE/IP interface, switch 10/100, ADSL modem router, Hub-TV and SCS modulator).

It is a double insulation safety device in accordance with CEI.

The power supply is enclosed by a 2 DIN module plastic rail enclosure, and its installation must be in accordance with the regulations of the country of use.

The device must not be configured.

## Technical data

### PRI (AC power supply input)

Rated voltage:	220 – 240 Vac
Rated current:	180 – 190 mA
Working voltage range:	187 – 265 V
Working frequency range:	47 – 63 Hz
Input power at full load:	20 W max
Dissipated power:	3.8 W (max.)
Performance at full load:	80% typ.
Power in stand by:	< 1 W
Operating temperature:	5 – 40 °C
Integrated fuse (PRI side):	F1 T2A 250V (CANNOT BE REPLACED)

### 1 - 2 (DC output):

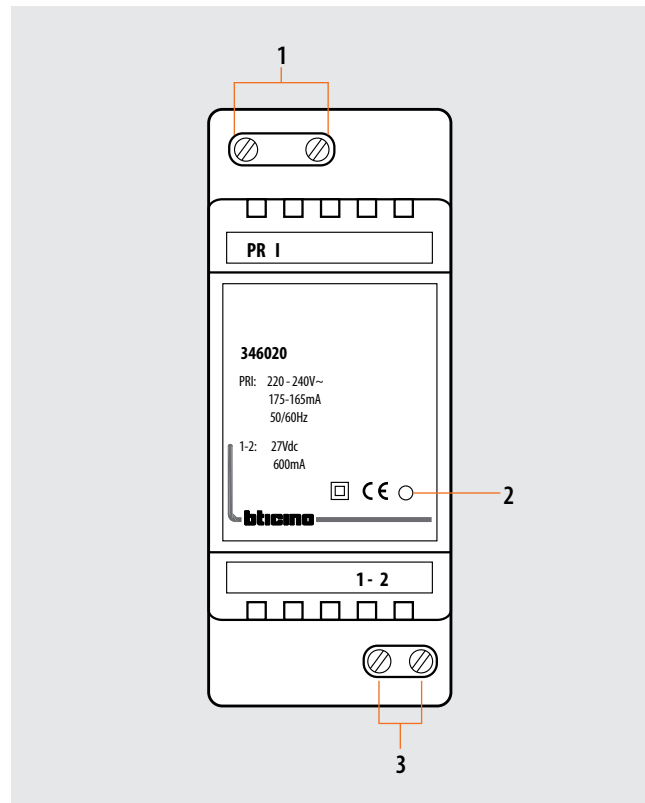
Rated voltage:	27 V +/- 100 mV
Rated current:	0 – 0.6 A
Rated power:	16.2 W

## Standards, Certifications, Marks

Standards: **CEI EN60065**

## Dimensional data

2 DIN modules



## Legend

- 1 - 230 Vac input connection clamps
- 2 - Operating status notification LEDs:  
(GREEN ON) – normal operation of the power supply  
(RED ON) – output current overload
- 3 - Output 1 – 2 connection clamps

## Assembly, Installation

Comply with the following installation requirements:

- The power supply must always be installed in appropriate enclosures
- It must be kept away from water drips and sprays.
- Do not obstruct the air vents.
- A double-pole thermal magnetic circuit breaker with contact separation of at least 3 mm must be used, positioned near the power supply. The circuit breaker is used to disconnect the power supply from the mains, and to protect it.



## A/V SCS/BUS cable (white)

336904

### Description

This cable is used for the distribution of the power supplies and the operating signals to all BUS system devices.

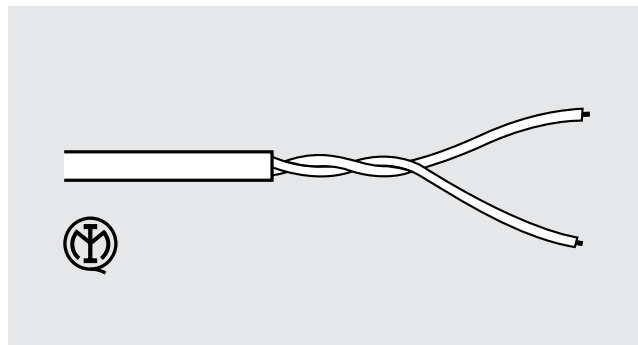
The cable consists of a white external sheathing and two twisted flexible conductors with a section of 0.5 mm<sup>2</sup>, one brown and one brown/white.

The cable is sold in 200 m coils.

It is thus suitable to be used:

- in the open air, inside trunkings, passage-ways and pipes
- inside walls with suitable pipes.
- laid underground by means of suitable pipes

**The white SCS-BUS cable is suitable for underground installation**



### Technical data

Insulation voltage:	450/750 V
Can be buried:	YES (see installation notes)
External sheath colour:	white (RAL 9010)
External sheath diameter:	5.0 +/- 0.1 mm
External sheath thickness:	0.7 mm
External sheath material:	PVC (RZ)
Number of internal conductors:	2 unshielded twisted flexible conductors with sheath
Colour of internal conductors:	brown – brown/white
Sheath thickness of internal conductors:	0.40 mm
Sheath diameter of internal conductors:	1.70 mm
Sheath material of internal conductors:	XLPE polyethylene
Conductor material:	red electrolytic copper
Conductor section:	0.50 mm <sup>2</sup> (16 x 0.20 mm <sup>2</sup> )
Operating temperature:	(-15) – (+70) °C
Coil length:	200 m

### Standards, Certifications, Marks

Reference standards: - It complies with the tests required by the following standards: EN60811, EN50289, EN50290, EN60228, EN50265-2-1, EN50395, EN50396 as described in the IMQ CPT 062 document.

Marks obtained: 

### Installation notes

#### Underground cable installation

The 336904 BUS SCS cable can be installed underground (protected using appropriate piping), together with other signalling cables, provided the voltage is <50V.

It is however strictly forbidden to install the 336904 cable in the same conduit as power supply cables with voltages >50V. Failure to comply with the installation requirements will relieve BTicino of all responsibilities for the operation of the system installed.

#### Installation together with other cables

Although the construction of the white cable guarantees the necessary electrical insulation level for installation together with 450/750 V system cables, it is however not capable of guaranteeing immunity from any electromagnetic disturbances that may occur when installed in the same conduits used for the power supply cables.

It is therefore strongly recommended that the white BUS/SCS cable and the power supply cables are installed in separate conduits.



# Video adapter

346830

## Description

2 WIRES video adapter that must be used with the power supply item 346000 in the installation of video systems (or audio/video combined), video door entry systems and sound systems.

Allows the connection to its 3 BUS clamps. Hence it is possible to realize installations with 2 video entrance panels and 1 riser and installations with 1 video entrance panel and 2 risers.

The device must be installed next to the system power supply item 346000.

**The device must not be configured.**

## Related items

346000 (2 WIRE system power supply)

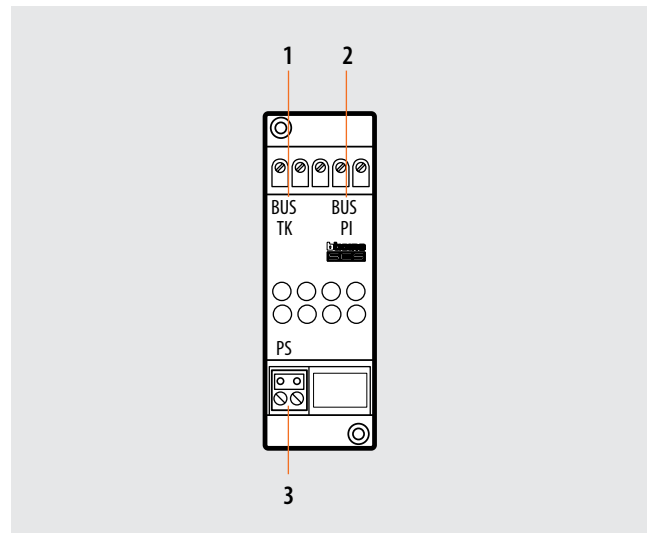
## Technical data

Power supply from SCS BUS: 18 - 27 Vdc

Operating temperature: 5 - 40°C

## Dimensional data

2 DIN modules.



## Legend

- 1 - BUS TK output towards the EP (fixed clamp entrance panels)
- 2 - BUS output towards the handsets (fixed clamp handsets)
- 3 - BUS PS input from the power supply (removable clamp)



# Apartment interface

346850

## Description

Interface to be used to install a dedicated 2-wire system inside the home, isolated from the riser.

The system downstream the interface may include local CCTV, sound system, and MY HOME applications control.

It can be used for calls within the building, as well as outside calls.

## Technical data

Power supply from SCS BUS: 18 – 27 Vdc

Operating temperature: 5 - 40°C

Dissipated power: 2.25 W

Stand by absorption:

**from the INT 15 mA connection**

**from the EXT 5 mA connection**

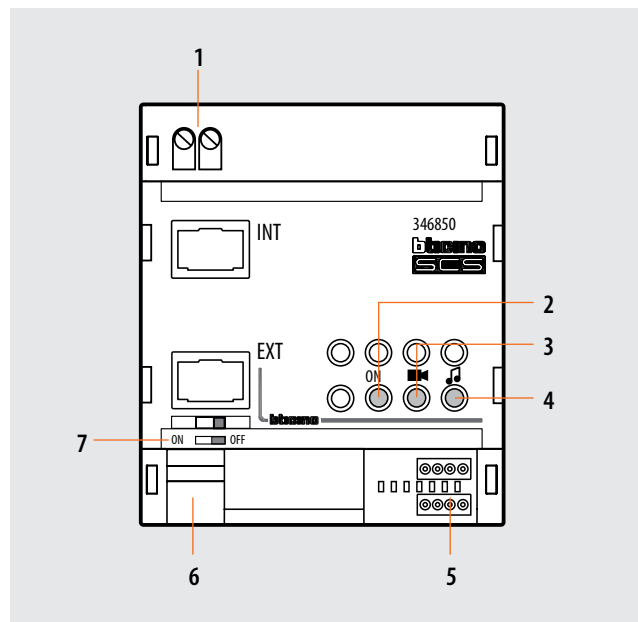
Maximum absorption in funzionamento :

**from the INT 50 mA connection**

**from the EXT 30 mA connection**

## Dimensional data

4 DIN modules



## Legend

- 1 - Clamp for the connection of the apartment 2 WIRE system
- 2 - Interface status notification LED:  
Flashing green LED = STAND BY  
Fixed green LED = EXT-INT connection active
- 3 - Video signal status notification LED:  
Green LED = OK  
Green/red LED = operation close to the limit  
Red LED = no video signal or limits exceeded
- 4 - Not used
- 5 - Configurator socket: N = interface address, M = 3 (connected at the factory)
- 6 - Clamp for the connection to the 2 WIRE riser
- 7 - Line termination ON/OFF micro-switch

**Configuration**

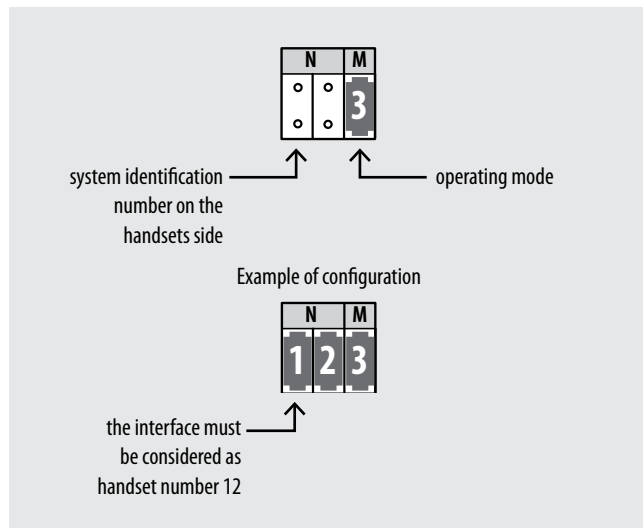
The device must be physically configured in terms of:

**N = device ID number**

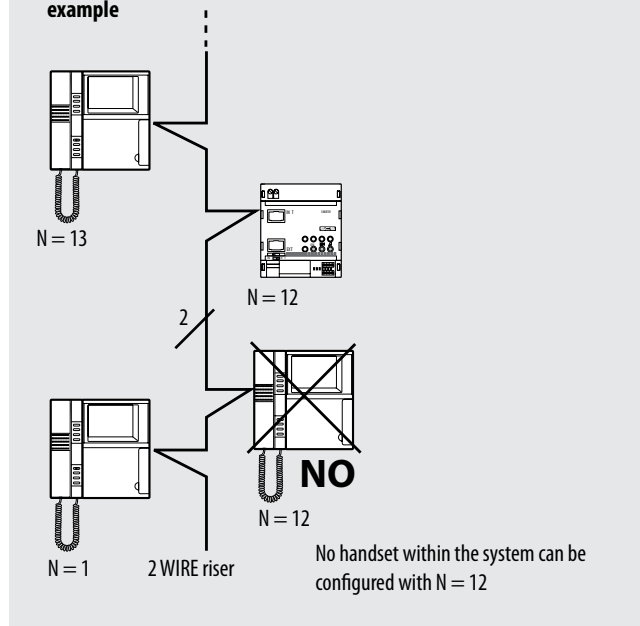
The configurator assigns to the interface a unique handset number inside the system.

**M = Operating mode**

factory configuration with 3



**Installation example**





# System expansion interface

346851

## Description

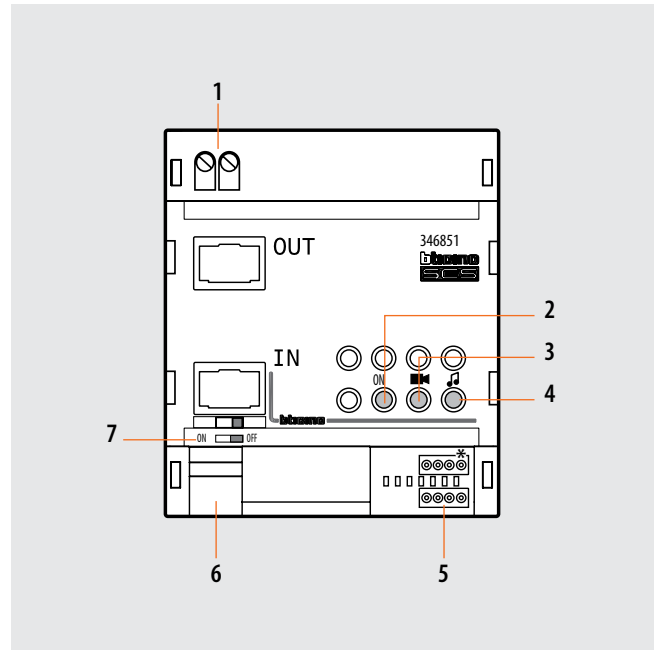
Interface in DIN modular enclosure, used to increase the performance of the 2 WIRE system in one-family or apartment installations. It enables creating 2 WIRE risers with entrance panels at the bottom of the stairs, independent audio and video, as well as providing expansion for: regeneration of the video signal and extension of distances for a further 200 meters (cable item 336904 required), increase of the number of devices that can be connected to the BUS, and use of up to a maximum of 3 interface modules connected in cascade.

## Technical data

Power supply from SCS BUS:	18 – 27 Vdc
Dissipated power:	2.25 W (max)
Operating temperature:	5 – 40°C
Absorption:	
<b>IN clamp (configuration MOD = 0)</b>	
Stand by absorption:	30 mA
Max. operating absorption:	30 mA
<b>IN clamp (configuration MOD = 2 - MOD = 7)</b>	
Stand by absorption:	20 mA
Max. operating absorption:	30 mA
<b>IN clamp (configuration MOD = 5 - MOD = 6)</b>	
Stand by absorption:	5 mA
Max. operating absorption:	30 mA
<b>OUT clamp (configuration MOD = 0)</b>	
Stand by absorption:	50 mA
Max. operating absorption:	50 mA
<b>OUT clamp (configuration MOD = 2 - MOD = 7)</b>	
Stand by absorption:	30 mA
Max. operating absorption:	50 mA
<b>OUT clamp (configuration MOD = 5 - MOD = 6)</b>	
Stand by absorption:	15 mA
Max. operating absorption:	50 mA

## Dimensional data

Size: 4 DIN modules



## Legend

1. OUT clamps for the connection of the output SCS BUS
2. Interface status notification LED:
  - green flashing = STAND BY
  - green steady = IN - OUT connection active
3. Video signal level notification LED:
  - green steady = operation OK
  - green / red = operation nearing the limit
  - red steady = no video signal or limit exceeded
4. Presetting - NOT USED
5. Configurator socket - the socket marked with the asterisk \* is NOT USED
6. SCS/BUS IN connection clamps
7. Line termination ON/OFF micro-switch



**Configuration**

The device **MUST BE** configured with physical configurator connection to the appropriate sockets as follows:

**M = progressive number within the system**

The configurator connected to the M sockets (from 1 to 99) assigns an identification number within the system to the interface. Addresses in M with (MOD = 0 - MOD = 2 - MOD = 7) and (MOD = 5 - MOD = 6) ARE NOT IN CONFLICT.

**MOD = operating mode**

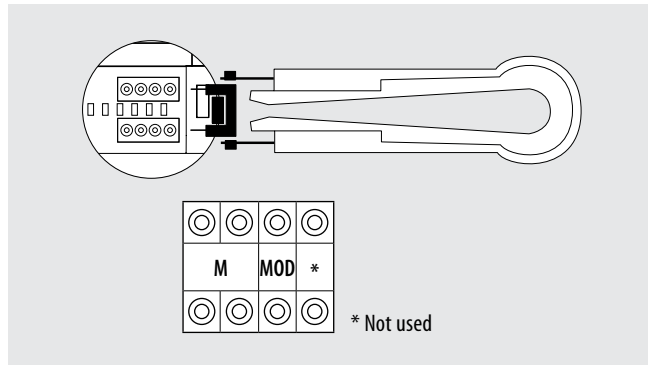
The configurator connected to the MOD socket of the interface defines its operating mode as follows:

**MOD = 0** (no configurator connected) - GALVANIC SEPARATION MODE

**MOD = 2** - ENTRANCE PANEL LINE EXPANSION MODE

**MOD = 0 (galvanic separation)**

This configuration mode is used to double the line length or to increase the system performance - see the following example:



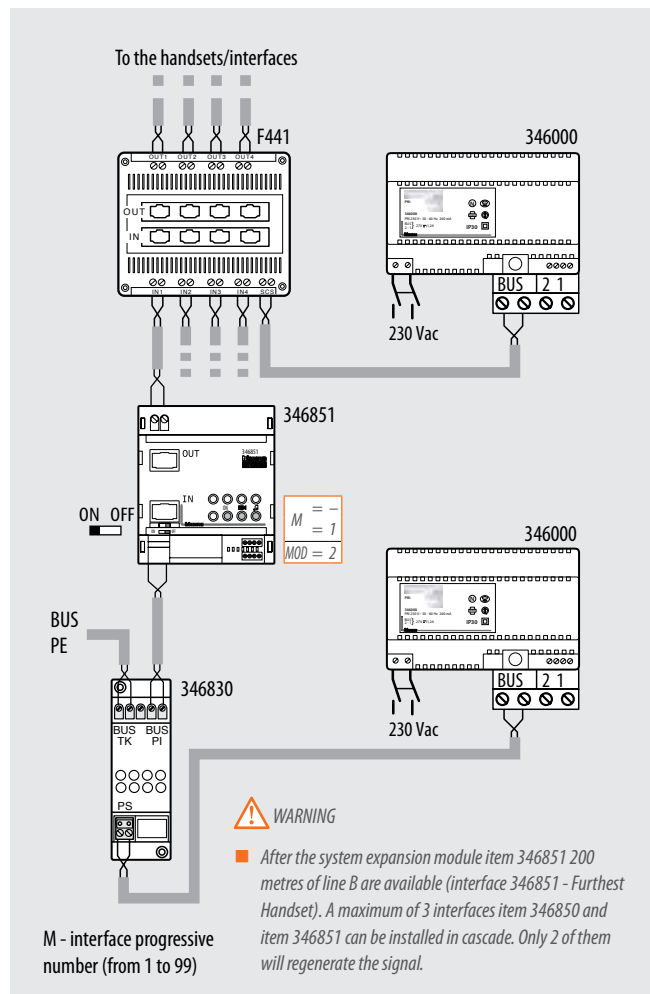
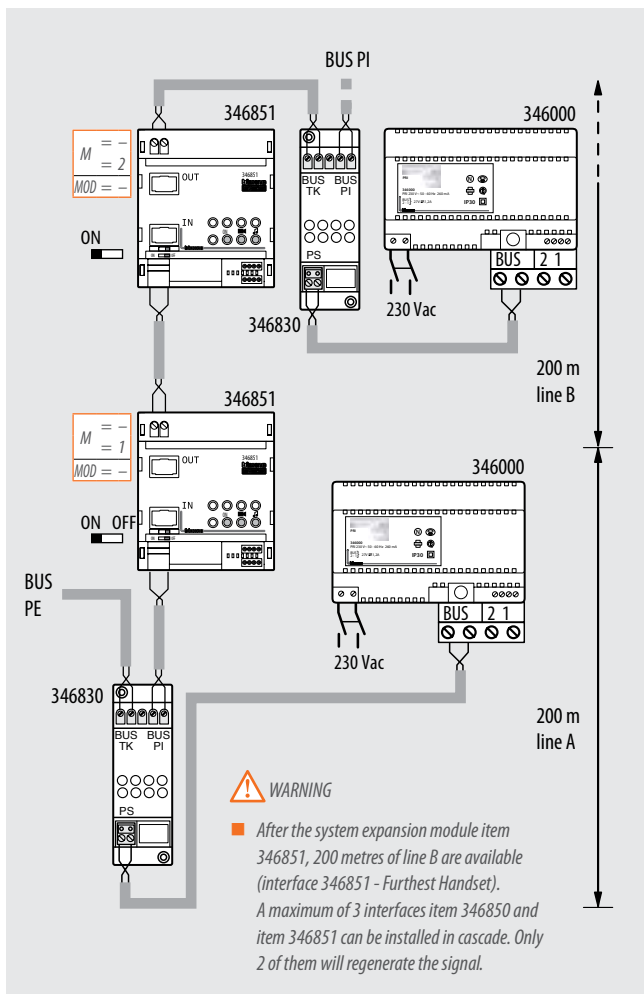
**MOD = 5** - Independent risers MODE

**MOD = 6** - Extended riser MODE

**MOD = 7** - Extended riser expansion MODE

**MOD = 2 (entrance panel line expansion)**

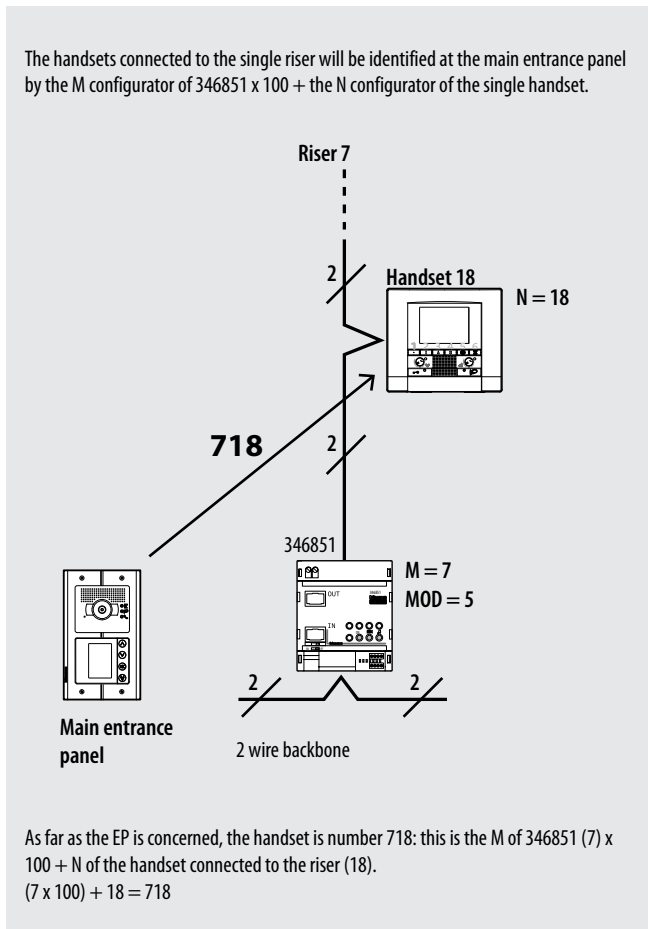
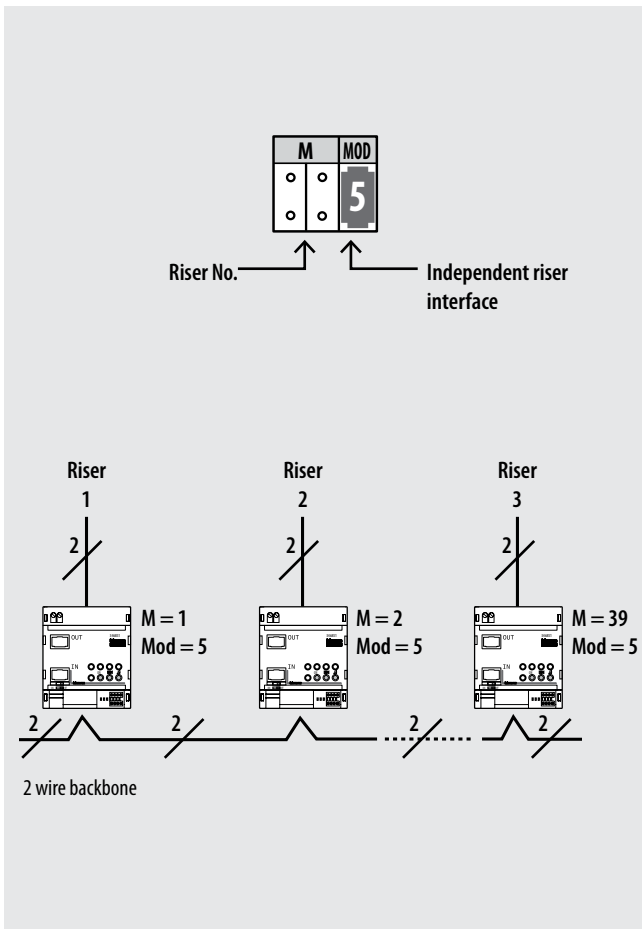
This mode is used in systems with interface connection between the entrance panel and the F441 audio/video node, to extend the entrance panel line – see the following example:



BT0063-a-EN

**MOD = 5 (independent risers)**

This mode is used to create systems with 2 WIRE risers, with independent audio and video (39 risers maximum) - see the following example:



**NOTE:**

A maximum of 3 interfaces item 346850 and 346851 can be installed in cascade. Only 2 of them will regenerate the signal.

**MOD = 6 (extended riser)**

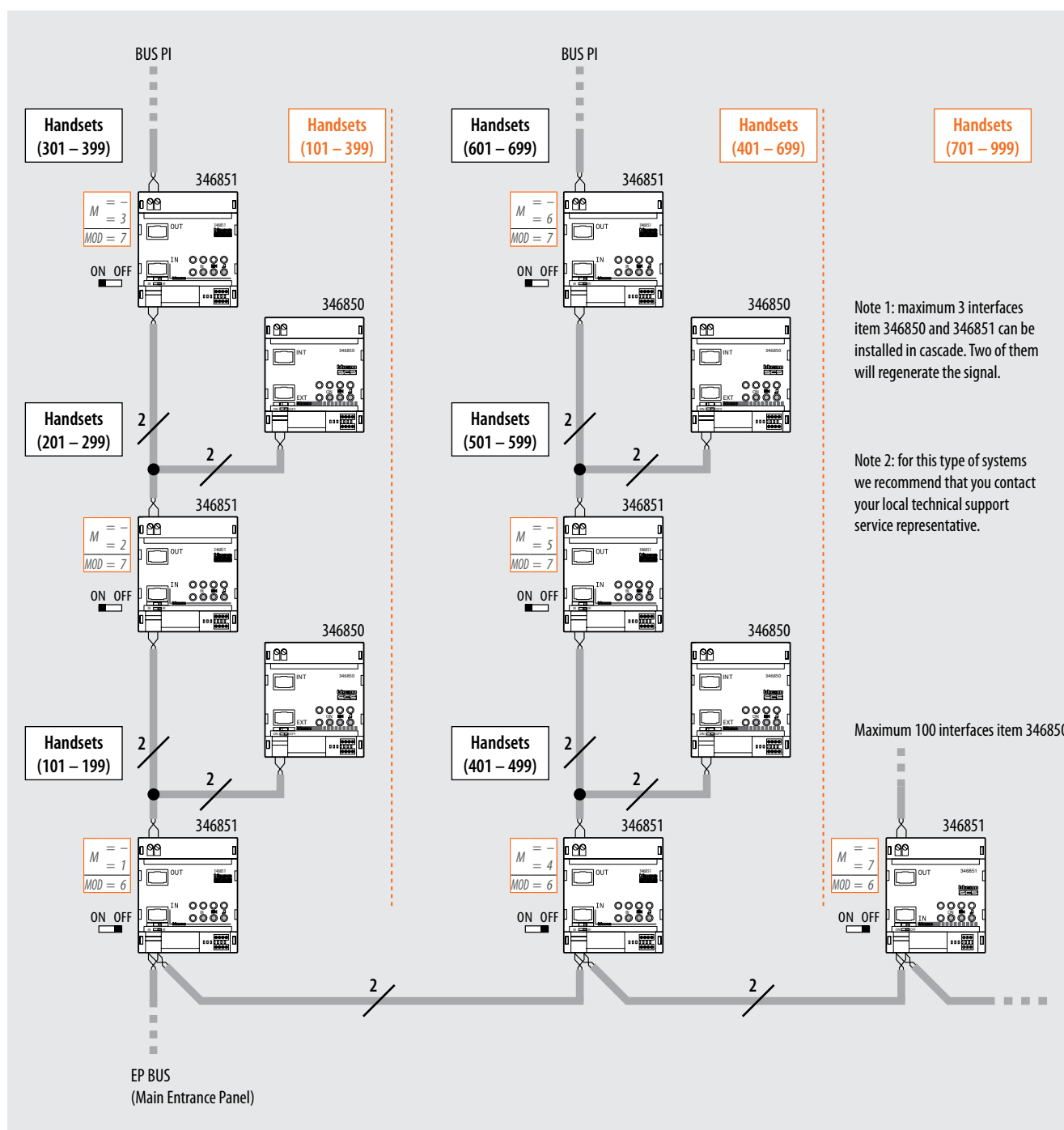
**MOD = 7 (extended riser expansion)**

These configuration modes offer the possibility of riser line expansion up to the logic limit of 300 riser handsets (3 lines of 100 handsets each).

The limit of 100 handsets for each line is subjected to the use of apartment interface item 346850.

When interface item 346850 is not used, this 100 handsets line limit will be further reduced (refer to the system technical guide for more information).

Interface item 346850 CANNOT be installed on the last line. It is possible to cross up to 3 interfaces item 346850 and 346851 connected in cascade.



BT00663-a-EN



# Actuator

346200

## Description

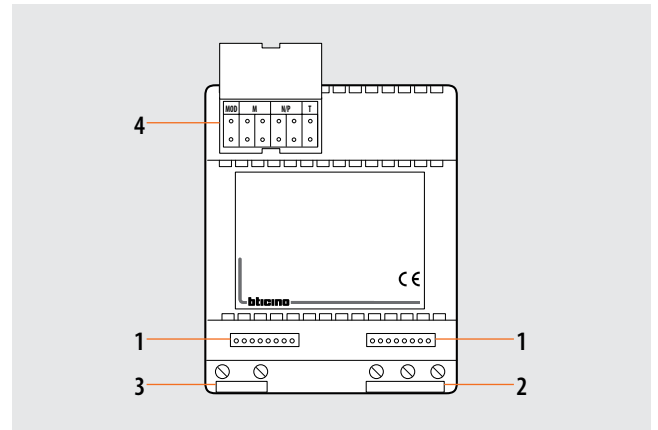
Relay actuator for digital systems. It allows to switch on lights, to open gate door locks, to control other devices and to repeat call on bell (badenia type).

## Technical data

Power supply from SCS BUS: 18 – 27 Vdc  
 Stand by absorption: 15 mA  
 Max. operating absorption: 30 mA  
 Operating temperature: 5 – 40 °C  
 Contact output: 230 Vac - 6 A resistive - 2 A inductive (cosφ = 0.5)  
 SELV device

## Dimensional data

4 DIN modules



## Legend

- 1 - Clamps for the connection of the 2-wire BUS and power supply 1 - 2
- 2 - Clamps for the connection of the load to be controlled
- 3 - Clamps for the connection of an additional pushbutton
- 4 - Configurator socket

**Configuration**

The device must be physically configured in terms of:

**MOD = Operating mode**

The configurator in MOD establishes the operating mode of the actuator (see following tables)

**M = number of the riser**

In systems with several risers, it identifies on which riser the actuation must be performed

**N/P = Handset/Entrance panel number**

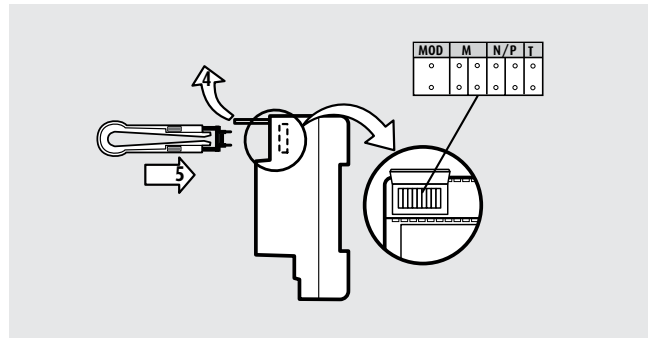
It defines the association with the Handset or the EP address from which the actuation must be performed.

**T = relay closure time delay**

The configurator connected to T sets the relay closing time delay (see corresponding table).

**MOD = 0 - Staircase light from any handset and EP**

- The actuator is enabled by pressing the light pushbutton of the handset and the light key on the entrance panel
- Customize the time through the configurator T.



MOD	M	N/P	T
○	○	○	○
○	○	○	○
○	○	○	○
○	○	○	○

T = 0 closes the contact for 30"

**MOD = 1 - Sundry services (door lock/open the gate/staircase light) from handset unit**

- The actuator is enabled by pressing the light pushbutton of the handset belonging to a group
- Customize the time through the configurator T.
- Insert in M the ten and the units of the first handset of the group
- Insert in N/P the ten and the units of the last handset of the group

**NOTE:** a group is a sequence set of handsets.

MOD	M	N/P	T
1	○	○	1
○	○	○	○
○	○	○	○
○	○	○	○

Tens      Unit      Tens

Example

MOD	M	N/P	T
1	1	12	1
○	○	○	○
○	○	○	○
○	○	○	○

Door lock control from the light key of the handsets configured from 1 to 12  
T = 1 closes the contact for 1"

**MOD = 2 - Staircase lights from all riser handsets**

- The actuator is enabled by pressing the staircase light key of all riser handsets
- Customize the time through the configurator T.
- Connect the M configurator of the system expansion interface, item 346851 (configured with MOD = 5) to M

MOD	M	N/P	T
2	○	○	○
○	○	○	○
○	○	○	○
○	○	○	○

Tens      Unit

Example

MOD	M	N/P	T
2	19	○	○
○	○	○	○
○	○	○	○
○	○	○	○

Staircase light control from all handsets of the riser 19  
T = 0 closes the contact for 30"

**MOD = 2 - Staircase lights from all entrance panel (if fitted with the corresponding key)**

- With (MOD = 2) the actuator activates when the light pushbutton of any (preset) entrance Panel is pressed
- Customize the time through the configurator T.

MOD	M	N/P	T
2	4	○	○
○	○	○	○
○	○	○	○
○	○	○	○

Not inserting the configurator corresponds to insert 0

BT00664-a-EN

**MOD = 3 - Sundry services from single handset**

- The actuator is enabled by pressing the light pushbutton of only one handset.
- Customize the time through the configurator T.
- Put in N/P the ten and the units of the handset that controls the relay

Example

Door lock control from the light key of the handset configured with 15  
T=1 closes the contact for 1 s

**MOD = 4 - Staircase light from EP**

- With (MOD = 4) the actuator is enabled by pressing the light pushbutton of only one entrance panel.
- Customize the time through the configurator T.
- Put in N/P the ten and the units of the handset that controls the relay

Example

Door lock control from the light key of the handset configured with P=3  
T=5 closes the contact for 1 min

**MOD = 5 - Door lock control from all handsets**

- Direct door lock opening with handset in pause. The actuator is enabled by pressing the door lock pushbutton of all handsets.
- Customize the time through the configurator T.
- Put in N/P the ten and the units of the associated entrance panel that controls the door lock.

Example

Door lock control of the entrance panel configured with P=2 from the door lock pushbutton of all the associated handsets  
T=1 closes the contact for 1 s

**MOD = 5 - Door lock control from PIVOT/SWING/POLYX handsets additional keys**

- Direct door lock opening with handset in pause.
  - Customize the time through the configurator T.
  - Insert in N/P the address that the actuator must take inside the system.
- The N/P value inserted in the actuator must be between P + 1 and P + 4 of the P configurator P inserted in the handset which controls the door lock. For further information on the configurations of the SWING/POLYX handsets and the 4 additional keys set for PIVOT make reference to the relating technical sheets.

Example

Door lock control by pressing the key 2 of the 4 keys set for PIVOT (PIVOT configured with P = 0)  
T=1 closes the contact for 1 s

**MOD = 7 - Light on for illumination of the viewing field**

- At the same time as sending a call from the entrance panel or activating a camera (N/P configuration), the actuator also closes the contact, keeping it closed until:
- if the call is answered, the contact opens when the communication is terminated or the conversation timeout activates (<1 min.)
  - if the call is not answered, the contact opens after 30 seconds (at the end of the call forwarding timeout).

Example

Closing of contact upon call from the EP configured with P=2.  
The contact opens after the call is terminated or after 30 seconds (if there is no answer)

BT0064-a-EN

**MOD = 9 - Sundry services (door lock/open the gate/staircase light) from PIVOT/SWING/POLYX handsets additional keys**

- Direct door lock opening with handset in pause.
- Customize the time through the configurator T.

- Insert in N/P the address that the actuator must take inside the system.

The N/P value inserted in the actuator must be between  $P + 1$  and  $P + 4$  of the P configurator P inserted in the handset which controls the service.

For further information on the configurations of the SWING/POLYX handsets and the 4 additional keys set for PIVOT make reference to the relating sections configurations.

Example

Device control by pressing the key 2 of the 4 keys set for PIVOT (PIVOT configured with  $P = 2$ )  
 $T = 2$  closes the contact for 3 s

**MOD = SLA - Call repetition on Badenia bell**

- Repeat the calls coming from the entrance panel on Badenia bell.
- Customize the time through the configurator T (Accepted configurators are: 1, 2, 3, 4 and 8).
- Insert in N/P the tens and units of the handset associated to the function.

\* The SLA configurator must be bought separately from the configurator kit (item 3501K). Item code for SLA configurator: item 3501/SLA.

Example

The Badenia bell rings for 6 seconds each time there is a call addressed to the handsets configured with  $N = 16$   
 $T = 3$  the Badenia bell rings for 6 s and stops when the call is answered

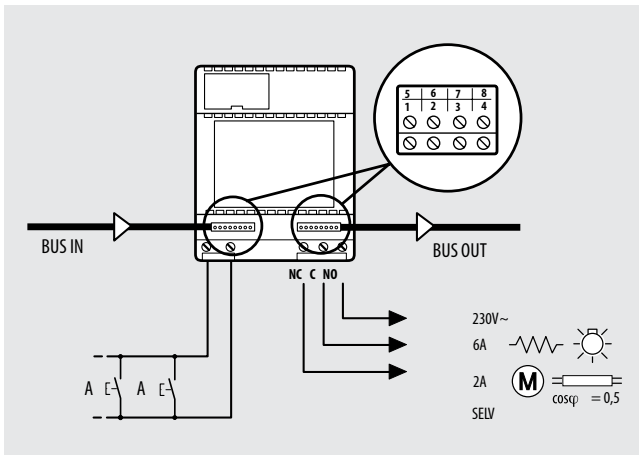
**T configuration (timing)**

The T values mentioned in the examples are only an indication of the times commonly used for the different applications.

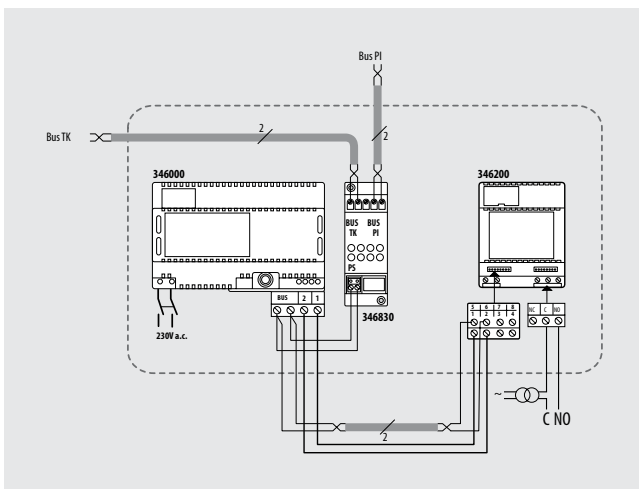
By inserting in the T socket a configurator (as mentioned in the table) the relay door locking time can be customized.

T configurator	Time
none	3 min.
1	1 sec.
2	3 sec.
3	6 sec.
4	10 sec.
5	1 min.
6	6 min.
7	10 min.
8	pushbutton
9	cyclic (ON/OFF)

**Wiring diagram**



**2-wire standard wiring diagram**







# Door lock actuator

346230

## Description

2-wire system door lock actuator.  
 It can be used to actuate an electrical door lock without the need for a local transformer, activated by a dedicated handset key.  
 In systems with handsets with specific LED, it enables to perform the "LOCK STATUS" function when a CISA ELETTRIKA door lock is used.

## Related items

346240 CISA ELETTRIKA door lock accessory

## Technical data

Power supply from SCS BUS: 18 – 27Vdc  
 Stand by absorption: 10 mA  
 Max. operating absorption: 300 mA  
 Operating temperature: 5 – 40 °C  
 Contact load (PL/S+): 6 A – 24 Vac max (cosφ=1)

## Dimensional data

2 DIN modules

## Configuration

The device must be physically configured in terms of:

### P - Associated entrance panel number

A configurator like the one connected to P of the entrance panel must be connected to this socket. When the actuator is associated to the main entrance panel, no configurator must be connected to P.

### T - Door lock relay timing

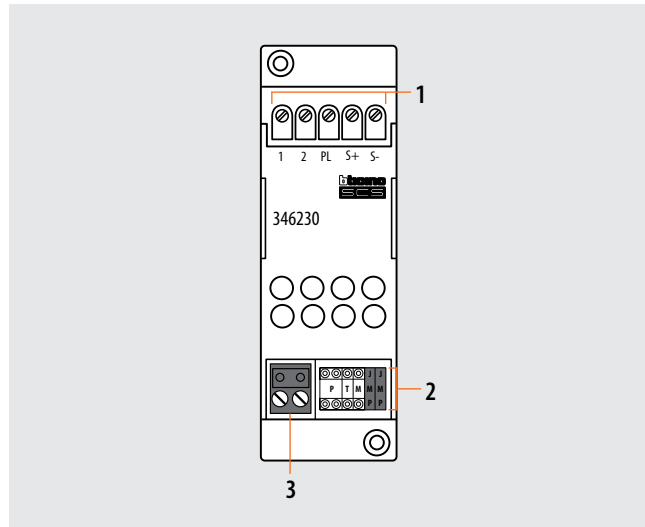
The configurator connected to T sets the relay closing time delay as shown in the following table:

configurator number	1	2	3	4	5	6	7
0= No configurator							
4 sec.	1 sec.	2 sec.	3 sec.	as pushbutt.	6 sec.	8 sec.	10 sec.

### M - Operating mode

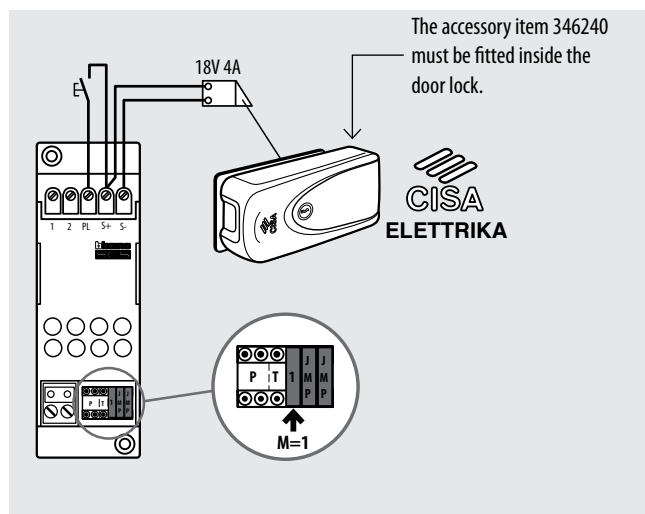
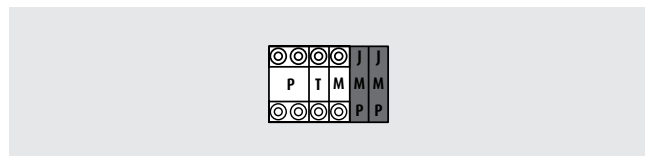
- M=0** - Door lock relay standard operation
- M=1** - Door lock relay operation + "door lock status control" – only with handsets fitted with door lock status LED and specific CISA ELETTRIKA door lock with Accessory item 346240.
- M=4** - With interface 349410 only it enables:
  - with analogue system and audio Tersystem, the direct control of the electrical door lock
  - with videoporter 2000, the call to the switchboard

**JMP** - Jumpers to be removed when an auxiliary transformer is used (4A max.)



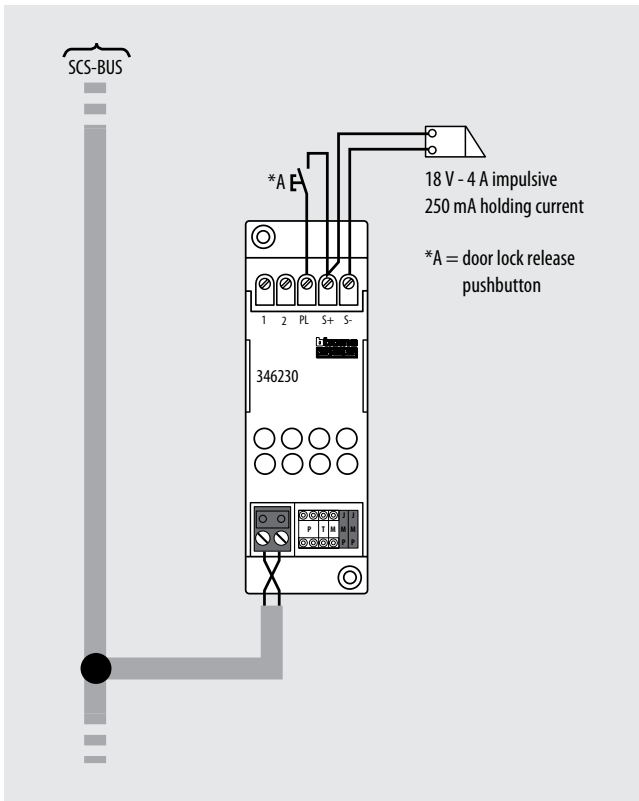
## Legend

- 1 - Clamps for the connection of door lock and additional pushbutton
- 2 - Configurator socket
- 3 - 2 WIRE BUS connection clamps

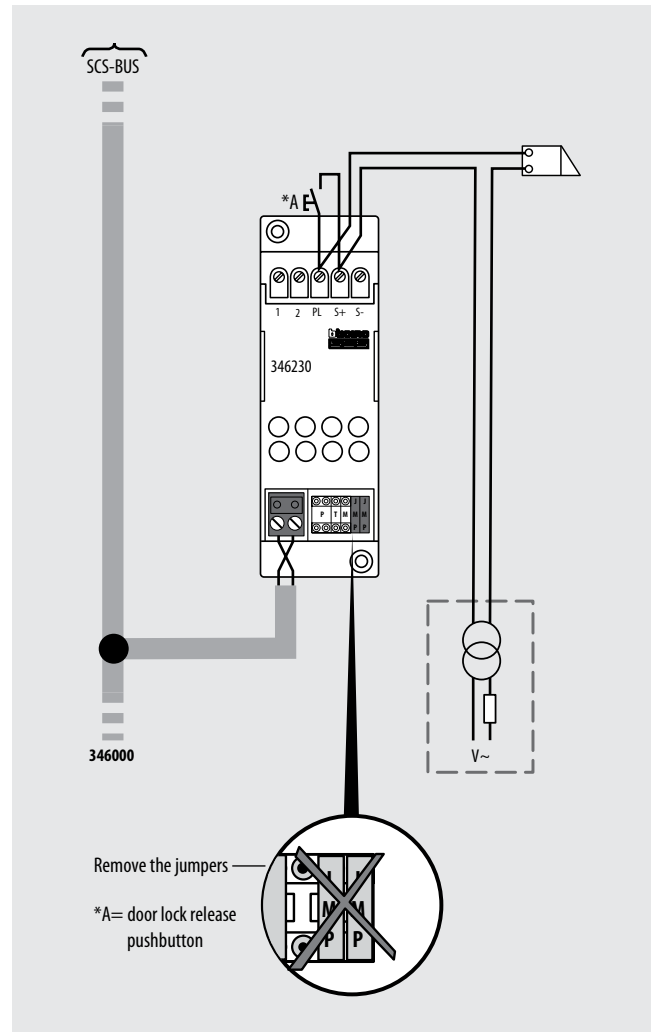


BT00665-a-EN

**Wiring diagram - 2-wire standard**



**Wiring diagram - with auxiliary transformer**





# Timed door lock actuator

346260

## Description

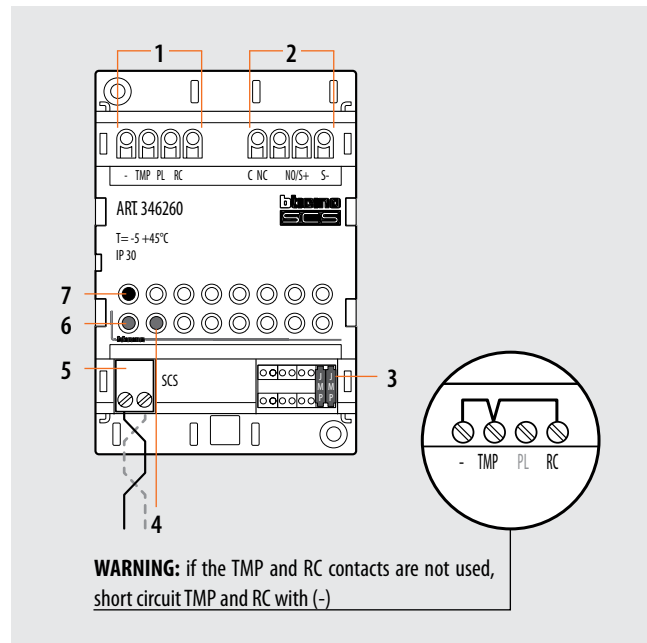
Timed door lock actuator for 2 WIRE system.  
 It can be used for switching the lights on, opening gates, or manage electromagnetic door locks, timed door opening, and door status (with NC contact).  
 The DOOR STATUS function can only be used with door entry systems and video door entry systems fitted with signalling LEDs, and when a magnetic door status contact is present.  
 It may also be used in systems integrated with an appropriately configured ACCESS CONTROL system.

## Technical data

Power supply from SCS BUS: 18 – 27 Vdc  
 Stand by absorption: 5 mA  
 Max. operating absorption: 250 mA  
 Operating temperature: 5 – 40 °C

## Dimensional data

4 DIN modules



## Legend

- 1 - Door status connection clamps:  
 (-) Common  
 (TMP) Anti tamper line contact (normally closed on -)  
 (PL) Door opening pushbutton contacts (normally open on -)  
 (RC) Door status magnetic contact (normally closed on -)
- 2 - Electromagnetic door lock connection clamps:  
 (C) Common  
 (NC) Normally closed contact  
 (NO/S+) Normally open contact  
 (S-) Contact for door lock power supply from BUS (to be used with NO/S+)
- 3 - Configurator socket
- 4 - Notification orange LED: on when the relay is active  
 (flashing orange + red LEDs for open door notification)
- 5 - 2 WIRE BUS connection clamps
- 6 - Notification red LED: flashing in case of system tampering
- 7 - Door opening local pushbutton

**Configuration**

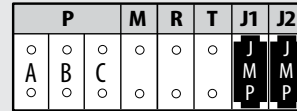
The device must be physically configured in terms of:

**P - Associated entrance panel number**

A configurator like the one inserted in P of the entrance panel must be connected to this socket. When the actuator is associated to the main entrance panel, no configurator must be connected to P.

**M = Operating mode**

Assigns the operating mode to the internal relay of the actuator, based on the following table:



A = DO NOT USE (access control only)  
B - C = P CONFIGURATOR SOCKETS

M =	0	1	2	3	4	5	6
Management of access control	YES	YES	Signal repetition	YES	YES	NO	NO
Management of 2 WIRE video door entry system	NO	NO	NO	YES	YES	YES	YES
Actuator relay status	② Normally open	③ Normally closed. Electromagnetic door lock	④ Signal repetition	⑤ Normally open	⑤ Normally closed. Electromagnetic door lock	Normally open	Normally closed

**R = Enabling/disabling of the anticipated relay switching function<sup>(1)</sup>**

Configurator	0	1
Advance of closing	Enabled (2 sec.)	Disabled

**T = Door lock relay timing**

Configurator	0	1	2	3	4	5	6	7
Time sec.	4	1	10	20	40	60	90	180

**J1 - J2 = Jumpers for the selection of the door lock power supply**

CONNECTED = DOOR LOCK POWERED BY THE BUS

DISCONNECTED = DOOR LOCK POWERED BY AN EXTERNAL DEVICE

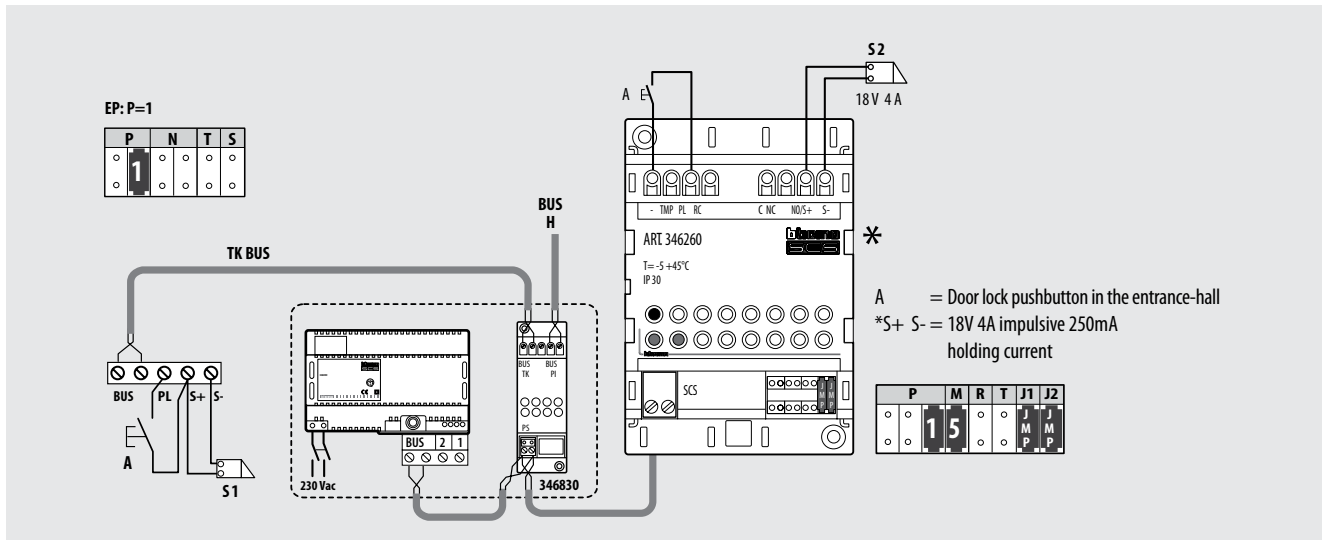
**Note:**

- (1) If enabled, 2 seconds after the opening of the entrance, anticipated relay switching occurs, irrespective of the T time set (this function can be used with door status magnetic contact and for T = s).
- (2) The device supplies the NC and NO contacts of the internal relay. It is therefore possible, also with M = 0, to use the internal relay as normally closed. It must be noted that in case of power cut from the power line (230 Vac), the relay stays normally closed and, if the power supply of the electric door lock is fitted with a back-up battery, the door lock stays closed.

- (3) In this mode, the software forces the relay to perform the opposite operation (positive safety). The NO contact stays in the closed status, and is opened in order to open the door (passage). In case of power cut from the main power line (230 Vac), the relay opens, and the door lock opens, even if the power supply line of the door locks is fitted with a back-up battery.
- (4) Operation as signal repeater. In case of system intrusion or opening of a door, the relay output can also activate an external notification device (sound or visual notification), based on the time value set in T.
- (5) Integration mode between video door entry system and access control (see instructions of item 348000).

346260

Connection example



BT00666-a-EN



## 8/2-WIRE interface

346150

### Description

8/2-WIRE interface is a device that can be used for installing mixed video door entry systems, with common backbones using the digital system (8 WIRES), and risers using the 2 WIRE system.

It is ideal for very large systems as all the performance advantages of the digital system can be combined with the installation advantages of the 2 WIRE system (simple wiring system, intercommunication, no need for local power supply of monitors).

The device must be used together with the 346000 power supply.

In installing a system with local entrance panel, the entrance panel itself may be wired using both the 2 WIRE, or the 8 WIRE procedure.

### Related items

346000 (2 WIRE system power supply)

### Technical data

Power supply from SCS BUS: 18 – 27 Vdc

Operating temperature: 5 – 40 °C

#### SELV device

##### BACKBONE SIDE (IN-OUT):

- Stand-by absorption: 60 mA

- Max. operating absorption: 145 mA

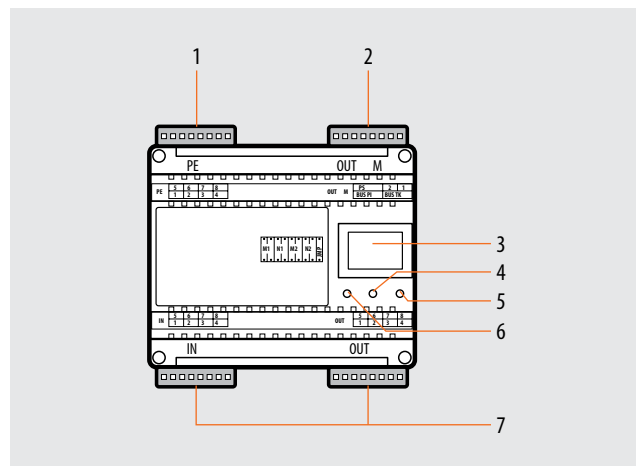
##### RISER SIDE (EP-OUT M):

- Stand-by absorption: 25 mA

- Max. operating absorption: 110 mA

### Dimensional data

6 DIN modules



### Legend

- 1 - 8 WIRE local entrance panel connection clamp
- 2 - 2 WIRE riser and power supply connection clamp
- 3 - Configurator socket
- 4 - Local conversation active signalling LED
- 5 - Powered device flashing (stand by) signalling LED
- 6 - Conversation with backbone active signalling LED
- 7 - 8 WIRE backbone (IN-OUT) connection clamps

**NOTE:** the three flashing LEDs indicate a device configuration error.

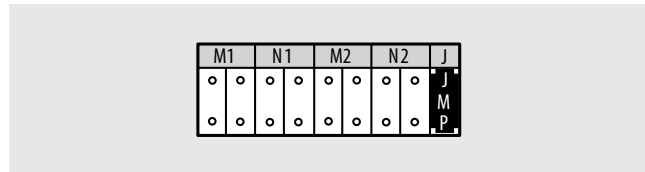
**Configuration**

The device must be physically configured to set the operating mode:

**MODE A:** It is possible to generate up to 40 risers, each with up to 100 handsets (devices). The total number of handsets installed on the riser column must also include any handsets and video handsets connected in parallel. With each extra device added in parallel to the base device, the total number of calls or apartments decreases by one. It is recommended that the risers in M1 are numbered starting with 1. The configurators must only be connected to the M1 position. On the generated riser, handsets (max. 100) must be configured (in N) from 1 to 99.

**MODE B:** it is possible to generate up to 100 risers, with the possibility of installing on each of them a number of handset based on the value of the configurator connected to M1 and N1. However, the total number of calls in the system is 4000. The configurators to be used are M1, N1, M2, N2; for each riser these will define the address of the first and the last video handset of the riser. In this mode M1 must be the same as M2, and therefore up to 100 call address Handsets (N1 and N2) may be allocated to each riser.

**NOTE:** if only one handset can be installed on a riser (**M1=M2 and N1=N2**), the handset shall always be configured with N=1 due to the fact that the call on the 2 WIRE line (in this configuration) becomes general.



**M1 = number of the riser**  
It allocates to the handsets the number of the riser they belong to

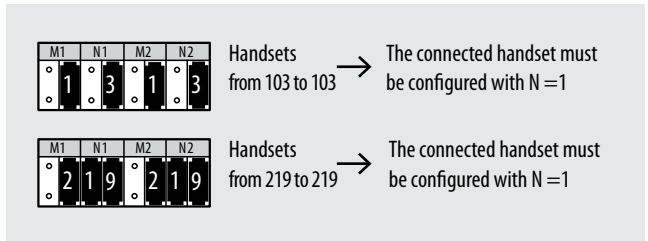
**N1 = Call number**  
**Mode A:** MUST not be configured.  
**Mode B:** it allocates the initial number of the handsets installed on the riser.

**M2 = number of the riser**  
**Mode A:** MUST not be configured.  
**Mode B:** It allocates to the handsets the number of the riser they belong to (it must be equal to M1)

**N2 = Call number**  
**Mode A:** MUST not be configured.  
**Mode B:** it allocates the final number of the handsets installed on the riser

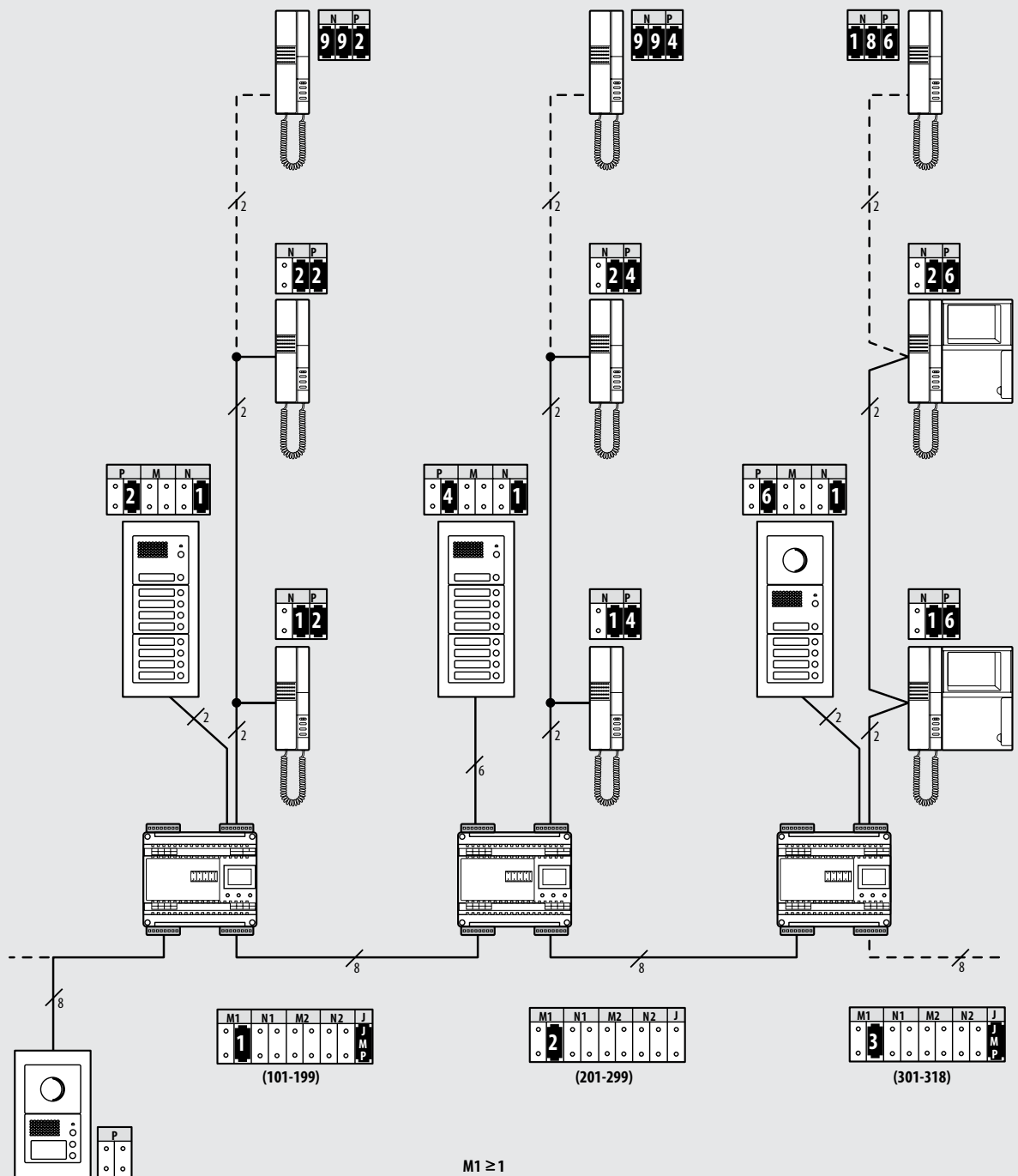
**J = Selection of the secondary riser entrance panel**  
It is possible to install a riser EP belonging to the 2 WIRE system range or a riser EP belonging to the digital system range. However, both types of EPs cannot be installed at the same time.

**Configurator J connected = 2 WIRE system EP**  
**Configurator J disconnected = digital system EP (6-8 wires)**



**Example of configuration in mode (A)**

If  $M1=2$  the 100 handsets installed on this riser will take on the absolute address from 201 to 299 and will be configured from  $N=1$  to  $N=99$ .



**Example of configuration in mode (A):**

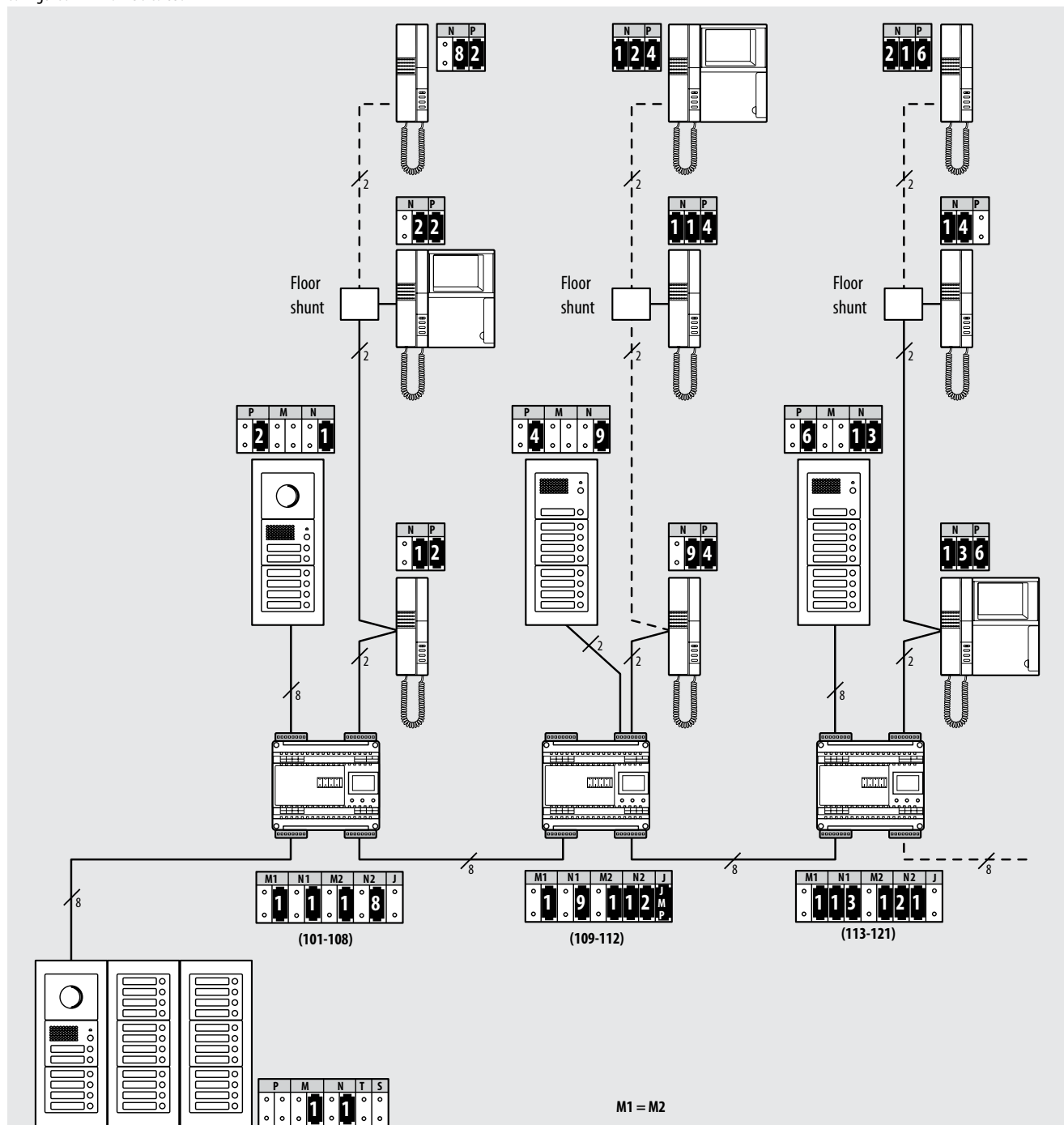
The EP must be realised using numeric or alphanumeric call modules. On the 8/2 interface it is possible to install both 2 WIRE or 6/8 WIRE secondary (or local) entrance panels. On the risers it is possible to install both audio and video 2 WIRE handsets, complying with the installation limits of the 2 WIRE system.

BT00667-a-FN



**Example of configuration in mode (B)**

If  $M1=12$   $N1=50$  and  $M2=12$   $N2=65$ , on the riser the handsets will have an absolute address going from 1250 to 1265. Therefore the riser handsets must themselves be configured in N from 50 to 65.

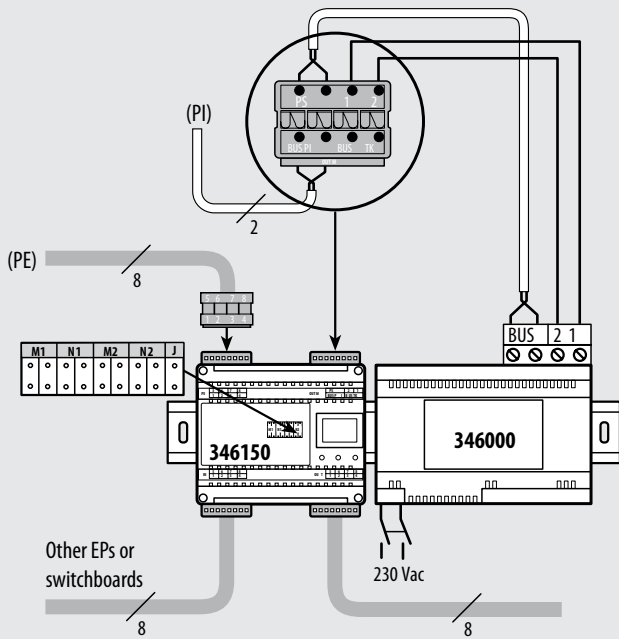


**Example of configuration in mode (B)**

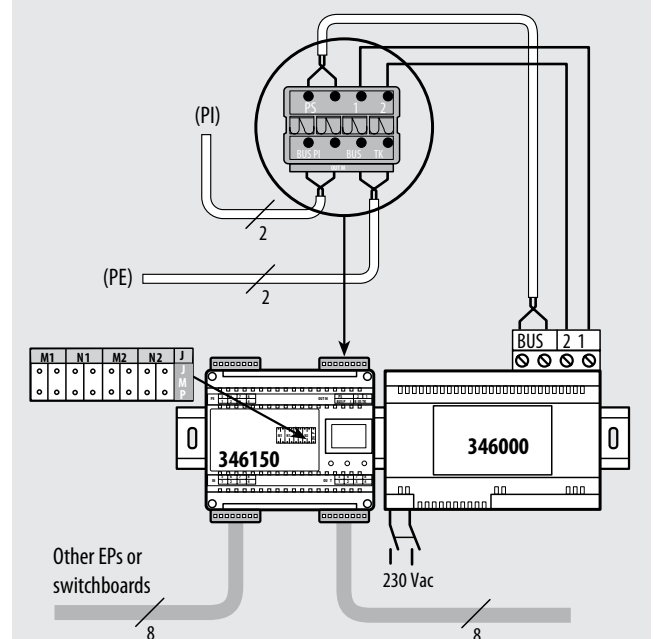
On the 8/2 interface it is possible to install both 2 WIRE or 6/8 WIRE secondary (or local) entrance panels. On the risers it is possible to install both audio and video 2 WIRE handsets, complying with the installation limits of the 2 WIRE system.

Wiring diagrams

Connection of local 8 WIRE EP



Connection of local 2 WIRE EP





# ANALOGUE/2 wire interface

349410

### Description

ANALOGUE/2 WIRE communication interface.  
 It can be used for interfacing an ANALOGUE, 8 WIRE DIGITAL, TERSYSTEM audio, and VIDEOPORTER 2000 riser to a dedicated apartment 2 WIRE video door entry system with local video monitoring system, sound system, and MY HOME application control.  
 Activations addressed on the ANALOGUE/8 WIRE side are not possible.  
 NOTE: The configuration of private devices (entrance panels, actuators, video cameras etc.), must start from 1.

### Related items

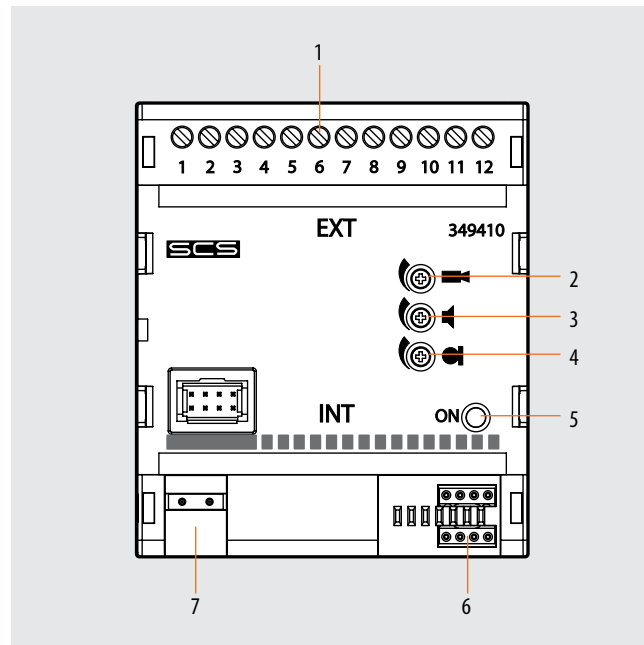
- 346000 (2-wire system power supply)
- F441 (audio/video node)
- 346830 (video adapter)

### Technical data

Power supply from SCS BUS: 18 – 27 Vdc  
 Operating temperature: 5 - 40°C  
 Absorption:  
 SIDE (INT): Stand by absorption: 15 mA  
                   Max. operating absorption: 55 mA  
  
 SIDE (EXT): Stand by absorption: 15 mA  
                   Max. operating absorption: 35 mA

### Dimensional data

4 DIN modules



### Legend

- 1 - Clamps for the connection of the ANALOGUE system riser
- 2 - Trimmer for the adjustment of the video signal
- 3 - Trimmer for the adjustment of the incoming audio signal
- 4 - Trimmer for the adjustment of the outgoing audio signal
- 5 - Interface status notification LED:  
 (FLASHING GREEN = STAND BY)  
 (FIXED GREEN = active INT-EXT connection)
- 6 - Configurator socket
- 7 - Clamps for the connection of the 2-wire SCS BUS





# Door lock relay

346250

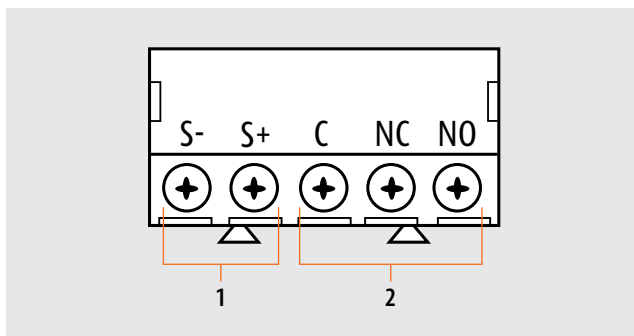
### Description

Relay module for gate opening to be used only with audio/video SFERA New, SFERA ROBUR, SFERA Classic item 342560, LINEA 2000, LINEA 2000 METAL and MINISFERA entrance panels.

It allows to open door locks (NOT managed by BUS) by means of the above mentioned entrance panels (NOT fitted with relay). The device must not be configured.

### Related items

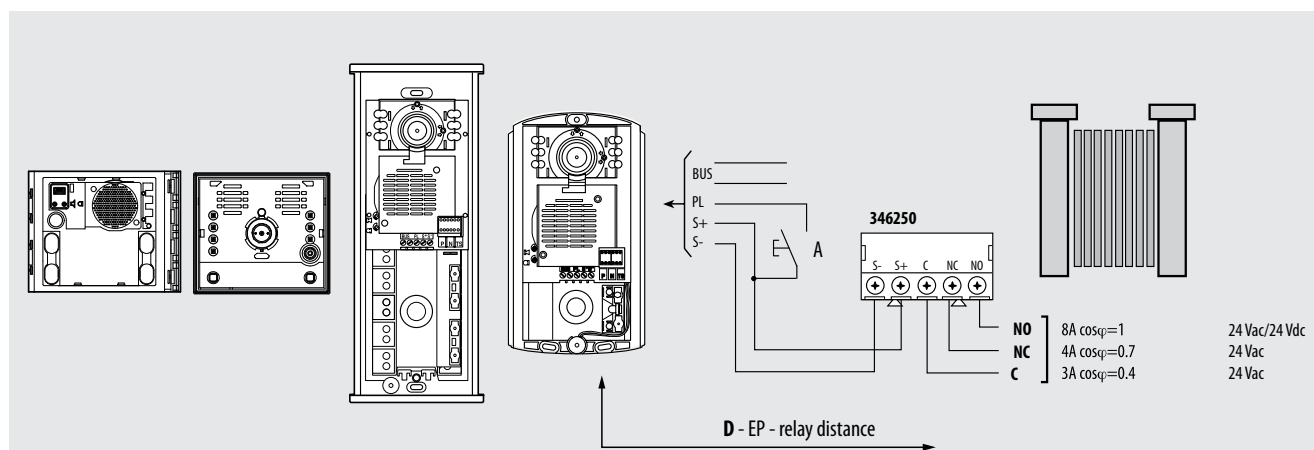
- 341000 (SFERA New - SFERA Robur BASIC speaker phone module)
- 341100 (SFERA New - SFERA Robur speaker phone module)
- 341200 (SFERA New - SFERA Robur audio video module)
- 341300 (SFERA New - SFERA Robur wide angle audio video module)
- 342560 (SFERA Classic audio/video speaker module)
- 342702 (MINISFERA audio speaker module)
- 342708 (MINISFERA video speaker module)
- 342911/21 (LINEA 2000 audio EP)
- 342951/61 (LINEA 2000 video EP)
- 342971/72 (LINEA 2000 METAL audio EP)
- 342981/82 (LINEA 2000 METAL b/w video EP)
- 342991/92 (LINEA 2000 METAL colour video EP)
- 343001/02 (LINEA 2000 METAL flush mounted EP)



### Legend

- 1 - Clamps for connection to the entrance panel
- 2 - Clamps- contacts for connection to the electrical door lock

### Connection example



Max. distance (D) depending on the cable used

TYPE OF CABLE CABLE SECTION	mm <sup>2</sup> 0.28	BTicino Item 336904	BTicino Item L4669	mm <sup>2</sup> 1
<b>D</b> ← →	30 m	50 m	30 m	100 m

A = door lock release pushbutton

BT00669-a-EN



# Coaxial to 2 WIRE interface

347400

## Description

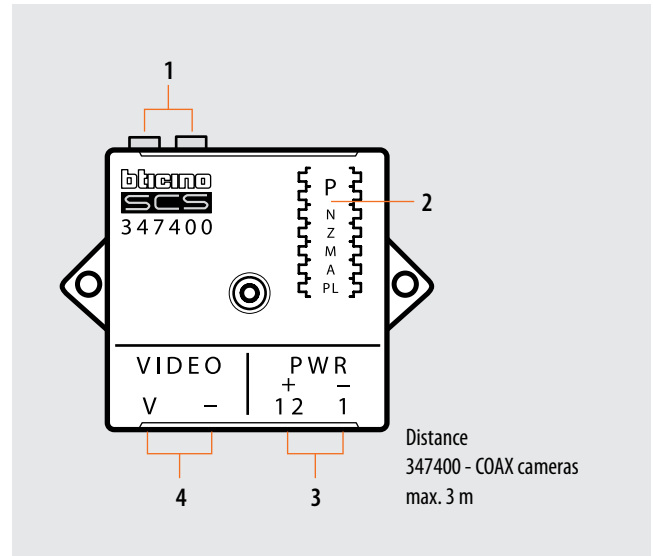
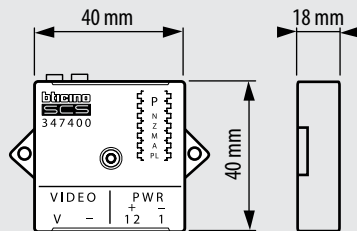
Interface used for connecting the cameras with 12 Vdc power supply (max. absorption 150 mA) and coaxial video output (1 Vpp @ 75 ohm) to the 2-wire video BUS. The interface provides direct power supply to the camera. the device can be used as an interface for the separate camera; to associate a camera to an audio entrance panel simply configure both the camera and the entrance panel using the same configurator in P.

## Technical data

Power supply from SCS BUS: 18 – 27 Vdc  
 Stand by absorption: 5 mA  
 Max. operating absorption: 210 mA - see note (\*)  
 Operating temperature: (-20) – (+70)°C  
 (\*) note: max. 150 mA when the interface supplies power to the 12 V camera

## Dimensional data

BASIC plastic enclosure



## Legend

- 1 - 2 WIRE BUS connection clamps
- 2 - Configurator socket (to access remove the upper plastic protection cover)
- 3 - Clamps for the connection of the camera power supply (12 Vdc - 150 mA max.)
- 4 - Clamps for the connection of the camera video signal output

**Configuration**

The device must be physically configured in terms of:

**P = camera address**

The configurator in seat P of the interface assigns to it a recognition number inside the system. The interface is considered as a video entrance panel, therefore it must be configured with a progressive number in relation to (P) of the entrance panel.

**N = address of the handset called in case of alarm**

In those systems integrated with Bticino burglar alarm systems, the configurator connected to N of the interface, determines which handset must be called in case of alarm occurred in the Z zone configured in the interface. Then, the handset will display the images of the interface associated to the Z zone.

**Z = zone of the burglar-alarm system associated to the camera**

**M = Operating mode**

**M = 0** - standard operation

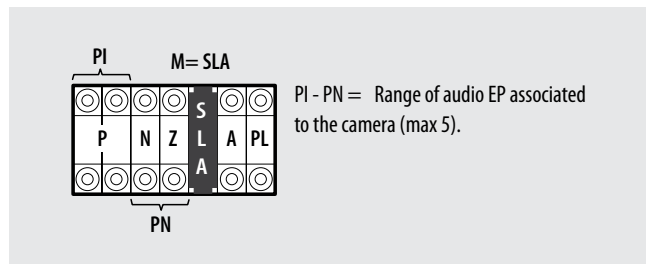
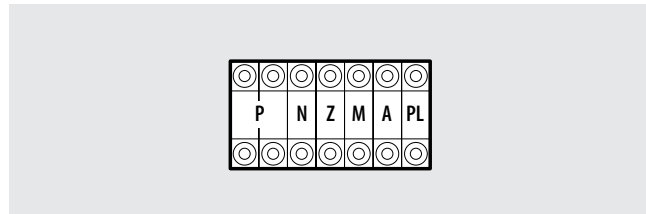
**M = SLA** - Configuration for association to several audio EP

**A/PL = Address of the SCS light actuator connected to the camera**

**Address of the scenarios module associated to the camera**

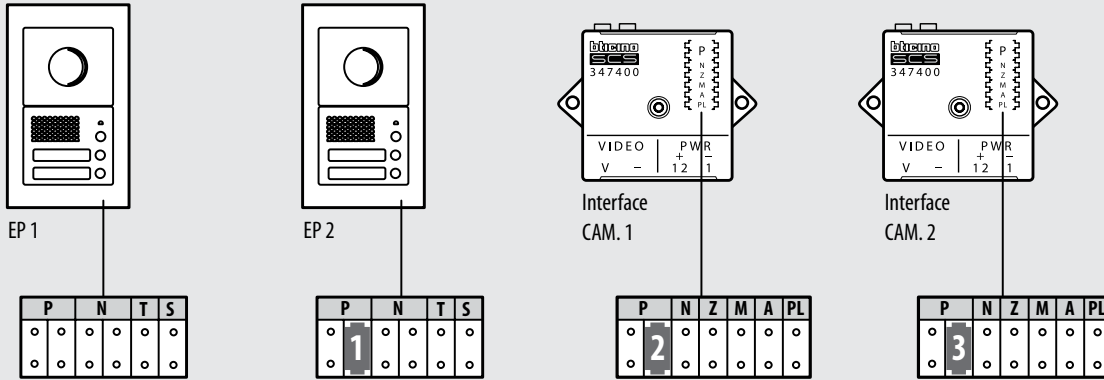
In systems integrated with BTicino automation applications, the configurator connected to A/PL of the interface associates the switching on of the camera with the activation of a SCS actuator configured with the same A/PL.

(Example: switching on of lights to illuminate the field of view, only with camera active).

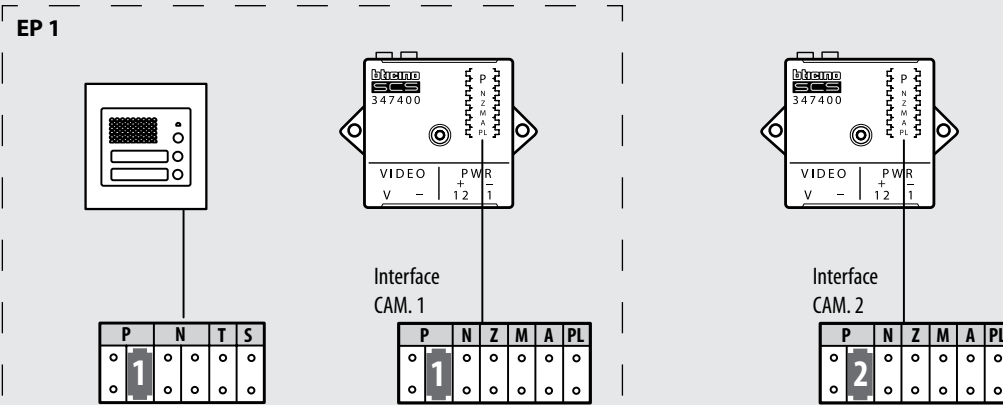


**Configuration**

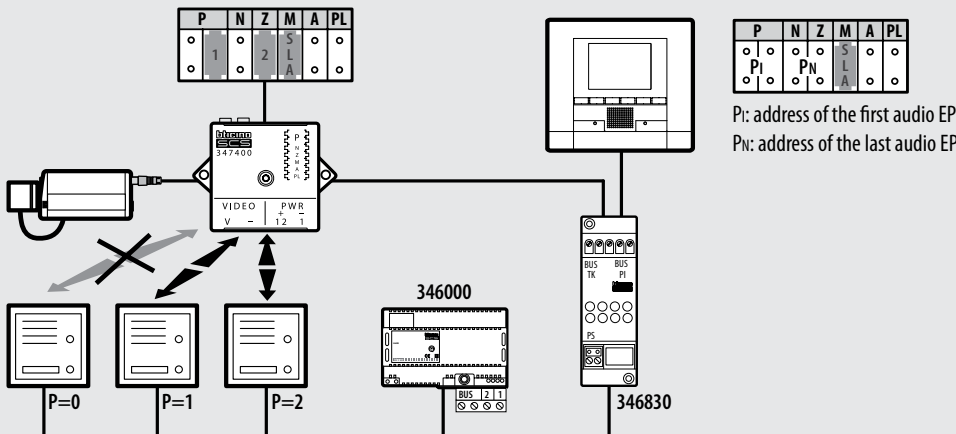
**Example of configuration**



System with 2 video EP and 2 cameras.



System with audio EP and 2 camera (CAM. 1 associated to the EP)



P1: address of the first audio EP  
PN: address of the last audio EP

Coupling the switching on of the camera with several audio EP (max. 5)

BT00670-a-EN





# Line amplifier

346870

## Description

The line amplifier is an accessory device that in 2 WIRE video systems using non-twisted cables (with section  $\geq 0.28 \text{ mm}^2$ ) can be used to increase the distance between the entrance panel and the furthest handset from 50 m to 100 m max.

The device must be installed at the 50th metre distance from the entrance panel. If it is installed before the 50th metre, an image distortion will occur, while an installation beyond the 50 metres will not bring any advantages.

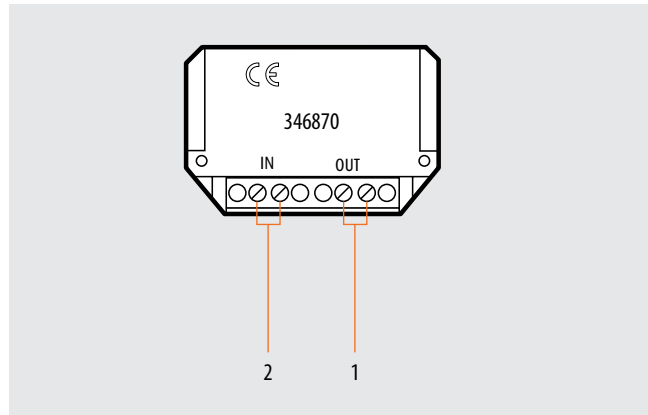
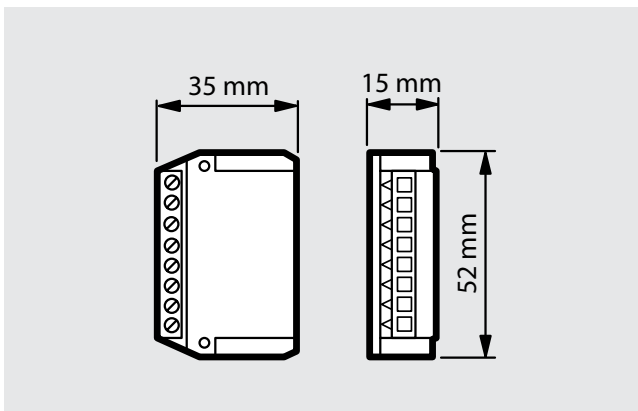
The amplifier offers the following advantages: it does not need configuration, or power supply, and can be installed in a round box thanks to its compact size.

On the new riser line generated by the amplifier it will be possible to install up to 18 handsets (maximum), including both audio and video handsets.

## Technical data

Power supply from SCS BUS:	<b>18 – 27 Vdc</b>
Stand by absorption:	<b>20 mA</b>
Max. operating absorption:	<b>20 mA</b>
Operating temperature:	<b>5 – 40 °C</b>

## Dimensional data



## Legend

- 1 - 2 WIRE BUS OUTPUT connection clamps
- 2 - 2 WIRE BUS INPUT connection clamps



# Floor shunt

346841

## Description

The floor distribution block can be used for video door entry systems with a star distribution of the wiring.

The distribution block is in a plastic enclosure with much reduced dimensions for easier positioning (above all during the refurbishments) even with the installation inside flush mounted boxes.

It is also possible to install systems with combined wiring risers, where a part can be of IN/OUT type and the other part is used for the floor distribution block.

The device automatically adapts the video signal.

Max. 3 devices (handsets, bells or additional bells) can be connected on the same output.

**The device must not be configured.**

## Technical data

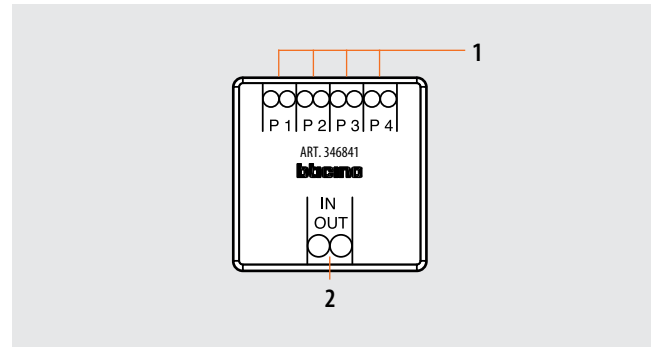
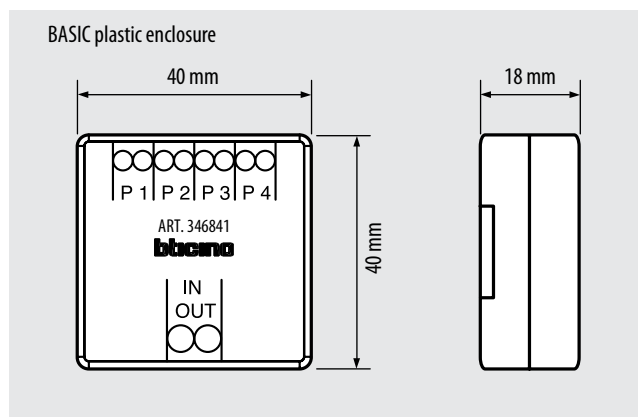
Power supply from SCS BUS: 18 – 27 Vdc

Stand by absorption: 15 mA

Max. operating absorption: 15 mA

Operating temperature: 5 – 40 °C

## Dimensional data



## Legend

1 - 4 outputs (P1, P2, P3, P4) - handset BUS

2 - Input/output of riser (IN-OUT) on the same pair of clamps



# Floor call interface

346833

### Description

Floor call interface which allows, by means of a traditional pushbutton, to make the following functions:

- general floor call
- addressed floor call
- staircase light switching on
- Door lock opening (with specific actuator)
- associate the video image to the call to the floor

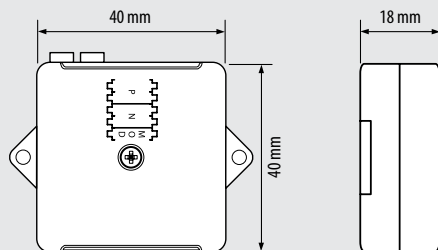
**WARNING: the maximum connection distance between the interface and the connected pushbuttons must not exceed 3 metres.**

### Technical data

Power supply from SCS BUS: 18 – 27 Vdc  
 Stand by absorption: 15 mA  
 Max. operating absorption: 15 mA  
 Operating temperature: 5 – 40°C

### Dimensional data

BASIC plastic enclosure



### Configuration

The device must be physically configured in terms of:

**N = address of the handset to call**

(To be used only with MOD = 0)

**P = address of the entrance panel associated to the door lock to open**

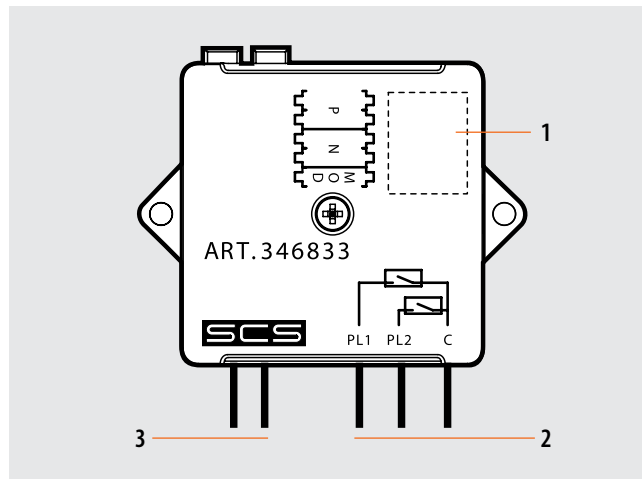
(To be used only with MOD = 2 and MOD = 3)

**MOD = Operating mode**

the configurator connected to MOD assigns the operating modes to the pushbuttons connected between (PL1 and C) and (PL2 and C), as shown in the table:

MOD	N	P	PL1	PL2
0	Handset address (00-99)	-	Addressed floor call	Staircase lights from Handset with 00
1	-	-	General floor call	Staircase lights from Handset with 00
2	-	Door lock address (00-95)	Door lock opening	Staircase lights from Handset with 00
3	-	Door lock address (00-95)	Door lock opening	Door lock opening (P+1)
4(*)	Handset address (00-99)	Camera address (00-95)	-	-

(\*): see installation notes on next page.



### Legend

- 1 - Configurator socket (to access remove the upper plastic protection cover)
- 2 - Clamps for the connection of the pushbuttons / contacts (connect a pushbutton between PL1 and C and one between PL2 and C)
- 3 - Clamps for the connection to the 2-WIRE BUS

**Installation notes**

The MOD = 4 configuration mode enables associating the video image of a camera to the call to the floor generated by the off-door pushbutton.

To use this function correctly, the following must be taken into account:

- The involved handsets, the 346833 interface, and the camera must be physically connected on the same SCS BUS.
- In multi-family systems connect the involved devices downstream the apartment interface item 346850 - (cameras and handsets are local resources of the individual user).
- The active function keeps the SCS BUS busy for approximately 30", during which no other call can be forwarded. If the handset connects, the BUS will be busy until the TIME OUT period elapses, or the handset itself is disconnected.
- Only the following 2-wire BTicino cameras that can be used for this function: 391670 – 391657 – 391658 – 391659 – 391667 – 391668 - 391669 – 391661 – 391662 – 391663.



# Audio/video node

F441

### Description

The audio/video node is a mixer device enabling distribution of up to 4 sound sources or 2-wire audio/video risers. The 4 outputs will all have the same signal coming from the input selected among the 4 available.

**The device must not be configured.**

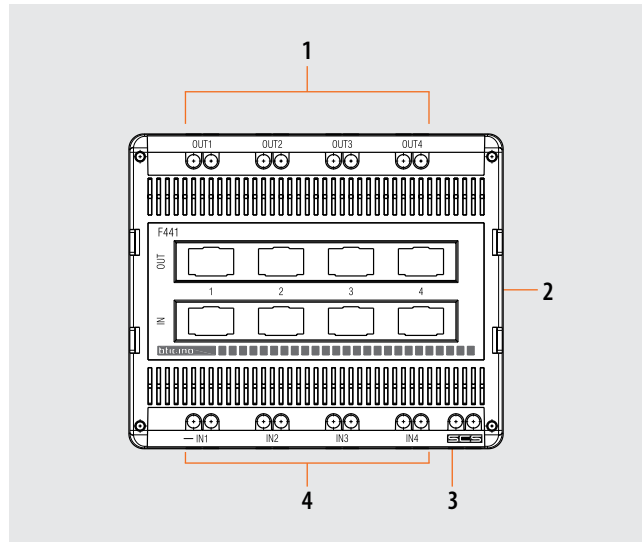
**WARNING : Connections using both screw clamps and patch cords at the same time are NOT possible.**

### Technical data

Power supply from SCS BUS: 18 - 27 Vdc  
 Absorption from BUS: 20 mA  
 Dissipated power: 0.5 W  
 Operating temperature: 5 - 40 °C  
 Number of inputs available: 4  
 Number of outputs available: 4

### Dimensional data

6 DIN modules



### Legend

- 1 - Output clamps (OUT1 - OUT2 - OUT3 - OUT4) for the connection of 2-wire video risers or amplifiers
- 2 - Sockets for patch cord connection
- 3 - Clamps for the connection of the SCS BUS
- 4 - Input clamps (IN1 - IN2 - IN3 - IN4) for the connection of sound sources or entrance panels / cameras



# Multi-channel matrix

F441M

## Description

The multi-channel matrix is a device which can distribute up to 4 stereo sound sources and a video signal from entrance panels or cameras simultaneously.  
 The matrix is made up of 8 inputs and 8 outputs (to wire 8 rooms).  
 Video entrance panels and cameras (first 4 inputs) and stereo sound sources (last 4 inputs) can be wired in input.  
 On each output of the matrix there is a clearly separate room.  
 The rooms must be set in ascending order (room 1 - OUT, room 2 - OUT 2 etc.).  
 The stereo signals are distributed at the same time and independently on any output.  
 However, it is not possible for the audio signals of two separate sound sources to be mixed on the same output branch.  
 The stereo signal of a sound sources and the video signal of one of the 2-wire video door entry sources can travel at the same time on the same branch (entrance panel or camera).

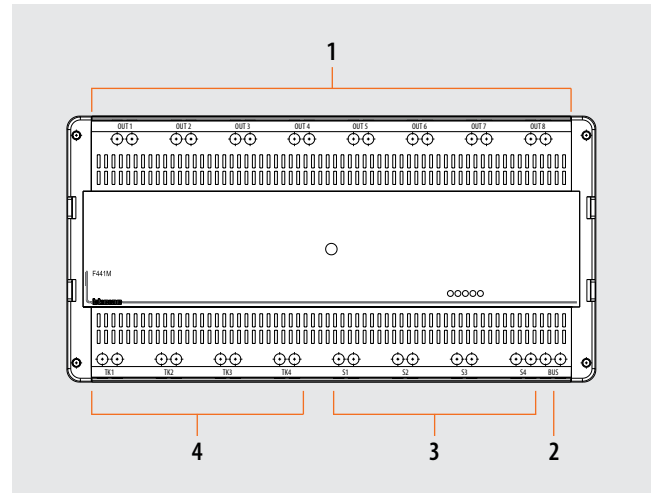
**The device must not be configured.**

## Technical data

Power supply from SCS BUS: 18 - 27 Vdc  
 Absorption da BUS: 46 - 60 mA  
 Dissipated power: 1.5 W  
 Operating temperature: 5 - 45 °C  
 Number of inputs available: 8  
 Number of outputs available: 8

## Dimensional data

10 DIN modules



## Legend

- 1 - Clamps for the connection of the amplifier and the video door entry system handsets.
- 2 - Clamps for the connection of the SCS BUS
- 3 - Clamps for the connection of the input sound sources (S1-S2-S3-S4)
- 4 - Clamps for the connection of the 2-wire cameras / entrance panels (TK1-TK2-TK3-TK4)



## 2 WIRE to IP Interface

346890

### Description

2 WIRE/IP interface in 10 DIN modular socket. It can be used for the installation of very large 2 WIRE/IP systems and a high number of devices (entrance panels, handsets and interfaces). The system will consist of an IP backbone and 2 WIRE risers. Advanced functions can be managed thanks to the IP switchboard (software). The device must be configured.

### Related items

- 346300 Switchboard Suite
- 346000 A/V power supply
- 346020 Additional power supply
- TiDeviceIP 2 WIRE/IP interface configuration software
- C9451 10/100 Mbit switch (wall mounted) - 8 RJ45 ports
- C9455 10/100 Mbit switch (DIN 35 rail) - 6 RJ45 ports

### Technical data

Power supply from BUS SCS:	18 - 27 Vdc
Stand by absorption (SCS SIDE):	5 mA
Stand by absorption (DC SIDE):	150 mA
Max. operating absorption (SCS SIDE):	70 mA
Max. operating absorption (DC SIDE) :	300 mA
Operating temperature:	5 - 40°C

### Dimensional data

10 DIN modules

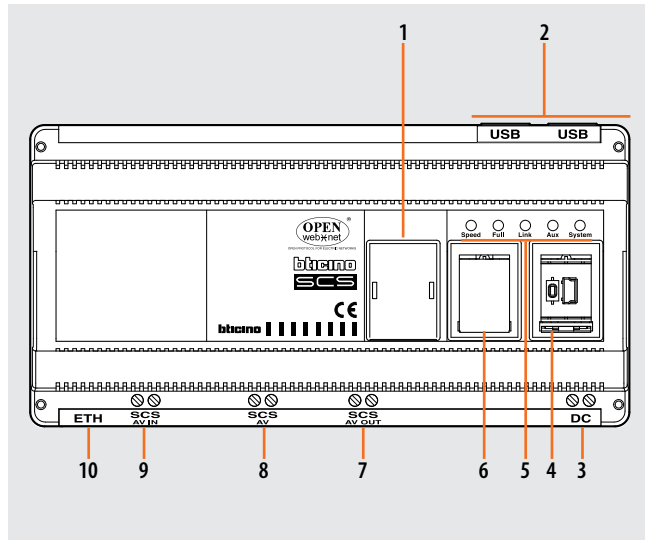
### Installation notes

The following items must be considered IP devices: switchboard sw (346300), interfaces (346890), AXOLUTE Outdoor Entrance Panel (349140), AXOLUTE Handset (HD/HC/HS 4690 - 349320 - 349321), if wired in IP mode.

The switchboard software suite offers of several services:

- call management, SoftSwitchboard (the switchboard);
- alarm logger (the server recording alarm events);
- communication framework (always present in the PC);
- alarm manager.

Therefore, a PC unit can include from a minimum of 2 and a maximum 4 IP devices. For most installations, only one alarm recording service is sufficient.



### Legend

1. Configurator socket
2. NOT USED (arrangement for future applications)
3. Clamps for the connection of the second power supply, item 346020 (clamps 1- 2)
4. USB ports for PC configuration and Firmware update  
+ RESET pushbutton
5. User interface LED for the notification of:  
SPEED = connection speed (on = 100 Mbit)  
(off = 10 Mbit)  
FULL Duplex / HALF Duplex (on = full duplex)  
(off = half duplex)  
LINK = network found (on = Ethernet network found)  
(off = Ethernet network not found)  
AUX = NOT USED  
SYSTEM = power supply status (on = power connected /operating interface)  
(off = power not connected)
6. NOT USED (arrangement for future applications)
7. Clamps for the connection of the 2 WIRE BUS (video door entry system handsets)
8. Clamps for the connection of the first power supply, item 346000 (BUS clamps)
9. Clamps for the connection of the 2 WIRE BUS (video door entry system entrance panels)
10. RJ45 for the connection of the 10/100 Mbit Ethernet LAN

**Configuration**

The device must be configured in two different modes:

- **Quick configuration** (with physical configurator connection)
- **Advanced configuration** using the TiDeviceIP software (supplied as standard with the device).

The quick configuration is performed by connecting the physical configurators. The following parameters must be configured:

**M1** - first part of lowest handset address (00 - 99 - OFF)

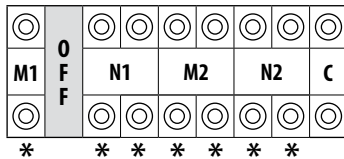
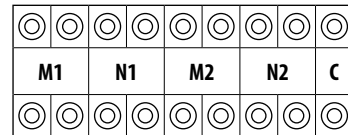
If M1 = OFF, all other sockets (N1, M2, N2) must not be configured: only entrance panels must be connected to the interface

**N1** second part of lowest handset address (00 - 99)

**M2** first part of highest handset Address (00 - 99)

**N2** second part of highest handset address (00 - 99)

**C** IP switchboard address (1 - 9)

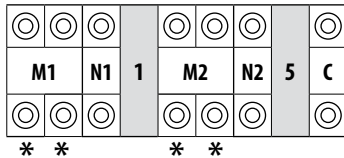


The quick configuration provides access to 3 operating modes:

**MODE 1** - The device only manages entrance panels and cameras detected automatically. The number of the IP switchboard called is connected to the C socket (1 to 9).

(\*) These sockets must be left empty

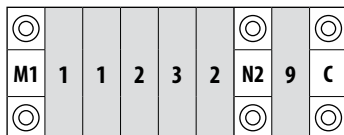
$1 \leq PI \leq 5$



**MODE 2** - The device manages handsets with configurations between N1 and N2 and the entrance panels/cameras detected automatically. This configuration must be used for installations with risers with a low number of handsets and low address. The number of the IP switchboard called is connected to the C socket (1 to 9).

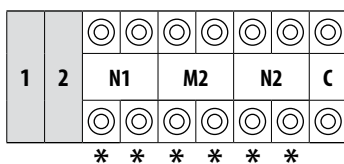
(\*) These sockets must be left empty

$112 \leq PI \leq 3209$



The devices manages handsets with addresses between  $(M1 \times 100) + N1 < PI < (M2 \times 100) + N2$  and entrance panels/cameras detected automatically. The number of the IP switchboard called is connected to the C socket (1 to 9).

$1200 < PI \leq 1299$



**MODE 3** - The device manages handsets with addresses between  $M1 \times 100 < PI < (M1 \times 100) + 99$ . The number of the IP switchboard called is connected to the C socket (1 to 9).

(\*) These sockets must be left empty

**Note:** with this configuration mode, the maximum number of devices that may be connected to the single interface is 95 entrance panels and 3900 handsets.



**PHYSICAL ADDRESS AND SYSTEM ADDRESS**

When the interface is configured using physical configurators, the physical and the system address are the same; The advanced configuration using the TiDeviceIP software gives the possibility of exceeding the 2 WIRE system address limit. This is possible by allocating to the IU (handsets) and the EP (entrance panels) a basic local address. These addresses give the possibility of increasing the number of handsets (basic max. 3999) and Entrance Panels (basic max. 95), that can be managed by the video door entry system.

- **Handsets:** Enter the value which, when added to the physical address of the handsets connected to the interface, will define their system address (e.g. if the handsets are configured from 1 to 3999, and the value of 4000 is entered, the system addresses of the handsets will be between 4001 and 7999).

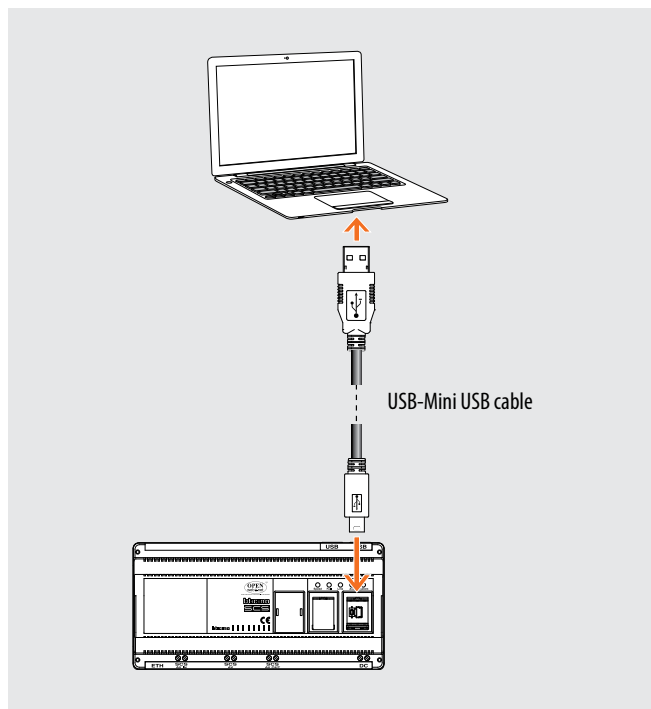
- **Entrance panels and door locks:** Enter the value which, when added to the physical address of the EPs connected to the interface, will define their system addresses (if the EPs are configured from 1 to 90, and the value of 100 is entered, the system address of the entrance panels will be from 101 to 190).

NOTE : PHYSICAL ADDRESS = 2 WIRE ADDRESS

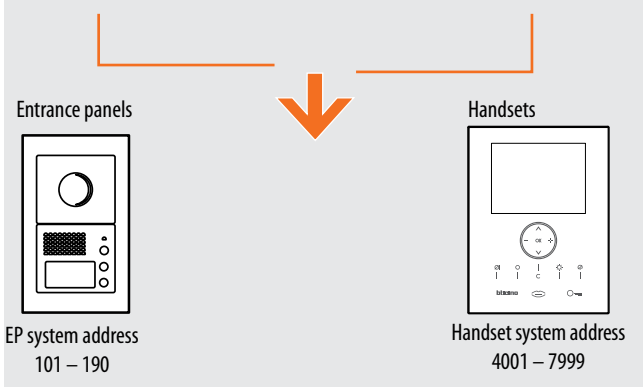
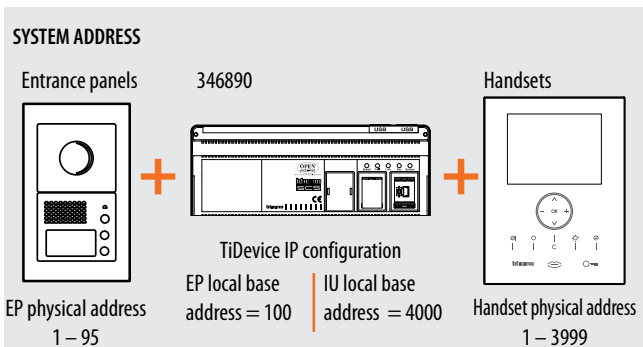
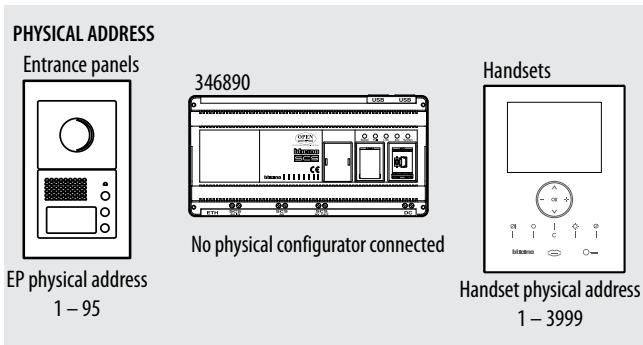
SYSTEM ADDRESS = PHYSICAL ADDRESS + BASE LOCAL EP or HANDSET ADDRESS

The PC advanced configuration, which can be performed using the TiDeviceIP (CD supplied), gives the possibility of performing a higher number of functions, of customising text, and of fully exploiting the system performance features.

In order to transfer the configuration performed using the TiDeviceIP software to the device, or to update the Firmware, connect the 346890 interface to the PC using an USB - mini USB cable.



**WARNING:** to establish connection between the device and the PC, the interface must be powered and not physically configured.

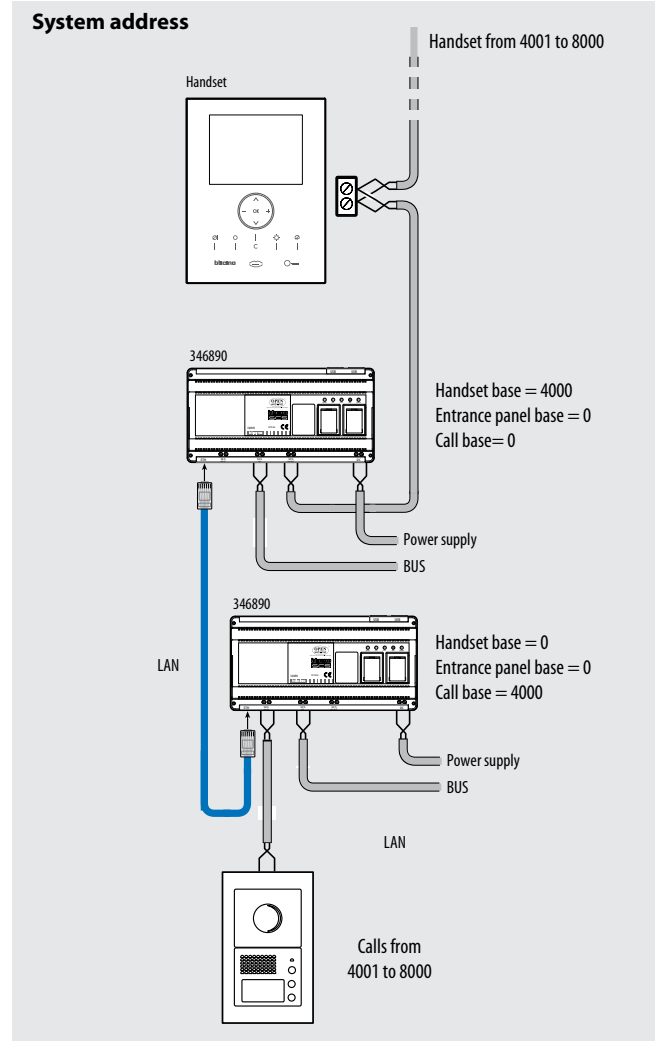
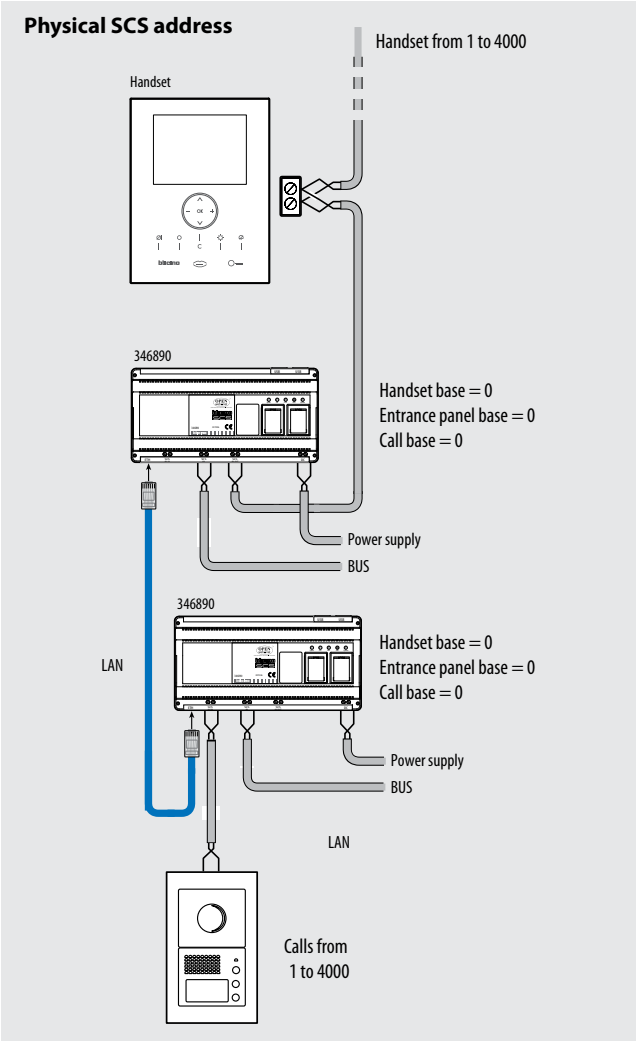


**Configuration**

	Quick	Advanced
Max. No. of system Handsets (audio or video)	3,900	10,000
Max. No. of system EPs	95	1,000
Highest address that can be called from the EP	4,000	10,000
Max. no. of IP devices	100 (Note 1)	100 (Note 1)
Max. no. of IP switchboards	9	max.100 IP devices (Note 2)
Advanced management of physical and system addresses	NO	YES
Configuration consistency check	YES (Note 3)	YES
Direct Entrance panel - Handset call	NO	YES
Activation redirection	NO	YES
Cycling of cameras	NO	YES

**Note 1:** the IP switchboard can consist of 2 to 4 IP devices depending on the activation or non-activation of the **Alarm logger** and the **Alarm manager** of the IP switchboard itself;  
**Note 2:** the maximum no. of IP switchboards that may be installed is within the limit of the 100 IP devices maximum, taking however into account the requirements of Note 1;  
**Note 3:** the test must be performed using the "TiDeviceIP" software.

**Configuration examples**



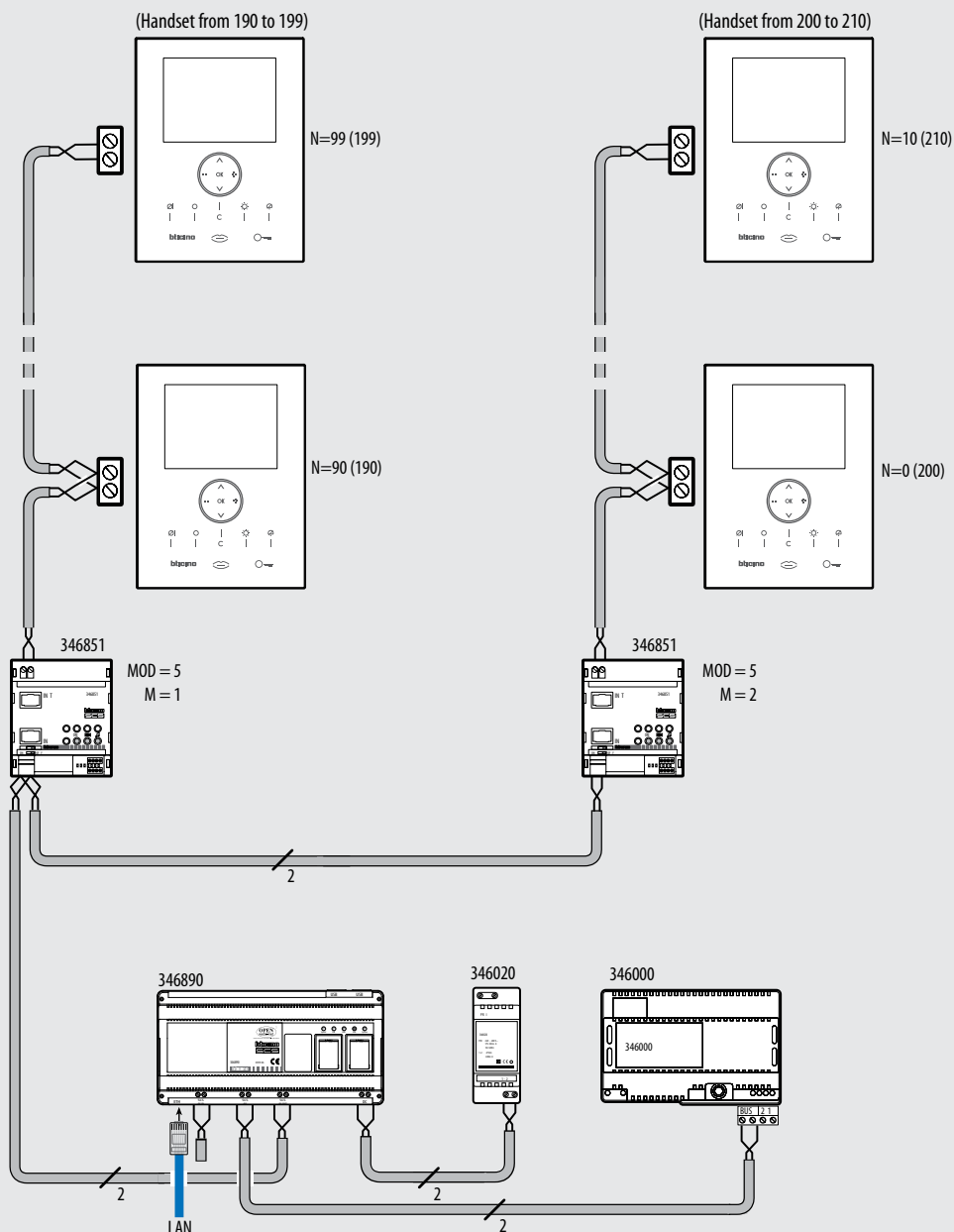
BT00676-a-EN

**Configuration examples**

**Advanced management of the physical and system addresses of the handsets**

In order to perform (with less than 100 handsets, connected to the 346890 interface) a configuration with system addresses across the 200 level (e.g. from 190 to 210) on a riser, the following procedure may be followed (as an example):

- Using physical configurators, to manage less than 100 handsets with address between 190 and 210, addresses (190 - 199) and (200 - 210) must be recreated on the 2 WIRE system. For this purpose, two system expansion interfaces, item 346851, must be used, appropriately configured

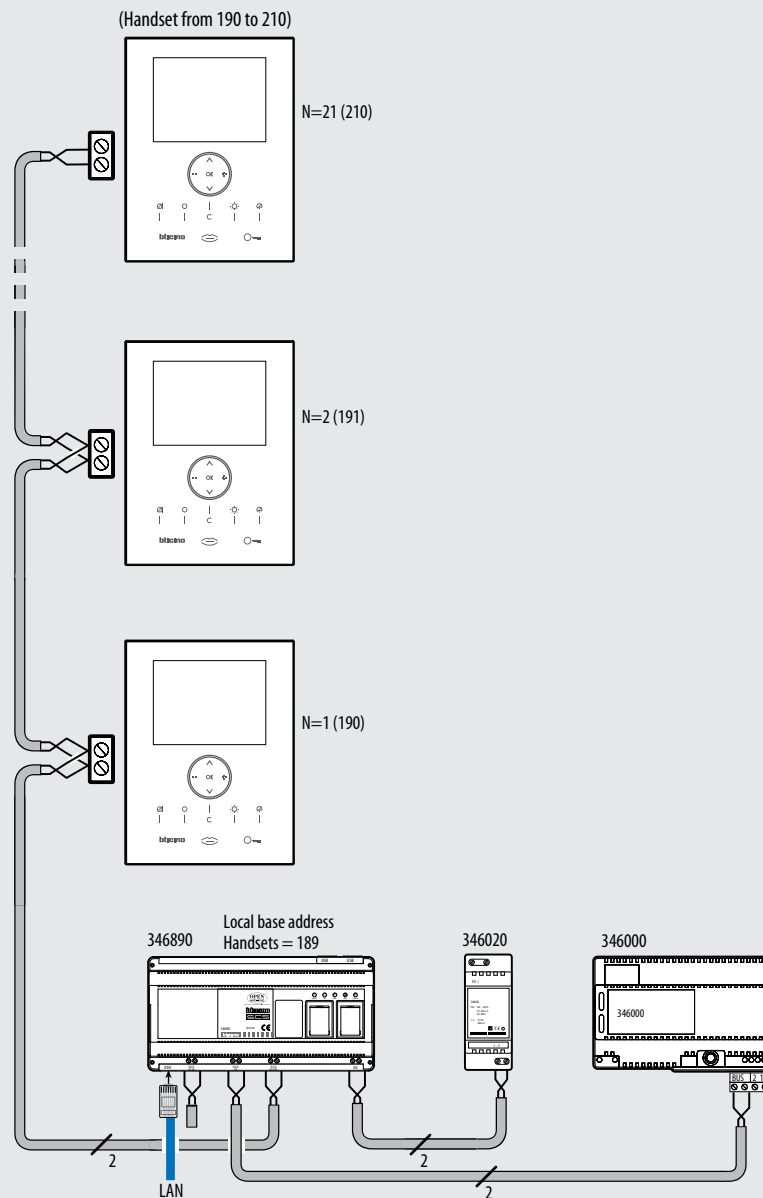


BT00676-a-EN

**Configuration examples**

**Advanced management of the physical and system addresses of the handsets**

- Using the TiDeviceIP software, in order to perform a configuration with system addresses across the 200 level (e.g. from 190 to 210) on a riser (with less than 100 handsets, connected to the 346890 interface), it will be necessary to physically configure the handsets with address between 1 and 21, and then use the advanced programming procedure, to assign to the 346890 interface a local base address (H = 189), which, when added to the physical address of the handsets, will recreate the desired interval (189 + 1 = 190), (189 + 21 = 210). This solution does not require the installation of system expansion interfaces, item 346851.



BT00676-a-FN



# 2 WIRE black & white flush mounted camera

391667-391668-391669

### Description

2-WIRE black & white indoor camera for video monitoring/video surveillance functions. Flush mounted or wall mounted installation using the items of the AXOLUTE, LIVINGLIGHT and LIGHT TECH series.

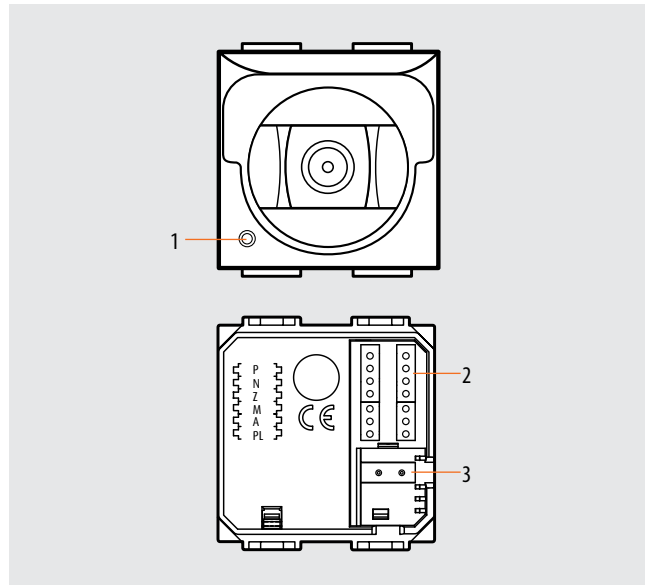
**WARNINGS : do not point the camera towards the sun or towards light sources.**

### Related items

The device must be completed with the accessories and the front cover plates of the AXOLUTE, LIVINGLIGHT, LIGHT TECH residential series. Refer to the corresponding catalogues.

### Technical data

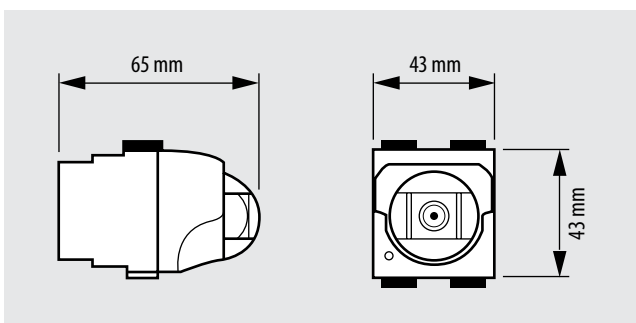
Power supply from SCS BUS:	18-27 Vdc
Sensor:	1/3" b/w CCD
Stand by absorption:	5 mA
Max. operating absorption:	160 mA
Lens:	"semi pin-hole" 3.7 mm
Interlace:	2:1
Scanning:	Standard CCIR
Horizontal frequency:	15625 Hz
Vertical frequency:	50 Hz
Image elements:	537 (H) x 597 (V)
Horizontal resolution:	380 TV lines
Minimum illumination:	1 lux
Operating temperature:	5 – 40 °C



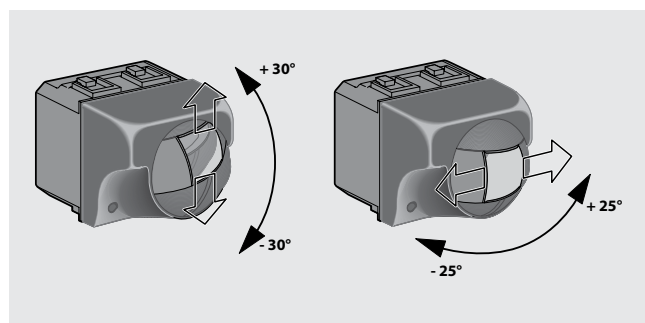
### Legend

- 1 - Microphone
- 2 - Configurator socket
- 3 - 2 WIRE BUS connection clamp

### Dimensional data



### Camera adjustment



**Configuration**

The device must be physically configured in terms of:

**P – Camera address**

The configurator assigns to the camera the address inside the apartment.

**NOTE (\*) : connect an OFF configurator here to disable the microphone (function available for cameras configured from 0 to 9, for other cameras the microphone cannot be excluded).**

**N – Address of the handset called in case of alarm**

**Z – Zone of the alarm system the camera is associated to**

**M – Mode of operation when a camera is switched on**

Each time a camera is switched on (call, selfswitching on, alarm) the MY HOME actuator and the scenario configured in A and PL are activated. When the camera is switched off, the associated actuator also switches off, while the scenario remains active.

If an actuator used by the automation system is also associated to the camera, the actuator will switch itself off when the camera is switched off, even if it was already on when the camera came on. To avoid this problem, the load should be activated using an actuator item F411/2, configuring different PL and setting the contacts with parallel connection.

M	A/PL
M = 0	Address of the SCS control device associated to the camera
M = 1 - 9	Address of the scenarios module associated to the camera

	P	N	Z	M	A	PL
○	○	○	○	○	○	○
*						
○	○	○	○	○	○	○



# Outdoor 2-wire colour camera

391670

## Description

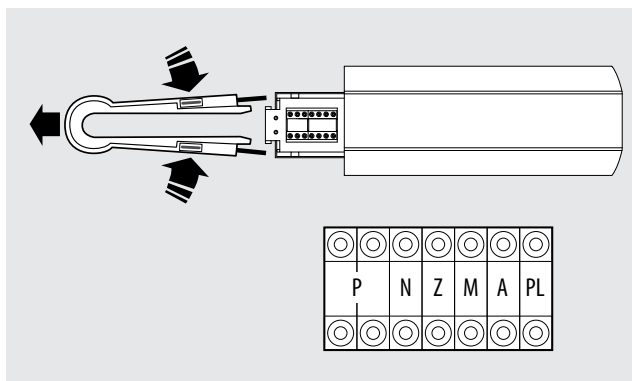
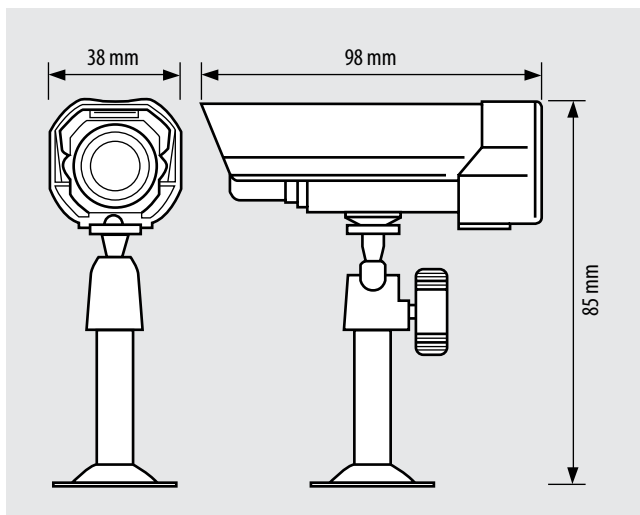
2-wire compact outdoor (IP65) colour camera. It can be used for video monitoring system installations, or for turning audio systems into video systems, using a separate camera.

**WARNINGS : do not point the camera towards the sun or towards light sources.**

## Technical data

Power supply from SCS BUS:	18 – 27 Vdc
Enclosure:	aluminium
Sensor:	1/3" CMOS colour
Stand by absorption:	5 mA
Max. operating absorption:	65 mA
Lens:	f: 6 mm; F: 2.3 mm
Image elements:	628 (H) x 586 (V)
Horizontal resolution:	330 TV lines at the image centre
Minimum illumination:	2 Lux F=2.0
Operating temperature:	(-20) – (+70) °C; RH 95% max
Protection index:	IP65

## Dimensional data



## Configuration

The device must be physically configured in terms of:

**P – Camera address**  
The configurator assigns to the camera the address inside the apartment.

**N – Address of the handset called in case of alarm**

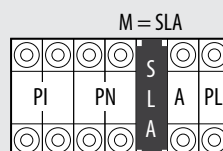
**Z – Zone of the alarm system the camera is associated to**

**M – Mode of operation when a camera is switched on**

Each time a camera is switched on (call, selfswitching on, alarm) the MY HOME actuator and the scenario configured in A and PL are activated. When the camera is switched off, the associated actuator also switches off, while the scenario remains active.

If an actuator used by the automation system is also associated to the camera, the actuator will switch itself off when the camera is switched off, even if it was already on when the camera came on. To avoid this problem, the load should be activated using an actuator item F411/2, configuring different PL and setting the contacts with parallel connection.

M	A/PL
M = 0	Address of the SCS control device associated to the camera
M = 1 - 9	Address of the scenarios module associated to the camera
M = SLA	Configuration of the audio entrance panel associated to the camera (see following details)



Pi - Pn = range of audio EP associated to the camera (max.5)

- PI - PN = Audio entrance panels associated to the camera (max. 5)
- PI = Address of first associated EP
- PN = Address of last associated EP
- A/PL = Address of the SCS control associated to the camera

BT00678-a-EN



# Flush mounted 2 wire indoor colour camera

391657-391658-391659  
391661-391662-391663

## Description

2 wire indoor colour camera for video monitoring system functions. Flush mounted or wall mounted installation using the dedicated accessories of the AXOLUTE, LIVING, LIGHT, LIGHT TECH residential series.

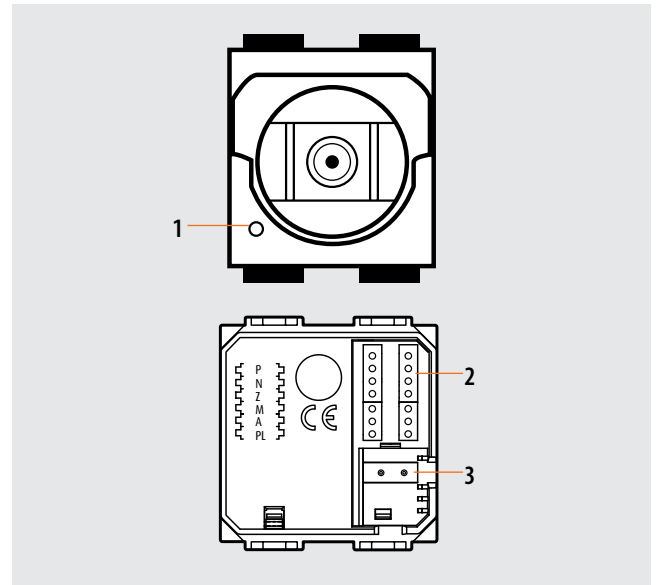
**WARNINGS: do not point the camera towards the sun or towards light sources.**

## Related items

The device must be completed with the accessories and the front cover plates of the AXOLUTE, LIVING, LIGHT, LIGHT TECH residential series. Refer to the corresponding catalogues.

## Technical data

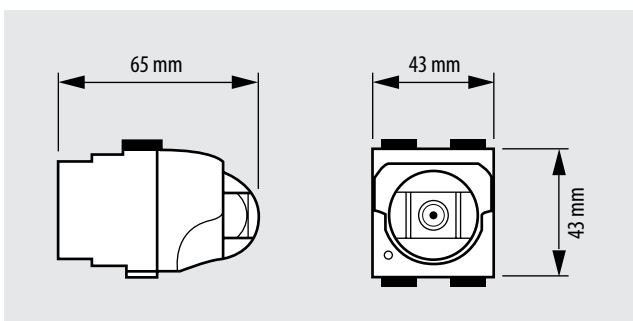
Power supply from SCS BUS:	18-27 Vdc
Sensor:	from 1/3" colour CCD
Stand by absorption:	5 mA
Max. operating absorption:	140 mA
Lens:	"semi pin-hole" 3.7 mm
Interlace:	2:1
Scanning:	Standard CCIR
Horizontal frequency:	15625 Hz
Vertical frequency:	50 Hz
Image elements:	537 (H) x 597 (V)
Horizontal resolution:	380 TV lines at the image centre
Video signal:	PAL compatible
Minimum illumination:	5 lux
Operating temperature:	5 – 40 °C



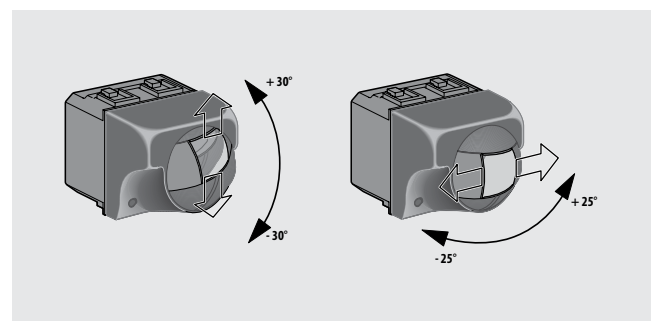
## Legend

- 1 - Microphone
- 2 - Configurator socket
- 3 - 2 WIRE BUS connection clamp

## Dimensional data



## Camera adjustment





391657-391658-391659  
391661-391662-391663

**Configuration**

The device must be physically configured in terms of:

**P – Camera address**

The configurator assigns to the camera the address inside the apartment.

**NOTE (\*)** : connect an OFF configurator here to disable the microphone (function available for cameras configured from 0 to 9, for other cameras the microphone cannot be excluded).

**N – Address of the handset called in case of alarm**

**Z – Zone of the alarm system the camera is associated to**

**M – Mode of operation when a camera is switched on**

Each time a camera is switched on (call, selfswitching on, alarm) the MY HOME actuator and the scenario configured in A and PL are activated. When the camera is switched off, the associated actuator also switches off, while the scenario remains active.

If an actuator used by the automation system is also associated to the camera, the actuator will switch itself off when the camera is switched off, even if it was already on when the camera came on. To avoid this problem, the load should be activated using an actuator item F411/2, configuring different PL and setting the contacts with parallel connection.

M	A/PL
M = 0	Address of the SCS control device associated to the camera
M = 1 - 9	Address of the scenarios module associated to the camera

	P	N	Z	M	A	PL
○	○	○	○	○	○	○
*	○	○	○	○	○	○
○	○	○	○	○	○	○



# 2 WIRE Switchboard

346310

### Description

Switchboard for 2 WIRE audio and video systems. It provides access to various services (video door entry system functions, door lock and/or stair light management, and monitoring of apartment alarms) directly from the keyboard, or using the intuitive icons menu. The switchboard is supplied with built-in table-top support and has a 7" colour LCD display, receiver and handsfree, dedicated keys for the main functions, and configurable keys. Programming can be performed directly from the device, or using a PC with the TiSwitchBoardDevice software installed (supplied). It gives the possibility of creating a directory of handsets, entrance panels, and switchboard. the device DOES NOT MANAGE secondary EPs and apartment EPs (connected downstream the apartment interface 346850). The use of additional power supply is recommended.

It is possible to connect up to maximum 16 switchboards (configured from 0 to 15).

**WARNING: the switchboard cannot be used in systems with 2 WIRE IP interface 346890.**

### Related items

**336982** LIVINGLIGHT white series 8 pole socket for table-top installation of the switchboard

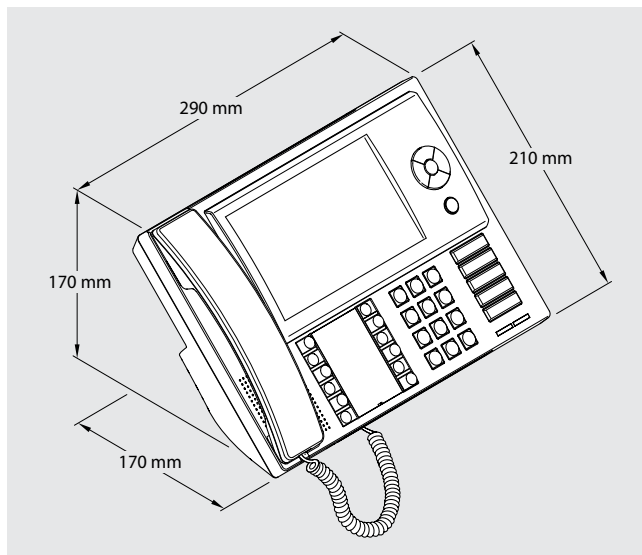
**336803** (8 poles - frayed) cable for table-top installation of the switchboard

**346020** additional 2 DIN modules power supply

### Technical data

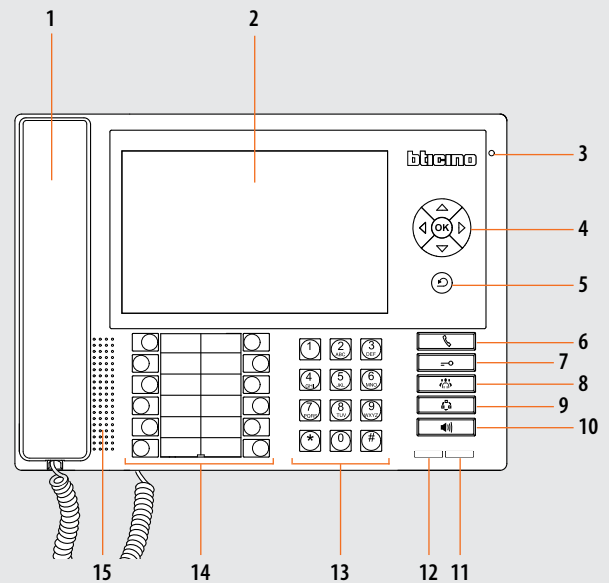
Power supply from SCS BUS:	19 – 27 Vdc
Absorptions from BUS (without additional supply):	
- stand by absorption:	35 mA
- max. operating absorption:	450 mA
Absorptions from BUS (with additional supply):	
- stand by absorption:	5 mA
- max. operating absorption:	20 mA
Operating temperature:	5 - 40 °C
Load of relay contacts:	24 Vac / 24 Vdc
	3 A, cosφ = 1

### Dimensional data



BT00680-a-EN

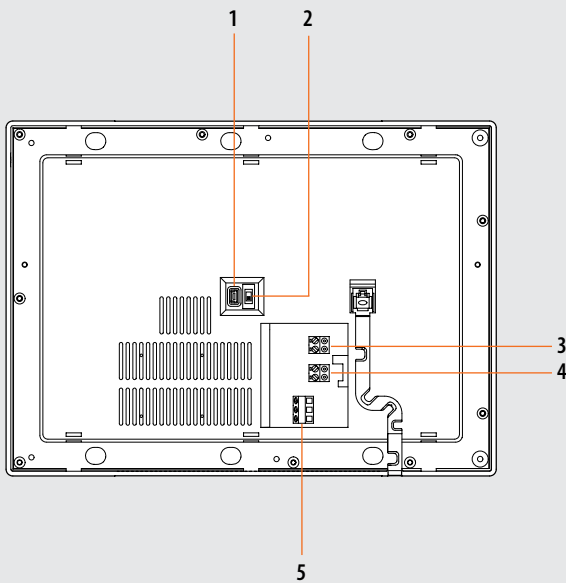
Front view



### Legend

1. Handset
2. 7" colour LCD display for the displaying of the user and programming menu and of the images recorded by the entrance panel or cameras
3. Microphone
4. Navigation keypad. It enables navigating through the menus, with the possibility of confirming the selection (OK key)
5. Cancel key
6. Direct call key
7. Door lock release key
8. Directory access key
9. Entrance panel and camera cycling activation key
10. Handsfree key
11. Alarm warning LED
12. Operation status LED:
  - LED ON (steady)=device in stand-by
  - LED ON (flashing quickly)=call pending
  - LED ON (flashing slowly)=busy
13. Alphanumeric key
14. Keypad + legend of configurable functions
15. Loudspeaker

Rear view



Legend

1. Mini-USB connector for PC connection
2. Line termination ON/OFF micro-switch
3. Clamps for the connection of the 2-WIRE SCS BUS BTicino
4. Additional power supply connection clamps (1 - 2)
5. Clamps for the connection of the power supply of the audible signal device (optional)

Functional notes

The maximum installation distances are the same as for 2 WIRE handsets.

**Calls from entrance panels** are received by all switchboards connected to the system (the first switchboard answering takes the call).

**Calls from handsets** may be managed in two different ways (based on the configuration of the handsets themselves):

**mode 1** – handsets configured with P=0 – the calls from these handsets are received by all the switchboards of the system (the first switchboard answering takes the call).

**mode 2** – example, Handset configured with P=81 – the calls from these handsets are only received by the secondary switchboard configured with 1; handsets configured with P=95 – calls from these Handsets are only received by the secondary handset configured with 15.

The management of the operating mode (day/night) is only entrusted to the main switchboard (configured with 0).

Configuration

The switchboard must be configured as far as:

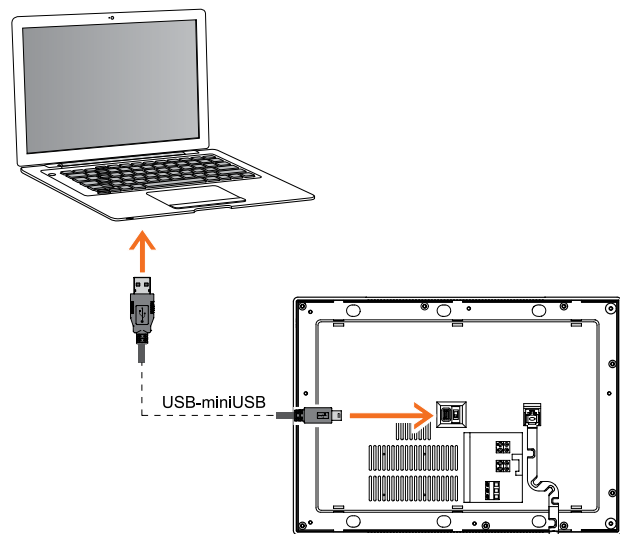
- **Setting of the local switchboard address** (0 or 1 - 15)
- **Setting of the associated entrance panel address** (1 - 80)
- **Setting of any associated service handset**

Two different configuration modes are available:

- directly from the icon menu of the switchboard
- using a PC with the TiSwitchboardDevice software installed (available in the CD supplied)

**WARNING:** certain specific functions, such as the filling of the directories and the management of the ringtones, require the configuration to be performed using the PC.

To transfer the configuration performed using the software or to update the device, connect the switchboard to the PC using the USB-mini cable.



To enable communication the device must be powered.