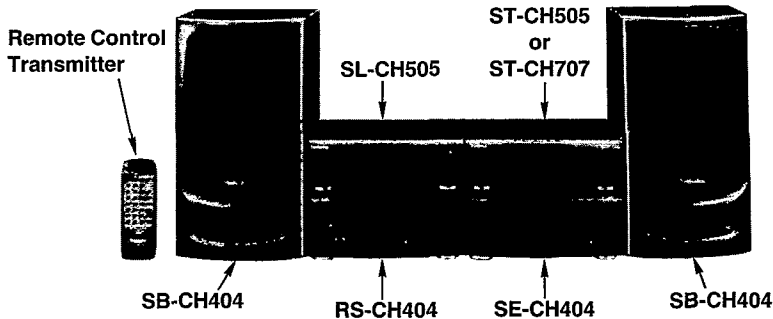


Service Manual

Amplifier

Amplifier

SE-CH404



Because of unique interconnecting cables, when a component requires service, send or bring in the entire system.

Colour

(K) Black Type

Areas

Suffix for Model No.	Area	Colour
(E)	Europe	(K)
(EB)	Great Britain	
(EG)	Germany and Italy	
(GC)	Asia, Latin America, Middle Near East and Africa	
(GN)	Oceania	

System: SC-CH404

Specifications

Power output

DIN 1 kHz, THD 1%, both channel driven

For (E) (EB) (EG) areas 2×35 W (6Ω)
 For (GC) (GN) areas 2×50 W (6Ω)

Total harmonic distortion

Rated power at 1 kHz 1% (6Ω)
 Half power at 1 kHz 0.09% (6Ω)

Load impedance

MAIN 6~8Ω
 SURROUND 8Ω

S/N (rated power) 84 dB

Frequency response 40 Hz~30 kHz (-3 dB)

Input: MIC; 600Ω, Ø6.2

Output: HEADPHONE; 32Ω, Ø3.5

■ General

Power consumption

For (E) (EB) (EG) areas 128 W
 For (GC) (GN) areas 163 W

Power supply

For (E) (EG) areas 230 V, AC 50/60 Hz
 For (EB) (GN) areas 230 V~240 V, AC 50/60 Hz
 For (GC) area 110/127/220/240 V, AC 50/60 Hz

Dimensions (W×H×D) 270×118.5×336 mm

Weight

For (E) (EB) (EG) areas 4.2 kg
 For (GC) (GN) areas 4.4 kg

Notes:

- Weights and dimensions shown are approximate.
- Design and specifications are subject to change without notice.
- Total harmonic distortion is measured by the digital spectrum analyzer.

System	Tuner	Compact disc player	Amplifier	Cassette deck	Speakers
SC-CH404	ST-CH505; (E) (EB) (EG) (GN) areas ST-CH707; (GC) area	SL-CH505	SE-CH404	RS-CH404	SB-CH404 * ¹ (E) (EB)(EG) areas * ² (GC) (GN) areas

*¹Made in PAES*²Made in NABEL

Technics

■ Contents

	Page		Page
●BEFORE REPAIR	2	●DISASSEMBLY INSTRUCTIONS	11~14
●PROTECTION CIRCUITRY	2	●BLOCK DIAGRAM	15
●BEFORE USE FOR (GC) AREA	2	●SCHEMATIC DIAGRAM	16~18
●CAUTION FOR AC MAINS LEAD	3	●PRINTED CIRCUIT BOARD DIAGAM	19~21
●ACCESSORIES	3	●WIRING CONNECTION DIAGRAM	21
●STAKING THE COMPONENTS	5	●REPLACEMENT PARTS LIST	22~25
●CONNECTIONS	6~9	●CABINET PARTS LOCATION	26
●LOCATION OF CONTROLS	10	●PACKAGING	27, 28
●POWER ON/OFF FOR POWER AMPLIFIER SE-CH404	10		

■ Before Repair

- (1) Turn off the power supply. Using a 10Ω, 10 W resistor, connect both ends of power supply capacitors (C701, C702) in order to discharge the voltage.
- (2) Before turning the power supply on, after completion of repair, slowly apply the primary voltage by using a power supply voltage controller to make sure that the consumed current at 50/60 Hz in NO SIGNAL mode is mode should be shown below with respect to supply voltage 110 V/127 V/ 220 V/240 V.

Power supply voltage	AC 110~127 V	AC 220~240 V	AC 230 V	AC 240 V
Consumed current 50 Hz	150~270 mA	50~160 mA	50~130 mA	for (EB) 50~130 mA, for (GN) 60~140 mA

■ Protection Circuitry

The protection circuitry may have operated if either of the following conditions is noticed:

*No sound is heard when the power is switched ON.

*Sound stops during a performance.

The functions of this circuitry is to prevent circuitry damage if, for example, the positive and negative speaker connection wires are "shorted", or if speaker systems with an impedance less than the indicated rated impedance of this unit are used.

If this occurs, follow the procedure outlined below:

1. Switch OFF the power.
2. Determine the cause of the problem and correct it.
3. Switch ON the power once again.

Note:

When the protection circuitry functions, the unit will not operate unless the power is first switched OFF and then ON again.

■ Before Use for (GC) Area

Be sure to disconnect the mains cord before adjusting the voltage selector.

Use a minus (–) screwdriver to set the voltage selector (on the bottom of the tuner amplifier) to the voltage setting for the area in which the unit will be used.

(If the power supply in your area is 117 V or 120 V, set to the "127 V" position.)

Note that this unit will be seriously damaged if this setting is not made correctly. (There is no voltage selector for some countries; the correct voltage is already set.)

THIS TUNER/RECEIVER IS CAPABLE OF RECEIVING THE NEW AM STEREO BROADCASTS FROM THE AM BAND RADIO STATIONS. HOWEVER LIKE MANY TUNERS AND RECEIVERS CURRENTLY AVAILABLE ON THE MARKET IT WILL REPRODUCE THIS AM STEREO SIGNAL ONLY IN AM MONO, WHICH, IN EFFECT, IS OF NO LESSER QUALITY THAN YOUR EXISTING AM MONO TUNER/RECEIVER.

■ Caution for AC Mains Lead (For United Kingdom)

(“EB” area code model only)

For your safety, please read the following text carefully.

This appliance is supplied with a moulded three pin mains plug for your safety and convenience.

A 5-ampere fuse is fitted in this plug.

Should the fuse need to be replaced please ensure that the replacement fuse has a rating of 5-ampere and that it is approved by ASTA or BSI to BS1362.

Check for the ASTA mark  or the BSI mark  on the body of the fuse.

If the plug contains a removable fuse cover you must ensure that it is refitted when the fuse is replaced.

If you lose the fuse cover the plug must not be used until a replacement cover is obtained.

A replacement fuse cover can be purchased from your local dealer.

CAUTION!

IF THE FITTED MOULDED PLUG IS UNSUITABLE FOR THE SOCKET OUTLET IN YOUR HOME THEN THE FUSE SHOULD BE REMOVED AND THE PLUG CUT OFF AND DISPOSED OF SAFELY.

THERE IS A DANGER OF SEVERE ELECTRICAL SHOCK IF THE CUT OFF PLUG IS INSERTED INTO ANY 13-AMPERE SOCKET.

If a new plug is to be fitted please observe the wiring code as shown below.

If in any doubt please consult a qualified electrician.

IMPORTANT

The wires in this mains lead are coloured in accordance with the following code:

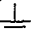
Blue: Neutral

Brown: Live

As the colours of the wires in the mains lead of this appliance may not correspond with the coloured markings identifying the terminals in your plug, proceed as follows:

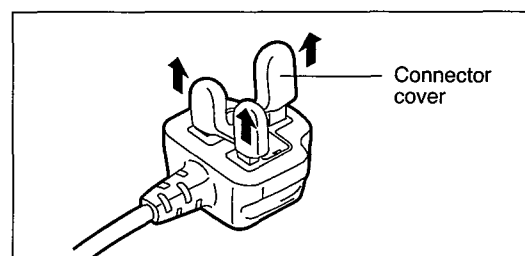
The wire which is coloured BLUE must be connected to the terminal in the plug which is marked with the letter N or coloured BLACK.

The wire which is coloured BROWN must be connected to the terminal in the plug which is marked with the letter L or coloured RED.

Under no circumstances should either of these wires be connected to the earth terminal of the three pin plug, marked with the letter E or the Earth Symbol .

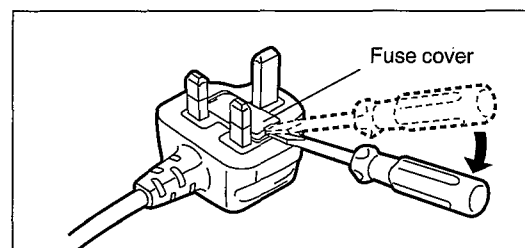
Before use

Remove the connector cover as follows.

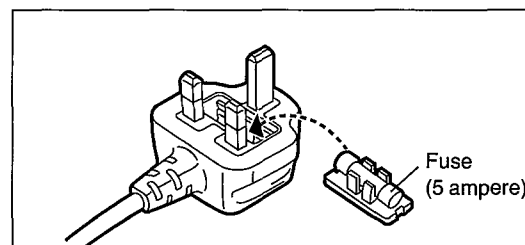


How to replace the fuse

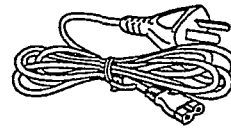
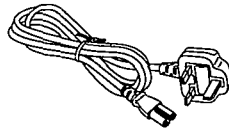
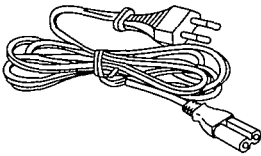
1. Remove the fuse cover with a screwdriver.



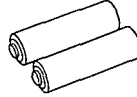
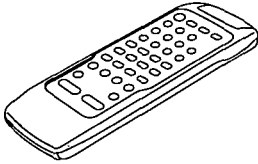
2. Replace the fuse and attach the fuse cover.



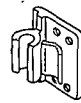
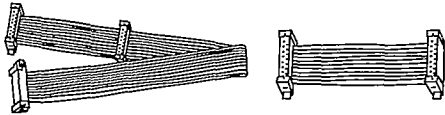
■ Accessories



- AC power supply cord
for (E) (EG) (GC) areas (RJA0019-2K) ... 1 pc. for (EB) area (VJA0733)..... 1 pc. for (GN) area (RJA0036-K) .. 1 pc.



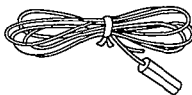
- Remote control transmitter (RAK-CH115WH) 1 pc.
- Remote control batteries (UM-4, AAA, R03) 2 pcs.
Note: These are available on sale route.



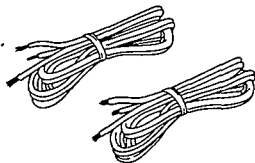
- Flat cable
Long (REX0511) 1 pc.
Short (REX0512) 1 pc.
- Antenna holder
for (E) (EB) (EG) (GN) areas (SMA233-1M) 1 pc.



- LW/MW loop antenna
for (E) (EB) (EG) (GN) areas (SPB1163T) 1 pc.
for (GC) area (RSA0010) 1 pc.
- for (GC) area (RMN0244) 1 pc.



- FM indoor antenna
for (E) (EB) (EG) areas (RSA0007) 1 pc.
for (GC) (GN) areas (RSA0006) 1 pc.
- Mounting screws
for (E) (EB) (EG) (GN) areas (XTN3+10AFZ) 2 pcs.
for (GC) area (XTN3+12AFZ) 1 pc.



- Speaker cords (REE0499) 2 pcs.
- Attachment plug for (EB) area (SJP9009)..... 1 pc.



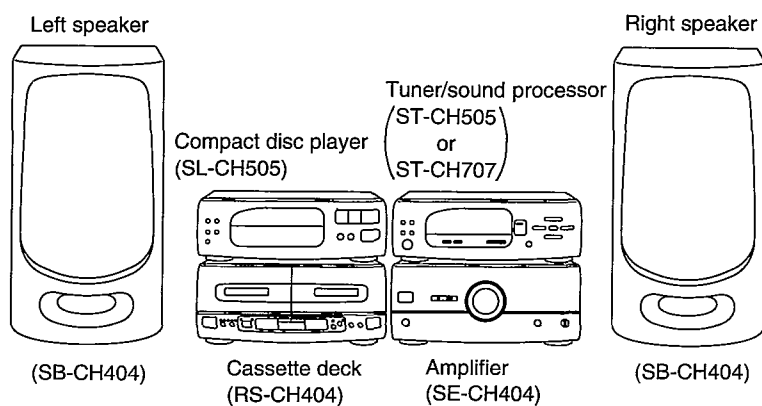
- Power plug adaptor for (GC) area (SJP5213-2) 1 pc.

Note:
The configurations of AC power supply cord and FM indoor antenna differ according to area.

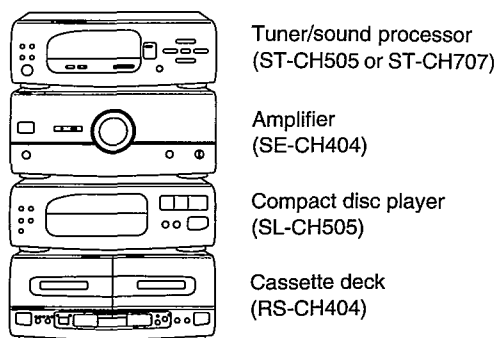
■ Stacking the Components

Install the various components as shown below.

Horizontal stacking

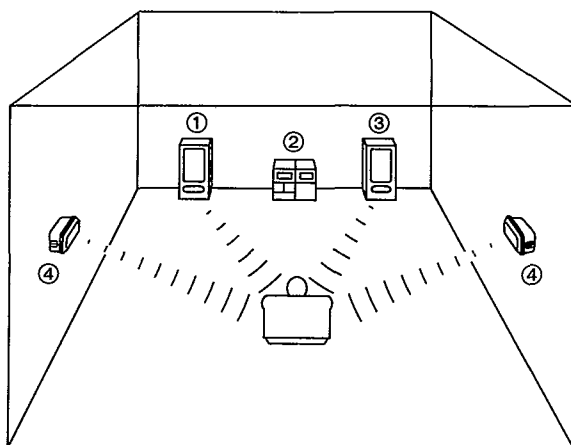


Vertical stacking



System layout example

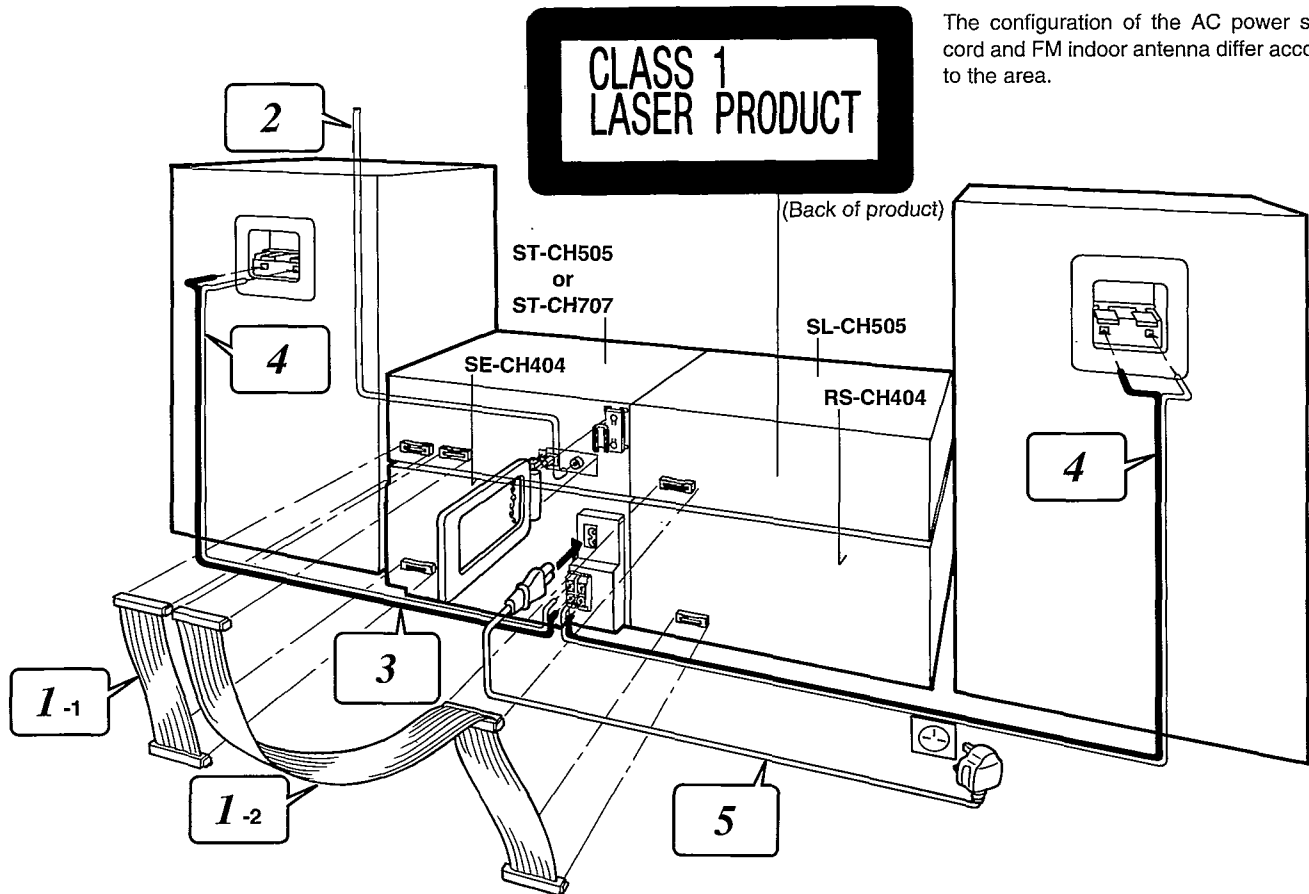
- ① Left speaker
- ② This system
- ③ Right speaker
- ④ Surround speakers



To produce a better stereo sound, install both speakers away from the system.

Surround sound effect differs according to where you install the surround speakers. Install them as you like.

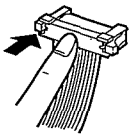
■ Connections



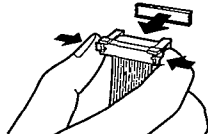
The configuration of the AC power supply cord and FM indoor antenna differ according to the area.

1 Connect the flat cable.

Connecting



Disconnecting

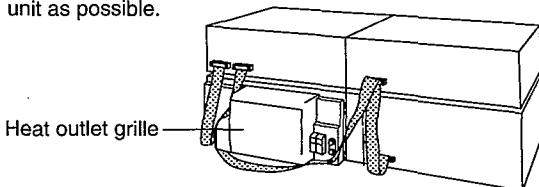


1. Connect the shorter flat cable to the terminal of the tuner/sound processor and amplifier.
2. Connect the longer flat cable to the terminal of the tuner/sound processor, compact disc player, and cassette deck.

Route the cable horizontally (underneath the heat outlet grille) so that the side with the white-coloured lead is positioned at the front.

Be sure to connect the blue-coloured connector to B1 (tuner/sound processor).

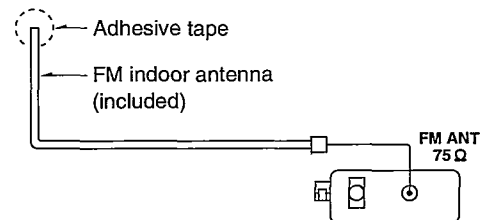
After connection, fold and press the cable as flat to the back of the unit as possible.



Do not try connecting or disconnecting the flat cable while the power is switched to ON.

2 Connect the FM indoor antenna.

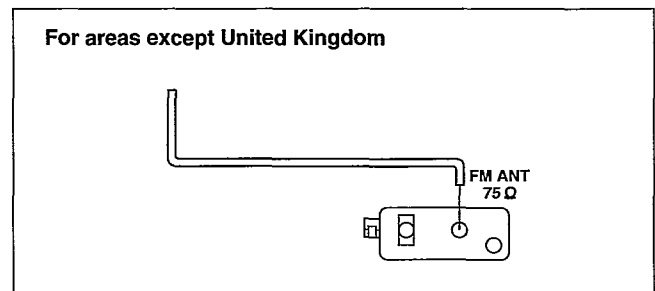
Install the antenna on a wall at a height and in a direction which result in the best reception.



The tip of the internal antenna wire should not come into contact with any metal objects.

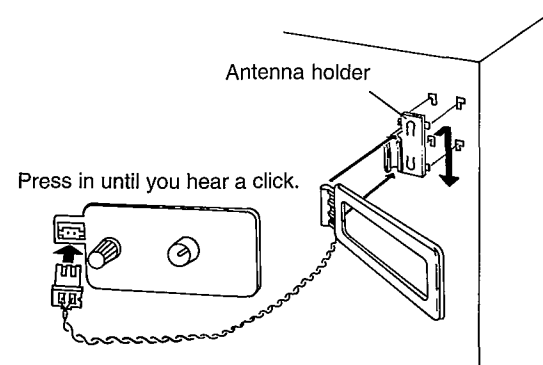
When you cannot get a good reception with this FM indoor antenna, we recommend you install an FM outdoor antenna. (Not included. See page 8.)

For areas except United Kingdom

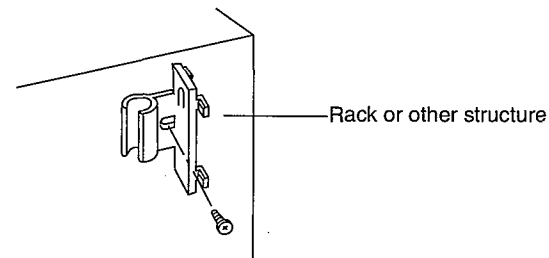


3 Connect the LW/MW loop antenna.

1. Attach the antenna holder to the rear panel of the tuner/sound processor.
2. Clamp the antenna to the antenna holder and connect the antenna terminal to the rear panel of the tuner/sound processor.
3. Position the loop for the best reception.



You may attach the LW/MW antenna holder with screw (included) to a rack or other structure. In this case, attach as showed in the figure below.



Note

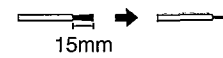
To minimize noise pickup, keep the LW/MW loop antenna cord along the heat outlet grille, and away from the flat cables.

4 Connect the right (R) and left (L) speaker cables.

Notes

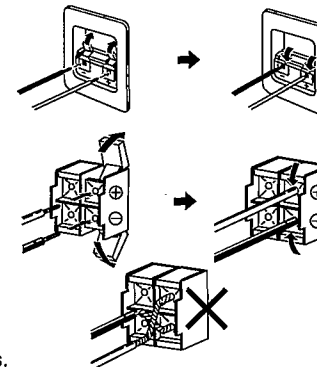
- Be sure to connect speaker cables before connecting the AC power supply cord.
- The load impedance of any speaker used with this unit must be 6–8Ω.
- Match the two wires from the left and right speaker cables with the same coloured levers of the speaker terminals, then insert the wires into the respective terminals.

1. Strip off the outer covering, and twist the center conductor.



Make sure the bare ends of the wires are not unraveled. (If they are, twist them tight again.)

2. Insert the wire to the rear panel of the speakers, and then pull down the lever.
3. Insert the wire to the rear panel of the amplifier, and close the lever.



Notes

- To prevent damage to circuitry, never short-circuit positive (+) and negative (–) speaker wires.
- Be sure to connect only positive (red) wires to positive (+) terminals and negative (black) wires to negative (–) terminals.

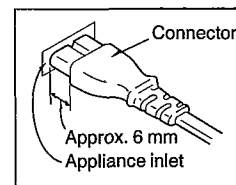
For United Kingdom

BE SURE TO READ THE CAUTION FOR AC MAINS LEAD ON PAGE 3 BEFORE PROCEEDING TO STEP 5.

5 Connect the AC power supply cord after you have connected all other cables.

For United Kingdom Insertion of Connector

Even when the connector is perfectly inserted, depending on the type of inlet used, the front part of the connector may jut out as shown in the drawing. However there is no problem using the unit.



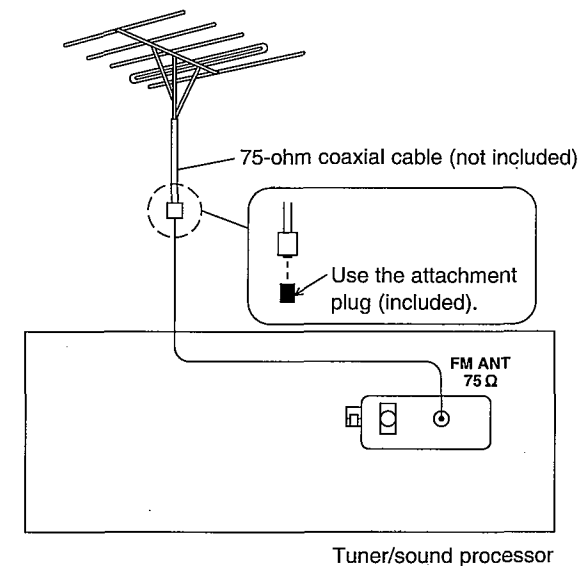
Optional antenna connections

FM outdoor antenna (not included)

If the FM indoor antenna does not provide satisfactory reception of FM broadcasts, use an outdoor antenna.

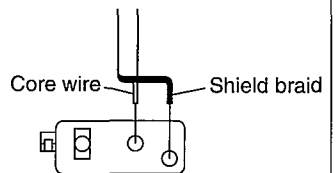
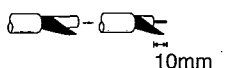
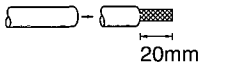
You may need an outdoor antenna if you use this system in a mountainous region or inside a reinforced-concrete building, etc. An outdoor antenna should be installed by a competent technician only.

FM outdoor antenna



For areas except United Kingdom (FM outdoor antenna)

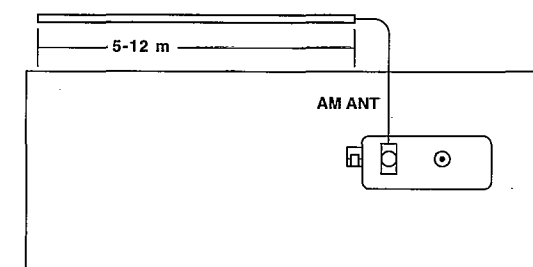
1. Remove a piece of the outer vinyl sheath from the end.
2. Bundle the shield braid, and remove a piece of the inner vinyl sheath covering the core wire.
3. Connect the core wire and the shield braid.



LW/MW outdoor antenna (not included)

An outdoor antenna may be required in a mountainous region, or if this system is located inside a reinforced-concrete building, etc.

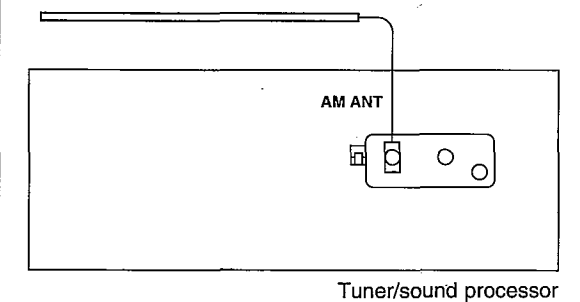
Run 5 to 12 m of vinyl-covered wire horizontally along a window or other convenient location.



Note

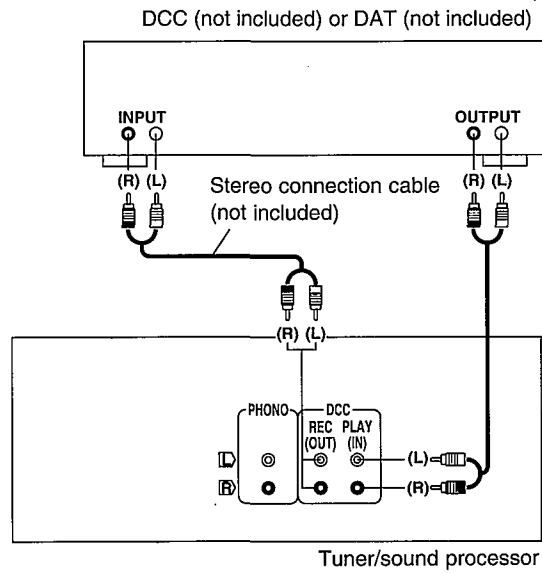
Do not remove the LW/MW loop antenna.

For areas except United Kingdom (LW/MW outdoor antenna)

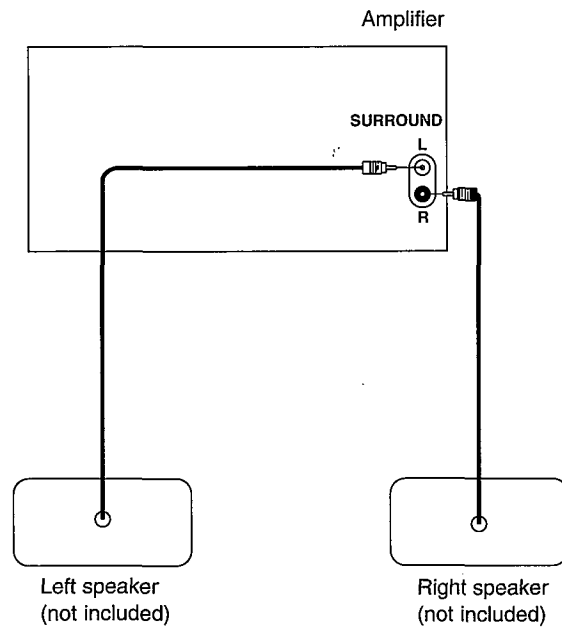


External unit connection

DCC (digital compact cassette deck) or DAT (digital audio tape deck)



Rear surround speakers

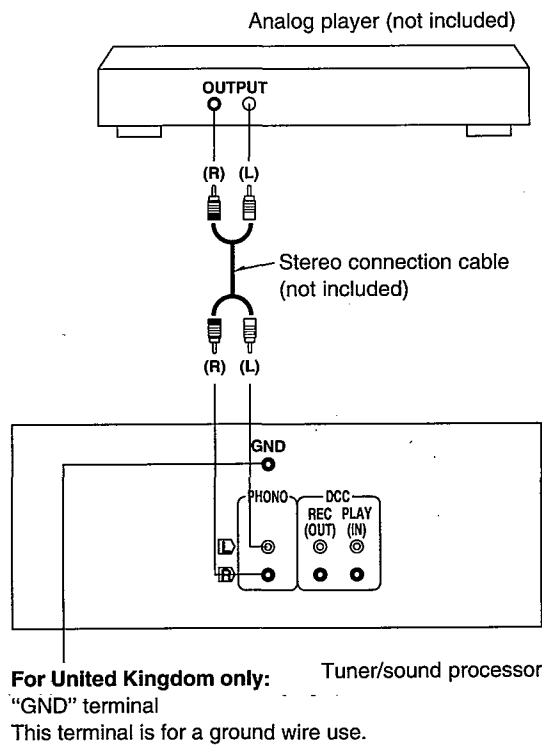


Note

Be sure to connect both speaker systems. If only one side is connected, no sound will be heard.

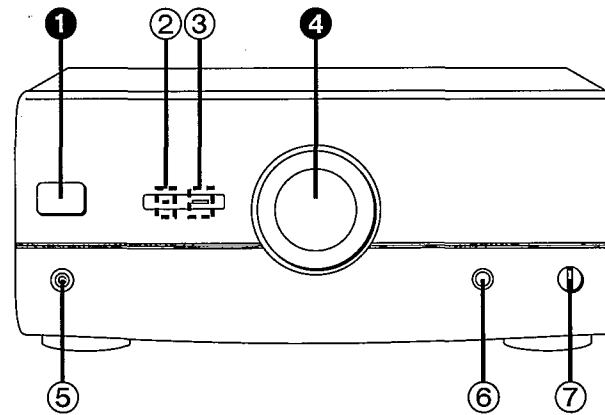
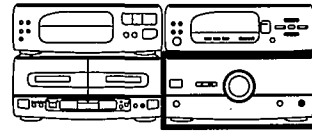
Install each speaker left and right at the back of the listening space.

Analog player



Location of Controls

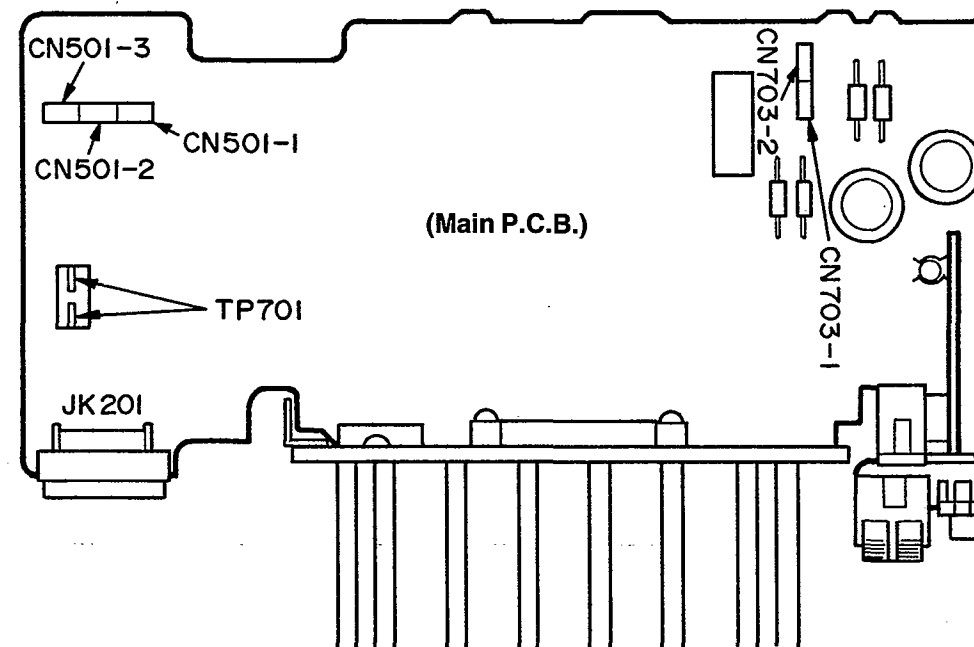
The functions indicated by the numbers with black background (for example ❶) can also be activated from the remote control transmitter.



No.	Name
❶	Power "STANDBY ON/OFF" switch (POWER, STANDBY ON/OFF) Press to switch the unit from on to standby mode or vice versa. In standby mode, the unit is still consuming a small amount of power.
❷	Standby indicator (STANDBY) When the unit is connected to the AC mains supply, this indicator lights up in standby mode and goes out when the unit is turned on.
❸	Power indicator (POWER)
❹	Volume control (VOLUME)
❺	Headphones jack (PHONES) (∅3.5, 32Ω)
❻	Microphone jack (MIC) (∅6.2, 600Ω)
❼	Microphone volume control (MIC VOLUME)

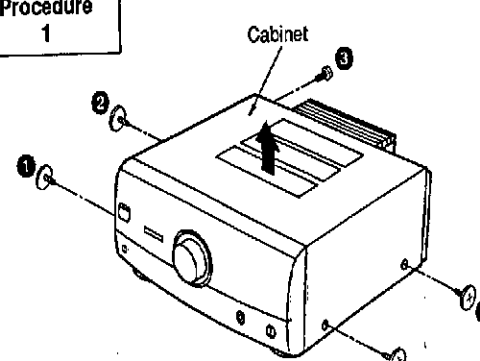
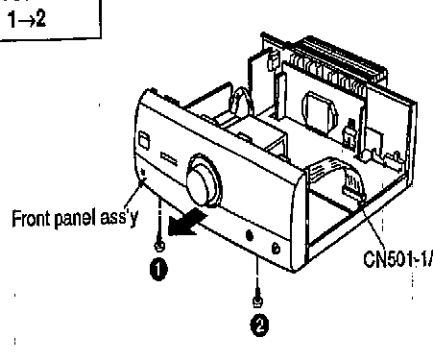
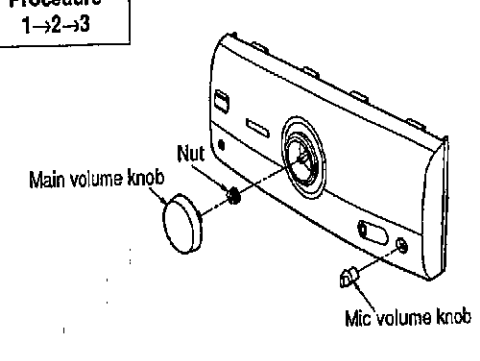
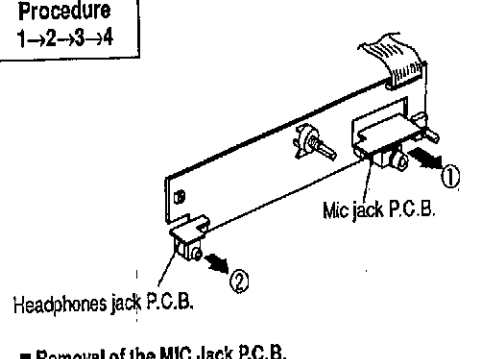
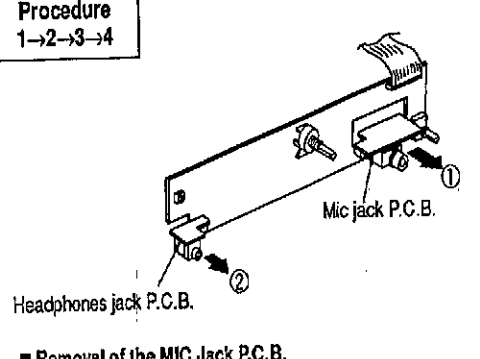
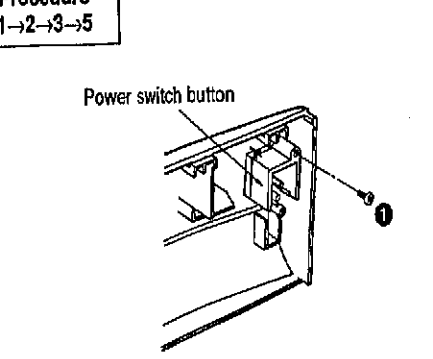
Power ON/OFF for Power Amplifier SE-CH404

1. Apply 100 V AC power from AC cord. (The unit comes to STAND BY mode.)
2. Short TP701 as shown below
Power LED lights and the unit comes to power ON mode.
Since this, ON/OFF mode switching can not performed by pushing the POWER button.



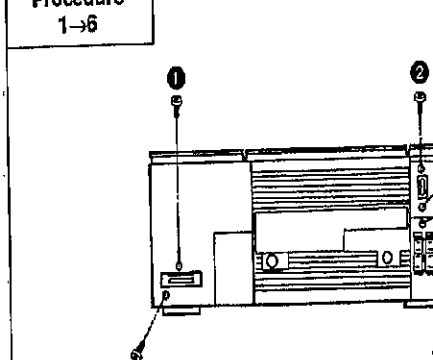
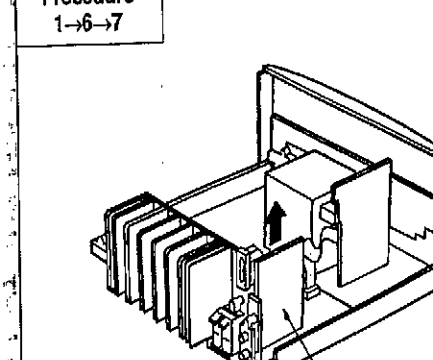
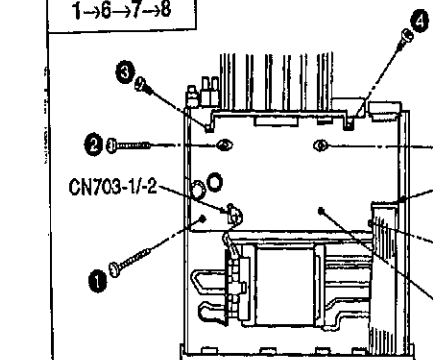
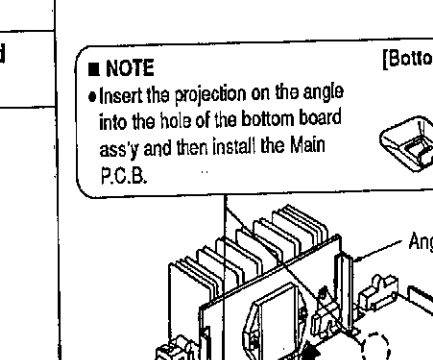
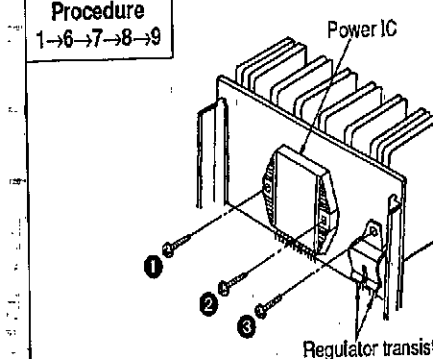
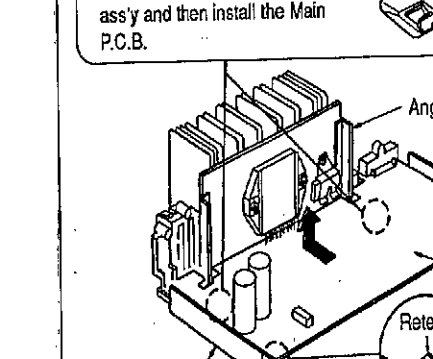
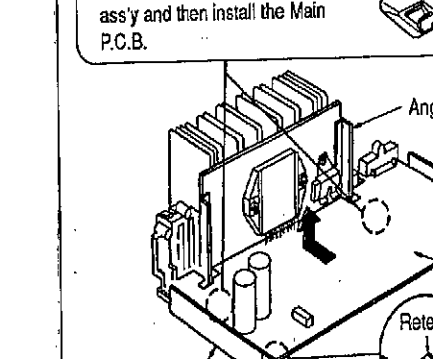
Disassembly Instructions

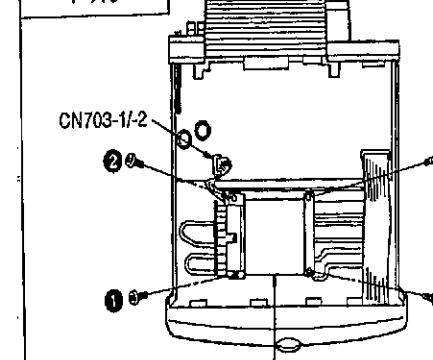
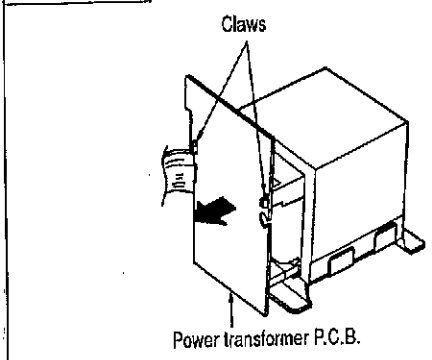
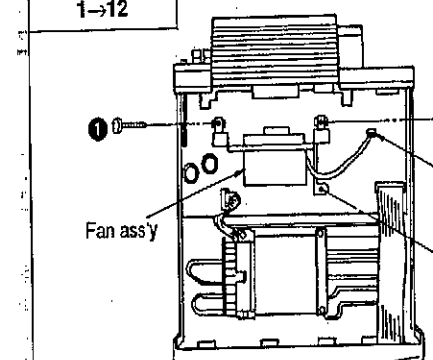
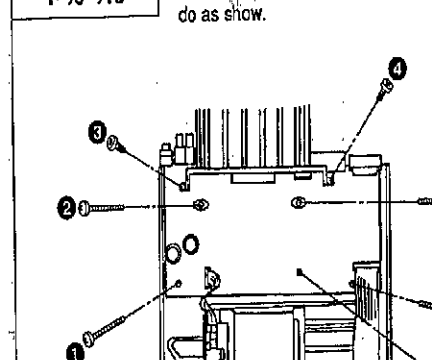
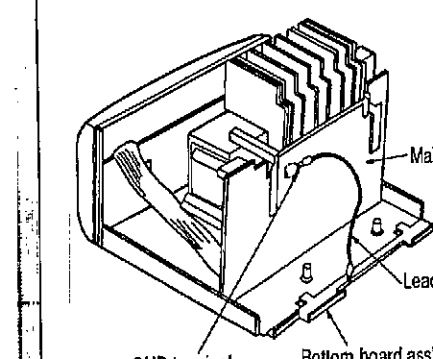
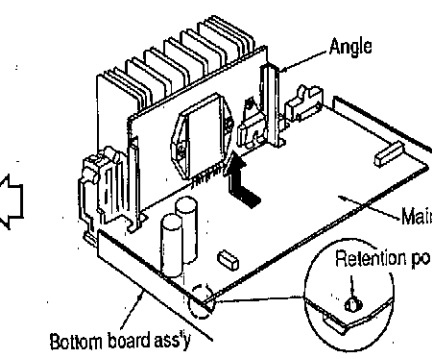
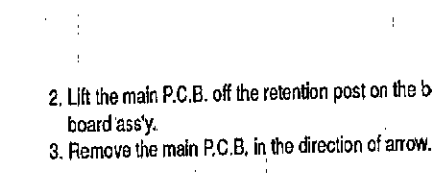
"ATTENTION SERVICER"
Some chassis components may have sharp edges. Be careful when disassembling and servicing.

<p>Ref. No. 1 Removal of the Cabinet</p> <p>Procedure 1</p>  <p>1. Remove 5 screws (1-5). 2. Remove the cabinet in the direction of arrow.</p>	<p>Ref. No. 2 Removal of the Front Panel Ass'y</p> <p>Procedure 1-2</p>  <p>1. Remove the 1 connector (CN501-1/2/3). 2. Remove the 2 screws (1, 2). 3. Remove the front panel ass'y in the direction of arrow.</p>
<p>Ref. No. 3 Removal of the Volume P.C.B.</p> <p>Procedure 1-2-3</p>  <p>1. Pull out the main volum knob. 2. Pull out the mic volume knob. 3. Remove the nut.</p>	<p>Ref. No. 4 Removal of the Mic Jack P.C.B. and Headphones Jack P.C.B.</p> <p>Procedure 1-2-3-4</p>  <p>● Removal of the MIC Jack P.C.B. ● Remove the mic jack P.C.B. in the direction of arrow ①. ● Removal of the Headphones Jack P.C.B. ● Remove the headphones jack P.C.B. in the direction of arrow ②.</p>
<p>Ref. No. 5 Removal of the Power Switch Button</p> <p>Procedure 1-2-3-4</p>  <p>● Remove the 1 screw (1).</p>	<p>Ref. No. 6 Removal of the Rear Grill Ass'y</p> <p>Procedure 1-6</p>  <p>1. Remove the 7 screws (1-7). 2. Remove the 2 ribs. 3. Remove the rear grill ass'y in the direction of arrow.</p>

SE-CH404

SE-CH404

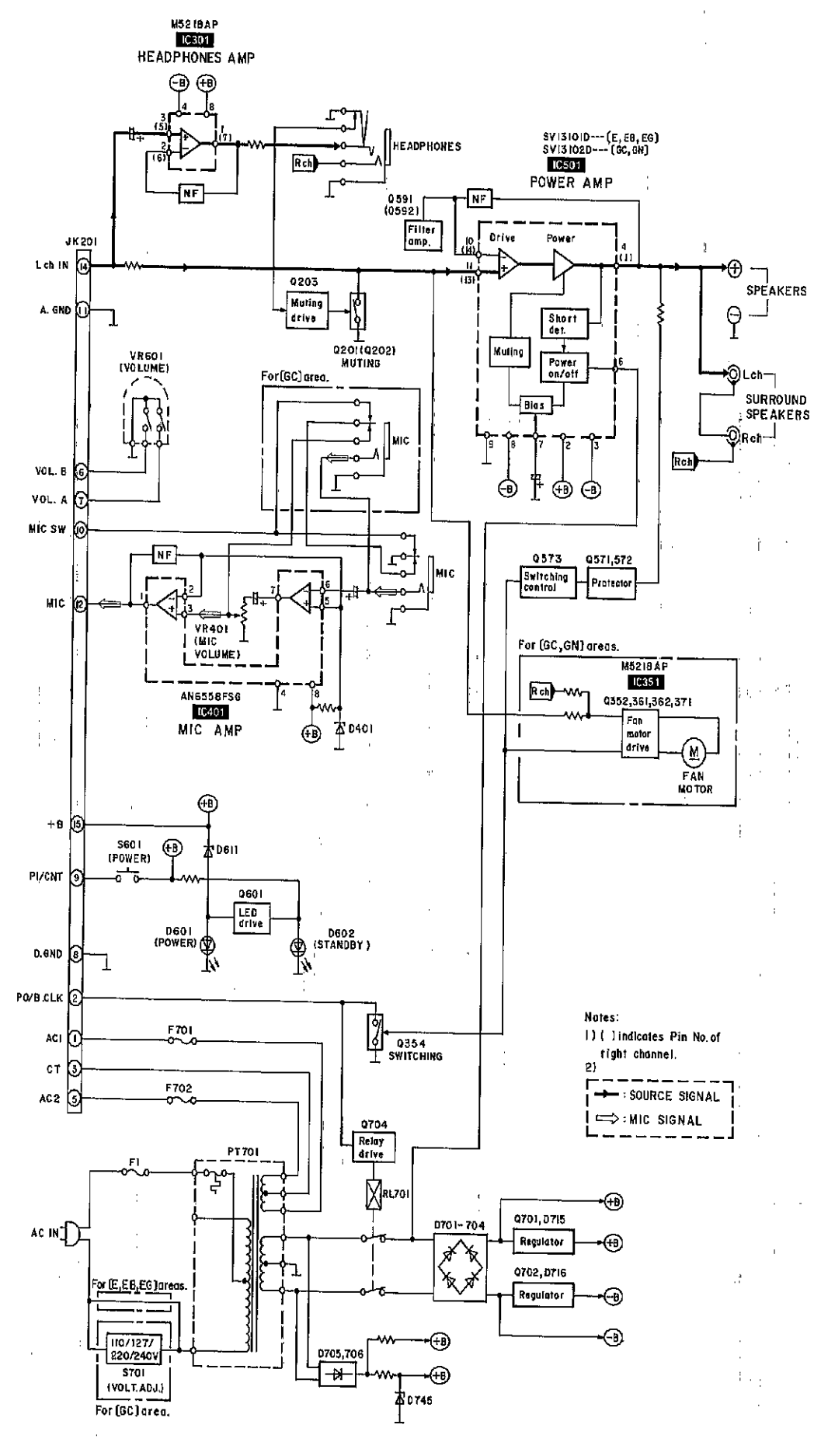
<p>Ref. No. 6 Removal of the Rear Grill Ass'y</p> <p>Procedure 1-6</p>  <p>1. Remove the 7 screws (1-7). 2. Remove the 2 ribs. 3. Remove the rear grill ass'y in the direction of arrow.</p>	<p>Ref. No. 7 Removal of the AC Input Terminal P.C.B.</p> <p>Procedure 1-6-7</p>  <p>● Remove the AC input terminal P.C.B. in the direction of arrow.</p>	<p>Ref. No. 8 Removal of the Main P.C.B.</p> <p>Procedure 1-6-7-8</p>  <p>1. Remove the 7 screws (1-7). 2. Remove the 2 connector (CN501-1/2/3, CN703-1/2).</p> <p>NOTE ● Insert the projection on the angle into the hole of the bottom board ass'y and then install the Main P.C.B.</p>  <p>3. Lift the main P.C.B. off the retention post on the bottom board ass'y. 4. Remove the main P.C.B. in the direction of arrow.</p>
<p>Ref. No. 9 Removal of the Power IC and Regulator Transistor</p> <p>Procedure 1-6-7-8-9</p>  <p>1. Unsolder the power IC or regulator transistors. 2. Remove the 3 screws (1-3).</p> <p>● When mounting the power IC or regulator transistor, apply silicone compound (RFKX0002) to the rear side of power IC or regulator transistors.</p>	<p>Ref. No. 10 Removal of the Power Transformer</p> <p>Procedure 1-10</p>  <p>1. Remove the 1 connector (CN703-1/2). 2. Remove the 4 screws (1-4).</p>	<p>Ref. No. 11 Removal of the Power Transformer P.C.B.</p> <p>Procedure 1-10-11</p>  <p>● Release the 2 claws and then remove the power transformer P.C.B. in the direction of arrow.</p>

<p>Ref. No. 10 Removal of the Power Transformer</p> <p>Procedure 1-10</p>  <p>1. Remove the 1 connector (CN703-1/2). 2. Remove the 4 screws (1-4).</p>	<p>Ref. No. 11 Removal of the Power Transformer P.C.B.</p> <p>Procedure 1-10-11</p>  <p>● Release the 2 claws and then remove the power transformer P.C.B. in the direction of arrow.</p>
<p>Ref. No. 12 Removal of the Fan Ass'y</p> <p>Procedure 1-12</p> <p>※ For [GC], [GN] areas</p>  <p>1. Remove the 1 connector (JK351). 2. Remove the 3 screws (1-3).</p>	<p>Ref. No. 13 How to check the Main P.C.B.</p> <p>Procedure 1-6-7-13</p>  <p>● When checking the soldered surfaces of main P.C.B. and replacing the parts, do as show.</p>
<p>Ref. No. 14 Removal of the Fan Ass'y</p> <p>Procedure 1-12-14</p>  <p>1. Remove the 1 connector (JK351). 2. Remove the 3 screws (1-3).</p>	<p>Ref. No. 14 Removal of the Fan Ass'y</p> <p>Procedure 1-12-14</p>  <p>1. Release the 3 claws (shown in Fig. 1). 2. Insert a screwdriver at the root of the fan (shown in Fig. 2). 3. Remove the cap (shown in Fig. 3). 4. Remove the motor from the fan case (shown in Fig. 4). 5. When mounting the motor, align the fan case projection with the hole of the motor (shown in Fig. 5).</p> <p>Replacement of the Foot</p> <p>1. Remove the 4 heat melted posts on the Bottom board ass'y with a pair of rippers or similar tool. 2. To replace the foot (RKA0011A-2) on the Bottom board ass'y melt the 4 posts with a soldering iron.</p> 

SE-CH404

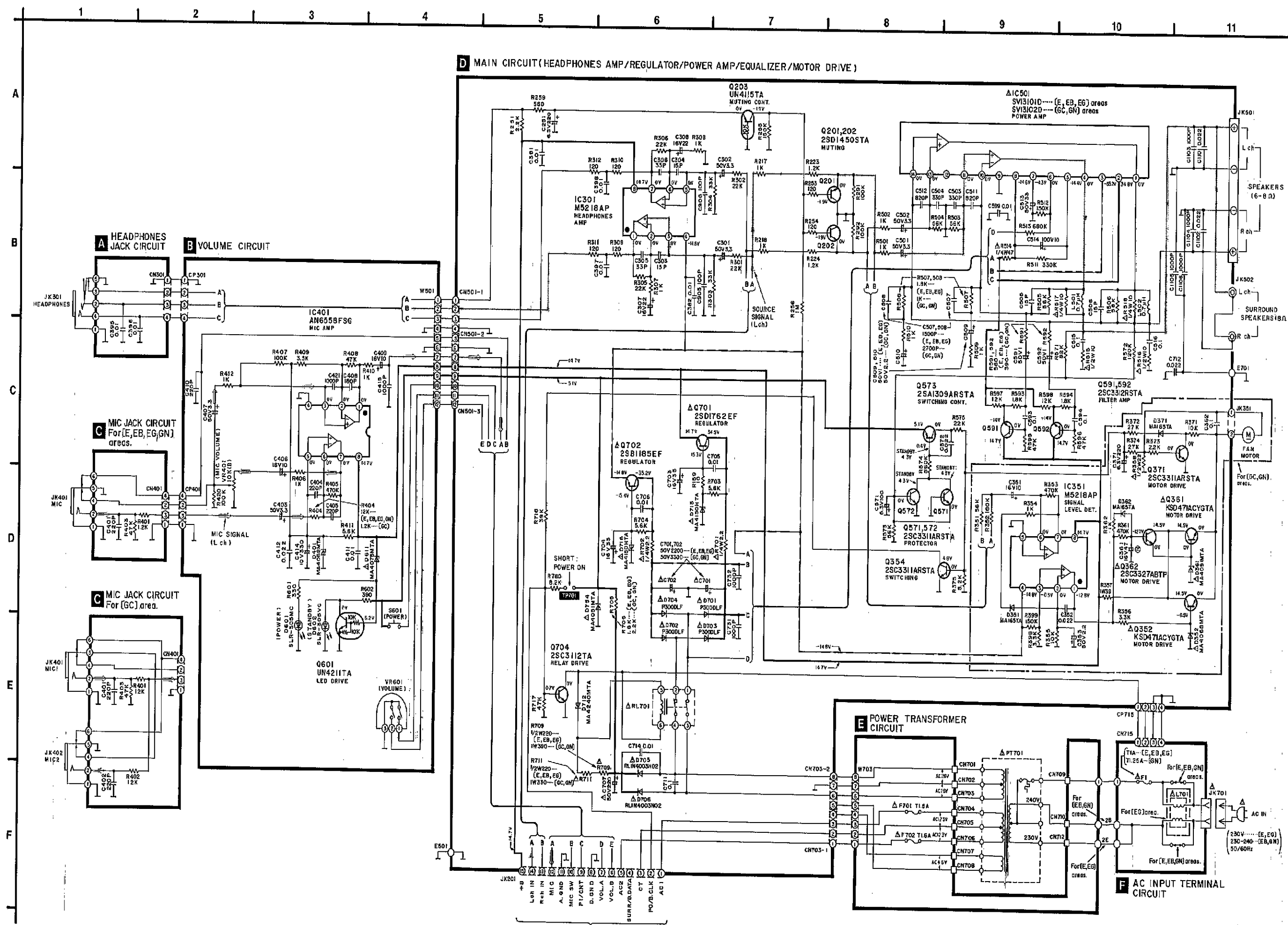
SE-CH404

Block Diagram



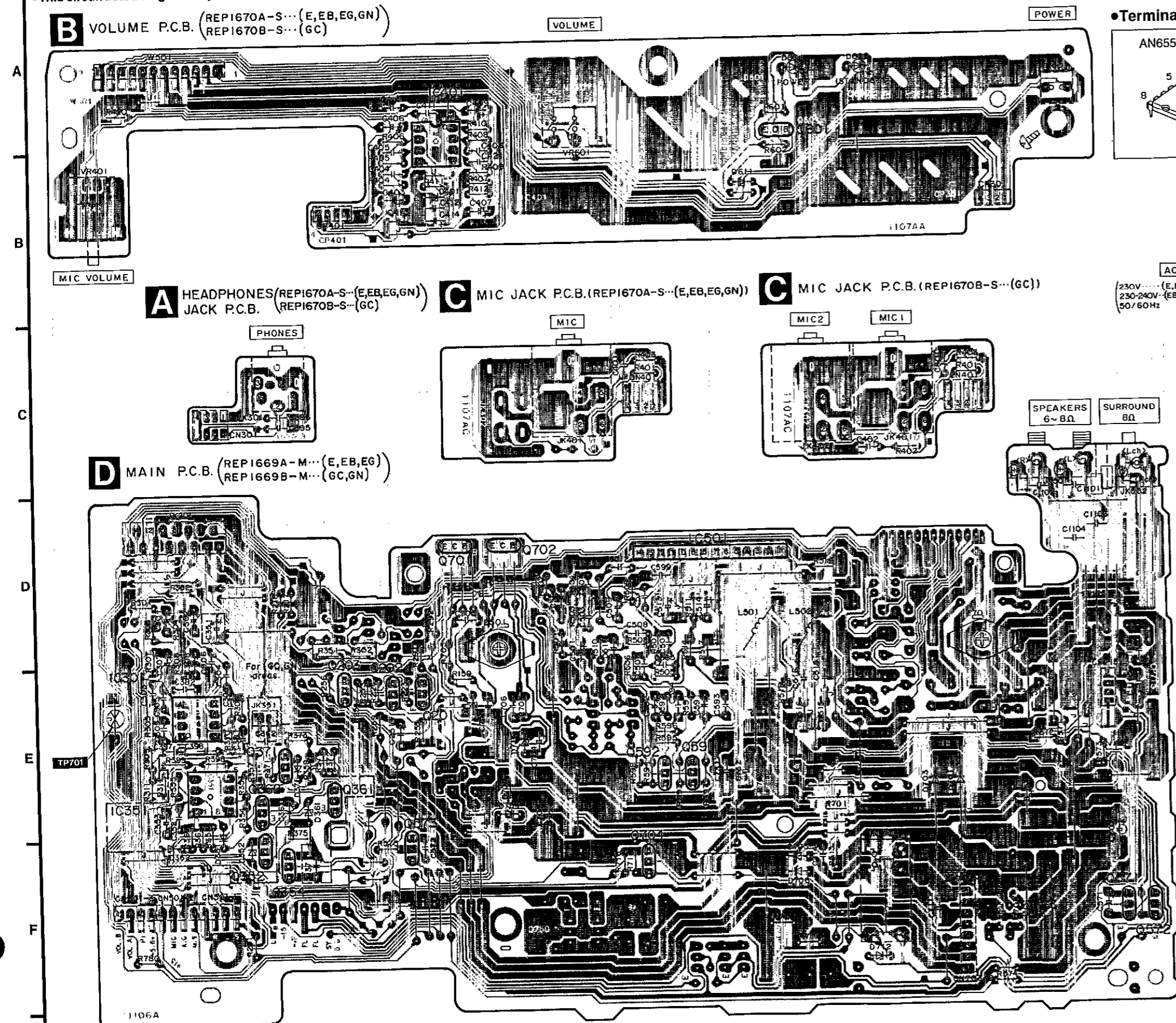
Notes:
 1) () indicates Pin No. of tight channel.
 2) — SOURCE SIGNAL
 - - - MIC SIGNAL

Schematic Diagram (Parts list on pages 22~24)

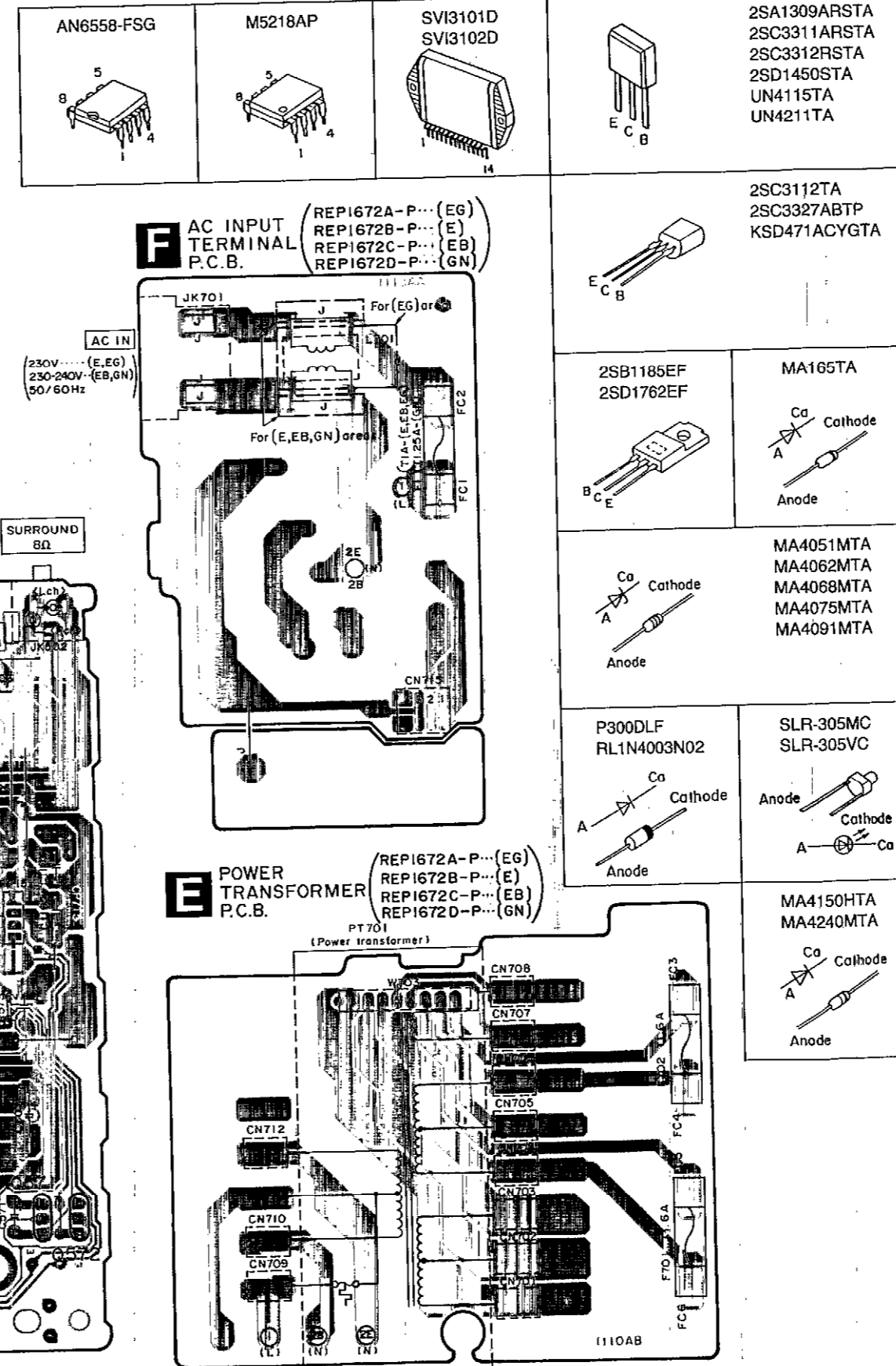


Printed Circuit Board Diagram (Parts list on pages 22~24)

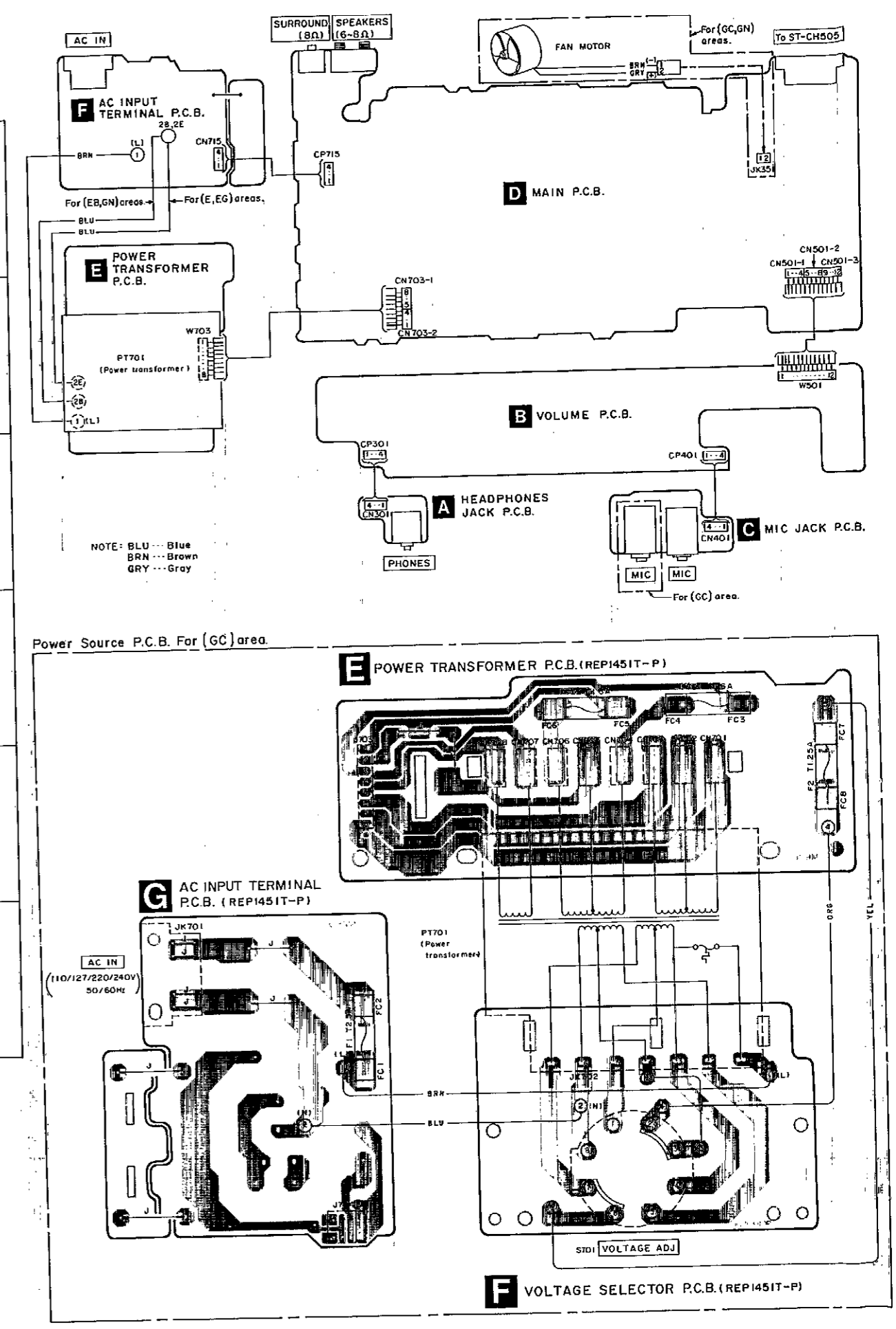
•This circuit board diagram may be modified at any time with the development of new technology.



Terminal guide of IC's, transistors and diodes



Wiring Connection Diagram





Replacement Parts List

Notes: *Important safety notice:
 Components identified by Δ mark have special characteristics important for safety.
 Furthermore, special parts which have purposes of fire-retardant (resistors), high-quality sound (capacitors), low-noise (resistors), etc. are used.
 When replacing any of components, be sure to use only manufacturer's specified parts shown in the parts list.
 *The parenthesized indications in the Remarks columns specify the areas. (Refer to the cover page for area.)
 Parts without these indications can be used for all areas.
 *Remote Control Assy: Supply period for three years from termination of production.
 *The "(SF)" mark denotes the standard part.

Ref. No.	Part No.	Part Name & Description	Remarks	Ref. No.	Part No.	Part Name & Description	Remarks
		INTEGRATED CIRCUIT(S)					
IC301	M5218AP	I. C. HEADPHONES AMP.				FUSE(S)	
IC351	M5218AP	I. C. SIGNAL LEVEL DET	(GC) (GN)	F1	XBA2C10TB0	FUSE, 250V T1. 0A	Δ (E) (EB) (EG)
IC401	AN6558-FSG	I. C. MIC AMP.		F1	XBA2C25TB0	FUSE, 250V T2. 5A	Δ (GC)
IC501	SV13101D	I. C. POWER AMP.	Δ (E) (EB) (EG)	F1	XBA2C12TB0	FUSE, 250V T1. 25A	Δ (GN)
IC501	SV13102D	I. C. POWER AMP.	Δ (GC) (GN)	F2	XBA2C12TB0	FUSE, 250V T1. 25A	Δ (GC)
		TRANSISTOR(S)		F701, 702	XBA2C16TB0	FUSE, 250V T1. 6A	Δ
Q201, 202	2SD1450RTA	TRANSISTOR				SWITCH(S)	
Q203	UN4115	TRANSISTOR		S601	EVQ21405R	SW. POWER	
Q352	KSD471ACYGTA	TRANSISTOR	Δ (GC) (GN)	S701	ESE37263	SW. VOLTAGE ADJ	Δ (GC)
Q354	2SC3311ARSTA	TRANSISTOR				CONNECTOR(S)	
Q361	KSD471ACYGTA	TRANSISTOR	Δ (GC) (GN)	J704B	RJU057W004	SOCKET (4P)	(GC)
Q362	2SC3327-A	TRANSISTOR	Δ (GC) (GN)	CN301	RJU057W004	SOCKET (4P)	
Q371	2SC3311ARSTA	TRANSISTOR	(GC) (GN)	CN401	RJU057W004	SOCKET (4P)	
Q571, 572	2SC3311ARSTA	TRANSISTOR		CN701-708	RJS1A1101T1	SOCKET (1P)	
Q573	2SA1309ARSTA	TRANSISTOR		CN709, 710	RJS1A1101T1	SOCKET (1P)	(E) (EB) (EG) (GN)
Q591, 592	2SC3312RSTA	TRANSISTOR		CN712	RJS1A1101T1	SOCKET (1P)	(E) (EB) (EG) (GN)
Q601	UN4211	TRANSISTOR		CN715	RJU057W004	SOCKET (4P)	(E) (EB) (EG) (GN)
Q701	2SD1762EF	TRANSISTOR	Δ	CN501-1-3	RJS1A6604	SOCKET (4P)	
Q702	2SB1185EF	TRANSISTOR	Δ	CN703-1, 2	RJS1A6604	SOCKET (4P)	
Q704	2SC3112TA	TRANSISTOR		CP301	RJT057W004-1	CONNECTOR (4P)	
		DIODE (S)		CP401	RJT057W004-1	CONNECTOR (4P)	
D351	MA165	DIODE	(GC) (GN)	CP715	RJT057W004-1	CONNECTOR (4P)	
D352	MA4068M	DIODE	Δ (GC) (GN)			EARTH TERMINAL (S)	
D361	MA4091-M	DIODE	Δ (GC) (GN)	E501	SNE1004-1	GND PLATE	
D362	MA165	DIODE	(GC) (GN)	E701	SNE1004-1	GND PLATE	
D371	MA165	DIODE	(GC) (GN)			FUSE HOLDER(S)	
D401	MA4062MTA	DIODE		FC1-6	EYF52BC	FUSE HOLDER	
D601	SLR-305MC	DIODE LED		FC7, 8	EYF52BC	FUSE HOLDER	(GC)
D602	SLR-305VC	DIODE LED				TRANSFORMER (S)	
D611	MA4075MTA	DIODE	Δ	PT701	RTP2M58002	POWER TRANSFORMER	Δ (E) (EB) (EG)
D701-704	P300DLF	DIODE	Δ	PT701	RTP2M5G002	POWER TRANSFORMER	Δ (GC)
D705, 706	RL1N4003M02	DIODE	Δ	PT701	RTP2M5B003	POWER TRANSFORMER	Δ (GN)
D712	MA4240H	DIODE				RELAY	
D715, 716	MA4150M	DIODE	Δ	RL701	RSY0013M-0	RELAY	Δ
D754	MA4051MTA	DIODE	Δ			JACK(S)	
		VARIABLE RESISTOR(S)				COIL (S)	
VR401	EVJ2BFD2B14	V. R. MIC VOLUME CONTROL				COIL (S)	
VR601	EVQWAF2524B	V. R. MAIN VOLUME CONTROL				COIL (S)	
L501, 502	SLQY07G-40	COIL					

Ref. No.	Part No.	Part Name & Description	Remarks
JK351	SJT3213	CONNECTOR (2P)	(GC) (GN)
JK401	RJG5MA01	MIC JACK	
JK402	RJG5MA01	MIC JACK	(GC)
JK501	RJR0054M	SPEAKER TERMINAL	
JK502	SJF3068-6N	SPEAKER TERMINAL (SURROUND)	
JK701	SJS9236	AC INLET	Δ (E) (EB) (EG) (GC)
JK701	SJS016	AC INLET	Δ (GN)
JK702	SJS702-1	CONNECTOR	(GC)

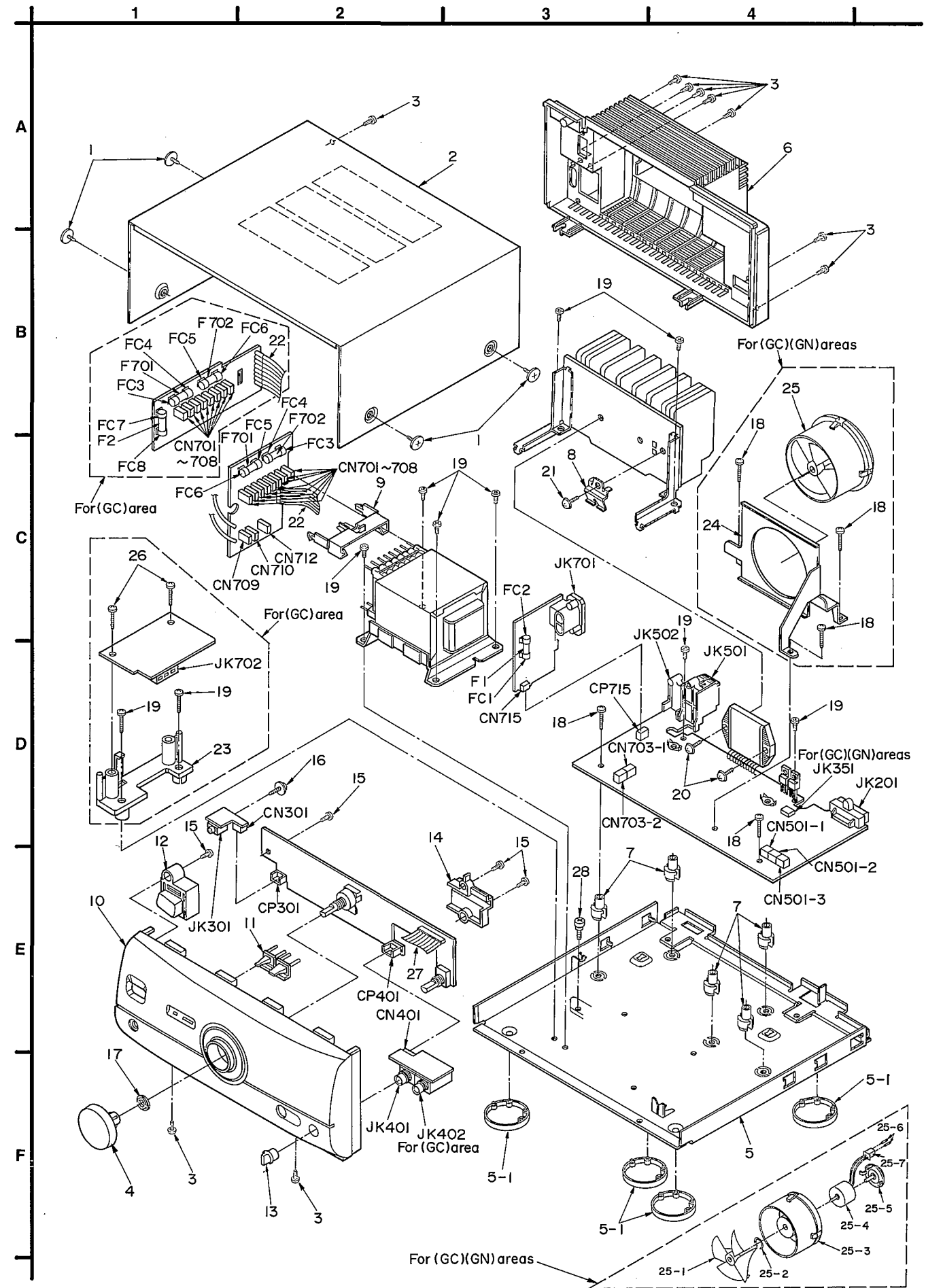
Notes : * Capacity values are in microfarads (μF) unless specified otherwise, P=Pico-farads (pF) F=Farads (F)
 * Resistance values are in ohms, unless specified otherwise, 1K=1,000 (OHM) , 1M=1,000K (OHM)

Ref. No.	Part No.	Values & Remarks	Ref. No.	Part No.	Values & Remarks	Ref. No.	Part No.	Values & Remarks
		RESISTORS						
R159	ERDS2TJ100	1/4W 10	R372	ERDS2TJ273	1/4W 27K (GC) (GN)	R509, 510	ERDS2TJ102	1/4W 1K
R217, 218	ERDS2TJ102	1/4W 1K	R373	ERDS2TJ222	1/4W 2.2K (GC) (GN)	R511	ERDS2TJ334	1/4W 330K
R223, 224	ERDS2TJ122	1/4W 1.2K	R374	ERDS2TJ273	1/4W 27K (GC) (GN)	R512	ERDS2TJ154	1/4W 150K
R251	ERDS2TJ222	1/4W 2.2K	R375	ERDS2TJ822	1/4W 8.2K	R513	ERDS2TJ684	1/4W 680K
R253, 254	ERDS2EJ121	1/4W 120	R398	ERDS2TJ332	1/4W 3.3K (GC) (GN)	R514	ERD25FJ470	1/4W 47 Δ
R255	ERDS2TJ154	1/4W 150K	R399	ERDS2TJ154	1/4W 150K (GC) (GN)	R515, 516	ERDS1FVJ100T	1/2W 10 Δ
R256	ERDS2TJ105T	1/4W 1M	R401	ERDS2TJ122	1/4W 1.2K	R517, 518	ERD25FVJ100T	1/4W 10 Δ
R259	ERDS2TJ561	1/4W 560			(E) (EB) (EG) (GN)	R571	ERDS2TJ823T	1/4W 82K
R291, 292	ERDS2TJ104	1/4W 100K	R401	ERDS2TJ123	1/4W 12K (GC)	R572	ERDS2TJ124T	1/4W 120K
R301, 302	ERDS2TJ223	1/4W 22K	R402	ERDS2TJ123	1/4W 12K (GC)	R573	ERDS2TJ563	1/4W 56K
R303, 304	ERDS2TJ333	1/4W 33K	R403	ERDS2TJ473	1/4W 47K	R574	ERDS2TJ564	1/4W 560K
R305, 306	ERDS2TJ223	1/4W 22K	R404	ERDS2TJ123	1/4W 12K	R575	ERDS2TJ223	1/4W 22K
R307, 308	ERDS2TJ102	1/4W 1K			(E) (EB) (EG) (GN)	R591, 592	ERDS2TJ561	1/4W 560
R309-312	ERDS2EJ121	1/4W 120	R404	ERDS2TJ122	1/4W 1.2K (GC)			(E) (EB) (EG)
R351	ERDS2TJ563	1/4W 56K (GC) (GN)	R405	ERDS2TJ474	1/4W 470K	R591, 592	ERDS2TJ391	1/4W 390 (GC) (GN)
R352	ERDS2TJ184T	1/4W 180K (GC) (GN)	R406	ERDS2TJ102	1/4W 1K	R593, 594	ERDS2TJ182	1/4W 1.8K
R353	ERDS2TJ474	1/4W 470K (GC) (GN)	R407	ERDS2TJ104	1/4W 100K	R595, 596	ERDS2TJ473	1/4W 47K
R354	ERDS2TJ102	1/4W 1K (GC) (GN)	R408	ERDS2TJ473	1/4W 47K	R597, 598	ERDS2TJ123	1/4W 12K
R355	ERDS2TJ103	1/4W 10K (GC) (GN)	R409	ERDS2TJ332	1/4W 3.3K	R601	ERDS2TJ331	1/4W 330
R356	ERDS2TJ332	1/4W 3.3K (GC) (GN)	R410	ERDS2TJ102	1/4W 1K	R602	ERDS2TJ391	1/4W 390
R357	ERGLS1390E	1W 39 (GC) (GN)	R411	ERDS2TJ562	1/4W 5.6K	R701, 702	ERD25FJ2R2	1/4W 2.2 Δ
R358	ERDS1FVJ220T	1/2W 22 Δ (GC) (GN)	R412	ERDS2TJ102	1/4W 1K	R703, 704	ERDS2TJ562	1/4W 5.6K
R361	ERDS2TJ474	1/4W 470K (GC) (GN)	R420	ERDS2TJ104	1/4W 100K	R705	ERGLS182E	1W 1.8K
R362	ERDS2TJ102	1/4W 1K (GC) (GN)	R501, 502	ERDS2TJ102	1/4W 1K			(E) (EB) (EG)
R371	ERDS2TJ103	1/4W 10K (GC) (GN)	R503-506	ERDS2TJ563	1/4W 56K	R705	ERGLS222E	1W 2.2K (GC) (GN)
			R507, 508	ERDS2TJ182	1/4W 1.8K	R709	ERDS1FVJ221T	1/2W 220 Δ
					(E) (EB) (EG)			(E) (EB) (EG)
			R507, 508	ERDS2TJ102	1/4W 1K (GC) (GN)			

Ref. No.	Part No.	Values & Remarks	Ref. No.	Part No.	Values & Remarks
R711	ERDS1FVJ221T	1/2W 220 Δ	C599	ECBT1C103MS5	16V 0.01U
		(E) (EB) (EG)	C701, 702	ECEA1H0222B	50V 2200U Δ
R711	ERGLS1331E	1W 330 Δ (GC) (GN)			(E) (EB) (EG)
R716	ERDS2TJ393	1/4W 39K	C701, 702	ECA1HM332B	50V 3300U (GC) (GN)
R717	ERDS2TJ473	1/4W 47K	C703, 704	ECEA1CKA330B	16V 33U
R780	ERDS2TJ822	1/4W 8.2K	C705, 706	ECKRH1032F5	50V 0.01U
			C707	ECA1HM221B	50V 220U Δ
		CAPACITORS	C711	ECQF1104KF3	100V 0.1U
C251	ECEA0JKA221B	6.3V 220U	C712	ECBT1E223ZF	25V 0.022U
C301, 302	ECEA1HKA3R3B	50V 3.3U	C714	ECKRH1032F5	50V 0.01U
C303, 304	ECBT1H150J5	50V 15P	C731, 732	ECKT1H02KB	50V 1000P
C305, 306	ECBT1H330J5	50V 33P	C905, 906	ECBT1H101KB5	50V 100P
C307, 308	ECEA1CKA220B	16V 22U	C1101, 1102	ECBT1E223ZF	25V 0.022U
C351	ECEA1CKA100B	16V 10U (GC) (GN)	C1103-1106	ECBT1H02KB5	50V 1000P
C352	ECBT1E223ZF5	25V 0.022U (GC) (GN)			
C353	ECEA1HKA2R2B	50V 2.2U (GC) (GN)			
C361	ECEA1CM470SB	16V 47U (GC) (GN)			
C362	ECBT1H1042F5	50V 0.1U (GC) (GN)			
C371	ECEA0JKA221B	6.3V 220U (GC) (GN)			
C381, 382	ECBT1E103ZF	25V 0.01U			
C395-398	ECBT1E103ZF	25V 0.01U			
C401	ECBT1H221KB5	50V 220P			
C402	ECBT1H221KB5	50V 220P (GC)			
C403	ECEA1HKA3R3B	50V 3.3U			
C404, 405	ECBT1H221KB5	50V 220P			
C406	ECEA1CKA100B	16V 10U			
C407	ECEA1HKA3R3B	50V 3.3U			
C408	ECBT1H181KB5	50V 180P			
C409	ECEA1CKA100B	16V 10U			
C410	ECBT1H221KB5	50V 220P			
C411	ECBT1E103ZF	25V 0.01U			
C412	ECBT1E223ZF	25V 0.022U			
C414	ECA1AM331B	10V 330U			
C415	ECBT1H102KB5	50V 1000P			
C421	ECBT1H102KB5	50V 1000P			
C501, 502	ECA1HAP3R3B	50V 3.3U			
C503, 504	ECBT1H331KB5	50V 330P			
C505, 506	ECBT1H150J5	50V 15P			
C507, 508	ECBT1C152KR5	16V 1500P			
		(E) (EB) (EG)			
C507, 508	ECBT1C272KR5	16V 2700P (GC) (GN)			
C509, 510	ECEA1HM10B	50V 1U			
		(E) (EB) (EG)			
C509, 510	ECEA1HKA2R2B	50V 2.2U (GC) (GN)			
C511, 512	ECBT1H821KB5	50V 820P			
C513	ECA1HAP330B	50V 33U			
C514	ECA2AAP100B	100V 10U			
C515, 516	ECBT1H1042F5	50V 0.1U			
C571	ECEA0JKA101B	6.3V 100U			
C572	ECBT1E223ZF	25V 0.022U			
C591, 592	ECEA1HM10B	50V 1U			
C593, 594	ECQV1H104JM3	50V 0.1U			

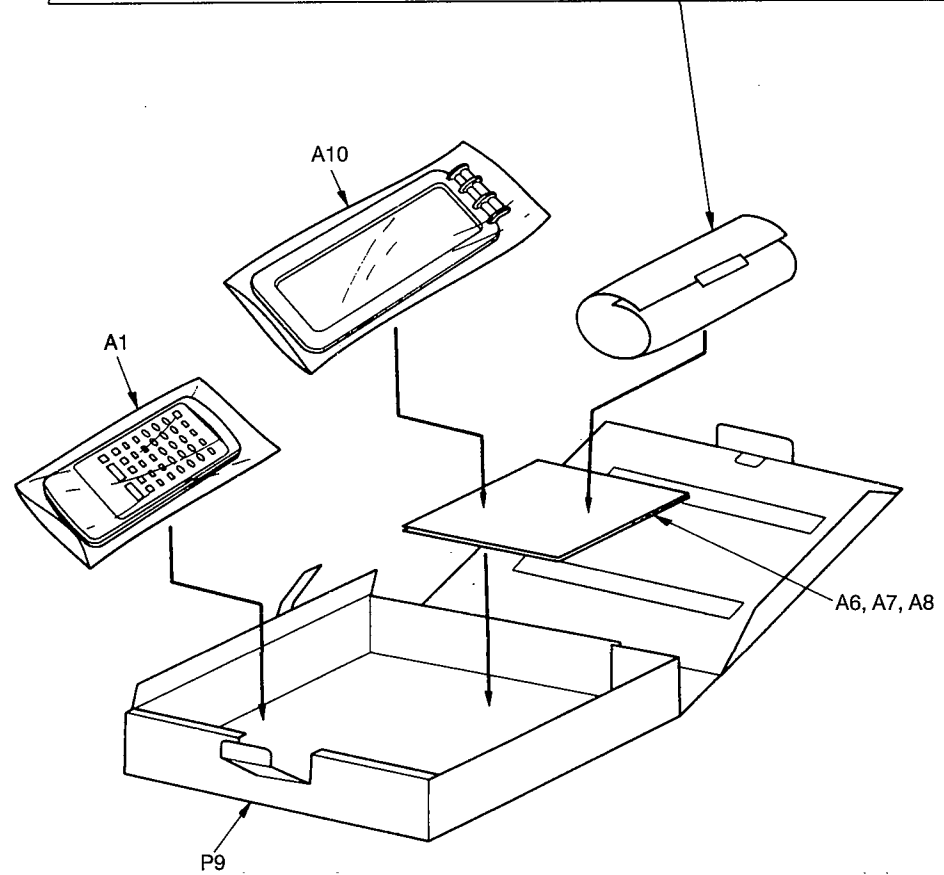
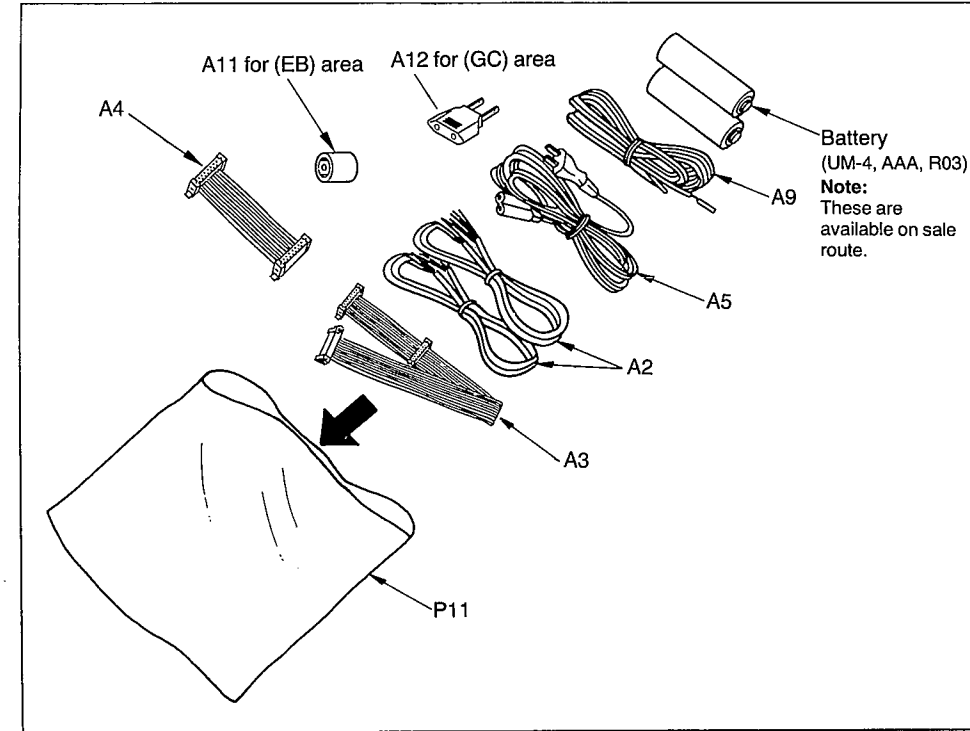
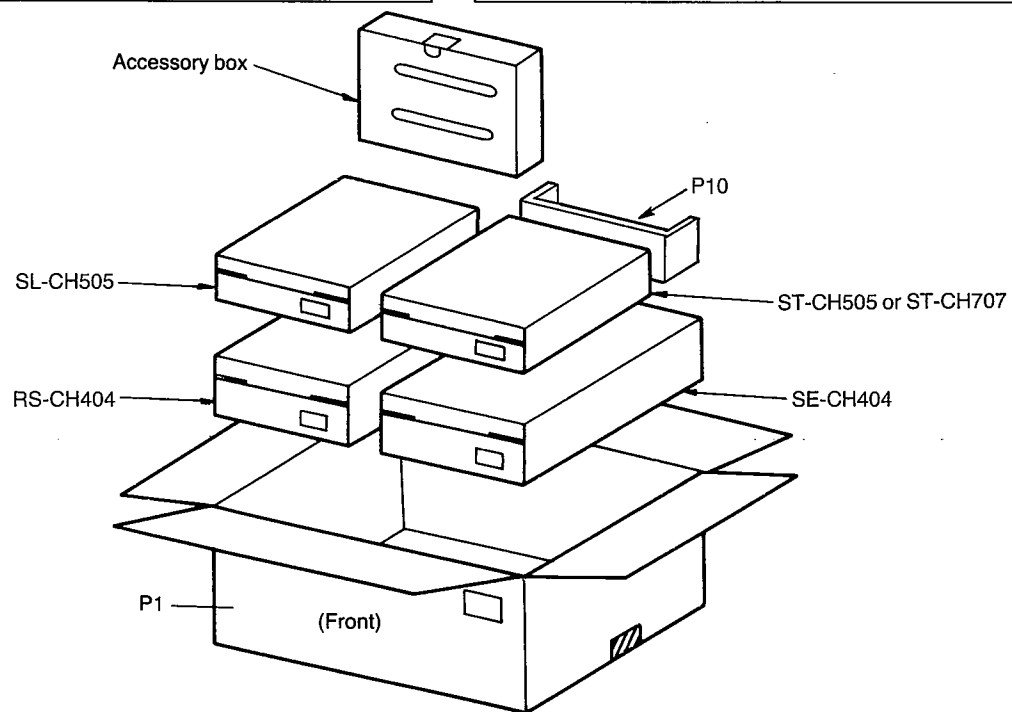
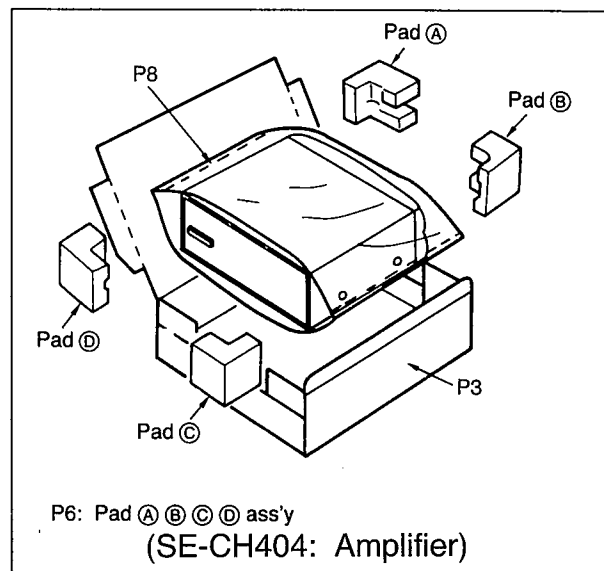
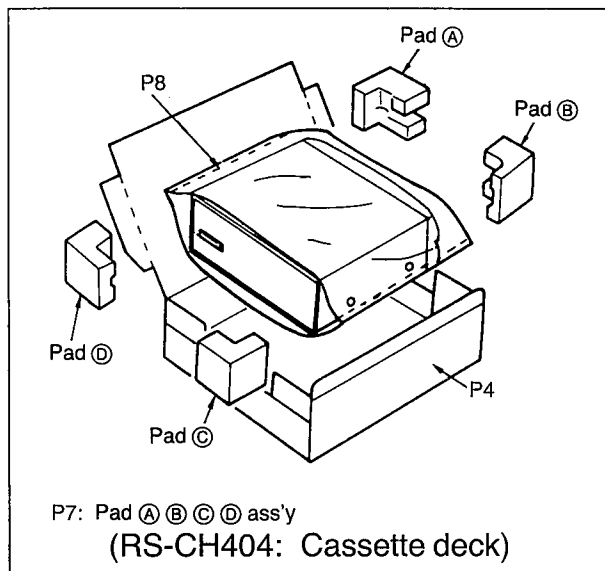
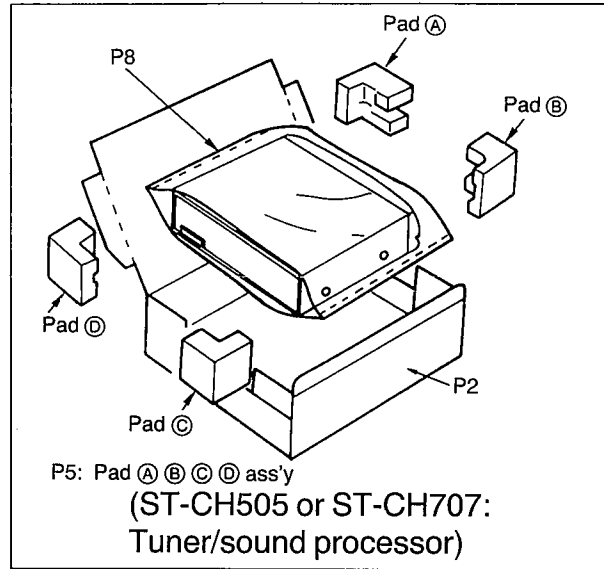
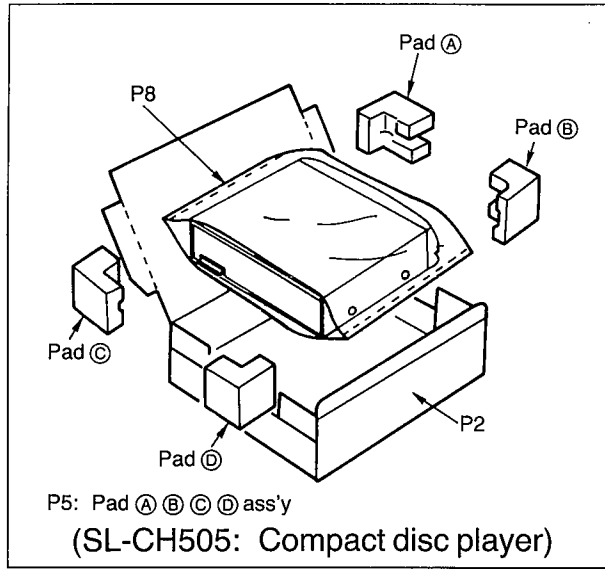
■ Cabinet Parts Location

Ref. No.	Part No.	Part Name & Description	Remarks	Ref. No.	Part No.	Part Name & Description	Remarks
		CABINET PARTS				PACKING MATERIALS	
1	RHD30007	SCREW		P1	RPG1719	PACKING CASE (SYSTEM)	(E) (EG)
2	RKMO202B-1K	CABINET		P1	RPG1735	PACKING CASE (SYSTEM)	(EB)
3	XTBS3+8JFZ1	SCREW		P1	RPG1740	PACKING CASE (SYSTEM)	(GC)
4	RGW0183-K	KNOB, MAIN VOLUME		P1	RPG1757	PACKING CASE (SYSTEM)	(GN)
5	RFKJECH404EK	BOTTOM BOARD ASS'Y	(E) (EB) (EG) (GN)	P2	RPG1314	PACKING CASE (CD/TUNER)	
5	RFKJECH404GC	BOTTOM BOARD ASS'Y	(GC)	P3	RPG1312	PACKING CASE (AMPLIFIER)	
5-1	RKA0011A-2	FOOT		P4	RPG1313	PACKING CASE (DECK)	
6	RFKHECH404EB	REAR GRILL ASS'Y	(EB)	P5	RPNO719	PAD (CD/TUNER)	
6	RFKHECH404EG	REAR GRILL ASS'Y	(EG)	P6	RPNO720	PAD (AMPLIFIER)	
6	RFKHECH404GC	REAR GRILL ASS'Y	(GC)	P7	RPNO721	PAD (DECK)	
6	RFKHECH404GN	REAR GRILL ASS'Y	(GN)	P8	XZB45X50A01Z	PROTECTION COVER	
6	RKF0331-K	REAR GRILL	(E)	P9	RPQ0047	ACCESSORY BOX	
7	RKQ0089	P. C. B. SPACER		P10	RPQ0244	SPACER	
8	FMCO158	TRANSISTOR HOLDER		P11	XZB22X20C03	PROTECTION COVER	
9	FMNO191	HOLDER				ACCESSORIES	
10	RFKGECH404EK	FRONT PANEL ASS'Y	(E) (EB) (EG) (GN)	A1	RAK-CH115WH	REMOTE CONTROL TRANSMITTER	
10	RFKGECH404GC	FRONT PANEL ASS'Y	(GC)	A1-1	RKK0057-K	BATTERY COVER	
11	RGL0210-Q	PANEL LIGHT		A2	REE0499	SPEAKER CORD	
12	RGU0939-K	BUTTON, POWER		A3	REX0511	FLAT CABLE (15P) (BLACK TYPE)	
13	RGW0178-K	KNOB, MIC		A4	REX0512	FLAT CABLE (15P) (WHITE TYPE)	
14	FMNO232	HOLDER		A5	RJA0019-2K	AC POWER SUPPLY CORD	△ (E) (EG) (GC) (SF)
15	XTBS26+8J	SCREW		A5	VJA0733	AC POWER SUPPLY CORD	△ (EB) (SF)
16	XTWS3+10T	SCREW		A5	RJA0036-K	AC POWER SUPPLY CORD	△ (GN)
17	SNE4021-1	NUT		A6	RFKSECH404EK	INSTRUCTIONS MANUAL	(E)
18	XTB3+20JFZ	SCREW		A6	RFKSECH404EB	INSTRUCTIONS MANUAL	(EB)
19	XTB3+8JFZ	SCREW		A6	RFKSECH404EG	INSTRUCTIONS MANUAL	(EG)
20	XTW3+15T	SCREW		A6	RQT2108-G	INSTRUCTIONS MANUAL	(GC)
21	XTW3+8T	SCREW		A6	RFKSECH404GN	INSTRUCTIONS MANUAL	(GN)
22	REZ0538	FLAT CABLE (J703)	(GC)	A7	RQA0013	WARRANTY CARD	(E) (EB) (EG)
22	REZ0606	FLAT CABLE (W703)	(E) (EB) (EG) (GN)	A7	RQX7433ZA	WARRANTY CARD	(GN)
23	FMNO190	P. C. B. SPACER	(GC)	A8	RQCB0169	SERVICE CENTER LIST	
24	FMNO215	FAN ANGLE	(GC) (GN)	A9	RSA0007	FM INDOOR ANTENNA	(E) (EB) (EG)
25	SYE1128-4	FAN ASS'Y	(GC) (GN)	A9	RSA0006	FM INDOOR ANTENNA	(GC) (GN)
25-1	SHE232	FAN	(GC) (GN)	A10	SPB1163T	AM LOOP ANTENNA	(E) (EB) (EG) (GN)
25-2	SUS271	SPRING	(GC) (GN)	A10	RSA0010	AM LOOP ANTENNA	(GC)
25-3	SHE233-1	FAN CASE	(GC) (GN)	A10-1	SMA233-1M	ANTENNA HOLDER	(E) (EB) (EG) (GN)
25-4	MDN-4RB4MRC	MOTOR	(GC) (GN)	A10-1	FMNO244	ANTENNA HOLDER	(GC)
25-5	SHE234	CAP	(GC) (GN)	A10-2	XTN3+10AFZ	SCREW	(E) (EB) (EG) (GN)
25-6	SJT783	TERMINAL	(GC) (GN)	A10-2	XTN3+12AFZ	SCREW	(GC)
25-7	SJS215	CONNECTOR (2P)	(GC) (GN)	A11	SJP9009	ATTACHMENT PLUG	△ (EB)
26	XTB3+12JFZ	SCREW	(GC)	A12	SJP5213-2	POWER PLUG ADAPTOR	△ (GC)
27	REZ0608	FLAT CABLE (W501)					
28	RHD30032	SCREW	(E) (EB) (EG) (GN)				



924

■ Packaging



■ Replacement Parts List

Notes: *Important safety notice:
Components identified by Δ mark have special characteristics important for safety.
Furthermore, special parts which have purposes of fire-retardant (resistors), high-quality sound (capacitors), low-noise (resistors), etc. are used.
When replacing any of components, be sure to use only manufacturer's specified parts shown in the parts list.
*The parenthesized indications in the Remarks columns specify the areas. (Refer to the cover page for area.)
Parts without these indications can be used for all areas.
*Remote Control Assy: Supply period for three years from termination of production.
*The "(SF)" mark denotes the standard part.

Ref. No.	Part No.	Part Name & Description	Remarks	Ref. No.	Part No.	Part Name & Description	Remarks
		INTEGRATED CIRCUIT(S)					
IC301	M5218AP	I. C. HEADPHONES AMP.				FUSE(S)	
IC351	M5218AP	I. C. SIGNAL LEVEL DET	(GC) (GN)	F1	XBA2C10TB0	FUSE, 250V T1. 0A	Δ (E) (EB) (EG)
IC401	AN6558-FSG	I. C. MIC AMP.		F1	XBA2C25TB0	FUSE, 250V T2. 5A	Δ (GC)
IC501	SV13101D	I. C. POWER AMP.	Δ (E) (EB) (EG)	F1	XBA2C12TB0	FUSE, 250V T1. 25A	Δ (GN)
IC501	SV13102D	I. C. POWER AMP.	Δ (GC) (GN)	F2	XBA2C12TB0	FUSE, 250V T1. 25A	Δ (GC)
		TRANSISTOR(S)		F701, 702	XBA2C16TB0	FUSE, 250V T1. 6A	Δ
Q201, 202	2SD1450RTA	TRANSISTOR				SWITCH(ES)	
Q203	UN4115	TRANSISTOR		S601	EVQ21405R	SW. POWER	
Q352	KSD471ACYGTA	TRANSISTOR	Δ (GC) (GN)	S701	ESE37263	SW. VOLTAGE ADJ	Δ (GC)
Q354	2SC3311ARSTA	TRANSISTOR				CONNECTOR(S)	
Q361	KSD471ACYGTA	TRANSISTOR	Δ (GC) (GN)	J704B	RJU057W004	SOCKET(4P)	(GC)
Q362	2SC3327-A	TRANSISTOR	Δ (GC) (GN)	CN301	RJU057W004	SOCKET(4P)	
Q371	2SC3311ARSTA	TRANSISTOR	(GC) (GN)	CN401	RJU057W004	SOCKET(4P)	
Q571, 572	2SC3311ARSTA	TRANSISTOR		CN701-708	RJSLA1101T1	SOCKET(1P)	
Q573	2SA1309ARSTA	TRANSISTOR		CN709, 710	RJSLA1101T1	SOCKET(1P)	(E) (EB) (EG) (GN)
Q591, 592	2SC3312BSTA	TRANSISTOR		CN712	RJSLA1101T1	SOCKET(1P)	(E) (EB) (EG) (GN)
Q601	UN4211	TRANSISTOR		CN715	RJU057W004	SOCKET(4P)	(E) (EB) (EG) (GN)
Q701	2SD1762EF	TRANSISTOR	Δ	CN501-1-3	RJSLA6604	SOCKET(4P)	
Q702	2SB1185EF	TRANSISTOR	Δ	CN703-1, 2	RJSLA6604	SOCKET(4P)	
Q704	2SC3112TA	TRANSISTOR		CP301	RJT057W004-1	CONNECTOR(4P)	
		DIODE(S)		CP401	RJT057W004-1	CONNECTOR(4P)	
D351	MA165	DIODE	(GC) (GN)	CP715	RJT057W004-1	CONNECTOR(4P)	
D352	MA4068M	DIODE	Δ (GC) (GN)			FUSE HOLDER(S)	
D361	MA4091-M	DIODE	Δ (GC) (GN)			FUSE HOLDER	(GC)
D362	MA165	DIODE	(GC) (GN)	E501	SNE1004-1	GND PLATE	
D371	MA165	DIODE	(GC) (GN)	E701	SNE1004-1	GND PLATE	
D401	MA4062MTA	DIODE				FUSE HOLDER(S)	
D601	SLR-305MC	DIODE LED		FC1-6	EYF52BC	FUSE HOLDER	
D602	SLR-305VC	DIODE LED		FC7, 8	EYF52BC	FUSE HOLDER	(GC)
D611	MA4075MTA	DIODE	Δ			TRANSFORMER(S)	
D701-704	P300DLF	DIODE	Δ	PT701	RTP2M5B002	POWER TRANSFORMER	Δ (E) (EB) (EG)
D705, 706	RL1M4003W02	DIODE	Δ	PT701	RTP2M5G002	POWER TRANSFORMER	Δ (GC)
D712	MA4240H	DIODE		PT701	RTP2M5B003	POWER TRANSFORMER	Δ (GN)
D715, 716	MA4150M	DIODE	Δ			RELAY	
D754	MA4051MTA	DIODE	Δ	RL701	RSY0013M-0	RELAY	Δ
		VARIABLE RESISTOR(S)				JACK(S)	
VR401	EVJ02BF02B14	V. R. MIC VOLUME CONTROL				CONNECTOR(15P)	
VR601	EVQWAF2524B	V. R. MAIN VOLUME CONTROL					
		COIL(S)					
L501, 502	SLQY07G-40	COIL					

Ref. No.	Part No.	Part Name & Description	Remarks
JK351	SJT3213	CONNECTOR(2P)	(GC) (GN)
JK401	RJG65M001	MIC JACK	
JK402	RJG65M001	MIC JACK	(GC)
JK501	RJR0054M	SPEAKER TERMINAL	
JK502	SJF3068-6N	SPEAKER TERMINAL(SURROUND)	
JK701	SJS9236	AC INLET	Δ (E) (EB) (EG) (GC)
JK701	SJS016	AC INLET	Δ (GN)
JK702	SJS702-1	CONNECTOR	(GC)

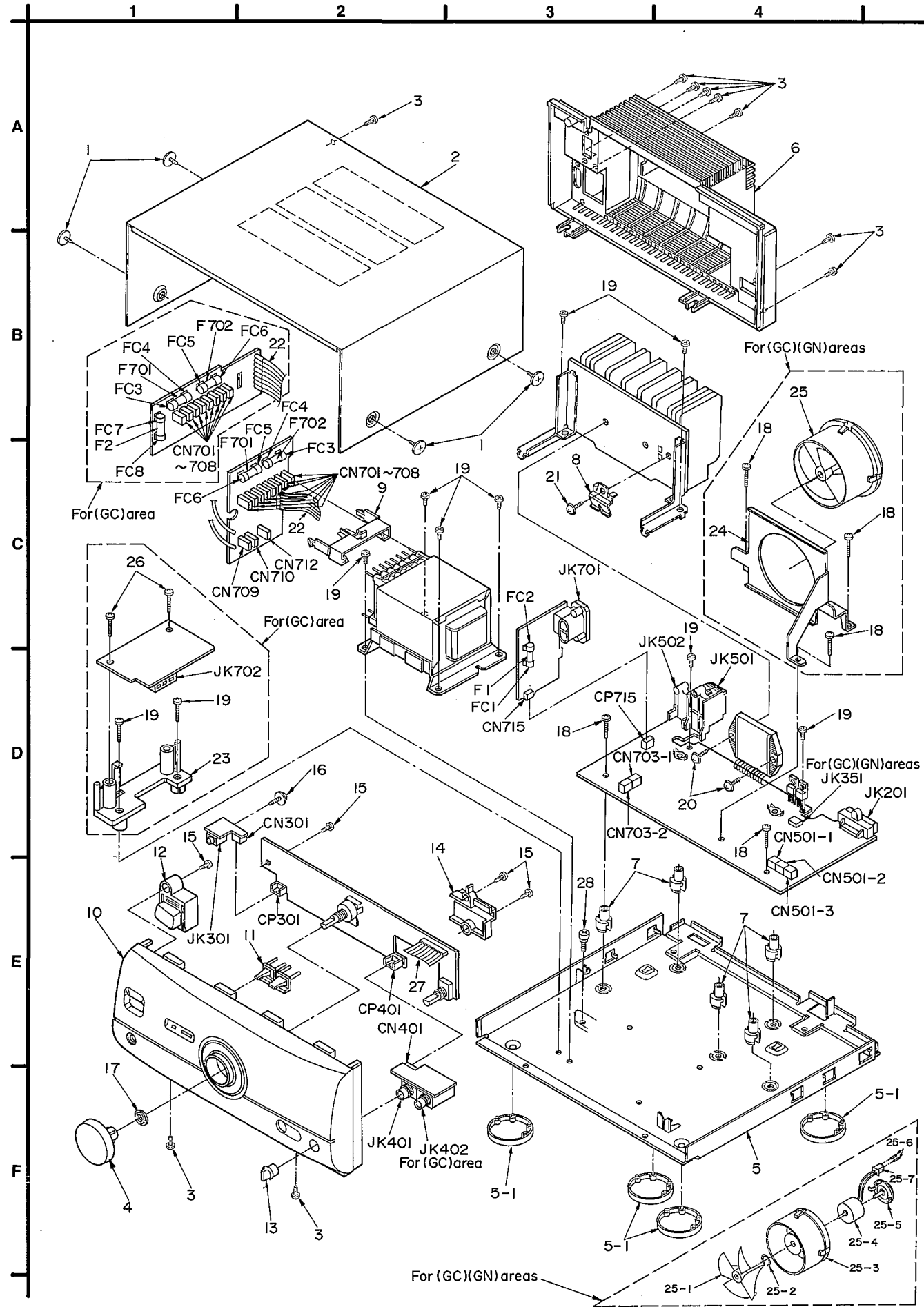
Notes: * Capacity values are in microfarads (μ F) unless specified otherwise, P=Pico-farads (pF) F=Farads (F)
* Resistance values are in ohms, unless specified otherwise, 1K=1,000(OHM) , 1M=1,000k(OHM)

Ref. No.	Part No.	Values & Remarks	Ref. No.	Part No.	Values & Remarks	Ref. No.	Part No.	Values & Remarks
		RESISTORS						
R159	ERDS2TJ100	1/4W 10	R372	ERDS2TJ273	1/4W 27K (GC) (GN)	R509, 510	ERDS2TJ102	1/4W 1K
R217, 218	ERDS2TJ102	1/4W 1K	R373	ERDS2TJ222	1/4W 2.2K (GC) (GN)	R511	ERDS2TJ334	1/4W 330K
R223, 224	ERDS2TJ122	1/4W 1.2K	R374	ERDS2TJ273	1/4W 27K (GC) (GN)	R512	ERDS2TJ154	1/4W 150K
R251	ERDS2TJ222	1/4W 2.2K	R375	ERDS2TJ822	1/4W 8.2K	R513	ERDS2TJ684	1/4W 680K
R253, 254	ERDS2EJ121	1/4W 120	R398	ERDS2TJ332	1/4W 3.3K (GC) (GN)	R514	ERD25FJ470	1/4W 47 Δ
R255	ERDS2TJ154	1/4W 150K	R399	ERDS2TJ154	1/4W 150K (GC) (GN)	R515, 516	ERDS1FVJ100T	1/2W 10 Δ
R256	ERDS2TJ105T	1/4W 1M	R401	ERDS2TJ122	1/4W 1.2K	R517, 518	ERD25FJ100T	1/4W 10 Δ
R259	ERDS2TJ561	1/4W 560			(E) (EB) (EG) (GN)	R571	ERDS2TJ823T	1/4W 82K
R291, 292	ERDS2TJ104	1/4W 100K	R401	ERDS2TJ123	1/4W 12K (GC)	R572	ERDS2TJ124T	1/4W 120K
R301, 302	ERDS2TJ223	1/4W 22K	R402	ERDS2TJ123	1/4W 12K (GC)	R573	ERDS2TJ563	1/4W 56K
R303, 304	ERDS2TJ333	1/4W 33K	R403	ERDS2TJ473	1/4W 47K	R574	ERDS2TJ564	1/4W 560K
R305, 306	ERDS2TJ223	1/4W 22K	R404	ERDS2TJ123	1/4W 12K	R575	ERDS2TJ223	1/4W 22K
R307, 308	ERDS2TJ102	1/4W 1K			(E) (EB) (EG) (GN)	R591, 592	ERDS2TJ561	1/4W 560
R309-312	ERDS2EJ121	1/4W 120	R404	ERDS2TJ122	1/4W 1.2K (GC)			(E) (EB) (EG)
R351	ERDS2TJ563	1/4W 56K (GC) (GN)	R405	ERDS2TJ474	1/4W 470K	R591, 592	ERDS2TJ391	1/4W 390 (GC) (GN)
R352	ERDS2TJ184T	1/4W 180K (GC) (GN)	R406	ERDS2TJ102	1/4W 1K	R593, 594	ERDS2TJ182	1/4W 1.8K
R353	ERDS2TJ474	1/4W 470K (GC) (GN)	R407	ERDS2TJ104	1/4W 100K	R595, 596	ERDS2TJ473	1/4W 47K
R354	ERDS2TJ102	1/4W 1K (GC) (GN)	R408	ERDS2TJ473	1/4W 47K	R597, 598	ERDS2TJ123	1/4W 12K
R355	ERDS2TJ103	1/4W 10K (GC) (GN)	R409	ERDS2TJ332	1/4W 3.3K	R601	ERDS2TJ331	1/4W 330
R356	ERDS2TJ332	1/4W 3.3K (GC) (GN)	R410	ERDS2TJ102	1/4W 1K	R602	ERDS2TJ391	1/4W 390
R357	ERGS1J390E	1W 39 (GC) (GN)	R411	ERDS2TJ562	1/4W 5.6K	R701, 702	ERD25FJ2R2	1/4W 2.2 Δ
R358	ERDS1FVJ220T	1/2W 22 Δ (GC) (GN)	R412	ERDS2TJ102	1/4W 1K	R703, 704	ERDS2TJ562	1/4W 5.6K
R361	ERDS2TJ474	1/4W 470K (GC) (GN)	R420	ERDS2TJ104	1/4W 100K	R705	ERGS1J182E	1W 1.8K
R362	ERDS2TJ102	1/4W 1K (GC) (GN)	R501, 502	ERDS2TJ102	1/4W 1K			(E) (EB) (EG)
R371	ERDS2TJ103	1/4W 10K (GC) (GN)	R503-506	ERDS2TJ563	1/4W 56K	R705	ERGS1J222E	1W 2.2K (GC) (GN)
			R507, 508	ERDS2TJ182	1/4W 1.8K	R709	ERDS1FVJ221T	1/2W 220 Δ
					(E) (EB) (EG)			(E) (EB) (EG)
			R507, 508	ERDS2TJ102	1/4W 1K (GC) (GN)	R709	ERGS1J391E	1W 390 Δ (GC) (GN)

Ref. No.	Part No.	Values & Remarks	Ref. No.	Part No.	Values & Remarks
R711	ERDS1FVJ221T	1/2W 220 Δ	C599	ECBT1C103MS5	16V 0.01U
		(E) (EB) (EG)	C701, 702	ECEA1HJ222B	50V 2200U Δ
R711	ERGS1J331E	1W 330 Δ (GC) (GN)			(E) (EB) (EG)
R716	ERDS2TJ393	1/4W 39K	C701, 702	ECA1HM332B	50V 3300U (GC) (GN)
R717	ERDS2TJ473	1/4W 47K	C703, 704	ECEA1CKA330B	16V 33U
R780	ERDS2TJ822	1/4W 8.2K	C705, 706	ECKR1H1032F5	50V 0.01U
		CAPACITORS	C707	ECA1HM221B	50V 220U Δ
C251	ECEA0JKA221B	6.3V 220U	C711	ECQF1104KF3	100V 0.1U
C301, 302	ECEA1HKA3R3B	50V 3.3U	C712	ECBT1E223ZF	25V 0.022U
C303, 304	ECBT1H150J5	50V 15P	C714	ECKR1H1032F5	50V 0.01U
C305, 306	ECBT1H330J5	50V 33P	C731, 732	ECKT1H102KB	50V 1000P
C307, 308	ECEA1CKA220B	16V 22U	C905, 906	ECBT1H101KB5	50V 100P
C351	ECEA1CKA100B	16V 10U (GC) (GN)	C1101, 1102	ECBT1E223ZF	25V 0.022U
C352	ECBT1E223ZF5	25V 0.022U (GC) (GN)	C1103-1106	ECBT1H102KB5	50V 1000P
C353	ECEA1HKA2R2B	50V 2.2U (GC) (GN)			
C361	ECEA1CN470SB	16V 47U (GC) (GN)			
C362	ECBT1H1042F5	50V 0.1U (GC) (GN)			
C371	ECEA0JKA221B	6.3V 220U (GC) (GN)			
C381, 382	ECBT1E103ZF	25V 0.01U			
C395-398	ECBT1E103ZF	25V 0.01U			
C401	ECBT1H221KB5	50V 220P			
C402	ECBT1H221KB5	50V 220P (GC)			
C403	ECEA1HKA3R3B	50V 3.3U			
C404, 405	ECBT1H221KB5	50V 220P			
C406	ECEA1CKA100B	16V 10U			
C407	ECEA1HKA3R3B	50V 3.3U			
C408	ECBT1H181KB5	50V 180P			
C409	ECEA1CKA100B	16V 10U			
C410	ECBT1H221KB5	50V 220P			
C411	ECBT1E103ZF	25V 0.01U			
C412	ECBT1E223ZF	25V 0.022U			
C414	ECA1AM331B	10V 330U			
C415	ECBT1H102KB5	50V 1000P			
C421	ECBT1H102KB5	50V 1000P			
C501, 502	ECA1HAP3R3B	50V 3.3U			
C503, 504	ECBT1H331KB5	50V 330P			
C505, 506	ECBT1H150J5	50V 15P			
C507, 508	ECBT1C152KR5	16V 1500P			
		(E) (EB) (EG)			
C507, 508	ECBT1C272KR5	16V 2700P (GC) (GN)			
C509, 510	ECEA1HKO10B	50V 1U			
		(E) (EB) (EG)			
C509, 510	ECEA1HKA2R2B	50V 2.2U (GC) (GN)			
C511, 512	ECBT1H821KB5	50V 820P			
C513	ECA1HAP330B	50V 33U			
C514	ECA2AP100B	100V 10U			
C515, 516	ECBT1H1042F5	50V 0.1U			
C571	ECEA0JKA101B	6.3V 100U			
C572	ECBT1E223ZF	25V 0.022U			
C591, 592	ECEA1HKO10B	50V 1U			
C593, 594	ECQV1H104JM3	50V 0.1U			

■ Cabinet Parts Location

Ref. No.	Part No.	Part Name & Description	Remarks	Ref. No.	Part No.	Part Name & Description	Remarks
		CABINET PARTS				PACKING MATERIALS	
1	RHD30007	SCREW		P1	RPG1719	PACKING CASE (SYSTEM)	(E) (EG)
2	RKM0202B-1K	CABINET		P1	RPG1735	PACKING CASE (SYSTEM)	(EB)
3	XTBS3+8JFZ1	SCREW		P1	RPG1740	PACKING CASE (SYSTEM)	(GC)
4	RGW0183-K	KNOB, MAIN VOLUME		P1	RPG1757	PACKING CASE (SYSTEM)	(GN)
5	RFKJECH404EK	BOTTOM BOARD ASS'Y	(E) (EB) (EG) (GN)	P2	RPG1314	PACKING CASE (CD/TUNER)	
5	RFKJECH404GC	BOTTOM BOARD ASS'Y	(GC)	P3	RPG1312	PACKING CASE (AMPLIFIER)	
5-1	RKA0011A-2	FOOT		P4	RPG1313	PACKING CASE (DECK)	
6	RFKHECH404EB	REAR GRILL ASS'Y	(EB)	P5	RPNO719	PAD (CD/TUNER)	
6	RFKHECH404EG	REAR GRILL ASS'Y	(EG)	P6	RPNO720	PAD (AMPLIFIER)	
6	RFKHECH404GC	REAR GRILL ASS'Y	(GC)	P7	RPNO721	PAD (DECK)	
6	RFKHECH404GN	REAR GRILL ASS'Y	(GN)	P8	XZB45X50A01Z	PROTECTION COVER	
6	RKF0331-K	REAR GRILL	(E)	P9	RPQF0047	ACCESSORY BOX	
7	RKQ0089	P. C. B. SPACER		P10	RPQ0244	SPACER	
8	FMCO158	TRANSISTOR HOLDER		P11	XZB22X20C03	PROTECTION COVER	
9	FMNO191	HOLDER				ACCESSORIES	
10	RFKGECH404EK	FRONT PANEL ASS'Y	(E) (EB) (EG) (GN)	A1	RAK-CH115WH	REMOTE CONTROL TRANSMITTER	
10	RFKGECH404GC	FRONT PANEL ASS'Y	(GC)	A1-1	RKK0057-K	BATTERY COVER	
11	RGL0210-Q	PANEL LIGHT		A2	REE0499	SPEAKER CORD	
12	RGU0939-K	BUTTON, POWER		A3	REX0511	FLAT CABLE (15P) (BLACK TYPE)	
13	RGW0178-K	KNOB, MIC		A4	REX0512	FLAT CABLE (15P) (WHITE TYPE)	
14	FMNO232	HOLDER		A5	RJA0019-2K	AC POWER SUPPLY CORD	△ (E) (EG) (GC) (SF)
15	XTBS26+8J	SCREW		A5	VJA0733	AC POWER SUPPLY CORD	△ (EB) (SF)
16	XTWS3+10T	SCREW		A5	RJA0036-K	AC POWER SUPPLY CORD	△ (GN)
17	SNE4021-1	NUT		A6	RFKSECH404EK	INSTRUCTIONS MANUAL	(E)
18	XTB3+20JFZ	SCREW		A6	RFKSECH404EB	INSTRUCTIONS MANUAL	(EB)
19	XTB3+8JFZ	SCREW		A6	RFKSECH404EG	INSTRUCTIONS MANUAL	(EG)
20	XTW3+15T	SCREW		A6	RQT2108-G	INSTRUCTIONS MANUAL	(GC)
21	XTW3+8T	SCREW		A6	RFKSECH404GN	INSTRUCTIONS MANUAL	(GN)
22	REZ0538	FLAT CABLE (J703)	(GC)	A7	RQA0013	WARRANTY CARD	(E) (EB) (EG)
22	REZ0606	FLAT CABLE (W703)	(E) (EB) (EG) (GN)	A7	RQX7433ZA	WARRANTY CARD	(GN)
23	FMNO190	P. C. B. SPACER	(GC)	A8	RQCB0169	SERVICE CENTER LIST	
24	FMNO215	FAN ANGLE	(GC) (GN)	A9	RSA0007	FM INDOOR ANTENNA	(E) (EB) (EG)
25	SYE1128-4	FAN ASS'Y	(GC) (GN)	A9	RSA0006	FM INDOOR ANTENNA	(GC) (GN)
25-1	SHE232	FAN	(GC) (GN)	A10	SPB1163T	AM LOOP ANTENNA	(E) (EB) (EG) (GN)
25-2	SUS271	SPRING	(GC) (GN)	A10	RSA0010	AM LOOP ANTENNA	(GC)
25-3	SHE233-1	FAN CASE	(GC) (GN)	A10-1	SMA233-1M	ANTENNA HOLDER	(E) (EB) (EG) (GN)
25-4	MDN-4RB4MRC	MOTOR	(GC) (GN)	A10-1	FMNO244	ANTENNA HOLDER	(GC)
25-5	SHE234	CAP	(GC) (GN)	A10-2	XTN3+10AFZ	SCREW	(E) (EB) (EG) (GN)
25-6	SJT783	TERMINAL	(GC) (GN)	A10-2	XTN3+12AFZ	SCREW	(GC)
25-7	SJS215	CONNECTOR (2P)	(GC) (GN)	A11	SJP9009	ATTACHMENT PLUG	△ (EB)
26	XTB3+12JFZ	SCREW	(GC)	A12	SJP5213-2	POWER PLUG ADAPTOR	△ (GC)
27	REZ0608	FLAT CABLE (W501)					
28	RHD30032	SCREW	(E) (EB) (EG) (GN)				



924

■ Packaging

