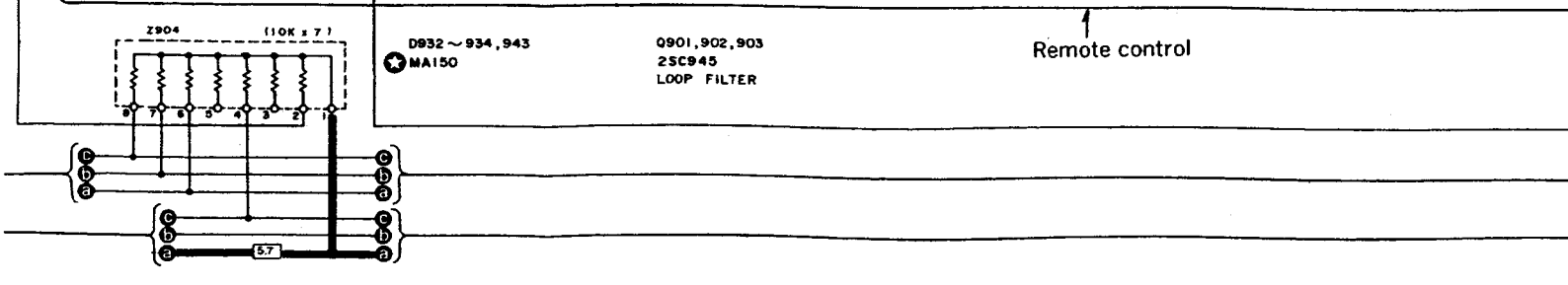
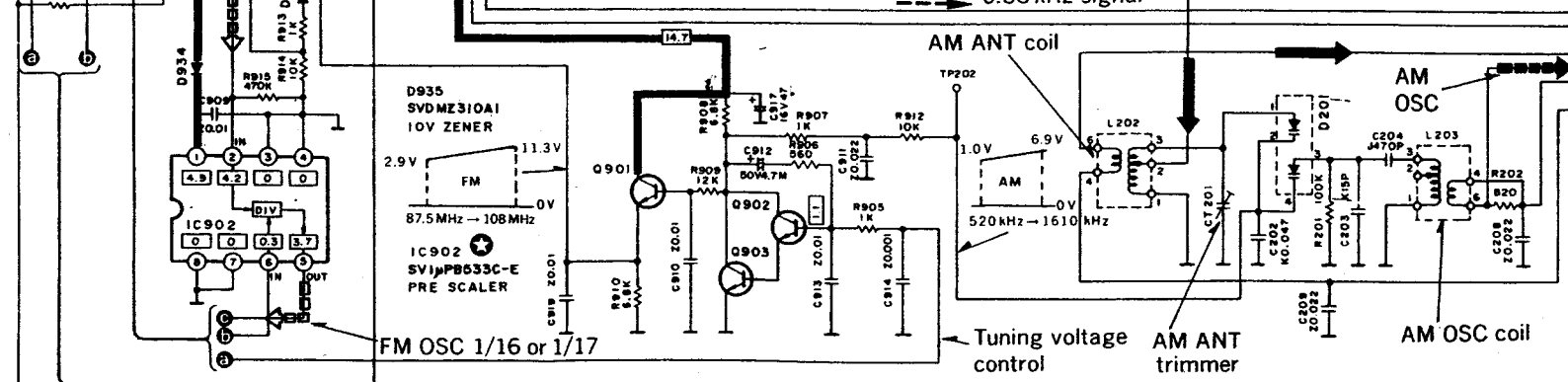
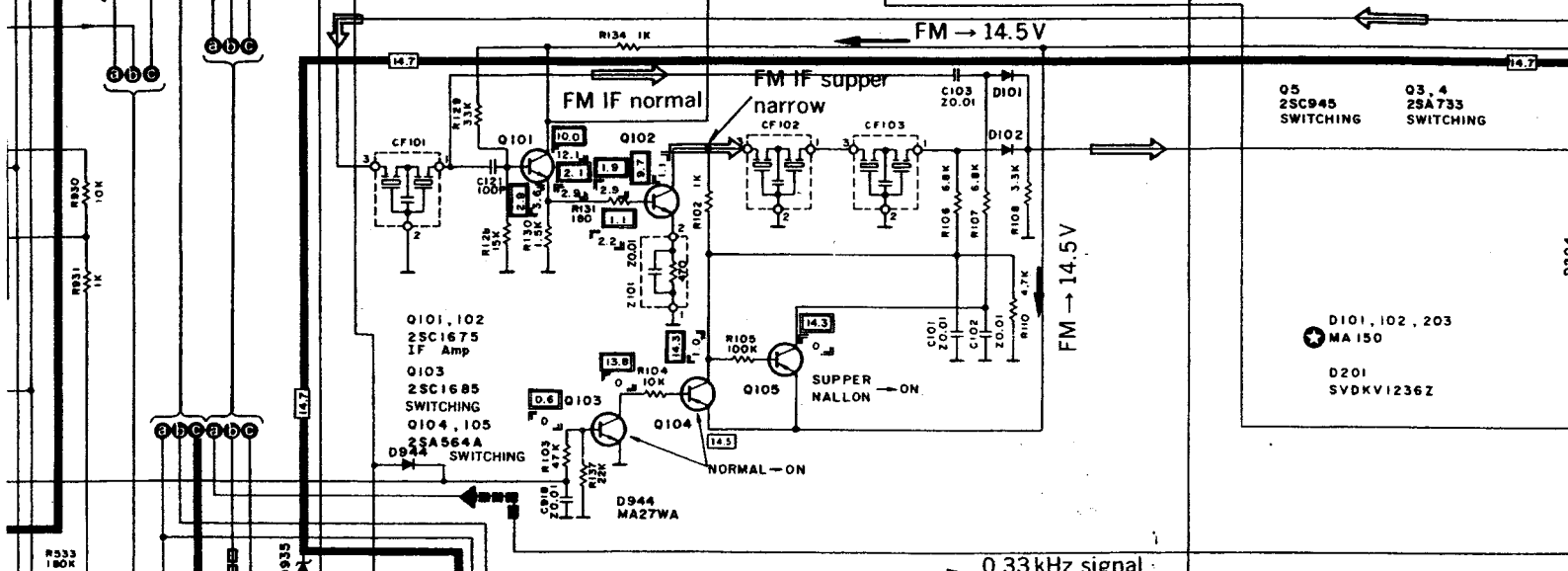
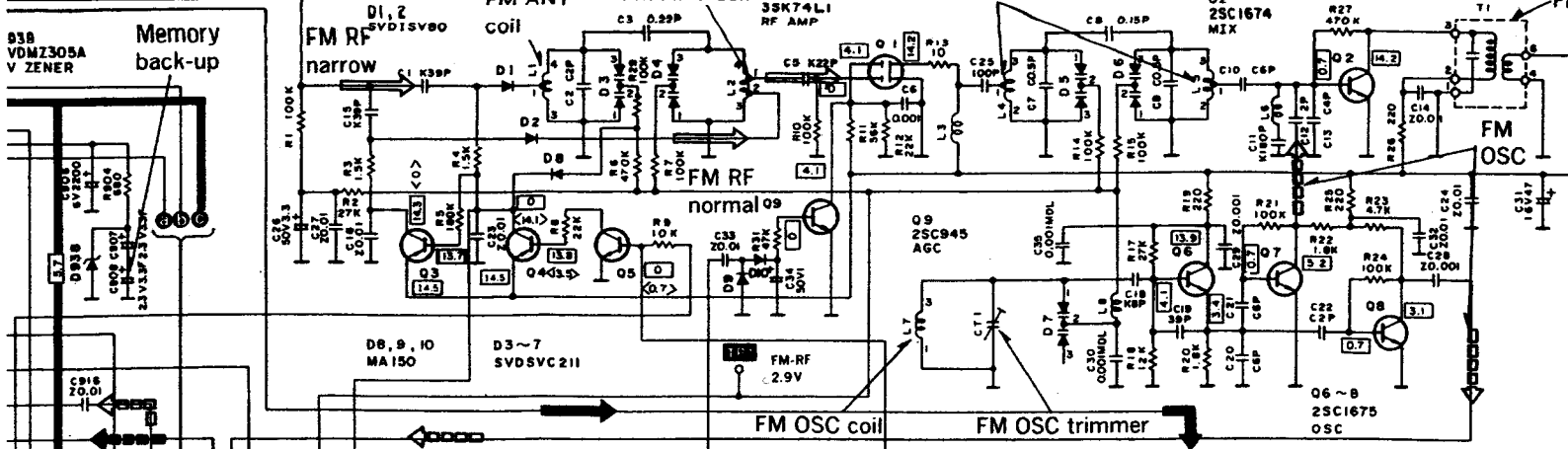


938
VDM7305A
V ZENER

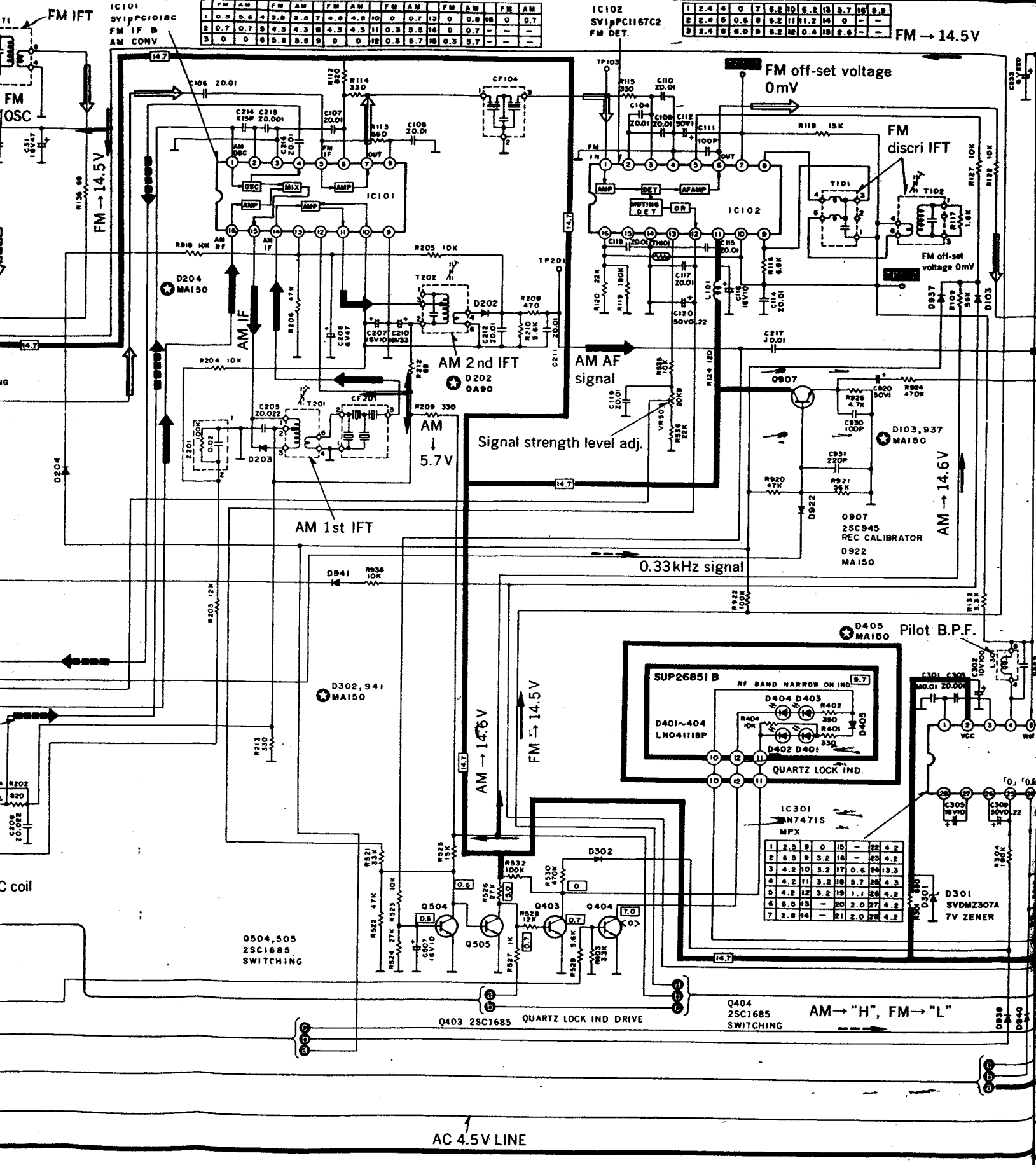
Memory
back-up



FM	AM	FM	AM	FM	AM	FM	AM	FM	AM	FM	AM		
1	0.3	0.4	4.3	0.7	4.8	4.0	0	0.7	13	0	0.9		
2	0.7	0.8	4.3	4.3	4.3	11	0.3	8.8	14	0	0.7		
3	0	0	0.6	0.6	0.6	0	0	12	0.3	8.7	18	0.3	9.7

1	2	3	4	5	6	7	8	9	10	11	12	13	14	15	16	17	18	19	20
2	4	0	7	6	2	10	6	2	11	1	2	14	0	-	-	-	-	-	-
3	2	4	0	8	0	8	0	2	12	0	4	18	2	6	-	-	-	-	-

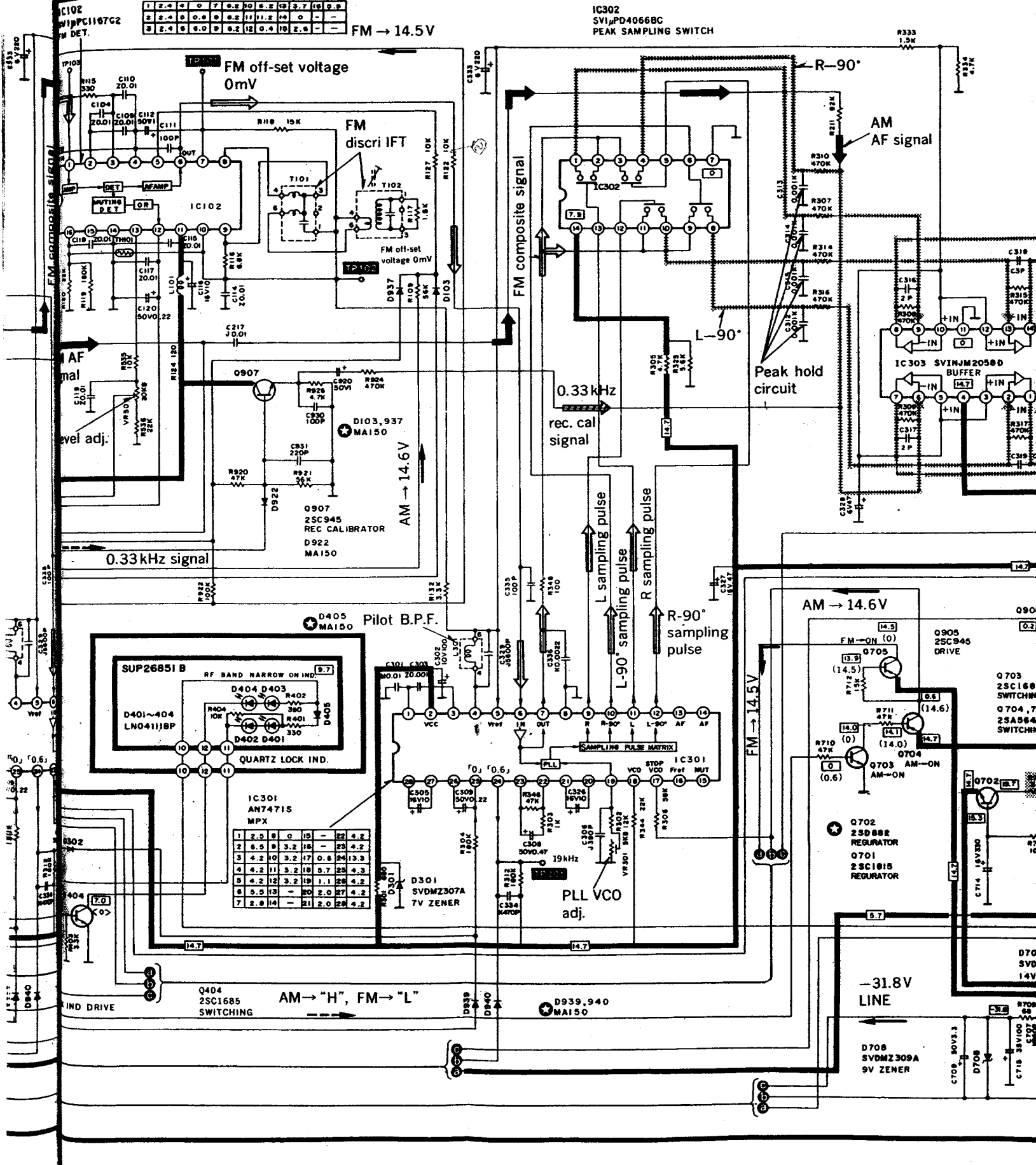
FM → 14.5V



1	2	3	4	5	6	7	8	9	10	11	12	13	14	15	16	17	18	19	20	21	22	23	24	25	
2	2	4	6	0	9	0	2	11	11	2	14	0	-	-	-	-	-	-	-	-	-	-	-	-	-
3	2	4	6	0	9	0	2	11	11	2	14	0	-	-	-	-	-	-	-	-	-	-	-	-	-

FM → 14.5V

IC302
SV1PD4066BC
PEAK SAMPLING SWITCH



FM off-set voltage
0mV

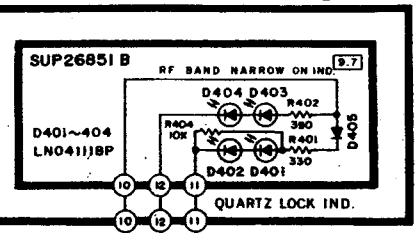
FM discri IFT

FM off-set voltage
0mV

AM → 14.6V

0.33 kHz signal

Pilot B.P.F.



IC301
AN74715
MPX

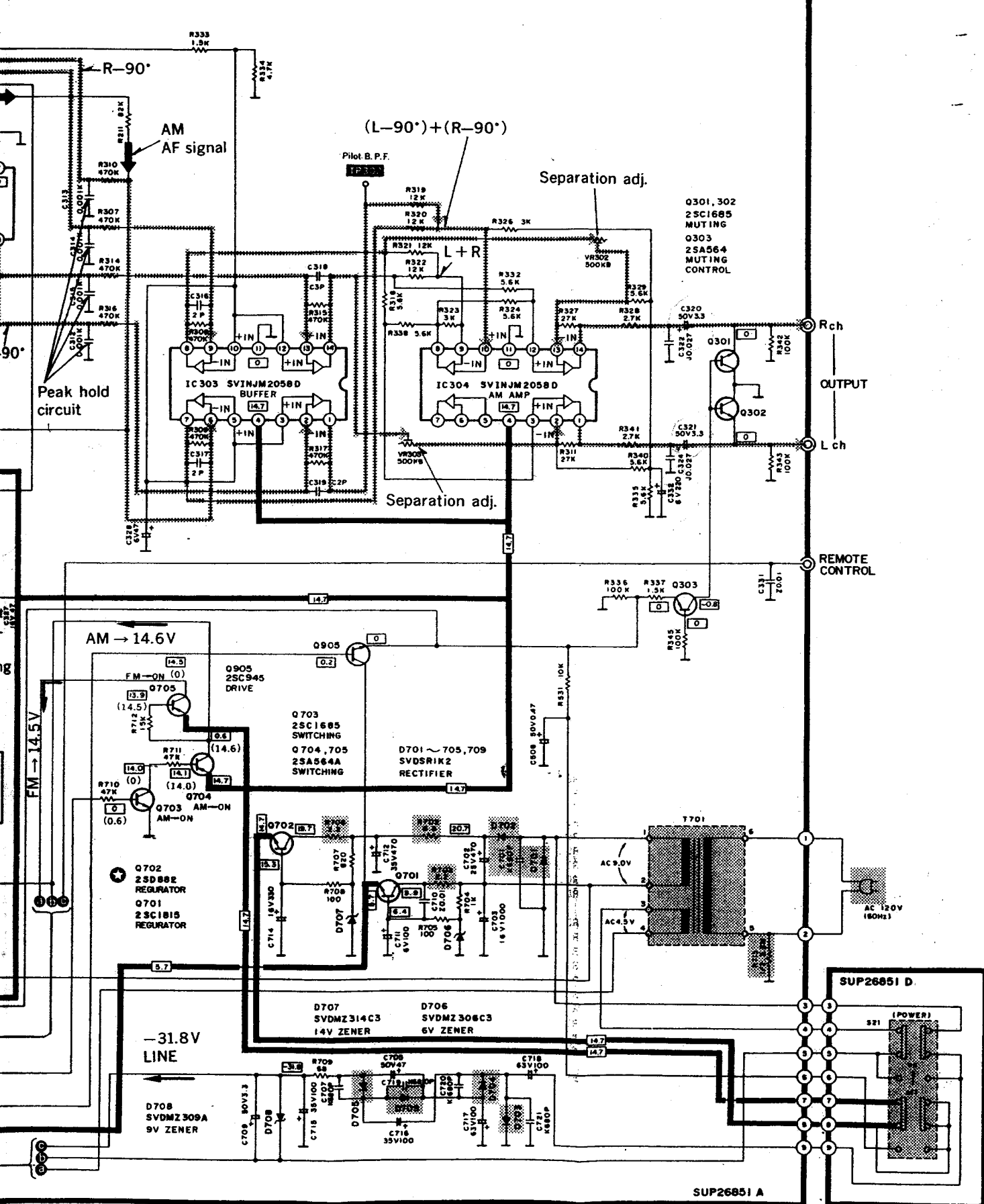
1	2	3	4	5	6	7	8	9	10	11	12	13	14	15	16	17	18	19	20	21	22	23	24	25									
2	5	9	3	2	16	-	23	4	2	10	3	2	17	0	8	24	13	3	4	2	17	3	2	18	5	7	25	4	3				
3	4	2	17	3	2	18	5	7	25	4	3	4	2	17	3	2	18	5	7	25	4	3	4	2	17	3	2	18	5	7	25	4	3
4	2	17	3	2	18	5	7	25	4	3	4	2	17	3	2	18	5	7	25	4	3	4	2	17	3	2	18	5	7	25	4	3	
5	4	2	17	3	2	18	5	7	25	4	3	4	2	17	3	2	18	5	7	25	4	3	4	2	17	3	2	18	5	7	25	4	3
6	5	9	3	2	16	-	23	4	2	10	3	2	17	0	8	24	13	3	4	2	17	3	2	18	5	7	25	4	3				
7	2	9	14	-	21	2	0	28	4	2	10	3	2	17	0	8	24	13	3	4	2	17	3	2	18	5	7	25	4	3			

PLL VCO
adj.

AM → 14.6V

FM → 14.5V

-31.8V
LINE



time with

* The part in the s No. with ferent f when pl the part

Note 1

- S1 ~ S
- S9
- S10
- S11
- S12
- S13
- S14
- S15
- S16
- S17
- S19
- S20
- S21
- Indicat the uni (high-in Theref values, DC circ * Figur signal * Figur stere * Figur signal * Figur super * Figur norm * Figur narro
-

The spec which spec the sh