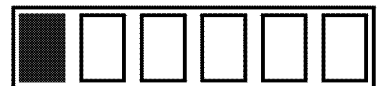
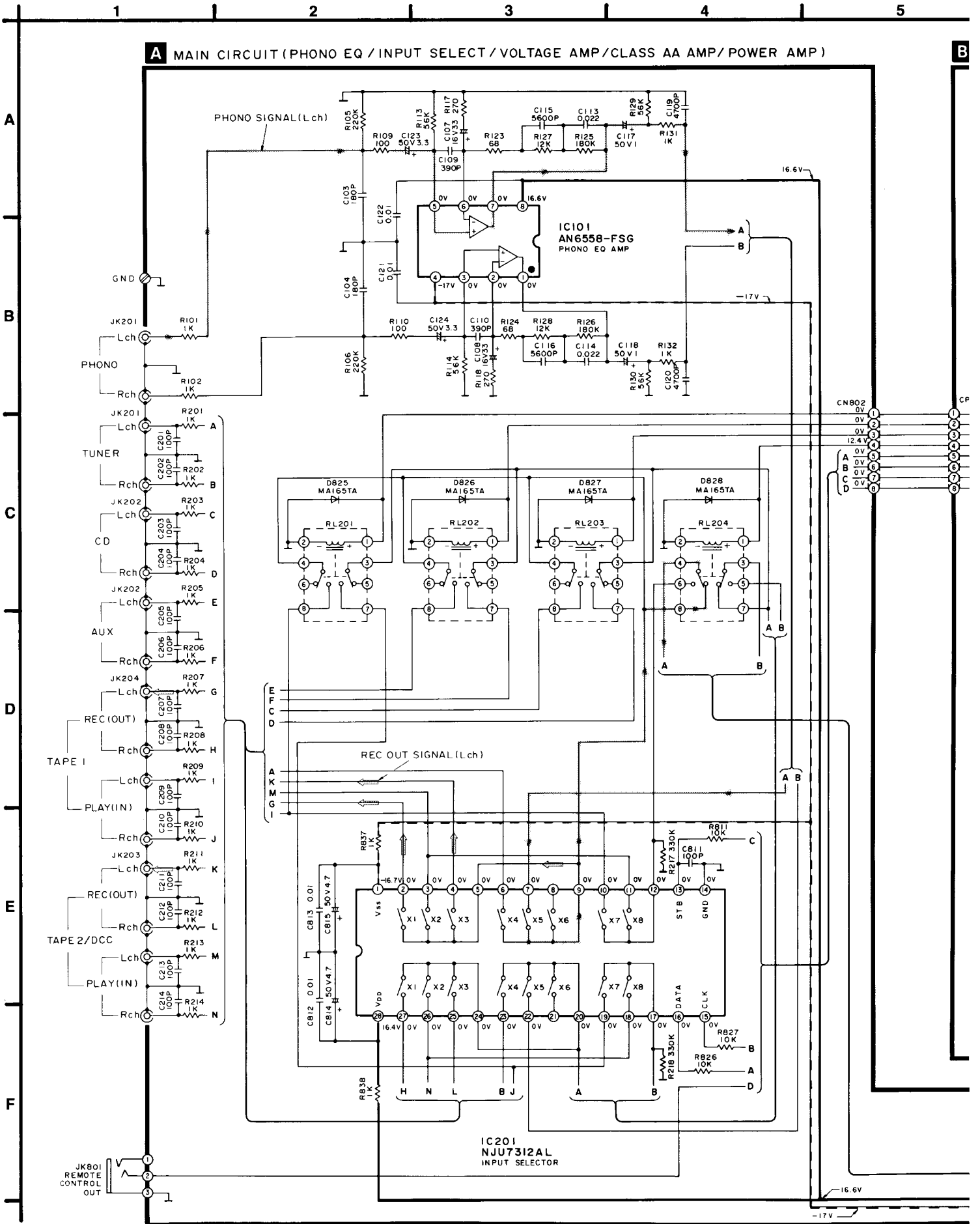
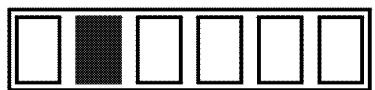
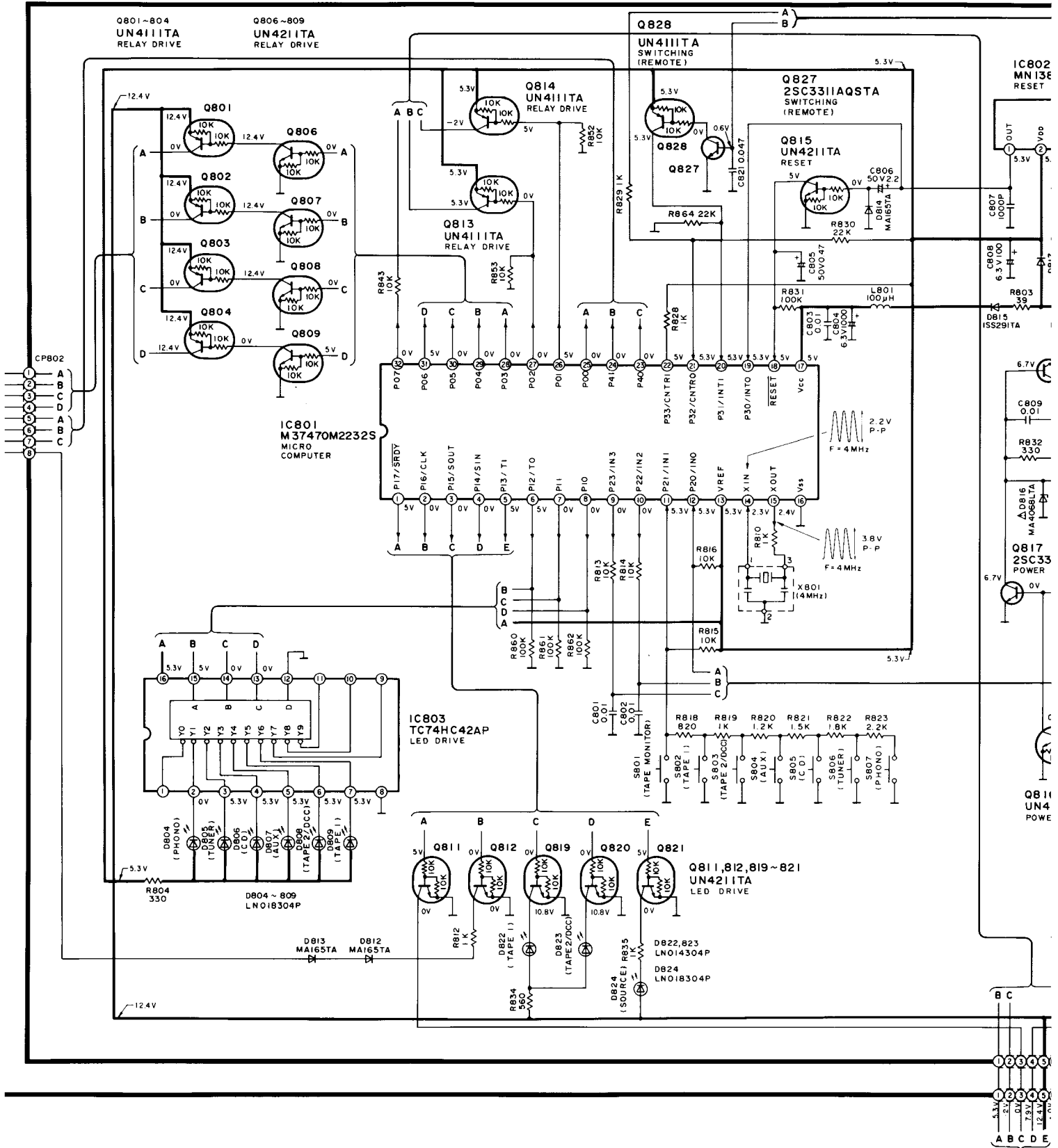


**Schematic Diagram** • Main/Operation/Volume/Tone Amp. Circuit (Parts list on page 28~34.)

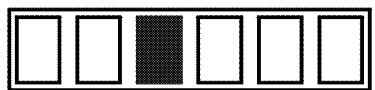
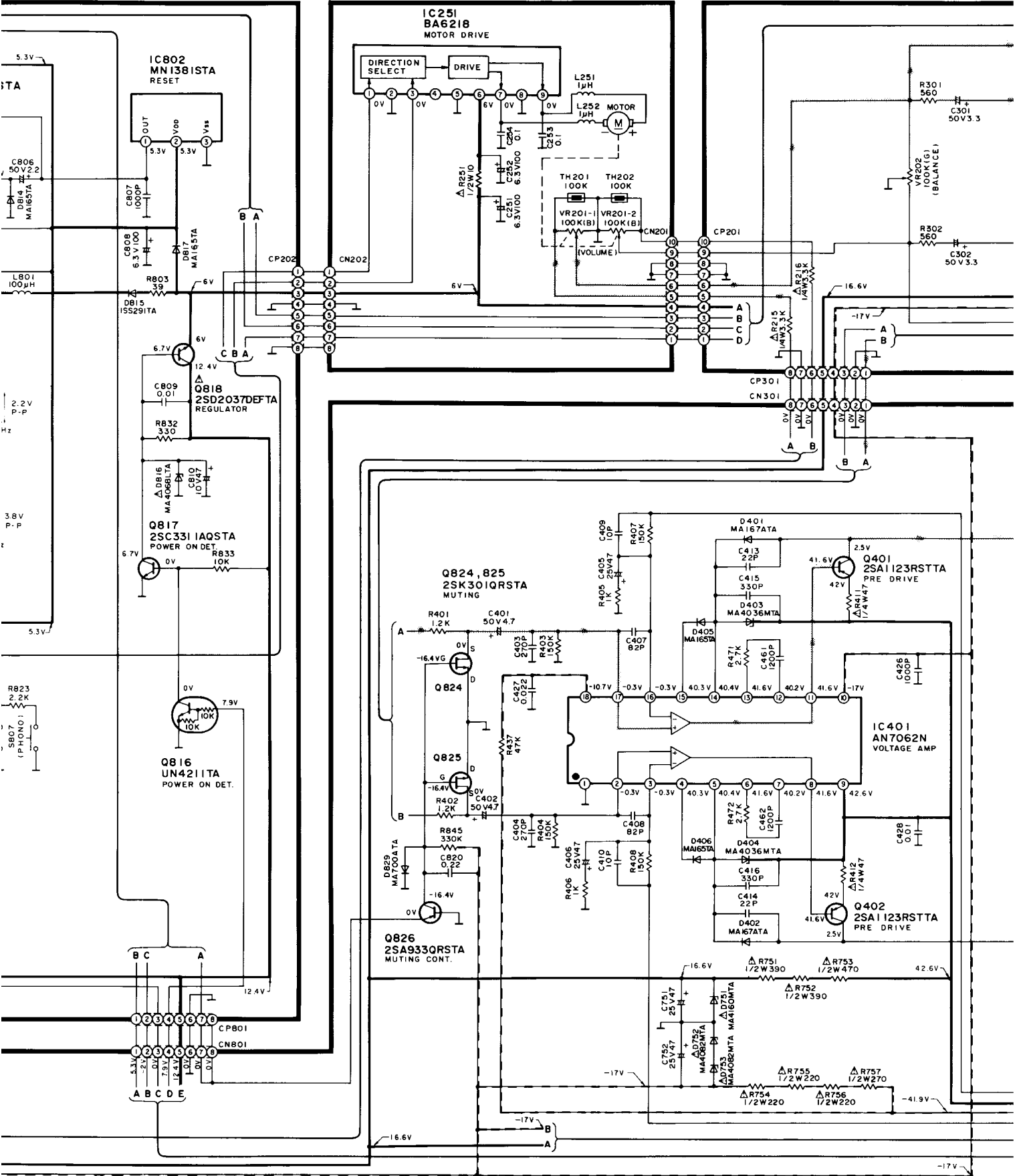


# B OPERATION CIRCUIT



C VOLUME CIRCUIT

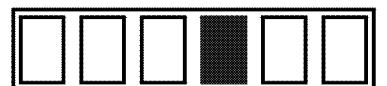
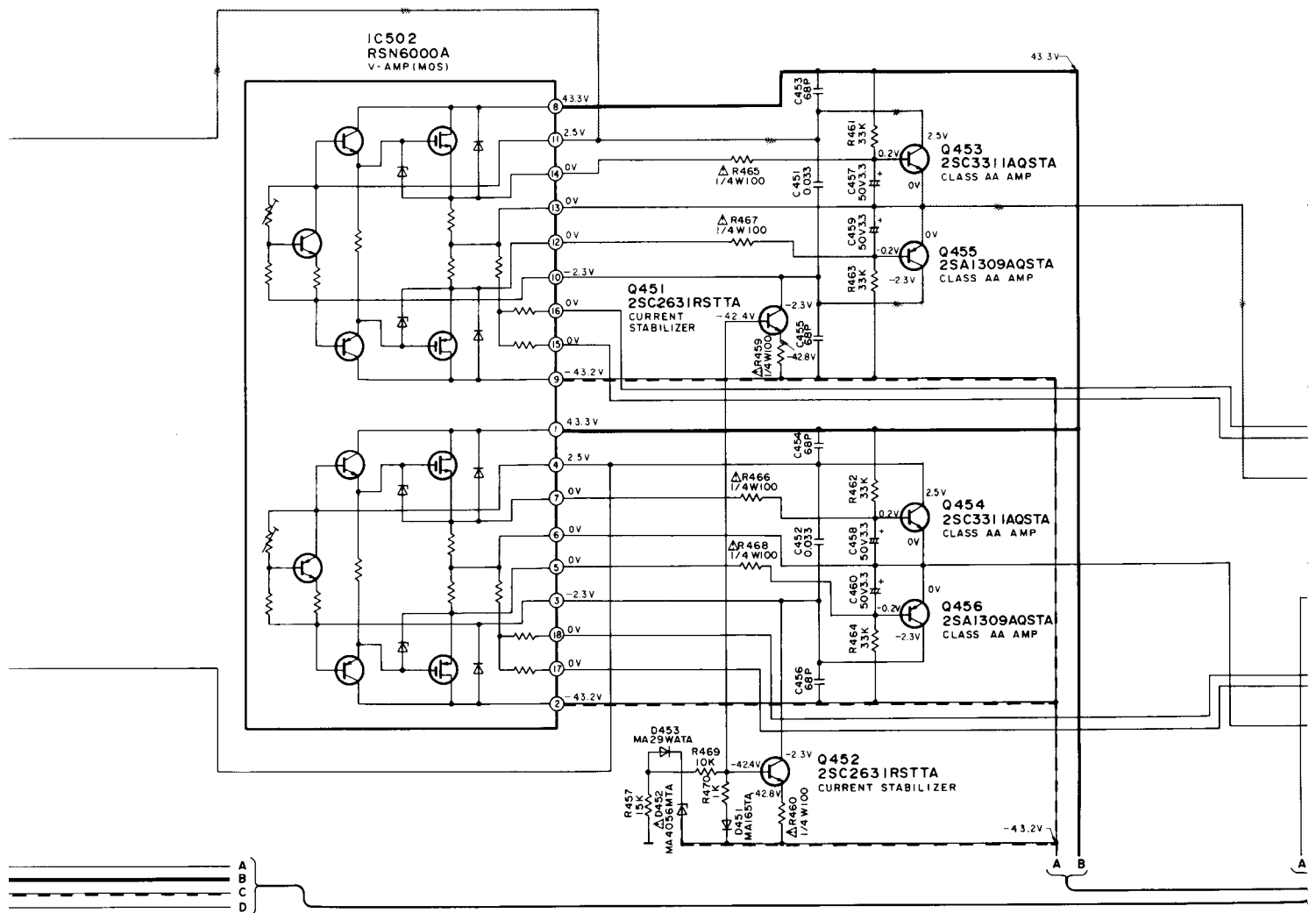
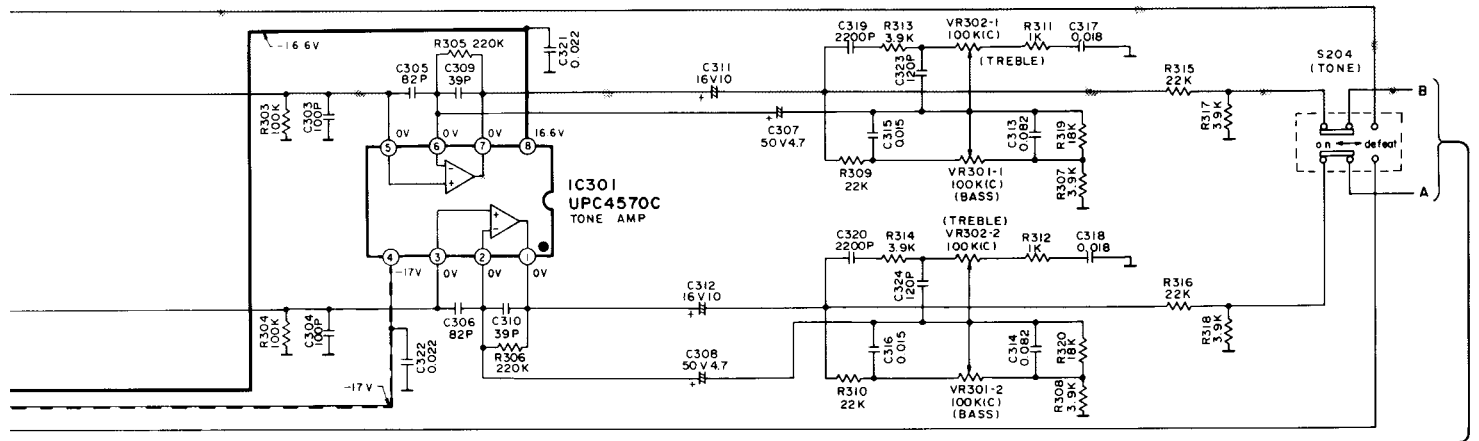
D TONE AMP CIRCUIT



# ● Power Switch/Headphones Jack/Power Supply/Power Transformer Circuit

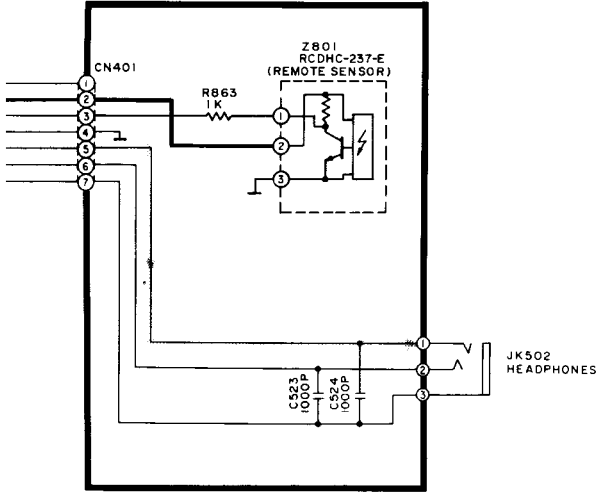
(Parts list on page 28~34.)

16 | 17 | 18 | 19 | 20

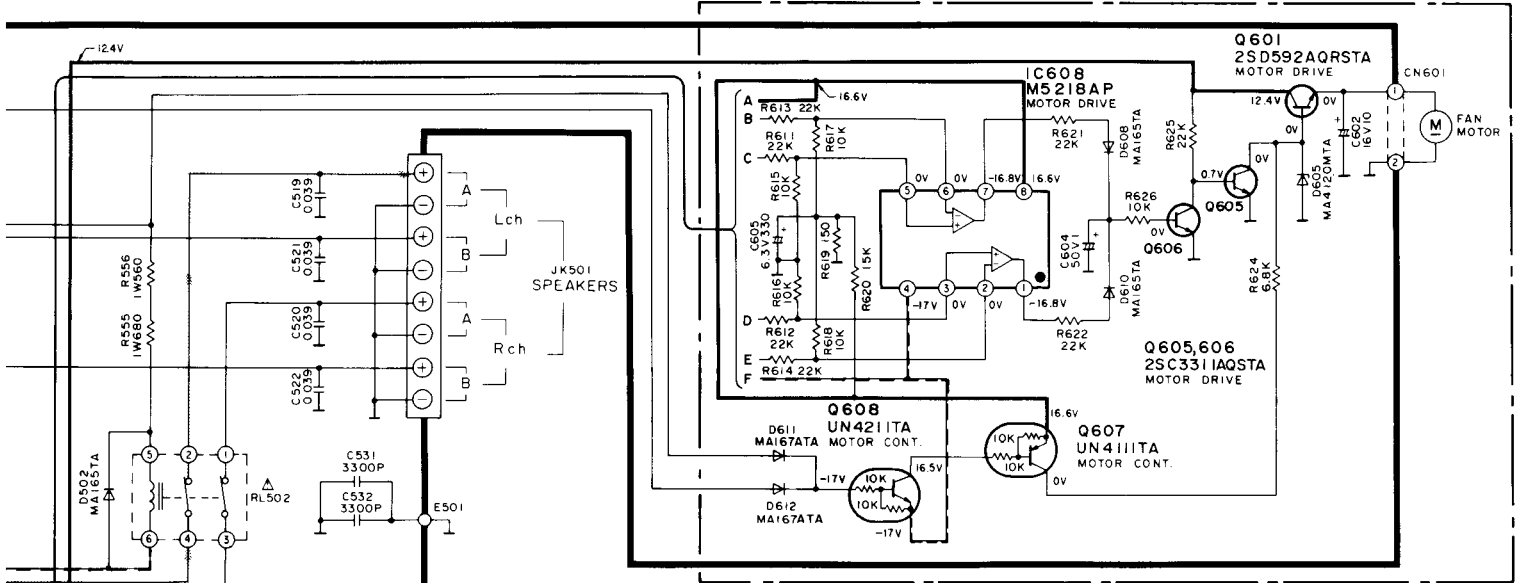




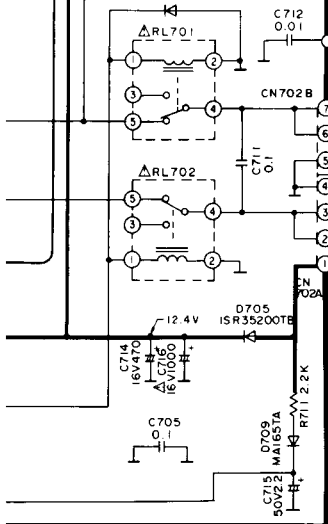
**E HEADPHONES JACK CIRCUIT**



For [E,B,E0] areas.



**F POWER TRANSFORMER CIRCUIT**



**G POWER SUPPLY CIRCUIT**

