

To search this pdf on a PC press
"ctrl" + "F" simultaneously.

TRAILER PARTS CATALOG

SOLIMAR

Since 1985



www.solimarpneumatics.com

AERATOR ASSEMBLIES

ITEM

PART

One Port Aerator Assemblies

- | | |
|---|--------|
| 1. Grey with Hopper Saver | 111111 |
| 2. Grey..... | 113111 |
| 3. Clear with Hopper Saver..... | 111141 |
| 4. Clear..... | 113141 |
| 5. Clear with Hopper Saver, White Disk..... | 221241 |
| 6. Clear, White Disk..... | 223241 |

Two Port Aerator Assemblies

- | | |
|--|--------|
| 7. Grey with Hopper Saver | 111121 |
| 8. Grey..... | 113121 |
| 9. Clear with Hopper Saver..... | 111151 |
| 10. Clear..... | 113151 |
| 11. Clear with Hopper Saver, White Disk..... | 221251 |
| 12. Clear, White Disk..... | 223251 |

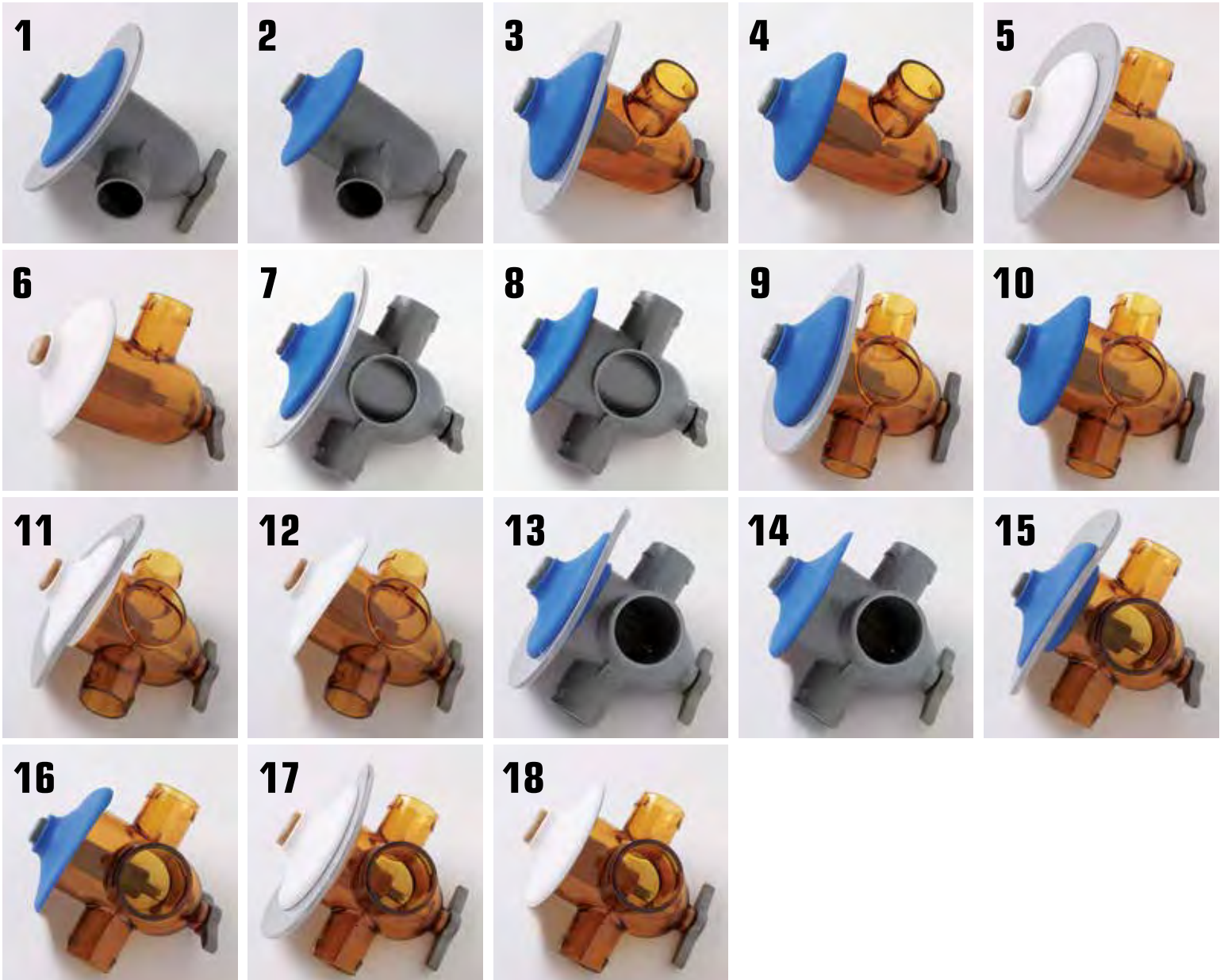
ITEM

PART

Three Port Aerator Assemblies

- | | |
|--|--------|
| 13. Grey with Hopper Saver | 111131 |
| 14. Grey..... | 113131 |
| 15. Clear with Hopper Saver..... | 111161 |
| 16. Clear..... | 113161 |
| 17. Clear with Hopper Saver, White Disk..... | 221261 |
| 18. Clear, White Disk..... | 223261 |

Aerator Assemblies are available in many variations. See next page for options. Contact us if you are interested in an assembly that is not listed.



AERATOR ASSEMBLIES



DISK

1. 4124 - Blue Silicone Disk
2. 4134 - White Silicone Disk
3. 4164 - White EPDM Disk
4. 4154 - Black EPDM Disk



STEM

1. 4125 - Grey Stem, SS Insert
2. 4135 - White Stem, SS Insert
3. 4155 - Aluminum Stem
4. 4157 - Mild Steel Stem



HOPPER SAVER

1. 4126B - Stainless Steel
3. None



GASKET

1. 4127 - Blue Silicone Gasket
2. 4137 - White Silicone Gasket
3. 4147 - Black EPDM Gasket



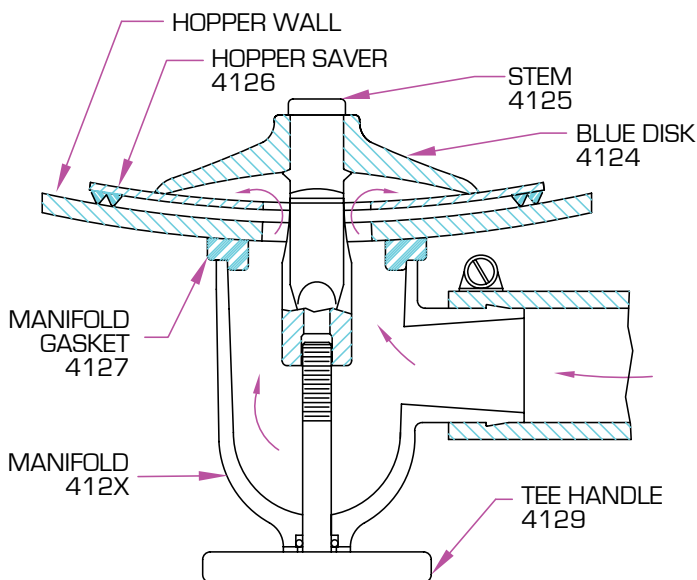
MANIFOLD

1. 4121 - 1-Port Grey
2. 4122 - 2-Port Grey
3. 4123 - 3-Port Grey
4. 4621 - 1-Port Clear
5. 4622 - 2-Port Clear
6. 4623 - 3-Port Clear



FASTENER

1. 4129 - Tee-Handle Assembly
2. 4139 - Hex Bolt Assembly
3. 4149 - Socket Head Assembly
4. 4159 - T.I.R. Assembly



Ordering Example:

If you order: #121131

You have ordered:

- "1" Disk — Blue Silicone
- "2" Stem — White, Stainless Insert
- "1" Hopper Saver
- "1" Manifold Gasket — Blue Silicone
- "3" Manifold — 3-Port, Grey
- "1" Tee-Handle Assembly

AERATOR SPARE PARTS



ITEM

PART

Manifolds

1. One Port, Grey.....	4121
2. Two Port, Grey.....	4122
3. Three Port, Grey.....	4123
4. One Port, Clear.....	4621
5. Two Port, Clear.....	4622
6. Three Port, Clear.....	4623

Fluidizers

7. Blue Disk.....	4124
8. Metal Detectable Disk.....	4124MD
9. High Temperature Disk.....	4124HT
10. White Disk.....	4134
11. Blue Disk & Stem.....	4150

ITEM

PART

Stems

12. Grey.....	4125
13. White.....	4135
14. External Fastener.....	4145
15. Aluminum.....	4155
16. Carbon Steel.....	4157

Tee Handles

17. Raised.....	4109
18. Assembly.....	4129
19. Raised with Bolt.....	4130
20. Hopper Saver, Stainless Steel.....	4126B

AERATOR SPARE PARTS

ITEM

PART

- 21. Gasket, Blue 4127
- 22. Gasket, White..... 4137
- 23. Hex Bolt Assembly..... 4139
- 24. Socket Head Bolt Assembly..... 4149
- 25. TIR Bolt Assembly 4159
- 26. Hopper Plug Assembly- 1½" 4167
- 27. Hopper Plug- External Fastened..... 4170



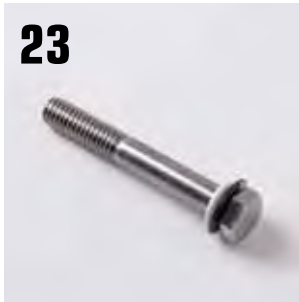
23

24

25

26

27



FLUIDIZER PLATES & SPARE PARTS

ITEM

PART

- 1. Stainless Steel, 20" 5050
- 2. Stainless Steel, 13" 5051
- 3. Carbon Steel, 20" 5052
- 4. Carbon Steel, 30" 5055

ITEM

PART

- 5. Plenum Fluidizer..... 4180
- 6. Gasket, 20" 5012
- 7. Gasket, 13" 5018



SOLIMAR MANHOLE & SPARE PARTS

ITEM	PART #
1. Solimar Manhole (shown).....	3910
Other Solimar Manhole Combinations listed below*	
2. Solimar Manhole Cover Casting.....	3561
3. Gasket, Black.....	3543
4. Gasket, White.....	3570
5. Retaining Ring.....	3555
6. Safety Washer.....	3530

ITEM	PART #
7. Grease Fitting, 1/8".....	3534
8. Pivot Block.....	3510
9. Pivot Bolt.....	3516
10. Hinge Bolt.....	3531
11. Clamping Assembly.....	3528
12. Safety Latch.....	3550
13. Cam Assembly.....	3582



*** Additional Solimar Manhole Combinations**

Assembly	Collar Selection	Gasket Material
39	0 3/8" x 4" Aluminum, Transverse Mounting	0 SBR (black)
	1 3/8" x 5" Aluminum, Longitudinal Mounting	1 Neoprene, Oil Resistant (black)
	2 1/4" x 4" Steel, Transverse Mounting	2 EPDM (white)
	3 1/4" x 5" Steel, Longitudinal Mounting	3 Viton, High Temperature (black)
	4 1/4" x 4" SS, Transverse Mounting	
	5 1/4" x 5" SS, Longitudinal Mounting	

Selection Example: Assembly desired is 3/8" x 5" Aluminum collar with a viton gasket

39 + 1 (3/8" x 5" Alum) + 3 (Viton) = Assembly #3913

BUTLER MANHOLE & SPARE PARTS

ITEM	PART #
1. Butler Manhole, Complete Assembly.....	901557
2. Butler Manhole Cover.....	901556
3. Butler Manhole Cover Blank, Aluminum.....	C-901559
4. Gasket, Black.....	A-901603
5. Gasket, White.....	O70099
6. Cam.....	B-070096
7. Pivot Block.....	B-070097
8. Pivot Block Bracket.....	A-070465

ITEM	PART #
9. Pivot Block Pin.....	A-070468
10. Cam Pin.....	A-070469
11. Hold Down Lug.....	C-070094
12. Gasket Retainer Lug.....	B-901546
13. Upper Hinge.....	B-902370
14. Eye Bolt.....	A-070098
15. Safety Latch Assembly.....	C-384280
16. Service Kit.....	315294



HOPPER CONES & SPARE PARTS

	ITEM	ID	OD	SLOPE	HEIGHT	BOLT PATTERN	PART #
1.	Bolt-on	26"	31"	45°	10 7/8"	[12] on 28 3/8" BC	5065
2.	Weld-on	26"	—	45°	10 7/8"	—	5067
3.	Weld-on	33"	—	45°	14 5/8"	—	5068
4.	Bolt-on	30"	35"	38°	8 5/8"	[16] on 32 3/4"	9106

ID= Inner Dimension OD= Outer Dimension



ITEM

PART

1. External Filter (See options below)
2. Internal Filter (See options below)
3. 24" Filter Tube 6029
4. 36" Filter Tube 6030
5. Grommet, White 6035



External Filter Specifications

Model Part #	Canister Diameter		Filter Tube Length		Filter Area		Air Flow	
	Inches	MM	Inches	MM	Square Feet	Square Meters	SCFM	M ³ /Hr.
6071	20	508	36	914	120	11.1	600	1019
6070	24	609	36	914	183	17	900	1529

Internal Filter Specifications

Model Part #	Mounting Ring Diameter		Filter Tube Length		Filter Area		Air Flow	
	Inches	MM	Inches	MM	Square Feet	Square Meters	SCFM	M ³ /Hr.
6054	20	508	24	609	80	7.4	400	680
6055	20	508	36	914	120	11.1	600	1019
6056	24	609	24	609	122	11.3	600	1019
6057	24	609	36	914	183	17	900	1529

ASSORTED PARTS

ITEM

PART

- 1. 3" Check Valve..... 6300
- 2. EZ-Out Access Door 5100
- 3. Swing Away Assembly 5500

ITEM

PART

Swing Away Assembly Parts

- 4. 15 1/2" Fluidizer Plate 5060
- 5. Swing Away Gasket..... 7850
- 6. Wing Nut..... 7171
- 7. Eye Bolt..... 7163

1



2



3



4



5



6



7





Since 1985

Worldwide Leader in Tank Aeration

**We Move a World of Dry Bulk Materials
in More Than 75 Countries**

- The most trusted Aerator in the world
- High-quality, engineered solutions
- American made, globally accepted
- The Original Disk Aerator





Since 1985

THE POWDER DISCHARGE SPECIALISTS

8001 Ranchers Road NE
Minneapolis, MN 55432
USA

Phone: 763-574-1820
Fax: 763-574-1822
1-800-233-7109

email: solimar@solimarpne.com
www.solimarpneumatics.com