

**product guide**

**essentials**



### Trade Counter Opening Times:

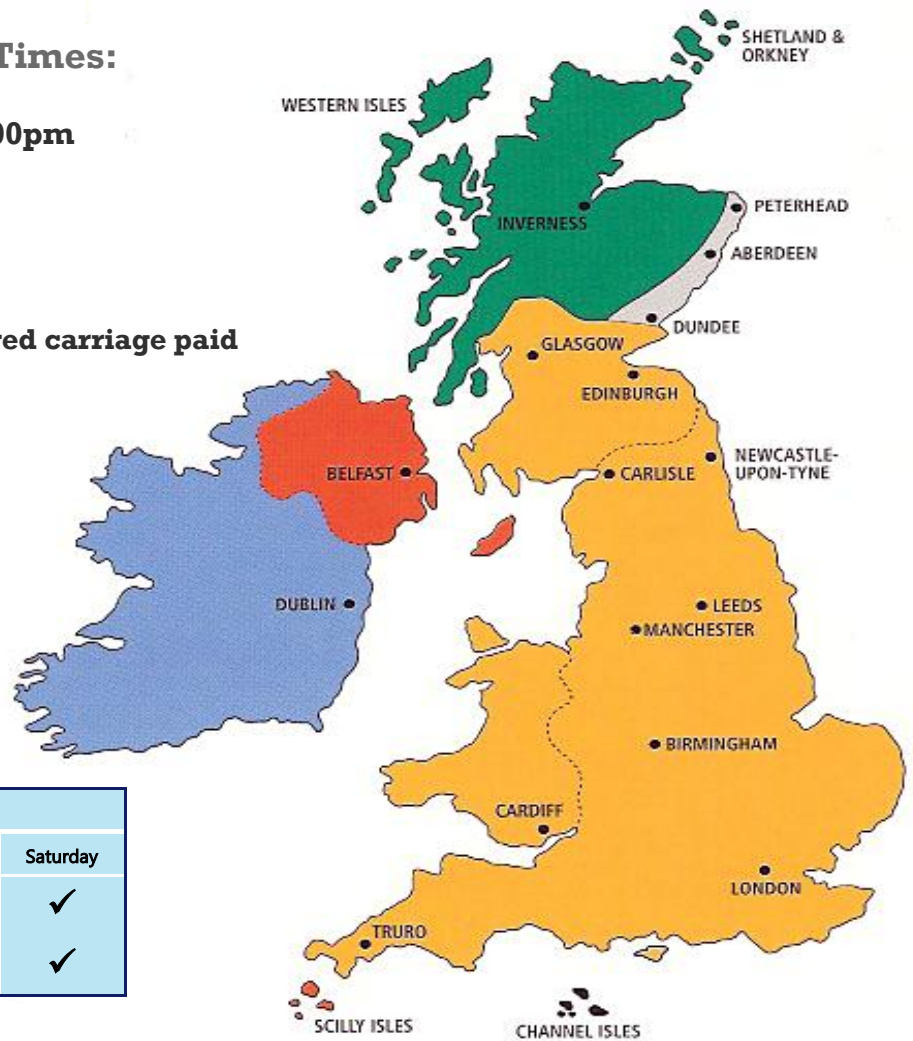
**Monday - Friday 8.00am - 5.00pm**

### Carrier charges

**All orders over £100 are delivered carriage paid**

Zone	A Service (Next Day) Delivery Tariff <sup>4</sup>
2	✓
3	✓
4	✓
5	✓

Zone	Timed Delivery Tariff <sup>1</sup>			
	By 12noon	By 10am	By 9am	Saturday
2	✓	✓	✓	✓
3	✓	✓	✓	✓



## \*24 Hour Delivery

*\*Highlands and Islands is 48 hour delivery*

*A leading stockist and distributor of top name genuine spares*

**Telephone orders and enquires: 01454 620500**

**Faxed orders and enquires: 01454 620660**

**email: [sales@uk-spares.com](mailto:sales@uk-spares.com)**

**[www.uk-spares.com](http://www.uk-spares.com)**

### Easy ways to pay

We accept most major credit cards, cash and offer credit facilities, please contact the office for details and an application form...



### Return Policy

In the unlikely event that you receive faulty or damaged goods please contact the Sales Office for a returns number. Quoting the Invoice number to which the goods were supplied on must be supplied.

Goods ordered incorrectly must be Returned within 7 days of purchase.

Handling charges may apply and the goods must be in a re-saleable condition.

We are unable to accept **any** unwanted Electronic/PCB Goods where the security-seal has been broken

**Call us today on**

**01454 620500**

## Manufacturer Index

ARISTON	5
BURCO/CYGNET	6-7
CREDA	8
CREDA, CREADNET, NEWARE, SUNHOUSE	9-13
DIMPLEX	14-17
HEATRAE SADIA	18-31
HEATRAE INDUSTRIAL	32
ROWLETT	33
REDRING	34-35
SANTON	36-40
UNIDARE/BERRY	41
SELCO	42-43
TRITON	44-48
VENT-AXIA	50-53
XPELAIR	54-60
ZIP	62-71
WARNER HOWARD (World Dyrer)	72-75

SPARES & ACCESSORIES AVAILABLE FROM OVER 100 SUPPLIERS



Call us today on

01454 620500

## WATER HEATERS



Europrisma Over-Sink



Europrisma Under-Sink



Eureka

Description	Europrisma EP 10/15 U 2kW	Europrisma EP 10/15 U 3kW	Europrisma EP 30 O	Eureka
Magnesium Anode	574305	574305	570241	-
Heating Element (No Gasket)	65104011	810830	810830	410750
Thermostat	Part Information Required			410658
Safety Valve (6 bar) 2 Port	572447	572447	-	-
Temp. & Press. Relief Valve T Bar	-	570100	570100	-
Gasket (Element)	570016	570016	570016	570118
Ceramic Cartridge	-	-	-	410669
Thermofuse	-	-	-	410660
Lever Assembly	-	-	-	410666

Description	Wall Hung ST 50/80/100	DIRECT Contract STD 100/125/150 210/300	INDIRECT Contract STI 125/150/210 300	Contract Protech STD 100/125 150	Contract Protech STI 125/150 210/300	Super Bravo SB 125/150/200
Magnesium Anode	65409010	919054	919054	-	-	919037
Heating Element	816523	65101884	65101884	816557	816557	816524
Thermostat Kit (Direct)	935049	691216	-	691216	691216	935179
Thermostat Kit (Indirect)	-	-	921046	-	921046	935180
Regulation Thermostat (Direct)	921023	921023	-	-	-	921023
Thermal Cut Out (Direct) (Safety Stat)	921024	-	-	-	-	921024
Regulation Thermostat (Indirect)	-	-	935184	-	935184	321026
Thermal Cut Out (Indirect)	-	-	935185	-	935185	321033
Temp. & Press. Relief Valve	969009	969040	969040	969046	969046	969009
Gasket (Element)	924001	924087	924087	924087	924087	924001
P.C.B. (Protech)	-	-	-	925294	925294	-
Electrode (Titanium - Protech)	-	-	-	340407	340407	-

Description	High Capacity	High Capacity
	500 STD UK	500 STI UK
Magnesium Anode Top	919049	919049
Magnesium Anode Bottom	919037	919037
Heating Element (6KW - incl. Anode)	816518	816518
Regulation Thermostat (Direct)	921044	921044
Regulation Thermostat (Indirect)	-	935184
Thermal Cut Out (Indirect)	-	935185
Temp. & Press. Relief Valve	969046	969046
Gasket (Element)	291056	291056



Optional Kit A:  
Expansion Vessel  
and Check Valve



Optional Kit B:  
Pressure Reducer  
with Integral  
Line-Strainer



Optional Kit C:  
Tundish for 10  
and 15 Litre Units

## BURCO/CYGNET SPARES

Boiler Models	Pre 2003	Post 2003	Miscellaneous		
Catering	Element	Sunvic Simmerstat	EGO Simmerstat	Thermostat	Comments
C8T	59163	X	X	082610811	-
C10E	082610802	9734 OBS USE	53832A	X	2kW Element
C10T	082610801	X	X	082620290	3kW Element
C20E	082610801	9734 OBS USE	53832A	X	-
C20T	082610801	X	X	082620290	-
C30E	082610801	9734 OBS USE	53832A	X	-
C30T	082610801	X	X	082620290	-
C18H2	10963B	9734 OBS USE	53832A	X	Threaded Base Element
C26H2	10963B	9734 OBS USE	53832A	X	Threaded Base Element
C18X2	10963B	X	X	(Obsolete)	Threaded Base Element
C26X2	10963B	X	X	(Obsolete)	Threaded Base Element
C26H2	10963B	X	X	(Obsolete)	Threaded Base Element

Wash Boilers & Catering	Tap Comp Assembly	Tap Top Activating Lever	Tap to Container Fibre Washer	Rubber O - Ring
C8T	082620789	X	X	X
C10 - C30	082626777	082626760	9573	082610095
F24L, F33L	082608379	X	082608350	X
F44L	9876 OBS	X	082608350	X
F46LR	082608379	X	082608350	X
Cygnet U01	082626778	082626760	9573	082610095
Cygnet U02	082626778	082626760	9573	082610095
Cygnet U03	082626778	082626760	9573	082610095

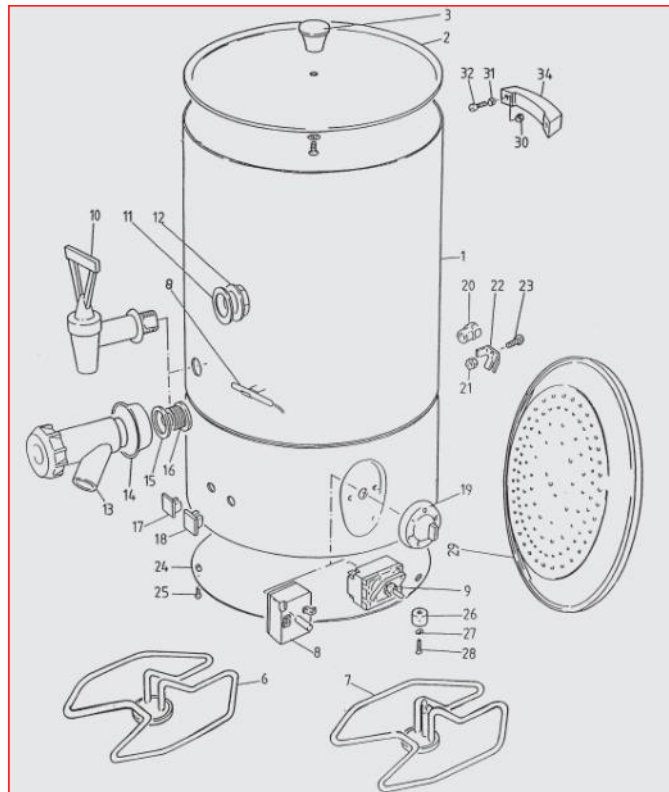
	Post Feb 2001	Pre 2003	Post 2003	Miscellaneous	
	Element	Sunvic Simmerstat	EGO Simmerstat	Thermostat	Comments
U01 Aid	082610802	9734 OBS USE	53832A	X	2kW Element
U02 Aid	082610801	9734 OBS USE	53832A	X	Pre 2003 S/Stat - 'Sunvic'
U03 Aid	082610801	9735 OBS USE	53832A	X	Post 2003 S/Stat - 'EGO'
U32	082610802	X	X	082620290	-
U34	082610801	X	X	082620290	-
U36	082610801	X	X	082620290	-
U42	082610802	X	X	082620290	-
U44	082610801	X	X	082620290	-
U46	082610801	X	X	082620290	-
U52	082620570	X	X	082620290	Concealed Round Element
U54	082620570	X	X	082620290	Concealed Round Element
U56	082620570	X	X	082620290	Concealed Round Element

## BURCO/CYGNET MISCELLANEOUS SPARES

	Control Knob 'Sunvic' Stat	Control Knob EGO' Stat	Lid Assembly	Lid Knob Only	Single Urn Handle (PK2)	Overheat or Element Cut-Out
C8T	X	59107	082610821	X	X	<b>59108</b>
C10	082610034	082620325	59144	9935	082626744	<b>59035</b>
C20/C30	082610034	082620325	082610434	9935	082626744	<b>59035</b>
F24, F33, F46LR	082610034	082620325	9741	9935	082626744	<b>59035</b>
F44L	082610034	082620325	4884	9935	082626744	<b>59035</b>

## BURCO DEAN APPLICANCES LTD

Item No	Description	Part No
1	Boiler Body	
2	Boiler Lid C10 (old models)	<b>57144</b>
	All C10/20/30 (new STHF)	<b>082610434</b>
3	Lid Knob	<b>9935</b>
6	Element 3KW	<b>082610801</b>
	Element 2KW (C10E)	<b>082610802</b>
7	Element 3KW C/W STUD	<b>NLA</b>
8	Thermostat C/W Capillary EGO	<b>082620290</b>
9	Energy Regulator EGO	<b>62391</b>
	Energy Regulator INVENSYS	<b>53832A</b>
	Energy Regulator Sunvic (use)	<b>53832A</b>
10	Tap Assembly Cat Boiler	<b>082626777</b>
	Tap Top	<b>082626760</b>
11	Internal Sealing Washer	<b>9573</b>
12	Tap Backnut	<b>9575</b>
13	Tap Tap Assembly Washboiler	<b>9875</b>
14	Tap Plug	<b>9422</b>
15	Tap To Container Washer	<b>082608350</b>
16	Internal Rubber Washer Catering	<b>082610095</b>
17	Amber Neon	<b>57175</b>
18	Red Neon	<b>082608382</b>
19	Switch Knob For EGO	<b>082620325</b>
	Switch Knob For Sunvic	<b>082610034</b>
20	Cable Bush	<b>NLA</b>
21	Nut	<b>NLA</b>
22	Name	<b>NLA</b>
23	Screw	<b>NLA</b>
24	Base Plate	<b>NLA</b>
25	Base Plare Screw	<b>NLA</b>
26	Rubber Foot C/W Screw	<b>02253A</b>
27	Washer	<b>NLA</b>
29	Cover Plate (WASHBOILER)	<b>NLA</b>
34	Carry Handle (Pack 2)	<b>082626744</b>



### CREDA THERMAL LINKS



0850200



0850328



0850340/0850358  
(Obsolete)



0850372



0850442/0850450  
(Obsolete)



0850514  
Obsolete



0850519



0850656



0850687



0851051



0851054



0851081



0851082



0851473

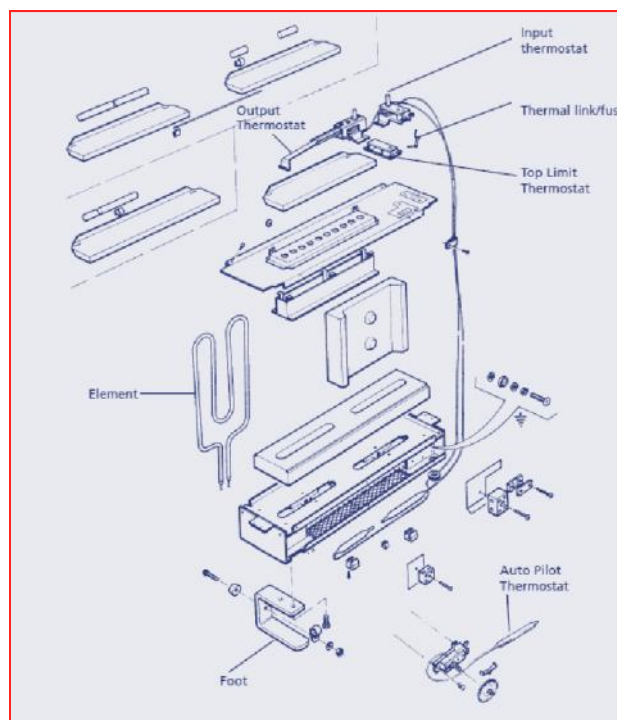
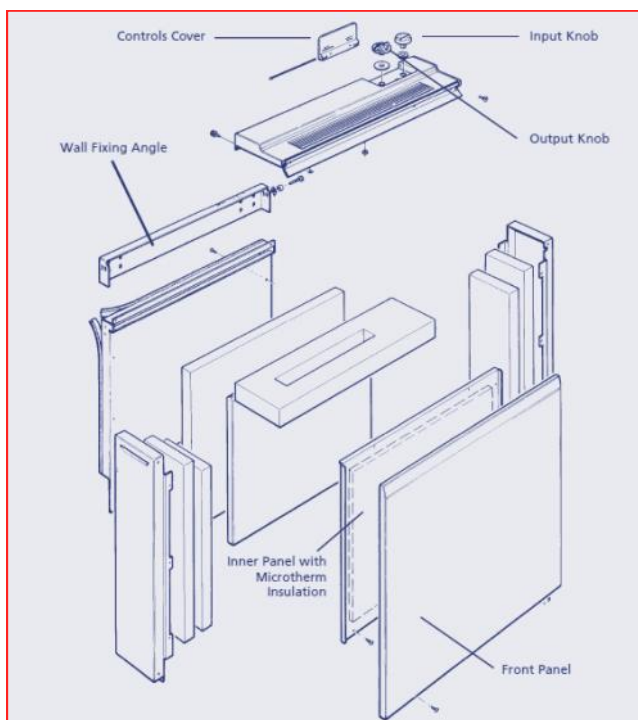


0851417



## THERMAL LINKS TECHNICAL PARTS GUIDE

Old No.	New No.	°C	Colour
701700009V	<b>0850200</b>	176	Yellow
751007048T	<b>0850328</b>	155	Alloy
790400006X	<b>0850358</b>	128	Brown
790400074X	<b>0850358</b>	128	Brown
790400135H	<b>0850372</b>	145	Blue
790500006M	<b>0850442 (Obsolete)</b>	152	Grey
790500076K	<b>0850449 (Obsolete)</b>	170	Black/Green
790500077J	<b>0850450 (Obsolete)</b>	170	Black/Green
790600007D	<b>0850514 (Obsolete)</b>	145	Alloy
790600153M	<b>0850519</b>	158	Red
791400330	<b>0851473</b>	145	Blue
791400143	<b>0851051</b>	158	Red
791400171	<b>0851081</b>	158	Red
791400329	<b>0851417</b>	145	Blue
791500008X	<b>0850656</b>	158	Red
791500036G	<b>0850656</b>	158	Red
791600039T	<b>0850687</b>	177	Yellow
791600081	<b>0851054</b>	177	Yellow
791600089	<b>0851082</b>	177	Yellow



## CREDA/SUNHOUSE STORAGE HEATERS WORKING PARTS GUIDE

Creda Models	Input Stat	Knob	Output Stat	Knob	Thermal LINK
79041	NLA	NLA	NLA	NLA	NLA
79042	0850348	0850846	NLA	0850846	NLA
79043	NLA	0850846	NLA	0850846	NLA
79044	NLA	0850846	NLA	0850846	NLA
79045	0850369	0850846	0850375	0850846	0850372
79046	0850369	0850846	0850375	0850846	0850372
79047	0850830	0850846	0850375	0850846	0850372
79051	NLA	NLA	NLA	NLA	NLA
79052	0850830	0850846	NLA	0850846	NLA
79053	0850516	0850846	NLA	0850846	NLA
79054	0850516	0850846	NLA	0850846	NLA
79055	0850369	0850846	0850375	0850846	0850372
79056	0850369	0850846	0850375	0850846	0850372
79057	0850830	0850846	0850375	0850846	0850372
79059	0850370	-	-	-	0850372
79061	NLA	NLA	NLA	NLA	0850514
79062	0850830	0850846	NLA	0850846	0850328
79063	0850830	0850846	NLA	0850846	0850328
79064	0850830	0850846	NLA	0850846	0850328
79065	0850369	0850846	0850375	0850846	0850519
79066	0850369	0850846	0850375	0850846	0850519
79067	0850830	0850846	0850375	0850846	0850372
79069	0850370	-	-	-	0850372
79131	0850565	-	0850563	-	0850656
79132	0850565	-	0850563	-	0850656
79134	0850565	-	0850563	-	0850656
79134N	0850565	-	0851287	-	0850656
79135	0850565	-	0850563	-	0850656
79135N	0850565	-	0851287	-	0850656
79141	6500059	0850846	0850589	0850846	0850656
79141C + 79141H	0851050	0851372	0850589	0851372	0851051
79142	0850598	0850846	Combined	0850846	0850656
79143	0850602	0850846	Combined	0850846	0850656
79144	0850598	0850846	Combined	0850846	0850656
79144C + 79144H	0851080	0851372	Combined	0851372	0851081
79144N	0851080	0851372	Combined	0851372	0851081
79145	0850598	0850846	Combined	0850846	0850656
79145C	0851080	0851372	Combined	0851372	0851081
79147C	0851080	0851372	Combined	0851372	0851081
79148	0851060	0851372	Combined	0851372	0851081
79151	6500059	0850846	0850589	0850846	0850656
79151C	0851050	0851372	0850589	0851372	0851051

## CREDA/SUNHOUSE STORAGE HEATERS

### WORKING PARTS GUIDE

Creda Models	Input Stat	Knob	Output Stat	Knob	Thermal LINK
79152	0850598	0850846	Combined	0850846	0850656
79153	0850602	0850846	Combined	0850846	0850656
79154	0850598	0850846	Combined	0850846	0850656
79154C + 79154H	0851080	0851372	Combined	0851372	0851081
79155	0850598	0850846	Combined	0850846	0850656
79155C	0851080	0851372	Combined	0851372	0851081
79157C	0851080	0851372	Combined	0851372	0851081
79158	0851060	0851372	Combined	0851372	0851081
79161	6500059	0850846	0850589	0850846	0850687
79161C	0851050	0851372	0850589	0851372	0851054
79162	0850598	0850846	Combined	0850846	0850687
79163	0850602	0850846	Combined	0850846	0850687
79164	0850598	0850846	Combined	0850846	0850687
79164C	0851080	0851372	Combined	0851372	0851082
79165	0850598	0850846	Combined	0850846	0850687
79165C	0851080	0851372	Combined	0851372	0851082
79167C	0851080	0851372	Combined	0851372	0851082
79168	0851060	0851372	Combined	0851372	0851081
79248	0851344	0851372	0851346	0851372	0851081
79258	0851344	0851372	0851346	0851372	0851081
79268	0851344	0851372	0851346	0851372	0851082
79331	0851050	-	0851287	-	0850656
79331S + 79331HS	0870090	-	-	-	0870079
79334	0851308	-	0851287	-	0850656
79334S + 79334HS	-	-	-	-	0870079
79341 + 79341H	0851427	0851423	0850589	0851423	0851417
79341S + 79341HS	9510023	0870055	0870053	0870055	0870023
79344 + 79344H	0851472	0851423	Combined	0851423	0851473
79344S + 79344HS	0870021	0870055	-	0870055	-
79348 + 79348H	0851496	0851423	0851346	0851423	0851473
79348S / 770501	0870021	0870055	0870109	0870055	-
79351 + 79351H	0851430	0851423	0850589	0851423	0851051
79351S	9510023	0870055	0870053	0870055	LIMIT STAT
79354 + 79354H	0851472	0851423	Combined	0851423	0851081
79354S	0870060	0870055	-	0870055	-
79358 + 79358H	0851496	0851423	0851346	0851423	0851081
79358S / 770601	0870021	0870055	0870109	0870055	-
79361 + 79361H	0851430	0851423	0850589	0851423	0851051
79361S	9510023	0870055	0870053	0870055	LIMIT STAT
79364 + 79364H	0851472	0851423	Combined	0851423	0851081
79364S	0870060	0870055	-	0870055	-
79368 + 79368H	0851496	0851423	0851346	0851423	0851081
79368S / 770701	0870021	0870055	0870109	0870055	-

## SUNHOUSE STORAGE HEATERS

### WORKING PARTS GUIDE

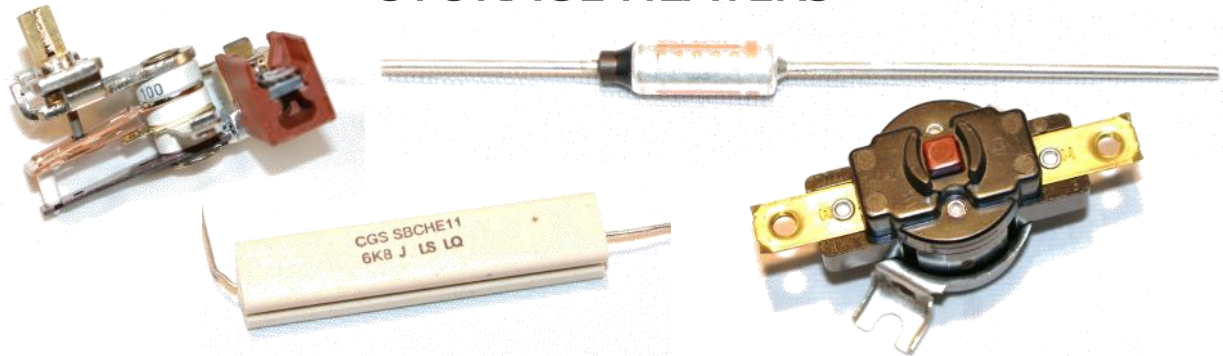
Sunhouse Models	Input Stat	Knob	Output Stat	Knob	Thermal Link
79149	0851080	0851372	Combined	0851372	0851081
79159	0851080	0851372	Combined	0851372	0851081
79169	0851080	0851372	Combined	0851372	0851082
79242	0851050	0851372	0851371	0851372	0851051
79252	0851050	0851372	0851371	0851372	0851051
79262	0851050	0851372	0851371	0851372	0851054
79342	0851050	0851372	0851371	0851372	0851051
79342S	0870022	0870003	-	0870003	0870023
79343	0851080	0851372	Combined	0851372	0851081
79343S	0870021	0870003	-	0870003	-
79352	0851050	0851372	0851371	0851372	0851051
79352S	0870022	0870003	-	0870003	0870023
79353	0851080	0851372	Combined	0851372	0851081
79353S	0870021	0870003	-	0870003	-
79362	0851050	0851372	0851371	0851372	0851054
79362S	0870022	0870003	-	0870003	0870023
79363	0851080	0851372	Combined	0851372	0851082
79363S	0870021	0870003	-	0870003	-

## CREDA/SUNHOUSE STORAGE HEATERS

### WORKING PARTS GUIDE

Creda Model	Transceiver	Fan Assembly	Electronic Control	Input Stat	Input Knob	Fan Switch	Output Knob	Thermal Link
70217K, 70217	0870133	0850272	X	X	X	X	X	0850687
70207K, 70207	0870133	0850251	X	X	X	X	X	0850687
70205H, 70205	X	0850251	0851300	0851303	NLA	0851387	0851304	0850687
70215H, 70215	X	0850272	0851300	0851303	NLA	0851387	0851304	0850687
70213C, 70213	X	0850272	0850244	0850248	0850846	0870201	NLA	0850687
70203C, 70203	X	0851251	0851312	0850248	0850846	X	NLA	0850687
70211	X	0850272	0850244	0850248	0850846	0850135	0850895	0850687
70201	X	0850251	0850244	0850248	0850846	X	0850895	0850687
70305H	X	0850251	0850244	0851302	NLA	0851387	NLA	0850687
70305	X	0850251	0850244	0851302	NLA	0851387	NLA	0850687
70305S	X	0870245	X	0870022	0870202	0870248	0870202	0870242
70135H	X	0850272	0850244	0851302	NLA	0851387	NLA	0850687
70315	X	0850272	0850244	0851302	NLA	0851387	NLA	0850687
70315S	X	0870245	X	0870022	0870202	0870248	0870202	0870242
70379	x	NLA						
	x	NLA	X	0850203	X	0851524	0851516	0851292
70379KS	X	0870167	X	0870163	0870171	0870175	0870177	0870170, 0870184
70369	X	NLA						
	X	NLA	X	NLA	NLA	0851524	0851516	0850200
70369KS	X	0870167	X	0870163	0870171	0870175	0870177	0870170, 0870184
70389	X	NLA						
	X	NLA	X	NLA	0850802	0851524	0851516	0851199
70389KS	X	0870166	X	0870163	0870171	0870175	0870177	0870170, 0870184
70156	X	NLA						
	X	NLA	X	0850121	NLA	X	X	0850372
70158	X	NLA						
	X	NLA	X	0850360	NLA	0851524	0850895	0850372
70159	X	NLA						
	X	NLA	X	0850360	NLA	0851524	NLA	0850372
70166	x	NLA						
	x	NLA	X	0850201	NLA	X	X	0850200
70168	x	NLA						
	x	NLA	X	NLA		0851524	NLA	0850200
70169	x	NLA						
	x	NLA	X	NLA	NLA	0851524	NLA	0850200
70176	x	NLA						
	x	NLA	X	0850201		X	X	0850200
70178	x	NLA						
	x	NLA	X	NLA	NLA	0851524	NLA	0850200
70179	x	NLA						
	x	NLA	X	NLA		0851524	NLA	0851292
70189		NLA						
		NLA	X	NLA	NLA	0851524	NLA	0851199
70189V		NLA						
		NLA	X	0851293	NLA	0851524	NLA	0851292

## STORAGE HEATERS



MODEL NO:	SERIES CODE	CHARGE CONTROLLER	CHARGE LIMITER C/W CUT-OUT	CONTROL KNOB	ACCELERATOR RESISTOR LINK
XL12/18/24	All	XT9605	-	XL9197	XT8305
XLN12	A - Dec 01	XT9605	-	XL9197	-
XLN12	S/N: 0119899 Dec 01	XL01003	XL01004 (Obsolete) Need Repair Kit	XL9197	-
XLN18	A - Dec 01	XT9605	-	XL9197	-
XLN18	S/N: 0022863 Dec 01	XL01003	XL01004 (Obsolete) Need Repair Kit	XL9197	-
XLN24	A - Dec 01	XT9605	-	XL9197	-
XLN24	S/N: 0016755 Dec 01	XL01003	XL01004 (Obsolete) Need Repair Kit	XL9197	-
XLS12/XLS18	All	9510094	XL9708	XL9197	-
XLS24	All	9510094	XL9708	XL9197	-
XLSN12/18/24	05/WW -DEC/2001	9510094	XL9708	XL9197	-
XLSN12/18	A - 04/WW	9510094	XL9708	XL9197	-
XLSN24	A - 04/WW	9510094	XL9708	XL9197	-
XLSN12	S/N: 0013722 Dec 01	9510094	XL01002 (Obsolete) Need Repair Kit	XL9197	-
XLSN18	S/N: 0012638 Dec 01	9510094	XL01002 (Obsolete) Need Repair Kit	XL9197	-
XLSN24	S/N: 0344016 Dec 01	9510094	XL01002 (Obsolete) Need Repair Kit	XL9197	-
XL6N	From 1997	-	XL9701 (Obsolete now use 9511030)	-	-
XLS6N	From 1997	XT8617	XL9701 (Obsolete now use 9511030)	-	-
XLT6	Early	XL9002	XL9701 (Obsolete now use 9511030)	-	XL9003
XLT6	All	-	XL9701 (Obsolete now use 9511030)	-	XL9003
XLT6N	02/WW	-	XL9701 (Obsolete now use 9511030)	-	XL9003
XLT6N	Early - 01/WW	XL9002	-	-	XL9003
XLT6S	From 01/WW	XT8617	XL9701 (Obsolete now use 9511030)	-	-
CXL12/18/24	A - 01/WW	XT9605	-	XL9197	XT8305
CXL12/18/24N	All	XT9605	-	XL9197	-
XT Range	All	XT9800	NLA	NLA	-
CXT Range	All	XT9800	NLA	NLA	-
XT Range	Early	XT9800	-	NLA	XT8305
CXT Range	Early	XT9800	-	NLA	XT8305

## DIMPLEX STORAGE HEATERS

Model No	Series Code	Charge Controller	Charge Controller Limiter	Thermostat Room PCB	Control Knob
FCX 18/24	All Series	-	XA9203	XA9205	XL9197
FCX A 18/24	Early - 03/WW	9510094	XA9301	XA9205	XL9197
FCX A 18/24	04-06/WW	-	XA9408	XA9205	XL9197
FCX A 18/24	07-08/WW	-	-	XA9501	XL9197
FXL 18/24 N	All Series	9510023	XL9836	XL9817	XL9809
XF Range	All Models	XF9103	-	-	XF9105

## OTHER POPULAR STORAGE HEATER SPARES

Model No:	Part No:	Description	Model No:	Part No:	Description
XL, XLN, CXL, XT, CXT, XLS, FXL	XT8321	Storage Element	XF42 (Pre '97)	XF9102	Storage Element
FCX, FCXA	XA9200	Storage Element	CXL	XL9148	Convactor Control Knob
XF 28 (Pre '97)	XF9100	Storage Element	CXL, CXT	XL9147	Convactor Switch On/Off
XF 35 (Pre '97)	XF9101	Storage Element			

## QUARTZ HEATERS

Model No:	Part No:	Description	Model No:	Part No:	Description
QX QXD Range	QX8900	1500W Hal Lamp - Red	QXD Vector	QX9800	1500W Hal Lamp - Gold
QX QXD Range	QX9600	1500W Hal Lamp - Neutral	QXD Vector	QX9801	2000W Hal Lamp - Gold
CXD 2000	CX06002				

## TOWEL RAILS

Part No:	Description	To Fit Model Range	Part No:	Description	To Fit Model Range
TR2012	Wall Brackets (4) Chrome	TRC	TR8404	Element Cartridge 175W	TRS
TR2101	Wall Brackets (4) Brass	TRB	TR8405	Obsolete now use TR8404	TRS
TR2104	Wall Brackets (4) White	TRS	TR9200	Element Cartridge 60W	TRC
TR2512	Wall Brackets (3) Chrome - Use	S50	TR0801	Element Assy 45W	S50, S45 LST
TR9111	Wall Brackets (3) White - Use TR2104	S50, S70 S45 LST	TR9400	NLA	S70
TR9405	Wall Brackets (4)	LTR, LTW	TR9609	Element Assy 130W	RTR130
TR9617	NLA	BR	LT9404	Element/Cable Assy 120W	LTR
TR20003	Wall Brackets (2)	BRC	TR00004	Element Assy 150W	BR150
TR2212	NLA	TRC	TR9900	Element Assy 250W	BR250
TR2301	Feet (2) Brass	TRB	TR9901	Element Assy 400W	BR400
TR2304	NLA	TRS	TR9902	Element Assy 500W	BR500
DX4123	Energy Regulator TRC	S TR	TR20001	Element Assy 200W	BR200C
TR8400	Element Cartridge 90W	TRC90	TR20002	Element Assy 350W	BR350C
TR8401	Element Cartridge 120W	TRS/ZTR	TR8707	Terminal Cover (Black)	TR Range, S50, RTR, ZTR
TR8402	Element Cartridge (See TR8400)	TRC/TRB	TR9100	Terminal Cover (White)	TR Range, S70, S45 LST
TR8403	Element Cartridge 150W	TRC	TR02001	Terminal Cover (Black) c/w Lens	TR Range, S50, RTR, ZTR
			TR02003	Terminal Cover (White) c/w Lens	TR Range, S70, S45 LST

## OIL FILLED RADIATORS

Part No:	Description	To Fit
RD4001	Thermostat (1 Fix Screw)	MK1 Range (PRE '97)
RD9705	Stat Assy (2 Fix Screw) Less Cover	MK1 Range ('97 Onwards)
RD9706	Thermostat Cover	MK1 Range ('97 Onwards)
RD9707	Thermostat Only (Campini)	MK1 Range ('97 Onwards)
RD9708	Cut-Out (Campini)	MK1 Range ('97 Onwards)
RD9716	Control Knob	MK1 Range ('97 Onwards)
RD9713	Feet (2)	MK1/MK2 'P' Range
RP9101	Wall Brackets	MK1/MK2 'P' Range
RP4801	Thermostat	MK2 'P' Range
RP8204	Terminal Cover (White)	MK2 'P' Range
RP9100	Terminal Cover (WW)	MK2 'P' Range
RP4290	Control Knob (Clear)	MK2 'P' Range

Part No:	Description	To Fit
NLA	Castors (Metal) 4	MK2 'P' Range
RC9000	Castors (Plastic) 4 - Black	MK2 'P' Range
EX9208	Thermostat	OFX (Series A & B)
OF9802	Thermostat	OFX (Series C)
OF9117	Thermostat	OFX/TI (Series A & B)
OF09004	Thermostat	OFX/TI (Series C)
OF9101	Stat Control Knob (Black)	OFX (All Models/Series)
OF9402	Feet (2)	OFX/OFX TI (Series B & C Only)
OF9112	Wall Brackets (WW)	OFX/OFX TI (Series A)
OF9400	Wall Brackets (WW)	OFX/OFX TI (Series B & C)
OF9120	Timer Assy (24 Hr)	OFX/TI (Series A - C)

## OTHER POPULAR SPARES

Part No:	Description	To Fit
DC5007	Wall Brackets (4)	DX20/DX30 Range
DX8518	Wall Brackets (4)	DX25 TI
BK9102	Timer Assy (24 Hr)	PLX/DX Timer Models
EX9208	Thermostat	DX20/DX30 Range
DX9103	Thermostat Knob	DX20/DX30 Range
DX9102	S.P. Switch	DX20/DX30 Range
PX8804	Thermostat (Series A-G)	PLX Range

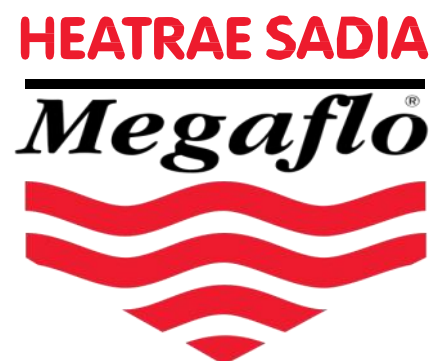
Part No:	Description	To Fit
PX9504	Thermostat (Series H - Onwards)	PLX Range
PX9617	Cut-Out (Series H - Onwards)	PLX 075 - 200 Range
NLA	Cut-Out (Series H - Onwards)	PLX 300 Range
NLA	Thermostat Knob	PLX Range
PX9114	S.P. Switch (Full/Half Heat)	PLX Range
PX9115	D.P. Switch (On/Off)	PLX Range
03/21115/0	Sheathed Element 1kw	HAW1000



## FIRE ELEMENTS - A COMPLETE GUIDE

Heater	Series	Element	Wattage
314TK	B	<b>BF7204</b>	800
314TK	C	<b>BF7402</b>	800
314TKE Bottom	D-G	<b>BF7450</b>	500
314TKE Top/Mid	D-G	<b>BF7451</b>	750
314TK/TKE	H	<b>BF9301</b>	666
314CHE/316CHE	All	<b>BF9301</b>	666
316TKE Top/Middle	D - G	<b>BF7451</b>	750
316TK/TKE	1997	<b>BF9301</b>	666
316TK	C	<b>BF7401</b>	650
316TK/TKE	B	<b>BF7205</b>	650
316TK/TKE Bottom	D-G	<b>BF7450</b>	500
317L/LE/LGE	C-I	<b>BF7402</b>	800
317L/LE/LGE	B	<b>BF7204</b>	800
318LB	B	<b>BF7204</b>	800
318LB	C	<b>BF7402</b>	800
319AB	C	<b>BF7402</b>	800
319AB	B	<b>BF7204</b>	800
320EC	C	<b>BF7401</b>	650
320EC	B	<b>BF7205</b>	650
323GD	C	<b>BF7403</b>	1000
323GD	B	<b>BF7206</b>	1000
329AS	B	<b>BF7205</b>	650
329AS	C	<b>BF7401</b>	650
330EC	C	<b>BF7402</b>	800
330EC	B	<b>BF7204</b>	800
420LE	All	<b>BF7452</b>	660
430RCE Top/Mid	A-J	<b>BF7451</b>	750
430RCE Bottom	A-J	<b>BF7450</b>	500
430RCE	K - 1997	<b>BF9301</b>	666
529AS	B	<b>BF7204</b>	800
529AS	C	<b>BF7402</b>	800
842S	C	<b>BF9000</b>	650
842S 1997	D	<b>BF9450</b>	650

Heater	Series	Element	Wattage
842S	A&B	<b>BF7200</b>	1000
843S	A&B	<b>BF7201</b>	1000
843S	C&D	<b>BF9519</b>	1000
852SE Top/Bottom	ALL	<b>BF7202</b>	800
852SE Middle	ALL	<b>BF7203</b>	500
BALMORAL	C - F	<b>BF9100</b>	666
BRK20	A	<b>BF9300</b>	1000
CANTEBURY	ALL	<b>BF9100</b>	666
FE20C/FE20GC	A	<b>BF7319</b>	1000
FE20C	B	<b>BF7410</b>	1000
FE20C 1997	E	<b>BF9300</b>	1000
FE20GC 1997	D - E	<b>BF9300</b>	1000
FE20GC	B - C	<b>BF7410</b>	1000
FES20	ALL	<b>BF7453</b>	1000
FPL/FPS	ALL	<b>FP8800</b>	650
IRD1000	ALL	<b>ST8A</b>	1000
IRD750	ALL	<b>ST8</b>	750
IRM750	ALL	<b>ST8D</b>	750
IRX750	A	<b>IM8500</b>	750
IRX750	B	<b>IX9601</b>	750
IRX500	-	<b>IX00001</b>	500
IRX1000	A	<b>IX8500</b>	1000
IRX1000	B	<b>IX9600</b>	1000
IRX1200	-	<b>IX00002</b>	1200
IRX1800	All	<b>IX00003</b>	600
IRX1800N	-	<b>IX00003</b>	600
LYM28E	A-H	<b>BF7401</b>	650
LYM28E	I&J	<b>BF9301</b>	666
SALISBURY (Coal)	ALL	<b>BF9100</b>	666
WIN28E	ALL	<b>BF9100</b>	666
WINCHESTER	ALL	<b>BF9100</b>	666
WIM 20	-	<b>BF9100</b>	666
YEOMINSTER	-	<b>BF9300</b>	1000

**HEATRAE SADIA MEGAFLO (1995 - 2001)**

Description	Internal Air Volume	Without Internal Air Volume	Fits Both
TEMP & PRESS RELIEF VALVE- 10 BAR	605810	x	
X TEMP & PRESS RELIEF VALVE – 7 BAR	X	605821	
COLD WATER COMBI VALVE	605817		Y
PRESSURE REDUCING CARTRIDGE – 3 BAR	605824		Y
EXPANSION RELIEF CARTRIDGE – 8 BAR	605825		Y
EXPANSION RELIEF VALVE – 8 BAR	605828		Y
TUNDISH 28MM 22MM	605811		Y
TUNDISH 15MM X 22 MM (NOV '99)	605838		Y
SWEPT TEE	605812		Y
ELEMENT (WHITE PLASTIC CAP – IMMERSION HEATER)	606920		Y
THERMOSTAT C/W CUT OUT (ROUND CAP)	612026		Y
THERMOSTAT C/W CUT OUT (SQUARE BLUE CAP)	612209		Y
BLANKING PLUG FOR IMMERSION HEATER	605829		Y
SINGLE O RING FOR IMMERSION HEATER	611810		Y
22MM MOTORISED VALVE – 2 PORT	605819		Y
MK 4 INDIRECT THERMAL C/OUT (BLUE SPOT)	X	612211	
MK 4 HONEYWELL CYLINDER STAT	X	612213	
MK 5 THERMOSTAT C/W KNOB (INDIRECT UNITS)	X	612597	
MK 5 THERMAL C/OUT (INDIRECT UNITS)	X	612598	
EXPANSION VESSEL 8 LTR	X	607660	
EXPANSION VESSEL 12 LTR	X	607661	
EXPANSION VESSEL 18 LTR	X	607662	
BRACKET FOR EXPANSION VESSEL	X	607666	
TOP COVER	614100		Y

## HEATRAE SADIA MEGAFLO HE (Sept - 2001)



Description	Internal	Without Internal	Fits
	Air Volume	Air Volume	Both
ADDITIONAL 'SWEPT TEE'	970509		Y
ADDITIONAL ELEMENT C/W STAT (UPPER)	970510		Y
UPPER ELEMENT (STRAIGHT)	606964		Y
LOWER ELEMENT 'L' SHAPE	606963		Y
THERMOSTAT C/W CUT OUT (ROUND CAP)	612026		Y
GASKET FOR IMMERSION HEATER	611822		Y
BACKNUT FOR IMMERSION HEATER	607869		Y
KEY FOR IMMERSION HEATER	607861		Y
22MM MOTORISED VALVE – 2 PORT	X	605819	
CYLINDER THERMOSTAT- INDIRECT	X	612697	
THERMAL CUT-OUT- INDIRECT	X	612698	
TEMP – PRESS RELIEF VALVE – 10 BAR	605810		Y
TUNDISH 15 MM X 22 MM	605838		Y
COLD WATER CONTROL VALVE PACK – 3 BAR	605021 / 607028	605021 / 607028	Y
EXPANSION RELIEF CARTRIDGE – 8 BAR	607028		Y
EXPANSION RELIEF VALVE – ISOLATING VALVE	605871		Y
CHECK VALVE HOUSING	605872		Y
REDUCING VALVE CARTRIDGE – 3 BAR	605873		Y
REDUCING VALVE HOUSING BODY	605874		Y
EXPANSION CORE UNIT (TEE)	605880		Y
TERMINAL COVER	607836	X	
TERMINAL COVER	X	607837	
COMPRESSION NUT/OLIVE PACK	607838		Y
TERMINAL BLOCK - 4 WAY	X	607902	
MOUNTING FOOT	607866		Y

**MK1 - MK2 - HEATRAE SUPREME BOILER 140/155/170**

MK1 White Body/Grey Facia around 3 Neons  
(Pre 1996)

MK2 All White Body/Facia 3 Neons  
(Post 1996)

Part No:	Description	To Fit
604665	OUTLET SPOUT	MK1, MK2
604668	OUTLET SPOUT TAP (PLASTIC)	MK1
605465	OUTLET TAP ASSY	MK1, MK2
605466	TAP LOCKING HANDLE	MK1, MK2
605490	230V SOLENOID VALVE (Obsolete)	MK2
605491	CONVERSION KIT (PCB/SOLENOID)	MK1
605832	TAP STEM	MK1, MK2
606765	ELEMENT PLATE ASSY 2.5KW	MK1, MK2
607156	TAP PLATE/GASKET/SCREW	MK1, MK2
607509	15 X 15 STRAIGHT PUSH FIT CONNECTOR	MK1, MK2
607510	15 X 15 90 ELBOW PUSH FIT CONNECTOR	MK1, MK2
607467	ADAPTER (FOR SOLENOID)	MK2
608913	INNER CONTAINER 2.5L 140	MK1*, MK2
608914	INNER CONTAINER 5L 155	MK1*, MK2
608915	INNER CONTAINER 7.5L 170	MK1*, MK2

\* For MK1 Models - Use 604668 With Above Containers

611731	TAP OUTLET CUP SEAL	MK1, MK2
611732	DRAIN PLUG GASKET (PK10)	MK1, MK2
611733	ELEMENT PLATE GASKET (PK10)	MK1, MK2
612503	START/DRY CUT OUT (BOTTOM OF UNIT)	MK1, MK2
612504	OVER TEMP CUT OUT (TOP OF UNIT)	MK1, MK2
612506	WIRE SET 2.5L 140	MK1, MK2
612507	WIRE SET 5/7.5L 155/170	MK1, MK2
612508	THERMISTER PROBE ASSY	MK1, MK2
612509	230V P.C.B.	MK2 - (for MK1 - Use 605491)
614015	COVER ASSY 2.5L 140	MK2
614016	COVER ASSY 5L 155	MK2
614017	COVER ASSY 7.5L 170	MK2

## MK1 - MK2 - HEATRAE SUPREME BOILER 185/215



Part Description	Model Ref.	Part Number
COMPLETE/ ADDITIONAL TAP	Supreme 185/215	605043
HANDLE TAP LOCKING	Supreme 185/215	605466
TAP OUTLET-HEADWORK	Supreme 185/215	605476
VALVE SOLENOID ASSY	Supreme 185/215	605004
LIMITER FLOW ASSY	Supreme 185/215	605478
VALVE BY-PASS	Supreme 185/215	605479
TAP STEM	Supreme 185/215	605832
ELEMENT PLATE ASSY 2.5KW	Supreme 185/215	606766
SEAL TAP CUP OUTLET	Supreme 185/215	611731
GASKET PLUG DRAIN	Supreme 185/215	611732
GASKET ELEMENT PLATE ASSY( PK 2)	Supreme 185/215	611734
O-RING OUTLET TAP (PK 2)	Supreme 185/215	611735
CUTOUT START-DRY	Supreme 185/215	612503
CUTOUT OVER-TEMP	Supreme 185/215	612504
WIRE SET 185/215 LTR	Supreme 185/215	612586
THERMISTOR PROBE ASSY	Supreme 185/215	612587
RELAY	Supreme 185/215	612588
SENSOR LEVEL ASSY - Less Wires (Wire set 612586)	Supreme 215	612589
SENSOR LEVEL ASSY	Supreme 185	612590
P.C.B (12V) CATERING UNIT ONLY	Supreme 185/215	612630
COVER FRONT	Supreme 185	NLA
COVER FRONT	Supreme 215	NLA
INNER CONTAINER	Supreme 185	608921
INNER CONTAINER	Supreme 215	608922

These units are supplied fitted with single tap assembly on front. Additional taps can be added on either side for high usage. (As Illustrated)

## HEATRAE SUPREME BOILERS 140/155/170 for '99 & '02



Supreme MK3 1999

Description	Code - 99 Model	Code—02 Model	Fits Both
ELEMENT ASSEMBLY (INCORPORATING START DRY CUTOUT) '99	606929	X	
ELEMENT ASSEMBLY (INCORPORATING START DRY CUTOUT) '02	X	606952	
ELEMENT ASSEMBLY SEALING GASKET	611816		Y
START DRY CUTOUT (ELEMENT)	612691		Y
SOLENOID VALVE ASSEMBLY '99	605833	X	
SOLENOID VALVE ASSEMBLY '02	X	605877	
SOLENOID VALVE COIL	605839		Y
LEVEL SENSOR (FULL) '99	612640	X	
LEVEL SENSOR (HALF FULL) '99	612641	X	
LEVEL SENSOR '02	X	612692	
ELECTRONICS ASSEMBLY '99	615038	X	
ELECTRONICS ASSEMBLY (RED) '02 - PCB	X	615043	
INDICATOR BOARD	615039		Y
BOIL DRY THERMAL CUTOUT	612504	X	
PRIMARY CUTOUT '02	X	612693	
WIRING HARNESS (COMPLETE) '99	612638	X	
WIRING HARNESS (COMPLETE) '02	X	612694	
WIRING HARNESS (LOW VOLTAGE INC. THERMISTORS) '99	612637	X	
WIRING HARNESS (LOW VOLTAGE INC. THERMISTORS) '02	612695	X	
WIRING HARNESS (ELECTRONIC CONTROL TO INDICATOR BOARD)	612636		Y
THERMISTOR (BOTTOM) CONTROL '99	612642	X	
THERMISTOR (BOTTOM) CONTROL '02	X	612696	
THERMISTOR (TOP) STEAM '99	612690		Y
OUTLET TAP HEADWORK	605834		Y
OUTLET TAP STEM	605832		Y
OUTLET TAP CUP SEAL	611731		Y
OUTLET SPOUT PLASTIC – TANK	604668		Y
OUTLET SPOUT METAL – TANK	604669	X	
OUTLET SPOUT - COVER	604665		Y
FRONT COVER ASSEMBLY (140 MODEL)	614247		Y
FRONT COVER ASSEMBLY (155 MODEL)	614249		Y
FRONT COVER ASSEMBLY (170 MODEL)	614250		Y

## HEATRAE SUPREME BOILERS 140/155/170 for '99 & '02



Supreme MK4 2002

Description	Code - 99 Model	Code—02 Model	Fits Both
FASCIA (Behind Lever Tap)	614248		Y
TANK (140 MODEL) '99	608918	X	
TANK (140 MODEL) '02	X	608926	
TANK (155 MODEL) '99	608919	X	
TANK (155 MODEL) '02	X	608927	
TANK (170 MODEL) '99	608920	X	
TANK (170 MODEL) '02	X	608928	
STEAM CONDENSER ASSEMBLY (140 MODEL)'99	607538	X	
STEAM CONDENSER ASSEMBLY (140 MODEL)'02	X	607574	
STEAM CONDENSER ASSEMBLY (155 MODEL)'99	607539	X	
STEAM CONDENSER ASSEMBLY (155 MODEL)'02	X	607575	
STEAM CONDENSER ASSEMBLY (170 MODEL)'99	607540	X	
STEAM CONDENSER ASSEMBLY (170 MODEL)'02	X	607576	
STEAM CONDENSER SEALING GASKET 140 MODEL	611817		Y
STEAM CONDENSER SEALING GASKET 155 MODEL	611819		Y
STEAM CONDENSER SEALING GASKET 170 MODEL	611820		Y
'O' RING KIT	611818		Y
PUSH FIT CONNECTOR 15MM X15MM STRAIGHT	607509		Y
PUSH FIT CONNECTOR 15MM X 15MM ELBOW	607510		Y
FLOAT '02	X	607577	
MANIFOLD (140 MODEL) '02	X	607578	
MANIFOLD (155 MODEL) '02	X	607579	
MANIFOLD (170 MODEL) '02	X	607580	

## UTC MODELS



UTC  
(pre '99 Model)

Description	Until 1999 ltr MK1 1.5kW & 3kW	13.6 From 1999 ltr MK2 1.5kW & 3kW	15
1.5KW MK1 ELEMENT C/W CUTOUT & STAT	606688	X	
3 KW MK 1 ELEMENT C/W CUT-OUT & STAT	606720	X	
THERMOSTAT 7" 16AMP ROD TYPE (MK1)	980031	X	
THERMOSTAT 7 RESET(IF CUT-OUT REQD)	S567	X	
1.5KW MK2 ELEMENT ONLY	X	606922	
3KW MK2 ELEMENT ONLY	X	606927	
THERMOSTAT C/W CUT-OUT	X	612633	
GASKET FOR ELEMENT (MK1)	611547	X	
GASKET FOR ELEMENT (MK2)	X	611708	
TERMINAL COVER (MK1)	607126	X	
TERMINAL COVER C/W KNOB (MK2)	X	614182	
TOP COVER MOULDING	X	614246	
INDICATOR LIGHT	X	607992	

## HAIR DRYER MODELS



MK 1



Description	MK1 Hair Dyer Model- 95021074	MK2 Hair Dyer Model- 95021084
HOSE & NOZZLE ASSY	608713	608713
FAN ASSEMBLY	607152	607152
HEATER BANK 1KW	601712	601712
TIME SWITCH ONLY	613402	613402
TIMER KNOB ONLY	613403	613405
OUTER CASE/COVER (MK1)	OBS	X
FRONT COVER (MK2 ONLY)	X	614084



MK 2



## CONCEPT HAND WASH



Part No	Description	Part No	Description
604664	SWIVEL SPRAY NOZZLE	608851	BOTTOM COVER & WALL BRACKET
605450	FLOW VALVE SPRAY INLET ASSY	608852	INNER CONTAINER (NO CAP) AS ASSY
606300	ELEMENT PLATE 3 KW	612570	THERMAL CUT-OUT
607420	SHEAR PINS (PK10)	612571	WIRE SET (220V)
607421	SPRAY RING SET	613400	PRESSURE SWITCH
607422	NEON ASSY	614010	TOP COVER C/W NEON LENS

## HANDY - HAND WASH RANGE -(3kW - 7kW)

Description	Handy Mk1	Handy II	Handy 2001
HEAT EXCHANGER 3KW	NLA	X	X
HEAT EXCHANGER 3.1KW	X	NLA	608924
HEAT EXCHANGER 7 KW	608731	X	X
HEAT EXCHANGER 7.2KW	X	NLA	608925
O RINGS (PK 10) FOR SPOUT	611723	611723	X
6" WHITE SPOUT & SPRAY PLATE 3 KW	604663	604663	X
6" WHITE SPOUT & SPRAY PLATE 7 KW	NLA	NLA	X
CHROME SPOUT & BLACK NOZZLE	X	X	NLA
SPOUT ASSY (LESS SPRAY PLATE) 3/7 KW	X	X	604673
SPRAY PLATE 7.2KW	X	X	604674
SPRAY PLATE 3.1 KW	X	X	604675
250 MM EXTENSION SPOUT	NLA	NLA	X
CONTROL KNOB	NLA	NLA	605856
CONTROL VALVE (ON/OFF FLOW)	605410	X	X
CONTROL VALVE (SINGLE TURN FLOW)	X	605411	X
CONTROL VALVE (3.1 KW – 2001 MODEL)	X	X	605849
CONTROL VALVE (7.2 KW – 2001 MODEL)	X	X	605610
JOHN GUEST CONNECTOR	X	X	605850
THERMAL CUT-OUT	612572	612572	612610
PRESSURE RELIEF DIAPHRAM (PK 2)	611700	611700	X
PRESSURE RELIEF DEVICE (PRD 3.1 KW)	607237	607237	607557
PRESSURE RELIEF DEVICE (PRD 7.2 KW)	607237	607237	X
PRD (3.1 KW) & METAL BRACKET	X	X	607561
PRD 7.2 KW) & METAL BRACKET	X	X	607562
WIRE SET (3.1 KW)	OBS	OBS	612682
WIRE SET (7.2 KW)	OBS	OBS	612683
PRESSURE SWITCH ASSY (3.1 KW)	613560	613560	613626
PRESSURE SWITCH ASSY (7.2 KW)	613527	613527	613627
FRONT COVER C/W KNOB	OBS	OBS	614270
NEON ASSY	NLA	NLA	615041



## POINT OF USE HEATERS

### Express Oversink Heater 7ltr + 15ltr Models

Versions }  
Versions }

Express '84 - Grey Seals (around casing)

Express '91 - White Seals (around casing)

Express '99 - White Seals (launched in Feb 2000)



Part No:	Description	To Fit
OBS	12" SPOUT ASSEMBLY - CHROME	'84 MODEL
604211	ADAPTER - 15MM X 0.5 SPOUT OUTLET	'91 MODEL ONWARDS
604212	12" SPOUT ASSEMBLY + ADAPTER 15MM - WHITE	'91 MODEL ONWARDS
604656	TELESCOPIC SPOUT CHROME + ADAPTER	'91 MODEL ONWARDS
605431	R/ANGLED ON/OFF CONTROL VALVE	'84 MODEL
605444	STRAIGHT ON/OFF CONTROL VALVE - 15X15MM	'91 MODEL ONWARDS
606755	ELEMENT PLT ASSEMBLY 1KW 7LTR	'84 MODEL
606756	ELEMENT PLT ASSEMBLY 3KW 7LTR	'84 MODEL
606757	ELEMENT PLT ASSEMBLY 3KW 15LTR	'84 MODEL
606762	ELEMENT PLT ASSEMBLY 1KW 7LTR	'91 MODEL ONWARDS
606763	ELEMENT PLT ASSEMBLY 3KW 7LTR	'91 MODEL ONWARDS
606764	ELEMENT PLT ASSEMBLY 3KW 15LTR	'91 MODEL ONWARDS
607643	TERMINAL COVER	'91 MODEL ONWARDS
611708	ELEMENT PLT GASKET (PK10)	'84/'91 MODEL
NLA	DRAIN PLUG WASHER (PK10)	'84/'91 MODEL
612500	THERMAL CUT-OUT 128°	'84/'91 MODEL
612667	CAPILLARY THERMOSTAT	'99 AS FROM - FEB 2000
612673	THERMAL CUT-OUT 96°	'99 AS FROM - FEB 2000
970101	TELESCOPIC SPOUT 15/24" - CHROME	'91 MODEL ONWARDS
970110	15X15 PUSH FIT CONNECTOR FOR UNDERSINK FITTING	'91 MODEL ONWARDS
980031	7" ROD STEM THERMOSTAT	'84/'91 MODEL 7 LTR ONLY
980032	11" ROD STEM THERMOSTAT	'84/'91 MODEL 15 LTR ONLY

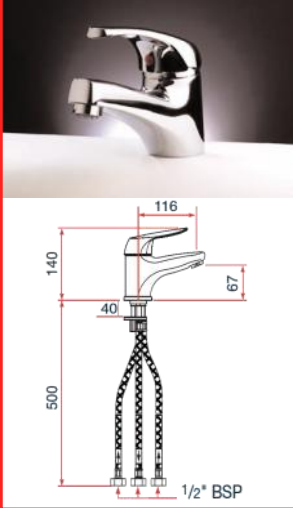
## STREAMLINE OVER/UNDERSINK (PRE 2010)



604200	12" COMMERCIAL CHROME SPOUT	OVERSINK
604656	TELESCOPIC SPOUT 15/24" - CHROME	OVERSINK
604659	PLASTIC SPOUT - GREY	OVERSINK
605439	ON/OFF CONTROL VALVE C/W KNOB	OVERSINK
605445	THERMOSTAT CONTROL KNOB - GREY (WHEEL TYPE)	OVER/UNDER SINK
605446	CONTROL VALVE KNOB - GREY	OVERSINK
606758	1KW ELEMENT PLT ASSEMBLY	OVER/UNDER SINK
606759	3KW ELEMENT PLT ASSEMBLY	OVER/UNDER SINK
607228	WALL BRACKET ASSEMBLY	OVER/UNDER SINK
607852	INSULATION KIT 10LTR	OVERSINK
607853	INSULATION KIT 7LTR	OVERSINK
608784	INNER CONTAINER 7 LTR (LESS ELEMENT)	OVER/UNDER SINK
608785	INNER CONTAINER 10 LTR (LESS ELEMENT)	OVER/UNDER SINK
608786	FRONT COVER TOP (WHITE) 7 LTR	OVER/UNDER SINK
608787	FRONT COVER TOP (WHITE) 10 LTR	OVER/UNDER SINK
608789	FRONT COVER BOTTOM (WHITE) 10 LTR / 7 LTR	OVER/UNDER SINK
611711	ELEMENT PLT GASKET (PK10)	
611712	GROMMET SET (PK10)	
611719	VALVE WASHERS (PK10)	
612512	CAPILLARY THERMOSTAT	
612515	THERMOSTAT LOCKING PIN (PK10)	
612516	WIRE SET	
612517	THERMAL CUT-OUT 128°	

## POINT OF USE HEATERS Streamline Under Sink Accessory Packs

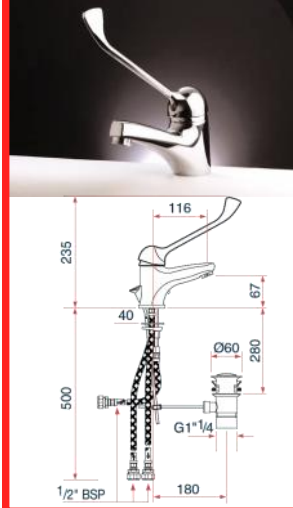
Streamline 1000  
Prod Code **95:970:340**



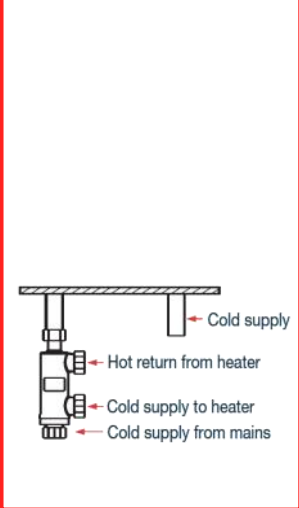
Streamline 2000  
Prod Code **95:970:341**



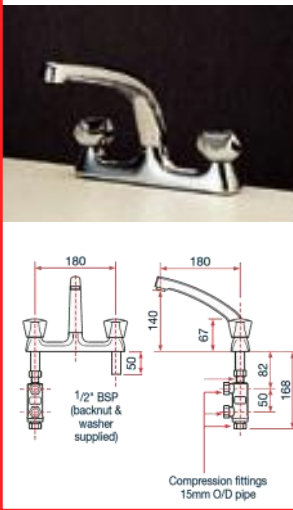
Streamline 1000 Elbow Lever  
Prod Code **95:970:342**



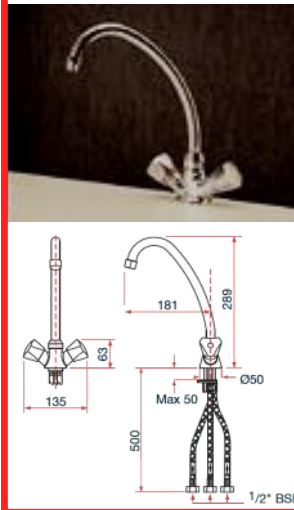
Water Connections for Packs  
J, M, P, Q, R & S



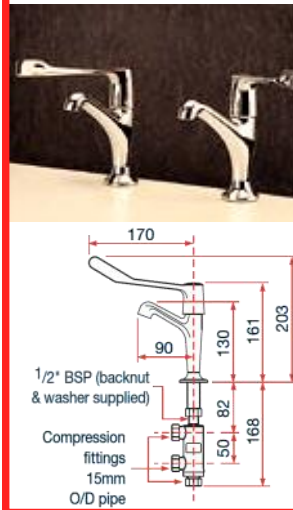
Pack J  
Prod Code **95:970:295**



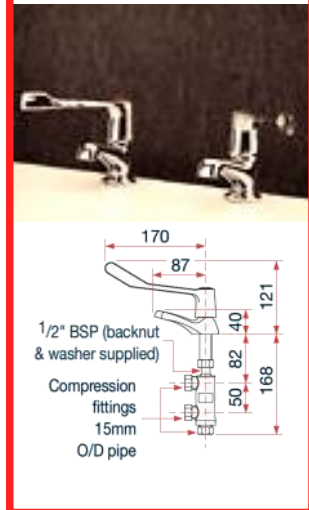
Pack K  
Prod Code **95:970:296**



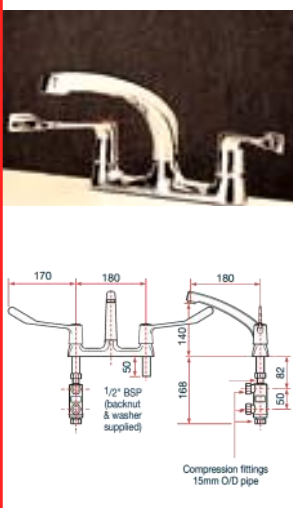
Pack M  
Prod Code **95:970:298**



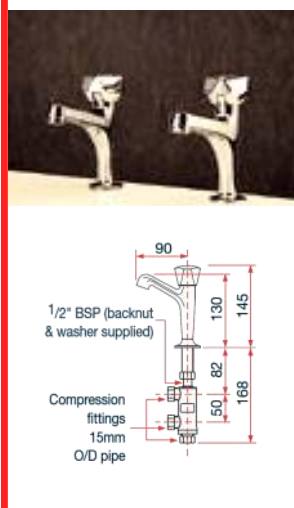
Pack P  
Prod Code **95:970:299**



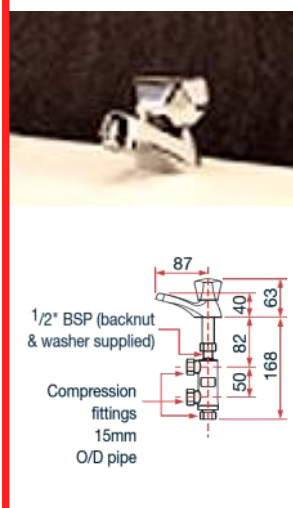
Pack Q  
Prod Code **95:970:310**



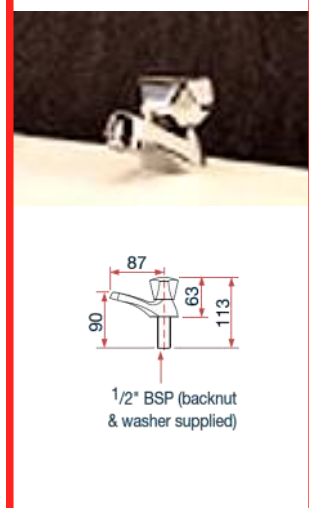
Pack R  
Prod Code **95:970:311**



Pack S Hot Tap only  
Prod Code **95:970:312**



Pack T Cold Tap only  
Prod Code **95:970:313**



## Hand Dryers

601710	HEATER BANK 1.4KW	1.4/14E (PRE 1997)
601716	HEATER BANK 1.8KW	1.4/18 (PRE 1997)
601711	HEATER BANK 1.9KW	19 (PRE 1997)
612441	PCB (EL TIME SWITCH)	14/19/14/18 (PRE 1997)
NLA	PCB SMALL	14E
612447	PCB LARGE	14/14E (PRE 1997)



## FBM Rectangular Cistern Type

605302	FLOAT VALVE KIT	FBM
606761	ELEMENT 6KW C/W STATS	FBM125 6KW
606760	ELEMENT 3KW C/W STATS	FB/FBM
607020	TERMINAL COVER	FBM
980009	RE-SET THERMOSTAT 11"	FBM
980025	CONTROL THERMOSTAT 11"	FBM

## Elements - Point of Use, Cistern Fed

606675	ELEMENT PLATE ASSEMBLY	B3	23 LITRE
606676	ELEMENT PLATE ASSEMBLY	C3	55 LITRE
606677	ELEMENT PLATE ASSEMBLY (GASKET 611540)	D3	68 LITRE
606684	ELEMENT PLATE ASSEMBLY	BT23	23 LITRE
606698	ELEMENT PLATE ASSEMBLY	BT34	34 LITRE
606685	ELEMENT PLATE ASSEMBLY	BT55	58 LITRE
606686	ELEMENT PLATE ASSEMBLY	BT68	68 LITRE
IF PLATE ASSEMBLY IS SERVICEABLE ON ABOVE EPA'S THEN THE HELICAL ELEMENT CAN BE REPLACED.			
601503	HELICAL ELEMENT FOR ABOVE		

## UDB (Twin EPA)

606701	ELEMENT PLATE ASSEMBLY (NO ELEMENTS) BOTTOM UDB 91LTR & 136 LTR
606700	ELEMENT PLATE ASSEMBLY (NO ELEMENTS) TOP
602024	CORE ELEMENT FOR UDB 1KW 131/4"

## UDB/BT91 (Single EPA)

606681	ELEMENT PLATE ASSEMBLY (Obsolete)
602011	CORE ELEMENT 1.5KW 151/4" FOR ABOVE

## Thermostats

980032	11" 16 AMP B3/BT23/BT34/BT55/S TYPE/UDB/UDB/BT91
980033	18" 16 AMP C3/D3/BT68
980031	7" 16 AMP UTC

## MULTIPOINT RANGES



**Multipoint II**

1989 - 1999

10/15L - 3kW

MP II (1989-99)



**Multipoint  
1999**

10/15L - 3KW/4.5KW

MP ('99 Model)

Description	10/15L - 3KW MP II (1989-99)	10/15L - 3KW/4.5KW MP ( '99 Model)
CONTROL KNOB FOR THERMOSTAT	NLA	X
CAPILLARY THERMOSTAT	612667	X
ROD THERMOSTAT/CUP-OUT 3KW (RED CAP)	X	612633
ROD THERMOSTAT/CUT-OUT 4.5KW	X	612634
THERMAL CUT-OUT	612666	X
ELEMENT ASSY 10 LTR 3KW	606792	606921
ELEMENT ASSY 15 LTR 3KW	606793	606922
ELEMENT ASSY 10 LTR 4.5 KW	X	606923
ELEMENT ASSY 15 LTR 4.5	X	606924
GASKET FOR ELEMENT ASSY	611713	611708
INDICATOR LIGHT 3KW	X	607992
INDICATOR LIGHT 4.5 KW	X	607993
NEON LIGHT ASSY	607985	X
TEMP - PRESSURE VALVE-6.5 BAR HT55	607610	X
TEMPERATURE & PRESSURE RELIEF VALVE 7.0 BAR DN15	X	607994
EXPANSION RELIEF VALVE-6 BAR (BLUE CAP)	607986	607986
CHECK VALVE 1/2"	607987	607987
EXPANSION VESSEL - 2 LTR 4.1 BAR	607988	607988
PRESSURE LIMITER 1/2" BSP	607989	607989
TUNDISH 1/2" MALE 3/4" FEMALE	607991	X
LINE STRAINER 1/2"BSP	607990	X
TOP COVER MOULDING	X	614181
TERMINAL COVER C/W STAT KNOB	X	614182

**MULTIPOINT RANGES (cont)**

30 and 50 Litre Vertical

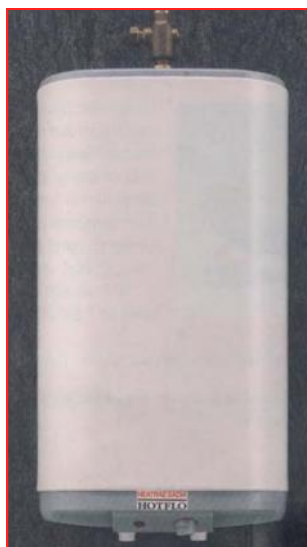


30 and 50 Litre Horizontal

Description	Multipoint	
	30 and 50 Litre	
	1kW - 3kW	3kW
	Vertical	Horizontal
ELEMENT ASSY 1KW	606925	X
ELEMENT ASSY 3KW	606926	606933
CAPILLARY THERMOSTAT	612667	612667
THERMAL CUT-OUT	612666	612666
INDICATOR LIGHT	607995	607995
ELEMENT PLATE GASKET	611708	611708
EXPANSION RELIEF VALVE	607986	607986
TEMP & PRESSURE VALVE	607994	607994
CHECK VALVE 1/2" BSP	607987	607987
EXPANSION VESSEL	607675	607675
PRESSURE REDUCING VALVE	607989	607989
TERMINAL COVER C/W STAT KNOB	614184	614184

## HEATRAE SADIA HOTFLO

Hotflo 10/15 Litre 2.2kw 1999 Onwards



Hotflo 10/15 Litre 2.4kW/4.5kW 1989 - 1999



Description	10/15L - 2.4KW/4.5KW	10/15L - 2.2KW
	(1989-99)	('99 Model)
TEMP & PRESSURE RELIEF VALVE VALVE – 7 BAR	605806	970359
EXPANSION RELIEF VALVE – 6 BAR	607986	607986
CHECK VALVE 1/2"	607987	607987
EXPANSION VESSEL 2LTR – 4.1BAR	607988	607988
PRESSURE LIMITER 1/2" BSP	607989	607989
STAT CONTROL KNOB (GREY)	605823	X
TERMINAL COVER (GREY)	607670	X
TERMINAL COVER C/W KNOB (WHITE)	X	614182
TOP COVER MOULDING (WHITE)	X	614186
DISPLAY PANEL (GREY)	607672	X
NEON ASSY	607671	X
INDICATOR LIGHT	X	607992
ELEMENT PLATE ASSY – 2.4KW	606913	X
ELEMENT PLATE ASSY – 4.5 KW	606914	X
THERMOSTAT – 2.4KW MODEL	612217	X
THERMOSTAT – 4.5KW MODEL	612219	X
THERMAL CUT-OUT – 2.4KW MODEL	612218	X
THERMAL CUT-OUT – 4.5 KW MPDEL	612220	X
10 LTR INNER CONTAINER (INCL ELEMENT)	X	608916
15 LTR INNER CONTAINER (INCL ELEMENT)	X	608917
THERMOSTAT C/W CUT-OUT (ROD TYPE)	X	612633
WALL BRACKET	607656	X
ANODE (90008874) 10 LTR	607658	X
ANODE (90008875) 15 LTR	607659	X
TANK FLANGE GASKET (PK 2)	611801	X
CONTROL KNOB GASKET (PK 2)	611802	X

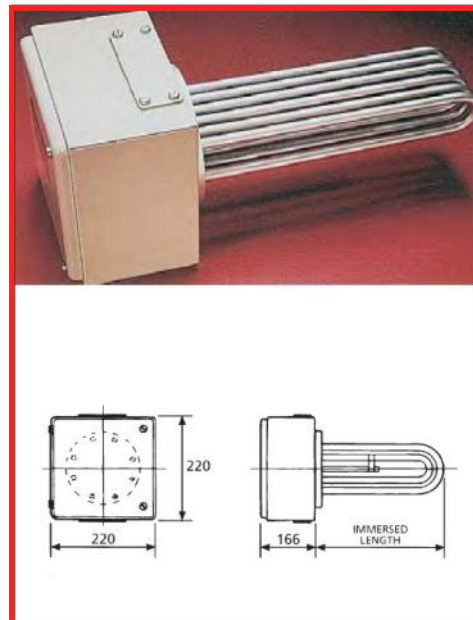
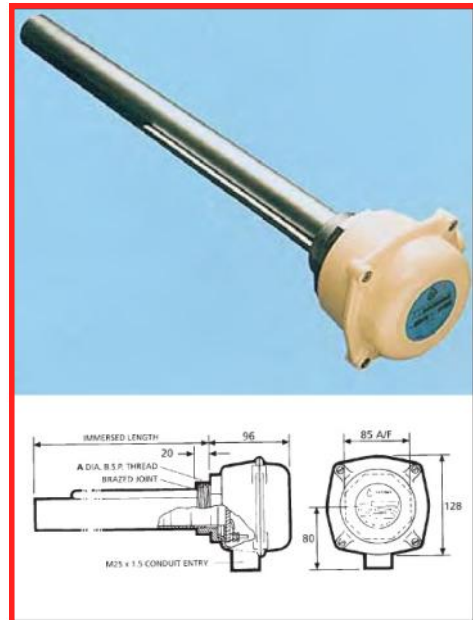
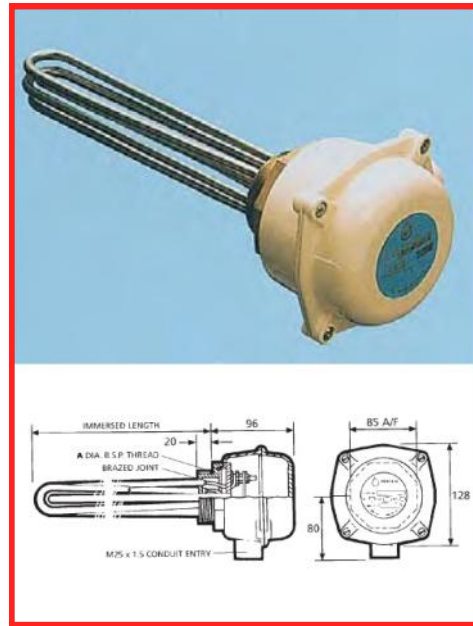
## IMMERSION HEATERS

Product	Immersed Length*	kW Loading
<b>*2" B.S.P. Head (rod type)</b>		
5R111	11	1
5R215	15	2
5R311	11	3
5R615	15	6
5R926	26	9
5R1234	34	12
<b>*2 1/4" B.S.P. Head (rod type)</b>		
6R111	11	1
6R215	15	2
6R311	11	3
6R330	30	3
6R411	11	4
6R415	15	4
6R615	15	6
6R630	30	6
6R642	42	6
6R724	24	7
6R916	16	9
6R923	23	9
6R926	26	9
6R936	36	9
6R1223	23	12
6R1234	34	12
<b>All above heaters are available from stock</b>		
<b>*2" B.S.P. Head (core type)</b>		
5C219	19	2
5C327	27	3
5C438	38	4
5C650	50	6
<b>*2 1/4" B.S.P. Head (core type)</b>		
6C219	19	2
6C327	27	3
6C438	38	4.5
6C650	50	6

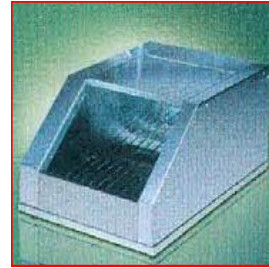
All rod-type immersion heaters supplied with a control stat 40/88 deg. C 11" C' Range thermostats are 'Special' order only

Part No:	Loading KW 415V	Immersed Length (mm)	Number Elements
1RB 1216	12	405	6
1RB 1816	18	405	6
1RB 2416	24	405	9
1RB 2717	27	432	9
1RB 3027	30	685	6
1RB 3627	36	685	9
1RB 4527	45	685	9
1RB 5436	54	915	9

11" Control thermostat 0° - 40°C Part No. 10005076







## SINGLE ELEMENTS

### Bread Toasters

ROWLETT MODEL	DESCRIPTION
ME201	9R MIDDLE ELEMENT 500W
ELEMENT/4T167	9R MIDDLE ELEMENT 450W 6 SLICE TOASTER
ME204	9R END ELEMENT 400W
ELEMENT/4T168	9R END ELEMENT 270W 6 SLICE TOASTER
ME001	2 SLICE ELEMENT SET
ME203	3 SLICE ELEMENT SET
ME211	4 SLICE ELEMENT SET
ME301	6 SLICE ELEMENT SET
ME401	8 SLICE ELEMENT SET
ME501	10 SLICE ELEMENT SET
ME601	12 SLICE ELEMENT SET

DUALT	DESCRIPTION
00442	END ELEMENT 6 SLOT
00443	CENTRE ELEMENT 6 SLOT
00454	END ELEMENT 2 SLOT
00455	END ELEMENT 3 SLOT
00456	END ELEMENT 4 SLOT
00457	CENTRE ELEMENT 2/3/4 SLOT

SB2 4 Litre	<b>22714601</b>
SB2 2.5 Litre	<b>22714401</b>

1	<b>95719614</b>	LOGIC BOARD ASSY
2	<b>95719615</b>	POWER PCB ASSY
3	<b>95719608</b>	CONTOL KNOB
4	<b>95719611</b>	OUTLET VALVE
N/I	<b>95719621</b>	ELEMENT ASSY
N/I	<b>95719613</b>	TERMINAL BLOCK
N/I	<b>95719616</b>	SOLENOID VALVE
N/I	<b>95719617</b>	FLOAT SWITCH
N/I	<b>95719618</b>	CABLE PACK
N/I	<b>95719609</b>	OUTLET SPOUT
N/I	<b>95719619</b>	SCALE TRAP
N/I	<b>95719620</b>	INLET ELBOW ASSY (INCLUDES FLOW REGULATOR)

Powerstream 12kW	<b>45793202</b>
Powerstream 10.8kW	<b>45793204</b>
Powerstream 9.5kW	<b>45793201</b>

1	<b>93793701</b>	BACKPLATE
2	<b>93793726</b>	CYCLING CUT-OUT [POST 05/92]
3	<b>93793703</b>	TERMINAL BLOCK
4	<b>93793709</b>	CABLE CLAMP & RUBBER BOOT
5	<b>93793712</b>	FILTER ASSEMBLY
6	<b>93793723</b>	MANUAL RESET CUT-OUT [POST 05/92]
7	<b>93793749</b>	ELEMENT / HEAT EXCHANGER 12KW
7	<b>93793744</b>	ELEMENT / HEAT EXCHANGER 10.8KW
7	<b>93793724</b>	ELEMENT / HEAT EXCHANGER 9.5KW
8	<b>93793743</b>	FLOW SWITCH 10.8/12KW
8	<b>93793706</b>	FLOW SWITCH 9.5KW

1	<b>94784217</b>	THERMAL FUSE (3 WIRES)	<b>WS7U 3kW - 44780020</b>
2	<b>94780441</b>	1KW ELEMENT*	

3	<b>94780439</b>	THERMOSTAT (Cotherm)
4	<b>94780425</b>	TANK TO ELEMENT SEAL (WASHER)
5	<b>94780428</b>	WATER TANK (BOTTLE)
6	<b>94780430</b>	FIXING KIT
7	<b>94780426</b>	INSULATION STRAP
8	<b>94780429</b>	TANK TO ELEMENT SEAL
9	<b>94780423</b>	THERMOSTAT KNOB
10	<b>NLA</b>	FRONT COVER
11	<b>NLA</b>	REAR CASE ASSY
N/I	<b>94780447</b>	SOLENOID
N/I	<b>94780446</b>	ACTUATOR (C/W MICROSWITCH)
N/I	<b>94780444</b>	AIR SWITCH (PUSH BUTTON & TUBE)
N/I	<b>94780445</b>	3MM DIA. TUBE
N/I	<b>94780437</b>	SWIVEL SPOUT ASSY
N/I	<b>94780411</b>	PACK OF 4 RESTRICTORS
N/I	<b>NLA</b>	REAR INSULATION

<b>WS7 3kW 44780001 (1980 - Current)</b>
<b>WS7 1kW 44780002 (1980 - Current)</b>

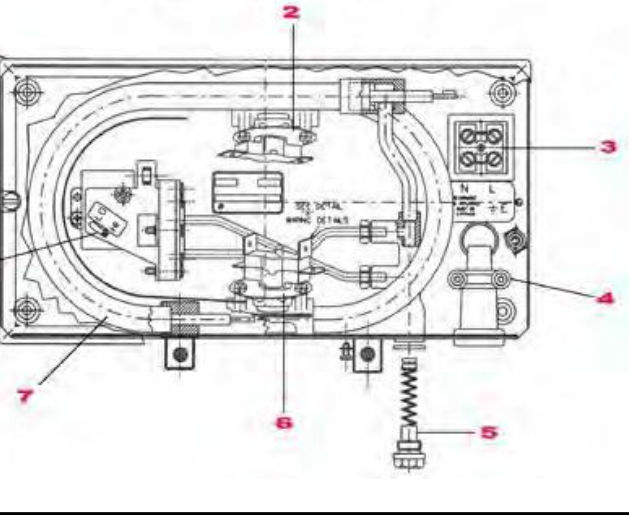
CONTOUR 7000 Remote 3kW	<b>44784020 (1996 - CURRENT)</b>
CONTOUR 7000 1kW	<b>44784021 (1996 - 1999)</b>

1	<b>94784217</b>	THERMAL FUSE
2	<b>94784220</b>	3KW ELEMENT / HEATER ASSY (INC.FUSE)
2	<b>94784219</b>	1KW ELEMENT / HEATER ASSY (INC.FUSE)
3	<b>94784218</b>	THERMOSTAT (Cotherm)
4	<b>94784209</b>	TANK TO ELEMENT SEAL
5	<b>94784212</b>	WATER TANK
6	<b>94784210</b>	INSULATION STRAPPING
7	<b>94784214</b>	REAR INSULATION
8	<b>94784213</b>	FRONT INSULATION
9	<b>94784221</b>	FRONT COVER
10	<b>94780437</b>	SWIVEL SPOUT ASSY
11	<b>94780444</b>	AIR SWITCH (PUSH BUTTON & TUBE)
N/I	<b>94784216</b>	TERMINAL BLOCK
N/I	<b>94780445</b>	3MM DIA. TUBE
N/I	<b>94780446</b>	ACTUATOR (C/W MICROSWITCH)
N/I	<b>94784224</b>	SOLENOID VALVE
N/I	<b>94784231</b>	INLET ELBOW
N/I	<b>94780411</b>	PACK OF 4 RESTRICTORS

CONTOUR 7000 3kW	<b>44784001 (1996 - CURRENT)</b>
CONTOUR 7000 1kW	<b>44784002 (1996 - 1999)</b>

1	<b>94784203</b>	THERMAL FUSE (2 WIRES)
2	<b>94784206</b>	3KW ELEMENT / HEATERS ASSY (INC.FUSE)
2	<b>94784219</b>	1KW ELEMENT / HEATERS ASSY (INC.FUSE)
3	<b>94784204</b>	THERMOSTAT
4	<b>94784226</b>	CONTROL TAP (NO CONTROL TAP)
5	<b>94784209</b>	TANK TO ELEMENT SEAL
6	<b>94784212</b>	WATER TANK
7	<b>94784210</b>	INSULATION STRAPPING
8	<b>94784225</b>	FLOW CONTROL KNOB
9	<b>94780419</b>	STANDARD SWIVEL ARM 300MM
10	<b>94784208</b>	THERMOSTAT KNOB (BEHIND FRONT COVER)
11	<b>94784213</b>	FRONT INSULATION
12	<b>94784214</b>	REAR INSULATION
13	<b>94784207</b>	FRONT COVER
14	<b>94784215</b>	REAR CASE
15	<b>94784230</b>	INLET ELBOW
16	<b>94780411</b>	PACK OF 4 RESTRICTORS
17	<b>94784216</b>	TERMINAL BLOCK

### POWERSTREAM



- 1 **94780449** THERMAL FUSE 10AMP (2 WIRES)
- 2 **94780414** 3KW ELEMENT/HEATER ASSY (INC. FUSE)
- 2 **94780415** 1KW ELEMENT/HEATER ASSY (INC. FUSE)
- 3 **94784204** THERMOSTAT
- 3 **94780439** THERMOSTAT (COTHERM)
- 4 **94780418** CONTROL TAP/INLET VALVE
- 5 **94780425** TANK TO ELEMENT SEAL (WASHER)
- 6 **94780428** WATER TANK (BOTTLE)
- 7 **94780430** FIXING KIT
- 8 **94780426** INSULATION STRAPPING KIT
- 9 **94780411** PACK OF 4 RESTRICTORS
- 10 **94780423** THERMOSTAT KNOB
- 11 **94780419** STANDARD SWIVEL ARM 300MM
- 12 **94780422** SWIVEL ARM NUT
- 13 **94780420** SWIVEL ARM O-RING SEAL
- 17 **94780429** TANK TO ELEMENT CLIPS-HARDWARE KIT
- 18 **94780421** SPLIT BUSH
- 19 **84780404** SWIVEL ARM - 450MM
- 20 **84780405** SWIVEL ARM - 600MM

14, 15 & 16 No Longer Available

### CURRENT)

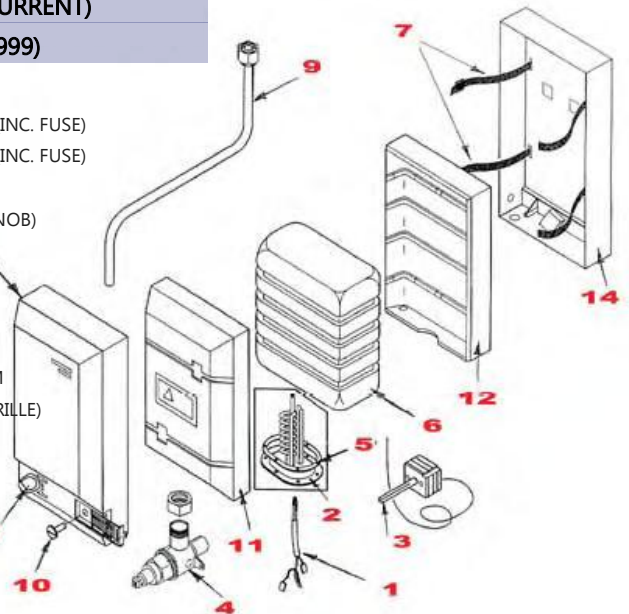
(999)

(INC. FUSE)

(INC. FUSE)

(NOB)

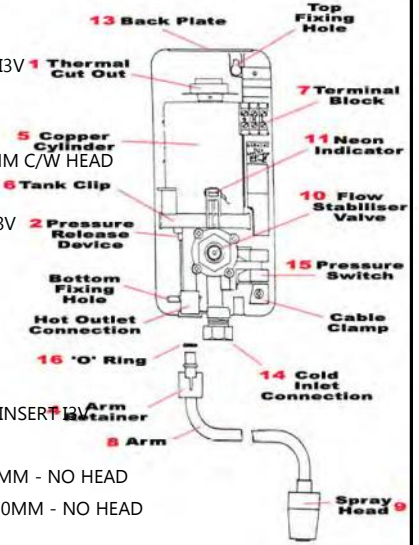
(RILLE)



### Instant 3 Vortex 13V Handwash

43769701

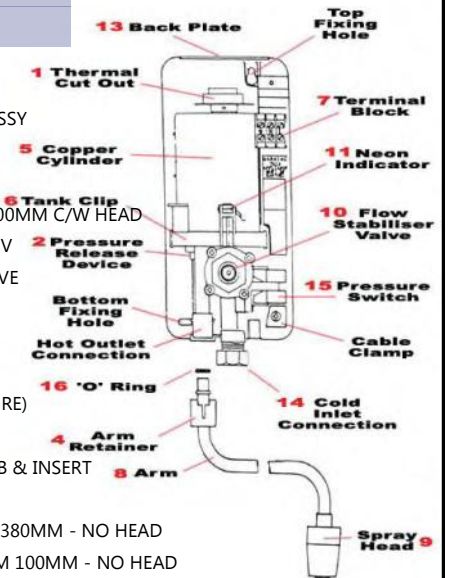
- 1 **93764455** THERMAL CUT-OUT
- 2 **93795817** PRV WASHER
- 4 **93768323** OUTLET ARM RETAINER
- 5 **93768304** ELEMENT / CYLINDER ASSY I3V
- 6 **93768309** TANK CLIP
- 7 **93768306** TERMINAL BLOCK
- 8 **93768315** SPRAY ARM ASSY 13V 200MM C/W HEAD
- 9 **93768317** VORTEX HEAD I3V
- 10 **93768319** FLOW / STABILISER VALVE I3V
- 11 **93768311** NEON & CABLE I3V
- 12 **93768329** BACKPLATE
- 13 **93768310** INLET COUPLING PACK
- 14 **93795804** MICROSWITCH (PRESSURE)
- 15 **93760841** OUTLET O-RING
- 16 **93768303** LEVER / CONTROL KNOB & INSERT I3V
- N/I **93768307** TANK BASE ASSY I3V
- N/I **85768322** EXTENDED SPRAY ARM 380MM - NO HEAD
- N/I **85768330** SHORTENED SPRAY ARM 100MM - NO HEAD
- N/I **93768301** FRONT COVER I3V



### Instant 3 Vortex 17V Handwash

43769701

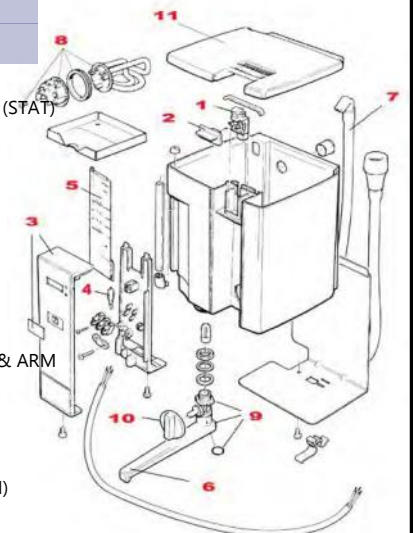
- 1 **93764455** PRV WASHER
- 2 **93795817** OUTLET ARM RETAINER
- 4 **93768323** ELEMENT / CYLINDER ASSY
- 5 **93768305** TANK CLIP
- 6 **93768309** TERMINAL BLOCK
- 7 **93768306** SPRAY ARM ASSY I7V 200MM C/W HEAD
- 8 **93768316** VORTEX SPRAY HEAD I7V
- 9 **93768318** FLOW / STABILISER VALVE
- 10 **93768320** NEON
- 11 **93768312** BACKPLATE
- 13 **93768329** INLET COUPLING PACK
- 14 **93768310** MICROSWITCH (PRESSURE)
- 15 **93795804** OUTLET O-RING
- 16 **93760841** LEVER / CONTROL KNOB & INSERT I7V
- N/I **93768303** TANK BASE ASSY I7V
- N/I **93768308** EXTENDED SPRAY ARM 380MM - NO HEAD
- N/I **85768322** SHORTENED SPRAY ARM 100MM - NO HEAD
- N/I **85768330** FRONT COVER I7V
- N/I **93768302** FRONT COVER I7V



### Corvette 28717201

Aquaboil 28716501

- 1 **95716213** STEAM SWITCH COMPLETE (STAT)
- 2 **95716244** STEAM SWITCH KNOB
- 3 **95716215** FRONT TRIM
- 4 **95716214** NEON & CABLE
- 5 **95716216** SIGHT GLASS
- 6 **95716217** OUTLET ARM ASSY
- 7 **95716209** INLET FILLER HOSE
- 8 **95716211** ELEMENT C/W CUT-OUT
- 9 **95716242** OUTLET VALVE C/W KNOB & ARM
- 10 **95716243** OUTLET VALVE KNOB
- 11 **95716234** LID
- N/I **89716203** EXTENDED OUTLET SPOUT
- N/I **89716202** EXTENDED INLET HOSE (2M)
- N/I **89716201** PLUMBING-IN KIT



## SANTON STORAGE WATER HEATERS

## HIGH PRESSURE HEATERS UNTIL 2000



Premier

A7, A10, A15, A7/2 UNTIL 2000	
HEATER PLATE ASSEMBLY 3KW	S1159
HEATER PLATE ASSEMBLY 1.2KW	S1160
HEATER PLATE ASSEMBLY 3KW (A10)	S1161
HEATER PLATE ASSEMBLY 1.2KW (A10)	S1162
12" SWANNECK A7/A10/15 (SPOUT)	S1165
THERMOSTAT (A10)	S8207
THERMOSTAT (A7)	S8208
HEATER PLATE GASKET	S101
THERMAL CUT-OUT	S1167
INLET VALVE ASSEMBLY	
A7/10/15 STRAIGHT	605857

AU7	
HEATER PLATE ASSEMBLY 3KW	S2601
HEATER PLATE ASSEMBLY 1.2KW	NLA
THERMAL CUT-OUT	S1167
N.B. OTHER ITEMS AS A7	

AU10	
HEATER PLATE ASSEMBLY 3KW	S2611
HEATER PLATE ASSEMBLY 1.2KW	S2612
THERMAL CUT-OUT	S2613
THERMOSTAT	S483

AS10	
HEATER PLATE ASSEMBLY 3KW	S1159
HEATER PLATE ASSEMBLY 1.2KW	S2612
THERMAL CUT-OUT	S2613
THERMOSTAT	S483

J7, JM7, J12, JM12	
J7, JM7 HEATER PLATE ASSEMBLY 3KW	S1159
J12, JM12 HEATER PLATE ASSEMBLY 3KW	S1161
JM7, JM12 SWANNECK 300MM (11 3/4")	S1165
JM7, JM12 TELESCOPIC SWANNECK	S2606
THERMOSTAT	S484
THERMAL CUT-OUT	S1167

DF23/34/55/68/91	
HEATER PLATE ASSEMBLY 3KW 'INCOLOY'	S474
HEATER PLATE GASKET	S101
THERMOSTAT 11"	S8203

DFE/25/35/55/70/90	
HEATER PLATE ASSEMBLY 3KW COPPER	S3403
HEATER PLATE GASKET	S101
P.C.B. CONVERSION KIT	
(STAT ELEC SENSOR/PROBE CUT-OUT)	NLA
F/PAN COVER/AIR INLET 25/35L	S3408
F/PAN COVER/AIR INLET 45/55/70L	S3409

CAT NOS: HAU7, HAU10, AL083,  
AL153, AL156, ALK01

HAU7	
1.5KW ELEMENT	NLA
RANCO CUT-OUT	S1250
DIAMOND 'H' 7" STAT	S8212
PTRV	S1252

HAU10	
3KW ELEMENT	S4301
H/PLATE WASHER	S4207
CUT-OUT	NLA
THERMOSTAT	612685
PTRV	S1252

AL083	
3KW ELEMENT (MK11) HORIZONTAL	S4206
H/PLATE WASHER	S4207
D/P CUT-OUT	NLA
CONTROL STAT	612685
PTRV	S1252

AL153	
3KW ELEMENT (MK11) HORIZONTAL	S4208
H/PLATE WASHER	S4207
D/P CUT-OUT	NLA
CONTROL STAT	612685
PTRV	S1252

AL156	
6KW ELEMENT (MK11) HORIZONTAL	S4209
H/PLATE WASHER	S4207
D/P CUT-OUT	NLA
CONTROL STAT	612685
PTRV	S1252
TUN DISH	S5520
CONTROL RELAY	S8501

ALK01 EXPANSION KIT	
EXPANSION VESSEL (3.5 BAR)	607988
NON-RETURN VALVE	607987
PRESSURE LIMITER (3 BAR)	605830
EXPANSION RELIEF VALVE (6 BAR)	607986
LINE STRAINER	S5506



Tribune Classic

### Premier Plus Unvented Hot Water Systems *Unvented mains pressure water heater - 100, 120, 150, 170 and 210 litre direct and indirect models*



**SPARE PARTS** - A full range of spare parts are available for the Premier Plus range. Refer to the Technical Data Label on the unit to identify the model installed and ensure the correct part is ordered.

Description	Part No
IMMERSION HEATER (LOWER)	95606963
IMMERSION HEATER (UPPER)	95606964
IMMERSION HEATER GASKET	95611822
IMMERSION HEATER BACKNUT	95607869
IMMERSION HEATER KEY	95607861
TUNDISH	95605838
EXPANSION RELIEF VALVE CARTRIDGE - 6BAR	95605864
COLD WATER COMBINATION VALVE BODY	95605863
CHECK VALVE HOUSING	95605866
PRESSURE REDUCING VALVE CARTRIDGE - 3.5BAR	95605867
PRESSURE REDUCING VALVE HOUSING	95605868
EXPANSION VESSEL 12 LITRE (100, 120 AND 150 LITRE MODELS)	95607863
EXPANSION VESSEL 18 LITRE (170 AND 210 LITRE MODELS)	95607864
EXPANSION VESSEL 24 LITRE	95607612
<b>DIRECT UNITS ONLY (PP- - -E)</b>	
COMBINED THERMOSTAT AND THERMAL CUT-OUT (PRE 2006)	95612026
TERMINAL HOUSING	95607836
<b>INDIRECT UNITS ONLY (PP - - -B)</b>	
COMBINED THERMOSTAT AND THERMAL CUT-OUT	95612689
MOTORISED VALVE 2 PORT	95605819
TERMINAL HOUSING	95607865

**Tribune Valves** To summarise, there are only 9 different valves available:-  
 3 Expansion valves, 2 Temperature and pressure, 1 Temperature and pressure relief valves relief valves & 3 Valves for Premier units

#### Tribune/Classic

Description	Inlet	Outlet	Rating	Ref
EXPANSION RELIEF	1/2" Male	1/2" Female	3.5bar	S9533
EXPANSION RELIEF	15mm Comp	15mm Comp	4bar	S9505
EXPANSION RELIEF	3/4" Male	3/4" Male	3.5bar	S9507
TEMP & PRESSURE	3/4" Male	3/4" Female	4bar 90C	S9532
TEMP & PRESSURE	3/4" Male	22mm Comp	4.5bar 90-95C	S9506
PRESSURE REDUCING	3/4" Female	3/4" Female	1.8bar	S6101

#### Premier

Description	Rating	Ref
3.5BAR PRESSURE REDUCING VALVE	3.5bar	605846
6BAR EXPANSION VALVE 15 X 22MM	6bar	S6222
10BAR TEMP - PRESSURE VALVE TPR 22	10bar	S6223

#### IMPORTANT NOTE

On earlier DIRECT models the indirect type combined thermostat and thermal cut-out was fitted. In this instance spare part number 95 607 862 should be To identify the thermostat fitted refer to the following diagrams and compare with that fitted to your unit.

Combined Thermostat / Thermal Cut-out - Indirect models.  
Spare Part No: 95 612 689  
Pre 2006 models

Combined Thermostat and Thermal Cut-out - Direct models.  
Spare Part No: 95 612 026

Cable Gland

Expansion Relief Valve cartridge  
Spare Part No: 95605 864

Expansion relief Valve  
Spare Part No: 95 605 865

Valve body  
Spare Part No: 95 605 865

Housing securing screws (4 off)

Check Valve housing  
Spare Part No: 95 605 866

Strainer mesh

Pressure Reducing Valve cartridge  
Spare Part No: 95 605 867

Pressure Reducing Valve Housing  
Spare Part No: 95 605 868

**COMPLETE PART 95 605 863**

Cold Water Combination Valve - Exploded View

## SANTON - End of Line Spares

We still have available,  
these listed spares in stock.  
But once sold they will no longer  
be available.

AH10, AH15 AQUAHEAT - UNVENTED	
Description	Ref
HEATER PLATE ASSEMBLY	NLA
GASKET	611801
ANODE - (AH10)	607658
ANODE - (AH15)	607659
CAPILLARY THERMOSTAT	612631
THERMAL CUT OUT	612632
THERMOSTAT KNOB	NLA
PRESSURE RELIEF VALVE	607986
NEON INDICATOR	S6604
TERMINAL COVER PLATE	S6606

AH30, AH50 AQUAHEAT - UNVENTED	
Description	Ref
HEATER PLATE ASSEMBLY	606916
GASKET	611801
ANODE - (AH30)	607673
ANODE - (AH50)	607674
CAPILLARY THERMOSTAT	612631
THERMAL CUT OUT	612632
TEMPERATURE & PRESSURE RELIEF VALVE	S6610
THERMOSTAT KNOB	S6611
PRESSURE RELIEF VALVE	607986
NEW INDICATOR	S6604
TERMINAL COVER	S6606

FH324, FH424 SANSPRAY	
Description	Ref
COVER C/W SWITCH FOR TIMER UNIT	S1150
TIMER ASSEMBLY	S2202
SOLENOID	S2116
PRESSURE SWITCH ASSEMBLY	S2109
SPRAY OUTLET ASSEMBLY	S1073
P. RELIEF DIAPHRAGM (PK3)	S969

CISTERN TYPE DFB25, DFB50, DFB75	
Description	Ref
3KW HEATER PLATE ASSEMBLY (MK2)	S6512
3KW HEATER PLATE ASSEMBLY (MK1)	S6501
HEATER PLATE GASKET	S101
FLOAT SWITCH	S6502
THERMOSTAT (MK2)	S6513
THERMOSTAT (MK1) USE 56513	NLA
THERMAL CUT OUT (MK2)	S6514
THERMAL CUT OUT (MK1)	NLA
SOLENOID VALVE	S6505
NON RETURN VALVE (MK2)	S6515
NON RETURN VALVE (MK1)	NLA
INLET VALVE	S6507
THERMOSTATIC BLENDER & GASKETS	S6516
PRESSURE REDUCING VALVE	S6510
MK1 S/N 00	
MK2 S/N DFO	

Santon Tribune Classic (White Casing)	
Description (SEE PICTURE 2)	Ref
IMMERSION HEATER GASKET	S6100
EY311 IMMERSION HEATER	NLA
3/4" PRESSURE RELIEF VALVE	S6101
PRESSURE & TEMPERATURE RELIEF VALVE 4 BAR	S9506
COMBINED THERMOSTAT & CUT OUT	NLA
INDIRECT FITTING KIT	S6104
DIRECT FITTING KIT	NLA
PRIMARY COMPRESSION NUTS	S6106
TEMPERATURE RELIEF VALVE GASKET	S6107

PREMIER (GREY/BLACK CASING)	
Description (SEE PICTURE 1)	Ref
THERMOSTAT & CUT OUT	S6211
3.0KW ELEMENT (DIRECT MODELS)	S6212
1.5KW ELEMENT (INDIRECT MODELS)	S6213
19 LITRE EXPANSION VESSEL	607864
PRESSURE REDUCING VALVE 3.5 BAR	605846
PRESSURE & TEMPERATURE RELIEF VALVE 10BAR	S6223
MOTORISED VALVE (22MM)	605819

RANGE MK1 - DARK GREEN CASING/ DARK BLUE EXP VESS MK2 - LIGHT GREEN CASING	
Description	Ref
19 LITRE EXPANSION VESSEL	607864
PRESSURE GAUGE	NLA
PRESSURE RELIEF VALVE 4 BAR	S9505
PRESSURE & TEMPERATURE RELIEF VALVE 4.5BAR	S9506
MOTORISED VALVE (22MM)	605819
NON RETURN VALVE (22MM)	NLA
PRESSURE REDUCING VALVE 3/4" 2 BAR	NLA
PRESSURE REDUCING VALVE 1" 2.1 BAR	NLA
PRESSURE REDUCING VALVE 3/4" 1.8 BAR	S6101
EY311 IMMERSION HEATER	NLA
PRESSURE & TEMPERATURE RELIEF VALVE 4 BAR	S9532
PRESSURE RELIEF VALVE 1/2" MALE 3.5 BAR	S9533
PRESSURE RELIEF VALVE 1/2" FEMALE 3 BAR	NLA
28MM NON RETURN VALVE	NLA
LINE STRAINER	NLA
PRESSURE RELIEF VALVE 2"	NLA

R25, R45, R70, R115	
Description	Ref
HEATER PLATE ASSEMBLY (BOLT ON)	S3407
HEATER PLATE GASKET	S101
11" CONTROL THERMOSTAT	S8207
7" RESET THERMOSTAT	S567
OR	
EY311 SCREW IN IMMERSION HEATER (PRE JAN 2001)	EY311C
EY311 SCREW IN IMMERSION HEATER (POST JAN 2001)	EY311E
CONTROL THERMOSTAT	S484
RESET THERMOSTAT	980009
<b>OTHER PARTS</b>	
BALL VALVE ASSEMBLY	S5512
BY LAW 30 KIT	S3412
FEED PAN COVER (R25)	S3408
FEED PAN COVER (R45 R70)	S3409
FEED PAN COVER (R115)	S3411

### SANTON SPARES - New Models since 2000

#### Aqua-Dri Hand Drier - 1.5kW 2002 - 94020009

95601721	FAN & HEATER UNIT
95604676	AIR OUTLET NOZZLE
95607901	SPAX SCREW
95614282	FRONT COVER
95614283	LOWER HOUSING
95614284	MOUNTING PLATE
95615042	CIRCUIT BOARD

#### EV 2001 3.1 kW - 94020002 & Sector 3.1kW 94020004

95614199	SECTOR COVER FRONT & CONTROL KNOB
95614277	SANTON FRONT COVER & CONTROL KNOB
95604673	OUTLET SPOUT ASSEMBLY (LESS SPRAY PLATE)
95614269	SANTON WASH FRONT COVER & CONTROL KNOB
95605853	ESQUIRE/SANTON WASH/SECTOR/ALTO PC CONTROL KNOB
95607561	PRESSURE RELIEF DEVICE (3.1 KW) & PRD METAL BRACKET
95605862	SANTON CONTROL KNOB
95605849	VALVE (3.1KW)
95613626	PRESSURE SWITCH ASSEMBLY (3.1KW)
95608924	INNER CONTAINER (3.1KW) & CUT-OUT
95604675	SPRAY PLATE (3.1KW)
95607553	TERMINAL BLOCK
95605850	JOHN GUEST CONNECTOR
95611821	NUT CONNECTOR, TOP & BOTTOM 'O' RINGS
95607554	SPLASH SHIELD
95607555	BLUE INLET ELBOW (3.1 KW)
95607556	RELEASE CABLE TIE
95607557	PRD METAL BRACKET
95607558	COVER SCREW (X2)
95612682	WIRE SET 3.1KW
95612610	THERMAL CUT-OUT

#### EV 2001 7.2kW - 94020003 & Sector 7.2kW 94020005

95614199	SECTOR COVER FRONT & CONTROL KNOB
95614277	SANTON FRONT COVER & CONTROL KNOB
95604673	OUTLET SPOUT ASSEMBLY (LESS SPRAY PLATE)
95605853	ESQUIRE/SECTOR/ALTO PC CONTROL KNOB
95607562	PRESSURE RELIEF DEVICE (7.2KW) & PRD METAL BRACKET
95605862	SANTON CONTROL KNOB
95605852	VALVE (7.2KW)
95613627	PRESSURE SWITCH ASSEMBLY (7.2KW)
95608925	INNER CONTAINER (7.2KW) & CUT-OUT
95604674	SPRAY PLATE (7.2KW)
95607553	TERMINAL BLOCK
95605850	JOHN GUEST CONNECTOR
95611821	NUT CONNECTOR, TOP & BOTTOM 'O' RINGS
95607554	SPLASH SHIELD
95607559	WHITE INLET ELBOW (7.2KW)
95607556	RELEASE CABLE TIE
95607557	PRD METAL BRACKET
95607558	COVER SCREW (X2)
95612683	WIRE SET 7.2KW
95612610	THERMAL CUT-OUT

#### Aquarius O/Sink A7/3,A7/1,A10/3,A10/1 94010001/2/3/4

95606934	ELEMENT PLATE ASSEMBLY 1.2KW
95606763	ELEMENT PLATE ASSEMBLY 3KW
95611708	ELEMENT PLATE ASSEMBLY GASKET (PK OF TEN)
95612688	OVER TEMPERATURE CUT-OUT
95612667	THERMOSTAT- CAPILLARY
95605857	CONTROL VALVE
95607509	SPOUT ADAPTOR
95604678	SPOUT (12") COMPLETE WITH ADAPTOR
95614272	TOP COVER MOULDING
95614273	TERMINAL COVER

#### Aquarius U/Sink AU7/3, AU7/1, AU10/3, AU10/1 - 94010008/9/10/11 from 2001

95606936	ELEMENT PLATE ASSEMBLY 7 LITRE 1.2KW
95606937	ELEMENT PLATE ASSEMBLY 7 LITRE 3KW
95606938	ELEMENT PLATE ASSEMBLY 10 LITRE 1.2KW
95606949	ELEMENT PLATE ASSEMBLY 10 LITRE 3KW
95611708	ELEMENT PLATE ASSEMBLY GASKET
95612667	THERMOSTAT- CAPILLARY
95612688	OVER TEMPERATURE CUT-OUT
95614272	TOP COVER MOULDING
95614273	TERMINAL COVER

#### Heatstore 10Ltr 3kW Oversink (HS55/3/ION) - 94010005

95606763	ELEMENT - 3KW
95614265	TOP MOULDING
95614267	TERMINAL COVER
95612667	THERMOSTAT- CAPILLARY
95612688	THERMOSTAT - 'OVER TEMPERATURE CUT OUT'
95605855	CONTROL VALVE
95611708	GASKET
95604678	SPOUT
95607509	ADAPTOR
95604213	TELE' SPOUT

#### Heatstore 7Ltr 3kW Oversink (HS55/3/7N) - 94010006

95606763	ELEMENT - 3KW
95614265	TOP MOULDING
95614267	TERMINAL COVER
95612667	THERMOSTAT - CAPILLARY
95612688	THERMOSTAT - 'OVER TEMPERATURE CUT OUT'
95605855	CONTROL VALVE
95611708	GASKET
95604678	SPOUT
95607509	ADAPTOR
95604213	TELE' SPOUT

#### Heatstore 7Ltr 1.2kW Oversink (HS55/1/7N) - 94010007

95606934	ELEMENT - 1.2KW
95614265	TOP MOULDING
95614267	TERMINAL COVER
95612667	THERMOSTAT - CAPILLARY
95612688	THERMOSTAT - 'OVER TEMPERATURE CUT OUT'
95605855	CONTROL VALVE
95611708	GASKET
95604678	SPOUT
95607509	ADAPTOR
95604213	TELE' SPOUT

## SANTON SPARES - New Models since 2000

<b>SECTOR 7LTR 1.2KW VENTED OVERSINK (S1 POU) - 94010016 (S1 POU)</b>		<b>HEATSTORE 10LTR 3KW UNDERSINK (HS10U) - 94010008</b>		<b>SECTOR 15LTR 2.2KW UNVENTED UNDERSINK (S15UNV) - 94050017</b>	
95606934	ELEMENT 1.2KW	95606921	ELEMENT - 3KW	95606941	ELEMENT 2.2KW
95614272	TOP MOULDING	95614265	TOP MOULDING	95614272	TOP MOULDING
95614273	TERMINAL COVER	95614266	TERMINAL COVER	95614274	TERMINAL COVER
95612667	THERMOSTAT - CAPILLARY	95612687	COMBINED T'STAT/THERMAL CUT-OUT	95612687	THERMOSTAT ROD COMBINED STAT/THERMAL CUTOUT
95612688	T'STAT - 'OVER TEMPERATURE CUT OUT'	95605854	T&P VALVE	95605854	T&P VALVE
95605857	CONTROL VALVE	95611708	GASKET	95607986	PRESSURE RELIEF VALVE
95611708	GASKET	95607992	NEON - 3KW	95611708	GASKET
95604678	SPOUT	<b>HEATSTORE 15LTR 3KW UNDERSINK (HS15U) - 94010009</b>		95607992	NEON - 3KW
95607509	ADAPTOR	95606922	ELEMENT - 3KW	95980043	THERMOSTAT
95604213	TELE' SPOUT	95614265	TOP MOULDING	95612634	THERMAL CUT-OUT
<b>SECTOR 7LTR 3KW VENTED OVERSINK (S3POU) - 94010017</b>		95614266	TERMINAL COVER	95607995	INDICATOR LIGHT
95606763	ELEMENT 3KW	95612687	COMBINED T'STAT/THERMAL CUT-OUT	95611811	ELEMENT PLATE GASKET
95614272	TOP MOULDING	95605854	T&P VALVE	95607986	PRESSURE (EXPANSION) RELIEF VALVE
95614273	TERMINAL COVER	95611708	GASKET	95607994	TEMPERATURE/PRESSURE RELIEF VALVE
95612667	THERMOSTAT - CAPILLARY	95607992	NEON - 3KW	95607987	CHECK VALVE
95612688	T'STAT - 'OVER TEMPERATURE CUT OUT'	<b>HEATSTORE 30LTR 3KW OVERSINK (HS30U) - 94010010</b>		95607988	EXPANSION VESSEL
95605857	CONTROL VALVE	95606922	ELEMENT PLATE ASSY - 30/50 LITRE 3KW	95607989	PRESSURE REDUCING VALVE
95611708	GASKET	95614265	THERMOSTAT	95614184	TERMINAL COVER C/W T'STAT KNOB
95604678	SPOUT	95614266	THERMAL CUT-OUT	<b>HEATSTORE 50LTR 3KW OVERSINK (HS50U) - 94010011</b>	
95607509	ADAPTOR	95607995	INDICATOR LIGHT	95606921	ELEMENT PLATE ASSY - 30/50 LITRE 3KW
95604213	TELE' SPOUT	95611811	ELEMENT PLATE GASKET	95980041	THERMOSTAT
<b>AQUAHEAT AH7/2.2, AH10/2.2, AH15/2.2 - 94050001/02/03</b>		95607986	PRESSURE (EXPANSION) RELIEF VALVE	95980042	THERMAL CUT-OUT
95606939	ELEMENT PLATE ASSEMBLY - 7 LITRE 2.2KW	95607994	TEMPERATURE/PRESSURE RELIEF VALVE	95607995	INDICATOR LIGHT
95606940	ELEMENT PLATE ASSEMBLY - 10 LITRE 2.2KW	95607987	CHECK VALVE	95611811	ELEMENT PLATE GASKET
95606950	ELEMENT PLATE ASSEMBLY - 15 LITRE 2.2KW	95607988	EXPANSION VESSEL	95607986	PRESSURE (EXPANSION) RELIEF VALVE
95612687	COMBINED T'STAT/THERMAL CUT-OUT	95607989	PRESSURE REDUCING VALVE	95607994	TEMPERATURE/PRESSURE RELIEF VALVE
95607992	INDICATOR LIGHT	<b>HEATSTORE 50LTR 3KW OVERSINK (HS50U) - 94010011</b>		95607987	CHECK VALVE
95611708	ELEMENT PLATE GASKET	95606921	ELEMENT PLATE ASSY - 30/50 LITRE 3KW	95607988	EXPANSION VESSEL
95607986	PRESSURE (EXPANSION) RELIEF VALVE	95980041	THERMOSTAT	95607989	PRESSURE REDUCING VALVE
95605854	TEMPERATURE/PRESSURE RELIEF VALVE	95980042	THERMAL CUT-OUT	95614184	TERMINAL COVER C/W T'STAT KNOB
95614272	TOP COVER MOULDING (7&10 LITRE)	95607995	INDICATOR LIGHT	<b>SECTOR 10LTR 2.2KW UNVENTED UNDERSINK (S103UNV) - 94050016</b>	
95614276	TOP COVER MOULDING (15 LITRE)	95611811	ELEMENT PLATE GASKET	95606940	ELEMENT 2.2KW
95614274	TERMINAL COVER (7&10 LITRE)	95607986	PRESSURE (EXPANSION) RELIEF VALVE	95614272	TOP MOULDING
95614275	TERMINAL COVER (15 LITRE)	95607994	TEMPERATURE/PRESSURE RELIEF VALVE	95614274	TERMINAL COVER
<b>AQUALINE AL07/3, AL10/3, AL15/3, AL15/4.5 - 94050012/13/14/15</b>		95607987	CHECK VALVE	95612687	THERMOSTAT ROD COMBINED STAT/THERMAL CUTOUT
95606942	ELEMENT PLATE ASSEMBLY - 7 LITRE 3KW	95607988	EXPANSION VESSEL	95605854	T&P VALVE
95606921	ELEMENT PLATE ASSEMBLY - 10 LITRE 3KW	95607989	PRESSURE REDUCING VALVE	95607986	PRESSURE RELIEF VALVE
95606944	ELEMENT PLATE ASSEMBLY - 15 LITRE 3KW	95614184	TERMINAL COVER C/W T'STAT KNOB	95611708	GASKET
95606945	ELEMENT PLATE ASSEMBLY - 15 LITRE 4.5KW	<b>SECTOR 10LTR 2.2KW UNVENTED UNDERSINK (S103UNV) - 94050016</b>		95607992	NEON - 3KW
95612687	COMBINED T'STAT/THERMAL CUT-OUT 3KW	95606940	ELEMENT 2.2KW	<b>SECTOR 15LTR 2.2KW UNVENTED UNDERSINK (S15UNV) - 94050017</b>	
95612634	COMBINED T'STAT/THERMAL CUT-OUT 4.5KW	95614272	TOP MOULDING	95606941	ELEMENT 2.2KW
95607992	INDICATOR LIGHT (3KW)	95614274	TERMINAL COVER	95614272	TOP MOULDING
95611708	ELEMENT PLATE GASKET	95612687	THERMOSTAT ROD COMBINED STAT/THERMAL CUTOUT	95614274	TERMINAL COVER
95607986	PRESSURE (EXPANSION) RELIEF VALVE	95605854	T&P VALVE	95612687	THERMOSTAT ROD COMBINED STAT/THERMAL CUTOUT
95605876	TEMPERATURE/PRESSURE RELIEF VALVE	95607986	PRESSURE RELIEF VALVE	95605854	T&P VALVE
95605875	THERMOSTATIC BLENDING VALVE	95611708	GASKET	95607986	PRESSURE RELIEF VALVE
95614272	TOP COVER MOULDING (7&10 LITRE)	95607992	NEON - 3KW	95611708	GASKET
95614276	TOP COVER MOULDING (15 LITRE)	<b>SECTOR 10LTR 2.2KW UNVENTED UNDERSINK (S103UNV) - 94050016</b>		95607992	NEON - 3KW
95614274	TERMINAL COVER (7&10 LITRE)	95606940	ELEMENT 2.2KW	<b>SECTOR 15LTR 2.2KW UNVENTED UNDERSINK (S15UNV) - 94050017</b>	
95614275	TERMINAL COVER (15 LITRE)	95614272	TOP MOULDING	95606941	ELEMENT 2.2KW
95607993	INDICATOR LIGHT (4.5KW)	95614274	TERMINAL COVER	95614272	TOP MOULDING
		95612687	THERMOSTAT ROD COMBINED STAT/THERMAL CUTOUT	95614274	TERMINAL COVER
		95605854	T&P VALVE	95612687	THERMOSTAT ROD COMBINED STAT/THERMAL CUTOUT
		95607986	PRESSURE RELIEF VALVE	95605854	T&P VALVE
		95611708	GASKET	95607986	PRESSURE RELIEF VALVE
		95607992	NEON - 3KW	95611708	GASKET
				95607992	NEON - 3KW



## Storage Heaters

Model No	Element	Charge Control Input Stat	Room Temp Output Stat	Fuse Link	Input Knob	Output Knob
FS18	91406	91391	91392	-	-	-
FS24	91407	91391	91392	-	-	-
WF12	90628	90592	-	90442	90586	90587
WF18	90629	90592	-	90442	90586	90587
WF24	90630	90592	-	90442	90586	90587
WM712/718/724	80087	90383A	-	90508	NLA	NLA













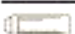












WMS/X Range Models: 1989-1996	Element Spade End Pin End	Charge Control Top Right	Room Temp Bottom	Fuse Link	Input Knob	Output Knob
WMS/WMX 712	80087 or 91515	90383A	91031	-	Obsolete	91696
WMS/WMX 718	80087 or 91515	90383A	91031	-	Obsolete	91696
WMS/WMX 724	80087 or 91515	90383A	91031	-	Obsolete	91696
WMX 706 ONLY	80087 or 91515	Obsolete	-	-	-	-

Models: Jan 97-Sept 97						
WMS/WMX 712	80087 or 91515	92025	91031	-	91641	91696
WMS/WMX 718	80087 or 91515	92025	91031	-	91641	91696
WMS/WMX 724	80087 or 91515	92026	91031	-	91641	91696
WMX706 ONLY	80087 or 91515	92025	-	-	-	-
























Models: Oct 97 (N Range)			Limit Stat			
WMS712N	XT8321	9510023	WM99000	-	9511002	9511002
WMS718N	XT8321	9510023	WM99000	-	9511002	9511002
WMS724N	XT8321	9510023	WM99000	-	9511002	9511002
WMX706N	XT8321	9510037	-	-	-	-
WMX712N	XT8321	9510015	-	-	9511002	9511002
WMX718N	XT8321	9510015	-	-	9511002	9511002
WMX724N	XT8321	9510015	-	-	9511002	9511002

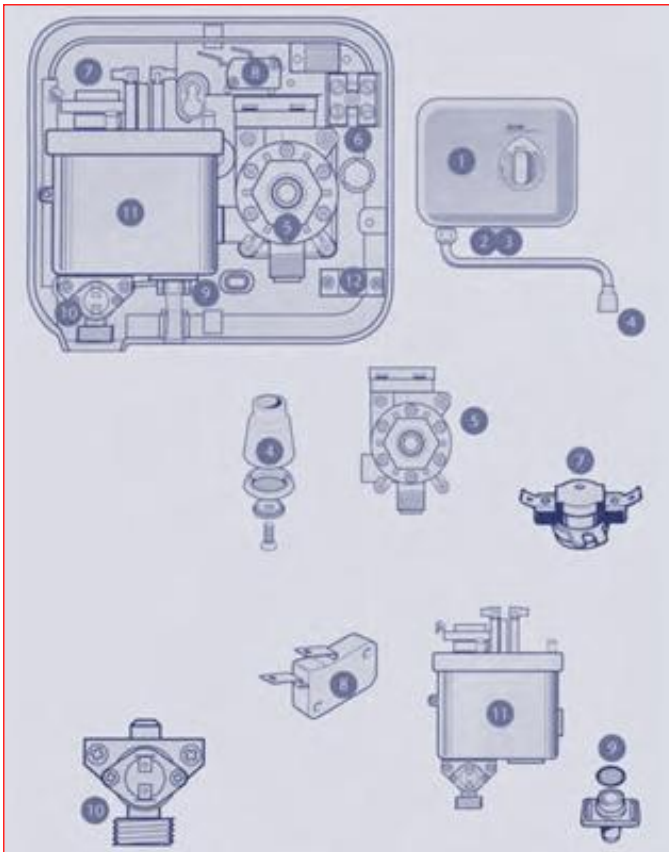
Berry Ranges						
4400, 4401	Obsolete	4500/052	NLA	2101/029	Obsolete	Obsolete
4500, 4501	Obsolete	4500/052	NLA	2101/029	Obsolete	Obsolete
4600, 4601	Obsolete	4500/052	NLA	2101/029	Obsolete	Obsolete
4402, 4502, 4602	Obsolete	4502/022	NLA	2101/029	Obsolete	Obsolete

## INFRA-RED SILICA TUBE ELEMENTS

ECaps	No	Type	Watts	F/C	ECaps	No	Type	Watts	F/C
	ST25	Sunhouse	750	29 1/16"		ST4E	Belling	800	27 3/4"
	ST25A		1000	29 1/16"		ST4F		800	24 3/16-24 3/4"
	ST25B		750	21 5/8"		ST4G	Belling	800	27 5/16"
	ST25C		1000	27 5/8"		ST4H		650	24 1/2"
	ST25D		1500	42 11/16"		ST4J		800	24 1/2"
	ST25E		2000	41 11/16"		ST5	Berry	500(120V)	15 1/8"
	ST25G		1000	21 7/16"		ST5A		666	20 7/8"
	ST25H		1250	27 5/8"		ST5B		833	22 7/8"
	ST25J		1350	31 1/8"		ST5E		940	22 7/8"
	ST25K		800	19 1/4"		ST5F		750	22 7/8"
	ST25M		1000	20 1/8"		ST5G	Berry	940	23 5/8"
	ST25F	Sunhouse	750	9" Ring		ST5H	Berry	500	15 3/4"
	ST25N		250(60V)	8 1/8" c/c		ST5J		500	16 3/16"
	ST25P	Sunhouse	650	19 1/4"		ST5K		500(120V)	13 1/4"
	ST25R	Sunhouse	650	20 11/16"		ST5L		750	16 3/16"
	ST25S		800	20 11/16"		ST6	Creda	750	21 1/2"
	ST25T	Sunhouse	500	12 7/8"		ST6A	Creda	750	21 1/2"
	ST25U	Sunhouse	900	21 1/8"		ST6B		1000	29"
	ST25V		1000	27 1/4"		ST6C		1000	21 1/2"
	ST25W		900	20 3/4"		ST6D	Creda	600	20 11/16"
	ST25X	Sunhouse	500(120V)	15 5/16" c/c		ST8	Dimplex	750	27 1/4"
	ST25Y	Sunhouse	600	20 11/16"		ST8a		1000	27 1/4"
	ST70	Adjustable	750	18-19 3/4"		ST8B	Dimplex	666	18 3/4"
	ST70A		1000	18-19 3/4"		ST8C		1000	21 1/4"
	ST70B		750	20-21 3/4"		ST8D		750	21 1/4"
	ST70C		1000	20-21 3/4"		ST8E	Dimplex	800	27 1/4"
	ST70D		750	22-23 3/4"		ST8F	Dimplex	710	21 1/4"
	ST70E		1000	22-23 3/4"		ST8G		710	18 3/4"
	ST70F		750	24-25 3/4"		ST8H	Dimplex	1000	24 1/4"
	ST70G		1000	24-25 3/4"		ST8J	Dimplex	650	14 3/8"
	ST4	Belling	750	23 2/8"		ST8K	Dimplex	1000	24 1/2"
	ST4A	Belling	650	20 1/2"		ST8L		1000	23 1/2"
	ST4B		750	23 1/8"					
	ST4C		1000	28"					
	ST4D	Belling	1000	23 3/4"					

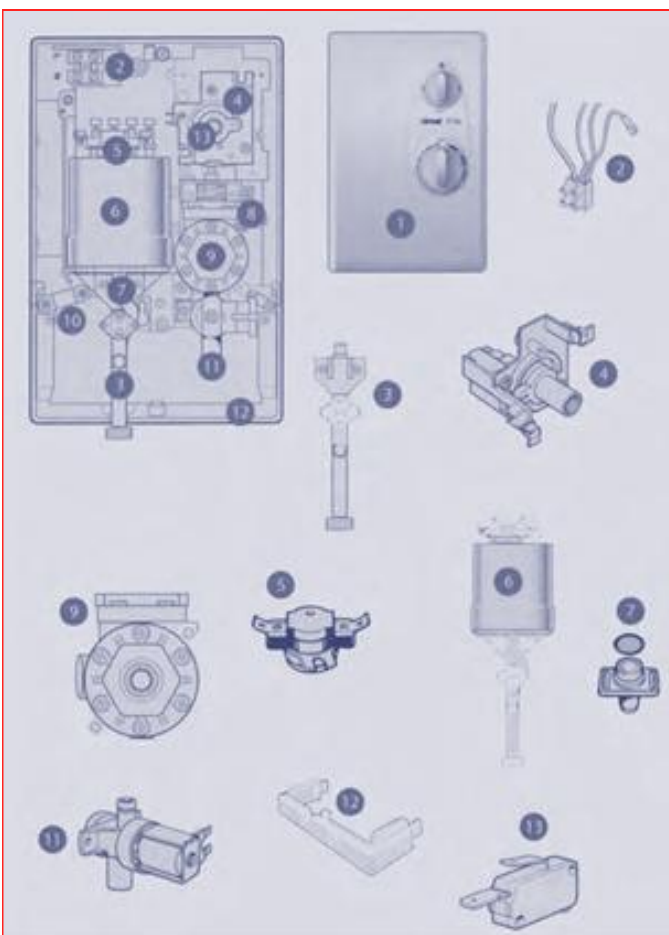
## INFRA-RED SILICA TUBE ELEMENTS

ECaps	No	Type	Watts	F/C	ECaps	No	Type	Watts	F/C
	ST8M	Dimplex	1000	25 1/16"		ST29G	Prilect	1000	19 1/2"
	ST8N		1000	24 1/4"		ST29H		750	19 1/2"
	ST8P		650	25 1/16"					
	ST8R		800	25 1/16"		ST29J	Prilect	750	9" Ring
	ST8S	Dimplex	1000	24 1/8"		ST29K	Prilect	1000	21 3/4"
	ST8T		750	17 5/8"					
	ST8U	Dimplex	660	18 1/8"		ST29L	Prilect	1000	18 3/4"
	ST8V	Dimplex	500	25 1/6"		ST29M	Prilect	1000	21 1/2"
	ST8W		750	25 1/6"					
	ST8X	Dimplex	800	23 3/4"		ST19	Rima	750	9" Ring
	ST8Y		500	23 3/4"					
	ST8Z	Dimplex	666	13 1/4"		ST19A	Rima	750	167/8"
	ST38	Hurseal	1000	22"		ST20	Radisil	1000	28 1/4" c/s
	ST38A		750	22"		ST20A		800	28 1/4" c/s
					ST20B	600		28 1/4" c/s	
	ST27	Pye	1500	28 3/8"		ST20C	Radisil	1500	42 3/8"
	ST27A		1000	20 3/8"					
	ST27B		800	20 3/8"		ST20D	Radisil	725	22 1/8" c/c
	ST29	Prilect	750	21 1/4"		ST20E	Radisil	1500	42 3/4" c/s
	ST29A		1000	21 1/4"					
	ST29B		750	29 1/2"		ST20F	Radisil	600	9" Ring
	ST29C		1000	29 1/2"		ST20G	900	11" Ring	
	ST29D	Prilect	750	18 3/4"		ST20H	Radisil	800	29 1/2"
	ST29E	Prilect	750	21 1/4"		ST20J	1000	29 1/2"	
	ST29F		1000	21 1/4"					



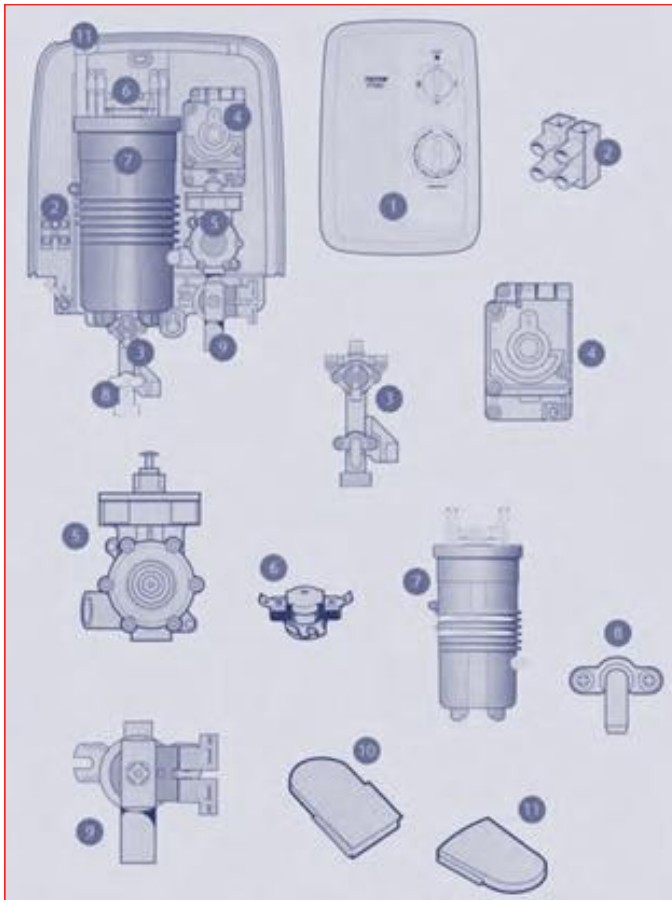
## T30i SPARES

1	COVER ASSEMBLY	81200010
2	SWIVEL ARM ASSEMBLY	82700080
3	OPTIONAL 300M SWIVEL ARM	82700100
4	SPRAYHEAD ASSEMBLY	83302080
5	STABILISING VALVE ASSEMBLY	3kW 82600270 7kW 82600720
6	TERMINAL BLOCK (not pictured)	22007020
7	THERMAL CUT-OUT	Obsolete
8	MICROSWITCH	22003230
9	PRESSURE RELIEF DEVICE	83301330
10	OUTLET PIPE ASSEMBLY	7051619
11	HEATER CAN ASSEMBLY	3kW 84500010 7kW 84500020
12	CABLE CLAMP (not pictured)	7050082
13	SWITCH AND WIRE KIT (not pictured)	3kW 83304040 7kW 83304050
14	FILTER (not pictured)	7052161



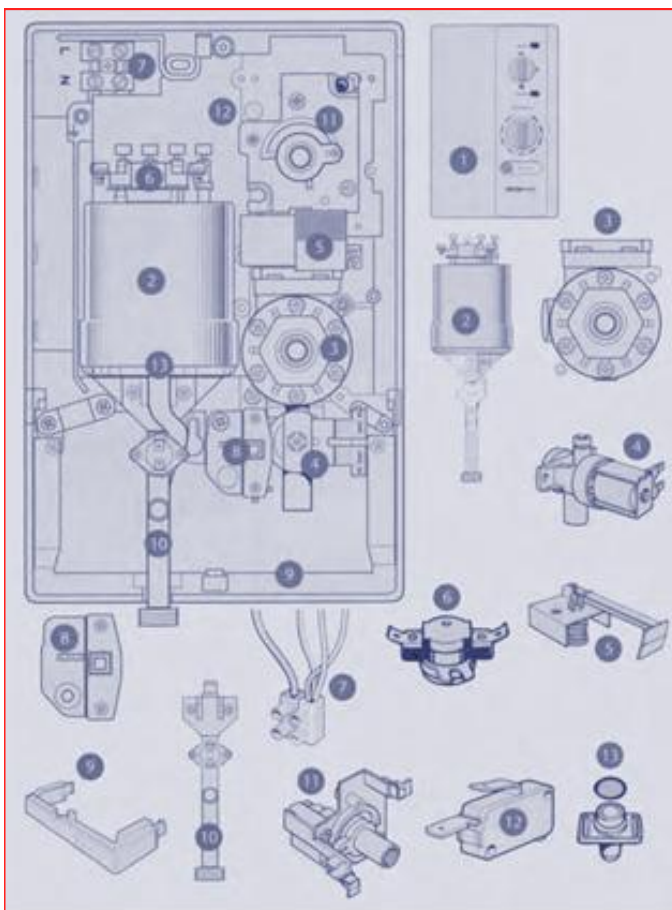
## T70i SPARES

1	COVER ASSEMBLY	85700050
2	TERMINAL BLOCK	82200070
3	OUTLET PIPE ASSEMBLY	Obsolete
4	SELECTOR SWITCH ASSEMBLY	82500050
5	THERMAL CUT--OUT - NO.1	22003570
6	CAN ASSEMBLY	7kW 2060001 8kW 2060002
7	PRESSURE RELIEF DEVICE	83301330
8	CARTRIDGE ASSEMBLY (not pictured)	82400110
9	STABILISER VALVE ASSEMBLY	Obsolete
10	CABLE CLAMP (not pictured)	7050082
11	SOLENOID VALVE ASSEMBLY (EATON) 83300450 (EATON EB) 83300310	
12	TRIMPLATE	7051220
13	MICROSWITCH	22003230
14	WIRE KIT (not pictured)	83303170



## T70si SPARES

1	COVER ASSEMBLY	84800010
2	TERMINAL BLOCK	22007020
3	OUTLET PIPE ASSEMBLY	85000160
4	SELECTOR SWITCH ASSEMBLY	82500150
5	STABILISER VALVE ASSEMBLY	82600550
6	THERMAL CUT-OUT	22009860
7	CAN ASSEMBLY	7KW 84500430
	CAN ASSEMBLY	8KW 84500450
8	PRESSURE RELIEF DEVICE	82800450
9	SOLENOID VALVE ASSEMBLY	83300450
10	TRIM - COVER	7052245
11	TRIM - BACKPLATE	7052244



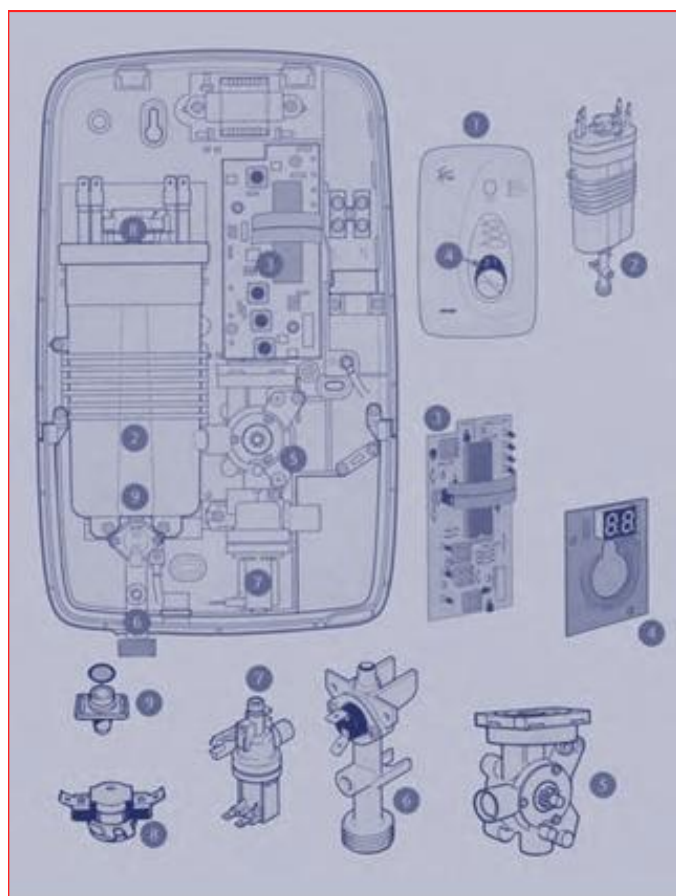
## T80i SPARES

1	COVER ASSEMBLY	81400010
2	CAN ASSEMBLY	7.5kW 2060029
	CAN ASSEMBLY	8.5kW 85600030
	CAN ASSEMBLY	9.5kW 85600090
3	STABILISER VALVE ASSEMBLY	82600250
4	SOLENOID	83300450
5	CARTRIDGE ASSEMBLY	82400170
6	THERMAL CUT-OUT	22003570
7	TERMINAL BLOCK & WIRES	82200070
8	START/STOP SWITCH	83300000
9	TRIMPLATE	70512200
10	OUTLET PIPE ASSEMBLY	83303160
11	SELECTOR SWITCH	82500050
12	MICROSWITCH	22003230
13	PRESSURE RELIEF DEVICE	83301330
14	WIRE KIT (not pictured)	83304060



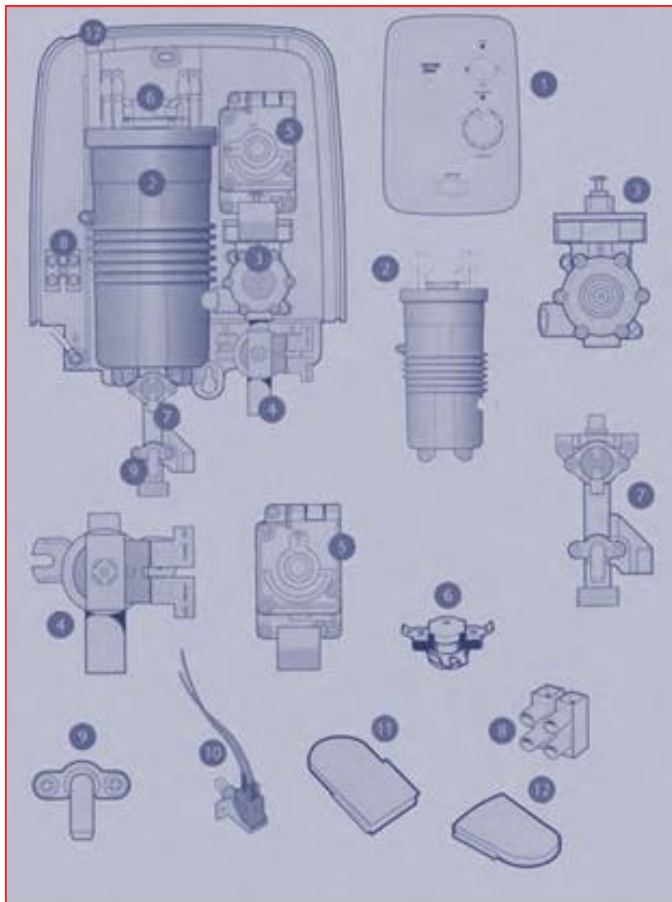
## Topaz T80i SPARES

1	COVER ASSEMBLY	85800040
2	CAN ASSEMBLY	8.5kW 84500300
3	STABILISER VALVE ASSEMBLY	82600320
4	PUSH BUTTON SWITCH ASSEMBLY	83305520
5	BACKLIGHT NEON	82300130
6	SOLENOID VALVE	83304130
7	OUTLET PIPE ASSEMBLY	85000140
8	MICROSWITCH	22003230
9	SELECTOR SWITCH ASSEMBLY	82500090
10	THERMAL CUT-OUT	22005300
11	PRESSURE RELIEF DEVICE	83301330
12	WIRE KIT (NOT PICTURED)	83304140



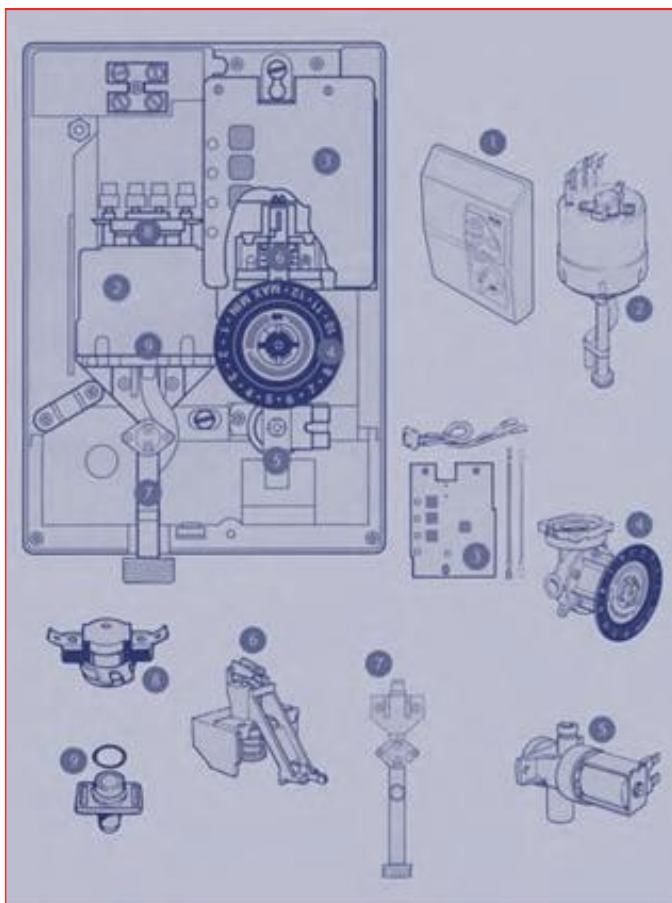
## Topaz T100i SPARES

1	COVER ASSEMBLY	85100050
2a.	CAN ASSEMBLY (2 ELEMENTS CAN)	8.5kW 84500300
	(2 ELEMENTS CAN)	9.5kW 84500290
2b.	CAN ASSEMBLY (3 ELEMENTS CAN)	8.5kW 84500220
	(3 ELEMENTS CAN)	9.5kW 84500230
3	POWER PCB	83305850
4	CONTROL PCB	7071826
5	STABILISER VALVE ASSEMBLY	82600320
6	OUTLET PIPE ASSEMBLY	83304160
7	SOLENOID VALVE ASSEMBLY	83304130
8	THERMAL CUT-OUT	22005300
9	PRESSURE RELIEF DEVICE	83301330
10	WIRE KIT (not pictured)	83304170



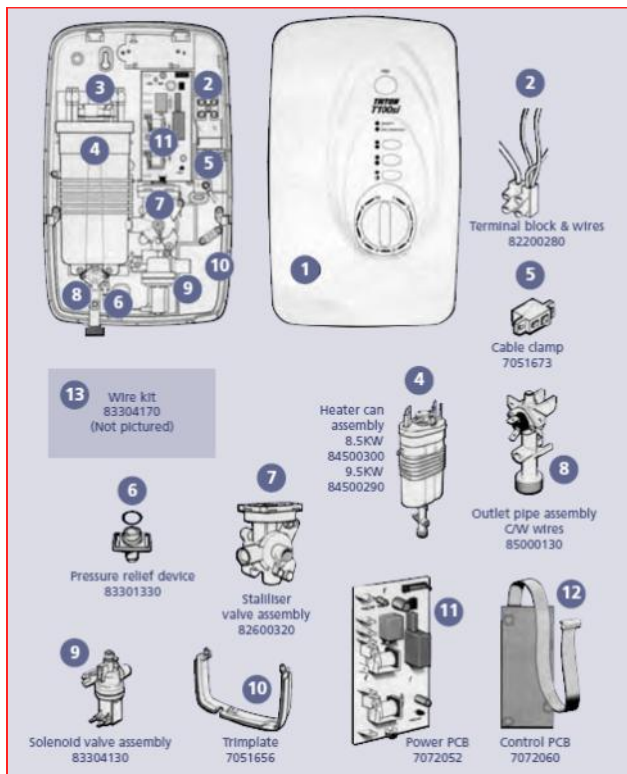
## T80si SPARES

1	COVER ASSEMBLY	84900010
2	CAN ASSEMBLY	7.5kW 84500440
	CAN ASSEMBLY	8.5kW 84500460
	CAN ASSEMBLY	9.5kW 84500470
3	STABILISER VALVE ASSEMBLY	82600550
4	SOLENOID	83300450
5	SELECTOR SWITCH	82500160
6	THERMAL CUT-OUT	22009860
7	OUTLET PIPE ASSEMBLY	85000160
8	THERMAL BLOCK	22007020
9	PRESSURE RELIEF DEVICE	82800450
10	START/STOP SWITCH	83305380
11	INSERT TRIM - COVER	7052245
12	INSERT TRIM - BACKPLATE	7052244



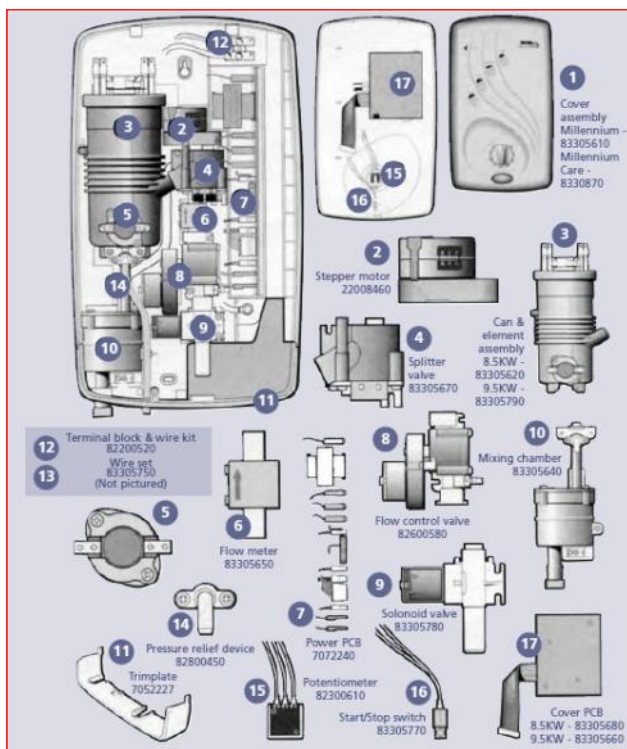
## T100e/T100e Care

1	COVER ASSEMBLY	81100050
2	CAN ASSEMBLY	7kW 2060001
	CAN ASSEMBLY	8kW 2060002
3	PRINTED CIRCUIT BOARD	83301390
4	STABILISER VALVE	82600160
5	SOLENOID VALVE ASSEMBLY	83300450
6	CARTRIDGE ASSEMBLY	82400050
7a.	OUTLET PIPE ASSEMBLY C/W CUTOUT	85000040
7b.	OUTLET PIPE ASSEMBLY WITHOUT CUTOUT	83301380
8	THERMAL CUT-OUT	22003570
9	PRESSURE RELIEF DEVICE	83301330
10	WIRE KIT (not included)	83300510



### T100Si SPARES

1	COVER ASSEMBLY	85100100
2	TERMINAL BLOCK AND WIRES	82200280
3	THERMAL CUT-OUT (not pictured)	22005300
4	HEATER CAN ASSEMBLY	8.5KW 84500300 9.5KW 84500290
5	CABLE CLAMP	7051673
6	PRESSURE RELIEF DEVICE	83301330
7	STABILISER VALVE ASSEMBLY	82600530
8	OUTLET PIPE ASSEMBLY	85000130
9	SOLENOID VALVE ASSEMBLY	83304130
10	TRIMPLATE	7051656
11	POWER PCB	7072052
12	CONTROL PCB	7072060
13	WIRE KIT (not illustrated)	83304170



### Millenium/Care

1	COVER ASSEMBLY	
	MILLENNIUM	83305610
	MILLENNIUM CARE	83305870
2	STEPPER MOTOR	22008460
3	CAN & ELEMENT ASSEMBLY	8.5KW - 83305620 9.5KW - 83305790
4	SPLITTER VALVE	83305670
5	THERMAL CUT-OUTS - SIDE	83305740
	THERMAL CUT-OUTS - TOP	22009570
6	FLOW METER	83305650
7	POWER PCB	7072240
8	FLOW CONTROL VALVE	82600580
9	SOLENOID VALVE	83305780
10	MIXING CHAMBER	83305640
11	TRIMPLATE	7052227
12	TERMINAL BLOCK AND WIRES	82200520
13	WIRE KIT (not pictured)	83305750
14	PRESSURE RELIEF DEVICE	82800450
15	POTENTIOMETER	82300610
16	START/STOP SWITCH	83305770
17	COVER PCB	8.5KW - 3305680 9.5KW - 3305660
18	WIRE KIT (not pictured)	83305750



# Indesit Company Universals

Brought to you by UK Spares

UNIVERSAL  
GREASE FILTER PAPER



C00076031 2 pieces

Cut to size

VENT HOSE



C00264620 2 metres approx.  
C00285451 3 metres approx.  
C00285438 4 metres approx.

SILICONE SEALANT



C00280069

Temp resistant to 300°

BLANKING CAPS PACKS OF 10  
(WITH WASHER)



C00283758

DUCATI CAPACITOR



C00196901 5UF B250  
C00196902 6UF B200

DUCATI CAPACITOR



C00196905 7UF B200  
C00196906 8UF B125

DUCATI CAPACITOR



C00196908 9UF B125  
C00196909 10UF B125

DUCATI CAPACITOR



C00196910 12,5UF B100  
C00196914 16UF B100

4MM UNIVERSAL HOTPLATE



C00283171

180mm 2000W

8MM UNIVERSAL HOTPLATE



C00283170

145mm 1000W

4MM UNIVERSAL HOTPLATE



C00252306

145mm 1500W

8MM UNIVERSAL HOTPLATE



C00252307  
C00252308

145mm 1500W  
180mm 2000W

HANDHELD MULTI-PURPOSE  
STEAM CLEANER



C00286477

BULB 1 PACK OF 25



C00229897 15W 6204399  
C00229896 25W 6204398

OVEN LAMP  
(300° celsius)



C00015910 15W

Fits most ovens

To place an order,  
please contact

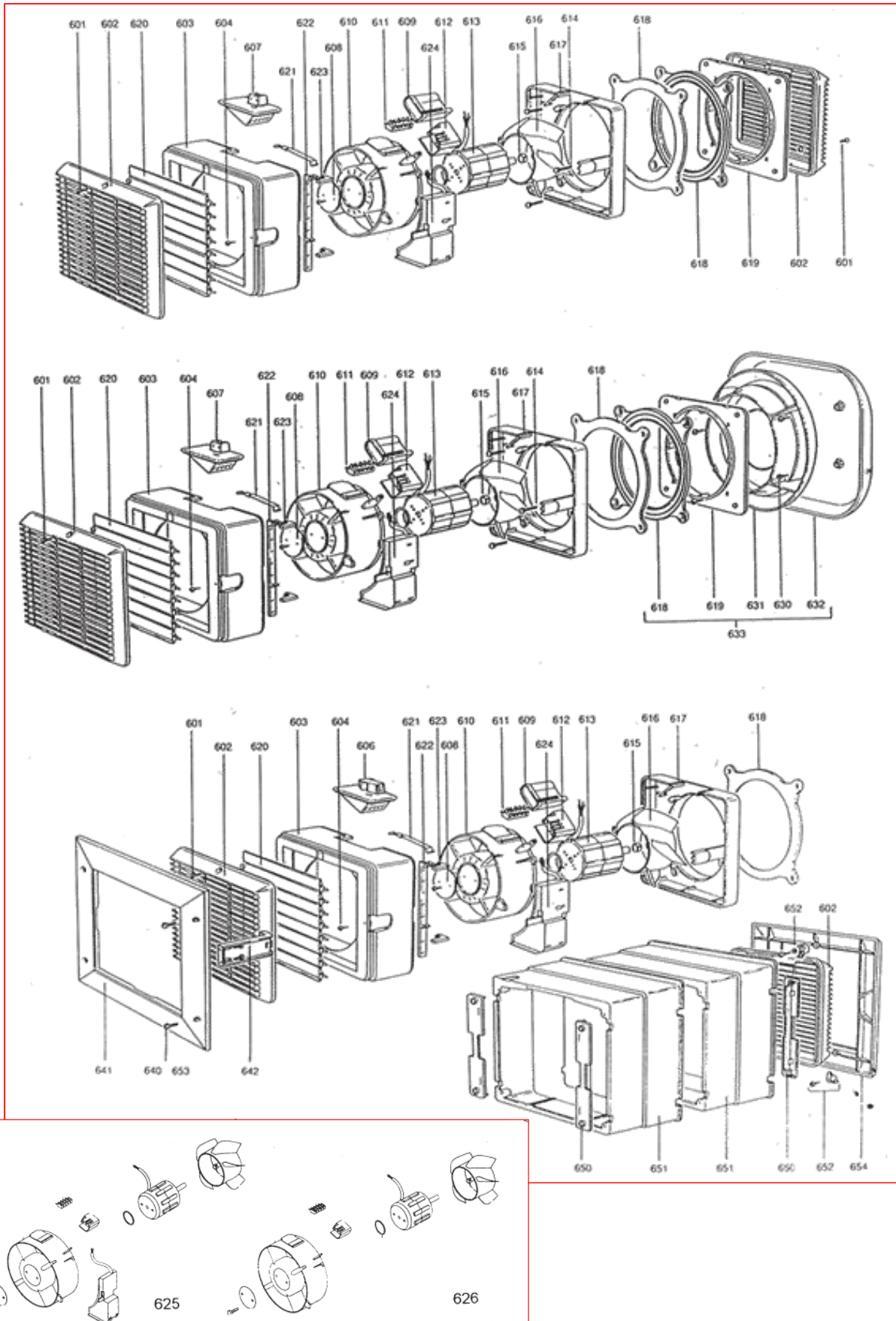
01454  
620500

or email  
sales@uk-spares.com

## T-Series Spares MK1

Diagram	Description	Size 6	Size 7	Size 9	Size 12
601	GRILLE RETAINING SCREWS & WASHERS	460437	460437	460437	460437
602	GRILLE WITH CAPTIVE RETAINING SCREW - INTERNAL	466452	466453	466454	466455
	GRILLE WITH CAPTIVE RETAINING SCREW - EXTERNAL	466504	466505	466506	466507
603	HOUSING	466499	466500	466501	466502
	HOUSING C/W SHUTTER BLADE ASSY	466456	466457	466458	466459
604	HOUSING SCREWS, SET OF 2	460436	460436	460436	460436
606	CONNECTOR C/W SIDE- ENTRY CLAMP	466503	466503	466503	466503
607	CONNECTOR C/W TOP- ENTRY CLAMP	466793	466793	466793	466793
608	MOTOR ACCESSORY PACK	460017	460017	460017	460017
609	CAPACITOR PACK 240V	460153	460154	460155	460156
	120V	460617	460617	460619	460620
610	MOTOR BODY MOULDING	460032	460067	460057	460043
611	TERMINAL BLOCK	460121	460121	460121	460121
612	CAPACITOR SOCKET ASSY	460291	460292	460292	460293
613	MOTOR 220-240V	466711	466712	466713	466714
	120V	466715	466716	466717	466718
	MOTOR-TX & TL IN-LINE ONLY	452796	TBA	452797	452798
614	FIXING SCREWS (SET OF 4) (SET OF 6)	460427	460427	460427	460428
615	IMPELLER COMPRESSION RING	460151	460151	460109	460109
616	IMPELLER INC. COMPRESSION RING	460429	460430	460431	460432
617	HOUSING BASE	466434	466435	466436	466437
618	GASKET - EACH	460051	460052	460053	460054
619	MOUNTING PLATE	466444	466445	466446	466447
620	SHUTTER BLADE - EACH	460039	460068	460060	460048
621	SHUTTER RETURN SPRING	460088	460088	460088	460088
622	SHUTTER ACUTATOR LEVER	460036	460069	460061	460050
623	LEVER RETAINER (SET OF 2) (SET OF 3)	460433	460433	460433	460434
624	SHUTTER ACUTATOR 220-240V	460002	460002	460004	460004
	1 20V	460365	460366	460367	460450
625	TX MOTOR CORE SUB ASSY	452586	452587	452588	452589
626	TL MOTOR CORE SUB ASSY	452590	452591	452592	452593
630	ROOF COWL FIXING SCREWS(SET OF 8)	460421	460421	460421	460421
631	DEFLECTOR	460072	460082	460082	460075
632	COWL	460073	460083	460083	460076
633	COWL,DELFGASKET & MOUNTING PLATE	466483	466484	466485	466486
640	PANEL FRAME SCREWS (SET OF 4)	460422	460422	460422	460422
641	INTERNAL GRILLE FRAME	466438	466439	466440	466441
642	FRAME CLAMP(SET 2 WITH SCREWS)	467725	467725	467725	467726
650	LINER BRACKET (SET OF 4)	460435	460435	460435	460435
651	WALL LINER - PER SECTION	460094	460095	460096	460086
652	GRILLE RETAINING SET	460425	460425	460425	460425
653	WALL FRAME SCREWS (SET OF 8)	460426	460426	460426	460426
654	EXTERNAL GRILLE FRAME C/W				
+652	RETAINING SET	466861	466862	466863	466864
MK1	SILVER MOTOR				
MK2	BLACK MOTOR				

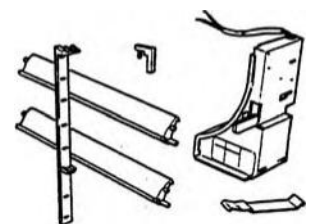
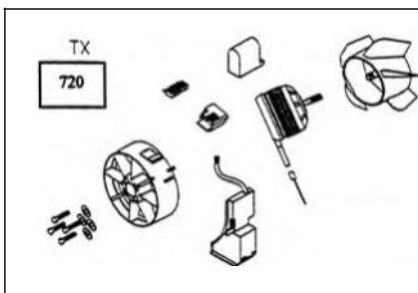
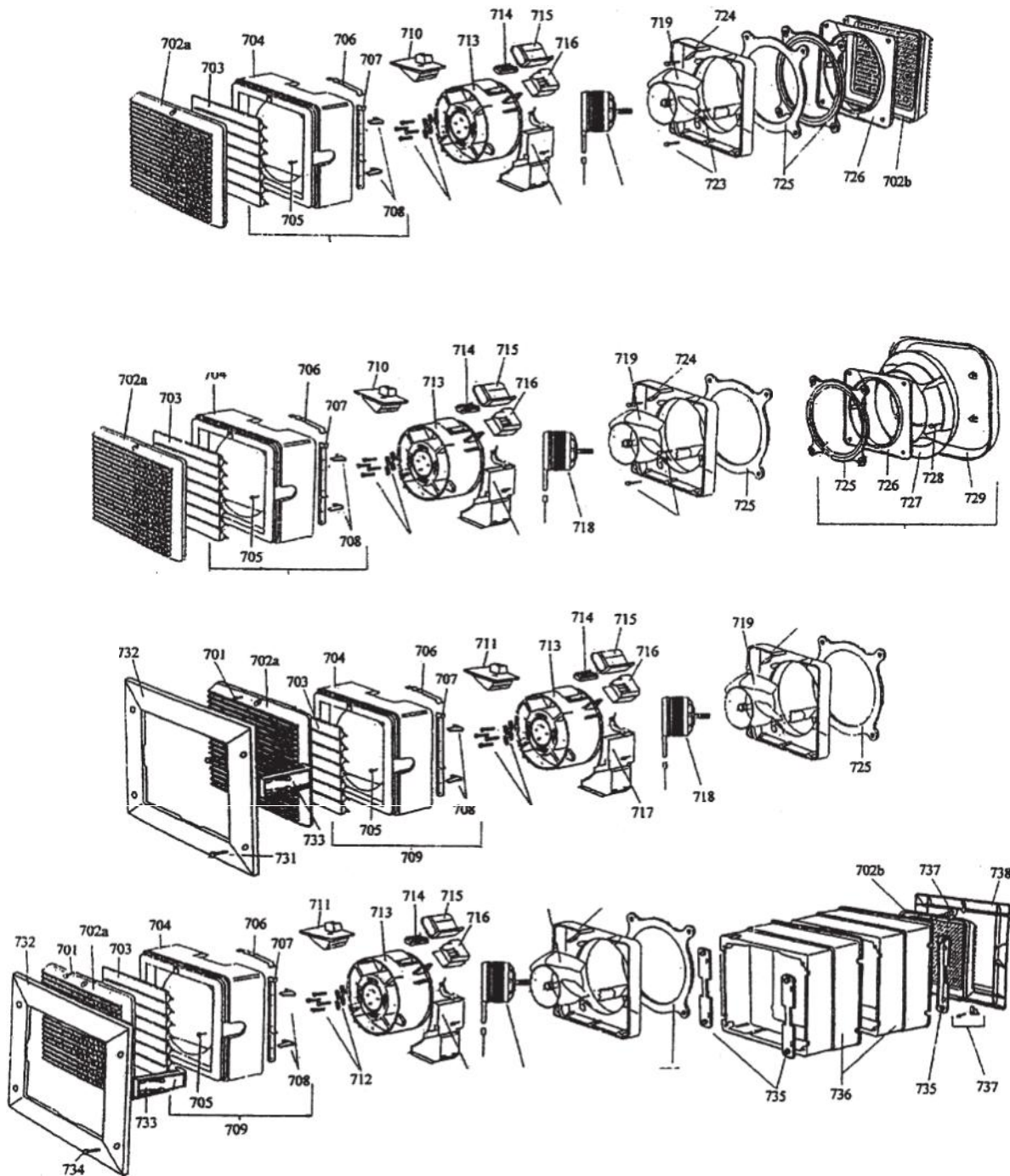
## T-Series Spares MK1



## T-Series Spares MK2

Diagram	Description	Size 6	Size 7	Size 9	Size 12
701	GRILLE RETAINING SCREWS & WASHERS	460437	460437	460437	460437
702	GRILLE WITH CAPTIVE RETAINING SCREW				
a	INTERNAL GRILLE	466452	466453	466454	466455
b	EXTERNAL GRILLE	466504	466505	466506	466507
703	SHUTTER BLADE - EACH	460039	460068	460060	460048
704	HOUSING ON	466499	466500	466501	466502
705	HOUSING SCREWS, SET OF 2	460436	460436	460436	460436
706	SHUTTER RETURN SPRING	460088	460088	460088	460088
707	SHUTTER ACUTATOR LEVER	460036	460069	460061	460050
708	LEVER RETAINER 6/7/9 (SET OF 2) 12" - (SET OF 3)	460433	460433	460433	460434
709	HOUSING C/W SHUTTER BLADE ASSY	466456	466457	466458	466459
710	CONNECTOR CLW TOP ENTRY CLAMP	466793	466793	466793	466793
711	CONNECTOR C/W SIDE-ENTRY DAMP	466503	466503	466503	466503
712	MOTOR SCREW PACK (PACK OF 4)	458315	458315	458315	458315
713	MOTOR HOUSING-SLOTTED	458222	458223	458224	458225
714	TERMINAL BLOCK	460121	460121	460121	460121
715	CAPACITOR PACK - YELLOW 240V	458307	458308	458309	458310
716	CAPACITOR SOCKET ASSY-YELLOW	458234	458235	458235	458236
717	SHUTTER ACUTATOR 220-240V	460002	460002	460004	460004
718	EXTERNAL ROTOR MOTOR 220-240V	458226	458226	458227	458228
719	IMPELLER INC. COMP.RING-SLOTTED	458261	458259	458258	458260
720	TX MOTOR CORE SUB ASSY-EXT ROTOR	458240	458241	458242	458243
721	TL MOTOR CORE SUB ASSY-EXT ROTOR	458244	458245	458246	458247
722	SHUTTER PACK ASSEMBLY	460530	460531	460532	460533
723	FIXING SCREWS 6/7/9 (SET OF 4) 12" (SET OF 6)	460427	460427	460427	460428
724	HOUSING BASE	466434	466435	466436	466437
725	GASKET - EACH	460051	460052	460053	460054
726	MOUNTING PLATE	466444	466445	466446	466447
727	DEFLECTOR	460072	460082	460082	460075
728	ROOF COWL FIXING SCREWS(SET OF 8)	460421	460421	460421	460421
729	COWL	460073	460083	460083	460076
730	COWL ,Delf,GASKET 8 MOUNTING PLATE	466483	466484	466485	466486
731	PANEL FRAME SCREWS (SET OF 4)	460422	460422	460422	460422
732	INTERNAL GRILLE FRAME	466438	466439	466440	466441
733	FRAME CLAMP(SET 2 WITH SCREWS)	467725	467725	467725	467726
734	WALL FRAME SCREWS (SET OF 8)	460426	460426	460426	460426
735	LINER BRACKET (SET OF 4)	460435	460435	460435	460435
736	WALL LINER - PER SECTION	460094	460095	460096	460086
737	GRILLE RETAINING SET	460425	460425	460425	460425
738 +	EXTERNAL GRILLE FRAME C/W				
737	RETAINING SET	466861	466862	466863	466864
	ACCESSORY PACK - (NOT ILLUSTRATED)				
	WINDOW / ROOF	456029	456029	456029	456030
	WAIL	466663	466663	466663	466661
	PANEL	466664	466664	466664	466662

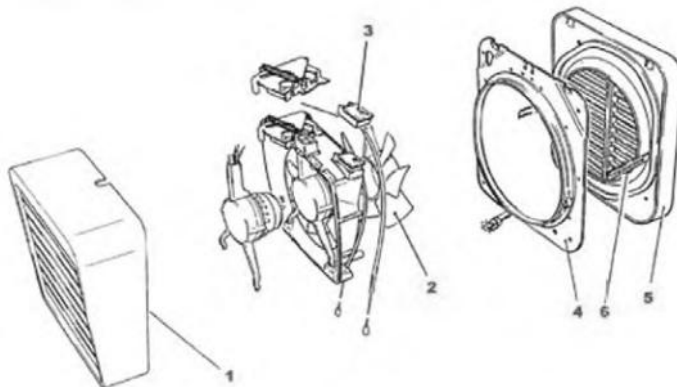
## T-Series Spares MK2



## 6" Fans

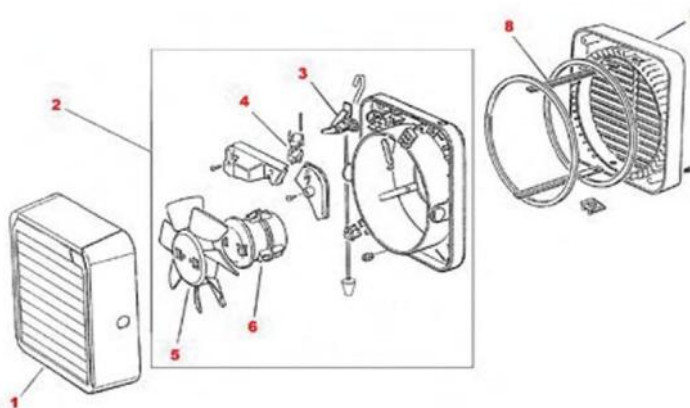
## GXC6 00063AW GX6 00211AW

- 1 **41041SK** SHUTTER ASSY (GXC6)
- 1 **40502SK** SHUTTER ASSY (GX6)
- 2 **40505SK** IMPELLER ASSY (STD/POLLY.)
- 3 **40506SK** SOCKET ASSY
- 4 **40508SK** INNER CLAMP PLATE ASSY
- 5 **40509SK** OUTER GRILLE ASSY (BROWN)
- 6 **41785SK** LADDER STRIP KIT 3"
- N/I **40587SK** STORM COWL (WHITE)
- N/I **07631SW** RETAINING SCREW
- N/I **40503SK** SOLENOID GX6



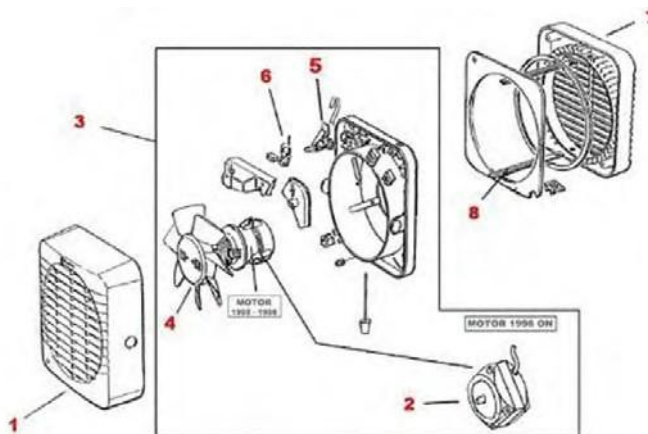
## GXC6 89864AW GX6 89863AW

- 1 **41000SK** INNER GRILLE ASSY
- 2 **N/A** MOTOR DUCT ASSY (GXC6)
- 3 **41005SK** CORD ACTUATOR ASSY (GXC6)
- 4 **41009SK** ISOLATOR SWITCH ASSY
- 5 **N/A** IMPELLER
- 6 **N/A** MOTOR ASSY
- 7 **41010SK** OUTER GRILLE ASSY
- 8 **41785SK** LADDER STRIP KIT 3"
- N/I **40587SK** STORM COWL (WHITE)
- N/I **41004SK** ACTUATOR LINKAGE (GX6)
- N/I **40985K** WAX ACTUATOR (GX6)



## GXC6 90018AW GX6 90019AW

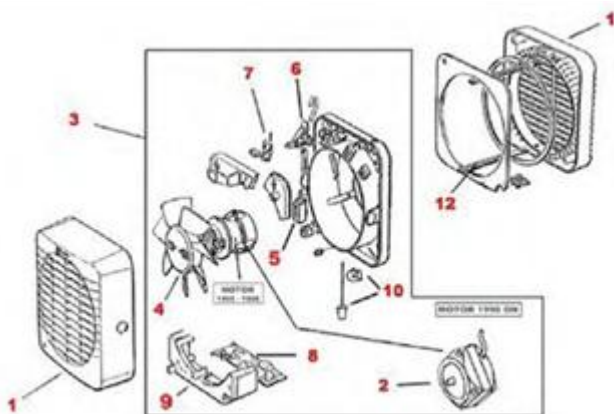
- 1 **41577SK** INNER GRILLE/SHUTTER ASSY (GX6/GXC6)
- 2 **41514SK** MOTOR ASSY
- 3 **41576SK** GXC6 MOTOR DUCT ASSY 415785K - GX6
- 4 **41575SK** IMPELLER ASSY
- 5 **41005SK** CORD ACTUATOR ASSY (GXC6)
- 6 **41009SK** ISOLATOR SWITCH ASSY
- 7 **41010SK** OUTER GRILLE ASSY
- 8 **41785SK** LADDER STRIP KIT 3"
- N/I **40587SK** STORM COWL (WHITE)
- N/I **41004SK** ACTUATOR LINKAGE GX6
- N/I **40984SK** WAX ACTUATOR GX6



Ancillaries for above units: GXL20 - Long Length Ladder Strips, RC6 - Roof Cowl, WK6/300 WK6/450 - Extended Wall Tube

## GXC6T 90161AW GX6T 90158AW

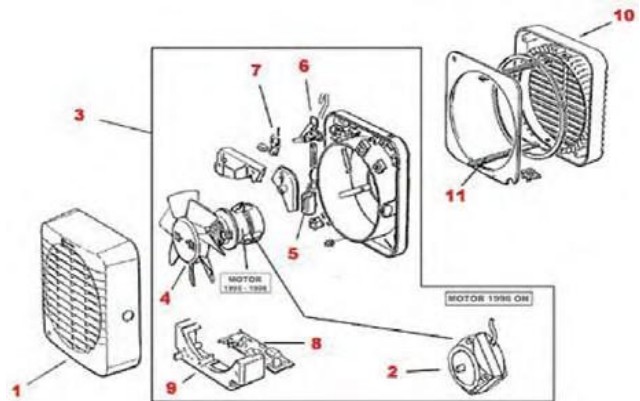
- 1 **41146SK** INNER GRILLE ASSY
- 2 **41514SK** MOTOR ASSY
- 3 **N/A** MOTOR / DUCT ASSY ( GXC6T / GX6T )
- 4 **41575SK** IMPELLER ASSY
- 5 **40984SK** WAX ACTUATOR
- 6 **41004SK** ACTUATOR LINKAGE ASSY (GX6)
- 7 **41089SK** ISOLATING SWITCH
- 8 **41526SK** PCB ASSY ( GX6T / GXC6T )
- 9 **41523SK** GX6T / GXC6T TIMER COVER
- 10 **41521SK** PULL SWITCH ASSY GXC6T
- 11 **41010SK** OUTER GRILLE ASSY
- 12 **41785SK** LADDER STRIP KIT 3"
- N/I **40587SK** STORM COWL (WHITE)



## 6" Fans

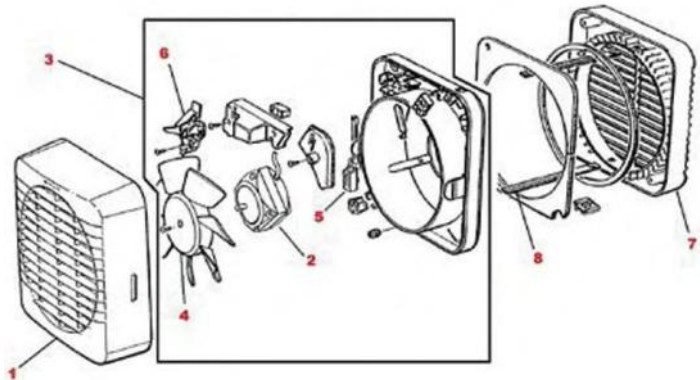
### GX6HT 90159AW GX6HT2 90160AW

- 1 **41146SK** INNER GRILLE ASSY
- 2 **41514SK** MOTOR ASSY
- 3 **41092SK** MOTOR / DUCT ASSY (N/A - GX6HT2)
- 4 **41575SK** IMPELLER ASSY
- 5 **40984SK** WAX ACTUATOR
- 6 **41004SK** ACTUATOR LINKAGE ASSY
- 7 **41089SK** ISOLATING SWITCH
- 8 **41527SK** PCB ASSY (GX6HT) 41525SK - GX6HT2
- 9 **41524SK** GX6HT TIMER COVER
- 10 **41010SK** OUTER GRILLE ASSY
- 11 **41785SK** LADDER STRIP KIT 3"
- N/I **40587SK** STORM COWL (WHITE)



### GX6 90800AW GXC6 90850AW

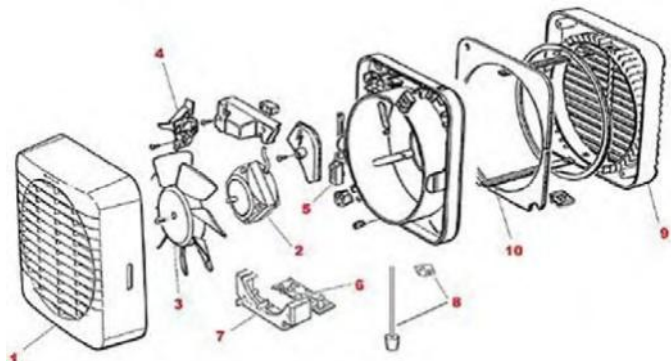
- 1 **41577SK** INNER GRILLE ASSY 2000
- 2 **41514SK** MOTOR ASSY
- 3 **41578SK** MOTOR / DUCT ASSY (GX6) 415785K (GX6)
- 4 **41575SK** IMPELLER ASSY
- 5 **40984SK** WAX ACTUATOR (GX6)
- 6 **41004SK** ACTUATOR LINKAGE ASSY (GX6)
- 7 **41010SK** OUTER GRILLE ASSY
- 8 **41785SK** LADDER STRIP KIT 3"
- N/I **40587SK** STORM COWL (WHITE)
- N/I **41005SK** CORD ACTUATOR ASSY (GXC6)



Ancillaries : GXL20 - Long Length Ladder Strips, RC6 - Roof Cowl,, XXRED6 - WALL REDUCTION PLATE 6

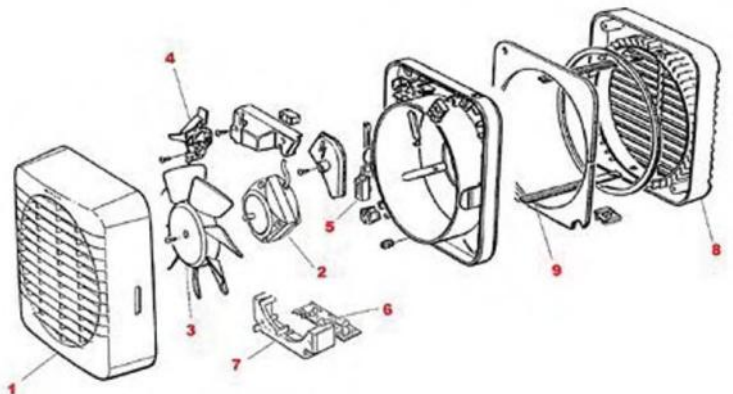
### GXC6T 90861AW GX6T 90812AW

- 1 **41577SK** INNER GRILLE ASSY
- 2 **41514SK** MOTOR ASSY
- 3 **41575SK** IMPELLER ASSY
- 4 **41004SK** ACTUATOR LINKAGE ASSY (GX6)
- 5 **40984SK** WAX ACTUATOR
- 6 **41526SK** PCB ASSY
- 7 **41523SK** TIMER COVER
- 8 **41521SK** PULL SWITCH ASSY (GXC6T)
- 9 **41010SK** OUTER GRILLE ASSY
- 10 **41785SK** LADDER STRIP KIT 3"
- N/I **40587SK** STORM COWL (WHITE)



### GX6HT 90814AW GX6HT2

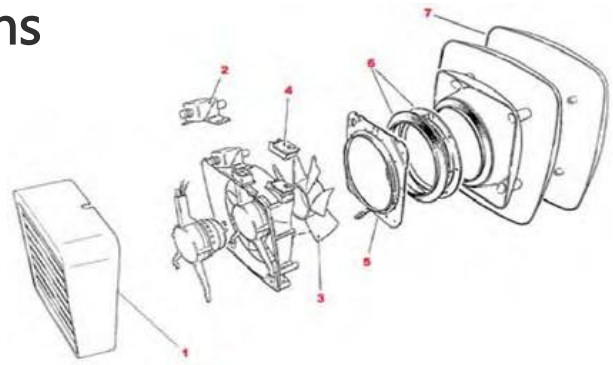
- 1 **41577SK** INNER GRILLE ASSY
- 2 **41514SK** MOTOR ASSY
- 3 **41575SK** IMPELLER ASSY
- 4 **41004SK** ACTUATOR LINKAGE ASSY
- 5 **40984SK** WAX ACTUATOR
- 6 **41527SK** PCB ASSY (GX6HT) 41525SK (GX6HT2)
- 7 **41524SK** TIMER COVER
- 8 **41010SK** OUTER GRILLE ASSY
- 9 **41785SK** LADDER STRIP KIT 3"
- N/I **40587SK** STORM COWL (WHITE)



## 6" Fans

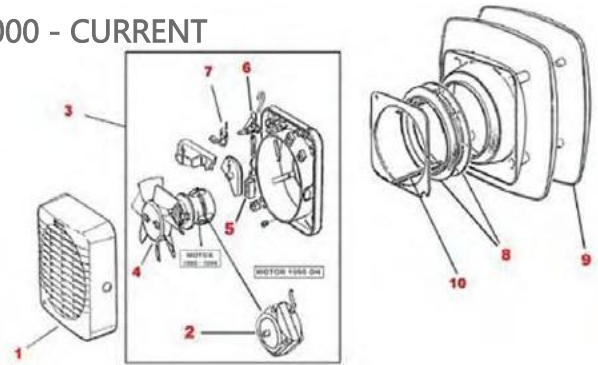
## RX6 00224AW RXC6 00070AW

- 1 40502SK SHUTTER ASSY (RX6 - 41041SK)
- 2 40503SK SOLENOID ASSY (RX6)
- 3 40505SK IMPELLER ASSY (STD./POLLY.)
- 4 40506SK SOCKET ASSY
- 5 40508SK INNER CLAMP PLATE ASSY
- 6 40516SK OUTER CLAMP PLATE ASSY
- 7 40517SK OUTER COWL
- N/I 41785SK LADDER STRIP KIT 3"
- N/I 07631SW RETAINING SCREW



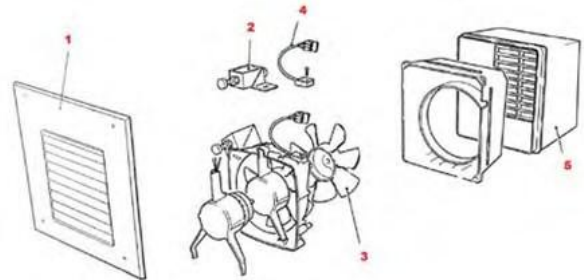
## RX6 90423AW 1995 - 2000 RX6 90818AW 2000 - CURRENT

- 1 41577SK INNER GRILLE / SHUTTER ASSY
- 2 41514SK MOTOR ASSY
- 3 41578SK MOTOR / DUCT ASSY (90423AW ONLY)
- 4 41575SK IMPELLER ASSY
- 5 40984SK WAX ACTUATOR
- 6 41004SK ACTUATOR LINKAGE ASSY
- 7 41009SK ISOLATOR SWITCH ASSY (90423AW ONLY)
- 8 40516SK OUTER CLAMP PLATE ASSY
- 9 40517SK OUTER COWL
- 10 41785SK LADDER STRIP KIT 3"



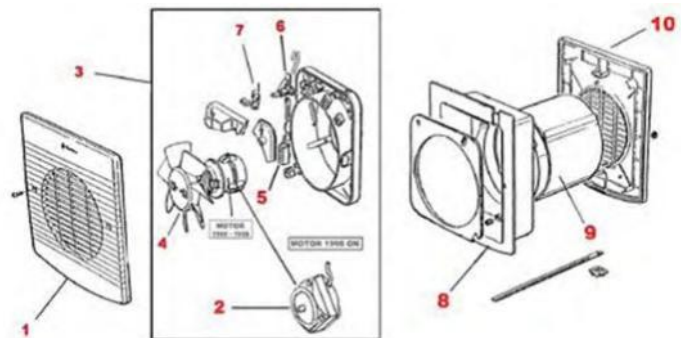
## WX6 00072AW

- 1 40513SK SHUTTER ASSY
- 2 40503SK SOLENOID ASSY
- 3 40505SK IMPELLER ASSY (STD./POLLY.)
- 4 40507SK SOCKET ASSY
- 5 N/A OUTER GRILLE / WALL BOX
- N/I 41785SK LADDER STRIP KIT 3"



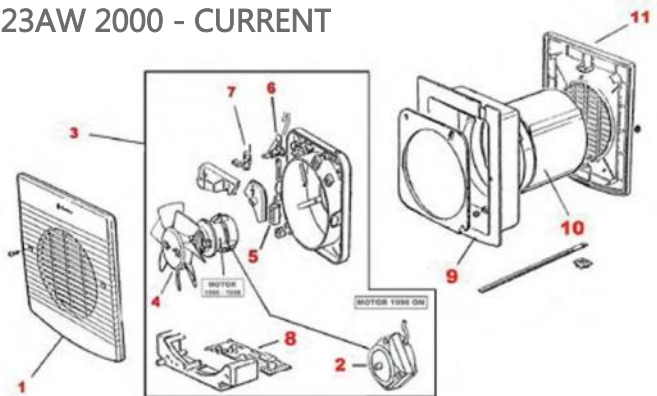
## WX6 90067AW 1996 - 2000 WX6 90822AW 2000 - CURRENT

- 1 40945SK INTERNAL GRILLE ASSY
- 2 41514SK MOTOR ASSY
- 3 41578SK MOTOR / DUCT ASSY (90067AW ONLY)
- 4 41575SK IMPELLER ASSY
- 5 40984SK WAX ACTUATOR
- 6 41004SK ACTUATOR LINKAGE ASSY (90067AW ONLY)
- 7 41009SK ISOLATOR SWITCH ASSY (90067AW ONLY)
- 8 40946SK FAN MOUNTING BOX ASSY
- 9 15955SA WALL TUBE / LINER
- 10 16361SY OUTER GRILLE



## WX6T 90162AW 1996 - 2000 WX6T 90823AW 2000 - CURRENT

- 1 40945SK INTERNAL GRILLE ASSY
- 2 41514SK MOTOR ASSY
- 3 N/A MOTOR / DUCT ASSY
- 4 41575SK IMPELLER ASSY
- 5 40984SK WAX ACTUATOR
- 6 41004SK ACTUATOR LINKAGE ASSY (90162AW ONLY)
- 7 41009SK ISOLATOR SWITCH ASSY (90162AW ONLY)
- 8 41526SK PCB ASSY
- 9 40946SK FAN MOUNTING BOX ASSY
- 10 15955SA WALL TUBE / LINER
- 11 16361SY OUTER GRILLE

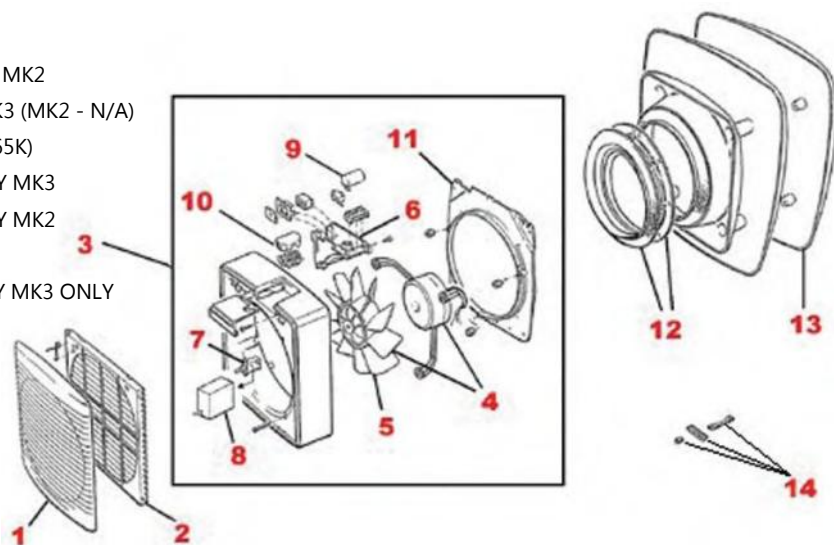




## 9" Fans

### RX9 90424AW-MK3 1999 - CURRENT RX9 90424AW-MK2 1995 - 1999

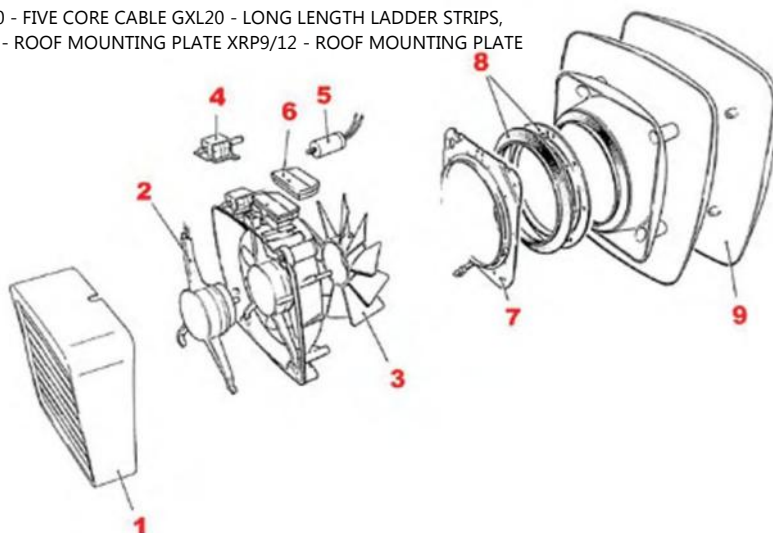
- 1 **41710SK** 9" INNER GRILLE ASSY MK2 / 3
- 2 **40983SK** 9" SHUTTER MK2 / 3
- 3 **41400SK** GX9 MOTOR DUCT ASSY MK3 / MK2
- 4 **41408SK** 9" MOTOR / IMPELLER ASSY MK3 (MK2 - N/A)
- 5 **41416SK** 9" IMPELLER MK3, (MK2 - 405265K)
- 6 **41405SK** GX9 ELECTRICAL MODULE ASSY MK3
- 7 **40976SK** GX9 ELECTRICAL MODULE ASSY MK2
- 8 **40984SK** WAX ACTUATOR MK2/3
- 9 **41404SK** GX9 SHUTTER OPERATION ASSY MK3 ONLY
- 9 **41406SK** GX9 CAPACITOR ASSY MK3,
- 10 **162355A** GX9 CAPACITOR ASSY MK2
- 10 **40980SK** 5 WAY CONNECTOR MK2/3
- 11 **41403SK** GX9/C9 INNER CLAMP PLATE ASSY MK3 (MK2 - 409785K)
- 12 **40550SK** OUTER CLAMP ASSY MK2/3
- 13 **40551SK** OUTER COWL KIT MK2/3
- 14 **41785SK** LADDER STRIP KIT 3" MK2/3



**ANCILLARIES:** EG - EXTERNAL LOUVRE GRILLE FC5/FC10/FC15/FC50 - FIVE CORE CABLE GXL20 - LONG LENGTH LADDER STRIPS, IG - INTERIOR LOUVRE GRILLE WK12/8, WK12/11 - WALL KIT XRP6 - ROOF MOUNTING PLATE XRP9/12 - ROOF MOUNTING PLATE

### RX9 00131AW 1983 - 1994

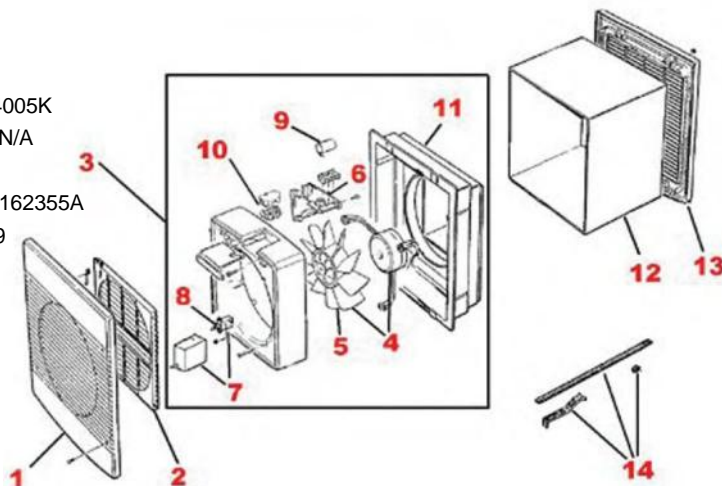
- 1 **10994SW** SHUTTER ASSY
- 2 **N/A** MOTOR ASSY
- 3 **40526SK** IMPELLER ASSY
- 4 **40530SK** SOLENOID ASSY
- 5 **40531SK** CAPACITOR ASSY
- 6 **40555SK** SOCKET ASSY
- 7 **40527SK** INNER CLAMP PLATE ASSY
- 8 **40550SK** OUTER CLAMP ASSY
- 9 **40551SK** OUTER COWL KIT
- N/I **07631SW** RETAINING SCREW
- N/I **41785SK** LADDER STRIP KIT 3"



**ANCILLARIES:** EG - EXTERNAL LOUVRE GRILLE FC5/FC10/FC15/FC50 - FIVE CORE CABLE GXL20 - LONG LENGTH LADDER STRIPS, IG - INTERIOR LOUVRE GRILLE WK12/8, WK12/11 - WALL KIT XRP6 - ROOF MOUNTING PLATE XRP9/12 - ROOF MOUNTING PLATE

### WX9 89996AW- MK3 1999 - CURRENT WX9 89996AW- MK2 1995 - 1999

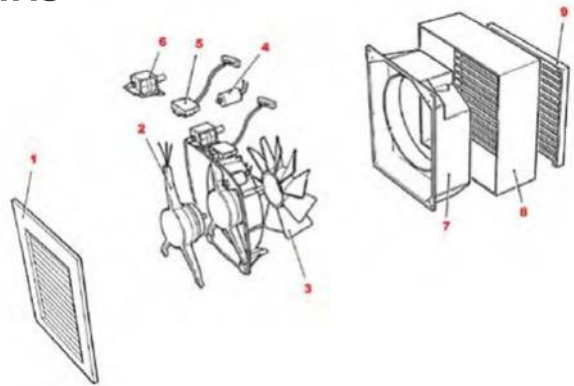
- 1 **40966SK** WX9 INNER GRILLE MK2/3
- 2 **40983SK** 9" SHUTTER MK2/3
- 3 **41401SK** WX9 MOTOR DUCT ASSY MK3, MK2 - 414005K
- 4 **41408SK** 9" MOTOR / IMPELLER ASSY MK3, MK2 - N/A
- 5 **41416SK** 9" IMPELLER MK3, MK2 - 405265K
- 6 **41405SK** ELECTRICAL MODULE ASSY MK3 MK2 - 162355A
- 7 **41404SK** GX9 SHUTTER OPERATION ASSY MK3 99
- 8 **40984SK** WAX ACTUATOR MK2/3
- 9 **41406SK** CAPACITOR ASSY MK3 99
- 10 **40980SK** 5 WAY CONNECTOR MK2/3
- 11 **40968SK** FAN MOUNTING BOX MK2/ 3
- 12 **16854SA** WALL LINER MK2/3
- 13 **40967SK** WX9 OUTER GRILLE ASSY MK2/3
- 14 **41518SK** WX9 / 12 FIXING KIT



## 9" Fans

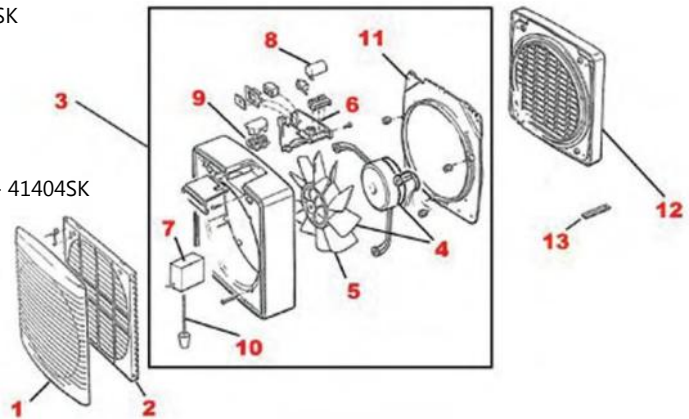
### WX9 00127AW 1983 - 1994

- |   |         |                      |
|---|---------|----------------------|
| 1 | 41395SX | WX9 SHUTTER ASSY     |
| 2 | N/A     | MOTOR ASSY           |
| 3 | 40526SK | IMPELLER ASSY        |
| 4 | 40531SK | CAPACITOR ASSY       |
| 5 | 40556SK | SOCKET ASSY          |
| 6 | 40530SK | SOLENOID ASSY        |
| 7 | N/A     | WALL DUCT MK1        |
| 8 | N/A     | WX9 SURROUND MK1     |
| 9 | 40544SK | WX9 OUTER GRILLE MK1 |



### GXC9 89995AW-MK3 GX9 89994AW-MK3

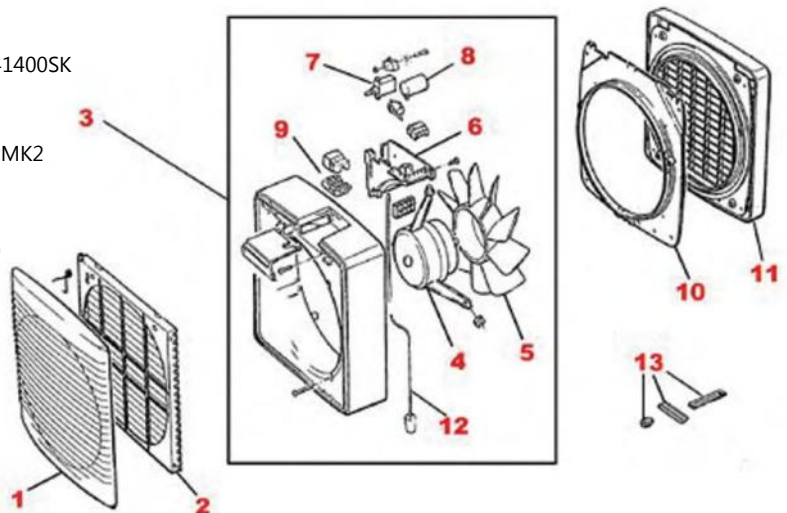
- |     |         |  |
|-----|---------|--|
| 1   | 40983SK | 9" SHUTTER                                 |
| 2   | 41710SK | 9" INNER GRILLE ASSY                       |
| 3   | 41409SK | GXC9 MOTOR DUCT ASSY, GX9 - 41400SK        |
| 4   | 41408SK | 9" MOTOR / IMPELLER ASSY                   |
| 5   | 41416SK | 9" IMPELLER                                |
| 6   | 41402SK | GXC9 ELECTRICAL MODULE ASSY                |
| 7   | 41405SK | GX9 ELECTRICAL MODULE ASSY                 |
| 8   | 41410SK | GXC9 SHUTTER OPERATION ASSY, GX9 - 41404SK |
| 9   | 41411SK | GXC9 CAPACITOR ASSY, GX9 - 41406SK         |
| 10  | 40935SK | PULLCORD ASSY GXC9                         |
| 11  | 41403SK | GX9/C9 INNER CLAMP PLATE ASSY MK3          |
| 12  | 40979SK | OUTER GRILLE ASSY                          |
| 13  | 41519SK | GX9 / GX12 FIXING PACK                     |
| N/I | 40984SK | WAX ACTUATOR GX9                           |
| N/I | 40588SK | STORM COWL                                 |



**ANCILLARIES:** DC9 - DARK ROOM COWL (GX9, GXC9) DGW/B - AIR REPLACEMENT DOOR GRILLE GXDP - DISTANCE PIECE SET, GXDW9 - DOUBLE WINDOW KIT  
GXL20 - LONG LENGTH LADDER STRIPS RC - ROOF COWL, WK9/8, WK9/11, - WALL KIT

### GXC9 89995AW-MK2 GX9 89994AW-MK2

- |     |         |   |
|-----|---------|---|
| 1   | 40983SK | 9" SHUTTER MK2 / 3                                  |
| 2   | 41710SK | 9" INNER GRILLE ASSY                                |
| 3   | 41409SK | GXC9 MOTOR DUCT ASSY MK3 GX9 - 41400SK              |
| 4   | 40975SK | GXC9 MOTOR ASSY MK2 GX9 - N/A                       |
| 5   | 40526SK | IMPELLER ASSY                                       |
| 6   | 40976SK | GXC9 ELECTRICAL MODULE ASSY GX9 MK2<br>(GXC9 - N/A) |
| 7   | 40984SK | WAX ACTUATOR  |
| 8   | 16268SA | GXC9 CAPACITOR ASSY 16235SA - GX9                   |
| 9   | 40981SK | 3 WAY SOCKET MK2 40980SK - GX9                      |
| 10  | 40978SK | 9" INNER CLAMP PLATE ASSY                           |
| 11  | 40979SK | OUTER GRILLE ASSY                                   |
| 13  | 41519SK | GX9 / GX12 FIXING PACK                              |
| 12  | 40935SK | PULLCORD ASSY                                       |
| N/I | 40588SK | GX9/GXC9 STORM COWL                                 |

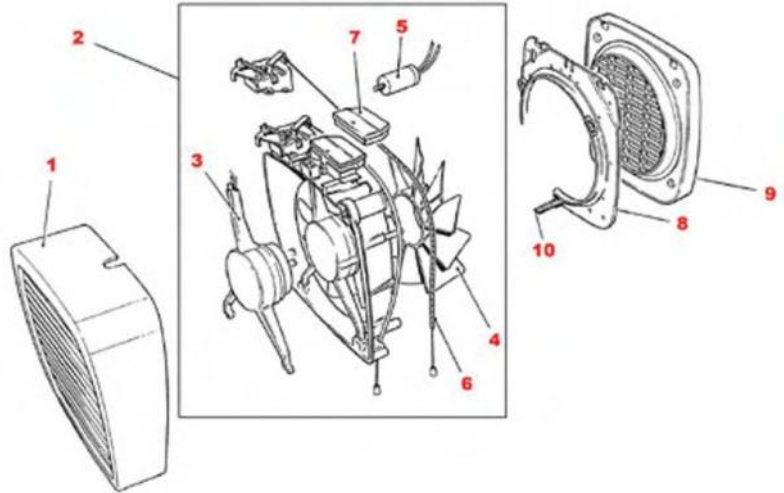


**ANCILLARIES:** DC9 - DARK ROOM COWL (GX9, GXC9) DGW/B - AIR REPLACEMENT DOOR GRILLE GXDP - DISTANCE PIECE SET, GXDW9 - DOUBLE WINDOW KIT  
GXL20 - LONG LENGTH LADDER STRIPS RC - ROOF COWL, WK9/8, WK9/11, - WALL KIT

## 9" Fans

### GXC9 00116AW GX9 00108AW

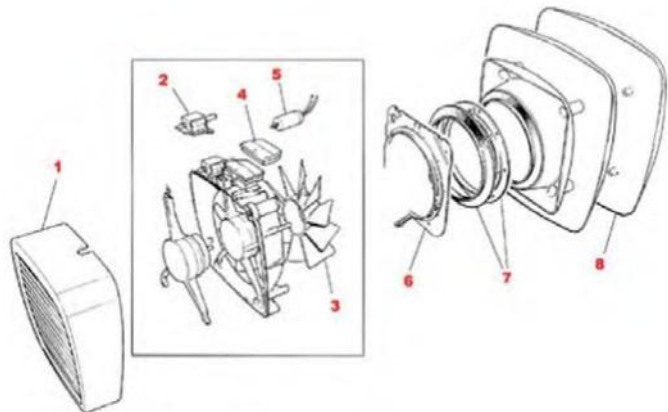
- 1 **10988SW** SHUTTER ASSY
- 2 **40519SK** MOTOR / DUCT ASSY (GXC9)
- 3 **40560SK** MOTOR ASSY (GXC9) N/A - GX9
- 4 **40526SK** IMPELLER ASSY
- 5 **40532SK** CAPACITOR ASSY (GXC9) 405315K - GX9
- 6 **40527SK** INNER CLAMP PLATE ASSY
- 7 **40555SK** SOCKET ASSY
- 8 **40521SK** PULCORD ASSY (GXC9)
- 9 **40528SK** OUTER GRILLE ASSY [BROWN]
- 10 **41785SK** LADDER STRIP KIT 3"
- N/I **07631SW** RETAINING SCREW
- N/I **40588SK** STORM COWL
- N/I **40530SK** SOLENOID GX9



**ANCILLARIES:** DC9 - DARK ROOM COWL (GX9, GXC9) DGW/B - AIR REPLACEMENT DOOR GRILLE GXDP - DISTANCE PIECE SET, GXDW9 - DOUBLE WINDOW KIT GXL20 - LONG LENGTH LADDER STRIPS RC - ROOF COWL, WK9/8, WK9/11, - WALL KIT

### RX12 00139AW 1983 - 1994

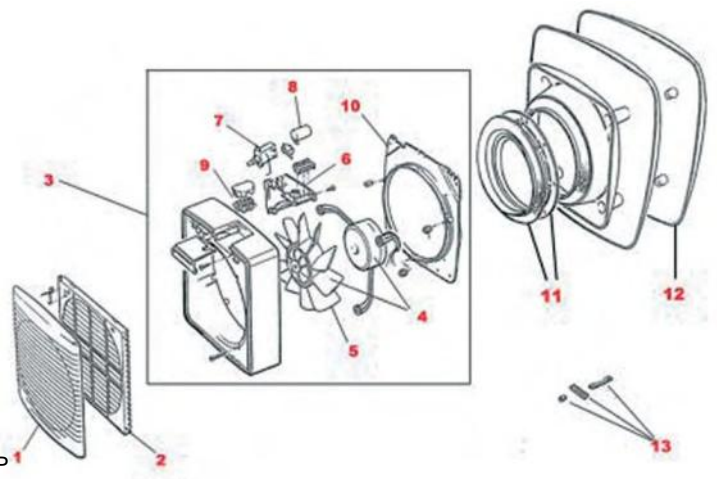
- 1 **N/A** SHUTTER ASSY
- 2 **40539SK** SOLENOID ASSY
- 3 **40536SK** IMPELLER ASSY MK1/2
- 4 **40555SK** SOCKET ASSY
- 5 **N/A** CAPACITOR ASSY
- 6 **N/A** INNER CLAMP PLATE GX12 MK1
- 7 **40552SK** RX12 OUTER CLAMP PLATE ASSY
- 8 **40554SK** OUTER COWL KIT
- N/I **07631SW** RETAINING SCREW
- N/I **41785SK** LADDER STRIP KIT 3"



**ANCILLARIES:** GXL20 - LONG LENGTH LADDER STRIPS, XRP9/12 - ROOF MOUNTING PLATE

### RX12 90425AW-MK3 1999 - CURRENT RX12 90425AW-MK2 1995 - 1999

- 1 **40810SK** INNER GRILLE MK2 / 3
- 2 **40811SK** 12" SHUTTER ASSY MK2 / 3
- 3 **41418SK** MOTOR / DUCT ASSY MK3 99 / MK2
- 4 **41415SK** MOTOR / ASSY MK3 99 MK2 - N/A
- 5 **41431SK** IMPELLER ASSY MK3 99 MK2 - 40536SK
- 6 **41407SK** 12" ELECTRICAL MODULE ASSY MK2 / MK3
- 7 **40984SK** WAX ACTUATOR MK2 / MK3
- 8 **41424SK** CAPACITOR ASSY MK3 99 MK2 - N/A
- 9 **40980SK** 5 WAY CONNECTOR MK2 / 3
- 10 **40552SK** RX12 OUTER CLAMP PLATE ASSY MK2 / 3
- 11 **40554SK** OUTER COWL KIT MK2 / 3
- 12 **41785SK** LADDER STRIP KIT 3" MK2 / 3
- 13 **SUPERSEDED BY 41423SK:** 12" INNER CLAMP PLATE MK2 / 3

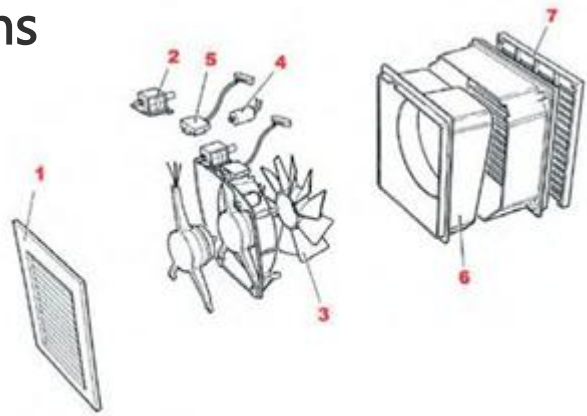


**ANCILLARIES:** GXL20 - LONG LENGTH LADDER STRIPS, XRP9/12 - ROOF MOUNTING PLATE

## 12" Fans

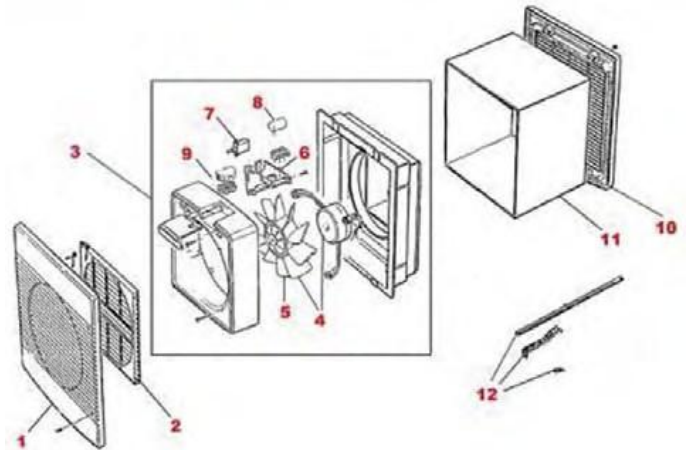
### WX12 00133AW 1983 -1994

- |   |         |                                  |
|---|---------|----------------------------------|
| 1 | 11003SX | WX12 SHUTTER ASSY                |
| 2 | 40539SK | SOLENOID ASSY                    |
| 3 | 40536SK | IMPELLER ASSY MK1/2              |
| 4 | N/A     | CAPACITOR ASSY                   |
| 5 | 40556SK | SOCKET ASSY                      |
| 6 | N/A     | WX12 OUTER DUCT BOX MK1          |
| 7 | 40548SK | WX12 OUTER GRILLE MK1 (OBSOLETE) |
| 8 | N/A     | WX9 SURROUND MK1                 |
| 9 | 40544SK | WX9 OUTER GRILLE MK1             |



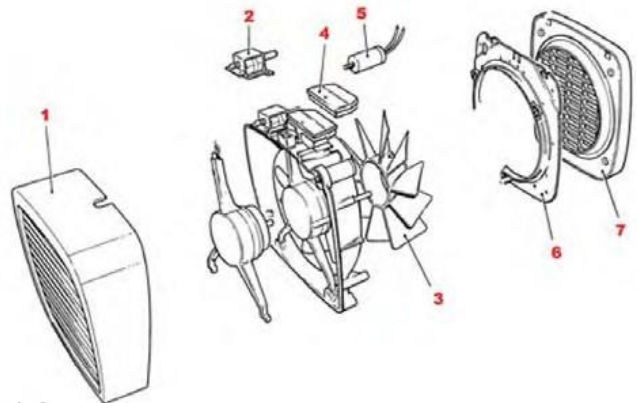
### WX12 90011AW-MK3 1999 - CURRENT    WX12 90011AW-MK2 1995 - 1999

- |    |         |   |
|----|---------|---|
| 1  | 40818SK | WX12 INNER GRILLE MK2 / 3                   |
| 2  | 40811SK | 12" SHUTTER ASSY MK2 / 3                    |
| 3  | 41421SK | WX12 MOTOR / DUCT ASSY MK3 99 41418SK - MK2 |
| 4  | 41415SK | MOTOR / ASSY MK3 99 N/A MK2                 |
| 5  | 41431SK | IMPELLER ASSY MK3 99 40536SK - MK2          |
| 6  | 41407SK | 12" ELECTRICAL MODULE ASSY MK2 / 3          |
| 7  | 40984SK | WAX ACTUATOR MK2 / 3                        |
| 8  | 41424SK | WX12 CAPACITOR ASSY MK3 99 N/A - MK2        |
| 9  | 40980SK | 5 WAY CONNECTOR MK2 / 3                     |
| 10 | 16855SA | WX12 WALL LINER MK2 / 3                     |
| 11 | 40819SK | WX12 OUTER GRILLE MK2 / 3                   |
| 12 | 41518SK | WX9 / 12 FIXING KIT MK2 / 3                 |



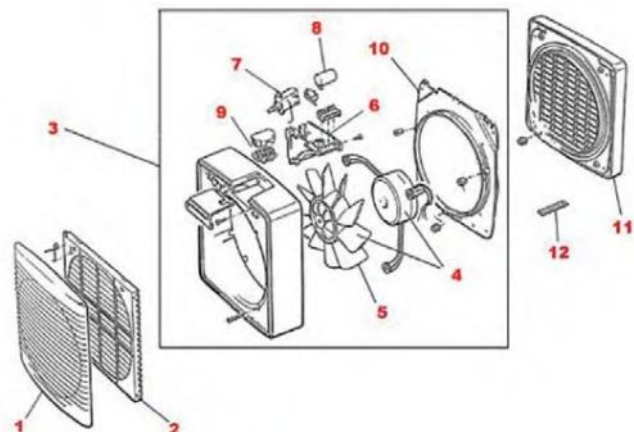
### GX12 00120AW 1983 - 1994

- |   |         |                            |
|---|---------|----------------------------|
| 1 | N/A     | GX12 SHUTTER ASSY          |
| 2 | 40539SK | SOLENOID ASSY              |
| 3 | 40536SK | IMPELLER ASSY MK1/2        |
| 4 | 40555SK | SOCKET ASSY                |
| 5 | N/A     | CAPACITOR ASSY             |
| 6 | N/A     | INNER CLAMP PLATE GX12 MK1 |



### GX12 90012AW-MK3 1999 - CURRENT    GX12 90012AW-MK2 1995 - 1999

- |    |         |   |
|----|---------|---|
| 1  | 40810SK | GX12 INNER GRILLE MK2 / 3                     |
| 2  | 40811SK | 12" SHUTTER ASSY MK2 / 3                      |
| 3  | 41418SK | GX12 MOTOR / DUCT ASSY MK3 99 / MK2           |
| 4  | 41415SK | GX12 MOTOR / ASSY MK3 99 ONLY                 |
| 5  | 41431SK | IMPELLER ASSY MK3 99 40536SK - MK1 / 2        |
| 6  | 41407SK | 12" ELECTRICAL MODULE ASSY MK2 / 3            |
| 7  | 40984SK | WAX ACTUATOR MK2 / 3                          |
| 8  | 41424SK | GX12 / WX12 CAPACITOR ASSY MK3 99 (MK2 - NLA) |
| 9  | 40980SK | 5 WAY CONNECTOR MK2 / 3                       |
| 10 | 41423SK | 12" INNER CLAMP PLATE ASSY MK3 99 / MK2       |
| 11 | 41519SK | GX9 / GX12 FIXING PACK MK2 / 3                |
| 12 | 40816SK | OUTER GRILLE ASSY MK2 / 3                     |



# **NEW** from Zip Heaters



**NEW**

## Zip HydroTap All-in-One

These systems deliver instant boiling and chilled filtered water drinking water PLUS hot, warm or cold water through one stylish tap.

It features all of the functionality and benefits of a standard HydroTap with the addition of an integral mixer facility.

The cool touch tap swivels through 120° to serve two sinks.

## Zip Hydroboil InLine CEX, DEX/DBX

As part of the highly successful InLine instantaneous range, **CEX** offers single phase oversink and undersink options at 7.2 to 9.6kW rating (set at installation).

DEX/DBX provide three phase solutions with rating from 18-27kW (DEX set at installation)

All three of these products feature bare wire technology for fast heat up times.

**NEW**



**NEW**

## Zip Hydroboil Plus

In response to customer demand the existing range of Hydroboil Plus capacities is extended to include 10, 15, 25 & 40 litre models in both white and stainless steel finishes.

### These additional models feature:

- Thermostatically controlled twin chamber technology
- Stainless steel tanks
- Cool, two-way, cool touch taps
- Energy saving Power-Pulse™
- Sleep mode
- Integral 24 hour 7 day timer

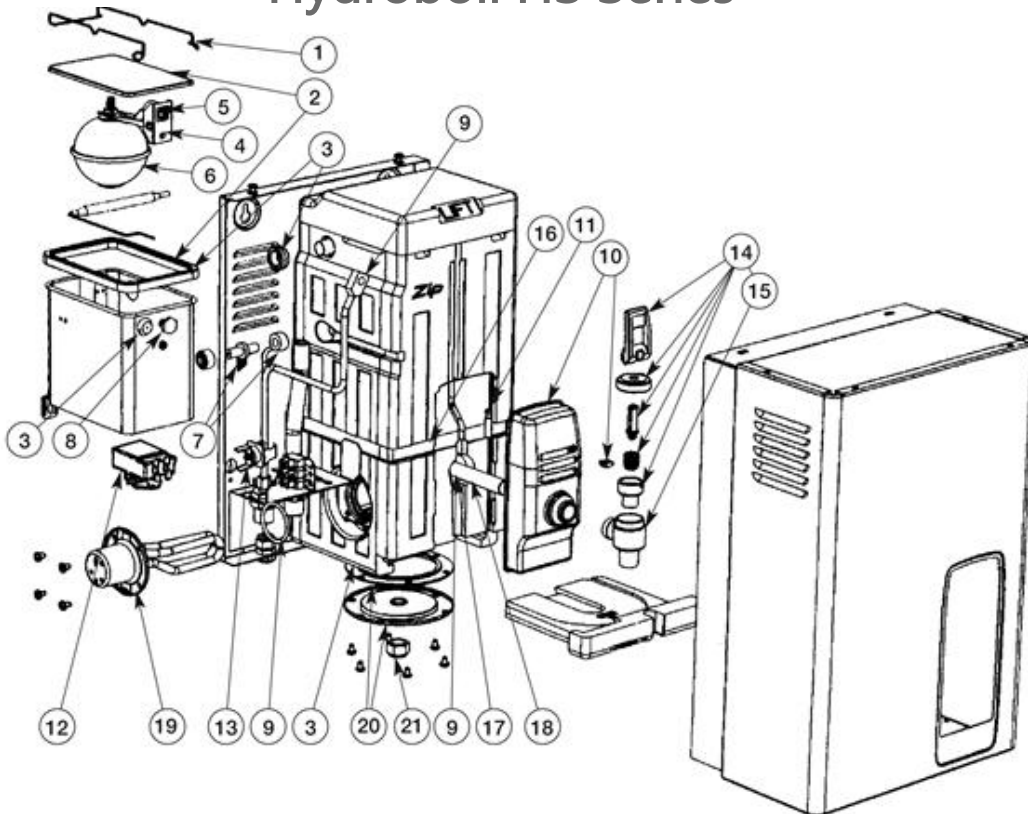


**Zip**®

## Hydroboil HG Series

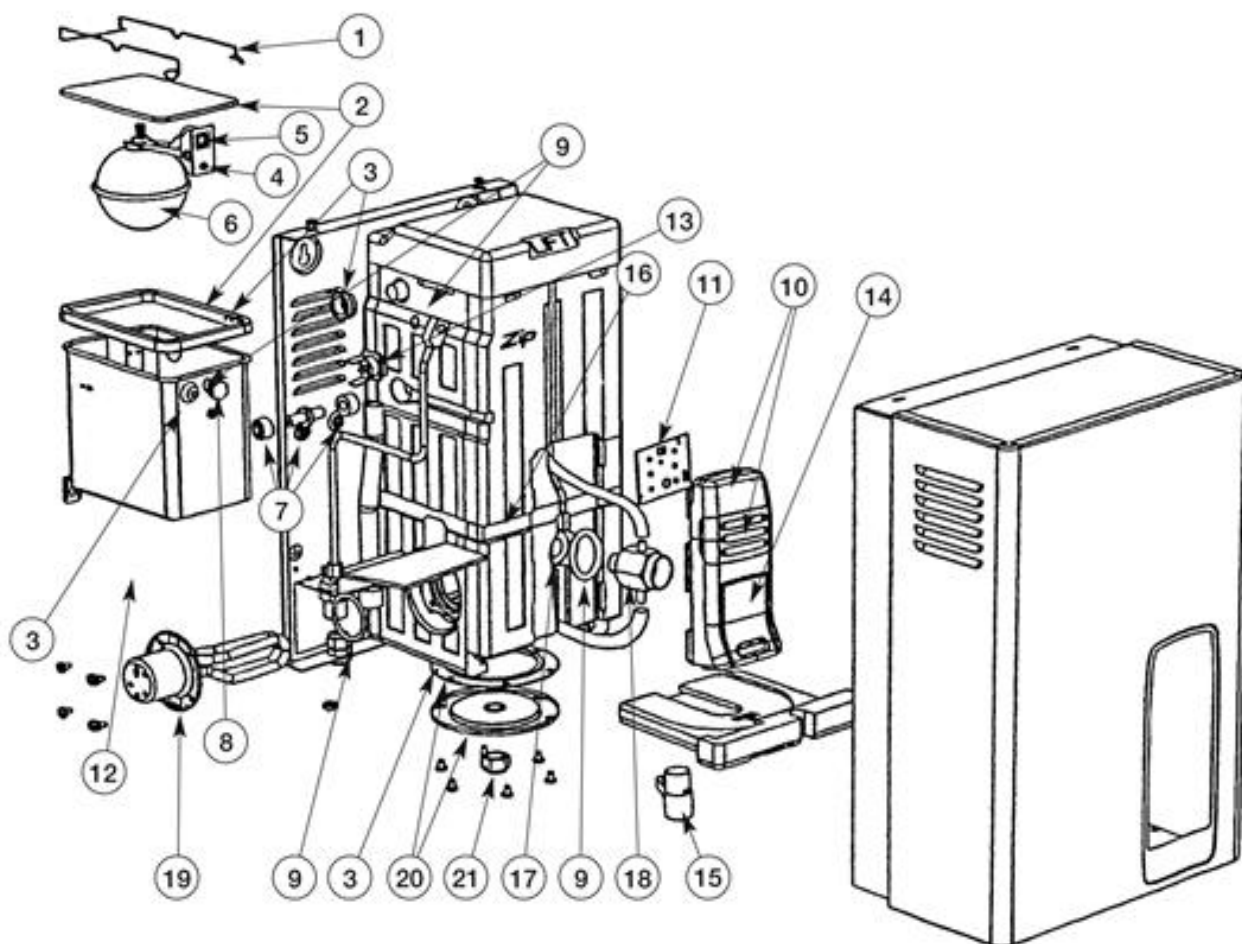
<b>SP1026</b>	ARM EXTENSION (30")	<b>SP5786</b>	CLEANING HOLE GASKET
<b>SP1614T</b>	10-50 LITRE THERMAL CUT-OUT	<b>SP6500</b>	VENT GAUZE
<b>SP2646A</b>	DISC VALVE ASSEMBLY KIT	<b>SP6563A</b>	SCREW PACK
<b>SP2647A</b>	JUMPER BODY ASSEMBLY	<b>SP6590</b>	HG2050 CONTACTOR
<b>SP2734A</b>	CAPSULE TIN PLATED	<b>SP6593A</b>	BALL VALVE
<b>SP3845A</b>	TAP ASSEMBLY THREADED	<b>SP81230</b>	FLOW RESTRICTOR
<b>SP3947A</b>	HG2050 THERMOSTAT KIT		

## Hydroboil HS Series



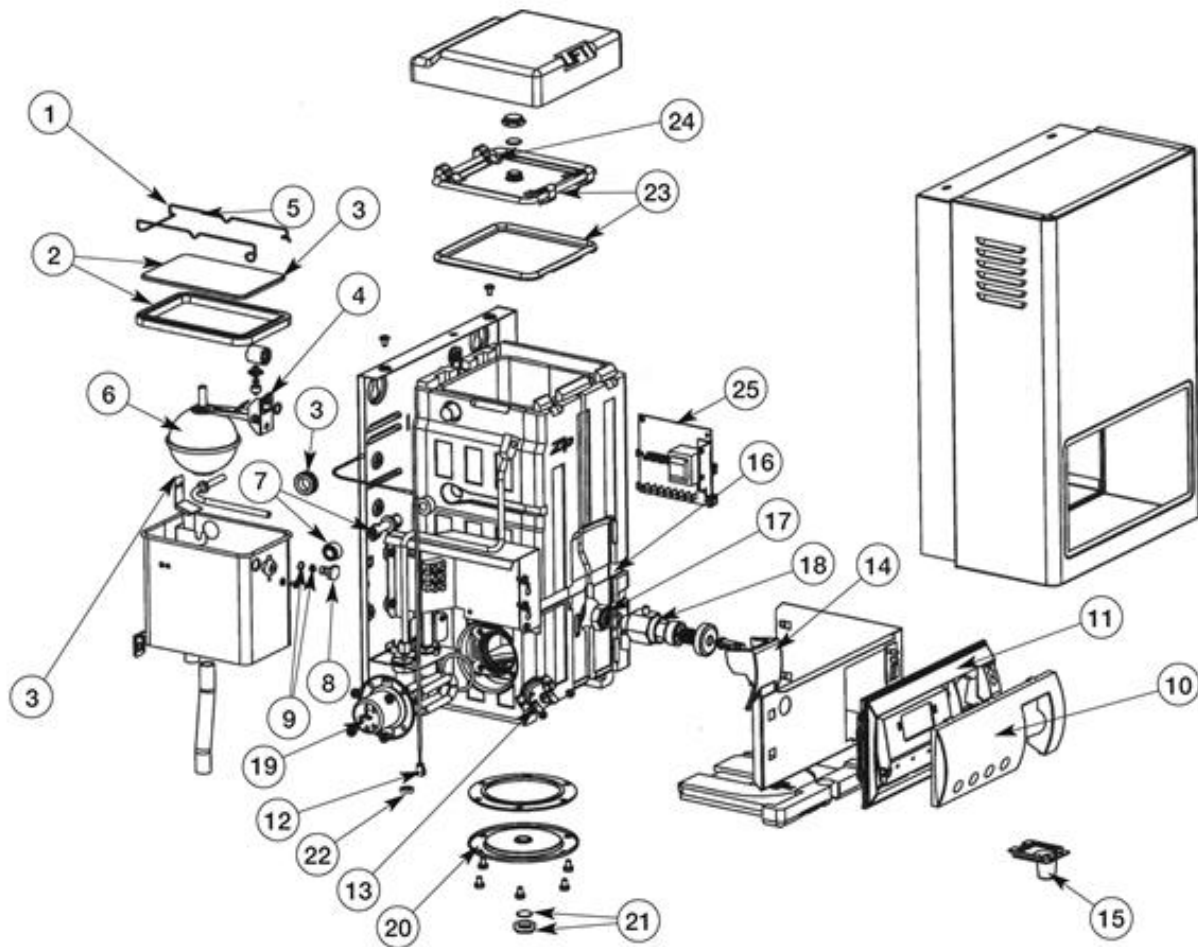
1	<b>SP90487</b>	CISTERN LID CLAMP KIT	16	<b>SP90503</b>	STRAP & KEY KIT 1.5—3 LITRES
1	<b>SP6245</b>	CISTERN CLAMP KIT FOR 10-40 LITRES	16	<b>SP90504</b>	STRAP & KEY KIT 5 & 7.5 LITRES
2	<b>SP90488</b>	CISTERN LID GASKET KIT	17	<b>SP90505</b>	TAP NUT KIT
2	<b>SP90120</b>	CISTERN LID GASKET KIT FOR 10-40 LITRES	18	<b>SP90506</b>	TAP EXTENSION
3	<b>SP90490</b>	GASKET KIT	19	<b>SP80563</b>	ELEMENT KIT 1.5KW 110V 1.5 & 3 LITRES
4	<b>SP90083</b>	FLOAT VALVE KIT, WITH FLOAT	19	<b>SP90485</b>	ELEMENT KIT 1.5KW 240V 1.5 & 3 LITRES
5	<b>SP90069</b>	JUMPER VALVE KIT, WITH SEALS	19	<b>SP90486</b>	ELEMENT KIT 2.4KW 240V 5.0 & 7.5 LITRES
6	<b>SP90102</b>	CISTERN FLOAT KIT, WITH NUT & SCREW	19	<b>SP90530</b>	ELEMENT KIT 3.0KW 240V 10 - 40 LITRES
7	<b>SP90493</b>	TRANSFER TUBE KIT—1.5KW	20	<b>SP90491</b>	CLEANING HOLE COVER KIT
7	<b>SP90494</b>	TRANSFER TUBE KIT—2.4KW	21	<b>SP90492</b>	DRAIN CAP & SEAL KIT
7	<b>SP90531</b>	TRANSFER TUBE KIT - 3KW	21	<b>SP90522</b>	CISTERN JET NOZZLE KIT
8	<b>SP90495</b>	BANJO SCREW		<b>SP90132</b>	HOT TANK LID & GASKETS FOR 5 & 7.5 LITRES
9	<b>SP90496</b>	O-RING KIT		<b>SP90131</b>	HOT TANK LID & GASKETS FOR 1.5 & 3.0 LITRES
10	<b>SP90517</b>	FASCIA & LENS KIT		<b>SP90130</b>	LID CLIPS
11	<b>SP90110</b>	FASCIA LIGHT KIT		<b>SP3947A</b>	THERMOSTAT KIT 40 LITRES
12	<b>SP90081</b>	THERMOSTAT KIT 1.5-25 LITRES		<b>SP81230</b>	FLOW RESTRICTOR
13	<b>SP1614T</b>	OVERLOAD KIT 10—40 LITRES		<b>SP6590</b>	CONTACTOR 40 LITRE
13	<b>SP90127</b>	OVERLOAD KIT, OTHER HS MODELS		<b>SP88296</b>	CISTERN TANK 1.5 - 7.5 LITRES
14	<b>SP90501</b>	TAP TOP KIT		<b>SP88318</b>	CISTERN TANK 10 - 40 LITRES
15	<b>SP90502</b>	TAP ASSEMBLY COMPLETE			

## Hydroboil Plus HS (HS202 - HS208, HS302 - HS308)



1	<b>SP90487</b>	CISTERN LID CLAMP KIT	14	<b>SP90560</b>	TAP HANDLE KIT—STAINLESS STEEL
2	<b>SP90488</b>	CISTERN LID GASKET KIT	15	<b>SP90510</b>	OUTLET NOZZLE KIT—WHITE
3	<b>SP90490</b>	GASKET KIT	15	<b>SP90562</b>	OUTLET NOZZLE KIT—STAINLESS STEEL
4	<b>SP90083</b>	FLOAT VALVE KIT, WITH FLOAT	16	<b>SP90503</b>	STRAP & KEY KIT 1.5 & 3 LITRES
5	<b>SP90069</b>	JUMPER VALVE KIT, WITH SEALS	16	<b>SP90504</b>	STRAP & KEY KIT 5 & 7.5 LITRES
6	<b>SP90102</b>	CISTERN FLOAT KIT, WITH NUT & SCREW	17	<b>SP90505</b>	TAP NUT KIT
7	<b>SP90493</b>	TRANSFER TUBE KIT—1.5KW	18	<b>SP80509</b>	TAP BODY KIT
7	<b>SP90494</b>	TRANSFER TUBE KIT—2.4KW	19	<b>SP90485</b>	ELEMENT KIT 1.5KW
8	<b>SP90495</b>	BANJO SCREW	19	<b>SP90486</b>	ELEMENT KIT 2.4KW
9	<b>SP90496</b>	O-RING KIT	20	<b>SP90491</b>	CLEANING HOLE COVER KIT
10	<b>SP90557</b>	FASCIA & LENS KIT—WHITE	21	<b>SP90492</b>	DRAIN CAP & SEAL KIT
10	<b>SP90558</b>	FASCIA & LENS KIT—STAINLESS STEEL		<b>SP90132</b>	HOT TANK LID & GASKETS FOR 5 & 7.5 LITRES
10	<b>SP90591</b>	PCB LIGHTS KIT		<b>SP90131</b>	HOT TANK LID & GASKETS FOR 1.5 & 3.0 LITRES
11	<b>SP90081</b>	THERMOSTAT KIT 1.5-7.5 LITRES		<b>SP90130</b>	LID CLIPS
12	<b>SP90127</b>	OVERLOAD KIT		<b>SP90748</b>	PCB KIT

## Hydroboil Plus HP (HP003 - HP007, HP103 - HP107)

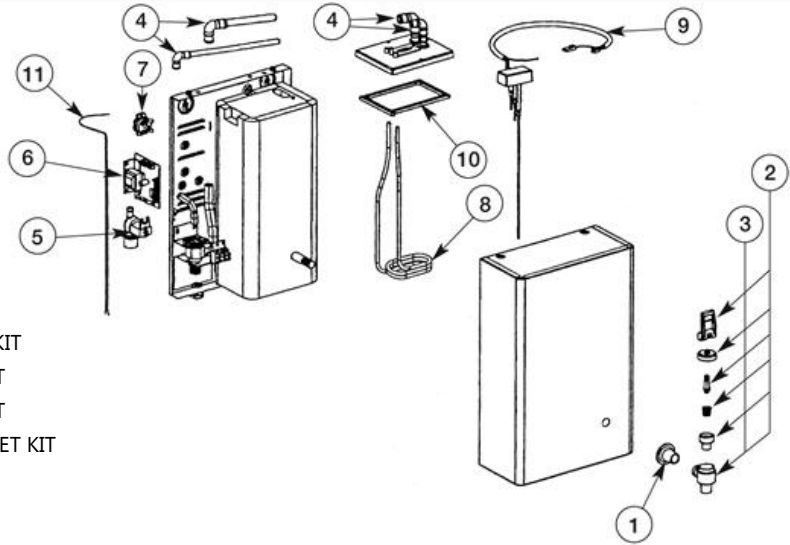


- |    |                |                                      |    |                |                                 |
|----|----------------|--------------------------------------|----|----------------|---------------------------------|
| 1  | <b>SP90487</b> | CISTERN LID CLAMP KIT                | 16 | <b>SP90503</b> | 3 LITRE STRAP AND KEY KIT       |
| 2  | <b>SP90488</b> | CISTERN LID AND GASKET KIT           | 16 | <b>SP90504</b> | 5 & 7.5 LITRE STRAP AND KEY KIT |
| 3  | <b>SP90490</b> | GASKET KIT                           | 17 | <b>SP90505</b> | TAP NUT KIT                     |
| 4  | <b>SP90083</b> | FLOAT VALVE KIT WITH FLOAT           | 18 | <b>SP90509</b> | TAP BODY KIT                    |
| 5  | <b>SP90069</b> | JUMPER VALVE KIT WITH SEALS          | 19 | <b>SP90485</b> | 1.5KW ELEMENT KIT               |
| 6  | <b>SP90102</b> | CISTERN FLOAT KIT WITH NUT AND SCREW | 19 | <b>SP90486</b> | 2.4KW ELEMENT KIT               |
| 7  | <b>SP90493</b> | METERING TUBE KIT 1.5KW              | 20 | <b>SP90491</b> | CLEANING HOLE COVER KIT         |
| 7  | <b>SP90494</b> | METERING TUBE KIT 2.4KW              | 21 | <b>SP90492</b> | DRAIN CAP AND SEAL KIT          |
| 8  | <b>SP90495</b> | BANJO SCREW                          | 22 | <b>SP90107</b> | FILTER KIT COLD INLET BUSH      |
| 9  | <b>SP90496</b> | O RING KIT                           | 23 | <b>SP90135</b> | 3 LITRE LID, GASKET AND CLIPS   |
| 10 | <b>SP90743</b> | FASCIA LENS KIT                      | 23 | <b>SP90136</b> | 5 LITRE LID, GASKET AND CLIPS   |
| 11 | <b>SP90742</b> | FASCIA ASSEMBLY—GREY                 | 23 | <b>SP90213</b> | 7.5 LITRE LID, GASKET AND CLIPS |
| 12 | <b>SP90620</b> | SENSOR PROBE                         | 24 | <b>SP90130</b> | CLIPS FOR CURLED TANK KIT       |
| 13 | <b>SP90579</b> | OVERLOAD KIT                         | 25 | <b>SP90748</b> | PCB KIT                         |
| 14 | <b>SP90732</b> | TAP HANDLE KIT                       |    | <b>SP99269</b> | SAFETY BUTTON                   |
| 15 | <b>SP90745</b> | OUTLET NOZZLE KIT                    |    |                |                                 |



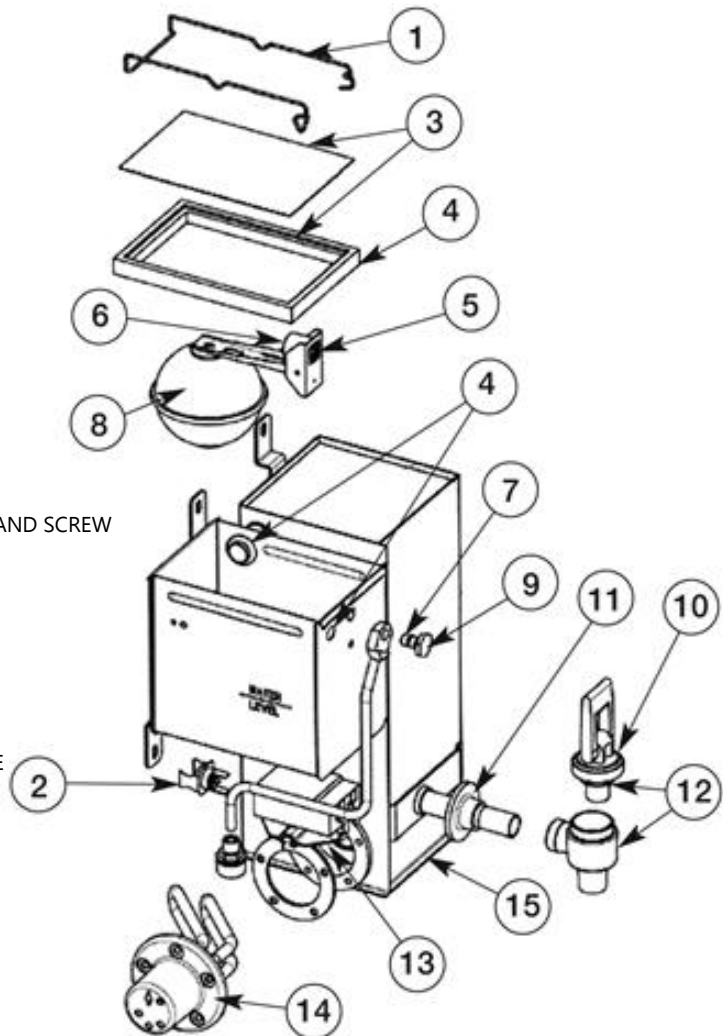
## Econoboil HS4 (HS403 - HS407)

- 1 **SP90512** ESCUTCHEON
- 2 **SP90502** TAP ASSEMBLY
- 3 **SP90501** TAP TOP KIT
- 4 **SP90588** SILICON ELBOWS
- 5 **SP90578** SOLENOID ASSEMBLY
- 6 **SP90586** PCB KIT
- 7 **SP90579** OVERLOAD
- 8 **SP90585** 7.5 LITRE ELEMENT
- 8 **SP90584** 5 LITRE ELEMENT KIT
- 8 **SP90583** 3 LITRE ELEMENT KIT
- 9 **SP90577** 7.5 LITRE LEVEL SENSOR KIT
- 9 **SP90576** 5 LITRE LEVEL SENSOR KIT
- 9 **SP90575** 3 LITRE LEVEL SENSOR KIT
- 10 **SP90581** 5 & 7.5 LITRE TANK GASKET KIT
- 10 **SP90580** 3 LITRE TANK GASKET KIT
- 11 **SP90587** TEMPERATURE PROBE



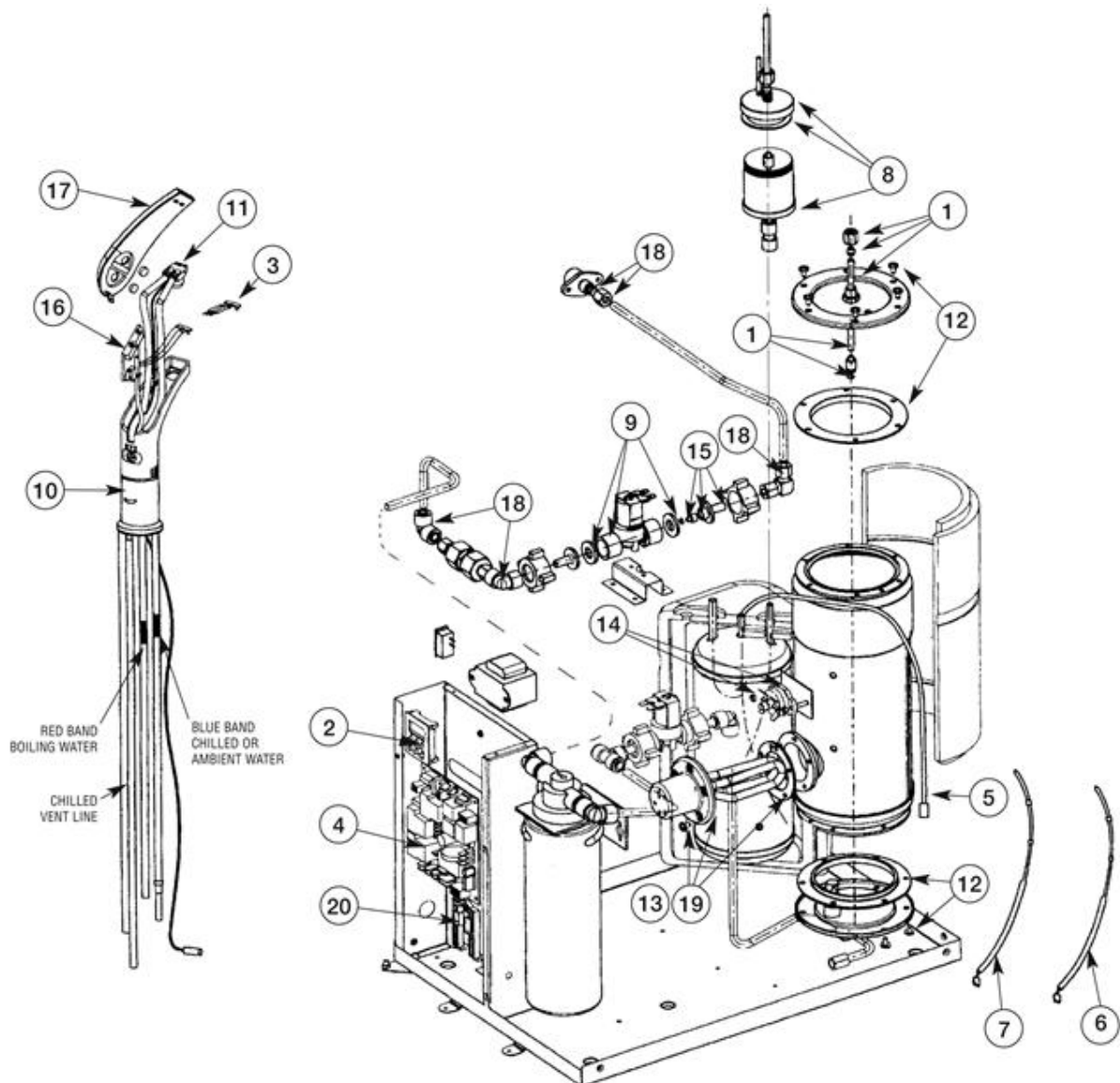
## Econoboil HS5 (HS503 - HS505)

- 1 **SP90487** CISTERN LID CLIP KIT
- 2 **SP90579** OVERLOAD KIT
- 3 **SP90458** CISTERN LID & GASKET KIT
- 4 **SP90490** GASKET KIT
- 5 **SP90083** FLOAT VALVE KIT WITH FLOAT
- 6 **SP90069** JUMPER VALVE KIT WITH SEALS
- 7 **SP90496** O RING KIT
- 8 **SP90102** CISTERN FLOAT KIT WITH NUT AND SCREW
- 9 **SP90495** BANJO UNION SCREW KIT
- 10 **SP90501** TAP TOP ASSEMBLY
- 11 **SP90512** ESCUTCHEON KIT
- 12 **SP90502** TAP ASSEMBLY KIT COMPLETE
- 13 **SP90081** THERMOSTAT KIT
- 14 **SP90045** ELEMENT KIT 1500W 3 LITRE
- 14 **SP90085** ELEMENT KIT 2400W 5-7.5 LITRE
- 15 **SP90175** DRAIN PLUG KIT
- SP90493** TRANSFER TUBE KIT 3 LITRES
- SP90494** TRANSFER TUBE KIT 5 LITRES



## HydroTap MK1 (2000-2005)

1	<b>SP90027</b>	VENTURI BOILING KIT	11	<b>SP90035</b>	NOZZLE HEAD KIT
2	<b>SP90059</b>	TIMER KIT	12	<b>SP90052</b>	GASKET & SCREW KIT
3	<b>SP90061</b>	TAP HEAD PCB LOOM KIT	13	<b>SP90356</b>	ELEMENT & SCREW, ABC 10/30 & B10
4	<b>SP90067</b>	MAIN PCB KIT FOR ABC MODELS	14	<b>SP90462</b>	OVERLOAD KIT
4	<b>SP90129</b>	MAIN PCB FOR ABA/ABB/B	15	<b>SP90078</b>	FLOW RESTRICTOR KIT
5	<b>SP90068</b>	SENSOR PROBE BLUE KIT	16	<b>SP90033</b>	PCB & LEAD KIT
6	<b>SP90071</b>	SENSOR PROBE RED KIT	17	<b>SP90038</b>	TAP TOP (BOILING/CHILLED)
7	<b>SP90073</b>	SENSOR PROBE ORANGE KIT	17	<b>SP90112</b>	TAP TOP (BOILING)
8	<b>SP90077</b>	VENTURI CHILL CHAMBER	18	<b>SP90084</b>	JOHN GUEST FITTINGS
9	<b>SP90079</b>	SOLENOID VALVE KIT	19	<b>SP90357</b>	ELEMENT ABC30/30, B30, ABA/30, ABB30
10	<b>SP90113</b>	TAP COMPLETE (BOILING ONLY)	20	<b>SP90066</b>	LEVEL SENSOR
10	<b>SP90518</b>	TAP COMPLETE (BOILING/CHILLED)		<b>SP90018</b>	FAN ASSEMBLY
				<b>SP99113</b>	FILTER HOUSING

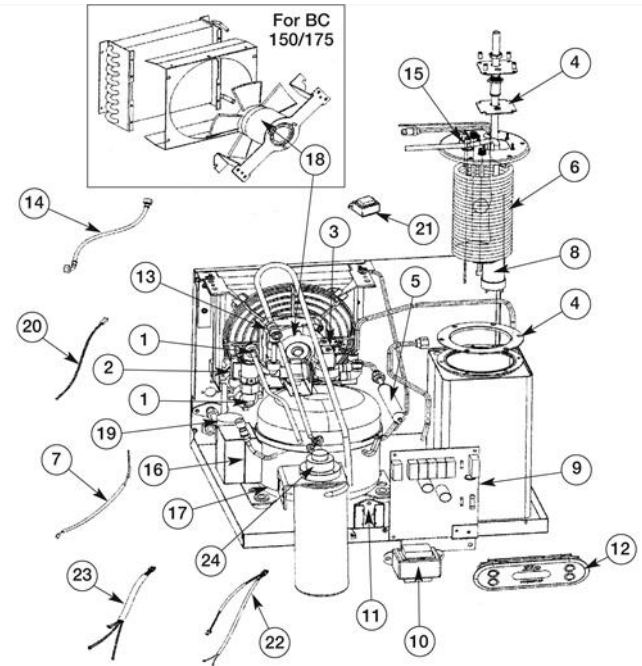


## HydroTap Mk 2

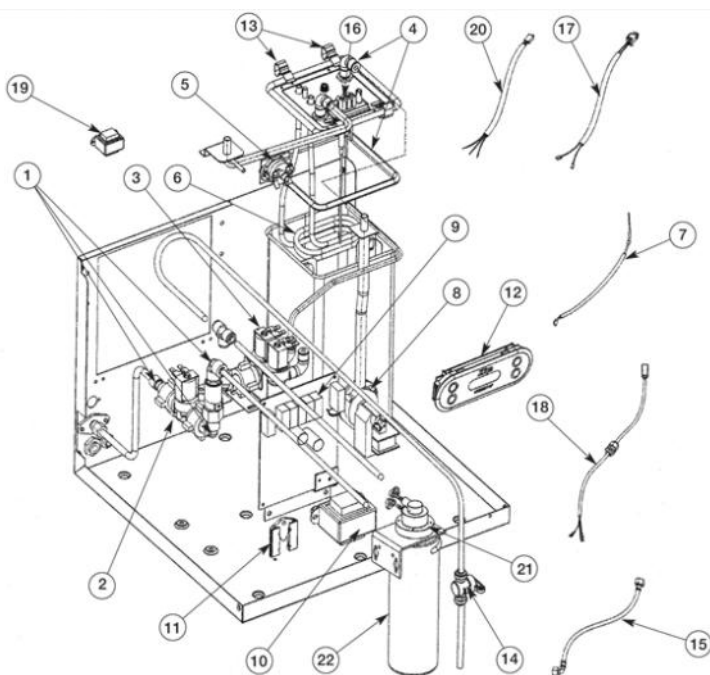
### Boiling Module

- 1 **SP90613** PLUMBING & FITTINGS KIT
- 2 **SP90614** SAFETY SOLENOID KIT
- 3 **SP90615** DOUBLE SOLENOID KIT
- 4 **SP90616** GASKET & ELBOWS KIT (BC100/125)
- 4 **SP90617** GASKET & ELBOWS KIT (BC150/175)
- 5 **SP90579** OVERLOAD KIT
- 6 **SP90618** 1.5KW ELEMENT
- 6 **SP90619** 1.8KW ELEMENT
- 7 **SP90620** HOT SENSOR PROBE KIT
- 8 **SP90621** HOT PUMP KIT
- 9 **SP90622** PCB KIT
- 10 **SP90623** TRANSFORMER KIT
- 11 **SP90624** LEAK SENSOR KIT
- 12 **SP90625** CONTROL PANEL KIT
- 13 **SP90130** CLIPS KIT
- 14 **SP90628** STOP VALVE & JOHN GUEST FITTING KIT
- 15 **SP90056** FLEXIBLE INLET HOSE KIT
- 16 **SP90629** HOT LEVEL SENSOR KIT (BC100/125)
- 16 **SP90630** HOT LEVEL SENSOR KIT (BC150/175)
- 17 **SP90186** LOOM OVERLOAD KIT
- 18 **SP90190** LOOM & GLAND MAIN PCB TO TAP
- 19 **SP90652** TRANSFORMER KIT AUXILIARY FAN
- 20 **SP90189** LOOM HOT LEVEL SENSOR KIT
- 21 **SP99108** FILTER HEAD KIT
- 22 **ZT002** SUBMICRON REPLACEMENT FILTER
- SP90648** TAP COMPLETE (BOILING & CHILLED)
- SP90653** TAP COMPLETE (BOILING ONLY)
- SP90692** HOT TANK COMPLETE 100/125
- SP90693** HOT TANK COMPLETE 150/175
- SP90647** SPRING & HUB

### Chilling Module

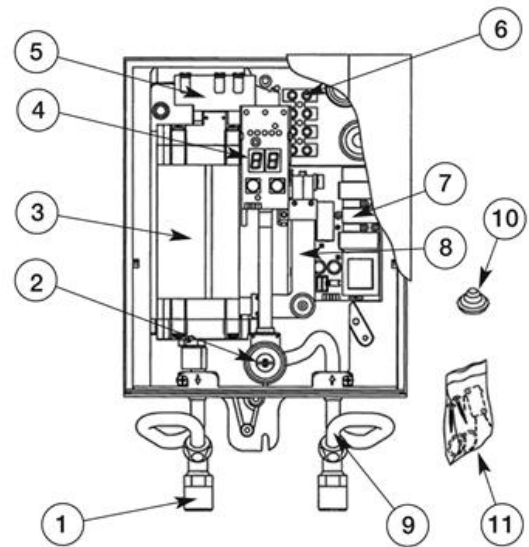


- 1 **SP90613** PLUMBING & FITTINGS KIT
- 2 **SP90614** SAFETY SOLENOID KIT
- 3 **SP90615** DOUBLE SOLENOID KIT
- 4 **SP90631** GASKET & ELBOWS KIT
- 5 **SP90626** DRYER FILTER KIT WITH NUT & TUBE
- 6 **SP90632** EVAPORATOR KIT BC100/125
- 6 **SP90641** EVAPORATOR KIT BC150/175
- 7 **SP90633** SENSOR PROBE KIT COLD
- 8 **SP90634** PUMP KIT COLD
- 9 **SP90622** PCB KIT
- 10 **SP90623** TRANSFORMER KIT
- 11 **SP90624** LEAK SENSOR KIT
- 12 **SP90625** CONTROL PANEL KIT
- 13 **SP90628** STOP VALVE & JOHN GUEST FITTING KIT
- 14 **SP90056** FLEXIBLE BRAIDED INLET HOSE
- 15 **SP90635** LEVEL SENSOR KIT COLD TANK BC100/125
- 15 **SP90627** LEVEL SENSOR KIT COLD TANK BC150/175
- 16 **SP90636** RELAY COMPRESSOR KIT BC100/125
- 16 **SP90024** RELAY COMPRESSOR KIT BC150/175
- 17 **SP90637** COMPRESSOR KIT BC100/125
- 17 **SP90023** COMPRESSOR KIT BC150/175
- 18 **SP90639** FAN MOTOR KIT BC100/125
- 18 **SP90640** FAN MOTOR KIT BC150/175
- 19 **SP90437** CAPACITOR KIT BC100/125
- 19 **SP90020** CAPACITOR KIT BC150/175
- 20 **SP90185** LOOM LEVEL SENSOR KIT
- 21 **SP90652** TRANSFORMER KIT—AUXILIARY FAN
- 22 **SP90188** LOOM SOLENOIDS KIT
- 23 **SP90187** LOOM—COMPRESSOR TO FAN KIT
- 24 **SP99108** FILTER HEAD KIT
- SP90648** TAP COMPLETE (BOILING & CHILLED)
- SP90193** TAP COMPLETE (CHILLED ONLY)
- SP99183** FAN BLADE & COWLING
- SP90651** AUXILIARY FAN WITH DIN PLUG KIT



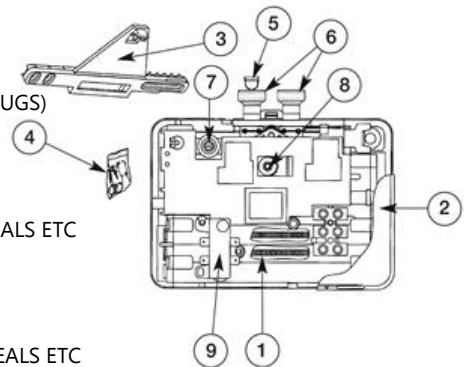
## Instantaneous - Inline

- 1 **IN86020** CONNECTING SET WITH CABLE SEAL, SEALS AND SCREWS
- 2 **IN86229** FLOW ADJUSTMENT SCREW WITH FINE FILTER
- 3 **IN86856** ILX006 TUBULAR HEATING ELEMENT
- 2 **IN86809** ILX009 TUBULAR HEATING ELEMENT
- 3 **IN86230** ILX012 HEATING CARTRIDGE
- 4 **IN86240** DISPLAY PANEL
- 5 **IN86820** ILX006/009 SAFETY THERMAL CUT-OUT
- 5 **IN81320** ILX012 SAFETY THERMAL CUT-OUT
- 6 **IN86255** ILX006/009 3 POLE CONNECTING TERMINAL
- 6 **IN86250** ILX012 4 POLE CONNECTING TERMINAL
- 7 **IN86836** ILX006 MAIN PCB
- 7 **IN86839** ILX009 MAIN PCB
- 7 **IN86260** ILX012 MAIN PCB
- 8 **IN86270** FLOW SENSOR
- 9 **IN86280** COLD WATER INLET
- 10 **IN82180** CABLE SEAL
- 11 **IN86792** SPARE PARTS WITH SEALS, SCREWS. MICRO SWITCH ETC
- IN86560** COMPLETE INTEGRATED FILTER VALVE
- IN86072** TEMPERATURE SENSOR



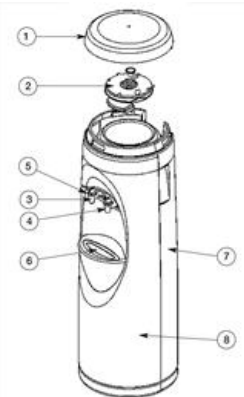
## Instantaneous - ES

- 1 **IN80327** HEATING SPIRALS (1 FOR ES3, 2 FOR ES6)
- 2 **IN95622** FRONT COVER
- 3 **IN80352** COMPLETE FIXING KIT (WALL BRACKET WITH SCREWS AND FIXING PLUGS)
- 3a **IN80689** WALL BRACKET (WITHOUT FIXING KIT)
- 4 **IN80353** SET OF SMALL SPARE PARTS (SEALS, NOZZLE FOR CABLE ENTRY ETC)
- 5 **IN80080** FILTER SIEVE (FINE FILTER)
- 6 **IN80750** WATER CONNECTION SET, INCL TWO WATER CONNECTIONS AND SEALS ETC
- 7 **IN80372** FLOW ADJUSTMENT SCREW WITH SEAL FOR ES3
- 7 **IN803721** FLOW ADJUSTMENT SCREW WITH SEAL FOR ES6
- 8 **IN86072** TEMPERATURE SENSOR
- 9 **IN80427** SAFETY THERMAL CUT-OUT INCLUDING EXCHANGE INSTRUCTION, SEALS ETC



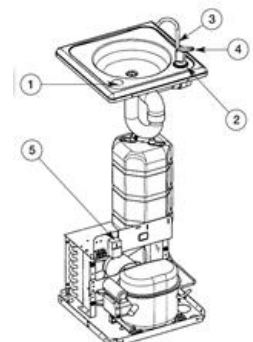
## Chilltower

- 1 **SC1531** LID
- 2 **SC0119** FLOAT VALVE ASSEMBLY
- 3 **SC1108** WHITE TAP
- 4 **SC1121** BLUE TAP
- 5 **SC3111** TAP WASHER
- 6 **SC1549** DRIP TRAY
- 7 **SC4009** THERMOSTAT
- 8 **SC2023** COMPRESSOR
- ZB201** WALL BRACKET



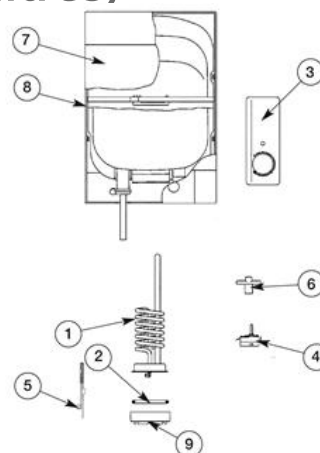
## Chillmaster

- 1 **SP3657** WATER REGULATOR (BUBBLER)
- 2 **SP3659** WATER REGULATOR (CARAFFE) PRIOR TO 1996
- 3 **SP81108** CARAFE FILLER
- 4 **SP80168** HANDLE (CARAFE FILL)
- 5 **SP7036** THERMOSTAT
- SP87674** FILTRATION KIT FOR CH103 & CH104
- SP87675** FILTRATION KIT FOR CH102
- SP88360** FILTER HOUSING
- SP2624** BUBBLER



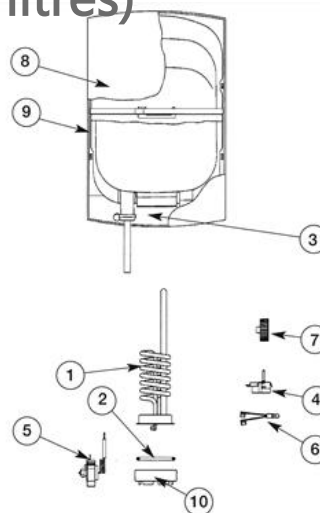
## Tudor / Contract Mk 3 & 4 (5 litres)

- 1 **CT0111/4** HEATING ELEMENT
- 2 **CT0116/4** GASKET
- 3 **CT0130** LENS RED FOR TUDOR
- 3 **CT0131** LENS BLANK FOR CONTRACT
- 4 **CT0119/4** THERMOSTAT
- 5 **CT0120** THERMAL FUSE CONTRACT
- 5 **CT0121/4** RE-SETTABLE CUT-OUT TUDOR
- 6 **CT0106/3** CONTROL KNOB WITH SPRING
- 7 **CT0103/3** COVER—FRONT 5 LITRE
- 8 **CT0101/3** COVER—BACK 5 LITRE
- 9 **CT0115/4** RETAINING NUT
- CT0137** OUTLET SPOUT 350MM
- CT0138** CONTROL VALVE



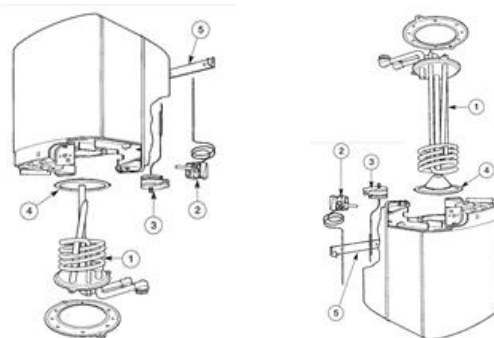
## Tudor / Contract Mk 3 & 4 (10 litres)

- 1 **CT0111/4** HEATING ELEMENT
- 2 **CT0116/4** GASKET
- 3 **CT0130** LENS RED FOR TUDOR
- 3 **CT0131** LENS BLANK FOR CONTRACT
- 4 **CT0119/4** THERMOSTAT
- 5 **CT0121/4** RE-SETTABLE CUT-OUT FOR TUDOR
- 5 **CT0120** THERMAL FUSE FOR CONTRACT
- 6 **CT0129/4** LIGHT INDICATOR
- 7 **AQ0337** CONTROL KNOB WITH SPRING
- 8 **CT0104/4UB** COVER—FRONT FOR TUDOR
- 8 **CT0104/4** COVER—FRONT FOR TUDOR P4/102
- 8 **CT0105/4** COVER—FRONT FOR CONTRACT
- 9 **AQ0344** COVER—BACK 10 LITRE
- 10 **CT0115/4** RETAINING NUT
- CT0137** OUTLET SPOUT 350MM
- CT0138** CONTROL VALVE



## Varipoint (10, 15 ltr)

- 1 **VP0301** ELEMENT 2.2 KW FOR OVERBASIN MODELS
- 2 **VP0302** ELEMENT 2.2KW FOR UNDERBASIN MODELS
- 3 **VP0303** THERMOSTAT
- 4 **VP0304** RESETTABLE CUT-OUT
- 5 **VP0317** ELEMENT GASKET
- VP0322** WALL FIXING BRACKET



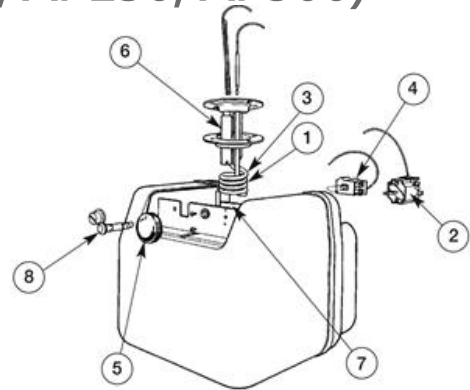
## Varipoint (30,50,80,100 ltr)

- VP0330** ELEMENT, PLATE & GASKET
- VP0331** GASKET
- VP0332** RESETTABLE CUT-OUT
- VP0333** THERMOSTAT
- VP0334** SIGNAL LAMP
- AQ0317** TEMPERATURE & PRESSURE RELIEF VALVE



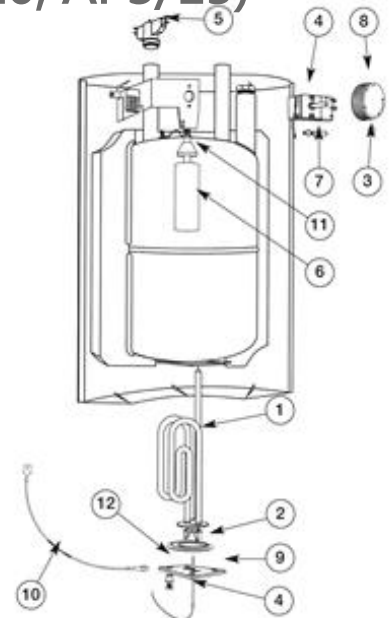
## Aquapoint II (AP50, AP100, AP150, AP300)

- |   |                 |                          |
|---|-----------------|--------------------------|
| 1 | <b>AQ0201</b>   | ELEMENT FOR 10/15 LITRE  |
| 2 | <b>AQ0202</b>   | THERMOSTAT               |
| 3 | <b>AQ0203</b>   | ELEMENT FOR 5 LITRE      |
| 4 | <b>AQ0204</b>   | RESETTABLE CUT-OUT       |
| 5 | <b>AQ0205</b>   | TEMPERATURE CONTROL KNOB |
| 6 | <b>AQ0208/M</b> | SACRIFICIAL ANODE        |
| 7 | <b>AQ0209</b>   | INTERNAL WIRING LOOM     |
| 8 | <b>AQ0226</b>   | NEON                     |
|   | <b>AQ0262</b>   | ELEMENT FOR 30 LITRE     |
|   | <b>AQ0217</b>   | FIXING SCREWS PACK       |



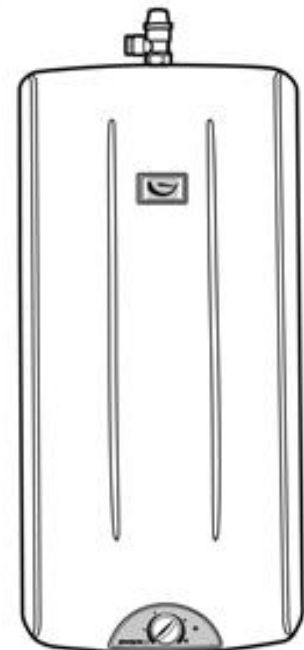
## Aquapoint III (AP3/05, AP3/10, AP3/15)

- |    |               |                                 |
|----|---------------|---------------------------------|
| 1  | <b>AQ0330</b> | ELEMENT                         |
| 2  | <b>AQ0331</b> | GASKET                          |
| 3  | <b>AQ0332</b> | LENS                            |
| 4  | <b>AQ0333</b> | THERMOSTAT                      |
| 5  | <b>AQ0334</b> | RESETTABLE CUT-OUT              |
| 6  | <b>AQ0335</b> | SACRIFICIAL ANODE 10 & 15 LITRE |
| 6  | <b>AQ0347</b> | SACRIFICIAL ANODE 5 LITRE       |
| 7  | <b>AQ0336</b> | LIGHT INDICATOR                 |
| 8  | <b>AQ0337</b> | CONTROL KNOB WITH SPRING        |
| 9  | <b>AQ0338</b> | HEATING FLANGE                  |
| 10 | <b>AQ0339</b> | EARTHING WIRE WITH RESISTOR     |
| 11 | <b>AQ0345</b> | ANODE GASKET                    |
| 12 | <b>AQ0346</b> | INSULATING BUSH                 |



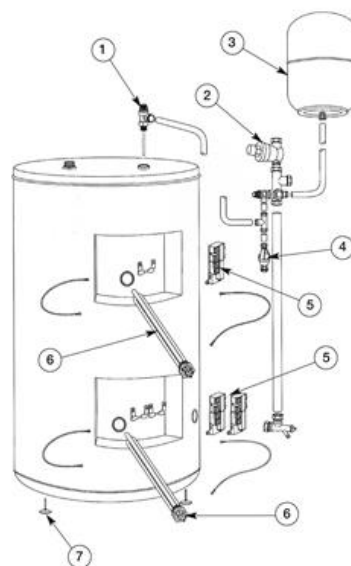
## Aquapoint III (AP3/30, AP3/50, AP3/80, AP3/100)

- |  |               |                                       |
|--|---------------|---------------------------------------|
|  | <b>AQ0318</b> | 600W ELEMENT                          |
|  | <b>AQ0301</b> | 1000W ELEMENT                         |
|  | <b>AQ0302</b> | GASKET                                |
|  | <b>AQ0303</b> | NEON LENS                             |
|  | <b>AQ0319</b> | THERMOSTAT                            |
|  | <b>AQ0305</b> | THERMAL FUSE (RESETTABLE CUT-OUT)     |
|  | <b>AQ0320</b> | SACRIFICIAL ANODE FOR 30 LITRE        |
|  | <b>AQ0306</b> | SACRIFICIAL ANODE FOR 50 LITRE        |
|  | <b>AQ0307</b> | SACRIFICIAL ANODE FOR 80 & 100 LITRE  |
|  | <b>AQ0308</b> | NEON LIGHT INDICATOR                  |
|  | <b>AQ0311</b> | TEMPERATURE INDICATOR                 |
|  | <b>AQ0312</b> | ELEMENT FLANGE FOR 50,80 & 100 LITRES |
|  | <b>AQ0322</b> | ELEMENT FLANGE FOR 30 LITRES          |
|  | <b>AQ0313</b> | SCREW HOLDER                          |
|  | <b>AQ0314</b> | ANODE GASKET                          |
|  | <b>AQ0315</b> | INSULATING BUSH                       |
|  | <b>AQ0317</b> | TEMPERATURE & PRESSURE RELIEF VALVE   |
|  | <b>AQ0309</b> | CONTROL KNOB                          |
|  | <b>AQ0310</b> | THERMOMETER (OLD MODEL)               |
|  | <b>AQ0316</b> | CONTROL PANEL                         |



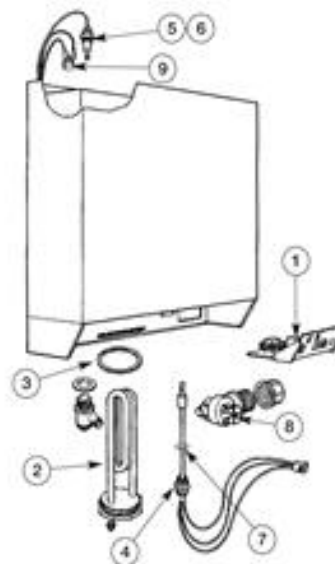
## AQUAFLO

- 1 **SQ94117** PRESSURE AND TEMPERATURE RELIEF VALVE
- 2 **SQ94118** INLET MANIFOLD KIT
- EXP0921** EXPANSION RELIEF VALVE
- 3 **EXP0926** EXPANSION VESSEL - 8 LITRE
- 3 **EXP0927** EXPANSION VESSEL—18 LITRE
- 3 **EXP0928** EXPANSION VESSEL—24 LITRE
- EXP0929** RELIEF MANIFOLD
- EXP0931** MANIFOLD
- 4 **SQ94121** TUNDISH
- 5 **SA79919** PRIMARY CYLINDER THERMOSTAT
- SA79918** SECONDARY CYLINDER THERMOSTAT
- 6 **SA70062** IMMERSION HEATERS
- SA33100** ELECTRIC COVER
- 7 **SA77112** SET OF FEET



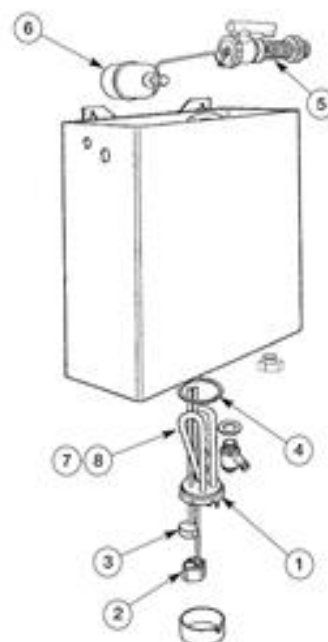
## XL

- 1 **XL0814/S** CONTROL BOARD
- 2 **XL0816** ELEMENT
- 3 **XL0817** ELEMENT GASKET
- 4 **XL0818/S** THERMISTOR / LOW LEVEL PROBE
- 5 **XL0819/S** HIGH LEVEL PROBE XL25
- 6 **XL0820/S** HIGH LEVEL PROBE XL50/75
- 7 **XL0821** PROBE 'O' RING
- 8 **XL0822** SOLENOID VALVE
- 9 **XL0829** RESETTABLE CUT-OUT



## RCH

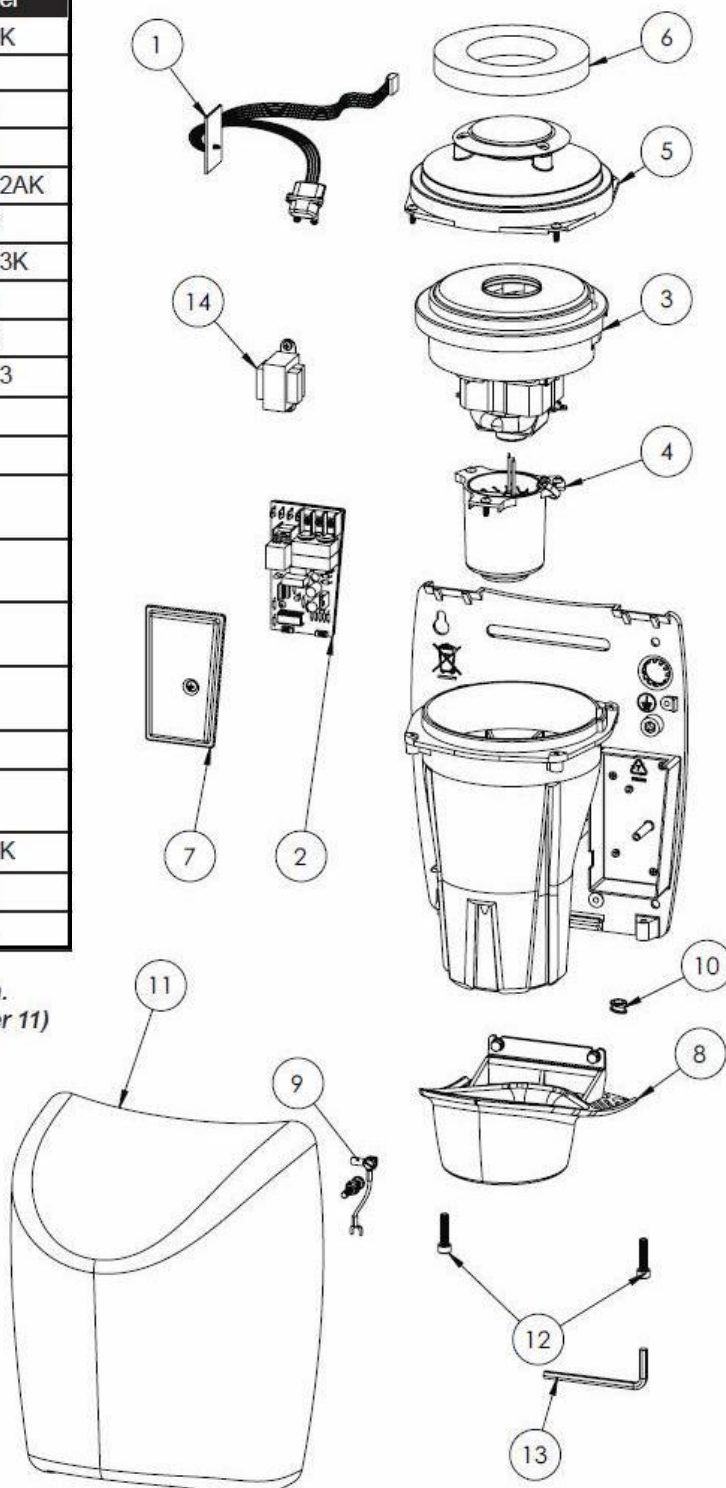
- 1 **RC0400** ELEMENT 3 KW, GASKET & PLUG-IN THERMOSTATS
- 2 **RC00403** CONTROL THERMOSTAT - NEW TYPE
- 3 **RC0404** RESETTABLE THERMOSTAT - NEW TYPE
- 4 **RC0405** COMBINED THERMOSTAT/CUT-OUT
- RC0406** COMBINED THERMOSTAT/CUT-OUT - NEW TYPE
- 5 **RC0410** BALL VALVE
- 6 **RC0411** FLOAT
- 7 **RC0400/2** ELEMENT 2KW, GASKET & PLUG-IN THERMOSTAT
- 8 **RC0400/6** ELEMENT 6KW, GASKET & PLUG-IN THERMOSTAT



## K48 Smartdri

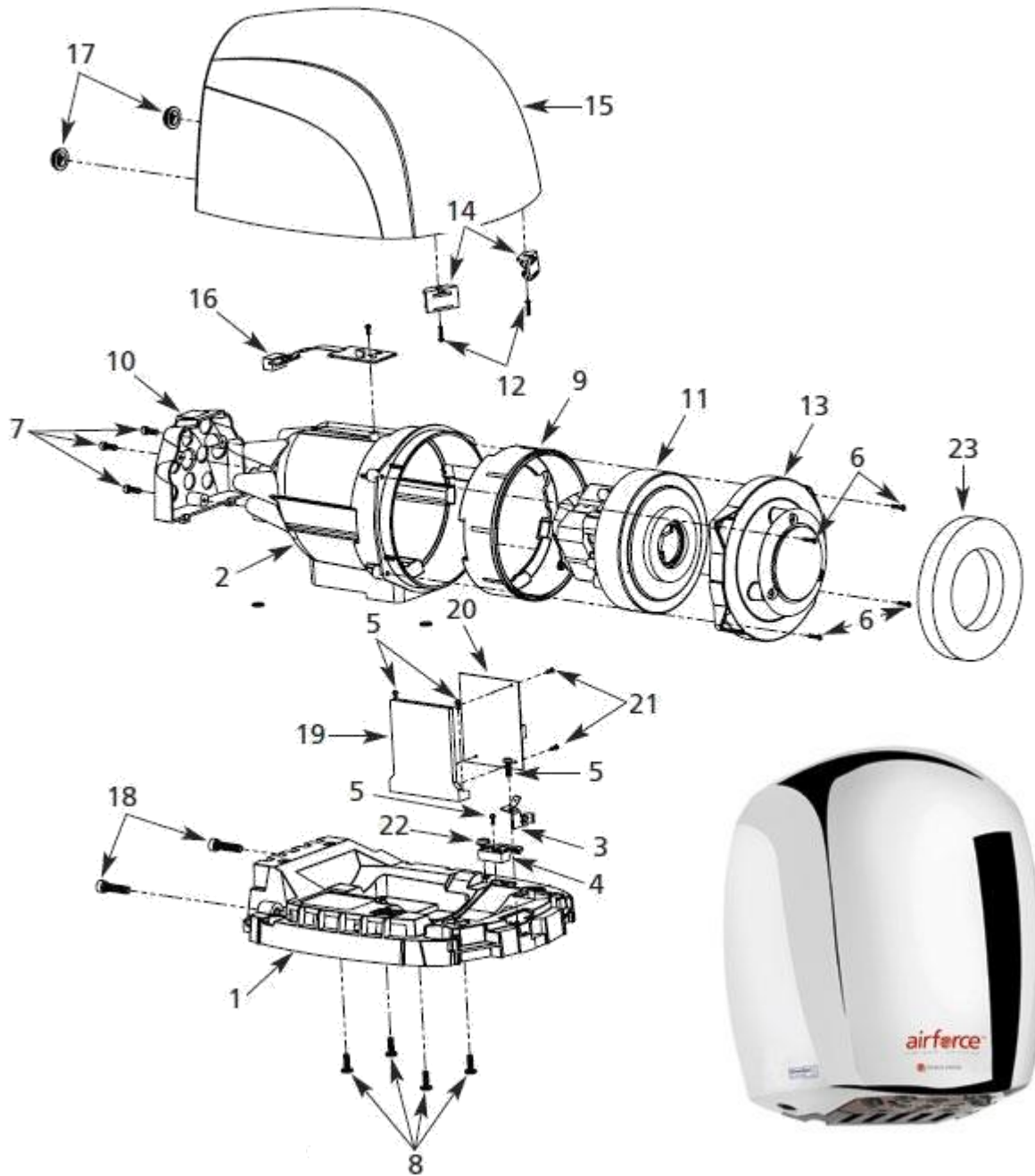
#	Description	Part Number
1	Kit, Sensor	49-081209K
2	Kit, Dryer Controls	16-KK
3	Kit, Motor - 240V	32-K240K
4	Kit, Heating Element - 240V	21-1240K
5	Kit, Plenum Cap Assy.	47-0818092AK
6	Air Filter	93-120309
7	Kit, Controls Cover	20-0815093K
8	Kit, Nozzle	30-K970K
9	Kit, Grounding – Model K	23-120609
10	Cable Bushing – Model K	27-0817093
11	Cover Assy – Alum – White	20-K974
	Cover Assy – Alum – Black	20-K162
	Cover Assy – Alum – Polished/ Bright Chrome	20-K970
	Cover Assy – Alum – Brushed/ Satin Chrome	20-K971
	Cover Assy – Stainless Steel – Polished/ Bright	20-K972
	Cover Assy – Stainless Steel – Brushed/ Satin	20-K973
	Cover Assy – Steel – White	20-K975
	Cover Assy – Cast Iron – Por- celain Enamel	20-K976
12	Kit, Security Screws	46-040222K
13	Wrench, Security	56-40189
14	Transformer - 240V	50-K240K

All kits include fasteners needed for installation.  
Part Number for Cover Assy. (Reference Number 11)  
varies with model number for hand dryer.





## J48 Airforce



Ref. No.	Description	Part No.	Qty.	Ref. No.	Description	Part No.	Qty.
1	Base	14-011577	1	13	Motor Cover Assy incl's Filter #23	47-120309K	1
2	Motor Housing	47-011573	1	14	Cover Bracket	33-011579	2
3	Earth Clip	52-030244	1	15	Cover, White	20-243-974	1
4	Cable Clamp	12-011578	1		Cover, Chrome	20-243-970	1
5	Screw-No. 6 x 1/2"	46-040121	4	16	Sensor PCB	49-200	1
6	Screw-No. 8 x 3/8"	46-040049	4	17	Screw Cup	59-011587	2
7	Screw-No. 6 x 3/8"	46-010008	3	18	M6x25 Soc Hd Cap Screw	46-040221	2
8	Screw M5 x 16*	46-333	4	19	Bracket, Power Circuit	33-200	1
9	Seal	59-011574	1	20	Power Circuit	16-200	1
10	Outlet Lens	30-011576	1	21	Screw-No. 4 x 3/8"	46-040229	4
11	Motor, 208-240V	32-12215800	1	22	Screw M5 x 30, Brass Grnd	46-007	1
12	Screw 6 x 3/8"	099-058	2	22	Nut, Brass Grnd	35-007	2
				23	Filter, Air Intake	93-120309	1

(\*) Standard hardware item, available locally.

## (D)M &amp; (D)XM

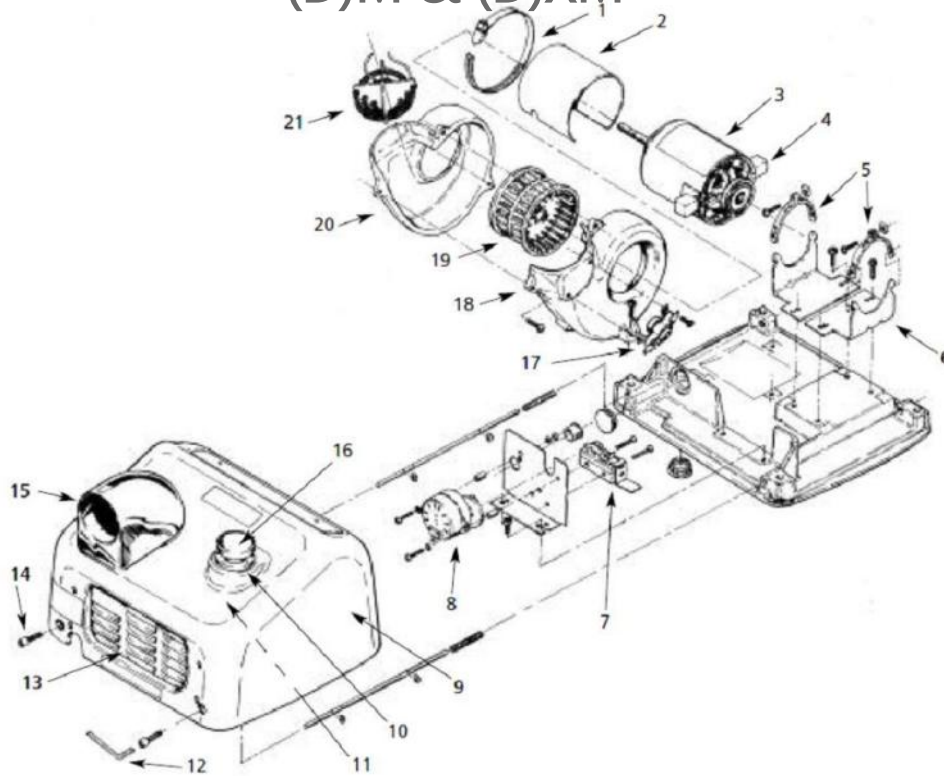


Figure 1 – Repair Parts Illustration for Hand Dryers

## Repair Parts List for Hand Dryers

Reference Number	Description	Part Number	Quantity
1	Clamp, Motor Baffle	23-100	1
2	Baffle, Motor	127HS	1
3	Motor (D)XM5, (D)M5	32-120K	1
	Motor (D)XM54, (D)M54, (D)XM548, (D)M548	32-230K	1
4	Motor Brush	206NL	2
5	Motor Mounting Strap	110-4A	2 sets
6	Motor Mounting Brackets	110-4	2
7	Micro Switch Only (D)M(All)	143F	1
8	Switch Timer Unit (D)M5	125XMK	1
	Switch Timer Unit (D)M54	125AMK	1
	Switch Timer Unit (D)M548	125MCEK	1
9	Cover Complete, Cast Iron, Automatic, White XM(All)*	72DXM5-974K	1
	Cover Complete, Cast Iron, Pushbutton, White M(All)*	70M5-974K	1
	Cover Complete, Steel, Automatic, White DXM(All)*	70XM5-974K	1
	Cover Complete, Steel, Pushbutton, White DM(All)*	72DM5-974K	1
	Cover Complete, Stainless Steel, Auto/Pushbutton*	Call to Order	1
10	Pushbutton Adapter, Gasket and Bushing Unit (D)M(All)	190K	1
11	Pushbutton Retaining Ring, Insulated Push Rod Tip, and Spring Kit (D)M(All)	193K	1
12	Security Allen Wrench	204TP	1
13	Inlet Grill, Cast Iron, Pushbutton, with Mtg. Hardware M(All)	194-1K	1
14	Tamper Proof Cover Screw, Cast Iron Covers XM, M(All)	100B2	2
	Tamper Proof Cover Screw, Steel Covers DXM, DM(All)	46-330	2
	Lock Washer, Steel Covers DXM, DM(All)	59-005028	2
15	Nozzle Assembly Kit	34-172K	1
16	Pushbutton Assembly Kit (Knob, Rod, Ring, Spring and Tip) (D)M(All)	185K	1
17	Thermostat Only 3/4"	1111-03	1
18	Blower Scroll Half with Base Mount and Thermostat	211PA	1
19	Blower Plastic	101P	1
20	Blower Scroll Half with Terminal Block - Left Side	112P	1
21	Heating Element (D)XM5, (D)M5	213XM	1
	Heating Element (D)XM54, (D)M54, (D)XM548, (D)M548	213AM	1
Δ	Automatic Sensor Control - 115 V (D)XM	16-230-120 (D)A	1
Δ	Automatic Sensor Control - 208-230 V (D)XM54	16-240-208 (D)A	1
Δ	Automatic Sensor Control - 220-240 V, 50Hz CE Only (D)XM548	16-230-240 CE	1
Δ	Infrared Sensor, Eye (D)XM(All)	49-238	1
Δ	Filter, Electronic, 50Hz CE Only (D)XM54R	110-2	1

(\*) Specify model when ordering

(Δ) Not shown



WORLD DRYER

Call us today on

01454 620500

## (D)A &amp; (D)XA

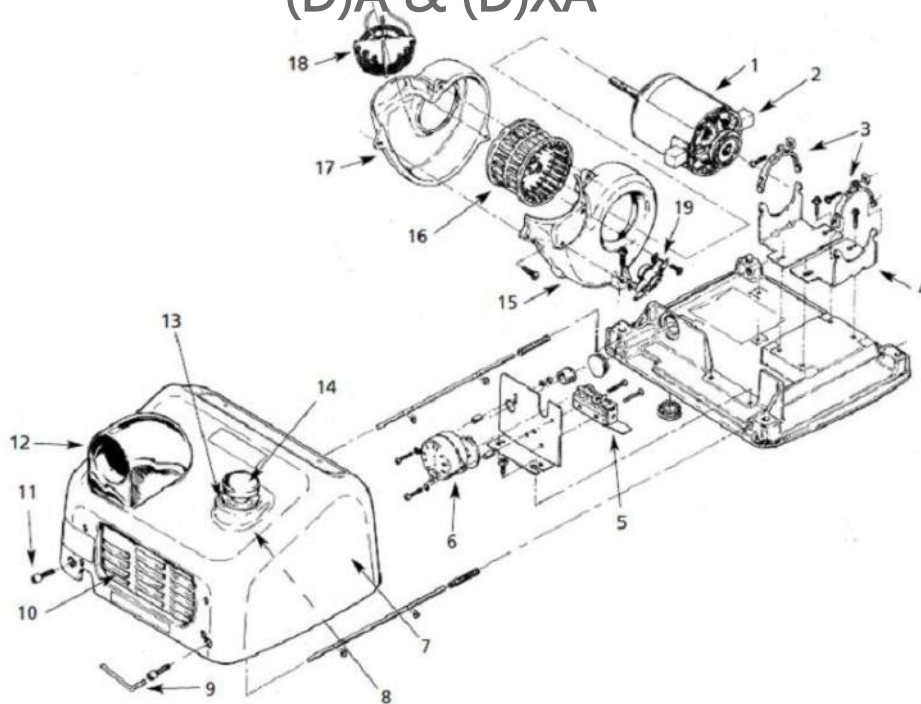


Figure 1 - Repair Parts Illustration for Warm Air Hand Dryers

**Repair Parts List for Warm Air Hand Dryers**

Reference Number	Description	Part Number	Quantity
1	Motor - 115 V (D)A5, (D)XA5, (D)A52, (D)XA52	210K	1
	Motor - 208/220-240 V (D)A54, (D)XA54, (D)A548, (D)XA548, †(D)A57, †(D)XA57	210ACEK	1
2	Motor Brush	206NL	2
3	Motor Mounting Strap	110-4A	2 sets
4	Motor Mounting Brackets	110-4	2
5	Micro Switch Only (D)A(All)	143F	1
6	Switch Timer Unit - 115 V, 30 Seconds (D)A5, (D)A52	225	1
	Switch Timer Unit - 208-230 V, 30 Seconds (D)A54, (D)A57	225A	1
	Switch Timer Unit - 220-240 V, 50 Hz, 30 Seconds (D)A548	225M	1
7	Cover Complete, Cast Iron, Automatic, White XA(All)*	70XA5-974AK	1
	Cover Complete, Cast Iron, Pushbutton, White A(All)*	70A5-974AK	1
	Cover Complete, Steel, Automatic, White DXA(All)*	72DXA5-974K	1
	Cover Complete, Steel, Pushbutton, White DA(All)*	72DA5-974K	1
	Cover Complete, Stainless Steel, Auto/Pushbutton*	Call to order	1
8	Pushbutton Retaining Ring, Insulated Push Rod Tip, and Spring Kit (D)A(All)	193K	1
9	Security Allen Wrench	204TP	1
10	Inlet Grill, Cast Iron, Pushbutton, with Mtg. Hardware A(All)	194-1K	1
	Inlet Grill, Cast Iron, Automatic, with Mtg. Hardware XA(All)	194-1BK	1
11	Tamper Proof Cover Screw, Cast Iron Covers	100B2	2
	Tamper Proof Cover Screw, Steel Covers	46-330	2
	Lock Washer, Steel Covers	59-005028	2
12	Nozzle Assembly Kit	34-172K	1
13	Pushbutton Adapter, Gasket and Bushing Unit (D)A(All)	190K	1
14	Pushbutton Assembly Kit (Knob, Rod, Ring, Spring and Tip) (D)A(All)	185K	1
15	Blower Scroll Half with Base Mount and Thermostat	211PA	1
16	Blower Plastic	101P	1
17	Blower Scroll Half with Terminal Block - Left Side	112P	1
18	Heating Element - 115 V, 20 AMP (D)A5, (D)XA5	213K	1
	Heating Element - 115 V, 15 AMP (D)A52, (D)XA52	213B	1
	Heating Element - 230 V (D)A54, (D)XA54, (D)A548, (D)XA548	213A4K	1
	Heating Element - 277 V, 8.5 AMP (D)A57, (D)XA57	213A7	1
19	Thermostat Only 3/4"	1111-03	1
Δ	Automatic Sensor Control - 115 V (D)XA	16-230-120 (D)A	1
Δ	Automatic Sensor Control - 208-230 V (D)XA54	16-240-208 (D)A	1
Δ	Automatic Sensor Control - 220-240 V, 50Hz CE Only (D)XA548	16-230-240 CE	1
Δ	Infrared Sensor, Eye (D)XA(All)	49-238	1

(\*) Specify model when ordering.

(†) 277 Volt Models Use 210ACEK Motor (230 V Power Tap).

(Δ) Not shown.

# **UK Spares**

**Unit 1155, Aztec West**

**Almondsbury**

**Bristol, BS32 4TF**

**01454 620 500 tel**

**01454 620 660 fax**

**[www.uk-spares.com](http://www.uk-spares.com)**

