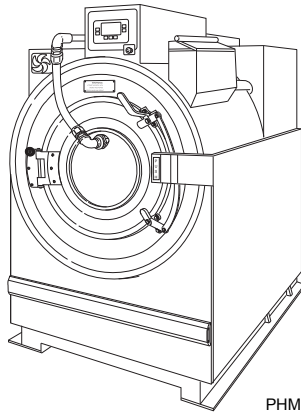


Washer-Extractors

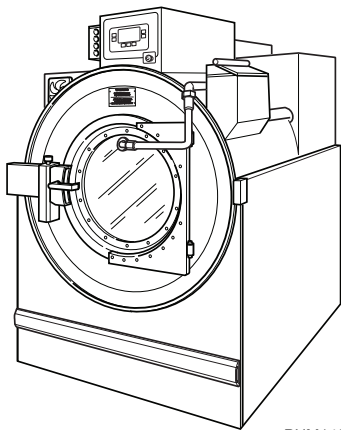
Pocket Hardmount
UniLinc and M30 Control
Refer to Page 8 for Model Numbers

Installation



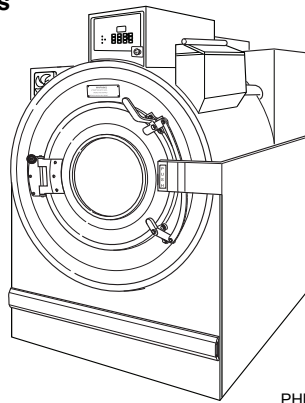
PHM798N

UniLinc 35 – 125 Models



PHM1422C

UniLinc 150 Model



PHM802N

M30 35 – 125 Models

Keep These Instructions for Future Reference.

(If this machine changes ownership, this manual must accompany machine.)



Table of Contents

Safety Information	2
Explanation of Safety Messages.....	2
Important Safety Instructions	2
Safety Decals	4
Operator Safety	5
Safe Operating Environment	6
Environmental Conditions	6
Machine Location	6
Input and Output Services.....	7
AC Inverter Drive	7
Introduction	8
Model Identification	8
Delivery Inspection.....	9
Name plate Location.....	9
Nameplate Location - UniLinc Models	9
Replacement Parts	9
Customer Service.....	9
Specifications and Dimensions	11
Machine Dimensions	15
UWTV Models Through 3/31/09	15
UW Design 1 and Design 2 Models	
Starting 4/1/09 Through 10/3/10	18
UW Design 3 Models starting 10/4/10	21
Machine Foundation Requirements.....	24
Concrete Foundation Pad Installation.....	25
Floor Load Data	27
Mounting Bolt Installation Requirements	30
Machine Mounting and Grouting.....	31
Mounting Bolt Hole Locations	32
Grout Placement	37
Gap Setting for Vibration Switch	38
Drain Connection Requirements.....	42
Water Connection	44
Electrical Installation Requirements.....	46
Steam Requirements (Steam Heat Option Only).....	51
Chemical Injection Supply System.....	52
External Supplies	55
Chemical Injection Using Internal 24VAC Control Transformer ...	56
Chemical injection Using External AC Power Source	57
External Supply Signals.....	58


© Copyright 2011, Alliance Laundry Systems LLC


All rights reserved. No part of the contents of this book may be reproduced or transmitted in any form or by any means without the expressed written consent of the publisher.


Safety Information

Explanation of Safety Messages

Precautionary statements (“DANGER,” “WARNING,” and “CAUTION”), followed by specific instructions, are found in this manual and on machine decals. These precautions are intended for the personal safety of the operator, user, servicer, and those maintaining the machine.

	DANGER
DANGER indicates the presence of a hazard that will cause severe personal injury, death, or substantial property damage if the danger is ignored.	

	WARNING
WARNING indicates the presence of a hazard that can cause severe personal injury, death, or substantial property damage if the warning is ignored.	


	CAUTION
CAUTION indicates the presence of a hazard that will or can cause minor personal injury or property damage if the caution is ignored.	

Additional precautionary statements (“IMPORTANT” and “NOTE”) are followed by specific instructions.

IMPORTANT: The word “IMPORTANT” is used to inform the reader of specific procedures where minor machine damage will occur if the procedure is not followed.

NOTE: The word “NOTE” is used to communicate installation, operation, maintenance or servicing information that is important but not hazard related.

Important Safety Instructions


	WARNING
To reduce the risk of fire, electric shock, serious injury or death to persons when using your washer, follow these basic precautions:	
W023	

1. Read all instructions before using the washer.
2. Refer to the GROUNDING INSTRUCTIONS in the INSTALLATION manual for the proper grounding of the washer.
3. Do not wash textiles that have been previously cleaned in, washed in, soaked in, or spotted with gasoline, kerosene, waxes, cooking oils, dry-cleaning solvents, or other flammable or explosive substances as they give off vapors that could ignite or explode.
4. Do not add gasoline, dry-cleaning solvents, or other flammable or explosive substances to the wash water. These substances give off vapors that could ignite or explode.
5. Under certain conditions, hydrogen gas may be produced in a hot water system that has not been used for two weeks or more. HYDROGEN GAS IS EXPLOSIVE. If the hot water system has not been used for such a period, before using a washing machine or combination washer-dryer, turn on all hot water faucets and let the water flow from each for several minutes. This will release any accumulated hydrogen gas. The gas is flammable, do not smoke or use an open flame during this time.
6. Do not allow children to play on or in the washer. Close supervision of children is necessary when the washer is used near children. This is a safety rule for all appliances.
7. Before the washer is removed from service or discarded, remove the door to the washing compartment.
8. Do not reach into the washer if the wash drum is moving.
9. Do not install or store the washer where it will be exposed to water and/or weather.
10. Do not tamper with the controls.


11. Do not repair or replace any part of the washer, or attempt any servicing unless specifically recommended in the user-maintenance instructions or in published user-repair instructions that the user understands and has the skills to carry out.
12. To reduce the risk of an electric shock or fire, DO NOT use an extension cord or an adapter to connect the washer to the electrical power source.
13. Use washer only for its intended purpose, washing textiles.
14. Never wash machine parts or automotive parts in the machine. This could result in serious damage to the basket.
15. ALWAYS disconnect the washer from electrical supply before attempting any service. Disconnect the power cord by grasping the plug, not the cord.
16. Install the washer according to the INSTALLATION INSTRUCTIONS. All connections for water, drain, electrical power and grounding must comply with local codes and be made by licensed personnel when required.
17. To reduce the risk of fire, textiles which have traces of any flammable substances such as vegetable oil, cooking oil, machine oil, flammable chemicals, thinner, etc., or anything containing wax or chemicals such as in mops and cleaning cloths, must not be put into the washer. These flammable substances may cause the fabric to catch on fire by itself.
18. Do not use fabric softeners or products to eliminate static unless recommended by the manufacturer of the fabric softener or product.
19. Keep washer in good condition. Bumping or dropping the washer can damage safety features. If this occurs, have washer checked by a qualified service person.
20. If the supply cord is damaged, it must be replaced by a special cord or assembly available from the manufacturer or its service agent.
21. Be sure water connections have a shut-off valve and that fill hose connections are tight. CLOSE the shut-off valves at the end of each wash day.
22. Loading door MUST BE CLOSED any time the washer is to fill, tumble or spin. DO NOT bypass the loading door switch by permitting the washer to operate with the loading door open.
23. Always read and follow manufacturer's instructions on packages of laundry and cleaning aids. Heed all warnings or precautions. To reduce the risk of poisoning or chemical burns, keep them out of the reach of children at all times (preferably in a locked cabinet).
24. Always follow the fabric care instructions supplied by the textile manufacturer.
25. Never operate the washer with any guards and/or panels removed.
26. DO NOT operate the washer with missing or broken parts.
27. DO NOT bypass any safety devices.
28. Failure to install, maintain, and/or operate this washer according to the manufacturer's instructions may result in conditions which can produce bodily injury and/or property damage.
29. Do not attempt to open the door until the washer has drained and all moving parts have stopped.
30. Do not climb onto or into the machine.
31. Be aware that hazardous chemicals may be present.
32. Be aware that hot water is used to flush the supply dispenser.
33. Wear hand and eye protection when adding detergents and chemicals.
34. Avoid opening the dispenser lid while the machine is running.
35. Do not attach anything to the supply dispenser's nozzles. The air gap must be maintained.
36. Use only low-sudsing, no-foaming types of commercial detergent.
37. Do not operate the machine without the water reuse plug or water reuse system in place.


NOTE: The WARNINGS and IMPORTANT SAFETY INSTRUCTIONS appearing in this manual are not meant to cover all possible conditions and situations that may occur. Common sense, caution and care must be exercised when installing, maintaining, or operating the washer.


Any problems or conditions not understood should be reported to the dealer, distributor, service agent or the manufacturer.

	WARNING
<p>This machine must be installed, adjusted, and serviced by qualified electrical maintenance personnel familiar with the construction and operation of this type of machinery. They must also be familiar with the potential hazards involved. Failure to observe this warning may result in personal injury and/or equipment damage, and may void the warranty.</p>	
<small>SW004</small>	

IMPORTANT: Ensure that the recommended clearances for inspection and maintenance are provided. Never allow the inspection and maintenance space to be blocked.

	WARNING
<p>Install the machine on a level floor of sufficient strength. Failure to do so may result in conditions which can produce serious injury, death and/or property damage.</p>	
<small>W703</small>	

	CAUTION
<p>Be careful around the open door, particularly when loading from a level below the door. Impact with door edges can cause personal injury.</p>	
<small>SW025</small>	

	WARNING
<p>Never touch internal or external steam pipes, connections, or components. These surfaces can be extremely hot and will cause severe burns. The steam must be turned off and the pipe, connections, and components allowed to cool before the pipe can be touched.</p>	
<small>SW014</small>	

Safety Decals

Safety decals appear at crucial locations on the machine. Failure to maintain legible safety decals could result in injury to the operator or service technician.

To provide personal safety and keep the machine in proper working order, follow all maintenance and safety procedures presented in this manual. If questions regarding safety arise, contact the manufacturer immediately.

Use manufacturer-authorized spare parts to avoid safety hazards.

Operator Safety


	WARNING
<p>NEVER insert hands or objects into basket until it has completely stopped. Doing so could result in serious injury.</p> <p style="text-align: right;"><small>SW012</small></p>	

To ensure the safety of machine operators, the following maintenance checks must be performed daily:

1. Prior to operating the machine, verify that all warning signs are present and legible. Missing or illegible signs must be replaced immediately. Make certain that spares are available.
2. Check door interlock before starting operation of the machine:
 - a. Attempt to start the machine with the door open. The machine should not start with the door open.
 - b. Close the door without locking it and attempt to start the machine. The machine should not start with the door unlocked.
 - c. Close and lock the door and start a cycle. Attempt to open the door while the cycle is in progress. The door should not open.

If the door lock and interlock are not functioning properly, call a service technician.
3. Do not attempt to operate the machine if any of the following conditions are present:
 - a. The door does not remain securely locked during the entire cycle.
 - b. Excessively high water level is evident.
 - c. Machine is not connected to a properly grounded circuit.

Do not bypass any safety devices in the machine.

	WARNING
<p>Never operate the machine with a bypassed or disconnected balance system. Operating the machine with severe out-of-balance loads could result in personal injury and serious equipment damage.</p> <p style="text-align: right;"><small>SW039</small></p>	

Safety Information

Safe Operating Environment

Safe operation requires an appropriate operating environment for both the operator and the machine. If questions regarding safety arise, contact the manufacturer immediately.

Environmental Conditions

- *Ambient Temperature.* Water in the machine will freeze at temperatures of 32°F (0°C) or below.

Temperatures above 104°F (40°C) will result in more frequent motor overheating and, in some cases, malfunction or premature damage to solid state devices that are used in some models. Special cooling devices may be necessary.

Water pressure switches are affected by increases and decreases in temperature. Every 25°F (10°C) change in temperature will have a 1% effect on the water level.

- *Humidity.* Relative humidity above 90% may cause the machine's electronics or motors to malfunction or may trip the ground fault interrupter. Corrosion problems may occur on some metal components in the machine.

If the relative humidity is below 30%, belts and rubber hoses may eventually develop dry rot. This condition can result in hose leaks, which may cause safety hazards external to the machine in conjunction with adjacent electrical equipment.

- *Ventilation.* The need for make-up air openings for such laundry room accessories as dryers, ironers, water heaters, etc., must be evaluated periodically. Louvers, screens, or other separating devices may reduce the available air opening significantly.
- *Radio Frequency Emissions.* A filter is available for machines in installations where floor space is shared with equipment sensitive to radio frequency emissions.
- *Elevation.* If the machine is to be operated at elevations of over 3280 feet (1000 m) above sea level, pay special attention to water levels and electronic settings (particularly temperature) or desired results may not be achieved.
- *Chemicals.* Keep stainless steel surfaces free of chemical residues.



DANGER

Do not place volatile or flammable fluids in any machine. Do not clean the machine with volatile or flammable fluids such as acetone, lacquer thinners, enamel reducers, carbon tetrachloride, gasoline, benzene, naphtha, etc. Doing so could result in serious personal injury and/or damage to the machine.

SW002

- *Water Damage.* Do not spray the machine with water. Short circuiting and serious damage may result. Repair immediately all seepage due to worn or damaged gaskets, etc.

Machine Location

- *Foundation.* The concrete floor must be of sufficient strength and thickness to handle the floor loads generated by the high extract speeds of the machine.
- *Service/Maintenance Space.* Provide sufficient space to allow comfortable performance of service procedures and routine preventive maintenance.

Consult installation instructions for specific details.



CAUTION

Replace all panels that are removed to perform service and maintenance procedures. Do not operate the machine with missing guards or with broken or missing parts. Do not bypass any safety devices.

SW019

Input and Output Services

- *Water Pressure.* Best performance will be realized if water is provided at a pressure of 30 – 85 psi (2.0 – 5.7 bar). Although the machine will function properly at lower pressure, increased fill times will occur. Water pressure higher than 100 psi (6.7 bar) may result in damage to machine plumbing. Component failure(s) and personal injury could result.
- *Steam Heat (Optional) Pressure.* Best performance will be realized if steam is provided at a pressure of 30 – 80 psi (2.0 – 5.4 bar). Steam pressure higher than 125 psi (8.5 bar) may result in damage to steam components and may cause personal injury.


For machines equipped with optional steam heat, install piping in accordance with approved commercial steam practices. Failure to install the supplied steam filter may void the warranty.

- *Drainage System.* Provide drain lines or troughs large enough to accommodate the total number of gallons that could be released if all machines on the site drained at the same time from the highest attainable level. If troughs are used, they should be covered to support light foot traffic.
- *Power.* For personal safety and for proper operation, the machine must be grounded in accordance with state and local codes. The ground connection must be to a proven earth ground, not to conduit or water pipes. Do not use fuses. An easy-access cutoff switch should also be provided.

AC Inverter Drive

Machines equipped with the AC inverter drive require special attention with regard to the operating environment.

- An especially dusty or linty environment will require more frequent cleaning of the AC inverter drive cooling fan filter and of the AC inverter drive itself.
- Power line fluctuations from sources such as uninterruptible power supplies (UPS) can adversely affect machines equipped with the AC inverter drive. Proper suppression devices should be utilized on the incoming power to the machine to avoid problems.
- A clean power supply free from voltage spikes and surges is absolutely essential for machines equipped with the AC inverter drive. Nonlinear inconsistencies (peaks and valleys) in the power supply can cause the AC inverter drive to generate nuisance errors.
- The following conditions must be corrected: input voltage above 240V or 480V, phase to ground voltage exceeds 125% of normal line to line voltage, or 240V open delta configuration (stinger leg). Contact the distributor or the manufacturer for assistance.
- Sufficient space to perform service procedures and routine preventive maintenance is especially important for machines equipped with the AC inverter drive.

	WARNING
<p>Ensure that a ground wire from a proven earth ground is connected to the ground lug near the input power block on this machine. Without proper grounding, personal injury from electric shock could occur and machine malfunctions may be evident.</p>	
SW008	

Always disconnect power and water supplies before a service technician performs any service procedure. Where applicable, steam and/or compressed air supplies should also be disconnected before service is performed.

Introduction

Model Identification

Information in this manual is applicable to these models:

UW35TV	UWL060K1L	UWN035K1L	UWN100K1M	UWU060K1L
UW60TV	UWL060K1M	UWN035K1M	UWN100T3V	UWU060K1M
UW80TV	UWL060T3L	UWN035T3L	UWN125K1M	UWU060T3L
UW100TV	UWL060T3M	UWN035T3M	UWN125K1V	UWU060T3M
UW125TV	UWL060T3V	UWN035T3V	UWN125T3V	UWU060T3V
UW150TV	UWL080K1M	UWN060K12	UWN150T3V	UWU080K1M
UWL035K12	UWL080T3V	UWN060K1L	UWU035K12	UWU080T3V
UWL035K1L	UWL100K1M	UWN060K1M	UWU035K1L	UWU100K1M
UWL035K1M	UWL100T3V	UWN060T3L	UWU035K1M	UWU100T3V
UWL035T3L	UWL125K1M	UWN060T3M	UWU035T3L	UWU125K1M
UWL035T3M	UWL125T3V	UWN060T3V	UWU035T3M	UWU125T3V
UWL035T3V	UWL150T3V	UWN080K1M	UWU035T3V	UWU150T3V
UWL060K12	UWN035K12	UWN080T3V	UWU060K12	

This manual is designed as a guide to the installation of the Pocket Hardmount washer-extractor.

NOTE: All information, illustrations, and specifications contained in this manual are based on the latest product information available at the time of printing. We reserve the right to make changes at any time without notice.

IMPORTANT: Warranty is void unless washer-extractor is installed according to instructions in this manual. Installation should comply with minimum specifications and requirements, and with applicable municipal building codes, water supply regulations, electrical wiring regulations and any other relevant statutory regulations. Due to varied requirements, applicable local codes should be thoroughly understood and all pre-installation work arranged for accordingly.

Delivery Inspection

Upon delivery, visually inspect crate, protective cover, and unit for any visible shipping damage. If the crate, protective cover, or unit is damaged or signs of possible damage are evident, have the carrier note the condition on the shipping papers before the shipping receipt is signed, or advise the carrier of the condition as soon as it is discovered.







Remove the crate and protective cover as soon after delivery as possible. If any damage is discovered upon removal of the crate and/or protective cover, advise the carrier and file a written claim immediately.

Name plate Location

The nameplate is located on the back of the machine. Always provide the machine's serial number and model number when ordering parts or when seeking technical assistance. Refer to *Figure 1* and *Figure 2*.

Nameplate Location - UniLinc Models

On UniLinc models, nameplate information is also programmed into the control. To access machine ID through the control:

1. Press and hold , then , then  keypads at the same time.
2. Press the  keypad until Diagnostic is highlighted.
3. Press the  keypad.
4. Press the  keypad until machine ID is highlighted.

5. Press the  keypad.

Always provide the machine's serial number and model number when ordering parts or when seeking technical assistance. Refer to *Figure 1*.

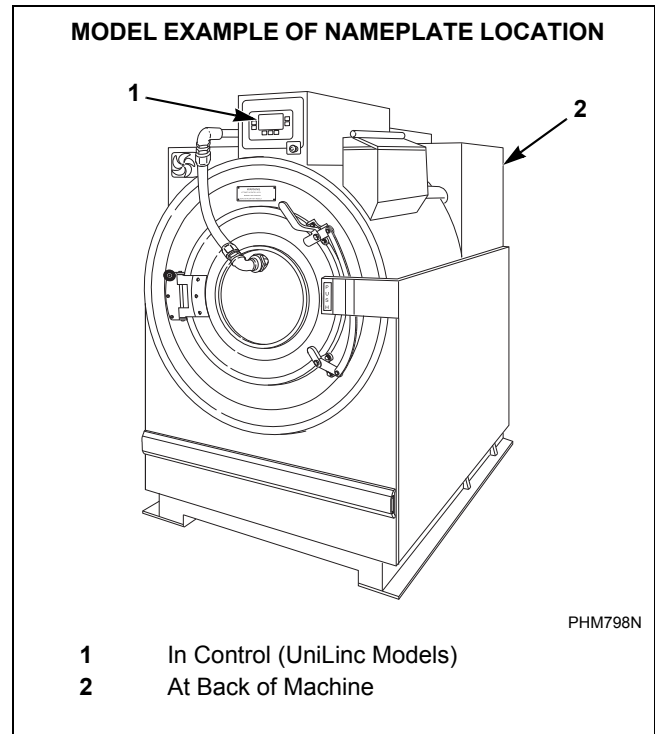


Figure 1

Replacement Parts

If literature or replacement parts are required, contact the source from which the washer-extractor was purchased or contact Alliance Laundry Systems LLC at (920) 748-3950 for the name of the nearest authorized parts distributor. A parts manual may be ordered by returning the reply card provided with each washer-extractor.

Customer Service

For technical assistance, contact your local distributor or call:


(920) 748-3121
Ripon, Wisconsin

A record of each washer-extractor is on file with the manufacturer. Always provide the machine's serial number and model number when ordering parts or when seeking technical assistance. Refer to *Figure 1* and *Figure 2*.

Introduction

Model Number Familiarization Guide - Models Through 3/31/09	
Sample Model Number: UW60TVQU10001	
UW	Model Number Prefix
60	Washer-Extractor Capacity (60 pounds dry weight of laundry)
T	Type of Electrical Control T = UniLine Control
V	Washer-Extractor Speed Capabilities V = 8 Speeds
Q	Electrical Characteristics Refer to <i>Table 10</i> .
U1	Design Series
0001	Option Identification (varies from machine to machine)

Model Number Familiarization Guide - Models Starting 4/1/09	
Sample Model Number: UWN060T3VXU1001	
UW	Model Number Prefix
N	Market Approvals
060	Washer-Extractor Capacity (60 pounds dry weight of laundry)
T	Type of Electrical Control T = UniLine Control
3	Spray/Dispenser Feature
V	Washer-Extractor Speed Capabilities V = 8 Speeds
X	Electrical Characteristics Refer to <i>Table 10</i> .
U1	Design Series
0	Heat Feature
01	Option Identification (varies from machine to machine)

Model No.	UWN060T3VXU1001				
Serial No.	00000000000				
Voltage	200 – 240	Hz	50-60		Phase 3
Number of wires:	3	FLA:	19		amps
Circuit Breaker Size:	30 amps				
Max. Load:	60	LB	27	KG	
Schematic:	Supply Water: 30 - 85 psi, 2 - 5.7 BAR				

EXAMPLE OF SERIAL PLATE

PHM769N

Figure 2

Specifications and Dimensions

UWTV Models Through 3/31/09						
Specifications	35	60	80	100	125	150
Overall Dimensions						
Overall width, in (mm)	32.5 (826)	36.625 (930)	41.5 (1054)	41.5 (1054)	48 (1219)	50.25 (1277)
Overall height, in (mm)	55.5 (1410)	64.5 (1638)	68.5 (1740)	68.5 (1740)	72 (1829)	79 (2007)
Overall depth, in (mm)	43.625 (1108)	45 (1143)	51.5 (1308)	54.5 (1384)	58 (1473)	63 (1600)
Weight And Shipping Information						
Net weight, lb (kg)	1030 (468)	1300 (590)	1730 (785)	1770 (805)	2420 (1100)	2970 (1347)
Basket Weight, lb (kg)	150 (68)	200 (92)	330 (150)	360 (163)	550 (250)	572 (260)*
Domestic shipping weight, lb (kg)	1085 (493)	1340 (608)	1795 (814)	1835 (832)	2525 (1148)	3022 (1371)
Domestic shipping volume, ft ³ (m ³)	66 (1.9)	84 (2.4)	119 (3.4)	119 (3.4)	166 (4.7)	172 (4.87)
Domestic shipping dimensions, WxDxH, in (mm)	38x47x64 (970x1200x1630)	40x49x74.5 (1016x1245x1892)	44x60.5 x77.25 (1118x1537x1962)	44x60.5x77.25 (1118x1537x1962)	61.5x60x77.75 (1560x1520x1980)	54.5x69x79 (139x176x201)
Export shipping weight, lb (kg)	1150 (522)	1464 (664)	1990 (903)	2030 (921)	2800 (1270)	3350 (1520)
Export shipping volume, ft ³ (m ³)	78 (2.2)	96 (2.7)	134 (3.8)	134 (3.8)	184 (5.3)	220 (6.3)
Export shipping dimensions, WxDxH, in (mm)	41x50x65.5 (1050x1280x1670)	43x52.125x74.5 (1092x1324x1892)	47x63.5x77.25 (1194x1613x1962)	47x63.5x77.25 (1194x1613x1962)	63.5x63x80 (1620x1610x2030)	61.5x71x87 (1562x1804x2210)
Wash Cylinder Information						
Cylinder diameter, in (mm)	26.25 (667)	32 (813)	36 (914)	36 (914)	42 (1067)	43 (1093)
Cylinder depth, in (mm)	18.375 (467)	20 (508)	21 (533)	27 (686)	24 (610)	27.8125 (706)
Cylinder volume, ft ³ (l)	5.76 (163)	9.31 (264)	12.4 (350)	15.9 (450)	19.2 (544)	23.4 (662)
Perforation size, in (mm)	0.1875 (4.8)	0.1875 (4.8)	0.1875 (4.8)	0.1875 (4.8)	0.1875 (4.8)	0.1875 (4.8)
Perforation open area, %	18	22	23	23	24	21.5
Door Opening Information						
Door opening size, in (mm)	14.375 (365)	17.5 (445)	17.5 (445)	17.5 (445)	20 (508)	24.75 (629)
Height of door bottom above floor, in (mm)	23.75 (603)	28.25 (718)	29 (737)	29 (737)	29 (737)	32 (813)
Drive Train Information						
Number of motors in drive train	1	1	1	1	1	1
Drive motor power, hp (kW)	5.0 (3.7)	5.0 (3.7)	7.5 (5.6)	7.5 (5.6)	10 (7.5)	10 (7.5)

* Basket Only

Specifications and Dimensions

UWTV Models Through 3/31/09 (Continued)							
Specifications	35	60	80	100	125	150	
Cylinder Speeds / Centrifugal Force Data							
1/2 Wash/reverse, rpm (g)	26 (.25)	26 (.31)	26 (.35)	26 (.35)	26 (.40)	23 (.31)	
Wash/reverse, rpm (g)	42 (.66)	40 (.73)	40 (.82)	40 (.82)	37 (.82)	36 (0.8)	
Distribution, rpm (g)	83 (2.57)	71 (2.29)	73 (2.57)	70 (2.50)	62 (2.29)	61 (2.29)	
Very Low extract, rpm (g)	401 (60)	364 (60)	343 (60)	343 (60)	317 (60)	314 (60)	
Low extract rpm (g)	568 (120)	514 (120)	485 (120)	485 (120)	449 (120)	444 (120)	
Medium extract, rpm (g)	695 (180)	630 (180)	594 (180)	594 (180)	550 (180)	543 (180)	
High extract, rpm (g)	803 (240)	727 (240)	686 (240)	686 (240)	565 (190)	627 (240)	
Very High extract, rpm (g)	898 (300)	813 (300)	766 (300)	766 (300)	579 (200)	701 (300)	
Balance Detection							
Vibration switch installed	STD	STD	STD	STD	STD	STD	
Direct Steam Heating (Optional)							
Steam inlet connection size, in (mm)	0.5 (13)	0.5 (13)	0.5 (13)	0.5 (13)	0.75 (19)	0.75 (19)	
Number of steam inlets	1	1	1	1	1	1	
Steam required to raise bath temperature 10°F, lb (10°C, kg)	LOW	2.1 (1.5)	3.3 (2.4)	4.6 (3.3)	5.7 (4.1)	6.7 (4.9)	8.3 (6.0)
	MED	2.3 (1.7)	3.7 (2.6)	5.2 (3.8)	6.5 (4.7)	7.8 (5.6)	9.5 (6.9)
	HIGH	2.7 (1.9)	4.1 (2.9)	6.1 (4.4)	7.6 (5.5)	9.1 (6.6)	11.1 (8.0)
Average consumption per cycle, BHP (kg)	1.4 (21.4)	2.1 (33.4)	3.1 (48.4)	3.8 (60.4)	4.6 (72.0)	5.8 (91.0)	
Electrical Heating (Optional)							
Total electrical heating capacity, kW	15.6	27.4	41.2 (Q-Volt) 27.4 (N-Volt)	41.2 (Q-Volt) 27.4 (N-Volt)	N/A	N/A	
Number of electrical heating elements	6	6	9	9	N/A	N/A	
Electrical heating element size, kW	2.6	4.2	4.2	4.2	N/A	N/A	
Time required to raise bath temperature 10°F, min (5°C, min)	LOW	2.4 (3.6)	2.4 (3.7)	2.2 (3.4)	2.8 (4.2)	N/A	N/A
	MED	2.7 (4.1)	2.7 (4.1)	2.5 (3.9)	3.2 (4.8)	N/A	N/A
	HIGH	3.1 (4.7)	3.0 (4.6)	3.0 (4.5)	3.7 (5.6)	N/A	N/A

UWL, UWN and UWU Models Starting 4/1/09						
Specifications	35	60	80	100	125	150
Overall Dimensions						
Overall width, in. (mm)	32.37 (822)	36.07 (916)	41.06 (1043)	41.06 (1043)	47.91 (1217)	50.23 (1256)
Overall height, in. (mm)	54.45 (1383)	64.5 (1638)	67.88 (1724)	67.88 (1724)	72.31 (1837)	78.9 (2004)
Overall depth, in. (mm)	44.49 (1130)	47.24 (1200)	49.88 (1267)	55.85 (1419)	56.54 (1436)	62.43 (1586)
Weight And Shipping Information						
Net weight, lb. (kg)	925 (420)	1270 (576)	1750 (793)	1800 (816)	2190 (993)	2890 (1311)
Basket Weight, lb. (kg)	147 (67)	200 (92)	330 (150)	360 (163)	550 (250)	572 (260)*
Domestic shipping weight, lb. (kg)	944 (428)	1302 (591)	1814 (823)	1870 (848)	2292 (1040)	2944 (1335)
Domestic shipping volume, ft ³ (m ³)	61.5 (1.7)	83.25 (2.3)	111 (3.2)	111 (3.2)	135 (3.89)	171.5 (4.94)
Domestic shipping dimensions, WxDxH, in. (mm)	37.5x48x59 (952x1219x1498)	41.5x50.25x69 (1054x1276x1753)	44x60x72.75 (1118x1524x1848)	44x60x72.75 (1118x1524x1848)	50.5x60x77 (1283x1524x1956)	54.5x69x78.75 (1385x1753x2000)
Export shipping weight, lb. (kg)	1050 (476.27)	1430 (648.63)	2010 (911.72)	2060 (934.40)	2570 (1165.73)	3270 (1483.24)
Export shipping volume, ft ³ (m ³)	79.5 (2.27)	99.25 (2.83)	152.5 (4.35)	152.5 (4.35)	173 (4.93)	215 (6.13)
Export shipping dimensions, WxDxH, in. (mm)	42x51x64 (1067x1295x1626)	46x53.25x70 (1168x1353x1778)	48.5x63x86.25 (1232x1600x2191)	48.5x63x86.25 (1232x1600x2191)	55x63x86.25 (1397x1600x2191)	59x72x87.5 (1499x1829x2223)
Wash Cylinder Information						
Cylinder diameter, in. (mm)	26.25 (667)	32 (813)	36 (914)	36 (914)	42 (1067)	43 (1093)
Cylinder depth, in. (mm)	18.375 (467)	20 (508)	21 (533)	27 (686)	24 (610)	27.8125 (706)
Cylinder volume, ft ³ (l)	5.76 (163)	9.31 (264)	12.4 (350)	15.9 (450)	19.2 (544)	23.4 (662)
Perforation size, in. (mm)	0.1875 (4.8)	0.1875 (4.8)	0.1875 (4.8)	0.1875 (4.8)	0.1875 (4.8)	0.1875 (4.8)
Perforation open area, %	18	22	23	23	24	21.5
Door Opening Information						
Door opening size, in. (mm)	14.375 (365)	17.5 (445)	17.5 (445)	17.5 (445)	20 (508)	24.75 (629)
Height of door bottom above floor, in. (mm)	23.48 (596)	28.07 (713)	29.46 (748)	29.46 (748)	28.5 (724)	31.41 (798)
Drive Train Information						
Number of motors in. drive train	1	1	1	1	1	1
Drive motor power, hp (kW)	2.0 (1.3) (2-speed models) 5.0 (3.7) (Variable-speed models)	3.0 (2.2) (2-speed models) 5.0 (3.7) (Variable-speed models)	7.5 (5.6)	7.5 (5.6)	10 (7.5)	10 (7.5)

* Basket Only

Specifications and Dimensions


UWL, UWN and UWU Models Starting 4/1/09 (Continued)							
Specifications		35	60	80	100	125	150
Cylinder Speeds / Centrifugal Force Data							
1/2 Wash/reverse, rpm (g) (Variable-speed models only)		26 (.25)	26 (.31)	26 (.35)	26 (.35)	26 (.40)	23 (.32)
Wash/reverse, rpm (g)		44 (.73)	42 (.66)	40 (0.8)	40 (0.8)	37 (0.8)	36 (0.8)
Distribution, rpm (g) (Variable-speed models only)		83 (2.57)	74 (2)	70 (2.50)	70 (2.50)	62 (2.29)	61 (2.29)
Very Low extract, rpm (g) (Variable-speed models only)		401 (60)	364 (60)	343 (60)	343 (60)	317 (60)	314 (60)
Low extract rpm (g) (Variable-speed models only)		568 (120)	514 (120)	485 (120)	485 (120)	449 (120)	444 (120)
Medium extract, rpm (g) (Variable-speed models only)		695 (180)	630 (180)	594 (180)	594 (180)	550 (180)	543 (180)
High extract, rpm (g)		803 (240) (Variable-speed models) 492 (90) (2-speed models)	727 (240) (Variable-speed models) 482 (106) (2-speed models)	686 (240)	686 (240)	565 (190)	627 (240)
Very High extract, rpm (g) (Variable-speed models only)		898 (300)	813 (300)	766 (300)	766 (300)	579 (200)	701 (300)
Balance Detection							
Vibration switch installed		STD (Variable-speed models) N/A (2-speed models)	STD (Variable-speed models) N/A (2-speed models)	STD	STD	STD	STD
Direct Steam Heating (Optional)							
Steam inlet connection size, in. (mm)		0.5 (13)	0.5 (13)	0.5 (13)	0.5 (13)	0.75 (19)	0.75 (19)
Number of steam inlets		1	1	1	1	1	1
Steam required to raise bath temperature 10°F, lb. (10°C, kg)	LOW	2.1 (1.5)	3.3 (2.4)	4.6 (3.3)	5.7 (4.1)	6.7 (4.9)	8.3 (6.0)
	MED	2.3 (1.7)	3.7 (2.6)	5.2 (3.8)	6.5 (4.7)	7.8 (5.6)	9.5 (6.9)
	HIGH	2.7 (1.9)	4.1 (2.9)	6.1 (4.4)	7.6 (5.5)	9.1 (6.6)	11.1 (8.0)
Average consumption per cycle, BHP (kg)		1.4 (21.4)	2.1 (33.4)	3.1 (48.4)	3.8 (60.4)	4.6 (72.0)	5.8 (91.0)
Electrical Heating (Optional)							
Total electrical heating capacity, kW (N/A for 2 speed models)	200V	10.8	19.1	28.6	28.6	N/A	N/A
	240V	15.6	27.4	41.2	41.2	N/A	N/A
	380V	9.8	17.2	17.2	17.2	34.4	N/A
	415V	11.7	20.5	20.5	20.5	41.0	N/A
	480V	15.6	27.4	27.4	27.4	54.8	N/A
Number of electrical heating elements		6	6	9	9	12	N/A
Electrical heating element size, kW		2.6	4.2	4.2	4.2	4.2	N/A

Machine Dimensions

Dimensional Clearances

Allow a minimum of 24 inches (60 cm) at the rear and 6 inches (15.24 cm) at the sides for maintenance, inspection, and adjustment. Allow at least 6 inches (15.24 cm) between machines in multiple installations.

NOTE: The dimensions shown here are for planning purposes only. They are approximate and subject to normal manufacturing tolerances. If exact dimensions are required for construction purposes, contact the distributor or the manufacturer. We reserve the right to make changes at any time without notice.

	WARNING
<p>Crush hazard. To avoid personal injury and/or property damage, do not tip the UW150 machine more than 25 degrees in any direction.</p>	
W642	

UWTV Models Through 3/31/09

(Refer to Figure 3 and Figure 4)												
Dimension	35		60		80		100		125		150	
	in	mm	in	mm	in	mm	in	mm	in	mm	in	mm
A	30.125	765	35.625	905	41.125	1045	41.125	1045	48	1219	50.25	1277
B¹	33.375	848	36.625	930	41.5	1054	41.5	1054	48	1219	50.25	1277
C	23.75	603	28.25	718	29	737	29	737	29	737	32	813
D	43.625	1108	45	1143	51.5	1308	54.5	1384	58	1473	63	1600
E²	.5	13	1	25	3	76	3	76	1.5	38	2.9	73
F	55.5	1410	64.5	1638	68.5	1740	68.5	1740	72	1829	79	2007
G²	36	914	36	914	43.75	1111	43.75	1111	48	1219	56	1422
H	8	203	15.5	394	16.875	429	16.875	429	11.375	289	15.75	400
J	43.14	1096	49.8	1265	53.54	1360	53.54	1360	56.4	1433	62.85	1596
K	46.64	1185	53.3	1354	57.04	1449	57.04	1449	59.9	1521	66.35	1685
L	5.12	130	5.12	130.05	7.12	181	7.12	181	7.12	181	7.12	181
M	2.62	66	2.62	66	3.62	92	3.62	92	3.62	92	3.62	92
N	1.37	35	1.37	35	2.25	57	2.25	57	2.25	57	2.25	57
O	3.87	98	3.87	98	5	127	5	127	5	127	5	127
P	2.5	64	2.5	64	2.75	70	2.75	70	2.75	70	2.75	70
Q	2.5	64	2.5	64	3.5	89	3.5	89	3.5	89	3.5	89

¹ Overhang dimensions for the optional starch dispenser are as follows:

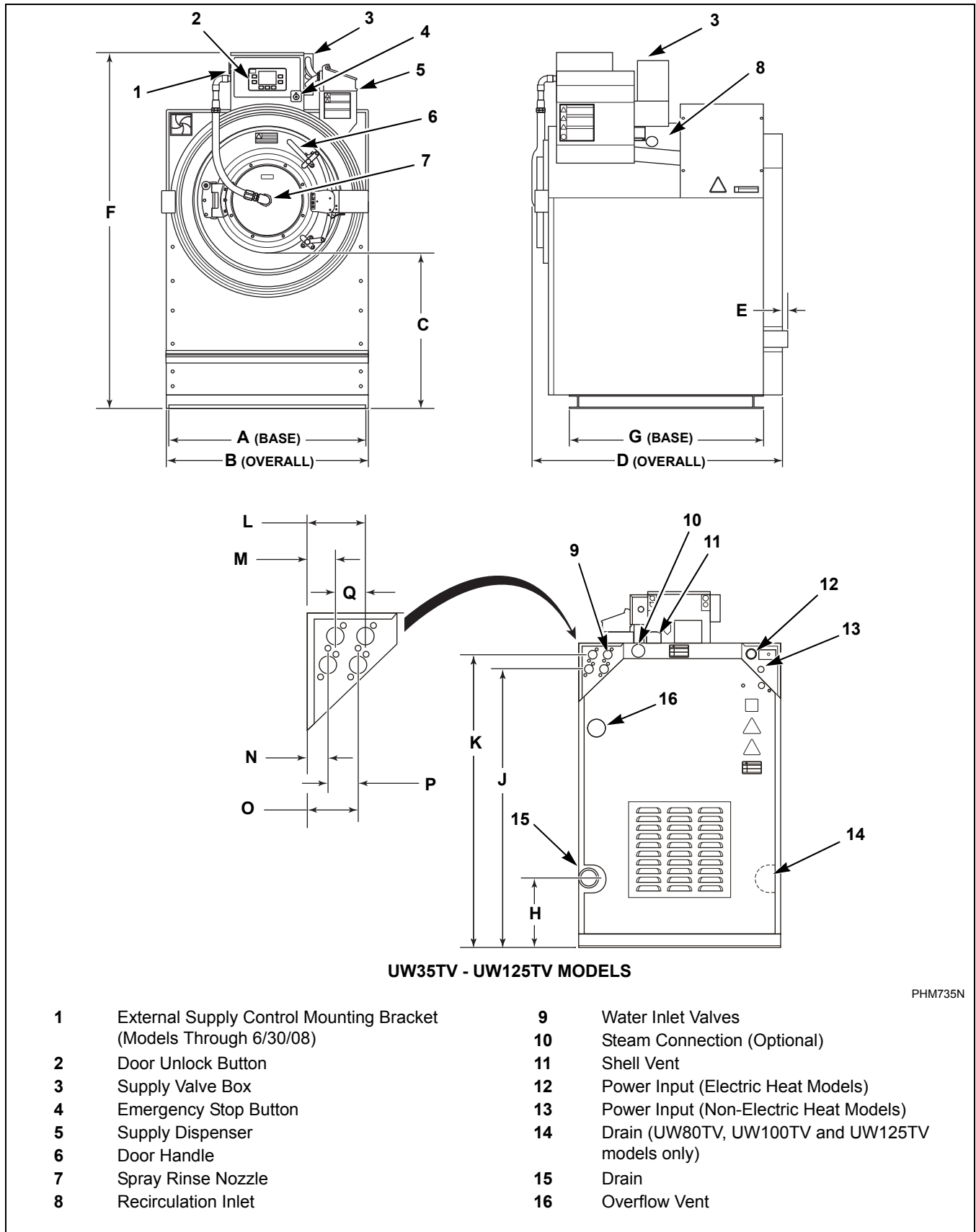
UW35TV, 3.88 inches (9.86 cm); UW60TV, 1.75 inches (4.45 cm);

UW80TV and UW100TV, 0.33 inch (0.83 cm). (The starch dispenser does not overhang the UW125TV.) (No longer available.)

² The overhang dimension for the premium wet clean module option (compatible with wet-clean-capable washer-extractors only) adds 24 inches (60.96 cm) to combined machine dimensions E and G.

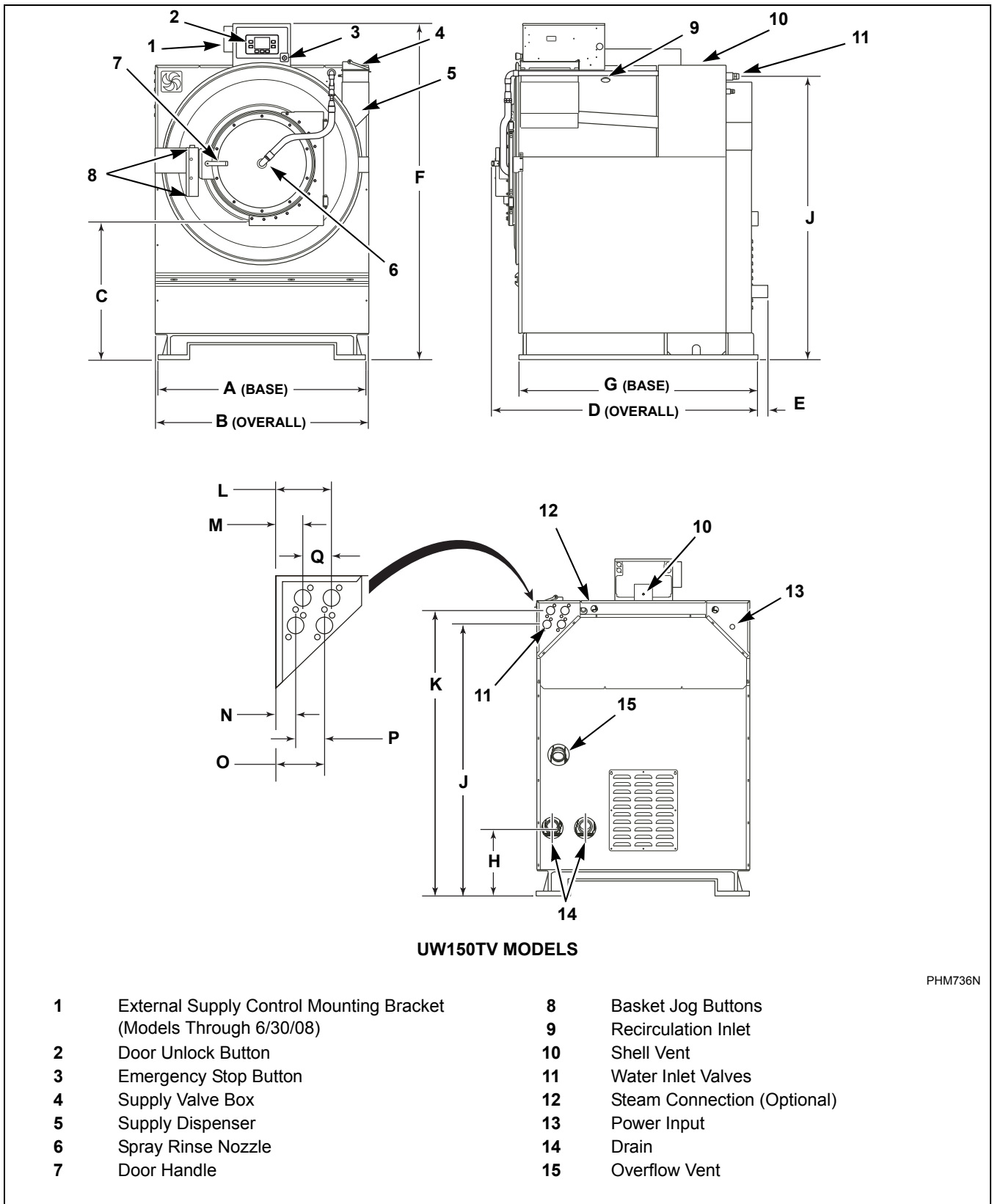
Table 1

Specifications and Dimensions



PHM735N

Figure 3



PHM736N

Figure 4

Specifications and Dimensions

UW Design 1 and Design 2 Models
Starting 4/1/09 Through 10/3/10

(Refer to Figure 5 and Figure 6)

Dimension	35		60		80		100		125		150	
	in.	mm	in.	mm	in.	mm	in.	mm	in.	mm	in.	mm
A	30.125	765	35.625	905	41.125	1045	41.125	1045	48	1219	50	1270
B¹	32.37	822	36.07	916	41.06	1043	41.06	1043	47.91	1217	50.23	1276
C	23.48	596	28.07	713	29.46	748	29.46	748	28.5	723	31.41	798
D	44.49	1130	47.24	1200	49.88	1267	55.85	1418	56.54	1436	62.43	1586
E	54.45	1383	64.52	1639	67.88	1724	67.88	1724	72.31	1837	78.9	2004
F²	36.15	918	38.87	987	45.48	1155	47.70	1212	48.52	1232	56.32	1431
G	7.66	195	14.72	374	15.92	404	15.92	404	11.9	302	15.73	400
H	43.15	1096	49.81	1265	53.54	1359	53.54	1359	56.4	1432	62.91	1598
J	46.65	1185	53.31	1354	57.04	1449	57.04	1449	59.9	1521	66.41	1687
K	5.12	130	5.12	130.05	7.12	181	7.12	181	7.12	181	7.12	181
L	2.62	66	2.62	66	3.62	92	3.62	92	3.62	92	3.62	92
M	1.37	35	1.37	35	2.25	57	2.25	57	2.25	57	2.25	57
N	3.87	98	3.87	98	5	127	5	127	5	127	5	127
O	2.5	64	2.5	64	2.75	70	2.75	70	2.75	70	2.75	70
P	2.5	64	2.5	64	3.5	89	3.5	89	3.5	89	3.5	89

¹ Overhang dimensions for the optional starch dispenser are as follows:

35, 3.88 inches (9.86 cm); 60, 1.75 inches (4.45 cm);

80 and 100, 0.33 inch (0.83 cm). (The starch dispenser does not overhang the 125.) (No longer available.)

² The overhang dimension for the premium wet clean module option (compatible with wet-clean-capable washer-extractors only) adds 24 inches (60.96 cm) to combined machine dimensions E and G.

Table 2

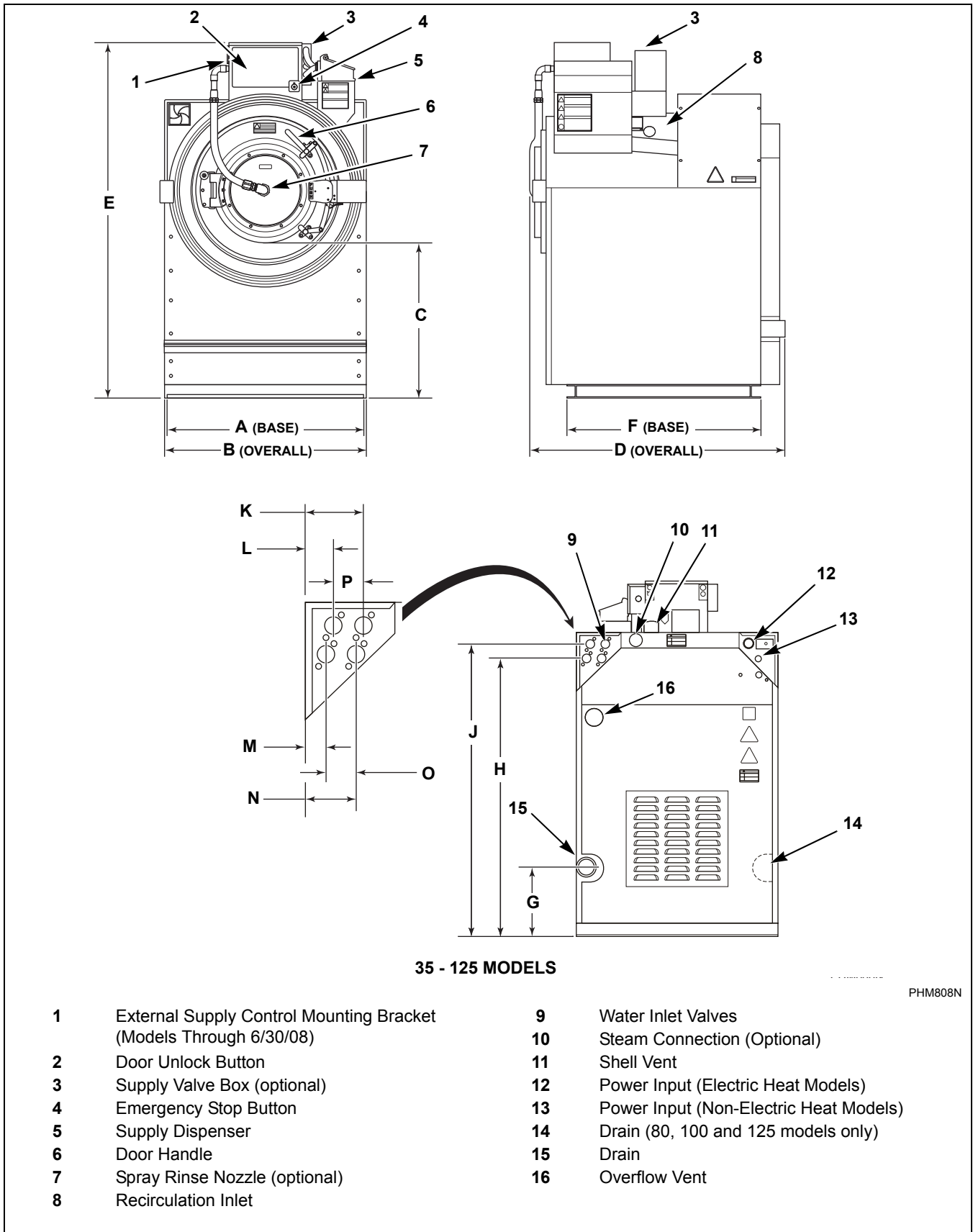
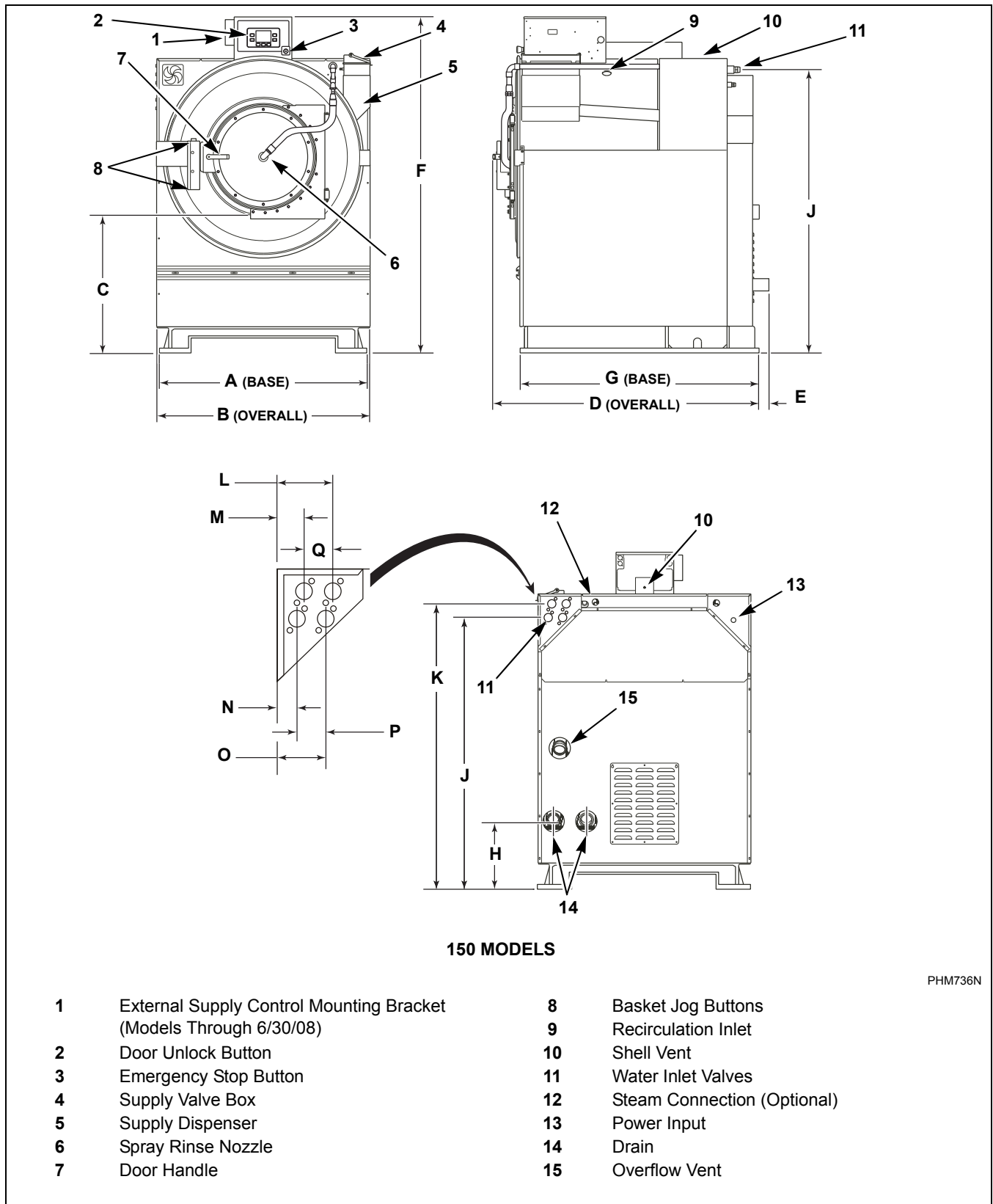


Figure 5

Specifications and Dimensions



PHM736N

Figure 6

UW Design 3 Models starting 10/4/10

(Refer to Figure 7 and Figure 8)												
Dimension	35		60		80		100		125		150	
	in.	mm	in.	mm	in.	mm	in.	mm	in.	mm	in.	mm
A	30.125	765	35.625	905	41.125	1045	41.125	1045	48	1219	50	1270
B	32.37	822	36.07	916	41.06	1043	41.06	1043	47.91	1217	50.23	1276
C	23.41	595	28.07	713	29.29	744	29.29	744	28.5	723	31.41	798
D	45.27	1150	46.81	1189	50	1270	56.03	1423	55.04	1398	62	1575
E	54.32	1380	64.40	1636	67.75	1721	67.75	1721	72.18	1833	78.77	2001
F¹	36.18	919	38.87	987	45.56	1157	48.08	12.21	48.25	1226	56.26	1429
G	6.79	172	14.73	374	15.94	405	15.94	405	11.71	297	15.69	399
H	47.06	1195	53.71	1364	56.42	1433	56.42	1433	57.92	1471	64.36	1635
J	2.3	58	2.3	58	2.3	58	2.3	58	2.3	58	2.3	58
K	4.9	124	4.9	124	4.9	124	4.9	124	4.9	124	4.9	124
L	7.8	198	7.8	198	7.8	198	7.8	198	7.8	198	7.8	198
M	10.4	264	10.4	264	10.4	264	10.4	264	10.4	264	10.4	264
N	2.6	66	2.6	66	2.6	66	2.6	66	2.6	66	2.6	66
O	2.85	72	2.85	72	2.85	72	2.85	72	2.85	72	2.85	72

¹ The overhang dimension for the premium wet clean module option (compatible with wet-clean-capable washer-extractors only) adds 24 inches (60.96 cm) to combined machine dimensions E and G.

Table 3

Specifications and Dimensions

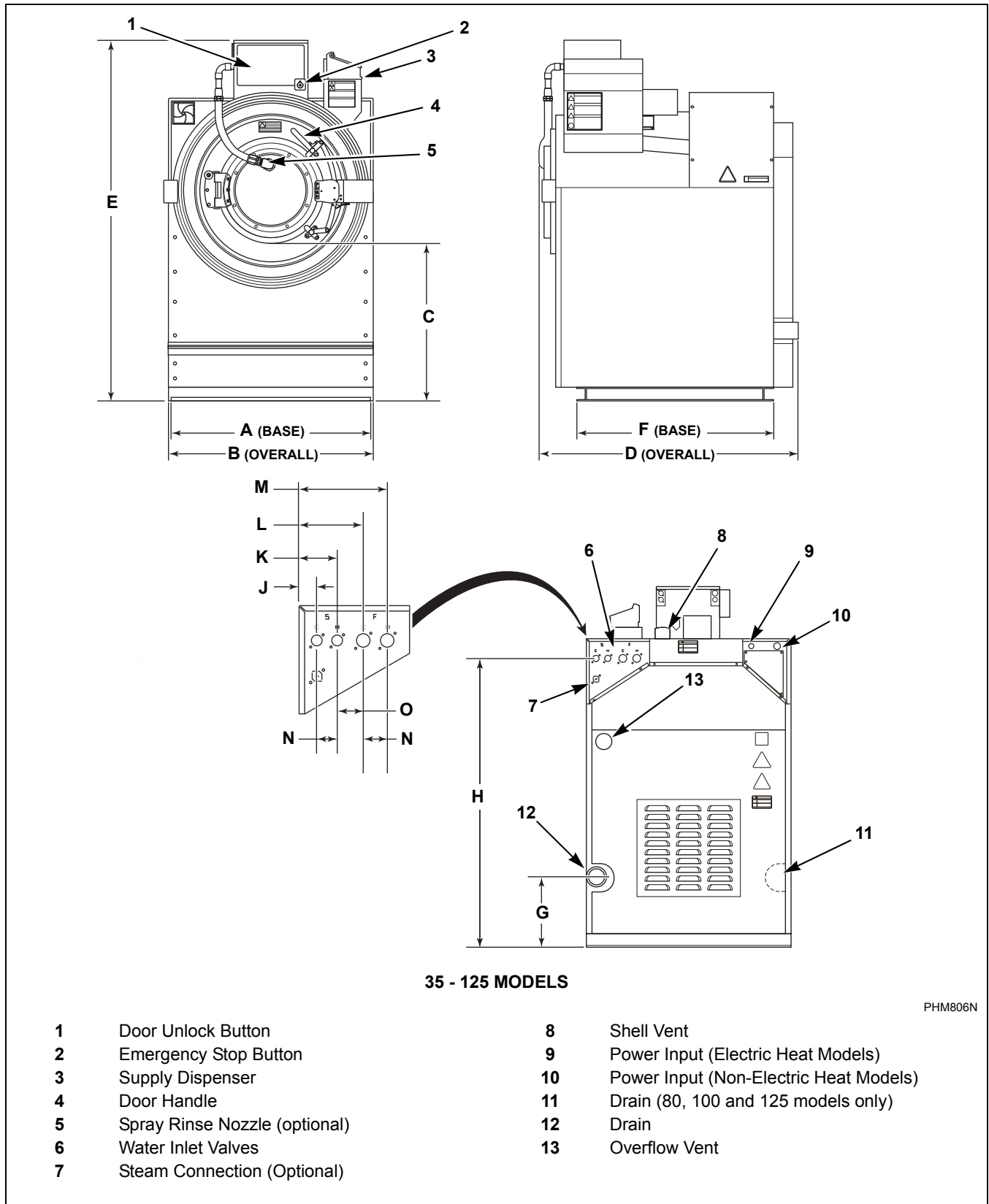
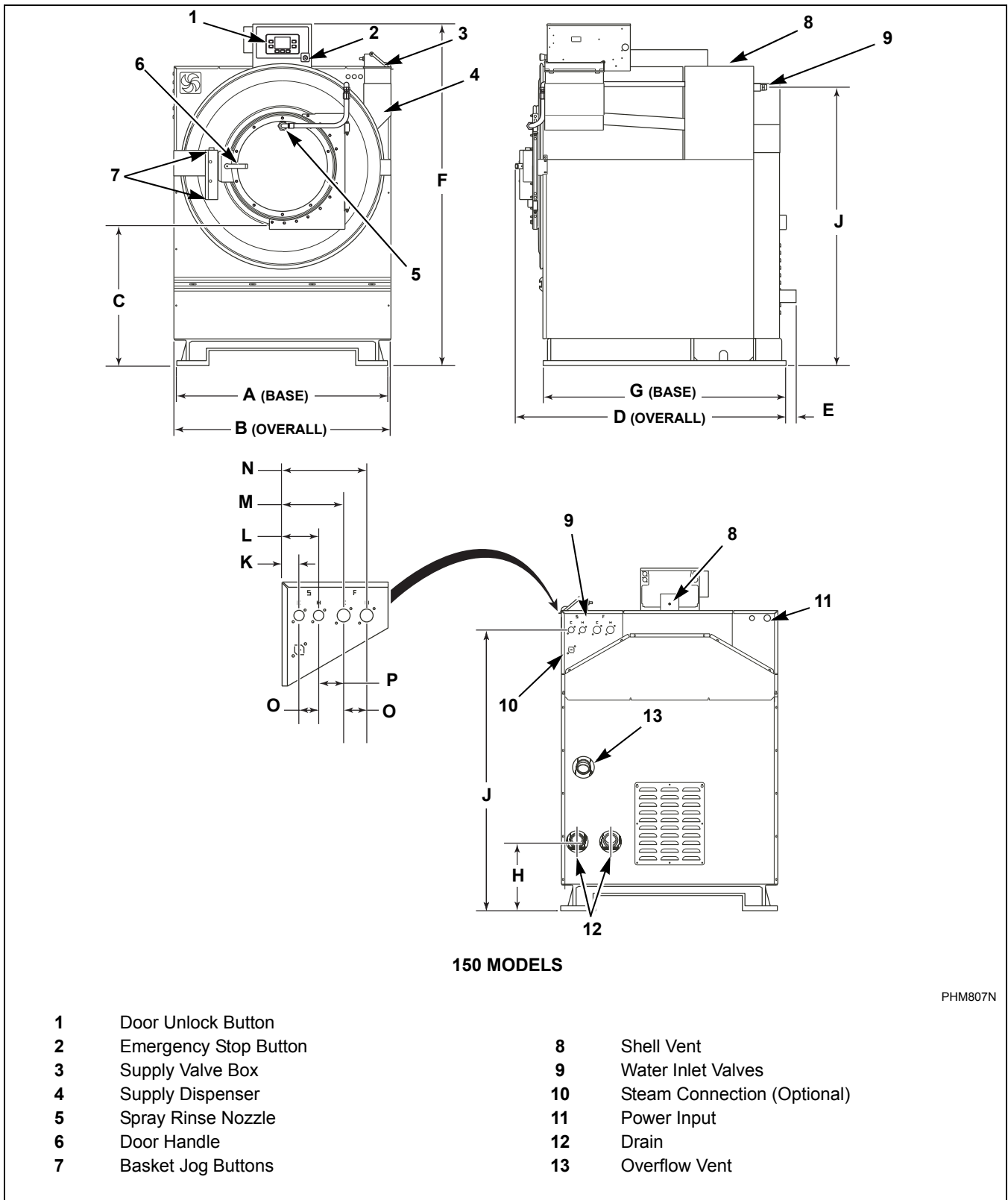


Figure 7



PHM807N

Figure 8

Specifications and Dimensions

Machine Foundation Requirements

A 6 inch (153 mm) (for 35 and 60 2-speed, L-speed and M-speed models) or a 12 inch (305 mm) (for all other models) thickness of 3500 psi reinforced concrete foundation is absolutely necessary because of the high extract speed and the G-forces exerted.


When designing floors or foundations, refer to *Table 3* for Floor Load Data for all model sizes. If the foundation requirements have been met, proceed to *Mounting Bolt Installation Requirements* section.


NOTE: Do not mount on wooden floors, above ground level, or over basements. Installation must be “slab on grade” or equal.

Thoroughness of detail must be stressed with all foundation work to ensure a stable unit installation, eliminating possibilities of excessive vibration during extract.

For new foundations a bolt-locator fixture or rebar frame is available and a preferred option. This rigid welded assembly made of reinforcing rod and mounting bolts is designed to be embedded in concrete. Refer to *Figure 11*.

The washer-extractor must be anchored to a smooth level surface so that the entire base of the machine is supported and rests on the mounting surface. (Do not support the washer-extractor on only four points.) Make sure to grout machine. Refer to *Figure 10* and *Figure 11*.

	CAUTION
<p>Ensure that the machine is installed on a floor that is level to within 3/8 inch when the machine is grouted. Also ensure that the floor is of sufficient strength and that the recommended clearances for inspection and maintenance are provided. Never allow the inspection and maintenance space to be blocked.</p>	
<small>W760</small>	

	WARNING
<p>To reduce the risk of fire, this appliance must be bolted to an uncovered concrete floor.</p>	
<small>W743</small>	

Concrete Foundation Pad Installation

A concrete foundation and pad may be constructed to elevate the machines. Care must be exercised in the design of the foundation pad due to the force exerted by the machine during extract. This concrete base (recommended not to exceed 8 inches [20.32 cm]) (above existing floor) must be poured, reinforced with rebar and tied to the existing 6 inch (153 mm) (for 35 and 60 2-speed, L-speed and M-speed models) or 12 inch (305 mm) (for all other models) minimum floor. Refer to *Figure 9* and *Table 3*.

IMPORTANT: Do NOT install a pad on top of the existing floor. The foundation and pad must be constructed and tied together as one piece.

If the existing floor is not reinforced concrete at least 6 inch (153 mm) (for 35 and 60 2-speed, L-speed and M-speed models) or 12 inch (305 mm) (for all other models) thick over a solid foundation, the following steps must be performed (refer to *Figure 9*):

1. Cut a hole larger on all sides than the machine base through the existing floor. The foundation should extend a minimum of 9 inches (229 mm) for 35 models or 12 inches (305 mm) for 60 - 150 models out from the machine on all sides.
2. Excavate to a depth of 18 inches (457 mm) from the top of the existing floor.
3. Produce a **PYRAMID-SHAPED** hole by excavating the bottom of the hole to a width 6 inches wider on each side than the width of the top of the hole.
4. If installing a foundation and pad, prepare a form for the above-ground portion of the foundation. Verify that the top of the foundation is level. The height of the foundation pad must not exceed 8 inches (203 mm) above the existing floor.
5. Refill with compacted fill dirt, making sure to allow for correct concrete thickness.
6. Wet the hole around the cement foundation well and brush the exposed foundation with cement grout.
7. Completely fill with a minimum of 6 inch (153 mm) (for 35 and 60 2-speed, L-speed and M-speed models) or 12 inch (305 mm) (for all other models) of 3500 psi concrete up to the existing foundation level plus any added level for the desired elevated pad. The concrete must be poured so that the entire foundation and pad cures as one piece.
8. **For new foundations only** a bolt-locator fixture or a rebar frame is available and a preferred option. Embed the mounting bolts or rebar frame as the concrete is poured. Ensure that the bolt threads extend 2 inches (51 mm) for 35 - 125 models and 3 inches (76 mm) for 150 models above floor level.
9. Allow concrete to dry.
10. Proceed to ***Machine Mounting and Grouting*** section.

NOTE: If the washer-extractor installation will include the Premium Wet Clean Module, the elevated base must be designed to accommodate the additional depth of 24 inches (60.96 cm).

For technical assistance, contact your local distributor or call Alliance Laundry Systems at (920) 748-3121.

Specifications and Dimensions

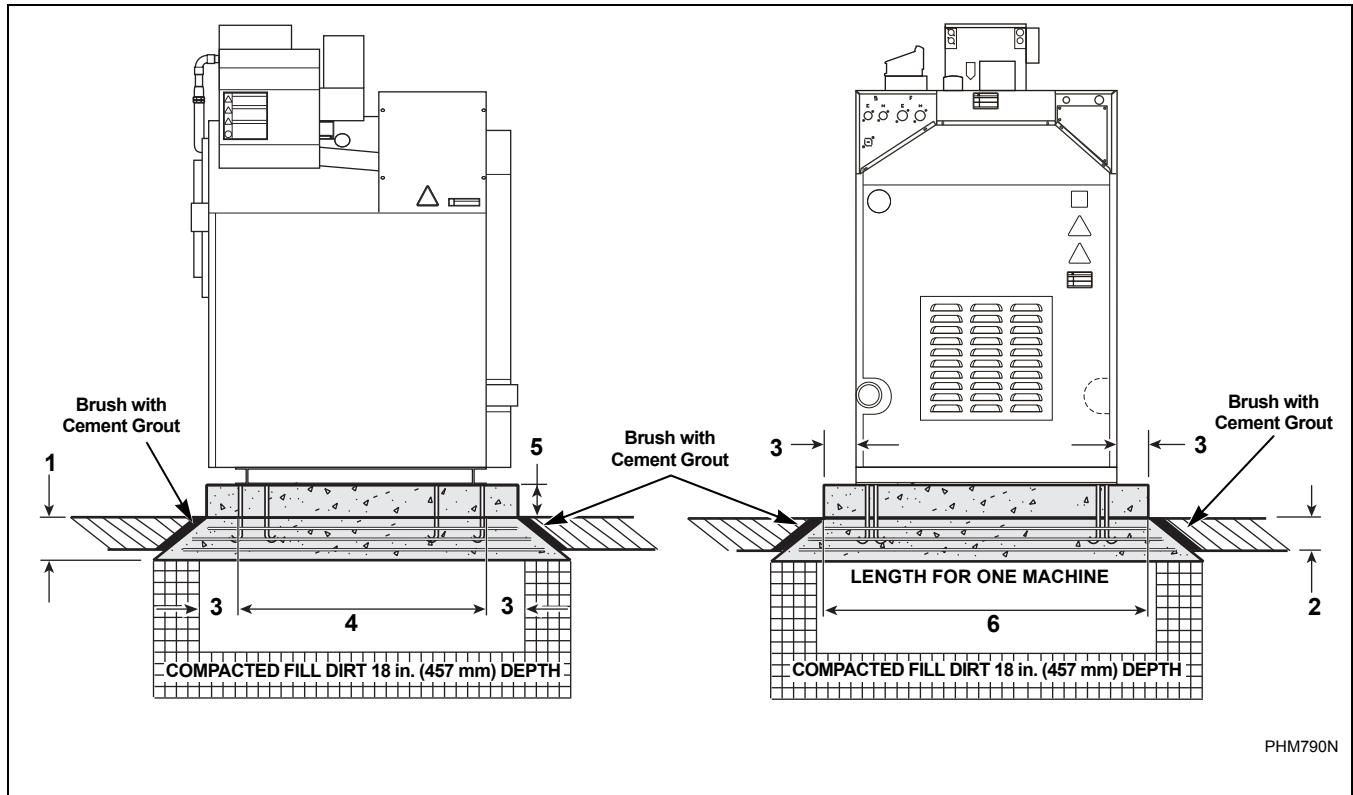


Figure 9

	35	60	80	100	125	150
1	2-Speed, L-Speed and M-Speed 6 in. (153 mm)		12 in. (305 mm)	12 in. (305 mm)	12 in. (305 mm)	12 in. (305 mm)
	Variable-Speed 12 in. (305 mm)					
2	6 in. (152 mm) minimum	6 in. (152 mm) minimum	6 in. (152 mm) minimum	6 in. (152 mm) minimum	6 in. (152 mm) minimum	6 in. (152 mm) minimum
3	9 in. (229 mm)	12 in. (305 mm)	12 in. (305 mm)	12 in. (305 mm)	12 in. (305 mm)	12 in. (305 mm)
4	36 in. (914 mm)	36 in. (914 mm)	43.75 in. (1111 mm)	43.75 in. (1111 mm)	48 in. (1219 mm)	56 in. (1422 mm)
5	0 - 8 in. (0 - 203 mm) max.	0 - 8 in. (0 - 203 mm) max.	0 - 8 in. (0 - 203 mm) max.	0 - 8 in. (0 - 203 mm) max.	0 - 8 in. (0 - 203 mm) max.	0 - 8 in. (0 - 203 mm) max.
6	48.125 in. (1222 mm)	59.625 in. (1514 mm)	65.125 in. (1654 mm)	65.125 in. (1654 mm)	72 in. (1829 mm)	74.25 in. (1886 mm)

Floor Load Data

Static and dynamic loads on the floor or foundation are shown in *Table 4* and *Table 5*.

UWTV Pocket Hardmount Floor Load Data (Models Through 3/31/09)							
Specifications	Design Series	35	60	80	100	125	150
Static floor load, lbs (kN)	U1 and greater	1272 (5.66)	1677 (7.45)	2292 (10.2)	2490 (11.1)	3283 (14.6)	3936 (17.5)
Static pressure, lbs/ft ²	U1 and greater	169 (8.08)	187 (8.94)	184 (8.79)	199 (9.6)	205 (9.8)	202 (9.7)
Dynamic floor load, lbs (kN)	U1 and greater	1648 (7.33)	2824 (12.6)	3679 (16.36)	3690 (16.41)	5011 (22.29)	4358 (19.4)
Dynamic pressure, lbs/ft ² (kN/m ²)	U1 and greater	219 (10.5)	317 (15.2)	295 (14.2)	295 (14.2)	312 (15)	224 (11)
Dynamic load frequency, Hz	U1 and greater	15	13.6	12.8	12.8	9.7	11.7
¹ Maximum vertical load, lbs (kN)	U1 and greater	2719 (12.1)	4168 (18.5)	5482 (24.38)	5561 (24.73)	7559 (33.62)	7508 (33.4)
² Minimum vertical load, lbs (kN)	U1 and greater	576 (2.56)	1450 (6.45)	1852 (8.24)	1794 (8.0)	2434 (10.8)	1208 (5.4)
Base moment, lb/ft (kN/m)	U1 and greater	4249 (5.8)	8895 (12.1)	11951 (16.2)	11984 (16.3)	16606 (22.5)	16707 (22.7)

¹ Acting in the downward direction against the floor.

² Acting in the upward direction away from the floor.

Table 4

Specifications and Dimensions

UWL, UWN AND UWU Pocket Hardmount Floor Load Data (Models Starting 4/1/09)								
Specifications	Design Series	Speed	35	60	80	100	125	150
Static floor load, lbs. (kN)	U1 and greater	Variable-speed	1272 (5.66)	1442 (6.42)	2292 (10.2)	2490 (11.1)	3283 (14.6)	3936 (17.5)
		2-speed	1272 (5.66)	1442 (6.42)	N/A	N/A	N/A	N/A
		L-speed	1272 (5.7)	1442 (6.4)	N/A	N/A	N/A	N/A
		M-speed	1272 (5.7)	1442 (6.4)	2292 (10.2)	2490 (11)	3283 (14.6)	N/A
Static pressure, lbs/ft ² (kN/m ²)	U1 and greater	Variable-speed	169 (8.08)	162 (7.7)	184 (8.79)	199 (9.6)	205 (9.8)	202 (9.7)
		2-speed	169 (8.08)	162 (7.7)	N/A	N/A	N/A	N/A
		L-speed	169 (8)	162 (7.7)	N/A	N/A	N/A	N/A
		M-speed	169 (8)	162 (7.7)	184 (8.8)	199 (9.5)	205 (9.8)	N/A
Dynamic floor load, lbs. (kN)	U1 and greater	Variable-speed	1576 (7)	2704 (12)	3603 (16.36)	4504 (16.41)	3746 (22.29)	4501 (19.4)
		2-speed	473 (2.1)	950 (4.23)	N/A	N/A	N/A	N/A
		L-speed	525 (2,3)	900 (4)	N/A	N/A	N/A	N/A
		M-speed	944 (4.2)	1624 (7.2)	2167 (9.6)	2708 (12)	3380 (15)	N/A
Dynamic pressure, lbs/ft ² (kN/m ²)	U1 and greater	Variable-speed	380 (18.2)	466 (22.34)	472 (22.63)	559 (26.8)	439 (21)	433 (20.8)
		2-speed	233 (11.2)	269 (6.3)	N/A	N/A	N/A	N/A
		L-speed	240 (11.5)	263 (12.59)	N/A	N/A	N/A	N/A
		M-speed	295 (14.1)	344 (16.5)	357 (17)	416 (19.9)	416 (19.9)	N/A
Dynamic load frequency, Hz	U1 and greater	Variable-speed	15	13.6	12.8	12.8	9.7	11.7
		2-speed	8.2	8.0	N/A	N/A	N/A	N/A
		L-speed	8.63	7.82	N/A	N/A	N/A	N/A
		M-speed	11.58	10.5	9.9	9.9	9.2	N/A

Table 5 (continued)

Table 5 (continued)

UWL, UWN AND UWU Pocket Hardmount Floor Load Data (Models Starting 4/1/09)								
Specifications	Design Series	Speed	35	60	80	100	125	150
¹ Maximum vertical load, lbs. (kN)	U1 and greater	Variable-speed	2848 (12.7)	4146 (18.4)	5895 (26.2)	6994 (31.1)	7028 (31.3)	8437 (37.52)
		2-speed	1745 (7.8)	2392 (.41)	N/A	N/A	N/A	N/A
		L-speed	1797 (8)	2342 (10.4)	N/A	N/A	N/A	N/A
		M-speed	2216 (9.9)	3066 (13.6)	4459 (19.8)	5198 (23)	6663 (29.6)	N/A
Base moment, lb/ft (kN/m)	U1 and greater	Variable-speed	4076 (5.54)	8492 (11.5)	11688 (15.9)	14611 (19.9)	12488 (17)	17231 (23.4)
		2-speed	1224 (1.7)	2985 (4)	N/A	N/A	N/A	N/A
		L-speed	1356 (1.8)	2826 (3.8)	N/A	N/A	N/A	N/A
		M-speed	2442 (3.3)	5099 (6.9)	7029 (9.6)	8786 (11.9)	11268 (15.3)	N/A

N/A = Not Applicable

¹ Acting in the downward direction against the floor.

Table 5

Mounting Bolt Installation Requirements

Approved Foundations Only

NOTE: If installing expansion bolts into an elevated concrete foundation pad, the concrete foundation pad should extend a minimum of 9 inches (229 mm) for 35 machines or 12 inches (305 mm) for 60 - 150 machines out from the machine base on all sides. Refer to *Figure 9*.

A bolt kit consisting of eight bolts is available as an option. 35 machines use 5/8-11 x 8 inch bolts. 60 – 125 machines use 3/4-10 x 8 inch bolts. 150 machines use 3/4-10 x 10 inch grade 5 bolts. The bolts should be embedded in a 3500 psi (241 bar) minimum reinforced concrete floor that is a minimum of 6 inches (153 mm) (for 35 and 60 2-speed, L-speed, and M-speed models) or a 12 inch (305 mm) (for all other models) thick. Use the mounting bolt layouts in *Mounting Bolt Hole Locations* section.

On 35 – 125 machines, the threaded end of the bolts should extend 2 inches (5.08 cm) above the mounting surface. On 150 machines, the threaded end of the bolts should extend 3 inches above the mounting surface.

Refer to *Figure 10* for a typical installation of individual mounting bolts.

For new foundations a bolt-locator fixture or rebar frame is available and a preferred option. This rigid welded assembly made of reinforcing rod and mounting bolts is designed to be embedded in concrete. Refer to *Figure 11*.

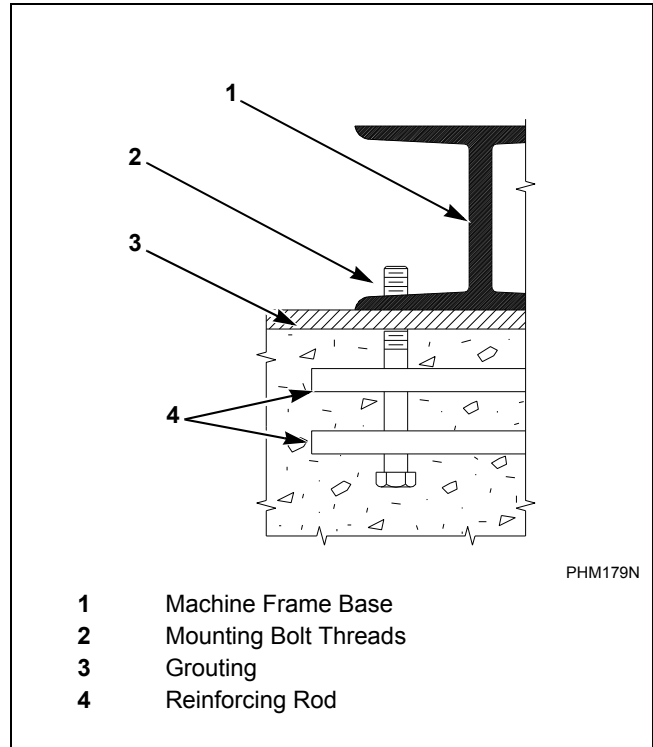


Figure 11

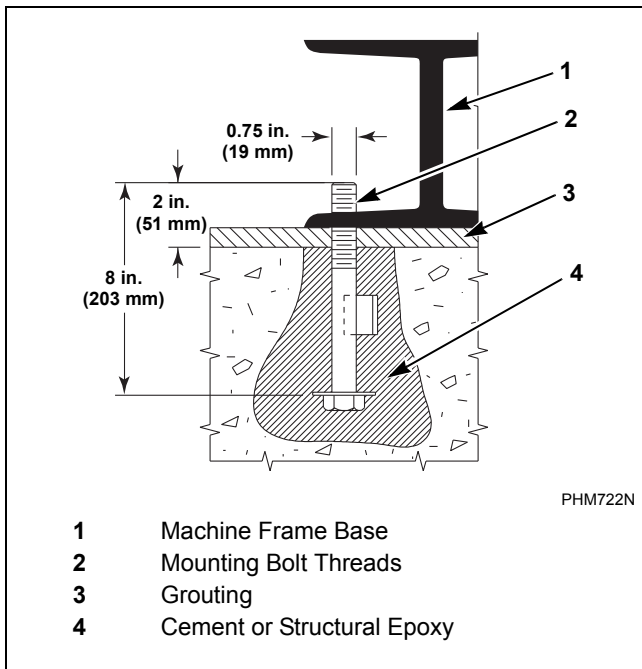


Figure 10

Machine Mounting and Grouting

After the concrete has cured, proceed as follows:

1. Place the washer-extractor adjacent to the foundation. Do not attempt to move the machine by pushing on the sides. Always insert a pry bar or other device under the bottom frame of the machine to move it.
2. Remove the wood skid by unscrewing the carriage bolts holding the skid to the bottom frame of the washer-extractor.
3. Place the washer-extractor carefully over the anchor bolts. Never attempt to lift the machine by the door handle or by pushing on the cover panels.
4. Raise and level the washer-extractor 0.5 inch (1.27 cm) off the floor on three points, using spacers such as nut fasteners.
5. Fill the space between the washer-extractor base and the floor with a good quality **non-shrinking machinery precision grout** to ensure a stable installation. Grout completely under all frame members. (Remove front panel and back panel to gain access to **all** frame members.) Refer to *Figure 17*. Force grout under machine base until all voids are filled.
6. **Remove the spacers carefully, allowing the machine to settle into the wet grout.**
7. Before grout sets completely, make a drain opening in the rear of the washer-extractor grouting with a stiff piece of wire; this opening should be approximately 1/2 inch (1.27 cm) wide to allow any surface water build-up under the base of the machine to drain away. **Do not omit this step.**
8. Position the mounting bolt lockwashers and locknuts on the anchor bolts and finger-tighten locknuts to machine base.
9. After the grout is completely dry, tighten the locknuts by even increments – one after the other – until all are tightened evenly and the washer-extractor is fastened securely to the floor.
10. After installing bolts using a rebar frame, torque 5/8 inch bolts (35 model) to 90 ft. lb. and torque 3/4 inch bolts (60-150 models) to 160 ft. lb. When using bolts not specified by Alliance Laundry Systems, refer to the specifications provided with the bolt.

NOTE: Check and retighten the locknuts after five to ten days of operation and every month thereafter.

Mounting Bolt Hole Locations

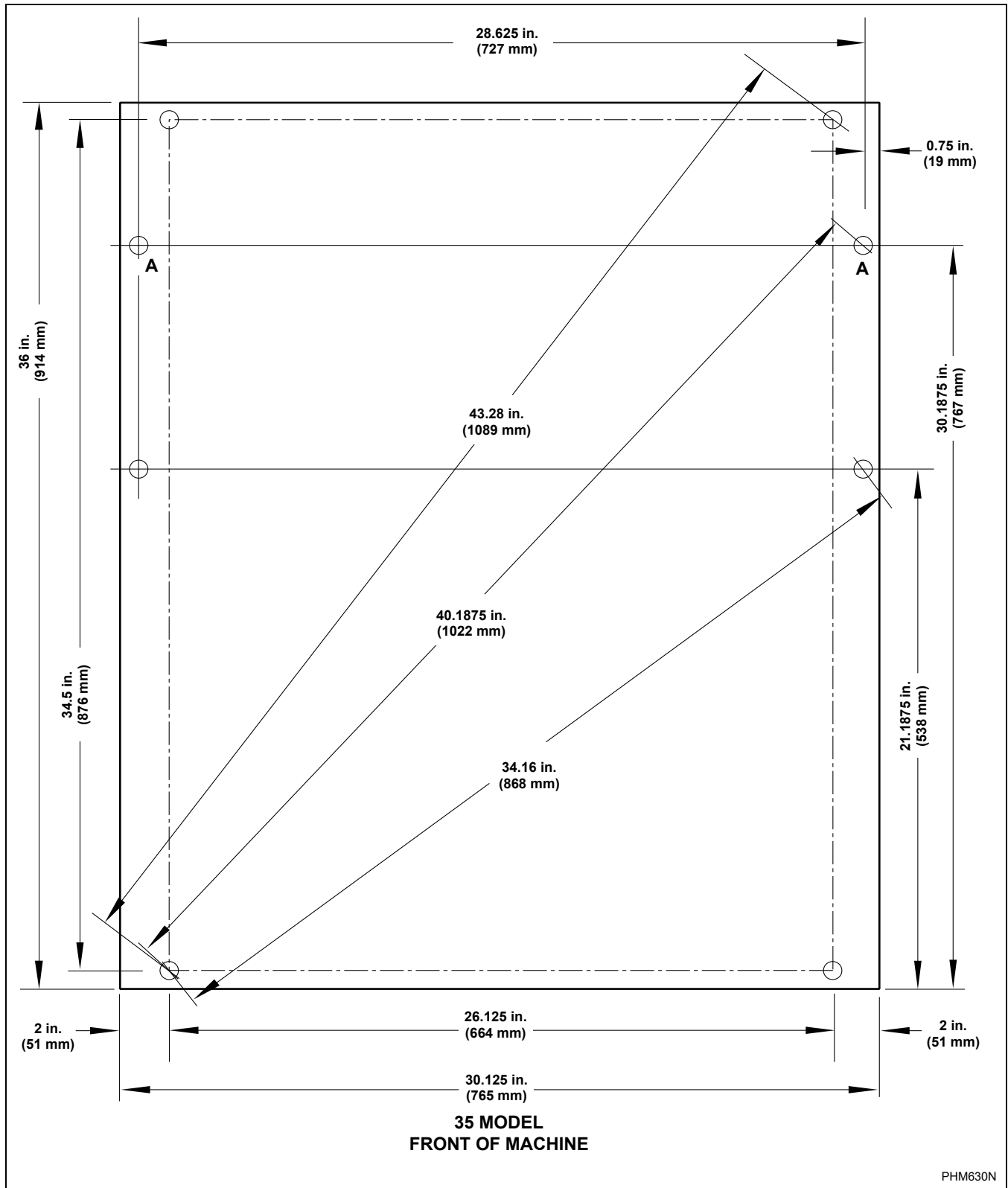


Figure 12

NOTE: Mounting holes marked "A" are on V-speed Models only.

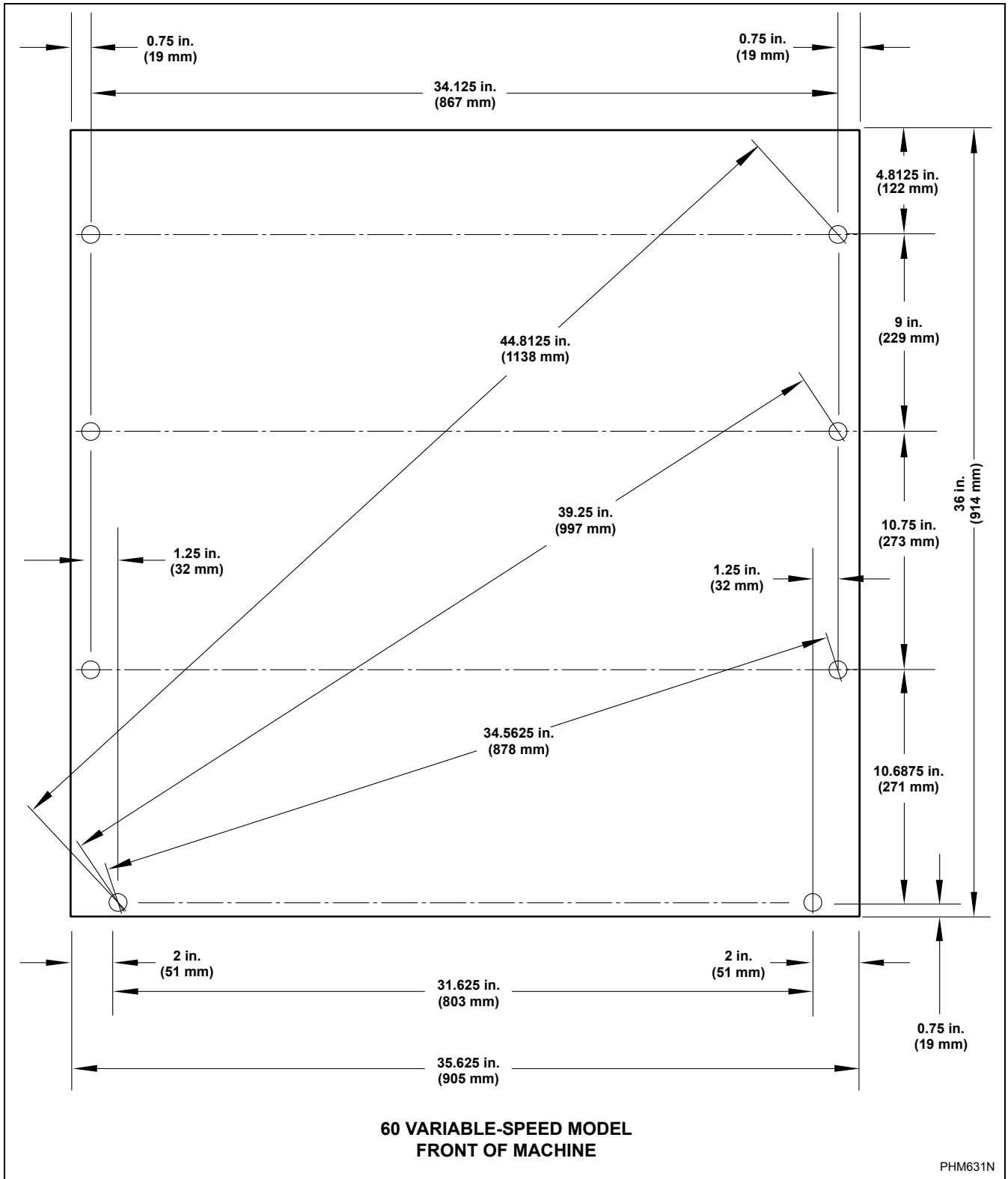


Figure 13

Specifications and Dimensions

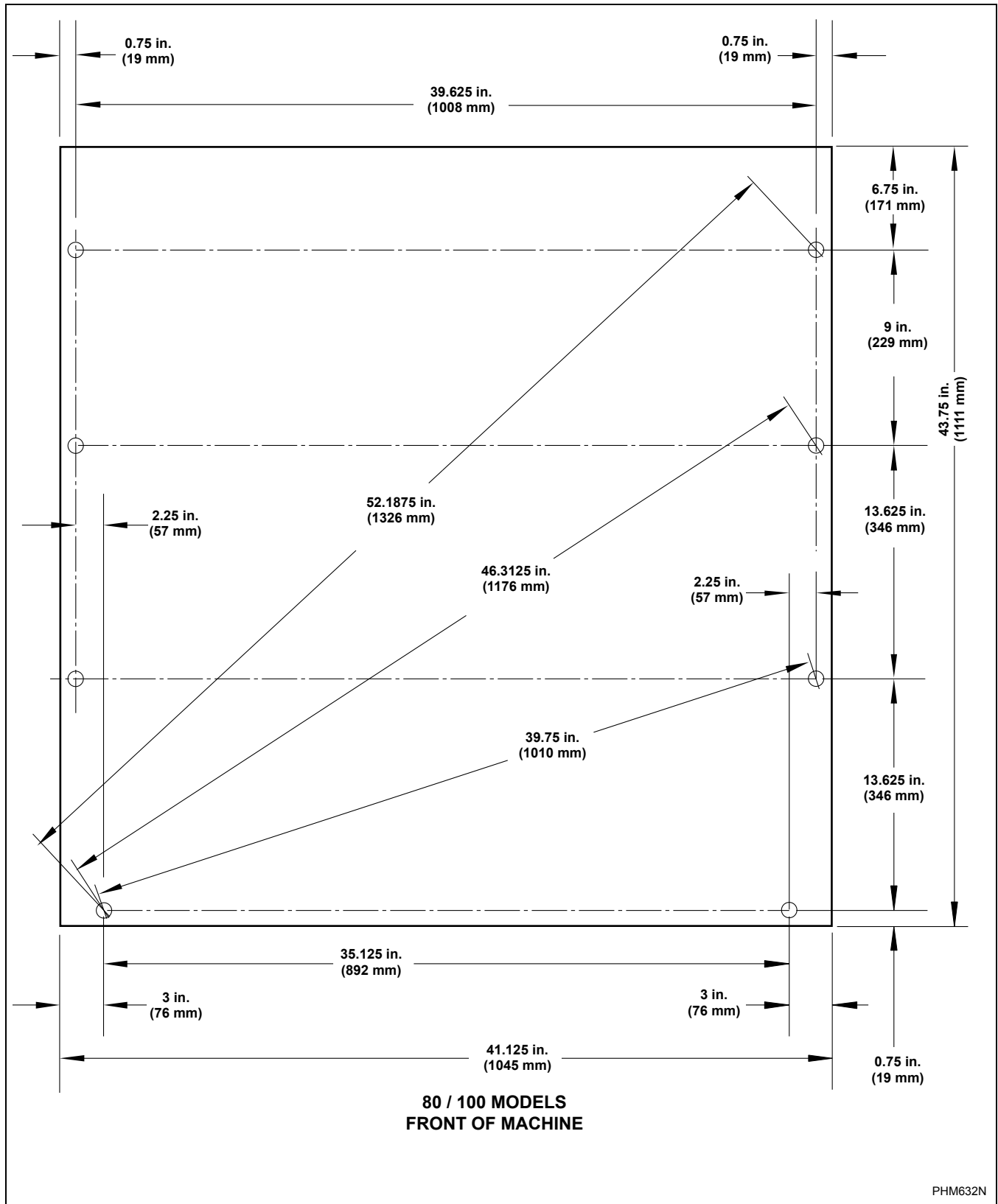


Figure 14

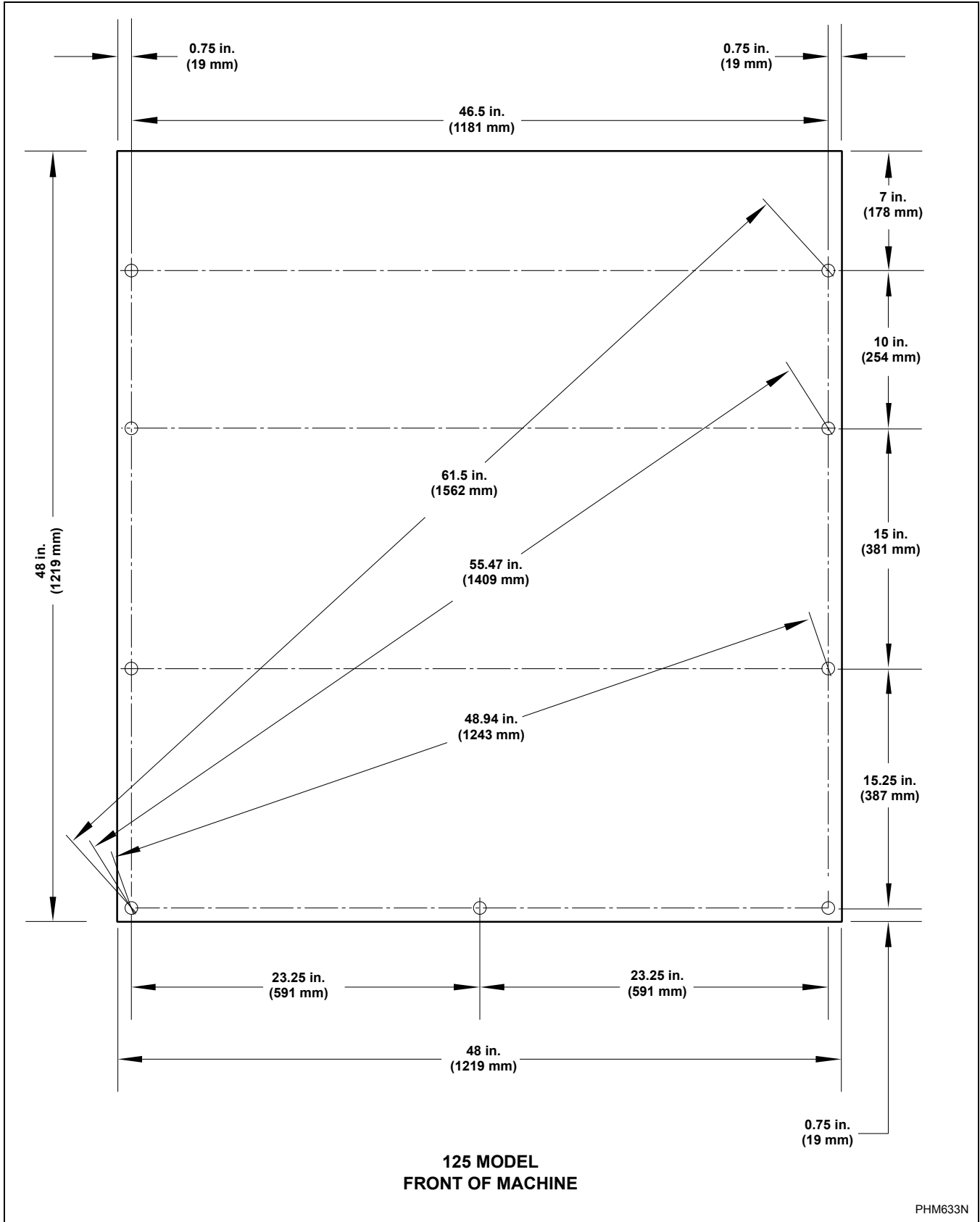


Figure 15

Specifications and Dimensions

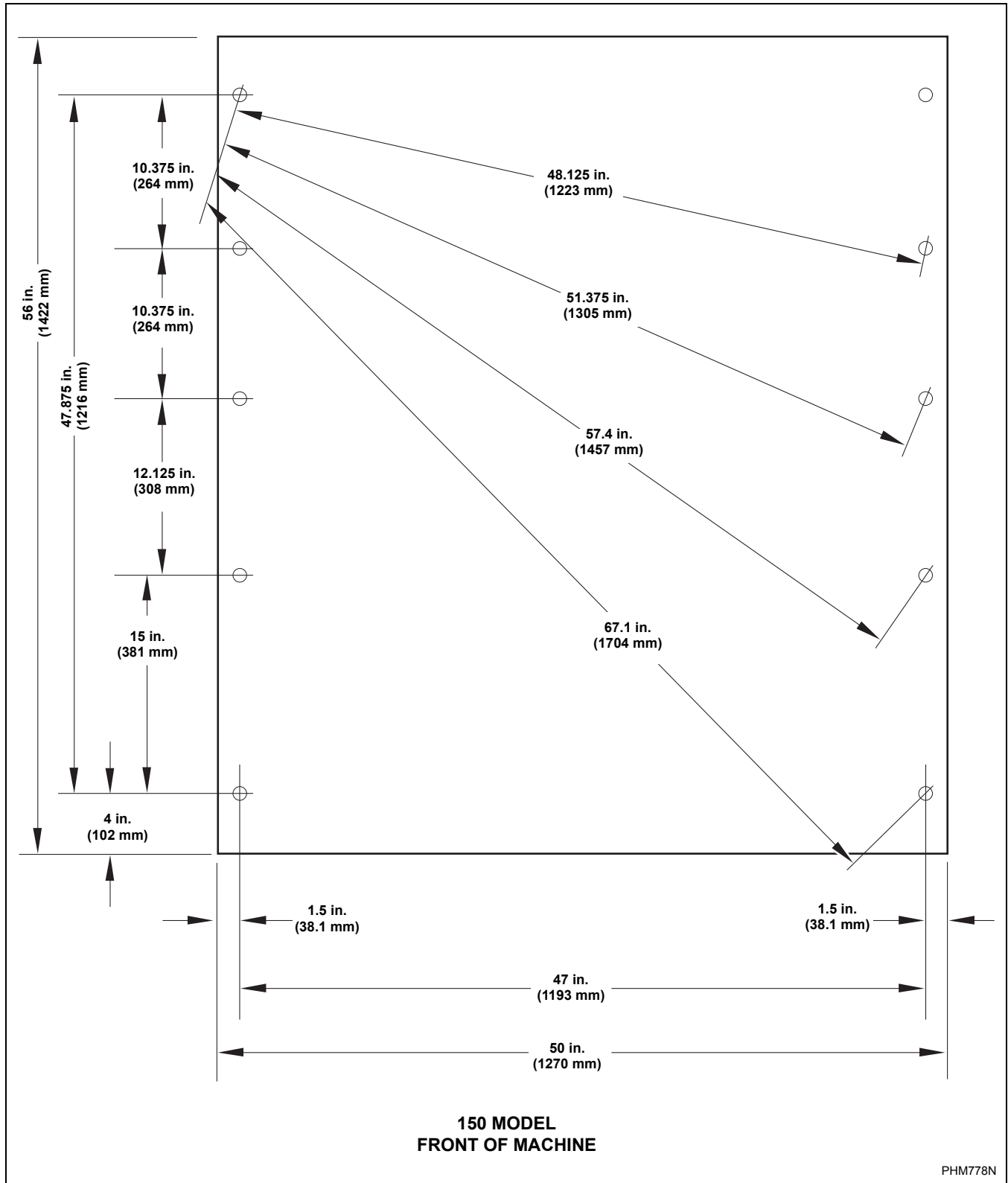


Figure 16

Grout Placement

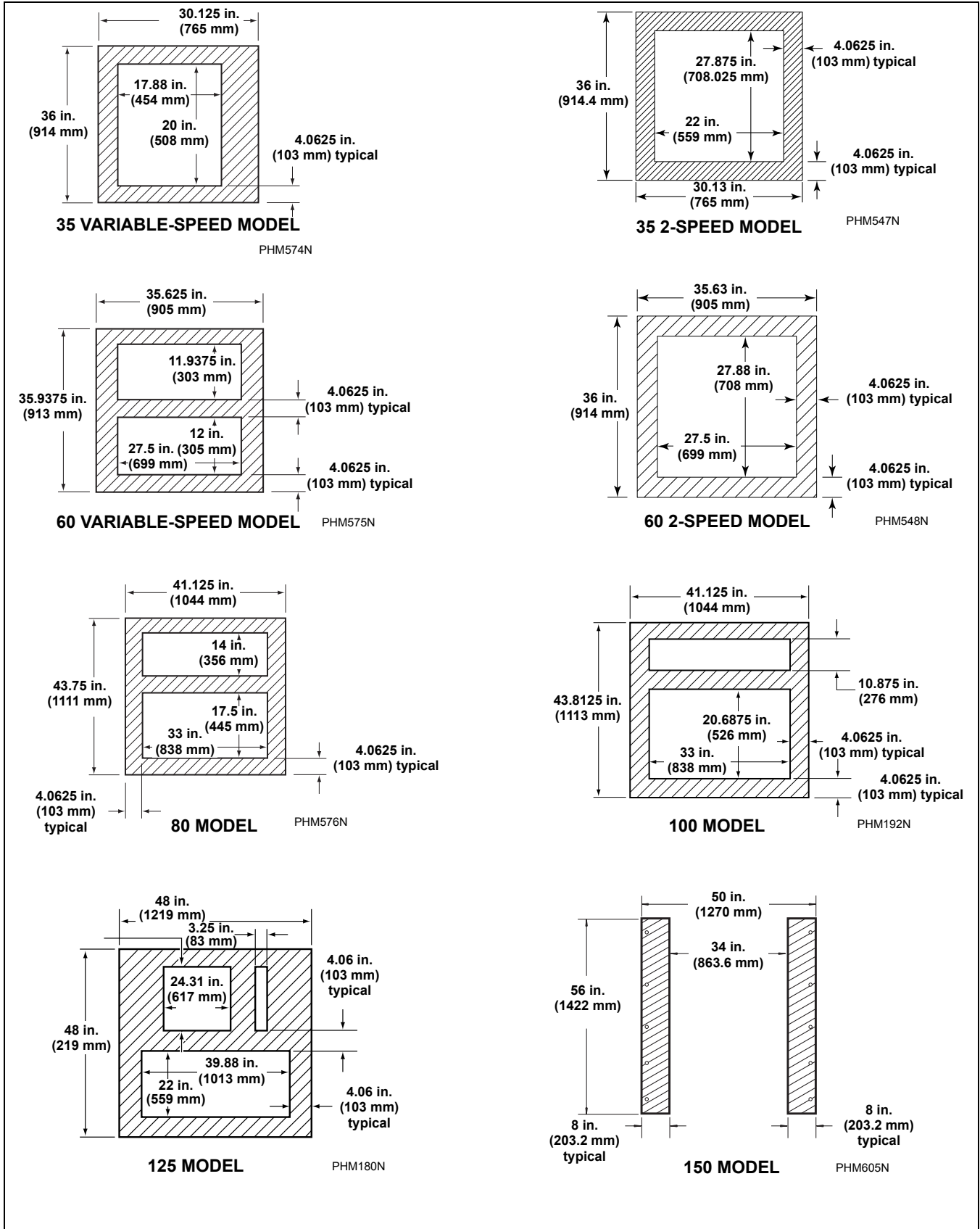



Figure 17







Specifications and Dimensions

Gap Setting for Vibration Switch

After the machine has been properly installed, the vibration switch gap must be verified. To locate the vibration switch refer to *Figures 18, 19 and 20*. For UniLinc models, while the control is displaying the Inputs Outputs Menu the alarm will sound when the frame switch is activated. To verify and set the vibration switch gap use the following procedures:

	WARNING
Only trained personnel should perform this procedure. Use caution while servicing machines with covers removed and power applied.	
W700	

For UniLinc Models, Navigate to the Inputs Outputs Menu:

1. From the Cycle Menu press and hold the , ,  keys to enter the System Menu.
2. Press the arrow keys to highlight the Diagnostic box.
3. Press the  key to enter the Diagnostic Menu.
4. Press the  key to enter the Test Menu.
5. Press the arrow keys to highlight the Inputs Outputs box.
6. Press the  key to enter the Inputs Outputs Menu.

Verify Vibration Switch Gap (for 35-125 Pound Models):

1. Insert 0.009 inch feeler gauge between the adjustment bolt and the vibration switch; the alarm must not activate.
2. Remove the feeler gauge
3. Insert 0.010 inch feeler gauge (supplied with machine) between the adjustment bolt and the vibration switch; the alarm must activate.
4. Remove the feeler gauge.
5. Adjust the vibration switch adjustment bolt if necessary.

Verify Vibration Switch Gap (For 150 Pound Design 1 Models):

1. Insert the 0.010 inch feeler gauge (supplied with machine) between the adjustment bolt and the vibration switch.
2. If alarm is active: Slowly loosen adjustment bolt until the alarm stops.
3. Very slowly tighten the adjustment bolt until the alarm activates. The adjustment bolt must be tightened very slowly to prevent over adjustment.
4. Remove the feeler gauge.
5. Verify the Frame Switch setting.

To adjust the vibration switch gap on the 150 models, move the vibration switch by adjusting the jam nuts on the vibration switch.

For UniLinc models, to return to the Cycle Menu press BACK key several times until Cycle Menu is displayed.

Verify Safety Switch Operation (For 150 Pound Design 2 Models):

1. Place a large magnet above the normally-closed ball switch to verify switch operation.

IMPORTANT: UW150 Design 2 machines are manufactured with a normally-closed ball switch and should not require any adjustment. To avoid nuisance tripping, machine must be level with a summed value of 3/8 inch front to back and right to left to the earth. If switch is tripped, check if machine is level and then for pour grouting and broken anchor bolts. DO NOT BYPASS SAFETY SWITCH. Contact a qualified service technician for further assistance.

35 Pound Model

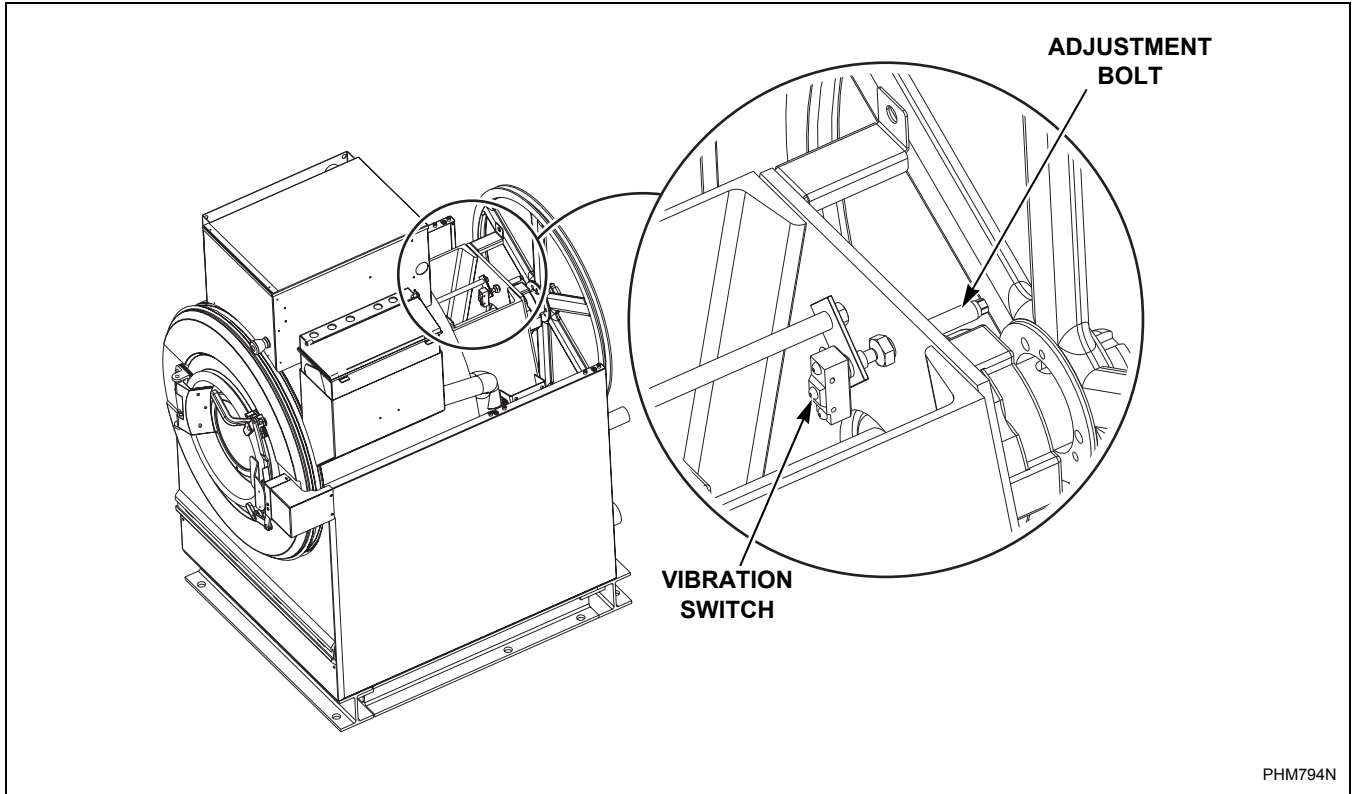


Figure 18

Specifications and Dimensions

60, 80, 100 and 125 Pound Models

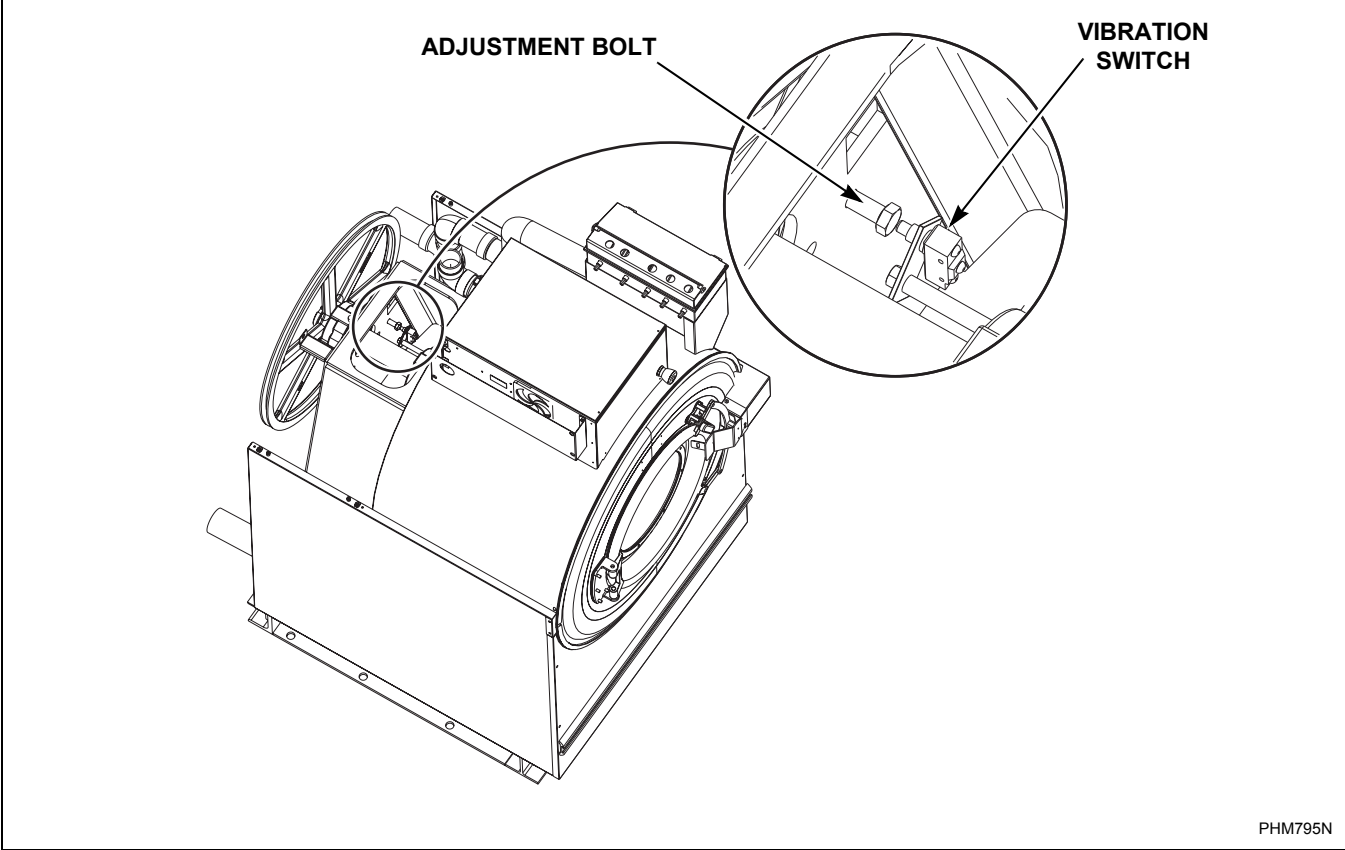


Figure 19

PHM795N

Design 1 150 Pound Model

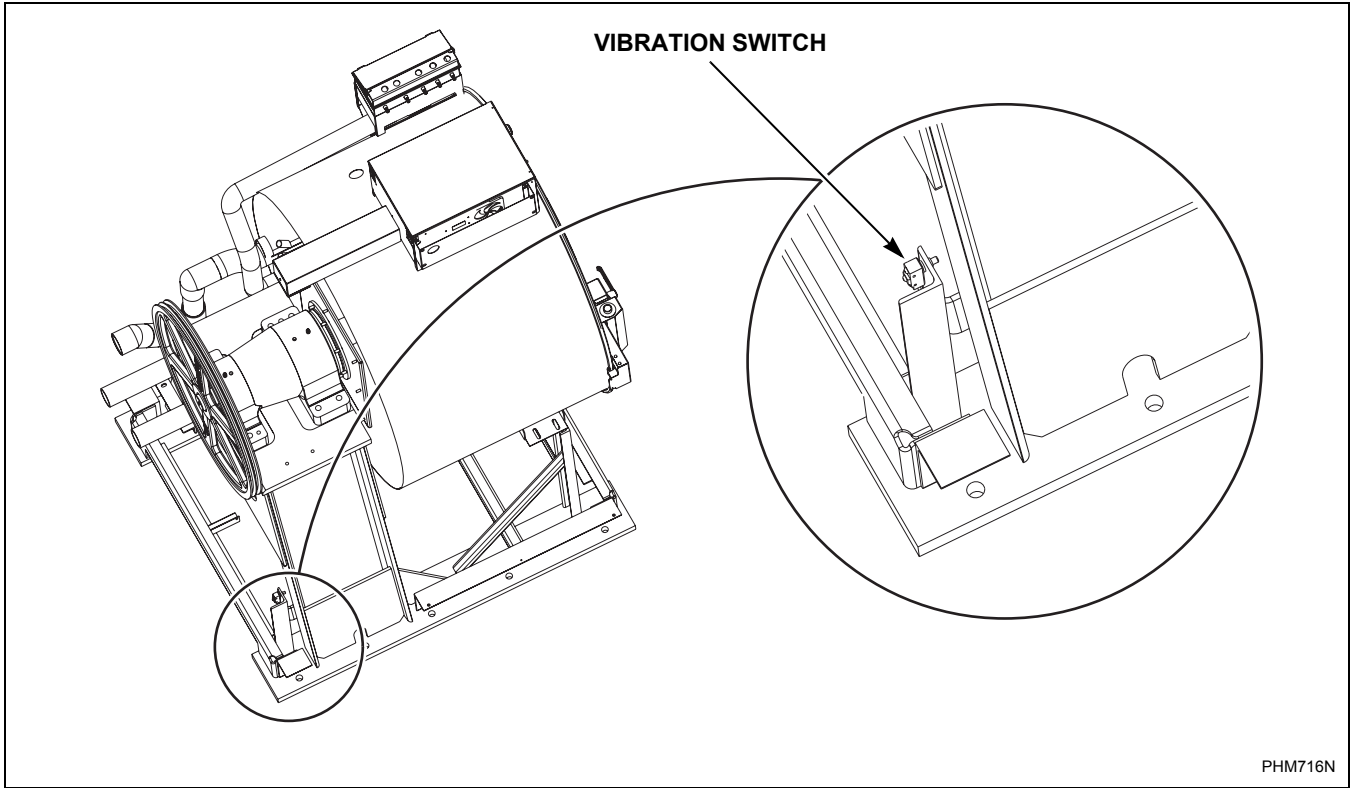


Figure 20

Drain Connection Requirements

A drain system of adequate capacity is essential to washer-extractor performance. The water can empty directly into a sump or floor drain. *Figure 21* shows the drain line configuration and *Figure 22* shows the drain trough configuration.

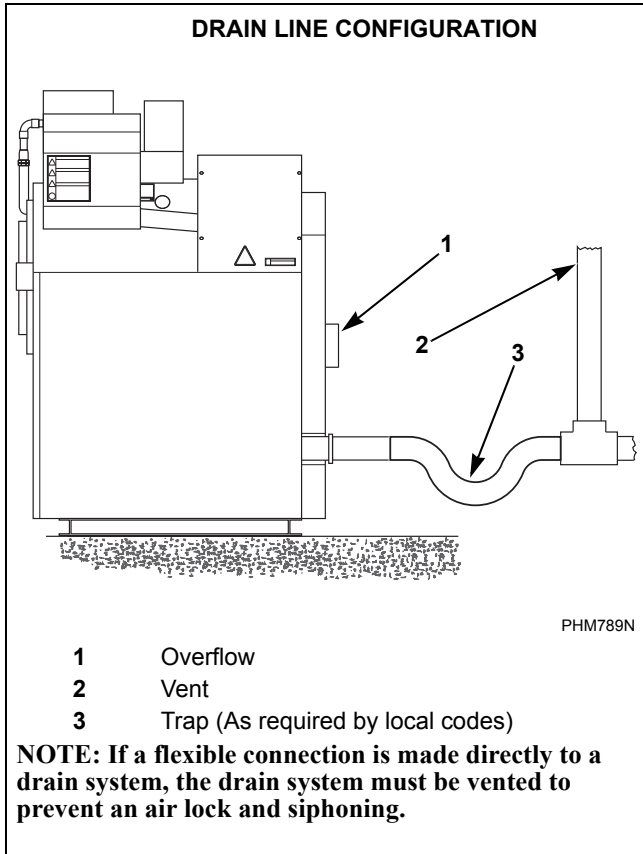


Figure 21

A flexible connection must be made to a vented drain system to prevent an air lock and to prevent siphoning.

IMPORTANT: Washer-extractor must be installed in accordance with all local codes and ordinances.

If proper drain size is not available or practical, a surge tank is required. A surge tank in conjunction with a sump pump should be used when gravity drainage is not possible, such as in below-ground-level installations.

Before any deviation from specified installation procedures is attempted, the customer or installer should contact the distributor.

Increasing the drain hose length, installing elbows, or causing bends will decrease drain flow rate and increase drain times, impairing washer-extractor performance.

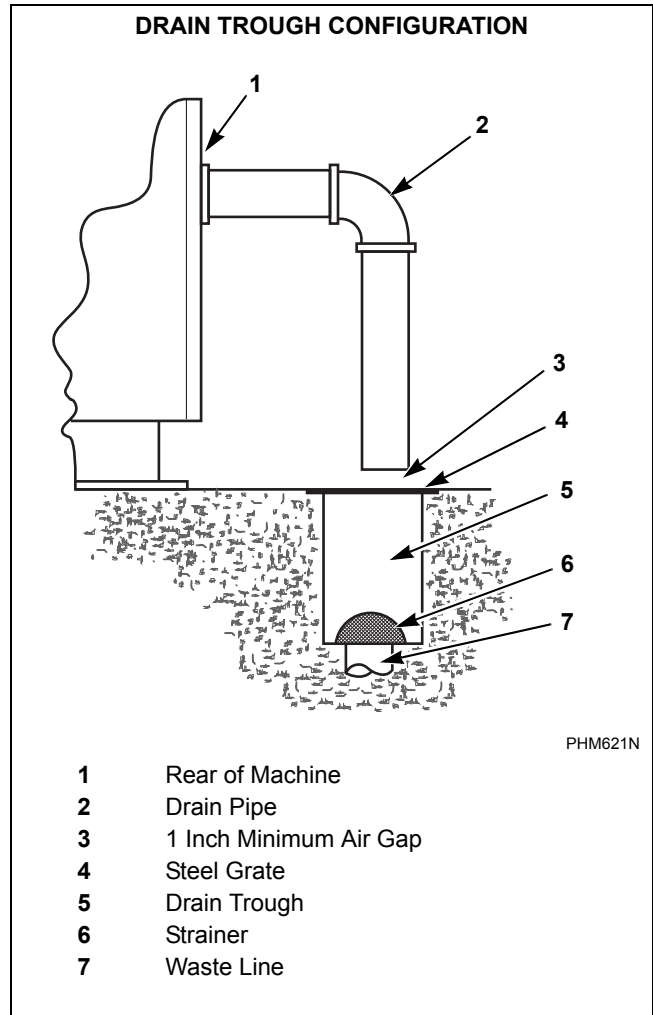


Figure 22

Refer to *Table 6* for capacity-specific drain information.

Installation of additional washer-extractors will require proportionately larger drain connections. Refer to *Table 7*.

IMPORTANT: Do not block the overflow vent above the drain line.

If water or suds flow from the overflow vent and the machine has been verified to be operating properly with proper water levels and correct amount of laundry chemicals, a drain line may be added to the vent and routed to a drain trough.

1. Remove the riveted bracket on the rear panel for access to the overflow vent pipe.
2. Route a drain pipe from the vent pipe to a drain trough. Drain pipe should be routed straight across or down and be suspended above drain trough by at least 3 inches (7.62 cm).

IMPORTANT: Do not route the overflow vent pipe to a direct drain system.

Drain Information						
Specifications	35	60	80	100	125	150
Drain connection size, O.D., in. (mm) with second drain:	2.375 (60)	3 (76)	3 (76)	3 (76)	3 (76)	3 (77)
Number of drain outlets	1	1	2	2	2	2
Drain flow capacity, gal/min. (l/min.)	35 (132)	64 (242)	120 (454)	120 (454)	140 (530)	140 (530)
Recommended drain pit size, ft ³ (l) †	5 (142)	6 (170)	9 (255)	11 (311)	13 (368)	13 (368)


†Sized for one machine using overflow level.

Table 6

Drain Line Sizing Minimum Drain I.D., in. (mm)				
Model	Number of Machines			
	1	2	3	4
35	3 (76.2)	3 (76.2)	3.5 (88.9)	4 (102)
60	3 (76.2)	4 (102)	6 (152)	6 (152)
80	4 (102)	6 (152)	6 (152)	8 (203)
100	4 (102)	6 (152)	6 (152)	8 (203)
125	4 (102)	6 (152)	6 (152)	8 (203)
150	4 (102)	6 (152)	6 (152)	8 (203)

Table 7

Water Connection

	WARNING
<p>To prevent personal injury, avoid contact with inlet water temperatures higher than 125° Fahrenheit (51° Celsius) and hot surfaces.</p>	
W748	

Maximum water inlet temperature is 190° Fahrenheit (88° Celsius).

Water Supply Information				
Specifications	35	60	80/100	125/150
Number of main fill water inlets	2	2	2	2
Main fill water inlet size, in. (mm)	3/4 (19)	3/4 (19)	3/4 (19)	1 (25.4)
Number of Spray Rinse water inlets	2	2	2	2
Spray rinse water inlet size, in. (mm)	3/4 (19)	3/4 (19)	3/4 (19)	3/4 (19)
Recommended pressure, psi (bar)	30 – 85 (2 – 5.7)			
Inlet flow capacity (80 psi), gal/min. (l/min)	31 (117)	39 (148)	41 (155)	48 (182)

Table 8

Connections should be supplied by hot and cold water lines of at least the sizes shown in the Water Supply Line Sizing table. Installation of additional machines will require proportionately larger water lines. Refer to *Table 9*. Flush the water lines before connecting them to the machine.

To connect water service to machine with rubber hoses, use the following procedure:

1. Before installing hoses, flush the water system for at least two minutes.
2. Check filters in the washer-extractor's inlet hoses for proper fit and cleanliness before connecting.
3. Hang the hoses in a large loop; do not allow them to kink.

If additional hose lengths are needed, use flexible hoses with screen filters. Each hose should have a screen filter installed to keep rust and other foreign particles out of the water inlet valves.

Pressure of 30 – 85 psi (2 – 5.7 bar) provides best performance. Although the washer-extractor will function properly at lower pressures, increased fill times will occur.

Suitable air cushions should be installed in supply lines to prevent “hammering.” Refer to *Figure 23*.

For machines labeled with the CE mark, backsiphon protection devices must be installed previous of all machine water inlet valves in accordance with accepted European standards.

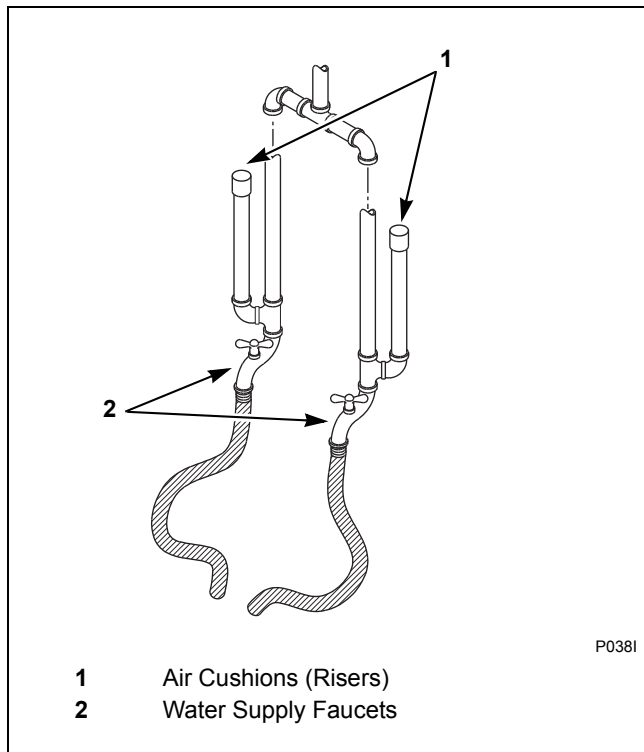



Figure 23


Water Supply Line Sizing			
Model	Number of Machines	Supply Line Size, in. (mm)	
		Main	Hot/Cold
35	1	1 (25)	0.75 (19)
	2	1.5 (38)	1 (25)
	3	2 (50)	1.25 (32)
	4	2 (50)	1.5 (38)
60	1	1.25 (32)	1 (25)
	2	2 (50)	1.25 (32)
	3	2 (50)	1.5 (38)
	4	2.5 (64)	2 (50)
80	1	1.25 (32)	1 (25)
	2	2 (50)	1.25 (32)
	3	2 (50)	1.5 (38)
	4	2.5 (64)	2 (50)
100	1	1.5 (38)	1 (25)
	2	2 (50)	1.5 (38)
	3	2 (50)	1.5 (38)
	4	2.5 (64)	2 (50)
125	1	2 (50)	1.25 (32)
	2	2.5 (64)	2 (50)
	3	2.5 (64)	2 (50)
	4	2.5 (64)	2.5 (64)
150	1	2 (50)	1.25 (32)
	2	2.5 (64)	2 (50)
	3	2.5 (64)	2 (50)
	4	2.5 (64)	2.5 (64)


Table 9

Electrical Installation Requirements

IMPORTANT: Electrical ratings are subject to change. Refer to serial decal for electrical ratings information specific to your machine.

	WARNING
<p>This machine must be installed, adjusted, and serviced by qualified electrical maintenance personnel familiar with the construction and operation of this type of machinery. They must also be familiar with the potential hazards involved. Failure to observe this warning may result in personal injury and/or equipment damage, and may void the warranty.</p>	
SW004	

	WARNING
<p>Dangerous voltages are present in the electrical control box(es) and at the motor terminals. Only qualified personnel familiar with electrical test procedures, test equipment, and safety precautions should attempt adjustments and troubleshooting. Disconnect power from the machine and wait 3 minutes before removing the control box cover, and before attempting any service procedures.</p>	
W702	

	WARNING
<p>Ensure that a ground wire from a proven earth ground is connected to the ground lug near the input power block on this machine. Without proper grounding, personal injury from electric shock could occur and machine malfunctions may be evident.</p>	
SW008	

Electrical connections are made at the rear of the machine. The machine must be connected to the proper electrical supply shown on the identification plate attached to the rear of the machine, using copper conductors only.

IMPORTANT: Alliance Laundry Systems warranty does not cover components that fail as a result of improper input voltage.

Make sure the correct transformer jumper (208 Volt or 240 Volt) is in place. Refer to the “optional” Electrical Service Connection label located on the back of the machine near the electrical service input for machine electrical requirements. Refer to *Figure 24*.

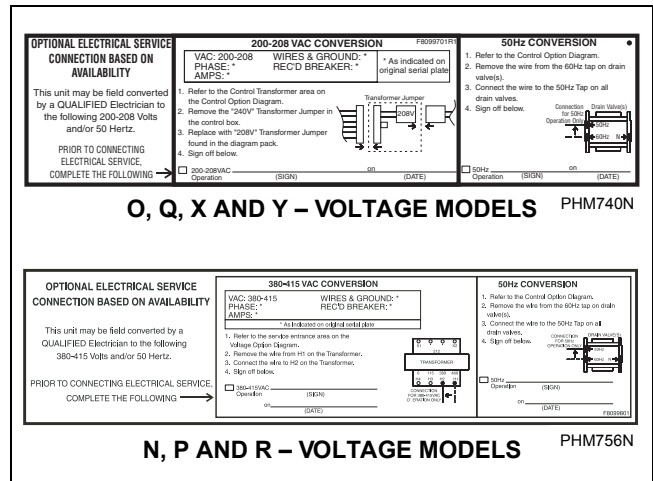



Figure 24

On variable-speed models, the AC inverter drive requires a clean power supply free from voltage spikes and surges. A voltage monitor should be used to check incoming power. The customer’s local power company may provide such a monitor.

The following conditions require corrective action, contact the local utility to adjust the voltage. If the local utility cannot adjust the input voltage, install a buckboost transformer to lower the input voltage. Input voltage is above 240V or 480V, phase to ground voltage exceeds 125% of normal line to line voltage, or 240V open delta configuration (stinger leg). Contact the distributor or the manufacturer for assistance.

On variable-speed models, the AC drive provides thermal overload protection for the drive motor. However, a separate three-phase circuit breaker must be installed for complete electrical overload protection. This prevents damage to the motor by disconnecting all legs if one should be lost accidentally. Check the serial plate on the back of the washer-extractor for recommended circuit breaker requirements size.

IMPORTANT: Do NOT use fuses in place of a circuit breaker.

	CAUTION
Do not use a phase adder on any variable-speed machine.	
<small>SW037</small>	


The washer-extractor should be connected to an individual branch circuit not shared with lighting or other equipment.

The connection should be shielded in a liquid-tight or approved flexible conduit with proper conductors of correct size installed in accordance with the National Electric Code or other applicable codes. The connection must be made by a qualified electrician using the wiring diagram provided with the washer-extractor, or according to accepted European standards for equipment labeled with the CE mark.

Refer to serial plate for recommended circuit breaker size and determine wire size based on local code requirements.

Refer to serial plate for recommended wire sizes for runs up to 50 feet (15.24 meters). Use next larger size for runs of 50 to 100 feet (15.24 to 30.48 meters). Use 2 sizes larger for runs greater than 100 feet (30.48 meters).

For personal safety and for proper operation, the washer-extractor must be grounded in accordance with state and local codes. If such codes are not available, grounding must conform with the National Electric Code, article 250 (current edition) or accepted European standards for equipment labeled with the CE mark. The ground connection must be made to a proven earth ground, not to conduit or water pipes. Refer to *Figure 25* and *26*.

	WARNING
Electrically heated machines DO NOT require dual power sources. Do not connect customer power or customer load to the Internal Load Distribution terminal block. Refer to the machine electrical schematic for details.	
<small>W759</small>	

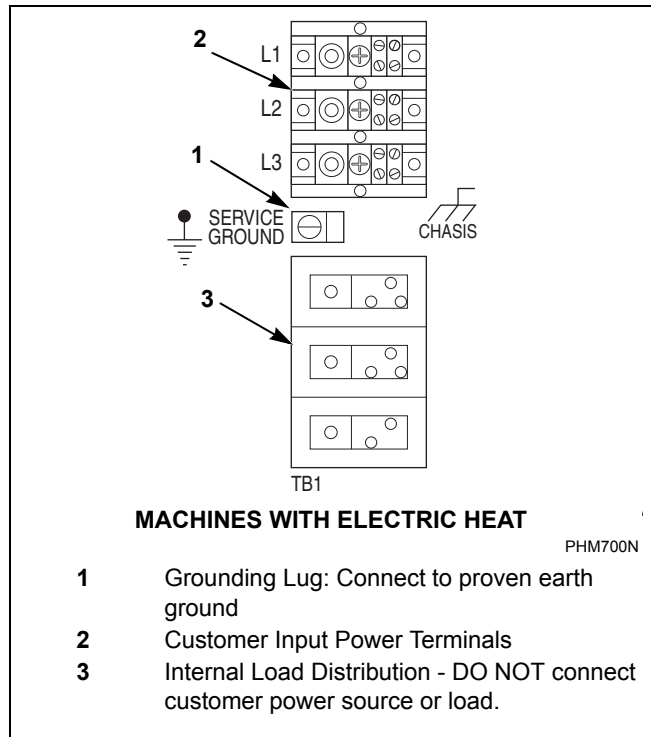


Figure 25

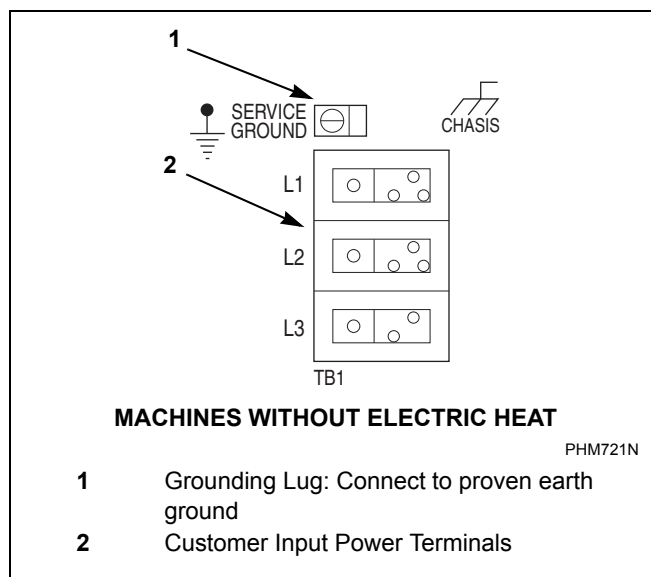


Figure 26

Specifications and Dimensions

Machines can be converted for lower voltage operation and/or 50 Hz operation. Refer to conversion label by serial plate for details.

After electrical installation is complete, run the machine through a test cycle and check for a clockwise basket rotation during the extract step. If rotation is not clockwise, disconnect the power from the machine and have a qualified electrician reverse any 2 motor leads.

Table 5 (continued)

Voltage Designation						Non-Electric Heat Machines (Standard)				Electric Heat Machines			
Model	Code	Voltage	Cycle	Phase	Wire	Full Load Amps	Breaker	*AWG	*mm ²	Full Load Amps	Breaker	*AWG	*mm ²
35	X (Through 7/31/09)	200 – 240	50/60	1/3	2/3	12/8	15/15	14/14	2.5/2.5	NOT AVAILABLE			
	X (Starting 8/1/09)	200 – 240	50/60	1/3	2/3	15/8	20/15	12/14	4/2.5	NOT AVAILABLE			
	Q	200 – 240	50/60	3	3	8	15	14	2.5	42	50	6	16
	O**	208 – 240	60	3	3	7	20	12	4	38	50	6	16
	R (Through 10/1/10)	380 – 480	50/60	3	3	6	15	14	2.5	23	30	10	6
	N (Starting 10/4/10)	440 – 480	50/60	3	3	6	15	14	2.5	23	30	10	6
	P (Starting 10/4/10)	380 – 415	50/60	3	3	6	15	14	2.5	23	30	10	6
60	X	200 – 240	50/60	1/3	2/3	15/9	20/15	12/14	4/2.5	NOT AVAILABLE			
	Q	200 – 240	50/60	3	3	9	15	14	2.5	71	80	3	25
	O**	208 – 240	60	3	3	11	30	10	6	66	80	3	30
	R (Through 10/1/10)	380 – 480	50/60	3	3	7	15	14	2.5	37	40	8	10
	N (Starting 10/4/10)	440 – 480	50/60	3	3	7	15	14	2.5	37	40	8	10
	P (Starting 10/4/10)	380 – 415	50/60	3	3	7	15	14	2.5	37	40	8	10
80	Q (Through 4/13/10)	200 – 240	50/60	3	3	9	15	14	2.5	105	110	1	50
	Q (Starting 4/14/10)	200 – 240	50/60	3	3	14	20	14	2.5	105	110	1	50
	R (Through 10/1/10)	380 – 480	50/60	3	3	10	15	14	2.5	39	40	8	10
	N (Starting 10/4/10)	440 – 480	50/60	3	3	10	15	14	2.5	39	40	8	10
	P (Starting 10/4/10)	380 – 415	50/60	3	3	10	15	14	2.5	39	40	8	10

Table 10 (continued)

Specifications and Dimensions


Voltage Designation						Non-Electric Heat Machines (Standard)				Electric Heat Machines			
Model	Code	Voltage	Cycle	Phase	Wire	Full Load Amps	Breaker	* AWG	*mm ²	Full Load Amps	Breaker	* AWG	*mm ²
100	Q (Through 4/13/10)	200 – 240	50/60	3	3	10	15	14	2.5	108	110	1	50
	Q (Starting 4/14/10)	200 – 240	50/60	3	3	14	20	14	2.5	108	110	1	50
	R (Through 10/1/10)	380 – 480	50/60	3	3	10	15	14	2.5	40	50	6	16
	N (Starting 10/4/10)	440 – 480	50/60	3	3	10	15	14	2.5	40	50	6	16
	P (Starting 10/4/10)	380 – 415	50/60	3	3	10	15	14	2.5	40	50	6	16
125	Q	200 – 240	50/60	3	3	9	15	14	2.5	NOT AVAILABLE			
	R (Through 10/1/10)	380 – 480	50/60	3	3	8	15	14	2.5				
	N (Starting 10/4/10)	440 – 480	50/60	3	3	8	15	14	2.5	74	80	4	25
	P (Starting 10/4/10)	380 – 415	50/60	3	3	8	15	14	2.5	65	70	4	25
150	Q	200 – 240	50/60	3	3	16	20	12	4	NOT AVAILABLE			
	R (Through 10/1/10)	380 – 480	50/60	3	3	11	15	14	2.5				
	N (Starting 10/4/10)	440 – 480	50/60	3	3	11	15	14	2.5				
	P (Starting 10/4/10)	380 – 415	50/60	3	3	11	15	14	2.5				

*** NOTE: Wire sizing listed in this table is based on Article 310, Table 310.16 of the NEC; at 104°F (40°C) ambient temperature. Follow your local electrical codes. Use only copper conductors, rated for 194°F (90°C) or higher, type THHN or better. No more than three current carrying conductors per raceway. Contact your local Authority having jurisdiction if you have questions. Circuit breakers should be UL 489 listed or better. Single phase circuit breakers for single phase machines only; three phase circuit breakers for all others.**

**** M30 Control Models only.**

Table 10

Steam Requirements (Steam Heat Option Only)

	WARNING
<p>Never touch internal or external steam pipes, connections, or components. These surfaces can be extremely hot and will cause severe burns. The steam must be turned off and the pipe, connections, and components allowed to cool before the pipe can be touched.</p>	
SW014	


For washer-extractors equipped with optional steam heat, install piping in accordance with approved commercial steam practices. Steam requirements are shown in *Table 11*.

NOTE: Failure to install the supplied steam filter may void the warranty.

Steam Supply Information					
	35	60	80	100	125/150
Steam inlet connection, in. (mm)	1/2 (DN13)	1/2 (DN13)	1/2 (DN13)	1/2 (DN13)	3/4 (DN19)
Number of steam inlets	1	1	1	1	1
Recommended pressure, psi (bar)	30 – 85 (2.0 – 5.9)	30 – 85 (2.0 – 5.9)	30 – 85 (2.0 – 5.9)	30 – 85 (2.0 – 5.9)	30 – 85 (2.0 – 5.9)
Maximum pressure, psi (bar)	85 (5.9)	85 (5.9)	85 (5.9)	85 (5.9)	85 (5.9)

Table 11

Chemical Injection Supply System

	WARNING
<p>Wear eye and hand protection when handling chemicals; always avoid direct contact with raw chemicals. Read the manufacturer's directions for accidental contact before handling chemicals. Ensure an eye-rinse facility and an emergency shower are within easy reach. Check at regular intervals for chemical leaks.</p>	
<small>SW016</small>	

Undiluted chemical dripping can damage the washer-extractor. Therefore, all chemical supply dispenser pumps should be mounted below the washer's injection point. All dispenser tubing should also run below the injection point. Loops do not prevent drips if these instructions are not followed. Failure to follow these instructions could damage the machine and void the warranty. *Figure 27* shows a typical Chemical Injection Supply System.

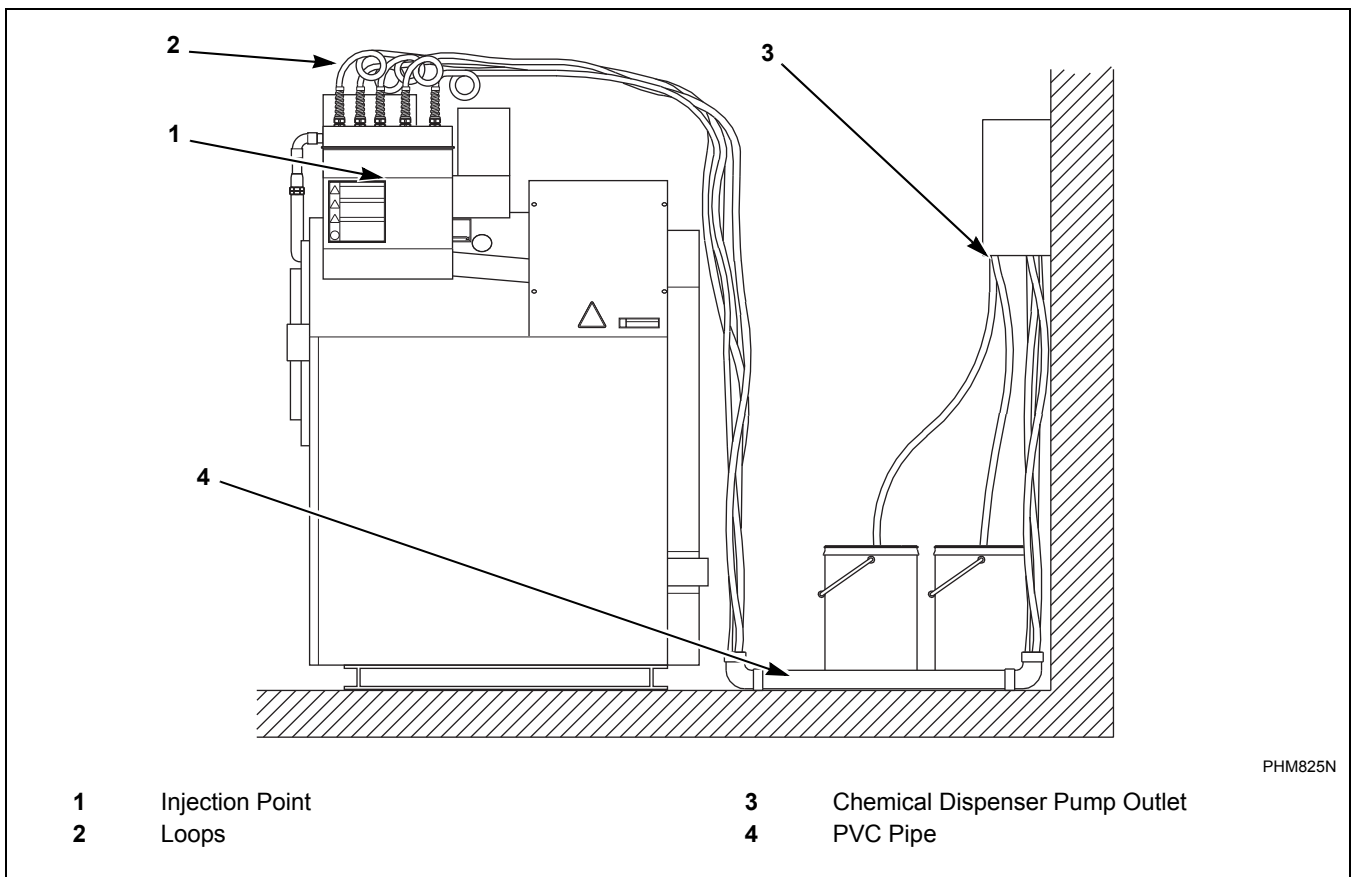


Figure 27

Connecting External Liquid Supplies to the Washer-Extractor

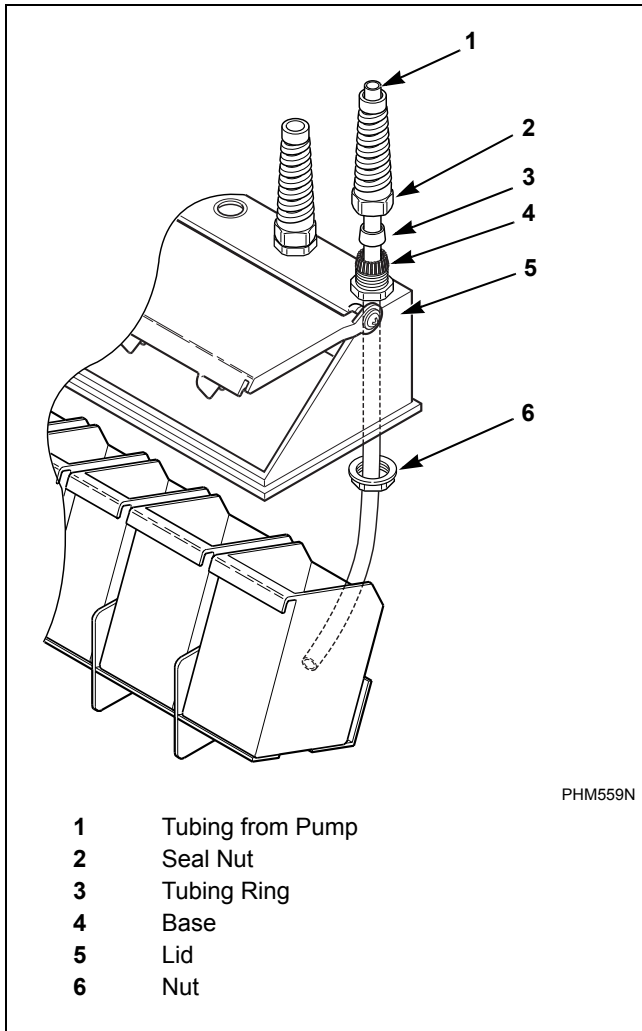


Figure 28

1. Remove knockout from supply dispenser. Refer to *Figure 28*. Plugs are assembled inside the tubing ring.
2. Install PG connector in hole with strain reliefs, included in the seal nut.
3. Insert tubes through PG base. Do not remove cups. Tube should extend into the plastic cup, with the exception of the softener tube, which should be routed to the outside of the cup.
4. Tighten the seal nut to prevent tubing from escaping the assembly.
5. Before operating machine, confirm lid is completely closed.

Do not attempt to make chemical injection electrical connections to points other than those provided specifically for that purpose by the factory.

Chemical Injection Supply System	
Number of dry supply compartments	5
Number of external liquid supply connections	8
Liquid supply connection size, in. (mm)	0.625 (15.9)

A bracket, which is located on the left side of the control module, has been provided for mounting the external supply controls. This bracket is present only on models made through 6/30/08. Refer to *Figures 5 through 10*.

Specifications and Dimensions

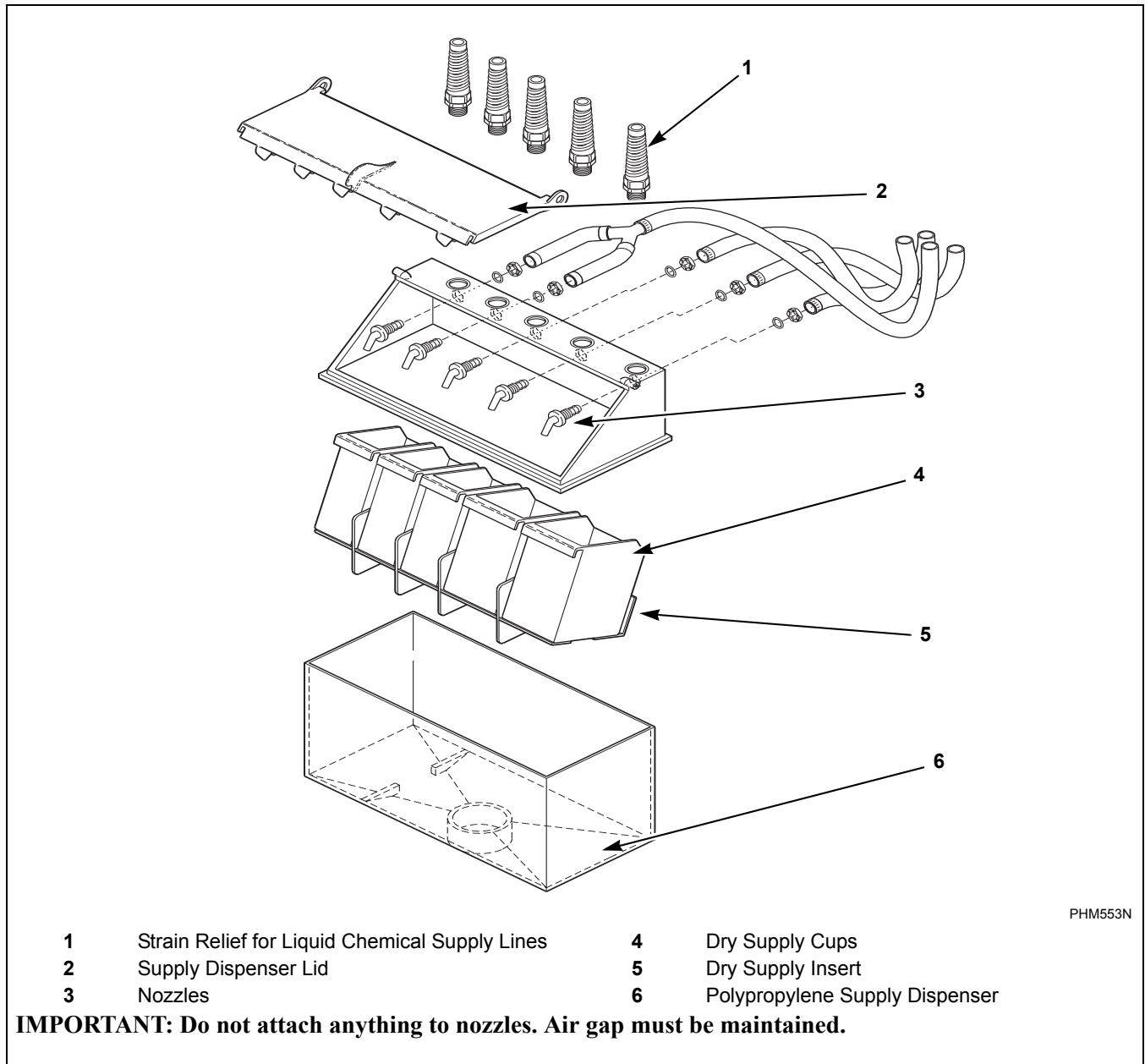


Figure 29

External Supplies

For proper communication between the washer-extractor and an external chemical supply system, it is important for the signal power to be connected properly. The included wiring diagram (F8133502) shows several different options for safe and correct wiring of this interface.

The preferred method for connecting the wiring from the external chemical supply system to the washer-extractor is to use the 300mA power of the washer-extractor's 24VAC control transformer, which is intended strictly for this purpose. Other voltage and current options are available, but require some wiring changes and must be provided with an external power source. Under no circumstances should the high-voltage machine supply connections or source be used for the communication wiring.

Communication wiring connections, which include a single row of identified terminal blocks, can be found under a service panel at the upper back of the machine. Refer to *Figure 30*.

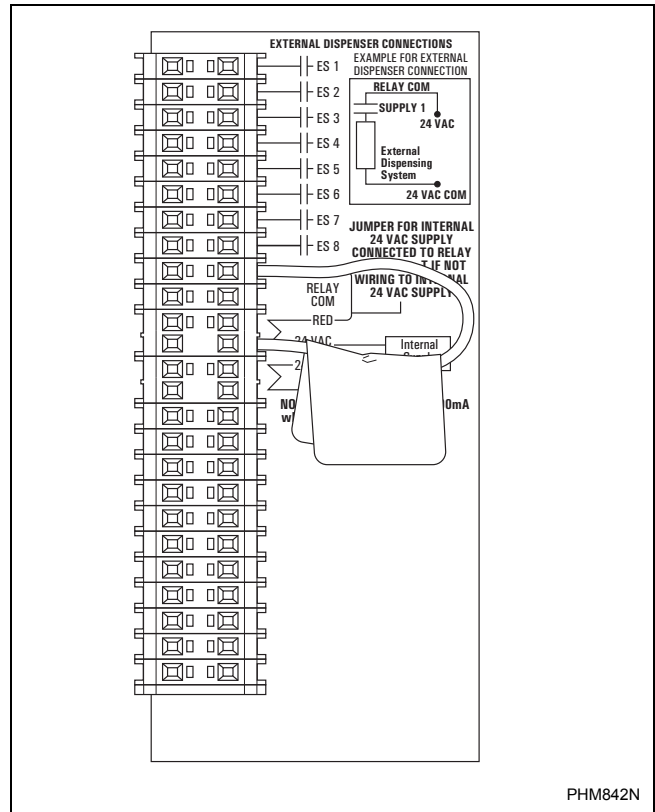


Figure 30

PHM842N

Specifications and Dimensions

Chemical Injection Using Internal 24VAC Control Transformer

NOTE: Using the Internal 24VAC 300 Milliamp Control Transformer is recommended by Alliance Laundry Systems.

IMPORTANT: DO NOT remove the red jumper wire from the terminal strip.

There are 3 terminals necessary for this connection option.

- Terminal “24VAC COM” is used to connect one side of the internal control transformer to the external dispenser input signals common.
- The second terminal is used to connect the other side of the control transformer to the washer-extractor output signals common through a red jumper wire between “24VAC” and “RELAY COM”.

IMPORTANT: Do not use the transformer terminals if an external power supply is used.

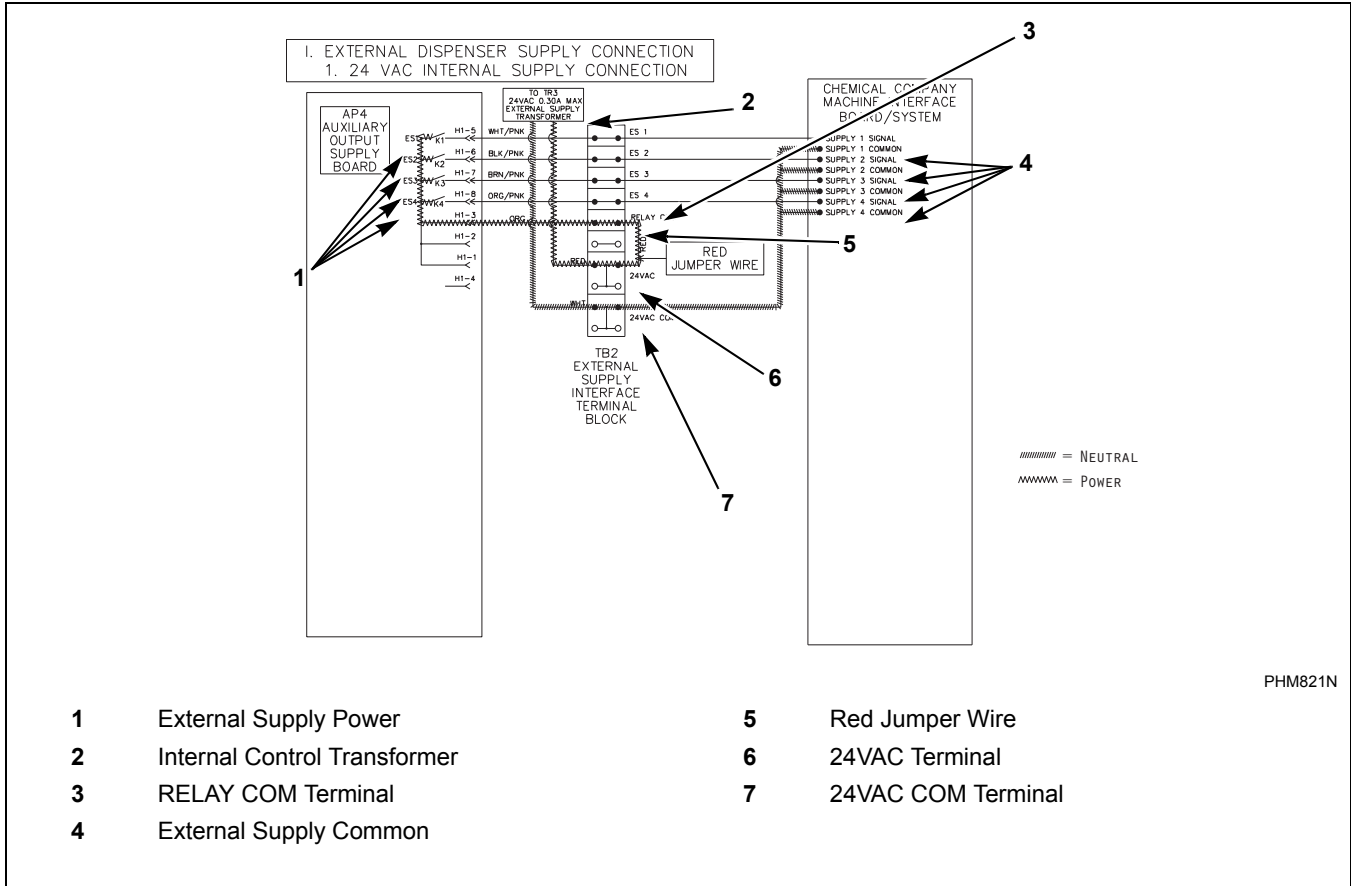


Figure 31

Chemical injection Using External AC Power Source

NOTE: An External AC Power Source is NOT provided by Alliance Laundry Systems.

NOTE: Power for external supplies must not be derived from the high-voltage main power connection point.

IMPORTANT: The external power must supply power of 240VAC or less and be protected at 3 Amps or less.

1. Remove the red jumper wire installed by the factory between “24VAC”: and “RELAY COM”.
2. Connect one side of the external power to the “RELAY COM” and the other to the external dispenser input signals common. Refer to *Figure 32*.

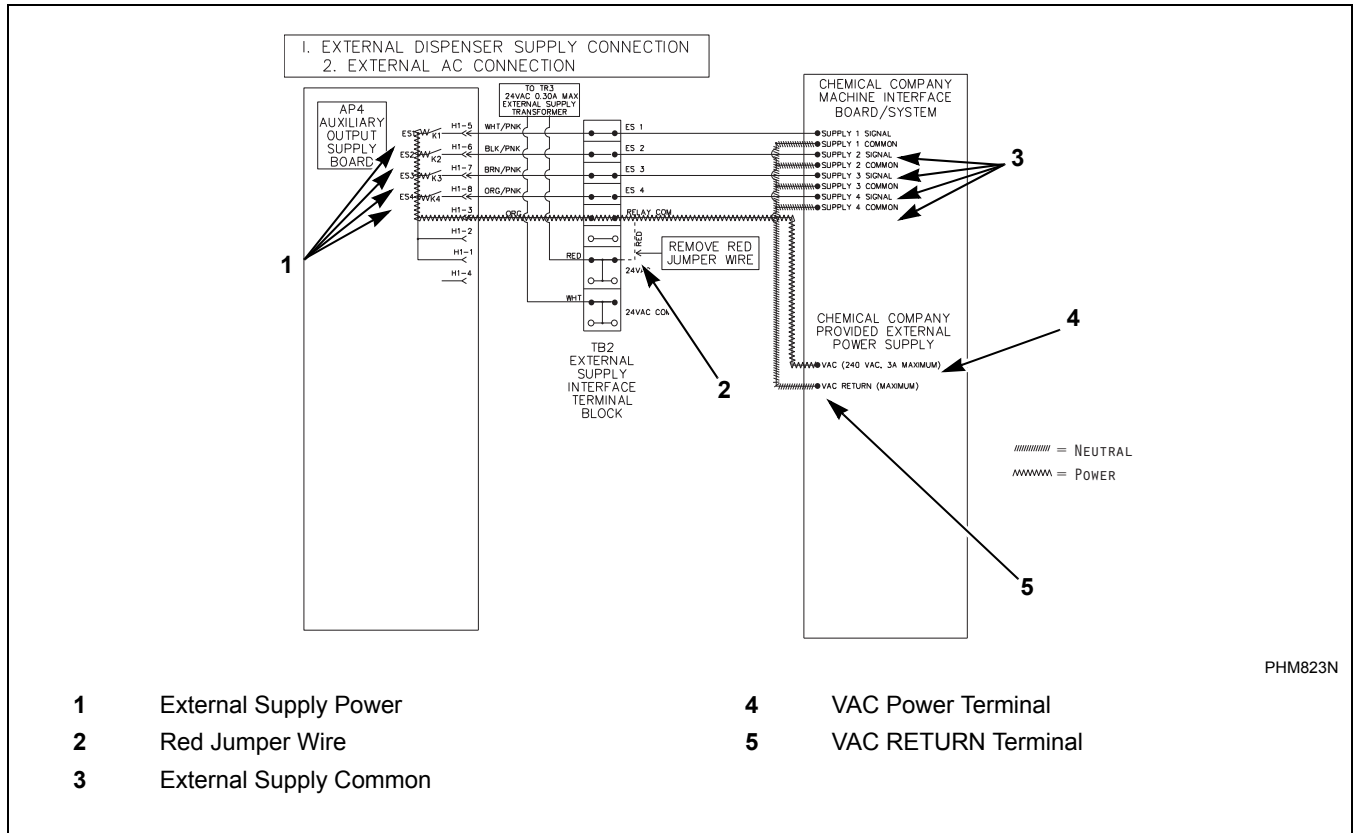


Figure 32

CAUTION

Do not attempt to increase fuse rating or alter wiring of external chemical supply terminal strip in such a way that may conflict with the suggested methods provided on the Optional External Supply Wiring Diagram.

W699

Specifications and Dimensions

External Supply Signals

Wash-cycle signals are provided to the external chemical supply equipment and a “wait for the next step” signal can be received from the supply equipment.

For example, if ES1 is selected the K1 contact will close and power will be supplied to Supply 1 Signal. The contact will remain closed for the amount of time programmed in control. Refer to *Figure 33* for Internal Supply Connection or *Figure 34* for External AC Connection.

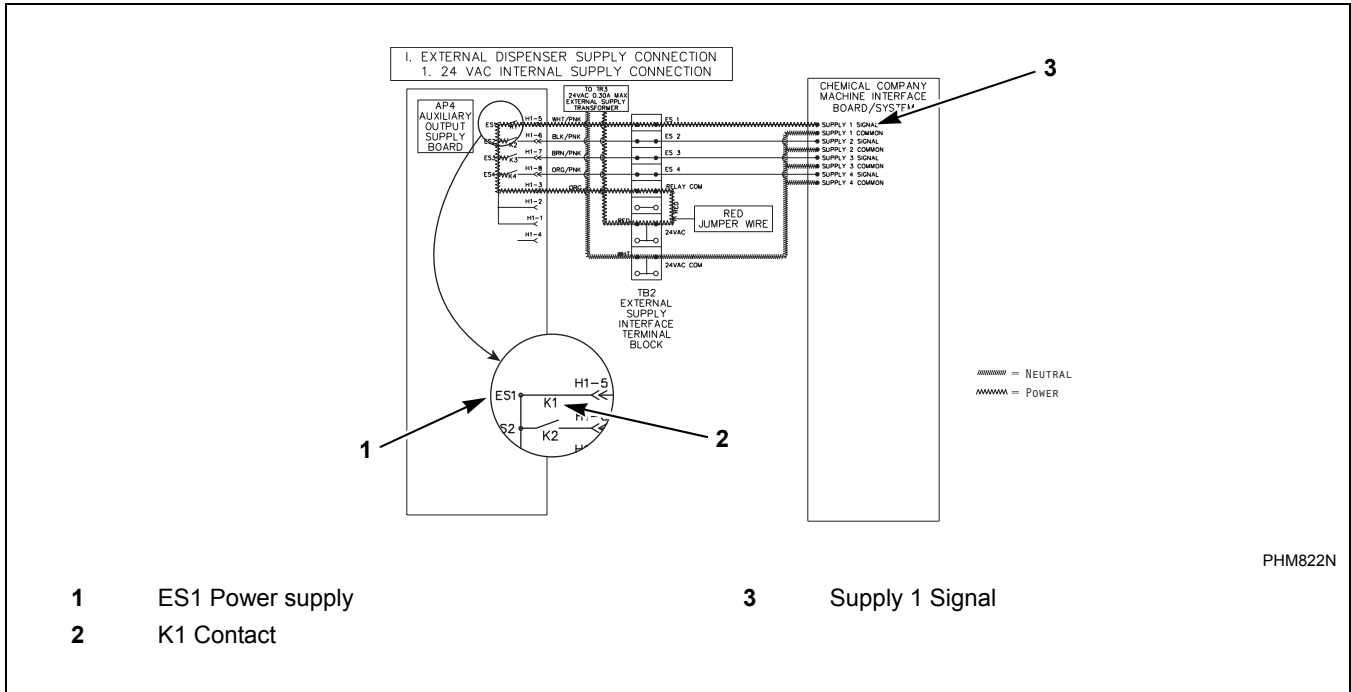


Figure 33

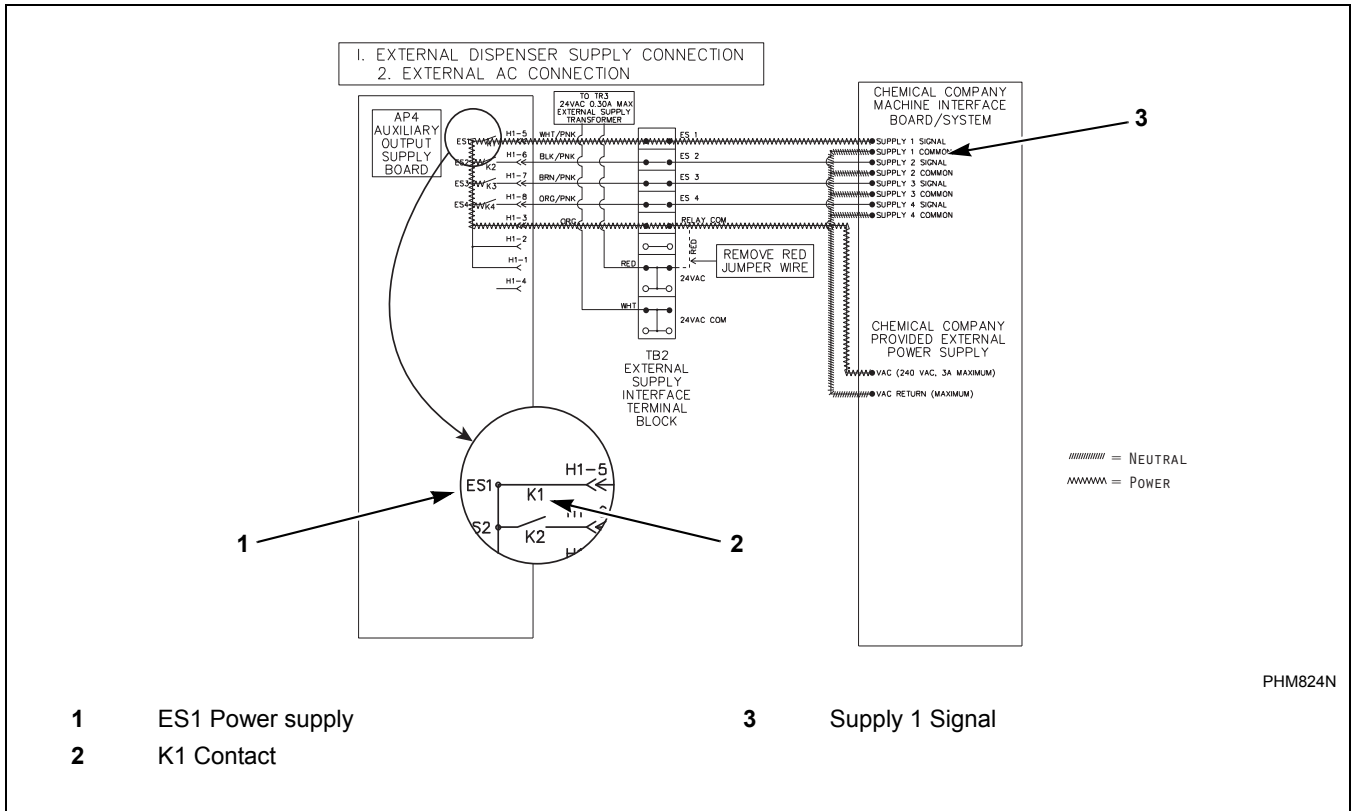


Figure 34