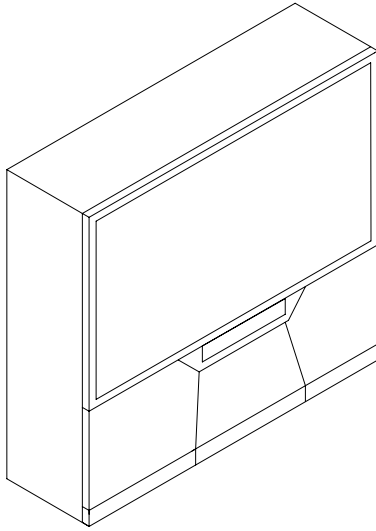




# Service Manual

PROJECTION TELEVISION  
V17+++ CHASSIS



**V17+++  
MODELS**

**WS-55908  
WS-65908**

## PARTS LIST ONLY

For Disassembly, Adjustments, Schematics, etc., refer to the service manual covering V17, V17+ and V17++ models.

P/N: S/M WS55807 (Paper)  
SM/CD WS55807 (CD-ROM)

### CAUTION:

Before servicing this chassis, it is important that the service person read the "SAFETY PRECAUTIONS" and "PRODUCT SAFETY NOTICE" contained in the service manual.

## SPECIFICATIONS

• <b>Power</b>	: AC 120V, 60Hz, 320W	• <b>Input Level</b>	: VIDEO IN JACK (RCA Type) 1.0Vp-p 75Ω unbalanced
• <b>Frequency Range</b>	: VHF 54 ~ 470MHz UHF 470 ~ 806MHz		: AUDIO IN JACK (RCA Type) -4.7dBm 43kΩ unbalanced
• <b>Antenna Input</b>	: VHF/UHF 75Ω unbalanced Single axis input		: S-VIDEO IN JACK (Y/C separate type) Y: 1.0 Vp-p C: 0.286Vp-p (BURST) 75Ω unbalanced
• <b>CRT Size</b>	: 7 inches		: DVD / Y, Cr, Cb (RCA Type) Y: 1.0 Vp-p Cr, Cb: 700mVp-p
• <b>High Voltage</b>	: 32.0kV (at 0A)		: ATV / Y(G), Pr(R), Pb(B), H, V Y: 1.0Vp-p with sync 75Ω (BNC) Pr, Pb: 700mV 75Ω H, V: 3.0Vp-p 75Ω
• <b>Speaker</b>	: 5" round type, full range 2 pcs. (8Ω 10W) 2" round type, tweeter 2 pcs. (8Ω 10W)	• <b>Output Level</b>	: VIDEO OUT JACK (RCA Type) 1.0Vp-p 75Ω unbalanced
• <b>Weight</b>	: [WS-55908] 302 lbs [WS-65908] 375 lbs		: AUDIO OUT JACK (RCA Type) -4.7dBm 4.7kΩ unbalanced
• <b>Cabinet Dimensions</b>	: [Model] (H)x(W)x(D) [WS-55908] 51.5"x49.9"x28.1" [WS-65908] 61.6"x58.2"x28.2"		

- Weight and dimensions shown are approximate.
- Design specifications are subject to change without notice.

**MITSUBISHI DIGITAL ELECTRONICS AMERICA, INC.**

9351 Jeronimo Road, Irvine, CA 92618-1904

Copyright © 2001 Mitsubishi Digital Electronics America, Inc.

All Rights Reserved



# CONTENTS

<b>CHIP PARTS REPLACEMENT .....</b>	<b>5</b>
<b>REPLACEMENT PARTS .....</b>	<b>6</b>
<b>Parts Ordering .....</b>	<b>6</b>
<b>Critical and Warranty Parts Designation .....</b>	<b>6</b>
<b>Parts Tolerance Codes .....</b>	<b>6</b>
<b>Quick Reference For Common Replacement Parts .....</b>	<b>7</b>
<b>ServicePart List .....</b>	<b>8</b>
Tubes .....	8
Integrated Circuits .....	8
Transistors .....	9
Diodes .....	9
Coils .....	10
Transformers .....	12
Variable Resistors .....	12
Resistors .....	12
Capacitors and Trimmers .....	14
Switches .....	16
Printed Circuit Boards .....	17
Cosmetic Parts .....	17
Accessories .....	17
<b>Screen Assembly Parts .....</b>	<b>18</b>



# CHIP PARTS REPLACEMENT

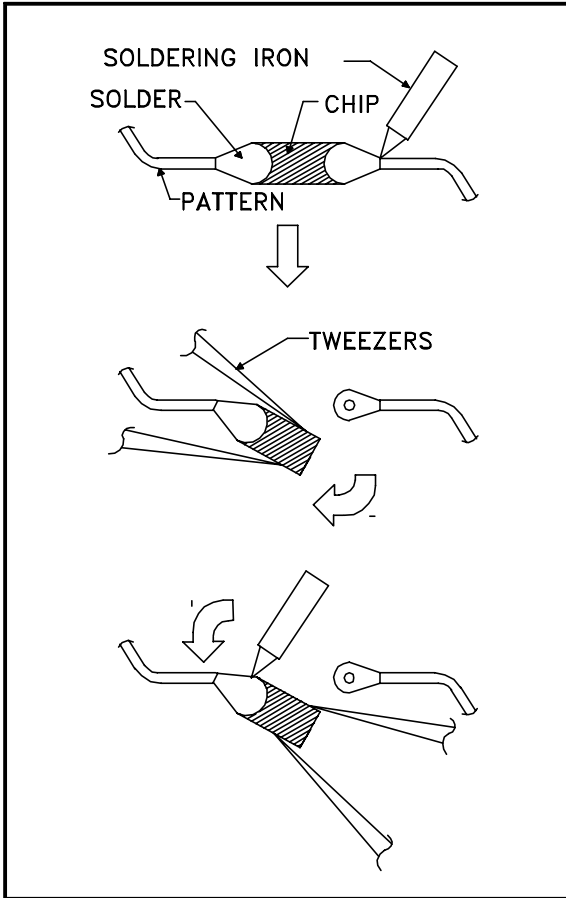
Some resistors, shorting jumpers (0 Ohm resistors), ceramic capacitors, transistors and diodes are chip parts. The following precautions should be taken when replacing these parts.

**Cautions:**

1. Use a fine tipped, well insulated soldering iron (approximately 30 watts), and tweezers.
2. Melt the solder and remove the chip parts carefully so as not to tear the copper foil from the printed circuit board.
3. Discard removed chips; do not reuse them.
4. Do not apply heat for more than 3 (three) seconds to new chip parts.
5. Avoid using a rubbing stroke when soldering.
6. Take care not to scratch, or damage the chip parts when soldering.
7. Supplementary cementing is not required.

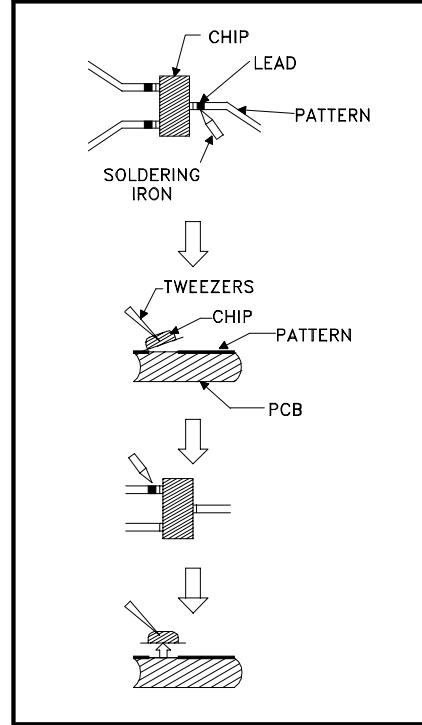
**Chip Parts Removal (Resistors, Capacitors, etc.)**

1. Grasp the part with tweezers. Melt the solder at both sides alternately, and remove one side of the part with a twisting motion.
2. Melt the solder at the other side and remove the part.



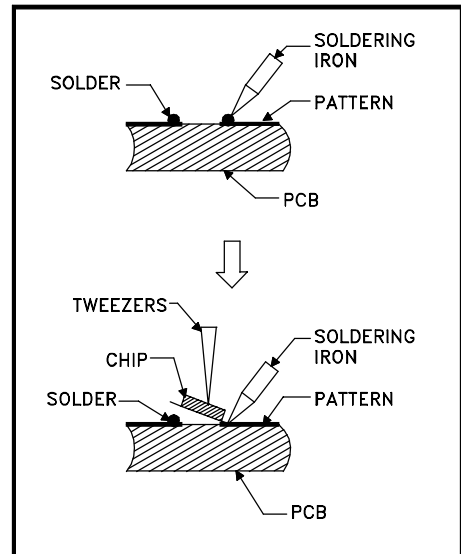
**Chip Parts Removal (Transistors)**

1. Melt the solder of one lead and lift the side of that lead upward.
2. Simultaneously melt the solder of the other two leads and lift the part from the PCB.



**Replacement**

1. Presolder the contact points on the circuit pattern.
2. Press the part downward with tweezers and apply the soldering iron as shown.



# REPLACEMENT PARTS

**Parts Ordering**

To expedite delivery of replacement parts orders, specify the following:

1. Model Number/Serial Number
2. Part Number and description
3. Quantity

**Note:** Unless complete information is supplied, delay in processing of orders will result.

**Critical and Warranty Parts Designation**

**Critical Electrical Components** are indicated by **Bold Type** in the Parts List, and in the schematic diagrams by shading.

**Warranty Return Parts** are indicated in the Parts List with an (\*).

**Parts Tolerance Codes**

Refer to the following chart for tolerance characteristics of electrical components.

MARK	B	C	D	F	G	J	K
Tolerance %	± 0.1	± 0.25	± 0.5	± 1	± 2	± 5	± 10

MARK	M	N	V	X	Z	P	Q
Tolerance %	± 20	± 30	± 10	+ 40 -20	+ 80 -20	+ 100 - 0	+ 30 -10

MARK	M	N	V	X	Z
Tolerance (pF)	± 0.1	± 0.25	± 0.5	± 1	± 2

QUICK REFERENCE FOR COMMON REPLACEMENT PARTS

**CRT ASSEMBLIES**

MODEL	ASSY-CRT-RED	ASSY-CRT-GREEN	ASSY-CRT-BLUE
WS-55908	*251C208070	*251C208080	*251C208030
WS-65908	*251C209010	*251C209020	*251C207090

**REMOTE CONTROL**

290P103020 REMOTE CONTROL

**HIGH VOLTAGE / DEFLECTION COMPONENTS**

Q5A31	261P071010	HORIZ-OUT 2SC5418 RL
Q5A51	261P082010	HV-OUT 2SK2771-01R
T5A51	334P278010	TRANS-FLYBACK
	920P016010	HV-BLOCK
	129P059050	VR-FOCUS
	330P276010	DEFL-YOKE
	453B035010	CAP ANODE-RED
	453B035020	CAP ANODE-B&G

**MISCELLANEOUS**

MODEL	MIRROR	LENTICULAR SCREEN	FRESNEL LENS	DIAMOND SHIELD
WS-55908	767D055040	491P103010	491P104010	760D635010
WS-65908	767D048090	491P105010	491P106010	760D635020

[#] Model Legend: (1) WS-55908, (2) WS-65908

Ref #	Part #	Part Name & Description	[#]
<b>TUBES</b>			
	<b>251C208030</b>	<b>ASSY-CRT-BLUE</b>	<b>1</b>
	<b>251C208070</b>	<b>ASSY-CRT-RED</b>	<b>1</b>
	<b>251C208080</b>	<b>ASSY-CRT-GREEN</b>	<b>1</b>
	<b>251C207090</b>	<b>ASSY-CRT-BLUE</b>	<b>2</b>
	<b>251C209010</b>	<b>ASSY-CRT-RED</b>	<b>2</b>
	<b>251C209020</b>	<b>ASSY-CRT-GREEN</b>	<b>2</b>
<b>INTEGRATED CIRCUITS</b>			
IC2C01	275P496010	IC-C-MOS - UPD64082GF-3BA	
IC2C02	275P531010	IC-C-MOS - MSM54V16258B-45TS-K	
IC2C03	270P817010	IC - L4931CDT33-TR	
IC2C04	270P526020	IC - MM1111XF	
IC2K01	270P623010	IC - CXA2069Q	
IC2L01	270P623010	IC - CXA2069Q	
IC2V00	270P663020	IC - CXA2101AQ	
IC2V01	275P581010	IC-C-MOS - TC7SET08FU	
IC2X01	270P781010	IC - BA7078AF	
IC2X02	270P781010	IC - BA7078AF	
IC2X06	270P777010	IC - TDA9177	
IC2X07	274P378010	IC-C-MOS - TC74HC4053AF	
IC2X08	275P423010	IC-C-MOS - MAX4583CSE	
IC2Y01	274P378010	IC-C-MOS - TC74HC4053AF	
IC2Y02	275P423010	IC-C-MOS - MAX4583CSE	
IC2Y03	274P378010	IC-C-MOS - TC74HC4053AF	
IC2Y04	275P423010	IC-C-MOS - MAX4583CSE	
IC2Y05	274P378010	IC-C-MOS - TC74HC4053AF	
IC2Y06	275P423010	IC-C-MOS - MAX4583CSE	
IC2Y07	274P378010	IC-C-MOS - TC74HC4053AF	
IC2Y08	275P423010	IC-C-MOS - MAX4583CSE	
IC2Y09	274P378010	IC-C-MOS - TC74HC4053AF	
IC2Y10	275P423010	IC-C-MOS - MAX4583CSE	
IC3A01	270P467010	IC - TDA9855	
<b>IC3E01</b>	<b>270P750010</b>	<b>IC - LA4663</b>	
IC4A01	270P664010	IC - CXA2102Q	
IC4A02	270P575030	IC - NJM78M09DLA - TE1	
IC4A03	263P384010	IC-C-MOS - TC74HC221AF-EL	
IC4B01	270P261020	IC - TDA8177	
<b>IC5A00</b>	<b>267P143020</b>	<b>KIC - MSPAD101</b>	
<b>IC5A01</b>	<b>272P237010</b>	<b>IC - LA6324N</b>	
<b>IC5A02</b>	<b>266P154010</b>	<b>IC - UPC393C</b>	
<b>IC5A03</b>	<b>270P704010</b>	<b>IC - LM4040BIZ-10.0</b>	
IC5A05	270P816010	IC - NJM431L	
IC6M00	270P658030	IC - CXA2019AQ/T4	
IC6M90	272P379020	IC - LM1881MX (NSC)	
IC6P00	270P658030	IC - CXA2019AQ/T4	
IC6P90	272P379020	IC - LM1881MX (NSC)	
<b>IC7A00</b>	<b>275P497030</b>	<b>IC-C-MOS - MN102H57K MA2</b>	
IC7A01	274P901010	IC-C-MOS - TC74HCT7007AF-EL	
IC7C01	275P533010	IC-C-MOS - M24C64WM6T	
IC7C02	275P533010	IC-C-MOS - M24C64WM6T	
IC7C03	275P419010	IC-C-MOS - SN74AHCT1G126DBV	
IC7C05	270P645010	IC - TDA8444T	
IC7C06	267P131010	HIC - SI-3033C	
IC7C07	270P817010	IC - L4931CDT33-TR	
IC7C08	270P706020	IC - MAX823REUK	
IC7C10	275P419010	IC-C-MOS - SN74AHCT1G126DBV	
IC7D00	275P451010	IC-C-MOS - TC74HC4066AFN-ELP	
IC7D01	275P560010	IC - ADS931E A2D CONVERTER	

Ref #	Part #	Part Name & Description	[#]
IC7D02	275P560010	IC - ADS931E A2D CONVERTER	
IC7D03	275P560010	IC - ADS931E A2D CONVERTER	
IC7D10	275P535010	IC-C-MOS - TC74AC157FN-ELP	
IC7D11	275P535010	IC-C-MOS - TC74AC157FN-ELP	
IC7E00	275P451010	IC-C-MOS - TC74HC4066AFN-ELP	
IC7E01	275P560010	IC - ADS931E A2D CONVERTER	
IC7E02	275P560010	IC - ADS931E A2D CONVERTER	
IC7E03	275P560010	IC - ADS931E A2D CONVERTER	
IC7E10	275P535010	IC-C-MOS - TC74AC157FN-ELP	
IC7E11	275P535010	IC-C-MOS - TC74AC157FN-ELP	
IC7G01	275P247010	IC-C-MOS - MB40C958VPFV	
IC7G04	275P534010	IC-C-MOS - TC74HCT574AFW-ELP	
IC7G05	275P534010	IC-C-MOS - TC74HCT574AFW-ELP	
IC7H00	275P405010	IC-C-MOS - MSM56V16160D-10TS-K	
IC7H01	275P405010	IC-C-MOS - MSM56V16160D-10TS-K	
IC7H02	275P436020	IC-C-MOS - TMC57127PPM-M	
IC7H03	275P439020	IC - MSM53403E	
IC7H04	270P506010	IC - M51957BFP	
IC7H05	263P384010	IC-C-MOS - TC74HC221AF-EL	
IC7H06	270P348010	IC - TLC2932IPW	
IC7H07	275P437020	IC - SLA4028	
IC7H08	270P348010	IC - TLC2932IPW	
IC7H09	274P901010	IC-C-MOS - TC74HCT7007AF-EL	
IC7H11	275P535010	IC-C-MOS - TC74AC157FN-ELP	
IC7H12	275P535010	IC-C-MOS - TC74AC157FN-ELP	
IC7H13	275P535010	IC-C-MOS - TC74AC157FN-ELP	
IC7H14	275P535010	IC-C-MOS - TC74AC157FN-ELP	
IC7K21	270P831010	IC-C-MOS - OPA2350PA	
IC8A00	275P223010	IC-C-MOS - CM0007AF	
IC8A01	275P222020	IC-C-MOS - M24C32MN6T	
IC8A02	270P348010	IC - TLC2932IPW	
IC8A03	275P420010	IC-C-MOS - MC74HC74AD	
<b>IC8C01</b>	<b>267P150010</b>	<b>HIC - STK392-570</b>	
<b>IC8C02</b>	<b>267P150010</b>	<b>HIC - STK392-570</b>	
IC8D01	263P408020	IC-C-MOS - UPD6376GS	
IC8D02	263P408020	IC-C-MOS - UPD6376GS	
IC8D03	263P408020	IC-C-MOS - UPD6376GS	
IC8D04	263P408020	IC-C-MOS - UPD6376GS	
IC8D05	263P408020	IC-C-MOS - UPD6376GS	
IC8D06	263P408020	IC-C-MOS - UPD6376GS	
IC8D07	270P751010	IC - TL084CD	
IC8D08	270P751010	IC - TL084CD	
IC8D09	270P751010	IC - TL084CD	
IC8D10	272P603010	IC - LM78L05ACZ/NJM78L05A	
IC8M01	275P291010	IC-C-MOS - M32000D4AFP	
IC8M02	275P557010	IC-C-MOS - TC74LCX32FN-ELP	
IC8M03	275P552030	IC-C-MOS - MBM29LV160TE-70P	
IC8M04	270P614010	IC - PST9128NR	
IC8M05	275P556010	IC-C-MOS - TC74LCX08FN-ELP	
IC8N00	275P553010	IC-C-MOS - CYBERPRO 5000	
IC8N01	275P487010	IC-C-MOS - MSM54V25632A-10AGBK4	
IC8N02	275P487010	IC-C-MOS - MSM54V25632A-10AGBK4	
IC8S01	275P104020	IC-C-MOS - M65439BFP	
IC8S02	275P562010	IC-C-MOS - TC74LCX245FW-ELP	
<b>IC9A20</b>	<b>267P151010</b>	<b>HIC - STR-G6632</b>	
<b>IC9A21</b>	<b>270P816010</b>	<b>IC - NJM431L</b>	
<b>IC9A50</b>	<b>267P140020</b>	<b>HIC - STR-F6628</b>	
<b>IC9A51</b>	<b>267P062050</b>	<b>HIC - SE110N</b>	
IC9C01	270P210010	IC - NJM7809FA/AN7809F	
IC9C02	267P131010	HIC - SI-3033C	



[#] Model Legend: (1) WS-55908, (2) WS-65908

Ref #	Part #	Part Name & Description	[#]
IC9C03	270P575030	IC - NJM78M09DLA - TE1	
IC9C05	270P210010	IC - NJM7809FA/AN7809F	
<b>TRANSISTORS</b>			
<b>TR-CHIP Type (Listed by Generic Number)</b>			
	<u>Part No.</u>	<u>Description</u>	
	260P817010	2SA1037K-Q	
	260P817030	2SA1037K-S	
	260P818010	2SC2412K-Q	
	260P818030	2SC2412K-S	
	260P835030	2SC2413K-Q	
	261P801010	2SA1252-5,6	
<b>Conventional Transistors (By Ref #)</b>			
Q2W06	260P533010	TR - 2SC3598-E	
Q2W09	260P533010	TR - 2SC3598-E	
Q2W11	261P801010	TR-CHIP - 2SA1252-5,6	
Q2W12	260P533010	TR - 2SC3598-E	
Q4B01	260P559030	TR - 2SC1740S-S	
Q5A01	260P788010	TR - 2SC4690-O	
Q5A02	260P561020	TR - 2SA1371-E	
Q5A03	260P386010	TR - 2SC2230-GR	
Q5A04	260P559030	TR - 2SC1740S-S	
Q5A05	260P560040	TR - 2SA933S-S	
<b>Q5A06</b>	<b>260P560040</b>	<b>TR - 2SA933S-S</b>	
Q5A07	261P123010	TR - UNR4113-S - FORM	
Q5A08	260P325030	TR - 2SC2655-Y	
Q5A10	260P603010	TR - DTA124ES/UN4112	
Q5A31	261P071010	TR - 2SC5418 RL	
Q5A32	260P587040	TR - 2SC2333-M,L	
Q5A33	260P559030	TR - 2SC1740S-S	
Q5A34	260P561020	TR - 2SA1371-E	
Q5A35	260P386010	TR - 2SC2230-GR	
Q5A36	260P630010	TR - 2SD2012	
Q5A37	260P559030	TR - 2SC1740S-S	
Q5A38	260P559030	TR - 2SC1740S-S	
<b>Q5A51</b>	<b>261P082010</b>	<b>TR - 2SK2771-01R</b>	
Q5H08	260P559050	TR - 2SC1740S-E	
Q5H09	260P559050	TR - 2SC1740S-E	
Q5H10	260P560040	TR - 2SA933S-S	
Q5H11	260P573020	TR - 2SB940A-P	
Q5H12	260P574020	TR - 2SD1264A-P	
Q5K00	260P664030	TR - 2SC4636	
Q5K01	260P664030	TR - 2SC4636	
Q5K02	260P559050	TR - 2SC1740S-E	
Q5K03	260P560040	TR - 2SA933S-S	
Q6B00	260P649020	TR - 2SC3942	
Q6B02	260P696010	TR - 2SC3790	
Q6B03	260P627020	TR - 2SA1480-D,E	
Q6B04	260P560040	TR - 2SA933S-S	
Q6G00	260P649020	TR - 2SC3942	
Q6G02	260P696010	TR - 2SC3790	
Q6G03	260P627020	TR - 2SA1480-D,E	
Q6R00	260P649020	TR - 2SC3942	
Q6R02	260P696010	TR - 2SC3790	
Q6R03	260P627020	TR - 2SA1480-D,E	
Q7A02	261P114010	TR - 2SA1585STPR	
Q7K11	260P559030	TR - 2SC1740S-S	
Q7K12	260P560040	TR - 2SA933S-S	
Q7K21	260P559030	TR - 2SC1740S-S	

Ref #	Part #	Part Name & Description	[#]
<b>Q9A20</b>	<b>261P101010</b>	<b>TR - PHP21N06T</b>	
Q9A21	260P559030	TR - 2SC1740S-S	
Q9A22	260P559030	TR - 2SC1740S-S	
<b>Q9A23</b>	<b>261P101010</b>	<b>TR - PHP21N06T</b>	
Q9A50	260P416030	TR - 2SC2274-F,K-F	
Q9A51	260P559030	TR - 2SC1740S-S	
Q9A53	260P559030	TR - 2SC1740S-S	
Q9A54	260P559030	TR - 2SC1740S-S	
<b>DIODES</b>			
D2J08	264P484040	DIODE - RD5.6FB3	
D2J09	264P484040	DIODE - RD5.6FB3	
D2V44	264P822010	D-CHIP - HSM2838	
D2W01	264P822010	D-CHIP - HSM2838	
D2W02	264P822010	D-CHIP - HSM2838	
D2W03	264P501040	DIODE - HZ3ALL	
D4B01	264D056020	DIODE - S5500D/EM1Z/ERB12-02RK	
D4B04	264P045040	DIODE - 1S24710M	
D5A01	264P045040	DIODE - 1S24710M	
D5A02	264D056020	DIODE - S5500D/EM1Z/ERB12-02RK	
D5A12	264P045040	DIODE - 1S24710M	
D5A13	264P483070	DIODE - RD5.1FB1	
D5A14	264P045040	DIODE - 1S24710M	
D5A31	262P032010	DIODE - FMV-G2GS	
D5A34	264P483070	DIODE - RD5.1FB1	
D5A35	264P045040	DIODE - 1S24710M	
D5A36	264P045040	DIODE - 1S24710M	
D5A37	264P521040	DIODE - EU1A	
<b>D5A51</b>	<b>262P039010</b>	<b>DIODE - BYW96E/20</b>	
<b>D5A52</b>	<b>264P899010</b>	<b>DIODE - BYV26E</b>	
<b>D5A53</b>	<b>264P489010</b>	<b>DIODE - RD16FB1</b>	
<b>D5A54</b>	<b>264P724010</b>	<b>DIODE - STF14</b>	
<b>D5A55</b>	<b>264P724010</b>	<b>DIODE - STF14</b>	
<b>D5A56</b>	<b>264P045040</b>	<b>DIODE - 1S24710M</b>	
<b>D5A57</b>	<b>264P521040</b>	<b>DIODE - EU1A</b>	
<b>D5A58</b>	<b>264P045040</b>	<b>DIODE - 1S24710M</b>	
<b>D5A59</b>	<b>264P045040</b>	<b>DIODE - 1S24710M</b>	
<b>D5A60</b>	<b>264P489010</b>	<b>DIODE - RD16FB1</b>	
D5H01	264P045040	DIODE - 1S24710M	
D5H02	264P045040	DIODE - 1S24710M	
D5H09	264P045040	DIODE - 1S24710M	
D5K01	264P528030	DIODE - RP1H	
D5K02	264P543010	DIODE - EG01	
D5K03	264P543010	DIODE - EG01	
D5K10	264P528030	DIODE - RP1H	
D5K11	264P528030	DIODE - RP1H	
D6B00	264P573020	DIODE - EG1A	
D6B02	264P045040	DIODE - 1S24710M	
D6B03	264P457080	DIODE - RD3.3EB1	
D6B04	264P045040	DIODE - 1S24710M	
D6B06	264P045040	DIODE - 1S24710M	
D6G00	264P573020	DIODE - EG1A	
D6G02	264P045040	DIODE - 1S24710M	
D6G04	264P045040	DIODE - 1S24710M	
D6G06	264P045040	DIODE - 1S24710M	
D6R00	264P573020	DIODE - EG1A	
D6R02	264P045040	DIODE - 1S24710M	
D6R04	264P045040	DIODE - 1S24710M	
D6R06	264P045040	DIODE - 1S24710M	
D7C03	264P045040	DIODE - 1S24710M	

[#] Model Legend: (1) WS-55908, (2) WS-65908

Ref #	Part #	Part Name & Description	[#]
D7C04	264P045040	DIODE - 1S24710M	
D7C06	264P822010	D-CHIP - HSM2838	
D7C07	264P822010	D-CHIP - HSM2838	
D7C08	264P822010	D-CHIP - HSM2838	
D7H01	264P822010	D-CHIP - HSM2838	
D7K01	264P212020	D-LED - LN31GPH	
D7K12	264P501050	DIODE - HZ3BLL	
D7K21	268P100010	PHOTO DIODE - SFH235FA	
D7K22	264P045040	DIODE - 1S24710M	
D8C01	264P045040	DIODE - 1S24710M	
D8D03	264P486060	DIODE - RD9.1FB3	
D8D04	264P486060	DIODE - RD9.1FB3	
<b>D9A01</b>	<b>262P031010</b>	<b>DIODE - D6SB80</b>	
D9A21	264P899010	DIODE - BYV26E	
D9A22	264P045040	DIODE - 1S24710M	
D9A23	264P045040	DIODE - 1S24710M	
D9A24	264P045040	DIODE - 1S24710M	
D9A25	264P045040	DIODE - 1S24710M	
D9A26	264P045040	DIODE - 1S24710M	
D9A27	264P045040	DIODE - 1S24710M	
D9A30	264P566010	DIODE - FMP-G12S	
D9A31	264P045040	DIODE - 1S24710M	
D9A32	264P487070	DIODE - RD12FB1	
D9A33	264P628010	DIODE - FMB-G14L	
D9A50	264P045040	DIODE - 1S24710M	
D9A52	264P045040	DIODE - 1S24710M	
D9A53	264P045040	DIODE - 1S24710M	
D9A54	264P045040	DIODE - 1S24710M	
D9A55	264P045040	DIODE - 1S24710M	
D9A56	264P566010	DIODE - FMP-G12S	
D9A57	264P899010	DIODE - BYV26E	
D9A58	264P588010	DIODE - FML-G16S	
D9A64	264P045040	DIODE - 1S24710M	
D9A65	264P045040	DIODE - 1S24710M	
D9A66	264P045040	DIODE - 1S24710M	
<b>COILS</b>			
<b>COIL-CHIP Type By Value</b>			
<u>Value</u>	<u>Part No.</u>	<u>Value</u>	<u>Part No.</u>
10MH-J	325C146030	47MH-K	325C242010
10MH-K	325C141030	100MH-K	325C242050
10MH-K	325C241030	180MH-J	325C147080
15MH-J	325C146050		
<b>Conventional Coils</b>			
L1A06	409P923060	EMI-F-CHIP - BLM21B272S	
L1A07	409P923060	EMI-F-CHIP - BLM21B272S	
L1A13	409P923060	EMI-F-CHIP - BLM21B272S	
L1B06	409P923060	EMI-F-CHIP - BLM21B272S	
L1B07	409P923060	EMI-F-CHIP - BLM21B272S	
L1B13	409P923060	EMI-F-CHIP - BLM21B272S	
L2C03	409P777080	EMI-F-CHIP - BLM21P221S	
L2C05	409P777080	EMI-F-CHIP - BLM21P221S	
L2C06	409P777080	EMI-F-CHIP - BLM21P221S	
L2C32	409P777080	EMI-F-CHIP - BLM21P221S	
L2J01	409P777050	EMI-F-CHIP - BLM21B201S	
L2J02	409P777050	EMI-F-CHIP - BLM21B201S	
L2J03	409P777050	EMI-F-CHIP - BLM21B201S	
L2J04	409P777050	EMI-F-CHIP - BLM21B201S	
L2J05	409P777050	EMI-F-CHIP - BLM21B201S	

Ref #	Part #	Part Name & Description	[#]
L2J07	409P777050	EMI-F-CHIP - BLM21B201S	
L2J66	409P777080	EMI-F-CHIP - BLM21P221S	
L2K42	409P777080	EMI-F-CHIP - BLM21P221S	
L2K65	409P777080	EMI-F-CHIP - BLM21P221S	
L2K77	409P777080	EMI-F-CHIP - BLM21P221S	
L2L42	409P777080	EMI-F-CHIP - BLM21P221S	
L2V06	409P923060	EMI-F-CHIP - BLM21B272S	
L2V72	409P923060	EMI-F-CHIP - BLM21B272S	
L2W01	409P923060	EMI-F-CHIP - BLM21B272S	
L2W02	409P923060	EMI-F-CHIP - BLM21B272S	
L2W03	409P923060	EMI-F-CHIP - BLM21B272S	
L2W04	409P923060	EMI-F-CHIP - BLM21B272S	
L2W05	409P923060	EMI-F-CHIP - BLM21B272S	
L2W76	409P923060	EMI-F-CHIP - BLM21B272S	
L2X01	409P923060	EMI-F-CHIP - BLM21B272S	
L2X04	409P923060	EMI-F-CHIP - BLM21B272S	
L2Y01	409P923060	EMI-F-CHIP - BLM21B272S	
L2Y03	409P923060	EMI-F-CHIP - BLM21B272S	
L2Y04	409P923060	EMI-F-CHIP - BLM21B272S	
L2Y06	409P923060	EMI-F-CHIP - BLM21B272S	
L2Y07	409P923060	EMI-F-CHIP - BLM21B272S	
L3A37	409P923060	EMI-F-CHIP - BLM21B272S	
L4A02	325C461030	COIL-PEAKING - 10MH-K	
L4A03	409P777080	EMI-F-CHIP - BLM21P221S	
L4B01	321C130010	COIL-RF - 2MH	
L4B02	321C130090	COIL-RF - 10MH-K	
L5A31	411P001010	LEAD-FERRITE	
L5A33	333P052030	COIL-HORIZ-LIN	
L5A34	321C130010	COIL-RF - 2MH	
L5A51	321C141030	COIL-RF - 10MH-K	
L5A52	321C141030	COIL-RF - 10MH-K	
L5A53	321C141010	COIL-RF - 6.8MH-M	
L5A54	411D009020	CORE-FERRITE	
L5A55	411D009020	CORE-FERRITE	
L5H41	325C110090	COIL-PEAKING - 4.7MH-K	
L6B00	325C461010	COIL-PEAKING - 6.8MH-K	
L6B01	325C461040	COIL-PEAKING - 12MH-K	
L6B02	325C460080	COIL-PEAKING - 3.9MH-K	
L6B03	325C461030	COIL-PEAKING - 10MH-K	
L6G00	325C461010	COIL-PEAKING - 6.8MH-K	
L6G01	325C461040	COIL-PEAKING - 12MH-K	
L6G02	325C460080	COIL-PEAKING - 3.9MH-K	
L6G03	325C461030	COIL-PEAKING - 10MH-K	
L6M01	409P923060	EMI-F-CHIP - BLM21B272S	
L6M03	409P777080	EMI-F-CHIP - BLM21P221S	
L6M25	409P777080	EMI-F-CHIP - BLM21P221S	
L6P03	409P923060	EMI-F-CHIP - BLM21B272S	
L6P25	409P923060	EMI-F-CHIP - BLM21B272S	
L6R00	325C461010	COIL-PEAKING - 6.8MH-K	
L6R01	325C461040	COIL-PEAKING - 12MH-K	
L6R02	325C460080	COIL-PEAKING - 3.9MH-K	
L6R03	325C461030	COIL-PEAKING - 10MH-K	
L6R04	321C141010	COIL-RF - 6.8MH-M	
L7B28	409P923060	EMI-F-CHIP - BLM21B272S	
L7C02	409P923060	EMI-F-CHIP - BLM21B272S	
L7C03	409P923060	EMI-F-CHIP - BLM21B272S	
L7C04	409P923060	EMI-F-CHIP - BLM21B272S	
L7C05	409P923060	EMI-F-CHIP - BLM21B272S	
L7C06	409P923060	EMI-F-CHIP - BLM21B272S	
L7C07	409P923060	EMI-F-CHIP - BLM21B272S	

MODELS: WS-55908 / WS-65908

[#] Model Legend: (1) WS-55908, (2) WS-65908

Ref #	Part #	Part Name & Description	[#]
L7C08	409P923060	EMI-F-CHIP - BLM21B272S	
L7C09	409P923060	EMI-F-CHIP - BLM21B272S	
L7C10	409P923060	EMI-F-CHIP - BLM21B272S	
L7C11	409P923060	EMI-F-CHIP - BLM21B272S	
L7D12	409P777020	EMI-F-CHIP - BLM21A05	
L7E12	409P777020	EMI-F-CHIP - BLM21A05	
L7H11	409P777080	EMI-F-CHIP - BLM21P221S	
L7H19	409P777080	EMI-F-CHIP - BLM21P221S	
L7H32	409P777080	EMI-F-CHIP - BLM21P221S	
L7H41	409P777080	EMI-F-CHIP - BLM21P221S	
L7H42	409P777080	EMI-F-CHIP - BLM21P221S	
L7H50	409P777080	EMI-F-CHIP - BLM21P221S	
L7K01	325C121030	COIL-PEAKING - 10MH-K	
L8A00	409P777080	EMI-F-CHIP - BLM21P221S	
L8A01	409P777080	EMI-F-CHIP - BLM21P221S	
L8A02	409P777080	EMI-F-CHIP - BLM21P221S	
L8A03	409P777080	EMI-F-CHIP - BLM21P221S	
L8A04	325C461030	COIL-PEAKING - 10MH-K	
L8C01	321C142030	COIL-RF - 68MH-K	
L8C02	321C142030	COIL-RF - 68MH-K	
L8C03	321C142030	COIL-RF - 68MH-K	
L8C04	321C142030	COIL-RF - 68MH-K	
L8D02	409P777080	EMI-F-CHIP - BLM21P221S	
L8D03	409P777080	EMI-F-CHIP - BLM21P221S	
L8D04	409P777080	EMI-F-CHIP - BLM21P221S	
L8M01	409P777050	EMI-F-CHIP - BLM21B201S	
L8M100	409P777050	EMI-F-CHIP - BLM21B201S	
L8M45	409P777050	EMI-F-CHIP - BLM21B201S	
L8M80	409P777050	EMI-F-CHIP - BLM21B201S	
L8MF47	409P777050	EMI-F-CHIP - BLM21B201S	
L8N103	409P777050	EMI-F-CHIP - BLM21B201S	
L8N122	409P777050	EMI-F-CHIP - BLM21B201S	
L8N14	409P777050	EMI-F-CHIP - BLM21B201S	
L8N153	409P777050	EMI-F-CHIP - BLM21B201S	
L8N155	409P777050	EMI-F-CHIP - BLM21B201S	
L8N30	409P777050	EMI-F-CHIP - BLM21B201S	
L8N31	409P777050	EMI-F-CHIP - BLM21B201S	
L8N32	409P777050	EMI-F-CHIP - BLM21B201S	
L8N40	409P777050	EMI-F-CHIP - BLM21B201S	
L8N43	409P777050	EMI-F-CHIP - BLM21B201S	
L8N44	409P777050	EMI-F-CHIP - BLM21B201S	
L8N51	409P777050	EMI-F-CHIP - BLM21B201S	
L8S01	409P777050	EMI-F-CHIP - BLM21B201S	
L8S132	409P777050	EMI-F-CHIP - BLM21B201S	
L8S176	409P777050	EMI-F-CHIP - BLM21B201S	
L8S48	409P777050	EMI-F-CHIP - BLM21B201S	
L8X01	409P777050	EMI-F-CHIP - BLM21B201S	
<b>L9A02</b>	<b>351P209010</b>	<b>LINE FILTER - SU16VD-40010</b>	
L9A20	411D009020	CORE-FERRITE	
L9A21	411D009020	CORE-FERRITE	
L9A22	321C141070	COIL-RF - 22MH-K	
L9A23	321C141070	COIL-RF - 22MH-K	
L9A24	321C141070	COIL-RF - 22MH-K	
L9A50	411D009020	CORE-FERRITE	
L9A51	411D009020	CORE-FERRITE	
L9A52	411D009020	CORE-FERRITE	
L9A53	321C141010	COIL-RF - 6.8MH-M	
L9A54	411D009020	CORE-FERRITE	
L9A55	321C142030	COIL-RF - 68MH-K	
L9A56	411D009020	CORE-FERRITE	

Ref #	Part #	Part Name & Description	[#]
L9A57	321C141070	COIL-RF - 22MH-K	
L9A62	321C141010	COIL-RF - 6.8MH-M	
L9A63	321C141010	COIL-RF - 6.8MH-M	
L9A64	321C130090	COIL-RF - 10MH-K	
L9A65	321C141070	COIL-RF - 22MH-K	
L9A66	321C141070	COIL-RF - 22MH-K	
L9A67	321C130090	COIL-RF - 10MH-K	
<b>L9D00</b>	<b>351P203010</b>	<b>LINE-FILTER - SS35V-45022</b>	
<b>L9D01</b>	<b>351P203010</b>	<b>LINE-FILTER - SS35V-45022</b>	
LC7D02	409P875090	EMI-F-CHIP - ELKE103FA	
LC7D05	409P875090	EMI-F-CHIP - ELKE103FA	
LC7D10	409P876020	EMI-F-CHIP - CNF20C470S/CKD510JB1H470S	
LC7D11	409P876020	EMI-F-CHIP - CNF20C470S/CKD510JB1H470S	
LC7D12	409P876020	EMI-F-CHIP - CNF20C470S/CKD510JB1H470S	
LC7D13	409P876020	EMI-F-CHIP - CNF20C470S/CKD510JB1H470S	
LC7D14	409P876020	EMI-F-CHIP - CNF20C470S/CKD510JB1H470S	
LC7E10	409P876020	EMI-F-CHIP - CNF20C470S/CKD510JB1H470S	
LC7E11	409P876020	EMI-F-CHIP - CNF20C470S/CKD510JB1H470S	
LC7E12	409P876020	EMI-F-CHIP - CNF20C470S/CKD510JB1H470S	
LC7E13	409P876020	EMI-F-CHIP - CNF20C470S/CKD510JB1H470S	
LC7E14	409P876020	EMI-F-CHIP - CNF20C470S/CKD510JB1H470S	
LC7G01	409P876020	EMI-F-CHIP - CNF20C470S/CKD510JB1H470S	
LC7G02	409P876020	EMI-F-CHIP - CNF20C470S/CKD510JB1H470S	
LC7G03	409P876020	EMI-F-CHIP - CNF20C470S/CKD510JB1H470S	
LC7G04	409P876020	EMI-F-CHIP - CNF20C470S/CKD510JB1H470S	
LC7G05	409P876020	EMI-F-CHIP - CNF20C470S/CKD510JB1H470S	
LC7G06	409P876020	EMI-F-CHIP - CNF20C470S/CKD510JB1H470S	
LC7G07	409P876020	EMI-F-CHIP - CNF20C470S/CKD510JB1H470S	
LC7G08	409P875090	EMI-F-CHIP - ELKE103FA	
LC7G09	409P875090	EMI-F-CHIP - ELKE103FA	
LC7G10	409P876020	EMI-F-CHIP - CNF20C470S/CKD510JB1H470S	
LC7G11	409P876020	EMI-F-CHIP - CNF20C470S/CKD510JB1H470S	
LC7G12	409P876020	EMI-F-CHIP - CNF20C470S/CKD510JB1H470S	
LC7G13	409P876020	EMI-F-CHIP - CNF20C470S/CKD510JB1H470S	
LC7G14	409P876020	EMI-F-CHIP - CNF20C470S/CKD510JB1H470S	
LC7G15	409P876020	EMI-F-CHIP - CNF20C470S/CKD510JB1H470S	
LC7J03	409P876020	EMI-F-CHIP - CNF20C470S/CKD510JB1H470S	
LC7J04	409P876020	EMI-F-CHIP - CNF20C470S/CKD510JB1H470S	
LC7J05	409P876020	EMI-F-CHIP - CNF20C470S/CKD510JB1H470S	
LC7J10	409P876020	EMI-F-CHIP - CNF20C470S/CKD510JB1H470S	
LC7J13	409P876020	EMI-F-CHIP - CNF20C470S/CKD510JB1H470S	
LC7J14	409P876020	EMI-F-CHIP - CNF20C470S/CKD510JB1H470S	
LC7J15	409P876020	EMI-F-CHIP - CNF20C470S/CKD510JB1H470S	
LC8A21	409P876020	EMI-F-CHIP - CNF20C470S/CKD510JB1H470S	
LC8A22	409P876020	EMI-F-CHIP - CNF20C470S/CKD510JB1H470S	
LC8A23	409P876020	EMI-F-CHIP - CNF20C470S/CKD510JB1H470S	
LC8A25	409P876020	EMI-F-CHIP - CNF20C470S/CKD510JB1H470S	
LC8M05	409P876020	EMI-F-CHIP - CNF20C470S/CKD510JB1H470S	
LC8M06	409P876020	EMI-F-CHIP - CNF20C470S/CKD510JB1H470S	
LC8M11	409P876020	EMI-F-CHIP - CNF20C470S/CKD510JB1H470S	
LC8M12	409P876020	EMI-F-CHIP - CNF20C470S/CKD510JB1H470S	
LC8M14	409P876020	EMI-F-CHIP - CNF20C470S/CKD510JB1H470S	
LC8M15	409P876020	EMI-F-CHIP - CNF20C470S/CKD510JB1H470S	
LC8M16	409P876020	EMI-F-CHIP - CNF20C470S/CKD510JB1H470S	
LC8M18	409P876020	EMI-F-CHIP - CNF20C470S/CKD510JB1H470S	
LC8M20	409P876020	EMI-F-CHIP - CNF20C470S/CKD510JB1H470S	
LC8M22	409P876020	EMI-F-CHIP - CNF20C470S/CKD510JB1H470S	
LF7D00	409P901010	LP-FILTER - 14MHZ SMD	
LF7D01	409P901010	LP-FILTER - 14MHZ SMD	
LF7D02	409P901010	LP-FILTER - 14MHZ SMD	

[#] Model Legend: (1) WS-55908, (2) WS-65908

Ref #	Part #	Part Name & Description	[#]
LF7E00	409P901010	LP-FILTER - 14MHZ SMD	
LF7E01	409P901010	LP-FILTER - 14MHZ SMD	
LF7E02	409P901010	LP-FILTER - 14MHZ SMD	
LF7G00	409P901010	LP-FILTER - 14MHZ SMD	
LF7G01	409P901010	LP-FILTER - 14MHZ SMD	
LF7G02	409P901010	LP-FILTER - 14MHZ SMD	
<b>TRANSFORMERS</b>			
T5A31	349P216010	TRANS-HORIZ	
T5A32	336P040010	TRANS-HORIZ-DRIVE	
T5A51	334P278010	TRANS-FLYBACK	
T9A20	350P766010	TRANS-POWER	
T9A50	350P765010	TRANS-POWER	
<b>VARIABLE RESISTORS</b>			
	129P059050	VR-FOCUS - MHF116-50W	
RV9D00	265P100010	VARISTOR - ERZV10D271/ERZVEAV271	
<b>RESISTORS</b>			
<b>R-M-CHIP Type Resistors (Listed by Value)</b>			
Value	Part No.	Value	Part No.
1/10W 00HM	103P409050	1/10W 2.7K-F	103P473050
1/10W 10-J	103P400010	1/10W 2.7K-J	103P403000
1/10W 22-J	103P400050	1/10W 3.3K-F	103P473070
1/10W 33-J	103P400070	1/10W 3.3K-J	103P403010
1/10W 39-J	103P400080	1/10W 3.9K-F	103P473090
1/10W 47-J	103P400090	1/10W 3.9K-J	103P403020
1/10W 56-J	103P401000	1/10W 4.3K-F	103P474000
1/10W 75-J	103P409090	1/10W 4.7K-F	103P474010
1/10W 100-J	103P401030	1/10W 4.7K-J	103P403030
1/10W 120-J	103P401040	1/10W 5.1K-F	103P474020
1/10W 130-F	103P470040	1/10W 5.6K-J	103P403040
1/10W 150-J	103P401050	1/10W 6.2K-F	103P474040
1/10W 160-F	103P470060	1/10W 6.8K-F	103P474050
1/10W 180-F	103P470070	1/10W 6.8K-J	103P403050
1/10W 180-J	103P401060	1/10W 7.5K-F	103P474060
1/10W 200-F	103P470080	1/10W 8.2K-F	103P474070
1/10W 220-F	103P470090	1/10W 8.2K-J	103P403060
1/10W 220-J	103P401070	1/10W 10K-F	103P474090
1/10W 240-F	103P471000	1/10W 10K-J	103P403070
1/10W 270-J	103P401080	1/10W 12K-J	103P403080
1/10W 300-F	103P471020	1/10W 13K-F	103P475020
1/10W 330-F	103P471030	1/10W 15K-F	103P475030
1/10W 330-J	103P401090	1/10W 15K-J	103P403090
1/10W 390-F	103P471050	1/10W 18K-J	103P404000
1/10W 390-J	103P402000	1/10W 22K-F	103P475070
1/10W 470-J	103P402010	1/10W 22K-J	103P404010
1/10W 510-F	103P471080	1/10W 27K-F	103P475090
1/10W 560-F	103P471090	1/10W 27K-J	103P404020
1/10W 560-J	103P402020	1/10W 33K-F	103P476010
1/10W 620-F	103P472000	1/10W 33K-J	103P404030
1/10W 680-F	103P472010	1/10W 36K-F	103P476020
1/10W 680-J	103P402030	1/10W 47K-F	103P476050
1/10W 820-F	103P472030	1/10W 47K-J	103P404050
1/10W 820-J	103P402040	1/10W 56K-J	103P404060
1/10W 1K-F	103P472050	1/10W 68K-J	103P404070
1/10W 1K-J	103P402050	1/10W 82K-J	103P404080
Value	Part No.	Value	Part No.
1/10W 1.2K-F	103P472070	1/10W 100K-F	103P477030

Ref #	Part #	Part Name & Description	[#]
	1/10W 1.2K-J	103P402060	1/10W 100K-J 103P404090
	1/10W 1.3K-F	103P472080	1/10W 120K-J 103P405000
	1/10W 1.5K-F	103P472090	1/10W 150K-J 103P405010
	1/10W 1.5K-J	103P402070	1/10W 270K-J 103P405040
	1/10W 1.6K-F	103P473000	1/10W 330K-J 103P405050
	1/10W 1.8K-F	103P473010	1/10W 390K-J 103P405060
	1/10W 1.8K-J	103P402080	1/10W 470K-J 103P405070
	1/10W 2K-F	103P473020	1/10W 560K-J 103P405080
	1/10W 2.2K-F	103P473030	1/10W 680K-J 103P405090
	1/10W 2.2K-J	103P402090	1/10W 3.3M-J 103P406070
	1/10W 2.4K-F	103P473040	
<b>Common Resistors ( By Ref. #)</b>			
R2J70	103P711080	R-CARBON - 1/4W 270-J	
R2J71	103P711030	R-CARBON - 1/4W 100-J	
R2W17	103C171040	R-METAL - 1W 120-J	
R2W25	103C171040	R-METAL - 1W 120-J	
R2W63	103C171040	R-METAL - 1W 120-J	
R3E02	103P712080	R-CARBON - 1/4W 1.8K-J	
R3E04	103P712080	R-CARBON - 1/4W 1.8K-J	
R3E05	103P714060	R-CARBON - 1/4W 56K-J	
R3E06	103P713030	R-CARBON - 1/4W 4.7K-J	
R3E15	103P713050	R-CARBON - 1/4W 6.8K-J	
R3E16	103P713050	R-CARBON - 1/4W 6.8K-J	
R4B05	103P713090	R-CARBON - 1/4W 15K-J	
R4B10	103C188050	R-METAL - 2W 2.7-J	
R4B12	103C188040	R-METAL - 2W 2.2-J	
R4B17	103P712010	R-CARBON - 1/4W 470-J	
R4B20	103P711090	R-CARBON - 1/4W 330-J	
R4B23	103P711070	R-CARBON - 1/4W 220-J	
R4B24	103P712050	R-CARBON - 1/4W 1K-J	
R4B25	103P712050	R-CARBON - 1/4W 1K-J	
R4B26	103P713000	R-CARBON - 1/4W 2.7K-J	
R4B27	103P714080	R-CARBON - 1/4W 82K-J	
R4B28	103P464040	R-METAL - 1/4W 2.4K-F	
R5A01	103P712050	R-CARBON - 1/4W 1K-J	
R5A02	103P712090	R-CARBON - 1/4W 2.2K-J	
R5A03	103P713010	R-CARBON - 1/4W 3.3K-J	
R5A04	103P713090	R-CARBON - 1/4W 15K-J	
R5A05	103P713070	R-CARBON - 1/4W 10K-J	
R5A06	103P713070	R-CARBON - 1/4W 10K-J	
R5A07	103P714030	R-CARBON - 1/4W 33K-J	
R5A08	103C194010	R-METAL - 3W 22K-J	
R5A09	103P714040	R-CARBON - 1/4W 39K-J	
R5A10	103P714040	R-CARBON - 1/4W 39K-J	
R5A11	103P713070	R-CARBON - 1/4W 10K-J	
R5A12	103P712050	R-CARBON - 1/4W 1K-J	
R5A15	103P713010	R-CARBON - 1/4W 3.3K-J	
R5A16	103P713090	R-CARBON - 1/4W 15K-J	
R5A17	103P712050	R-CARBON - 1/4W 1K-J	
R5A18	103P711030	R-CARBON - 1/4W 100-J	
R5A19	103P461070	R-METAL - 1/4W 470-F	
R5A20	103P714050	R-CARBON - 1/4W 47K-J	
R5A21	103P713000	R-CARBON - 1/4W 2.7K-J	
R5A22	103P714010	R-CARBON - 1/4W 22K-J	
R5A23	103P713030	R-CARBON - 1/4W 4.7K-J	
R5A24	103P714070	R-CARBON - 1/4W 68K-J	
R5A25	103P712010	R-CARBON - 1/4W 470-J	
R5A26	103P712090	R-CARBON - 1/4W 2.2K-J	
R5A29	103P714010	R-CARBON - 1/4W 22K-J	

MODELS: WS-55908 / WS-65908

[#] Model Legend: (1) WS-55908, (2) WS-65908

Ref #	Part #	Part Name & Description	[#]
R5A30	103C181060	R-METAL - 2W 180-J	
R5A31	103P711030	R-CARBON - 1/4W 100-J	
R5A34	103P711010	R-CARBON - 1/4W 68-J	
R5A36	103C393020	R-METAL-P - 3W 3.9K-J	
R5A37	103C393010	R-METAL-P - 3W 3.3K-J	
R5A38	103C397070	R-METAL-P - 3W 0.56-K	
R5A39	103C170050	R-METAL - 1W 22-J	
R5A40	103P714090	R-CARBON - 1/4W 100K-J	
R5A41	103P714040	R-CARBON - 1/4W 39K-J	
R5A42	103P713030	R-CARBON - 1/4W 4.7K-J	
R5A43	103P714010	R-CARBON - 1/4W 22K-J	
R5A45	103C393080	R-METAL-P - 3W 12K-J	
R5A46	103C391050	R-METAL-P - 3W 150-J	
R5A47	103P714030	R-CARBON - 1/4W 33K-J	
R5A49	103P713050	R-CARBON - 1/4W 6.8K-J	
R5A50	103P712090	R-CARBON - 1/4W 2.2K-J	
<b>R5A51</b>	<b>102P107000</b>	<b>R-WIRE - 2W 0.15-K</b>	
<b>R5A52</b>	<b>103P712010</b>	<b>R-CARBON - 1/4W 470-J</b>	
<b>R5A53</b>	<b>103P711000</b>	<b>R-CARBON - 1/4W 56-J</b>	
R5A54	103C190090	R-METAL - 3W 47-J	
<b>R5A55</b>	<b>103P712050</b>	<b>R-CARBON - 1/4W 1K-J</b>	
<b>R5A56</b>	<b>103P715060</b>	<b>R-CARBON - 1/4W 390K-J</b>	
R5A57	103P711030	R-CARBON - 1/4W 100-J	
<b>R5A59</b>	<b>103P461030</b>	<b>R-METAL - 1/4W 330-F</b>	
<b>R5A60</b>	<b>103P463010</b>	<b>R-METAL - 1/4W 1.8K-F</b>	
<b>R5A61</b>	<b>103P713060</b>	<b>R-CARBON - 1/4W 8.2K-J</b>	
R5A62	103P711030	R-CARBON - 1/4W 100-J	
R5A63	103P713090	R-CARBON - 1/4W 15K-J	
<b>R5A64</b>	<b>103P714090</b>	<b>R-CARBON - 1/4W 100K-J</b>	
<b>R5A65</b>	<b>103P141030</b>	<b>R-CARBON - 1/2W 100-J</b>	
<b>R5A68</b>	<b>103P463080</b>	<b>R-METAL - 1/4W 2.4K-F</b>	
<b>R5A69</b>	<b>103P460090</b>	<b>R-METAL - 1/4W 220-F</b>	
<b>R5A71</b>	<b>103P713070</b>	<b>R-CARBON - 1/4W 10K-J</b>	
<b>R5A72</b>	<b>103P461070</b>	<b>R-METAL - 1/4W 470-F</b>	
<b>R5A73</b>	<b>103P714080</b>	<b>R-CARBON - 1/4W 82K-J</b>	
<b>R5A74</b>	<b>103P713070</b>	<b>R-CARBON - 1/4W 10K-J</b>	
<b>R5A75</b>	<b>103P713070</b>	<b>R-CARBON - 1/4W 10K-J</b>	
<b>R5A76</b>	<b>103P713070</b>	<b>R-CARBON - 1/4W 10K-J</b>	
<b>R5A78</b>	<b>103P714010</b>	<b>R-CARBON - 1/4W 22K-J</b>	
R5A81	103P711030	R-CARBON - 1/4W 100-J	
<b>R5A82</b>	<b>103P370090</b>	<b>R-FUSE - 1/4W 47-J</b>	
<b>R5A83</b>	<b>103P464070</b>	<b>R-METAL - 1/4W 8.2K-F</b>	
<b>R5A84</b>	<b>103P464070</b>	<b>R-METAL - 1/4W 8.2K-F</b>	
R5A85	103P711010	R-CARBON - 1/4W 68-J	
R5A87	103P711030	R-CARBON - 1/4W 100-J	
R5A88	103P464000	R-METAL - 1/4W 4.3K-F	
R5A89	103P463050	R-METAL - 1/4W 2.7K-F	
R5A90	103P713030	R-CARBON - 1/4W 4.7K-J	
R5A91	103P714090	R-CARBON - 1/4W 100K-J	
<b>R5A92</b>	<b>103P713070</b>	<b>R-CARBON - 1/4W 10K-J</b>	
R5A96	103P713070	R-CARBON - 1/4W 10K-J	
<b>R5A97</b>	<b>103P711030</b>	<b>R-CARBON - 1/4W 100-J</b>	
R5A98	103C197090	R-METAL - 3W 0.82-J	
R5A99	103P714020	R-CARBON - 1/4W 27K-J	
R5H02	103P758000	R-FUSE - 1/4W 1-J	
R5H22	103P711030	R-CARBON - 1/4W 100-J	
R5H40	103P712040	R-CARBON - 1/4W 820-J	
R5H41	103P712090	R-CARBON - 1/4W 2.2K-J	
R5H42	103P711050	R-CARBON - 1/4W 150-J	
R5H47	103C172010	R-METAL - 1W 470-J	

Ref #	Part #	Part Name & Description	[#]
R5H48	103P712060	R-CARBON - 1/4W 1.2K-J	
R5H49	103P714070	R-CARBON - 1/4W 68K-J	
R5H50	103P714070	R-CARBON - 1/4W 68K-J	
R5H51	103P712060	R-CARBON - 1/4W 1.2K-J	
R5H53	103P713080	R-CARBON - 1/4W 12K-J	
R5H59	103C191070	R-METAL - 3W 220-J	
R5H60	103C178080	R-METAL - 1W 4.7-J	
R5H84	103P713050	R-CARBON - 1/4W 6.8K-J	
R5K09	103P762020	R-FUSE - 1/2W 560-J	
R5K10	103P711010	R-CARBON - 1/4W 68-J	
<b>R5K12</b>	<b>103P760060</b>	<b>R-FUSE - 1/2W 27-J</b>	
R5K19	103P464000	R-METAL - 1/4W 4.3K-F	
R5K20	103P712060	R-CARBON - 1/4W 1.2K-J	
R5K21	103P713070	R-CARBON - 1/4W 10K-J	
R5K25	103P713040	R-CARBON - 1/4W 5.6K-J	
R5K31	103P711030	R-CARBON - 1/4W 100-J	
<b>R5K34</b>	<b>103P760060</b>	<b>R-FUSE - 1/2W 27-J</b>	
R5K46	103P712010	R-CARBON - 1/4W 470-J	
<b>R5K50</b>	<b>103P762050</b>	<b>R-FUSE - 1/2W 1K-J</b>	
R6B00	103C392090	R-METAL-P - 3W 2.2K-J	
R6B01	103C392090	R-METAL-P - 3W 2.2K-J	
R6B02	103C392090	R-METAL-P - 3W 2.2K-J	
R6B03	103C392090	R-METAL-P - 3W 2.2K-J	
R6B08	103P711030	R-CARBON - 1/4W 100-J	
R6B09	103P711030	R-CARBON - 1/4W 100-J	
<b>R6B13</b>	<b>103P761070</b>	<b>R-FUSE - 1/2W 220-J</b>	
R6B14	103P141070	R-CARBON - 1/2W 220-J	
R6B25	103P711030	R-CARBON - 1/4W 100-J	
R6B26	103P713050	R-CARBON - 1/4W 6.8K-J	
R6G00	103C392090	R-METAL-P - 3W 2.2K-J	
R6G01	103C392090	R-METAL-P - 3W 2.2K-J	
R6G02	103C392090	R-METAL-P - 3W 2.2K-J	
R6G03	103C392090	R-METAL-P - 3W 2.2K-J	
R6G08	103P711030	R-CARBON - 1/4W 100-J	
R6G09	103P711030	R-CARBON - 1/4W 100-J	
<b>R6G13</b>	<b>103P761070</b>	<b>R-FUSE - 1/2W 220-J</b>	
R6G14	103P141070	R-CARBON - 1/2W 220-J	
R6R00	103C392090	R-METAL-P - 3W 2.2K-J	
R6R01	103C392090	R-METAL-P - 3W 2.2K-J	
R6R02	103C392090	R-METAL-P - 3W 2.2K-J	
R6R03	103C392090	R-METAL-P - 3W 2.2K-J	
R6R08	103P711030	R-CARBON - 1/4W 100-J	
R6R09	103P711030	R-CARBON - 1/4W 100-J	
<b>R6R13</b>	<b>103P761070</b>	<b>R-FUSE - 1/2W 220-J</b>	
R6R14	103P141070	R-CARBON - 1/2W 220-J	
R7C55	103C187060	R-METAL - 2W 0.47-J	
R7K01	103P712050	R-CARBON - 1/4W 1K-J	
R7K02	103P713010	R-CARBON - 1/4W 3.3K-J	
R7K11	103P712050	R-CARBON - 1/4W 1K-J	
R7K12	103P713070	R-CARBON - 1/4W 10K-J	
R7K13	103P713070	R-CARBON - 1/4W 10K-J	
R7K14	103P715040	R-CARBON - 1/4W 270K-J	
R7K15	103P712080	R-CARBON - 1/4W 1.8K-J	
R7K21	103P711080	R-CARBON - 1/4W 270-J	
R7K22	103P715030	R-CARBON - 1/4W 220K-J	
R7K23	103P713080	R-CARBON - 1/4W 12K-J	
R7K24	103P713080	R-CARBON - 1/4W 12K-J	
R7K25	103P713080	R-CARBON - 1/4W 12K-J	
R7K26	103P715030	R-CARBON - 1/4W 220K-J	
R7K27	103P713070	R-CARBON - 1/4W 10K-J	

[#] Model Legend: (1) WS-55908, (2) WS-65908

Ref #	Part #	Part Name & Description	[#]
R7K28	103P711050	R-CARBON - 1/4W 150-J	
R7K29	103P712060	R-CARBON - 1/4W 1.2K-J	
R7K30	103P713070	R-CARBON - 1/4W 10K-J	
R7K31	103P715030	R-CARBON - 1/4W 220K-J	
R7K32	103P713030	R-CARBON - 1/4W 4.7K-J	
R7K34	103P713000	R-CARBON - 1/4W 2.7K-J	
R7K35	103P711030	R-CARBON - 1/4W 100-J	
R7L01	103P462090	R-METAL - 1/4W 1.5K-F	
R7L04	103P464030	R-METAL - 1/4W 5.6K-F	
R7L07	103P462090	R-METAL - 1/4W 1.5K-F	
R7L10	103P464030	R-METAL - 1/4W 5.6K-F	
R8C03	103P711090	R-CARBON - 1/4W 330-J	
R8C07	103C391050	R-METAL-P - 3W 150-J	
R8C11	103P711090	R-CARBON - 1/4W 330-J	
R8C15	103C391050	R-METAL-P - 3W 150-J	
R8C19	103P711090	R-CARBON - 1/4W 330-J	
R8C23	103C391050	R-METAL-P - 3W 150-J	
R8C27	103P711090	R-CARBON - 1/4W 330-J	
R8C31	103C391050	R-METAL-P - 3W 150-J	
R8C35	103P711090	R-CARBON - 1/4W 330-J	
R8C39	103C391050	R-METAL-P - 3W 150-J	
R8C43	103P711090	R-CARBON - 1/4W 330-J	
R8C47	103C391050	R-METAL-P - 3W 150-J	
R8C60	103C191090	R-METAL - 3W 330-J	
R8C61	103C191090	R-METAL - 3W 330-J	
R8C62	103P712090	R-CARBON - 1/4W 2.2K-J	
R8C63	103P712090	R-CARBON - 1/4W 2.2K-J	
R8C64	103P712090	R-CARBON - 1/4W 2.2K-J	
R8C65	103P712090	R-CARBON - 1/4W 2.2K-J	
R8C66	103P712090	R-CARBON - 1/4W 2.2K-J	
R8C67	103P712090	R-CARBON - 1/4W 2.2K-J	
R8C68	103P712090	R-CARBON - 1/4W 2.2K-J	
R9A02	102P080010	R-CEMENT-WIRE - 5W 2.2-K	
<b>R9A03</b>	<b>109C010010</b>	<b>R-COMPOSITION - 1/2W 1M-K</b>	
<b>R9A05</b>	<b>109C010010</b>	<b>R-COMPOSITION - 1/2W 1M-K</b>	
<b>R9A06</b>	<b>109C010010</b>	<b>R-COMPOSITION - 1/2W 1M-K</b>	
R9A20	103P713010	R-CARBON - 1/4W 3.3K-J	
R9A21	103C394040	R-METAL-P - 3W 39K-J	
R9A22	103C183070	R-METAL - 2W 10K-J	
R9A24	103P713040	R-CARBON - 1/4W 5.6K-J	
R9A25	103P713010	R-CARBON - 1/4W 3.3K-J	
R9A26	103P712030	R-CARBON - 1/4W 680-J	
R9A27	103C187050	R-METAL - 2W 0.39-J	
R9A28	103P712090	R-CARBON - 1/4W 2.2K-J	
R9A30	103P712090	R-CARBON - 1/4W 2.2K-J	
R9A31	103P713020	R-CARBON - 1/4W 3.9K-J	
R9A32	103P714010	R-CARBON - 1/4W 22K-J	
R9A34	103P712090	R-CARBON - 1/4W 2.2K-J	
R9A35	103P713050	R-CARBON - 1/4W 6.8K-J	
R9A36	103P714090	R-CARBON - 1/4W 100K-J	
R9A37	103P712070	R-CARBON - 1/4W 1.5K-J	
R9A38	103P714090	R-CARBON - 1/4W 100K-J	
R9A39	103P714010	R-CARBON - 1/4W 22K-J	
R9A40	103P712010	R-CARBON - 1/4W 470-J	
R9A41	103P712050	R-CARBON - 1/4W 1K-J	
R9A42	103P464050	R-METAL - 1/4W 6.8K-F	
R9A43	103P466070	R-METAL - 1/4W 56K-F	
R9A44	103P464010	R-METAL - 1/4W 4.7K-F	
R9A50	103P713010	R-CARBON - 1/4W 3.3K-J	
R9A51	103P715050	R-CARBON - 1/4W 330K-J	

Ref #	Part #	Part Name & Description	[#]
R9A53	103P712030	R-CARBON - 1/4W 680-J	
R9A54	102P107000	R-WIRE - 2W 0.15-K	
R9A55	102P106090	R-WIRE - 2W 0.12-K	
R9A56	103P713010	R-CARBON - 1/4W 3.3K-J	
R9A57	103P713010	R-CARBON - 1/4W 3.3K-J	
R9A60	103P714050	R-CARBON - 1/4W 47K-J	
R9A61	103P713040	R-CARBON - 1/4W 5.6K-J	
R9A62	103P713070	R-CARBON - 1/4W 10K-J	
R9A63	103P712090	R-CARBON - 1/4W 2.2K-J	
R9A66	103P712090	R-CARBON - 1/4W 2.2K-J	
R9A68	103C180050	R-METAL - 2W 22-J	
R9A69	103C180050	R-METAL - 2W 22-J	
R9A75	103P714090	R-CARBON - 1/4W 100K-J	
R9A77	103P714090	R-CARBON - 1/4W 100K-J	
R9A78	103P711030	R-CARBON - 1/4W 100-J	
R9A79	103P711030	R-CARBON - 1/4W 100-J	
R9A80	103C193060	R-METAL - 3W 8.2K-J	
R9A83	103P463090	R-METAL - 1/4W 3.9K-F	
R9C01	103C177020	R-METAL - 1W 0.22-J	
<b>R9D00</b>	<b>109D036020</b>	<b>R-COMPOSITION - 1/2W 4.7M-K</b>	

**CAPACITORS AND TRIMMERS**

**CHIP Type Capacitors (by Value)**

Value	Part No.	Value	Part No.
50V 10P-C	154P331010	50V 0.01M-K	141P132010
50V 15P-J	154P331050	50V 0.01M-Z	141P133080
50V 22P-J	154P331090	50V 0.012M-K	141P132020
50V 33P-J	154P332030	50V 0.015M-K	141P132030
50V 47P-J	154P332070	50V 0.033M-K	141P137060
50V 56P-J	154P332090	50V 0.047M-K	141P137080
50V 82P-J	154P333030	25V 0.068M-K	141P139010
50V 100P-J	154P333060	25V 0.1M-K	141P139030
50V 100P-J	154P333050	50V 0.1M-K	141P138020
50V 120P-J	154P333070	50V 0.1M-Z	141P135080
50V 120P-J	154P323080	25V 0.15M-K	141P139050
50V 150P-J	154P324000	16V 0.22M-K	141P139070
50V 220P-J	154P324040	25V 0.22M-Z	141P135000
50V 330P-J	154P334070	16V 0.47M-K	141P139090
50V 470P-J	154P325020	25V 0.47M-Z	141P135020
50V 470P-J	154P335010	16V 1M-K	141P134070
50V 560P-J	154P325040	16V 1M-Z	141P135070
50V 1000P-J	154P336090	50V 1M-M 105C	181P526010
50V 1000P-J	154P326000	50V 2.2M-M	181P506020
50V 1000P-K	141P130090	50V 2.2M-M 105C	181P526020
50V 2200P-K	141P131030	35V 10M-M	181P505000
50V 2200P-Z	141P133060	6.3V 22M-M	181P500010
50V 2700P-J	154P337040	6.3V 22M-M 105C	181P520010
50V 3900P-J	154P329010	16V 47M-M 105C	181P522060
50V 4700P-K	141P131070	6.3V 47M-M	181P500030
50V 5600P-J	154P329030	6.3V 47M-M 105C	181P520030
50V 8200P-K	141P132000	6.3V 100M-M 105C	181P520040

**Conventional Capacitors (by Ref #)**

C1A29	181P352040	C-ELEC - 16V 100M-M
C1A30	181P352040	C-ELEC - 16V 100M-M
C1B29	181P352040	C-ELEC - 16V 100M-M
C2C21	181P352030	C-ELEC - 16V 47M-M
C2D19	181P352030	C-ELEC - 16V 47M-M
C2J66	181P352060	C-ELEC - 16V 330M-M

MODELS: WS-55908 / WS-65908

[#] Model Legend: (1) WS-55908, (2) WS-65908

Ref #	Part #	Part Name & Description	[#]
C2K43	181P352070	C-ELEC - 16V 470M-M	
C2L41	181P352070	C-ELEC - 16V 470M-M	
C2V07	181P352050	C-ELEC - 16V 220M-M	
C2V72	181P352050	C-ELEC - 16V 220M-M	
C2W02	181P352080	C-ELEC - 16V 1000M-M	
C2W04	181P352050	C-ELEC - 16V 220M-M	
C2W76	181P352030	C-ELEC - 16V 47M-M	
C2X02	181P352030	C-ELEC - 16V 47M-M	
C2X29	181P352040	C-ELEC - 16V 100M-M	
C2X43	181P124040	C-ELEC-NP - 50V 10M-M	
C2X45	181P352030	C-ELEC - 16V 47M-M	
C2X47	181P124040	C-ELEC-NP - 50V 10M-M	
C2X50	181P124040	C-ELEC-NP - 50V 10M-M	
C2Y01	181P352030	C-ELEC - 16V 47M-M	
C2Y12	181P124040	C-ELEC-NP - 50V 10M-M	
C2Y15	181P352030	C-ELEC - 16V 47M-M	
C2Y21	181P124040	C-ELEC-NP - 50V 10M-M	
C2Y23	181P352030	C-ELEC - 16V 47M-M	
C2Y25	181P124040	C-ELEC-NP - 50V 10M-M	
C2Y28	181P124040	C-ELEC-NP - 50V 10M-M	
C2Y31	181P124040	C-ELEC-NP - 50V 10M-M	
C2Y35	181P124040	C-ELEC-NP - 50V 10M-M	
C2Y38	181P124040	C-ELEC-NP - 50V 10M-M	
C2Y41	181P352030	C-ELEC - 16V 47M-M	
C2Y44	181P352030	C-ELEC - 16V 47M-M	
C3A11	181P352040	C-ELEC - 16V 100M-M	
C3A15	181P124020	C-ELEC-NP - 50V 4.7M-M	
C3A27	181P352060	C-ELEC - 16V 330M-M	
C3A30	181P352040	C-ELEC - 16V 100M-M	
C3A38	181P124020	C-ELEC-NP - 50V 4.7M-M	
C3E09	172P262050	C-M-POLY - 50V 0.1M-J	
C3E11	172P262050	C-M-POLY - 50V 0.1M-J	
C3E12	172P262050	C-M-POLY - 50V 0.1M-J	
C3E14	172P262050	C-M-POLY - 50V 0.1M-J	
C4A04	172P262050	C-M-POLY - 50V 0.1M-J	
C4A05	172P262050	C-M-POLY - 50V 0.1M-J	
C4A10	181P352030	C-ELEC - 16V 47M-M	
C4A14	181P352030	C-ELEC - 16V 47M-M	
C4A34	181P352030	C-ELEC - 16V 47M-M	
C4A35	172P262090	C-M-POLY - 50V 0.22M-J	
C4B01	172P262000	C-M-POLY - 50V 0.039M-J	
C4B02	181P358000	C-ELEC - 35V 1000M-M	
C4B13	172P262020	C-M-POLY - 50V 0.056M-J	
<b>C5A03</b>	<b>142P020050</b>	<b>C-CER - B50V 470P-K</b>	
C5A13	181P352040	C-ELEC - 16V 100M-M	
C5A21	172P262050	C-M-POLY - 50V 0.1M-J	
C5A31	172P580050	C-M-PLA-PP - 1800V 1500P-J	
C5A32	172P581030	C-M-PLA-PP - 1800V 3300P-J	
C5A33	172P581030	C-M-PLA-PP - 1800V 3300P-J	
C5A34	154P262000	C-CER - R2KV 220P-K	
C5A35	142P011070	C-CER - B500V 2200P-K	
C5A39	142P011000	C-CER - B500V 560P-K	
C5A40	142P011000	C-CER - B500V 560P-K	
C5A42	181P352030	C-ELEC - 16V 47M-M	
<b>C5A51</b>	<b>154P260010</b>	<b>C-CER - R1KV 220P-K</b>	
<b>C5A52</b>	<b>172P460010</b>	<b>C-M-PLA-PP - 2000V 1000P-J</b>	
<b>C5A53</b>	<b>172P460030</b>	<b>C-M-PLA-PP - 2000V 1200P-J</b>	
C5A54	185D120010	C-ELEC - H160V 330M-M 105C	
C5A55	172P088060	C-PLAST-PP - 630V 6800P-J	
<b>C5A60</b>	<b>172P262050</b>	<b>C-M-POLY - 50V 0.1M-J</b>	

Ref #	Part #	Part Name & Description	[#]
<b>C5A64</b>	<b>181P352010</b>	<b>C-ELEC - 16V 22M-M</b>	
<b>C5A70</b>	<b>172P384030</b>	<b>C-M-POLY - 100V 3.3M-K</b>	
<b>C5A71</b>	<b>172P262060</b>	<b>C-M-POLY - 50V 0.12M-J</b>	
C5H16	172P186030	C-PLAST-PP - 200V 0.01M-K	
C5H20	181P352040	C-ELEC - 16V 100M-M	
C5H22	155P112090	C-CER - 500V 56P-J	
C5H24	181P192060	C-ELEC - 200V 22M-M	
C5K03	181P352040	C-ELEC - 16V 100M-M	
C5K12	181P352040	C-ELEC - 16V 100M-M	
C5K14	181P352030	C-ELEC - 16V 47M-M	
C6B02	181P195040	C-ELEC - 350V 4.7M-M/Q	
C6B04	181P352030	C-ELEC - 16V 47M-M	
C6B23	181P352030	C-ELEC - 16V 47M-M	
C6G02	181P195040	C-ELEC - 350V 4.7M-M/Q	
C6G04	181P352030	C-ELEC - 16V 47M-M	
C6G23	181P352030	C-ELEC - 16V 47M-M	
C6M03	181P352030	C-ELEC - 16V 47M-M	
C6M24	181P352030	C-ELEC - 16V 47M-M	
C6M48	181P352040	C-ELEC - 16V 100M-M	
C6P03	181P352030	C-ELEC - 16V 47M-M	
C6P24	181P352030	C-ELEC - 16V 47M-M	
C6R02	181P195040	C-ELEC - 350V 4.7M-M/Q	
C6R04	181P352030	C-ELEC - 16V 47M-M	
C6R23	181P352030	C-ELEC - 16V 47M-M	
C7A90	181P352050	C-ELEC - 16V 220M-M	
C7B41	181P352030	C-ELEC - 16V 47M-M	
C7B77	181P352030	C-ELEC - 16V 47M-M	
C7C02	181P352030	C-ELEC - 16V 47M-M	
C7C12	181P352030	C-ELEC - 16V 47M-M	
C7C14	181P352030	C-ELEC - 16V 47M-M	
C7C15	181P352030	C-ELEC - 16V 47M-M	
C7C16	181P352030	C-ELEC - 16V 47M-M	
C7C18	181P352030	C-ELEC - 16V 47M-M	
C7C26	181P352030	C-ELEC - 16V 47M-M	
C7C30	181P350010	C-ELEC - 16V 4700M-M	
C7C40	181P352030	C-ELEC - 16V 47M-M	
C7K01	181P352030	C-ELEC - 16V 47M-M	
C7K11	172P262050	C-M-POLY - 50V 0.1M-J	
C7K23	181P352030	C-ELEC - 16V 47M-M	
C7K25	172P262050	C-M-POLY - 50V 0.1M-J	
C7K26	172P262050	C-M-POLY - 50V 0.1M-J	
C8A06	181P352030	C-ELEC - 16V 47M-M	
C8A39	181P352030	C-ELEC - 16V 47M-M	
C8A43	172P262050	C-M-POLY - 50V 0.1M-J	
C8A46	181P352030	C-ELEC - 16V 47M-M	
C8A48	181P352030	C-ELEC - 16V 47M-M	
C8C03	181P358000	C-ELEC - 35V 1000M-M	
C8C05	181P358000	C-ELEC - 35V 1000M-M	
C8C18	181P358000	C-ELEC - 35V 1000M-M	
C8C20	181P358000	C-ELEC - 35V 1000M-M	
C8C43	142P020080	C-CER - B50V 820P-K	
C8C44	142P020080	C-CER - B50V 820P-K	
C8C45	142P020080	C-CER - B50V 820P-K	
C8C46	142P020080	C-CER - B50V 820P-K	
C8C47	142P020080	C-CER - B50V 820P-K	
C8C48	142P020080	C-CER - B50V 820P-K	
C8D25	181P352030	C-ELEC - 16V 47M-M	
C8D32	181P352030	C-ELEC - 16V 47M-M	
C8D34	181P352030	C-ELEC - 16V 47M-M	
<b>C9A05</b>	<b>189P185070</b>	<b>C-CER - 250VAC 1000P-M</b>	

[#] Model Legend: (1) WS-55908, (2) WS-65908

Ref #	Part #	Part Name & Description	[#]
C9A06	189P185070	C-CER - 250VAC 1000P-M	
C9A07	189P153040	C-M-POLY - 250VAC 0.1M-M	
C9A08	189P185090	C-CER - 250VAC 2200P-M	
C9A09	189P185090	C-CER - 250VAC 2200P-M	
C9A10	189P185090	C-CER - 250VAC 2200P-M	
C9A11	189P185090	C-CER - 250VAC 2200P-M	
C9A12	185D122050	C-ELEC - H200V 1000M-M 105C	
C9A13	189P152070	C-M-POLY - 250VAC 0.01M-M	
C9A14	189P152070	C-M-POLY - 250VAC 0.01M-M	
C9A20	189P152070	C-M-POLY - 250VAC 0.01M-M	
C9A24	142P020050	C-CER - B50V 470P-K	
C9A33	181P352070	C-ELEC - 16V 470M-M	
C9A35	181P352040	C-ELEC - 16V 100M-M	
C9A40	181P352080	C-ELEC - 16V 1000M-M	
C9A42	181P352040	C-ELEC - 16V 100M-M	
C9A50	142P020050	C-CER - B50V 470P-K	
C9A53	185D122050	C-ELEC - H200V 1000M-M 105C	
C9A54	154P260080	C-CER - R1KV 3300P-K	
C9A55	142P020070	C-CER - B50V 680P-K	
C9A58	185D163020	C-ELEC - H50V 4700M-M 105C	
C9A62	181P195080	C-ELEC - 350V 47M-M/Q	
C9A63	185D121020	C-ELEC - H180V 470M-M 105C	
C9A69	181P358030	C-ELEC - 35V 4700M-M	
C9A73	181P358030	C-ELEC - 35V 4700M-M	
C9C01	181P352030	C-ELEC - 16V 47M-M	
C9C02	181P352030	C-ELEC - 16V 47M-M	
C9C04	181P352030	C-ELEC - 16V 47M-M	
C9C05	181P352030	C-ELEC - 16V 47M-M	
C9C10	181P352030	C-ELEC - 16V 47M-M	
C9C20	181P352030	C-ELEC - 16V 47M-M	
C9D00	189P153040	C-M-POLY - 250VAC 0.1M-M	
C9D01	189P153040	C-M-POLY - 250VAC 0.1M-M	
CF6M01	299P128010	CERAMIC-OSC - CSB500F2	
CF6P01	299P128010	CERAMIC-OSC - CSB500F2	
<b>SWITCHES</b>			
S7K01	432P089010	SW-KEY-BOARD - PUSH-ON	
S7L01	432P089010	SW-KEY-BOARD - PUSH-ON	
S7L02	432P089010	SW-KEY-BOARD - PUSH-ON	
S7L03	432P089010	SW-KEY-BOARD - PUSH-ON	
S7L04	432P089010	SW-KEY-BOARD - PUSH-ON	
S7L05	432P089010	SW-KEY-BOARD - PUSH-ON	
S7L06	432P089010	SW-KEY-BOARD - PUSH-ON	
S7L07	432P089010	SW-KEY-BOARD - PUSH-ON	
S7L08	432P089010	SW-KEY-BOARD - PUSH-ON	
S7L09	432P089010	SW-KEY-BOARD - PUSH-ON	
S7L10	432P089010	SW-KEY-BOARD - PUSH-ON	
S7L11	432P089010	SW-KEY-BOARD - PUSH-ON	
S7L12	432P089010	SW-KEY-BOARD - PUSH-ON	
S7L13	432P089010	SW-KEY-BOARD - PUSH-ON	
S7L21	432P089010	SW-KEY-BOARD - PUSH-ON	
S7L22	432P089010	SW-KEY-BOARD - PUSH-ON	
S7L23	432P089010	SW-KEY-BOARD - PUSH-ON	
S7L24	432P089010	SW-KEY-BOARD - PUSH-ON	
S7L25	432P089010	SW-KEY-BOARD - PUSH-ON	
S7L26	432P089010	SW-KEY-BOARD - PUSH-ON	
S7L27	432P089010	SW-KEY-BOARD - PUSH-ON	
S7L28	432P089010	SW-KEY-BOARD - PUSH-ON	
S7L29	432P089010	SW-KEY-BOARD - PUSH-ON	

Ref #	Part #	Part Name & Description	[#]
<b>MISCELLANEOUS</b>			
	189P078010	C-M-PLA-PP - 200V 10M-K TWEETER CAP	
	246C351030	AC-POWER-CORD	
	305P702010	2RF-SW - BT9-0004-1	
	330P276010	DEFL-YOKE	
	338P046030	SVM COIL - G&B	
	338P051010	SVM COIL - GREEN	
	338P051020	SVM COIL - RED	
	411D033010	CORE-FERRITE	
	411D044010	CORE-FERRITE	
	449C141030	SOCKET-CRT	
	453B035010	CAP-ANODE - SHORT - RED	
	453B035020	CAP-ANODE - LONG - G&B	
	453C021030	LEAD-ANODE - FBT-HV	
	480P057010	SPEAKER - LARGE	
	480P058010	SPEAKER - SMALL	
	490P212010	LEN-BARREL-RED	
	490P212020	LEN-BARREL-GREEN	
	490P174090	LENS - BLUE	
	589C062010	CASTER	
	597D843010	STIFFENER-MIRROR - 3/4"X3/4" TUBING	2
	622C076010	BRACKET-SVM	
	622D748030	CUSHION	
	642C340010	BOARD-MIRROR	2
	642C352010	CLIP-MIRROR	1
	669D514070	SCREW-MIRROR BOARD	2
	762B354010	BACK BOARD	2
	762B354020	BACK BOARD	1
	767D048090	MIRROR - 65"	2
	767D055040	MIRROR - 55"	1
	920P016010	HV-BLOCK - MSC102	
AG5K00	224D019040	AIR-GAP - 2.0+-0.5KV S.LEAD	
F5A00	283P043060	FUSE - LF251 3A	
F5A01	283P043060	FUSE - LF251 3A	
F9A01	283P044010	FUSE - LF251 7A	
F9A02	283P044020	FUSE - LF251 10A	
F9A03	283P043090	FUSE - LF251 5A	
F9A04	283P043090	FUSE - LF251 5A	
F9A05	283P043090	FUSE - LF251 5A	
F9A06	283P044010	FUSE - LF251 7A	
F9D00	283D131040	FUSE - S10A 125A	
K9A50	287P049080	RELAY-POWER - DG12D1-Q(M)	
PC9A20	268P058020	PHOTO-COUPLER - ON3131-R/ON3161-R	
PC9A50	268P058020	PHOTO-COUPLER - ON3131-R/ON3161-R	
PC9A51	268P058020	PHOTO-COUPLER - ON3131-R/ON3161-R	
PJ2J01	440C386030	PIN-JACK-BOARD-6P-2S	
PJ2J02	440C386040	PIN-JACK-BOARD-6P-1S	
PJ2J03	440C387020	I-S-CONNECTOR	
PJ2J04	440C383020	PIN-JACK-BOARD-2P	
PJ2J06	440C383040	PIN-JACK-BOARD-2P	
PJ2J07	440C385030	PIN-JACK-BOARD-6P	
PJ2J08	440C383040	PIN-JACK-BOARD-2P	
PJ2J09	440C383020	PIN-JACK-BOARD-2P	
PJ2J10	440C385040	PIN-JACK-BOARD-6P	
PJ2J11	440C231010	JACK-3PIN - FRONT A/V INPUT	
PJ2J11	440C383020	PIN-JACK-BOARD-2P	
PJ2J11	440C384010	PIN-JACK-BOARD-3P-1S	
PJ2J12	440C383020	PIN-JACK-BOARD-2P	
PJ7A00	451C129010	JACK-MINI - AV NET/IR BLAST	



[#] Model Legend: (1) WS-55908, (2) WS-65908

Ref #	Part #	Part Name & Description	[#]
PJ7A01	451C129010	JACK-MINI - AV NET/IR BLAST	
PJ7A02	451C129010	JACK-MINI - AV NET/IR BLAST	
PT7A10	264P723010	D-LED - SFH310-3	
<b>TU1A01</b>	<b>295P500010</b>	<b>TUNER-RF - ENG26515G</b>	
<b>TU1B01</b>	<b>295P500010</b>	<b>TUNER-RF - ENG26515G</b>	
X2031	285P374050	QUARTS-CRYST - 20.000MHZ	
X3A01	299P208010	CERAMIC-OSC - C5B503F58	
X6C26	285P374020	QUARTZ-CRYST - 3.579545MHZ	
X6P26	285P374020	QUARTZ-CRYST - 3.579545MHZ	
X7A01	285P029030	QUARTZ-CRYST - 4.000000MHZ	
X7H00	285P335040	QUARTZ-CRYST - 60.000MHZ	
X7H01	285P335050	QUARTZ-CRYST - 80.000MHZ	
X8N01	285P391010	OSC - DSO751SV 24.576 MHZ	
X8S01	285P391020	OSC - DSO751SV 33.333 MHZ	
Z7K01	939P617010	UNIT-PREAMP - GP1U283Q	
<b>PRINTED CIRCUIT BOARD</b>			
930B866008		ASSY-PWB-MAIN	
930B867001		ASSY-PWB-POWER	
930B868003		ASSY-PWB-SIGNAL	
935C907001		ASSY-PWB-CRT	
935C908001		ASSY-PWB-2HDW	
935C915003		ASSY-PWB-TERMINAL	
935C916001		ASSY-PWB-BITMAP	
935D519003		ASSY-PWB-PREAMP	
935D520003		ASSY-PWB-SVM	
935D521004		ASSY-PWB-DBF	
935D522001		ASSY-PWB-JUNGLE	
935D523001		ASSY-PWB-CONV-GENE	
935D525003		ASSY-PWB-FRONT	
935D525004		ASSY-PWB-FRONT	
935D526002		ASSY-PWB-CONTROL	
935D527002		ASSY-PWB-DISPLAY	
935D528002		ASSY-PWB-AI	
935D531001		ASSY-PWB-3DYC/MD	
935D536002		ASSY-PREAMP2	

Ref #	Part #	Part Name & Description	[#]
<b>COSMETIC PARTS</b>			
242D483020		IR-MOUSE	
641C474030		DAMPER-CONTROL-PANEL	
702A383010		COVER-CONTROL	
702A384010		DOOR-CONTROL	
702A392010		PANEL-TERMINAL	
704B147010		KNOB-POWER	
752A001010		UNIT-FRONT-TOP	1
752A003010		UNIT-FRONT-TOP	2
752C244010		UNIT-FLIP-PANEL-CONT	
760B259010		OVERLAY - PANEL-CONTROL	
761A174010		GRILLE-SP-LEFT - 55"	1
761A174020		GRILLE-SP-RIGHT - 55"	1
761A175010		GRILLE-SP-LEFT - 65"	2
761A175020		GRILLE-SP-RIGHT - 65"	2
761C437010		CATCH-DOOR	
762B358010		UNIT-FRONT	1
762B358020		UNIT-FRONT	2
803B878010		CUSHION	
871D314010		SHEET-CABLE	
622C061010		CLIP-CABINET - RIGHT COVER	2
622C061020		CLIP-CABINET - LEFT COVER	2
<b>ACCESSORIES</b>			
290P103020		REMOTE CONTROL	
853B291010		REGISTRATION-CARD	
871B195010		IB - OWNERS GUIDE	2
871D297030		IB - OWNERS GUIDE	

[#] Model Legend: (1) WS-55908, (2) WS-65908

Ref #	Part #	Part Name & Description
<b>SCREEN ASSEMBLY PARTS</b>		
<b>WS-55908</b>		
(1)	491P103010	SCREEN-LENTICULAR
(2)	491P104010	LENS-FRESNEL
(3)	622D746080	CLIP-SCREEN-SIDES
(4)	711C029040	FRAME-SCREEN-TOP - 55"
(5)	711C029050	FRAME-SCREEN-SIDES - 55"
(6)	711C029060	FRAME-SCREEN-BOTTOM - 55"
(7)	760D635010	DIAMOND SHIELD
(8)	768C065010	CAP-CORNER

Ref #	Part #	Part Name & Description
<b>WS-65908</b>		
(1)	491P105010	SCREEN-LENTICULAR
(2)	491P106010	LENS-FRESNEL
(3)	622D746020	CLIP-SCREEN-SIDES
(4)	711C026040	FRAME-SCREEN-TOP - 65"
(5)	711C026050	FRAME-SCREEN-SIDES - 65"
(6)	711C026060	FRAME-SCREEN-BOTTOM - 65"
(7)	760D635020	DIAMOND SHIELD
(8)	768C065010	CAP-CORNER

